



Product End-of-Life Disassembly Instructions

Product Category: Networking Equipment

Marketing Name / Model
[List multiple models if applicable.]

- HP 5900AF-48XG-4QSFP+ Switch Chassis (JC772A)
- HP 5900AF-48XG-4QSFP+ TAA Switch Chassis (JG554A)
- HP FF 5900CP-48XG-4QSFP+ Switch Chassis (JG838A)
- HP 5900CP-48XG-4QSFP+ 8Gb FC B-F Switch Chassis (E7W29A)
- HP 5900CP-48XG-4QSFP+ TAA Swch (JH036A)

Purpose: The document is intended for use by end-of-life recyclers or treatment facilities. It provides the basic instructions for the disassembly of HP products to remove components and materials requiring selective treatment, as defined by EU directive 2002/96/EC, Waste Electrical and Electronic Equipment (WEEE).

1.0 Items Requiring Selective Treatment

1.1 Items listed below are classified as requiring selective treatment.

1.2 Enter the quantity of items contained within the product which require selective treatment in the right column, as applicable.

Item Description	Notes	Quantity of items included in product
Printed Circuit Boards (PCB) or Printed Circuit Assemblies (PCA)	With a surface greater than 10 sq cm	4
Batteries	All types including standard alkaline and lithium coin or button style batteries	0
Mercury-containing components	For example, mercury in lamps, display backlights, scanner lamps, switches, batteries	0
Liquid Crystal Displays (LCD) with a surface greater than 100 sq cm	Includes background illuminated displays with gas discharge lamps	0
Cathode Ray Tubes (CRT)		0
Capacitors / condensers (Containing PCB/PCT)		0
Electrolytic Capacitors / Condensers measuring greater than 2.5 cm in diameter or height		0
External electrical cables and cords		0
Gas Discharge Lamps		0
Plastics containing Brominated Flame Retardants weighing > 25 grams (not including PCBs or PCAs already listed as a separate item above)		0
Components and parts containing toner and ink, including liquids, semi-liquids (gel/paste) and toner	Include the cartridges, print heads, tubes, vent chambers, and service stations.	0
Components and waste containing asbestos		0
Components, parts and materials containing refractory ceramic fibers		0
Components, parts and materials containing radioactive substances		0

2.0 Tools Required

List the type and size of the tools that would typically be used to disassemble the product to a point where components and materials requiring selective treatment can be removed.

Tool Description	Tool Size (if applicable)
Screw driver	2#

3.0 Product Disassembly Process

3.1 List the basic steps that should typically be followed to remove components and materials requiring selective treatment:

1. Unscrew the screws on mounting angle 1, and then remove mounting angle 1.
2. Unscrew the screws on mounting angle 2, and then remove mounting angle 2.
3. Unscrew the screws on fan-assembly 3, and then remove fan-assembly 3.
4. Remove the power 4.
5. Remove the filler panel 5.
6. Unscrew the screws on top cover 6, and remove top cover 6.
7. Unscrew the screws on front panel 7, and then remove front panel 7.
8. Unscrew the screws on PCB 9, and remove PCB 9.
9. Unscrew the screws on PCB 10, and remove PCB 10.
10. Unscrew the screws on shielding plate 11, and remove shielding plate 11.
11. Unscrew the screws on wind cover 12, and then remove wind cover 12.
12. Unscrew the screws on PCB 13, and remove PCB 13.
13. Remove all of the labels.
14. Unscrew the screws on 3-2, and then remove 3-2.
15. Unscrew the screws on 3-3, and then remove 3-3.
16. Unscrew the screws on fan 3-4, and then remove fan 3-4.
17. Unscrew the screws on pcb 3-5, and then remove 3-5.
18. Unscrew the screws on pulled handle 3-6, and then remove pulled handle 3-6.
19. Remove shielding finger 3-7.
20. Remove all of the labels.
21. Unscrew the screws on pulled handle 5-1, and then remove pulled handle 5-1.
22. Remove shielding finger 5-3.

3.2 Optional Graphic. If the disassembly process is complex, insert a graphic illustration below to identify the items contained in the product that require selective treatment (with descriptions and arrows identifying locations).

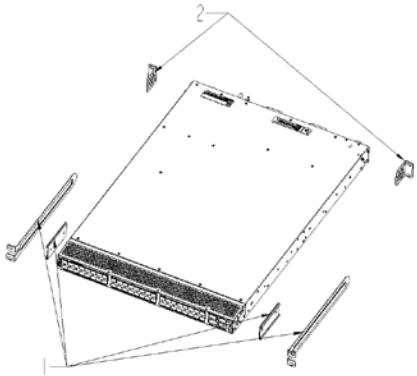


Figure 1 Remove mounting angle

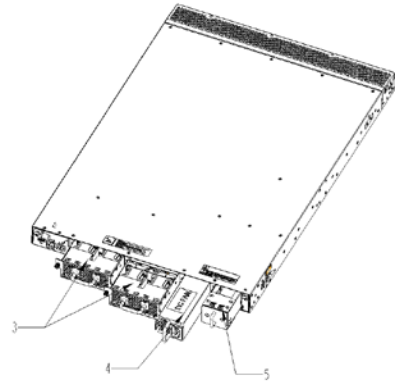


Figure 2 Rear of product

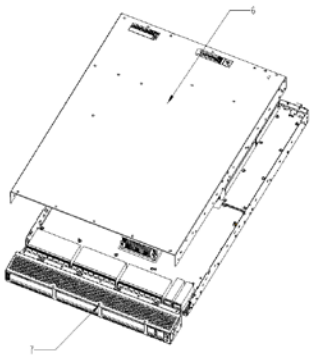


Figure 3 Treatments to the product

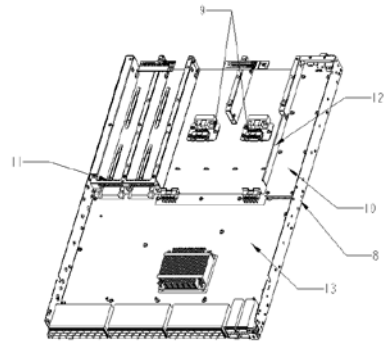


Figure 4 Treatments to the product

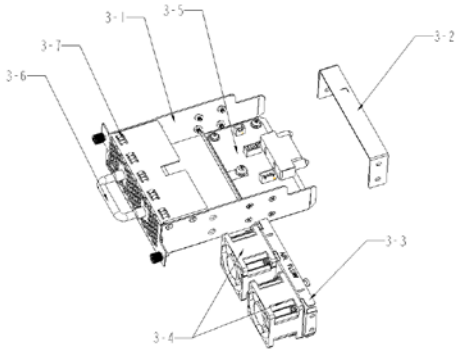


Figure 5 Treatments to fan-assembly

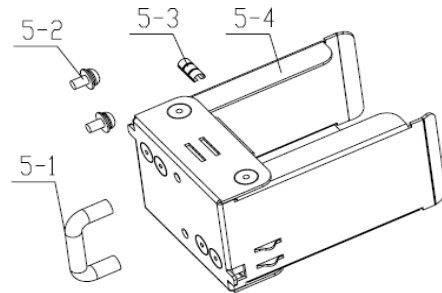


Figure 6 Treatments to filler panel

3.3 Material of the facility built

Facility	Components	Material	Weight(g)	Weight percentage	Selective treatment for materials and components	Details
1		Fe	(135+46)*2	3.25%		Fe recycling
2		Fe	38*2	0.68%		Fe recycling
3						
	3-1	Fe	170	1.53%		Fe recycling
	3-2	Fe	21	0.19%		Fe recycling
	3-3	Fe	23	0.21%		Fe recycling
	3-4	PC	40*2	0.72%	Containing brominated flame retardants	
	3-5	Complex PWB	30	0.27%	The surface of PCB is greater than 10 square centimeters;	
	3-6	Fe	24	0.22%		Fe recycling
	3-7	Be-Cu	4.3*8	0.31%		Cu recycling
4		Fe	1050	9.44%		Fe recycling
5		Fe	144	1.29%		Fe recycling
6		Fe	2720	24.45%		Fe recycling
7		Fe	320	2.88%		Fe recycling
8		Fe	3920	35.24%		Fe recycling
9		Complex PWB	48	0.43%	The surface of PCB is greater than 10 square centimeters;	
10		Complex PWB	103	0.93%	The surface of PCB is greater than 10 square centimeters;	
11		Fe	19	0.17%		Fe recycling
12		Fe	57	0.51%		Fe recycling
13		Complex PWB	2360	21.22%	The surface of PCB is greater than 10 square centimeters;	

4. Revised record

Date	Version	Author	Modify content
2013.11.08	V1	LuanZhiming	Add the module JG838A、E7W29A
2014.06.13	V2	LiuBinghui	Add the module JH036A