
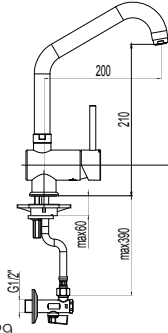
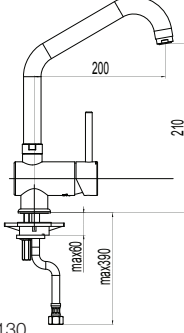
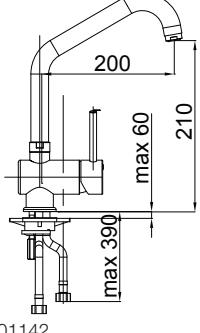

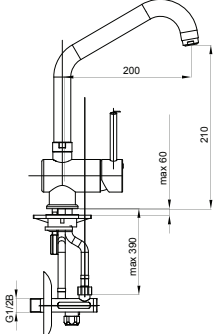
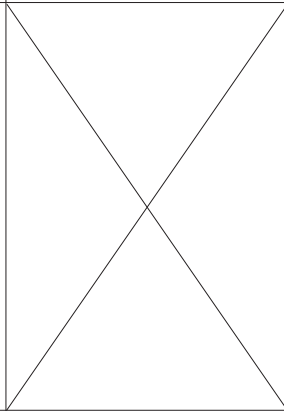
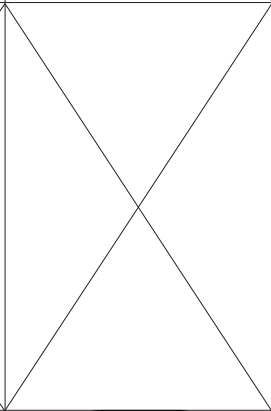

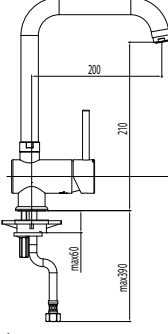
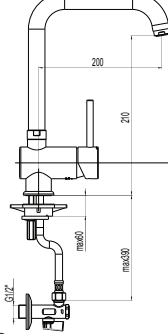
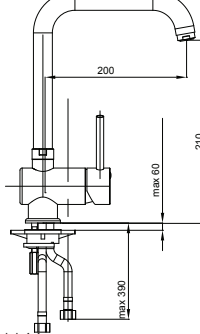

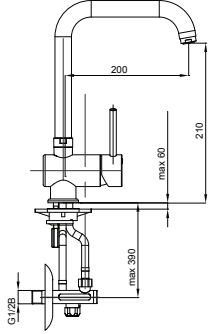
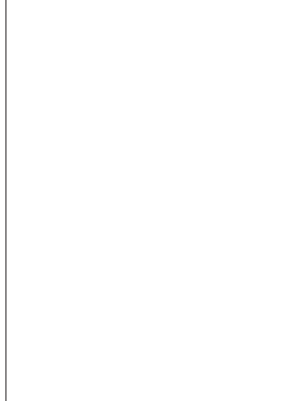
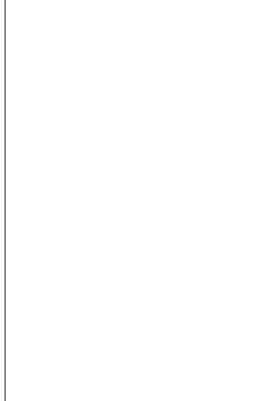

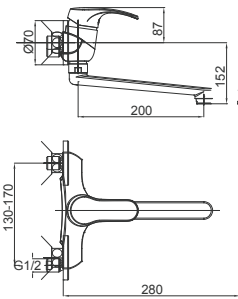
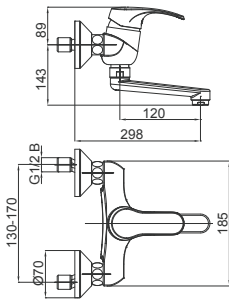

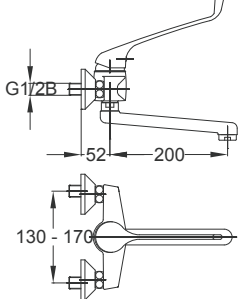

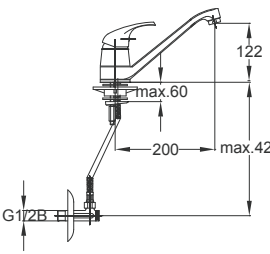
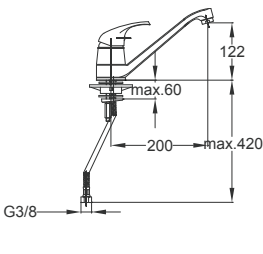
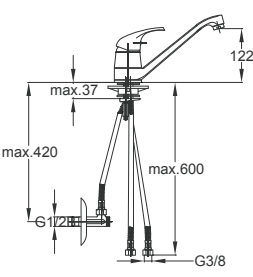
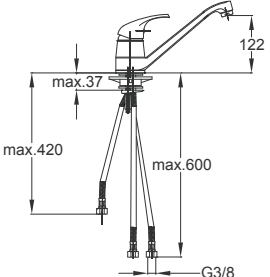


Single-Handled Kitchen Armatures


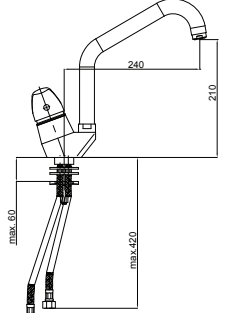
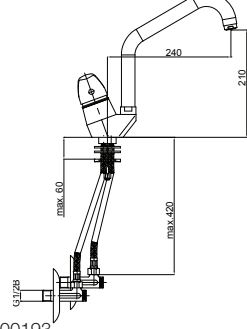
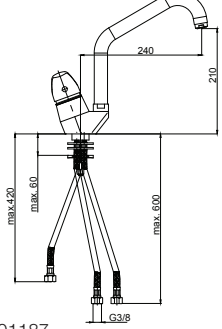

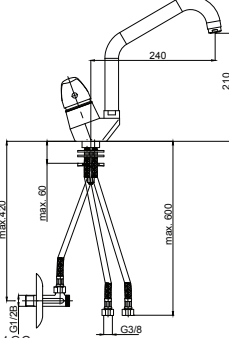

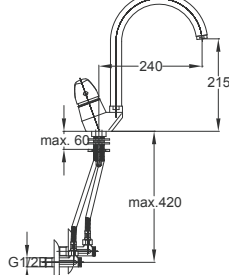
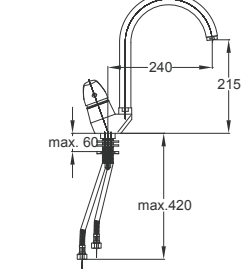
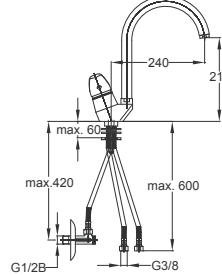

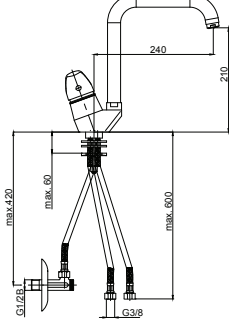
	<p>01131 chromium; angle-body valve, low-pressure water heater, hot water on right-hand side</p>	<p>01132 chromium; Low-pressure water heater, hot water on right-hand side</p>	<p>00151 chromium; angle-body valve side</p>
	<p>00251 chromium; 200 mm outflow</p>	<p>00252 chromium; 120 mm outflow</p>	
	<p>00133 chromium</p>	<p>00134 chromium; angle-body valves</p>	<p>01137 chromium; angle-body valve, low-pressure water heater</p>
	<p>01140 chromium</p>		

	 <p>00129 chromium;</p>	 <p>00130 chromium angle-body valves</p>	 <p>01142 chromium; low-pressure water heater</p>
	 <p>01141 chromium; angle-body valves low-pressure water heater</p>		
	 <p>00131 chromium;</p>	 <p>00132 chromium; angle-body valves</p>	 <p>01144 chromium; low-pressure water heater</p>
	 <p>01143 chromium; angle-body valves low-pressure water heater</p>		

	<p>00135 chromium; angle-body valves</p>	<p>00136 chromium</p>	<p>01138 chromium; angle-body valves, low-pressure water heater</p>
	<p>00235 chromium</p>		
	<p>00137 chromium; angle-body valves</p>	<p>00138 chromium</p>	

	 <p>00291 chromium; 200 mm outflow</p>	 <p>00292 chromium; 120 mm outflow</p>	
	 <p>00237 chromium</p>		
	 <p>00181 chromium; angle-body valve</p>	 <p>00183 chromium</p>	 <p>01181 chromium; angle-body valve, low-pressure water heater, hot water on right-hand side</p>
	 <p>01183 chromium; low-pressure water heater, hot water on right-hand side</p>		

	<p>00281 chromium; 200 mm outflow</p>	<p>00282 chromium; 120 mm outflow</p>	
	<p>01281 chromium; low-pressure water heater, hot water on right-hand side</p>		
	<p>00182 chromium; angle-body valves</p>	<p>00186 chromium</p>	<p>01182 chromium; angle-body valves, low-pressure water heater</p>
	<p>01184 chromium; low-pressure water heater</p>		

	 <p>00190 chromium;</p>	 <p>00193 chromium; angle-body valves</p>	 <p>01187 chromium; low-pressure water heater</p>
	 <p>01186 chromium; angle-body valves, low-pressure water heater</p>		
	 <p>00189 chromium; angle-body valves</p>	 <p>00188chromium</p>	 <p>011829 chromium; low-pressure water heater</p>
	 <p>01188 chromium; angle-body valves, low-pressure water heater</p>		

	 <p>00169 chromium; angle-body valves</p>	 <p>00170 chromium</p>	 <p>01169 chromium; angle-body valves, low-pressure water heater</p>
	 <p>00171 chromium; angle-body valves</p>	 <p>00172 chromium</p>	 <p>01171 chromium; angle-body valves, low-pressure water heater</p>
	 <p>00173 chromium; angle-body valves</p>	 <p>00174 chromium</p>	 <p>01173 chromium; angle-body valves, low-pressure water heater</p>
	 <p>00175 chromium; angle-body valves</p>	 <p>00176 chromium</p>	 <p>01175 chromium; angle-body valves, low-pressure water heater</p>

Built-in Material

Housing:	brass acc. to EN 1982, nickel-/chromium-plated
Cartridge:	EU ceramic cartridge, KTW
Handle:	Zamak 0410, chromium-plated
Connecting pipe:	2 pcs. flexible connecting pipe, G3/8 " x 450mm or 600mm
Mounting hole:	35 mm diameter

Specification

Recommended pressure range:	3 to 5 bar
Maximum pressure:	up to 8 bar
Minimum pressure:	over 0.5 bar
Recommended temperature range:	5 °C – 65 °C
Maximum temperature:	80 °C

Mounting And Maintenance

Flush all water feeding tubes thoroughly before installation.

Connect the sanitary armature to the water supply outlets by means of flexible tubes. Unscrew the pearlator obligatorily and connect the sanitary armature in the fully open position. Open the water valves slowly and move the armature handle to all positions. A longer lasting flushing of the armature is warmly recommended after mounting so as to remove possible impurities. Any repairs shall be performed by adequately skilled personnel only.

With operating pressures over 5 bar, a pressure reducing valve shall always be attached to the water supply tube.