

SPLIT TYPE ROOM AIR CONDITIONER WALL MOUNTED type

SERVICE MANUAL



Models

Indoor unit	Outdoor unit
ASY18FBAJ	AOY18FNAK
ASY18FBBJ	AOY18FNBK
ASY18UBAJ	AOY18UNAKL
ASY18UBBJ	AOY18UNBKL
ASY24FBBJ	AOY24FNBK
ASY24UBBJ	AOY24UNBKL

(made in Thailand)

ASY18FBBN	AOY18FNBN
ASY18UBBN	AOY18UNBNL
ASY24FBBN	AOY24FNBN
ASY24UBBN	AOY24UNBNL

(made in China)

CONTENTS

SPECIFICATIONS	1
OUTLINE AND DIMENSIONS	3
REFRIGERANT SYSTEM DIAGRAM	4
CIRCUIT DIAGRAM	6
PCB CIRCUIT DIAGRAM.....	9
ERROR DISPLAY.....	11
DISASSEMBLY ILLUSTRATION (Indoor unit)	12
DISASSEMBLY ILLUSTRATION (Outdoor unit) ..	15
PARTS LIST (Indoor Unit).....	21
PARTS LIST (Outdoor Unit)	25

SPECIFICATIONS

TYPE	Cooling only		
INDOOR UNIT	ASY18FBAJ	ASY18FBBJ ASY18FBBN	ASY24FBBJ ASY24FBBN
OUTDOOR UNIT	AOY18FNAK	AOY18FNBK AOY18FNBN	AOY24FNBK AOY24FNBN
COOLING CAPACITY	5.40 kW	5.40 kW	6.80 kW

ELECTRICAL DATA

POWER SOURCE	230 V		
FREQUENCY	50 Hz		
RUNNING CURRENT	7.3 A	8.5 A	10.6 A
INPUT WATTS	1.66 kW	1.90 kW	2.40 kW
E.E.R.	3.25 kW/kW	2.84 kW/kW	2.83 kW/kW
MOISTURE REMOVAL	2.0 L/hr	2.0 L/hr	2.5 L/hr
AIR CIRCULATION HIGH	950 m ³ /hr	795 m ³ /hr	950 m ³ /hr

COMPRESSOR

TYPE	Hermetic type, Deposit electrode condenser, 2 poles. Single phase, Induction motor, Rotary			
DISCRIMINATION	5KS205DAB	5KS225DAC	5JS290DAA	
REFRIGERANT	R410A	1,450 g	900 g	1,550 g

FAN MOTOR

POWER SOURCE	230 V			
INDOOR UNIT	Discrimination	MFA-30HTT		
	High speed	1,190 r.p.m.	1,040 r.p.m.	1,190 r.p.m.
	Meddle speed	980 r.p.m.	890 r.p.m.	1,020 r.p.m.
	Low speed	760 r.p.m.	760 r.p.m.	880 r.p.m.
OUTDOOR UNIT	Discrimination	MFB-24JTT		
	High speed	780 r.p.m.		

DIMENSIONS

INDOOR UNIT	H x W x D	320 x 1,120 x 220 mm
OUTDOOR UNIT	H x W x D	650 x 830 x 320 mm

WEIGHT

INDOOR UNIT	Gross / Net	22 kg / 16 kg		
OUTDOOR UNIT	Gross / Net	55 kg / 51 kg	51 kg / 47 kg	62 kg / 58 kg

REFRIGERANT CHARGE (R410A)

FULL CHARGE AMOUNT	Pipe Length	7.5 m (25 ft)	1,450 g (51.1 oz)	900 g (31.8 oz)	1,550 g (54.7 oz)
		10 m (33 ft)	1,500 g (54.6 oz)	950 g (33.5 oz)	1,600 g (56.4 oz)
		15 m (49 ft)	1,600 g (56.4 oz)	1,050 g (37.0 oz)	1,700 g (60.0 oz)
		20 m (66 ft)	1,700 g (60.0 oz)	1,150 g (40.6 oz)	1,800 g (63.5 oz)
ADDITIONAL REFRIGERANT		20 g/m (0.215 oz/ft)			

TYPE	Cool and Heat		
INDOOR UNIT	ASY18UBAJ	ASY18UBBJ ASY18UBBN	ASY24UBBJ ASY24UBBN
OUTDOOR UNIT	AOY18UNAKL	AOY18UNBKL AOY18UNBNL	AOY24UNBKL AOY24UNBNL
COOLING CAPACITY	5.40 kW	5.40 kW	6.80 kW
HEATING CAPACITY	5.70 kW	5.70 kW	7.40 kW

ELECTRICAL DATA

POWER SOURCE	230 V		
FREQUENCY	50 Hz		
RUNNING CURRENT (Cool)	7.3 A	8.3 A	10.6 A
RUNNING CURRENT (Heat)	7.0 A	8.3 A	10.5 A
INPUT WATTS (Cool)	1.66 kW	1.85 kW	2.40 kW
INPUT WATTS (Heat)	1.58 kW	1.85 kW	2.40 kW
E.E.R. (Cool)	3.25 kW/kW	2.92 kW/kW	2.83 kW/kW
E.E.R. (Heat)	3.61 kW/kW	3.08 kW/kW	3.08 kW/kW
MOISTURE REMOVAL	2.0 L/hr	2.0 L/hr	2.5 L/hr
AIR CIRCULATION HIGH	950 m3/hr	800 m3/hr	970 m3/hr

COMPRESSOR

TYPE	Hermetic type, Deposit electrode condenser, 2 poles. Single phase, Induction motor, Rotary		
DISCRIMINATION	5KS205DAB	5KS225DAC	5JS290DAA
REFRIGERANT R410A	1,550 g	1,550 g	1,700 g

FAN MOTOR

POWER SOURCE	230 V			
INDOOR UNIT	Discrimination	MFA-30HTT		
	High speed	1,190 r.p.m.	1,040 r.p.m.	1,190 r.p.m.
	Meddle speed	980 r.p.m.	890 r.p.m.	1,020 r.p.m.
	Low speed	760 r.p.m.	760 r.p.m.	880 r.p.m.
OUTDOOR UNIT	Discrimination	MFB-24JTBT		
	High speed	780 r.p.m.		
	Low speed	400 r.p.m.		

DIMENSIONS

INDOOR UNIT	H x W x D	320 x 1,120 x 220 mm
OUTDOOR UNIT	H x W x D	650 x 830 x 320 mm

WEIGHT

INDOOR UNIT	Gross / Net	22 kg / 16 kg	
OUTDOOR UNIT	Gross / Net	56 kg / 52 kg	63 kg / 59 kg

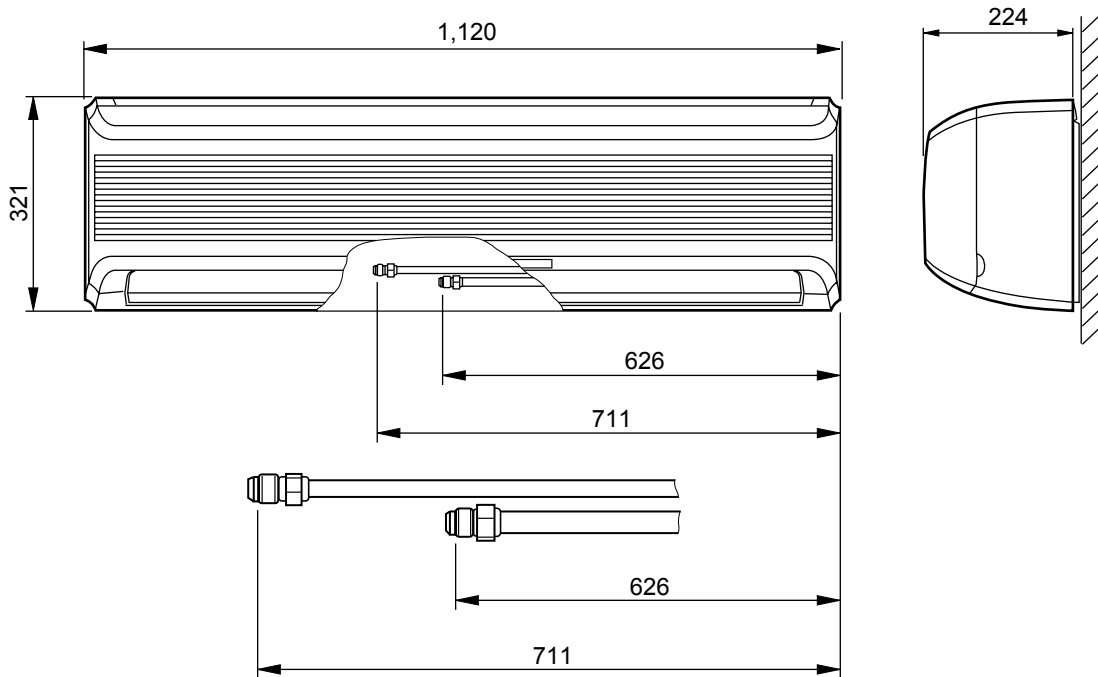
REFRIGERANT CHARGE (R410A)

FULL CHARGE	Pipe Length	7.5 m (25 ft)	1,550 g (54.7 oz)	1,700 g (60.0 oz)
		10 m (33 ft)	1,600 g (54.6 oz)	1,800 g (63.5 oz)
		15 m (49 ft)	1,700 g (60.0 oz)	2,000 g (70.6 oz)
		20 m (66 ft)	1,800 g (63.5 oz)	2,200 g (77.6 oz)
ADDITIONAL CHARGE			20 g/m (0.215 oz/ft)	40 g/m

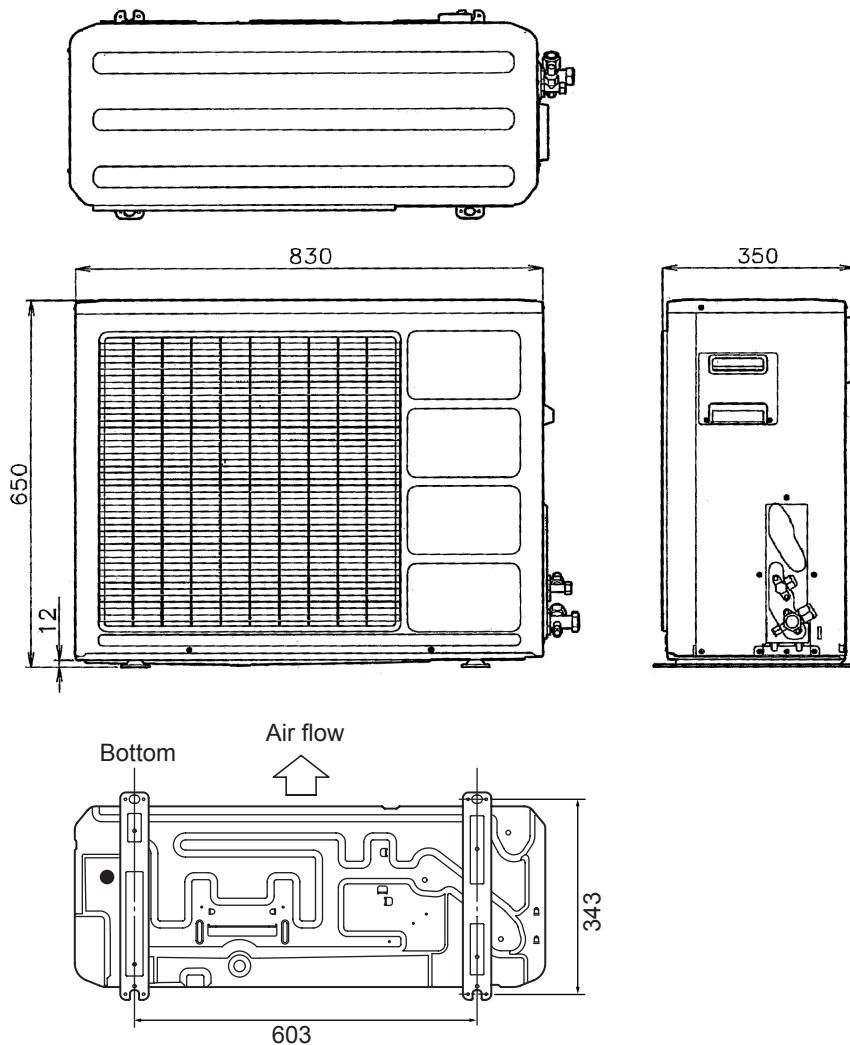
OUTLINE AND DIMENSIONS

Unit : mm

INDOOR UNIT

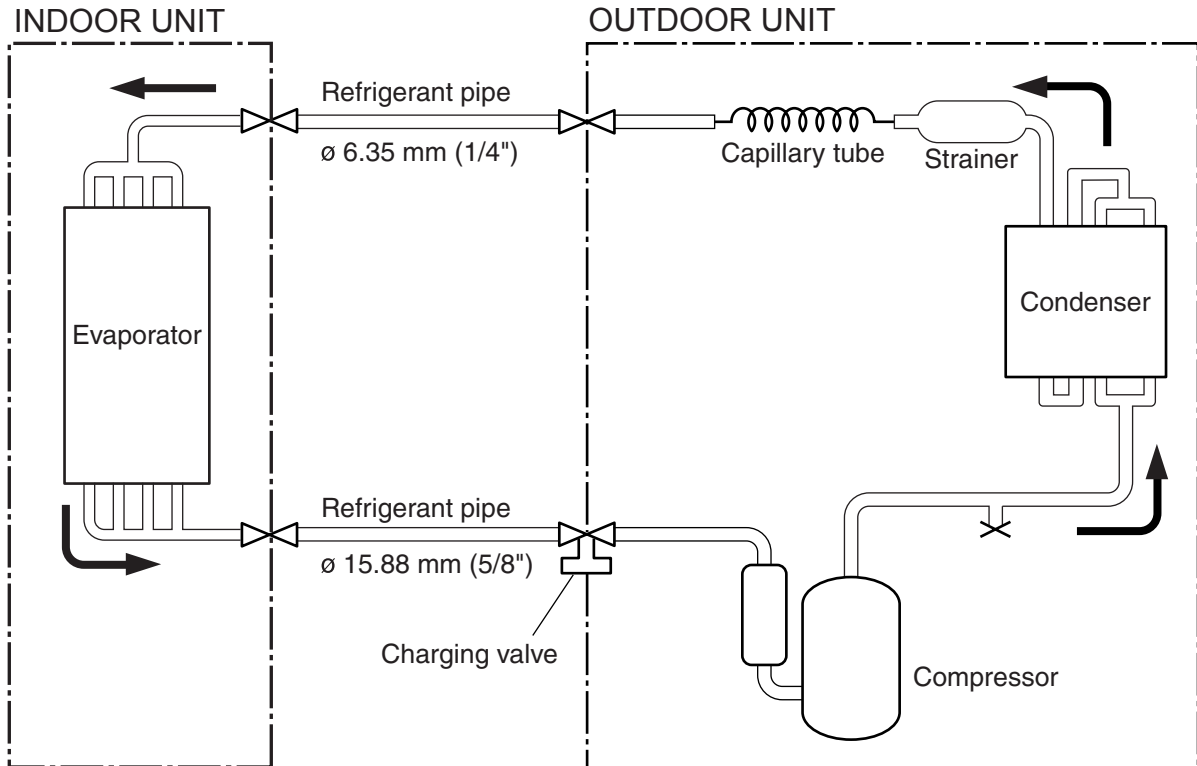


OUTDOOR UNIT

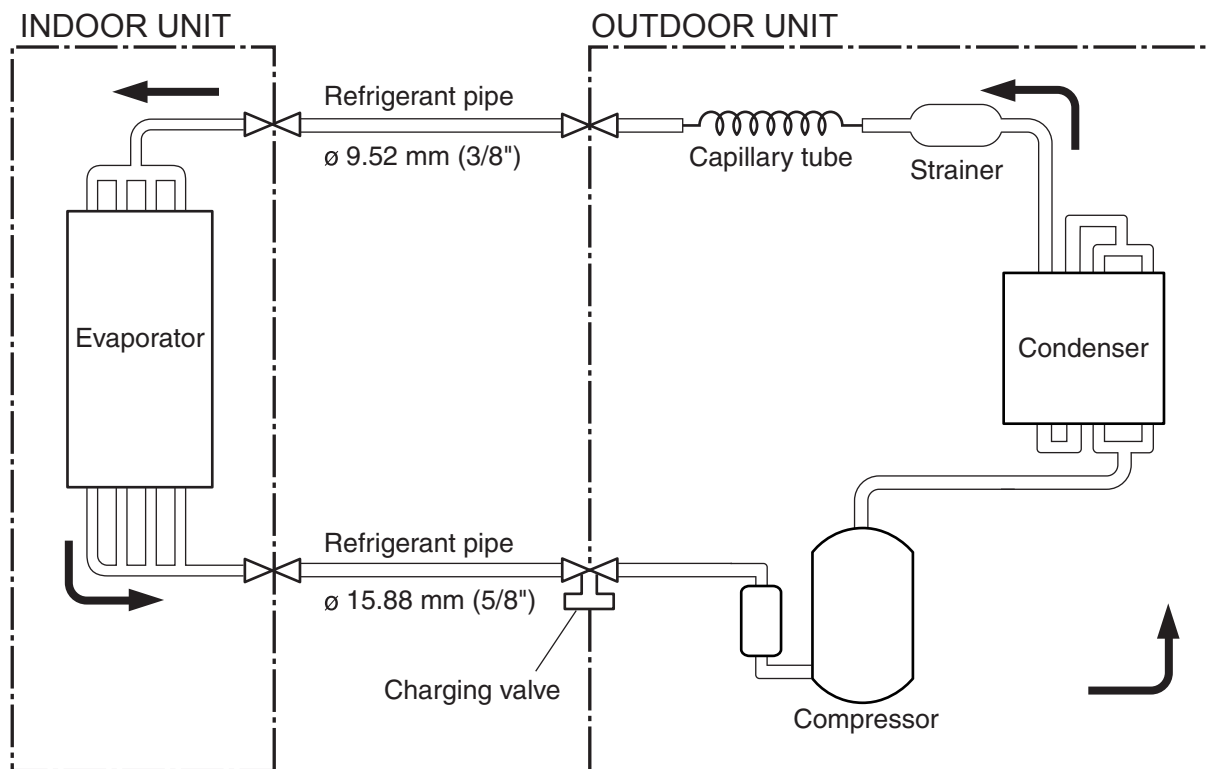


REFRIGERANT SYSTEM DIAGRAM

Models : ASY18FBAJ / AOY18FNAK
 ASY18FBBJ / AOY18FNBK
 ASY18FBBN / AOY18FNBN

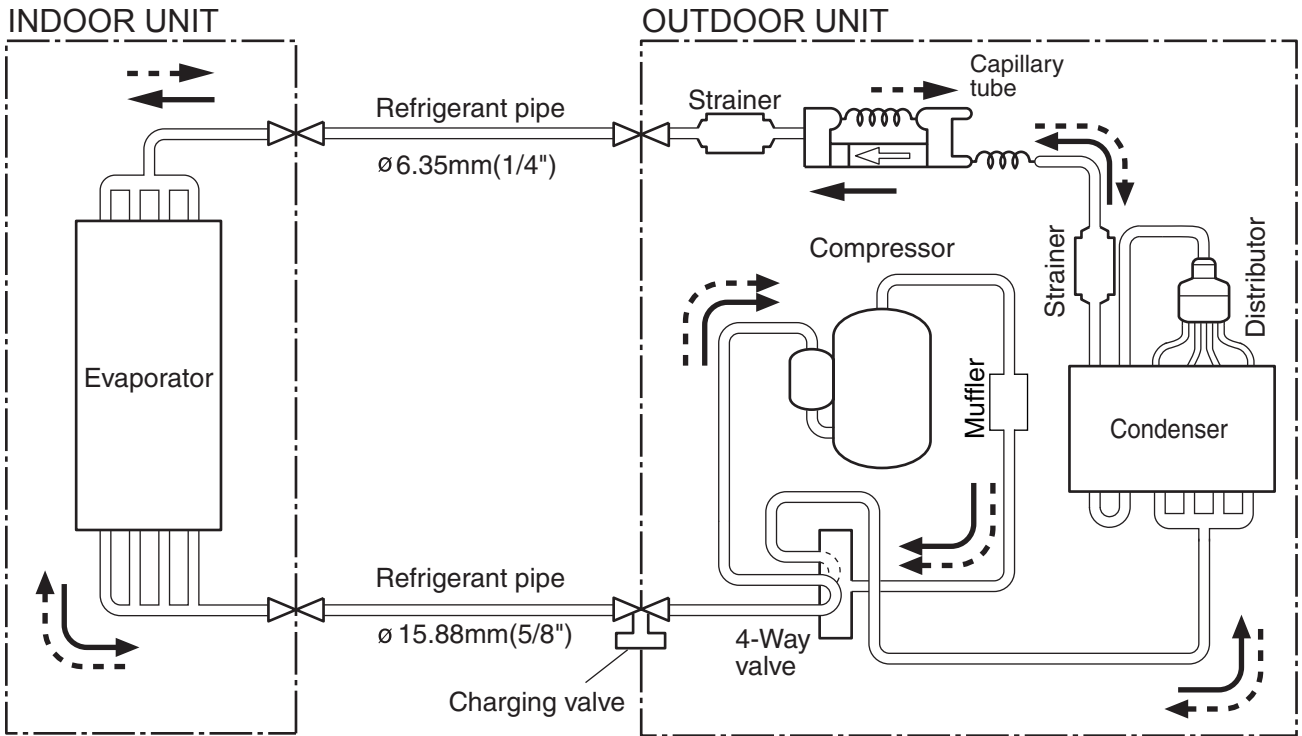


Models : ASY24FBBJ / AOY24FNBK
 ASY24FBBN / AOY24FNBN

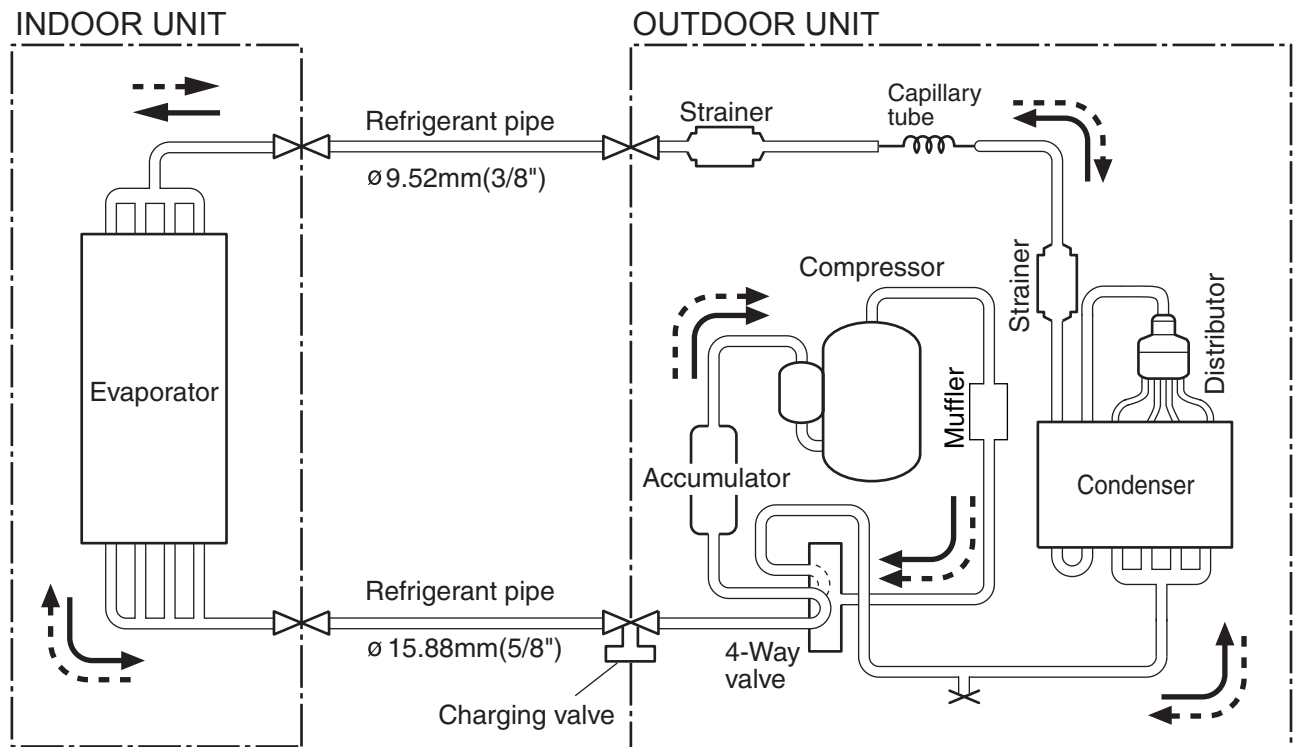


→ Cooling
 ⊗ : Flare coupling

Models : ASY18UBAJ / AOY18UNAKL
 ASY18UBBJ / AOY18UNBKL
 ASY18UBBN / AOY18UNBNL



Models : ASY24UBBJ / AOY24UNBKL
 ASY24UBBN / AOY24UNBNL



- Cooling
- Heating
- : Flare coupling

CIRCUIT DIAGRAM

Controller PCB

Models :

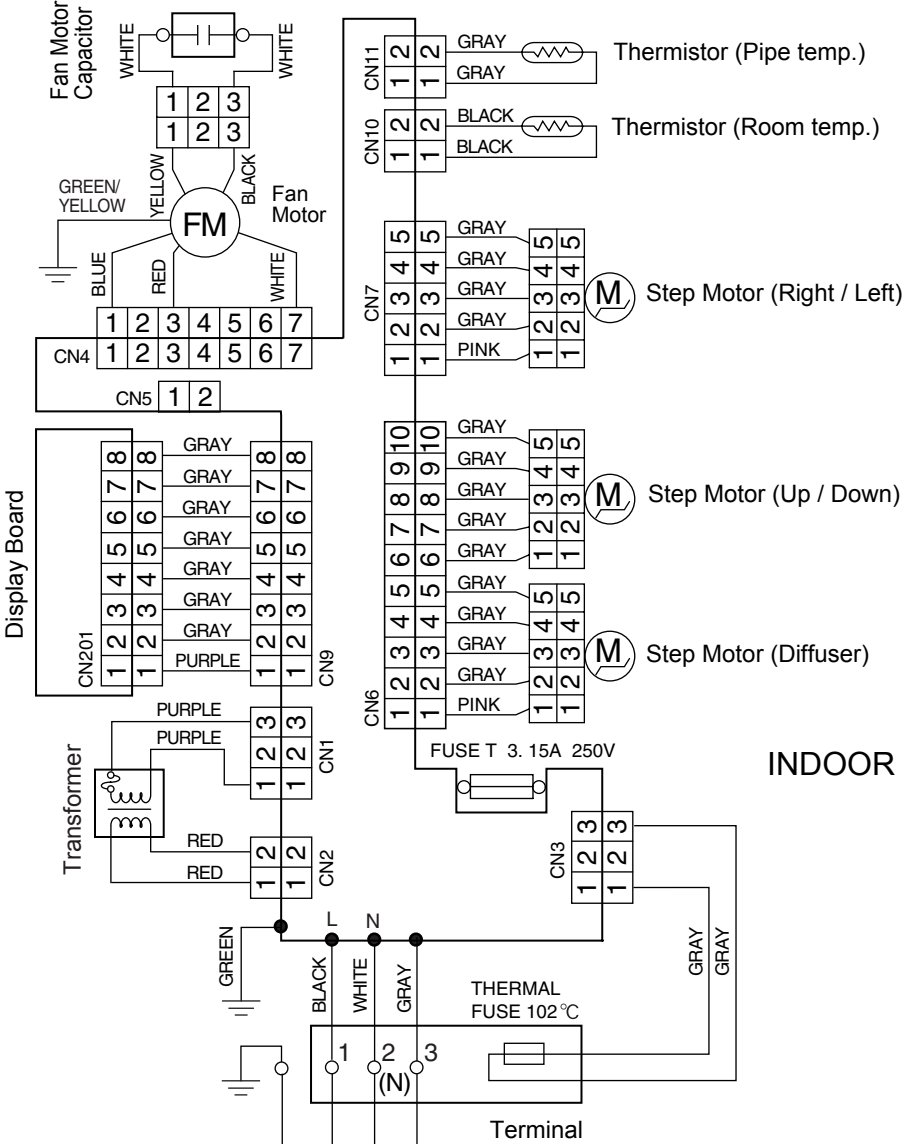
ASY18FBAJ / AOY18FNAK

ASY18FBBJ / AOY18FNBK

ASY18FBBN / AOY18FNBN

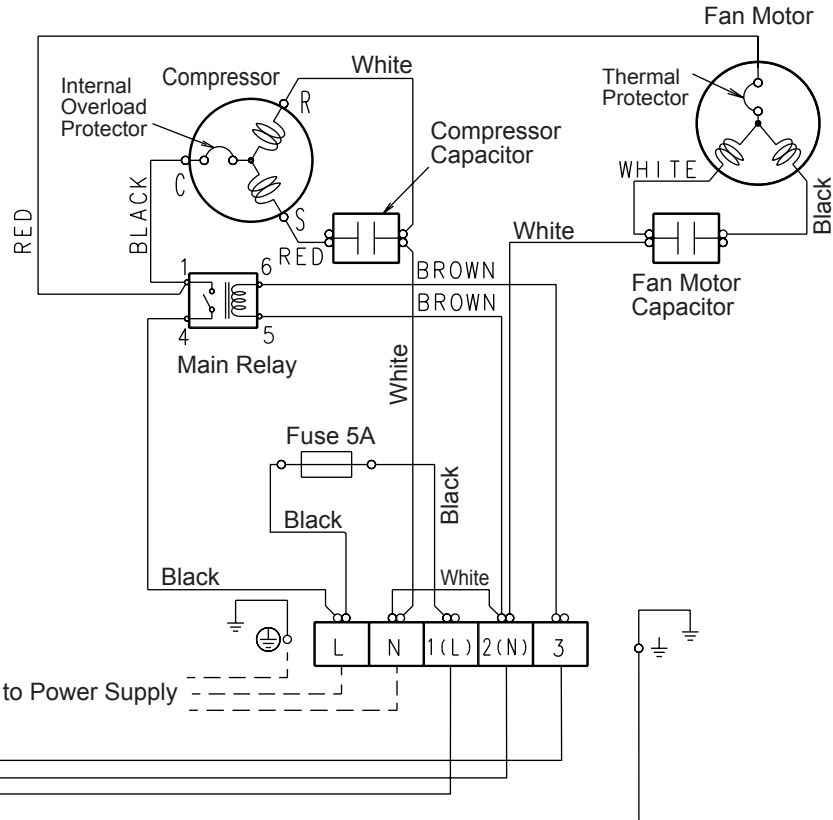
ASY24FBBJ / AOY24FNBK

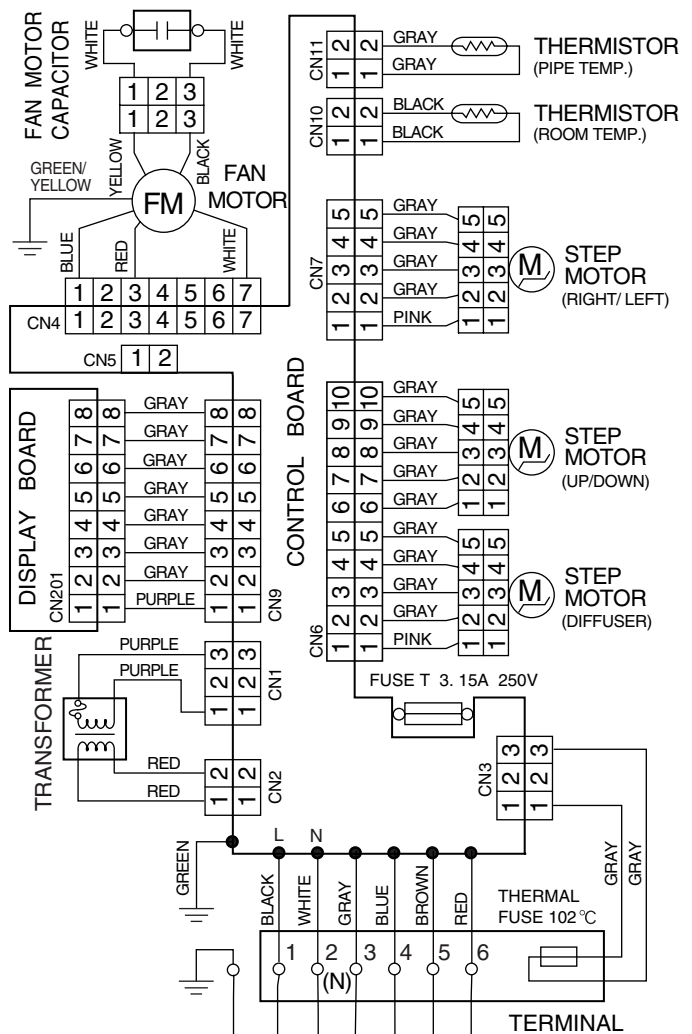
ASY24FBBN / AOY24FNBN



INDOOR UNIT

OUTDOOR UNIT

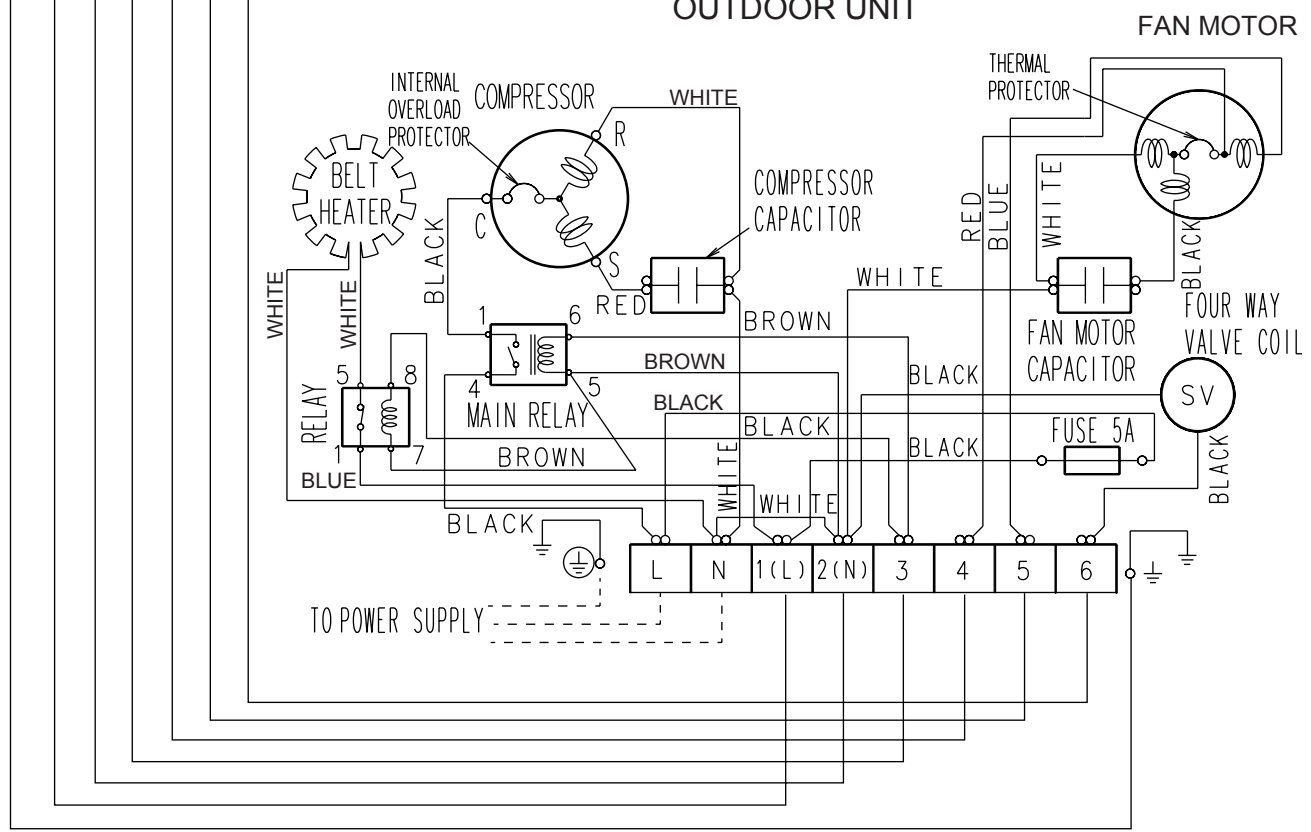




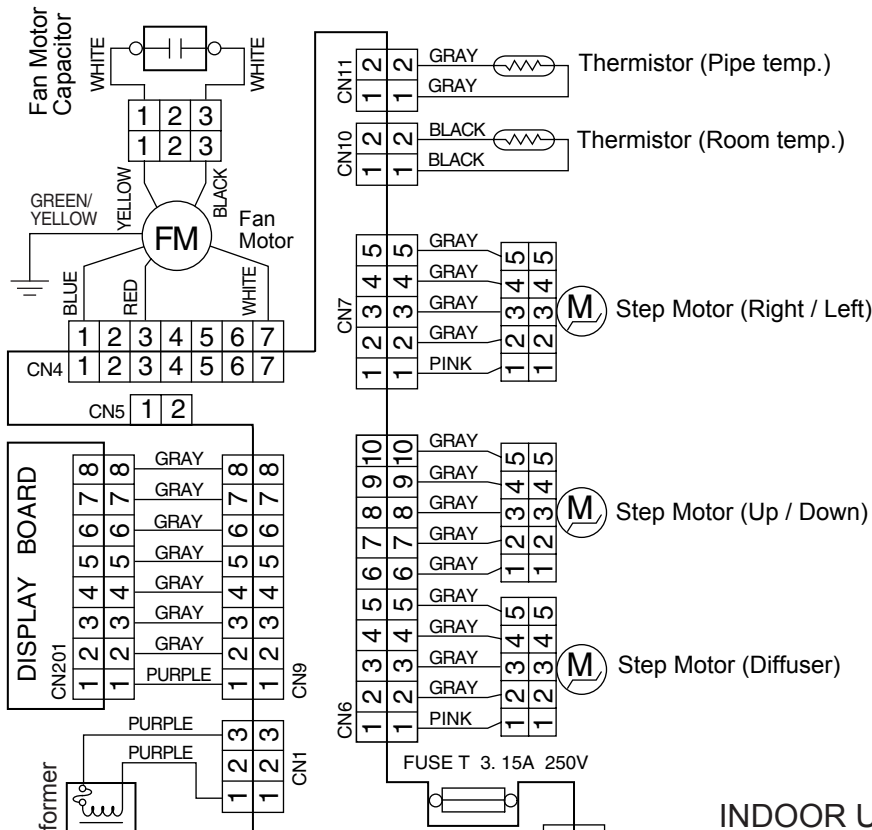
Models : ASY18UBAJ / AOY18UNAKL

INDOOR UNIT

OUTDOOR UNIT



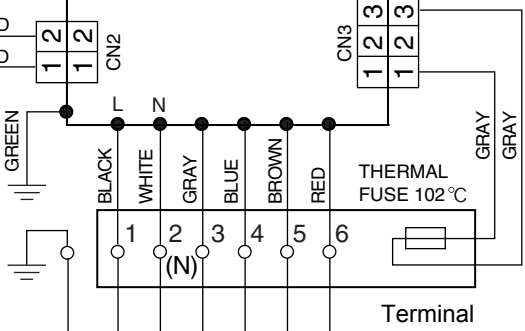
Controller PCB



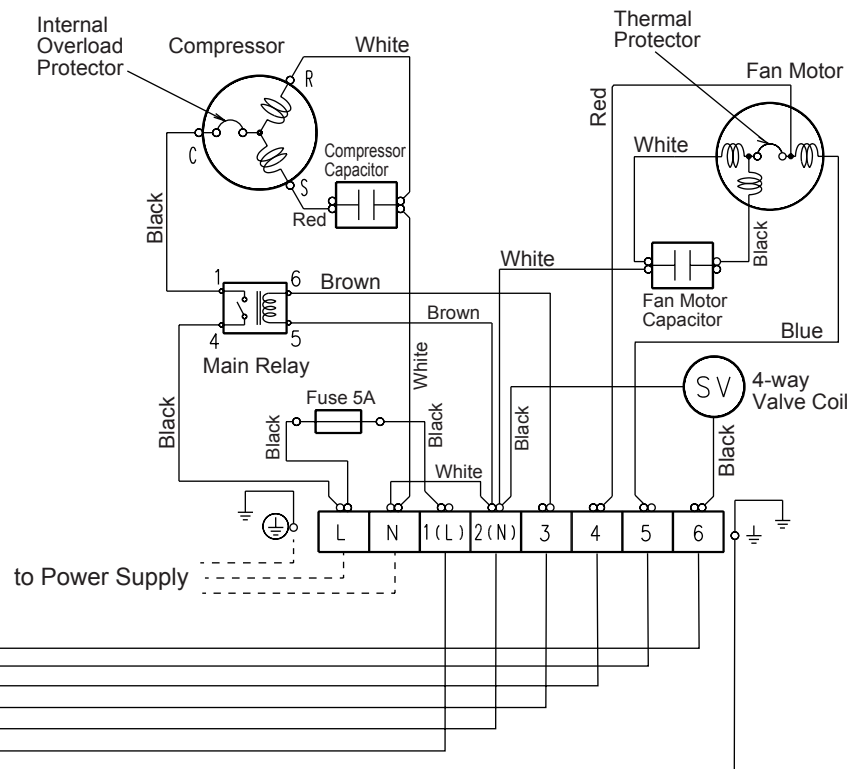
Models :

- ASY18UBBJ / AOY18UNBKL
- ASY18UBBN / AOY18UNBNL
- ASY24UBBJ / AOY24UNBKL
- ASY24UBBN / AOY24UNBNL

INDOOR UNIT



OUTDOOR UNIT



INDOOR PCB CIRCUIT DIAGRAM

CONTROLLER PCB ASSEMBLY

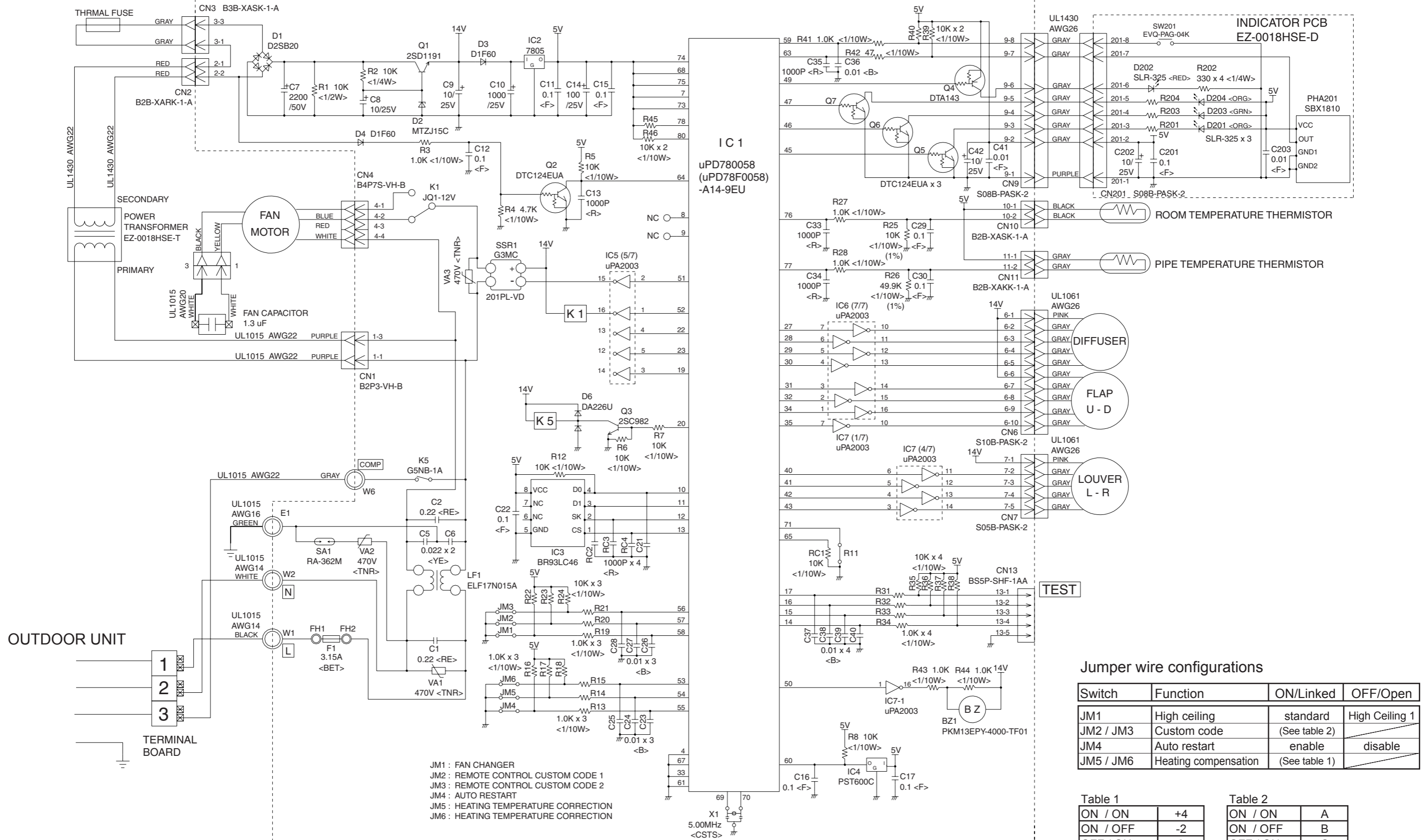
ASY18FBAJ : K05EF-050FWSE-C1

ASY18FBBJ : K05EF-050DWSE-C1

ASY24FBBJ : K05EF-050GWSE-C1

ASY18FBBN : K01CL-0401WSE-C1

ASY24FBBN : K02CR-0401WSE-C1



Jumper wire configurations

Switch	Function	ON/Linked	OFF/Open
JM1	High ceiling	standard	High Ceiling 1
JM2 / JM3	Custom code	(See table 2)	
JM4	Auto restart	enable	disable
JM5 / JM6	Heating compensation	(See table 1)	

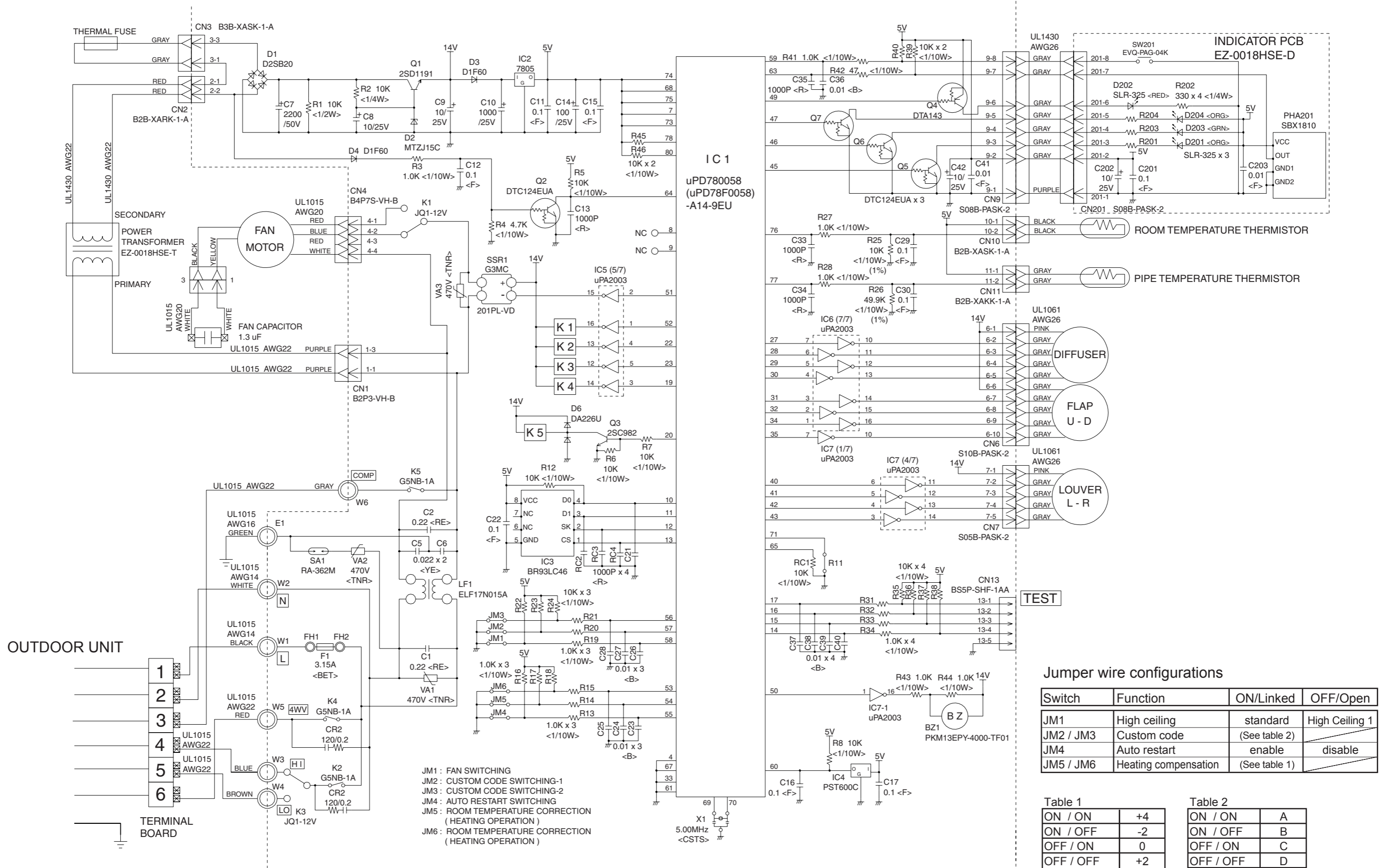
Table 1

ON / ON	+4
ON / OFF	-2
OFF / ON	0
OFF / OFF	+2

Table 2

ON / ON	A
ON / OFF	B
OFF / ON	C
OFF / OFF	D

CONTROLLER PCB ASSEMBLY
 ASY18UBAJ : K05EF-050AHSE-C1
 ASY18UBBJ : K05EF-0508HSE-C1
 ASY24UBBJ : K05EF-050BHSE-C1
 ASY18UBBN : K01CL-0400HSE-C1
 ASY24UBBN : K02CR-0400HSE-C1



Jumper wire configurations

Switch	Function	ON/Linked	OFF/Open
JM1	High ceiling	standard	High Ceiling 1
JM2 / JM3	Custom code	(See table 2)	
JM4	Auto restart	enable	disable
JM5 / JM6	Heating compensation	(See table 1)	

Table 1

ON / ON	+4
ON / OFF	-2
OFF / ON	0
OFF / OFF	+2

Table 2

ON / ON	A
ON / OFF	B
OFF / ON	C
OFF / OFF	D

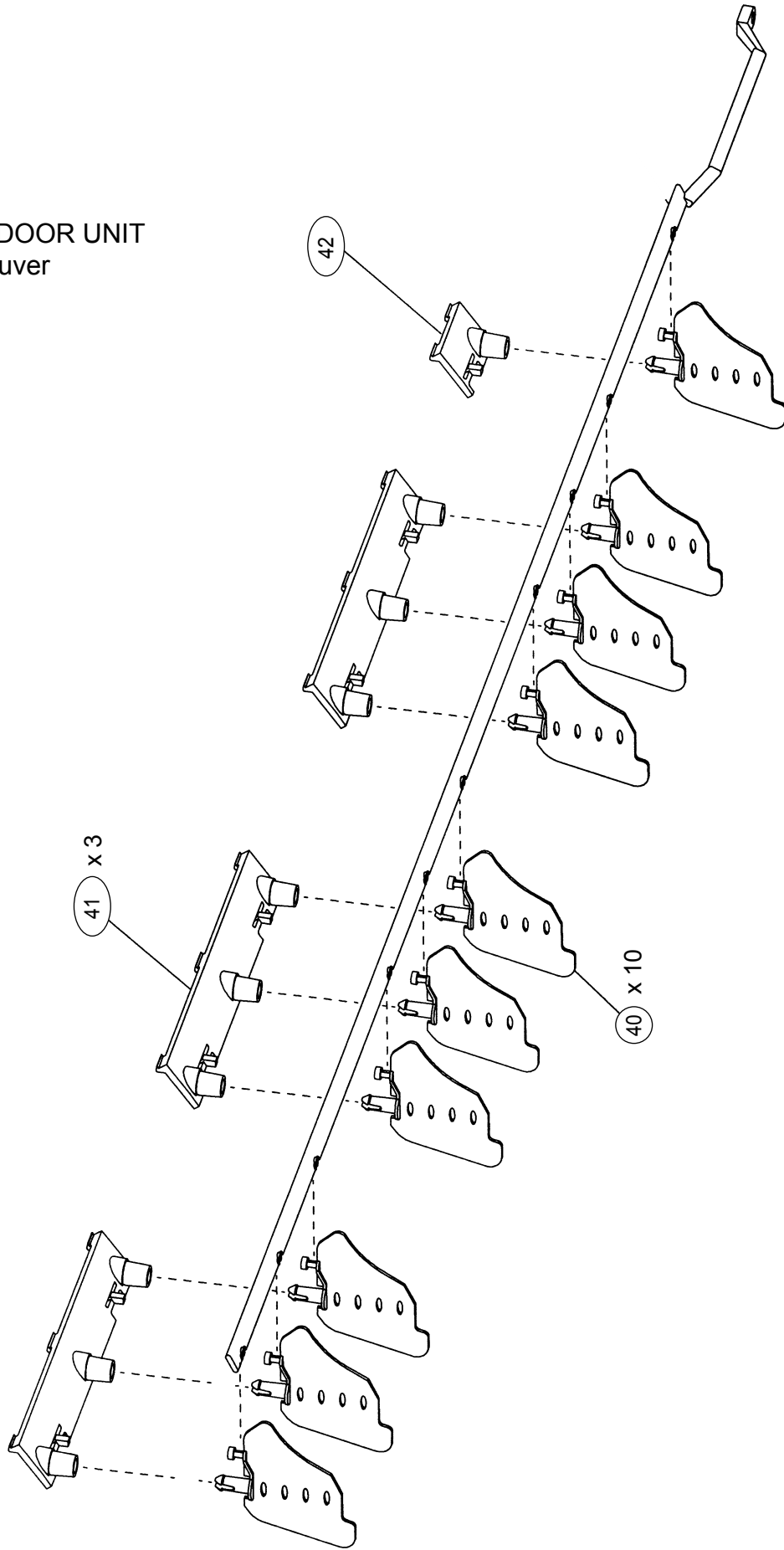
ERROR DISPLAY

The OPERATION, TIMER and SWING lamps operate as follows according to the error contents.

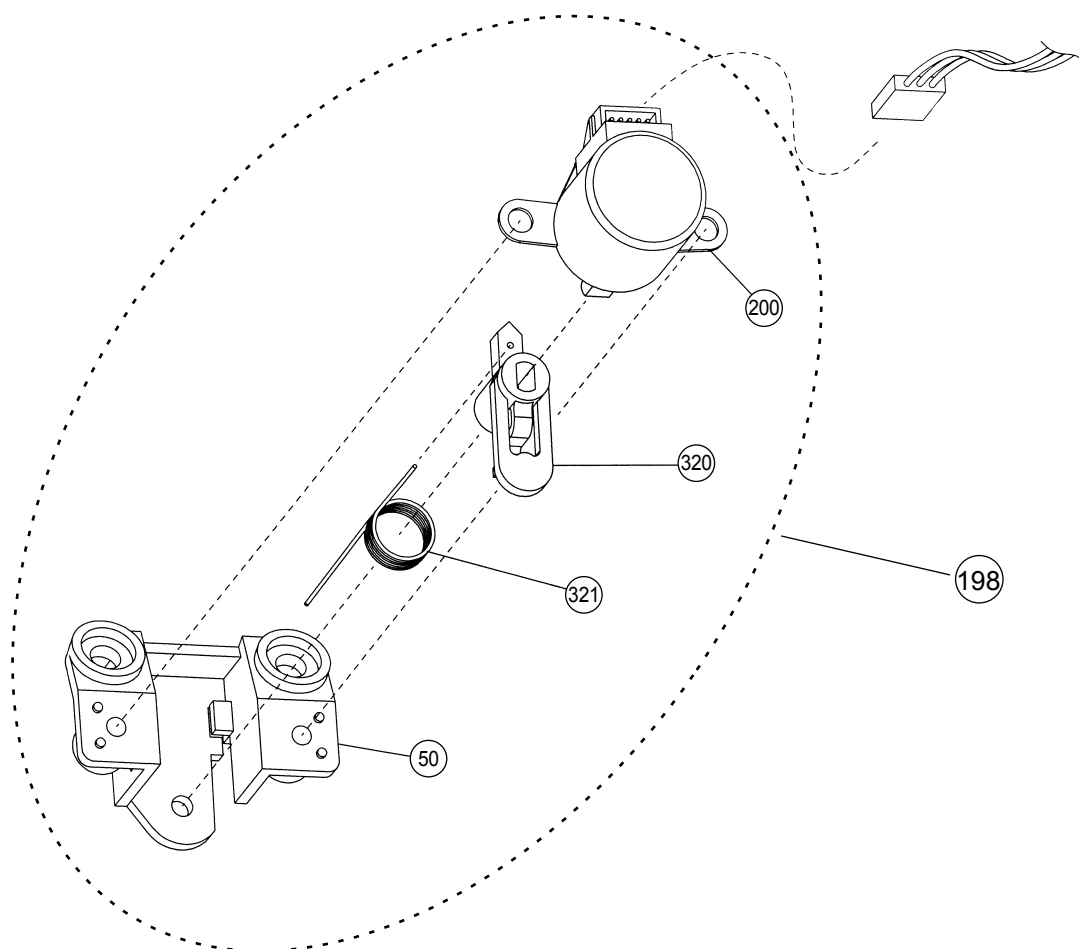
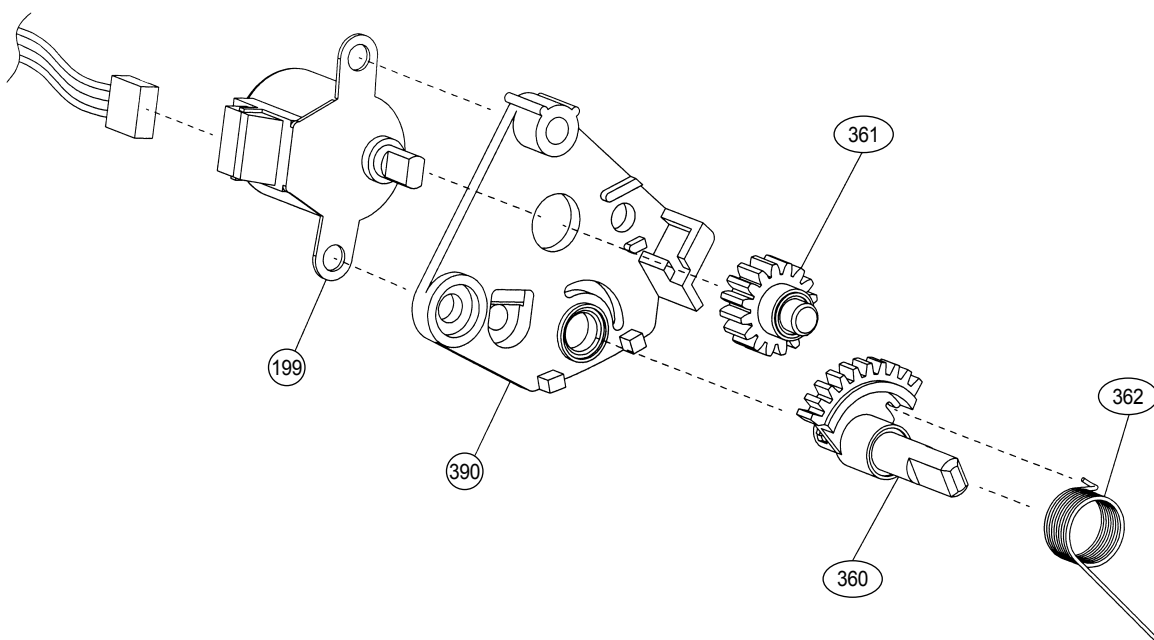
○ : Fast flashing ● : Slow flashing – : Off

Error contents	Error display		
	OPERATION (RED)	TIMER (GREEN)	SWING (ORANGE)
Indoor unit circuit board error	○	○	–
Indoor unit room temperature sensor wire opened	2 times ●	○	–
Indoor unit room temperature sensor wire short circuited	2 times ●	○	○
Indoor unit piping sensor wire opened	3 times ●	○	–
Indoor unit piping sensor wire short circuited	3 times ●	○	○
Indoor unit fan error	6 times ●	○	–

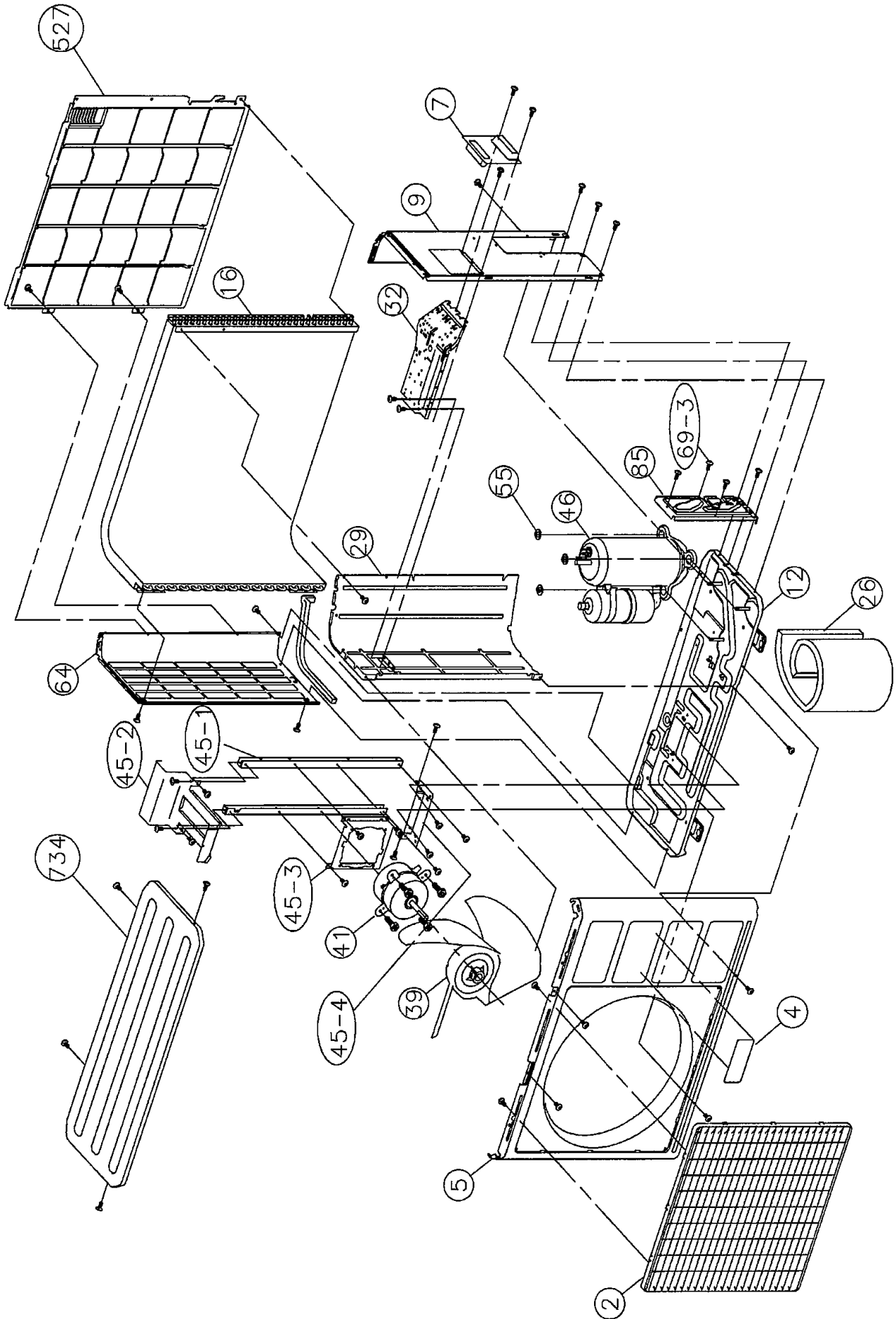
INDOOR UNIT
Louver



INDOOR UNIT
Step motor

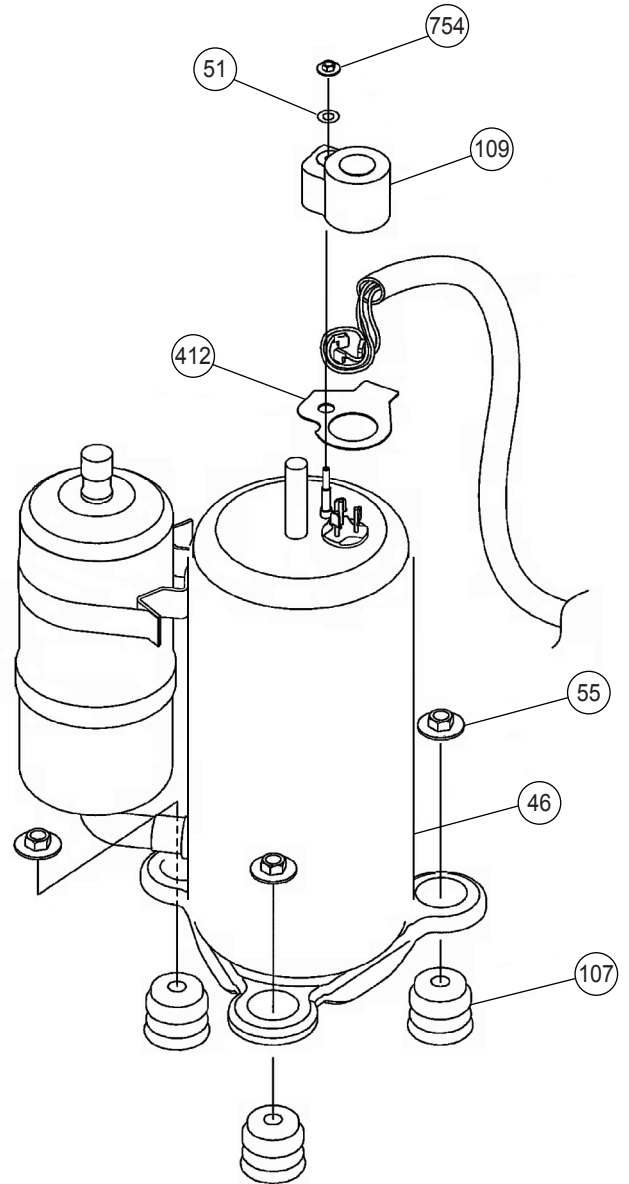
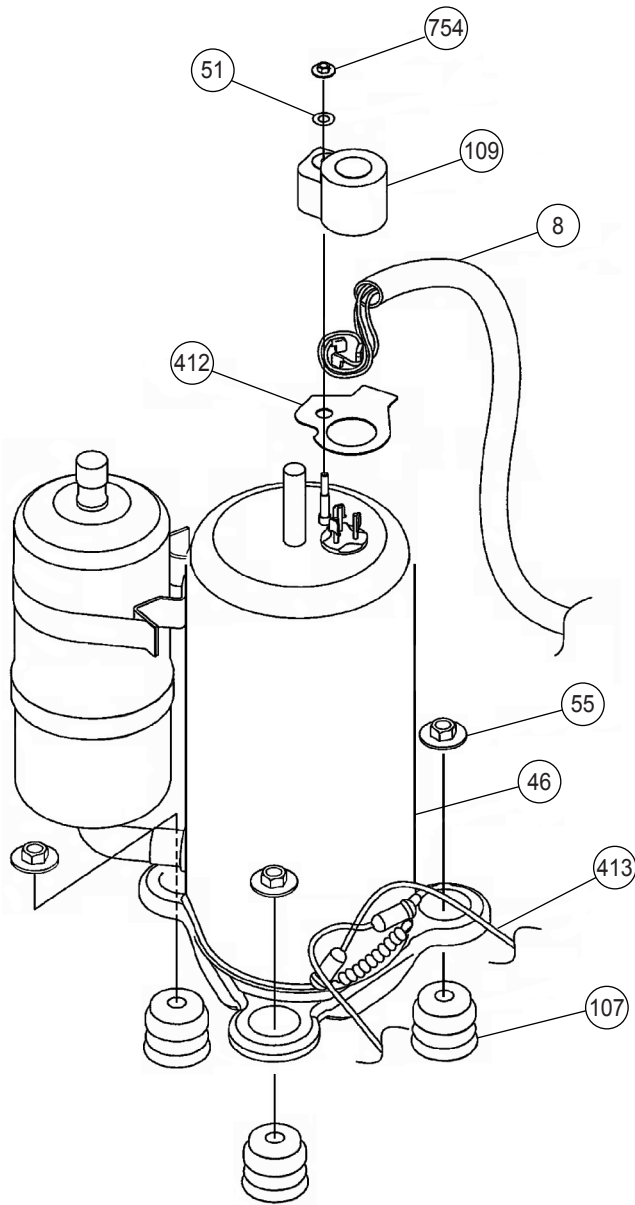


OUTDOOR UNIT

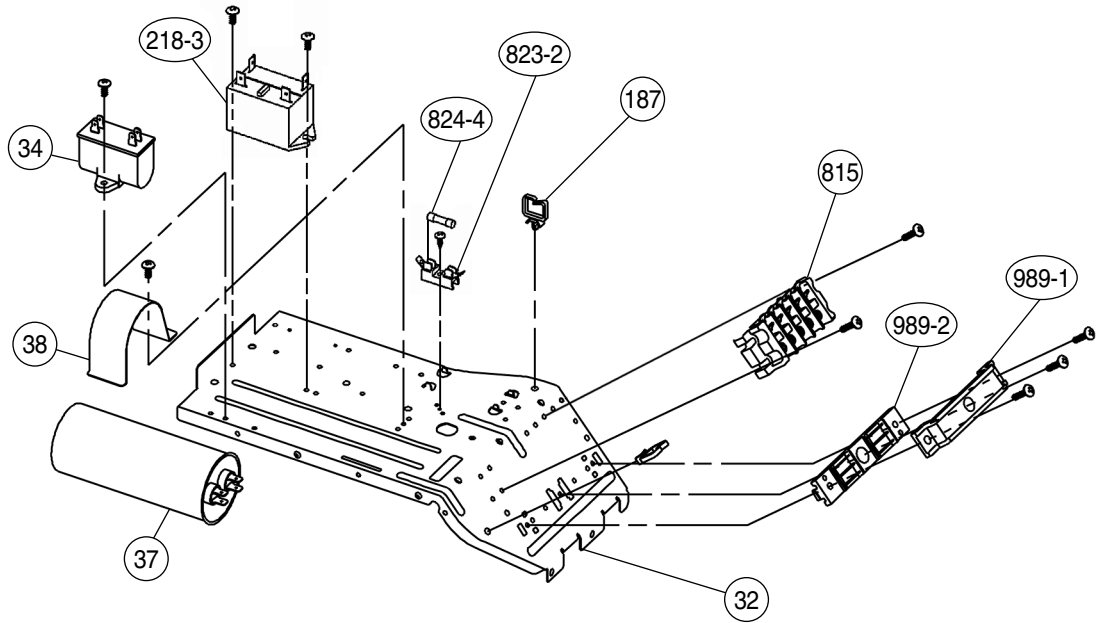


OUTDOOR UNIT
AOY18UNAKL

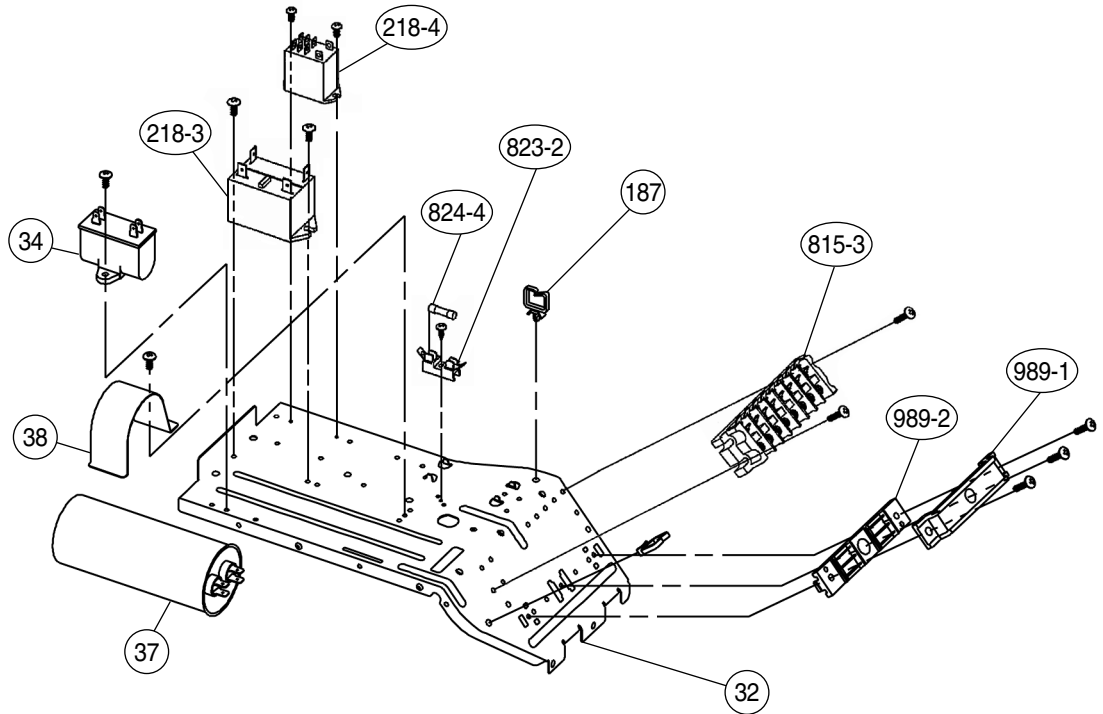
OUTDOOR UNIT
AOY18FNAK
AOY18FNBK
AOY18FBNB
AOY18UNBKL
AOY18UNBNL
AOY24FNBK
AOY24FBNB
AOY24UNBKL
AOY24UNBNL



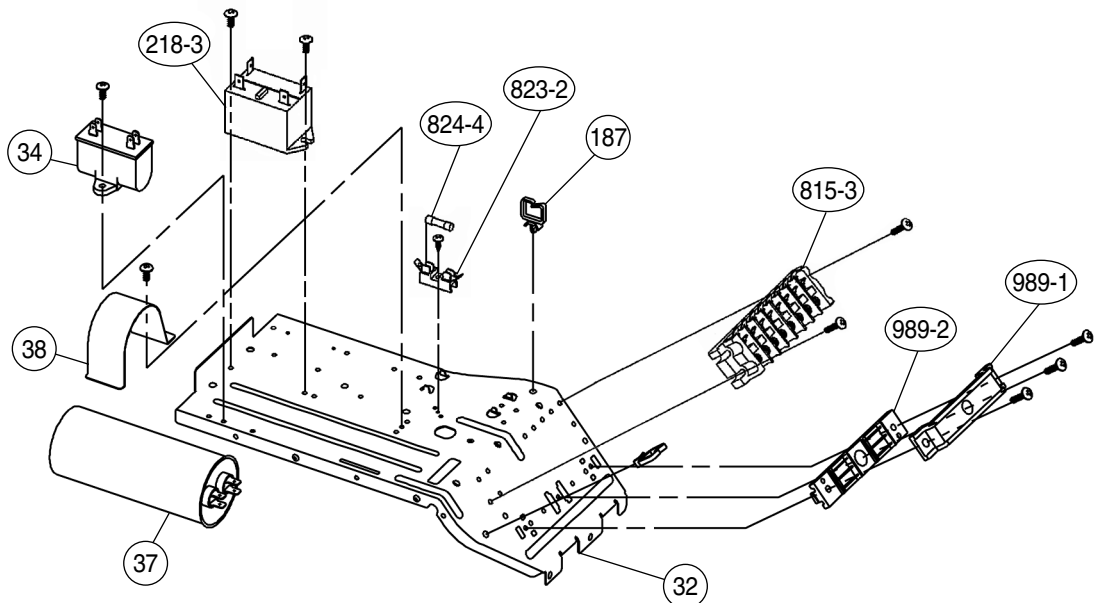
OUTDOOR UNIT
 AOY18FNAK
 AOY18FNBK
 AOY18FNBN
 AOY24FNBK
 AOY24FNBN



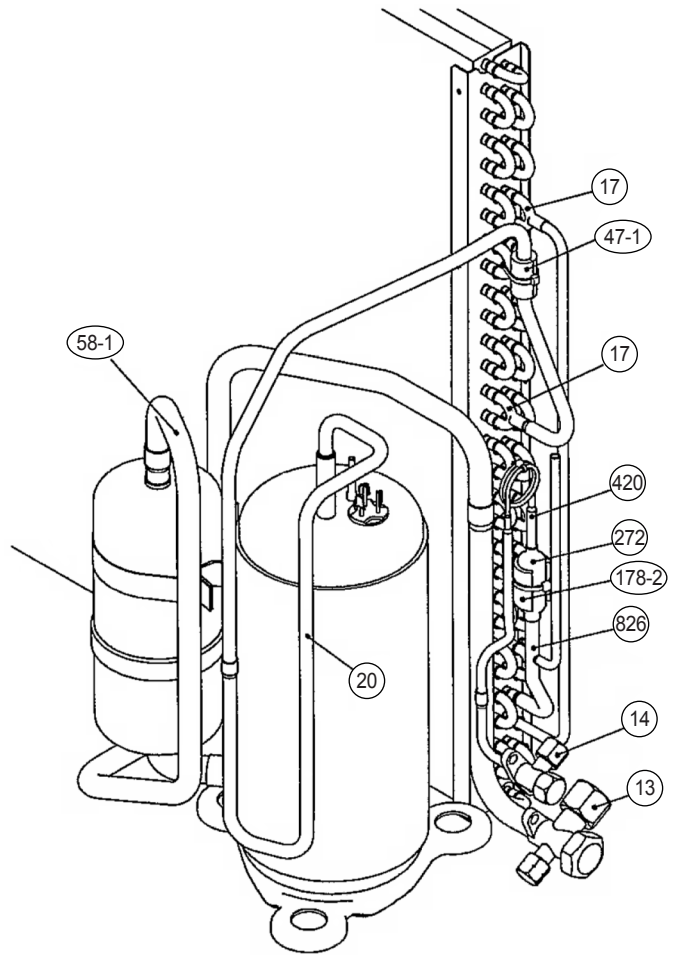
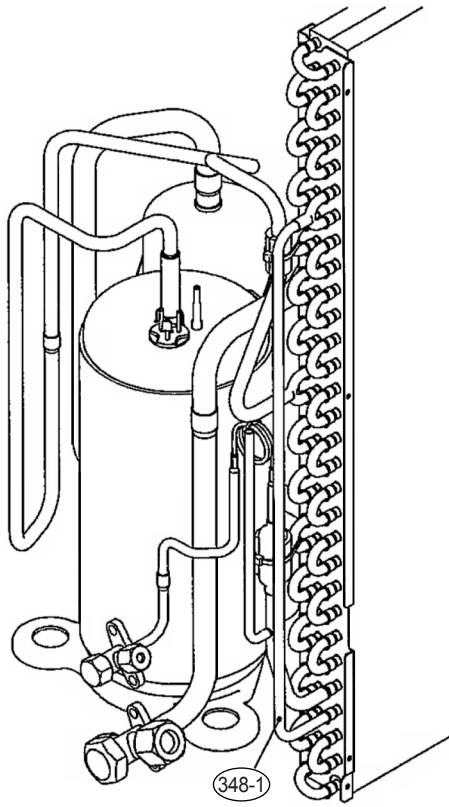
OUTDOOR UNIT
 AOY18UNAKL



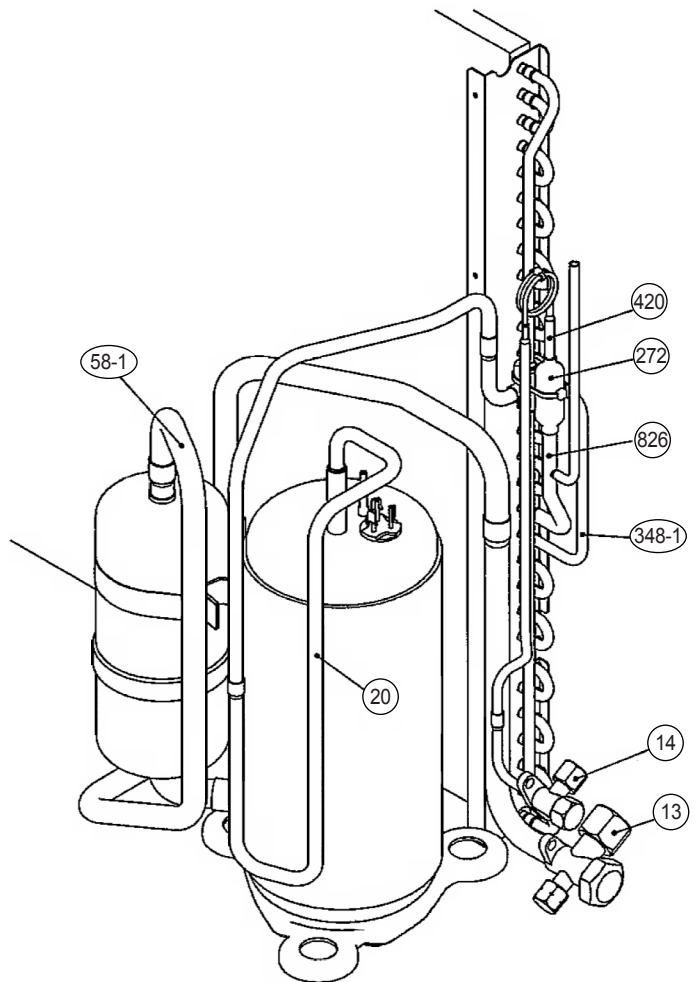
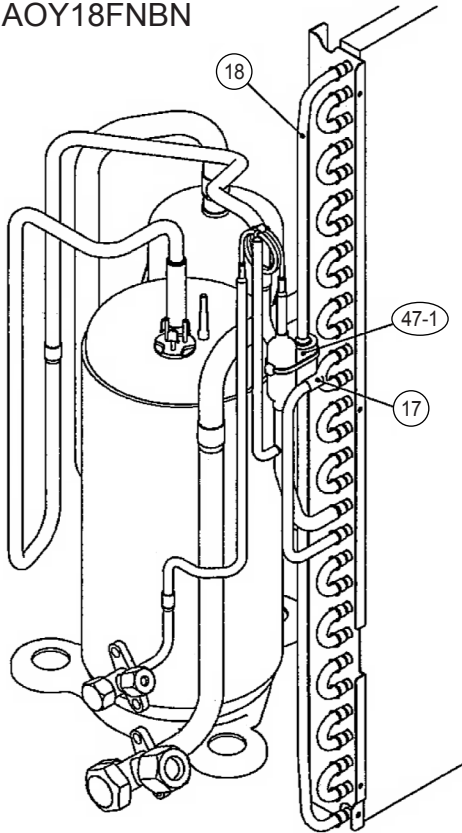
OUTDOOR UNIT
 AOY18UNBKL
 AOY18UNBNL
 AOY24UNBKL
 AOY24UNBNL



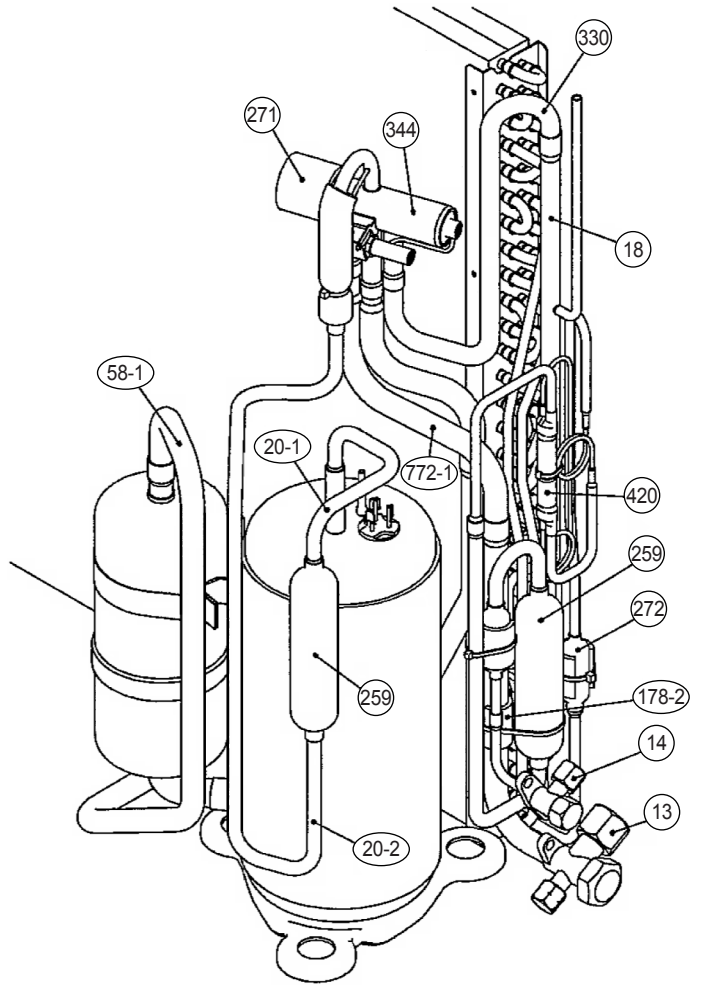
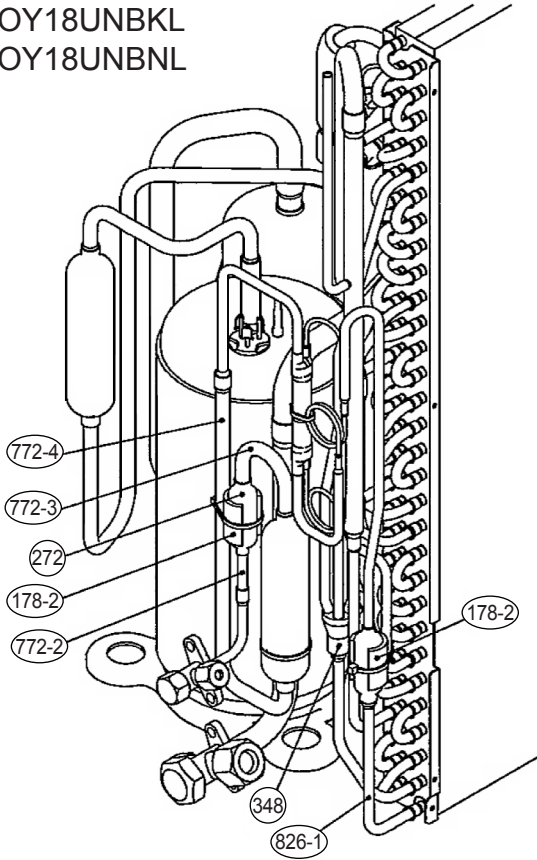
OUTDOOR UNIT
AOY18FNAK



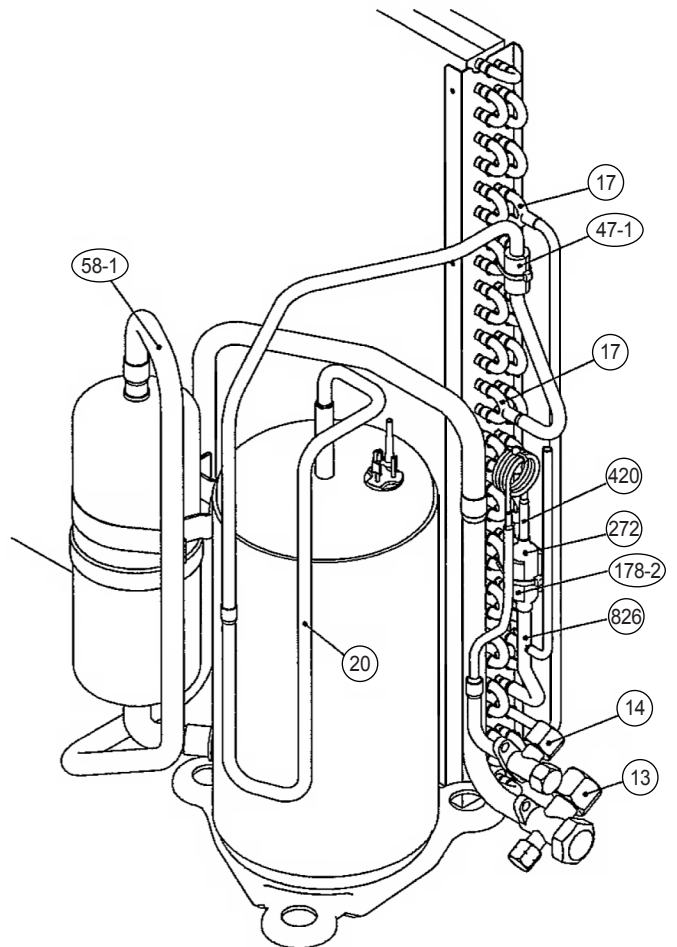
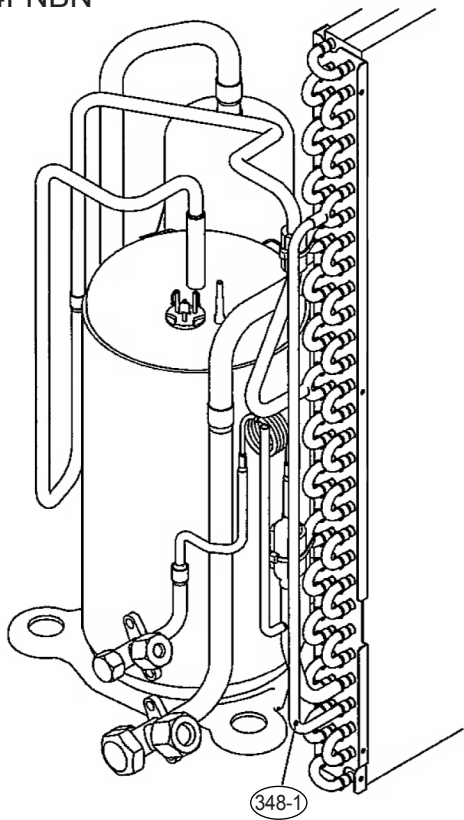
OUTDOOR UNIT
AOY18FNBK
AOY18FNBN



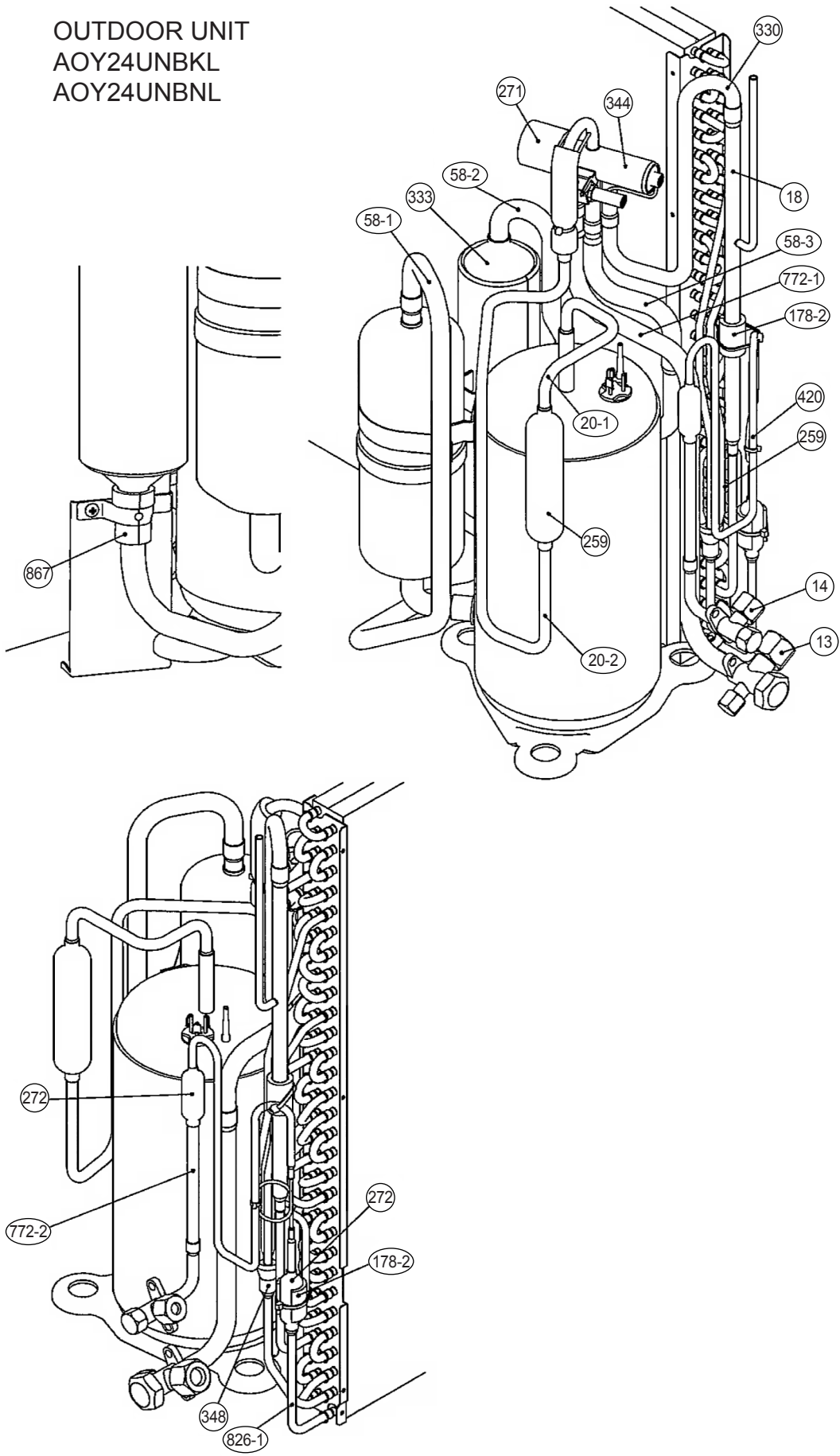
OUTDOOR UNIT
 AOY18UNAKL
 AOY18UNBKL
 AOY18UNBNL



OUTDOOR UNIT
 AOY24FNBK
 AOY24FNBN



OUTDOOR UNIT
 AOY24UNBKL
 AOY24UNBNL



PARTS LIST

INDOOR UNIT

Ref.	Description	Part number				
		ASY18FBAJ	ASY18FBBJ	ASY24FBBJ	ASY18FBBN	ASY24FBBN
1	Intake Grill F	9368541019	9368541019	9368541019	9368541019	9368541019
2	Decoration Plate F	9368757014	9368757014	9368757014	9368757014	9368757014
3	Air Filter	9373613015	9373613015	9373613015	9373613022	9373613022
4	Front Panel	9368540012	9368540012	9368540012	9368540012	9368540012
5	Screw Cover	9368576011	9368576011	9368576011	9368576011	9368576011
10	Capacitor (Fan Motor)	9704305060	9704305060	9704305060	9900089153	9900089153
20	Water Seal Plate	9369684005	9369684005	9369684005	9369684005	9369684005
30	Kit (Eva Bracket)	9371166018	9371166018	9371166018	9371166018	9371166018
40	Louver	9368560010	9368560010	9368560010	9368560010	9368560010
41	Louver Base-A	9368558017	9368558017	9368558017	9368558017	9368558017
42	Louver Base-B	9368559014	9368559014	9368559014	9368559014	9368559014
50	Link Holder	9368563004	9368563004	9368563004	9368563004	9368563004
60	Base Assy	9369209017	9369209017	9369209017	9369209024	9369209024
70	Bearing Assy	9368574000	9368574000	9368574000	9368574000	9368574000
80	Drain Hose	9367695003	9367695003	9367695003	9367695003	9367695003
90	Evaporator Sub Assy	9369202131	9369202247	9369202186	9369202209	9369202216
100	Joint Pipe Assy	9372590027	9372590027	9372590041	9372590058	9372590065
110	Kit (Front Drain Pan)	9370932010	9370932010	9370932010	9369200021	9369200021
120	Rear Drain Pan Assy	9369201011	9369201011	9369201011	9369201011	9369201011
140	Fan Motor Assy	9601388012	9601388012	9601388012	9601388012	9601388012
141	Cross Flow Fan Assy	9368586003	9368586003	9368586003	9368586003	9368586003
142	Rubber (Motor)	9368575007	9368575007	9368575007	9368575007	9368575007
198	Louver Link Sub Assy	9369347023	9369347023	9369347023	9369347023	9369347023
199	Step Motor	9900139049	9900139049	9900139049	9900139049	9900139049
200	Step Motor	9900139032	9900139032	9900139032	9900139032	9900139032
210	Power Transformer	9900069018	9900069018	9900069018	9900069018	9900069018
220	Controller PCB Assy	9707212167	9707212143	9707212174	9705831025	9705833029
240	Remote Control Unit	9371190020	9371190020	9371190020	9371190020	9371190020
241	Remote Controller Holder	9305642045	9305642045	9305642045	9305642045	9305642045
250	Kit (Flap)	9371169019	9371169019	9371169019	9371169019	9371169019
270	Motor Holder A	9368550004	9368550004	9368550004	9368550004	9368550004
271	Motor Holder B	9368551001	9368551001	9368551001	9368551001	9368551001
272	Motor Holder C	9368769000	9368769000	9368769000	9368769000	9368769000
280	Indicator PCB Assy	9705801028	9705801028	9705801028	9705801011	9705801011

INDOOR UNIT

Ref.	Description	Part number					
		ASY18FBAJ	ASY18FBBJ	ASY24FBBJ	ASY18FBBN	ASY24FBBN	
300	Wall Hook Bracket	9368579005	9368579005	9368579005	9368579005	9368579005	
310	Earth Plate	9368580001	9368580001	9368580001	9368580001	9368580001	
320	Louver Link	9368562007	9368562007	9368562007	9368562007	9368562007	
321	Louver Spring	9368613006	9368613006	9368613006	9368613006	9368613006	
330	Kit (Pipe Holder)	9371168012	9371168012	9371168012	9371168012	9371168012	
340	Cord Holder	9368566005	9368566005	9368566005	9368566005	9368566005	
350	Control Box	9368543006	9368543006	9368543006	9368543006	9368543006	
360	Sector Gear	9368556006	9368556006	9368556006	9368556006	9368556006	
361	Pinion Gear	9368557003	9368557003	9368557003	9368557003	9368557003	
362	Flap Spring	9368612009	9368612009	9368612009	9368612009	9368612009	
380	Kit (Evaporator Support R)	9371167015	9371167015	9371167015	9371167015	9371167015	
381	Kit (Evaporator Support L)	9371165011	9371165011	9371165011	9371165011	9371165011	
390	Motor Base	9368555009	9368555009	9368555009	9368555009	9368555009	
400	Display Cover	9368564001	9368564001	9368564001	9368564001	9368564001	
440	Drain Cap	9367677009	9367677009	9367677009	9367677009	9367677009	
450	Terminal	9306489106	9306489106	9306489106	9306489106	9306489106	
460	Cover Display	9369264016	9369264016	9369264016	9369264016	9369264016	
461	Cover Display-B	9369594014	9369594014	9369594014	9369594014	9369594014	
462	Cover Display-C	9369683015	9369683015	9369683015	9369683015	9369683015	
470	Control Box Cover-R	9368570002	9368570002	9368570002	9368570002	9368570002	
471	Control Box Cover	9368611002	9368611002	9368611002	9368611002	9368611002	
480	Diffuser Spring	9368587000	9368587000	9368587000	9368587000	9368587000	
481	Diffuser Assy	9369346019	9369346019	9369346019	9369346019	9369346019	
490	Fan Guard	9368588007	9368588007	9368588007	---	---	
491	Kit (Fan Guard Holder)	9371164014	9371164014	9371164014	9371164014	9371164014	
---	Room Thermistor	9703299179	9900368012	9900368012	9703299179	9703299179	
---	Pipe Thermistor	9703297076	9900367015	9900367015	9703297076	9703297076	

INDOOR UNIT

Ref. No.	Description	Part number				
		ASY18UBAJ	ASY18UBBJ	ASY24UBBJ	ASY18UBBN	ASY24UBBN
1	Intake Grill F	9368541019	9368541019	9368541019	9368541019	9368541019
2	Decoration Plate F	9368757014	9368757014	9368757014	9368757014	9368757014
3	Air Filter	9373613015	9373613015	9373613015	9373613022	9373613022
4	Front Panel	9368540012	9368540012	9368540012	9368540012	9368540012
5	Screw Cover	9368576011	9368576011	9368576011	9368576011	9368576011
10	Capacitor (Fan Motor)	9704305060	9704305060	9704305060	9900089153	9900089153
20	Water Seal Plate	9369684005	9369684005	9369684005	9369684005	9369684005
30	Kit (Eva Bracket)	9371166018	9371166018	9371166018	9371166018	9371166018
40	Louver	9368560010	9368560010	9368560010	9368560010	9368560010
41	Louver Base A	9368558017	9368558017	9368558017	9368558017	9368558017
42	Louver Base B	9368559014	9368559014	9368559014	9368559014	9368559014
50	Link Holder	9368563004	9368563004	9368563004	9368563004	9368563004
60	Base Assy	9369209017	9369209017	9369209017	9369209024	9369209024
70	Bearing Assy	9368574000	9368574000	9368574000	9368574000	9368574000
80	Drain Hose	9367695003	9367695003	9367695003	9367695003	9367695003
90	Evaporator Sub Assy	9369202131	9369202247	9369202186	9369202209	9369202216
100	Joint Pipe Assy	9372590027	9372590027	9372590041	9372590058	9372590065
110	Kit (Front Drain Pan)	9370932010	9370932010	9370932010	9369200021	9369200021
120	Rear Drain Pan Assy	9369201011	9369201011	9369201011	9369201011	9369201011
140	Fan Motor Assy	9601388012	9601388012	9601388012	9601388012	9601388012
141	Cross Flow Fan Assy	9368586003	9368586003	9368586003	9368586003	9368586003
142	Rubber (Motor)	9368575007	9368575007	9368575007	9368575007	9368575007
198	Louver Link Sub Assy	9369347023	9369347023	9369347023	9369347023	9369347023
199	Step Motor	9900139049	9900139049	9900139049	9900139049	9900139049
200	Step Motor	9900139032	9900139032	9900139032	9900139032	9900139032
210	Power Transformer	9900069018	9900069018	9900069018	9900069018	9900069018
220	Controller PCB Assy	9707212112	9707212099	9707212129	9705831018	9705833012
240	Remote Control	9371190013	9371190013	9371190013	9371190013	9371190013
241	Remote Control Holder	9305642045	9305642045	9305642045	9305642045	9305642045
250	Kit (Flap)	9371169019	9371169019	9371169019	9371169019	9371169019
270	Motor Holder A	9368550004	9368550004	9368550004	9368550004	9368550004
271	Motor Holder B	9368551001	9368551001	9368551001	9368551001	9368551001
272	Motor Holder C	9368769000	9368769000	9368769000	9368769000	9368769000
280	Indicator PCB Assy	9705801028	9705801028	9705801028	9705801011	9705801011

INDOOR UNIT

Ref.	Description	Part number				
		ASY18UBAJ	ASY18UBBJ	ASY24UBBJ	ASY18UBBN	ASY24UBBN
300	Wall Hook Bracket	9368579005	9368579005	9368579005	9368579005	9368579005
310	Earth Plate	9368580001	9368580001	9368580001	9368580001	9368580001
320	Louver Link	9368562007	9368562007	9368562007	9368562007	9368562007
321	Louver Spring	9368613006	9368613006	9368613006	9368613006	9368613006
330	Kit (Pipe Holder)	9371168012	9371168012	9371168012	9371168012	9371168012
340	Cord Holder	9368566005	9368566005	9368566005	9368566005	9368566005
350	Control Box	9368543006	9368543006	9368543006	9368543006	9368543006
360	Sector Gear	9368556006	9368556006	9368556006	9368556006	9368556006
361	Pinion Gear	9368557003	9368557003	9368557003	9368557003	9368557003
362	Flap Spring	9368612009	9368612009	9368612009	9368612009	9368612009
380	Kit (Evaporator Support R)	9371167015	9371167015	9371167015	9371167015	9371167015
381	Kit (Evaporator Support L)	9371165011	9371165011	9371165011	9371165011	9371165011
390	Motor Base	9368555009	9368555009	9368555009	9368555009	9368555009
400	Display Cover	9368564001	9368564001	9368564001	9368564001	9368564001
440	Drain Cap	9367677009	9367677009	9367677009	9367677009	9367677009
450	Terminal	9900016029	9900016029	9900016029	9900016029	9900016029
460	Cover Display	9369264016	9369264016	9369264016	9369264016	9369264016
461	Cover Display-B	9369594014	9369594014	9369594014	9369594014	9369594014
462	Cover Display-C	9369683015	9369683015	9369683015	9369683015	9369683015
470	Control Box Cover-R	9368570002	9368570002	9368570002	9368570002	9368570002
471	Control Box Cover	9368611002	9368611002	9368611002	9368611002	9368611002
480	Diffuser Spring	9368587000	9368587000	9368587000	9368587000	9368587000
481	Diffuser Assy	9369346019	9369346019	9369346019	9369346019	9369346019
490	Fan Guard	9368588007	9368588007	9368588007	---	---
491	Kit (Fan Guard Holder)	9371164014	9371164014	9371164014	9371164014	9371164014
---	Room Thermistor	9900368012	9900368012	9900368012	9703299179	9703299179
---	Pipe Thermistor	9900367015	9900367015	9900367015	9703297076	9703297076

OUTDOOR UNIT

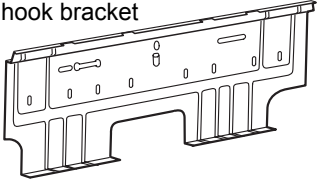
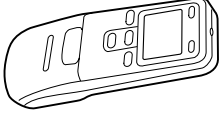
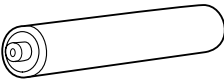
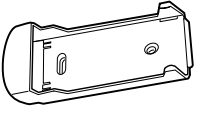


Ref. No.	Description	Part No.			Ord. Q'ty
		AOY18FNAK	AOY18FNBK AOY18FNBN	AOY24FNBK AOY24FNBN	
2	Fan Guard	9371187013	9371187013	9371187013	
4	Emblem-Rear	9351355005	9351355005	9351355005	
5	Front Panel Ptd	9371924014	9371924014	9371924014	
7	Connector Cover (Cabinet)	9366398004	9366398004	9366398004	
8	Wire Assy (Comp)	9372334010	9372334010	9372334010	
9	Side Panel R Ptd	9371927015	9371927015	9371927015	
12	Base Assy, Ptd	9371920054	9371920054	9371920016	
13-1	3-Way Valve Assy	9372205013	9372205013	9372205013	
13-2	2-Way Valve Assy	9372204016	9372204016	9372204023	
16	Condenser Assy	9372181027	9372181041	9372181027	
26	Compressor Cover	9372327012	9372327012	9372327012	
29	Separate Wall	9371933016	9371933016	9371933016	
32	Control Box	9371935010	9371935010	9371935010	
34	Capacitor, Plastic	9900130022	9900130022	9900130022	
37	Running Capacitor	9703107122	9703107122	9703107023	
38	Capacitor Clamp Metal	9351770013	9351770013	313791061807	
39	Propeller Fan Assy	9366378013	9366378013	9366378013	
41	Motor Induct	9601671022	9601671022	9601671022	
45-1	Motor Bracket	9371929019	9371929019	9371929019	
45-2	Motor Bracket-Top	9371931012	9371931012	9371931012	
45-3	Motor Bracket Center	9371930015	9371930015	9371930015	
45-4	Motor Bracket Bottom	9371932019	9371932019	9371932019	
46	Compressor Assy	9372333013	9372558027	9372558010	
47-1	Rubber (Discharge Pipe)	313194159807	313194159807	313194159807	
51	Special Nut M5	9300301015	9300301015	9300301015	
55	Special Nut M8	9355091008	9355091008	9355091008	
64	Side Panel L Ptd	9371926018	9371926018	9371926018	
69-3	Bolt, Hex. Socket	301210060360	301210060360	301210060360	
85	Valve Plate Ptd	9371928012	9371928012	9371928012	
107	Rubber Seat-A	9351049010	9351049010	9351049010	
109	Terminal Cover (Comp)	9371511016	9371511016	9371511016	
187	Clip (Cable)	9352715006	9352715006	9352715006	
218-3	Relay	9900074012	9900074012	9900074012	
272	Strainer	9369287008	9369287008	9369287008	
412	Cover Gasket (Comp.)	9371512013	9371512013	9371512013	
527	Protectiive Net	9371934013	9371934013	9371934013	
734	Top Plate	9371925011	9371925011	9371925011	
735-3	Capillary Assy	9372197035	9372197066	9372197059	
754	Terminal Gask. Washer	9351053017	9351053017	9351053017	
815	Terminal-5P	9356497021	9356497021	9356497021	
823-3	Fuse Holder	0500063024	0500063024	0500063024	
824-4	Fuse	0600222529	0600222529	0600222529	
982-1	Cord Clamp-A	9359822011	9359822011	9359822011	
982-2	Cord Clamp-B	9359823018	9359823018	9359823018	

OUTDOOR UNIT

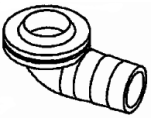
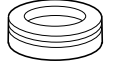
Ref. No.	Description	Part No.			Ord. Q'ty
		AOY18UNAKL	AOY18UNBKL AOY18UNBNL	AOY24UNBKL AOY24UNBNL	
2	Fan Guard	9371187013	9371187013	9371187013	
4	Emblem-Rear	9351355005	9351355005	9351355005	
5	Front Panel Ptd	9371924014	9371924014	9371924014	
7	Connector Cover (Cabinet)	9366398004	9366398004	9366398004	
8	Wire Assy (Comp)	9372334010	9372334010	9372334010	
9	Side Panel R Ptd	9371927015	9371927015	9371927015	
12	Base Assy, Ptd	9371920054	9371920054	9371920016	
13-1	3-Way Valve Assy	9372205013	9372205013	9372205013	
13-2	2-Way Valve Assy	9372204016	9372204016	9372204023	
16	Condenser Assy	9372181010	9372181034	9372181010	
26	Compressor Cover A	9372327012	9372327012	9372327012	
29	Separate Wall	9371933016	9371933016	9371933016	
32	Control Box	9371935010	9371935010	9371935010	
34	Capacitor, Plastic	9900130022	9900130022	9900130022	
37	Running Capacitor	9703107122	9703107122	9703107023	
38	Capacitor Clamp Metal	9351770013	9351770013	313791061807	
39	Propeller Fan Assy	9366378013	9366378013	9366378013	
41	Motor Induct	9601671015	9601671015	9601671015	
45-1	Motor Bracket	9371929019	9371929019	9371929019	
45-2	Motor Bracket-Top	9371931012	9371931012	9371931012	
45-3	Motor Bracket Ctr	9371930015	9371930015	9371930015	
45-4	Motor Bracket Bottom	9371932019	9371932019	9371932019	
46	Compressor Assy	9372333013	9372558027	9372558010	
51	Special Nut M5	9300301015	9300301015	9300301015	
55	Special Nut M8	9355091008	9355091008	9355091008	
64	Side Panel L Ptd	9371926018	9371926018	9371926018	
69-3	Bolt, Hex. Socket	301210060360	301210060360	301210060360	
85	Valve Plate Ptd	9371928012	9371928012	9371928012	
107	Rubber Seat-A	9351049010	9351049010	9351049010	
109	Terminal Cover (Comp)	9371511016	9371511016	9371511016	
187	Clip (Cable)	9352715006	9352715006	9352715006	
199	Br Sheet	9363708059	9363708059	----	
218-3	Relay	9900074012	9900074012	9900074012	
218-4	Power Relay	9900008017	----	----	
259	Muffler	9372369012	9372369012	----	
271	4-Way Valve Rubber	313728251908	313728251908	313728251908	
272	Strainer	9369287008	9369287008	9369287008	
333	Accumulator	----	----	9368391003	
343	Solenoid	9900165017	9900165017	9900165017	
344	4-Way Valve	9970036019	9970036019	9900163013	
361	Accum Support Assy	----	----	9372252017	
412	Cover Gasket (Comp.)	9371512013	9371512013	9371512013	
413	Heater (Crank Case)	9900132033	----	----	
527	Protectiive Net	9371934013	9371934013	9371934013	
734	Top Panel	9371925011	9371925011	9371925011	
735-3	Capillary Assy	9372197011	9372197042	9372197028	
754	Terminal Gask. Washer	9351053017	9351053017	9351053017	
815-3	Terminal-5P	9358660119	9358660119	9358660119	
823-2	Fuse Holder	0500063024	0500063024	0500063024	
824-4	Fuse	0600222529	0600222529	0600222529	
982-1	Cord Clamp-A	9359822011	9359822011	9359822011	
982-2	Cord Clamp-B	9359823018	9359823018	9359823018	

STANDARD ACCESSORIES

INDOOR UNIT

Name and Shape	Part No.
Wall hook bracket 	9368579005
Remote control unit 	9371190013 (AR-JW1) (Heat & Cool model)
	9371190020 (AR-JW2) (Cooling only model)
Battery (penlight) 	0600185534
Remote control unit holder 	9305642014
Tapping screw (big) ($\phi 4 \times 20$) 	301141164200
Tapping screw (small) ($\phi 3 \times 12$) 	301141533125

OUTDOOR UNIT (heat & cool model)

Name and Shape	Part No.
Drain Assy 	9303029015
Drain cap 	313166024302

0311G2414