



Housing: injection moulded, in grey polycarbonate, shatter-proof, UV-stabilised, highly resistant to mechanical impacts thanks to the reinforced structure with internal ribbing.

Diffuser: injected moulded in polycarbonate with internal ribbing for greater lighting control, in V2 self-extinguishing, UV-stabilised material; its smooth outer finish makes cleaning easier and increases lighting efficiency. Equipped with stainless steel screw clamping.

Reflector: in galvanised steel, previously stone-enamelled with UV-stabilised polyester resin. Clamping device manufactured directly onto the housing.

Standard supply: eco-friendly and anti-aging expanded polyurethane injected gasket. The fixing brackets for ceiling and suspension mounting are in stainless steel. Socket-plug connector. The fixture is secured to the fixing brackets through quick connectors.

For installations with direct exposure to sunlight, we recommend using Forma LED.

Low Optical Flicker
Less Than 1%



The UL Verified Mark is identified with the “Low Flicker Risk” logo that includes a maximum flicker value of 8% at frequencies of ≥ 400 Hz.



LED: Power factor: $\geq 0,95$.

Luminous flux maintenance

Hydro - money saving	L70B20 - 50.000h
Hydro - energy saving	L80B20 - 50.000h
Hydro - high performance	L80B20 - 50.000h
Thema	L80B50 - 50.000h

Photobiological safety class: exempt.
Ambient temperature: -30°C to + 40°C.



RADAR SENSOR (sub-code -19 at an extra price): is an automatic sensor that immediately sense the presence of people's movements and anyone walking past. When there is movement within the sensor's detection range, the light will remain ON. When no further movement is detected, the light will switch OFF after a pre-set time.



SELF-EXTINGUISHING

U.L.94 is a widely accepted USA flammability standard that classifies plastics according to how they burn. The **HYDRO** fixture is made of **V2** self-extinguishing plastic material: burning stops within **25 seconds**.

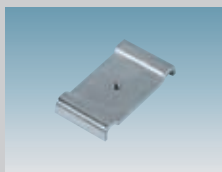
GLOW WIRE TESTE

Glow wire tested at 850°C.

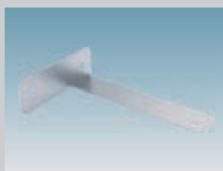
Accessories



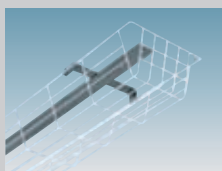
acc. 938 junction sleeve	
grey	998073-00
Polycarbonate, for jointing and transit of power supply cables (internal Ø 13 mm) between lighting fixtures (max distance 30 m). 2 per pack.	



acc. 6036 universal conn.	
galvanized	132987-00
Made of galvanized steel. To install non-corrosive fixtures on track art. 6000.	



acc. 978 wall bracket	
galvanized	998078-00
Made of galvanized steel. For installation of Hydro LED fixtures on walls.	



acc. 975 protection guard	
1x36	165564-00
White plastic-coated steel rod. To be installed directly on the ceiling.	

Upon request Hydro LED:

- with radar sensor for ON-OFF fixtures: **sub-code -19** (with default setting);
- with pass-through wiring for continuous line mounting: **sub-code -0072**;
- with emergency wiring with centralized power supply: **sub-code -0050**.

Greater performance

The fixture is made with first-choice polycarbonate stabilised against UV light. It has been treated to eliminate glare without affecting performance. Polycarbonate with excellent diffusion coefficient and lighting transmission.

ALL LIGHT: no glare

The special surface finish of the diffuser allows light to escape, creating an "all light" effect. The fluted diffuser spreads light evenly without leaving dark areas.

Standard steel mounting bracket

enables quick and easy installation of the fixture to ceiling surfaces.

Standard spring loop

allows quick connection to any chain suspension system.

Perfect alignment of the lighting fittings is achieved using moulded guiding notches.

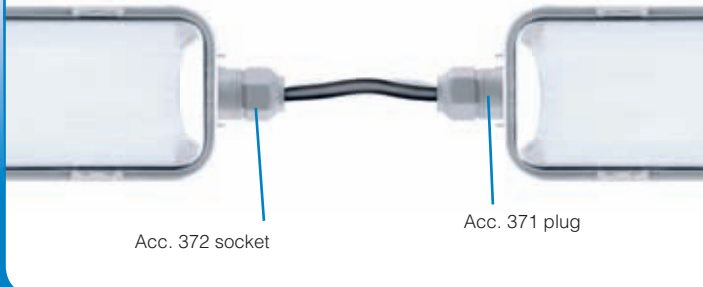
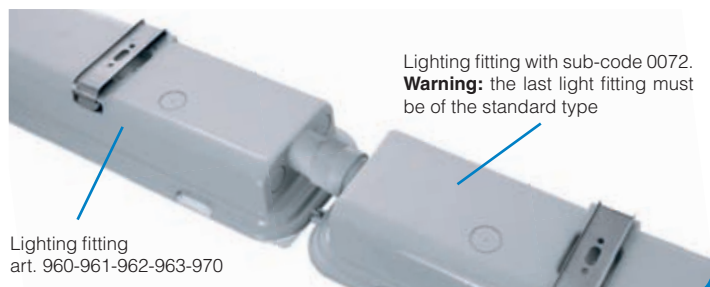
STAINLESS steel safety screw-type clamping. It can be opened to replace the batteries as needed. Injected gasket in anti-aging and eco-friendly material

Continuous line alignment

Continuous electric line connection: a through-line wiring arrangement and socket/plug type connectors from the first of the last lighting fitting is required for this type of installation. (Lighting fitting supplied on request **sub-code -0072** at an extra price).

Installation with cable and lighting fitting with sub-code -0072

Continuous electric line connection using acc. 371 plug and acc. 372 socket, with the lighting fittings with **sub-code 0072** at an extra price.



acc. 370 connector for ø20 tube	
grey	998040-00
For use with acc. 371-372 tube connector installation. 10 per pack.	



acc. 371 quick connector plug	
grey	998041-00
Always to be used for continuous line with wire. Cable gland with inlet cable 16A min. ø 9 max ø12 mm. 10 per pack.	



acc. 372 quick connector socket	
grey	998042-00
Always to be used for continuous line with wire. Cable gland with inlet cable 16A min. ø 9 max ø12 mm. 10 per pack.	





IP66IK08

LED Wattage (W)	Total power consumption (W)
18	20
24	26

LED: Luminous flux maintenance 70%: 50.000h (L70B20).

960 Hydro - LED					
wattage	colour	weight	CLD CELL code	CLD CELL-E code	LED (Tj=25°C)
LED	grey	1,80	164751-00	164751-07	18 K - ølm - CRI 4000K - 2950lm - CRI≥80

960 Hydro - LED					
wattage	colour	weight	CLD CELL code	CLD CELL-E code	LED (Tj=25°C)
LED	grey	1,80	164752-00	164752-07	24 K - ølm - CRI 4000K - 3750lm - CRI≥80

On request:

- with radar sensor for **ON-OFF fixtures: subcode -19** (with default setting);
- with pass-through wiring for **continuous line mounting: subcode -0072**;
- with emergency wiring with centralized power supply: **sub-code -0050**.



IP66IK08

LED Wattage (W)	Total power consumption (W)
33	36
46	51

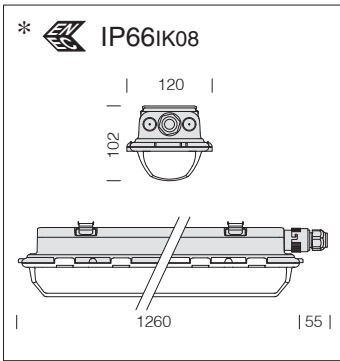
LED: Luminous flux maintenance 70%: 50.000h (L70B20).

960 Hydro - LED					
wattage	colour	weight	CLD CELL code	CLD CELL-E code	LED (Tj=25°C)
LED	grey	1,80	164754-00	164754-07	33 K - ølm - CRI 4000K - 5460lm - CRI≥80

960 Hydro - LED					
wattage	colour	weight	CLD CELL code	CLD CELL-E code	LED (Tj=25°C)
LED	grey	1,80	164755-00	164755-07	46 K - ølm - CRI 4000K - 7510lm - CRI≥80

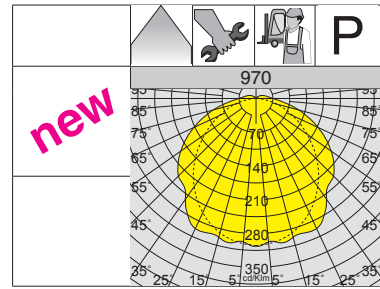
On request:

- with radar sensor for **ON-OFF fixtures: subcode -19** (with default setting);
- with pass-through wiring for **continuous line mounting: subcode -0072**;
- with emergency wiring with centralized power supply: **sub-code -0050**.



LED Wattage (W)	Total power consumption (W)
31	34

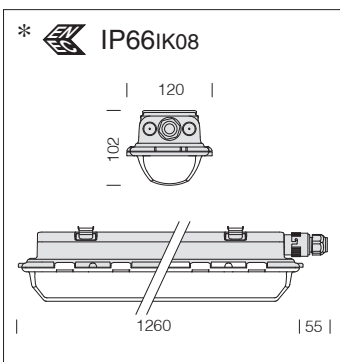
LED: Luminous flux maintenance 80%: 50.000h (L80B50).



970 Thema - LED							
		CLD CELL		CLD CELL-E		LED (Tj=25°C)	
wattage	colour	weight	code	code	W	K - ølm - CRI	
LED	grey	1,80	164734-00	164734-07	31	4000K - 4790lm - CRI≥80	

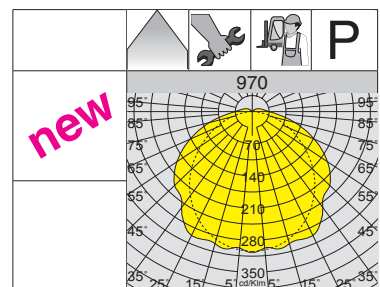
On request:

- with radar sensor for **ON-OFF fixtures: subcode -19** (with default setting);
- with pass-through wiring for **continuous line mounting: subcode -0072**;
- with emergency wiring with centralized power supply: **sub-code -0050**.



LED Wattage (W)	Total power consumption (W)
45	50

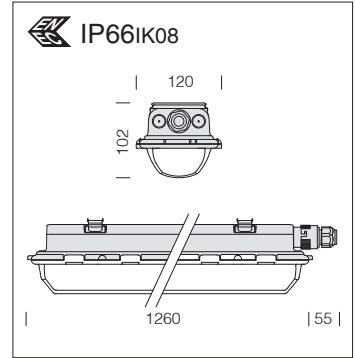
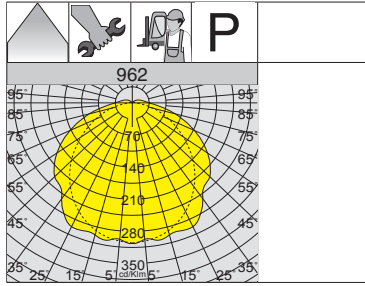
LED: Luminous flux maintenance 80%: 50.000h (L80B50).



970 Thema - LED							
		CLD CELL		CLD CELL-E		LED (Tj=25°C)	
wattage	colour	weight	code	code	W	K - ølm - CRI	
LED	grey	1,80	164735-00	164735-07	45	4000K - 7065lm - CRI≥80	

On request:

- with radar sensor for **ON-OFF fixtures: subcode -19** (with default setting);
- with pass-through wiring for **continuous line mounting: subcode -0072**;
- with emergency wiring with centralized power supply: **sub-code -0050**.



LED Wattage (W)	Total power consumption (W)
33	36

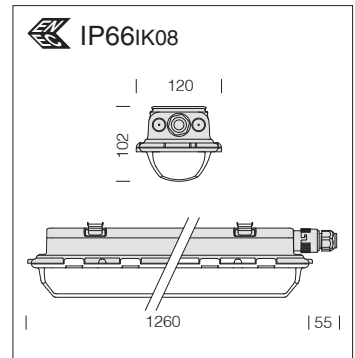
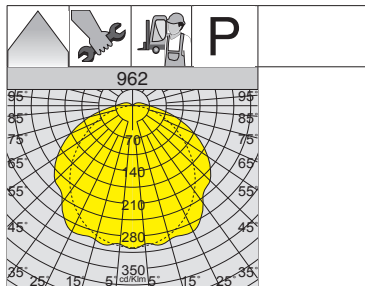
LED: Luminous flux maintenance 70%: 50.000h (L80B20).

962 Hydro - LED							
		CLD CELL		CLD CELL-E		LED (Tj=25°C)	
wattage	colour	weight	code	code	W	K - ølm - CRI	
LED	grey	1,80	164740-00	164740-07	33	4000K - 5560lm - CRI≥80	

962 Hydro - LED							
		CLD CELL-D (1-10V)		CLD CELLD-DIG (DALI)		LED (Tj=25°C)	
wattage	colour	weight	code	code	W	K - ølm - CRI	
LED	grey	1,80	164740-12	164740-0041	33	4000K - 5560lm - CRI≥80	

On request:

- with radar sensor for **ON-OFF fixtures: subcode -19** (with default setting);
- with pass-through wiring for **continuous line mounting: subcode -0072**;
- with **1-10V dimmable electronic gear + emergency: subcode -94**;
- with emergency wiring with centralized power supply: **sub-code -0050**.



LED Wattage (W)	Total power consumption (W)
46	51

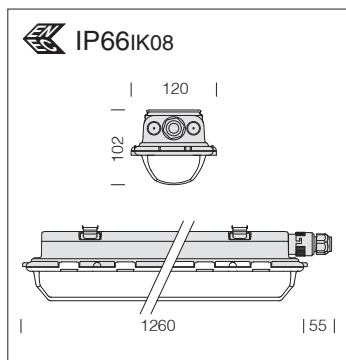
LED: Luminous flux maintenance 70%: 50.000h (L80B20).

962 Hydro - LED							
		CLD CELL		CLD CELL-E		LED (Tj=25°C)	
wattage	colour	weight	code	code	W	K - ølm - CRI	
LED	grey	1,80	164741-00	164741-07	46	4000K - 7800lm - CRI≥80	

962 Hydro - LED							
		CLD CELL-D (1-10V)		CLD CELLD-DIG (DALI)		LED (Tj=25°C)	
wattage	colour	weight	code	code	W	K - ølm - CRI	
LED	grey	1,80	164741-12	164741-0041	46	4000K - 7800lm - CRI≥80	

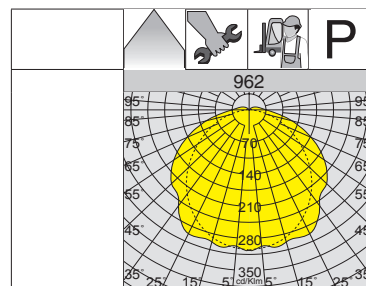
On request:

- with radar sensor for **ON-OFF fixtures: subcode -19** (with default setting);
- with pass-through wiring for **continuous line mounting: subcode -0072**;
- with **1-10V dimmable electronic gear + emergency: subcode -94**;
- with emergency wiring with centralized power supply: **sub-code -0050**.



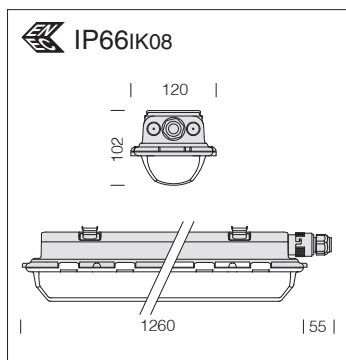
LED Wattage (W)	Total power consumption (W)
33	36
46	51

LED: Luminous flux maintenance 70%: 50.000h (L80B20).



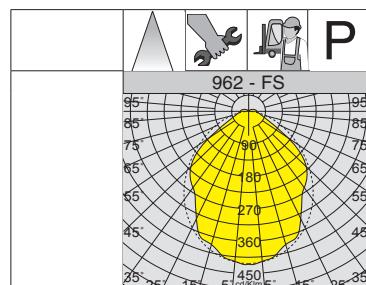
962 Hydro - 3000K/6500K LED					
wattage	colour	weight	CLD CELL code	CLD CELL-E code	LED (Tj=25°C) K - ølm - CRI
LED	grey	1,80	164740-39		33 3000K - 5250lm - CRI≥80
LED	grey	1,80	164740-0083	164740-0783	6500K - 5660lm - CRI≥80

962 Hydro - 3000K/6500K LED					
wattage	colour	weight	CLD CELL code	CLD CELL-E code	LED (Tj=25°C) K - ølm - CRI
LED	grey	1,80	164741-39		46 3000K - 7360lm - CRI≥80
LED	grey	1,80	164741-0083	164741-0783	6500K - 7950lm - CRI≥80



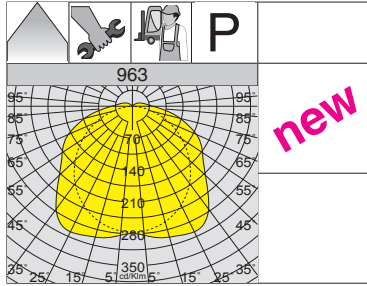
LED Wattage (W)	Total power consumption (W)
33	36
46	51

LED: Luminous flux maintenance 70%: 50.000h (L80B20).



962 Hydro FS - LED					
wattage	colour	weight	CLD CELL code	W	LED (Tj=25°C) K - ølm - CRI
LED	grey	1,80	164740-22	33	4000K - 5560lm - CRI≥80

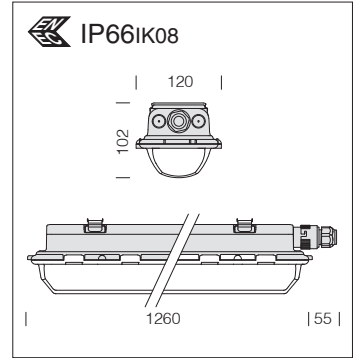
962 Hydro FS - LED					
wattage	colour	weight	CLD CELL code	W	LED (Tj=25°C) K - ølm - CRI
LED	grey	1,80	164741-22	46	4000K - 7800lm - CRI≥80



new



This product is compliant with the **Premium LED L90** – 36,000h USA standard.



LED Wattage (W)	Total power consumption (W)
18	21
31	34

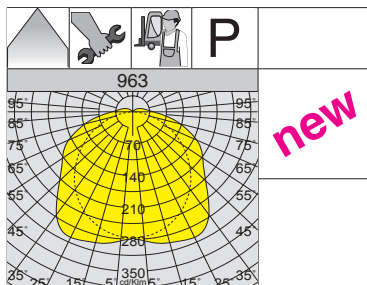
LED: Luminous flux maintenance 70%: 50.000h (L80B20).

963 Hydro - LED							
		CLD CELL		CLD CELL-E		LED (Tj=25°C)	
wattage	colour	weight	code	code	W	K - ølm - CRI	
LED	grey	1,80	164762-00	164762-07	18	4000K - 3360lm - CRI≥80	
LED	grey	1,80	164764-00	164764-07	31	4000K - 5890lm - CRI≥80	

963 Hydro - LED							
		CLD CELL-D (1-10V)		CLD CELL-DIG (DALI)		LED (Tj=25°C)	
wattage	colour	weight	code	code	W	K - ølm - CRI	
LED	grey	1,80	164764-12	164764-0041	31	4000K - 5890lm - CRI≥80	

On request:

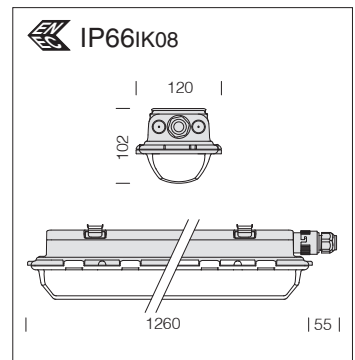
- with radar sensor for **ON-OFF fixtures: subcode -19** (with default setting);
- with pass-through wiring for **continuous line mounting: subcode -0072**;
- with **1-10V dimmable electronic gear + emergency: subcode -94**;
- with emergency wiring with centralized power supply: **sub-code -0050**.



new



This product is compliant with the **Premium LED L90** – 36,000h USA standard.



LED Wattage (W)	Total power consumption (W)
24	27
44	49

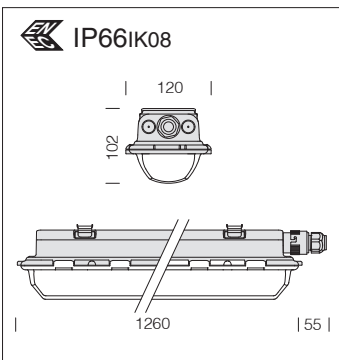
LED: Luminous flux maintenance 70%: 50.000h (L80B20).

963 Hydro - LED							
		CLD CELL		CLD CELL-E		LED (Tj=25°C)	
wattage	colour	weight	code	code	W	K - ølm - CRI	
LED	grey	1,80	164763-00	164763-07	24	4000K - 4160lm - CRI≥80	
LED	grey	1,80	164765-00	164765-07	44	4000K - 8270lm - CRI≥80	

963 Hydro - LED							
		CLD CELL-D (1-10V)		CLD CELL-DIG (DALI)		LED (Tj=25°C)	
wattage	colour	weight	code	code	W	K - ølm - CRI	
LED	grey	1,80	164765-12	164765-0041	44	4000K - 8270lm - CRI≥80	

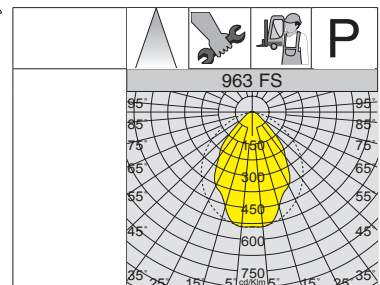
On request:

- with radar sensor for **ON-OFF fixtures: subcode -19** (with default setting);
- with pass-through wiring for **continuous line mounting: subcode -0072**;
- with **1-10V dimmable electronic gear + emergency: subcode -94**;
- with emergency wiring with centralized power supply: **sub-code -0050**.



LED Wattage (W)	Total power consumption (W)
31	34
44	49

LED: Luminous flux maintenance 70%: 50.000h (L80B20).



This product is compliant with the **Premium LED L90** – 36,000h USA standard.



963 Hydro FS - LED					
		CLD CELL		LED (Tj=25°C)	
wattage	colour	weight	code	W	K - ølm - CRI
LED	grey	1,80	164764-22	31	4000K - 5890lm - CRI≥80

963 Hydro FS - LED					
		CLD CELL		LED (Tj=25°C)	
wattage	colour	weight	code	W	K - ølm - CRI
LED	grey	1,80	164765-22	44	4000K - 8270lm - CRI≥80