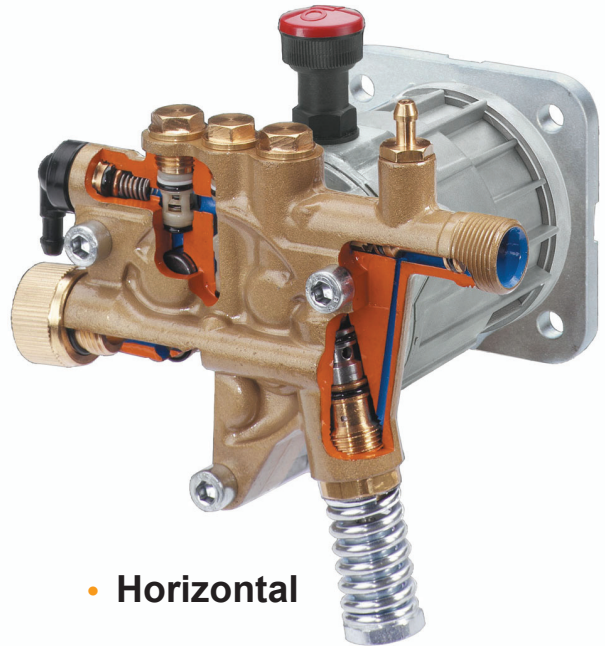


VRX Series Consumer Pumps



• **Vertical**

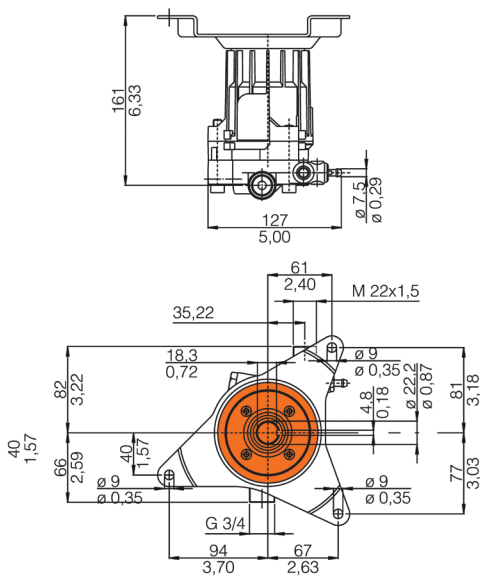


• **Horizontal**

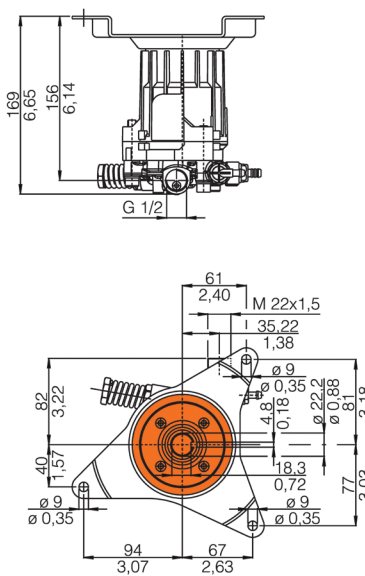
- 3/4" Inlet – 3/8" MPT Outlet
- Brass Head
- Special Aluminum Alloy Head with High Resistance to Corrosion (VRX 2017 V only)
- Built in Unloader with Chemical Injector
- Built in Easy Start
- High Efficiency Suction-Delivery Valves

- Stainless Steel Plungers
- Aluminum Crankcase without Need of Oil Replacement
- Optional Thermal Relief Valve (#5026.0276.00)
- Optional Garden Hose Tail (Brass 2800.0511.00 or Plastic)

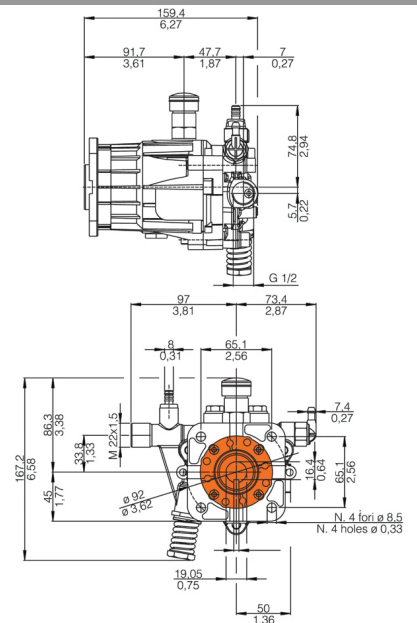
Takes 4.5 Ounces Pump Oil



**Vertical
VRX-V 2017**



**Vertical
VRX-V 2022, 2422**



**Horizontal
VRX-G**



VRX SERIES > Pumps-Vertical

- 3/4" Inlet – 3/8" MPT Outlet

PART #	MODEL #	GPM	PSI	RPM	SHAFT	PISTON	WT
6511.0012.00	VRX 2017 V L46 AL ES	2.0	1700	3200	7/8"	14mm	8.0
6511.0023.00	VRX 2017 V L80 AL	2.0	1700	3200	7/8"	14mm	7.8
6511.0004.00	VRX 2022 V L46	2.0	2200	3200	7/8"	14mm	8.9
6511.0017.00	VRX 2022 V L80	2.0	2200	3200	7/8"	14mm	7.8
6511.0008.00	VRX 2422 V L80	2.3	2200	3200	7/8"	14mm	9.0

*May be made into four-hole mount with flange 3016.0042.00

VRX SERIES > Pumps-Horizontal

- 3/4" Inlet – 3/8" MPT Outlet

PART #	MODEL #	GPM	PSI	RPM	SHAFT	PISTON	WT
6511.0005.00	VRX 2522 G	2.4	2200	3400	3/4"	14mm	8.6
6511.0015.00	VRX 2524 G	2.4	2400	3400	3/4"	14mm	7.8
6511.0020.00*	VRX 2225 G TR	2.2	2500	3400	3/4"	14mm	8.0
6511.0025.00	VRX 2527 G	2.5	2700	3400	3/4"	14mm	7.8
6511.0033.00	VRX 2527 G7	2.5	2700	3400	7/8"	14mm	8.8

*TR-Thermal Relief

VRX Repair Kits (Kits also on Pages 30 & 31)

5026.0260.00	Piston Kit, All VRX Pumps	5026.0257.00	Valve Kit, 2200 PSI
5026.0265.00	Water Seal Kit, 1700 PSI	5026.0263.00	Valve Kit, 1700 PSI
5026.0256.00	Water Seal Kit, 2200+PSI	5026.0270.00	Valve Kit, 2400+ PSI
		5026.0258.00	Regulator Valve Kit

BXD Series Commercial Pumps



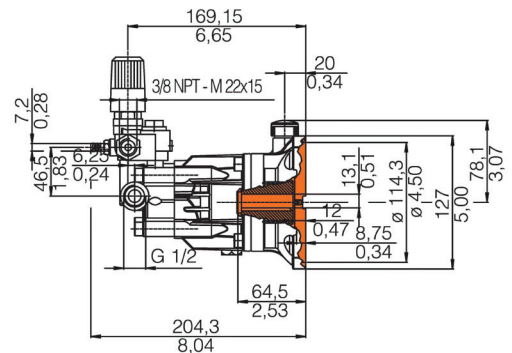
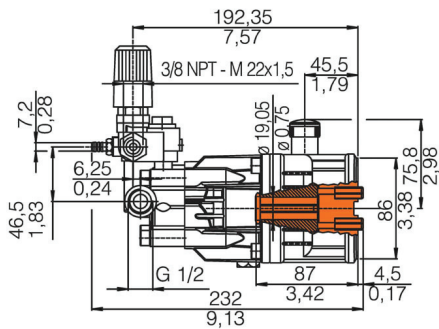
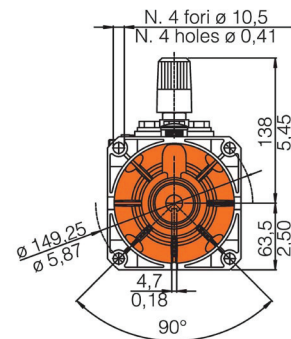
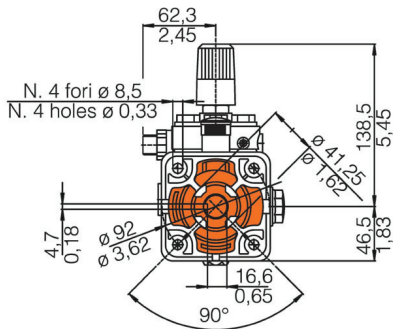
- 1/2" Inlet (GH not included) – 3/8" MPT Outlet
- Built-in Uniflow Unloader and Chemical Injector
- Built-in Easy Start
- Stainless Steel Plungers (Ceramic Optional)
- Steel Shaft with Built-in Key
- One Oil Cap for Travel and Operation
- Stainless Steel Check Valves
- Forged Brass Manifold
- Patent Registered Ball Bearing Design
- Optional Built-in Thermal Protector (#1215.0354.00)
- Optional Built-in Pressure Relief Valve (#1215.0311.00)
- Optional Built-in GH Inlet (#2800.0511.00)

• Torque Specs Available on Page 31

Pallet Qty: 72-Boxed; 72 Egg-Crated

• Additional Flows & Pressures are Available Upon Request

Takes 4 Ounces Pump Oil



**Gas Flange
BXD-G**

**Electric Flange
BXD-E**

BXD SERIES > Pumps-Gas Flange**3400 RPM - 3/4" Hollow Shaft**

- 1/2" Inlet – 3/8" MPT Outlet

PART #	MODEL #	GPM	PSI	RPM	SHAFT	PISTON	WT
6525.1003.00	BXD 2220 G	2.2	2000	3400	3/4" Hollow	14mm	11.0
6525.1004.00	BXD 3020 G	2.8	2000	3400	3/4" Hollow	14mm	11.0
6525.1001.00	BXD 2525 G	2.2	2500	3400	3/4" Hollow	14mm	11.0
6525.1005.00	BXD 3025 G	2.8	2500	3400	3/4" Hollow	14mm	11.0
6525.1002.00	BXD 2527 G	2.4	2700	3400	3/4" Hollow	14mm	11.0

BXD SERIES > Pumps-Electric Flange**3400 RPM - NEMA 56C-5/8" Hollow Shaft**

- 1/2" Inlet – 3/8" MPT Outlet

PART #	MODEL #	GPM	PSI	RPM	SHAFT	PISTON	WT
6525.1010.00	BXD 2020 E	1.9	2000	3400	5/8" Hollow	14mm	11.0
6525.0011.00	BXD 2520 E	2.5	2000	3400	5/8" Hollow	14mm	11.0
6525.1012.00	BXD 3020 E	2.8	2000	3400	5/8" Hollow	14mm	11.0

BXS SERIES > Pumps-Electric Flange**1750 RPM - NEMA 56C-5/8" Hollow Shaft**

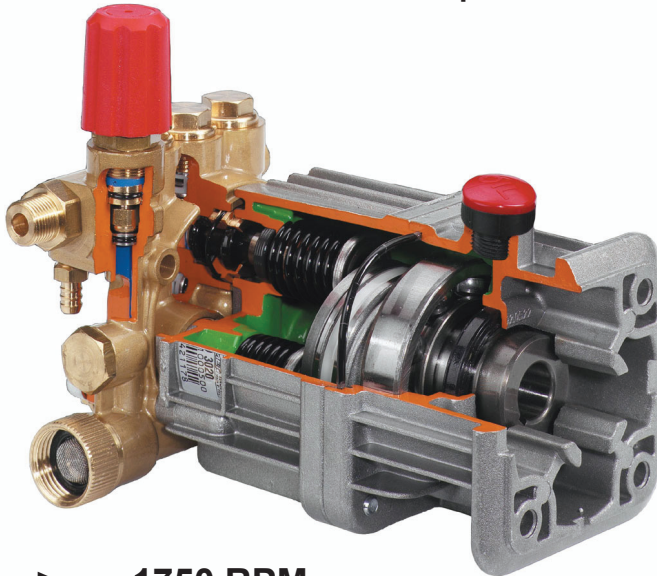
- 1/2" Inlet – 3/8" MPT Outlet

PART #	MODEL #	GPM	PSI	RPM	SHAFT	PISTON	WT
6526.1001.00	BXS 0615 E	0.6	1500	1750	5/8" Hollow	14mm	11.0

BXD Repair Kits (Kits also on Pages 30 & 31)

5019.0667.00	Seal Kit, Water, Gas
5019.0671.00	Seal Kit, Water, Electric
5025.0027.00	Check Valve Kit
1215.0401.00	Unloader Valve Kit, 1900 PSI
1215.0402.00	Unloader Valve Kit, 2610 PSI
1215.0586.00	Unloader Valve Kit, 4000 PSI

AX Series Commercial Pumps



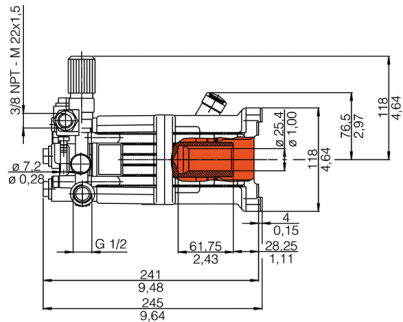
- 3/4" GH Inlet – 3/8" MPT Outlet
- Built-in Uniflow Unloader and Chemical Injector with Inner Stainless Steel Parts
- Abrasion Proof, Heat Resistant, Industrial Ceramic Plungers
- Stainless Steel Unitized Check Valves
- Forged Brass Manifold
- Industrial Duty Construction for Extended Life
- Patent Registered Ball Bearing Design
- Built-in Garden Hose Adapter
- Double-Sealing Buna-Textile V-Packing
- Optional Built-in Thermal Protector (#1215.0354.00)
- Optional Built-in Pressure Relief Valve (#1215.0311.00)

- > 1750 RPM
- > 3400 RPM

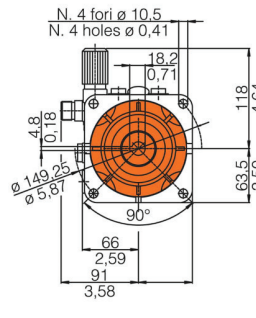
• Torque Specs Available on Page 31

• Additional Flows & Pressures are Available Upon Request

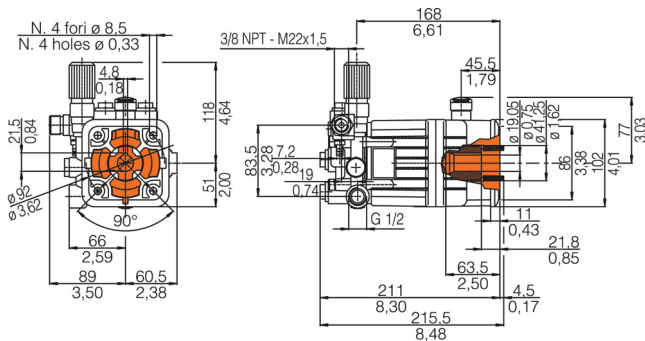
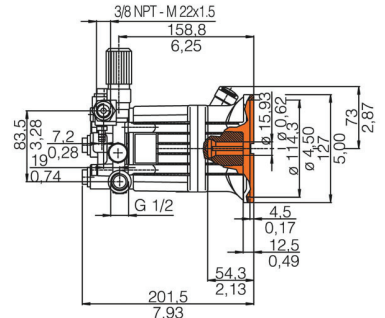
Takes 6 Ounces Pump Oil



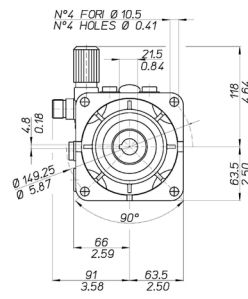
**Gas Flange
AXD-G 3000 PSI**



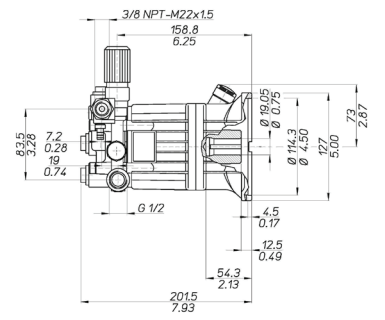
**Electric Flange
AXD/S-E**



**Gas Flange
AXD-G 2700 PSI**



**Electric Flange
AX-GE**



AXD SERIES > Pumps-Gas Flange

3400 RPM - 3/4" Hollow Shaft

Pallet Qty: 100-Boxed; 96 Egg-Crated

- 3/4" Inlet – 3/8" MPT Outlet

PART #	MODEL #	GPM	PSI	RPM	SHAFT	PISTON	WT
6501.0005.00	AXD 3020 G	2.7	2000	3400	3/4" Hollow	14mm	13.0
6501.0008.00	AXD 3522 G	3.3	2200	3400	3/4" Hollow	14mm	13.0
6501.0050.00	AXD 2524 G-T	2.4	2400	3400	3/4" Hollow	14mm	13.0
6501.0051.00	AXD 2524 G	2.4	2400	3400	3/4" Hollow	14mm	13.0
6501.0006.00	AXD 3025 G	2.9	2500	3400	3/4" Hollow	14mm	13.0
6501.0017.00	AXD 3525 G	3.3	2500	3400	3/4" Hollow	14mm	13.0
6501.0063.00	AXD 2427 G	2.4	2700	3400	3/4" Hollow	14mm	13.0
6501.0059.00	AXD 2527 G-T	2.5	2700	3400	3/4" Hollow	14mm	13.0
6501.0025.00	AXD 2527 G	2.5	2700	3400	3/4" Hollow	14mm	13.0

"T" Denotes Stainless Steel Pistons

AXD SERIES > Pumps-Electric Flange

1750 & 3400 RPM - 5/8" & 3/4" Hollow Shaft

NEMA 56C Electric Motor Flange

Pallet Qty: 100-Boxed; 96 Egg-Crated

*Exceptions below

- 3/4" Inlet – 3/8" MPT Outlet

PART #	MODEL #	GPM	PSI	RPM	SHAFT	PISTON	WT
6502.0009.00	AXS 0415 E	0.4	1500	1750	5/8" Hollow	14mm	13.0
6502.0010.00	AXS 0615 E	0.6	1500	1750	5/8" Hollow	14mm	13.0
6502.0005.00	AXS 1015 E	0.9	1500	1750	5/8" Hollow	14mm	13.0
6502.0008.00	AXS 1315 E	1.3	1500	1750	5/8" Hollow	14mm	13.0
6502.0006.00	AXS 2015 E	1.7	1500	1750	5/8" Hollow	14mm	13.0
6501.0038.00*1	AXD 2020 E	1.7	2000	3400	5/8" Hollow	14mm	13.0
6501.0010.00	AXD 2020 E	1.9	2000	3400	5/8" Hollow	14mm	13.0
6501.0098.00	AXD 2020 E-T	1.9	2000	3400	5/8" Hollow	14mm	13.0
6501.0012.00 2	AXD 2520 E	2.5	2000	3400	5/8" Hollow	14mm	13.0
6501.0013.00	AXD 3020 E	2.9	2000	3400	5/8" Hollow	14mm	13.0
6501.0087.00	AXD 3020 GE	2.9	2000	3400	3/4" Hollow	14mm	13.0
6501.0090.00	AXD 2527 GE	2.5	2700	3400	3/4" Hollow	14mm	13.0

*5.5 Degree Cam 1-72 Egg-Crated 2-96 Boxed

"T" Denotes Stainless Steel Pistons

AXD SERIES > Pumps-Gas Flange

3400 RPM - 1" Hollow Shaft

Pallet Qty: 70-Boxed; 70 Egg-Crated

- 3/4" Inlet – 3/8" MPT Outlet

PART #	MODEL #	GPM	PSI	RPM	SHAFT	PISTON	WT
6501.0024.00	AXD 3030 G	2.9	3000	3400	1" Hollow	14mm	14.5
6501.0027.00	AXD 3530 G	3.3	3000	3400	1" Hollow	14mm	14.5
6501.0023.00	AXD 4030 G	3.7	3000	3400	1" Hollow	14mm	14.5

AXD Repair Kits (Kits also on Pages 30 & 31)

AXD up to 2400 PSI Repair Kits

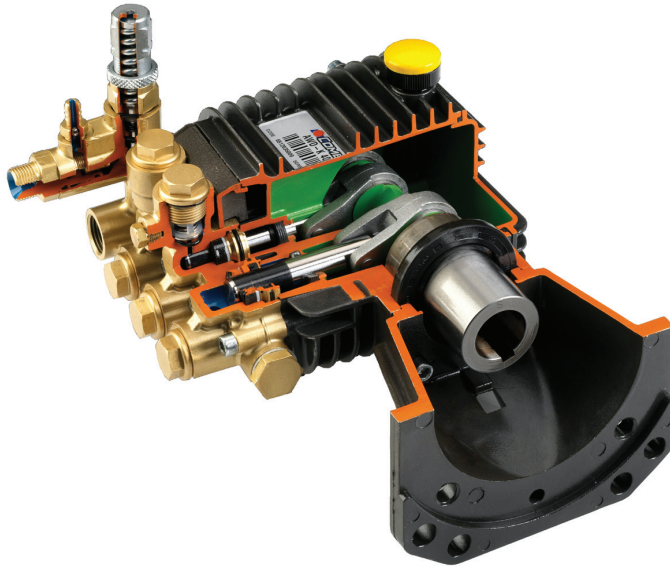
AXD 2500+ PSI Repair Kits

5019.0077.00	Seal Kit, Water	5019.0078.00	Seal Kit, Water
1215.0402.00	Unloader Repair Kit, 2610 PSI	1215.0586.00	Unloader Repair Kit, 4000 PSI
5025.0014.00	Check Valve Kit Universal	5025.0014.00	Check Valve Kit Universal
2409.0092.00	Piston Kit	2409.0092.00	Piston Kit
5019.0079.00	Seal Kit, Oil	5019.0079.00	Seal Kit, Oil

AXD 3000 PSI Repair Kits

5019.0086.00	Seal Kit, Water
1215.0586.00	Unloader Repair Kit, 4000 PSI
5025.0014.00	Check Valve Kit Universal
2409.0103.00	Piston Kit
5019.0079.00	Seal Kit, Oil

BWD Series Commercial Pumps

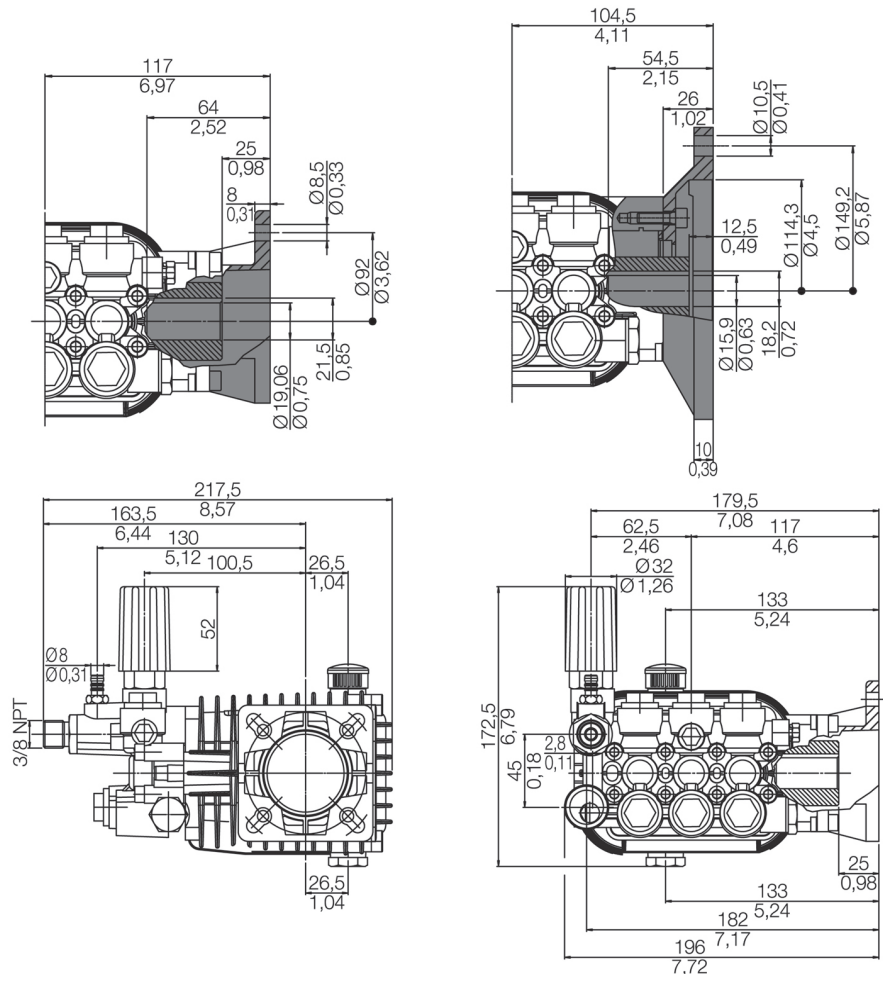


- 1/2" FPT Inlet – 3/8" MPT Outlet
- Built-in Uniflow Unloader and Fixed Chemical Injector
- Double Seal Packings (High & Low)
- Anodized Crankcase
- Ceramic Plungers
- Forged Brass Manifold
- Stainless Steel Check Valves

• Torque Specs Available on Page 31

Pallet Qty: 72-Boxed; 72 Egg-Crated

Takes 10 Ounces Pump Oil



**Gas Flange
BWD-G**

**Electric Flange
BWD-E**

BWD SERIES > Pumps-Gas Flange**3400 RPM - 3/4" Hollow Shaft (SAE J609 A-B) - Gas**

- 1/2" FPT Inlet – 3/8" MPT Outlet

Pump without Built-In Unloader

PART #	MODEL #	GPM	PSI	RPM	SHAFT	PISTON	WT
6521.0100.00	BWD 2527 G	2.6	2700	3400	3/4" Hollow	14mm	12.0
6521.0300.00	BWD 3027 G	3.0	2700	3400	3/4" Hollow	14mm	12.0

Pump with Built-In Unloader

PART #	MODEL #	GPM	PSI	RPM	SHAFT	PISTON	WT
6521.0250.00	BWD 3020 G-K	3.0	2000	3400	3/4" Hollow	14mm	12.6
6521.0150.00	BWD 2527 G-K	2.6	2700	3400	3/4" Hollow	14mm	13.1
6521.0350.00	BWD 3027 G-K	3.0	2700	3400	3/4" Hollow	14mm	12.9

BWD SERIES > Pumps-Electric Flange**3400 RPM - 5/8" Hollow Shaft (NEMA 56C) - Electric**

- 1/2" FPT Inlet – 3/8" MPT Outlet

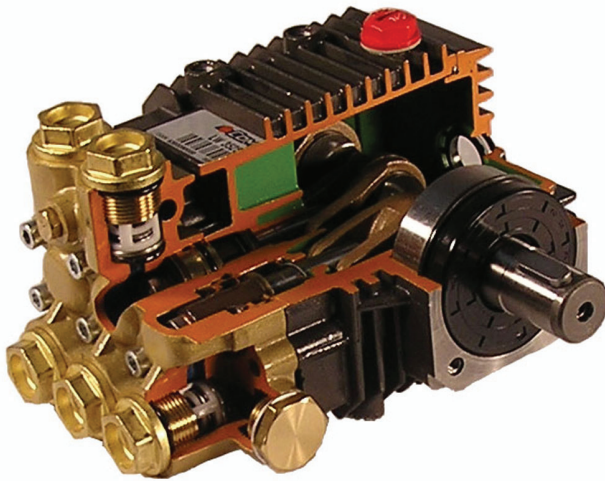
Pump with Built-In Unloader

PART #	MODEL #	GPM	PSI	RPM	SHAFT	PISTON	WT
6521.0450.00	BWD 2020 E-K	1.9	2000	3400	5/8" Hollow	14mm	14.0
6521.0251.00	BWD 3020 E-K	2.7	2000	3400	5/8" Hollow	14mm	14.0

BW Repair Kits (Hot and Standard Kits also on pages 30 & 31)

5019.0686.00	Seal Kit, Water, 2700 PSI
5019.0684.00	Seal Kit, Water, 2000 PSI
5019.0685.00	Seal Kit, Oil
5025.0030.00	Valve Kit
1215.0402.00	Unloader Valve Kit, 2610 PSI
1215.0586.00	Unloader Valve Kit, 4000 PSI

LW Series Industrial Pumps

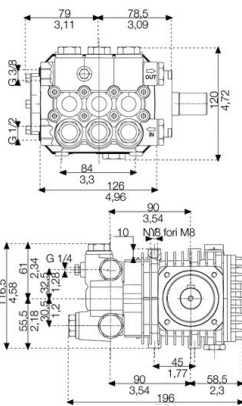


- > 1450 RPM
- > 1750 RPM
- > 3400 RPM

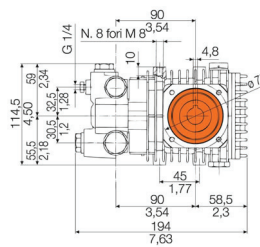
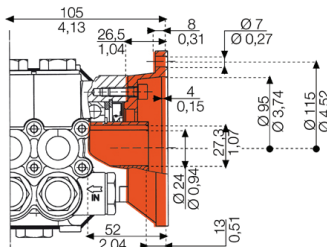
- 3/8" FPT Inlet – 3/8" FPT Outlet
- Reversible Crankshaft for Easy Right or Left Hand Mounting
- Forged Bronze Connecting Rods with Lifetime Warranty
- Hardened Stainless Steel Piston Guides
- High Efficiency Stainless Steel Check Valves
- Abrasion Proof, Heat Resistant, Industrial Ceramic Plungers
- High Quality Buna-Textile Double-Sealing V-Packings
- Solid or Hollow Shaft
- Die-Cast, Anodized Aluminum Crankshaft-Fin Design for Optimal Operating Temperature
- Flange for Direct Mounting to Gas Engines or Electric Motors
- High Quality Oversized Ball Bearings
- Optimal Oil Bath for High Speed Operation

• Torque Specs Available on Page 31

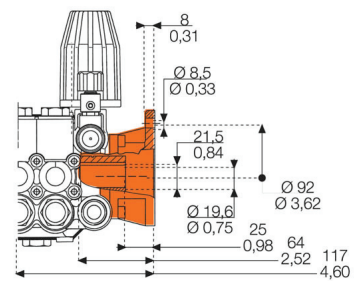
Takes 11 Ounces Pump Oil



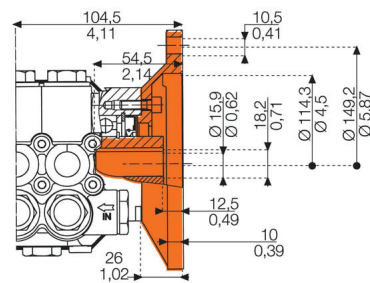
**Gas Flange
LW-G**



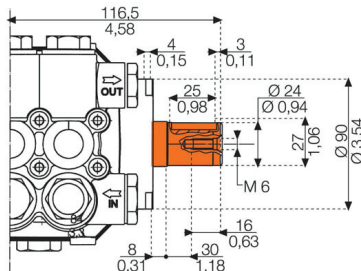
**Solid Shaft
LW-GE**



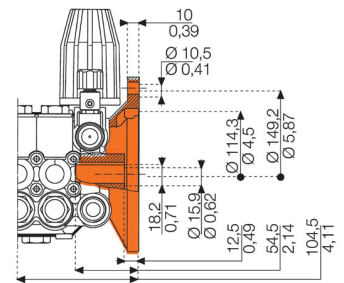
**Gas Flange
LW-K G**



**Electric Flange
LW-E**



**Solid Shaft
LW-S**



**Electric Flange
LW-K E**

LW SERIES > Pumps-Solid Shaft

1450 RPM - 24mm Solid Shaft

- 3/8" FPT Inlet – 3/8" FPT Outlet

- 24 mm Solid, Keyed Shaft
- Pallet Qty: 100 (Boxed or Egg-Crated)

PART #	MODEL #	GPM	PSI	RPM	SHAFT	PISTON	WT
6300.1501.00x	LW 0509 S	0.5	1500	1450	24mm Solid	15mm	13.4
6300.1401.00x	LW 1009 S	1.0	1500	1450	24mm Solid	18mm	13.4
6300.1601.00x	LW 1509 S	1.5	1500	1450	24mm Solid	18mm	13.4
6300.0502.00	LW 2020 S	2.1	2000	1450	24mm Solid	15mm	13.4
6300.0303.00	LW 3020 S	3.0	2000	1450	24mm Solid	18mm	13.4
6300.0700.00	LW 3025 S	3.0	2500	1450	24mm Solid	18mm	13.4
6300.0800.00	LW 3525 S	3.5	2500	1450	24mm Solid	18mm	13.4

x-3/8" Inlet

A=Aluminum Manifold

LWS SERIES > Pumps-Solid Shaft

1750 RPM - 24mm Solid Shaft

- 3/8" FPT Inlet – 3/8" FPT Outlet

- 24 mm Solid, Keyed Shaft
- Pallet Qty: 100 (Boxed or Egg-Crated)

PART #	MODEL #	GPM	PSI	RPM	SHAFT	PISTON	WT
6301.2700.00x	LWS 0609 S	0.6	1500	1750	24mm Solid	15mm	13.4
6301.2500.00x	LWS 1209 S	1.2	1500	1750	24mm Solid	18mm	13.4
6301.2600.00x	LWS 1809 S	1.8	1500	1750	24mm Solid	18mm	13.4
6301.0101.00	LWS 2020 S	2.2	2000	1750	24mm Solid	15mm	13.4
6301.0601.00	LWS 3020 S	3.1	2000	1750	24mm Solid	18mm	13.4
6301.1400.00	LWS 4020 S	4.0	2000	1750	24mm Solid	18mm	13.4
6301.1300.00	LWS 3025 S	3.2	2500	1750	24mm Solid	18mm	13.4
6301.1201.00	LWS 3525 S	3.5	2500	1750	24mm Solid	18mm	13.4

x-3/8" Inlet

*97 Egg-Crated

Pump with Built-In Unloader

6301.1350.00	LWS 3025 S-K	3.2	2500	1750	24mm Solid	18mm	17.0
--------------	--------------	-----	------	------	------------	------	------

K-Built-In Unloader

LWS SERIES > Pumps-Electric Flange

1750 RPM - NEMA 56C - 5/8"

or 3/4" Hollow Shaft

- 3/8" FPT Inlet – 3/8" FPT Outlet

- NEMA 56C Electric Motor Flange with 5/8" Hollow Shaft
- Pallet Qty: 100 (Boxed or Egg-Crated)

PART #	MODEL #	GPM	PSI	RPM	SHAFT	PISTON	WT
6301.2701.00x	LWS 0609 E	0.6	1500	1750	5/8" Hollow	15mm	13.4
6301.2501.00x	LWS 1209 E	1.2	1500	1750	5/8" Hollow	18mm	13.4
6301.2601.00x	LWS 1809 E	1.8	1500	1750	5/8" Hollow	18mm	13.4
6301.2300.00x	LWS 0409 GE	0.4	1500	1750	3/4" Hollow	18mm	13.4
6301.0102.00	LWS 2020 E	2.2	2000	1750	5/8" Hollow	15mm	13.4
6301.0604.00	LWS 3020 E	3.0	2000	1750	5/8" Hollow	18mm	13.4
6301.0602.00	LWS 3520 E	3.6	2000	1750	5/8" Hollow	18mm	13.4

x-3/8" Inlet

Pump with Built-In Unloader

6301.0654.00*	LWS 3020 E-K	3.0	2000	1750	5/8" Hollow	18mm	13.4
---------------	--------------	-----	------	------	-------------	------	------

K-Built-In Unloader

LWD SERIES > Pumps-Solid Shaft

3400 RPM - 24mm Solid Shaft

- 3/8" FPT Inlet – 3/8" FPT Outlet

- 24mm Solid, Keyed Shaft
- Pallet Qty: 100 (Boxed or Egg-Crated)

PART #	MODEL #	GPM	PSI	RPM	SHAFT	PISTON	WT
6303.0507.00	LWD 3020 S	3.0	2000	3400	24mm Solid	15mm	13.4
6303.0803.00	LWD 3522 S	3.5	2200	3400	24mm Solid	18mm	13.4
6303.0702.00	LWD 3025 S	3.0	2500	3400	24mm Solid	18mm	13.4



LWD SERIES > Pumps-Electric Flange

3400 RPM - NEMA 56C -5/8" or 3/4" Hollow Shaft

- 3/8" FPT Inlet – 3/8" FPT Outlet

- NEMA 56C Electric Motor Flange with 5/8" or 3/4" Hollow Shaft
- **Pallet Qty: 100 (Boxed or Egg-Crated)**

PART #	MODEL #	GPM	PSI	RPM	SHAFT	PISTON	WT
6303.0105.00	LWD 2020 E	2.1	2000	3400	5/8" Hollow	15mm	13.4
6303.0509.00	LWD 3020 E	3.0	2000	3400	5/8" Hollow	15mm	13.4
6303.0806.00	LWD 3522 E	3.5	2200	3400	5/8" Hollow	15mm	13.4
6303.0804.00	LWD 3522 GE	3.5	2200	3400	3/4" Hollow	15mm	13.4
Pump with built-in Unloader							
6303.0156.00	LWD 2020 E-K	2.1	2000	3400	5/8" Hollow	15mm	13.4

K-Built-In Unloader

LWD SERIES > Pumps-Gas Flange

3400 RPM - Gas Engine Flange

- 3/8" FPT Inlet – 3/8" FPT Outlet

- Gas Engine Mounting Flange with 3/4" Hollow Shaft
- **Pallet Qty: 100 (Boxed or Egg-Crated)**

PART #	MODEL #	GPM	PSI	RPM	SHAFT	PISTON	WT
6303.0104.00	LWD 2020 G	2.1	2000	3400	3/4" Hollow	15mm	13.4
6303.1600.00	LWD 2520 G	2.5	2000	3400	3/4" Hollow	15mm	13.4
6303.0508.00	LWD 3020 G	3.0	2200	3400	3/4" Hollow	15mm	13.4
6303.0802.00	LWD 3522 G	3.5	2200	3400	3/4" Hollow	15mm	13.4
6303.0701.00	LWD 3025 G	3.0	2500	3400	3/4" Hollow	15mm	13.4
6303.1700.00	LWD 2525 G	2.5	2700	3400	3/4" Hollow	15mm	13.4

LWD SERIES > Pumps-Gas Flange

3400 RPM - Gas Engine Flange

- 3/8" FPT Inlet – 3/8" FPT Outlet

- Gas Engine Mounting Flange with 3/4" Hollow Shaft
- **Pallet Qty: 60 (57 Egg-Crated)**

Pump with Built-In Unloader							
PART #	MODEL #	GPM	PSI	RPM	SHAFT	PISTON	WT
6303.0157.00	LWD 2020 G-K	2.1	2000	3400	3/4" Hollow	15mm	13.4
6303.1652.00	LWD 2520 G-K	2.5	2000	3400	3/4" Hollow	15mm	13.4
6303.0558.00	LWD 3020 G-K	3.0	2000	3400	3/4" Hollow	15mm	13.4
6303.0754.00	LWD 3025 G-K	3.0	2500	3400	3/4" Hollow	15mm	16.0
6303.0706.00	LWD 3025 G-RF	3.0	2500	3400	3/4" Hollow	15mm	16.0
6303.1751.00	LWD 2525 G-K	2.5	2700	3400	3/4" Hollow	15mm	16.0
6303.1750.00*	LWD 2525 G-K	2.5	2700	3400	3/4" Hollow	15mm	16.0
6303.2100.00	LWD 2527 G-RF	2.5	2700	3400	3/4" Hollow	15mm	16.0

*Fixed injector

RF-Bolt-on Unloader

K-Built-In Unloader

LW Series Mounting Rail Kits

5011.0184.00

Standard Rail Kit for LW Series Pump

5011.0216.00

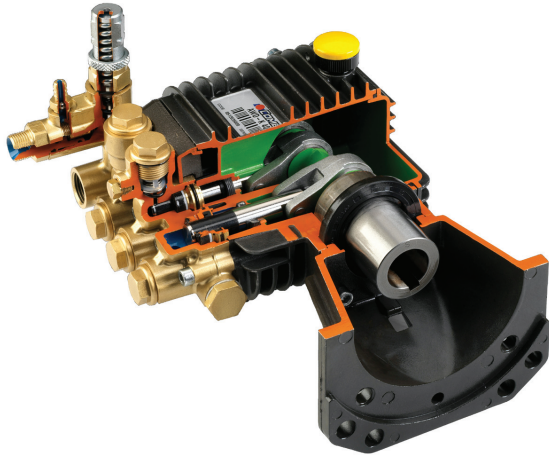
Tall Rail Kit for LW Series Pump

LW Series Repair Kits (Hot and Standard Kits also on Pages 30 & 31)

5019.0035.00	LW Water Seal Kit, 15mm	1215.0401.00	Unloader Valve Kit, 1900 PSI
5019.0037.00	LW Water Seal Kit, 18mm	1215.0402.00	Unloader Valve Kit, 2610 PSI
5019.0040.00	LW Oil Seal Kit, Solid Shaft	1215.0586.00	Unloader Valve Kit, 4000 PSI
5019.0041.00	LW Oil Seal Kit, Hollow Shaft	5026.0123.00	Unloader Maintenance Kit
2409.0071.00	LW Piston Kit, 15mm	5019.0048.00	Hot Water Kit, 15mm
2409.0072.00	LW Piston Kit, 18mm	5019.0049.00	Hot Water Kit, 18mm
5025.0011.00	LW Check Valve Kit	5019.0051.00	Viton Seal Kit, 15mm
5026.0130.00	Unloader Rebuild Kit	5019.0050.00	Viton Seal Kit, 18mm

AWD Series

Commercial Pumps



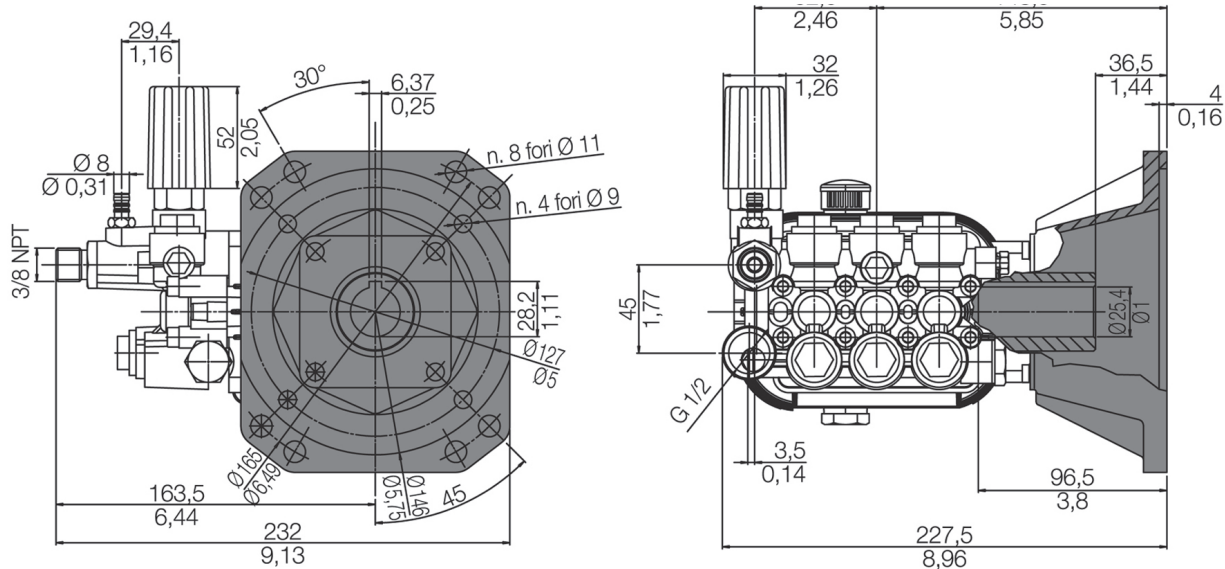
3400 RPM - Gas Engine Flange

- 1/2" FPT Inlet – 3/8" MPT Outlet
- Built-in Uniflow Unloader and Fixed Chemical Injector
- Double Seal Packings (High & Low)
- Anodized Crankcase
- Ceramic Plungers
- Forged Brass Manifold
- Stainless Steel Check Valves

• Torque Specs Available on Page 31

Pallet Qty: 72-Boxed; 72 Egg-Crated

Takes 10 Ounces Pump Oil



AWD SERIES > Pumps-Gas Flange

- 1/2" FPT Inlet – 3/8" MPT Outlet

Pump without Built-In Unloader

PART #	MODEL #	GPM	PSI	RPM	SHAFT	PISTON	WT
6520.0300.00	AWD 4030 G	4.0	3000	3400	1" Hollow	14mm	12.6

Pump with Built-In Unloader

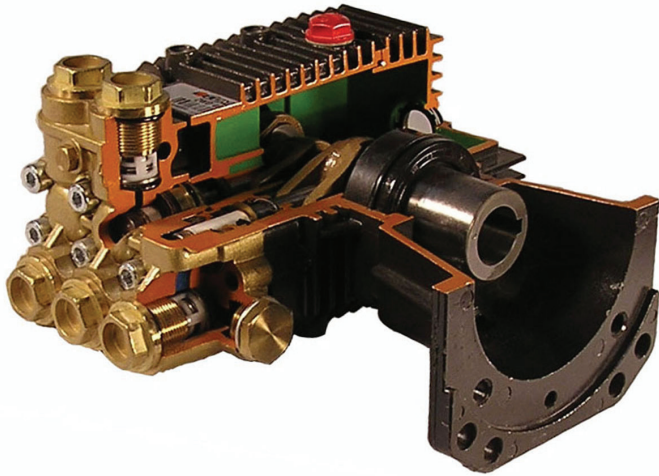
PART #	MODEL #	GPM	PSI	RPM	SHAFT	PISTON	WT
6520.0150.00	AWD 3030 G-K	3.0	3000	3400	1" Hollow	14mm	14.4
6520.0250.00	AWD 3530 G-K	3.5	3000	3400	1" Hollow	14mm	14.4
6520.0350.00	AWD 4030 G-K	4.0	3000	3400	1" Hollow	14mm	14.4
6520.0450.00	AWD 4036 G-K	4.0	3600	3400	1" Hollow	14mm	14.4

K-Built-In Unloader

AW Repair Kits (Kits also on Pages 30 & 31)

- 5019.0686.00 AW Water Seal Kit
- 5019.0687.00 AW Oil Seal Kit
- 5025.0030.00 Valve Kit
- 1215.0586.00 Unloader Kit (4000 PSI)

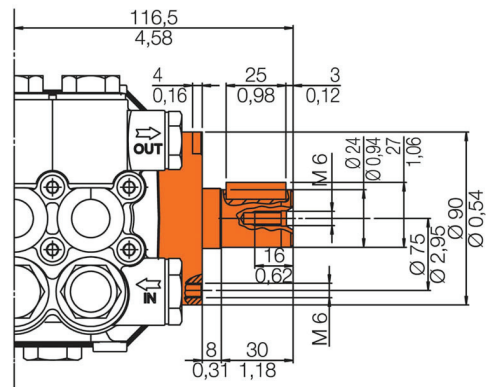
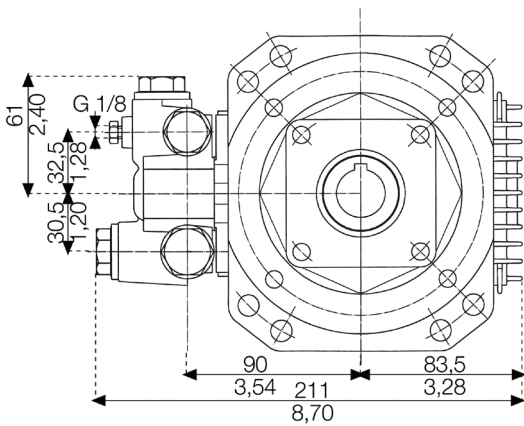
ZWD Series Industrial Pumps



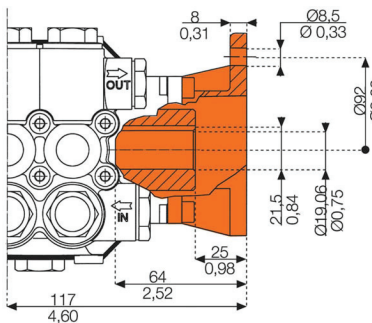
- 1/2" FPT Inlet – 3/8" Outlet (see pump sections for M or F)
- Reversible Crankshaft for Easy Right or Left Hand Mounting
- Increased Fin Depth Increases Surface Area to Maximize Heat Dissipation
- Stainless Steel Unitized Check Valves
- Heat-Resistant Solid Ceramic Plungers Operating on Lubricated Packings
- Direct Drive Mounting Flange
- Reinforced Crankcase for Increased Load Capacity
- Enlarged Crankcase Increases Oil Capacity for Better Lubrication and Lower Operating Temperatures
- One-Piece Industrial-Grade Oversized Bronze Connecting Rods

• Torque Specs Available on Page 31

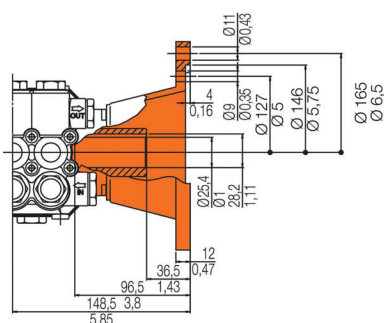
Takes 14 Ounces Pump Oil



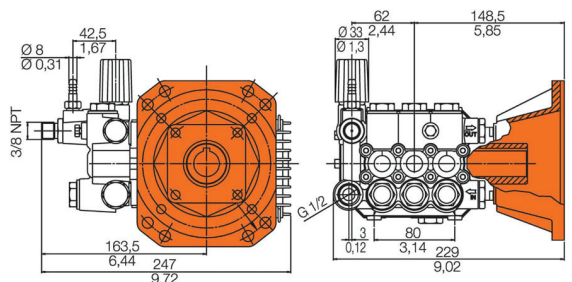
Solid Shaft ZW-S



Gas Flange ZW-G 3/4"



Gas Flange ZW-G 1"



Gas Flange ZW-G-K

ZWD SERIES > Pumps-Gas Flange

3400 RPM - Gas Engine Flange

- 1/2" FPT Inlet, 3/8" FPT Outlet
- Gas Engine Mounting Flange
- **Pallet Qty: 90; 57 Egg-Crated**

PART #	MODEL #	GPM	PSI	RPM	SHAFT	PISTON	WT
6305.0104.00*	ZWD 3030 G	3.0	3200	3400	3/4" Hollow	15mm	17.5
6305.1900.00	ZWD 2535 G	2.5	3500	3400	3/4" Hollow	15mm	17.5
6305.1600.00	ZWD 3035 G	3.0	3500	3400	1" Hollow	15mm	17.5
6305.1700.00	ZWD 3535 G	3.4	3500	3400	1" Hollow	15mm	17.5
6305.1800.00**	ZWD 4035 G	4.0	3500	3400	1" Hollow	15mm	17.5
6305.1100.00	ZWD 3040 G	3.0	4000	3400	1" Hollow	15mm	17.5
6305.1000.00	ZWD 3540 G	3.4	4000	3400	1" Hollow	15mm	17.5
6305.0900.00	ZWD 4040 G	4.0	4000	3400	1" Hollow	15mm	17.5

*Aluminum Connecting Rod

**60 Egg-Crated

ZWD SERIES > Pumps-Gas Flange

3400 RPM - Gas Engine Flange

- 1/2" FPT Inlet, 3/8" MPT Outlet
- Gas Engine Mounting Flange
- **Pallet Qty: 60; 57 Egg-Crated**

Pump with Built-In Unloader

PART #	MODEL #	GPM	PSI	RPM	SHAFT	PISTON	WT
6305.1650.00	ZWD 3035 G-K	3.0	3500	3400	1" Hollow	15mm	19.5
6305.1750.00	ZWD 3535 G-K	3.4	3500	3400	1" Hollow	15mm	19.5
6305.1850.00	ZWD 4035 G-K	4.0	3500	3400	1" Hollow	15mm	19.5
6305.0906.00	ZWD 4035 G-RF	4.0	3500	3400	1" Hollow	15mm	21.0
6305.1052.00	ZWD 3540 G-K	3.5	4000	3400	1" Hollow	15mm	21.8
6305.1503.00	ZWD 4040 G-K	4.0	4000	3400	1" Hollow	15mm	22.0

RF-Bolt-on Unloader

K-Built-In Unloader

ZWD SERIES > Pumps-Solid Shaft

3400 RPM - 24mm Solid Shaft

- 1/2" FPT Inlet, 3/8" FPT Outlet
- 24mm Solid, Keyed Shaft
- **Pallet Qty: 90; 57 Egg-Crated**

PART #	MODEL #	GPM	PSI	RPM	SHAFT	PISTON	WT
6305.0603.00	ZWD 4030 S	4.0	3000	3400	24mm Solid	15mm	17.4

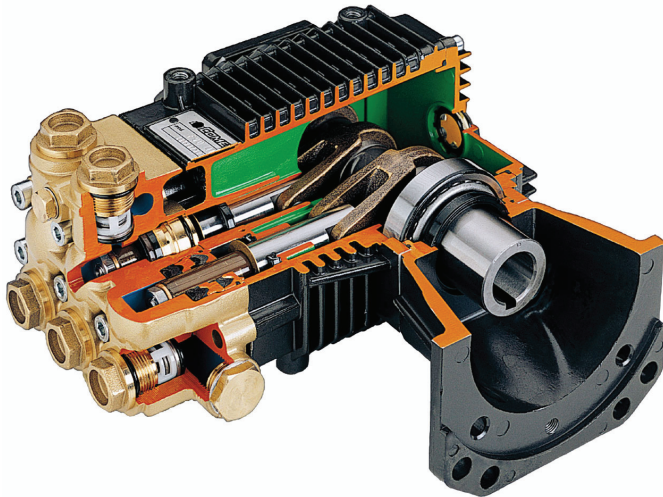
*Aluminum Connecting Rod

ZW Series Repair Kits (Kits also on Pages 30 & 31)

5019.0064.00 ZWD Seal Kit, 15mm
 5025.0011.00 Check Valve Kit
 1215.0586.00 Unloader Kit (4000 PSI)
 2409.0071.00 ZWD Piston Kit, 15mm

5019.0040.00 ZWD Oil Seal Kit, Solid Shaft
 5019.0065.00 ZWD Oil Seal Kit, Hollow Shaft
 5019.0048.00 Hot Water Kit, 15mm
 5019.0051.00 Viton Seal Kit, 15mm

FW Series Industrial Pumps

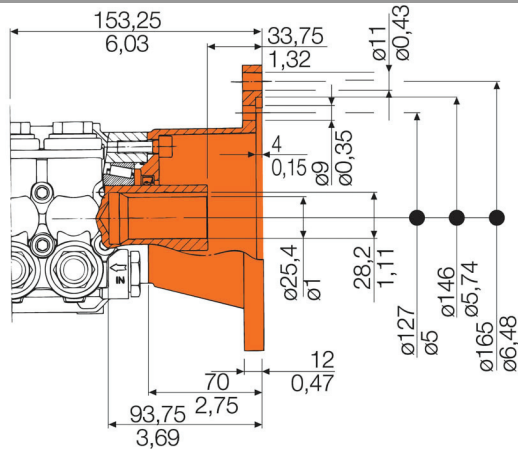


- > **1450 RPM**
- > **1750 RPM**
- > **3400 RPM**

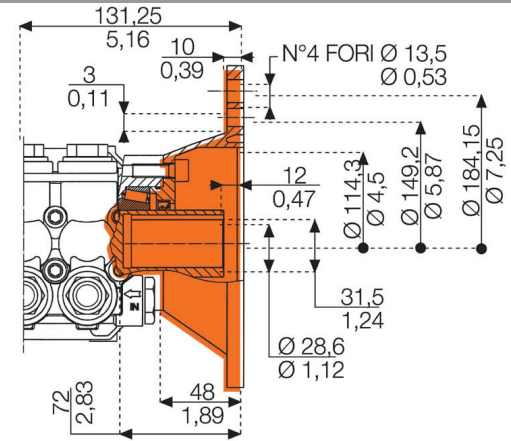
- 1/2" FPT Inlet – 3/8" FPT Outlet
- Reversible Crankcase for Easy Right or Left Hand Mounting
- Hardened Stainless Steel Piston Guides
- Highly Efficient Stainless Steel Check Valves
- Solid Ceramic Plungers
- High & Low Pressure Seals: High Quality Buna-Textile Packings
- Additional Anti-Extrusion Ring under the Seal
- Solid or Hollow Shaft
- Solid Brass Manifolds
- Special Forged Brass Oversized Connecting Rods
- Flange for Direct Mounting to Gas Engines or Electric Motors (Hollow Shaft Models Only.)
- Die-Cast, Anodized Aluminum Crankcase
- High Quality Tapered Roller Bearings
- Optimal Oil Bath for High Speed Operation

• Torque Specs Available on Page 31

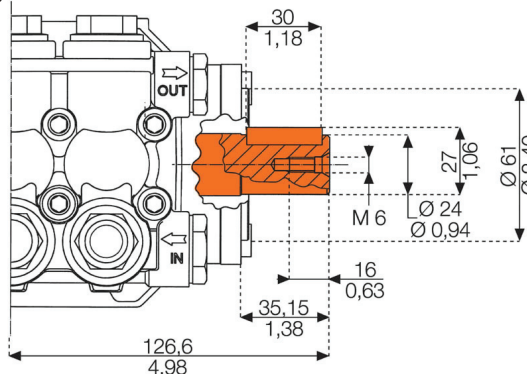
Takes 19 Ounces Pump Oil



**Gas Flange
FW-G**



**Electric Flange
FW-E**



**Solid Shaft
FW-S**

FWS SERIES > Pumps-Solid Shaft

1450 RPM - 24mm Solid Shaft

- 1/2" FPT Inlet, 3/8" FPT Outlet
- 24mm Solid, Keyed Shaft
- **Pallet Qty: 60 Boxed or Egg-Crated**

PART #	MODEL #	GPM	PSI	RPM	SHAFT	PISTON	WT
6401.0801.00	FWS 6020 S	5.9	2000	1750	24mm Solid Shaft	20mm	19.6

FWS SERIES > Pumps-Electric Flange

1750 RPM - 184T Elec. Flange

- 1/2" FPT Inlet, 3/8" FPT Outlet
- 184T Electric Motor Flange with 1-1/8" Hollow Shaft
- **Pallet Qty: 60 Boxed or Egg-Crated**

PART #	MODEL #	GPM	PSI	RPM	SHAFT	PISTON	WT
6401.1900.00	FWS 5530 E	5.6	3000	1750	1-1/8" Hollow	20mm	20.3

FWD SERIES > Pumps-Gas Flange

3400 RPM - Gas Engine Flange

- 1/2" FPT Inlet, 3/8" FPT Outlet
- Gas Engine Mounting Flange with 1" Hollow Shaft
- **Pallet Qty: 60 Boxed; 48 Egg-Crated**

PART #	MODEL #	GPM	PSI	RPM	SHAFT	PISTON	WT
6402.0102.00	FWD 3530 G	3.3	3000	3400	1" Hollow	18mm	20.3
6402.0800.00	FWD 4530 G	4.4	3000	3400	1" Hollow	18mm	20.3
6402.1000.00	FWD 4035 G	3.9	3500	3400	1" Hollow	18mm	20.3

FW Series Mounting Rail Kits

5011.0185.00

Standard Rail Kit for FW Series Pump

5011.0216.00

Tall Rail Kit for FW Series Pump

FW Series Repair Kits (Kits also on Pages 30 & 31)

5019.0038.00 FW Water Seal Kit, 18mm

5025.0025.00 High Flow Valve Kit, 5+GPM

5019.0039.00 FW Water Seal Kit, 20mm

2409.0073.00 FW Piston Kit, 18mm

5019.0044.00 FW Oil Seal Kit, Solid Shaft

2409.0074.00 FW Piston Kit, 20mm

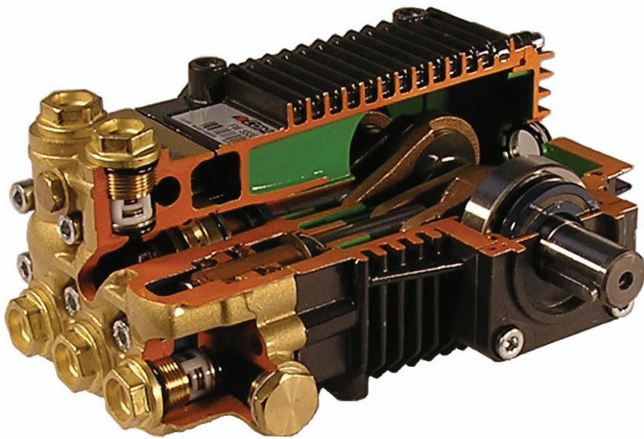
5019.0045.00 FW Oil Seal Kit, Hollow Shaft

5019.0053.00 Hot Water Kit, 18mm

5025.0011.00 Check Valve Kit

5019.0054.00 Hot Water Kit, Seals Only, 20mm

HW Series Industrial Pumps

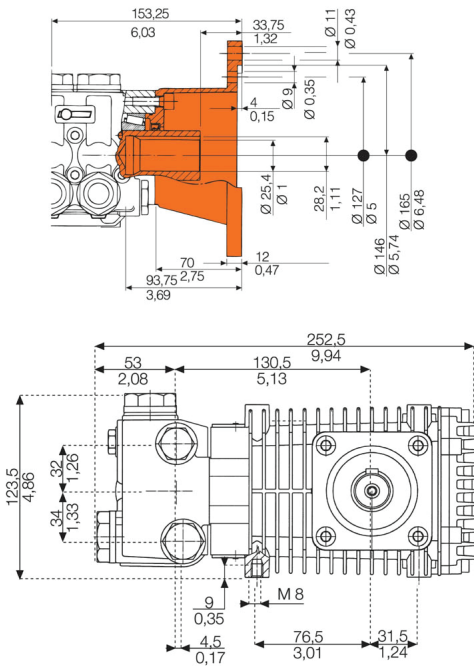


- > **1450 RPM**
- > **1750 RPM**
- > **3400 RPM**

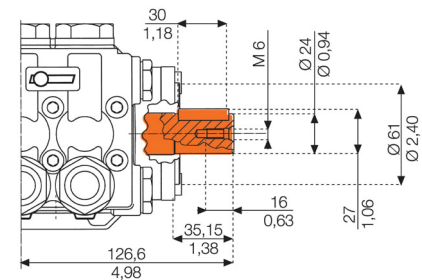
- 1/2" FPT Inlet – 3/8" FPT Outlet
- Reversible Crankcase for Easy Right or Left Hand Mounting
- Hardened Stainless Steel Piston Guides
- Highly Efficient Stainless Steel Check Valves
- Solid Ceramic Plungers
- High & Low Pressure Seals: High Quality Buna-Textile Packings
- Additional Anti-Extrusion Ring under the Seal
- Solid or Hollow Shaft
- Solid Brass Manifolds
- Special Forged Brass Oversized Connecting Rods
- Flange for Direct Mounting to Gas Engines (Hollow Shaft Models Only.)
- Die-Cast, Anodized Aluminum Crankcase
- High Quality Tapered Roller Bearings
- Optimal Oil Bath for High Speed Operation

• Torque Specs Available on Page 31

Takes 19 Ounces Pump Oil



**Gas Flange
HW-G**



**Solid Shaft
HW-S**

HW SERIES > Pumps-Solid Shaft

1450 RPM - 24mm Solid Keyed Shaft

- 1/2" FPT Inlet, 3/8" FPT Outlet
- 24mm Solid, Keyed Shaft
- **Pallet Qty: 60 Boxed or Egg-Crated**

PART #	MODEL #	GPM	PSI	RPM	SHAFT	PISTON	WT
6403.0400.00	HW 4540 S	4.4	4000	1450	24mm Solid	18mm	22.0

HWD SERIES > Pumps-Gas Flange

3400 RPM - Gas Engine Flange

- 1/2" FPT Inlet, 3/8" FPT Outlet
- Gas Engine Mounting Flange with 1" Hollow Shaft
- **Pallet Qty: 60 Boxed; 46 Egg-Crated**

PART #	MODEL #	GPM	PSI	RPM	SHAFT	PISTON	WT
6405.0200.00	HWD 3540 G	3.3	4000	3400	1" Hollow	18mm	22.5
6405.0400.00	HWD 5540 G	5.3	4000	3400	1" Hollow	18mm	22.5

HW Series Mounting Rail Kits

5011.0185.00	Standard Rail Kit for HW Series Pump
5011.0216.00	Tall Rail Kit for HW Series Pump

HW Series Repair Kits (Kits also on Pages 30 & 31)

5025.0011.00	Check Valve Kit	5019.0044.00	HW Oil Seal Kit, Solid Shaft
5025.0025.00	HWS 5040, High Flow, 5+ GPM	5019.0045.00	HW Oil Seal Kit, Hollow Shaft
5019.0631.00	HW Water Seal Kit, 18mm	5019.0049.00	Hot Water Kit, 18mm (2 Required)
2409.0073.00	HW Piston Kit, 18mm	5019.0054.00	Hot Water Kit, Seals Only, 20mm

LW & ZW Series

Bolt-On Unloader Pumps



3400 RPM - Gas Engine Flange

- 1/2" FPT Inlet, 3/8" MPT Outlet
- Anodized, Die-Cast Aluminum Crankcase
- Solid Ceramic Plungers
- Stainless Steel Check Valves
- Buna-Textile V-Packings
- Reversible Crankcase for Right or Left Hand Mounting
- Gas Engine Mounting Flange
- Injector: Adjustable on LWD; Fixed on ZWD

Pallet Qty: 60 Boxed; 57 Egg-Crated

PART #	MODEL #	GPM	PSI	RPM	SHAFT	PISTON	WT
6303.0706.00	LWD 3025 G-RF	3.0	2500	3400	3/4" Hollow	15mm	17.7
6303.2100.00	LWD 2527 G-RF	2.5	2700	3400	3/4" Hollow	15mm	17.9
6305.0906.00	ZWD 4035 G-RF	4.0	3500	3400	1" Hollow	15mm	21.0

RF-Bolt-on Unloader

FW & HW Series

Gear Reducer Pumps



1450 RPM - Gear Reduction Drive

- 1/2" FPT Inlet, 3/8" FPT Outlet
- Anodized, Die-Cast Aluminum Crankcase
- Solid Ceramic Plungers
- Stainless Steel Check Valves & Piston Guides
- Buna-Textile V-Packings
- Oversized Bronze Connecting Rods
- 24mm Solid, Keyed Shaft on Pump
- 2.2:1 Gear Reduction with 1" Hollow Shaft for Direct Mounting to Gas Engines

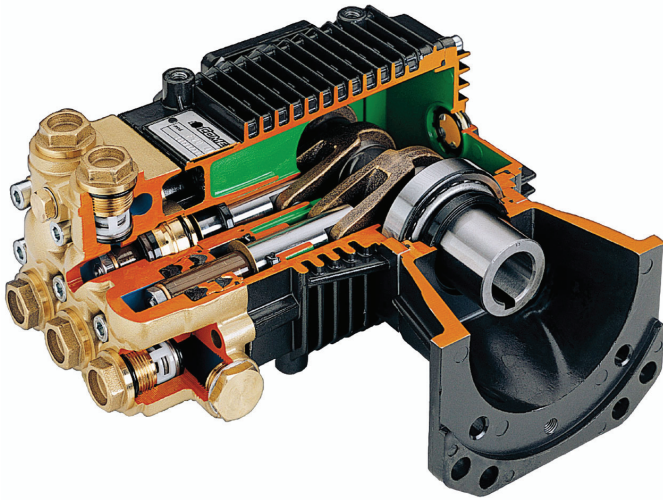
Takes 19 Ounces Pump Oil

PART #	MODEL #	GPM	PSI	RPM (Pump/Drive)	SHAFT	PISTON	WT
6400.1004.00	FW 3530 SGR	3.7	3000	1545/3400	1" Hollow	18mm	28.3
6400.1113.00	FW 4030 SGR	4.2	3000	1545/3400	1" Hollow	18mm	29.4
6400.0203.00	FW 5030 SGR	5.3	3000	1545/3400	1" Hollow	20mm	29.4
6400.1401.00	FW 5530 SGR	5.8	3000	1545/3400	1" Hollow	20mm	29.4
6403.0201.00	HW 4040 SGR	4.2	4000	1545/3400	1" Hollow	18mm	31.0
6403.0401.00	HW 4540 SGR	4.8	4000	1545/3400	1" Hollow	18mm	31.0

HW Series Repair Kits (Kits also on Pages 30 & 31)

5019.0038.00	FW Water Seal Kit, 18mm	2409.0073.00	FW/HW Piston Kit, 18mm
5019.0039.00	FW Water Seal Kit, 20mm	2409.0074.00	FW Piston Kit, 20mm
5019.0631.00	HW Water Seal Kit, 18mm	5025.0011.00	Check Valve Kit
		5019.0045.00	FW/HW Seal Kit Hollow Shaft

FW2 Series Industrial Pumps

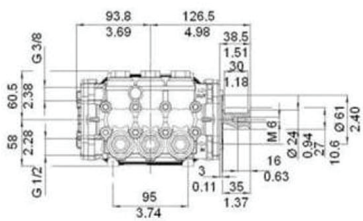
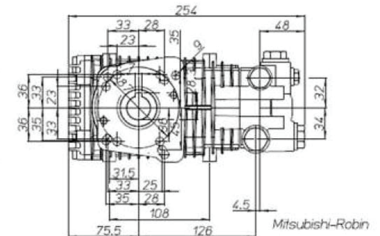
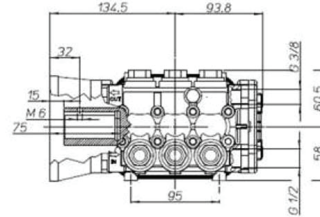
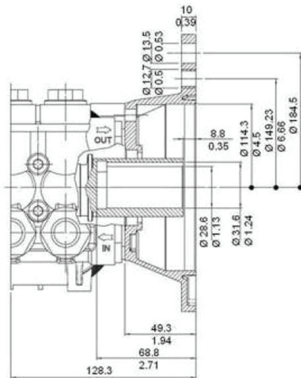
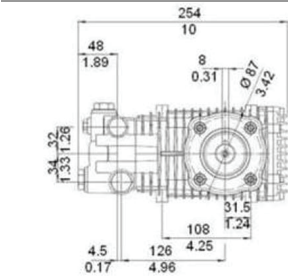


- > 1450 RPM
- > 1750 RPM
- > 3400 RPM

- 1/2" FPT Inlet – 3/8" FPT Outlet
- Reversible Crankcase for Easy Right or Left Hand Mounting
- Hardened Stainless Steel Piston Guides
- Highly Efficient Stainless Steel Check Valves
- Solid Ceramic Plungers
- High & Low Pressure Seals: High Quality Buna-Textile Packings
- Additional Anti-Extrusion Ring under the Seal
- Solid or Hollow Shaft
- Solid Brass Manifolds
- Special Forged Brass Oversized Connecting Rods
- Flange for Direct Mounting to Gas Engines or Electric Motors (Hollow Shaft Models Only.)
- Die-Cast, Anodized Aluminum Crankcase
- High Quality Tapered Roller Bearings
- Optimal Oil Bath for High Speed Operation

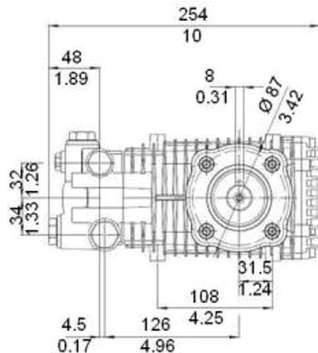
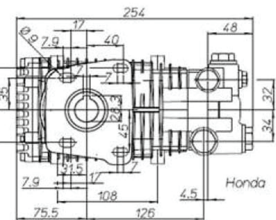
• Torque Specs Available on Page 31

Takes 19 Ounces Pump Oil

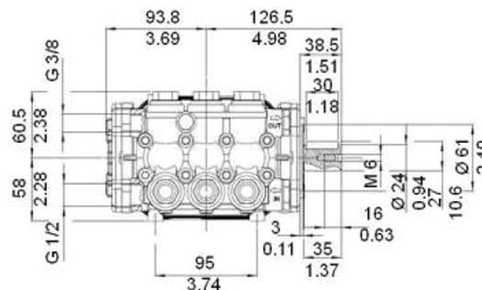


**Gas Flange
FW2-G**

**Electric Flange
FW2-E**



**Solid Shaft
FW2-S**





FW2 SERIES > Pumps-Solid Shaft

1450 RPM - 24mm solid Shaft

- 1/2" FPT Inlet, 3/8" FPT Outlet
- 24mm Solid, Keyed Shaft
- **Pallet Qty: 60 Boxed or Egg-Crated**

PART #	MODEL #	GPM	PSI	RPM	SHAFT	PISTON	WT
6411.0200.00*	FW2 3530 S	3.4	3000	1450	24mm Solid Shaft	18mm	19.4
6410.0100.00	FW2 4030 S	4.0	3000	1450	24mm Solid Shaft	18mm	19.4
6410.0300.00	FW2 5030 S	5.0	3000	1450	24mm Solid Shaft	20mm	19.4
6410.0500.00	FW2 5530 S	5.6	3000	1450	24mm Solid Shaft	20mm	19.4
6410.0900.00	FW2 3540 S	3.5	4000	1450	24mm Solid Shaft	20mm	19.4
6410.0700.00	FW2 4040 S	4.0	4000	1450	24mm Solid Shaft	20mm	19.4
6410.0800.00	FW2 4540 S	4.4	4000	1450	24mm Solid Shaft	20mm	19.4

*Dual rated pump--6411.0200.00, Model FWS2 4030 S

FWS2 SERIES > Pumps-Solid Shaft

1450 RPM - 24mm Solid Shaft

- 1/2" FPT Inlet, 3/8" FPT Outlet
- 24mm Solid, Keyed Shaft
- **Pallet Qty: 60 Boxed or Egg-Crated**

PART #	MODEL #	GPM	PSI	RPM	SHAFT	PISTON	WT
6411.0100.00	FWS2 3530 S	3.6	3000	1750	24mm Solid Shaft	18mm	19.6
6411.0200.00	FWS2 4030 S	4.2	3000	1750	24mm Solid Shaft	18mm	19.6
6411.0300.00	FWS2 4530 S	4.6	3000	1750	24mm Solid Shaft	18mm	19.6
6411.0600.00	FWS2 5525 S	5.7	3000	1750	24mm Solid Shaft	20mm	19.6
6411.0800.00	FWS2 6020 S	5.9	3000	1750	24mm Solid Shaft	20mm	19.6
6411.1100.00	FWS2 4040 S	4.2	4000	1750	24mm Solid Shaft	18mm	19.6
6411.1200.00	FWS2 5040 S	5.3	4000	1750	24mm Solid Shaft	18mm	19.6

FWS2 SERIES > Pumps-Electric Flange

1750 RPM - 184T Elec. Flange

- 1/2" FPT Inlet, 3/8" FPT Outlet
- 184T Electric Motor Flange with 1-1/8" Hollow Shaft
- **Pallet Qty: 60 Boxed or Egg-Crated**

PART #	MODEL #	GPM	PSI	RPM	SHAFT	PISTON	WT
6411.0900.00	FWS2 3030 E	2.9	3000	1750	1-1/8" Hollow	18mm	20.3
6411.0101.00	FWS2 3530 E	3.6	3000	1750	1-1/8" Hollow	18mm	20.3
6411.0201.00	FWS2 4030 E	4.2	3000	1750	1-1/8" Hollow	18mm	20.3
6411.0301.00	FWS2 4530 E	4.6	3000	1750	1-1/8" Hollow	18mm	20.3
6411.0400.00	FWS2 5030 E	5.0	3000	1750	1-1/8" Hollow	20mm	20.3
6411.0701.00	FWS2 5530 E	5.5	3000	1750	1-1/8" Hollow	20mm	20.3

FWD2 SERIES > Pumps-Electric Flange

3400 RPM - 184T Elec. Flange

- 1/2" FPT Inlet, 3/8" FPT Outlet
- 184T Electric Motor Flange with 1-1/8" Hollow Shaft
- **Pallet Qty: 60 Boxed or Egg-Crated**

PART #	MODEL #	GPM	PSI	RPM	SHAFT	PISTON	WT
6412.0100.00	FWD2 4530 E	4.4	3000	3400	1-1/8" Hollow	18mm	20.3

FW Series Mounting Rail Kits

- 5011.0185.00 Standard Rail Kit for FW Series Pump
- 5011.0216.00 Tall Rail Kit for FW Series Pump

FW Series Repair Kits (Kits also on Pages 30 & 31)

5019.0218.00	Water Seal Kit, 18mm, 3000 PSI	5025.0011.00	Check Valve Kit
5019.0631.00	Water Seal Kit, 18mm, 4000 PSI	5025.0025.00	High Flow Valve Kit, 5+GPM
5019.0039.00	Water Seal Kit, 20mm	2409.0073.00	FW Piston Kit, 18mm
5019.0219.00	Oil Seal Kit, Solid Shaft	2409.0074.00	FW Piston Kit, 20mm
5019.0702.00	Hot Water Seal Kit, 18mm	5019.0054.00	Hot Water Seals Only, 20mm
5019.0703.00	Hot Water Kit, (Seals Only), 18mm	5019.0669.00	Hot Water Complete Kit, 20mm

RW Series

Premium Pumps



> **1450 RPM**
 > **1750 RPM**

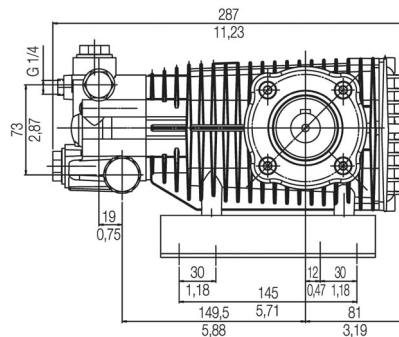
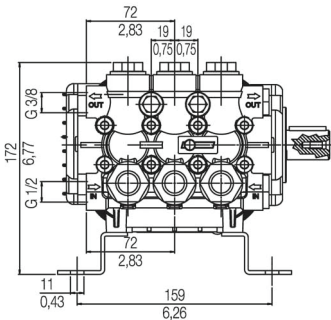
- Heavy Duty up to 4000 PSI
- High Volume up to 6.6 GPM
- Long Life Seals

- 1/2" FPT Inlet – 3/8" FPT Outlet
- Right or Left Hand Mounting Available-Solid Shaft Only
- Crankcase: Die-Cast Aluminum Alloy for Protection Against Corrosion
- Piston Guides are Heat Treated Stainless Steel
- Highly Efficient Stainless Steel Check Valves
- Solid Ceramic Plungers
- Brass Manifold: Forged for Maximum Strength and Longer Life up to 4000 PSI
- Direct Mount to Gas Engines or Electric Motors
- One Piece, Solid Bronze Alloy Connection Rods
- Solid Shaft 24mm for Belt Drive, Gearbox or Flex Couplers
- Oil Cap: New Travel/Working Oil Cap
- High Quality Tapered Roller Bearings
- Large Oil Capacity Dissipates Heat and Improves Lubrication for Longer Life

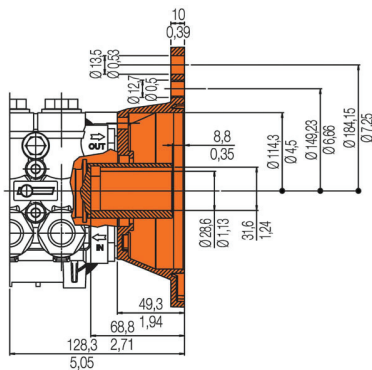
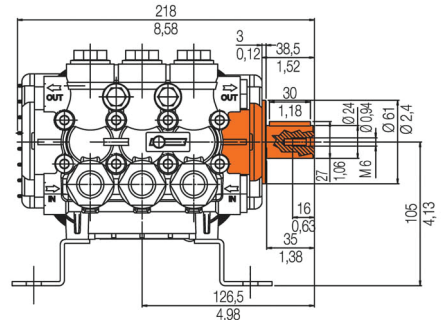
• Torque Specs Available on Page 31

Pallet Qty: 72-Boxed; 72 Egg-Crated

Takes 27 Ounces Pump Oil



**Solid Shaft
RW-S**



**Electric Shaft
RW-E**



RW SERIES > Pumps-Solid Shaft

1450 RPM - 24mm Solid Shaft

• 1/2" FPT Inlet, 3/8" FPT Outlet

PART #	MODEL #	GPM	PSI	RPM	SHAFT	PISTON	WT
6517.0100.00	RW 4030 S	4.1	3000	1450	24mm Solid Shaft	20mm	27.0
6517.0102.00*	RW 4030 S	4.1	3000	1450	24mm Solid Shaft	20mm	27.0
6517.0600.00	RW 5030 S	5.0	3000	1450	24mm Solid Shaft	20mm	27.0
6517.0800.00	RW 5530 S	5.5	3000	1450	24mm Solid Shaft	20mm	27.0
6517.0803.00*	RW 5530 S	5.5	3000	1450	24mm Solid Shaft	20mm	27.0
6517.0900.00	RW 6030 S	6.2	3000	1450	24mm Solid Shaft	20mm	27.0
6517.0902.00*	RW 6030 S	6.2	3000	1450	24mm Solid Shaft	20mm	27.0
6517.1100.00	RW 4035 S	4.0	3500	1450	24mm Solid Shaft	20mm	27.0
6517.1300.00	RW 5535 S	5.5	3500	1450	24mm Solid Shaft	20mm	27.0
6517.1301.00*	RW 5535 S	5.5	3500	1450	24mm Solid Shaft	20mm	27.0
6517.1001.00	RW 3540 S	3.3	4000	1450	24mm Solid Shaft	18mm	27.0
6517.1400.00	RW 4040 S	4.0	4000	1450	24mm Solid Shaft	18mm	27.0
6517.1101.00	RW 4540 S	4.4	4000	1450	24mm Solid Shaft	18mm	27.0
6517.1201.00	RW 5040 S	4.9	4000	1450	24mm Solid Shaft	18mm	27.0

*Hot

Water Pump with Kevlar Seals

RWS SERIES > Pumps-Solid Shaft

1750 RPM - 24mm Solid Shaft

• 1/2" FPT Inlet, 3/8" FPT Outlet

PART #	MODEL #	GPM	PSI	RPM	SHAFT	PISTON	WT
6518.0800.00	RWS 6020 S	5.9	2000	1750	24mm Solid Shaft	20mm	27.0
6518.0900.00	RWS 6520 S	6.6	2000	1750	24mm Solid Shaft	20mm	27.0
6518.1600.00	RWS 7020 S	7.0	2000	1750	24mm Solid Shaft	20mm	27.0
6518.0100.00	RWS 3030 S	3.0	3000	1750	24mm Solid Shaft	20mm	27.0
6518.0200.00	RWS 3530 S	3.6	3000	1750	24mm Solid Shaft	20mm	27.0
6518.0400.00	RWS 4030 S	4.1	3000	1750	24mm Solid Shaft	20mm	27.0
6518.0500.00	RWS 4530 S	4.4	3000	1750	24mm Solid Shaft	20mm	27.0
6518.0600.00	RWS 5030 S	4.9	3000	1750	24mm Solid Shaft	20mm	27.0
6518.0700.00	RWS 5530 S	5.7	3000	1750	24mm Solid Shaft	20mm	27.0
6518.1000.00	RWS 3035 S	3.0	3500	1750	24mm Solid Shaft	20mm	27.0
6518.1500.00	RWS 5535 S	5.7	3500	1750	24mm Solid Shaft	20mm	27.0
6518.1101.00	RWS 3540 S	3.6	4000	1750	24mm Solid Shaft	18mm	27.0
6518.1201.00	RWS 4040 S	4.0	4000	1750	24mm Solid Shaft	18mm	27.0
6518.1301.00	RWS 4540 S	4.8	4000	1750	24mm Solid Shaft	18mm	27.0
6518.1401.00	RWS 5040 S	5.3	4000	1750	24mm Solid Shaft	18mm	27.0
6518.0801.00	RWS 6040 S	6.0	4000	1750	24mm Solid Shaft	18mm	27.0

RWS SERIES > Pumps-Electric Flange

1750 RPM - 1-1/8" Hollow Shaft

• 1/2" FPT Inlet, 3/8" FPT Outlet
• 184T Electric Flange with 1-1/8" Hollow Shaft

PART #	MODEL #	GPM	PSI	RPM	SHAFT	PISTON	WT
6518.0201.00	RWS 3530 E	3.6	3000	1750	1-1/8" Hollow	20mm	27.0
6518.0401.00	RWS 4030 E	4.1	3000	1750	1-1/8" Hollow	20mm	27.0
6518.0501.00	RWS 4530 E	4.4	3000	1750	1-1/8" Hollow	20mm	27.0
6518.0601.00	RWS 5030 E	4.9	3000	1750	1-1/8" Hollow	20mm	27.0
6518.0701.00	RWS 5530 E	5.7	3000	1750	1-1/8" Hollow	20mm	27.0

RW Series Mounting Rail Kits

5011.0229.00 Standard Rail Kit for RW Series Pump

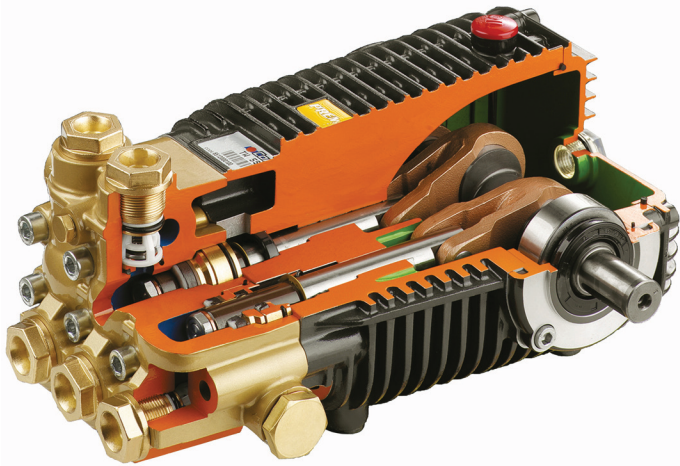
5011.0257.00 Tall Rail Kit for RW Series Pump

RW Series Repair Kits (Kits also on Pages 30 & 31)

2409.0146.00	RW Piston Kit, 18mm	5019.0673.00	RW Water Seal Kit, 18mm
2409.0145.00	RW Piston Kit, 20mm	5019.0672.00	RW Water Seal Kit, 20mm
5025.0011.00	Valve Kit up to 4.8 GPM	5019.0675.00	RW Oil Seal Kit, Solid Shaft
5025.0025.00	Valve Kit 4.9+ GPM	5019.0679.00	RW Oil Seal Kit, Hollow Shaft
5019.0676.00	Seal Kit, Hot Water, 20mm	5019.0674.00	Water Seal Kit, Kevlar, 20mm

SW Series

Premium Pumps



- > **1450 RPM**
- > **1750 RPM**

- Heavy Duty up to 4000 PSI
- High Volume up to 5.5 GPM
- Long Life Seals

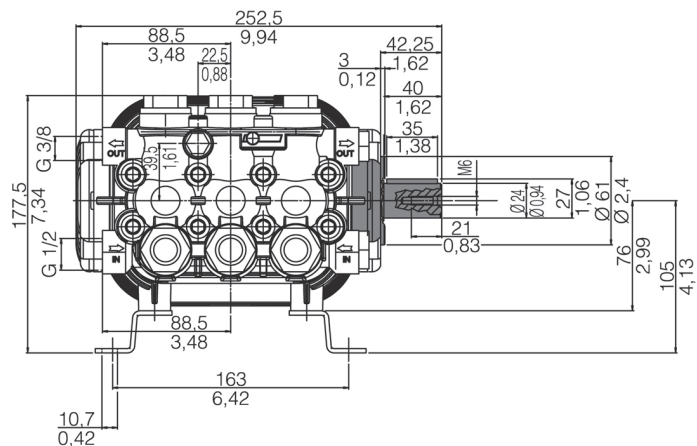
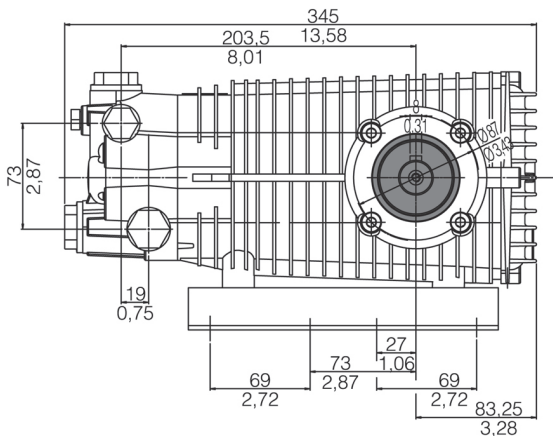
- 1/2" FPT Inlet, 3/8" FPT Outlet
- Right or Left Hand Mounting Available
- Crankcase: Die-Cast Aluminum Alloy for Protection Against Corrosion
- Piston Guides are Heat Treated Stainless Steel
- Highly Efficient Stainless Steel Check Valves
- Solid Ceramic Plungers
- Brass Manifold: Forged for Maximum Strength and Longer Life up to 4000 PSI
- One Piece, Solid Bronze Alloy Connection Rods
- Solid Shaft 24mm for Belt Drive, Gearbox or Flex Couplers
- Oil Cap: New Travel/Working Oil Cap
- High Quality Tapered Roller Bearings
- Large Oil Capacity Dissipates Heat and Improves Lubrication for Longer Life

• Torque Specs Available on Page 31

24mm Solid Keyed Shaft

Pallet Qty: 24

Takes 37 Ounces Pump Oil



Solid Shaft
SW-S



SW SERIES > Pumps-Solid Shaft

- 1/2" FPT Inlet, 3/8" FPT Outlet

PART #	MODEL #	GPM	PSI	RPM	SHAFT	PISTON	WT
6515.0100.00	SW 4040 S	4.0	4000	1450	24mm	20mm	40.0
6515.0102.00*	SW 4040 S	4.0	4000	1450	24mm	20mm	40.0
6515.0200.00	SW 5540 S	5.5	4000	1450	24mm	20mm	40.0
6515.0204.00*	SW 5540 S	5.5	4000	1450	24mm	20mm	40.0

*Hot Water Pump with Kevlar Seals

SWS SERIES > Pumps-Solid Shaft

- 1/2" FPT Inlet, 3/8" FPT Outlet

PART #	MODEL #	GPM	PSI	RPM	SHAFT	PISTON	WT
6516.0200.00	SWS 5025 S	5.0	2500	1750	24mm	20mm	40.0
6516.0100.00	SWS 4040 S	4.0	4000	1750	24mm	20mm	40.0
6516.0101.00*	SWS 4040 S	4.0	4000	1750	24mm	20mm	40.0

*Hot Water Pump with Kevlar Seals

SW Series Mounting Rail Kits

5011.0214.00

Standard Rail Kit for SW/TW Series Pump

5011.0278.00

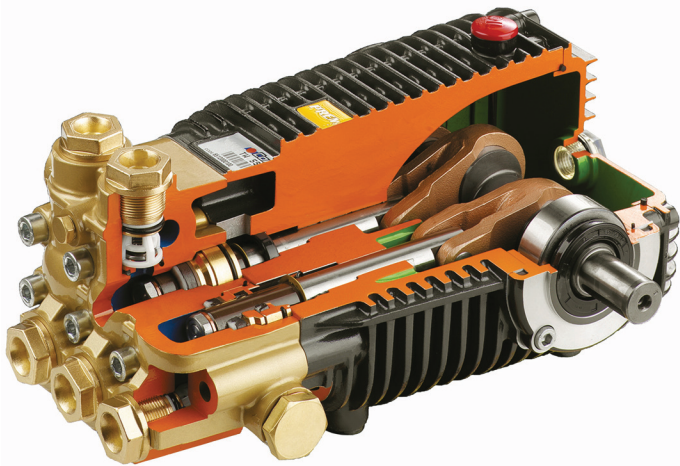
Tall Rail Kit for Premium Series Pump

SW Series Repair Kits (Kits also on Pages 30 & 31)

- 5025.0011.00 Valve Kit
- 5025.0025.00 High Flow Valve Kit, 5+GPM
- 2409.0074.00 SW Piston Kit, 20mm
- 5019.0648.00 Seal Kit, Water, 20mm
- 5019.0650.00 Oil Seal Kit,
- 5019.0670.00 SW Hot Water, Seal Kit, 20mm
- 5019.0665.00 SW Kevlar, Seal Kit, 20mm

TW Series

Premium Pumps



- 1/2" or 3/4" FPT Inlet
- 1/2" or 3/8" FPT Outlet
- Right or Left Hand Mounting Available
- Crankcase: Die-Cast Aluminum Alloy for Protection Against Corrosion
- Piston Guides are Heat Treated Stainless Steel
- Highly Efficient Stainless Steel Check Valves
- Solid Ceramic Plungers
- Brass Manifold: Forged for Maximum Strength and Longer Life up to 5000 PSI
- Solid Bronze Alloy Connection Rods
- Solid Shaft 24mm for Belt Drive, Gearbox or Flex Couplers
- Oil Cap: New Travel/Working Oil Cap
- High Quality Tapered Roller Bearings
- Large Oil Capacity Dissipates Heat and Improves Lubrication for Longer Life

- > **1000 RPM**
- > **1450 RPM**
- > **1750 RPM**

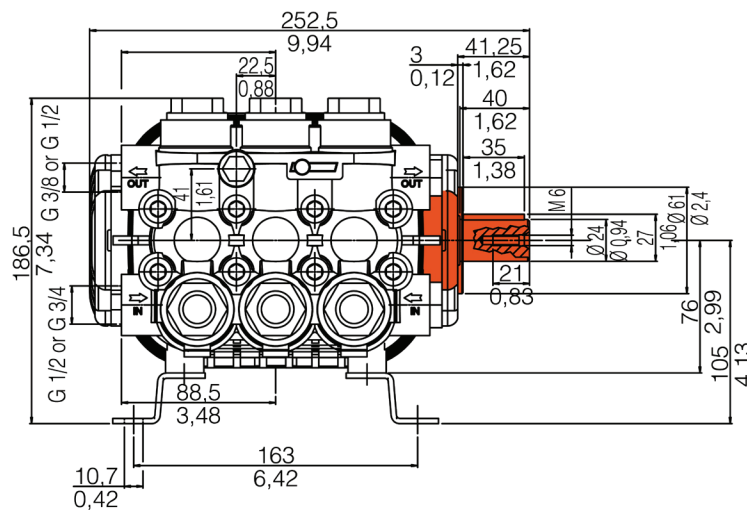
- Heavy Duty up to 7300 PSI
- High Volume up to 13.0 GPM
- Long Life Seals

• Torque Specs Available on Page 31

24mm Solid Keyed Shaft

Pallet Qty: 24

Takes 37 Ounces Pump Oil



**Solid Shaft
TW-S**



TWN SERIES > Pumps-Solid Shaft

PART #	MODEL #	GPM	PSI	RPM	SHAFT	PISTON	INLET	OUTLET	WT
6512.0200.00	TWN 7025 S	7.0	2500	1000	25mm	25mm	3/4"	1/2"	45.0
6512.0300.00	TWN 8025 S	8.0	2500	1000	25mm	25mm	3/4"	1/2"	45.0
6512.0100.00	TWN 6036 S	6.0	3600	1000	25mm	22mm	3/4"	1/2"	45.0

TW SERIES > Pumps-Solid Shaft

PART #	MODEL #	GPM	PSI	RPM	SHAFT	PISTON	INLET	OUTLET	WT
6513.1000.00	TW 10025 S	10.0	2500	1450	24mm	25mm	3/4"	1/2"	45.0
6513.1200.00	TW 11025 S	11.0	2500	1450	24mm	25mm	3/4"	1/2"	45.0
6513.1201.00*	TW 11025 S	11.0	2500	1450	24mm	25mm	3/4"	1/2"	45.0
6513.1400.00	TW 8030 S	8.7	3000	1450	24mm	22mm	3/4"	1/2"	45.0
6513.1401.00*	TW 8030 S	8.7	3000	1450	24mm	22mm	3/4"	1/2"	45.0
6513.0700.00	TW 7036 S	7.0	3600	1450	24mm	22mm	3/4"	1/2"	45.0
6513.0900.00	TW 8036 S	8.6	3600	1450	24mm	22mm	3/4"	1/2"	45.0
6513.0902.00*	TW 8036 S	8.6	3600	1450	24mm	22mm	3/4"	1/2"	45.0
6513.1700.00	TW 8040 S	8.6	4000	1450	30mm	22mm	3/4"	1/2"	45.0
6513.0400.00	TW 4550 S	4.7	5000	1450	24mm	18mm	1/2"	3/8"	45.0
6513.1300.00	TW 5050 S	5.2	5000	1450	24mm	18mm	1/2"	3/8"	45.0
6513.0300.00	TW 5550 S	5.8	5000	1450	24mm	18mm	1/2"	3/8"	45.0
6513.2000.00	TW 3570 S	3.4	7300	1450	24mm	18mm	1/2"	3/8"	45.0
6513.1801.00	TW 4070 S	3.9	7300	1450	24mm	18mm	1/2"	3/8"	45.0
6513.1800.00	TW 4070 S	4.0	7300	1450	30mm	18mm	1/2"	3/8"	45.0
6513.1900.00	TW 5070 S	5.3	7300	1450	30mm	18mm	1/2"	3/8"	45.0
6513.1500.00	TW 5570 S	5.8	7300	1450	30mm	18mm	1/2"	3/8"	45.0

*Hot Water Pump with Kevlar Seals

TWS SERIES > Pumps-Solid Shaft

PART #	MODEL #	GPM	PSI	RPM	SHAFT	PISTON	INLET	OUTLET	WT
6514.0900.00	TWS 13020 S	13.0	2000	1750	24mm	25mm	3/4"	1/2"	45.0
6514.0800.00	TWS 10025 S	10.7	2500	1750	24mm	25mm	3/4"	1/2"	45.0
6514.0700.00	TWS 9030 S	9.3	3000	1750	24mm	22mm	3/4"	1/2"	45.0
6514.1100.00	TWS 10030 S	10.7	3000	1750	24mm	22mm	3/4"	1/2"	45.0
6514.0600.00	TWS 8035 S	8.3	3500	1750	24mm	22mm	3/4"	1/2"	45.0
6514.0500.00	TWS 7040 S	7.0	4000	1750	24mm	18mm	1/2"	3/8"	45.0
6514.1000.00	TWS 5050 S	5.3	5000	1750	24mm	18mm	1/2"	3/8"	45.0
6514.0100.00	TWS 5550 S	5.6	5000	1750	24mm	18mm	1/2"	3/8"	45.0

TW Series Mounting Rail Kits

5011.0214.00

Standard Rail Kit for SW/TW Series Pump

5011.0278.00

Tall Rail Kit for Premium Series Pump

TW Series Repair Kits (Kits also on Pages 30 & 31)

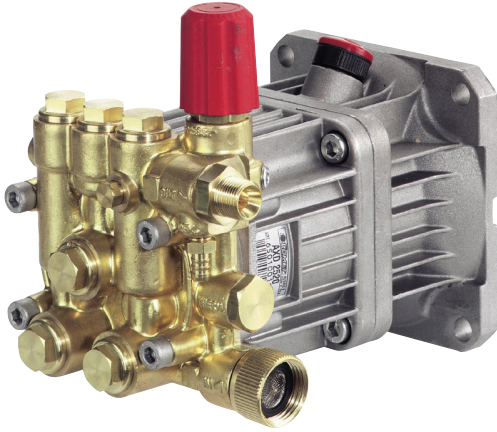
5025.0020.00	Valve Kit (Up to 3600 PSI)	5019.0645.00	Seal Kit 18mm, Water
5025.0021.00	Valve Kit (4000+PSI)	5019.0646.00	Seal Kit 22mm, Water
5025.0050.00	Valve Kit (7000)	5019.0647.00	Seal Kit 25mm, Water
2409.0116.00	Piston Kit 18mm	5019.0644.00	Seal Kit, Oil (Up to 3600 PSI)
2409.0114.00	Piston Kit 22mm	5019.0649.00	Seal Kit, Oil (4000+ PSI)
2409.0115.00	Piston Kit 25mm	5019.0229.00	Seal Kit, Oil (7000)
	5019.0228.00	Seal Kit, Water (7000 PSI)	
	5019.0653.00	Hot Water Packing Kit 18mm	
	5019.0654.00	Hot Water Packing Kit 22mm	
	5019.0655.00	Hot Water Packing Kit 25mm	
	5019.0662.00	Seal Kit, Kevlar 22mm	
	5019.0663.00	Seal Kit, Kevlar 25mm	

AX & LW Series

Misting Pumps

AXS SERIES > Pumps-Low Flow, Misting

1750 RPM - 5/8" Hollow Shaft



- 3/4" FGH Inlet – 3/8" MPT Outlet
 - Built-in Uniflow Unloader and Chemical Injector
 - Ceramic Plungers
 - Built-in Garden Hose Adapter
 - Industrial Duty Construction for Extended Life
 - Optional Built-in Thermal Protector (#1215.0354.00)
 - Optional Built-in Pressure Relief Valve (#1215.0311.00)
 - Stainless Steel Check Valves
 - Forged Brass Manifold
 - Patent Registered Ball Bearing Design
- **Misting and High Pressure Applications**
 - **Pallet Qty: 90-Boxed; 70-Egg-Crated**

PART #	MODEL #	GPM	PSI	RPM	SHAFT	PISTON	WT
6502.0009.00	AXS 0415 E	0.4	1500	1750	5/8" Hollow	14mm	13.0
6502.0010.00	AXS 0615 E	0.6	1500	1750	5/8" Hollow	14mm	13.0
6502.0005.00	AXS 1015 E	0.9	1500	1750	5/8" Hollow	14mm	13.0
6502.0008.00	AXS 1315 E	1.3	1500	1750	5/8" Hollow	14mm	13.0
6502.0006.00	AXS 2015 E	1.7	1500	1750	5/8" Hollow	14mm	13.0

LW SERIES > Pumps-Low Flow, Misting

1450 RPM - 1750 RPM



24mm Solid Shaft - 5/8" Hollow - 3/4" Hollow

- 3/8" FPT Inlet, 3/8" FPT Discharge
 - Anodized, Die-Cast Aluminum Crankcase
 - Solid Ceramic Plungers
 - Stainless Steel Check Valves & Piston Guides
 - Buna-Textile V-Packings
 - Reversible Crankcase for Right or Left Hand Mounting
 - 24mm Solid, Keyed Shaft
- **Misting and High Pressure Applications**
 - **Pallet Qty 100 (Boxed or Egg-Crated)**

PART #	MODEL #	GPM	PSI	RPM	SHAFT	PISTON	WT
6300.1501.00	LW 0509 S	0.5	1500	1450	24mm Solid	15mm	13.4
6300.1401.00	LW 1009 S	1.0	1500	1450	24mm Solid	18mm	13.4
6300.1601.00	LW 1509 S	1.5	1500	1450	24mm Solid	18mm	13.4
6301.2700.00	LWS 0609 S	0.6	1500	1750	24mm Solid	15mm	13.4
6301.2500.00	LWS 1209 S	1.2	1500	1750	24mm Solid	18mm	13.4
6301.2600.00	LWS 1809 S	1.8	1500	1750	24mm Solid	18mm	13.4
6301.2701.00	LWS 0609 E	0.6	1500	1750	5/8" Hollow	15mm	13.4
6301.2501.00	LWS 1209 E	1.2	1500	1750	5/8" Hollow	18mm	13.4
6301.2601.00	LWS 1809 E	1.8	1500	1750	5/8" Hollow	18mm	13.4
6301.2300.00	LWS 0409 GE	0.4	1500	1750	3/4" Hollow	18mm	13.4

Pump Accessories

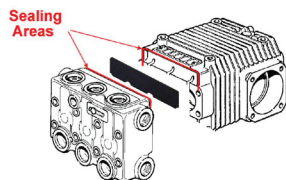
ANTI-FREEZE-Pump Saver



- Protects Pump from Freezing in Winter
- Attaches to any Pump Inlet to Fill Pump Chamber

Part #	Description
8102.5000.00	Pump Saver, 16 oz.

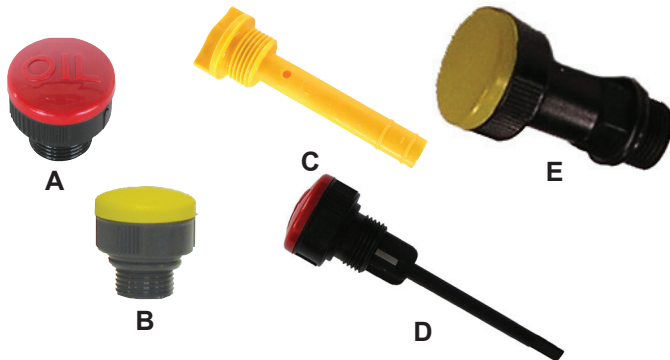
GASKET-Manifold



- Extra Protection Against a dirty Environment

Part #	Description
1201.0168.00	Seal for LW & ZW
1201.0167.00	Seal for FW & HW

PUMPS-Oil Caps & Dipsticks



Part #	Description	
3200.0071.00	Oil Cap, AX	A
3200.0086.00	Oil Cap, BX	B
3200.0051.00	Dipstick, LW,ZW,FW,HW,RW	C
3200.0075.00	Dipstick, SW & TW	D
3200.0138.00	Oil Cap, Vented, Long, BXD	E

OIL-Comet Pumps



- Specially Formulated for use in all High-Pressure Industrial Piston Pumps
- Universal Tractor Transmission Oil (UTTO)
- 30 Wt. Non-Detergent & Non-Foaming

Part #	Description
8102.1801.00	Pump Oil, 32 oz. Bottle
8102.1802.00	Pump Oil, Case of 12 Bottles

Comet Industrial Pump Oil is a special formulated non-detergent, non-foaming oil, which is AW100 rated for superior oxidation protection. Comet recommends changing pump oil after the initial 50 hours of operation and every 300 hours thereafter.

OIL-HPP Pumps

Part #	Description
8102.1811.00	Pump Oil, 2.5 Gal. Bottle
8102.1812.00	Pump Oil, Case of 2 Bottles

PUMPS-Rail Kits



Part #	Description	Height
5011.0184.00	Rail Kit for LW	1-3/8"
5011.0216.00	Tall Rail Kit for LW	2-1/2"
5011.0185.00	Rail Kit for FW & HW	1"
5011.0229.00	Rail Kit for RW	1-3/8"
5011.0214.00	Rail Kit for SW & TW	1-3/8"
5011.0257.00	Tall Rail Kit for RW	2-1/2"
5011.0278.00	Tall Rail Kit for SW & TW	2-1/2"

Repair Kits



All Comet Pump repair kits contain the quantity of components necessary to rebuild the entire pump.

Seal / Packing Replacement



AXD

LW

ZWD

FW-HW

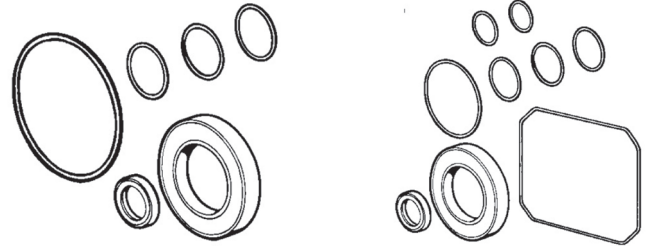
Part #	Description
5026.0265.00	VRX, Piston Seal Kit, 1700 PSI
5026.0256.00	VRX, Piston Seal Kit, 2200+ PSI
5019.0667.00	BXD Gas, Seal Kit, Water
5019.0671.00	BXD Elect., Seal Kit, Water
5019.0077.00	AXD/AXS Seal Kit 2,000 PSI
5019.0078.00	AXD Seal Kit 2,500 PSI
5019.0086.00	AXD Seal Kit 3,000 PSI
5019.0684.00	BWD, Seal Kit, 2000 PSI
5019.0686.00	BWD, AWD Seal Kit, 2700 PSI
5019.0035.00	LW Seal Kit, 15mm
5019.0037.00	LW Seal Kit, 18mm
5019.0064.00	ZWD Seal Kit, 15mm
5019.0038.00	FW Seal Kit, 18mm
5019.0218.00	FW2 Seal Kit, 18mm
5019.0039.00	FW Seal Kit, 20mm
5019.0631.00	HW Seal Kit, 18mm
5019.0673.00	RW Seal Kit 18mm, Water
5019.0672.00	RW Seal Kit 20mm, Water
5019.0648.00	SW Seal Kit 20mm, Water
5019.0645.00	TW Seal Kit 18mm, Water
5019.0228.00	TW Seal Kit 18mm (7000 PSI)
5019.0646.00	TW Seal Kit 22mm, Water
5019.0647.00	TW Seal Kit 25mm, Water

*Brass Not Included

Unloader Repair

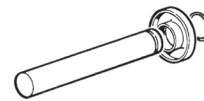
Part #	Description
5026.0143.00	AX/GXD Unloader Rebuild Kit
5026.0144.00	AX/GXD Maintenance Kit
5026.0142.00	AX/GXD Unloader Kit M22X1.5
1215.0401.00	BXD Elect., Cartridge 1900 PSI
1215.0402.00	AXD Cartridge 2610 PSI
1215.0586.00	BXD-G,BW/AW,ZW Crtdg. 4000 PSI
5026.0123.00	LW Unloader Maintenance Kit
5026.0130.00	LW Unloader Rebuild Kit

Oil Seal Replacement

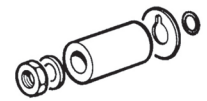


Part #	Description
5019.0659.00	GXD Seal Kit
5019.0079.00	AX/AXS Oil Seal Kit
5019.0685.00	BW Oil Seal Kit
5019.0687.00	AW Oil Seal Kit
5019.0040.00	LW/ZW Oil Seal Kit Solid Shaft
5019.0044.00	FW, HW, HWS Kit Solid Shaft
5019.0219.00	FW2 Oil Seal Kit
5019.0041.00	LW Oil Seal Kit Hollow Shaft
5019.0065.00	ZWD Oil Seal Kit Hollow Shaft
5019.0045.00	FW/HWD Oil Seal Kit Hollow Shaft
5019.0650.00	SW Seal Kit
5019.0644.00	TW Seal Kit, Oil (Up to 3600 PSI)
5019.0649.00	TW Seal Kit, Oil (4000+ PSI)
5019.0229.00	TW Seal Kit, Oil (7000 PSI)
5019.0675.00	RW Oil Seal Kit, Solid Shaft
5019.0679.00	RW Oil Seal Kit, Hollow Shaft

Piston



AXD

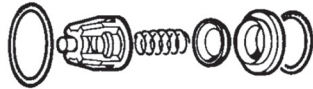


LW, ZW, FW, HW

Part #	Description
5026.0260.00	VRX, Piston Seal Kit, All VRX's
2409.0126.00	GXD Piston Kit
2409.0092.00	AXD/AXS Piston Kit
2409.0103.00	AXD Piston Kit 3,000 PSI
2409.0071.00	LW/ZWD Piston Kit, 15mm
2409.0072.00	LW Piston Kit, 18mm
2409.0073.00	FW/HW Piston Kit, 18mm
2409.0074.00	FW/SW Piston Kit, 20mm
2409.0146.00	RW Piston Kit, 18mm
2409.0145.00	RW Piston Kit, 20mm
2409.0116.00	TW Piston Kit 18mm
2409.0114.00	TW Piston Kit 22mm
2409.0115.00	TW Piston Kit 25mm

Repair Kits continued...

Check Valve



Hot Water

- Hot water seal protection
- Contains Hot Water Seals only
- Viton Seals are Chemically Resistant

Part #	Description
5026.0257.00	VRX Check Valve Kit, 2200 PSI
5026.0263.00	VRX Check Valve Kit, 1700 PSI
5026.0270.00	VRX Check Valve Kit, 2400+ PSI
5025.0014.00	AXD/AXS & GXD Check Valve Kit
5025.0027.00	Check Valve Kit, BXD
5025.0030.00	Valve Kit, BWD & AWD
5025.0011.00	LW, ZW, FW2, HW, RW & SW
5025.0025.00	FW2, HWS, RW High Flow, 5+ GPM
5025.0020.00	TW Valve Kit Up to 3600 PSI
5025.0021.00	TW Valve Kit (4000+ PSI)
5025.0050.00	TW Valve Kit (7000 PSI)

Part #	Description
5019.0048.00	LW, ZW, Hot Water, 15mm
5019.0711.00	ZW Kevlar Seal Kit, 15mm
5019.0049.00	LW,HW-Requires 2,Hot Water,18mm
5019.0050.00	LW, Viton Seal Kit, 18mm
5019.0051.00	LW, ZW, Viton Seal Kit, 15mm
5019.0053.00	FW, Hot Water Seal Kit, 18mm
5019.0702.00	FW2, Hot Water Seal Kit, 18mm
5019.0703.00	FW/FW2, Kit (Seals Only), 18mm
5019.0054.00	FW,FW2, HW Seals Only, 20mm
5019.0669.00	FW,FW2, Complete Kit, 20mm
5019.0676.00	RW Hot Water Seal Kit, 20mm
5019.0710.00	RW Kevlar Seal Kit, 18mm
5019.0674.00	RW Kevlar Seal Kit, 20mm
5019.0665.00	SW Kevlar Seal Kit, 20mm
5019.0670.00	SW Hot Water Seal Kit, 20mm
5019.0653.00	TW Packing Kit, 18mm
5019.0654.00	TW Packing Kit, 22mm
5019.0655.00	TW Packing Kit, 25mm
5019.0662.00	TW Seal Kevlar Kit, 22mm
5019.0663.00	TW Seal Kevlar Kit 25mm

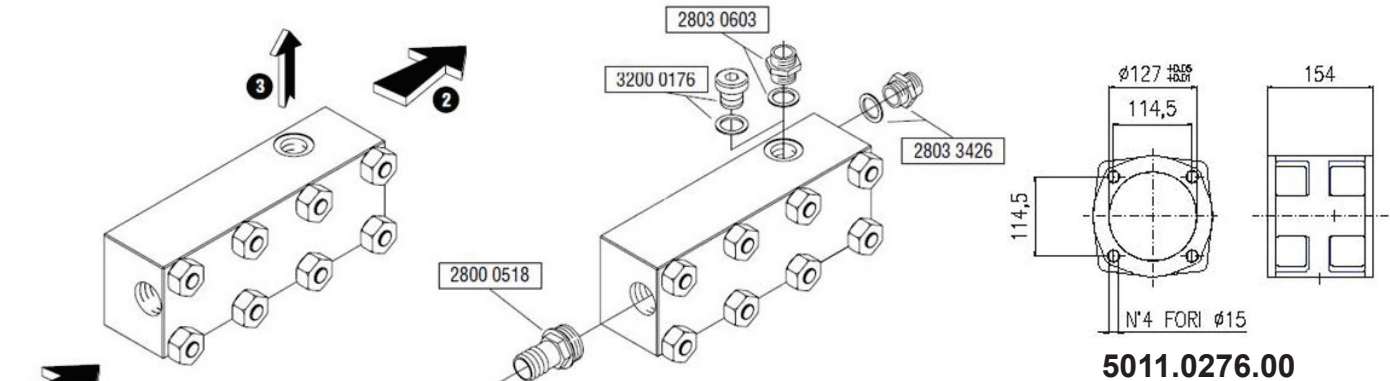
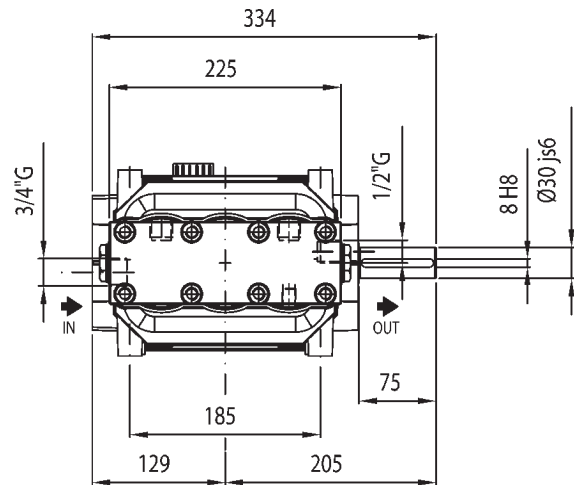
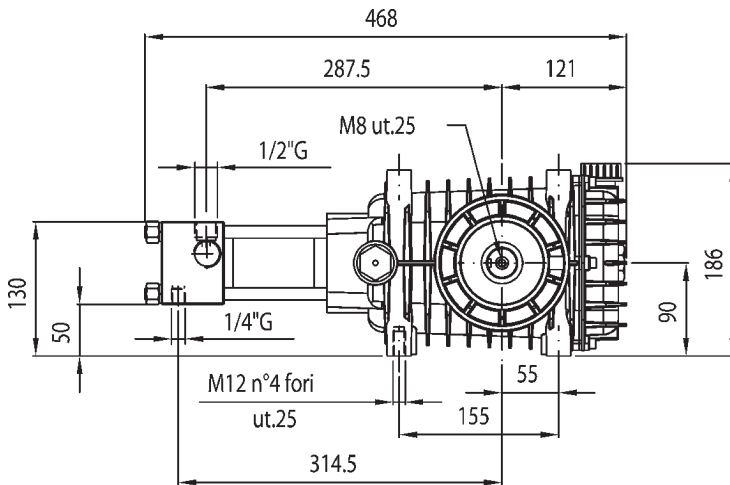
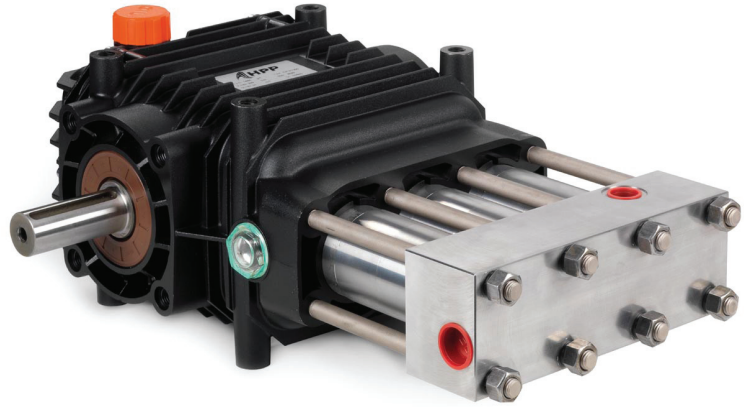
TORQUE SETTINGS Nm (Ft. Lb.)

DESCRIPTION	BX	AX	BW	LW ZW	AW	FW	HW	FW2	RW	SW	TW	
Manifold Screw	25 (18,4)	25 (18,4)	10 (7,4)	10 (7,4)	<230 Bar 10 (7,4)	25 (18,4)	25 (18,4)	25 (18,4)	25 (18,4)	45 (33,2)	45 (33,2)	
					>230 Bar 80 (59,0)							
Cap Valve (Aluminum Manifold)		35 (25,8)		40 (9,5)								Loctite 243
Cap Valve (Brass Manifold)	45 (33,2)	45 (33,2)	45 (33,2)	<230 Bar 50 (36,9)	45 (33,2)	50 (36,9)	80 (59,0)	<230 Bar 50 (36,9)	<230 Bar 50 (36,9)	80 (59,0)		Loctite 243
				>230 Bar 60 (44,3)				>230 Bar 80 (59,0)	>230 Bar 80 (59,0)		<360 Bar 80 (59,0)	Loctite 243
											>360 Bar 80 (59,0)	Loctite 270
Bearings Flange Screw Opposite Shaft Side			4 (3,0)	4 (3,0)	4 (3,0)	9 (6,6)	9 (6,6)	9 (6,6)	9 (6,6)	25 (18,4)	25 (18,4)	
Conn. Rod Screw											25 (18,4)	Loctite 243
Crankcase Cover Screw			9 (6,6)	9 (6,6)	9 (6,6)	4 (3,0)	4 (3,0)	4 (3,0)	4 (3,0)	9 (6,6)	9 (6,6)	
Bearing flange Screw Shaft Side			9 (6,6)	9 (6,6)	9 (6,6)	25 (18,4)	25 (18,4)	25 (18,4)	25 (18,4)	25 (18,4)	25 (18,4)	
Piston Nut			6 (4,4)	6 (4,4)	6 (4,4)	10 (7,4)	10 (7,4)	10 (7,4)	10 (7,4)	15 (11,1)	15 (11,1)	Loctite 243
Eccentric Shaft Screw		25 (18,4)										Loctite 243
Crankcase Flange Screw	25 (18,4)	25 (18,4)										

CH Series

HPP Industrial Pumps

- Anodized Aluminum Crankcase
- Stainless Steel Manifold
- Hardened Crankshaft
- Aluminum Connecting Rods
- Ceramic Plungers
- Stainless Steel Valves
- V-Packing Seal Design-Buna N
- Stainless Steel Piston Guides
- Long Life Bearings
- 3/4" Inlet; 1/2" Outlet
- Oil Capacity 84 oz.
- Weight 64 lbs.



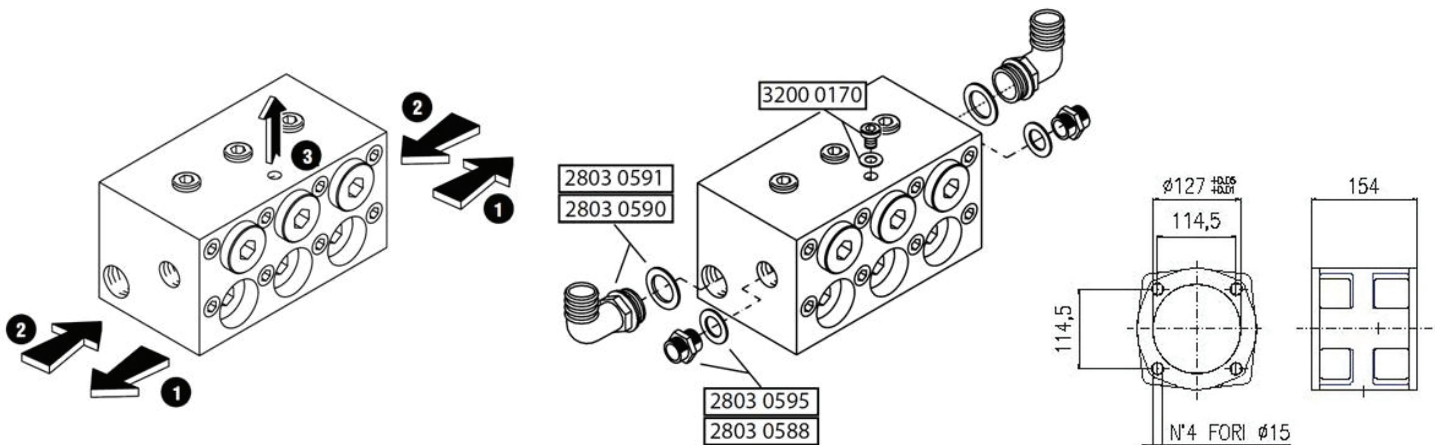
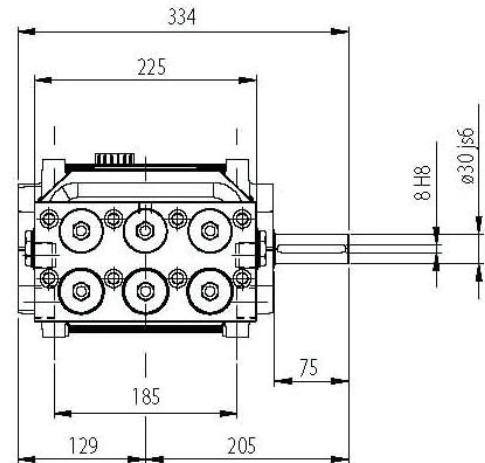
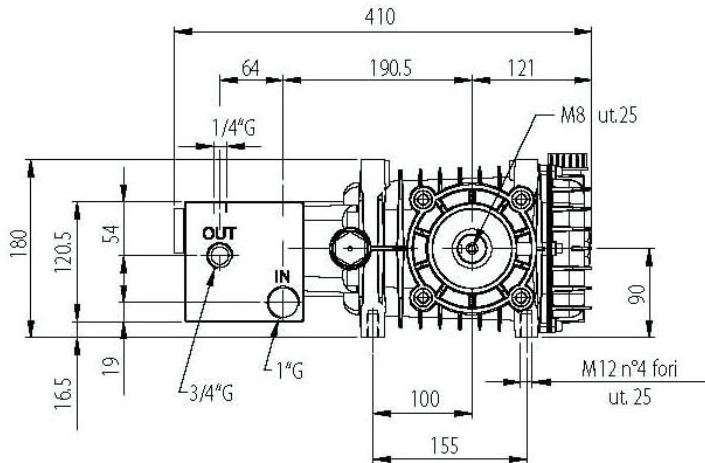
See Page 43 for Connection Kit Pricing

PART #	MODEL #	GPM	PSI	RPM	SHAFT	PISTON	HP
6916.0003.00	CH 31/300	8.2	4350	1450	30	20	25
6916.0005.00	CH 22/400	5.8	5800	1000	30	20	24
6916.0004.00	CH 18/500	4.7	7250	1000	30	18	24
6916.0002.00	CH 25/500	6.6	7250	1450	30	18	33

CL Series

HPP Industrial Pumps

- Anodized Aluminum Crankcase
- Stainless Steel Manifold
- Hardened Crankshaft
- Aluminum Connecting Rods
- Ceramic Plungers
- Polymide Valves
- V-Packing Seal Design-Buna N
- Stainless Steel Piston Guides
- Long Life Bearings
- 1" Inlet; 3/4" Outlet
- Oil Capacity 84 oz.
- Weight 75 lbs.



See Page 43 for Connection Kit Pricing

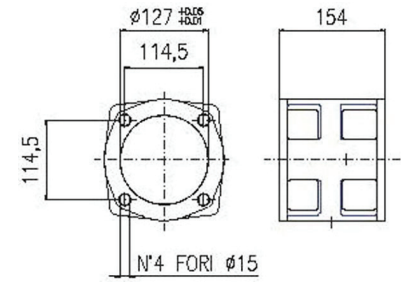
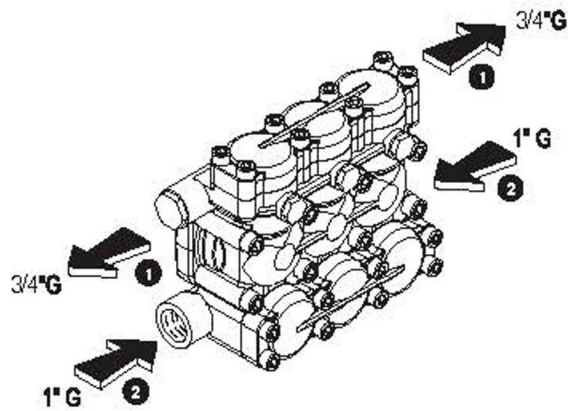
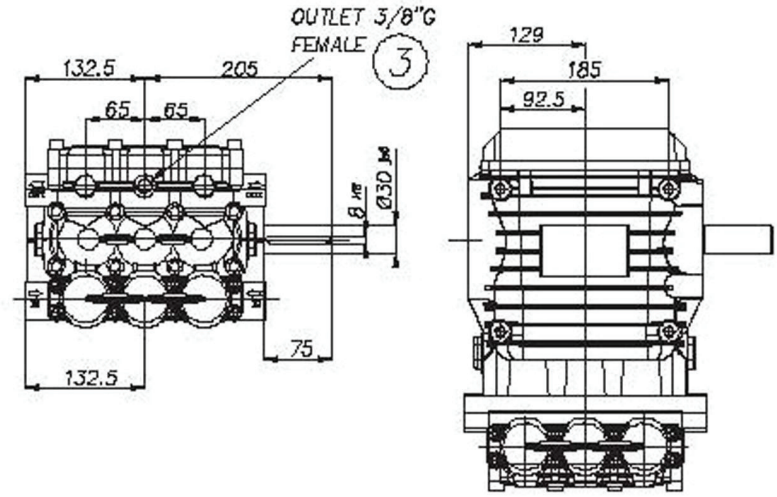
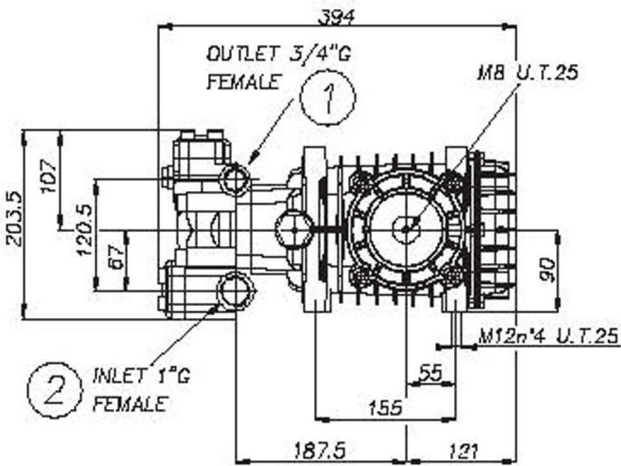
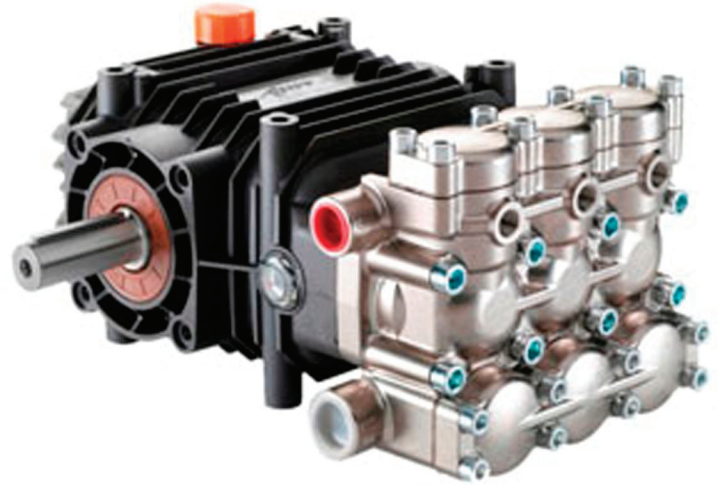
5011.0276.00

PART #	MODEL #	GPM	PSI	RPM	SHAFT	PISTON	HP
6915.0009.00	CL 70/130	18.5	1885	1450	30	30	24
6915.0008.00	CL 66/140	17.4	2030	1000	30	35	25
6915.0007.00	CL 49/200	12.9	2900	1000	30	30	26

CLW Series HPP Industrial Pumps



- Anodized Aluminum Crankcase
- Nickel Plated Brass Manifold
- Hardened Crankshaft
- Aluminum Connecting Rods
- Ceramic Plungers
- Polymide Valves
- V-Packing Seal Design-Buna N
- Stainless Steel Piston Guides
- Long Life Bearings
- 1" Inlet; 3/4" Outlet
- Oil Capacity 84 oz.
- Weight 73 lbs.

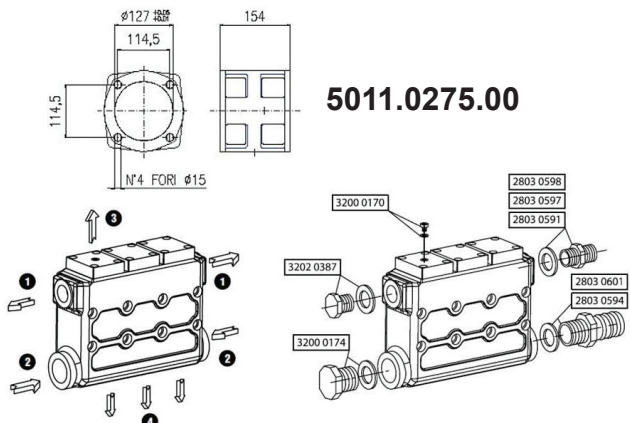


5011.0276.00

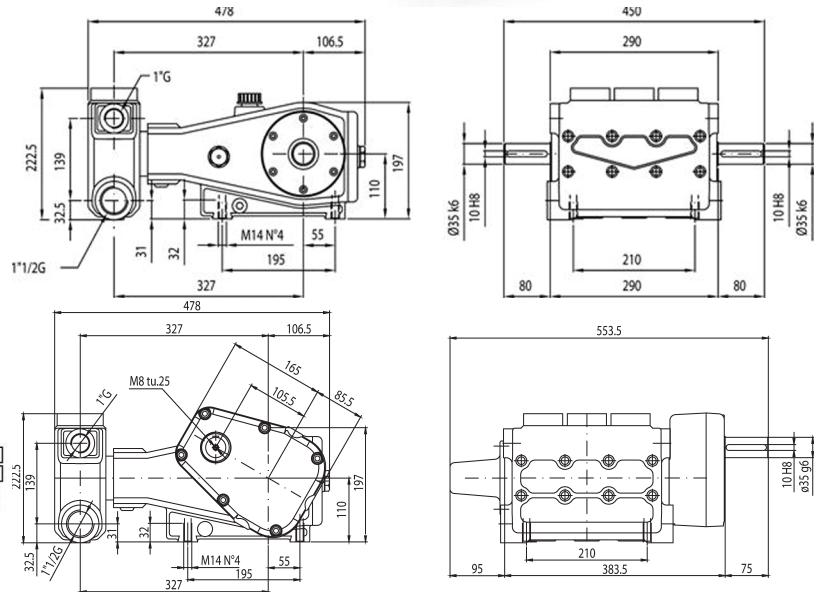
PART #	MODEL #	GPM	PSI	RPM	SHAFT	PISTON	HP
6915.0012.00	CLW 80/100	21.1	1450	1150	30	35	21
6915.0011.00	CLW 100/100	26.5	1450	1450	30	35	26
6915.0015.00	CLW 70/130	18.5	1885	1450	30	30	24
6915.0014.00	CLW 66/140	17.4	2030	1000	30	35	25
6915.0013.00	CLW 49/200	12.9	2900	1000	30	30	26

EL/R Series HPP Industrial Pumps

- Cast Iron Crankcase
- Chemically Resistant Coated Cast Iron Manifold
- Hardened Crankshaft
- Cast Iron Connecting Rods
- Ceramic Plungers
- Stainless Steel Valves
- V-Packing Seal Design-Buna N
- Stainless Steel Piston Guides
- Long Life Bearings
- 1-1/2" Inlet; 1" Outlet
- Oil Capacity 135 oz.; 152 w/Gearbox
- Weight 194 lbs.; 231 w/Gearbox



5011.0275.00



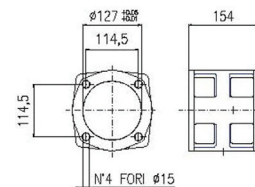
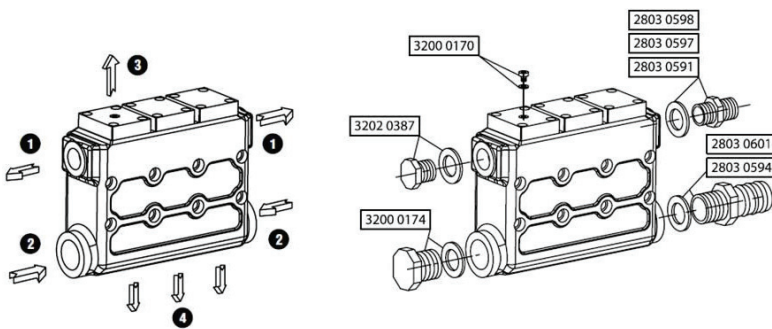
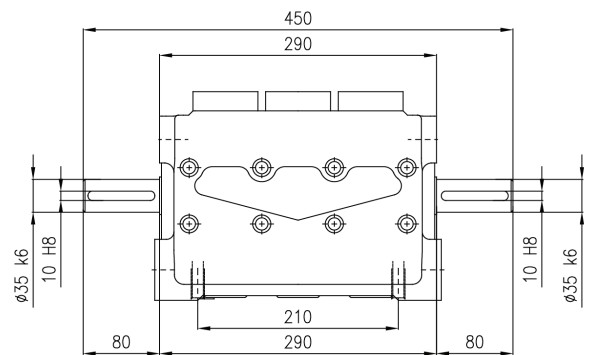
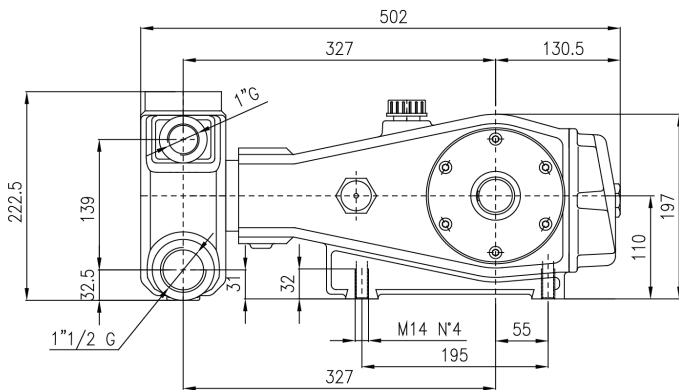
See Page 43 for Connection Kit Pricing

PART #	MODEL #	GPM	PSI	RPM	SHAFT	PISTON	HP
6905.0005.00	EL 164/90	43.3	1305	700	35	50	40
6905.0004.00	EL 152/100	40.1	1450	800	35	45	40
6905.0003.00	EL 128/120	33.8	1740	850	35	40	40
6905.0002.00	EL 122/130	32.2	1885	1000	35	36	43
6905.0001.00	EL 102/160	27.0	2320	1000	35	33	43
6905.0006.00	EL 84/190	22.2	2755	1000	35	30	43
PART #	MODEL #	GPM	PSI	RPM	SHAFT	PISTON	HP
6908.0005.00	ELR 164/90	43.3	1305	1050	35	50	40
6908.0004.00	ELR 152/100	40.1	1450	1200	35	45	40
6908.0003.00	ELR 128/120	33.8	1740	1275	35	40	40
6908.0002.00	ELR 122/130	32.2	1885	1500	35	36	43
6908.0001.00	ELR 102/160	27.0	2320	1500	35	33	43
6908.0006.00	ELR 84/190	22.2	2755	1500	35	30	43
5005.0254.00	Gearbox, 1500 RPM						
PART #	MODEL #	GPM	PSI	RPM	SHAFT	PISTON	HP
6908.0011.00	ELR 164/90	43.3	1305	1330	35	50	40
6908.0010.00	ELR 152/100	40.1	1450	1520	35	45	40
6908.0009.00	ELR 128/120	33.8	1740	1615	35	40	40
6908.0008.00	ELR 122/130	32.2	1885	1900	35	36	43
6908.0007.00	ELR 102/160	27.0	2320	1900	35	33	43
6908.0012.00	ELR 84/190	22.2	2755	1900	35	30	43
5005.0255.00	Gearbox, 1900 RPM						

ELS Series

HPP Industrial Pumps

- Cast Iron Crankcase
- Cast Iron Manifold
- Hardened Crankshaft
- Cast Iron Connecting Rods
- Ceramic Plungers
- Stainless Steel Valves
- V-Packing Seal Design-Buna N
- Stainless Steel Piston Guides
- Long Life Bearings
- 1-1/2" Inlet; 1" Outlet
- Oil Capacity 152 oz.
- Weight 194 lbs.



5011.0275.00

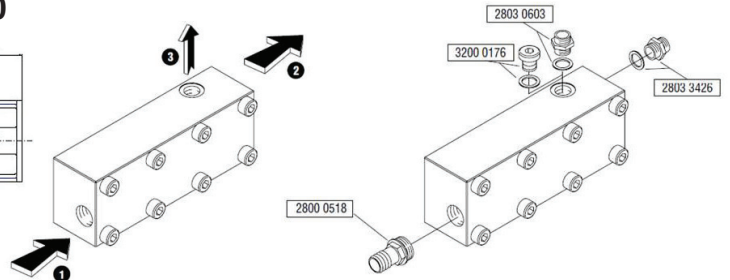
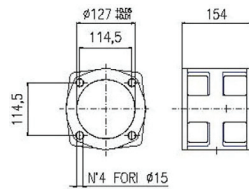
See Page 43 for Connection Kit Pricing

PART #	MODEL #	GPM	PSI	RPM	SHAFT	PISTON	HP
6905.0039.00	ELS 162/110	42.8	1595	850	35	45	48
6905.0038.00	ELS 150/130	39.6	1885	1000	35	40	52
6905.0037.00	ELS 135/140	35.6	2031	900	35	40	51
6905.0036.00	ELS 122/160	32.2	2321	1000	35	36	52
6905.0035.00	ELS 102/200	27.0	2901	1000	35	33	55
6905.0034.00	ELS 84/210	22.2	3046	1000	35	30	48

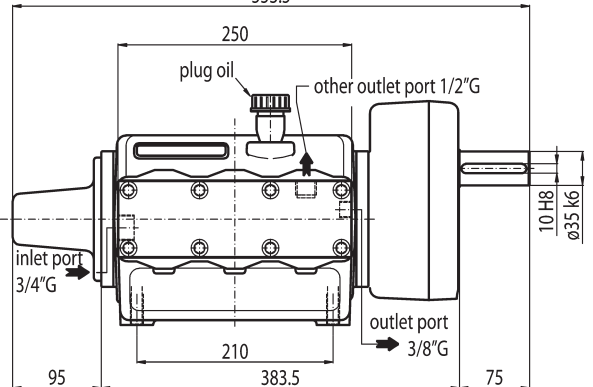
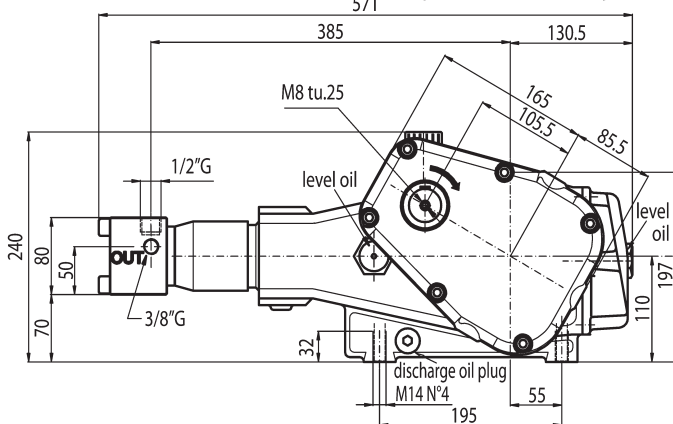
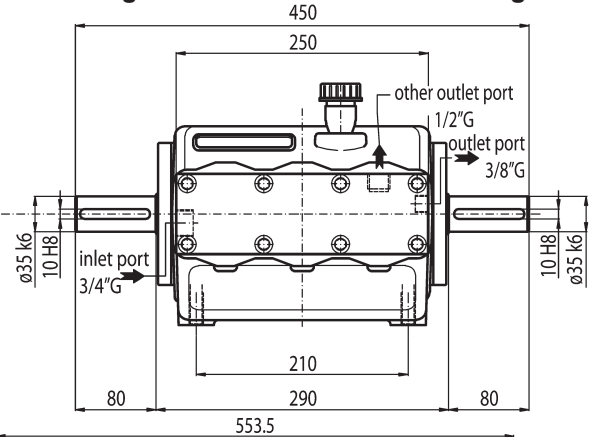
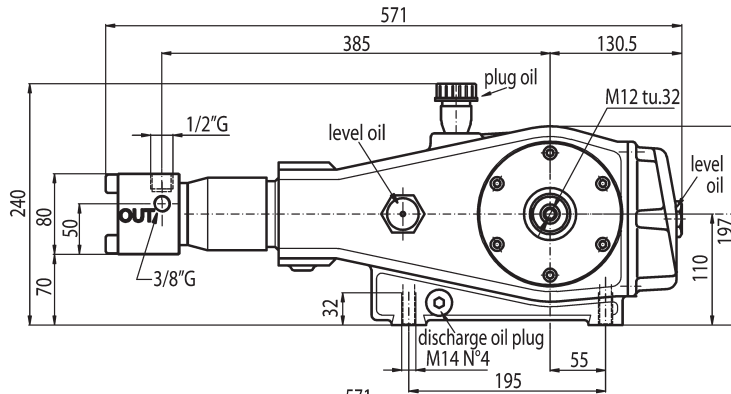
ELH/R Series HPP Industrial Pumps

- Cast Iron Crankcase
- Stainless Steel Manifold
- Hardened Crankshaft
- Cast Iron Connecting Rods
- Ceramic Plungers
- Stainless Steel Valves
- V-Packing Seal Design-Buna N
- Stainless Steel Piston Guides
- Long Life Bearings
- 3/4" Inlet; 3/8" Outlet 38/500
- 1" Inlet; 59/310 & 70/280
- 3/8" Outlet
- Oil Capacity 142 oz.; 152 w/Gearbox
- Weight 150 lbs.; 187 w/Gearbox

5011.0275.00



See Page 43 for Connection Kit Pricing

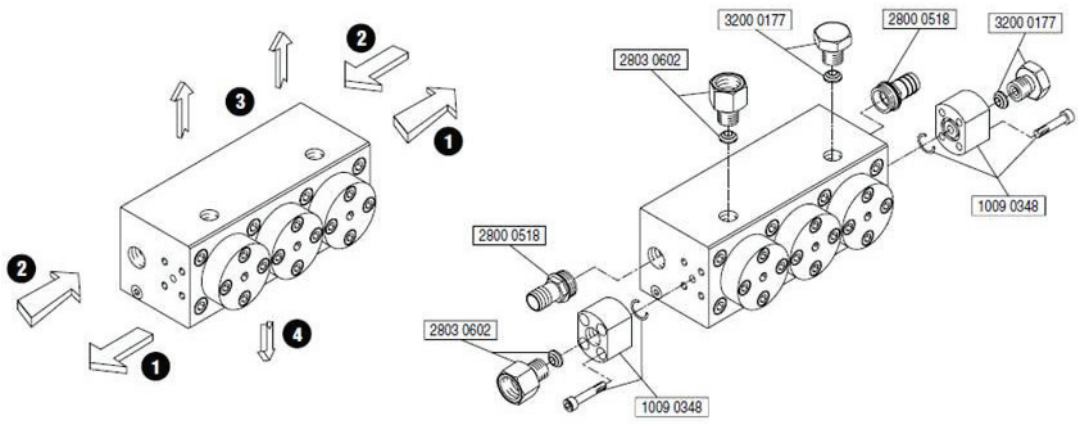
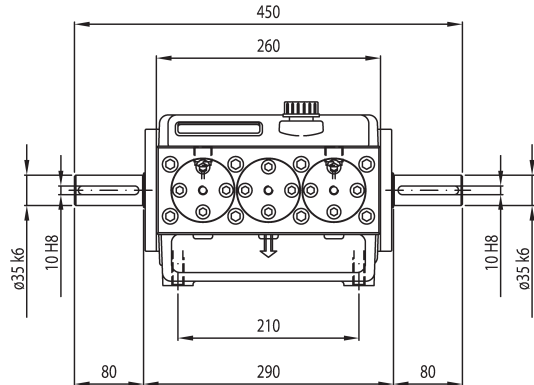
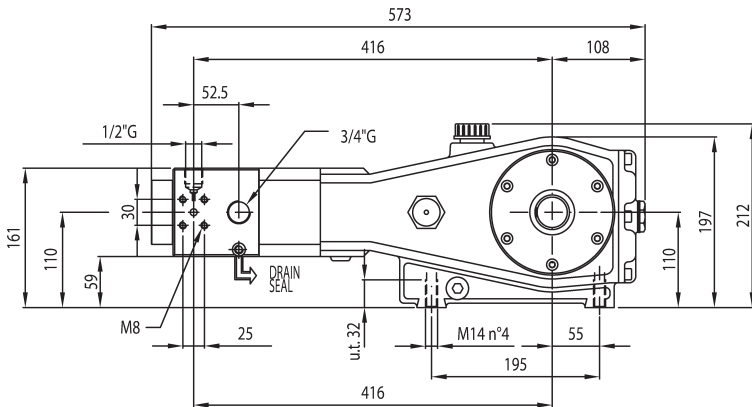


PART #	MODEL #	GPM	PSI	RPM	SHAFT	PISTON	HP
6917.0001.00	ELH 38/500	10	7250	1000	35	20	49
6917.0004.00	ELH 59/310	15.6	4500	1000	35	20	49
6917.0007.00	ELH 70/280	18	4000	1200	35	20	53
6917.0002.00	ELHR 38/500	10	7250	1500	35	20	49
6917.0003.00	ELHR 38/500	10	7250	1900	35	20	49
6917.0005.00	ELHR 59/310	15.6	4500	1500	35	20	49
6917.0006.00	ELHR 59/310	15.6	4500	1900	35	20	49
5005.0254.00	Gearbox, 1500 RPM						
5005.0255.00	Gearbox, 1900 RPM						

EV Series

HPP Industrial Pumps

- Cast Iron Crankcase
- Stainless Steel Manifold
- Hardened Crankshaft
- Cast Iron Connecting Rods
- Ceramic Plungers
- Stainless Steel Valves
- V-Packing Seal Design-Buna N
- Stainless Steel Piston Guides
- Long Life Bearings
- 3/4" Inlet; 1/2" Outlet
- Oil Capacity 142 oz.
- Weight 198 lbs.

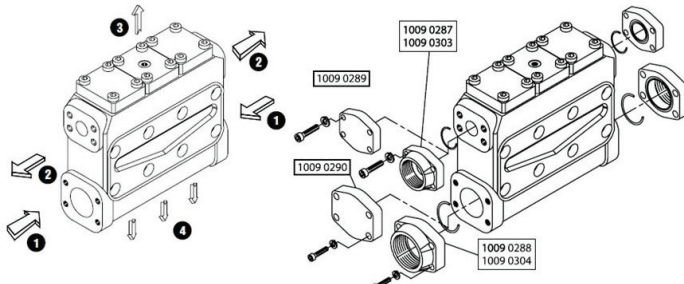
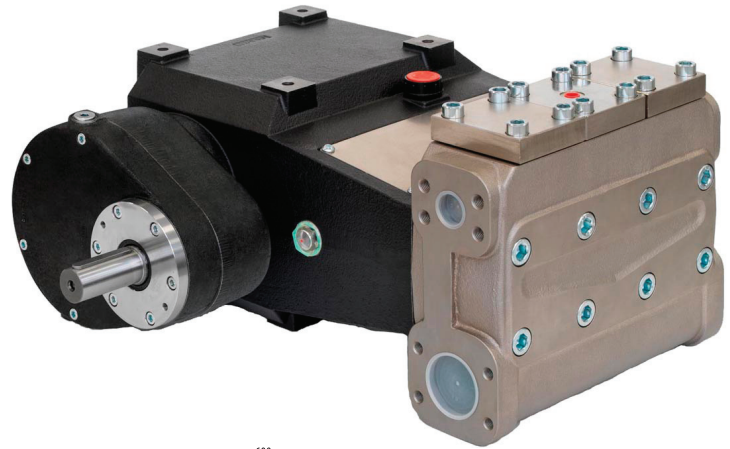


See Page 43 for Connection Kit Pricing

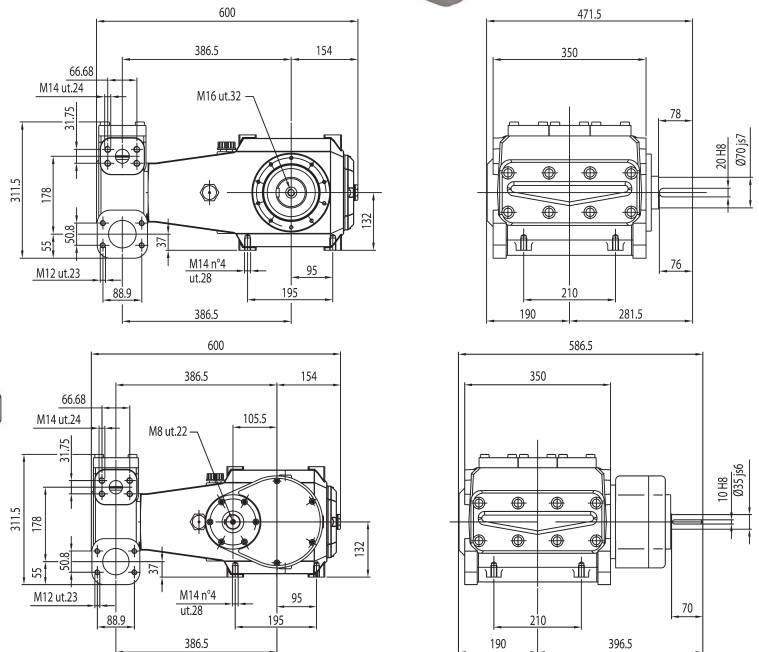
PART #	MODEL #	GPM	PSI	RPM	SHAFT	PISTON	HP
6912.0002.00	EV 19/800	4.9	11,600	900	35	15	40
6912.0001.00	EV 15/1000	3.9	14,500	730	35	15	40

GL/R Series HPP Industrial Pumps

- Cast Iron Crankcase
- Chemically Resistant Coated Cast Iron Manifold
- Hardened Crankshaft
- Cast Iron Connecting Rods
- Ceramic Plungers
- Stainless Steel Valves
- V-Packing Seal Design-Buna N
- Stainless Steel Piston Guides
- Long Life Bearings
- 2-1/2" Inlet; 1-1/4" Outlet
- 70mm Shaft
- Oil Capacity 338 oz.; 372 w/Gearbox
- Weight 330 lbs., 385 w/Gearbox



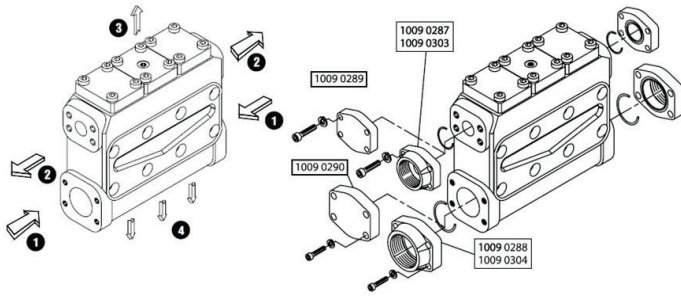
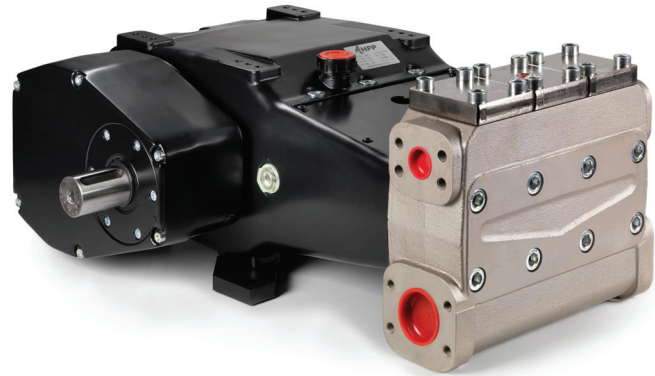
See Page 43 for Connection Kit Pricing



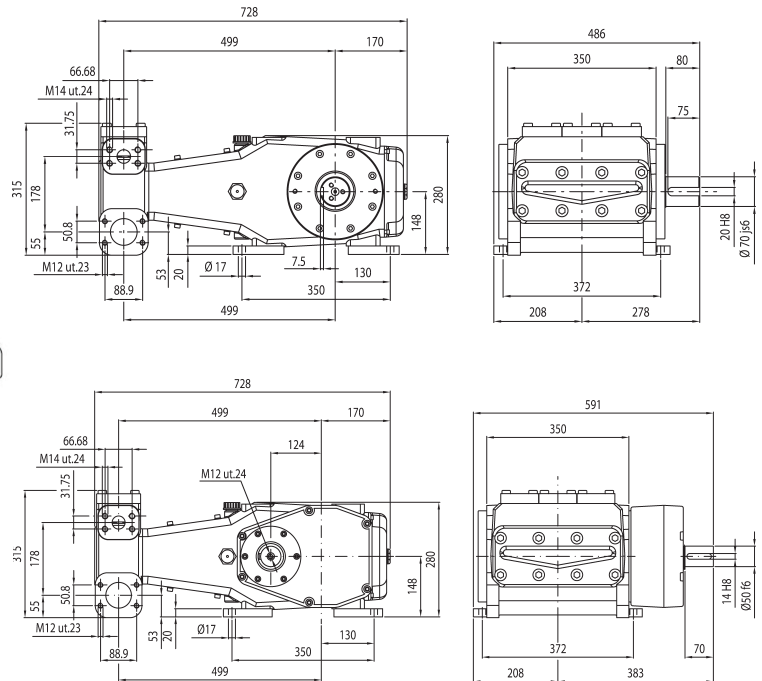
PART #	MODEL #	GPM	PSI	RPM	SHAFT	PISTON	HP	
6911.0006.00	GL 256/125	67.6	1813	750	70	55	85	
6911.0005.00	GL 212/150	56.1	2175	750	70	50	85	
6911.0004.00	GL 171/185	45.2	2683	750	70	45	85	
6911.0003.00	GL 135/235	35.7	3408	750	70	40	85	
6911.0002.00	GL 109/290	28.8	4205	750	70	36	84	
PART #	MODEL #	GPM	PSI	R=2.03	RPM	SHAFT	PISTON	HP
6911.0012.00	GLR 256/125	67.6	1813	1500	750	35	55	85
6911.0011.00	GLR 212/150	56.1	2175	1500	750	35	50	85
6911.0010.00	GLR 171/185	45.2	2683	1500	750	35	45	85
6911.0009.00	GLR 135/235	35.7	3408	1500	750	35	40	85
6911.0008.00	GLR 109/290	28.8	4205	1500	750	35	36	84
5005.0246.00	Gearbox, 1500 RPM							
PART #	MODEL #	GPM	PSI	R=2.41	RPM	SHAFT	PISTON	HP
6911.0018.00	GLR 256/125	67.6	1813	1800	750	35	55	85
6911.0017.00	GLR 212/150	56.1	2175	1800	750	35	50	85
6911.0016.00	GLR 171/185	45.2	2683	1800	750	35	45	85
6911.0015.00	GLR 135/235	35.7	3408	1800	750	35	40	85
6911.0014.00	GLR 109/290	28.8	4205	1800	750	35	36	84
5005.0247.00	Gearbox, 1800 RPM							

SL/R Series HPP Industrial Pumps

- Cast Iron Crankcase
- Chemically Resistant Coated Cast Iron Manifold
- Hardened Crankshaft
- Cast Iron Connecting Rods
- Ceramic Plungers
- Stainless Steel Valves
- V-Packing Seal Design-Buna N
- Stainless Steel Piston Guides
- Long Life Bearings
- 2-1/2" Inlet; 1-1/4" Outlet
- Oil Capacity 304 oz.; 338 w/Gearbox
- Weight 517 lbs., 594 w/Gearbox



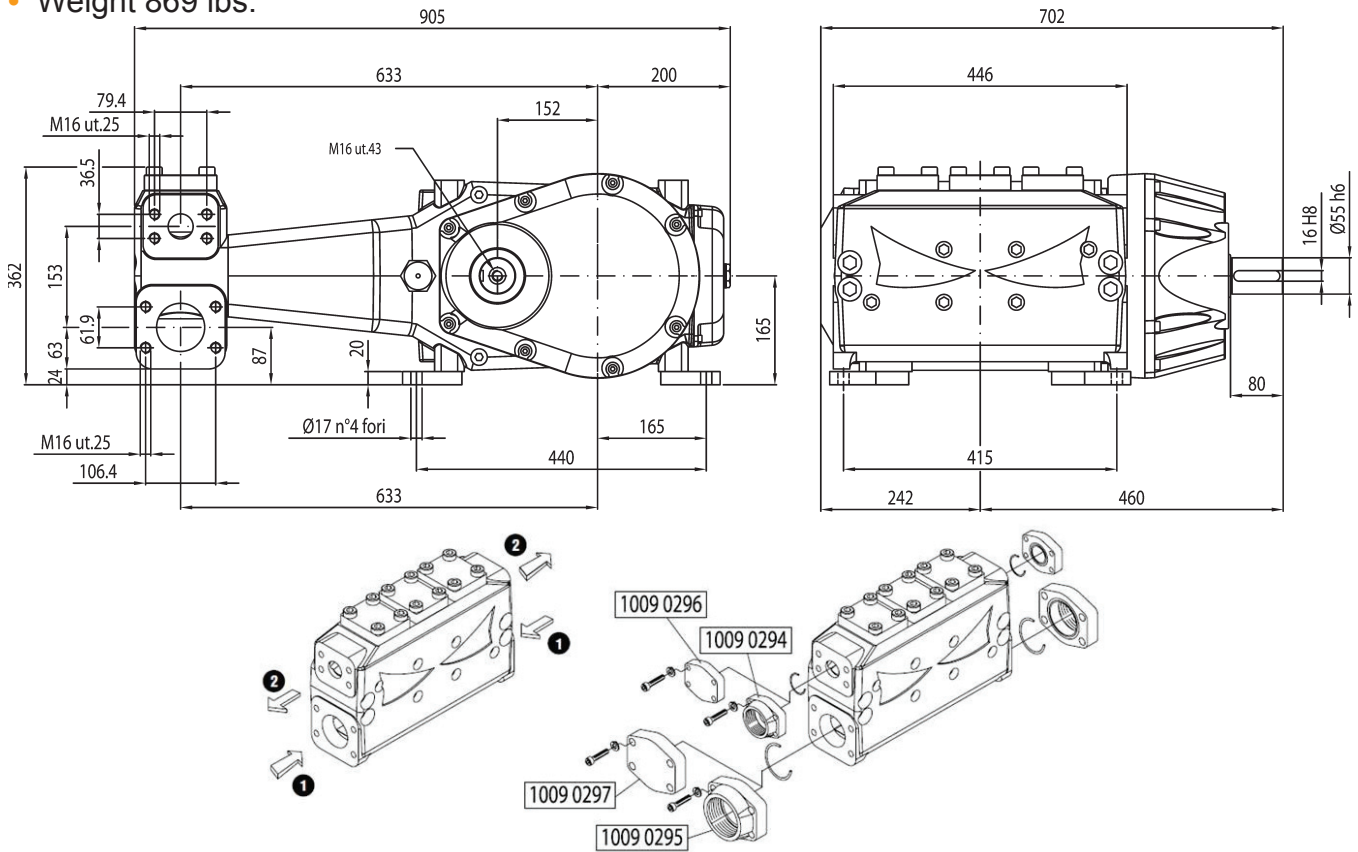
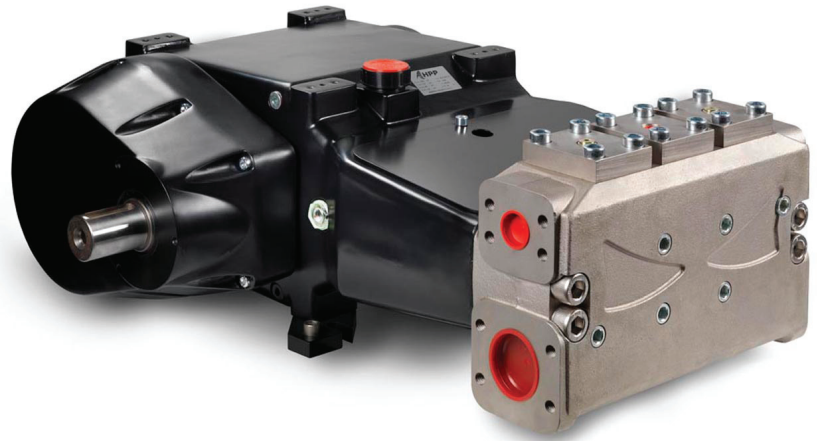
See Page 43 for Connection Kit Pricing



PART #	MODEL #	GPM	PSI	RPM	SHAFT	PISTON	HP	
6909.0005.00	SL 316/130	83.4	1885	750	70	55	110	
6909.0004.00	SL 263/160	70.0	2320	750	70	50	110	
6909.0003.00	SL 212/200	56.0	2900	750	70	45	110	
6909.0002.00	SL 167/250	44.1	3625	750	70	40	110	
6909.0001.00	SL 135/300	35.6	4350	750	70	36	110	
PART #	MODEL #	GPM	PSI	R=1.97	RPM	SHAFT	PISTON	HP
6909.0010.00	SLR 316/130	83.4	1885	1500	750	50	55	110
6909.0009.00	SLR 263/160	70.0	2320	1500	750	50	50	110
6909.0008.00	SLR 212/200	56.0	2900	1500	750	50	45	110
6909.0007.00	SLR 167/250	44.1	3625	1500	750	50	40	110
6909.0006.00	SLR 135/300	35.6	4350	1500	750	50	36	110
5005.0249.00	Gear Box, 1500 RPM							
PART #	MODEL #	GPM	PSI	R=2.43	RPM	SHAFT	PISTON	HP
6909.0015.00	SLR 316/130	83.4	1885	1800	750	50	55	110
6909.0014.00	SLR 263/160	70.0	2320	1800	750	50	50	110
6909.0013.00	SLR 212/200	56.0	2900	1800	750	50	45	110
6909.0012.00	SLR 167/250	44.1	3625	1800	750	50	40	110
6909.0011.00	SLR 135/300	35.6	4350	1800	750	50	36	110
5005.0250.00	Gear Box, 1800 RPM							

MLR Series HPP Industrial Pumps

- Cast Iron Crankcase
- Chemically Resistant Coated Cast Iron Manifold
- Hardened Crankshaft
- Cast Iron Connecting Rods
- Ceramic Plungers
- Stainless Steel Valves
- V-Packing Seal Design-Buna N
- Stainless Steel Piston Guides
- Long Life Bearings
- 3" Inlet; 1-1/2" Outlet
- Oil Capacity 541 oz.
- Weight 869 lbs.



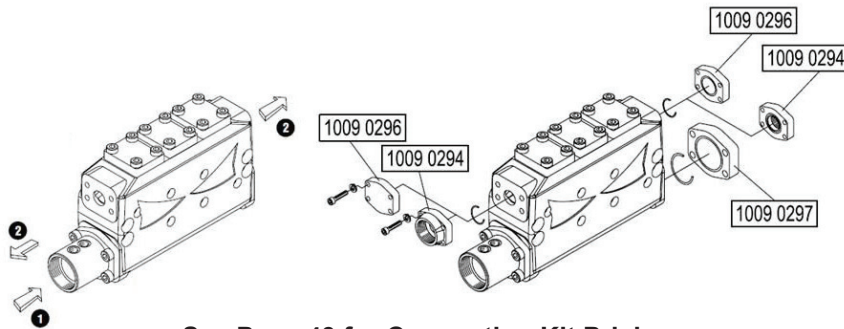
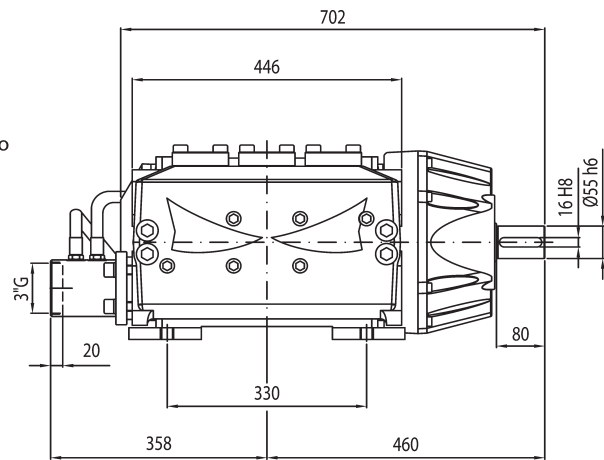
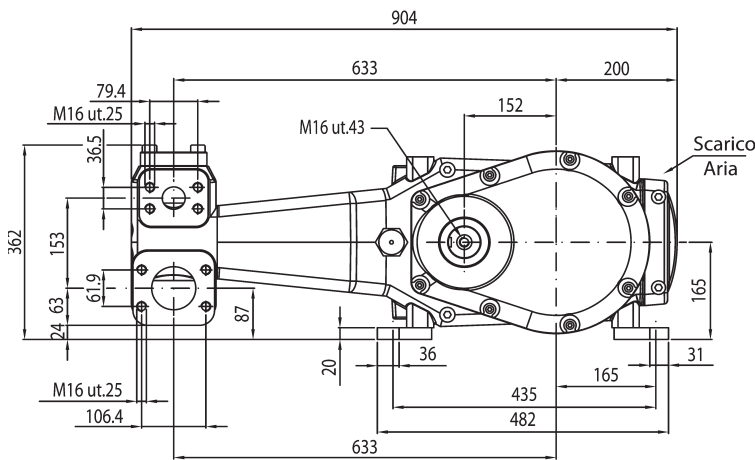
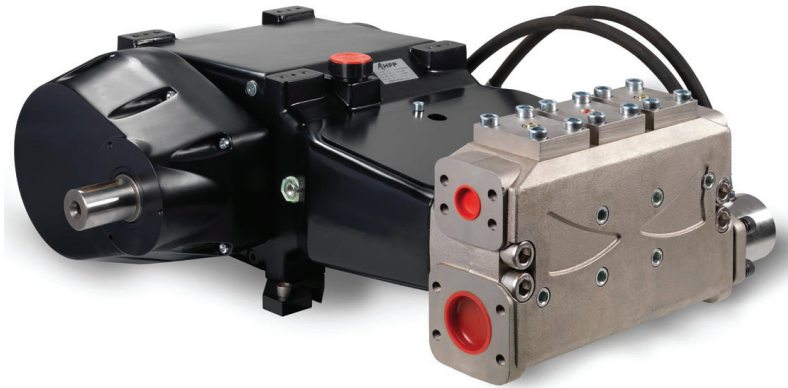
See Page 43 for Connection Kit Pricing

PART #	MODEL #	GPM	PSI	R=2.61	RPM	SHAFT	PISTON	HP
6913.0005.00	MLR 420/145	111.0	2102	1500	566	55	65	160
6913.0004.00	MLR 360/170	95.0	2465	1500	566	55	60	160
6913.0003.00	MLR 300/200	79.0	2900	1500	566	55	55	160
6913.0002.00	MLR 250/250	66.0	3625	1500	566	55	50	160
PART #	MODEL #	GPM	PSI	R=3.16	RPM	SHAFT	PISTON	HP
6913.0010.00	MLR 420/145	111.0	2102	1800	566	55	65	160
6913.0009.00	MLR 360/170	95.0	2465	1800	566	55	60	160
6913.0008.00	MLR 300/200	79.0	2900	1800	566	55	55	160
6913.0007.00	MLR 250/250	66.0	3625	1800	566	55	50	160

RLR Series

HPP Industrial Pumps

- Cast Iron Crankcase
- Chemically Resistant Coated Cast Iron Manifold
- Hardened Crankshaft
- Cast Iron Connecting Rods
- Ceramic Plungers
- Stainless Steel Valves
- V-Packing Seal Design-Buna N
- Stainless Steel Piston Guides
- Long Life Bearings
- 3" Inlet; 1-1/2" Outlet
- Oil Capacity 541 oz.
- Weight 891 lbs.



See Page 43 for Connection Kit Pricing

PART #	MODEL #	GPM	PSI	R=2.61	RPM	SHAFT	PISTON	HP
6914.0004.00	RLR 480/145	127.0	2102	1500	566	55	70	190
6914.0003.00	RLR 420/170	111.0	2465	1500	566	55	65	190
6914.0002.00	RLR 360/200	95.0	2900	1500	566	55	60	190
6914.0001.00	RLR 300/250	79.0	3625	1500	566	55	55	190
PART #	MODEL #	GPM	PSI	R=3.16	RPM	SHAFT	PISTON	HP
6914.0008.00	RLR 480/145	127.0	2102	1800	566	55	70	190
6914.0007.00	RLR 420/170	111.0	2465	1800	566	55	65	190
6914.0006.00	RLR 360/200	95.0	2900	1800	566	55	60	190
6914.0005.00	RLR 300/250	79.0	3625	1800	566	55	55	190

Repair Kits-HPP Pumps

CH Series

Part #	Description
5025.0042.00	Valve Kit
5019.0137.00	Valve Seal Kit
5019.0205.00	Water Seal Kit, Complete CH 25/500 & 18/500
5019.0206.00	Water Seal Kit, Complete CH 22/400 & 31/300
5019.0193.00	Water Seal Kit CH 25/500 & 18/500
5019.0194.00	Water Seal Kit CH 22/400 & 31/300
5019.0152.00	Oil Seal Kit
2409.0214.00	Pumping Group Kit CH 25/500 & 18/500
2409.0215.00	Pumping Group Kit CH 22/400 & 31/300
2409.0234.00	Piston Kit CH 25/500 & 18/500
2409.0235.00	Piston Kit CH 22/400 & 31/300

CL Series

Part #	Description
5025.0043.00	Valve Kit
5019.0138.00	Valve Seal Kit
5019.0212.00	Water Seal Kit, Complete CL 49/200 & 70/130
5019.0127.00	Water Seal Kit, Complete CL 66/140
5019.0191.00	Water Seal Kit CL 49/200 & 70/130
5019.0192.00	Water Seal Kit CL 66/140
5019.0152.00	Oil Seal Kit
2409.0212.00	Pumping Group Kit CL 49/200 & 70/130
2409.0213.00	Pumping Group Kit CL 66/140
2409.0231.00	Piston Kit CL 49/200 & 70/130
2409.0232.00	Piston Kit CL 66/140

EV Series

Part #	Description
5025.0045.00	Valve Kit
5019.0207.00	Valve Seal Kit
5019.0204.00	Water Seal Kit, Complete
5019.0209.00	Water Seal Kit
5019.0145.00	Oil Seal Kit
2409.0211.00	Pumping Group Kit
2409.0243.00	Piston Kit

CLW Series

Part #	Description	List Price
5025.0055.00	Valve Kit	
5019.0236.00	Valve Seal Kit	
5019.0212.00	Water Seal Kit, Complete CLW 49/200 & 70/130	
5019.0127.00	Water Seal Kit, Complete CLW 66/140, 80/100 & 100/100	
5019.0191.00	Water Seal Kit CLW 49/200 & 70/130	
5019.0192.00	Water Seal Kit CLW 66/140, 80/100 & 100/100	
5019.0152.00	Oil Seal Kit	
2409.0212.00	Pumping Group Kit CLW 49/200 & 70/130	
2409.0213.00	Pumping Group Kit CLW 66/140, 80/100 & 100/100	
2409.0231.00	Piston Kit CLW 49/200 & 70/130	
2409.0232.00	Piston Kit CLW 66/140, 80/100 & 100/100	

ELH/R Series

Part #	Description
5025.0042.00	Valve Kit, 38/500
5025.0056.00	Valve Kit, 59/310 & 70/280
5019.0137.00	Valve Seal Kit
5019.0691.00	Water Seal Kit, Complete, 38/500
5019.0195.00	Water Seal Kit, 38/500
5019.0237.00	Water Seal Kit, 59/310 & 70/280
5019.0145.00	Oil Seal Kit
2409.0197.00	Pumping Group Kit
2409.0236.00	Piston Kit, 38/500
2409.0254.00	Piston Kit, 59/310 & 70/280

EL/R Series

Part #	Description
5025.0036.00	Valve Kit
5019.0132.00	Valve Seal Kit
5019.0197.00	Water Seal Kit, Complete EL/R 84/190
5019.0198.00	Water Seal Kit, Complete EL/R 102/160
5019.0118.00	Water Seal Kit, Complete EL/R 122/130
5019.0119.00	Water Seal Kit, Complete EL/R 128/120
5019.0120.00	Water Seal Kit, Complete EL/R 152/100
5019.0199.00	Water Seal Kit, Complete EL/R 164/90
5019.0170.00	Water Seal Kit EL/R 84/190
5019.0171.00	Water Seal Kit EL/R 102/160
5019.0172.00	Water Seal Kit EL/R 122/130
5019.0173.00	Water Seal Kit EL/R 128/120
5019.0174.00	Water Seal Kit EL/R 152/100
5019.0175.00	Water Seal Kit EL/R 164/90
5019.0145.00	Oil Seal Kit
2409.0190.00	Pumping Group Kit EL/R 84/190
2409.0191.00	Pumping Group Kit EL/R 102/160
2409.0200.00	Pumping Group Kit EL/R 122/130
2409.0201.00	Pumping Group Kit EL/R 128/120
2409.0192.00	Pumping Group Kit EL/R 152/100
2409.0202.00	Pumping Group Kit EL/R 164/90
2409.0237.00	Piston Kit, 30mm EL/R 84/190
2409.0238.00	Piston Kit, 33mm EL/R 102/160
2409.0239.00	Piston Kit, 36mm EL/R 122/130
2409.0240.00	Piston Kit, 40mm EL/R 128/120
2409.0241.00	Piston Kit, 45mm EL/R 152/100
2409.0242.00	Piston Kit, 50mm EL/R 164/90

ELS Series

Part #	Description
5025.0053.00	Valve Kit
5019.0132.00	Valve Seal Kit
5019.0197.00	Water Seal Kit, Complete ELS 84/210
5019.0198.00	Water Seal Kit, Complete ELS 102/200
5019.0118.00	Water Seal Kit, Complete ELS 122/160
5019.0119.00	Water Seal Kit, Complete ELS 135/140 & 150/130
5019.0120.00	Water Seal Kit, Complete ELS 152/110
5019.0170.00	Water Seal Kit ELS 84/210
5019.0171.00	Water Seal Kit ELS 102/200
5019.0172.00	Water Seal Kit ELS 122/160
5019.0173.00	Water Seal Kit ELS 135/140 & 150/130
5019.0174.00	Water Seal Kit ELS 162/110
5019.0145.00	Oil Seal Kit
2409.0190.00	Pumping Group Kit EL/R 84/210
2409.0191.00	Pumping Group Kit EL/R 102/200
2409.0200.00	Pumping Group Kit EL/R 122/160
2409.0201.00	Pumping Group Kit EL/R 135/140 & 150/130
2409.0192.00	Pumping Group Kit EL/R 162/110
2409.0237.00	Piston Kit, 30mm ELS 84/210
2409.0238.00	Piston Kit, 33mm ELS 102/200
2409.0239.00	Piston Kit, 36mm ELS 122/160
2409.0240.00	Piston Kit, 40mm ELS 135/140 & 150/130
2409.0241.00	Piston Kit, 45mm ELS 162/110



GL/R Series

Part #	Description
5025.0044.00	Valve Kit
5019.0139.00	Valve Seal Kit
5019.0211.00	Water Seal Kit, Complete GL/R 109/290
5019.0121.00	Water Seal Kit, Complete GL/R 135/235
5019.0122.00	Water Seal Kit, Complete GL/R 171/185
5019.0123.00	Water Seal Kit, Complete GL/R 212/150
5019.0124.00	Water Seal Kit, Complete GL/R 256/125
5019.0184.00	Water Seal Kit GL/R 109/290
5019.0185.00	Water Seal Kit GL/R 135/235
5019.0186.00	Water Seal Kit GL/R 171/185
5019.0215.00	Water Seal Kit GL/R 212/150
5019.0187.00	Water Seal Kit GL/R 256/125
5019.0149.00	Oil Seal Kit, GL
5019.0150.00	Oil Seal Kit, GLR
2409.0217.00	Pumping Group Kit GL/R 109/290
2409.0218.00	Pumping Group Kit GL/R 135/235
2409.0219.00	Pumping Group Kit GL/R 171/185
2409.0220.00	Pumping Group Kit GL/R 212/150
2409.0221.00	Pumping Group Kit GL/R 256/125
2409.0244.00	Piston Kit GL/R 109/290
2409.0245.00	Piston Kit GL/R 135/235
2409.0246.00	Piston Kit GL/R 171/185
2409.0247.00	Piston Kit GL/R 212/150
2409.0248.00	Piston Kit GL/R 256/125

SL/R Series

Part #	Description	List Price
5025.0044.00	Valve Kit	
5019.0139.00	Valve Seal Kit	
5019.0200.00	Water Seal Kit, Complete SL/R 135/300	
5019.0201.00	Water Seal Kit, Complete SL/R 167/250	
5019.0202.00	Water Seal Kit, Complete SL/R 212/200	
5019.0694.00	Water Seal Kit, Complete SL/R 263/160	
5019.0203.00	Water Seal Kit, Complete SL/R 316/130	
5019.0177.00	Water Seal Kit SL/R 135/300	
5019.0178.00	Water Seal Kit SL/R 167/250	
5019.0179.00	Water Seal Kit SL/R 212/200	
5019.0180.00	Water Seal Kit SL/R 263/160	
5019.0181.00	Water Seal Kit SL/R 316/130	
5019.0147.00	Oil Seal Kit, SL	
5019.0146.00	Oil Seal Kit, SLR	
2409.0207.00	Pumping Group Kit SL/R 135/300	
2409.0208.00	Pumping Group Kit SL/R 167/250	
2409.0193.00	Pumping Group Kit SL/R 212/200	
2409.0209.00	Pumping Group Kit SL/R 263/160	
2409.0210.00	Pumping Group Kit SL/R 316/130	
2409.0249.00	Piston Kit SL/R 135/300	
2409.0250.00	Piston Kit SL/R 167/250	
2409.0251.00	Piston Kit SL/R 212/200	
2409.0252.00	Piston Kit SL/R 263/160	
2409.0253.00	Piston Kit SL/R 316/130	

MLR Series

Part #	Description
5025.0041.00	Valve Kit
5019.0136.00	Valve Seal Kit
5019.0213.00	Water Seal Kit, Complete MLR 250/250
5019.0214.00	Water Seal Kit, Complete MLR 300/200
5019.0125.00	Water Seal Kit, Complete MLR 360/170
5019.0126.00	Water Seal Kit, Complete MLR 420/145
5019.0188.00	Water Seal Kit MLR 250/250
5019.0189.00	Water Seal Kit MLR 300/200
5019.0190.00	Water Seal Kit MLR 360/170
5019.0210.00	Water Seal Kit MLR 420/145
5019.0151.00	Oil Seal Kit, MLR
2409.0199.00	Pumping Group Kit MLR 250/250
2409.0222.00	Pumping Group Kit MLR 300/200
2409.0223.00	Pumping Group Kit MLR 360/170
2409.0224.00	Pumping Group Kit MLR 420/145
2409.0255.00	Piston Kit MLR 250/250
2409.0256.00	Piston Kit MLR 300/200
2409.0257.00	Piston Kit MLR 360/170
2409.0258.00	Piston Kit MLR 420/145

RLR Series

Part #	Description
5025.0041.00	Valve Kit
5019.0136.00	Valve Seal Kit
5019.0214.00	Water Seal Kit, Complete RLR 300/250
5019.0125.00	Water Seal Kit, Complete RLR 360/200
5019.0126.00	Water Seal Kit, Complete RLR 420/170
5019.0216.00	Water Seal Kit, Complete RLR 480/145
5019.0189.00	Water Seal Kit RLR 300/250
5019.0190.00	Water Seal Kit RLR 360/200
5019.0210.00	Water Seal Kit RLR 420/170
5019.0217.00	Water Seal Kit RLR 480/145
5019.0151.00	Oil Seal Kit
2409.0222.00	Pumping Group Kit RLR 300/250
2409.0223.00	Pumping Group Kit RLR 360/200
2409.0224.00	Pumping Group Kit RLR 420/170
2409.0225.00	Pumping Group Kit RLR 480/145
2409.0256.00	Piston Kit RLR 300/250
2409.0257.00	Piston Kit RLR 360/200
2409.0258.00	Piston Kit RLR 420/170
2409.0259.00	Piston Kit RLR 480/145

Connection Kits-HPP Pumps

CH & ELH/R Series

Part #	Description
2800.0518.00	Inlet, 3/4" G
2803.0603.00	Service 1/2" G (ELH/R)
2803.3426.00	Outlet 3/8" G
3200.0176.00	Outlet (CH)/Service (ELH/R) 1/2" G

CL Series

Part #	Description
2803.0588.00	Outlet 3/4" G
2803.0590.00	Inlet 1" G-90°
2803.0591.00	Inlet 1" G
2803.0595.00	Outlet 3/4"-1/2" G
3200.0170.00	Service 1/4" G

ELS & EL/R Series

Part #	Description
3200.0170.00	Service 1/4" G
2803.0591.00	Outlet 1" G
2803.0594.00	Inlet 1-3/4" G-90°
2803.0597.00	Outlet 1-1/2" G
2803.0598.00	Outlet 1" G-1/2" G
2803.0601.00	Inlet 1-1/2" G
3202.0387.00	Outlet 1" G
3200.0174.00	Inlet 1-1/2" G

EV Series

Part #	Description
2800.0518.00	Inlet, 3/4" G
1009.0348.00	Outlet 1/2" G
2803.0602.00	Outlet 1/2" G
3200.0177.00	Outlet 3/8" G

GL/R & SL/R Series

Part #	Description
1009.0287.00	Outlet 1-1/4" G
1009.0303.00	Outlet 1-1/4" NPT
1009.0288.00	Inlet 2-1/2" G
1009.0304.00	Inlet 2-1/2" NPT
1009.0289.00	Outlet, Closed
1009.0290.00	Inlet, Closed

MLR & RLR Series

Part #	Description
1009.0294.00	Outlet 1-1/2" G
1009.0295.00	Inlet 3" G (MLR only)
1009.0296.00	Outlet, Closed
1009.0297.00	Inlet, Closed

HPP Accessories

FILTERS



FA 03



FP 01



FP 02



FA 01 & 02



FP 05



FP 06

Part #	Model	GPM	PSI	Mat'l	Couplg
1002.0207.00	FA 03	7.9	145	SS	1"
1002.0201.00	FP 01	18.5	174	Plastic	1"
1002.0202.00	FP 02	29	174	Plastic	1-1/4"
1002.0205.00	FA 01	40	435	Alum.	1-1/2"
1002.0208.00	FP 05	53	116	Plastic	2"
1002.0206.00	FA 02	69	145	Alum.	3"
1002.0209.00	FP 06	106	116	Plastic	3"

FITTINGS-Sockets



10,000+ PSI



7500 PSI



PLUGS

Part #	Description
7600.0302.00	w/Poppet valve, 1/4" FPT, Zinc 15,950 PSI
7600.0304.00	w/Poppet valve, 3/8" FPT, Zinc 10,875 PSI
7600.0306.00	w/Ball valve, 3/8" FPT, Zinc 10,875 PSI
7600.0309.00	1/4" MPT, Stainless Steel 7500 PSI
7600.0310.00	1/4" FPT, Stainless Steel 7500 PSI

SOCKETS

Part #	Description
7600.0301.00	w/Poppet valve, 1/4" FPT, Zinc 15,950 PSI
7600.0303.00	w/Poppet valve, 3/8" FPT, Zinc 10,875 PSI
7600.0305.00	w/Ball valve, 3/8" FPT, Zinc 10,875 PSI
7600.0307.00	1/4" MPT, Stainless Steel 7500 PSI
7600.0308.00	1/4" FPT, Stainless Steel 7500 PSI

GAUGES



Comet Logo Model 40 MA 05 Model 58 MA 08

- 1/4" Connection Models: Comet, 40 & MA 05
- 1/2" Connection Models: 58 & MA 08
- Glycerin Filled

Part #	Description
8106.0614.00*	Model 41, 2.5" Dia., 4000 PSI
8106.0627.00	Model 41, 2.5" Dia., 5000 PSI
8106.0615.00*	Model 41, 2.5" Dia., 6000 PSI
8106.0620.00	Model 40, 2.5" Dia., 10,000 PSI
1816.0144.00	MA 05, 2.5" Dia., 14500 PSI
8106.0621.00	Model 40, 4" Dia., 10,000 PSI
8106.0625.00	Model 58, 4" Dia., 15,000 PSI
1816.0147.00	MA 08, 4" Dia., 23200 PSI

*Comet Logo Gauge

GUN/LANCE Assemblies



LC 01-04

LC 06

Lance Extension

- 1/2" Inlet x 1/4" Outlet

Part #	Model	GPM	PSI	Ext.
3301.1188.00	LC 01	53	3200	16"
3301.1189.00	LC 02	53	3200	31.5"
3301.1190.00	LC 03	21	8100	16"
3301.1191.00	LC 04	21	8100	31.5"
3301.1192.00	LC 06	21	17,000	43.5"
8116.1608.10	Extension	53	8100	16"
8116.1603.10	Extension	53	8100	31.5"
8116.1608.20	Extension	53	8100	50"

NOZZLES-Meg

- 7250 PSI
- 1/4" MPT



Part #	Description	Orifice	Degree
8116.1038.40	Nozzle, Meg	038	40
8116.1040.00	Nozzle, Meg	040	0
8116.1040.15	Nozzle, Meg	040	15
8116.1049.40	Nozzle, Meg	049	40
8116.1050.00	Nozzle, Meg	050	0
8116.1050.15	Nozzle, Meg	050	15
8116.1055.00	Nozzle, Meg	055	0
8116.1055.15	Nozzle, Meg	055	15
8116.1055.40	Nozzle, Meg	055	40

*See Nozzle Formulas on Page 81 for Sizing

PULSATION DAMPENERS



AP 01 AP 02 AP 03 AP 04 AP 05 AP 06

Part #	Model	GPM	PSI	Pump
0102.0034.00	AP 01	.092	3045	CL
0102.0035.00	AP 02	.184	3045	EL
0102.0036.00	AP 03	.211	4350	GL-SL
0102.0037.00	AP 04	.264	3045	GL-SL
0102.0038.00	AP 05	.369	3045	GL-SL-MLR-RLR
0102.0039.00	AP 06	.369	4350	GL-SL-MLR-RLR

VALVE-Foot



VP-01

Part #	GPM	PSI	Temp	In/Outlet
0608.0056.00	16	14500	194° F	1/2"

VALVES-Non-Return



VRN-01

- 48 GPM
- 195° F
- 3/4" F Couplings



VRN-02

Part #	Description
0608.0051.00	VRN-01, 2200 PSI, Brass
0608.0052.00	VRN-02, 5800 PSI, Stainless

VALVES-Pneumatic



VRPP 170 RP PN 03/2 RP PN 03 VRPP 200-280 RP PN 05 VRPP 450-200 RP PN 05/2

Part #	Model	GPM	PSI	Pump	Inlet	Outlet	By-Pass	Temp	RAP	CAF
1215.0492.00	VRPP 170	53	2450	CL-EL	1" F	1" F	1" F	195°	87 PSI	1/4" F
1215.0497.00	RP PN 03/2	53	3335	CL-EL	1" F	1" F	1" F	194°	94 PSI	1/4" F
1215.0493.00	RP PN 03	53	7975	CH-ELH	1" F	1" F	1" F	194°	97 PSI	1/4" F
8116.2701.00	VRPP 200-280	53	4500	CL-EL	1" F	1" F	1" F	196°	87 PSI	1/4" F
1215.0514.00	RP PN 05	84	5075	GL-SL-MLR-RLR	1-1/2" F	1-1/2" F	1-1/2" F	194°	116 PSI	1/4" F
8116.2703.00	VRPP 450-200	120	3200	MLR-RLR	2 x 1-1/4" F	N/A	1-1/4" F	196°	87 PSI	1/4" F
1215.0502.00	RP PN 05/2	127	2900	MLR-RLR	1-1/2" F	1-1/2" F	1-1/2" F	194°	116 PSI	1/4" F

RAP=Required Air Pressure
CAF=Compressed Air Fitting

VALVES-Relief



RP 01 VRP 175 RP 05 RP 06 VRP 43

Part #	Model	GPM	PSI	Pump	Inlet	Outlet	By-Pass	Temp
1215.0503.00	RP 01	21.1	4350	CL	1/2" F	1/2" F	1/2" F	195°
1215.0505.00	VRP 175	53	2450	EL	2 x 1" F	N/A	1" F	195°
1215.0508.00	RP 05	7.9	29,000	EV	9/16" F	9/16" F	9/16" F	195°
1215.0509.00	RP 06	16	15,950	EV	1/2" F	1/2" F	N/A	140°
1215.0510.00	VRP 43	21.0	6400	CL-EL	1/2" F	1/2" F	1/2" F	195°

VALVES-Safety



VS 02 VS 03 VS 04 VS 450-200/300 VS 06

Part #	Model	GPM	PSI	Pump	Inlet	By-Pass	Temp
1219.2038.00	VS 02	6.5	5650	CL-CH	2 x 3/8" F	3/8" F	195°
8116.2528.00*	VS 02	6.5	5650	CL-CH	2 x 3/8" F	3/8" F	195°
1219.2040.00	VS 03	53	2900	EL	3/4" F	1/2" F	195°
8116.2529.00*	VS 03	53	2900	EL	3/4" F	1/2" F	195°
8116.0650.00	VS 04	21	8100	CH-EL-ELH	1/2" F	3/8" F	195°
8116.2530.00*	VS 04	21	8100	CH-EL-ELH	1/2" F	3/8" F	195°
8116.2537.00	VS 450-200	120	3200	GL-SL-MLR-RLR	1-1/4" F	1-1/4" F	195°
8116.2538.00	VS 450-300	120	4800	GL-SL-MLR-RLR	1-1/4" F	1-1/4" F	195°
1219.2046.00	VS 06/750	5.3	10,875	EV	1/2" F	N/A	140°
1219.2047.00	VS 06/1000	5.3	14,500	EV	1/2" F	N/A	140°
1219.2048.00	VS 06/1250	5.3	18,125	EV	1/2" F	N/A	140°

*Unloader with Safety Cap

VALVES-Unloader


VB 85/280

VB 200/150

VB 16

VB 450/200 & 300

VB 43 & 53

BPL 01

Part #	Model	GPM	PSI	Pump	Inlet	Outlet	By-Pass	Temp
8116.2534.00	VB 85/280	21	4500	CL	1/2" F	1/2" F	1/2" F	195°
1215.0484.00	VB 200/150	53	2450	EL	1" F	1" F	1" F	195°
8116.2522.00	VB 16	21	8100	EL-ELH	1/2" F	1/2" F	1/2" F	195°
1215.0487.00	VB 450/200	120	3200	GL-SL	1-1/4" F	1-1/4" F	1-1/2" F	195°
1215.0488.00	VB 450/300	120	4800	GL-SL-MLR-RLR	1-1/4" F	1-1/4" F	1-1/2" F	195°
1215.0489.00	VB 43	21	6400	CH-EL	1/2" F	1/2" F	1/2" F	195°
1215.0490.00	VB 53	21	8000	CH	1/2" F	1/2" F	1/2" F	195°
1215.0512.00	BPL 01	53	2450	EL	1-1/4" F	1-1/4" F	1-1/4" F	195°

Accessories

ANTI-FREEZE-Pump Saver



- Protects Pump from Freezing in Winter
- Attaches to any Pump Inlet to Fill Pump Chamber

Part #	Description
8102.5000.00	Pump Saver, 16 oz.

BRUSH-Rotating



- 580 PSI
- 140° F Max
- 3.0mm Nozzle



Part #	Description
8108.9152.00	Nylon Bristles, 1/4" M Inlet MV #020100001
8108.8300.00	Horse Hair Bristles, 1/4" M Inlet MV #020100011
8108.3303.00	Nylon Bristles w/Joint, 1/4" F Inlet MV #020100002
8108.3304.00	Horse Hair Bristles w/Joint, 1/4" F Inlet MV #020100012

BURNER RINGS

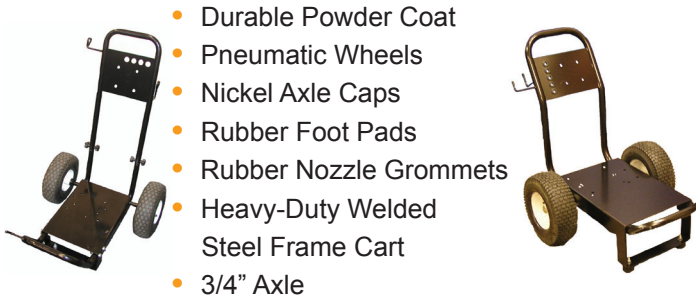


- Cast Iron for Long Life
- High-Flow Design
- Industry Standard Sizes
- New & Improved Casting Design

BURNER RINGS-Continued...

Part #	Description
8102.0122.00	44-50 Burner Ring, 50-Orifice
8102.0123.00	44-51 Burner Ring, 51-Orifice
8102.0124.00	44-52 Burner Ring, 52-Orifice
8102.0125.00*	44-53 Burner Ring, 53-Orifice
8102.0126.00	44-54 Burner Ring, 54-Orifice
8102.0127.00*	44-55 Burner Ring, 55-Orifice
8102.0128.00*	44-56 Burner Ring, 56-Orifice
8102.0129.00*	44-57 Burner Ring, 57-Orifice
8102.0130.00*	44-58 Burner Ring, 58-Orifice
8102.0131.00*	44-59 Burner Ring, 59-Orifice
8102.0132.00	44-60 Burner Ring, 60-Orifice
8102.0133.00*	44-61 Burner Ring, 61-Orifice
8102.0134.00	44-62 Burner Ring, 62-Orifice
8102.0135.00	44-63 Burner Ring, 63-Orifice
8102.0136.00	44-64 Burner Ring, 64-Orifice
8102.0137.00	44-65 Burner Ring, 65-Orifice
8102.0138.00	44-66 Burner Ring, 66-Orifice
8102.0139.00	44-67 Burner Ring, 67-Orifice
8102.0140.00	44-68 Burner Ring, 68-Orifice
8102.0141.00	44-69 Burner Ring, 69-Orifice
*Non-stocked sizes	
8102.0120.00	32-69 Burner Ring, 69-Orifice
8102.0182.00	66-62 Burner Ring, 62-Orifice
8102.0189.00	66-69 Burner Ring, 69-Orifice
8102.0162.00	88-69 Burner Ring, 69-Orifice
32, 66 & 88-Other nozzle sizes available upon request	
8102.0100.00	Replacement Nozzle

CARTS-Pressure Washer



- Durable Powder Coat
- Pneumatic Wheels
- Nickel Axle Caps
- Rubber Foot Pads
- Rubber Nozzle Grommets
- Heavy-Duty Welded Steel Frame Cart
- 3/4" Axle

Part #	Description
8402.0201.00	Cart, 10" Wheels Up to 6.5 HP Gas Engine or 56C Electric Motor Base Dimensions: 14.5" x 14.5"
8402.0202.00	Cart, 13" Wheels 11-20 HP Gas Engine or 182-184T Electric Motor Base Dimensions: 14" x 21"

CARTS-Components

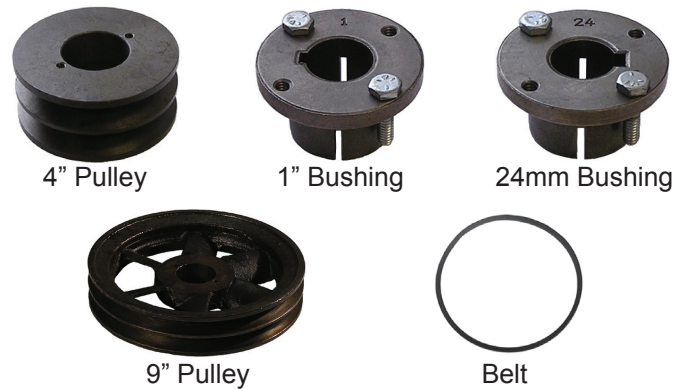


Part #	Description	Style
8102.0202.01	Knuckle & Bolt for cart 8102.0202.60	E
8402.0264.00	Knuckle & Bolt for cart 8402.0201.00	F
8102.0260.00	Grommet, Spray Tip Holder	C
8102.0261.00	Rubber Foot w/Hardware	A
8402.0260.00	Rubber Foot (for Carts 8402.0201.00 & 8402.0202.00)	D
8102.0263.00	Nickel Plated Axle Cap, 5/8"	B
8102.0264.00	Nickel Plated Axle Cap, 3/4"	B



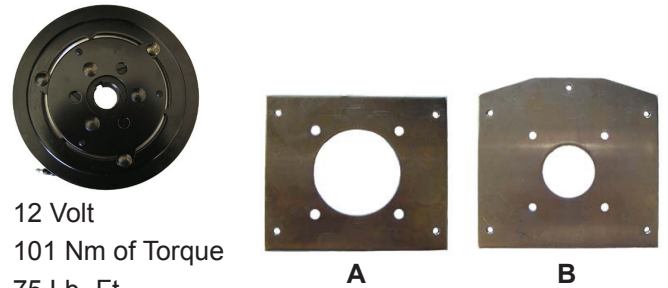
Part #	Description	Style
8402.0252.00	10" Pneumatic Wheel w/ 3/4" Industrial Duty Nylon Bearing	A
8402.0257.00	10" Pneumatic Wheel w/ 5/8" Industrial Duty Nylon Bearing	A
8402.0253.00	13" Pneumatic Wheel w/ 3/4" Industrial Duty Nylon Bearing	B
8402.0258.00	10" Foam Filled Tire, 3/4" Axle	C
8402.0259.00	10" Foam Filled Tire, 5/8" Axle	C

CARTS-Components Continued...



Part #	Description
8102.0270.00	4" Pulley
7600.0271.00	24mm Bushing
8102.0272.00	1" Bushing
7600.0276.00	9" Pulley
8102.0274.00	40" Belt B-Style
8102.0275.00	Pulley & Belt Assembly Kit [Includes all of the above, 2 belts, 2 bolts]

CLUTCH



- 12 Volt
- 101 Nm of Torque
- 75 Lb.-Ft.
- 3.9 Amps

Part #	Description
8201.0000.00	Clutch, Single Groove
8201.0007.00	Clutch, Double Groove
7600.0100.00	Plate, 2-1/2" Dia. A
	For Pump Models FW, HW, RW, SW & TW
7600.0101.00	Plate, 1-1/2" Dia. B
	For Pump Models LW & ZW

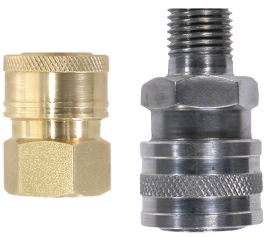
COUPLERS-Insulated



- 10 GPM
- 5000 PSI
- 212°F

Part #	Description
8402.1301.00	Coupler, 1/4" Insulated FPT
8402.1302.00	Coupler, 1/4" Insulated MPT
8402.1303.00	Coupler, 3/8" Insulated FPT
8402.1304.00	Coupler, 3/8" Insulated MPT

COUPLERS-QC Sockets



- Ball Bearing Snap Connection
- Precision Machined Parts
- Click Lock Design
- 5000 PSI - 1/4"
- 4000 PSI - 3/8" & 1/2"
- **Box Qty 100 (1/4" & 3/8")**
- **Box Qty 50 (1/2")**

Brass Sockets

Part #	Description
8102.0301.00	Brass Socket, 1/4" FPT
8102.0302.00	Brass Socket, 3/8" FPT
8102.0303.00	Brass Socket, 1/4" MPT
8102.0304.00	Brass Socket, 3/8" MPT
8102.0356.00	Brass Socket, 1/2" MPT
8102.0357.00	Brass Socket, 1/2" FPT

Zinc-Plated Steel Sockets

Part #	Description
8102.0313.00	Zinc Socket, 1/4" FPT
8102.0317.00	Zinc Socket, 1/4" MPT
8102.0318.00	Zinc Socket, 3/8" MPT

Stainless Steel Sockets-5000 PSI

Part #	Description
8102.0309.00	Stainless Steel, 1/4" FPT
8102.0310.00	Stainless Steel, 3/8" FPT
8102.0311.00	Stainless Steel, 1/4" MPT
8102.0312.00	Stainless Steel, 3/8" MPT

O-RINGS-Replacement

Part #	Description
8102.0301.01	"O" Ring for 1/4" Couplers
8102.0302.01	"O" Ring for 3/8" Couplers
8102.0356.01	"O" Ring for 1/2" Couplers
8102.0301.02	Viton "O" Ring for 1/4" Couplers
8102.0302.02	Viton "O" Ring for 3/8" Couplers

COUPLERS-QC Plugs



- Industrial Grade Steel
- Precision Machined Parts
- 5000 PSI - 1/4"
- 4000 PSI - 3/8" & 1/2"
- **Box Qty 100**

Brass Plugs

Part #	Description
8102.0350.00	Brass Plug, 1/4" FPT
8102.0351.00	Brass Plug, 1/4" MPT
8102.0352.00	Brass Plug, 3/8" FPT
8102.0353.00	Brass Plug, 3/8" MPT
8102.0362.00	Brass Plug, 1/2" MPT
8102.0363.00	Brass Plug, 1/2" FPT

COUPLERS-QC Plugs Cont'd...

ST-N2 Steel Plugs

Part #	Description
8102.0320.00	Steel Plug, 1/4" FPT
8102.0321.00	Steel Plug, 1/4" MPT
8102.0322.00	Steel Plug, 3/8" FPT
8102.0323.00	Steel Plug, 3/8" MPT
8102.0354.00	Steel Plug, 1/2" MPT
8102.0355.00	Steel Plug, 1/2" FPT

Hardened Steel Plugs

Part #	Description
8102.0324.00	Hardened Steel Plug, 1/4" FPT
8102.0325.00	Hardened Steel Plug, 1/4" MPT
8102.0326.00	Hardened Steel Plug, 3/8" FPT
8102.0327.00	Hardened Steel Plug, 3/8" MPT
8102.0358.00	Hardened Steel, 1/8" FPT

Stainless Steel Plugs-5000 PSI

Part #	Description
8102.0328.00	Stainless Steel Plug, 1/4" FPT
8102.0329.00	Stainless Steel Plug, 1/4" MPT
8102.0330.00	Stainless Steel Plug, 3/8" FPT
8102.0331.00	Stainless Steel Plug, 3/8" MPT

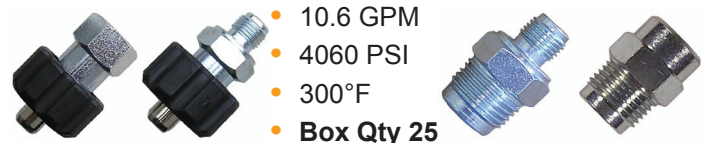
COUPLERS-Twist Connect & QC



- Secure Twist Connection
- Click Lock Design
- 4000 PSI

Part #	Description
8402.1305.00	Coupler M22F x 3/8" QC MNPT

COUPLERS-Twist Connect, 1/2"



- 10.6 GPM
- 4060 PSI
- 300°F
- **Box Qty 25**

Part #	Description
8108.9157.00	Body G 1/4" M MV #0212000050
8108.9156.00	Body G 1/4" F MV #0212000030
8108.7012.00	Body G 3/8" M MV #0212000040
8108.8019.00	Body G 3/8" F MV #0212000020
8108.9124.00	Plug G 1/4" M MV #0212000150
8108.7013.00	Plug G 1/4" F MV #0212000130
8108.7015.00	Plug G 3/8" M MV #0212000140
8108.7014.00	Plug G 3/8" F MV #0212000120

COUPLERS-Twist Connect, M22



- 4060 PSI
- 302°F
- **Box Qty 25**

• 8 GPM

• 10.6 GPM

Part #	Description
8108.9125.00	Body, 1/4" F x M22F MV #0212003530
8108.8302.00	Body, 1/4" M x M22F MV #0212003550
8108.7004.00	Body, 3/8" F x M22F MV #0212003520
8108.8301.00	Body, 3/8" M x M22F MV #0212003540
8108.8303.00	Plug, 1/4" F x M22M MV #0212003630
8108.7005.00	Plug, 1/4" M x M22M MV #0212003650
8108.7006.00	Plug, 3/8" F x M22M MV #0212003620
8108.7007.00	Plug, 3/8" M x M22M MV #0212003640

COUPLERS-Twist Connect-M22



- Secure Twist Connection
- Precision Machined
- 10 GPM
- 4000 PSI
- **Box Qty 100**

Part #	Description
8102.6000.00	Body, 1/4" FPT x M22F, Brass A
8102.6001.00	Body, 3/8" FPT x M22F, Zinc C
8102.6020.00	Body, 1/4" MPT x M22F Brass B
8102.8521.00	Body, 3/8" MPT x M22F Brass D
8102.6002.00	Plug, 1/4" FPT x M22M E
8102.6003.00	Plug, 3/8" FPT x M22M G
8102.6004.00	Plug, 1/4" MPT x M22M F
8102.6005.00	Plug, 3/8" MPT x M22M H
8102.6000.01	O-ring, Twist Connect

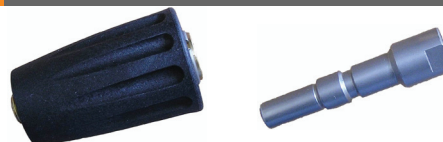
COUPLERS-Twist Connect-QC



- Adapts from QC to M22 Twist Connect
- 4000 PSI
- **Box Qty 100**

Part #	Description
8102.8518.00	3/8" QC Socket X M22M
8102.8519.00	3/8" QC Plug x M22F

COUPLING-Ball Quick Coupling



- 12 GPM
- 3600 PSI
- 300° F

• Box Qty 5

Part #	Description
8108.8304.00	Coupler, G 1/4" M MV #0212006150
8402.1677.00	Plug, G 1/4" F

ENGINE KEYS



- Keys for All Common Engine Shafts
- Fits 1" & 3/4" Shafts

Part #	Description
8102.2800.00	Shaft Key-3/4" Solid Shaft
8102.2801.00	Shaft Key-1" Solid Shaft

FILTERS-Self-Cleaning



- 40 GPM
- 290 PSI
- 60° F
- Polypropylene

Part #	Description
8108.8006.00	Filter, In-Line G1" F, 80 Mesh MV #8106002
8108.8007.00	Filter, In-Line G1" F, 100 Mesh MV #8106003

FILTER/HOSE ASSEMBLY



- Industrial Duty Hose
- Chemical Filter with Check Valve

Part #	Description
8102.3000.00	Chemical Hose Assembly, 3 ft.
8102.3001.00	Chemical Hose Assembly, 6 ft.

FILTERS-Canister



- Poly carbonate
- 145 PSI
- 1" (F x F) Connection
- Uses 9-3/4" Filters

Part #	Description
8402.0430.00	Poly carbonate Housing
8402.0431.00	Filter, Plastic, 60 Microns, 10"
8402.0432.00	Filter, Carbon Block, 5 Microns

FILTERS-Chemical Suction



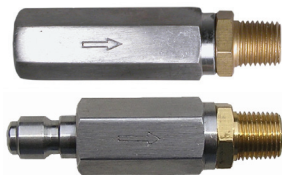
A **B** **C** **D** **E** **F**
 400 Microns/40 Mesh 840 Microns/20 Mesh
 A, B, C & D E & F

Box Qty

- 20
- 50
- 50
- 20
- 50
- 50

Part #	Description	
8402.2005.00	Chemical Strainer--with Check	A
8108.7018.00	Chemical Strainer--with Ballast MV #050105	B
8108.7024.00	Chemical Strainer--with Ballast MV #8064000	C
8107.2006.00	Chemical Strainer--w/o Check	D
8108.9119.00	Intake Strainer, MV 15 MV #0211000120	E
8108.9118.00	Intake Strainer, MV 16 w/Check MV #0211000110	F

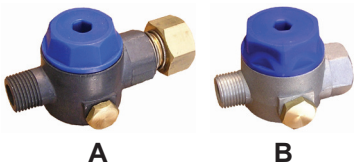
FILTERS-High Pressure



- 8 GPM
- Max PSI 5000
- Max Temp 200°
- Stainless w/Brass Insert
- 80 Mesh

Part #	Description
8402.0335.00	Filter 1/4" FPT x 1/4" MPT
8402.0334.00	Filter QC x 1/4" MPT
8402.0334.01	Screen, High Pressure Filter

FILTER-Inlet



- Bypass Port
- 1/2" F x 1/2" M
- Replaceable Screen
- 60 Mesh Cuffed Screen

Part #	Description	
8402.0410.00	Inlet Filter, Alum. Body	B
8402.0411.00	Replacement Blue Cap only for 8402.0410.00	
8402.0412.00	Replacement Screen only for 8402.0410.00	
8102.0401.00	Inlet Filter, Alum. Body w/ Garden Hose Adaptor	A

FILTER-Inlet, Clear Bowl



***Patent Pending**

- 8.0 GPM
- 160 PSI
- 175° F
- 3/4" FGH Inlet
- 1/2" MPT Outlet

Part #	Description
8102.0460.00	Filter, No By-Pass
8102.0461.00	Filter, 1/4" By-Pass
8102.0460.01	Replacement Sleeve
8102.0460.02	Replacement O-Ring

FILTER-Strainer MV 18



- 8.0 GPM
- 145 PSI
- 140° F
- 50 Mesh
- **Box Qty 10**

Part #	Description
8108.7016.00	1/2" F x 1/2" M x 1/4" F By-Pass MV #0211001080
8108.7011.00	1/2" F x 1/2" M, No By-Pass MV #0211001090
1002.0110.00	1/2" F x 1/2" F, No By-Pass MV #0211001100
8108.7017.00	Cap MV #0103740020

FILTER-Tank Suction



- Straining Power
400 Microns

Part #	Description
8402.0440.00	Tank Suction Filter
8402.0441.00	Tank Suction Filter w/check

FILTER-Y Intake Strainer



- 290 PSI
- 8 GPM
- 210° F
- 50 Mesh SS. Screen
- Brass Body
- **Box Qty 5**

Part #	Description
8107.2011.00	1/2" F x 1/2" F MV #0211000520
8107.2012.00	3/4" F x 3/4" F MV #0211000530
8107.2013.00	1" F x 1" F MV #0211000540

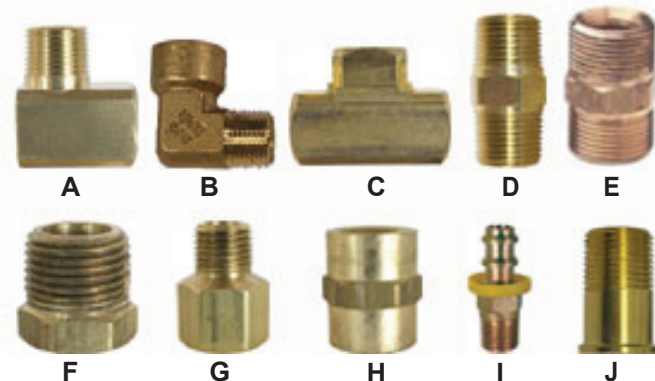
FITTING KIT-Bayonet Style



- 8 GPM
- 2000 PSI
- 200° F
- 1/4" FNPT
- Brass Fittings
- Box Qty 40

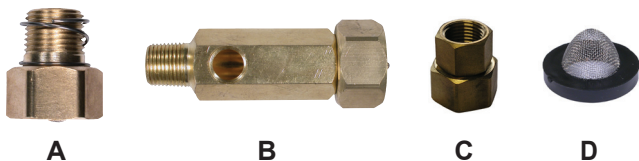
Part #	Description
8102.0600.00	Fitting Kit, 5 Pack

FITTINGS-Brass, Misc.



Part #	Description	
8102.0503.00	Street Elbow, 1/4" M x 1/4" F	A
8102.0504.00	Street Elbow, 3/8" M x 3/8" F	A
8102.0509.00	Street Elbow, 3/8" M x 1/4" F	A
8107.0508.00	Street Elbow, 1/2" M x 1/2" F	B
8102.0502.00	Tee, 3/8" F x 3/8" F x 3/8" F	C
8102.0505.00	Hex Nipple, 3/8" MPT x 3/8" MPT	D
8102.6011.00	Hex Nipple, 1/2" MPT x 1/2" MPT	D
8116.0005.00	Nipple, 1/2" M x M22M	E
8102.0506.00	Hex Bushing, 1/2" M x 3/8" F	F
8102.6012.00	Reducer, 1/4" M x 3/8" F	G
8102.6014.00	Coupling, 3/8" F x 3/8" F	H
8102.0507.00	Hose Barb, 1/4" MPT x 3/8" Barb	I
8102.0508.00	Hose Barb, 3/8" MPT x 3/8" Barb	I
8102.8502.00	Fitting, 1/2" MGH	J

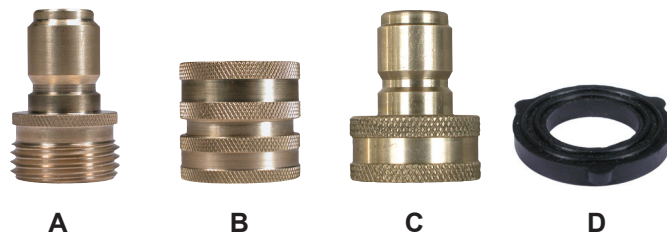
FITTINGS-Garden Hose



- Solid Brass Fittings
- Precision Threads

Part #	Description	
8105.0500.00	1/2" MPT x FGH	B
8105.0501.00	3/8" MPT x FGH	B
8105.0502.00	1/2" FPT x FGH	C
8105.0600.00	3/8" MPT x FGH	A
8105.0601.00	1/2" MPT x FGH	A
8102.0450.00	Filter Washer for GH Adapter	D

FITTINGS-QC Garden Hose



- Solid Brass Fittings
- Precision Threads
- Box Qty 100

Part #	Description	
8102.0335.00	Plug, Brass, 1/2" QC x MGH	A
8102.0336.00	Coupler, Brass, 1/2" QC x FGH	B
8102.0337.00	Garden Hose QC Set	
8102.0338.00	Plug, Brass, 3/4" FBSP	C
8102.0451.00	Washer, Garden Hose	D

FLEX COUPLER-Love Joy



- Up to 35 E.B.H.P.
- Direct Drive
- Close Couple
- Electric & Gas



Part #	Description
1009.0273.00	Bell Housing
8201.0002.00	Love Joy Coupler, 24mm (Jaw)
8201.0003.00	Love Joy Coupler, 1" (Jaw)
8201.0004.00	Love Joy Coupler, 1-1/8" (Jaw)
8201.0005.00	Love Joy Coupler, 1-3/8" (Jaw)
8201.0006.00	Spider (Jaw)

FLOAT TANK



- 0.8 Gallon Tank
- 140° F Max
- Tank includes Lid
- Box Qty 30

Part #	Description
8108.8015.00	Tank with Inlet and Bulkhead MV #0210000010

FLOAT VALVES



- A**
- Box Qty 25
- B**
- Box Qty 50
 - 140° F Max.
 - 3/4 Male Inlet

Part #	Description
8107.2602.00	Valve, Brass, 105 PSI A
8107.2601.00	Valve, Plastic, 145 PSI B MV #0208000001

FOAMER



- 1800 PSI
- 140° F
- 1/4" Female Inlet
- Box Qty 5

Part #	Description
8108.2610.00	Foamer, .09 Gal. Tank MV #0202001000

FOAMER-Professional



- 5.3 GPM
- 2900 PSI
- 140° F
- 1/4" Female Inlet
- Box Qty 5

Part #	Description
8108.2611.00	Foamer, .26 Gal. Tank MV #0202001020
8108.2611.01	Filter MV #0120720040

FOAMER-Professional



- 6.5 GPM
- 3200 PSI
- 150° F
- 3/8" Male Inlet
- .5 Gal. Tank
- Box Qty 5

Part #	Description
8116.2604.00	Foamer

GAUGES-Pressure



- 3/8" QD Brass Socket w/ Stainless Steel Collar
- 3/8" QD Brass Plug
- 1/4" FPT Gauge Port

Part #	Description
8102.0332.00	QD Gauge Fitting
8102.0340.00	QD Gauge Kit w/4000 PSI Gauge

GAUGES-Pressure

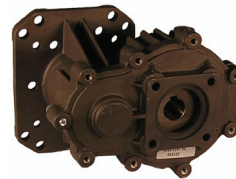


- Glycerin Filled
- 1/4" MNPT Inlet
- Stainless Steel Case
- 2-1/2" Diameter
- Bottom Mount (except 8106.0607.00 & 0602)

Part #	Description
8106.0607.00	Gauge, 1500 PSI, Back Mount
8106.0602.00	Gauge, 2000 PSI, Back Mount
8106.0602.50	Clamp, Universal, Gauge
8106.0613.00	Gauge, 3000 PSI, Comet Logo
8106.0614.00	Gauge, 4000 PSI, Comet Logo
8106.0627.00	Gauge, 5000 PSI
8106.0615.00	Gauge, 6000 PSI, Comet Logo
8106.0620.00	Gauge, 10K PSI

*Comet Logo

GEAR REDUCERS-Gas Engine



- 2.2:1 Gear Ratio
- Helical Cut Gears
- Oil Ring Seal

Part #	Description
5005.0207.00	Gear Reducer, 1", 9-20 HP
5005.0209.00	Gear Reducer, 1-1/8", 9-20 HP
5005.0236.00	Gear Reducer, 1", 25 HP
5005.0237.00	Gear Reducer, 1-1/8", 25 HP
5005.0254.00	Gear Box, 1500 RPM ELR, ELHR
5005.0255.00	Gear Box, 1900 RPM ELR, ELHR
5005.0246.00	Gear Box, 1500 RPM G & GL
5005.0247.00	Gear Box, 1800 RPM G & GL
5005.0249.00	Gear Box, 1500 RPM SL
5005.0250.00	Gear Box, 1800 RPM SL

GEAR REDUCERS-Gas Engine



8116.0204.00



Other Gear Boxes



- 2.176:1 Gear Ratio

Part #	Pump Shaft	Drive Shaft	HP
8116.0200.00	24mm (.9449")	1-1/8"	18-24
8116.0201.00	24mm (.9449")	1"	18-24
8116.0204.00	24mm (.9449")	1"	11-18
8116.0205.00	30mm	1-1/8"	24-31

8116.0200.01 Spacer for 8116.0200.00 (4-per)

GFCI



- UL, CSA 120V/15A
- Accepts SJTW Cord

Part #	Description
0456.0116.00	GFCI, w/20' Cord
7500.0001.00	Single Plug Surge Protector (5-15R)
7500.0002.00	Plug for 12 AWG
3038.0006.00	GFCI

GUNS-RL 84



- 21 GPM
- 8100 Max PSI
- 210° F Max
- 1/2" Inlet
- 1/2" Outlet

Part #	Description
8116.1608.00	Spray Gun, 21 GPM, 8100 PSI

GUNS-RL 84



- 53 GPM
- 8100 Max PSI
- 230° F Max
- 1/2" Male Inlet
- 1/4" Female Outlet

Part #	Description
8116.1603.10	Lance Extension, 31.5", Stainless
8116.1608.10	Lance Extension, 15.7", Stainless

GUNS-RL 57



- 7.5 GPM @ 8000 PSI
- 320° F
- 3/8" F Inlet
- 1/4" F Outlet

Part #	Description
8116.1616.00	Spray Gun, 7.5 GPM @ 8000 PSI

GUNS-AL 50



- 12 GPM @ 5075 PSI
- 320° F
- 3/8" Female Inlet
- 1/4" Female Outlet
- **Box Qty 50**

Part #	Description
8108.8610.00	Spray Gun, 12 GPM @ 5075 PSI MV #0200016710
8108.8610.01	Repair Kit MV #4019900003

GUNS-MV 951, Free Flow



- 11 GPM @ 5075 PSI
- 300° F
- 3/8" Female Inlet
- 1/4" Female Outlet
- **Box Qty 20**

Part #	Description
8108.1612.00	Spray Gun, Triggerless MV #4012906000

GUNS-MV 951



- 11 GPM @ 5075 PSI
- 300° F
- 3/8" Female Inlet
- 1/4" Female Outlet
- **Box Qty 20**

Part #	Description
8108.1611.00	Spray Gun, 11 GPM @ 5075 PSI MV #4012206001
8108.1611.01	Repair Kit MV #0200103550

GUNS-MV 951, Weep



- 11 GPM @ 5075 PSI
- 300° F
- 3/8" F Inlet
- 1/4" F Outlet
- **Box Qty 20**

Part #	Description
8108.8611.00	Spray Gun, Weep MV #4012406003
8108.8611.01	Repair Kit, Weep MV #4019900001
8108.8612.00	Spray Gun, Low Pressure Weep MV #4012406004
8108.8612.01	Repair Kit, Low Pressure Weep MV #4019900000

GUNS-MV 2002, Swivel



- 11 GPM @ 5075 PSI
- 320° F
- 3/8" F Inlet, Swivel
- 1/4" F Outlet

Part #	Description
8108.9036.00	Spray Gun, 11 GPM @ 5075 PSI MV #0200011050
8108.8604.01	Repair Kit MV #0200111000

GUNS-MV 2002



- 10.6 GPM @ 5075 PSI
- 320° F
- 3/8" F Inlet
- 1/4" F Outlet
- **Box Qty 20**

Part #	Description
8108.8604.00	Spray Gun, 11 GPM @ 5075 PSI MV #4012203000
8108.8604.01	Repair Kit MV #0200111000

GUNS-MV 2002, Ceramic Ball



- 10.6 GPM @ 5075 PSI
- 320° F
- 3/8" F Inlet
- 1/4" F Outlet
- **Box Qty 10**

Part #	Description
8108.8608.00	Spray Gun, 10.6 GPM @ 5075 PSI MV #0200018210
8108.8608.01	Repair Kit MV #K00105011

GUNS-MV 2012



- NEW**
- 10.6 GPM @ 5075 PSI
 - 320° F
 - 3/8" F Inlet
 - 1/4" F Outlet
 - **Box Qty 10**

Part #	Description
8108.8613.00	Spray Gun, 10.6 GPM @ 5075 PSI MV #4012203008
8108.8613.01	Repair Kit MV #4019900013

GUNS-MV 2002, Stainless Steel



- 10.6 GPM @ 5075 PSI
- 320° F
- 3/8" F Inlet
- 1/4" F Outlet

Part #	Description
8108.9037.00	Spray Gun, 11 GPM @ 5075 PSI MV #0200011510
8108.8604.01	Repair Kit MV #0200111000

GUNS-RL 30



- 10.5 GPM @ 5000 PSI
- 320° F
- 3/8" F Inlet
- 1/4" F Outlet

Part #	Description
8116.1600.00	Spray Gun

GUNS-10050



- 10 GPM @ 5000 PSI
- 300° F
- 3/8" F Inlet
- 1/4" F Outlet

Part #	Description
8402.1600.00	Spray Gun

GUNS-Horizontal



- 10 GPM @ 5000 PSI
- 300° F Max Temp.
- 3/8" F Inlet
- 1/4" F Outlet

Part #	Description
8102.1606.00	Spray Gun, Horizontal

GUNS-MV 950, Weep



- 8 GPM @ 4500 PSI
- 300° F
- 3/8" F Inlet
- 1/4" F Outlet

Part #	Description
8108.9032.00	Spray Gun, 8 GPM @ 4500 PSI MV #0200008880
8108.1603.01	Repair Kit, Standard MV #0200105000

GUNS-MV 920



- 7 GPM
- 300° F
- 3/8" F Inlet
- 1/4" F Outlet

Part #	Description
8108.8603.00	Spray Gun, 7 GPM @ 4500 PSI MV #0200009390
8108.8003.00	Spray Gun, 7 GPM @ 4000 PSI MV #0200009010
8108.1625.01	Repair Kit MV #0200109000

GUNS-MV 2005



- 8 GPM @ 4000 PSI
- 320° F
- 3/8" F Inlet
- 1/4" F Outlet

Part #	Description
8108.1620.00	Spray Gun, 8 GPM @ 4000 PSI MV #0200007180
8108.1620.01	Repair Kit MV #0200107100

GUNS-MV 920, M22



- 7 GPM @ 4000 PSI
- 300° F
- M22M Inlet
- M22M Outlet

Part #	Description
8108.9033.00	Spray Gun, 7 GPM @ 4000 PSI MV #0200009330
8108.1625.01	Repair Kit MV #0200109000

GUNS-MV 920 W, Weep



- 7 GPM @ 4000 PSI
- 300° F
- 3/8" F Inlet
- 1/4" F Outlet

Part #	Description
8108.1625.00	Spray Gun, 7 GPM @ 4000 PSI MV #0200009190
8108.1625.01	Repair Kit MV #0200109000

GUNS-MV 2006



**Thumb wheel
for high to
low pressure
adjustment**

- 8 GPM @ 3700 PSI
- 320° F
- 3/8" F Inlet
- 1/4" F Outlet
- **Box Qty 50**

Part #	Description
8108.8600.00	Spray Gun, 8 GPM @ 3700 PSI MV #0200006120
8108.8600.01	Repair Kit MV #0200106110

GUNS-RL 19 & 204



- 53 GPM
- 3200 PSI
- 210° F
- 1/2" F Outlet

Part #	Description
8116.1602.00	Spray Gun, RL 19, 1/2" F Inlet
8116.1607.00	Spray Gun, RL 204, 3/4" F Inlet

GUNS-Front Entry-7027



- 10 GPM @ 3200 PSI
- 210° F
- Brass Valve Body
- 3/8" F Front Inlet
- 1/4" F Outlet

Part #	Description
8102.1601.00	Spray Gun, 10 GPM @ 3200 PSI
8102.1601.01	Repair Kit

GUNS-MV 960



- 7 GPM @ 2600
- 210° F
- 3/8" F Inlet
- 1/4" F Outlet
- **Box Qty 20**

Part #	Description
8108.9028.00	Spray Gun, 7 GPM @ 2600 PSI MV #0200004810
8108.1601.01	Repair Kit, Standard MV #0200104000
8108.1601.02	Repair Kit, Mini (SS Seat and O-Ring Only) MV #0200102010

GUNS-MV 910



- 5 GPM @ 2000
- 180° F
- 1/4" M Inlet
- 1/4" F Outlet

Part #	Description
8108.1607.00	Spray Gun, 5 GPM @ 2000 PSI MV #0200006000

GUNS-RL 124



- 32 GPM
- 1950 PSI
- 210° F
- 1/2" F Inlet
- 1/2" F Outlet

Part #	Description
8116.1609.00	Spray Gun, 32 GPM, 1950 PSI

GUNS-EXTENSION-RL 124



- 26.5 GPM
- 1950 PSI
- 230° F
- 1/2" M Inlet
- 1/4" F Outlet

Part #	Description
8116.1601.10	Lance Ext., 31.5", Zinc Plated

GUNS LANCE-Molded



- 10.5 GPM @ 5000 PSI
- 320° F
- 3/8" F Inlet
- 22mm Outlet
- Brass Valve Body

Part #	Description
8102.1640.00	Gun Lance

GUNS LANCE-Vented, MV 890



- 8 GPM @ 4500 PSI
- 300° F Max
- 3/8" F Inlet
- M22F Outlet

Part #	Description
8108.9042.00	Gun Lance, 8 GPM, 4500 PSI MV #0200908530

GUNS LANCE-Vented, MV 2005



- 8 GPM @ 4000 PSI
- 320° F Max
- 3/8" F Inlet
- M22F Outlet

Part #	Description
8108.8641.00	Gun Lance, 8 GPM, 4000 PSI MV #0200917180

GUN LANCE-Molded



- 8 GPM @ 4000 PSI
- 200° F Max
- 3/8" QC Plug Inlet
- 24" Lance w/1/4" QC Socket Outlet
- Holds Four Additional QC Nozzles
- Includes Side Grip Handle

Part #	Description
8102.1648.50	Gun Lance

GUN LANCE-Molded, MV 920



- 7 GPM @ 4000 PSI
- 300° F Max
- Box Qty 55

Part #	Description
8108.7640.00	3/8" Inlet F x 1/4" F Outlet MV #0200909250
8108.7641.00	Weep, 3/8" F Inlet x 1/4" F Outlet MV #0200909290

GUN LANCE-Molded, MV 2009



- 7 GPM @ 3800 PSI
- 212° F Max

Part #	Description
8108.7601.00	3/8" F Inlet x M22F Outlet MV #0200905510
8108.7646.00	M22M Inlet x M22F Outlet MV #4021109002

GUN LANCE-Vented, MV 2005



- 8 GPM @ 3700 PSI
- 320° F Max
- 3/8" F Inlet
- M22F Outlet
- Box Qty 20

Part #	Description
8108.8607.00	Gun Lance, 8 GPM, 3700 PSI MV #0200917120

GUN LANCE-Vented, MV 2006



- 8 GPM @ 3700 PSI
- 320° F Max
- 3/8" F Inlet
- M22F Outlet
- Box Qty 5

Part #	Description
8108.9043.00	Gun Lance, 8 GPM, 3700 PSI MV #0200916120

GUN LANCE-Molded, MV 2008



- 7 GPM @ 3200 PSI
- 212° F Max
- Front Entry

Part #	Description
8108.7600.00	3/8" F Inlet x M22F Outlet MV #0200903520
8108.9039.00	M22M Inlet x M22F Outlet MV #4020008003

GUN LANCE-Molded, MV 970



- 7 GPM @ 3200 PSI
- 140° F Max

Part #	Description
8108.8606.00	3/8" F Inlet, M22F Outlet MV #0200907110
8108.9041.00	M22M Inlet, M22F Outlet MV #0200907100

GUN LANCE-Molded, MV 2000



- 5 GPM @ 3000 PSI
- 104° F Max

Part #	Description
8108.8640.00	Gun Lance, 3/8" F Inlet x M22F MV #0200903030
8108.8605.00	Gun Lance, M22M Inlet x M22F MV #0200903000

GUN LANCE-Vented, MV 870



- 7 GPM @ 2300 PSI
- 140° F Max
- 3/8" QC Inlet
- M22F Outlet

Part #	Description
8108.7643.00	Gun Lance, 7 GPM, 2300 PSI MV #0200904060

GUN LANCE-Hobby Kit



- Molded 36" Split Lance
- M22 Coupler
- Vari-Nozzle #3
- 25' x 1/4" 3700 PSI Steel Reinforced Rubber Hose
- Front Load Gun @ 2950 PSI

Part #	Description
8102.2600.00	Gun/Lance, Hose Assy & M22

GUNS LANCE-Jolly Lance & Gun



- 362 PSI Metal Nozzle
- 217 PSI Plastic Nozzle
- 8 GPM
- 125° F
- **Box Qty 10**

*Nozzles Sold Separately

Part #	Description
8108.7222.00	Lance 36.5" SS, EPDM O-Ring, Blue MV #4020009002
8108.7225.00	Lance 36.5" SS, Viton O-Ring, Red MV #4020009006
8108.7228.00	Lance 36" PVC, EPDM O-Ring, Blue MV #4020009010
8108.7231.00	Lance 36" PVC, Viton O-Ring, Red MV #4020009014
8108.7210.00	Spraygun, EPDM O-Ring, Blue MV #4010007000
8108.7211.00	Spraygun, Viton O-Ring, Red MV #4010007001

NOZZLES-Jolly Spraygun w/Lance

Part #	Description
8108.7222.10	Nozzle, 80 Deg. 010 Orange MV #4059500018
8108.7222.15	Nozzle, 80 Deg. 015 Green MV #4059500019
8108.7222.20	Nozzle, 80 Deg. 020 Yellow MV #4059500012
8108.7222.30	Nozzle, 80 Deg. 030 Blue MV #4059500013
8108.7222.40	Nozzle, 80 Deg. 040 Red MV #4059500014
8108.7222.50	Nozzle, 80 Deg. 050 Brown MV #4059500015
8108.7222.60	Nozzle, 80 Deg. 060 Gray MV #4059500016
8108.7222.80	Nozzle, 80 Deg. 080 White MV #4059500017

HOSE ASSEMBLIES-4000 PSI



- 4000 PSI Max.
- 250°F, (275°F Intermittent)
- 3/8"M Solid x 3/8"M Swivel
- Bend Restrictor on Both Ends
- Single Wire

Part #	Description
8115.0840.00	4000-25, Black, 25'
8115.0841.00	4000-50, Black, 50'
8115.0842.00	4000-100, Black, 100'
8115.0846.00	4000-25, Non-Marking Gray, 25'
8115.0847.00	4000-50, Non-Marking Gray, 50'
8115.0848.00	4000-100, Non-Marking Gray, 100'

HOSE ASSEMBLIES-5400 PSI



- 5400 PSI Max.
- 250°F, (275°F Intermittent)
- 3/8"M Solid x 3/8"M Swivel
- Bend Restrictor on Both Ends
- Double Wire

Part #	Description
8115.0843.00	5400-25, Black, 25'
8115.0844.00	5400-50, Black, 50'
8115.0845.00	5400-75, Black, 75'
8115.0852.00	5400-100, Black, 100'
8115.0849.00	5400-25, Non-Marking Gray, 25'
8115.0850.00	5400-50, Non-Marking Gray, 50'
8115.0851.00	5400-100, Non-Marking Gray, 100'

HOSE REELS-Black



8112.0802.00



8102.0802.00

Part #	Description
8112.0802.00	Hose Reel, 4000 PSI, 100'
8102.0802.00	Hose Reel, 4000 PSI, 200'

HOSE REEL-Swivel



8112.0804.00

- 4000 PSI
- 3/8" FNPT Inlet
- 3/8" MNPT Discharge



8112.0803.00

Part #	Description
8112.0804.00	Hose Reel 90° Swivel, 160° F Max
8112.0804.01	Repair kit
For Hose Reel 8112.0802.00 & 8102.0802.00	
8112.0803.00	Swivel, 90°, 400° F Max
8112.0810.00	Swivel Repair Kit
For Hose Reel 8112.0801.00 (not pictured above) No Longer Available	
8112.0809.00	Hose Reel Swivel, 90° 1/2" FPT Inlet x 3/8" FPT Outlet

INJECTORS-Downstream



- Stainless Steel Insert
- Adjustable Chemical Injection
- 3500 PSI Max
- 212° F Max Temp
- 3/8" MPT Inlet x 3/8" MPT Outlet

Part #	Description	GPM
8402.2122.00	Injector, Adjustable 1.8 mm	2-3
8402.2123.00	Injector, Adjustable 2.1 mm	3-5
8402.2124.00	Injector, Adjustable 2.3 mm	5-8

INJECTORS-Downstream



- Stainless Steel Insert
- Adjustable
- 4500 PSI
- 200° F
- 3/8" M In/Outlet

Part #	Description	GPM
8108.2129.00	MVR400-1.6 Adj. MV #0203004140	1 - 2
8108.2130.00	MVR400-1.8 Adj. MV #0203004150	2 - 3
8108.9061.00	MVR400-2.1 Adj. MV #0203004160	3 - 5
8108.2132.00	MVR400-2.3 Adj. MV #0203004170	5 - 8

INJECTORS-Downstream



MV400



MV410



MV420



MVR400



MVR410



MVR420

- Brass Insert
- 4500 PSI
- Adjustable or Fixed Flow
- 200° F
- Box Qty 10

Part #	Description	Inlet	Outlet	GPM
8108.2101.00	MV400-1.6 Fixed MV #0203004000	3/8" M	3/8" M	1-2
8108.2102.00	MV400-1.8 Fixed MV #0203004010	3/8" M	3/8" M	2-3
8108.2103.00	MV400-2.1 Fixed MV #0203004020	3/8" M	3/8" M	3-5
8108.2104.00	MV400-2.3 Fixed MV #0203004030	3/8" M	3/8" M	5-8
8108.2105.00	MV410-1.6 Fixed MV #0203005000	3/8" F	3/8" M	1-2
8108.2106.00	MV410-1.8 Fixed MV #0203005010	3/8" F	3/8" M	2-3
8108.2107.00	MV410-2.1 Fixed MV #0203005020	3/8" F	3/8" M	3-5
8108.2108.00	MV410-2.3 Fixed MV #0203005030	3/8" F	3/8" M	5-8
8108.9064.00	MV420-2.1 Fixed MV #0203006020	3/8" M	3/8" F	3-5
8108.2121.00	MVR400-1.6 Adj. MV #0203004100	3/8" M	3/8" M	1-2
8108.2122.00	MVR400-1.8 Adj. MV #0203004110	3/8" M	3/8" M	2-3
8108.2123.00	MVR400-2.1 Adj. MV #0203004120	3/8" M	3/8" M	3-5
8108.2124.00	MVR400-2.3 Adj. MV #0203004130	3/8" M	3/8" M	5-8
8108.2125.00	MVR410-1.6 Adj. MV #0203005100	3/8" F	3/8" M	1-2
8108.2126.00	MVR410-1.8 Adj. MV #0203005110	3/8" F	3/8" M	2-3
8108.2127.00	MVR410-2.1 Adj. MV #0203005120	3/8" F	3/8" M	3-5
8108.2128.00	MVR410-2.3 Adj. MV #0203005130	3/8" F	3/8" M	5-8
8108.9155.00	MVR420-1.8 Adj. MV #0203006110	3/8" M	3/8" F	2-3
8108.2147.00	MVR420-2.1 Adj. MV #0203006120	3/8" M	3/8" F	3-5
8108.2148.00	MVR420-2.3 Adj. MV #0203006130	3/8" M	3/8" F	5-8

INJECTORS-Downstream



- Brass Insert
- Adjustable Hose Barb
- 4500 PSI
- 200° F
- **Box Qty 10**

Part #	Description	Inlet	Outlet	GPM
8108.8200.00	MVR410-2.1 Adj. MV #0203005620	3/8" F	3/8" M	3-5
8108.8004.00	MVR400-2.1 Adj. MV #0203004620	3/8" M	3/8" M	3-5
8108.2559.18	Adj Hose Barb Conversion Kit MV #0203100041			

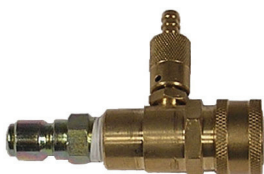
INJECTORS-Twist Conn x M22



- 4100 PSI
- 300° F
- Twist Connect Inlet
- M22M Outlet

Part #	Description	GPM
8108.2152.00	Fixed Chem. Inj., 1.8 MV #0203007410	2-3
8108.2151.00	Adj. Chem. Inj., 2.1 MV #0203007220	3-5
8108.2149.00	Adj. Chem. Inj., 2.3 MV #0203007230	5-8

INJECTORS-Quick Connect



- 3500 PSI Max
- 212° F Max Temp
- 3/8" QC Plug Inlet
- 3/8" QC Coupler Outlet
- Brass

Part #	Description	Size	GPM
8402.2101.00	Injector, Adjustable	1.8mm	2-3
8402.2102.00	Injector, Adjustable	2.1mm	3-5
8402.2103.00	Injector, Adjustable	2.3mm	5-8

GUIDE FOR NOZZLE SELECTION

NOZZLE		RECOMMENDED FLOW	
MM	In.	L/Min	GPM
1.6	.06	5-8	1.3-2.1
1.8	.07	8-12	2.1-3.2
2.1	.08	10-15	2.6-4.0
2.3	.09	12-18	3.2-4.8

LANCES-Dual LD MV 30



- 11 GPM
- 4060 PSI
- 300° F
- 1/4" M Inlet x F Outlet
- **Box Qty 10**

Part #	Description
8108.8100.00	Lance, 40" Chrome Plated MV #0202003020

LANCES-Dual Vented, Stainless



- 10.5 GPM
- 3600 PSI
- 300° F
- 1/4" M Inlet x F Outlet

Part #	Description
8108.1101.00	Dual Lance, 42" Stainless Steel MV #0202003130

LANCES-Dual Vented, Stainless



- 10.5 GPM
- 4000 PSI
- 300° F
- 1/4" M Inlet x F Outlet

Part #	Description
8402.1101.00	Dual Lance, 42" Stainless Steel

LANCES-Dual Vented, Zinc



- 10.5 GPM
- 4000 PSI
- 300° F
- 1/4" M Inlet x F Outlet

Part #	Description
8402.1100.00	Dual Lance, 40" Zinc Plated

LANCES-Dual Vented, Zinc



- 10.5 GPM
- 4000 PSI
- 300° F
- 1/4" M Inlet x F Outlet

Part #	Description
8108.1100.00	Dual Lance, 40" Zinc Plated MV #0202003140

LANCES-Dual



- 10.5 GPM
- 3000 PSI
- 284° F
- 1/4" M Inlet x 1/8" F Outlet

Part #	Description
8110.1101.00	Molded Grip, 36"

LANCES-Dual



- 11 GPM
- 3600 PSI
- 300° F

Part #	Description
8108.8020.00	Dual Lance, 23", M22M Inlet MV #0202004691

LANCES-Dual w/Trigger



- 10.5 GPM
- 3600 PSI
- 300° F
- 1/4" M Inlet x F Outlet

Part #	Description
8107.1110.00	Vented Grip, w/Trigger

LANCES-Molded, Zinc, Straight



- 11 GPM
- 4000 PSI
- 300° F

Part #	Description
8402.1200.00	Lance, Molded Grip 13"
8402.1201.00	Lance, Molded Grip 18"
8402.1202.00	Lance, Molded Grip 24"
8402.1203.00	Lance, Molded Grip 36"
8402.1223.00*	Lance, Molded Grip 36", Chrome
8402.1204.00	Lance, Molded Grip 47"
8402.1205.00	Lance, Molded Grip 59"
8402.1206.00	Lance, Molded Grip 70"
8402.1207.00	Lance, Molded Grip 79"

*Chrome-Plated

LANCES-Molded, Chrome, Straight



- Seamless, Chrome-Plated
- 10.5 GPM
- 4000 PSI
- 300° F
- **Box Qty 50**

Part #	Description
8102.1205.00	Lance, Molded, Split Grip, 59"
8102.1207.00	Lance, Molded, Split Grip, 79"

LANCES-Molded, SS, Straight



- MV20/D
- 10.6 GPM
- 4060 PSI
- 300° F Max
- **Box Qty 20**

Part #	Description
8108.9045.00	Lance, 36" Molded Grip MV #0202002560

LANCES-Molded, Zinc, Straight



- MV20/B
- 11 GPM
- 4000 PSI
- 300° F Max

Part #	Description	Box Qty
8108.1200.00	Lance, Molded Grip 13" MV #0202002000	20
8108.1201.00	Lance, Molded Grip 18" MV #0202002010	20
8108.8102.00	Lance, Molded Grip 24" MV #0202002040	20
8108.1203.00	Lance, Molded Grip 36" MV #0202002060	20
8108.1204.00	Lance, Molded Grip 47" MV #0202002080	20
8108.1205.00	Lance, Molded Grip 59" MV #0202002090	10
8108.1206.00	Lance, Molded Grip 70" MV #0202002110	5
8108.1207.00	Lance, Molded Grip 79" MV #0202002100	5

LANCES-Molded, Zinc, Straight



- MV 55
- 12 GPM
- 4500 PSI
- 300° F

Part #	Description	Box Qty
8108.9047.00	Lance, 28" Molded Grip MV #0202015500	20
8108.9048.00	Lance, 36" Molded Grip MV #0202015510	20
8108.9050.00	Lance, 59" Molded Grip MV #0202015530	10

LANCES-Molded, Zinc, Bent



- MV 55
- 12 GPM
- 4500 PSI
- 300° F
- **Box Qty 20**

Part #	Description
8108.9051.00	Lance, 28" Molded Grip MV #0202015600
8108.9052.00	Lance, 36" Molded Grip MV #0202015610
8108.9053.00	Lance, 47" Molded Grip MV #0202015620



LANCE - Molded, Bent



- NEW**
- 11 GPM
 - 4000 PSI
 - 300° F
 - Zinc Plated

Part #	Description
8402.1291.00	Lance, Molded, 36" Bent
8402.1292.00	Lance, Molded, 48" Bent

LANCES-Molded, Bent



- 10.5 GPM
- 4100 PSI
- 300° F Max.
- Nozzle Holder & Protector
- **Box Qty 30**

Part #	Description
8107.1270.00	Lance, Molded, 28", Zinc Plated
8107.1271.00	Lance, Molded, 36", Zinc Plated
8107.1272.00	Lance, Molded, 47", Zinc Plated
8107.1273.00	Lance, Molded, 59", Zinc Plated
8107.1274.00	Lance, Molded, 67", Zinc Plated
8107.1275.00	Lance, Molded, 79", Zinc Plated
8107.1280.00	Lance, Molded, 28", Stainless Steel
8107.1281.00	Lance, Molded, 36", Stainless Steel
8107.1282.00	Lance, Molded, 47", Stainless Steel
8107.1283.00	Lance, Molded, 59", Stainless Steel
8107.1284.00	Lance, Molded, 67", Stainless Steel
8107.1285.00	Lance, Molded, 79", Stainless Steel

LANCES-Non-Molded, Zinc



- Seamless, Zinc Plated
- 10.5 GPM
- 4000 PSI
- 300° F
- **Box Qty 50**

Part #	Description
8402.1210.00	Spray Lance, Non-Molded 12"
8402.1211.00	Spray Lance, Non-Molded 18"
8402.1212.00	Spray Lance, Non-Molded 24"
8402.1213.00	Spray Lance, Non-Molded 36"
8402.1214.00	Spray Lance, Non-Molded 48"
8402.1216.00	Spray Lance, Non-Molded 59"

LANCES-Non-Molded, Chrome



- Seamless, Chrome Plated
- 10.5 GPM
- 4000 PSI
- 300° F
- **Box Qty 50**

Part #	Description
8102.1212.00	Spray Lance, Non-Molded 24"

LANCES-Non-Molded, Zinc



- 11 GPM
- 4000 PSI
- 300° F
- **Box Qty 50**

Part #	Description
8108.1210.00	Spray Lance, Non-Molded 12" MV #0113730050
8108.1211.00	Spray Lance, Non-Molded 18" MV #0113770000
8108.1212.00	Spray Lance, Non-Molded 24" MV #0113770070
8108.1213.00	Spray Lance, Non-Molded 36" MV #0113770080
8108.1214.00	Spray Lance, Non-Molded 48" MV #471111
8108.1216.00	Spray Lance, Non-Molded 59" MV #471112

LANCES-Non-Molded, Aluminum



- 11 GPM
- 4000 PSI
- 300° F

Part #	Description
8107.1222.00	Lance, Non-Molded 24"
8107.1223.00	Lance, Non-Molded 36"
8107.1224.00	Lance, Non-Molded 48"
8107.1225.00	Lance, Non-Molded 59"
8107.1226.00	Lance, Non-Molded 79"
8107.1227.00	Lance, Non-Molded 84"
8107.1228.00	Lance, Non-Molded 96"

LANCES-Non-Molded, Male/Female



- Seamless, Chrome Plated
- 10.5 GPM
- 4000 PSI
- 300° F

Part #	Description
8102.1232.00	Lance, 36" 1/4" MNPS x 1/8" FNPS

LANCES-Vented Grip, Chrome



- MV 10
- 11 GPM
- 4000 PSI
- 300° F
- 1/4" Inlet
- M22M Outlet
- **Box Qty 50**

Part #	Description
8108.9044.00	Lance, 17", Single Seal M22 MV #0202000505
8108.7250.00	Lance, 17", Double Seal M22 MV #0202000500

LANCES-Vented, Bent



- 10.5 GPM
- 4100 PSI
- 300° F Max.
- 1/4" FPT Outlet
- Nozzle Holder & Protector
- **Box Qty 25**

Part #	Description
8107.1250.00	Lance, Vented, 28", Zinc Plated
8107.1251.00	Lance, Vented, 36", Zinc Plated
8107.1252.00	Lance, Vented, 47", Zinc Plated
8107.1253.00	Lance, Vented, 59", Zinc Plated
8107.1254.00	Lance, Vented, 67", Zinc Plated
8107.1255.00	Lance, Vented, 79", Zinc Plated
8107.1260.00	Lance, Vented, 28", Stainless Steel
8107.1261.00	Lance, Vented, 36", Stainless Steel
8107.1262.00	Lance, Vented, 47", Stainless Steel
8107.1263.00	Lance, Vented, 59", Stainless Steel
8107.1264.00	Lance, Vented, 67", Stainless Steel
8107.1265.00	Lance, Vented, 79", Stainless Steel

LANCES-Vented, S3



- 10.5 GPM
- 6400 PSI
- 320° F
- 1/4" M Inlet
- 1/4" F Outlet

Part #	Description
8116.1230.00	47" Stainless Steel

LANCES-Vented, S3 350



- 8 GPM
- 5650 PSI
- 320° F
- 1/4" MPT Inlet
- 1/4" FPT Outlet
- **Box Qty 8**

Part #	Description
8116.1200.00	41" Stainless Steel

LANCES-Two Piece



- Industrial Grade
- 10.5 GPM
- 4000 PSI
- 300° F Max.
- Molded Grip
- 1/4" MPT x M22F Twist Connect
- Zinc Plated Pipe M22M x 1/4" MPT

Part #	Description
8102.4100.00	36" Two Piece Lance w/Coupler

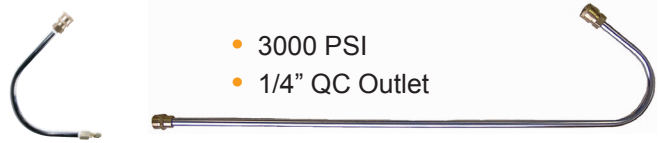
LANCES-Flex



- 10 GPM
- 2250 PSI
- 194° F

Part #	Description
8102.1900.00	Flex Lance, 18" 1/4"M x 1/4"M
8102.1901.00	Flex Lance, 18" 1/4"M x 1/8"F

LANCES-Gutter Cleaner



- 3000 PSI
- 1/4" QC Outlet

Part #	Description
8102.1653.00	Gutter Cleaner, 1/4" Plug Inlet, 7"
8102.1656.00	Gutter Cleaner, M22M Inlet, 29"

LANCES-Assembly



- 2400 PSI
- 140° F
- M22M Inlet
- Stainless Steel

Part #	Description
8108.7254.00	Lance, w/Power-Jet, Yellow Dot MV #0202905210

LANCES-Extensions



- 5075 PSI
- 140° F
- M22M Inlet
- Stainless Steel

Part #	Description
8108.7251.00	Lance, Extension, 18.5" MV #0202000700
8102.1651.00	Lance, Extension, 18"

LANCES-Extensions



- 3200 PSI
- 140° F
- M22M Inlet
- Hi-Lo Outlet
- Stainless Steel

Part #	Description
8108.7252.00	Lance, 16.3" w/Idro-Jet Blue Dot MV #0202000740
8108.7253.00	Lance, 23.6" w/Idro-Jet No Dot MV #0202000750

LANCES-Straight, M22

- Seamless, Chrome-Plated
- 10.5 GPM
- 4000 PSI
- 300° F Max.

Part #	Description
8102.1650.00	Lance, 18", M22M x 1/4" FPT

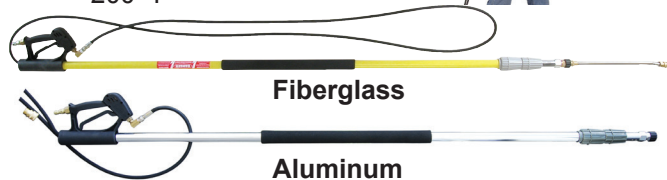
LANCES-18" w/Vari-Nozzle

- 2500 PSI
- 140° F
- M22M Inlet
- Stainless Steel

Part #	Description
8108.1463.00	Lance 18", Hi-Lo Nozzle 035 Orifice MV #0202005810

LANCES-Telescoping

- Heavy Duty Pole
- 8 GPM
- 4000 PSI
- 200° F



Part #	Description
8102.1001.70	Wand, Yellow, 12-foot
8102.1002.99	Wand, Yellow, 18-foot
8402.1002.00	Wand, Silver, 18-foot
8102.1003.70	Wand, Yellow, 24-foot
8102.1003.50*	Four Section, 24-foot
8104.1050.00	Telescoping Wand Support Belt

*Saves shipping cost for two or more

LANCES-Telescoping, Repair Parts

Part #	Repair Parts
8102.1001.01	Gun, Screw-in, New Style
8102.1050.01	Repair Kit for New Style Gun
8102.1050.00	Gun, Glue-on, Old Style
8102.1051.00	Replacement Hose, 12', 1/4" Dia.
8102.1052.00	Replacement Hose, 18', 1/4" Dia.
8102.1053.00	Replacement Hose, 24', 1/4" Dia.
8102.1054.00	Pole Lock, Large
8102.1001.04	Pole Lock, Small
8102.1002.30	Pole Lock, Large, Lever Lock
8102.1002.31	Pole Lock, Small, Lever Lock
8102.1001.10	Twist Connect Fitting
8102.1056.00	1/4" MNPT 8° Angled Plug
8102.1002.25	TW18-3 Yellow Sections w/ Locks
8102.1003.25	TW24-3 Yellow Sections w/ Locks

LANCES-Side Handle

- For 1/4" Wands
- Durable Rubber Handle
- Non Slip Rubber

Part #	Description
8102.1248.00	Rubber Handle for 1/4" Lance
8402.1249.00	Rubber Handle for 1/2" Lance NEW
8102.1249.00	Rubber Handle with "C" Clamp
8102.1247.00	Plastic Handle with "C" Clamp
8108.1247.00	Plastic Handle with "C" Clamp
8102.1247.01	"C" Clamp NEW

LANCES-Wand Saver, Fitting

- 10 GPM
- 4000 PSI
- 212° F

Part #	Description
8402.1328.00	1/4" QC x 1/4" F

NOZZLE-Adjustable

- 8 GPM
- 3000 PSI
- 300° F
- **Box Qty 5**

Part #	Repair Parts
8108.9072.00	Nozzle, 1/4" FPT Inlet & Outlet MV # 0204001210

NOZZLE-Adjustable, Tip Holder

- 3625 PSI
- 302° F
- 1/4" Threading
- Pressure Adjustment for Chemical Application
- **Box Qty 25**

Part #	Repair Parts
8402.1450.00	Spray Tip Holder w/o Protector
8402.1451.00	Spray Tip Holder with Protector

NOZZLE-Adjustable, Tip Holder

- 8 GPM
- 4060 PSI
- 320° F
- **Box Qty 15**
- 1/4" Inlet/Outlet

Part #	Repair Parts
8108.7450.00	Spray Tip Holder with Protector MV #0204009800

NOZZLE-Protector



- 300° F
- Box Qty 20

Part #	Repair Parts
8108.8002.00	Nozzle Protector MV #0183740020

NOZZLE-Protector



- 4500 PSI
- 300° F
- Box Qty 50

Part #	Repair Parts
8108.9159.00	Nozzle, 1/4" Inlet, 1/8" Outlet MV #0183000000
8402.1452.00	Nozzle, 1/4" Inlet, 1/4" Outlet MV #0183000010

NOZZLE-Protector MV 114



- 16 GPM
- 5075 PSI
- 300° F
- Box Qty 20

Part #	Repair Parts
8108.9151.00	Nozzle, 1/4" Inlet, 1/4" Outlet MV #0183000020

NOZZLE-Protector Kit M18



- 12 GPM
- 3600 PSI
- 300° F
- Box Qty 10
- 1/4" Inlet

Part #	Repair Parts
8108.9024.00	Karcher Nozzle Holder MV #0183000080

NOZZLE-Chemical & Soap



- Low Pressure
- Chemical Nozzle

Part #	Description
8113.3160.00	Nozzle 1/4" QC, 65°, #40, Brass
8113.3162.00	Nozzle 1/4" QC, 65°, #40, Plastic
8102.2610.00	Nozzle 1/4" NPT 40°, #30, Brass

NOZZLES-Meg, 7250 PSI



15° 40° 0°

Part #	Description	Orifice	Degree
8116.1038.40	Nozzle, Meg	038	40
8116.1040.00	Nozzle, Meg	040	0
8116.1040.15	Nozzle, Meg	040	15
8116.1049.40	Nozzle, Meg	049	40
8116.1050.00	Nozzle, Meg	050	0
8116.1050.15	Nozzle, Meg	050	15
8116.1055.00	Nozzle, Meg	055	0
8116.1055.15	Nozzle, Meg	055	15
8116.1055.40	Nozzle, Meg	055	40

*See Chart on Page 89 for Sizing

NOZZLE-Ceramic QC & Meg



- Ceramic Orifice
- 1/4" QC Plug or Meg Connector
- 5075 PSI
- 300° F
- Box Qty 10



Part #	Description
8113.31XX.YY	Quick Disconnect Spray Nozzle
8113.30XX.YY	Meg Spray Nozzle

*Complete Below Part # Using Table

Orifice	0° Red	15° Yellow	25° Green	40° White
3.0	3X08.00	3X09.00	3X10.00	3X11.00
3.5	3X12.00	3X13.00	3X14.00	3X15.00
4.0	3X16.00	3X17.00	3X18.00	3X19.00
4.5	3X20.00	3X21.00	3X22.00	3X23.00
5.0	3X24.00	3X25.00	3X26.00	3X27.00
5.5	3X28.00	3X29.00	3X30.00	3X31.00
6.0	3X32.00	3X33.00	3X34.00	3X35.00

NOZZLE-QC 5 Pack



Part #	Description
8113.1030.99	Nozzle Kit 030
8113.1035.99	Nozzle Kit 035
8113.1040.99	Nozzle Kit 040
8113.1045.99	Nozzle Kit 045
8113.1050.99	Nozzle Kit 050
8113.1055.99	Nozzle Kit 055
8113.1060.99	Nozzle Kit 060

*Other sizes available upon request

NOZZLE-QC & Meg



- High Grade Stainless Steel
- 1/4" QC Plug of Meg Connector



Part #	Description
--------	-------------

8113.1XXX.YY Quick Disconnect Spray Nozzle
8114.1XXX.YY Meg Spray Nozzle

*Complete Below Part # Using Table

Orifice	0° Red	15° Yellow	25° Green	40° White
2.0	1020.00	1020.15	1020.25	1020.40
2.5	1025.00	1025.15	1025.25	1025.40
3.0	1030.00	1030.15	1030.25	1030.40
3.5	1035.00	1035.15	1035.25	1035.40
4.0	1040.00	1040.15	1040.25	1040.40
4.5	1045.00	1045.15	1045.25	1045.40
5.0	1050.00	1050.15	1050.25	1050.40
5.5	1055.00	1055.15	1055.25	1055.40
6.0	1060.00	1060.15	1060.25	1060.40
6.5	1065.00	1065.15	1065.25	1065.40
7.0	1070.00	1070.15	1070.25	1070.40
7.5	1075.00	1075.15	1075.25	1075.40
8.0	1080.00	1080.15	1080.25	1080.40
8.5	1085.00	1085.15	1085.25	1085.40
9.0	1090.00	1090.15	1090.25	1090.40
9.5	1095.00	1095.15	1095.25	1095.40
10.0	1100.00	1100.15	1100.25	1100.40

NOZZLES-Rotating Rotomax™



- 176° F Max
- 1/4" FPT Inlet
- See Descriptions for Sizing

Part #	Description
--------	-------------

8110.1401.00 (Red) 2.1-2.6 GPM, 1450-3500 PSI
8110.1402.00 (Blue) 2.9-4.0 GPM, 1450-3500 PSI
8110.1403.00 (Black) 4.2-5.5 GPM, 1450-3500 PSI

NOZZLES-Rotating Hi/Lo Turbo



- 2500 PSI
- 140° F
- 1/4" F Inlet
- Hi-Lo for Chemical Injection

Part #	Description
--------	-------------

8108.8490.00 Nozzle, 040
MV #0204009030
8108.8491.00 Nozzle, 045
MV #0204009040

NOZZLES-Rotating 2500



- Economy Rotating Nozzle
- 2500 PSI
- 140° F
- 1/4" F Inlet

Part #	Description
--------	-------------

8111.1444.00 ROTOJET 025 Orifice Lt. Green
MV #0204007900
8111.1440.00 ROTOJET 030 Orifice Yellow
MV #0204007910
8111.1441.00 ROTOJET 035 Orifice Black
MV #0204007920
8111.1442.00 ROTOJET 040 Orifice Blue
MV #0204007930
8111.1443.00 ROTOJET 045 Orifice Dark Green
MV #0204007940

NOZZLES-Triple Function



- 3000 PSI
- 210° F
- Rotating
- High Pressure 15°
- Low pressure for Chemical Injection

Part #	Description
--------	-------------

8108.9100.00 Nozzle, 035
MV #0204009200
8108.8495.00 Nozzle, 040
MV #0204009210

NOZZLES-Rotating Compact



- 3000 PSI
- 210° F
- 1/4" F Inlet
- Box Qty 5

Part #	Description
--------	-------------

8108.8450.00 Nozzle, 030
MV #0204005620
8108.8450.01 Repair Kit, 030
MV #0204105620
8108.8451.00 Nozzle, 035
MV #0204005630
8108.8451.01 Repair Kit, 035
MV #0204105630
8108.8452.00 Nozzle, 040
MV #0204005640
8108.8452.01 Repair Kit, 040
MV #0204105640

NOZZLES-Rotating 3700 PSI



- Concentrated Straight Stream in a Conical Pattern
- 3700 PSI
- 210° F Max.
- 1/4" F Inlet
- **Box Qty 5**

Part #	Description	Orifice
8111.1429.00	ROTOJET 3700-030 MV #0204007320	030
8111.1430.00	ROTOJET 3700-035 MV #0204007330	035
8111.1431.00	ROTOJET 3700-040 MV #0204007340	040
8111.1432.00	ROTOJET 3700-045 MV #0204007350	045
8111.1433.00	ROTOJET 3700-050 MV #0204007360	050
8111.1434.00	ROTOJET 3700-055 MV #0204007370	055
8111.1435.00	ROTOJET 3700-060 MV #0204007380	060
8108.9092.00	ROTOJET 3700-065 MV #0204007390	065
8108.9093.00	ROTOJET 3700-070 MV #0204007400	070
8111.1436.00	ROTOJET 3700-080 MV #0204007420	080

ROTOJET 3600 Repair Kits



Part #	Description
8111.1429.01	ROTOJET 3700-030 Kit MV #0204107320
8111.1430.01	ROTOJET 3700-035 Kit MV #0204107330
8111.1431.01	ROTOJET 3700-040 Kit MV #0204107340
8111.1432.01	ROTOJET 3700-045 Kit MV #0204107350
8111.1433.01	ROTOJET 3700-050 Kit MV #0204107360
8111.1434.01	ROTOJET 3700-055 Kit MV #0204107370
8111.1435.01	ROTOJET 3700-060 Kit MV #0204107380
8108.9111.00	ROTOJET 3700-065 Kit MV #0204107390
8108.9112.00	ROTOJET 3700-070 Kit MV #0204107400
8111.1436.01	ROTOJET 3700-080 Kit MV #0204107420

NOZZLES-Rotating Soft/Hard



- 3700 PSI
- 200° F
- Cleans Soft and Hard Surfaces
- 1/4" F Inlet
- **Box Qty 5**

Part #	Description
8108.9079.00	Nozzle, 030 MV #0204006120
8108.9080.00	Nozzle, 035 MV #0204006130
8108.9081.00	Nozzle, 040 MV #0204006140
8108.9082.00	Nozzle, 045 MV #0204006150

NOZZLES-Soft/Hard w/Filter



- 3700 PSI
- 200° F
- 040 Nozzle
- QC Plug Inlet

Part #	Description
8108.7010.00	Nozzle, Soft/Hard w/HP Filter MV #0204906140

NOZZLES-Rotating, Yellow



- 3700 PSI
- 212° F
- 1/4" F Inlet

Part #	Description
8108.9091.00	Nozzle, 030 MV #0204007325
8108.8470.00	Nozzle, 040 MV #0204007345
8108.8005.00	Nozzle, 070 MV #0204007405
8108.9026.00	Cover MV #0183740450

NOZZLES-Rotating



- 4000 PSI
- 212° F
- 1/4" F Inlet

Part #	Description
8402.1401.00	Nozzle, 035
8402.1402.00	Nozzle, 040
8402.1403.00	Nozzle, 045
8402.1404.00	Nozzle, 050
8402.1405.00	Nozzle, 055
8402.1406.00	Nozzle, 060

NOZZLES-Rotating 4500 PSI



- Concentrated Straight Stream in a Conical Pattern
- 4500 PSI
- 210° F Max.
- 1/4" F Inlet
- **Box Qty 5**

Part #	Description	Orifice
8111.1456.00	ROTOJET 4500-030 MV #0204006500	030
8111.1457.00	ROTOJET 4500-035 MV #0204006505	035
8111.1450.00	ROTOJET 4500-040 MV #0204006510	040
8111.1451.00	ROTOJET 4500-045 MV #0204006515	045
8111.1452.00	ROTOJET 4500-050 MV #0204006520	050
8111.1453.00	ROTOJET 4500-055 MV #0204006525	055
8111.1454.00	ROTOJET 4500-060 MV #0204006530	060
8108.9083.00	ROTOJET 4500-065 MV #0204006535	065
8111.1455.00	ROTOJET 4500-070 MV #0204006540	070

NOZZLES-Kits 4500 PSI

ROTOJET 4500 Repair Kits



Part #	Description
8111.1456.01	ROTOJET 4500-030 Kit MV #0204106500
8111.1457.01	ROTOJET 4500-035 Kit MV #0204106505
8111.1450.01	ROTOJET 4500-040 Kit MV #0204106510
8111.1451.01	ROTOJET 4500-045 Kit MV #0204106515
8111.1452.01	ROTOJET 4500-050 Kit MV #0204106520
8111.1453.01	ROTOJET 4500-055 Kit MV #0204106525
8111.1454.01	ROTOJET 4500-060 Kit MV #0204106530
8108.9105.00	ROTOJET 4500-065 Kit MV #0204106535
8111.1455.01	ROTOJET 4500-070 Kit MV #0204106540

NOZZLES-Rotating TPL



- 4200 PSI
- 194° F
- 1/4" F Inlet
- **Box Qty 5**

Part #	Description
8111.1470.00	Nozzle, 1.00, 027, Gray MV #0204009900
8111.1471.00	Nozzle, 1.10, 033, Red MV #0204009910
8111.1472.00	Nozzle, 1.20, 040, Yellow MV #0204009920
8111.1473.00	Nozzle, 1.30, 045, Green MV #0204009930
8111.1474.00	Nozzle, 1.40, 052, Blue MV #0204009940

NOZZLES-Rotating w/Controller



- 5000 PSI
- 200° F
- 1/4" F Inlet
- With Speed Control

Part #	Description
8108.9073.00	Nozzle, 030 MV #0204006000
8108.9074.00	Nozzle, 035 MV #0204006005
8108.9075.00	Nozzle, 040 MV #0204006010
8108.9076.00	Nozzle, 045 MV #0204006015
8108.9077.00	Nozzle, 050 MV #0204006020
8108.9078.00	Nozzle, 055 MV #0204006025

Nozzle w/Controller Repair Kits



Part #	Description
8108.9101.00	Nozzle, 035 Kit MV #0204106005
8108.9102.00	Nozzle, 040 Kit MV #0204106010
8108.9103.00	Nozzle, 045 Kit MV #0204106015
8108.9104.00	Nozzle, 050 Kit MV #0204106020

NOZZLES-Rotating 5800 PSI



- 5800 PSI
- 200° F Max.
- 1/4" F Inlet
- **Box Qty 5**
- Concentrated Straight Stream in a Conical Pattern

Part #	Description	Orifice
8111.1400.00	ROTOJET 5800-030 MV #0204006900	030
8111.1401.00	ROTOJET 5800-035 MV #0204006905	035
8111.1402.00	ROTOJET 5800-040 MV #0204006910	040
8111.1403.00	ROTOJET 5800-045 MV #0204006915	045
8111.1404.00	ROTOJET 5800-050 MV #0204006920	050
8111.1405.00	ROTOJET 5800-055 MV #0204006925	055
8111.1406.00	ROTOJET 5800-060 MV #0204006930	060
8108.9087.00	ROTOJET 5800-065 MV #0204006935	065
8111.1407.00	ROTOJET 5800-070 MV #0204006940	070
8108.9088.00	ROTOJET 5800-075 MV #0204006945	075
8111.1408.00	ROTOJET 5800-080 MV #0204006950	080
8111.1410.00	ROTOJET 5800-090 MV #0204006960	090
8111.1411.00	ROTOJET 5800-100 MV #0204006970	100
8111.1412.00	ROTOJET 5800-110 MV #0204006980	110
8111.1409.00	ROTOJET 5800-120 MV #0204006990	120
8108.7001.00	ROTOJET 5800-140 MV #0204007010	140
8111.1413.00	ROTOJET 5800-150 MV #0204007020	150
8108.9089.00*	ROTOJET 5800-150 MV #0204007021	150
8108.9090.00	ROTOJET 5800-200 MV #0204007070	200

*25 DEGREE

NOZZLES-Kits 5800 PSI

ROTOJET 5800 Repair Kits



Part #	Description
8111.1400.01	ROTOJET 5800-030 Kit MV #0204106900
8111.1401.01	ROTOJET 5800-035 Kit MV #0204106905
8111.1402.01	ROTOJET 5800-040 Kit MV #0204106910
8111.1403.01	ROTOJET 5800-045 Kit MV #0204106915
8111.1404.01	ROTOJET 5800-050 Kit MV #0204106920
8111.1405.01	ROTOJET 5800-055 Kit MV #0204106925
8111.1406.01	ROTOJET 5800-060 Kit MV #0204106930
8108.9107.00	ROTOJET 5800-065 Kit MV #0204106935
8111.1407.01	ROTOJET 5800-070 Kit MV #0204106940
8108.9108.00	ROTOJET 5800-075 Kit MV #0204106945
8111.1408.01	ROTOJET 5800-080 Kit MV #0204106950
8111.1410.01	ROTOJET 5800-090 Kit MV #0204106960
8111.1411.01	ROTOJET 5800-100 Kit MV #0204106970
8111.1412.01	ROTOJET 5800-110 Kit MV #0204106980
8111.1409.01	ROTOJET 5800-120 Kit MV #0204106990
8108.7001.01	ROTOJET 5800-140 Kit MV #0204107010
8111.1413.01	ROTOJET 5800-150 Kit MV #0204107020
8108.9109.00	ROTOJET 5800-200 Kit MV #0204107070
8108.9004.00	Cover MV #0103740000

Gallons per Minute

Nozzle size for Rotating Nozzles

PSI	030	035	040	045	050	055	060	070	080	120
3000	2.60	3.03	3.46	3.90	4.33	4.76	5.20	6.06	6.93	10.39
3700	2.89	3.37	3.85	4.33	4.81	5.29	5.77	6.73	7.69	11.54
4000	3.00	3.50	4.00	4.50	5.00	5.50	6.00	7.00	8.00	12.00
4500	3.18	3.71	4.24	4.77	5.30	5.83	6.36	7.42	8.49	12.73
5000	3.35	3.91	4.47	5.03	5.59	6.15	6.71	7.83	8.94	13.42
5800	3.61	4.21	4.82	5.42	6.02	6.62	7.22	8.43	9.63	14.45

NOZZLES-Rotating UR25



- 1.6 GPM Min (03-1150 PSI)
- 7.7 GPM Max (08-3600 PSI)
- 3650 PSI
- 212° F Max.
- 1/4" F Inlet
- **Box Qty 5**

Part #	Description	Orifice
8116.1430.50	UR25 Replacement Cover	
8116.1430.00	UR Nozzle 3650-030	030
8116.1431.00	UR Nozzle 3650-035	035
8116.1432.00	UR Nozzle 3650-040	040
8116.1433.00	UR Nozzle 3650-045	045
8116.1434.00	UR Nozzle 3650-050	050
8116.1435.00	UR Nozzle 3650-055	055
8116.1436.00	UR Nozzle 3650-060	060
8116.1437.00	UR Nozzle 3650-065	065
8116.1438.00	UR Nozzle 3650-070	070
8116.1439.00	UR Nozzle 3650-080	080

NOZZLES-Rotating UR32



- 2.4 GPM Min (03-2600 PSI)
- 9.0 GPM Max (08-5100 PSI)
- 5100 PSI
- 212° F Max.
- 1/4" F Inlet
- **Box Qty 5**

Part #	Description	Orifice
8116.1450.50	UR32 Replacement Cover	
8116.1450.00	UR Nozzle 5100-030	030
8116.1451.00	UR Nozzle 5100-035	035
8116.1452.00	UR Nozzle 5100-040	040
8116.1453.00	UR Nozzle 5100-045	045
8116.1454.00	UR Nozzle 5100-050	050
8116.1455.00	UR Nozzle 5100-055	055
8116.1456.00	UR Nozzle 5100-060	060
8116.1457.00	UR Nozzle 5100-065	065
8116.1458.00	UR Nozzle 5100-070	070
8116.1459.00	UR Nozzle 5100-080	080

UR Nozzle Repair Kits

Part #	Description
8116.1430.01	UR Nozzle Repair Kit 030
8116.1431.01	UR Nozzle Repair Kit 035
8116.1432.01	UR Nozzle Repair Kit 040
8116.1433.01	UR Nozzle Repair Kit 045
8116.1434.01	UR Nozzle Repair Kit 050
8116.1435.01	UR Nozzle Repair Kit 055
8116.1436.01	UR Nozzle Repair Kit 060
8116.1437.01	UR Nozzle Repair Kit 065
8116.1438.01	UR Nozzle Repair Kit 070
8116.1439.01	UR Nozzle Repair Kit 080

NOZZLES-Rotating



- 7250 PSI
- 210° F Max.
- 1/4" F Inlet

Part #	Description
8108.8460.00	Nozzle, 030 MV #0204006800
8108.8460.01	Repair Kit, Nozzle, 030 MV #4059900000
8108.9084.00	Nozzle, 050 MV #0204006820
8108.9084.01	Repair Kit, Nozzle, 050 MV #4059900004
8108.9085.00	Nozzle, 070 MV #0204006840
8108.9085.01	Repair Kit, Nozzle, 070 MV #4059900008
8108.9086.00	Nozzle, 080 MV #0204006850
8108.9086.01	Repair Kit, Nozzle, 080 MV #4059900010

*See Nozzle Formulas on Page 89 for Sizing

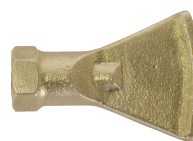
NOZZLES-Sewer



- 300° F
- Stainless Steel
- Forward Blast to Clear Debris
- Backward Blast to Flush

Part #	Description
8108.3009.00	1/4 FPT, 5000 PSI, Size #4.0 MV #0124722240
8402.3010.00	1/4 FPT, 4000 PSI, Size #4.5
8402.3011.00	1/4 FPT, 4000 PSI, Size #6.5
8402.3012.00	1/4 FPT, 4000 PSI, Size #11
8108.3109.00	1/8 FPT, 5000 PSI, Size #4.0 MV #0124722200
8402.3110.00	1/8 FPT, 4000 PSI, Size #4.5
8402.3111.00	1/8 FPT, 4000 PSI, Size #6.5
8402.3112.00	1/8 FPT, 4000 PSI, Size #11

NOZZLES-Steam



- 1450 PSI
- 1.5mm Orifice
- 1/4" BSP Inlet
- Brass

Part #	Description
8102.2620.00	Steam Nozzle

NOZZLES-Variable Hi/Lo



- 3000 PSI
- 300° F
- 1/4" Inlet
- With Inscriptions

Part #	Description
8108.9094.00	Nozzle, .27, Violet MV #0204008800
8108.9095.00	Nozzle, .30, Yellow MV #0204008805
8108.9096.00	Nozzle, .35, White MV #0204008810
8108.8401.00	Orifice, .27 MV #0124720280
8108.9005.00	Dot, Violet MV #0105740100

NOZZLES-Variable Idro-Jet



- 8 GPM
- 3200 PSI
- 300° F
- 1/4" F Inlet
- **Box Qty 10**

Part #	Description
8108.8480.00	Vari Nozzle, 1.10, White MV #0204008510

NOZZLES-Vari Hi/Lo Idro-Jet 2



- Twist Spray Angle Adjustment
- Push/Pull Pressure Adjustment
- 8 GPM
- 3200 PSI
- 300° F Max.
- **Box Qty 10**

Part #	Description
8108.1419.00	Nozzle Replacement Body MV #0204200040
8108.1420.00	1.05 mm Orifice, Yellow Dot MV #0204008000
8108.1421.00	1.10 mm Orifice, White Dot MV #0204008010
8108.1422.00	1.15 mm Orifice, Red Dot MV #0204008020
8108.1423.00	1.20 mm Orifice, Blue Dot MV #0204008030
8108.1424.00	1.25 mm Orifice, Brown Dot MV #0204008040
8108.1425.00	1.30 mm Orifice, Orange Dot MV #0204008050
8108.1426.00	1.35 mm Orifice, Green Dot MV #0204008060
8108.1427.00	1.40 mm Orifice, Lt. Blue Dot MV #0204008070
8108.1428.00	1.45 mm Orifice, Black Dot MV #0204008080
8108.1429.00	1.50 mm Orifice, Gray Dot MV #0204008090
8108.1430.00	1.60 mm Orifice, Dk. Green Dot MV #0204008100

Sizing Chart for Hi-Lo Vari Nozzles

NOZZLE #	Dia. MM	PRESSURE - PSI										
		600	700	800	900	1000	1200	1500	1800	2000	2500	3000
027	1.00	1.10	1.16	1.25	1.30	1.35	1.47	1.67	1.82	1.93	2.18	2.37
030	1.05	1.22	1.30	1.37	1.45	1.52	1.66	1.86	2.04	2.16	2.42	2.64
035	1.10	1.35	1.43	1.52	1.60	1.68	1.84	2.06	2.26	2.39	2.67	2.91
037	1.15	1.55	1.63	1.72	1.80	1.88	2.03	2.25	2.46	2.59	2.90	3.17
040	1.20	1.60	1.70	1.80	1.90	2.00	2.19	2.45	2.69	2.84	3.17	3.44
043	1.25	1.72	1.83	1.94	2.05	2.16	2.36	2.64	2.90	3.06	3.41	3.70
046	1.30	1.85	1.97	2.09	2.21	2.32	2.54	2.84	3.12	3.29	3.66	3.96
050	1.35	1.97	2.10	2.23	2.36	2.48	2.71	3.04	3.34	3.52	3.92	4.23
053	1.40	2.09	2.23	2.37	2.51	2.63	2.89	3.23	3.55	3.74	4.16	4.49
056	1.45	2.22	2.37	2.52	2.66	2.80	3.06	3.43	3.77	3.97	4.41	4.76
060	1.50	2.34	2.50	2.66	2.81	2.96	3.24	3.63	3.99	4.20	4.66	5.02
065	1.60	2.52	2.72	2.91	3.08	3.25	3.56	3.98	4.36	4.60	5.14	5.63

Gallons per Minute

ORIFICES-Replacement IdroJet

Part #	Description
8108.1420.01	1.05 mm Orifice MV #0124720290
8108.1421.01	1.10 mm Orifice MV #0124720080
8108.1422.01	1.15 mm Orifice MV #0124720170
8108.1423.01	1.20 mm Orifice MV #0124720090
8108.1424.01	1.25 mm Orifice MV #0124720150
8108.1425.01	1.30 mm Orifice MV #0124720100
8108.1426.01	1.35 mm Orifice MV #0124720180
8108.1427.01	1.40 mm Orifice MV #0124720110
8108.1428.01	1.45 mm Orifice MV #01247200260
8108.1429.01	1.50 mm Orifice MV #0124720120
8108.1430.01	1.60 mm Orifice MV #0124720130

DOTS-Replacement IdroJet

Part #	Description
8108.1420.02	Yellow Dot for 1.05mm MV #0105740000
8108.1421.02	White Dot for 1.10mm MV #0105740010
8108.1422.02	Red Dot for 1.15mm MV #0105740020
8108.1423.02	Blue Dot for 1.20mm MV #0105740030
8108.1424.02	Brown Dot for 1.25mm MV #0105740050
8108.1425.02	Orange Dot for 1.30mm MV #0105740060
8108.1426.02	Green Dot for 1.35mm MV #0105740040
8108.1427.02	Lt. Blue Dot for 1.40mm MV #0105740070
8108.1428.02	Black Dot for 1.45mm MV #0105740080
8108.1429.02	Gray Dot for 1.50mm MV #0105740090
8108.1430.02	Dk. Green Dot for 1.60mm MV #0105740110

NOZZLE-Vari Hi/Lo Idro-Jet



- 3200 PSI
- 300° F
- Finger Protection
- Hi/Lo Variable Spray

Part #	Description
8108.9067.00	Nozzle, 1.05 MV #0204001005
8108.9068.00	Nozzle, 1.10 MV #0204001010
8108.9069.00	Nozzle, 1.20 MV #0204001020
8108.9070.00	Nozzle, 1.30 MV #0204001030
8108.9071.00	Nozzle, 1.35 MV #0204001035

OIL-Comet Pumps



- Specially Formulated for use in all High-Pressure Industrial Piston Pumps
- Universal Tractor Transmission Oil (UTTO)
- 30 Wt. Non-Detergent & Non-Foaming

Part #	Description
8102.1801.00	Pump Oil, 32 oz. Bottle
8102.1802.00	Pump Oil, Case of 12 Bottles

Comet Industrial Pump Oil is a special formulated non-detergent, non-foaming oil, which is AW100 rated for superior oxidation protection. Comet recommends changing pump oil after the initial 50 hours of operation and every 300 hours thereafter.

OIL-HPP Pumps

Part #	Description
8102.1811.00	Pump Oil, 2.5 Gal. Bottle
8102.1812.00	Pump Oil, Case of 2 Bottles

PACKING EXTRACTOR



- For Comet™ Pumps
- Slide Hammer

Part #	Description
0899.0004.00	Extractor Tool, 15 & 18mm
0899.0005.00	Extractor Tool, 20, 22 & 25mm
0899.0006.00	Extractor Hammer
0899.0007.00	Extractor Kit

PACKING INSERTION



- Increase Efficiency in Pump Repair
- Industrial Grade Materials

Part #	Description
3335.0023.00	Packing Kit LW, ZW, FW & HW

PULSATION DAMPENERS



- 3100 PSI
- 580 PSI Precharge
- 180° F Max.

Part #	Description
8107.3200.00	Accumulator, .02 Gal., 3/8" FPT Flow 0-6.6 GPM
8107.3201.00	Accumulator, .09 Gal., 1/2" FPT Flow 6.6-18.5 GPM
8107.3202.00	Accumulator, .09 Gal., 3/8" FPT Flow 6.6-18.5 GPM

SAND BLASTER-Commercial



- 11 GPM
- 3600 PSI
- 200°

Part #	Description
8108.1901.00	TS33-1.4 Head Assy 1.4 mm MV #0204005020
8108.1903.00	TS33-1.6 Head Assy 1.6 mm MV #0204005040
8108.1905.00	Sand Blast Suction Tube MV #0213000000
8108.1900.02	Pressure Nozzle, 1.2 mm MV #0124720310
8108.1901.02	Pressure Nozzle, 1.4 mm MV #0124720320
8108.1902.02	Pressure Nozzle, 1.5 mm MV #0124720330
8108.1903.02	Pressure Nozzle, 1.6 mm MV #0124720330
8108.1900.01	Alignment Nozzle, 1.2 mm MV #0124710250
8108.1901.01	Alignment Nozzle, 1.4 mm MV #0124710260
8108.1902.01	Alignment Nozzle, 1.5 mm MV #0124710270
8108.1903.01	Alignment Nozzle, 1.6 mm MV #0124710280
8108.1906.00	Carbide Insert MV #0124700000

SAND BLASTER-Wet, Industrial



- 10 GPM Maximum
- 3 GPM Minimum
- Up to 3500 PSI use 15° tip
- 3500-5500 PSI use 0° tip
- 1500 PSI Minimum Working Pressure

Part #	Description
8103.1901.00	Wet Sand Blast Kit, Complete
8103.1902.00	Sand Probe
8103.1903.00	Tungsten Carbide Nozzle
8103.1913.00	Tip Adapter
8103.1908.00	5/16" x 1" Thumb Screw
8103.1911.00	Sandmiser Valve

SLUDGE PUMPS



- 4.8 GPM
- 3700 PSI
- 300° F Max.
- 20' Hose; 35mm ID

Part #	Description
8000.4000.35	Sludge Pump, 035 Nozzle MV #0213000500
8000.4000.40	Sludge Pump, 040 Nozzle
8000.4000.45	Sludge Pump, 045 Nozzle MV #0213000510
8000.4000.50	Sludge Pump, 050 Nozzle MV #0213000520
8000.4000.55	Sludge Pump, 055 Nozzle MV #0213000530
8000.4000.60	Sludge Pump, 060 Nozzle MV #0213000540
Sludge Pumps Without Hose	
8108.7019.00	Sludge Pump, 035 w/o Hose MV #0213000600
8108.9132.00	Sludge Pump, 045 w/o Hose MV #0213000610
8108.7020.00	Sludge Pump, 050 w/o Hose MV #0213000620
8108.9133.00	Sludge Pump, 055 w/o Hose MV #0213000630
8108.7021.00	Sludge Pump, 060 w/o Hose MV #0213000640
Other Parts	
8000.4001.40	Nozzle, 040
8000.4000.46	Nozzle, 045 MV #0124710430
8000.4000.56	Nozzle, 055 MV #0124710450
8000.4000.90	Clamp
8000.4000.95*	Hose, Sludge Pump
*Can be ordered to specific length up to 100'	

SURFACE CLEANER-3000 PSI



- 4 GPM
- 3000 PSI
- 140° F
- M22M Inlet
- 035 Nozzle

Part #	Description
8108.8012.00	Surface Cleaner, w/Wheels MV #0207002013
8108.8012.01	Nozzle, Surface Cleaner 15015 MV #0124720842
8108.8010.00	Surface Cleaner, No Wheels MV #0207000013
8108.9006.00	Spray Bar, Surface Cleaner 045 MV #0109000340
8108.8014.00	Wheel Replacement Kit MV #0207102010
8108.8013.00	Wheel Conversion Kit MV #0207102000
8108.9008.00	Brush for 8108.8012.00 MV #0109740160
8108.9007.00	Brush for 8108.8010.00 MV #0109740090

SURFACE CLEANER-Whirl-A-Way



- 8 GPM Max.
- 4000 PSI Max.
- 180° F
- UV Resistant Dome
- Rebuildable Swivel
- Industrial Duty

Part #	Description
8102.2401.00	Surface Cleaner, 16" Dia., w/Brush Replacement Parts
8102.2454.00	16 Rotary Head
8102.2470.01	Trigger Gun 16
8102.2462.00	16 Skirt, Nylon
8102.2470.00	16 Replacement Spray Bar
8102.2450.00	16 Rotary Head Mounting Bracket
8102.2461.00	Replacement Hose

*For additional parts contact Comet

SURFACE CLEANER-12"



- 8 GPM
- 4000 PSI
- 180° F

Part #	Description
8102.2407.00	Surface Cleaner, 12"

SWITCHES-Flow, MV 60



- 8 GPM
- 5660 PSI
- 176° F Max Fluid
- 167° F Max Environment
- 12v - 250v, 3 Amp
- 3/8" F In/Outlet
- 62" Cable
- **Box Qty 20**

Part #	Description
8108.2211.00	Flow Switch, Horizontal MV #4090200002
8108.2210.00	Flow Switch, Vertical MV #4090200001
8108.2209.00	Replacement Reed Switch MV #0199700000

SWITCHES-Pressure PS6



- 3-Wire Design, 47" Cable
- 4060 PSI
- 195° F Max Fluid
- 167° F Max Environment
- 12v - 250v, 16 Amp
- 218, 363 & 652 PSI Switching Pressure
- **Box Qty 20**

Part #	Description
8108.2203.00	Switch, 218 PSI, 1/4" M, Blue MV #0205007000
8108.2204.00	Switch, 218 PSI, 3/8" M, Blue MV #4090002001
8108.2205.00	Switch, 363 PSI, 1/4" M, Red MV #0205007010
8108.2206.00	Switch, 363 PSI, 3/8" M, Red MV #0205007030
8108.2207.00	Switch, 652 PSI, 1/4" M, Black MV #0205007020
8108.2208.00	Switch, 652 PSI, 3/8" M, Black MV #0205007040

SWITCHES-Pressure PR16



- 4050 PSI
- 165° F
- 12v - 250v, 16 Amp
- 580 PSI Switching Pressure
- 3/8" M In/Outlet
- 39" Cable
- **Box Qty 20**

Part #	Description
8116.2203.00	Switch, Pressure, Black

SWITCHES-Vacuum



- 131° F Max Fluid
- 180° F Max Environment
- 1/4" FNPT Port
- 230v, 16 Amp
- **Box Qty 60**

***For Water use Only**

Part #	Description
8107.2211.00	Vacuum Switch, (Size 1.5)
8107.2212.00	Vacuum Switch, (Size 2.0)
8107.2213.00	Vacuum Switch, (Size 2.5)
8107.2216.00	Vacuum Switch, (Size 4.0)
8107.2217.00	Vacuum Switch, (Size 4.5)

SWIVEL-High Pressure



- 10.5 GPM Max.
- 5650 PSI Max.
- 320° F Max, Rated (Continuous Use)
- 194° F Max, Working Temp (For Short Periods)
- 3/8" MNPT x 3/8" FNPT
- **Box Qty 10**

Part #	Description
8116.3503.00	Swivel, Straight, Stainless Steel

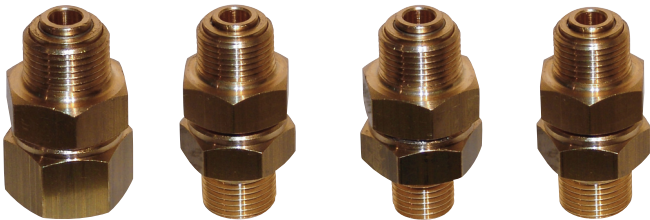
SWIVEL-High Pressure



- 10.5 GPM Max.
- 4100 PSI
- 300° F Max
- 3/8" F x 3/8" M
- **Box Qty 20**

Part #	Description
8402.3501.00	Swivel, High Pressure, Brass

SWIVEL-SW Pro



- 8 GPM • 3650 PSI • 302° F • Brass • **Box Qty 10**
- ***Turns Easily Under Pressure*****

Part #	Description
8108.8350.00	Swivel, 3/8" M x 3/8" F MV #4100801004
8108.8351.00	Swivel, 3/8" M x 3/8" M MV #4100801005
8108.8352.00	Swivel, 3/8" M x 1/4" M MV #4100801006
8108.8353.00	Swivel, 3/8" M x M22-1.5 MV #4100801007

SWIVEL-High Pressure



- 10.5 GPM Max.
- 4050 PSI
- 320° F Max, Rated (Continuous Use)
- 194° F Max, Working Temp (For Short Periods)
- 3/8" MBSP x 3/8" FBSP
- **Box Qty 10**

Part #	Description
8116.3501.00	Swivel, Straight, Brass

SWIVEL-SW ECO



- 11 GPM
- 3200 PSI
- 300°F

Part #	Description
8108.9126.00	Coupler, 3/8" MPT x 3/8" FPT MV #0212006010

SWIVEL-Nozzle



- 1500 PSI
- Brass
- **Box Qty 100**

Part #	Description
8102.6015.00	Swivel, Nozzle

SWIVEL-SW Std



- 8 GPM
- 4500 PSI
- 302° F Max
- Brass
- **Box Qty 10**

Part #	Description
8108.8354.00	Swivel, 3/8" M x 3/8" F MV #371703

TAPE-Teflon



- Better Sealing of Threaded Connections
- High Quality
- 1/2" Rolls
- 480" Length
- **Box Quantity 12**

Part #	Description
8102.2900.00	Teflon Tape, Roll

TERMINATOR-Thermo Engine



- 4000 PSI
- For DC Current Only
- Shuts Engine Down When Pump Hits 145° F

Part #	Description
8104.0001.00	Thermo Engine Terminator

THERMOSTAT



- 1/2" BSP Probe
- 4000 PSI
- 250v
- 15 Amp
- Remote Probe Design
- Precision Temperature Control
- 70" Insulated Cap Tube

Part #	Description
3230.0037.00	194 Degree, 194° F
3230.0036.00	250 Degree, 250° F
3230.0035.00	302 Degree, 302° F
8107.2320.00	Well 1/2" F Top, 3/8" x 3
8107.2307.00	Probe Sheath
2000.0125.00	Bushing, Brass 1/2" NPT
8107.2310.00	Bushing, Brass 1/2" BSP

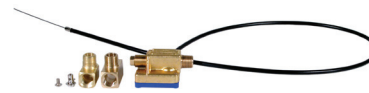
THREAD LOCK



- Replacement for Loctite
- Medium Strength
- **Box Qty 10**

Part #	Description
8108.3600.00	Medium 100-200 lbs., 250 ML

THROTTLE CONTROL



- 4000 PSI
- 1000 PSI Actuation Pressure
- 145° F Max.
- 3/8" NPT Inlet, 42" Cable

Part #	Description
8102.2701.00	Throttle Control Kit
8102.2701.01	Repair Kit

UNLOADER-VB-60/600 Zero



- 2.4 GPM Min
- 16 GPM Max
- 8700 PSI
- 195° F
- 1/2" F In/Outlet
- 1/2" F By-Pass

Part #	Description
8116.2524.00	Unloader, Stainless Steel
8116.2524.01	Repair Kit VB60/600 Zero

UNLOADER-VB-80/150 & 400



- 21 GPM
- 195° F Max
- 1/2" FPT Inlet/Outlet
- 1/2" FPT By-Pass
- Stainless Steel

Part #	Rated PSI	Max PSI	Color
8116.2523.00	2200	2450	White
8116.2505.00	5800	6500	Black
8116.2505.01	Repair Kit		
8116.2505.02	O-Ring Kit, Viton		

UNLOADER-VB-350



- 10.5 GPM
- 3/8" M Inlet
- 3/8" F Outlet
- 1/2" F By-Pass
- 195° F Max.
- **Box Qty 5**

Part #	Rated PSI	Max PSI
8116.2501.00	5100	5650
8116.2517.01	Repair Kit	

UNLOADER-VHP 39



- 10.5 GPM
- 5070 PSI Rated
- 5650 PSI Max
- 194° F Max
- 3/8" FPT In/Outlet
- 3/8" FPT By-Pass x 2
- **Box Qty 5**

Part #	Description	Color
8108.2546.00	Unloader MV #4072000012	Yellow
8108.2547.00	Unloader w/EZ Start MV #4072000013	Yellow
8108.2546.01	Repair Kit MV #4079900009	

UNLOADER-VRT 100



- 26.4 GPM
- 194° F Max
- 1/2" F In/Outlet & By-Pass

Part #	Description	Color
8108.2564.00	Unloader, 2760 PSI MV #4072000035	Yellow
8108.2565.00	Unloader, 4800 PSI MV #4072000036	Blue
8108.2566.00 ¹	Unloader, 5075 PSI	Green
8108.2567.00 ²	Unloader, 5075 PSI	Green
8108.2565.01	Repair Kit MV #4079900013	

1-Dual By-Pass
2-Dual By-Pass With Knob

UNLOADER-VB-285



- 8 GPM
- 4050 Rated PSI
- 4500 Max PSI
- 195° F Max
- Banjo Kit
- **Box Qty 30**

Part #	Couplings	Outlet
8116.2500.00	3/8" x 1/2" F	3/8" F
8116.2500.02	Banjo Conversion Kit	

UNLOADER-VB 33



- 21 GPM
- 195° F
- 1/2" FPT Inlet/Outlet
- 1/2" FPT By-Pass
- 1/4" FPT Gauge Port
- **Box Qty 4**

Part #	Rated PSI	Max PSI
8116.2527.00	4050	4500

UNLOADER-VB-80/150 & 280



- 21 GPM
- 195° F
- 1/2" FPT Inlet/Outlet
- 1/2" FPT By-Pass
- **Box Qty 4**

Part #	Rated PSI	Max PSI	Color
8116.2503.00	2200	2450	White
8116.2504.00	4050	4500	Blue
8116.2504.01	Repair Kit, VB 80/150 & 280		

UNLOADER-VB-280



- 10.5 GPM
- 3/8" M Inlet
- 3/8" F Outlet
- 1/2" F By-Pass
- 195° F Max
- **Box Qty 5**

Part #	Rated PSI	Max PSI
8116.2517.00	4050	4500
8116.2517.01	Repair Kit	

UNLOADER-Pulsar 280



- 8.0 GPM
- 4050 Rated PSI
- 4500 Max PSI
- 195° F Max
- 3/8" FPT In/Outlet
- 3/8" FPT By-Pass x 2
- **Box Qty 15**

Part #	Description
8116.2509.00	Unloader
8116.2510.00	Unloader, w/EZ Start
8116.2509.01	Repair Kit, Pulsar 280

UNLOADER-Pulsar 4



- 10.5 GPM
- 195° F Max
- 3/8" F In/Outlet & By-Pass

Part #	Description	Color
8116.2536.00	Unloader, 2600 PSI	White
8116.2535.00	Unloader, 4500 PSI	Blue
8116.2535.01	Repair Kit Pulsar 4	

UNLOADER-VRT 3



- 8 GPM
- 194° F Max GPM
- Inlet x 2/Outlet 3/8" FPT
- By-Pass 3/8" FPT x 2



Part #	PSI	Color	Box Qty
8108.2530.00	2320	Yellow	15
		MV #0215010300	
8108.2533.00 ¹	2320	Yellow	20
		MV #0215010330	
8108.2531.00	3630	Blue	15
		MV #0215010310	
8108.2534.00 ¹	3630	Blue	20
		MV #0215010340	
8108.2532.00	4500	Black	15
		MV #0215010320	
8108.2535.00 ¹	4500	Black	20
		MV #0215010350	
8108.2542.00 ²	4500	Black	15
		MV #4072000002	
8108.2536.00 ³	4500	Black	15
		MV #4072000009	
8108.2537.00 ⁴	2320	Yellow	15
		MV #0215010360	
8108.2552.00 ⁵	4500	Black	15
		MV #4078000019	
8108.2530.01	Repair kit, 2320 & 3630 PSI		
	MV #4079900004		
8108.2532.01	Repair kit, 4500 PSI		
	MV #4079900005		
8108.2542.01	EZ Start		
	MV #R0000116		
8108.2530.02	Knob		
	MV #400305		
8108.2530.03	Cap, Yellow		
	MV #0128740070		
8108.2532.03	Cap, Black		
	MV #4079900005		

1-No Knob; 2-Includes EZ Start; One Inlet
 3-Includes Microswitch 250V/16A; One Inlet
 4-1/4" Gauge Port; 5-Panel Mount with PS6 Switch

UNLOADER-VRT 3 Multi-Function



- 8 GPM
- 4500 PSI Max
- 194° F Max
- Thermal Relief
- EZ Start
- **Box Qty 15**

Part #	Inlet	Outlet	By-Pass
8108.2539.00 ¹	3/8" FPT	3/8" MPT	3/8" FPT
		MV #4072000019	
8108.2540.00 ²	3/8" FPT	3/8" FPT	3/8" FPT
		MV #4072000020	
8108.2538.00 ³	3/8" MPT	3/8" MPT	3/8" FPT
		MV #4078000003	

1-Includes Pressure Relieve Valve & Adj. Injector 2.1
 2-Includes Pressure Relieve Valve
 3-Includes Adj. Injector 2.1

UNLOADER-VRT-3 Panel Mount



- 8 GPM
- 4500 PSI
- 194° F
- 3/8" FPT In/Outlet
- 3/8" FPT By-Pass x 2
- **Box Qty 15**

Part #	Description
8108.2552.00	Unloader, Panel Mount
8108.2532.01	Repair Kit

UNLOADER-VB 80/280 Zero



- 5.3 GPM Min
- 21 GPM Max
- 4050 PSI
- 195° F
- 1/2" F In/Outlet
- 1/2" F By-Pass
- **Box Qty 4**

Part #	Description
8116.2526.00	Reduced Trapped Pressure
8116.2526.01	Repair Kit VB 80/280 Zero

UNLOADER-Pulsar Zero



- 2.4 GPM Min
- 10.5 GPM Max
- 4050 PSI
- 195° F
- 3/8" FPT In/Outlet
- 3/8" FPT By-Pass x 2
- **Box Qty 12**

Part #	Description
8116.2521.00	Reduced Trapped Pressure
8116.2521.01	Repair Kit

UNLOADER-Trapped Pressure



MV 595

- 8.0 GPM
- 140° F Max
- Built-in Thermal Relief Valve
- Built-in EZ Start Valve
- Built-in Safety Valve

Part #	Inlet	Outlet	By-Pass	PSI
8108.2512.00*	3/8" F	3/8" F	1/4" F	4000
	MV #0215003310 MV 595			
8108.2502.01	Repair Kit MV 595			
	MV #0215103320			
8108.2502.02	Injector Repair Kit MV 595			
	MV #0203100010			

UNLOADER-Pulsar 3



- 8 GPM
- 3200 Rated PSI
- 3650 Max PSI
- 195° F Max
- 3/8" F In/Outlet & By-Pass

Part #	Description	Color
8116.2539.00	Unloader	Blue

UNLOADER-Pulsar 3



- 8.0 GPM
- 195° F Max
- Inlet 3/8" FPT x 2
- Outlet 3/8" FPT
- By-Pass 3/8" FPT x 2
- **Box Qty 15**

Part #	Rated PSI	Max PSI
8116.2508.00	3200 PSI	3650 PSI
8116.2515.01	Seat & O-Ring Kit	
8116.2515.02	Repair Kit	
8116.2515.03	Repair Kit, Pack of 5	

UNLOADER-VB 75



- 8 GPM
- 3200 Rated PSI
- 3650 Max PSI
- 195° F Max
- Banjo Kit
- **Box Qty 20**

Part #	Couplings	Outlet
8116.2516.00	3/8" x 1/2" F	3/8" F
8116.2516.01	Repair Kit, VB 75	

UNLOADER-VB 55



- 8.0 GPM
- 3200 Rated PSI
- 3650 Max PSI
- 195° F Max
- Banjo Kit
- **Box Qty 20**

*Used on RW Pumps

Part #	Couplings	Outlet
8116.2520.00	3/8" x 1/2" F	3/8" F
8116.2520.01	Repair Kit, VB-55	

UNLOADER-VRS 3



- 8 GPM
- 3190 Rated PSI
- 3630 Max PSI
- 194° F Max
- 3/8 F In/Outlet & By-Pass

Part #	Description	Color
8108.2548.00	Unloader	Blue
	MV #4072000021	
8108.2549.00	Unloader, No Knob	Blue
	MV #4072000018	
8108.2530.01	Repair Kit	
	MV #4079900004	

UNLOADER-VRC 25

Compensated



- 8 GPM
- 3625 PSI
- 194° F Max GPM
- Inlet/Outlet 3/8" FPT
- By-Pass 3/8" FPT
- Gauge Port 1/4" FPT
- **Box Qty 15 (8108.2581.00--20)**

Part #	Description
8108.2580.00	Unloader
	MV #0215010510
8108.2581.00	Unloader, No Knob
	MV #0215010520
8108.2580.01	Repair Kit, Unloader
	MV #4079900011

UNLOADER-VRF 2



- 8 GPM
- 3190 Rated PSI
- 3625 Max PSI
- 194° F Max
- 3/8 F In/Outlet & By-Pass



Banjo Kit

Part #	Description	Color
8108.2591.00	Unloader, 3625 PSI MV #4072401007	Red
8108.2590.00	With Injector, 3625 PSI MV #4072601021	Red
8108.2593.00	Unloader, 4500 PSI	Blue
8108.2592.00	With Injector, 4500 PSI	Blue
8108.2551.01	Repair Kit MV #4079900014	

Banjo Inlet Kits

Part #	X-Offset	Y-Offset	Inlet
8108.2570.00	0.0 mm	63 mm	3/8"-1/2"
For Comet BW, LW, AW & ZW Series Pumps MV #0215200500			
8108.9158.00	5.0 mm	53/66 mm	3/8"-1/2"
For Comet FW, HW & FW2 Series Pumps MV #0215200510			
8108.2572.00	19 mm	51 mm	3/8"-1/2"
For Brands Other Than Comet Pumps MV #0215200520			
8108.2573.00	0.0 mm	63 mm	3/8"
For Comet LW Misting Pumps MV #0215200504			
8108.2576.00	19 mm	62 mm	3/8"
For Comet RW Pumps MV #4073900000			

UNLOADER-VRC 25



Compensated

- 8 GPM
- 3625 PSI
- 194° F Max GPM
- Inlet/Outlet 3/8" FPT
- By-Pass 3/8" FPT x 2
- **Box Qty 15**

Part #	Description
8108.2582.00	Unloader, with Switch MV #0215010530
8108.2583.00	Unloader, With Switch, No Knob MV #0215010540
8108.2582.01	Repair Kit, Unloader with Switch MV #4079900010

UNLOADER-Trapped Pressure



MV 546
MV 566



MV 545



MV 565



Banjo Kit

- Eliminates Need for Bypass Hose
- Compact Design
- Increases Production Efficiencies
- Internal Spring

Bolt-On Unloaders Order with Banjo Kits Below

Part #	PSI	GPM	Outlet	Inject.
8108.2559.00	2600	8.0	3/8" MPT	Y
MV #0215009780 MV 545				
8108.2560.00	2600	8.0	M22M	Y
MV #0215009820 MV 545				
8108.2561.00	2600	8.0	3/8" MPT	N
MV #0215005510 MV 546				
8108.2562.00	2600	8.0	M22M	N
MV #0215005520 MV 546				
8108.2556.00	3200	8.0	M22M	Y
MV #0215006320 MV 565				
8108.2558.00	3200	8.0	M22M	N
MV #0215006520 MV 566				
8108.2563.00	3500	8.0	3/8" MPT	N
MV #0215200240 MV 566				
8108.2550.00	3500	8.0	3/8" MPT	Y
MV #0215200230 MV 565				
8108.2555.02	Repair Kit for MV 565 Unloader MV #0215101020			
8108.2555.01	Chem Inj for MV 565 Unloader MV #0203100020			
8108.2559.18	Chem Inj for MV 545 Unloader MV #0203100041			

Banjo Inlet Kits

Part #	X-Offset	Y-Offset	Inlet	List Price
8108.2570.00	0.0 mm	63 mm	3/8"-1/2"	
For Comet BW, LW, AW & ZW Series Pumps MV #0215200500				
8108.9158.00	5.0 mm	53/66 mm	3/8"-1/2"	
For Comet FW, HW & FW2 Series Pumps MV #0215200510				
8108.2572.00	19 mm	51 mm	3/8"-1/2"	
For Brands Other Than Comet Pumps MV #0215200520				
8108.2573.00	0.0 mm	63 mm	3/8"	
For Comet LW Misting Pumps MV #0215200504				
8108.2576.00	19 mm	62 mm	3/8"	
For Comet RW Pumps MV #4073900000				

UNLOADER-VR 56



- 8 GPM
- 3625 PSI
- 194° F
- 3/8" FPT By-Pass
- 1/4" FPT Gauge Port

Part #	Description
8108.2551.00	Unloader, 3/8" F In/Outlet MV #4072000030
8108.2551.01	Repair Kit MV #4079900014

UNLOADER-MV 580



- 8 GPM
- 3600 PSI
- 200° F Max
- In/Outlet 3/8" FPT
- By-Pass 1/4" FPT
- **Box Qty 20**

Part #	Description
8108.2506.01	Unloader, without Knob MV #0215003030

UNLOADER-Trapped Pressure



- 8 GPM
- 3600 PSI
- 200° F Max
- **Box Qty 20**

Part #	I/O	By-Pass	
8108.2506.00	3/8" FPT	1/4" FPT x 1	MV 580
			MV #0215003010
8108.2503.01	Repair Kit		MV #0215102000
8108.2504.01	Knob		MV #0119000010

UNLOADER-VB-200/150



- 53 GPM
- 195° F
- 1" FPT Inlet/Outlet
- 1" FPT By-Pass

Part #	Rated PSI	Max PSI
8116.2502.00	2200	2450
8116.2502.01	Repair Kit	

UNLOADER-VR 54



- 8 GPM
- 194° F Max
- 3/8 F In/Outlet & By-Pass

Part #	Description	Color
8108.2541.00*	Unloader, 2175 PSI MV #4072000056	Black
8108.2543.00	Unloader, 2900 PSI MV #4072000041	Red
8108.2544.00	Unloader, 2175 PSI MV #4072000051	Black
8108.2543.01	Repair Kit MV #4079900016	

*With Locking Nut

UNLOADER-VB 85/150



- 21 GPM
- 2300 Rated PSI
- 2600 Max PSI
- 195° F Max
- 1/2" F In/Outlet & By-Pass

Part #	Description
8116.2533.00	Unloader
8116.2533.01	Repair Kit VB 85/150

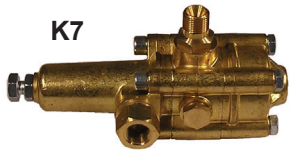
UNLOADER-Trapped Pressure



- 8 GPM
- 200° F Max
- Pressure Activated
- **MV 520**
- **Box Qty 15**

Part #	PSI	In/Outlet	By-Pass
8108.2514.00	2000	3/8" MPT	3/8" FPT
			MV #0215004120
8108.2501.01	Repair Kit MV #0215101000		
8108.2559.01	Knob MV #0119740010		

UNLOADER-Flow Sensing K7



K7

- 165°F Max Temp
- 0-3000 PSI
- Eliminates Trapped Pressure Between Pump & Gun

Part #	GPM	Inlet	Outlet	By-Pass
8110.2503.00	2.9-4.2	3/8" F	3/8" M	3/8" F
8110.2504.00	4.2-6.6	3/8" F	3/8" M	3/8" F

UNLOADER-Mounting Block



- 4000 PSI Max
- 2 - 3/8" FPT Ports
- Solid Machined Part
- 5/16" x 18 Mounting Holes
- For Remote Mounting of Unloader Valves

Part #	Description
8102.0551.00	Mounting Block, Aluminum
8102.0552.00	Mounting Block, Zinc Plated

VALVES-Ball, Shut-Off



- 7400 PSI Industrial Duty
- Chrome Plated Steel Ball
- Zinc Plated Steel Body
- 212°F

Part #	Description	GPM
8109.2601.00	1/4" FPT x 1/4" F	2.64
8109.2602.00	3/8" FPT x 3/8" F	6.60
8109.2603.00	1/2" FPT x 1/2" F	10.57

VALVES-Ball, Shut-Off



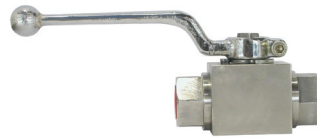
- Chrome Plated Steel Ball
- Zinc Plated Steel Body
- 212°F

Part #	Description	GPM	PSI
8402.2601.00	1/4" FPT x 1/4" F	1.79	7250
8402.2602.00	3/8" FPT x 3/8" F	4.97	7250
8402.2603.00	1/2" FPT x 1/2" F	8.41	7250



8402.2604.00	3/4" FPT x 3/4" F	19.9	7250
8402.2608.00	1" FPT x 1" F	31.1	5000

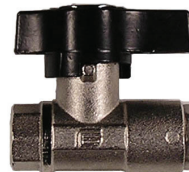
VALVES-Ball, Shut-Off



- 7000 PSI
- Stainless Steel Body
- 212°F

Part #	Description
8102.2640.00	Ball Valve, 3/8" FPT x 3/8" FPT

VALVES-Ball, Shut-Off



- 3000 PSI
- Brass Body
- 176° F
- Box Qty 5

Part #	Description
8107.2630.00	Ball Valve, 3/8" F x 3/8" F
8107.2631.00	Ball Valve, 1/2" F x 1/2" F

VALVES-Ball, Shut-Off



- 1500 PSI
- 300° F

Part #	Description
7600.2604.00	Ball Valve, 1/4" M x 1/4" F

VALVES-Ball, Shut-Off, 3-Way



- Chrome Plated Steel Ball
- Zinc Plated Steel Body
- 212°F

Part #	Description	GPM	PSI
8402.2623.00	1/2" FPT x 1/2" F	8.41	7250
8402.2620.00	3/4" FPT x 3/4" F	19.9	7250
8402.2621.00	1" FPT x 1" F	31.1	5000
8402.2622.00	1-1/4" FPT x 1-1/4" F	50.9	5000

VALVES-EZ Start



- Release Trapped System Pressure
- For Starting Gasoline Engines
- 8 GPM
- 4100 PSI Max
- 195° F
- Box Qty 10

Part #	Description
8107.1750.00	3/8" MPT, 90° w/Hose Barb

VALVES-EZ Start



- Release Trapped System Pressure
- For Starting Gasoline Engines
- 3500 PSI Max
- 1/4" Hose Barb

Part #	Description
8102.1750.00	3/8" MPT w/Hose Barb

VALVES-Jetter



- Converts Triplex Pump to Duplex Pump
- Replaces Inlet Valve Cap

Part #	Used on Pump
0608.0034.00	LW, FW & ZW up to 3000 PSI
0608.0035.00	ZW, HW, RW & SW over 3000 PSI
0608.0036.00	RW & TW up to 3600 PSI
0608.0037.00	TW over 3600 PSI

VALVES-Metering



- Precise Chemical Metering
- 3 GPM
- 440 PSI Max.
- 100° F Max. Temp.
- **Box Qty 25**

Part #	Description
8107.3401.00	Metering Valve, 1/4" F

VALVES-Pressure Regulating



- 21 GPM
- 8100 Rated PSI
- 8700 Max PSI
- 195° F Max
- 1/2" FBSP Inlet, Outlet & By-Pass

Part #	Description
8116.2506.00	Regulating Valve, VRP 600

VALVES-Pressure Relief



Part #	Description
8102.2621.00	3/8" MPT, 6 GPM, 6000 PSI, 195° F
8107.2620.00	1/4" M Inlet, 6.3 GPM, 2200 PSI, 195° F

VALVES-Pressure Relief SVT 40



- 6.6 GPM
- 5800 PSI
- 194° F
- **Box Qty 24**

Part #	Description
8108.7624.00	Valve, 2-3/8" FPT Inlet x 3/8" FPT Outlet MV #0215010430

VALVES-Pressure Relief SVT 28



- 6.6 GPM
- 4060 PSI
- 194° F
- **Box Qty 24**

Part #	Description
8108.7620.00	Valve, 3/8" FPT Inlet x 2" Outlet MV #0215010190

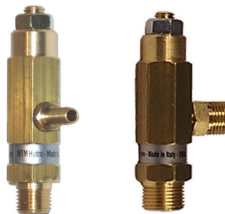
VALVES-Pressure Relief SVL 28



- 6.6 GPM
- 4060 PSI
- 194° F
- **Box Qty 24**

Part #	Description
8108.7621.00	Valve, 3/8" FPT Inlet x 3/8" Outlet MV #0215010220

VALVES-Pressure Relief



- 8 GPM
- 3600 PSI
- 195° F
- Adjustable Pressure Relief
- **Box Qty 25**

Part #	Description
8107.2621.00	3/8" M, 1/4" Discharge
8107.2621.01	3/8" M, 1/4" Hose Barb Discharge

VALVES-Safety



- 4 GPM
- 3000 PSI
- 176° F
- Adjustable Pressure Relief

Part #	Description
1215.0311.00	Safety Valve 1/8" M

VALVES-Pressure Regulating



- 120 GPM
- 2900 Rated PSI
- 3200 Max PSI
- 195° F
- 1-1/4" FPT In/Outlet
- 1-1/2" FPT By-Pass

Part #	Description
8116.2623.00	Regulating Valve, VRP 450-200

VALVES-Pressure Relief SVT 17



- 6.6 GPM
- 2400 PSI
- 194° F
- **Box Qty 24**

Part #	Description
8108.7622.00	Valve, 2-3/8" FPT Inlet x 3/8" FPT Outlet MV #4072000032

VALVES-Pressure Relief SVL 17



- 6.6 GPM
- 2400 PSI
- 194° F
- **Box Qty 24**

Part #	Description
8108.7623.00	Valve, 3/8" FPT Inlet x 3/8" FPT Outlet MV #4072000031

VALVES-Regulating, Flow VP 2



- NEW**
- 8 GPM
 - 4060 PSI
 - 320° F
 - Inlet 1/4" F; Outlet 1/4" M
 - **Box Qty 10**

Part #	Description
8108.8220.00	Valve, Flow Restrictor MV #4130100001

VALVES-Safety Relief VS 310



- NEW**
- 11 GPM
 - 5100 PSI
 - 195° F
 - **Box Qty 4**

Part #	Description
8116.2625.00	Valve, 3/8" FPT Inlet & By-Pass

VALVES-Thermal Relief



- 200 PSI
- 145° F Relief Temp.
- Protects Pumps from Overheating

Part #	Description
8102.1700.00	Thermal Relief Valve 3/8"
8102.1701.00	Thermal Relief Valve 1/2"

VALVES-Thermal Relief



- 200 PSI
- 145° F Relief Temp.
- Protects Pumps from Overheating

Part #	Description
8402.1700.00	Thermal Relief Valve 3/8"

VALVES-Thermal Relief



- 145 PSI Max. Inlet Pressure
- 133° F Relief Temp.
- Protects Pumps from Overheating

Part #	Description
1215.0523.00	Thermal Relief Valve 1/4"
1215.0354.00	Thermal Relief Valve 3/8"
1215.0355.00	Thermal Relief Valve 1/2"

WATER BROOM



- 1/4" QD Plug
- 4000 PSI

Part #	Description
8402.2500.00	12", 3 GPM, 3 Nozzles
8402.2501.00	16", 3 GPM, 4 Nozzles
8113.3163.00	Nozzle, Meg, 1/4" 6513

Pressure Washers

DIESEL-FDX 16/200



- 2900 PSI
- 4 GPM
- Pneumatic Wheels
- Yanmar L100 Engine
- Electric Start
- No Engine-Oil Safety Device
- Regulated Low-Pressure Detergent Suction
- Large Water Filter at Pump Inlet

STATIC-Cold Water



- 2.2 GPM
- 1300 PSI
- 115V-60Hz-1 Phase
- 14 Amps-1500W
- Gun & Lance w/Vari-Jet
- Hose Reel w/65'(20m) Rubber Hose
- Turbo Nozzle, Foamer & Rotating Brush
- Wall Mountable

Part #	Description
9020.0057.00	Diesel, Pressure Washer

Part #	Description
9052.0007.00	Static 1700

Standard Equipment



- Professional Gun with Swivel



- High Pressure Hose, 32'



- Professional Double Barrel Lance

TRACTOR PTO-Pressure Washer



- Complete Pressure Washer
- Includes Frame, Pump & Accessories
- 3 Point Hitch
- 550 RPM Power Take-Off
- Frame Folds for Shipping

SCOUT-Hot Water



- 2 GPM
- 1300 PSI
- 3400 RPM
- Brass Headed Pump
- 120V-60Hz-1 Phase
- 14 Amps
- Includes GFCI w/15" Cord
- 35' Rubber hose
- Professional Gun/Lance
- Includes Hose Reel
- Diesel Burner

Part #	Description
9045.0001.00	PTO 12/120 w/Frame FW 5530 S
9045.0002.00	PTO 33/150 w/Frame TW 8030 S
9045.0003.00	PTO 23/200 w/Frame TWN 6036 S
9045.0014.00	PTO 21/200 w/Frame RW 5530 S
9045.0005.00	PTO 30/170 w/Frame TWN 8025 S
9045.0007.00	PTO 33/150 TW 8030 S, 8.8 @ 2175
9045.0008.00	PTO 23/200 TWN 6036 S, 8.7 @ 3000
9045.0016.00	PTO 21/200 RW 5530 S, 5.5 @ 3000
9045.0010.00	PTO 30/170 TWN 8025 S, 8 @ 2500
5005.0242.00	Gear Box, 550 RPM
5003.0050.00*	Kit, Conversion, 1000 RPM
8102.1801.00	Oil, Bottle
8102.1802.00	Oil, Case of 12

*Needed with Gear Box to convert to 1000 RPM for TWN PTO

Part #	Description
9044.0011.00	Scout 135 Classic

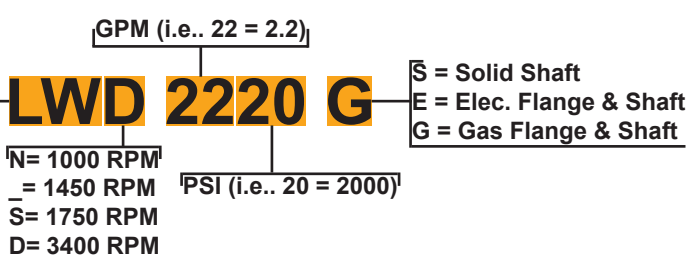


Conversion Tables & Formulas

<u>Weights & Volumes</u>				<u>Torque</u>				<u>Length Calculations</u>						
Gal.	x	3.785	=	Liters	NM	=	Ft./lb.	x	1.35	.001 in.	x	25.4	=	Microns
Gal.	x	128	=	Ounces	Ft./lb.	=	NM	/	1.35	In.	x	25.4	=	MM
Gal.	x	231	=	Cu. In.	In./lb.	=	Ft./lb.	x	12	MM	x	.03937	=	Inches
Gal.	x	8.3453	=	Pounds	<u>Temperatures</u>				<u>Nozzles</u>					
Ltr.	x	61.02	=	Cu. In.	°C	=	.555(°F-32)	Nozzle # = $GPM \times \left(\sqrt{\frac{4000}{PSI}} \right)$ GPM = Nozzle # $\times \left(\sqrt{\frac{PSI}{4000}} \right)$ PSI = 4000 $\times \left(\frac{GPM}{Nozzle \#} \right)^2$						
Ltr.	x	33.82	=	Ounces	°F	=	(1.8*°C)+32							
Ltr.	x	.2642	=	Gallons	<u>Required Horsepower</u>				<u>Pulley Ratio</u>					
Ltr.	x	1000	=	Cubic CM	GPM x PSI = Elec. Brake HP 1460 GPM x PSI = Hydraulic HP 1714 GPM x PSI = Gasoline HP 1100				$\frac{Motor \ Pulley \ OD}{Pump \ RPM} = \frac{Pump \ RPM}{Motor \ Pulley \ OD}$					
ML (CC)	x	.0338	=	Ounces										
Gram	x	.03527	=	Ounces										
PSI	x	.0680	=	Bar										
Bar	x	14.5	=	PSI										
In. HG	x	.4912	=	PSI										
In. H2O	x	.8226	=	In. HG										

Sample Pump Model Number LWD 2220 G

- BX** = Small Axial
- BW** = Small Frame
- VRX** = Small Vertical
- AX** = Large Axial
- AW** = Small Frame
- LW** = Small Frame
- ZW** = Large Frame
- FW** = Large Frame
- FW2** = Large Frame
- HW** = Large Frame
- RW** = Premium Series
- SW** = Premium Series
- TW** = Premium Series



Index

A		F		Jetter Valve.....86
Accumulators.....	48,76	Filters:		Jets-Gas.....50
Adjustable Thermostat.....	79	Chemical.....	54	Jolly Series, Spray Gun & Combo.....61
Aluminum Lances.....	65	High Pressure.....	54	
Anti-Fatigue Strap & Belt.....	67	Hose Soap Assy.....	53	K
Anti-Freeze.....	29,50	HPP Filters.....	47	Keys, Engine.....53
AW Pumps.....	12	Inlet.....	54	
AW Pump Repair Kits.....	12,30,31	Suction, Tank.....	54	L
AX Series Pumps.....	5,6,28	Y-Intake.....	54	Lances:
AX Pump Repair Kits.....	6,30,31	Fittings, Kit, Misc.....	55	Aluminum.....65
Axle Caps.....	51	Flex Coupler.....	55	Dual Lances.....63,64
		Float Tanks & Valves.....	55,56	Extensions.....66,67
B		Flow Restrictor Valve.....	87	Flex.....66
Ball Valves.....	85	Flow Switches.....	77	Gutter.....66
Bell Housing.....	55	Foam Injector Nozzle.....	56	Molded Grip Lances.....64,65
Banjo Kits.....	83	Foot Valve.....	48	Non-Molded Lances.....65
Belt, Cart.....	51	FW Series Pumps.....	15,16,19	Side Grip Handles.....67
Block, Unloader Mounting.....	85	FW Pump Repair Kit.....	16,19,30,31	Telescoping.....67
Brass Fittings.....	55	FW2 Series Pumps.....	20,21	Tip Holder.....67
Brushes.....	50	FW2 Pump Repair Kit.....	21,30,31	Two Piece.....66
Burner Rings.....	50			Vented Grip Lances.....65,66
Burner Ring Nozzle.....	50	G		Wand Saver.....67
Bushing.....	51	Garden Hose Fittings.....	55	Lock, Thread.....79
BW Pumps.....	7,8	Gasket, Manifold.....	29	Love Joy Couplers.....55
BW Pump Repair Kits.....	8,30,31	Gauges, Pressure.....	48,56	LW Series Pumps.....9,10,11,19,28
BX Pumps.....	3,4	Gear Reducers.....	56	LW Pump Repair Kits.....11,30,31
BX Pump Repair Kits.....	4,30,31	Gear Reduced Pumps.....	19	
		GFCI.....	57	M
C		Grommet.....	51	Meg Nozzles.....48,68,69
Carts.....	51	Guns, Extensions.....	48,57,59	Metering Valve.....86
Components, cart.....	51	Gun Lance Combo Guns.....	48,60,61	Misting Pumps.....28
Ceramic Nozzles.....	68	Guns, Triggerless.....	57	Molded Grip Lances.....64,65
Chem. Filter & Hose Assy.....	53	Guns, Trigger.....	57,58,59	Mounting Rails.....11,16,18,21,23,25,27,29
Chemical Injectors.....	62,63	Guns, Weep.....	57,58,59	Mounting Blocks.....85
Chemical Metering Valve.....	86	Gutter Cleaner, Lance.....	66	
Chemical Spray Nozzles.....	68			N
Chemical Suction Filters.....	54	H		Non-Marking Gray Hoses.....61
Clutch.....	51	Hi-Lo Nozzles.....	74,75	Non-Insulated Wands.....65
Concrete Cleaners.....	77	Hobby Kit.....	61	Non-return Valves.....48
16" w/ Brush.....	77	Hose Barbs.....	55	Nozzles:
Connection Kits.....	47	Hose Reel Swivels.....	62	Adjustable.....67
Conversion & Calculation Chart.....	89	Hose Reels.....	62	Burner Ring.....50
Couplers:		Hoses.....	61	Ceramic.....68
Flex.....	55	Hose Assembly-Soap.....	53	Chemical & Soap.....68
Insulated.....	51	Hot Water Seal Kits.....	31	Hi-Lo/IdroJet.....74,75
O-Ring.....	52	HPP Accessories.....	47,48,49,50	Jetter.....73
Quick Connect.....	47,51,52	HPP Connection Kits.....	47	Jolly Spraygun w/Lance.....61
Twist Connect.....	52,53	HPP Pumps.....	32-42	Kits, QC.....68
Coupling, Ball QC.....	53	HPP Pump Repair Kits.....	43,44,45,46	Meg.....48,68,69
		HW Series Pumps.....	17,18,19	Protectors.....67,68
D		HW Pump Repair Kits.....	18,19,30,31	Quick Connect.....68,69
Dip Sticks.....	29			Rotating.....69,70,71,72,73
Dual Lances.....	63,64	I		Rotomax.....69
		Inlet Filters.....	54	Sewer.....73
E		Injectors.....	62,63	Soft/Hard w/Filter.....70
Easy Start Valve.....	85,86	Insertion Tools.....	76	Steam.....73
Engine Shaft Keys.....	53			Tip Holder.....67
Engine Throttle Control.....	79	J		Triple Function.....69
Extraction Tools.....	75	Jetter Nozzles.....	73	Vari.....74,75



Notes