



FEATURES

The HGN-375 protects electronic equipment from common and differential mode line interference in the range of 10KHz up to 30MHz. This “combi-unit” is equipped with IEC connector, fuse holder for one or two 5 x 20 mm fuses, 2 pole on/off switch and fully enclosed metal housing. These filters are also available for Medical equipment with low leakage current. HGN-375 series filters are high performance filters and have been designed to bring various medical equipments into compliance with EN55011 and FCC Part 15J, Class B conducted emissions limits.

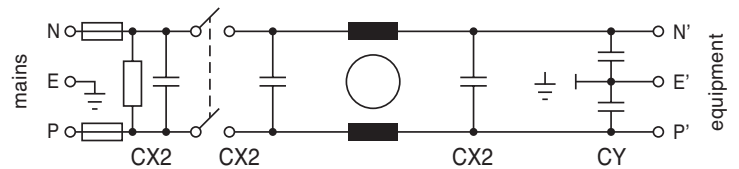
APPLICATIONS

Computer & networking equipment, Measuring & control equipment, Data processing equipment, laboratory instruments, Switching power supplies, other electronic equipment.

TECHNICAL DATA

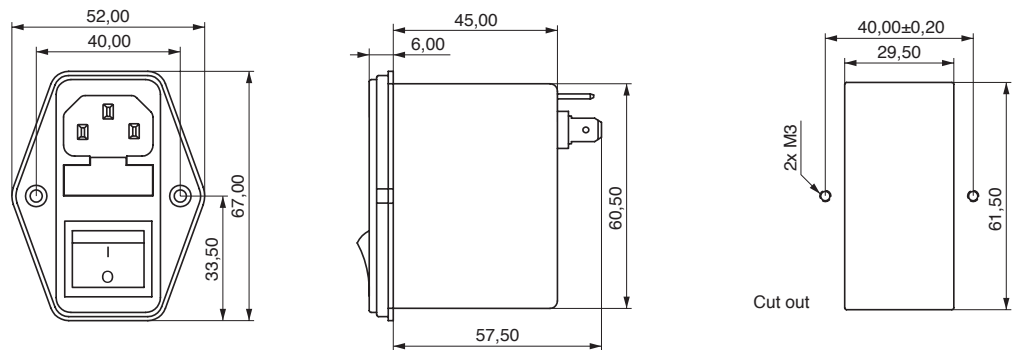
Operating voltage	250 V / 50 Hz 120 V / 60 Hz
Rated current, 40°C	1A / 2A / 4A / 6A
Leakage current	< 0,5 mA / 250 VAC
Temperature range	-25°C – +85°C
Test voltage (VDE 0565)	1,8 kV / 50 Hz – 2 s

CIRCUIT



Type / Ordering-No.	Nominal current at 40°C	CX2 [μ F]	CY[pF]	L[mH]	Remarks
HGN 375-1-FX	1A	0,068 + 0,033 + 0,1	2 x 2200	2 x 10,3	X=L: 2 Fuses 5 x 20 mm
-2-FX	2A	0,068 + 0,033 + 0,1	2 x 2200	2 x 4,6	
-4-FX	4A	0,068 + 0,033 + 0,1	2 x 2200	2 x 1,2	
-6-FX	6A	0,068 + 0,033 + 0,1	2 x 2200	2 x 0,8	
Medical version					
HGN 375-1M-FX	1A	0,068 + 0,033 + 0,1	–	2 x 10,3	
-2M-FX	2A	0,068 + 0,033 + 0,1	–	2 x 4,6	
-4M-FX	4A	0,068 + 0,033 + 0,1	–	2 x 1,2	
-6M-FX	6A	0,068 + 0,033 + 0,1	–	2 x 0,8	

DIMENSIONS



Attenuation in 50 Ohm-
50 Ohm circuit according CISPR

