

# VB1-VR<sup>+</sup> PowerVac VR-Series<sup>+</sup> Replacement Circuit Breaker



VB1-VR<sup>+</sup> PowerVac 1200A Shown



*Powering Business Worldwide*

## DISCLAIMER OF WARRANTIES AND LIMITATION OF LIABILITY

The information, recommendations, descriptions and safety notations in this document are based on Eaton's experience and judgment and may not cover all contingencies. If further information is required, an Eaton sales office should be consulted. Sale of the product shown in this literature is subject to the terms and conditions outlined in appropriate Eaton selling policies or other contractual agreement between Eaton and the purchaser.

THERE ARE NO UNDERSTANDINGS, AGREEMENTS, WARRANTIES, EXPRESSED OR IMPLIED, INCLUDING WARRANTIES OF FITNESS FOR A PARTICULAR PURPOSE OR MERCHANTABILITY, OTHER THAN THOSE SPECIFICALLY SET OUT IN ANY EXISTING CONTRACT BETWEEN THE PARTIES. ANY SUCH CONTRACT STATES THE ENTIRE OBLIGATION OF EATON. THE CONTENTS OF THIS DOCUMENT SHALL NOT BECOME PART OF OR MODIFY ANY CONTRACT BETWEEN THE PARTIES.

In no event will Eaton be responsible to the purchaser or user in contract, in tort (including negligence), strict liability or other-wise for any special, indirect, incidental or consequential damage or loss whatsoever, including but not limited to damage or loss of use of equipment, plant or power system, cost of capital, loss of power, additional expenses in the use of existing power facilities, or claims against the purchaser or user by its customers resulting from the use of the information, recommendations and descriptions contained herein. The information contained in this manual is subject to change without notice.

---

### **WARNING**

---

**IMPROPERLY INSTALLING OR MAINTAINING THESE PRODUCTS CAN RESULT IN DEATH, SERIOUS PERSONAL INJURY OR PROPERTY DAMAGE.**

---

**READ AND UNDERSTAND THESE INSTRUCTIONS BEFORE ATTEMPTING ANY UNPACKING, ASSEMBLY, OPERATION OR MAINTENANCE OF THE CIRCUIT BREAKERS.**

---

**INSTALLATION OR MAINTENANCE SHOULD BE ATTEMPTED ONLY BY QUALIFIED PERSONNEL. THIS INSTRUCTION BOOK SHOULD NOT BE CONSIDERED ALL INCLUSIVE REGARDING INSTALLATION OR MAINTENANCE PROCEDURES. IF FURTHER INFORMATION IS REQUIRED, YOU SHOULD CONSULT EATON'S ELECTRICAL SERVICES & SYSTEMS.**

---

**THE CIRCUIT BREAKERS DESCRIBED IN THIS BOOK ARE DESIGNED AND TESTED TO OPERATE WITHIN THEIR NAMEPLATE RATINGS. OPERATION OUTSIDE OF THESE RATINGS MAY CAUSE THE EQUIPMENT TO FAIL, RESULTING IN DEATH, BODILY INJURY AND PROPERTY DAMAGE.**

---

**ALL SAFETY CODES, SAFETY STANDARDS AND/OR REGULATIONS AS THEY MAY BE APPLIED TO THIS TYPE OF EQUIPMENT MUST BE STRICTLY ADHERED TO.**

---

**THESE VACUUM REPLACEMENT CIRCUIT BREAKERS ARE DESIGNED TO BE INSTALLED PURSUANT TO THE AMERICAN NATIONAL STANDARDS INSTITUTE (ANSI). SERIOUS INJURY, INCLUDING DEATH, CAN RESULT FROM FAILURE TO FOLLOW THE PROCEDURES OUTLINED IN THIS MANUAL.**

---

This product was manufactured by Eaton at the Power Breaker Center (PBC): 310 Maxwell Avenue, Greenwood, SC 29646.

All possible contingencies which may arise during installation, operation or maintenance, and all details and variations of this equipment do not purport to be covered by these instructions. If further information is desired by purchaser regarding his particular installation, operation or maintenance of particular equipment, contact a Eaton representative.

**Table of Contents**

<b>SECTION 1: INTRODUCTION</b>	<b>4</b>	<b>SECTION 6: INSPECTION &amp; MAINTENANCE</b>	<b>24</b>
1.1 AVAILABLE VB1-VR+ CIRCUIT BREAKERS	4	6.1 INSPECTION FREQUENCY	24
<b>SECTION 2: SAFE PRACTICES</b>	<b>7</b>	6.2 INSPECTION AND MAINTENANCE PROCEDURES	24
<b>SECTION 3: RECEIVING, HANDLING, AND STORAGE</b>	<b>8</b>	6.3 VACUUM INTERRUPTER INTEGRITY TEST	25
3.1 RECEIVING	8	6.4 CONTACT EROSION AND WIPE	25
3.2 HANDLING	8	6.5 INSULATION	26
3.3 STORAGE	9	6.6 INSULATION INTEGRITY CHECK	26
3.4 VB1-VR+ APPROXIMATE WEIGHTS	9	6.7 PRIMARY CIRCUIT RESISTANCE CHECK	26
<b>SECTION 4: DESCRIPTION AND OPERATION</b>	<b>12</b>	6.8 VR-SERIES+ CIRCUIT BREAKER ELEMENT MECHANISM CHECK	26
4.1 VACUUM INTERRUPTER	12	6.8.1 CLOSURE™ TEST	26
4.1.1 VACUUM INTERRUPTER ASSEMBLY	12	6.9 MAINTENANCE RECOMMENDATION	30
4.1.2 CONTACT EROSION INDICATOR	12	<b>SECTION 7: REPLACEMENT PARTS</b>	<b>32</b>
4.1.3 CONTACT WIPE AND STROKE	13	7.1 GENERAL	32
4.2 LINE AND LOAD CONDUCTOR ASSEMBLIES	13	7.2 ORDERING INSTRUCTIONS	32
4.3 STORED ENERGY MECHANISM	13		
4.3.1 CLOSING SPRING CHARGING	13		
4.3.2 CLOSING OPERATION	13		
4.3.3 TRIPPING OPERATION	14		
4.3.4 TRIP-FREE OPERATION	14		
4.4 CONTROL SCHEMES	14		
4.4.1 TIMING	14		
4.6 SECONDARY CONNECTION BLOCK	14		
4.7 INTERLOCKS	16		
4.7.1 ANTI-CLOSE INTERLOCK	16		
4.7.2 BREAKER / CELL INTERFERENCE CODE PLATES	16		
4.7.3 Passive Interlock	16		
4.7.4 Active Interlock	16		
4.7.5 Position Closing Interlock	16		
4.7.6 STORED ENERGY DISCHARGE INTERLOCK	16		
<b>SECTION 5: INSPECTION &amp; INSTALLATION</b>	<b>20</b>		
5.1 EXAMINATION FOR DAMAGE	20		
5.1.1 NAMEPLATE VERIFICATION	20		
5.2 <b>SURE CLOSE</b> MECHANISM	20		
5.3 MANUAL OPERATION CHECK	20		
5.4 VACUUM INTERRUPTER INTEGRITY	21		
5.5 LOW FREQUENCY WITHSTAND TEST (INSULATION CHECK)	21		
5.6 CONTACT EROSION AND WIPE	21		
5.7 PRIMARY CIRCUIT RESISTANCE	21		
5.8 ELECTRICAL OPERATIONS CHECK	21		
5.9 LOCK-OUT PROVISION	21		
5.10 RACKING MECHANISM	21		
5.11 INSERTION PROCEDURE	22		
5.12 REMOVAL PROCEDURE	22		

## SECTION 1: INTRODUCTION

The purpose of this book is to provide instructions for receiving and handling, storage, installation, operation and maintenance of the General Electric type VB1 VR-Series+ circuit breaker. The Vacuum Replacement Circuit Breakers (also referred to as VR-Series+ ) are designed to be used in existing VB1 metal-clad switchgear and provide equal or superior electrical and mechanical performance as compared to the design ratings of the original circuit breaker. VR-Series+ Circuit Breakers provide reliable control, protection and performance, with ease of handling and maintenance. Like ratings are interchangeable with each other.

This book is intended to be used in conjunction with the technical information provided with the original equipment order which includes, but is not limited to electrical control schematics and wiring diagrams, outline diagrams, installation plans, and procedures for installation and maintenance of accessory items.

Satisfactory performance is dependant upon proper application, correct installation, and adequate maintenance. It is strongly recommended that this instruction book be carefully read and followed in order to realize optimum performance and long useful life of the circuit breaker.

---

### WARNING

---

**SATISFACTORY PERFORMANCE OF THESE BREAKERS IS CONTINGENT UPON PROPER APPLICATION, CORRECT INSTALLATION AND ADEQUATE MAINTENANCE. THIS INSTRUCTION BOOK MUST BE CAREFULLY READ AND FOLLOWED IN ORDER TO OBTAIN OPTIMUM PERFORMANCE FOR LONG USEFUL LIFE OF THE CIRCUIT BREAKERS. IT IS FURTHER RECOMMENDED THAT THE INSTALLATION BE PERFORMED BY A EATON CORPORATION TRAINED ENGINEER OR TECHNICIAN.**

---

**VR-SERIES+ BREAKERS ARE PROTECTIVE DEVICES, AS SUCH, THEY ARE MAXIMUM RATED DEVICES. THEREFORE, THEY SHOULD NOT UNDER ANY CIRCUMSTANCE BE APPLIED OUTSIDE THEIR NAMEPLATE RATINGS.**

---

**ALL POSSIBLE CONTINGENCIES WHICH MIGHT ARISE DURING INSTALLATION, OPERATION, OR MAINTENANCE, AND ALL DETAILS AND VARIATIONS OF THIS EQUIPMENT ARE NOT COVERED BY THESE INSTRUCTIONS. IF FURTHER INFORMATION IS DESIRED BY THE PURCHASER REGARDING A PARTICULAR INSTALLATION, OPERATION, OR MAINTENANCE OF THIS EQUIPMENT, THE LOCAL EATON REPRESENTATIVE SHOULD BE CONTACTED.**

---

#### 1.1 AVAILABLE VB1-VR+ CIRCUIT BREAKERS

Refer to Table 1.

**Table 1. VB1-VR+ Availability and Interchangeability**

Existing VB1 Circuit Breaker Type	VB1-VR+ Circuit Breaker Type ①	Maximum Voltage	Nominal 3-Phase MVA Class	Existing Circuit Breaker Rated Continuous Current at 60 Hz	Rated Voltage Factor ④	Rated Withstand ANSI Test Voltage		Rated Short-Circuit	Maximum Sym. Interrupting Capability	Closing and Latching / Momentary Capabilities
		kV	MVA	Amps	K	Low Freq. kV RMS	Impulse kV Peak	I kA RMS	KI kA RMS	kA RMS / Peak
VB1-4.16-250	VB1-VR+250	4.76	250	1200 / 2000	1.25	19	60	29	36	58 / 97
VB1-4.16-250	VB1-VR+4.16-41 ②③	4.76	N/A	1200 / 2000	1.00	19	60	41	41	78 / 132
VB1-7.2-500	VB1-VR+7.2-500	8.25	500	1200 / 2000	1.25	36	95	33	41	66 / 111
VB1-13.8-500	VB1-VR+13.8-500	15	500	1200 / 2000	1.30	36	95	18	23	37 / 62
VB1-13.8-500	VB1-VR+13.8-41 ②③	15	N/A	1200 / 2000	1.00	36	95	41	41	78 / 132
VB1-13.8-750	VB1-VR+750	15	750	1200 / 2000	1.30	36	95	28	36	58 / 97
VB1-13.8-750	VB1-VR+13.8-41 ②③	15	N/A	1200 / 2000	1.00	36	95	41	41	78 / 132

① All circuit breakers have a 3 second short-time and 3-cycle interrupting ratings.

② Non-standard rating.

③ Requires bus bracing study and additional switchgear bracing.

④ All ratings were tested to multiple versions of IEEE C37.09 and can be rated as K=1 or K>1

VB1-VR+  
VR-Series+ Replacement Circuit Breaker

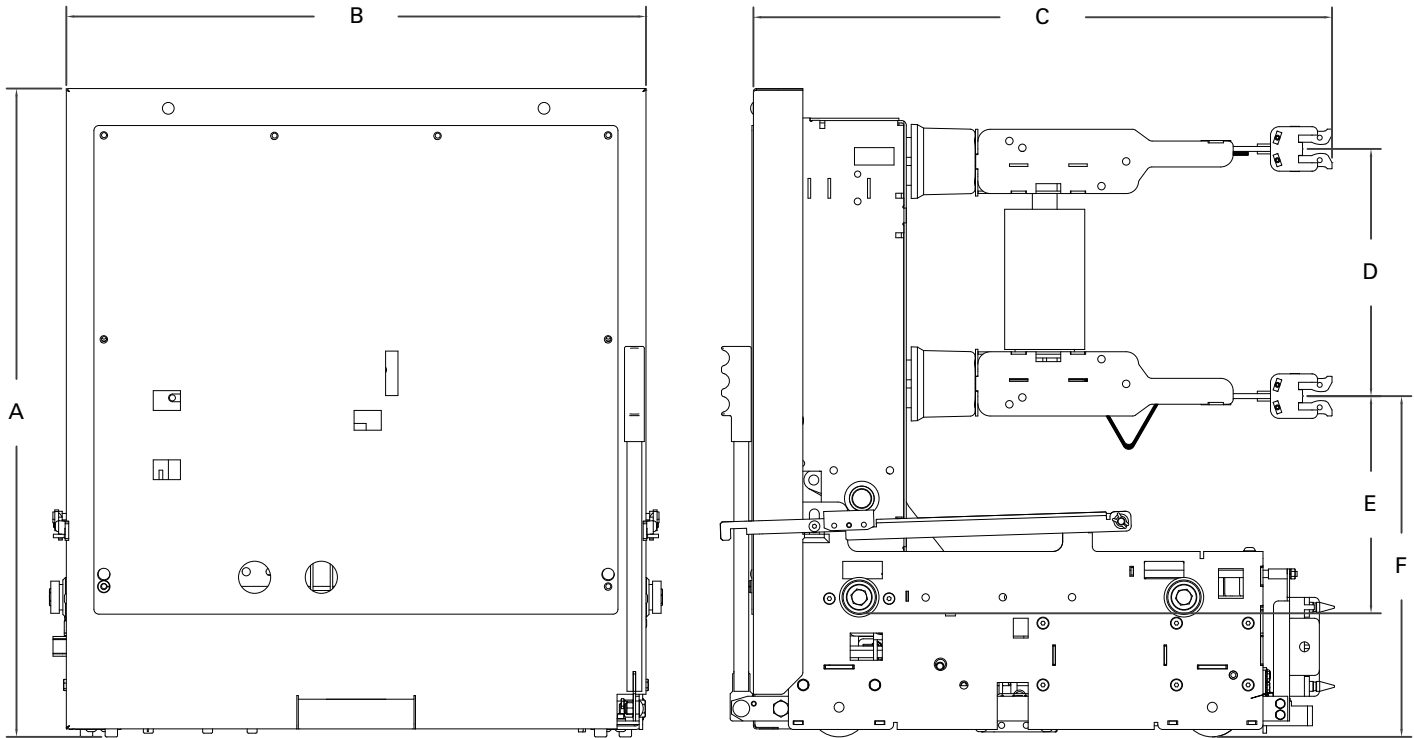


Table 2. VB1-VR+ Dimensions

Breaker Type	Existing Breaker Rated Continuous Current at 60 Hz (Amps)	A	B	C	D	E	F
VB1-VR+	1200 / 2000	32.79	29.31	29.26	12.50	10.98	17.23

## SECTION 2: SAFE PRACTICES

VR-Series+ breakers are equipped with high speed, high energy operating mechanisms. They are designed with several built-in interlocks and safety features to provide safe and proper operating sequences.

---

### **WARNING**

---

**TO PROTECT THE PERSONNEL ASSOCIATED WITH INSTALLATION, OPERATION, AND MAINTENANCE OF THESE BREAKERS, THE FOLLOWING PRACTICES MUST BE FOLLOWED:**

---

- Only qualified persons, as defined in the National Electrical Safety Code, who are familiar with the installation and maintenance of medium voltage circuits and equipment, should be permitted to work on these breakers.
- Read these instructions carefully before attempting any installation, operation or maintenance of these breakers.
- Always remove the breaker from the enclosure before performing any maintenance. Failure to do so could result in electrical shock leading to death, severe personnel injury or property damage.
- Do not work on a breaker with the secondary test coupler engaged. Failure to disconnect the test coupler could result in an electrical shock leading to death, personnel injury or property damage.
- Do not work on a closed breaker or a breaker with closing springs charged. The closing spring should be discharged and the main contacts open before working on the breaker. Failure to do so could result in cutting or crushing injuries.
- Do not use a circuit breaker by itself as the sole means of isolating a high voltage circuit. Remove the breaker to the TEST position and follow all lockout and tagging rules of the National Electrical Code and any and all applicable codes, regulations and work rules.
- Do not leave the breaker in an intermediate position in the cell. Always have the breaker either in the Test or Connected position. Failure to do so could result in a flash over and possible death, personnel injury or property damage.
- Always remove the maintenance tool from the breaker after charging the closing springs.
- Breakers are equipped with safety interlocks. Do not defeat them. This may result in death, bodily injury or equipment damage.

## SECTION 3: RECEIVING, HANDLING, AND STORAGE

Type VB1 VR-Series+ circuit breakers are subjected to complete factory production tests and inspection before being packed. They are shipped in packages designed to provide maximum protection to the equipment during shipment and storage and at the same time to provide convenient handling. Accessories such as the maintenance tool, cell code plate, (if applicable) etc. are shipped with the breaker (Figure 3.1).

### 3.1 RECEIVING

Until the breaker is ready to be delivered to the switchgear site for installation, DO NOT remove it from the shipping crate. If the breaker is to be placed in storage, maximum protection can be obtained by keeping it in its crate.

Upon receipt of the equipment, inspect the crates for any signs of damage or rough handling. Open the crates carefully to avoid any damage to the contents. Use a nail puller rather than a crow bar when required.

When opening the crates, be careful that any loose items or hardware are not discarded with the packing material. Check the contents of each package against the packing list.

Examine the breaker for any signs of shipping damage such as broken, missing or loose hardware, damaged or deformed insulation and other components. File claims immediately with the carrier if damaged or loss is detected and notify the nearest Eaton's Electrical Services & Systems office.

#### Tools and Accessories

**Maintenance Tool:** This tool is used to manually charge the closing spring. One maintenance tool is provided with each vacuum unit replacement breaker. (Style# 8064A02G01)

**Racking Handle:** The racking handle is used to drive the racking mechanism which moves the circuit breaker into and out of the cell. The original OEM racking handle will interface switchgear racking mechanism therefore not provided as part of the vacuum replacement breaker.

**Secondary Connection Block Extension Cable:** An extension cable can be used to connect the circuit breaker to a "test cabinet" or to the switchgear cell's secondary receptacle block so that the breaker can be electrically operated while not installed in the switchgear cell. The original OEM extension cable will interface with the VR-Series+ replacement breaker therefore an additional extension cable is not included as part of the vacuum replacement breaker.

Figure 3.1. Typical Manual Charge Handle



### 3.2 HANDLING

#### **⚠ WARNING**

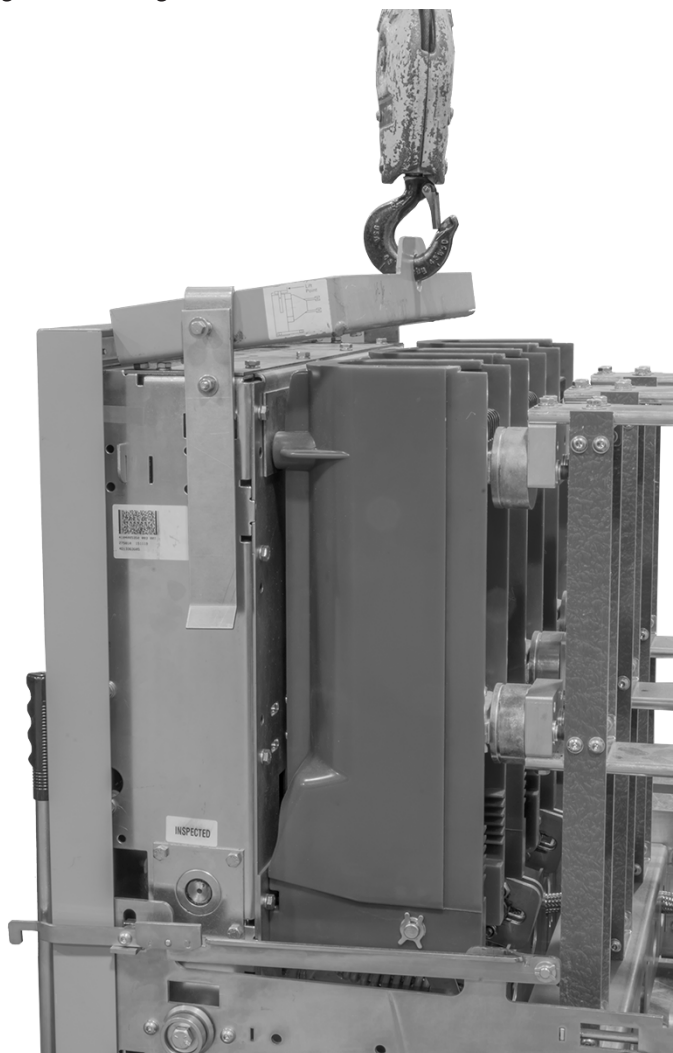
**DO NOT USE ANY LIFTING DEVICE AS A PLATFORM FOR PERFORMING MAINTENANCE, REPAIR OR ADJUSTMENT OF THE BREAKER OR FOR OPENING, CLOSING THE CONTACTS OR CHARGING THE SPRINGS. THE BREAKER MAY SLIP OR FALL CAUSING SEVERE PERSONAL INJURY. ALWAYS PERFORM MAINTENANCE, REPAIR AND ADJUSTMENTS ON A WORKBENCH CAPABLE OF SUPPORTING THE BREAKER TYPE.**

VR-Series+ breaker shipping containers are designed to be handled either by use of a rope sling and overhead lifting device or by a fork lift truck. If containers must be skidded for any distance, it is preferable to use roller conveyors or individual pipe rollers.

Once a breaker has been inspected for shipping damage, it is best to return it to its original shipping crate until it is ready to be installed in the Metal-Clad Switchgear.

When a breaker is ready for installation, a lifting harness in conjunction with an overhead lift or portable floor lift can be used to move a breaker, if this is preferable to rolling the breaker on the floor using self contained wheels. If the breaker is to be lifted, position the lifting device (lifting straps should have at least a 1600 pound capacity) over the breaker and insert the lifting harness hooks into the breaker side openings and secure. Be sure the hooks are firmly attached before lifting the breaker. Stand a safe distance away from the breaker while lifting and moving.

Figure 3.2. Lifting VB1-VR+





### 3.3 STORAGE

If the circuit breaker is to be placed in storage, maximum protection can be obtained by keeping it in the original shipping crate. Before placing it in storage, checks should be made to make sure that the breaker is free from shipping damage and is in satisfactory operating condition.

The breaker is shipped with its contacts open and closing springs discharged. The indicators on the front panel should confirm this. Insert the maintenance tool in the manual charge socket opening (Figure 3.3, 3.5, & 3.7). Charge the closing springs by pumping the handle up and down about 36 times until a crisp metallic “click” is heard. This indicates that the closing springs are charged and is shown by the closing spring “charged” (yellow) indicator. Remove the maintenance tool. Push the “manual close” button. The breaker will close as shown by the breaker contacts “closed” (red) indicator. Push the “manual trip” button. The breaker will trip as shown by the breaker contacts “open” (green) indicator. After completing this initial check, leave the closing springs “discharged” and breaker contacts “open”.

Outdoor storage is NOT recommended. If unavoidable, the outdoor location must be well drained and a temporary shelter from sun, rain, snow, corrosive fumes, dust, dirt, falling objects, excessive moisture, etc. must be provided. Containers should be arranged to permit free circulation of air on all sides and temporary heaters should be used to minimize condensation. Moisture can cause rusting of metal parts and deterioration of high voltage insulation. A heat level of approximately 400 watts for each 100 cubic feet of volume is recommended with the heaters distributed uniformly throughout the structure near the floor.

Indoor storage should be in a building with sufficient heat and circulation to prevent condensation. If the building is not heated, the same general rule for heat as for outdoor storage should be applied.

### 3.4 VB1-VR+ APPROXIMATE WEIGHTS

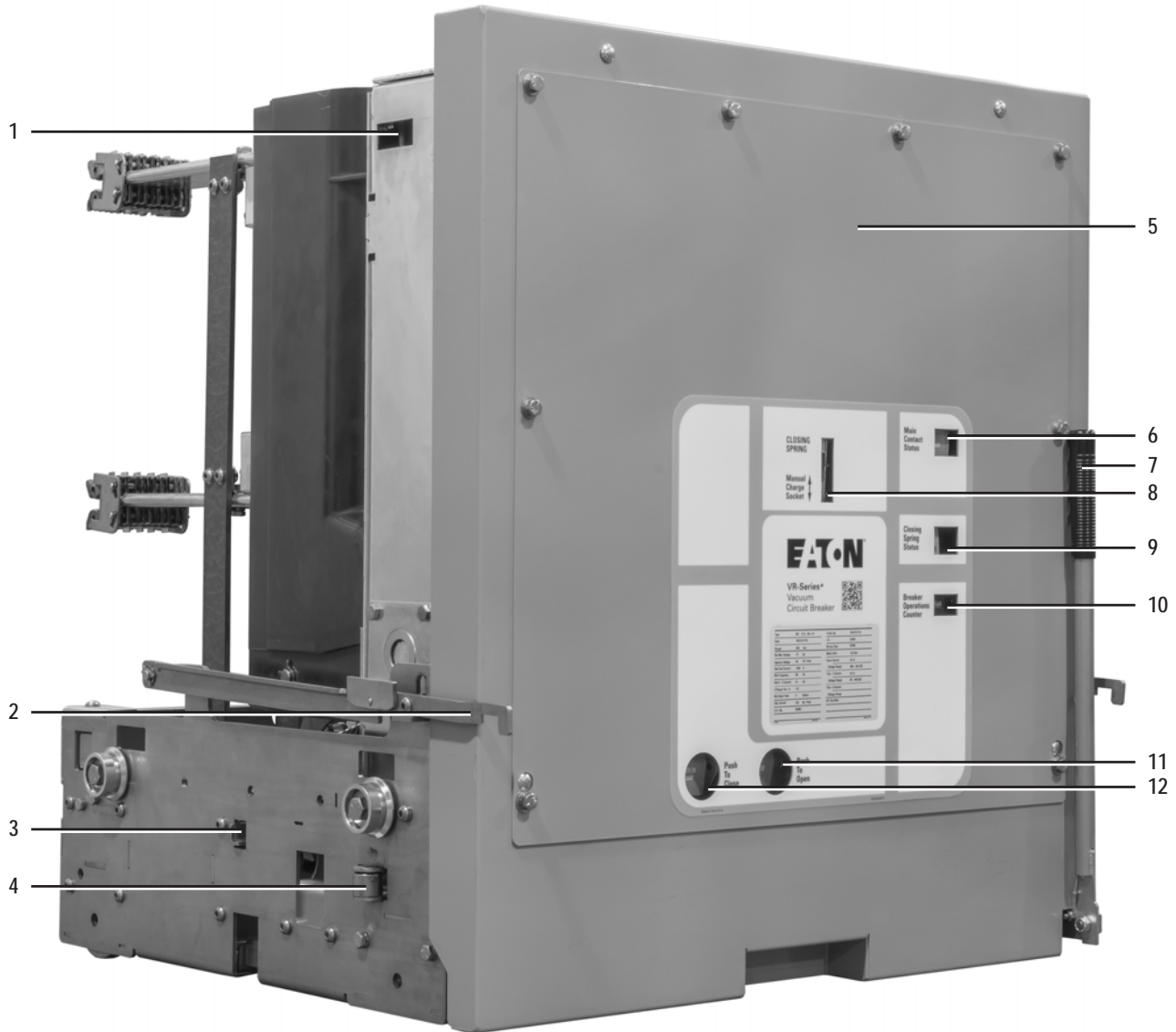
Refer to Table 3.

**Table 3. Maximum Weight by Type**

Type	Amperes	LBs
VB1-VR+	1200	520
VB1-VR+	2000	570

VB1-VR+  
VR-Series+ Replacement Circuit Breaker

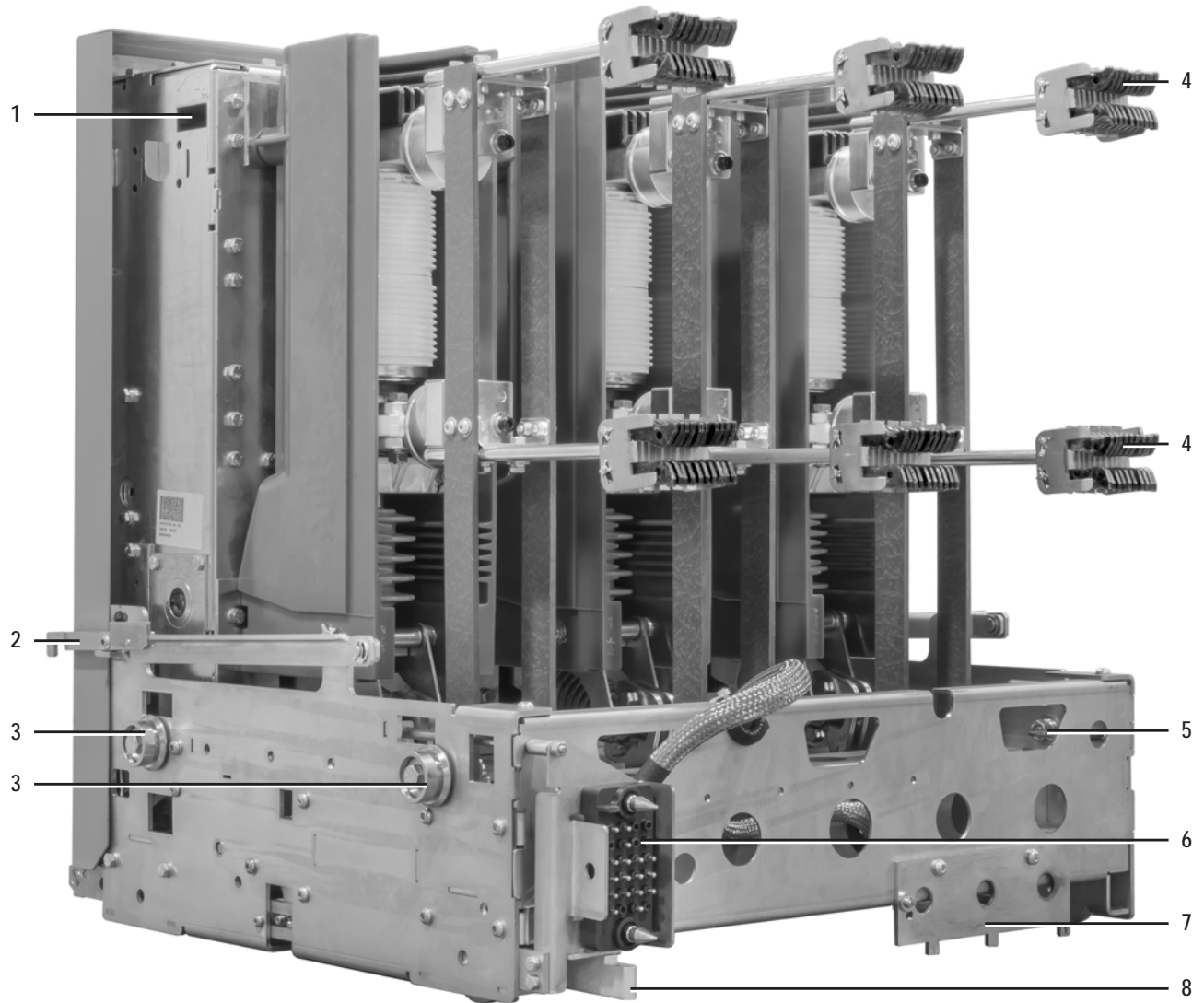
Figure 3.3.a. Front External View of VB1-VR+ (1200A, 41kA Shown)



**Front External View**

1	Lifting Point	5	Removable Front Cover	9	Spring Charged / Discharged Indicator
2	Racking Latch	6	Breaker Status Indicator	10	Operations Counter
3	Passive Interlock	7	Secondary Disconnect Engagement Handle	11	Push To Open Button
4	Active Interlock	8	Manual Charging Socket	12	Push To Close Button

Figure 3.3.b. Rear External View of VB1-VR+ (1200A, 41kA Shown)



**Rear External View**

1	Lifting Point	5	Lock-Out Provision
2	Stored Energy Discharge Interlock	6	Secondary Disconnect
3	Track Rollers	7	Code Plate
4	Primary Disconnect	8	Ground Contact

## SECTION 4: DESCRIPTION AND OPERATION

VR-Series+ vacuum replacement circuit breakers are designed to be used with existing installations of equivalent air-magnetic metal-clad switchgear circuit breakers. The front mounted spring type stored energy mechanism facilitates inspection and provides improved access to components for servicing. The long life characteristics of the vacuum interrupters and proven high reliability of spring-type stored energy mechanisms assure long, trouble-free service with minimum maintenance.

### 4.1 VACUUM INTERRUPTER

Vacuum interrupters offer the advantages of enclosed arc interruption, small size and weight, longer life, reduced maintenance, minimal mechanical shock, and elimination of contact degradation caused by environmental contamination.

In the closed position, current flows through the interrupter moving and fixed stems and the faces of the main contacts. As the contacts part, an arc is drawn between the contact surfaces. The arc is rapidly moved away from the main contacts to the slotted contact surfaces by self-induced magnetic effects. This minimizes contact erosion and hot spots on the contact surfaces. The arc flows in an ionized metal vapor and if the vapor leaves the contact area, it would condense into the metal shield which surrounds the contacts.

At current zero, the arc extinguishes and vapor production ceases. Very rapid dispersion, cooling, recombination, and deionization of the metal vapor plasma and fast condensation of metal vapor causes the vacuum to be quickly restored and prevents the transient recovery voltage from causing a restrike across the gap of the open contacts.

#### 4.1.1 VACUUM INTERRUPTER ASSEMBLY

Each vacuum interrupter assembly (also referred to as pole unit) is assembled at the factory as a unit to assure correct dimensional relationships between working components. Three interrupter assemblies are used per circuit breaker. Each vacuum interrupter assembly consists of a molded insulator frame and includes the vacuum interrupter, its lead assembly, bell crank, operating rod, stand-off insulator, and contact load spring. The vacuum interrupter is mounted vertically with the stationary vacuum interrupter stem upward and the moving interrupter stem downward. The pole units are fastened to the circuit breaker's stored energy mechanism frame. Silver-plated copper laminated shunts transfer current from the moving interrupter stem to the upper primary bushings via a Holm-free, non-sliding conical current transfer. A silver-plated copper casting is attached to the stationary stem, completing the primary circuit to the lower disconnect assemblies. The operating rod, loading spring, and bell crank transfer the mechanical motion from the circuit breaker's stored energy mechanism to the moving stem of the vacuum interrupter.

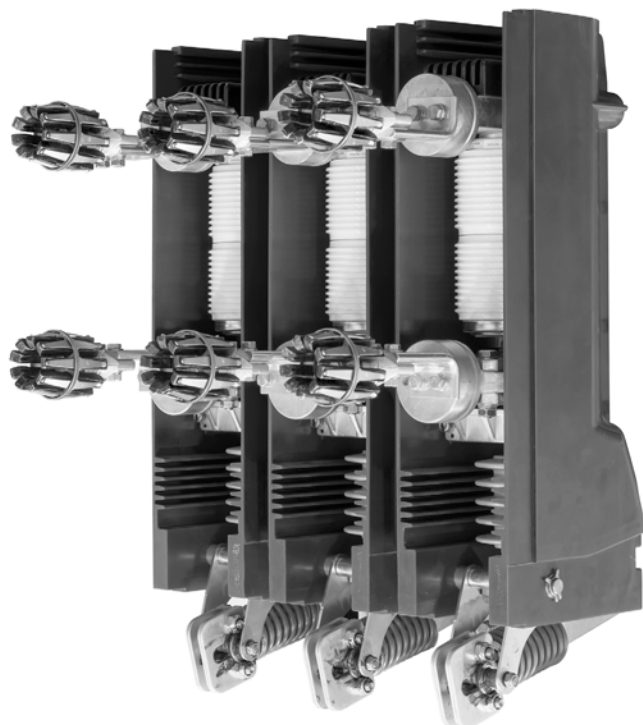
#### 4.1.2 CONTACT EROSION INDICATOR

The purpose of the contact erosion indicator is to monitor the erosion of the vacuum interrupter contacts, which is very minimal over time with Eaton vacuum interrupters utilizing copper-chrome contact material. The VR-Series+ vacuum interrupter assembly incorporates both the original vacuum interrupter erosion indicator and the contact-spring wipe into one all-encompassing indicator. The adequacy of the remaining contact erosion and wipe can easily be determined by observing the moving end of the vacuum interrupter assembly on a closed circuit breaker. The procedure to determine the adequacy of the "T" cutout on the vacuum interrupter assembly is depicted in Figures 6.1 and 6.2. If the wipe is inadequate (no part of the "T" cutout is visible) then the vacuum interrupter assembly must be replaced. Field adjustment is not possible.

Figure 4.1. Vacuum Interrupter Assembly



Figure 4.2. Vacuum Interrupter Assembly (All Three Pole Units)



**⚠ DANGER**

**FAILURE TO REPLACE THE VACUUM INTERRUPTER ASSEMBLY WHEN INDICATED BY THE CONTACT EROSION INDICATOR COULD CAUSE THE CIRCUIT BREAKER TO FAIL, LEADING TO DEATH, SEVERE PERSONAL INJURY, EQUIPMENT DAMAGE AND/OR IMPROPER OPERATION.**

**4.1.3 CONTACT WIPE AND STROKE**

The circuit breaker mechanism provides a fixed amount of motion to the operating rods connected to the moving stem of the vacuum interrupter. The first portion of the motion, the stroke, is used to close the vacuum interrupter contacts; the remainder of that motion, the wipe, is used to further compress the pre-loaded wipe spring. Contact stroke and wipe are related; contact wipe is the indication of the force holding the vacuum interrupter contacts closed as well as the energy available to hammer the contacts open with sufficient speed for interruption. Stroke is the gap between the stationary and moving contact of the vacuum interrupter when the circuit breaker is open. As the stroke increases due to contact erosion inside the vacuum interrupter, the wipe decreases. Although these changes are taking place as operations accumulate on the vacuum interrupter, field adjustment of the wipe or stroke are not necessary during the lifetime of the vacuum interrupter.

**⚠ WARNING**

**THERE IS NO PROVISION FOR IN-SERVICE ADJUSTMENTS OF CONTACT WIPE AND STROKE. ALL SUCH ADJUSTMENTS ARE FACTORY SET AND SHOULD NOT BE ATTEMPTED IN THE FIELD.**

**4.2 LINE AND LOAD CONDUCTOR ASSEMBLIES**

Multiple finger type primary disconnecting contacts at the ends of the conductors provide means for connecting and disconnecting the circuit breaker to the bus terminals in the circuit breaker compartment of the metal-clad switchgear.

**4.3 STORED ENERGY MECHANISM**

The spring-type stored energy operating mechanism is mounted on the circuit breaker frame and in the front of the circuit breaker. Manual closing and opening controls are at the front cover (Figure Set 3.3). They are accessible while the circuit breaker is in any of its basic installation positions. (See Section 5 in this manual)

The mechanism stores the closing energy by charging the closing springs. Spring charging is automatically accomplished when control power is applied to the circuit breaker secondary disconnect contact. When released, the stored energy closes the circuit breaker, charges the wipe and resets the opening springs. The mechanism may rest in any one of the four positions shown in Figure 4.8 as follows:

- a. Circuit Breaker open, closing springs discharged.
- b. Circuit Breaker open, closing springs charged.
- c. Circuit Breaker closed, closing springs discharged.
- d. Circuit Breaker closed, closing springs charged.

The mechanism is a mechanically "trip-free" design. Trip-free is defined in Section 4.3.4 (Trip-Free Operation).

In normal operation the closing spring is charged by the spring charging motor, and the circuit breaker is closed electrically by the switchgear control circuit signal to energize the spring release coil. Tripping is caused by energizing the trip coil through the control circuit.

For maintenance inspection purposes the closing springs can be charged manually by using the maintenance tool and the circuit breaker can be closed and tripped by pushing the "Push to Close" and "Push to Open" operators on the front cover.

**⚠ DANGER**

**KEEP HANDS AND FINGERS AWAY FROM CIRCUIT BREAKER'S INTERNAL PARTS WHILE THE CIRCUIT BREAKER CONTACTS ARE CLOSED OR THE CLOSING SPRINGS ARE CHARGED. THE CIRCUIT BREAKER CONTACTS MAY OPEN OR THE CLOSING SPRINGS DISCHARGE CAUSING CRUSHING INJURY. DISCHARGE THE SPRINGS AND OPEN THE CIRCUIT BREAKER BEFORE PERFORMING ANY MAINTENANCE, INSPECTION OR REPAIR ON THE CIRCUIT BREAKER.**

**THE DESIGN OF THIS CIRCUIT BREAKER ALLOWS MECHANICAL CLOSING AND TRIPPING OF THE CIRCUIT BREAKER WHILE IT IS IN THE 'CONNECT' POSITION. HOWEVER, THE CIRCUIT BREAKER SHOULD BE CLOSED MECHANICALLY ONLY IF THERE IS POSITIVE VERIFICATION THAT LOAD SIDE CONDITIONS PERMIT. IT IS RECOMMENDED THAT CLOSING THE CIRCUIT BREAKER IN THE 'CONNECT' POSITION ALWAYS BE DONE WITH THE CUBICLE DOOR CLOSED. FAILURE TO FOLLOW THESE DIRECTIONS MAY CAUSE DEATH, SEVERE PERSONAL INJURY, EQUIPMENT DAMAGE AND/OR IMPROPER OPERATION.**

**ELECTRICAL TRIPPING CAN BE VERIFIED WHEN THE CIRCUIT BREAKER IS IN THE 'DISCONNECT / TEST' POSITION.**

**4.3.1 CLOSING SPRING CHARGING**

Figure 4.7 shows schematic section views of the spring charging parts of the stored energy mechanism.

The major component of the mechanism is a cam shaft assembly which consists of a shaft to which are attached two closing spring cranks (one on each end), the closing cam, drive plate, and a free-wheeling ratchet wheel.

The ratchet wheel (6) is actuated by an oscillating ratchet lever (12) and drive pawl (10) driven by the motor eccentric cam. As the ratchet wheel rotates, it pushes the drive plates which in turn rotate the closing spring cranks and the closing cam on the cam shaft. The motor will continue to run until the limit switch "LS" contact disconnects the motor.

The closing spring cranks have spring ends connected to them, which are in turn coupled to the closing springs. As the cranks rotate, the closing springs get charged.

The closing springs are completely charged, when the spring cranks go over dead center and the closing stop roller (9) comes against the spring release latch (1). The closing springs are now held in the fully charged position.

The closing springs may also be charged manually as follows: Insert the end of the maintenance tool into the manual charge socket opening and charge the closing springs by moving the handle up and down the full range of motion. When charging is complete the ratchet will no longer advance and the spring charged / discharged indicator displays 'Charged'. (Figure Set 3.3). Any further motion of the maintenance tool will not result into advance of charging.

**4.3.2 CLOSING OPERATION**

Figure 4.8 shows the positions of the closing cam and tripping linkage for four different operational states. In Figure 4.8.a the circuit breaker is open and the closing springs are not charged. In this state, the trip latch (8) is disengaged from the trip "D" shaft (9) (unlatched). After the closing springs become charged, the trip latch snaps into the fully reset or latched position (Figure 4.8.b)

When the spring release clapper (Figure 4.7, Item 13) moves into the face of the spring release coil (electrically or manually), the lower portion of the clapper pushes the spring release latch (1) downward. When the spring release latch moves, the cam shaft assembly is free to rotate. The force of the closing cam (Figure 4.8.b, Item 5), moving the main link (2), rotating the pole shaft (4) (which charges the opening spring). This moves the three operating rods (3), closes the main contacts and charges the contact loading springs (not shown). The operational state immediately after the main contacts close but before the spring charging motor recharges the closing springs is illustrated in Figure 4.8.c. Interference of the trip "D" shaft with the trip latch prevents the linkage from collapsing, and holds the circuit breaker closed.

# VBI-VR+ VR-Series+ Replacement Circuit Breaker

Figure 4.8.d shows the circuit breaker in the closed state after the closing springs have been recharged. The recharging of the spring rotates the closing cam one half turn. In this position the main link roller rides on the cylindrical portion of the cam, and the main link does not move out of position.

### 4.3.3 TRIPPING OPERATION

When the trip bar “D” shaft (Figure 4.8.b, Item 9) is turned by movement of the shunt trip clapper (11), the trip latch will slip past the straight cut portion of the trip bar shaft and will allow the banana link and main link roller to lower. The energy of the opening spring and contact loading springs is released to open the main contacts. The mechanism is in the state illustrated (Figure 4.8.b) after the circuit breaker is tripped open.

### 4.3.4 TRIP-FREE OPERATION

When the manual trip button is held depressed, any attempt to close the circuit breaker results in the closing springs discharging without movement of the pole shaft or vacuum interrupter stem.

## 4.4 CONTROL SCHEMES

There are two basic control schemes for the VR-Series+ circuit breaker elements, one for dc control and one for ac control voltages (Figure 4.4). Specific customer order wiring schematics and diagrams are included with each circuit breaker.

There may be different control voltages or more than one tripping device, but the principal mode of operation is as follows:

As soon as the control power is applied, the spring charging motor automatically starts charging the closing spring. When the springs are charged, the motor cut off LS1/bb switch turns the motor off. The circuit breaker may be closed by closing the control switch close (CS/C) contact. Automatically upon closing of the circuit breaker, the motor starts charging the closing springs. The circuit breaker may be tripped any time by closing the control switch (CS/T) contacts.

Note the position switch (PS1) contact in the spring release circuit in the scheme. This contact remains closed while the circuit breaker is being racked between the ‘Test’ and ‘Connect’ positions for VR-Series+ circuit breakers. Consequently, it prevents the circuit breaker from closing automatically, even though the control close contact may have been closed while the circuit breaker is racked to the ‘Connect’ position.

When the CS/C contact is closed, the SR closes the circuit breaker. If the CS/C contact is maintained after the circuit breaker closes, the Y relay is picked up. The Y/a contact seals in Y until CS/C is opened. The Y/b contact opens the SR circuit, so that even though the circuit breaker would subsequently open, it could not be reclosed before CS/C was released and remade. This is the anti-pump function.

### 4.4.1 TIMING

The opening and closing times for the circuit breakers vary depending upon the control voltage, power rating, environment and test equipment. Differences in timing are expected between initial factory measurements and field inspections. Circuit breaker timing can be measured by service personnel using available equipment before installation and in conjunction with regular maintenance periods to assist in tracking the general health of the circuit breaker. Typical ranges as observed using nominal control voltages are listed in Table 4.

**Table 4. Time Per Event**

Event	Milliseconds
Closing Time (From Initiation of Close Signal to Contact Make)	45 - 60
Opening Time (Initiation of Trip Signal to Contact Break)	30 - 38
Reclosing Time (Initiation of Trip Signal to Contact Make)	140 - 165

**Note:** Values are typical at nominal rated control voltage(s).

## 4.6 SECONDARY CONNECTION BLOCK

The circuit breaker control circuit is connected to the switchgear control using a handle located to the right of the circuit breaker. The secondary disconnects are in the lower left hand corner when facing the rear of the circuit breaker. With the circuit breaker in the ‘test’ position, the handle can be folded down and pushed inward to engage the stationary secondary disconnects in the circuit breaker compartment. These contacts remain engaged when the circuit breaker is racked to the ‘connect’ position. The secondary disconnects can be manually disconnected when the circuit breaker is returned to the ‘test’ position prior to removal from the circuit breaker compartment.

**Figure 4.2. Vacuum Interrupter Assembly (All Three Pole Units)**

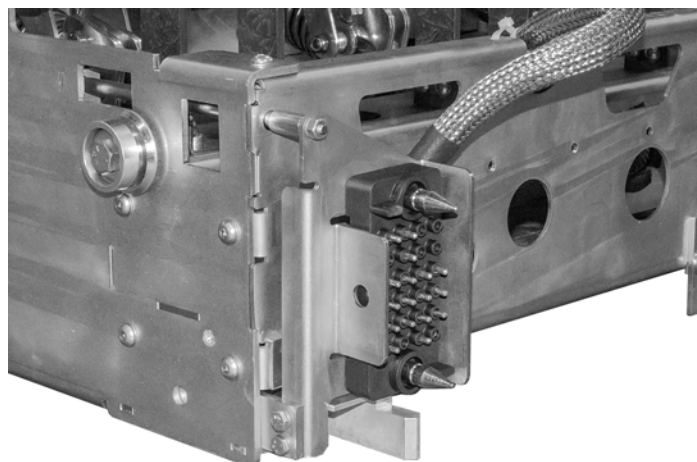
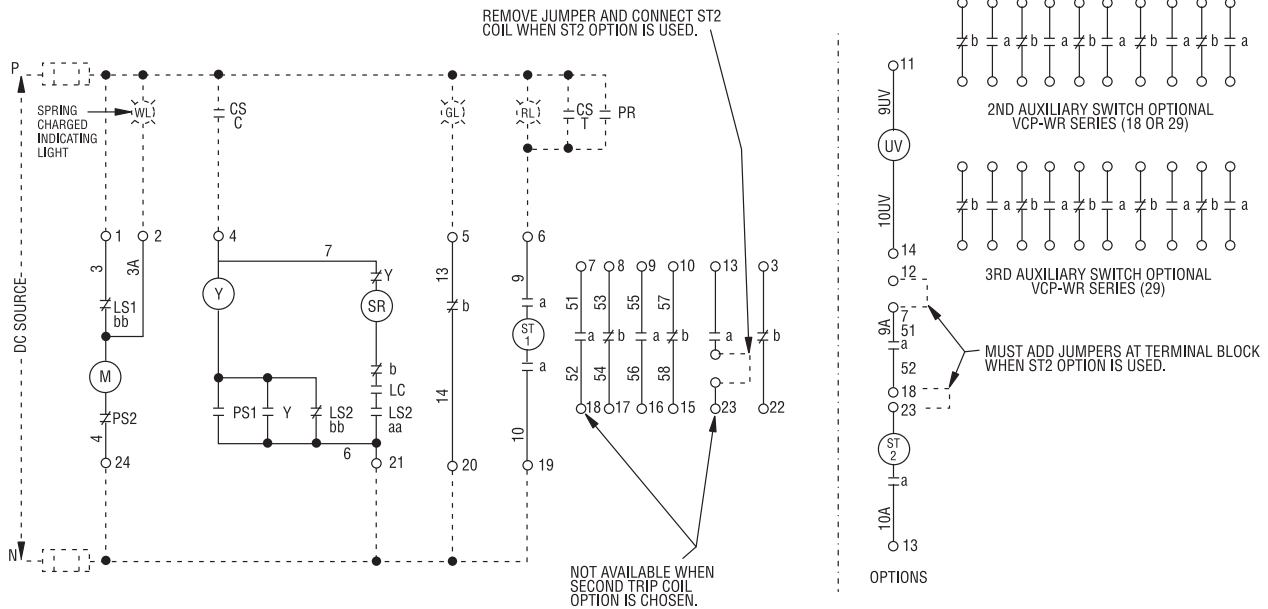
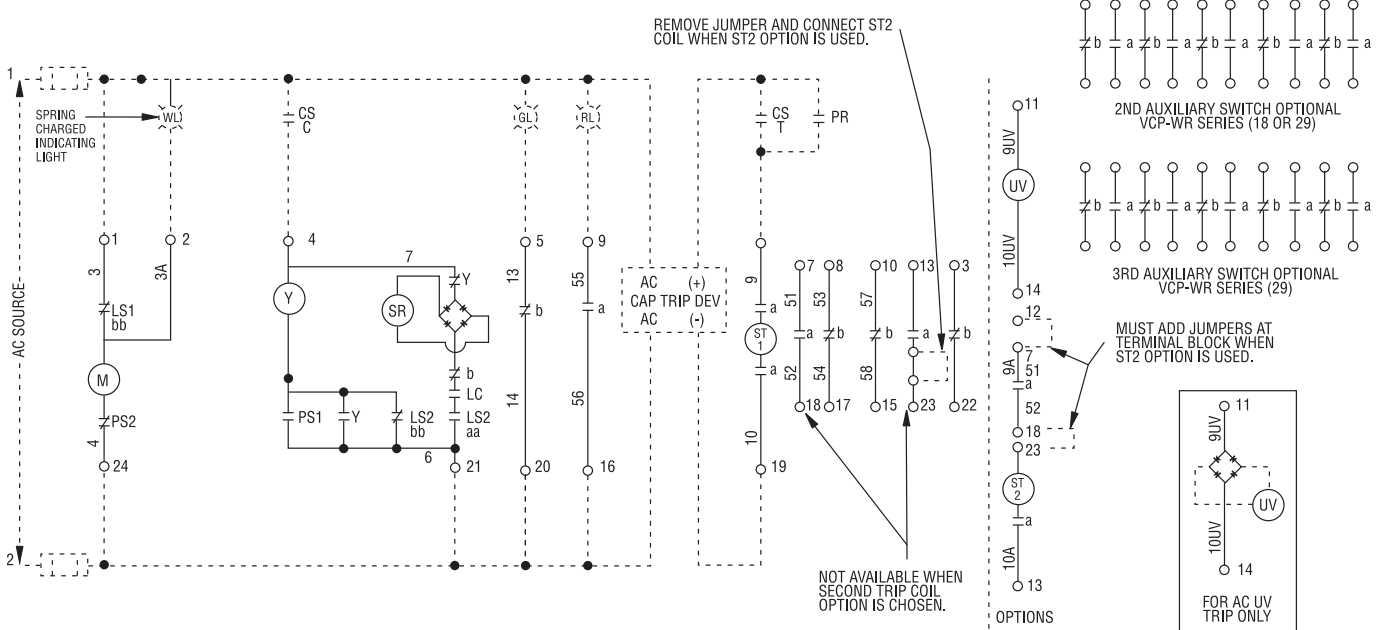


Figure 4.4. Typical ac/dc Schematic

### VR-Series+ Circuit Breaker dc Control Schematic



### VR-Series+ Circuit Breaker ac Control Schematic



- CS - Circuit Breaker Control Switch - close
- C
- CS - Circuit Breaker Control Switch - trip
- T
- Y - Anti Pump Relay
- SR - Spring Release Coil (Close Coil)
- M - Spring Charging Motor
- ST - Shunt Trip Coil
- PR - Protective Relay
- O - Terminal Block or Accessible Terminal
- PS1 - Position Switch 1
- PS2 - Position Switch 2

#### OPERATION

- LS1 bb - Closed until springs are fully charged
- LS2 aa - Open until springs are fully charged
- LS2 bb - Closed until springs are fully charged
- LC - Open until mechanism is reset
- PS1 - Open in all except between 'Test' and 'Connect' positions
- PS2 - Closed in all except between 'Test' and 'Connect' positions

#### SWITCH TERMINAL

- 'C' and 'NO' - Brown Switch
- 'C' and 'NC' - Black Switch
- 'C' and 'NO' - Black Switch
- 'C' and 'NC' - Black Switch
- 'C' and 'NO' - Brown Switch

## 4.7 INTERLOCKS

---

### **WARNING**

---

**INTERLOCKS ARE PROTECTIVE DEVICES FOR PERSONNEL AND EQUIPMENT. DO NOT BYPASS, MODIFY, OR MAKE INOPERATIVE ANY INTERLOCKS. DOING SO COULD CAUSE DEATH, SERIOUS PERSONAL INJURY, AND/OR PROPERTY DAMAGE.**

---

There are several interlocks built into the VR-Series+ vacuum replacement breakers. Each of these interlocks, though different in form, duplicate or exceed in function that of the original breaker. These interlocks exist to safeguard personnel and equipment. The basic premise behind the interlocking arrangement on the vacuum replacement breaker is that the breaker must not be inserted into or removed from a live circuit while the main contacts are closed. Also considered in the interlocking is that the breaker should pose no greater risk than necessary to the operator in or out of the cell. In addition to the original interlocks, VR-Series+ breakers provide an anti-close interlock.

#### 4.7.1 ANTI-CLOSE INTERLOCK

The anti-close interlock prevents discharging of the closing springs if the breaker is already closed (Figure 4.5, Item 11). When the breaker is closed, the interlock component moves away from the spring release clapper so that it cannot lift the spring release latch (9).

#### 4.7.2 BREAKER / CELL INTERFERENCE CODE PLATES

This interlock (Figure 3.3.b) permits only a breaker with a matching continuous current, voltage and interrupting rating to be inserted into a switchgear of identical rating.

#### 4.7.3 PASSIVE INTERLOCK

The Passive interlock prevents the racking handle from being engaged if the circuit breaker is closed in the CONNECTED position.

#### 4.7.4 ACTIVE INTERLOCK

The Active interlock prevents the circuit breaker from closing between the CONNECTED and TEST positions.

#### 4.7.5 POSITION CLOSING INTERLOCK

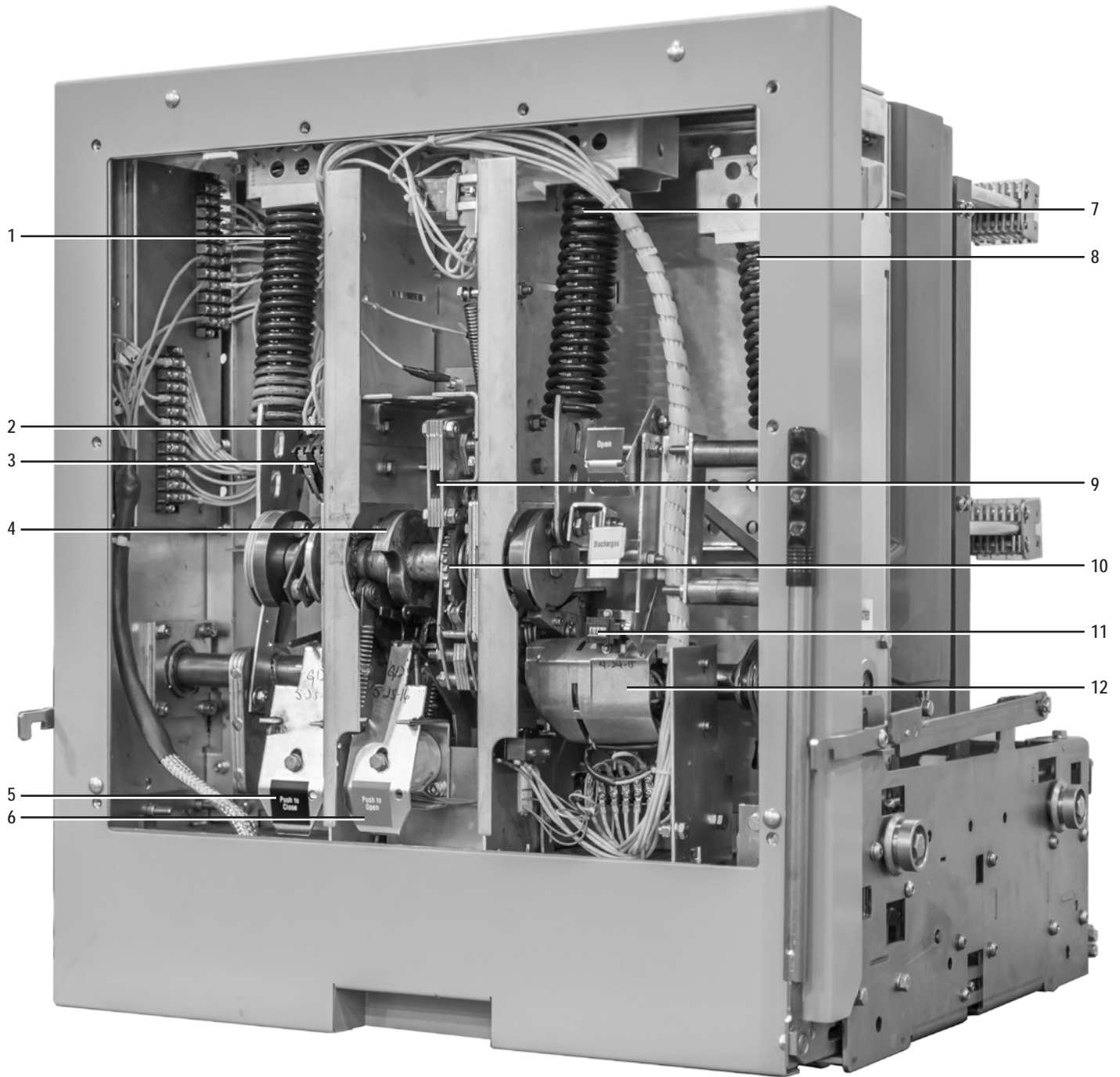
The circuit breaker is prevented from closing automatically when it is moved from the TEST to the CONNECTED position if the closing switch is maintained during the racking operation.

#### 4.7.6 STORED ENERGY DISCHARGE INTERLOCK

This interlock trips and closes the circuit breaker simultaneously to yield a stored energy discharge from the TEST position to the withdrawn position and vice versa. (See Figure 3.3.b)



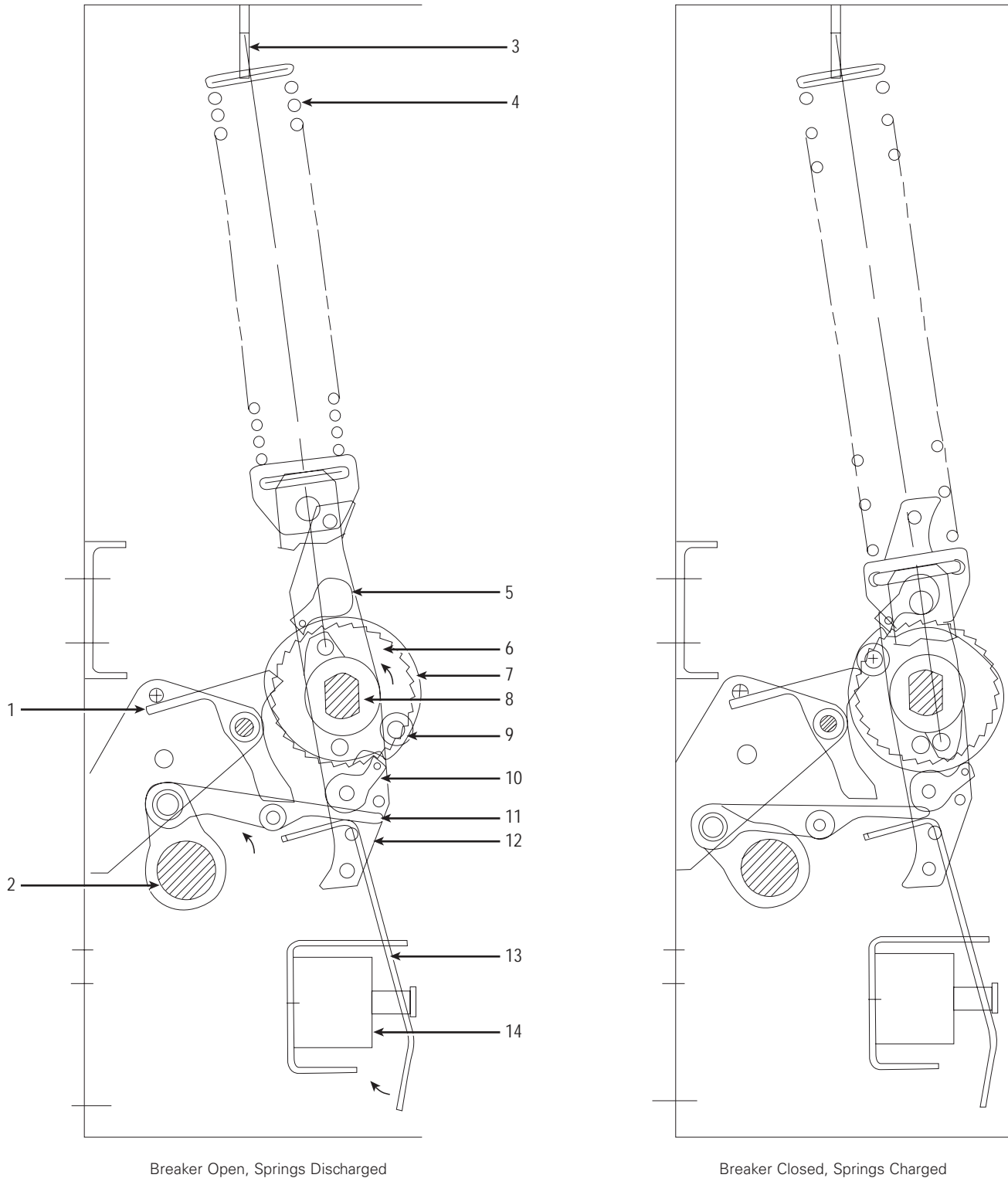
Figure 4.4. VR-Series+ Circuit Breaker Element Mechanism - Front Cover Removed



**VR-Series+ Circuit Breaker Element Mechanism**

1	LH Closing Spring	5	Spring Release Assembly	9	Manual Charge Socket
2	Latch Check Switch (To Rear of Motor Cutoff Switch)	6	Shunt Trip Assembly	10	Ratchet wheel
3	Motor Cutoff Switch	7	RH Closing Spring	11	Operations Counter
4	Closing Cam	8	Reset / Opening Spring	12	Charging Motor

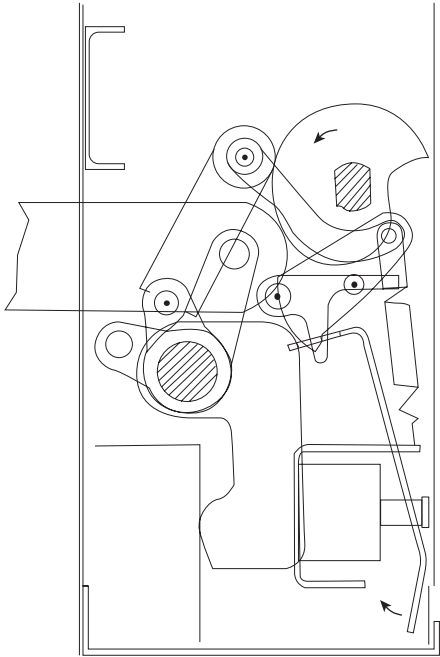
Figure 4.5. Closing Cam and Trip Linkage



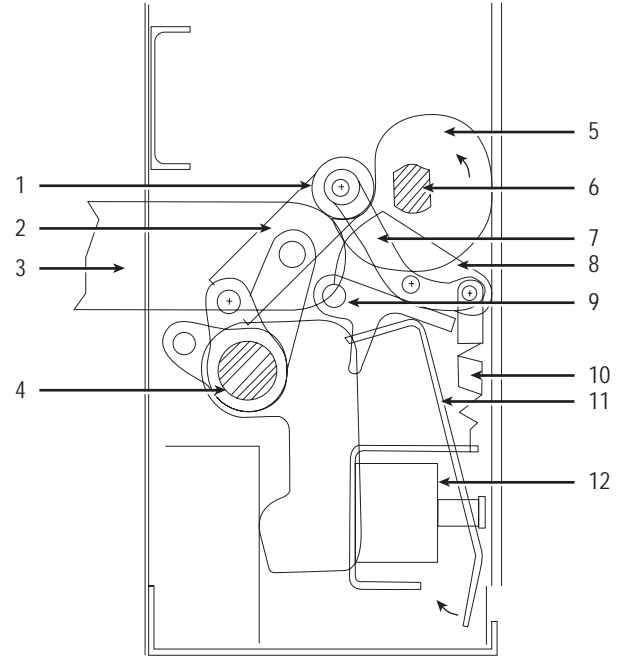
**Closing Cam and Trip Linkage**

1	Spring Release (Close) Latch	6	Ratchet Wheel	11	Anti-Close Interlock
2	Pole Shaft	7	Spring Crank	12	Motor Ratchet Lever
3	Closing Spring Fixed End	8	Cam Shaft	13	Spring Release (Close) Clapper
4	Closing Spring	9	Spring Release Latch (Close Roller)	14	Spring Release (Close) Coil
5	Holding Pawl	10	Drive Pawl		

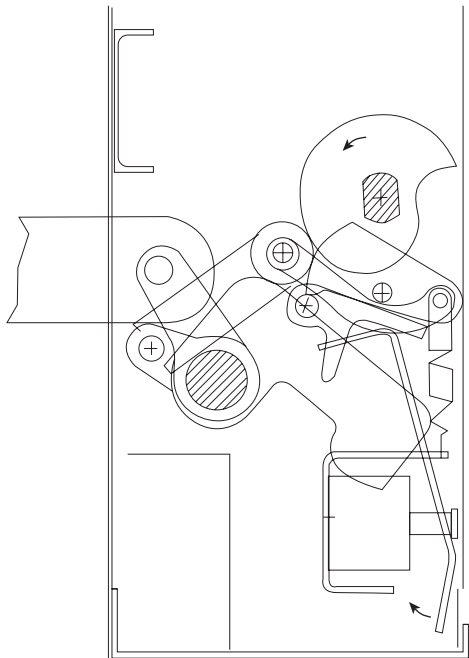
Figure 4.6. Charging Schematic



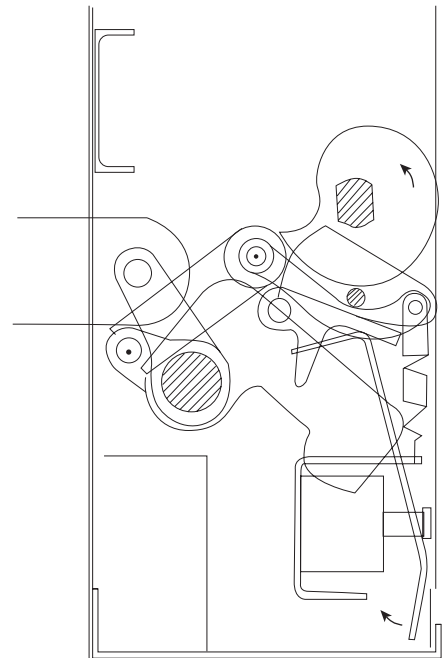
4.6.a. Breaker Open and Closing Spring Not Charged



4.6.b. Breaker Open and Closing Spring Charged



4.6.c. Breaker Closed and Closing Spring Not Charged



4.6.d. Breaker Closed and Closing Spring Charged

**Charging Schematic**

1	Main Link Roller	5	Closing Cam	9	Trip Bar "D" Shaft
2	Main Link	6	Cam Shaft	10	Trip Latch Reset Spring
3	Operating Rod	7	Banana Link	11	Shunt Trip Lever
4	Pole Shaft	8	Trip latch	12	Shunt Trip Coil

## SECTION 5: INSPECTION & INSTALLATION

### **⚠ WARNING**

**BEFORE PLACING THE BREAKER IN SERVICE, CAREFULLY FOLLOW THE INSTALLATION PROCEDURE BELOW AND THE SAFE PRACTICES SET FORTH IN SECTION 2. NOT FOLLOWING THE PROCEDURE MAY RESULT IN INCORRECT BREAKER OPERATION LEADING TO DEATH, BODILY INJURY, AND PROPERTY DAMAGE.**

When the breaker is first commissioned into service and each time the breaker is returned to service, it should be carefully examined and checked to make sure it is operating correctly.

#### 5.1 EXAMINATION FOR DAMAGE

Examine the breaker for loose or obviously damaged parts. Never attempt to install nor operate a damaged breaker.

##### 5.1.1 NAMEPLATE VERIFICATION

Verify the information on the new VR-Series+ nameplate matches the information on the purchase order. If any discrepancies exist, notify Eaton's Electrical Services & Systems for resolution prior to proceeding.

### **⚠ WARNING**

**ALWAYS DE-ENERGIZE/ISOLATE THE POWER SOURCE FEEDING THE POWER CIRCUIT BREAKERS/SWITCHGEAR AND LOCK-OUT/TAG-OUT THE POWER SOURCE PRIOR TO INSERTION OR REMOVAL OF ANY POWER CIRCUIT BREAKER. NEVER ATTEMPT TO MAINTAIN OR MODIFY A CIRCUIT BREAKER WHILE INSERTED IN A SWITCHGEAR CELL STRUCTURE. ALWAYS REMOVE THE POWER CIRCUIT BREAKER AND MOVE IT TO A SUITABLE AREA FOR MAINTENANCE OR REPAIR.**

**FOLLOW ALL LOCKOUT AND TAG-OUT REQUIREMENTS OF THE NATIONAL ELECTRIC CODE, OSHA AND ANY OTHER APPLICABLE LOCAL CODES, REGULATIONS AND PROCEDURES.**

#### 5.2 SURE CLOSE MECHANISM

### **⚠ WARNING**

**FOR ALL TYPE BREAKER HOUSINGS EQUIPPED WITH MECHANISM OPERATED CELL (MOC) SWITCHES, THE STEPS OUTLINED IN THIS SECTION MUST BE PERFORMED BEFORE INSTALLING A REPLACEMENT VR-SERIES+ CIRCUIT BREAKER. FAILURE TO COMPLY COULD CAUSE SEVERE PERSONAL INJURY, DEATH, EQUIPMENT DAMAGE AND/OR IMPROPER OPERATION**

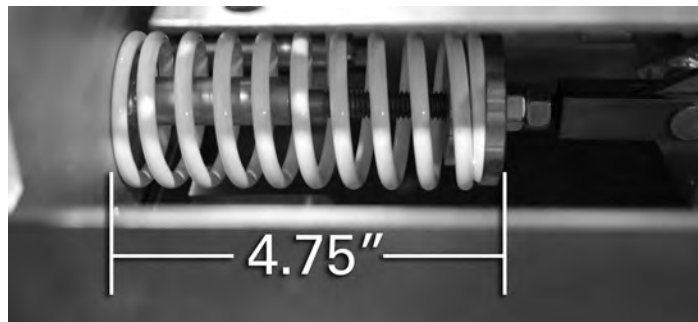
All type VB1-VR+ breakers utilize the VB1-VR+ **SURE CLOSE** mechanism to control kinetic energy transfer.

The breaker has been factory adjusted to operate one mechanism operated cell (MOC) switch in the cell. This means that for applications with either no MOC switch or one MOC switch, no field adjustments are required.

Finally, the **SURE CLOSE** mechanism provides an effective way to evaluate the condition of the MOC in the cell. If the **SURE CLOSE** drive spring is properly adjusted, but the MOC does not fully open or close, it is time to maintain the MOC in the cell. Maintenance usually means cleaning and lubricating the MOC mechanism. If the MOC has seen a large number of cycles, however, worn components may have to be replaced.

To insure the proper operation of the **SURE CLOSE** mechanism, the MOC assembly should be cleaned and inspected for worn parts and then lubricated. A spring force gauge should be used to measure the forces needed to move the switch to the fully closed position prior to inserting the breaker. The differential force of the assembly and the breaker should be a minimum of 10 lbs. with the breaker having the higher recorded force. Should the forces be less than that contact an Eaton representative.

Figure 5.1. **SURE CLOSE** Spring Compression Setting (Factory Setting is 4.75" and Should Never Be Less than 3.75")



### **⚠ WARNING**

**MEASUREMENTS AND ADJUSTMENTS SHOULD NEVER BE ATTEMPTED IN AN ENERGIZED STRUCTURE. IF THE STRUCTURE CAN NOT BE DE-ENERGIZED, THEN PROPER PERSONAL PROTECTIVE EQUIPMENT PER NFPA 70E MUST BE WORN AT ALL TIMES WHILE GATHERING MOC SWITCH DATA, ADJUSTING OR SERVICING THE MOC SWITCH. FAILURE TO COMPLY WITH THIS WARNING COULD CAUSE SEVERE PERSONAL INJURY, DEATH, EQUIPMENT DAMAGE AND/OR IMPROPER OPERATION.**

### **⚠ WARNING**

**WITH THE BREAKER IN THE OPEN POSITION, THE SPRING COMPRESSION IS FACTORY SET AT 4.75 INCHES AND SHOULD NEVER BE SET TO A DIMENSION LESS THAN 3.75 INCHES. SEE FIGURE 5.1.**

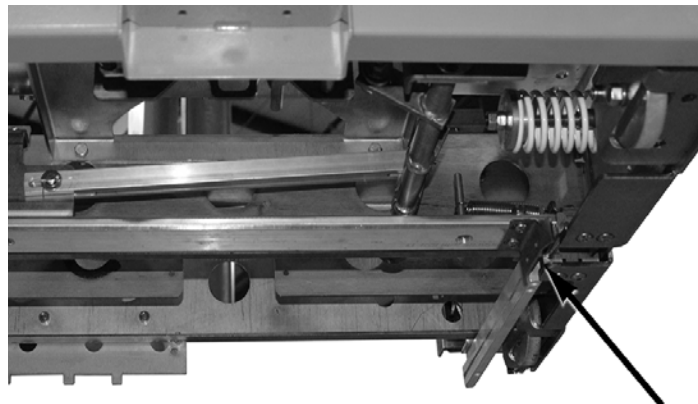
#### 5.3 MANUAL OPERATION CHECK

Manual operational checks must be performed before the breaker is connected to an energized circuit. Tests must be performed with the breaker withdrawn from the cell or in the TEST position. While the breaker is withdrawn or in the TEST position, place the maintenance tool into the manual charge socket opening and charge the closing springs with about 36 up and down strokes of the handle. When charging is complete, the closing crank goes over center with an audible "click" and the springs Charged / Discharged Indicator shows "Charged." Remove the maintenance tool.

### **⚠ NOTICE**

**IF THE SPRINGS ARE TO BE CHARGED ON A CLOSED BREAKER, NO CLICK IS HEARD AT THE END OF CHARGING OPERATION. DISCONTINUE CHARGING AND REMOVE THE MAINTENANCE TOOL AS SOON AS "CHARGED" FLAG IS FULLY VISIBLE. CONTINUE ATTEMPTS TO FURTHER CHARGE MAY RESULT IN DAMAGE TO THE MECHANISM.**

Figure 5.2. VB1-VR+ MOC Operator



**⚠ WARNING**

**ALWAYS REMOVE THE MAINTENANCE TOOL AFTER CHARGING THE SPRING. FAILURE TO REMOVE THE MAINTENANCE TOOL FROM THE BREAKER COULD CAUSE INJURY TO PERSONNEL AND/OR EQUIPMENT DAMAGE IF THE BREAKER WAS TO CLOSE.**

Close and trip the breaker by pushing the close lever then the trip lever (Figure 3.3).

**5.4 VACUUM INTERRUPTER INTEGRITY**

Using a dry lint-free cloth or a paper towel, clean all the insulating surfaces of the pole units. Conduct a vacuum interrupter integrity check as described in Section 6.

**5.5 LOW FREQUENCY WITHSTAND TEST (INSULATION CHECK)**

Check breaker primary and secondary insulation per Section 6.

**5.6 CONTACT EROSION AND WIPE**

Manually charge the closing springs and close the breaker. Check contact erosion and wipe as described in Section 6.

**5.7 PRIMARY CIRCUIT RESISTANCE**

Check the primary circuit resistance as described in Section 6. The resistance should not exceed the values specified. Record the values obtained for future reference.

**5.8 ELECTRICAL OPERATIONS CHECK**

After going through the above steps, the breaker is now ready to be operated electrically. It is preferred that this check be made with the breaker in the Test position in the breaker compartment.

These checks can be performed with the breaker in its withdrawn or removed from switchgear cell position and connecting the breaker to a test cabinet or to the switchgear cell's secondary receptacle using the special extension cable designed for this purpose and described in Section 3.

Since the Type VB1-VR+ Circuit Breaker is for use in existing PowerVac Metal-Clad Switchgear, installation procedures are similar. If it is necessary to reference anything in the breaker compartment, refer to the original instruction books supplied with the assembly.

**⚠ WARNING**

**EXAMINE THE INSIDE OF THE CELL BEFORE INSERTING THE BREAKER FOR EXCESSIVE DIRT OR ANYTHING THAT MIGHT INTERFERE WITH THE BREAKER TRAVEL.**

**⚠ WARNING**

**KEEP HANDS OFF THE TOP EDGE OF THE FRONT BARRIER WHEN PUSHING A BREAKER INTO A CELL. FAILURE TO DO SO COULD RESULT IN BODILY INJURY, IF FINGERS BECOME WEDGED BETWEEN THE BREAKER AND THE CELL. USE THE HANDLES PROVIDED ON THE FRONT OF THE BREAKER FACEPLATE, OR USE BOTH FULLY OPENED HANDS FLAT ON THE FRONT OF THE FACEPLATE.**

Perform electrical operations checks. Close and trip the circuit breaker electrically several times to verify that the operation is reliable and consistent. Check that the operation of the spring charging motor is reasonably prompt and that the motor makes no unusual noise.

Figure 5.2. Lock-Out Provision (Viewed Inside Breaker Frame)



**⚠ WARNING**

**DO NOT PERFORM ELECTRICAL OPERATION CHECKS WITH THE BREAKER IN THE "CONNECT" POSITION BECAUSE OF THE POSSIBILITY OF CONNECTING DE-ENERGIZED LOAD CIRCUITS TO THE ELECTRICAL POWER SOURCE, RESULTING IN DEATH, PERSONNEL INJURY OR EQUIPMENT DAMAGE**

**5.9 LOCK-OUT PROVISION**

Each VB1-VR+ vacuum replacement breaker is provided with a lock-out provision to prevent insertion of the circuit breaker. The lock-out provision can be viewed in Figure 3.3.a. To lock-out the circuit breaker, insert the padlock or locking hasp as illustrated in Figure 5.2. and secure with lock(s).

**5.10 RACKING MECHANISM**

The purpose of the racking device is to move the circuit breaker between the TEST and CONNECTED positions. For Type VB1-VR+ circuit breakers, the device is a drive screw and drive nut. Although the device is mounted in the switchgear compartment, a brief description here will help understand the operation. For additional information on the insertion and removal of a circuit breaker from its compartment refer to the Insertion and Removal Sections in this manual.

The racking device consists of a drive screw, a drive nut, two side rails and a sliding cage. In the TEST position, the nut is all the way to the front. As the circuit breaker is pushed in, the racking latch snaps on the nut. Turning the handle clockwise while pushing forward advances the circuit breaker toward the CONNECTED position. During this travel, the Active interlock is engaged to hold the circuit breaker trip free. When the circuit breaker reaches the CONNECTED position, the handle cannot be turned any further. The switchgear mounted circuit breaker position indicator will indicate that the circuit breaker is fully engaged.

If the circuit breaker is closed in the CONNECTED position, the slider cannot be pushed forward to permit engagement of the racking handle. After tripping the circuit breaker, the racking handle can be engaged and the circuit breaker withdrawn to the TEST position by turning the racking handle counterclockwise. This position is indicated by no further motion of the handle.

The circuit breaker racking latch can be disengaged only when the circuit breaker is in the TEST position by lifting the latch release. As the circuit breaker is withdrawn, it comes out with the contacts open and the springs discharged because of the stored energy discharge interlock.

# VB1-VR+ VR-Series+ Replacement Circuit Breaker

## **⚠ WARNING**

**VB1-VR+ CIRCUIT BREAKERS INSTALLED IN UPPER COMPARTMENT OF THEIR SWITCHGEAR MUST BE RACKED TO THE 'TEST' POSITION AT A MINIMUM TO PREVENT THEM FROM ROLLING OUT OF THE CIRCUIT BREAKER COMPARTMENT AND FALLING FROM THE SWITCHGEAR.**

### 5.11 INSERTION PROCEDURE

## **⚠ WARNING**

**ARC FLASH INCIDENCES WITH MV SWITCHGEAR CAN OCCUR DURING THE PROCESS OF INSERTING AND REMOVING POWER CIRCUIT BREAKERS IN SWITCHGEAR CUBICLES. IT IS STRONGLY RECOMMENDED THAT PROPER PPE (PERSONAL PROTECTIVE EQUIPMENT) BE WORN BY PERSONNEL WHO RACK BREAKERS USING THE MANUAL RACKING HANDLE. EATON CORPORATION PROVIDES A UNIVERSAL REMOTE POWER RACKING SYSTEM (RPR-2) WHICH IS COMPATIBLE WITH THE RACKING SYSTEM. THE RPR-2 MAY ALLOW PERSONNEL TO WEAR A LOWER LEVEL OF PPE DURING THE INSERTION OR REMOVAL PROCESS AS LONG AS RACKING CAN BE PERFORMED FROM OUTSIDE THE FLASH PROTECTION BOUNDARY.**

During the installation process, great care should be exercised. Follow the guidelines of your local authority having jurisdiction on safe racking practices. Eaton VB1-VR+ circuit breakers are designed to allow closed door racking. Throughout the racking process, the circuit breaker is prevented from closing both mechanically and electrically.

1. Inspect the circuit breaker compartment to confirm that the shutters are closed and that there is no foreign material in the circuit breaker compartment. Key interlocking in the circuit breaker compartment, if any, must also be cleared.
2. Move the VB1-VR+ to the circuit breaker compartment in which it is to be inserted using the original manufacturer's lifting device provided with the original switchgear.

**Note:** The VB1-VR+ device has interference interlocking (code plates) that will only allow the correctly sized circuit breaker to be inserted in the circuit breaker compartment. Example: A 1200A circuit breaker cannot be inserted into a 2000A circuit breaker compartment. Do not remove or alter the interference interlocking.

3. The VB1-VR+ circuit breaker is installed and locked onto the original manufacturer's lifting device in the same way as the original device. See original manufacturer instructions for the use of the original manufacturer's lifting device.
4. Confirm that the racking system of the circuit breaker compartment is in the "Disc/Test" position. See Figure 5.5
5. Push the VB1-VR+ device into the metal-clad switchgear circuit breaker compartment until the racking arms are engaged in the racking mechanism. A safety catch on the right hand metal-clad rail will prevent the circuit breaker from rolling back out in case the racking arms are not engaged. The drive nuts on the jack screws should be in the forward position against their respective stops. Once that is done the lifting device may be removed per the original manufacturer's lifting device guidelines.
6. Electrical and mechanical tests in the circuit breaker compartment for the Eaton VB1-VR+ may be performed in the same manner as those tests for the original manufacturer's circuit breaker by using the circuit breaker mounted handle to manually engage the breaker secondary disconnects with the circuit breaker compartment secondary disconnects. If the circuit breaker compartment secondary disconnects are energized, the spring charging motor will charge when complete secondary disconnect engagement is accomplished.
7. After any required tests, the VB1-VR+ circuit breaker can be racked to the connected position.
8. For personnel safety reasons, the VB1-VR+ circuit breaker must be racked into the circuit breaker compartment with the compartment front door closed.

Figure 5.4. VB1-VR+ in the TEST Position



9. Attach the racking handle to the racking mechanism shaft on the left side of the circuit breaker enclosure and push it in fully.
10. Rack the VB1-VR+ by rotating the handle clockwise approximately 60 full turns until a positive stop is felt. See Figure 5.6
11. The VB1-VR+ is now in the fully connected position as indicated by the tape indicator which should read "Conn". Do not exceed 60 ft-lbs of force on the racking shaft. See Figure 5.7 which shows the circuit breaker in the connected position (door is open for demonstration purposes).

### 5.12 REMOVAL PROCEDURE

1. When circuit breaker removal is required, the circuit breaker can be racked from the connected position. Confirm that the circuit breaker is open prior to attempting to remove it.
2. Attach the racking handle to the racking mechanism shaft on the left side of the circuit breaker enclosure and push it in fully.
3. Rotate the racking handle counter-clockwise to move the VB1-VR+ to the "Disc/Test" position as indicated on the tape indicator.
4. Disengage the secondary disconnects prior to circuit breaker removal.
5. It will be necessary to lift the safety catch on the right side of the circuit breaker compartment to remove the VB1-VR+ from the circuit breaker compartment and move it onto the original manufacturer's lifting device.
6. Follow the instructions provided by the original manufacturer for the use of the lifting device and circuit breaker removal.

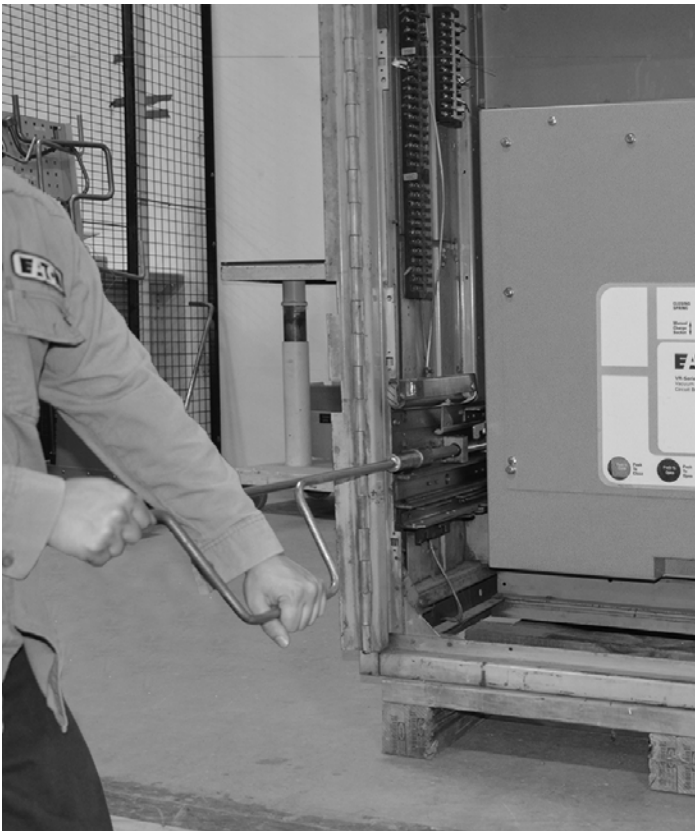
Figure 5.6. Engagement of Secondary Disconnect



Figure 5.7. VB1-VR+ in the Connect Position



Figure 5.5. Racking Handle Engagement (1200A Shown)



## SECTION 6: INSPECTION & MAINTENANCE

### **⚠ DANGER**

**DO NOT WORK ON A CIRCUIT BREAKER IN THE 'CONNECT' POSITION.**

**DO NOT WORK ON A CIRCUIT BREAKER WITH SECONDARY DISCONNECTS ENGAGED.**

**DO NOT WORK ON A CIRCUIT BREAKER WITH SPRINGS CHARGED OR CONTACTS CLOSED.**

**DO NOT DEFEAT ANY SAFETY INTERLOCKS.**

**DO NOT LEAVE MAINTENANCE TOOL IN THE SOCKET AFTER CHARGING THE CLOSING SPRINGS.**

**STAND AT LEAST ONE METER AWAY FROM THE CIRCUIT BREAKER WHEN TESTING FOR VACUUM INTEGRITY.**

### **⚠ DANGER**

**FAILURE TO FOLLOW ANY OF THESE INSTRUCTIONS MAY CAUSE DEATH, SEVERE PERSONAL INJURY, EQUIPMENT DAMAGE AND/OR IMPROPER OPERATION. SEE SECTION 2 - SAFE PRACTICES FOR MORE INFORMATION.**

#### 6.1 INSPECTION FREQUENCY

The scheduled maintenance interval for the VR-Series+ circuit breaker is once every ten years or ten thousand operations, whichever comes first when applied in normal applications as defined by IEEE C37.04-1999. However, if the circuit breaker is operating in a high level of natural elements or in a corrosive environment, inspection should be performed twice each year. The circuit breaker should also be inspected and a vacuum interrupter integrity test performed (Section 6.3) any time the circuit breaker is transported to another physical location or switchgear assembly. In addition, the circuit breaker should have a full inspection if the circuit breaker interrupts a fault current.

**Note:** Refer to the table below for maintenance and inspection check points.

#### 6.2 INSPECTION AND MAINTENANCE PROCEDURES

NO. / SECTION	INSPECTION ITEM	CRITERIA	INSPECTION METHOD	CORRECTIVE ACTION IF NECESSARY	
1. Insulation	Stand Off Insulators, Operating Rods, Tie-Bars and Barriers	No dirt	Visual check	Clean with lint-free cloth	
		No cracking	Visual check	Replace cracked unit	
	Vacuum Integrity	Between main circuit with terminals ungrounded	Withstand 27kV 60Hz for 1 Minute	Hi-pot Tester	Clean and retest or replace
	Insulation Integrity	Main circuit to ground	Withstand 15kV, 60Hz for 1 Minute (5kV Rating)	Hi-pot Tester	Clean and retest or replace
Control circuit to ground (Charging Motor disconnected)		Withstand 1125V, 60Hz for 1 Minute	Hi-pot Tester	Clean and retest or replace	
2. Power Element	Vacuum Interrupter Assembly	Contact erosion visibility	Visual - Close the circuit breaker and look for "T" cutout on Vacuum Interrupter Assembly (See Figure 6.1 and 6.2)	If cutout is not visible, replace Vacuum Interrupter Assembly	
		Contact wipe visible	Visual (Figure 6.1 and 6.2)	Replace Vacuum Interrupter Assembly	
		Adequate vacuum	See Section 6.3	Replace Vacuum Interrupter Assembly If vacuum is not adequate	
		Dirt on ceramic body	Visual check	Clean with dry lint-free cloth	
	Primary Disconnects	No burning or damage	Visual check	Replace if burned, damaged or eroded	
3. Control Circuit Parts	Closing and tripping devices including disconnects	Smooth and correct operation by control power	Test closing and tripping of the circuit breaker twice	Replace any defective device - Identify per Trouble-Shooting Chart	
	Wiring	Securely tied in proper place	Visual check	Repair or tie as necessary	
	Terminals	Tight	Visual check	Tighten or replace if necessary	
	Motor	Smooth and correct operation by control power	Test closing and tripping of the circuit breaker twice	Replace brushes or motor	
	Tightness of hardware	No loose or missing parts	Visual and tightening with appropriate tools	Tighten or reinstate if necessary	
4. Operating Mechanism	Dust or foreign matter	No dust or foreign matter	Visual check	Clean as necessary	
	Deformation or excessive wear	No excessive deformation or wear	Visual and operational	Remove cause and replace parts	
	Manual operation	Smooth operation	Manual charging closing and tripping	Correct per Trouble-Shooting Chart if necessary	
	CloSure™ Test	≥ 0.6 inch over travel	CloSure™ Test 6.8.1	If < 0.6 Contact the PBC at 1-877-276-9379	

**Note:** Contact Eaton for any mechanism maintenance other than adjustment or replacement of control components.

<b>BOLT SIZE</b>	8 - 32	10 - 32	.25 - 20	.31 - 18	.38 - 16	.50 - 13
<b>TORQUE Lbs. In.</b>	24	36	72	144	300	540



### 6.3 VACUUM INTERRUPTER INTEGRITY TEST

Vacuum interrupters used in Type VR-Series+ circuit breakers are highly reliable interrupting components. Satisfactory performance of these devices is dependent upon the integrity of the vacuum in the interrupter and the internal dielectric strength. Both of these parameters can be readily checked by a one minute ac high potential test. (See Table 6.1 for appropriate test voltage.) During this test, the following warnings must be observed:

**⚠ WARNING**

**APPLYING ABNORMALLY HIGH VOLTAGE ACROSS A PAIR OF CONTACTS IN VACUUM MAY PRODUCE X-RADIATION. THE RADIATION MAY INCREASE WITH THE INCREASE IN VOLTAGE AND/OR DECREASE IN CONTACT SPACING. X-RADIATION PRODUCED DURING THIS TEST WITH RECOMMENDED VOLTAGE AND NORMAL CONTACT SPACING IS EXTREMELY LOW AND WELL BELOW MAXIMUM PERMITTED BY STANDARDS. HOWEVER, AS A PRECAUTIONARY MEASURE AGAINST POSSIBILITY OF APPLICATION OF HIGHER THAN RECOMMENDED VOLTAGE AND/OR BELOW NORMAL CONTACT SPACING, IT IS RECOMMENDED THAT ALL OPERATING PERSONNEL STAND AT LEAST ONE METER AWAY IN FRONT OF THE CIRCUIT BREAKER.**

**⚠ WARNING**

**DC HI-POTENTIAL TESTS ARE NOT RECOMMENDED BY EATON. DO NOT APPLY DC AT ANY LEVEL TO VR-SERIES+ CIRCUIT BREAKERS**

With the circuit breaker open and securely sitting on the floor, connect all top/front primary studs (bars) together and the high potential machine lead. Connect all bottom/rear studs together and the high potential return lead. Do not ground them to the circuit breaker frame. Start the machine at zero potential, increase to appropriate test voltage and maintain for one minute.

Successful withstand indicates that all interrupters have satisfactory vacuum level. If there is a breakdown, the defective interrupter or interrupters should be identified by an individual test and replaced before placing the circuit breaker in service.

After the high potential is removed, discharge any electrical charge that may be retained, particularly from the center shield of vacuum interrupters. To avoid any ambiguity in the ac high potential test due to leakage or displacement (capacitive) current, the test unit should have sufficient volt-ampere capacity. It is recommended that the equipment be capable of delivering 25 milliamperes for one minute.

The current delivery capability of 25 mA ac applies when all three vacuum interrupters are tested in parallel. If individual vacuum interrupters are tested, current capability may be one third of this value.

**Table 6.1. Vacuum Interrupter Integrity Test Voltage**

Circuit Breaker Rated Maximum Voltage	Vacuum Interrupter Integrity Test Voltage
	ac 60Hz
Up to and including 15.0 kV	27 kV

### 6.4 CONTACT EROSION AND WIPE

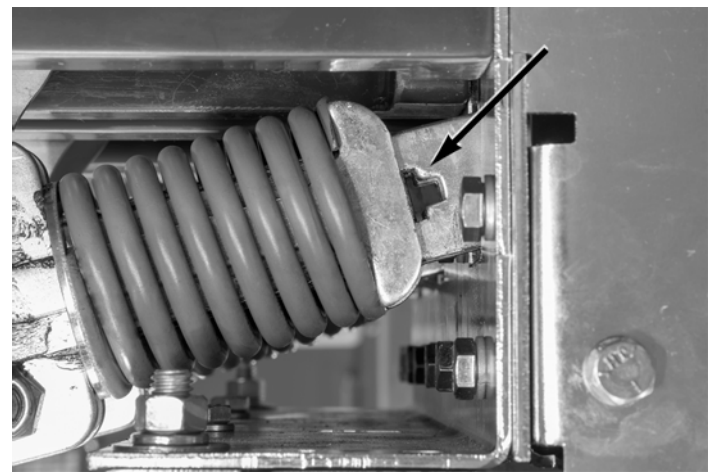
Since the contacts are contained inside the interrupter, they remain clean and require no maintenance. However, during high current interruptions, or high numbers of operations, it is possible for a minimal amount of erosion on the contact surfaces. It is also possible for further compaction of the conductor electrodes that has been known to reduce the amount of contact wipe. The VR-Series+ vacuum interrupter assembly incorporates both the original vacuum interrupter erosion indicator and the contact-spring wipe into one all-encompassing indicator. The adequacy of the remaining contact erosion and wipe can easily be determined by observing the vacuum interrupter side of the operating rod assembly on a closed circuit breaker. The procedure to determine the adequacy of the "T" cutout on the vacuum interrupter assembly is depicted in Figures 6.1 and 6.2. Some configurations may require the use of a small mirror and

flashlight to clearly see the "T" cutout. As long as any part of the "T" cutout is visible on each pole unit, the contact surfaces and spring pressure are adequate for the circuit breaker to interrupt its full rated nameplate short circuit and carry continuous current without over-heating. If the wipe is inadequate (no part of the "T" cutout is visible) then the vacuum interrupter assembly must be replaced. Field adjustment is not possible.

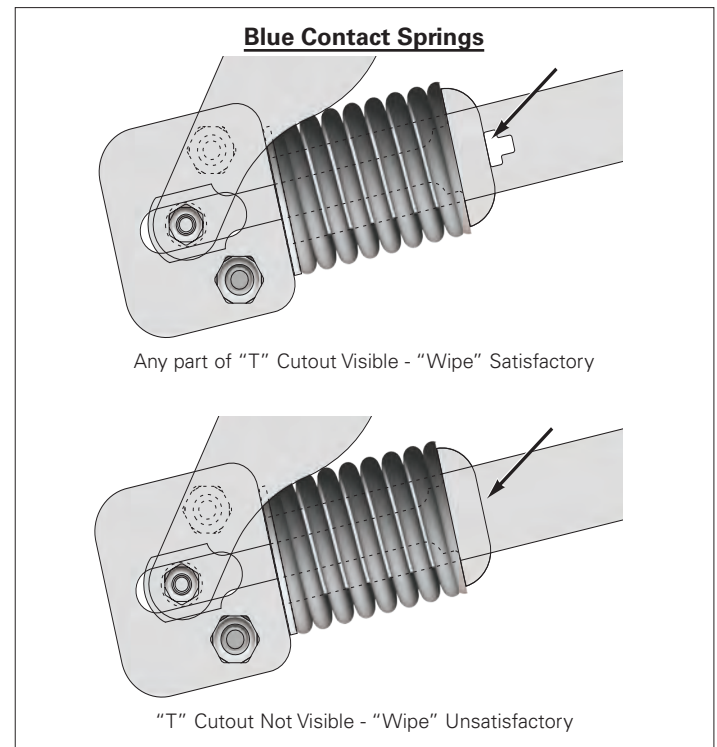
**⚠ WARNING**

**FAILURE TO REPLACE A VACUUM INTERRUPTER ASSEMBLY WHEN THE "T" CUTOUT IS NOT VISIBLE WILL CAUSE THE CIRCUIT BREAKER TO FAIL TO INTERRUPT AND THEREBY CAUSE PROPERTY DAMAGE OR PERSONAL INJURY.**

**Figure 6.1. The Arrow Shows The "T" Contact Wipe Indicator - (If the "T" or any portion of its visible as shown with the circuit breaker closed, the wipe is satisfactory)(See next figure for graphic of all possibilities)**



**Figure 6.2. Wipe Indication Procedure (Performed Only With Circuit Breaker Closed)**



## 6.5 INSULATION

In VR-Series+ circuit breakers, insulation maintenance primarily consists of keeping all insulating surfaces clean. This can be done by wiping off all insulating surfaces with a dry lint free cloth or dry paper towel. In case there is any tightly adhering dirt that will not come off by wiping, it can be removed with a mild solvent or distilled water. But be sure that the surfaces are dry before placing the circuit breaker in service. If a solvent is required to cut dirt, use Isopropyl Alcohol or commercial equivalent. Secondary control wiring requires inspection for tightness of all connections and damage to insulation.

## 6.6 INSULATION INTEGRITY CHECK

### PRIMARY CIRCUIT:

The integrity of primary insulation may be checked by the ac high potential test. The test voltage depends upon the maximum rated voltage of the circuit breaker. For the circuit breakers rated 4.76 kV the test voltage is 15 kV RMS, 60 Hz. Conduct the test as follows:

Close the circuit breaker. Connect the high potential lead of the test machine to one of the poles of the circuit breaker. Connect the remaining poles and circuit breaker frame to ground. Start the machine with output potential at zero and increase to the test voltage. Maintain the test voltage for one minute. Repeat for the remaining poles. Successful withstand indicates satisfactory insulation strength of the primary circuit.

Open the circuit breaker. Connect the high potential lead of the test machine to one of the terminals of the circuit breaker. Connect the remaining terminals and circuit breaker frame to ground. Start the machine with output potential at zero and increase to the test voltage. Maintain the test voltage for one minute. Repeat for the remaining poles. Successful withstand indicates satisfactory insulation strength of the primary circuit.

### SECONDARY CIRCUIT:

Isolate the motor by disconnecting the two motor leads from the terminal block. Connect all points of the secondary disconnect contact pins with a shooting wire. Connect this wire to the high potential lead of the test machine. Ground the circuit breaker frame. Starting with zero, increase the voltage to 1125 RMS, 60 Hz. Maintain the voltage for one minute. Successful withstand indicates satisfactory insulation strength of the secondary control circuit. Remove the shooting wire and reconnect the motor leads.

## 6.7 PRIMARY CIRCUIT RESISTANCE CHECK

The main contacts of the VR-Series+ circuit breaker are inside the vacuum chamber where they remain clean and require no maintenance at any time.

The dc electrical resistance of the primary circuit may be calculated by measuring the voltage drop across the circuit. This test should be performed with a low voltage, direct current (dc) power supply capable of delivering no less 100A dc.

- To check the primary circuit resistance:
- Remove the circuit breaker from the circuit breaker compartment
- Close the circuit breaker
- Pass at least 100A dc from terminal to terminal of each pole unit in the closed position
- Measure the voltage drop across the terminals.

The resistance can be calculated from Ohm's Law and is expressed in micro-ohms. Repeat for the remaining two poles.

The resistance should not exceed the factory test levels more than 200% as stated in IEEE C37.09. Factory test levels are recorded on the circuit breaker test form, which is included with the circuit breaker. If measurements exceed 200%, contact the manufacturer.

## Resistance conversion for Temperature

$$R_{\text{conversion}} = R_{\text{Factory}} (1 + (T_{\text{Field}} - T_{\text{Factory}}) \rho)$$

$R_{\text{conversion}}$  = Resistance correction for temperature based from the factory resistance measurement.

$R_{\text{Factory}}$  = Resistance measurement from the factory.

$T_{\text{Field}}$  = Temperature measurement in the field.

$T_{\text{Factory}}$  = Temperature measurement from the factory.

$\rho$  = Copper resistivity temperature coefficient.

$\rho$  = 0.0039 Copper Resistivity Temperature Coefficient / Deg C

$\rho$  = 0.002167 Copper Resistivity Temperature Coefficient / Deg F

## 6.8 VR-SERIES+ CIRCUIT BREAKER ELEMENT MECHANISM CHECK

Make a careful visual inspection of the mechanism for any loose parts such as bolts, nuts, pins, rings, etc. Check for excessive wear or damage to the circuit breaker components. Operate the circuit breaker several times manually and electrically. Check the closing and opening times to verify that they are in accordance with the limits in Table 4.

### 6.8.1 CLOSURE™ TEST

**Introduction:** The CloSure™ Test is a simple yet extremely effective means to determine and monitor the ability of the mechanism to close the circuit breaker contacts fully. It provides a quantitative measure of the extra energy available in terms of over travel in inches to close the circuit breaker contacts to their full extent. It may be used periodically to monitor the health of the mechanism.

**General Information:** The CloSure™ Test can be performed on all VR-Series+ circuit breakers. (Refer to Table 6.2.) If the CloSure™ travel obtained is as specified, the mechanism performance is satisfactory. If the CloSure™ travel does not conform as shown in Figure 6.14, contact Eaton's Electrical Services & Systems for further information. (See Step 13).

---

## DANGER

**DO NOT ATTEMPT TO INSTALL OR PERFORM MAINTENANCE OR TESTS ON THE EQUIPMENT WHILE IT IS ENERGIZED. NEVER PUT YOUR HANDS NEAR THE MECHANISM WHEN THE CIRCUIT BREAKER IS IN THE CHARGED OR CLOSED POSITION. DEATH OR SEVERE PERSONAL INJURY CAN RESULT FROM CONTACT WITH ENERGIZED EQUIPMENT. ALWAYS VERIFY THAT NO VOLTAGE IS PRESENT BEFORE PROCEEDING WITH THE TASK, AND ALWAYS FOLLOW GENERALLY ACCEPTED SAFETY PROCEDURES.**

---

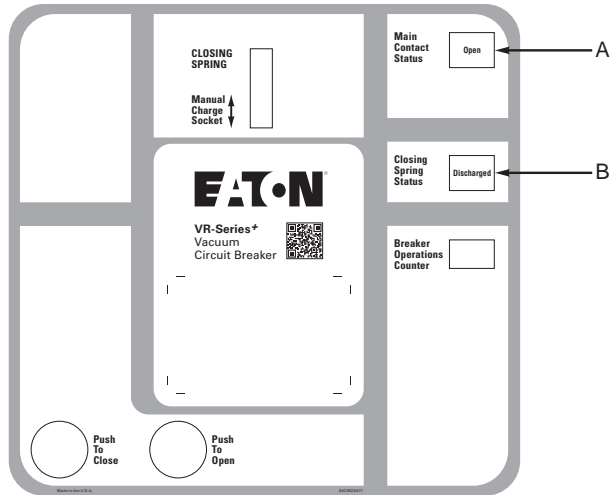
**Safety Precautions:** Read and understand these instructions before attempting any maintenance, repair or testing on the circuit breaker. The user is cautioned to observe all recommendations, warnings and cautions relating to the safety of personnel and equipment.

**Note:** Hearing protection is recommended as the circuit breaker is opened and closed.

The recommendations and information contained herein are based on Eaton experience and judgment, but should not be considered to be all-inclusive or covering every application or circumstance which may arise. If further information is required, you should consult Eaton's Electrical Services & Systems.

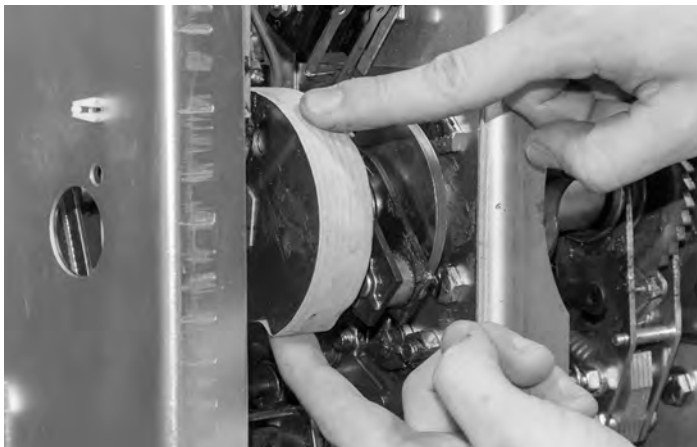
**Testing Procedures:** Assuming that the circuit breaker is safely removed from the circuit breaker compartment enclosure and positioned in an area outside the arc fault boundary, follow this procedure to perform the CloSure™ test. For further instructions on removal of the circuit breaker from the circuit breaker compartment, refer to the appropriate section of this manual.

**Figure 6.3. Status Indicators (“A” shows the spring indication and “B” shows the contact status indication.)**



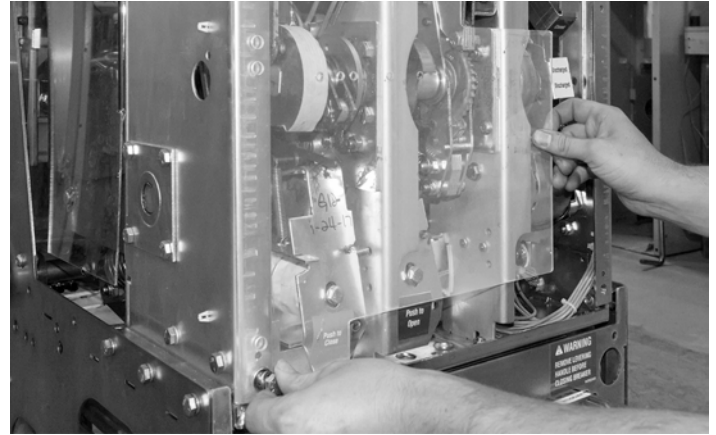
- Step 1** - On the front cover, identify the status indicators. Confirm the closing spring status indicates ‘Discharged’ and the main contact indicator shows ‘Open’ (Figure 6.3).
- Step 2** - Remove the circuit breaker front cover. Be sure to save the original fasteners for reassembly.
- Step 3** - Charge the circuit breaker, close the circuit breaker, then open the circuit breaker. Alternately depress the Open and Close clappers a few times to ensure the circuit breaker is completely discharged.
- Step 4** - Cut a piece of one inch wide drafting / masking tape approximately 8 to 10 inches long.
- Step 5** - Clean the far left cam with a mild solvent such as alcohol. Place the tape around the cam starting from the bottom up. Make certain that the tape adheres well to the cam surface. (Figure 6.4).

**Figure 6.4. Wrapping Tape Around Cam**

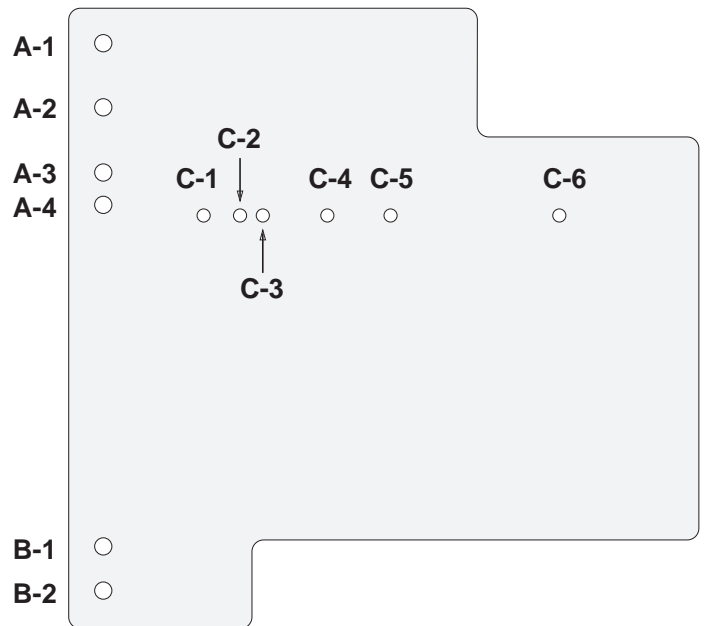


- Step 6** - Mount the transparent CloSure™ Test Tool (Figure 6.5.b) with two bolts and washers. Refer to Figure 6.5.a and Table 6.1 for approximate mounting holes. Hand tighten the bolts.
- Step 7** - Using a red Sanford® Sharpie® fine point permanent marker (or equivalent), place the marker tip in the proper hole (“C”) located over the cam and make a heavy mark on the tape by moving the marker as described in Figures 6.7 and 6.11. Remove the marker from the hole.
- Step 8** - Charge the closing springs with the maintenance tool (Charging handle). Continue charging the closing springs until a “click” is heard and the status indicator shows ‘Charged’ (Figure 6.6).

**Figure 6.5.a. Attaching CloSure™ Test Tool**



**Figure 6.5.b. Front View of CloSure™ Tool Showing Mounting / Testing Hole Locations (6352C49H01)**

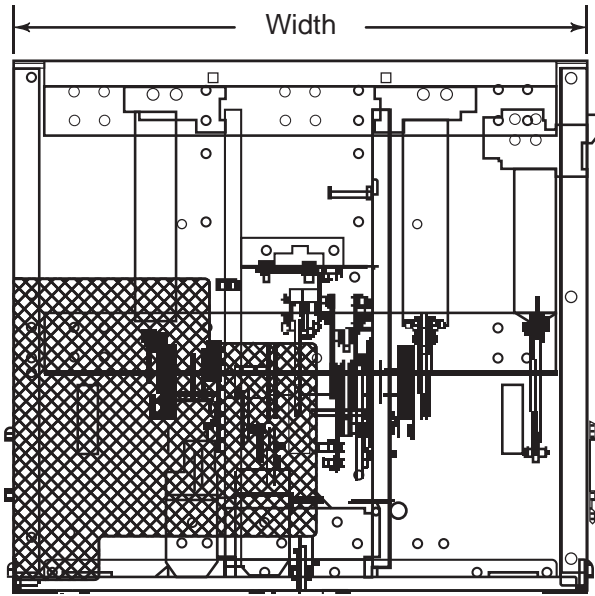


**Table 6.2. CloSure™ Tool Mounting / Testing Locations by Circuit Breaker Type**

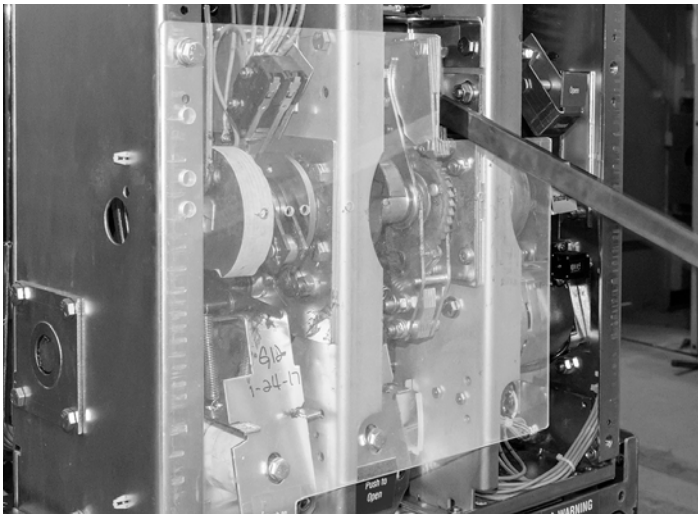
CIRCUIT BREAKER DESIGNATION	APPROXIMATE MECHANISM CHASSIS WIDTH (INCH)	LOWER MOUNTING HOLE	LOWER MOUNTING HOLE	MARKER PLACEMENT HOLE
VR-Series+	27	A1	B2	C5

- Step 9** - Place the marker back in the hole. While holding the marker tip against the tape, close the circuit breaker (Figure 6.8). Remove the marker from the hole.
- Step 10** - While closely observing the pole shaft at the left side of the circuit breaker (Figure 6.9), recharge the closing springs with the maintenance tool. As the circuit breaker is recharged, there should be no movement of the pole shaft. If there is movement of the pole shaft while recharging, this indicates a problem with the circuit breaker - stop the test and consult the factory.
- Step 11** - Open the circuit breaker, then close it, then reopen it. Verify that the mark made in Step 7 is aligned with the pen opening. If it is not aligned, this indicates a problem with the circuit breaker - stop the test and consult the factory.

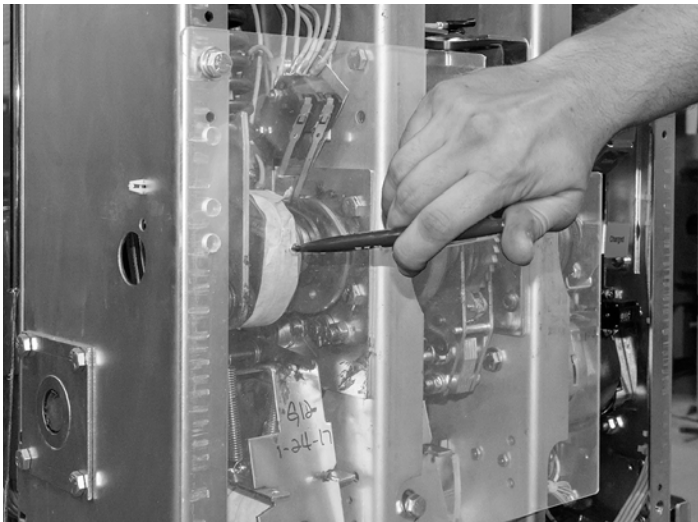
**Figure 6.5.c. Typical Circuit Breaker Front View with CloSure™ Tool Attached (Approximate Mechanism Chassis Width)**



**Figure 6.6. Manually Charging Closing Springs**



**Figure 6.7. Make a Clear and Heavy Mark**



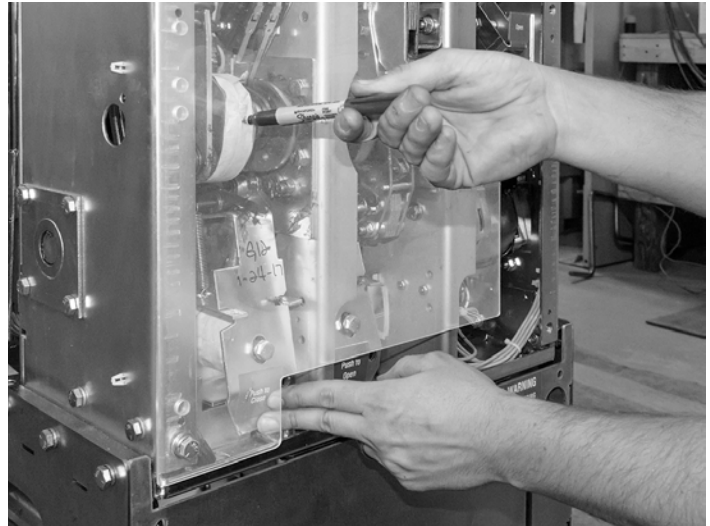
**Step 12** - Inspect the circuit breaker to assure it is in the open position and the closing springs are discharged. Alternately depress the Open and Close clappers a few times to ensure the circuit breaker is completely discharged. Remove the transparent CloSure™ Tool.

**Step 13** - Remove the tape from the cam and place it on a sheet of paper that can be kept as a record of the test. Record the date of the test, person conducting the test, circuit breaker serial number, and the operations counter on the tape or paper (Figures 6.12 and 6.13).

**Step 14** - Evaluate the CloSure™ performance by comparing the test tape with the illustration in Figure 6.14. Measure the over travel "X". If "X" is greater than or equal to 0.6", the circuit breaker performance is satisfactory. If "X" is less than 0.6", this indicates a problem with the circuit breaker - consult the Power Breaker Center for technical support.

**Step 15** - Reassemble the front cover onto the circuit breaker. Return the circuit breaker to its original configuration and setup.

**Figure 6.8. With Marker in Hole "C", While Closing Circuit Breaker**



**Figure 6.9. Pole Shaft Located On Left Side Of Circuit Breaker**



Figure 6.10. Move the Sharpie® 15° Left and Right

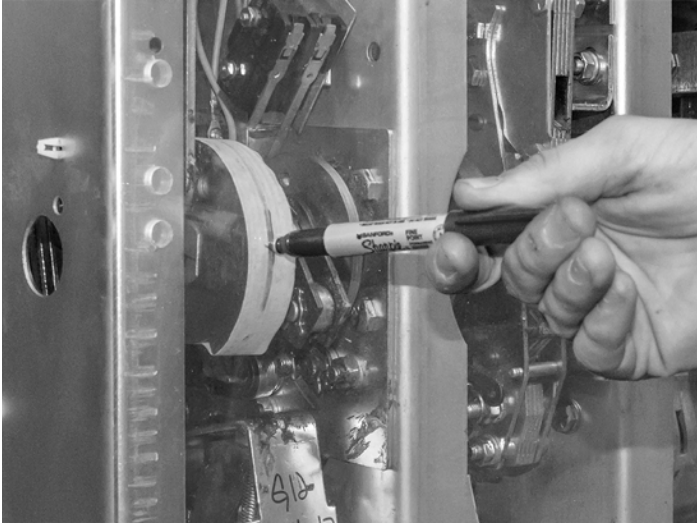


Figure 6.13. Determining the Distance Traveled



Figure 6.11. Top view of Cam and Marker Interface

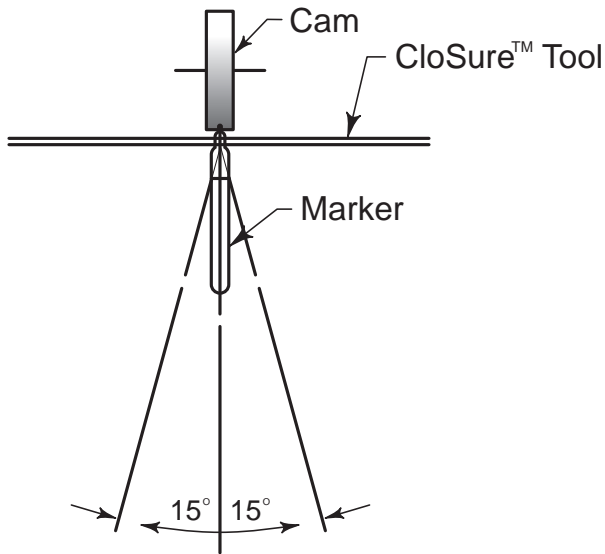
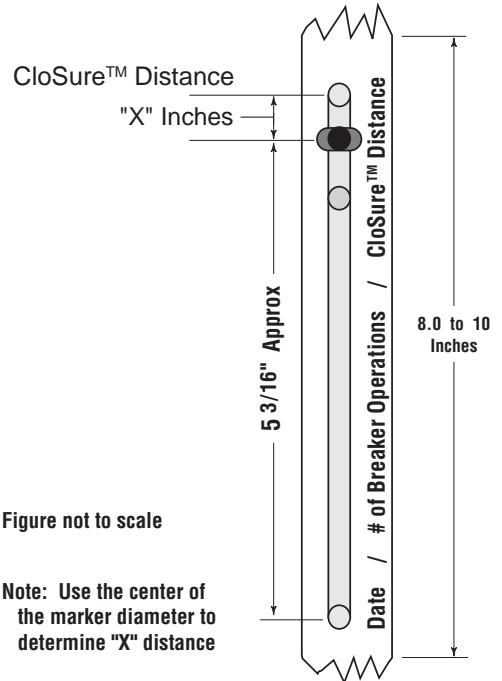


Figure 6.12. Evaluate the CloSure™ Performance



Figure 6.14. Illustrative Testing Tape Sample



\*Figure not to scale

\*Note: Use the center of the marker diameter to determine "X" distance

## VBI-VR+ VR-Series+ Replacement Circuit Breaker

### 6.9 MAINTENANCE RECOMMENDATION

The VR-Series+ circuit breaker is lubricated during assembly with a long lasting synthetic lubricant. When applied in "usual service conditions" as defined by IEEE C37.04-1999, the VR-Series+ circuit breaker element requires maintenance only once every ten years or ten thousand operations, which ever comes first.

After a ten year service interval or when ten thousand operations have been reached, contact your local Eaton representative to arrange for factory recertification.

During the ten year service interval, no supplemental lubrication with light machine oil is recommended. Machine oil may be incompatible with the advanced lubricant in the VR-Series+ vacuum replacement circuit breaker and will damage the components of the stored energy mechanism.

**Table 6.3. Troubleshooting Chart**

SYMPTOM	INSPECTION AREA	PROBABLE DEFECTS
<b>FAILS TO CLOSE</b>		
Closing Springs Not Charged	Control Circuit	<ul style="list-style-type: none"> <li>• Control Power (Fuse blown or switch off)</li> <li>• Secondary Disconnect Contacts</li> <li>• Motor Cut-off Switch (Poor or burned contacts. Lever not operational.)</li> <li>• Terminals And Connectors (Poor or burned contacts)</li> <li>• Motor (Brushes worn or commutator segment open)</li> </ul>
	Mechanism	<ul style="list-style-type: none"> <li>• Pawls (Slipping or broken)</li> <li>• Ratchet Wheel (Teeth worn or broken)</li> <li>• Cam Shaft Assembly (Sluggish or jammed)</li> <li>• Oscillator (Reset Spring off or broken)</li> </ul>
Closing Springs Not Charged Circuit Breaker Does Not Close	Control Circuit (Close Coil does not pick up)	<ul style="list-style-type: none"> <li>• Control Power (Fuse blown or switch off)</li> <li>• Secondary Disconnect Contacts</li> <li>• Anti Pump Relay (Y Relay N.C. contact open or burned or relay picks up)</li> <li>• Close Coil (Open or burned)</li> <li>• Latch Check Switch (Contact open - Bad switch or trip bar not reset)</li> <li>• Auxiliary Switch (B Contact open or burned)</li> <li>• Motor Cut-Off (Contacts open or burned)</li> <li>• Trip Coil Assembly (Clapper fails to reset)</li> </ul>
	Closing sound but no close	<ul style="list-style-type: none"> <li>• Pole Shaft (Not open fully)</li> <li>• Trip Latch Reset Spring (Damaged or missing)</li> <li>• Trip Bar-D Shaft (Fail to remain reset)</li> <li>• Trip Latch-Hatchet (Fails to remain reset)</li> <li>• Trip Floor Tripper (Fails to remain reset)</li> <li>• Close Latch (Binding)</li> <li>• Close Latch Roller (Binding)</li> <li>• Trip Circuit Energized</li> </ul>
<b>UNDESIRABLY CLOSES</b>		
	Control Circuit	<ul style="list-style-type: none"> <li>• Close Circuit (CS/C getting shorted)</li> </ul>
	Mechanism	<ul style="list-style-type: none"> <li>• Close Release Latch (Fails to reset)</li> <li>• Close Floor Tripper (Fails to reset)</li> </ul>
<b>FAILS TO CLOSE</b>		
No Trip Sound	Control Circuit	<ul style="list-style-type: none"> <li>• Control Power (Fuse blown or switch off)</li> <li>• Secondary Disconnect Contacts</li> <li>• Auxiliary Switch (A contact not making poor or burned)</li> <li>• Trip Coil (Burned or open)</li> <li>• Terminals and connections (Poor or burned or open)</li> <li>• Trip Clapper (Jammed)</li> </ul>
	Trip Mechanism	
Trip Sound But No Trip	Trip Mechanism	<ul style="list-style-type: none"> <li>• Trip Bar, Trip Latch (Jammed)</li> <li>• Pole Shaft (Jammed)</li> <li>• Operating Rod Assembly (Broken or pins out)</li> </ul>
	Vacuum Interrupter (One Or More Welded)	
<b>UNDESIRABLY TRIPS</b>		
	Control Circuit	<ul style="list-style-type: none"> <li>• Control power (CS/T Switch, remains made)</li> </ul>
	Mechanism	<ul style="list-style-type: none"> <li>• Trip Coil Clapper (Not resetting)</li> <li>• Trip Bar or Trip Latch (Poor engagement of mating or worm surfaces)</li> <li>• Trip Bar Reset Sprint (Loss of torque)</li> </ul>

## SECTION 7: REPLACEMENT PARTS











### 7.1 GENERAL

In order to minimize production downtime, it is recommended that an adequate quantity of spare parts be carried in stock. The quantity will vary from customer to customer, depending upon the service severity and continuity requirements. Each customer should develop his own level based on operating experience. However, when establishing a new operating record, it is a good practice to stock one set of control components for every six circuit breakers of the same control voltage. This quantity should be adjusted with time and frequency of operation of the circuit breakers.

### 7.2 ORDERING INSTRUCTIONS

- The style numbers in Table 7.1 should be sufficient to purchase control components for most applications. Some circuit breakers have special control schemes. Supply complete nameplate information for verification or if additional components are needed.
- Specify the method of shipping desired.
- Send all orders or correspondence to the nearest Eaton sales office or contact the PBC direct at 1-877-276-9379.
- Include negotiation number with order when applicable.

**Table 7.1 Common Replacement Parts - Descriptions and Style Numbers**

<p>1.</p> 	<p>ANTI-PUMP (Y) RELAY</p>	<p>(48Vdc) (125Vdc) (250Vdc) (120Vac) (240Vac)</p>	<p>94C9525H01 94C9525H02 94C9525H03 94C9525H04 94C9525H05</p>	<p>6.</p> 	<p>POSITION SWITCH</p> <p>Circuit Breaker Position Switch PS2</p>	<p>94C9525H07</p>
<p>2.</p> 	<p>RECTIFIER</p>	<p>Rectifier</p>	<p>94C9525G09</p>	<p>7.</p> 	<p>LATCH CHECK SWITCH</p> <p>Latch Check Switch (LC)</p>	<p>94C9525H08</p>
<p>3.</p> 	<p>SPRING CHARGING MOTOR</p>	<p>(48Vdc) (125Vdc) (250Vdc / 240Vac)</p>	<p>94C9525G10 94C9525G11 94C9525G12</p>	<p>8.</p> 	<p>MOTOR CUTOFF SWITCHES</p> <p>(LS)</p>	<p>94C9525G15</p>
<p>4.</p> 	<p>AUXILIARY SWITCH</p>	<p>Circuit Breaker Auxiliary Switch</p>	<p>94C9525G13</p>	<p>9.</p> 	<p>SPRING RELEASE COILS / SHUNT TRIPS</p> <p>24Vdc 48Vdc 125Vdc / 120Vac 250Vdc / 240Vac</p>	<p>94C9525G16 94C9525G17 94C9525G18 94C9525G19</p>
<p>5.</p> 	<p>POSITION SWITCH</p>	<p>Circuit Breaker Position Switch PS1</p>	<p>94C9525H06</p>	<p>10.</p> 	<p>CONTROL COMPONENTS KIT</p> <p>48Vdc 125Vdc 250Vdc 120Vac-C/M 48Vdc-T 240Vac-C/M 48Vdc-T 120Vac-C/M 120Vac-CT 240Vac-C/M 240Vac-CT</p>	<p>94C9525G01 94C9525G02 94C9525G03 94C9525G04 94C9525G05 94C9525G06 94C9525G07</p>







**Eaton**  
1000 Eaton Boulevard  
Cleveland, OH 44122  
United States  
Eaton.com

© 2018 Eaton  
All Rights Reserved  
Printed in USA  
Publication No. IB182925EN  
March 2018

Eaton is a registered trademark.

All trademarks are property  
of their respective owners.