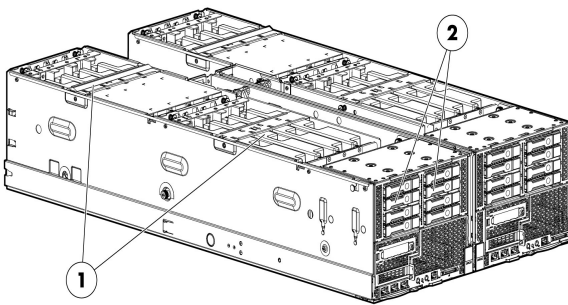


Overview

The HP ProLiant SL270s Gen8 Server is part of the HP ProLiant SL6500 Scalable System of server solutions optimized for the Hyperscal and High Performance Computing market segments. The server series is designed to reduce solution costs, maximize power efficiency, and to ease customer serviceability.

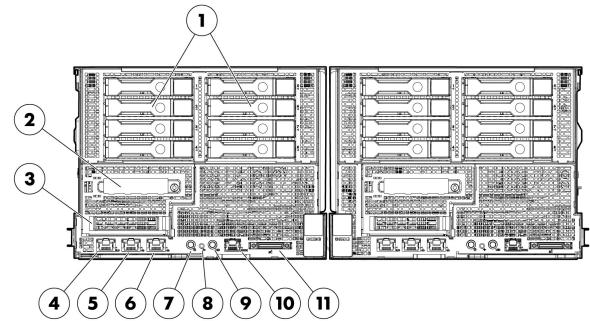
The 4U half-width tray is designed and optimized for extreme GPU configurations, ideal for the HPC market sub segments such as Oil & Gas, Life Sciences, Manufacturing, Research or Finance.

The s6500 Chassis is 4U and can accommodate two SL270s half-width servers, all individually serviceable. The chassis also features front cabling and common slot power supplies and fans for ease of service.



4U Open View:

1. Eight GPU location
2. Eight front SFF Hot Plug drives



4U Front View:

1. Eight front SFF Hot Plug drives
2. PCIe Expansion Slot
3. FlexibleLOM Slot
4. Dedicated iLO4 Management Port
5. (1) 1GbE Ports
6. (1) 1GbE Ports
7. Power Button
8. Health LED
9. UID LED
10. Serial Port
11. SUV (Serial/USB/Video)

Standard Features

NOTE: For the Standard Features shipped in the Factory Integrated Models, please see the "Configuration Information - Factory Integrated Models" section.

Processor

One of the following depending on Model

Entry Processors

NOTE: All support up to 1066MHz memory speeds.

Intel® Xeon® E5-2609 (2.4GHz/4-core/10MB/6.4GT-s QPI/80W)

Intel® Xeon® E5-2603 (1.8GHz/4-core/10MB/6.4GT-s QPI/80W)

Base Processors

NOTE: All support up to 1333MHz DDR3 memory speeds.

Intel® Xeon® E5-2640 (2.50GHz/6-core/15MB/7.2GT-s QPI/95W, DDR3-1333, HT, Turbo2- 3/3/4/4/5/5)

Intel® Xeon® E5-2630 (2.30GHz/6-core/15MB/7.2GT-s QPI/95W, DDR3-1333, HT, Turbo2- 3/3/4/4/5/5)

Intel® Xeon® E5-2620 (2.0GHz/6-core/15MB/7.2GT-s QPI/95W, DDR3-1333, HT, Turbo2- 3/3/4/4/5/5)

Intel® Xeon® E5-2630L (2.0GHz/6-core/15MB/8.0GT-s QPI/60W, DDR3-1333, HT, Turbo2- 3/3/4/4/5/5)

Performance Processors

NOTE: All support up to 1600MHz DDR3 memory speeds.

NOTE: For 130W CPU support and configuration, please contact your HP account team.

Intel® Xeon® E5-2670 (2.60GHz/8-core/20MB/8GT-s QPI/115W, DDR3-1600, HT, Turbo2- 4/4/5/5/6/6/7/7)

Intel® Xeon® E5-2665 (2.40GHz/8-core/20MB/8GT-s QPI/115W, DDR3-1600, HT, Turbo2- 4/4/5/5/6/6/7/7)

Intel® Xeon® E5-2660 (2.20GHz/8-core/20MB/8GT-s QPI/95W, DDR3-1600, HT, Turbo2- 5/5/6/6/7/7/8/8)

Intel® Xeon® E5-2650 (2.0GHz/8-core/20MB/8GT-s QPI/95W, DDR3-1600, HT, Turbo2- 4/4/5/5/5/7/8/8)

Intel® Xeon® E5-2650L (1.80GHz/8-core/20MB/8.0 GT-s QPI/70W, DDR3-1600, HT, Turbo2- 2/2/3/3/4/4/5/5)

Intel® Xeon® E5-2637 (3.0GHz/2-core/5MB/8.0GT-s QPI/80W, DDR3-1600, HT, Turbo2- 2/2)

NOTE: HT indicates that the processor model supports Intel® /Hyper-Threading Technology

NOTE: Turbo 2 indicates the maximum potential bin increments when using Intel® Turbo Boost Technology, with 8, 7, 6, 5, 4, 3, 2 and 1 cores active.

NOTE: DDR3 speed is the maximum memory speed of the processor. Actual memory speed may depend on the quantity and type of DIMMs installed (options for 1600, 1333, 1066MHz).

NOTE: Up to 2 processors supported. Mixing different processor models is not supported.

NOTE: For the Intel® C600 Chipset E5-2600 Series, the letter preceding the model number indicates the Product Line (E3, E5, E7); 2600x v#, 2 = number of CPUs in a Node, 6 is socket/segment designation, 00 = Processor SKU, x = L for low power SKUs and v# (not yet designated) = version number

Standard Features

Cache Memory

One of the following depending on Model

20MB (1x20MB) Level 3

NOTE: For Eight-core processors.

15MB (1x15MB) Level 3

NOTE: For Six-core processors.

10MB (1x10MB) Level 3

NOTE: For Quad-core processors.

5MB (1x5MB) Level 3

NOTE: For Dual-core processors.

Chipset

Intel® C600 Series Chipset

Intel® E5-2600 Processor Family

NOTE: For more information regarding Intel® chipsets, please see the following URL: <http://www.intel.com/products/server/chipsets/>.

Upgradeability

Upgradeable to two processors

On System Management Chipset

HP iLO (Firmware: HP iLO 4)

NOTE: For more information, visit: <http://www.hp.com/go/ilo>.

Memory Protection

Advanced ECC (multi-bit error protection)

Memory

Type

HP SmartMemory

DDR3 Registered (RDIMM) or Unbuffered (UDIMM)

DIMM Slots Available

16 total DIMM Slots available

Standard (Base Models)

8GB (2x 4G) Registered DIMMs (1333MHz)

Maximum (RDIMM) (per server tray)

256GB (16 x 16GB) Registered memory configurations

Maximum (UDIMM) (per server tray)

128GB (16 x 8GB)

NOTE: HP memory from previous generation servers are not qualified or warranted with this HP ProLiant Server. To realize the performance memory capabilities listed in this document, HP SmartMemory is required. For additional information, please see the HP SmartMemory QuickSpecs at: http://h18000.www1.hp.com/products/quickspecs/14225_na/14225_na.html

NOTE: RDIMM and UDIMMs are all distinct memory technologies and cannot be mixed within a server.

NOTE: HP certified SmartMemory must be used to guarantee full 1600MHz speeds.

NOTE: Depending on the memory configuration and processor model, the memory speed may run at 1600MHz or at 1333MHz. Please see the Online Memory Configuration Tool at: www.hp.com/go/ddr3memory-configurator.

NOTE: Kits described as LP include Low Power DIMMs. For more information on ProLiant Energy Efficient Features, see: www.hp.com/go/proliant-energy-efficient.

Standard Features

Network Controller HP Ethernet 1Gb 2-port 361i Adapter

Expansion Slots	Expansion Slots	Technology	Bus Width*	Connector Width	Form Factor	Notes
	Low Profile	PCIe 3.0	x8	x8	Half-length, half-height	Front Panel Access
	FlexibleLOM	PCIe 3.0	x8	x8	FlexibleLOM	Front Panel Access
	All 8 GPU Slots	PCIe 2.0	x16	x16	Full-length, full height	GPU only

*Indicates the number of physical electrical lanes running to the connector

HP Server ROM

HP ROM (Read Only Memory) is now digitally signed using HP's Corporate Signing Service. This signature is verified before the flash process starts, reducing accidental programming and preventing malicious efforts to corrupt system ROM.

HP ROM provides for essential initialization and validation of hardware components before control is passed to the customer-installed operating system. The ROM also provides the capability of booting from various fixed media (HDD, CD-ROM) and removable media (USB), to continue operation to the operating system.

HP ROM performs very early configuration of the video controller, to allow monitoring of initialization progress via an attached monitor. If configuration or hardware errors are discovered during this early phase of hardware initialization, suitable messages are now displayed on the connected monitor. Additionally, these configuration or hardware errors are logged to the Integrated Management Log (IML) to assist in diagnosis.

HP's ProLiant ROM is used to configure the following:

- Processor and chipset status registers
- System memory, memory map, and memory initialization
- System hardware configuration (Integrated PCI devices and optional PCIe cards).
- Customer-specific BIOS configuration (using the HP ROM-Based Setup Utility (RBSU)).

NOTE: For further information, please refer to HP's RBSU (ROM based setup utility) user guide: www.hp.com/support/rbsu.

Storage Controller HP Dynamic Smart Array B320i Controller

Standard Features

Internal Storage Devices	Diskette Drives	Via USB through the SUV port, external support only
	Optical Drives	Via USB through the SUV port, external support only
	Hard Drives	None ship standard

Maximum Internal Storage	4U Half Width tray		
	Hot Plug SATA SFF 2.5"	8.0 TB	8 x 1TB
	Hot Plug SAS SFF 2.5"	9.6TB	8 x 1.2TB
	Hot Plug SATA SSD 2.5"	6.4TB	8 x 800GB
	Hot Plug SAS SSD 2.5"	6.4TB	8 x 800GB

Interfaces	Network RJ-45	Two 1GbE NIC ports
	FlexibleLOM	ProLiant Gen8 servers offer a new networking technology - Flexible Network Technology. The SL270s Gen8 server offers the customer the choice of 1Gigabit, 10Gigabit or InfiniBand FlexibleLOM solutions depending on workload. For further details on the choices, see FlexibleLOM in the Networking Section of this document for further details.
	KVM	Serial USB Video Port (SUV)
	Micro SD	1 (internal)
	USB Ports	1 (internal)
	HP iLO Remote Management Network Port	1 Gb Dedicated
	Health LED	1 front
	Power	1 front
	UID	1 front

Industry Standard Compliance	ACPI 2.0b Compliant
	PCIe 3.0 Compliant
	WOL Support
	Microsoft® Logo certifications
	PXE Support
	USB 1.1 and 2.0 Compliant
	SMBIOS 2.6.1

Standard Features

Server Power Cords

One 6' Highline (IEC-IEC) power cord ships standard

NOTE: HP ProLiant SL servers are primarily connected to PDU's in data center racks so they ship standard with only a PDU power cord (416151-B21). If a user wishes to power a ProLiant SL server using a 110V receptacle (NEMA-15), the NEMA power cord must be ordered separately.

NOTE: If customers require a power cord, they can check the power cord matrix for the appropriate cord. Please see the following power cord matrix: <http://www.hp.com/go/powercordmatrix>.

Power Specifications

To review typical system power ratings, use the HP Power Advisor which is available via download at URL: www.hp.com/go/hppoweradvisor.

NOTE: Power Specification and Technical Content for supported power supplies can be found at: http://h18000.www1.hp.com/products/quickspecs/14209_na/14209_na.html

Common Slot Power Supplies

NOTE: Mixing of power supplies in the same server is not supported. All power supplies inside a server must be exactly the same model. Mixing Gold, Platinum, and Platinum Plus certified power supplies is not supported.

HP's Common Slot (CS) power supplies allow for commonality of power supplies across a wide range of ProLiant and Integrity servers, as well as HP Storage solutions, and are designed to provide the highest power supply efficiency without degrading system performance. HP CS power supplies are tested by the Electric Power Research Institute (EPRI) and certified through the ECOS 80 Plus power supply program. HP CS power supply options provide efficiency ratings of up to 94% and are available in three power output options - 750W, 1200W and 1500W - allowing the customer to "right-size" a power supply for their specific server configuration. All HP Common Slot power sources are UL, CE Mark Compliant, hot-plug and support redundant configurations.

NOTE: Mixing of power supplies in the same server is not supported. All power supplies must be of the same output and efficiency rating. If non-matched power supplies are inserted you will get errors and operation will fail.

It is highly recommended that you use the HP Power Advisor in defining the "Right-Size" power supply for your needs. HP Power Advisor can be accessed at: www.hp.com/go/hppoweradvisor.

NOTE: The 80 PLUS program is a unique forum that unites electric utilities, the computer industry, and consumers in an effort to bring energy efficient technology solutions to the marketplace. 80 Plus independently tests power supply efficiency and publicly posts the results on 80Plus.org.

Redundant Power: Optional (1+ 1 or n+n redundant) power supplies can be purchased through power supply option kits (see Power Supplies for part numbers).

NOTE: Power Specification and Technical Content for supported power supplies can be found at: http://h18000.www1.hp.com/products/quickspecs/14209_na/14209_na.html

Standard Features

System Fans

HP s6500 Redundant Fan Kit

NOTE: This kit includes only 1 fan

NOTE: This selection must be ordered in quantities of 8 (PN 617856-B21)

HP s6500 Non-Redundant Fan Kit

NOTE: This kit includes only 1 fan

NOTE: This selection must be ordered in quantities of 8 (PN 617858-B21)

NOTE: all 8 fan bays must be populated with either redundant or non-redundant fans

NOTE: mixing and matching of fans is not allowed

Operating Systems and Virtualization Software Support for ProLiant Servers

[Microsoft Windows Server](#)

[Red Hat Enterprise Linux \(RHEL\)](#)

[SUSE Linux Enterprise Server \(SLES\)](#)

NOTE: For more information on HP's Certified and Supported ProLiant Servers for OS and Virtualization Software and latest listing of software drivers available for your server including how to purchase from HP, please visit our OS Support Site at: <http://www.hp.com/go/ossupport> and our driver download page: www.hp.com/support/SL270sGen8

Graphics

Integrated Matrox G200 video standard

- 1280 x 1024 (32 bpp)
- 1920 x 1200 (16 bpp)

HP iLO 4 On System Management Memory

- 16 MB Flash
 - 256 MB DDR 3 with ECC (112 MB after ECC and video)
-

Form Factor

Fully configured SL270 is 4U, half-width

Fully configured s6500 chassis is 4U, full-width

Standard Features

On System Management HP iLO Management Engine

HP iLO Management Engine is a comprehensive set of embedded management features supporting the complete lifecycle of the server, from initial deployment, through ongoing management, to service alerting and remote support. HP iLO Management Engine comes standard on all HP ProLiant Gen8 servers. The HP iLO Management Engine portfolio includes:

- **HP iLO:** The HP iLO (Integrated Lights-Out) management processor is the core foundation for the HP iLO Management Engine
- **HP Agentless Management:** Provides built in server health monitoring and alerting capability without OS agents, that starts working the moment a power cord and an Ethernet cable are connected.
- **HP Active Health System:** Always on, continuous monitoring for increased stability and shorter downtimes; 100% configuration history; Health and service alerts and easy export and upload to Service and Support.
- **HP iLO Mobile App:** Enables the ability to access, deploy, and manage your server anytime from anywhere from select smartphones and mobile devices. For additional information please visit: www.hp.com/go/ilo/mobileapp

NOTE: For more information, visit: <http://www.hp.com/go/ilo> or HP iLO Management Engine technologies whitepaper

HP Insight Management HP Service Pack for ProLiant (SPP)

HP Service Pack for ProLiant (SPP) and HP Smart Update Manager (HP SUM) version 5 provide a new, comprehensive approach to firmware and system software maintenance. Together they provide better operating stability and ensure maximum uptime. The SPP will be updated at a predictable cadence, typically coinciding with new HP server hardware launches. By enabling all firmware to be updated online and integrating firmware and system software updates in one operation HP SUM and the SPP offer faster updates of individual servers and dramatically faster updates of entire BladeSystem enclosures. Further improving system uptime and stability is the fact that HP provides 12 months of support on each Service Pack for ProLiant.

The user experience around HP SUM and the SPP has been improved in several ways, starting with the web download. A single web page provides access to a single download containing both the latest version of HP SUM version 5 and the latest SPP. Optional smaller subsets with only specific types of servers or specific operating systems are offered to save on download time. The HP SUM application has been re-written to provide a more straightforward, intuitive user interface that guides the user through the steps of discovery, analyses and update, providing comprehensive information on available updates, criticality and interdependencies. This information is also available in reports. By providing the option of multiple local or shared repositories which can be easily updated from hp.com, HP SUM provides the tools to optimize stability and consistency throughout the company. While HP SUM and the SPP will recommend the combinations of firmware and system software that HP has found to be the best practice, the application gives customers the flexibility to set their own specific baseline.

Standard Features

The Service Pack for ProLiant has been rigorously tested with specific attention for interaction between firmware, drivers and agents both within the server as well as in interaction with the BladeSystem enclosure components (Onboard Administrator and Virtual Connect). This testing ensures the highest quality as well as providing the input for HP SUM to deploy updates taking into account all interdependencies, when determining the correct updates and order of update deployment.

NOTE: The Service Pack for ProLiant (which includes HP SUM 5) can be downloaded from www.hp.com/go/spp/download. More information can be found: www.hp.com/go/spp and <http://www.hp.com/go/hpsum>

Security

Power-on password
Keyboard password
QuickLock, Network Server Mode
Serial interface control
Administrator's password
iLO 4 (Integrated Lights-Out 3) has 12 customizable user accounts and SSL encryption
iLO 4 can be disabled via a Global Setting
iLO Advanced supports directory services integration

Warranty

This product is covered by a global limited warranty and supported by HP Services and a worldwide network of HP Authorized Channel Partners. Hardware diagnostic support and repair is available for one year from date of purchase. Support for software and initial setup is available for 90 days from date of purchase. Enhancements to warranty services are available through HP Care Pack services or customized service agreements. Hard drives have either a one year or three year warranty.

NOTE: Server Warranty includes 1 year Parts, 1 year Labor, 1-year on-site support with next business day response. Warranty repairs may be accomplished through the use of Customer Self Repair (CSR) parts. These parts fall into two categories: 1) Mandatory CSR parts are designed for easy replacement. A travel and labor charge will result when customers decline to replace a Mandatory CSR part; 2) Optional CSR parts are also designed for easy replacement but may involve added complexity. Customers may choose to have HP replace Optional CSR parts at no charge. Additional information regarding worldwide limited warranty and technical support is available at: <http://h18004.www1.hp.com/products/servers/platforms/warranty/index.html>.

Optional Features

HP Insight Management	HP Insight Control	<p>HP Insight Control, a product option, delivers essential infrastructure management that can help save time and money by making it easy to deploy, migrate, monitor, remote control, and optimize your IT infrastructure through a single, simple management console. For more information, see http://www.hp.com/go/insightcontrol.</p> <p>HP Insight Control includes one year of 24 x 7 HP Software Technical Support and Update Service ensuring rapid access to HP support staff and proactive delivery of software updates. For more information about this service, see: http://www.hp.com/services/insight.</p>
	HP iLO Advanced	<p>HP Integrated Lights-Out Advanced License a product option, providing smart remote server management without compromise. iLO Advanced unlocks the full set of remote administration functionality for all HP ProLiant servers by activating the full Virtual Keyboard Video and Mouse remote console, multi-user collaboration, console record and replay, GUI-based and scripted virtual media and virtual folders, and enhanced security and power management functionality. For more information, see: http://www.hp.com/go/iloadvance</p>
	HP iLO Scale-Out	<p>HP iLO Scale Out offers, Remote Serial Console(text-based video re-direction via SSH), email-based alerting, remote system log, serial record/playback and power management capabilities. These features can significantly assist customers purchasing "SL" series to manage their servers. It is ideal for the web hosting/cloud service providers, High Performance Computing and Scale-Out businesses.</p> <p>If customers require more advanced features such as graphical remote console, multi-user collaboration, and video record/playback they can purchase HP iLO Advanced.</p>
	HP Matrix Operating Environment	<p>The HP Matrix Operating Environment (Matrix OE) for ProLiant and Integrity servers is an integrated command center that helps you instantly adjust to dynamic business demands. This advanced infrastructure management software lets you reduce the cost of common data center tasks by up to 40 percent while keeping pace with your changing business.</p> <p>The HP Matrix OE includes the automated provisioning, optimization, and recovery management capabilities for HP CloudSystem Matrix, the ideal platform for private cloud and Infrastructure as a Service (IaaS).</p>

NOTE: For more information, visit: <http://www.hp.com/go/matrixoe>

Optional Features

High Performance Clusters

HP Cluster Platforms	HP Cluster Platforms are specifically engineered, factory-integrated large-scale ProLiant clusters optimized for High Performance Computing, with a choice of servers, networks and software. Operating system options include specially priced offerings for Red Hat Enterprise Linux and SUSE Linux Enterprise Server, as well as Microsoft Windows HPC Server. A Cluster Platform Configurator simplifies ordering. http://www.hp.com/go/clusters
HP HPC Interconnects	High Performance Computing (HPC) interconnect technologies are available for this server as part of the HP Cluster Platform portfolio. These high-speed InfiniBand and Gigabit interconnects are fully supported by HP when integrated within an HP cluster. Flexible, validated solutions can be defined with the help of configuration tools. http://www.hp.com/techservers/clusters/ucp/index.html
HP Insight Cluster Management Utility	HP Insight Cluster Management Utility (CMU) is an HP-licensed and HP-supported suite of tools that are used for lifecycle management of hyperscale clusters of Linux ProLiant systems. CMU includes software for the centralized provisioning, management and monitoring of nodes. CMU makes the administration of clusters user friendly, efficient, and effective. http://www.hp.com/go/cmu
HP HPC Linux Value Pack	HP HPC Linux Value Pack (Value Pack) is an HP-licensed and HP-supported option to HP Insight CMU, for the development and deployment of applications on HPC Cluster Platforms. Value Pack includes the Platform LSF workload scheduler and Platform Application Center, as well as the HP-MPI parallelization library. HP HPC Linux Value Pack

Storage Software

Whether you need to solve a specific data protection, archiving, or storage command and control challenge, or deliver on strategic consolidation, compliance, or continuity initiatives, look no further than HP storage software. Our storage software helps you reduce costs, simplify storage infrastructure, protect vital assets and respond faster to business opportunities.

Storage software that gets the job done:

- **Data Protection and Recovery Software**
Whether you're a large enterprise or a smaller business, HP data protection and recovery software will cost-effectively protect you against disaster and ensure business continuity.
- **Data Archive and Migration Software**
HP's storage software enables you to comply with data retention and retrieval requirements, improve application performance, and reduce costs by efficiently migrating infrequently accessed or less valuable data to lower cost storage.
- **Storage Resource Management Software (SRM)**
HP's storage resource management software reduces operational costs and provides the command and control foundation you need to efficiently manage and visualize your physical and virtual environments.
- **Data Replication Software**
HP offers array-based and host-based replication software for use in disaster recovery, testing, application development and reporting.
- **Storage Device Management Software**
Maximize your investment in HP storage and networking with software that enables hardware-specific configuration, performance tuning and connectivity management.
- **HP StoreVirtual VSA**

Optional Features

With HP StoreVirtual VSA you can use the power of virtualization to turn a set of heterogeneous and disconnected physical disk drives in your servers and storage devices into a single pool of logical storage capacity.

NOTE: For more information available Storage Software including QuickSpecs, please see: www.hp.com/go/storage/software.

HP Insight Online

HP Insight Online is a new addition to the HP Support Center for one stop, secure access to product and HP support information personalized to your IT environment. Insight Online can automatically display devices remotely monitored by HP Insight Remote Support. With Insight Online's easy navigation you can efficiently track your IT support contracts and device status from anywhere and at anytime.

www.hp.com/go/insightonline

Factory Express Portfolio for Servers and Storage

HP Factory Express offers configuration, customization, integration and deployment services for HP servers and storage products. Customers can choose how their factory solutions are built, tested, integrated, shipped and deployed.

Factory Express offers service packages for simple configuration, racking, installation, complex configuration and design services as well as individual factory services, such as image loading, asset tagging, and custom packaging. HP products supported through Factory Express include a wide array of servers and storage: HP Integrity, HP ProLiant, HP ProLiant Server Blades, HP BladeSystem, HP 9000 servers as well as the MSAxxxx, VA7xxx, EVA, XP, rackable tape libraries and configurable network switches.

For more information on Factory Express services for your specific server model please contact your sales representative or go to: <http://www.hp.com/go/factory-express>.

HP Simple Configurator

SCE is a guided self service tool to help sales and non technical people provide customers with initial configurations in 3 to 5 minutes. You may then send the configuration on for configuration help, or use in your existing ordering processes. If you require "custom" rack configuration or configuration for products not available in SCE, please contact HP's Customer Business Center or an Authorized Partner for assistance. <http://www.hp.com/products/configurator>

Optional Features

GPU Computing Modules Each SL270s tray will accommodate up to eight GPUs, with options including NVIDIA Tesla M2075, M2070Q, M2090, K10, K20, and K20x computational accelerator modules. The NVIDIA M2070Q module enables computational acceleration as well as high-end QUADRO® graphics. The other modules are primarily for computational acceleration.

NOTE: Each SL270s tray will accommodate up to eight GPUs. When implementing seven or eight M2090's in the SL270s you must clock them down to 225W; if you are implementing six or less, you can run the GPUs at the full 250W. Max number of M2070Q, K10, K20, and K20x modules supported at this time is TBD.

NOTE: When adding GPU solutions to the SL270s servers, one must utilize the HP 1200W CS Platinum Power Supply Kit, 578322-B21, or the HP1500W CS Platinum Power Supply Kit, 684532-B21, for all four power supply slots.

NOTE: When implementing 7 or 8 GPUs, one must utilize the HP 1500W CS Platinum Power Supply Kit, 684532-B21.

NOTE: One must configure a minimum of 4GB of memory per CPU when GPU's are installed.

Service and Support

Service and Support

HP Technology Services for Industry Standard Servers and BladeSystem

Capitalizing on HP ProLiant server and HP BladeSystem capabilities requires a service partner who understands your increasingly complex business technology environment. That's why it makes sense to team up with the people who know HP infrastructure hardware and software best - the experienced professionals at HP Services.

What HP ProLiant and BladeSystem Services can do for you

HP ProLiant and BladeSystem Services can help you design, deploy, test, integrate, support, and manage IT and infrastructure solutions. This way, HP proposes services solutions that include more than just uplift of base warranty. Foundation Care services deliver scalable support-packages for HP industry-standard servers and software. You can choose the type and level of service that is most suitable for their business needs. New to this portfolio is HP Collaborative Support. If you are running business critical environments, HP offers Proactive Care or Critical Advantage. These services help deliver high levels of application availability through proactive service management and advanced technical response

You can get the support you need by choosing from one of a number of service packaged solutions we have designed to address wider set of customer support needs.

HP Technology Services meets business challenges with services offered in three support recommendations - **Optimized Care, Standard Care, and Basic Care** - available for each product group. Such support solutions enable customers to optimize technology operations, minimize risk and drive better business outcomes with easy-to-buy, easy-to-use scalable support recommendations for servers, storage, networking and software designed to meet your specific needs.

All three service recommendations include support services from the broader portfolio of Foundation Care and Proactive Care services.

Optimized Care

Optimized Care: Supports maintaining servers at optimum performance availability

HP ProLiant Server Hardware Installation

Provides for the basic hardware installation of HP branded servers, storage devices and networking options to assist you in bringing your new hardware into operation in a timely and professional manner <http://h20195.www2.hp.com/V2/GetPDF.aspx/5981-9356EN.pdf>

HP Installation and Startup for Insight Control Software / HP SIM

Provides for the deployment and basic configuration of HP Insight Control or HP SIM (Systems Insight Manager) on HP ProLiant ML and DL series servers or HP BladeSystem servers <http://h20195.www2.hp.com/v2/GetPDF.aspx/4AA0-9972ENW.pdf>

3-Year HP 24x7 4 hour Response, Proactive Care

Helps optimize your systems and delivers high levels of application availability through proactive service management and advanced technical response. A skilled Technical Manager will own your call and end to end until resolved, delivering a single point of contact for you. Helping you to resolve your hardware and software issues and minimizing downtime in your business critical environment.

Additional Services: Factory Express, Education Services, Proactive Select - 30 Credit Package

Service and Support

Standard Care

Standard Care: Service recommendation that maintains high level of server availability

HP ProLiant Server Hardware Installation

Provides for the basic hardware installation of HP branded servers, storage devices and networking options to assist you in bringing your new hardware into operation in a timely and professional manner
<http://h20195.www2.hp.com/V2/GetPDF.aspx/5981-9356EN.pdf>

HP Installation and Startup for Insight Control Software / HP SIM

Provides for the deployment and basic configuration of HP Insight Control or HP SIM (Systems Insight Manager) on HP ProLiant ML and DL series servers or HP BladeSystem servers
<http://h20195.www2.hp.com/v2/GetPDF.aspx/4AA0-9972ENW.pdf>

3-Year HP 24x7 4 hour Response, Collaborative Support

Provides problem resolution support across the stack of HW, firmware, and HP and 3rd party SW. In case the issue is with 3rd party SW, HP does known issue resolution. If HP cannot solve the issue, it will contact the third-party vendor and create a problem incident on your behalf.
<http://h20195.www2.hp.com/V2/GetPDF.aspx/4AA3-8232ENW.pdf>

Additional Services: Software support service with 24X7 availability with a 2 hour response, Training courses on Microsoft, Linux (Red Hat and SUSE), VMware, and HP Insight Software, 10 Proactive Select Credit package, Factory Express
<http://www8.hp.com/us/en/business-services/it-services.html?compURI=1078865>

Basic Care

Basic Care: delivers minimum recommended support service level

HP ProLiant Server Hardware Installation

Provides for the basic hardware installation of HP branded servers, storage devices and networking options to assist you in bringing your new hardware into operation in a timely and professional manner
<http://h20195.www2.hp.com/V2/GetPDF.aspx/5981-9356EN.pdf>

3-Year HP 24x7 4 hour Response, Hardware Support Onsite Service

Provides you with rapid remote support and if required an HP authorized technical engineer will be on site 24X7 begin hardware maintenance service within 4 hours of the service request being logged
<http://h20195.www2.hp.com/V2/GetPDF.aspx/5982-6547EEE.pdf>

3-Year , HP 24x7 Software Support for Insight Control

Provides remote 3-year software support service that delivers comprehensive software services, including access to HP technical resources and software updates
<http://h20195.www2.hp.com/V2/GetPDF.aspx/5981-6645EEE.pdf>

Additional Services: Factory Express, Education Services, Proactive Select - 10 Credits

Insight Remote Support

Provides 24 X 7 remote monitoring, proactive notifications, and problem resolution. Learn more
<http://www.hp.com/go/insightremotesupport>

Service and Support

HP Support Center

Personalized online support portal with access to information, tools and experts to support HP business products. Submit support cases online, chat with HP experts, access support resources or collaborate with peers. Learn more <http://www.hp.com/go/hpsc>

HP's Support Center Mobile App* allows you to resolve issues yourself or quickly connect to an agent for live support. Now, you can get access to personalized IT support anywhere, anytime. HP Insight Remote Support and HP Support Center are available at no additional cost with a HP warranty, HP Care Pack or HP contractual support agreement.

**HP' Support Center Mobile App is subject to local availability*

Warranty / Service Coverage

For ProLiant servers and storage systems, the services cover HP-branded hardware options qualified for the server, purchased at the same time or afterward, internal to the enclosure, as well as external monitors up to 22" and tower UPS products; these items will be covered at the same service level and for the same coverage period as the server unless the maximum supported lifetime and/or the maximum usage limitation has been exceeded. Coverage of the UPS battery is not included; standard warranty terms and conditions apply.

The defective media retention service feature option applies only to Disk or eligible SSD/Flash Drives replaced by HP due to malfunction. It does not apply to any exchange of Disk or SSD/Flash Drives that have not failed. SSD/Flash Drives that are specified by HP as consumable parts and/or that have exceeded maximum supported lifetime and/or the maximum usage limit as set forth in the manufacturer's operating manual or the technical data sheet are not eligible for the defective media retention service feature option

For more information

To learn more on HP ProLiant servers and HP BladeSystem servers, please contact your HP sales representative or HP Authorized Channel Partner. Or visit: <http://www.hp.com/services/proliant>

Pre-configured Models

NOTE: For the Standard Features shipped in the "Factory Integrated Models", please see the "Configuration Information - Factory Integrated Models" section.

NOTE: Pre-configured models ship with the configurations below. Options can be selected from the Core or Additional options section of this QuickSpecs.

NOTE: HP does not allow factory integration of options into pre-configured models. Any additional options purchased will be shipped separately.

NOTE: If you desire a custom configuration please see "Configuration Information - Factory Integrated Models" section of this QuickSpecs.

HP ProLiant SL270s G8 2U Server

Base Models

HP ProLiant SL270s Gen8 E5-2660 2P 8GB 4U Left Tray Server 659043-B21	Processor(s) Cache Memory Memory Network Controller Storage Controller Hard Drive Internal Storage Optical Drive Power Supply Fans Management Form Factor Warranty	Intel® Xeon® E5-2660 (2.20GHz/8-core/20MB/8GT-s QPI/95W, DDR3-1600, HT, Turbo2- 5/5/6/6/7/7/8/8) 20MB (1x20MB) L3 cache 8GB (2x 4G) Registered DIMMs (1333MHz) NOTE: A total of 16 DIMM Slots are available. HP Ethernet 1Gb 2-port 361i Adapter HP Dynamic Smart Array B320i Controller None ship standard None ship standard External support only via USB through the SUV port Chassis, fans and power supplies sold separately Chassis, fans and power supplies sold separately HP iLO Management Engine (standard) Optional: HP Insight Control 4U Half-Width server tray Server Warranty includes 1-Year Parts, 1-Year Labor, 1-Year onsite service
--	---	--

HP ProLiant SL270s Gen8 E5-2660 2P 8GB 4U Right Tray Server 659051-B21	Processor(s) Cache Memory Memory Network Controller Storage Controller Hard Drive Internal Storage Optical Drive Power Supply Fans	Intel® Xeon® E5-2660 (2.20GHz/8-core/20MB/8GT-s QPI/95W, DDR3-1600, HT, Turbo2- 5/5/6/6/7/7/8/8) 20MB (1x20MB) L3 cache 8GB (2x 4G) Registered DIMMs (1333MHz) NOTE: Note a total of 16 DIMM Slots are available. HP Ethernet 1Gb 2-port 361i Adapter HP Dynamic Smart Array B320i Controller None ship standard None ship standard External support only via USB through the SUV port Chassis, fans and power supplies sold separately Chassis, fans and power supplies sold separately
---	---	---

Pre-configured Models

Management	HP iLO Management Engine (standard) Optional: HP Insight Control
Form Factor	4U Half-Width server tray
Warranty	Server Warranty includes 1-Year Parts, 1-Year Labor, 1-Year onsite service

Configuration Information - Factory Integrated Models

NOTE: This section lists some of the steps required to configure a Factory Integrated Model. To ensure only valid configurations are ordered, HP recommends the use of an HP approved configurator. Contact your local sales representative for information on configurable product offerings and requirements.

NOTE: Factory Integrated Models must start with a CTO Server.

NOTE: FIO indicates that this option is only available as a factory installable option.

NOTE: All Factory Integrated Models will be populated with sufficient hard drive blanks based on the number of initial hard drives ordered with the server.

NOTE: s6500 Chassis cannot have a mix of SL270s and SL250s and/or SL230s due to different Carbondale (CD) FW versions. You will be unable to order such a configuration. SL250s and SL230s can be intermixed in an s6500 chassis because they possess the same Carbondale (CD) FW versions, but one that differs from SL270s. This rule does not apply to any combination of servers with Ivy Bridge processors, the Carbondale version in those processors is the same.

Step 1: Base Configuration (choose one from each list unless otherwise noted)

HP Chassis	HP ProLiant s6500 without Fans 4U Configure-to-order Chassis	614167-B21
	NOTE: You must choose Power Supplies and fans as the chassis does not include them.	
	NOTE: If you already have a s6500 chassis you can buy server trays below.	

Step 1A: Select Nodes

NOTE: Mixing and matching of half width trays is supported in the s6500 chassis.

NOTE: If you do not fill up chassis with servers, the HP node blank Kit 622372-B21 needs to be ordered for each half width 1U space unpopulated.

HP Server Nodes	HP ProLiant SL270s Gen8 1U Left Half Width Tray Configure-to-order Server	654947-B21
	HP ProLiant SL270s Gen8 1U Right Half Width Tray Configure-to-order Server	654948-B21

Step 2: Choose Required Node Options (only one of the following from each list unless otherwise noted)

HP Processors	NOTE: If 2 processors are desired, select one xxxxx-L21 and one xxxxxx-B21.	
	Entry Processors	
	NOTE: All support up to 1066MHz memory speeds.	
	HP SL270s Gen8 Intel® Xeon® E5-2609 (2.4GHz/4-core/10MB/80W) FIO Processor Kit	662341-L21
	HP SL270s Gen8 Intel® Xeon® E5-2603 (1.8GHz/4-core/10MB/80W) FIO Processor Kit	662342-L21
	Base Processors	
	NOTE: All support up to 1333MHz DDR3 memory speeds.	
	HP SL270s Gen8 Intel® Xeon® E5-2640 (2.5GHz/6-core/15MB/95W) FIO Processor Kit	662338-L21
	HP SL270s Gen8 Intel® Xeon® E5-2630 (2.3GHz/6-core/15MB/95W) FIO Processor Kit	662339-L21
	HP SL270s Gen8 Intel® Xeon® E5-2620 (2.0GHz/6-core/15MB/95W) FIO Processor Kit	662340-L21
	HP SL270s Gen8 Intel® Xeon® E5-2630L (2.0GHz/6-core/15MB/60W) FIO Processor Kit	662347-L21
	Performance Processors	
	NOTE: All support up to 1600MHz DDR3 memory speeds.	
	NOTE: For 130W CPU support and configuration, please contact your HP account team.	
	HP SL270s Gen8 Intel® Xeon® E5-2670 (2.6GHz/8-core/20MB/115W) FIO Processor Kit	662334-L21

Configuration Information - Factory Integrated Models

HP SL270s Gen8 Intel® Xeon® E5-2665 (2.4GHz/8-core/20MB/115W) FIO Processor Kit	662335-L21
HP SL270s Gen8 Intel® Xeon® E5-2660 (2.2GHz/8-core/20MB/95W) FIO Processor Kit	662336-L21
HP SL270s Gen8 Intel® Xeon® E5-2650 (2.0GHz/8-core/20MB/95W) FIO Processor Kit	662337-L21
HP SL270s Gen8 Intel® Xeon® E5-2650L (1.8GHz/8-core/20MB/70W) FIO Processor Kit	662346-L21
HP SL270s Gen8 Intel® Xeon® E5-2637 (3.0GHz/2-core/5MB/80W) FIO Processor Kit	662345-L21

NOTE: DDR3 speed is the maximum memory speed of the processor. Actual memory speed may depend on the quantity and type of DIMMs installed.

HP Memory

NOTE: HP memory from previous generation servers are not qualified or warranted with this HP ProLiant Server. HP SmartMemory is required to realize the memory performance improvements and enhanced functionality listed in this document for Gen8. For additional information, please see the HP SmartMemory QuickSpecs at: http://h18000.www1.hp.com/products/quickspecs/14225_na/14225_na.html

Registered DIMMs (RDIMMs)

HP 4GB (1x4GB) Single Rank x4 PC3L-10600R (DDR3-1333) Registered CAS-9 Low Voltage Memory Kit	647893-B21
HP 4GB (1x4GB) Single Rank x4 PC3-12800R (DDR3-1600) Registered CAS-11 Memory Kit	647895-B21
HP 8GB (1x8GB) Dual Rank x4 PC3-12800R (DDR3-1600) Registered CAS-11 Memory Kit	690802-B21
HP 8GB (1x8GB) Dual Rank x4 PC3L-10600R (DDR3-1333) Registered CAS-9 Low Voltage Memory Kit	647897-B21
HP 8GB (1x8GB) Single Rank x4 PC3-12800R (DDR3-1600) Registered CAS-11 Memory Kit	647899-B21
HP 16GB (1x16GB) Dual Rank x4 PC3L-10600R (DDR3-1333) Registered CAS-9 Low Voltage Memory Kit	647901-B21
HP 16GB (1x16GB) Dual Rank x4 PC3-12800R (DDR3-1600) Registered CAS-11 Memory Kit	672631-B21

Unbuffered with ECC DIMMs (UDIMMs)

HP 2GB (1x2GB) Single Rank x8 PC3-12800E (DDR3-1600) Unbuffered CAS-11 Memory Kit	669320-B21
HP 2GB (1x2GB) Single Rank x8 PC3L-10600E (DDR3-1333) Unbuffered CAS-9 Low Voltage Memory Kit	647905-B21
HP 4GB (1x4GB) Dual Rank x8 PC3-12800E (DDR3-1600) Unbuffered CAS-11 Memory Kit	669322-B21
HP 4GB (1x4GB) Dual Rank x8 PC3L-10600E (DDR3-1333) Unbuffered CAS-9 Low Voltage Memory Kit	647907-B21
HP 8GB (1x8GB) Dual Rank x8 PC3-12800E (DDR3-1600) Unbuffered CAS-11 Memory Kit	669324-B21
HP 8GB (1x8GB) Dual Rank x8 PC3L-10600E (DDR3-1333) Unbuffered CAS-9 Low Voltage Memory Kit	647909-B21

NOTE: For detailed memory configuration rules and guidelines, please use the Online DDR3 Memory Configuration Tool: www.hp.com/go/ddr3memory-configurator

NOTE: There is a maximum support limitation of 8 ranks per memory channel

Configuration Information - Factory Integrated Models

(maximum of 2 quad rank DIMMs per channel)

NOTE: PC3L is a low voltage memory.

NOTE: Memory Min and Max depends on number of processors and type of memory:

- One (1) Processor -> R-Dimm: Min 1 // Max 8 U-Dimm: Min 1 // Max 8
- Two (2) Processors -> R-Dimm: Min 2 // Max 16 U-Dimm: Min 2 // Max 16

Step 3: Choose Additional Factory Integratable Options

HP Networking

Gigabit Ethernet Adapters

HP Ethernet 1Gb 4-port 366FLR FIO Adapter

684217-B21

FlexibleLOM Adapters

HP Ethernet 10Gb 2-port 560FLR-SFP+ FIO Adapter

684218-B21

NOTE: Please see the QuickSpecs for Technical Specifications and additional information: www.hp.com/go/ProLiantNICs

HP Insight Software

HP Insight Control including 1yr 24x7 Support ProLiant ML/DL/BL-bundle Single Server FIO License

C6N36/

Step 4: Choose Additional Options for Factory Integration

NOTE: For additional options, please refer to the "Core Options" and "Additional Options" section below.

Core Options

NOTE: Some options may not be integrated at the factory. To ensure only valid configurations are ordered, HP recommends the use of an HP approved configurator. Contact your local sales representative for additional information.

HP Processors

Entry Processors

NOTE: All support up to 1066MHz memory speeds.

HP SL270s Gen8 Intel® Xeon® E5-2609 (2.4GHz/4-core/10MB/80W) Processor Kit	662341-B21
HP SL270s Gen8 Intel® Xeon® E5-2603 (1.8GHz/4-core/10MB/80W) Processor Kit	662342-B21

Base Processors

NOTE: All Base Processors support up to 1333MHz DDR3 memory speed.

HP SL270s Gen8 Intel® Xeon® E5-2640 (2.5GHz/6-core/15MB/95W) Processor Kit	662338-B21
HP SL270s Gen8 Intel® Xeon® E5-2630 (2.3GHz/6-core/15MB/95W) Processor Kit	662339-B21
HP SL270s Gen8 Intel® Xeon® E5-2620 (2.0GHz/6-core/15MB/95W) Processor Kit	662340-B21
HP SL270s Gen8 Intel® Xeon® E5-2630L (2.0GHz/6-core/15MB/60W) Processor Kit	662347-B21

Performance Processors

NOTE: All support up to 1600MHz DDR3 memory speeds.

NOTE: For 130W CPU support and configuration, please contact your HP account team.

HP SL270s Gen8 Intel® Xeon® E5-2670 (2.6GHz/8-core/20MB/115W) Processor Kit	662334-B21
HP SL270s Gen8 Intel® Xeon® E5-2665 (2.4GHz/8-core/20MB/115W) Processor Kit	662335-B21
HP SL270s Gen8 Intel® Xeon® E5-2660 (2.2GHz/8-core/20MB/95W) Processor Kit	662336-B21
HP SL270s Gen8 Intel® Xeon® E5-2650 (2.0GHz/8-core/20MB/95W) Processor Kit	662337-B21
HP SL270s Gen8 Intel® Xeon® E5-2650L (1.8GHz/8-core/20MB/70W) Processor Kit	662346-B21
HP SL270s Gen8 Intel® Xeon® E5-2637 (3.0GHz/2-core/5MB/80W) Processor Kit	662345-B21

NOTE: DDR3 speed is the maximum memory speed of the processor. Actual memory speed may depend on the quantity and type of DIMMs installed.

HP Memory

NOTE: To realize the performance memory capabilities listed in this document, HP SmartMemory is required. For additional information, please see the HP SmartMemory QuickSpecs at:

http://h18000.www1.hp.com/products/quickspecs/14225_na/14225_na.html

Registered DIMMs (RDIMMs)

HP 4GB (1x4GB) Single Rank x4 PC3L-10600R (DDR3-1333) Registered CAS-9 Low Voltage Memory Kit	647893-B21
HP 4GB (1x4GB) Single Rank x4 PC3-12800R (DDR3-1600) Registered CAS-11 Memory Kit	647895-B21
HP 8GB (1x8GB) Dual Rank x4 PC3-12800R (DDR3-1600) Registered CAS-11 Memory Kit	690802-B21
HP 8GB (1x8GB) Dual Rank x4 PC3L-10600R (DDR3-1333) Registered CAS-9 Low Voltage Memory Kit	647897-B21
HP 8GB (1x8GB) Single Rank x4 PC3-12800R (DDR3-1600) Registered CAS-11 Memory Kit	647899-B21
HP 16GB (1x16GB) Dual Rank x4 PC3L-10600R (DDR3-1333) Registered CAS-9 Low Voltage Memory Kit	647901-B21

Core Options

HP 16GB (1x16GB) Dual Rank x4 PC3-12800R (DDR3-1600) Registered CAS-11 Memory Kit	672631-B21
Unbuffered with ECC DIMMs (UDIMMs)	
HP 2GB (1x2GB) Single Rank x8 PC3-12800E (DDR3-1600) Unbuffered CAS-11 Memory Kit	669320-B21
HP 2GB (1x2GB) Single Rank x8 PC3L-10600E (DDR3-1333) Unbuffered CAS-9 Low Voltage Memory Kit	647905-B21
HP 4GB (1x4GB) Dual Rank x8 PC3-12800E (DDR3-1600) Unbuffered CAS-11 Memory Kit	669322-B21
HP 4GB (1x4GB) Dual Rank x8 PC3L-10600E (DDR3-1333) Unbuffered CAS-9 Low Voltage Memory Kit	647907-B21
HP 8GB (1x8GB) Dual Rank x8 PC3-12800E (DDR3-1600) Unbuffered CAS-11 Memory Kit	669324-B21
HP 8GB (1x8GB) Dual Rank x8 PC3L-10600E (DDR3-1333) Unbuffered CAS-9 Low Voltage Memory Kit	647909-B21

NOTE: For detailed memory configuration rules and guidelines, please use the Online DDR3 Memory Configuration Tool: www.hp.com/go/ddr3memory-configurator

NOTE: There is a maximum support limitation of 8 ranks per memory channel (maximum of 2 quad rank DIMMs per channel)

NOTE: PC3L is a low voltage memory.

NOTE: Memory Min and Max depends on number of processors and type of memory:

- One (1) Processor -> R-Dimm: Min 1 // Max 8 U-Dimm: Min 1 // Max 8
- Two (2) Processors -> R-Dimm: Min 2 // Max 16 U-Dimm: Min 2 // Max 16

HP Hard Drives

NOTE: The components of a storage subsystem (e.g. the drive, the HBA/controller, firmware, and the server backplane) should operate at the same data transfer rate or the system bandwidth will be negotiated down to an acceptable level for all components.

NOTE: Hard drives have either a one year or three year warranty.

NOTE: The non-hot plug hard drives use a quick release carrier.

SAS Hot Plug with SmartDrive SFF (2.5-inch) Enterprise Drives

HP 1.2TB 6G SAS 10K rpm SFF (2.5-inch) SC Enterprise 3yr Warranty Hard Drive	697574-B21
HP 900GB 6G SAS 10K rpm SFF (2.5-inch) SC Enterprise 3yr Warranty Hard Drive	652589-B21
HP 600GB 6G SAS 10K rpm SFF (2.5-inch) SC Enterprise 3yr Warranty Hard Drive	652583-B21
HP 450GB 6G SAS 10K rpm SFF (2.5-inch) SC Enterprise 3yr Warranty Hard Drive	652572-B21
HP 300GB 6G SAS 15K rpm SFF (2.5-inch) SC Enterprise 3yr Warranty Hard Drive	652611-B21
HP 300GB 6G SAS 10K rpm SFF (2.5-inch) SC Enterprise 3yr Warranty Hard Drive	652564-B21
HP 146GB 6G SAS 15K rpm SFF (2.5-inch) SC Enterprise 3yr Warranty Hard Drive	652605-B21

SAS Hot Plug SmartDrive SFF (2.5-inch) Midline Drives

HP 1TB 6G SAS 7.2K rpm SFF (2.5-inch) SC Midline 1yr Warranty Hard Drive	652749-B21
HP 500GB 6G SAS 7.2K rpm SFF (2.5-inch) SC Midline 1yr Warranty Hard Drive	652745-B21

Core Options

NOTE: Please see the QuickSpecs for Technical Specifications and additional information:

http://h18000.www1.hp.com/products/quickspecs/12244_na/12244_na.html

6G SATA Hot Plug with SmartDrive SFF (2.5-inch) Midline (MDL) Drives

HP 1TB 6G SATA 7.2K rpm SFF (2.5-inch) SC Midline 1yr Warranty Hard Drive 655710-B21

HP 500GB 6G SATA 7.2K rpm SFF (2.5-inch) SC Midline 1yr Warranty Hard Drive 655708-B21

NOTE: Please see the QuickSpecs for Technical Specifications and additional information:

http://h18000.www1.hp.com/products/quickspecs/13021_na/13021_na.html

6G SATA ME Hot Plug SFF (2.5-inch) Enterprise Mainstream Solid State Drives

HP 800GB 6G SATA Mainstream Endurance SFF 2.5-in SC Enterprise Mainstream 3yr Wty Solid State Drive 691868-B21

HP 400GB 6G SATA Mainstream Endurance SFF 2.5-in SC Enterprise Mainstream 3yr Wty Solid State Drive 691866-B21

HP 200GB 6G SATA Mainstream Endurance SFF 2.5-in SC Enterprise Mainstream 3yr Wty Solid State Drive 691864-B21

HP 100GB 6G SATA Mainstream Endurance SFF 2.5-in SC Enterprise Mainstream 3yr Wty Solid State Drive 691862-B21

6G SAS ME Hot Plug SFF (2.5-inch) Enterprise Mainstream Solid State Drives

HP 800GB 6G SAS Mainstream Endurance SFF 2.5-in SC Enterprise Mainstream 3yr Wty Solid State Drive 690829-B21

HP 400GB 6G SAS Mainstream Endurance SFF 2.5-in SC Enterprise Mainstream 3yr Wty Solid State Drive 690827-B21

HP 200GB 6G SAS Mainstream Endurance SFF 2.5-in SC Enterprise Mainstream 3yr Wty Solid State Drive 690825-B21

6G SAS SLC Hot Plug SFF (2.5-inch) Enterprise Performance Solid State Drives

HP 400GB 6G SAS SLC SFF (2.5-inch) SC Enterprise Performance 3yr Warranty Solid State Drive 653082-B21

HP 200GB 6G SAS SLC SFF (2.5-inch) SC Enterprise Performance 3yr Warranty Solid State Drive 653078-B21

3G SATA MLC Hot Plug SFF (2.5-inch) Enterprise Mainstream Solid State Drives

HP 400GB 3G SATA MLC SFF (2.5-inch) SC Enterprise Mainstream 3yr Warranty Solid State Drive 653120-B21

HP 200GB 3G SATA MLC SFF (2.5-inch) SC Enterprise Mainstream 3yr Warranty Solid State Drive 653118-B21

HP 100GB 3G SATA MLC SFF (2.5-inch) SC Enterprise Mainstream 3yr Warranty Solid State Drive 653112-B21

NOTE: The mixing of standard SAS drives with SAS SSD drives is supported within the server, but limits the RAID configuration to two separate RAID 0 volumes. Mixing of other drives types is not supported.

NOTE: Please see the QuickSpecs for Technical Specifications and additional information:

http://h18000.www1.hp.com/products/quickspecs/14038_na/14038_na.html

Core Options

HP Networking

Gigabit Ethernet Adapters

HP NC112T PCI Express Gigabit Server Adapter	503746-B21
HP NC365T 4-port Ethernet Server Adapter	593722-B21
HP Ethernet 1Gb 4-port 331T Adapter	647594-B21
HP Ethernet 1Gb 2-port 332T Adapter	615732-B21
HP Ethernet 1Gb 2-port 361T Adapter	652497-B21

10 Gigabit Ethernet adapters

NOTE: Direct Attach Cable (DAC) for copper environments or fiber transceivers and cables for fiber-optic environments must be purchased separately.

HP NC523SFP 10Gb 2-port Server Adapter	593717-B21
HP Ethernet 10Gb 2-port 530SFP Adapter	652503-B21
HP Ethernet 10Gb 2-port 530T Adapter	656596-B21
HP Ethernet 10Gb 2-port 560SFP+ Adapter	665249-B21
HP NC552SFP 10Gb 2-port Ethernet Server Adapter	614203-B21

FlexibleLOM Adapters

HP Ethernet 1Gb 4-port 331FLR Adapter	629135-B21
HP Ethernet 1Gb 4-port 366FLR Adapter	665240-B21
HP Ethernet 10Gb 2-port 530FLR-SFP+ Adapter	647581-B21
HP FlexFabric 10Gb 2-port 554FLR-SFP+ Adapter	629142-B21
HP Ethernet 10Gb 2-port 560FLR-SFP+ Adapter	665243-B21

NOTE: Please see the QuickSpecs for Technical Specifications and additional information: www.hp.com/go/ProLiantNICs

HP InfiniBand

HP InfiniBand 4X QDR ConnectX-2 PCIe G2 Dual Port HCA	592520-B21
QLogic InfiniBand 4X QDR PCI-E G2 Dual Port HCA	583211-B21
HP Infiniband FDR/Ethernet 10Gb/40Gb 2-port 544FLR-QSFP Adapter	649282-B21
NOTE: Dual port ConnectX-3 FDR/QDR IB or 40/10GbE. No IB Enablement Kit required.	
HP Infiniband QDR/Ethernet 10Gb 2-port 544FLR-QSFP Adapter	649283-B21
NOTE: Dual port ConnectX-3 QDR IB or 10GbE. No IB Enablement Kit required.	
HP Infiniband FDR/Ethernet 10Gb/40Gb 2-port 544QSFP Adapter	649281-B21
NOTE: Dual port ConnectX-3 FDR/QDR IB or 40/10GbE. No IB Enablement Kit required.	
NOTE: Please see the QuickSpecs for additional information: http://h18000.www1.hp.com/products/quickspecs/13078_na/13078_na.html	

Additional Options

NOTE: Some options may not be integrated at the factory. To ensure only valid configurations are ordered, HP recommends the use of an HP approved configurator. Contact your local sales representative for additional information.

HP Insight Software

HP Insight Control

HP Insight Control including 1yr 24x7 Technical Support and Updates Single Server License	C6N27A
HP Insight Control including 1yr 24x7 Technical Support and Updates Electronic License	C6N28AAE
HP Insight Control including 1yr 24x7 Support ProLiant ML/DL/BL-bundle Electronic License	C6N36AAE
HP Insight Control Server Deployment including 1yr 24x7 Support Electronic License	T9082AAE
HP Insight Control Server Deployment including 1yr 24x7 Support Single Server License	452151-B21
HP Insight Control Server Provisioning Media Kit	BD883A
HP Insight Management Media Kit	C6N31A

NOTE: Electronic and Flexible-Quantity licenses can be used to purchase multiple licenses with a single activation key.

NOTE: Customer will receive a license entitlement certificate. The license entitlement certificate must be redeemed online or via fax in order to obtain the license activation key(s). Includes one year of 24 x 7 HP Software Technical Support and Update Service.

NOTE: Licenses ship without media. The HP Insight Control Media Kit can be ordered separately, or can be downloaded at: <http://www.hp.com/go/insightupdates>.

NOTE: For additional license options please see the QuickSpecs at:

http://h18000.www1.hp.com/products/quickspecs/12631_na/12631_na.html

HP Integrated Lights-Out (iLO)

HP iLO Scale Out

HP Integrated Lights-Out Scale-Out including 3yr 24x7 Tech Support and Updates Flex Qty E-LTU	BD776AAE
HP Integrated Lights-Out Scale-Out 3yr 24x7 Tech Support and Updates Flex Quantity License	BD776A
HP Integrated Lights-Out Scale-Out including 3yr 24x7 Tech Support and Updates Tracking License	BD777A
HP Integrated Lights-Out Scale-Out including 1yr 24x7 Tech Support and Updates Flex Qty E-LTU	BD778AAE
HP Integrated Lights-Out Scale-Out 1yr 24x7 Tech Support and Updates Flex Quantity License	BD778A
HP Integrated Lights-Out Scale-Out including 1yr 24x7 Tech Support and Updates Tracking License	BD779A

NOTE: Licenses ship without media. The Media Kit for Insight Control for Linux can be ordered separately, or can be downloaded at: <http://www.hp.com/go/ic-linux> (click on Download button).

NOTE: Electronic and Flexible-Quantity licenses can be used to purchase multiple licenses with a single set of activation keys.

NOTE: For additional license options please see the QuickSpecs at:

http://h18000.www1.hp.com/products/quickspecs/13019_na/13019_na.html

Additional Options

HP Integrated Lights-Out (iLO) Advanced for ProLiant

HP iLO Advanced including 1yr 24x7 Technical Support and Updates Electronic License	TA850AAE
HP iLO Advanced Electronic License with 3yr 24x7 Tech Support and Updates	BD506AAE
HP iLO Advanced including 1yr 24x7 Technical Support and Updates Single Server License	512485-B21
HP iLO Advanced 1 Server License with 3yr 24x7 Tech Support and Updates	BD505A

NOTE: For additional license options please see the QuickSpecs at:

http://h18004.www1.hp.com/products/quickspecs/14276_na/14276_na.html

NOTE: For more information, visit: <http://www.hp.com/go/ilo>

High Performance Clusters

HP Cluster Management Utility

HP Insight Cluster Management Utility 1yr 24x7 Flexible License	QL803E
HP Insight Cluster Management Utility 3yr 24x7 Flexible License	BD476A

NOTE: These part numbers can be used to purchase one certificate for multiple licenses and support with a single activation key. Each license is for one node (server). Customer will receive a printed end user license agreement and license entitlement certificate via physical shipment. The license entitlement certificate must be redeemed online in order to obtain a license key. Customer also will receive a support agreement.

HP Insight Cluster Management Utility Media	BD477A
---	--------

NOTE: For additional license kits please see the QuickSpecs at

http://h18004.www1.hp.com/products/quickspecs/12612_na/12612_na.html

HP HPC Linux Value Pack

HP High Performance Computing Linux Value Pack 1 Processor Flexible License for ProLiant Servers	TC293E
--	--------

NOTE: This part number can be used to purchase one certificate for multiple licenses with a single activation key. Each license is for one socket (a.k.a. processor). Customer will receive a printed end user license agreement and license entitlement certificate via physical shipment. The license entitlement certificate must be redeemed online in order to obtain a license key.

HP High Performance Computing Linux Value Pack Media Kit for ProLiant Servers	TC294A
---	--------

NOTE: This part number can be used to purchase media including software and documentation, which will be delivered to the customer.

NOTE: For additional license kits please see the QuickSpecs at:

http://h18004.www1.hp.com/products/quickspecs/13485_na/13485_na.html

HP PCIe Workload Accelerator Options

HP 350GB HH/HL PCIe Workload Accelerator for ProLiant Servers	708088-B21
HP 700GB HH/HL PCIe Workload Accelerator for ProLiant Servers	708090-B21

NOTE: Please see the QuickSpecs for Technical Specifications and additional information:

http://h18000.www1.hp.com/products/quickspecs/14528_na/14528_na.html

Additional Options

GPU Computing Modules	<p>NOTE: Each SL270s tray will accommodate up to eight GPUs. When implementing seven or eight M2090's in the SL270s you must clock them down to 225W; if you are implementing six or less, you can run the GPUs at the full 250W. Max number of M2070Q, K10, K20, and K20x modules supported at this time is TBD.</p> <p>NOTE: When adding GPU solutions to the SL270s server, one must utilize the HP 1200W CS Platinum Power Supply Kit, 578322-B21, or HP 1500W CS Platinum Power Supply Kit, 684532-B21 for all four power supply slots.</p> <p>NOTE: When implementing 7 or 8 GPUs, one must utilize the HP 1500W CS Platinum Power Supply Kit, 684532-B21.</p> <p>NOTE: One must configure a minimum of 4GB of memory per CPU when GPU's are installed</p>	
	NVIDIA Tesla M2075 6GB Computational Module	A0R41/
	NVIDIA Tesla M2090 6GB Module	A0J99/
	NVIDIA Tesla K10 Dual GPU PCIe Module	B3M66/
	NVIDIA Tesla K20 5GB Computational Accelerator	C7S14/
	NVIDIA Tesla K20X 6GB Computational Accelerator	C7S15/
	NOTE: For additional license kits please see the QuickSpecs at: http://h18004.www1.hp.com/products/quickspecs/13743_na/13743_na.html	
	Enablement Kits	
	NOTE: Customer must order one Enable kit for each K20 or K20x installed.	
	HP SL270 GPU K20 Enable Kit	711951-B21
	HP SL270 Coprocessor Enablement Kit	711970-B21

HP Storage Controllers	<p>SAS Controllers</p> <p>Smart Array P222 Controller</p> <p>HP Smart Array P222/512 FBWC 6Gb 1-port Int/1-port Ext SAS Controller 631667-B21</p> <p>Smart Array P420 Controller</p> <p>HP Smart Array P420/1GB FBWC 6Gb 2-ports Int SAS Controller 631670-B21</p> <p>HP Smart Array P420/2GB FBWC 6Gb 2-ports Int SAS Controller 631671-B21</p> <p>Smart Array P421 Controller</p> <p>HP Smart Array P421/1GB FBWC 6Gb 2-ports Ext SAS Controller 631673-B21</p> <p>HP Smart Array P421/2GB FBWC 6Gb 2-ports Ext SAS Controller 631674-B21</p> <p>Optional Upgrades</p> <p>HP 512MB B-series Dynamic Smart Array Flash Backed Write Cache with 24 inch Cable 676473-B21</p> <p>HP 24in Super Capacity Option for Smart Array 668944-B21</p> <p>HP SL250s 4X SFF Smart Array Enablement Kit 670564-B21</p> <p>HP SL270s 8X Small Form Factor (SFF) Enablement Kit 670566-B21</p> <p>HP Smart Array Advanced Pack 2.0 No Media 1 Server 1yr 24x7 Support Software BC377/</p> <p>HP Smart Array Advanced Pack 2.0 No Media Electronic Lic 1yr 24x7 Support Software BC390AA/</p> <p>HP SAS License Key No Media 1 Single Server License for B320i BC393/</p> <p>NOTE: Please see the QuickSpecs for Technical Specifications and additional</p>	
-------------------------------	---	--

Additional Options

information:

http://h18000.www1.hp.com/products/quickspecs/14227_na/14227_na.html

(Smart Array P222 Controller)

http://h18000.www1.hp.com/products/quickspecs/14228_na/14228_na.html

(Smart Array P420 Controller)

http://h18000.www1.hp.com/products/quickspecs/14229_na/14229_na.html

(Smart Array P421 Controller)

http://h18000.www1.hp.com/products/quickspecs/13200_na/13200_na.html

(Smart Array Advanced Pack)

Host Bus Adapter

HP H220 Host Bus Adapter

650933-B21

HP H221 Host Bus Adapter

650931-B21

NOTE: This is a 2 x4 External Port HBA.

HP H222 Host Bus Adapter

650926-B21

NOTE: Please see the QuickSpecs for Technical Specifications and additional information:

http://h18004.www1.hp.com/products/quickspecs/14336_na/14336_na.html
(HBA 220)

http://h18004.www1.hp.com/products/quickspecs/14222_na/14222_na.html
(HBA 221)

http://h18004.www1.hp.com/products/quickspecs/14337_na/14337_na.html
(HBA 222)

HP Uninterruptible Power Systems HP Rack-mountable UPS

HP R1500 G3 Uninterruptible Power Supply (UPS)

HP R1.5kVA G3 1U NA Uninterruptible Power System

AF469/

NOTE: Please see the QuickSpecs for additional information:

http://h18000.www1.hp.com/products/quickspecs/14059_na/14059_na.html

HP R/T3000 G2 Uninterruptible Power System (UPS)

HP R/T3000 G2 2U L530 Low Voltage NA/JP Uninterruptible Power System

AF466/

HP R/T3000 G2 2U L620 High Voltage NA/JP Uninterruptible Power System

AF467/

NOTE: Please see the QuickSpecs for additional information:

http://h18000.www1.hp.com/products/quickspecs/14058_na/14058_na.html

R5000 Uninterruptible Power System (UPS)

HP R5KVA 3U L630 High Voltage NA/JP Uninterruptible Power System

AF460/

NOTE: Please see the QuickSpecs for additional information:

http://h18000.www1.hp.com/products/quickspecs/14109_na/14109_na.html

R7000 Uninterruptible Power System (UPS)

HP R7KVA 4U 50A High Voltage NA/JP Uninterruptible Power System

AF462/

NOTE: Please see the QuickSpecs for additional information:

http://h18000.www1.hp.com/products/quickspecs/14110_na/14110_na.html

NOTE: For additional information on HP Uninterruptible Power Systems please go to:

www.hp.com/servers/rackups.

NOTE: For additional information on sizing your server, please reference:

Additional Options

<http://www.upssizer.com>.

NOTE: Please see the UPS and PDU cable matrix's on the HP Power Protection and Management page. Under Power Cords, click on the "HP Power Cord Matrix" link. That link will list cable descriptions, requirements, and specifications for UPS and PDU units. Please see the following link: www.hp.com/products/powercords.

NOTE: Please see the QuickSpecs for Technical Specifications and additional information:

http://h18000.www1.hp.com/products/quickspecs/14227_na/14227_na.html
(Smart Array P222 Controller)

http://h18000.www1.hp.com/products/quickspecs/14228_na/14228_na.html
(Smart Array P420 Controller)

http://h18000.www1.hp.com/products/quickspecs/14229_na/14229_na.html
(Smart Array P421 Controller)

http://h18000.www1.hp.com/products/quickspecs/13200_na/13200_na.html
(Smart Array Advanced Pack)

HP Tape Backup

NOTE: For the complete range of tape drives, autoloaders, libraries and media see: <http://www.hp.com/go/tape>. For hardware and software compatibility of HP tape backup products see: <http://www.hp.com/storage/SPOCK>

HP StoreEver LTO-6 Ultrium 6250 Tape Drive in 1U Rack-mount Kit	COL99A
HP StoreEver LTO-6 Ultrium 6650 Internal Tape Drive	EH963A
HP StoreEver LTO-6 Ultrium 6650 External Tape Drive	EH964A
HP StoreEver LTO-6 Ultrium 6250 Internal Tape Drive	EH969A
HP StoreEver LTO-6 Ultrium 6250 External Tape Drive	EH970A

HP Power Distribution Units

Monitored PDUs

HP Monitored Power Distribution Unit: Full Rack Version

HP 8.6kVA 24A Single Input Three Phase NA/JP Monitored Power Distribution Unit AF504A

HP 8.3kVA 40A Single Input Single Phase NA/JP Monitored Power Distribution Unit AF506A

HP Monitored Power Distribution Unit: Half Rack Version

HP 4.9kVA 24A Single Input Single Phase NA/JP Monitored Power Distribution Unit AF914A

NOTE: Please see the QuickSpecs for Technical Specifications and additional information:

http://h18000.www1.hp.com/products/quickspecs/12118_na/12118_na.html

Modular PDUs 1U/0U

NOTE: 1U/0U mounting brackets shipped with the unit (optimized for 10000 G2 and 9000 series racks).

HP 2.8kVA 24A Low Voltage NA/JP Modular Power Distribution Unit 252663-D71

HP 4.9kVA 24A High Voltage NA/JP Modular Power Distribution Unit 252663-D72

NOTE: Additional HP Power Distribution Units are available. For a complete list of all HP PDUs and additional information please visit www.hp.com/go/rackandpower.

NOTE: Please see the UPS and PDU cable matrix's on the HP Power Protection and Management page. Under Power Cords, click on the "HP Power Cord Matrix" link. That link will list cable descriptions, requirements, and specifications for UPS and PDU units.



Additional Options

Please see the following link: www.hp.com/products/powercords.

NOTE: This PDU has a detachable input power cord and allows for adaptability to power requirements.

NOTE: Please see the following QuickSpecs for additional options including shorter jumper cables and power cords:

http://h18000.www1.hp.com/products/quickspecs/11041_na/11041_na.html

HP Intelligent Power Distribution Units (iPDU)	iPDU Core Units		
	HP 4.9kVA 24A Single Phase NA/JP Core Intelligent Modular Power Distribution Unit	AF520/	
	HP 8.6kVA 24A Three Phase NA/JP Core Intelligent Modular Power Distribution Unit	AF522/	
	iPDU Extension Bars		
	HP 5x13 Intelligent PDU Extension Bar G2 Kit	AF547/	
	HP 5x13 Outlets Power and UID LEDs Pair Standard Extension Bar	AF528/	
	NOTE: Please see the QuickSpecs for Technical Specifications and additional information: http://h18000.www1.hp.com/products/quickspecs/13650_na/13650_na.html		
	NOTE: Additional HP Power Distribution Units are available. For a complete list of all HP PDUs and additional information please visit www.hp.com/go/rackandpower		
<hr/>			
HP Basic Power Distribution Units	HP 1.9kVA 120 Volt 12 Outlet NA/JP Basic Power Distribution Unit	H5M54/	
	HP 2.8kVA 120 Volt 18 Outlet NA/JP Basic Power Distribution Unit	H5M55/	
	HP 3.6kVA 200-240 Volt 12 Outlet WW Basic Power Distribution Unit	H5M56/	
	HP 3.6kVA 200-240 Volt 20 Outlet WW Basic Power Distribution Unit	H5M57/	
	HP 4.9kVA 208 Volt 20 Outlet NA/JP Basic Power Distribution Unit	H5M58/	
	HP 4.9kVA 208 Volt 30 Outlet NA/JP Basic Power Distribution Unit	H5M59/	
	HP 8.3kVA 208 Volt 36 Outlet NA/JP Basic Power Distribution Unit	H5M60/	
	HP 8.6kVA 208 Volt Three Phase 18 Outlet NA/JP Basic Power Distribution Unit	H5M61/	
	HP 8.6kVA 208 Volt Three Phase 30 Outlet NA/JP Basic Power Distribution Unit	H5M62/	
	HP 5.7kVA 208 Volt Three Phase 27 Outlet NA/JP Dual Voltage Basic Power Distribution Unit	H5M63/	
	HP 8.6kVA 208 Volt Three Phase 30 Outlet NA/JP Dual Voltage Basic Power Distribution Unit	H5M64/	
	HP 11kVA 400 Volt Three Phase 42 Outlet NA Basic Power Distribution Unit	H5M67/	
	HP Hardwired 200-240 Volt 36 Outlet WW Basic Power Distribution Unit	H5M75/	
	HP 13.2kVA 480 Volt Three Phase 15 Outlet NA Basic Power Distribution Unit	H3X07/	
	HP 19.9kVA 480 Volt Three Phase 30 Outlet NA Basic Power Distribution Unit	H3X08/	
		HP 277 Volt options for H3X07A and H3X08A	
		HP 800VA - 277V Input / 230V Output NA Rack Mount Transformer	H3X09/

Additional Options

NOTE: Please see the QuickSpecs for Technical Specifications and additional information:

http://h18000.www1.hp.com/products/quickspecs/14557_na/14557_na.html

NOTE: Additional HP Power Distribution Units are available. For a complete list of all HP PDUs and additional information please visit www.hp.com/go/rackandpower.

HP Rack Series

HP Intelligent Series Rack

HP 636 1200mm Pallet Intelligent Series Rack	BW899/
HP 636 1200mm Shock Intelligent Series Rack	BW900/
HP 642 1200mm Pallet Intelligent Series Rack	BW907/
HP 642 1200mm Shock Intelligent Series Rack	BW908/
HP 647 1200mm Pallet Intelligent Series Rack	BW913/
HP 647 1200mm Shock Intelligent Series Rack	BW914/

NOTE: Please see the QuickSpecs for Technical Specifications:

http://h18000.www1.hp.com/products/quickspecs/14223_na/14223_na.html

NOTE: For additional information regarding Rack Cabinets, please see the following URL: <http://www.hp.com/go/rackandpower>.

HP Rack Options

HP TFT7600 G2 KVM Console and Monitor (TFT7600 G2)

HP TFT7600 G2 KVM Console Rackmount Keyboard US Monitor	AZ870/
HP TFT7600 G2 KVM Console Rackmount Keyboard US TAA Monitor	AZ885/

NOTE: Please see the QuickSpecs for Technical Specifications and additional information:

http://h18000.www1.hp.com/products/quickspecs/13731_na/13731_na.html

HP USB Keyboard and Mouse

HP USB BFR with PVC Free US Keyboard/Mouse Kit	631341-B21
--	------------

NOTE: Please see the QuickSpecs for Technical Specifications and additional information:

http://h18000.www1.hp.com/products/quickspecs/13972_na/13972_na.html

HP Server Console Switches

HP Server Console 0x2x8 Port Analog Switch	AF616/
HP Server Console 0x2x16 Port Analog Switch	AF617/
HP TAA 0x2x16xKVM Server Console G2 Switch	AF626/

NOTE: Please see the QuickSpecs for Technical Specifications and additional information:

http://h18000.www1.hp.com/products/quickspecs/11834_na/11834_na.html

HP Server Console Switch G2 with Virtual Media & CAC

HP 0x2x16 KVM Server Console Switch G2 with Virtual Media CAC Software	AF618/
HP 0x2x32 KVM Server Console Switch G2 with Virtual Media CAC Software	AF619/
HP KVM CAT5 1-pack USB Interface Adapter	336047-B21

Additional Options

NOTE: Please see the QuickSpecs for Technical Specifications and additional information:

http://h18000.www1.hp.com/products/quickspecs/13475_na/13475_na.html

HP IP Console Switch G2 with Virtual Media & CAC

HP 1x4 USB/PS2 KVM Console Switch	AF611F
HP 1x1Ex8 KVM IP Console Switch G2 with Virtual Media CAC Software	AF620F
HP 2x1Ex16 KVM IP Console Switch G2 with Virtual Media CAC Software	AF621F
HP 4x1Ex32 KVM IP Console Switch G2 with Virtual Media CAC Software	AF622F

NOTE: Please see the QuickSpecs for Technical Specifications and additional information:

http://h18000.www1.hp.com/products/quickspecs/13474_na/13474_na.html

HP USB and SD Options

HP Flash Media Kits for USB Drives

HP 2GB USB Flash Media Drive Key Kit	608447-B21
--------------------------------------	------------

NOTE: HP qualified blank USB key for use with HP ProLiant servers that support the VMware virtualization environment and other HP value-add software. HP recommends this industry standard USB flash device for use with VMware ESXi. USB device must be installed in the internal slot of the ProLiant server for use with VMware ESXi. Refer to HP VMware Getting Started Guide for installation instructions.

HP Enterprise Performance Flash Media Kits for Memory Cards

HP 4GB microSD Enterprise Performance Flash Media Kit	647444-B21
---	------------

HP Enterprise Mainstream Flash Media Kits for Memory Cards

HP 32GB microSD Enterprise Mainstream Flash Media Kit	700139-B21
---	------------

NOTE: Please see the QuickSpecs for Technical Specifications and additional information:

http://h18000.www1.hp.com/products/quickspecs/13971_na/13971_na.html

Other USB and SD Options

HP 36pin Serial/USB/VGA Dongle Cord Kit	676277-B21
---	------------

HP Care Pack Services

HP 3 year 24x7 24 hour Call to Repair ProLiant s6500 Hardware Support	UR425E
HP 3 year 24x7 24 hour Call to Repair with Defective Media Retention ProLiant s6500 Hardware Support	UR426E
HP 3 year 4 hour 13x5 ProLiant s6500 Hardware Support	UR400E
HP 3 year 4 hour 13x5 with Defective Media Retention ProLiant s6500 Hardware Support	UR401E
HP 3 year 4 hour 24x7 ProLiant s6500 Collaborative Support	U1M52E
HP 3 year 4 hour 24x7 ProLiant s6500 Hardware Support	UR402E
HP 3 year 4 hour 24x7 ProLiant s6500 Proactive Care Service	U3C72E
HP 3 year 4 hour 24x7 with Defective Media Retention ProLiant s6500 Hardware Support	UR403E
HP 3 year 6 hour 24x7 Call to Repair ProLiant s6500 Hardware Support	UR404E

Additional Options

HP 3 year 6 hour 24x7 Call to Repair with Defective Media Retention s6500 Hardware Support	UR405E
HP 3 year Next business day ProLiant s6500 Collaborative Support	U1M46E
HP 3 year Next business day ProLiant s6500 Hardware Support	UR398E
HP 3 year Next business day ProLiant s6500 Proactive Care Service	U3C66E
HP 3 year Next business day with Defective Media Retention ProLiant s6500 Hardware Support	UR399E
HP 4 year 24x7 24 hour Call to Repair ProLiant s6500 Hardware Support	UR427E
HP 4 year 24x7 24 hour Call to Repair with Defective Media Retention ProLiant s6500 Hardware Support	UR428E
HP 4 year 4 hour 13x5 ProLiant s6500 Hardware Support	UR408E
HP 4 year 4 hour 13x5 with Defective Media Retention ProLiant s6500 Hardware Support	UR409E
HP 4 year 4hour 24x7 ProLiant s6500 Hardware Support	UR410E
HP 4 year 4 hour 24x7 with Defective Media Retention ProLiant s6500 Hardware Support	UR411E
HP 4 year 6 hour 24x7 Call to Repair ProLiant s6500 Hardware Support	UR412E
HP 4 year 6 hour Call to Repair 24x7 with Defective Media Retention ProLiant s6500 Hardware Support	UR413E
HP 4 year Next business day ProLiant s6500 Hardware Support	UR406E
HP 4 year Next business day with Defective Media Retention ProLiant s6500 Hardware Support	UR407E
HP 5 year 24x7 24 hour Call to Repair ProLiant s6500 Hardware Support	UR429E
HP 5 year 24x7 24 hour Call to Repair with Defective Media Retention ProLiant s6500 Hardware Support	UR430E
HP 5 year 4 hour 13x5 ProLiant s6500 Hardware Support	UR416E
HP 5 year 4 hour 13x5 with Defective Media Retention ProLiant s6500 Hardware Support	UR417E
HP 5 year 4 hour 24x7 ProLiant s6500 Hardware Support	UR418E
HP 5 year 4 hour 24x7 with Defective Media Retention ProLiant s6500 Hardware Support	UR419E
HP 5 year 6 hour 24x7 Call to Repair ProLiant s6500 Hardware Support	UR420E
HP 5 year 6 hour 24x7 Call to Repair with Defective Media Retention s6500 Hardware Support	UR421E
HP 5 year Next business day ProLiant s6500 Hardware Support	UR414E
HP 5 year Next business day with Defective Media Retention ProLiant s6500 Hardware Support	UR415E

NOTE: For more information, customer/resellers can contact:
<http://www.hp.com/services/carepack>.

Memory

HP ProLiant SL270s Gen8 Server

NOTE: Memory configurations listed do not apply to "Factory Integrated Models".

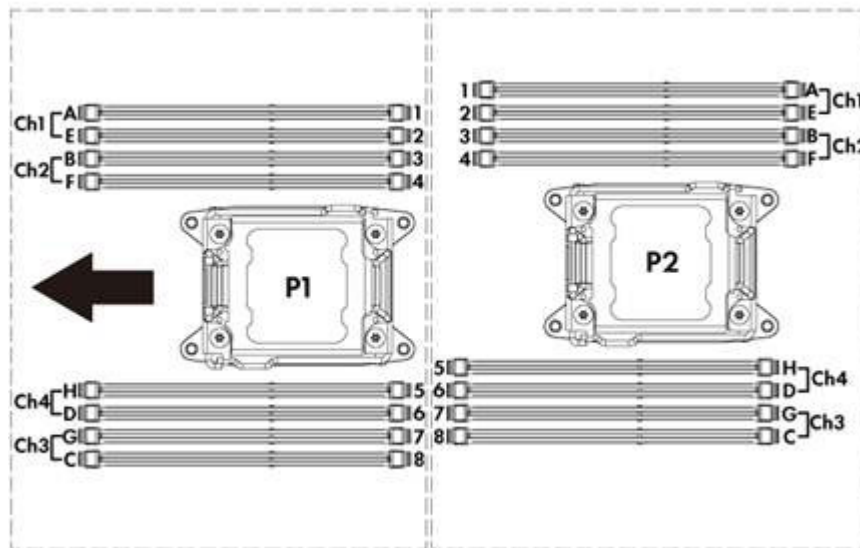
NOTE: Chart does not represent all possible memory configurations.

DDR3 memory population guidelines

For detailed memory configuration rules and guidelines, please use the Online DDR3 Memory Configuration Tool:

www.hp.com/go/ddr3memory-configurator

Each Intel® Xeon® E5-2600 family processor socket contains two memory channels that support four DIMMs each for a total of eight (8) DIMM per installed processor or a grand total of sixteen (16) DIMMs for the server. Up to 16GB capacity DIMMs are supported for 256GB of memory (16 DIMM slots x 16GB per DIMM).



Memory Population Rules and Guidelines:

- Install DIMMs only if the corresponding processor is installed.
- If only one processor is installed in a two processor system, only half of the DIMM slots are available.
- To maximize performance, it is recommended to balance the total memory capacity between all installed processors and to load the channels similarly whenever possible.
- Populate DIMMs from heaviest load (quad-rank) to lightest load (single-rank) within a channel
- Heaviest load (DIMM with most ranks) within a channel goes furthest from the processor
- RDIMMs operating at either 1.35V or 1.5V may be mixed in any order, but the system will power them at the higher voltage.
- Do not mix RDIMMs and UDIMMs.
- The Intel Xeon E5-2620 processor does not support DIMMs at 1.35V. Using the HP RBSU, 1.35V DIMMs can be changed to operate at 1.5V.
- DIMMs of different speeds may be mixed in any order; the server will select a common optimal speed.
- The maximum memory speed is a function of the memory type, memory configuration, and processor model.
- The maximum memory capacity is a function of the memory type and number of installed processors.
- HP memory from previous generation servers is not qualified on the SL270s Gen8 Server. Certain HP SmartMemory features

Memory

such as memory authentication and enhanced performance may not be supported.

- To realize the performance memory capabilities listed in this document, HP SmartMemory is required. For additional information, please see the HP SmartMemory QuickSpecs at: http://h18000.www1.hp.com/products/quickspecs/14225_na/14225_na.html.
- For memory population rules and additional memory guidelines, please see the SL270 Gen8 user guide at <http://www.hp.com/support>.

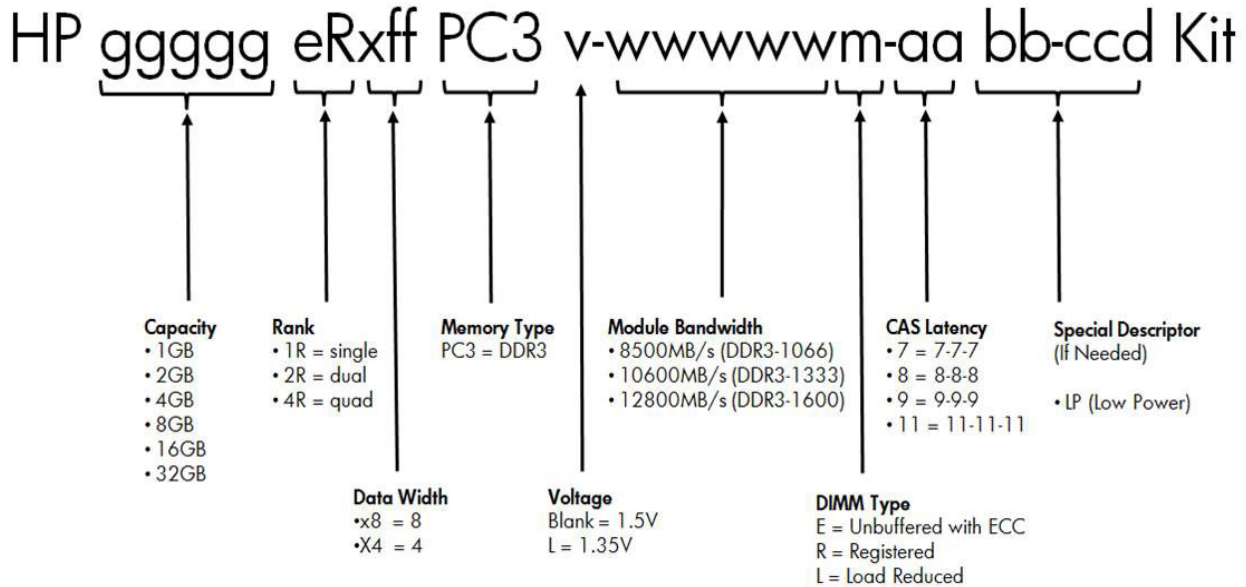
DIMM slot/capacity/populated speed table													
DIMM Type	Registered DIMMS (RDIMMs)							Unbuffered with ECC DIMMs (UDIMMs)					
DIMM Rank	Single Rank (1R)			Dual Rank (2R)				Single Rank (1R)		Dual Rank (2R)			
DIMM Capacity	4GB	4GB	8GB	8GB	8GB	16GB	16GB	2GB	2GB	4GB	4GB	8GB	8GB
DIMM Native Speed (MHz)	1333	1600	1600	1333	1600	1333	1600	1333	1600	1333	1600	1333	1600
Voltage	LV	Std	Std	LV	Std	LV	Std	LV	Std	LV	Std	LV	Std
SLOTS THAT CAN BE POPULATED													
16 slot servers	16	16	16	16	16	16	16	16	16	16	16	16	16
MAXIMUM CAPACITY (GB)*													
Capacity	64	64	128	128	128	256	256	32	32	64	64	128	128
POPULATED DIMM SPEED (MHz)													
1 DIMM Per Channel	1333	1600	1600	1333	1600	1333	1600	1333	1600	1333	1600	1333	1600
2 DIMM Per Channel	1333	1600	1600	1333	1600	1333	1600	1333**	1600	1333**	1600	1333**	1600

* Maximum capacity will vary based on individual server platform qualification schedule
 ** For HP SmartMemory, UDIMM is supported at 2DPC@DDR3-1333. Third party memory may only support up to 2DPC@DDR3-1066.

- 2GB = 2048MB
- 4GB = 4096MB
- 8GB = 8192MB
- 16GB = 16384MB

DDR3 memory options part number decoder

Memory



Following are memory options available from HP:

HP Memory

NOTE: To realize the performance memory capabilities listed in this document, HP SmartMemory is required. For additional information, please see the HP SmartMemory QuickSpecs at:

http://h18000.www1.hp.com/products/quickspecs/14225_na/14225_na.html

Registered DIMMs (RDIMMs)

HP 4GB (1x4GB) Single Rank x4 PC3L-10600R (DDR3-1333) Registered CAS-9 Low Voltage Memory Kit	647893-B2*
HP 4GB (1x4GB) Single Rank x4 PC3-12800R (DDR3-1600) Registered CAS-11 Memory Kit	647895-B2*
HP 8GB (1x8GB) Dual Rank x4 PC3-12800R (DDR3-1600) Registered CAS-11 Memory Kit	690802-B2*
HP 8GB (1x8GB) Dual Rank x4 PC3L-10600R (DDR3-1333) Registered CAS-9 Low Voltage Memory Kit	647897-B2*
HP 8GB (1x8GB) Single Rank x4 PC3-12800R (DDR3-1600) Registered CAS-11 Memory Kit	647899-B2*
HP 16GB (1x16GB) Dual Rank x4 PC3L-10600R (DDR3-1333) Registered CAS-9 Low Voltage Memory Kit	647901-B2*
HP 16GB (1x16GB) Dual Rank x4 PC3-12800R (DDR3-1600) Registered CAS-11 Memory Kit	672631-B2*

Unbuffered with ECC DIMMs (UDIMMs)

HP 2GB (1x2GB) Single Rank x8 PC3-12800E (DDR3-1600) Unbuffered CAS-11 Memory Kit	669320-B2*
HP 2GB (1x2GB) Single Rank x8 PC3L-10600E (DDR3-1333) Unbuffered CAS-9 Low Voltage Memory Kit	647905-B2*
HP 4GB (1x4GB) Dual Rank x8 PC3-12800E (DDR3-1600) Unbuffered CAS-11 Memory Kit	669322-B2*
HP 4GB (1x4GB) Dual Rank x8 PC3L-10600E (DDR3-1333) Unbuffered CAS-9 Low Voltage Memory Kit	647907-B2*

Memory

HP 8GB (1x8GB) Dual Rank x8 PC3-12800E (DDR3-1600) Unbuffered CAS-11 Memory Kit	669324-B2
HP 8GB (1x8GB) Dual Rank x8 PC3L-10600E (DDR3-1333) Unbuffered CAS-9 Low Voltage Memory Kit	647909-B2

NOTE: For detailed memory configuration rules and guidelines, please use the Online DDR3 Memory Configuration Tool: www.hp.com/go/ddr3memory-configurator.

NOTE: There is a maximum support limitation of 8 ranks per memory channel (maximum of 2 quad rank DIMMs per channel)

NOTE: PC3L is a low voltage memory.

NOTE: Memory Min and Max depends on number of processors and type of memory:

- One (1) Processor -> R-Dimm: Min 1 // Max 8 U-Dimm: Min 1 // Max 8
- Two (2) Processors -> R-Dimm: Min 2 // Max 16 U-Dimm: Min 2 // Max 16

NOTE: Intel E5 E5-2620 processor does not support LV DIMMs running at 1.35V. The HP RBSU can be changed to run at 1.5V.

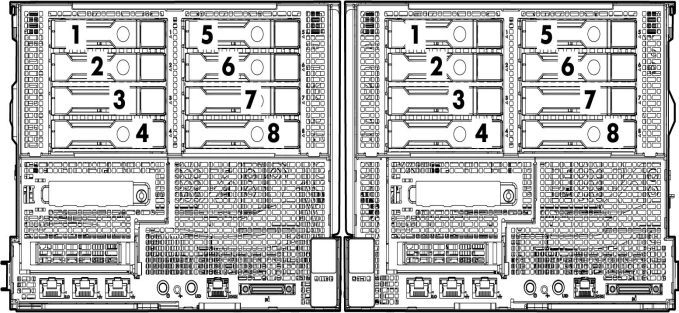
NOTE: Not all Intel E5 processor series support 1600MHz or 1333MHz speeds. Memory speed is a function of the processor QPI speed.

NOTE: For Registered DIMMs, there is a maximum support limitation of 8 ranks per memory channel (maximum of 2 quad rank DIMMs per channel). However, Load Reduced DIMMs are capable of supporting up to 3 DIMMs per channel

Storage

4U Tray

1-8 Up to eight 2.5" hot plug hard drive bays



Technical Specifications

System Unit	Chassis Dimensions (H x W x D) Add fan extension kit (with bezel) 6.96 x 17.638 x 35.236in (17.68 x 44.8 x 89.55cm)	
	Weight (approximate)	Maximum (all hard drives, power supplies, and processors installed) 220lb (99.8kg)
	Input Requirements (per power supply)	Rated Line Voltage 90 to 140 VAC 180 to 264 VAC
		Rated Input Current 7.31A at 115VAC 3.6A at 230VAC
		Rated Input Frequency 47 to 63 Hz
		Rated Input Power 855W (at 100 VAC), 840.72W (at 200 VAC)
	Power Supply Output (per power supply)	Rated Steady-State Power 653.10W (at 100 VAC), 653.08W (at 200 VAC)
	System Inlet Temperature	Operating 50° to 95° F (10° to 35° C) at sea level with an altitude derating of 1.8°F per every 1000 ft (1.0°C per every 304.8 m) above sea level to a maximum of 10,000 ft (3048 m), no direct sustained sunlight. Maximum rate of change is 18°F/hr (10°C/hr). The upper limit may be limited by the type and number of options installed. System performance may be reduced if operating with a fan fault or above 86°F (30°C).
		Non-operating -22° to 140° F (-30° to 60° C) Maximum rate of change is 36°F/hr (20°C/hr).
	Relative Humidity (non-condensing)	Operating 10% to 90% relative humidity (Rh), 82.4°F (28°C) maximum wet bulb temperature, non-condensing.
		Non-operating 5% to 95% relative humidity (Rh), 101.7°F (38.7°C) maximum wet bulb temperature, non-condensing.
	Altitude	Operating 10,000 ft (3048 m). This value may be limited by the type and number of options installed. Maximum allowable altitude change rate is 1500 ft/min (457 m/min).
		Non-operating 30,000 ft (9144 m). Maximum allowable altitude change rate is 1500 ft/min (457 m/min).
	Acoustic Noise	Listed are the declared A-Weighted sound power levels (LWAd) and declared average bystander position A-Weighted sound pressure levels (LpAm) when the product is operating in a 23°C ambient environment. Noise emissions were measured in accordance with ISO 7779 (ECMA 74) and declared in accordance with ISO 9296 (ECMA 109).
	Idle	

Technical Specifications

	LWAd	6.4
	LpAm	45dBA
	Operating	
	LWAd	6.7
	LpAm	51dBA
Emissions Classification (EMC)	FCC Rating	Class A
	Normative Standards	CISPR 22; EN55022; EN55024; FCC CFR 47, Pt 15; ICES-003; CNS13438; GB9254; K22;K24; EN 61000-3-2; EN 61000-3-3; EN 60950-1; IEC 60950-1

NOTE: Product conformance to cited product specifications is based on sample (type) testing, evaluation, or assessment. This product or family of products is eligible to bear the appropriate compliance logos and statements.

HP Ethernet 1Gb 2-port 361i Adapter	Network Interface Compatibility	10Base-T/100Base-TX/1000Base-TX IEEE 802.3 10Base-T IEEE 802.3ab 1000Base-T IEEE 802.3u 100Base-TX IEEE 1588, IEEE 802.1AS IEEE 802.3az - Energy Efficient Ethernet (EEE)	
	Data Transfer Method	PCI Express v 2.1, 5.0 GT/s and 2.5 GT/s bus speeds and supports for x1, x2, x4 links widths (Lanes)	
	Controller	I350 Powerville	
	Network Transfer Rate	10Base-T (Half-Duplex)	10 Mb/s per port, 20 Mb/s Combined
		10Base-T (Full-Duplex)	20 Mb/s per port, 40 Mb/s Combined
		100Base-TX (Half-Duplex)	100 Mb/s per port, 200 Mb/s Combined
		100Base-TX (Full-Duplex)	200 Mb/s per port, 400 Mb/s Combined
		1000Base-TX (Half and Full-Duplex)	1000Mb/s per port, 2000 Mb/s Combined
	Connector	RJ-45	
	Cable Support	10Base-T	Categories 3, 4 or 5 UTP; up to 328 ft (100 m)
		10/100/1000Base-TX	Category 5 UTP; up to 328 ft (100 m)

Technical Specifications

HP Dynamic Smart Array B320i Controller	Dimensions	Embedded
	Disk Drive Interface - Transfer rate	Up to 6Gb/s SAS (Serial Attached SCSI) Up to 6Gb/s SATA (Serial ATA)
	Connectors	2 internal 4X connectors
	Server Interface	x4 PCIe 2.0 provides 4GB/s maximum bandwidth
	Speed	8 x 6Gb/s SAS links provide 4.8GB/s maximum bandwidth
	Cache Memory	Zero Memory RAID has no cache memory optional 40-bit 512MB ECC protected Flash Backed Write Cache (FBWC)
	Logical Drives Supported	Zero Memory, Up to 2 logical volumes (8 physical drives) Up to 64 logical drives with cache
	Host Memory Addressing	64-bit, supporting greater than 4GB server memory space
	Hot Plug Support	Yes
	RAID Support	RAID 0 (Striping), RAID 1 (Mirroring) RAID 1+0 (Striping & Mirroring) RAID 5 with optional 512MB FBWC NOTE: 512 MB cache is required to enable RAID 5 support

Environment-friendly Products and Approach	End-of-life Management and Recycling	<p>Hewlett-Packard offers end-of-life HP product return, trade-in, and recycling programs in many geographic areas. For trade-in information, please go to: http://www.hp.com/go/green. To recycle your product, please go to: http://www.hp.com/go/green or contact your nearest HP sales office. Products returned to HP will be recycled, recovered or disposed of in a responsible manner.</p> <p>The EU WEEE directive (2002/95/EC) requires manufacturers to provide treatment information for each product type for use by treatment facilities. This information (product disassembly instructions) is posted on the Hewlett Packard web site at: http://www.hp.com/go/green. These instructions may be used by recyclers and other WEEE treatment facilities as well as HP OEM customers who integrate and re-sell HP equipment.</p>
---	---	--

© Copyright 2013 Hewlett-Packard Development Company, L.P.

The information contained herein is subject to change without notice.

Microsoft and Windows NT are US registered trademarks of Microsoft Corporation. Intel, the Intel logo, Xeon and Xeon Inside are trademarks of Intel Corporation in the U.S. and other countries.

The only warranties for HP products and services are set forth in the express warranty statements accompanying such products and services. Nothing herein should be construed as constituting an additional warranty. HP shall not be liable for technical or editorial errors or omissions contained herein.

For hard drives, 1GB = 1 billion bytes. Actual formatted capacity is less.