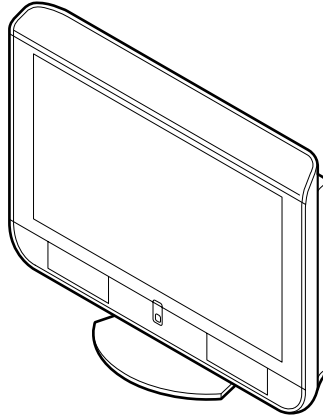


KE-P42M1

SERVICE MANUAL

AEP Model



SPECIFICATIONS

Display Unit:

Power Requirement: 220–240 V AC, 50 Hz
Screen Size: 42 inches
Approx. 107.4 cm measured diagonally
Display Resolution: 852 dots (horizontal) × 480 lines (vertical)
Power Consumption: 365 W
Standby Power Consumption: 0.6 W or less
Dimensions (w × h × d):
Approx. 1,075 826 312 mm
(with stand)
Approx. 1,075 × 750 × 110 mm (without stand)
Weight: Approx. 45 kg (with stand)
Approx. 39.5 kg (without stand)

Panel System:

Plasma Display Panel

TV System:

Depending on your country/region selection:
B/G/H, D/K, L, I

Colour System:

PAL, SECAM
NTSC 3.58, 4.43 (only Video In)

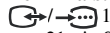
Aerial:

75 ohm external terminal for VHF/UHF

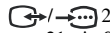
Channel Coverage:

VHF: E2–E12
UHF: E21–E69
CATV: S1–S20
HYPER: S21–S41
D/K: R1–R12, R21–R69
L: F2–F10, B–Q, F21–F69
I: UHF B21–B69

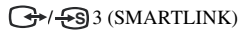
PDP Colour TV
SONY®

Terminals:

21-pin Scart connector (CENELEC standard) including audio/video input, RGB input, and TV audio/video output.



21-pin Scart connector (CENELEC standard) including audio/video input, RGB input, and audio/video output.



21-pin Scart connector (CENELEC standard) including audio/video input, S video input, selectable audio/video output, and SmartLink interface.



Y: 1 Vp-p, 75 ohms, 0.3V negative sync
PB: 0.7 Vp-p, 75 ohms
PR: 0.7 Vp-p, 75 ohms



Audio input (phono jacks)
500 mVrms
Impedance: 47 kilo ohms



S video input (4-pin mini DIN)



Video input (phono jack)



Audio input (phono jacks)



Audio output (Left/Right) (phono jacks)



Headphones jack




CENTRE SPEAKER IN:
Max. 180 W (6-ohms)

Sound Output:

10.0 W + 10.0 W

Accessories Supplied:

- Remote control
RM-Y1002 (1)
- Size AA batteries (R6 type) (2)
- Coaxial cable (1)
- Mains lead (Type C-6) (1)
- Mains lead (Type BF) (1)
-  Mains lead Type BF may not be supplied depending on the country.
- Cleaning cloth (1)
- Clamp screws (2)
- Plug holder (1)

Optional Accessory:

- Wall-Mount Bracket SU-PW2
- TV STAND SV-PG3

Other Features:

- Teletext, Fasttext
- Sleep Timer
- SmartLink (Direct link between your TV and a compatible VCR or DVD recorder. For more information on SmartLink, please refer to the instruction manual of your VCR or DVD recorder.)
- TV system autodetection
- Auto Format
- Screen Memo
- NexTView (depending on availability of service)
- Picture Off

SAFETY CHECK-OUT

After correcting the original service problem, perform the following safety checks before releasing the set to the customer:

1. Check the area of your repair for unsoldered or poorly-soldered connections. Check the entire board surface for solder splashes and bridges.
2. Check the interboard wiring to ensure that no wires are “pinched” or contact high-wattage resistors.
3. Check that all control knobs, shields, covers, ground straps, and mounting hardware have been replaced. Be absolutely certain that you have replaced all the insulators.
4. Look for unauthorized replacement parts, particularly transistors, that were installed during a previous repair. Point them out to the customer and recommend their replacement.
5. Look for parts which, though functioning, show obvious signs of deterioration. Point them out to the customer and recommend their replacement.
6. Check the line cords for cracks and abrasion. Recommend the replacement of any such line cord to the customer.
7. Check the antenna terminals, metal trim, “metallized” knobs, screws, and all other exposed metal parts for AC Leakage. Check leakage as described right.

LEAKAGE TEST

The AC leakage from any exposed metal part to earth ground and from all exposed metal parts to any exposed metal part having a return to chassis, must not exceed 0.5 mA (500 microamperes).

Leakage current can be measured by any one of three methods.

1. A commercial leakage tester, such as the Simpson 229 or RCA WT-540A. Follow the manufacturers' instructions to use these instruments.
2. A battery-operated AC milliammeter. The Data Precision 245 digital multimeter is suitable for this job.
3. Measuring the voltage drop across a resistor by means of a VOM or battery-operated AC voltmeter. The “limit” indication is 0.75 V, so analog meters must have an accurate low-voltage scale. The Simpson 250 and Sanwa SH-63Trd are examples of a passive VOMs that are suitable. Nearly all battery operated digital multimeters that have a 2 V AC range are suitable. (See Fig. A)

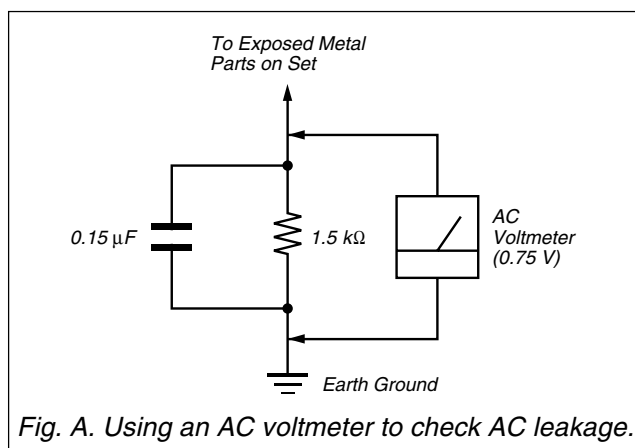


Fig. A. Using an AC voltmeter to check AC leakage.

WARNING!!

SAFETY-RELATED COMPONENT WARNING!!
COMPONENTS IDENTIFIED BY SHADING AND MARK \triangle ON THE SCHEMATIC DIAGRAMS, EXPLODED VIEWS AND IN THE PARTS LIST ARE CRITICAL FOR SAFE OPERATION. REPLACE THESE COMPONENTS WITH SONY PARTS WHOSE PART NUMBERS APPEAR AS SHOWN IN THIS MANUAL OR IN SUPPLEMENTS PUBLISHED BY SONY. CIRCUIT ADJUSTMENTS THAT ARE CRITICAL FOR SAFE OPERATION ARE IDENTIFIED IN THIS MANUAL. FOLLOW THESE PROCEDURES WHENEVER CRITICAL COMPONENTS ARE REPLACED OR IMPROPER OPERATION IS SUSPECTED.

AVERTISSEMENT!!

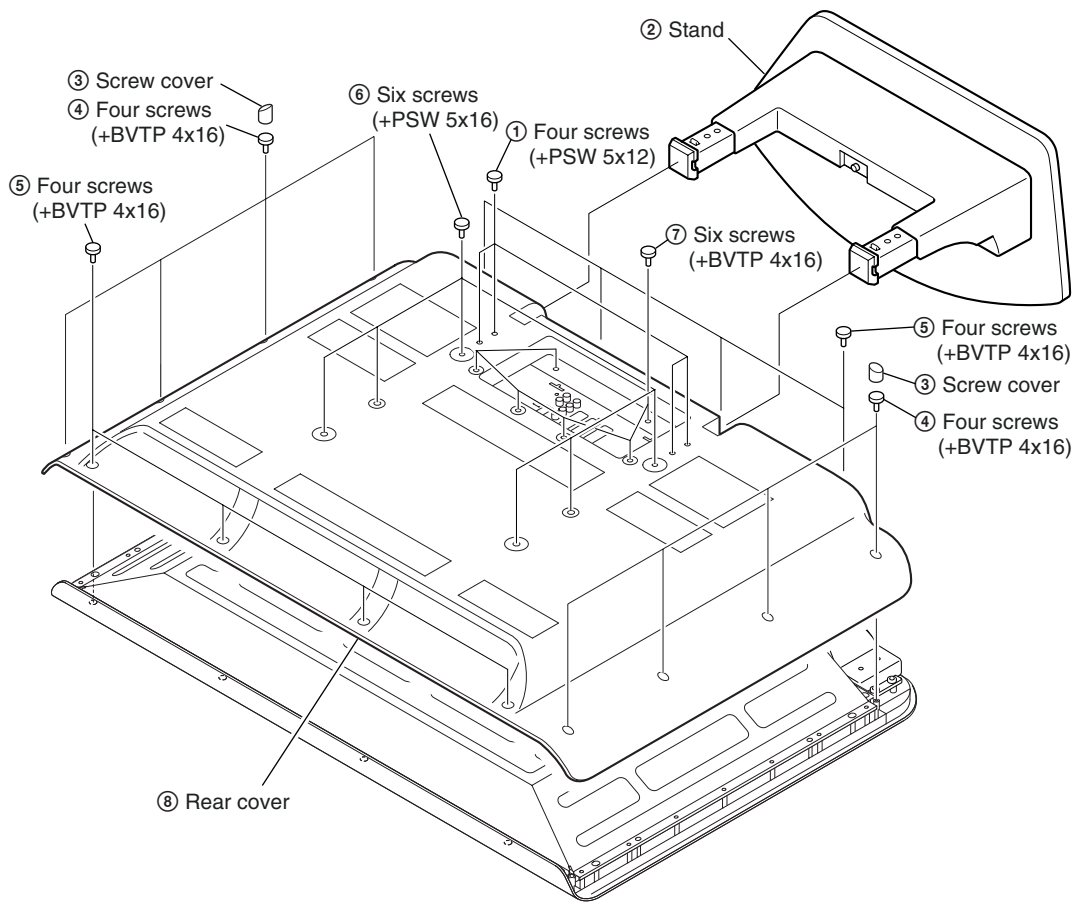
ATTENTION AUX COMPOSANTS RELATIFS À LA SÉCURITÉ!!
LES COMPOSANTS IDENTIFIÉS PAR UNE TRAME ET UNE MARQUE \triangle SONT CRITIQUES POUR LA SÉCURITÉ. NE LES REMPLACER QUE PAR UNE PIÈCE PORTANT LE NUMÉRO SPECIFIÉ. LES RÉGLAGES DE CIRCUIT DONT L'IMPORTANCE EST CRITIQUE POUR LA SÉCURITÉ DU FONCTIONNEMENT SONT IDENTIFIÉS DANS LE PRÉSENT MANUEL. SUIVRE CES PROCÉDURES LORS DE CHAQUE REMPLACEMENT DE COMPOSANTS CRITIQUES, OU LORSQU'UN MAUVAIS FONCTIONNEMENT EST SUSPECTÉ.

TABLE OF CONTENTS

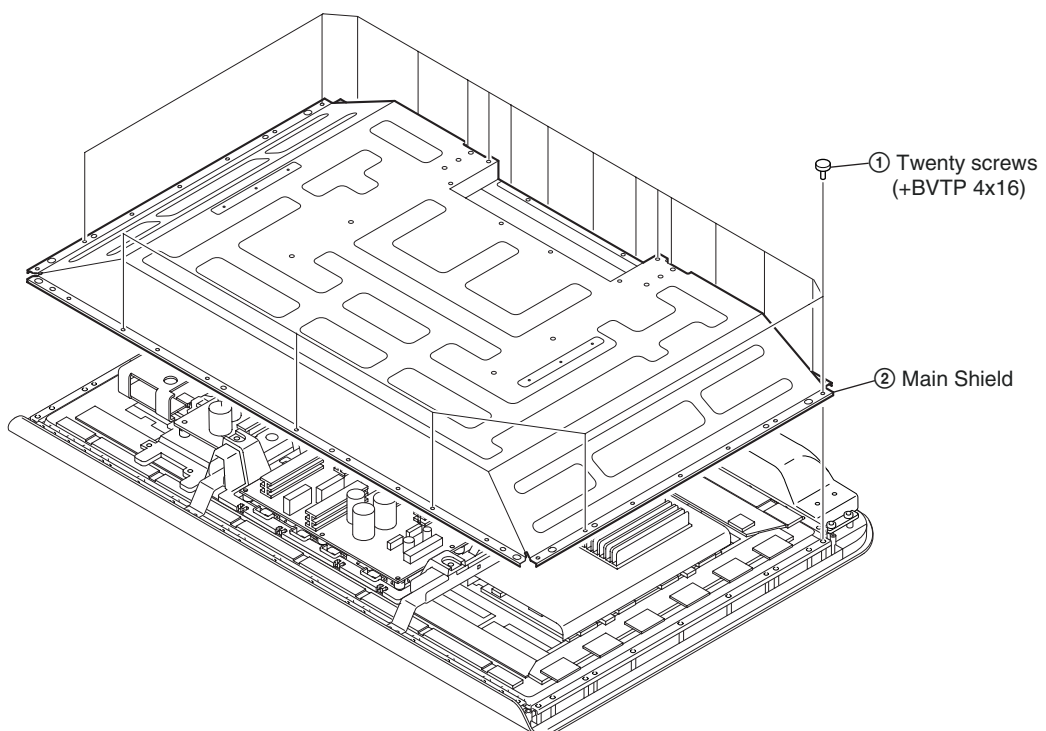
1. DISASSEMBLY	1-1	5. ELECTRICAL PARTS LIST	5-1
1-1. STAND AND COVER REMOVAL	1-1		
1-2. MAIN SHIELD REMOVAL	1-1		
1-3. J AND UPE BOARDS REMOVAL	1-2		
1-4. AE AND BP BOARDS REMOVAL	1-2		
1-5. F AND G2 BOARDS REMOVAL	1-3		
1-6. G1 BOARD REMOVAL	1-3		
1-7. PDP PANEL REMOVAL	1-4		
1-8. H1 AND H3 BOARDS REMOVAL	1-5		
1-9. H2 BOARD REMOVAL	1-5		
2. ADJUSTMENT	2-1		
2-1. AGING	2-1		
2-1-1. Aging setting	2-1		
2-1-2. Aging condition	2-1		
2-2. ADJUSTMENT OF SIGNAL LEVEL	2-1		
2-2-1. Check AD (2163 case) calibration registration items	2-1		
2-2-2. Y signal AD calibration of 2163 decode	2-1		
2-2-3. C signal AD calibration of 2163 decode	2-1		
2-2-4. Check AD (CCP2 case) calibration registration items	2-1		
2-2-5. Y signal AD calibration of CCP2 decode	2-2		
2-2-6. C signal AD calibration of CCP2 decode	2-2		
2-2-7. Check AD (Component case) calibration registration items	2-2		
2-2-8. Y signal AD calibration of component input ..	2-2		
2-2-9. C signal AD calibration of componet input	2-2		
2-3. WHITE BALANCE ADJUSTMENT	2-3		
2-3-1. White balance of Color temperature "Cool"	2-3		
2-3-2. White balance of Color temperature "Normal" ..	2-3		
2-3-3. White balance of Color temperature "Warm" ..	2-3		
3. DIAGRAMS	3-1		
3-1. BLOCK DIAGRAMS	3-1		
3-2. FRAME DIAGRAMS	3-6		
3-3. CIRCUIT BOARDS LOCATION	3-7		
3-4. SCHEMATIC DIAGRAMS AND PRINTED WIRING BOARDS	3-7		
(1) Schematic Diagrams of AE Board	3-8		
(2) Schematic Diagrams of BP Board	3-14		
(3) Schematic Diagrams of F Board	3-21		
(4) Schematic Diagrams of G1 Board	3-22		
(5) Schematic Diagrams of G2 Board	3-24		
(6) Schematic Diagram of H1 and H2 Boards	3-26		
(7) Schematic Diagram of H3 and J Boards	3-27		
(8) Schematic Diagrams of UPE Board	3-28		
3-5. SEMICONDUCTORS	3-32		
4. EXPLODED VIEWS	4-1		
4-1. REAR COVER AND STAND	4-2		
4-2. CHASSIS-1	4-3		
4-3. CHASSIS-2	4-4		
4-4. BEZEL ASSY	4-5		
4-5. PACKING MATERIALS	4-6		

SECTION 1 DISASSEMBLY

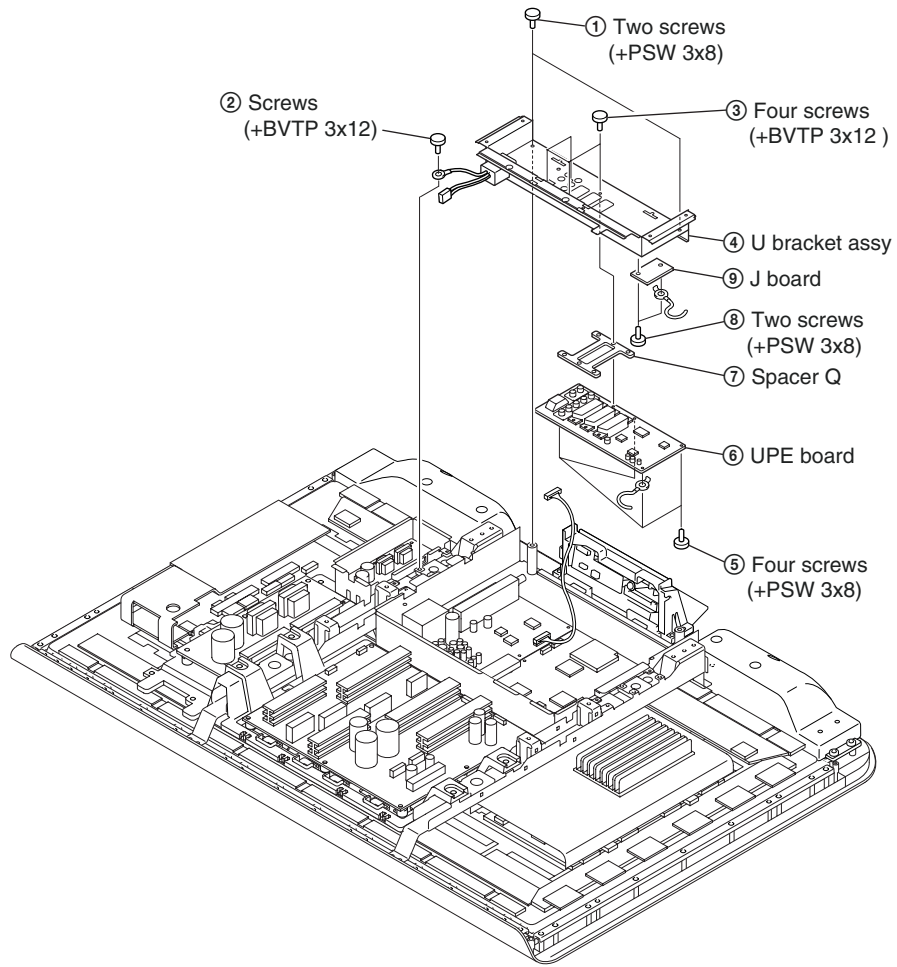
1-1. STAND AND COVER REMOVAL



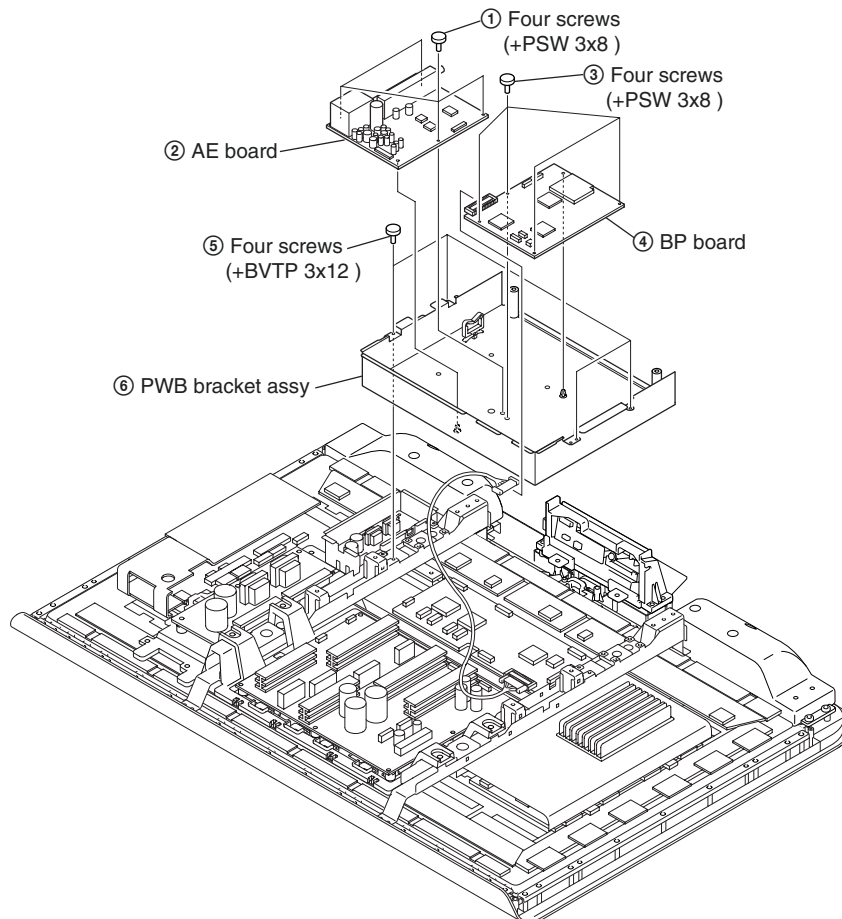
1-2. MAIN SHIELD REMOVAL



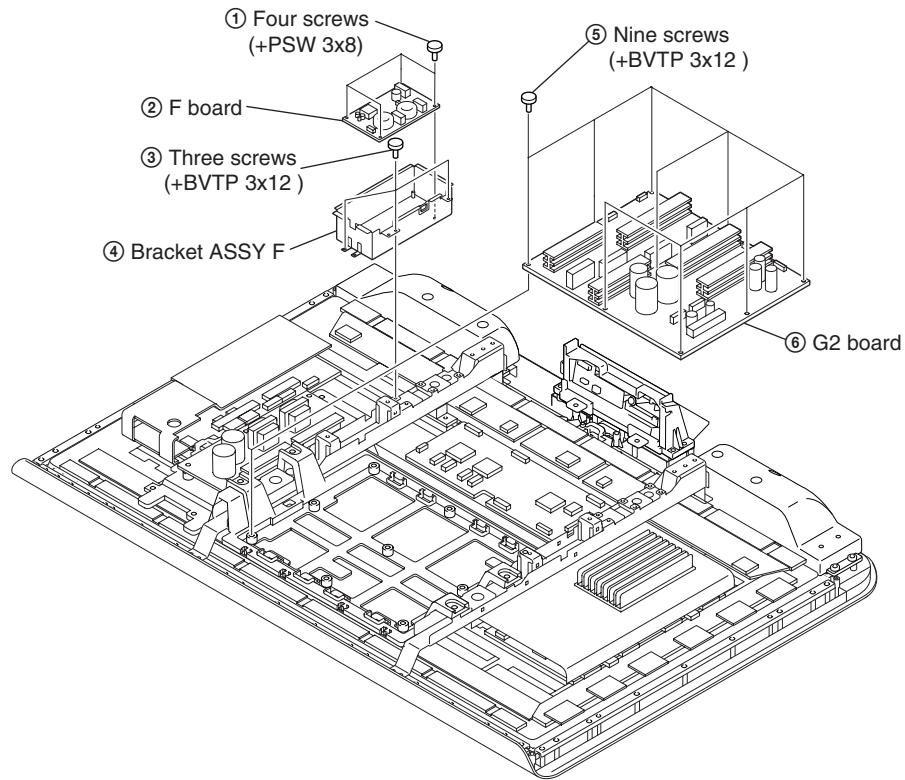
1-3. J AND UPE BOARDS REMOVAL



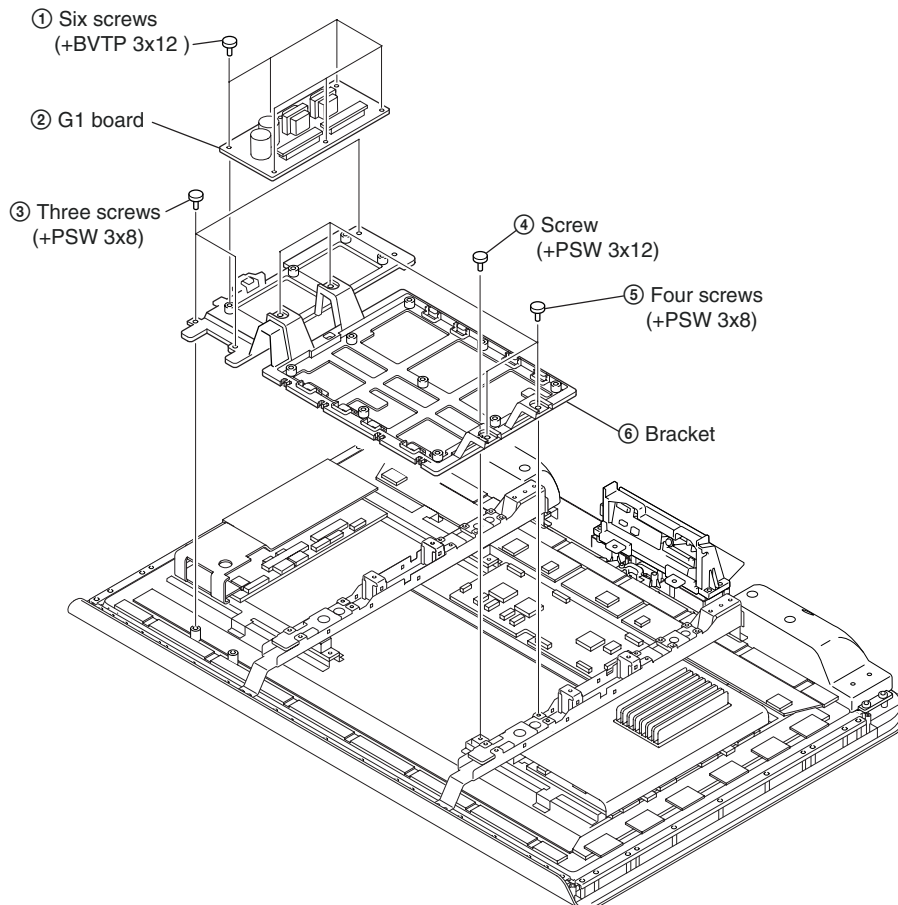
1-4. AE AND BP BOARDS REMOVAL



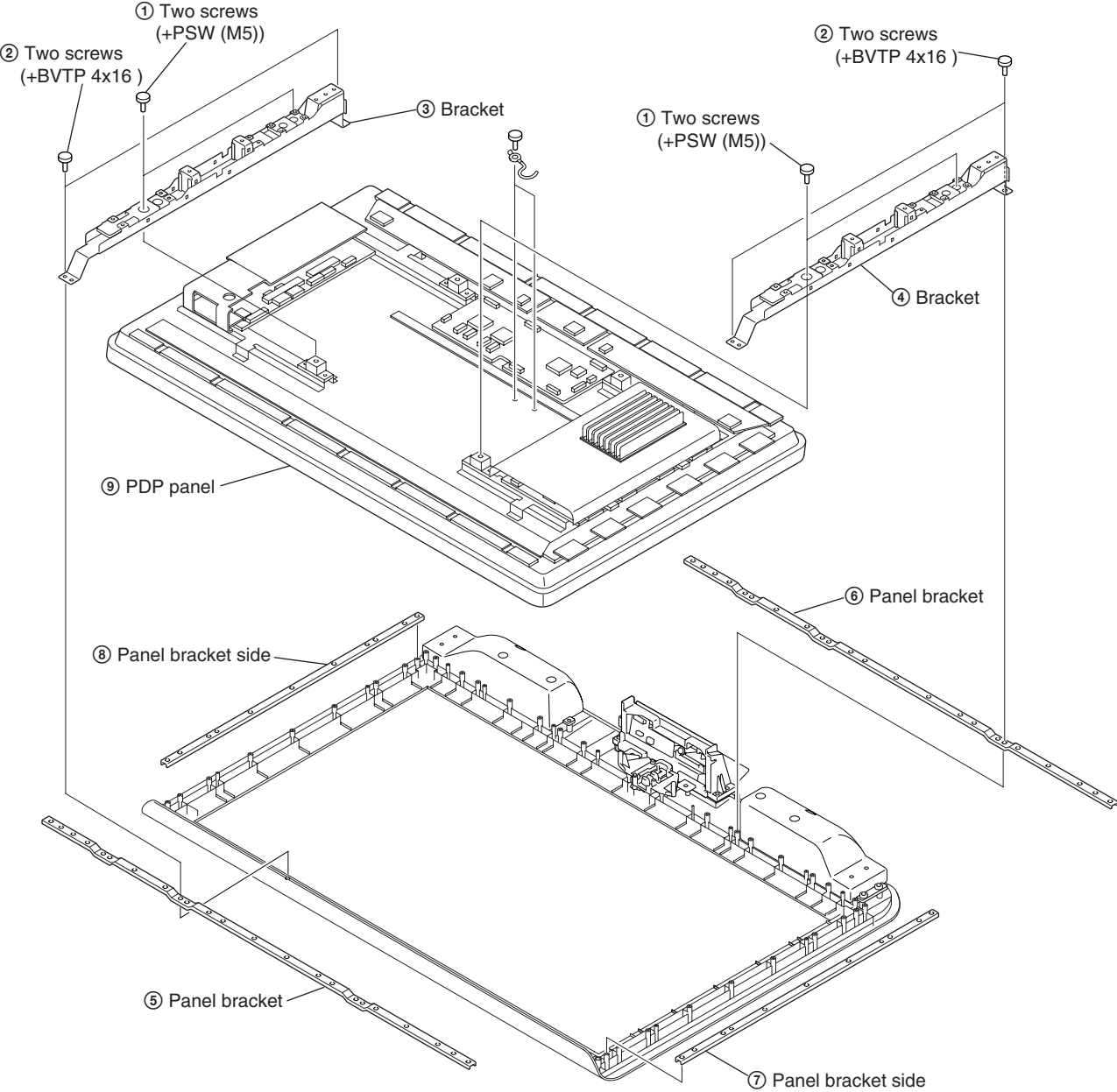
1-5. F AND G2 BOARDS REMOVAL



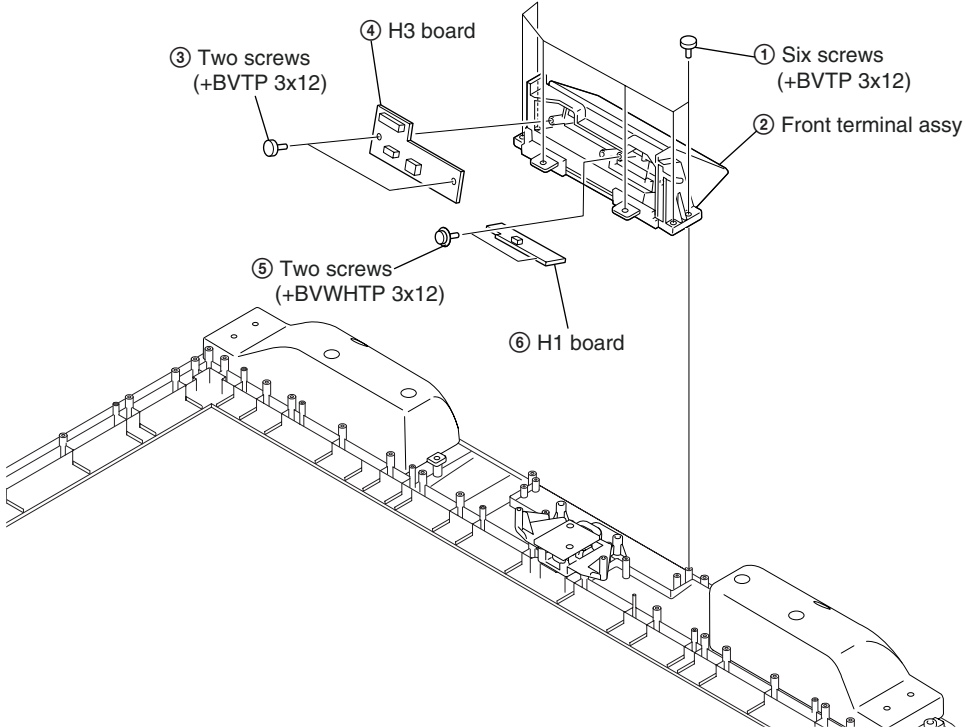
1-6. G1 BOARD REMOVAL



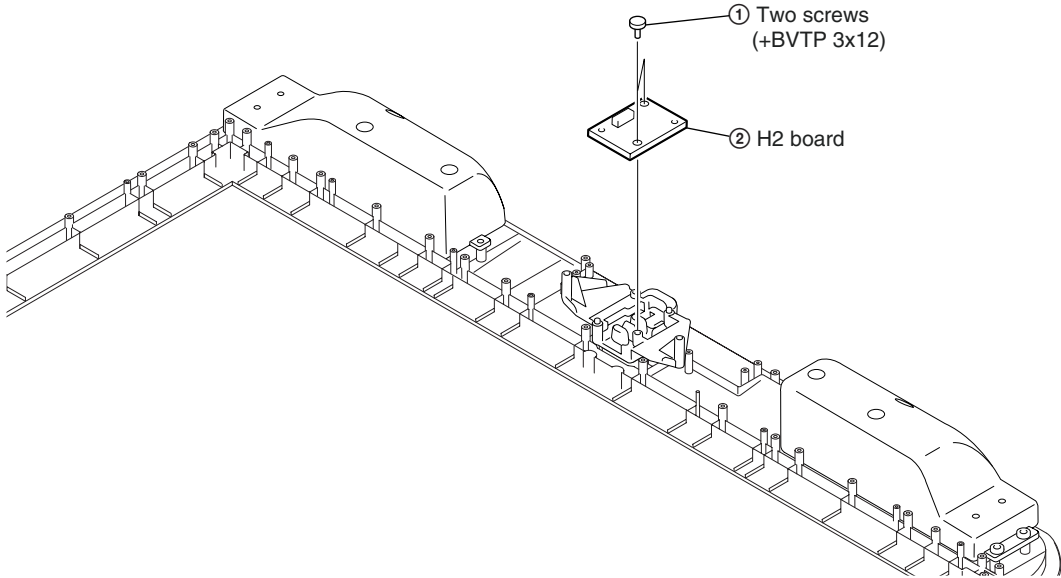
1-7. PDP PANEL REMOVAL



1-8. H1 AND H3 BOARDS REMOVAL



1-9. H2 BOARD REMOVAL



SECTION 2 ADJUSTMENTS

2-1. AGING

2-1-1. Aging setting

- To set aging mode on no input signal, change the register.
And do the "service save".

[Aging setting]

"MON_CON_REG_2" = 185

"AGING_COLOR" = 1

2-1-2. Aging condition

Power supply : 220-240 V (50Hz)

Time : More than 10 minutes

Temperature : 22°C ~ 28°C

Luminance : On aging mode setting

Note:

After aging, if power was shut down until W/B adjustment, shall be adjusted W/B after aging more than 30 second.

2-2. ADJUSTMENT OF SIGNAL LEVEL

This adjustment shall be used ECS.

2-2-1. Check AD (2163 case) calibration registration items

- Select AV1 and input PAL signal.
- Set following items.

Item	Data
PICTURE_MODE	0 (Live)
COLOR	25
DYNA_PICT	0 (Off)
DC_TRAN	0 (Off)

- Check that following items is default.

TARGET_PW_IN_Y
ADJ_Y_DEADBAND
ADJ_Y_LOOPATTEN
TARGET_PW_IN_C
ADJ_C_DEADBAND
ADJ_C_LOOPATTEN
AD_ADJ_TIME_OUT

2-2-2. Y signal AD calibration of 2163 decode

- Check "MON_CON_REG_1" = 3.
(TIMING_AUTO_DETECT is Enable)
- Input 0 IRE black full field with burst in AV1.
- Send "READ_PW_INPUT_Y" command from ECS.
- Check that the detection value of "PW_INPUT_Y" is within the standard of following column.

Item	Standard
PW_INPUT_Y	Less than 304

- Input 100 IRE white full field with burst.
- Send "ADJUST_Y_LEVEL_VIDEO" command from ECS.
The Y_LEVEL_CCP2_04 registration of the video range is adjusted automatic by this command.
Adjustment value also is copied in the proper NVM area.

- Check that the detection value of "PW_INPUT_Y" is within the standard of following column.

Item	Standard
PW_INPUT_Y	3888 ± 16

2-2-3. C signal AD calibration of 2163 decode

- Check "MON_CON_REG_1" = 3.
(TIMING_AUTO_DETECT is Enable)
- Input 0 IRE black full field with burst.
- Send "READ_PW_INPUT_CB" command from ECS.
- Check that the detection value of "PW_INPUT_CB" is within the standard of following column.

Item	Standard
PW_INPUT_CB	Less than 304

- Input blue full field with burst.
- Send "ADJUST_C_LEVEL_VIDEO" command from ECS.
The C_LEVEL_CCP2_05 registration of the video range is adjusted automatic by this command.
Adjustment value also is copied in the proper NVM area.
- Check that the detection value of "PW_INPUT_CB" is within standard of following column.

Item	Standard
PW_INPUT_CB	3724 ± 16

- Input red full field with burst.
- Send "READ_PW_INPUT_CR" command from ECS.
- Check that the detection value of "PW_INPUT_CR" is within standard of following column.

Item	Standard
PW_INPUT_CR	3340 ± 320

2-2-4. Check AD (CCP2 case) calibration registration items

- Select AV3 and input PAL signal
- Set following items.

Item	Data
PICTURE_MODE	0 (Live)
COLOR	25
DYNA_PICT	0 (Off)
DC_TRAN	0 (Off)

- Check that following items is default.

TARGET_PW_IN_Y
ADJ_Y_DEADBAND
ADJ_Y_LOOPATTEN
TARGET_PW_IN_C
ADJ_C_DEADBAND
ADJ_C_LOOPATTEN
AD_ADJ_TIME_OUT

2-2-5. Y signal AD calibration of CCP2 decode

1. Check "MON_CON_REG_1" = 3.
(TIMING_AUTO_DETECT is Enable)
2. Input 0 IRE black full field with burst.
3. Send "READ_PW_INPUT_Y" command from ECS.
4. Check that the detection value of "PW_INPUT_Y" is within the standard of following column.

Item	Standard
PW_INPUT_Y	Less than 304

5. Input 100 IRE white full field with burst.
6. Send "ADJUST_Y_LEVEL_VIDEO" command from ECS.
The Y_LEVEL_CCP2_04 registration of the video range is adjusted automatic by this command.
Adjustment value also is copied in the proper NVM area.
7. Check that the detection value of "PW_INPUT_Y" is within the standard of following column.

Item	Standard
PW_INPUT_Y	3888 ± 16

2-2-6. C signal AD calibration of CCP2 decode

1. Check "MON_CON_REG_1" = 3.
(TIMING_AUTO_DETECT is Enable)
2. Input 0 IRE black full field with burst.
3. Send "READ_PW_INPUT_CB" command from ECS.
4. Check that the detection value of "PW_INPUT_CB" is within the standard of following column.

Item	Standard
PW_INPUT_CB	Less than 304

5. Input blue full field with burst.
6. Send "ADJUST_C_LEVEL_VIDEO" command from ECS.
The C_LEVEL_CCP2_05 registration of the video range is adjusted automatic by this command.
Adjustment value also is copied in the proper NVM area.
7. Check that the detection value of "PW_INPUT_CB" is within standard of following column.

Item	Standard
PW_INPUT_CB	3184 ± 16

8. Input red full field with burst.
9. Send "READ_PW_INPUT_CR" command from ECS.
10. Check that the detection value of "PW_INPUT_CR" is within standard of following column.

Item	Standard
PW_INPUT_CR	2832 ± 320

2-2-7. Check AD (Component case) calibration registration items

1. Select AV4 and input 575i signal.
2. Set following items.

Item	data
PICTURE_MODE	0 (Live)
COLOR	25
DYNA_PICT	0 (Off)
DC_TRAN	0 (Off)

3. Check that following items is default.

TARGET_PW_IN_Y
ADJ_Y_DEADBAND
ADJ_Y_LOOPATTEN
TARGET_PW_IN_C
ADJ_C_DEADBAND
ADJ_C_LOOPATTEN
AD_ADJ_TIME_OUT

2-2-8. Y signal AD calibration of component input

1. Check "MON_CON_REG_1" = 3.
(TIMING_AUTO_DETECT is Enable)
2. Input 0 IRE black full field with burst in AV3.
3. Send "READ_PW_INPUT_Y" command from ECS.
4. Check that the detection value of "PW_INPUT_Y" is within the standard of following column.

Item	Standard
PW_INPUT_Y	Less than 304

5. Input 100 IRE white full field with burst.
6. Send "ADJUST_Y_LEVEL_VIDEO" command from ECS.
The Y_LEVEL_CCP2_04 registration of the video range is adjusted automatic by this command.
Adjustment value also is copied in the proper NVM area.
7. Check that the detection value of "PW_INPUT_Y" is within the standard of following column.

Item	Standard
PW_INPUT_Y	3888 ± 16

2-2-9. C signal AD calibration of componet input

1. Check "MON_CON_REG_1" = 3.
(TIMING_AUTO_DETECT is Enable)
2. Input 0 IRE black full field with burst.
3. Send "READ_PW_INPUT_CB" command from ECS.
4. Check that the detection value of "PW_INPUT_CB" is within the standard of following column.

Item	Standard
PW_INPUT_CB	Less than 304

5. Input blue full field with burst.
6. Send "ADJUST_C_LEVEL_VIDEO" command from ECS.
The C_LEVEL_CCP2_05 registration of the video range is adjusted automatic by this command.
Adjustment value also is copied in the proper NVM area.
7. Check that the detection value of "PW_INPUT_CB" is within standard of following column.

Item	Standard
PW_INPUT_CB	3760 ± 16

8. Input red full field with burst.
9. Send "READ_PW_INPUT_CR" command from ECS.
10. Check that the detection value of "PW_INPUT_CR" is within standard of following column.

Item	Standard
PW_INPUT_CR	3200 ± 320

2-3. WHITE BALANCE ADJUSTMENT

This adjustment shall be used ECS.

2-3-1. White balance of Color temperature “Cool”

1. Select Video input (AV3).
2. Set following items.

Item	Data
PICTURE_MODE	0 (Live)
COLOR	25
DYNE_PICT	0 (Off)
DC_TRAN	0 (Off)
COLOR_TONE	0 (Cool)

Note:

DON'T DO ANY SAVE.

3. Input 100 IRE gray full field signal in Video input.
4. Adjust R_DRIVE, B_DRIVE until High light adjustment value.

<High light adjustment value (for Cool)>

	KE-P42M1	Range
x	0.2721	13285K
y	0.2737	-2.8MPCD
Y	–	N/A

5. Input 20 IRE gray full field signal in Video input.
6. Adjust R_BKG, B_BKG until Low light adjustment value.
G_BKG = 128 (fixed)

<Low light adjustment value (for Cool)>

	KE-P42M1	Range
x	0.2694	12041K
y	0.2741	-1.5MPCD
Y	–	N/A

7. Repeat step 3~6 until it is High and Low light adjustment value.
8. Do “Color Save”.

2-3-2. White balance of Color temperature “Normal”

1. Set following items.

Item	Data
PICTURE_MODE	0 (Live)
COLOR	25
DYNE_PICT	0 (Off)
DC_TRAN	0 (Off)
COLOR_TONE	1 (Normal)

Note:

DON'T DO ANY SAVE.

2. Input 100 IRE gray full field signal in Video input.
3. Adjust R_DRIVE, B_DRIVE until High light adjustment value.

<High light adjustment value (for Normal)>

	KE-P42M1	Range
x	0.2770	11860K
y	0.2803	-2.4MPCD
Y	–	N/A

4. Input 20 IRE gray full field signal in Video input.
5. Adjust R_BKG, B_BKG until Low light adjustment value.
G_BKG = 128 (fixed)

<Low light adjustment value (for Normal)>

	KE-P42M1	Range
x	0.2767	10244K
y	0.2818	-0.6MPCD
Y	–	N/A

6. Repeat step 2~5 until it is in High and Low light adjustment value.
7. Do “Color Save”.

2-3-3. White balance of Color temperature “Warm”

1. Set following items.

Item	Data
PICTURE_MODE	0 (Live)
COLOR	25
DYNE_PICT	0 (Off)
DC_TRAN	0 (Off)
COLOR_TONE	2 (Warm)

Note:

DON'T DO ANY SAVE.

2. Input 100 IRE gray full field signal in Video input.
3. Adjust R_DRIVE, B_DRIVE until High light adjustment value.

<High light adjustment value (for Warm)>

	KE-P42M1	Range
x	0.2861	9000K
y	0.2950	0MPCD
Y	–	N/A

4. Input 20 IRE gray full field signal in Video input.
5. Adjust R_BKG, B_BKG until Low light adjustment value.
G_BKG = 128 (fixed)

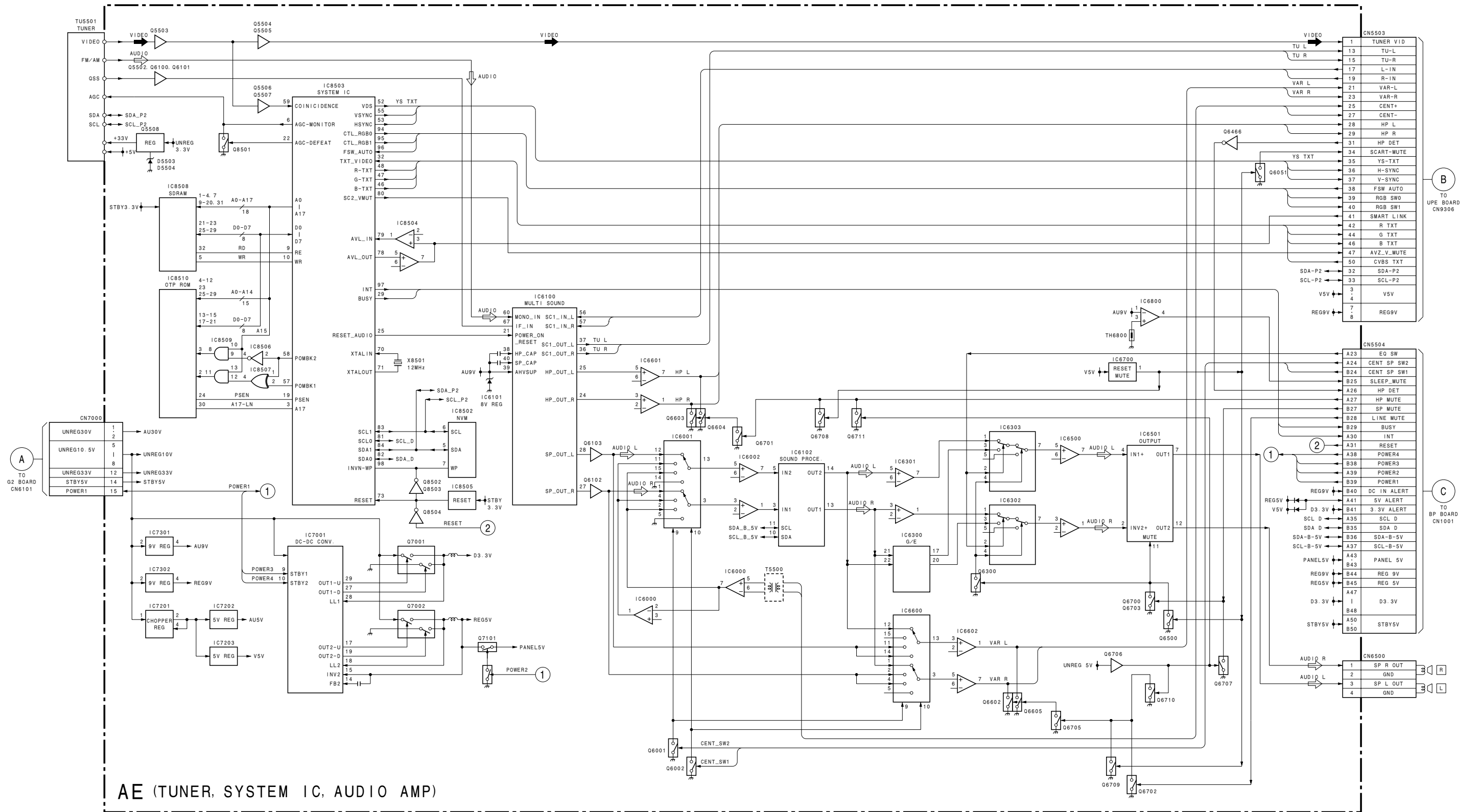
<Low light adjustment value (for Cool)>

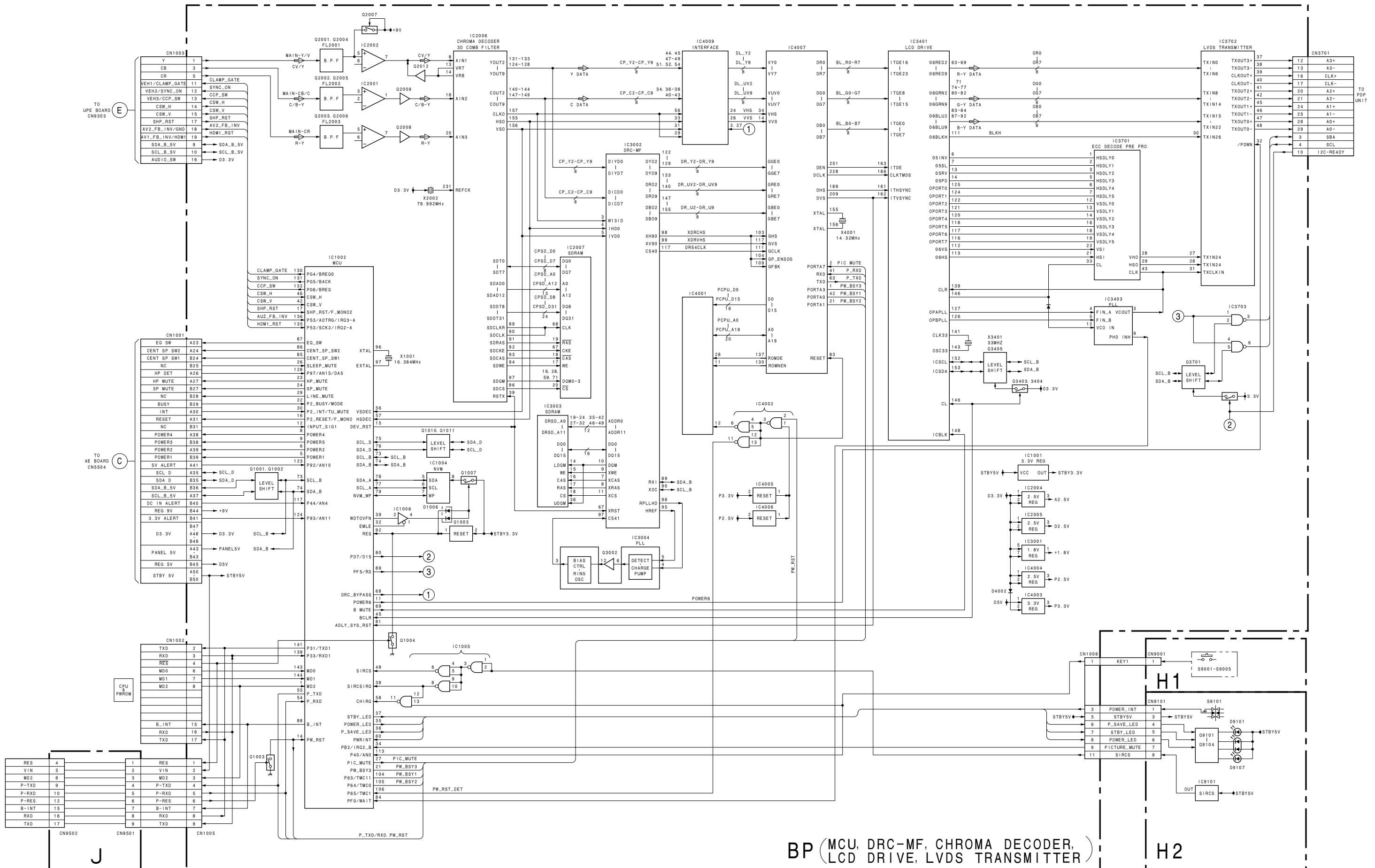
	KE-P42M1	Range
x	0.2869	9000K
y	0.2917	0MPCD
Y	–	N/A

6. Repeat step 2~5 until it is in High and Low light adjustment value.
7. Do “Color Save”.

SECTION 3 DIAGRAMS

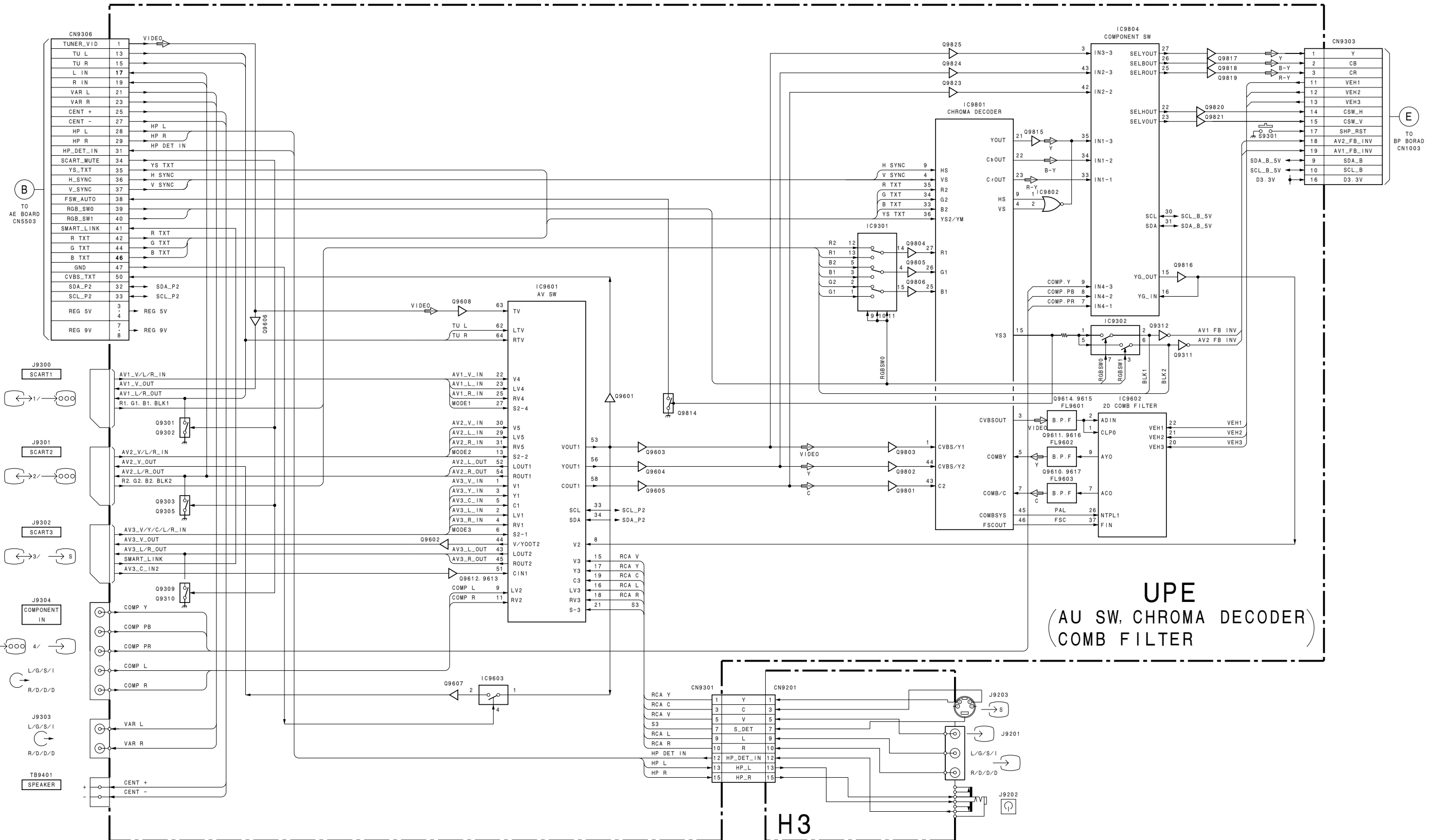
3-1. BLOCK DIAGRAMS

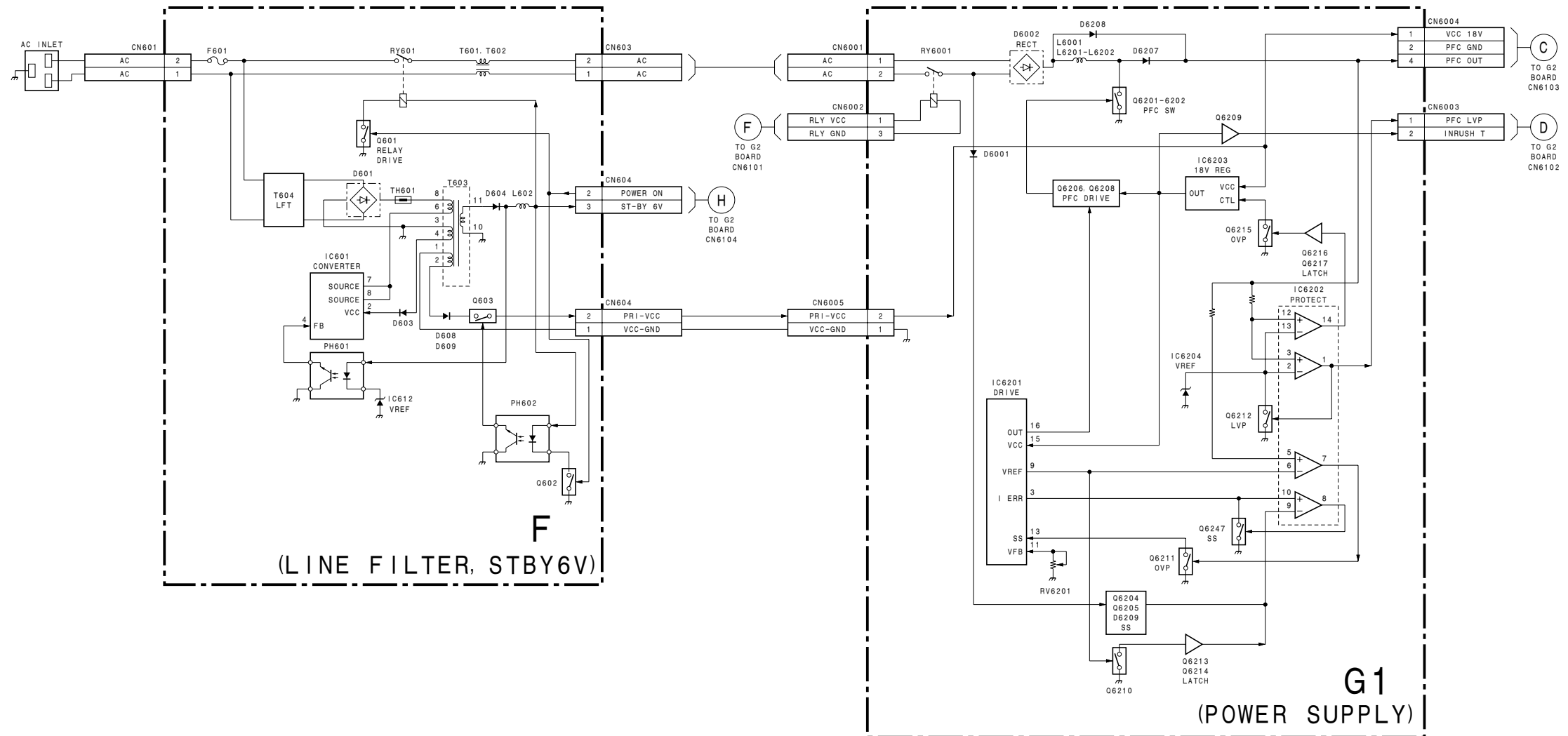


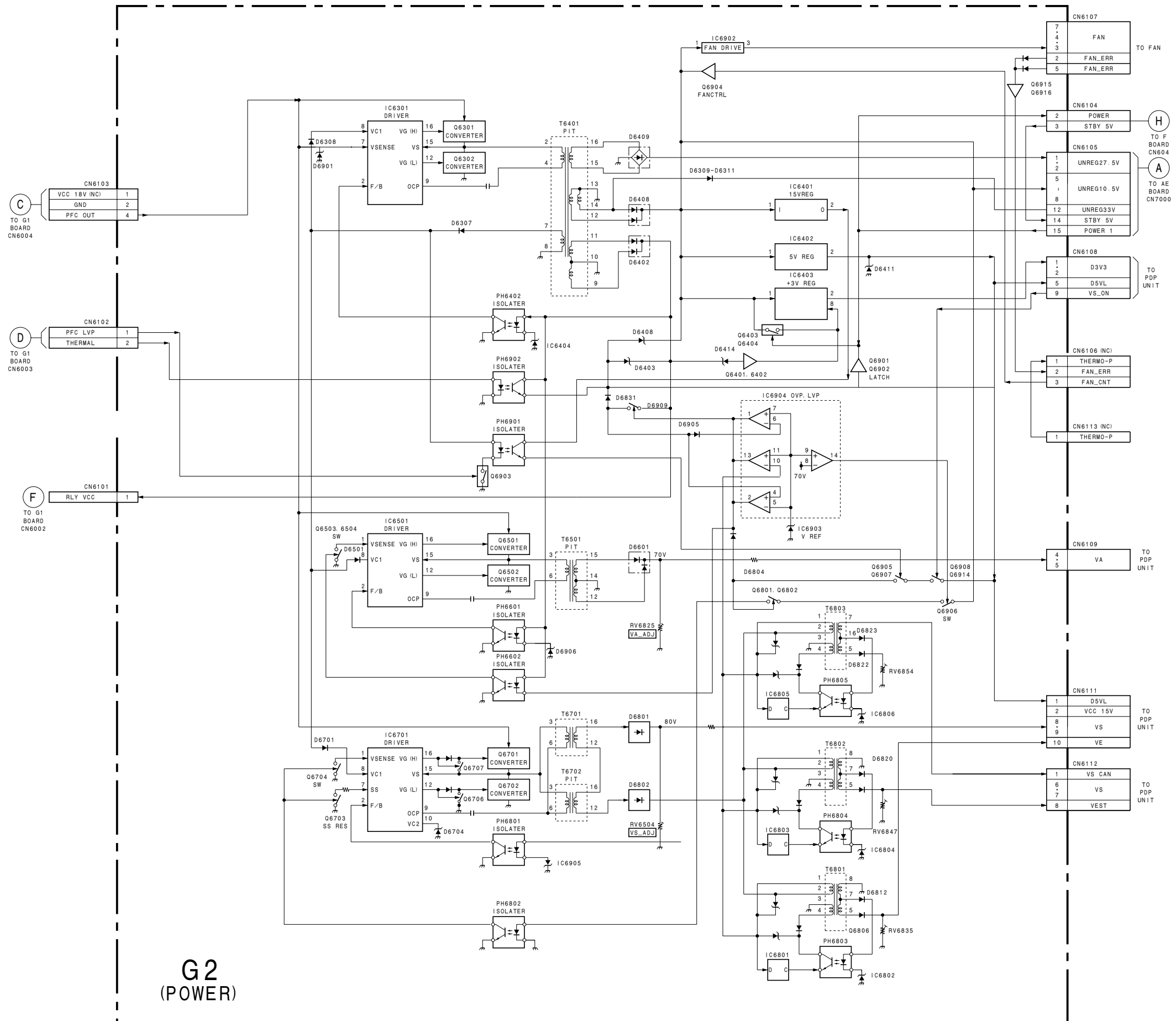


BP (MCU, DRC-MF, CHROMA DECODER, LCD DRIVE, LVDS TRANSMITTER)

H2

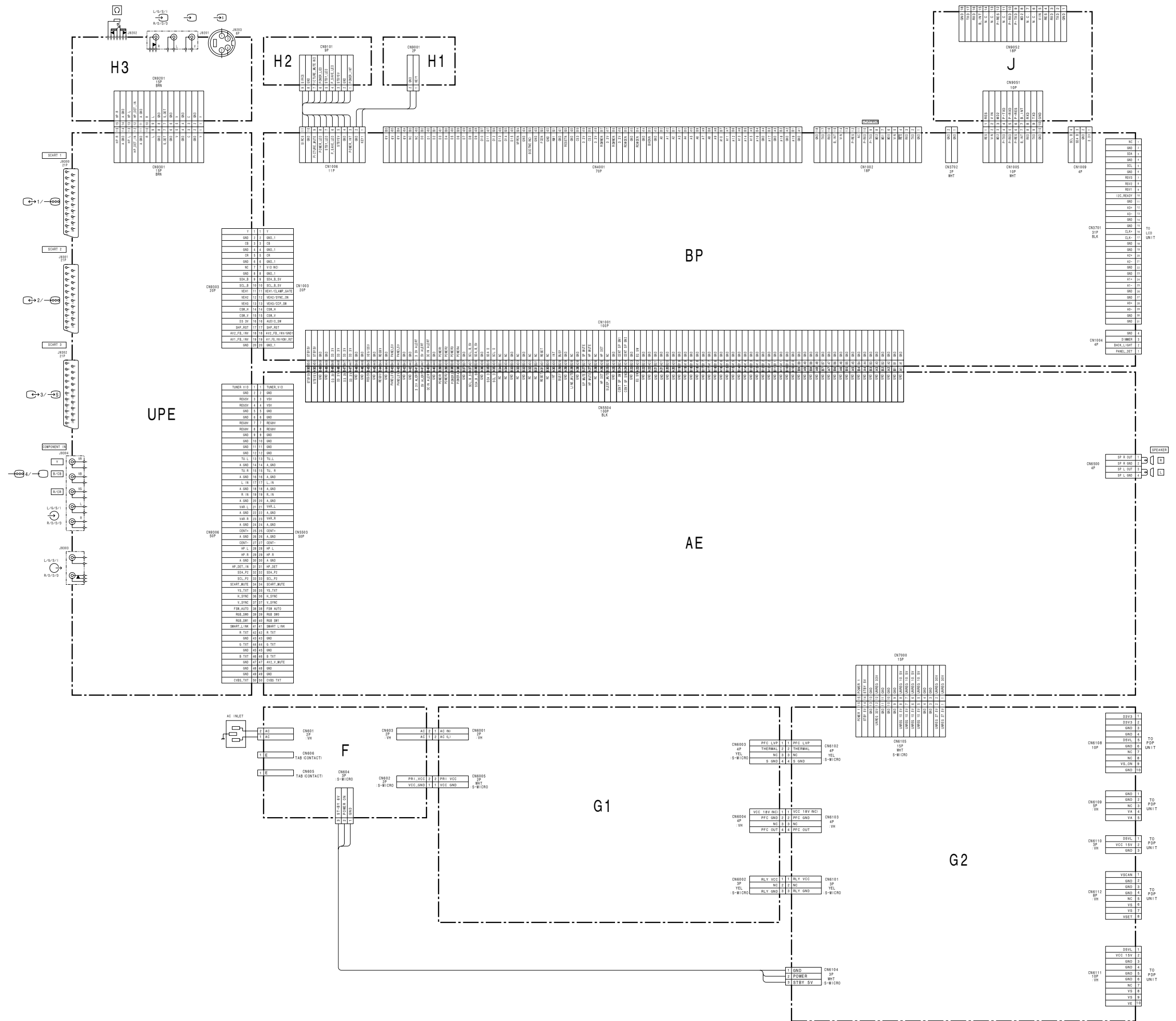




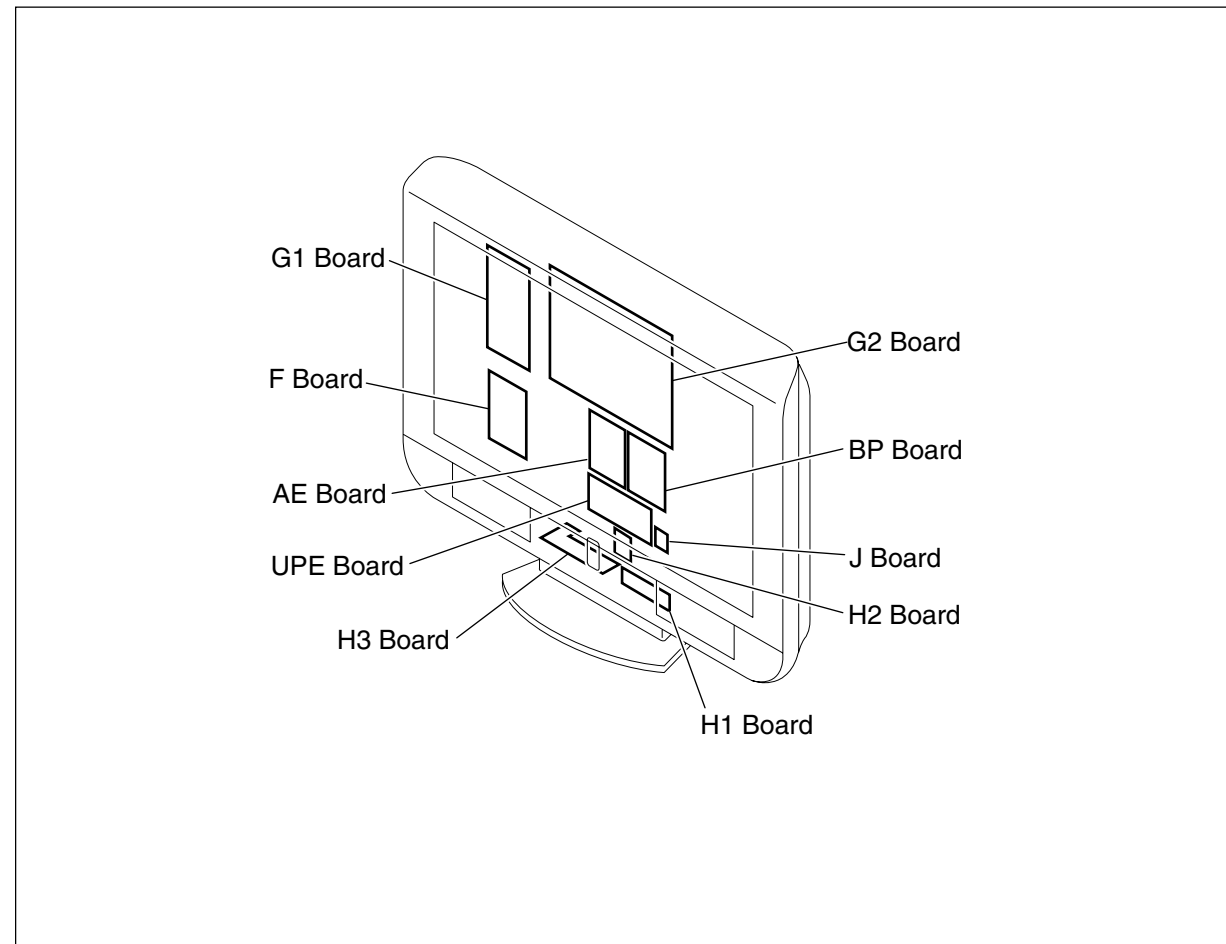


G2
(POWER)

3-2. FRAME DIAGRAMS



3-3. CIRCUIT BOARDS LOCATION



3-4. SCHEMATIC DIAGRAMS AND PRINTED WIRING BOARDS

Note:

- All capacitors are in μF unless otherwise noted. (pF : μF)
Capacitors without voltage indication are all 50 V.
- Indication of resistance, which does not have one for rating electrical power, is as follows.

Pitch: 5 mm

Rating electrical power 1/4 W (CHIP : 1/10 W)

- All resistors are in ohms.
- : nonflammable resistor.
- : fusible resistor.
- : internal component.
- : panel designation, and adjustment for repair.
- All variable and adjustable resistors have characteristic curve B, unless otherwise noted.
- : earth-ground.
- : earth-chassis.
- When replacing the part in below table, be sure to perform the related adjustment.
- All voltages are in V.
- Readings are taken with a 10 M Ω digital multimeter.
- Readings are taken with a color-bar signal input.
- Voltage variations may be noted due to normal production tolerances.
- * : Can not be measured.
- : Circled numbers are waveform references.
- : B + bus.
- : B - bus.
- : Signal path.

Note: The components identified by shading and mark \triangle are critical for safety. Replace only with part number specified.

Note: Les composants identifiés par un trame et une marque \triangle sont critiques pour la sécurité. Ne les remplacer que par une pièce portant le numéro spécifié.

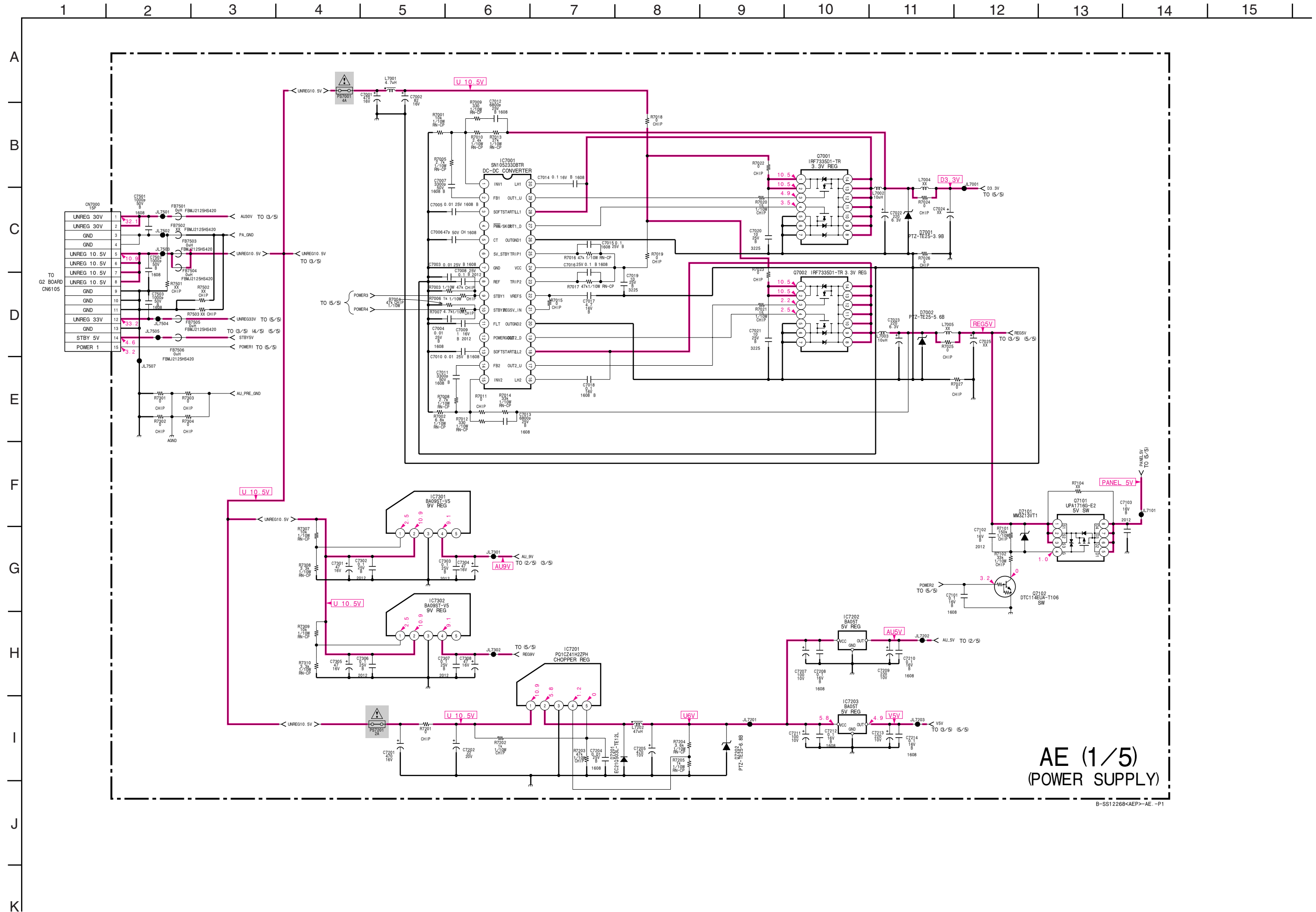
Terminal name of semiconductors in silk screen printed circuit (*)

	Device	Printed symbol	Terminal name	Circuit
①	Transistor		Collector Base Emitter	
②	Transistor		Collector Base Emitter	
③	Diode		Cathode Anode	
④	Diode		Cathode Anode (NC)	
⑤	Diode		Anode (NC)	
⑥	Diode		Common Anode Cathode	
⑦	Diode		Common Anode Cathode	
⑧	Diode		Common Anode Anode	
⑨	Diode		Common Anode Anode	
⑩	Diode		Common Cathode Cathode	
⑪	Diode		Common Cathode Cathode	
⑫	Diode		Anode Anode Cathode Anode	
⑬	Transistor (FET)		Drain Source Gate	
⑭	Transistor (FET)		Drain Source Gate	
⑮	Transistor (FET)		Source Drain Gate	
⑯	Transistor		Emitter Collector Base	
⑰	Transistor		C2 B1 E1 E2 B2 C1	
⑱	Transistor		C1 B2 E2 E1 B1 C2	
⑲	Transistor		C1 B2 E2 E1 B1 C2	
⑳	Transistor		C1 B2 E2 E1 B1 C2	
㉑	Transistor		E2 B1 E1 C2 C1(B2)	
㉒	Transistor		(B2) B1 E1 E2 C1 C2	
㉓	Transistor		(B2) E2 E1 B1 C2 C1	
-	Discrete semiconductor			

(Chip semiconductors that are not actually used are included.)

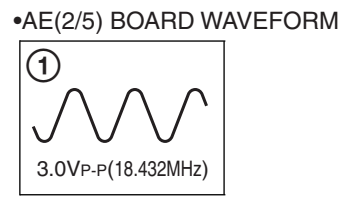
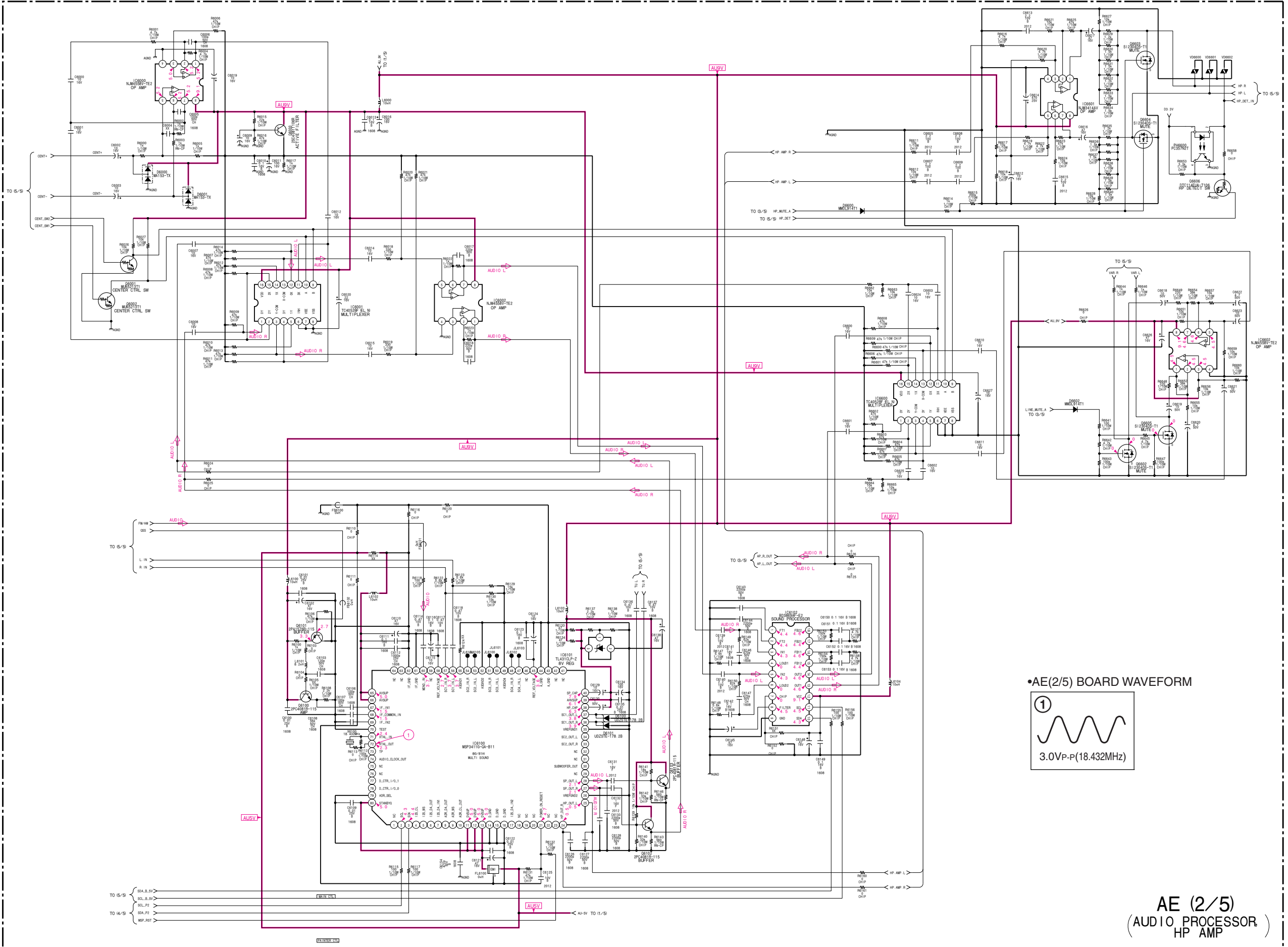
Ver.1.6

(1) Schematic Diagrams of AE Board



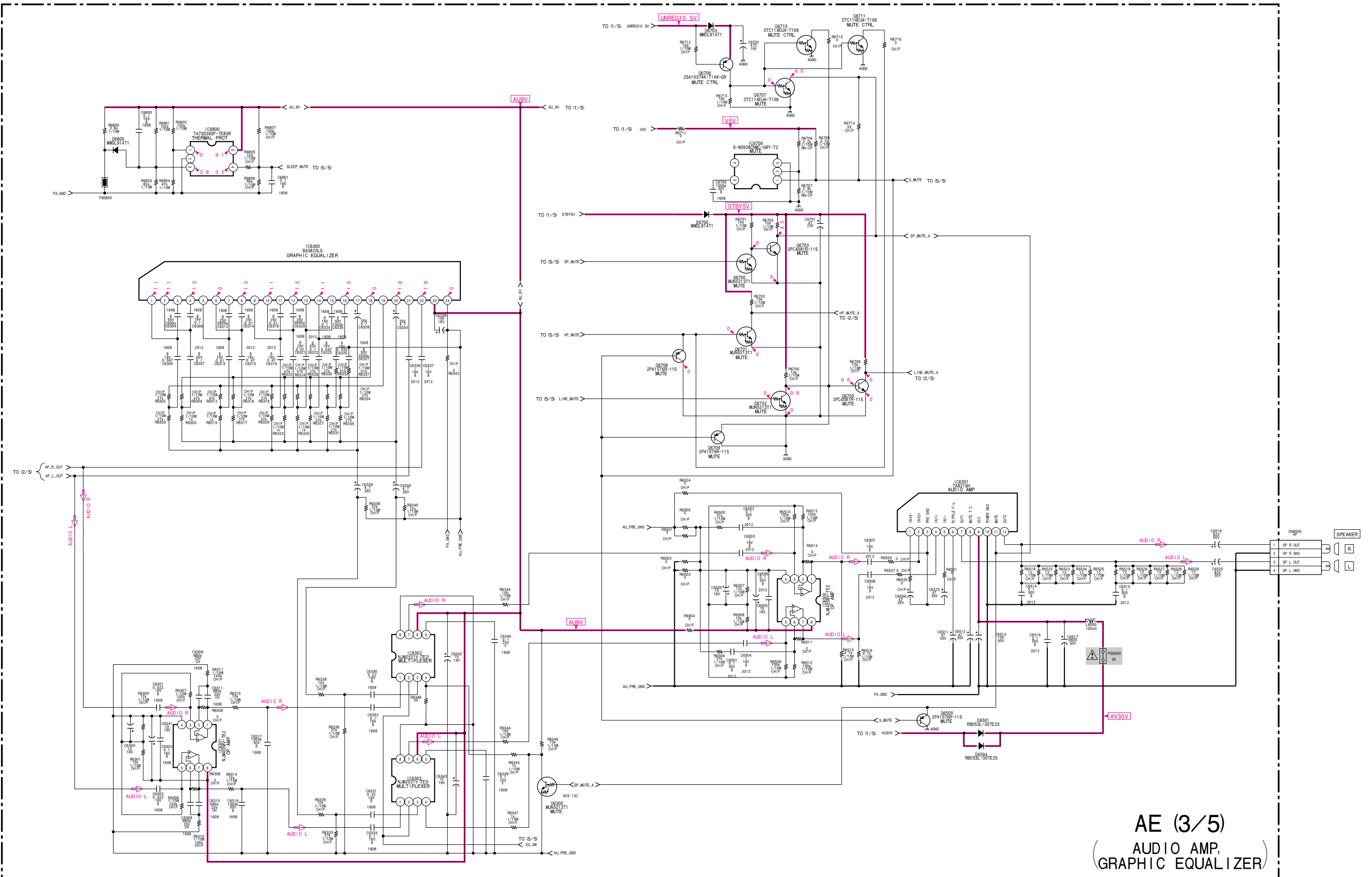
AE (1/5)
POWER SUPPLY

B-SS12268-AEP>>AE -P1



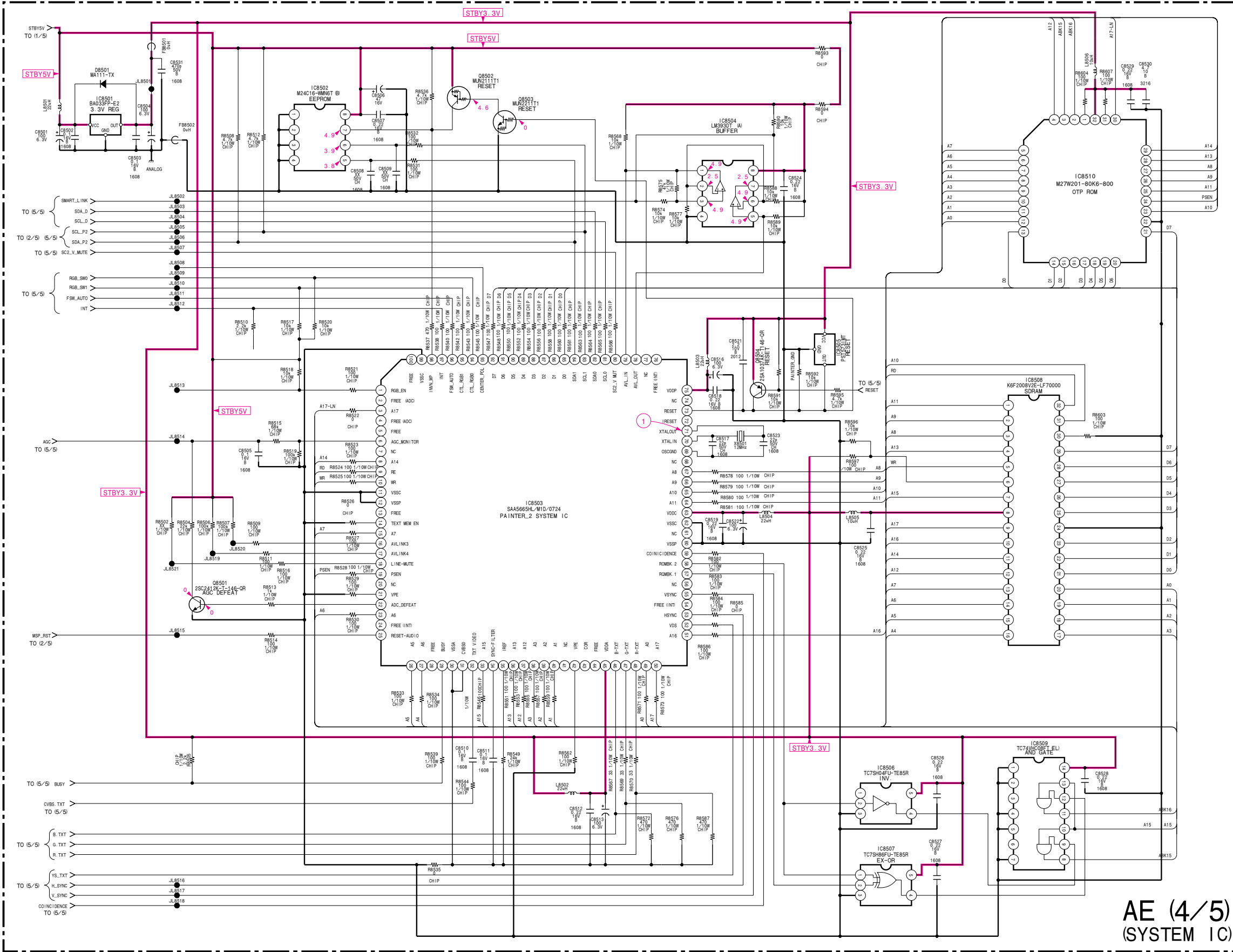
AE (2/5)
(AUDIO PROCESSOR)
HP AMP

B-05122684EP-AE -P2



AE (3/5)
 (AUDIO AMP,
 GRAPHIC EQUALIZER)

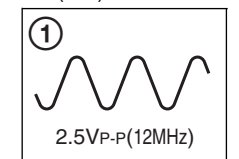
B-SS12268(AEP)-AE-P3

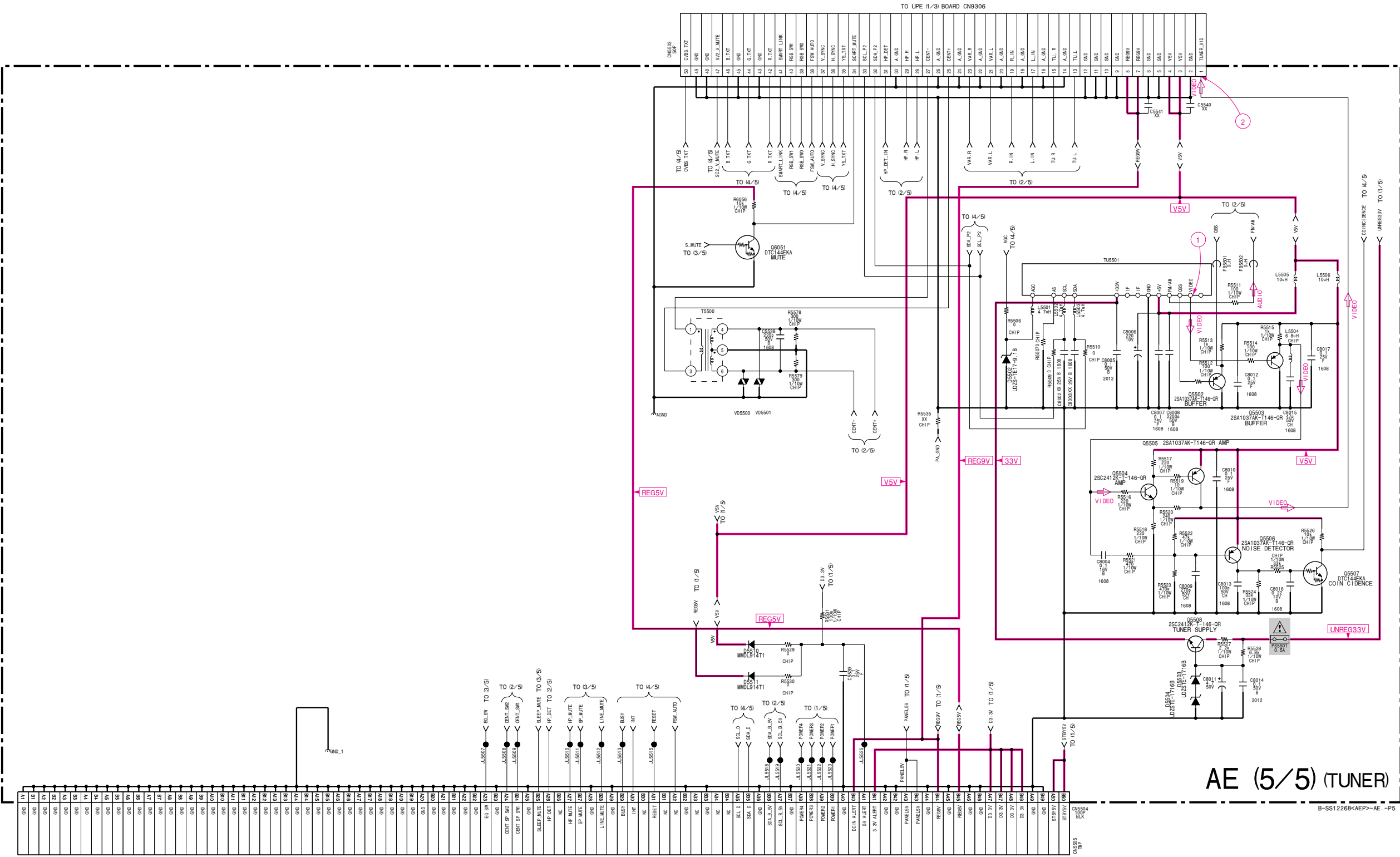


**AE (4/5)
(SYSTEM IC)**

B-SS12268<AEP>-AE -P4

•AE(4/5) BOARD WAVEFORM

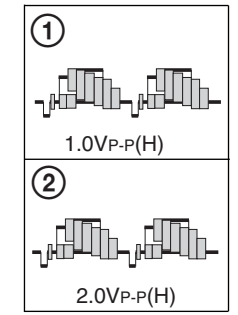




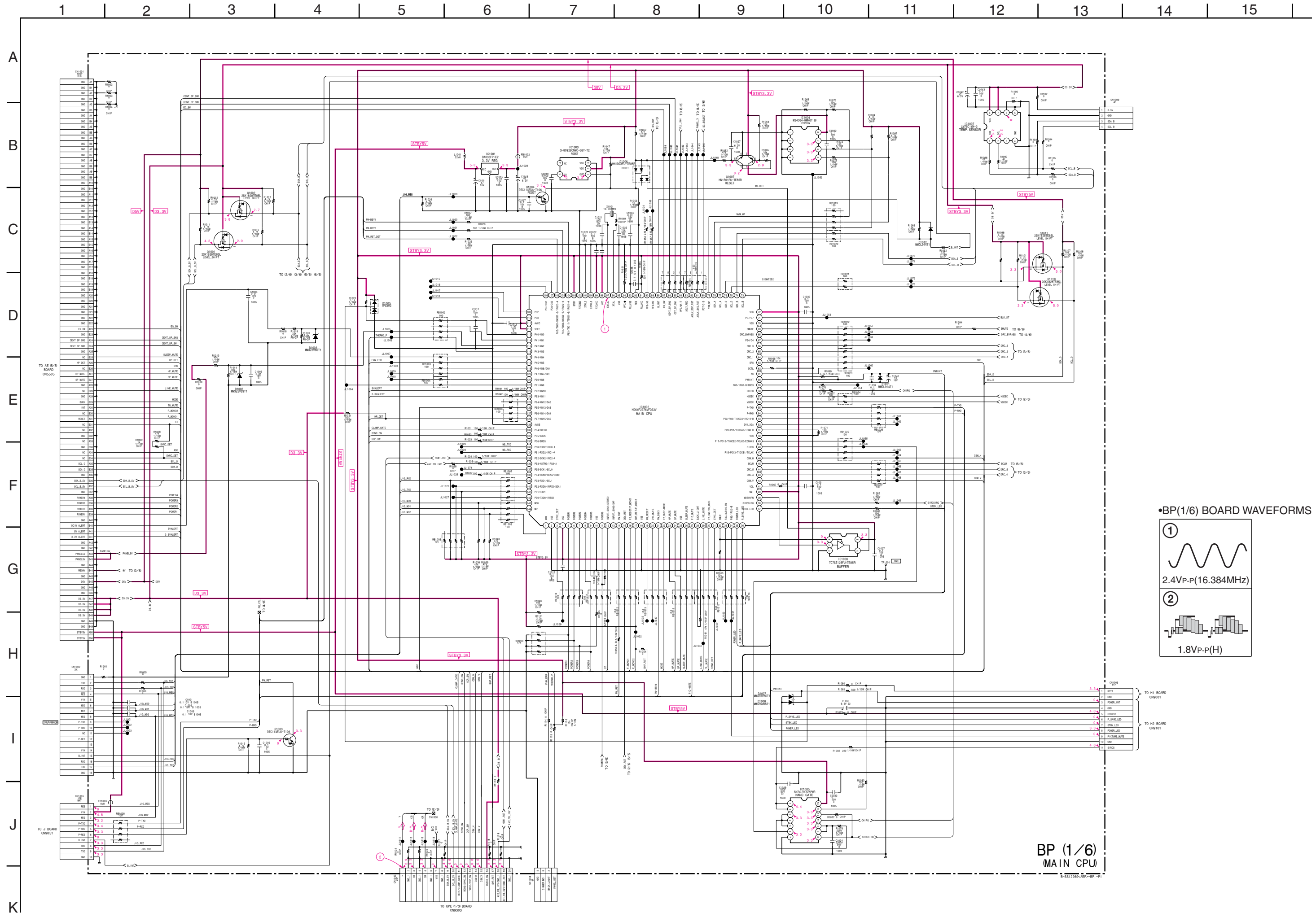
AE (5/5) (TUNER)

B-S512268(AEP)-AE.-P5

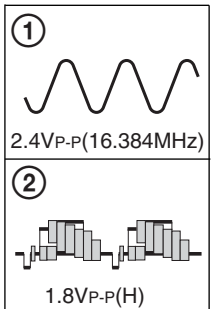
•AE(5/5) BOARD WAVEFORMS



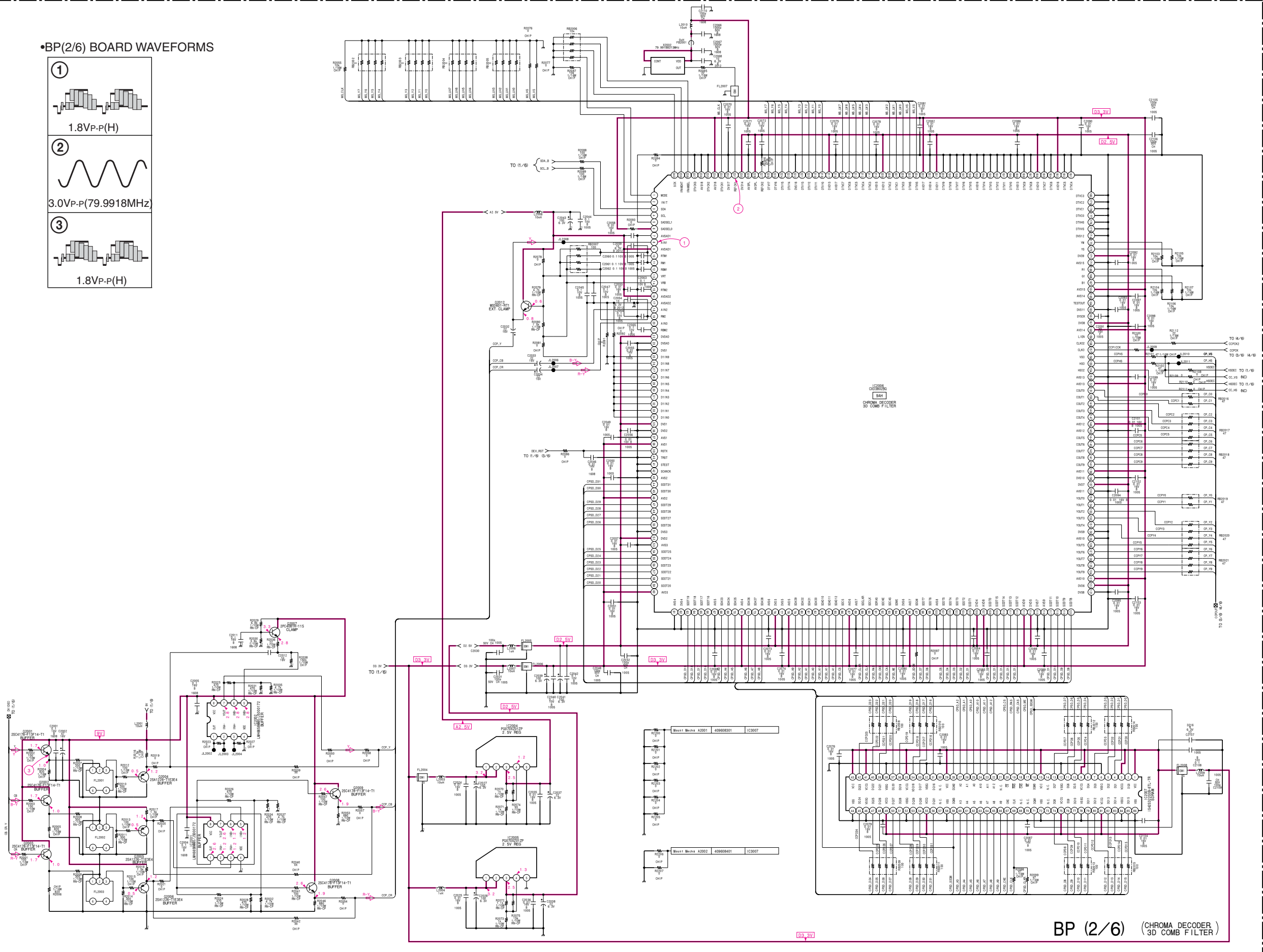
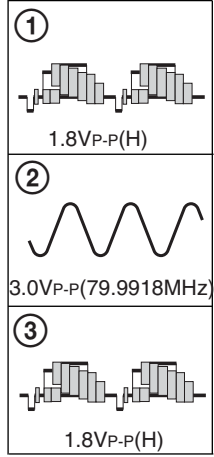
(2) Schematic Diagrams of BP Board



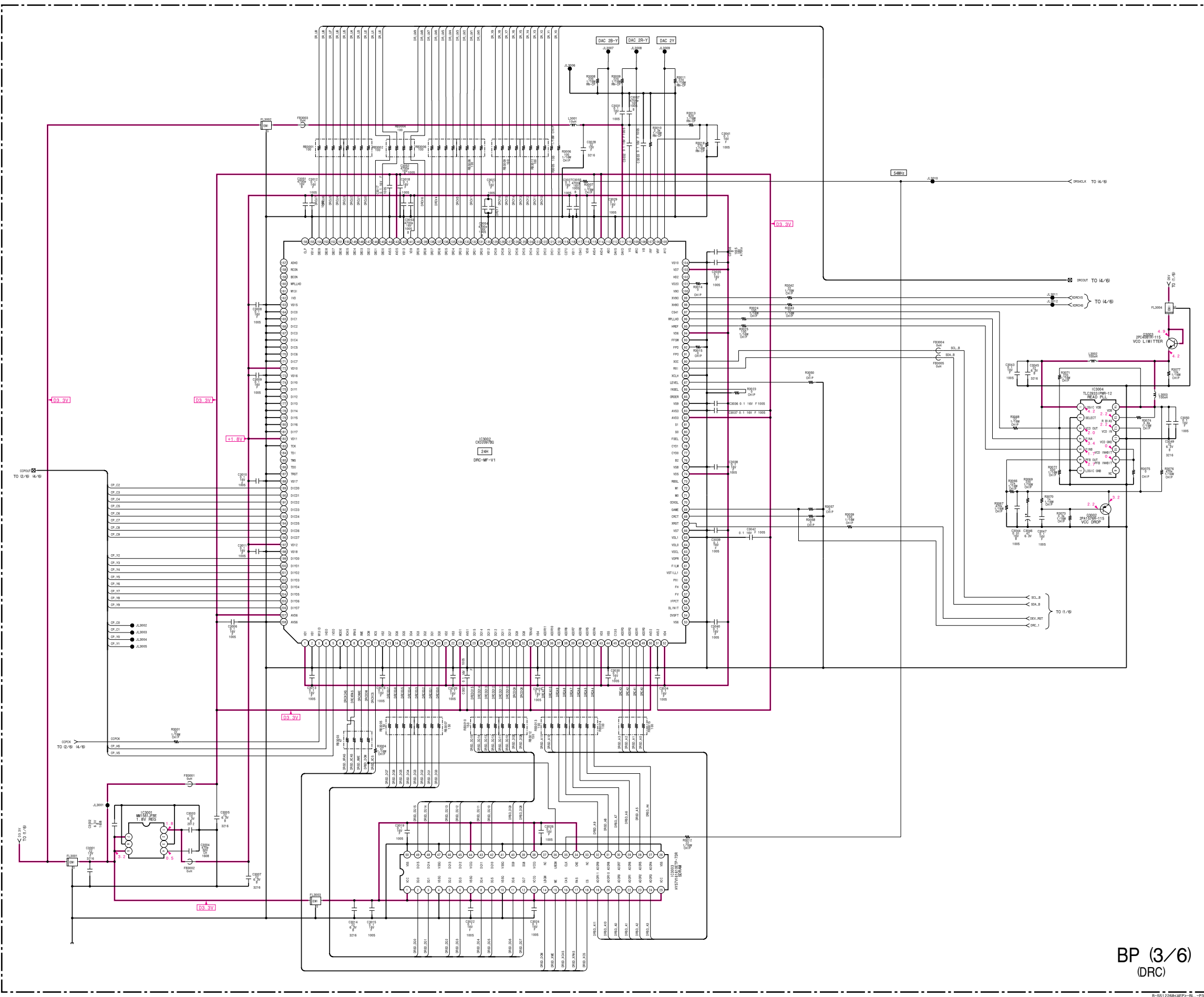
•BP(1/6) BOARD WAVEFORMS



•BP(2/6) BOARD WAVEFORMS

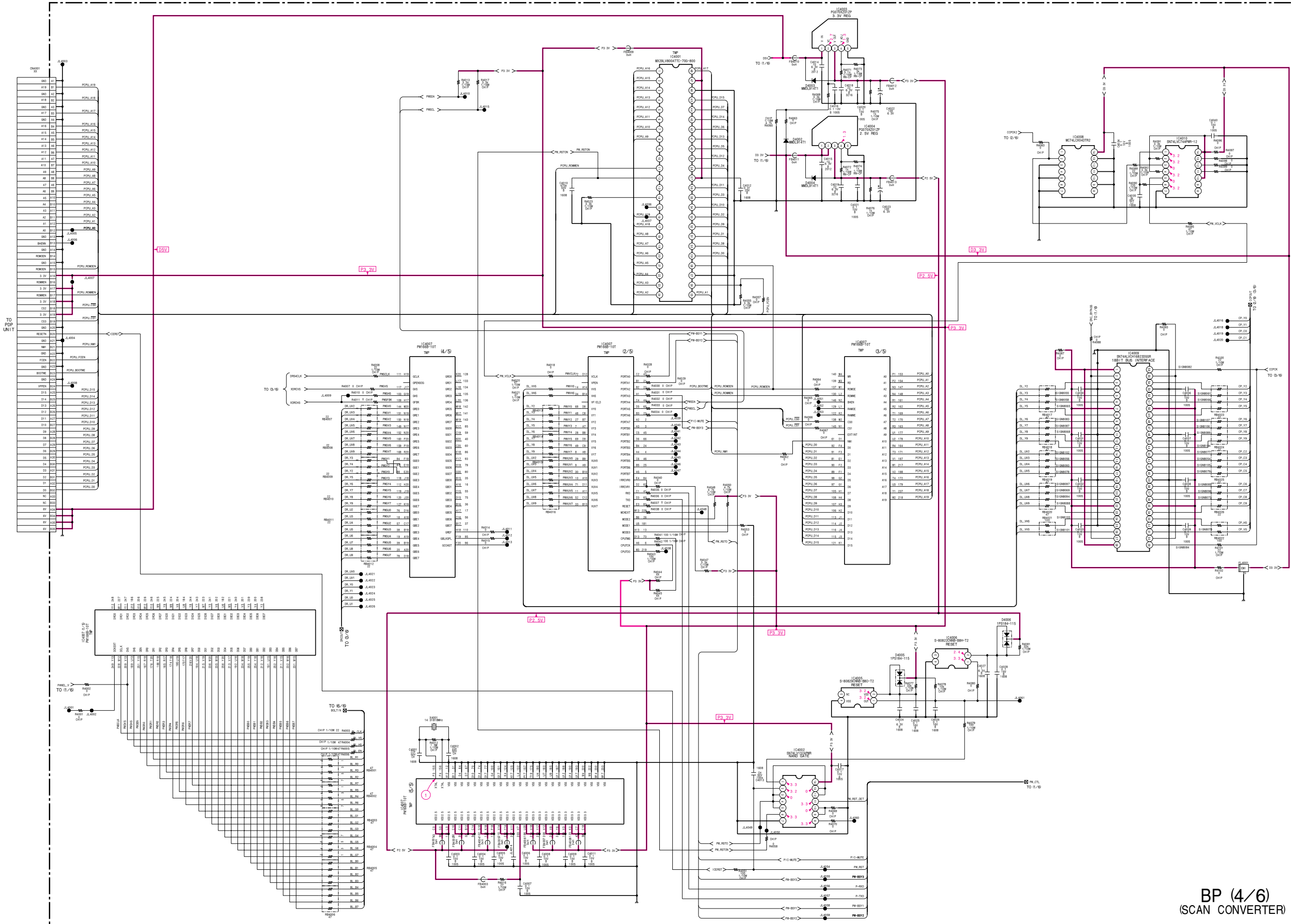


B-0512084-AEP-01-72

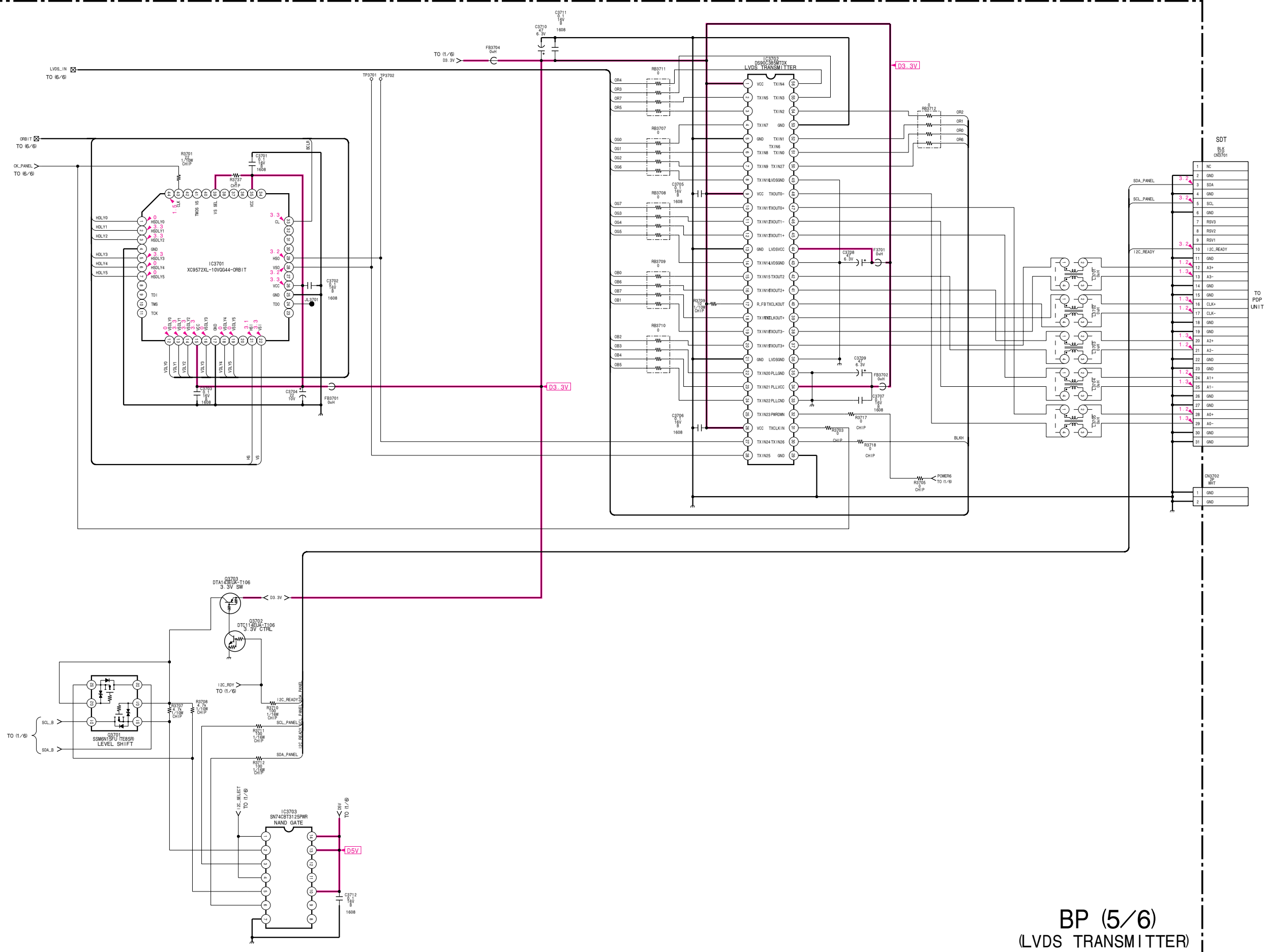


BP (3/6)
(DRC)

B-0512288-REP-01_03

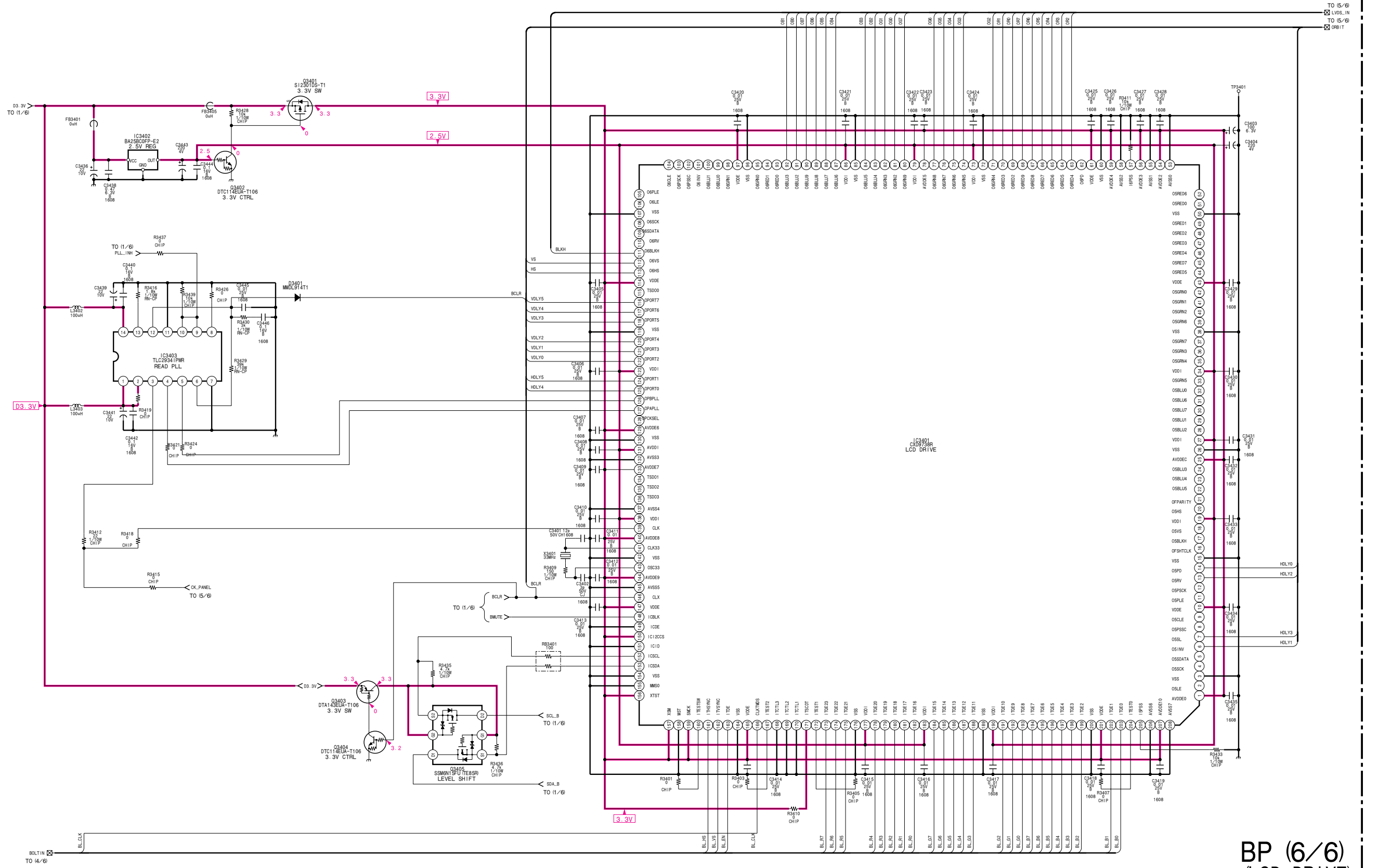


BP (4/6)
(SCAN CONVERTER)



BP (5/6)
(LVDS TRANSMITTER)

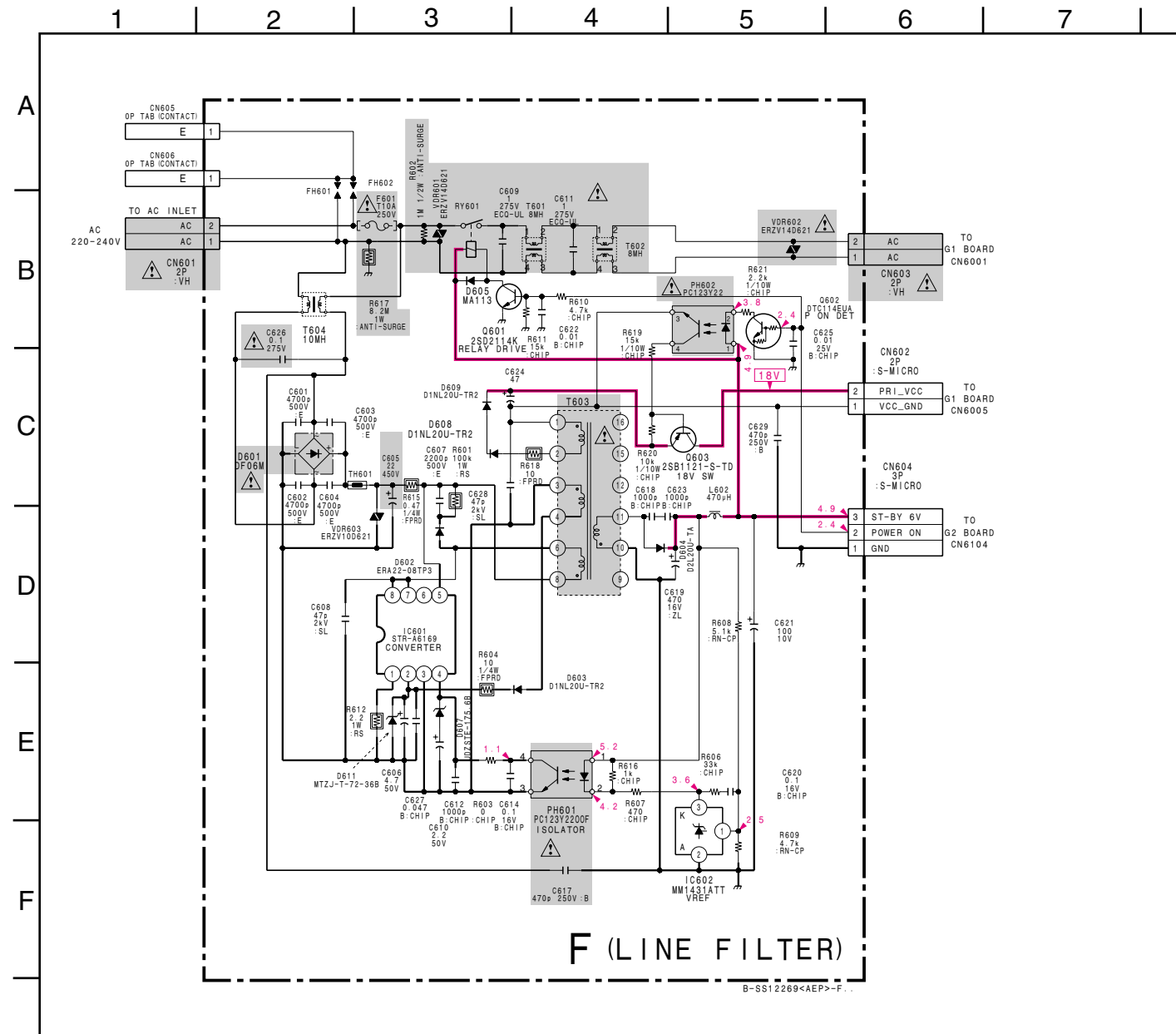
B-SS12268-AEP-BP-P5



BP (6/6)
(LCD DRIVE)

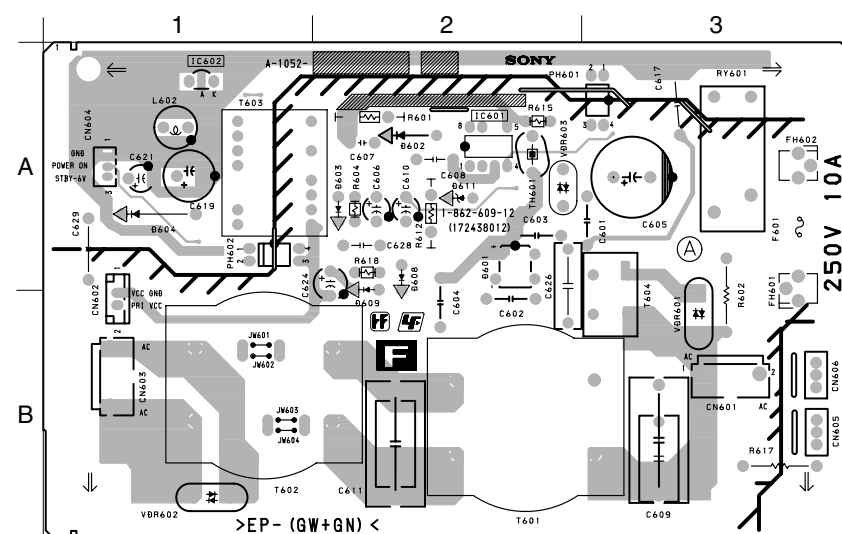
B-SST2268-AEP-BP--P6

(3) Schematic Diagrams of F Board

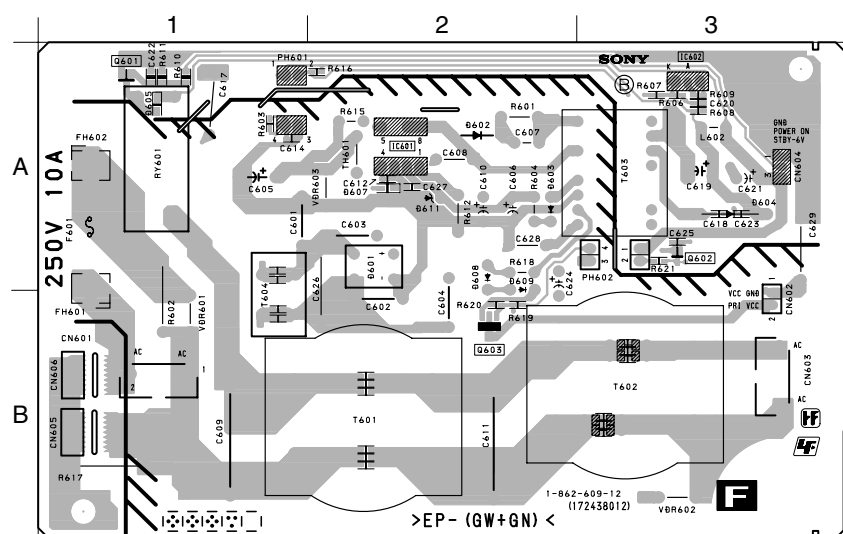


F [LINE FILTER]

— F BOARD —



<COMPONENT SIDE>



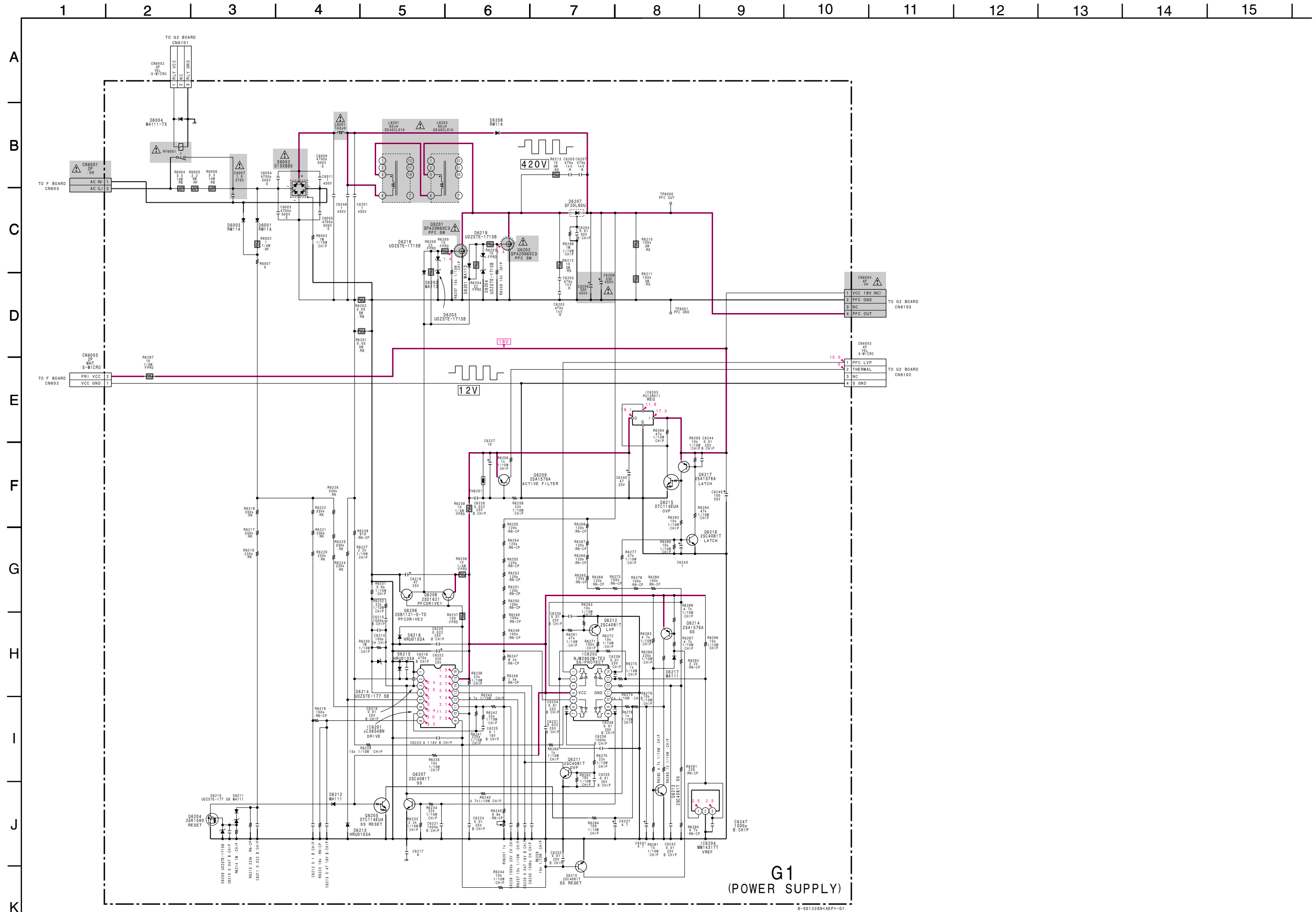
<CONDUCTOR SIDE>

• F BOARD SEMICONDUCTOR LOCATION

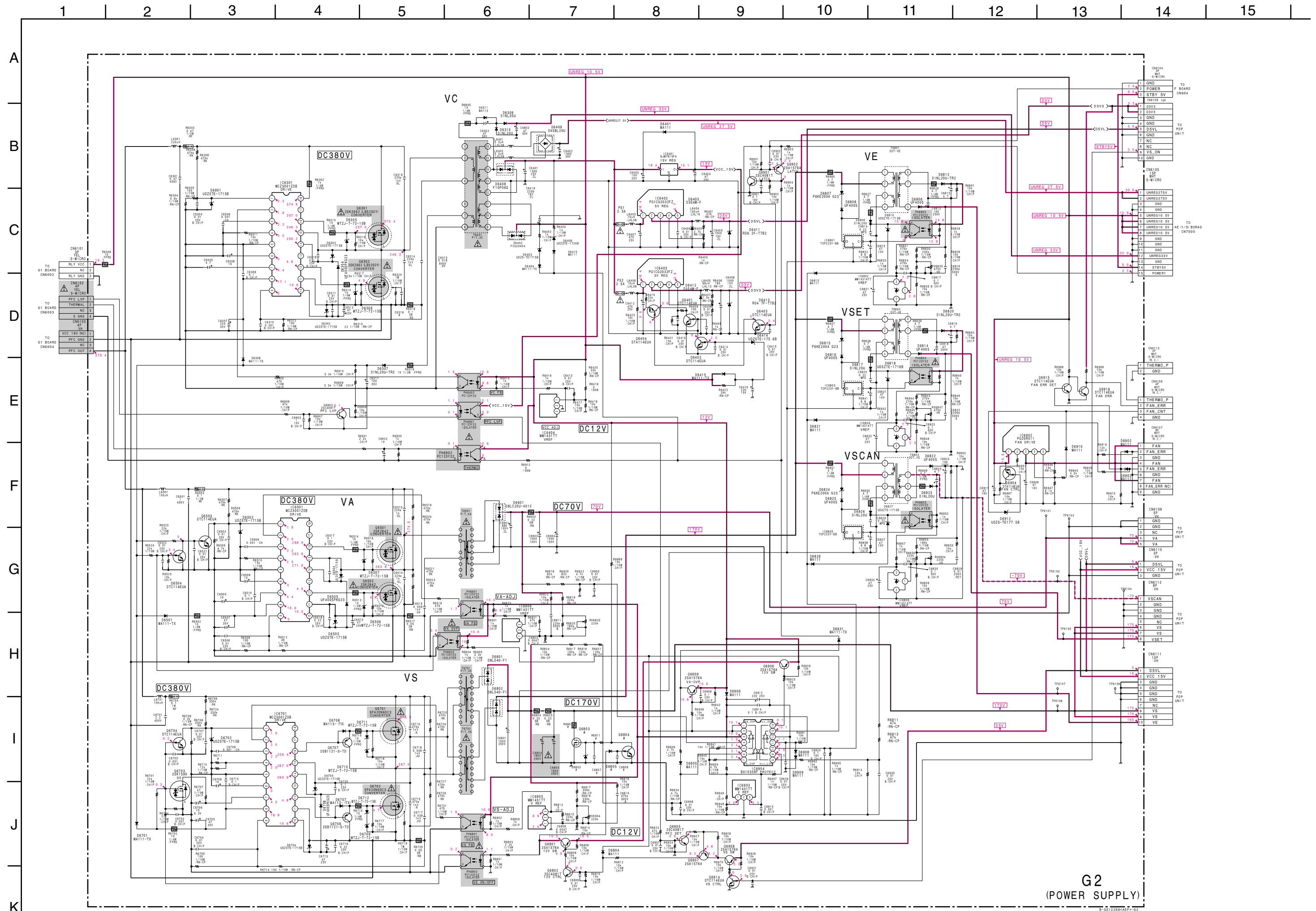
IC	(Component Side) (Conductor Side)		DIODE	(Component Side) (Conductor Side)		*
IC601	A-2		D601	A-2		-
IC602	A-1		D602	A-2		-
			D603	A-2		-
			D604	A-1		-
			D605		A-1	③
			D607		A-2	③
			D608	A-2		-
Q601	A-1	①	D609	A-2		-
Q602	A-3	①	D611	A-2		-
Q603	B-2	⑩				

*: Refer to Terminal name of semiconductors in silk screen printed circuit (see page 3-7)

(4) Schematic Diagrams of G1 Board

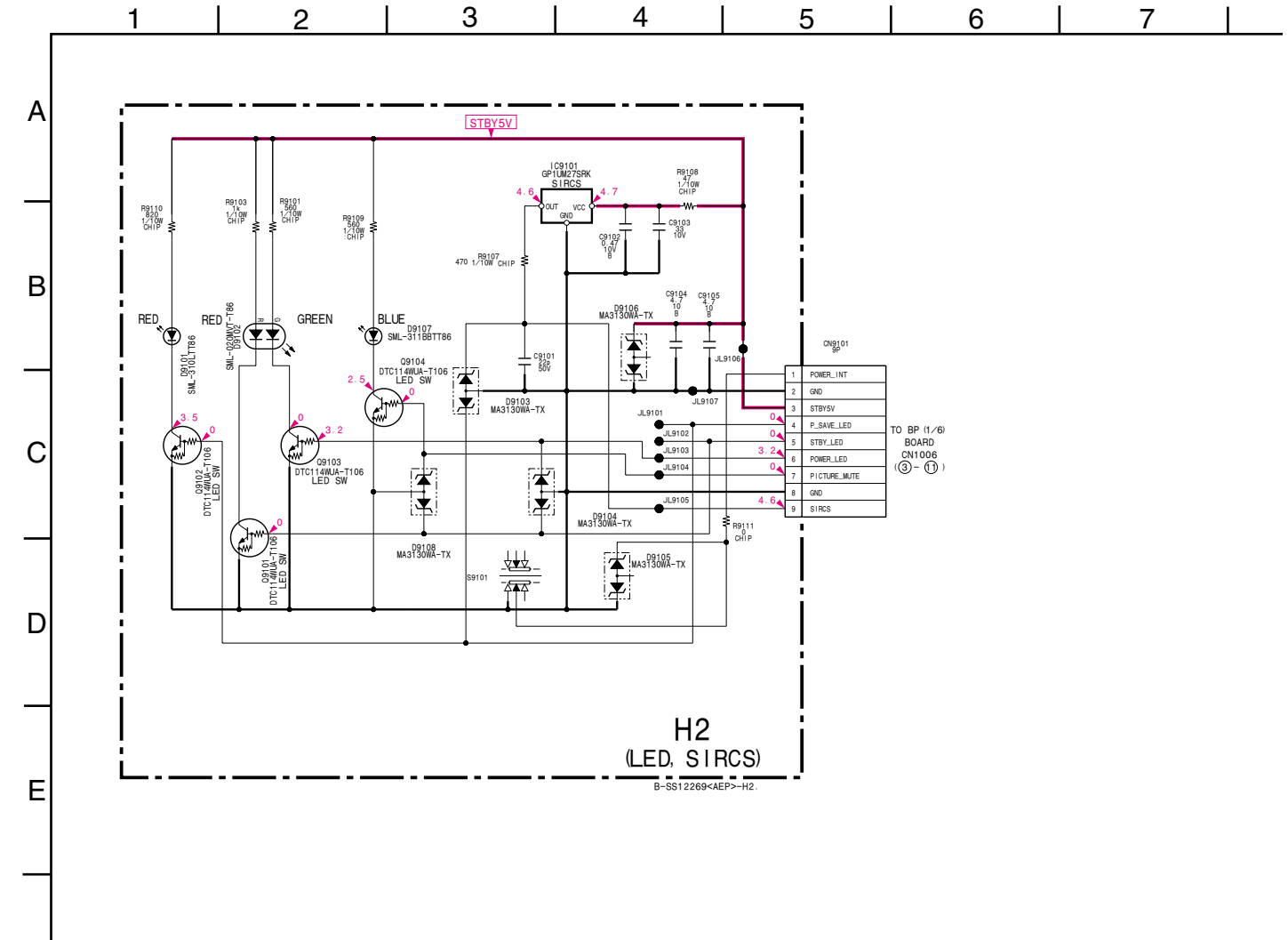
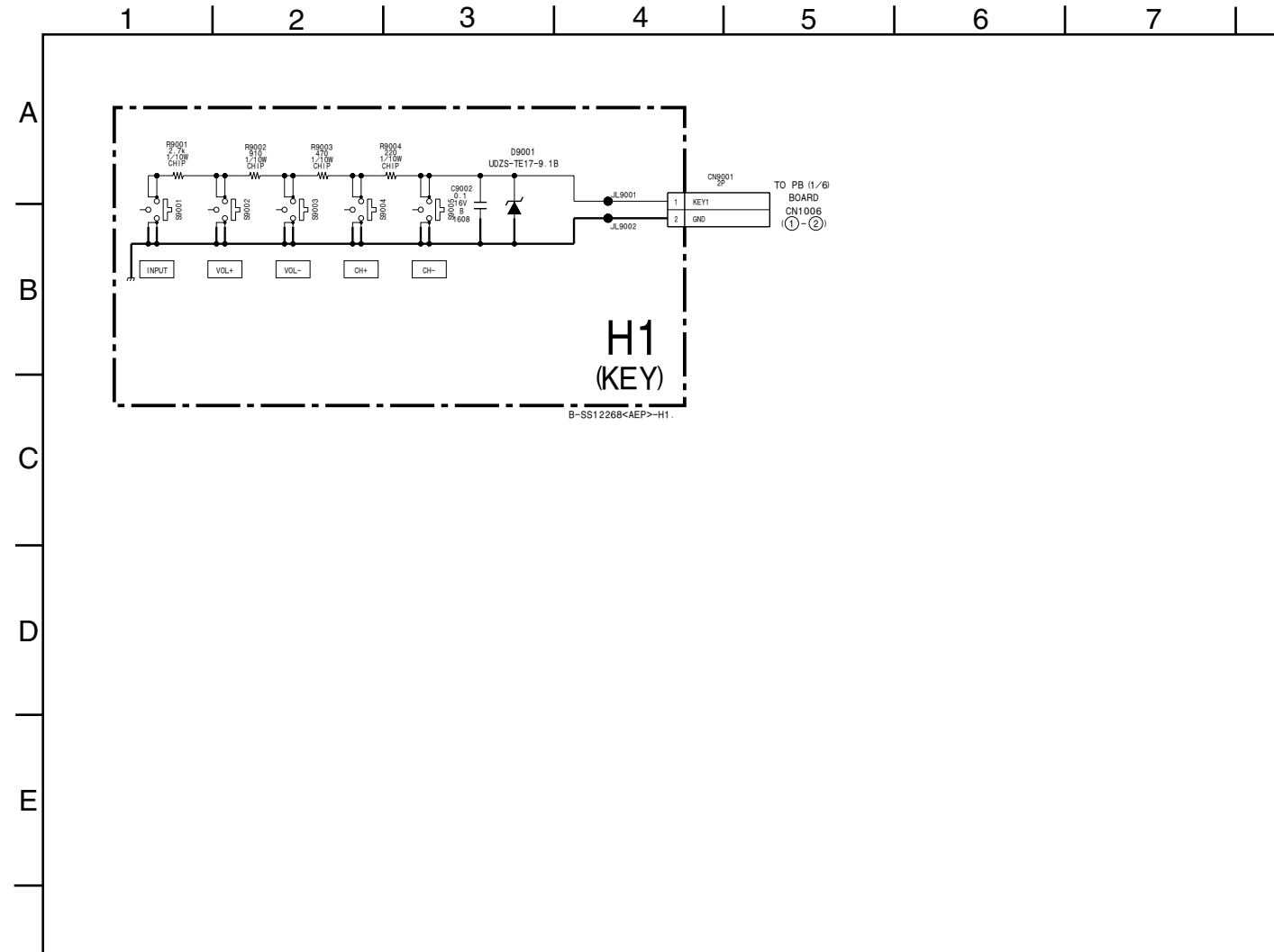


(5) Schematic Diagrams of G2 Board



G2 (POWER SUPPLY)

(6) Schematic Diagram of H1 and H2 Boards

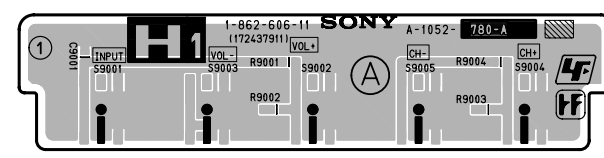


H1 [KEY]

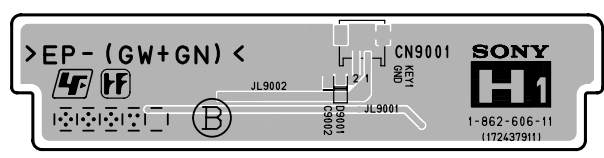
— H1 BOARD —

H2 [LED, SIRCS]

— H2 BOARD —



<COMPONENT SIDE>

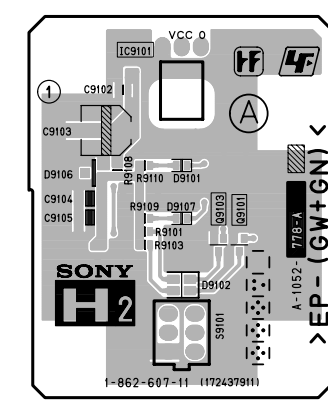


<CONDUCTOR SIDE>

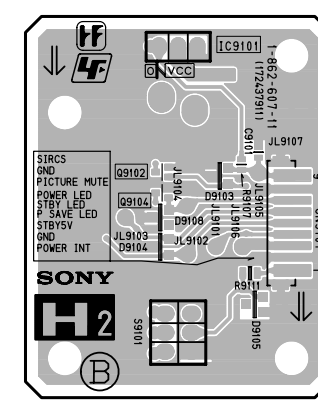
• H1 BOARD SEMICONDUCTOR LOCATION

Ref.	*
D9001	③

*: Refer to Terminal name of semiconductors in silk screen printed circuit (see page 3-7)



<COMPONENT SIDE>



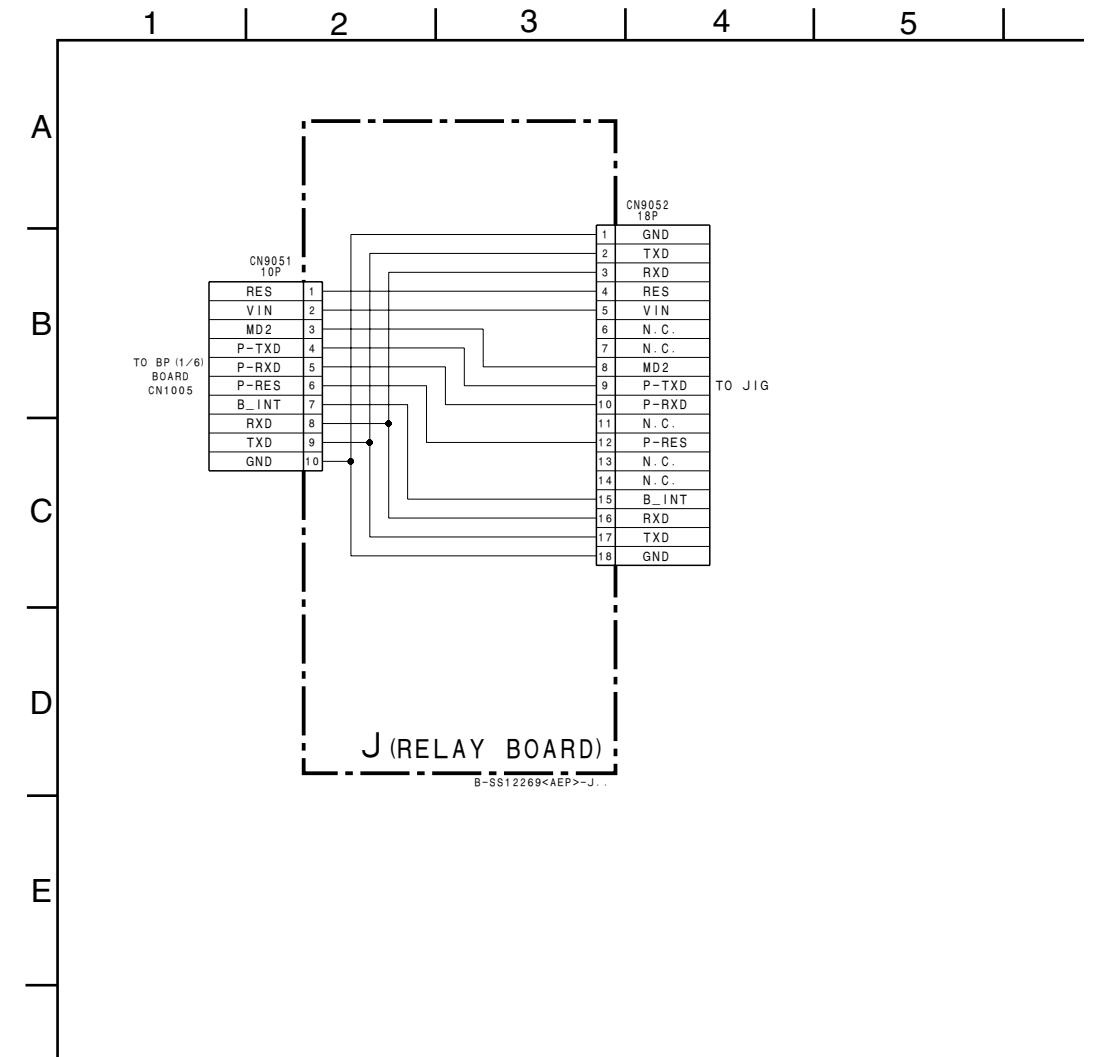
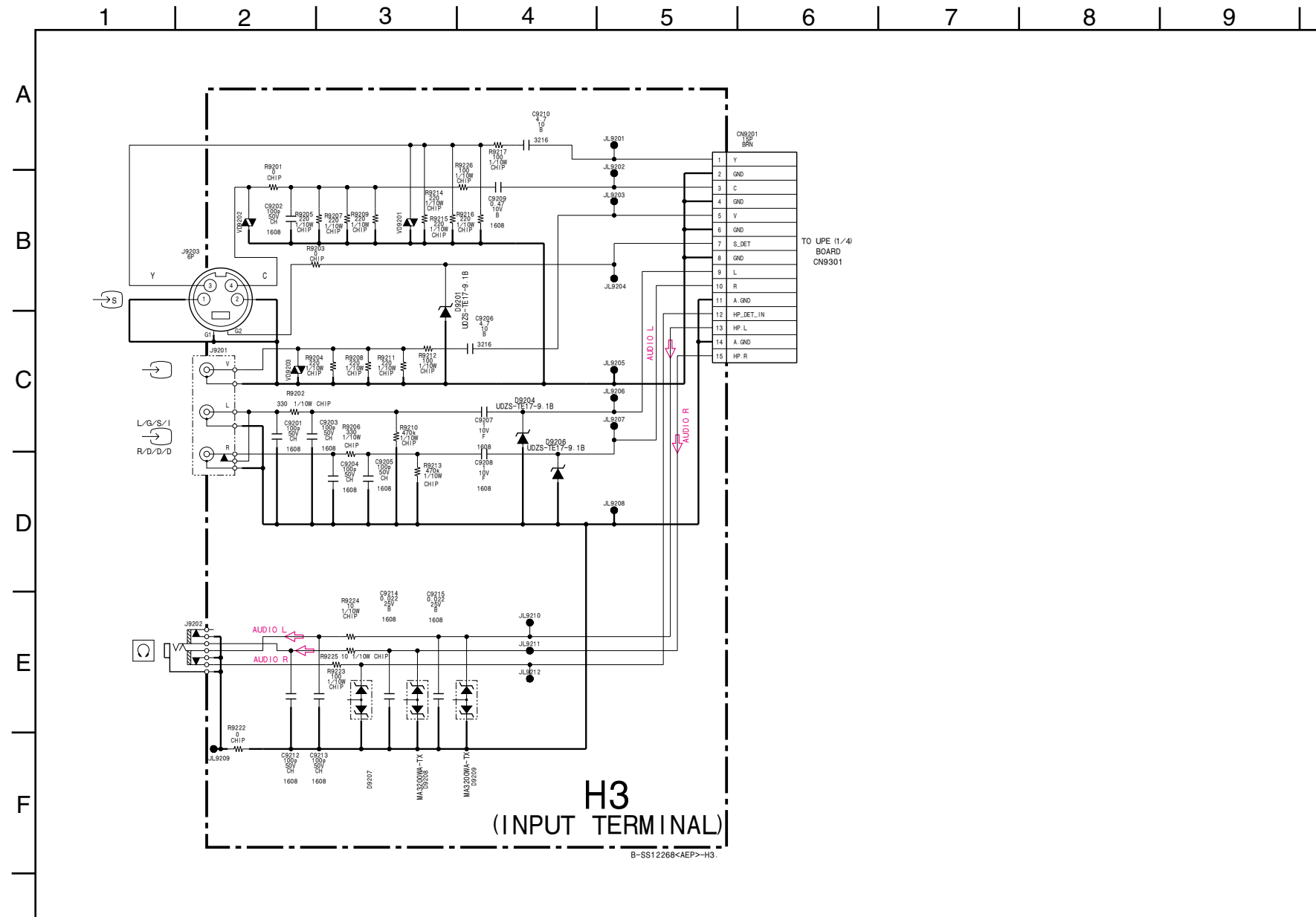
<CONDUCTOR SIDE>

• H2 BOARD SEMICONDUCTOR LOCATION

Ref.	*
Q9101-Q9103	②
D9101	③
D9102-D9106	③

*: Refer to Terminal name of semiconductors in silk screen printed circuit (see page 3-7)

(7) Schematic Diagram of H3 and J Boards

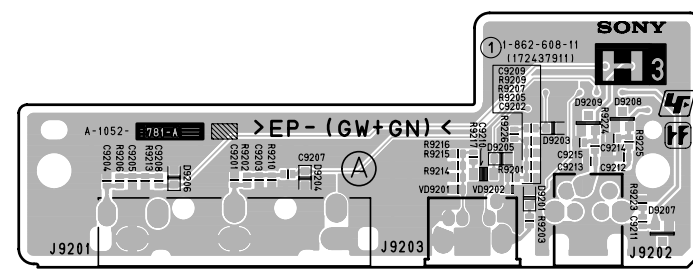


H3 [INPUT TERMINAL]

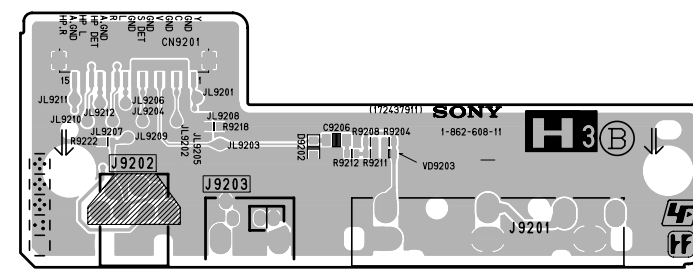
— H3 BOARD —

J [RELAY BOARD]

— J BOARD —



<COMPONENT SIDE>

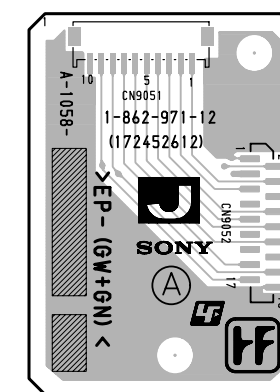


<CONDUCTOR SIDE>

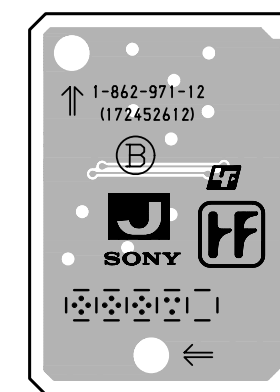
• H3 BOARD SEMICONDUCTOR LOCATION

Ref.	*
D9201, D9204, D9206	③
D9207-D9209	⑩

*: Refer to Terminal name of semiconductors in silk screen printed circuit (see page 3-7)

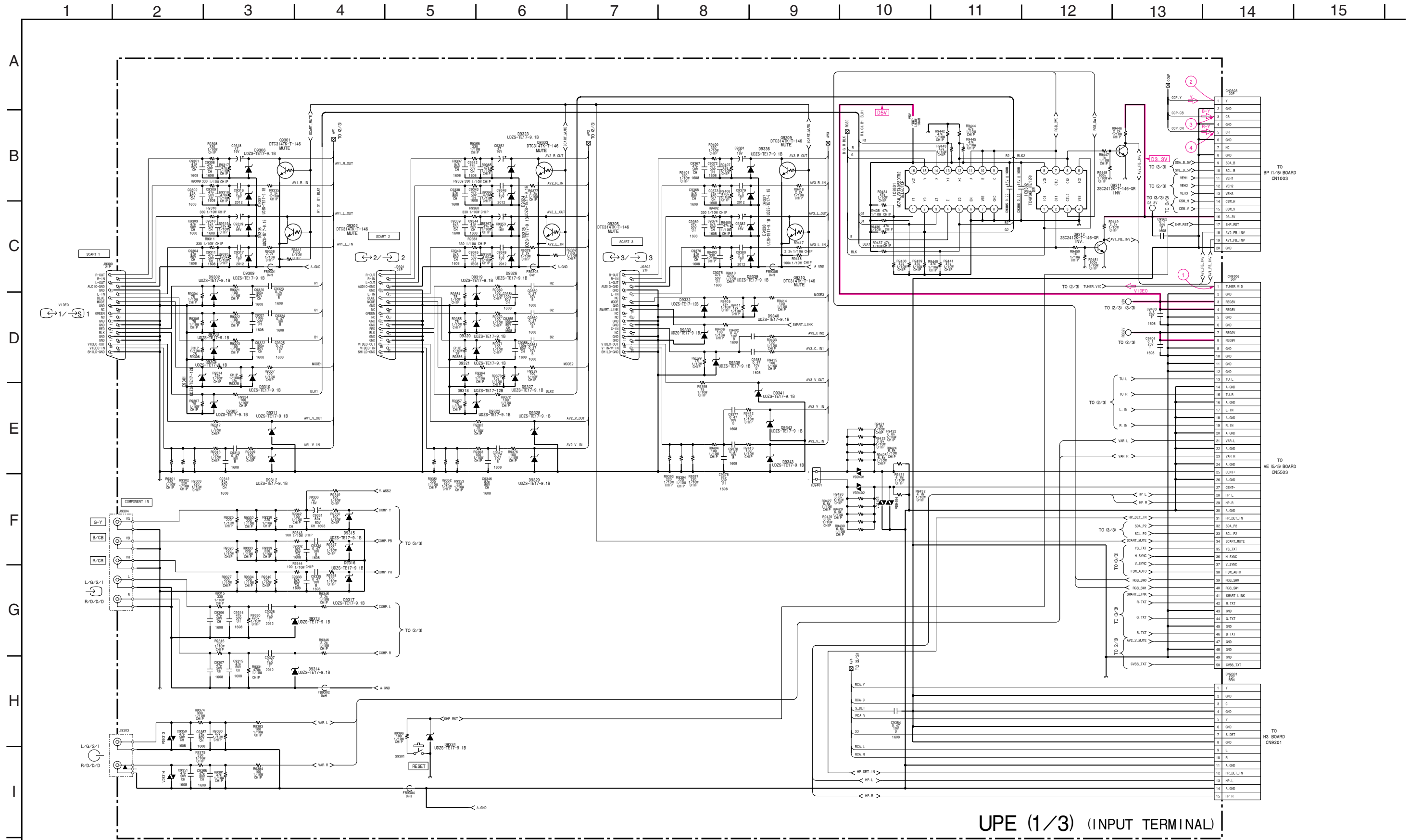


<COMPONENT SIDE>

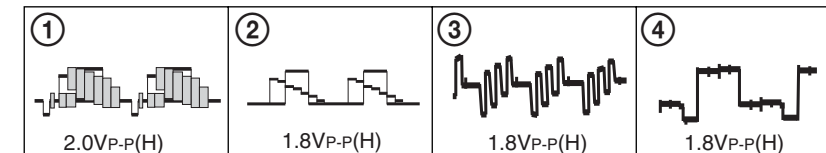


<CONDUCTOR SIDE>

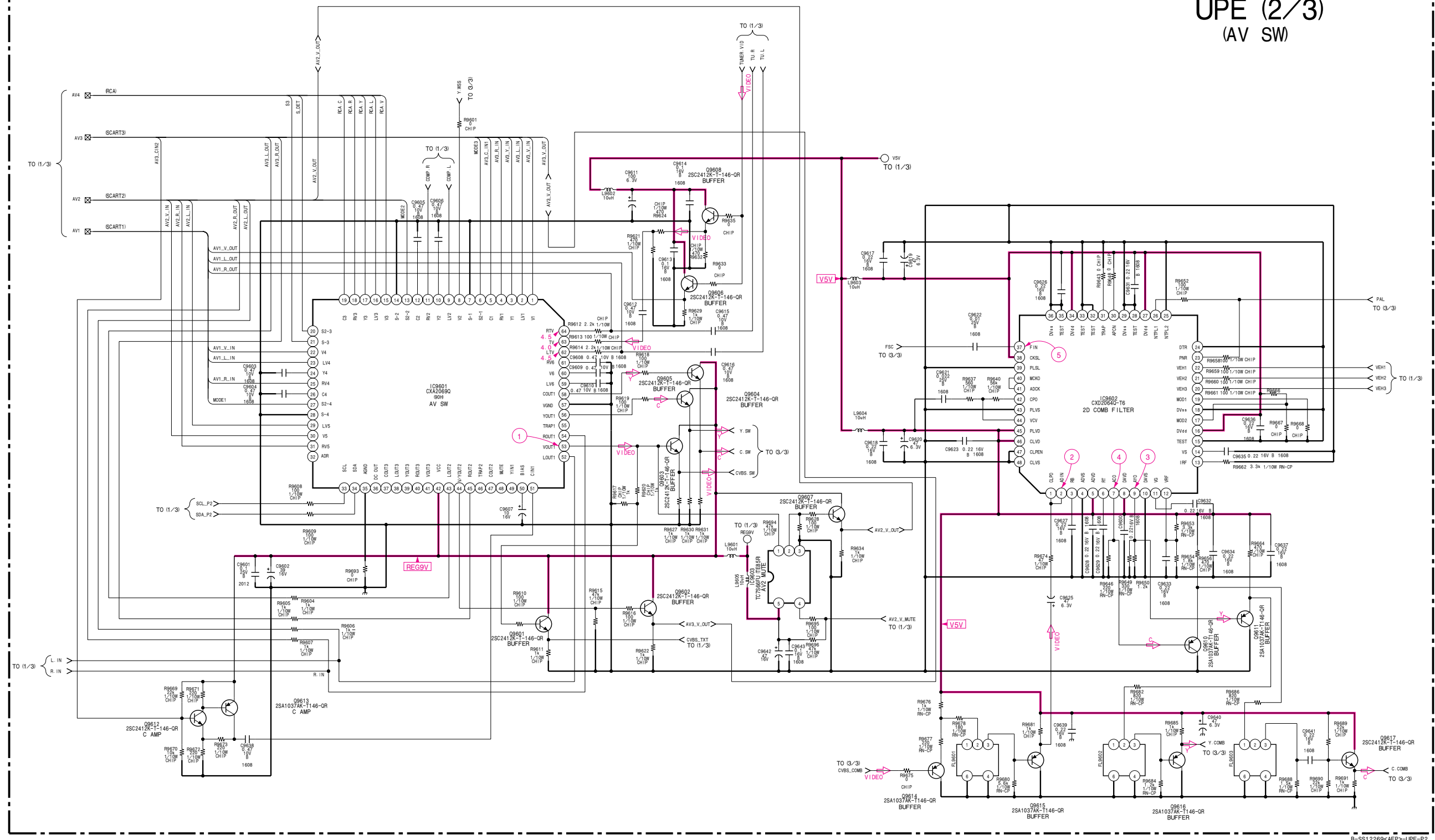
(8) Schematic Diagrams of UPE Board



•UPE(1/3) BOARD WAVEFORMS

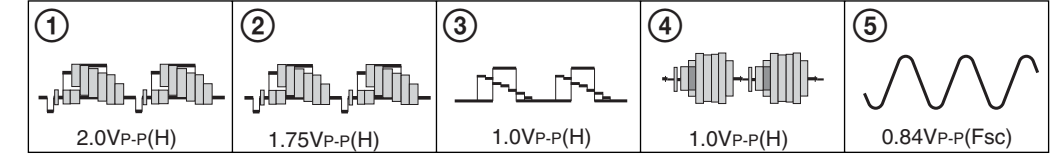


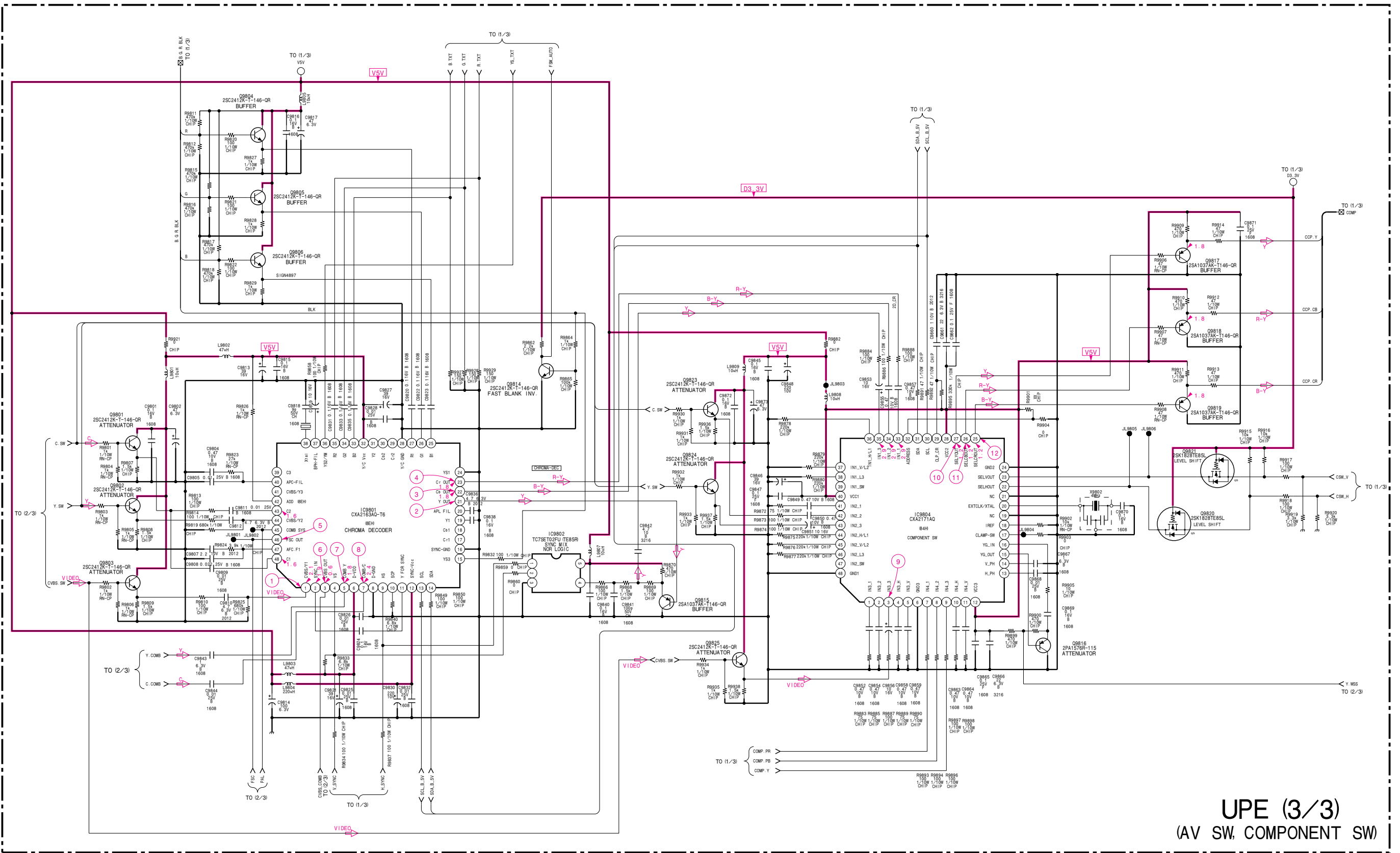
UPE (2/3) (AV SW)



B-SS12269<AEP>-UPE-P2

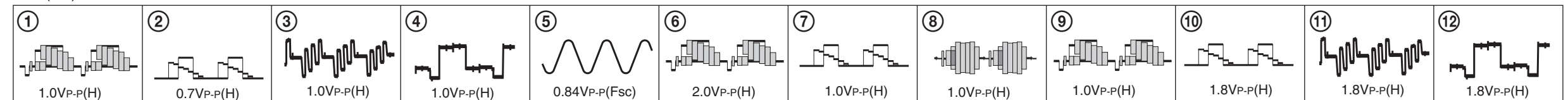
•UPE(2/3) BOARD WAVEFORMS



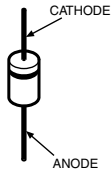


UPE (3/3)
(AV SW, COMPONENT SW)

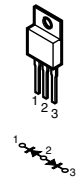
•UPE(3/3) BOARD WAVEFORMS



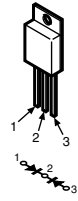
ERA22-08
ERA22-08TP3
RM11A



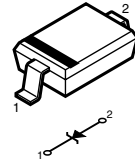
MA3200WA-TX



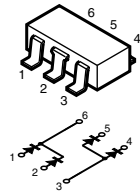
FCQ20A04



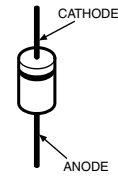
MM3Z13VT1
MM3Z5V6ST1



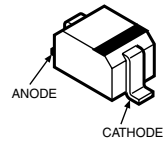
HN1D03FU-TE85L
HN1D03FU-TE85R



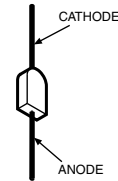
RD4.7FB2
RD4.7F-T7B2
RD6.2FB2
RD6.2F-T7B2
UF4005PKG23



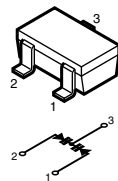
HRU0103ATRF
MA111-TX
MA113-(TX)
MMDL914T1
RD5.6SB-T1
UDZSTE-1712B
UDZSTE-1715B
UDZSTE-1716B
UDZSTE-1720B
UDZSTE-175.6B
UDZSTE-177.5B
UDZSTE-178.2B
UDZSTE-179.1B
UDZ-TE-17-7.5B
UDZ-TE-17-8.2B



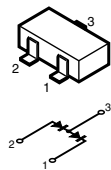
RM11C



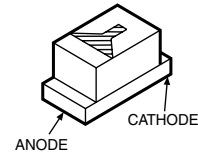
1PS184-115



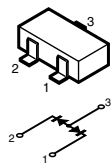
MA153-TX
1PS302
1SS226



SML-310LTT86



MA3130WA-TX



SECTION 4 EXPLODED VIEWS

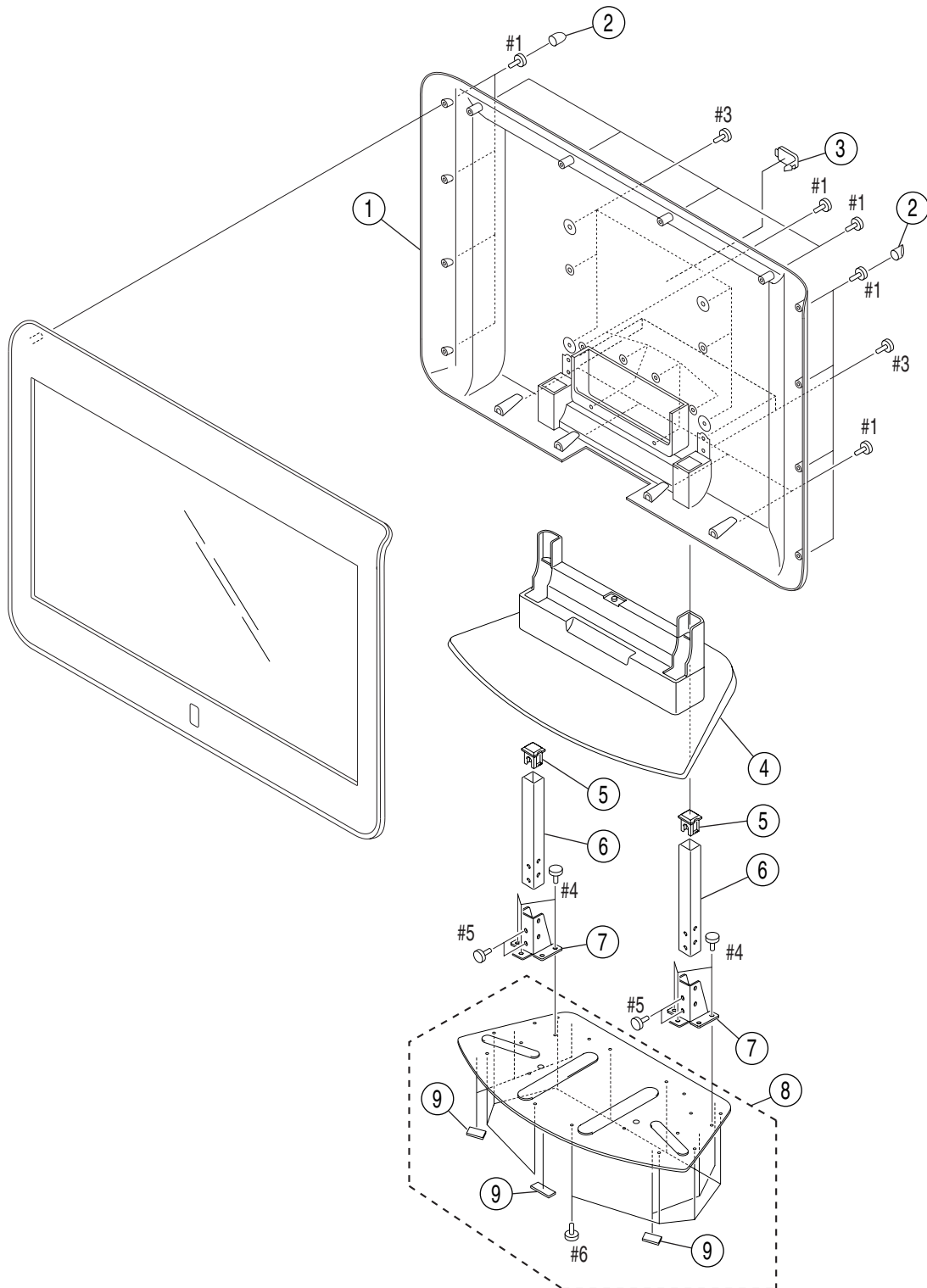
NOTE:

The components identified \triangle marked are critical for safety.
Replace only with the part number specified.

Les composants identifiés par la marque \triangle sont critiques pour la sécurité.
Ne les remplacer que par une pièce portant le numéro spécifié.

- Items with no part number and no description are not stocked because they are seldom required for routine service.
- The construction parts of an assembled part are indicated with a collation number in the remark column.
- Items marked " * " are not stocked since they are seldom required for routine service. Some delay should be anticipated when ordering these items.

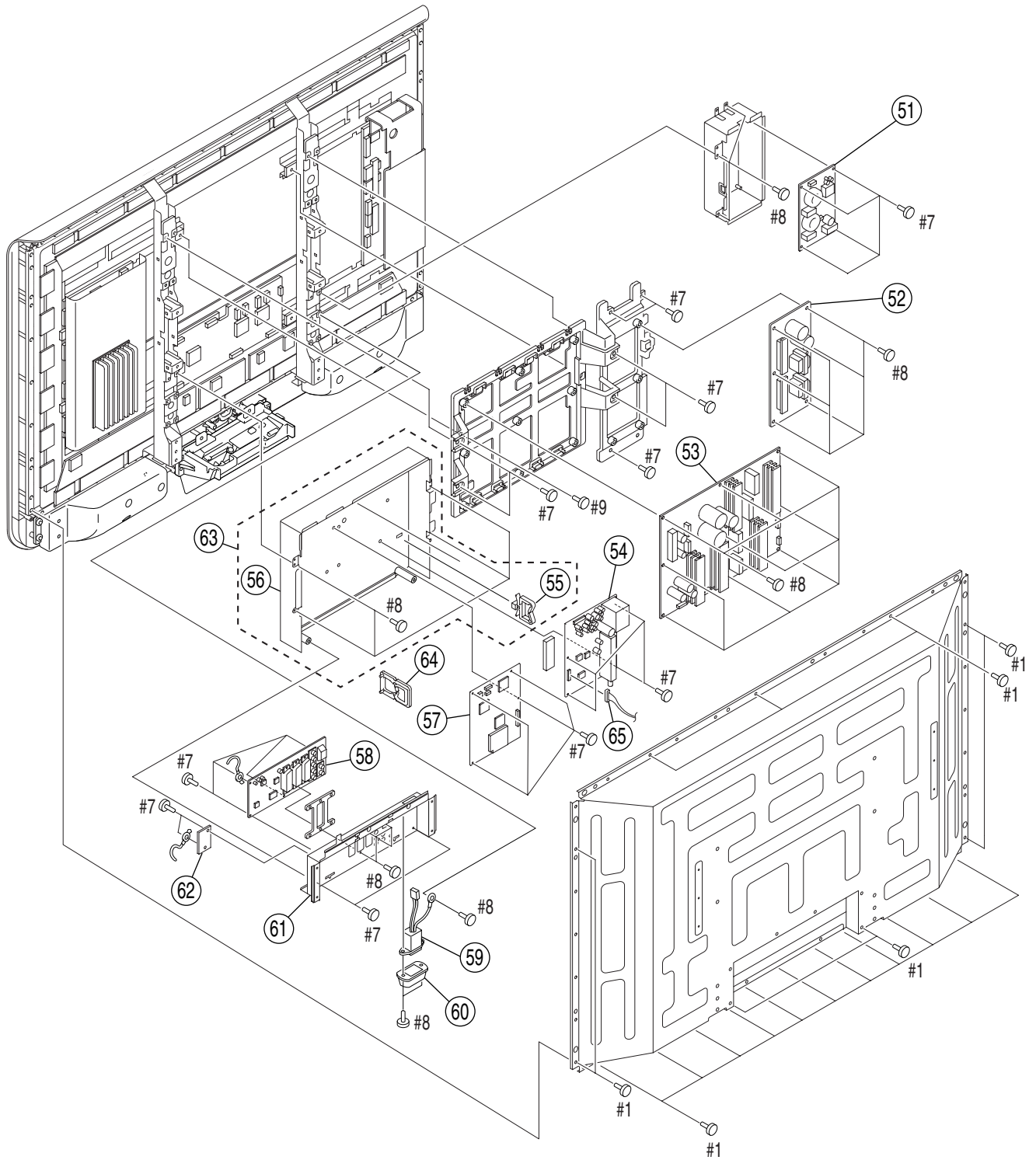
4-1. REAR COVER AND STAND



REF. No.	PART No.	DESCRIPTIONRE	MARK
1	2-021-798-11	COVER, REAR (Black)	
	2-021-798-21	COVER, REAR (Silver)	
2	2-021-800-11	COVER, SCREW (Black)	
	2-021-800-01	COVER, SCREW (Silver)	
3	2-050-243-01	COVER,ECS	
4	X-2021-112-3	COVER ASSY, STAND	
5	4-098-263-01	CAP (42), STAND	
6	2-021-801-01	FRAME, STAND BASE	
7	4-098-262-03	BRACKET (42), STAND BASE	

REF. No.	PART No.	DESCRIPTIONRE	MARK
8	X-2021-098-1	BASE ASSY, STAND	9
9	2-021-805-01	FOOT	
#1	7-685-663-79	SCREW +BVTP 4X16 TYPE2 IT-3	
#3	7-682-973-49	SCREW +PSW 5X16	
#4	7-682-973-09	SCREW +PSW 5X8	
#5	7-628-000-07	SCREW +PSW 5X12	
#6	7-685-647-79	SCREW +BVTP 3X10 TYPE2 IT-3	

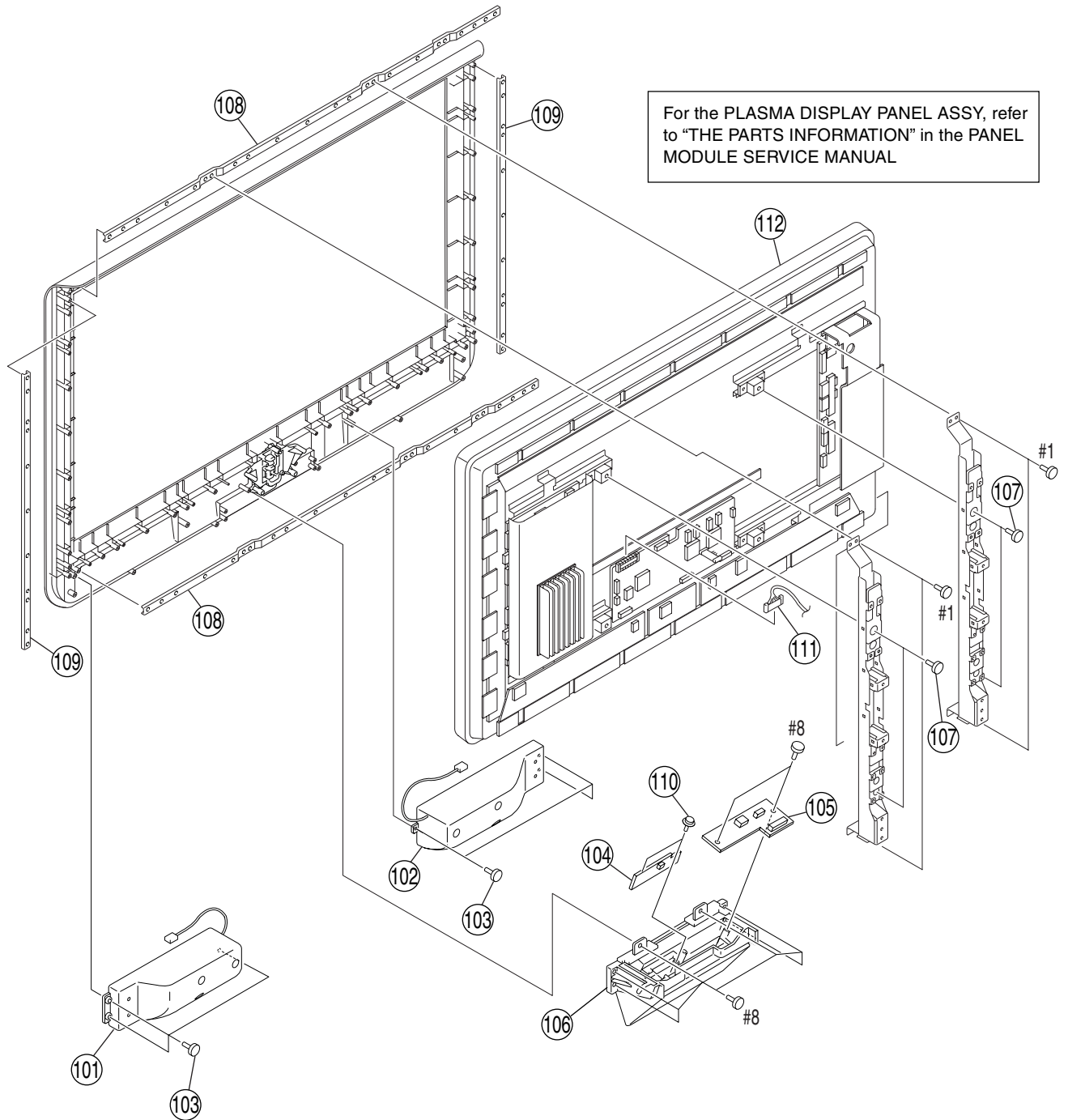
4-2. CHASSIS-1



REF. No.	PART No.	DESCRIPTIONRE	MARK
51	* A-1052-771-A	F MOUNT	
52	* A-1068-015-A	G1 COMPL	
53	* A-1068-544-A	G2 COMPL	
54	* A-1052-754-A	AE MOUNT	
55	* 3-633-259-01	SADDLE, RE-USE WIRE	
56	2-021-775-01	BRACKET, PWB	
57	* A-1052-753-A	BP MOUNT	
58	* A-1052-752-A	UPE MOUNT	
59	1-818-653-11	INLET, AC (WITH NOISE FILTER)	
60	2-990-241-02	HOLDER (A), PLUG	

REF. No.	PART No.	DESCRIPTIONRE	MARK
61	X-2021-101-1	BRACKET ASSY, U	
62	* A-1058-114-A	J MOUNT	
63	X-2022-621-3	BRACKET ASSY, PWB	55, 56
64	* 4-091-688-11	HOLDER, EDGE	
65	1-910-003-33	CONNECTOR ASSY 50P	
#1	7-685-663-79	SCREW + BVTP 4X16 TYPE2 IT-3	
#7	7-682-948-01	SCREW + PSW 3X8	
#8	7-685-648-79	SCREW + BVTP 3X12 TYPE2 IT-3	
#9	7-682-950-09	SCREW + PSW 3X12	

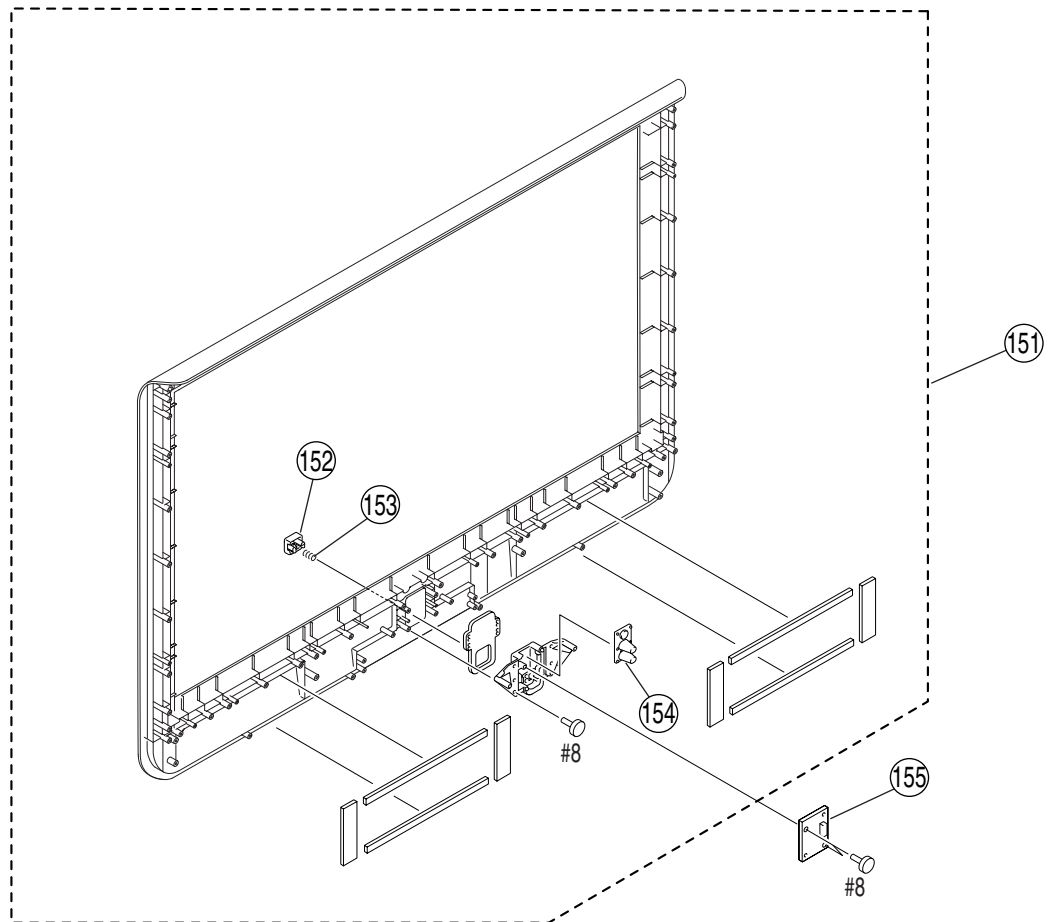
4-3. CHASSIS-2



REF. No.	PART No.	DESCRIPTIONRE	MARK
101	1-825-876-11	LOUDSPEAKER	
102	1-825-877-11	LOUDSPEAKER	
103	4-302-404-03	SCREW (WASHER HEAD) (+P 4X16)	
104	* A-1052-780-A	H1 MOUNT	
105	* A-1052-781-A	H3 MOUNT	
106	X-2021-445-1	FRONT TERMINAL ASSY (Black)	
	X-2021-727-1	FRONT TERMINAL ASSY (Silver)	
107	2-350-305-11	SCREW + PSW(M5)	
108	* X-2021-095-1	BRACKET(H) ASSY, FILTER	
109	* X-2021-096-1	BRACKET(V) ASSY, FILTER	
110	4-302-428-01	SCREW (WASHER HEAD) (+P3X12)	

REF. No.	PART No.	DESCRIPTIONRE	MARK
111	1-910-001-50	LVDS CONNECTOR ASSY 31P	
112		REFER TO PANEL MODULE S.M 42INCH PLASMA DISPLAY PANEL	
#1	7-685-663-79	SCREW +BVTP 4X16 TYPE2 IT-3	
#8	7-685-648-79	SCREW +BVTP 3X12 TYPE2 IT-3	

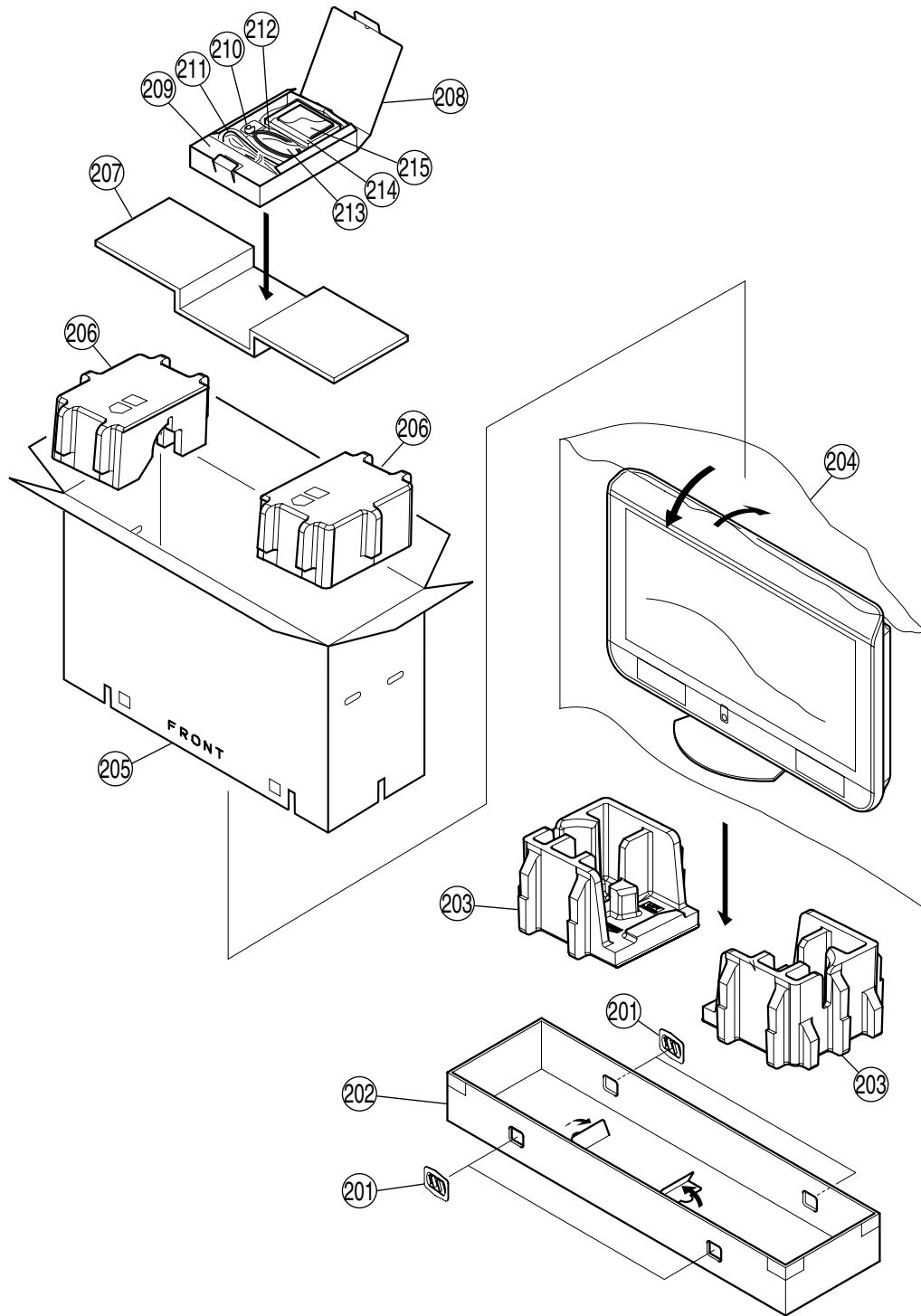
4-4. BEZEL ASSY



REF. No.	PART No.	DESCRIPTIONRE	MARK
151	X-2021-102-1	BEZEL ASSY (Black)	152-154
	X-2022-435-1	BEZEL ASSY (Silver)	
152	2-021-791-12	BUTTON, POWER (Black)	
	2-021-791-02	BUTTON, POWER (Silver)	
153	2-109-058-01	SPRING, COMPRESSION	

REF. No.	PART No.	DESCRIPTIONRE	MARK
154	2-050-241-01	GUIDE, LED	
155	* A-1052-778-A	H2 MOUNT	
#8	7-685-648-79	SCREW + BVTP 3X12 TYPE2 IT-3	

4-5. PACKING MATERIALS



REF. No.	PART No.	DESCRIPTIONRE	MARK
201	* 4-087-938-01	JOINT	
202	* 2-148-024-01	TRAY	
203	* 2-148-027-01	CUSHION, LOWER	
204	* 4-102-317-01	BAG, PROTECTION	
205	* 2-148-025-01	INDIVIDUAL CARTON (Black)	
	* 2-148-028-01	INDIVIDUAL CARTON (Silver)	
206	* 2-148-026-01	CUSHION, UPPER	
207	* 2-148-023-01	BOARD, TOP	
208	* 4-100-241-02	BOX, ACCESSORY	
209	1-478-771-11	STANDARDTYPECOMMANDER (RM-Y1002)	
210	4-099-720-02	HOOK	

REF. No.	PART No.	DESCRIPTIONRE	MARK
211	△ 1-824-337-11	POWER-SUPPLY CORD FERRITE CORE	
	△ 1-824-338-11	POWER-SUPPLY CORD FERRITE CORE	
212	1-769-175-21	CABLE,ANTENNA (WITH FILTER)	
213	* X-4040-964-1	ASSY, CLEANING CLOTH (FOR U/C)	
214	2-148-999-12	MANUAL INSTRUCTION (DE/FR/GB/NL)	
	2-148-999-22	MANUAL INSTRUCTION (ES/IT/PT)	
	2-148-999-32	MANUAL INSTRUCTION (DK/FI/SE)	
	2-148-999-42	MANUAL INSTRUCTION (PL/RU)	
215	2-177-835-02	SCHEMATIC DIAGRAM	

SECTION 5 ELECTRICAL PARTS LIST

NOTE:

The components identified \triangle marked are critical for safety.
Replace only with the part number specified.

Les composants identifiés par la marque \triangle sont critiques pour la sécurité.
Ne les remplacer que par une pièce portant le numéro spécifié.

When indicating parts by reference number, please include the board name.

- All variable and adjustable resistors have characteristic curve B, unless otherwise noted.
- Items marked " * " are not stocked since they are seldom required for routine service. Some delay should be anticipated when ordering these items.

RESISTORS

- All resistors are in ohms
- F : nonflammable

No.	#	Board	Type	Δ/μ	Ref. No.	Part No.	Description	Remarks-1	Remarks-2
1		UPE	CAPACITOR		C9301	1-162-923-11	CERAMIC CHIP 47PF 5.00% 50V		
2		UPE	CAPACITOR		C9302	1-162-923-11	CERAMIC CHIP 47PF 5.00% 50V		
3		UPE	CAPACITOR		C9303	1-162-923-11	CERAMIC CHIP 47PF 5.00% 50V		
4		UPE	CAPACITOR		C9304	1-162-923-11	CERAMIC CHIP 47PF 5.00% 50V		
5		UPE	CAPACITOR		C9306	1-162-923-11	CERAMIC CHIP 47PF 5.00% 50V		
6		UPE	CAPACITOR		C9307	1-162-923-11	CERAMIC CHIP 47PF 5.00% 50V		
7		UPE	CAPACITOR		C9308	1-162-923-11	CERAMIC CHIP 47PF 5.00% 50V		
8		UPE	CAPACITOR		C9309	1-162-923-11	CERAMIC CHIP 47PF 5.00% 50V		
9		UPE	CAPACITOR		C9310	1-162-923-11	CERAMIC CHIP 47PF 5.00% 50V		
10		UPE	CAPACITOR		C9311	1-162-923-11	CERAMIC CHIP 47PF 5.00% 50V		
11		UPE	CAPACITOR		C9312	1-162-926-11	CERAMIC CHIP 82PF 5.00% 50V		
12		UPE	CAPACITOR		C9313	1-125-891-11	CERAMIC CHIP 0.47UF 10.00% 10V		
13		UPE	CAPACITOR		C9314	1-162-923-11	CERAMIC CHIP 47PF 5.00% 50V		
14		UPE	CAPACITOR		C9315	1-162-923-11	CERAMIC CHIP 47PF 5.00% 50V		
15		UPE	CAPACITOR		C9316	1-164-505-11	CERAMIC CHIP 2.2UF 16V		
16		UPE	CAPACITOR		C9317	1-164-505-11	CERAMIC CHIP 2.2UF 16V		
17		UPE	CAPACITOR		C9318	1-126-396-11	ELECT CHIP 47UF 20.00% 16V		
18		UPE	CAPACITOR		C9319	1-126-396-11	ELECT CHIP 47UF 20.00% 16V		
19		UPE	CAPACITOR		C9320	1-162-927-11	CERAMIC CHIP 100PF 5.00% 50V		
20		UPE	CAPACITOR		C9321	1-162-927-11	CERAMIC CHIP 100PF 5.00% 50V		
21		UPE	CAPACITOR		C9322	1-162-927-11	CERAMIC CHIP 100PF 5.00% 50V		
22		UPE	CAPACITOR		C9323	1-125-891-11	CERAMIC CHIP 0.47UF 10.00% 10V		
23		UPE	CAPACITOR		C9324	1-125-891-11	CERAMIC CHIP 0.47UF 10.00% 10V		
24		UPE	CAPACITOR		C9325	1-125-891-11	CERAMIC CHIP 0.47UF 10.00% 10V		
25		UPE	CAPACITOR		C9326	1-164-505-11	CERAMIC CHIP 2.2UF 16V		
26		UPE	CAPACITOR		C9327	1-164-505-11	CERAMIC CHIP 2.2UF 16V		
27		UPE	CAPACITOR		C9331	1-162-926-11	CERAMIC CHIP 82PF 5.00% 50V		
28		UPE	CAPACITOR		C9332	1-162-926-11	CERAMIC CHIP 82PF 5.00% 50V		
29		UPE	CAPACITOR		C9333	1-162-926-11	CERAMIC CHIP 82PF 5.00% 50V		
30		UPE	CAPACITOR		C9334	1-125-891-11	CERAMIC CHIP 0.47UF 10.00% 10V		
31		UPE	CAPACITOR		C9335	1-125-891-11	CERAMIC CHIP 0.47UF 10.00% 10V		
32		UPE	CAPACITOR		C9336	1-126-396-11	ELECT CHIP 47UF 20.00% 16V		
33		UPE	CAPACITOR		C9337	1-162-923-11	CERAMIC CHIP 47PF 5.00% 50V		
34		UPE	CAPACITOR		C9338	1-162-923-11	CERAMIC CHIP 47PF 5.00% 50V		
35		UPE	CAPACITOR		C9339	1-162-923-11	CERAMIC CHIP 47PF 5.00% 50V		
36		UPE	CAPACITOR		C9340	1-162-923-11	CERAMIC CHIP 47PF 5.00% 50V		
37		UPE	CAPACITOR		C9342	1-162-923-11	CERAMIC CHIP 47PF 5.00% 50V		
38		UPE	CAPACITOR		C9343	1-162-923-11	CERAMIC CHIP 47PF 5.00% 50V		
39		UPE	CAPACITOR		C9344	1-162-923-11	CERAMIC CHIP 47PF 5.00% 50V		
40		UPE	CAPACITOR		C9345	1-162-923-11	CERAMIC CHIP 47PF 5.00% 50V		
41		UPE	CAPACITOR		C9346	1-162-926-11	CERAMIC CHIP 82PF 5.00% 50V		
42		UPE	CAPACITOR		C9347	1-125-891-11	CERAMIC CHIP 0.47UF 10.00% 10V		
43		UPE	CAPACITOR		C9348	1-164-505-11	CERAMIC CHIP 2.2UF 16V		
44		UPE	CAPACITOR		C9349	1-164-505-11	CERAMIC CHIP 2.2UF 16V		
45		UPE	CAPACITOR		C9350	1-162-923-11	CERAMIC CHIP 47PF 5.00% 50V		
46		UPE	CAPACITOR		C9351	1-162-923-11	CERAMIC CHIP 47PF 5.00% 50V		
47		UPE	CAPACITOR		C9352	1-126-396-11	ELECT CHIP 47UF 20.00% 16V		
48		UPE	CAPACITOR		C9353	1-126-396-11	ELECT CHIP 47UF 20.00% 16V		
49		UPE	CAPACITOR		C9354	1-162-927-11	CERAMIC CHIP 100PF 5.00% 50V		
50		UPE	CAPACITOR		C9355	1-162-927-11	CERAMIC CHIP 100PF 5.00% 50V		
51		UPE	CAPACITOR		C9356	1-162-927-11	CERAMIC CHIP 100PF 5.00% 50V		
52		UPE	CAPACITOR		C9357	1-162-923-11	CERAMIC CHIP 47PF 5.00% 50V		
53		UPE	CAPACITOR		C9358	1-162-923-11	CERAMIC CHIP 47PF 5.00% 50V		
54		UPE	CAPACITOR		C9359	1-125-891-11	CERAMIC CHIP 0.47UF 10.00% 10V		
55		UPE	CAPACITOR		C9360	1-125-891-11	CERAMIC CHIP 0.47UF 10.00% 10V		
56		UPE	CAPACITOR		C9361	1-125-891-11	CERAMIC CHIP 0.47UF 10.00% 10V		
57		UPE	CAPACITOR		C9362	1-164-156-11	CERAMIC CHIP 0.1UF 25V		
58		UPE	CAPACITOR		C9367	1-162-923-11	CERAMIC CHIP 47PF 5.00% 50V		
59		UPE	CAPACITOR		C9368	1-162-923-11	CERAMIC CHIP 47PF 5.00% 50V		
60		UPE	CAPACITOR		C9369	1-162-923-11	CERAMIC CHIP 47PF 5.00% 50V		
61		UPE	CAPACITOR		C9370	1-162-923-11	CERAMIC CHIP 47PF 5.00% 50V		
62		UPE	CAPACITOR		C9372	1-162-923-11	CERAMIC CHIP 47PF 5.00% 50V		
63		UPE	CAPACITOR		C9373	1-162-923-11	CERAMIC CHIP 47PF 5.00% 50V		
64		UPE	CAPACITOR		C9374	1-162-923-11	CERAMIC CHIP 47PF 5.00% 50V		
65		UPE	CAPACITOR		C9375	1-162-923-11	CERAMIC CHIP 47PF 5.00% 50V		
66		UPE	CAPACITOR		C9376	1-162-926-11	CERAMIC CHIP 82PF 5.00% 50V		
67		UPE	CAPACITOR		C9377	1-125-891-11	CERAMIC CHIP 0.47UF 10.00% 10V		
68		UPE	CAPACITOR		C9378	1-125-891-11	CERAMIC CHIP 0.47UF 10.00% 10V		
69		UPE	CAPACITOR		C9379	1-164-505-11	CERAMIC CHIP 2.2UF 16V		
70		UPE	CAPACITOR		C9380	1-164-505-11	CERAMIC CHIP 2.2UF 16V		
71		UPE	CAPACITOR		C9381	1-126-396-11	ELECT CHIP 47UF 20.00% 16V		
72		UPE	CAPACITOR		C9382	1-126-396-11	ELECT CHIP 47UF 20.00% 16V		
73		UPE	CAPACITOR		C9383	1-125-891-11	CERAMIC CHIP 0.47UF 10.00% 10V		
74		UPE	CAPACITOR		C9384	1-125-891-11	CERAMIC CHIP 0.47UF 10.00% 10V		

No.	#	Board	Type	Δ/μ	Ref. No.	Part No.	Description	Remarks-1	Remarks-2
75		UPE	CAPACITOR		C9385	1-127-715-91	CERAMIC CHIP 0.22UF 10% 16V		
76		UPE	CAPACITOR		C9386	1-127-715-91	CERAMIC CHIP 0.22UF 10% 16V		
77		UPE	CAPACITOR		C9402	1-125-891-11	CERAMIC CHIP 0.47UF 10.00% 10V		
78		UPE	CAPACITOR		C9403	1-164-156-11	CERAMIC CHIP 0.1UF 25V		
79		UPE	CAPACITOR		C9404	1-164-156-11	CERAMIC CHIP 0.1UF 25V		
80		UPE	CAPACITOR		C9601	1-164-004-11	CERAMIC CHIP 0.1UF 10.00% 25V		
81		UPE	CAPACITOR		C9602	1-135-346-21	ELECT CHIP 39UF 20% 16V		
82		UPE	CAPACITOR		C9603	1-125-891-11	CERAMIC CHIP 0.47UF 10.00% 10V		
83		UPE	CAPACITOR		C9604	1-125-891-11	CERAMIC CHIP 0.47UF 10.00% 10V		
84		UPE	CAPACITOR		C9605	1-125-891-11	CERAMIC CHIP 0.47UF 10.00% 10V		
85		UPE	CAPACITOR		C9606	1-125-891-11	CERAMIC CHIP 0.47UF 10.00% 10V		
86		UPE	CAPACITOR		C9607	1-124-779-00	ELECT CHIP 10UF 20.00% 16V		
87		UPE	CAPACITOR		C9608	1-125-891-11	CERAMIC CHIP 0.47UF 10.00% 10V		
88		UPE	CAPACITOR		C9609	1-125-891-11	CERAMIC CHIP 0.47UF 10.00% 10V		
89		UPE	CAPACITOR		C9610	1-125-891-11	CERAMIC CHIP 0.47UF 10.00% 10V		
90		UPE	CAPACITOR		C9611	1-126-392-11	ELECT CHIP 100UF 20.00% 6.3V		
91		UPE	CAPACITOR		C9612	1-125-891-11	CERAMIC CHIP 0.47UF 10.00% 10V		
92		UPE	CAPACITOR		C9613	1-107-826-11	CERAMIC CHIP 0.1UF 10.00% 16V		
93		UPE	CAPACITOR		C9614	1-107-826-11	CERAMIC CHIP 0.1UF 10.00% 16V		
94		UPE	CAPACITOR		C9615	1-125-891-11	CERAMIC CHIP 0.47UF 10.00% 10V		
95		UPE	CAPACITOR		C9616	1-125-891-11	CERAMIC CHIP 0.47UF 10.00% 10V		
96		UPE	CAPACITOR		C9617	1-127-715-91	CERAMIC CHIP 0.22UF 10% 16V		
97		UPE	CAPACITOR		C9618	1-127-715-91	CERAMIC CHIP 0.22UF 10% 16V		
98		UPE	CAPACITOR		C9619	1-126-205-11	ELECT CHIP 47UF 20.00% 6.3V		
99		UPE	CAPACITOR		C9620	1-126-205-11	ELECT CHIP 47UF 20.00% 6.3V		
100		UPE	CAPACITOR		C9621	1-164-227-11	CERAMIC CHIP 0.022UF 10.00% 25V		
101		UPE	CAPACITOR		C9622	1-162-970-11	CERAMIC CHIP 0.01UF 10.00% 25V		
102		UPE	CAPACITOR		C9623	1-127-715-91	CERAMIC CHIP 0.22UF 10% 16V		
103		UPE	CAPACITOR		C9625	1-126-205-11	ELECT CHIP 47UF 20.00% 6.3V		
104		UPE	CAPACITOR		C9626	1-127-715-91	CERAMIC CHIP 0.22UF 10% 16V		
105		UPE	CAPACITOR		C9627	1-127-715-91	CERAMIC CHIP 0.22UF 10% 16V		
106		UPE	CAPACITOR		C9628	1-127-715-91	CERAMIC CHIP 0.22UF 10% 16V		
107		UPE	CAPACITOR		C9629	1-127-715-91	CERAMIC CHIP 0.22UF 10% 16V		
108		UPE	CAPACITOR		C9630	1-127-715-91	CERAMIC CHIP 0.22UF 10% 16V		
109		UPE	CAPACITOR		C9631	1-127-715-91	CERAMIC CHIP 0.22UF 10% 16V		
110		UPE	CAPACITOR		C9632	1-127-715-91	CERAMIC CHIP 0.22UF 10% 16V		
111		UPE	CAPACITOR		C9633	1-127-715-91	CERAMIC CHIP 0.22UF 10% 16V		
112		UPE	CAPACITOR		C9634	1-127-715-91	CERAMIC CHIP 0.22UF 10% 16V		
113		UPE	CAPACITOR		C9635	1-127-715-91	CERAMIC CHIP 0.22UF 10% 16V		
114		UPE	CAPACITOR		C9636	1-127-715-91	CERAMIC CHIP 0.22UF 10% 16V		
115		UPE	CAPACITOR		C9637	1-127-715-91	CERAMIC CHIP 0.22UF 10% 16V		
116		UPE	CAPACITOR		C9638	1-125-891-11	CERAMIC CHIP 0.47UF 10.00% 10V		
117		UPE	CAPACITOR		C9639	1-127-715-91	CERAMIC CHIP 0.22UF 10% 16V		
118		UPE	CAPACITOR		C9640	1-126-205-11	ELECT CHIP 47UF 20.00% 6.3V		
119		UPE	CAPACITOR		C9641	1-127-715-91	CERAMIC CHIP 0.22UF 10% 16V		
120		UPE	CAPACITOR		C9642	1-126-396-11	ELECT CHIP 47UF 20.00% 16V		
121		UPE	CAPACITOR		C9643	1-107-826-11	CERAMIC CHIP 0.1UF 10.00% 16V		
122		UPE	CAPACITOR		C9801	1-107-826-11	CERAMIC CHIP 0.1UF 10.00% 16V		
123		UPE	CAPACITOR		C9802	1-126-205-11	ELECT CHIP 47UF 20.00% 6.3V		
124		UPE	CAPACITOR		C9804	1-125-891-11	CERAMIC CHIP 0.47UF 10.00% 10V		
125		UPE	CAPACITOR		C9805	1-162-970-11	CERAMIC CHIP 0.01UF 10.00% 25V		
126		UPE	CAPACITOR		C9807	1-125-889-91	CERAMIC CHIP 2.2UF 10% 10V		
127		UPE	CAPACITOR		C9808	1-164-227-11	CERAMIC CHIP 0.022UF 10.00% 25V		
128		UPE	CAPACITOR		C9809	1-162-970-11	CERAMIC CHIP 0.01UF 10.00% 25V		
129		UPE	CAPACITOR		C9810	1-127-760-11	CERAMIC CHIP 4.7UF 10% 6.3V		
130		UPE	CAPACITOR		C9811	1-162-970-11	CERAMIC CHIP 0.01UF 10.00% 25V		
131		UPE	CAPACITOR		C9812	1-127-760-11	CERAMIC CHIP 4.7UF 10% 6.3V		
132		UPE	CAPACITOR		C9813	1-135-346-21	ELECT CHIP 39UF 20% 16V		
133		UPE	CAPACITOR		C9814	1-126-392-11	ELECT CHIP 100UF 20.00% 6.3V		
134		UPE	CAPACITOR		C9815	1-107-826-11	CERAMIC CHIP 0.1UF 10.00% 16V		
135		UPE	CAPACITOR		C9816	1-107-826-11	CERAMIC CHIP 0.1UF 10.00% 16V		
136		UPE	CAPACITOR		C9817	1-126-205-11	ELECT CHIP 47UF 20.00% 6.3V		
137		UPE	CAPACITOR		C9818	1-162-914-11	CERAMIC CHIP 9PF 0.50PF 50V		
138		UPE	CAPACITOR		C9819	1-124-779-00	ELECT CHIP 10UF 20.00% 16V		
139		UPE	CAPACITOR		C9820	1-107-826-11	CERAMIC CHIP 0.1UF 10.00% 16V		
140		UPE	CAPACITOR		C9821	1-135-346-21	ELECT CHIP 39UF 20% 16V		
141		UPE	CAPACITOR		C9822	1-107-826-11	CERAMIC CHIP 0.1UF 10.00% 16V		
142		UPE	CAPACITOR		C9823	1-107-826-11	CERAMIC CHIP 0.1UF 10.00% 16V		
143		UPE	CAPACITOR		C9824	1-107-826-11	CERAMIC CHIP 0.1UF 10.00% 16V		
144		UPE	CAPACITOR		C9825	1-162-970-11	CERAMIC CHIP 0.01UF 10.00% 25V		
145		UPE	CAPACITOR		C9826	1-162-970-11	CERAMIC CHIP 0.01UF 10.00% 25V		
146		UPE	CAPACITOR		C9827	1-135-346-21	ELECT CHIP 39UF 20% 16V		
147		UPE	CAPACITOR		C9828	1-162-970-11	CERAMIC CHIP 0.01UF 10.00% 25V		
148		UPE	CAPACITOR		C9830	1-128-360-11	ELECT CHIP 220UF 20.00% 10V		

No.	#	Board	Type	Δ/\ast	Ref. No.	Part No.	Description	Remarks-1	Remarks-2
149		UPE	CAPACITOR		C9831	1-107-826-11	CERAMIC CHIP 0.1UF 10.00% 16V		
150		UPE	CAPACITOR		C9832	1-162-970-11	CERAMIC CHIP 0.01UF 10.00% 25V		
151		UPE	CAPACITOR		C9833	1-107-826-11	CERAMIC CHIP 0.1UF 10.00% 16V		
152		UPE	CAPACITOR		C9835	1-107-826-11	CERAMIC CHIP 0.1UF 10.00% 16V		
153		UPE	CAPACITOR		C9836	1-127-760-11	CERAMIC CHIP 4.7UF 10% 6.3V		
154		UPE	CAPACITOR		C9838	1-107-826-11	CERAMIC CHIP 0.1UF 10.00% 16V		
155		UPE	CAPACITOR		C9840	1-107-826-11	CERAMIC CHIP 0.1UF 10.00% 16V		
156		UPE	CAPACITOR		C9841	1-162-927-11	CERAMIC CHIP 100PF 5.00% 50V		
157		UPE	CAPACITOR		C9842	1-115-566-11	CERAMIC CHIP 4.7UF 10.00% 10V		
158		UPE	CAPACITOR		C9843	1-125-837-91	CERAMIC CHIP 1UF 10% 6.3V		
159		UPE	CAPACITOR		C9844	1-162-970-11	CERAMIC CHIP 0.01UF 10.00% 25V		
160		UPE	CAPACITOR		C9845	1-107-826-11	CERAMIC CHIP 0.1UF 10.00% 16V		
161		UPE	CAPACITOR		C9846	1-135-346-21	ELECT CHIP 39UF 20% 16V		
162		UPE	CAPACITOR		C9847	1-164-156-11	CERAMIC CHIP 0.1UF 25V		
163		UPE	CAPACITOR		C9848	1-128-360-11	ELECT CHIP 220UF 20.00% 10V		
164		UPE	CAPACITOR		C9849	1-125-891-11	CERAMIC CHIP 0.47UF 10.00% 10V		
165		UPE	CAPACITOR		C9850	1-125-891-11	CERAMIC CHIP 0.47UF 10.00% 10V		
166		UPE	CAPACITOR		C9851	1-126-394-11	ELECT CHIP 10UF 20.00% 16V		
167		UPE	CAPACITOR		C9852	1-125-891-11	CERAMIC CHIP 0.47UF 10.00% 10V		
168		UPE	CAPACITOR		C9853	1-126-394-11	ELECT CHIP 10UF 20.00% 16V		
169		UPE	CAPACITOR		C9854	1-125-891-11	CERAMIC CHIP 0.47UF 10.00% 10V		
170		UPE	CAPACITOR		C9855	1-125-891-11	CERAMIC CHIP 0.47UF 10.00% 10V		
171		UPE	CAPACITOR		C9856	1-126-394-11	ELECT CHIP 10UF 20.00% 16V		
172		UPE	CAPACITOR		C9857	1-125-891-11	CERAMIC CHIP 0.47UF 10.00% 10V		
173		UPE	CAPACITOR		C9858	1-125-891-11	CERAMIC CHIP 0.47UF 10.00% 10V		
174		UPE	CAPACITOR		C9859	1-125-891-11	CERAMIC CHIP 0.47UF 10.00% 10V		
175		UPE	CAPACITOR		C9860	1-109-982-11	CERAMIC CHIP 1UF 10.00% 10V		
176		UPE	CAPACITOR		C9861	1-100-159-91	CERAMIC CHIP 22UF 10% 6.3V		
177		UPE	CAPACITOR		C9862	1-164-156-11	CERAMIC CHIP 0.1UF 25V		
178		UPE	CAPACITOR		C9863	1-125-891-11	CERAMIC CHIP 0.47UF 10.00% 10V		
179		UPE	CAPACITOR		C9864	1-125-891-11	CERAMIC CHIP 0.47UF 10.00% 10V		
180		UPE	CAPACITOR		C9865	1-164-156-11	CERAMIC CHIP 0.1UF 25V		
181		UPE	CAPACITOR		C9866	1-100-159-91	CERAMIC CHIP 22UF 10% 6.3V		
182		UPE	CAPACITOR		C9867	1-125-837-91	CERAMIC CHIP 1UF 10% 6.3V		
183		UPE	CAPACITOR		C9868	1-162-970-11	CERAMIC CHIP 0.01UF 10.00% 25V		
184		UPE	CAPACITOR		C9869	1-107-826-11	CERAMIC CHIP 0.1UF 10.00% 16V		
185		UPE	CAPACITOR		C9870	1-107-826-11	CERAMIC CHIP 0.1UF 10.00% 16V		
186		UPE	CAPACITOR		C9871	1-164-156-11	CERAMIC CHIP 0.1UF 25V		
187		UPE	CAPACITOR		C9872	1-107-826-11	CERAMIC CHIP 0.1UF 10.00% 16V		
188		UPE	CAPACITOR		C9873	1-126-205-11	ELECT CHIP 47UF 20.00% 6.3V		
189		UPE	CONNECTOR	*	CN9301	1-695-210-21	PIN, CONNECTOR (PC BOARD) 15P		
190		UPE	CONNECTOR	*	CN9303	1-794-959-21	PIN, CONNECTOR (PWB, PRINT)20P		
191		UPE	CONNECTOR	*	CN9306	1-815-339-21	PIN, CONNECTOR 50P		
192		UPE	DIODE		D9301	8-719-083-82	DIODE UDZS-TE17-12B		
193		UPE	DIODE		D9302	8-719-069-60	DIODE UDZSTE-179.1B		
194		UPE	DIODE		D9303	8-719-069-60	DIODE UDZSTE-179.1B		
195		UPE	DIODE		D9304	8-719-069-60	DIODE UDZSTE-179.1B		
196		UPE	DIODE		D9305	8-719-069-60	DIODE UDZSTE-179.1B		
197		UPE	DIODE		D9306	8-719-069-60	DIODE UDZSTE-179.1B		
198		UPE	DIODE		D9307	8-719-069-60	DIODE UDZSTE-179.1B		
199		UPE	DIODE		D9308	8-719-069-60	DIODE UDZSTE-179.1B		
200		UPE	DIODE		D9309	8-719-069-60	DIODE UDZSTE-179.1B		
201		UPE	DIODE		D9310	8-719-069-60	DIODE UDZSTE-179.1B		
202		UPE	DIODE		D9311	8-719-069-60	DIODE UDZSTE-179.1B		
203		UPE	DIODE		D9312	8-719-069-60	DIODE UDZSTE-179.1B		
204		UPE	DIODE		D9313	8-719-069-60	DIODE UDZSTE-179.1B		
205		UPE	DIODE		D9314	8-719-069-60	DIODE UDZSTE-179.1B		
206		UPE	DIODE		D9315	8-719-069-60	DIODE UDZSTE-179.1B		
207		UPE	DIODE		D9316	8-719-069-60	DIODE UDZSTE-179.1B		
208		UPE	DIODE		D9317	8-719-069-60	DIODE UDZSTE-179.1B		
209		UPE	DIODE		D9318	8-719-083-82	DIODE UDZS-TE17-12B		
210		UPE	DIODE		D9319	8-719-069-60	DIODE UDZSTE-179.1B		
211		UPE	DIODE		D9320	8-719-069-60	DIODE UDZSTE-179.1B		
212		UPE	DIODE		D9321	8-719-069-60	DIODE UDZSTE-179.1B		
213		UPE	DIODE		D9322	8-719-069-60	DIODE UDZSTE-179.1B		
214		UPE	DIODE		D9323	8-719-069-60	DIODE UDZSTE-179.1B		
215		UPE	DIODE		D9324	8-719-069-60	DIODE UDZSTE-179.1B		
216		UPE	DIODE		D9325	8-719-069-60	DIODE UDZSTE-179.1B		
217		UPE	DIODE		D9326	8-719-069-60	DIODE UDZSTE-179.1B		
218		UPE	DIODE		D9327	8-719-069-60	DIODE UDZSTE-179.1B		
219		UPE	DIODE		D9328	8-719-069-60	DIODE UDZSTE-179.1B		
220		UPE	DIODE		D9329	8-719-069-60	DIODE UDZSTE-179.1B		
221		UPE	DIODE		D9332	8-719-083-82	DIODE UDZS-TE17-12B		
222		UPE	DIODE		D9333	8-719-069-60	DIODE UDZSTE-179.1B		

No.	#	Board	Type	△/°	Ref. No.	Part No.	Description	Remarks-1	Remarks-2
223		UPE	DIODE		D9334	8-719-069-60	DIODE UDZSTE-179.1B		
224		UPE	DIODE		D9335	8-719-069-60	DIODE UDZSTE-179.1B		
225		UPE	DIODE		D9336	8-719-069-60	DIODE UDZSTE-179.1B		
226		UPE	DIODE		D9337	8-719-069-60	DIODE UDZSTE-179.1B		
227		UPE	DIODE		D9338	8-719-069-60	DIODE UDZSTE-179.1B		
228		UPE	DIODE		D9339	8-719-069-60	DIODE UDZSTE-179.1B		
229		UPE	DIODE		D9340	8-719-069-60	DIODE UDZSTE-179.1B		
230		UPE	DIODE		D9341	8-719-069-60	DIODE UDZSTE-179.1B		
231		UPE	DIODE		D9342	8-719-069-60	DIODE UDZSTE-179.1B		
232		UPE	DIODE		D9343	8-719-069-60	DIODE UDZSTE-179.1B		
233		UPE	FERRITE BEAD		FB9301	1-400-333-21	FERRITE 0UH		
234		UPE	FERRITE BEAD		FB9302	1-400-333-21	FERRITE 0UH		
235		UPE	FERRITE BEAD		FB9303	1-400-333-21	FERRITE 0UH		
236		UPE	FERRITE BEAD		FB9304	1-400-333-21	FERRITE 0UH		
237		UPE	FERRITE BEAD		FB9305	1-400-333-21	FERRITE 0UH		
238		UPE	FILTER		FL9601	1-233-765-21	FILTER		
239		UPE	FILTER		FL9602	1-233-768-21	FILTER		
240		UPE	FILTER		FL9603	1-233-766-21	FILTER		
241		UPE	IC		IC9301	6-701-173-01	IC MC74LVXT4053DTR2		
242		UPE	IC		IC9302	8-759-366-35	IC TC4W66F(TE12R)		
243		UPE	IC		IC9601	8-752-089-33	IC CXA2069Q-TL		
244		UPE	IC		IC9602	8-752-390-37	IC CXD2064Q-T6		
245		UPE	IC		IC9603	8-759-082-60	IC TC7S66FU		
246		UPE	IC		IC9801	8-753-212-10	IC CXA2163AQ-T6		
247		UPE	IC		IC9802	8-759-481-08	IC TC7SET02FU(TE85R)		
248		UPE	IC		IC9804	8-752-108-36	IC CXA2171AQ-T6		
249		UPE	JACK		J9300	1-561-534-41	SOCKET, PIN 21P		
250		UPE	JACK		J9301	1-561-534-41	SOCKET, PIN 21P		
251		UPE	JACK		J9302	1-561-534-41	SOCKET, PIN 21P		
252		UPE	JACK		J9303	1-565-838-11	JACK BLOCK, PIN 2P		
253		UPE	JACK		J9304	1-774-358-11	JACK BLOCK, PIN		
254		UPE	COIL		L9301	1-412-029-11	INDUCTOR 10UH		
255		UPE	COIL		L9601	1-412-029-11	INDUCTOR 10UH		
256		UPE	COIL		L9602	1-412-029-11	INDUCTOR 10UH		
257		UPE	COIL		L9603	1-469-555-21	INDUCTOR 10UH		
258		UPE	COIL		L9604	1-469-555-21	INDUCTOR 10UH		
259		UPE	COIL		L9605	1-412-029-11	INDUCTOR 10UH		
260		UPE	COIL		L9801	1-412-029-11	INDUCTOR 10UH		
261		UPE	COIL		L9802	1-412-031-11	INDUCTOR 47UH		
262		UPE	COIL		L9803	1-412-031-11	INDUCTOR 47UH		
263		UPE	COIL		L9804	1-412-033-11	INDUCTOR 220UH		
264		UPE	COIL		L9805	1-412-029-11	INDUCTOR 10UH		
265		UPE	COIL		L9807	1-412-029-11	INDUCTOR 10UH		
266		UPE	COIL		L9808	1-469-525-91	INDUCTOR 10UH		
267		UPE	COIL		L9809	1-412-029-11	INDUCTOR 10UH		
268		UPE	TRANSISTOR		Q9301	8-729-920-21	TRANSISTOR DTC314TK-T-146		
269		UPE	TRANSISTOR		Q9302	8-729-920-21	TRANSISTOR DTC314TK-T-146		
270		UPE	TRANSISTOR		Q9303	8-729-920-21	TRANSISTOR DTC314TK-T-146		
271		UPE	TRANSISTOR		Q9305	8-729-920-21	TRANSISTOR DTC314TK-T-146		
272		UPE	TRANSISTOR		Q9309	8-729-920-21	TRANSISTOR DTC314TK-T-146		
273		UPE	TRANSISTOR		Q9310	8-729-920-21	TRANSISTOR DTC314TK-T-146		
274		UPE	TRANSISTOR		Q9311	8-729-120-28	TRANSISTOR 2SC1623-L5L6		
275		UPE	TRANSISTOR		Q9312	8-729-120-28	TRANSISTOR 2SC1623-L5L6		
276		UPE	TRANSISTOR		Q9601	8-729-120-28	TRANSISTOR 2SC1623-L5L6		
277		UPE	TRANSISTOR		Q9602	8-729-120-28	TRANSISTOR 2SC1623-L5L6		
278		UPE	TRANSISTOR		Q9603	8-729-120-28	TRANSISTOR 2SC1623-L5L6		
279		UPE	TRANSISTOR		Q9604	8-729-120-28	TRANSISTOR 2SC1623-L5L6		
280		UPE	TRANSISTOR		Q9605	8-729-120-28	TRANSISTOR 2SC1623-L5L6		
281		UPE	TRANSISTOR		Q9606	8-729-120-28	TRANSISTOR 2SC1623-L5L6		
282		UPE	TRANSISTOR		Q9607	8-729-120-28	TRANSISTOR 2SC1623-L5L6		
283		UPE	TRANSISTOR		Q9608	8-729-120-28	TRANSISTOR 2SC1623-L5L6		
284		UPE	TRANSISTOR		Q9610	8-729-026-49	TRANSISTOR 2SA1037AK-T146-R		
285		UPE	TRANSISTOR		Q9611	8-729-026-49	TRANSISTOR 2SA1037AK-T146-R		
286		UPE	TRANSISTOR		Q9612	8-729-120-28	TRANSISTOR 2SC1623-L5L6		
287		UPE	TRANSISTOR		Q9613	8-729-026-49	TRANSISTOR 2SA1037AK-T146-R		
288		UPE	TRANSISTOR		Q9614	8-729-026-49	TRANSISTOR 2SA1037AK-T146-R		
289		UPE	TRANSISTOR		Q9615	8-729-026-49	TRANSISTOR 2SA1037AK-T146-R		
290		UPE	TRANSISTOR		Q9616	8-729-026-49	TRANSISTOR 2SA1037AK-T146-R		
291		UPE	TRANSISTOR		Q9617	8-729-120-28	TRANSISTOR 2SC1623-L5L6		
292		UPE	TRANSISTOR		Q9801	8-729-120-28	TRANSISTOR 2SC1623-L5L6		
293		UPE	TRANSISTOR		Q9802	8-729-120-28	TRANSISTOR 2SC1623-L5L6		
294		UPE	TRANSISTOR		Q9803	8-729-120-28	TRANSISTOR 2SC1623-L5L6		
295		UPE	TRANSISTOR		Q9804	8-729-120-28	TRANSISTOR 2SC1623-L5L6		
296		UPE	TRANSISTOR		Q9805	8-729-120-28	TRANSISTOR 2SC1623-L5L6		

No.	#	Board	Type	Δ/μ	Ref. No.	Part No.	Description	Remarks-1	Remarks-2
297		UPE	TRANSISTOR		Q9806	8-729-120-28	TRANSISTOR 2SC1623-L5L6		
298		UPE	TRANSISTOR		Q9814	8-729-120-28	TRANSISTOR 2SC1623-L5L6		
299		UPE	TRANSISTOR		Q9815	8-729-026-49	TRANSISTOR 2SA1037AK-T146-R		
300		UPE	TRANSISTOR		Q9816	6-550-586-01	TRANSISTOR 2PA1576R-115		
301		UPE	TRANSISTOR		Q9817	8-729-026-49	TRANSISTOR 2SA1037AK-T146-R		
302		UPE	TRANSISTOR		Q9818	8-729-026-49	TRANSISTOR 2SA1037AK-T146-R		
303		UPE	TRANSISTOR		Q9819	8-729-026-49	TRANSISTOR 2SA1037AK-T146-R		
304		UPE	TRANSISTOR		Q9820	8-729-025-28	TRANSISTOR 2SK1828		
305		UPE	TRANSISTOR		Q9821	8-729-025-28	TRANSISTOR 2SK1828		
306		UPE	TRANSISTOR		Q9823	8-729-120-28	TRANSISTOR 2SC1623-L5L6		
307		UPE	TRANSISTOR		Q9824	8-729-120-28	TRANSISTOR 2SC1623-L5L6		
308		UPE	TRANSISTOR		Q9825	8-729-120-28	TRANSISTOR 2SC1623-L5L6		
309		UPE	RESISTOR		R9301	1-216-813-11	METAL CHIP 220 5% 1/10W		
310		UPE	RESISTOR		R9302	1-216-813-11	METAL CHIP 220 5% 1/10W		
311		UPE	RESISTOR		R9303	1-216-813-11	METAL CHIP 220 5% 1/10W		
312		UPE	RESISTOR		R9304	1-218-285-11	METAL CHIP 75 5% 1/10W		
313		UPE	RESISTOR		R9305	1-218-285-11	METAL CHIP 75 5% 1/10W		
314		UPE	RESISTOR		R9306	1-218-285-11	METAL CHIP 75 5% 1/10W		
315		UPE	RESISTOR		R9307	1-216-022-00	RES-CHIP 75 5% 1/10W		
316		UPE	RESISTOR		R9308	1-216-815-11	METAL CHIP 330 5% 1/10W		
317		UPE	RESISTOR		R9309	1-216-815-11	METAL CHIP 330 5% 1/10W		
318		UPE	RESISTOR		R9310	1-216-815-11	METAL CHIP 330 5% 1/10W		
319		UPE	RESISTOR		R9311	1-216-815-11	METAL CHIP 330 5% 1/10W		
320		UPE	RESISTOR		R9312	1-218-285-11	METAL CHIP 75 5% 1/10W		
321		UPE	RESISTOR		R9313	1-216-809-11	METAL CHIP 100 5% 1/10W		
322		UPE	RESISTOR		R9314	1-216-837-11	METAL CHIP 22K 5% 1/10W		
323		UPE	RESISTOR		R9315	1-216-815-11	METAL CHIP 330 5% 1/10W		
324		UPE	RESISTOR		R9316	1-216-815-11	METAL CHIP 330 5% 1/10W		
325		UPE	RESISTOR		R9317	1-216-841-11	METAL CHIP 47K 5% 1/10W		
326		UPE	RESISTOR		R9318	1-216-853-11	METAL CHIP 470K 5% 1/10W		
327		UPE	RESISTOR		R9319	1-216-841-11	METAL CHIP 47K 5% 1/10W		
328		UPE	RESISTOR		R9320	1-216-853-11	METAL CHIP 470K 5% 1/10W		
329		UPE	RESISTOR		R9321	1-216-809-11	METAL CHIP 100 5% 1/10W		
330		UPE	RESISTOR		R9322	1-216-809-11	METAL CHIP 100 5% 1/10W		
331		UPE	RESISTOR		R9323	1-216-809-11	METAL CHIP 100 5% 1/10W		
332		UPE	RESISTOR		R9324	1-216-809-11	METAL CHIP 100 5% 1/10W		
333		UPE	RESISTOR		R9325	1-216-813-11	METAL CHIP 220 5% 1/10W		
334		UPE	RESISTOR		R9326	1-216-813-11	METAL CHIP 220 5% 1/10W		
335		UPE	RESISTOR		R9327	1-216-813-11	METAL CHIP 220 5% 1/10W		
336		UPE	RESISTOR		R9328	1-216-834-11	METAL CHIP 12K 5% 1/10W		
337		UPE	RESISTOR		R9329	1-216-809-11	METAL CHIP 100 5% 1/10W		
338		UPE	RESISTOR		R9330	1-216-853-11	METAL CHIP 470K 5% 1/10W		
339		UPE	RESISTOR		R9331	1-216-853-11	METAL CHIP 470K 5% 1/10W		
340		UPE	RESISTOR		R9332	1-216-813-11	METAL CHIP 220 5% 1/10W		
341		UPE	RESISTOR		R9333	1-216-813-11	METAL CHIP 220 5% 1/10W		
342		UPE	RESISTOR		R9334	1-216-813-11	METAL CHIP 220 5% 1/10W		
343		UPE	RESISTOR		R9335	1-216-825-11	METAL CHIP 2.2K 5% 1/10W		
344		UPE	RESISTOR		R9336	1-216-825-11	METAL CHIP 2.2K 5% 1/10W		
345		UPE	RESISTOR		R9337	1-216-809-11	METAL CHIP 100 5% 1/10W		
346		UPE	RESISTOR		R9338	1-216-813-11	METAL CHIP 220 5% 1/10W		
347		UPE	RESISTOR		R9339	1-216-813-11	METAL CHIP 220 5% 1/10W		
348		UPE	RESISTOR		R9340	1-216-813-11	METAL CHIP 220 5% 1/10W		
349		UPE	RESISTOR		R9341	1-216-845-11	METAL CHIP 100K 5% 1/10W		
350		UPE	RESISTOR		R9342	1-216-809-11	METAL CHIP 100 5% 1/10W		
351		UPE	RESISTOR		R9343	1-216-809-11	METAL CHIP 100 5% 1/10W		
352		UPE	RESISTOR		R9344	1-216-809-11	METAL CHIP 100 5% 1/10W		
353		UPE	RESISTOR		R9345	1-216-825-11	METAL CHIP 2.2K 5% 1/10W		
354		UPE	RESISTOR		R9346	1-216-825-11	METAL CHIP 2.2K 5% 1/10W		
355		UPE	RESISTOR		R9347	1-216-809-11	METAL CHIP 100 5% 1/10W		
356		UPE	RESISTOR		R9348	1-216-809-11	METAL CHIP 100 5% 1/10W		
357		UPE	RESISTOR		R9349	1-216-809-11	METAL CHIP 100 5% 1/10W		
358		UPE	RESISTOR		R9350	1-216-809-11	METAL CHIP 100 5% 1/10W		
359		UPE	RESISTOR		R9351	1-216-813-11	METAL CHIP 220 5% 1/10W		
360		UPE	RESISTOR		R9352	1-216-813-11	METAL CHIP 220 5% 1/10W		
361		UPE	RESISTOR		R9353	1-216-813-11	METAL CHIP 220 5% 1/10W		
362		UPE	RESISTOR		R9354	1-218-285-11	METAL CHIP 75 5% 1/10W		
363		UPE	RESISTOR		R9355	1-218-285-11	METAL CHIP 75 5% 1/10W		
364		UPE	RESISTOR		R9356	1-218-285-11	METAL CHIP 75 5% 1/10W		
365		UPE	RESISTOR		R9357	1-216-022-00	RES-CHIP 75 5% 1/10W		
366		UPE	RESISTOR		R9358	1-216-815-11	METAL CHIP 330 5% 1/10W		
367		UPE	RESISTOR		R9359	1-216-815-11	METAL CHIP 330 5% 1/10W		
368		UPE	RESISTOR		R9360	1-216-815-11	METAL CHIP 330 5% 1/10W		
369		UPE	RESISTOR		R9361	1-216-815-11	METAL CHIP 330 5% 1/10W		
370		UPE	RESISTOR		R9362	1-218-285-11	METAL CHIP 75 5% 1/10W		

No.	#	Board	Type	Δ / [*]	Ref. No.	Part No.	Description	Remarks-1	Remarks-2
371		UPE	RESISTOR		R9363	1-216-809-11	METAL CHIP 100 5% 1/10W		
372		UPE	RESISTOR		R9364	1-216-837-11	METAL CHIP 22K 5% 1/10W		
373		UPE	RESISTOR		R9365	1-216-841-11	METAL CHIP 47K 5% 1/10W		
374		UPE	RESISTOR		R9366	1-216-853-11	METAL CHIP 470K 5% 1/10W		
375		UPE	RESISTOR		R9367	1-216-841-11	METAL CHIP 47K 5% 1/10W		
376		UPE	RESISTOR		R9368	1-216-853-11	METAL CHIP 470K 5% 1/10W		
377		UPE	RESISTOR		R9369	1-216-809-11	METAL CHIP 100 5% 1/10W		
378		UPE	RESISTOR		R9370	1-216-809-11	METAL CHIP 100 5% 1/10W		
379		UPE	RESISTOR		R9371	1-216-809-11	METAL CHIP 100 5% 1/10W		
380		UPE	RESISTOR		R9372	1-216-809-11	METAL CHIP 100 5% 1/10W		
381		UPE	RESISTOR		R9373	1-216-834-11	METAL CHIP 12K 5% 1/10W		
382		UPE	RESISTOR		R9374	1-216-815-11	METAL CHIP 330 5% 1/10W		
383		UPE	RESISTOR		R9375	1-216-815-11	METAL CHIP 330 5% 1/10W		
384		UPE	RESISTOR		R9376	1-216-809-11	METAL CHIP 100 5% 1/10W		
385		UPE	RESISTOR		R9377	1-216-825-11	METAL CHIP 2.2K 5% 1/10W		
386		UPE	RESISTOR		R9378	1-216-825-11	METAL CHIP 2.2K 5% 1/10W		
387		UPE	RESISTOR		R9379	1-216-809-11	METAL CHIP 100 5% 1/10W		
388		UPE	RESISTOR		R9380	1-216-841-11	METAL CHIP 47K 5% 1/10W		
389		UPE	RESISTOR		R9381	1-216-841-11	METAL CHIP 47K 5% 1/10W		
390		UPE	RESISTOR		R9382	1-216-845-11	METAL CHIP 100K 5% 1/10W		
391		UPE	RESISTOR		R9383	1-216-809-11	METAL CHIP 100 5% 1/10W		
392		UPE	RESISTOR		R9384	1-216-809-11	METAL CHIP 100 5% 1/10W		
393		UPE	RESISTOR		R9393	1-216-813-11	METAL CHIP 220 5% 1/10W		
394		UPE	RESISTOR		R9394	1-216-813-11	METAL CHIP 220 5% 1/10W		
395		UPE	RESISTOR		R9396	1-216-809-11	METAL CHIP 100 5% 1/10W		
396		UPE	RESISTOR		R9397	1-216-813-11	METAL CHIP 220 5% 1/10W		
397		UPE	RESISTOR		R9398	1-218-285-11	METAL CHIP 75 5% 1/10W		
398		UPE	RESISTOR		R9399	1-216-022-00	RES-CHIP 75 5% 1/10W		
399		UPE	RESISTOR		R9400	1-216-815-11	METAL CHIP 330 5% 1/10W		
400		UPE	RESISTOR		R9401	1-216-815-11	METAL CHIP 330 5% 1/10W		
401		UPE	RESISTOR		R9402	1-216-815-11	METAL CHIP 330 5% 1/10W		
402		UPE	RESISTOR		R9403	1-216-815-11	METAL CHIP 330 5% 1/10W		
403		UPE	RESISTOR		R9404	1-216-809-11	METAL CHIP 100 5% 1/10W		
404		UPE	RESISTOR		R9405	1-216-837-11	METAL CHIP 22K 5% 1/10W		
405		UPE	RESISTOR		R9406	1-216-809-11	METAL CHIP 100 5% 1/10W		
406		UPE	RESISTOR		R9407	1-216-841-11	METAL CHIP 47K 5% 1/10W		
407		UPE	RESISTOR		R9408	1-216-853-11	METAL CHIP 470K 5% 1/10W		
408		UPE	RESISTOR		R9409	1-216-841-11	METAL CHIP 47K 5% 1/10W		
409		UPE	RESISTOR		R9410	1-216-853-11	METAL CHIP 470K 5% 1/10W		
410		UPE	RESISTOR		R9411	1-216-834-11	METAL CHIP 12K 5% 1/10W		
411		UPE	RESISTOR		R9412	1-216-809-11	METAL CHIP 100 5% 1/10W		
412		UPE	RESISTOR		R9413	1-216-809-11	METAL CHIP 100 5% 1/10W		
413		UPE	RESISTOR		R9414	1-216-809-11	METAL CHIP 100 5% 1/10W		
414		UPE	RESISTOR		R9415	1-216-809-11	METAL CHIP 100 5% 1/10W		
415		UPE	RESISTOR		R9416	1-216-825-11	METAL CHIP 2.2K 5% 1/10W		
416		UPE	RESISTOR		R9417	1-216-825-11	METAL CHIP 2.2K 5% 1/10W		
417		UPE	RESISTOR		R9418	1-216-845-11	METAL CHIP 100K 5% 1/10W		
418		UPE	RESISTOR		R9421	1-218-867-11	METAL CHIP 6.8K 0.5% 1/10W		
419		UPE	RESISTOR		R9422	1-218-867-11	METAL CHIP 6.8K 0.5% 1/10W		
420		UPE	RESISTOR		R9423	1-218-867-11	METAL CHIP 6.8K 0.5% 1/10W		
421		UPE	RESISTOR		R9424	1-218-867-11	METAL CHIP 6.8K 0.5% 1/10W		
422		UPE	RESISTOR		R9425	1-218-867-11	METAL CHIP 6.8K 0.5% 1/10W		
423		UPE	RESISTOR		R9426	1-218-867-11	METAL CHIP 6.8K 0.5% 1/10W		
424		UPE	RESISTOR		R9427	1-218-867-11	METAL CHIP 6.8K 0.5% 1/10W		
425		UPE	RESISTOR		R9428	1-218-867-11	METAL CHIP 6.8K 0.5% 1/10W		
426		UPE	RESISTOR		R9429	1-218-867-11	METAL CHIP 6.8K 0.5% 1/10W		
427		UPE	RESISTOR		R9430	1-218-867-11	METAL CHIP 6.8K 0.5% 1/10W		
428		UPE	RESISTOR		R9431	1-220-397-11	METAL CHIP 4.7M 5% 1/10W		
429		UPE	RESISTOR		R9432	1-220-397-11	METAL CHIP 4.7M 5% 1/10W		
430		UPE	RESISTOR		R9433	1-216-809-11	METAL CHIP 100 5% 1/10W		
431		UPE	RESISTOR		R9434	1-216-841-11	METAL CHIP 47K 5% 1/10W		
432		UPE	RESISTOR		R9435	1-216-841-11	METAL CHIP 47K 5% 1/10W		
433		UPE	RESISTOR		R9436	1-216-841-11	METAL CHIP 47K 5% 1/10W		
434		UPE	RESISTOR		R9437	1-216-841-11	METAL CHIP 47K 5% 1/10W		
435		UPE	RESISTOR		R9438	1-216-841-11	METAL CHIP 47K 5% 1/10W		
436		UPE	RESISTOR		R9439	1-216-841-11	METAL CHIP 47K 5% 1/10W		
437		UPE	RESISTOR		R9440	1-216-841-11	METAL CHIP 47K 5% 1/10W		
438		UPE	RESISTOR		R9441	1-216-841-11	METAL CHIP 47K 5% 1/10W		
439		UPE	RESISTOR		R9442	1-216-841-11	METAL CHIP 47K 5% 1/10W		
440		UPE	RESISTOR		R9443	1-216-841-11	METAL CHIP 47K 5% 1/10W		
441		UPE	RESISTOR		R9444	1-216-841-11	METAL CHIP 47K 5% 1/10W		
442		UPE	RESISTOR		R9445	1-216-841-11	METAL CHIP 47K 5% 1/10W		
443		UPE	RESISTOR		R9446	1-216-825-11	METAL CHIP 2.2K 5% 1/10W		
444		UPE	RESISTOR		R9447	1-216-821-11	METAL CHIP 1K 5% 1/10W		

No.	#	Board	Type	Δ/μ	Ref. No.	Part No.	Description	Remarks-1	Remarks-2
445		UPE	RESISTOR		R9448	1-216-845-11	METAL CHIP 100K 5% 1/10W		
446		UPE	RESISTOR		R9449	1-216-825-11	METAL CHIP 2.2K 5% 1/10W		
447		UPE	RESISTOR		R9450	1-216-821-11	METAL CHIP 1K 5% 1/10W		
448		UPE	RESISTOR		R9451	1-216-845-11	METAL CHIP 100K 5% 1/10W		
449		UPE	RESISTOR		R9601	1-216-295-91	SHORT CHIP 0		
450		UPE	RESISTOR		R9604	1-216-821-11	METAL CHIP 1K 5% 1/10W		
451		UPE	RESISTOR		R9605	1-216-821-11	METAL CHIP 1K 5% 1/10W		
452		UPE	RESISTOR		R9606	1-216-821-11	METAL CHIP 1K 5% 1/10W		
453		UPE	RESISTOR		R9607	1-216-821-11	METAL CHIP 1K 5% 1/10W		
454		UPE	RESISTOR		R9608	1-216-809-11	METAL CHIP 100 5% 1/10W		
455		UPE	RESISTOR		R9609	1-216-809-11	METAL CHIP 100 5% 1/10W		
456		UPE	RESISTOR		R9610	1-216-809-11	METAL CHIP 100 5% 1/10W		
457		UPE	RESISTOR		R9611	1-216-821-11	METAL CHIP 1K 5% 1/10W		
458		UPE	RESISTOR		R9612	1-216-825-11	METAL CHIP 2.2K 5% 1/10W		
459		UPE	RESISTOR		R9613	1-216-809-11	METAL CHIP 100 5% 1/10W		
460		UPE	RESISTOR		R9614	1-216-825-11	METAL CHIP 2.2K 5% 1/10W		
461		UPE	RESISTOR		R9615	1-216-841-11	METAL CHIP 47K 5% 1/10W		
462		UPE	RESISTOR		R9616	1-216-809-11	METAL CHIP 100 5% 1/10W		
463		UPE	RESISTOR		R9617	1-216-821-11	METAL CHIP 1K 5% 1/10W		
464		UPE	RESISTOR		R9618	1-216-809-11	METAL CHIP 100 5% 1/10W		
465		UPE	RESISTOR		R9619	1-216-809-11	METAL CHIP 100 5% 1/10W		
466		UPE	RESISTOR		R9620	1-216-821-11	METAL CHIP 1K 5% 1/10W		
467		UPE	RESISTOR		R9621	1-216-817-11	METAL CHIP 470 5% 1/10W		
468		UPE	RESISTOR		R9622	1-216-821-11	METAL CHIP 1K 5% 1/10W		
469		UPE	RESISTOR		R9624	1-216-817-11	METAL CHIP 470 5% 1/10W		
470		UPE	RESISTOR		R9627	1-216-821-11	METAL CHIP 1K 5% 1/10W		
471		UPE	RESISTOR		R9628	1-216-809-11	METAL CHIP 100 5% 1/10W		
472		UPE	RESISTOR		R9629	1-216-821-11	METAL CHIP 1K 5% 1/10W		
473		UPE	RESISTOR		R9630	1-216-821-11	METAL CHIP 1K 5% 1/10W		
474		UPE	RESISTOR		R9631	1-216-821-11	METAL CHIP 1K 5% 1/10W		
475		UPE	RESISTOR		R9632	1-216-817-11	METAL CHIP 470 5% 1/10W		
476		UPE	RESISTOR		R9633	1-216-295-91	SHORT CHIP 0		
477		UPE	RESISTOR		R9634	1-216-821-11	METAL CHIP 1K 5% 1/10W		
478		UPE	RESISTOR		R9635	1-216-295-91	SHORT CHIP 0		
479		UPE	RESISTOR		R9637	1-216-818-11	METAL CHIP 560 5% 1/10W		
480		UPE	RESISTOR		R9640	1-216-842-11	METAL CHIP 56K 5% 1/10W		
481		UPE	RESISTOR		R9643	1-216-864-11	SHORT CHIP 0		
482		UPE	RESISTOR		R9646	1-218-831-11	METAL CHIP 220 0.5% 1/10W		
483		UPE	RESISTOR		R9648	1-216-864-11	SHORT CHIP 0		
484		UPE	RESISTOR		R9649	1-218-835-11	METAL CHIP 330 0.5% 1/10W		
485		UPE	RESISTOR		R9650	1-218-849-11	METAL CHIP 1.2K 0.5% 1/10W		
486		UPE	RESISTOR		R9652	1-216-809-11	METAL CHIP 100 5% 1/10W		
487		UPE	RESISTOR		R9653	1-218-859-11	METAL CHIP 3.3K 0.5% 1/10W		
488		UPE	RESISTOR		R9654	1-218-853-11	METAL CHIP 1.8K 0.5% 1/10W		
489		UPE	RESISTOR		R9656	1-216-817-11	METAL CHIP 470 5% 1/10W		
490		UPE	RESISTOR		R9658	1-216-809-11	METAL CHIP 100 5% 1/10W		
491		UPE	RESISTOR		R9659	1-216-809-11	METAL CHIP 100 5% 1/10W		
492		UPE	RESISTOR		R9660	1-216-809-11	METAL CHIP 100 5% 1/10W		
493		UPE	RESISTOR		R9661	1-216-809-11	METAL CHIP 100 5% 1/10W		
494		UPE	RESISTOR		R9662	1-218-859-11	METAL CHIP 3.3K 0.5% 1/10W		
495		UPE	RESISTOR		R9664	1-216-817-11	METAL CHIP 470 5% 1/10W		
496		UPE	RESISTOR		R9667	1-216-864-11	SHORT CHIP 0		
497		UPE	RESISTOR		R9668	1-216-864-11	SHORT CHIP 0		
498		UPE	RESISTOR		R9669	1-216-837-11	METAL CHIP 22K 5% 1/10W		
499		UPE	RESISTOR		R9670	1-216-833-11	METAL CHIP 10K 5% 1/10W		
500		UPE	RESISTOR		R9671	1-216-813-11	METAL CHIP 220 5% 1/10W		
501		UPE	RESISTOR		R9672	1-216-813-11	METAL CHIP 220 5% 1/10W		
502		UPE	RESISTOR		R9673	1-216-813-11	METAL CHIP 220 5% 1/10W		
503		UPE	RESISTOR		R9674	1-216-805-11	METAL CHIP 47 5% 1/10W		
504		UPE	RESISTOR		R9675	1-216-864-11	SHORT CHIP 0		
505		UPE	RESISTOR		R9676	1-218-847-11	METAL CHIP 1K 0.5% 1/10W		
506		UPE	RESISTOR		R9677	1-218-831-11	METAL CHIP 220 0.5% 1/10W		
507		UPE	RESISTOR		R9678	1-218-829-11	METAL CHIP 180 0.5% 1/10W		
508		UPE	RESISTOR		R9680	1-218-865-11	METAL CHIP 5.6K 0.5% 1/10W		
509		UPE	RESISTOR		R9681	1-216-821-11	METAL CHIP 1K 5% 1/10W		
510		UPE	RESISTOR		R9682	1-218-845-11	METAL CHIP 820 0.5% 1/10W		
511		UPE	RESISTOR		R9684	1-218-849-11	METAL CHIP 1.2K 0.5% 1/10W		
512		UPE	RESISTOR		R9685	1-216-821-11	METAL CHIP 1K 5% 1/10W		
513		UPE	RESISTOR		R9686	1-218-845-11	METAL CHIP 820 0.5% 1/10W		
514		UPE	RESISTOR		R9688	1-218-851-11	METAL CHIP 1.5K 0.5% 1/10W		
515		UPE	RESISTOR		R9689	1-216-837-11	METAL CHIP 22K 5% 1/10W		
516		UPE	RESISTOR		R9690	1-216-837-11	METAL CHIP 22K 5% 1/10W		
517		UPE	RESISTOR		R9691	1-216-821-11	METAL CHIP 1K 5% 1/10W		
518		UPE	RESISTOR		R9693	1-216-295-91	SHORT CHIP 0		

No.	#	Board	Type	Δ/μ	Ref. No.	Part No.	Description	Remarks-1	Remarks-2
519		UPE	RESISTOR		R9694	1-216-841-11	METAL CHIP 47K 5% 1/10W		
520		UPE	RESISTOR		R9695	1-216-809-11	METAL CHIP 100 5% 1/10W		
521		UPE	RESISTOR		R9696	1-216-841-11	METAL CHIP 47K 5% 1/10W		
522		UPE	RESISTOR		R9801	1-218-847-11	METAL CHIP 1K 0.5% 1/10W		
523		UPE	RESISTOR		R9802	1-218-847-11	METAL CHIP 1K 0.5% 1/10W		
524		UPE	RESISTOR		R9803	1-218-847-11	METAL CHIP 1K 0.5% 1/10W		
525		UPE	RESISTOR		R9804	1-218-847-11	METAL CHIP 1K 0.5% 1/10W		
526		UPE	RESISTOR		R9805	1-218-847-11	METAL CHIP 1K 0.5% 1/10W		
527		UPE	RESISTOR		R9806	1-218-847-11	METAL CHIP 1K 0.5% 1/10W		
528		UPE	RESISTOR		R9807	1-216-823-11	METAL CHIP 1.5K 5% 1/10W		
529		UPE	RESISTOR		R9808	1-216-823-11	METAL CHIP 1.5K 5% 1/10W		
530		UPE	RESISTOR		R9809	1-216-823-11	METAL CHIP 1.5K 5% 1/10W		
531		UPE	RESISTOR		R9810	1-216-809-11	METAL CHIP 100 5% 1/10W		
532		UPE	RESISTOR		R9811	1-216-853-11	METAL CHIP 470K 5% 1/10W		
533		UPE	RESISTOR		R9812	1-216-853-11	METAL CHIP 470K 5% 1/10W		
534		UPE	RESISTOR		R9813	1-216-809-11	METAL CHIP 100 5% 1/10W		
535		UPE	RESISTOR		R9814	1-216-809-11	METAL CHIP 100 5% 1/10W		
536		UPE	RESISTOR		R9815	1-216-853-11	METAL CHIP 470K 5% 1/10W		
537		UPE	RESISTOR		R9816	1-216-853-11	METAL CHIP 470K 5% 1/10W		
538		UPE	RESISTOR		R9817	1-216-853-11	METAL CHIP 470K 5% 1/10W		
539		UPE	RESISTOR		R9818	1-216-853-11	METAL CHIP 470K 5% 1/10W		
540		UPE	RESISTOR		R9819	1-216-855-11	METAL CHIP 680K 5% 1/10W		
541		UPE	RESISTOR		R9820	1-216-809-11	METAL CHIP 100 5% 1/10W		
542		UPE	RESISTOR		R9821	1-216-809-11	METAL CHIP 100 5% 1/10W		
543		UPE	RESISTOR		R9822	1-216-809-11	METAL CHIP 100 5% 1/10W		
544		UPE	RESISTOR		R9823	1-218-881-11	METAL CHIP 27K 0.5% 1/10W		
545		UPE	RESISTOR		R9824	1-216-828-11	METAL CHIP 3.9K 5% 1/10W		
546		UPE	RESISTOR		R9825	1-216-855-11	METAL CHIP 680K 5% 1/10W		
547		UPE	RESISTOR		R9826	1-218-847-11	METAL CHIP 1K 0.5% 1/10W		
548		UPE	RESISTOR		R9827	1-216-821-11	METAL CHIP 1K 5% 1/10W		
549		UPE	RESISTOR		R9828	1-216-821-11	METAL CHIP 1K 5% 1/10W		
550		UPE	RESISTOR		R9829	1-216-821-11	METAL CHIP 1K 5% 1/10W		
551		UPE	RESISTOR		R9832	1-216-809-11	METAL CHIP 100 5% 1/10W		
552		UPE	RESISTOR		R9833	1-218-867-11	METAL CHIP 6.8K 0.5% 1/10W		
553		UPE	RESISTOR		R9834	1-216-809-11	METAL CHIP 100 5% 1/10W		
554		UPE	RESISTOR		R9837	1-216-809-11	METAL CHIP 100 5% 1/10W		
555		UPE	RESISTOR		R9840	1-218-867-11	METAL CHIP 6.8K 0.5% 1/10W		
556		UPE	RESISTOR		R9849	1-216-809-11	METAL CHIP 100 5% 1/10W		
557		UPE	RESISTOR		R9850	1-216-809-11	METAL CHIP 100 5% 1/10W		
558		UPE	RESISTOR		R9858	1-216-809-11	METAL CHIP 100 5% 1/10W		
559		UPE	RESISTOR		R9859	1-216-864-11	SHORT CHIP 0		
560		UPE	RESISTOR		R9860	1-216-864-11	SHORT CHIP 0		
561		UPE	RESISTOR		R9862	1-216-825-11	METAL CHIP 2.2K 5% 1/10W		
562		UPE	RESISTOR		R9864	1-216-821-11	METAL CHIP 1K 5% 1/10W		
563		UPE	RESISTOR		R9865	1-216-845-11	METAL CHIP 100K 5% 1/10W		
564		UPE	RESISTOR		R9866	1-216-809-11	METAL CHIP 100 5% 1/10W		
565		UPE	RESISTOR		R9868	1-216-823-11	METAL CHIP 1.5K 5% 1/10W		
566		UPE	RESISTOR		R9869	1-216-809-11	METAL CHIP 100 5% 1/10W		
567		UPE	RESISTOR		R9870	1-216-817-11	METAL CHIP 470 5% 1/10W		
568		UPE	RESISTOR		R9872	1-218-285-11	METAL CHIP 75 5% 1/10W		
569		UPE	RESISTOR		R9873	1-216-809-11	METAL CHIP 100 5% 1/10W		
570		UPE	RESISTOR		R9874	1-216-809-11	METAL CHIP 100 5% 1/10W		
571		UPE	RESISTOR		R9875	1-216-849-11	METAL CHIP 220K 5% 1/10W		
572		UPE	RESISTOR		R9876	1-216-849-11	METAL CHIP 220K 5% 1/10W		
573		UPE	RESISTOR		R9877	1-216-849-11	METAL CHIP 220K 5% 1/10W		
574		UPE	RESISTOR		R9878	1-216-849-11	METAL CHIP 220K 5% 1/10W		
575		UPE	RESISTOR		R9879	1-216-849-11	METAL CHIP 220K 5% 1/10W		
576		UPE	RESISTOR		R9880	1-216-849-11	METAL CHIP 220K 5% 1/10W		
577		UPE	RESISTOR		R9882	1-216-864-11	SHORT CHIP 0		
578		UPE	RESISTOR		R9883	1-218-285-11	METAL CHIP 75 5% 1/10W		
579		UPE	RESISTOR		R9884	1-216-809-11	METAL CHIP 100 5% 1/10W		
580		UPE	RESISTOR		R9885	1-218-285-11	METAL CHIP 75 5% 1/10W		
581		UPE	RESISTOR		R9886	1-216-809-11	METAL CHIP 100 5% 1/10W		
582		UPE	RESISTOR		R9887	1-216-809-11	METAL CHIP 100 5% 1/10W		
583		UPE	RESISTOR		R9888	1-216-809-11	METAL CHIP 100 5% 1/10W		
584		UPE	RESISTOR		R9889	1-218-285-11	METAL CHIP 75 5% 1/10W		
585		UPE	RESISTOR		R9890	1-218-285-11	METAL CHIP 75 5% 1/10W		
586		UPE	RESISTOR		R9891	1-216-805-11	METAL CHIP 47 5% 1/10W		
587		UPE	RESISTOR		R9892	1-216-805-11	METAL CHIP 47 5% 1/10W		
588		UPE	RESISTOR		R9893	1-216-809-11	METAL CHIP 100 5% 1/10W		
589		UPE	RESISTOR		R9894	1-216-809-11	METAL CHIP 100 5% 1/10W		
590		UPE	RESISTOR		R9895	1-216-851-11	METAL CHIP 330K 5% 1/10W		
591		UPE	RESISTOR		R9896	1-216-809-11	METAL CHIP 100 5% 1/10W		
592		UPE	RESISTOR		R9897	1-216-809-11	METAL CHIP 100 5% 1/10W		

No.	#	Board	Type	Δ / [*]	Ref. No.	Part No.	Description	Remarks-1	Remarks-2
593		UPE	RESISTOR		R9898	1-216-809-11	METAL CHIP 100 5% 1/10W		
594		UPE	RESISTOR		R9899	1-216-817-11	METAL CHIP 470 5% 1/10W		
595		UPE	RESISTOR		R9900	1-216-817-11	METAL CHIP 470 5% 1/10W		
596		UPE	RESISTOR		R9902	1-218-871-11	METAL CHIP 10K 0.5% 1/10W		
597		UPE	RESISTOR		R9903	1-216-864-11	SHORT CHIP 0		
598		UPE	RESISTOR		R9904	1-216-864-11	SHORT CHIP 0		
599		UPE	RESISTOR		R9905	1-216-797-11	METAL CHIP 10 5% 1/10W		
600		UPE	RESISTOR		R9906	1-211-985-11	METAL CHIP 47 0.5% 1/10W		
601		UPE	RESISTOR		R9907	1-211-985-11	METAL CHIP 47 0.5% 1/10W		
602		UPE	RESISTOR		R9908	1-211-985-11	METAL CHIP 47 0.5% 1/10W		
603		UPE	RESISTOR		R9909	1-216-817-11	METAL CHIP 470 5% 1/10W		
604		UPE	RESISTOR		R9910	1-216-817-11	METAL CHIP 470 5% 1/10W		
605		UPE	RESISTOR		R9911	1-216-817-11	METAL CHIP 470 5% 1/10W		
606		UPE	RESISTOR		R9912	1-216-805-11	METAL CHIP 47 5% 1/10W		
607		UPE	RESISTOR		R9913	1-216-805-11	METAL CHIP 47 5% 1/10W		
608		UPE	RESISTOR		R9914	1-216-805-11	METAL CHIP 47 5% 1/10W		
609		UPE	RESISTOR		R9915	1-216-833-11	METAL CHIP 10K 5% 1/10W		
610		UPE	RESISTOR		R9916	1-216-833-11	METAL CHIP 10K 5% 1/10W		
611		UPE	RESISTOR		R9917	1-216-809-11	METAL CHIP 100 5% 1/10W		
612		UPE	RESISTOR		R9918	1-216-809-11	METAL CHIP 100 5% 1/10W		
613		UPE	RESISTOR		R9919	1-216-827-11	METAL CHIP 3.3K 5% 1/10W		
614		UPE	RESISTOR		R9920	1-216-827-11	METAL CHIP 3.3K 5% 1/10W		
615		UPE	RESISTOR		R9921	1-216-864-11	SHORT CHIP 0		
616		UPE	RESISTOR		R9927	1-216-811-11	METAL CHIP 150 5% 1/10W		
617		UPE	RESISTOR		R9928	1-216-811-11	METAL CHIP 150 5% 1/10W		
618		UPE	RESISTOR		R9929	1-216-811-11	METAL CHIP 150 5% 1/10W		
619		UPE	RESISTOR		R9930	1-216-821-11	METAL CHIP 1K 5% 1/10W		
620		UPE	RESISTOR		R9931	1-216-821-11	METAL CHIP 1K 5% 1/10W		
621		UPE	RESISTOR		R9932	1-216-821-11	METAL CHIP 1K 5% 1/10W		
622		UPE	RESISTOR		R9933	1-216-821-11	METAL CHIP 1K 5% 1/10W		
623		UPE	RESISTOR		R9934	1-216-821-11	METAL CHIP 1K 5% 1/10W		
624		UPE	RESISTOR		R9935	1-216-821-11	METAL CHIP 1K 5% 1/10W		
625		UPE	RESISTOR		R9936	1-216-823-11	METAL CHIP 1.5K 5% 1/10W		
626		UPE	RESISTOR		R9937	1-216-823-11	METAL CHIP 1.5K 5% 1/10W		
627		UPE	RESISTOR		R9938	1-216-823-11	METAL CHIP 1.5K 5% 1/10W		
628		UPE	SWITCH		S9301	1-786-760-11	SWITCH, TACTILE		
629		UPE	TERMINAL		TB9401	1-537-712-11	TERMINAL, PUSH		
630		UPE	VARISTOR		VD9313	1-801-925-21	VARISTOR, CHIP (1608)		
631		UPE	VARISTOR		VD9314	1-801-925-21	VARISTOR, CHIP (1608)		
632		UPE	VARISTOR		VD9401	1-803-974-21	VARISTOR, CHIP (1608)		
633		UPE	VARISTOR		VD9402	1-803-974-21	VARISTOR, CHIP (1608)		
634		UPE	VARISTOR		VD9403	1-803-974-21	VARISTOR, CHIP (1608)		
635		UPE	VARISTOR		VD9404	1-803-974-21	VARISTOR, CHIP (1608)		
636		UPE	CRYSTAL		X9801	1-781-914-21	VIBRATOR, CRYSTAL		
637		UPE	CRYSTAL		X9802	1-795-214-21	VIBRATOR, CERAMIC (4MHZ)		
638		BP	CAPACITOR		C1001	1-125-777-11	CERAMIC CHIP 0.1UF 10.00% 10V		
639		BP	CAPACITOR		C1002	1-125-777-11	CERAMIC CHIP 0.1UF 10.00% 10V		
640		BP	CAPACITOR		C1003	1-125-777-11	CERAMIC CHIP 0.1UF 10.00% 10V		
641		BP	CAPACITOR		C1004	1-164-947-11	CERAMIC CHIP 0.01UF 50V		
642		BP	CAPACITOR		C1005	1-164-943-11	CERAMIC CHIP 0.01UF 10.00% 16V		
643		BP	CAPACITOR		C1006	1-125-777-11	CERAMIC CHIP 0.1UF 10.00% 10V		
644		BP	CAPACITOR		C1011	1-126-396-11	ELECT CHIP 47UF 20.00% 16V		
645		BP	CAPACITOR		C1012	1-125-777-11	CERAMIC CHIP 0.1UF 10.00% 10V		
646		BP	CAPACITOR		C1014	1-125-891-11	CERAMIC CHIP 0.47UF 10.00% 10V		
647		BP	CAPACITOR		C1015	1-164-943-11	CERAMIC CHIP 0.01UF 10.00% 16V		
648		BP	CAPACITOR		C1016	1-126-391-11	ELECT CHIP 47UF 20.00% 6.3V		
649		BP	CAPACITOR		C1017	1-125-777-11	CERAMIC CHIP 0.1UF 10.00% 10V		
650		BP	CAPACITOR		C1018	1-162-968-11	CERAMIC CHIP 0.0047UF 10.00% 50V		
651		BP	CAPACITOR		C1019	1-125-777-11	CERAMIC CHIP 0.1UF 10.00% 10V		
652		BP	CAPACITOR		C1020	1-125-777-11	CERAMIC CHIP 0.1UF 10.00% 10V		
653		BP	CAPACITOR		C1021	1-162-917-11	CERAMIC CHIP 15PF 5.00% 50V		
654		BP	CAPACITOR		C1022	1-125-777-11	CERAMIC CHIP 0.1UF 10.00% 10V		
655		BP	CAPACITOR		C1023	1-162-917-11	CERAMIC CHIP 15PF 5.00% 50V		
656		BP	CAPACITOR		C1024	1-162-970-11	CERAMIC CHIP 0.01UF 10.00% 25V		
657		BP	CAPACITOR		C1025	1-125-777-11	CERAMIC CHIP 0.1UF 10.00% 10V		
658		BP	CAPACITOR		C1027	1-125-837-91	CERAMIC CHIP 1UF 10% 6.3V		
659		BP	CAPACITOR		C1029	1-162-927-11	CERAMIC CHIP 100PF 5.00% 50V		
660		BP	CAPACITOR		C1030	1-125-777-11	CERAMIC CHIP 0.1UF 10.00% 10V		
661		BP	CAPACITOR		C1031	1-125-777-11	CERAMIC CHIP 0.1UF 10.00% 10V		
662		BP	CAPACITOR		C1032	1-125-777-11	CERAMIC CHIP 0.1UF 10.00% 10V		
663		BP	CAPACITOR		C1033	1-125-777-11	CERAMIC CHIP 0.1UF 10.00% 10V		
664		BP	CAPACITOR		C1034	1-162-966-11	CERAMIC CHIP 0.0022UF 10.00% 50V		
665		BP	CAPACITOR		C1035	1-126-390-11	ELECT CHIP 22UF 20.00% 6.3V		
666		BP	CAPACITOR		C1037	1-125-777-11	CERAMIC CHIP 0.1UF 10.00% 10V		

No.	#	Board	Type	Δ/μ	Ref. No.	Part No.	Description	Remarks-1	Remarks-2
667		BP	CAPACITOR		C1039	1-125-777-11	CERAMIC CHIP 0.1UF 10.00% 10V		
668		BP	CAPACITOR		C1041	1-126-394-11	ELECT CHIP 10UF 20.00% 16V		
669		BP	CAPACITOR		C1042	1-126-391-11	ELECT CHIP 47UF 20.00% 6.3V		
670		BP	CAPACITOR		C1043	1-125-777-11	CERAMIC CHIP 0.1UF 10.00% 10V		
671		BP	CAPACITOR		C2001	1-107-826-11	CERAMIC CHIP 0.1UF 10.00% 16V		
672		BP	CAPACITOR		C2002	1-126-396-11	ELECT CHIP 47UF 20.00% 16V		
673		BP	CAPACITOR		C2004	1-107-826-11	CERAMIC CHIP 0.1UF 10.00% 16V		
674		BP	CAPACITOR		C2005	1-107-826-11	CERAMIC CHIP 0.1UF 10.00% 16V		
675		BP	CAPACITOR		C2011	1-107-826-11	CERAMIC CHIP 0.1UF 10.00% 16V		
676		BP	CAPACITOR		C2012	1-128-357-11	ELECT CHIP 10UF 20.00% 16V		
677		BP	CAPACITOR		C2024	1-164-943-11	CERAMIC CHIP 0.01UF 10.00% 16V		
678		BP	CAPACITOR		C2025	1-164-943-11	CERAMIC CHIP 0.01UF 10.00% 16V		
679		BP	CAPACITOR		C2027	1-126-392-11	ELECT CHIP 100UF 20.00% 6.3V		
680		BP	CAPACITOR		C2028	1-126-392-11	ELECT CHIP 100UF 20.00% 6.3V		
681		BP	CAPACITOR		C2030	1-164-874-11	CERAMIC CHIP 100PF 5.00% 50V		
682		BP	CAPACITOR		C2031	1-164-874-11	CERAMIC CHIP 100PF 5.00% 50V		
683		BP	CAPACITOR		C2032	1-126-395-11	ELECT CHIP 22UF 20.00% 16V		
684		BP	CAPACITOR		C2033	1-126-395-11	ELECT CHIP 22UF 20.00% 16V		
685		BP	CAPACITOR		C2034	1-126-395-11	ELECT CHIP 22UF 20.00% 16V		
686		BP	CAPACITOR		C2035	1-164-943-11	CERAMIC CHIP 0.01UF 10.00% 16V		
687		BP	CAPACITOR		C2036	1-164-943-11	CERAMIC CHIP 0.01UF 10.00% 16V		
688		BP	CAPACITOR		C2037	1-126-390-11	ELECT CHIP 22UF 20.00% 6.3V		
689		BP	CAPACITOR		C2038	1-126-390-11	ELECT CHIP 22UF 20.00% 6.3V		
690		BP	CAPACITOR		C2039	1-126-392-11	ELECT CHIP 100UF 20.00% 6.3V		
691		BP	CAPACITOR		C2040	1-125-777-11	CERAMIC CHIP 0.1UF 10.00% 10V		
692		BP	CAPACITOR		C2041	1-126-392-11	ELECT CHIP 100UF 20.00% 6.3V		
693		BP	CAPACITOR		C2042	1-125-777-11	CERAMIC CHIP 0.1UF 10.00% 10V		
694		BP	CAPACITOR		C2043	1-126-392-11	ELECT CHIP 100UF 20.00% 6.3V		
695		BP	CAPACITOR		C2044	1-125-777-11	CERAMIC CHIP 0.1UF 10.00% 10V		
696		BP	CAPACITOR		C2045	1-125-777-11	CERAMIC CHIP 0.1UF 10.00% 10V		
697		BP	CAPACITOR		C2046	1-107-726-91	CERAMIC CHIP 0.01UF 10.00% 16V		
698		BP	CAPACITOR		C2047	1-125-777-11	CERAMIC CHIP 0.1UF 10.00% 10V		
699		BP	CAPACITOR		C2048	1-164-874-11	CERAMIC CHIP 100PF 5.00% 50V		
700		BP	CAPACITOR		C2049	1-164-943-11	CERAMIC CHIP 0.01UF 10.00% 16V		
701		BP	CAPACITOR		C2050	1-164-943-11	CERAMIC CHIP 0.01UF 10.00% 16V		
702		BP	CAPACITOR		C2051	1-164-943-11	CERAMIC CHIP 0.01UF 10.00% 16V		
703		BP	CAPACITOR		C2052	1-164-874-11	CERAMIC CHIP 100PF 5.00% 50V		
704		BP	CAPACITOR		C2053	1-164-943-11	CERAMIC CHIP 0.01UF 10.00% 16V		
705		BP	CAPACITOR		C2054	1-137-710-11	CERAMIC CHIP 10UF 20% 6.3V		
706		BP	CAPACITOR		C2055	1-164-943-11	CERAMIC CHIP 0.01UF 10.00% 16V		
707		BP	CAPACITOR		C2056	1-164-943-11	CERAMIC CHIP 0.01UF 10.00% 16V		
708		BP	CAPACITOR		C2057	1-164-943-11	CERAMIC CHIP 0.01UF 10.00% 16V		
709		BP	CAPACITOR		C2058	1-164-943-11	CERAMIC CHIP 0.01UF 10.00% 16V		
710		BP	CAPACITOR		C2059	1-137-710-11	CERAMIC CHIP 10UF 20% 6.3V		
711		BP	CAPACITOR		C2060	1-125-777-11	CERAMIC CHIP 0.1UF 10.00% 10V		
712		BP	CAPACITOR		C2061	1-125-777-11	CERAMIC CHIP 0.1UF 10.00% 10V		
713		BP	CAPACITOR		C2062	1-125-777-11	CERAMIC CHIP 0.1UF 10.00% 10V		
714		BP	CAPACITOR		C2063	1-125-777-11	CERAMIC CHIP 0.1UF 10.00% 10V		
715		BP	CAPACITOR		C2064	1-125-777-11	CERAMIC CHIP 0.1UF 10.00% 10V		
716		BP	CAPACITOR		C2065	1-125-777-11	CERAMIC CHIP 0.1UF 10.00% 10V		
717		BP	CAPACITOR		C2066	1-162-964-11	CERAMIC CHIP 0.001UF 10.00% 50V		
718		BP	CAPACITOR		C2067	1-162-964-11	CERAMIC CHIP 0.001UF 10.00% 50V		
719		BP	CAPACITOR		C2068	1-137-710-11	CERAMIC CHIP 10UF 20% 6.3V		
720		BP	CAPACITOR		C2069	1-164-943-11	CERAMIC CHIP 0.01UF 10.00% 16V		
721		BP	CAPACITOR		C2070	1-164-943-11	CERAMIC CHIP 0.01UF 10.00% 16V		
722		BP	CAPACITOR		C2071	1-164-943-11	CERAMIC CHIP 0.01UF 10.00% 16V		
723		BP	CAPACITOR		C2072	1-164-943-11	CERAMIC CHIP 0.01UF 10.00% 16V		
724		BP	CAPACITOR		C2073	1-164-943-11	CERAMIC CHIP 0.01UF 10.00% 16V		
725		BP	CAPACITOR		C2074	1-164-943-11	CERAMIC CHIP 0.01UF 10.00% 16V		
726		BP	CAPACITOR		C2075	1-164-943-11	CERAMIC CHIP 0.01UF 10.00% 16V		
727		BP	CAPACITOR		C2076	1-164-943-11	CERAMIC CHIP 0.01UF 10.00% 16V		
728		BP	CAPACITOR		C2077	1-164-943-11	CERAMIC CHIP 0.01UF 10.00% 16V		
729		BP	CAPACITOR		C2078	1-164-943-11	CERAMIC CHIP 0.01UF 10.00% 16V		
730		BP	CAPACITOR		C2079	1-164-943-11	CERAMIC CHIP 0.01UF 10.00% 16V		
731		BP	CAPACITOR		C2080	1-164-943-11	CERAMIC CHIP 0.01UF 10.00% 16V		
732		BP	CAPACITOR		C2081	1-164-943-11	CERAMIC CHIP 0.01UF 10.00% 16V		
733		BP	CAPACITOR		C2082	1-164-943-11	CERAMIC CHIP 0.01UF 10.00% 16V		
734		BP	CAPACITOR		C2083	1-164-943-11	CERAMIC CHIP 0.01UF 10.00% 16V		
735		BP	CAPACITOR		C2084	1-164-943-11	CERAMIC CHIP 0.01UF 10.00% 16V		
736		BP	CAPACITOR		C2085	1-164-943-11	CERAMIC CHIP 0.01UF 10.00% 16V		
737		BP	CAPACITOR		C2086	1-164-943-11	CERAMIC CHIP 0.01UF 10.00% 16V		
738		BP	CAPACITOR		C2087	1-164-943-11	CERAMIC CHIP 0.01UF 10.00% 16V		
739		BP	CAPACITOR		C2088	1-164-943-11	CERAMIC CHIP 0.01UF 10.00% 16V		
740		BP	CAPACITOR		C2089	1-164-943-11	CERAMIC CHIP 0.01UF 10.00% 16V		

No.	#	Board	Type	Δ/μ	Ref. No.	Part No.	Description	Remarks-1	Remarks-2
741		BP	CAPACITOR		C2090	1-164-943-11	CERAMIC CHIP 0.01UF 10.00% 16V		
742		BP	CAPACITOR		C2092	1-164-943-11	CERAMIC CHIP 0.01UF 10.00% 16V		
743		BP	CAPACITOR		C2093	1-164-943-11	CERAMIC CHIP 0.01UF 10.00% 16V		
744		BP	CAPACITOR		C2094	1-164-943-11	CERAMIC CHIP 0.01UF 10.00% 16V		
745		BP	CAPACITOR		C2095	1-164-943-11	CERAMIC CHIP 0.01UF 10.00% 16V		
746		BP	CAPACITOR		C2097	1-164-943-11	CERAMIC CHIP 0.01UF 10.00% 16V		
747		BP	CAPACITOR		C2098	1-164-943-11	CERAMIC CHIP 0.01UF 10.00% 16V		
748		BP	CAPACITOR		C2099	1-164-943-11	CERAMIC CHIP 0.01UF 10.00% 16V		
749		BP	CAPACITOR		C2101	1-164-943-11	CERAMIC CHIP 0.01UF 10.00% 16V		
750		BP	CAPACITOR		C2102	1-164-943-11	CERAMIC CHIP 0.01UF 10.00% 16V		
751		BP	CAPACITOR		C2103	1-164-943-11	CERAMIC CHIP 0.01UF 10.00% 16V		
752		BP	CAPACITOR		C2104	1-164-943-11	CERAMIC CHIP 0.01UF 10.00% 16V		
753		BP	CAPACITOR		C2105	1-164-874-11	CERAMIC CHIP 100PF 5.00% 50V		
754		BP	CAPACITOR		C2106	1-164-874-11	CERAMIC CHIP 100PF 5.00% 50V		
755		BP	CAPACITOR		C2107	1-100-159-91	CERAMIC CHIP 22UF 10% 6.3V		
756		BP	CAPACITOR		C2108	1-125-777-11	CERAMIC CHIP 0.1UF 10.00% 10V		
757		BP	CAPACITOR		C2109	1-164-874-11	CERAMIC CHIP 100PF 5.00% 50V		
758		BP	CAPACITOR		C2110	1-162-927-11	CERAMIC CHIP 100PF 5.00% 50V		
759		BP	CAPACITOR		C3001	1-119-667-11	CERAMIC CHIP 22UF 10V		
760		BP	CAPACITOR		C3002	1-125-837-91	CERAMIC CHIP 1UF 10% 6.3V		
761		BP	CAPACITOR		C3003	1-137-710-11	CERAMIC CHIP 10UF 20% 6.3V		
762		BP	CAPACITOR		C3004	1-164-315-11	CERAMIC CHIP 470PF 5.00% 50V		
763		BP	CAPACITOR		C3005	1-100-159-91	CERAMIC CHIP 22UF 10% 6.3V		
764		BP	CAPACITOR		C3006	1-107-820-11	CERAMIC CHIP 0.1UF 16V		
765		BP	CAPACITOR		C3007	1-100-159-91	CERAMIC CHIP 22UF 10% 6.3V		
766		BP	CAPACITOR		C3008	1-107-820-11	CERAMIC CHIP 0.1UF 16V		
767		BP	CAPACITOR		C3009	1-107-820-11	CERAMIC CHIP 0.1UF 16V		
768		BP	CAPACITOR		C3010	1-107-820-11	CERAMIC CHIP 0.1UF 16V		
769		BP	CAPACITOR		C3011	1-107-820-11	CERAMIC CHIP 0.1UF 16V		
770		BP	CAPACITOR		C3012	1-107-820-11	CERAMIC CHIP 0.1UF 16V		
771		BP	CAPACITOR		C3013	1-107-820-11	CERAMIC CHIP 0.1UF 16V		
772		BP	CAPACITOR		C3014	1-100-159-91	CERAMIC CHIP 22UF 10% 6.3V		
773		BP	CAPACITOR		C3015	1-107-820-11	CERAMIC CHIP 0.1UF 16V		
774		BP	CAPACITOR		C3016	1-107-820-11	CERAMIC CHIP 0.1UF 16V		
775		BP	CAPACITOR		C3017	1-107-820-11	CERAMIC CHIP 0.1UF 16V		
776		BP	CAPACITOR		C3018	1-107-820-11	CERAMIC CHIP 0.1UF 16V		
777		BP	CAPACITOR		C3019	1-107-820-11	CERAMIC CHIP 0.1UF 16V		
778		BP	CAPACITOR		C3020	1-107-820-11	CERAMIC CHIP 0.1UF 16V		
779		BP	CAPACITOR		C3021	1-107-820-11	CERAMIC CHIP 0.1UF 16V		
780		BP	CAPACITOR		C3022	1-107-820-11	CERAMIC CHIP 0.1UF 16V		
781		BP	CAPACITOR		C3023	1-107-820-11	CERAMIC CHIP 0.1UF 16V		
782		BP	CAPACITOR		C3024	1-107-820-11	CERAMIC CHIP 0.1UF 16V		
783		BP	CAPACITOR		C3025	1-107-820-11	CERAMIC CHIP 0.1UF 16V		
784		BP	CAPACITOR		C3026	1-107-820-11	CERAMIC CHIP 0.1UF 16V		
785		BP	CAPACITOR		C3027	1-107-820-11	CERAMIC CHIP 0.1UF 16V		
786		BP	CAPACITOR		C3028	1-119-667-11	CERAMIC CHIP 22UF 10V		
787		BP	CAPACITOR		C3029	1-107-820-11	CERAMIC CHIP 0.1UF 16V		
788		BP	CAPACITOR		C3030	1-107-820-11	CERAMIC CHIP 0.1UF 16V		
789		BP	CAPACITOR		C3031	1-107-820-11	CERAMIC CHIP 0.1UF 16V		
790		BP	CAPACITOR		C3032	1-107-820-11	CERAMIC CHIP 0.1UF 16V		
791		BP	CAPACITOR		C3033	1-107-820-11	CERAMIC CHIP 0.1UF 16V		
792		BP	CAPACITOR		C3034	1-107-820-11	CERAMIC CHIP 0.1UF 16V		
793		BP	CAPACITOR		C3035	1-107-820-11	CERAMIC CHIP 0.1UF 16V		
794		BP	CAPACITOR		C3036	1-107-820-11	CERAMIC CHIP 0.1UF 16V		
795		BP	CAPACITOR		C3037	1-107-820-11	CERAMIC CHIP 0.1UF 16V		
796		BP	CAPACITOR		C3038	1-107-820-11	CERAMIC CHIP 0.1UF 16V		
797		BP	CAPACITOR		C3039	1-107-820-11	CERAMIC CHIP 0.1UF 16V		
798		BP	CAPACITOR		C3040	1-107-820-11	CERAMIC CHIP 0.1UF 16V		
799		BP	CAPACITOR		C3041	1-107-820-11	CERAMIC CHIP 0.1UF 16V		
800		BP	CAPACITOR		C3042	1-107-820-11	CERAMIC CHIP 0.1UF 16V		
801		BP	CAPACITOR		C3043	1-107-820-11	CERAMIC CHIP 0.1UF 16V		
802		BP	CAPACITOR		C3044	1-164-943-11	CERAMIC CHIP 0.01UF 10.00% 16V		
803		BP	CAPACITOR		C3045	1-100-159-91	CERAMIC CHIP 22UF 10% 6.3V		
804		BP	CAPACITOR		C3046	1-126-391-11	ELECT CHIP 47UF 20.00% 6.3V		
805		BP	CAPACITOR		C3047	1-107-820-11	CERAMIC CHIP 0.1UF 16V		
806		BP	CAPACITOR		C3049	1-100-159-91	CERAMIC CHIP 22UF 10% 6.3V		
807		BP	CAPACITOR		C3050	1-107-820-11	CERAMIC CHIP 0.1UF 16V		
808		BP	CAPACITOR		C3051	1-164-941-11	CERAMIC CHIP 0.0047UF 10.00% 16V		
809		BP	CAPACITOR		C3052	1-164-941-11	CERAMIC CHIP 0.0047UF 10.00% 16V		
810		BP	CAPACITOR		C3053	1-164-941-11	CERAMIC CHIP 0.0047UF 10.00% 16V		
811		BP	CAPACITOR		C3054	1-164-941-11	CERAMIC CHIP 0.0047UF 10.00% 16V		
812		BP	CAPACITOR		C3055	1-164-941-11	CERAMIC CHIP 0.0047UF 10.00% 16V		
813		BP	CAPACITOR		C3056	1-164-941-11	CERAMIC CHIP 0.0047UF 10.00% 16V		
814		BP	CAPACITOR		C3057	1-164-941-11	CERAMIC CHIP 0.0047UF 10.00% 16V		

No.	#	Board	Type	Δ/μ	Ref. No.	Part No.	Description	Remarks-1	Remarks-2
815		BP	CAPACITOR		C3401	1-162-916-11	CERAMIC CHIP 12PF 5.00% 50V		
816		BP	CAPACITOR		C3402	1-162-908-11	CERAMIC CHIP 3PF 0.25PF 50V		
817		BP	CAPACITOR		C3403	1-126-206-11	ELECT CHIP 100UF 20.00% 6.3V		
818		BP	CAPACITOR		C3404	1-126-246-11	ELECT CHIP 220UF 20.00% 4V		
819		BP	CAPACITOR		C3405	1-162-970-11	CERAMIC CHIP 0.01UF 10.00% 25V		
820		BP	CAPACITOR		C3406	1-162-970-11	CERAMIC CHIP 0.01UF 10.00% 25V		
821		BP	CAPACITOR		C3407	1-162-970-11	CERAMIC CHIP 0.01UF 10.00% 25V		
822		BP	CAPACITOR		C3408	1-162-970-11	CERAMIC CHIP 0.01UF 10.00% 25V		
823		BP	CAPACITOR		C3409	1-162-970-11	CERAMIC CHIP 0.01UF 10.00% 25V		
824		BP	CAPACITOR		C3410	1-162-970-11	CERAMIC CHIP 0.01UF 10.00% 25V		
825		BP	CAPACITOR		C3411	1-162-970-11	CERAMIC CHIP 0.01UF 10.00% 25V		
826		BP	CAPACITOR		C3412	1-162-970-11	CERAMIC CHIP 0.01UF 10.00% 25V		
827		BP	CAPACITOR		C3413	1-162-970-11	CERAMIC CHIP 0.01UF 10.00% 25V		
828		BP	CAPACITOR		C3414	1-162-970-11	CERAMIC CHIP 0.01UF 10.00% 25V		
829		BP	CAPACITOR		C3415	1-162-970-11	CERAMIC CHIP 0.01UF 10.00% 25V		
830		BP	CAPACITOR		C3416	1-162-970-11	CERAMIC CHIP 0.01UF 10.00% 25V		
831		BP	CAPACITOR		C3417	1-162-970-11	CERAMIC CHIP 0.01UF 10.00% 25V		
832		BP	CAPACITOR		C3418	1-162-970-11	CERAMIC CHIP 0.01UF 10.00% 25V		
833		BP	CAPACITOR		C3419	1-162-970-11	CERAMIC CHIP 0.01UF 10.00% 25V		
834		BP	CAPACITOR		C3420	1-162-970-11	CERAMIC CHIP 0.01UF 10.00% 25V		
835		BP	CAPACITOR		C3421	1-162-970-11	CERAMIC CHIP 0.01UF 10.00% 25V		
836		BP	CAPACITOR		C3422	1-162-970-11	CERAMIC CHIP 0.01UF 10.00% 25V		
837		BP	CAPACITOR		C3423	1-162-970-11	CERAMIC CHIP 0.01UF 10.00% 25V		
838		BP	CAPACITOR		C3424	1-162-970-11	CERAMIC CHIP 0.01UF 10.00% 25V		
839		BP	CAPACITOR		C3425	1-162-970-11	CERAMIC CHIP 0.01UF 10.00% 25V		
840		BP	CAPACITOR		C3426	1-162-970-11	CERAMIC CHIP 0.01UF 10.00% 25V		
841		BP	CAPACITOR		C3427	1-162-970-11	CERAMIC CHIP 0.01UF 10.00% 25V		
842		BP	CAPACITOR		C3428	1-162-970-11	CERAMIC CHIP 0.01UF 10.00% 25V		
843		BP	CAPACITOR		C3429	1-162-970-11	CERAMIC CHIP 0.01UF 10.00% 25V		
844		BP	CAPACITOR		C3430	1-162-970-11	CERAMIC CHIP 0.01UF 10.00% 25V		
845		BP	CAPACITOR		C3431	1-162-970-11	CERAMIC CHIP 0.01UF 10.00% 25V		
846		BP	CAPACITOR		C3432	1-162-970-11	CERAMIC CHIP 0.01UF 10.00% 25V		
847		BP	CAPACITOR		C3433	1-162-970-11	CERAMIC CHIP 0.01UF 10.00% 25V		
848		BP	CAPACITOR		C3434	1-162-970-11	CERAMIC CHIP 0.01UF 10.00% 25V		
849		BP	CAPACITOR		C3435	1-162-970-11	CERAMIC CHIP 0.01UF 10.00% 25V		
850		BP	CAPACITOR		C3436	1-128-993-21	ELECT CHIP 22UF 20% 10V		
851		BP	CAPACITOR		C3438	1-117-863-11	CERAMIC CHIP 0.47UF 10.00% 6.3V		
852		BP	CAPACITOR		C3439	1-128-993-21	ELECT CHIP 22UF 20% 10V		
853		BP	CAPACITOR		C3440	1-107-826-11	CERAMIC CHIP 0.1UF 10.00% 16V		
854		BP	CAPACITOR		C3441	1-128-993-21	ELECT CHIP 22UF 20% 10V		
855		BP	CAPACITOR		C3442	1-107-826-11	CERAMIC CHIP 0.1UF 10.00% 16V		
856		BP	CAPACITOR		C3443	1-126-246-11	ELECT CHIP 220UF 20.00% 4V		
857		BP	CAPACITOR		C3444	1-107-826-11	CERAMIC CHIP 0.1UF 10.00% 16V		
858		BP	CAPACITOR		C3445	1-162-970-11	CERAMIC CHIP 0.01UF 10.00% 25V		
859		BP	CAPACITOR		C3446	1-107-826-11	CERAMIC CHIP 0.1UF 10.00% 16V		
860		BP	CAPACITOR		C3701	1-107-826-11	CERAMIC CHIP 0.1UF 10.00% 16V		
861		BP	CAPACITOR		C3702	1-107-826-11	CERAMIC CHIP 0.1UF 10.00% 16V		
862		BP	CAPACITOR		C3703	1-107-826-11	CERAMIC CHIP 0.1UF 10.00% 16V		
863		BP	CAPACITOR		C3704	1-128-993-21	ELECT CHIP 22UF 20% 10V		
864		BP	CAPACITOR		C3705	1-107-826-11	CERAMIC CHIP 0.1UF 10.00% 16V		
865		BP	CAPACITOR		C3706	1-107-826-11	CERAMIC CHIP 0.1UF 10.00% 16V		
866		BP	CAPACITOR		C3707	1-107-826-11	CERAMIC CHIP 0.1UF 10.00% 16V		
867		BP	CAPACITOR		C3708	1-126-205-11	ELECT CHIP 47UF 20.00% 6.3V		
868		BP	CAPACITOR		C3709	1-126-205-11	ELECT CHIP 47UF 20.00% 6.3V		
869		BP	CAPACITOR		C3710	1-126-205-11	ELECT CHIP 47UF 20.00% 6.3V		
870		BP	CAPACITOR		C3711	1-107-826-11	CERAMIC CHIP 0.1UF 10.00% 16V		
871		BP	CAPACITOR		C3712	1-107-826-11	CERAMIC CHIP 0.1UF 10.00% 16V		
872		BP	CAPACITOR		C4001	1-162-919-11	CERAMIC CHIP 22PF 5.00% 50V		
873		BP	CAPACITOR		C4002	1-162-919-11	CERAMIC CHIP 22PF 5.00% 50V		
874		BP	CAPACITOR		C4003	1-125-777-11	CERAMIC CHIP 0.1UF 10.00% 10V		
875		BP	CAPACITOR		C4004	1-125-777-11	CERAMIC CHIP 0.1UF 10.00% 10V		
876		BP	CAPACITOR		C4005	1-125-777-11	CERAMIC CHIP 0.1UF 10.00% 10V		
877		BP	CAPACITOR		C4006	1-125-777-11	CERAMIC CHIP 0.1UF 10.00% 10V		
878		BP	CAPACITOR		C4007	1-125-777-11	CERAMIC CHIP 0.1UF 10.00% 10V		
879		BP	CAPACITOR		C4008	1-125-777-11	CERAMIC CHIP 0.1UF 10.00% 10V		
880		BP	CAPACITOR		C4009	1-125-777-11	CERAMIC CHIP 0.1UF 10.00% 10V		
881		BP	CAPACITOR		C4010	1-162-962-11	CERAMIC CHIP 470PF 10.00% 50V		
882		BP	CAPACITOR		C4011	1-125-777-11	CERAMIC CHIP 0.1UF 10.00% 10V		
883		BP	CAPACITOR		C4012	1-162-970-11	CERAMIC CHIP 0.01UF 10.00% 25V		
884		BP	CAPACITOR		C4013	1-162-927-11	CERAMIC CHIP 100PF 5.00% 50V		
885		BP	CAPACITOR		C4014	1-137-710-11	CERAMIC CHIP 10UF 20% 6.3V		
886		BP	CAPACITOR		C4015	1-137-710-11	CERAMIC CHIP 10UF 20% 6.3V		
887		BP	CAPACITOR		C4016	1-125-777-11	CERAMIC CHIP 0.1UF 10.00% 10V		
888		BP	CAPACITOR		C4017	1-125-777-11	CERAMIC CHIP 0.1UF 10.00% 10V		

No.	#	Board	Type	Δ / [*]	Ref. No.	Part No.	Description	Remarks-1	Remarks-2
889		BP	CAPACITOR		C4018	1-100-159-91	CERAMIC CHIP 22UF 10% 6.3V		
890		BP	CAPACITOR		C4019	1-100-159-91	CERAMIC CHIP 22UF 10% 6.3V		
891		BP	CAPACITOR		C4020	1-125-777-11	CERAMIC CHIP 0.1UF 10.00% 10V		
892		BP	CAPACITOR		C4021	1-125-777-11	CERAMIC CHIP 0.1UF 10.00% 10V		
893		BP	CAPACITOR		C4022	1-126-392-11	ELECT CHIP 100UF 20.00% 6.3V		
894		BP	CAPACITOR		C4023	1-126-392-11	ELECT CHIP 100UF 20.00% 6.3V		
895		BP	CAPACITOR		C4024	1-125-837-91	CERAMIC CHIP 1UF 10% 6.3V		
896		BP	CAPACITOR		C4025	1-107-826-11	CERAMIC CHIP 0.1UF 10.00% 16V		
897		BP	CAPACITOR		C4026	1-107-826-11	CERAMIC CHIP 0.1UF 10.00% 16V		
898		BP	CAPACITOR		C4027	1-125-837-91	CERAMIC CHIP 1UF 10% 6.3V		
899		BP	CAPACITOR		C4028	1-107-826-11	CERAMIC CHIP 0.1UF 10.00% 16V		
900		BP	CAPACITOR		C4030	1-125-777-11	CERAMIC CHIP 0.1UF 10.00% 10V		
901		BP	CAPACITOR		C4031	1-125-777-11	CERAMIC CHIP 0.1UF 10.00% 10V		
902		BP	CAPACITOR		C4032	1-125-777-11	CERAMIC CHIP 0.1UF 10.00% 10V		
903		BP	CAPACITOR		C4033	1-125-777-11	CERAMIC CHIP 0.1UF 10.00% 10V		
904		BP	CAPACITOR		C4034	1-125-777-11	CERAMIC CHIP 0.1UF 10.00% 10V		
905		BP	CAPACITOR		C4035	1-162-908-11	CERAMIC CHIP 3PF 0.25PF 50V		
906		BP	CAPACITOR		C4036	1-125-777-11	CERAMIC CHIP 0.1UF 10.00% 10V		
907		BP	CAPACITOR		C4037	1-125-777-11	CERAMIC CHIP 0.1UF 10.00% 10V		
908		BP	CAPACITOR		C4038	1-125-777-11	CERAMIC CHIP 0.1UF 10.00% 10V		
909		BP	CAPACITOR		C4039	1-125-777-11	CERAMIC CHIP 0.1UF 10.00% 10V		
910		BP	CAPACITOR		C4040	1-125-777-11	CERAMIC CHIP 0.1UF 10.00% 10V		
911		BP	CONNECTOR		CN1001	1-817-900-11	CONNECTOR, BOARD TO BOARD 100P		
912		BP	CONNECTOR	*	CN1003	1-793-807-21	PIN, CONNECTOR (WITH PWB) 20P		
913		BP	CONNECTOR		CN1004	1-573-290-21	PIN, CONNECTOR (1.5MM) (SMD)4P		
914		BP	CONNECTOR		CN1005	1-766-382-21	PIN, CONNECTOR (1.5MM)(SMD)10P		
915		BP	CONNECTOR	*	CN1006	1-779-268-21	PIN, CONNECTOR (1.5MM)(SMD)11P		
916		BP	CONNECTOR	*	CN3702	1-695-320-21	PIN, CONNECTOR (1.5MM)(SMD) 2P		
917		BP	DIODE		D1002	8-719-036-94	DIODE RD5.6SB-T1		
918		BP	DIODE		D1003	8-719-036-94	DIODE RD5.6SB-T1		
919		BP	DIODE		D1005	8-719-077-59	DIODE 1PS302		
920		BP	DIODE		D1006	8-719-024-77	DIODE HN1D03FU-TE85L		
921		BP	DIODE		D1007	8-719-036-94	DIODE RD5.6SB-T1		
922		BP	DIODE		D1008	8-719-036-94	DIODE RD5.6SB-T1		
923		BP	DIODE		D1011	8-719-081-97	DIODE MMDL914T1		
924		BP	DIODE		D1012	8-719-081-97	DIODE MMDL914T1		
925		BP	DIODE		D3401	8-719-081-97	DIODE MMDL914T1		
926		BP	DIODE		D4002	8-719-081-97	DIODE MMDL914T1		
927		BP	DIODE		D4003	8-719-081-97	DIODE MMDL914T1		
928		BP	DIODE		D4004	8-719-081-97	DIODE MMDL914T1		
929		BP	DIODE		D4005	8-719-066-11	DIODE 1PS184-115		
930		BP	DIODE		D4006	8-719-066-11	DIODE 1PS184-115		
931		BP	FERRITE BEAD		F3701	1-414-445-11	FERRITE 0UH		
932		BP	FERRITE BEAD		FB1002	1-414-445-11	FERRITE 0UH		
933		BP	FERRITE BEAD		FB1003	1-414-445-11	FERRITE 0UH		
934		BP	FERRITE BEAD		FB2001	1-414-234-22	FERRITE 0UH		
935		BP	FERRITE BEAD		FB3001	1-414-445-11	FERRITE 0UH		
936		BP	FERRITE BEAD		FB3002	1-414-864-11	FERRITE 0UH		
937		BP	FERRITE BEAD		FB3003	1-414-445-11	FERRITE 0UH		
938		BP	FERRITE BEAD		FB3004	1-414-445-11	FERRITE 0UH		
939		BP	FERRITE BEAD		FB3005	1-414-445-11	FERRITE 0UH		
940		BP	FERRITE BEAD		FB3401	1-414-864-11	FERRITE 0UH		
941		BP	FERRITE BEAD		FB3405	1-414-864-11	FERRITE 0UH		
942		BP	FERRITE BEAD		FB3701	1-414-445-11	FERRITE 0UH		
943		BP	FERRITE BEAD		FB3702	1-414-445-11	FERRITE 0UH		
944		BP	FERRITE BEAD		FB3704	1-414-445-11	FERRITE 0UH		
945		BP	FERRITE BEAD		FB4001	1-414-445-11	FERRITE 0UH		
946		BP	FERRITE BEAD		FB4002	1-414-445-11	FERRITE 0UH		
947		BP	FERRITE BEAD		FB4003	1-414-445-11	FERRITE 0UH		
948		BP	FERRITE BEAD		FB4004	1-414-445-11	FERRITE 0UH		
949		BP	FERRITE BEAD		FB4005	1-414-445-11	FERRITE 0UH		
950		BP	FERRITE BEAD		FB4006	1-414-445-11	FERRITE 0UH		
951		BP	FERRITE BEAD		FB4007	1-414-445-11	FERRITE 0UH		
952		BP	FERRITE BEAD		FB4008	1-414-445-11	FERRITE 0UH		
953		BP	FERRITE BEAD		FB4009	1-414-445-11	FERRITE 0UH		
954		BP	FERRITE BEAD		FB4010	1-414-864-11	FERRITE 0UH		
955		BP	FERRITE BEAD		FB4011	1-414-864-11	FERRITE 0UH		
956		BP	FERRITE BEAD		FB4012	1-414-864-11	FERRITE 0UH		
957		BP	FERRITE BEAD		FB4013	1-414-864-11	FERRITE 0UH		
958		BP	FILTER		FL2001	1-234-560-21	FILTER, LOW PASS		
959		BP	FILTER		FL2002	1-234-559-21	FILTER, LOW PASS		
960		BP	FILTER		FL2003	1-234-559-21	FILTER, LOW PASS		
961		BP	FILTER		FL2004	1-234-177-21	FERRITE 0UH		
962		BP	FILTER		FL2005	1-234-177-21	FERRITE 0UH		

No.	#	Board	Type	△/*	Ref. No.	Part No.	Description	Remarks-1	Remarks-2
963		BP	FILTER		FL2006	1-234-177-21	FERRITE 0UH		
964		BP	FILTER		FL2007	1-234-677-21	FILTER, EMI		
965		BP	FILTER		FL2008	1-234-177-21	FERRITE 0UH		
966		BP	FILTER		FL3001	1-234-177-21	FERRITE 0UH		
967		BP	FILTER		FL3002	1-234-177-21	FERRITE 0UH		
968		BP	FILTER		FL3003	1-234-177-21	FERRITE 0UH		
969		BP	FILTER		FL3004	1-234-177-21	FERRITE 0UH		
970		BP	FILTER		FL4001	1-234-177-21	FERRITE 0UH		
971		BP	IC		IC1001	8-759-460-72	IC BA033FP-E2		
972		BP	IC		IC1002	6-804-642-01	IC HD64F2376-268A		
973		BP	IC		IC1003	6-703-225-01	IC S-80928CNMC-G8YT2G		
974		BP	IC		IC1004	6-702-688-01	IC M24C64-WMN6T(B)		
975		BP	IC		IC1005	8-759-549-03	IC SN74LV132APWR		
976		BP	IC		IC1006	8-759-592-49	IC TC7SZ125FU(TE85R)		
977		BP	IC		IC1007	8-759-476-80	IC LM75CIMX-3		
978		BP	IC		IC2001	6-705-529-01	IC LMH6658MMX/J5000172		
979		BP	IC		IC2002	6-705-529-01	IC LMH6658MMX/J5000172		
980		BP	IC		IC2004	8-759-712-65	IC PQ070XZ01ZP		
981		BP	IC		IC2005	8-759-712-65	IC PQ070XZ01ZP		
982		BP	IC		IC2006	8-752-425-02	IC CXD3802BQ		
983		BP	IC		IC2007	6-706-155-01	IC MT48LC2M32B2P-6-Y14W		
984		BP	IC		IC3001	6-700-227-01	IC MM1561JFBE		
985		BP	IC		IC3002	8-752-422-52	IC CXD2097BQ		
986		BP	IC		IC3003	6-703-791-01	IC MSM56V16160F-8T3FM1		
987		BP	IC		IC3004	8-759-669-78	IC TLC2933IPWR-12		
988		BP	IC		IC3401	6-703-096-01	IC CXD9738R		
989		BP	IC		IC3402	6-700-394-01	IC BA25BC0FP-E2		
990		BP	IC		IC3403	8-759-669-75	IC TLC2932IPWR		
991		BP	IC		IC3701	6-804-292-01	IC XC9572XL-10VQG44-ORBIT		
992		BP	IC		IC3702	6-700-142-11	IC DS90C385MTDX		
993		BP	IC		IC3703	8-759-549-01	IC SN74LV125APWR		
994		BP	IC		IC4001	6-804-640-01	IC MX29LV800TTC-70G-269A		
995		BP	IC		IC4002	8-759-549-03	IC SN74LV132APWR		
996		BP	IC		IC4003	8-759-712-65	IC PQ070XZ01ZP		
997		BP	IC		IC4004	8-759-712-65	IC PQ070XZ01ZP		
998		BP	IC		IC4005	6-704-191-01	IC S-80829CNNB-B8OT2G		
999		BP	IC		IC4006	6-704-192-01	IC S-80822CNNB-B8HT2G		
1000		BP	IC		IC4007	6-706-362-01	IC PW166B-10TL		
1001		BP	IC		IC4009	6-704-190-01	IC SN74ALVCH16823DGGR		
1002		BP	IC		IC4010	8-759-669-44	IC SN74LVC74APWR-12		
1003		BP	COIL		L1001	1-412-030-11	INDUCTOR 22UH		
1004		BP	COIL		L2001	1-469-525-91	INDUCTOR 10UH		
1005		BP	COIL		L2003	1-469-525-91	INDUCTOR 10UH		
1006		BP	COIL		L2004	1-412-026-11	INDUCTOR 1UH		
1007		BP	COIL		L2006	1-412-026-11	INDUCTOR 1UH		
1008		BP	COIL		L2007	1-469-525-91	INDUCTOR 10UH		
1009		BP	COIL		L2008	1-469-525-91	INDUCTOR 10UH		
1010		BP	COIL		L2009	1-412-029-11	INDUCTOR 10UH		
1011		BP	COIL		L2010	1-469-525-91	INDUCTOR 10UH		
1012		BP	COIL		L3001	1-469-525-91	INDUCTOR 10UH		
1013		BP	COIL		L3002	1-469-528-91	INDUCTOR 100UH		
1014		BP	COIL		L3003	1-469-528-91	INDUCTOR 100UH		
1015		BP	COIL		L3402	1-469-561-21	INDUCTOR 100UH		
1016		BP	COIL		L3403	1-469-561-21	INDUCTOR 100UH		
1017		BP	COIL		L3701	1-456-583-11	INDUCTOR 0UH		
1018		BP	COIL		L3702	1-456-583-11	INDUCTOR 0UH		
1019		BP	COIL		L3703	1-456-583-11	INDUCTOR 0UH		
1020		BP	COIL		L3704	1-456-583-11	INDUCTOR 0UH		
1021		BP	COIL		L3705	1-456-583-11	INDUCTOR 0UH		
1022		BP	TRANSISTOR		Q1001	8-729-025-28	TRANSISTOR 2SK1828		
1023		BP	TRANSISTOR		Q1002	8-729-025-28	TRANSISTOR 2SK1828		
1024		BP	TRANSISTOR		Q1003	8-729-907-00	TRANSISTOR DTC114EU		
1025		BP	TRANSISTOR		Q1004	8-729-907-00	TRANSISTOR DTC114EU		
1026		BP	TRANSISTOR		Q1007	8-729-013-28	TRANSISTOR HN1B01FU-TE85R		
1027		BP	TRANSISTOR		Q1010	8-729-025-28	TRANSISTOR 2SK1828		
1028		BP	TRANSISTOR		Q1011	8-729-025-28	TRANSISTOR 2SK1828		
1029		BP	TRANSISTOR		Q2001	8-729-117-73	TRANSISTOR 2SC4178-F14		
1030		BP	TRANSISTOR		Q2002	8-729-117-73	TRANSISTOR 2SC4178-F14		
1031		BP	TRANSISTOR		Q2003	8-729-117-73	TRANSISTOR 2SC4178-F14		
1032		BP	TRANSISTOR		Q2004	8-729-122-63	TRANSISTOR 2SA1226-E4		
1033		BP	TRANSISTOR		Q2005	8-729-122-63	TRANSISTOR 2SA1226-E4		
1034		BP	TRANSISTOR		Q2006	8-729-122-63	TRANSISTOR 2SA1226-E4		
1035		BP	TRANSISTOR		Q2007	6-550-585-01	TRANSISTOR 2PC4081R-115		
1036		BP	TRANSISTOR		Q2008	8-729-117-73	TRANSISTOR 2SC4178-F14		

No.	#	Board	Type	Δ/μ	Ref. No.	Part No.	Description	Remarks-1	Remarks-2
1037		BP	TRANSISTOR		Q2009	8-729-117-73	TRANSISTOR 2SC4178-F14		
1038		BP	TRANSISTOR		Q2012	8-729-010-25	TRANSISTOR MSD601-RT1		
1039		BP	TRANSISTOR		Q3002	6-550-586-01	TRANSISTOR 2PA1576R-115		
1040		BP	TRANSISTOR		Q3003	6-550-585-01	TRANSISTOR 2PC4081R-115		
1041		BP	TRANSISTOR		Q3401	8-729-046-75	TRANSISTOR SI2301DS-T1		
1042		BP	TRANSISTOR		Q3402	8-729-907-00	TRANSISTOR DTC114EU		
1043		BP	TRANSISTOR		Q3403	8-729-028-86	TRANSISTOR DTA143EUA-T106		
1044		BP	TRANSISTOR		Q3404	8-729-907-00	TRANSISTOR DTC114EU		
1045		BP	TRANSISTOR		Q3405	6-550-014-01	TRANSISTOR SSM6N15FU(TE85R)		
1046		BP	TRANSISTOR		Q3701	6-550-014-01	TRANSISTOR SSM6N15FU(TE85R)		
1047		BP	TRANSISTOR		Q3702	8-729-907-00	TRANSISTOR DTC114EU		
1048		BP	TRANSISTOR		Q3703	8-729-028-86	TRANSISTOR DTA143EUA-T106		
1049		BP	RESISTOR		R1001	1-218-990-11	SHORT CHIP 0		
1050		BP	RESISTOR		R1002	1-216-296-11	SHORT CHIP 0		
1051		BP	RESISTOR		R1003	1-216-296-11	SHORT CHIP 0		
1052		BP	RESISTOR		R1004	1-216-296-11	SHORT CHIP 0		
1053		BP	RESISTOR		R1005	1-218-990-11	SHORT CHIP 0		
1054		BP	RESISTOR		R1006	1-218-990-11	SHORT CHIP 0		
1055		BP	RESISTOR		R1008	1-216-841-11	METAL CHIP 47K 5% 1/10W		
1056		BP	RESISTOR		R1009	1-216-821-11	METAL CHIP 1K 5% 1/10W		
1057		BP	RESISTOR		R1010	1-218-990-11	SHORT CHIP 0		
1058		BP	RESISTOR		R1011	1-218-961-11	RES-CHIP 4.7K 5% 1/16W		
1059		BP	RESISTOR		R1012	1-218-961-11	RES-CHIP 4.7K 5% 1/16W		
1060		BP	RESISTOR		R1013	1-218-973-11	RES-CHIP 47K 5% 1/16W		
1061		BP	RESISTOR		R1014	1-218-971-11	RES-CHIP 33K 5% 1/16W		
1062		BP	RESISTOR		R1015	1-218-961-11	RES-CHIP 4.7K 5% 1/16W		
1063		BP	RESISTOR		R1016	1-218-961-11	RES-CHIP 4.7K 5% 1/16W		
1064		BP	RESISTOR		R1017	1-218-961-11	RES-CHIP 4.7K 5% 1/16W		
1065		BP	RESISTOR		R1018	1-216-864-11	SHORT CHIP 0		
1066		BP	RESISTOR		R1019	1-218-724-11	METAL CHIP 22K 0.5% 1/10W		
1067		BP	RESISTOR		R1020	1-218-865-11	METAL CHIP 5.6K 0.5% 1/10W		
1068		BP	RESISTOR		R1021	1-218-965-11	RES-CHIP 10K 5% 1/16W		
1069		BP	RESISTOR		R1023	1-220-183-81	RES-CHIP 1.1K 5% 1/16W		
1070		BP	RESISTOR		R1024	1-216-864-11	SHORT CHIP 0		
1071		BP	RESISTOR		R1025	1-216-864-11	SHORT CHIP 0		
1072		BP	RESISTOR		R1026	1-218-961-11	RES-CHIP 4.7K 5% 1/16W		
1073		BP	RESISTOR		R1027	1-218-941-81	RES-CHIP 100 5% 1/16W		
1074		BP	RESISTOR		R1028	1-218-941-81	RES-CHIP 100 5% 1/16W		
1075		BP	RESISTOR		R1029	1-218-941-81	RES-CHIP 100 5% 1/16W		
1076		BP	RESISTOR		R1031	1-218-941-81	RES-CHIP 100 5% 1/16W		
1077		BP	RESISTOR		R1032	1-218-941-81	RES-CHIP 100 5% 1/16W		
1078		BP	RESISTOR		R1033	1-218-941-81	RES-CHIP 100 5% 1/16W		
1079		BP	RESISTOR		R1034	1-218-941-81	RES-CHIP 100 5% 1/16W		
1080		BP	RESISTOR		R1035	1-218-941-81	RES-CHIP 100 5% 1/16W		
1081		BP	RESISTOR		R1037	1-216-809-11	METAL CHIP 100 5% 1/10W		
1082		BP	RESISTOR		R1038	1-218-973-11	RES-CHIP 47K 5% 1/16W		
1083		BP	RESISTOR		R1039	1-218-973-11	RES-CHIP 47K 5% 1/16W		
1084		BP	RESISTOR		R1040	1-218-973-11	RES-CHIP 47K 5% 1/16W		
1085		BP	RESISTOR		R1041	1-218-941-81	RES-CHIP 100 5% 1/16W		
1086		BP	RESISTOR		R1042	1-218-941-81	RES-CHIP 100 5% 1/16W		
1087		BP	RESISTOR		R1043	1-218-965-11	RES-CHIP 10K 5% 1/16W		
1088		BP	RESISTOR		R1045	1-218-990-11	SHORT CHIP 0		
1089		BP	RESISTOR		R1046	1-218-965-11	RES-CHIP 10K 5% 1/16W		
1090		BP	RESISTOR		R1047	1-216-833-11	METAL CHIP 10K 5% 1/10W		
1091		BP	RESISTOR		R1049	1-218-990-11	SHORT CHIP 0		
1092		BP	RESISTOR		R1050	1-218-959-11	RES-CHIP 3.3K 5% 1/16W		
1093		BP	RESISTOR		R1051	1-218-965-11	RES-CHIP 10K 5% 1/16W		
1094		BP	RESISTOR		R1052	1-216-841-11	METAL CHIP 47K 5% 1/10W		
1095		BP	RESISTOR		R1053	1-208-635-11	METAL CHIP 10 0.5% 1/16W		
1096		BP	RESISTOR		R1054	1-218-990-11	SHORT CHIP 0		
1097		BP	RESISTOR		R1055	1-218-945-11	RES-CHIP 220 5% 1/16W		
1098		BP	RESISTOR		R1056	1-218-945-11	RES-CHIP 220 5% 1/16W		
1099		BP	RESISTOR		R1057	1-218-945-11	RES-CHIP 220 5% 1/16W		
1100		BP	RESISTOR		R1058	1-218-990-11	SHORT CHIP 0		
1101		BP	RESISTOR		R1061	1-218-973-11	RES-CHIP 47K 5% 1/16W		
1102		BP	RESISTOR		R1062	1-216-841-11	METAL CHIP 47K 5% 1/10W		
1103		BP	RESISTOR		R1063	1-218-965-11	RES-CHIP 10K 5% 1/16W		
1104		BP	RESISTOR		R1064	1-218-965-11	RES-CHIP 10K 5% 1/16W		
1105		BP	RESISTOR		R1065	1-218-965-11	RES-CHIP 10K 5% 1/16W		
1106		BP	RESISTOR		R1066	1-218-965-11	RES-CHIP 10K 5% 1/16W		
1107		BP	RESISTOR		R1067	1-216-864-11	SHORT CHIP 0		
1108		BP	RESISTOR		R1068	1-218-965-11	RES-CHIP 10K 5% 1/16W		
1109		BP	RESISTOR		R1069	1-218-959-11	RES-CHIP 3.3K 5% 1/16W		
1110		BP	RESISTOR		R1070	1-218-941-81	RES-CHIP 100 5% 1/16W		

No.	#	Board	Type	Δ/μ	Ref. No.	Part No.	Description	Remarks-1	Remarks-2
1111		BP	RESISTOR		R1071	1-218-941-81	RES-CHIP 100 5% 1/16W		
1112		BP	RESISTOR		R1072	1-216-809-11	METAL CHIP 100 5% 1/10W		
1113		BP	RESISTOR		R1073	1-218-965-11	RES-CHIP 10K 5% 1/16W		
1114		BP	RESISTOR		R1074	1-218-941-81	RES-CHIP 100 5% 1/16W		
1115		BP	RESISTOR		R1075	1-218-941-81	RES-CHIP 100 5% 1/16W		
1116		BP	RESISTOR		R1077	1-216-864-11	SHORT CHIP 0		
1117		BP	RESISTOR		R1078	1-216-849-11	METAL CHIP 220K 5% 1/10W		
1118		BP	RESISTOR		R1079	1-216-864-11	SHORT CHIP 0		
1119		BP	RESISTOR		R1080	1-216-864-11	SHORT CHIP 0		
1120		BP	RESISTOR		R1081	1-216-818-11	METAL CHIP 560 5% 1/10W		
1121		BP	RESISTOR		R1082	1-216-813-11	METAL CHIP 220 5% 1/10W		
1122		BP	RESISTOR		R1083	1-218-941-81	RES-CHIP 100 5% 1/16W		
1123		BP	RESISTOR		R1084	1-218-961-11	RES-CHIP 4.7K 5% 1/16W		
1124		BP	RESISTOR		R1085	1-218-941-81	RES-CHIP 100 5% 1/16W		
1125		BP	RESISTOR		R1086	1-218-941-81	RES-CHIP 100 5% 1/16W		
1126		BP	RESISTOR		R1087	1-218-961-11	RES-CHIP 4.7K 5% 1/16W		
1127		BP	RESISTOR		R1089	1-218-965-11	RES-CHIP 10K 5% 1/16W		
1128		BP	RESISTOR		R1092	1-218-945-11	RES-CHIP 220 5% 1/16W		
1129		BP	RESISTOR		R1094	1-216-864-11	SHORT CHIP 0		
1130		BP	RESISTOR		R1096	1-216-805-11	METAL CHIP 47 5% 1/10W		
1131		BP	RESISTOR		R1097	1-216-805-11	METAL CHIP 47 5% 1/10W		
1132		BP	RESISTOR		R1098	1-216-829-11	METAL CHIP 4.7K 5% 1/10W		
1133		BP	RESISTOR		R1100	1-216-864-11	SHORT CHIP 0		
1134		BP	RESISTOR		R1101	1-216-829-11	METAL CHIP 4.7K 5% 1/10W		
1135		BP	RESISTOR		R1102	1-216-864-11	SHORT CHIP 0		
1136		BP	RESISTOR		R1103	1-216-864-11	SHORT CHIP 0		
1137		BP	RESISTOR		R1104	1-216-864-11	SHORT CHIP 0		
1138		BP	RESISTOR		R1105	1-216-864-11	SHORT CHIP 0		
1139		BP	RESISTOR		R1106	1-216-864-11	SHORT CHIP 0		
1140		BP	RESISTOR		R1107	1-216-833-11	METAL CHIP 10K 5% 1/10W		
1141		BP	RESISTOR		R1108	1-216-833-11	METAL CHIP 10K 5% 1/10W		
1142		BP	RESISTOR		R1110	1-218-990-11	SHORT CHIP 0		
1143		BP	RESISTOR		R1111	1-218-957-11	RES-CHIP 2.2K 5% 1/16W		
1144		BP	RESISTOR		R1114	1-218-990-11	SHORT CHIP 0		
1145		BP	RESISTOR		R1115	1-218-990-11	SHORT CHIP 0		
1146		BP	RESISTOR		R1116	1-218-716-11	METAL CHIP 10K 0.5% 1/10W		
1147		BP	RESISTOR		R1117	1-216-864-11	SHORT CHIP 0		
1148		BP	RESISTOR		R1118	1-216-864-11	SHORT CHIP 0		
1149		BP	RESISTOR		R1119	1-216-864-11	SHORT CHIP 0		
1150		BP	RESISTOR		R2001	1-216-809-11	METAL CHIP 100 5% 1/10W		
1151		BP	RESISTOR		R2002	1-216-809-11	METAL CHIP 100 5% 1/10W		
1152		BP	RESISTOR		R2003	1-216-809-11	METAL CHIP 100 5% 1/10W		
1153		BP	RESISTOR		R2004	1-218-952-11	RES-CHIP 820 5% 1/16W		
1154		BP	RESISTOR		R2005	1-218-952-11	RES-CHIP 820 5% 1/16W		
1155		BP	RESISTOR		R2006	1-218-952-11	RES-CHIP 820 5% 1/16W		
1156		BP	RESISTOR		R2007	1-218-675-11	METAL CHIP 200 0.5% 1/10W		
1157		BP	RESISTOR		R2008	1-218-679-11	METAL CHIP 300 0.5% 1/10W		
1158		BP	RESISTOR		R2009	1-218-679-11	METAL CHIP 300 0.5% 1/10W		
1159		BP	RESISTOR		R2010	1-218-675-11	METAL CHIP 200 0.5% 1/10W		
1160		BP	RESISTOR		R2011	1-218-679-11	METAL CHIP 300 0.5% 1/10W		
1161		BP	RESISTOR		R2012	1-216-809-11	METAL CHIP 100 5% 1/10W		
1162		BP	RESISTOR		R2013	1-216-809-11	METAL CHIP 100 5% 1/10W		
1163		BP	RESISTOR		R2014	1-218-679-11	METAL CHIP 300 0.5% 1/10W		
1164		BP	RESISTOR		R2015	1-216-809-11	METAL CHIP 100 5% 1/10W		
1165		BP	RESISTOR		R2016	1-216-823-11	METAL CHIP 1.5K 5% 1/10W		
1166		BP	RESISTOR		R2017	1-216-823-11	METAL CHIP 1.5K 5% 1/10W		
1167		BP	RESISTOR		R2018	1-216-823-11	METAL CHIP 1.5K 5% 1/10W		
1168		BP	RESISTOR		R2019	1-216-864-11	SHORT CHIP 0		
1169		BP	RESISTOR		R2020	1-216-864-11	SHORT CHIP 0		
1170		BP	RESISTOR		R2021	1-216-864-11	SHORT CHIP 0		
1171		BP	RESISTOR		R2023	1-216-864-11	SHORT CHIP 0		
1172		BP	RESISTOR		R2024	1-218-684-11	METAL CHIP 470 0.5% 1/10W		
1173		BP	RESISTOR		R2025	1-218-684-11	METAL CHIP 470 0.5% 1/10W		
1174		BP	RESISTOR		R2026	1-218-684-11	METAL CHIP 470 0.5% 1/10W		
1175		BP	RESISTOR		R2027	1-216-864-11	SHORT CHIP 0		
1176		BP	RESISTOR		R2028	1-218-684-11	METAL CHIP 470 0.5% 1/10W		
1177		BP	RESISTOR		R2029	1-218-712-11	METAL CHIP 6.8K 0.5% 1/10W		
1178		BP	RESISTOR		R2030	1-218-706-11	METAL CHIP 3.9K 0.5% 1/10W		
1179		BP	RESISTOR		R2031	1-218-684-11	METAL CHIP 470 0.5% 1/10W		
1180		BP	RESISTOR		R2032	1-218-708-11	METAL CHIP 4.7K 0.5% 1/10W		
1181		BP	RESISTOR		R2034	1-218-684-11	METAL CHIP 470 0.5% 1/10W		
1182		BP	RESISTOR		R2035	1-218-708-11	METAL CHIP 4.7K 0.5% 1/10W		
1183		BP	RESISTOR		R2036	1-218-652-11	METAL CHIP 22 0.5% 1/10W		
1184		BP	RESISTOR		R2037	1-218-708-11	METAL CHIP 4.7K 0.5% 1/10W		

No.	#	Board	Type	Δ/μ	Ref. No.	Part No.	Description	Remarks-1	Remarks-2
1185		BP	RESISTOR		R2038	1-216-847-11	METAL CHIP 150K 5% 1/10W		
1186		BP	RESISTOR		R2041	1-218-668-11	METAL CHIP 100 0.5% 1/10W		
1187		BP	RESISTOR		R2046	1-218-688-11	METAL CHIP 680 0.5% 1/10W		
1188		BP	RESISTOR		R2047	1-218-668-11	METAL CHIP 100 0.5% 1/10W		
1189		BP	RESISTOR		R2050	1-216-864-11	SHORT CHIP 0		
1190		BP	RESISTOR		R2053	1-218-688-11	METAL CHIP 680 0.5% 1/10W		
1191		BP	RESISTOR		R2054	1-216-864-11	SHORT CHIP 0		
1192		BP	RESISTOR		R2055	1-218-965-11	RES-CHIP 10K 5% 1/16W		
1193		BP	RESISTOR		R2057	1-216-864-11	SHORT CHIP 0		
1194		BP	RESISTOR		R2058	1-216-864-11	SHORT CHIP 0		
1195		BP	RESISTOR		R2070	1-218-692-11	METAL CHIP 1K 0.5% 1/10W		
1196		BP	RESISTOR		R2071	1-218-692-11	METAL CHIP 1K 0.5% 1/10W		
1197		BP	RESISTOR		R2072	1-218-693-11	METAL CHIP 1.1K 0.5% 1/10W		
1198		BP	RESISTOR		R2073	1-218-692-11	METAL CHIP 1K 0.5% 1/10W		
1199		BP	RESISTOR		R2075	1-218-720-11	METAL CHIP 15K 0.5% 1/10W		
1200		BP	RESISTOR		R2076	1-218-990-11	SHORT CHIP 0		
1201		BP	RESISTOR		R2077	1-218-990-11	SHORT CHIP 0		
1202		BP	RESISTOR		R2078	1-216-864-11	SHORT CHIP 0		
1203		BP	RESISTOR		R2079	1-218-708-11	METAL CHIP 4.7K 0.5% 1/10W		
1204		BP	RESISTOR		R2080	1-218-696-11	METAL CHIP 1.5K 0.5% 1/10W		
1205		BP	RESISTOR		R2081	1-216-864-11	SHORT CHIP 0		
1206		BP	RESISTOR		R2086	1-216-864-11	SHORT CHIP 0		
1207		BP	RESISTOR		R2087	1-218-965-11	RES-CHIP 10K 5% 1/16W		
1208		BP	RESISTOR		R2088	1-218-941-81	RES-CHIP 100 5% 1/16W		
1209		BP	RESISTOR		R2089	1-218-941-81	RES-CHIP 100 5% 1/16W		
1210		BP	RESISTOR		R2091	1-216-864-11	SHORT CHIP 0		
1211		BP	RESISTOR		R2092	1-216-864-11	SHORT CHIP 0		
1212		BP	RESISTOR		R2093	1-218-990-11	SHORT CHIP 0		
1213		BP	RESISTOR		R2094	1-218-990-11	SHORT CHIP 0		
1214		BP	RESISTOR		R2095	1-218-933-11	RES-CHIP 22 5% 1/16W		
1215		BP	RESISTOR		R2096	1-218-985-11	RES-CHIP 470K 5% 1/16W		
1216		BP	RESISTOR		R2097	1-218-990-11	SHORT CHIP 0		
1217		BP	RESISTOR		R2098	1-218-937-11	RES-CHIP 47 5% 1/16W		
1218		BP	RESISTOR		R2099	1-218-937-11	RES-CHIP 47 5% 1/16W		
1219		BP	RESISTOR		R2100	1-218-933-11	RES-CHIP 22 5% 1/16W		
1220		BP	RESISTOR		R2101	1-218-937-11	RES-CHIP 47 5% 1/16W		
1221		BP	RESISTOR		R2102	1-218-937-11	RES-CHIP 47 5% 1/16W		
1222		BP	RESISTOR		R2103	1-218-965-11	RES-CHIP 10K 5% 1/16W		
1223		BP	RESISTOR		R2104	1-218-965-11	RES-CHIP 10K 5% 1/16W		
1224		BP	RESISTOR		R2105	1-218-965-11	RES-CHIP 10K 5% 1/16W		
1225		BP	RESISTOR		R2106	1-218-965-11	RES-CHIP 10K 5% 1/16W		
1226		BP	RESISTOR		R2107	1-218-965-11	RES-CHIP 10K 5% 1/16W		
1227		BP	RESISTOR		R2108	1-218-990-11	SHORT CHIP 0		
1228		BP	RESISTOR		R2109	1-218-990-11	SHORT CHIP 0		
1229		BP	RESISTOR		R2110	1-218-990-11	SHORT CHIP 0		
1230		BP	RESISTOR		R2111	1-218-990-11	SHORT CHIP 0		
1231		BP	RESISTOR		R2112	1-218-933-11	RES-CHIP 22 5% 1/16W		
1232		BP	RESISTOR		R2200	1-216-296-11	SHORT CHIP 0		
1233		BP	RESISTOR		R2201	1-216-296-11	SHORT CHIP 0		
1234		BP	RESISTOR		R2202	1-216-296-11	SHORT CHIP 0		
1235		BP	RESISTOR		R2203	1-216-296-11	SHORT CHIP 0		
1236		BP	RESISTOR		R2204	1-216-296-11	SHORT CHIP 0		
1237		BP	RESISTOR		R2205	1-216-296-11	SHORT CHIP 0		
1238		BP	RESISTOR		R2206	1-216-296-11	SHORT CHIP 0		
1239		BP	RESISTOR		R2207	1-216-296-11	SHORT CHIP 0		
1240		BP	RESISTOR		R3001	1-218-933-11	RES-CHIP 22 5% 1/16W		
1241		BP	RESISTOR		R3004	1-218-937-11	RES-CHIP 47 5% 1/16W		
1242		BP	RESISTOR		R3005	1-218-941-81	RES-CHIP 100 5% 1/16W		
1243		BP	RESISTOR		R3006	1-218-941-81	RES-CHIP 100 5% 1/16W		
1244		BP	RESISTOR		R3007	1-218-933-11	RES-CHIP 22 5% 1/16W		
1245		BP	RESISTOR		R3008	1-218-945-11	METAL CHIP 220 5% 1/16W		
1246		BP	RESISTOR		R3009	1-218-945-11	METAL CHIP 220 5% 1/16W		
1247		BP	RESISTOR		R3010	1-208-695-11	METAL CHIP 3.3K 0.5% 1/16W		
1248		BP	RESISTOR		R3011	1-218-945-11	METAL CHIP 220 5% 1/16W		
1249		BP	RESISTOR		R3012	1-218-933-11	RES-CHIP 22 5% 1/16W		
1250		BP	RESISTOR		R3013	1-220-180-11	METAL CHIP 620 5% 1/16W		
1251		BP	RESISTOR		R3014	1-218-990-11	SHORT CHIP 0		
1252		BP	RESISTOR		R3015	1-218-990-11	SHORT CHIP 0		
1253		BP	RESISTOR		R3018	1-208-873-81	METAL CHIP 270 0.5% 1/16W		
1254		BP	RESISTOR		R3023	1-218-990-11	SHORT CHIP 0		
1255		BP	RESISTOR		R3024	1-218-941-81	RES-CHIP 100 5% 1/16W		
1256		BP	RESISTOR		R3025	1-218-941-81	RES-CHIP 100 5% 1/16W		
1257		BP	RESISTOR		R3042	1-218-933-11	RES-CHIP 22 5% 1/16W		
1258		BP	RESISTOR		R3043	1-218-933-11	RES-CHIP 22 5% 1/16W		

No.	#	Board	Type	$\Delta/\%$	Ref. No.	Part No.	Description	Remarks-1	Remarks-2
1259		BP	RESISTOR		R3050	1-218-990-11	SHORT CHIP 0		
1260		BP	RESISTOR		R3057	1-218-990-11	SHORT CHIP 0		
1261		BP	RESISTOR		R3058	1-218-990-11	SHORT CHIP 0		
1262		BP	RESISTOR		R3059	1-218-941-81	RES-CHIP 100 5% 1/16W		
1263		BP	RESISTOR		R3066	1-218-969-11	RES-CHIP 22K 5% 1/16W		
1264		BP	RESISTOR		R3067	1-218-985-11	RES-CHIP 470K 5% 1/16W		
1265		BP	RESISTOR		R3068	1-218-933-11	RES-CHIP 22 5% 1/16W		
1266		BP	RESISTOR		R3069	1-218-945-11	RES-CHIP 220 5% 1/16W		
1267		BP	RESISTOR		R3070	1-218-953-11	RES-CHIP 1K 5% 1/16W		
1268		BP	RESISTOR		R3071	1-218-945-11	RES-CHIP 220 5% 1/16W		
1269		BP	RESISTOR		R3072	1-218-947-11	RES-CHIP 330 5% 1/16W		
1270		BP	RESISTOR		R3073	1-218-959-11	RES-CHIP 3.3K 5% 1/16W		
1271		BP	RESISTOR		R3074	1-208-696-11	METAL CHIP 3.6K 0.5% 1/16W		
1272		BP	RESISTOR		R3075	1-218-990-11	SHORT CHIP 0		
1273		BP	RESISTOR		R3076	1-218-985-11	RES-CHIP 470K 5% 1/16W		
1274		BP	RESISTOR		R3077	1-218-965-11	RES-CHIP 10K 5% 1/16W		
1275		BP	RESISTOR		R3401	1-216-864-11	SHORT CHIP 0		
1276		BP	RESISTOR		R3403	1-216-864-11	SHORT CHIP 0		
1277		BP	RESISTOR		R3405	1-216-864-11	SHORT CHIP 0		
1278		BP	RESISTOR		R3407	1-216-864-11	SHORT CHIP 0		
1279		BP	RESISTOR		R3409	1-216-811-11	METAL CHIP 150 5% 1/10W		
1280		BP	RESISTOR		R3410	1-216-864-11	SHORT CHIP 0		
1281		BP	RESISTOR		R3411	1-216-833-11	METAL CHIP 10K 5% 1/10W		
1282		BP	RESISTOR		R3412	1-216-801-11	METAL CHIP 22 5% 1/10W		
1283		BP	RESISTOR		R3415	1-216-864-11	SHORT CHIP 0		
1284		BP	RESISTOR		R3416	1-218-853-11	METAL CHIP 1.8K 0.5% 1/10W		
1285		BP	RESISTOR		R3418	1-216-864-11	SHORT CHIP 0		
1286		BP	RESISTOR		R3419	1-216-864-11	SHORT CHIP 0		
1287		BP	RESISTOR		R3421	1-216-864-11	SHORT CHIP 0		
1288		BP	RESISTOR		R3424	1-216-864-11	SHORT CHIP 0		
1289		BP	RESISTOR		R3426	1-216-864-11	SHORT CHIP 0		
1290		BP	RESISTOR		R3428	1-216-833-11	METAL CHIP 10K 5% 1/10W		
1291		BP	RESISTOR		R3429	1-218-885-11	METAL CHIP 39K 0.5% 1/10W		
1292		BP	RESISTOR		R3430	1-218-858-11	METAL CHIP 3K 0.5% 1/10W		
1293		BP	RESISTOR		R3433	1-216-833-11	METAL CHIP 10K 5% 1/10W		
1294		BP	RESISTOR		R3435	1-216-829-11	METAL CHIP 4.7K 5% 1/10W		
1295		BP	RESISTOR		R3436	1-216-829-11	METAL CHIP 4.7K 5% 1/10W		
1296		BP	RESISTOR		R3437	1-216-864-11	SHORT CHIP 0		
1297		BP	RESISTOR		R3439	1-216-833-11	METAL CHIP 10K 5% 1/10W		
1298		BP	RESISTOR		R3701	1-216-801-11	METAL CHIP 22 5% 1/10W		
1299		BP	RESISTOR		R3703	1-216-864-11	SHORT CHIP 0		
1300		BP	RESISTOR		R3705	1-216-864-11	SHORT CHIP 0		
1301		BP	RESISTOR		R3707	1-216-829-11	METAL CHIP 4.7K 5% 1/10W		
1302		BP	RESISTOR		R3708	1-216-829-11	METAL CHIP 4.7K 5% 1/10W		
1303		BP	RESISTOR		R3709	1-216-797-11	METAL CHIP 10 5% 1/10W		
1304		BP	RESISTOR		R3710	1-218-941-81	RES-CHIP 100 5% 1/16W		
1305		BP	RESISTOR		R3711	1-218-941-81	RES-CHIP 100 5% 1/16W		
1306		BP	RESISTOR		R3712	1-218-941-81	RES-CHIP 100 5% 1/16W		
1307		BP	RESISTOR		R3717	1-216-864-11	SHORT CHIP 0		
1308		BP	RESISTOR		R3718	1-216-864-11	SHORT CHIP 0		
1309		BP	RESISTOR		R3737	1-216-864-11	SHORT CHIP 0		
1310		BP	RESISTOR		R4001	1-216-864-11	SHORT CHIP 0		
1311		BP	RESISTOR		R4002	1-216-864-11	SHORT CHIP 0		
1312		BP	RESISTOR		R4003	1-216-801-11	METAL CHIP 22 5% 1/10W		
1313		BP	RESISTOR		R4004	1-216-805-11	METAL CHIP 47 5% 1/10W		
1314		BP	RESISTOR		R4005	1-216-805-11	METAL CHIP 47 5% 1/10W		
1315		BP	RESISTOR		R4006	1-216-805-11	METAL CHIP 47 5% 1/10W		
1316		BP	RESISTOR		R4007	1-216-864-11	SHORT CHIP 0		
1317		BP	RESISTOR		R4008	1-216-801-11	METAL CHIP 22 5% 1/10W		
1318		BP	RESISTOR		R4010	1-216-864-11	SHORT CHIP 0		
1319		BP	RESISTOR		R4011	1-216-864-11	SHORT CHIP 0		
1320		BP	RESISTOR		R4012	1-216-859-11	METAL CHIP 1.5M 5% 1/10W		
1321		BP	RESISTOR		R4013	1-218-959-11	RES-CHIP 3.3K 5% 1/16W		
1322		BP	RESISTOR		R4014	1-218-990-11	SHORT CHIP 0		
1323		BP	RESISTOR		R4015	1-218-990-11	SHORT CHIP 0		
1324		BP	RESISTOR		R4016	1-216-802-11	METAL CHIP 27 5% 1/10W		
1325		BP	RESISTOR		R4017	1-218-959-11	RES-CHIP 3.3K 5% 1/16W		
1326		BP	RESISTOR		R4018	1-216-864-11	SHORT CHIP 0		
1327		BP	RESISTOR		R4020	1-216-805-11	METAL CHIP 47 5% 1/10W		
1328		BP	RESISTOR		R4021	1-216-805-11	METAL CHIP 47 5% 1/10W		
1329		BP	RESISTOR		R4023	1-216-827-11	METAL CHIP 3.3K 5% 1/10W		
1330		BP	RESISTOR		R4028	1-216-864-11	SHORT CHIP 0		
1331		BP	RESISTOR		R4029	1-216-864-11	SHORT CHIP 0		
1332		BP	RESISTOR		R4030	1-216-864-11	SHORT CHIP 0		

No.	#	Board	Type	Δ/μ	Ref. No.	Part No.	Description	Remarks-1	Remarks-2
1333		BP	RESISTOR		R4031	1-216-864-11	SHORT CHIP 0		
1334		BP	RESISTOR		R4032	1-216-864-11	SHORT CHIP 0		
1335		BP	RESISTOR		R4033	1-216-864-11	SHORT CHIP 0		
1336		BP	RESISTOR		R4034	1-218-990-11	SHORT CHIP 0		
1337		BP	RESISTOR		R4035	1-218-990-11	SHORT CHIP 0		
1338		BP	RESISTOR		R4036	1-218-990-11	SHORT CHIP 0		
1339		BP	RESISTOR		R4037	1-218-990-11	SHORT CHIP 0		
1340		BP	RESISTOR		R4038	1-218-990-11	SHORT CHIP 0		
1341		BP	RESISTOR		R4040	1-218-990-11	SHORT CHIP 0		
1342		BP	RESISTOR		R4041	1-218-941-81	RES-CHIP 100 5% 1/16W		
1343		BP	RESISTOR		R4042	1-218-941-81	RES-CHIP 100 5% 1/16W		
1344		BP	RESISTOR		R4043	1-218-941-81	RES-CHIP 100 5% 1/16W		
1345		BP	RESISTOR		R4047	1-216-827-11	METAL CHIP 3.3K 5% 1/10W		
1346		BP	RESISTOR		R4048	1-216-829-11	METAL CHIP 4.7K 5% 1/10W		
1347		BP	RESISTOR		R4050	1-216-829-11	METAL CHIP 4.7K 5% 1/10W		
1348		BP	RESISTOR		R4051	1-216-809-11	METAL CHIP 100 5% 1/10W		
1349		BP	RESISTOR		R4053	1-216-864-11	SHORT CHIP 0		
1350		BP	RESISTOR		R4055	1-216-827-11	METAL CHIP 3.3K 5% 1/10W		
1351		BP	RESISTOR		R4057	1-216-864-11	SHORT CHIP 0		
1352		BP	RESISTOR		R4058	1-216-864-11	SHORT CHIP 0		
1353		BP	RESISTOR		R4060	1-218-961-11	RES-CHIP 4.7K 5% 1/16W		
1354		BP	RESISTOR		R4062	1-216-864-11	SHORT CHIP 0		
1355		BP	RESISTOR		R4063	1-218-990-11	SHORT CHIP 0		
1356		BP	RESISTOR		R4064	1-218-990-11	SHORT CHIP 0		
1357		BP	RESISTOR		R4065	1-218-990-11	SHORT CHIP 0		
1358		BP	RESISTOR		R4066	1-218-990-11	SHORT CHIP 0		
1359		BP	RESISTOR		R4067	1-218-990-11	SHORT CHIP 0		
1360		BP	RESISTOR		R4068	1-218-959-11	RES-CHIP 3.3K 5% 1/16W		
1361		BP	RESISTOR		R4069	1-216-864-11	SHORT CHIP 0		
1362		BP	RESISTOR		R4070	1-218-990-11	SHORT CHIP 0		
1363		BP	RESISTOR		R4071	1-218-864-11	METAL CHIP 5.1K 0.5% 1/10W		
1364		BP	RESISTOR		R4072	1-208-683-11	METAL CHIP 1K 0.5% 1/16W		
1365		BP	RESISTOR		R4073	1-208-898-81	METAL CHIP 3K 0.5% 1/16W		
1366		BP	RESISTOR		R4074	1-208-683-11	METAL CHIP 1K 0.5% 1/16W		
1367		BP	RESISTOR		R4075	1-216-821-11	METAL CHIP 1K 5% 1/10W		
1368		BP	RESISTOR		R4076	1-216-821-11	METAL CHIP 1K 5% 1/10W		
1369		BP	RESISTOR		R4077	1-216-839-11	METAL CHIP 33K 5% 1/10W		
1370		BP	RESISTOR		R4078	1-216-833-11	METAL CHIP 10K 5% 1/10W		
1371		BP	RESISTOR		R4079	1-216-809-11	METAL CHIP 100 5% 1/10W		
1372		BP	RESISTOR		R4080	1-216-864-11	SHORT CHIP 0		
1373		BP	RESISTOR		R4081	1-216-839-11	METAL CHIP 33K 5% 1/10W		
1374		BP	RESISTOR		R4083	1-216-864-11	SHORT CHIP 0		
1375		BP	RESISTOR		R4087	1-216-864-11	SHORT CHIP 0		
1376		BP	RESISTOR		R4088	1-216-864-11	SHORT CHIP 0		
1377		BP	RESISTOR		R4089	1-216-801-11	METAL CHIP 22 5% 1/10W		
1378		BP	RESISTOR		R4090	1-216-813-11	METAL CHIP 220 5% 1/10W		
1379		BP	RESISTOR		R4091	1-216-827-11	METAL CHIP 3.3K 5% 1/10W		
1380		BP	RESISTOR		R4092	1-216-827-11	METAL CHIP 3.3K 5% 1/10W		
1381		BP	RESISTOR		R4093	1-216-864-11	SHORT CHIP 0		
1382		BP	RESISTOR		R4095	1-216-805-11	METAL CHIP 47 5% 1/10W		
1383		BP	RESISTOR		R4096	1-216-864-11	SHORT CHIP 0		
1384		BP	RESISTOR		R4097	1-216-864-11	SHORT CHIP 0		
1385		BP	RESISTOR		R4098	1-216-864-11	SHORT CHIP 0		
1386		BP	RESISTOR		R4099	1-216-864-11	SHORT CHIP 0		
1387		BP	RESISTOR		R4100	1-216-801-11	METAL CHIP 22 5% 1/10W		
1388		BP	RESISTOR		R4101	1-216-801-11	METAL CHIP 22 5% 1/10W		
1389		BP	RESISTOR		R4102	1-216-864-11	SHORT CHIP 0		
1390		BP	NETWORK		RB1002	1-234-372-21	RES, NETWORK 100X4 (1005)		
1391		BP	NETWORK		RB1003	1-234-372-21	RES, NETWORK 100X4 (1005)		
1392		BP	NETWORK		RB1004	1-239-674-81	RESISTOR, NETWORK 100		
1393		BP	NETWORK		RB1005	1-234-378-21	RES, NETWORK 10KX4 (1005)		
1394		BP	NETWORK		RB1006	1-234-372-21	RES, NETWORK 100X4 (1005)		
1395		BP	NETWORK		RB1007	1-234-372-21	RES, NETWORK 100X4 (1005)		
1396		BP	NETWORK		RB1008	1-234-372-21	RES, NETWORK 100X4 (1005)		
1397		BP	NETWORK		RB1009	1-234-380-21	RES, NETWORK 47KX4 (1005)		
1398		BP	NETWORK		RB1010	1-234-372-21	RES, NETWORK 100X4 (1005)		
1399		BP	NETWORK		RB1011	1-234-372-21	RES, NETWORK 100X4 (1005)		
1400		BP	NETWORK		RB1012	1-234-372-21	RES, NETWORK 100X4 (1005)		
1401		BP	NETWORK		RB1013	1-234-372-21	RES, NETWORK 100X4 (1005)		
1402		BP	NETWORK		RB1014	1-234-372-21	RES, NETWORK 100X4 (1005)		
1403		BP	NETWORK		RB1015	1-234-372-21	RES, NETWORK 100X4 (1005)		
1404		BP	NETWORK		RB1016	1-234-372-21	RES, NETWORK 100X4 (1005)		
1405		BP	NETWORK		RB1017	1-234-372-21	RES, NETWORK 100X4 (1005)		
1406		BP	NETWORK		RB1018	1-234-372-21	RES, NETWORK 100X4 (1005)		

No.	#	Board	Type	△/°	Ref. No.	Part No.	Description	Remarks-1	Remarks-2
1407		BP	NETWORK		RB1019	1-234-372-21	RES, NETWORK 100X4 (1005)		
1408		BP	NETWORK		RB1020	1-239-674-81	RESISTOR, NETWORK 100		
1409		BP	NETWORK		RB1021	1-239-674-81	RESISTOR, NETWORK 100		
1410		BP	NETWORK		RB1022	1-234-372-21	RES, NETWORK 100X4 (1005)		
1411		BP	NETWORK		RB1023	1-234-372-21	RES, NETWORK 100X4 (1005)		
1412		BP	NETWORK		RB1024	1-239-674-81	RESISTOR, NETWORK 100		
1413		BP	NETWORK		RB1025	1-234-372-21	RES, NETWORK 100X4 (1005)		
1414		BP	NETWORK		RB1026	1-234-372-21	RES, NETWORK 100X4 (1005)		
1415		BP	NETWORK		RB1027	1-234-372-21	RES, NETWORK 100X4 (1005)		
1416		BP	NETWORK		RB1028	1-234-372-21	RES, NETWORK 100X4 (1005)		
1417		BP	NETWORK		RB2002	1-234-795-21	RES, NETWORK 0X4 (2010)		
1418		BP	NETWORK		RB2003	1-234-795-21	RES, NETWORK 0X4 (2010)		
1419		BP	NETWORK		RB2004	1-234-795-21	RES, NETWORK 0X4 (2010)		
1420		BP	NETWORK		RB2005	1-234-795-21	RES, NETWORK 0X4 (2010)		
1421		BP	NETWORK		RB2006	1-234-378-21	RES, NETWORK 10KX4 (1005)		
1422		BP	NETWORK		RB2007	1-234-372-21	RES, NETWORK 100X4 (1005)		
1423		BP	NETWORK		RB2008	1-234-372-21	RES, NETWORK 100X4 (1005)		
1424		BP	NETWORK		RB2009	1-234-372-21	RES, NETWORK 100X4 (1005)		
1425		BP	NETWORK		RB2010	1-234-372-21	RES, NETWORK 100X4 (1005)		
1426		BP	NETWORK		RB2011	1-234-372-21	RES, NETWORK 100X4 (1005)		
1427		BP	NETWORK		RB2012	1-234-372-21	RES, NETWORK 100X4 (1005)		
1428		BP	NETWORK		RB2013	1-234-372-21	RES, NETWORK 100X4 (1005)		
1429		BP	NETWORK		RB2014	1-234-372-21	RES, NETWORK 100X4 (1005)		
1430		BP	NETWORK		RB2015	1-234-372-21	RES, NETWORK 100X4 (1005)		
1431		BP	NETWORK		RB2016	1-239-670-81	RESISTOR, NETWORK 47		
1432		BP	NETWORK		RB2017	1-234-371-21	RES, NETWORK 47X4 (1005)		
1433		BP	NETWORK		RB2018	1-234-371-21	RES, NETWORK 47X4 (1005)		
1434		BP	NETWORK		RB2019	1-239-670-81	RESISTOR, NETWORK 47		
1435		BP	NETWORK		RB2020	1-234-371-21	RES, NETWORK 47X4 (1005)		
1436		BP	NETWORK		RB2021	1-234-371-21	RES, NETWORK 47X4 (1005)		
1437		BP	NETWORK		RB3001	1-234-372-21	RES, NETWORK 100X4 (1005)		
1438		BP	NETWORK		RB3002	1-234-372-21	RES, NETWORK 100X4 (1005)		
1439		BP	NETWORK		RB3003	1-234-371-21	RES, NETWORK 47X4 (1005)		
1440		BP	NETWORK		RB3004	1-234-372-21	RES, NETWORK 100X4 (1005)		
1441		BP	NETWORK		RB3006	1-234-372-21	RES, NETWORK 100X4 (1005)		
1442		BP	NETWORK		RB3008	1-234-372-21	RES, NETWORK 100X4 (1005)		
1443		BP	NETWORK		RB3009	1-234-372-21	RES, NETWORK 100X4 (1005)		
1444		BP	NETWORK		RB3011	1-234-372-21	RES, NETWORK 100X4 (1005)		
1445		BP	NETWORK		RB3013	1-234-372-21	RES, NETWORK 100X4 (1005)		
1446		BP	NETWORK		RB3014	1-234-372-21	RES, NETWORK 100X4 (1005)		
1447		BP	NETWORK		RB3015	1-234-372-21	RES, NETWORK 100X4 (1005)		
1448		BP	NETWORK		RB3401	1-233-785-91	RES, NETWORK 100 (1608)		
1449		BP	NETWORK		RB3707	1-234-795-21	RES, NETWORK 0X4 (2010)		
1450		BP	NETWORK		RB3708	1-234-795-21	RES, NETWORK 0X4 (2010)		
1451		BP	NETWORK		RB3709	1-234-795-21	RES, NETWORK 0X4 (2010)		
1452		BP	NETWORK		RB3710	1-234-795-21	RES, NETWORK 0X4 (2010)		
1453		BP	NETWORK		RB3711	1-234-795-21	RES, NETWORK 0X4 (2010)		
1454		BP	NETWORK		RB3712	1-234-795-21	RES, NETWORK 0X4 (2010)		
1455		BP	NETWORK		RB4001	1-234-371-21	RES, NETWORK 47X4 (1005)		
1456		BP	NETWORK		RB4002	1-234-371-21	RES, NETWORK 47X4 (1005)		
1457		BP	NETWORK		RB4003	1-234-371-21	RES, NETWORK 47X4 (1005)		
1458		BP	NETWORK		RB4004	1-234-371-21	RES, NETWORK 47X4 (1005)		
1459		BP	NETWORK		RB4005	1-234-371-21	RES, NETWORK 47X4 (1005)		
1460		BP	NETWORK		RB4006	1-234-371-21	RES, NETWORK 47X4 (1005)		
1461		BP	NETWORK		RB4007	1-234-370-21	RES, NETWORK 22X4 (1005)		
1462		BP	NETWORK		RB4008	1-234-370-21	RES, NETWORK 22X4 (1005)		
1463		BP	NETWORK		RB4009	1-234-370-21	RES, NETWORK 22X4 (1005)		
1464		BP	NETWORK		RB4010	1-234-370-21	RES, NETWORK 22X4 (1005)		
1465		BP	NETWORK		RB4011	1-234-370-21	RES, NETWORK 22X4 (1005)		
1466		BP	NETWORK		RB4012	1-234-370-21	RES, NETWORK 22X4 (1005)		
1467		BP	NETWORK		RB4013	1-234-400-21	CONDUCTOR, NETWORK (2010)		
1468		BP	NETWORK		RB4014	1-234-400-21	CONDUCTOR, NETWORK (2010)		
1469		BP	NETWORK		RB4015	1-234-400-21	CONDUCTOR, NETWORK (2010)		
1470		BP	NETWORK		RB4016	1-234-400-21	CONDUCTOR, NETWORK (2010)		
1471		BP	NETWORK		RB4017	1-234-371-21	RES, NETWORK 47X4 (1005)		
1472		BP	NETWORK		RB4018	1-234-371-21	RES, NETWORK 47X4 (1005)		
1473		BP	NETWORK		RB4019	1-234-371-21	RES, NETWORK 47X4 (1005)		
1474		BP	NETWORK		RB4020	1-234-371-21	RES, NETWORK 47X4 (1005)		
1475		BP	NETWORK		RB4021	1-239-674-81	RESISTOR, NETWORK 100		
1476		BP	NETWORK		RB4022	1-239-674-81	RESISTOR, NETWORK 100		
1477		BP	NETWORK		RB4023	1-234-370-21	RES, NETWORK 22X4 (1005)		
1478		BP	NETWORK		RB4024	1-234-370-21	RES, NETWORK 22X4 (1005)		
1479		BP	NETWORK		RB4025	1-234-370-21	RES, NETWORK 22X4 (1005)		
1480		BP	NETWORK		RB4026	1-234-370-21	RES, NETWORK 22X4 (1005)		

No.	#	Board	Type	Δ/μ	Ref. No.	Part No.	Description	Remarks-1	Remarks-2
1481		BP	CHIP CHCKER		TP1001	1-535-757-11	CHIP, CHECKER		
1482		BP	CHIP CHCKER		TP3401	1-535-757-11	CHIP, CHECKER		
1483		BP	CHIP CHCKER		TP3701	1-535-757-11	CHIP, CHECKER		
1484		BP	CHIP CHCKER		TP3702	1-535-757-11	CHIP, CHECKER		
1485		BP	CHIP CHCKER		TP3704	1-535-757-11	CHIP, CHECKER		
1486		BP	CRYSTAL		X1001	1-813-326-21	VIBRATOR, CRYSTAL		
1487		BP	CRYSTAL		X2002	1-795-951-21	QUARTZ CRYSTAL OSCILLATOR(SMD)		
1488		BP	CRYSTAL		X3401	1-795-416-21	VIBRATOR, CRYSTAL		
1489		BP	CRYSTAL		X4001	1-767-655-21	VIBRATOR, CRYSTAL		
1490		AE	CAPACITOR		C5538	1-162-960-11	CERAMIC CHIP 220PF 10.00% 50V		
1491		AE	CAPACITOR		C5539	1-164-156-11	CERAMIC CHIP 0.1UF 25V		
1492		AE	CAPACITOR		C6000	1-128-357-11	ELECT CHIP 10UF 20.00% 16V		
1493		AE	CAPACITOR		C6001	1-128-357-11	ELECT CHIP 10UF 20.00% 16V		
1494		AE	CAPACITOR		C6002	1-124-779-00	ELECT CHIP 10UF 20.00% 16V		
1495		AE	CAPACITOR		C6003	1-124-779-00	ELECT CHIP 10UF 20.00% 16V		
1496		AE	CAPACITOR		C6005	1-162-927-11	CERAMIC CHIP 100PF 5.00% 50V		
1497		AE	CAPACITOR		C6006	1-162-927-11	CERAMIC CHIP 100PF 5.00% 50V		
1498		AE	CAPACITOR		C6007	1-128-357-11	ELECT CHIP 10UF 20.00% 16V		
1499		AE	CAPACITOR		C6008	1-128-357-11	ELECT CHIP 10UF 20.00% 16V		
1500		AE	CAPACITOR		C6009	1-124-779-00	ELECT CHIP 10UF 20.00% 16V		
1501		AE	CAPACITOR		C6010	1-107-826-11	CERAMIC CHIP 0.1UF 10.00% 16V		
1502		AE	CAPACITOR		C6011	1-117-681-11	ELECT CHIP 100UF 20.00% 16V		
1503		AE	CAPACITOR		C6012	1-128-357-11	ELECT CHIP 10UF 20.00% 16V		
1504		AE	CAPACITOR		C6013	1-107-826-11	CERAMIC CHIP 0.1UF 10.00% 16V		
1505		AE	CAPACITOR		C6014	1-128-357-11	ELECT CHIP 10UF 20.00% 16V		
1506		AE	CAPACITOR		C6015	1-128-357-11	ELECT CHIP 10UF 20.00% 16V		
1507		AE	CAPACITOR		C6016	1-117-681-11	ELECT CHIP 100UF 20.00% 16V		
1508		AE	CAPACITOR		C6017	1-162-960-11	CERAMIC CHIP 220PF 10.00% 50V		
1509		AE	CAPACITOR		C6018	1-162-960-11	CERAMIC CHIP 220PF 10.00% 50V		
1510		AE	CAPACITOR		C6019	1-126-394-11	ELECT CHIP 10UF 20.00% 16V		
1511		AE	CAPACITOR		C6020	1-126-395-11	ELECT CHIP 22UF 20.00% 16V		
1512		AE	CAPACITOR		C6100	1-162-970-11	CERAMIC CHIP 0.01UF 10.00% 25V		
1513		AE	CAPACITOR		C6101	1-162-970-11	CERAMIC CHIP 0.01UF 10.00% 25V		
1514		AE	CAPACITOR		C6102	1-126-396-11	ELECT CHIP 47UF 20.00% 16V		
1515		AE	CAPACITOR		C6103	1-162-928-11	CERAMIC CHIP 120PF 5.00% 50V		
1516		AE	CAPACITOR		C6106	1-162-927-11	CERAMIC CHIP 100PF 5.00% 50V		
1517		AE	CAPACITOR		C6107	1-162-927-11	CERAMIC CHIP 100PF 5.00% 50V		
1518		AE	CAPACITOR		C6108	1-162-924-11	CERAMIC CHIP 56PF 5.00% 50V		
1519		AE	CAPACITOR		C6109	1-162-970-11	CERAMIC CHIP 0.01UF 10.00% 25V		
1520		AE	CAPACITOR		C6110	1-126-396-11	ELECT CHIP 47UF 20.00% 16V		
1521		AE	CAPACITOR		C6111	1-107-826-11	CERAMIC CHIP 0.1UF 10.00% 16V		
1522		AE	CAPACITOR		C6112	1-115-416-11	CERAMIC CHIP 0.001UF 5.00% 25V		
1523		AE	CAPACITOR		C6114	1-125-891-11	CERAMIC CHIP 0.47UF 10.00% 10V		
1524		AE	CAPACITOR		C6115	1-124-779-00	ELECT CHIP 10UF 20.00% 16V		
1525		AE	CAPACITOR		C6116	1-107-826-11	CERAMIC CHIP 0.1UF 10.00% 16V		
1526		AE	CAPACITOR		C6117	1-125-891-11	CERAMIC CHIP 0.47UF 10.00% 10V		
1527		AE	CAPACITOR		C6118	1-125-891-11	CERAMIC CHIP 0.47UF 10.00% 10V		
1528		AE	CAPACITOR		C6121	1-126-396-11	ELECT CHIP 47UF 20.00% 16V		
1529		AE	CAPACITOR		C6122	1-162-970-11	CERAMIC CHIP 0.01UF 10.00% 25V		
1530		AE	CAPACITOR		C6123	1-107-826-11	CERAMIC CHIP 0.1UF 10.00% 16V		
1531		AE	CAPACITOR		C6124	1-124-779-00	ELECT CHIP 10UF 20.00% 16V		
1532		AE	CAPACITOR		C6125	1-109-982-11	CERAMIC CHIP 1UF 10.00% 10V		
1533		AE	CAPACITOR		C6126	1-162-966-11	CERAMIC CHIP 0.0022UF 10.00% 50V		
1534		AE	CAPACITOR		C6127	1-162-966-11	CERAMIC CHIP 0.0022UF 10.00% 50V		
1535		AE	CAPACITOR		C6128	1-162-966-11	CERAMIC CHIP 0.0022UF 10.00% 50V		
1536		AE	CAPACITOR		C6129	1-124-779-00	ELECT CHIP 10UF 20.00% 16V		
1537		AE	CAPACITOR		C6130	1-126-193-11	ELECT CHIP 1UF 20.00% 50V		
1538		AE	CAPACITOR		C6131	1-164-346-11	CERAMIC CHIP 1UF 16V		
1539		AE	CAPACITOR		C6132	1-164-346-11	CERAMIC CHIP 1UF 16V		
1540		AE	CAPACITOR		C6133	1-162-966-11	CERAMIC CHIP 0.0022UF 10.00% 50V		
1541		AE	CAPACITOR		C6134	1-117-681-11	ELECT CHIP 100UF 20.00% 16V		
1542		AE	CAPACITOR		C6135	1-162-970-11	CERAMIC CHIP 0.01UF 10.00% 25V		
1543		AE	CAPACITOR		C6136	1-125-891-11	CERAMIC CHIP 0.47UF 10.00% 10V		
1544		AE	CAPACITOR		C6137	1-125-891-11	CERAMIC CHIP 0.47UF 10.00% 10V		
1545		AE	CAPACITOR		C6138	1-126-396-11	ELECT CHIP 47UF 20.00% 16V		
1546		AE	CAPACITOR		C6139	1-125-889-91	CERAMIC CHIP 2.2UF 10% 10V		
1547		AE	CAPACITOR		C6140	1-125-889-91	CERAMIC CHIP 2.2UF 10% 10V		
1548		AE	CAPACITOR		C6141	1-107-826-11	CERAMIC CHIP 0.1UF 10.00% 16V		
1549		AE	CAPACITOR		C6142	1-107-826-11	CERAMIC CHIP 0.1UF 10.00% 16V		
1550		AE	CAPACITOR		C6143	1-162-966-11	CERAMIC CHIP 0.0022UF 10.00% 50V		
1551		AE	CAPACITOR		C6144	1-162-966-11	CERAMIC CHIP 0.0022UF 10.00% 50V		
1552		AE	CAPACITOR		C6145	1-126-396-11	ELECT CHIP 47UF 20.00% 16V		
1553		AE	CAPACITOR		C6146	1-164-315-11	CERAMIC CHIP 470PF 5.00% 50V		
1554		AE	CAPACITOR		C6147	1-164-315-11	CERAMIC CHIP 470PF 5.00% 50V		

No.	#	Board	Type	△/°	Ref. No.	Part No.	Description	Remarks-1	Remarks-2
1555		AE	CAPACITOR		C6148	1-126-396-11	ELECT CHIP 47UF 20.00% 16V		
1556		AE	CAPACITOR		C6149	1-107-826-11	CERAMIC CHIP 0.1UF 10.00% 16V		
1557		AE	CAPACITOR		C6150	1-107-826-11	CERAMIC CHIP 0.1UF 10.00% 16V		
1558		AE	CAPACITOR		C6151	1-107-826-11	CERAMIC CHIP 0.1UF 10.00% 16V		
1559		AE	CAPACITOR		C6152	1-107-826-11	CERAMIC CHIP 0.1UF 10.00% 16V		
1560		AE	CAPACITOR		C6153	1-107-826-11	CERAMIC CHIP 0.1UF 10.00% 16V		
1561		AE	CAPACITOR		C6154	1-162-962-11	CERAMIC CHIP 470PF 10.00% 50V		
1562		AE	CAPACITOR		C6300	1-126-394-11	ELECT CHIP 10UF 20.00% 16V		
1563		AE	CAPACITOR		C6301	1-164-227-11	CERAMIC CHIP 0.022UF 10.00% 25V		
1564		AE	CAPACITOR		C6302	1-164-227-11	CERAMIC CHIP 0.022UF 10.00% 25V		
1565		AE	CAPACITOR		C6303	1-107-826-11	CERAMIC CHIP 0.1UF 10.00% 16V		
1566		AE	CAPACITOR		C6304	1-162-970-11	CERAMIC CHIP 0.01UF 10.00% 25V		
1567		AE	CAPACITOR		C6305	1-162-970-11	CERAMIC CHIP 0.01UF 10.00% 25V		
1568		AE	CAPACITOR		C6306	1-107-826-11	CERAMIC CHIP 0.1UF 10.00% 16V		
1569		AE	CAPACITOR		C6307	1-115-339-11	CERAMIC CHIP 0.1UF 10.00% 50V		
1570		AE	CAPACITOR		C6308	1-115-412-11	CERAMIC CHIP 680PF 5.00% 25V		
1571		AE	CAPACITOR		C6309	1-115-412-11	CERAMIC CHIP 680PF 5.00% 25V		
1572		AE	CAPACITOR		C6310	1-115-412-11	CERAMIC CHIP 680PF 5.00% 25V		
1573		AE	CAPACITOR		C6311	1-115-412-11	CERAMIC CHIP 680PF 5.00% 25V		
1574		AE	CAPACITOR		C6312	1-164-172-11	CERAMIC CHIP 0.0056UF 10.00% 25V		
1575		AE	CAPACITOR		C6313	1-162-970-11	CERAMIC CHIP 0.01UF 10.00% 25V		
1576		AE	CAPACITOR		C6314	1-162-969-11	CERAMIC CHIP 0.0068UF 10.00% 25V		
1577		AE	CAPACITOR		C6315	1-163-018-00	CERAMIC CHIP 0.0056UF 10.00% 50V		
1578		AE	CAPACITOR		C6316	1-162-964-11	CERAMIC CHIP 0.001UF 10.00% 50V		
1579		AE	CAPACITOR		C6317	1-162-964-11	CERAMIC CHIP 0.001UF 10.00% 50V		
1580		AE	CAPACITOR		C6318	1-162-969-11	CERAMIC CHIP 0.0068UF 10.00% 25V		
1581		AE	CAPACITOR		C6319	1-163-018-00	CERAMIC CHIP 0.0056UF 10.00% 50V		
1582		AE	CAPACITOR		C6320	1-164-172-11	CERAMIC CHIP 0.0056UF 10.00% 25V		
1583		AE	CAPACITOR		C6321	1-162-970-11	CERAMIC CHIP 0.01UF 10.00% 25V		
1584		AE	CAPACITOR		C6322	1-115-339-11	CERAMIC CHIP 0.1UF 10.00% 50V		
1585		AE	CAPACITOR		C6323	1-162-970-11	CERAMIC CHIP 0.01UF 10.00% 25V		
1586		AE	CAPACITOR		C6324	1-107-826-11	CERAMIC CHIP 0.1UF 10.00% 16V		
1587		AE	CAPACITOR		C6325	1-164-677-11	CERAMIC CHIP 0.033UF 10.00% 16V		
1588		AE	CAPACITOR		C6326	1-162-970-11	CERAMIC CHIP 0.01UF 10.00% 25V		
1589		AE	CAPACITOR		C6327	1-164-677-11	CERAMIC CHIP 0.033UF 10.00% 16V		
1590		AE	CAPACITOR		C6328	1-126-603-11	ELECT CHIP 4.7UF 20.00% 35V		
1591		AE	CAPACITOR		C6329	1-126-603-11	ELECT CHIP 4.7UF 20.00% 35V		
1592		AE	CAPACITOR		C6330	1-127-715-91	CERAMIC CHIP 0.22UF 10% 16V		
1593		AE	CAPACITOR		C6331	1-127-715-91	CERAMIC CHIP 0.22UF 10% 16V		
1594		AE	CAPACITOR		C6332	1-107-826-11	CERAMIC CHIP 0.1UF 10.00% 16V		
1595		AE	CAPACITOR		C6333	1-107-826-11	CERAMIC CHIP 0.1UF 10.00% 16V		
1596		AE	CAPACITOR		C6334	1-126-603-11	ELECT CHIP 4.7UF 20.00% 35V		
1597		AE	CAPACITOR		C6335	1-126-603-11	ELECT CHIP 4.7UF 20.00% 35V		
1598		AE	CAPACITOR		C6336	1-127-573-11	CERAMIC CHIP 1UF 10% 16V		
1599		AE	CAPACITOR		C6337	1-127-573-11	CERAMIC CHIP 1UF 10% 16V		
1600		AE	CAPACITOR		C6338	1-117-681-11	ELECT CHIP 100UF 20.00% 16V		
1601		AE	CAPACITOR		C6339	1-164-156-11	CERAMIC CHIP 0.1UF 25V		
1602		AE	CAPACITOR		C6340	1-164-156-11	CERAMIC CHIP 0.1UF 25V		
1603		AE	CAPACITOR		C6341	1-126-394-11	ELECT CHIP 10UF 20.00% 16V		
1604		AE	CAPACITOR		C6342	1-126-394-11	ELECT CHIP 10UF 20.00% 16V		
1605		AE	CAPACITOR		C6343	1-126-394-11	ELECT CHIP 10UF 20.00% 16V		
1606		AE	CAPACITOR		C6500	1-126-394-11	ELECT CHIP 10UF 20.00% 16V		
1607		AE	CAPACITOR		C6501	1-115-339-11	CERAMIC CHIP 0.1UF 10.00% 50V		
1608		AE	CAPACITOR		C6502	1-115-339-11	CERAMIC CHIP 0.1UF 10.00% 50V		
1609		AE	CAPACITOR		C6503	1-115-339-11	CERAMIC CHIP 0.1UF 10.00% 50V		
1610		AE	CAPACITOR		C6504	1-115-339-11	CERAMIC CHIP 0.1UF 10.00% 50V		
1611		AE	CAPACITOR		C6505	1-126-394-11	ELECT CHIP 10UF 20.00% 16V		
1612		AE	CAPACITOR		C6506	1-115-339-11	CERAMIC CHIP 0.1UF 10.00% 50V		
1613		AE	CAPACITOR		C6507	1-127-573-11	CERAMIC CHIP 1UF 10% 16V		
1614		AE	CAPACITOR		C6508	1-127-573-11	CERAMIC CHIP 1UF 10% 16V		
1615		AE	CAPACITOR		C6509	1-100-633-21	ELECT CHIP 47UF 20% 35V		
1616		AE	CAPACITOR		C6510	1-100-633-21	ELECT CHIP 47UF 20% 35V		
1617		AE	CAPACITOR		C6511	1-100-633-21	ELECT CHIP 47UF 20% 35V		
1618		AE	CAPACITOR		C6512	1-100-633-21	ELECT CHIP 47UF 20% 35V		
1619		AE	CAPACITOR		C6513	1-117-713-21	ELECT CHIP 100UF 20.00% 50V		
1620		AE	CAPACITOR		C6514	1-115-339-11	CERAMIC CHIP 0.1UF 10.00% 50V		
1621		AE	CAPACITOR		C6515	1-115-339-11	CERAMIC CHIP 0.1UF 10.00% 50V		
1622		AE	CAPACITOR		C6516	1-115-339-11	CERAMIC CHIP 0.1UF 10.00% 50V		
1623		AE	CAPACITOR		C6517	1-100-701-11	ELECT 5600UF 20% 50V		
1624		AE	CAPACITOR		C6519	1-165-753-21	ELECT 820UF 20% 50V		
1625		AE	CAPACITOR		C6520	1-165-753-21	ELECT 820UF 20% 50V		
1626		AE	CAPACITOR		C6600	1-128-357-11	ELECT CHIP 10UF 20.00% 16V		
1627		AE	CAPACITOR		C6601	1-128-357-11	ELECT CHIP 10UF 20.00% 16V		
1628		AE	CAPACITOR		C6602	1-128-357-11	ELECT CHIP 10UF 20.00% 16V		

No.	#	Board	Type	Δ/μ	Ref. No.	Part No.	Description	Remarks-1	Remarks-2
1629		AE	CAPACITOR		C6603	1-128-357-11	ELECT CHIP 10UF 20.00% 16V		
1630		AE	CAPACITOR		C6605	1-125-889-91	CERAMIC CHIP 2.2UF 10% 10V		
1631		AE	CAPACITOR		C6607	1-125-889-91	CERAMIC CHIP 2.2UF 10% 10V		
1632		AE	CAPACITOR		C6608	1-125-889-91	CERAMIC CHIP 2.2UF 10% 10V		
1633		AE	CAPACITOR		C6609	1-125-889-91	CERAMIC CHIP 2.2UF 10% 10V		
1634		AE	CAPACITOR		C6610	1-128-357-11	ELECT CHIP 10UF 20.00% 16V		
1635		AE	CAPACITOR		C6611	1-128-357-11	ELECT CHIP 10UF 20.00% 16V		
1636		AE	CAPACITOR		C6612	1-126-394-11	ELECT CHIP 10UF 20.00% 16V		
1637		AE	CAPACITOR		C6613	1-125-889-91	CERAMIC CHIP 2.2UF 10% 10V		
1638		AE	CAPACITOR		C6614	1-137-894-21	ELECT CHIP 470UF 20% 25V		
1639		AE	CAPACITOR		C6615	1-125-889-91	CERAMIC CHIP 2.2UF 10% 10V		
1640		AE	CAPACITOR		C6616	1-126-396-11	ELECT CHIP 47UF 20.00% 16V		
1641		AE	CAPACITOR		C6617	1-126-396-11	ELECT CHIP 47UF 20.00% 16V		
1642		AE	CAPACITOR		C6618	1-126-405-11	ELECT CHIP 10UF 20.00% 50V		
1643		AE	CAPACITOR		C6619	1-126-405-11	ELECT CHIP 10UF 20.00% 50V		
1644		AE	CAPACITOR		C6620	1-126-404-11	ELECT CHIP 4.7UF 20.00% 50V		
1645		AE	CAPACITOR		C6621	1-126-405-11	ELECT CHIP 10UF 20.00% 50V		
1646		AE	CAPACITOR		C6622	1-126-404-11	ELECT CHIP 4.7UF 20.00% 50V		
1647		AE	CAPACITOR		C6623	1-126-405-11	ELECT CHIP 10UF 20.00% 50V		
1648		AE	CAPACITOR		C6624	1-128-357-11	ELECT CHIP 10UF 20.00% 16V		
1649		AE	CAPACITOR		C6625	1-128-357-11	ELECT CHIP 10UF 20.00% 16V		
1650		AE	CAPACITOR		C6626	1-126-396-11	ELECT CHIP 47UF 20.00% 16V		
1651		AE	CAPACITOR		C6627	1-126-394-11	ELECT CHIP 10UF 20.00% 16V		
1652		AE	CAPACITOR		C6700	1-162-964-11	CERAMIC CHIP 0.001UF 10.00% 50V		
1653		AE	CAPACITOR		C6701	1-165-585-21	ELECT CHIP 47UF 20% 25V		
1654		AE	CAPACITOR		C6702	1-128-528-11	ELECT 470UF 20.00% 25V		
1655		AE	CAPACITOR		C6800	1-107-826-11	CERAMIC CHIP 0.1UF 10.00% 16V		
1656		AE	CAPACITOR		C6801	1-107-826-11	CERAMIC CHIP 0.1UF 10.00% 16V		
1657		AE	CAPACITOR		C7001	1-128-528-11	ELECT 470UF 20.00% 25V		
1658		AE	CAPACITOR		C7002	1-100-118-21	ELECT CHIP 82UF 20% 16V		
1659		AE	CAPACITOR		C7003	1-162-970-11	CERAMIC CHIP 0.01UF 10.00% 25V		
1660		AE	CAPACITOR		C7004	1-162-970-11	CERAMIC CHIP 0.01UF 10.00% 25V		
1661		AE	CAPACITOR		C7005	1-162-970-11	CERAMIC CHIP 0.01UF 10.00% 25V		
1662		AE	CAPACITOR		C7006	1-162-923-11	CERAMIC CHIP 47PF 5.00% 50V		
1663		AE	CAPACITOR		C7007	1-162-967-11	CERAMIC CHIP 0.0033UF 10.00% 50V		
1664		AE	CAPACITOR		C7008	1-164-004-11	CERAMIC CHIP 0.1UF 10.00% 25V		
1665		AE	CAPACITOR		C7009	1-127-573-11	CERAMIC CHIP 1UF 10% 16V		
1666		AE	CAPACITOR		C7010	1-162-970-11	CERAMIC CHIP 0.01UF 10.00% 25V		
1667		AE	CAPACITOR		C7011	1-162-967-11	CERAMIC CHIP 0.0033UF 10.00% 50V		
1668		AE	CAPACITOR		C7012	1-162-969-11	CERAMIC CHIP 0.0068UF 10.00% 25V		
1669		AE	CAPACITOR		C7013	1-162-969-11	CERAMIC CHIP 0.0068UF 10.00% 25V		
1670		AE	CAPACITOR		C7014	1-107-826-11	CERAMIC CHIP 0.1UF 10.00% 16V		
1671		AE	CAPACITOR		C7015	1-100-566-91	CERAMIC CHIP 0.1UF 10.00% 25V		
1672		AE	CAPACITOR		C7016	1-100-566-91	CERAMIC CHIP 0.1UF 10.00% 25V		
1673		AE	CAPACITOR		C7017	1-127-820-11	CERAMIC CHIP 4.7UF 10% 16V		
1674		AE	CAPACITOR		C7018	1-107-826-11	CERAMIC CHIP 0.1UF 10.00% 16V		
1675		AE	CAPACITOR		C7019	1-135-960-91	CERAMIC CHIP 10UF 10% 25V		
1676		AE	CAPACITOR		C7020	1-135-960-91	CERAMIC CHIP 10UF 10% 25V		
1677		AE	CAPACITOR		C7021	1-135-960-91	CERAMIC CHIP 10UF 10% 25V		
1678		AE	CAPACITOR		C7022	1-165-669-21	ELECT CHIP 220UF 20% 6.3V		
1679		AE	CAPACITOR		C7023	1-165-669-21	ELECT CHIP 220UF 20% 6.3V		
1680		AE	CAPACITOR		C7101	1-107-826-11	CERAMIC CHIP 0.1UF 10.00% 16V		
1681		AE	CAPACITOR		C7102	1-127-573-11	CERAMIC CHIP 1UF 10% 16V		
1682		AE	CAPACITOR		C7103	1-127-573-11	CERAMIC CHIP 1UF 10% 16V		
1683		AE	CAPACITOR		C7201	1-128-528-11	ELECT 470UF 20.00% 25V		
1684		AE	CAPACITOR		C7202	1-135-349-21	ELECT CHIP 22UF 20% 20V		
1685		AE	CAPACITOR		C7204	1-162-970-11	CERAMIC CHIP 0.01UF 10.00% 25V		
1686		AE	CAPACITOR		C7205	1-135-372-31	ELECT 470UF 20% 10V		
1687		AE	CAPACITOR		C7207	1-128-359-11	ELECT CHIP 100UF 20.00% 10V		
1688		AE	CAPACITOR		C7208	1-107-826-11	CERAMIC CHIP 0.1UF 10.00% 16V		
1689		AE	CAPACITOR		C7209	1-128-360-11	ELECT CHIP 220UF 20.00% 10V		
1690		AE	CAPACITOR		C7210	1-107-826-11	CERAMIC CHIP 0.1UF 10.00% 16V		
1691		AE	CAPACITOR		C7211	1-128-359-11	ELECT CHIP 100UF 20.00% 10V		
1692		AE	CAPACITOR		C7212	1-107-826-11	CERAMIC CHIP 0.1UF 10.00% 16V		
1693		AE	CAPACITOR		C7213	1-128-360-11	ELECT CHIP 220UF 20.00% 10V		
1694		AE	CAPACITOR		C7214	1-107-826-11	CERAMIC CHIP 0.1UF 10.00% 16V		
1695		AE	CAPACITOR		C7301	1-126-396-11	ELECT CHIP 47UF 20.00% 16V		
1696		AE	CAPACITOR		C7302	1-164-004-11	CERAMIC CHIP 0.1UF 10.00% 25V		
1697		AE	CAPACITOR		C7303	1-164-004-11	CERAMIC CHIP 0.1UF 10.00% 25V		
1698		AE	CAPACITOR		C7304	1-126-396-11	ELECT CHIP 47UF 20.00% 16V		
1699		AE	CAPACITOR		C7305	1-126-396-11	ELECT CHIP 47UF 20.00% 16V		
1700		AE	CAPACITOR		C7306	1-164-004-11	CERAMIC CHIP 0.1UF 10.00% 25V		
1701		AE	CAPACITOR		C7307	1-164-004-11	CERAMIC CHIP 0.1UF 10.00% 25V		
1702		AE	CAPACITOR		C7308	1-126-396-11	ELECT CHIP 47UF 20.00% 16V		

No.	#	Board	Type	Δ/\ast	Ref. No.	Part No.	Description	Remarks-1	Remarks-2
1703		AE	CAPACITOR		C7501	1-162-964-11	CERAMIC CHIP 0.001UF 10.00% 50V		
1704		AE	CAPACITOR		C7502	1-162-964-11	CERAMIC CHIP 0.001UF 10.00% 50V		
1705		AE	CAPACITOR		C7503	1-162-964-11	CERAMIC CHIP 0.001UF 10.00% 50V		
1706		AE	CAPACITOR		C8004	1-107-826-11	CERAMIC CHIP 0.1UF 10.00% 16V		
1707		AE	CAPACITOR		C8005	1-115-339-11	CERAMIC CHIP 0.1UF 10.00% 50V		
1708		AE	CAPACITOR		C8006	1-128-360-11	ELECT CHIP 220UF 20.00% 10V		
1709		AE	CAPACITOR		C8007	1-164-156-11	CERAMIC CHIP 0.1UF 25V		
1710		AE	CAPACITOR		C8008	1-162-966-11	CERAMIC CHIP 0.0022UF 10.00% 50V		
1711		AE	CAPACITOR		C8009	1-164-388-91	CERAMIC CHIP 270PF 5.00% 50V		
1712		AE	CAPACITOR		C8010	1-164-156-11	CERAMIC CHIP 0.1UF 25V		
1713		AE	CAPACITOR		C8011	1-126-404-11	ELECT CHIP 4.7UF 20.00% 50V		
1714		AE	CAPACITOR		C8012	1-164-156-11	CERAMIC CHIP 0.1UF 25V		
1715		AE	CAPACITOR		C8013	1-162-927-11	CERAMIC CHIP 100PF 5.00% 50V		
1716		AE	CAPACITOR		C8014	1-115-339-11	CERAMIC CHIP 0.1UF 10.00% 50V		
1717		AE	CAPACITOR		C8015	1-162-923-11	CERAMIC CHIP 47PF 5.00% 50V		
1718		AE	CAPACITOR		C8016	1-115-467-11	CERAMIC CHIP 0.22UF 10.00% 10V		
1719		AE	CAPACITOR		C8017	1-164-156-11	CERAMIC CHIP 0.1UF 25V		
1720		AE	CAPACITOR		C8501	1-126-392-11	ELECT CHIP 100UF 20.00% 6.3V		
1721		AE	CAPACITOR		C8502	1-107-826-11	CERAMIC CHIP 0.1UF 10.00% 16V		
1722		AE	CAPACITOR		C8503	1-107-826-11	CERAMIC CHIP 0.1UF 10.00% 16V		
1723		AE	CAPACITOR		C8504	1-126-392-11	ELECT CHIP 100UF 20.00% 6.3V		
1724		AE	CAPACITOR		C8505	1-107-826-11	CERAMIC CHIP 0.1UF 10.00% 16V		
1725		AE	CAPACITOR		C8506	1-126-396-11	ELECT CHIP 47UF 20.00% 16V		
1726		AE	CAPACITOR		C8507	1-127-715-91	CERAMIC CHIP 0.22UF 10% 16V		
1727		AE	CAPACITOR		C8510	1-107-826-11	CERAMIC CHIP 0.1UF 10.00% 16V		
1728		AE	CAPACITOR		C8511	1-107-826-11	CERAMIC CHIP 0.1UF 10.00% 16V		
1729		AE	CAPACITOR		C8512	1-127-715-91	CERAMIC CHIP 0.22UF 10% 16V		
1730		AE	CAPACITOR		C8513	1-126-392-11	ELECT CHIP 100UF 20.00% 6.3V		
1731		AE	CAPACITOR		C8516	1-126-392-11	ELECT CHIP 100UF 20.00% 6.3V		
1732		AE	CAPACITOR		C8517	1-162-919-11	CERAMIC CHIP 22PF 5.00% 50V		
1733		AE	CAPACITOR		C8518	1-127-715-91	CERAMIC CHIP 0.22UF 10% 16V		
1734		AE	CAPACITOR		C8519	1-127-715-91	CERAMIC CHIP 0.22UF 10% 16V		
1735		AE	CAPACITOR		C8521	1-125-889-91	CERAMIC CHIP 2.2UF 10% 10V		
1736		AE	CAPACITOR		C8522	1-126-392-11	ELECT CHIP 100UF 20.00% 6.3V		
1737		AE	CAPACITOR		C8523	1-162-919-11	CERAMIC CHIP 22PF 5.00% 50V		
1738		AE	CAPACITOR		C8524	1-127-715-91	CERAMIC CHIP 0.22UF 10% 16V		
1739		AE	CAPACITOR		C8525	1-127-715-91	CERAMIC CHIP 0.22UF 10% 16V		
1740		AE	CAPACITOR		C8526	1-127-715-91	CERAMIC CHIP 0.22UF 10% 16V		
1741		AE	CAPACITOR		C8527	1-127-715-91	CERAMIC CHIP 0.22UF 10% 16V		
1742		AE	CAPACITOR		C8528	1-127-715-91	CERAMIC CHIP 0.22UF 10% 16V		
1743		AE	CAPACITOR		C8529	1-127-715-91	CERAMIC CHIP 0.22UF 10% 16V		
1744		AE	CAPACITOR		C8530	1-115-566-11	CERAMIC CHIP 4.7UF 10.00% 10V		
1745		AE	CAPACITOR		C8531	1-162-962-11	CERAMIC CHIP 470PF 10.00% 50V		
1746		AE	CONNECTOR	*	CN5503	1-815-206-21	PIN, CONNECTOR 50P		
1747		AE	CONNECTOR	*	CN6500	1-764-250-11	PIN, CONNECTOR (PC BOARD) 4P		
1748		AE	CONNECTOR		CN7000	1-816-587-21	PIN, CONNECTOR (PC BOARD) 15P		
1749		AE	DIODE		D5502	8-719-069-60	DIODE UDZSTE-179.1B		
1750		AE	DIODE		D5503	8-719-083-52	DIODE UDZSTE-1716B		
1751		AE	DIODE		D5504	8-719-083-52	DIODE UDZSTE-1716B		
1752		AE	DIODE		D5510	8-719-081-97	DIODE MMDL914T1		
1753		AE	DIODE		D5511	8-719-081-97	DIODE MMDL914T1		
1754		AE	DIODE		D6000	8-719-800-76	DIODE 1SS226		
1755		AE	DIODE		D6001	8-719-800-76	DIODE 1SS226		
1756		AE	DIODE		D6100	8-719-056-85	DIODE UDZ-TE-17-8.2B		
1757		AE	DIODE		D6101	8-719-056-85	DIODE UDZ-TE-17-8.2B		
1758		AE	DIODE		D6501	6-500-253-01	DIODE RB053L-30TE25		
1759		AE	DIODE		D6504	6-500-253-01	DIODE RB053L-30TE25		
1760		AE	DIODE		D6600	8-719-081-97	DIODE MMDL914T1		
1761		AE	DIODE		D6602	8-719-081-97	DIODE MMDL914T1		
1762		AE	DIODE		D6700	8-719-081-97	DIODE MMDL914T1		
1763		AE	DIODE		D6703	8-719-081-97	DIODE MMDL914T1		
1764		AE	DIODE		D6800	8-719-081-97	DIODE MMDL914T1		
1765		AE	DIODE		D7001	6-500-294-01	DIODE PTZ-TE25-3.9B		
1766		AE	DIODE		D7002	6-500-295-01	DIODE PTZ-TE25-5.6B		
1767		AE	DIODE		D7101	8-719-081-99	DIODE MM3Z13VT1		
1768		AE	DIODE		D7202	6-500-579-01	DIODE PTZ-TE25-6.8B		
1769		AE	DIODE		D8501	8-719-404-50	DIODE MA111-TX		
1770		AE	FERRITE BEAD		FB5501	1-414-445-11	FERRITE 0UH		
1771		AE	FERRITE BEAD		FB5502	1-414-445-11	FERRITE 0UH		
1772		AE	FERRITE BEAD		FB6100	1-216-864-11	SHORT CHIP 0		
1773		AE	FERRITE BEAD		FB6101	1-414-445-11	FERRITE 0UH		
1774		AE	FERRITE BEAD		FB6102	1-414-445-11	FERRITE 0UH		
1775		AE	FERRITE BEAD		FB7501	1-469-775-21	FERRITE 0UH		
1776		AE	FERRITE BEAD		FB7502	1-469-775-21	FERRITE 0UH		

No.	#	Board	Type	△/*	Ref. No.	Part No.	Description	Remarks-1	Remarks-2
1777		AE	FERRITE BEAD		FB7503	1-469-775-21	FERRITE 0UH		
1778		AE	FERRITE BEAD		FB7504	1-469-775-21	FERRITE 0UH		
1779		AE	FERRITE BEAD		FB7505	1-414-445-11	FERRITE 0UH		
1780		AE	FERRITE BEAD		FB7506	1-469-775-21	FERRITE 0UH		
1781		AE	FERRITE BEAD		FB8501	1-414-445-11	FERRITE 0UH		
1782		AE	FERRITE BEAD		FB8502	1-469-775-21	FERRITE 0UH		
1783		AE	FILTER		FL6100	1-234-126-21	FERRITE 0UH		
1784		AE	IC		IC6000	8-759-278-58	IC NJM4558V-TE2		
1785		AE	IC		IC6001	8-759-524-00	IC TC4052BF(EL,N)		
1786		AE	IC		IC6002	8-759-278-58	IC NJM4558V-TE2		
1787		AE	IC		IC6100	6-701-031-11	IC MSP3411G-QA-B11		
1788		AE	IC		IC6101	8-759-198-31	IC UPC1093J-1-T		
1789		AE	IC		IC6102	6-702-817-12	IC BD3869AF-E2		
1790		AE	IC		IC6300	8-759-972-97	IC BA3823LS		
1791		AE	IC		IC6301	8-759-278-58	IC NJM4558V-TE2		
1792		AE	IC		IC6302	8-759-836-72	IC NJM2521V(TE2)		
1793		AE	IC		IC6303	8-759-836-72	IC NJM2521V(TE2)		
1794		AE	IC		IC6500	8-759-278-58	IC NJM4558V-TE2		
1795		AE	IC		IC6501	8-759-246-70	IC TA8216H		
1796		AE	IC		IC6600	8-759-524-00	IC TC4052BF(EL,N)		
1797		AE	IC		IC6601	8-759-359-49	IC NJM3414AV(TE2)		
1798		AE	IC		IC6602	8-759-278-58	IC NJM4558V-TE2		
1799		AE	IC		IC6700	6-703-225-01	IC S-80928CNMC-G8YT2G		
1800		AE	IC		IC6800	8-759-075-70	IC TA75S393F		
1801		AE	IC		IC7001	6-703-249-01	IC SN105233DBTR		
1802		AE	IC		IC7201	6-704-407-01	IC PQ1CZ41H2ZPH		
1803		AE	IC		IC7202	8-759-450-47	IC BA05T		
1804		AE	IC		IC7203	8-759-450-47	IC BA05T		
1805		AE	IC		IC7301	8-759-564-82	IC BA09ST-V5		
1806		AE	IC		IC7302	8-759-564-82	IC BA09ST-V5		
1807		AE	IC		IC8501	8-759-460-72	IC BA033FP-E2		
1808		AE	IC		IC8502	6-704-607-01	IC M24C16-WMN6T(B)		
1809		AE	IC		IC8503	6-702-515-01	IC SAA5665HL/M1D/0724		
1810		AE	IC		IC8504	6-706-419-01	IC LM393DT (A)		
1811		AE	IC		IC8505	8-759-672-39	IC PST573IMT		
1812		AE	IC		IC8506	8-759-271-86	IC TC7SH04FU		
1813		AE	IC		IC8507	8-759-392-01	IC TC7SH86FU-TE85R		
1814		AE	IC		IC8508	6-705-950-01	IC K6F2008V2E-LF70000		
1815		AE	IC		IC8509	8-759-523-81	IC TC74VHC08FT(EL)		
1816		AE	IC		IC8510	1-540-151-21	SOCKET, IC		
1817		AE	COIL		L5501	1-412-987-31	INDUCTOR 4.7UH		
1818		AE	COIL		L5502	1-412-987-31	INDUCTOR 4.7UH		
1819		AE	COIL		L5503	1-412-987-31	INDUCTOR 4.7UH		
1820		AE	COIL		L5504	1-412-989-11	INDUCTOR 6.8UH		
1821		AE	COIL		L5505	1-412-029-11	INDUCTOR 10UH		
1822		AE	COIL		L5506	1-412-029-11	INDUCTOR 10UH		
1823		AE	COIL		L6000	1-412-058-11	INDUCTOR 10UH		
1824		AE	COIL		L6100	1-412-029-11	INDUCTOR 10UH		
1825		AE	COIL		L6101	1-412-990-41	INDUCTOR 8.2UH		
1826		AE	COIL		L6102	1-412-029-11	INDUCTOR 10UH		
1827		AE	COIL		L6103	1-412-029-11	INDUCTOR 10UH		
1828		AE	COIL		L6104	1-412-029-11	INDUCTOR 10UH		
1829		AE	COIL		L6500	1-406-977-21	INDUCTOR 100UH		
1830		AE	COIL		L7001	1-406-657-11	INDUCTOR 4.7UH		
1831		AE	COIL		L7002	1-424-758-21	INDUCTOR 10UH		
1832		AE	COIL		L7003	1-424-758-21	INDUCTOR 10UH		
1833		AE	COIL		L7202	1-400-323-21	INDUCTOR 47UH		
1834		AE	COIL		L8501	1-412-030-11	INDUCTOR 22UH		
1835		AE	COIL		L8502	1-412-030-11	INDUCTOR 22UH		
1836		AE	COIL		L8503	1-412-030-11	INDUCTOR 22UH		
1837		AE	COIL		L8504	1-412-030-11	INDUCTOR 22UH		
1838		AE	COIL		L8505	1-412-029-11	INDUCTOR 10UH		
1839		AE	COIL		L8506	1-412-029-11	INDUCTOR 10UH		
1840		AE	PHOTO COUPLER		PH6600	8-719-053-15	IC PS2701-1-E3-L		
1841		AE	IC LINK	△	PS5501	1-533-674-11	IC LINK 0.5A 50V		
1842		AE	IC LINK	△	PS6500	1-533-597-31	IC LINK 5A 90V		
1843		AE	IC LINK	△	PS7001	1-533-596-21	IC LINK 4A 90V		
1844		AE	IC LINK	△	PS7201	1-533-593-31	IC LINK 2A 90V		
1845		AE	TRANSISTOR		Q5502	8-729-026-49	TRANSISTOR 2SA1037AK-T146-R		
1846		AE	TRANSISTOR		Q5503	8-729-026-49	TRANSISTOR 2SA1037AK-T146-R		
1847		AE	TRANSISTOR		Q5504	8-729-120-28	TRANSISTOR 2SC1623-L5L6		
1848		AE	TRANSISTOR		Q5505	8-729-026-49	TRANSISTOR 2SA1037AK-T146-R		
1849		AE	TRANSISTOR		Q5506	8-729-026-49	TRANSISTOR 2SA1037AK-T146-R		
1850		AE	TRANSISTOR		Q5507	1-801-806-11	TR DTC144EKA		

No.	#	Board	Type	Δ/μ	Ref. No.	Part No.	Description	Remarks-1	Remarks-2
1851		AE	TRANSISTOR		Q5508	8-729-120-28	TRANSISTOR 2SC1623-L5L6		
1852		AE	TRANSISTOR		Q6000	8-729-905-35	TRANSISTOR 2SC4081-R		
1853		AE	TRANSISTOR		Q6001	6-550-076-01	TRANSISTOR MUN5213T1		
1854		AE	TRANSISTOR		Q6002	6-550-076-01	TRANSISTOR MUN5213T1		
1855		AE	TRANSISTOR		Q6051	1-801-806-11	TR DTC144EKA		
1856		AE	TRANSISTOR		Q6100	6-550-585-01	TRANSISTOR 2PC4081R-115		
1857		AE	TRANSISTOR		Q6101	6-550-586-01	TRANSISTOR 2PA1576R-115		
1858		AE	TRANSISTOR		Q6102	6-550-585-01	TRANSISTOR 2PC4081R-115		
1859		AE	TRANSISTOR		Q6103	6-550-585-01	TRANSISTOR 2PC4081R-115		
1860		AE	TRANSISTOR		Q6300	6-550-076-01	TRANSISTOR MUN5213T1		
1861		AE	TRANSISTOR		Q6500	6-550-586-01	TRANSISTOR 2PA1576R-115		
1862		AE	TRANSISTOR		Q6602	8-729-044-58	TRANSISTOR SI2304DS-T1		
1863		AE	TRANSISTOR		Q6603	8-729-044-58	TRANSISTOR SI2304DS-T1		
1864		AE	TRANSISTOR		Q6604	8-729-044-58	TRANSISTOR SI2304DS-T1		
1865		AE	TRANSISTOR		Q6605	8-729-044-58	TRANSISTOR SI2304DS-T1		
1866		AE	TRANSISTOR		Q6606	8-729-907-00	TRANSISTOR DTC114EU		
1867		AE	TRANSISTOR		Q6700	6-550-076-01	TRANSISTOR MUN5213T1		
1868		AE	TRANSISTOR		Q6701	6-550-076-01	TRANSISTOR MUN5213T1		
1869		AE	TRANSISTOR		Q6702	6-550-076-01	TRANSISTOR MUN5213T1		
1870		AE	TRANSISTOR		Q6703	6-550-585-01	TRANSISTOR 2PC4081R-115		
1871		AE	TRANSISTOR		Q6705	6-550-585-01	TRANSISTOR 2PC4081R-115		
1872		AE	TRANSISTOR		Q6706	8-729-026-49	TRANSISTOR 2SA1037AK-T146-R		
1873		AE	TRANSISTOR		Q6707	8-729-907-00	TRANSISTOR DTC114EU		
1874		AE	TRANSISTOR		Q6708	6-550-586-01	TRANSISTOR 2PA1576R-115		
1875		AE	TRANSISTOR		Q6709	6-550-586-01	TRANSISTOR 2PA1576R-115		
1876		AE	TRANSISTOR		Q6710	8-729-907-00	TRANSISTOR DTC114EU		
1877		AE	TRANSISTOR		Q6711	8-729-907-00	TRANSISTOR DTC114EU		
1878		AE	TRANSISTOR		Q7001	6-550-222-01	TRANSISTOR IRF7335D1-TR		
1879		AE	TRANSISTOR		Q7002	6-550-222-01	TRANSISTOR IRF7335D1-TR		
1880		AE	TRANSISTOR		Q7101	8-729-054-36	TRANSISTOR UPA1716G-E2		
1881		AE	TRANSISTOR		Q7102	8-729-907-00	TRANSISTOR DTC114EU		
1882		AE	TRANSISTOR		Q8501	8-729-120-28	TRANSISTOR 2SC1623-L5L6		
1883		AE	TRANSISTOR		Q8502	8-729-424-08	TRANSISTOR UN2111		
1884		AE	TRANSISTOR		Q8503	8-729-421-22	TRANSISTOR UN2211		
1885		AE	TRANSISTOR		Q8504	8-729-026-49	TRANSISTOR 2SA1037AK-T146-R		
1886		AE	RESISTOR		R5506	1-216-864-11	SHORT CHIP 0		
1887		AE	RESISTOR		R5507	1-216-864-11	SHORT CHIP 0		
1888		AE	RESISTOR		R5509	1-216-864-11	SHORT CHIP 0		
1889		AE	RESISTOR		R5510	1-216-864-11	SHORT CHIP 0		
1890		AE	RESISTOR		R5511	1-216-809-11	METAL CHIP 100 5% 1/10W		
1891		AE	RESISTOR		R5512	1-216-809-11	METAL CHIP 100 5% 1/10W		
1892		AE	RESISTOR		R5513	1-216-821-11	METAL CHIP 1K 5% 1/10W		
1893		AE	RESISTOR		R5514	1-216-809-11	METAL CHIP 100 5% 1/10W		
1894		AE	RESISTOR		R5515	1-216-821-11	METAL CHIP 1K 5% 1/10W		
1895		AE	RESISTOR		R5516	1-216-033-00	RES-CHIP 220 5% 1/10W		
1896		AE	RESISTOR		R5517	1-216-033-00	RES-CHIP 220 5% 1/10W		
1897		AE	RESISTOR		R5518	1-216-033-00	RES-CHIP 220 5% 1/10W		
1898		AE	RESISTOR		R5519	1-216-001-00	RES-CHIP 10 5% 1/10W		
1899		AE	RESISTOR		R5520	1-216-034-00	RES-CHIP 240 5% 1/10W		
1900		AE	RESISTOR		R5521	1-216-817-11	METAL CHIP 470 5% 1/10W		
1901		AE	RESISTOR		R5522	1-216-841-11	METAL CHIP 47K 5% 1/10W		
1902		AE	RESISTOR		R5523	1-216-853-11	METAL CHIP 470K 5% 1/10W		
1903		AE	RESISTOR		R5524	1-216-839-11	METAL CHIP 33K 5% 1/10W		
1904		AE	RESISTOR		R5525	1-216-839-11	METAL CHIP 33K 5% 1/10W		
1905		AE	RESISTOR		R5526	1-216-833-11	METAL CHIP 10K 5% 1/10W		
1906		AE	RESISTOR		R5527	1-216-825-11	METAL CHIP 2.2K 5% 1/10W		
1907		AE	RESISTOR		R5528	1-218-867-11	METAL CHIP 6.8K 0.5% 1/10W		
1908		AE	RESISTOR		R5529	1-216-864-11	SHORT CHIP 0		
1909		AE	RESISTOR		R5530	1-216-864-11	SHORT CHIP 0		
1910		AE	RESISTOR		R5531	1-216-845-11	METAL CHIP 100K 5% 1/10W		
1911		AE	RESISTOR		R5535	1-216-864-11	SHORT CHIP 0		
1912		AE	RESISTOR		R5578	1-218-288-11	METAL CHIP 300 5% 1/10W		
1913		AE	RESISTOR		R5579	1-218-288-11	METAL CHIP 300 5% 1/10W		
1914		AE	RESISTOR		R6000	1-216-821-11	METAL CHIP 1K 5% 1/10W		
1915		AE	RESISTOR		R6001	1-216-829-11	METAL CHIP 4.7K 5% 1/10W		
1916		AE	RESISTOR		R6002	1-218-847-11	METAL CHIP 1K 0.5% 1/10W		
1917		AE	RESISTOR		R6003	1-218-847-11	METAL CHIP 1K 0.5% 1/10W		
1918		AE	RESISTOR		R6004	1-216-829-11	METAL CHIP 4.7K 5% 1/10W		
1919		AE	RESISTOR		R6005	1-216-821-11	METAL CHIP 1K 5% 1/10W		
1920		AE	RESISTOR		R6006	1-216-841-11	METAL CHIP 47K 5% 1/10W		
1921		AE	RESISTOR		R6007	1-216-841-11	METAL CHIP 47K 5% 1/10W		
1922		AE	RESISTOR		R6008	1-216-841-11	METAL CHIP 47K 5% 1/10W		
1923		AE	RESISTOR		R6009	1-216-841-11	METAL CHIP 47K 5% 1/10W		
1924		AE	RESISTOR		R6010	1-216-841-11	METAL CHIP 47K 5% 1/10W		

No.	#	Board	Type	Δ/μ	Ref. No.	Part No.	Description	Remarks-1	Remarks-2
1925		AE	RESISTOR		R6011	1-216-841-11	METAL CHIP 47K 5% 1/10W		
1926		AE	RESISTOR		R6012	1-216-841-11	METAL CHIP 47K 5% 1/10W		
1927		AE	RESISTOR		R6013	1-216-841-11	METAL CHIP 47K 5% 1/10W		
1928		AE	RESISTOR		R6014	1-216-841-11	METAL CHIP 47K 5% 1/10W		
1929		AE	RESISTOR		R6015	1-216-837-11	METAL CHIP 22K 5% 1/10W		
1930		AE	RESISTOR		R6016	1-216-841-11	METAL CHIP 47K 5% 1/10W		
1931		AE	RESISTOR		R6017	1-216-821-11	METAL CHIP 1K 5% 1/10W		
1932		AE	RESISTOR		R6018	1-216-815-11	METAL CHIP 330 5% 1/10W		
1933		AE	RESISTOR		R6019	1-216-815-11	METAL CHIP 330 5% 1/10W		
1934		AE	RESISTOR		R6020	1-216-841-11	METAL CHIP 47K 5% 1/10W		
1935		AE	RESISTOR		R6021	1-216-841-11	METAL CHIP 47K 5% 1/10W		
1936		AE	RESISTOR		R6022	1-216-821-11	METAL CHIP 1K 5% 1/10W		
1937		AE	RESISTOR		R6023	1-216-821-11	METAL CHIP 1K 5% 1/10W		
1938		AE	RESISTOR		R6024	1-216-864-11	SHORT CHIP 0		
1939		AE	RESISTOR		R6025	1-216-864-11	SHORT CHIP 0		
1940		AE	RESISTOR		R6026	1-216-833-11	METAL CHIP 10K 5% 1/10W		
1941		AE	RESISTOR		R6027	1-216-833-11	METAL CHIP 10K 5% 1/10W		
1942		AE	RESISTOR		R6056	1-216-833-11	METAL CHIP 10K 5% 1/10W		
1943		AE	RESISTOR		R6100	1-216-821-11	METAL CHIP 1K 5% 1/10W		
1944		AE	RESISTOR		R6103	1-216-295-91	SHORT CHIP 0		
1945		AE	RESISTOR		R6104	1-216-295-91	SHORT CHIP 0		
1946		AE	RESISTOR		R6106	1-216-841-11	METAL CHIP 47K 5% 1/10W		
1947		AE	RESISTOR		R6108	1-216-825-11	METAL CHIP 2.2K 5% 1/10W		
1948		AE	RESISTOR		R6110	1-216-864-11	SHORT CHIP 0		
1949		AE	RESISTOR		R6111	1-216-864-11	SHORT CHIP 0		
1950		AE	RESISTOR		R6112	1-216-845-11	METAL CHIP 100K 5% 1/10W		
1951		AE	RESISTOR		R6113	1-216-864-11	SHORT CHIP 0		
1952		AE	RESISTOR		R6115	1-216-809-11	METAL CHIP 100 5% 1/10W		
1953		AE	RESISTOR		R6116	1-216-864-11	SHORT CHIP 0		
1954		AE	RESISTOR		R6117	1-216-809-11	METAL CHIP 100 5% 1/10W		
1955		AE	RESISTOR		R6118	1-216-809-11	METAL CHIP 100 5% 1/10W		
1956		AE	RESISTOR		R6120	1-216-864-11	SHORT CHIP 0		
1957		AE	RESISTOR		R6122	1-216-830-11	METAL CHIP 5.6K 5% 1/10W		
1958		AE	RESISTOR		R6123	1-216-830-11	METAL CHIP 5.6K 5% 1/10W		
1959		AE	RESISTOR		R6125	1-216-864-11	SHORT CHIP 0		
1960		AE	RESISTOR		R6126	1-216-864-11	SHORT CHIP 0		
1961		AE	RESISTOR		R6129	1-216-835-11	METAL CHIP 15K 5% 1/10W		
1962		AE	RESISTOR		R6130	1-216-835-11	METAL CHIP 15K 5% 1/10W		
1963		AE	RESISTOR		R6131	1-216-841-11	METAL CHIP 47K 5% 1/10W		
1964		AE	RESISTOR		R6132	1-216-809-11	METAL CHIP 100 5% 1/10W		
1965		AE	RESISTOR		R6133	1-216-017-91	RES-CHIP 47 5% 1/10W		
1966		AE	RESISTOR		R6134	1-216-017-91	RES-CHIP 47 5% 1/10W		
1967		AE	RESISTOR		R6137	1-216-825-11	METAL CHIP 2.2K 5% 1/10W		
1968		AE	RESISTOR		R6138	1-216-821-11	METAL CHIP 1K 5% 1/10W		
1969		AE	RESISTOR		R6139	1-216-836-11	METAL CHIP 18K 5% 1/10W		
1970		AE	RESISTOR		R6140	1-216-839-11	METAL CHIP 33K 5% 1/10W		
1971		AE	RESISTOR		R6141	1-216-836-11	METAL CHIP 18K 5% 1/10W		
1972		AE	RESISTOR		R6142	1-216-839-11	METAL CHIP 33K 5% 1/10W		
1973		AE	RESISTOR		R6143	1-218-841-11	METAL CHIP 560 0.5% 1/10W		
1974		AE	RESISTOR		R6146	1-218-841-11	METAL CHIP 560 0.5% 1/10W		
1975		AE	RESISTOR		R6147	1-216-830-11	METAL CHIP 5.6K 5% 1/10W		
1976		AE	RESISTOR		R6148	1-216-830-11	METAL CHIP 5.6K 5% 1/10W		
1977		AE	RESISTOR		R6149	1-218-890-11	METAL CHIP 62K 0.5% 1/10W		
1978		AE	RESISTOR		R6150	1-218-890-11	METAL CHIP 62K 0.5% 1/10W		
1979		AE	RESISTOR		R6152	1-216-864-11	SHORT CHIP 0		
1980		AE	RESISTOR		R6153	1-216-847-11	METAL CHIP 150K 5% 1/10W		
1981		AE	RESISTOR		R6154	1-216-847-11	METAL CHIP 150K 5% 1/10W		
1982		AE	RESISTOR		R6155	1-216-809-11	METAL CHIP 100 5% 1/10W		
1983		AE	RESISTOR		R6156	1-216-809-11	METAL CHIP 100 5% 1/10W		
1984		AE	RESISTOR		R6157	1-216-829-11	METAL CHIP 4.7K 5% 1/10W		
1985		AE	RESISTOR		R6158	1-216-829-11	METAL CHIP 4.7K 5% 1/10W		
1986		AE	RESISTOR		R6160	1-216-864-11	SHORT CHIP 0		
1987		AE	RESISTOR		R6161	1-216-864-11	SHORT CHIP 0		
1988		AE	RESISTOR		R6300	1-216-834-11	METAL CHIP 12K 5% 1/10W		
1989		AE	RESISTOR		R6301	1-216-833-11	METAL CHIP 10K 5% 1/10W		
1990		AE	RESISTOR		R6302	1-216-841-11	METAL CHIP 47K 5% 1/10W		
1991		AE	RESISTOR		R6303	1-216-820-11	METAL CHIP 820 5% 1/10W		
1992		AE	RESISTOR		R6304	1-216-841-11	METAL CHIP 47K 5% 1/10W		
1993		AE	RESISTOR		R6305	1-216-821-11	METAL CHIP 1K 5% 1/10W		
1994		AE	RESISTOR		R6306	1-216-845-11	METAL CHIP 100K 5% 1/10W		
1995		AE	RESISTOR		R6307	1-216-845-11	METAL CHIP 100K 5% 1/10W		
1996		AE	RESISTOR		R6308	1-216-864-11	SHORT CHIP 0		
1997		AE	RESISTOR		R6309	1-216-864-11	SHORT CHIP 0		
1998		AE	RESISTOR		R6310	1-216-845-11	METAL CHIP 100K 5% 1/10W		

No.	#	Board	Type	Δ/μ	Ref. No.	Part No.	Description	Remarks-1	Remarks-2
1999		AE	RESISTOR		R6311	1-216-845-11	METAL CHIP 100K 5% 1/10W		
2000		AE	RESISTOR		R6312	1-216-825-11	METAL CHIP 2.2K 5% 1/10W		
2001		AE	RESISTOR		R6313	1-216-841-11	METAL CHIP 47K 5% 1/10W		
2002		AE	RESISTOR		R6314	1-216-833-11	METAL CHIP 10K 5% 1/10W		
2003		AE	RESISTOR		R6315	1-216-833-11	METAL CHIP 10K 5% 1/10W		
2004		AE	RESISTOR		R6316	1-216-841-11	METAL CHIP 47K 5% 1/10W		
2005		AE	RESISTOR		R6317	1-216-821-11	METAL CHIP 1K 5% 1/10W		
2006		AE	RESISTOR		R6319	1-216-841-11	METAL CHIP 47K 5% 1/10W		
2007		AE	RESISTOR		R6320	1-216-821-11	METAL CHIP 1K 5% 1/10W		
2008		AE	RESISTOR		R6322	1-216-825-11	METAL CHIP 2.2K 5% 1/10W		
2009		AE	RESISTOR		R6323	1-216-841-11	METAL CHIP 47K 5% 1/10W		
2010		AE	RESISTOR		R6324	1-216-841-11	METAL CHIP 47K 5% 1/10W		
2011		AE	RESISTOR		R6325	1-216-821-11	METAL CHIP 1K 5% 1/10W		
2012		AE	RESISTOR		R6326	1-216-841-11	METAL CHIP 47K 5% 1/10W		
2013		AE	RESISTOR		R6327	1-216-820-11	METAL CHIP 820 5% 1/10W		
2014		AE	RESISTOR		R6328	1-216-833-11	METAL CHIP 10K 5% 1/10W		
2015		AE	RESISTOR		R6329	1-216-833-11	METAL CHIP 10K 5% 1/10W		
2016		AE	RESISTOR		R6330	1-216-838-11	METAL CHIP 27K 5% 1/10W		
2017		AE	RESISTOR		R6331	1-216-838-11	METAL CHIP 27K 5% 1/10W		
2018		AE	RESISTOR		R6332	1-218-289-11	METAL CHIP 510 5% 1/10W		
2019		AE	RESISTOR		R6333	1-216-835-11	METAL CHIP 15K 5% 1/10W		
2020		AE	RESISTOR		R6334	1-216-838-11	METAL CHIP 27K 5% 1/10W		
2021		AE	RESISTOR		R6335	1-216-838-11	METAL CHIP 27K 5% 1/10W		
2022		AE	RESISTOR		R6336	1-216-835-11	METAL CHIP 15K 5% 1/10W		
2023		AE	RESISTOR		R6337	1-218-289-11	METAL CHIP 510 5% 1/10W		
2024		AE	RESISTOR		R6338	1-216-837-11	METAL CHIP 22K 5% 1/10W		
2025		AE	RESISTOR		R6340	1-216-837-11	METAL CHIP 22K 5% 1/10W		
2026		AE	RESISTOR		R6342	1-216-864-11	SHORT CHIP 0		
2027		AE	RESISTOR		R6343	1-216-809-11	METAL CHIP 100 5% 1/10W		
2028		AE	RESISTOR		R6344	1-216-809-11	METAL CHIP 100 5% 1/10W		
2029		AE	RESISTOR		R6345	1-216-821-11	METAL CHIP 1K 5% 1/10W		
2030		AE	RESISTOR		R6346	1-216-833-11	METAL CHIP 10K 5% 1/10W		
2031		AE	RESISTOR		R6347	1-216-821-11	METAL CHIP 1K 5% 1/10W		
2032		AE	RESISTOR		R6500	1-216-864-11	SHORT CHIP 0		
2033		AE	RESISTOR		R6501	1-216-864-11	SHORT CHIP 0		
2034		AE	RESISTOR		R6502	1-216-864-11	SHORT CHIP 0		
2035		AE	RESISTOR		R6503	1-216-864-11	SHORT CHIP 0		
2036		AE	RESISTOR		R6504	1-216-864-11	SHORT CHIP 0		
2037		AE	RESISTOR		R6505	1-216-838-11	METAL CHIP 27K 5% 1/10W		
2038		AE	RESISTOR		R6506	1-216-838-11	METAL CHIP 27K 5% 1/10W		
2039		AE	RESISTOR		R6507	1-216-834-11	METAL CHIP 12K 5% 1/10W		
2040		AE	RESISTOR		R6508	1-216-833-11	METAL CHIP 10K 5% 1/10W		
2041		AE	RESISTOR		R6509	1-216-845-11	METAL CHIP 100K 5% 1/10W		
2042		AE	RESISTOR		R6510	1-216-845-11	METAL CHIP 100K 5% 1/10W		
2043		AE	RESISTOR		R6511	1-216-864-11	SHORT CHIP 0		
2044		AE	RESISTOR		R6512	1-216-845-11	METAL CHIP 100K 5% 1/10W		
2045		AE	RESISTOR		R6513	1-216-845-11	METAL CHIP 100K 5% 1/10W		
2046		AE	RESISTOR		R6514	1-216-864-11	SHORT CHIP 0		
2047		AE	RESISTOR		R6515	1-216-829-11	METAL CHIP 4.7K 5% 1/10W		
2048		AE	RESISTOR		R6516	1-216-829-11	METAL CHIP 4.7K 5% 1/10W		
2049		AE	RESISTOR		R6518	1-216-798-11	METAL CHIP 12 5% 1/10W		
2050		AE	RESISTOR		R6519	1-216-798-11	METAL CHIP 12 5% 1/10W		
2051		AE	RESISTOR		R6520	1-216-295-91	SHORT CHIP 0		
2052		AE	RESISTOR		R6521	1-216-295-91	SHORT CHIP 0		
2053		AE	RESISTOR		R6522	1-216-798-11	METAL CHIP 12 5% 1/10W		
2054		AE	RESISTOR		R6523	1-216-798-11	METAL CHIP 12 5% 1/10W		
2055		AE	RESISTOR		R6524	1-216-295-91	SHORT CHIP 0		
2056		AE	RESISTOR		R6525	1-216-798-11	METAL CHIP 12 5% 1/10W		
2057		AE	RESISTOR		R6526	1-216-798-11	METAL CHIP 12 5% 1/10W		
2058		AE	RESISTOR		R6527	1-216-798-11	METAL CHIP 12 5% 1/10W		
2059		AE	RESISTOR		R6528	1-216-798-11	METAL CHIP 12 5% 1/10W		
2060		AE	RESISTOR		R6529	1-216-798-11	METAL CHIP 12 5% 1/10W		
2061		AE	RESISTOR		R6534	1-216-798-11	METAL CHIP 12 5% 1/10W		
2062		AE	RESISTOR		R6535	1-216-864-11	SHORT CHIP 0		
2063		AE	RESISTOR		R6536	1-216-845-11	METAL CHIP 100K 5% 1/10W		
2064		AE	RESISTOR		R6537	1-216-864-11	SHORT CHIP 0		
2065		AE	RESISTOR		R6538	1-216-845-11	METAL CHIP 100K 5% 1/10W		
2066		AE	RESISTOR		R6600	1-216-841-11	METAL CHIP 47K 5% 1/10W		
2067		AE	RESISTOR		R6601	1-216-841-11	METAL CHIP 47K 5% 1/10W		
2068		AE	RESISTOR		R6602	1-216-841-11	METAL CHIP 47K 5% 1/10W		
2069		AE	RESISTOR		R6603	1-216-841-11	METAL CHIP 47K 5% 1/10W		
2070		AE	RESISTOR		R6604	1-216-841-11	METAL CHIP 47K 5% 1/10W		
2071		AE	RESISTOR		R6605	1-216-841-11	METAL CHIP 47K 5% 1/10W		
2072		AE	RESISTOR		R6606	1-216-841-11	METAL CHIP 47K 5% 1/10W		

No.	#	Board	Type	Δ / [*]	Ref. No.	Part No.	Description	Remarks-1	Remarks-2
2073		AE	RESISTOR		R6607	1-216-841-11	METAL CHIP 47K 5% 1/10W		
2074		AE	RESISTOR		R6608	1-216-841-11	METAL CHIP 47K 5% 1/10W		
2075		AE	RESISTOR		R6609	1-216-841-11	METAL CHIP 47K 5% 1/10W		
2076		AE	RESISTOR		R6611	1-216-864-11	SHORT CHIP 0		
2077		AE	RESISTOR		R6612	1-216-864-11	SHORT CHIP 0		
2078		AE	RESISTOR		R6614	1-216-821-11	METAL CHIP 1K 5% 1/10W		
2079		AE	RESISTOR		R6615	1-218-747-11	METAL CHIP 200K 0.5% 1/10W		
2080		AE	RESISTOR		R6616	1-216-829-11	METAL CHIP 4.7K 5% 1/10W		
2081		AE	RESISTOR		R6617	1-216-833-11	METAL CHIP 10K 5% 1/10W		
2082		AE	RESISTOR		R6618	1-216-833-11	METAL CHIP 10K 5% 1/10W		
2083		AE	RESISTOR		R6619	1-216-829-11	METAL CHIP 4.7K 5% 1/10W		
2084		AE	RESISTOR		R6620	1-216-829-11	METAL CHIP 4.7K 5% 1/10W		
2085		AE	RESISTOR		R6621	1-216-833-11	METAL CHIP 10K 5% 1/10W		
2086		AE	RESISTOR		R6622	1-216-829-11	METAL CHIP 4.7K 5% 1/10W		
2087		AE	RESISTOR		R6623	1-216-841-11	METAL CHIP 47K 5% 1/10W		
2088		AE	RESISTOR		R6624	1-216-833-11	METAL CHIP 10K 5% 1/10W		
2089		AE	RESISTOR		R6625	1-216-841-11	METAL CHIP 47K 5% 1/10W		
2090		AE	RESISTOR		R6626	1-216-864-11	SHORT CHIP 0		
2091		AE	RESISTOR		R6627	1-216-833-11	METAL CHIP 10K 5% 1/10W		
2092		AE	RESISTOR		R6628	1-216-833-11	METAL CHIP 10K 5% 1/10W		
2093		AE	RESISTOR		R6629	1-216-822-11	METAL CHIP 1.2K 5% 1/10W		
2094		AE	RESISTOR		R6630	1-216-823-11	METAL CHIP 1.5K 5% 1/10W		
2095		AE	RESISTOR		R6631	1-216-823-11	METAL CHIP 1.5K 5% 1/10W		
2096		AE	RESISTOR		R6632	1-216-822-11	METAL CHIP 1.2K 5% 1/10W		
2097		AE	RESISTOR		R6633	1-216-823-11	METAL CHIP 1.5K 5% 1/10W		
2098		AE	RESISTOR		R6634	1-216-823-11	METAL CHIP 1.5K 5% 1/10W		
2099		AE	RESISTOR		R6635	1-216-822-11	METAL CHIP 1.2K 5% 1/10W		
2100		AE	RESISTOR		R6636	1-216-823-11	METAL CHIP 1.5K 5% 1/10W		
2101		AE	RESISTOR		R6637	1-216-823-11	METAL CHIP 1.5K 5% 1/10W		
2102		AE	RESISTOR		R6638	1-216-822-11	METAL CHIP 1.2K 5% 1/10W		
2103		AE	RESISTOR		R6639	1-216-823-11	METAL CHIP 1.5K 5% 1/10W		
2104		AE	RESISTOR		R6640	1-216-823-11	METAL CHIP 1.5K 5% 1/10W		
2105		AE	RESISTOR		R6641	1-216-809-11	METAL CHIP 100 5% 1/10W		
2106		AE	RESISTOR		R6642	1-216-829-11	METAL CHIP 4.7K 5% 1/10W		
2107		AE	RESISTOR		R6643	1-216-845-11	METAL CHIP 100K 5% 1/10W		
2108		AE	RESISTOR		R6644	1-216-821-11	METAL CHIP 1K 5% 1/10W		
2109		AE	RESISTOR		R6645	1-216-829-11	METAL CHIP 4.7K 5% 1/10W		
2110		AE	RESISTOR		R6646	1-216-821-11	METAL CHIP 1K 5% 1/10W		
2111		AE	RESISTOR		R6647	1-216-845-11	METAL CHIP 100K 5% 1/10W		
2112		AE	RESISTOR		R6648	1-216-813-11	METAL CHIP 220 5% 1/10W		
2113		AE	RESISTOR		R6649	1-216-813-11	METAL CHIP 220 5% 1/10W		
2114		AE	RESISTOR		R6651	1-216-833-11	METAL CHIP 10K 5% 1/10W		
2115		AE	RESISTOR		R6652	1-216-840-11	METAL CHIP 39K 5% 1/10W		
2116		AE	RESISTOR		R6653	1-216-827-11	METAL CHIP 3.3K 5% 1/10W		
2117		AE	RESISTOR		R6654	1-216-840-11	METAL CHIP 39K 5% 1/10W		
2118		AE	RESISTOR		R6655	1-216-833-11	METAL CHIP 10K 5% 1/10W		
2119		AE	RESISTOR		R6656	1-216-833-11	METAL CHIP 10K 5% 1/10W		
2120		AE	RESISTOR		R6657	1-216-833-11	METAL CHIP 10K 5% 1/10W		
2121		AE	RESISTOR		R6658	1-216-864-11	SHORT CHIP 0		
2122		AE	RESISTOR		R6659	1-216-833-11	METAL CHIP 10K 5% 1/10W		
2123		AE	RESISTOR		R6660	1-216-833-11	METAL CHIP 10K 5% 1/10W		
2124		AE	RESISTOR		R6662	1-216-833-11	METAL CHIP 10K 5% 1/10W		
2125		AE	RESISTOR		R6663	1-216-833-11	METAL CHIP 10K 5% 1/10W		
2126		AE	RESISTOR		R6664	1-216-833-11	METAL CHIP 10K 5% 1/10W		
2127		AE	RESISTOR		R6665	1-216-833-11	METAL CHIP 10K 5% 1/10W		
2128		AE	RESISTOR		R6701	1-216-833-11	METAL CHIP 10K 5% 1/10W		
2129		AE	RESISTOR		R6702	1-216-833-11	METAL CHIP 10K 5% 1/10W		
2130		AE	RESISTOR		R6703	1-216-833-11	METAL CHIP 10K 5% 1/10W		
2131		AE	RESISTOR		R6705	1-216-833-11	METAL CHIP 10K 5% 1/10W		
2132		AE	RESISTOR		R6706	1-218-855-11	METAL CHIP 2.2K 0.5% 1/10W		
2133		AE	RESISTOR		R6707	1-218-861-11	METAL CHIP 3.9K 0.5% 1/10W		
2134		AE	RESISTOR		R6708	1-216-829-11	METAL CHIP 4.7K 5% 1/10W		
2135		AE	RESISTOR		R6709	1-216-833-11	METAL CHIP 10K 5% 1/10W		
2136		AE	RESISTOR		R6711	1-216-295-91	SHORT CHIP 0		
2137		AE	RESISTOR		R6712	1-216-809-11	METAL CHIP 100 5% 1/10W		
2138		AE	RESISTOR		R6713	1-216-833-11	METAL CHIP 10K 5% 1/10W		
2139		AE	RESISTOR		R6715	1-216-864-11	SHORT CHIP 0		
2140		AE	RESISTOR		R6716	1-216-864-11	SHORT CHIP 0		
2141		AE	RESISTOR		R6800	1-218-860-11	METAL CHIP 3.6K 0.5% 1/10W		
2142		AE	RESISTOR		R6801	1-218-895-11	METAL CHIP 100K 0.5% 1/10W		
2143		AE	RESISTOR		R6802	1-218-895-11	METAL CHIP 100K 0.5% 1/10W		
2144		AE	RESISTOR		R6803	1-218-893-11	METAL CHIP 82K 0.5% 1/10W		
2145		AE	RESISTOR		R6804	1-218-887-11	METAL CHIP 47K 0.5% 1/10W		
2146		AE	RESISTOR		R6805	1-216-809-11	METAL CHIP 100 5% 1/10W		

No.	#	Board	Type	Δ/μ	Ref. No.	Part No.	Description	Remarks-1	Remarks-2
2147		AE	RESISTOR		R6806	1-216-842-11	METAL CHIP 56K 5% 1/10W		
2148		AE	RESISTOR		R6807	1-216-845-11	METAL CHIP 100K 5% 1/10W		
2149		AE	RESISTOR		R7001	1-218-871-11	METAL CHIP 10K 0.5% 1/10W		
2150		AE	RESISTOR		R7002	1-218-867-11	METAL CHIP 6.8K 0.5% 1/10W		
2151		AE	RESISTOR		R7003	1-216-841-11	METAL CHIP 47K 5% 1/10W		
2152		AE	RESISTOR		R7004	1-216-841-11	METAL CHIP 47K 5% 1/10W		
2153		AE	RESISTOR		R7005	1-218-857-11	METAL CHIP 2.7K 0.5% 1/10W		
2154		AE	RESISTOR		R7006	1-216-821-11	METAL CHIP 1K 5% 1/10W		
2155		AE	RESISTOR		R7007	1-216-829-11	METAL CHIP 4.7K 5% 1/10W		
2156		AE	RESISTOR		R7008	1-218-857-11	METAL CHIP 2.7K 0.5% 1/10W		
2157		AE	RESISTOR		R7009	1-218-835-11	METAL CHIP 330 0.5% 1/10W		
2158		AE	RESISTOR		R7010	1-218-856-11	METAL CHIP 2.4K 0.5% 1/10W		
2159		AE	RESISTOR		R7011	1-216-864-11	SHORT CHIP 0		
2160		AE	RESISTOR		R7012	1-218-835-11	METAL CHIP 330 0.5% 1/10W		
2161		AE	RESISTOR		R7013	1-218-881-11	METAL CHIP 27K 0.5% 1/10W		
2162		AE	RESISTOR		R7014	1-218-883-11	METAL CHIP 33K 0.5% 1/10W		
2163		AE	RESISTOR		R7015	1-216-864-11	SHORT CHIP 0		
2164		AE	RESISTOR		R7016	1-218-887-11	METAL CHIP 47K 0.5% 1/10W		
2165		AE	RESISTOR		R7017	1-218-887-11	METAL CHIP 47K 0.5% 1/10W		
2166		AE	RESISTOR		R7018	1-216-295-91	SHORT CHIP 0		
2167		AE	RESISTOR		R7019	1-216-295-91	SHORT CHIP 0		
2168		AE	RESISTOR		R7020	1-216-799-11	METAL CHIP 15 5% 1/10W		
2169		AE	RESISTOR		R7021	1-216-799-11	METAL CHIP 15 5% 1/10W		
2170		AE	RESISTOR		R7022	1-216-295-91	SHORT CHIP 0		
2171		AE	RESISTOR		R7023	1-216-295-91	SHORT CHIP 0		
2172		AE	RESISTOR		R7024	1-216-295-91	SHORT CHIP 0		
2173		AE	RESISTOR		R7025	1-216-295-91	SHORT CHIP 0		
2174		AE	RESISTOR		R7026	1-216-295-91	SHORT CHIP 0		
2175		AE	RESISTOR		R7027	1-216-295-91	SHORT CHIP 0		
2176		AE	RESISTOR		R7101	1-216-847-11	METAL CHIP 150K 5% 1/10W		
2177		AE	RESISTOR		R7102	1-216-839-11	METAL CHIP 33K 5% 1/10W		
2178		AE	RESISTOR		R7201	1-216-295-91	SHORT CHIP 0		
2179		AE	RESISTOR		R7202	1-216-821-11	METAL CHIP 1K 5% 1/10W		
2180		AE	RESISTOR		R7203	1-216-841-11	METAL CHIP 47K 5% 1/10W		
2181		AE	RESISTOR		R7204	1-218-860-11	METAL CHIP 3.6K 0.5% 1/10W		
2182		AE	RESISTOR		R7205	1-218-847-11	METAL CHIP 1K 0.5% 1/10W		
2183		AE	RESISTOR		R7301	1-216-295-91	SHORT CHIP 0		
2184		AE	RESISTOR		R7302	1-216-295-91	SHORT CHIP 0		
2185		AE	RESISTOR		R7303	1-216-295-91	SHORT CHIP 0		
2186		AE	RESISTOR		R7304	1-216-295-91	SHORT CHIP 0		
2187		AE	RESISTOR		R7307	1-218-871-11	METAL CHIP 10K 0.5% 1/10W		
2188		AE	RESISTOR		R7308	1-218-859-11	METAL CHIP 3.3K 0.5% 1/10W		
2189		AE	RESISTOR		R7309	1-218-871-11	METAL CHIP 10K 0.5% 1/10W		
2190		AE	RESISTOR		R7310	1-218-859-11	METAL CHIP 3.3K 0.5% 1/10W		
2191		AE	RESISTOR		R7501	1-216-864-11	SHORT CHIP 0		
2192		AE	RESISTOR		R7502	1-216-864-11	SHORT CHIP 0		
2193		AE	RESISTOR		R7503	1-216-864-11	SHORT CHIP 0		
2194		AE	RESISTOR		R8504	1-216-837-11	METAL CHIP 22K 5% 1/10W		
2195		AE	RESISTOR		R8505	1-216-825-11	METAL CHIP 2.2K 5% 1/10W		
2196		AE	RESISTOR		R8506	1-216-845-11	METAL CHIP 100K 5% 1/10W		
2197		AE	RESISTOR		R8507	1-216-845-11	METAL CHIP 100K 5% 1/10W		
2198		AE	RESISTOR		R8508	1-216-829-11	METAL CHIP 4.7K 5% 1/10W		
2199		AE	RESISTOR		R8509	1-216-809-11	METAL CHIP 100 5% 1/10W		
2200		AE	RESISTOR		R8510	1-216-825-11	METAL CHIP 2.2K 5% 1/10W		
2201		AE	RESISTOR		R8511	1-216-809-11	METAL CHIP 100 5% 1/10W		
2202		AE	RESISTOR		R8512	1-216-829-11	METAL CHIP 4.7K 5% 1/10W		
2203		AE	RESISTOR		R8513	1-216-821-11	METAL CHIP 1K 5% 1/10W		
2204		AE	RESISTOR		R8514	1-216-809-11	METAL CHIP 100 5% 1/10W		
2205		AE	RESISTOR		R8515	1-216-843-11	METAL CHIP 68K 5% 1/10W		
2206		AE	RESISTOR		R8516	1-216-809-11	METAL CHIP 100 5% 1/10W		
2207		AE	RESISTOR		R8517	1-216-833-11	METAL CHIP 10K 5% 1/10W		
2208		AE	RESISTOR		R8518	1-216-833-11	METAL CHIP 10K 5% 1/10W		
2209		AE	RESISTOR		R8519	1-216-845-11	METAL CHIP 100K 5% 1/10W		
2210		AE	RESISTOR		R8520	1-216-833-11	METAL CHIP 10K 5% 1/10W		
2211		AE	RESISTOR		R8521	1-216-809-11	METAL CHIP 100 5% 1/10W		
2212		AE	RESISTOR		R8522	1-216-864-11	SHORT CHIP 0		
2213		AE	RESISTOR		R8523	1-216-809-11	METAL CHIP 100 5% 1/10W		
2214		AE	RESISTOR		R8524	1-216-809-11	METAL CHIP 100 5% 1/10W		
2215		AE	RESISTOR		R8525	1-216-809-11	METAL CHIP 100 5% 1/10W		
2216		AE	RESISTOR		R8526	1-216-864-11	SHORT CHIP 0		
2217		AE	RESISTOR		R8527	1-216-809-11	METAL CHIP 100 5% 1/10W		
2218		AE	RESISTOR		R8528	1-216-809-11	METAL CHIP 100 5% 1/10W		
2219		AE	RESISTOR		R8529	1-216-809-11	METAL CHIP 100 5% 1/10W		
2220		AE	RESISTOR		R8530	1-216-809-11	METAL CHIP 100 5% 1/10W		

No.	#	Board	Type	Δ / [*]	Ref. No.	Part No.	Description	Remarks-1	Remarks-2
2221		AE	RESISTOR		R8531	1-216-809-11	METAL CHIP 100 5% 1/10W		
2222		AE	RESISTOR		R8532	1-216-809-11	METAL CHIP 100 5% 1/10W		
2223		AE	RESISTOR		R8533	1-216-809-11	METAL CHIP 100 5% 1/10W		
2224		AE	RESISTOR		R8534	1-216-809-11	METAL CHIP 100 5% 1/10W		
2225		AE	RESISTOR		R8535	1-216-864-11	SHORT CHIP 0		
2226		AE	RESISTOR		R8536	1-216-829-11	METAL CHIP 4.7K 5% 1/10W		
2227		AE	RESISTOR		R8537	1-216-817-11	METAL CHIP 470 5% 1/10W		
2228		AE	RESISTOR		R8538	1-216-809-11	METAL CHIP 100 5% 1/10W		
2229		AE	RESISTOR		R8539	1-216-809-11	METAL CHIP 100 5% 1/10W		
2230		AE	RESISTOR		R8540	1-216-809-11	METAL CHIP 100 5% 1/10W		
2231		AE	RESISTOR		R8542	1-216-809-11	METAL CHIP 100 5% 1/10W		
2232		AE	RESISTOR		R8543	1-216-809-11	METAL CHIP 100 5% 1/10W		
2233		AE	RESISTOR		R8544	1-216-809-11	METAL CHIP 100 5% 1/10W		
2234		AE	RESISTOR		R8545	1-216-809-11	METAL CHIP 100 5% 1/10W		
2235		AE	RESISTOR		R8546	1-216-809-11	METAL CHIP 100 5% 1/10W		
2236		AE	RESISTOR		R8547	1-216-809-11	METAL CHIP 100 5% 1/10W		
2237		AE	RESISTOR		R8548	1-216-809-11	METAL CHIP 100 5% 1/10W		
2238		AE	RESISTOR		R8549	1-218-725-11	METAL CHIP 24K 0.5% 1/10W		
2239		AE	RESISTOR		R8550	1-216-809-11	METAL CHIP 100 5% 1/10W		
2240		AE	RESISTOR		R8551	1-216-809-11	METAL CHIP 100 5% 1/10W		
2241		AE	RESISTOR		R8552	1-216-809-11	METAL CHIP 100 5% 1/10W		
2242		AE	RESISTOR		R8553	1-216-809-11	METAL CHIP 100 5% 1/10W		
2243		AE	RESISTOR		R8554	1-216-809-11	METAL CHIP 100 5% 1/10W		
2244		AE	RESISTOR		R8555	1-216-809-11	METAL CHIP 100 5% 1/10W		
2245		AE	RESISTOR		R8556	1-216-809-11	METAL CHIP 100 5% 1/10W		
2246		AE	RESISTOR		R8557	1-216-809-11	METAL CHIP 100 5% 1/10W		
2247		AE	RESISTOR		R8558	1-216-809-11	METAL CHIP 100 5% 1/10W		
2248		AE	RESISTOR		R8559	1-216-809-11	METAL CHIP 100 5% 1/10W		
2249		AE	RESISTOR		R8560	1-216-809-11	METAL CHIP 100 5% 1/10W		
2250		AE	RESISTOR		R8561	1-216-809-11	METAL CHIP 100 5% 1/10W		
2251		AE	RESISTOR		R8562	1-216-809-11	METAL CHIP 100 5% 1/10W		
2252		AE	RESISTOR		R8563	1-216-809-11	METAL CHIP 100 5% 1/10W		
2253		AE	RESISTOR		R8564	1-216-809-11	METAL CHIP 100 5% 1/10W		
2254		AE	RESISTOR		R8565	1-216-809-11	METAL CHIP 100 5% 1/10W		
2255		AE	RESISTOR		R8566	1-216-025-11	RES-CHIP 100 5% 1/10W		
2256		AE	RESISTOR		R8567	1-216-803-11	METAL CHIP 33 5% 1/10W		
2257		AE	RESISTOR		R8568	1-216-833-11	METAL CHIP 10K 5% 1/10W		
2258		AE	RESISTOR		R8569	1-216-803-11	METAL CHIP 33 5% 1/10W		
2259		AE	RESISTOR		R8570	1-216-803-11	METAL CHIP 33 5% 1/10W		
2260		AE	RESISTOR		R8571	1-216-809-11	METAL CHIP 100 5% 1/10W		
2261		AE	RESISTOR		R8572	1-216-817-11	METAL CHIP 470 5% 1/10W		
2262		AE	RESISTOR		R8573	1-216-809-11	METAL CHIP 100 5% 1/10W		
2263		AE	RESISTOR		R8574	1-216-833-11	METAL CHIP 10K 5% 1/10W		
2264		AE	RESISTOR		R8575	1-216-841-11	METAL CHIP 47K 5% 1/10W		
2265		AE	RESISTOR		R8576	1-216-817-11	METAL CHIP 470 5% 1/10W		
2266		AE	RESISTOR		R8577	1-216-833-11	METAL CHIP 10K 5% 1/10W		
2267		AE	RESISTOR		R8578	1-216-809-11	METAL CHIP 100 5% 1/10W		
2268		AE	RESISTOR		R8579	1-216-809-11	METAL CHIP 100 5% 1/10W		
2269		AE	RESISTOR		R8580	1-216-809-11	METAL CHIP 100 5% 1/10W		
2270		AE	RESISTOR		R8581	1-216-809-11	METAL CHIP 100 5% 1/10W		
2271		AE	RESISTOR		R8582	1-216-809-11	METAL CHIP 100 5% 1/10W		
2272		AE	RESISTOR		R8583	1-216-809-11	METAL CHIP 100 5% 1/10W		
2273		AE	RESISTOR		R8584	1-216-809-11	METAL CHIP 100 5% 1/10W		
2274		AE	RESISTOR		R8585	1-216-864-11	SHORT CHIP 0		
2275		AE	RESISTOR		R8586	1-216-809-11	METAL CHIP 100 5% 1/10W		
2276		AE	RESISTOR		R8587	1-216-817-11	METAL CHIP 470 5% 1/10W		
2277		AE	RESISTOR		R8588	1-216-833-11	METAL CHIP 10K 5% 1/10W		
2278		AE	RESISTOR		R8589	1-216-833-11	METAL CHIP 10K 5% 1/10W		
2279		AE	RESISTOR		R8590	1-216-833-11	METAL CHIP 10K 5% 1/10W		
2280		AE	RESISTOR		R8591	1-216-833-11	METAL CHIP 10K 5% 1/10W		
2281		AE	RESISTOR		R8592	1-216-833-11	METAL CHIP 10K 5% 1/10W		
2282		AE	RESISTOR		R8593	1-216-295-91	SHORT CHIP 0		
2283		AE	RESISTOR		R8594	1-216-864-11	SHORT CHIP 0		
2284		AE	RESISTOR		R8595	1-216-829-11	METAL CHIP 4.7K 5% 1/10W		
2285		AE	RESISTOR		R8596	1-216-833-11	METAL CHIP 10K 5% 1/10W		
2286		AE	RESISTOR		R8597	1-216-809-11	METAL CHIP 100 5% 1/10W		
2287		AE	RESISTOR		R8603	1-216-809-11	METAL CHIP 100 5% 1/10W		
2288		AE	RESISTOR		R8604	1-216-809-11	METAL CHIP 100 5% 1/10W		
2289		AE	RESISTOR		R8607	1-216-809-11	METAL CHIP 100 5% 1/10W		
2290		AE	TRANSFORMER		T5500	1-437-982-11	SOUND INPUT TRANSFORMER		
2291		AE	THERMISTOR		TH6800	1-804-503-21	THERMISTOR		
2292		AE	TUNER		TU5501	8-598-535-20	FRONTEND BTF-EF411		
2293		AE	VARISTOR		VD5500	1-803-974-21	VARISTOR, CHIP (1608)		
2294		AE	VARISTOR		VD5501	1-803-974-21	VARISTOR, CHIP (1608)		

No.	#	Board	Type	△/*	Ref. No.	Part No.	Description	Remarks-1	Remarks-2
2295		AE	VARISTOR		VD6600	1-801-925-21	VARISTOR, CHIP (1608)		
2296		AE	VARISTOR		VD6601	1-801-925-21	VARISTOR, CHIP (1608)		
2297		AE	VARISTOR		VD6602	1-801-925-21	VARISTOR, CHIP (1608)		
2298		AE	CRYSTAL		X6100	1-795-612-11	VIBRATOR, CRYSTAL		
2299		AE	CRYSTAL		X8501	1-767-654-21	VIBRATOR, CRYSTAL		
2300		J	CONNECTOR	*	CN9051	1-695-223-21	PIN, CONNECTOR (SMD) 10P		
2301		J	CONNECTOR		CN9052	1-779-936-21	CONNECTOR, FFC/FPC 18P		
2302		F	CAPACITOR		C601	1-161-830-00	CERAMIC 0.0047UF 99% 500V		
2303		F	CAPACITOR		C602	1-161-830-00	CERAMIC 0.0047UF 99% 500V		
2304		F	CAPACITOR		C603	1-161-830-00	CERAMIC 0.0047UF 99% 500V		
2305		F	CAPACITOR		C604	1-161-830-00	CERAMIC 0.0047UF 99% 500V		
2306		F	CAPACITOR		C605	1-107-680-91	ELECT 22UF 20.00% 450V		
2307		F	CAPACITOR		C606	1-126-963-11	ELECT 4.7UF 20.00% 50V		
2308		F	CAPACITOR		C607	1-101-821-00	CERAMIC 0.0022UF 500V		
2309		F	CAPACITOR		C608	1-107-974-11	CERAMIC 47PF 5.00% 2KV		
2310		F	CAPACITOR		C609	1-165-531-11	MYLAR 1UF 10 275V		
2311		F	CAPACITOR		C610	1-126-961-11	ELECT 2.2UF 20.00% 50V		
2312		F	CAPACITOR		C611	1-165-531-11	MYLAR 1UF 10 275V		
2313		F	CAPACITOR		C612	1-162-964-11	CERAMIC CHIP 0.001UF 10.00% 50V		
2314		F	CAPACITOR		C614	1-107-826-11	CERAMIC CHIP 0.1UF 10.00% 16V		
2315		F	CAPACITOR		C617	1-119-886-51	CERAMIC 470PF 10.00% 250V		
2316		F	CAPACITOR		C618	1-162-964-11	CERAMIC CHIP 0.001UF 10.00% 50V		
2317		F	CAPACITOR		C619	1-128-949-31	ELECT 470UF 20% 16V		
2318		F	CAPACITOR		C620	1-107-826-11	CERAMIC CHIP 0.1UF 10.00% 16V		
2319		F	CAPACITOR		C621	1-104-658-91	ELECT 100UF 20.00% 10V		
2320		F	CAPACITOR		C622	1-163-021-91	CERAMIC CHIP 0.01UF 10.00% 50V		
2321		F	CAPACITOR		C623	1-162-964-11	CERAMIC CHIP 0.001UF 10.00% 50V		
2322		F	CAPACITOR		C624	1-126-967-11	ELECT 47UF 20.00% 50V		
2323		F	CAPACITOR		C625	1-162-970-11	CERAMIC CHIP 0.01UF 10.00% 25V		
2324		F	CAPACITOR		C626	1-165-528-11	MYLAR 0.1UF 10 275V		
2325		F	CAPACITOR		C627	1-100-756-91	CERAMIC CHIP 0.047UF 50V		
2326		F	CAPACITOR		C628	1-107-974-11	CERAMIC 47PF 5.00% 2KV		
2327		F	CAPACITOR		C629	1-119-886-51	CERAMIC 470PF 10.00% 250V		
2328		F	CONNECTOR	*	CN601	1-580-843-11	PIN, CONNECTOR (POWER)		
2329		F	CONNECTOR		CN602	1-564-505-11	PLUG, CONNECTOR 2P		
2330		F	CONNECTOR	*	CN603	1-580-843-11	PIN, CONNECTOR (POWER)		
2331		F	CONNECTOR	*	CN604	1-564-705-11	PIN, CONNECTOR (SMALL TYPE) 3P		
2332		F	CONNECTOR		CN605	1-695-915-11	TAB (CONTACT)		
2333		F	CONNECTOR		CN606	1-695-915-11	TAB (CONTACT)		
2334		F	DIODE		D601	8-719-051-93	DIODE DF06M-6031		
2335		F	DIODE		D602	8-719-948-45	DIODE ERA22-08		
2336		F	DIODE		D603	8-719-063-74	DIODE D1NL20U-TR2		
2337		F	DIODE		D604	8-719-028-45	DIODE D2L20U		
2338		F	DIODE		D605	8-719-041-97	DIODE MA113-(TX)		
2339		F	DIODE		D607	8-719-069-55	DIODE UDZSTE-175.6B		
2340		F	DIODE		D608	8-719-063-74	DIODE D1NL20U-TR2		
2341		F	DIODE		D609	8-719-063-74	DIODE D1NL20U-TR2		
2342		F	DIODE		D611	8-719-983-92	DIODE MTZJ-T-72-36B		
2343		F	FUSE	△	F601	1-576-764-11	FUSE 10A 250V		
2344		F	FUSE HOLDER		FH601	1-576-766-11	FUSE HOLDER 14A 250V		
2345		F	FUSE HOLDER		FH602	1-576-766-11	FUSE HOLDER 14A 250V		
2346		F	IC		IC601	6-600-279-01	IC STR-A6169		
2347		F	IC		IC602	8-759-682-42	IC MM1431ATT		
2348		F	COIL		L602	1-412-545-11	INDUCTOR 470UH		
2349		F	PHOTO COUPLER		PH601	6-600-187-01	PHOTO COUPLER PC123Y22JOOF		
2350		F	PHOTO COUPLER		PH602	6-600-187-01	PHOTO COUPLER PC123Y22JOOF		
2351		F	TRANSISTOR		Q601	8-729-023-22	TRANSISTOR 2SD2114K		
2352		F	TRANSISTOR		Q602	8-729-907-00	TRANSISTOR DTC114EU		
2353		F	TRANSISTOR		Q603	8-729-820-86	TRANSISTOR 2SB1121-ST		
2354		F	RESISTOR		R601	1-218-642-11	METAL OXIDE 100K 5% 1W		
2355		F	RESISTOR		R602	1-219-759-11	METAL 1M 5% 1/2W		
2356		F	RESISTOR		R603	1-216-864-11	SHORT CHIP 0		
2357		F	RESISTOR		R604	1-249-393-11	CARBON 10 5% 1/4W		
2358		F	RESISTOR		R606	1-216-839-11	METAL CHIP 33K 5% 1/10W		
2359		F	RESISTOR		R607	1-216-817-11	METAL CHIP 470 5% 1/10W		
2360		F	RESISTOR		R608	1-218-864-11	METAL CHIP 5.1K 0.5% 1/10W		
2361		F	RESISTOR		R609	1-218-863-11	METAL CHIP 4.7K 0.5% 1/10W		
2362		F	RESISTOR		R610	1-216-065-91	RES-CHIP 4.7K 5% 1/10W		
2363		F	RESISTOR		R611	1-216-077-91	RES-CHIP 15K 5% 1/10W		
2364		F	RESISTOR		R612	1-216-353-00	METAL OXIDE 2.2 5% 1W		
2365		F	RESISTOR		R615	1-249-377-11	CARBON 0.47 5% 1/4W		
2366		F	RESISTOR		R616	1-216-821-11	METAL CHIP 1K 5% 1/10W		
2367		F	RESISTOR		R617	1-247-289-00	METAL 8.2M 5% 1W		
2368		F	RESISTOR		R618	1-249-393-11	CARBON 10 5% 1/4W		

No.	#	Board	Type	Δ / [*]	Ref. No.	Part No.	Description	Remarks-1	Remarks-2
2369		F	RESISTOR		R619	1-216-835-11	METAL CHIP 15K 5% 1/10W		
2370		F	RESISTOR		R620	1-216-833-11	METAL CHIP 10K 5% 1/10W		
2371		F	RESISTOR		R621	1-216-825-11	METAL CHIP 2.2K 5% 1/10W		
2372		F	RELAY		RY601	1-755-266-11	RELAY, AC POWER		
2373		F	TRANSFORMER		T601	1-456-562-11	LINE FILTER COIL		
2374		F	TRANSFORMER		T602	1-456-562-11	LINE FILTER COIL		
2375		F	TRANSFORMER		T603	1-443-313-11	TRANSFORMER, CONVERTER (SBT)		
2376		F	TRANSFORMER		T604	1-409-586-11	COIL, LINE FILTER		
2377		F	THERMISTOR		TH601	1-803-586-11	THERMISTOR, NTC		
2378		F	VARISTOR		VDR601	1-803-830-31	VARISTOR (ERZV14D621)		
2379		F	VARISTOR		VDR602	1-803-830-31	VARISTOR (ERZV14D621)		
2380		F	VARISTOR		VDR603	1-810-977-21	VARISTOR		
2381		G1	CAPACITOR		C6003	1-161-830-00	CERAMIC 0.0047UF 99% 500V		
2382		G1	CAPACITOR		C6004	1-161-830-00	CERAMIC 0.0047UF 99% 500V		
2383		G1	CAPACITOR		C6005	1-161-830-00	CERAMIC 0.0047UF 99% 500V		
2384		G1	CAPACITOR		C6007	1-165-531-11	MYLAR 1UF 10 275V		
2385		G1	CAPACITOR		C6009	1-161-830-00	CERAMIC 0.0047UF 99% 500V		
2386		G1	CAPACITOR		C6011	1-117-227-11	MYLAR 1UF 10% 450V		
2387		G1	CAPACITOR		C6201	1-117-227-11	MYLAR 1UF 10% 450V		
2388		G1	CAPACITOR		C6202	1-100-613-81	CERAMIC 470PF 5% 1KV		
2389		G1	CAPACITOR		C6203	1-100-613-81	CERAMIC 470PF 5% 1KV		
2390		G1	CAPACITOR		C6204	1-163-021-91	CERAMIC CHIP 0.01UF 10.00% 50V		
2391		G1	CAPACITOR		C6205	1-104-330-91	CERAMIC 470PF 10.00% 1KV		
2392		G1	CAPACITOR		C6206	1-117-752-11	ELECT(BLOCK) 330UF 20.00% 450V		
2393		G1	CAPACITOR		C6207	1-104-330-91	CERAMIC 470PF 10.00% 1KV		
2394		G1	CAPACITOR		C6208	1-117-752-11	ELECT(BLOCK) 330UF 20.00% 450V		
2395		G1	CAPACITOR		C6210	1-100-756-91	CERAMIC CHIP 0.047UF 50V		
2396		G1	CAPACITOR		C6211	1-163-037-11	CERAMIC CHIP 0.022UF 10.00% 50V		
2397		G1	CAPACITOR		C6212	1-115-339-11	CERAMIC CHIP 0.1UF 10.00% 50V		
2398		G1	CAPACITOR		C6213	1-107-823-11	CERAMIC CHIP 0.47UF 10.00% 16V		
2399		G1	CAPACITOR		C6214	1-127-804-91	CERAMIC CHIP 100PF 1% 50V		
2400		G1	CAPACITOR		C6215	1-162-964-11	CERAMIC CHIP 0.001UF 10.00% 50V		
2401		G1	CAPACITOR		C6216	1-162-970-11	CERAMIC CHIP 0.01UF 10.00% 25V		
2402		G1	CAPACITOR		C6218	1-162-962-11	CERAMIC CHIP 470PF 10.00% 50V		
2403		G1	CAPACITOR		C6219	1-107-888-11	ELECT 47UF 20.00% 25V		
2404		G1	CAPACITOR		C6220	1-164-227-11	CERAMIC CHIP 0.022UF 10.00% 25V		
2405		G1	CAPACITOR		C6221	1-162-964-11	CERAMIC CHIP 0.001UF 10.00% 50V		
2406		G1	CAPACITOR		C6222	1-107-889-11	ELECT 220UF 20.00% 25V		
2407		G1	CAPACITOR		C6223	1-107-826-11	CERAMIC CHIP 0.1UF 10.00% 16V		
2408		G1	CAPACITOR		C6224	1-162-970-11	CERAMIC CHIP 0.01UF 10.00% 25V		
2409		G1	CAPACITOR		C6225	1-107-826-11	CERAMIC CHIP 0.1UF 10.00% 16V		
2410		G1	CAPACITOR		C6226	1-164-227-11	CERAMIC CHIP 0.022UF 10.00% 25V		
2411		G1	CAPACITOR		C6227	1-107-906-11	ELECT 10UF 20.00% 50V		
2412		G1	CAPACITOR		C6228	1-115-416-11	CERAMIC CHIP 0.001UF 5.00% 25V		
2413		G1	CAPACITOR		C6229	1-165-176-11	CERAMIC CHIP 0.047UF 10.00% 16V		
2414		G1	CAPACITOR		C6230	1-163-145-00	CERAMIC CHIP 0.0015UF 5.00% 50V		
2415		G1	CAPACITOR		C6231	1-164-227-11	CERAMIC CHIP 0.022UF 10.00% 25V		
2416		G1	CAPACITOR		C6232	1-162-970-11	CERAMIC CHIP 0.01UF 10.00% 25V		
2417		G1	CAPACITOR		C6233	1-162-970-11	CERAMIC CHIP 0.01UF 10.00% 25V		
2418		G1	CAPACITOR		C6234	1-162-970-11	CERAMIC CHIP 0.01UF 10.00% 25V		
2419		G1	CAPACITOR		C6235	1-162-970-11	CERAMIC CHIP 0.01UF 10.00% 25V		
2420		G1	CAPACITOR		C6236	1-162-964-11	CERAMIC CHIP 0.001UF 10.00% 50V		
2421		G1	CAPACITOR		C6237	1-107-905-11	ELECT 4.7UF 20.00% 50V		
2422		G1	CAPACITOR		C6238	1-162-970-11	CERAMIC CHIP 0.01UF 10.00% 25V		
2423		G1	CAPACITOR		C6239	1-162-970-11	CERAMIC CHIP 0.01UF 10.00% 25V		
2424		G1	CAPACITOR		C6240	1-107-888-11	ELECT 47UF 20.00% 25V		
2425		G1	CAPACITOR		C6241	1-107-905-11	ELECT 4.7UF 20.00% 50V		
2426		G1	CAPACITOR		C6242	1-162-970-11	CERAMIC CHIP 0.01UF 10.00% 25V		
2427		G1	CAPACITOR		C6243	1-107-902-11	ELECT 1UF 20.00% 50V		
2428		G1	CAPACITOR		C6244	1-162-970-11	CERAMIC CHIP 0.01UF 10.00% 25V		
2429		G1	CAPACITOR		C6245	1-107-910-11	ELECT 100UF 20.00% 50V		
2430		G1	CAPACITOR		C6246	1-117-227-11	MYLAR 1UF 10% 450V		
2431		G1	CAPACITOR		C6247	1-162-964-11	CERAMIC CHIP 0.001UF 10.00% 50V		
2432		G1	CONNECTOR	*	CN6001	1-580-843-11	PIN, CONNECTOR (POWER)		
2433		G1	CONNECTOR	*	CN6002	1-564-506-11	PLUG, CONNECTOR 3P		
2434		G1	CONNECTOR	*	CN6003	1-564-507-11	PLUG, CONNECTOR 4P		
2435		G1	CONNECTOR	*	CN6004	1-779-658-11	PIN, CONNECTOR (PC BOARD) 4P		
2436		G1	CONNECTOR		CN6005	1-564-505-11	PLUG, CONNECTOR 2P		
2437		G1	DIODE		D6001	8-719-304-63	DIODE RM11C		
2438		G1	DIODE		D6002	8-719-054-89	DIODE D15XB60		
2439		G1	DIODE		D6003	8-719-304-63	DIODE RM11C		
2440		G1	DIODE		D6004	8-719-404-50	DIODE MA111-TX		
2441		G1	DIODE		D6201	8-719-041-97	DIODE MA113-(TX)		
2442		G1	DIODE		D6202	8-719-041-97	DIODE MA113-(TX)		

No.	#	Board	Type	Δ/\ast	Ref. No.	Part No.	Description	Remarks-1	Remarks-2
2443		G1	DIODE		D6203	8-719-083-83	DIODE UDZS-TE17-15B		
2444		G1	DIODE		D6204	8-719-083-83	DIODE UDZS-TE17-15B		
2445		G1	DIODE		D6207	6-500-407-01	DIODE SF20L60U-4015		
2446		G1	DIODE		D6208	8-719-304-63	DIODE RM11C		
2447		G1	DIODE		D6209	8-719-083-83	DIODE UDZS-TE17-15B		
2448		G1	DIODE		D6210	8-719-056-84	DIODE UDZ-TE-17-7.5B		
2449		G1	DIODE		D6211	8-719-404-50	DIODE MA111-TX		
2450		G1	DIODE		D6212	8-719-404-50	DIODE MA111-TX		
2451		G1	DIODE		D6213	8-719-071-94	DIODE HRU0103ATRF		
2452		G1	DIODE		D6214	8-719-056-84	DIODE UDZ-TE-17-7.5B		
2453		G1	DIODE		D6215	8-719-071-94	DIODE HRU0103ATRF		
2454		G1	DIODE		D6216	8-719-071-94	DIODE HRU0103ATRF		
2455		G1	DIODE		D6217	8-719-404-50	DIODE MA111-TX		
2456		G1	DIODE		D6218	8-719-083-83	DIODE UDZS-TE17-15B		
2457		G1	DIODE		D6219	8-719-083-83	DIODE UDZS-TE17-15B		
2458		G1	IC		IC6201	6-703-132-01	IC UC3854BN		
2459		G1	IC		IC6202	8-759-700-44	IC NJM2902M		
2460		G1	IC		IC6203	8-759-458-79	IC PQ12RD11		
2461		G1	IC		IC6204	8-759-682-42	IC MM1431ATT		
2462		G1	COIL		L6001	1-416-489-11	INDUCTOR 143UH		
2463		G1	COIL		L6201	1-424-932-12	INDUCTOR 60UH		
2464		G1	COIL		L6202	1-424-932-12	INDUCTOR 60UH		
2465		G1	TRANSISTOR		Q6201	6-550-372-01	TRANSISTOR SPA20N60C3E8152		
2466		G1	TRANSISTOR		Q6202	6-550-372-01	TRANSISTOR SPA20N60C3E8152		
2467		G1	TRANSISTOR		Q6204	8-729-040-89	TRANSISTOR 2SK1590-T1B		
2468		G1	TRANSISTOR		Q6205	8-729-907-00	TRANSISTOR DTC114EU		
2469		G1	TRANSISTOR		Q6206	8-729-820-86	TRANSISTOR 2SB1121-ST		
2470		G1	TRANSISTOR		Q6207	8-729-905-35	TRANSISTOR 2SC4081-R		
2471		G1	TRANSISTOR		Q6208	8-729-807-17	TRANSISTOR 2SD1621-S		
2472		G1	TRANSISTOR		Q6209	8-729-026-53	TRANSISTOR 2SA1576A-T106-QR		
2473		G1	TRANSISTOR		Q6210	8-729-905-35	TRANSISTOR 2SC4081-R		
2474		G1	TRANSISTOR		Q6211	8-729-905-35	TRANSISTOR 2SC4081-R		
2475		G1	TRANSISTOR		Q6212	8-729-905-35	TRANSISTOR 2SC4081-R		
2476		G1	TRANSISTOR		Q6213	8-729-905-35	TRANSISTOR 2SC4081-R		
2477		G1	TRANSISTOR		Q6214	8-729-026-53	TRANSISTOR 2SA1576A-T106-QR		
2478		G1	TRANSISTOR		Q6215	8-729-907-00	TRANSISTOR DTC114EU		
2479		G1	TRANSISTOR		Q6216	8-729-905-35	TRANSISTOR 2SC4081-R		
2480		G1	TRANSISTOR		Q6217	8-729-026-53	TRANSISTOR 2SA1576A-T106-QR		
2481		G1	RESISTOR		R6002	1-202-972-61	FUSIBLE 1 5% 1/4W		
2482		G1	RESISTOR		R6003	1-216-121-11	RES-CHIP 1M 5% 1/10W		
2483		G1	RESISTOR		R6004	1-202-962-11	CEMENTED 3.3 5% 10W		
2484		G1	RESISTOR		R6005	1-217-781-11	FUSIBLE 2.2 5% 5W		
2485		G1	RESISTOR		R6006	1-202-962-11	CEMENTED 3.3 5% 10W		
2486		G1	RESISTOR		R6007	1-216-864-11	SHORT CHIP 0		
2487		G1	RESISTOR		R6200	1-249-393-11	CARBON 10 5% 1/4W		
2488		G1	RESISTOR		R6201	1-243-665-11	METAL 0.05 5% 5W		
2489		G1	RESISTOR		R6202	1-243-665-11	METAL 0.05 5% 5W		
2490		G1	RESISTOR		R6203	1-249-393-11	CARBON 10 5% 1/4W		
2491		G1	RESISTOR		R6204	1-249-397-11	CARBON 22 5% 1/4W		
2492		G1	RESISTOR		R6206	1-249-397-11	CARBON 22 5% 1/4W		
2493		G1	RESISTOR		R6207	1-216-833-11	METAL CHIP 10K 5% 1/10W		
2494		G1	RESISTOR		R6208	1-216-833-11	METAL CHIP 10K 5% 1/10W		
2495		G1	RESISTOR		R6210	1-215-929-11	METAL OXIDE 100K 5% 3W		
2496		G1	RESISTOR		R6211	1-215-929-11	METAL OXIDE 100K 5% 3W		
2497		G1	RESISTOR		R6212	1-215-905-11	METAL OXIDE 10 5% 3W		
2498		G1	RESISTOR		R6213	1-215-905-11	METAL OXIDE 10 5% 3W		
2499		G1	RESISTOR		R6214	1-216-857-11	METAL CHIP 1M 5% 1/10W		
2500		G1	RESISTOR		R6215	1-218-903-11	METAL CHIP 220K 0.5% 1/10W		
2501		G1	RESISTOR		R6216	1-245-470-21	METAL 220K 1% 1/4W		
2502		G1	RESISTOR		R6217	1-245-474-21	METAL 330K 1% 1/4W		
2503		G1	RESISTOR		R6218	1-245-474-21	METAL 330K 1% 1/4W		
2504		G1	RESISTOR		R6219	1-218-895-11	METAL CHIP 100K 0.5% 1/10W		
2505		G1	RESISTOR		R6220	1-245-470-21	METAL 220K 1% 1/4W		
2506		G1	RESISTOR		R6221	1-245-474-21	METAL 330K 1% 1/4W		
2507		G1	RESISTOR		R6222	1-245-474-21	METAL 330K 1% 1/4W		
2508		G1	RESISTOR		R6223	1-218-877-11	METAL CHIP 18K 0.5% 1/10W		
2509		G1	RESISTOR		R6224	1-245-470-21	METAL 220K 1% 1/4W		
2510		G1	RESISTOR		R6225	1-245-474-21	METAL 330K 1% 1/4W		
2511		G1	RESISTOR		R6226	1-245-474-21	METAL 330K 1% 1/4W		
2512		G1	RESISTOR		R6227	1-216-825-11	METAL CHIP 2.2K 5% 1/10W		
2513		G1	RESISTOR		R6228	1-218-846-11	METAL CHIP 910 0.5% 1/10W		
2514		G1	RESISTOR		R6229	1-216-835-11	METAL CHIP 15K 5% 1/10W		
2515		G1	RESISTOR		R6230	1-216-857-11	METAL CHIP 1M 5% 1/10W		
2516		G1	RESISTOR		R6231	1-216-830-11	METAL CHIP 5.6K 5% 1/10W		

No.	#	Board	Type	Δ/μ	Ref. No.	Part No.	Description	Remarks-1	Remarks-2
2517		G1	RESISTOR		R6232	1-216-837-11	METAL CHIP 22K 5% 1/10W		
2518		G1	RESISTOR		R6233	1-216-825-11	METAL CHIP 2.2K 5% 1/10W		
2519		G1	RESISTOR		R6234	1-216-837-11	METAL CHIP 22K 5% 1/10W		
2520		G1	RESISTOR		R6235	1-216-833-11	METAL CHIP 10K 5% 1/10W		
2521		G1	RESISTOR		R6236	1-249-393-11	CARBON 10 5% 1/4W		
2522		G1	RESISTOR		R6237	1-249-405-11	CARBON 100 5% 1/4W		
2523		G1	RESISTOR		R6238	1-216-837-11	METAL CHIP 22K 5% 1/10W		
2524		G1	RESISTOR		R6239	1-249-393-11	CARBON 10 5% 1/4W		
2525		G1	RESISTOR		R6240	1-216-829-11	METAL CHIP 4.7K 5% 1/10W		
2526		G1	RESISTOR		R6241	1-216-849-11	METAL CHIP 220K 5% 1/10W		
2527		G1	RESISTOR		R6242	1-216-837-11	METAL CHIP 22K 5% 1/10W		
2528		G1	RESISTOR		R6243	1-216-829-11	METAL CHIP 4.7K 5% 1/10W		
2529		G1	RESISTOR		R6244	1-216-833-11	METAL CHIP 10K 5% 1/10W		
2530		G1	RESISTOR		R6245	1-218-867-11	METAL CHIP 6.8K 0.5% 1/10W		
2531		G1	RESISTOR		R6246	1-218-851-11	METAL CHIP 1.5K 0.5% 1/10W		
2532		G1	RESISTOR		R6247	1-218-869-11	METAL CHIP 8.2K 0.5% 1/10W		
2533		G1	RESISTOR		R6248	1-208-830-11	METAL CHIP 100K 0.5% 1/10W		
2534		G1	RESISTOR		R6249	1-208-830-11	METAL CHIP 100K 0.5% 1/10W		
2535		G1	RESISTOR		R6250	1-208-830-11	METAL CHIP 100K 0.5% 1/10W		
2536		G1	RESISTOR		R6251	1-208-832-11	METAL CHIP 120K 0.5% 1/10W		
2537		G1	RESISTOR		R6252	1-208-832-11	METAL CHIP 120K 0.5% 1/10W		
2538		G1	RESISTOR		R6253	1-208-832-11	METAL CHIP 120K 0.5% 1/10W		
2539		G1	RESISTOR		R6254	1-208-832-11	METAL CHIP 120K 0.5% 1/10W		
2540		G1	RESISTOR		R6255	1-208-832-11	METAL CHIP 120K 0.5% 1/10W		
2541		G1	RESISTOR		R6256	1-216-821-11	METAL CHIP 1K 5% 1/10W		
2542		G1	RESISTOR		R6257	1-216-835-11	METAL CHIP 15K 5% 1/10W		
2543		G1	RESISTOR		R6258	1-216-845-11	METAL CHIP 100K 5% 1/10W		
2544		G1	RESISTOR		R6259	1-216-833-11	METAL CHIP 10K 5% 1/10W		
2545		G1	RESISTOR		R6260	1-216-821-11	METAL CHIP 1K 5% 1/10W		
2546		G1	RESISTOR		R6261	1-216-841-11	METAL CHIP 47K 5% 1/10W		
2547		G1	RESISTOR		R6262	1-216-833-11	METAL CHIP 10K 5% 1/10W		
2548		G1	RESISTOR		R6263	1-216-833-11	METAL CHIP 10K 5% 1/10W		
2549		G1	RESISTOR		R6264	1-216-809-11	METAL CHIP 100 5% 1/10W		
2550		G1	RESISTOR		R6265	1-208-832-11	METAL CHIP 120K 0.5% 1/10W		
2551		G1	RESISTOR		R6266	1-208-832-11	METAL CHIP 120K 0.5% 1/10W		
2552		G1	RESISTOR		R6267	1-208-832-11	METAL CHIP 120K 0.5% 1/10W		
2553		G1	RESISTOR		R6268	1-208-832-11	METAL CHIP 120K 0.5% 1/10W		
2554		G1	RESISTOR		R6269	1-208-832-11	METAL CHIP 120K 0.5% 1/10W		
2555		G1	RESISTOR		R6270	1-216-837-11	METAL CHIP 22K 5% 1/10W		
2556		G1	RESISTOR		R6271	1-216-847-11	METAL CHIP 150K 5% 1/10W		
2557		G1	RESISTOR		R6272	1-216-833-11	METAL CHIP 10K 5% 1/10W		
2558		G1	RESISTOR		R6273	1-208-830-11	METAL CHIP 100K 0.5% 1/10W		
2559		G1	RESISTOR		R6274	1-216-821-11	METAL CHIP 1K 5% 1/10W		
2560		G1	RESISTOR		R6275	1-216-821-11	METAL CHIP 1K 5% 1/10W		
2561		G1	RESISTOR		R6276	1-216-821-11	METAL CHIP 1K 5% 1/10W		
2562		G1	RESISTOR		R6277	1-216-841-11	METAL CHIP 47K 5% 1/10W		
2563		G1	RESISTOR		R6278	1-208-830-11	METAL CHIP 100K 0.5% 1/10W		
2564		G1	RESISTOR		R6279	1-216-833-11	METAL CHIP 10K 5% 1/10W		
2565		G1	RESISTOR		R6280	1-208-830-11	METAL CHIP 100K 0.5% 1/10W		
2566		G1	RESISTOR		R6281	1-216-821-11	METAL CHIP 1K 5% 1/10W		
2567		G1	RESISTOR		R6282	1-216-829-11	METAL CHIP 4.7K 5% 1/10W		
2568		G1	RESISTOR		R6283	1-216-829-11	METAL CHIP 4.7K 5% 1/10W		
2569		G1	RESISTOR		R6284	1-216-841-11	METAL CHIP 47K 5% 1/10W		
2570		G1	RESISTOR		R6285	1-216-797-11	METAL CHIP 10 5% 1/10W		
2571		G1	RESISTOR		R6286	1-216-849-11	METAL CHIP 220K 5% 1/10W		
2572		G1	RESISTOR		R6287	1-216-829-11	METAL CHIP 4.7K 5% 1/10W		
2573		G1	RESISTOR		R6288	1-216-829-11	METAL CHIP 4.7K 5% 1/10W		
2574		G1	RESISTOR		R6289	1-216-833-11	METAL CHIP 10K 5% 1/10W		
2575		G1	RESISTOR		R6290	1-218-863-11	METAL CHIP 4.7K 0.5% 1/10W		
2576		G1	RESISTOR		R6291	1-218-831-11	METAL CHIP 220 0.5% 1/10W		
2577		G1	RESISTOR		R6292	1-218-855-11	METAL CHIP 2.2K 0.5% 1/10W		
2578		G1	RESISTOR		R6293	1-216-833-11	METAL CHIP 10K 5% 1/10W		
2579		G1	RESISTOR		R6294	1-216-841-11	METAL CHIP 47K 5% 1/10W		
2580		G1	RESISTOR		R6295	1-216-833-11	METAL CHIP 10K 5% 1/10W		
2581		G1	RESISTOR		R6296	1-216-833-11	METAL CHIP 10K 5% 1/10W		
2582		G1	RESISTOR		R6297	1-249-393-11	CARBON 10 5% 1/4W		
2583		G1	RESISTOR		R6298	1-216-121-11	RES-CHIP 1M 5% 1/10W		
2584		G1	VARIABLE RESISTOR		RV6201	1-225-626-91	RES, VAR, ADJ, CERMET 1K		
2585		G1	RELAY		RY6001	1-515-999-11	RELAY, POWER		
2586		G1	THERMISTOR		TH6201	1-809-789-71	THERMISTOR, POSITIVE		
2587		G2	CAPACITOR		C6301	1-137-639-21	MYLAR 0.47UF 10% 450V		
2588		G2	CAPACITOR		C6302	1-126-967-11	ELECT 47UF 20.00% 50V		
2589		G2	CAPACITOR		C6304	1-162-970-11	CERAMIC CHIP 0.01UF 10.00% 25V		
2590		G2	CAPACITOR		C6305	1-107-905-11	ELECT 4.7UF 20.00% 50V		

No.	#	Board	Type	$\Delta/\%$	Ref. No.	Part No.	Description	Remarks-1	Remarks-2
2591		G2	CAPACITOR		C6306	1-100-831-91	CERAMIC CHIP 0.001UF 2% 50V		
2592		G2	CAPACITOR		C6307	1-126-949-11	ELECT 220UF 20.00% 35V		
2593		G2	CAPACITOR		C6308	1-107-906-11	ELECT 10UF 20.00% 50V		
2594		G2	CAPACITOR		C6309	1-115-339-11	CERAMIC CHIP 0.1UF 10.00% 50V		
2595		G2	CAPACITOR		C6310	1-162-964-11	CERAMIC CHIP 0.001UF 10.00% 50V		
2596		G2	CAPACITOR		C6311	1-162-970-11	CERAMIC CHIP 0.01UF 10.00% 25V		
2597		G2	CAPACITOR		C6313	1-107-888-11	ELECT 47UF 20.00% 25V		
2598		G2	CAPACITOR		C6314	1-107-824-11	CERAMIC 220PF 5.00% 1KV		
2599		G2	CAPACITOR		C6315	1-100-310-11	FILM 18000PF 3% 800V		
2600		G2	CAPACITOR		C6316	1-107-824-11	CERAMIC 220PF 5.00% 1KV		
2601		G2	CAPACITOR		C6317	1-107-910-11	ELECT 100UF 20.00% 50V		
2602		G2	CAPACITOR		C6318	1-164-004-11	CERAMIC CHIP 0.1UF 10.00% 25V		
2603		G2	CAPACITOR		C6401	1-131-970-11	ELECT 1500UF 20% 25V		
2604		G2	CAPACITOR		C6402	1-126-972-11	ELECT 1000UF 20.00% 50V		
2605		G2	CAPACITOR		C6403	1-104-665-11	ELECT 100UF 20.00% 25V		
2606		G2	CAPACITOR		C6404	1-107-888-11	ELECT 47UF 20.00% 25V		
2607		G2	CAPACITOR		C6405	1-128-945-31	ELECT 1000UF 20% 10V		
2608		G2	CAPACITOR		C6406	1-162-970-11	CERAMIC CHIP 0.01UF 10.00% 25V		
2609		G2	CAPACITOR		C6407	1-128-953-31	ELECT 470UF 20% 25V		
2610		G2	CAPACITOR		C6408	1-128-945-31	ELECT 1000UF 20% 10V		
2611		G2	CAPACITOR		C6409	1-162-970-11	CERAMIC CHIP 0.01UF 10.00% 25V		
2612		G2	CAPACITOR		C6410	1-162-970-11	CERAMIC CHIP 0.01UF 10.00% 25V		
2613		G2	CAPACITOR		C6412	1-128-953-31	ELECT 470UF 20% 25V		
2614		G2	CAPACITOR		C6413	1-162-970-11	CERAMIC CHIP 0.01UF 10.00% 25V		
2615		G2	CAPACITOR		C6414	1-162-970-11	CERAMIC CHIP 0.01UF 10.00% 25V		
2616		G2	CAPACITOR		C6415	1-162-970-11	CERAMIC CHIP 0.01UF 10.00% 25V		
2617		G2	CAPACITOR		C6416	1-126-923-91	ELECT 220UF 20.00% 10V		
2618		G2	CAPACITOR		C6419	1-128-951-31	ELECT 2200UF 20% 16V		
2619		G2	CAPACITOR		C6501	1-117-227-11	MYLAR 1UF 10% 450V		
2620		G2	CAPACITOR		C6504	1-162-970-11	CERAMIC CHIP 0.01UF 10.00% 25V		
2621		G2	CAPACITOR		C6505	1-107-906-11	ELECT 10UF 20.00% 50V		
2622		G2	CAPACITOR		C6506	1-162-970-11	CERAMIC CHIP 0.01UF 10.00% 25V		
2623		G2	CAPACITOR		C6507	1-107-909-11	ELECT 47UF 20.00% 50V		
2624		G2	CAPACITOR		C6508	1-107-906-11	ELECT 10UF 20.00% 50V		
2625		G2	CAPACITOR		C6509	1-100-831-91	CERAMIC CHIP 0.001UF 2% 50V		
2626		G2	CAPACITOR		C6510	1-115-339-11	CERAMIC CHIP 0.1UF 10.00% 50V		
2627		G2	CAPACITOR		C6513	1-107-888-11	ELECT 47UF 20.00% 25V		
2628		G2	CAPACITOR		C6514	1-107-824-11	CERAMIC 220PF 5.00% 1KV		
2629		G2	CAPACITOR		C6515	1-107-824-11	CERAMIC 220PF 5.00% 1KV		
2630		G2	CAPACITOR		C6516	1-100-400-11	FILM 39000PF 3% 1KV		
2631		G2	CAPACITOR		C6517	1-164-004-11	CERAMIC CHIP 0.1UF 10.00% 25V		
2632		G2	CAPACITOR		C6518	1-115-340-11	CERAMIC CHIP 0.22UF 10.00% 25V		
2633		G2	CAPACITOR		C6521	1-162-970-11	CERAMIC CHIP 0.01UF 10.00% 25V		
2634		G2	CAPACITOR		C6522	1-162-970-11	CERAMIC CHIP 0.01UF 10.00% 25V		
2635		G2	CAPACITOR		C6601	1-165-776-31	ELECT 680UF 20% 100V		
2636		G2	CAPACITOR		C6603	1-107-937-51	ELECT 1000UF 20.00% 100V		
2637		G2	CAPACITOR		C6604	1-107-937-51	ELECT 1000UF 20.00% 100V		
2638		G2	CAPACITOR		C6701	1-117-228-71	MYLAR 2.2UF 10.00% 450V		
2639		G2	CAPACITOR		C6702	1-162-964-11	CERAMIC CHIP 0.001UF 10.00% 50V		
2640		G2	CAPACITOR		C6703	1-162-964-11	CERAMIC CHIP 0.001UF 10.00% 50V		
2641		G2	CAPACITOR		C6704	1-162-970-11	CERAMIC CHIP 0.01UF 10.00% 25V		
2642		G2	CAPACITOR		C6705	1-107-909-11	ELECT 47UF 20.00% 50V		
2643		G2	CAPACITOR		C6706	1-127-559-11	ELECT 15UF 20.00% 6.3V		
2644		G2	CAPACITOR		C6707	1-162-970-11	CERAMIC CHIP 0.01UF 10.00% 25V		
2645		G2	CAPACITOR		C6708	1-107-906-11	ELECT 10UF 20.00% 50V		
2646		G2	CAPACITOR		C6709	1-100-831-91	CERAMIC CHIP 0.001UF 2% 50V		
2647		G2	CAPACITOR		C6710	1-115-339-11	CERAMIC CHIP 0.1UF 10.00% 50V		
2648		G2	CAPACITOR		C6713	1-107-888-11	ELECT 47UF 20.00% 25V		
2649		G2	CAPACITOR		C6715	1-104-330-91	CERAMIC 470PF 10.00% 1KV		
2650		G2	CAPACITOR		C6716	1-104-330-91	CERAMIC 470PF 10.00% 1KV		
2651		G2	CAPACITOR		C6717	1-100-400-11	FILM 39000PF 3% 1KV		
2652		G2	CAPACITOR		C6718	1-100-400-11	FILM 39000PF 3% 1KV		
2653		G2	CAPACITOR		C6719	1-115-340-11	CERAMIC CHIP 0.22UF 10.00% 25V		
2654		G2	CAPACITOR		C6720	1-164-004-11	CERAMIC CHIP 0.1UF 10.00% 25V		
2655		G2	CAPACITOR		C6801	1-100-402-11	ELECT 1000UF 20% 250V		
2656		G2	CAPACITOR		C6802	1-126-967-11	ELECT 47UF 20.00% 50V		
2657		G2	CAPACITOR		C6803	1-162-968-11	CERAMIC CHIP 0.0047UF 10.00% 50V		
2658		G2	CAPACITOR		C6804	1-100-215-11	ELECT 1800UF 20% 250V		
2659		G2	CAPACITOR		C6805	1-100-215-11	ELECT 1800UF 20% 250V		
2660		G2	CAPACITOR		C6806	1-162-970-11	CERAMIC CHIP 0.01UF 10.00% 25V		
2661		G2	CAPACITOR		C6807	1-162-964-11	CERAMIC CHIP 0.001UF 10.00% 50V		
2662		G2	CAPACITOR		C6808	1-165-908-11	CERAMIC CHIP 1UF 10% 10V		
2663		G2	CAPACITOR		C6809	1-162-968-11	CERAMIC CHIP 0.0047UF 10.00% 50V		
2664		G2	CAPACITOR		C6810	1-102-228-00	CERAMIC 470PF 10.00% 500V		

No.	#	Board	Type	Δ / [*]	Ref. No.	Part No.	Description	Remarks-1	Remarks-2
2665		G2	CAPACITOR		C6811	1-102-244-00	CERAMIC 220PF 10.00% 500V		
2666		G2	CAPACITOR		C6812	1-107-965-11	ELECT 100UF 20.00% 250V		
2667		G2	CAPACITOR		C6813	1-107-905-11	ELECT 4.7UF 20.00% 50V		
2668		G2	CAPACITOR		C6814	1-137-190-91	FILM 0.22UF 5.00% 50V		
2669		G2	CAPACITOR		C6815	1-165-726-31	ELECT 56UF 20% 16V		
2670		G2	CAPACITOR		C6816	1-101-821-00	CERAMIC 0.0022UF 500V		
2671		G2	CAPACITOR		C6817	1-115-339-11	CERAMIC CHIP 0.1UF 10.00% 50V		
2672		G2	CAPACITOR		C6818	1-107-964-11	ELECT 47UF 20.00% 250V		
2673		G2	CAPACITOR		C6819	1-126-963-11	ELECT 4.7UF 20.00% 50V		
2674		G2	CAPACITOR		C6820	1-137-190-91	FILM 0.22UF 5.00% 50V		
2675		G2	CAPACITOR		C6821	1-126-947-11	ELECT 47UF 20.00% 35V		
2676		G2	CAPACITOR		C6822	1-101-821-00	CERAMIC 0.0022UF 500V		
2677		G2	CAPACITOR		C6823	1-115-339-11	CERAMIC CHIP 0.1UF 10.00% 50V		
2678		G2	CAPACITOR		C6824	1-107-933-11	ELECT 100UF 20.00% 100V		
2679		G2	CAPACITOR		C6825	1-126-963-11	ELECT 4.7UF 20.00% 50V		
2680		G2	CAPACITOR		C6826	1-137-190-91	FILM 0.22UF 5.00% 50V		
2681		G2	CAPACITOR		C6827	1-126-947-11	ELECT 47UF 20.00% 35V		
2682		G2	CAPACITOR		C6829	1-107-364-11	MYLAR 0.01UF 10.00% 200V		
2683		G2	CAPACITOR		C6830	1-115-339-11	CERAMIC CHIP 0.1UF 10.00% 50V		
2684		G2	CAPACITOR		C6831	1-107-888-11	ELECT 47UF 20.00% 25V		
2685		G2	CAPACITOR		C6832	1-126-947-11	ELECT 47UF 20.00% 35V		
2686		G2	CAPACITOR		C6833	1-126-947-11	ELECT 47UF 20.00% 35V		
2687		G2	CAPACITOR		C6901	1-107-826-11	CERAMIC CHIP 0.1UF 10.00% 16V		
2688		G2	CAPACITOR		C6902	1-162-970-11	CERAMIC CHIP 0.01UF 10.00% 25V		
2689		G2	CAPACITOR		C6903	1-165-908-11	CERAMIC CHIP 1UF 10% 10V		
2690		G2	CAPACITOR		C6905	1-162-970-11	CERAMIC CHIP 0.01UF 10.00% 25V		
2691		G2	CAPACITOR		C6906	1-126-947-11	ELECT 47UF 20.00% 35V		
2692		G2	CAPACITOR		C6907	1-162-970-11	CERAMIC CHIP 0.01UF 10.00% 25V		
2693		G2	CAPACITOR		C6908	1-162-970-11	CERAMIC CHIP 0.01UF 10.00% 25V		
2694		G2	CAPACITOR		C6909	1-164-004-11	CERAMIC CHIP 0.1UF 10.00% 25V		
2695		G2	CAPACITOR		C6911	1-126-947-11	ELECT 47UF 20.00% 35V		
2696		G2	CAPACITOR		C6912	1-107-889-11	ELECT 220UF 20.00% 25V		
2697		G2	CAPACITOR		C6914	1-115-339-11	CERAMIC CHIP 0.1UF 10.00% 50V		
2698		G2	CAPACITOR		C6915	1-162-964-11	CERAMIC CHIP 0.001UF 10.00% 50V		
2699		G2	CAPACITOR		C6920	1-107-826-11	CERAMIC CHIP 0.1UF 10.00% 16V		
2700		G2	CAPACITOR		C6921	1-162-970-11	CERAMIC CHIP 0.01UF 10.00% 25V		
2701		G2	CAPACITOR		C6922	1-126-964-11	ELECT 10UF 20.00% 50V		
2702		G2	CAPACITOR		C6929	1-162-970-11	CERAMIC CHIP 0.01UF 10.00% 25V		
2703		G2	CAPACITOR		C6930	1-162-970-11	CERAMIC CHIP 0.01UF 10.00% 25V		
2704		G2	LEAD PIN	*	CLP1	4-042-408-02	PIN(45), WIRE		
2705		G2	LEAD PIN	*	CLP3	4-042-408-02	PIN(45), WIRE		
2706		G2	CONNECTOR	*	CN6101	1-564-506-11	PLUG, CONNECTOR 3P		
2707		G2	CONNECTOR	*	CN6102	1-564-507-11	PLUG, CONNECTOR 4P		
2708		G2	CONNECTOR	*	CN6103	1-779-658-11	PIN, CONNECTOR (PC BOARD) 4P		
2709		G2	CONNECTOR	*	CN6104	1-564-506-11	PLUG, CONNECTOR 3P		
2710		G2	CONNECTOR	*	CN6105	1-564-596-11	PLUG, CONNECTOR 15P		
2711		G2	CONNECTOR	*	CN6106	1-564-507-11	PLUG, CONNECTOR 4P		
2712		G2	CONNECTOR	*	CN6107	1-564-512-11	PLUG, CONNECTOR 9P		
2713		G2	CONNECTOR	*	CN6108	1-564-712-11	PIN, CONNECTOR (SMALL TYPE)10P		
2714		G2	CONNECTOR	*	CN6109	1-766-175-11	PIN, CONNECTOR (PC BOARD) 5P		
2715		G2	CONNECTOR	*	CN6110	1-580-837-11	PIN, CONNECTOR (PC BOARD) 3P		
2716		G2	CONNECTOR		CN6111	1-779-092-11	PIN, CONNECTOR (PC BOARD) 10P		
2717		G2	CONNECTOR	*	CN6112	1-691-757-11	PIN, CONNECTOR (PC BOARD) 8P		
2718		G2	CONNECTOR		CN6113	1-564-505-11	PLUG, CONNECTOR 2P		
2719		G2	DIODE		D6101	8-719-979-64	DIODE UF4005PKG23		
2720		G2	DIODE		D6302	8-719-083-83	DIODE UDZS-TE17-15B		
2721		G2	DIODE		D6303	8-719-083-83	DIODE UDZS-TE17-15B		
2722		G2	DIODE		D6304	8-719-979-64	DIODE UF4005PKG23		
2723		G2	DIODE		D6305	8-719-947-61	DIODE MTZJ-T-72-15B		
2724		G2	DIODE		D6306	8-719-947-61	DIODE MTZJ-T-72-15B		
2725		G2	DIODE		D6307	8-719-063-74	DIODE D1NL20U-TR2		
2726		G2	DIODE		D6308	8-719-404-50	DIODE MA111-TX		
2727		G2	DIODE		D6309	8-719-063-74	DIODE D1NL20U-TR2		
2728		G2	DIODE		D6310	8-719-063-74	DIODE D1NL20U-TR2		
2729		G2	DIODE		D6311	8-719-041-97	DIODE MA113-(TX)		
2730		G2	DIODE		D6401	8-719-404-50	DIODE MA111-TX		
2731		G2	DIODE		D6402	8-719-050-21	DIODE FCQ20A04		
2732		G2	DIODE		D6403	8-719-083-83	DIODE UDZS-TE17-15B		
2733		G2	DIODE		D6404	8-719-404-50	DIODE MA111-TX		
2734		G2	DIODE		D6405	8-719-027-20	DIODE D3S4M-F		
2735		G2	DIODE		D6406	8-719-083-67	DIODE UDZSTE-1720B		
2736		G2	DIODE		D6408	8-719-510-41	DIODE D10SC9M		
2737		G2	DIODE		D6409	8-719-050-18	DIODE D4SBL20U		
2738		G2	DIODE		D6410	8-719-404-50	DIODE MA111-TX		

No.	#	Board	Type	Δ / [*]	Ref. No.	Part No.	Description	Remarks-1	Remarks-2
2739		G2	DIODE		D6411	8-719-160-29	DIODE RD6.2FB2		
2740		G2	DIODE		D6412	8-719-027-20	DIODE D3S4M-F		
2741		G2	DIODE		D6413	8-719-160-20	DIODE RD4.7FB2		
2742		G2	DIODE		D6414	8-719-069-55	DIODE UDZSTE-175.6B		
2743		G2	DIODE		D6415	8-719-404-50	DIODE MA111-TX		
2744		G2	DIODE		D6501	8-719-404-50	DIODE MA111-TX		
2745		G2	DIODE		D6502	8-719-083-83	DIODE UDZS-TE17-15B		
2746		G2	DIODE		D6503	8-719-083-83	DIODE UDZS-TE17-15B		
2747		G2	DIODE		D6504	8-719-083-83	DIODE UDZS-TE17-15B		
2748		G2	DIODE		D6505	8-719-979-64	DIODE UF4005PKG23		
2749		G2	DIODE		D6506	8-719-947-61	DIODE MTZJ-T-72-15B		
2750		G2	DIODE		D6507	8-719-947-61	DIODE MTZJ-T-72-15B		
2751		G2	DIODE		D6601	8-719-054-51	DIODE D8LC20U-4012		
2752		G2	DIODE		D6701	8-719-404-50	DIODE MA111-TX		
2753		G2	DIODE		D6702	8-719-083-83	DIODE UDZS-TE17-15B		
2754		G2	DIODE		D6704	8-719-083-83	DIODE UDZS-TE17-15B		
2755		G2	DIODE		D6705	8-719-083-83	DIODE UDZS-TE17-15B		
2756		G2	DIODE		D6706	8-719-979-64	DIODE UF4005PKG23		
2757		G2	DIODE		D6707	8-719-041-97	DIODE MA113-(TX)		
2758		G2	DIODE		D6708	8-719-041-97	DIODE MA113-(TX)		
2759		G2	DIODE		D6709	8-719-947-61	DIODE MTZJ-T-72-15B		
2760		G2	DIODE		D6710	8-719-947-61	DIODE MTZJ-T-72-15B		
2761		G2	DIODE		D6711	8-719-947-61	DIODE MTZJ-T-72-15B		
2762		G2	DIODE		D6712	8-719-947-61	DIODE MTZJ-T-72-15B		
2763		G2	DIODE		D6801	6-500-439-01	DIODE D8LD40-F1		
2764		G2	DIODE		D6802	6-500-439-01	DIODE D8LD40-F1		
2765		G2	DIODE		D6803	8-719-083-83	DIODE UDZS-TE17-15B		
2766		G2	DIODE		D6804	8-719-404-50	DIODE MA111-TX		
2767		G2	DIODE		D6805	8-719-404-50	DIODE MA111-TX		
2768		G2	DIODE		D6806	8-719-979-64	DIODE UF4005PKG23		
2769		G2	DIODE		D6807	8-719-059-23	DIODE P6KE200AG23		
2770		G2	DIODE		D6808	8-719-979-64	DIODE UF4005PKG23		
2771		G2	DIODE		D6809	8-719-063-74	DIODE D1NL20U-TR2		
2772		G2	DIODE		D6810	8-719-083-83	DIODE UDZS-TE17-15B		
2773		G2	DIODE		D6812	8-719-063-74	DIODE D1NL20U-TR2		
2774		G2	DIODE		D6813	8-719-404-50	DIODE MA111-TX		
2775		G2	DIODE		D6814	8-719-979-64	DIODE UF4005PKG23		
2776		G2	DIODE		D6815	8-719-059-23	DIODE P6KE200AG23		
2777		G2	DIODE		D6816	8-719-979-64	DIODE UF4005PKG23		
2778		G2	DIODE		D6817	8-719-063-74	DIODE D1NL20U-TR2		
2779		G2	DIODE		D6818	8-719-083-52	DIODE UDZSTE-1716B		
2780		G2	DIODE		D6820	8-719-063-74	DIODE D1NL20U-TR2		
2781		G2	DIODE		D6821	8-719-404-50	DIODE MA111-TX		
2782		G2	DIODE		D6822	8-719-979-64	DIODE UF4005PKG23		
2783		G2	DIODE		D6823	8-719-063-74	DIODE D1NL20U-TR2		
2784		G2	DIODE		D6824	8-719-059-23	DIODE P6KE200AG23		
2785		G2	DIODE		D6825	8-719-979-64	DIODE UF4005PKG23		
2786		G2	DIODE		D6826	8-719-063-74	DIODE D1NL20U-TR2		
2787		G2	DIODE		D6827	8-719-083-83	DIODE UDZS-TE17-15B		
2788		G2	DIODE		D6829	8-719-404-50	DIODE MA111-TX		
2789		G2	DIODE		D6831	8-719-404-50	DIODE MA111-TX		
2790		G2	DIODE		D6901	8-719-083-83	DIODE UDZS-TE17-15B		
2791		G2	DIODE		D6902	8-719-404-50	DIODE MA111-TX		
2792		G2	DIODE		D6905	8-719-404-50	DIODE MA111-TX		
2793		G2	DIODE		D6906	8-719-404-50	DIODE MA111-TX		
2794		G2	DIODE		D6908	8-719-404-50	DIODE MA111-TX		
2795		G2	DIODE		D6909	8-719-404-50	DIODE MA111-TX		
2796		G2	DIODE		D6910	8-719-404-50	DIODE MA111-TX		
2797		G2	DIODE		D6912	8-719-056-84	DIODE UDZ-TE-17-7.5B		
2798		G2	IC		IC6301	6-705-810-01	IC MCZ3001DB		
2799		G2	IC		IC6401	8-759-982-15	IC RC7815FA		
2800		G2	IC		IC6402	8-759-640-19	IC PQ1CG2032FZ		
2801		G2	IC		IC6403	8-759-640-19	IC PQ1CG2032FZ		
2802		G2	IC		IC6404	8-759-682-42	IC MM1431ATT		
2803		G2	IC		IC6501	6-705-810-01	IC MCZ3001DB		
2804		G2	IC		IC6701	6-705-810-01	IC MCZ3001DB		
2805		G2	IC		IC6801	8-759-470-64	IC TOP223Y-BB		
2806		G2	IC		IC6802	8-759-682-42	IC MM1431ATT		
2807		G2	IC		IC6803	8-759-470-64	IC TOP223Y-BB		
2808		G2	IC		IC6804	8-759-682-42	IC MM1431ATT		
2809		G2	IC		IC6805	8-759-470-64	IC TOP223Y-BB		
2810		G2	IC		IC6806	8-759-682-42	IC MM1431ATT		
2811		G2	IC		IC6902	6-704-967-01	IC PQ20RX11J00H		
2812		G2	IC		IC6903	8-759-682-42	IC MM1431ATT		

No.	#	Board	Type	Δ / [*]	Ref. No.	Part No.	Description	Remarks-1	Remarks-2
2813		G2	IC	*	IC6904	8-759-575-27	IC BA10339F-E2		
2814		G2	IC		IC6905	8-759-682-42	IC MM1431ATT		
2815		G2	IC		IC6906	8-759-682-42	IC MM1431ATT		
2816		G2	COIL		L6301	1-406-667-11	INDUCTOR 220UH		
2817		G2	COIL		L6401	1-412-519-11	INDUCTOR 3.3UH		
2818		G2	COIL		L6402	1-412-519-11	INDUCTOR 3.3UH		
2819		G2	COIL		L6403	1-412-525-31	INDUCTOR 10UH		
2820		G2	COIL		L6404	1-419-714-11	INDUCTOR 100UH		
2821		G2	COIL		L6405	1-406-976-11	INDUCTOR 68UH		
2822		G2	COIL		L6406	1-412-525-31	INDUCTOR 10UH		
2823		G2	COIL		L6501	1-406-665-11	INDUCTOR 100UH		
2824		G2	COIL		L6701	1-406-977-21	INDUCTOR 100UH		
2825		G2	PHOTO COUPLER		PH6402	8-749-016-81	PHOTO COUPLER PC123Y22		
2826		G2	PHOTO COUPLER		PH6601	8-749-016-81	PHOTO COUPLER PC123Y22		
2827		G2	PHOTO COUPLER		PH6602	8-749-016-81	PHOTO COUPLER PC123Y22		
2828		G2	PHOTO COUPLER		PH6801	8-749-016-81	PHOTO COUPLER PC123Y22		
2829		G2	PHOTO COUPLER		PH6802	8-749-016-81	PHOTO COUPLER PC123Y22		
2830		G2	PHOTO COUPLER		PH6803	6-600-187-01	PHOTO COUPLER PC123Y22JOOF		
2831		G2	PHOTO COUPLER		PH6804	6-600-187-01	PHOTO COUPLER PC123Y22JOOF		
2832		G2	PHOTO COUPLER		PH6805	6-600-187-01	PHOTO COUPLER PC123Y22JOOF		
2833		G2	PHOTO COUPLER		PH6901	8-749-016-81	PHOTO COUPLER PC123Y22		
2834		G2	PHOTO COUPLER		PH6902	8-749-016-81	PHOTO COUPLER PC123Y22		
2835		G2	IC LINK	Δ	PS1	1-576-390-91	IC LINK 2.5A 50V		
2836		G2	IC LINK	Δ	PS2	1-576-390-91	IC LINK 2.5A 50V		
2837		G2	TRANSISTOR		Q6301	8-729-053-10	TRANSISTOR 2SK2662(LBS2SONY)		
2838		G2	TRANSISTOR		Q6302	8-729-053-10	TRANSISTOR 2SK2662(LBS2SONY)		
2839		G2	TRANSISTOR		Q6401	8-729-907-00	TRANSISTOR DTC114EU		
2840		G2	TRANSISTOR		Q6402	8-729-907-00	TRANSISTOR DTC114EU		
2841		G2	TRANSISTOR		Q6403	8-729-907-00	TRANSISTOR DTC114EU		
2842		G2	TRANSISTOR		Q6404	6-550-548-01	TRANSISTOR DTA114EUAFT106		
2843		G2	TRANSISTOR		Q6501	6-550-526-11	TRANSISTOR 2SK2842(LBS2SONY)		
2844		G2	TRANSISTOR		Q6502	6-550-526-11	TRANSISTOR 2SK2842(LBS2SONY)		
2845		G2	TRANSISTOR		Q6503	8-729-907-00	TRANSISTOR DTC114EU		
2846		G2	TRANSISTOR		Q6504	8-729-907-00	TRANSISTOR DTC114EU		
2847		G2	TRANSISTOR		Q6701	6-550-372-01	TRANSISTOR SPA20N60C3E8152		
2848		G2	TRANSISTOR		Q6702	6-550-372-01	TRANSISTOR SPA20N60C3E8152		
2849		G2	TRANSISTOR		Q6703	8-729-040-89	TRANSISTOR 2SK1590-T1B		
2850		G2	TRANSISTOR		Q6704	8-729-907-00	TRANSISTOR DTC114EU		
2851		G2	TRANSISTOR		Q6706	8-729-820-86	TRANSISTOR 2SB1121-ST		
2852		G2	TRANSISTOR		Q6707	8-729-820-86	TRANSISTOR 2SB1121-ST		
2853		G2	TRANSISTOR		Q6801	8-729-026-53	TRANSISTOR 2SA1576A-T106-QR		
2854		G2	TRANSISTOR		Q6802	8-729-905-35	TRANSISTOR 2SC4081-R		
2855		G2	TRANSISTOR		Q6803	6-550-715-01	TRANSISTOR IRFS644BYDTU		
2856		G2	TRANSISTOR		Q6804	6-550-549-01	TRANSISTOR DTC114EUAFT106		
2857		G2	TRANSISTOR		Q6901	8-729-905-35	TRANSISTOR 2SC4081-R		
2858		G2	TRANSISTOR		Q6902	8-729-026-53	TRANSISTOR 2SA1576A-T106-QR		
2859		G2	TRANSISTOR		Q6903	8-729-905-35	TRANSISTOR 2SC4081-R		
2860		G2	TRANSISTOR		Q6904	6-550-548-01	TRANSISTOR DTA114EUAFT106		
2861		G2	TRANSISTOR		Q6905	8-729-905-35	TRANSISTOR 2SC4081-R		
2862		G2	TRANSISTOR		Q6906	8-729-026-53	TRANSISTOR 2SA1576A-T106-QR		
2863		G2	TRANSISTOR		Q6907	8-729-026-53	TRANSISTOR 2SA1576A-T106-QR		
2864		G2	TRANSISTOR		Q6908	8-729-026-53	TRANSISTOR 2SA1576A-T106-QR		
2865		G2	TRANSISTOR		Q6909	8-729-026-53	TRANSISTOR 2SA1576A-T106-QR		
2866		G2	TRANSISTOR		Q6914	8-729-907-00	TRANSISTOR DTC114EU		
2867		G2	TRANSISTOR		Q6915	8-729-907-00	TRANSISTOR DTC114EU		
2868		G2	TRANSISTOR		Q6916	8-729-907-00	TRANSISTOR DTC114EU		
2869		G2	RESISTOR		R6302	1-249-417-11	CARBON 1K 5% 1/4W		
2870		G2	RESISTOR		R6303	1-220-926-81	FUSIBLE 0.47 10% 1/2W		
2871		G2	RESISTOR		R6304	1-218-865-11	METAL CHIP 5.6K 0.5% 1/10W		
2872		G2	RESISTOR		R6305	1-218-823-11	METAL CHIP 100 0.5% 1/10W		
2873		G2	RESISTOR		R6306	1-249-393-11	CARBON 10 5% 1/4W		
2874		G2	RESISTOR		R6308	1-245-478-21	METAL 470K 1% 1/4W		
2875		G2	RESISTOR		R6309	1-245-478-21	METAL 470K 1% 1/4W		
2876		G2	RESISTOR		R6311	1-218-874-11	METAL CHIP 13K 0.5% 1/10W		
2877		G2	RESISTOR		R6312	1-218-823-11	METAL CHIP 100 0.5% 1/10W		
2878		G2	RESISTOR		R6313	1-249-393-11	CARBON 10 5% 1/4W		
2879		G2	RESISTOR		R6314	1-249-393-11	CARBON 10 5% 1/4W		
2880		G2	RESISTOR		R6315	1-211-977-11	METAL CHIP 22 0.5% 1/10W		
2881		G2	RESISTOR		R6316	1-216-833-11	METAL CHIP 10K 5% 1/10W		
2882		G2	RESISTOR		R6317	1-216-833-11	METAL CHIP 10K 5% 1/10W		
2883		G2	RESISTOR		R6318	1-245-315-71	METAL OXIDE 0.1 5% 2W		
2884		G2	RESISTOR		R6319	1-249-389-11	CARBON 4.7 5% 1/4W		
2885		G2	RESISTOR		R6320	1-216-121-11	RES-CHIP 1M 5% 1/10W		
2886		G2	RESISTOR		R6401	1-218-839-11	METAL CHIP 470 0.5% 1/10W		

No.	#	Board	Type	Δ/μ	Ref. No.	Part No.	Description	Remarks-1	Remarks-2
2887		G2	RESISTOR		R6402	1-216-821-11	METAL CHIP 1K 5% 1/10W		
2888		G2	RESISTOR		R6403	1-218-857-11	METAL CHIP 2.7K 0.5% 1/10W		
2889		G2	RESISTOR		R6404	1-216-821-11	METAL CHIP 1K 5% 1/10W		
2890		G2	RESISTOR		R6405	1-218-847-11	METAL CHIP 1K 0.5% 1/10W		
2891		G2	RESISTOR		R6406	1-218-829-11	METAL CHIP 180 0.5% 1/10W		
2892		G2	RESISTOR		R6407	1-218-851-11	METAL CHIP 1.5K 0.5% 1/10W		
2893		G2	RESISTOR		R6408	1-218-847-11	METAL CHIP 1K 0.5% 1/10W		
2894		G2	RESISTOR		R6409	1-216-809-11	METAL CHIP 100 5% 1/10W		
2895		G2	RESISTOR		R6410	1-216-837-11	METAL CHIP 22K 5% 1/10W		
2896		G2	RESISTOR		R6414	1-216-821-11	METAL CHIP 1K 5% 1/10W		
2897		G2	RESISTOR		R6416	1-216-821-11	METAL CHIP 1K 5% 1/10W		
2898		G2	RESISTOR		R6417	1-216-833-11	METAL CHIP 10K 5% 1/10W		
2899		G2	RESISTOR		R6418	1-218-871-11	METAL CHIP 10K 0.5% 1/10W		
2900		G2	RESISTOR		R6419	1-216-864-11	SHORT CHIP 0		
2901		G2	RESISTOR		R6420	1-218-883-11	METAL CHIP 33K 0.5% 1/10W		
2902		G2	RESISTOR		R6421	1-216-833-11	METAL CHIP 10K 5% 1/10W		
2903		G2	RESISTOR		R6422	1-218-878-11	METAL CHIP 20K 0.5% 1/10W		
2904		G2	RESISTOR		R6423	1-216-833-11	METAL CHIP 10K 5% 1/10W		
2905		G2	RESISTOR		R6502	1-249-393-11	CARBON 10 5% 1/4W		
2906		G2	RESISTOR		R6503	1-202-933-61	FUSIBLE 0.1 10% 1/2W		
2907		G2	RESISTOR		R6505	1-218-863-11	METAL CHIP 4.7K 0.5% 1/10W		
2908		G2	RESISTOR		R6506	1-245-478-21	METAL 470K 1% 1/4W		
2909		G2	RESISTOR		R6507	1-245-478-21	METAL 470K 1% 1/4W		
2910		G2	RESISTOR		R6509	1-218-823-11	METAL CHIP 100 0.5% 1/10W		
2911		G2	RESISTOR		R6510	1-218-875-11	METAL CHIP 15K 0.5% 1/10W		
2912		G2	RESISTOR		R6512	1-211-983-11	METAL CHIP 39 0.5% 1/10W		
2913		G2	RESISTOR		R6513	1-249-393-11	CARBON 10 5% 1/4W		
2914		G2	RESISTOR		R6514	1-249-393-11	CARBON 10 5% 1/4W		
2915		G2	RESISTOR		R6515	1-216-833-11	METAL CHIP 10K 5% 1/10W		
2916		G2	RESISTOR		R6516	1-216-833-11	METAL CHIP 10K 5% 1/10W		
2917		G2	RESISTOR		R6517	1-243-660-71	METAL 0.05 5% 2W		
2918		G2	RESISTOR		R6518	1-216-817-11	METAL CHIP 470 5% 1/10W		
2919		G2	RESISTOR		R6519	1-245-478-21	METAL 470K 1% 1/4W		
2920		G2	RESISTOR		R6520	1-245-478-21	METAL 470K 1% 1/4W		
2921		G2	RESISTOR		R6521	1-245-478-21	METAL 470K 1% 1/4W		
2922		G2	RESISTOR		R6522	1-245-478-21	METAL 470K 1% 1/4W		
2923		G2	RESISTOR		R6523	1-216-837-11	METAL CHIP 22K 5% 1/10W		
2924		G2	RESISTOR		R6524	1-216-837-11	METAL CHIP 22K 5% 1/10W		
2925		G2	RESISTOR		R6525	1-216-833-11	METAL CHIP 10K 5% 1/10W		
2926		G2	RESISTOR		R6601	1-216-821-11	METAL CHIP 1K 5% 1/10W		
2927		G2	RESISTOR		R6603	1-217-156-00	METAL 0.22 10% 5W		
2928		G2	RESISTOR		R6604	1-216-821-11	METAL CHIP 1K 5% 1/10W		
2929		G2	RESISTOR		R6605	1-216-827-11	METAL CHIP 3.3K 5% 1/10W		
2930		G2	RESISTOR		R6701	1-216-837-11	METAL CHIP 22K 5% 1/10W		
2931		G2	RESISTOR		R6702	1-249-393-11	CARBON 10 5% 1/4W		
2932		G2	RESISTOR		R6703	1-242-949-11	FUSIBLE 0.1 10% 1W		
2933		G2	RESISTOR		R6704	1-216-837-11	METAL CHIP 22K 5% 1/10W		
2934		G2	RESISTOR		R6705	1-218-823-11	METAL CHIP 100 0.5% 1/10W		
2935		G2	RESISTOR		R6706	1-218-862-11	METAL CHIP 4.3K 0.5% 1/10W		
2936		G2	RESISTOR		R6707	1-216-805-11	METAL CHIP 47 5% 1/10W		
2937		G2	RESISTOR		R6708	1-245-474-21	METAL 330K 1% 1/4W		
2938		G2	RESISTOR		R6709	1-245-474-21	METAL 330K 1% 1/4W		
2939		G2	RESISTOR		R6710	1-218-873-11	METAL CHIP 12K 0.5% 1/10W		
2940		G2	RESISTOR		R6714	1-218-823-11	METAL CHIP 100 0.5% 1/10W		
2941		G2	RESISTOR		R6715	1-249-393-11	CARBON 10 5% 1/4W		
2942		G2	RESISTOR		R6716	1-249-393-11	CARBON 10 5% 1/4W		
2943		G2	RESISTOR		R6717	1-216-833-11	METAL CHIP 10K 5% 1/10W		
2944		G2	RESISTOR		R6718	1-216-833-11	METAL CHIP 10K 5% 1/10W		
2945		G2	RESISTOR		R6719	1-216-121-11	RES-CHIP 1M 5% 1/10W		
2946		G2	RESISTOR		R6720	1-243-660-71	METAL 0.05 5% 2W		
2947		G2	RESISTOR		R6721	1-216-817-11	METAL CHIP 470 5% 1/10W		
2948		G2	RESISTOR		R6724	1-245-474-21	METAL 330K 1% 1/4W		
2949		G2	RESISTOR		R6725	1-245-478-21	METAL 470K 1% 1/4W		
2950		G2	RESISTOR		R6726	1-245-478-21	METAL 470K 1% 1/4W		
2951		G2	RESISTOR		R6727	1-245-478-21	METAL 470K 1% 1/4W		
2952		G2	RESISTOR		R6728	1-245-478-21	METAL 470K 1% 1/4W		
2953		G2	RESISTOR		R6801	1-216-821-11	METAL CHIP 1K 5% 1/10W		
2954		G2	RESISTOR		R6802	1-216-821-11	METAL CHIP 1K 5% 1/10W		
2955		G2	RESISTOR		R6803	1-216-825-11	METAL CHIP 2.2K 5% 1/10W		
2956		G2	RESISTOR		R6804	1-217-157-00	METAL 0.33 10% 5W		
2957		G2	RESISTOR		R6805	1-249-393-11	CARBON 10 5% 1/4W		
2958		G2	RESISTOR		R6806	1-216-821-11	METAL CHIP 1K 5% 1/10W		
2959		G2	RESISTOR		R6807	1-245-447-11	CEMENTED 22 5% 20W		
2960		G2	RESISTOR		R6808	1-216-833-11	METAL CHIP 10K 5% 1/10W		

No.	#	Board	Type	$\Delta/\%$	Ref. No.	Part No.	Description	Remarks-1	Remarks-2
2961		G2	RESISTOR		R6809	1-216-833-11	METAL CHIP 10K 5% 1/10W		
2962		G2	RESISTOR		R6810	1-216-833-11	METAL CHIP 10K 5% 1/10W		
2963		G2	RESISTOR		R6811	1-211-977-11	METAL CHIP 22 0.5% 1/10W		
2964		G2	RESISTOR		R6812	1-216-833-11	METAL CHIP 10K 5% 1/10W		
2965		G2	RESISTOR		R6813	1-216-864-11	SHORT CHIP 0		
2966		G2	RESISTOR		R6814	1-218-871-11	METAL CHIP 10K 0.5% 1/10W		
2967		G2	RESISTOR		R6815	1-218-760-11	METAL CHIP 220K 0.5% 1/10W		
2968		G2	RESISTOR		R6816	1-208-842-11	METAL CHIP 330K 0.5% 1/10W		
2969		G2	RESISTOR		R6817	1-208-841-11	METAL CHIP 300K 0.5% 1/10W		
2970		G2	RESISTOR		R6818	1-216-833-11	METAL CHIP 10K 5% 1/10W		
2971		G2	RESISTOR		R6819	1-218-760-11	METAL CHIP 220K 0.5% 1/10W		
2972		G2	RESISTOR		R6820	1-208-836-11	METAL CHIP 180K 0.5% 1/10W		
2973		G2	RESISTOR		R6821	1-216-841-11	METAL CHIP 47K 5% 1/10W		
2974		G2	RESISTOR		R6822	1-216-833-11	METAL CHIP 10K 5% 1/10W		
2975		G2	RESISTOR		R6823	1-216-821-11	METAL CHIP 1K 5% 1/10W		
2976		G2	RESISTOR		R6824	1-218-871-11	METAL CHIP 10K 0.5% 1/10W		
2977		G2	RESISTOR		R6825	1-217-157-00	METAL 0.33 10% 5W		
2978		G2	RESISTOR		R6826	1-249-389-11	CARBON 4.7 5% 1/4W		
2979		G2	RESISTOR		R6827	1-249-389-11	CARBON 4.7 5% 1/4W		
2980		G2	RESISTOR		R6828	1-216-821-11	METAL CHIP 1K 5% 1/10W		
2981		G2	RESISTOR		R6829	1-216-833-11	METAL CHIP 10K 5% 1/10W		
2982		G2	RESISTOR		R6830	1-218-761-11	METAL CHIP 240K 0.5% 1/10W		
2983		G2	RESISTOR		R6831	1-208-840-11	METAL CHIP 270K 0.5% 1/10W		
2984		G2	RESISTOR		R6832	1-216-795-11	METAL CHIP 6.8 5% 1/10W		
2985		G2	RESISTOR		R6833	1-216-821-11	METAL CHIP 1K 5% 1/10W		
2986		G2	RESISTOR		R6834	1-208-846-11	METAL CHIP 470K 0.5% 1/10W		
2987		G2	RESISTOR		R6836	1-218-871-11	METAL CHIP 10K 0.5% 1/10W		
2988		G2	RESISTOR		R6837	1-249-389-11	CARBON 4.7 5% 1/4W		
2989		G2	RESISTOR		R6838	1-249-389-11	CARBON 4.7 5% 1/4W		
2990		G2	RESISTOR		R6839	1-249-389-11	CARBON 4.7 5% 1/4W		
2991		G2	RESISTOR		R6840	1-216-821-11	METAL CHIP 1K 5% 1/10W		
2992		G2	RESISTOR		R6841	1-216-795-11	METAL CHIP 6.8 5% 1/10W		
2993		G2	RESISTOR		R6842	1-216-821-11	METAL CHIP 1K 5% 1/10W		
2994		G2	RESISTOR		R6843	1-208-840-11	METAL CHIP 270K 0.5% 1/10W		
2995		G2	RESISTOR		R6844	1-208-840-11	METAL CHIP 270K 0.5% 1/10W		
2996		G2	RESISTOR		R6845	1-208-846-11	METAL CHIP 470K 0.5% 1/10W		
2997		G2	RESISTOR		R6846	1-216-833-11	METAL CHIP 10K 5% 1/10W		
2998		G2	RESISTOR		R6848	1-218-871-11	METAL CHIP 10K 0.5% 1/10W		
2999		G2	RESISTOR		R6849	1-249-389-11	CARBON 4.7 5% 1/4W		
3000		G2	RESISTOR		R6850	1-249-389-11	CARBON 4.7 5% 1/4W		
3001		G2	RESISTOR		R6851	1-249-389-11	CARBON 4.7 5% 1/4W		
3002		G2	RESISTOR		R6852	1-216-821-11	METAL CHIP 1K 5% 1/10W		
3003		G2	RESISTOR		R6853	1-216-833-11	METAL CHIP 10K 5% 1/10W		
3004		G2	RESISTOR		R6855	1-208-836-11	METAL CHIP 180K 0.5% 1/10W		
3005		G2	RESISTOR		R6856	1-218-760-11	METAL CHIP 220K 0.5% 1/10W		
3006		G2	RESISTOR		R6857	1-216-821-11	METAL CHIP 1K 5% 1/10W		
3007		G2	RESISTOR		R6858	1-216-795-11	METAL CHIP 6.8 5% 1/10W		
3008		G2	RESISTOR		R6859	1-218-871-11	METAL CHIP 10K 0.5% 1/10W		
3009		G2	RESISTOR		R6860	1-249-389-11	CARBON 4.7 5% 1/4W		
3010		G2	RESISTOR		R6861	1-216-833-11	METAL CHIP 10K 5% 1/10W		
3011		G2	RESISTOR		R6862	1-216-833-11	METAL CHIP 10K 5% 1/10W		
3012		G2	RESISTOR		R6901	1-216-833-11	METAL CHIP 10K 5% 1/10W		
3013		G2	RESISTOR		R6902	1-216-833-11	METAL CHIP 10K 5% 1/10W		
3014		G2	RESISTOR		R6903	1-216-821-11	METAL CHIP 1K 5% 1/10W		
3015		G2	RESISTOR		R6904	1-216-821-11	METAL CHIP 1K 5% 1/10W		
3016		G2	RESISTOR		R6905	1-216-817-11	METAL CHIP 470 5% 1/10W		
3017		G2	RESISTOR		R6906	1-216-841-11	METAL CHIP 47K 5% 1/10W		
3018		G2	RESISTOR		R6907	1-216-833-11	METAL CHIP 10K 5% 1/10W		
3019		G2	RESISTOR		R6908	1-216-833-11	METAL CHIP 10K 5% 1/10W		
3020		G2	RESISTOR		R6909	1-216-827-11	METAL CHIP 3.3K 5% 1/10W		
3021		G2	RESISTOR		R6910	1-216-827-11	METAL CHIP 3.3K 5% 1/10W		
3022		G2	RESISTOR		R6911	1-208-822-11	METAL CHIP 47K 0.5% 1/10W		
3023		G2	RESISTOR		R6912	1-216-864-11	SHORT CHIP 0		
3024		G2	RESISTOR		R6913	1-208-822-11	METAL CHIP 47K 0.5% 1/10W		
3025		G2	RESISTOR		R6914	1-216-833-11	METAL CHIP 10K 5% 1/10W		
3026		G2	RESISTOR		R6915	1-216-833-11	METAL CHIP 10K 5% 1/10W		
3027		G2	RESISTOR		R6916	1-216-834-11	METAL CHIP 12K 5% 1/10W		
3028		G2	RESISTOR		R6917	1-208-834-11	METAL CHIP 150K 0.5% 1/10W		
3029		G2	RESISTOR		R6918	1-208-828-11	METAL CHIP 82K 0.5% 1/10W		
3030		G2	RESISTOR		R6919	1-208-832-11	METAL CHIP 120K 0.5% 1/10W		
3031		G2	RESISTOR		R6920	1-208-828-11	METAL CHIP 82K 0.5% 1/10W		
3032		G2	RESISTOR		R6921	1-208-832-11	METAL CHIP 120K 0.5% 1/10W		
3033		G2	RESISTOR		R6922	1-218-863-11	METAL CHIP 4.7K 0.5% 1/10W		
3034		G2	RESISTOR		R6923	1-216-841-11	METAL CHIP 47K 5% 1/10W		

No.	#	Board	Type	△/*	Ref. No.	Part No.	Description	Remarks-1	Remarks-2
3035		G2	RESISTOR		R6924	1-216-833-11	METAL CHIP 10K 5% 1/10W		
3036		G2	RESISTOR		R6925	1-216-833-11	METAL CHIP 10K 5% 1/10W		
3037		G2	RESISTOR		R6926	1-216-833-11	METAL CHIP 10K 5% 1/10W		
3038		G2	RESISTOR		R6927	1-216-833-11	METAL CHIP 10K 5% 1/10W		
3039		G2	RESISTOR		R6928	1-216-833-11	METAL CHIP 10K 5% 1/10W		
3040		G2	RESISTOR		R6929	1-216-833-11	METAL CHIP 10K 5% 1/10W		
3041		G2	RESISTOR		R6930	1-216-821-11	METAL CHIP 1K 5% 1/10W		
3042		G2	RESISTOR		R6931	1-216-825-11	METAL CHIP 2.2K 5% 1/10W		
3043		G2	RESISTOR		R6934	1-218-863-11	METAL CHIP 4.7K 0.5% 1/10W		
3044		G2	RESISTOR		R6936	1-216-829-11	METAL CHIP 4.7K 5% 1/10W		
3045		G2	RESISTOR		R6938	1-216-833-11	METAL CHIP 10K 5% 1/10W		
3046		G2	RESISTOR		R6940	1-216-833-11	METAL CHIP 10K 5% 1/10W		
3047		G2	RESISTOR		R6941	1-216-833-11	METAL CHIP 10K 5% 1/10W		
3048		G2	RESISTOR		R6942	1-216-821-11	METAL CHIP 1K 5% 1/10W		
3049		G2	RESISTOR		R6945	1-218-862-11	METAL CHIP 4.3K 0.5% 1/10W		
3050		G2	RESISTOR		R6946	1-218-875-11	METAL CHIP 15K 0.5% 1/10W		
3051		G2	RESISTOR		R6947	1-218-870-11	METAL CHIP 9.1K 0.5% 1/10W		
3052		G2	RESISTOR		R6948	1-218-871-11	METAL CHIP 10K 0.5% 1/10W		
3053		G2	RESISTOR		R6949	1-216-864-11	SHORT CHIP 0		
3054		G2	RESISTOR		R6950	1-216-829-11	METAL CHIP 4.7K 5% 1/10W		
3055		G2	RESISTOR		R6951	1-216-833-11	METAL CHIP 10K 5% 1/10W		
3056		G2	RESISTOR		R6957	1-218-847-11	METAL CHIP 1K 0.5% 1/10W		
3057		G2	RESISTOR		R6961	1-216-833-11	METAL CHIP 10K 5% 1/10W		
3058		G2	RESISTOR		R6962	1-218-871-11	METAL CHIP 10K 0.5% 1/10W		
3059		G2	RESISTOR		R6965	1-218-847-11	METAL CHIP 1K 0.5% 1/10W		
3060		G2	RESISTOR		R6967	1-216-833-11	METAL CHIP 10K 5% 1/10W		
3061		G2	RESISTOR		R6968	1-216-833-11	METAL CHIP 10K 5% 1/10W		
3062		G2	RESISTOR		R6969	1-216-833-11	METAL CHIP 10K 5% 1/10W		
3063		G2	RESISTOR		R6970	1-216-833-11	METAL CHIP 10K 5% 1/10W		
3064		G2	RESISTOR		R6988	1-216-833-11	METAL CHIP 10K 5% 1/10W		
3065		G2	VARIABLE RESISTOR		RV6504	1-241-768-11	RES, ADJ, CERMET 220K		
3066		G2	VARIABLE RESISTOR		RV6825	1-241-768-11	RES, ADJ, CERMET 220K		
3067		G2	VARIABLE RESISTOR		RV6835	1-241-769-21	RES, ADJ, CERMET 470K		
3068		G2	VARIABLE RESISTOR		RV6847	1-241-769-21	RES, ADJ, CERMET 470K		
3069		G2	VARIABLE RESISTOR		RV6854	1-241-768-11	RES, ADJ, CERMET 220K		
3070		G2	TRANSFORMER		T6401	1-443-377-11	TRANSFORMER, CONVERTER (PIT)		
3071		G2	TRANSFORMER		T6501	1-443-376-11	TRANSFORMER, CONVERTER (PIT)		
3072		G2	TRANSFORMER		T6701	1-443-375-11	TRANSFORMER, CONVERTER (PIT)		
3073		G2	TRANSFORMER		T6702	1-443-375-11	TRANSFORMER, CONVERTER (PIT)		
3074		G2	TRANSFORMER		T6801	1-443-373-11	DC-DC CONVERTER TRANSFORMER		
3075		G2	TRANSFORMER		T6802	1-443-373-11	DC-DC CONVERTER TRANSFORMER		
3076		G2	TRANSFORMER		T6803	1-443-374-11	DC-DC CONVERTER TRANSFORMER		
3077		H1	CAPACITOR		C9002	1-107-826-11	CERAMIC CHIP 0.1UF 10.00% 16V		
3078		H1	CONNECTOR	*	CN9001	1-580-055-21	PIN, CONNECTOR (SMD) 2P		
3079		H1	DIODE		D9001	8-719-069-60	DIODE UDZSTE-179.1B		
3080		H1	RESISTOR		R9001	1-216-826-11	METAL CHIP 2.7K 5% 1/10W		
3081		H1	RESISTOR		R9002	1-218-457-11	METAL CHIP 910 5% 1/10W		
3082		H1	RESISTOR		R9003	1-216-817-11	METAL CHIP 470 5% 1/10W		
3083		H1	RESISTOR		R9004	1-216-813-11	METAL CHIP 220 5% 1/10W		
3084		H1	SWITCH		S9001	1-572-595-11	SWITCH, TACTIL (REFLOW TYPE)		
3085		H1	SWITCH		S9002	1-572-595-11	SWITCH, TACTIL (REFLOW TYPE)		
3086		H1	SWITCH		S9003	1-572-595-11	SWITCH, TACTIL (REFLOW TYPE)		
3087		H1	SWITCH		S9004	1-572-595-11	SWITCH, TACTIL (REFLOW TYPE)		
3088		H1	SWITCH		S9005	1-572-595-11	SWITCH, TACTIL (REFLOW TYPE)		
3089		H2	CAPACITOR		C9101	1-162-945-11	CERAMIC CHIP 22PF 5.00% 50V		
3090		H2	CAPACITOR		C9102	1-125-891-11	CERAMIC CHIP 0.47UF 10.00% 10V		
3091		H2	CAPACITOR		C9103	1-117-137-11	ELECT CHIP 33UF 20.00% 10V		
3092		H2	CAPACITOR		C9104	1-115-566-11	CERAMIC CHIP 4.7UF 10.00% 10V		
3093		H2	CAPACITOR		C9105	1-115-566-11	CERAMIC CHIP 4.7UF 10.00% 10V		
3094		H2	CONNECTOR	*	CN9101	1-766-376-11	PIN, CONNECTOR (1.5MM)(SMD) 9P		
3095		H2	DIODE		D9101	8-719-064-07	DIODE SML-310LTT86		
3096		H2	DIODE		D9102	6-500-861-01	DIODE SML-020MVT-T86		
3097		H2	DIODE		D9103	8-719-421-59	DIODE MA3130WA-TX		
3098		H2	DIODE		D9104	8-719-421-59	DIODE MA3130WA-TX		
3099		H2	DIODE		D9105	8-719-421-59	DIODE MA3130WA-TX		
3100		H2	DIODE		D9106	8-719-421-59	DIODE MA3130WA-TX		
3101		H2	DIODE		D9107	6-500-530-01	DIODE SML-311BTT86		
3102		H2	DIODE		D9108	8-719-421-59	DIODE MA3130WA-TX		
3103		H2	IC		IC9101	6-600-117-01	IC GP1UM27SRK		
3104		H2	TRANSISTOR		Q9101	8-729-028-98	TRANSISTOR DTC114WUA-T106		
3105		H2	TRANSISTOR		Q9102	8-729-028-98	TRANSISTOR DTC114WUA-T106		
3106		H2	TRANSISTOR		Q9103	8-729-028-98	TRANSISTOR DTC114WUA-T106		
3107		H2	TRANSISTOR		Q9104	8-729-028-98	TRANSISTOR DTC114WUA-T106		
3108		H2	RESISTOR		R9101	1-216-815-11	METAL CHIP 330 5% 1/10W		

No.	#	Board	Type	△/*	Ref. No.	Part No.	Description	Remarks-1	Remarks-2
3109		H2	RESISTOR		R9103	1-216-820-11	METAL CHIP 820 5% 1/10W		
3110		H2	RESISTOR		R9107	1-216-817-11	METAL CHIP 470 5% 1/10W		
3111		H2	RESISTOR		R9108	1-216-805-11	METAL CHIP 47 5% 1/10W		
3112		H2	RESISTOR		R9109	1-216-818-11	METAL CHIP 560 5% 1/10W		
3113		H2	RESISTOR		R9110	1-216-820-11	METAL CHIP 820 5% 1/10W		
3114		H2	RESISTOR		R9111	1-216-295-91	SHORT CHIP 0		
3115		H2	SWITCH		S9101	1-554-419-00	SWITCH, PUSH (1 KEY)		
3116		H3	CAPACITOR		C9201	1-162-927-11	CERAMIC CHIP 100PF 5.00% 50V		
3117		H3	CAPACITOR		C9202	1-162-927-11	CERAMIC CHIP 100PF 5.00% 50V		
3118		H3	CAPACITOR		C9203	1-162-927-11	CERAMIC CHIP 100PF 5.00% 50V		
3119		H3	CAPACITOR		C9204	1-162-927-11	CERAMIC CHIP 100PF 5.00% 50V		
3120		H3	CAPACITOR		C9205	1-162-927-11	CERAMIC CHIP 100PF 5.00% 50V		
3121		H3	CAPACITOR		C9206	1-115-566-11	CERAMIC CHIP 4.7UF 10.00% 10V		
3122		H3	CAPACITOR		C9207	1-115-156-11	CERAMIC CHIP 1UF 10V		
3123		H3	CAPACITOR		C9208	1-115-156-11	CERAMIC CHIP 1UF 10V		
3124		H3	CAPACITOR		C9209	1-125-891-11	CERAMIC CHIP 0.47UF 10.00% 10V		
3125		H3	CAPACITOR		C9210	1-115-566-11	CERAMIC CHIP 4.7UF 10.00% 10V		
3126		H3	CAPACITOR		C9212	1-162-927-11	CERAMIC CHIP 100PF 5.00% 50V		
3127		H3	CAPACITOR		C9213	1-162-927-11	CERAMIC CHIP 100PF 5.00% 50V		
3128		H3	CAPACITOR		C9214	1-164-227-11	CERAMIC CHIP 0.022UF 10.00% 25V		
3129		H3	CAPACITOR		C9215	1-164-227-11	CERAMIC CHIP 0.022UF 10.00% 25V		
3130		H3	CONNECTOR		CN9201	1-695-209-21	PIN, CONNECTOR (PC BOARD) 15P		
3131		H3	DIODE		D9201	8-719-069-60	DIODE UDZSTE-179.1B		
3132		H3	DIODE		D9204	8-719-069-60	DIODE UDZSTE-179.1B		
3133		H3	DIODE		D9206	8-719-069-60	DIODE UDZSTE-179.1B		
3134		H3	DIODE		D9207	8-719-062-19	DIODE MA3200WA-TX		
3135		H3	DIODE		D9208	8-719-062-19	DIODE MA3200WA-TX		
3136		H3	DIODE		D9209	8-719-062-19	DIODE MA3200WA-TX		
3137		H3	JACK		J9201	1-770-328-21	JACK, PIN 3P		
3138		H3	JACK		J9202	1-568-267-11	JACK		
3139		H3	JACK		J9203	1-770-860-11	CONNECTOR, S TERMINAL		
3140		H3	RESISTOR		R9201	1-216-864-11	SHORT CHIP 0		
3141		H3	RESISTOR		R9202	1-216-815-11	METAL CHIP 330 5% 1/10W		
3142		H3	RESISTOR		R9203	1-216-864-11	SHORT CHIP 0		
3143		H3	RESISTOR		R9204	1-216-813-11	METAL CHIP 220 5% 1/10W		
3144		H3	RESISTOR		R9205	1-216-813-11	METAL CHIP 220 5% 1/10W		
3145		H3	RESISTOR		R9206	1-216-815-11	METAL CHIP 330 5% 1/10W		
3146		H3	RESISTOR		R9207	1-216-813-11	METAL CHIP 220 5% 1/10W		
3147		H3	RESISTOR		R9208	1-216-813-11	METAL CHIP 220 5% 1/10W		
3148		H3	RESISTOR		R9209	1-216-813-11	METAL CHIP 220 5% 1/10W		
3149		H3	RESISTOR		R9210	1-216-853-11	METAL CHIP 470K 5% 1/10W		
3150		H3	RESISTOR		R9211	1-216-813-11	METAL CHIP 220 5% 1/10W		
3151		H3	RESISTOR		R9212	1-216-809-11	METAL CHIP 100 5% 1/10W		
3152		H3	RESISTOR		R9213	1-216-853-11	METAL CHIP 470K 5% 1/10W		
3153		H3	RESISTOR		R9214	1-216-813-11	METAL CHIP 220 5% 1/10W		
3154		H3	RESISTOR		R9215	1-216-813-11	METAL CHIP 220 5% 1/10W		
3155		H3	RESISTOR		R9216	1-216-813-11	METAL CHIP 220 5% 1/10W		
3156		H3	RESISTOR		R9217	1-216-809-11	METAL CHIP 100 5% 1/10W		
3157		H3	RESISTOR		R9222	1-216-864-11	SHORT CHIP 0		
3158		H3	RESISTOR		R9223	1-216-809-11	METAL CHIP 100 5% 1/10W		
3159		H3	RESISTOR		R9224	1-216-797-11	METAL CHIP 10 5% 1/10W		
3160		H3	RESISTOR		R9225	1-216-797-11	METAL CHIP 10 5% 1/10W		
3161		H3	RESISTOR		R9226	1-216-809-11	METAL CHIP 100 5% 1/10W		
3162		H3	VARISTOR		VD9201	1-801-925-21	VARISTOR, CHIP (1608)		
3163		H3	VARISTOR		VD9202	1-801-925-21	VARISTOR, CHIP (1608)		
3164		H3	VARISTOR		VD9203	1-801-925-21	VARISTOR, CHIP (1608)		

