

HONDA

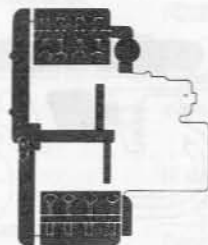
**GL1000
GL1000LTD
GL1000K1
GL1000K2**

**4
PARTS LIST**

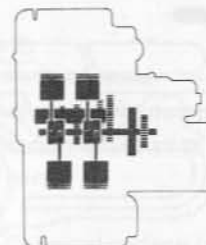
CONTENTS - ENGINE GROUP

CONTENTS

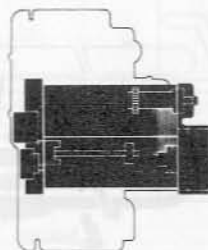
	Page
● Contents-Engine group	1
● Contents-Frame group	2
● Instruction for use of parts list	3
● How to use the flat rate time (F.R.T.)	6
● Model photograph	8
● Engine group	9
● Frame group	57
● Part No. index	145



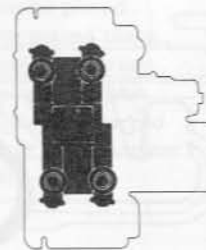
E- 1	Front cover · Timing belt	9
E- 2	Right cylinder head	12
E- 3	Left cylinder head	15
E- 4	Camshaft valve	18
E- 5	Fuel pump · Thermostat · Contact breaker	19



E-12	Crankshaft · Piston	42
E-13	Shift drum · Shift fork	45
E-14	Transmission	47

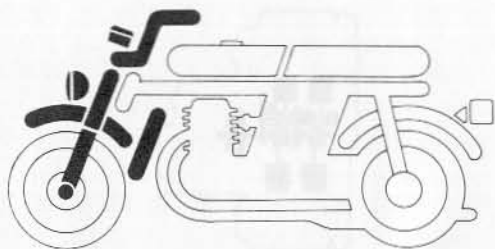


E- 6	Transmission cover · Water pump · Oil filter	22
E- 7	Oil pump	24
E- 8	Kick starter · Clutch cover · Rear case	27
E- 9	Clutch · Final gear shaft	30
E-10	Generator · Starter motor	33
E-11	Cylinder block · Breather chamber	36

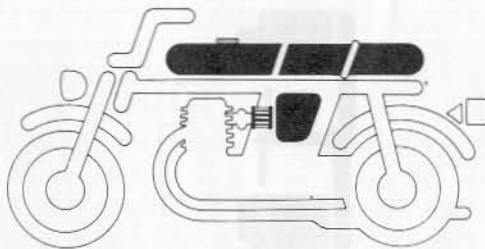


E-15	Carburetor	49
E-15-1	Carburetor (Component parts)	54

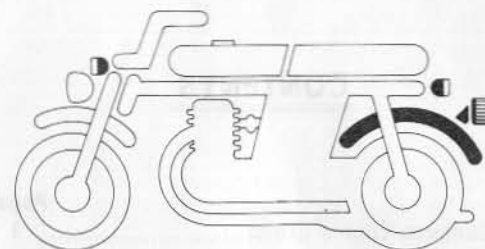
CONTENTS - FRAME GROUP



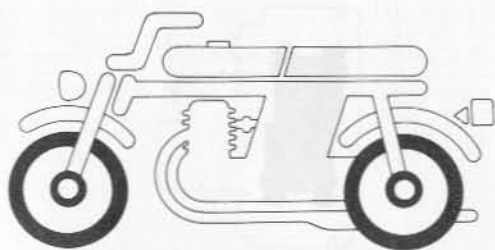
F- 1	Radiator	57
F- 2	Handle lever · Cable · Switch	61
F- 3	Headlight (A, CM)	66
F- 3-1	Headlight (DK, DM, U, K1-E)	68
F- 3-2	Headlight (ED, F, G, K2-E)	70
F- 4	Speedometer · Tachometer · Key set	73
F- 5	Handle pipe · Top bridge · Stem	77
F- 6	Front master cylinder · Brake hose	80
F- 7	Front fender	83
F- 8	Front fork	84



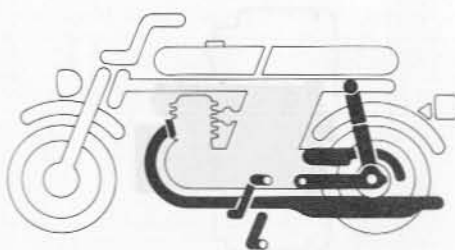
F-14	Fuel meter · Top shelter	99
F-15	Side shelter · Side cover	101
F-16	Shelter frame · Tool tray	105
F-17	Tool set · Kick starter arm	107
F-18	Fuel tank · Seat	110
F-19	Air cleaner · Shroud	113



F-24	Rear fender · Rear bumper	124
F-25	Winker	126
F-26	Taillight (A, CM, DK, DM, U)	129
F-26-1	Taillight (LTD · K1-E, ED, F)	131
F-26-2	Taillight (LTD · K1-G)	133
F-26-3	Taillight (K2-E, ED, F, G)	135



F- 9	Front brake caliper	86
F-10	Front wheel · Disk	88
F-11	Rear master cylinder · Caliper	90
F-12	Rear wheel · Disk	93
F-13	Final driven gear	95



F-20	Exhaust muffler	115
F-21	Step · Stand	117
F-22	Rear fork · Propeller shaft	121
F-23	Rear cushion	123



F-27	Wire harness · Ignition coil · Horn	136
F-28	Battery · Silicon rectifier	139
F-29	Frame body	141

INSTRUCTION FOR USE OF PARTS LIST

This parts list is to be used when ordering replacement parts; it contains all parts for models GL1000, GL1000LTD, GL1000K1 and GL1000K2.

I. How to order parts

1. Information required

Replacement parts orders must contain both the **part number** and the **stamped number(s)** as described below. This is because any changes and modifications of parts are registered at HONDA with the pertinent parts and stamped numbers.

Numbers needed :

- (a) Carburetor parts : Part number and
Stamped carburetor identification number
- (b) Engine parts : Part number and
Stamped engine number
- (c) Frame parts : Part number and
Stamped frame number
- (d) Final driven gear parts : Part number and
Stamped final driven gear number

2. Revisions

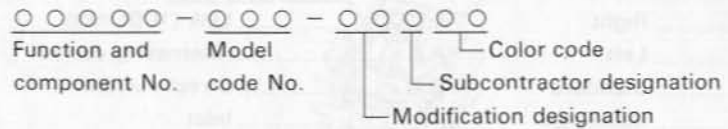
When modifications additions to this parts list are made, a revised edition will be issued at an appropriate time, with successively progressing revision numbers on the cover.

We advise to obtain such revisions in order to keep your parts lists up-to-date at all times. To check whether a parts list revision has been issued, please contact your HONDA distributor.

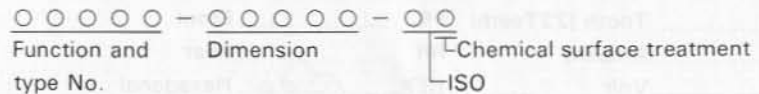
II. How to read this parts list

1. Make-up of the part number

(Example) General parts



(Example) Bolts, nuts and other standard parts



2. Color code

The color code at the end of the part number indicates the color. Codes below ZA in alphabetical order (such as ZA, ZB, ZC, etc.) do not indicate the color directly, but reference must be made to the HONDA code given in the "Description" column of this parts list.

Color code		Color description
Parts code	HONDA code	
A	NH-1	White
B		Black
XW	A-01	Chrome plated
	PB-2C-S	Semi glazed black
	PB-6C-S	Candy blue green
	R-6C-S	Candy sirius blue
	R-7C-C	Candy antares red
	Y-34	Candy LTD maroon
		Sulfur yellow

11. This parts list is compiled as of August 30, 1977.

March 12, 1978
HONDA MOTOR CO., LTD.

3. Abbreviations

The following abbreviations are used in this parts list.

ASSY. Assembly	KPH Kilometers per hour
COMP. Complete	MPH Miles per hour
R. Right	L (100L) Link (100Links)
L. Left	A.C. Alternating current
STD. Standard	D.C. Direct current
MM Millimeter	IN. Inlet
G Gram	EX. Exhaust
T (22T) Tooth (22Teeth)	FR. Front
A Ampere	RR. Rear
V Volt	HEX. Hexagonal
W Watt	

4. Dimensions

All dimensions are given in millimeters (mm) except in the case of steel balls, tires and tire tubes.

Parts	Example	Interpretation
Bolt (Screw)	6×12	6mm diameter, 12mm length
Pin	8×14	8mm diameter, 14mm length
O-Ring	9.5×1.6	9.5mm diameter, 1.6mm thickness
Oil seal	14×24×5	14mm inside diameter, 24mm outside diameter, 5mm thickness
Tube	5×130	5mm inside diameter, 130mm length

5. Supersedence of parts

Part numbers given under the part name in the "Description" column indicate that the part number has been superseded by that part number. HONDA may make such supersedence without notice.

6. Assemblies

Sections framed with broken lines in the exploded view drawings are available as complete assemblies. (Their individual parts can also be obtained.)

7. Required quantity

The number given in the "Reqd. No." column indicates the quantity of parts used in the section described in that block.

Parts with quantities in () represent optional parts.

Part whose required number is "N", is part whose required number can be selected at need.

8. Part modifications-applicable serial numbers

In cases where a part has been modified, the serial number of the first vehicle (or frame, engine, carburetor, final driven gear) bearing the modification is listed in the "Serial No." column.

9. Models, area codes and applicable serial numbers

Models, area codes and applicable serial Nos. given in this parts list can be identified as follows.

Parts with area codes are exclusive for models destined for countries designated.

If no area codes are listed, parts are for common use.

Model	Area code	Type	Applicable engine serial No.	Applicable frame serial No.	Applicable carburetor identification No.	Applicable final driven gear serial No.
GL1000	A	U.S.A.	GL1E-1000001 ~1020645	GL1-1000001 ~1020183	755 [A]	F-1000001 ~1023660
	DK	General export (KPH)	GL1E-1006916 ~1019360	GL1-1007088 ~1020323		
	DM	General export (MPH)	GL1E-1011857 ~1011883	GL1-1011678 ~1011687		
	U	Australia	GL1E-1007562 ~1020852	GL1-1007788 ~1020691		
GL1000LTD	A	U.S.A.	GL1E-2033474 ~2036896	GL1-2035001 ~2037000	763 [A]	F-1055250 ~1058954
	CM	Canada	GL1E-2033474 ~2036896	GL1-2037001 ~2038420		
	U	Australia	GL1E-2033474 ~2036896	GL1-2037482 ~2038285		
	ED	European direct sales	GL1E-2035517 ~2036772	GL1-2037407 ~2038248	755 [P]	F-1057452 ~1058954
	F	France	GL1E-2035517 ~2036772	GL1-2037027 ~2037386		
	G	Germany	GL1E-2035517 ~2036772	GL1-2037067 ~2038362		

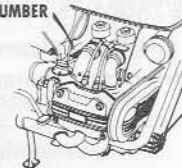
Model	Area code	Type	Applicable engine serial No.	Applicable frame serial No.	Applicable carburetor identification No.	Applicable final driven gear serial No.
GL1000K1	A	U.S.A.	GL1E-2001422 ~2038639	GL1-2001483 ~2032613	758 <u>A</u>	F-1023764 ~1060695
	CM	Canada	GL1E-2030194 ~2038639	GL1-2030951 ~2032773		
	DK	General export (KPH)	GL1E-2011696 ~2101086	GL1-2012461 ~2041235		
	DM	General export (MPH)	GL1E-2028217 ~2101086	GL1-2029016 ~2030713		
	U	Australia	GL1E-2011664 ~2101086	GL1-2011867 ~2041255	755 <u>A</u> · 755 <u>B</u> · 755 <u>C</u>	F-1020556 ~1060695
	E	England	GL1E-2000001 ~2101130	GL1-2000001 ~2040080		
	ED	European direct sales	GL1E-2000004 ~2101130	GL1-2000004 ~2040760		
	F	France	GL1E-2000003 ~2101130	GL1-2000003 ~2041255		
G	Germany	GL1E-2000002 ~2101130	GL1-2000002 ~2041275			
GL1000K2	A	U.S.A.	GL1E-3000001~	GL1-3000001~	764 <u>A</u> · 764 <u>B</u>	F-1060696~
	CM	Canada	GL1E-3003871~	GL1-3003881~		
	DK	General export (KPH)	GL1E-3000001~	GL1-3010001~		
	DM	General export (MPH)	GL1E-3000001~	GL1-3018501~		
	U	Australia	GL1E-3000001~	GL1-3010070~	755 <u>C</u>	
	E	England	GL1E-3009148~	GL1-3010002~		
	ED	European direct sales	GL1E-3009148~	GL1-3010005~		
	F	France	GL1E-3009148~	GL1-3010004~		
G	Germany	GL1E-3009148~	GL1-3010003~			

*Of carburetor identification numbers, only the portions underlined in the example below are used for registration.

755 A A KC ア

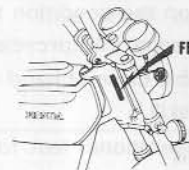
10. Location of stamped serial number

ENGINE SERIAL NUMBER



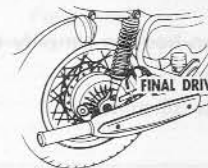
B371-0A

FRAME SERIAL NUMBER



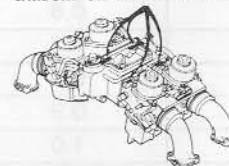
B371-0B

FINAL DRIVEN GEAR SERIAL NUMBER



B371-0C

CARBURETOR IDENTIFICATION NUMBER



B371-0D

11. This parts list is compiled as of August 20, 1977

March 10, 1975
HONDA MOTOR CO., LTD.

HOW TO USE THE FLAT RATE TIME (F.R.T.)

This F.R.T. (Flat Rate Time) is used to determine the standard labor time allowed for replacement of parts covered by the warranty during the period the warranty is in effect. The F.R.T. for those parts which are not listed herein should be determined from the operation closely related to the replacement of that part.

1. The F.R.T. is based on the following servicing conditions

- A liberal allowance is added to the net servicing time.
- Standard times specified are based on the condition that the necessary servicing tools listed in the service manual (motorcycle) which describes the HONDA service policy are available close at hand and the work performed by a mechanic with normal skill.
- Time required for inspection and operational test following the servicing is included in the F.R.T.

2. Method of computing

The job times are listed in tenth of an hour to simplify computation.

- (Example) 0.3 = 18 minutes
5.6 = 5 hours and 36 minutes

CONVERSION CHART			
Hours	Minutes	Hours	Minutes
0.1	6	0.6	36
0.2	12	0.7	42
0.3	18	0.8	48
0.4	24	0.9	54
0.5	30	1.0	60

3. Computing the F.R.T.

When several jobs are performed at the same time, make the calculation in the following manner.

a. Jobs of non duplicated nature

The F.R.T. for the job is obtained by totalling the F.R.T. for each part replaced.

(Example) Replacement of contact breaker assy. and clutch spring.

Service item	F.R.T.
Contact breaker assy.	0.3
Clutch spring	1.2

The F.R.T. for the job is : $0.3+1.2=1.5$

b. Jobs of duplicated nature

Take the F.R.T. for the last part to be replaced.

(Example) Replacement of crankshaft comp. and primary chain.

Service item	F.R.T.
Crankshaft comp.	☆8.0
Primary chain	☆7.4

The F.R.T. for the job is : 8.0

c. Jobs of partially related nature

Total up the F.R.T. for all of the parts replaced and then subtract the F.R.T. for the duplicated operation.

(Example) Replacement of gear shift drum and crankshaft assembly.

Service item	F.R.T.
Gear shift drum	☆5.4
Crankshaft	☆8.0
Crankcase disassembly	☆5.1

The F.R.T. for the job is : $(5.4+8.0)-5.1=8.3$

Crankcase disassembly is the duplicated operations.

●The F.R.T. shown with (☆) includes engine removal and installation.

4. Operations other than replacing parts

a. Removal and installation

No.	Service item	F.R.T.
1	Engine	2.9
2	Radiator	0.6
3	Carburetor	1.2

b. Adjustment, measurement and cleaning

Engine

No.	Service item	F.R.T.
1	Point-adjustment (including ignition timing adjustment)	0.4
2	Ignition timing-adjustment	0.3
3	Spark plug-adjustment and cleaning	0.5
4	Tappet adjustment	0.7
5	Oil filter cleaning	☆3.0
6	Engine oil-inspection (excluding oil change)	0.1
7	Clutch-adjustment	0.3
8	Cleaner element-cleaning	0.2
9	Compression-pressure measurement	0.2
10	Battery-checking of electrolyte level and gravity	0.2
11	Carburetor-float level measurement	1.5
12	Carburetor idle-adjustment	0.2
13	Throttle operation-adjustment	0.1
14	Carburetor synchronization-adjustment	0.6
15	Carburetor fast idle link adjustment	1.3
16	Radiator fan cleaning	0.8
17	Exterior of radiator cor cleaning	0.3

Frame

No.	Service item	F.R.T.
1	Front brake-air bleeding	0.1
2	Rear brake-air bleeding	0.1
3	Brake-operation test	0.1
4	Headlight-aimings	0.2
5	Front wheel balance	0.8
6	Rear wheel balance	0.9

c. Overhaul

No.	Service item	F.R.T.
1	Carburetor	3.7
2	Final gear	1.4





GL1000-A



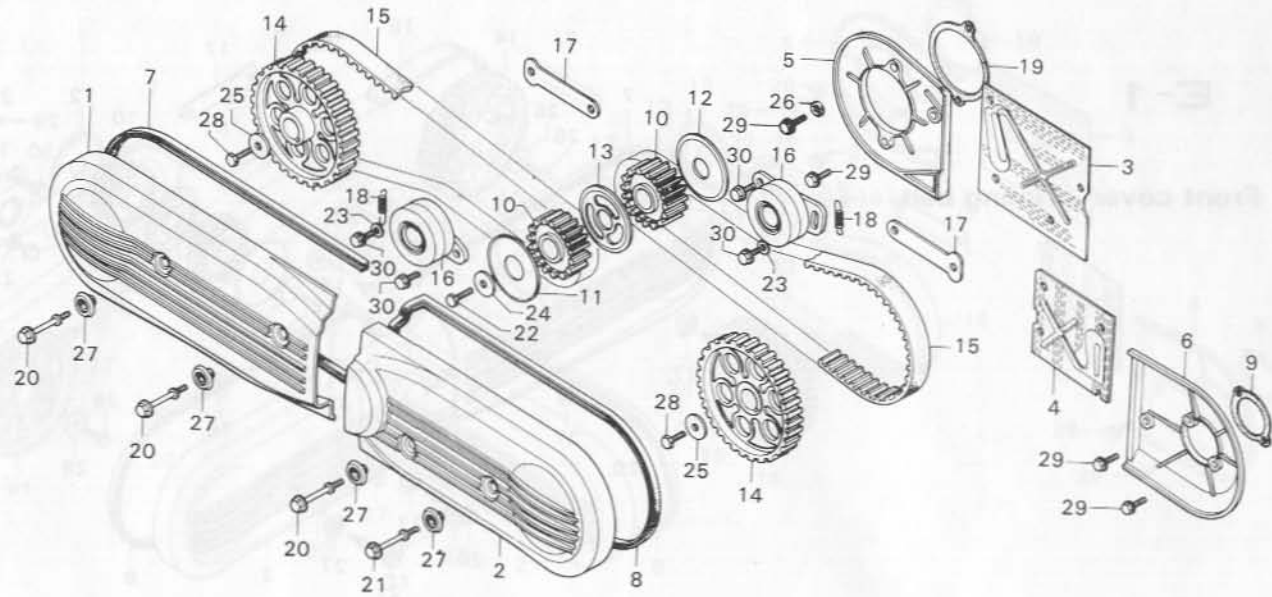
GL1000K2-DK



GL1000K1-G

E-1

Front cover • Timing belt



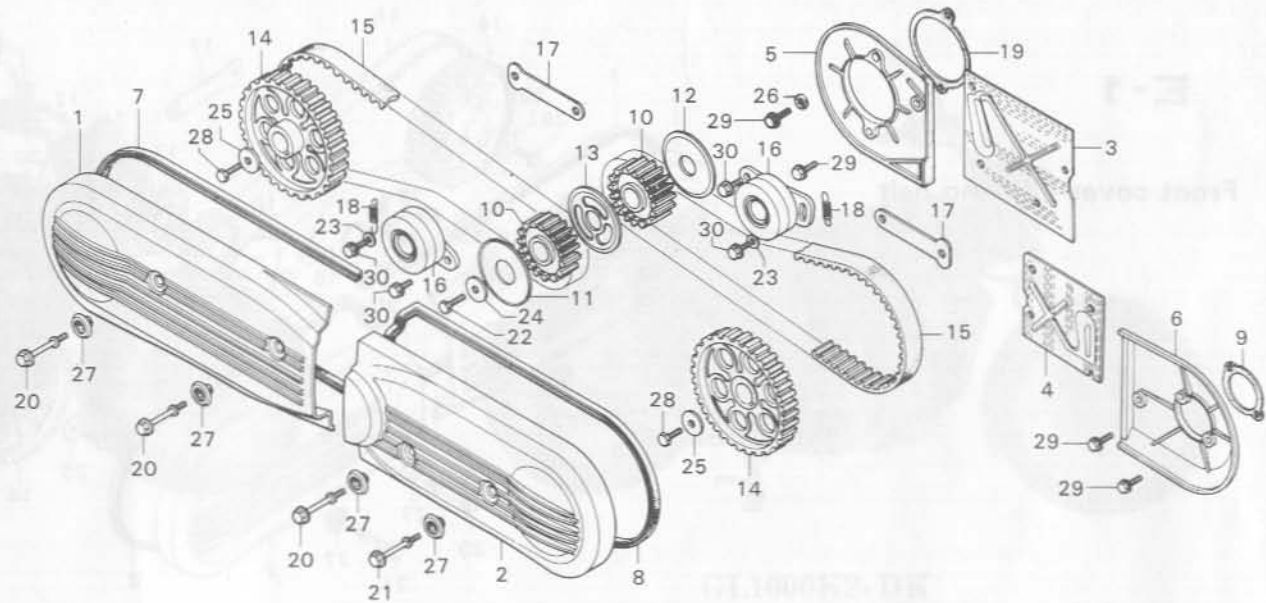
B371-1

Service item	F.R.T.	Ref. No.	Part No.	Description	GL1000	Reqd. No. GL1000 LTD K1 K2	Serial No.	Area code
L. TIMING BELT	0.8	1	11511-371-000	COVER, R. FR.	1	1	2038639	
*For R. timing belt 0.5			11511-371-010	COVER, R. FR.		1	2100001	DK,DM,E,ED,F,G,U
*One motorcycle 1.0						1		
TIMING BELT DRIVE PULLEY	0.7	2	11521-371-000	COVER, L. FR.	1	1	2038639	
*For inside 0.4						1		
R. HEAD SEAL COVER	0.6		11521-371-010	COVER, L. FR.		1	2100001	DK,DM,E,ED,F,G,U
*L. HEAD SEAL COVER						1		
*One motorcycle 0.9			11521-371-980	COVER, L. FR.		1		
TIMING BELT DRIVEN PULLEY	0.5	3	11531-371-000	PLATE, R. INSULATOR	1	1 1 1		
*One motorcycle 1.0		4	11535-371-000	PLATE, L. INSULATOR	1	1 1 1		
R. FRONT COVER/PACKING	0.3	5	11541-371-000	COVER, R. HEAD SEAL	1	1 1		
*L. FRONT COVER/PACKING			11541-371-980	COVER, R. HEAD SEAL		1		
*One motorcycle 0.6		6	11542-371-000	COVER, L. HEAD SEAL	1	1 1		
TIMING BELT ADJUSTER	0.3		11542-371-980	COVER, L. HEAD SEAL		1		
and its related parts		7	11831-371-000	PACKING, R. FR. COVER	1	1	2038639	
*One motorcycle 0.6			11831-371-010	PACKING, R. FR. COVER		1	2100001	DK,DM,E,ED,F,G,U
						1		
		8	11832-371-000	PACKING, L. FR. COVER	1	1	2038639	
			11832-371-010	PACKING, L. FR. COVER		1	2100001	DK,DM,E,ED,F,G,U
						1		
		9	12391-371-000	GASKET, FUEL PUMP COVER	1	1 1 1		
		10	13621-657-000	PULLEY, TIMING BELT DRIVE	2	2 2 2		
		11	13622-371-000	PLATE, TIMING BELT GUIDE	1	1 1 1		
		12	13622-657-000	PLATE, TIMING BELT GUIDE	1	1 1 1		

1977.08.20

E-1

Front cover • Timing belt



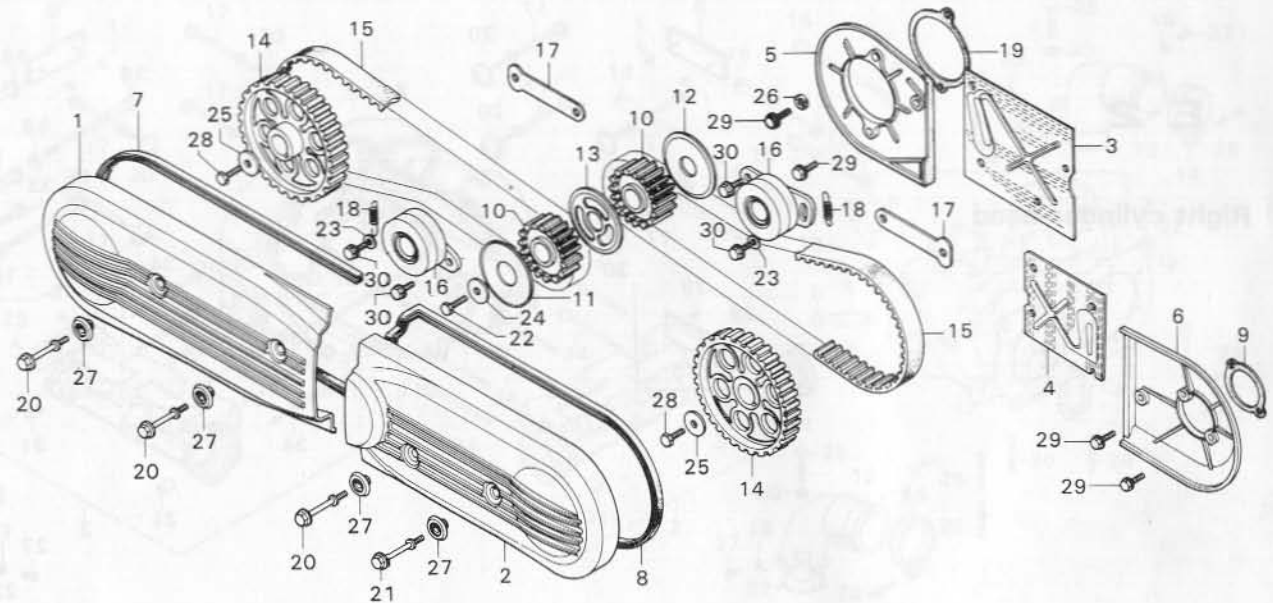
8371-1

Service item	F.R.T.	Ref. No.	Part No.	Description	Reqd. No.			Serial No.	Area code
					GL1000	GL1000 LTDK1	K2		
		13	13623-371-000	PLATE, B. TIMING BELT GUIDE	1	1	1		
		14	14211-657-010	PULLEY, TIMING BELT DRIVEN	2	2	2		
		15	14400-371-004	BELT, TIMING 14400-371-014	2			1008639	
			14400-371-014	BELT, TIMING (UNITTA)	2			1008640	
			14400-371-005	BELT, TIMING (MITSUBOSHI)	2	2	2		
		16	14510-371-008	ADJUSTER COMP., TIMING BELT (TOYO)	2	2	2		
		17	14512-371-000	PLATE, TIMING BELT ADJUSTER	2	2	2		
		18	14516-371-000	SPRING, TIMING BELT ADJUSTER	2	2	2		
		19	30376-371-000	PACKING, BREAKER	1	1	1		
		20	90017-371-000	BOLT, SPECIAL, 6X45.5	3		3		
			90017-371-980	BOLT, SPECIAL, 6X45.5			3		
		21	90019-371-000	BOLT, SPECIAL, 6X54	1		1		
			90019-371-980	BOLT, SPECIAL, 6X54		1			
		22	90021-371-000	BOLT, PULLEY, 10X28	1	1	1		
		23	90406-371-000	WASHER, 8MM	2	2	2		
		24	90414-611-000	WASHER, SPECIAL, 34X10.5X4.0	1	1	1		
		25	90435-611-000	WASHER, SPECIAL, 28X8.5X4.0	2	2	2		
		26	90441-028-010	WASHER, SEALING, 6MM	1	1	1		A,CM,DK,DM,U
					1		1		E,ED,F,G
						1		2000602	E,ED,F,G
		27	90541-371-000	RUBBER, MOUNT	4		4		
			90541-371-980	RUBBER, MOUNT		4			
		28	92000-08022-0A	BOLT, HEX., 8X22	2	2	2		
		29	95700-06022-00	BOLT, FLANGE, 6X22	4				1005025

1977.08.20

E-1

Front cover • Timing belt



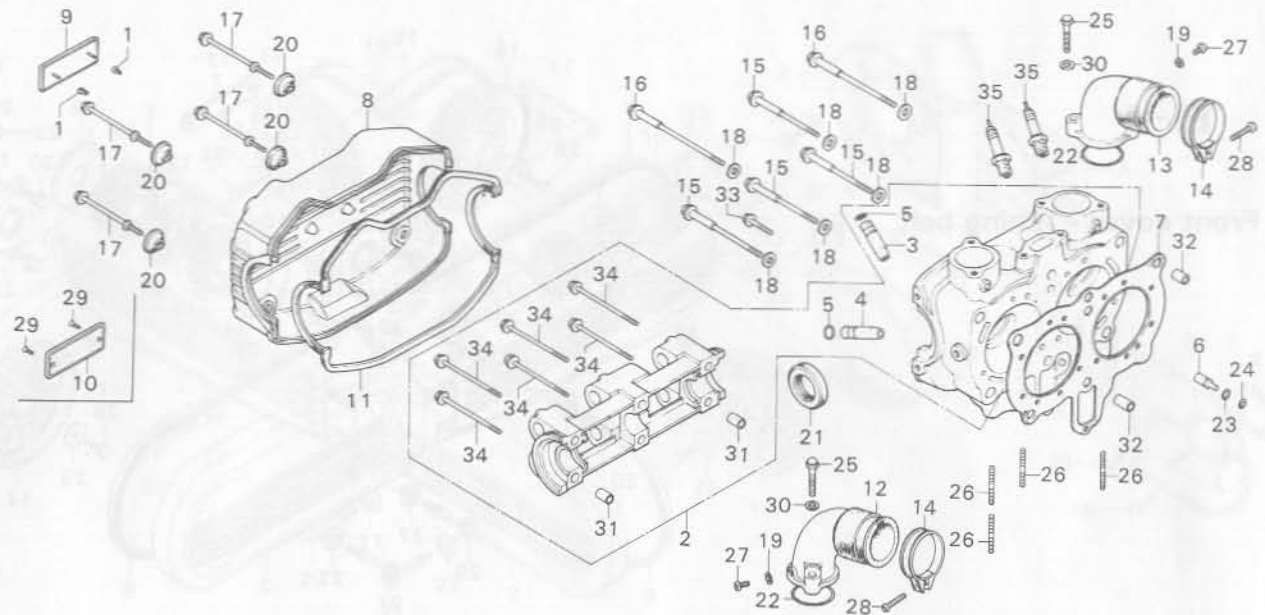
B371-1

Service item	F.R.T.	Ref. No.	Part No.	Description	Reqd. No.			Serial No.	Area code
					GL1000	GL1000 LTD K1	K2		
			95700-06018-00	BOLT, FLANGE, 6X18	4	4	4	1005026	
		30	95700-08022-00	BOLT, FLANGE, 8X22	4	4	4		

1977.08.20

E-2

Right cylinder head



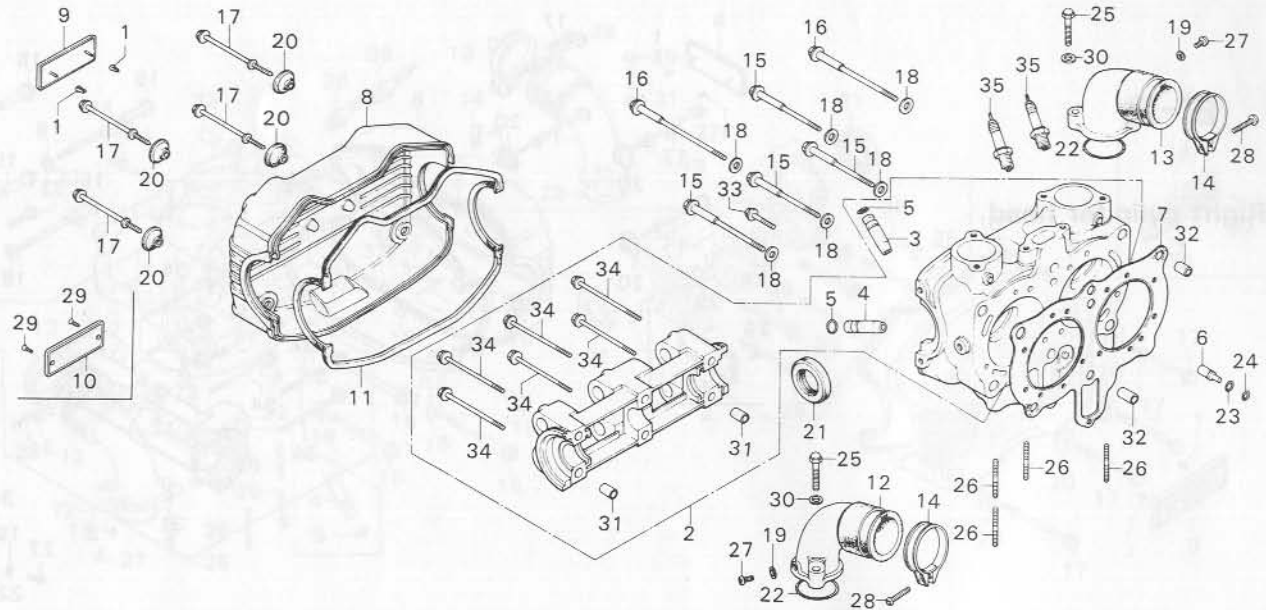
B371-2

Service item	F.R.T.	Ref. No.	Part No.	Description	Reqd. No.		Serial No.	Area code
					GL1000	GL1000 LTD K1 K2		
CYLINDER HEAD ASSY. *Valve rapping included	2.3	1	11633-323-000	PUSH ON FIX, J TYPE	2	2		
VALVE GUIDE *Reaming included add 0.2 Valve seat refacing excluded. If it refaced add 0.2	1.6	2	12200-371-000 12200-371-010	HEAD ASSY., CYLINDER HEAD ASSY., CYLINDER	1	2	2038639 1004135	
CYLINDER HEAD GASKET 27 X 43 X 9 OIL SEAL	1.1	3	12204-371-305	GUIDE, IN. VALVE	2	2 2 2		
8 X 40 STUD BOLT *Add 0.1	0.9	4	12205-371-305	GUIDE, EX. VALVE	2	2 2 2		
INLET MANIFOLD *Add 0.2	0.4	5	12211-250-310	CLIP, VALVE GUIDE	4	4 4 4	1004136	
CYLINDER HEAD COVER/EMBLEM SPARK PLUG *One or both	0.2	6	12238-371-000	ORIFICE, OIL CONTROL	1	1 1 1		
	0.1	7	12251-371-003	GASKET, CYLINDER HEAD	1	1 1 1		
	0.1	8	12311-371-000	COVER, CYLINDER HEAD	1	1	2038639	
			12311-371-010	COVER, CYLINDER HEAD	1	1	2100001	DK,DM,E,ED,F,G,U
		9	12311-371-980 12312-371-000 12312-371-610	COVER, CYLINDER HEAD EMBLEM, HEAD COVER EMBLEM, HEAD COVER	1	1		
		10	12312-371-611	EMBLEM, HEAD COVER	1	1	2038639	
							2100001	DK,DM,E,ED,F,G,U
		11	12328-371-000	GASKET, HEAD COVER	1	1 1 1		
		12	17110-371-000 17110-371-980	MANIFOLD A, IN. MANIFOLD A, IN.	1	1 1		
		13	17120-371-000 17120-371-980	MANIFOLD B, IN. MANIFOLD B, IN.	1	1 1		
		14	17255-371-000	BAND, IN. MANIFOLD	2	2 2		

1977.08.20

E-2

Right cylinder head



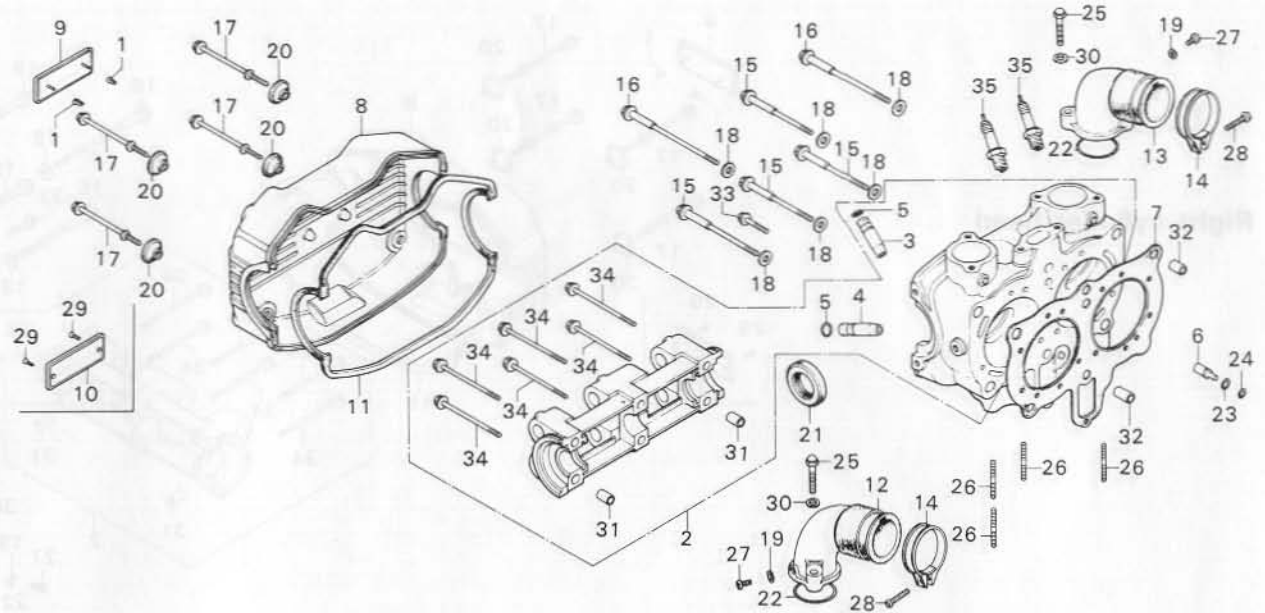
B371-2

Service item	F.R.T.	Ref. No.	Part No.	Description	Reqd. No.		Serial No.	Area code
					GL1000	GL1000 LTD K1 K2		
		15	17255-371-980 90001-371-003	BAND, IN. MANIFOLD BOLT, FLANGE, 10X90		2 4 4 4		
		16	90002-371-003	BOLT, FLANGE, 10X115		2 2 2 2		
		17	90018-371-000 90018-371-980	BOLT, SPECIAL, 6X63.2 BOLT, SPECIAL, 6X63.2		4 4		
		18	90438-634-000	WASHER, 21X11X2.3		6 6 6 6		
		19	90452-323-000	WASHER, THRUST, 5MM		2 2 2 2		
		20	90541-371-000 90541-371-980	RUBBER, MOUNT RUBBER, MOUNT		4 4		
		21	91209-371-003	OIL SEAL, 27X43X9		1 1 1 1		
		22	91301-371-003	O-RING, 40X2.6		2 2 2 2		
		23	91305-371-003	O-RING, 6.5X1.5		1 1 1 1		
		24	91308-371-003	O-RING, 4.1X1.5		1 1 1 1		
		25	92500-06032-08 90044-371-980	BOLT, CAP, 6X32 BOLT, CAP, 6X32		4 4		
		26	92700-08040-0E 90035-371-000	BOLT, STUD, 8X40 BOLT, STUD, 8X43		4 4 4 4		
		27	93500-05008-0A 90050-371-980	SCREW, PAN, 5X8 SCREW, PAN, 5X8		2 2		
		28	93500-05020-0G 93700-03006-0G	SCREW, PAN, 5X20 SCREW, OVAL, 3X6		2 2 2 2 2	2100001	DK, DM, E, ED, F, G, U
		29	93700-03006-1G	SCREW, OVAL, 3X6		2		
		30	94101-06000 90081-371-980	WASHER, PLAIN, 6MM WASHER, PLAIN, 6MM		4 4 4 4		
		31	94301-10160	PIN A, DOWEL, 10X16		2 2 2 2		
		32	94301-12200	PIN A, DOWEL, 12X20		2 2 2 2		

1977.08.20

E-2

Right cylinder head



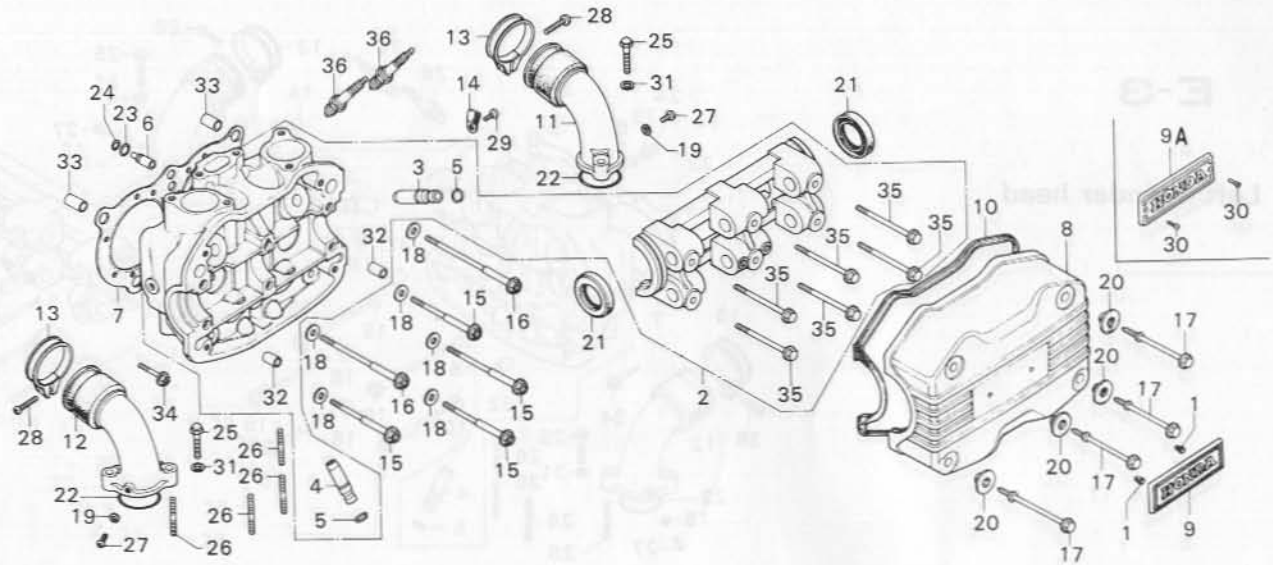
B371-2

Service item	F.R.T.	Ref. No.	Part No.	Description	Reqd. No.			Serial No.	Area code
					GL1000	GL1000 LTD	K1 K2		
		33	95700-06028-00	BOLT, FLANGE, 6X28	1	1	1		
			90144-371-980	BOLT, FLANGE, 6X28		1			
		34	95700-08070-00	BOLT, FLANGE, 8X70	6	6	6		
		35	98069-38710	PLUG, SPARK (D-BES-L NGK)	2	2	2		A,DK,DM,U
			98069-58721	PLUG, SPARK (X24ES ND)		2	2		CM
			98069-38716	PLUG, SPARK (DR8ES-L NGK)		2	2		A,DK,DM,U
			98069-58726	PLUG, SPARK (X24ESR-U ND)			2		CM
									E,ED,F,G
									CM,E,ED,F,G
									CM

1977.08.20

E-3

Left cylinder head



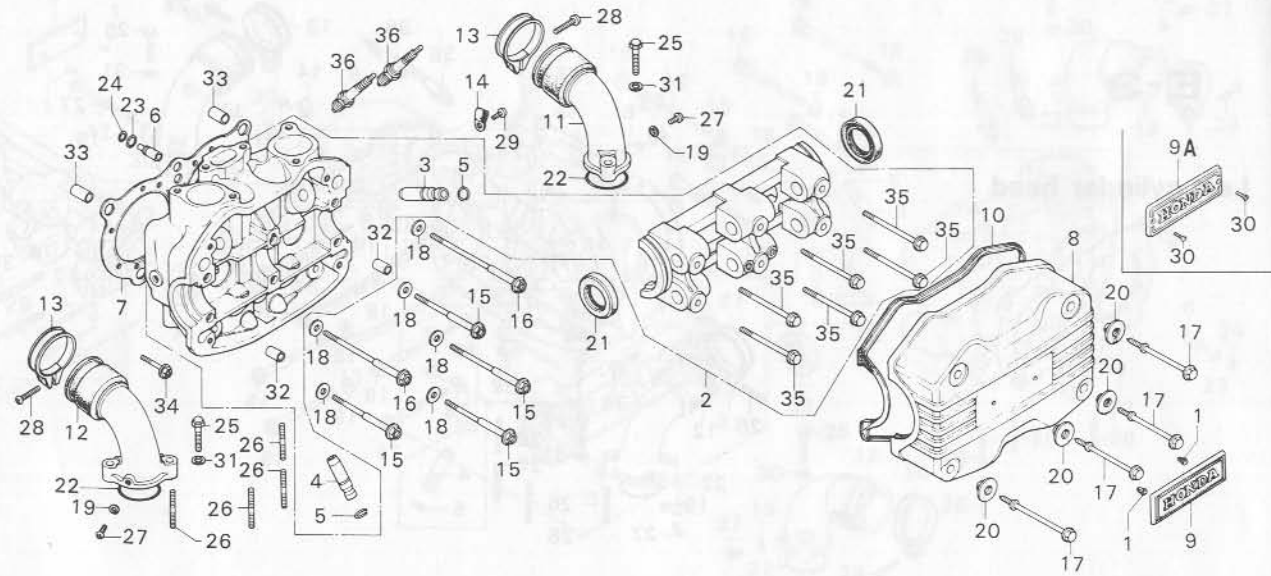
8371-3

Service item	F.R.T.	Ref. No.	Part No.	Description	Reqd. No.		Serial No.	Area code
					GL1000	GL1000 LTD K1 K2		
CYLINDER HEAD ASSY. *Valve rapping included	2.3	1	11633-323-000	PUSH ON FIX, J TYPE	2	2		
VALVE GUIDE *Reaming included add 0.2 Valve seat refacing excluded. If it refaced add 0.2	1.6	2	12200-371-000 12200-371-010	HEAD ASSY., CYLINDER HEAD ASSY., CYLINDER	1	2	2038639 1004135	
CYLINDER HEAD GASKET	1.1	3	12204-371-305	GUIDE, IN. VALVE	2	2	1004136	
27 x 43 x 9 OIL SEAL	0.9	4	12205-371-305	GUIDE, EX. VALVE	2	2		
8 x 40 STUD BOLT *Add 0.1	0.4	5	12211-250-310	CLIP, VALVE GUIDE	4	4		
INLET MANIFOLD	0.2	6	12238-371-000	DRIFICE, DIL CONTROL	1	1		
CYLINDER HEAD COVER/EMBLEM	0.1	7	12251-371-003	GASKET, CYLINDER HEAD	1	1		
SPARK PLUG *One or both	0.1	8	12311-371-000 12311-371-010 12311-371-980 12312-371-000 12312-371-610	COVER, CYLINDER HEAD COVER, CYLINDER HEAD EMBLEM, HEAD COVER EMBLEM, HEAD COVER	1	1	2038639 2100001	DK,DM,E,ED,F,G,U
		9A	12312-371-611	EMBLEM, HEAD COVER	1	1	2100001	2038639 DK,DM,E,ED,F,G,U
		10	12328-371-000	GASKET, HEAD COVER	1	1		
		11	17110-371-000 17110-371-980	MANIFOLD A, IN. MANIFOLD A, IN.	1	1		
		12	17120-371-000 17120-371-980	MANIFOLD B, IN. MANIFOLD B, IN.	1	1		
		13	17255-371-000	BAND, IN. MANIFOLD	2	2		

1977.08.20

E-3

Left cylinder head



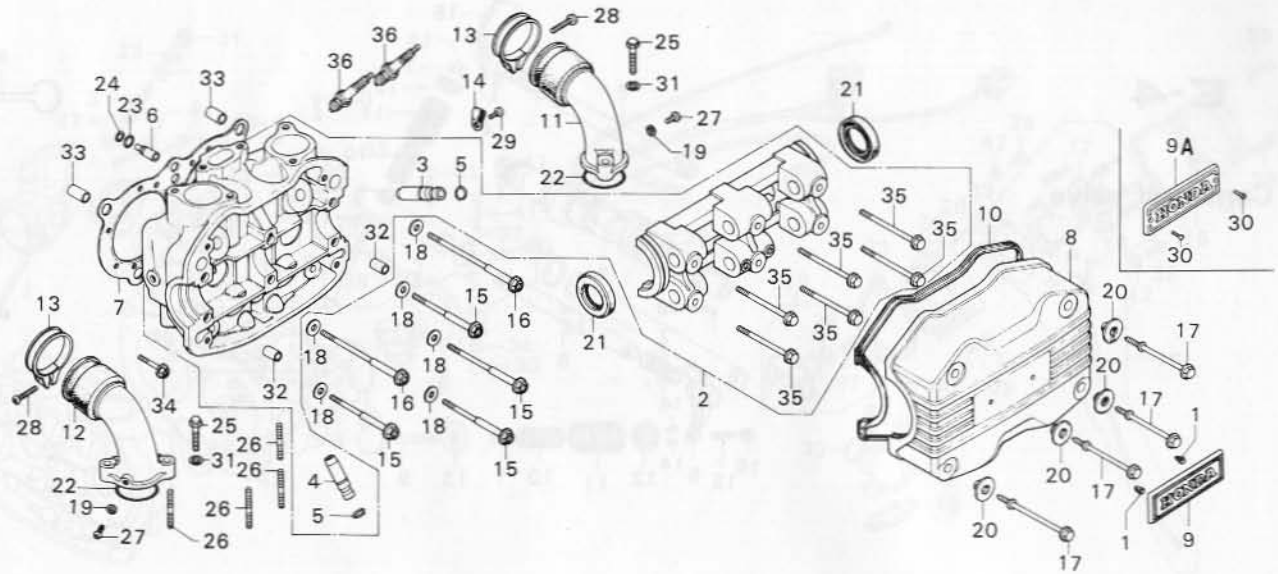
B371-3

Service item	F.R.T.	Ref. No.	Part No.	Description	Reqd. No.			Serial No.	Area code
					GL1000	GL1000	LTD K1 K2		
			17255-371-980	BAND, IN. MANIFOLD		2			
		14	32111-323-000	CLAMPER, CORD	1	1	1	1	
		15	90001-371-003	BOLT, FLANGE, 10X90	4	4	4	4	
		16	90002-371-003	BOLT, FLANGE, 10X11.5	2	2	2	2	
		17	90018-371-000	BOLT, SPECIAL, 6X63.2	4	4	4	4	
			90018-371-980	BOLT, SPECIAL, 6X63.2		4			
		18	90438-634-000	WASHER, 21X11X2.3	6	6	6	6	
		19	90452-323-000	WASHER, THRUST, 5MM	2	2	2	2	
		20	90541-371-000	RUBBER, MOUNT	4	4	4	4	
			90541-371-980	RUBBER, MOUNT		4			
		21	91209-371-003	OIL SEAL, 27X43X9	2	2	2	2	
		22	91301-371-003	O-RING, 40X2.6	2	2	2	2	
		23	91305-371-003	O-RING, 6.5X1.5	1	1	1	1	
		24	91308-371-003	O-RING, 4.1X1.5	1	1	1	1	
		25	92500-06032-08	BOLT, CAP, 6X32	4	4	4	4	
			90044-371-980	BOLT, CAP, 6X32		4			
		26	92700-08040-0E	BOLT, STUD, 8X40	4	4	4	4	
			90035-371-000	BOLT, STUD, 8X43				4	
		27	93500-05008-0A	SCREW, PAN, 5X8	2	2	2	2	
			90050-371-980	SCREW, PAN, 5X8		2			
		28	93500-05020-0G	SCREW, PAN, 5X20	2	2	2	2	
		29	93500-06008	SCREW, PAN, 6X8	1	1	1	1	
			90053-371-980	SCREW, PAN, 6X8		1			
		30	93700-03006-0G	SCREW, OVAL, 3X6		2			2100001
			93700-03006-1G	SCREW, OVAL, 3X6		2			DK,DM,E,ED,F,G,U
		31	94101-06000	WASHER, PLAIN, 6MM	4	4	4	4	

1977.08.20

E-3

Left cylinder head



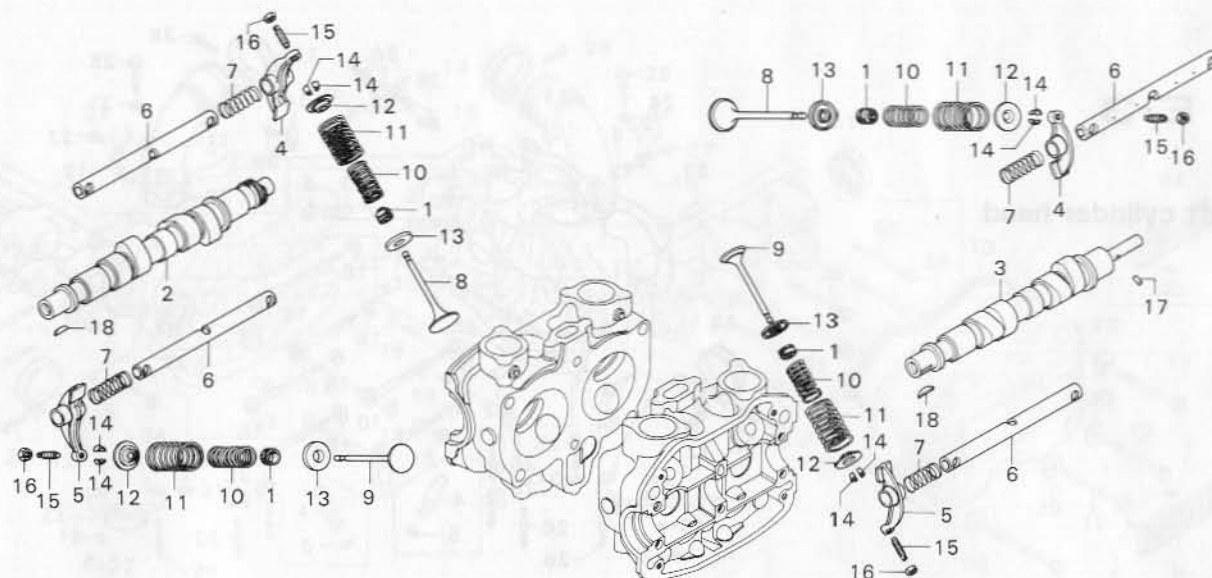
B371-3

Service item	F.R.T.	Ref. No.	Part No.	Description	Reqd. No.		Serial No.	Area code
					GL1000	GL1000 LTD K1 K2		
		32	90081-371-980	WASHER, PLAIN, 6MM	2	4		
		33	94301-10160	PIN A, DOWEL, 10X16	2	2	2	
		33	94301-12200	PIN A, DOWEL, 12X20	2	2	2	
		34	95700-06028-00	BOLT, FLANGE, 6X28	1	1	1	
			90144-371-980	BOLT, FLANGE, 6X28	1	1		
		35	95700-08070-00	BOLT, FLANGE, 8X70	6	6	6	
		36	98069-38710	PLUG, SPARK (D-BES-L NGK)	2	2	2	A,DK,DM,U CM
			98069-58721	PLUG, SPARK (X24ES ND)	2	2	2	A,DK,DM,U CM
			98069-38716	PLUG, SPARK (DR8ES-L NGK)	2	2		E,ED,F,G CM,E,ED,F,G
			98069-58726	PLUG, SPARK (X24ESR-U ND)		2	2	CM,E,ED,F,G

1977.08.20

E-4

Camshaft valve



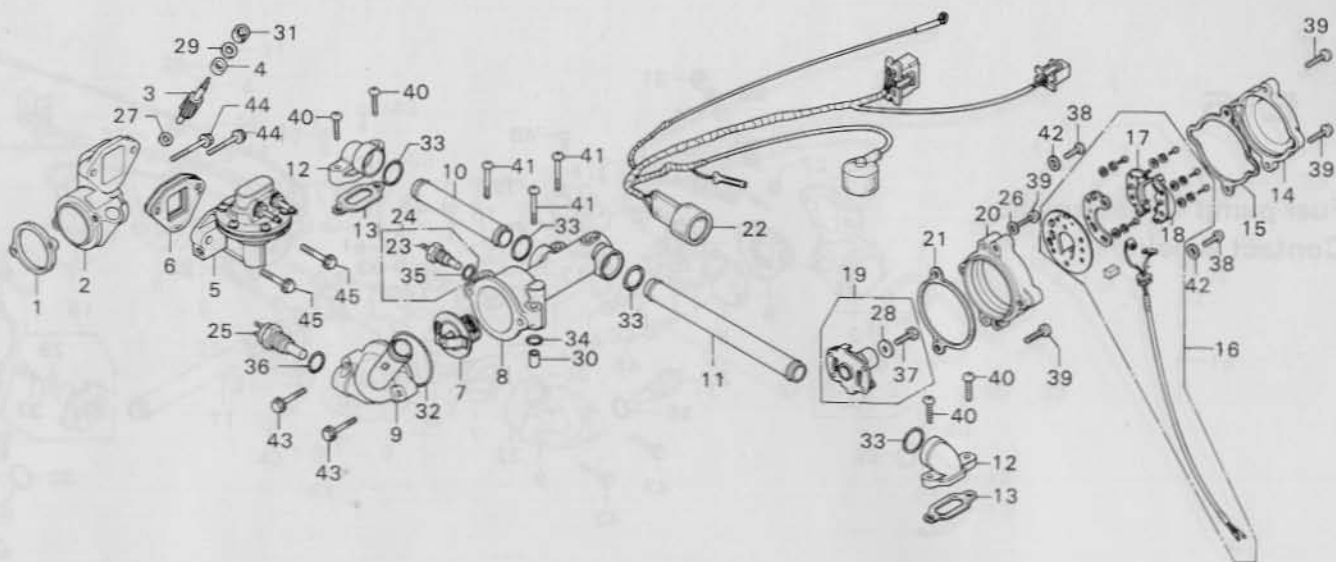
B371-4

Service item	F.R.T.	Ref. No.	Part No.	Description	Reqd. No.				Serial No.	Area code
					GL1000	GL1000	LTD	K1 K2		
VALVE	1.4	1	12209-300-003	SEAL, VALVE STEM	8	8	8	8		
*Add 0.2 reaming included		2	14110-371-000	CAMSHAFT COMP., R.						
VALVE SPRING and its related parts	1.3		14110-371-010	14110-371-010	1					
*Add 0.1			14110-371-010	CAMSHAFT COMP., R.			1		2028171	2028170
L. CAMSHAFT/ROCKER ARM and its related parts	0.9		3	14211-371-300	CAMSHAFT, L.	1	1	1	1	
R. CAMSHAFT/ROCKER ARM and its related parts	0.7		4	14611-371-000	ARM A, ROCKER	4	4	4	4	
			5	14621-371-000	ARM B, ROCKER	4	4	4	4	
			6	14631-371-000	SHAFT, ROCKER ARM	4	4	4	4	
			7	14642-371-000	SPRING, ROCKER ARM SIDE	8	8	8	8	
			8	14711-371-000	VALVE, IN.	4	4	4	4	
			9	14721-371-000	VALVE, EX.	4	4	4	4	
			10	14751-611-003	SPRING, VALVE INNER (NIPPATSU)	8	8	8	8	
			11	14761-611-003	SPRING, VALVE OUTER (NIPPATSU)	8	8	8	8	
			12	14771-551-020	RETAINER, VALVE SPRING	8	8	8	8	
			13	14775-300-000	SEAT, VALVE SPRING	8	8	8	8	
			14	14781-551-000	COTTER, VALVE	16	16	16	16	
			15	90012-300-000	SCREW, TAPPET ADJUSTING	8	8	8	8	
			16	90205-300-000	NUT, TAPPET ADJUSTING	8	8	8	8	
			17	90701-283-000	PIN, KNOCK, 3X6.8	1	1	1	1	
			18	94401-25140	KEY, WOODRUFF, 25X14	2	2	2	2	

1977.08.20

E-5

Fuel pump • Thermostat • Contact breaker



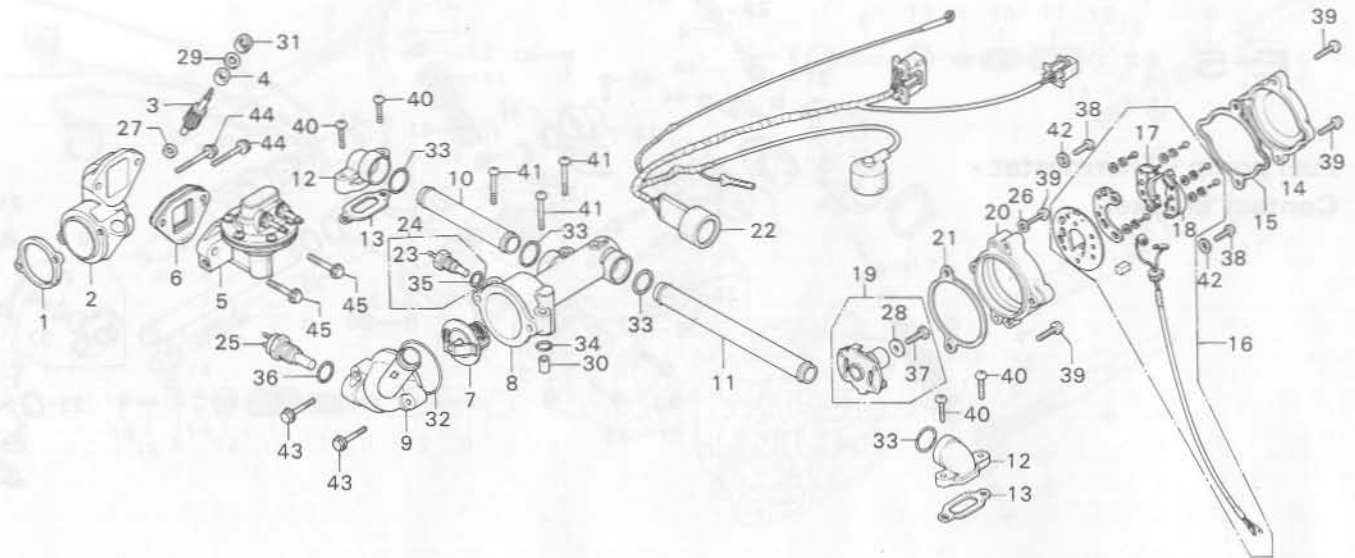
8371-5

Service item	F.R.T.	Ref. No.	Part No.	Description	GL1000	Reqd. No.		Serial No.	Area code
						GL1000	LTD K1 K2		
ENGINE SUB WIRE HARNESS	≈3.0	1	12390-371-000	INSULATOR COMP., TACHOMETER COVER	1	1	1		
THERMOSTAT CASE/WATER TEMPERATURE SENDING UNIT	1.5	2	12411-371-000	COVER, FUEL PUMP	1		1		
THERMOSTAT COVER/UNIT	0.6		12411-371-980	COVER, FUEL PUMP			1		
•THERMO SWITCH		3	12431-371-000	GEAR, TACHOMETER	1	1	1		
R. CONNECTING PIPE/WATER JOINT	0.4	4	12435-246-000	COLLAR, TACHOMETER GEAR THRUST	1	1	1		
•L. CONNECTING PIPE/WATER JOINT		5	16700-371-005	PUMP ASSY., FUEL (KISAN)	1		1		
CONTACT BREAKER	0.4		16700-371-980	PUMP ASSY., FUEL			1		
*Add 0.1		6	16701-634-000	INSULATOR COMP., FUEL PUMP	1		1		
CONTACT BREAKER ASSY./SPAKE	0.3		16701-371-980	INSULATOR COMP., FUEL PUMP			1		
ADVANCER/BRAKER CASE		7	19300-657-000	THERMOSTAT UNIT	1	1	1		A,CM,ED,F,G DK,DM,U
•FUEL PUMP COVER/TACHOMETER GEAR and those related parts			19300-657-003	THERMOSTAT UNIT			1	2100001	A,CM,E,ED,F,G DK,DM,E,ED,F,G,U
TACHOMETER COVER INSULATOR	0.1	8	19311-371-000	CASE, THERMOSTAT	1		1		
•BREAKER COVER			19311-371-980	CASE, THERMOSTAT			1		
		9	19315-371-000	COVER, THERMOSTAT	1		1		
			19315-371-980	COVER, THERMOSTAT			1		
		10	19411-371-000	PIPE, R. CONNECTING	1		1		
			19411-371-980	PIPE, R. CONNECTING			1		
		11	19412-371-000	PIPE, L. CONNECTING	1		1		
			19412-371-980	PIPE, L. CONNECTING			1		
		12	19421-371-000	JOINT, WATER	2		2		
			19421-371-980	JOINT, WATER			2		
		13	19429-371-000	PACKING, WATER JOINT	2	2	2		
		14	30070-371-000	COVER, BREAKER	1		1		
			30070-371-980	COVER, BREAKER			1		

1977.08.20

E-5

Fuel pump • Thermostat • Contact breaker



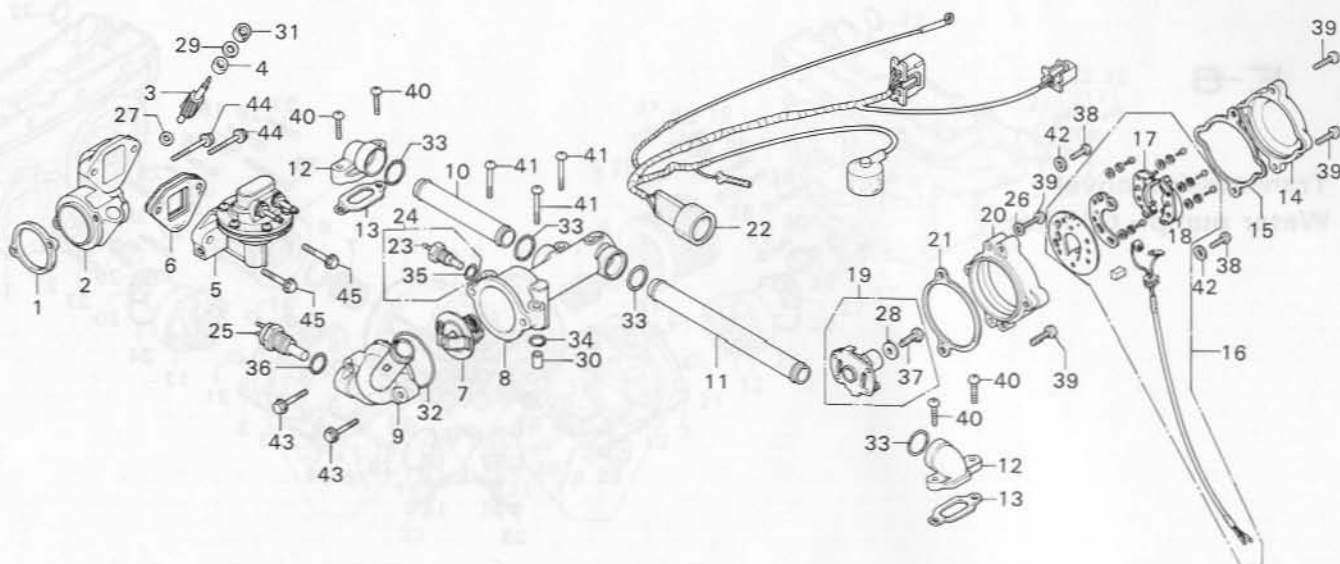
B371-5

Service item	F.R.T.	Ref. No.	Part No.	Description	Reqd. No.			Serial No.	Area code
					GL1000	GL1000 LTD K1	K2		
		15	30079-371-000	GASKET, BREAKER	1	1	1		
		16	30200-371-004	BREAKER ASSY., CONTACT (TOYO)	1	1	1		
		17	30203-292-154	BREAKER, R. CONTACT (TOYO)	1	1	1		
		18	30204-292-154	BREAKER, L. CONTACT (TOYO)	1	1	1		
		19	30220-371-004	ADVANCER ASSY., SPARK (TOYO)	1	1	1		
		20	30375-371-000	CASE, BREAKER	1	1	1		
			30375-371-980	CASE, BREAKER			1		
		21	30376-371-000	PACKING, BREAKER	1	1	1		
		22	32220-371-000	SUB HARNESS, ENGINE	1	1	1		
		23	37510-371-008	SENDING UNIT, WATER TEMPERATURE	1	1	1		
		24	37750-611-154	SENDING UNIT, WATER TEMPERATURE	1	1	1		
		25	37760-371-003	SWITCH ASSY., THERMOSTAT	1	1	1		
		26	90441-028-010	WASHER, SEALING, 6MM	1	1	1		
		27	90458-286-000	WASHER, TACHOMETER GEAR THRUST	1	1	1		
		28	90486-028-000	WASHER, SPARK ADVANCER SETTING	1	1	1		
		29	90539-011-000	WASHER, SPEEDOMETER PINION	1	1	1		
		30	90701-371-000	COLLAR, 12X10	1	1	1		
		31	91211-371-005	OIL SEAL, 4.8X14.5X4			1		
			91211-286-003	OIL SEAL, 4.8X14.5X4			1	2002957	E,ED,F,G ED,F,G
							1	2002958	E,ED,F,G E,ED,F,G A,CM,DK,DM,U
		32	91302-317-700	O-RING, 53.8X3.1	1	1	1		
		33	91302-371-003	O-RING, 21.9X2.3	4	4	4		

1977.08.20

E-5

Fuel pump • Thermostat • Contact breaker



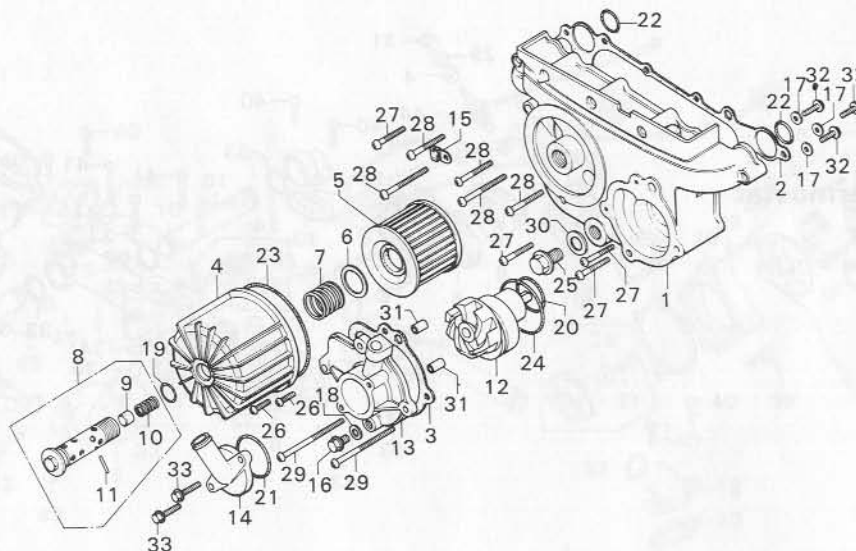
8371-5

Service item	F.R.T.	Ref. No.	Part No.	Description	GL1000	Reqd. No.		Serial No.	Area code
						GL1000	LTD K1 K2		
		34	91303-611-000	D-RING, 12.5X2.2		1	1		
		35	91307-611-000	D-RING, 13.5X1.4		1	1		
		36	91310-611-000	D-RING, 15.5X14MM		1	1		
		37	92000-06014	BOLT, HEX., 6X14		1	1		
		38	93500-06012	SCREW, PAN, 6X12		2	2		
		39	93500-06020	SCREW, PAN, 6X20		4	4		
			90054-371-980	SCREW, PAN, 6X20			4		
		40	93500-06025	SCREW, PAN, 6X25		4			
			95700-06025-00	BOLT, FLANGE, 6X25			4	2015495	2015494
			90143-371-980	BOLT, FLANGE, 6X25			4		
		41	93500-06040	SCREW, PAN, 6X40		3			
			95700-06040-00	BOLT, FLANGE, 6X40			3	2015495	2015494
			90147-371-980	BOLT, FLANGE, 6X40			3		
		42	94101-06000	WASHER, PLAIN, 6MM		2	2		
		43	95700-06032-00	BOLT, FLANGE, 6X32		2	2		
			90145-371-980	BOLT, FLANGE, 6X32			2		
		44	95700-06040-00	BOLT, FLANGE, 6X40		2	2		
			90147-371-980	BOLT, FLANGE, 6X40			2		
		45	95700-08032-00	BOLT, FLANGE, 8X32		2	2		
			90161-371-980	BOLT, FLANGE, 8X32			2		

1977.08.20

E-6

Transmission cover •
Water pump • Oil filter



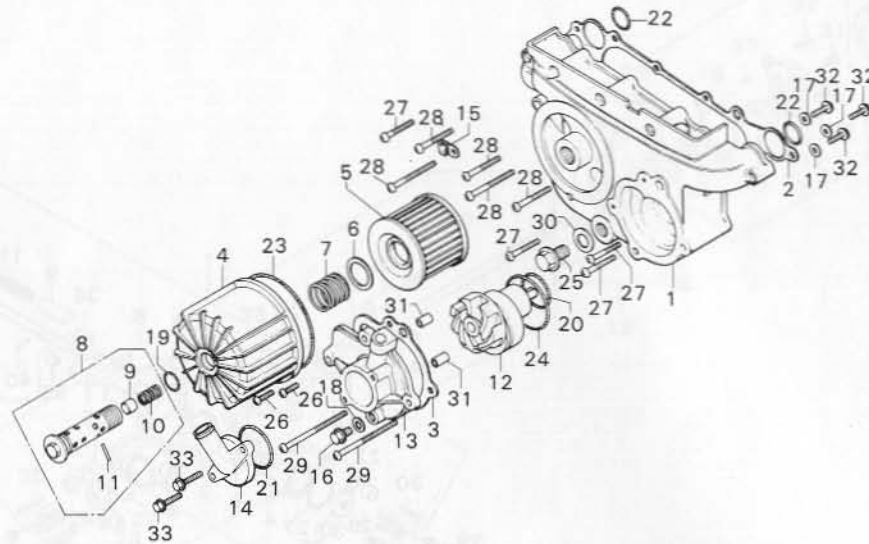
B371-6

Service item	F.R.T.	Ref. No.	Part No.	Description	Reqd. No.			Serial No.	Area code
					GL1000	LTD	K1 K2		
TRANSMISSION COVER COMP./WATER PUMP	1.3	1	11360-371-000	COVER COMP., TRANSMISSION	1	1	1		
TRANSMISSION COVER GASKET	1.2		11360-371-980	COVER COMP., TRANSMISSION	1	1	1		
WATER PUMP COVER COMP.	0.4	2	11391-371-000	GASKET, TRANSMISSION COVER	1	1	1		
WATER PUMP CAP	0.3	3	11396-371-000	GASKET, WATER PUMP	1	1	1		
OIL FILTER CASE and its related parts	0.2	4	15411-371-000	CASE, OIL FILTER	1	1	1		
			15411-371-980	CASE, OIL FILTER	1				
		5	15412-300-024	ELEMENT, OIL FILTER (TOKYO ROKI)	1	1	1		
		6	15414-300-000	SEAT, OIL FILTER SPRING	1	1	1		
		7	15415-300-000	SPRING, OIL FILTER ELEMENT SET	1	1	1		
		8	15420-300-020	BOLT, OIL FILTER CENTER	1	1	1		
			15420-371-980	BOLT COMP., OIL FILTER CENTER	1				
		9	15473-300-300	VALVE, CHECK	1	1	1		
		10	15474-300-310	SPRING, CHECK VALVE	1	1	1		
		11	15477-300-300	PIN, SPRING SET	1	1	1		
		12	19200-371-000	PUMP COMP., WATER	1	1	1		
		13	19221-371-000	COVER COMP., WATER PUMP	1	1	1		
			19221-371-980	COVER COMP., WATER PUMP	1				
		14	19225-371-000	CAP, WATER PUMP	1	1	1		
			19225-371-980	CAP, WATER PUMP	1				
		15	32111-323-000	CLAMPER, CORD	1	1	1		
		16	90007-371-004	BOLT, FLANGE, 10X12	1	1	1		
			90007-371-980	BOLT, FLANGE, 10X12	1				
		17	90441-028-010	WASHER, SEALING, 6MM	3	3	3		
		18	90481-001-020	WASHER, 10.2MM	1	1	1		
		19	91302-028-000	O-RING, 15X2.5	1	1	1		
		20	91303-283-000	O-RING, 37.2X2.3	1	1	1		

1977.08.20

E-6

Transmission cover •
Water pump • Oil filter



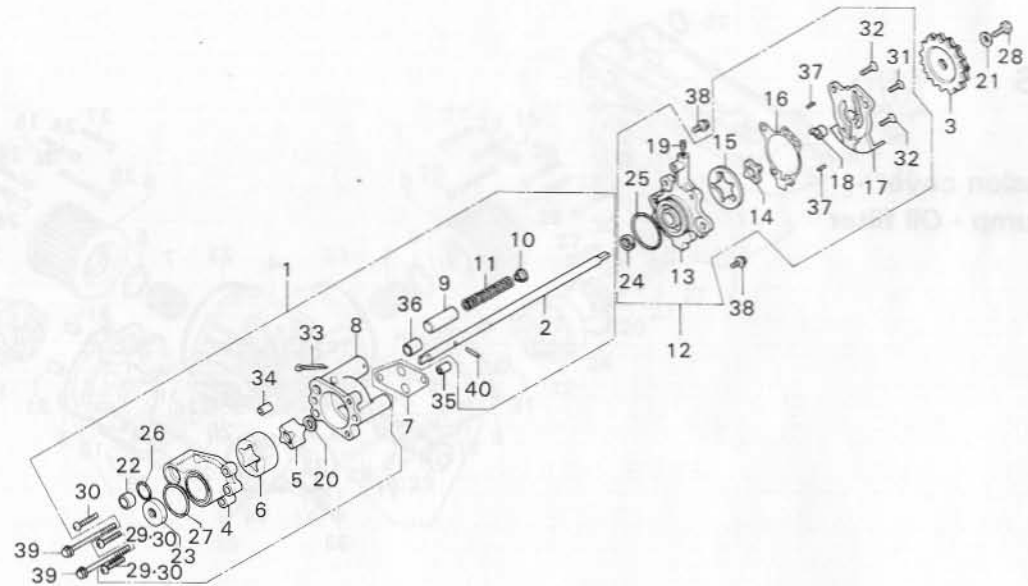
B371-6

Service item	F.R.T.	Ref. No.	Part No.	Description	Reqd. No.			Serial No.	Area code
					GL1000	GL1000	LTD K1 K2		
		21	91305-216-000	O-RING, 46X2	1	1	1 1		
		22	91312-371-003	O-RING, 23X2.1	2	2	2 2		
		23	91316-300-005	O-RING, 89X4.5	1	1	1 1		
		24	91356-706-000	O-RING, 56X2.4	1	1	1 1		
		25	92800-14000	BOLT, DRAIN PLUG, 14MM	1	1	1 1		
			90045-371-980	BOLT, DRAIN PLUG, 14MM		1			
		26	93500-06020	SCREW, PAN, 6X20	2			1009338	
			95700-06022-00	BOLT, FLANGE, 6X22	2			1009339	
			90142-371-980	BOLT, FLANGE, 6X22		2	2 2		
		27	93500-06035	SCREW, PAN, 6X35	4		4 4		
			90055-371-980	SCREW, PAN, 6X35		4	4 4		
		28	93500-06055	SCREW, PAN, 6X55	5		5 5		
			90056-371-980	SCREW, PAN, 6X55		5			
		29	93500-06080	SCREW, PAN, 6X80	2			1009338	
			95700-06080-00	BOLT, FLANGE, 6X80	2			1009339	
						2	2 2		
		30	94109-14000	WASHER, DRAIN PLUG, 14MM	1	1	1 1		
		31	94301-08140	PIN A, DOWEL, 8X14	2	2	2 2		
		32	95700-06018-00	BOLT, FLANGE, 6X18	3	3	3 3		
		33	95700-06022-00	BOLT, FLANGE, 6X22	2		2 2		
			90142-371-980	BOLT, FLANGE, 6X22		2			

1977.08.20

E-7

Oil pump



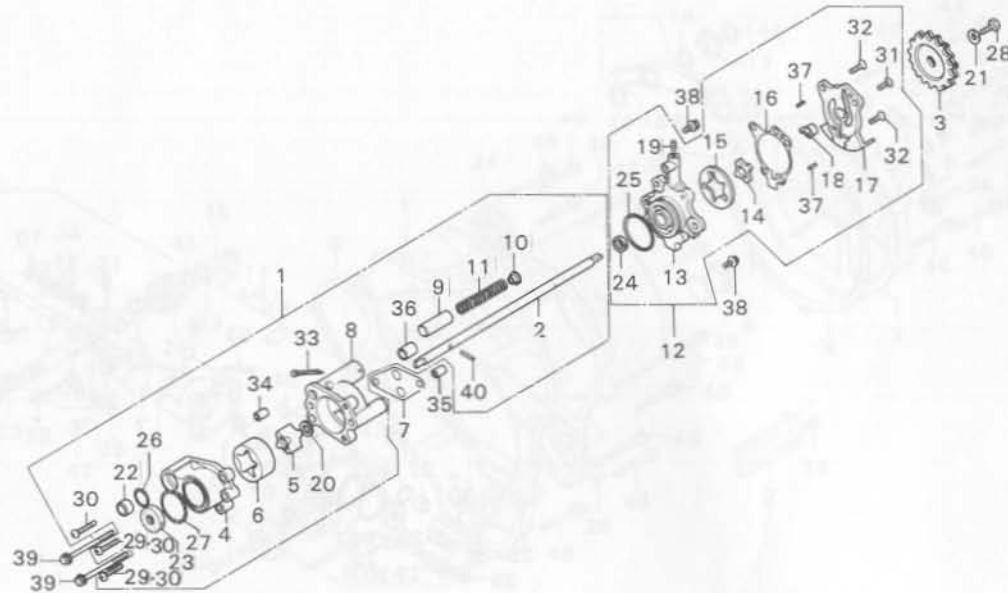
8371-7

Service item	F.R.T.	Ref. No.	Part No.	Description	Reqd. No.				Serial No.	Area code
					GL1000	GL1000	LTD	K1 K2		
OIL PUMP BASE/OIL PUMP SHAFT	4.0	1	15110-371-000	PUMP ASSY., OIL	1	1	1	1		
OIL PUMP ASSY.	3.8	2	15111-371-000	SHAFT, OIL PUMP	1	1	1	1		
CLUTCH OIL PUMP ASSY. and its related	3.6	3	15116-371-003	SPROCKET, PUMP DRIVEN	1	1	1	1		
PUMP DRIVEN SPROCKET	3.3	4	15121-371-000	BODY, OIL PUMP	1					
OIL PUMP BODY/INNER ROTOR/OUTER	1.4		15121-371-010	BODY, OIL PUMP			1		2000035	2000034
		5	15125-371-000	ROTOR A, OIL PUMP INNER	1	1	1	1		
		6	15126-371-000	ROTOR A, OIL PUMP OUTER	1	1	1	1		
		7	15128-371-000	PACKING, OIL PATH	1	1	1	1		
		8	15131-371-000	BASE, OIL PUMP	1					
			15131-371-010	BASE, OIL PUMP			1		2000035	2000034
		9	15141-371-000	VALVE, RELIEF	1	1	1	1		
		10	15142-371-000	SEAT, RELIEF VALVE	1	1	1	1		
		11	15145-371-000	SPRING, RELIEF VALVE	1	1	1	1		
		12	15220-371-000	PUMP ASSY., CLUTCH OIL	1	1	1	1		
		13	15221-371-000	BODY, CLUTCH OIL PUMP	1	1	1	1		
		14	15225-371-000	ROTOR B, INNER	1	1	1	1		
		15	15226-371-000	ROTOR B, OUTER	1	1	1	1		
		16	15229-371-000	PACKING, CLUTCH OIL PUMP	1	1	1	1		
		17	15231-371-000	COVER, CLUTCH OIL PUMP	1	1	1	1		
		18	15256-371-000	COLLAR, OIL PUMP	1	1	1	1		
		19	90025-371-000	SCREW, SEALING	1	1	1	1		
		20	90408-371-000	WASHER, 15MM	1					2000034

1977.08.20

E-7

Oil pump



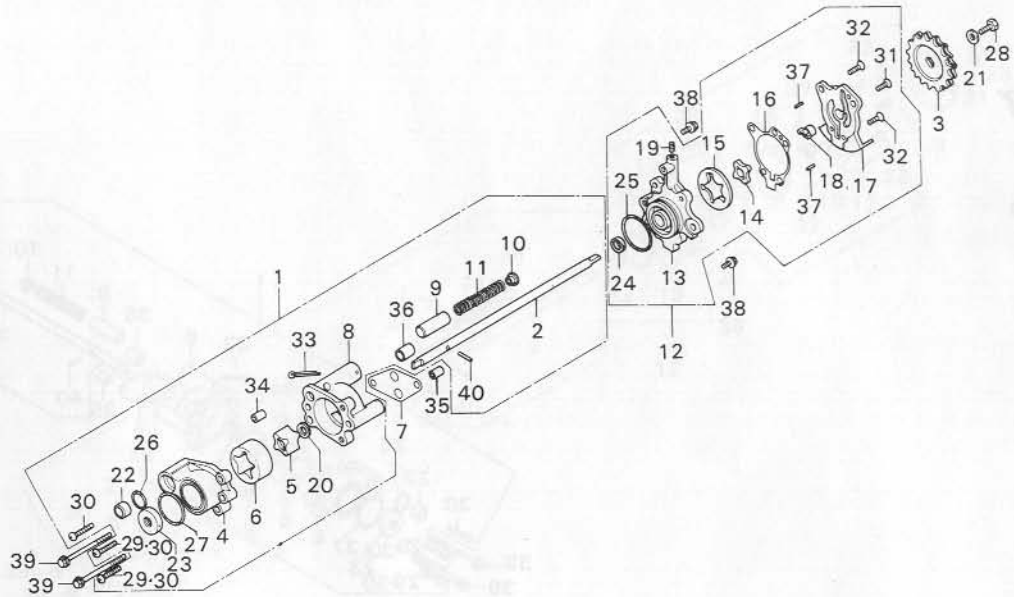
B371-7

Service item	F.R.T.	Ref. No.	Part No.	Description	Reqd. No.		Serial No.	Area code
					GL1000	GL1000 LTD K1 K2		
			90456-333-000	WASHER, THRUST, 11MM		1	2000035	
						1		
		21	90417-041-000	WASHER, SHIFT DRUM SIDE	1	1	1	
		22	90703-371-000	COLLAR, 17X10	1	1	1	
		23	91207-580-015	OIL SEAL, 10X25X7	1	1	1	
		24	91208-300-003	OIL SEAL, 11X15X3	1	1	1	
		25	91302-200-000	O-RING, 33.5X3	1	1	1	
		26	91333-567-010	O-RING, 17.0X2.5	1	1	1	
		27	91345-580-000	O-RING, 29X2.2	1	1	1	
		28	92000-06012	BOLT, HEX., 6X12	1			
			90004-371-000	BOLT, SPECIAL, 6X12		1	2014841	2014840
						1		
		29	93500-06022-0H	SCREW, PAN, 6X22	2			
		30	93500-06028	SCREW, PAN, 6X28	1	2		2000034
						1		2000034
						3	2000035	
		31	93600-05012-0H	SCREW, FLAT, 5X12	1	1	1	
		32	93600-05014-0A	SCREW, FLAT, 5X14	2	2	2	
		33	94201-30250	PIN, SPLIT, 3.0X25	1	1	1	
		34	94301-08100	PIN A, DOWEL, 8X10	1		2	
						1		2000034
						2	2000035	
		35	94301-08140	PIN A, DOWEL, 8X14	1	1	1	

1977.08.20

E-7

Oil pump



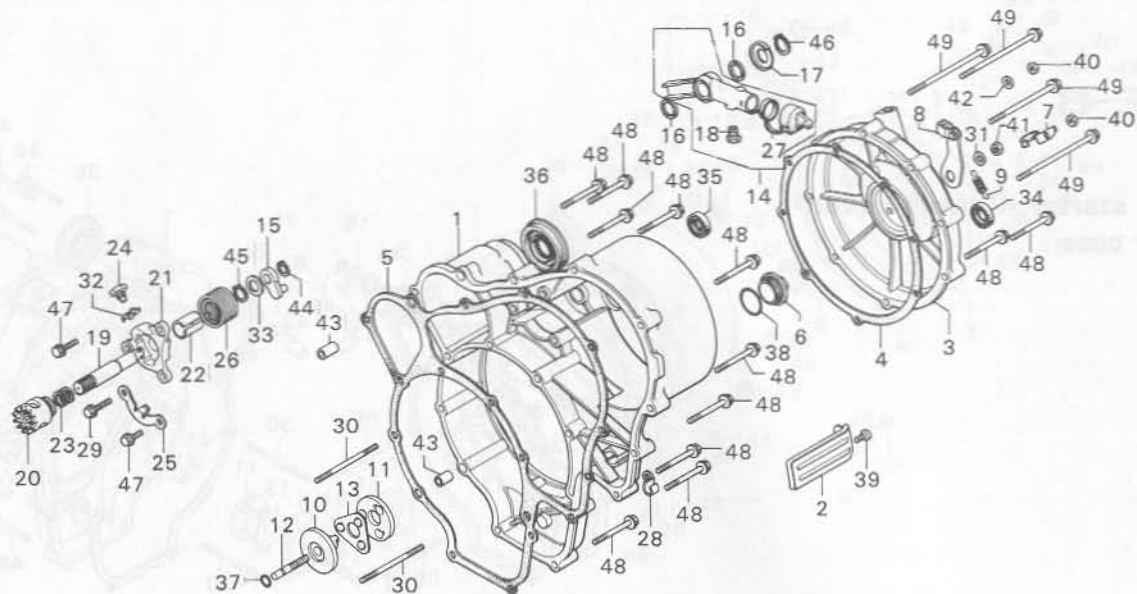
B371-7

Service item	F.R.T.	Ref. No.	Part No.	Description	Reqd. No.				Serial No.	Area code
					GL1000	GL1000 LTD	K1	K2		
		36	94301-14200	PIN A, DOWEL, 14X20	1	1	1	1		
		37	94303-04065	PIN C, DOWEL, 4X6.5	2	2	2	2		
		38	95700-06018-00	BOLT, FLANGE, 6X18	3	3	3	3		
		39	95700-06080-00	BOLT, FLANGE, 6X80	2	2	2	2		
			90148-371-980	BOLT, FLANGE, 6X80		2				
		40	96220-40158	ROLLER, 4X15.8	1	1	1	1		

1977.08.20

E-8

Kick starter • Clutch cover • Rear case



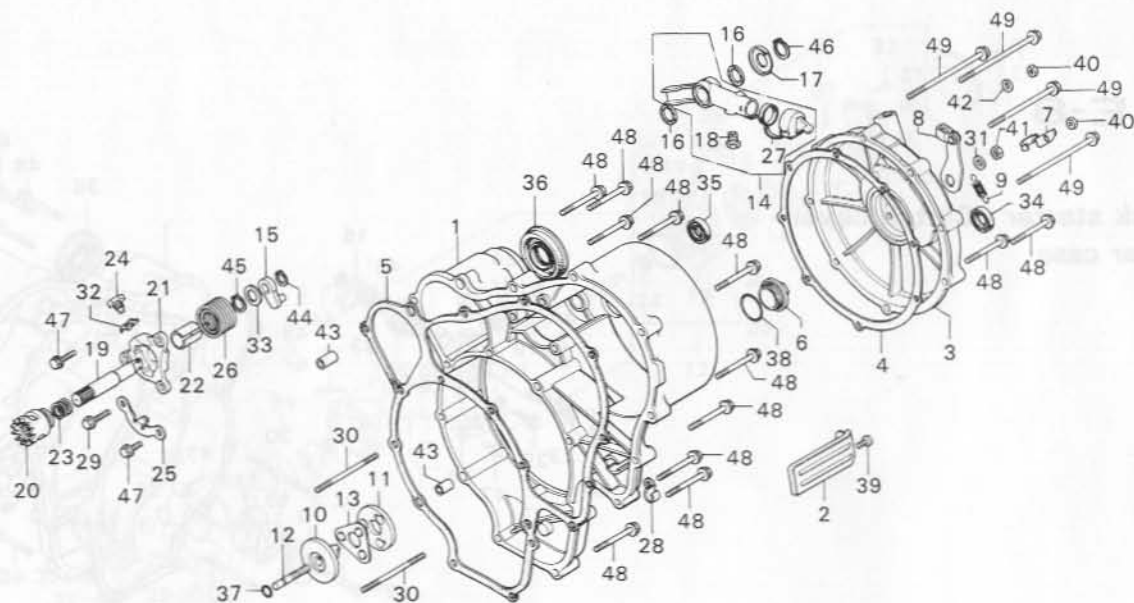
B371-8

Service item	F.R.T.	Ref. No.	Part No.	Description	Reqd. No.			Serial No.	Area code
					GL1000	GL1000	LTD K1 K2		
REAR CASE COMP	≈3.8	1	11310-371-000	CASE COMP., RR.	1			1020727	
KICK STATER SHAFT and its related parts	≈3.4		11310-371-010	CASE COMP., RR.	1			1020728	
•25 x 54 x 7 OIL SEAL							1 1		
REAR CASE GASKET	≈3.2		11310-371-980	CASE COMP., RR.		1	1		
KICK JOINT ASSY./KICK STATER ARM	≈3.0	2	11315-371-000	INSULATOR COMP., HEAT	1	1			
CLUTCH COVER/CLUTCH LEVER and those related parts	1.1		11315-371-980	INSULATOR COMP., HEAT		1			
			11315-371-010	INSULATOR COMP., HEAT			1		
6 x 93 STUD BOLT	1.0	3	11342-371-000	COVER, CLUTCH	1	1	1		
+Add 0.1			11342-371-980	COVER, CLUTCH		1			
CLUTCH COVER GASKET	0.9	4	11393-371-000	GASKET, CLUTCH COVER	1	1	1		
HEAT INSULATOR	0.1	5	11394-371-000	GASKET, RR. CASE	1	1	1		
		6	12361-035-000	CAP, TAPPET ADJUSTING HOLE	1	1	1		
			12361-371-980	CAP, TAPPET ADJUSTING HOLE		1			
		7	15707-371-000	CLIP, OIL DRAIN TUBE	1	1	1		
		8	22810-371-000	LEVER COMP., CLUTCH	1	1	1		
		9	22815-300-000	SPRING, CLUTCH LEVER	1	1	1		
		10	22820-371-000	SHAFT, CLUTCH RELEASE	1	1	1		
		11	22830-371-000	CAM COMP., CLUTCH LIFTER	1	1	1		
		12	22841-300-000	BOLT, CLUTCH ADJUSTING	1	1	1		
		13	22860-300-006	RETAINER COMP., CLUTCH BALL	1	1	1		
		14	28240-371-000	JOINT ASSY., KICK	1	1	1		
			28240-371-980	JOINT ASSY., KICK		1			
		15	28242-371-000	ARM, KICK STARTER	1	1	1		
		16	28246-371-000	DUST SEAL, JOINT	2	2	2		
		17	28247-371-000	CAP, DUST SEAL	1	1	1		
			28247-371-980	CAP, DUST SEAL		1			

1977.08.20

E-8

Kick starter • Clutch cover • Rear case



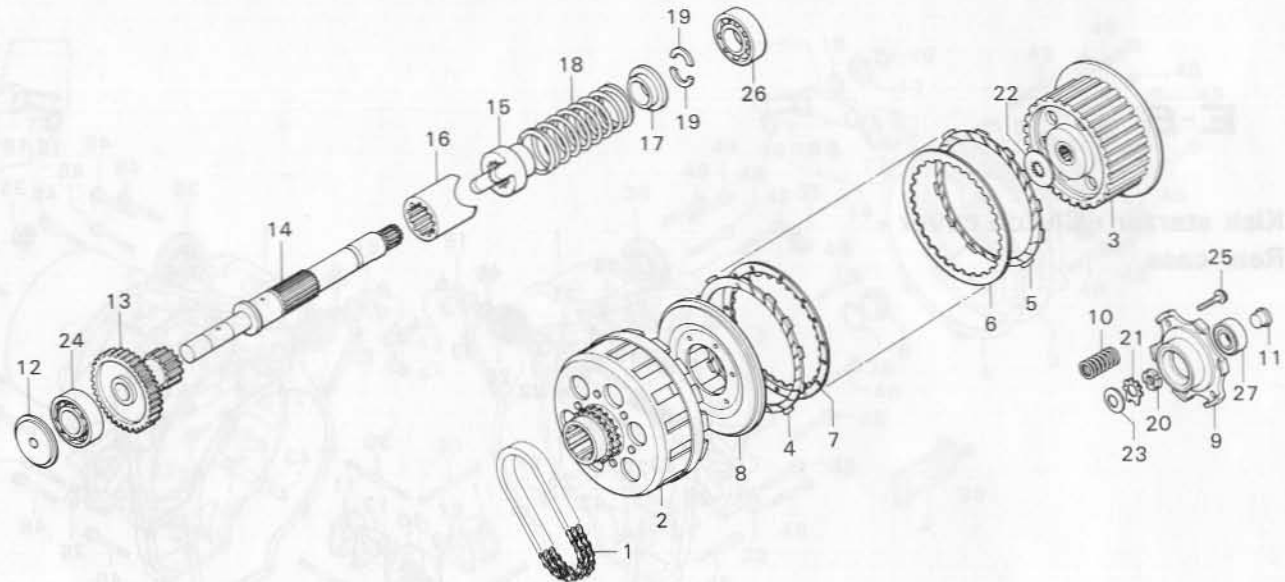
B371-B

Service item	F.R.T.	Ref. No.	Part No.	Description	Reqd. No.			Serial No.	Area code
					GL1000	GL1000	LTD K1 K2		
		18	28248-371-000	BOLT ASSY., 10MM	1	1	1		
			28248-371-980	BOLT ASSY., 10MM		1			
		19	28251-371-000	SHAFT, KICK STARTER	1	1	1		
		20	28252-371-000	RATCHET A, STARTER	1	1	1		
		21	28254-371-000	FLANGE, RATCHET	1	1	1		
		22	28255-371-000	COLLAR, KICK SHAFT	1	1	1		
		23	28256-371-000	SPRING, KICK RETURN	1	1	1		
		24	28257-371-000	BOLT, KICK GUIDE	1	1	1		
		25	28258-371-000	PLATE, KICK GUIDE	1	1	1		
		26	28261-371-000	SPRING, KICK STARTER	1	1	1		
		27	28302-371-000	CAP, KICK JOINT	1	1	1		
		28	32117-371-000	CLAMPER A, CORD	1	1	1		
		29	90006-371-000	BOLT, SPECIAL, 6X27	1	1	1		
		30	90028-371-004	BOLT, STUD, 6X93	2	2	2		
		31	90402-822-000	WASHER, HEAD, 8MM	1	1	1		
		32	90416-371-000	WASHER, KICK BOLT	1	1	1		
		33	90453-286-003	WASHER, 18MM (KOYO)	1	1	1		
		34	91202-216-003	OIL SEAL, 14X24X5	1	1	1		
		35	91204-286-003	OIL SEAL, 18X29X7	1	1	1		
		36	91204-371-003	SEAL, OIL 25X54X7	1	1	1		
			91204-371-005	SEAL, OIL 25X54X7	1	1	1		
		37	91301-283-005	O-RING, 5X2.4	1	1	1		
		38	91302-001-020	O-RING, 30.8MM	1	1	1		
		39	93500-06008	SCREW, PAN, 6X8	1	1	1		
			90053-371-980	SCREW, PAN, 6X8		1			
		40	94001-06000-05	NUT, HEX., 6MM	2	2	2		

1977.08.20

E-9

Clutch • Final gear shaft



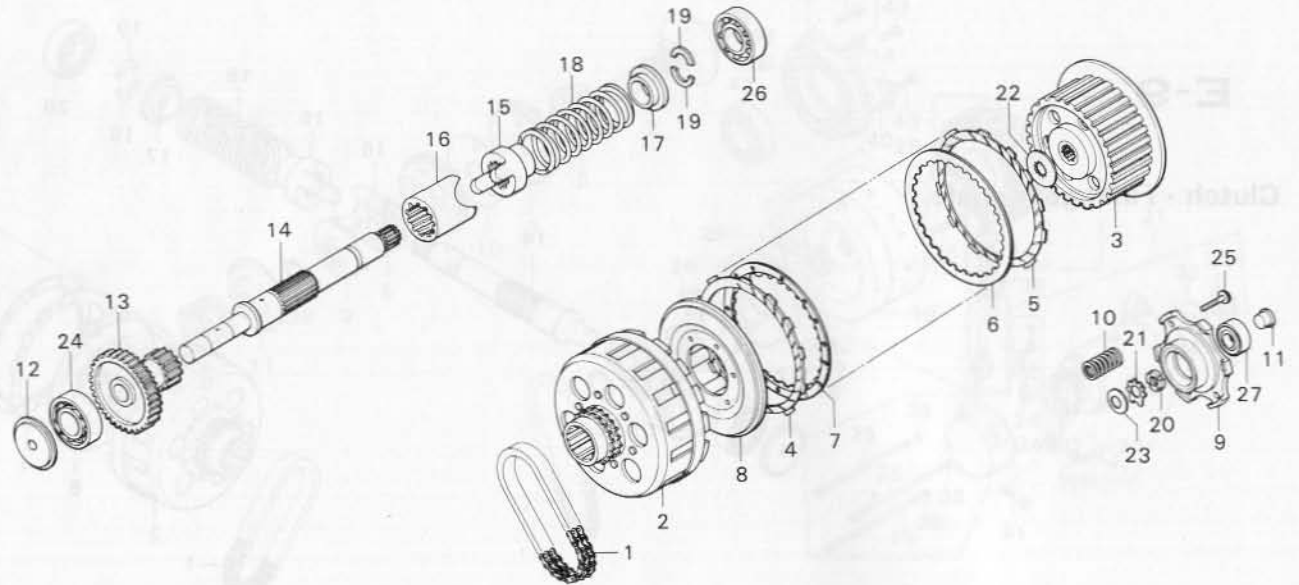
B371-9

Service item	F.R.T.	Ref. No.	Part No.	Description	Reqd. No.			Serial No.	Area code
					GL1000	GL1000 LTD K1	K2		
CLUTCH OUTER COMP./OIL PUMP CHAIN	3.5	1	15130-371-003	CHAIN, OIL PUMP	1	1	1		
OIL PASS PLATE/BALL BEARING	3.4	2	22100-371-000	OUTER COMP., CLUTCH	1			1020728	1020727
FINAL DRIVEN GEAR and its related parts	3.3		22100-371-010	OUTER COMP., CLUTCH	1				2002383 E,ED,F,G
CLUTCH CENTER/PRESSURE PLATE	1.3		22100-371-000	OUTER COMP., CLUTCH		1		2002384	2038639 E,ED,F,G
CLUTCH LIFTER PLATE/CLUTCH SPRING	1.2		22100-371-020	OUTER COMP., CLUTCH			1	2100001	2038639 A,CM,DK,DM,U
		3	22120-371-000	CENTER, CLUTCH	1				1020727
			22120-371-010	CENTER, CLUTCH	1			1020728	2002383 E,ED,F,G
			22120-371-000	CENTER, CLUTCH		1		2002384	2003893 E,ED,F,G
			22120-371-313	CENTER, CLUTCH		1		2003893	2003893 A,CM,DK,DM,U
			22120-371-020	CENTER, CLUTCH		1		2003894	2038639
			22120-371-020	CENTER, CLUTCH			1	2100001	
		4	22201-371-000	DISK A, CLUTCH FRICTION	7				1020727
			22201-371-010	DISK A, CLUTCH FRICTION	7			1020728	2002383 E,ED,F,G
			22201-371-000	DISK A, CLUTCH FRICTION		7		2002384	E,ED,F,G A,CM,DK,DM,U
			22201-371-000	DISK A, CLUTCH FRICTION		7			
		5	22202-371-000	DISK B, CLUTCH FRICTION	1				1020727
			22202-371-010	DISK B, CLUTCH FRICTION	1			1020728	2002383 E,ED,F,G
			22202-371-000	DISK B, CLUTCH FRICTION		1	1		A,CM,DK,DM,U
			22202-371-000	DISK B, CLUTCH FRICTION		1	1		E,ED,F,G
			22202-371-000	DISK B, CLUTCH FRICTION			1	2002384	E,ED,F,G

1977.08.20

E-9

Clutch • Final gear shaft



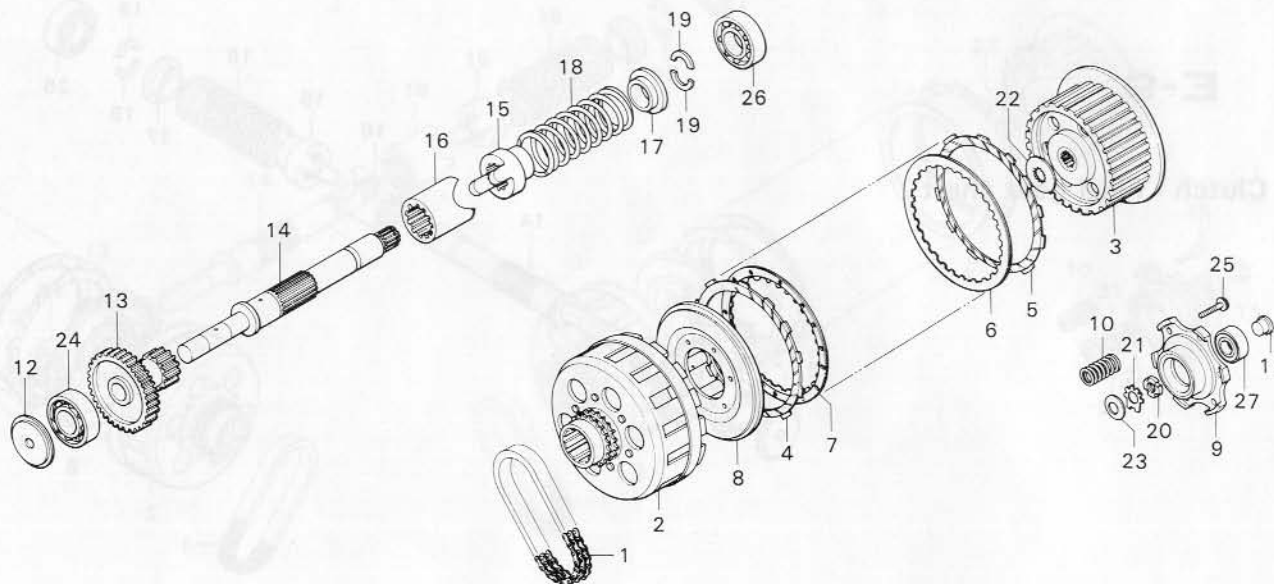
8371-9

Service item	F.R.T.	Ref. No.	Part No.	Description	Reqd. No.		Serial No.	Area code
					GL1000	GL1000 LTD K1 K2		
		6	22321-283-000	PLATE B, CLUTCH	6		1020727	
			22321-371-010	PLATE, CLUTCH	6		1020728	
			22321-283-000	PLATE B, CLUTCH		6	2002383	E,ED,F,G
						6	2002384	E,ED,F,G
						6		A,CM,DK,DM,U
		7	22322-371-000	PLATE COMP. B, CLUTCH	1		1020727	
			22322-371-313	PLATE COMP. B, CLUTCH	1		1020728	
			22322-371-000	PLATE COMP. B, CLUTCH		1	2002383	E,ED,F,G
			22322-371-313	PLATE COMP. B, CLUTCH		1	2002384	2019223 E,ED,F,G
						1	2019223	A,CM,DK,DM,U
			22322-371-313	PLATE COMP. B, CLUTCH		1	2019224	2038639
			22322-371-020	PLATE COMP. B, CLUTCH		1	2100001	
		8	22350-371-000	PLATE, PRESSURE	1		1020727	
			22350-371-010	PLATE, PRESSUER	1		1020728	
			22350-371-000	PLATE, PRESSURE		1	2002383	E,ED,F,G
						1	2002384	2003893 E,ED,F,G
						1	2003893	A,CM,DK,DM,U
			22350-371-313	PLATE, PRESSUER		1	2003894	2038639
			22350-371-020	PLATE, PRESSURE		1	2100001	
		9	22360-371-000	PLATE, CLUTCH LIFTER	1	1		
		10	22401-268-000	SPRING, CLUTCH	6	6		
		11	22846-371-000	PIECE, CLUTCH LIFTER	1	1		

1977.08.20

E-9

Clutch • Final gear shaft



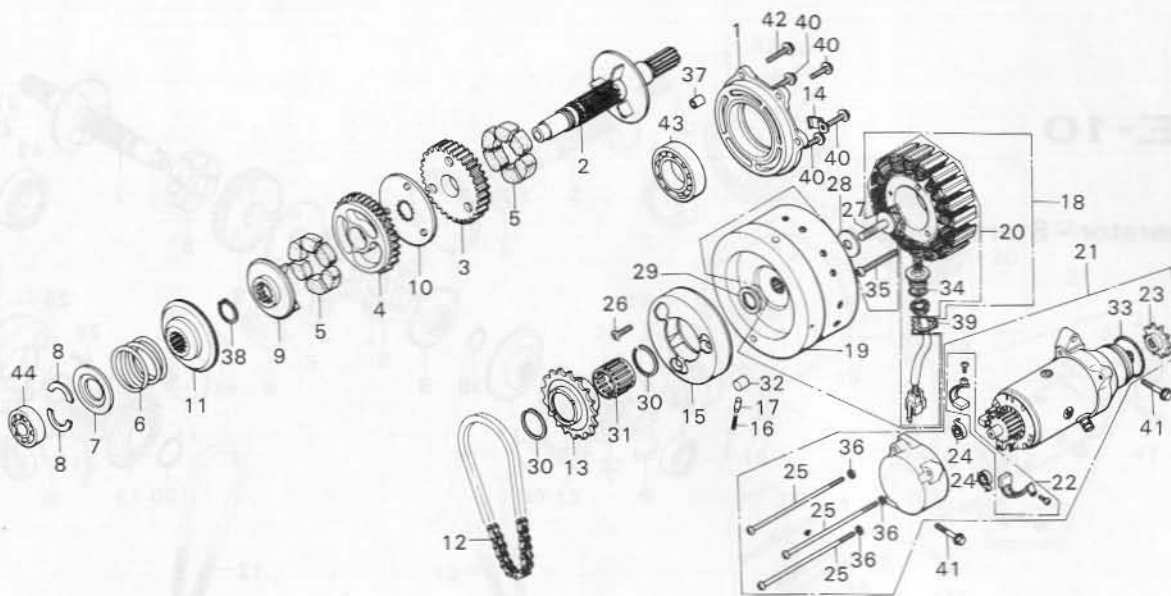
B371-9

Service item	F.R.T.	Ref. No.	Part No.	Description	Reqd. No.				Serial No.	Area code
					GL1000	GL1000	LTD K1	K2		
		12	23161-371-000	PLATE B, OIL PATH	1	1	1	1		
		13	23511-371-000	GEAR, FINAL DRIVEN (33T)	1	1	1	1		
		14	23521-371-000	SHAFT, FINAL GEAR	1					
							1	1		
			23521-371-020	SHAFT, FINAL GEAR					3020259	
		15	23721-371-000	LIFTER, DAMPER	1	1	1	1	3020260	
		16	23722-371-000	CAM, DAMPER	1	1	1	1		
		17	23731-371-000	STOPPER, DAMPER SPRING	1	1	1	1		
		18	23732-371-000	SPRING, DAMPER	1	1	1	1		
		19	23733-371-000	WASHER, SPRING STOPPER	2	2	2	2		
		20	90231-200-010	NUT, LOCK, 16MM	1	1	1	1		
		21	90431-292-000	WASHER, LOCK, 16MM	1	1	1	1		
		22	90432-371-000	WASHER, SPLINE, 23MM	1	1	1	1		
		23	90481-292-000	WASHER, OIL FILTER ROTOR LOCK	1	1	1	1		
		24	91002-371-004	BEARING, BALL, 6304C (KOYO)	1	1	1	1		
		25	95700-06018-00	BDLT, FLANGE, 6X18	6	6	6	6		
		26	96100-60030	BEARING, RADIAL BALL, 6003	1	1	1	1		
		27	96100-62050	BEARING, RADIAL BALL, 6205	1	1	1	1		

1977.08.20

E-10

Generator • Starter motor



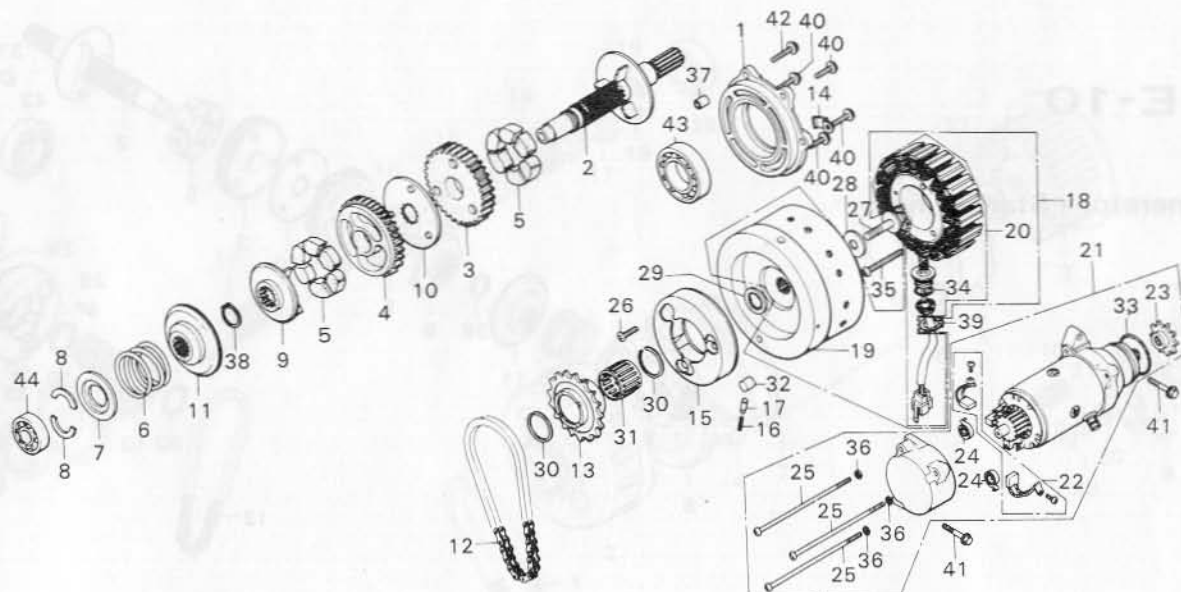
B371-10

Service item	F.R.T.	Ref. No.	Part No.	Description	Reqd. No.				Serial No.	Area code
					GL1000	GL1000	LTD	K1 K2		
6303U BALL BEARING	*5.7	1	11321-371-000	HOLDER, A.C. GENERATOR BEARING	1	1	1	1		
A.C. GENERATOR SHAFT and its related parts	*4.0	2	13410-371-000	SHAFT COMP., A.C. GENERATOR	1	1	1	1		
A.C. GENERATOR ASSY.	*3.8	3	13431-371-000	GEAR A, A.C. GENERATOR DRIVEN	1	1	1	1		
FLYWHEEL COMP./STARTING CLUTCH	*3.6	4	13432-371-000	GEAR B, A.C. GENERATOR DRIVEN	1	1	1	1		
STARTING CHAIN/STARTING SPROCKET	*3.5	5	13436-371-000	RUBBER, DAMPER	12	12	12	12		
•CARBON BRUSH/SPRING STARTER COMP.	*3.4	6	13437-371-000	SPRING, A.C. GENERATOR DAMPER	1	1	1	1		
STARTER MOTOR ASSY./SPROCKET	*3.3	7	13438-371-007	RETAINER, A. C. GENERATOR	1	1	1	1		
		8	13439-371-000	COTTER, A.C. GENERATOR SPRING	2	2	2	2		
		9	13442-371-000	PLATE B, DAMPER	1	1	1	1		
		10	13446-371-000	PLATE, STOPPER	1	1	1	1		
		11	13451-371-000	PLATE, PRESSURE	1	1	1	1		
		12	28101-371-003	CHAIN, STARTING (DAIDD)	1	1	1	1		
		13	28111-371-000	SPROCKET, STARTING	1	1	1	1		
		14	28114-371-000	PLATE, CHAIN GUIDE	1	1	1	1		
		15	28120-371-000	CLUTCH, STARTING	1	1	1	1		
		16	28125-516-030	SPRING, STARTING CLUTCH ROLLER	3	3	3	3		
		17	28126-516-020	CAP, STARTING CLUTCH ROLLER	3	3	3	3		
		18	31100-371-003	A.C. GENERATOR ASSY. (KOKUSAN)	1					
			31100-371-013	A.C. GENERATOR ASSY. (KOKUSAN)			1		2015494	
							1		2015495	
		19	31110-371-003	FLYWHEEL COMP. (KOKUSAN)	1	1	1	1		
		20	31120-371-003	STATOR COMP. (KOKUSAN)	1					
							1		2015494	

1977.08.20

E-10

Generator • Starter motor



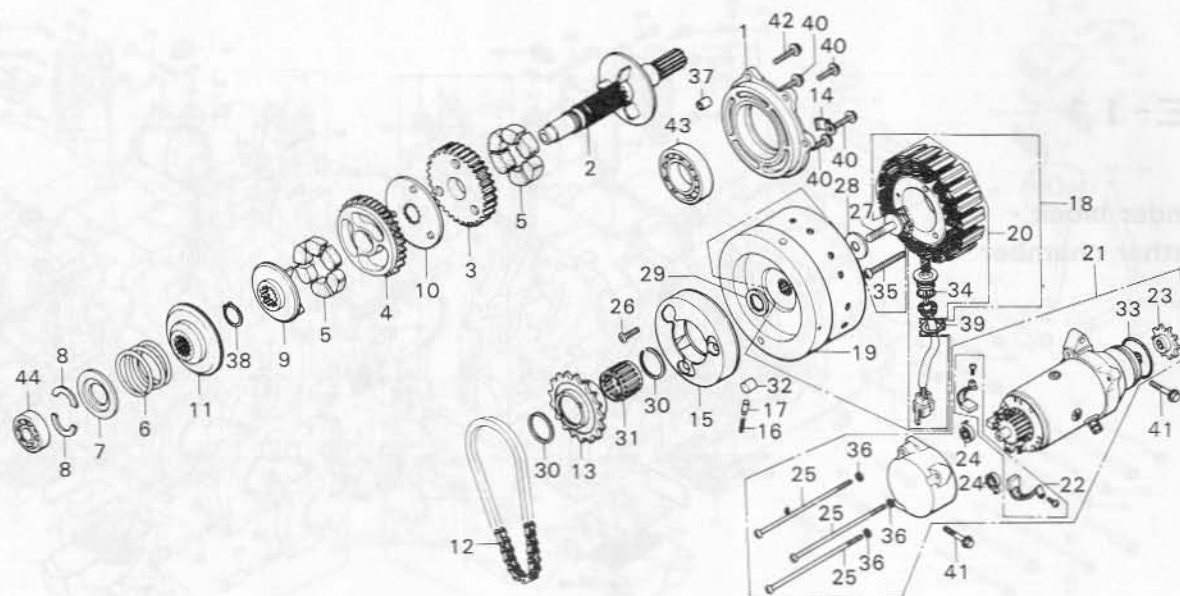
B371-10

Service item	F.R.T.	Ref. No.	Part No.	Description	Reqd. No.		Serial No.	Area code
					GL1000	GL1000 LTD K1 K2		
			31120-371-013	STATOR COMP. (KOKUSAN)		1	2015495	
		21	31200-371-005	MOTOR ASSY., STARTER	1	1		
			31200-371-980	MOTOR ASSY., STARTER		1		
		22	31201-292-158	BRUSH SET, CARBON (MITSUBA)	1	1		
		23	31202-371-005	SPROCKET (MITSUBA)	1	1		
		24	31204-292-158	SPRING, CARBON BRUSH (MITSUBA)	2	2		
		25	31205-371-005	BOLT, SET (MITSUBA)	3	3		
			31205-371-980	BOLT, SETTING		3		
		26	90015-371-003	SCREW, FLAT, 8X22	3	3		
		27	90023-371-000	BOLT, SET, 12X40	1	1		
		28	90401-371-000	WASHER, 12.2X33X3.2	1	1		
		29	90454-371-000	WASHER, THRUST, 25X24	1	1		
		30	90605-371-000	CIR CLIP, INTERNAL, 33MM	2	2		
		31	91101-371-006	BEARING, NEEDLE, 28X33X26	1	1		
		32	91101-516-000	ROLLER, 15X13	3	3		
		33	91309-283-005	O-RING, 42.5X2	1	1		
		34	91354-702-000	O-RING, 23MM	1			
			91354-371-000	O-RING, 23MM		1	2015495	2015494
						1		
		35	93500-06040	SCREW, PAN, 6X40	3	3		
		36	94111-05000	WASHER, SPRING, 5MM	3	3		
			90085-371-980	WASHER, SPRING, 5MM		3		
		37	94301-08140	PIN A, DOWEL, 8X14	1	1		
		38	94510-28000	CIR CLIP, EXTERNAL, 28	1	1		

1977.08.20

E-10

Generator • Starter motor



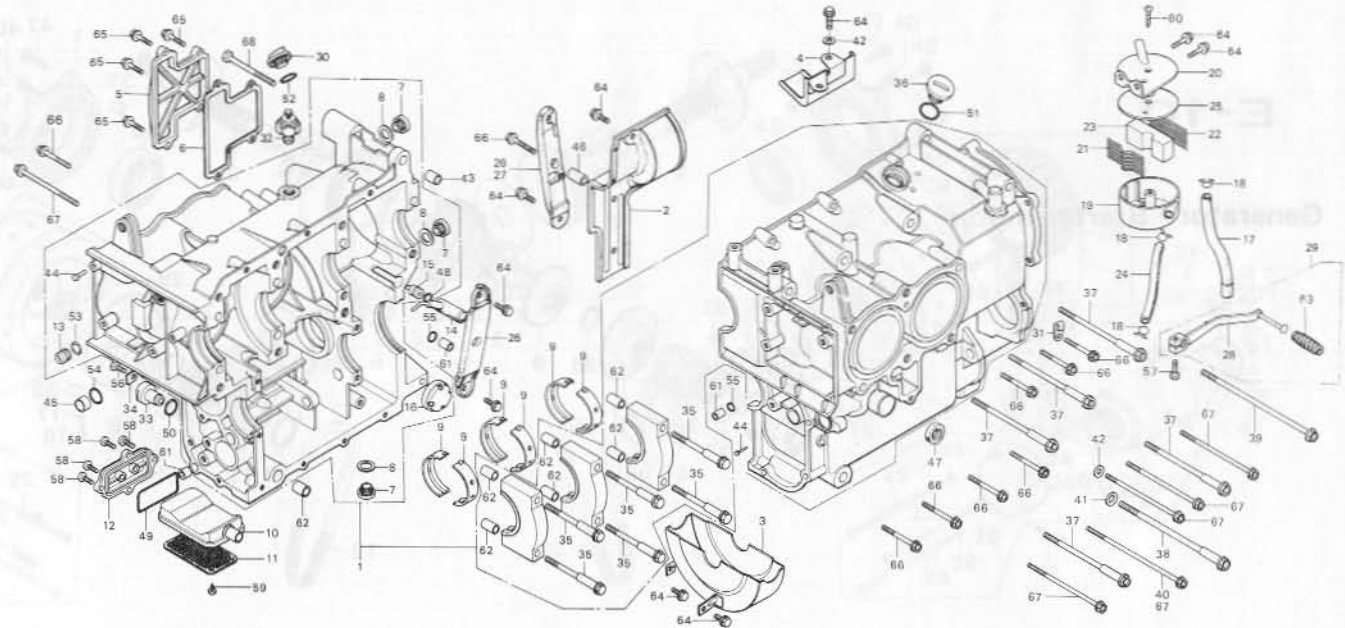
B371-10

Service item	F.R.T.	Ref. No.	Part No.	Description	Reqd. No.			Serial No.	Area code
					GL1000	GL1000	LTD K1 K2		
		39	94511-26000	CIR CLIP, EXTERNAL, 26	1	1	1		
		40	95700-06022-00	BOLT, FLANGE, 6X22	4	4	4		
		41	95700-06028-00	BOLT, FLANGE, 6X28	2	2	2		
			90144-371-980	BOLT, FLANGE, 6X28		2			
		42	95700-06032-00	BOLT, FLANGE, 6X32	1	1	1		
		43	96100-60070	BEARING, RADIAL BALL, 6007	1	1	1		
		44	96140-63030	BEARING, RADIAL BALL, 6303U	1	1	1		

1977.08.20

E-11

Cylinder block • Breather chamber



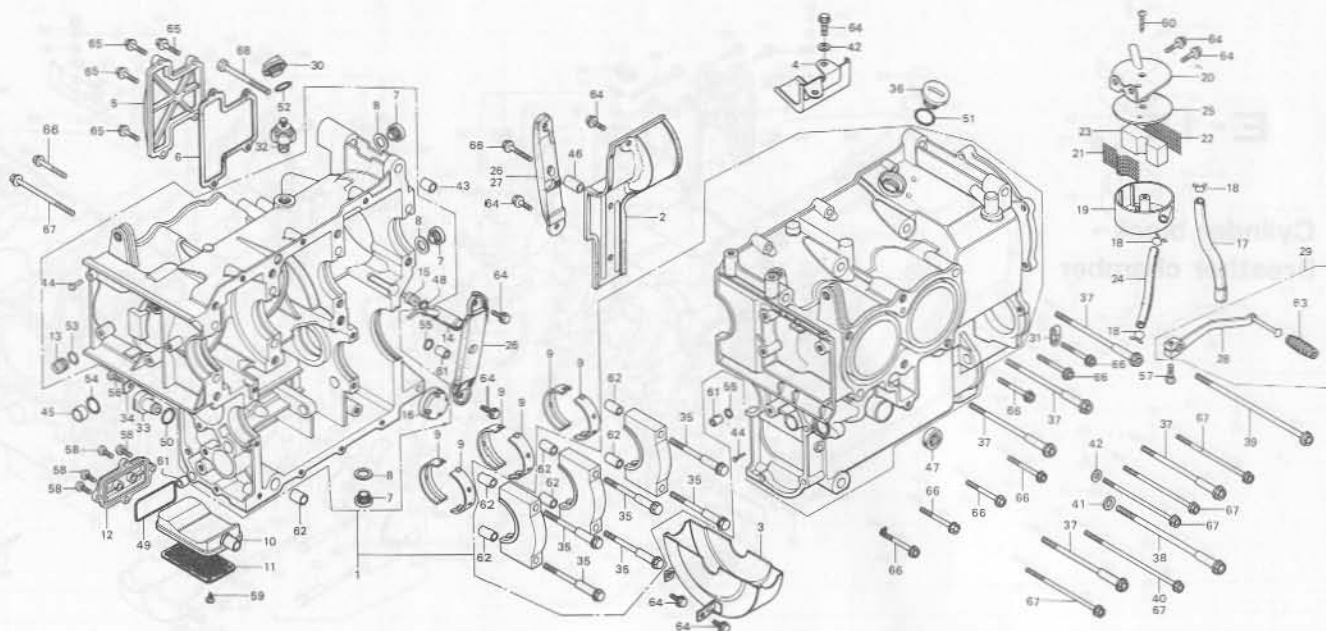
B371-11

Service item	F.R.T.	Ref. No.	Part No.	Description	Reqd. No.		Serial No.	Area code
					GL1000	GL1000 LTDK1 K2		
CYLINDER BLOCK ASSY.	±10.3	1	11000-371-000	BLOCK ASSY., CYLINDER	1			
MAIN BEARING	±7.4			11000-371-305	1			
*One or all						1		
OIL LEVEL FINDER	±6.0		11000-371-305	BLOCK ASSY., CYLINDER	1		2002860	E,ED,F,G
BREATHER PLATE COMP.	±5.7		11000-371-020	BLOCK ASSY., CYLINDER	1		2002958	E,ED,F,G
14 x 28 x 7 OIL-SEAL	±5.3				1		2038639	E,ED,F,G
PRIMARY CHAIN GUIDE	±5.2		11000-371-040	BLOCK ASSY., CYLINDER	1		2100001	A,C,M,DK,DM,U DK,DM,E,ED,F,G,U
*For R. side ±6.0					1	1		
•OIL SEPALATE COVER		2	11130-371-000	PLATE COMP., BREATHER	1	1		
•OIL SUPPLY NOZZLE		3	11140-371-000	COVER, OIL SEPARATOR	1	1		
OIL STRAINER SCREEN and its related parts	±3.0	4	11220-371-000	GUIDE, OIL	1	1		A,C,M,DK,DM,U E,ED,F,G
•BREATER CHAMBER and its related parts					1	1	2002860	E,ED,F,G
•NEUTRAL SWITCH		5	11371-371-000	COVER, FINAL GEAR	1	1		E,ED,F,G
OIL PRESSURE SWITCH	0.2		11371-371-980	COVER, FINAL GEAR	1	1		
GEAR CHANGE PEDAL	0.1	6	11372-371-000	GASKET, FINAL GEAR COVER	1		1004306	
•BREATHER TUBE B.			11372-371-010	GASKET, FINAL GEAR COVER	1		1004307	
•FINAL GEAR COVER		7	12206-611-300	BOLT, SEALING, 18MM	3	1 1 1	1017465	
			12206-371-305	BOLT, SEALING, 18MM	3		1017466	
						3 3		
		8	12216-371-980	BOLT, SEALING, 18MM	3	3		
			12207-611-300	WASHER, SEALING BOLT	3	3 3 3		
		9	13321-371-003	BEARING A, MAIN (BLUE)	6	6 6 6		
			13322-371-003	BEARING B, MAIN (BLACK)	6	6 6 6		
			13323-371-003	BEARING C, MAIN (BROWN)	6	6 6 6		

1977.08.20

E-11

Cylinder block • Breather chamber



B371-11

Service item	F.R.T.	Ref. No.	Part No.	Description	GL1000	Reqd. No. GL1000 LTD K1 K2	Serial No.	Area code
--------------	--------	----------	----------	-------------	--------	----------------------------------	------------	-----------

			13324-371-C03	BEARING D, MAIN (GREEN)	6	6 6 6 6		
			13325-371-003	BEARING E, MAIN (YELLOW)	6	6 6 6 6		

Selection table of main bearing

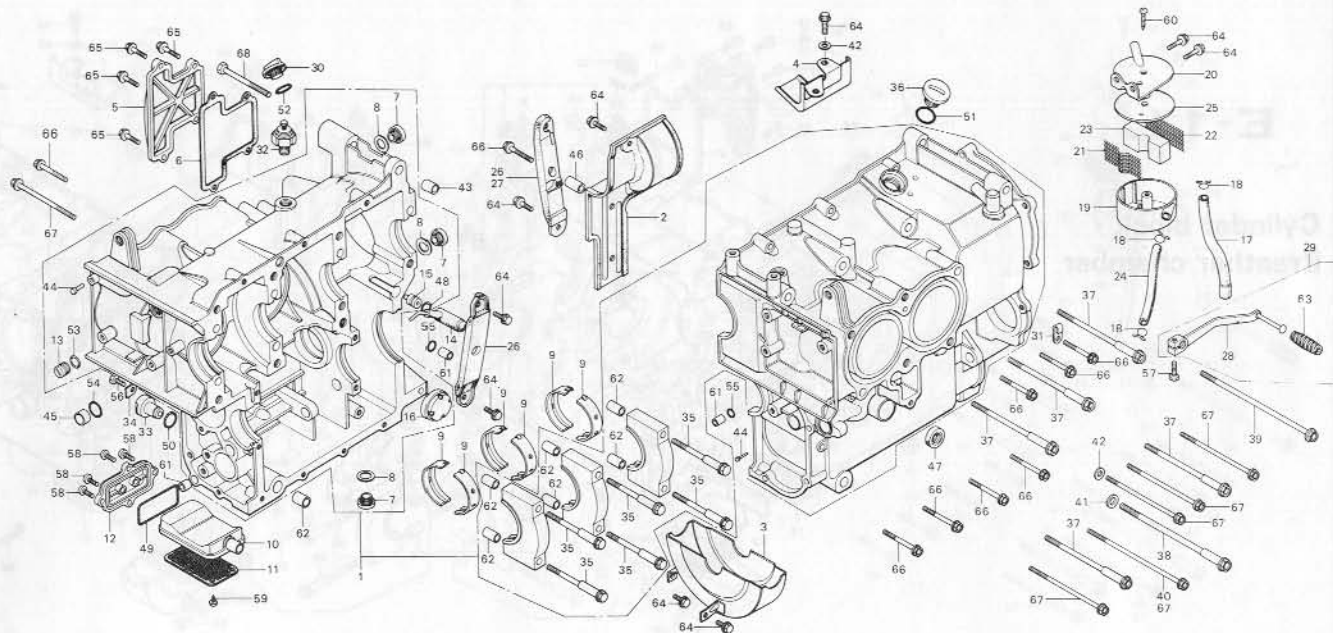
(Oil clearance 20~44 μ)

Crank- shaft journal O.D. 489	Cylinder block I.D. 529	(Mark)		
		A or I	B or II	C or III
0	~+0.008	+0.008~+0.016	+0.016~+0.024	
(Mark) 1	0 ~-0.008	E (Yellow)	D (Green)	C (Brown)
2	-0.008~-0.016	D (Green)	C (Brown)	B (Black)
3	-0.016~-0.024	C (Brown)	B (Black)	A (Blue)

10	15151-371-000	CASE, OIL STRAINER		1	1	1	1
11	15152-371-000	SCREEN, OIL STRAINER		1	1	1	1
12	15153-371-000	COVER, OIL STRAINER		1		1	1
	15153-371-980	COVER, OIL STRAINER			1		
13	15337-300-010	PLUG, OIL TUBE		1	1	1	1
14	15520-371-000	NOZZLE, OIL SUPPLY		1	1	1	1
15	15530-371-000	ORIFICE, CHAIN		1	1	1	1

E-11

Cylinder block • Breather chamber



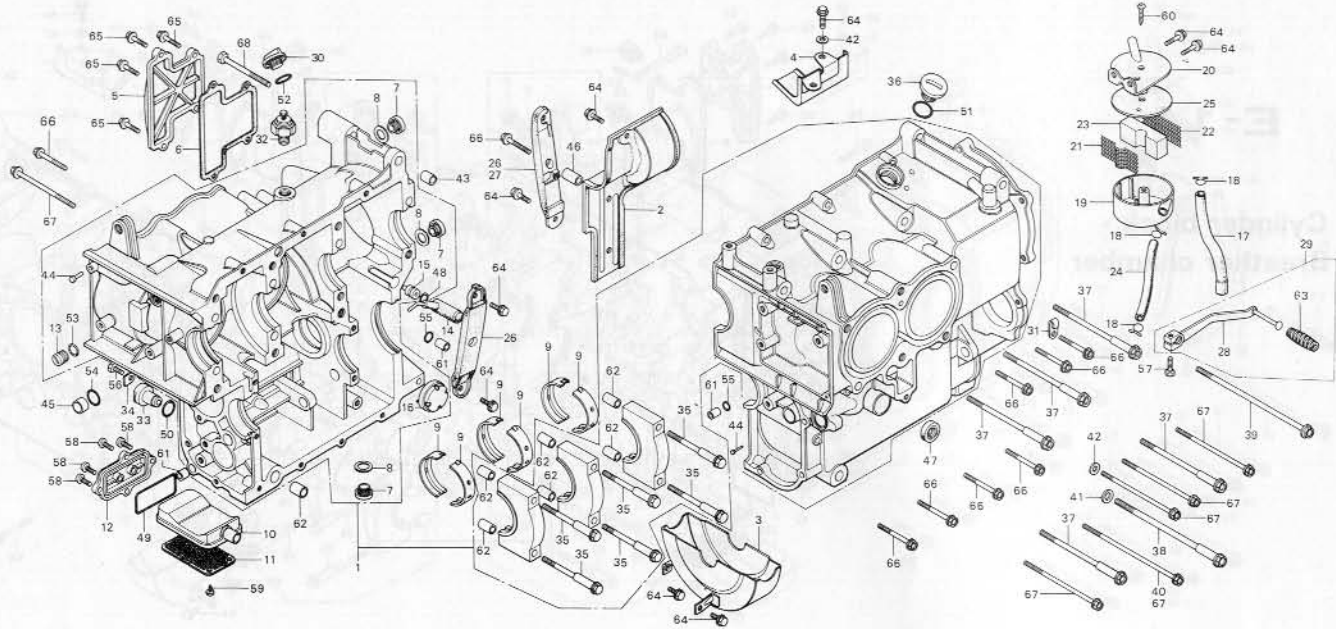
B371-11

Service item	F.R.T.	Ref. No.	Part No.	Description	Reqd. No.		Serial No.	Area code
					GL1000	GL1000 LTDK1 K2		
		16	15661-371-005	FINDER, OIL LEVEL	1			
			15661-371-015	FINDER, OIL LEVEL		1	2002958	E, ED, F, G
					1	1		E, ED, F, G
					1	1		ED, F, G
					1	1		A, CM, DK, DM, U
								E, ED, F, G
		17	15706-371-000	TUBE, OIL DRAIN	1	1		
		18	15772-551-000	CLIP, TUBE	3	3		
			15772-371-980	CLIP, BREATHER TUBE		3		
		19	17271-371-000	CHAMBER, BREATHER	1	1		
			17271-371-010	CHAMBER, BREATHER				
		20	17274-371-003	BRACKET, BREATHER CHAMBER	1	1		
			17274-371-013	BRACKET, BREATHER CHAMBER				
			17274-371-980	BRACKET, BREATHER CHAMBER	1			
		21	17275-371-000	NET A, WIRE	1	1		
			17275-371-010	NET A, WIRE				
		22	17276-371-000	NET, B. WIRE	1	1		
			17276-371-010	NET B, WIRE				
		23	17277-371-000	FILTER, BREATHER CHAMBER	1	1		
		24	17279-371-000	TUBE B, BREATHER	1	1		
		25	17281-371-000	PACKING, BREATHER CHAMBER	1	1		
			17281-371-010	PACKING, BREATHER CHAMBER				
		26	23136-371-003	GUIDE, R. PRIMARY CHAIN	2			
					1		1016824	1016823
						1		
		27	23137-371-003	GUIDE, L. PRIMARY CHAIN	1	1		
						1	1016824	
						1		

1977.08.20

E-11

Cylinder block • Breather chamber



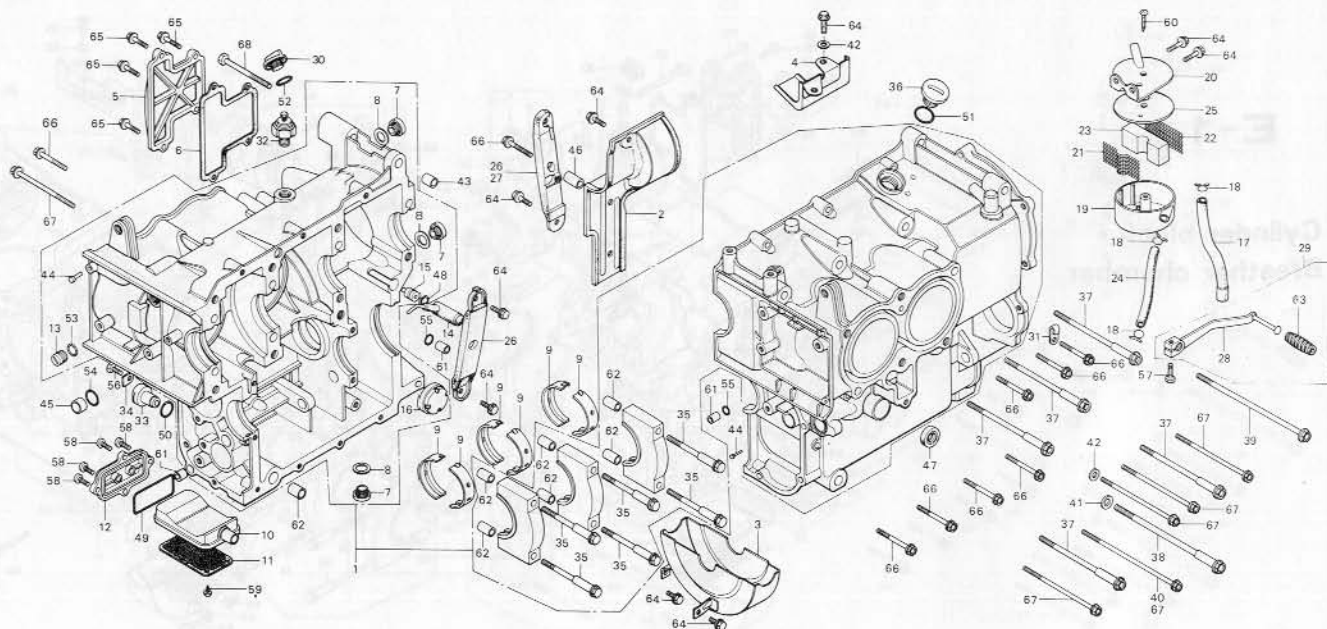
8371-11

Service item	F.R.T.	Ref. No.	Part No.	Description	Reqd. No.		Serial No.	Area code
					GL1000	GL1000 LTDK1 K2		
		28	24701-371-000	PEDAL, GEAR CHANGE	1	1	2002958	E,ED,F,G E,ED,F,G A,CM,DK,DM,U E,ED,F,G
			24701-371-010	PEDAL, GEAR CHANGE		1		
			24701-371-980	PEDAL, GEAR CHANGE		1		
		29	24701-371-305	PEDAL ASSY., GEAR CHANGE	1	1	2002957	E,ED,F,G
			25611-371-000	CAP, LEVEL GAUGE	1	1		
			25611-371-980	CAP, LEVEL GAUGE		1		
		31	32111-323-000	CLAMPER, CORD	1	1	2038639	
		32	35500-333-004	SWITCH ASSY., OIL PRESSURE	1	1		
		33	35752-300-010	SWITCH ASSY., NEUTRAL	1	1		
		34	35754-300-020	STOPPER, NEUTRAL SWITCH	1	1		
		35	90003-371-003	BOLT, FLANGE 10X80	6	6		
		36	90008-371-000	BOLT, SPECIAL, 25MM	1	1		
			90008-371-980	BOLT, SPECIAL, 25MM		1		
		37	90009-371-005	BOLT, FLANGE, 10X120	5	5		
			90009-371-980	BOLT, FLANGE, 10X120		5		
		38	90010-371-005	BOLT, FLANGE, 10X166	1	1		
		39	90026-371-004	BOLT, FLANGE, 8X175	1	1		
			90026-371-980	BOLT, FLANGE, 8X175		1		
		40	90027-371-006	BOLT, FLANGE, 6X152	1	1		
			90027-371-980	BOLT, FLANGE, 6X152		1		
		41	90438-634-000	WASHER, 21X11X2.3	1	1		

1977.08.20

E-11

Cylinder block • Breather chamber



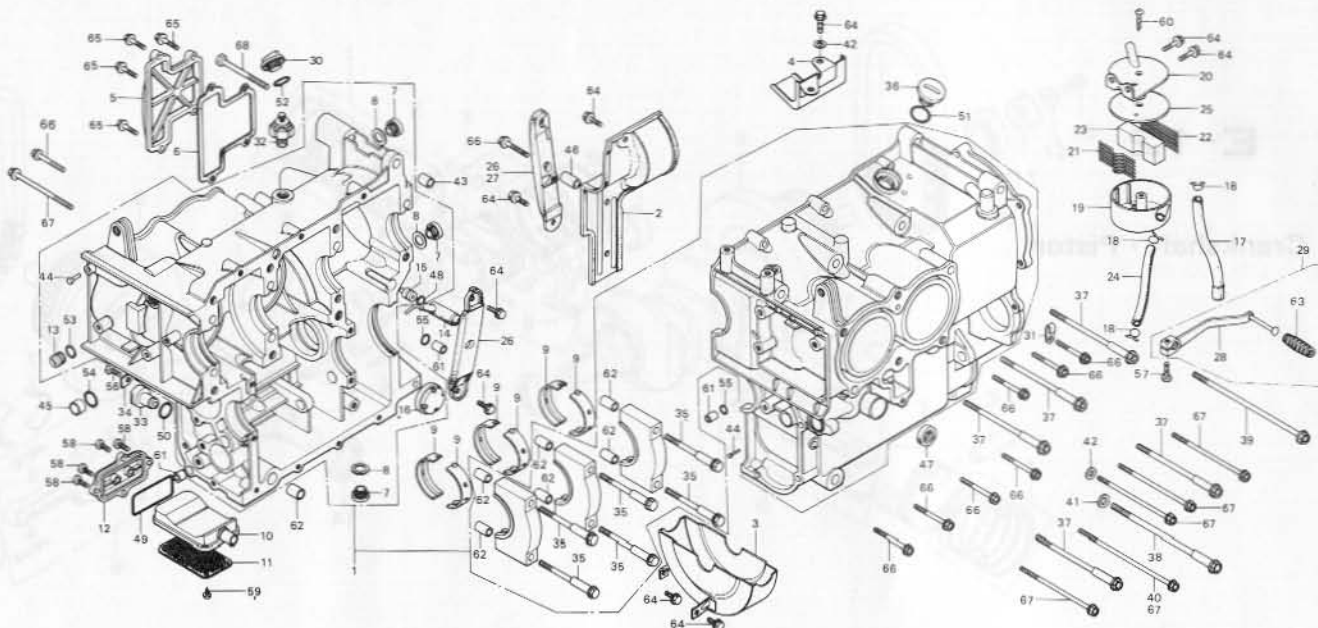
B371-11

Service item	F.R.T.	Ref. No.	Part No.	Description	Reqd. No.		Serial No.	Area code
					GL1000	GL1000 LTD K1 K2		
		42	90441-028-010	WASHER, SEALING, 6MM	1	3 3	2002860	A;CM,DK,DM,U ED,F,G E;ED,F,G
		43	90702-371-000	COLLAR, 15X20	1	1 1 1		
		44	90702-634-300	PIN, 4X12MM	2	2 2 2		
		45	90703-371-000	COLLAR, 17X10	1	1 1 1		
		46	90704-371-000	COLLAR, 12X20	1	1 1 1		
		47	91206-286-013	OIL SEAL, 14X28X7	1	1 1 1		
		48	91259-333-000	O-RING, 9.5X1.7	1	1 1 1		
		49	91303-371-000	PACKING, A. OIL STRAINER	1	1 1 1		
		50	91306-371-003	O-RING, 18X3	1	1 1 1		
		51	91307-703-000	O-RING, 26MM	1	1 1 1		
		52	91318-500-000	O-RING, 27X2.7	1	1 1 1		
		53	91319-300-000	O-RING, 13X2.5	1	1 1 1		
		54	91333-567-010	O-RING, 17.0X2.5	1	1 1 1		
		55	91361-706-000	O-RING, 8X1.9	2	2 2 2		
		56	92000-06016	BOLT, HEX., 6X16	1	1 1		
			90041-371-980	BOLT, HEX., 6X16		1		
		57	92000-06020	BOLT, HEX., 6X20	1	1 1		
			90042-371-980	BOLT, HEX., 6X20		1		
		58	93500-06020	SCREW, PAN, 6X20	4	4 4		
			90054-371-980	SCREW, PAN, 6X20		4		
		59	93901-12110	SCREW, TAPPING, 3X8	3	3 3 3		
		60	93901-15410	SCREW, TAPPING, 5X20	1	1 3		
			90061-371-980	SCREW, TAPPING, 5X20		1		

1977.08.20

E-11

Cylinder block • Breather chamber



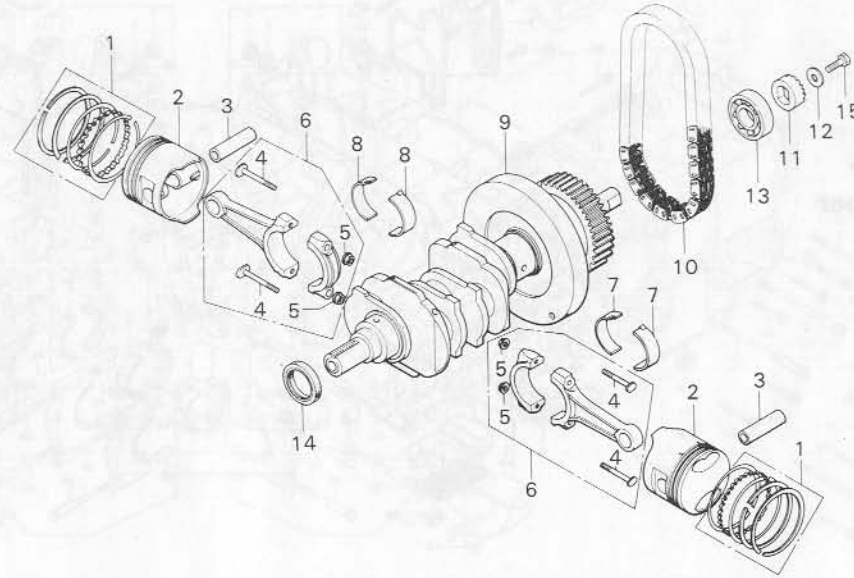
B371-11

Service item	F.R.T.	Ref. No.	Part No.	Description	Reqd. No.			Serial No.	Area code
					GL1000	GL1000 LTD	K1 K2		
		61	94301-08140	PIN A, DOWEL, 8X14	4	4	4 4		
		62	94301-12200	PIN A, DOWEL, 12X20	7	7	7 7		
		63	95011-40000	RUBBER, CHANGE PEDAL	1				
			24781-371-000	RUBBER, CHANGE PEDAL		1		2002957	E,ED,F,G
						1		2002958	E,ED,F,G
						1			A,CM,DK,DM,U
		64	95700-06016-00	BOLT, FLANGE, 6X16	9	7	11		
						9		2002859	E,ED,F,G
			90141-371-980	BOLT, FLANGE, 6X16		4		2002860	A,CM,DK,DM,U
			95700-06025-00	BOLT, FLANGE, 6X25		11			E,ED,F,G
			90143-371-980	BOLT, FLANGE, 6X25		11			
		65	95700-06025-00	BOLT, FLANGE, 6X25	4	4	4		
			90143-371-980	BOLT, FLANGE, 6X25		4			
		66	95700-06035-00	BOLT, FLANGE, 6X35	9	9	9		
			90146-371-980	BOLT, FLANGE, 6X35		9			
		67	95700-06110-00	BOLT, FLANGE, 6X110	5	9	6		
						6		2100001	DK,DM,E,ED,F,G,U
			90150-371-980	BOLT, FLANGE, 6X110		5			
		68	95700-08070-00	BOLT, FLANGE, 8X70	1	5	1 1		
			90163-371-980	BOLT, FLANGE, 8X70		1			

1977.08.20

E-12

Crankshaft • Piston



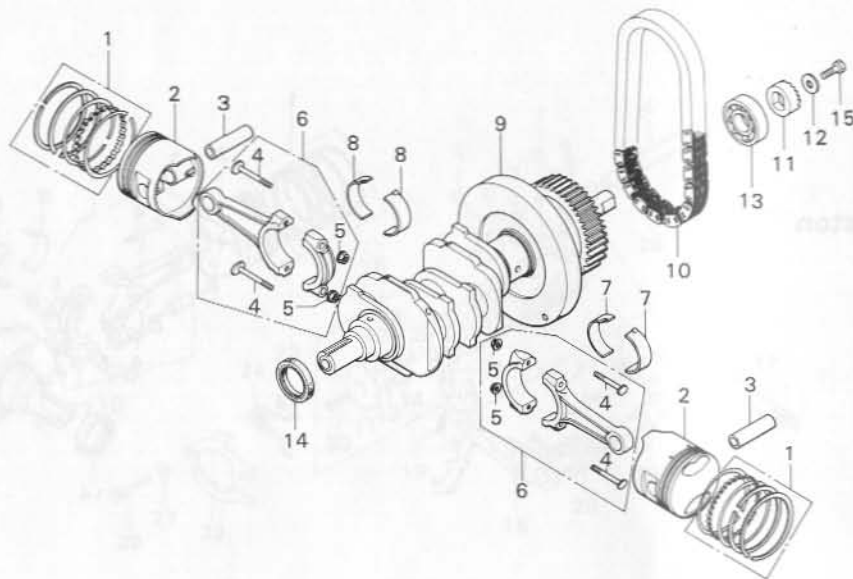
B371-12

Service item	F.R.T.	Ref. No.	Part No.	Description	GL1000	Reqd. No. GL1000 LTD K1 K2	Serial No.	Area code
CRANKSHAFT COMP.	*8.0	1	13011-371-003	RING SET, PISTON (STD. NIPPON)	4	4	2025227	
6304C BALL BEARING	*7.5		13011-371-004	RING SET, PISTON (STD. RIKEN)	4	4 4 4		
PRIMARY CHAIN	*7.4		13021-371-003	RING SET, PISTON (0.25 NIPPON)	(4)	(4)	2025227	
PISTON (R. SIDE)	*5.9		13021-371-004	RING SET, PISTON (0.25 RIKEN)	(4)	(4) (4) (4) (4)		
*Add 0.4			13031-371-003	RING SET, PISTON (0.50 NIPPON)	(4)	(4)	2025227	
PISTON (L. SIDE)	*5.7		13031-371-004	RING SET, PISTON (0.50 RIKEN)	(4)	(4) (4) (4) (4)		
*Add 0.4			13041-371-003	RING SET, PISTON (0.75 NIPPON)	(4)	(4)	2025227	
PISTON RING KIT (R. SIDE)	*5.7		13041-371-004	RING SET, PISTON (0.75 RIKEN)	(4)	(4) (4) (4) (4)		
*Add 0.2			13051-371-003	RING SET, PISTON (1.00 NIPPON)	(4)	(4)	2025227	
CONNECTING ROD/PISTON PIN (R. SIDE)	*5.7		13051-371-004	RING SET, PISTON (1.00 RIKEN)	(4)	(4) (4) (4) (4)		
*Add 0.4			13011-371-013	RING SET, PISTON (STD. NIPPON)	4	4	2025228	
CONNECTING ROD/PISTON PIN (L. SIDE)	*5.6		13021-371-013	RING SET, PISTON (0.25 NIPPON)	(4)	(4) (4)	2025228	
*Add 0.2			13031-371-013	RING SET, PISTON (0.50 NIPPON)	(4)	(4) (4)	2025228	
CONNECTING ROD BEARING (1.3)	*5.6		13041-371-013	RING SET, PISTON (0.75 NIPPON)	(4)	(4) (4)	2025228	
*Add 0.2			13051-371-013	RING SET, PISTON (1.00 NIPPON)	(4)	(4) (4)	2025228	
CONNECTING ROD BEARING (2.4)	*5.4							
*Add 0.2								
PISTON RING KIT (L. SIDE)	*5.3							
*Add 0.1								
35 x 55 x 8 OIL-SEAL	*5.2							
STARTER RATCHET B.	*3.2	2	13101-371-000	PISTON (STD.)	4	4 4 4 4	2025228	
			13102-371-000	PISTON (0.25)	(4)	(4) (4) (4) (4)		
			13103-371-000	PISTON (0.50)	(4)	(4) (4) (4) (4)		
			13104-371-000	PISTON (0.75)	(4)	(4) (4) (4) (4)		
			13105-371-000	PISTON (1.00)	(4)	(4) (4) (4) (4)		

1977.08.20

E-12

Crankshaft • Piston



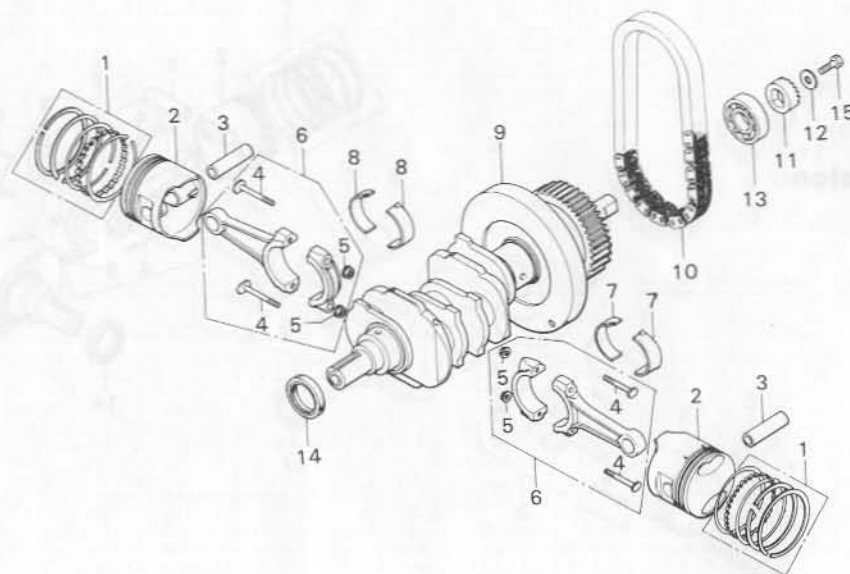
B371-12

Service item	F.R.T.	Ref. No.	Part No.	Description	Reqd. No.		Serial No.	Area code
					GL1000	GL1000 LTD K1 K2		
		3	13112-634-000	FIN, PISTON	4	4		
		4	13204-634-020	BOLT, CONNECTING ROD	8	8		
			13204-371-000	BOLT, CONNECTING ROD				
		5	13205-634-010	NUT, CONNECTING ROD	8	8	3019488	3019487
		6	13210-371-000	ROD ASSY., CONNECTING	4	4		
		7	13215-371-003	BEARING A, CONNECTING ROD 2.4 (BLUE)	4	4		
			13216-371-003	BEARING B, CONNECTING ROD 2.4 (BLACK)	4	4		
			13217-371-003	BEARING C, CONNECTING ROD 2.4 (BROWN)	4	4		
			13218-371-003	BEARING D, CONNECTING ROD 2.4 (GREEN)	4	4		
			13219-371-003	BEARING E, CONNECTING ROD 2.4 (YELLOW)	4	4		
		8	13221-371-003	BEARING A, CONNECTING ROD 1.3 (BLUE)	4	4		
			13222-371-003	BEARING A, CONNECTING ROD 1.3 (BLACK)	4	4		
			13223-371-003	BEARING C, CONNECTING ROD 1.3 (BROWN)	4	4		
			13224-371-003	BEARING D, CONNECTING ROD 1.3 (GREEN)	4	4		
			13225-371-003	BEARING E, CONNECTING ROD 1.3 (YELLOW)	4	4		

1977.08.20

E-12

Crankshaft • Piston



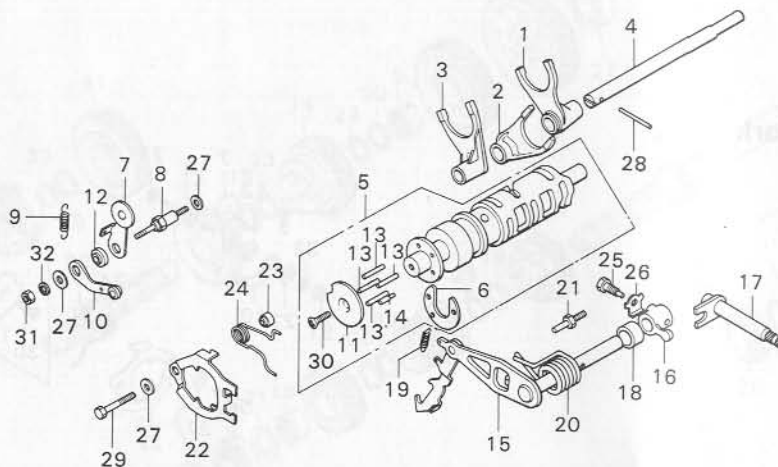
B371-12

Service item	F.R.T.	Ref. No.	Part No.	Description	GL1000	Reqd. No. GL1000 LTD K1 K2	Serial No.	Area code
Selection table of connecting rod bearing								
(Oil clearance 20~44 μ)								
		Connecting rod I.D. 439		(Mark)	1	2	3	
		Crank pin O.D. 409		0	~+0.008	+0.008~+0.016	+0.016~+0.024	
(Mark)	0	~-0.008	E	D	C			
A			(Yellow)	(Green)	(Brown)			
B	-0.008~-0.016	D	(Green)	C	B			
			(Brown)	(Brown)	(Black)			
C	-0.016~-0.024	C	(Brown)	B	A			
				(Black)	(Blue)			
9	13310-371-000		CRANKSHAFT COMP.		1	1	1	1
10	23131-371-004		CHAIN, PRIMARY DRIVE		1	1	1	1
11	28253-371-000		RATCHET B, STARTER		1	1	1	1
12	90406-371-000		WASHER, 8MM		1	1	1	1
13	91002-371-004		BEARING, BALL, 6304C (KOYO)		1	1	1	1
14	91201-371-005		SEAL, OIL, 35X55X8		1	1	1	1
15	92000-08022-0A		BOLT, HEX., 8X22		1	1	1	1

1977.08.20

E-13

Shift drum • Shift fork



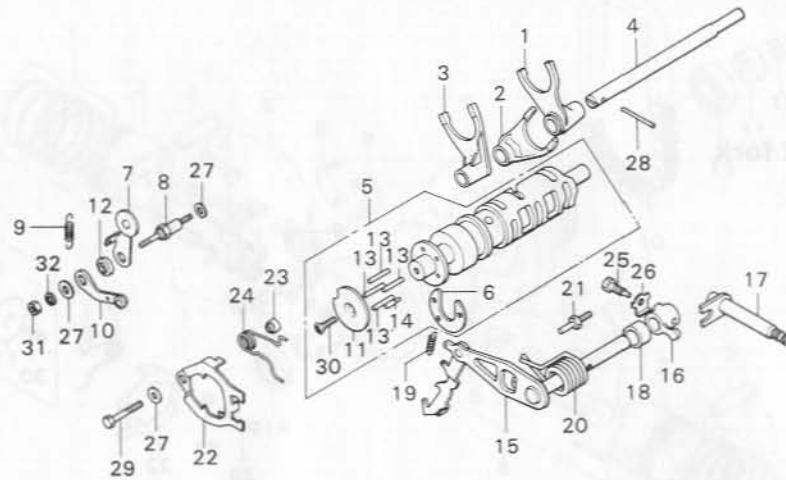
B371-13

Service item	F.R.T.	Ref. No.	Part No.	Description	Reqd. No.				Serial No.	Area code
					GL1000	GL1000	LTD K1	K2		
GEAR SHIFT FORK/DRUM and those related parts	*5.4	1	24211-371-000	FORK, R. GEARSHIFT	1	1	1	1		
		2	24212-371-000	FORK, CENTER GEARSHIFT	1	1	1	1		
GEAR SHIFT ARM/SHIFT SPINDLE and those related parts	*5.3	3	24213-371-000	FORK, L. GEARSHIFT	1	1	1	1		
		4	24261-371-000	SHAFT, SHIFT FORK	1	1	1	1		
DRUM STOPPER and its related parts	1.3	5	24300-371-000	DRUM ASSY., GEARSHIFT	1	1	1	1	2100001	2038639
			24300-371-010	DRUM ASSY., SHIFT			1			
		6	24302-371-000	PLATE, ROLLER STOPPER			1		2100001	
		7	24430-371-000	STOPPER COMP., DRUM	1	1	1	1		
		8	24434-371-000	SHAFT, DRUM STOPPER	1	1	1	1		
		9	24435-371-000	SPRING, DRUM STOPPER	1	1	1	1		
		10	24440-371-000	ARM COMP., NEUTRAL STOPPER	1	1	1	1		
		11	24442-371-000	PLATE, NEUTRAL STOPPER	1	1	1	1		
		12	24447-371-000	COLLAR, NEUTRAL STOPPER PIVOT	1	1	1	1		
		13	24501-371-000	ROLLER, 4X29.8	4	4	4	4		
		14	24502-371-000	ROLLER, 4X17.5	1	1	1	1		
			24502-371-010	ROLLER, 4X17.0			1		2100001	2038639
		15	24610-371-000	ARM COMP., GEARSHIFT	1	1	1	1		
		16	24615-371-000	ARM B, GEARSHIFT	1	1	1	1		
		17	24620-371-000	SPINDLE COMP., SHIFT	1	1	1	1		
		18	24624-371-000	COLLAR, SHIFT SPRING	1	1	1	1		

1977.08.20

E-13

Shift drum • Shift fork



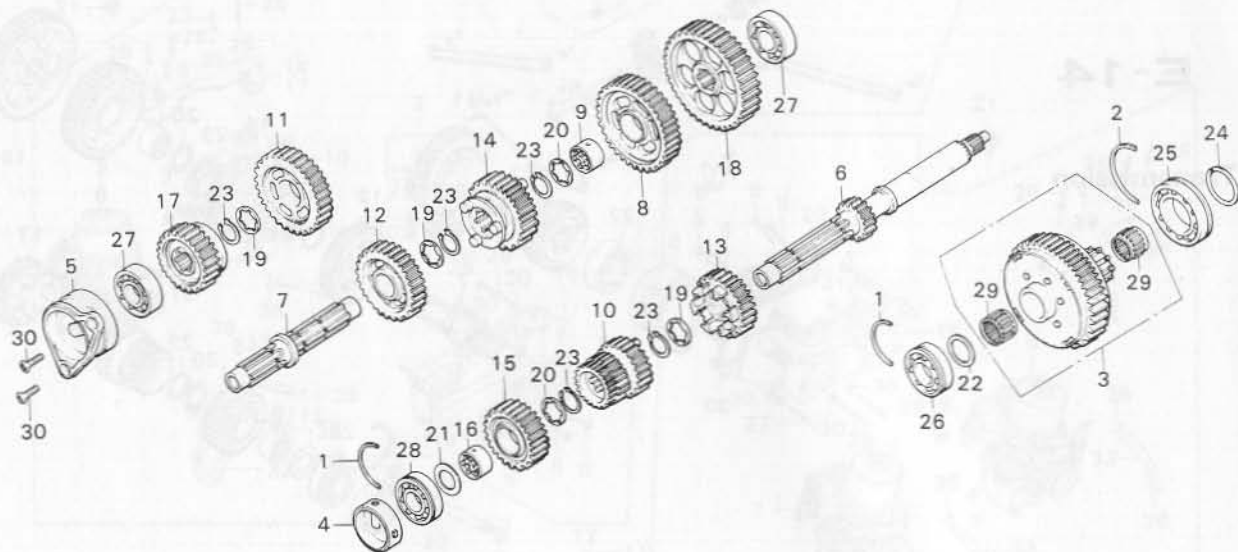
B371-13

Service item	F.R.T.	Ref. No.	Part No.	Description	Reqd. No.			Serial No.	Area code
					GL1000	GL1000 LTD K1	K2		
		19	24641-371-000	SPRING, SHIFT ARM	1	1	1		
		20	24651-371-000	SPRING, SHIFT RETURN	1	1	1		
		21	24652-300-000	PIN, SHIFT RETURN SPRING	1	1	1		
		22	24661-371-000	STOPPER, GEARSHIFT POSITIVE	1	1	1		
		23	24663-300-000	COLLAR, STOPPER ARM	1	1	1		
		24	24666-300-000	SPRING, POSITIVE STOPPER	1	1	1		
		25	90029-611-000	BOLT, HEX., 8X24	1	1	1		
		26	90406-611-000	PLATE, LOCK	1	1	1		
		27	90417-041-000	WASHER, SHIFT DRUM SIDE	3	3	3		
		28	90705-371-000	PIN, 4X40	1	1	1		
		29	92000-06025	BOLT, HEX., 6X25	1	1	1		
		30	93600-06022	SCREW, FLAT, 6X22	1	1	1		
		31	94001-06000-05	NUT, HEX., 6MM	1	1	1		
		32	94111-06000	WASHER, SPRING, 6MM	1	1	1		

1977.08.20

E-14

Transmission



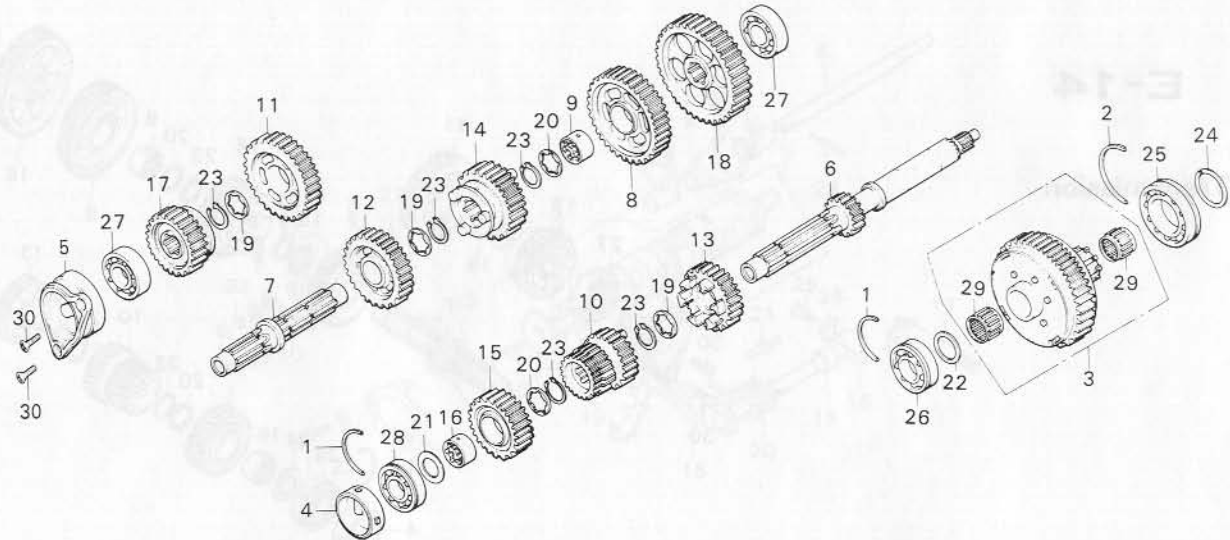
B371-14

Service item	F.R.T.	Ref. No.	Part No.	Description	Reqd. No.				Serial No.	Area code
					GL1000	GL1000	LTD	K1 K2		
25 x 35 x 20 NEEDLE BEARING	*6.1	1	13495-300-000	RING A, BALL BEARING SET	2	2	2	2		
PRIMARY DRIVEN SPROCKET and its related parts	*5.9	2	13496-300-000	RING B, BALL BEARING SET	1	1	1	1		
		3	23110-371-000	SPROCKET COMP., PRIMARY DRIVEN	1	1	1	1		
TRANSMISSION MAINSHAFT and its related parts	*5.7	4	23141-371-000	PASS, MAINSHAFT OIL	1	1	1	1		
		5	23151-371-000	HOLDER C, BEARING	1	1	1	1		
•TRANSMISSION COUNTER-SHAFT and its related parts		6	23210-371-000	MAINSHAFT COMP. TRANSMISSION (18T)	1	1	1	1		
*One motorcycle at 6.1		7	23220-371-000	COUNTERSHAFT, TRANSMISSION	1	1	1	1		
MAIN SHAFT OIL PASS	*5.1	8	23421-300-050	GEAR, COUNTERSHAFT LOW (45T)	1	1	1	1		
		9	23425-300-010	BUSH, 29X14	1	1	1	1		
		10	23431-371-000	GEAR, MAINSHAFT SECOND & THIRD (24T&27T)	1	1	1	1		
		11	23440-371-000	GEAR COMP., COUNTERSHAFT SECOND (41T)	1	1	1	1		
		12	23450-371-000	GEAR COMP., COUNTERSHAFT THIRD (36T)	1	1	1	1		
		13	23460-371-000	GEAR COMP., MAINSHAFT FOURTH (31T)	1	1	1	1		
		14	23471-371-000	GEAR, COUNTERSHAFT FOURTH (34T)	1	1	1	1		
		15	23481-371-000	GEAR, MAINSHAFT TOP (33T)	1	1	1	1		
		16	23485-300-020	BUSH, 28X20.5	1	1	1	1		
		17	23491-371-000	GEAR, COUNTERSHAFT TOP (31T)	1	1	1	1		
		18	23501-371-000	GEAR, FINAL DRIVE (40T)	1	1	1	1		
		19	90451-371-000	WASHER, THRUST, 25X31	3	3	3	3		
		20	90452-371-000	WASHER, THRUST, 25X34	2	2	2	2		

1977.08.20

E-14

Transmission



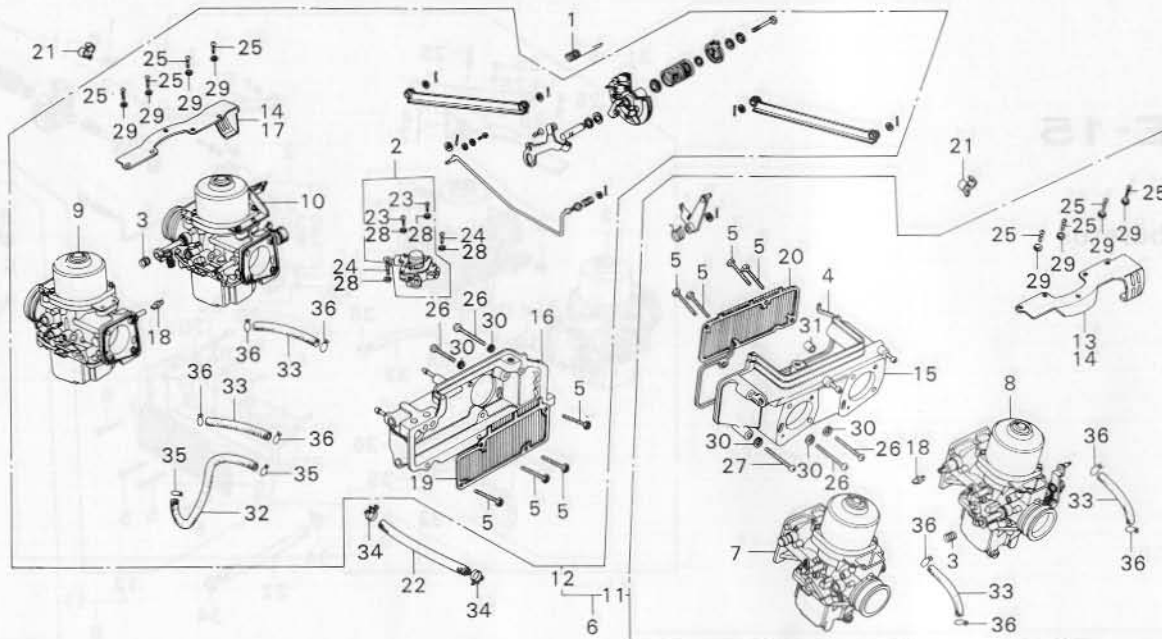
B371-14

Service item	F.R.T.	Ref. No.	Part No.	Description	Reqd. No.			Serial No.	Area code
					GL1000	GL1000 LTD	K1 K2		
		21	90458-292-000	WASHER, THRUST, 20MM	1	1	1	1	
		22	90458-506-810	WASHER A, THRUST, 25MM	1	1	1	1	
		23	90601-300-000	CIR CLIP, 25MM	5	5	5	5	
		24	90602-371-000	CIR CLIP, EXTERNAL, 40MM	1	1	1	1	
		25	91001-371-008	BEARING, SPECIAL BALL, 6008 (TOYO)	1	1	1	1	
		26	91002-300-008	BEARING, SPECIAL BALL, 6205	1	1	1	1	
		27	91002-371-004	BEARING, BALL, 6304C (KOYO)	2	2	2	2	
		28	91004-371-008	BEARING, BALL, 6304CS (TOYO)	1	1	1	1	
		29	91010-300-008	BEARING, NEEDLE, 25X32X20	2	2	2	2	
		30	93600-06020	SCREW, FLAT, 6X20	2	2	2	2	

1977.08.20

E-15

Carburetor



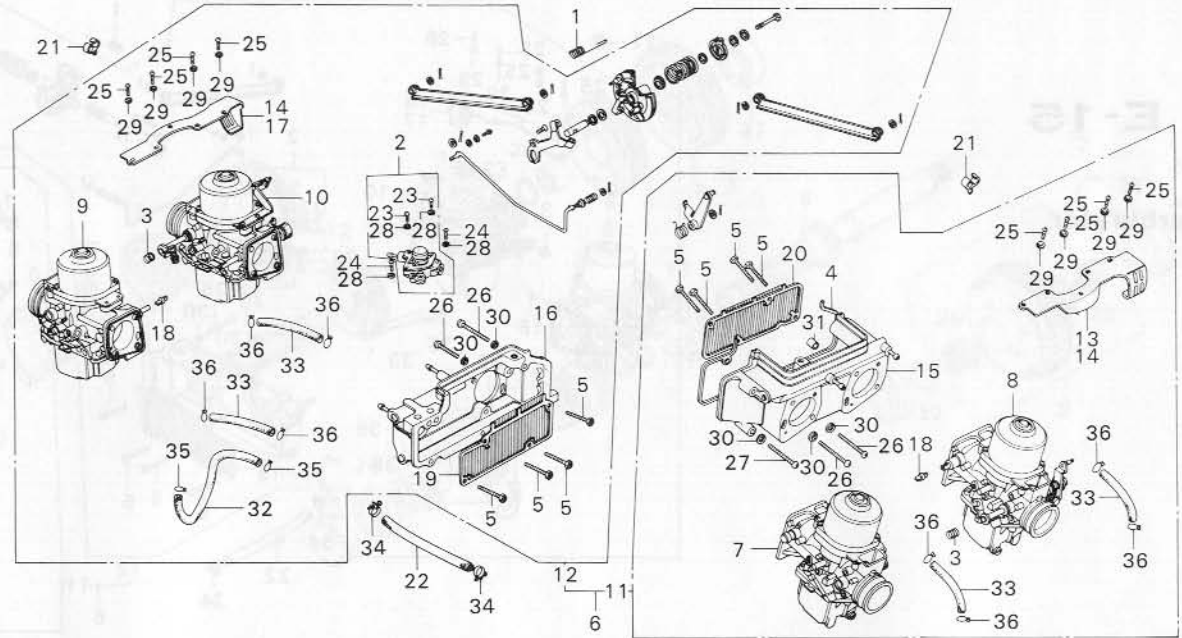
B371-15A

Service item	F.R.T.	Ref. No.	Part No.	Description	Reqd. No.		Serial No.	Area code
					GL1000	LTD K1 K2		
AIR CHAMBER/TRAP BODY +Add 3.0	2.5	1	15996-371-303	SPRING B, CARBURETOR ADJUST	1		1002998	
R. 1/R. 2 CARBURETOR ASSY. •L. 1/L. 2 CARBURETOR ASSY.	2.3	2	16048-371-004	VALVE SET, AIR CUT	1	1 1 1		
R/L CARBURETOR ASSY.	2.2	3	16050-371-004	SPRING, COIL	2	2 2 2		
AIR CHAMBER PACKING	2.0	4	16051-371-771	SPRING, COIL	1	1 1 1		
CARBURETOR ASSY.	1.7	5	16075-371-004	PACKING, AIR CHAMBER	1	1 1 1		
AIR CUT VALVE SET	1.2	6	16080-371-004	BOLT, SPECIAL, 6MM	8	8 8 8		
STAY PLATE *Add 0.1	0.1	6	16100-371-004	CARBURETOR ASSY. 16100-371-014	1			
			16100-371-014	CARBURETOR ASSY.		1	2012646	E,ED,F,G
			16100-371-611	CARBURETOR ASSY.		1	2012647	E,ED,F,G
			16100-371-771	CARBURETOR ASSY.		1	2100665	A,CM,DK,DM,U
			16100-371-981	CARBURETOR ASSY.	1			A,CM,U
			16100-371-961	CARBURETOR ASSY.	1			ED,F,G
			16100-371-612	CARBURETOR ASSY.		1	2100666	E,ED,F,G
			16100-371-772	CARBURETOR ASSY.		1		E,ED,F,G
			16100-371-773	CARBURETOR ASSY.		1	3004542	A,CM,DK,DM,U
		7	16101-371-004	CARBURETOR ASSY. 1, L.	1		3004543	A,CM,DK,DM,U
			16101-371-610	CARBURETOR ASSY. 1, L.		1	2012646	E,ED,F,G
			16101-371-771	CARBURETOR ASSY. 1, L.		1	2012647	E,ED,F,G
			16101-371-960	CARBURETOR ASSY. 1, L.	1			A,CM,DK,DM,U
			16101-371-980	CARBURETOR ASSY. 1, L.	1			ED,F,G
			16101-371-611	CARBURETOR ASSY. 1, L.		1	2100666	A,CM,U
			16101-371-772	CARBURETOR ASSY. 1, L.		1		E,ED,F,G
			16101-371-773	CARBURETOR ASSY. 1, L.		1		E,ED,F,G
		8	16102-371-004	CARBURETOR ASSY. 2, L.	1		3004543	A,CM,DK,DM,U
						1	2012646	E,ED,F,G

1977.08.20

E-15

Carburetor



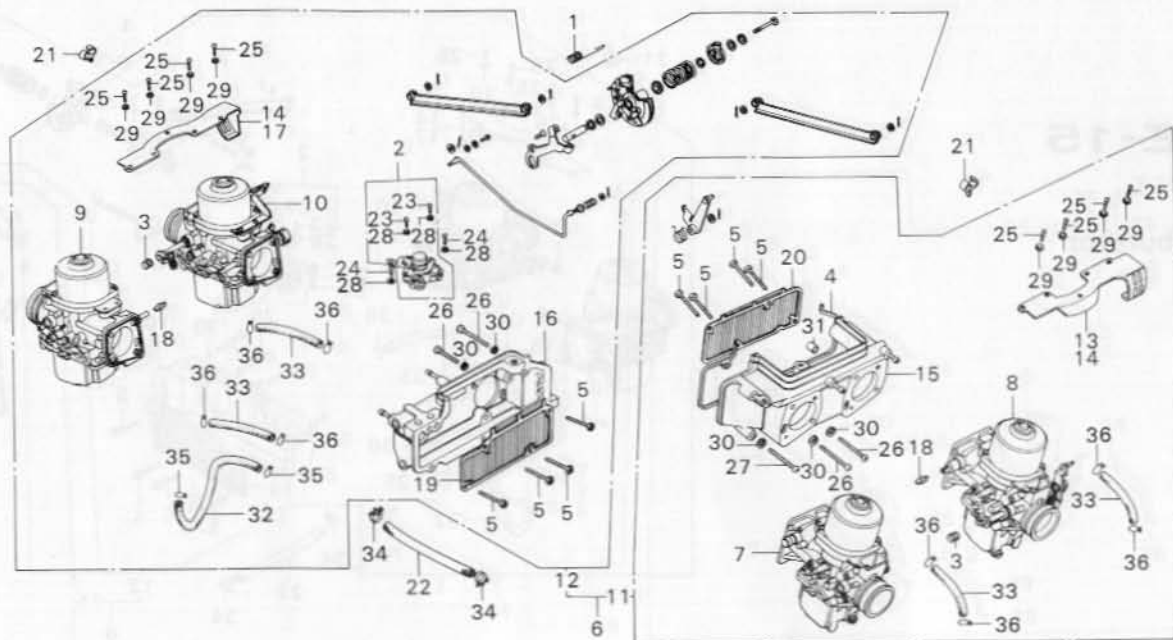
B371-15A

Service item	F.R.T.	Ref. No.	Part No.	Description	GL1000	Reqd. No.		Serial No.	Area code
						GL1000	LTDK1 K2		
			16102-371-610	CARBURETOR ASSY. 2, L.		1		2012647 2100665	E, ED, F, G
			16102-371-771	CARBURETOR ASSY. 2, L.		1			A, CM, DK, DM, U
			16102-371-960	CARBURETOR ASSY. 2, L.		1			ED, F, G
			16102-371-980	CARBURETOR ASSY. 2, L.		1			A, CM, U
			16102-371-611	CARBURETOR ASSY. 2, L.		1		2100666	E, ED, F, G
						1			E, ED, F, G
			16102-371-772	CARBURETOR ASSY. 2, L.		1			A, CM, DK, DM, U
			16102-371-773	CARBURETOR ASSY. 2, L.		1		3004542	A, CM, DK, DM, U
		9	16103-371-004	CARBURETOR ASSY. 1, R.	1			1	
			16103-371-610	CARBURETOR ASSY. 1, R.		1		2012647 2012646	E, ED, F, G
			16103-371-771	CARBURETOR ASSY. 1, R.		1		2100665	E, ED, F, G
			16103-371-960	CARBURETOR ASSY. 1, R.		1			A, CM, DK, DM, U
			16103-371-980	CARBURETOR ASSY. 1, R.		1			ED, F, G
			16103-371-611	CARBURETOR ASSY. 1, R.		1		2100666	A, CM, U
						1			E, ED, F, G
			16103-371-772	CARBURETOR ASSY. 1, R.		1			E, ED, F, G
			16103-371-773	CARBURETOR ASSY. 1, R.		1		3004542	A, CM, DK, DM, U
		10	16104-371-004	CARBURETOR ASSY. 2, R.	1			1	
			16104-371-610	CARBURETOR ASSY. 2, R.		1		2012647 2C12646	E, ED, F, G
			16104-371-771	CARBURETOR ASSY. 2, R.		1		2100665	E, ED, F, G
			16104-371-960	CARBURETOR ASSY. 2, R.		1			A, CM, DK, DM, U
			16104-371-980	CARBURETOR ASSY. 2, R.		1			ED, F, G
			16104-371-611	CARBURETOR ASSY. 2, R.		1		2100666	A, CM, U
						1			E, ED, F, G
			16104-371-772	CARBURETOR ASSY. 2, R.		1			E, ED, F, G
			16104-371-773	CARBURETOR ASSY. 2, R.		1		3004542	A, CM, DK, DM, U
						1			A, CM, DK, DM, U

1977.08.20

E-15

Carburetor



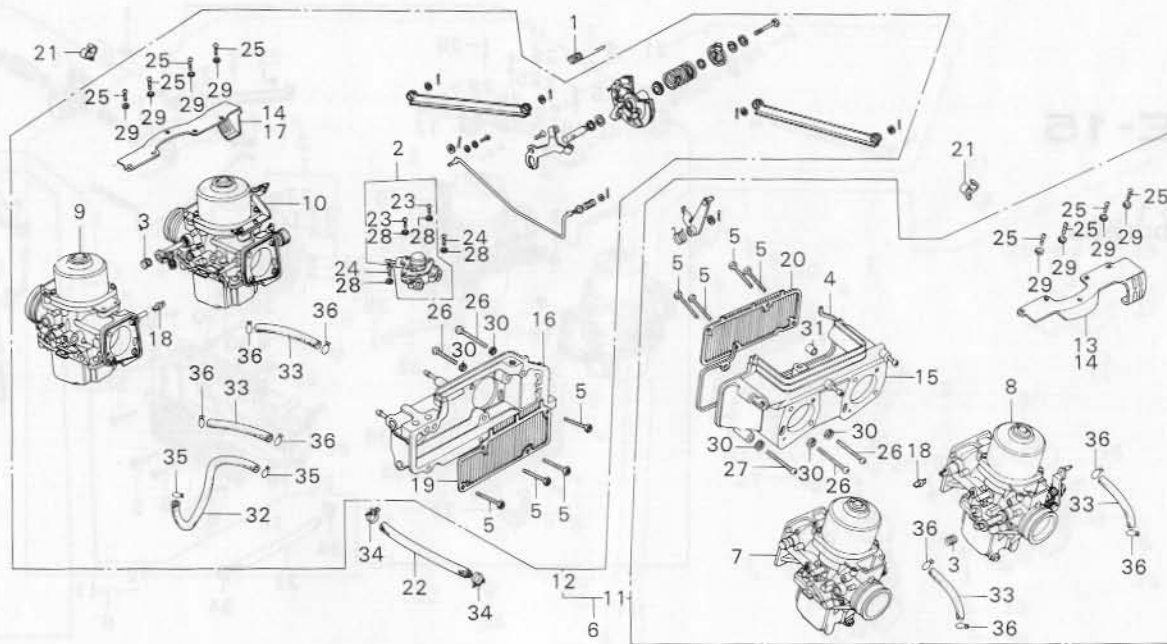
B371-15A

Service item	F.R.T.	Ref. No.	Part No.	Description	Reqd. No.		Serial No.	Area code
					GL1000	GL1000 LTDK1 K2		
		11	16105-371-004	CARBURETOR ASSY., L.	1			
			16105-371-610	CARBURETOR ASSY., L.		1	2012647	E>ED>F>G
			16105-371-771	CARBURETOR ASSY., L.		1	2100665	E>ED>F>G
			16105-371-960	CARBURETOR ASSY., L.	1			A>CM>DK>DM>U
			16105-371-980	CARBURETOR ASSY., L.	1			ED>F>G
			16105-371-611	CARBURETOR ASSY., L.		1	2100666	A>CM>U
						1		E>ED>F>G
			16105-371-772	CARBURETOR ASSY., L.		1	3004542	E>ED>F>G
			16105-371-773	CARBURETOR ASSY., L.		1	3004543	A>CM>DK>DM>U
		12	16106-371-004	CARBURETOR ASSY., R.	1			A>CM>DK>DM>U
			16106-371-610	CARBURETOR ASSY., R.		1	2012647	E>ED>F>G
			16106-371-771	CARBURETOR ASSY., R.		1	2100665	E>ED>F>G
			16106-371-960	CARBURETOR ASSY., R.		1		A>CM>DK>DM>U
			16106-371-980	CARBURETOR ASSY., R.		1		ED>F>G
			16106-371-611	CARBURETOR ASSY., R.		1	2100666	A>CM>U
						1		E>ED>F>G
			16106-371-772	CARBURETOR ASSY., R.		1	3004542	E>ED>F>G
			16106-371-773	CARBURETOR ASSY., R.		1	3004543	A>CM>DK>DM>U
		13	16129-371-771	PLATE, L. STAY		1	2012647	E>ED>F>G
						1		A>CM>DK>DM>U
						1		E>ED>F>G
			16129-371-980	PLATE, L. STAY		1		
		14	16130-371-004	PLATE, STAY	2			
		15	16157-371-004	CHAMBER A, AIR	1		2012646	E>ED>F>G
						1	2012646	E>ED>F>G

1977.08.20

E-15

Carburetor



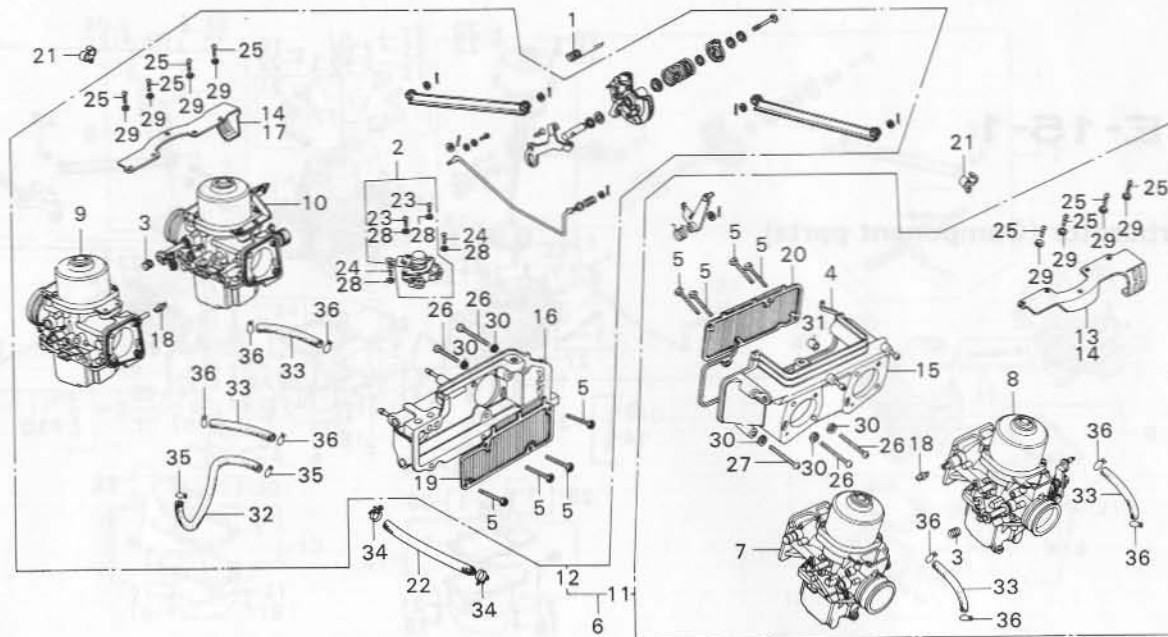
B371-15A

Service item	F.R.T.	Ref. No.	Part No.	Description	Reqd. No.			Serial No.	Area code
					GL1000	GL1000 LTD K1	K2		
			16157-371-771	CHAMBER A, AIR		1	2012647	E, ED, F, G A, CM, DK, DM, U	
						1			
		16	16158-371-004	CHAMBER B, AIR	1				
			16158-371-771	CHAMBER B, AIR		1	2012647	2012646 E, ED, F, G E, ED, F, G A, CM, DK, DM, U	
						1			
		17	16169-371-771	PLATE, R. STAY		1	2012647	E, ED, F, G A, CM, DK, DM, U E, ED, F, G	
						1			
			16169-371-980	PLATE, R. STAY		1			
		18	16172-500-014	JOINT, CONNECTER	2	2	2		
		19	16196-371-004	BODY COMP. B, FRAME TRAP	1	1	1		
		20	16197-371-004	BODY COMP. A, FRAME TRAP	1	1	1		
						2	2	2	
		21	32981-371-000	GROMMET, HIGH TENSION CORD	2	2	2	2	
		22	91320-371-000	HOSE, FUEL, 5.5X160	1	1	1	1	
		23	93500-04010-0A	SCREW, PAN, 4X10	2	2	2	2	
		24	93500-04018-0A	SCREW, PAN, 4X18	2	2	2	2	
		25	93500-05012-0A	SCREW, PAN, 5X12	8	8	8	8	
			90051-371-980	SCREW, PAN, 5X12		8			
		26	93500-06035	SCREW, PAN, 6X35	4	4	4	4	
		27	93500-06045	SCREW, PAN, 6X45	1	1	1	1	
		28	94111-04000	WASHER, SPRING, 4MM	4	4	4	4	
		29	94111-05000	WASHER, SPRING, 5MM	8	8	8	8	
			90085-371-980	WASHER, SPRING, 5MM		8			
		30	94111-06000	WASHER, SPRING, 6MM	5	5	5	5	

1977.08.20

E-15

Carburetor



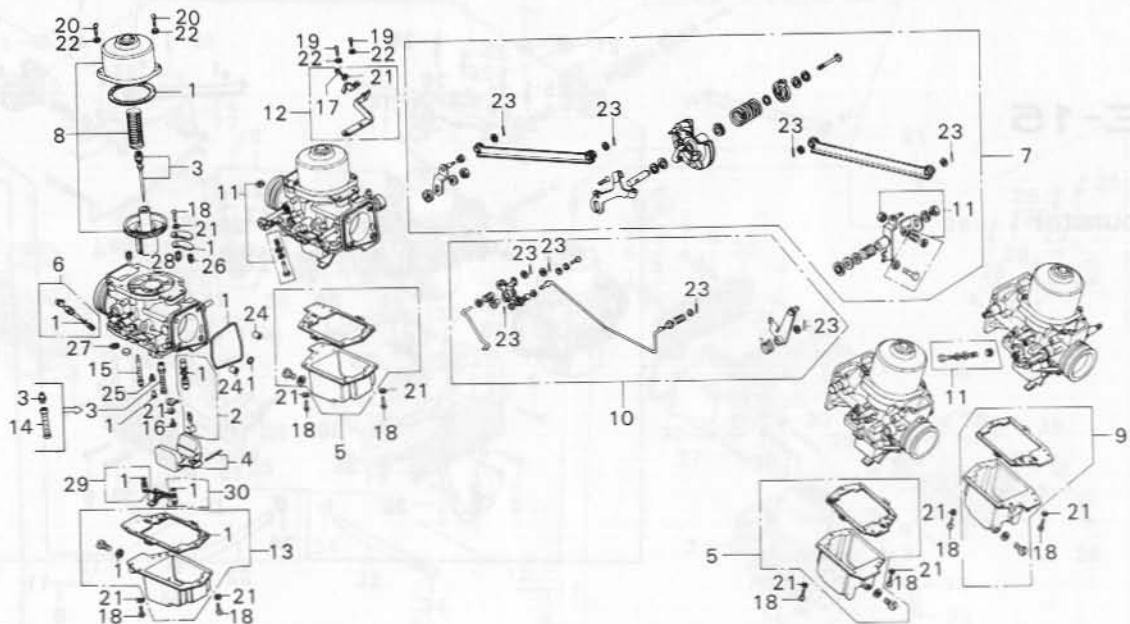
B371-16A

Service item	F.R.T.	Ref. No.	Part No.	Description	GL1000	Reqd. No. GL1000 LTD K1 K2	Serial No.	Area code
--------------	--------	----------	----------	-------------	--------	----------------------------	------------	-----------

31	94301-08140	PIN A, DOWEL, 8X14	2	2	2	2		
32	95001-35210-40	TUBE, FUEL, 3.5X210	1	1	1	1		
33	95001-55100-40	TUBE, FUEL, 5.3X100	4	4	4	4		
34	95002-01120	CLIP A12, TUBE	2	2	2	2		
35	95002-02070	CLIP B7, TUBE	2	2	2	2		
36	95002-02100	CLIP B10, TUBE	8	8	8	8		

E-15-1

Carburetor (Component parts)



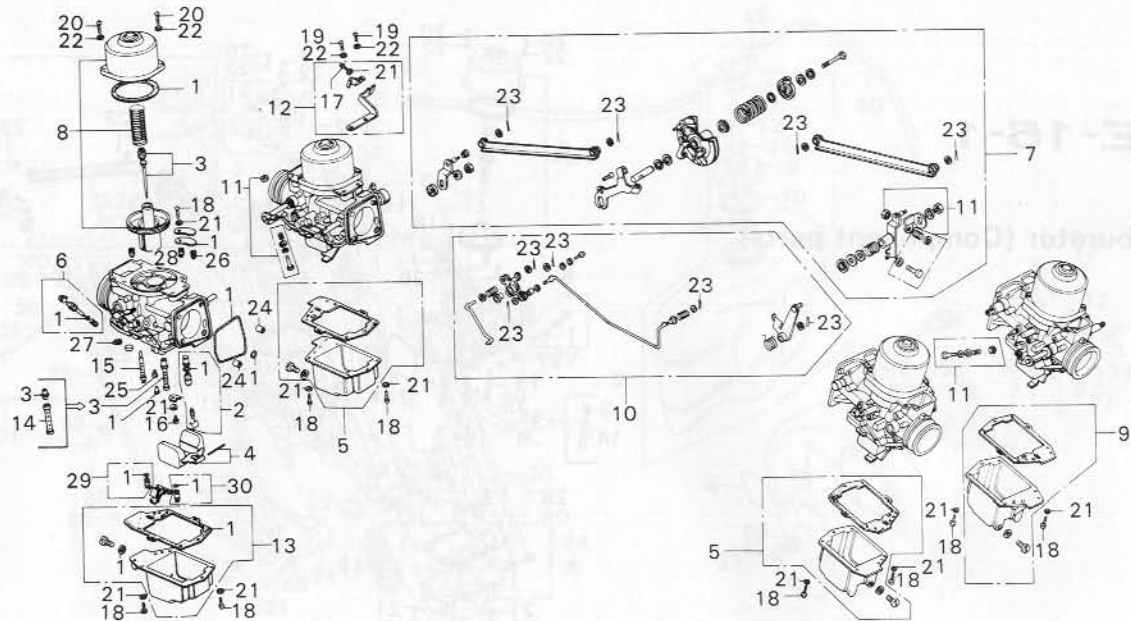
B371-15C

Service item	F.R.T.	Ref. No.	Part No.	Description	Reqd. No.				Serial No.	Area code
					GL1000	GL1000	LTD	K1 K2		
LINK SET	1.9	1	16010-371-004	PACKING SET	4	4	4	4		
NEEDLE JET SET	1.6	2	16011-371-004	VALVE SET, FLOAT	4	4	4	4		
*Add 0.3		3	16012-371-004	NEEDLE SET, JET	4					
CHOKE ROD SET	1.5		16012-371-771	NEEDLE SET, JET		4	4	4		E, ED, F, G
FLOAT VALVE SET/JETS	1.5		16012-371-772	NEEDLE SET, JET		4	4			A, CM, DK, DM, U
*Add 0.3		4	16013-567-004	FLOAT SET	4	4	4	4		A, CM, DK, DM, U
FLOAT CHAMBER SET	1.3	5	16015-371-004	CHAMBER SET A, FLOAT	2	2	2	2		
*One motorcycle 1.5		6	16016-371-004	SCREW SET A	4	4	4			A, CM, DK, DM, U
VACUUM PISTON SET/JETS	1.3					4				ED, F, G
*Add 0.1			16016-371-770	SCREW SET A			4		2100665	E, ED, F, G
									3004542	A, CM, DK, DM, U
									2100666	E, ED, F, G
									3004543	A, CM, DK, DM, U
										E, ED, F, G
		7	16017-371-004	LINK SET	1					
			16017-371-771	LINK SET		1			2012647	2012646
						1	1			E, ED, F, G
						1	1			E, ED, F, G
						1	1			A, CM, DK, DM, U
						1				E, ED, F, G
		8	16017-371-980	LINK SET		1				
			16022-371-004	PISTON SET, VACUUM	4					
							4	4		E, ED, F, G
			16022-371-771	PISTON SET, VACUUM			4	4		A, CM, DK, DM, U
			16022-371-960	PISTON SET, VACUUM		4				ED, F, G
			16022-371-980	PISTON SET, VACUUM		4				A, CM, U
		9	16023-371-004	CHAMBER SET B, FLOAT	1	1	1	1		
		10	16025-371-004	ROD SET, CHOKE	1					
							1			2012646
										E, ED, F, G

1977.08.20

E-15-1

Carburetor (Component parts)



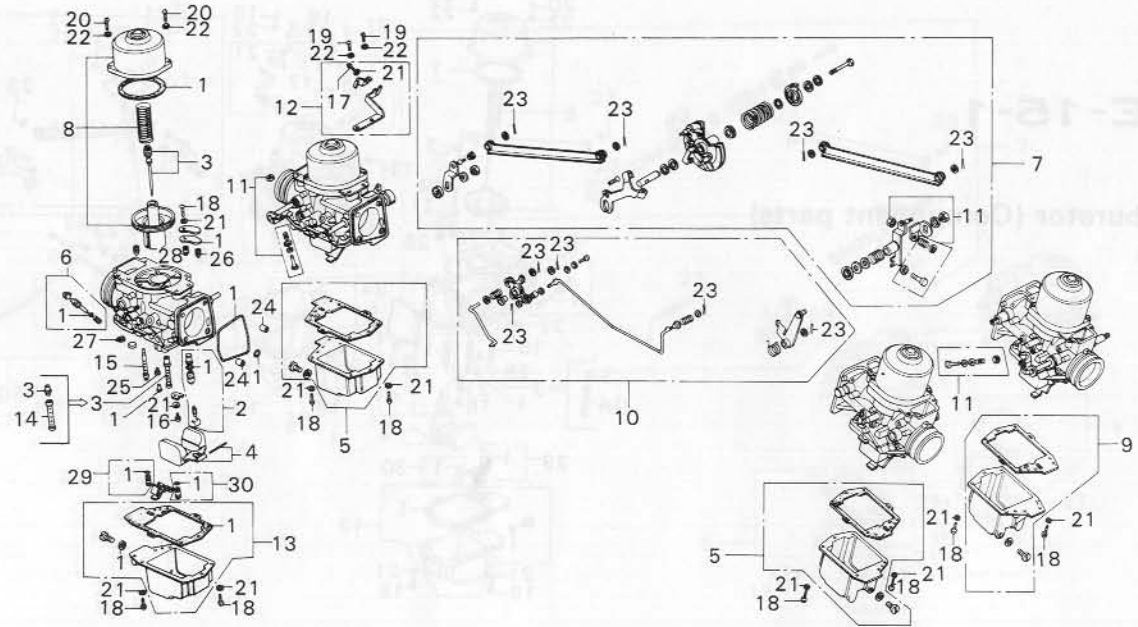
B371-15C

Service item	F.R.T.	Ref. No.	Part No.	Description	Reqd. No.		Serial No.	Area code
					GL1000	GL1000 LTD K1 K2		
			16025-371-771	ROD SET, CHOKE		1	2012647	E,ED,F,G
						1		A,CM,DK,DM,U
						1		E,ED,F,G
			16025-371-980	ROD SET, CHOKE		1		
		11	16028-371-004	SCREW SET B	3	3		
		12	16035-371-004	PLATE SET, STAY	1	1		
		13	16045-371-004	CHAMBER SET C, FLOAT	1	1		
		14	16165-371-770	HOLDER, NEEDLE JET		4		A,CM,DK,DM,U
		15	16166-371-004	NOZZLE, MAIN	4	4		A,CM,DK,DM,U
			16166-371-770	NOZZLE, MAIN		4		E,ED,F,G
						4		A,CM,DK,DM,U
		16	93500-04008-0A	SCREW, PAN, 4X8	4	4		
		17	93500-04010-0A	SCREW, PAN, 4X10	1	1		
		18	93500-04014-0A	SCREW, PAN, 4X14	20	20		
		19	93500-05012-0A	SCREW, PAN, 5X12	2	2		
		20	93500-05016-0A	SCREW, PAN, 5X16	8	8		
			90052-371-980	SCREW, PAN, 5X16		8		
		21	94111-04000	WASHER, SPRING, 4MM	25	25		
		22	94111-05000	WASHER, SPRING, 5MM	10	10		
			90085-371-980	WASHER, SPRING, 5MM		10		
		23	94201-10080	PIN, SPLIT, 1.0X8	5			
						9		
						5	2012646	E,ED,F,G
						9		E,ED,F,G
						9		A,CM,DK,DM,U
						9	2012647	

1977.08.20

E-15-1

Carburetor (Component parts)



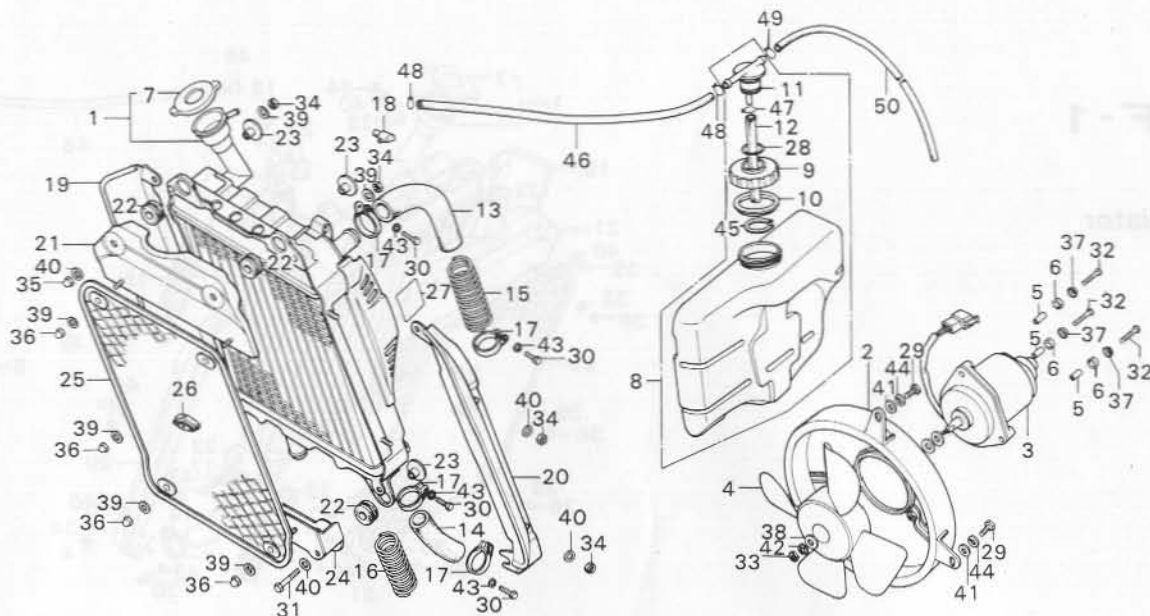
B371-15C

Service item	F.R.T.	Ref. No.	Part No.	Description	Reqd. No.			Serial No.	Area code
					GL1000	GL1000	LTD K1 K2		
		24	94303-04065	PIN C, DDWEL, 4X6.5	8	8	8	2012647	A,CM,DK,DM,U E,ED,F,G
		25	99103-611-0350	JET, SLOW, #35	4	4	4		E,ED,F,G
		26	99164-601-0600	JET, SECONDARY AIR, #60	4	4	4		
		27	99164-601-1100	JET, SLOW AIR, #110	4		4		E,ED,F,G A,CM,DK,DM,U
			99164-601-1150	JET, SLOW AIR, #115		4	4		
		28	99164-601-1200	JET, PRIMARY AIR, #120	4	4	4		
		29	99201-601-0650	JET SET, PRIMARY MAIN, #65	4				E,ED,F,G A,CM,DK,DM,U
			99201-601-0620	JET SET, PRIMARY MAIN, #62		4	4		
		30	99202-601-1250	JET SET, SECONDARY MAIN, #125	4				E,ED,F,G A,CM,DK,DM,U
			99202-601-1200	JET SET, SECONDARY MAIN, #120		4	4		

1977.08.20

F-1

Radiator



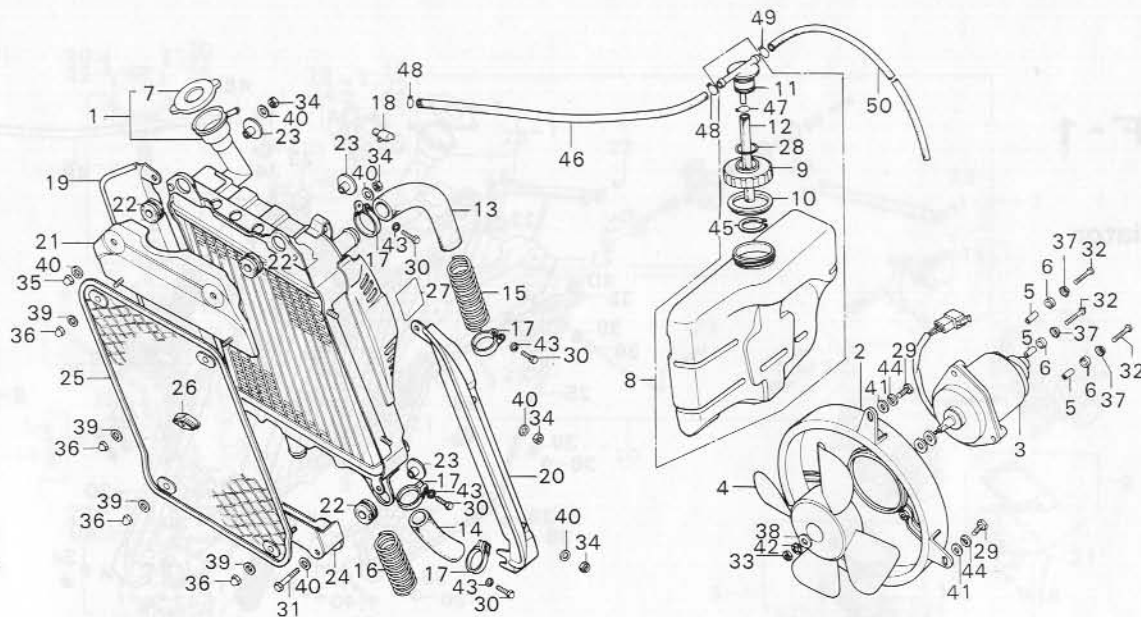
B371-16

Service item	F.R.T.	Ref. No.	Part No.	Description	Reqd. No.		Serial No.	Area code
					GL1000	GL1000 LTD K1 K2		
RADIATOR COMP.	0.9	1	19010-371-003	RADIATOR COMP. (ND)	1	1 1		
FAN MOTOR and its related parts	0.7		19010-371-980	RADIATOR COMP.		1		
WATER HOSE	0.6	2	19020-371-003	SHROUD COMP. (ND)	1	1 1		
			19020-371-980	SHROUD COMP.		1		
RADIATOR COVER COMP.	0.6	3	19030-634-003	MOTOR, FAN	1	1 1 1		
		4	19040-371-003	FAN COMP., COOLING (ND)	1	1 1 1		
		5	19040-611-003	BUSH	3	3 3 3		
RADIATOR GRILL/UPPER COVER/ LOWER COVER	0.1	6	19041-611-003	RUBBER, BUSHING	3	3 3 3		
		7	19045-634-003	CAP, RADIATOR FILLER	1	1 1		
			19045-371-980	CAP, RADIATOR FILLER		1		
		8	19101-371-000	TANK ASSY., RESERVE	1	1 1 1		
		9	19104-371-000	CAP, RESERVE TANK	1	1 1 1		
		10	19105-371-000	PACKING, RESERVE TANK	1	1 1 1		
		11	19107-371-000	JOINT, RESERVE TANK	1	1 1 1		
		12	19108-371-000	TUBE, FUEL, 7.5X120	1	1 1 1		
		13	19501-371-000	HOSE, WATER UPPER	1	1 1 1		
		14	19502-371-000	HOSE, UNDER WATER	1	1 1 1		
		15	19511-371-000	GUARD A, WIRE	1	1 1		
			19511-371-980	GUARD A, WIRE		1		
		16	19512-371-000	GUARD B, WIRE	1	1 1		
			19512-371-980	GUARD B, WIRE		1		
		17	19515-371-000	BAND A, HOSE	4	4 4 4		
			19515-371-980	BAND A, HOSE		4		
		18	19519-371-000	COVER, HOSE BAND	1	1 1 1		
		19	85100-371-305ZA	COVER COMP., R. RADIATOR *	1			
				R-6C-S *				

1977.08.20

F-1

Radiator



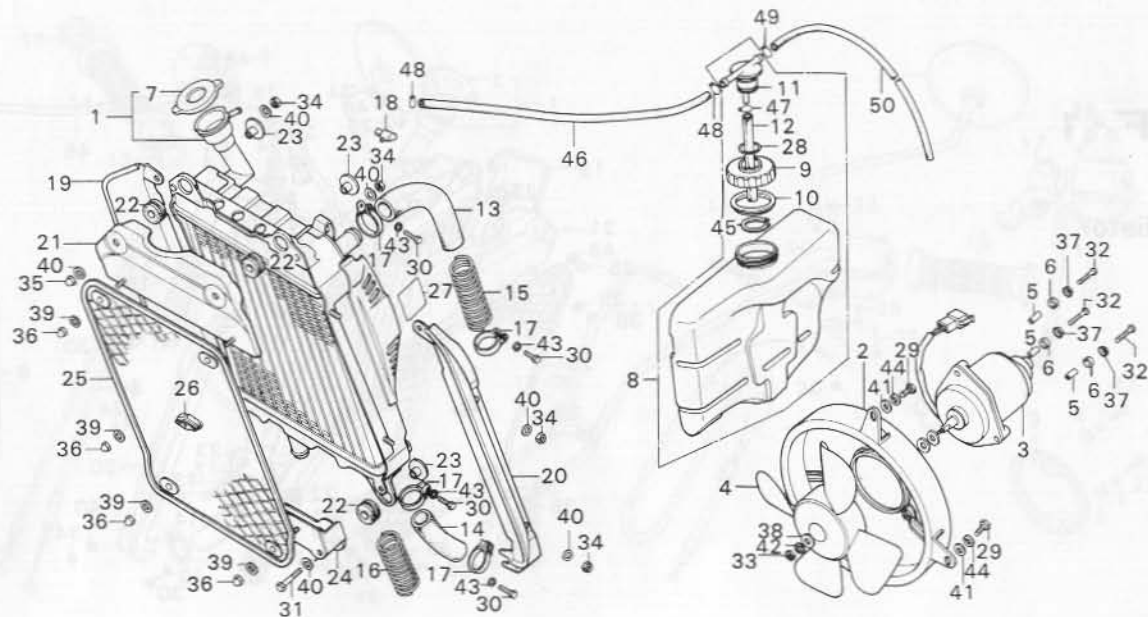
B371-16

Service item	F.R.T.	Ref. No.	Part No.	Description	Reqd. No.		Serial No.	Area code
					GL1000	GL1000 LTDK1 K2		
			85100-371-3052B	COVER COMP., R. RADIATOR *	1			
				PB-2C-S *				
			85100-371-980	COVER COMP., R. RADIATOR	1			
			85100-371-6102A	COVER COMP., R. RADIATOR		1		
				R-6C-S				
			85100-371-6102B	COVER COMP., R. RADIATOR		1		
				PB-2C-S				
			85100-371-6102C	COVER COMP., R. RADIATOR		1	2002809	E, ED, F, G
				Y-34				
			85100-371-6612A	COVER COMP., R. RADIATOR		1		A, CM, DK, DM, U
				R-6C-S				
			85100-371-6612B	COVER COMP., R. RADIATOR		1		
				NH-1				
			85100-371-6612C	COVER COMP., R. RADIATOR		1		
				PB-6C-S				
		20	85120-371-3052A	COVER COMP., L. RADIATOR	1			
				R-6C-S				
			85120-371-3052B	COVER COMP., L. RADIATOR	1			
				PB-2C-S				
			85120-371-980	COVER COMP., L. RADIATOR		1		
			85120-371-6102A	COVER COMP., L. RADIATOR		1		
				R-6C-S				
			85120-371-6102B	COVER COMP., L. RADIATOR		1		
				PB-2C-S				
			85120-371-6102C	COVER COMP., L. RADIATOR		1	2002809	E, ED, F, G
				Y-34				
			85120-371-6612A	COVER COMP., L. RADIATOR		1		A, CM, DK, DM, U
				R-6C-S		1		

1977.08.20

F-1

Radiator



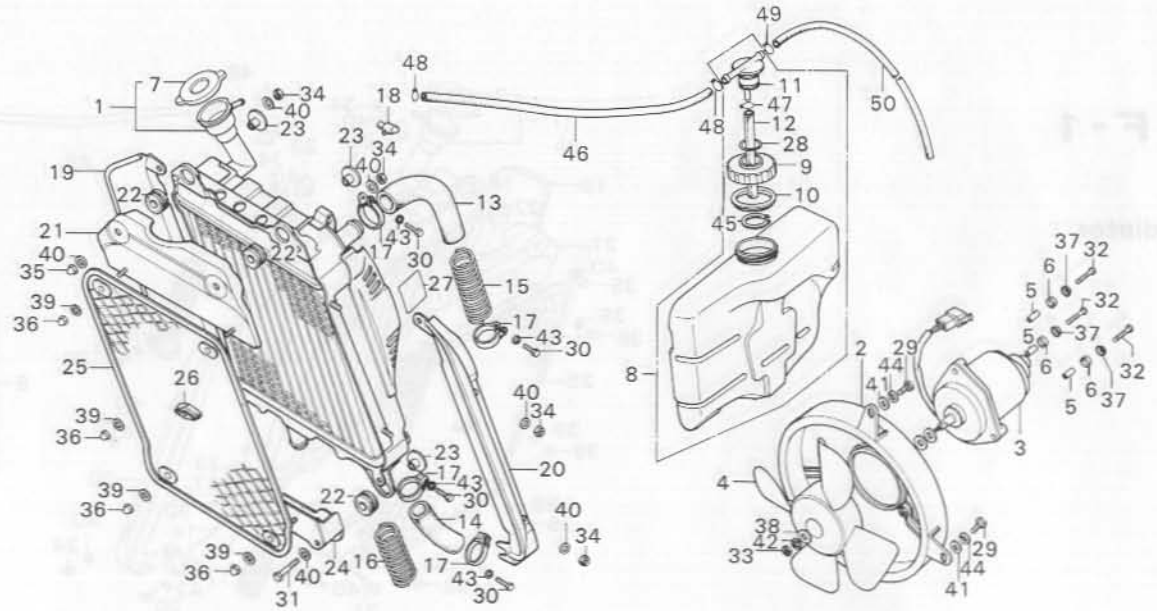
B371-16

Service item	F.R.T.	Ref. No.	Part No.	Description	Reqd. No.		Serial No.	Area code
					GL1000	GL1000 LTD K1 K2		
			85120-371-661ZB	COVER COMP., L. RADIATOR		1		
			85120-371-661ZC	COVER COMP., L. RADIATOR		1		
				NH-1				
				PB-6C-S				
		21	85200-371-000	COVER, RADIATOR UPPER	1	1	1	
			85200-371-980	COVER, RADIATOR UPPER		1		
		22	85201-371-000	RUBBER, RADIATOR MOUNT	4	4	4	
		23	85202-371-000	COLLAR, RADIATOR SET	4	4	4	
		24	85300-371-000	COVER, RADIATOR LOWER	1	1	1	
			85300-371-980	COVER COMP., RADIATOR LOWER		1		
		25	85400-371-000	GRILLE, RADIATOR	1	1	1	
		26	85401-371-000	GROMMET, RADIATOR GRILLE	1	1	1	
		27	87509-371-670	LABEL, SHROUD FAN	1	1	1	
		28	91302-028-000	O-RING, 15X2.5	1	1	1	
		29	92000-06010-08	BOLT, HEX., 6X10	3	3	3	
			91502-371-980	BOLT, HEX., 6X10		3		
		30	92000-06020-07	BOLT, HEX., 6X20	4			
			95700-06020-07	BOLT, FLANGE, 6X20		4		2025599
			95700-06020-08	BOLT, FLANGE, 6X20		4		2025600
		31	92000-06025-07	BOLT, HEX., 6X25	2	2	2	
			92000-06025-08	BOLT, HEX., 6X25				2
		32	93500-04018-0H	SCREW, PAN, 4X18	3	3	3	
		33	94001-05080-05	NUT, HEX., 5MM	1	1	1	
		34	94002-06070	NUT, HEX., 6MM	8	8	8	
			91540-371-980	NUT, CAP, 6MM		8		

1977.08.20

F-1

Radiator



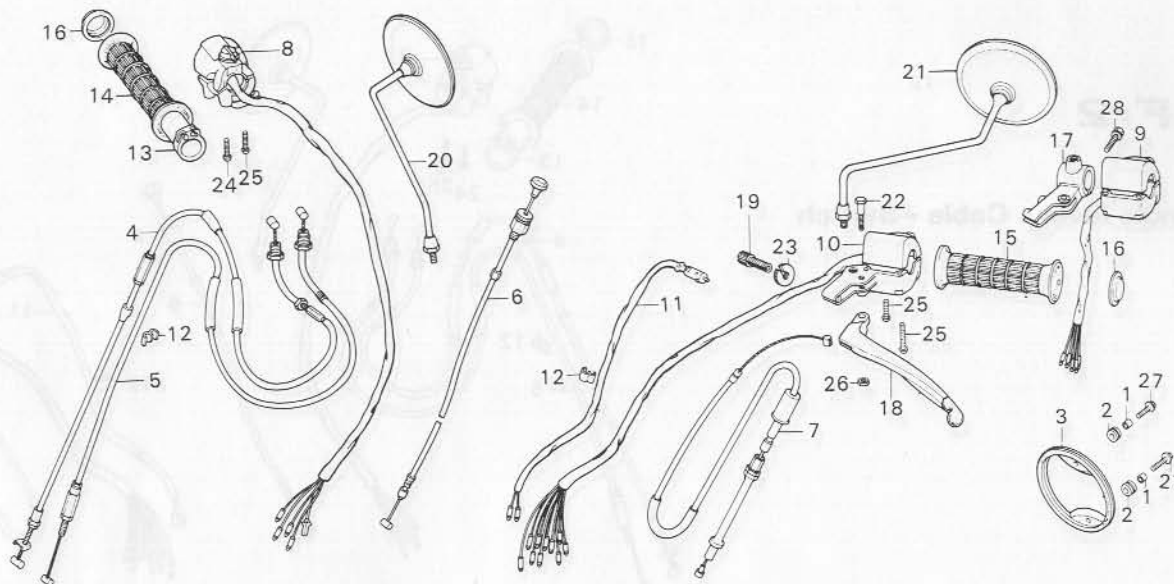
B371-16

Service item	F.R.T.	Ref. No.	Part No.	Description	Reqd. No.				Serial No.	Area code
					GL1000	GL1000	LTD	K1 K2		
		35	94021-06070	NUT, CAP, 6MM	2	2	2	2		
		36	94021-06220	NUT, CAP, 6MM	4		4	4		
			91540-371-980	NUT, CAP, 6MM			4			
		37	94101-04000	WASHER, PLAIN, 4MM	3	3	3	3		
		38	94101-05800	WASHER, PLAIN, 5MM	1	1	1	1		
		39	94101-06200	WASHER, PLAIN, 6MM	4		4	4		
			91550-371-980	WASHER, PLAIN, 6MM			4			
		40	94101-06700	WASHER, PLAIN, 6MM	10		10	10		
			91550-371-980	WASHER, PLAIN, 6MM			10			
		41	94101-06800	WASHER, PLAIN, 6MM	3		3	3		
			91550-371-980	WASHER, PLAIN, 6MM			3			
		42	94111-05800	WASHER, SPRING, 5MM	1	1	1	1		
		43	94111-06000	WASHER, SPRING, 6MM	4					
							4		2025599	
		44	94111-06800	WASHER, SPRING, 6MM	3		3	3		
			91561-371-980	WASHER, SPRING, 6MM			3			
		45	94511-18000	CIR CLIP, EXTERNAL, 18	1	1	1	1		
		46	95001-80300-40	TUBE, FUEL, 8.0X300	1	1	1	1		
		47	95002-02120	CLIP B12, TUBE	1	1	1	1		
		48	95002-02130	CLIP B12.5, TUBE	2	2	2	2		
		49	95002-50000	CLIP C9, TUBE	1	1	1	1		
		50	95003-14103-10	TUBE, VINYL, 6X9X1030	1	1	1	1		

1977.08.20

F-2

Handle lever • Cable • Switch



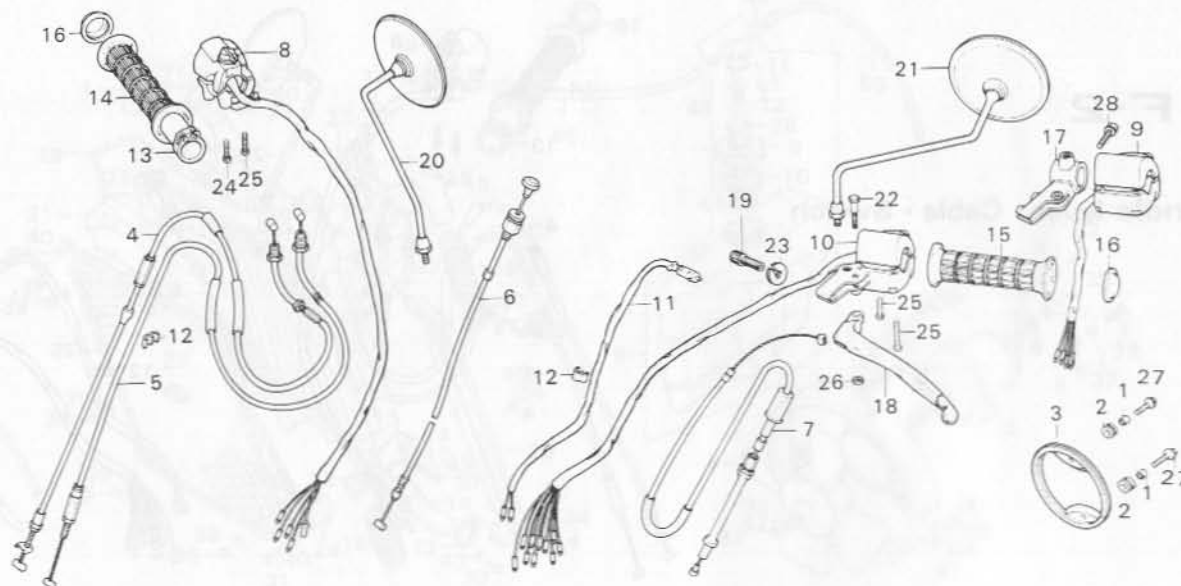
B371-17B

Service item	F.R.T.	Ref. No.	Part No.	Description	Reqd. No.				Serial No.	Area code
					GL1000	GL1000	LTD	K1 K2		
CLUTCH CABLE COMP.	1.2	1	11346-371-300	COLLAR, ADJUST COVER	2	2	2	2		
THROTTLE CABLE	0.8	2	11347-371-300	GROMMET, ADJUST COVER	2	2	2	2		
*One or all		3	11348-371-000	COVER, CLUTCH ADJUST	1		1	1		
WINKER SWITCH ASSY.	0.5	4	11348-371-980	COVER, CLUTCH ADJUST			1			
•L. HANDLE LEVER BRACKET			17910-371-000	CABLE COMP. A, THROTTLE	1		1			A,C,M,DK,DM,U
			17910-371-980	CABLE COMP. A, THROTTLE			1			A,C,M,U
STARTER KILL SWITCH ASSY.	0.4		17910-371-960	CABLE COMP. A, THROTTLE			1			ED,F,G
CLUTCH LEVER SWITCH	0.2		17910-371-610	CABLE COMP. A, THROTTLE			1	1		E,ED,F,G
•CLUTCH ADJUSTING COVER			17910-371-660	CABLE COMP. A, THROTTLE				1		A,C,M,DK,DM,U
•CHOKE CABLE		5	17920-371-000	CABLE COMP. B, THROTTLE	1		1			A,C,M,DK,DM,U
•THROTTLE GRIP PIPE			17920-371-980	CABLE COMP. B, THROTTLE			1			A,C,M,U
GRIP RUBBER	0.1		17920-371-960	CABLE COMP. B, THROTTLE			1			ED,F,G
•HANDLE LEVER			17920-371-610	CABLE COMP. B, THROTTLE			1	1		E,ED,F,G
BACK MIRROR	0.1		17920-371-660	CABLE COMP. B, THROTTLE				1		A,C,M,DK,DM,U
*One or all		6	17950-371-000	CABLE COMP., CHOKE						
			17950-371-010	CABLE COMP., CHOKE	1					
							1		2002808	DK,DM,E,ED,F,G,U
										ED,F,G,U
							1		2002809	DK,DM,E,ED,F,G,U
										A,C,M
							1			DK,DM,E,ED,F,G,U
		7	22870-371-000	CABLE COMP., CLUTCH	1				1002457	A
			22870-371-305	CABLE ASSY., CLUTCH						
			22870-371-010	CABLE COMP., CLUTCH	1				1002457	A
			22870-371-020	CABLE COMP., CLUTCH			1		1002458	A
					1					DK,DM,U
							1		2025241	A,DK,DM,U

1977.08.20

F-2

Handle lever • Cable • Switch



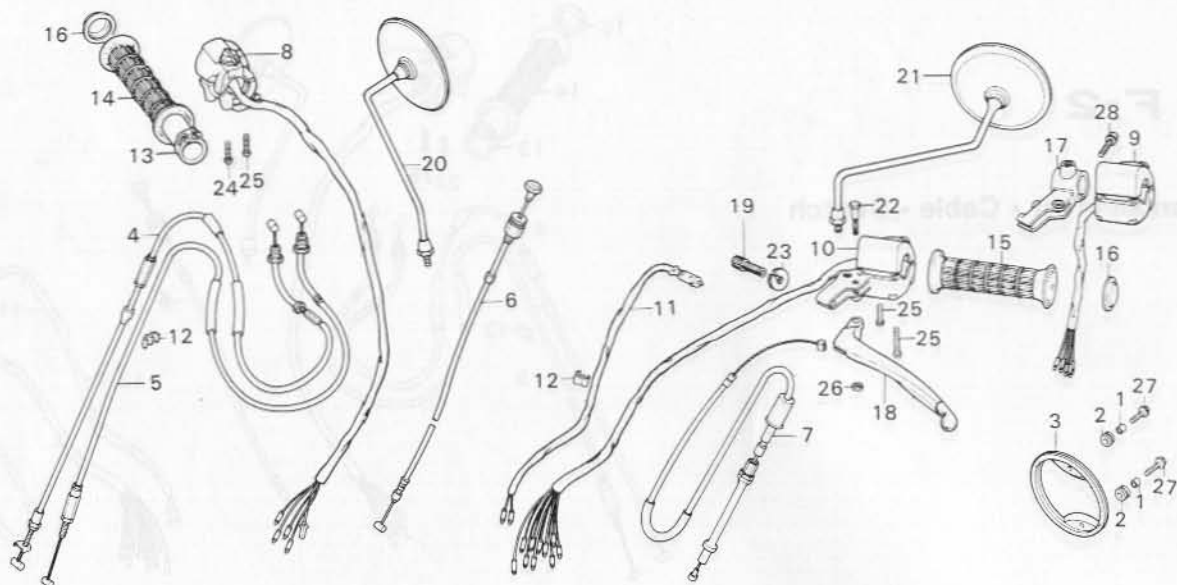
B371-178

Service item	F.R.T.	Ref. No.	Part No.	Description	GL1000	Reqd. No. GL1000 LTD K1 K2	Serial No.	Area code
			22870-371-020	CABLE COMP., CLUTCH		1	2025242	A,DK,DM,U
			22870-371-980	CABLE COMP., CLUTCH		1		CM
			22870-371-610	CABLE COMP., CLUTCH		1	2025721	A,CM,U
			22870-371-611	CABLE COMP., CLUTCH		1		E,ED,F,G
			22870-371-611	CABLE COMP., CLUTCH		1	2025722	E,ED,F,G
			22870-371-660	CABLE COMP., CLUTCH		1		E,ED,F,G
		8	35150-371-003	SWITCH ASSY., STARTER KILL	1	1		E,ED,F,G
			35150-371-670	SWITCH ASSY., STARTER KILL	1	1		A,CM
			35150-371-980	SWITCH ASSY., STARTER KILL	1			A,CM
			35150-371-910	SWITCH ASSY., STARTER KILL	1			U
			35150-371-601	SWITCH ASSY., STARTER KILL	1	1		E,ED,F,G
			35150-371-660	SWITCH ASSY., STARTER KILL	1	1		A,CM
			35150-371-651	SWITCH ASSY., STARTER KILL	1	1		DK,DM,U
		9	35200-371-013	SWITCH ASSY., WINKER HORN	1	1	2016001	DK,DM,U
				PASSING		1		DK,DM,U
			35200-371-602	SWITCH ASSY., TURN SIGNAL, HORN, PASSING	1	1		E,ED,F,G
			35200-371-671	SWITCH ASSY., TURN SIGNAL HORN	1	1	2016001	E,ED,F,G
					1	1	2016001	A
			35200-371-910	SWITCH ASSY., WINKER HORN	1			CM
				PASSING		1		U
			35200-371-980	SWITCH ASSY., WINKER	1			A,CM
			35200-371-660	SWITCH ASSY., WINKER HORN	1	1		A,CM
		10	35200-371-670	SWITCH ASSY., WINKER HORN	1	1		A
						1	2016000	A

1977.08.20

F-2

Handle lever • Cable • Switch



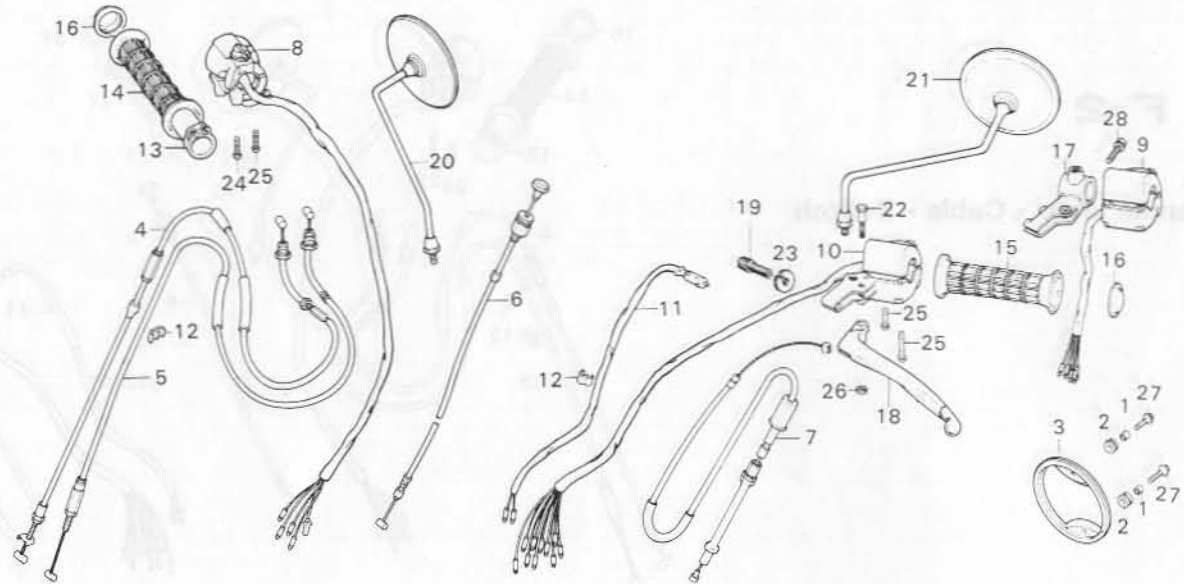
B371-17B

Service item	F.R.T.	Ref. No.	Part No.	Description	GL1000	Reqd. No. GL1000 LTD K1 K2	Serial No.	Area code
			35200-371-003	SWITCH ASSY., TURN SIGNAL, HORN, PASSING	1			DK,DM,U
			35200-371-601	SWITCH ASSY., TURN SIGNAL, HORN, PASSING		1	2016000	DK,DM,U
						1	2016000	E,ED,F,G
		11	35360-341-000	SWITCH ASSY., CLUTCH LEVER	1	1 1 1		
		12	45465-341-700	CLIP, FR. BRAKE CABLE	2	2 2 2		
		13	53141-300-010	PIPE, THROTTLE GRIP	1	1 1 1		
		14	53165-342-670	RUBBER, R. GRIP	1	1 1 1		
			53165-371-000	GRIP, R. HANDLE				1
		15	53166-342-670	RUBBER, L. GRIP	1	1 1 1		
			53166-371-000	GRIP, L. HANDLE				1
		16	53167-371-000	CAP, HANDLE END		2		
		17	53172-371-000	BRACKET, L. HANDLE LEVER	1	1 1 1		A,DK,DM,E,ED,F,G,U
					1	1 1 1		CM
							2016001	A,DK,DM,E,ED,F,G,U
		18	53190-369-700	LEVER COMP., L. STEERING HANDLE	1			
						1		
			53190-371-000	LEVER COMP., L. STEERING HANDLE	1	1	2016001	A,DK,DM,E,ED,F,G,U
						1		A,DK,DM,E,ED,F,G,U
						1		CM
			53190-371-980	LEVER COMP., L. STEERING HANDLE	1			
			53178-371-000	LEVER COMP., L. STEERING HANDLE		1		
		19	53192-268-000	BOLT, CLUTCH WIRE ADJUSTING	1		1002457	A

1977.08.20

F-2

Handle lever • Cable • Switch



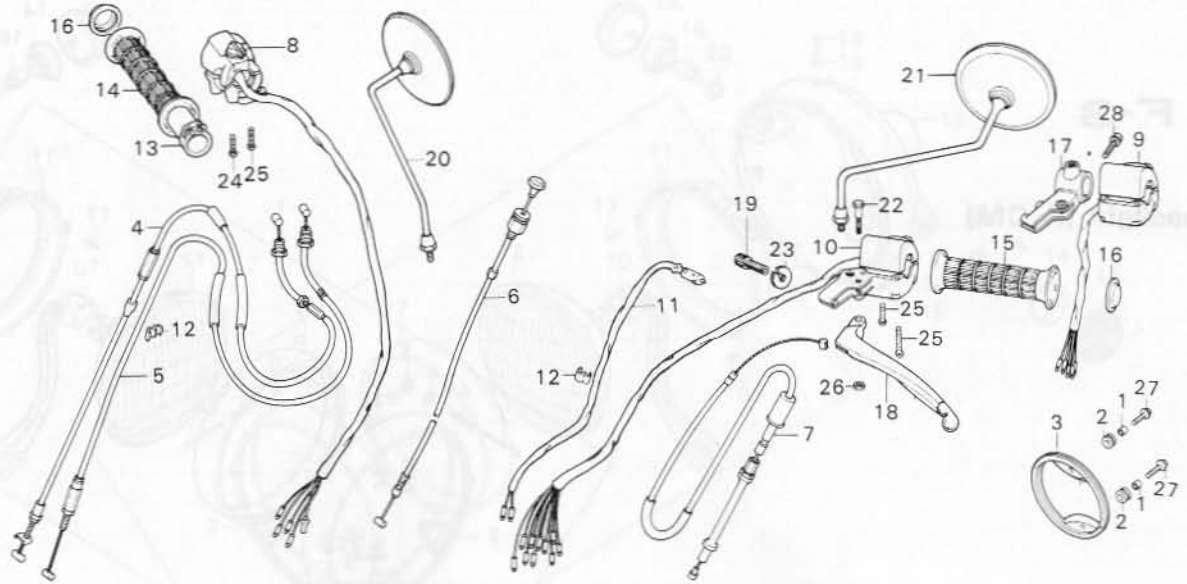
B371-17B

Service item	F.R.T.	Ref. No.	Part No.	Description	GL1000	Reqd. No. GL1000 LTDK1 K2	Serial No.	Area code
			53192-312-000	BOLT, CLUTCH CABLE ADJUSTING	1		1002458	A
					1	1 1		DK, DM, U
						1 1		A, CM, E, ED, F, G
		20	53192-371-980	BOLT, CLUTCH CABLE ADJUST		1		
			88100-333-004	MIRROR, R. BACK	1	1		A, CM, DK, DM
			88100-358-680	MIRROR, R. BACK	1	1		U
			88100-371-930	MIRROR, R. BACK		1		U
			88100-371-980	MIRROR, R. BACK		1		A, CM
			88110-371-970	MIRROR, R. BACK		1		F
			88110-323-610	MIRROR, R. BACK		1 1		E, ED, G
			88110-371-960	MIRROR, R. BACK		1		ED, G
			88110-304-621	MIRROR, R. BACK		1 1		F
			88100-371-660	MIRROR, R. BACK		1		A, CM, DK, DM
			88110-371-650	MIRROR, R. BACK		1		U
		21	88120-333-004	MIRROR, L. BACK	1	1		A, CM, DK, DM
			88120-358-680	MIRROR, L. BACK	1	1		U
			88120-371-930	MIRROR, L. BACK		1		U
			88120-371-960	MIRROR, L. BACK		1		ED, G
			88120-371-970	MIRROR, L. BACK		1		F
			88120-371-980	MIRROR, L. BACK		1		A, CM
			88120-304-621	MIRROR, L. BACK		1 1		F
			88120-323-610	MIRROR, L. BACK		1 1		E, ED, G
			88120-371-650	MIRROR, L. BACK		1		U
			88120-371-660	MIRROR, L. BACK		1		A, CM, DK, DM
		22	90114-268-020	BOLT, HANDLE LEVER PIVOT	1	1 1		
			90114-371-980	BOLT, HANDLE LEVER PIVOT	1	1		
		23	90321-315-670	NUT, FIXING	1	1 1		
			90321-371-980	NUT, FIXING		1		
		24	93500-05025-0A	SCREW, PAN, 5X25	1	1 1 1		

1977.08.20

F-2

Handle lever • Cable • Switch



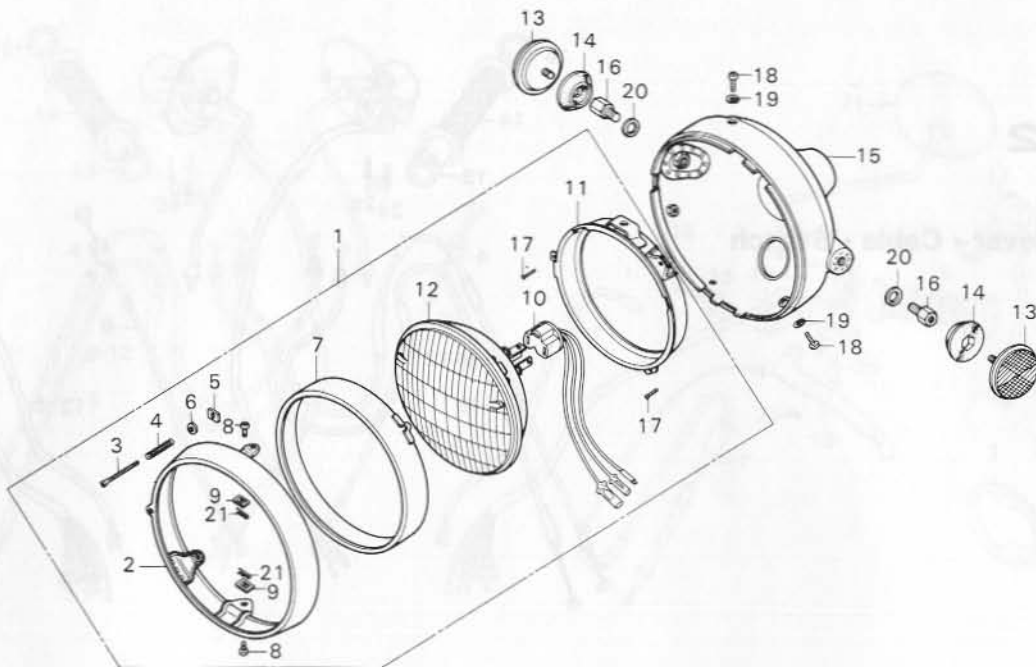
6371-17B

Service item	F.R.T.	Ref. No.	Part No.	Description	Reqd. No.			Serial No.	Area code
					GL1000	LT1000	LTD K1 K2		
		25	93500-05032-0A	SCREW, PAN, 5X32	3	3	3		
		26	94001-06000	NUT, HEX., 6MM	1	1	1		
			90071-371-980	NUT, HEX., 6MM		1			
		27	95700-06016-00	BOLT, FLANGE, 6X16	2	2	2		
			90141-371-980	BOLT, FLANGE, 6X16					
		28	95700-06025-00	BOLT, FLANGE, 6X25		1		2016001	A,DK,DM,E,ED,F,G,U
						1			CM
			90143-371-980	BOLT, FLANGE, 6X25			1		

1977.08.20

F-3

Headlight (A,CM)



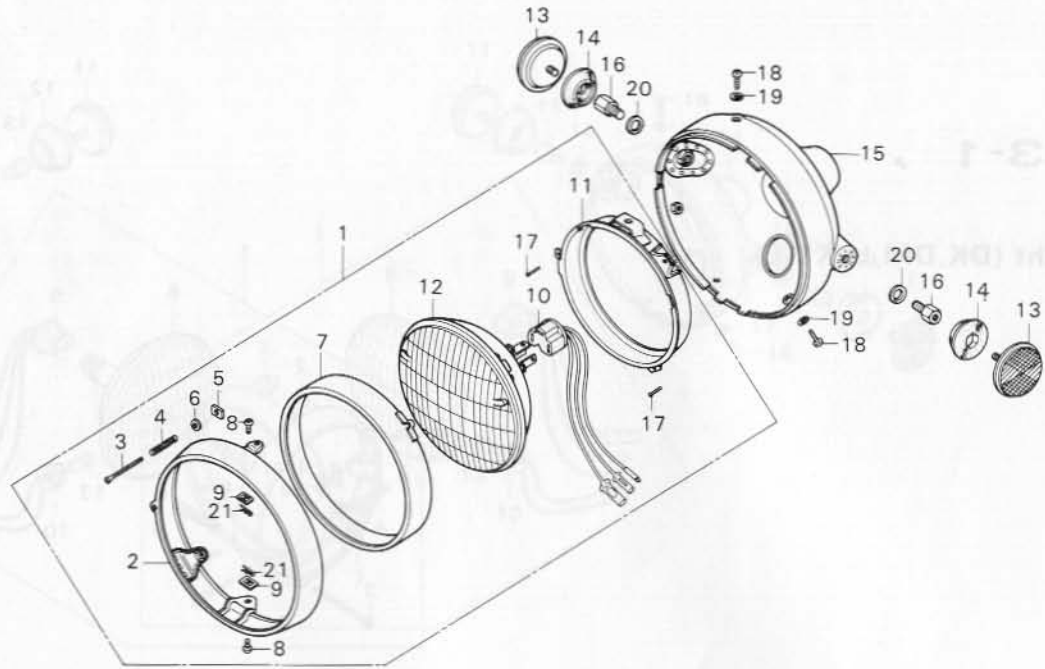
B371-18

Service item	F.R.T.	Ref. No.	Part No.	Description	GL1000	Reqd. No. GL1000 LTDK1 K2	Serial No.	Area code
HEAD LIGHT CASE	0.3	1	33100-371-672	HEADLIGHT ASSY.	1	1 1		A,CM
SEALD BEAM UNIT and its related parts	0.2		33100-371-980	HEADLIGHT ASSY.		1		A,CM
HEAD LIGHT ASSY./HEAD LIGHT CORD SOCKET	0.1	2	33101-300-673	RIM, HEADLIGHT	1	1 1		A,CM
			33101-371-980	RIM, HEADLIGHT		1		A,CM
		3	33103-346-670	SCREW, BEAM ADJUST	1	1 1		A,CM
			33103-371-980	SCREW, BEAM ADJUST		1		A,CM
		4	33107-300-003	SPRING, HEADLIGHT BEAM ADJUSTING	1	1 1 1		A,CM
		5	33117-001-023	NUT, HEADLIGHT BEAM ADJUSTING (STANLEY)	1	1 1 1		A,CM
		6	33119-371-003	WASHER, BEAM ADJUST	1	1 1 1		A,CM
		7	33121-375-671	RING, RETAINING	1	1 1		A,CM
			33121-371-980	RING, RETAINING		1		A,CM
		8	33125-292-670	SCREW, UNIT HOLDER	2	2 2 2		A,CM
		9	33128-292-670	NUT, UNIT HOLDER	2	2 2 2		A,CM
		10	33130-300-671	SOCKET COMP., HEADLIGHT CORD	1	1 1 1		A,CM
		11	33153-375-671	RING, MOUNTING	1	1 1 1		A,CM
		12	33321-371-672	BEAM UNIT, SEALED (12V50/40W STANLEY)	1	1 1 1		A,CM
		13	33741-340-670	REFLECTOR, FR. REFLEX	2	2 2		A,CM
			33741-371-980	REFLECTOR, FR. REFLEX		2		A,CM
		14	33743-375-000	BASE, FR. REFLECTOR	2	2 2 2		A,CM
		15	61301-371-003	CASE, HEADLIGHT (STANLEY)	1	1 1		A,CM
			61301-371-980	CASE, HEADLIGHT		1		A,CM
		16	90120-371-000	BOLT, HEADLIGHT STAY	2	2 2 2		A,CM
		17	93500-03012-0A	SCREW, PAN, 3X12	2	2 2 2		A,CM

1977.08.20

F-3

Headlight (A,CM)



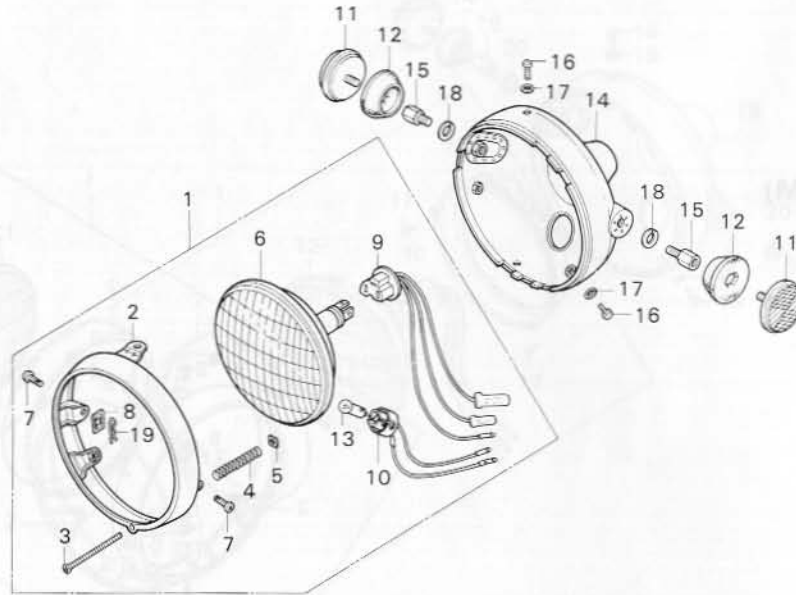
B371-18

Service item	F.R.T.	Ref. No.	Part No.	Description	Reqd. No.			Serial No.	Area code
					GL1000	GL1000 LTD K1	K2		
		18	93500-05016-08	SCREW, PAN, 5X16	3	3	3		A,CM
		19	91521-371-980	SCREW, PAN, 5X16	3	3	3		A,CM
			94111-05000	WASHER, SPRING, 5MM	3	3	3		A,CM
			91560-371-980	WASHER, SPRING, 5MM		3			A,CM
		20	94111-10000	WASHER, SPRING, 10MM	2	2	2		A,CM
		21	94251-05000	PIN, LOCK, 5MM	2	2	2		A,CM

1977.08.20

F-3-1

Headlight (DK,DM,U,K1-E)



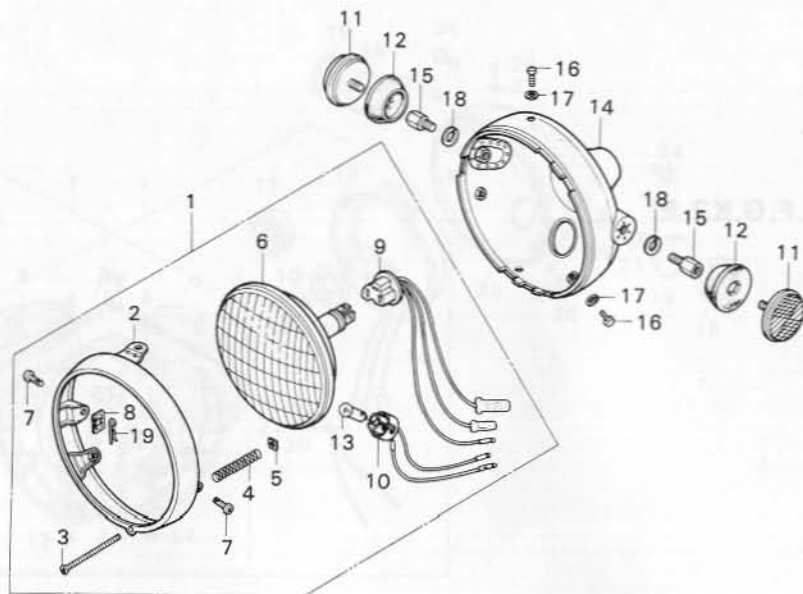
B371-18-1

Service item	F.R.T.	Ref. No.	Part No.	Description	Reqd. No.		Serial No.	Area code
					GL1000	GL1000 LTD K1 K2		
HEAD LIGHT CASE	0.3	1	33100-375-003	HEADLIGHT ASSY.	1	1 1		DK,DM,U
HEAD LIGHT UNIT and its related parts	0.2					1		E
HEAD LIGHT ASSY./SOCKET/BULB/ MARKER LIGHT SOCKET	0.1	2	33100-371-951	HEADLIGHT ASSY.	1	1 1		U
			33101-300-043	RIM, HEADLIGHT	1	1 1		DK,DM,U
						1		E
			33101-371-951	RIM, HEAD LIGHT	1	1		U
		3	33103-346-670	SCREW, BEAM ADJUST	1	1 1		DK,DM,U
						1		E
			33103-371-980	SCREW, BEAM ADJUST	1	1		U
		4	33107-300-003	SPRING, HEADLIGHT BEAM ADJUSTING	1	1 1 1		DK,DM,U
						1		E
		5	33117-001-023	NUT, HEADLIGHT BEAM ADJUSTING (STANLEY)	1	1 1 1		DK,DM,U
						1		E
		6	33120-375-003	HEADLIGHT UNIT (12V 50/40W STANLEY)	1	1 1 1		DK,DM,U
						1		E
		7	33125-087-761	SCREW, UNIT HOLDER	2	2 2 2		DK,DM,U
						2		E
		8	33128-292-670	NUT, UNIT HOLDER	2	2 2 2		DK,DM,U
						2		E
		9	33130-323-003	SOCKET COMP., HEADLIGHT	1	1 1 1		DK,DM,U
						1		E
		10	33170-323-003	SOCKET COMP., MARKER LIGHT	1	1 1 1		DK,DM,U
						1		E
		11	33741-340-670	REFLECTOR, FR. REFLEX	2	2 2		DK,DM,U
						2		E

1977.08.20

F-3-1

Headlight (DK,DM,U,K1-E)



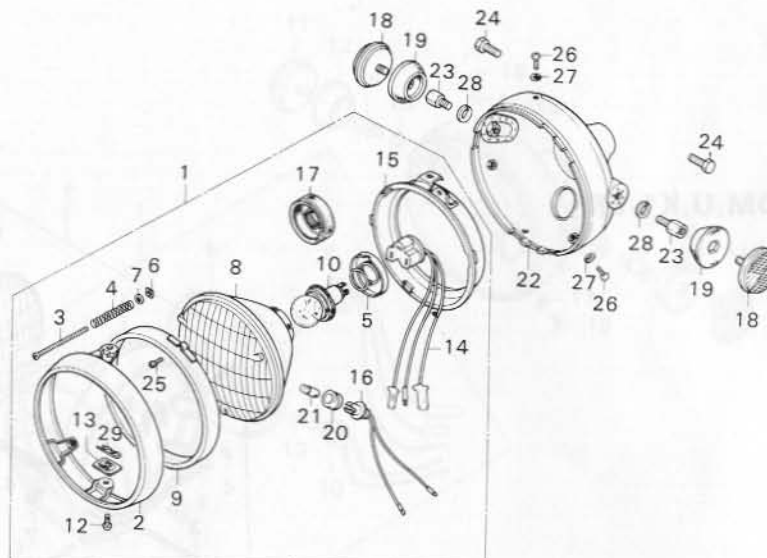
B371-18-1

Service item	F.R.T.	Ref. No.	Part No.	Description	GL1000	Reqd. No.		Serial No.	Area code
						GL1000	LTD K1 K2		
		12	33741-371-980	REFLECTOR, FR. REFLEX	2	2			U
			33743-375-000	BASE, FR. REFLECTOR	2	2	2		DK,DM,U
		13	34903-071-003	BULB, MARKER LIGHT (12V 3W) (STANLEY)	1	1	1		E DK,DM,U
		14	61301-371-003	CASE, HEADLIGHT (STANLEY)	1	1	1		E DK,DM,U
			61301-371-980	CASE, HEADLIGHT		1			E
		15	90120-371-000	BOLT, HEADLIGHT STAY	2	2	2		U DK,DM,U E
		16	93500-05016-08	SCREW, PAN, 5X16	3	3	3		DK,DM,U E
			91521-371-980	SCREW, PAN, 5X16		3			U
		17	94111-05000	WASHER, SPRING, 5MM	3	3	3		DK,DM,U E
			91560-371-980	WASHER, SPRING, 5MM		3			U
		18	94111-10000	WASHER, SPRING, 10MM	2	2	2		DK,DM,U E
		19	94251-05000	PIN, LOCK, 5MM	2	2	2		DK,DM,U E

1977.08.20

F-3-2

Headlight (ED,F,G,K2-E)



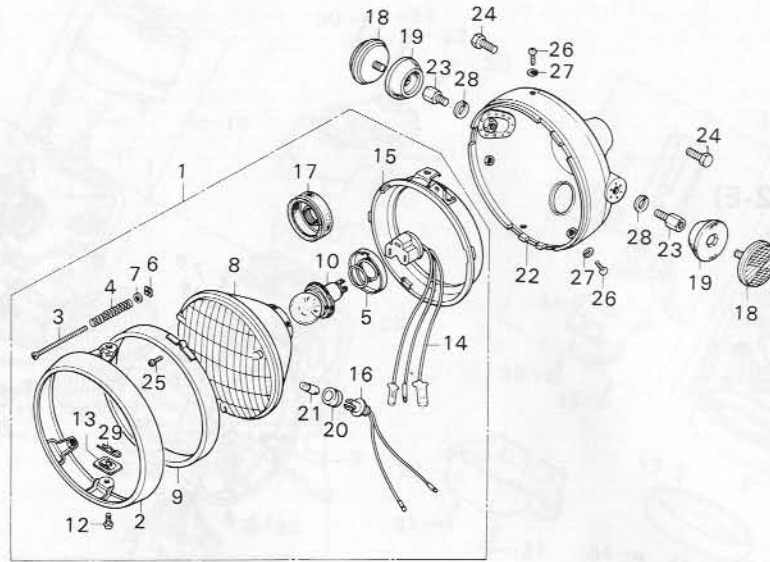
B371-18-2A

Service item	F.R.T.	Ref. No.	Part No.	Description	Reqd. No.			Serial No.	Area code
					GL1000	GL1000 LTD K1	K2		
HEAD LIGHT CASE	0.3	1	33100-371-961	HEADLIGHT ASSY.	1			ED,G	
HEAD LIGHT UNIT and its related parts	0.2		33100-371-971	HEADLIGHT ASSY.	1			F	
HEAD LIGHT ASSY./SOCKET/BULB/ MARKER LIGHT SOCKET	0.1		33100-390-611	HEADLIGHT ASSY.		1		ED,G	
			33100-390-621	HEADLIGHT ASSY.		1		F	
			33100-371-601	HEADLIGHT ASSY.			1	E	
			33100-371-611	HEADLIGHT ASSY.			1	ED,G	
			33100-371-621	HEADLIGHT ASSY.			1	F	
		2	33101-300-673	RIM, HEADLIGHT			1	ED,F,G	
			33101-371-980	RIM, HEADLIGHT			1	ED,F,G	
			33101-405-671	RIM, HEADLIGHT			1	E,ED,F,G	
		3	33103-346-670	SCREW, BEAM ADJUST			1	ED,F,G	
			33103-371-980	SCREW, BEAM ADJUST			1	E	
		4	33107-300-003	SPRING, HEADLIGHT BEAM ADJUSTING			1	ED,F,G	
		5	33114-390-611	HOLDER, HEADLIGHT SOCKET			1	E	
		6	33117-001-023	NUT, HEADLIGHT BEAM ADJUSTING (STANLEY)			1	ED,F,G	
		7	33119-371-003	WASHER, BEAM ADJUST			1	E	
			33120-390-611	HEADLIGHT UNIT			1	ED,F,G	
			33120-371-601	HEADLIGHT UNIT			1	E	
			33120-371-611	HEADLIGHT UNIT			1	ED,F,G	
		9	33121-371-980	RING, RETAINING			1	ED,F,G	
			33121-375-671	RING, RETAINING			1	ED,F,G	

1977.08.20

F-3-2

Headlight (ED,F,G,K2-E)



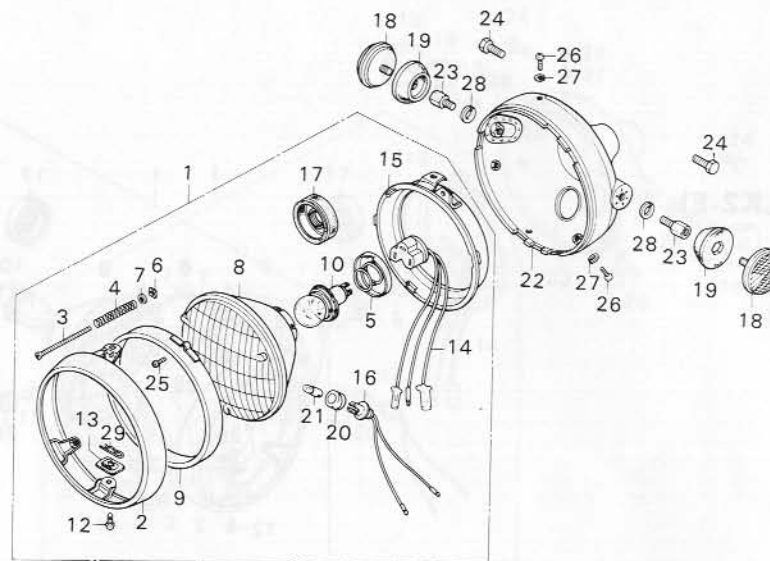
B371-18-2A

Service item	F.R.T.	Ref. No.	Part No.	Description	Reqd. No.			Serial No.	Area code
					GL1000	GL1000	LTD K1 K2		
		10	33121-405-671	RING, RETAINING			1		E,ED,F,G
			33122-623-621	BULB, HEADLIGHT (12V 45/40W)	1	1			F
			33122-623-721	BULB, HEADLIGHT (12V 45/40W)	1	1			ED,G
			34901-371-601	BULB, HEADLIGHT (12V 60/55W)			1		E,ED,G
				(LOCAL PROCUREMENT)					
			34901-371-621	BULB, HEADLIGHT (12V 60/55W)			1		F
				(LOCAL PROCUREMENT)					
		12	33125-087-621	SCREW, UNIT HOLDER	2	2			ED,F,G
			93500-05008-0H	SCREW, PAN, 5X8			2		E,ED,F,G
		13	33128-292-670	NUT, UNIT HOLDER	2	2	2		ED,F,G
							2		E
		14	33130-300-671	SOCKET COMP., HEADLIGHT CORD	1	1	1		ED,F,G
							1		E
		15	33153-375-671	RING, MOUNTING	1	1	1		ED,F,G
							1		E
		16	33170-390-611	SOCKET COMP., MARKER LIGHT	1	1	1		ED,F,G
							1		E
		17	33180-371-601	COVER, BULB			1		E,ED,F,G
		18	33741-371-980	REFLECTOR, FR. REFLEX	2				ED,G
			33741-340-670	REFLECTOR, FR. REFLEX		2	2		ED,G
							2		E
		19	33743-375-000	BASE, FR. REFLECTOR	2	2	2		ED,G
							2		E
		20	33905-303-003	RUBBER, JOINT (STANLEY)	1	1			ED,F,G
			33905-371-601	RUBBER, JOINT			1		E,ED,F,G

1977.08.20

F-3-2

Headlight (ED,F,G,K2-E)



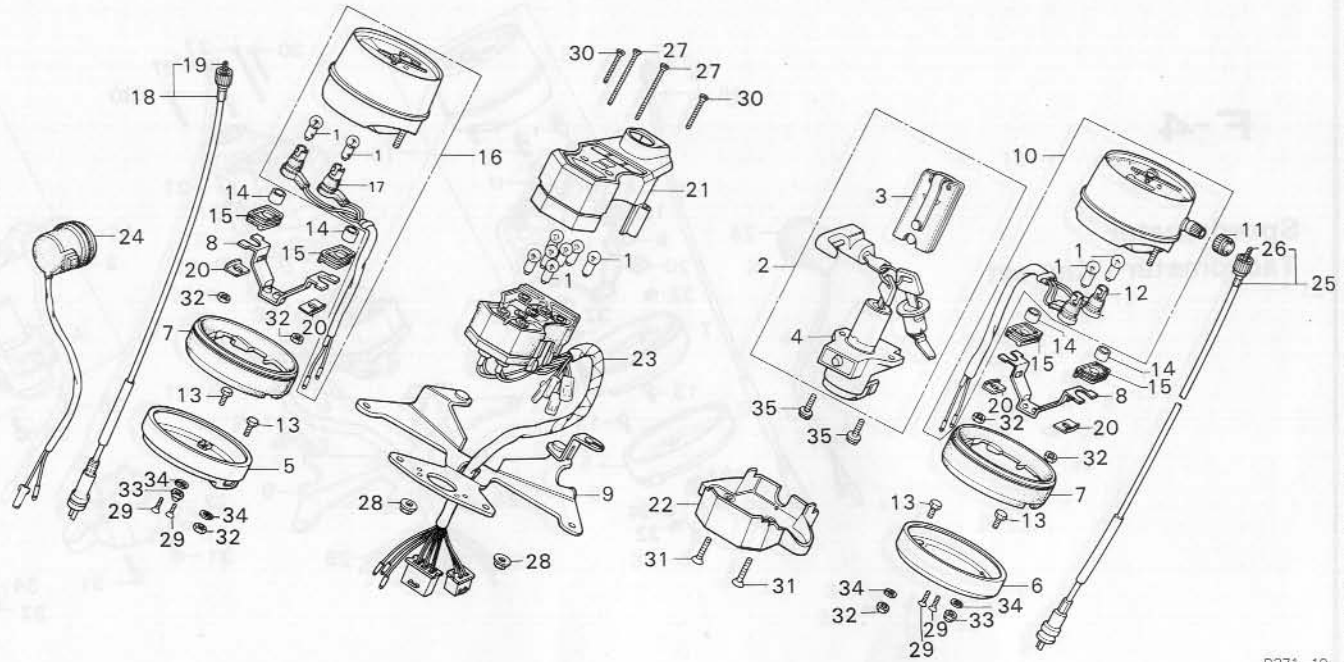
B381-18-2A

Service item	F.R.T.	Ref. No.	Part No.	Description	Reqd. No.			Serial No.	Area code
					GL1000	GL1000	LTD K1 K2		
		21	34903-388-611	BULB, POSITION (12V 4W) (LOCAL PROCUREMENT)	1	1	1		ED,F,G
		22	61301-371-980	CASE, HEADLIGHT			1		E
			61301-371-003	CASE, HEADLIGHT (STANLEY)			1		ED,F,G
		23	90120-371-000	BOLT, HEADLIGHT STAY			2		E
		24	91510-371-970	BOLT, HEX., 10X25			2		ED,G
			92000-10025-08	BOLT, HEX., 10X25			2		E
		25	91520-371-960	SCREW, PAN, 3X12			2		F
			93500-03012-0A	SCREW, PAN, 3X12			2		ED,F,G
			93500-03008-1A	SCREW, PAN, 3X8			2		ED,F,G
		26	91521-371-980	SCREW, PAN, 5X16			3		E,ED,F,G
			93500-05016-08	SCREW, PAN, 5X16			3		ED,F,G
		27	91560-371-980	WASHER, SPRING, 5MM			3		E
			94111-05000	WASHER, SPRING, 5MM			3		ED,F,G
		28	94111-10000	WASHER, SPRING, 10MM			2		ED,F,G
		29	94251-05000	PIN, LOCK, 5MM			2		E
							2		ED,F,G

1977.08.20

F-4

Speedometer • Tachometer • Key set



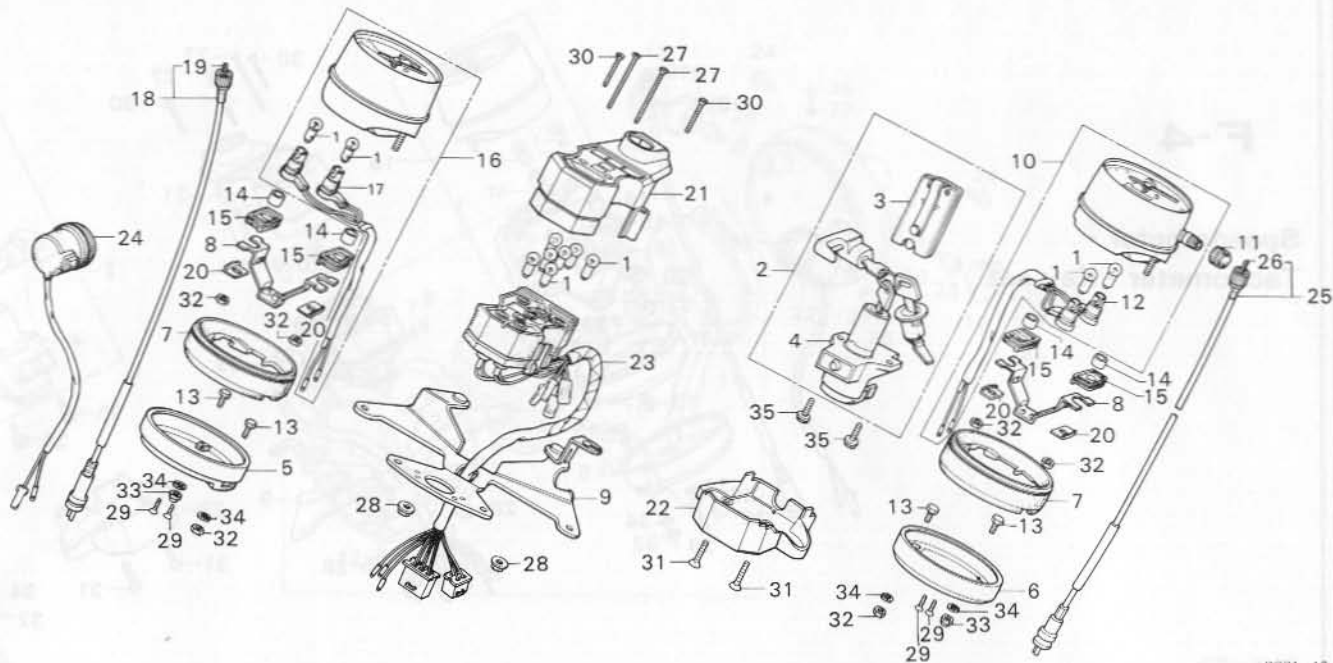
B371-19

Service item	F.R.T.	Ref. No.	Part No.	Description	Reqd. No.				Serial No.	Area code
					GL1000	GL1000	LTD	K1 K2		
KEY SET	0.7	1	34902-259-000	BULB, DASH (12V 3.4W)	11	11	11	11		A,CM DK,DM,E,ED,F,G,U
METER SETTING STAY COMP.	0.6				9	9	9	9		
SPEEDOMETER ASSY.	0.4	2	35010-371-670	KEY SET	1					
•TACHOMETER ASSY.			35010-371-610	KEY SET			1		2016000	E,ED,F,G
•DUSH BULB (For meter)			35010-371-671	KEY SET			1		2040165	A,CM,DK,DM,U
PILOT CORD COMP.	0.3		35010-371-980	KEY SET			1			A,CM,U ED,F,G
•COMBINATION SWITCH ASSY.			35010-371-961	KEY SET			1			A,CM,DK,DM,U
WINKER BUZZER ASSY.	0.2		35010-371-672	KEY SET (HONDA LOCK)			1		2040166	A,CM,DK,DM,U A,CM,DK,DM,U
•PILOT LOWER COVER			35010-371-611	KEY SET			1		2016001	E,ED,F,G
TACHOMETER CABLE ASSY.	0.1		35010-371-612	KEY SET (HONDA LOCK)			1		2040166	E,ED,F,G E,ED,F,G
•SPEEDOMETER CABLE ASSY.								1		
•PILOT UPPER COVER/DUSH BULB (For pilot)										
		3	35011-371-980	HOLDER, KEY			1			
		4	35100-377-003	SWITCH ASSY., COMBINATION (TOYO)	1					
			35100-371-961	SWITCH ASSY., COMBINATION	1				2040165	A,CM,DK,DM,U ED,F,G
			35100-371-981	SWITCH ASSY., COMBINATION	1					A,CM,U
			35100-377-007	SWITCH ASSY., COMBINATION (HONDA LOCK)			1		2040166	A,CM,DK,DM,U
			35100-377-611	SWITCH ASSY., COMBINATION (TOYO)			1		2040165	A,CM,DK,DM,U E,ED,F,G
			35100-377-612	SWITCH ASSY., COMBINATION (HONDA LOCK)			1		2040166	E,ED,F,G
		5	37111-371-008	RING, R. METER SETTING	1		1	1		E,ED,F,G
			37111-371-980	RING, R. METER SETTING			1			

1977.08.20

F-4

Speedometer • Tachometer • Key set



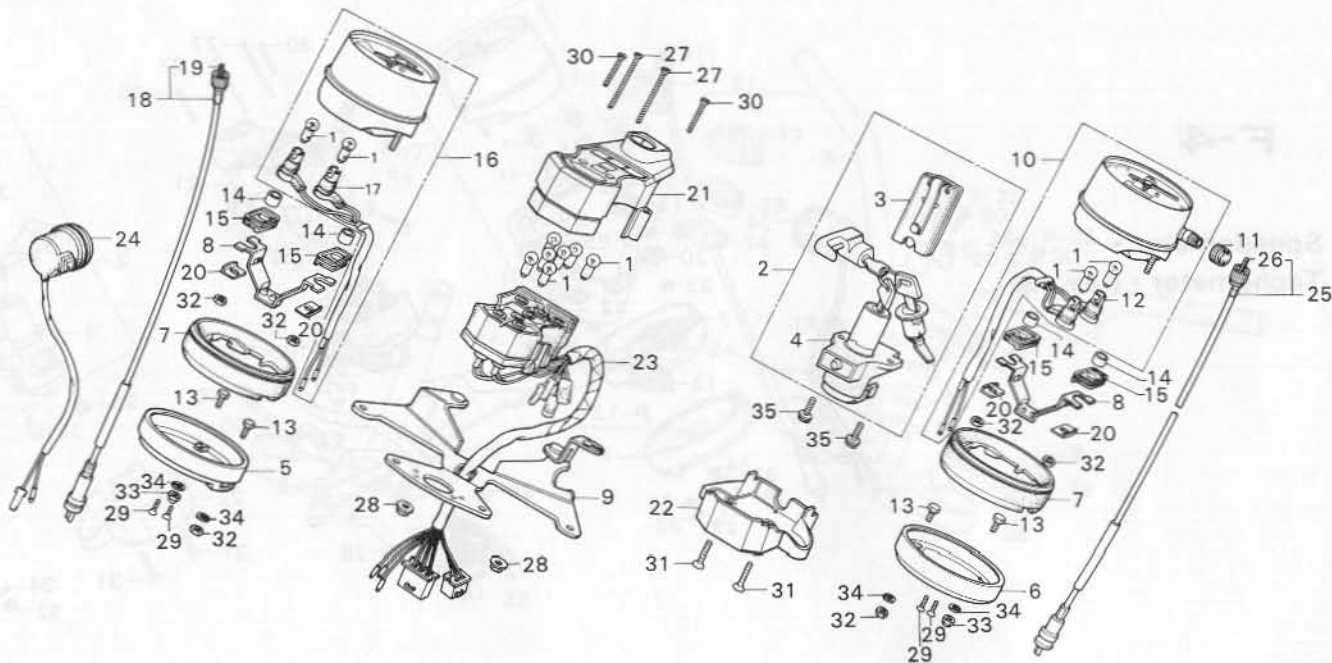
B371-19

Service item	F.R.T.	Ref. No.	Part No.	Description	Reqd. No.			Serial No.	Area code
					GL1000	GL1000	LTD K1 K2		
		6	37112-371-008	RING, L. METER SETTING	1	1	1		
			37112-371-980	RING, L. METER SETTING			1		
		7	37115-371-000	CUSHION, METER SETTING	2	2	2		
		8	37116-371-000	PLATE, METER RING SETTING	2	2	2		
		9	37120-371-000	STAY COMP., METER SETTING	1		1		
			37120-371-660	STAY COMP., METER SETTING			1	2040166	DK,DM,E,ED,F,G,U
		10	37200-371-671	SPEEDMETER ASSY. (MPH) (NIPPON SEIKI)	1		1		A
			37200-371-681	SPEEDMETER ASSY. (KPH)	1	1			DK,ED,F,G,U
			37200-371-691	SPEEDMETER ASSY., (MPH)	1	1			DM
							1		A,CM,E
			37200-371-961	SPEEDMETER ASSY. (KPH)		1			ED,F,G,U
			37200-371-980	SPEEDMETER ASSY. (MPH)		1			A,CM
			37200-371-661	SPEEDMETER ASSY. (MPH/KPH)			1		A,CM,DM,E
			37200-371-682	SPEEDMETER ASSY. (KPH)			1		DK,ED,F,G,U
		11	37202-371-610	CAP, TRIP METER KNOB		1	1		G
		12	37204-371-008	SOCKET COMP., SPEEDMETER (NIPPON SEIKI)	1	1	1		
		13	37238-323-700	BOLT, METER SET, 6MM	4	4	4		
		14	37243-371-008	COLLAR, METER SETTING	4	4	4		
		15	37244-371-008	RUBBER, METER SET	4	4	4		
		16	37250-371-008	TACHOMETER ASSY. (NIPPON SEIKI)	1				A
			37250-371-681	TACHOMETER ASSY.	1	1			DK,DM,U
							1		A,CM,E,ED,F,G
			37250-371-961	TACHOMETER ASSY.			1		ED,F,G,U

1977.08.20

F-4

Speedometer • Tachometer • Key set



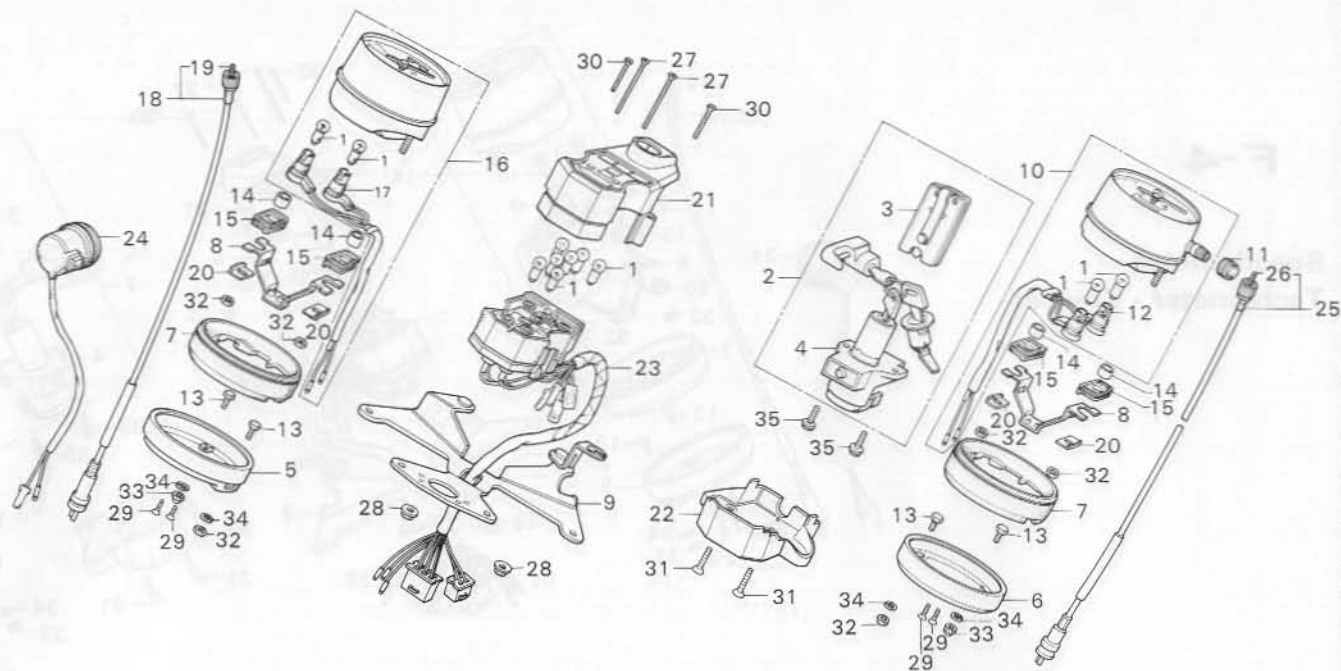
B371-19

Service item	F.R.T.	Ref. No.	Part No.	Description	Reqd. No.				Serial No.	Area code
					GL1000	GL1000	LTD K1	K2		
			37250-371-980	TACHOMETER ASSY.		1				A,CM
			37250-371-661	TACHOMETER ASSY.			1			
		17	37254-371-008	SOCKET COMP., TACHOMETER (NIPPON SEIKI)	1	1	1	1		
		18	37260-371-000	CABLE ASSY., TACHOMETER	1	1	1	1		
			37260-371-980	CABLE ASSY., TACHOMETER		1				
		19	37261-371-000	CABLE, TACHOMETER INNER	1	1	1	1		
		20	37314-371-008	WASHER, METER SET	4	4	4	4		
		21	37610-371-671	COVER COMP., PILOT UPPER (NIPPON SEIKI)	1	1	1	1		A,CM
			37610-371-680	COVER COMP., PILOT UPPER	1	1	1	1		
		22	37617-371-008	COVER, PILOT LOWER (NIPPON SEIKI)	1	1	1	1		DK,DM,E,ED,F,G,U
		23	37619-371-670	CORD COMP., PILOT	1	1	1	1		A,CM
			37619-371-680	CORD COMP., PILOT	1	1	1	1		DK,DM,E,ED,F,G,U
		24	38400-371-000	BUZZER ASSY., WINKER	1	1	1	1		
		25	44830-371-000	CABLE ASSY., SPEEDOMETER	1	1				
			44830-371-980	CABLE ASSY., SPEEDOMETER		1			3023192	
			44830-371-010	CABLE ASSY., SPEEDOMETER			1		3023193	
		26	44831-371-000	CABLE, SPEEDOMETER INNER	1	1	1			
			44831-371-010	CABLE, SPEEDOMETER INNER				1	3023193	3023192
		27	90106-371-000	SCREW, OVAL, 4X70	2	2	2	2		
		28	90309-357-000	NUT, HEX., 8MM	2	2	2	2		
			90310-371-980	NUT, HEX., 8MM		2				
		29	93700-04008-08	SCREW, OVAL, 4X8	4	4	4	4		
		30	93700-04030-06	SCREW, OVAL, 4X30	2	2	2	2		

1977.08.20

F-4

Speedometer •
Tachometer • Key set



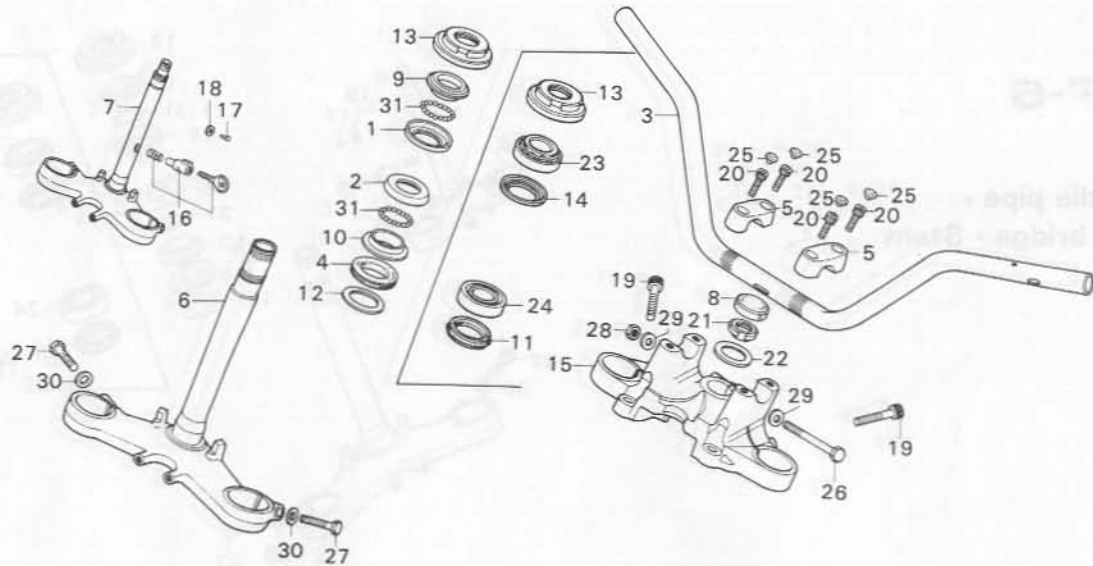
8371-19

Service item	F.R.T.	Ref. No.	Part No.	Description	Reqd. No.				Serial No.	Area code
					GL1000	GL1000	LTDK1	K2		
		31	93700-04035-0G	SCREW, OVAL, 4X35	2	2	2	2		
		32	94001-06000	NUT, HEX., 6MM	6	6	6	6		
		33	94021-06000	NUT, CAP, 6MM	2		2	2		
			91540-371-980	NUT, CAP, 6MM		2				
		34	94111-06000	WASHER, SPRING, 6MM	4		4	4		
			91561-371-980	WASHER, SPRING, 6MM		4				
		35	95700-06014-08	BOLT, FLANGE, 6X14	2	2	2	2		

1977.08.20

F-5

Handle pipe •
Top bridge • Stem



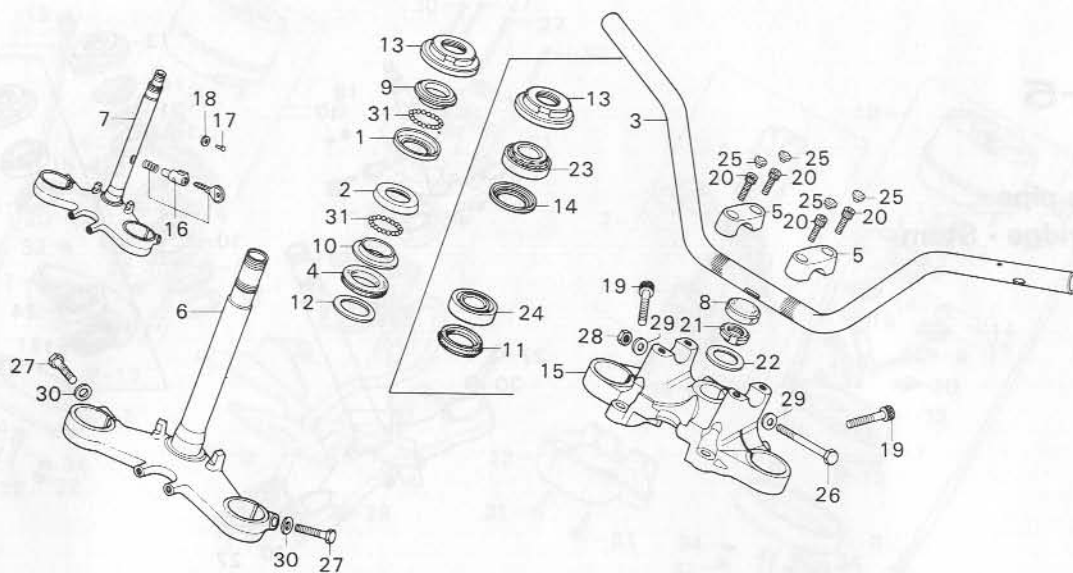
B371-20

Service item	F.R.T.	Ref. No.	Part No.	Description	GL1000	Reqd. No. GL1000 LTD K1 K2	Serial No.	Area code
STEERING HANDLE PIPE	1.2	1	50301-268-305	RACE, STEERING TOP BALL	1	1		
STEERING STEM and its related parts	1.1	2	50302-268-305	RACE, STEERING BOTTOM BALL	1	1	2040165	
STEERING BALL RACE	1.0					1	2040165	
*One or all								
FORK TOP BRIDGE	0.6	3	53100-371-000	PIPE, STEERING HANDLE	1	1		A,CM,DK,DM,U
STEERING HEAD TOP THREAD/TOP CONE	0.5		53100-371-960	PIPE, STEERING HANDLE		1		ED,F,G
RACE			53100-371-980	PIPE, STEERING HANDLE		1		A,CM,U
STEERING STEM NUT	0.2		53100-371-610	PIPE, STEERING HANDLE		1		E,ED,F,G
HANDLE PIPE UPPER HOLDER	0.1		53100-371-611	PIPE, STEERING HANDLE		1		E,ED,F,G
*One or all			53100-371-660	PIPE, STEERING HANDLE		1		A,CM,DK,DM,U
HANDLE LOCK COMP.	0.1	4	53124-250-000	DUST SEAL, STEERING HEAD	1	1	2040165	
		5	53131-371-000	HOLDER, HANDLE PIPE UPPER	2	2 2 2		
		6	53200-371-000ZA	STEM COMP., STEERING *NH-1*	1		2040165	A,CM,DK,DM,U
			53200-371-010ZA	STEM COMP., STEERING *NH-1*		1	2040166	DK,DM,U
			53200-371-980	STEM COMP., STEERING		1		A,CM,DK,DM,U
		7	53200-371-610ZA	STEM COMP., STEERING *NH-1*		1	2040165	A,CM,U
			53200-371-611ZA	STEM COMP., STEERING *NH-1*		1	2040166	E,ED,F,G
			53200-371-612ZA	STEM COMP., STEERING *NH-1*		1		E,ED,F,G
			53200-371-960	STEM COMP., STEERING		1		E,ED,F,G
		8	53209-371-000	CAP, STEERING STEM	1	1 1 1		ED,F,G
		9	53211-268-305	RACE, STEERING TOP CONE	1	1		
						1	2040165	
		10	53212-250-305	RACE, STEERING BOTTOM CONE	1	1	2040165	
						1		

1977.08.20

F-5

Handle pipe •
Top bridge • Stem



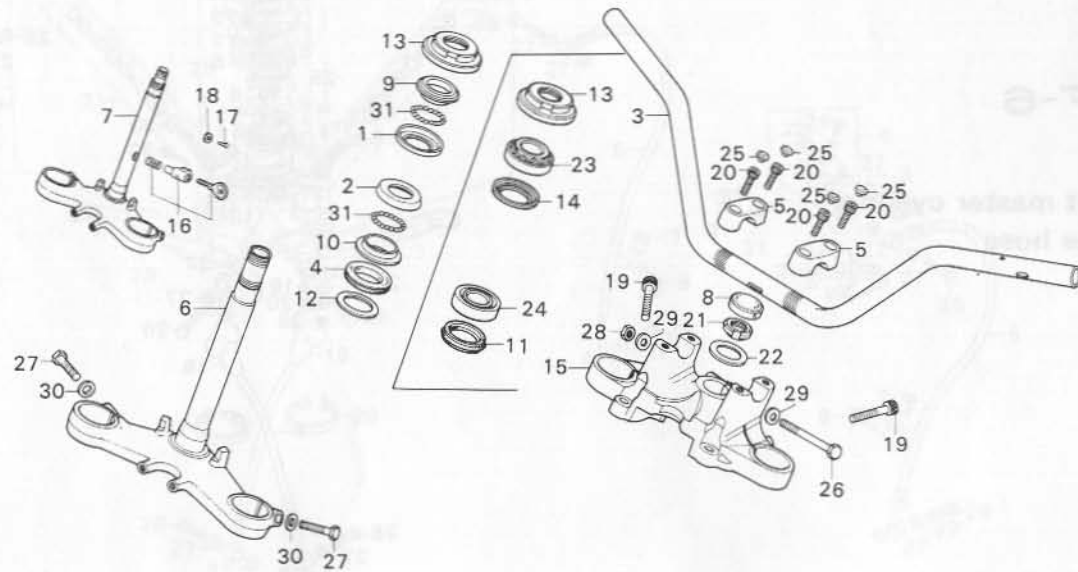
B371-20

Service item	F.R.T.	Ref. No.	Part No.	Description	GL1000	Regd. No. GL1000 LTD K1 K2	Serial No.	Area code
		11	53214-371-010	DUST SEAL, STEERING HEAD		1	2040166	DK,DM,E,ED,F,G,U
		12	53215-250-000	WASHER, STEERING HEAD DUST SEAL	1	1		
		13	53220-286-000	THREAD COMP., STEERING HEAD TOP	1	1	2040165	
			53220-371-980	THREAD COMP., STEERING HEAD TOP		1		
		14	53223-371-010	HOLDER, GREASE		1	2040166	DK,DM,E,ED,F,G,U
		15	53230-371-000ZA	BRIDGE, FORK TOP *A-01*	1	1	1	
		16	53600-051-000	LOCK COMP., STEERING HANDLE	1	1	1	E,ED,F,G
		17	53603-051-000	RIVET, 4.1MM	1	1	1	E,ED,F,G
		18	53604-098-940	WASHER, 4.5MM	1	1	1	E,ED,F,G
		19	90180-371-000	BOLT, HEX. SOCKET, 10X35	2	2	2	
			90180-371-980	BOLT, HEX. SOCKET, 10X35		2		
		20	90185-371-000	BOLT, HEX. SOCKET, 8X32	4	4	4	
		21	90304-371-000	NUT, STEERING STEM	1	1	1	
		22	90503-283-000	WASHER, STEERING STEM	1	1	1	
			90503-371-980	WASHER, STEERING STEM		1		
		23	91015-371-000	BEARING, HEAD PIPE UPPER		1	2040166	DK,DM,E,ED,F,G,U
						1		
		24	91016-371-000	BEARING, HEAD PIPE UNDER		1	2040166	DK,DM,E,ED,F,G,U
						1		
		25	91456-371-770	CAP, SOCKET BOLT		4	4	A,CM
						4	4	DK,DM,E,ED,F,G,U
						4	2002809	DK,DM,E,ED,F,G,U

1977.08.20

F-5

Handle pipe •
Top bridge • Stem



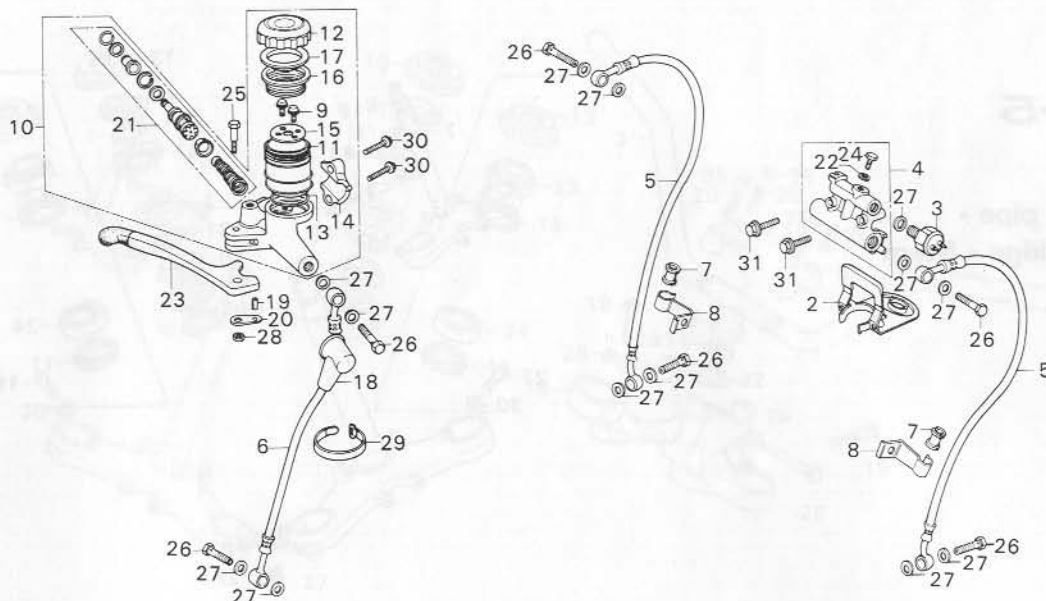
B371-20

Service item	F.R.T.	Ref. No.	Part No.	Description	Reqd. No.			Serial No.	Area code
					GL1000	GL1000	LTD K1 K2		
		26	92000-08065-08	BOLT, HEX., 8X65	1	1	1		
			91515-371-980	BOLT, HEX., 8X65		1			
		27	92000-10040-08	BOLT, HEX., 10X40	2	2	2		
			91506-371-980	BOLT, HEX., 10X40		2			
		28	94001-08020-05	NUT, HEX., 8MM	1	1	1		
			91531-371-980	NUT, HEX., 8MM		1			
		29	94101-08200	WASHER, PLAIN, 8MM	2	2	2		
			90082-371-980	WASHER, PLAIN, 8MM		2			
		30	94101-10200	WASHER, PLAIN, 10MM	2	2	2		
			91556-371-980	WASHER, PLAIN, 10MM		2			
		31	96211-08000	BALL, STEEL, #8 (1/4)	37	37			
						37		2040165	

1977.08.20

F-6

Front master cylinder • Brake hose



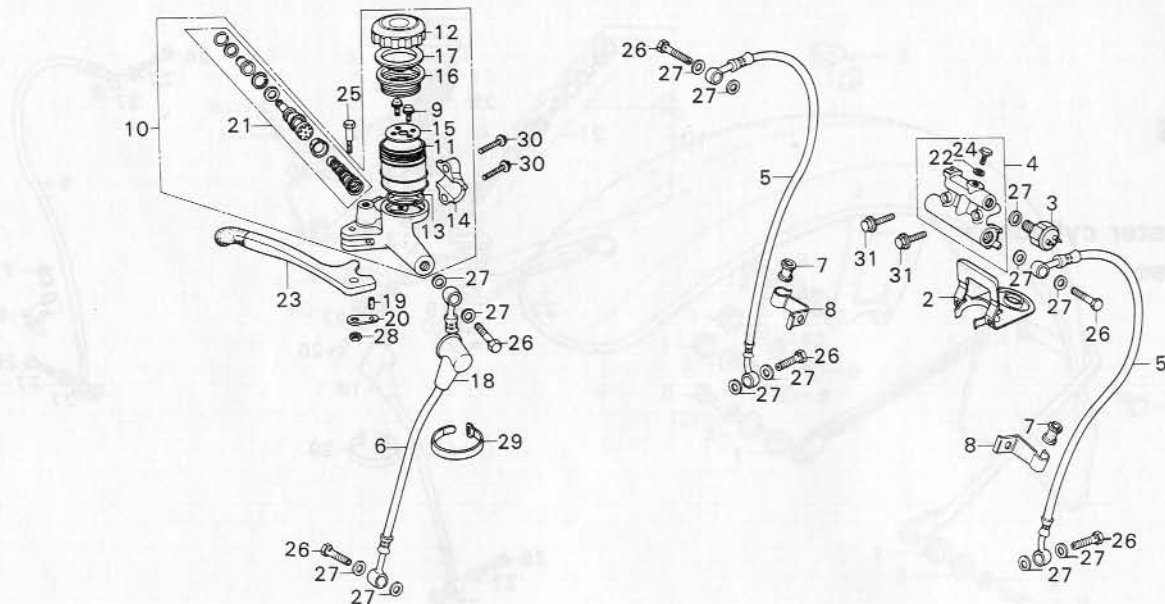
B371-21

Service item	F.R.T.	Ref. No.	Part No.	Description	Reqd. No.		Serial No.	Area code
					GL1000	GL1000 LTD K1 K2		
FRONT MASTER CYLINDER SET	0.4	2	32223-371-000	GUARD, WIRE HARNESS	1	1	1	
FRONT MASTER CYLINDER ASSY. •4WAY JOINT ASSY.	0.3	3	35350-300-016	SWITCH, STOP (NAILS)	1	1	1	
		4	45123-371-003	JOINT, FOUR WAY	1	1	1	
FRONT BRAKE HOSE *Two or all 0.4	0.3	5	45123-371-980	JOINT ASSY., FOUR WAY		1		
			45125-371-013	HOSE A, FR. BRAKE	2	2	2	
			45125-371-980	HOSE A, FR. BRAKE		2		
STOP SWITCH •OIL CUP and its related parts	0.2	6	45126-371-003	HOSE ASSY. B, FR. BRAKE (NICHIRIN)	1	1		A,CM,DK,DM,U
OIL CUP CAP	0.1		45126-371-980	HOSE ASSY. B, FR. BRAKE		1		
			45126-371-960	HOSE ASSY. B, FR. BRAKE		1		
			45126-371-610	HOSE ASSY. B, FR. BRAKE		1	1	E,ED,F,G
			45126-371-660	HOSE ASSY. B, FR. BRAKE (NICHIRIN)			1	A,CM,DK,DM,U
		7	45146-371-000	BUSH, BRAKE HOSE	2	2	2	
		8	45147-371-010	CLAMP, BRAKE HOSE	2	2	2	
			45147-371-980	CLAMP, BRAKE HOSE		2		
		9	45509-371-003	SCREW, OIL CUP	2	2	2	
		10	45510-371-305	CYLINDER ASSY., FR. MASTER (NISSHIN)	1			A
			45510-371-670	CYLINDER ASSY., FR. MASTER	1	1	1	
			45510-371-610	CYLINDER ASSY., FR. MASTER	1	1	1	DK,DM,E,ED,F,G U
			45510-371-651	CYLINDER ASSY., FR. MASTER		1	1	2031718 U
			45510-371-670	CYLINDER ASSY., FR. MASTER		1	1	U
			45511-371-003	CUP, OIL (NISSHIN)	1	1	1	A,CM

1977.08.20

F-6

Front master cylinder • Brake hose



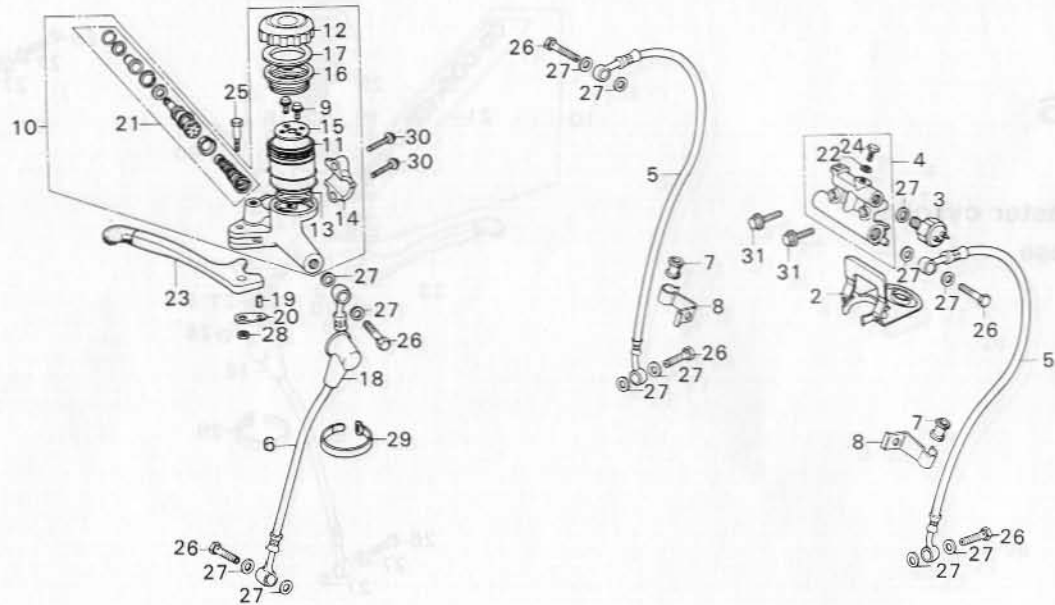
B371-21

Service item	F.R.T.	Ref. No.	Part No.	Description	Reqd. No.				Serial No.	Area code		
					GL1000	GL1000 LTD	K1	K2				
FRONT MASTER CYLINDER BRAKE HOSE		12	45513-341-771	CAP, OIL CUP	1	1	1	1	2031719	A,CM		
			45513-341-671	CAP, OIL CUP	1	1	1	1		DK,DM,E,ED,F,G		
								1		U		
				45513-371-651	CAP, OIL CUP			1			2031718	U
								1			U	
			13	45516-371-003	O-RING	1	1	1		1		
			14	45517-300-003	HOLDER, MASTER CYLINDER	1	1	1		1		
			15	45518-371-003	PLATE, OIL CUP	1	1	1		1		
			16	45520-371-003	DIAPHRAGM	1	1	1		1		
			17	45521-300-010	PLATE, DIAPHRAGM	1	1	1		1		
			18	45522-300-010	BOOT, MASTER CYLINDER	1	1	1		1		
			19	45526-341-000	BUSH, R. HANDLE LEVER	1	1	1		1		
			20	45527-300-000	PLATE, LEVER BUSH SETTING	1	1	1		1		
			21	45530-371-305	CYLINDER SET, FR. MASTER	1	1	1		1		
			22	46138-568-671	WASHER, STOPPER BOLT	1	1	1		1		
			23	53170-369-003	LEVER COMP., R. STEERING	1				1		
				53170-371-980	LEVER COMP., R. STEERING HANDLE (TOYD)					1		
				53175-369-003	LEVER, R. STEERING HANDLE					1		
			24	90105-371-003	BOLT, SEALING (NISSIN)	1		1		1		
				90105-371-980	BOLT, SEALING		1					
			25	90114-300-000	BOLT, HANDLE LEVER PIVOT	1		1		1		
			90114-371-980	BOLT, HANDLE LEVER PIVOT		1						
		26	90145-300-000	BOLT, OIL	6		6	6				
			90145-371-980	BOLT, OIL		6						

1977.08.20

F-6

Front master cylinder • Brake hose



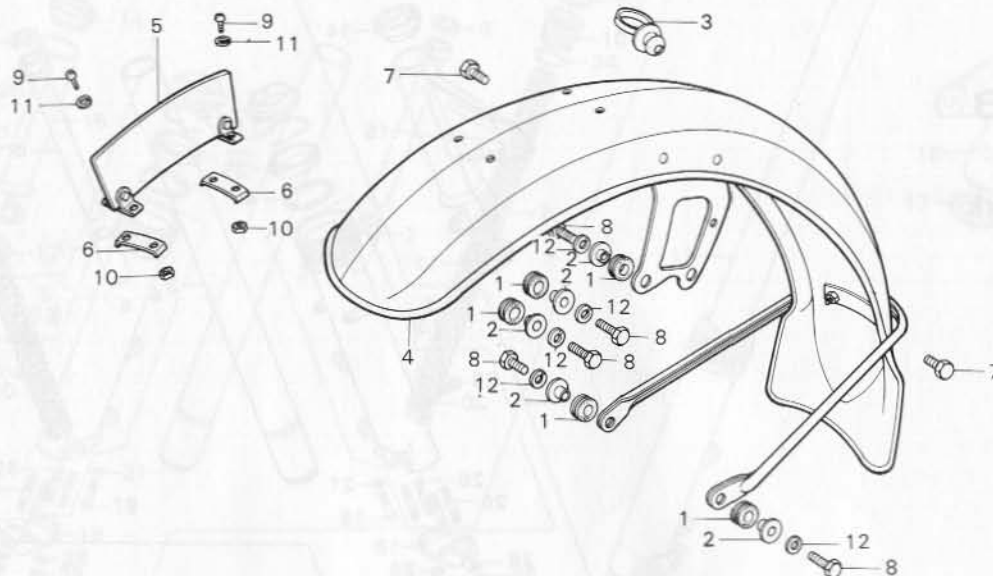
B371-21

Service item	F.R.T.	Ref. No.	Part No.	Description	Reqd. No.			Serial No.	Area code
					GL1000	LTDK1	K2		
		27	90545-300-000	WASHER, DIL BOLT	13	13	13		
		28	94002-06000-0S	NUT, HEX., 6MM	1	1	1		
		29	95014-61100	BAND A1, WIRE		1			A,CM,U
			32161-404-000	BAND B1, WIRE			1		A,CM,DK,DM,U
		30	95700-06025-00	BOLT, FLANGE, 6X25	2	2	2		
			90143-371-980	BOLT, FLANGE, 6X25		2			
		31	95700-06040-00	BOLT, FLANGE, 6X40	2	2	2		
			91587-371-980	BOLT, FLANGE, 6X40		2			

1977.08.20

F-7

Front fender



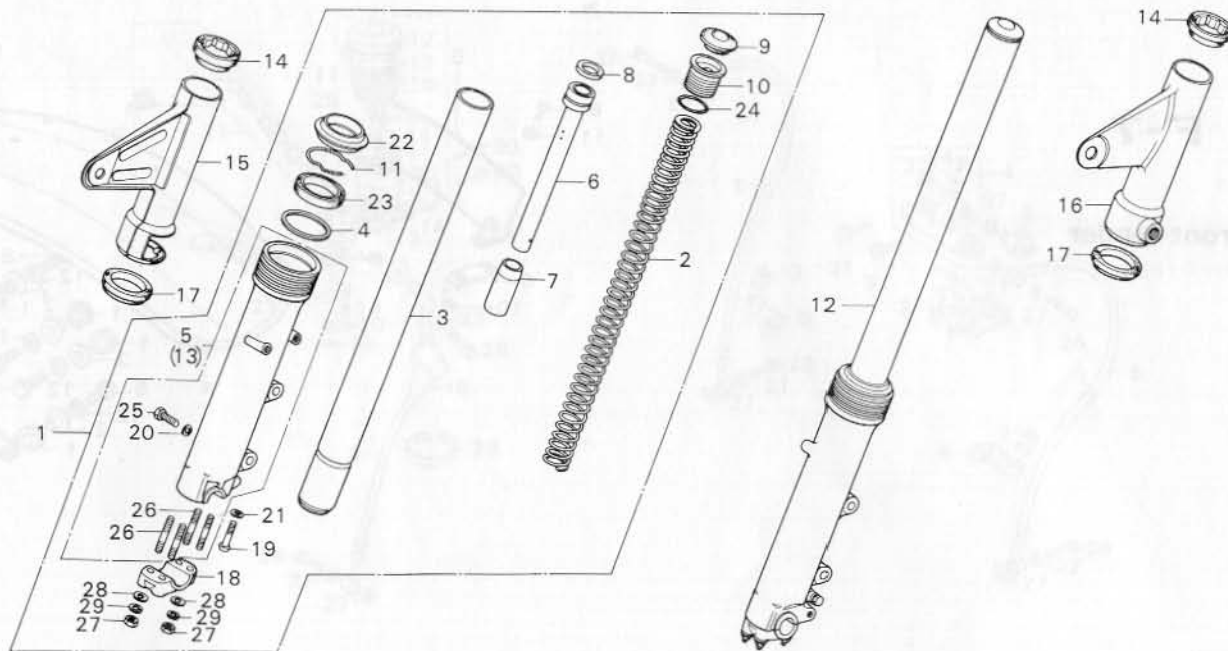
B371-22

Service item	F.R.T.	Ref. No.	Part No.	Description	Reqd. No.				Serial No.	Area code
					GL1000	GL1000	LTDK1	K2		
FRONT FENDER COMP. *E, TYPE at 0.4	0.3	1	40513-310-000	RUBBER, CHAIN CASE MOUNT	6	6	6	6		
		2	40514-310-000	COLLAR, CHAIN CASE	6	6	6	6		
WIRE GROMMET •FRONT FENDER PLATE	0.1	3	45451-283-000	GROMMET, WIRE	1	1				
			45451-367-690	GROMMET, WIRE			1		2040165	
		4	61100-371-000	FENDER COMP., FR.	1	1	1		2040166	DK,DM,E,ED,F,G,U
			61100-371-600	FENDER COMP., FR.			1		2012211	A,CM,DK,DM,ED,F,G,U
			61100-371-980	FENDER COMP., FR.			1			E
		5	61131-268-600B	PLATE, FR. NUMBER			1		2012210	E
		6	61134-315-600	WASHER, FR. NUMBER PLATE			2		2012210	E
		7	92000-06010	BOLT, HEX., 6X10	2	2	2	2		
		8	92000-06020	BOLT, HEX., 6X20	6	6	6	6		
			91503-371-980	BOLT, HEX., 6X20			6			
		9	93500-04012-0A	SCREW, PAN, 4X12			4		2012210	E
		10	94001-04000-0S	NUT, HEX., 4MM			4		2012210	E
		11	94111-04000	WASHER, SPRING, 4MM			4		2012210	E
		12	94111-06000	WASHER, SPRING, 6MM	6	6	6	6		
			91561-371-980	WASHER, SPRING, 6MM			6			

1977.08.20

F-8

Front fork



B371-23

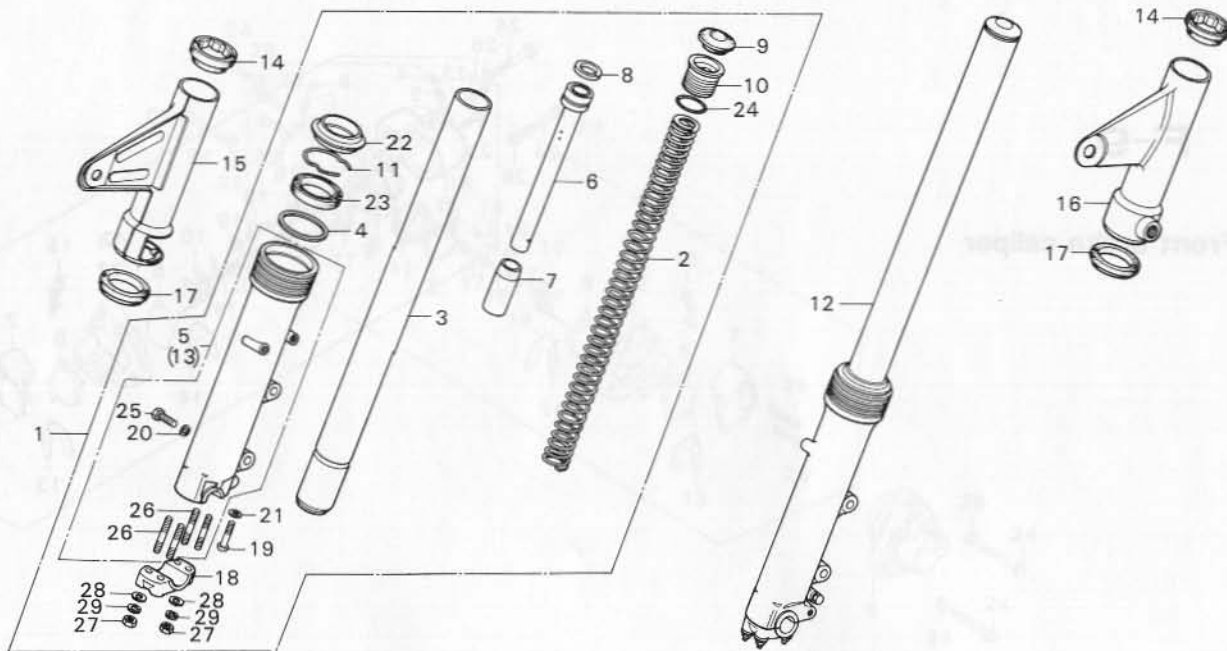
Service item	F.R.T.	Ref. No.	Part No.	Description	Reqd. No.			Serial No.	Area code
					GL1000	GL1000 LTDK1 K2			
FRONT FORK BOTTOM CASE	0.9	1	51400-371-003	FORK ASSY., R. FR.	1				
*One motorcycle 1.5			51400-371-023	FORK ASSY., R. FR.		1	1		
37 x 48 x 11 OIL SEAL	0.7		51400-371-980	FORK ASSY., R. FR.		1			
*One motorcycle 1.1			2	51401-371-003	SPRING, FR. CUSHION	2	2	2	2
FRONT FORK COVER	0.7		3	51410-371-003	PIPE COMP., FR. FORK	2			
FRONT FORK PIPE and its related parts	0.7		4	51410-371-023	PIPE COMP., FR. FORK		2	2	2
*One motorcycle 1.1			5	51412-371-003	RING, BACK UP	2	2	2	2
8 x 50 STUD BOLT	0.6		5	51421-371-003	CASE, R. FR. FORK BOTTOM	1		1	1
*Add 0.1				51421-371-980	CASE, R. FR. FORK BOTTOM	1			
FRONT FORK ASSY. and its related parts	0.5		6	51430-371-003	PIPE COMP., BOTTOM	2	2	2	2
*One motorcycle 0.8			7	51432-371-003	PIECE, OIL LOCK	2	2	2	2
			8	51437-371-003	RING, PISTON	2	2	2	2
			9	51449-371-003	CAP, FR. FORK TOP	2	2	2	2
			10	51454-371-003	BOLT, FR. FORK	2	2	2	2
			11	51466-375-000	RING, OIL SEAL STOPPER	2	2	2	2
			12	51500-371-003	FORK ASSY., L. FR.	1			
				51500-371-023	FORK ASSY., L. FR.		1	1	
				51500-371-980	FORK ASSY., L. FR.		1		
			13	51521-371-003	CASE, L. FR. FORK BOTTOM	1		1	1
				51521-371-980	CASE, L. FR. FORK BOTTOM		1		
			14	51601-371-000	RUBBER, FORK UPPER COVER	2	2	2	2
			15	51602-371-000	COVER, R. FR. FORK	1		1	1
				51602-371-980	COVER, R. FR. FORK		1		
			16	51606-371-000	COVER, L. FR. FORK	1		1	1
				51606-371-980	COVER, L. FR. FORK		1		
			17	51622-371-000	RUBBER, FORK LOWER COVER	2	2	2	2
			18	51634-340-000	HOLDER, FR. AXLE	2		2	2

1977.08.20

05, 00, 0001

F-8

Front fork



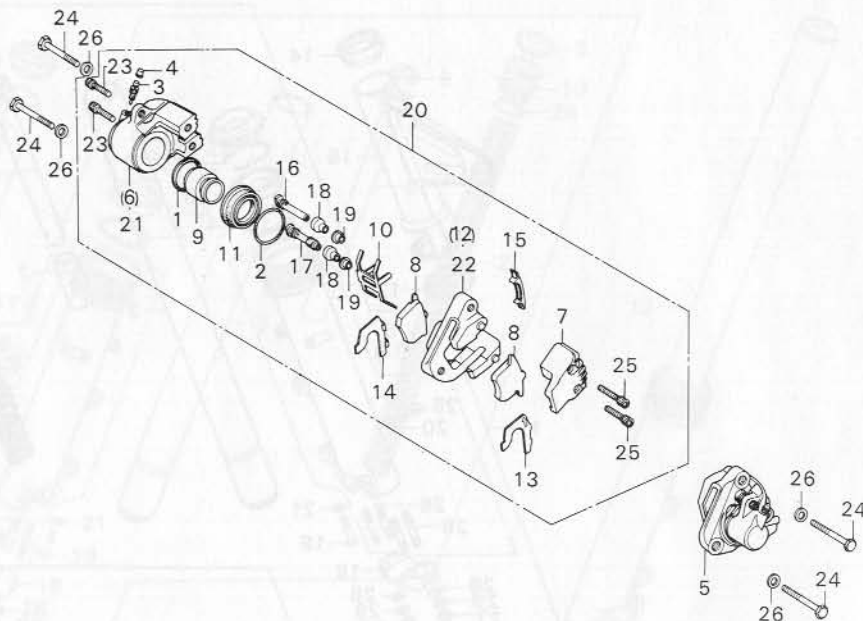
B371-23

Service item	F.R.T.	Ref. No.	Part No.	Description	Reqd. No.			Serial No.	Area code
					GL1000	LTD K1	K2		
			51634-371-980	HOLDER, AXLE		2			
19			90116-283-010	BOLT, SOCKET, 8MM	2	2	2		
20			90543-273-000	PACKING, FR. FORK DRAIN COCK	2	2	2		
21			90544-283-000	WASHER, SPECIAL, 8MM	2	2	2		
22			91254-371-003	SEAL, DUST 37X58X14.7	2	2	2		
23			91255-371-003	SEAL, OIL 37X48X11	2	2	2		
24			91356-371-000	O-RING, 29X2.4	2	2	2		
25			92000-06010	BOLT, HEX., 6X10	2		2		
			91501-371-980	BOLT, HEX., 6X10		2			
26			92700-08050-30	BOLT, STUD, 8X50	8	8	8		
27			94001-08000-05	NUT, HEX., 8MM	8		8		
			91531-371-980	NUT, HEX., 8MM		8			
28			94101-08000	WASHER, PLAIN, 8MM	8		8		
			90082-371-980	WASHER, PLAIN, 8MM		8			
29			94111-08000	WASHER, SPRING, 8MM	8		8		
			91563-371-980	WASHER, SPRING, 8MM		8			

1977.08.20

F-9

Front brake caliper



8371-24

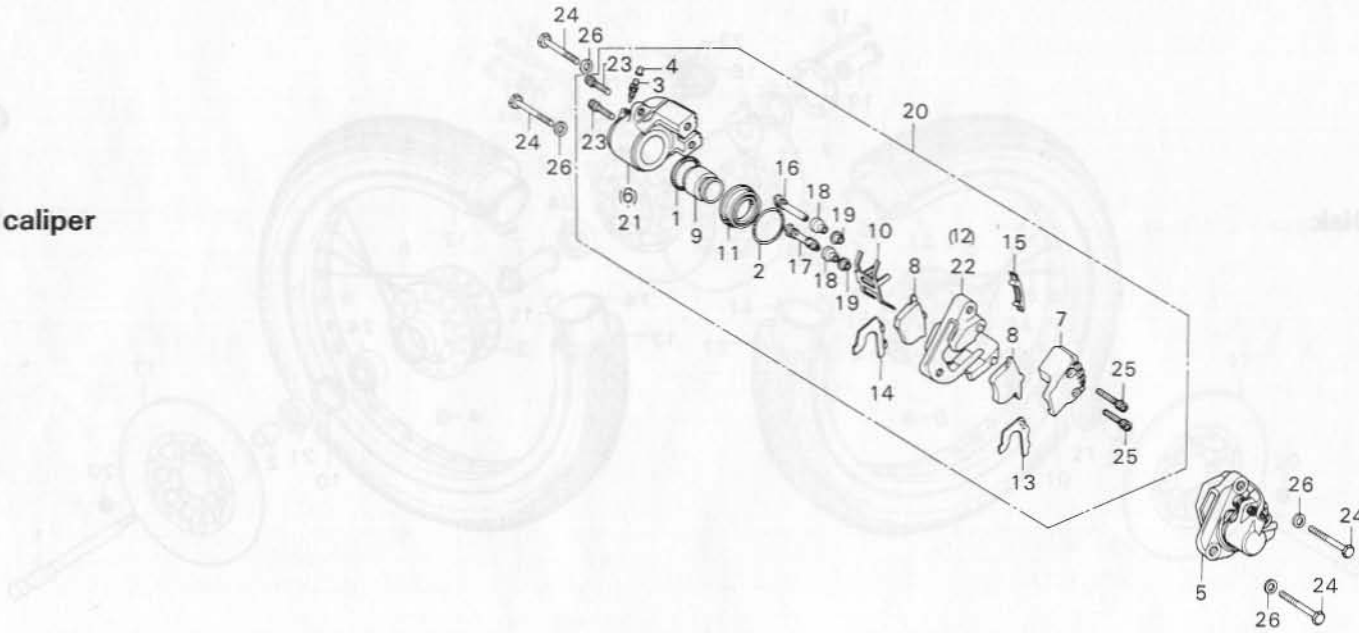
Service item	F.R.T.	Ref. No.	Part No.	Description	Reqd. No.				Serial No.	Area code
					GL1000	GL1000 LTD	K1	K2		
FRONT CALIPER A. *One motorcycle 1.0	0.6	1	43209-371-006	SEAL, PISTON (NISSHIN)	2	2	2	2		
PISTON *One motorcycle 0.8	0.5	2	43218-371-006	CLIP, DUST COVER (NISSHIN)	2	2	2	2		
FRONT CALIPER ASSY. *One motorcycle 0.4	0.3	3	43352-568-003	VALVE BLEEDER	2	2	2	2		
SUPPORT BRACKET and its related parts *One motorcycle 0.6	0.3	4	43353-548-003	CAP, BLEED SCREW	2	2	2	2		
PAD COMP./PAD SPRING *One motorcycle 0.4	0.2	5	45100-371-006	CALIPER ASSY., L. FR. (NISSHIN)	1	1	1	1		
FRONT CALIPER B *One motorcycle 0.3	0.2	6	45101-371-006	CALIPER A, L. FR. (NISSHIN)	1	1	1	1		
		7	45102-371-006	CALIPER B, FR. (NISSHIN)	2	2	2	2		
		8	45105-371-006	PAD COMP. (NISSHIN)	4	4	4	4		
		9	45107-371-006	PISTON (NISSHIN)	2	2	2	2		
		10	45108-371-006	SPRING, PAD (NISSHIN)	2	2	2	2		
		11	45109-371-006	BOOT, PISTON (NISSHIN)	2	2	2	2		
		12	45110-371-006	BRACKET, L. SUPPORT	1	1	1	1		
		13	45114-371-006	SHIM A, PAD (NISSHIN)	2	2	2	2		
		14	45116-371-006	SHIM B, PAD (NISSHIN)	2	2	2	2		
		15	45119-371-000	CAP, INDICATOR	2	2	2	2		
		16	45131-371-006	PIN A	2	2	2	2		
		17	45132-371-006	PIN B	2	2	2	2		
		18	45133-371-006	COVER, DUST (NISSHIN)	4	4	4	4		
		19	45134-371-006	RETAINER, BOOT (NISSHIN)	4	4	4	4		
		20	45200-371-006	CALIPER ASSY., R. FR. (NISSHIN)	1	1	1	1		
		21	45201-371-006	CALIPER A, R. FR. (NISSHIN)	1	1	1	1		
		22	45210-371-006	BRACKET, R. SUPPOT (NISSHIN)	1	1	1	1		
		23	90116-371-000	BOLT, SOCKET, 8X23	4					
							4			

2016000 A;DK;DM;E;ED;F;G;U

1977.08.20

F-9

Front brake caliper



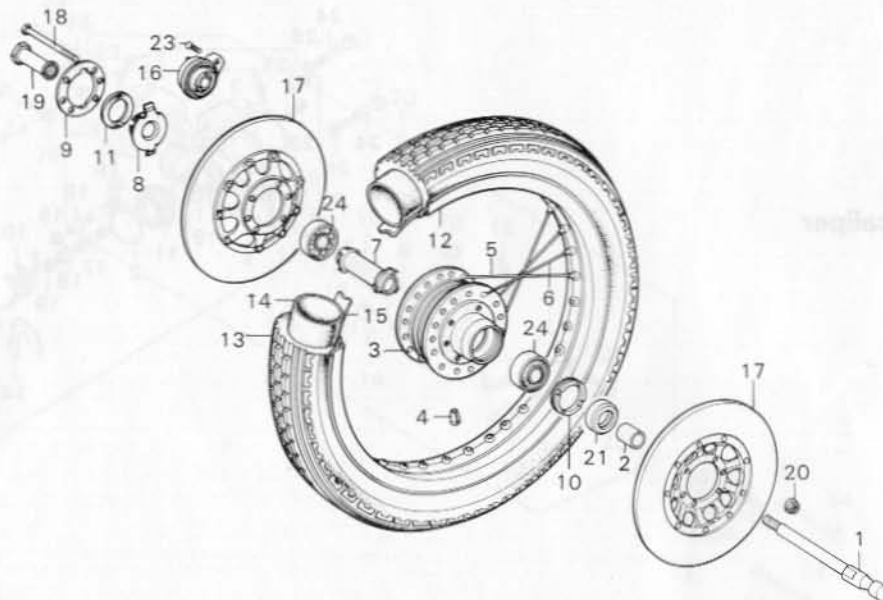
8371-24

Service item	F.R.T.	Ref. No.	Part No.	Description	Reqd. No.			Serial No.	Area code
					GL1000	LTD	K1 K2		
			90116-371-010	BOLT, SOCKET, 8X23		4	2016001	A,DK,DM,E,ED,F,G,U CM	
		24	90123-371-000	BOLT, FR. CALIPER	4	4	4		
			90123-371-980	BOLT, FR. CALIPER		4	4		
		25	90165-300-023	BOLT, CALIPER SETTING (TOKIKO)	4	4	4	4	
		26	94101-10200	WASHER, PLAIN, 10MM	4	4	4		
			91556-371-980	WASHER, PLAIN, 10MM		4			

1977.08.20

F-10

Front wheel - Disk



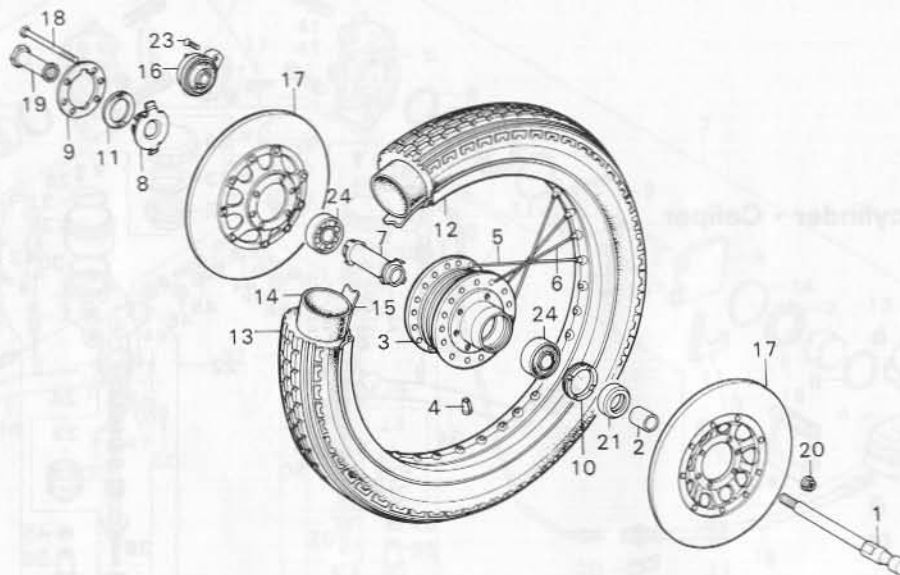
B371-25

Service item	F.R.T.	Ref. No.	Part No.	Description	Reqd. No.		Serial No.	Area code
					GL1000	GL1000 LTD.K1 K2		
FRONT WHEEL HUB	2.9	1	44301-371-000	AXLE, FR. WHEEL	1	1 1		
FRONT WHEEL RIM	2.2		44301-371-980	AXLE, FR. WHEEL		1		
FRONT WHEEL TIRE/TUBE/TIRE FLAP	0.9	2	44311-300-000	COLLAR, FR. WHEEL SIDE	1	1 1		
BALANCER	0.8		44311-371-980	COLLAR, FR. WHEEL SIDE		1		
FRONT AXLE DISTANCE COLLAR/BALL BEARING	0.6	3	44601-300-040	HUB, FR. WHEEL	1	1 1		
			44601-371-980	HUB, FR. WHEEL		1		
		4	44606-283-000	BALANCER (20G)		N N N N		
*Add 0.1 at ball bearing			44607-283-000	BALANCER (15G)		N N N N		
FRONT WHEEL BEARING RETAINER	0.5		44608-283-000	BALANCER (10G)		N N N N		
FRONT BRAKE DISK/GEAR BOX RETAINER	0.4		44609-283-000	BALANCER (5G)		N N N N		
*One or all		5	44606-371-305	SPOKE ASSY. A, FR. (INSIDE)	20	20 20		
SPEEDOMETER GEAR BOX/FRONT WHEEL A AXLE	0.3		44660-371-980	SPOKE A, FR. (INSIDE)		20		
		6	44607-371-305	SPOKE ASSY., B. FR. (OUTSIDE)	20	20 20		
			44670-371-980	SPOKE B, FR. (OUTSIDE)		20		
		7	44620-300-020	COLLAR, FR. AXLE DISTANCE	1	1 1 1		
		8	44641-371-000	RETAINER COMP., GEAR BOX	1	1 1 1		
		9	44642-371-000	COVER, GEAR BOX RETAINER	1	1 1		
			44642-371-980	COVER, GEAR BOX RETAINER		1		
		10	44643-300-000	RETAINER, FR. WHEEL BEARING	1	1 1 1		
		11	44644-371-000	PACKING, GEAR BOX	1	1 1 1		
		12	44701-371-003	RIM, FR. WHEEL (DAIDD)	1	1 1		
			44701-371-980	RIM, FR. WHEEL		1		

1977.08.20

F-10

Front wheel • Disk



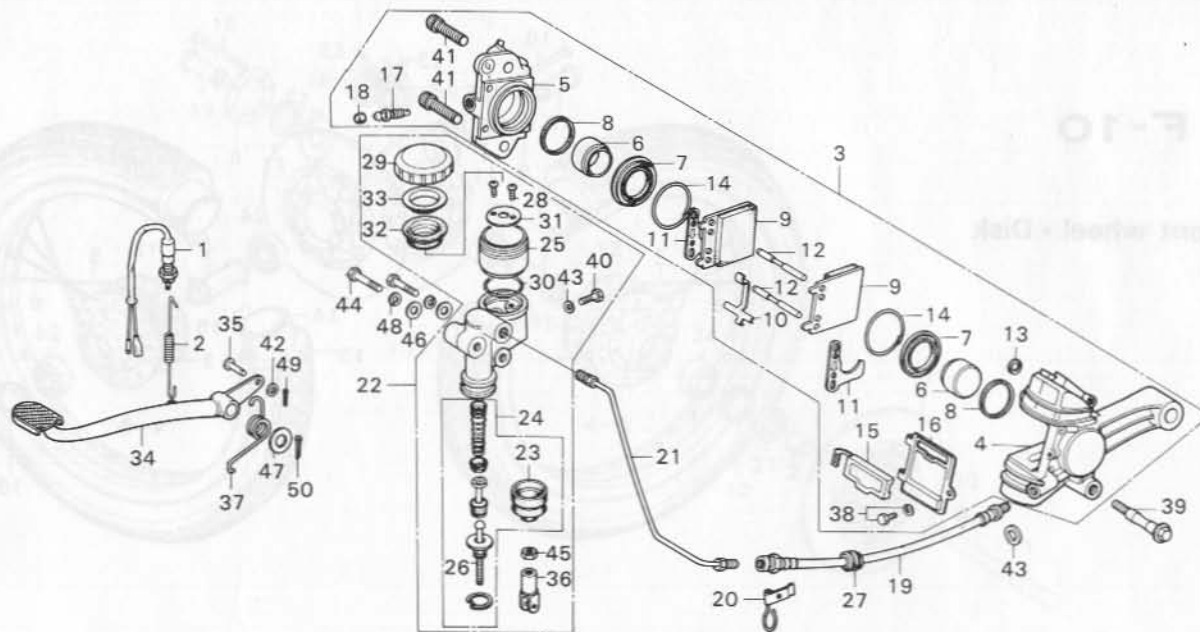
B371-25

Service item	F.R.T.	Ref. No.	Part No.	Description	Reqd. No.				Serial No.	Area code
					GL1000	GL1000	LTD	K1 K2		
		13	44711-371-671	TIRE, FR. (3.50H-19. BS) 44711-371-673	1	1				A,CM,DK,DM,U
			44711-371-673	TIRE, FR. (3.50H-19 BS)			1		2040166	A,CM,DK,DM,U DK,DM,U
			44711-371-672	TIRE, FR. (3.50H-19. DUNLOP) 44711-371-674	1	1				A,CM,DK,DM,U
			44711-371-674	TIRE, FR. (3.50H-19 DUNLOP)			1		2040166	DK,DM,E,ED,F,G,U
		14	44712-371-003	TUBE, TIRE (3.50-19. BS)	1	1	1	1		A,CM,DK,DM,U
			44712-371-004	TUBE, TIRE (3.50-19. DUNLOP)	1	1	1	1		
		15	44713-371-003	FLAP, TIRE (1.85-19. BS)	1	1	1	1		A,CM,DK,DM,U
			44713-371-004	FLAP, TIRE (1.85-19. DUNLOP)	1	1	1	1		
		16	44800-371-003	BOX ASSY., SPEEDMETER GEAR	1	1	1	1		
		17	45120-371-000	DISK COMP., FR. BRAKE	2	2	2	2		
		18	90122-371-000	BOLT, HEX., 8X112	6	6	6	6		
		19	90305-329-000	NUT, FR. WHEEL AXLE	1		1	1		
			90305-371-980	NUT, AXLE, 12MM		1				
		20	90309-357-000	NUT, HEX., 8MM	6	6	6	6		
		21	91252-300-003	DUST SEAL, 22X36X8	1	1	1	1		
		23	93700-05010-0A	SCREW, OVAL, 5X10	1		1	1		
			91523-371-980	SCREW, OVAL, 5X10		1				
		24	96140-63020-10	BEARING, RADIAL BALL, 6302U	2	2	2	2		

1977.08.20

F-11

Rear master cylinder • Caliper



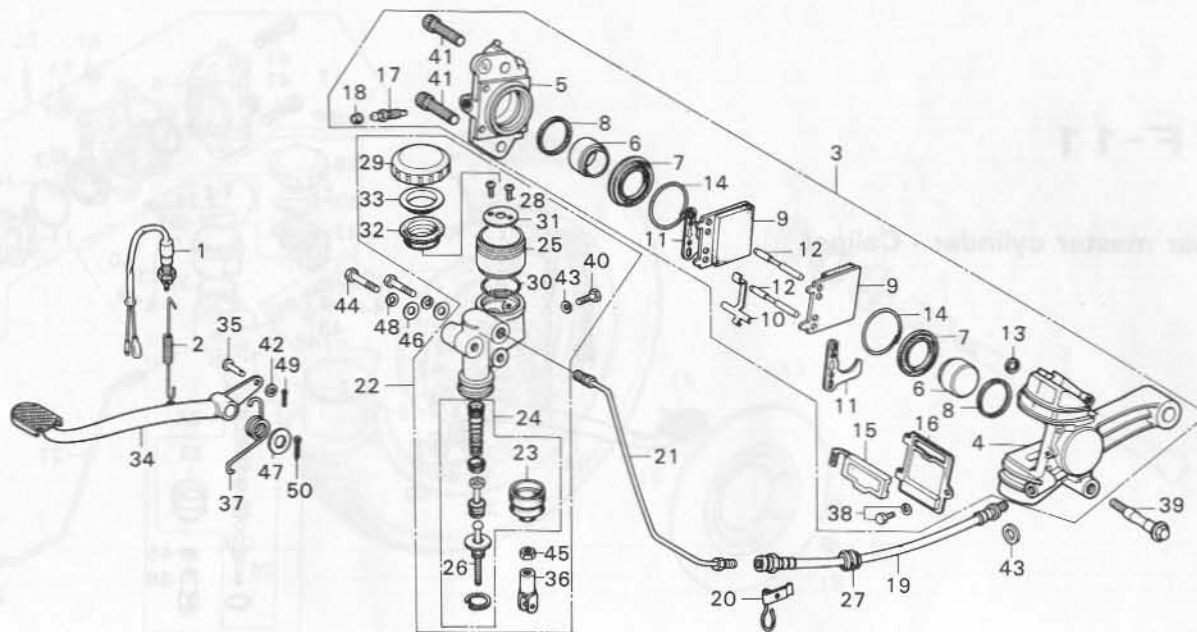
B371-26

Service item	F.R.T.	Ref. No.	Part No.	Description	Reqd. No.			Serial No.	Area code
					GL1000	GL1000 LTD K1	K2		
REAR MASTER CYLINDER SET	0.9	1	35350-292-003	SWITCH ASSY., STOP (TOYO)	1	1	1		
•REAR BRAKE HOSE/PIPE		2	35357-046-000	SPRING, STOP SWITCH	1	1	1		
REAR MASTER CYLINDER ASSY.	0.7	3	35357-371-980	SPRING, STOP SWITCH		1			
CALIPER A./PISTON and those related parts	0.7	3	43200-371-006	CALIPER ASSY. (NISSHIN)					
CALIPER ASSY.	0.6			43200-371-016	1				
OIL CUP/CUP PLATE	0.4		43200-371-016	CALIPER ASSY. (NISSHIN)		1		2004270	2004269 A,DK,DM,E,ED,F,G,U A,DK,DM,E,ED,F,G,U CM
•REAR BRAKE PEDAL/SPRING						1			
PAD and its related parts	0.1	4	43201-371-006	CALIPER A (NISSHIN)	1	1	1		
•One or all		5	43202-371-006	CALIPER B (NISSHIN)	1	1	1		
STOP SWITCH ASSY./SPRING	0.1	6	43205-371-006	PISTON (NISSHIN)	2	2	2		
		7	43207-371-006	COVER, DUST (NISSHIN)	2	2	2		
		8	43209-371-006	SEAL, PISTON (NISSHIN)	2	2	2		
		9	43211-371-006	PAD COMP. (NISSHIN)					
			43211-392-016	PAD COMP. (NISSHIN)	2			2004270	2004269 A,DK,DM,E,ED,F,G,U A,DK,DM,E,ED,F,G,U CM
						2			
		10	43213-371-006	SPRING, PAD SET (NISSHIN)	1	1	1		
		11	43214-371-006	SHIM, PAD (NISSHIN)	2	2	2		
		12	43215-371-006	PIN, PAD (NISSHIN)	2	2	2		
		13	43217-371-006	SEAL, JOINT (NISSHIN)	1	1	1		
		14	43218-371-006	CLIP, DUST COVER (NISSHIN)	2	2	2		
		15	43219-371-006	COVER, INDICATOR	1	1	1		
		16	43241-371-006	COVER, PAD (NISSHIN)	1	1	1		

1977.08.20

F-11

Rear master cylinder • Caliper



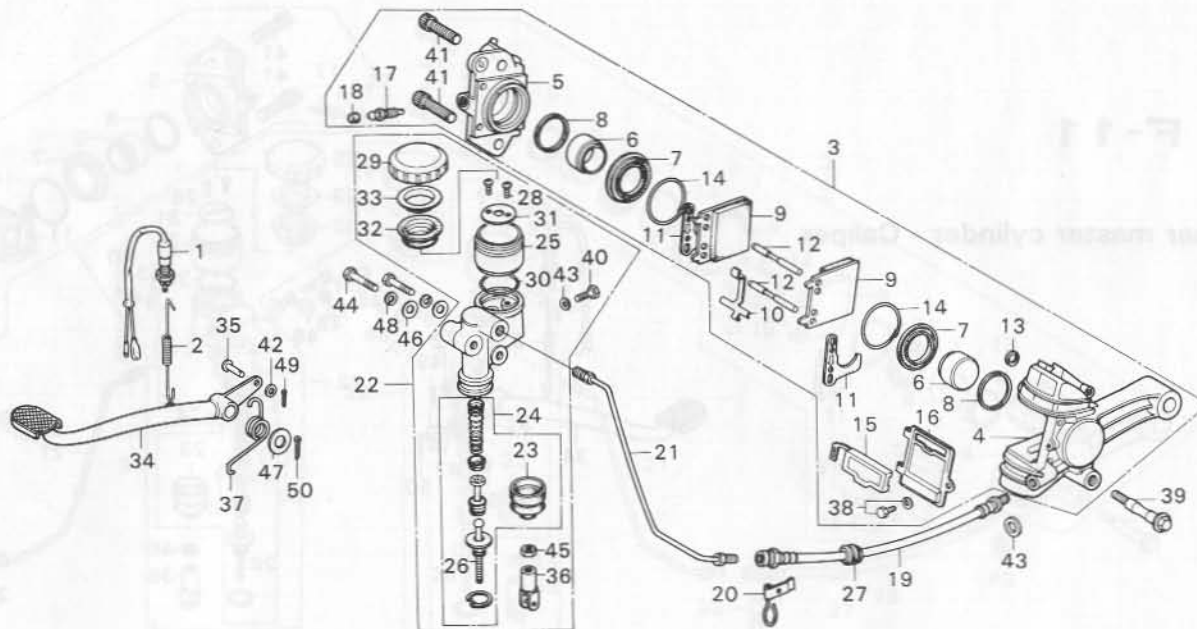
B371-26

Service item	F.R.T.	Ref. No.	Part No.	Description	Reqd. No.				Serial No.	Area code
					GL1000	GL1000	LTD	K1 K2		
		17	43352-568-003	VALVE BLEEDER	1	1	1	1		
		18	43353-548-003	CAP, BLEED SCREW	1	1	1	1		
		19	43410-371-013	HOSE, RR. BRAKE (NICHIRIN)	1	1	1	1		
		20	43415-371-000	CLIP, RR. BRAKE HOSE	1	1	1	1		
		21	43420-371-000	PIPE, RR. BRAKE	1	1	1	1		
		22	43500-371-671	CYLINDER ASSY., RR. MASTER (NISSHIN)	1	1	1	1		A,CM
			43500-371-681	CYLINDER ASSY., RR. MASTER	1	1	1	1		DK,DM,E,ED,F,G
					1				2031718	U
			43500-371-651	CYLINDER ASSY., RR. MASTER		1	1		2031719	U
					1		1			U
		23	43504-371-003	BOOT, MASTER CYLINDER	1	1	1	1		
		24	43510-371-305	CYLINDER SET, RR. MASTER	1	1	1	1		
		25	43511-371-003	CUP, OIL	1	1	1	1		
		26	43530-371-003	ROD COMP., PUSH (NISSHIN)	1	1	1	1		
		27	45146-300-000	GROMMET, BRAKE HOSE	1	1	1	1		
		28	45509-371-003	SCREW, OIL CUP	2	2	2	2		
		29	45513-341-771	CAP, OIL CUP	1	1	1	1		A,CM
			45513-341-671	CAP, OIL CUP	1	1	1	1		DK,DM,E,ED,F,G
					1				2031718	U
			45513-371-651	CAP, OIL CUP		1	1		2031719	U
					1					U
		30	45516-371-003	O-RING	1	1	1	1		
		31	45518-371-003	PLATE, OIL CUP	1	1	1	1		
		32	45520-300-000	DIAPHRAGM	1	1	1	1		

1977.08.20

F-11

Rear master cylinder • Caliper



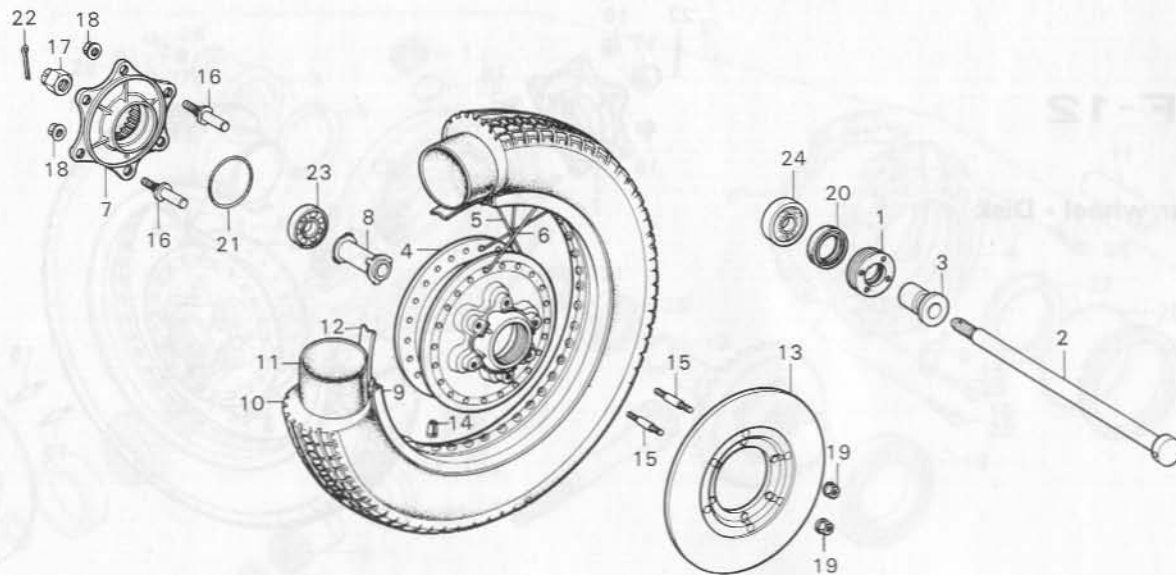
B371-26

Service item	F.R.T.	Ref. No.	Part No.	Description	Reqd. No.				Serial No.	Area code
					GL1000	GL1000	LTD	K1 K2		
REAR MASTER CYLINDER & PEDAL	33	45521-300-010	PLATE, DIAPHRAGM	1	1	1	1			
REAR MASTER CYLINDER PEDAL	34	46500-371-000	PEDAL, RR. BRAKE	1	1	1	1			
REAR MASTER CYLINDER PEDAL	35	46500-371-980	PEDAL, RR. BRAKE	1	1	1	1			
REAR MASTER CYLINDER PEDAL	35	46503-371-000	PIN, BRAKE ROD	1	1	1	1			
BRAKE ROD	36	46504-371-000	JOINT, BRAKE ROD	1	1	1	1			
BRAKE ROD	37	46506-371-000	SPRING, BRAKE PEDAL	1	1	1	1			
BRAKE ROD	38	90103-371-006	BOLT-WASHER, 5X10	1	1	1	1			
BRAKE ROD	39	90131-371-000	BOLT, 12X60	1	1	1	1			
BRAKE ROD	39	90131-371-980	BOLT, 12X60	1	1	1	1			
BRAKE ROD	40	90161-371-003	BOLT, PLUG	1	1	1	1			
BRAKE ROD	41	90163-371-006	BOLT, CALIPER SET	2	2	2	2			
BRAKE ROD	42	90501-310-000	WASHER, 7X12	1	1	1	1			
BRAKE ROD	43	90545-300-000	WASHER, DIL BOLT	2	2	2	2			
BRAKE ROD	44	92000-08032-0A	BOLT, HEX., 8X32	2	2	2	2			
BRAKE ROD	45	94001-08000-0S	NUT, HEX., 8MM	1	1	1	1			
BRAKE ROD	46	94102-08000	WASHER, PLAIN, 8MM	2	2	2	2			
BRAKE ROD	47	94102-20000	WASHER, PLAIN, 20MM	1	1	1	1			
BRAKE ROD	48	94111-08000	WASHER, SPRING, 8MM	2	2	2	2			
BRAKE ROD	49	94201-16150	PIN, SPLIT, 1.6X15	1	1	1	1			
BRAKE ROD	50	94201-30350	PIN, SPLIT, 3.0X35	1	1	1	1			

1977.08.20

F-12

Rear wheel • Disk

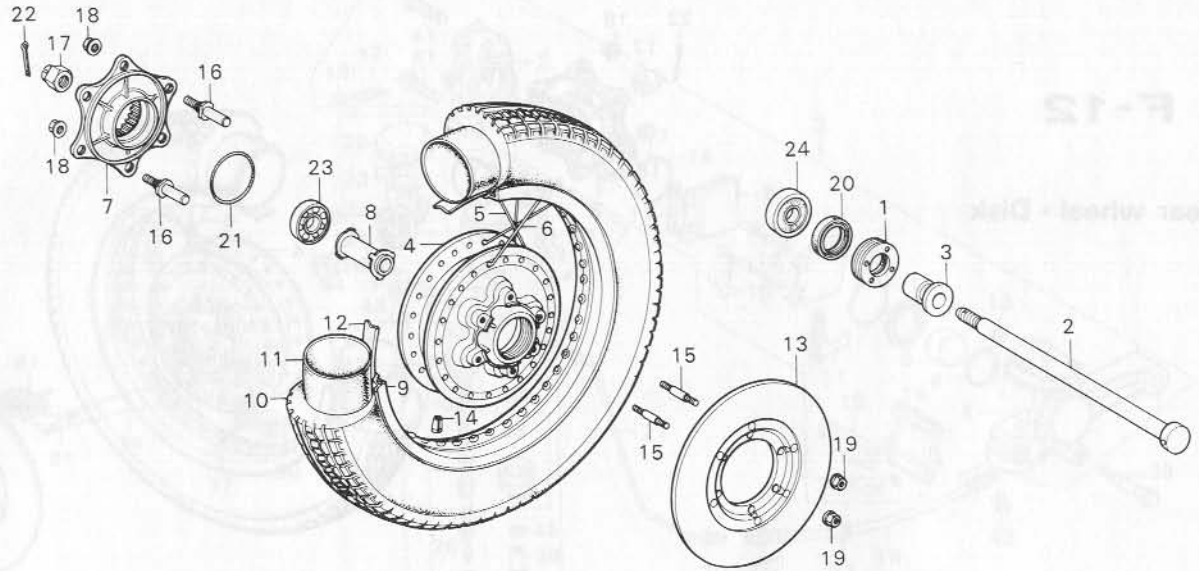


B371-27

Service item	F.R.T.	Ref. No.	Part No.	Description	Reqd. No.				Serial No.	Area code
					GL1000	GL1000	LTD	K1 K2		
REAR WHEEL HUB	3.4	1	41231-286-000	RETAINER, RR. WHEEL BEARING	1	1	1	1		
REAR WHEEL RIM	2.4	2	42301-371-000	AXLE, RR. WHEEL	1	1	1	1		
REAR WHEEL TIRE/TUBE/TIRE FLAP	1.1		42301-371-980	AXLE, RR. WHEEL		1				
BALANCER	0.9	3	42311-356-000	COLLAR, RR. WHEEL SIDE	1	1	1	1		
REAR AXLE DISTANCE COLLAR/BALL BEARING	0.6	4	42601-371-305	HUB ASSY., RR. WHEEL	1	1	1	1		
			42601-371-315	HUB ASSY., RR. WHEEL	1	1	1	1		
+Add 0.1 at ball bearing			42060-371-980	HUB ASSY., RR. WHEEL		1				
FINAL DRIVEN FLANGE	0.6	5	42606-371-305	SPOKE ASSY., A. RR. (INSIDE)	20	20	20	20		
•8 x 46 STUD BOLT			42660-371-980	SPOKE A, RR. (INSIDE)		20				
+Add 0.1 at stud bolt										
REAR WHEEL BEARING RETAINER/DUST SEAL	0.5	6	42607-371-305	SPOKE ASSY., B. RR. (OUTSIDE)	20	20	20	20		
•REAR BRAKE DISK COMP.			42670-371-980	SPOKE B, RR. (OUTSIDE)		20				
REAR WHEEL AXLE	0.4	7	42610-371-000	FLANGE, FINAL DRIVEN	1	1	1	1		
		8	42620-371-000	COLLAR A, RR. WHEEL DISTANCE	1	1	1	1		
		9	42701-371-003	RIM, RR. WHEEL (DAIDD)	1	1	1	1		
			42701-371-980	RIM, RR. WHEEL		1				
		10	42711-371-673	TIRE, RR. (4.50H-17A. BS)	1	1	1	1		A,CM,DK,DM,U
			42711-371-674	TIRE, RR. (4.50H-17A. DUNLOP)	1	1	1	1		A,CM,DK,DM,U
			42711-371-612	TIRE, RR. (4.50H-17A. DUNLOP)	1	1	1	1		E,ED,F,G
		11	42712-371-003	TUBE, TIRE (4.50-17. BS)	1	1	1	1		A,CM,DK,DM,U
			42712-371-004	TUBE, TIRE (4.50-17. DUNLOP)	1	1	1	1		
		12	42713-371-000	BAND, RIM (17)	1	1	1	1		
		13	43120-371-000	DISK COMP., RR. BRAKE	1	1	1	1		
		14	44606-283-000	BALANCER (20G)	N	N	N	N		
			44607-283-000	BALANCER (15G)	N	N	N	N		
			1977.08.20							

F-12

Rear wheel - Disk



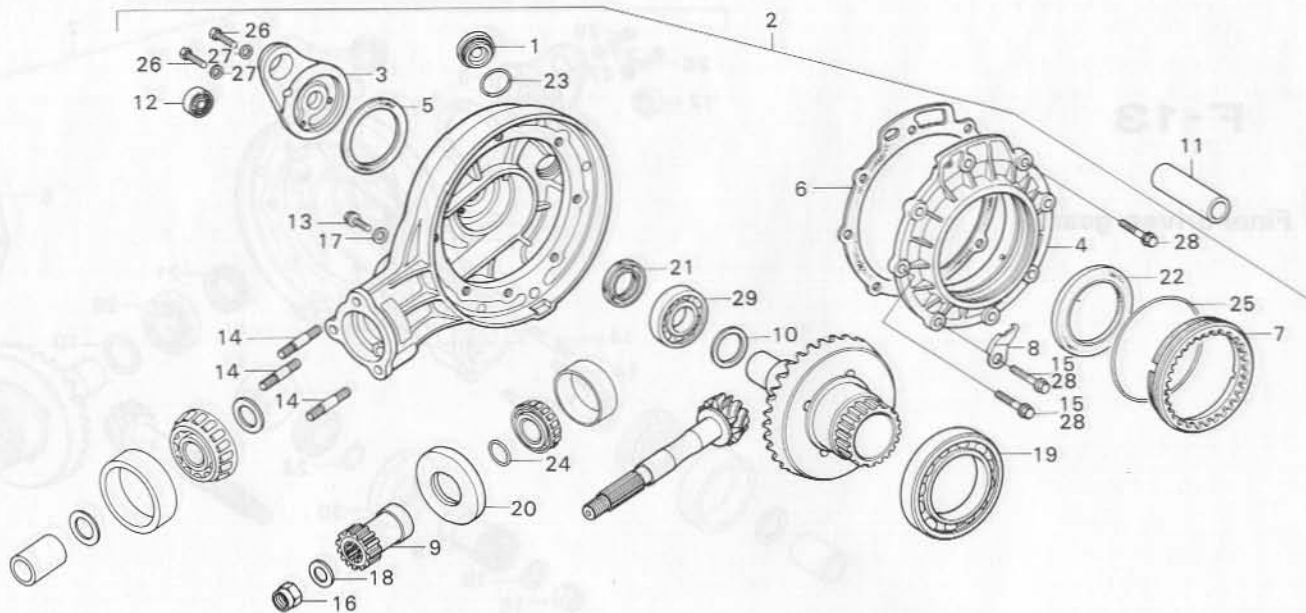
B371-27

Service item	F.R.T.	Ref. No.	Part No.	Description	Reqd. No.				Serial No.	Area code
					GL1000	GL1000	LTD	K1 K2		
			44608-283-000	BALANCER (10G)	N	N	N	N		
			44609-283-000	BALANCER (5G)	N	N	N	N		
15			90125-329-010	BOLT, STUD, 8X45	6	6	6	6		
		16	90128-346-003	BOLT, DRIVEN SPROCKET FIXING	6	6	6	6		
		17	90306-268-000	NUT, RR. WHEEL AXLE	1	1	1	1		
			90306-371-980	NUT, RR. AXLE		1				
		18	90308-357-000	NUT, HEX., 10MM	6	6	6	6		
		19	90309-357-000	NUT, HEX., 8MM	6		6	6		
			90310-371-980	NUT, HEX., 8MM		6				
		20	91253-356-005	DUST SEAL, 30X45X9.5	1	1	1	1		
		21	91359-371-003	O-RING, 63X3.0	1	1	1	1		
		22	94201-40300	PIN, SPLIT, 4.0X30	1	1	1	1		
		23	96140-62040-10	BEARING, RADIAL BALL, 6204U	1	1	1	1		
		24	96140-63040-10	BEARING, RADIAL BALL, 6304U	1	1	1	1		

1977.08.20

F-13

Final driven gear



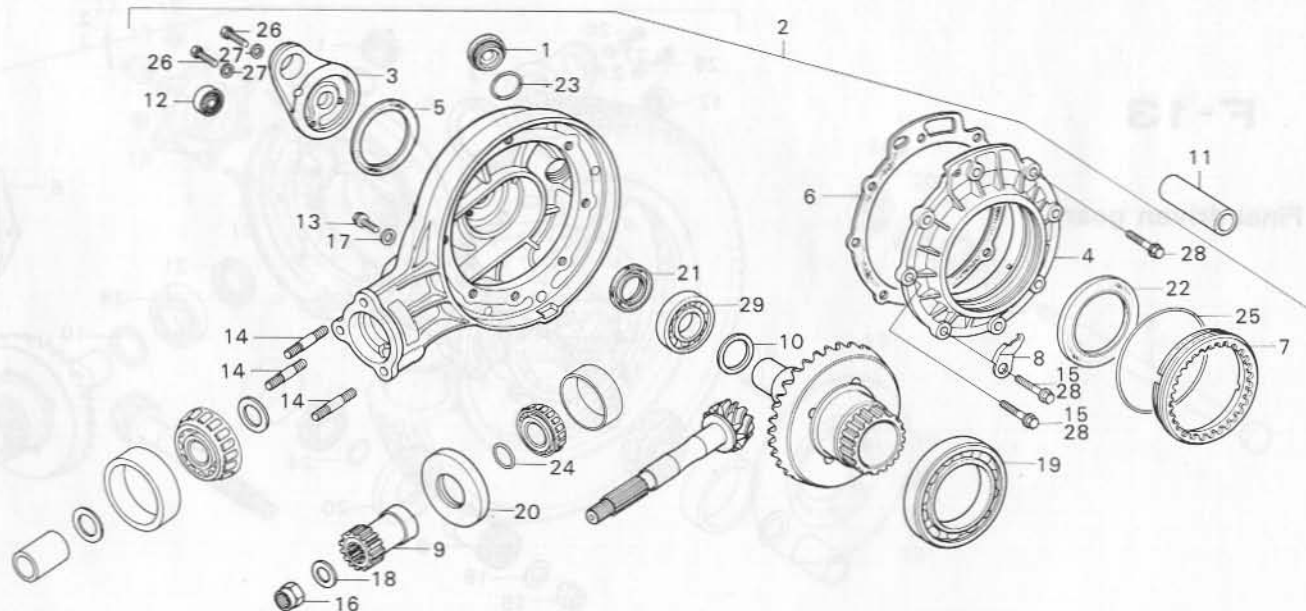
B371-28

Service item	F.R.T.	Ref. No.	Part No.	Description	Reqd. No.			Serial No.	Area code
					GL1000	GL1000 LTD K1 K2			
9614 BEARING	1.0	1	12361-035-000	CAP, TAPPET ADJUSTING HOLE	1	1			
•6007 BALL BEARING/OIL SEAL						1		2040166 2040165	
L. GEAR CASE COVER	0.9		12361-300-000	CAP, TAPPET ADJUSTING HOLE		1		DK,DM,E,ED,F,G,U	
RING GEAR SPACER	0.7		12361-371-980	CAP, TAPPET ADJUSTING HOLE		1			
•32 x 67 x 8 OIL SEAL		2	41300-371-010	GEAR ASSY., FINAL DRIVEN					
PINION JOINT	0.6		41300-371-030	41300-371-030	1				
•R. GEAR CASE COVER/DAMPER BUSH						1		2002808 E,ED,F,G	
•BEARING RETAINER A/ 70 x 90 x 8 OIL SEAL			41300-371-030	GEAR ASSY., FINAL DRIVEN		1		2002809 2021190 E,ED,F,G	
10 x 45 STUD BOLT	0.6		41300-371-303	GEAR ASSY., FINAL DRIVEN	1			2021190 A,DK,DM,U	
*Add 0.1						1		2021191 2040165 A,DK,DM,E,ED,F,G,U	
FINAL DRIVEN GEAR ASSY.	0.5		41300-371-040	GEAR ASSY., FINAL DRIVEN		1		2040165 CM 2040166 DK,DM,E,ED,F,G,U	
		3	41311-371-010	COVER, R. GEAR CASE	1	1	1		
			41311-371-980	COVER, R. GEAR CASE		1			
		4	41321-371-000	COVER, L. GEAR CASE	1	1			
			41321-371-010	COVER, L. GEAR CASE		1		2040166 2040165 DK,DM,E,ED,F,G,U	
		5	41324-371-010	PACKING, R. COVER	1	1	1		
		6	41325-371-000	PACKING, L. COVER	1	1			
						1		2040165	
		7	41351-371-000	RETAINER A, BEARING	1	1	1		
		8	41355-371-000	STOPPER A, BEARING RETAINER	1	1	1		
		9	41410-371-000	JOINT, PINION	1	1	1		

1977.08.20

F-13

Final driven gear



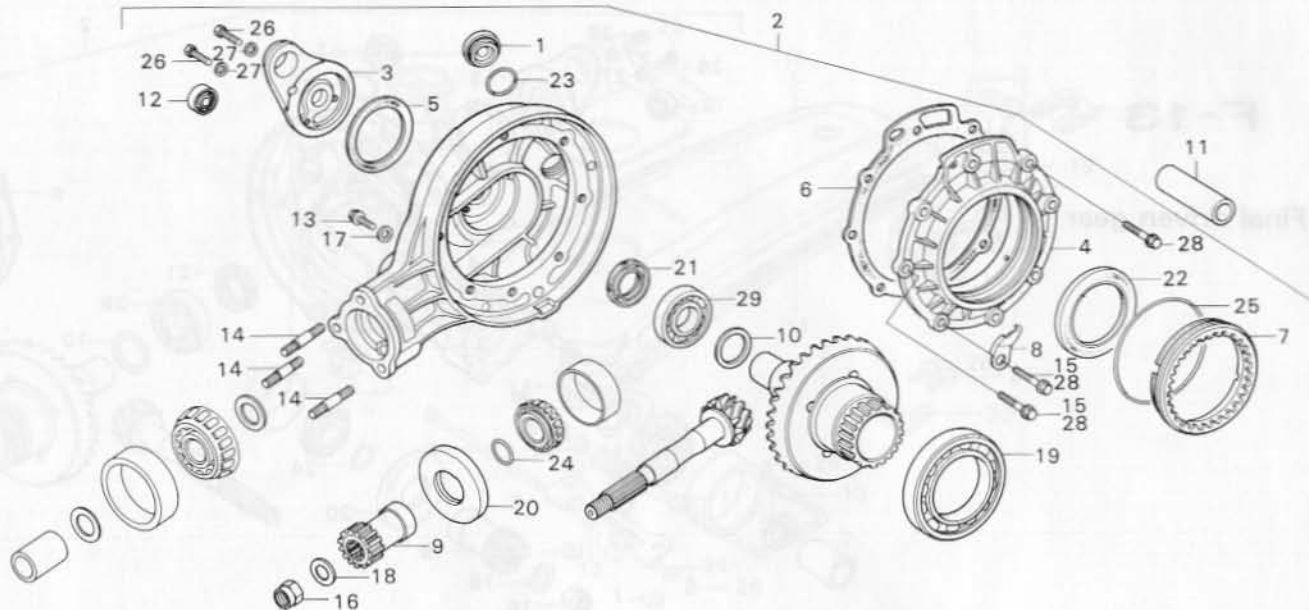
B371-28

Service item	F.R.T.	Ref. No.	Part No.	Description	GL1000	Reqd. No. GL1000 LTD K1 K2	Serial No.	Area code
		10	41500-371-010	SPACER A, RING GEAR (1.76)	1	1		
			41501-371-010	SPACER B, RING GEAR (1.80)	1	1 1 1	1023763	A,DK,DM,E,ED,F,G,U
			41502-371-010	SPACER C, RING GEAR (1.84)	1	1 1 1		
			41503-371-010	SPACER D, RING GEAR (1.88)	1	1 1 1		
			41504-371-010	SPACER E, RING GEAR (1.92)	1	1 1 1		
			41505-371-010	SPACER F, RING GEAR (1.96)	1	1 1 1		
			41506-371-010	SPACER G, RING GEAR (2.00)	1	1 1 1		
			41507-371-010	SPACER H, RING GEAR (2.04)	1	1 1 1		
			41508-371-010	SPACER I, RING GEAR (2.08)	1	1 1 1		
			41509-371-010	SPACER J, RING GEAR (2.12)	1	1 1 1		
			41510-371-010	SPACER K, RING GEAR (2.16)	1	1 1 1		
			41511-371-010	SPACER L, RING GEAR (2.20)	1	1 1 1		
			41512-371-010	SPACER M, RING GEAR (2.24)	1	1 1 1		
			41513-371-010	SPACER N, RING GEAR (2.28)	1	1 1 1		
			41514-371-010	SPACER O, RING GEAR (2.32)	1	1 1 1		
			41515-371-010	SPACER P, RING GEAR (2.36)	1	1 1 1		
			41516-371-000	SPACER Q, RING GEAR (2.40)	1	1 1		A,DK,DM,E,ED,F,G,U
						1 1 1		CM
			41517-371-000	SPACER R, RING GEAR (2.44)	1	1 1	1023764	A,DK,DM,E,ED,F,G,U
						1 1 1		A,DK,DM,E,ED,F,G,U
						1	1023764	CM
						1		A,DK,DM,E,ED,F,G,U
		11	42625-371-000	COLLAR B, RR. WHEEL DISTANCE	1	1 1 1 1		
		12	52451-357-000	BUSH, RR. DAMPER	1	1 1 1 1		
		13	90109-371-000	BOLT, SEALING, 8MM	1	1 1 1		
			90109-371-980	BDLT, SEALING, 8MM		1		
		14	90125-371-000	BOLT, STUD, 10X45	3	3 3 3 3		

1977.08.20

F-13

Final driven gear



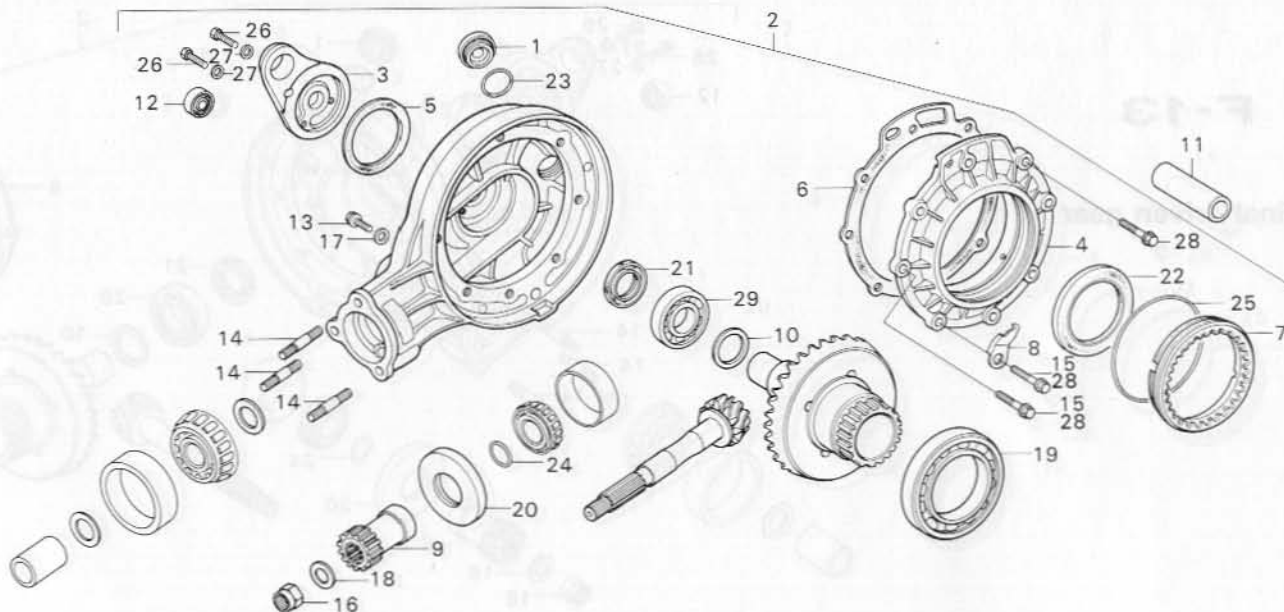
B371-28

Service item	F.R.T.	Ref. No.	Part No.	Description	Reqd. No.				Serial No.	Area code
					GL1000	GL1000	LTD K1	K2		
		15	90134-371-000	BOLT, FLANGE, 10X38			2		2040166	DK,DM,E,ED,F,G,U
		16	90381-371-000	NUT, HEX., 16MM	1	1	1	1		
		17	90471-580-000	WASHER, 8MM	1	1	1	1		
		18	90581-371-000	WASHER, PLAIN, 16MM	1	1	1	1		
		19	91051-371-004	BEARING, 6914 (KOYO)	1	1	1	1		
		20	91261-371-003	OIL SEAL, 32X67X8	1					
			91261-371-013	OIL SEAL, 32X67X8			1		1023764	1023763 A,DK,DM,E,ED,F,G,U A,DK,DM,E,ED,F,G,U CM
							1			
		21	91263-371-003	OIL SEAL, 35X52X8	1	1	1	1		
		22	91265-371-003	OIL SEAL, 70X90X8	1	1	1	1		
		23	91302-001-020	O-RING, 30.8MM	1	1	1	1		
		24	91306-921-000	O-RING, 20.8X2.4	1	1	1	1		
		25	91355-371-003	O-RING, 96.5X2.0	1	1	1	1		
		26	92000-08016-08	BOLT, HEX., 8X16	3		3	3		
			90043-371-980	BOLT, HEX., 8X16			3			
		27	94101-08200	WASHER, PLAIN, 8MM	3		3	3		
			90082-371-980	WASHER, PLAIN, 8MM			3			
		28	95700-08032	BOLT, FLANGE, 8X32	8					
			90133-371-000	BOLT, FLANGE, 8X32			8		1023764	1023763 A,DK,DM,E,ED,F,G,U 2040165 A,DK,DM,E,ED,F,G,U 2040165 CM
							8		2040166	DK,DM,E,ED,F,G,U
							6			
						8	6			

1977.08.20

F-13

Final driven gear

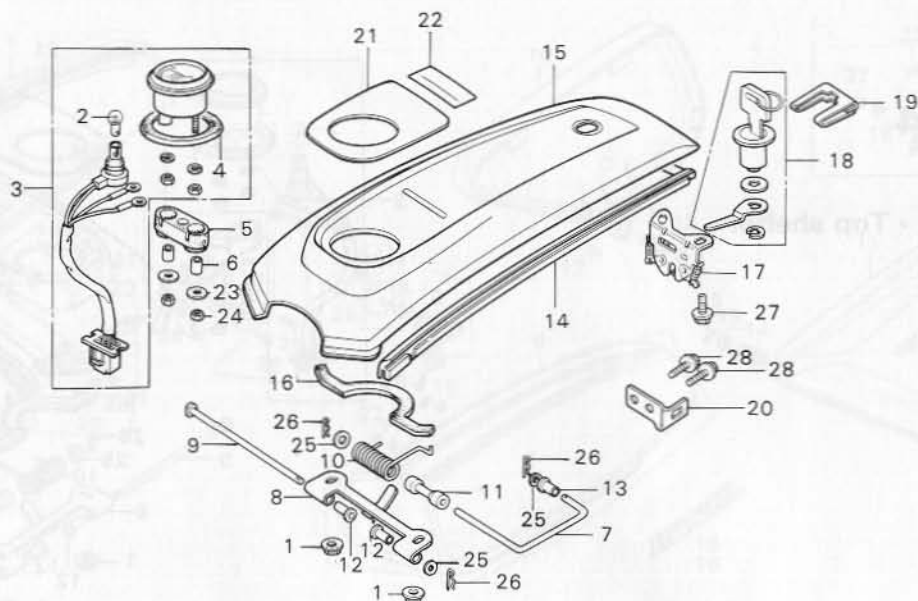


B371-28

Service item	F.R.T.	Ref. No.	Part No.	Description	Reqd. No.			Serial No.	Area code
					GL1000	GL1000 LTD K1 K2			
		29	96103-60070-00	BEARING, RADIAL BALL, 6007	1	1	1	1	

F-14

Fuel meter • Top shelter



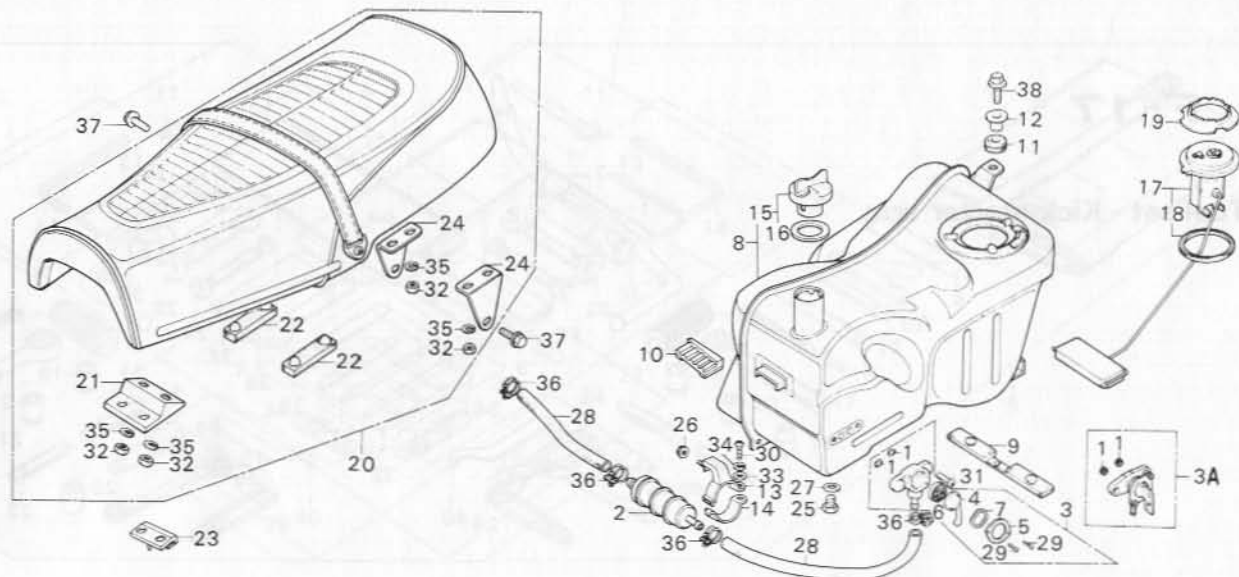
8371-29

Service item	F.R.T.	Ref. No.	Part No.	Description	Reqd. No.			Serial No.	Area code
					GL1000	GL1000 LTD	K1 K2		
TOP SHELTER	0.5	1	18362-720-000	NUT, FLANGE, 6MM	2	2	2		
FUEL METER	0.2		18362-371-980	NUT, FLANGE, 6MM	2	2	2		
TOP SHELTER LOCK/TOP CYLINDER	0.1	2	34902-259-000	BULB, DASH (12V 3.4W)	1	1	1		
•SHELTER WEATHERSTRIP		3	37300-371-008	METER ASSY., FUEL (NIPPON SEIKI)	1				A
•DUSH BULB			37300-371-980	METER ASSY., FUEL		1			
•FUEL METER SET RUBBER			37300-371-681	METER ASSY., FUEL	1		1		DK, DM, U
•TOP SHELTER HINGE and its related parts							1		A, CM, E, ED, F, G
			37300-371-661	METER ASSY., FUEL (NIPPON SEIKI)			1		
		4	37305-371-008	RUBBER, FUEL METER GUIDE (NIPPON SEIKI)	1	1	1	1	
		5	37806-371-000	RUBBER, FUEL METER SET	1	1	1	1	
		6	37807-371-000	COLLAR, FUEL METER SET	2	2	2	2	
		7	50413-371-000	ROD, STOPPER	1	1	1	1	
		8	50414-371-000	HINGE, TOP SHELTER	1	1	1	1	
		9	50416-371-000	PIN, TOP SHELTER HINGE	1	1	1	1	
		10	50417-371-000	SPRING, TOP SHELTER	1	1	1	1	
		11	50421-371-000	COLLAR, SHELTER SET	1	1	1	1	
		12	50424-371-000	BUSH, TOP HINGE	2	2	2	2	
		13	50426-371-000	BUSH, STOPPER ROD	1	1	1	1	
		14	50428-371-000	WEATHERSTRIP, SHELTER	1	1	1	1	
		15	50430-371-000ZA	SHELTER, TOP *R-6C-S*	1		1	1	
			50430-371-000ZB	SHELTER, TOP *PB-2C-S*	1		1	1	
			50430-371-000ZC	SHELTER, TOP *Y-34*			1	1	
							1		
			50440-371-980ZL	SHELTER, TOP *R-7C-C*	1		1	1	
			50430-371-000ZD	SHELTER, TOP *NH-1*			1	1	
								2002809	E, ED, F, G
									A, CM, DK, DM, U

1977.08.20

F-18

Fuel tank • Seat



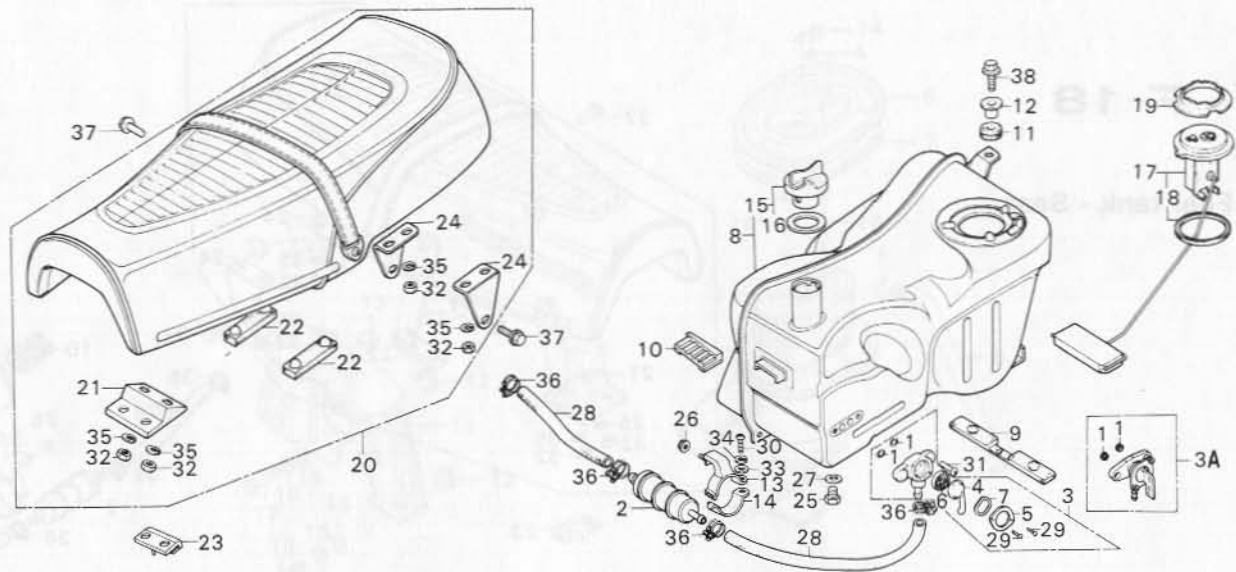
B371-33A

Service item	F.R.T.	Ref. No.	Part No.	Description	GL1000	Reqd. No.		Serial No.	Area code
						GL1000	LTD K1 K2		
FUEL TANK COMP.	1.5	1	16175-551-950	U-RING		2	2 2 2		
FUEL UNIT ASSY.	0.2	2	16900-371-004	STRAINER COMP., FUEL		1	1 1 1		
•FUEL COCK ASSY.		3	16950-371-005	COCK ASSY., FUEL		1	1		
•FUEL STRAINER COMP.			16950-371-980	COCK ASSY., FUEL			1		
DOUBLE SEAT COMP	0.1	3A	16950-371-015	COCK ASSY., FUEL			1		
FUEL HOSE	0.1	4	16953-371-005	LEVER, COCK		1	1		
•One or all			16953-371-980	LEVER, COCK			1		
		5	16954-371-005	COVER, COCK		1	1		
			16954-371-980	COVER, COCK			1		
		6	16955-268-020	GASKET, COCK VALVE		1	1 1		
		7	16960-268-010	SPRING, COCK LEVER		1	1 1		
		8	17510-371-000ZA	TANK COMP., FUEL *NH-1*					
			17510-371-010ZA	TANK COMP., FUEL *NH-1*		1			
			17510-371-010ZA	TANK COMP., FUEL *NH-1*			1	2040166	2040165
			17510-371-980	TANK COMP., FUEL			1		DK, DM, E, ED, F, G, U
		9	17614-371-000	RUBBER A, FUEL TANK MOUNT		1	1 1 1		
		10	17615-371-000	RUBBER B, FUEL TANK MOUNT		1	1 1 1		
		11	17616-371-000	RUBBER C, FUEL TANK MOUNT		1	1 1 1		
		12	17618-371-000	COLLAR, FUEL TANK SET		1	1 1 1		
		13	17626-371-000	STAY A, STRAINER		1	1 1 1		
		14	17628-371-000	STAY B, STRAINER		1	1 1		
		15	17670-371-000	CAP COMP., FILLER		1	1 1		3018970
			17670-371-980	CAP COMP., FILLER			1		
			17670-371-010	CAP COMP., FILLER			1	3018971	

1977.08.20

F-18

Fuel tank • Seat



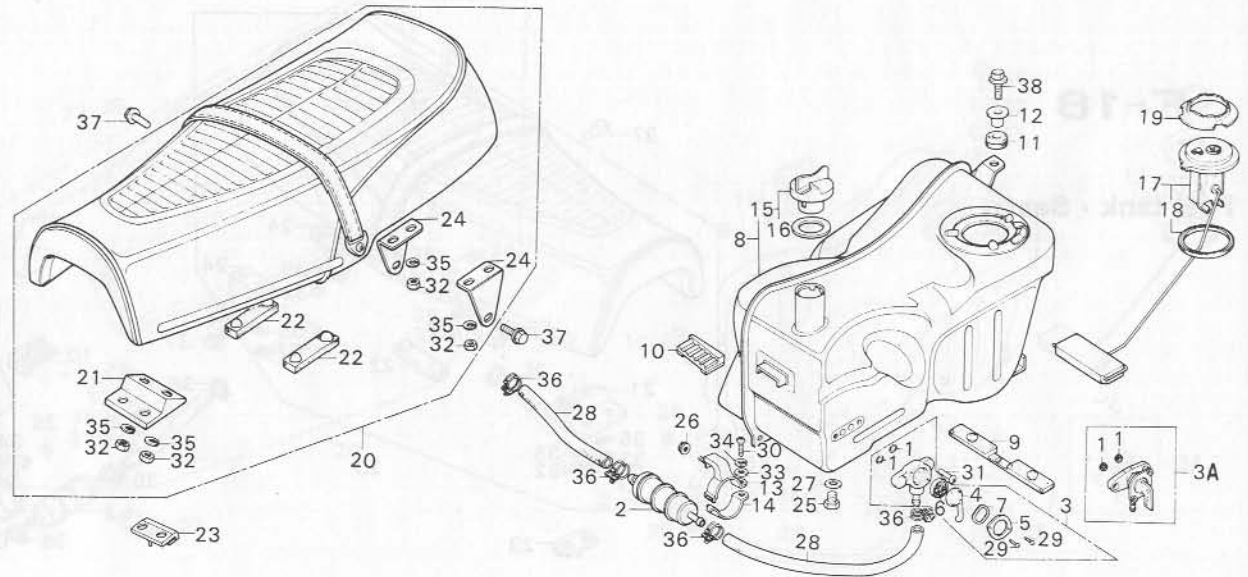
B371-33A

Service item	F.R.T.	Ref. No.	Part No.	Description	Reqd. No.			Serial No.	Area code
					GL1000	GL1000 LTD K1 K2			
		16	17682-634-003	PACKING, FUEL FILLER CAP	1	1	1		
			17631-096-700	PACKING, FUEL FILLER CAP			1	3018970	
		17	37800-371-008	FUEL UNIT ASSY.	1	1	1	3018971	
		18	37801-634-000	GASKET, BASE	1	1	1		
		19	37802-371-000	RETAINER, FUEL UNIT	1	1	1		
		20	77200-371-000	SEAT COMP., DOUBLE	1	1			
			77200-371-960	SEAT COMP., DOUBLE		1			ED,F,G
			77200-371-980	SEAT COMP., DOUBLE		1			A,CM,U
			77200-371-600	SEAT COMP., DOUBLE			1		E,F
			77200-371-660	SEAT COMP., DOUBLE			1		A,CM,DK,DM,ED,G,U
		21	77203-371-305	STAY, FR.	1	1	1		
		22	77205-292-010	RUBBER B; SEAT SETTING	2	2	2		
		23	77207-371-000	RUBBER; SEAT CUSHION	1	1	1		
		24	77207-371-305	STAY, RR.	2	2	2		
		25	90107-538-010	BOLT, DRAIN	1	1	1		
		26	90117-371-003	NUT, FLANGE, 5MM	1	1	1		
		27	90505-568-000	GASKET, DRAIN	1	1	1		
		28	91455-371-000	HOSE, FUEL, 5.5X150	2	2	2		
		29	93500-03006-0A	SCREW, PAN, 3X6	2		2		
			93500-03006-0B	SCREW, PAN, 3X6		2			
		30	93500-05010-0A	SCREW, PAN, 5X10	1	1	1		
		31	93500-06012-0G	SCREW, PAN, 6X12	2				
			93500-06012	SCREW, PAN, 6X12		2		2040166	2040165
			91522-371-980	SCREW, PAN, 6X12		2			DK,DM,E,ED,F,G,U

1977.08.20

F-18

Fuel tank • Seat

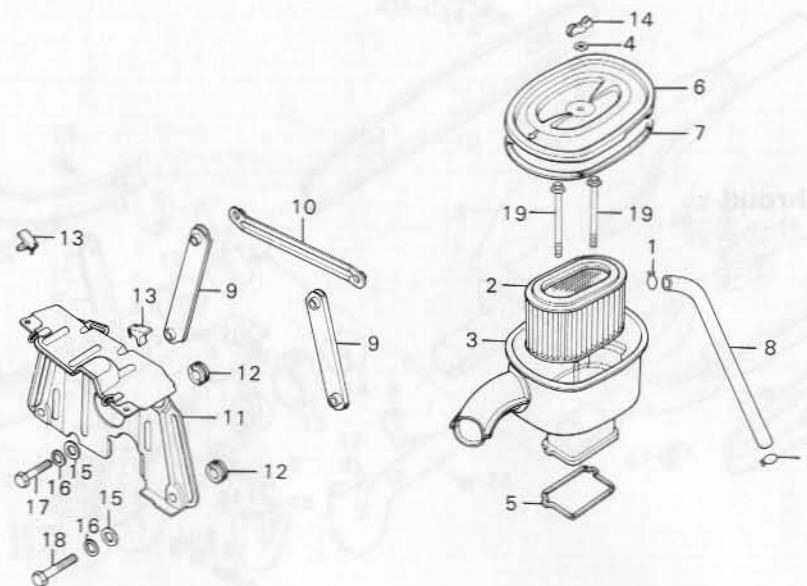


B371-33A

Service item	F.R.T.	Ref. No.	Part No.	Description	Reqd. No.				Serial No.	Area code
					GL1000	LTD	K1	K2		
		32	94001-06000	NUT, HEX., 6MM	6	6	6	6		
		33	94101-05000	WASHER, PLAIN, 5MM	1	1	1	1		
		34	94111-05000	WASHER, SPRING, 5MM	1	1	1	1		
		35	94111-06000	WASHER, SPRING, 6MM	6	6	6	6		
		36	95002-01120	CLIP A12, TUBE	4	4	4	4		
		37	95700-08016-00	BOLT, FLANGE, 8X16	2	2	2	2		
			91588-371-980	BOLT, FLANGE, 8X16				2		
		38	95700-08028-08	BOLT, FLANGE, 8X28	1	1	1	1		

F-19

Air cleaner • Shroud



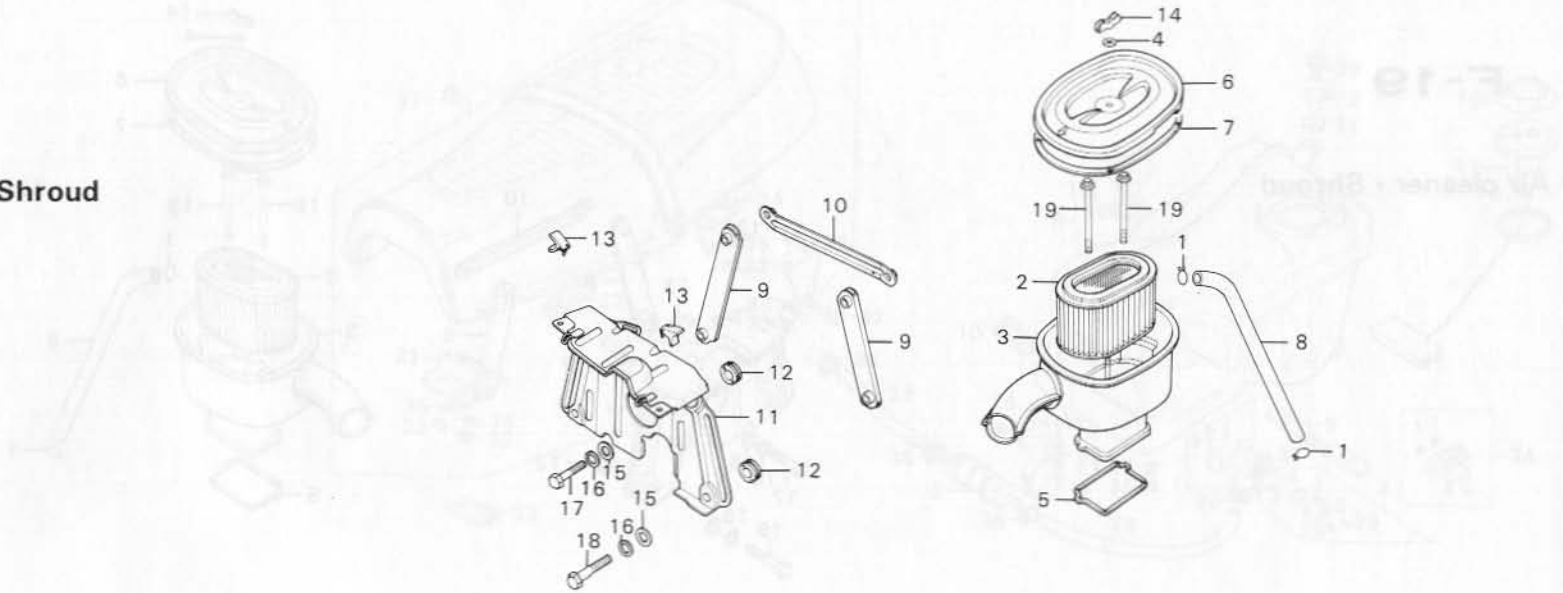
B371-34

Service item	F.R.T.	Ref. No.	Part No.	Description	Reqd. No.			Serial No.	Area code
					GL1000	GL1000 LTD K1 K2			
SHROUD	0.9	1	15772-551-000	CLIP, TUBE	2	2	2		
AIR CLEANER CASE/BREATHER TUBE	0.4		15772-371-980	CLIP, BREATHER TUBE		2			
AIR CLEANER ELEMENT	0.1	2	17211-371-003	ELEMENT, AIR CLEANER (TOYO)	1	1	1		
			17211-371-004	ELEMENT, AIR CLEANER (TOKYO)	1	1	1		
		3	17212-371-000	CASE, AIR CLEANER	1	1			
			17212-371-010	CASE, AIR CLEANER		1		2040166	2040165
		4	17212-611-000	WASHER, AIR CLEANER	1				
			17212-371-980	WASHER, AIR CLEANER		1			
		5	17221-371-000	PACKING, AIR CLEANER	1	1	1	2040166	2040165
		6	17231-371-000	COVER, AIR CLEANER	1	1			
			17231-371-010	COVER, AIR CLEANER		1		2040166	2040165
		7	17232-371-300	PACKING, AIR CLEANER COVER	1	1			
			17232-371-310	PACKING, AIR CLEANER COVER		1		2040166	2040165
		8	17278-371-000	TUBE A, BREATHER	1	1	1		
		9	50353-371-000	ROD, TORQUE					
			50353-371-010	ROD, TORQUE	2				
			50353-371-980	ROD, TORQUE		2		2040166	2040165

1977.08.20

F-19

Air cleaner • Shroud



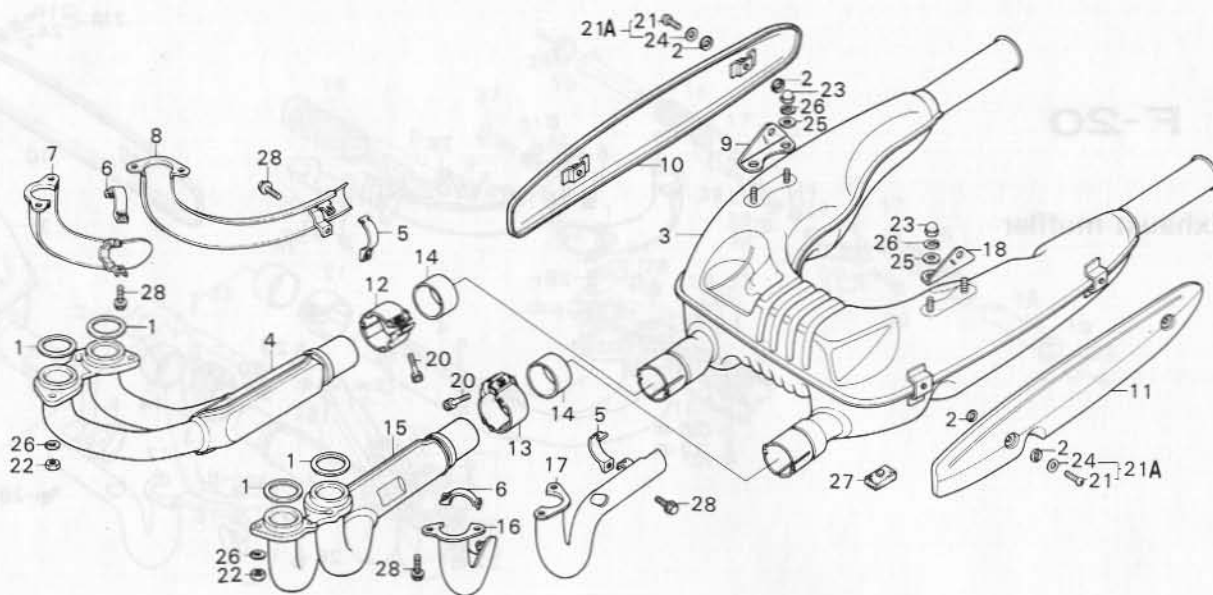
B371-34

Service item	F.R.T.	Ref. No.	Part No.	Description	GL1000	Reqd. No.		Serial No.	Area code
						GL1000	LTDK1 K2		
		10	50361-371-000	BAR, CROSS		1	1 1 1		
		11	62401-371-000ZA	SHROUD *NH-1*		1	1 1		
			62401-371-980	SHROUD			1		
		12	62403-371-000	RUBBER, SHROUD MOUNT		4	4 4 4		
		13	62405-371-000	RUBBER, SHROUD SET		2	2 2 2		
		14	90203-611-000	NUT, AIR CLEANER COVER		1	1 2		
			90203-371-980	NUT, AIR CLEANER COVER			1	2040166	2040165
		15	94101-10000	WASHER, PLAIN, 10MM		4	4 4		DK, DM, E, ED, F, G, U
			91556-371-980	WASHER, PLAIN, 10MM		4			
		16	94111-10000	WASHER, SPRING, 10MM		4	4 4		
			91564-371-980	WASHER, SPRING, 10MM			4		
		17	95300-10045-00	BOLT, HEX., 10X45		2	2 2		
			91512-371-980	BOLT, HEX., 10X45			2		
		18	95325-10050-00	BOLT, HEX., 10X50		2	2 2		
			91514-371-980	BOLT, HEX., 10X50			2		
		19	95700-06090-08	BOLT, FLANGE, 6X90		2	2 2 2		

1977.08.20

F-20

Exhaust muffler



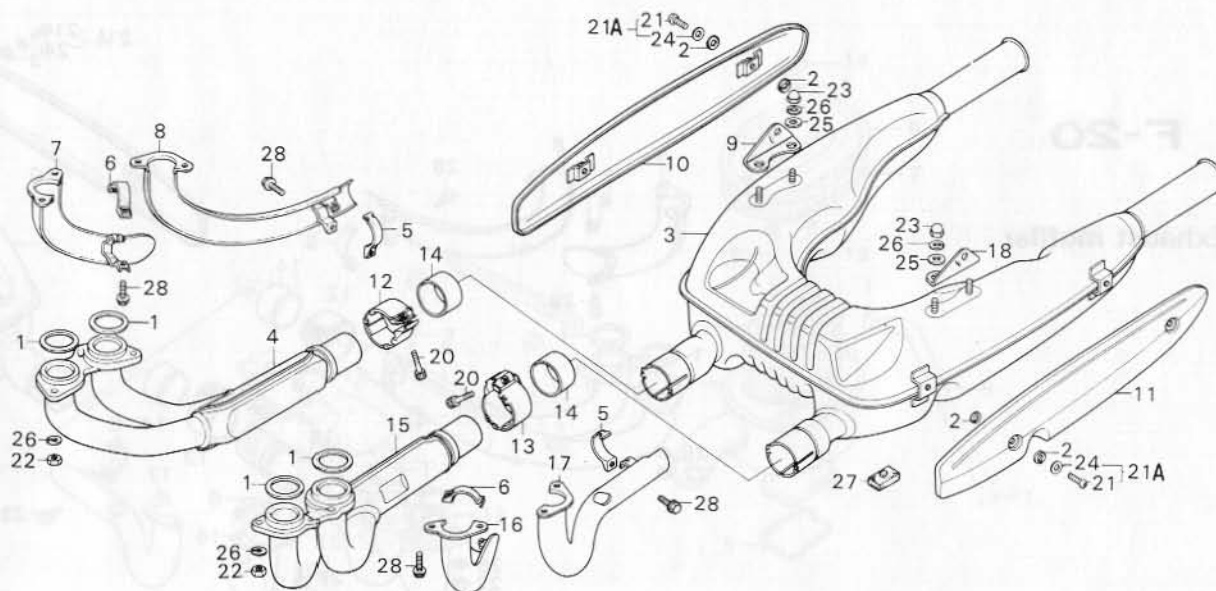
B371-35A

Service item	F.R.T.	Ref. No.	Part No.	Description	Reqd. No.		Serial No.	Area code
					GL1000	GL1000 LTD K1 K2		
MUFFLER COMP	0.5	1	18291-286-000	GASKET, EX. PIPE	4	4 4 4		
MUFFLER BRACKET	0.3	2	18292-329-000	PACKING, PROTECTOR	8	8 8 8		
*One or all		3	18310-371-000	MUFFLER COMP.	1			
EXHUST PIPE and its related parts	0.2		18310-371-010	MUFFLER COMP.		1	2040166	2040165 DK,DM,E,ED,F,G,U
*Add 0.1						1		
MUFFLER PROTECTOR	0.1		18310-371-980	MUFFLER COMP.		1		
*One or all		4	18320-371-000	PIPE, R. EX.	1			
			18320-371-010	PIPE, R. EX.		1	2040166	2040165 DK,DM,E,ED,F,G,U
			18320-371-980	PIPE, R. EX.		1		
		5	18326-371-660	BAND A, EX. PIPE		2		
		6	18327-371-660	BAND B, EX. PIPE		2		
		7	18328-371-660	COVER COMP., R. FR. EX. PIPE		1		
		8	18329-371-660	COVER COMP., R. RR. EX. PIPE		1		
		9	18340-371-000	BRACKET, R. MUFFLER	1	1		
			18340-371-980	BRACKET, R. MUFFLER		1		
			18340-371-660	BRACKET, R. MUFFLER		1		
		10	18350-371-000	PROTECTOR, R. MUFFLER	1	1 1		
			18350-371-980	PROTECTOR, R. MUFFLER		1		
		11	18360-371-000	PROTECTOR, L. MUFFLER	1	1 1		
			18360-371-980	PROTECTOR, L. MUFFLER		1		
		12	18371-371-300	BAND, R. MUFFLER	1	1 1		
			18371-371-980	BAND, R. MUFFLER		1		
		13	18372-371-300	BAND, L. MUFFLER	1	1 1		
			18372-371-980	BAND, L. MUFFLER		1		
		14	18391-292-300	PACKING, MUFFLER	2	2 2 2		

1977.08.20

F-20

Exhaust muffler



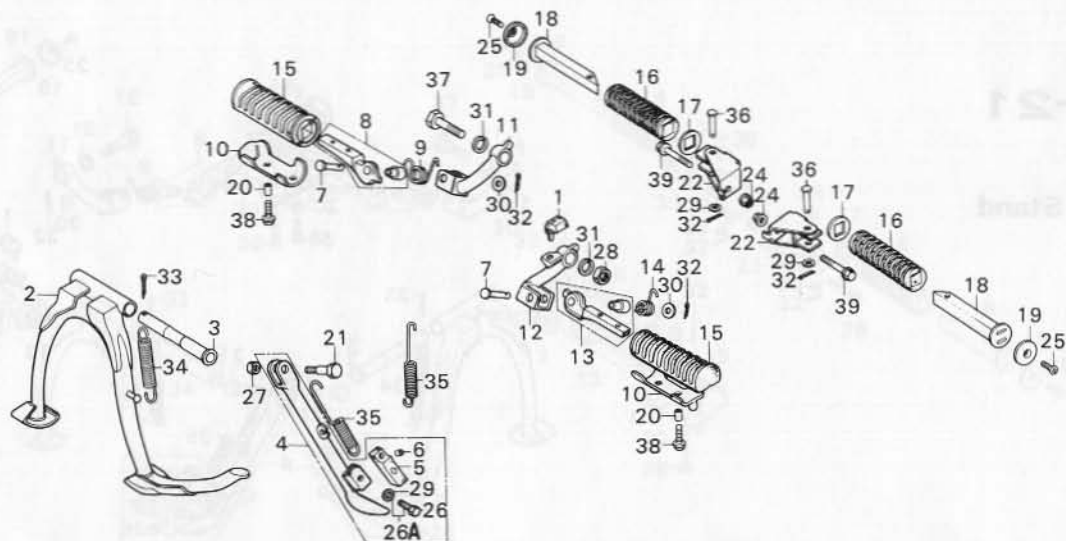
B371-35A

Service item	F.R.T.	Ref. No.	Part No.	Description	Reqd. No.			Serial No.	Area code
					GL1000	GL1000	LTD K1 K2		
		15	18420-371-000	PIPE, L. EX.	1	1		2040165	
			18420-371-010	PIPE, L. EX.		1		2040166	DK,DM,E,ED,F,G,U
			18420-371-980	PIPE, L. EX.		1			
		16	18428-371-660	COVER COMP., L. FR. EX. PIPE		1			
		17	18429-371-660	COVER COMP., L. RR. EX. PIPE		1			
		18	18440-371-000	BRACKET, L. MUFFLER	1	1			
			18440-371-980	BRACKET, L. MUFFLER		1			
			18440-371-660	BRACKET, L. MUFFLER		1			
		20	90185-371-000	BOLT, HEX. SOCKET, BX32	2	2	2		
		21	93500-06012	SCREW, PAN, 6X12	4	4	4		
		21A	91525-371-980	SCREW-WASHER, 6X12		4			
		22	94001-08000-0S	NUT, HEX., 8MM	8	8	8		
			91531-371-980	NUT, HEX., 8MM		8			
		23	94021-08220-0S	NUT, CAP, 8MM	4	4	4		
			91542-371-980	NUT, CAP, 8MM		4			
		24	94101-06000	WASHER, PLAIN, 6MM	4	4	4		
		25	94101-08200	WASHER, PLAIN, 8MM	4	4	4		
			90082-371-980	WASHER, PLAIN, 8MM		4			
		26	94111-08000	WASHER, SPRING, 8MM	12	12	12		
			91563-371-980	WASHER, SPRING, 8MM		12			
		27	95011-64000	RUBBER D, STAND STOPPER	1	1	1		
		28	95700-06016-00	BOLT, FLANGE, 6X16			4		

1977.08.20

F-21

Step - Stand



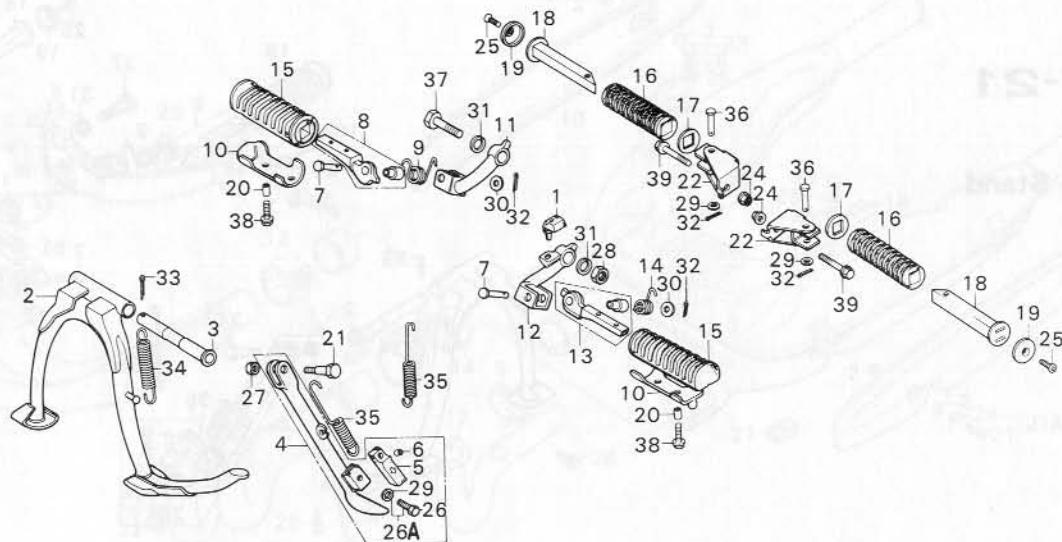
B371-36

Service item	F.R.T.	Ref. No.	Part No.	Description	Reqd. No.				Serial No.	Area code
					GL1000	GL1000	LTD	K1 K2		
MAIN STAND/MAIN STAND PIVOT PIPE	0.5	1	28310-371-000	RUBBER, KICK STOPPER	1	1	1	1		
SIDE STAND BAR ASSY.	0.2	2	50500-371-000	STAND, MAIN	1				2040165	
STAND RUBBER	0.1		50500-371-010	STAND, MAIN			1		2040166	DK,DM,E,ED,F,G,U
•MAIN STAND SPRING			50500-371-980	STAND, MAIN			1			
•SIDE STAND SPRING		3	50526-300-000	PIPE, MAIN STAND PIVOT	1	1	1	1		
•STEP ARM and its related parts		4	50540-371-000	BAR ASSY., SIDE STAND	1				2012110	A,CM,DK,DM,E,ED,F,U
•PILLION STEP and its related parts			50540-371-010	BAR ASSY., SIDE STAND			1		2012111	A,CM,DK,DM,E,ED,F,U
			50540-371-980	BAR ASSY., SIDE STAND			1		2012110	A,CM,DK,DM,E,ED,F,U
			50540-371-610	BAR ASSY., SIDE STAND			1		2012111	A,CM,DK,DM,E,ED,F,U
			50540-371-611	BAR ASSY., SIDE STAND			1		2012111	A,CM,ED,F,U
			50540-371-960	BAR ASSY., SIDE STAND			1			G
		5	50548-356-700	RUBBER, STAND	1	1	1	1		G
		6	50549-356-700	COLLAR, STAND RUBBER SETTING	1	1	1	1		
		7	50603-033-000	PIN, STEP BAR JOINT	2		2			
			50603-371-980	PIN, STEP BAR JOINT			2			
			50603-371-660	PIN, STEP BAR JOINT				2		
		8	50616-369-6708	ARM COMP., R. STEP	1	1				
			50616-371-0008	ARM COMP., R. STEP			1		2040165	
							1		2040166	DK,DM,E,ED,F,G,U
		9	50617-300-670	SPRING, R. STEP RETURN	1		1	1		
			50617-371-980	SPRING, R. STEP RETURN			1			
		10	50619-375-000	STOPPER, STEP RUBBER	2	2	2	2		

1977.08.20

F-21

Step - Stand



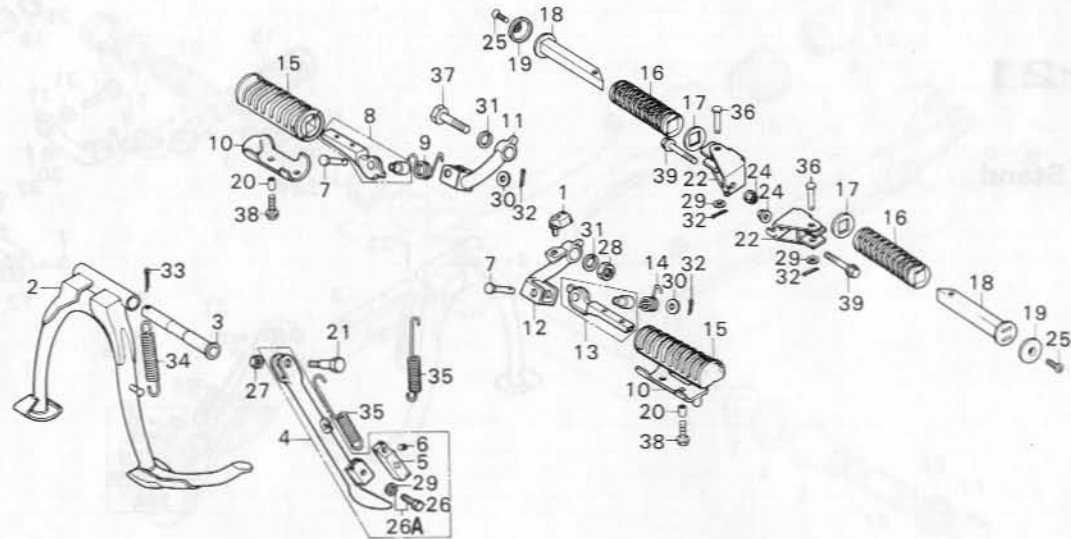
B371-36

Service item	F.R.T.	Ref. No.	Part No.	Description	Reqd. No.				Serial No.	Area code
					GL1000	GL1000	LTD	K1 K2		
		11	50630-371-000	BRACKET, R. STEP	1	1	1	1		
		12	50640-371-000	BRACKET, L. STEP	1	1	1	1		
		13	50642-369-670B	ARM COMP., L. STEP	1	1				
			50642-371-000B	ARM COMP., L. STEP			1		2040166	2040165
							1			DK,DM,E,ED,F,G,U
		14	50644-300-670	SPRING, L. STEP RETURN	1	1	1	1		
			50644-371-980	SPRING, L. STEP RETURN		1				
		15	50661-369-000	RUBBER, STEP	2	2	2	2		
		16	50710-377-000	RUBBER, PILLION STEP	2	2	2			
			50716-371-660	RUBBER, PILLION STEP				2		
		17	50712-377-000	WASHER, PILLION STEP	2	2				
			50712-371-980	WASHER, PILLION STEP		2				
			50712-371-660	WASHER, PILLION STEP				2		
		18	50715-377-000	BAR, PILLION STEP	2	2				
			50715-371-980	BAR, PILLION STEP		2				
			50715-371-660	BAR, PILLION STEP				2		
		19	50717-371-980	COVER, PILLION STEP		2				
			50717-371-660	COVER, PILLION STEP				2		
		20	84706-286-000	COLLAR, NUMBER BRACKET SETTING	4	4	4	4		
		21	90108-371-000	SCREW, SIDE STAND PIVOT	1					
							1			A
			90108-371-610	SCREW, SIDE STAND PIVOT			1		2016001	2016000
							1			A
					1					CM,DK,DM,E,ED,F,G,U
							1			DK,DM,U
							1			A,CM,E,ED,F,G
			90108-371-980	SCREW, SIDE STAND		1				
		22	90167-371-000	BRACKET, PILLION STEP	2		2			

1977.08.20

F-21

Step - Stand



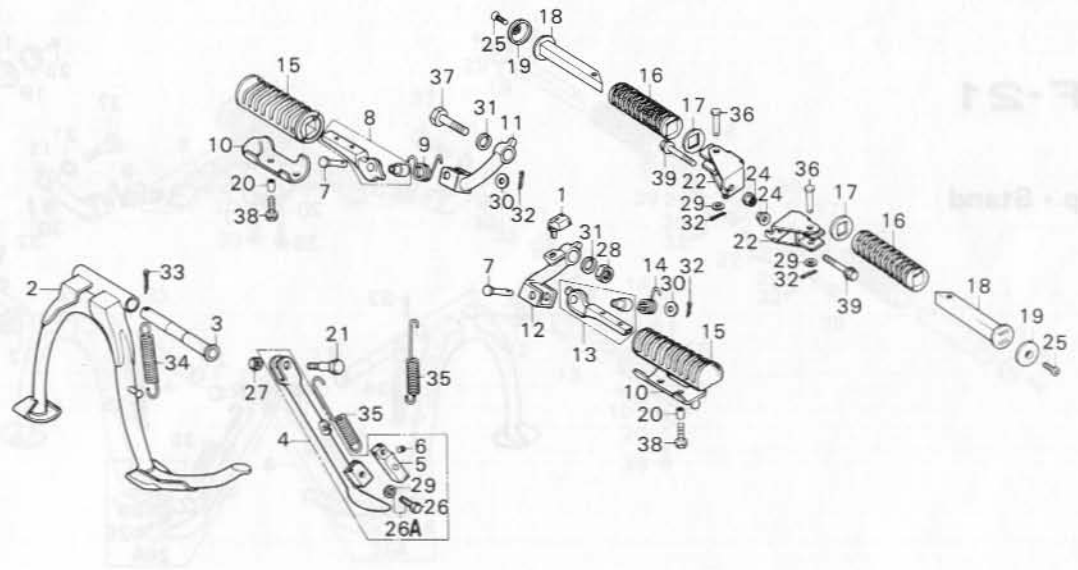
B371-36

Service item	F.R.T.	Ref. No.	Part No.	Description	Reqd. No.		Serial No.	Area code
					GL1000	GL1000 LTD K1 K2		
			90167-371-660	BRACKET, PILLION STEP		2		
			90167-371-980	BRACKET, PILLION STEP		2		
		24	90201-329-000	NUT, FLANGE, 10MM	2	2 2 2		
		25	91524-371-980	SCREW, OVAL, 4X12		2		
			93700-04012-08	SCREW, OVAL, 4X12		2		
		26	92000-06028	BOLT, HEX., 6X28	1	1 1		
		26A	91516-371-980	BOLT-WASHER, 6X28		1		
		27	94001-10000-05	NUT, HEX., 10MM	1			
			90324-001-810	NUT, RR. CUSHION UNDER SETTING		1	2016001	A
						1		A
						1		A
						1		CM, DK, DM, E, ED, F, G, U
						1		DK, DM, U
						1		A, CM, E, ED, F, G
		28	94001-12000-05	NUT, HEX., 12MM	1	1 1		
			91544-371-980	NUT, CAP, 12MM		1		
			94021-12020-05	NUT, CAP, 12MM		1		
		29	94101-06000	WASHER, PLAIN, 6MM	3	3 3		
			91550-371-980	WASHER, PLAIN, 6MM		2		
		30	94101-08000	WASHER, PLAIN, 8MM	2	2 2		
			90082-371-980	WASHER, PLAIN, 8MM		2		
		31	94111-12000	WASHER, SPRING, 12MM	2	2 2		
			91565-371-980	WASHER, SPRING, 12MM		2		
		32	94201-16150	PIN, SPLIT, 1.6X15	4	4 4		
		33	94201-25250	PIN, SPLIT, 2.5X25	1	1 1		
		34	95014-71701	SPRING G, MAIN STAND	1	1 1		
			91571-371-980	SPRING C, MAIN STAND		1		
		35	95014-72401	SPRING D, SIDE STAND	1	1 1		
			91570-371-960	SPRING A, SIDE STAND		2		A, CM, DK, DM, E, ED, F, U
								G

1977.08.20

F-21

Step - Stand

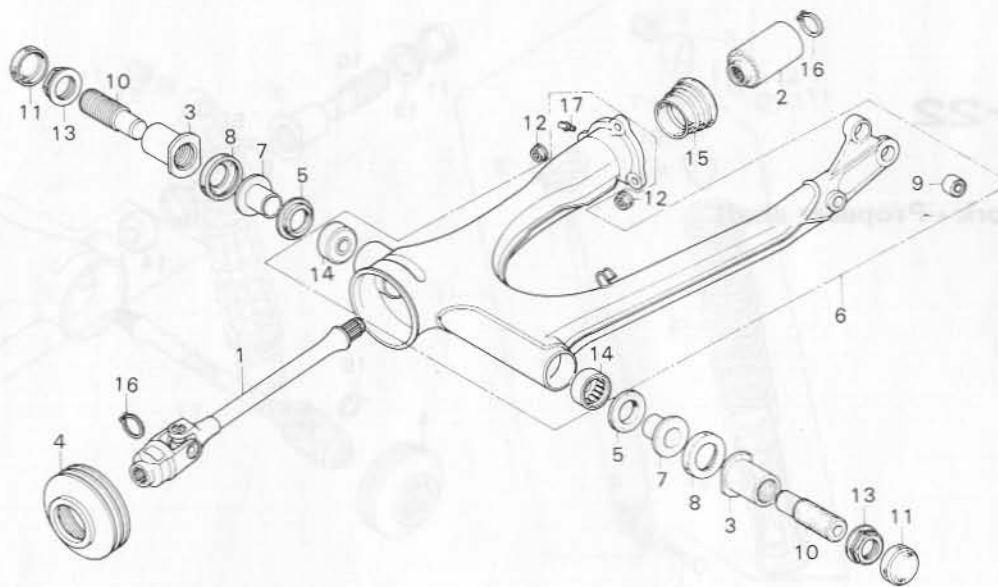


B371-36

Service item	F.R.T.	Ref. No.	Part No.	Description	Reqd. No.		Serial No.	Area code
					GL1000	GL1000 LTD K1 K2		
			91570-371-980	SPRING D, SIDE STAND		1		A,CH,ED,F,U G
			95014-72102	SPRING A, SIDE STAND		2 2		
		36	95015-82000	PIN B, PILLION STEP		2		
			91572-371-980	PIN B, PILLION STEP		2		
			50714-371-660	PIN B, PILLION STEP			2	
		37	95300-12040-00	BOLT, HEX., 12X40		1	1 1	
			91513-371-980	BOLT, HEX., 12X40		1		
		38	95700-06018-00	BOLT, FLANGE, 6X18		4	4 4 4	
		39	95700-10040-00	BOLT, FLANGE, 10X40		2	2 2 2	
			91589-371-980	BOLT, FLANGE, 10X40		2		

F-22

Rear fork - Propeller shaft



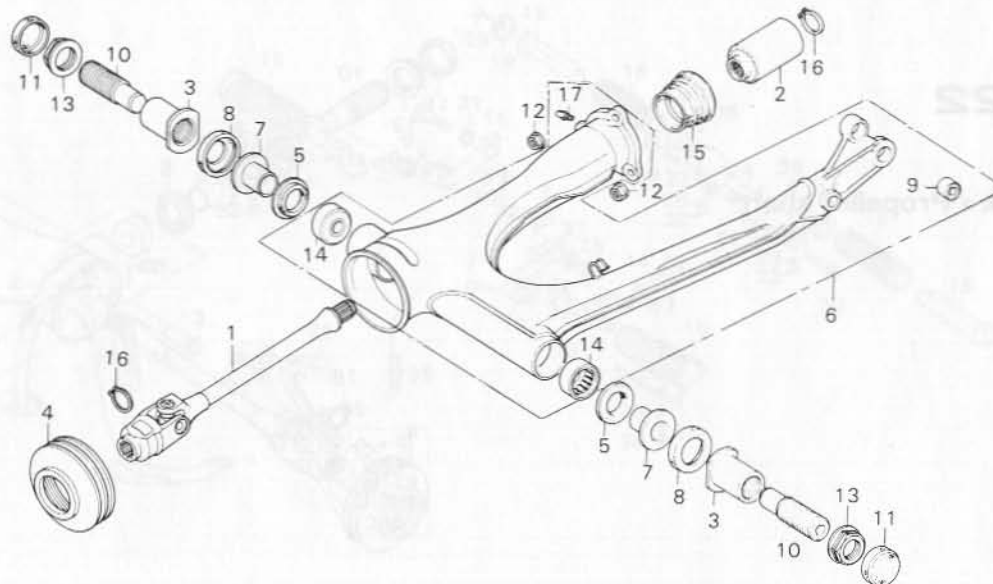
B371-37

Service item	F.R.T.	Ref. No.	Part No.	Description	Reqd. No.				Serial No.	Area code
					GL1000	GL1000	LTD	K1 K2		
BK2518L BEARING	1.2	1	40200-371-000	SHAFT COMP., PROPELLER	1	1	1	1		
+One or all		2	40210-371-003	JOINT, PROPELLER SHAFT	1	1	1	1		
REAR DAMPER BUSH	1.1	3	50197-371-300	NUT, FORK PIVOT	2	2	2	2		
•PROPELLER SHAFT COMP.		4	52105-371-000	BOOT, JOINT	1	1	1	1		
FORK PIVOT NUT	1.1	5	52109-371-000	BUSH, PIVOT THRUST	2	2	2	2		
*Add 0.1		6	52120-371-305	FORK ASSY., RR.	1					
REAR FORK ASSY./PIVOT COLLAR	1.0		52120-371-315	FORK ASSY., RR.		1			2002809	2002808 E,ED,F,G
PROPELLER SHAFT JOINT	0.6		52120-371-325	FORK ASSY., RR.		1			2019697	2019697 E,ED,F,G
			52120-371-980	FORK ASSY., RR.		1			2019698	2019697 A,CM,DK,DM,U
		7	52141-371-000	COLLAR, PIVOT	2	2	2	2		
		8	52145-371-000	COVER, PIVOT DUST	2	2	2	2		
		9	52451-357-000	BUSH, RR. DAMPER	1	1	1	1		
		10	90121-371-000	BOLT, PIVOT	2					
			90121-371-010	BOLT, PIVOT		2			2010663	
						2		2	2010664	
		11	90303-371-000	CAP, LOCK NUT	2	2	2	2		
		12	90308-357-000	NUT, HEX., 10MM	3		3	3		
			90308-371-980	NUT, HEX., 10MM		3				
		13	90354-371-000	NUT, LOCK, 23MM	2					
			90354-371-010	NUT, LOCK, 23MM		2		2	2010663	
						2		2	2010664	
		14	91071-371-003	BEARING BK2518L (TOYO)	2	2	2	2		

1977.08.20

F-22

Rear fork • Propeller shaft



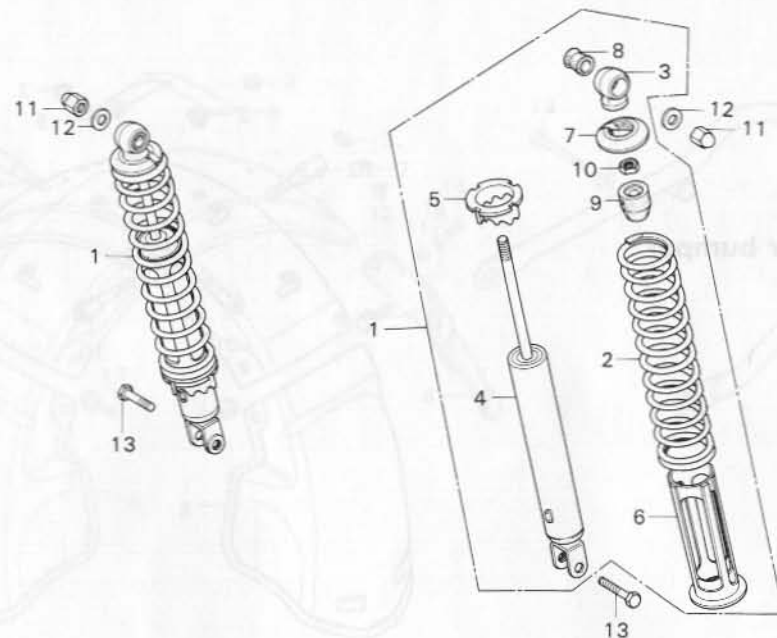
B371-37

Service item	F.R.T.	Ref. No.	Part No.	Description	Reqd. No.			Serial No.	Area code
					GL1000	GL1000	LTD K1 K2		
		15	91267-371-003	OIL SEAL, 43X67X32	1	1	1	2002809	A,CM,DK,DM,U E,ED,F,G
					1	1	1		E,ED,F,G
					1	1	1		E,ED,F,G
		16	94510-20000	CIR CLIP, EXTERNAL, 20	2	2	2	2002809	A,CM,DK,DM,U
		17	96201-10000	NIPPLE, GREASE, A.T6	1	1	1		E,ED,F,G
					1	1	1		E,ED,F,G

1977.08.20

F-23

Rear cushion



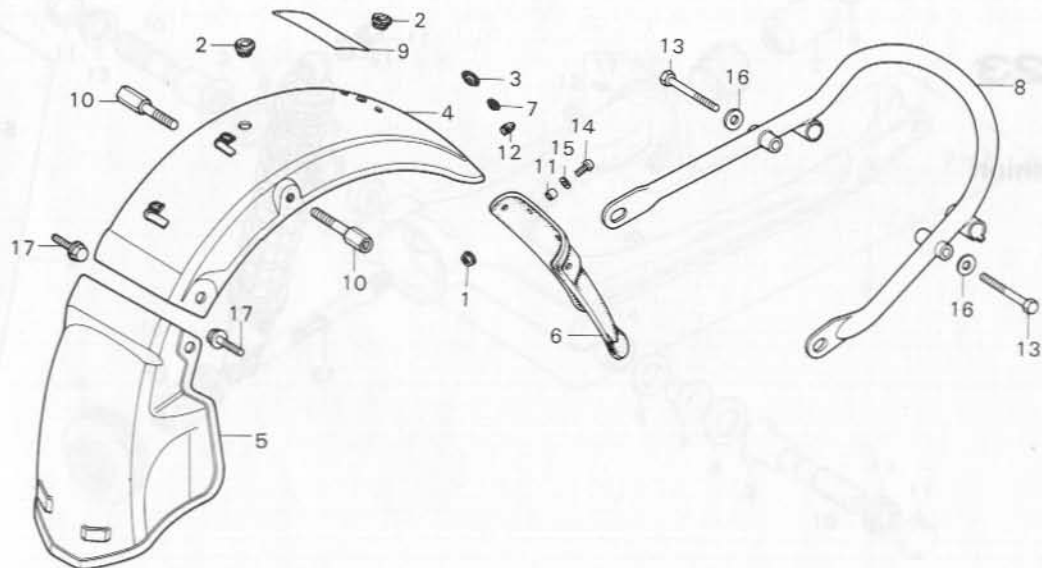
B371-38

Service item	F.R.T.	Ref. No.	Part No.	Description	GL1000	Reqd. No. GL1000 LTD K1 K2	Serial No.	Area code
REAR CUSHION ASSY.	0.1	1	52400-371-003	CUSHION ASSY., RR.	2	2 2		A,CM,DK,DM,U
REAR CUSHION SPRING and its related parts	0.3		52400-371-980	CUSHION ASSY., RR.	2	2		A,CM,U
			52400-371-961	CUSHION ASSY., RR.	2			ED,F,G
		2	52400-371-611	CUSHION ASSY., RR.	2	2 2		E,ED,F,G
		2	52401-371-000	SPRING, RR. CUSHION	2	2 2		
			52401-371-980	SPRING, RR. CUSHION	2	2		
		3	52403-371-003	JOINT COMP., UPPER (SHOWA)	2	2 2		
			52403-371-980	JOINT COMP., UPPER	2	2		
		4	52410-371-003	DAMPER COMP., RR.	2	2 2		A,CM,DK,DM,U
			52410-371-980	DAMPER COMP., RR.	2	2		A,CM,U
			52410-371-961	DAMPER COMP., RR.	2			ED,F,G
			52410-371-611	DAMPER COMP., RR.	2	2 2		E,ED,F,G
		5	52422-371-003	ADJUSTER, SPRING (SHOWA)	2	2 2		
			52422-371-980	ADJUSTER, SPRING	2	2		
		6	52458-371-003	GUIDE, SPRING	2	2 2 2		
		7	52459-371-003	SEAT, SPRING UPPER (SHOWA)	2	2 2		
			52459-371-980	SEAT, SPRING UPPER	2	2		
		8	52484-292-000	RUBBER, JOINT	2	2 2 2		
		9	52517-385-000	RUBBER, STOPPER	2	2 2 2		
		10	90301-385-003	NUT, HEX., 11MM	2	2 2 2		
		11	90309-315-000	NUT, RR. CUSHION UPPER	2	2 2		
			90309-371-980	NUT, RR. CUSHION UPPER	2	2		
		12	90521-292-000	WASHER, 10.3MM	2	2 2		
			90521-371-980	WASHER, 10.3MM	2	2		
		13	93200-10032-08	BOLT, HEX., 10X32	2	2 2		
			91511-371-980	BOLT, HEX., 10X32	2	2		

1977.08.20

F-24

Rear fender • Rear bumper



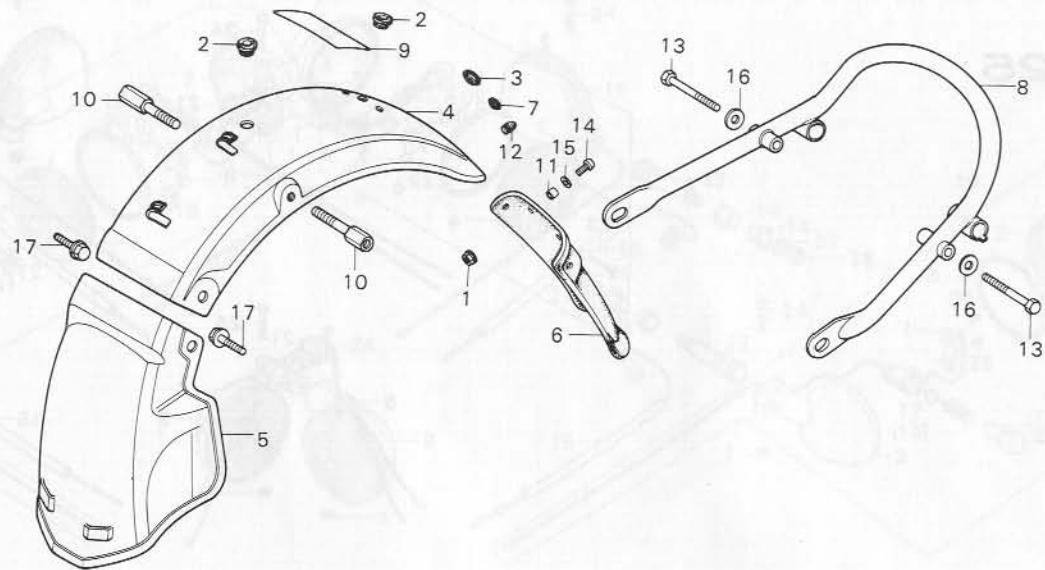
B371-39

Service item	F.R.T.	Ref. No.	Part No.	Description	GL1000	Reqd. No.			Serial No.	Area code
						GL1000	LTD	K1 K2		
REAR FENDER A.	0.5	1	18362-720-000	NUT, FLANGE, 6MM		4	4	4		ED
REAR FENDER B.	0.3	2	32983-011-000	GROMMET, WIRE CORD	2	2	2	2		
•REAR BUMPER		3	70548-605-000	GROMMET, RR. INNER PANEL	1	1	1	1		E,ED,F,G
REAR FENDER MUDGUARD	0.1	4	80100-371-000	FENDER A, RR.	1	1	1	1		A,CM,DK,DM,U
			80100-371-980	FENDER A, RR.		1				A,CM,U
			80100-371-960	FENDER A, RR.		1				ED,F,G
			80100-371-610	FENDER A, RR.			1			E,ED,F,G
			80100-371-611	FENDER A, RR.				1		E,ED,F,G
		5	80101-371-000	FENDER B, RR.	1	1	1	1		E,ED,F,G
		6	80121-323-630	MUDGUARD, RR. FENDER		1	1	1		ED
		7	80124-351-000	PLUG, RR. FENDER		8	8	4		E,F,G
							4	4		ED
		8	84101-371-000	BUMPER, RR.		1				
							1			
			84101-371-010	BUMPER, RR.		1			2040166	2040165
							1			A,CM,DK,DM,E,ED,F,U
			84101-371-610	BUMPER, RR.			1	1		DK,DM,E,ED,F,U
								1		A,CM,DK,DM,U
										G
			84101-371-980	BUMPER, RR.		1				E,ED,F
			84101-371-960	BUMPER, RR.		1				A,CM,ED,F,U
										G
		9	87505-371-671	MARK, TIRE CAUTION	1					A
			87505-371-610	MARK, TIRE CAUTION	1	1	1	1		DK,DM,E,ED,F,G,U
			87505-371-770	MARK, TIRE CAUTION	1	1	1	1		A,CM
		10	90102-371-000	BOLT, FENDER SETTING	2		2	2		
			90102-371-980	BOLT, FENDER SETTING		2				
		11	90325-323-630	COLLAR, RR. MUDGUARD		4	4	4		ED
		12	90899-323-610	PLUG, CONE		1	1			E,ED,F,G
		13	93000-08040-08	BOLT, HEX., 8X40	2		2	2		A,CM,DK,DM,E,ED,F,U

1977.08.20

F-24

Rear fender • Rear bumper



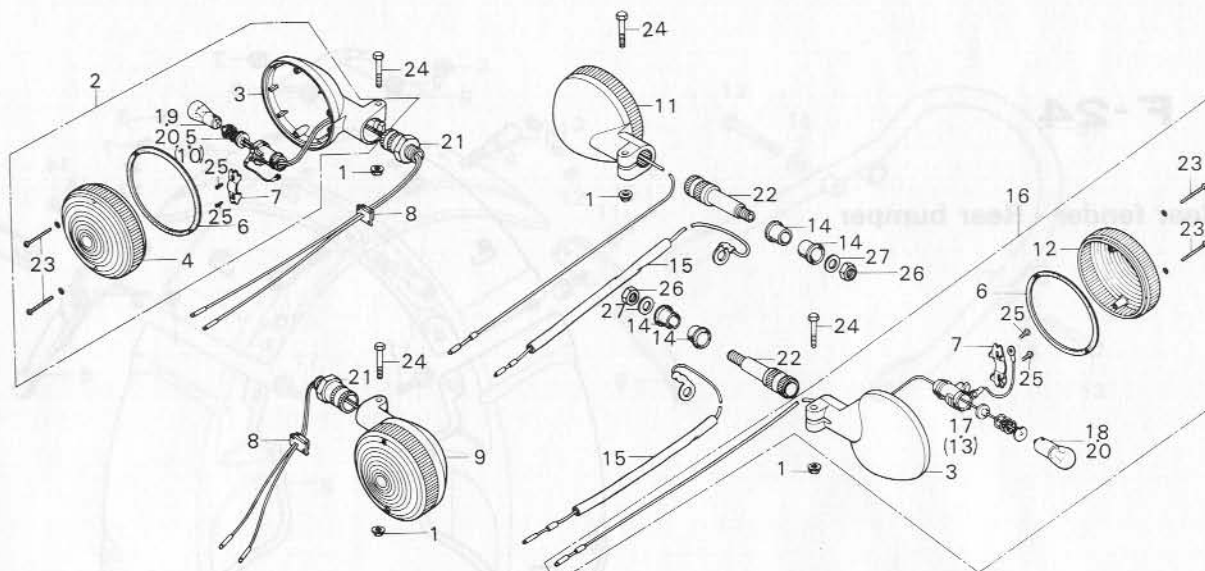
8371-39

Service item	F.R.T.	Ref. No.	Part No.	Description	GL1000	Reqd. No. GL1000 LTD K1 K2	Serial No.	Area code
			91505-371-960	BOLT, CAP, 8X40		2		G
			91510-371-980	BOLT, HEX., 8X40		2		A, CM, ED, F, U
			92600-08040-08	BOLT, CAP, 8X40		2	2	G
		14	93500-06020	SCREW, PAN, 6X20		4	4	ED
			91520-371-900	SCREW, PAN, 6X20		4		ED
		15	94101-06000	WASHER, PLAIN, 6MM		4	4	ED
			91550-371-980	WASHER, PLAIN, 6MM		4		ED
		16	94101-08200	WASHER, PLAIN, 8MM		2	2	
			90082-371-980	WASHER, PLAIN, 8MM		2		
		17	95700-08014-08	BOLT, FLANGE, 8X14		2	2	

1977.08.20

F-25

Winker



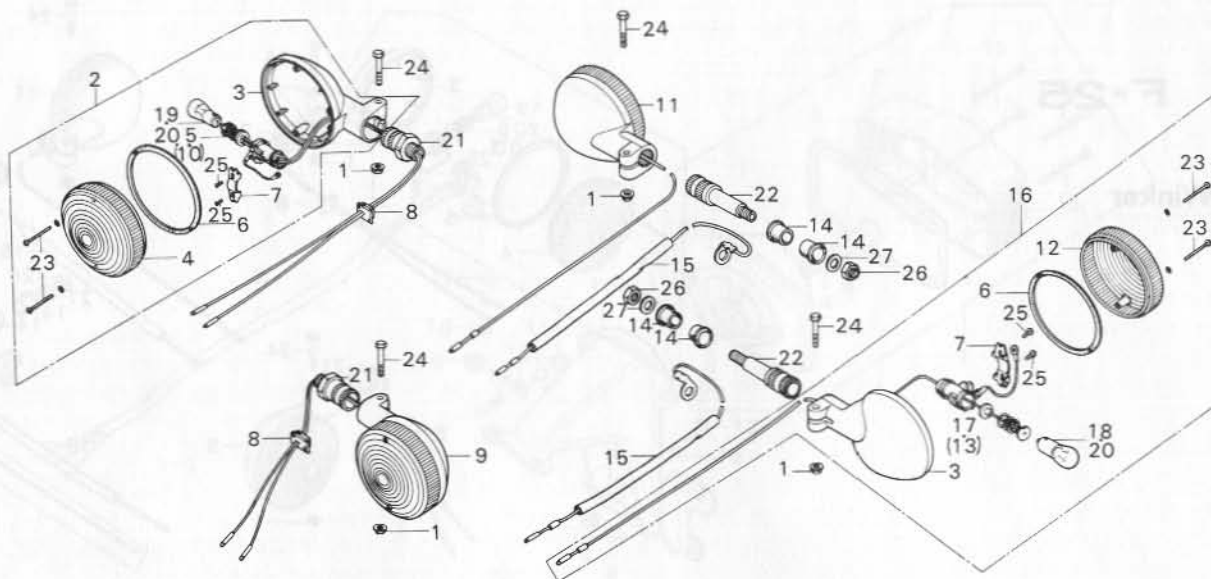
8371-40

Service item	F.R.T.	Ref. No.	Part No.	Description	Reqd. No.				Serial No.	Area code
					GL1000	LTD	K1	K2		
FRONT WINKER ASSY. and its related parts	0.3	1	18362-720-000	NUT, FLANGE, 6MM	4	4	4	4		
*Add 0.2 at front winker		2	33400-377-671	WINKER ASSY., R. FR.	1	1	1	1		A,CM
REAR WINKER ASSY. and its related parts	0.2		33400-390-003	WINKER ASSY., R. FR.	1	1	1	1		DK,DM,U
*Add 0.1			33400-371-601	WINKER ASSY., R. FR.			1	1		E,ED,F,G
WINKER LENS/BULB	0.1		33400-371-951	WINKER ASSY., R. FR.		1				ED,F,G
			33400-371-981	WINKER ASSY., R. FR.		1				A,CM
			33400-371-911	WINKER ASSY., R. FR.		1				U
		3	33401-377-671	BASE, R. FR. WINKER	4	4	4	4		A,CM
			33401-371-951	BASE, WINKER		4				ED,F,G,U
			33401-371-981	BASE, WINKER		4				A,CM
			33401-390-003	BASE, R. FR. WINKER	4	4	4	4		DK,DM,E,ED,F,G,U
		4	33402-377-671	LENS, FR. WINKER	2	2	2	2		
		5	33405-377-671	SOCKET COMP., R. FR. WINKER	1	1	1	1		A,CM
			33605-377-671	SOCKET COMP., R.	1	1	1	1		DK,DM,E,ED,F,G,U
		6	33406-377-671	PACKING, WINKER LENS	4	4	4	4		
		7	33407-377-671	HOLDER, FR. WINKER SOCKET	4	4	4	4		A,CM;DK,DM,U
			33407-371-601	HOLDER, FR. WINKER SOCKET		4	4	4		E,ED,F,G
		8	33421-371-000	GROMMET, WINKER CORD	2	2	2	2		
		9	33450-377-671	WINKER ASSY., L. FR.	1	1	1	1		A,CM
			33450-390-003	WINKER ASSY., L. FR.	1	1	1	1		DK,DM,U
			33450-371-601	WINKER ASSY., L. FR.		1	1	1		E,ED,F,G
			33450-371-951	WINKER ASSY., L. FR.		1				ED,F,G
			33450-371-981	WINKER ASSY., L. FR.		1				A,CM
			33450-371-911	WINKER ASSY., L. FR.		1				U
			33450-390-003	WINKER ASSY., L. FR.		1		1		DK,DM,U
		10	33455-377-671	SOCKET COMP., L. FR. WINKER	1	1	1	1		A,CM
			33655-377-671	SOCKET COMP., L.	1	1	1	1		DK,DM,E,ED,F,G,U
		11	33600-377-671	WINKER ASSY., R. RR.	1	1	1	1		A,CM

1977.08.20

F-25

Winker



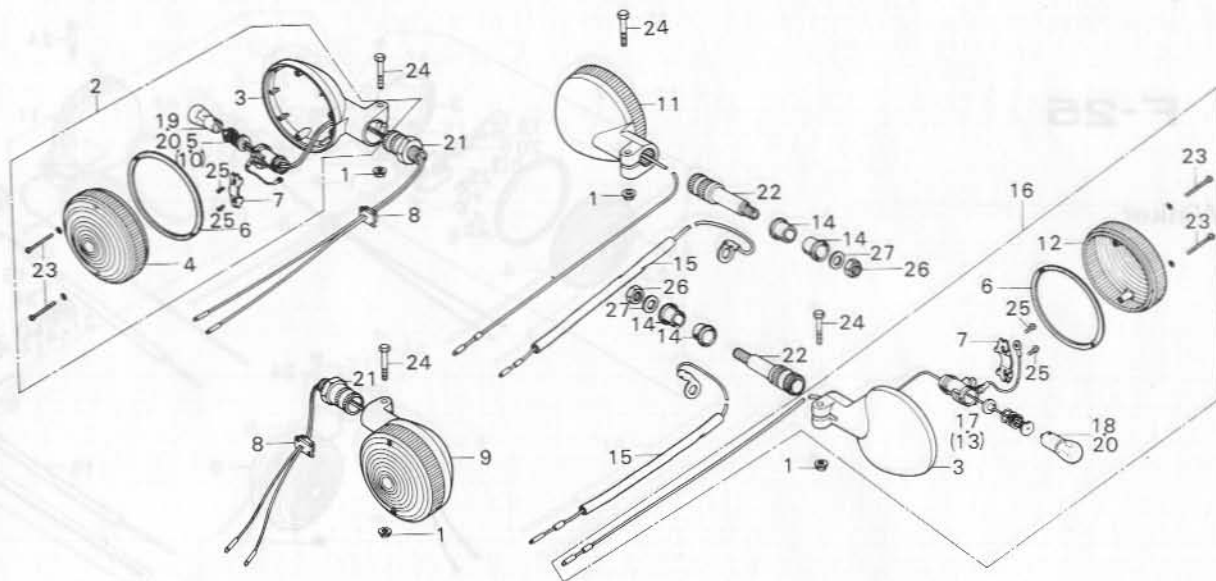
8371-40

Service item	F.R.T.	Ref. No.	Part No.	Description	Reqd. No.			Serial No.	Area code
					GL1000	GL1000	LTD K1 K2		
			33400-390-003	WINKER ASSY., R. FR.	1	1	1	DK, DM, U	
			33600-371-601	WINKER ASSY., R. RR.			1	E, ED, F, G	
			33600-371-951	WINKER ASSY., R. RR.	1			ED, F, G	
			33600-371-981	WINKER ASSY., R. RR.	1			A, CM	
			33400-371-911	WINKER ASSY., R. FR.	1			U	
			33600-371-602	WINKER ASSY., R. RR.			1	E, ED, F, G	
		12	33602-371-601	LENS, RR. WINKER		2	2	E, ED, F, G	
			33402-377-671	LENS, FR. WINKER	2	2	2	A, CM, DK, DM, U	
		13	33605-377-671	SOCKET COMP., R.	1	1	1	A, CM, DK, DM, U	
			33605-374-671	SOCKET COMP., R. RR. WINKER	1	1		E, ED, F, G	
			33610-371-601	SOCKET COMP., R. RR.			1	E, ED, F, G	
		14	33606-371-000	RUBBER, RR. WINKER MOUNT	4	4	4	A, CM, DK, DM, U	
						4		E, ED, F	
		15	33620-371-000	CORD, WINKER EARTH	2	2	2	A, CM, DK, DM, U	
						2		E, ED, F	
		16	33650-377-671	WINKER ASSY., L. RR.	1	1	1	A, CM	
			33450-390-003	WINKER ASSY., L. FR.	1		1	DK, DM, U	
			33650-371-601	WINKER ASSY., L. RR.			1	E, ED, F, G	
			33650-371-602	WINKER ASSY., L. RR.			1	E, ED, F, G	
			33650-371-951	WINKER ASSY., L. RR.	1			ED, F, G	
			33650-371-981	WINKER ASSY., L. RR.	1			A, CM	
			33450-371-911	WINKER ASSY., L. FR.	1			U	
		17	33655-377-671	SOCKET COMP., L.	1	1	1	A, CM, DK, DM, U	
			33655-374-671	SOCKET COMP., L. RR. WINKER	1	1		E, ED, F, G	
			33660-371-601	SOCKET COMP., L. RR.			1	E, ED, F, G	
		18	34905-268-671	BULB, WINKER (12V 23W)	2	2	2	A, CM, DK, DM, U	
		19	34906-313-671	BULB, TAIL & STOP LIGHT (12V 23/8W)	2	2	2	A, CM	

1977.08.20

F-25

Winker



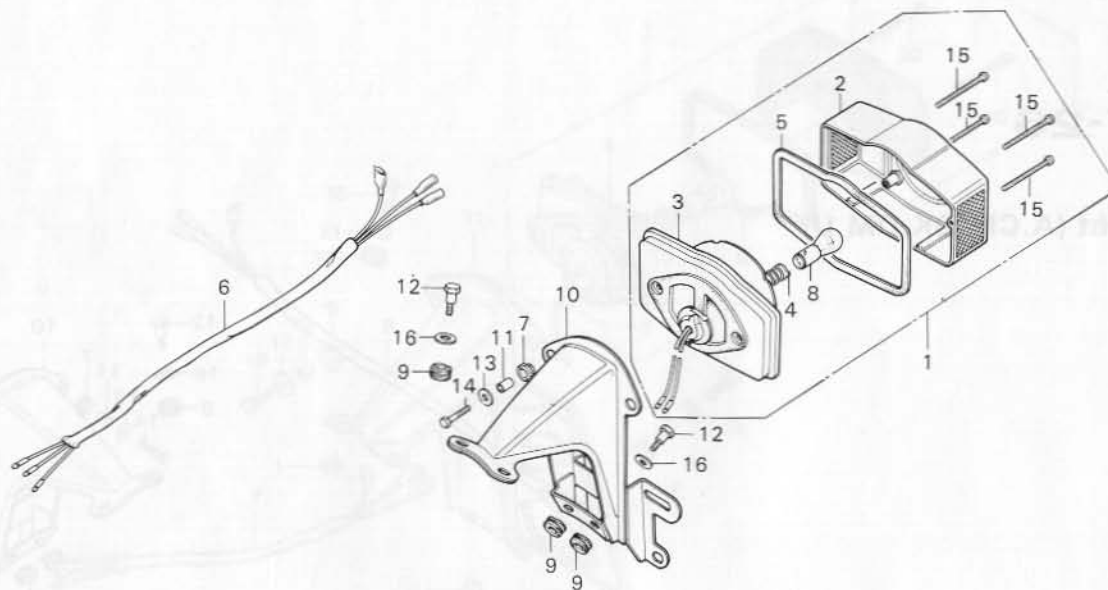
B371-40

Service item	F.R.T.	Ref. No.	Part No.	Description	Reqd. No.				Serial No.	Area code
					GL1000	GL1000	LTD K1	K2		
		20	34905-268-671	BULB, WINKER (12V 23W)	2	2	2	2		DK,DM,U
			34908-634-611	BULB (12V21W) (LOCAL PROCUREMENT)				4		E,ED,F,G
		21	90129-371-000	BOLT, FR. WINKER SET	2	2	2			
			90129-371-980	BOLT, FR. WINKER SETTING	2	2				
		22	90155-371-000	BOLT, RR. WINKER SET	2	2	2			A,CM,DK,DM,U
							2			E,ED,F
			90155-371-980	BOLT, RR. WINKER SETTING		2				A,CM,ED,F,U
		23	90192-377-671	SCREW, PAN, 4X25	8	8	8	8		
			90192-371-981	SCREW, PAN, 4X25		8				
		24	93000-06035-02	BOLT, HEX., 6X35	4	4	4	4		
			91509-371-980	BOLT, HEX., 6X35		4				
		25	93500-03008-0H	SCREW, PAN, 3X8	8	8	8	8		
		26	94001-10000-0S	NUT, HEX., 10MM	2	2	2	2		A,CM,DK,DM,U
						2				E,ED,F
		27	94101-10000	WASHER, PLAIN, 10MM	2	2	2	2		A,CM,DK,DM,U
							2			E,ED,F
			91556-371-980	WASHER, PLAIN, 10MM		2				A,CM,ED,F,U

1977.08.20

F-26

Taillight (A,CM,DK,DM,U)



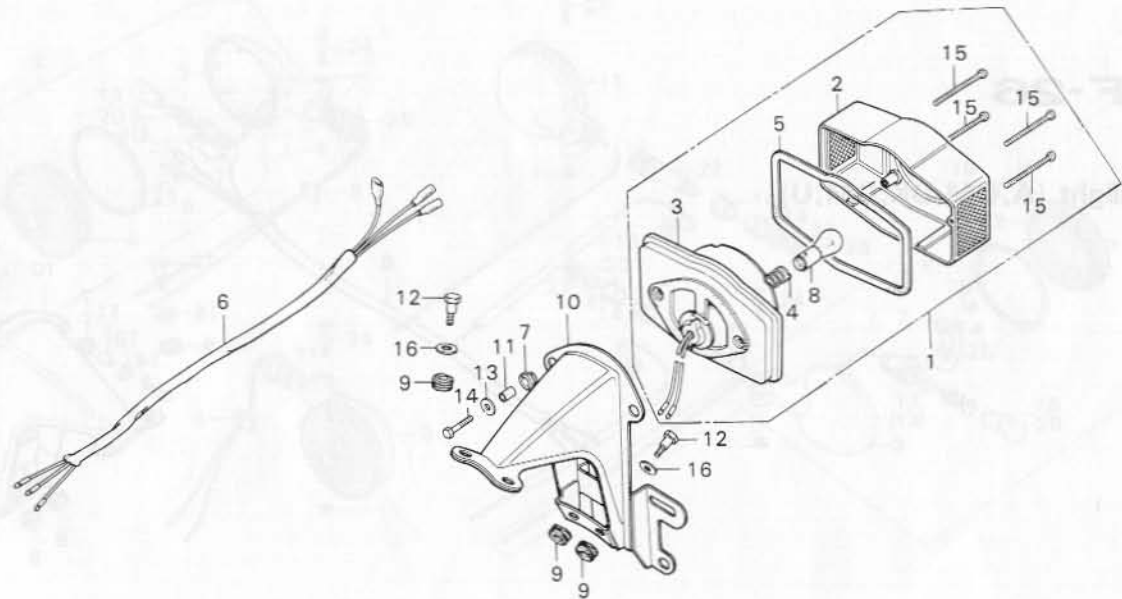
B371-41

Service item	F.R.T.	Ref. No.	Part No.	Description	Reqd. No.				Serial No.	Area code
					GL1000	GL1000	LTD	K1 K2		
NUMBER PLATE BRACKET	0.3	1	33701-341-671	TAILLIGHT UNIT	1					A
TAIL LIGHT UNIT/BASE and its related parts	0.2		33701-341-910	TAILLIGHT UNIT		1		2017993	2017992	A
TAIL LIGHT LENS/BULB	0.1					1	1			A
			33701-371-980	TAILLIGHT UNIT		1				A
			33701-371-910	TAILLIGHT UNIT		1				A,CM
			33701-369-000	TAILLIGHT UNIT	1					U
			33701-341-900	TAILLIGHT UNIT		1		2017993	2017992	DK,DM,U
						1				DK,DM,U
			2 33702-341-671	LENS, TAILLIGHT	1	1	1			DK,DM,U
			33702-341-003	LENS, TAILLIGHT	1	1	1			A,CM
			3 33703-341-671	BASE COMP., TAILLIGHT	1					DK,DM,U
			33703-341-900	BASE COMP., TAILLIGHT		1		2017993	2017992	A
						1				A
						1	1			CM
							1			A
			33703-371-980	BASE COMP., TAILLIGHT		1				A,CM,U
			33703-354-670	BASE COMP., TAILLIGHT	1					DK,DM,U
			33703-341-900	BASE COMP., TAILLIGHT		1		2017993	2017992	DK,DM,U
						1				DK,DM,U
			4 33708-341-671	CORD COMP., TAILLIGHT	1	1	1			A,CM,DK,DM,U
			5 33709-341-671	PACKING, TAILLIGHT LENS	1	1	1			A,CM,DK,DM,U
			6 33711-371-000	CORD, TAILLIGHT	1	1	1			A,CM,DK,DM,U
			7 33719-077-671	PACKING B, TAILLIGHT BASE	2					
						2			2017992	A,DK,DM,U

1977.08.20

F-26

Taillight (A,CM,DK,DM,U)



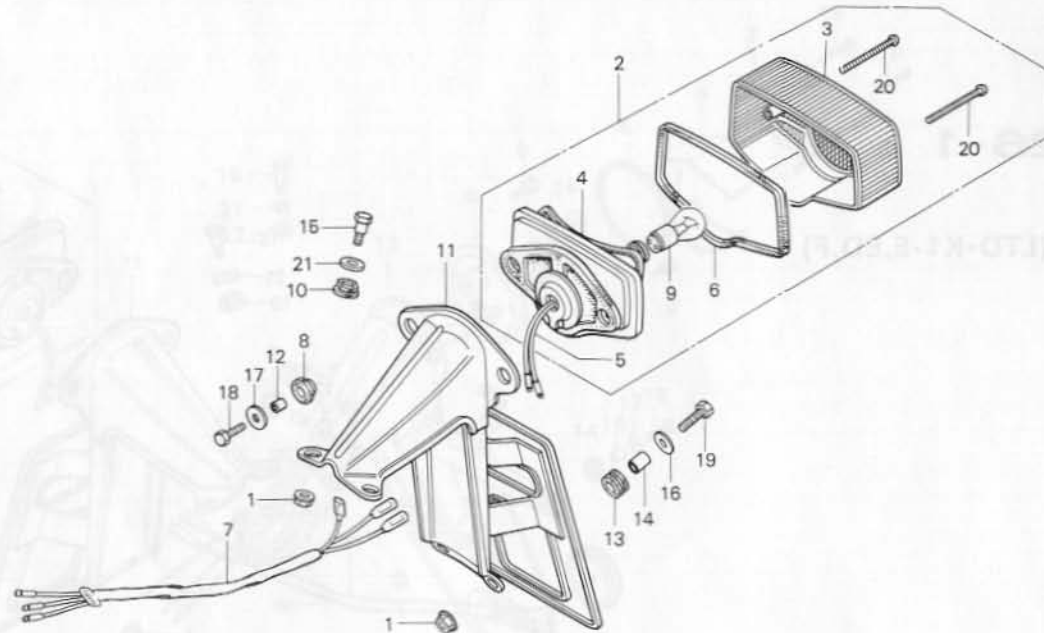
8371-41

Service item	F.R.T.	Ref. No.	Part No.	Description	GL1000		Reqd. No. GL1000 LTD K1 K2		Serial No.	Area code
			31403-300-000	RUBBER, REGULATOR CUSHION			2	2	2017993	A,DK,DM,U CM
		8	34906-341-671	BULB, TAILLIGHT (12V 32/3CP)	1	1	1	1		A,CM,DK,DM,U
		9	80101-283-000	RUBBER, RR. FENDER CUSHION	4	4	4	4		A,CM,DK,DM,U
		10	84701-341-670XW 84701-371-980	BRACKET, NUMBER PLATE BRACKET, NUMBER PLATE	1	1	1	1		A,CM,DK,DM,U A,CM,U
		11	84706-341-000 84706-378-000	COLLAR, NUMBER PLATE BRACKET COLLAR, TAILLIGHT UNIT	2		2	2	2017992 2017993	A,DK,DM,U A,DK,DM,U CM A,CM,DK,DM,U A,CM,U
		12	90162-292-000 90162-371-980	BOLT, FR. FENDER SETTING BOLT, NUMBER PLATE BRACKET SET	4	4	4	4		A,CM,DK,DM,U A,CM,U
		13	90581-831-650 90581-371-980	WASHER, 18MM WASHER, 18MM	2	2	2	2		A,CM,DK,DM,U A,CM,U
		14	92000-05020-08 92000-05025-0A	BOLT, HEX., 5X20 BOLT, HEX., 5X25	2		2	2	2017993 2017992	A,DK,DM,U A,DK,DM,U CM A,DK,DM,U A,CM,U
		15	91500-371-980 93500-04055-4J 91520-371-980	BOLT, HEX., 5X25 SCREW, PAN, 4X55 SCREW, PAN, 4X55	4		4	4		A,CM,U A,CM,DK,DM,U A,CM,U
		16	94101-08200 90082-371-980	WASHER, PLAIN, 8MM WASHER, PLAIN, 8MM	4		4	4		A,CM,DK,DM,U A,CM,U

1977.08.20

F-26-1

Taillight (LTD•K1-E,ED,F)



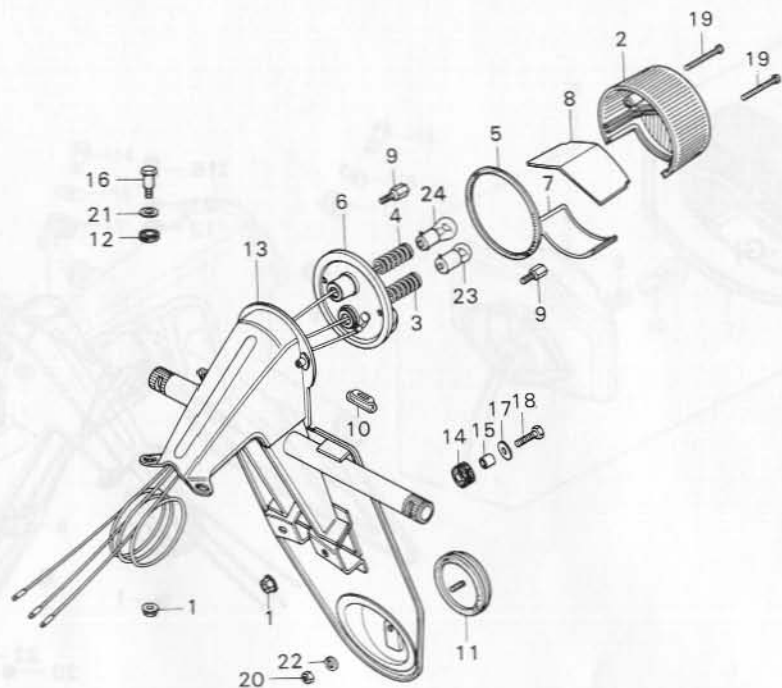
B371-41-1

Service item	F.R.T.	Ref. No.	Part No.	Description	Reqd. No.		Serial No.	Area code
					GL1000	GL1000 LTD K1 K2		
NUMBER PLATE BRACKET	0.3	1	18362-720-000	NUT, FLANGE, 6MM	4	4		E,ED,F
TAIL LIGHT UNIT/BASE and its related parts	0.2	2	33701-323-603	TAILLIGHT UNIT (12V 21/5W)		1		E,ED,F
TAIL LIGHT LENS/BULB	0.1	3	33701-371-951	TAILLIGHT UNIT	1			ED,F
		3	33702-323-603	LENS, TAILLIGHT	1	1		E,ED,F
		4	33703-077-671	BASE, TAILLIGHT		1		E,ED,F
			33703-371-951	BASE COMP., TAILLIGHT	1			ED,F
		5	33708-077-671	CORD COMP., TAILLIGHT	1	1		E,ED,F
		6	33709-077-671	PACKING, TAILLIGHT LENS	1	1		E,ED,F
		7	33711-371-000	CORD, TAILLIGHT	1	1		E,ED,F
		8	33719-077-671	PACKING B, TAILLIGHT BASE	2	2		E,ED,F
		9	34906-594-602	BULB, TAIL & STOP LIGHT (12V 21/5W)	1	1		E,ED,F
		10	80101-283-000	RUBBER, RR. FENDER CUSHION	2	2		E,ED,F
		11	84701-323-6008	BRACKET, NUMBER PLATE		1		E,ED,F
			84701-371-950	BRACKET, NUMBER PLATE	1			ED,F
		12	84706-286-000	COLLAR, NUMBER BRACKET SETTING	2	2		E,ED,F
		13	84905-118-000	RUBBER, NUMBER BRACKET CUSHION	2	2		E,ED,F
		14	84906-118-000	COLLAR, NUMBER BRACKET	2	2		E,ED,F
		15	90162-292-000	BOLT, FR. FENDER SETTING		2		E,ED,F
			90162-371-980	BOLT, NUMBER PLATE BRACKET SET	2			ED,F
		16	90545-323-700	WASHER, 6.5X18		2		E,ED,F
			90545-371-960	WASHER, 6.5X18	2			ED,F
		17	90581-831-650	WASHER, 18MM		2		E,ED,F
			90581-371-980	WASHER, 18MM	2			ED,F
		18	92000-05020-08	BOLT, HEX., 5X20	2	2		E,ED,F
		19	92000-06025	BOLT, HEX., 6X25		2		E,ED,F
			91504-371-960	BOLT, HEX., 6X25	2			ED,F

1977.08.20

F-26-2

Taillight (LTD-K1-G)



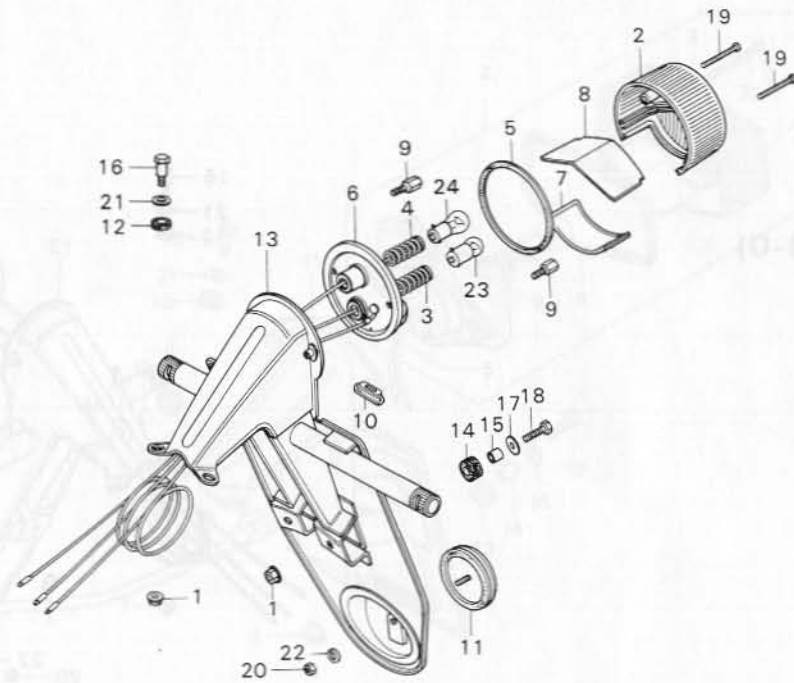
B371-41-2

Service item	F.R.T.	Ref. No.	Part No.	Description	Reqd. No.		Serial No.	Area code
					GL1000	GL1000 LTD K1 K2		
NUMBER PLATE BRACKET	0.5	1	18362-720-000	NUT, FLANGE, 6MM	4	4		G
TAIL LIGHT SOCKET	0.2	2	33701-051-000	LENS, TAIL & STOP LIGHT	1	1		G
TAIL & STOP LAMP LENS/BULB	0.1	3	33707-300-610	CORD COMP., TAILLIGHT	1	1		G
• REFLEX REFLECTOR		4	33708-300-610	CORD, STOP LIGHT	1	1		G
		5	33709-051-000	PACKING, TAILLIGHT LENS	1	1		G
		6	33710-300-610	SOCKET COMP., TAILLIGHT		1		G
			33710-371-960	SOCKET COMP., TAILLIGHT	1			G
		7	33715-051-000	LENS, LICENSE	1	1		G
		8	33716-051-000	PLATE, INTERCEPTION	1	1		G
		9	33717-292-610	BOLT, TAILLIGHT SETTING	2	2		G
		10	33722-323-610	GROMMET, RR. WINKER CORD	1	1		G
		11	33741-333-610	REFLECTOR, REFLEX		1		G
			33741-371-960	REFLECTOR, RR.	1			G
		12	80101-283-000	RUBBER, RR. FENDER CUSHION	2	2		G
		13	84701-371-610ZA	BRACKET, NUMBER PLATE *NH-1*		1		G
			84701-371-960	BRACKET, NUMBER PLATE	1			G
		14	84905-118-000	RUBBER, NUMBER BRACKET CUSHION	2	2		G
		15	84906-118-000	COLLAR, NUMBER BRACKET	2	2		G
		16	90162-292-000	BOLT, FR. FENDER SETTING		2		G
			90162-371-980	BOLT, NUMBER PLATE BRACKET SET	2			G
		17	90545-323-700	WASHER, 6.5X18		2		G
			90545-371-960	WASHER, 6.5X18	2			G
		18	92000-06025	BOLT, HEX., 6X25		2		G
			91504-371-960	BOLT, HEX., 6X25	2			G
		19	93500-03045-08	SCREW, PAN, 3X45		2		G
			91521-371-960	SCREW, PAN, 3X45	2			G
		20	94001-06000	NUT, HEX., 6MM	1	1		G

1977.08.20

F-26-2

Taillight (LTD-K1-G)

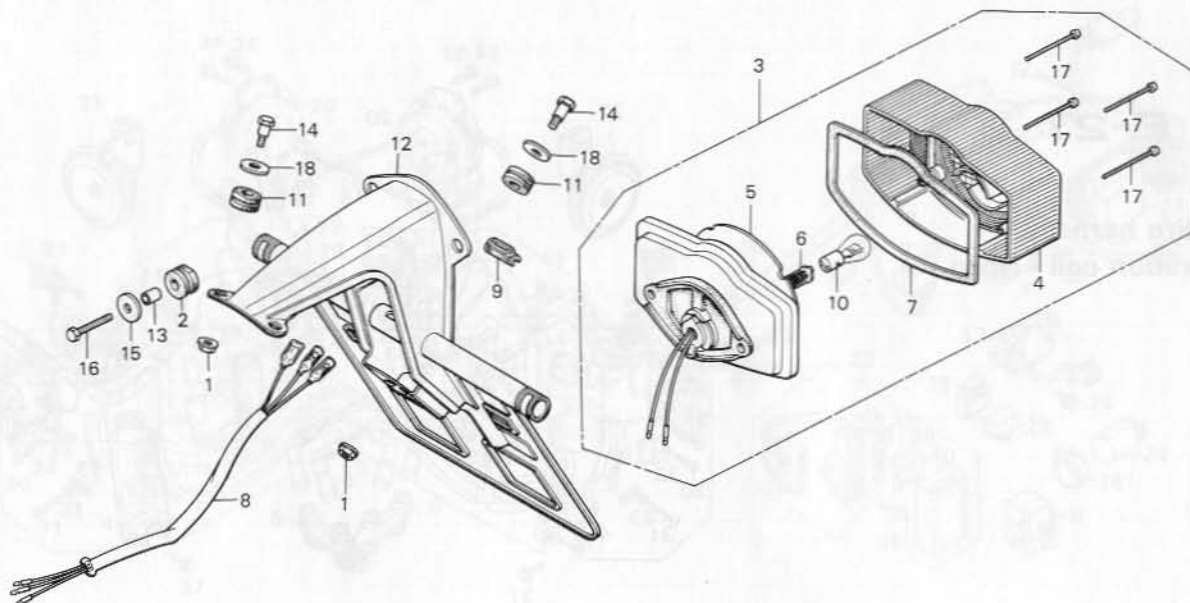


B371-41-2

Service item	F.R.T.	Ref. No.	Part No.	Description	Reqd. No.		Serial No.	Area code
					GL1000	LTD K1 K2		
		21	94101-08200	WASHER, PLAIN, 8MM		2		G
			90082-371-980	WASHER, PLAIN, 8MM		2		G
		22	94111-06000	WASHER, SPRING, 6MM		1		G
		23	LOCAL	BULB, TAILLIGHT (12V 5W)		1		G
			PROCUREMENT					
		24	LOCAL	BULB, STOP LIGHT (12V 18W)		1		G
			PROCUREMENT					

F-26-3

Taillight (K2-E,ED,F,G)



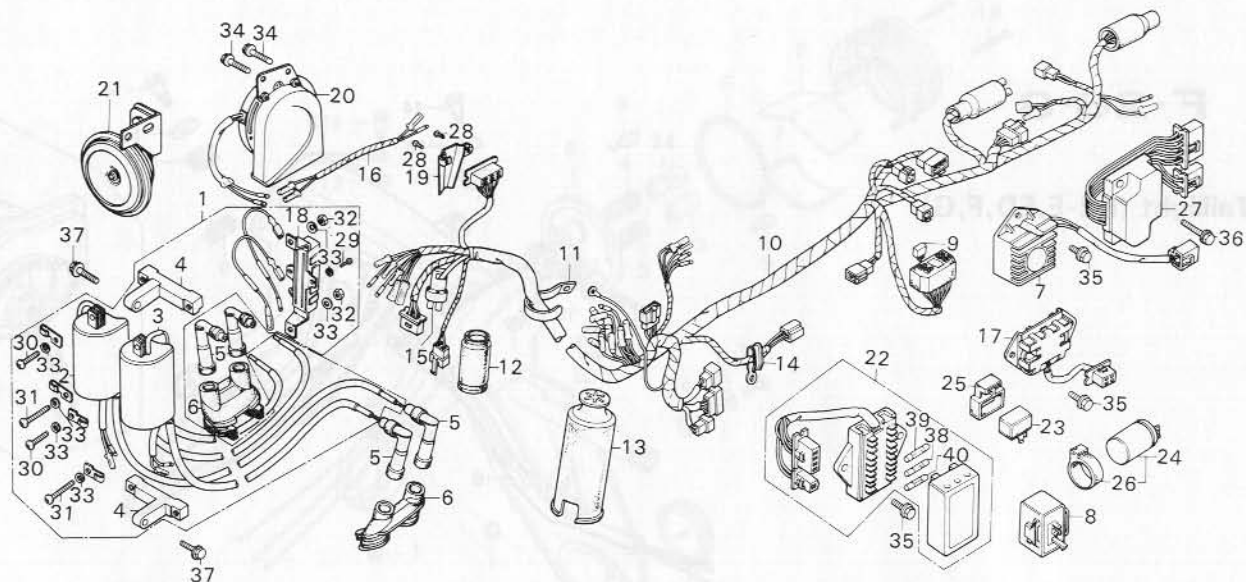
B371-45

Service item	F.R.T.	Ref. No.	Part No.	Description	Reqd. No.		Serial No.	Area code
					GL1000	GL1000 LTD K1 K2		
NUMBER PLATE BRACKET	0.5	1	18362-720-000	NUT, FLANGE, 6MM		4		E,ED,F,G
TAILLIGHT UNIT/TAILLIGHT BASE and its related parts	0.2	2	31403-300-000	RUBBER, REGULATOR CUSHION		2		E,ED,F,G
		3	33701-371-602	TAILLIGHT UNIT		1		E,ED,F,G
• TAIL & STOP LIGHT CORD		4	33702-371-602	LENS, TAILLIGHT		1		E,ED,F,G
TAILLIGHT LENS/BULB	0.1	5	33703-371-601	BASE CMP., TAILLIGHT		1		E,ED,F,G
		6	33708-371-601	CORD CMP., TAILLIGHT		1		E,ED,F,G
		7	33709-341-671	PACKING, TAILLIGHT LENS		1		E,ED,F,G
		8	33711-371-600	CORD, TAIL & STOP LIGHT		1		E,ED,F,G
		9	33722-323-610	GROMMET, RR. WINKER CORD		1		E,ED,F,G
		10	34911-634-611	BULB (12V21/5W) (LOCAL PROCUREMENT)		1		E,ED,F,G
		11	80101-283-000	RUBBER, RR. FENDER CUSHION		4		E,ED,F,G
		12	84701-371-600ZA	BRACKET, NUMBER PLATE *NH-1*		1		E,ED,F,G
		13	84706-378-000	COLLAR, TAILLIGHT UNIT		2		E,ED,F,G
		14	90162-292-000	BOLT, FR. FENDER SETTING		4		E,ED,F,G
		15	90581-831-650	WASHER, 18MM		2		E,ED,F,G
		16	92000-05025-0A	BOLT, HEX., 5X25		2		E,ED,F,G
		17	93500-04055-0A	SCREW, PAN, 4X55		4		E,ED,F,G
		18	94101-08200	WASHER, PLAIN, 8MM		4		E,ED,F,G

1977.08.20

F-27

Wire harness • Ignition coil • Horn



B371-42

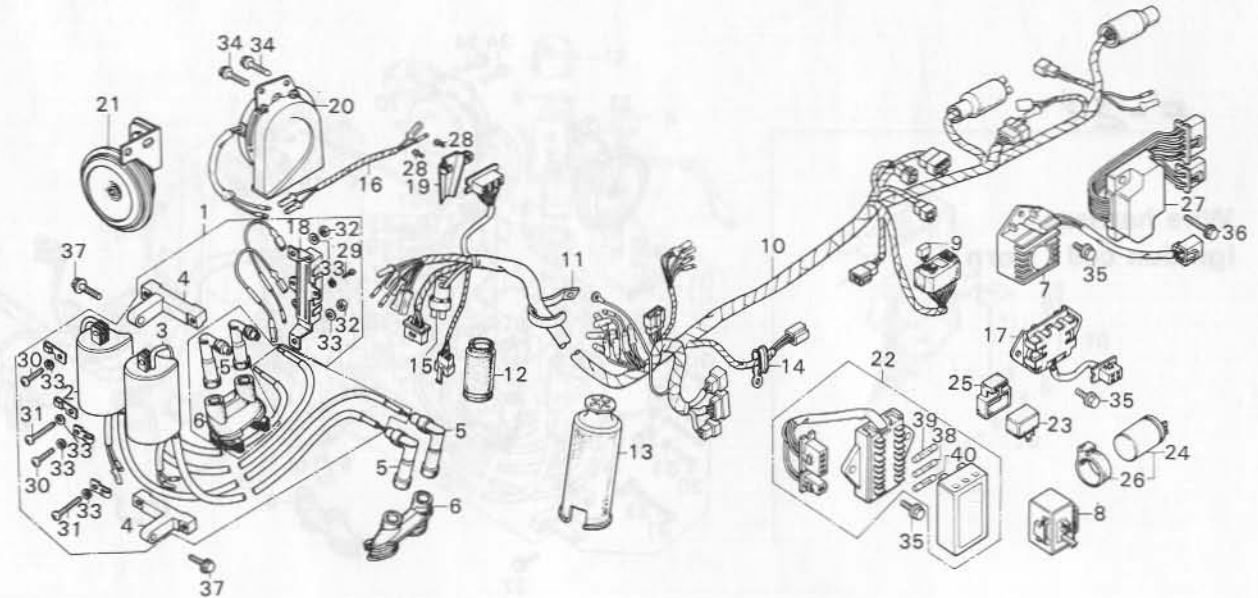
Service item	F.R.T.	Ref. No.	Part No.	Description	Reqd. No.				Serial No.	Area code
					GL1000	GL1000	LTD	K1 K2		
WIRE HARNESS	2.2	1	30500-371-003	COIL ASSY., IGNITION (TOYD)	1	1	1	1		
IGNITION COIL ASSY./RESISTOR	0.5	2	30501-371-003	COIL, R. IGNITION (TOYD)	1	1	1	1		
*Ignition coil one or all		3	30502-371-003	COIL, L. IGNITION (TOYD)	1	1	1	1		
FUSE BOX ASSY.	0.2	4	30511-300-000	BRACKET, IGNITION COIL	2	2	2	2		
HORN ASSY.	0.1	5	30701-323-013	CAP ASSY. C, NOISE SUPPRESSOR	4					2016546 A,DK,DM,U
POINTLEES REGULATOR/7V REGULATOR/ SILICON RECTIFIER/HEAD LIGHT & TAIL LIGHT RESISTOR WINKER RELAY/ LIGHTING RESERVE UNIT	0.1		30701-323-023	CAP ASSY. C, NOISE SUPPRESSOR		4			2016547	2040165 A,DK,DM,U 2040165 CM,E,ED,F,G
*One motorcycle 0.2			30701-371-000	CAP ASSY. C, NOISE SUPPRESSOR		4			2040166	DK,DM,E,ED,F,G,U A,DK,DM,E,ED,F,G,U CM
			30700-371-153	CAP ASSY. C, NOISE SUPPRESSOR			4			
		6	30705-371-000	SEAL, SUPPRESSOR	2	2	2	2		
		7	31400-371-003	REGULATOR, POINTLESS (KOKUSAN)	1	1	1	1		
		8	31410-371-007	REGULATOR ASSY. (7V)	1	1	1	1		
			31410-371-008	REGULATOR ASSY., 7V (SHINDENGEN)	1	1	1	1		
		9	31710-371-008	RECTIFIER, SILICON (SHINDENGEN)	4	4	4	4		A,CM
		10	32100-371-670	HARNESS, WIRE	1	1	1	1		DK,DM,E,ED,F,G,U A,CM
			32100-371-000	HARNESS, WIRE	1	1	1	1		DK,DM,E,ED,F,G,U
		11	32111-371-000	CLAMPER, HARNESS	1	1	1	1		
		12	32138-371-000	COVER, COUPLER SET	1	1	1	1		
		13	32150-121-000	COVER, CONNECTOR	1	1	1	1		
		14	32172-315-000	CLIP, WIRE HARNESS	1	1	1	1		
		15	32197-371-000	COVER, STOP SWITCH	1	1	1	1		

1977.08.20

REL-10-1781

F-27

Wire harness •
Ignition coil • Horn



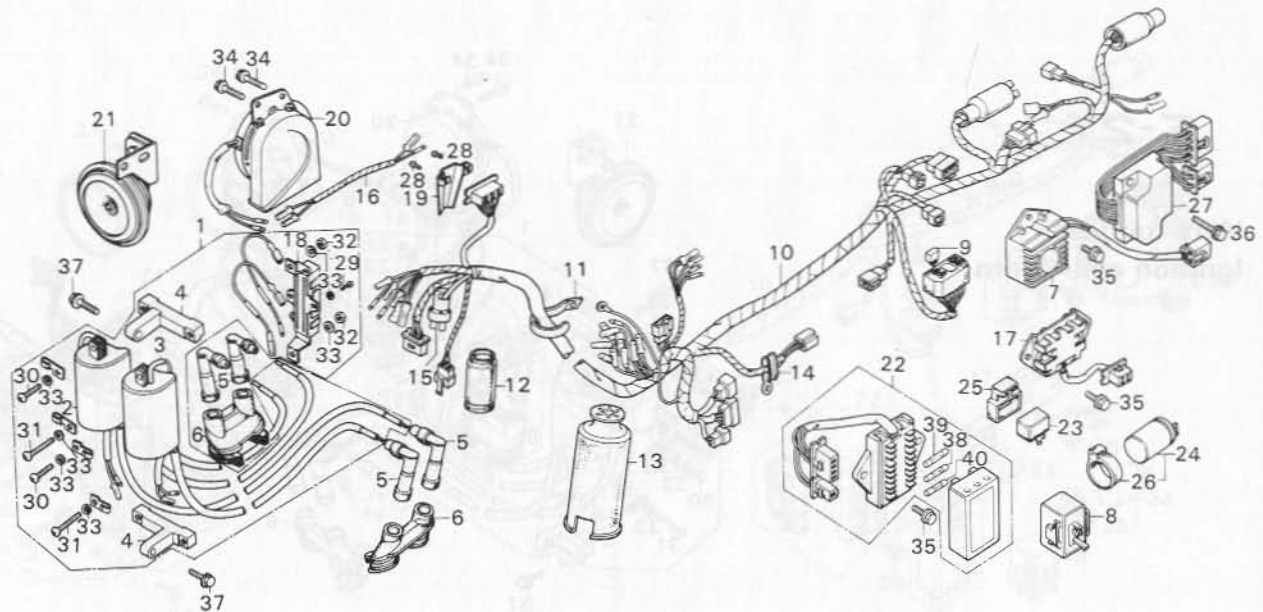
B371-42

Service item	F.R.T.	Ref. No.	Part No.	Description	Reqd. No.				Serial No.	Area code
					GL1000	GL1000	LTD	K1 K2		
		16	32215-371-000	SUB CORD, HORN	1	1	1	1		A,CM
			32215-371-620	SUB CORD, HORN	1	1	1	1		E,ED,F,G
			32215-371-680	SUB CORD, HORN	1	1	1	1		DK,DM,U
		17	34920-371-671	RESISTOR, HEADLIGHT & TAILLIGHT	1	1	1	1		A,CM
		18	34930-371-003	RESISTOR COMP. (TOYO)	1	1	1	1		
		19	35114-371-000	PROTECTOR, CORD	1	1	1	1		
		20	38100-300-023	HORN ASSY. (MITSUBA)	1	1	1	1		A,CM,DK,DM,U
		21	38100-371-620	HORN COMP.		1				
			38100-371-621	HORN ASSY.		1			2040165	ED,F,G
									2040166	E,ED,F,G
										E,ED,F,G
										E,ED,F,G
		22	38200-371-153	BDX ASSY., FUSE	1	1	1	1		
		23	38300-292-670	RELAY ASSY., WINKER (SIGNAL STAT)	1	1	1	1		A,CM
		24	38300-371-681	RELAY ASSY., WINKER	1					DK,DM,U
						1			2022929	DK,DM,U
						1			2022930	DK,DM,U
						1				E,ED,F,G
						1				DK,DM,E,ED,F,G,U
		25	38306-107-670	SUSPENSION, WINKER RELAY	1	1	1	1		A,CM
		26	38306-292-000	SUSPENSION, WINKER RELAY	1	1	1	1		DK,DM,E,ED,F,G,U
		27	38420-371-671	RESERVE UNIT, LIGHTING (STANLEY)	1	1	1	1		A,CM
		28	93500-03012-0A	SCREW, PAN, 3X12	2	2	2	2		
		29	93500-05006-0A	SCREW, PAN, 5X6	2	2	2	2		
		30	93500-05020-0A	SCREW, PAN, 5X20	2	2	2	2		

1977.08.20

F-27

Wire harness •
Ignition coil • Horn



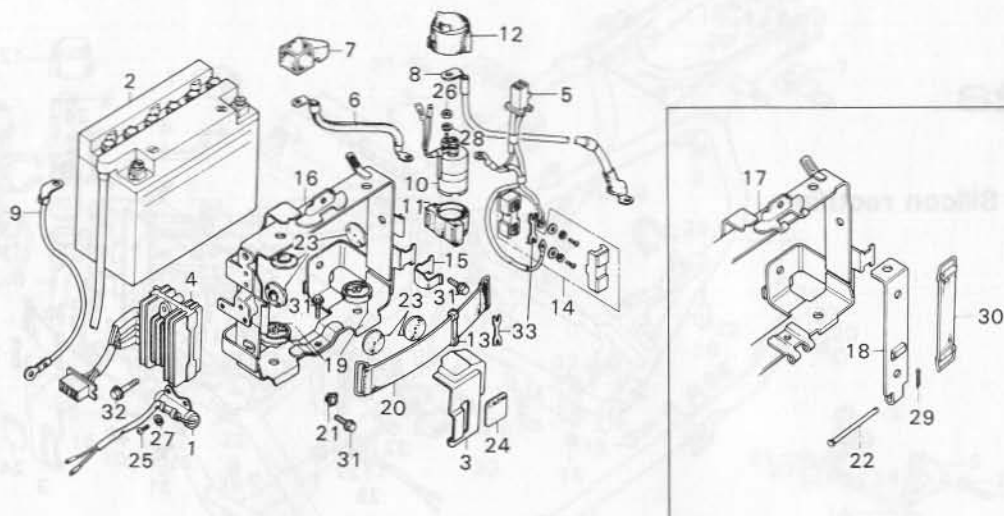
B371-42

Service item	F.R.T.	Ref. No.	Part No.	Description	Reqd. No.				Serial No.	Area code
					GL1000	GL1000 LTD	K1	K2		
		31	93500-05032-4J	SCREW, PAN, 5X32	2	2	2	2		
		32	94001-05000-0S	NUT, HEX., 5MM	2	2	2	2		
		33	94111-05000	WASHER, SPRING, 5MM	8	8	8	8		
		34	95700-06012-00	BOLT, FLANGE, 6X12	2	2	2	2		
			91582-371-980	BOLT, FLANGE, 6X12			2			
		35	95700-06012-08	BOLT, FLANGE, 6X12	6		6	6		A,CM
			91582-371-980	BOLT, FLANGE, 6X12			6			A,CM
			95700-06012-08	BOLT, FLANGE, 6X12	4		4	4		DK,DM,E,ED,F,G,U
			91582-371-980	BOLT, FLANGE, 6X12			4			ED,F,G,U
		36	95700-06022-08	BOLT, FLANGE, 6X22	2		2	2		A,CM
			90142-371-980	BOLT, FLANGE, 6X22			2			A,CM
		37	95700-06025-00	BOLT, FLANGE, 6X25				2		
		38	98200-20500	FUSE B (5A)	4	4	4	4		
		39	98200-21000	FUSE B (10A)	2	2	2	2		
		40	98200-21500	FUSE B (15A)	2	2	2	2		

1977.08.20

F-28

Battery • Silicon rectifier



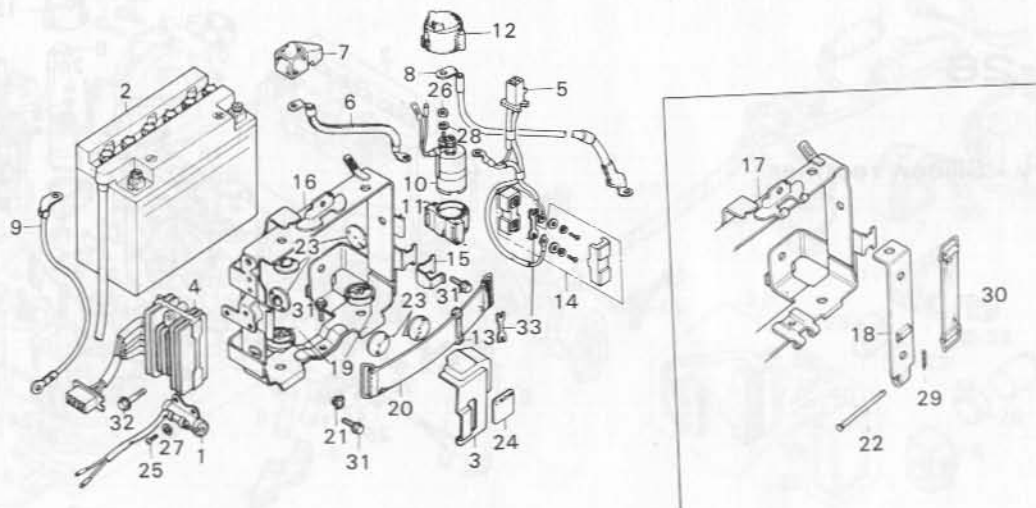
B371-43

Service item	F.R.T.	Ref. No.	Part No.	Description	Reqd. No.				Serial No.	Area code
					GL1000	GL1000	LTD	K1 K2		
BATTERY BOX	0.4	1	30280-371-000	CONDENSER COMP.	1	1	1	1		
STARTER MOTOR CABLE	0.3	2	31500-371-671	BATTERY ASSY. (YUASA)	1				1020150	A
CONDENSER/SILICON RECTIFIER ASSY./ BATTERY.	0.2		31500-371-672	BATTERY ASSY.	1				1020151	A
•SUB CORD ASSY. A.			31500-371-681	BATTERY ASSY.	1	1	1	1		A
•STARTER BATTERY CABLE/BATTERY EARTH CABLE		3	31561-371-000	COVER, BATTERY	1	1		1		CM,DK,DM,E,ED,F,G,U
•STARTER MAGNETIC SWITCH ASSY.		4	31700-371-000	RECTIFIER ASSY., SILICON	1	1	1	1		2040165
MAIN FUSE BOX ASSY.	0.1	5	32213-371-000	SUB CORD ASSY. A	1	1	1	1		
		6	32401-371-000	CABLE, STARTER BATTERY	1	1	1	1		
		7	32412-371-000	COVER, BATTERY TERMINAL				1	2040166	DK,DM,E,ED,F,G,U
		8	32420-371-000	CABLE, STARTER MOTOR	1	1	1	1		
		9	32601-371-000	CABLE, BATTERY EARTH	1	1	1	1		
		10	35850-371-670	SWITCH ASSY., STARTER MAGNETIC	1	1	1	1		
		11	35856-371-000	SUSPENSION, MAGNETIC SWITCH	1	1	1	1		
		12	35857-371-000	COVER, MAGNETIC SWITCH	1	1	1	1		
		13	38205-371-000	HOLDER, SPARE FUSE	1	1	1	1		
		14	38250-371-153	BOX ASSY., MAIN FUSE (DAIICHI)	1	1	1	1		
		15	38253-371-000	STAY, MAIN FUSE	1	1	1	1		
		16	50325-371-000	BOX, BATTERY	1	1				2040165
		17	50325-371-010	BOX, BATTERY				1	2040166	DK,DM,E,ED,F,G,U

1977.08.20

F-28

Battery • Silicon rectifier



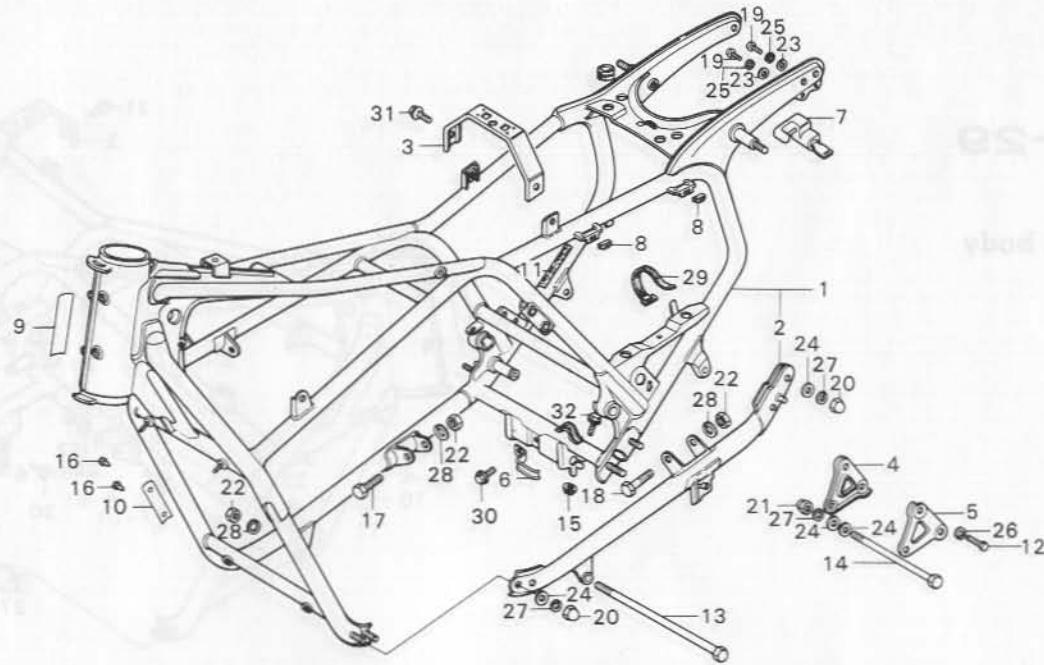
B371-43

Service item	F.R.T.	Ref. No.	Part No.	Description	Reqd. No.		Serial No.	Area code
					GL1000	GL1000 LTD K1 K2		
		18	50326-371-000	PLATE, BATTERY SUPPORT		1	2040166	DK,DM,E,ED,F,G,U
		19	50328-371-000	RUBBER A, BATTERY MOUNT	2	2		
		20	50332-371-000	BAND, BATTERY	1	1	2040165	
		21	51404-044-030	RUBBER, FR. CUSHION REBOUND STOPPER	1	1		
		22	83109-371-000	PIN, SHELTER HINGE		1	2040166	DK,DM,E,ED,F,G,U
		23	83618-323-000	RUBBER, BATTERY BOX	6	6		
		24	87506-371-670	MARK, BATTERY CAUTION	1	1		
		25	93500-05008-0A	SCREW, PAN, 5X8	2	2		
		26	94001-06000	NUT, HEX., 6MM	2	2		
		27	94111-05000	WASHER, SPRING, 5MM	2	2		
		28	94111-06000	WASHER, SPRING, 6MM	2	2		
		29	94201-12100	PIN, SPLIT, 1.2X10		1	2040166	DK,DM,E,ED,F,G,U
		30	95012-15000	BAND D, BATTERY		1	2040166	DK,DM,E,ED,F,G,U
		31	95700-06012-08	BOLT, FLANGE, 6X12	3	3		
			91582-371-980	BOLT, FLANGE, 6X12		3		
		32	95700-06032-00	BOLT, FLANGE, 6X32	2	2		
		33	98200-53000	FUSE F (30A)	2	2		

1977.08.20

F-29

Frame body



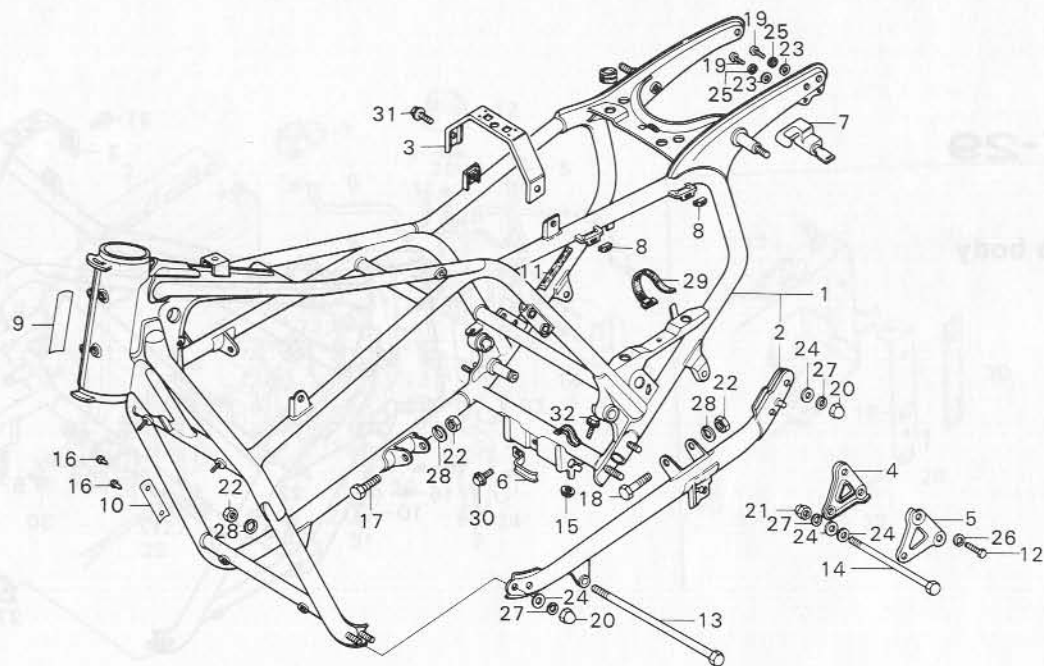
8371-44

Service item	F.R.T.	Ref. No.	Part No.	Description	GL1000	Reqd. No. GL1000 LTD K1 K2	Serial No.	Area code	
FRAME BODY COMP.	10.0	1	50100-371-670ZA	BODY COMP., FRAME *NH-1*	1	1			
SUB FRAME COMP.	0.4		50100-371-671ZA	BODY COMP., FRAME *NH-1*		1	2040165	A,CM,DK,DM,U	
•HELMET HOLDER			50100-371-673ZA	BODY COMP., FRAME *NH-1*		1	2040166	DK,DM,U	
SEAT CROSS PLATE	0.1		50100-371-611ZA	BODY COMP., FRAME *NH-1*		1	2012110	A,CM,DK,DM,U	
•ENGINE HANGER BRACKET			50100-371-612ZA	BODY COMP., FRAME *NH-1*		1	2012111	E,ED,F,G	
			50100-371-960	BODY COMP., FRAME		1	2040165	E,ED,F,G	
			50100-371-980	BODY COMP., FRAME		1		A,CM,U	
			50100-371-614ZA	BODY COMP., FRAME *NH-1*		1	2040166	E,ED,F,G	
						1		E,ED,F,G	
		2	50114-371-000ZA	SUB FRAME COMP. *NH-1*	1	1	1	A,CM,DK,DM,U	
			50114-371-610ZA	SUB FRAME COMP. *NH-1*		1	1	2012110	E,ED,F,G
			50114-371-611ZA	SUB FRAME COMP. *NH-1*		1	2012111	E,ED,F,G	
						1		E,ED,F,G	
			50114-371-960	SUB FRAME COMP.		1		ED,F,G	
		3	50250-371-000	PLATE, SEAT CROSS	1	1	1		
		4	50351-371-000ZA	BRACKET, R. ENGINE HANGER *NH-1*	1	1			
						1			
			50351-371-980	BRACKET, R. ENGINE HANGER		1			
			50351-371-660	BRACKET, R. ENGINE HANGER		1	1		
		5	50352-371-000ZA	BRACKET, L. ENGINE HANGER *NH-1*	1	1			
						1			
			50352-371-980	BRACKET, L. ENGINE HANGER		1			
			50352-371-660	BRACKET, L. ENGINE HANGER		1	1		
		6	50358-371-000	CLAMP, TUBE	1	1	1		
		7	50710-371-003	HOLDER ASSY., HELMET (TOYO)	1	2			
						2	2016001	2040165 E,ED,F,G	
						2	2040165	A,CM,DK,DM,U	

1977.08.20

F-29

Frame body



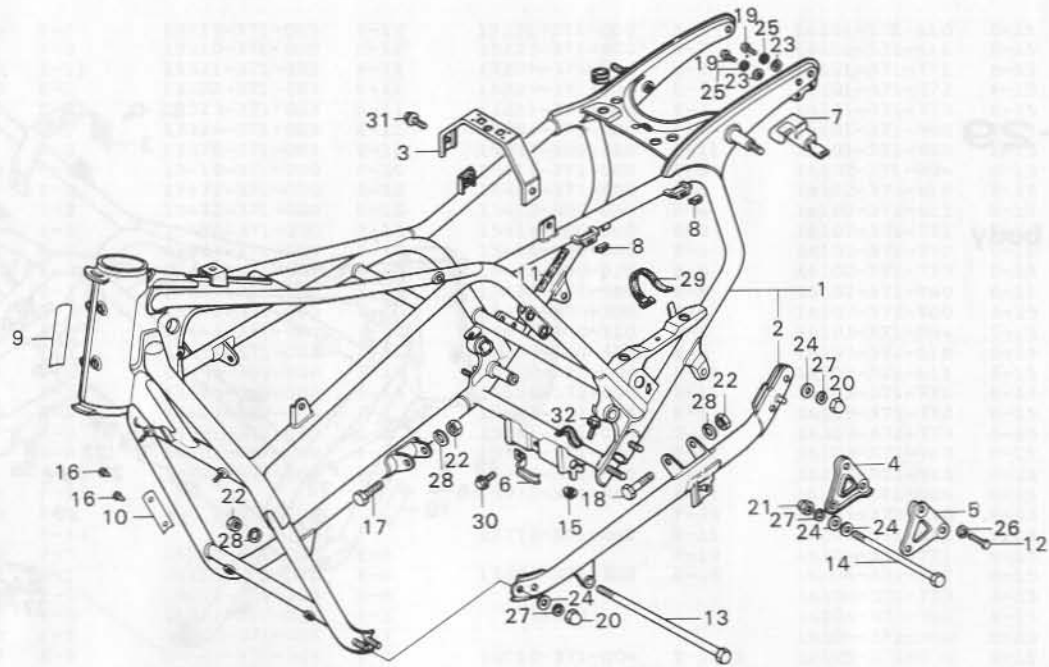
B371-44

Service item	F.R.T.	Ref. No.	Part No.	Description	Reqd. No.			Serial No.	Area code
					GL1000	LT1000	LTD K1 K2		
			50710-371-007	HOLDER ASSY., HELMET (HONDA LOCK)		2	2040166		
		8	83610-371-000	RUBBER, SIDE COVER SET	4	4	4		
		9	87125-041-680	PLATE, NAME	1	1	1	DK, DM U	
		10	87501-371-610	PLATE, REGISTERED NUMBER	1	1	1	E, ED, F, G	
		11	87504-028-670	MARK, MUFFLER CAUTION	1			A	
			87504-371-670	MARK, MUFFLER CAUTION		1	2008914	2008913	
						1		A	
						1		CM	
						1		A, CM	
		12	90101-605-000	BOLT, SEAT BACK ADJUST	4	4	4		
			90101-371-980	BOLT, SEAT BACK ADJUSTING		4			
		13	90152-371-000	BOLT, FR. ENGINE HANGER	1	1	1		
			90152-371-980	BOLT, FR. ENGINE HANGER		1			
		14	90153-371-000	BOLT, ENGINE UPPER HANGER	1	1	1		
			90153-371-980	BOLT, ENGINE UPPER HANGER		1			
		15	90236-300-000	NUT, FLANGE, 8MM	2	2	2		
		16	90841-001-000	SCREW, RIVET, 1.5X5		2	2		
						2		E, ED, F, G	
		17	92200-12065-0A	BOLT, HEX., 12X65	1	1	1		
			91507-371-980	BOLT, HEX., 12X65		1			
		18	92200-12080-0A	BOLT, HEX., 12X80	1	1	1		
			91508-371-980	BOLT, HEX., 12X80		1			

1977.08.20

F-29

Frame body



B371-44

Service item	F.R.T.	Ref. No.	Part No.	Description	Reqd. No.			Serial No.	Area code
					GL1000	GL1000 LTDK1	K2		
		19	93500-06012	SCREW, PAN, 6X12	2		4		
						4		2016000	E,ED,F,G
									ED,F,G
								2016001	E,ED,F,G
									A,CM,DK,DM,U
		20	94021-10200-05	NUT, CAP, 10MM	3		3		
			91543-371-980	NUT, CAP, 10MM		3			
		21	94021-10220-05	NUT, CAP, 10MM	1		1		
			91543-371-980	NUT, CAP, 10MM		1			
		22	94030-12200	NUT, HEX., 12MM	3		3		
			91533-371-980	NUT, HEX., 12MM		3			
		23	94101-06000	WASHER, PLAIN, 6MM	2		4		
						4		2016000	E,ED,F,G
									ED,F,G
						4		2016001	E,ED,F,G
									A,CM,DK,DM,U
		24	94102-10000	WASHER, PLAIN, 10MM	5		5		
			91557-371-980	WASHER, PLAIN, 10MM		5			
		25	94111-06000	WASHER, SPRING, 6MM	2		4		
						4		2016000	E,ED,F,G
									ED,F,G
						4		2016001	E,ED,F,G
									A,CM,DK,DM,U
		26	94111-08000	WASHER, SPRING, 8MM	4		4		
			91563-371-980	WASHER, SPRING, 8MM		4			
		27	94111-10000	WASHER, SPRING, 10MM	4		4		
			91564-371-980	WASHER, SPRING, 10MM		4			
		28	94111-12000	WASHER, SPRING, 12MM	3		3		

1977.08.20

Part No.	Block No.								
		12211-250-310	E-2	13225-371-003	E-12	15221-371-000	E-7	16101-371-610	E-15
			E-3	13310-371-000	E-12	15225-371-000	E-7	16101-371-611	E-15
		12216-371-980	E-11	13321-371-003	E-11	15226-371-000	E-7	16101-371-771	E-15
		12238-371-000	E-2	13322-371-003	E-11	15229-371-000	E-7	16101-371-772	E-15
11000			E-3	13323-371-003	E-11	15231-371-000	E-7	16101-371-773	E-15
11000-371-000	E-11	12251-371-003	E-2	13324-371-003	E-11	15256-371-000	E-7	16101-371-960	E-15
11000-371-020	E-11		E-3	13325-371-003	E-11	15337-300-010	E-11	16101-371-980	E-15
11000-371-040	E-11	12311-371-000	E-2	13410-371-000	E-10	15411-371-000	E-6	16102-371-004	E-15
11000-371-305	E-11		E-3	13431-371-000	E-10	15411-371-980	E-6	16102-371-610	E-15
11000-371-980	E-11	12311-371-010	E-2	13432-371-000	E-10	15412-300-024	E-6	16102-371-611	E-15
11130-371-000	E-11		E-3	13436-371-000	E-10	15414-300-000	E-6	16102-371-771	E-15
11140-371-000	E-11	12311-371-980	E-2	13437-371-000	E-10	15415-300-000	E-6	16102-371-772	E-15
11220-371-000	E-11		E-3	13438-371-007	E-10	15420-300-020	E-6	16102-371-773	E-15
11310-371-000	E-8	12312-371-000	E-2	13439-371-000	E-10	15420-371-980	E-6	16102-371-960	E-15
11310-371-010	E-8		E-3	13442-371-000	E-10	15473-300-300	E-6	16102-371-980	E-15
11310-371-980	E-8	12312-371-610	E-2	13446-371-000	E-10	15474-300-310	E-6	16103-371-004	E-15
11315-371-000	E-8		E-3	13451-371-000	E-10	15477-300-300	E-6	16103-371-610	E-15
11315-371-010	E-8	12312-371-611	E-2	13495-300-000	E-14	15520-371-000	E-11	16103-371-611	E-15
11315-371-980	E-8		E-3	13496-300-000	E-14	15530-371-000	E-11	16103-371-771	E-15
11321-371-000	E-10	12328-371-000	E-2	13621-657-000	E-1	15661-371-005	E-11	16103-371-772	E-15
11342-371-000	E-8		E-3	13622-371-000	E-1	15661-371-015	E-11	16103-371-773	E-15
11342-371-980	E-8	12361-035-000	E-8	13622-657-000	E-1	15706-371-000	E-11	16103-371-960	E-15
11346-371-300	F-2		F-13	13623-371-000	E-1	15707-371-000	E-8	16103-371-980	E-15
11347-371-300	F-2	12361-300-000	F-13			15772-371-980	E-11	16104-371-004	E-15
11348-371-000	F-2	12361-371-980	E-8	14000			F-19	16104-371-610	E-15
11348-371-980	F-2		F-13				E-11	16104-371-611	E-15
11360-371-000	E-6	12390-371-000	E-5	14110-371-000	E-4	15772-551-000	F-19	16104-371-771	E-15
11360-371-980	E-6		E-1	14110-371-010	E-4		E-15	16104-371-772	E-15
11371-371-000	E-11	12411-371-000	E-5	14211-371-300	E-4	15996-371-303		16104-371-773	E-15
11371-371-980	E-11		E-5	14211-657-010	E-1			16104-371-960	E-15
11372-371-000	E-11	12431-371-000	E-5	14400-371-004	E-1	16000		16104-371-980	E-15
11372-371-010	E-11	12435-246-000	E-5	14400-371-005	E-1	16010-371-004	E-15-1	16105-371-004	E-15
11391-371-000	E-6			14400-371-014	E-1	16011-371-004	E-15-1	16105-371-610	E-15
11393-371-000	E-8	13000		14510-371-008	E-1	16012-371-004	E-15-1	16105-371-611	E-15
11394-371-000	E-8			14512-371-000	E-1	16012-371-771	E-15-1	16105-371-771	E-15
11396-371-000	E-6	13011-371-003	E-12	14516-371-000	E-1	16012-371-772	E-15-1	16105-371-772	E-15
11511-371-000	E-1	13011-371-004	E-12	14611-371-000	E-4	16013-567-004	E-15-1	16105-371-773	E-15
11511-371-010	E-1	13011-371-013	E-12	14621-371-000	E-4	16015-371-004	E-15-1	16105-371-960	E-15
11511-371-980	E-1	13021-371-003	E-12	14631-371-000	E-4	16016-371-004	E-15-1	16105-371-980	E-15
11521-371-000	E-1	13021-371-004	E-12	14642-371-000	E-4	16016-371-770	E-15-1	16106-371-004	E-15
11521-371-010	E-1	13021-371-013	E-12	14711-371-000	E-4	16017-371-004	E-15-1	16106-371-610	E-15
11521-371-980	E-1	13031-371-003	E-12	14721-371-000	E-4	16017-371-771	E-15-1	16106-371-611	E-15
11531-371-000	E-1	13031-371-004	E-12	14751-611-003	E-4	16017-371-980	E-15-1	16106-371-771	E-15
11535-371-000	E-1	13031-371-013	E-12	14761-611-003	E-4	16022-371-004	E-15-1	16106-371-772	E-15
11541-371-000	E-1	13041-371-003	E-12	14771-551-020	E-4	16022-371-771	E-15-1	16106-371-773	E-15
11541-371-980	E-1	13041-371-004	E-12	14775-300-000	E-4	16022-371-960	E-15-1	16106-371-960	E-15
11542-371-000	E-1	13041-371-013	E-12	14781-551-000	E-4	16022-371-980	E-15-1	16106-371-980	E-15
11542-371-980	E-1	13051-371-003	E-12			16023-371-004	E-15-1	16129-371-771	E-15
11633-323-000	E-2	13051-371-004	E-12	15000		16025-371-004	E-15-1	16129-371-980	E-15
	E-3	13051-371-013	E-12			16025-371-771	E-15-1	16130-371-004	E-15
11831-371-000	E-1	13101-371-000	E-12	15110-371-000	E-7	16025-371-980	E-15-1	16157-371-004	E-15
11831-371-010	E-1	13102-371-000	E-12	15111-371-000	E-7	16028-371-004	E-15-1	16157-371-771	E-15
11832-371-000	E-1	13103-371-000	E-12	15116-371-003	E-7	16035-371-004	E-15-1	16158-371-004	E-15
11832-371-010	E-1	13104-371-000	E-12	15121-371-000	E-7	16045-371-004	E-15-1	16158-371-771	E-15
		13105-371-000	E-12	15121-371-010	E-7	16048-371-004	E-15	16165-371-770	E-15-1
12000		13112-634-000	E-12	15125-371-000	E-7	16050-371-004	E-15	16166-371-004	E-15-1
12200-371-000	E-2	13204-371-000	E-12	15126-371-000	E-7	16051-371-771	E-15	16166-371-770	E-15-1
	E-3	13204-634-020	E-12	15128-371-000	E-7	16075-371-004	E-15	16169-371-771	E-15
12200-371-010	E-2	13205-634-010	E-12	15130-371-003	E-9	16080-371-004	E-15	16169-371-980	E-15
	E-3	13210-371-000	E-12	15131-371-000	E-7	16100-371-004	E-15	16172-500-014	E-15
12204-371-305	E-2	13215-371-003	E-12	15131-371-010	E-7	16100-371-014	E-15	16175-551-950	F-18
	E-3	13216-371-003	E-12	15141-371-000	E-7	16100-371-611	E-15	16196-371-004	E-15
12205-371-305	E-2	13217-371-003	E-12	15142-371-000	E-7	16100-371-612	E-15	16197-371-004	E-15
	E-3	13218-371-003	E-12	15145-371-000	E-7	16100-371-771	E-15	16700-371-005	E-5
12206-371-305	E-11	13219-371-003	E-12	15151-371-000	E-11	16100-371-772	E-15	16700-371-980	E-5
12266-611-300	E-11	13221-371-003	E-12	15152-371-000	E-11	16100-371-773	E-15	16701-371-980	E-5
12267-611-300	E-11	13222-371-003	E-12	15153-371-000	E-11	16100-371-961	E-15	16701-634-000	E-5
12269-300-003	E-4	13223-371-003	E-12	15153-371-980	E-11	16100-371-981	E-15	16900-371-004	F-18
		13224-371-003	E-12	15220-371-000	E-7	16101-371-004	E-15	16950-371-005	F-18

Part No.	Block No.	17910-371-980	F-2	19200-371-000	E-6	23000		28000	
16950-371-015	F-18	17920-371-000	F-2	19221-371-000	E-6				
16950-371-980	F-18	17920-371-610	F-2	19221-371-980	E-6	23110-371-000	E-14	28101-371-003	E-10
16953-371-005	F-18	17920-371-660	F-2	19225-371-000	E-6	23131-371-004	E-12	28111-371-000	E-10
16953-371-980	F-18	17920-371-960	F-2	19225-371-980	E-6	23136-371-003	E-11	28114-371-000	E-10
16954-371-005	F-18	17920-371-980	F-2	19300-657-000	E-5	23137-371-003	E-11	28120-371-000	E-10
16954-371-980	F-18	17950-371-000	F-2	19300-657-003	E-5	23141-371-000	E-14	28125-516-030	E-10
16955-268-020	F-18	17950-371-010	F-2	19311-371-000	E-5	23151-371-000	E-14	28126-516-020	E-10
16960-268-010	F-18			19311-371-980	E-5	23161-371-000	E-9	28240-371-000	E-8
		18000		19315-371-000	E-5	23210-371-000	E-14	28240-371-980	E-8
				19315-371-980	E-5	23220-371-000	E-14	28242-371-000	E-8
				19411-371-000	E-5	23421-300-050	E-14	28246-371-000	E-8
17000		18291-286-000	F-20	19411-371-980	E-5	23425-300-010	E-14	28247-371-000	E-8
		18292-329-000	F-20	19412-371-000	E-5	23431-371-000	E-14	28247-371-980	E-8
17110-371-000	E-2	18310-371-000	F-20	19412-371-980	E-5	23440-371-000	E-14	28248-371-000	E-8
	E-3	18310-371-980	F-20	19421-371-000	E-5	23450-371-000	E-14	28248-371-980	E-8
17110-371-980	E-2	18320-371-000	F-20	19421-371-980	E-5	23460-371-000	E-14	28251-371-000	E-8
	E-3	18320-371-010	F-20	19429-371-000	E-5	23471-371-000	E-14	28252-371-000	E-8
17120-371-000	E-2	18320-371-980	F-20	19501-371-000	F-1	23481-371-000	E-14	28253-371-000	E-12
	E-3	18326-371-660	F-20	19502-371-000	F-1	23485-300-020	E-14	28254-371-000	E-8
17120-371-980	E-2	18327-371-660	F-20	19511-371-000	F-1	23491-371-000	E-14	28255-371-000	E-8
	E-3	18328-371-660	F-20	19511-371-980	F-1	23501-371-000	E-14	28256-371-000	E-8
17211-371-003	F-19	18329-371-660	F-20	19512-371-000	F-1	23511-371-000	E-9	28257-371-000	E-8
17211-371-004	F-19	18340-371-000	F-20	19512-371-980	F-1	23521-371-000	E-9	28258-371-000	E-8
17212-371-000	F-19	18340-371-660	F-20	19515-371-000	F-1	23521-371-020	E-9	28261-371-000	E-8
17212-371-010	F-19	18340-371-980	F-20	19515-371-980	F-1	23721-371-000	E-9	28300-371-000	F-17
17212-371-980	F-19	18350-371-000	F-20	19519-371-000	F-1	23722-371-000	E-9	28300-371-980	F-17
17212-611-000	F-19	18350-371-980	F-20			23731-371-000	E-9	28302-371-000	E-8
17221-371-000	F-19	18360-371-000	F-20	22000		23732-371-000	E-9	28306-371-000	F-17
17231-371-000	F-19	18360-371-980	F-20			23733-371-000	E-9	28310-371-000	F-21
17231-371-010	F-19	18362-371-980	F-14	22100-371-000	E-9			28311-329-000	F-17
17232-371-300	F-19		F-16	22100-371-010	E-9	24000			
17232-371-310	F-19	18362-720-000	F-14	22100-371-020	E-9			30000	
17245-107-010	F-16		F-16	22120-371-000	E-9	24211-371-000	E-13		
17255-371-000	E-2		F-24	22120-371-010	E-9	24212-371-000	E-13	30070-371-000	E-5
	E-3		F-25	22120-371-020	E-9	24213-371-000	E-13	30070-371-980	E-5
17255-371-980	E-2		F-26-1	22120-371-313	E-9	24261-371-000	E-13	30079-371-000	E-5
	E-3		F-26-2	22201-371-000	E-9	24300-371-000	E-13	30200-371-004	E-5
17271-371-000	E-11		F-26-3	22201-371-010	E-9	24300-371-010	E-13	30203-292-154	E-5
17271-371-010	E-11	18371-371-300	F-20	22202-371-000	E-9	24302-371-000	E-13	30204-292-154	E-5
17274-371-003	E-11	18371-371-980	F-20	22202-371-010	E-9	24430-371-000	E-13	30220-371-004	E-5
17274-371-013	E-11	18372-371-300	F-20	22321-283-000	E-9	24434-371-000	E-13	30230-371-000	F-28
17274-371-980	E-11	18372-371-980	F-20	22321-371-010	E-9	24435-371-000	E-13	30375-371-000	E-5
17275-371-000	E-11	18391-292-300	F-20	22322-371-000	E-9	24440-371-000	E-13	30375-371-980	E-5
17275-371-010	E-11	18420-371-000	F-20	22322-371-010	E-9	24442-371-000	E-13	30376-371-000	E-1
17276-371-000	E-11	18420-371-010	F-20	22322-371-020	E-9	24447-371-000	E-13		E-5
17276-371-010	E-11	18420-371-980	F-20	22322-371-313	E-9	24501-371-000	E-13	30500-371-003	F-27
17277-371-000	E-11	18428-371-660	F-20	22350-371-000	E-9	24502-371-000	E-13	30501-371-003	F-27
17278-371-000	F-19	18429-371-660	F-20	22350-371-010	E-9	24502-371-010	E-13	30502-371-003	F-27
17279-371-000	E-11	18440-371-000	F-20	22350-371-020	E-9	24610-371-000	E-13	30511-300-000	F-27
17281-371-000	E-11	18440-371-660	F-20	22350-371-313	E-9	24615-371-000	E-13	30700-371-153	F-27
17281-371-010	E-11	18440-371-980	F-20	22360-371-000	E-9	24620-371-000	E-13	30701-323-013	F-27
17510-371-000ZA	F-18			22401-268-000	E-9	24624-371-000	E-13	30701-323-023	F-27
17510-371-010ZA	F-18	19000		22810-371-000	E-8	24641-371-000	E-13	30701-371-000	F-27
17510-371-980	F-18			22815-300-000	E-8	24651-371-000	E-13	30705-371-000	F-27
17614-371-000	F-18	19010-371-003	F-1	22820-371-000	E-8	24652-300-000	E-13		
17615-371-000	F-18	19010-371-980	F-1	22830-371-000	E-8	24661-371-000	E-13	31000	
17616-371-000	F-18	19020-371-003	F-1	22841-300-000	E-8	24663-300-000	E-13		
17618-371-000	F-18	19020-371-980	F-1	22846-371-000	E-9	24666-300-000	E-13	31100-371-003	E-10
17626-371-000	F-18	19030-634-003	F-1	22860-300-006	E-8	24701-371-000	E-11	31100-371-013	E-10
17628-371-000	F-18	19040-371-003	F-1	22870-371-000	F-2	24701-371-010	E-11	31110-371-003	E-10
17631-096-700	F-18	19040-611-003	F-1	22870-371-010	F-2	24701-371-305	E-11	31120-371-003	E-10
17670-371-000	F-18	19041-611-003	F-1	22870-371-020	F-2	24701-371-980	E-11	31120-371-013	E-10
17670-371-010	F-18	19045-371-980	F-1	22870-371-305	F-2	24781-371-000	E-11	31200-371-005	E-10
17670-371-980	F-18	19045-634-003	F-1	22870-371-610	F-2			31200-371-980	E-10
17682-634-003	F-18	19101-371-000	F-1	22870-371-611	F-2	25000		31201-292-158	E-10
17910-371-000	F-2	19104-371-000	F-1	22870-371-660	F-2			31202-371-005	E-10
17910-371-610	F-2	19105-371-000	F-1	22870-371-980	F-2	25611-371-000	E-11	31204-292-158	E-10
17910-371-960	F-2	19107-371-000	F-1			25611-371-980	E-11	31205-371-005	E-10
		19108-371-000	F-1						

Part No.	Block No.	33107-300-003	F-3	33650-371-601	F-25	34902-259-000	F-14	37200-371-671	F-4
			F-3-1	33650-371-602	F-25	34903-071-003	F-3-1	37200-371-681	F-4
			F-3-2	33650-371-951	F-25	34903-388-611	F-3-2	37200-371-682	F-4
31205-371-980	E-10	33114-390-611	F-3-2	33650-371-981	F-25	34905-268-671	F-25	37200-371-691	F-4
31400-371-003	F-27	33117-390-023	F-3	33650-377-671	F-25	34906-313-671	F-25	37200-371-961	F-4
31403-300-000	F-26		F-3-1	33655-374-671	F-25	34906-341-671	F-26	37200-371-980	F-4
	F-26-3		F-3-2	33655-377-671	F-25	34906-594-602	F-26-1	37202-371-610	F-4
31410-371-007	F-27	33119-371-003	F-3	33660-371-601	F-25	34908-634-611	F-25	37204-371-008	F-4
31410-371-008	F-27		F-3-2	33701-051-000	F-26-2	34911-634-611	F-26-3	37238-323-700	F-4
31500-371-671	F-28	33120-371-601	F-3-2	33701-323-603	F-26-1	34920-371-671	F-27	37243-371-008	F-4
31500-371-672	F-28	33120-371-611	F-3-2	33701-341-671	F-26	34930-371-003	F-27	37244-371-008	F-4
31500-371-681	F-28	33120-375-003	F-3-1	33701-341-900	F-26			37250-371-008	F-4
31561-371-000	F-28	33120-390-611	F-3-2	33701-341-910	F-26	35000		37250-371-661	F-4
31700-371-000	F-28	33121-371-980	F-3	33701-369-000	F-26			37250-371-681	F-4
31710-371-008	F-27		F-3-2	33701-371-602	F-26-3	35010-371-610	F-4	37250-371-961	F-4
		33121-375-671	F-3	33701-371-910	F-26	35010-371-611	F-4	37250-371-980	F-4
32000			F-3-2	33701-371-951	F-26-1	35010-371-612	F-4	37254-371-008	F-4
		33121-405-671	F-3-2	33701-371-980	F-26	35010-371-670	F-4	37260-371-000	F-4
32100-371-000	F-27	33122-623-621	F-3-2	33702-323-603	F-26-1	35010-371-671	F-4	37260-371-980	F-4
32100-371-670	F-27	33122-623-721	F-3-2	33702-341-003	F-26	35010-371-672	F-4	37261-371-000	F-4
32111-323-000	E-3	33125-087-621	F-3-2	33702-341-671	F-26	35010-371-961	F-4	37300-371-008	F-14
	E-6	33125-087-761	F-3-1	33702-371-602	F-26-3	35010-371-980	F-4	37300-371-661	F-14
	E-11	33125-292-670	F-3	33703-077-671	F-26-1	35011-371-980	F-4	37300-371-681	F-14
32111-371-000	F-27	33128-292-670	F-3	33703-341-671	F-26	35100-371-961	F-4	37300-371-980	F-14
32117-371-000	E-8		F-3-1	33703-341-900	F-26	35100-371-981	F-4	37305-371-008	F-14
32138-371-000	F-27		F-3-2	33703-354-670	F-26	35100-377-003	F-4	37314-371-008	F-4
32150-121-000	F-27	33130-300-671	F-3	33703-371-601	F-26-3	35100-377-007	F-4	37510-371-008	E-5
32161-404-000	F-6		F-3-2	33703-371-951	F-26-1	35100-377-611	F-4	37610-371-671	F-4
32172-315-000	F-27	33130-323-003	F-3-1	33703-371-980	F-26	35100-377-612	F-4	37610-371-680	F-4
32197-371-000	F-27	33153-375-671	F-3	33707-300-610	F-26-2	35114-371-000	F-27	37617-371-008	F-4
32213-371-000	F-28		F-3-2	33708-077-671	F-26-1	35150-371-003	F-2	37619-371-670	F-4
32215-371-000	F-27	33170-323-003	F-3-1	33708-300-610	F-26-2	35150-371-601	F-2	37619-371-680	F-4
32215-371-620	F-27	33170-390-611	F-3-2	33708-341-671	F-26	35150-371-651	F-2	37750-611-154	E-5
32215-371-680	F-27	33180-371-601	F-3-2	33708-371-601	F-26-3	35150-371-660	F-2	37760-371-003	E-5
32220-371-000	E-5	33321-371-672	F-3	33709-051-000	F-26-2	35150-371-670	F-2	37800-371-008	F-18
32223-371-000	F-6	33400-371-601	F-25	33709-077-671	F-26-1	35150-371-910	F-2	37801-634-000	F-18
32401-371-000	F-28	33400-371-911	F-25	33709-341-671	F-26	35150-371-980	F-2	37802-371-000	F-18
32412-371-000	F-28	33400-371-951	F-25		F-26-3	35200-371-003	F-2	37806-371-000	F-14
32420-371-000	F-28	33400-371-981	F-25	33710-300-610	F-26-2	35200-371-013	F-2	37807-371-000	F-14
32601-371-000	F-28	33400-377-671	F-25	33710-371-960	F-26-2	35200-371-601	F-2		
32981-371-000	E-15	33400-390-003	F-25	33711-371-000	F-26	35200-371-602	F-2	38000	
32983-011-000	F-24	33401-371-951	F-25		F-26-1	35200-371-660	F-2		
		33401-371-981	F-25	33711-371-600	F-26-3	35200-371-670	F-2	38100-300-023	F-27
		33401-377-671	F-25	33715-051-000	F-26-2	35200-371-671	F-2	38100-371-620	F-27
		33401-390-003	F-25	33716-051-000	F-26-2	35200-371-910	F-2	38100-371-621	F-27
		33402-377-671	F-25	33717-292-610	F-26-2	35200-371-980	F-2	38200-371-153	F-27
		33405-377-671	F-25	33719-077-671	F-26	35350-292-003	F-11	38205-371-000	F-28
		33406-377-671	F-25		F-26-1	35350-300-016	F-6	38250-371-153	F-28
		33407-371-601	F-25	33722-323-610	F-26-2	35357-046-000	F-11	38253-371-000	F-28
		33407-377-671	F-25		F-26-3	35357-371-980	F-11	38300-292-670	F-27
		33421-371-000	F-25	33741-333-610	F-26-2	35360-341-000	F-2	38300-371-681	F-27
		33450-371-601	F-25	33741-340-670	F-3	35500-333-004	E-11	38300-371-682	F-27
		33450-371-911	F-25		F-3-1	35752-300-010	E-11	38306-107-670	F-27
		33450-371-951	F-25		F-3-2	35754-300-020	E-11	38306-292-000	F-27
		33450-371-981	F-25	33741-371-960	F-26-2	35850-371-670	F-28	38400-371-000	F-4
		33450-377-671	F-25	33741-371-980	F-3	35856-371-000	F-28	38420-371-671	F-27
		33450-390-003	F-25		F-3-1	35857-371-000	F-28		
		33455-377-671	F-25		F-3-2			40000	
		33600-371-601	F-25	33743-375-000	F-3	37000			
		33600-371-602	F-25		F-3-1			40200-371-000	F-22
		33600-371-951	F-25		F-3-2	37111-371-008	F-4	40210-371-003	F-22
		33600-371-981	F-25	33905-303-003	F-3-2	37111-371-980	F-4	40513-310-000	F-7
		33600-377-671	F-25	33905-371-601	F-3-2	37112-371-008	F-4	40514-310-000	F-7
		33602-371-601	F-25			37112-371-980	F-4	40514-371-980	F-7
		33605-374-671	F-25	34000		37115-371-000	F-4		
		33605-377-671	F-25			37116-371-000	F-4	41000	
		33606-371-000	F-25	34901-371-601	F-3-2	37120-371-000	F-4		
33103-371-980	F-3	33610-371-601	F-25	34901-371-621	F-3-2	37120-371-660	F-4	41231-286-000	F-12
	F-3-1	33620-371-000	F-25	34902-259-000	F-4	37200-371-661	F-4	41300-371-010	F-13
	F-3-2								

Part No.	Block No.								
		43211-371-006	F-11	45000		46503-371-000	F-11	50437-371-007	F-14
		43211-392-016	F-11			46504-371-000	F-11	50437-371-980	F-14
		43213-371-006	F-11	45100-371-006	F-9	46506-371-000	F-11	50438-371-000	F-16
41300-371-030	F-13	43214-371-006	F-11	45101-371-006	F-9			50440-371-980ZL	F-14
41300-371-040	F-13	43215-371-006	F-11	45102-371-006	F-9	50000		50500-371-000	F-21
41300-371-303	F-13	43217-371-006	F-11	45105-371-006	F-9			50500-371-010	F-21
41311-371-010	F-13	43218-371-006	F-9	45107-371-006	F-9	50100-371-611ZA	F-29	50500-371-980	F-21
41311-371-980	F-13			45108-371-006	F-9	50100-371-612ZA	F-29	50526-300-000	F-21
41321-371-000	F-13	43219-371-006	F-11	45109-371-006	F-9	50100-371-614ZA	F-29	50540-371-000	F-21
41321-371-010	F-13	43241-371-006	F-11	45110-371-006	F-9	50100-371-670ZA	F-29	50540-371-010	F-21
41324-371-010	F-13	43352-568-003	F-9	45114-371-006	F-9	50100-371-671ZA	F-29	50540-371-610	F-21
41325-371-000	F-13			45116-371-006	F-9	50100-371-673ZA	F-29	50540-371-611	F-21
41351-371-000	F-13	43353-548-003	F-9	45119-371-000	F-9	50100-371-960	F-29	50540-371-960	F-21
41355-371-000	F-13			45120-371-000	F-10	50100-371-980	F-29	50540-371-980	F-21
41410-371-000	F-13	43410-371-013	F-11	45123-371-003	F-6	50114-371-000ZA	F-29	50548-356-700	F-21
41500-371-010	F-13	43415-371-000	F-11	45123-371-980	F-6	50114-371-610ZA	F-29	50549-356-700	F-21
41501-371-010	F-13	43420-371-000	F-11	45125-371-013	F-6	50114-371-611ZA	F-29	50603-033-000	F-21
41502-371-010	F-13	43500-371-651	F-11	45125-371-980	F-6	50114-371-960	F-29	50603-371-660	F-21
41503-371-010	F-13	43500-371-671	F-11	45126-371-003	F-6	50197-371-300	F-22	50603-371-980	F-21
41504-371-010	F-13	43500-371-681	F-11	45126-371-610	F-6	50250-371-000	F-29	50616-369-670B	F-21
41505-371-010	F-13	43504-371-003	F-11	45126-371-660	F-6	50301-268-305	F-5	50616-371-000B	F-21
41506-371-010	F-13	43510-371-305	F-11	45126-371-960	F-6	50302-268-305	F-5	50617-300-670	F-21
41507-371-010	F-13	43511-371-003	F-11	45126-371-980	F-6	50325-371-000	F-28	50617-371-980	F-21
41508-371-010	F-13	43530-371-003	F-11	45131-371-006	F-9	50325-371-010	F-28	50619-375-000	F-21
41509-371-010	F-13			45132-371-006	F-9	50326-371-000	F-28	50630-371-000	F-21
41510-371-010	F-13	44000		45133-371-006	F-9	50328-371-000	F-28	50640-371-000	F-21
41511-371-010	F-13			45134-371-006	F-9	50332-371-000	F-28	50642-369-670B	F-21
41512-371-010	F-13	44301-371-000	F-10	45146-300-000	F-11	50351-371-000ZA	F-29	50642-371-000B	F-21
41513-371-010	F-13	44301-371-980	F-10	45146-371-000	F-6	50351-371-660	F-29	50644-300-670	F-21
41514-371-010	F-13	44311-300-000	F-10	45147-371-010	F-6	50351-371-980	F-29	50644-371-980	F-21
41515-371-010	F-13	44311-371-980	F-10	45147-371-980	F-6	50352-371-000ZA	F-29	50661-369-000	F-21
41516-371-000	F-13	44601-300-040	F-10	45200-371-006	F-9	50352-371-660	F-29	50710-371-003	F-29
41517-371-000	F-13	44601-371-980	F-10	45201-371-006	F-9	50352-371-980	F-29	50710-371-007	F-29
		44606-283-000	F-10	45210-371-006	F-9	50353-371-000	F-19	50710-377-000	F-21
				45451-283-000	F-7	50353-371-010	F-19	50712-371-660	F-21
		44606-371-305	F-10	45451-367-690	F-7	50353-371-980	F-19	50712-371-980	F-21
		44607-283-000	F-10	45465-341-700	F-2	50358-371-000	F-29	50712-377-000	F-21
				45509-371-003	F-6	50361-371-000	F-19	50714-371-660	F-21
		44607-371-305	F-10			50410-371-000ZA	F-16	50715-371-660	F-21
		44608-283-000	F-10	45510-371-305	F-6	50410-371-010ZA	F-16	50715-371-980	F-21
				45510-371-610	F-6	50411-371-000ZA	F-16	50715-377-000	F-21
		44609-283-000	F-10	45510-371-651	F-6	50411-371-000ZB	F-16	50716-371-660	F-21
				45510-371-670	F-6	50411-371-000ZC	F-16	50717-371-660	F-21
		44620-300-020	F-10	45511-371-003	F-6	50411-371-000ZD	F-16	50717-371-980	F-21
		44641-371-000	F-10	45513-341-671	F-6	50411-371-000ZE	F-16		
		44642-371-000	F-10			50411-371-000ZL	F-16	51000	
		44642-371-980	F-10	45513-341-771	F-6	50412-371-000	F-16		
		44643-300-000	F-10			50413-371-000	F-14	51400-371-003	F-8
		44644-371-000	F-10	45513-371-651	F-6	50414-371-000	F-14	51400-371-023	F-8
		44660-371-980	F-10			50416-371-000	F-14	51400-371-980	F-8
		44670-371-980	F-10	45516-371-003	F-6	50417-371-000	F-14	51401-371-003	F-8
		44701-371-003	F-10			50419-371-000	F-16	51404-044-030	F-28
		44701-371-980	F-10	45517-300-003	F-6	50420-371-000	F-16	51410-371-003	F-8
		44711-371-612	F-12	45518-371-003	F-6	50421-371-000	F-14	51410-371-023	F-8
		44711-371-673	F-12			50423-371-000	F-16	51412-371-003	F-8
		44711-371-674	F-12	45520-300-000	F-11	50424-371-000	F-14	51421-371-003	F-8
		44712-371-003	F-12	45520-371-003	F-6	50425-371-000	F-16	51421-371-980	F-8
		44712-371-004	F-12	45521-300-010	F-6	50426-371-000	F-14	51430-371-003	F-8
		44713-371-000	F-12			50428-371-000	F-14	51432-371-003	F-8
		44713-371-003	F-10	45522-300-010	F-6	50430-371-000ZA	F-14	51437-371-003	F-8
		44713-371-004	F-10	45526-341-000	F-6	50430-371-000ZB	F-14	51449-371-003	F-8
		44800-371-003	F-10	45527-300-000	F-6	50430-371-000ZC	F-14	51454-371-003	F-8
43120-371-000	F-12	44830-371-000	F-4	45530-371-305	F-6	50430-371-000ZD	F-14	51466-375-000	F-8
43200-371-006	F-11	44830-371-010	F-4			50430-371-000ZE	F-14	51500-371-003	F-8
43201-371-006	F-11	44830-371-980	F-4	46000		50432-371-300	F-14	51500-371-023	F-8
43202-371-006	F-11	44831-371-000	F-4			50436-371-003	F-14	51500-371-980	F-8
43205-371-006	F-11	44831-371-010	F-4	46138-568-671	F-6	50436-371-980	F-14	51521-371-003	F-8
43207-371-006	F-11			46500-371-000	F-11	50437-371-003	F-14	51521-371-980	F-8
43209-371-006	F-9			46500-371-980	F-11			51601-371-000	F-8
	F-11								

Part No.	Block No.								
		53192-371-980	F-2	80000		83700-371-610ZC	F-15	87125-041-680	F-29
		53200-371-000ZA	F-5			83700-371-661ZA	F-15	87127-371-980	F-15
		53200-371-010ZA	F-5	80100-371-000	F-24	83700-371-661ZB	F-15	87128-371-000	F-14
51602-371-000	F-8	53200-371-610ZA	F-5	80100-371-610	F-24	83700-371-661ZC	F-15	87128-371-980	F-14
51602-371-980	F-8	53200-371-611ZA	F-5	80100-371-611	F-24	83703-371-000	F-15	87411-538-910	F-15
51606-371-000	F-8	53200-371-612ZA	F-5	80100-371-960	F-24	83704-333-000	F-15	87501-371-610	F-29
51606-371-980	F-8	53200-371-960	F-5	80100-371-980	F-24	83705-371-000	F-15	87504-028-670	F-29
51622-371-000	F-8	53200-371-980	F-5	80101-283-000	F-26	83750-371-980ZL	F-15	87504-371-670	F-29
51634-340-000	F-8	53209-371-000	F-5		F-26-1			87505-371-610	F-24
51634-371-980	F-8	53211-268-305	F-5		F-26-2	84000		87505-371-671	F-24
		53212-250-305	F-5		F-26-3			87505-371-770	F-24
52000		53214-371-010	F-5	80101-371-000	F-24	84101-371-000	F-24	87506-371-670	F-28
		53215-250-000	F-5	80121-323-630	F-24	84101-371-010	F-24	87507-371-670	F-15
		53220-286-000	F-5	80124-351-000	F-16	84101-371-610	F-24	87507-371-671	F-15
52105-371-000	F-22	53220-371-980	F-5		F-24	84101-371-960	F-24	87507-371-980	F-15
52109-371-000	F-22	53223-371-010	F-5			84101-371-980	F-24	87508-371-670	F-15
52120-371-305	F-22	53230-371-000ZA	F-5	83000		84701-323-600B	F-26-1	87509-371-670	F-1
52120-371-315	F-22	53600-051-000	F-5			84701-341-670XW	F-26	87512-371-670	F-16
52120-371-325	F-22	53603-051-000	F-5	83100-371-305ZA	F-15	84701-371-600ZA	F-26-3	87560-375-680A	F-14
52120-371-980	F-22	53604-098-940	F-5	83100-371-305ZB	F-15	84701-371-610ZA	F-26-2	87560-375-680B	F-14
52141-371-000	F-22			83100-371-610ZA	F-15	84701-371-950	F-26-1		
52145-371-000	F-22			83100-371-610ZB	F-15	84701-371-960	F-26-2	88000	
52400-371-003	F-23	61000		83100-371-610ZC	F-15	84701-371-980	F-26		
52400-371-611	F-23			83100-371-661ZA	F-15	84706-286-000	F-21	88100-333-004	F-2
52400-371-961	F-23	61100-371-000	F-7	83100-371-661ZB	F-15		F-26-1	88100-358-680	F-2
52400-371-980	F-23	61100-371-600	F-7	83100-371-661ZC	F-15	84706-341-000	F-26	88100-371-660	F-2
52401-371-000	F-23	61100-371-980	F-7	83100-371-980ZL	F-15	84706-378-000	F-26	88100-371-930	F-2
52401-371-980	F-23	61104-357-000	F-16	83105-371-000	F-15		F-26-3	88100-371-980	F-2
52403-371-003	F-23	61131-268-600B	F-7	83105-371-980	F-15	84905-118-000	F-26-1	88110-304-621	F-2
52403-371-980	F-23	61134-315-600	F-7	83109-371-000	F-15		F-26-2	88110-323-610	F-2
52410-371-003	F-23	61301-371-003	F-3			84906-118-000	F-26-1	88110-371-650	F-2
52410-371-611	F-23		F-3-1	83118-371-000	F-16		F-26-2	88110-371-960	F-2
52410-371-961	F-23		F-3-2	83119-371-000	F-15			88110-371-970	F-2
52410-371-980	F-23	61301-371-980	F-3		F-16	85000		88120-304-621	F-2
52422-371-003	F-23		F-3-1	83119-371-980	F-15			88120-323-610	F-2
52422-371-980	F-23		F-3-2		F-16	85100-371-305ZA	F-1	88120-333-004	F-2
52451-357-000	F-13	62000		83121-371-000	F-14	85100-371-305ZB	F-1	88120-358-680	F-2
	F-22			83125-371-000	F-15	85100-371-610ZA	F-1	88120-371-650	F-2
52458-371-003	F-23			83125-371-010	F-15	85100-371-610ZB	F-1	88120-371-660	F-2
52459-371-003	F-23	62401-371-000ZA	F-19	83126-371-000	F-15	85100-371-610ZC	F-1	88120-371-930	F-2
52459-371-980	F-23	62401-371-980	F-19	83126-371-010	F-15	85100-371-661ZA	F-1	88120-371-960	F-2
52484-292-000	F-23	62403-371-000	F-19	83127-371-000	F-15	85100-371-661ZB	F-1	88120-371-970	F-2
52517-385-000	F-23	62405-371-000	F-19	83127-371-010	F-15	85100-371-661ZC	F-1	88120-371-980	F-2
				83128-371-000	F-15	85100-371-980	F-1		
53000		70000		83200-371-305ZA	F-15	85120-371-305ZA	F-1	89000	
				83200-371-305ZB	F-15	85120-371-305ZB	F-1		
53100-371-000	F-5	70548-605-000	F-24	83200-371-610ZA	F-15	85120-371-610ZA	F-1	89010-371-000	F-17
53100-371-610	F-5			83200-371-610ZB	F-15	85120-371-610ZB	F-1	89010-371-980	F-17
53100-371-611	F-5	73000		83200-371-610ZC	F-15	85120-371-610ZC	F-1	89101-371-003	F-17
53100-371-660	F-5			83200-371-661ZA	F-15	85120-371-661ZA	F-1	89101-371-013	F-17
53100-371-960	F-5	73225-611-000	F-14	83200-371-661ZB	F-15	85120-371-661ZB	F-1	89101-371-980	F-17
53100-371-980	F-5			83200-371-661ZC	F-15	85120-371-661ZC	F-1	89102-371-980	F-17
53124-250-000	F-5	75000		83200-371-980ZL	F-15	85120-371-980	F-1	89103-371-000	F-17
53131-371-000	F-5			83501-371-000	F-16	85200-371-000	F-1	89103-371-980	F-17
53141-300-010	F-2	75581-605-004	F-14	83600-371-305ZA	F-15	85200-371-980	F-1	89212-001-000	F-17
53165-342-670	F-2			83600-371-305ZB	F-15	85201-371-000	F-1	89212-371-980	F-17
53165-371-000	F-2	77000		83600-371-610ZA	F-15	85202-371-000	F-1	89216-371-980	F-17
53166-342-670	F-2			83600-371-610ZB	F-15	85300-371-000	F-1	89217-371-980	F-17
53166-371-000	F-2	77200-371-000	F-18	83600-371-610ZC	F-15	85300-371-980	F-1	89218-371-980	F-17
53167-371-000	F-2	77200-371-600	F-18	83600-371-661ZA	F-15	85400-371-000	F-1	89219-371-980	F-17
53170-369-003	F-6	77200-371-660	F-18	83600-371-661ZB	F-15	85401-371-000	F-1	89220-371-980	F-17
53170-371-980	F-6	77200-371-960	F-18	83600-371-661ZC	F-15			89221-371-000	F-17
53172-371-000	F-2	77200-371-980	F-18	83610-371-000	F-29	87000		89222-371-000	F-17
53175-369-003	F-6	77203-371-305	F-18	83618-323-000	F-28			89223-371-980	F-17
53178-371-000	F-2	77205-292-010	F-18	83650-371-980ZL	F-15	87121-371-000	F-15	89231-371-980	F-17
53190-369-700	F-2	77207-371-000	F-18	83700-371-305ZA	F-15	87121-371-660	F-15	89232-371-980	F-17
53190-371-000	F-2	77207-371-305	F-18	83700-371-305ZB	F-15	87121-371-980	F-15	89233-371-980	F-17
53190-371-980	F-2	77251-342-000	F-16	83700-371-610ZA	F-15	87122-371-660	F-15	89234-371-980	F-17
53192-268-000	F-2			83700-371-610ZB	F-15	87122-371-980	F-15	89235-371-980	F-17
53192-312-000	F-2								

Part No.	Block No.								
		90054-371-980	E-11	90144-371-980	E-3	90401-371-000	E-10	90703-371-000	E-7
		90055-371-980	E-6		E-10	90402-822-000	E-8		E-11
		90056-371-980	E-6	90145-300-000	F-6	90406-371-000	E-1	90704-371-000	E-11
89236-371-980	F-17	90061-371-980	E-11	90145-371-980	E-5		E-12	90705-371-000	E-13
89237-371-980	F-17	90071-371-980	E-8		F-6	90406-611-000	E-13	90841-001-000	F-29
89238-371-980	F-17		F-2	90146-371-980	E-8	90408-371-000	E-7	90899-323-610	F-24
89240-371-980	F-17	90081-371-980	E-2		E-11	90414-611-000	E-1		
89241-371-980	F-17		E-3	90147-371-980	E-5	90416-371-000	E-8	91000	
89242-371-980	F-17		E-8	90148-371-980	E-7	90417-041-000	E-7		
89243-371-980	F-17	90082-371-980	F-5	90149-371-980	E-8		E-13	91001-371-008	E-14
89244-371-980	F-17		F-8	90150-371-980	E-11	90431-292-000	E-9	91002-300-008	E-14
89245-371-980	F-17		F-13	90152-371-000	F-29	90432-371-000	E-9	91002-371-004	E-9
89246-371-980	F-17		F-20	90152-371-980	F-29	90435-611-000	E-1		E-12
89247-371-980	F-17		F-21	90153-371-000	F-29	90438-634-000	E-2		E-14
89250-371-980	F-17		F-24	90153-371-980	F-29		E-3	91004-371-008	E-14
89251-371-980	F-17		F-26	90155-371-000	F-25		E-11	91010-300-008	E-14
89252-371-980	F-17		F-26-1	90155-371-980	F-25	90441-028-010	E-1	91015-371-000	F-5
89253-371-980	F-17		F-26-2	90161-371-003	F-11		E-5	91016-371-000	F-5
		90085-371-980	E-10	90161-371-980	E-5		E-6	91051-371-004	F-13
			E-15	90162-292-000	F-26		E-11	91071-371-003	F-22
90000			E-15-1		F-26-1	90451-371-000	E-14	91101-371-006	E-10
90001-371-003	E-2	90101-371-980	F-29		F-26-2	90452-323-000	E-2	91101-516-000	E-10
	E-3	90101-605-000	F-29		F-26-3		E-3	91201-371-005	E-12
90002-371-003	E-2	90102-371-000	F-24	90162-371-980	F-26	90452-371-000	E-14	91202-216-003	E-8
	E-3	90102-371-980	F-24		F-26-1	90453-286-003	E-8	91204-286-003	E-8
90003-371-003	E-11	90103-371-006	F-11		F-26-2	90454-371-000	E-10	91204-371-003	E-8
90004-371-000	E-7	90105-371-003	F-6	90163-371-006	F-11	90456-333-000	E-7	91204-371-005	E-8
90006-371-000	E-8	90105-371-980	F-6	90163-371-980	E-11	90458-286-000	E-5	91206-286-013	E-11
90007-371-004	E-6	90106-371-000	F-4	90165-300-023	F-9	90458-292-000	E-14	91207-580-015	E-7
90007-371-980	E-6	90107-538-010	F-18	90167-371-000	F-21	90458-506-810	E-14	91208-300-003	E-7
90008-371-000	E-11	90108-371-000	F-21	90167-371-660	F-21	90471-580-000	F-13	91209-371-003	E-2
90008-371-980	E-11	90108-371-610	F-21	90167-371-980	F-21	90481-001-020	E-6		E-3
90009-371-005	E-11	90108-371-980	F-21	90180-371-000	F-5	90481-292-000	E-9	91211-286-003	E-5
90009-371-980	E-11	90109-371-000	F-13	90180-371-980	F-5	90486-028-000	E-5	91211-371-005	E-5
90010-371-005	E-11	90109-371-980	F-13	90185-371-000	F-5	90501-310-000	F-11	91252-300-003	F-10
90012-300-000	E-4	90114-268-020	F-2		F-20	90503-283-000	F-5	91253-356-005	F-12
90015-371-003	E-10	90114-300-000	F-6	90192-371-981	F-25	90503-371-980	F-5	91254-371-003	F-8
90017-371-000	E-1	90114-371-980	F-2	90192-377-671	F-25	90505-568-000	F-18	91255-371-003	F-8
90017-371-980	E-1		F-6	90201-329-000	F-21	90521-292-000	F-23	91259-333-000	E-11
90018-371-000	E-2	90116-283-010	F-8	90203-371-980	F-19	90521-371-980	F-23	91261-371-003	F-13
	E-3	90116-371-000	F-9	90203-611-000	F-19	90539-011-000	E-5	91261-371-013	F-13
90018-371-980	E-2	90116-371-010	F-9	90205-300-000	E-4	90541-371-000	E-1	91263-371-003	F-13
	E-3	90117-371-003	F-18	90231-200-010	E-9		E-2	91265-371-003	F-13
90019-371-000	E-1	90120-371-000	F-3	90236-300-000	F-29		E-3	91267-371-003	F-22
90019-371-980	E-1		F-3-1	90301-385-003	F-23	90541-371-980	E-1	91301-283-005	E-8
90021-371-000	E-1		F-3-2	90303-371-000	F-22		E-2	91301-371-003	E-2
90023-371-000	E-10	90121-371-000	F-22	90304-371-000	F-5		E-3		E-3
90025-371-000	E-7	90121-371-010	F-22	90305-329-000	F-10	90543-273-000	F-8	91302-001-020	E-8
90026-371-004	E-11	90122-371-000	F-10	90305-371-980	F-10	90544-283-000	F-8		F-13
90026-371-980	E-11	90123-371-000	F-9	90306-268-000	F-12	90545-300-000	F-6	91302-028-000	E-6
90027-371-006	E-11	90123-371-980	F-9	90306-371-980	F-12		F-11		F-1
90027-371-980	E-11	90125-329-010	F-12	90308-357-000	F-12	90545-323-700	F-26-1	91302-200-000	E-7
90028-371-004	E-8	90125-371-000	F-13		F-22		F-26-2	91302-317-700	E-5
90029-611-000	E-13	90128-346-003	F-12	90308-371-980	F-22	90545-371-960	F-26-1	91302-371-003	E-5
90035-371-000	E-2	90129-371-000	F-25	90309-315-000	F-23		F-26-2	91303-283-000	E-6
	E-3	90129-371-980	F-25	90309-357-000	F-4		F-14	91303-371-000	E-11
90041-371-980	E-11	90131-371-000	F-11		F-10	90555-357-000	F-13	91303-611-000	E-5
90042-371-980	E-11	90131-371-980	F-11		F-12	90581-371-980	F-26	91305-216-000	E-6
90043-371-980	F-13	90133-371-000	F-13	90309-371-980	F-23		F-26-1	91305-371-003	E-2
90044-371-980	E-2	90134-371-000	F-13	90310-371-980	F-4	90581-831-650	F-26		E-3
	E-3	90141-371-980	E-11		F-12		F-26-1	91306-371-003	E-11
90045-371-980	E-6		F-2	90313-567-000	F-15		F-26-3	91306-921-000	F-13
90050-371-980	E-2	90142-371-980	E-6	90321-315-670	F-2	90601-300-000	E-14	91307-611-000	E-5
	E-3		F-16	90321-371-980	F-2	90602-371-000	E-14	91307-703-000	E-11
90051-371-980	E-15		F-27	90324-001-810	F-21	90605-371-000	E-10	91308-371-003	E-2
90052-371-980	E-15-1	90143-371-980	E-5	90325-323-630	F-24	90701-283-000	E-4		E-3
90053-371-980	E-3		E-11	90354-371-000	F-22	90701-371-000	E-5	91309-283-005	E-10
	E-8		F-2	90354-371-010	F-22	90702-371-000	E-11	91310-611-000	E-5
90054-371-980	E-5		F-8	90381-371-000	F-13	90702-634-300	E-11	91312-371-003	E-6
		90144-371-980	E-2						

Part No.	Block No.								
		91560-371-980	F-3-2	93200-10032-0B	F-23	93700-04008-0B	F-4	94101-10200	F-9
		91561-371-980	F-1	93500-03006-0A	F-18	93700-04012-0B	F-21	94102-08000	F-11
			F-4	93500-03006-0B	F-18	93700-04030-0G	F-4	94102-10000	F-29
91316-300-005	E-6		F-7	93500-03008-0H	F-25	93700-04035-0G	F-4	94102-20000	F-11
91318-500-000	E-11	91563-371-980	F-8	93500-03008-1A	F-3-2	93700-05010-0A	F-10	94109-14000	E-6
91319-300-000	E-11		F-20	93500-03010-0A	F-16	93901-12110	E-11	94111-03000	F-16
91320-371-000	E-15		F-29	93500-03012-0A	F-3	93901-15410	E-11	94111-04000	E-15
91333-567-010	E-7	91564-371-980	F-19		F-3-2				E-15-1
	E-11		F-29		F-27				F-7
91345-580-000	E-7	91565-371-980	F-21	93500-03016-0A	F-16	94000		94111-05000	E-10
91354-371-000	E-10		F-29	93500-03045-0B	F-26-2	94001-04000-05	F-7		E-15
91354-702-000	E-10	91570-371-960	F-21	93500-04008-0A	E-15-1		F-14		E-15-1
91355-371-003	F-13	91570-371-980	F-21	93500-04010-0A	E-15	94001-05000-05	F-27		F-3
91356-371-000	F-8	91571-371-980	F-21		E-15-1	94001-05080-05	F-1		F-3-1
91356-706-000	E-6	91572-371-980	F-21	93500-04012-0A	F-7	94001-06000-05	E-8		F-3-2
91359-371-003	F-12	91581-371-980	F-14	93500-04014-0A	E-15-1		E-13		F-18
91361-706-000	E-11		F-15	93500-04018-0A	E-15	94001-06000	F-2		F-27
91455-371-000	F-18		F-16	93500-04018-0H	F-1		F-4		F-28
91456-371-770	F-5	91582-371-980	F-14	93500-04050-4J	F-26-1		F-18	94111-05800	F-1
91500-371-980	F-26		F-27	93500-04055-0A	F-26-3		F-26-2	94111-06000	E-13
91501-371-980	F-8		F-28	93500-04055-4J	F-26		F-28		E-15
91502-371-980	F-1		F-29	93500-05006-0A	F-27	94001-08000-05	F-8		F-1
91503-371-980	F-7	91587-371-980	F-6	93500-05008-0A	E-2		F-11		F-4
91504-371-960	F-26-1	91588-371-980	F-18		E-3		F-20		F-7
	F-26-2	91589-371-980	F-21		F-28	94001-08020-05	F-5		F-16
	F-24			93500-05008-0H	F-3-2	94001-10000-05	F-21		F-18
91506-371-980	F-5	92000		93500-05010-0A	F-18		F-25		F-26-2
91507-371-980	F-29			93500-05012-0A	E-15	94001-12000-05	F-21		F-28
91508-371-980	F-29	92000-05020-0B	F-26		E-15-1	94002-06000-05	F-6		F-29
91509-371-980	F-25		F-26-1	93500-05016-0A	E-15-1	94002-06070	F-1	94111-06800	F-1
91510-371-970	F-3-2	92000-05025-0A	F-26	93500-05016-0B	F-3	94002-08000-05	E-8	94111-08000	F-8
91510-371-980	F-24		F-26-3		F-3-1	94021-06000	F-4		F-11
91511-371-980	F-23	92000-06010-0B	F-1		F-3-2	94021-06070	F-1		F-20
91512-371-980	F-19	92000-06010	F-7	93500-05020-0A	F-27	94021-06220	F-1		F-29
91513-371-980	F-21		F-8	93500-05020-0G	E-2	94021-08220-05	F-20	94111-10000	F-3
91514-371-980	F-19	92000-06012	E-7		E-3	94021-10200-05	F-29		F-3-1
91515-371-980	F-5	92000-06014	E-5	93500-05025-0A	F-2	94021-10220-05	F-29		F-3-2
91516-371-980	F-21	92000-06016	E-11	93500-05032-0A	F-2	94021-12020-05	F-21		F-19
91520-371-900	F-24	92000-06020-07	F-1	93500-05032-4J	F-27	94030-12200	F-29		F-29
91520-371-950	F-26-1	92000-06020	E-11	93500-06008	E-3	94101-04000	F-1	94111-12000	F-21
91520-371-960	F-3-2		F-7		E-8		F-14		F-29
91520-371-980	F-26	92000-06025-07	F-1	93500-06012-0G	F-18	94101-05000	F-15	94201-10080	E-15-1
91521-371-960	F-26-2	92000-06025-08	F-1	93500-06012	E-5		F-18	94201-12100	F-28
91521-371-980	F-3	92000-06025	E-13		F-16	94101-05800	F-1	94201-16150	F-11
	F-3-1		F-26-1		F-18	94101-06000	E-2		F-21
	F-3-2		F-26-2		F-20		E-3	94201-25250	F-21
91522-371-980	F-18	92000-06028	F-21		F-29		E-5	94201-30250	E-7
91523-371-980	F-10	92000-08016-0B	F-13	93500-06020	E-5		E-8	94201-30350	F-11
91524-371-980	F-21	92000-08022-0A	E-1		E-6		F-16	94201-40300	F-12
91525-371-980	F-20		E-12		E-11		F-20	94251-04000	F-14
91531-371-980	F-5	92000-08032-0A	F-11		F-24		F-21	94251-05000	F-3
	F-8	92000-08065-0B	F-5	93500-06022-0H	E-7		F-24		F-3-1
	F-20	92000-10025-0B	F-3-2	93500-06025	E-5		F-29		F-3-2
91533-371-980	F-29	92000-10040-0B	F-5	93500-06028	E-7	94101-06200	F-1		F-15
91540-371-980	F-1	92200-12065-0A	F-29	93500-06035	E-6	94101-06700	F-1	94301-08100	E-7
	F-4	92200-12080-0A	F-29		E-15	94101-06800	F-1	94301-08140	E-6
91542-371-980	F-20	92500-06032-0B	E-2	93500-06040	E-5	94101-08000	F-8		E-7
91543-371-980	F-29		E-3		E-10		F-21		E-8
91544-371-980	F-21	92600-08040-0B	F-24	93500-06045	E-15	94101-08200	F-5		E-10
91550-371-980	F-1	92700-08040-0E	E-2	93500-06055	E-6		F-13		E-11
	F-21		E-3	93500-06080	E-6		F-20		E-15
	F-24	92700-08050-30	F-8	93600-05012-0H	E-7		F-24	94301-10160	E-2
91556-371-980	F-5	92718-06032-10	F-16	93600-05014-0A	E-7		F-26		E-3
	F-9	92800-14000	E-6	93600-06020	E-14		F-26-1	94301-12200	E-2
	F-19			93600-06022	E-13		F-26-2		E-3
	F-25	93000		93700-03006-0G	E-2		F-26-3		E-11
91557-371-980	F-29				E-3	94101-10000	F-19	94301-14200	E-7
91560-371-980	F-3	93000-06035-02	F-25	93700-03006-1G	E-2		F-25	94303-04065	E-7
	F-3-1	93000-08040-0B	F-24		E-3	94101-10200	F-5		E-15-1

Part No.	Block No.				
		95700-06025-00	F-27	99004-18002	F-17
		95700-06028-00	E-2	99005-01000	F-17
			E-3	99006-12000	F-17
			E-10	99006-22000	F-17
94305-20142	F-15			99006-26000	F-17
94401-25140	E-4	95700-06032-00	E-5	99007-45000	F-17
94510-16000	E-8		E-10		
94510-18000	E-8		F-28	99103-611-0350	E-15-1
94510-20000	E-8	95700-06035-00	E-8	99164-601-0600	E-15-1
	F-22		E-11	99164-601-1100	E-15-1
94510-28000	E-10	95700-06040-00	E-5	99164-601-1150	E-15-1
94511-18000	F-1		F-6	99164-601-1200	E-15-1
94511-26000	E-10	95700-06080-00	E-6	99201-60106-20	E-15-1
			E-7	99201-60106-50	E-15-1
95000		95700-06085-00	E-8	99202-60112-00	E-15-1
		95700-06090-08	F-19	99202-60112-50	E-15-1
95001-35210-40	E-15	95700-06110-00	E-11		
95001-55100-40	E-15	95700-08014-08	F-24		
95001-80300-40	F-1		F-29		
95002-01120	E-15	95700-08016-00	F-18		
	F-18	95700-08022-00	E-1		
95002-02070	E-15	95700-08028-08	F-18		
95002-02100	E-15	95700-08032-00	E-5		
95002-02120	F-1	95700-08032	F-13		
95002-02130	F-1	95700-08040-08	F-29		
	F-16	95700-08070-00	E-2		
95002-50000	F-1		E-3		
95003-14103-10	F-1		E-11		
95003-27082-30	F-16	95700-10040-00	F-21		
95011-40000	E-11				
95011-64000	F-20	96000			
95012-15000	F-28				
95014-61100	F-6	96100-60030	E-9		
	F-29	96100-60070	E-10		
95014-71701	F-21	96100-62050	E-9		
95014-72102	F-21	96103-60070-00	F-13		
95014-72401	F-21	96140-62040-10	F-12		
95015-82000	F-21	96140-63020-10	F-10		
95300-10045-00	F-19	96140-63030	E-10		
95300-12040-00	F-21	96140-63040-10	F-12		
95325-10050-00	F-19	96201-10000	F-22		
95700-06010-08	F-14	96211-08000	F-5		
	F-15	96220-40158	E-7		
	F-16				
95700-06012-00	F-27	98000			
95700-06012-08	F-14				
	F-27	98069-38710	E-2		
	F-28		E-3		
	F-29	98069-38716	E-2		
95700-06014-08	F-4		E-3		
95700-06016-00	E-11	98069-58721	E-2		
	F-2		E-3		
	F-20	98069-58726	E-2		
95700-06018-00	E-1		E-3		
	E-6	98200-20500	F-27		
	E-7	98200-21000	F-27		
	E-8	98200-21500	F-27		
	E-9	98200-53000	F-28		
	F-21				
95700-06020-07	F-1	99000			
95700-06020-08	F-1				
95700-06022-00	E-1	99001-10120	F-17		
	E-6	99001-14170	F-17		
	E-10	99002-13500	F-17		
95700-06022-08	F-16	99003-10000	F-17		
	F-27	99003-20000	F-17		
95700-06025-00	E-5	99003-30000	F-17		
	E-11	99003-40000	F-17		
	F-2	99003-50000	F-17		
	F-6				