

PRODUCT CODE INFORMATION

WORLD AMERICAN®

PRODUCT CODE INFORMATION PAGE

WA01-XXXX

(World American)

(Product code)

(Part Number)

Product Codes

- 01 **AIR RELATED** – *Air Springs * Air Hose Assemblies * Hoses * Fittings * Shock Absorbers*
- 02 **AIR SPRINGS - CAB ONLY**
- 03 **POLYURETHANE COMPONENTS**
- 04 **BUSHINGS** – *Bronze * Plastic* Rubber*
- 05 **CAMSHAFTS** – *S Cams*
- 06 **ELECTRICAL**
- 07 **HARDWARE** – *Studs * Bolts* Nuts * Washers* Rollers * Anchor Pins U-Bolt Kits*
- 08 **HARDWARE KITS** – *Brake* Camshaft*
- 09 **SEALS**
- 10 **SPRINGS**
- 11 **STEERING**
- 12 **SUSPENSION** – *Equalizers * Hangers * Torque Arms*
- 13 **TOOLS**
- 14 **TRAILER RELATED** – *Hub Caps * Tarp Straps * Manifest Box * Landing Gear Components*
- 15 **WHEEL CLAMPS**
- 16 **MISC** – *None of the Above*
- 17 **FRICTION**

World American® Product Code Information Useful For:

- *PRODUCT IDENTIFICATION*
- * INVENTORY CONTROL*
- *WAREHOUSE ORGANIZATION*
- *LINE SHEET PROMOTIONS*
- *NEW PRODUCT SYMBOLS*

TABLE OF CONTENTS

AIR SPRINGS	5-33
CAB AIR SPRINGS	33-35
SHOCK ABSORBERS	36
AIR RELATED	
AIR HOSE ASSEMBLIES	37
AIR HOSE RACK	37
BULK AIR BRAKE HOSE	38
SPRINGBRAKE CHAMBERS	47-48
AIR CHAMBER BRACKET	50
SPRINGBRAKE-STYLE DIAPHRAGMS	50
AIR HOSE SEPARATORS	39
THREE HOLE HOSE CLAMPS	39
SUPPORT SPRINGS (HOSE SPRINGS)	39
COILED AIR HOSE ASSEMBLY	40
HEIGHT CONTROL LEVELING VALVE	147
GLAD HANDS / GLAD HAND HANDLES	40-41
GLAD HAND SEALS	42
AIR HOSE CONNECTORS & UNIONS	42-46
SLACK ADJUSTERS	51-55
NYLON HOSE SLEEVES	43-44
NYLON HOSE UNIONS	44
BRASS INSERTS FOR NYLON HOSE	44
NUTS FOR NYLON TUBING	45
MALE CONNECTORS	45
MALE ELBOWS	45-46
AIR SHUT OFF COCK	46
AIR TANK PRESSURE RELIEF VALVES	46
MANUAL DRAIN VALVES	46
BULKHEAD FITTING	46
BUSHINGS	
POLYURETHANE COMPONENTS	153-155
CAMSHAFT BUSHINGS	81-84
CAMSHAFT WASHERS	85-86
CAMSHAFT SPECIALTY WASHERS	87
SUSPENSION BUSHINGS	151-152
ANCHOR PIN BUSHINGS	90
CAMSHAFTS	
CAMSHAFTS	56-74
CAMSHAFT SUPPORT BRACKETS	75
BRAKE SPIDER	75
CAMSHAFT REPAIR KITS	76-81
HARDWARE	
LOCK RINGS	89
FLANGE NUTS	117-122
WHEEL STUDS	105-107
AXLE SPINDLE NUTS	108-112
U-BOLT KITS	153-156
SPRING CENTER BOLTS	157
NUTS	117-122
WASHER	90
ROLLER PINS	104
CAMSHAFT SEALS	87-88
GLAD HAND SEAL	42
SPRINGS	98-103
SPRING PIN	100
RETAINERS	103

PARTS LISTED IN THIS CATALOG ARE NOT NECESSARILY MANUFACTURED BY THE ORIGINAL EQUIPMENT MANUFACTURER AND ANY REFERENCE TO THE TRADEMARKS OR PART NUMBERS OF OTHERS ARE FOR CROSS REFERENCE INFORMATIONAL PURPOSES ONLY. THE PHOTOS PROVIDED HEREIN ARE PROVIDED ONLY FOR ILLUSTRATIVE PURPOSES. THE ACTUAL PRODUCTS SUPPLIED MAY DIFFER. THE TRADEMARKS OF OTHERS REFERRED TO HEREIN ARE OWNED BY THEIR RESPECTIVE COMPANIES AND ARE NOT AFFILIATED IN ANY WAY WITH MIDWEST TRUCK & AUTO PARTS, INC.™. WORLD AMERICAN®, MOTIVE GEAR® AND MOTIVE GEAR PERFORMANCE® ARE REGISTERED TRADEMARKS OF MIDWEST TRUCK & AUTO PARTS, INC.™. USE OF THE ® IN CONNECTION WITH A MARK OF MIDWEST TRUCK & AUTO PARTS, INC.™ INDICATES THAT THE MARK IS REGISTERED IN AT LEAST THE UNITED STATES. NO REPRESENTATION IS MADE WITH RESPECT TO THE SOURCE OF MANUFACTURE OF ANY PARTICULAR PART. WHILE EVERY EFFORT IS MADE TO PROVIDE ACCURATE INFORMATION, NO GUARANTEE IS PROVIDED AS TO THE ACCURACY OF THE INFORMATION CONTAINED HEREIN. WE ARE NOT RESPONSIBLE FOR TYPOGRAPHICAL ERRORS. © 2012, MIDWEST TRUCK & AUTO PARTS, INC.™ ALL RIGHTS RESERVED.

TABLE OF CONTENTS

SUSPENSION

DANA® STYLE	130
DAYTON® STYLE	130-131
FORD® STYLE	131
FREIGHTLINER®	131-132
FRUEHAUF® STYLE	133-134
HENDRICKSON® STYLE	134-139
HUTCHENS® STYLE	139-143
INTERNATIONAL® STYLE	143
KENWORTH®	143-144
MACK® STYLE	144-145
NEWAY® STYLE	146-147
REYCO® STYLE	148-149
TRANSPRO® STYLE	150

TOOLS - DISPLAY BOARDS

HEAVY DUTY SOCKETS	114
HEAVY DUTY SOCKET DISPLAY BOARD	115
AXLE NUT AND WASHER DISPLAY BOARD	113
SMALL PARTS DISPLAY RACK	122

TRAILER RELATED

HUB CAP	126-127
HUB CAP O RING	126
HUB CAP PLUG	126
HUB CAP WINDOW KIT	126
LANDING GEAR COMPONENTS	129
ALUMINUM MANIFEST BOX	124
DOCUMENT HOLDER	123
MUD FLAP HANGERS	123
RUBBER TARP STRAPS	128
FIFTH WHEEL COMPONENTS	128
KING PIN LOCK	128
POWER CORDS	124-125
TERMINAL JUNCTION BOX	125

DRAG LINKS	160
KING PIN KITS	158-160
TIE ROD ENDS	161-163
BRAKE HARDWARE KITS	91-97
HUB CAPS	126-127
OIL BATH SEALS	116
POWER STEERING PUMPS	164-166
INTERCHANGE WORLD AMERICAN®	168-224
INDEX	226-239
DISCLAIMER	240
WARRANTY	241
CONVERSION CHART	242

PARTS LISTED IN THIS CATALOG ARE NOT NECESSARILY MANUFACTURED BY THE ORIGINAL EQUIPMENT MANUFACTURER AND ANY REFERENCE TO THE TRADEMARKS OR PART NUMBERS OF OTHERS ARE FOR CROSS REFERENCE INFORMATIONAL PURPOSES ONLY. THE PHOTOS PROVIDED HEREIN ARE PROVIDED ONLY FOR ILLUSTRATIVE PURPOSES. THE ACTUAL PRODUCTS SUPPLIED MAY DIFFER. THE TRADEMARKS OF OTHERS REFERRED TO HEREIN ARE OWNED BY THEIR RESPECTIVE COMPANIES AND ARE NOT AFFILIATED IN ANY WAY WITH MIDWEST TRUCK & AUTO PARTS, INC.™. WORLD AMERICAN®, MOTIVE GEAR® AND MOTIVE GEAR PERFORMANCE® ARE REGISTERED TRADEMARKS OF MIDWEST TRUCK & AUTO PARTS, INC.™. USE OF THE ® IN CONNECTION WITH A MARK OF MIDWEST TRUCK & AUTO PARTS, INC.™ INDICATES THAT THE MARK IS REGISTERED IN AT LEAST THE UNITED STATES. NO REPRESENTATION IS MADE WITH RESPECT TO THE SOURCE OF MANUFACTURE OF ANY PARTICULAR PART. WHILE EVERY EFFORT IS MADE TO PROVIDE ACCURATE INFORMATION, NO GUARANTEE IS PROVIDED AS TO THE ACCURACY OF THE INFORMATION CONTAINED HEREIN. WE ARE NOT RESPONSIBLE FOR TYPOGRAPHICAL ERRORS. © 2013, MIDWEST TRUCK & AUTO PARTS, INC.™ ALL RIGHTS RESERVED.

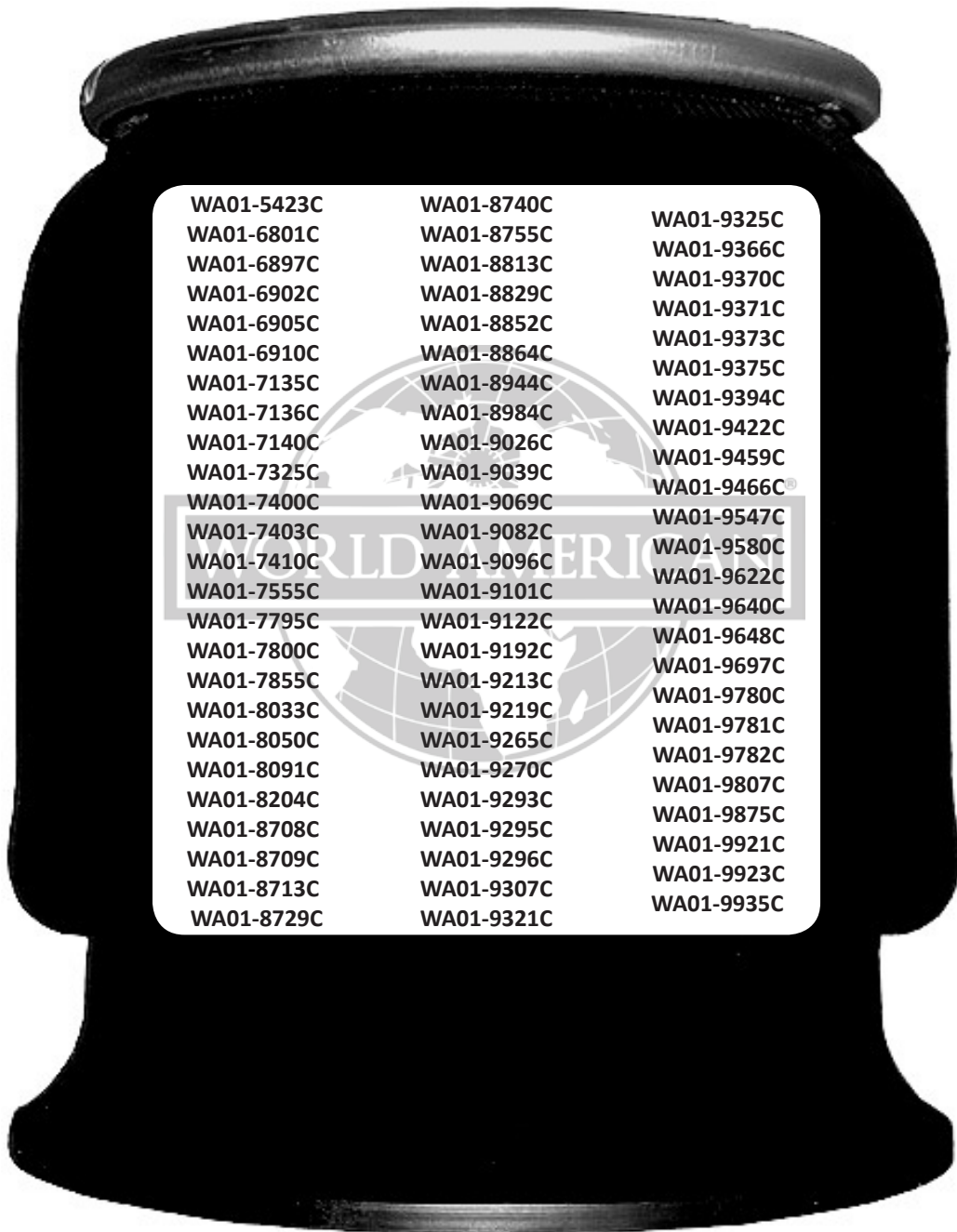
-004



U.S.A. Toll Free 800.934.2727
MEXICO Toll Free: 001.877.623.7576
VENEZUELA Toll Free: 0800.100.2593
COLOMBIA Toll Free: 980.915.5094

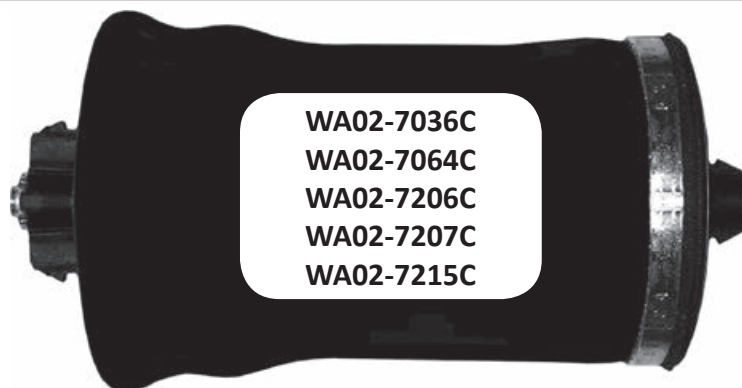
WWW.WORLDAMERICAN.COM

WORLD AMERICAN AFTERMARKET AIR SPRINGS



WA01-5423C	WA01-8740C	WA01-9325C
WA01-6801C	WA01-8755C	WA01-9366C
WA01-6897C	WA01-8813C	WA01-9370C
WA01-6902C	WA01-8829C	WA01-9371C
WA01-6905C	WA01-8852C	WA01-9373C
WA01-6910C	WA01-8864C	WA01-9375C
WA01-7135C	WA01-8944C	WA01-9394C
WA01-7136C	WA01-8984C	WA01-9422C
WA01-7140C	WA01-9026C	WA01-9459C
WA01-7325C	WA01-9039C	WA01-9466C®
WA01-7400C	WA01-9069C	WA01-9547C
WA01-7403C	WA01-9082C	WA01-9580C
WA01-7410C	WA01-9096C	WA01-9622C
WA01-7555C	WA01-9101C	WA01-9640C
WA01-7795C	WA01-9122C	WA01-9648C
WA01-7800C	WA01-9192C	WA01-9697C
WA01-7855C	WA01-9213C	WA01-9780C
WA01-8033C	WA01-9219C	WA01-9781C
WA01-8050C	WA01-9265C	WA01-9782C
WA01-8091C	WA01-9270C	WA01-9807C
WA01-8204C	WA01-9293C	WA01-9875C
WA01-8708C	WA01-9295C	WA01-9921C
WA01-8709C	WA01-9296C	WA01-9923C
WA01-8713C	WA01-9307C	WA01-9935C
WA01-8729C	WA01-9321C	

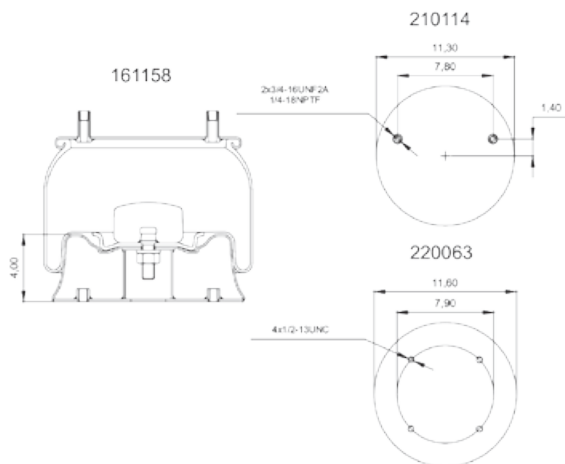
WORLD AMERICAN AFTERMARKET CAB AIR SPRINGS



WA02-7036C
WA02-7064C
WA02-7206C
WA02-7207C
WA02-7215C

AIR SPRINGS

WA01-8050C



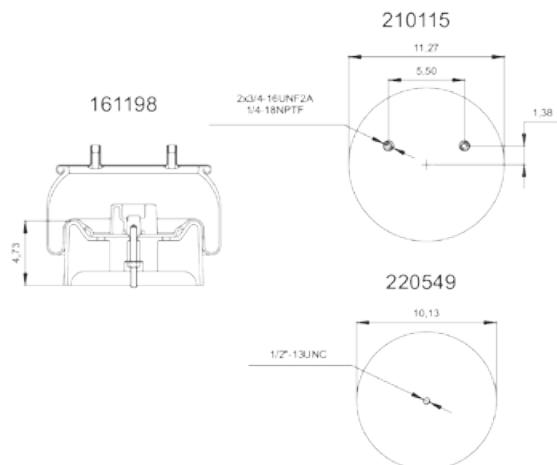
FS
1T19ZK-5.7
W01-358-8050

G.Y.
1R14-039
1R14-055
1R14-083

C.T.
11 10.5-C 16 A 320
11 10.5-E 16 A 320

HENDRICKSON S4771
REYCO 23631
TRIANGLE 8320
WATSON / CHALIN AS-0039

WA01-8091C



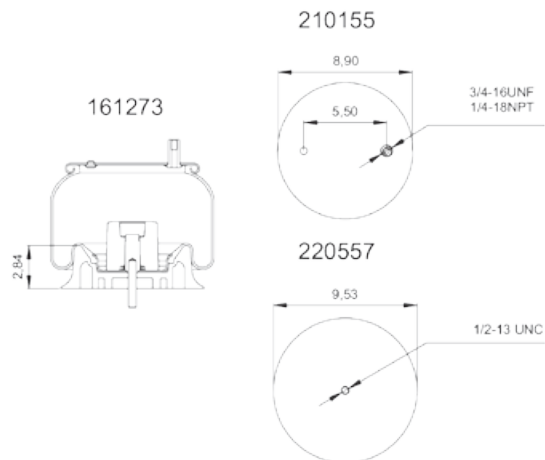
FS
1T19FC-6
1T19LC-6
W01-358-8091

G.Y.
1R14-171

C.T.
11 10.5-A 16 P 523

HENDRICKSON S20901
S21784
TRIANGLE 8523

WA01-8197C



FS
1T15M-2
W01-358-8197

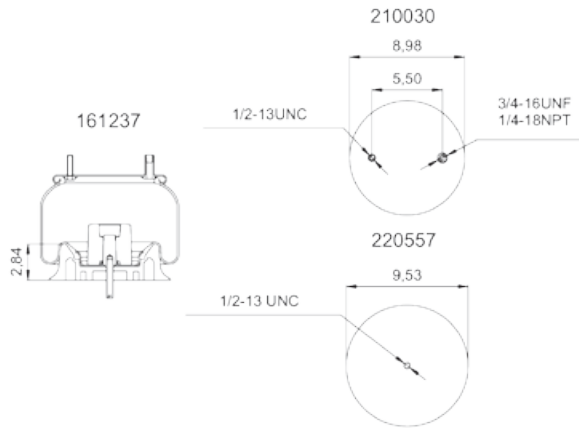
G.Y.
1R12-562

C.T.
9 10-12 P 024

NEWAY (HOLLAND) 90557230

AIR SPRINGS

WA01-8204C



FS
1T15M-2
W01-358-8204

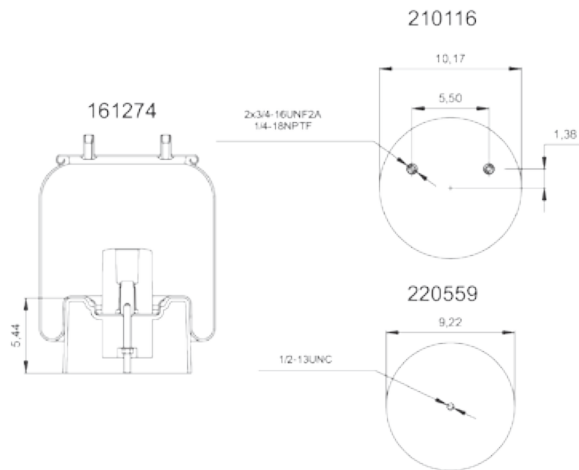
G.Y.
1R12-522

C.T.
9 10-12 P 484

NEWAY (HOLLAND) 90557173
90557223

TRIANGLE 8484

WA01-8708C



FS
1T17CA-6.5
W01-358-8708

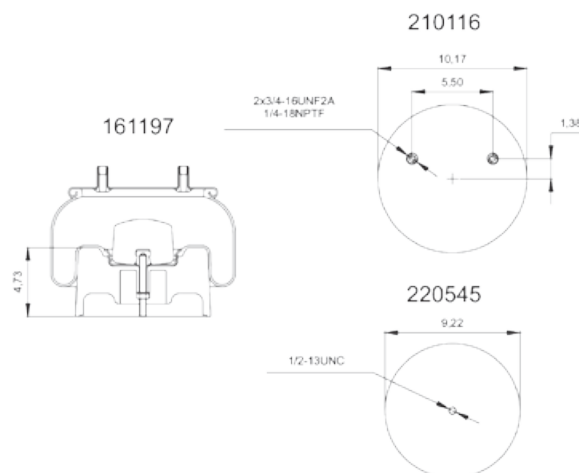
G.Y.
1R13-177
1R13-128

C.T.
10 10-16 S 526

HENDRICKSON S21966

TRIANGLE 8526

WA01-8709C



FS
1T17CA-5
W01-358-8709

G.Y.
1R13-159

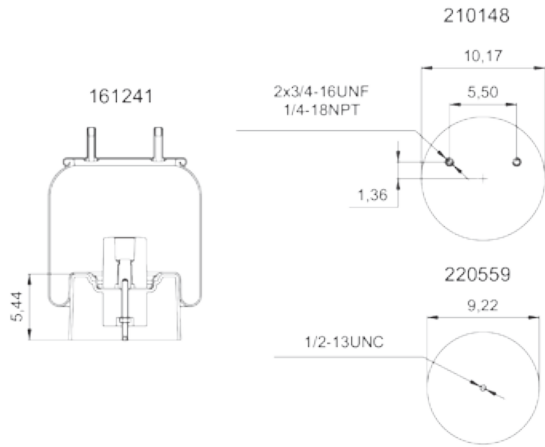
C.T.
10 10-5 P 460

HENDRICKSON S21800

TRIANGLE 8460

AIR SPRINGS

WA01-8713C



FS
1T17CA-6.5
W01-358-8713

G.Y.
TR13-176

C.T.
10 10-16 S 533

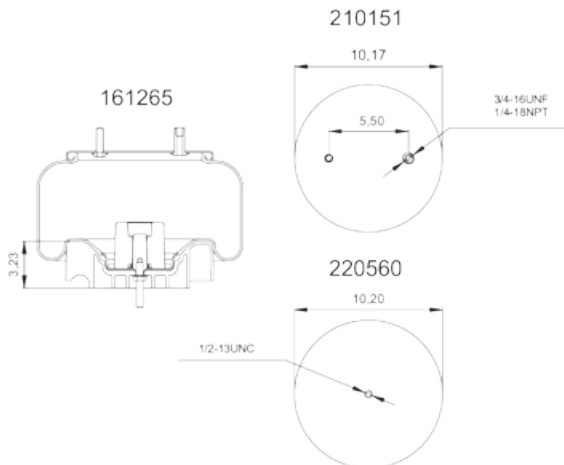
HENDRICKSON

S22948

TRIANGLE

8533

WA01-8729C



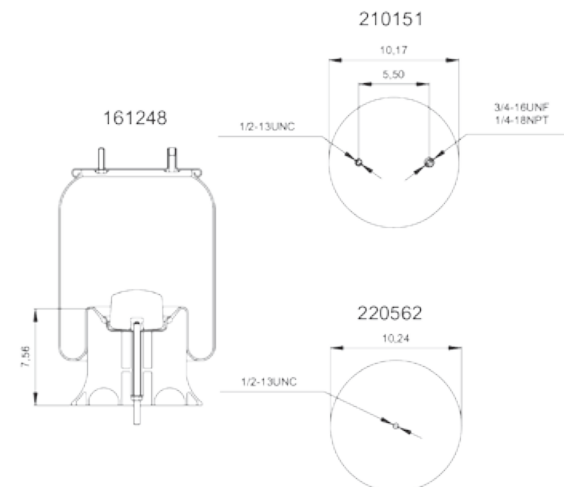
FS
W01-358-8729

C.T.
10 10.5AV-12 P 513

TRIANGLE

8513

WA01-8749C



FS
1T17B-11
W01-358-8749

G.Y.
TR13-153

C.T.
10 10-21 P 486

NEWAY (HOLLAND)

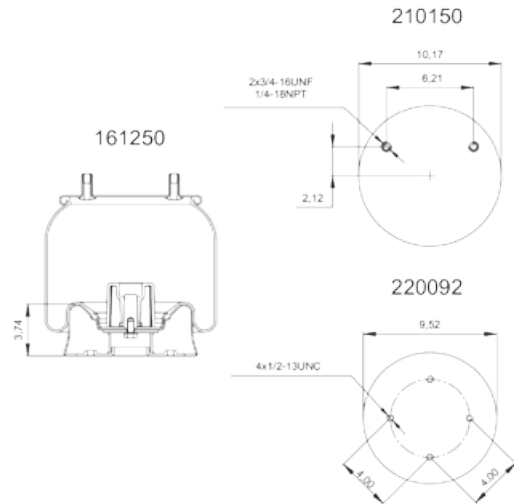
90557168

TRIANGLE

8486

AIR SPRINGS

WA01-8753C

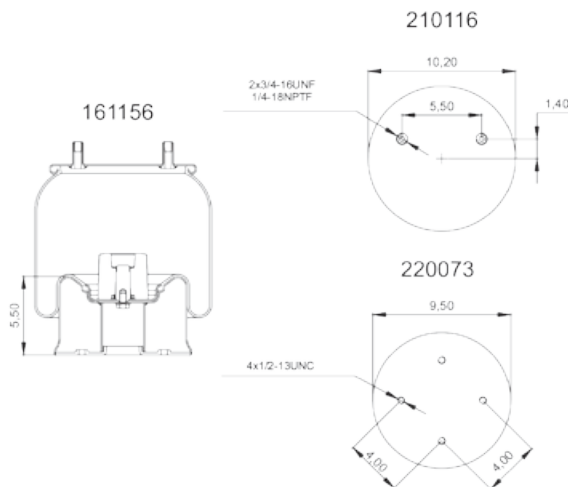


ES
1T17B-5
W01-358-8753

REYCO 1003588753C
WATSON / CHALIN AS-0098

C.T.
10 10-15 S 713

WA01-8755C



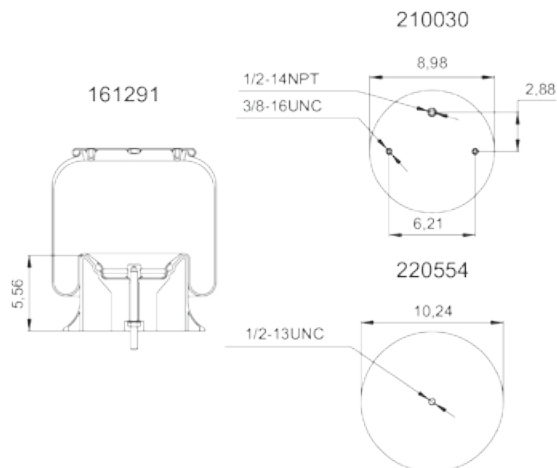
ES
1T17B-5
W01-358-8755

HENDRICKSON S22045
TRIANGLE 8522

G.Y.
1R13-124

C.T.
10 10-15 S 522

WA01-8852C



ES
1T15M-9
W01-358-8852

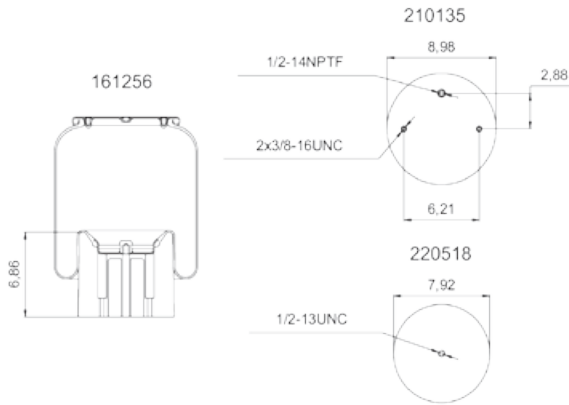
PETERBILT 03-07887
TRIANGLE 8472

G.Y.
1R12-568

C.T.
9 10-19 P 472

AIR SPRINGS

WA01-8864C



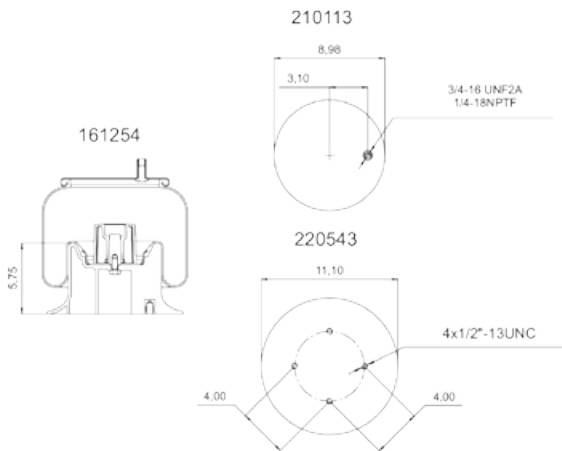
ES
1T15M-9
W01-358-8864

C.T.
9 10-19 P 898

PETERBILT

03-08716

WA01-8944C



ES
1T15MLW-7
W01-358-8944

G.Y.
1R12-366

C.T.
9 10.1-75 P 436

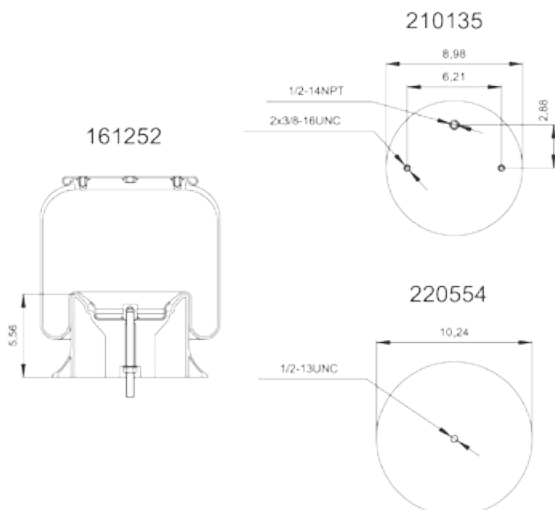
HENDRICKSON

S20217

TRIANGLE

8436

WA01-9026C



ES
1T15M-6
W01-358-9026

G.Y.
1R12-567
1R12-907

C.T.
9 10-16 P 393

PETERBILT

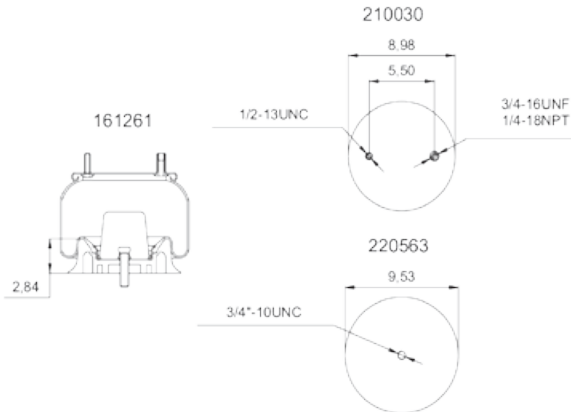
03-07111
03-06213

TRIANGLE

8393

AIR SPRINGS

WA01-9039C



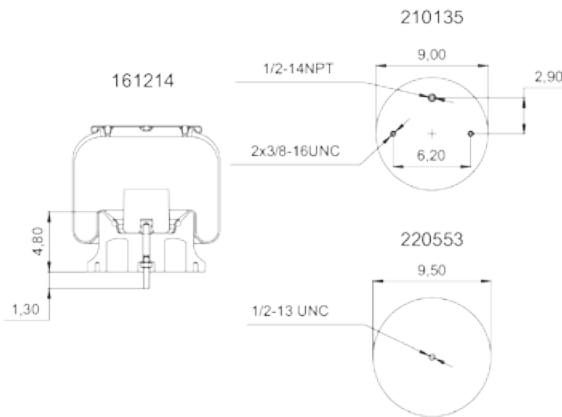
FS
1T15M-0
W01-358-9039

G.Y.
1R12-095
1R12-097

C.T.
9 10-10 P 311

HENDRICKSON	S2064 S11650
NEWAY (HOLLAND)	90557001 90557023 90557085
TRIANGLE	8311
WATSON / CHALIN	AS-0012

WA01-9069C



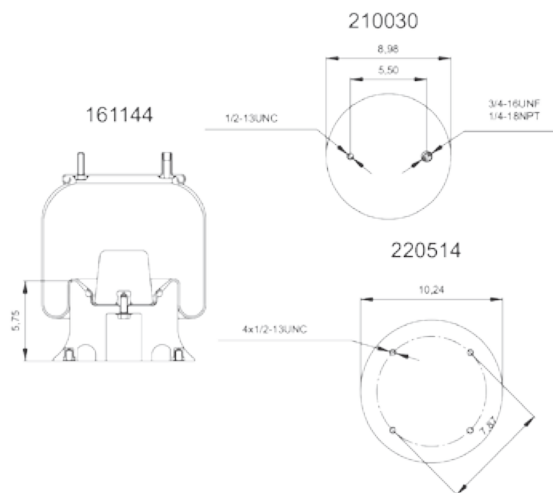
FS
1T15M-4
W01-358-9069

G.Y.
1R12-069
1R12-669

C.T.
9 10-14 P 312

PETERBILT	03-02456 03-04759 03-01649 03-06746
TRIANGLE	8312

WA01-9082C



FS
1T15M-6
W01-358-9082

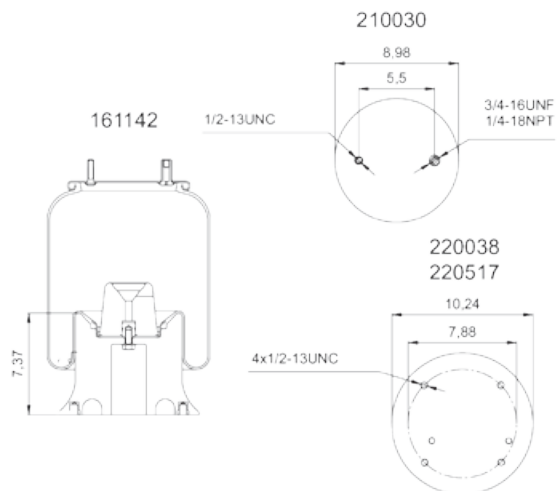
G.Y.
1R12-093

C.T.
9 10-16 P 310

HENDRICKSON	S2066 S11651 B-12514-007
NEWAY (HOLLAND)	90557006 90557027 90557033 (special)
REYCO	12882-01
TRIANGLE	8310

AIR SPRINGS

WA01-9101C



FS
1T15M-9
W01-358-9101

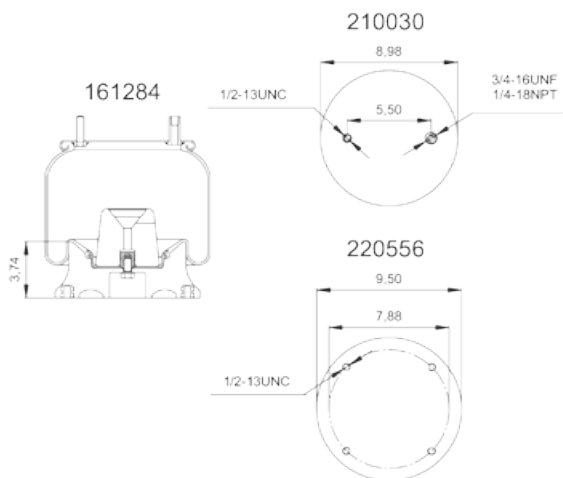
G.Y.
1R12-103

C.T.
9 10-19 P 315

NEWAY (HOLLAND) 90557008
90557009
90557082

TRIANGLE 8315

WA01-9105C



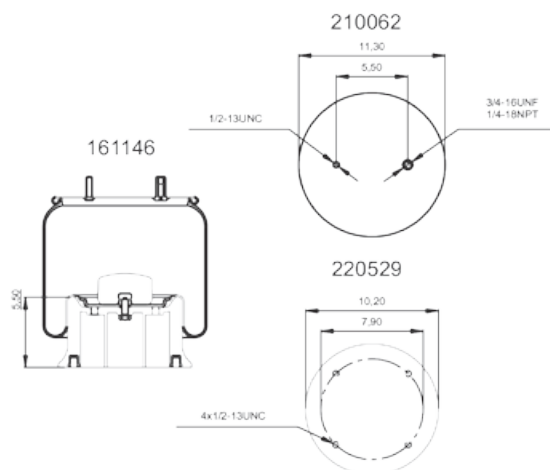
FS
1T15M-2
W01-358-9105

G.Y.
1R12-132

C.T.
9 10-12 P 319

HENDRICKSON S1245
RIDEWELL 1003589105C
TRIANGLE 8319
WATSON / CHALIN AS-0015

WA01-9121C



FS
1T19F-7
1T19L-7
W01-358-9121

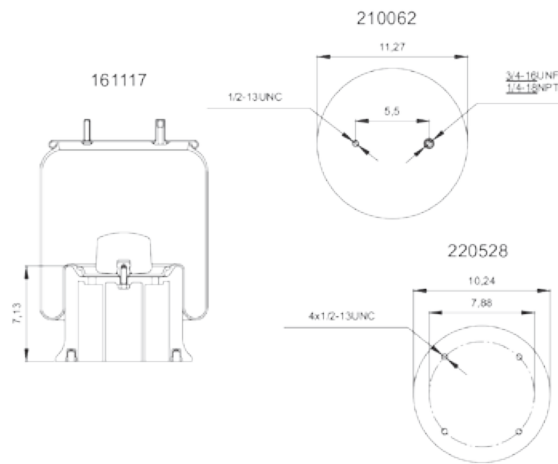
G.Y.
1R13-039
1R13-043
1R13-049

C.T.
11 10.5-17 A 317

NEWAY (HOLLAND) 90557019
90557052
90557078
REYCO 12882-02
TRIANGLE 8317
WATSON / CHALIN AS-0013

AIR SPRINGS

WA01-9122C



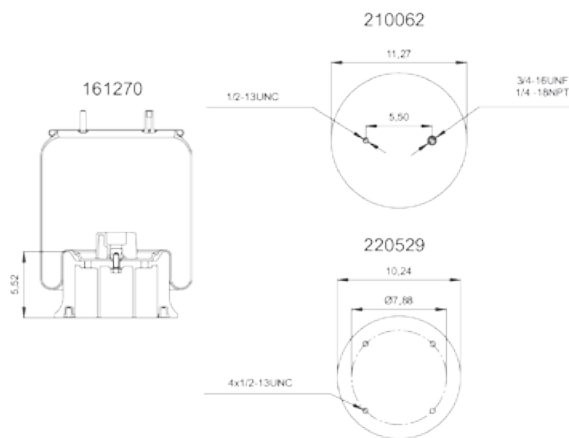
FS
1T19F-11
1T19L-11
W01-358-9121

G.Y.
1R13-048
1R14-045
1R13-038

C.T.
11 10.5-21 A 313

HENDRICKSON	S3467 S3830
NEWAY HOLLAND	90557185 90557020 90557071
REYCO	12883-02
TRIANGLE	8313
WATSON / CHALIN	AS-0023

WA01-9134C



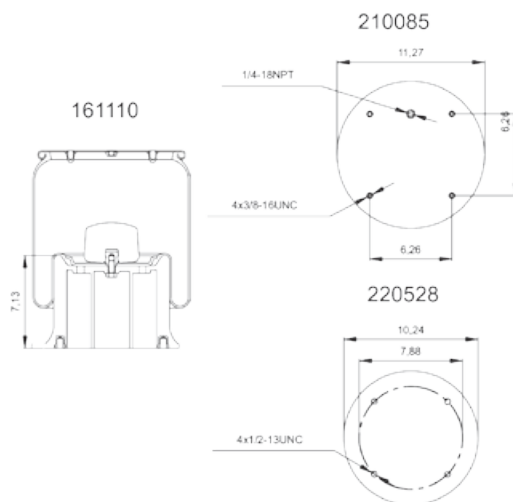
FS
1T19F-9
1T19L-9
W01-358-9134

G.Y.
1R13-908

C.T.
11 10.5-19 A 431

NEWAY (HOLLAND)	90557125
TRIANGLE	8431

WA01-9156C



FS
1T19F-11
1T119L-11
W01-358-9156

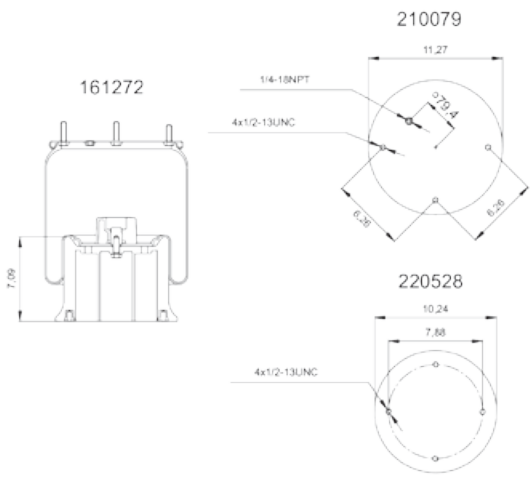
G.Y.
1R14-019
1R14-025

C.T.
11 10.5-21 A 370

HENDRICKSON	S7128
TRIANGLE	8370

AIR SPRINGS

WA01-9158C



ES
 IT19F-11
 IT19L-11
 W01-358-9158

G.Y.
 TR14-030
 TR14-031
 TR14-054

C.T.
 11 10.5-21 A 318

HENDRICKSON 12514-004
 B-12514011
 S2063

NEWAY (HOLLAND) 90557005
 90557069

RIDEWELL 1003589158C

TRIANGLE 8318

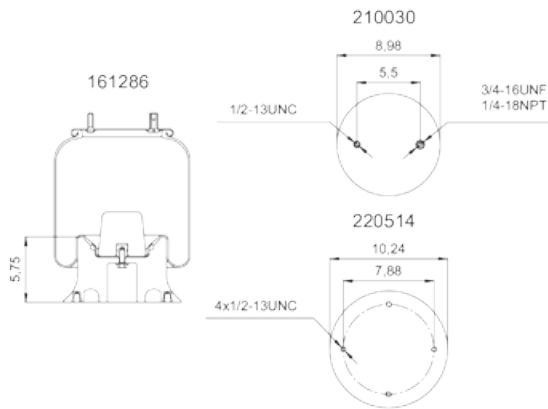


WORLD AMERICAN®

WWW.WORLDAMERICAN.COM

AIR SPRINGS

WA01-9192C



ES
1T15M-9
W01-358-9192

G.Y.
1R12-167

C.T.
9 10-19 P 326

HENDRICKSON

S6195

NEWAY (HOLLAND)

90557086
90557108
(AR-90)

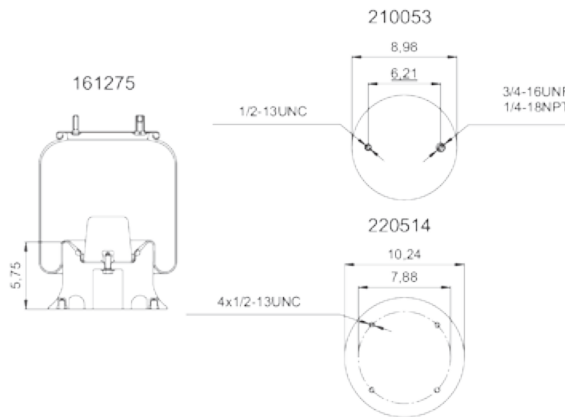
TRIANGLE

8326

WATSON / CHALIN

AS-0038
AS-0046

WA01-9203C



ES
1T15M-9
W01-358-9203

G.Y.
1R12-395

C.T.
9 10-19 P 355

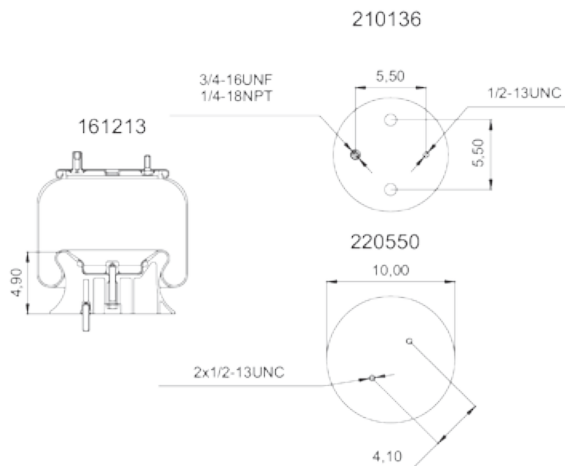
HENDRICKSON

S2694

TRIANGLE

8355

WA01-9213C



ES
1T15M-6
W01-358-9213

G.Y.
1R12-090

C.T.
9 10-16 P 441

NAVISTAR

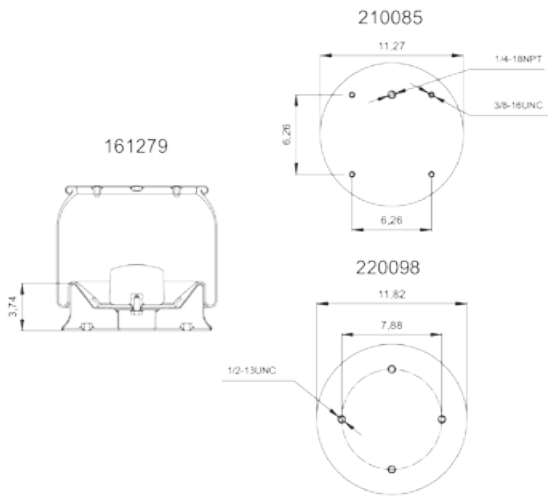
1660581C-1
501559C-1
501559C-2

TRIANGLE

8407
8441

AIR SPRINGS

WA01-9215C



FS
1T19F-5
1T19L-5
W01-358-9215

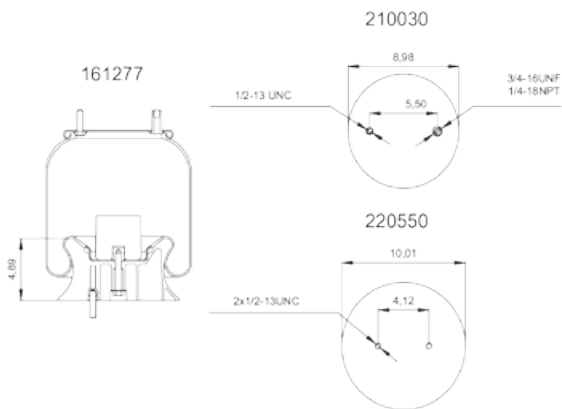
G.Y.
1R14-037

C.T.
11 10.5-15 A 414

HENDRICKSON S3648

TRIANGLE 8414

WA01-9223C



FS
1T15M-6
W01-358-9223

G.Y.
1R12-188
1R12-903

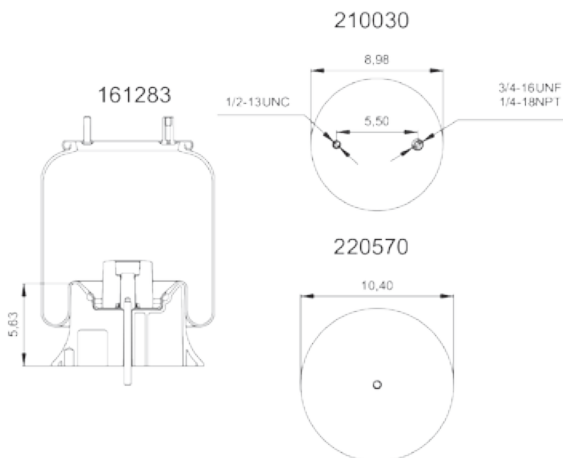
C.T.
9 10-16 P 409

HENDRICKSON 48195-2

REYCO 12884-01
12884-01A
(102AR)

TRIANGLE 8409

WA01-9243C



FS
1T15M-9
W01-358-9243

G.Y.
1R12-480

C.T.
9 10-19 P 384

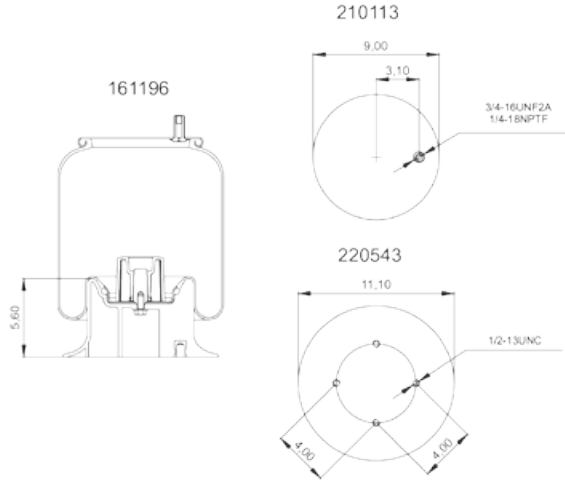
NEWAY (HOLLAND) 90557112

TRIANGLE 8384

WATSON / CHALIN AS-0061

AIR SPRINGS

WA01-9265C



FS
1T15MM-9
W01-358-9265

G.Y.
1R12-375

C.T.
9 10-19 P 435

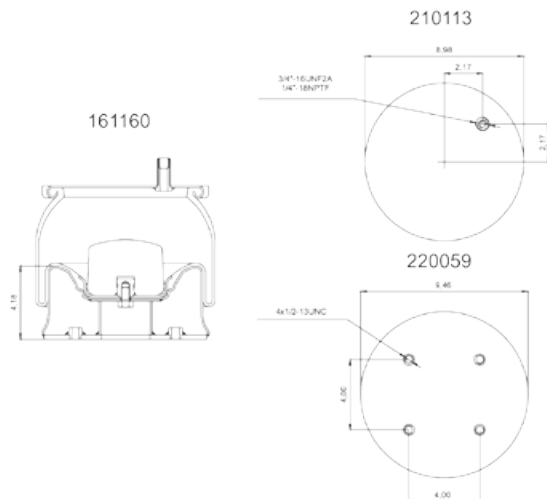
HENDRICKSON

S20124
C20413
HT-250T
HT-250U

TRIANGLE

8435

WA01-9270C



FS
1T15VP-4
W01-358-9270

G.Y.
1R13-119

C.T.
9 10-13.5 S 433

HENDRICKSON

C20010
C20108

TRIANGLE

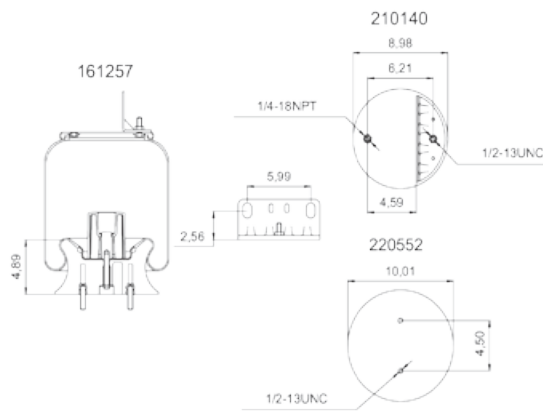
8433

WATSON / CHALIN

AS-0084

AIR SPRINGS

WA01-9287C



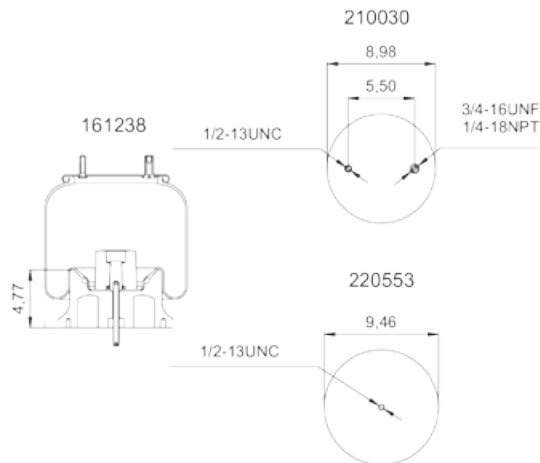
FS
1T15M-8
W01-358-9287

G.Y.
1R12-424
1S12-027

C.T.
9 10.1-75 P 406

HENDRICKSON 50405-1&2
50405
TRIANGLE 8406

WA01-9293C



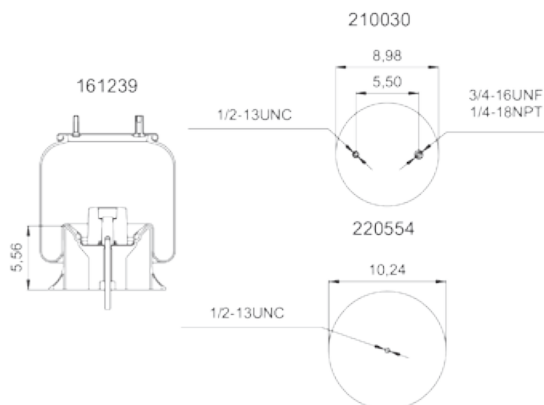
FS
1T15LP-5
W01-358-9293

G.Y.
RL-196-14
RL-196A-14
1R10-120
1R12

C.T.
9 9K-15 P 424

NEWAY (HOLLAND) 90557120
TRIANGLE 8424

WA01-9295C



FS
1T15LP-5
W01-358-9295

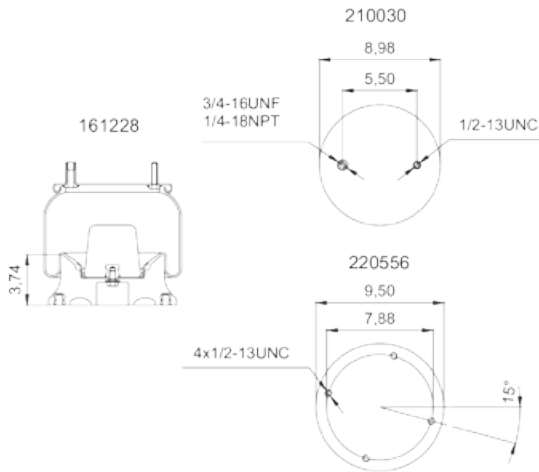
G.Y.
1R11-166

C.T.
9 9K-15 P 417

NEWAY (HOLLAND) 90557121
TRIANGLE 8417

AIR SPRINGS

WA01-9302C



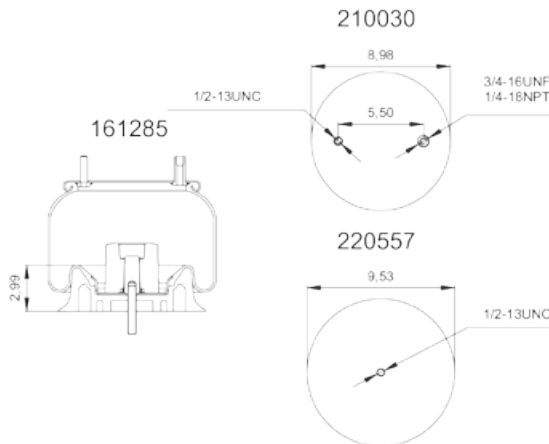
FS
1T15M-2
W01-358-9302

HENDRICKSON 12514-003
TRIANGLE 8343

G.Y.
1R12-132

C.T.
9 10-12 A 343

WA01-9307C



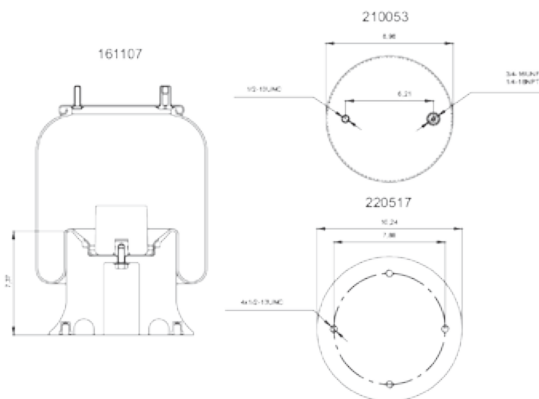
FS
1T15M-0.5
W01-358-9307

NEWAY (HOLLAND) 90557129
TRIANGLE 8471

G.Y.
1R12-095
1R12-435

C.T.
9 10-10 P 471
9 10-10.5 P 883

WA01-9321C



FS
1T15M-11
W01-358-9321

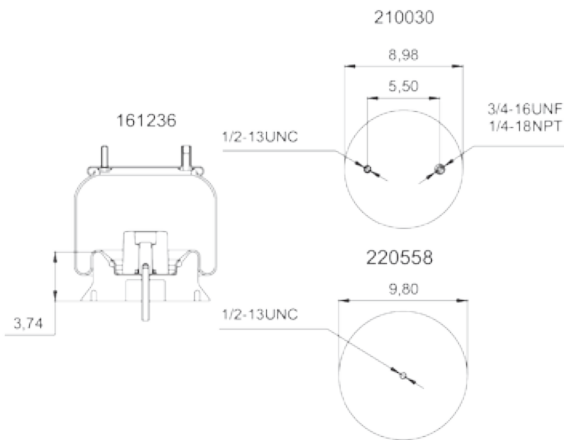
TRIANGLE 8361
WATSON / CHALIN AS-0036

G.Y.
1R12-335
1R12-256

C.T.
9 10-21 P 361

AIR SPRINGS

WA01-9366C



FS
1T15M-2
W01-358-9366

G.Y.
1R12-487

C.T.
9 10-12 A 488

NEWAY (HOLLAND)

90557160
90557210
90557225

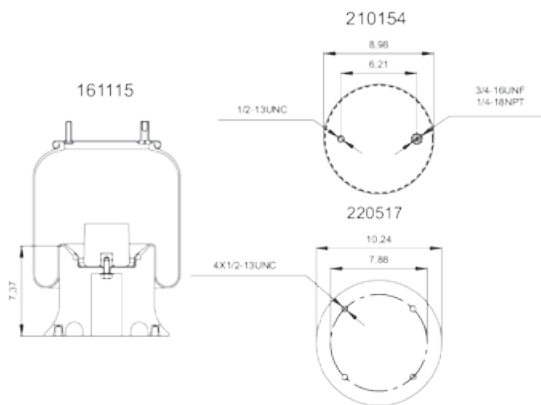
TRIANGLE

8488

WATSON / CHALIN

AS-0054

WA01-9367C



FS
1T15M-11
W01-358-9367

G.Y.
1R12-256

C.T.
9 10-21 A 505

HENDRICKSON

S14249

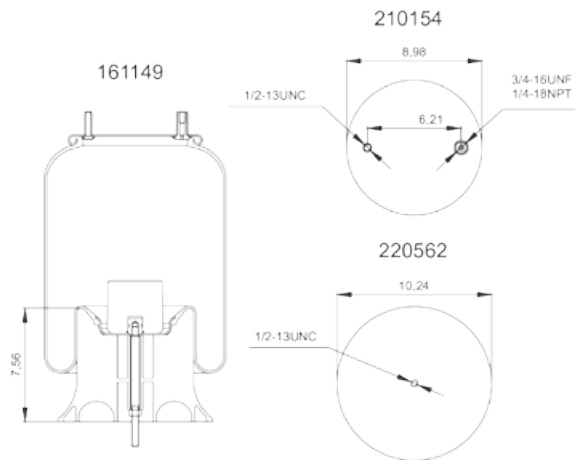
TRIANGLE

8505



AIR SPRINGS

WA01-9370C



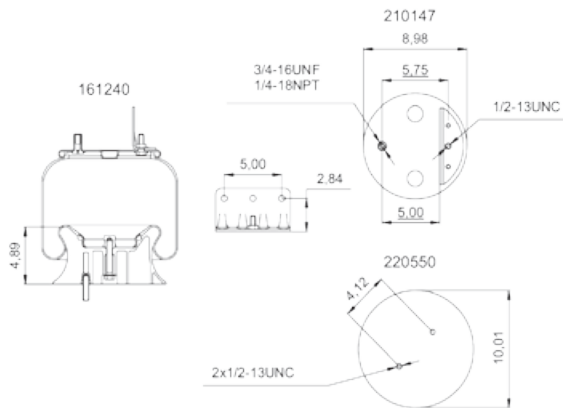
FS
1T15M-11
W01-358-9370

G.Y.
1R12-440
1R12-503

C.T.
9 10-21 P 448

TRIANGLE 8448
WATSON / CHALIN AS-0057

WA01-9371C



FS
1T15M-8
W01-358-9371

G.Y.
1R12-401
1S12-244

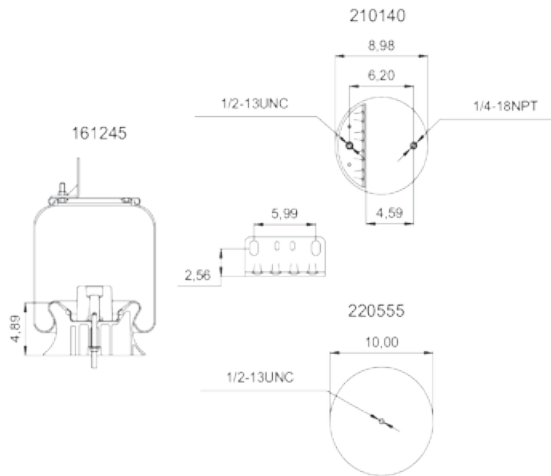
C.T.
9 10.1-75 P 521

NAVISTAR 1670073C-1
1686386C-1
TRIANGLE 8521

WWW.WORLDAMERICAN.COM

AIR SPRINGS

WA01-9373C



FS
1T15M-8
W01-358-9373

G.Y.
1R12-403
1S12-030

C.T.
9 10.1-75 P 440
9 10.1-75 P 519

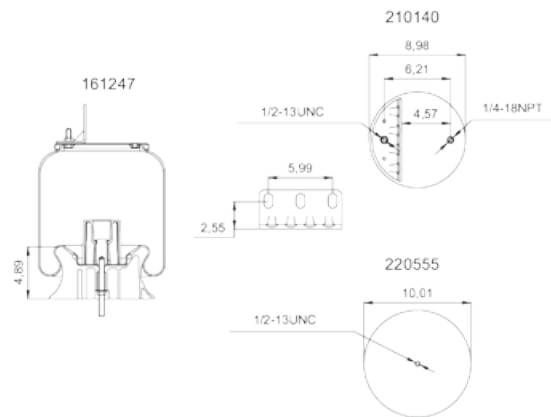
HENDRICKSON

57122-2
HAS-360
400
402
460

TRIANGLE

8440
8519

WA01-9375C



FS
1T15M-8
W01-358-9375

G.Y.
1R12-404
1S12-030

C.T.
9 10.1-75 P 451

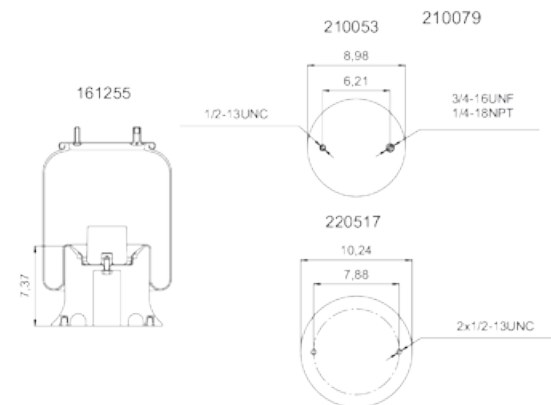
HENDRICKSON

50899-1&2

TRIANGLE

8519

WA01-9394C



FS
1T15M-9
W01-358-9394

G.Y.
1R12-142
1R12-261
1R12-278
1R12-279

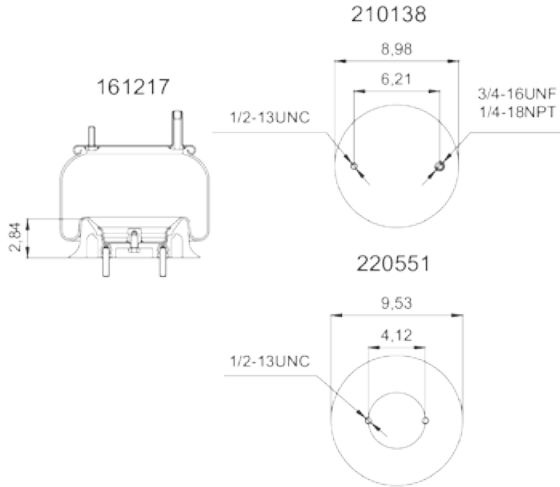
C.T.
9 10-19 P 358

TRIANGLE

8321
8358
8383

AIR SPRINGS

WA01-9422C



FS
1T15L-1.5
1T15KW-1.5
W01-358-9422

G.Y.
1R11-028

C.T.
9 9-12 P 314

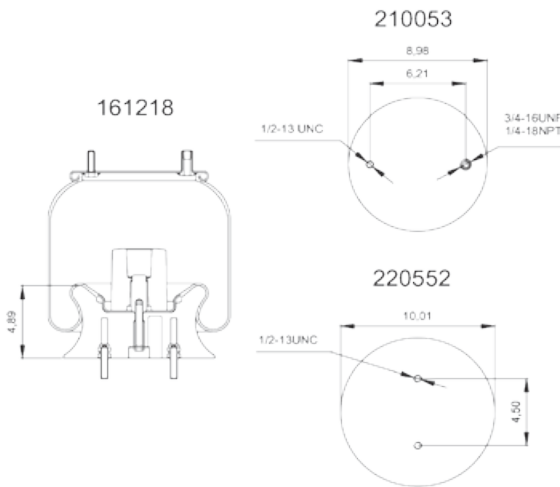
KENWORTH

K303-6
K303-14
K303-15

TRIANGLE

8314

WA01-9466C



FS
1T15MT-6
W01-358-9466

G.Y.
1R12-365
1R12-173
1R12-197

C.T.
9 10-16 P 410

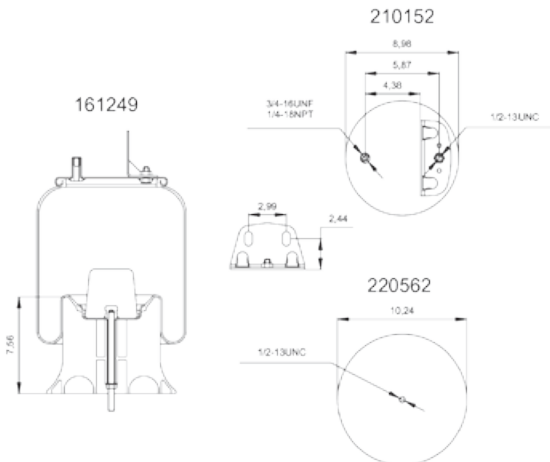
HENDRICKSON

49048
49674-1&2
49207
HA

TRIANGLE

8410

WA01-9471C



FS
1T15V-8
W01-358-9471

G.Y.
1R12-504
1R12-552

C.T.
9 10.1-75 P 502

NEWAY (HOLLAND)

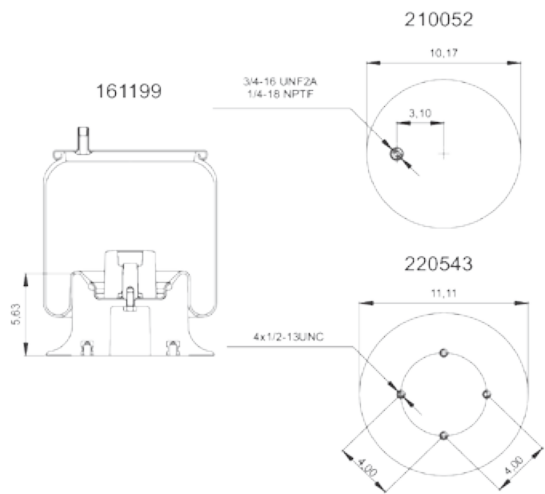
90557146
90557182
90557177

TRIANGLE

8502
8572

AIR SPRINGS

WA01-9580C



FS
1T17CL-9.5
W01-358-9580

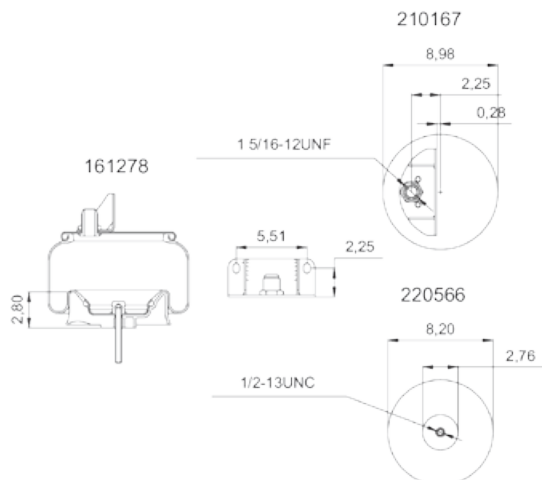
G.Y.
1R13-118
1R13-144

C.T.
10 10-21 P 434

HENDRICKSON S20127

TRIANGLE 8434

WA01-9622C



FS
1T15LA-(-1)
1T15KW-(-1)
W01-358-9622

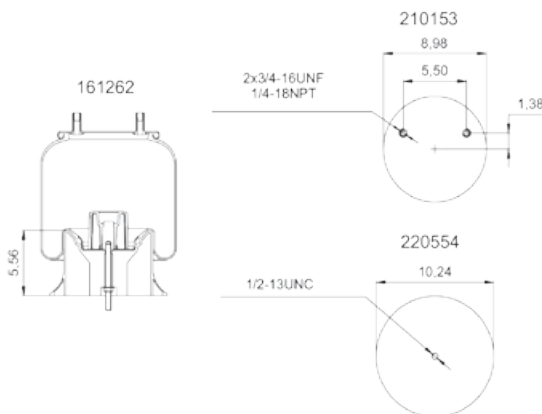
G.Y.
1R11-221

C.T.
9 9-9 P 537

KENWORTH K-303-22

TRIANGLE 8537

WA01-9626C



FS
1T15L-6
W01-358-9626

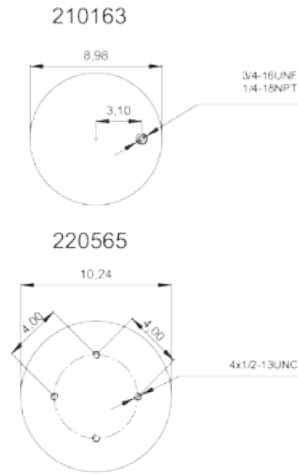
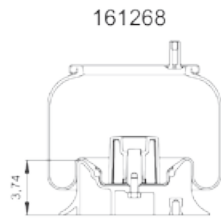
C.T.
9 9-16 P 568

HENDRICKSON S23720

TRIANGLE 8568

AIR SPRINGS

WA01-9640C



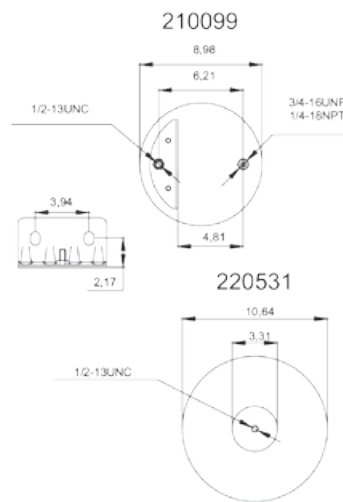
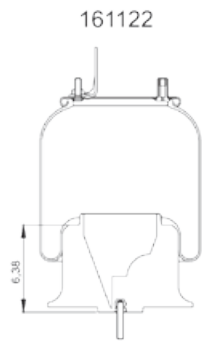
F.S.
1T15MT-3
W01-358-9640

G.Y.
1R12-367

C.T.
9 10-12 A 427

HENDRICKSON S20223
TRIANGLE 8427

WA01-9780C



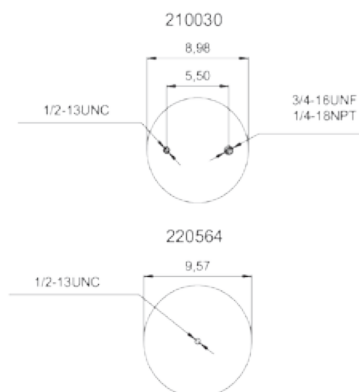
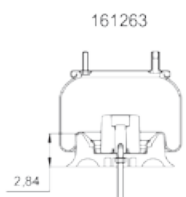
F.S.
1T15ZR-6
W01-358-9780

G.Y.
1R12-186
1R12-189
1R12-303
1R12-603

C.T.
9 10 S-16 A 382

TRIANGLE 8382

WA01-9807C



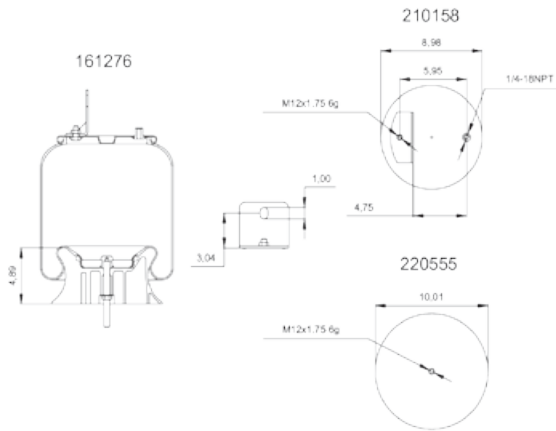
F.S.
W01-358-9807

C.T.
9 10-13.5 P 874

S.A.F. 90557363

AIR SPRINGS

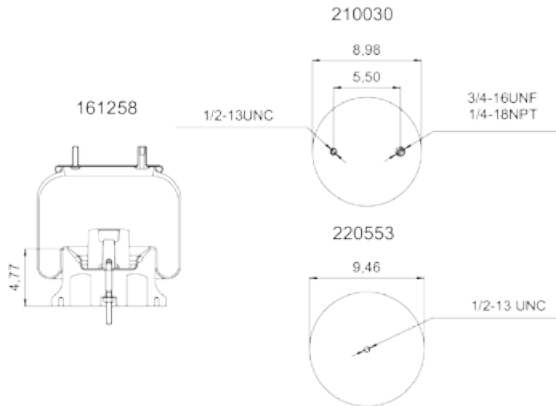
WA01-9875C



FS
W01-358-9875
G.Y.
1R12-432
C.T.
9 10B-19.5 P 889

NAVISTAR 3541731C1

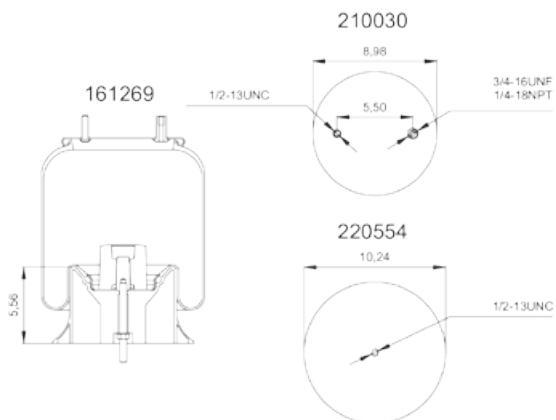
WA01-9921C



FS
1T15M-7.5
W01-358-9921
G.Y.
1R12-502
C.T.
9 10.1-75 P 443

NEWAY (HOLLAND) 90557118
TRIANGLE 8443
WATSON / CHALIN AS-0090

WA01-9923C

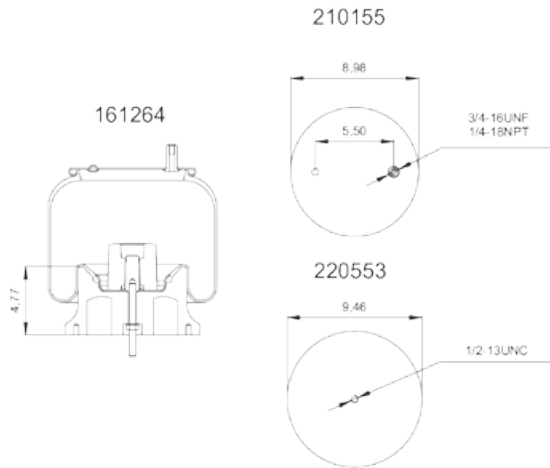


FS
1T15M-7.5
W01-358-9923
G.Y.
1R12-481
1R12-533
C.T.
9 10-17.5 P 429

NEWAY (HOLLAND) 90557118
TRIANGLE 8429

AIR SPRINGS

WA01-9936C



F.S.
1T15M-7.5
W01-358-9936

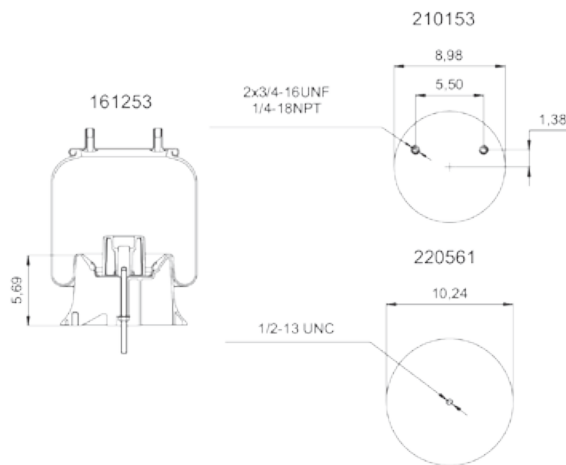
G.Y.
1R12-499

C.T.
9 10.1-75 P 454

NEWAY (HOLLAND) 90557156
90557300

TRIANGLE 8454

WA01-9974C



F.S.
1T15M-7.5
W01-358-9974

C.T.
9 10-17.5 A 930

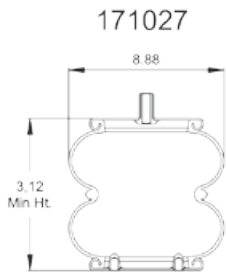
NEWAY (HOLLAND) 90557332



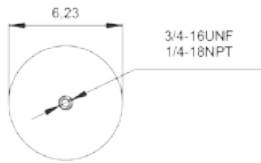
U.S.A. Toll Free 800.934.2727
MEXICO Toll Free: 001.877.623.7576
VENEZUELA Toll Free: 0800.100.2593
COLOMBIA Toll Free: 980.915.5094
WWW.WORLDAMERICAN.COM

AIR SPRINGS

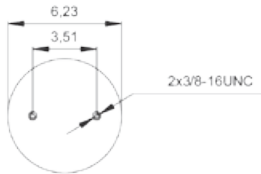
WA01-6897C



210125



210082



F.S.
20F
W01-358-6897

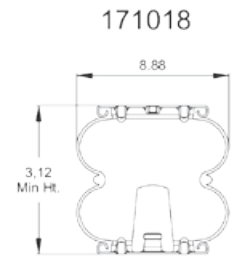
G.Y.
2B9-229

C.T.
FD 200-19 505

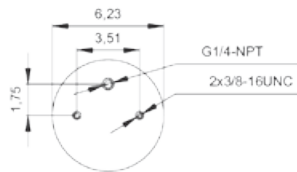
HENDRICKSON

S23114
002878

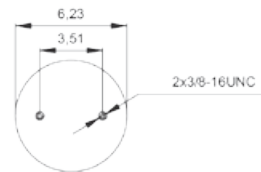
WA01-6902C



210050



210051



F.S.
20F
W01-358-6902

G.Y.
2B9-201

C.T.
FD 200-19 310

GRANNING

4848

HENDRICKSON

S2630

KAISER

4848

RIDEWELL

1003586902C

TRIANGLE

4310

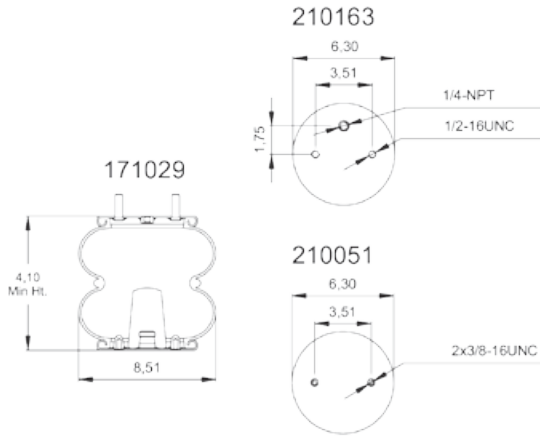
WATSON / CHALIN

AS-0002



AIR SPRINGS

WA01-6905C

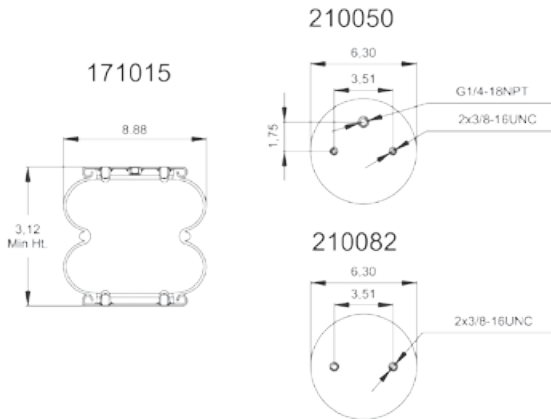


FS
20F
W01-358-6905

G.Y.
2B9-206

C.T.
FD 200-19 315

WA01-6910C



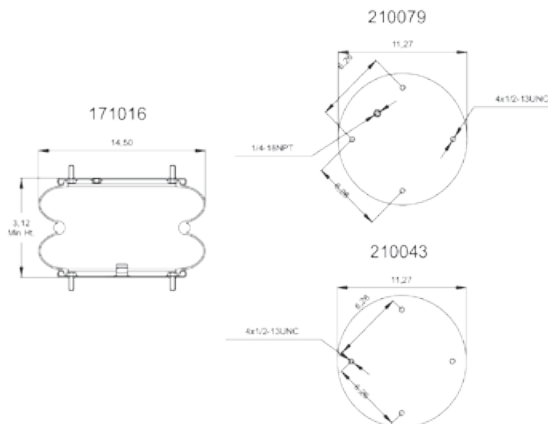
FS
20CT
W01-358-6910

G.Y.
2B9-200

C.T.
FD 200-19 320

GRANNING	1371
HENDRICKSON	S8768 45843-3
KAISER	1371
RIDEWELL	1003586910C
TRIANGLE	4320
WATSON / CHALIN	AS-0001

WA01-7135C



FS
21D
W01-358-7135

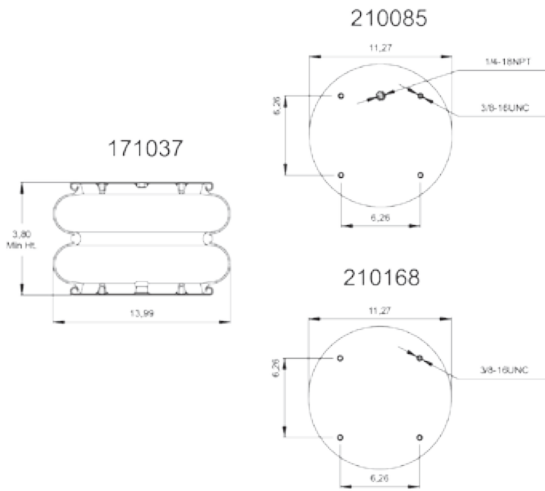
G.Y.
2B14-360

C.T.
FD 530-22 311

HENDRICKSON	B12514-014
NEWAY (HOLLAND)	90557001
RIDEWELL	1003587135C
TRIANGLE	4311

AIR SPRINGS

WA01-7136C



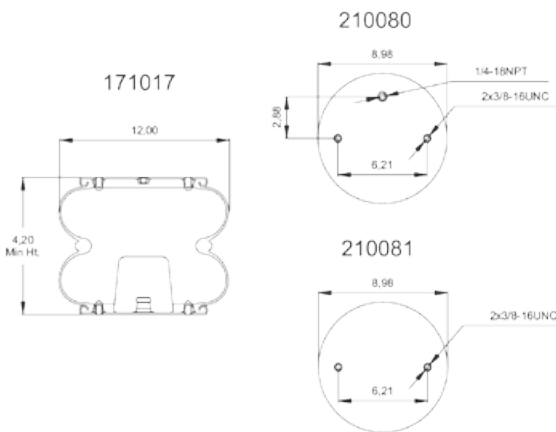
FS
21D
W01-358-7136

G.Y.
2B14-356

C.T.
FD 530-22 321

GRANNING	1626
HENDRICKSON	S-1080
RIDEWELL	1003587136C
TRIANGLE	4321
WATSON / CHALIN	AS-0004

WA01-7400C



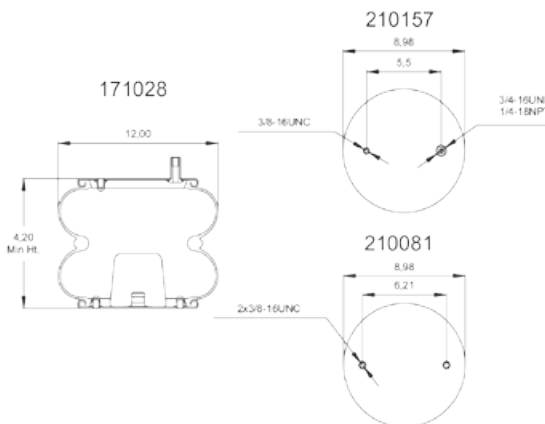
FS
22C
W01-358-7400

G.Y.
2B12-309

C.T.
FD 330-22 313

FREIGHTLINER	16-10769-000
GRANNING	2726
HENDRICKSON	S1013
NEWAY (HOLLAND)	90557016
RIDEWELL	1003587400C
TRIANGLE	4313

WA01-7403C



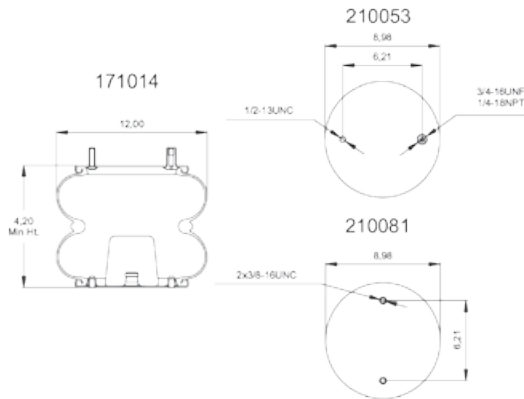
FS
22C
W01-358-7403

C.T.
FD 330-22 318

GRANNING	1626
HENDRICKSON	S-1080
RIDEWELL	1003587136C
TRIANGLE	4321
WATSON / CHALIN	AS-0004

AIR SPRINGS

WA01-7410C



FS
22C
W01-358-7410

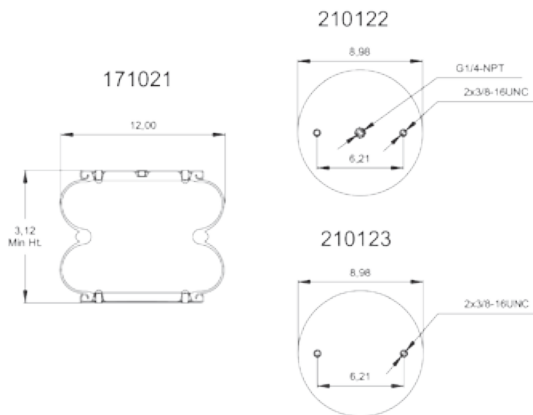
G.Y.
2B12-406

C.T.
FD 330-22 331

FREIGHTLINER 16-11378-000

TRIANGLE 4331

WA01-7443C



FS
22C-1.5
W01-358-7443

G.Y.
2B12-305

C.T.
FD 330-30 323

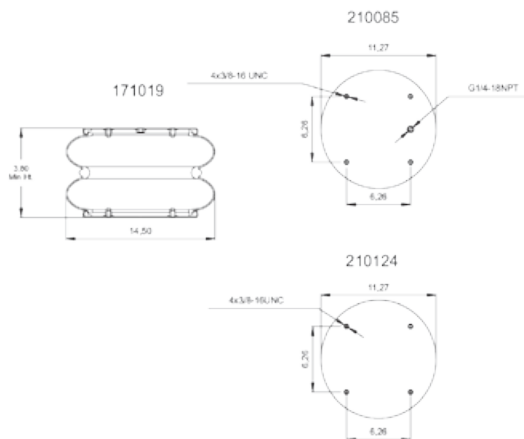
GRANNING 1218
(replaces 7416)

RIDEWELL 1003587443C

TRIANGLE 4323

WATSON / CHALIN AS-0027

WA01-7784C

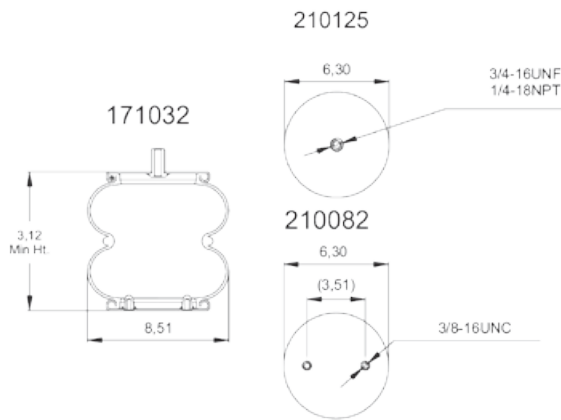


FS
233-2
W01-358-7784

G.Y.
2B14-465

AIR SPRINGS

WA01-7795C



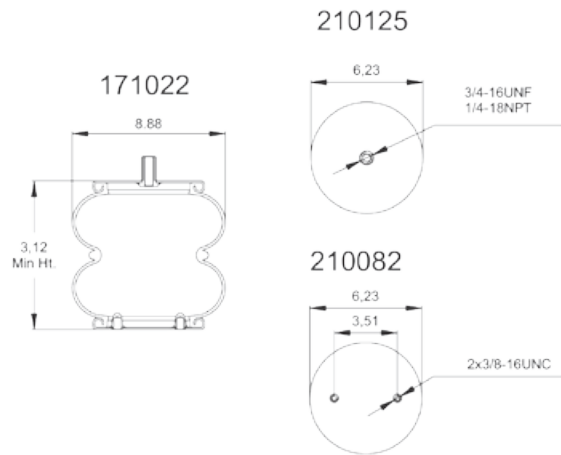
ES
20F
W01-358-7795

G.Y.
2810-226

C.T.
FD 200-19 713

HENDRICKSON 514486
TRIANGLE 4524

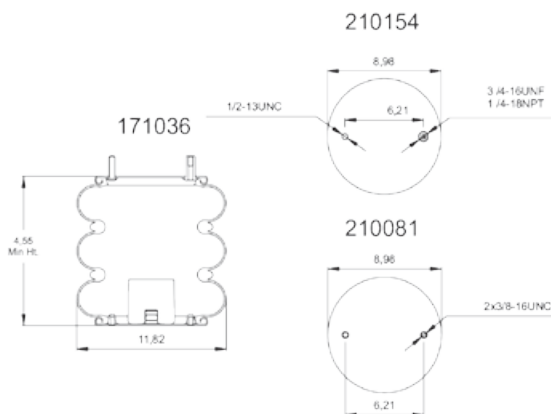
WA01-7897C



ES
20F-1
W01-358-7897

C.T.
FD 200-23A 709

WA01-8018C



ES
38D
W01-358-8018

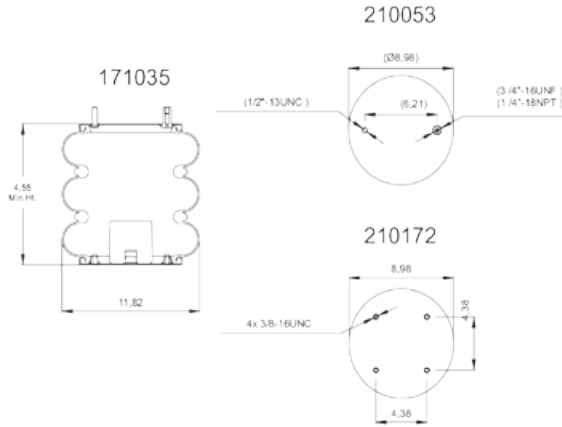
G.Y.
3812-303

C.T.
FT 330-29 434

REYCO 93AR
TRIANGLE 4434

AIR SPRINGS

WA01-8033C



ES
38D
W01-358-8033

G.Y.
3B12-312

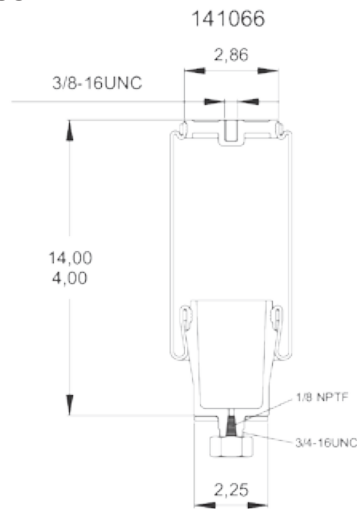
C.T.
FT 330-29 525

HENDRICKSON S14487

TRIANGLE 4525

CAB AIR SPRINGS

WA02-7036C

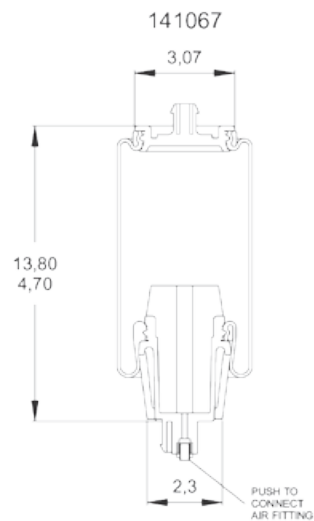


ES
W02-358-7036

C.T.
SC29-Y036

PETERBILT 29-03200

WA02-7093C

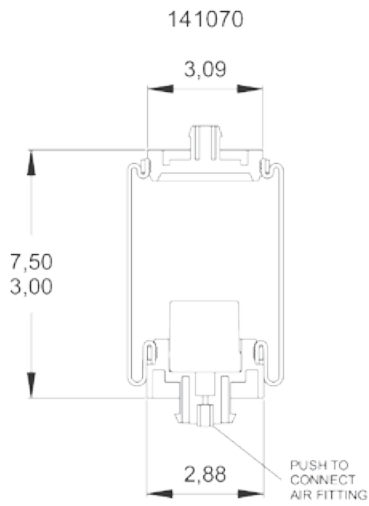


ES
W02-358-7093

PETERBILT 29-06016

CAB AIR SPRINGS

WA02-7202C



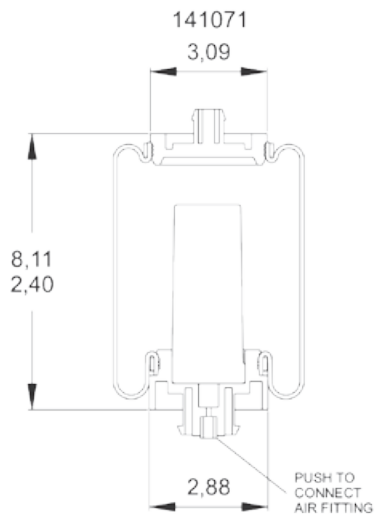
FS
W02-358-7206
(replaces W02-377-7202)

C.T.
SC31-W206

FREIGHTLINER

18-29919-000

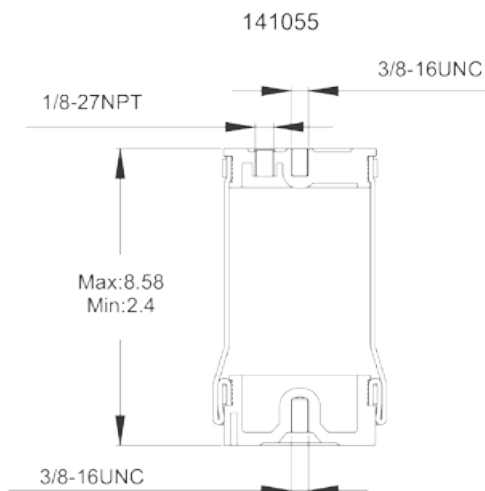
WA02-7215C



FS
W02-358-7215

C.T.
SC31-Y215

WA02-7035C



FS
W02-358-7035

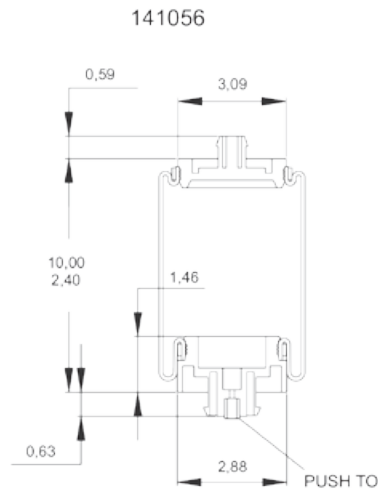
C.T.
SC29-W035

SEARS / DURAFORM

S9383

CAB AIR SPRINGS

WA02-7109C

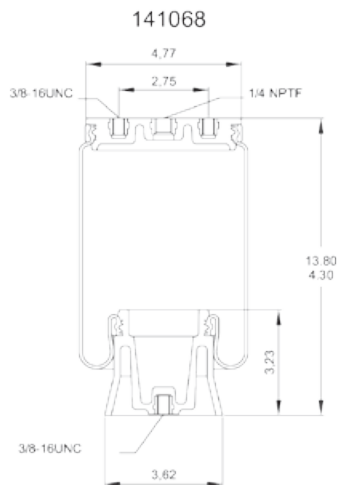


F.S.
W02-358-7109

KENWORTH

1102-0077

WA02-9000C



F.S.
W21-760-9000

WWW.WORLDAMERICAN.COM

YOUR #1 SOURCE FOR HEAVY DUTY PARTS!

CALL 800.934.2727 FOR PRICING

WORLD AMERICAN® AFTERMARKET SHOCK ABSORBERS



WA#	APPLICATION
WA01-83001	FREIGHTLINER®
WA01-83004	VOLVO®
WA01-83009	FREIGHTLINER®
WA01-83031	KENWORTH® - KENWORTH® - LINK MFG®
WA01-83105	MACK® - VOLVO®
WA01-83121	HENDRICKSON® - KENWORTH® - VOLVO®
WA01-83125	FORD® - HENDRICKSON® - MACK® - NEWAY VOLVO®
WA01-83128	FREIGHTLINER® - NEWAY®
WA01-83207	CHEVROLET® - GMC® - HENDRICKSON® - MACK® - VOLVO®
WA01-83215	FORD® - GMC® - HINO® - MACK® - NAVISTAR® - VOLVO®
WA01-83312	FORD® - GMC® - KENWORTH® - VOLVO®
WA01-83317	FORD® - NAVISTAR® - PETERBILT®
WA01-83318	NAVISTAR®
WA01-83456	INTERNATIONAL® - VOLVO®
WA01-83613	NAVISTAR®
WA01-85000	HENDRICKSON® - NEWAY® - TRAILMOBILE® - VOLVO®
WA01-85001	FORD® - KENWORTH® - MACK® - VOLVO®
WA01-85003	NAVISTAR® - PETERBILT® - VOLVO®
WA01-85006	FORD® - FREIGHTLINER® - NAVISTAR® - VOLVO®
WA01-85010	HENDRICKSON® - NEWAY® - VOLVO®
WA01-85012	FORD® - GMC® - ISUZU® - NAVISTAR® - PETERBILT® - VOLVO®
WA01-85030	FORD® - GMC® - HENDRICKSON® - KENWORTH® - MACK® - NAVISTAR® - VOLVO®
WA01-85031	KENWORTH®
WA01-85043	FREIGHTLINER® - HENDRICKSON® - NAVISTAR® - VOLVO®
WA01-85047	NAVISTAR® - VOLVO®
WA01-85052	HENDRICKSON® - REYCO®
WA01-85303	GMC® - HENDRICKSON® - MACK® - NAVISTAR® - OSHKOSH® - VOLVO® - WHITE®
WA01-85305	FORD® - GMC® - MOHAWK COACH® - VOLVO®
WA01-85307	GMC® - HENDRICKSON® - NAVISTAR® - VOLVO®
WA01-85311	GMC® - NAVISTAR® - PETERBILT® - TRAILMOBILE®
WA01-85319	FREIGHTLINER® - VOLVO®
WA01-85320	FREIGHTLINER® - NAVISTAR® - VOLVO®
WA01-85323	HENDRICKSON® - WATSON & CHALIN®
WA01-85724	FREIGHTLINER® - STERLING® - VOLVO®
WA01-85900	FREIGHTLINER® - KENWORTH®
WA01-85918	FREIGHTLINER® - NAVISTAR® - THOMAS BUILT® - VOLVO®
WA01-85931	NAVISTAR®
WA01-89408	NEWAY® - PETERBILT®
WA01-89410	FORD® - KENWORTH® - MACK® - VOLVO®
WA01-89415	VOLVO®
WA01-89423	KENWORTH® - PETERBILT® - VOLVO®
WA01-89429	FREIGHTLINER®

CONTACT YOUR ACCOUNT REPRESENTATIVE FOR PRICING.
800.934.2727

AIR RELATED



AIR HOSE ASSEMBLIES

1/2" AIR HOSE ASSEMBLIES

3/8"-18 NTPF ENDS
1 FIXED / 1 SWIVEL

WA#	REPLACES SLOAN®	LENGTH
WA01-5000	452118	18"
WA01-5047	452120	20"
WA01-5001	452122	22"
WA01-5002	452124	24"
WA01-5003	452126	26"
WA01-5004	452128	28"
WA01-5005	452130	30"
WA01-5006	452132	32"
WA01-5110	452134	34"
WA01-5007	452136	36"
WA01-5111	452138	38"
WA01-5008	452140	40"
WA01-5112	452142	42"
WA01-5009	452144	44"
WA01-5113	452146	46"
WA01-5010	452148	48"
WA01-5114	452150	50"
WA01-5115	452152	52"
WA01-5116	452154	54"
WA01-5117	452156	56"
WA01-5118	452160	60"
WA01-5119	452166	66"
WA01-5120	452172	72"
WA01-5121	452184	84"

3/8" AIR HOSE ASSEMBLIES

1/4"-18 NTPF ENDS
1 FIXED / 1 SWIVEL

WA#	REPLACES SLOAN®	LENGTH
WA01-5122	453118	18"
WA01-5025	453120	20"
WA01-5123	453122	22"
WA01-5026	453124	24"
WA01-5027	453126	26"
WA01-5028	453128	28"
WA01-5124	453130	30"
WA01-5029	453132	32"
WA01-5125	453134	34"
WA01-5030	453136	36"
WA01-5126	453138	38"
WA01-5127	453140	40"
WA01-5031	453142	42"
WA01-5128	453144	44"
WA01-5129	453146	46"
WA01-5130	453148	48"
WA01-5131	453150	50"
WA01-5132	453152	52"
WA01-5133	453154	54"
WA01-5134	453156	56"
WA01-5135	453160	60"
WA01-5136	453166	66"
WA01-5137	453172	72"
WA01-5138	453184	84"

3/8" AIR HOSE ASSEMBLIES

3/8"-18 NTPF ENDS
1 FIXED / 1 SWIVEL

WA#	REPLACES SLOAN®	LENGTH
WA01-5033	453218	18"
WA01-5139	453220	20"
WA01-5140	453222	22"
WA01-5034	453224	24"
WA01-5035	453226	26"
WA01-5036	453228	28"
WA01-5037	453230	30"
WA01-5038	453232	32"
WA01-5141	453234	34"
WA01-5039	453336	36"
WA01-5142	453238	38"
WA01-5143	453240	40"
WA01-5040	453242	42"
WA01-5144	453244	44"
WA01-5145	453246	46"
WA01-5041	453248	48"
WA01-5146	453250	50"
WA01-5147	453252	52"
WA01-5148	453254	54"
WA01-5149	453256	56"
WA01-5150	453260	60"
WA01-5151	453266	66"
WA01-5152	453272	72"
WA01-5153	453284	84"

AIR HOSE ASSEMBLY RACK

WA#

WA01-0000



DESCRIPTION

DURABLE HEAVY DUTY DESIGN, BLACK POWDER COAT FINISH, FITS BOTH 3/8" AND 1/2" HOSES. HOLDS 54 AIR BRAKE HOSE ASSEMBLIES

BULK AIR BRAKE HOSE

BULK RUBBER HOSE FOR USE IN MAKING BRAKE CHAMBER HOSE ASSEMBLIES TO CUSTOM LENGTHS. CERTIFIED TO MEET ALL PERTINENT SAE AND DOT REQUIREMENTS.



WA#	REPLACES	LENGTH	I.D.	O.D.
WA01-5042	BENDIX® 277546 BERG® 11000	50 FT.	3/8"	3/4"



WA#	REPLACES	LENGTH	I.D.	O.D.
WA01-5043	BENDIX® 285498 BERG® 11001	250 FT.	3/8"	3/4"



WA#	REPLACES	LENGTH	I.D.	O.D.
WA01-5044	VELVAC® 54A-21-8 WAGNER® A89031	50 FT.	1/2"	7/8"



WA#	REPLACES	LENGTH	I.D.	O.D.
WA01-5045	12-38425	250 FT.	1/2"	7/8"



AIR HOSE SEPARATORS



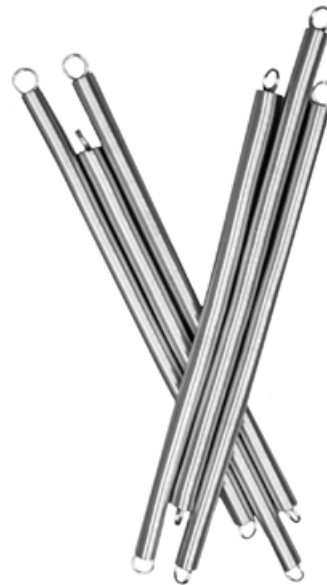
WA#	REPLACES	DESCRIPTION
WA11548	SLOAN® 451037 MIDLAND® 11548	3/8" DIAMETER HOSE SEPARATOR MOLDED WHITE (ENGINEERING GRADE COMPOSITE)
WA11549	SLOAN® 451038 MIDLAND® 11549	1/2" INSIDE DIAMETER HOSE SEPARATOR MOLDED WHITE (ENGINEERING GRADE COMPOSITE)

THREE HOLE HOSE CLAMPS



WA#	REPLACES	DESCRIPTION
WA11543	SLOAN® 451000 MIDLAND® 11543	THREE HOLE HOSE CLAMP - 3/8" INSIDE DIAMETER HOSE
WA11544	SLOAN® 451009 MIDLAND® 11544	THREE HOLE HOSE CLAMP 3/8" INSIDE DIAMETER HOSE RUBBERIZED FOR USE WITH COILED NYLON HOSES.

SUPPORT SPRINGS (HOSE SPRINGS)



WA#	REPLACES	DESCRIPTION
WA11600	SLOAN® 451049 MIDLAND® 11600 BENDIX® 249394	SUPPORT SPRING LENGTH 25.09" 1.13" COIL OUTSIDE DIAMETER
WA11601	BENDIX® 200661 MIDLAND® 11601	SUPPORT SPRING LENGTH 12.5" 3/4" COIL OUTSIDE DIAMETER
WA11602	SLOAN® 451047 MIDLAND® 11602 BENDIX® 249393	SUPPORT SPRING LENGTH 12.67" 1" COIL OUTSIDE DIAMETER
WA11603	SLOAN® 451048 MIDLAND® 11603	SUPPORT SPRING LENGTH 15.42" 1.08" COIL OUTSIDE DIAMETER

COILED AIR HOSE ASSEMBLY



WA#	REPLACES	DESCRIPTION
WA451036N	SLOAN® 451036N MIDLAND® 11952 VELVAC® 022025 PHILIPS® 11-315 SET	1-RED/1-BLUE 15 FT., 2-12" LEAD LENGTH - O.D. 1/2", FITTING SIZE 1/2" D.O.T. APPROVED



WA#	REPLACES	DESCRIPTION
WA451039N	EUCLID® E-10746 HALDEX® 11954 VELVAC® 22001 PHILIPS® 11-340 SLOAN® 451039N	1-RED/1-BLUE 15 FT., 40" LEAD LENGTH - O.D. 1/2", FITTING SIZE 1/2" D.O.T. APPROVED

GLADHAND HANDLES



WA#	REPLACES	DESCRIPTION
WA01-5046	SLOAN® 44751 TECTRAN® 10116 VELVAC® 035070	1 PAIR - ONE RED, ONE BLUE - INCREASED LEVERAGE WHEN JOINING GLADHANDS - COLOR CODED BRASS CORES FOR RUST FREE DURABILITY - HANDLES CAN BE REMOVED AND RE-USED.

GLADHANDS



WA#	REPLACES	EUCLID®#	DESCRIPTION
WA11450	PHILIPS® 12-010 TECTRAN® 1011 VELVAC® 035038 SLOAN® 441017 MIDLAND® 11450 BENDIX® 275150	E-9109	UNIVERSAL GLADHAND (ALUMINUM) STYLE



WA#	REPLACES	EUCLID®#	DESCRIPTION
WA11451	PHILIPS® 12-008 TECTRAN® 1011E VELVAC® 035042 SLOAN® 441016 MIDLAND® 11451 BENDIX® 278524	E-9108	EMERGENCY GLADHAND (RED ALUMINUM) STYLE

GLADHANDS (cont.)



WA#	REPLACES	EUCLID®#	DESCRIPTION
WA11452	PHILIPS® 12-006 TECTRAN® 1101S VELVAC® 035045 SLOAN® 441015 MIDLAND® 11452 BENDIX® 278850, 278523	E-9107	SERVICE GLADHAND (BLUE ALUMINUM) STYLE



WA#	REPLACES	EUCLID®#	DESCRIPTION
WA441004	A1442 M-3775 SNV441004 12-40430 441004		SERVICE GLADHAND ALUMINUM W/ SHUT OFF



WA#	REPLACES	EUCLID®#	DESCRIPTION
WA441014	A1443 M-3776 SNV441014 12-40431 441014		EMERGENCY GLADHAND ALUMINUM W/ SHUT OFF

DRAIN VALVES



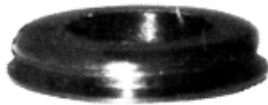
WA#	REPLACES	DESCRIPTION
WA12105	12105 03282 401046 12-40621 12-820 20QE3353M2 E-RSN401045 KN21004 L-1374 M-1322	MANUAL DRAIN VALVE W/ 5' CORD 1/4" NPTF 120 PSI MAXIMUM PRESSURE

WA#	REPLACES	DESCRIPTION
WA9054088	9054088	MANUAL DRAIN VALVE

WA#	REPLACES	DESCRIPTION
WA01-5091	12110 215310 M-318 N12142	AIR TANK DRAIN COCK 1/4" PIPE THREAD

WA#	REPLACES	DESCRIPTION
WA01-5060	1423 12-20101 50-E M-1326 PHV404P106 V404P106	WATER VALVE SHUT-OFF FOR TRUCK HEATERS

GLADHAND SEALS



WA#	REPLACES	DESCRIPTION
WA10024	SLOAN® 441736 MIDLAND® 10024 BENDIX® 248519	PROTECT-O-LIP STYLE
WA10028	SLOAN® 441714 MIDLAND® 10028	DOUBLE LIP SEAL STYLE
WA9017R	MERITOR/EUCLID® E8658RBK MIDLAND® DA9017R PHILLIPS® 12-0162 BWP® M-3777	POLYURATHANE, RED SEAL FITS ALL GLAD HANDS
WA9017B	MERITOR/EUCLID® E868BBK MIDLAND® DA9017B PHILLIPS® 12-0161 BWP® M-3778	POLYURATHANE, BLUE SEAL FITTS ALL GLAD HANDS



AIR HOSE CONNECTORS



WA#	REPLACES	DESCRIPTION
WA01-5012	BENDIX® 2215540 BERG® 11903 MIDLAND® N10492A VELVAC® 55C-31 EUCLID® E-8590	3/8" X 1/4" MALE HOSE END

WA#	REPLACES	DESCRIPTION
WA01-5013	BENDIX® 224487 BERG® 11904 MIDLAND® N10492C VELVAC® 55C-21 EUCLID® E-8591	3/8" X 3/8" MALE HOSE END

AIR HOSE CONNECTORS (cont.)



WA#	REPLACES	DESCRIPTION
WA01-5014	BENDIX® 215539 BERG® 11905 MIDLAND® N10492F VELVAC® 55C-11 EUCLID® E-8592	3/8" X 1/2" MALE HOSE END



WA#	REPLACES	DESCRIPTION
WA01-5015	VELVAC® 56C-21 EUCLID® E-8593	1/2" X 3/8" MALE HOSE END



WA#	REPLACES	DESCRIPTION
WA01-5011	BENDIX® 226950 MIDLAND® 55C-41-1	HOSE CONNECTOR NUT WITH SPRING GUARD - APPLICATION 3/8" AIR HOSE



WA#	REPLACES	DESCRIPTION
WA01-5016	BENDIX® 215536 BERG® 11900 MIDLAND® N10492E VELVAC® 55D-61 EUCLID® E-8595	3/8" X 1/4" HOSE END WITH SPRING GUARD



WA#	REPLACES	DESCRIPTION
WA01-5017	BENDIX® 223907 BERG® 11901 MIDLAND® N10492E VELVAC® 55C-51 EUCLID® E-8596	3/8" X 3/8" HOSE END WITH SPRING GUARD



WA#	REPLACES	DESCRIPTION
WA01-5018	BENDIX® 215535 BERG® 11902 MIDLAND® N10492 VELVAC® 55C-41 EUCLID® E-8597	3/8" X 1/2" HOSE END WITH SPRING GUARD



WA#	REPLACES	DESCRIPTION
WA01-5019	EUCLID® E-8598	1/2" X 3/8" HOSE END WITH SPRING GUARD

NYLON HOSE SLEEVES



WA#	REPLACES	DESCRIPTION
WA01-5020	BENDIX® 203610 BERG® 11912 VELVAC® 55C-11-3 EUCLID® E-8602	3/8" HOSE SLEEVE

WA#	REPLACES	DESCRIPTION
WA01-5021	VELVAC® 56C-11-3 EUCLID® E-8603	1/2" HOSE SLEEVE

WA#	REPLACES	DESCRIPTION
WA01-5061		1/4" HOSE SLEEVE

NYLON HOSE SLEEVES (cont.)

<i>WA#</i>	<i>REPLACES</i>	<i>DESCRIPTION</i>
WA01-5062		3/8" HOSE SLEEVE

<i>WA#</i>	<i>REPLACES</i>	<i>DESCRIPTION</i>
WA01-5063		1/2" HOSE SLEEVE

AIR HOSE UNIONS



<i>WA#</i>	<i>REPLACES</i>	<i>DESCRIPTION</i>
WA01-5022	BENDIX® 216678 BERG® 11913 VELVAC® 55C-71 EUCLID® E-8600	3/8" HOSE UNION

<i>WA#</i>	<i>REPLACES</i>	<i>DESCRIPTION</i>
WA01-5023	EUCLID® E-8601	1/2" HOSE UNION

NYLON HOSE UNIONS

<i>WA#</i>	<i>REPLACES</i>	<i>DESCRIPTION</i>
WA01-5075	BENDIX 283135 BERG 11201	1/4" HOSE UNION

<i>WA#</i>	<i>REPLACES</i>	<i>DESCRIPTION</i>
WA01-5076	BENDIX 283119 BERG 11202	3/8" HOSE UNION

<i>WA#</i>	<i>REPLACES</i>	<i>DESCRIPTION</i>
WA01-5077	BENDIX 283146 BERG 11203	1/2" HOSE UNION

<i>WA#</i>	<i>REPLACES</i>	<i>DESCRIPTION</i>
WA01-5078	BENDIX 283170 BERG 11204	5/8" HOSE UNION

BRASS INSERTS FOR NYLON HOSE



<i>WA#</i>	<i>REPLACES</i>	<i>DESCRIPTION</i>
WA01-5053	BENDIX 246088 BERG 11130	1/4" HOSE UNION

<i>WA#</i>	<i>REPLACES</i>	<i>DESCRIPTION</i>
WA01-5054	BENDIX 246089 BERG 11131	3/8" HOSE UNION

<i>WA#</i>	<i>REPLACES</i>	<i>DESCRIPTION</i>
WA01-5055	BENDIX 246090 BERG 11132	1/2" HOSE UNION

NUTS FOR NYLON TUBING

WA#	REPLACES	DESCRIPTION
WA01-5064		1/4" HOSE
WA01-5065		3/8" HOSE
WA01-5066		1/2" HOSE

MALE CONNECTORS



WA#	REPLACES	DESCRIPTION
WA01-5068	BENDIX 283137 BERG 11228	1/4" HOSE 1/8" MALE PIPE THREAD
WA01-5069	BENDIX 283138 BERG 11229	1/4" HOSE 1/4" MALE PIPE THREAD
WA01-5070	BENDIX 283121 BERG 11232	3/8" HOSE 1/4" MALE PIPE THREAD
WA01-5071	BENDIX 283122 BERG 11233	3/8" HOSE 3/8" MALE PIPE THREAD
WA01-5072	BENDIX 283147 BERG 11235	1/2" HOSE 3/8" MALE PIPE THREAD
WA01-5073	BENDIX 283148 BERG 11236	1/2" HOSE 1/2" MALE PIPE THREAD
WA01-5074	BENDIX 283172 BERG 11238	5/8" HOSE 1/2" MALE PIPE THREAD

MALE ELBOWS



WA#	REPLACES	DESCRIPTION
WA01-5079	BENDIX 283132 BERG 11258	1/4" HOSE 1/8" MALE PIPE THREAD
WA01-5080	BENDIX 283133 BERG 11259	1/4" HOSE 1/4" MALE PIPE THREAD
WA01-5081	BENDIX 243111 BERG 11262	3/8" HOSE 1/4" MALE PIPE THREAD

MALE ELBOWS (cont.)

WA#	REPLACES	DESCRIPTION
WA01-5082	BENDIX 283112 BERG 11263	3/8" HOSE 3/8" MALE PIPE THREAD
WA01-5083	BENDIX 283769 BERG 11264	3/8" HOSE 1/2" MALE PIPE THREAD
WA01-5084	BENDIX 283142 BERG 11292	1/2" HOSE 3/8" MALE PIPE THREAD
WA01-5085	BENDIX® 283143 BERG 11266	1/2" HOSE 1/2" MALE PIPE THREAD

AIR SHUT OFF COCK



WA#	REPLACES	DESCRIPTION
WA01-5090	BENDIX® 217799 BERG® 12113 MIDLAND® N13553	1/2" NPTF BOTH ENDS

AIR TANK PRESSURE RELIEF VALVES



WA#	REPLACES	SIZE	DESCRIPTION
WA01-5058	BENDIX® 205105, 284142 BERG® 12020	1/4"-18NPTF	PREVENTS AIR SYSTEM FROM EXCEEDING 150 PSI MAXIMUM PRESSURE
WA01-5059	BENDIX® 223444 BERG® 12021	3/8"-18NPTF	

MANUAL DRAIN VALVES

WA#	REPLACES	DESCRIPTION
WA12105	HALDEX® 12105 VELVAC® 32082 SLOAN® 401046 DAYTON® 12-40621 PHILLIPS® 12-820 MACK® 20QE3353M2 EUCLID® E-RSN401045 MIDLAND® KN21004 LELAND® L-1374 BWP® M-1322	MANUAL DRAIN VALVE W/5' CORD 1/4" NPTF 120 PSI MAXIMUM PRESSURE
WA9054088	NEWAY® 9054088	MANUAL DRAIN VALVE

BULKHEAD FITTING



WA#	REPLACES	DESCRIPTION	A	B	C	LENGTH
WA01-5024	EUCLID® E-8616	BULKHEAD FITTING W/ STEEL NUT	1/2"-14	1"-14	1/4"-18	2 7/8"

SPRINGBRAKE CHAMBERS



<i>WA#</i>	<i>REPLACES</i>	<i>DESCRIPTION</i>
WA2024C	CC2024	TYPE 20/24 COMBO SEALED



<i>WA#</i>	<i>REPLACES</i>	<i>DESCRIPTION</i>
WA2424C3		TYPE 24/24 COMBO LONG STROKE



<i>WA#</i>	<i>REPLACES</i>	<i>DESCRIPTION</i>
WA2424PBK		TYPE 24/24 PIGGY-BACK KIT



<i>WA#</i>	<i>REPLACES</i>	<i>DESCRIPTION</i>
WA2424T		TYPE 24/24 SPRINGBRAKE W/CLEVIS SEALED



<i>WA#</i>	<i>REPLACES</i>	<i>DESCRIPTION</i>
WA2424TC	MGM* MA15441	TYPE 24/24 SPRINGBRAKE W/CLEVIS CLAMPED



<i>WA#</i>	<i>REPLACES</i>	<i>DESCRIPTION</i>
WA2430C	160781	TYPE 24/30 COMBO SEALED



<i>WA#</i>	<i>REPLACES</i>	<i>DESCRIPTION</i>
WA2430C3		TYPE 24/30 COMBO LONG STROKE



<i>WA#</i>	<i>REPLACES</i>	<i>DESCRIPTION</i>
WA2430PBK		TYPE 24/30 PIGGY-BACK KIT



<i>WA#</i>	<i>REPLACES</i>	<i>DESCRIPTION</i>
WA3030TL		TYPE 30/30 COMBO LONG STROKE, SEALED

SPRINGBRAKE CHAMBERS (cont.)



WA#	REPLACES	DESCRIPTION
WA3030PBK3		TYPE 30/30 PIGGYBACK KIT LONG STROKE



WA#	REPLACES	DESCRIPTION
WA3030PBKIT		TYPE 30/30 PIGGYBACK KIT



WA#	REPLACES	DESCRIPTION
WA3030T		30/30 COMBO W/CLEVIS SEALED ROD LENGHT 12.5"



WA#	REPLACES	DESCRIPTION
WA3030TC	MGM* MA15431	30/30 TANDEM SPRINGBRAKE W/CLEVIS CLAMPED



WA#	REPLACES	DESCRIPTION
WA3036C		TYPE 30/36 COMBO SEALED



WA#	REPLACES	DESCRIPTION
WA3036PBK		TYPE 30/36 PIGGYBACK KIT



WA#	REPLACES	DESCRIPTION
WA3636T		TYPE 36/36 COMBO SEALED

SERVICE BRAKE CHAMBER



WA#	REPLACES	DESCRIPTION
WA16SC	KN36160	TYPE 16 STYLE SERVICE BRAKE CHAMBER W/CLEVIS



WA#	REPLACES	DESCRIPTION
WA20SC	KN36200	TYPE 20 STYLE SERVICE BRAKE CHAMBER W/CLEVIS



WA#	REPLACES	DESCRIPTION
WA20SC3	1621901	TYPE 20 STYLE SERVICE BRAKE CHAMBER LONG STROKE W/ CLEVIS

SERVICE BRAKE CHAMBER (cont.)



WA#	REPLACES	DESCRIPTION
WA24SC	MIDLAND* KN36240	TYPE 24 STYLE SERVICE BRAKE CHAMBER W/CLEVIS



WA#	REPLACES	DESCRIPTION
WA24SC3	MIDLAND* KN36240	TYPE 24 STYLE SERVICE BRAKE, LONG STROKE CHAMBER W/CLEVIS



WA#	REPLACES	DESCRIPTION
WA30SC	MIDLAND* KN36300	TYPE 30 STYLE SERVICE BRAKE CHAMBER W/CLEVIS



WA#	REPLACES	DESCRIPTION
WA30SC3	1431001	TYPE 30 STYLE SERVICE BRAKE CHAMBER W/CLEVIS LONG STROKE



WA#	REPLACES	DESCRIPTION
WA36SC	KN36360	TYPE 36 STYLE SERVICE BRAKE CHAMBER W/CLEVIS

CLEVIS



WA#	REPLACES	THREAD DIAMETER	CLEVIS PIN DIAMETER	PIN DIA.	ARM
RB-30CL	KN36470				CLEVIS 3030T STYLE SPRING W 1/2" COTTER PIN



WAAS3000	HCA-30	5/8" - 18	1/2"	1/4"	STRAIGHT
----------	--------	-----------	------	------	----------



WA07-6000	CQ36572 L-3049 M-3387 05-576 R801710 E-9134	5/8" - 18	1/2"	1/4"	5/8" OFFSET
-----------	--	-----------	------	------	-------------



WA07-7052	CQ36543 L-3063 M-3386 05-575 E-9133 R801713 E-9133	5/8" - 18	1/2"	1/4"	STRAIGHT
-----------	--	-----------	------	------	----------

SPRINGBRAKE STYLE DIAPHRAGMS



<i>WA#</i>	<i>REPLACES</i>	<i>DESCRIPTION</i>
WAKN18090	MIDLAND® KN18090 BENDIX® 234433	TYPE 9 STYLE - 5" AIR BRAKE DIAPHRAGM
WAKN18120	MIDLAND® KN18120 BENDIX 234226	TYPE 12 STYLE - 5-1/2" AIR BRAKE DIAPHRAGM
WAKN18160	MIDLAND® KN18160 BENDIX 234189	TYPE 16 STYLE - 6" AIR BRAKE DIAPHRAGM
WAKN18200	MIDLAND® KN18200 BENDIX 234099	TYPE 20 STYLE - 6-1/2" AIR BRAKE DIAPHRAGM
WAKN18240	MIDLAND® KN18240 BENDIX® 234100	TYPE 24 STYLE - 7" AIR BRAKE DIAPHRAGM
WAKN18300	MIDLAND® KN18300 BENDIX® 234101	TYPE 30 STYLE - 8" AIR BRAKE DIAPHRAGM
WAD-30003	MGM 8017830	TYPE 30 STYLE - LONG STROKE 7 27/32" AIR BRAKE DIAPHRAGM

AIR CHAMBER BRACKET



<i>WA#</i>	<i>REPLACES</i>	<i>DESCRIPTION</i>
WA07-5064	MERITOR® 3299-A-5981	MERITOR® TYPE 5" ROUND AXLE

SPRING



<i>WA#</i>	<i>REPLACES</i>	<i>DESCRIPTION</i>
RB-30PS	EUCLID® E-9131	3030T STYLE SPRING

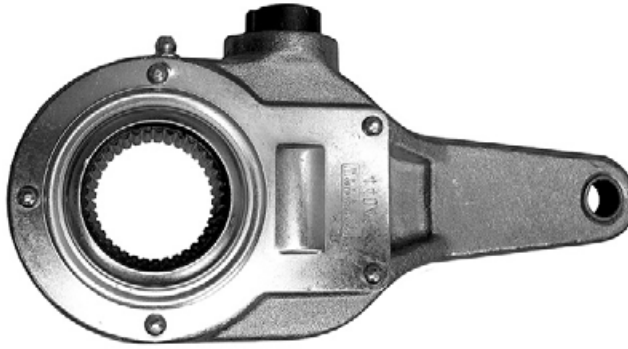
SLACK ADJUSTERS - MANUAL STRAIGHT ARM

WA#
WAKN44041
REPLACES

MIDLAND® KN44041
 EUCLID® E1574HD
 MERITOR® R82407
 BENDIX® 383411

DESCRIPTION

**1.60" - 37 SPLINE
 6-DRILLING
 5 RIVET HEAVY DUTY**



WA#
WAKN44051
REPLACES

MIDLAND® KN44051
 EUCLID® E2458
 BENDIX® 286965

DESCRIPTION

**1.50" - 28 SPLINE
 5-6 DRILLING
 5 RIVET HEAVY DUTY**

WA#
WAKN44061
REPLACES

MIDLAND® KN44061
 EUCLID® E2459HD
 MERITOR® R822084
 BENDIX® 288753

DESCRIPTION

**1.50" - 28 SPLINE
 5-1/2 - 6-1/2 DRILLING
 5 RIVET HEAVY DUTY**

WA#
WAKN44071
REPLACES

MIDLAND® KN44071
 EUCLID® E2458HD
 MERITOR® R824003
 BENDIX® 288282

DESCRIPTION

**1.50" - 28 SPLINE
 5-6-7 DRILLING
 5 RIVET HEAVY DUTY**

WA#
WAKN47001
REPLACES

MIDLAND® KN47001
 EUCLID® E612HD
 MERITOR® R824000
 BENDIX® 278323

DESCRIPTION

**1.50" - 10 SPLINE
 5-6-7 DRILLING
 5 RIVET HEAVY DUTY**

WA#
WAKN47011
REPLACES

MIDLAND® KN47011
 EUCLID® E940HD
 MERITOR® R824001
 BENDIX® 278321

DESCRIPTION

**1.50" - 10 SPLINE
 5-1/2 - 6-1/2" DRILLING
 5 RIVET HEAVY DUTY**

WA#
WAKN48001
REPLACES

MIDLAND® KN48001
 EUCLID® E939
 MERITOR® R82010, R802010
 BENDIX® 278303

DESCRIPTION

**1.25" - 10 SPLINE
 5" - 6" DRILLING**

WA#
WAKN49000
REPLACES

MIDLAND® KN49000
 MERITOR® R824013
 BENDIX® 278294

DESCRIPTION

**1.25" - 10 SPLINE
 4-1/2" - 5-1/2"
 DRILLING RIGHT HAND**

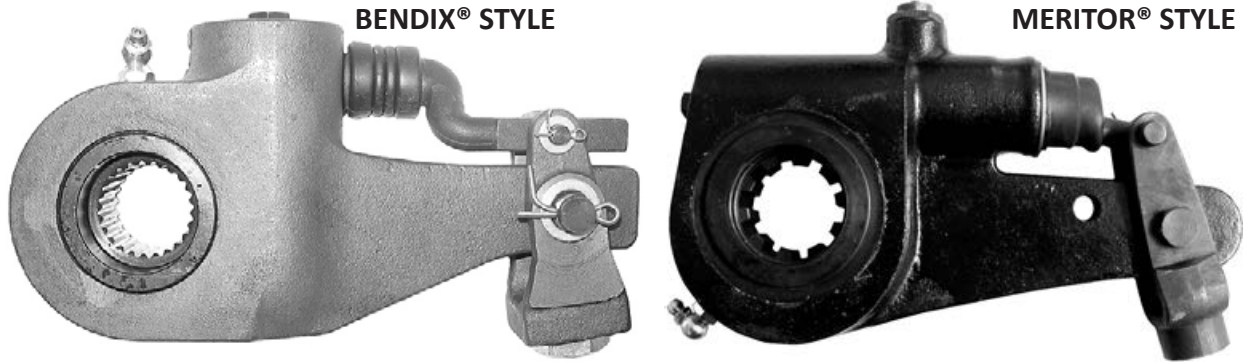
WA#
WAKN49010
REPLACES

MIDLAND® KN49010
 MERITOR® R824014
 BENDIX® 278295

DESCRIPTION

**1.25" - 10 SPLINE
 4-1/2" - 5-1/2"
 DRILLING LEFT HAND**

SLACK ADJUSTERS - AUTOMATIC



WA#
WA65167_(BENDIX®)
WAR801003_(MERITOR®)

REPLACES
 MERITOR® R801003
 GUNITE® AS1038
 BENDIX® 065167

DESCRIPTION

ARM LENGTH 5-1/2"
SPLINE 1-1/4"
24 SPLINE

WA#
WA65170_(BENDIX®)
WAR801041_(MERITOR®)

REPLACES
 MERITOR® R801041
 GUNITE® AS1032
 BENDIX® 065170

DESCRIPTION

ARM LENGTH 5-1/2"
SPLINE 1-1/2"
10 SPLINE

WA#
WA65172_(BENDIX®)
WAR801042_(MERITOR®)

REPLACES
 MERITOR® R801042
 GUNITE® AS1033
 BENDIX® 065172

DESCRIPTION

ARM LENGTH 6"
SPLINE 1-1/2"
10 SPLINE

WA#
WA65174_(BENDIX®)
WAR801073_(MERITOR®)

REPLACES
 MERITOR® R801073
 GUNITE® AS1038
 BENDIX® 065174

DESCRIPTION

ARM LENGTH 5-1/2"
SPLINE 1-1/2"
28 SPLINE

WA#
WA65175_(BENDIX®)
WAR801074_(MERITOR®)

REPLACES
 MERITOR® R801074
 GUNITE® AS1041
 BENDIX® 065175

DESCRIPTION

ARM LENGTH 6"
SPLINE 1-1/2"
28 SPLINE

WA#
WA65176_(BENDIX®)
WAR801075/
WAR801071_(MERITOR®)

REPLACES
 MERITOR® R801075/R801071
 GUNITE® AS1001
 BENDIX® 065176

DESCRIPTION

ARM LENGTH 6"
SPLINE 1-1/2"
28 SPLINE

HALDEX® STYLE AUTOMATIC SLACK ADJUSTERS

WA#
WA10140
REPLACES
HALDEX® 400-10140

DESCRIPTION

**AUTOMATIC
SLACK ADJUSTER
1-1/2" - 28 SPLINE
5" & 6" C-C LENGTH
34 DEGREE
CASTING ANGLE**



WA#
WA10141
REPLACES
HALDEX® 400-10141

DESCRIPTION

**AUTOMATIC
SLACK ADJUSTER
1-1/2" - 28 SPLINE
5-1/2" & 6-1/2"
C-C LENGTH
34 DEGREE
CASTING ANGLE**

WA#
WA10142
REPLACES
HALDEX® 400-10142

DESCRIPTION

**AUTOMATIC
SLACK ADJUSTER
1-1/2" - 10 SPLINE
5" & 6" C-C LENGTH
34 DEGREE
CASTING ANGLE**

WA#
WA10143
REPLACES
HALDEX® 400-10143

DESCRIPTION

**AUTOMATIC
SLACK ADJUSTER
1-1/2" - 10 SPLINE
5-1/2" & 6-1/2"
C-C LENGTH
34 DEGREE
CASTING ANGLE**

WA#
WA10144
REPLACES
HALDEX® 400-10144

DESCRIPTION

**AUTOMATIC
SLACK ADJUSTER
1-1/2" - 28 SPLINE
6" C-C LENGTH
16 DEGREE
CASTING ANGLE**

HALDEX® STYLE AUTOMATIC SLACK AJUSTERS

WA#
WA10211
REPLACES
HALDEX® 400-10211

DESCRIPTION

**AUTOMATIC
SLACK ADJUSTER
1-1/2" - 28 SPLINE
5-1/2" C-C LENGTH
0 DEGREE
CASTING ANGLE**



WA#
WA10214
REPLACES
HALDEX® 400-10214

DESCRIPTION

**AUTOMATIC
SLACK ADJUSTER
1-5/8" - 37 SPLINE
6" C-C LENGTH
0 DEGREE
CASTING ANGLE**

WA#
WA10216
REPLACES
HALDEX® 400-10216

DESCRIPTION

**AUTOMATIC
SLACK ADJUSTER
1-1/2" - 10 SPLINE
6" C-C LENGTH
0 DEGREE
CASTING ANGLE**

WA#
WA10212
REPLACES
HALDEX® 400-10212

DESCRIPTION

**AUTOMATIC
SLACK ADJUSTER
1-1/2" - 28 SPLINE
6" C-C LENGTH
0 DEGREE
CASTING ANGLE**

WA#
WA10305
REPLACES
HALDEX® 400-10305

DESCRIPTION

**AUTOMATIC
SLACK ADJUSTER
1-1/2" - 28 SPLINE
6" C-C LENGTH
35 DEGREE
CASTING ANGLE**

GUNITE® STYLE AUTOMATIC SLACK AJUSTERS

<p><u>WA#</u> WAAS1132 <u>REPLACES</u></p> <p>GUNITE® AS1132 CREWSON® CB21102 MERITOR® R801041 BENDIX® 065170</p> <p><u>DESCRIPTION</u></p> <p>1.50" - 10 SPLINE 5-1/2" DRILLING</p>	<p><u>WA#</u> WAAS1133 <u>REPLACES</u></p> <p>GUNITE® AS1133 CREWSON® CB21103 MERITOR® R801042 BENDIX® 065172</p> <p><u>DESCRIPTION</u></p> <p>1.50" - 10 SPLINE 6" DRILLING</p>	<p><u>WA#</u> WAAS1140 <u>REPLACES</u></p> <p>GUNITE® AS1140 CREWSON® CB22102 MERITOR® R801073 BENDIX® 065174</p> <p><u>DESCRIPTION</u></p> <p>1.50" - 28 SPLINE 5-1/2" DRILLING</p>	<p><u>WA#</u> WAAS1141 <u>REPLACES</u></p> <p>GUNITE® AS1141 CREWSON® CB22103 MERITOR® R801074 BENDIX® 065175</p> <p><u>DESCRIPTION</u></p> <p>1.50" - 28 SPLINE 6" DRILLING</p>
--	--	--	--

CREWSON® STYLE STANDARD AUTOMATIC

WA#	REPLACES CREWSON®	CHAMBER SIZE	SPLINE SIZE	CLEVIS	ARM LENGTH
WA21102	21102	ALL	1-1/2" - 10	5/8" - 18 STR	5.5, 6.5
WA21103	21103	ALL	1-1/2" - 10	5/8" - 18 STR	5.0, 6.0
WA22102	22102	ALL	1-1/2" - 28	5/8" - 18 STR	5.5, 6.5
WA22103	22103	ALL	1-1/2" - 28	5/8" - 18 STR	5.0, 6.0
WA23102	23102	ALL	1-5/8" - 37	5/8" - 18 STR	5.5, 6.5
WA24100	24100	ALL	1-1/4" - 10	5/8" - 18 STR	5.5, 6.0
WA24102	24102	ALL	1-1/4" - 10	5/8" - 18 STR	5.5, 6.5
WA24103	24103	ALL	1-1/4" - 10	5/8" - 18 STR	5.0
WA25100	25100	ALL	1-1/4" - 10	5/8" - 18 STR	5.5
WA25102	25102	ALL	1-1/4" - 24	5/8" - 18 STR	5.5, 6.5
WA25103	25103	ALL	1-1/4" - 24	5/8" - 18 STR	5.0, 6.0

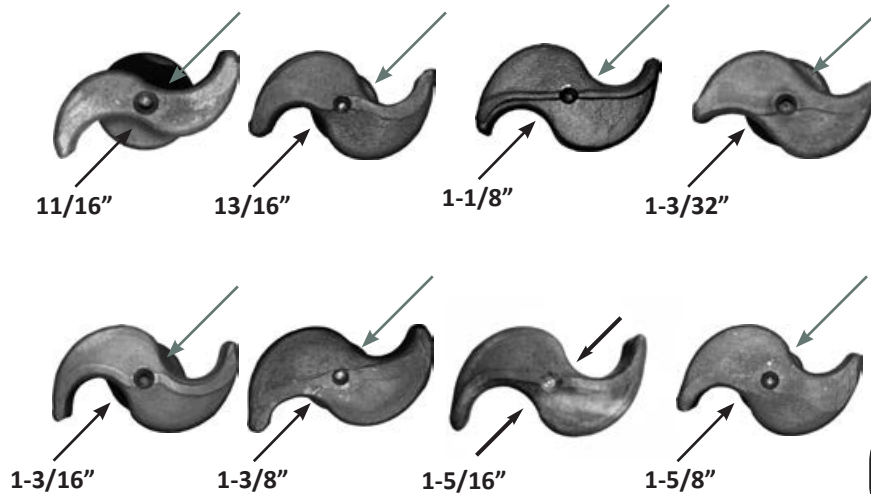
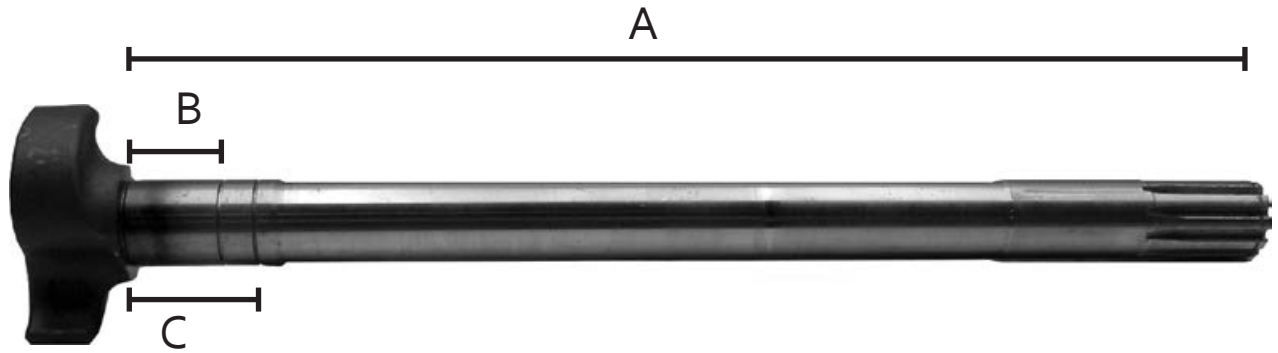
WWW.WORLDAMERICAN.COM

YOUR #1 SOURCE FOR SLACK ADJUSTERS!

CALL 800.934.2727 FOR PRICING

CAMSHAFTS

DANA®/SPICER®

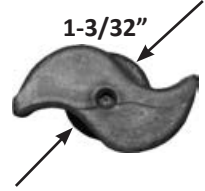


**RIGHT HAND
CAMSHAFTS
SHOWN**

REPLACEMENT DANA®/SPICER® TRAILER CAMSHAFTS

**1 1/2" DIA. - 10 SPLINE
12 1/4" BRAKES
SMALL "S" HEAD**

**1 1/2" - 10
1 1/2"
BEARING
SURFACE**



A = Underhead to lock ring groove. B,C = Underhead to bearing surface groove.

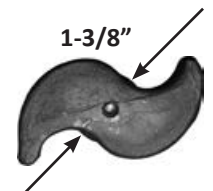
WA#	REPLACES	A	B	C	NOTES:
WA05-5172 Right Hand	DANA SPICER®: M12WK106-6, 17-684 EUCLID®: E-1410	21 1/4"	2 21/32"	2 7/32"	USE WA CAM KIT: WA08-5045 CAST SHOE WA08-5026 FAB. SHOE
WA05-5173 Left Hand	DANA SPICER®: M12WK107-6, 17-685 EUCLID®: E-1411				
WA05-5096 Right Hand	DANA SPICER®: M12WK100-17, 17-690 EUCLID®: E-1422	23 1/4"	2 21/32"	2 7/32"	USE WA CAM KIT: WA08-5045 CAST SHOE WA08-5026 FAB. SHOE
WA05-5097 Left Hand	DANA SPICER®: M12WK101-17, 17-691 EUCLID®: E-1423				

CAMSHAFTS

DANA®/SPICER® CONTINUED...

**1 1/2" DIA. - 28 SPLINE
16 1/2" BRAKES
OLD STYLE "S" HEAD**

1 1/2" - 28
1 1/2"
BEARING
SURFACE

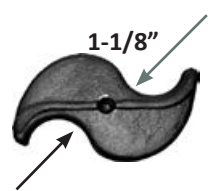


A = Underhead to lock ring groove. B,C = Underhead to bearing surface groove.

WA#	REPLACES	A	B	C	NOTES:
WA05-5140 Right Hand	DANA SPICER®: M16WK105-10, 17-478 EUCLID®: E-9726	17 7/16"	1 5/8"	2 7/32"	USE WA CAM KIT: WA08-5013
WA05-5141 Left Hand	DANA SPICER®: M16WK104-10, 17-479 EUCLID®: E-9725				
WA05-5066 Right Hand	DANA SPICER®: M16WK105-17, 17-480 EUCLID®: E-3855	20 3/8"	1 5/8"	2 7/32"	USE WA CAM KIT: WA08-5013
WA05-5067 Left Hand	DANA SPICER®: M16WK104-17, 17-481 EUCLID®: E-3854				
WA05-5074 Right Hand	DANA SPICER®: M16WK105-23, 17-484 EUCLID®: E-6885	22 15/16"	1 5/8"	2 7/32"	USE WA CAM KIT: WA08-5013
WA05-5075 Left Hand	DANA SPICER®: M16WL104-23, 17-485 EUCLID®: E-6884				
WA05-5054 Right Hand	DANA SPICER®: M16WK105-25, 17-482 EUCLID®: E-3855	23 7/16"	1 5/8"	2 7/32"	USE WA CAM KIT: WA08-5013
WA05-5055 Left Hand	DANA SPICER®: M16WK104-25, 17-483 EUCLID®: E-3856				

**1 1/2" DIA. - 10 SPLINE
16 1/2" "XL" BRAKES**

1 1/2" - 10
1 1/2"
BEARING
SURFACE



A = Underhead to lock ring groove. B,C = Underhead to bearing surface groove.

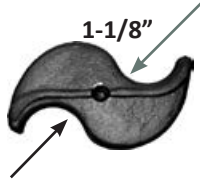
WA#	REPLACES	A	B	C	NOTES:
WA05-5146 Right Hand	DANA SPICER®: M16WKR10-205, 17-504 EUCLID®: E-5519	20 7/16"	1 5/8"	2 7/32"	*USE IN PAIRS ONLY *DO NOT MIX ON AXLE *1 1/2" DIA. BEARING SURFACE USE WA CAM KIT: WA08-5003
WA05-5147 Left Hand	DANA SPICER®: M16WKL10-205, 17-505 EUCLID®: E-5518				

CAMSHAFTS

DANA®/SPICER® CONTINUED...

**1 1/2" DIA. - 10 SPLINE
16 1/2" "XL" BRAKES**

1 1/2" - 10
1 1/2"
BEARING
SURFACE

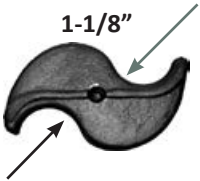


A = Underhead to lock ring groove. B,C = Underhead to bearing surface groove.

WA#	REPLACES	A	B	C	NOTES:
WA05-5138 Right Hand	DANA SPICER®: M16WKR10-236, 17-508 EUCLID®: E-5521	23 9/16"	1 5/8"	2 7/32"	USE WA CAM KIT: WA08-5003
WA05-5139 Left Hand	DANA SPICER®: M16WKL10-236, 17-509 EUCLID®: E-5520				
WA05-5148 Right Hand	DANA SPICER®: M16WKR10-264, 17-556 EUCLID®: E-9742	26 1/4"	1 5/8"	2 7/32"	USE WA CAM KIT: WA08-5003
WA05-5149 Left Hand	DANA SPICER®: M16WKL10-264, 17-557 EUCLID®: E-9741				

**1 1/2" DIA. - 10 SPLINE
16 1/2" "XL" BRAKES
* AXLES AFTER SEPT. '95 ***

1 1/2" - 10
1 5/8"
BEARING
SURFACE



A = Underhead to lock ring groove. B,C = Underhead to bearing surface groove.

WA#	REPLACES	A	B	C	NOTES:
WA05-5166 Right Hand	DANA SPICER®: MW16WKR15-231	22 15/16"	2 7/32"		*USE IN PAIRS ONLY *DO NOT MIX ON AXLE *1 5/8" DIA. BEARING SURFACE USE WA CAM KIT: WA08-5004
WA05-5167 Left Hand	DANA SPICER®: MW16WKL15-231				

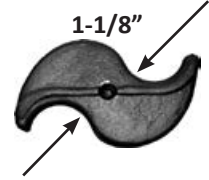


CAMSHAFTS

DANA®/SPICER® CONTINUED...

**1 1/2" DIA. - 28 SPLINE
16 1/2" "XL" BRAKES**

1 1/2" - 28
1 1/2"
BEARING
SURFACE



A = Underhead to lock ring groove. B,C = Underhead to bearing surface groove.

WA#	REPLACES	A	B	C	NOTES:
WA05-5056 Right Hand	<u>DANA SPICER</u> ®: M16WKR20-175 <u>EUCLID</u> ®: E-5523	17 7/16"	1 5/8"	2 7/32"	*USE IN PAIRS ONLY *DO NOT MIX ON AXLE *1 1/2" DIA. BEARING SURFACE <u>USE WA CAM KIT:</u> WA08-5015
WA05-5057 Left Hand	<u>DANA SPICER</u> ®: M16WKL20-175 <u>EUCLID</u> ®: E-5522				
WA05-5070 Right Hand	<u>DANA SPICER</u> ®: M16WKR20-205 <u>EUCLID</u> ®: E-5525	20 3/8"	1 5/8"	2 7/32"	*USE IN PAIRS ONLY *DO NOT MIX ON AXLE *1 1/2" DIA. BEARING SURFACE <u>USE WA CAM KIT:</u> WA08-5003
WA05-5071 Left Hand	<u>DANA SPICER</u> ®: M16WKL20-205 <u>EUCLID</u> ®: E-5524				
WA05-5058 Right Hand	<u>DANA SPICER</u> ®: M16WKR20-231 <u>EUCLID</u> ®: E-9099	22 15/16"	1 5/8"	2 7/32"	*USE IN PAIRS ONLY *DO NOT MIX ON AXLE *1 1/2" DIA. BEARING SURFACE <u>USE WA CAM KIT:</u> WA08-5003
WA05-5059 Left Hand	<u>DANA SPICER</u> ®: M16WKL20-231 <u>EUCLID</u> ®: E-9098				
WA05-5072 Right Hand	<u>DANA SPICER</u> ®: M16WKR20-236 <u>EUCLID</u> ®: E-5527	23 7/16"	1 5/8"	2 7/32"	*USE IN PAIRS ONLY *DO NOT MIX ON AXLE *1 1/2" DIA. BEARING SURFACE <u>USE WA CAM KIT:</u> WA08-5003
WA05-5073 Left Hand	<u>DANA SPICER</u> ®: M16WKL20-236 <u>EUCLID</u> ®: E-5526				
WA05-5050 Right Hand	<u>DANA SPICER</u> ®: M16WKR20-242 <u>EUCLID</u> ®: E-9101	24 1/8"	1 5/8"	2 7/32"	*USE IN PAIRS ONLY *DO NOT MIX ON AXLE *1 1/2" DIA. BEARING SURFACE <u>USE WA CAM KIT:</u> WA08-5003
WA05-5051 Left Hand	<u>DANA SPICER</u> ®: M16WKL20-242 <u>EUCLID</u> ®: E-9100				

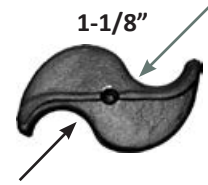
WWW.MIDWESTTRUCK.COM
 YOUR #1 SOURCE FOR CAMSHAFTS!
 CALL 800.934.2727 FOR PRICING!

CAMSHAFTS

DANA®/SPICER® CONTINUED...

1 1/2" DIA. - 28 SPLINE
16 1/2" "XL" BRAKES
AXLES AFTER SEPT. '95

1 1/2" - 28
1 5/8"
BEARING
SURFACE



A = Underhead to lock ring groove. B,C = Underhead to bearing surface groove.

WA#	REPLACES	A	B	C	NOTES:
WA05-5168 Right Hand	<u>DANA SPICER®</u> : M16WKR25-175 <u>EUCLID®</u> : E-9732	17 7/16"	2 7/32"		*USE IN PAIRS ONLY *DO NOT MIX ON AXLE *1 5/8" DIA. BEARING SURFACE <u>USE WA CAM KIT:</u> WA08-5004
WA05-5169 Left Hand	<u>DANA SPICER®</u> : M16WKL25-175 <u>EUCLID®</u> : E-9731				
WA05-5076 Right Hand	<u>DANA SPICER®</u> : M16WKR25-205 <u>EUCLID®</u> : E-9734	20 3/8"	2 7/32"		*USE IN PAIRS ONLY *DO NOT MIX ON AXLE *1 5/8" DIA. BEARING SURFACE <u>USE WA CAM KIT:</u> WA08-5004
WA05-5077 Left Hand	<u>DANA SPICER®</u> : M16WKL25-205 <u>EUCLID®</u> : E-9733				
WA05-5170 Right Hand	<u>DANA SPICER®</u> : M16WKR25-231 <u>EUCLID®</u> : E-11859	22 15/16"	2 7/32"		*USE IN PAIRS ONLY *DO NOT MIX ON AXLE *1 5/8" DIA. BEARING SURFACE <u>USE WA CAM KIT:</u> WA08-5004
WA05-5171 Left Hand	<u>DANA SPICER®</u> : M16WKL25-231 <u>EUCLID®</u> : E-11858				
WA05-5016 Right Hand	<u>DANA SPICER®</u> : M16WKR25-236 <u>EUCLID®</u> : E-9736	23 7/16"	2 7/32"		*USE IN PAIRS ONLY *DO NOT MIX ON AXLE *1 5/8" DIA. BEARING SURFACE <u>USE WA CAM KIT:</u> WA08-5004
WA05-5017 Left Hand	<u>DANA SPICER®</u> : M16WKL25-236 <u>EUCLID®</u> : E-9735				
WA05-5022 Right Hand	<u>DANA SPICER®</u> : M16WKR25-242 <u>EUCLID®</u> : E-10910	24 1/8"	2 7/32"		*USE IN PAIRS ONLY *DO NOT MIX ON AXLE *1 5/8" DIA. BEARING SURFACE <u>USE WA CAM KIT:</u> WA08-5004
WA05-5023 Left Hand	<u>DANA SPICER®</u> : M16WKL25-242 <u>EUCLID®</u> : E-10909				
WA05-5142 Right Hand	<u>DANA SPICER®</u> : M16WKR25-271 <u>EUCLID®</u> : E-9738	27"	2 7/32"		*USE IN PAIRS ONLY *DO NOT MIX ON AXLE *1 5/8" DIA. BEARING SURFACE <u>USE WA CAM KIT:</u> WA08-5004
WA05-5143 Left Hand	<u>DANA SPICER®</u> : M16WKL25-271 <u>EUCLID®</u> : E-9737				

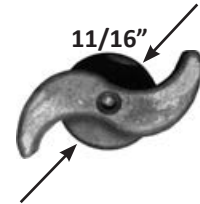
CAMSHAFTS

DEXTER® - EATON® TRAILER

REPLACEMENT DEXTER® TRAILER CAMSHAFTS

**1 1/2" DIA. - 28 SPLINE
12 1/4" TRAILER BRAKES**

1 1/2" - 28
1 1/2"
BEARING
SURFACE



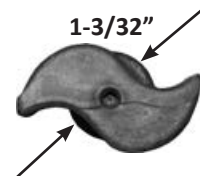
A = Underhead to lock ring groove. B,C = Underhead to bearing surface groove.

WA#	REPLACES	A	B	C	NOTES:
WA05-5150 Right Hand	<u>DEXTER®</u> : 034-189-01 <u>EUCLID®</u> : E-10918	16 3/8"	2 7/32"		<div style="border: 1px solid #ccc; padding: 10px; background-color: #f0f0f0;"> <u>USE WA CAM KIT:</u> WA08-5026 </div>
WA05-5151 Left Hand	<u>DEXTER®</u> : 034-188-01 <u>EUCLID®</u> : E-10917				
WA05-5088 Right Hand	<u>DEXTER®</u> : 034-189-00 <u>EUCLID®</u> : E-10922	21 1/8"	2 7/32"		<div style="border: 1px solid #ccc; padding: 10px; background-color: #f0f0f0;"> <u>USE WA CAM KIT:</u> WA08-5026 </div>
WA05-5089 Left Hand	<u>DEXTER®</u> : 034-188-00 <u>EUCLID®</u> : E-10921				
WA05-5152 Right Hand	<u>DEXTER®</u> : 034-189-09 <u>EUCLID®</u> : E-10930	26 1/2"	2 7/32"		<div style="border: 1px solid #ccc; padding: 10px; background-color: #f0f0f0;"> <u>USE WA CAM KIT:</u> WA08-5026 </div>
WA05-5153 Left Hand	<u>DEXTER®</u> : 034-188-09 <u>EUCLID®</u> : E-10929				

REPLACEMENT EATON® TRAILER CAMSHAFTS

**1 1/2" DIA. - 10 SPLINE
12 1/4" BRAKES
SMALL "S" HEAD**

1 1/2" - 10
1 1/2"
BEARING
SURFACE



A = Underhead to lock ring groove. B,C = Underhead to bearing surface groove.

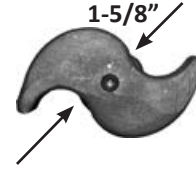
WA#	REPLACES	A	B	C	NOTES:
WA05-5182 Right Hand	<u>EATON®</u> : B-2060-4, B-2060-38 <u>EUCLID®</u> : E-1393	20 5/16"	2 7/32"	1 11/32"	<div style="border: 1px solid #ccc; padding: 10px; background-color: #f0f0f0;"> <u>USE WA CAM KIT:</u> WA08-5070 </div>
WA05-5183 Left Hand	<u>EATON®</u> : B-2060-3, B-2060-37 <u>EUCLID®</u> : E-1394				
WA05-5174 Right Hand	<u>EATON®</u> : B-2060-24, B2060-56 <u>EUCLID®</u> : E-2492	22 5/16"	2 7/32"	1 11/32"	<div style="border: 1px solid #ccc; padding: 10px; background-color: #f0f0f0;"> <u>USE WA CAM KIT:</u> WA08-5070 </div>
WA05-5175 Left Hand	<u>EATON®</u> : B-2060-23, B-2060-55 <u>EUCLID®</u> : E-2493				

CAMSHAFTS

EATON® TRAILER CONTINUED...

**1 1/2" DIA. - 10 SPLINE
16 1/2" BRAKES**

1 1/2" - 10
1 5/8"
BEARING
SURFACE

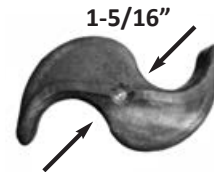


A = Underhead to lock ring groove. B,C = Underhead to bearing surface groove.

WA#	REPLACES	A	B	C	NOTES:
WA05-5114 Right Hand	<u>EATON®</u> : 125035, 807187 <u>EUCLID®</u> : E-2694	19 1/2"	2 7/32"		*FOR EATON® TRAILER AXLES W/ "501" SERIES BRAKES <u>USE WA CAM KIT:</u> WA08-5012
WA05-5115 Left Hand	<u>EATON®</u> : B-2060-3, B-2060-37 <u>EUCLID®</u> : E-2693				
WA05-5046 Right Hand	<u>EATON®</u> : 125031, 807305 <u>EUCLID®</u> : E-4720	23 3/4"	2 7/32"		*FOR EATON® TRAILER AXLES W/ "501" SERIES BRAKES <u>USE WA CAM KIT:</u> WA08-5012
WA05-5047 Left Hand	<u>EATON®</u> : 125030, 807304 <u>EUCLID®</u> : E-4721				

**1 1/2" DIA. - 28 SPLINE
16 1/2" BRAKES**

1 1/2" - 28
1 5/8"
BEARING
SURFACE

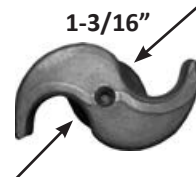


A = Underhead to lock ring groove. B,C = Underhead to bearing surface groove.

WA#	REPLACES	A	B	C	NOTES:
WA05-5154 Right Hand	<u>EATON®</u> : 125043 <u>EUCLID®</u> : E-4722	20 3/8"	2 7/32"		*FOR EATON® TRAILER AXLES W/ "501" SERIES BRAKES <u>USE WA CAM KIT:</u> WA1887ASHD
WA05-5155 Left Hand	<u>EATON®</u> : 125042 <u>EUCLID®</u> : E-4723				

**1 1/2" DIA. - 28 SPLINE
16 1/2" BRAKES**

1 1/2" - 28
1 5/8"
BEARING
SURFACE



A = Underhead to lock ring groove. B,C = Underhead to bearing surface groove.

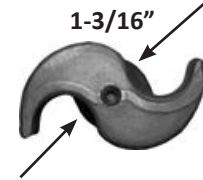
WA#	REPLACES	A	B	C	NOTES:
WA05-5064 Right Hand	<u>EATON®</u> : 810539 <u>EUCLID®</u> : E-9058	19 1/2"	2 7/32"		<u>USE WA CAM KIT:</u> WA08-5012
WA05-5065 Left Hand	<u>EATON®</u> : 810538 <u>EUCLID®</u> : E-9057				
WA05-5078 Right Hand	<u>EATON®</u> : 810026 <u>EUCLID®</u> : E-9060	23 3/4"	2 7/32"		<u>USE WA CAM KIT:</u> WA08-5012
WA05-5079 Left Hand	<u>EATON®</u> : 810025 <u>EUCLID®</u> : E-9059				

CAMSHAFTS

EATON® TRAILER - EATON® DRIVE AXLE

**1 1/2" DIA. - 10 SPLINE
16 1/2" BRAKES**

1 1/2" - 10
1 5/8"
BEARING
SURFACE



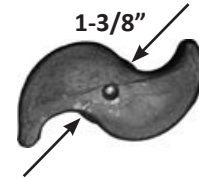
A = Underhead to lock ring groove. B,C = Underhead to bearing surface groove.

WA#	REPLACES	A	B	C	NOTES:
WA05-5144 Right Hand	<u>EATON®</u> : 808079 <u>EUCLID®</u> : E-5495	19 1/2"	2 7/32"		*EXTENDED SERVICE <u>USE WA CAM KIT:</u> WA08-5012
WA05-5145 Left Hand	<u>EATON®</u> : 808078 <u>EUCLID®</u> : E-5494				

REPLACEMENT EATON® DRIVE AXLE CAMSHAFTS

**1 1/2" DIA. - 10 SPLINE
16 1/2" "XL" BRAKES**

1 1/2" - 10
1 1/2"
BEARING
SURFACE



A = Underhead to lock ring groove. B,C = Underhead to bearing surface groove.

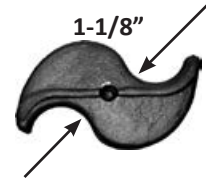
WA#	REPLACES	A	B	C	NOTES:
WA05-5124 Right Hand	<u>EATON®</u> : 1000088 <u>EUCLID®</u> : E-2786	8 9/16"	1 21/32"		<u>USE WA CAM KIT:</u> WA08-5024, WA08-5085
WA05-5125 Left Hand	<u>EATON®</u> : 1000087 <u>EUCLID®</u> : E-2787				
WA05-5156 Right Hand	<u>EATON®</u> : 70309 <u>EUCLID®</u> : E-4887	10 5/8"	1 21/32"		<u>USE WA CAM KIT:</u> WA08-5024, WA08-5085
WA05-5157 Left Hand	<u>EATON®</u> : 70308 <u>EUCLID®</u> : E-4886				
WA05-5106 Right Hand	<u>EATON®</u> : 70307 <u>EUCLID®</u> : E-1775	11 1/2"	1 21/32"		<u>USE WA CAM KIT:</u> WA08-5024, WA08-5085
WA05-5107 Left Hand	<u>EATON®</u> : 70306 <u>EUCLID®</u> : E-1776				
WA05-5126 Right Hand	<u>EATON®</u> : 71307 <u>EUCLID®</u> : E-2786	12 7/16"	1 21/32"		<u>USE WA CAM KIT:</u> WA08-5024, WA08-5085
WA05-5127 Left Hand	<u>EATON®</u> : 71306 <u>EUCLID®</u> : E-2787				
WA05-5160 Right Hand	<u>EATON®</u> : 1000840 <u>EUCLID®</u> : E-4889	12 31/32"	1 21/32"		<u>USE WA CAM KIT:</u> WA08-5024, WA08-5085
WA05-5161 Left Hand	<u>EATON®</u> : 1000839 <u>EUCLID®</u> : E-4888				

CAMSHAFTS

EATON® DRIVE AXLE - FRUEHAUF® PRO-PAR TRAILER

**1 1/2" DIA. - 10 SPLINE
16 1/2" BRAKES
15" REDUCED ENVELOPE BRAKES**

1 1/2" - 10
1 1/2"
BEARING
SURFACE



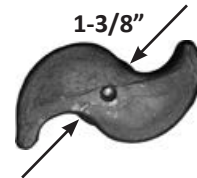
A = Underhead to lock ring groove. B,C = Underhead to bearing surface groove.

WA#	REPLACES	A	B	C	NOTES:
WA05-5136 Right Hand	EATON®: 806527 EUCLID®: E-5493	11 9/16"	1 9/16"		USE WA CAM KIT: WA08-5085
WA05-5137 Left Hand	EATON®: 806526 EUCLID®: E-5492				
WA05-5134 Right Hand	EATON®: 807863 EUCLID®: E-9772	14 5/16"	1 9/16"		USE WA CAM KIT: WA08-5085
WA05-5135 Left Hand	EATON®: 807862 EUCLID®: E-9771				

REPLACEMENT FRUEHAUF® PRO-PAR TRAILER CAMSHAFTS

**1 5/8" DIA. - 37 SPLINE
16 1/2" BRAKES**

1 5/8" - 37
1 5/8"
BEARING
SURFACE



A = Underhead to lock ring groove. B,C = Underhead to bearing surface groove.

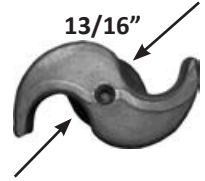
WA#	REPLACES	A	B	C	NOTES:
WA05-5002 Right Hand	FRUEHAUF®: AXA-0420-2 EUCLID®: E-1564	16 1/8"	2 5/32"		USE WA CAM KIT: WA08-5044 EARLY PRO- PAR WA08-5005 LATE PRO-PAR
WA05-5003 Left Hand	FRUEHAUF®: AXA-0420-1 EUCLID®: E-1563				
WA05-5004 Right Hand	FRUEHAUF®: AXA-0420-4 EUCLID®: E-2099	21 1/8"	2 5/32"		USE WA CAM KIT: WA08-5044 EARLY PRO- PAR WA08-5005 LATE PRO-PAR
WA05-5005 Left Hand	FRUEHAUF®: AXA-0420-3 EUCLID®: E-2100				
WA05-5192 Right Hand	FRUEHAUF®: AXA-0420-6 EUCLID®: E-3862	23 7/8"	2 5/32"		USE WA CAM KIT: WA08-5008, WA08-5041
WA05-5193 Left Hand	FRUEHAUF®: AXA-0420-5 EUCLID®: E-3861				

CAMSHAFTS

FRUEHAUF® PRO-PAR TRAILER - HENDRICKSON® INTRAAX TRAILER

**1 5/8" DIA. - 37 SPLINE
12 1/4" BRAKES
SMALL "S" HEAD**

1 5/8" - 37
1 5/8"
BEARING
SURFACE



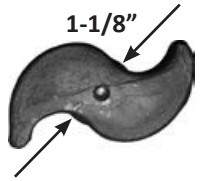
A = Underhead to lock ring groove. B,C = Underhead to bearing surface groove.

WA#	REPLACES	A	B	C	NOTES:
WA05-5102 Right Hand	FRUEHAUF®: ACD-2193-6 EUCLID®: E-4891	21 3/16"	2 5/32"		USE WA CAM KIT: WA08-5044 EARLY PRO-PAR WA08-5005 LATE PRO-PAR
WA05-5103 Left Hand	FRUEHAUF®: ACD-2193-5 EUCLID®: E-4890				

REPLACEMENT HENDRICKSON® INTRAAX TRAILER CAMSHAFTS

**1 1/2" DIA. - 28 SPLINE
16 1/2" TRAILER BRAKES**

1 1/2" - 28
1 1/2"
BEARING
SURFACE

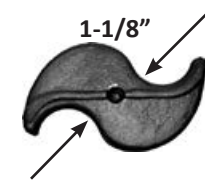


A = Underhead to lock ring groove. B,C = Underhead to bearing surface groove.

WA#	REPLACES	A	B	C	NOTES:
WA05-5060 Right Hand	HENDRICKSON®: S-20806-1R EUCLID®: E-10900	11 1/32"	2 5/16"	8 11/16"	USE WA CAM KIT: WA08-5008
WA05-5061 Left Hand	HENDRICKSON®: S-20806-1L EUCLID®: E-10899				

**1 1/2" DIA. - 28 SPLINE
"ES" HAS HEAD DIAMETER**

1 1/2" - 28
1 1/2"
BEARING
SURFACE



A = Underhead to lock ring groove. B,C = Underhead to bearing surface groove.

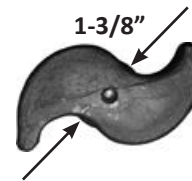
WA#	REPLACES	A	B	C	NOTES:
WA05-5062 Right Hand	HENDRICKSON®: S-22347-1R EUCLID®: E-11434	11 1/16"	2 5/16"	8 11/16"	USE WA CAM KIT: WA08-5016
WA05-5063 Left Hand	HENDRICKSON®: S-22347-1L EUCLID®: E-11433				
WA05-5030 Right Hand	HENDRICKSON®: S-24363-1R EUCLID®: E-11867	11 1/16"	2 5/16"	8 11/16"	USE WA CAM KIT: WA08-5016
WA05-5031 Left Hand	HENDRICKSON®: S24636-1L EUCLID®: E-11866				

CAMSHAFTS

MERITOR® DRIVE AXLE

**1 1/2" DIA. - 10 SPLINE
16 1/2" "P" & "Q" BRAKES**

1 1/2" - 10
1 1/2"
BEARING
SURFACE



A = Underhead to lock ring groove. B,C = Underhead to bearing surface groove.

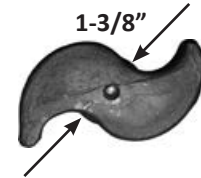
WA#	REPLACES	A	B	C	NOTES:
WA05-5190 Right Hand	MERITOR®: 2210-X-2442 EUCLID®: E-2478A	8 9/16"	1 3/4"		USE WA CAM KIT: WA08-5041 "P" WA08-5008 "Q"
WA05-5191 Left Hand	MERITOR®: 2210-Y-2443 EUCLID®: E-2479A				
WA05-5044 Right Hand	MERITOR®: 2210-K-3027 EUCLID®: E-1773B	11 1/4"	1 3/4"		USE WA CAM KIT: WA08-5041 "P" WA08-5008 "Q"
WA05-5045 Left Hand	MERITOR®: 2210-L-3028 EUCLID®: E-1774B				
WA05-5026 Right Hand	MERITOR®: 2210-Q-2981 NAVISTAR®: 109520R1 WHITE®: 843369 EUCLID®: E-1147	11 1/2"	1 3/4"		USE WA CAM KIT: WA08-5041 "P" WA08-5008 "Q"
WA05-5027 Left Hand	MERITOR®: 2210-P-2980 NAVISTAR®: 109519R1 WHITE®: 843369 EUCLID®: E-1148				
WA05-5090 Right Hand	MERITOR®: 2210-Y-5719 EUCLID®: E-4702A	11 3/4"	1 3/4"		USE WA CAM KIT: WA08-5044 EARLY PRO-PAR WA08-5005 LATE PRO-PAR
WA05-5091 Left Hand	MERITOR®: 2210-Z-5720 EUCLID®: E-4703A				
WA05-5120 Right Hand	MERITOR®: 2210-C-3097 EUCLID®: E-2714A	12"	1 3/4"		USE WA CAM KIT: WA08-5041 "P" WA08-5008 "Q"
WA05-5121 Left Hand	MERITOR®: 2210-D-3098 EUCLID®: E-2715A				
WA05-5084 Right Hand	MERITOR®: 2210-M-2405 EUCLID®: E-4708A	12 3/8"	1 3/4"		USE WA CAM KIT: WA08-5041 "P" WA08-5008 "Q"
WA05-5085 Left Hand	MERITOR®: 2210-L-5404 EUCLID®: E-4709A				

CAMSHAFTS

MERITOR® DRIVE AXLE CONTINUED...

**1 1/2" DIA. - 28 SPLINE
16 1/2" "P" & "Q" BRAKES**

1 1/2" - 28
1 1/2"
BEARING
SURFACE



A = Underhead to lock ring groove. B,C = Underhead to bearing surface groove.

WA#	REPLACES	A	B	C	NOTES:
WA05-5048 Right Hand	<u>MERITOR®</u> : 2210-E-5439 <u>EUCLID®</u> : E-4897	8 5/8"	1 3/4"		USE WA CAM KIT: WA08-5041 "P" WA08-5008 "Q"
WA05-5049 Left Hand	<u>MERITOR®</u> : 2210-F-5440 <u>EUCLID®</u> : E-4896				
WA05-5132 Right Hand	<u>MERITOR®</u> : 2210-U-5455 <u>EUCLID®</u> : E-4899	9 1/16"	1 3/4"		USE WA CAM KIT: WA08-5041 "P" WA08-5008 "Q"
WA05-5133 Left Hand	<u>MERITOR®</u> : 2210-V-2456 <u>EUCLID®</u> : E-4898				
WA05-5158 Right Hand	<u>MERITOR®</u> : 2210-V-5092 <u>EUCLID®</u> : E-3348	10 7/16"	1 3/4"		USE WA CAM KIT: WA08-5041 "P" WA08-5008 "Q"
WA05-5159 Left Hand	<u>MERITOR®</u> : 2210-W-5093 <u>EUCLID®</u> : E-3347				
WA05-5122 Right Hand	<u>MERITOR®</u> : 2210-Y-5433 <u>EUCLID®</u> : E-4726	11"	1 3/4"		USE WA CAM KIT: WA08-5041 "P" WA08-5008 "Q"
WA05-5123 Left Hand	<u>MERITOR®</u> : 2210-Z-5434 <u>EUCLID®</u> : E-4727				
WA05-5042 Right Hand	<u>MERITOR®</u> : 2210-U-5325 <u>EUCLID®</u> : E-3350	11 1/4"	1 3/4"		USE WA CAM KIT: WA08-5041 "P" WA08-5008 "Q"
WA05-5043 Left Hand	<u>MERITOR®</u> : 2210-V-5326 <u>EUCLID®</u> : E-3349				
WA05-5014 Right Hand	<u>MERITOR®</u> : 2210-A-5331 <u>EUCLID®</u> : E-3352	11 5/8"	1 3/4"		USE WA CAM KIT: WA08-5041 "P" WA08-5008 "Q"
WA05-5015 Left Hand	<u>MERITOR®</u> : 2210-B-5332 <u>EUCLID®</u> : E-3351				
WA05-5028 Right Hand	<u>MERITOR®</u> : 2210-W-5327 <u>EUCLID®</u> : E-4895	12 1/2"	1 3/4"		USE WA CAM KIT: WA08-5041 "P" WA08-5008 "Q"
WA05-5029 Left Hand	<u>MERITOR®</u> : 2210-X-5328 <u>EUCLID®</u> : E-4894				

Continued >>>

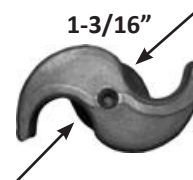
CAMSHAFTS

MERITOR® DRIVE AXLE CONTINUED...

WA#	REPLACES	A	B	C	NOTES:
WA05-5080 Right Hand	MERITOR®: 2210-K-5341 EUCLID®: E-4728	13"	1 3/4"		USE WA CAM KIT: WA08-5041 "P" WA08-5008 "Q"
WA05-5081 Left Hand	MERITOR®: 2210-L-5342 EUCLID®: E-4729				
WA05-5108 Right Hand	MERITOR®: 2210-C-5333 EUCLID®: E-4730	13 1/4"	1 3/4"		USE WA CAM KIT: WA08-5041 "P" WA08-5008 "Q"
WA05-5109 Left Hand	MERITOR®: 2210-D-5334 EUCLID®: E-4731				
WA05-5110 Right Hand	MERITOR®: 2210-M-5395 EUCLID®: E-4732	13 1/2"	1 3/4"		USE WA CAM KIT: WA08-5041 "P" WA08-5008 "Q"
WA05-5111 Left Hand	MERITOR®: 2210-N-5396 EUCLID®: E-4733				
WA05-5112 Right Hand	MERITOR®: 2210-M-5369 EUCLID®: E-4734	14 1/8"	1 3/4"		USE WA CAM KIT: WA08-5041 "P" WA08-5008 "Q"
WA05-5113 Left Hand	MERITOR®: 2210-N-5370 EUCLID®: E-4735				

**1 1/2" DIA. - 28 SPLINE
16 1/2" BRAKES
"Q" PLUS**

1 1/2" - 28
1 1/2"
BEARING
SURFACE



A = Underhead to lock ring groove. B,C = Underhead to bearing surface groove.

WA#	REPLACES	A	B	C	NOTES:
WA05-5038 Right Hand	MERITOR®: 2210-P-7426 EUCLID®: E-9650	8 9/16"	1 3/4"		*USE IN PAIRS ONLY USE WA CAM KIT: WA08-5008
WA05-5039 Left Hand	MERITOR®: 2210-Q-7427 EUCLID®: E-9649				
WA05-5128 Right Hand	MERITOR®: 2210-R-6960 EUCLID®: E-11540	10 1/2"	1 3/4"		*USE IN PAIRS ONLY USE WA CAM KIT: WA08-5008
WA05-5129 Left Hand	MERITOR®: 2210-S-6961 EUCLID®: E-11541				
WA05-5040 Right Hand	MERITOR®: 2210-Z-7098 EUCLID®: E-9660	11 3/16"	1 3/4"		*USE IN PAIRS ONLY USE WA CAM KIT: WA08-5008
WA05-5041 Left Hand	MERITOR®: 2210-A-7099 EUCLID®: E-9659				

Continued >>>

CAMSHAFTS

MERITOR® DRIVE AXLE CONTINUED...

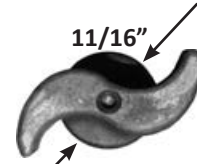
WA#	REPLACES	A	B	C	NOTES:
WA05-5024 Right Hand	<u>MERITOR®</u> : 2210-Z-6942 <u>EUCLID®</u> : E-9662	11 15/32"	1 3/4"		*USE IN PAIRS ONLY <u>USE WA CAM KIT:</u> WA08-5008
WA05-5025 Left Hand	<u>MERITOR®</u> : 2210-A-6943 <u>EUCLID®</u> : E-9661				
WA05-5130 Right Hand	<u>MERITOR®</u> : 2210-K-7551 <u>EUCLID®</u> : E-9666	12"	1 3/4"		*USE IN PAIRS ONLY <u>USE WA CAM KIT:</u> WA08-5008
WA05-5131 Left Hand	<u>MERITOR®</u> : 2210-L-7552 <u>EUCLID®</u> : E-9665				
WA05-5100 Right Hand	<u>MERITOR®</u> : 2210-Z-6994 <u>EUCLID®</u> : E-9671	13 1/8"	1 3/4"		*USE IN PAIRS ONLY <u>USE WA CAM KIT:</u> WA08-5008
WA05-5101 Left Hand	<u>MERITOR®</u> : 2210-A-6995 <u>EUCLID®</u> : E-9672				
WA05-5092 Right Hand	<u>MERITOR®</u> : 2210-T-6962 <u>EUCLID®</u> : E-9674A	13 15/32"	1 3/4"		*USE IN PAIRS ONLY <u>USE WA CAM KIT:</u> WA08-5008
WA05-5093 Left Hand	<u>MERITOR®</u> : 2210-U-6963 <u>EUCLID®</u> : E-9673A				
WA05-5162 Right Hand	<u>MERITOR®</u> : 2210-P-6984 <u>EUCLID®</u> : E-9676	14 3/32"	1 3/4"		*USE IN PAIRS ONLY <u>USE WA CAM KIT:</u> WA08-5008
WA05-5163 Left Hand	<u>MERITOR®</u> : 2210-Q-6985 <u>EUCLID®</u> : E-9675				
WA05-5032 Right Hand	<u>MERITOR®</u> : 2210-Q-8155 <u>EUCLID®</u> : E-2442B	17 3/8"			*USE IN PAIRS ONLY <u>USE WA CAM KIT:</u> WA08-5008
WA05-5033 Left Hand	<u>MERITOR®</u> : 2210-R-8156 <u>EUCLID®</u> : E-2441B				
WA05-5034 Right Hand	<u>MERITOR®</u> : 2210-U-8159 <u>EUCLID®</u> : E-2446B	24 1/8"			*USE IN PAIRS ONLY <u>USE WA CAM KIT:</u> WA08-5008
WA05-5035 Left Hand	<u>MERITOR®</u> : 2210-V-8160 <u>EUCLID®</u> : E-2445B				

CAMSHAFTS

MERITOR® TRAILER CAMSHAFTS

**1 1/2" DIA. - 28 SPLINE
12 1/4" BRAKES
SMALL "S" HEAD**

1 1/2" - 28
1 5/8"
BEARING
SURFACE

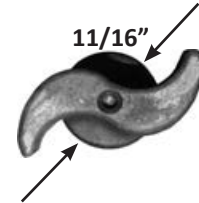


A = Underhead to lock ring groove. B,C = Underhead to bearing surface groove.

WA#	REPLACES	A	B	C	NOTES:
WA05-5118 Right Hand	MERITOR®: 2210-T-5246 EUCLID®: E-3517	20 3/8"	1 11/16"		USE WA CAM KIT: WA08-5007 LESS WA07-5019 BRACKET WA08-5006 W/STEEL BUSHING WA08-5084 W/NYLON BUSHING
WA05-5119 Left Hand	MERITOR®: 2210-U-5247 EUCLID®: E-3516				
WA05-5094 Right Hand	MERITOR®: 2210-E-6167 EUCLID®: E-9088	23 5/16"	1 11/16"		USE WA CAM KIT: WA08-5007 LESS WA07-5019 BRACKET WA08-5006 W/STEEL BUSHING WA08-5084 W/NYLON BUSHING
WA05-5095 Left Hand	MERITOR®: 2210-F-6168 EUCLID®: E-9087				

**1 1/2" DIA. - 10 SPLINE
12 1/4" BRAKES
SMALL "S" HEAD**

1 1/2" - 10
1 5/8"
BEARING
SURFACE



A = Underhead to lock ring groove. B,C = Underhead to bearing surface groove.

WA#	REPLACES	A	B	C	NOTES:
WA05-5164 Right Hand	MERITOR®: 2210-G-6013 EUCLID®: E-4901	20 3/8"	1 11/16"		USE WA CAM KIT: WA08-5007 LESS WA07-5019 BRACKET WA08-5006 W/STEEL BUSHING WA08-5084 W/NYLON BUSHING
WA05-5165 Left Hand	MERITOR®: 2210-H-6014 EUCLID®: E-4900				

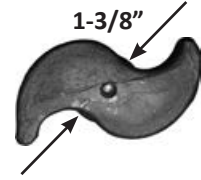


CAMSHAFTS

MERITOR® TRAILER CAMSHAFTS CONTINUED...

**1 1/2" DIA. - 10 SPLINE
16 1/2" "P" & "Q" BRAKES**

1 1/2" - 10
1 5/8"
BEARING
SURFACE

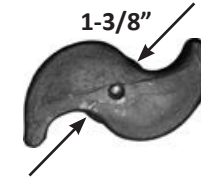


A = Underhead to lock ring groove. B,C = Underhead to bearing surface groove.

WA#	REPLACES	A	B	C	NOTES:
WA05-5184 Right Hand	MERITOR®: 2210-R-4178 EUCLID®: E-2448	17 3/8"	1 13/16"		USE WA CAM KIT: WA08-5007 LESS WA07-5019 BRACKET WA08-5006 W/STEEL BUSHING WA08-5084 W/NYLON BUSHING
WA05-5185 Left Hand	MERITOR®: 2210-S-4179 EUCLID®: E-2447				
WA05-5186 Right Hand	MERITOR®: 2210-V-4182 EUCLID®: E-2450	20 15/32"	1 13/16"		USE WA CAM KIT: WA08-5007 LESS WA07-5019 BRACKET WA08-5006 W/STEEL BUSHING WA08-5084 W/NYLON BUSHING
WA05-5187 Left Hand	MERITOR®: 2210-W-4183 EUCLID®: E-2449				
WA05-5188 Right Hand	MERITOR®: 2210-T-4180 EUCLID®: E-2452	24 1/8"	1 13/16"		USE WA CAM KIT: WA08-5007 LESS WA07-5019 BRACKET WA08-5006 W/STEEL BUSHING WA08-5084 W/NYLON BUSHING
WA05-5189 Left Hand	MERITOR®: 2210-U-4181 EUCLID®: E-2451				

**1 1/2" DIA. - 28 SPLINE
16 1/2" "P" & "Q" BRAKES**

1 1/2" - 28
1 5/8"
BEARING
SURFACE



A = Underhead to lock ring groove. B,C = Underhead to bearing surface groove.

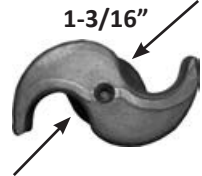
WA#	REPLACES	A	B	C	NOTES:
WA05-5008 Right Hand	MERITOR®: 2210-L-4328, 2210-U-6573 EUCLID®: E-2442A	17 1/4"	1 11/16"	2"	USE WA CAM KIT: WA08-5007 LESS WA07-5019 BRACKET WA08-5006 W/STEEL BUSHING WA08-5084 W/NYLON BUSHING
WA05-5009 Left Hand	MERITOR®: 2210-M-4329, 2210-V-6574 EUCLID®: E-2441A				
WA05-5010 Right Hand	MERITOR®: 2210-Q-4333, 2210-6593 EUCLID®: E-2444A	20 3/8"	1 11/16"	2"	USE WA CAM KIT: WA08-5007 LESS WA07-5019 BRACKET WA08-5006 W/STEEL BUSHING WA08-5084 W/NYLON BUSHING
WA05-5011 Left Hand	MERITOR®: 2210-R-4334, 2210-P-6594 EUCLID®: E-2443A				
WA05-5012 Right Hand	MERITOR®: 2210-N-4330, 2210-W-6575 EUCLID®: E-2446A	24 1/16"	1 11/16"	2"	USE WA CAM KIT: WA08-5007 LESS WA07-5019 BRACKET WA08-5006 W/STEEL BUSHING WA08-5084 W/NYLON BUSHING
WA05-5013 Left Hand	MERITOR®: 2210-P-4332, 2210-X-6576 EUCLID®: E-2445A				

CAMSHAFTS

MERITOR® TRAILER CAMSHAFTS CONTINUED...

**1 1/2" DIA. - 28 SPLINE
16 1/2" BRAKES
"Q" PLUS**

1 1/2" - 28
1 1/2"
BEARING
SURFACE



A = Underhead to lock ring groove. B,C = Underhead to bearing surface groove.

WA#	REPLACES	A	B	C	NOTES:
WA05-5018 Right Hand	MERITOR®: 2210-B-6866 EUCLID®: E-5507	17 5/16"	1 11/16"	2"	USE WA CAM KIT: WA08-5001 FOR FABRICATED SPIDER
WA05-5019 Left Hand	MERITOR®: 2210-C-6867 EUCLID®: E-5506				
WA05-5068 Right Hand	MERITOR®: 2210-F-6870 EUCLID®: E-5509	20 3/8"	1 11/16"	2"	USE WA CAM KIT: WA08-5001 FOR FABRICATED SPIDER
WA05-5069 Left Hand	MERITOR®: 2210-G-6871 EUCLID®: E-5508				
WA05-5020 Right Hand	MERITOR®: 2210-D-6868 EUCLID®: E-5510	24 1/16"	1 11/16"	2"	USE WA CAM KIT: WA08-5001 FOR FABRICATED SPIDER
WA05-5021 Left Hand	MERITOR®: 2210-B-6869 EUCLID®: E-5511				

HEAVY DUTY AXLES, CLUTCHES, ELECTRICAL, DIFFERENTIAL & TRANSMISSION COMPONENTS, HYDRAULICS, SUSPENSION, BRAKES, VALVES & MORE!

MIDWEST

TRUCK & AUTO PARTS INC.

WORLD AMERICAN®

WWW.WORLDAMERICAN.COM

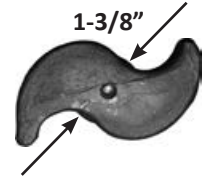
Motive Gear

CAMSHAFTS

TRAILER CAMSHAFTS (MISC. APPS.)

**1 1/2" DIA. - 10 SPLINE
16 1/2" BRAKES**

1 1/2" - 10
1 1/2"
BEARING
SURFACE



A = Underhead to lock ring groove. B,C = Underhead to bearing surface groove.

WA#	REPLACES	A	B	C	NOTES:				
WA05-5098 Right Hand	DANA®/SPICER®: M16WK102-9	16 1/2"	2 7/32"		<div style="border: 1px solid gray; background-color: #eee; padding: 5px; margin-bottom: 5px;"> <p style="text-align: center; margin: 0;"><u>USE WA CAM KIT:</u> WA08-5009</p> <p style="margin: 0;">WA08-5042 FOR WELD-ON SPIDER WA08-5071 FOR BOLT-ON SPIDER WA08-5023 "p"</p> </div> <div style="border: 1px solid gray; background-color: #eee; padding: 5px; margin-bottom: 5px;"> <p style="text-align: center; margin: 0;"><u>USE WA CAM KIT:</u> WA08-5009</p> <p style="margin: 0;">WA08-5042 FOR WELD-ON SPIDER WA08-5071 FOR BOLT-ON SPIDER WA08-5023 "p"</p> </div> <div style="border: 1px solid gray; background-color: #eee; padding: 5px; margin-bottom: 5px;"> <p style="text-align: center; margin: 0;"><u>USE WA CAM KIT:</u> WA08-5009</p> <p style="margin: 0;">WA08-5042 FOR WELD-ON SPIDER WA08-5071 FOR BOLT-ON SPIDER WA08-5023 "p"</p> </div> <div style="border: 1px solid gray; background-color: #eee; padding: 5px; margin-bottom: 5px;"> <p style="text-align: center; margin: 0;"><u>USE WA CAM KIT:</u> WA08-5009</p> <p style="margin: 0;">WA08-5042 FOR WELD-ON SPIDER WA08-5071 FOR BOLT-ON SPIDER WA08-5023 "p"</p> </div> <div style="border: 1px solid gray; background-color: #eee; padding: 5px; margin-bottom: 5px;"> <p style="text-align: center; margin: 0;"><u>USE WA CAM KIT:</u> WA08-5009</p> <p style="margin: 0;">WA08-5042 FOR WELD-ON SPIDER WA08-5071 FOR BOLT-ON SPIDER WA08-5023 "p"</p> </div>				
	EATON®: B-1691-48 MERITOR®: 2210-R-2488 EUCLID®: E-1424								
WA05-5099 Left Hand	DANA®/SPICER®: M16WK103-9					<div style="border: 1px solid gray; background-color: #eee; padding: 5px; margin-bottom: 5px;"> <p style="text-align: center; margin: 0;"><u>USE WA CAM KIT:</u> WA08-5009</p> <p style="margin: 0;">WA08-5042 FOR WELD-ON SPIDER WA08-5071 FOR BOLT-ON SPIDER WA08-5023 "p"</p> </div> <div style="border: 1px solid gray; background-color: #eee; padding: 5px; margin-bottom: 5px;"> <p style="text-align: center; margin: 0;"><u>USE WA CAM KIT:</u> WA08-5009</p> <p style="margin: 0;">WA08-5042 FOR WELD-ON SPIDER WA08-5071 FOR BOLT-ON SPIDER WA08-5023 "p"</p> </div> <div style="border: 1px solid gray; background-color: #eee; padding: 5px; margin-bottom: 5px;"> <p style="text-align: center; margin: 0;"><u>USE WA CAM KIT:</u> WA08-5009</p> <p style="margin: 0;">WA08-5042 FOR WELD-ON SPIDER WA08-5071 FOR BOLT-ON SPIDER WA08-5023 "p"</p> </div> <div style="border: 1px solid gray; background-color: #eee; padding: 5px; margin-bottom: 5px;"> <p style="text-align: center; margin: 0;"><u>USE WA CAM KIT:</u> WA08-5009</p> <p style="margin: 0;">WA08-5042 FOR WELD-ON SPIDER WA08-5071 FOR BOLT-ON SPIDER WA08-5023 "p"</p> </div> <div style="border: 1px solid gray; background-color: #eee; padding: 5px; margin-bottom: 5px;"> <p style="text-align: center; margin: 0;"><u>USE WA CAM KIT:</u> WA08-5009</p> <p style="margin: 0;">WA08-5042 FOR WELD-ON SPIDER WA08-5071 FOR BOLT-ON SPIDER WA08-5023 "p"</p> </div>			
	EATON®: B-1691-47 MERITOR®: 2210-S-2489 EUCLID®: E-1425								
WA05-5104 Right Hand	DANA®/SPICER®: M16WK116	17 3/8"	2 7/32"				<div style="border: 1px solid gray; background-color: #eee; padding: 5px; margin-bottom: 5px;"> <p style="text-align: center; margin: 0;"><u>USE WA CAM KIT:</u> WA08-5009</p> <p style="margin: 0;">WA08-5042 FOR WELD-ON SPIDER WA08-5071 FOR BOLT-ON SPIDER WA08-5023 "p"</p> </div> <div style="border: 1px solid gray; background-color: #eee; padding: 5px; margin-bottom: 5px;"> <p style="text-align: center; margin: 0;"><u>USE WA CAM KIT:</u> WA08-5009</p> <p style="margin: 0;">WA08-5042 FOR WELD-ON SPIDER WA08-5071 FOR BOLT-ON SPIDER WA08-5023 "p"</p> </div> <div style="border: 1px solid gray; background-color: #eee; padding: 5px; margin-bottom: 5px;"> <p style="text-align: center; margin: 0;"><u>USE WA CAM KIT:</u> WA08-5009</p> <p style="margin: 0;">WA08-5042 FOR WELD-ON SPIDER WA08-5071 FOR BOLT-ON SPIDER WA08-5023 "p"</p> </div> <div style="border: 1px solid gray; background-color: #eee; padding: 5px; margin-bottom: 5px;"> <p style="text-align: center; margin: 0;"><u>USE WA CAM KIT:</u> WA08-5009</p> <p style="margin: 0;">WA08-5042 FOR WELD-ON SPIDER WA08-5071 FOR BOLT-ON SPIDER WA08-5023 "p"</p> </div> <div style="border: 1px solid gray; background-color: #eee; padding: 5px; margin-bottom: 5px;"> <p style="text-align: center; margin: 0;"><u>USE WA CAM KIT:</u> WA08-5009</p> <p style="margin: 0;">WA08-5042 FOR WELD-ON SPIDER WA08-5071 FOR BOLT-ON SPIDER WA08-5023 "p"</p> </div>		
	EUCLID®: E-2794								
WA05-5105 Left Hand	DANA®/SPICER®: M16WK117							<div style="border: 1px solid gray; background-color: #eee; padding: 5px; margin-bottom: 5px;"> <p style="text-align: center; margin: 0;"><u>USE WA CAM KIT:</u> WA08-5009</p> <p style="margin: 0;">WA08-5042 FOR WELD-ON SPIDER WA08-5071 FOR BOLT-ON SPIDER WA08-5023 "p"</p> </div> <div style="border: 1px solid gray; background-color: #eee; padding: 5px; margin-bottom: 5px;"> <p style="text-align: center; margin: 0;"><u>USE WA CAM KIT:</u> WA08-5009</p> <p style="margin: 0;">WA08-5042 FOR WELD-ON SPIDER WA08-5071 FOR BOLT-ON SPIDER WA08-5023 "p"</p> </div> <div style="border: 1px solid gray; background-color: #eee; padding: 5px; margin-bottom: 5px;"> <p style="text-align: center; margin: 0;"><u>USE WA CAM KIT:</u> WA08-5009</p> <p style="margin: 0;">WA08-5042 FOR WELD-ON SPIDER WA08-5071 FOR BOLT-ON SPIDER WA08-5023 "p"</p> </div> <div style="border: 1px solid gray; background-color: #eee; padding: 5px; margin-bottom: 5px;"> <p style="text-align: center; margin: 0;"><u>USE WA CAM KIT:</u> WA08-5009</p> <p style="margin: 0;">WA08-5042 FOR WELD-ON SPIDER WA08-5071 FOR BOLT-ON SPIDER WA08-5023 "p"</p> </div> <div style="border: 1px solid gray; background-color: #eee; padding: 5px; margin-bottom: 5px;"> <p style="text-align: center; margin: 0;"><u>USE WA CAM KIT:</u> WA08-5009</p> <p style="margin: 0;">WA08-5042 FOR WELD-ON SPIDER WA08-5071 FOR BOLT-ON SPIDER WA08-5023 "p"</p> </div>	
	EUCLID®: E-2795								
WA05-5000 Right Hand	DANA®/SPICER®: M16WK103-17, M16WK111-5	20 3/8"	2 7/32"	1 5/8"					<div style="border: 1px solid gray; background-color: #eee; padding: 5px; margin-bottom: 5px;"> <p style="text-align: center; margin: 0;"><u>USE WA CAM KIT:</u> WA08-5009</p> <p style="margin: 0;">WA08-5042 FOR WELD-ON SPIDER WA08-5071 FOR BOLT-ON SPIDER WA08-5023 "p"</p> </div> <div style="border: 1px solid gray; background-color: #eee; padding: 5px; margin-bottom: 5px;"> <p style="text-align: center; margin: 0;"><u>USE WA CAM KIT:</u> WA08-5009</p> <p style="margin: 0;">WA08-5042 FOR WELD-ON SPIDER WA08-5071 FOR BOLT-ON SPIDER WA08-5023 "p"</p> </div> <div style="border: 1px solid gray; background-color: #eee; padding: 5px; margin-bottom: 5px;"> <p style="text-align: center; margin: 0;"><u>USE WA CAM KIT:</u> WA08-5009</p> <p style="margin: 0;">WA08-5042 FOR WELD-ON SPIDER WA08-5071 FOR BOLT-ON SPIDER WA08-5023 "p"</p> </div> <div style="border: 1px solid gray; background-color: #eee; padding: 5px; margin-bottom: 5px;"> <p style="text-align: center; margin: 0;"><u>USE WA CAM KIT:</u> WA08-5009</p> <p style="margin: 0;">WA08-5042 FOR WELD-ON SPIDER WA08-5071 FOR BOLT-ON SPIDER WA08-5023 "p"</p> </div> <div style="border: 1px solid gray; background-color: #eee; padding: 5px; margin-bottom: 5px;"> <p style="text-align: center; margin: 0;"><u>USE WA CAM KIT:</u> WA08-5009</p> <p style="margin: 0;">WA08-5042 FOR WELD-ON SPIDER WA08-5071 FOR BOLT-ON SPIDER WA08-5023 "p"</p> </div>
	FRUEHAUF®: 219317, 58044 MERITOR®: 2210-M-2483, 2210-F-3594 TRAILMOBILE®: 7-5-64 EUCLID®: E-1424								
WA05-5001 Left Hand	DANA®/SPICER®: M16WK102-17, M16WK110-5				<div style="border: 1px solid gray; background-color: #eee; padding: 5px; margin-bottom: 5px;"> <p style="text-align: center; margin: 0;"><u>USE WA CAM KIT:</u> WA08-5009</p> <p style="margin: 0;">WA08-5042 FOR WELD-ON SPIDER WA08-5071 FOR BOLT-ON SPIDER WA08-5023 "p"</p> </div> <div style="border: 1px solid gray; background-color: #eee; padding: 5px; margin-bottom: 5px;"> <p style="text-align: center; margin: 0;"><u>USE WA CAM KIT:</u> WA08-5009</p> <p style="margin: 0;">WA08-5042 FOR WELD-ON SPIDER WA08-5071 FOR BOLT-ON SPIDER WA08-5023 "p"</p> </div> <div style="border: 1px solid gray; background-color: #eee; padding: 5px; margin-bottom: 5px;"> <p style="text-align: center; margin: 0;"><u>USE WA CAM KIT:</u> WA08-5009</p> <p style="margin: 0;">WA08-5042 FOR WELD-ON SPIDER WA08-5071 FOR BOLT-ON SPIDER WA08-5023 "p"</p> </div> <div style="border: 1px solid gray; background-color: #eee; padding: 5px; margin-bottom: 5px;"> <p style="text-align: center; margin: 0;"><u>USE WA CAM KIT:</u> WA08-5009</p> <p style="margin: 0;">WA08-5042 FOR WELD-ON SPIDER WA08-5071 FOR BOLT-ON SPIDER WA08-5023 "p"</p> </div> <div style="border: 1px solid gray; background-color: #eee; padding: 5px; margin-bottom: 5px;"> <p style="text-align: center; margin: 0;"><u>USE WA CAM KIT:</u> WA08-5009</p> <p style="margin: 0;">WA08-5042 FOR WELD-ON SPIDER WA08-5071 FOR BOLT-ON SPIDER WA08-5023 "p"</p> </div>				
	FRUEHAUF®: 219316 MERITOR®: 2210-N-2484, 2210-G-3595 TRAILMOBILE®: 7-5-63 EUCLID®: E-1425								
WA05-5176 Right Hand	EATON®: B-1691-2, B-1691-132, 820074	20 3/8"	2 7/32"	1 5/8"		<div style="border: 1px solid gray; background-color: #eee; padding: 5px; margin-bottom: 5px;"> <p style="text-align: center; margin: 0;"><u>USE WA CAM KIT:</u> WA08-5071</p> </div> <div style="border: 1px solid gray; background-color: #eee; padding: 5px; margin-bottom: 5px;"> <p style="text-align: center; margin: 0;"><u>USE WA CAM KIT:</u> WA08-5009</p> <p style="margin: 0;">WA08-5042 FOR WELD-ON SPIDER WA08-5071 FOR BOLT-ON SPIDER WA08-5023 "p"</p> </div> <div style="border: 1px solid gray; background-color: #eee; padding: 5px; margin-bottom: 5px;"> <p style="text-align: center; margin: 0;"><u>USE WA CAM KIT:</u> WA08-5009</p> <p style="margin: 0;">WA08-5042 FOR WELD-ON SPIDER WA08-5071 FOR BOLT-ON SPIDER WA08-5023 "p"</p> </div> <div style="border: 1px solid gray; background-color: #eee; padding: 5px; margin-bottom: 5px;"> <p style="text-align: center; margin: 0;"><u>USE WA CAM KIT:</u> WA08-5009</p> <p style="margin: 0;">WA08-5042 FOR WELD-ON SPIDER WA08-5071 FOR BOLT-ON SPIDER WA08-5023 "p"</p> </div> <div style="border: 1px solid gray; background-color: #eee; padding: 5px; margin-bottom: 5px;"> <p style="text-align: center; margin: 0;"><u>USE WA CAM KIT:</u> WA08-5009</p> <p style="margin: 0;">WA08-5042 FOR WELD-ON SPIDER WA08-5071 FOR BOLT-ON SPIDER WA08-5023 "p"</p> </div>			
	EUCLID®: E-2108								
WA05-5177 Left Hand	EATON®: B-1691-1, B-1691-131, 820073						<div style="border: 1px solid gray; background-color: #eee; padding: 5px; margin-bottom: 5px;"> <p style="text-align: center; margin: 0;"><u>USE WA CAM KIT:</u> WA08-5071</p> </div> <div style="border: 1px solid gray; background-color: #eee; padding: 5px; margin-bottom: 5px;"> <p style="text-align: center; margin: 0;"><u>USE WA CAM KIT:</u> WA08-5009</p> <p style="margin: 0;">WA08-5042 FOR WELD-ON SPIDER WA08-5071 FOR BOLT-ON SPIDER WA08-5023 "p"</p> </div> <div style="border: 1px solid gray; background-color: #eee; padding: 5px; margin-bottom: 5px;"> <p style="text-align: center; margin: 0;"><u>USE WA CAM KIT:</u> WA08-5009</p> <p style="margin: 0;">WA08-5042 FOR WELD-ON SPIDER WA08-5071 FOR BOLT-ON SPIDER WA08-5023 "p"</p> </div> <div style="border: 1px solid gray; background-color: #eee; padding: 5px; margin-bottom: 5px;"> <p style="text-align: center; margin: 0;"><u>USE WA CAM KIT:</u> WA08-5009</p> <p style="margin: 0;">WA08-5042 FOR WELD-ON SPIDER WA08-5071 FOR BOLT-ON SPIDER WA08-5023 "p"</p> </div> <div style="border: 1px solid gray; background-color: #eee; padding: 5px; margin-bottom: 5px;"> <p style="text-align: center; margin: 0;"><u>USE WA CAM KIT:</u> WA08-5009</p> <p style="margin: 0;">WA08-5042 FOR WELD-ON SPIDER WA08-5071 FOR BOLT-ON SPIDER WA08-5023 "p"</p> </div>		
	EUCLID®: E-2107								
WA05-5178 Right Hand	DANA®/SPICER®: M16WK102-19, M16WK111-6	21 3/32"	2 7/32"					<div style="border: 1px solid gray; background-color: #eee; padding: 5px; margin-bottom: 5px;"> <p style="text-align: center; margin: 0;"><u>USE WA CAM KIT:</u> WA08-5009</p> <p style="margin: 0;">WA08-5042 FOR WELD-ON SPIDER WA08-5071 FOR BOLT-ON SPIDER WA08-5023 "p"</p> </div> <div style="border: 1px solid gray; background-color: #eee; padding: 5px; margin-bottom: 5px;"> <p style="text-align: center; margin: 0;"><u>USE WA CAM KIT:</u> WA08-5009</p> <p style="margin: 0;">WA08-5042 FOR WELD-ON SPIDER WA08-5071 FOR BOLT-ON SPIDER WA08-5023 "p"</p> </div> <div style="border: 1px solid gray; background-color: #eee; padding: 5px; margin-bottom: 5px;"> <p style="text-align: center; margin: 0;"><u>USE WA CAM KIT:</u> WA08-5009</p> <p style="margin: 0;">WA08-5042 FOR WELD-ON SPIDER WA08-5071 FOR BOLT-ON SPIDER WA08-5023 "p"</p> </div> <div style="border: 1px solid gray; background-color: #eee; padding: 5px; margin-bottom: 5px;"> <p style="text-align: center; margin: 0;"><u>USE WA CAM KIT:</u> WA08-5009</p> <p style="margin: 0;">WA08-5042 FOR WELD-ON SPIDER WA08-5071 FOR BOLT-ON SPIDER WA08-5023 "p"</p> </div> <div style="border: 1px solid gray; background-color: #eee; padding: 5px; margin-bottom: 5px;"> <p style="text-align: center; margin: 0;"><u>USE WA CAM KIT:</u> WA08-5009</p> <p style="margin: 0;">WA08-5042 FOR WELD-ON SPIDER WA08-5071 FOR BOLT-ON SPIDER WA08-5023 "p"</p> </div>	
	EATON®: B--1691-18 FRUEHAUF®: 305681 MERITOR®: 2210-T-2490 EUCLID®: E-684								
WA05-5179 Left Hand	DANA®/SPICER®: M16WK103-19, M16WK110-6								<div style="border: 1px solid gray; background-color: #eee; padding: 5px; margin-bottom: 5px;"> <p style="text-align: center; margin: 0;"><u>USE WA CAM KIT:</u> WA08-5009</p> <p style="margin: 0;">WA08-5042 FOR WELD-ON SPIDER WA08-5071 FOR BOLT-ON SPIDER WA08-5023 "p"</p> </div> <div style="border: 1px solid gray; background-color: #eee; padding: 5px; margin-bottom: 5px;"> <p style="text-align: center; margin: 0;"><u>USE WA CAM KIT:</u> WA08-5009</p> <p style="margin: 0;">WA08-5042 FOR WELD-ON SPIDER WA08-5071 FOR BOLT-ON SPIDER WA08-5023 "p"</p> </div> <div style="border: 1px solid gray; background-color: #eee; padding: 5px; margin-bottom: 5px;"> <p style="text-align: center; margin: 0;"><u>USE WA CAM KIT:</u> WA08-5009</p> <p style="margin: 0;">WA08-5042 FOR WELD-ON SPIDER WA08-5071 FOR BOLT-ON SPIDER WA08-5023 "p"</p> </div> <div style="border: 1px solid gray; background-color: #eee; padding: 5px; margin-bottom: 5px;"> <p style="text-align: center; margin: 0;"><u>USE WA CAM KIT:</u> WA08-5009</p> <p style="margin: 0;">WA08-5042 FOR WELD-ON SPIDER WA08-5071 FOR BOLT-ON SPIDER WA08-5023 "p"</p> </div> <div style="border: 1px solid gray; background-color: #eee; padding: 5px; margin-bottom: 5px;"> <p style="text-align: center; margin: 0;"><u>USE WA CAM KIT:</u> WA08-5009</p> <p style="margin: 0;">WA08-5042 FOR WELD-ON SPIDER WA08-5071 FOR BOLT-ON SPIDER WA08-5023 "p"</p> </div>
	EATON®: B--1691-17 FRUEHAUF®: 305680 MERITOR®: 2210-T-2491 EUCLID®: E-685								

Continued >>>

CAMSHAFTS

TRAILER CAMSHAFTS (MISC. APPS.)

WA#	REPLACES	A	B	C	NOTES:
WA05-5086 Right Hand	<u>EATON</u> ®: B-1283-10, B-1283-102, B-1691-10 <u>EUCLID</u> ®: E-690	22 1/16"	2 9/16"	2 7/32"	USE WA CAM KIT: WA08-5009 WA08-5042 FOR WELD-ON SPIDER WA08-5071 FOR BOLT-ON SPIDER WA08-5023 "P"
WA05-5087 Left Hand	<u>EATON</u> ®: B-1283-9, B-1283-101, B-1691-9 <u>EUCLID</u> ®: E-691				
WA05-5052 Right Hand	<u>DANA</u> ®/ <u>SPICER</u> ®: M16WK103-23, M16WKR-10-236, 16407 <u>MERITOR</u> ®: 2210-Z-6344 <u>EUCLID</u> ®: E-4885	22 7/8"	2 7/32"		USE WA CAM KIT: WA08-5009 WA08-5042 FOR WELD-ON SPIDER WA08-5071 FOR BOLT-ON SPIDER WA08-5023 "P"
WA05-5053 Left Hand	<u>DANA</u> ®/ <u>SPICER</u> ®: M16WK102-23, M16WKL-10-236, 16408 <u>MERITOR</u> ®: 2210-A-6345 <u>EUCLID</u> ®: E-4884				
WA05-5006 Right Hand	<u>DANA</u> ®/ <u>SPICER</u> ®: M16WK103-25, M16WK111-9 <u>EATON</u> ®: F-1691-26 <u>MERITOR</u> ®: 2210-W-3117 <u>EUCLID</u> ®: E-1094	23 7/16"	2 7/32"		USE WA CAM KIT: WA08-5009 WA08-5042 FOR WELD-ON SPIDER WA08-5071 FOR BOLT-ON SPIDER WA08-5023 "P"
WA05-5007 Left Hand	<u>DANA</u> ®/ <u>SPICER</u> ®: M16WK102-25, M16WK110-9 <u>EATON</u> ®: F-1691-25 <u>MERITOR</u> ®: 2210-X-3118 <u>EUCLID</u> ®: E-1095				
WA05-5180 Right Hand	<u>DANA</u> ®/ <u>SPICER</u> ®: M16WK103-26 <u>EATON</u> ®: B-1691-56, 820083 <u>MERITOR</u> ®: 2210-C-6399 <u>EUCLID</u> ®: E-4716	24"	2 7/32"		USE WA CAM KIT: WA08-5009 WA08-5042 FOR WELD-ON SPIDER WA08-5071 FOR BOLT-ON SPIDER WA08-5023 "P"
WA05-5181 Left Hand	<u>DANA</u> ®/ <u>SPICER</u> ®: M16WK102-26 <u>EATON</u> ®: B-1691-55, 820084 <u>MERITOR</u> ®: 2210-D-6400 <u>EUCLID</u> ®: E-4717				
WA05-5116 Right Hand	<u>DANA</u> ®/ <u>SPICER</u> ®: M16WK111-12 <u>EUCLID</u> ®: E-2796	24 3/8"	2 7/32"		USE WA CAM KIT: WA08-5009 WA08-5042 FOR WELD-ON SPIDER WA08-5071 FOR BOLT-ON SPIDER WA08-5023 "P"
WA05-5117 Left Hand	<u>DANA</u> ®/ <u>SPICER</u> ®: M16WK110-12 <u>EUCLID</u> ®: E-2797				

CAMSHAFT SUPPORT BRACKETS



WA#	REPLACES	APPLICATION
WA07-5019	EUCLID® E-1318-A MERITOR® A-1199-D-2526 A-3105-V-282	ALL LATE MODEL A-3105-V-282 MERITOR®-TYPE AXLES



WA#	REPLACES	APPLICATION
WA07-5117	EUCLID® 2104 STD FORGE® 209999-018 DANA® M16WH113X	16 1/2" DIA. 5" ROUND AXLE USE WA BUSHING WA04-5013



WA#	REPLACES	APPLICATION
WA07-5118	EUCLID® E-2365 STD FORGE® 209108-001	RETAINER CUP FOR WA07-5117



WA#	REPLACES	APPLICATION
WA07-5119	EUCLID® E-9787/E-9788 DANA® M16KY204	12 1/4" AND 16 1/2" DIA. BRAKES 1 LEFT, 1 RIGHT



WA#	REPLACES	APPLICATION
WA07-5120	EUCLID® E-4587 FRUEHAUF® ACF-4021-1	LATE PROPAR® TYPE 12 1/4" AND 16 1/2" DIA. BRAKE USE WA BUSHING WA04-5017

BRAKE SPIDER



WA#	REPLACES	APPLICATION
WA07-5110	EUCLID® E-957 DANA® M16WS135-X MERITOR® A-3211-A-833 EATON® B-1593-1 TRAILMOBILE® 7-A1-13	UNIVERSAL ADJUSTABLE SPIDER FOR 16 1/2" DIAMETER SPIDERS 5 5/8" PILOT DIAMETER 16 HOLES, 1/2" DIAMETER 6 5/8" BOLT CIRCLE WITH WA04-5001 BUSHING, WA09-5000 SEAL

WWW.WORLDDAMERICAN.COM

YOUR #1 SOURCE FOR HEAVY DUTY CAMSHAFTS AND RELATED PARTS!

CALL 800.934.2727 FOR PRICING!

CAMSHAFT REPAIR KITS



WA#	REPLACES	DESCRIPTION
WA08-5001	B8773M E-9079HD M-K88 08-130611	MERITOR®-TYPE 16 1/2" DIAM. LATE TRAILER AXLES WITH FABRICATED SPIDERS FOR 1 5/8" DIAM. CAMSHAFTS



WA#	REPLACES	DESCRIPTION
WA08-5002	B8788 E-5515 M-K90	MERITOR®-TYPE BOSS - BEARING CAM KIT FOR FABRICATED SPIDERS FOR 1 5/8" DIAM. CAMSHAFTS



WA#	REPLACES	DESCRIPTION
WA08-5003	B8787 M-K101 08-132110	DANA®/SPICER®-TYPE 16 1/2" DIAM. BRAKES XTRALIFE®-TYPE FOR 1 1/2" DIAM. CAMSHAFTS



WA#	REPLACES	DESCRIPTION
WA08-5004	B8799 E-9790A M-K103 E-9790A	DANA®-TYPE 16 1/2" DIAM. BRAKES (FOR AXLES AFTER 1995) WITH 1 5/8" DIAM. BEARING SURFACE FOR 1 5/8" DIAM. CAMSHAFTS



WA#	REPLACES	DESCRIPTION
WA08-5005	B8649 E-2090 M-K20 08-1331	FRUEHAUF®-TYPE 12 1/4" AND 16 1/2" DIAM. BRAKES LATE PROPAR®-TYPE AXLES FOR 1 5/8" DIAM. CAMSHAFTS



WA#	REPLACES	DESCRIPTION
WA08-5006	B8683 E-3520-A M-K61 08-130601	MERITOR®-TYPE 12 1/4" AND 16 1/2" DIAM. BRAKES LATE 4000-6000 TRAILER AXLES FOR 1 5/8" DIAM. CAMSHAFTS



WA#	REPLACES	DESCRIPTION
WA08-5007	B8645 E-2382 M-K16 08-1306	MERITOR®-TYPE 12 1/4" AND 16 1/2" DIAM. BRAKES LATE 4000-6000 TRAILER AXLES FOR 1 5/8" DIAM. CAMSHAFTS SAME AS WA08-5006 LESS WA07-5019 CAM BRACKET



WA#	REPLACES	DESCRIPTION
WA08-5008	B8707 E-3993-B M-K81 08-1318	MERITOR®-TYPE DRIVE AXLES WITH 16 1/2" DIAM. Q BRAKE FOR 1 1/2" DIAM. CAMSHAFTS

CAMSHAFT REPAIR KITS (cont.)



WA#	REPLACES	DESCRIPTION
WA08-5009	B8653 E-2287 M-K24	STD FORGE®-TYPE 16 1/2" DIAM. BRAKE BRAKES - WELD ON SPIDER FOR 1 1/2" DIAM. CAMSHAFTS



WA#	REPLACES	DESCRIPTION
WA08-5010	S-23974	HENDRICKSON®-TYPE CAM REPAIR KIT (POST 1997) HKA180 VANTRAAX®-TYPE



WA#	REPLACES	DESCRIPTION
WA08-5011	S-28890	HENDRICKSON®-TYPE SERVICE KIT CAM TUBE



WA#	REPLACES	DESCRIPTION
WA08-5012	B8684 E-2696A MK-63 08-1364	EATON®-TYPE 16 1/2" DIA. BRAKES 501 SERIES - LATE STYLE



WA#	REPLACES	DESCRIPTION
WA08-5013	B8685 E-2680 MK-64 08-132111	DANA®-TYPE 16 1/2" DIA. BRAKES LATE MODEL WITH SPHERICAL CAMSHAFT BUSHINGS



WA#	REPLACES	DESCRIPTION
WA08-5016	B8790 E9791 MK107 08-130301	HENDRICKSON®-TYPE INTRAAX 16 1/2" DIA. BRAKES



WA#	REPLACES	DESCRIPTION
WA08-5017	B8766 E-5513	MERITOR®-TYPE 16 1/2" "Q", "Q-PLUS" BRAKES MINOR KIT



WA#	REPLACES	DESCRIPTION
WA08-5018	SPICER® 43-7118	SPICER®-TYPE TRAILER AXLE BRAKE 12 1/4" AND 16 1/2" STANDARD AND XL BRAKES

CAMSHAFT REPAIR KITS (cont.)

<i>WA#</i>	<i>REPLACES</i>	<i>DESCRIPTION</i>
WA08-5023	E-2088A M-K14 08-1301 B8681	MERITOR®-TYPE 16 1/2" DIAMETER BRAKES - LATE "P" SERIES TRAILER

<i>WA#</i>	<i>REPLACES</i>	<i>DESCRIPTION</i>
WA08-5024	E-2125 M-K19 08-1351 B8648	EATON®-TYPE 16 1/2" DIAMETER BRAKES - DRIVE AXLE

<i>WA#</i>	<i>REPLACES</i>	<i>DESCRIPTION</i>
WA08-5025	E-2287 M-K23 08-132100 B8652	STANDARD FORGE®-TYPE 16 1/2" DIAMETER BRAKES W/ BOLT ON SPIDER

<i>WA#</i>	<i>REPLACES</i>	<i>DESCRIPTION</i>
WA08-5026	E-2469 M-K26 08-1323 B8655	DANA/SPICER®-TYPE 12 1/4" DIAMETER BRAKES - LATE MODEL FAB. SHOES

<i>WA#</i>	<i>REPLACES</i>	<i>DESCRIPTION</i>
WA08-5027	E-2087 M-K27 08-132103 B8656	DANA/SPICER®-TYPE 16 1/2" DIAMETER BRAKES - EARLY MODELS

<i>WA#</i>	<i>REPLACES</i>	<i>DESCRIPTION</i>
WA08-5031	M-K22 08-132102 B8651	STANDARD FORGE®-TYPE 16 1/2" DIAMETER BRAKES - EARLY AXLE W/ CAST BRACKET

<i>WA#</i>	<i>REPLACES</i>	<i>DESCRIPTION</i>
WA08-5033	E-5307 M-K102 08-132310 B8655Z	DANA/SPICER®-TYPE 12 1/4" DIAMETER BRAKES - "U" BRAKE

<i>WA#</i>	<i>REPLACES</i>	<i>DESCRIPTION</i>
WA08-5036	E-10948 M-K111 08-132900 B86792	DANA/SPICER®-TYPE 12 1/4" DIAMETER BRAKES

CAMSHAFT REPAIR KITS (cont.)

WA#	REPLACES	DESCRIPTION
WA08-5039	E-1357A M-K13 08-1300 B8643	MERITOR®-TYPE 16 1/2" DIAMETER BRAKES - "P" SERIES TRAILER

WA#	REPLACES	DESCRIPTION
WA08-5040	E-2363 M-K15 08-1311 B8644	MERITOR®-TYPE 16 1/2" DIAMETER BRAKES - LATE "P" SERIES TRAILER

WA#	REPLACES	DESCRIPTION
WA08-5041	E-2086B M-K17 08-1302 B8646	MERITOR®-TYPE 16 1/2" DIAMETER BRAKES - EARLY "P" SERIES

WA#	REPLACES	DESCRIPTION
WA08-5042	E-2123 M-K118 08-130801 B8647	EATON®-TYPE 16 1/2" DIAMETER BRAKES - 22L 23L SQUARE AXLE LATE "C" AXLE

WA#	REPLACES	DESCRIPTION
WA08-5044	E-2122 M-K21 08-1330 B8650	FRUEHAUF®-TYPE 12 1/4" & 16 1/2" DIAMETER BRAKES - EARLY PRO-PAR AXLES

WA#	REPLACES	DESCRIPTION
WA08-5045	E-2526 M-K25 08-1341 B8682	DANA/SPICER®-TYPE 12 1/4" DIAMETER BRAKES - CAST SHOES

WA#	REPLACES	DESCRIPTION
WA08-5070	E-2494 M-K60 08-136600 B8712	EATON®-TYPE 12 1/4" DIAMETER BRAKES - LATE MODEL

WA#	REPLACES	DESCRIPTION
WA08-5071	E-2089 M-K62 08-130800 B8657	EATON®-TYPE 16 1/2" DIAMETER BRAKES - 5" ROUND AXLE W/ BOLT ON SPIDER

CAMSHAFT REPAIR KITS (cont.)

<i>WA#</i>	<i>REPLACES</i>	<i>DESCRIPTION</i>
WA08-5072	E-2679A M-K65 08-130111 B8686	MERITOR®-TYPE 16 1/2" DIAMETER BRAKES - "P" SERIES TRAILER

<i>WA#</i>	<i>REPLACES</i>	<i>DESCRIPTION</i>
WA08-5073	E-3353A M-K66 08-1370	WAGNER®-TYPE 15" DIAMETER FRONT BRAKES FOR 3", 3 1/2", & 4" SHOES

<i>WA#</i>	<i>REPLACES</i>	<i>DESCRIPTION</i>
WA08-5074	E-3446 M-K68 08-1369 B8743	MERITOR®-TYPE 15" DIAMETER BRAKES - "T" SERIES

<i>WA#</i>	<i>REPLACES</i>	<i>DESCRIPTION</i>
WA08-5075	E-3468A M-K69 08-1368 RC-1	MERITOR®-TYPE 15" & 16 1/4" DIAMETER BRAKES - "T" SERIES

<i>WA#</i>	<i>REPLACES</i>	<i>DESCRIPTION</i>
WA08-5078	E-5140 M-K78 08-1375 B8742	EATON®-TYPE 15 X 4" DIAMETER FRONT BRAKES

<i>WA#</i>	<i>REPLACES</i>	<i>DESCRIPTION</i>
WA08-5084	E-3989 M-K85 08-130621 B8747	MERITOR®-TYPE 12 1/4" & 16 1/2" DIAMETER BRAKES - ALTERNATE WA08-5006

<i>WA#</i>	<i>REPLACES</i>	<i>DESCRIPTION</i>
WA08-5085	E-10897 M-K86 08-135101 B8746	EATON®-TYPE 16 1/2" DIAMETER BRAKES - "ES" TRAILER

<i>WA#</i>	<i>REPLACES</i>	<i>DESCRIPTION</i>
WA08-5086	E-3876 M-K87 08-1361 B8744	MERITOR®-TYPE STEER AXLE W/ 15 X 4" "Q" BRAKES

CAMSHAFT REPAIR KITS (cont.)

WA#	REPLACES	DESCRIPTION
WA08-5091	E-7235 M-K96 08-1378 B8795	BENDIX® BRAZILIAN -TYPE 15 X 4" DIAMETER FRONT BRAKES

WA#	REPLACES	DESCRIPTION
WA08-5092	E-7241 M-K97 08-1379 B8796	BENDIX® BRAZILIAN -TYPE 16 1/2" X 7" DIAMETER BRAKE CAM KIT

CAMSHAFT BUSHINGS



WA#	REPLACES	I.D.	O.D.	LENGTH	NOTE
WA04-5072	WAGNER® FC-032976 EUCLID® E-2732	1 1/4"	1 7/16"	1"	WAGNER FRONT BRAKE W/ 1 1/4" DIA. CAM BRONZE MATERIAL



WA#	REPLACES	I.D.	O.D.	LENGTH	NOTE
WA04-5073	EUCLID® E-3877 MERITOR® 1225-R-1136	1 1/4"	1 5/8"	1 3/16"	15" X 4" STEER AXLE



WA#	REPLACES	I.D.	O.D.	LENGTH	NOTE
WA04-5058	EUCLID® E-3447 MERITOR® 1225-M-897	1 1/4"	1 7/8"	1 3/16"	NYLON MATERIAL



WA#	REPLACES	I.D.	O.D.	LENGTH	NOTE
WA04-5057	EUCLID® E-5127 EATON® 1006530 1008220	1 1/4"	1 7/8"	1 5/16"	EATON®-TYPE 15" X 4" FRONT BRAKE - NYLON MATERIAL



WA#	REPLACES	I.D.	O.D.	LENGTH	NOTE
WA04-5069	EATON® 18454 GM® 2290549 NAVISTAR® 56853HA EUCLID® E-663	1 1/2"	1 5/8"	1 11/16"	STEEL MATERIAL



WA#	REPLACES	I.D.	O.D.	LENGTH	NOTE
WA04-5064	MERITOR® 1225-D-420 1225-V-438 FRUEHAUF® ACA-3265 ACA-3266 EUCLID® E-943	1 1/2"	1 7/8"	1 1/4"	2 PIECE BUSHINGS YELLOW/ WHITE NYLON MATERIAL

CAMSHAFT BUSHINGS



WA#	REPLACES	I.D.	O.D.	LENGTH	NOTE
WA04-5000	EUCLID® E-536 MERITOR® 1225-L-1208 DANA® 11008 EATON® B-2021 STD. FORGE® 405126	1 1/2"	1 7/8"	1 1/4"	NYLON MATERIAL GROOVED ON O.D. FOR GREASE



WA#	REPLACES	I.D.	O.D.	LENGTH	NOTE
WA04-5046	EUCLID® E-667 EATON® 1003000	1 1/2"	1 7/8"	1 1/4"	BRONZE MATERIAL



WA#	REPLACES	I.D.	O.D.	LENGTH	NOTE
WA04-5071	EUCLID® E-1364	1 1/2"	1 7/8"	1 1/4"	PHENOLIC MATERIAL



WA#	REPLACES	I.D.	O.D.	LENGTH	NOTE
WA04-5070	EUCLID® E-1366	1 1/2"	1 7/8"	1 11/16"	PHENOLIC MATERIAL



WA#	REPLACES	I.D.	O.D.	LENGTH	NOTE
WA04-5001	EUCLID® E-759 STD. FORGE® 405129	1 1/2"	1 7/8"	1 1/2"	NYLON MATERIAL GROOVED ON O.D. FOR GREASE



WA#	REPLACES	I.D.	O.D.	LENGTH	NOTE
WA04-5002	EUCLID® E-801 SAME USE AS WA04-5001 STD. FORGE® 405133 DANA® M16HD100	1 1/2"	1 7/8"	1 1/2"	GROOVED IN I.D. FOR LUBE PURPOSE BRONZE MATERIAL



WA#	REPLACES	I.D.	O.D.	LENGTH	NOTE
WA04-5066	MERITOR® 1225-A-804 EUCLID® E-2551	1 1/2"	1 7/8"	1 11/16"	LATE 500 SERIES MERITOR - NYLON MATERIAL



WA#	REPLACES	I.D.	O.D.	LENGTH	NOTE
WA04-5003	EUCLID® E-661 DANA® 11019 STD. FORGE® 405109 DANA® M10WJ178	1 1/2"	1 7/8"	2"	NYLON MATERIAL



WA#	REPLACES	I.D.	O.D.	LENGTH	NOTE
WA04-5078	EUCLID® E-602 DANA® 16054 M10WJ182	1 1/2"	1 7/8"	2"	BRONZE MATERIAL

CAMSHAFT BUSHINGS (cont.)



WA#	REPLACES	I.D.	O.D.	LENGTH	NOTE
WA04-5004	EUCLID® E-1271 MERITOR® 1225-J-634	1 1/2"	1 3/4"	1 1/8"	INNER BUSHING



WA#	REPLACES	I.D.	O.D.	LENGTH	NOTE
WA04-5005	EUCLID® E-2380 MERITOR® 1225-A-781 1225-G-631	1 3/4"	1 7/8"	1 5/16"	OUTER BUSHING



WA#	REPLACES	I.D.	O.D.	LENGTH	NOTE
WA04-5007	EUCLID® E-2407 MERITOR® 1225-A-833	1 7/8"	2"	1 5/16"	OUTER BUSHING METAL MATERIAL



WA#	REPLACES	I.D.	O.D.	LENGTH	NOTE
WA04-5044	EUCLID® E-11449 DAYTON® 02-257	1 1/2"	2"	1 1/2"	BRONZE MATERIAL FOR HENDRICKSON® TYPE INTRAAX®



WA#	REPLACES	I.D.	O.D.	LENGTH	NOTE
WA04-5006	EUCLID® E-2408 MERITOR® 1225-B-834	1 5/8"	1 7/8"	1 1/8"	INNER BUSHING PHENOLIC MATERIAL



WA#	REPLACES	I.D.	O.D.	LENGTH	NOTE
WA04-5067	MERITOR® 1225-A-833 EUCLID® E-2407	1 7/8"	2"	1 15/16"	OUTER BUSHING METAL MATERIAL



WA#	REPLACES	I.D.	O.D.	LENGTH	NOTE
WA04-5068	EUCLID® E-2670	1 5/8"	2"	1 1/2"	BUSHING ASSEMBLY



WA#	REPLACES	I.D.	O.D.	LENGTH	NOTE
WA04-5008	EUCLID® E-1567 FRUEHAUF® AXA-0413-900	1 5/8"	2"	7/8"	FRUEHAUF®-TYPE PROPAR®-TYPE 1 5/8" DIAM. CAMS 2 PER SPIDER NYLON MATERIAL



WA#	REPLACES	I.D.	O.D.	LENGTH	NOTE
WA04-5059	EUCLID® E-2690-A EATON® 102248 1008412	1 5/8"	2"	1 1/4"	EATON®-TYPE 501 SERIES NYLON MATERIAL

CAMSHAFT BUSHINGS (cont.)



WA#	REPLACES	I.D.	O.D.	LENGTH	NOTE
WA04-5009	EUCLID® E-9789 DANA® M16HD106	1 5/8"	2"	1 1/2"	DANA®-TYPE LATE 16 1/2" BRACKET W/ 1 5/8" BEARING SURFACES BRONZE MATERIAL



WA#	REPLACES	I.D.	O.D.	LENGTH	NOTE
WA04-5011	EUCLID® E-2361 MERITOR® 1225-R-1058	1 1/2"	2 1/8"	1"	FOR ALL LATE MERITOR®-TYPE AXLES



WA#	REPLACES	I.D.	O.D.	LENGTH	NOTE
WA04-5012	EUCLID® E-2517 DANA® M10WJ100	1 1/2"	2 15/32"	1 1/2"	DANA®-TYPE AXLES NYLON MATERIAL



WA#	REPLACES	I.D.	O.D.	LENGTH	NOTE
WA04-5013	EUCLID® E-2102 STD. FORGE® 405128 DANA® M10WJ212X	1 1/2"	2 15/32"	1 3/4"	NYLON MATERIAL INCLUDES ZERK & O RINGS



WA#	REPLACES	I.D.	O.D.	LENGTH	NOTE
WA04-5014	EUCLID® E-9792 DANA® M10WJ237X	1 1/2"	2 15/32"	1 3/4"	SELF LUBE FITTING 1" ZERK



WA#	REPLACES	I.D.	O.D.	LENGTH	NOTE
WA04-5060	EUCLID® E-1385 EATON® B2028-A 820185	1 1/2"	2 3/4"	2"	INCLUDES ZERK AND "O" RING NYLON MATERIAL



WA#	REPLACES	I.D.	O.D.	LENGTH	NOTE
WA04-5015	EUCLID® E-535 MERITOR® A-3299-G-1541 FRUEHAUF® 515148 STD. FORGE® 405125	1 1/2"	2 3/4"	2 1/2"	NYLON MATERIAL INCLUDING O RINGS



WA#	REPLACES	I.D.	O.D.	LENGTH	NOTE
WA04-5016	EUCLID® E-2695 EATON® 1002262	1 1/2"	2 3/4"	2 1/2"	FOR EATON®-TYPE 501 SERIES - INCLUDES SEALS NYLON MATERIAL

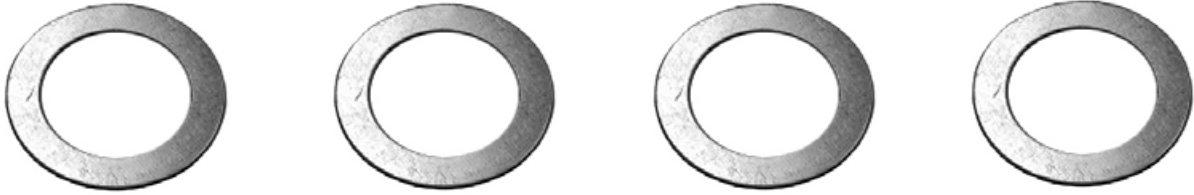


WA#	REPLACES	I.D.	O.D.	LENGTH	NOTE
WA04-5017	EUCLID® E-1577 FRUEHAUF® ACD-2285-900	1 5/8"	2 1/2"	1 1/2"	NYLON MATERIAL



WA#	REPLACES	I.D.	O.D.	LENGTH	NOTE
WA04-5061	EUCLID® E-1571 FRUEHAUF® AXA-0429-900	1 5/8"	2 7/8"	2 1/2"	EARLY PROPAR® TYPE AXLES NYLON MATERIAL

CAMSHAFT WASHERS



WA#	REPLACES	I.D.	O.D.	THICKNESS	APPLICATION
WA07-5108	MERITOR® 1229-B-1848	1 1/4"	1 7/8"	1/16"	MERITOR®-TYPE 4000-6000 SPLINE END

WA#	REPLACES	I.D.	O.D.	THICKNESS	APPLICATION
WA07-5140	EATON® 1005202	1 1/4"	2 1/4"	1/16"	

WA#	REPLACES	I.D.	O.D.	THICKNESS	APPLICATION
WA07-5123	DANA® M10HS146	1 17/64"	1 7/8"	3/32" 1/2" SPLINE END	DANA®-TYPE

WA#	REPLACES	I.D.	O.D.	THICKNESS	APPLICATION
WA07-5124	EUCLID® E-564 EATON® B-1221 MERITOR® 1229-J-868	1 17/32"	2"	1/32"	

WA#	REPLACES	I.D.	O.D.	THICKNESS	APPLICATION
WA07-5125	EUCLID® E-1781 EATON® 23570	1 9/64"	2"	1/32"	EATON®-TYPE SELF-CONTAINED BRAKE

WA#	REPLACES	I.D.	O.D.	THICKNESS	APPLICATION
WA07-5126	EUCLID® E-1782 EATON® 35428	1 9/64"	2"	1/16"	EATON®-TYPE SELF-CONTAINED BRAKE

WA#	REPLACES	I.D.	O.D.	THICKNESS	APPLICATION
WA07-5127	EUCLID® E-581 FRUEHAUF® 219292 MERITOR® 1229-Q-771	1 17/32"	2 1/4"	1/32"	UNIVERSAL FOR 1 1/2" DIAMETER CAMSHAFTS

CAMSHAFT WASHERS (cont.)

WA#	REPLACES	I.D.	O.D.	THICKNESS	APPLICATION
WA07-5128	EUCLID® E-580 EATON® B-1216 FRUEHAUF® 219293 MERITOR® 1229-R-122	1 17/32"	2 1/4"	1/16"	UNIVERSAL FOR 1 1/2" DIAMETER CAMSHAFTS

WA#	REPLACES	I.D.	O.D.	THICKNESS	APPLICATION
WA07-5129	EUCLID® E-2409 STD FORGE® 403149	1 17/32"	2 1/4"	3/32"	STD FORGE®-TYPE DIAMETER BRAKE

WA#	REPLACES	I.D.	O.D.	THICKNESS	APPLICATION
WA07-5130	EUCLID® E-3479 MERITOR® 1229-S-2697	1 17/32"	2 3/8"	7/64"	MERITOR®-TYPE "Q" DRIVE AXLE

WA#	REPLACES	I.D.	O.D.	THICKNESS	APPLICATION
WA07-5131	EUCLID® E-719 STD FORGE® 403105	1 17/32"	2 7/16"	1/8"	STD FORGE®-TYPE, EATON®-TYPE & MERITOR®-TYPE "Q" DRIVE AXLE

WA#	REPLACES	I.D.	O.D.	THICKNESS	APPLICATION
WA07-5132	MERITOR® 1229-F-2502	1 5/8"	2"	1/16"	MERITOR®-TYPE CAM END

WA#	REPLACES	I.D.	O.D.	THICKNESS	APPLICATION
WA07-5133	EUCLID® E-2411-A MERITOR® 1229-X-3118	1 5/8"	2 1/4"	1/16"	MERITOR®-TYPE 4000-6000 CAM END

WA#	REPLACES	I.D.	O.D.	THICKNESS	APPLICATION
WA07-5134	EUCLID® E-1565 FRUEHAUF® AXA-0417-1	1 5/8"	2 3/8"	1/16"	FRUEHAUF®-TYPE PROPAR®-TYPE

WA#	REPLACES	I.D.	O.D.	THICKNESS	APPLICATION
WA07-5135	DANA® 10HS143	1 41/64"	2 1/4"	1/8"	DANA®-TYPE 1/2", 1 5/8" CAMSHAFTS

CAMSHAFT SPECIALTY WASHERS



WA#	REPLACES	I.D.	O.D.	THICKNESS	APPLICATION
WA07-5136	EUCLID® E-656 EATON® B-1212-1 FRUEHAUF® 219158 MERITOR® 1229-G-1463 STD FORGE® 403108	1 1/2"	3 7/8"	1/16"	UNIVERSAL FOR 1 1/2" CAMSHAFTS



WA#	REPLACES	I.D.	O.D.	THICKNESS	APPLICATION
WA07-5137	EUCLID® E-3478 MERITOR® 1229-N-2250	1 1/2"	3 13/16"	1/16"	MERITOR®-TYPE "P" AND "T" SERIES



WA#	REPLACES	I.D.	O.D.	THICKNESS	APPLICATION
WA07-5138	EUCLID® E-5482 EATON® 1229-N-2250	1 1/2"	6"	1/16"	EATON®-TYPE "ES" BRAKE

CAMSHAFT SEALS



WA#	REPLACES	I.D.	O.D.	THICK	APPLICATION
WA09-5000	MERITOR® A-1205-D-2110 STD. FORGE® 408101 EUCLID® E-1416	1 1/2"	1 7/8"	3/16"	LATE MERITOR® TYPE STD. FORGE® TYPE WELD-ON SPIDERS

WA#	REPLACES	I.D.	O.D.	THICK	APPLICATION
WA09-5001	EATON® B-1736 40864 79903 EUCLID® E-1416-A	1 1/2"	1 7/8"	1/4"	EATON® TYPE ONLY - NOT FOR LATE ROCKWELL® TYPE

WA#	REPLACES	I.D.	O.D.	THICK	APPLICATION
WA09-5002	MERITOR® 1705-M-143 EATON® B-1662 EUCLID® E-654	1 1/2"	2 1/16"	1/4"	MOST BOLT-ON SPIDERS & SOME BRACKETS

WA#	REPLACES	I.D.	O.D.	THICK	APPLICATION
WA09-5003	MERITOR® 1205-V-1452 EUCLID® E-2406	1 5/8"	1 7/8"	1/8"	QUAD RING FOR MERITOR® TYPE 4000-6000 AXLES

CAMSHAFT SEALS (cont.)

WA#	REPLACES	I.D.	O.D.	THICK	APPLICATION
WA09-5004	MERITOR® 1205-U-1451 EUCLID® E-2405	1 5/8"	2"	1/4"	SEAL FOR MERITOR® TYPE 4000-6000 AXLES

WA#	REPLACES	I.D.	O.D.	THICK	APPLICATION
WA09-5005	EATON® 1002279 EUCLID® E-3991	1 5/8"	2"	3/16"	EATON® TYPE 501 SERIES - BRAKE

WA#	REPLACES	I.D.	O.D.	THICK	APPLICATION
WA09-5014	EATON® 1002279 EUCLID® E-5128	1 1/4"	1 7/8"	1/4"	EATON® 15" X 4' FRONT

WA#	REPLACES	I.D.	O.D.	THICK	APPLICATION
WA09-5011	MERITOR® A1205-P-1602 EUCLID® E-3469	1 1/4"	2 1/16"	1/4"	MERITOR® T SERIES

WA#	REPLACES	I.D.	O.D.	THICK	APPLICATION
WA09-5016	MERITOR® A1205-P-924 EUCLID® E-1272	1 1/2"	1 3/4"	1/8"	MERITOR® QUAD RING

WA#	REPLACES	I.D.	O.D.	THICK	APPLICATION
WA09-5013	WAGNER® FC031933 EUCLID® E-2717	1 1/2"	2"	3/16"	WAGNER® DRIVE AXLE

WA#	REPLACES	I.D.	O.D.	THICK	APPLICATION
WA09-5012	EATON® 102279 EUCLID® E-2405	1 5/8"	2"	1/4"	EATON® TYPE 501 SERIES - BRAKE

WWW.WORLDAMERICAN.COM
YOUR #1 SOURCE FOR AIR BRAKE COMPONENTS
CALL 800.934.2727 FOR PRICING

CAMSHAFT LOCK RINGS



WA#	REPLACES	I.D.	THICK.	APPLICATION
WA07-5000	EUCLID® E-5093 MERITOR® 1229-D-2942	1 5/32"	3/32"	MERITOR®-TYPE "Q" 16 1/2" X 7" BRAKES



WA#	REPLACES	I.D.	O.D.	CAM DIAM.	APPLICATION
WA07-5001	EUCLID® E-526 MERITOR® 1229-Z-1118 EATON® B-1716 FRUEHAUF® 219160	1 3/8"	1/16"	1 1/2"	ALL 1 1/2" DIAMETER CAMSHAFTS



WA#	REPLACES	I.D.	THICK.	APPLICATION
WA07-5002	EUCLID® E-801 EATON® B1214 820007 MERITOR® 1229-X-1116	1 1/8"	1/16"	FOR ALL 1 1/4" ANCHOR PINS W/ GROOVES



WA#	REPLACES	I.D.	O.D.	CAM DIAM.	APPLICATION
WA07-5003	EUCLID® E-1569 MERITOR® 1229-A-1119 FRUEHAUF® AXA-0418-1	1 1/2"	1/16"	1 5/8"	FRUEHAUF®-TYPE AND MERITOR®-TYPE

ANCHOR PINS



WA#	REPLACES	O.D.	LENGTH	APPLICATION
WA07-5051	MERITOR® 1259-N-274 EUCLID® E-2766	1 1/4"	2 7/32"	MERITOR®-TYPE "Q" BRAKE



WA#	REPLACES	O.D.	LENGTH	APPLICATION
WA07-5052	FRUEHAUF® ACF3378-001 EUCLID® E-3711	1 1/4"	2 3/8"	FRUEHAUF®-TYPE "XEM" LATE DESIGN



WA#	REPLACES	O.D.	LENGTH	APPLICATION
WA07-5053	MERITOR® 1259-X-1012 EUCLID® E-3780	13/16"	2 11/16"	MERITOR®-TYPE "Q" 15" X 4" FRONT BRAKE



WA#	REPLACES	O.D.	LENGTH	APPLICATION
WA07-5109	MERITOR® 1259-J-218 EATON® B-2076 STD. FORGE® 203109	1 1/4"	2 3/4"	MERITOR®-TYPE, EATON®-TYPE STD. FORGE®-TYPE AXLE - USE WITH WA07-5108 WASHER, WA07-5002 LOCK RING

ANCHOR PIN BUSHINGS



WA#	REPLACES	I.D.	O.D.	LENGTH	NOTE
WA04-5026	EUCLID® E-541 MERITOR® 1225-F-266 FRUEHAUF® 219299 STD. FORGE® 405101	1 1/4"	1 3/8"	3/4"	POPULAR - STD. BUSHING FOR MOST CAST SHOES



WA#	REPLACES	I.D.	O.D.	LENGTH	NOTE
WA04-5027	EUCLID® E-2389 STD. FORGE® 405131	1"	1 1/8"	1 7/16"	STD. FORGE®-TYPE 12 1/4" BRAKES WELD-ON SPIDER



WA#	REPLACES	I.D.	O.D.	LENGTH	NOTE
WA04-5028	EUCLID® E-1893 MERITOR® 1225-B-496 EATON® B-2022	1 1/4"	1 3/8"	1 29/64"	NO SLOT

WASHER



WA#	REPLACES	I.D.	O.D.	THICKNESS	APPLICATION
WA07-5042	EUCLID® E-3874 MERITOR® 1229-V-1504	25-32"	1 1/4"	1/8"	MERITOR®-TYPE "Q" 15" X 4" BRAKE

ANCHOR PIN LINK



WA#	REPLACES	LENGTH	HOLE DIAM.	THICKNESS	APPLICATION
WA07-5043	EUCLID® E-3711 MERITOR® 2205-P-1004	4"	7/8"	3/32"	MERITOR®-TYPE "Q" 15" X 4" FRONT BRAKE

WWW.WORLDAMERICAN.COM

MIDWEST™

TRUCK & AUTO PARTS INC.

WORLD AMERICAN®

Motive Gear

BRAKE HARDWARE KITS



WA#	REPLACES	APPLICATION
WAE5139	E-5139 M-K77 08-1113 EF-1	EATON® 15" X 4" FRONT AXLE BRAKES



WA#	REPLACES	APPLICATION
WAE3869	E-3869 M-K79 08-1111 RF-3A	MERITOR® 15" TYPE - Q FRONT STYLE



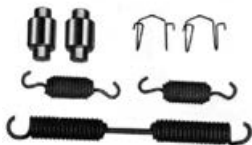
WA#	REPLACES	APPLICATION
WAE1887ASHD	E-1887ASHD M-K10 08-1042 EK-1HD	EATON® 16 1/2" SINGLE ANCHOR PIN TRACTOR / TRAILER



WA#	REPLACES	APPLICATION
WA2769SHD	E-32769SHD M-K39 / M-K72 08-1088 QK-1HD	MERITOR® 16 1/2" "Q" BRAKES CONTAINS KNURLED ROLLERS



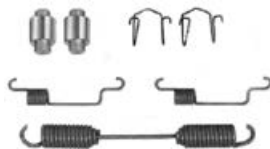
WA#	REPLACES	APPLICATION
WA3710SHD	E-3710SHD M-K42 08-1091 XK-3HD	FRUEHAUF® 16 1/2" BRAKES XEM - LATE 3RD DESIGN



WA#	REPLACES	APPLICATION
WAE10244	E-10244 M-K105 08-1149 ES-2	EATON® 16 1/2" ES-II BRAKES



WA#	REPLACES	APPLICATION
WAE3895	E-3895 M-K39A 08-108842	MERITOR® 16 1/2" DIAMETER BRAKES



WA#	REPLACES	APPLICATION
WAE5481A	E-5481A M-K84 08-1148 ES-2	EATON® 16 1/2" EXTENDED SERVICE BRAKE KIT



WA#	REPLACES	APPLICATION
WAE6999S	E-6999S 08-1088 QK-8	MERITOR® 16 1/2" BRAKES LESS BUSHINGS

BRAKE HARDWARE KITS (cont.)

WA#	REPLACES	APPLICATION
WAE9064	E-9064 M-K98 08-1160 RF-5	MERITOR® 15" X 4" "Q" PLUS BRAKES

WA#	REPLACES	APPLICATION
WAKIT4HD	KIT4S M-K4 08-100160 TK-1HD	MERITOR® 16 1/2" FAB SHOES - BOLT ON SPIDER

WA#	REPLACES	APPLICATION
WA08-5015	E-5515 M-K91 XL-1	DANA® 16 1/2" X 7" EXTRA LIFE BRAKE SHOE KIT USE W/ DANA "XL" CAMSHAFTS

WA#	REPLACES	APPLICATION
WA08-5019	E-9644 M-K106 08-1116 MF-2	MERITOR® 16 1/2" STEER AXLE BRAKES

WA#	REPLACES	APPLICATION
WA08-5020	E-1816HD M-K7 08-1004 TK-4HD	MERITOR® 16 1/2" UNIVERSAL APPLICATIONS

WA#	REPLACES	APPLICATION
WA08-5021	E-1816HD M-K2 08-1003 TK-4HD	MERITOR® & DANA® 16 1/2" BRAKES

WA#	REPLACES	APPLICATION
WA08-5022	E-2402HD M-K12 08-1074 LB-1	STANDARD FORGE® 12 1/4" W/ FAB SHOES

WA#	REPLACES	APPLICATION
WA08-5028	E-2157 M-K37 08-1932	WEDGE BRAKE UNIVERSAL

WA#	REPLACES	APPLICATION
WA08-5029	E-3518 M-K59 08-109830 RK-1	MERITOR® 18" BRAKES W/ CAST SHOES

BRAKE HARDWARE KITS (cont.)

WA#	REPLACES	APPLICATION
WA08-5030	E-1887HD M-K99 RF-5	EATON® 16 1/2" SINGLE ANCHOR PIN

WA#	REPLACES	APPLICATION
WA08-5032	KIT 1 M-K1 08-1039	MERITOR® 16 1/2" CAST SHOES

WA#	REPLACES	APPLICATION
WA08-5034	E-10757 M-K109 08-105000 LB-11	DANA/SPICER® 12 1/4" BRAKES FAB SHOES

WA#	REPLACES	APPLICATION
WA08-5035	E-2030HD M-K11 08-1073	STANDARD FORGE® 12 1/4" BRAKES - CAST SHOES

WA#	REPLACES	APPLICATION
WA08-5037	E-10875 M-K112 08-104700 LB-30	MERITOR® 12 1/4" "Q" BRAKES

WA#	REPLACES	APPLICATION
WA08-5038	E-10760 M-K113 08-114920 EF-2	EATON® 16 1/2" ES-II FRONT AXLE BRAKE

WA#	REPLACES	APPLICATION
WA08-5043	E-1816SHD M-K2 08-1003 TK-4HD	MERITOR® 16 1/2" BRAKES

WA#	REPLACES	APPLICATION
WA08-5046	KIT 4SHD M-K3 08-100125 TK-1HD	UNIVERSAL KIT 16 1/2" BRAKES

WA#	REPLACES	APPLICATION
WA08-5047	E-7212A M-K30 08-190020	WEDGE BRAKE REPAIR KIT - MINOR FOR 15" SPIDER MOUNTED DRIVE BRAKES

BRAKE HARDWARE KITS (cont.)

WA#	REPLACES	APPLICATION
WA08-5048	E-7212A M-K31 08-190921	WEDGE BRAKE REPAIR KIT - MAJOR KIT FOR 15" SPIDER MOUNTED DRIVE BRAKES RH SIDE

WA#	REPLACES	APPLICATION
WA08-5049	E-7213A M-K32 08-1090922	WEDGE BRAKE REPAIR KIT - MAJOR KIT FOR 15" SPIDER MOUNTED DRIVE BRAKES LH SIDE

WA#	REPLACES	APPLICATION
WA08-5050	E-2199A M-K33 08-1915	WEDGE BRAKE REPAIR KIT - MAJOR KIT FOR 12 1/4" SPIDER MOUNTED DRIVE BRAKES RH SIDE

WA#	REPLACES	APPLICATION
WA08-5051	E-2158 M-K35 08-193303	WEDGE BRAKE REPAIR KIT - MINOR FOR BENDIX® TWINPLEX TRAILER

WA#	REPLACES	APPLICATION
WA08-5052	E-2160 M-K36 08-1935	WEDGE BRAKE REPAIR KIT -MINOR BENDIX® NON SERVO FRONT FRONT BRAKE

WA#	REPLACES	APPLICATION
WA08-5054	E-4880SHD M-K41 08-1089 XK-1HD	FRUEHAUF® 16 1/4" BRAKES XEM - EARLY 1ST & 2ND DESIGN

WA#	REPLACES	APPLICATION
WA08-5055	E-2403HD M-K43 08-1075	STANDARD FORGE® 12 1/4" CONVERTS CAST TO FAB SHOES

WA#	REPLACES	APPLICATION
WA08-5056	E-1812 M-K44 08-1072	STANDARD FORGE® 12 1/4" EARLY CAST SHOES

WA#	REPLACES	APPLICATION
WA08-5057	E-3484 M-K45 08-1093 LB-3	MERITOR® 12 1/4" "Q" BRAKE FAB SHOES

BRAKE HARDWARE KITS (cont.)

WA#	REPLACES	APPLICATION
WA08-5058	E-2126 M-K46 08-1076 LB-4	EATON® 12 1/4" BRAKES W/ FAB SHOES

WA#	REPLACES	APPLICATION
WA08-5059	E-2740 M-K49 08-1102	WAGNER® 15" FRONT AXLE 3 1/2" SHOE

WA#	REPLACES	APPLICATION
WA08-5060	E-3518 M-K59 08-109830 RK-1	MERITOR® 18" CAST SHOE

WA#	REPLACES	APPLICATION
WA08-5061	E-3291 M-K50 08-1099 WF-1	WAGNER® 15" FRONT AXLE 4" SHOE

WA#	REPLACES	APPLICATION
WA08-5062	E-2713 M-K51 08-1084	WAGNER® 15" DRIVE AXLE

WA#	REPLACES	APPLICATION
WA08-5063	E-4691 M-K52 08-1107 RF-1AEK	MERITOR® 15" "T" SERIES

WA#	REPLACES	APPLICATION
WA08-5064	E-4692 M-K53 08-1109	MERITOR® 16 1/4" "T" SERIES

WA#	REPLACES	APPLICATION
WA08-5065	E-2675HD M-K54 08-1083 MK-1HD	MACK® 16 1/2" W/ MERITOR® SHOES

WA#	REPLACES	APPLICATION
WA08-5066	E-2676 M-K55 08-108110	MACK® 16 1/2" BRAKES FOR CAST SHOES W/ WEAR PADS

BRAKE HARDWARE KITS (cont.)

WA#	REPLACES	APPLICATION
WA08-5067	E-1607HD M-K56 08-108260 TK-7HD	MACK® 16 1/2" W/ MERITOR® SHOES

WA#	REPLACES	APPLICATION
WA08-5068	E-3489 M-K57 08-1052	STANDARD FORGE® 16 1/2" "U" BRAKES

WA#	REPLACES	APPLICATION
WA08-5069	E-3801 M-K6 08-104220 EK-3	EATON® 16 1/2" SINGLE ANCHOR PIN - FORD® APPLICATIONS

WA#	REPLACES	APPLICATION
WA08-5076	E-2746 M-K70 08-193205	WEDGE BRAKE REPAIR KIT RH FRONT BRAKE BENDIX® NON SERVO SPIDER MOUNTED

WA#	REPLACES	APPLICATION
WA08-5077	E-2749A M-K74 08-1922	WEDGE BRAKE REPAIR KIT LH FRONT BRAKE

WA#	REPLACES	APPLICATION
WA08-5079	E-7899 M-K79B 08-111102 RF-3A	MERITOR® 15" - "Q" SERIES FRONT BRAKE

WA#	REPLACES	APPLICATION
WA08-5080	E-5481A M-K84 08-1148 ES-1	EATON® 16 1/2" BRAKES "ES"

WA#	REPLACES	APPLICATION
WA08-5081	E-2402HD M-K80 LB-2	DANA/SPICER® 12 1/4" - "FC" STYLE SHOES W/ WELD ON SPIDER

WA#	REPLACES	APPLICATION
WA08-5082	M-K82 E-3374HD	DANA/SPICER® 12 1/4" - "FC" STYLE SHOES W/ BOLT ON SPIDER

BRAKE HARDWARE KITS (cont.)

WA#	REPLACES	APPLICATION
WA08-5083	E-3782 M-K83 08-105105 LB-6	DANA/SPICER® 12 1/4" "U" BRAKES "FC" STYLE SHOES

WA#	REPLACES	APPLICATION
WA08-5087	E-3858 M-K92 MF-1	MERITOR® 16 1/2" X 5" FRONT BRAKE FOR MACK®

WA#	REPLACES	APPLICATION
WA08-5088	E-5086 M-K593 08-1115 MK-2HD	MERITOR® 16 1/2" X 7" "Q" DRIVE AXLE FOR MACK®

WA#	REPLACES	APPLICATION
WA08-5089	E-7231 M-K94 08-1140 FF-1	BENDIX® BRAZILIAN 15" X 4" FRONT BRAKE

WA#	REPLACES	APPLICATION
WA08-5090	E-7237 M-K95 08-1142 FR-1	BENDIX® BRAZILIAN 16 1/4" X 7" REAR BRAKE

WA#	REPLACES	APPLICATION
WA08-5091	E-9064 M-K98 08-1160 RF-5	MERITOR® 15" X 4" - "Q" PLUS BRAKE



BRAKE SHOE RETURN SPRINGS



WA#	REPLACES	INSIDE LENGTH	COIL O.D.	APPLICATION
WA10-5017	EATON® 817017 EUCLID® E-9037	3 9/16"	1 3/16"	EATON®TYPE 15" X 6" ES REDUCED ENVELOPE FRONT AXLE BRAKE REQUIRES 2 SPRINGS PER BRAKE ASSEMBLY



WA#	REPLACES	INSIDE LENGTH	COIL O.D.	APPLICATION
WA10-5020	STD FORGE® 208105 DANA® 11528 EATON® 70325 EUCLID® E-1025	4 1/8"	3/4"	12 1/4" DIA. BRAKES W/ CAST SHOES, HEAVY DUTY SPRING



WA#	REPLACES	INSIDE LENGTH	COIL O.D.	APPLICATION
WA10-5021	STD FORGE® 208106 EUCLID® E-2398	6 1/2"	1"	12 1/4" DIA. FABRICATED SHOE



WA#	REPLACES	INSIDE LENGTH	COIL O.D.	APPLICATION
WA10-5022	MERITOR® 2258-G-579 EUCLID® E-3437	7 3/8"	7/8"	MERITOR®TYPE "T" SERIES 15" DIA. FRONT BRAKE



WA#	REPLACES	INSIDE LENGTH	COIL O.D.	APPLICATION
WA10-5023	MERITOR® 2258-P-354 DANA® 11227 FRUEHAUF® 219310 STD FORGE® 208102 EUCLID® E-545-A	7 15/16"	1 1/8"	STANDARD SPRING FOR FABRICATED SHOES HEAVY DUTY SPRING 15"



WA#	REPLACES	INSIDE LENGTH	COIL O.D.	APPLICATION
WA10-5024	MERITOR® 2258-Z-416 EUCLID® E-1880-B	7 15/16"	1 1/4"	HEAVY DUTY VERSION OF WA10-5023



WA#	REPLACES	INSIDE LENGTH	COIL O.D.	APPLICATION
WA10-5000	EATON® 1006562 EUCLID® E-5123	7 1/4"	13/16"	EATON® TYPE 15" X 4" FRONT BRAKE



WA#	REPLACES	INSIDE LENGTH	COIL O.D.	APPLICATION
WA10-5001	MERITOR® 2258-H-1126 2258-K-1181 EUCLID® E-3872	7 11/16"	13/16"	MERITOR®TYPE 15" X 4" "Q" BRAKE

BRAKE SHOE RETURN SPRINGS



WA#	REPLACES	INSIDE LENGTH	COIL O.D.	APPLICATION
WA10-5025	MERITOR® 2258-L-1234 EUCLID® E-9063	8 3/8"	1 1/8"	MERITOR®TYPE 15" X 4" "Q PLUS" BRAKE



WA#	REPLACES	INSIDE LENGTH	COIL O.D.	APPLICATION
WA10-5003	MERITOR® 2258-W-803 EUCLID® E-3490-B	8 3/8"	1 1/8"	HEAVY DUTY SPRING



WA#	REPLACES	INSIDE LENGTH	COIL O.D.	APPLICATION
WA10-5031	FRUEHAUF® ACE-9911-1 EUCLID® E-3228	8 3/8"	1 1/8"	FRUEHAUF® PRO-PAR "XEM"



WA#	REPLACES	INSIDE LENGTH	COIL O.D.	APPLICATION
WA10-5015	MERITOR® 2258-U-619 EUCLID® E-2768	8 3/8"	1 1/4"	HEAVY DUTY SPRING



WA#	REPLACES	INSIDE LENGTH	COIL O.D.	APPLICATION
WA10-5019	MERITOR® 2258-Y-1273 EUCLID® E-9643	9 1/16"	1 3/16"	"Q" PLUS CAMSHAFTS, CLAWHEAD OR HAMMER CLAW CAMSHAFTS



WA#	REPLACES	INSIDE LENGTH	COIL O.D.	APPLICATION
WA10-5004	EATON® 806235 EUCLID® E-10197	10 3/4"	1 1/32"	EATON®TYPE "ES" BRAKE



WA#	REPLACES	INSIDE LENGTH	COIL O.D.	APPLICATION
WA10-5005	EATON® 78580 FORD® C8TZ-2296A EUCLID® E-1428-A	10 13/16"	1 1/8"	HEAVY DUTY SPRING



WA#	REPLACES	INSIDE LENGTH	COIL O.D.	APPLICATION
WA10-5006	EATON® 1003999 EUCLID® E-5122	4"	5/8"	EATON® TYPE 15" X 4" FRONT BRAKE

BRAKE SHOE RETURN SPRINGS



WA#	REPLACES	INSIDE LENGTH	COIL O.D.	APPLICATION
WA10-5007	EATON® 70326 EUCLID® E-1418	4 3/8"	1"	EATON® TYPE SINGLE ANCHOR PIN FORD®-TYPE C6TZ-2125A



WA#	REPLACES	INSIDE LENGTH	COIL O.D.	APPLICATION
WA10-5008	MERITOR® 2258-E-1123 EUCLID® E-3873	5 5/16"	5/8"	15" X 4" "Q" FRONT BRAKE



WA#	REPLACES	INSIDE LENGTH	COIL O.D.	APPLICATION
WA10-5009	MERITOR® 2258-Q-615 EUCLID® E-2767	5 1/2"	3/4"	MERITOR® TYPE "Q" BRAKE



WA#	REPLACES	INSIDE LENGTH	COIL O.D.	APPLICATION
WA10-5010	EATON® 819725 EUCLID® E-10198	5 1/2"	13/16"	EATON®TYPE 16 1/2" X 7" ES II



WA#	REPLACES	INSIDE LENGTH	COIL O.D.	APPLICATION
WA10-5011	MERITOR® 1218-G-85 DANA® 11228 M16WJ102 FRUEHAUF® 583015 STD. FORGE® 207102 EUCLID® E-747	2 3/4"	1/4"	STANDARD RETAINER PIN FOR MOST FABRICATED SHOES



WA#	REPLACES	INSIDE LENGTH	COIL O.D.	APPLICATION
WA10-5041	MERITOR® 2258-B-184 EUCLID® E-9643	5 5/8"	1"	MERITOR SERIES 16 1/4" DIAMETER FRONT BRAKE



WA#	REPLACES	INSIDE LENGTH	COIL O.D.	APPLICATION
WA10-5032	MERITOR 2258-V-256 EUCLID E-757	6 3/16"	1"	MERITOR T SERIES 16 1/4" X 3 1/2" FRONT BRAKE



WA#	REPLACES	INSIDE LENGTH	COIL O.D.	APPLICATION
WA10-5029	FRUEHAUF ACD-2287-1 EUCLID E-1583	6 7/8"	1 1/16"	PRO PAR 12 1/4" DIAMETER



WA#	REPLACES	INSIDE LENGTH	COIL O.D.	APPLICATION
WA10-5033	EATON B-1486, B-981 EUCLID E-944	7 3/8"	1 3/16"	EATON CLOSED CHANNEL FABRICATED SHOES

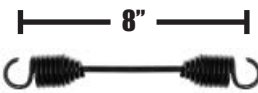
BRAKE SHOE RETURN SPRINGS



WA#	REPLACES	INSIDE LENGTH	COIL O.D.	APPLICATION
WA10-5046	GMC 2154474 NAVISTAR 62333 R1 EUCLID E-544	7 9/16"	1 3/32"	16 1/2" DIAMETER CAST SHOE



WA#	REPLACES	INSIDE LENGTH	COIL O.D.	APPLICATION
WA10-5035	BENDIX 324095 EUCLID E-2745	8"	15/16"	BENDIX NON-SERVO FRONT WEDGE BRAKE



WA#	REPLACES	INSIDE LENGTH	COIL O.D.	APPLICATION
WA10-5042	MERITOR 2258-G-527	8"	1 1/8"	LONGER CENTER LINK EXTRA CAM HEAD ROOM



WA#	REPLACES	INSIDE LENGTH	COIL O.D.	APPLICATION
WA10-5036	MERITOR 2758-W-127 EUCLID E-2476	8 1/16"	1"	SQUARE CENTER ROD



WA#	REPLACES	INSIDE LENGTH	COIL O.D.	APPLICATION
WA10-5045	BENDIX 2258196 NAVISTAR TSL2993	8 5/16"	1 1/8"	BENDIX "BRAZILIAN" 16 1/5" X 7" REAR BRAKE



WA#	REPLACES	INSIDE LENGTH	COIL O.D.	APPLICATION
WA10-5031	FRUEHAUF ACE-9911-1 EUCLID E-3228	8 3/8"	1 1/8"	FRUEHAUF PRO-PAR



WA#	REPLACES	INSIDE LENGTH	COIL O.D.	APPLICATION
WA10-5030	MERITOR 2258-U-619	8 3/8"	1 1/16"	MERITOR "Q"



WA#	REPLACES	INSIDE LENGTH	COIL O.D.	APPLICATION
WA10-5053	NAVISTAR 106724R1 EUCLID E-665	8 3/8"	1 1/8"	REAR BRAKES



WA#	REPLACES	INSIDE LENGTH	COIL O.D.	APPLICATION
WA10-5055	GM 2377712	8 9/16"	5/8"	GM BUS HAS SQUARE CENTER ROD

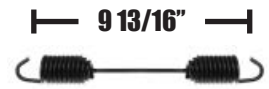
BRAKE SHOE RETURN SPRINGS



WA#	REPLACES	INSIDE LENGTH	COIL O.D.	APPLICATION
WA10-5047	FRUEHAUF 219311 MERITOR 2258-K-349 EUCLID E-543	8 3/4"	1 1/8"	CAST SHOES



WA#	REPLACES	INSIDE LENGTH	COIL O.D.	APPLICATION
WA10-5037	MERITOR 2758-X-50 EUCLID E-3436	9 1/8"	1"	MERITOR "T" 16 1/4" DIAMETER FRONT BRAKE



WA#	REPLACES	INSIDE LENGTH	COIL O.D.	APPLICATION
WA10-5034	EATON 1000406 EUCLID E-2475	9 13/16"	1 1/8"	EATON AXLE



WA#	REPLACES	INSIDE LENGTH	COIL O.D.	APPLICATION
WA10-5044	EATON 1003817 EUCLID E-2785	10 13/16"	1 1/8"	EATON AXLE



WA#	REPLACES	INSIDE LENGTH	COIL O.D.	APPLICATION
WA10-5027	MERITOR 2758-Q-43 EUCLID E-1458	6"	9/16"	MERITOR FRONT WEDGE BRAKE



WA#	REPLACES	INSIDE LENGTH	COIL O.D.	APPLICATION
WA10-5026	BENDIX 316367 EUCLID E-11497	6 1/2"	5/8"	BENDIX NON-SERVO FRONT WEDGE BRAKE



WA#	REPLACES	INSIDE LENGTH	COIL O.D.	APPLICATION
WA10-5056	BENDIX 249942 EUCLID E-2163	7 5/8"	15/16"	BENDIX TWIN PLEX WEDGE BRAKE



WA#	REPLACES	INSIDE LENGTH	COIL O.D.	APPLICATION
WA10-5028	MERITOR 2258-K-583 2258-E-629 2758-C-55 EUCLID E-1140	7 11/16"	7/8"	MERITOR WEDGE BRAKE



WA#	REPLACES	INSIDE LENGTH	COIL O.D.	APPLICATION
WA10-5048	MACK 58-AX-208 EUCLID E-637	6"	1 1/32"	MACK

BRAKE SHOE RETURN SPRINGS (CONT.)



WA#	REPLACES	INSIDE LENGTH	COIL O.D.	APPLICATION
WA10-5052	MACK 58-AX-96 EUCLID E-753	7 1/16"	1 5/32"	MACK



WA#	REPLACES	INSIDE LENGTH	COIL O.D.	APPLICATION
WA10-5054	MACK 58-AX-117 EUCLID E-752	7 3/4"	1 5/32"	MACK



WA#	REPLACES	INSIDE LENGTH	COIL O.D.	APPLICATION
WA10-5049	MACK 58-AX-200 EUCLID E-629	8 3/16"	1 5/32"	MACK



WA#	REPLACES	INSIDE LENGTH	COIL O.D.	APPLICATION
WA10-5039	EATON 1000091 EUCLID E-2804	11 1/4"	1 1/4"	EATON

RETAINERS



WA#	REPLACES	APPLICATION
WA10-5012	MERITOR® 3105-B-210 EUCLID® E-3007-A	NEW "Q" BRAKE RETAINER DESIGN: LOCKS POSITIVELY TO ROLLER ENDS



WA#	REPLACES	APPLICATION
WA10-5013	FRUEHAUF® AXA-0471-1 EUCLID® E-3227	FRUEHAUF/PROPAR® TYPE 16 1/2" BRAKES ALSO 'XEM' BRAKES



WA#	REPLACES	APPLICATION
WA10-5014	EATON® 808058 EUCLID® E-5478	EATON4 TYPE "ES" BRAKES



WA#	REPLACES	APPLICATION
WA10-5018	MERITOR® 1718-Y-103 DANA® M16WJ103 FRUEHAUF® 330734 STD FORGE® 214103 MACK® 341SM18 EUCLID® E-539	STANDARD RETAINER

ROLLER PINS



WA#	REPLACES	O.D.	LENGTH	APPLICATION
WA07-5045	EUCLID® E-523	1 1/4"	2 7/32"	STANDARD ROLLER FABRICATED SHOES
	MERITOR® 1779-R-18			
	FRUEHAUF® 330733			
	STD. FORGE® 204101-001			



WA#	REPLACES	O.D.	LENGTH	APPLICATION
WA07-5045A	EUCLID® E-781	1 3/8"	2 7/32"	1/8" OVERSIDE VERSION OF WA07-5045
	ROCKWELL® 1779-C-81			



KNURLED VERSION OF WA07-5045				
WA#	REPLACES	O.D.	LENGTH	APPLICATION
WA07-5046	MERITOR® 1779-R-18	1 1/4"	2 7/32"	STANDARD ROLLER FABRICATED SHOES
	FRUEHAUF® 330733			
	STD. FORGE® 204101-001			
	EUCLID® E-2177			



WA#	REPLACES	O.D.	LENGTH	APPLICATION
WA07-5047	EATON® 806234	1 1/4"	2 3/16"	EATON®-TYPE "ES" BRAKE
	EUCLID® E-5477			



WA#	REPLACES	O.D.	LENGTH	APPLICATION
WA07-5048	EATON® 1005204	1 1/4"	1 5/16"	EATON®-TYPE 15" X 4" FRONT
	EUCLID® E-3421-A			



WA#	REPLACES	O.D.	LENGTH	APPLICATION
WA07-5049	MERITOR® 1199-G-3725	1 1/4"	1 3/8"	MERITOR®-TYPE 15" X 4" "T" SERIES BRAKE
	EUCLID® E-3421			



WA#	REPLACES	O.D.	LENGTH	APPLICATION
WA07-5050	EATON® 39075	29/32"	1 21/32"	USE WITH WA07-5044 LATE EATON®-TYPE FABRICATED SHOE
	FORD® B5QH2045A			
	GM® 2326941			
	NAVISTAR® 142918R1			
	EUCLID® E-596-A			

ROLLER



WA#	REPLACES	I.D.	O.D.	LENGTH	APPLICATION
WA07-5044	EUCLID® E-595	15/16"	1 5/8"	25/32"	STANDARD FOR EATON®-TYPE FABRICATED SHOES
	EATON® 39074				

DRIVE AXLE FLANGE GASKETS

WA#	I.D.	O.D.	BOLT CIRCLE	BOLT SIZE	# OF BOLTS	REPLACES	
WA14-5027	4"	5 9/16"	4 3/4"	7/16"	8	FORD	A8TZ1001A
WA14-5028	4 1/2"	6 1/16"	5 1/5"	1/2"	12	FORD GMC NAVISTAR	A8TZ1001D 2362158 R002437
WA14-5029	4 1/2"	6 1/8"	5 9/32"	1/2"	8	FORD GMC NAVISTAR	A8TZ1001C 2310537 218208R1
WA14-5030	5"	6 1/2"	5 11/16"	7/16"	12	GMC MACK NAVISTAR	2321015 131SP47 974577R1
WA14-5031	5 5/8"	8 1/2"	7"	3/4"	8	FORD MACK NAVISTAR	B3TZ1001A 130SP19 115135H
WA14-5032	5 11/16"	7 7/16"	6 7/16"	1/2"	12	MACK NAVISTAR	131SP59 138776R1
WA14-5033	5 3/4"	8 3/8"	7"	5/8"	8	KENWORTH MACK NAVISTAR	K134171 131SP31 56152R2
WA14-5034	6"	8 1/4"	7"	5/8"	8	GMC MACK NAVISTAR	2362287 131SP31 297336C1

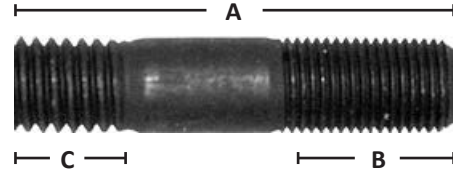
DRIVE FLANGE STUDS



7/16" DRIVE FLANGE STUDS

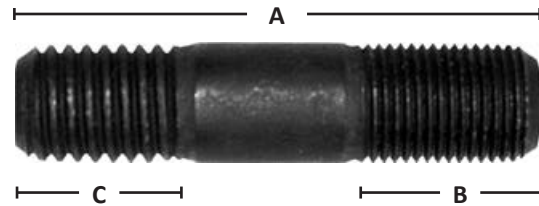
WA#	A	B	B LENGTH	C	C LENGTH	REPLACES
WA07-6179	2"	7/16"-20	5/8"	7/16"-14	1/2"	BWP® M-2463 BUDD® 18560 DAYTON® N/A EUCLID® E-5792
WA07-6180	2 3/16"	7/16"-20	15/16"	7/16"-14	9/16"	BWP® M-2464 BUDD® 42793 DAYTON® 13-7001 EUCLID® E-5796 KELSEY® WP-28 MERITOR® SC-718

DRIVE FLANGE STUDS (cont.)



1/2" DRIVE FLANGE STUDS

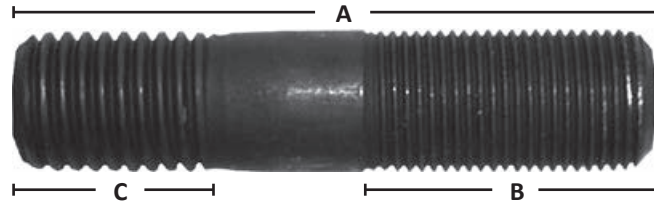
WA#	A	B	B LENGTH	C	C LENGTH	REPLACES
WA07-6182	2 3/8"	1/2"-20	13/16"	1/2"-13	13/16"	BWP® M-2520 BUDD® 37181 44577 DAYTON® 13-7010 EUCLID® E-5798 MERITOR® SC-819
WA07-6183	2 9/16"	1/2"-20	15/16"	1/2"-13	1 1/16"	BWP® M-2521 DAYTON® 13-7012 EUCLID® E-5799 KELSEY® WP-81 WEBB® 152026
WA07-5206	2 7/8"	1/2"-20	15/16"	1/2"-13	7/8"	BWP® M-2522 DAYTON® 13-7015 EUCLID® N/A GMC® 2216914 MW® 85521



5/8" DRIVE FLANGE STUDS

WA#	A	B	B LENGTH	C	C LENGTH	REPLACES
WA07-5207	2 3/4"	5/8"-18	1"	5/8"-11	1"	BWP® M-2523 BUDD 63606 DAYTON® 13-7037 EUCLID® E-5800 IHC® 119345H KELSEY® WP-174
WA07-6178	3"	5/8"-18	7/8"	5/8"-18	1 1/2"	BWP® M-2462 DAYTON® N/A EUCLID® E-5731 MACK® 18AX970
WA07-5208	3 1/16"	5/8"-18	1 1/16"	5/8"-11	1 1/8"	BWP® M-2509 BUDD® 48966 DAYTON® 13-7038 EUCLID® E-5801
WA07-6181	3 1/2"	5/8"-18	7/8"	5/8"-18	1 7/16"	BWP® M-2465 DAYTON® 13-7028 EUCLID® E-5751 MACK® 18AX971
WA07-5209	3 11/16"	5/8"-18	1 1/8"	5/8"-11	1 9/16"	BWP® M-2524 DAYTON® 13-7026 EUCLID® E-5872 MW® 86478 MERITOR® 4X1027

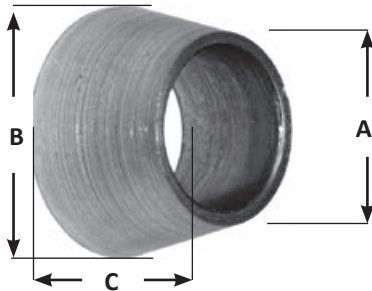
DRIVE FLANGE STUDS (cont.)



3/4" DRIVE FLANGE STUDS

WA#	A	B	B LENGTH	C	C LENGTH	REPLACES
WA07-6185	3 3/16"	3/4"-16	1 1/8"	3/4"-10	1"	BWP® M-2525 DAYTON® 13-7055 EUCLID® E-5955 IHC® 61142H
WA07-6186	3 3/4"	3/4"-16	1 9/16"	3/4"-10	1 1/8"	BWP® M-2526 BUDD® 37179, 49321 DAYTON® 13-7050 EUCLID® E-4960 IHC® 55585H KELSEY® WP-39 MERITOR® 4X1207

DRIVE FLANGE WEDGES - CONES



WA#	A	B	C	REPLACES: EUCLID®
WA07-5080	7/16"	11/16"	13/32"	E-5952
WA07-6022	7/16"	3/4"	5/16"	E-5736
WA07-5077	7/16"	3/4"	13/32"	E-5737
WA07-6019	7/16"	13/16"	11/32"	E-5738
WA07-6020	1/2"	13/16"	5/16"	E-5739
WA07-5078	1/2"	13/16"	13/32"	E-5740
WA07-5081	1/2"	7/8"	15/32"	E-5957
WA07-6021	9/16"	7/8"	3/8"	E-5742
WA07-5079	5/8"	1"	15/32"	E-5743
WA07-5082	5/8"	1"	9/16"	E-5960



U.S.A. Toll Free 800.934.2727
 MEXICO Toll Free: 001.877.623.7576
 VENEZUELA Toll Free: 0800.100.2593
 COLOMBIA Toll Free: 980.915.5094
WWW.WORLDAMERICAN.COM

AXLE SPINDLE NUTS AND WASHERS



WA#	REPLACES	I.D.	O.D.	THICK	APPLICATION
WA07-5090	EUCLID® E-540 DANA® 10284 DANA® M10HN158 EATON® F-1529 MERITOR® 1227-C-549	2 5/8"-16"	3 13/16"	3/8"	STANDARD INNER NUT



WA#	REPLACES	I.D.	O.D.	THICK	APPLICATION
WA07-5091	EUCLID® E-573 DANA® 10287 DANA® M10HN100 EATON® F-1531 MERITOR® 1227-V-1660	2 41/64"	3 15/16"	1/4"	STANDARD LOCK WASHER



WA#	REPLACES	I.D.	O.D.	THICK	APPLICATION
WA07-5092	EUCLID® E-572 DANA® 10286 EATON® F-1530 MERITOR® 1227-B-756	2 5/8"-16"	3 1/4"	3/8"	STANDARD OUTER NUT



WA#	REPLACES	I.D.	O.D.	THICK	APPLICATION
WA07-5093	EUCLID® E-2237 DANA® M10HN151	2 41/64"	4 1/32"	1/16"	POSITION LOCK WASHER INSIDE WA07-5092 NUT BEND TABS TO LOCK NUT



WA#	REPLACES	I.D.	O.D.	THICK	APPLICATION
WA07-5094	EUCLID® E-2250 FRUEHAUF® ACE-8510-1	3 1/2"-12	4 13/16"	1 1/8"	LATE STYLE NUT FULLY THREADED



WA#	REPLACES	I.D.	O.D.	THICK	APPLICATION
WA07-5095	EUCLID® E-1561 FRUEHAUF® AXA-0408-1	3 1/2"	5"	3/16"	HEAT TREATED

WWW.WORLDAMERICAN.COM

DRIVE AXLE SPINDLE NUTS & WASHERS (cont.)

EATON® 32M-MR, 34M-MF, 34D-DT-RP-RT, 17800-1 AXLES

WA#	REPLACES	I.D. OR THREAD	O.D. OR A.F.	THICKNESS
WA07-5375 OUTER NUT	EATON® 34090 EUCLID® E-2460	2 5/8" - 12THD.	3 3/8" A.F.	1"
WA07-5217 LOCK WASHER	EATON® 30714 EUCLID® E-2461	2 5/8" I.D.	4" O.D.	3/32"
WA07-5382 INNER NUT	EATON® 19186 EUCLID® E-2462	2 5/8" - 12THD.	3 7/16" A.F.	15/32"

EATON® 28R3-RP-RT, 42R3-RP-RT, 18800, 18801-2-3 AXLES

WA#	REPLACES	I.D. OR THREAD	O.D. OR A.F.	THICKNESS
WA07-5377 OUTER NUT	EATON® 31926 EUCLID® E-2463	3" - 12THD.	3 13/16" A.F.	1"
WA07-5378 LOCK WASHER	EATON® 90180 EATON® E-2464	3" I.D.	4 1/2" O.D.	3/32"
WA07-5379 INNER NUT	EATON® 90229 EUCLID® E-2465	3" - 12THD.	3 13/16" A.F.	1/2"

EATON® 1911-1919, 2011, 20500-1, 19500-1-2 AXLES

WA#	REPLACES	I.D. OR THREAD	O.D. OR A.F.	THICKNESS
WA07-5380 OUTER NUT	EATON® 31927 EUCLID® E-2466	3 1/4" - 12THD.	4 1/16" A.F.	1"
WA07-5215 LOCK WASHER	EATON® 11245 EUCLID® E-2467	3 1/4" I.D.	4 3/4" O.D.	1/8"
WA07-5381 INNER NUT	EATON® 11249 EUCLID® E-2468	3 1/4" - 12THD.	4 1/8" A.F.	1/2"

FORD® 18,000 LB. REAR AXLES

WA#	REPLACES	I.D. OR THREAD	O.D. OR A.F.	THICKNESS
WA07-5382 OUTER NUT	FORD® D7HZ-4245A EUCLID® E-2462	2 5/8" - 12THD.	3 7/16" A.F.	15/32"
WA07-5217 LOCK WASHER	FORD® EQH-1124 EUCLID® E-2461	2 5/8" I.D.	4" O.D.	3/32"
WA07-5091 LOCK WASHER	FORD® 7EQ-1124A EUCLID® E-573	2 41/64" I.D.	3 15/16" O.D.	1/4"
WA07-5383 INNER NUT	FORD® D7HZ-4255A EUCLID® E-6142	2 5/8" - 12THD.	3 1/2" A.F.	3/8"

TYPICAL
INNER NUT



TYPICAL
LOCK WASHER



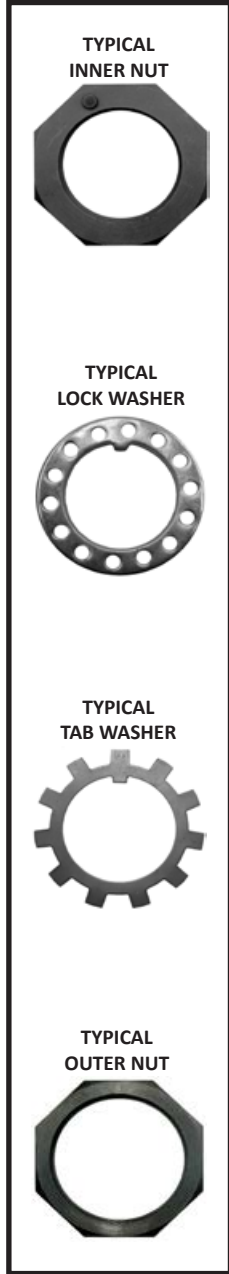
TYPICAL
TAB WASHER



TYPICAL
OUTER NUT



DRIVE AXLE SPINDLE NUTS & WASHERS (cont.)



MACK® 50,000 LB. AXLES				
WA#	REPLACES	I.D. OR THREAD	O.D. OR A.F.	THICKNESS
WA07-5384 OUTER NUT	MACK® 25QJ36 EUCLID® E-2305	3 1/4" - 12THD.	4" A.F.	1"
WA07-5385 LOCK WASHER	MACK® 23QJ201 EUCLID® E-2304	3 1/4" I.D.	4 5/16" O.D.	3/32"
WA07-5386 INNER NUT	MACK® 25QJ35 EUCLID® E-2386	3 1/4" - 12THD.	4" A.F.	3/8"

MACK® SW-56C AXLES				
WA#	REPLACES	I.D. OR THREAD	O.D. OR A.F.	THICKNESS
WA07-5387 OUTER NUT	MACK® 21-AX-626 EUCLID® E-2419	2 7/8" - 12THD.	4 1/8" A.F.	1"
WA07-5388 LOCK WASHER	MACK® 23-QJ-125 ,23-QJ-129 EUCLID® E-3505	2 7/8" I.D.	4 7/16" O.D.	1/8"
WA07-5389 INNER NUT	MACK® 25-QJ-138 EUCLID® E-3504	2 7/8" - 12THD.	4 1/8" A.F.	3/8"

NAVISTAR® 19,000-34,000 LB. AXLES				
APPLICATION: NAVISTAR AXLES: 14044, 14186, 14351				
WA#	REPLACES	I.D. OR THREAD	O.D. OR A.F.	THICKNESS
WA07-5382 OUTER NUT	NAVISTAR® 67678R1 EUCLID® E-2462	2 5/8" - 12THD.	3 7/16" A.F.	15/32"
WA07-5391 LOCK WASHER	NAVISTAR® 470422C1 EUCLID® E-4877	2 5/8" I.D.	4 1/16" O.D.	1/8"

MERITOR® DRIVE AXLE - "F" SERIES				
WA#	REPLACES	I.D. OR THREAD	O.D. OR A.F.	THICKNESS
WA07-5392 OUTER NUT	MERITOR® 1227-D-446 EUCLID® E-2419	2 1/2" - 16THD.	3 1/2" A.F.	5/16"
WA07-5393 LOCK WASHER	MERITOR® 1229-C-1459 EUCLID® E-2418	2 1/2" I.D.	3 3/4" O.D.	5/32"
WA07-5394 INNER NUT	MERITOR® 1227-U-515 EUCLID® E-2417	2 1/4" - 16THD.	3 1/2" A.F.	5/16"

MERITOR® DRIVE AXLE - "H" SERIES				
WA#	REPLACES	I.D. OR THREAD	O.D. OR A.F.	THICKNESS
WA07-5395 OUTER NUT	MERITOR® 1227-T-288 EUCLID® E-2422	2 5/8" - 16THD.	3 1/2" A.F.	3/8"
WA07-5396 LOCK WASHER	MERITOR® 1229-G-1021 EUCLID® E-2421	2 5/8" I.D.	3 3/4" O.D.	3/16"
WA07-5397 INNER NUT	MERITOR® A-1227-T-540 EUCLID® E-2420	2 5/8" - 16THD.	3 1/2" A.F.	3/8"

DRIVE AXLE SPINDLE NUTS & WASHERS (cont.)

MERITOR® DRIVE AXLE - SPECIAL "H" SERIES

WA#	REPLACES	I.D. OR THREAD	O.D. OR A.F.	THICKNESS
WA07-5398 OUTER NUT	MERITOR® 1227-E-1045 EUCLID® E-2462	2 5/8" - 12THD.	3 1/2" A.F.	3/8"
WA07-5396 LOCK WASHER	MERITOR® 1229-G-1021 EUCLID® E-2421	2 5/8" I.D.	3 3/4" O.D.	3/16"
WA07-5383 INNER NUT	MERITOR® 1227-Z-1040 EUCLID® E-6142	2 5/8" - 12THD.	3 1/2" A.F.	3/8"

DRIVE AXLE SPINDLE NUTS & LOCKS

MERITOR® DRIVE AXLE - "J" AND "L" SERIES

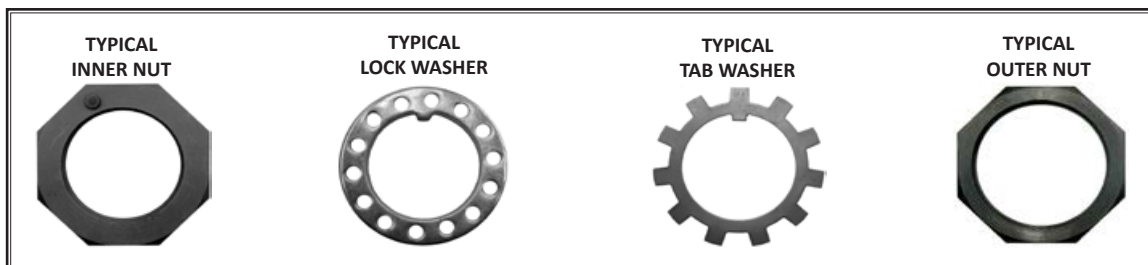
WA#	REPLACES	I.D. OR THREAD	O.D. OR A.F.	THICKNESS
WA07-5413 OUTER NUT	MERITOR® 1227-H-346 EUCLID® E-2425	3" - 12THD.	4" A.F.	3/8"
WA07-5414 LOCK WASHER	MERITOR® 1229-R-1058 EUCLID® E-2424	3" I.D.	4 1/4" O.D.	3/16"
WA07-5415 INNER NUT	MERITOR® A-1227-V-516 EUCLID® E-2423	3" - 12THD.	4" A.F.	3/8"

MERITOR® DRIVE AXLE - "Q", "R", "S", "T" SERIES

WA#	REPLACES	I.D. OR THREAD	O.D. OR A.F.	THICKNESS
WA07-5384 OUTER NUT	MERITOR® 1227-R-330 EUCLID® E-2305	3 1/4" - 12THD.	4" A.F.	3/8"
WA07-5385 LOCK WASHER	MERITOR® 1229-V-1009 EUCLID® E-2304	3 1/4" I.D.	4 5/16" O.D.	3/16"
WA07-5386 INNER NUT	MERITOR® 1227-W-517 EUCLID® E-2303	3 1/4" - 12THD.	4" A.F.	3/8"

MERITOR® DRIVE AXLE - "S", "U" AND FU900 SERIES

WA#	REPLACES	I.D. OR THREAD	O.D. OR A.F.	THICKNESS
WA07-5399 OUTER NUT	MERITOR® 1227-P-328 EUCLID® E-2428	3 3/8" - 12THD.	4 3/8" A.F.	3/8"
WA07-5400 LOCK WASHER	MERITOR® 1229-V-48 EUCLID® E-2427	3 3/8" I.D.	4" O.D.	7/32"
WA07-5401 INNER NUT	MERITOR® 1227-A-547 EUCLID® E-2426	2 5/8" - 12THD.	4 7/8" A.F.	5/16"

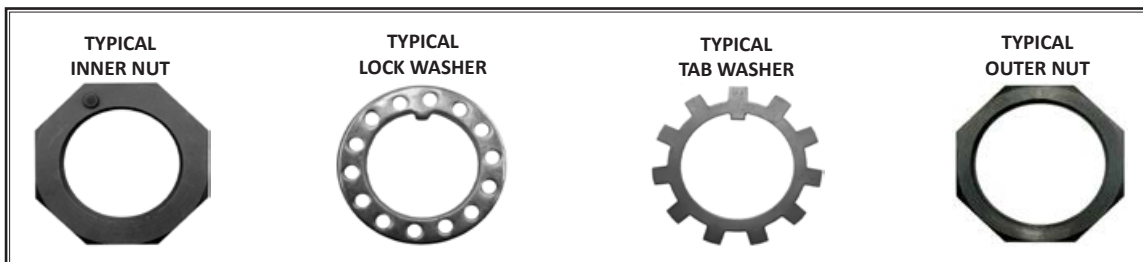


DRIVE AXLE SPINDLE NUTS & LOCKS (cont.)

MERITOR® - FD900, FD901, FD931, FE900, FF901, FF931 AXLES				
WA#	REPLACES	I.D. OR THREAD	O.D. OR A.F.	THICKNESS
WA07-5402 OUTER NUT	ROCKWELL® 1227-B-106 EUCLID® E-2296	1 1/2" - 12THD.	2 1/4" A.F.	7/16"
WA07-5403 OUTER WASHER	ROCKWELL® 1229-F-474 EUCLID® E-2298	1 17/32" I.D.	3" O.D.	1/32"
WA07-5404 LOCK WASHER	ROCKWELL® 1229-G-475 EUCLID® E-2297	1 17/32" I.D.	3" O.D.	3/16"
WA07-5405 INNER NUT	ROCKWELL® 1227-U-541, 1227-L-194, A-1227-A-105 EUCLID® E-2299	1 1/2" - 12THD.	2 5/8" O.D.	3/8"

MERITOR® - FE970 AND "E" SERIES AXLES				
WA#	REPLACES	I.D. OR THREAD	O.D. OR A.F.	THICKNESS
WA07-5406 OUTER NUT	ROCKWELL® 1227-F-162 EUCLID® E-2300	2 1/4" - 16THD.	2 7/8" A.F.	1/4"
WA07-5407 LOCK WASHER	ROCKWELL® 1229-S-721 EUCLID® E-2301	2 1/4" I.D.	3 5/16" O.D.	1/16"
WA07-5408 THRUST WASHER	ROCKWELL® 1229-H-1568 EUCLID® E-2302	2 1/4" I.D.	4 5/16" O.D.	1/4"

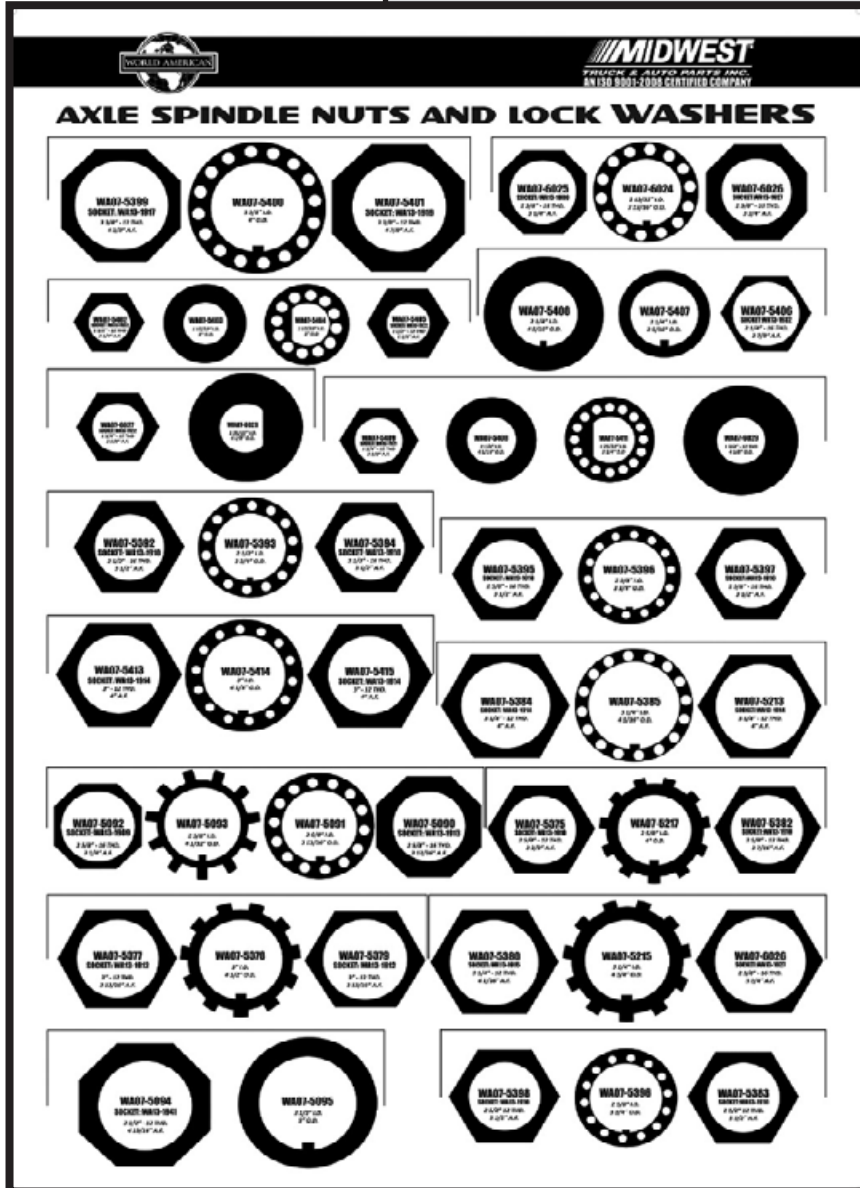
MERITOR® - FG900 AXLES				
WA#	REPLACES	I.D. OR THREAD	O.D. OR A.F.	THICKNESS
WA07-5409 OUTER NUT	ROCKWELL® 1227-D-108 EUCLID® E-2658	1 3/4" - 12THD.	2 1/2" A.F.	11/16"
WA07-5410 OUTER WASHER	ROCKWELL® 1229-J-478 EUCLID® E-2659	1 25/32" I.D.	3 1/4" O.D.	1/32"
WA07-5411 LOCK WASHER	ROCKWELL® 1229-H-476 EUCLID® E-2660	1 25/32" I.D.	3 1/4" O.D.	7/32"
WA07-5412 INNER NUT	ROCKWELL® A-1227-C-107 EUCLID® E-3510	1 3/4" - 12THD.	3 5/16" O.D.	7/16"



HEAVY DUTY AXLE NUT & LOCKS DISPLAY

WA#	DESCRIPTION
WA07-0000	DISPLAY BOARD AND HOOKS ONLY
WA07-0001	CONSISTS OF DISPLAY BOARD W/ HOOKS AND COMPLET SET OF ALXE NUTS, & WASHERS LISTED:

- 1 - WA07-5090
- 1 - WA07-5091
- 1 - WA07-5092
- 1 - WA07-5093
- 1 - WA07-5094
- 1 - WA07-5095
- 1 - WA07-5213
- 1 - WA07-5215
- 1 - WA07-5217
- 1 - WA07-5375
- 1 - WA07-5377
- 1 - WA07-5378
- 1 - WA07-5379
- 1 - WA07-5380
- 1 - WA07-5381
- 1 - WA07-5382
- 1 - WA07-5383
- 1 - WA07-5384
- 1 - WA07-5385
- 1 - WA07-5392
- 1 - WA07-5393
- 1 - WA07-5394
- 1 - WA07-5395
- 2 - WA07-5396
- 1 - WA07-5397
- 1 - WA07-5398
- 1 - WA07-5399
- 1 - WA07-5400
- 1 - WA07-5401
- 1 - WA07-5402
- 1 - WA07-5403
- 1 - WA07-5404
- 1 - WA07-5405
- 1 - WA07-5406
- 1 - WA07-5407
- 1 - WA07-5408
- 1 - WA07-5409
- 1 - WA07-5410
- 1 - WA07-5411
- 1 - WA07-5412
- 1 - WA07-5413
- 1 - WA07-5414
- 1 - WA07-5415
- 1 - WA07-6024
- 1 - WA07-6025
- 1 - WA07-6026
- 1 - WA07-6027
- 1 - WA07-6028
- 1 - WA07-6029



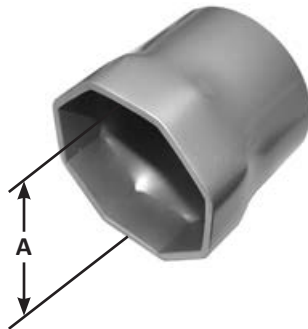
HEAVY DUTY AXLE NUT SOCKETS

3/4" DRIVE SQUARE OPENING
ALL SOCKETS MEASURED INSIDE FLAT-TO-FLAT
6 POINT SOCKETS



A=OPENING SIZE	WA#	OTC®	
2 3/32"	WA13-1901	1901	
2 1/4"	WA13-1920	1920	
2 3/8"	WA13-1902	1902	
2 3/8"	WA13-1936	1936	Note: fits special rounded hex nut for some Ford truck and Dana Axles
2 1/2"	WA13-1921	1921	
2 9/16"	WA13-1904	1904	
2 9/16"	WA13-1928	1928	Note: fits special rounded hex nut for some Ford truck and Dana Axles
2 5/8"	WA13-1922	1922	
2 3/4"	WA13-1923	1923	
2 7/8"	WA13-1932	1932	
3"	WA13-1906	1906	
3 1/4"	WA13-1908	1908	
3 1/2"	WA13-1910	1910	
3 7/8"	WA13-1912	1912	
4"	WA13-1914	1914	
4 1/8"	WA13-1915	1915	
4 3/8"	WA13-1916	1916	
4 7/8"	WA13-1918	1918	
5 1/4"	WA13-1943	1943	Note: Fits Mack axle nuts

3/4" DRIVE SQUARE OPENING
ALL SOCKETS MEASURED INSIDE FLAT-TO-FLAT
8 POINT SOCKETS



A=OPENING SIZE	WA#	OTC®
2 3/8"	WA13-1903	1903
2 9/16"	WA13-1905	1905
2 3/4"	WA13-1937	1937
2 7/8"	WA13-1933	1933
3"	WA13-1907	1907
3 1/8"	WA13-1935	1935
3 1/4"	WA13-1909	1909
3 1/4" & 3 7/8"	WA13-1940	Double Side Socket
3 3/8"	WA13-1924	1924
3 1/2"	WA13-1911	1911
3 3/4"	WA13-1925	1925
3 13/16"	WA13-1927	1927
3 7/8"	WA13-1913	1913
4 1/8"	WA13-1939	1939
4 3/8"	WA13-1917	1917
4 1/2"	WA13-1938	1938
4 13/16"	WA13-1941	1941
4 7/8"	WA13-1919	1919

WWW.WORLDAMERICAN.COM

HEAVY DUTY AXLE SOCKET DISPLAY

SOCKET BOARD
INCLUDES HOOKS

WA#

DESCRIPTION

WA13-0000

BOARD AND HOOKS ONLY

WA13-0001

BOARD, HOOKS AND COMPLETE
SET OF 19 SOCKETS: 1 - WA13-1901

1 - WA13-1902

1 - WA13-1903

1 - WA13-1904

1 - WA13-1905

1 - WA13-1906

1 - WA13-1907

1 - WA13-1908

1 - WA13-1909

1 - WA13-1910

1 - WA13-1911

1 - WA13-1912

1 - WA13-1913

1 - WA13-1914

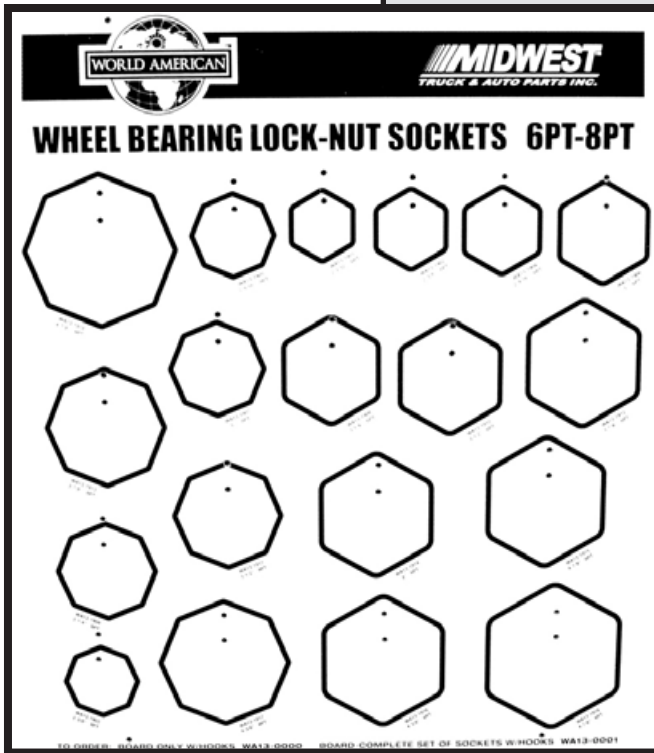
1 - WA13-1915

1 - WA13-1916

1 - WA13-1917

1 - WA13-1918

1 - WA13-1919



WA13-0002

BOARD, HOOKS AND INCLUDES THE
10 MOST POPULAR SOCKETS:

1 - WA13-1902

1 - WA13-1904

1 - WA13-1906

1 - WA13-1909

1 - WA13-1910

1 - WA13-1913

1 - WA13-1914

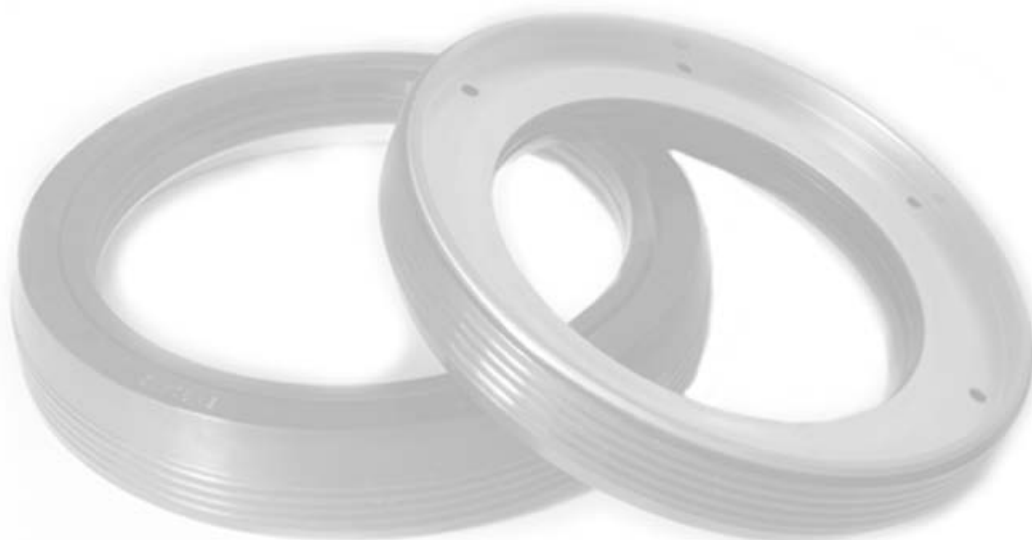
1 - WA13-1915

1 - WA13-1917

1 - WA13-1919

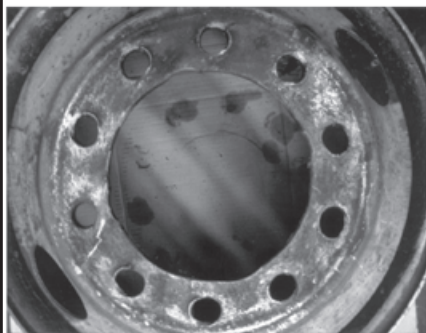
WHEEL BEARING SETS & WHEEL SEALS

PART #	PARTS IN SET	OIL BATH SEAL
SET 401	572/580	370022A
SET 402	572/582	
SET 403	592A/594A	370001A, 370021A
SET 404	592A/598A	370003A, 370005A
SET 405	653/663	370005A, 370036A
SET 406	3720/3782	
SET 407	3720/3782	
SET 408	32520/39595	
SET 409	45220/45280	
SET 410	45220/45284	370054A
SET 411	47620/47686	370023A, 370024A
SET 412	HM212011/HM212047	370001A, 370012A, 370011A
SET 413	HM212011/HM212049	370001A, 370033A
SET 414	HM218210/HM218248	370025A
SET 415	HM518410/HM518445	370065A
SET 416	45220/45291	
SET 417	45820/47890	
SET 418	H715311/H715334	
SET 419	H715311/H715343	
SET 420	H715311/H715345	370131A
SET 421	HM516410/HM516449A	370031A
SET 422	HM516410/HM516449C	370031A
SET 423	6420/6461A	370054A
SET 424	552A/555S	



METRIC FLANGE NUTS W/SLEEVE

**YOU CAN PREVENT
THIS CONDITION!!!!**



**WHAT PREVENTS WHEELS
FROM LOOSENING?**

TENSION!

TENSION!!

TENSION!!!

And

PROPER INSTALLATION

INSTALLATIONS PROCEEDURES

To ensure proper wheel retention it is very important to follow proper installation procedures.

Prepare:

Inspect and clean wheel studs, wheel and drum mounting faces and pilots.

Fresh paint on mounting surfaces has fully cured.

Brake drums are properly positioned

Lubricate:

Wheel studs and wheel nuts should be lubricated with two drops of SAE30 weight oil to ensure proper lubrication

Assemble:

Position a wheel pilot pad at 12 00 O'Clock

Install wheels, Installation sleeve help to protect threads and align the wheels for the sleeve nuts.

Tighten:

Snug all the nuts to 50 ft-lbs, inspect for proper positioning of the wheels and drum.

Continue torquing each nut to a value of 50% to 80% of the final torque

Using a star pattern as recommended by the vehicle manufacturer, finish torquing to 450-500 ft-lbs using a calibrated torque wrench or air operated installation tool.

For more detailed installation procedures see your vehicle manufacturers' literature or that of an industry organization like TMC.



WHEEL TITE®

SLEEVE NUT

CONTINUED>>>

WWW.WORLDAMERICAN.COM

YOUR #1 SOURCE FOR HEAVY DUTY CAMSHAFTS AND RELATED PARTS!

CALL 800.934.2727 FOR PRICING!

METRIC FLANGE NUTS W/SLEEVE



Causes of wheel joint tension loss:

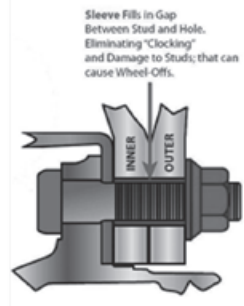
- Component settling
- Excess and uncured paint on the mounting surfaces of the hub, drum or wheels
- Excess rust and corrosion on the pilots for the drum and wheels
- Excess rust on the mounting surface of the hub, drum or wheels
- Burrs around the bolt holes and center hole of the wheels
- Dirt or grease on the mounting surface of the hub, drum or wheels
- Hub, brake drum or wheel mounting surfaces worn or not flat
- Improperly assembled components, cocked drum or wheel
- Improper stud installation
- Mixed or incorrect components
- Broken or damaged components

Wheels may also come loose if the desired tension is not reached during installation by any one or combination of the following conditions:

- Wheels not torqued properly
- Threads on wheel bolt not properly oiled
- Nuts not properly oiled
- Corrosion on threads of the wheel bolts or nuts
- Worn damaged or stripped threads on the wheel bolts or nuts
- Mixed or improper fastener type for wheel

It is essential to **re-torque** wheel nuts to overcome any cause of tension loss as described above. The wheel is held concentric to the hub, however with loss of tension the wheel ends will slip or "**Clock**" causing wheel damage as seen in the previous picture. In addition the "clocking" action can damage the wheel stud.

The Wheel Tite Sleeve Nut System is designed to reduce wheel and wheel stud damage and help prevent the unpredictable wheel off situations. This system is specifically designed for Class 7 & 8 Trucks, Tractors, Trailers and any vehicle that uses M22x1.5 two-piece wheel nuts.



WHEEL TITE® SLEEVE NUT

- Minimizes the clearance between the wheel stud and the wheel bolt hole
- Reduces the movement or "Clocking" of loose wheels
- Engages both dual wheels
- Protects and covers the threads from wear
- Slows the process of wheels loosening
- Lengths designed for specific axle applications and wheel configurations

Available product:

The 6mm Sleeve is designed for:
STEER Axles - Steel Wheels
DRIVE/TRAILER Axles - Wide Single Wheels



The 19mm Sleeve is designed for:
STEER Axles - Aluminum Wheels
DRIVE/TRAILER Axles - Wide Single Aluminum Wheels
DRIVE/TRAILER Axles - Steel Outer/Steel Inner Wheels
DRIVE/TRAILER Axles - Steel Outer/Aluminum Inner Wheels

The 28mm Sleeve is designed for:
DRIVE/TRAILER Axles - Steel Outer/Aluminum Inner
DRIVE/TRAILER Axles - Aluminum Outer/Steel Inner Wheels



The 39mm Sleeve is designed for:
DRIVE/TRAILER Axles - Aluminum Outer/Aluminum Inner

METRIC SLEEVED FLANGE NUTS 22X1.5

WA#	INNER THREAD HEX	SLEEVE LENGTH
WA07-8006	M22 X 1.5	6mm
WA07-8019	M22 X 1.5	19mm
WA07-8028	M22 X 1.5	28mm
WA07-8039	M22 X 1.5	39mm

INNER NUTS FOR DISC WHEELS



STANDARD INNER CAP NUT FOR STEEL WHEELS

WA#	OUTER THREAD	INNER THREAD	LENGTH	SQUARE HEAD	GRADE	REPLACES	RH	LH
WA07-5024	RH 1 1/8"-16	3/4"-16	2 1/8"	13/16"	8	BWP®	M-128	M-129
WA07-5025	LH 1 1/8"-16	3/4"-16	2 1/8"	13/16"	8	BUDD®	10708	10709
						DAYTON®	13-3005R	13-3005L
						EUCLID®	E-5549R	E-5549L
						NWRA®	X-1828	X-1829
WA07-5024	RH 1 1/8"-16	3/4"-16	2 1/8"	13/16"	8	BWP®	M-3396	M-3397
WA07-5025	LH 1 1/8"-16	3/4"-16	2 1/8"	13/16"	8	BUDD®	3203403	3203404
						DAYTON®	13-3005R	13-3005L
						EUCLID®	E-7895R	E-7895L

METRIC INNER DISC WHEEL NUTS

WA#		OUTER	INNER	LENGTH	REPLACES	RH	LH
WA07-5154	RH	M30x1.5	M20x1.5	62mm	BWP®	M-3982	M-3983
WA07-5155	LH	M30x1.5	M20x1.5	62mm	DAYTON®	13-3130R	13-3130L
					EUCLID®	E-10253R	E-10253L
					GMC®	94039630	4039631
					HINO®	9004-23101	9004-24101
					IZUZU®	1-42335-005-0R	1-42335-005-0L
					NAVISTAR®	43212Z5025R	43212Z5025L

EXTRA LENGTH INNER CAP NUTS FOR STEEL WHEELS

WA#	OUTER THREAD	INNER THREAD	LENGTH	SQUARE HEAD	GRADE	REPLACES	RH	LH
WA07-5026	RH 1 1/8"-16	3/4"-16	2 9/16"	13/16"	8	BWP®	M-130	M-131
WA07-5027	LH 1 1/8"-16	3/4"-16	2 9/16"	13/16"	8	BUDD®	35336	35337
						DAYTON®	13-3028R	13-3028L
						EUCLID®	E-7896R	E-7896L
						NWRA®	X-1835	X-1836
WA07-5028	RH 1 1/8"-16	3/4"-16	3 1/16"	13/16"	8	BWP®	M-132	M-133
WA07-5029	LH 1 1/8"-16	3/4"-16	3 1/16"	13/16"	8	BUDD®	22621	22622
						DAYTON®	13-3029R	13-3029L
						EUCLID®	E-7897R	E-7897L
						NWRA®	X-1407	X-1408

HEAVY DUTY OFF HIGHWAY INNER NUTS

WA#	OUTER THREAD	INNER THREAD	LENGTH	SQUARE HEAD	GRADE	REPLACES	RH	LH
WA07-6126	RH 1 5/16"-12	15/16"-12	3"	15/16"	8	BWP®	M-140A	M-140B
WA07-6127	LH 1 5/16"-12	15/16"-12	3"	15/16"	8	BUDD®	49414	49415
						DAYTON®	13-3010R	13-3010L
						EUCLID®	E-7898R	E-7898L
						NWRA®	X-1411	X-1412

INNER NUTS FOR DISC WHEELS (cont.)

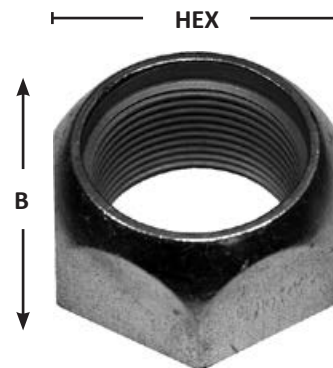
EXTRA LENGTH INNER CAP NUTS FOR ALUMINUM WHEELS

WA#	OUTER THREAD	INNER THREAD	LENGTH	SQUARE HEAD	GRADE	REPLACES	RH	LH
WA07-5032	RH 1 1/8"-16	3/4"-16	2 15/16"	13/16"	8	ALCOA®	5988R	5988L
WA07-5033	LH 1 1/8"-16	3/4"-16	2 15/16"	13/16"	8	BWP® DAYTON® EUCLID® NWRA®	M-2400 13-3026R E-5988R X-1873	M-2401 13-3026L E-5988L X-1874

STANDARD INNER CAP NUTS FOR ALUMINUM WHEELS

WA#	OUTER THREAD	INNER THREAD	LENGTH	SQUARE HEAD	GRADE	REPLACES	RH	LH
WA07-5030	RH 1 1/8"-16	3/4"-16	2 5/8"	13/16"	8	BWP®	M-136	M-137
WA07-5031	LH 1 1/8"-16	3/4"-16	2 5/8"	13/16"	8	BUDD® DAYTON® EUCLID® NWRA®	70611 13-3026R E-5548R X-1801	70612 13-3026L E-5548L X-1802

OUTER NUTS FOR DISC WHEELS



DISC WHEEL OUTER AND FRONT NUTS

WA#	THREAD	HEX	HEIGHT	APPLICATION	REPLACES	RH	LH
WA07-5022	RH 1 1/8"-16	1 1/2"	7/8"	Standard for Steel & Aluminum Dual & Single Wheels w/ 1 1/8" Dia Studs	BWP®	M-126	M-127
WA07-5023	LH 1 1/8"-16	1 1/2"	7/8"		BUDD® DAYTON® EUCLID®	37891 13-3012R E-5552R	37892 13-3012L E-5552L
WA07-5022	RH 1 1/8"-16	1 1/2"	7/8"		ALCOA® BWP® DAYTON® EUCLID®	5977R M-3394 N/A E-5977R	5977L M-3395 N/A E-5977L
WA07-5023	LH 1 1/8"-16	1 1/2"	7/8"				

OUTER NUTS FOR DISC WHEELS (cont.)

METRIC OUTER DISC WHEEL NUTS

WA#	THREAD	HEX	HEIGHT	APPLICATION	REPLACES	RH	LH
WA07-5156	RH	41mm	25 mm		BWP®	M-3980	M-3981
WA07-5157	LH				DAYTON®	13-3131R	13-3131L
					EUCLID®	E-10254R	E-10254L
					HINO®	9004-2111R	9004-22104L
					IZUZU®	1-42333-023-0R	1-42333-023-0L
					NAVISTAR®	433241Z5025R	433241Z5025L

OUTER CAP NUTS - WIDE BASE FOR ALUMINUM WHEELS

WA#	THREAD	HEX	HEIGHT	APPLICATION	REPLACES	RH	LH
WA07-6016	RH 1 1/8"-16	1 1/2"	1"		ALCOA®	5996R	5996L
WA07-6017	LH 1 1/8"-16	1 1/2"	1"		BWP®	M-3210	M-3211
					DAYTON®	13-3055R	13-3055L
					EUCLID®	E-5996R	E-5996L

OUTER CAP NUTS - WIDE BASE FOR ALUMINUM WHEELS

WA#	THREAD	HEX	HEIGHT	APPLICATION	REPLACES	RH	LH
WA07-6014	RH 3/4"-16	1 1/2"	1 3/8"		ALCOA®	5995R	5995L
WA07-6015	LH 3/4"-16	1 1/2"	1 3/8"		BWP®	M-3208	M-3209
					DAYTON®	13-3054R	13-3054L
					EUCLID®	E-5995R	E-5995L

STANDARD OUTER CAP NUTS - SINGLE WHEELS

WA#	THREAD	HEX	HEIGHT	APPLICATION	REPLACES	RH	LH
WA07-5020	RH 3/4"-16	1 1/2"	7/8"		BWP®	M-124	M-125
WA07-5021	LH 3/4"-16	1 1/2"	7/8"		BUDD®	37888	37889
					DAYTON®	13-3013R	13-3013L
					EUCLID®	E-5652R	E-5652L
					NWRA®	X-1803	X-1804

STANDARD FRONT OR SINGLE REAR ALUMINUM WHEEL NUTS

WA#	THREAD	HEX	HEIGHT	APPLICATION	REPLACES	RH	LH
WA07-6002	RH 3/4"-16	1 1/2"	1"	For Use on	BWP®	M-134	M-135
WA07-6003	LH 3/4"-16	1 1/2"	1"	Aluminum Wheels	BUDD®	70613	70614
					DAYTON®	13-3054R	13-3054L
					EUCLID®	E-5554R	E-5554L
					NWRA®	X-1807	X-1808

OUTER NUTS FOR DISC WHEELS (cont.)

HEAVY DUTY OFF-HIGHWAY OUTER CAP NUTS OR SINGLE CAP NUTS

WA#	THREAD	HEX	REPLACES	RH	LH
WA07-6128	RH 1 5/16"-12	1 3/4"	BWP®	M-140E	M-140F
WA07-6129	LH 1 5/16"-12	1 3/4"	BUDD®	49416	49417
			DAYTON®	13-3017R	13-3017L
			EUCLID®	E-5576R	E-5576L
			NWRA®	X-1416	X-1417

HEAVY DUTY OFF-HIGHWAY OUTER CAP NUTS OR SINGLE CAP NUTS

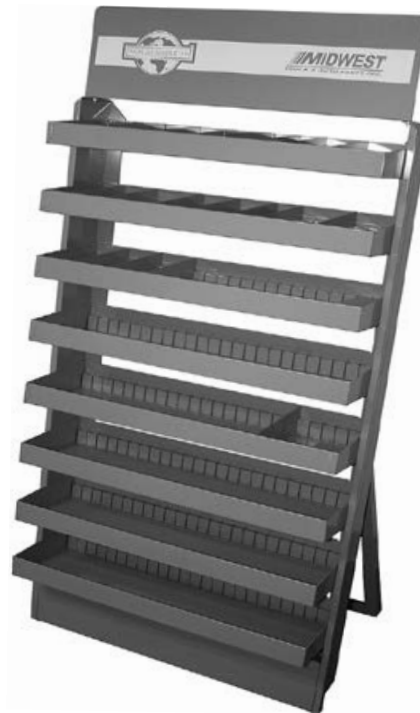
WA#	THREAD	HEX	REPLACES	RH	LH
WA07-5159	RH 1 1/8"-16	1 3/4"	BWP®	M-140G	M-140H
WA07-5158	LH 1 1/8"-16	1 3/4"	BUDD®	67011	67012
			DAYTON®	13-3019R	13-3019L
			EUCLID®	E-6060R	E-6060L
			NWRA®	X-1362	X-1363

FLANGED OUTER HEAVY DUTY CAP NUTS

WA#	THREAD	HEX	REPLACES	RH	LH
WA07-5300	RH 1 1/8"-16	1 1/2"	BWP®	M-166	M-167
WA07-5301	LH 1 1/8"-16	1 1/2"	BUDD®	69912	69913
			DAYTON®	13-3016R	13-3016L
			EUCLID®	E-5579R	E-5579L
			NWRA®	X-1420	X-1421

SMALL PARTS DISPLAY RACK

WA#	DESCRIPTION
WA07-RACK	<ul style="list-style-type: none"> -SMALL PARTS DISPLAY RACK: -SILK SCREENED MIDWEST TRUCK LOGO -8 TRAYS -48 ADJUSTABLE COMPARTMENTS -DURABLE POWDER COAT FINISH -HEIGHT: 4 1/2' -WIDTH: 26" -SHIPPING WEIGHT: 52 lbs.



TRACTOR & TRAILER RELATED PARTS

EMERGENCY KIT



REFLECTOR KIT

WA#	DESCRIPTION
WA-REFLECTOR	<ul style="list-style-type: none"> - MEETS OR EXCEEDS ALL APPLICABLE D.O.T. and STANDARD FMVSS 125 REQUIREMENTS - WEIGHTED BASE KEEPS TRIANGLE IN PLACE - SET-UP REQUIRES NO TOOLS - SELF CONTAINED UNIT (REQUIRES NO POWER SOURCE) - INSTRUCTIONS PERMANENTLY INSCRIBED ON CARRYING CASE AND TRIANGLE REFLECTOR

MUD FLAP HANGERS



STANDARD MUD FLAP HANGER

WA#	LENGTH	NOTE
MUD FLAP HANGER	29.75"	.640" SQUARE STEEL SOLD IN PAIRS



PIG TAIL STYLE MUD FLAP HANGER (SOLD INDIVIDUALLY)

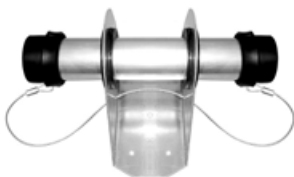
WA#	LENGTH	NOTE
WA-2733B	29.75"	.640" SQUARE STEEL



MUD FLAP MOUNTING SOCKET W/ HARDWARE

WA#	REPLACES	NOTE
WAK711	K711 7860-K711 BTSK711	

DOCUMENT HOLDERS



DOCUMENT HOLDER

WA#	DESCRIPTION	NOTE
WA14-5020	DOCUMENT HOLDER	MOUNTS DIRECTLY TO TRAILER; KEEPS RECORDS WITH TRAILER

TRACTOR & TRAILER RELATED PARTS (cont.)

DOCUMENT HOLDERS (cont.)



ALUMINUM MANIFEST BOX

WA#	SIZE	NOTE
WA14-5019	13" LONG X 8" WIDE X 1 1/2" HIGH	MOUNTS DIRECTLY TO TRAILER - KEEPS RECORDS W/CARGO - CAN BE LOCKED TO SAFEGUARD RECORDS

REPLACEMENT POWER CORDS



WA#	REPLACES	LENGTH	DESCRIPTION
WA22-4621	PHILLIPS® 22-4621	15'	HEAVY DUTY ELECTRICAL CORD, 6/12 GA., 1/10 GA.



WA#	REPLACES	LENGTH	DESCRIPTION
WA24-4621	PHILLIPS® 24-4621	15'	LIGHT DUTY ELECTRICAL CORD, 6/14 GA., 1/12 GA.



WA#	REPLACES	LENGTH	DESCRIPTION
WA30-4621	PHILLIPS® 30-4621	15'	GREEN ABS ELECTRICAL CORD, 4/12 GA., 2/10 GA., 1/8 GA.

REPLACEMENT CONNECTORS



WA#	REPLACES	DESCRIPTION
WA15-400	PHILLIPS® 15-400	4 WAY ELECTRICAL SOCKET



WA#	REPLACES	DESCRIPTION
WA15-430	PHILLIPS® 15-430	4 WAY ELECTRICAL PLUG WITH SPRING

TRACTOR & TRAILER RELATED PARTS (cont.)

REPLACEMENT CONNECTORS (cont.)



WA#	REPLACES	DESCRIPTON
WA15-600	PHILLIPS® 15-600	6 WAY ELECTRICAL SOCKET



WA#	REPLACES	DESCRIPTON
WA15-630	PHILLIPS® 15-630	6 WAY ELECTRICAL PLUG WITH SPRING



WA#	REPLACES	DESCRIPTON
WA15-720	PHILLIPS® 15-720	7 WAY ELECTRICAL SOCKET WITH SPLIT 2 PIN HOLE



WA#	REPLACES	DESCRIPTON
WA15-730	PHILLIPS® 15-730	7 WAY ELECTRICAL PLUG WITH SPRING



WA#	REPLACES	DESCRIPTON
WA15-740	PHILLIPS® 15-740	7 WAY WEATHER HOOD GUARD

TERMINAL JUNCTION BOX



WA#	REPLACES	DESCRIPTON
WA22040	MIDLAND® BE22040	7-TERMINAL STYLE STRIP WITH GROMMETS & HARDWARE

TRAILER RELATED (cont.)



WA#	REPLACES	THREAD	APPLICATION
WA340-4975	FRUEHAUF® ACC-7538-900 EUCLID® E-04075	6 1/4"-8	



WA#	REPLACES	APPLICATION
WA359-5990	FRUEHAUF® AXA-1005-1 EUCLID® E-04000	STD PLUG FOR ALL CENTER FILL HUB CAPS COLOR: BLACK



WA#	REPLACES	I.D.	O.D.	NOTE
WA14-5001	FRUEHAUF® AXA-0484-1 EUCLID® E-055005	5 1/2"	6"	O-RING



WA#	REPLACES	BOLT CIRCLE	BOLT SIZE	O.D.	I.D.	NOTE
WA330-3009	STEMCO® 330-3009	5 1/2"		6 1/4"	4 3/4"	STANDARD GASKET FOR 6-HOLE HUB CAPS. USE WITH WA14-5003 & WA343-009



WA#	REPLACES STEMCO®	BOLT CIRCLE	BOLT SIZE	INSIDE DEPTH	O.D.	I.D.	NOTE
WA14-5003	240-4009	5 1/2"	5/16"	1 15/16"	6 1/4"	4 3/8"	DIE CAST ALUM. TYPE W/ WINDOW



WA#	REPLACES STEMCO®	BOLT CIRCLE	BOLT SIZE	INSIDE DEPTH	O.D.	I.D.	NOTE
WA343-009	343-4009	5 1/2"	5/16"	1 15/16"	6 1/4"	4 3/8"	WITH GASKET



WA#	NOTE
WA14-5005	WINDOW KIT FOR WA343-009



WA#	REPLACES STEMCO®	BOLT CIRCLE	BOLT HOLES	HOLE SIZE	O.D.	I.D.	HEIGHT
WA14-5023	343-4025	4.5"	6	.349	6.25"	3.5"	2.609"

TRAILER RELATED (cont.)



WA#	REPLACES	BOLT CIRCLE	BOLT HOLES	HOLE SIZE	O.D.	I.D.	HEIGHT
WA14-5024	E-975 M-767 11-0660 9009G M10HK129 3262-S-45 A-170074	5 1/2"	6	5/16"	6 1/8"	4 1/2"	2 1/8"



WA#	REPLACES	BOLT CIRCLE	BOLT HOLES	HOLE SIZE	O.D.	I.D.	HEIGHT
WA340-4249	340-4249 21017 MST404249 ZCP3404249	5 1/2"	6	5/16"	6 3/16"	4 7/16"	1 13/16"



WA#	REPLACES	BOLT CIRCLE	BOLT HOLES	HOLE SIZE	O.D.	I.D.	HEIGHT
WA343-4075	343-4075 A3262Q407 23004 47550 7843-3434075	6 1/4"	8		6 7/8"	5 3/4"	2 5/16"

SUSPENSION CONTROL BOXES



UNIVERSAL AIR SUSPENSION CONTROL BOX

WA#	DESCRIPTION
WA14-5021	12" SQUARE X 6 1/2" DEEP BLACK POWDER COAT FINISH



UNIVERSAL AIR SUSPENSION CONTROL BOX

WA#	DESCRIPTION
WA14-5022	UNIVERSAL AIR SUSPENSION CONTROL BOX 8 1/4" SQUARE X 4 1/4" DEEP BLACK POWDER COAST FINISH

TRAILER RELATED (cont.)

RUBBER TRAP STRAPS



WA#	STRAP LENGTH	OVERALL LENGTH	NOTE
WA14-0009	9"	14"	RUBBER TARP STRAPS ALL STRAPS SUPPLIED WITH 2 1/2" "S" HOOKS. SPECIAL RUBBER TO RESIST ELEMENTS - UNIVERSAL MULTI-PURPOSE - ALL PACKAGED 50 STRAPS PER CARTON.
WA14-0015	15"	20"	
WA14-0021	21"	25"	
WA14-0031	31"	36"	
WA14-0041	41"	46"	

FIFTH WHEEL COMPONENTS

8" DIAMETER FLANGE KING PIN WELD-ON STYLE



WA#	REPLACES	SPECIFICATIONS	NOTES
WA15-5050	11-0212 E-700 KP-T809F L-345 M-698	8" DIA. FLANGE 3/8" THICK PLATE	HIGH TENSILE ALLOY STEEL FORGING HEAT TREATED - MEETS OR EXCEEDS OEM SPECIFICATIONS

KING PIN LOCK



WA#	REPLACES	SPECIFICATIONS	NOTES
WA15-5051	11-0198 E-702 GL-030-3000 M-770	KING PIN LOCK	USE WITH WA15-5050. MAY BE USED ON ALL STANDARD TRAILER KING PINS - HEAVY DUTY LOCK SUPPLIED WITH TWO KEYS

WHEEL CHOCKS

WA#	DESCRIPTION
WA14-5025	HEAVY DUTY CHOCK, LARGE ZINC-PLATED EYEBOLT, NON-SKID BOTTOM (7LBS., 8"D x 10"L x 6"H)
WA14-5026	HEAVY DUTY CHOCK, LARGE ZINC-PLATED EYEBOLT, NON-SKID BOTTOM (9LBS., 8"D x 9 1/2"L x 5 3/4"H)



TRAILER LANDING GEAR



STANDARD DUTY ADJUSTABLE BRACE - 2 PIECE

WA#		ADJUST FROM
WA14-5006	EUCLID® E-2507	26" - 41"
WA14-5007		42" - 57"
WA14-5008		56" - 72"
WA14-5009		72" - 88"
WA14-5010		88" - 104"



VERTICAL FOLD CRANK HANDLE

WA#		ADJUST FROM
WA14-5011	EUCLID® E-926	15.88"
WA14-5012		21.00"



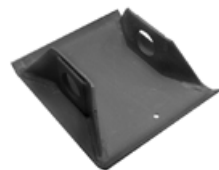
HORIZONTAL FOLD CRANK HANDLE

WA#		LENGTH
WA14-5013		15.88"
WA14-5014		21.00"



SAND SHOE - STANDARD

WA#		BASE	HEIGHT	NOTE:
WA14-5015	EUCLID® E-925	10.00 X 11.50	4.38"	USE WA14-5017 AXLE



SAND SHOE - LOW PROFILE

WA#		BASE	HEIGHT	NOTE:
WA14-5016		10.00 X 11.50	1.75"	USE WA14-5017 AXLE



SAND SHOE AXLE - STANDARD

WA#		EUCLID®	LENGTH	NOTE:
WA14-5017 (Includes Locking Clip, Nut, Bolt)		E-1415	8.50"	USE WITH WA14-5015 WA14-5016



T-STAMP AXLE HOUSING

WA#		SIZE
WA14-5018		5.00 X 5.88

DANA® STYLE SUSPENSION



WA#	REPLACES	APPLICATION
WA12-5105	DANA® B-55536 EUCLID® E-3012	55 SERIES INCLUDES BUSHING



ADJUSTABLE TORQUE ROD INCLUDES BUSHING

WA#	REPLACES	WITH BUSHING	ADJUST. LENGTH	APPLICATION
WA12-5106	DANA® M-109201 EUCLID® E-2512	WA04-5018	14" - 18 1/2"	62-68



ADJUSTABLE TORQUE ROD INCLUDES BUSHING

WA#	REPLACES	WITH BUSHING	ADJUST. LENGTH	APPLICATION
WA12-5107	DANA® M-109202 EUCLID® E-2513	WA04-5018	18 1/2" - 21 3/8"	62-68



ADJUSTABLE TORQUE ROD WITHOUT BUSHING

WA#	REPLACES	ADJUST. LENGTH	APPLICATION
WA12-5108	DANA® M-109101 EUCLID® E-2294	14" - 18 1/2"	26-55



ADJUSTABLE TORQUE ROD WITHOUT BUSHING

WA#	REPLACES	ADJUST. LENGTH	APPLICATION
WA12-5109	DANA® M-109102 EUCLID® E-2295	18 1/2" - 21 3/8"	23-26-55



TORQUE ARM BUSHING ASSEMBLY

WA#	REPLACES	APPLICATION
WA12-5110	DANA® L-4032 EUCLID® E-1983	USE WITH WA12-5106 WA12-5107

DAYTON® STYLE SUSPENSION



ADJUSTABLE TORQUE ROD INCLUDES BUSHING

WA#	REPLACES	WITH BUSHING	ADJ. LENGTH	APPLICATION
WA12-5106	DAYTON® 39090029 EUCLID® E-2512	WA04-5018	14" - 18 1/2"	TRI-LITE FRONT
WA12-5107	DAYTON® 39090030 EUCLID® E-2513	WA04-5018	18 1/2" - 21 3/8"	TRI-LITE REAR

DAYTON® STYLE SUSPENSION (cont.)



TORQUE ARM BUSHING ASSEMBLY

WA#	REPLACES	I.D.	O.D.	LENGTH
WA04-5018	DAYTON-IHC® 3940016, 347374C1 EUCLID® E-1980	7/8"	1 29/32"	3"

FORD® STYLE SUSPENSION

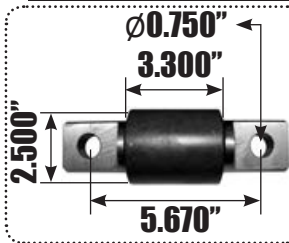


WA#	REPLACES	APPLICATION
WA12-5089	OEM F4TZ-5K316A AUTOMANN® M-1758 DAYTON® 330-200 FLAGG® E-75643 EUCLID® E-756-43	FORD® SHACKLE



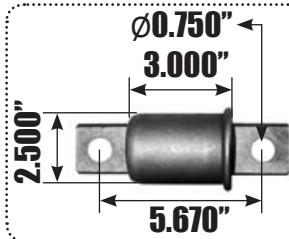
WA#	REPLACES	APPLICATION
WA12-5090	OEM F87Z5776AA AUTOMANN® M-1729	FORD® HANGER

FREIGHTLINER® STYLE SUSPENSION PARTS



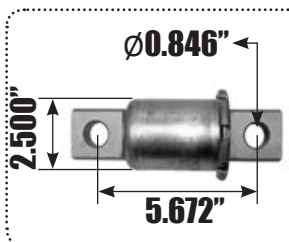
FREIGHTLINER® STYLE SPRING EYE BUSHING

WA#	REPLACES FREIGHTLINER®	APPLICATION
WA04-5065	1613962000 6813281384 MR714 RB234	FAS II AIRLINER SINGLE/TANDEM AXLE



FREIGHTLINER® STYLE SPRING EYE BUSHING

WA#	REPLACES FREIGHTLINER®	APPLICATION
WA12-5114	681-325-01-50 MR656 RB205	FAS II



FREIGHTLINER® INBOARD MOUNT FOR LATE MODELS

WA#	REPLACES FREIGHTLINER®	APPLICATION
WA12-5136	1616412001 1618035000 6813250250 MR782 RB268	FAS II AIRLINER

FREIGHTLINER® SHOCK ABSORBER BRACKET LH

WA#	REPLACES FREIGHTLINER®	APPLICATION
WA01-FL51	6813202435	FAS II AIRLINER

FREIGHTLINER® STYLE SUSPENSION PARTS (CONT.)

FREIGHTLINER® SHOCK ABSORBER BRACKET RH		
WA#	REPLACES FREIGHTLINER®	APPLICATION
WA01-FL52	6813202535	FAS II AIRLINER

FREIGHTLINER® SHOCK ABSORBER		
WA#	REPLACES FREIGHTLINER®	APPLICATION
WA01-83001		
WA01-83009		
WA01-83128		
WA01-85006		
WA01-85043		
WA01-85319		
WA01-85320		
WA01-85724		
WA01-85900		
WA01-89429		

AIR SPRINGS FOR FREIGHTLINER®		
WA#	REPLACES FREIGHTLINER®	APPLICATION
WA01-9780C	16-13810-000	
WA01-9781C	16-16773-000	
WA01-7410C	16-11378-000	
WA01-7400C	16-10769-000	

METRIC FLANGE NUTS FOR FREIGHTLINER®		
WA#	REPLACES FREIGHTLINER®	APPLICATION
WA07-5035	GUN W1338	
WA07-5036	TDA R9005991	
WA07-5037	TDA R9009020	

3/4' - 16 THREADED SHOULDER STUDS WITH LONGER CAP NUTS FOR ALUMINUM WHEEL FOR FREIGHTLINER®		
WA#	REPLACES FREIGHTLINER®	APPLICATION
WA07-6162	11-9714-3	BODY DIAMETER .783" - .786"
WA07-6163	11-9714-2	
WA07-6164	11-9714-12	
WA07-6165	11-9714-11	
WA07-7231	11-9714-16	
WA07-7232	11-9714-15	
WA07-7233	11-9714-1	
WA07-7234	11-9714-0	
WA07-7235	11-9714-14	
WA07-7236	11-9714-13	
WA07-7237	11-9714-18	
WA07-7238	11-9714-17	

TRAILER CONTROL VALVE FOR FREIGHTLINER®		
WA#	REPLACES	APPLICATION
WAKN20541	FREIGHTLINER® N30103BN HALDEX® KN20541 MACK® 20QE3218M VOLVO® V1092950	NOTE: ALL PORTS 1/4" NPT INCLUDES KNOB AND HANDLE

FRUEHAUF® STYLE SUSPENSION PARTS



FRUEHAUF® STYLE CAST EQUALIZER			
REPLACES			
WA#	FRUEHAUF®	EUCLID®	APPLICATION
WA12-5022	UXA-000017	E-2830	EARLY F2 AND CURRENT F3



FRUEHAUF® STYLE CAST EQUALIZER			
REPLACES			
WA#	FRUEHAUF®	EUCLID®	APPLICATION
WA12-5023	UCE-007936-001 UCF-001463-901 UCF-6963-01	E-8931	LATE F2



FRUEHAUF® STYLE EQUALIZER BUSHING ASSEMBLY			
REPLACES			
WA#	FRUEHAUF®	EUCLID®	APPLICATION
WA12-5035		E-1024	"F" SUSPENSION USE WITH WA12-5022, WA12-502



FRUEHAUF® STYLE RADIUS ROD - ADJUSTABLE			
REPLACES			
WA#	FRUEHAUF®	EUCLID®	APPLICATION
WA12-5036	UXA-000027-001 BUSHING NOT INCLUDED	E-2515	"F" SUSPENSION 14 11/16" TO 16 7/16" ADJUSTABLE LENGTH USES WA04-5021 BUSHING, WA04-5038 BUSHING ASSEMBLY



FRUEHAUF® STYLE RADIUS ROD - FIXED			
REPLACES			
WA#	FRUEHAUF®	EUCLID®	APPLICATION
WA12-5037	UXA-000026 BUSHINGS NOT INCLUDED	E-2514	"F" SUSPENSION 15 1/2" C. TO C. USES WA04-5021 BUSHING, WA04-5038 BUSHING ASSEMBLY



FRUEHAUF® STYLE RADIUS ROD - BUSHING ASSEMBLY			
REPLACES			
WA#	FRUEHAUF®	EUCLID®	APPLICATION
WA12-5038		E-1023	"F" SUSPENSION USE WITH WA12-5036, WA12-5037



DELRIN® LINER FOR TOP PAD						
REPLACES						
WA#	FRUEHAUF®	EUCLID®	WIDTH	LENGTH	THICKNESS	APPLICATION
WA12-5097	UCD-6632-1	E-2841	2 7/8"	8"	.043	FRUEHAUF® "F" SERIES

FRUEHAUF® STYLE SUSPENSION PARTS (cont.)



DELRIN® LINER FOR LEAF SPRINGS - BOTTOM PAD

WA#	REPLACES	EUCLID®	WIDTH	LENGTH	THICKNESS	APPLICATION
WA12-5098	UC-6632-2	E-2842	2 7/8"	8"	.043	H7600 H7700 H7800



FRUEHAUF® STYLE COTTER PIN

WA#	REPLACES	EUCLID®	O.D.	LENGTH
WA07-5041	FRUEHAUF® AXA-0409	E-1559	1/4"	1"

HENDRICKSON® STYLE SUSPENSION PARTS



STRADDLE MOUNT CARTRIDGE

WA#	REPLACES	O.D.	HOLE CENTER	APPLICATION
WA12-5005	HENDRICKSON® 44694 EUCLID® E-2225	2 17/32"	4 1/2"	340 SERIES



STRADDLE MOUNT CARTRIDGE

WA#	REPLACES	O.D.	HOLE CENTER	APPLICATION
WA12-5006	HENDRICKSON® 44695 EUCLID® E-2226	2 3/4"	4 1/2"	340-440 SERIES



OFF-SET STRADDLE MOUNT CARTRIDGE

WA#	REPLACES	O.D.	HOLE CENTER	HOLE DIA.	APPLICATION
WA12-5142	BWP M-2087 EUCLID E-2814 FLAGG C880 HENDRICKSON 46734 NAVISTAR 1693070C1, 3841941C91	2 3/4"	5 11/16"	3/4"	340-440 SERIES



HENDRICKSON® STYLE BEAM END BUSHINGS

WA#	REPLACES	I.D.	O.D.	LENGTH	APPLICATION
WA04-5029	HENDRICKSON® 6969 EUCLID® E-1340	2 1/2"	4 3/8"	5 1/4"	340 SERIES



HENDRICKSON® STYLE BEAM END BUSHINGS

WA#	REPLACES	I.D.	O.D.	LENGTH	APPLICATION
WA04-5030	HENDRICKSON® 6572 45900 EUCLID® E-1341-A	2 1/2"	4 3/8"	5 3/4"	440/460 SERIES

HENDRICKSON® STYLE SUSPENSION PARTS (cont.)



HENDRICKSON® STYLE BEAM END BUSHINGS

WA#	REPLACES	I.D.	O.D.	LENGTH	APPLICATION
WA04-5031	HENDRICKSON® 29878-1 EUCLID® E-2771	2 1/2"	4 3/8"	5 3/4"	380/520 SERIES



HENDRICKSON® STYLE BEAM END BUSHINGS

WA#	REPLACES	LENGTH ASSEMBLED	APPLICATION
WA04-5032	HENDRICKSON® 45000-13 EUCLID® E-2372	7 9/16"	340 SERIES USE WITH WA04-5029



HENDRICKSON® STYLE ADAPTER ASSEMBLIES FOR END BUSHINGS

WA#	REPLACES	LENGTH ASSEMBLED	APPLICATION
WA04-5033	HENDRICKSON® 45000-7 EUCLID® E-2374	8 1/16"	ALL SERIES USE WITH WA04-5030



HENDRICKSON® STYLE ADAPTER KIT

WA#	REPLACES	DESCRIPTION
WA04-5047	HENDRICKSON® 21140-034 EUCLID® E-9420	ADAPTER KIT WITH BOLTS, NUTS WASHERS



HENDRICKSON® STYLE ADAPTER KIT

WA#	REPLACES	DESCRIPTION
WA04-5048	HENDRICKSON® 21140-033 EUCLID® E-9421	ADAPTER KIT WITH BOLTS, NUTS WASHERS



HENDRICKSON® STYLE ADAPTER KIT

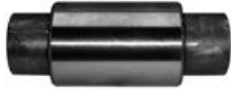
WA#	REPLACES	DESCRIPTION
WA04-5049	HENDRICKSON® 21140-007 EUCLID® E-25555	BEAM END ADAPTER KIT



HENDRICKSON® STYLE BEAM CENTER BUSHINGS

WA#	REPLACES	SMALL		LENGTH	APPLICATION
		I.D.	O.D.		
WA04-5034	HENDRICKSON® 6664 EUCLID® E-1338	2 3/4"	3 5/8"	12"	340 SERIES

HENDRICKSON® STYLE SUSPENSION PARTS (cont.)



HENDRICKSON® STYLE BEAM CENTER BUSHINGS

WA#	REPLACES	SMALL		LENGTH	APPLICATION
		I.D.	O.D.		
WA04-5035	HENDRICKSON® 5919 EUCLID® E-1339	3 1/2"	4 3/4"	12"	400/460 SERIES



HENDRICKSON® STYLE BEAM CENTER BUSHINGS WITH LOOSE PLUGS

WA#	REPLACES	SMALL		LENGTH	APPLICATION
		I.D.	O.D.		
WA04-5036	HENDRICKSON® 22279 EUCLID® E-1594	2 3/4"	3 5/8"	12"	340 SERIES



HENDRICKSON® STYLE BEAM CENTER BUSHINGS WITH LOOSE PLUGS

WA#	REPLACES	SMALL		LENGTH	APPLICATION
		I.D.	O.D.		
WA04-5037	HENDRICKSON® 22282, 49600 EUCLID® E-1595	3 1/2"	4 3/4"	12"	400 SERIES



HENDRICKSON® STYLE EQUALIZER BRONZE CENTER BUSHING KIT

WA#	REPLACES	APPLICATION
WA04-5038	HENDRICKSON® 30437 EUCLID® E-1546	380 SERIES



HENDRICKSON® STYLE DRAW KEY ASSEMBLIES FOR SPRING HANGER PINS

WA#	REPLACES	THREAD	LENGTH	APPLICATION
WA07-5054	HENDRICKSON® 62-1 EUCLID® E-1819	1/2" - 13	3 1/8"	RT 340, 380, RU 340 SERIES



HENDRICKSON® STYLE LOCK PIN

WA#	REPLACES	DESCRIPTION
WA07-5115	HENDRICKSON® 81-1 EUCLID® E-2558	LOCK PIN WITH NUT

HENDRICKSON® STYLE SUSPENSION PARTS (cont.)



HENDRICKSON® STYLE NYLOC® NUT

WA#	REPLACES	DESCRIPTION
-----	----------	-------------

WA07-5121	HENDRICKSON® 25151 EUCLID® E-9010-R	NYLOC® NUT
-----------	---	------------



HENDRICKSON® STYLE TORQUE ROD BRACKET

WA#	REPLACES	DESCRIPTION
-----	----------	-------------

WA12-5091	HENDRICKSON® 22186 EUCLID® E-2634	TORQUE ROD BRACKET
-----------	---	--------------------



HENDRICKSON® STYLE SHEAR SPRING

WA#	REPLACES	I.D.	O.D.	LENGTH	APPLICATION
-----	----------	------	------	--------	-------------

WA04-5039	HENDRICKSON® 15137 EUCLID® E-1948	3"	6 15/16"	3 5/8"	RS 340-380 SERIES USE 8 PER TANDEM
-----------	---	----	----------	--------	---------------------------------------



HENDRICKSON® STYLE SPRING HANGER PINS

WA#	REPLACES	O.D.	LENGTH	APPLICATION
-----	----------	------	--------	-------------

WA07-5055	HENDRICKSON® 32276 EUCLID® E-1817	1 1/4"	7 3/16"	RT-RU 340 SERIES
-----------	---	--------	---------	------------------



HENDRICKSON® STYLE SPRING HANGER PINS

WA#	REPLACES	O.D.	LENGTH	APPLICATION
-----	----------	------	--------	-------------

WA07-5056	HENDRICKSON® 13938 EUCLID® E-1818	1 3/8"	7 5/16"	RT 380 SERIES
-----------	---	--------	---------	---------------



HENDRICKSON® STYLE SPRING EYE BUSHING ASSEMBLIES

WA#	REPLACES	I.D.	O.D.	LENGTH	APPLICATION
-----	----------	------	------	--------	-------------

WA04-5040	HENDRICKSON® 30057-7 EUCLID® 1876	1 1/4"	1 1/2"	3 15/16"	RT-RU 340 SERIES
-----------	---	--------	--------	----------	------------------

HENDRICKSON® STYLE SUSPENSION PARTS (cont.)



HENDRICKSON® STYLE SPRING EYE BUSHING ASSEMBLIES

WA#	REPLACES	I.D.	O.D.	LENGTH	APPLICATION
WA04-5041	HENDRICKSON® 30057-8 EUCLID® 1877	1 3/8"	1 5/8"	3 15/16"	RT 380 SERIES



HENDRICKSON® STYLE BAR PIN BUSHING

WA#	REPLACES	APPLICATION
WA04-5042	HENDRICKSON® 34013-088 EUCLID® E-9326	SHIM TYPE



HENDRICKSON® STYLE BAR PIN BUSHING

WA#	REPLACES	APPLICATION
WA04-5045	HENDRICKSON® 34013-087 EUCLID® E-9325	NON-SHIM TYPE



WA#	REPLACES	O.D.	STUD SHOULDER	THREAD	APPLICATION
WA12-5093	HENDRICKSON® 44809 EUCLID® E-2227	2 17/32"	2"	1 1/8" - 12	340 SERIES



WA#	REPLACES	O.D.	STUD SHOULDER	THREAD	APPLICATION
WA12-5094	HENDRICKSON® 46737 EUCLID® E-2916	2 3/4"	2"	1 1/8" - 12	340 SERIES



WA#	REPLACES	O.D.	STUD SHOULDER	THREAD	APPLICATION
WA12-5095	HENDRICKSON® 46735 EUCLID® E-2815	2 3/4"	1 7/8"	1 1/4" - 12	MACK® TYPE



WA#	REPLACES	O.D.	STUD SHOULDER	THREAD	APPLICATION
WA12-5096	HENDRICKSON® 44697 EUCLID® E-2228	2 3/4"	3"	1 1/4" - 12	380-444 SERIES

HENDRICKSON® STYLE SUSPENSION PARTS (cont.)



HENDRICKSON® STYLE TRI-FUNCTIONAL PIVOT BUSHING KIT

WA#	REPLACES	APPLICATION
WA04-5063	S6914 334-658 HT207 A6914 E-6121 20-9038	HT190/230 "T" SERIES



WA#	REPLACES	DESCRIPTION
WA01-6902C	B2630, S2630	AIR SPRING
WA01-6905C	B3518, B5270, S3518, S5270	AIR SPRING
WA01-7136C	B1080, S1080	AIR SPRING
WA01-7403C	B1159, B2883, S1159, S2883	AIR SPRING
WA01-7446C	S3798	AIR SPRING
WA01-7795C	B14486, S14486	AIR SPRING
WA01-8033C	3316, B14487, SS14487	AIR SPRING
WA01-8050C	B4771, HS300, HT300, S4771	AIR SPRING
WA01-8091C	HKA250, S21784	AIR SPRING
WA01-8708C	S21966	AIR SPRING
WA01-8709C	HKA180, S22046, S20900, S21800, S22045	AIR SPRING
WA01-8713C	C22948, HKA180, S22948	AIR SPRING
WA01-8755C	HK190T, S22045	AIR SPRING
WA01-8944C	HT190U, S20217	AIR SPRING
WA01-9039C	B11650, B2064, S11650, S2064	AIR SPRING
WA01-9082C	B2066, S11651, S2066	AIR SPRING
WA01-9105C	S1245	AIR SPRING
WA01-9122C	C22173, S12437, S3467, S3830	AIR SPRING
WA01-9192C	S6195	AIR SPRING
WA01-9265C	C20413, C20124, HS250U, HT250T, S20124	AIR SPRING
WA01-9270C	C20010, C21208, C25559, HS230, HT230	AIR SPRING
WA01-9287C	50-405, 50405-1, 50405-2, HA360	AIR SPRING
WA01-9373C	57122001, 57122002, 57122-1, 57122-2	AIR SPRING
WA01-9375C	50899-1, 50899-1/2, 508992	AIR SPRING
WA01-9580C	C20127, HT2500Y, S20127	AIR SPRING
WA01-9640C	C20223, HS190T, HT190T, S20223	AIR SPRING

HUTCHENS® STYLE SUSPENSION PARTS



HUTCHENS® STYLE ADJUSTABLE TORQUE ROD (INCLUDES BUSHING)

WA#	REPLACES	BUSHING	BUSHING ASSEMBLY	ADJUST. LENGTH	APPLICATION
WA12-5099	HUTCHENS® 713-02 EUCLID® E-3276	WA04-5021	WA07-5060	14"-18 1/2"	H7700 CH7700 CH7800



HUTCHENS® STYLE ADJUSTABLE TORQUE ROD (INCLUDES BUSHING)

WA#	REPLACES	BUSHING	BUSHING ASSEMBLY	ADJUST. LENGTH	APPLICATION
WA12-5100	HUTCHENS® 713-10 EUCLID® E-3390	WA04-5021	WA07-5060	14 1/4"-19 1/2"	H9000 CH9000

HUTCHENS® STYLE SUSPENSION PARTS (cont.)



HUTCHENS® STYLE ADJUSTABLE TORQUE ROD (INCLUDES BUSHING)			
WA#	REPLACES	ADJUSTABLE LENGTH	APPLICATION
WA12-5015	HUTCHENS® 713-05 EUCLID® E-2511	18 1/2" TO 21 3/8"	H7700 CH7700 CH7800



HUTCHENS® STYLE RIGID TORQUE ROD (INCLUDES BUSHING)			
WA#	REPLACES	C. TO C.	APPLICATION
WA12-5016	HUTCHENS® 715-00 EUCLID® 2899	19 1/4"	H7700 CH7700 CH7800



HUTCHENS® STYLE TORQUE ARM BUSHING ASSEMBLY			
WA#	REPLACES	ASSEMBLY CONTAINS	APPLICATION
WA07-5060	EUCLID® E-3079	WA04-5022 BUSHING (1) WA07-5058 BOLT (1) WA07-5059 NUT (1)	LATE STYLE ASSEMBLY H7700 CH7700 H7800



HUTCHENS® STYLE TORQUE ARM BUSHING ASSEMBLY COMPONENTS				
WA#	REPLACES	I.D.	O.D.	LENGTH
WA04-5022	HUTCHENS® 722-00 EUCLID® E-934	1"	1 29/32"	3"



HUTCHENS® STYLE TORQUE ARM BUSHING ASSEMBLY COMPONENTS				
WA#	REPLACES	I.D.	O.D.	LENGTH
WA07-5058	HUTCHENS® 719-02 EUCLID® 2891	-	1" - 14 THD.	5"



HUTCHENS® STYLE TORQUE ARM BUSHING ASSEMBLY COMPONENTS				
WA#	REPLACES	I.D.	O.D.	LENGTH
WA07-5059	HUTCHENS® 10562-00 EUCLID® 2892	1" - 14 THD	1 7/16"	7/8" HT.



HUTCHENS EQUALIZER BUSHING ASSEMBLY		
WA#	EUCLID®	APPLICATION
WA04-5062	E-2003	H-7600, H-7700, CH-7700, CH-7800 USE WITH WA12-5017, WA12-5018

HUTCHENS® STYLE SUSPENSION PARTS (cont.)



HUTCHENS® STYLE EQUALIZER ASSEMBLY (FABRICATED STEEL)

WA#	EUCLID®	REPLACES HUTCHENS®	APPLICATION
WA12-5017	E-2781-A	750-03	H7600 H7700



HUTCHENS® STYLE EQUALIZER ASSEMBLY - CAST STEEL

WA#	EUCLID®	REPLACES HUTCHENS®	APPLICATION
WA12-5018	E-2889	704-01	CH7700 CH7800 H7700



HUTCHENS® STYLE SPRING ROLLER ASSEMBLY

WA#	EUCLID®	REPLACES HUTCHENS®	APPLICATION
WA12-5025	E-4835	759-00 BOLT 756-00 TUBE 37-03 NUT	USE WITH WA12-5017 WA12-5018



HUTCHENS® STYLE BOLT KITS FOR EQUALIZER

WA#	EUCLID®	APPLICATION
WA12-5026	E-3414	H7600 H7700



BOTTOM PLATE FOR U-BOLTS

WA#	EUCLID®	REPLACES HUTCHENS®	MODEL	APPLICATION
WA12-5020	E-2909	710-00	H7700	STANDARD 5" ROUND AXLE



ALIGNMENT ADJUSTMENT PLATE

WA#	REPLACES	WIDTH	LENGTH	APPLICATION
WA12-5061	HUTCHENS® 10608-00 EUCLID® E-5228	5"	12"	H-900



AXLE SEAT

WA#	REPLACES	SPECIFICATIONS	MODEL	APPLICATION
WA12-5021	HUTCHENS® 705-01 EUCLID® E-2908	3/4" HIGH SEAT	H7700 H7800	5" ROUND AXLE

HUTCHENS® STYLE SUSPENSION PARTS (cont.)



EQUALIZER ASSEMBLY - F ABRICATED

WA#	REPLACES	APPLICATION
WA12-5027	HUTCHENS® 16158-01 EUCLID® E-7532	H9700



CAST EQUALIZER

WA#	REPLACES	APPLICATION
WA12-5028	HUTCHENS®16290-01 EUCLID® E-2913A	CH9600 CH9700



SPRING HANGERS - FRONT HANGER UNDERMOUNT

WA#	REPLACES	APPLICATION
WA12-5029	HUTCHENS® 7701-02 EUCLID® E-2913A	H7700



SPRING HANGERS - CENTER HANGER UNDERMOUNT

WA#	REPLACES	APPLICATION
WA12-5030	HUTCHENS® 7702-02 EUCLID® E-2914	H7700



SPRING HANGERS - REAR HANGER UNDERMOUNT

WA#	REPLACES	APPLICATION
WA12-5031	HUTCHENS® 7703-02 EUCLID® E-2915-A	H7700



STRADDLE MOUNT HANGER - FRONT

WA#	REPLACES	APPLICATION
WA12-5039	HUTCHENS® 7701-01 EUCLID® E-2910-A	H-7700 H-9700



STRADDLE MOUNT HANGER - CENTER

WA#	REPLACES	APPLICATION
WA12-5040	HUTCHENS® 7702-01 EUCLID® E-2911	H-7700

HUTCHENS® STYLE SUSPENSION PARTS (cont.)



STRADDLE MOUNT HANGER - REAR

WA#	REPLACES	APPLICATION
WA12-5041	HUTCHENS® 16169-01	H9700



STRADDLE MOUNT HANGER - REAR

WA#	REPLACES	APPLICATION
WA12-5042	HUTCHENS® 7703-01 EUCLID® E-2912A	H7700 H-9700

INTERNATIONAL® STYLE SUSPENSION PARTS



INTERNATIONAL SHACKLE

WA#	REPLACES INTERNATIONAL®	APPLICATION
WA12-5085	OEM 470248C91 AUTOMANN® M 1112 DAYTON® 330-146 FLAGG® E-433-55	INTERNATIONAL SHACKLE

KENWORTH® STYLE SUSPENSION PARTS



SPRING BUSHINGS

WA#	REPLACES	APPLICATION
WAB65-1001	OEM B65-1001 DAYTON® RB-249	SPRING PIN BUSHING
WAB65-1006	OEM B65-1006 DAYTON® RB-295	SPRING PIN BUSHING
WAB65-1012	OEM B65-1012 DAYTON® RB-308	SPRING PIN BUSHING
WAB65-1013	OEM B65-1013 DAYTON® RB-324	SPRING PIN BUSHING

KENWORTH® STYLE SUSPENSION PARTS (cont.)



FRONT LOWER SHOCK BOLT ASSEMBLY

WA#	REPLACES	APPLICATION
WAK233-520	OEM K233-520	BOLT ASSEMBLY: FRONT LOWER SHOCK



THREADED BUSHING

WA#	REPLACES	O.D.	LENGTH	THREAD	APPLICATION
WA5295	OEM 5295 DAYTON TB68	1.750"	4.000"	1 3/8" - 6	THREADED BUSHING



METRIC THREADED BUSHING

WA#	REPLACES	O.D.	LENGTH	THREAD	APPLICATION
WAB13-1000	OEM B13-1000 52700 DAYTON TB77	44.5mm	102mm	M33.5 - 4.0	METRIC THREADED BUSHING



METRIC THREADED BUSHING

WA#	REPLACES	O.D.	LENGTH	THREAD	APPLICATION
WAB13-1002	OEM B13-1002 52270	52.8mm	101mm	M33.5 - 4.0	METRIC THREADED BUSHING

MACK® STYLE SUSPENSION PARTS



MACK® STYLE UPPER INSULATOR PADS

WA#	REPLACES	WIDTH	LENGTH	HEIGHT	PIN DIAM.	APPLICATION
WA12-5012	10QK365A EUCLID® E-2917	4 1/2"	6"	2 1/2"	1 3/4"	SWS56 SWS57



MACK® STYLE UPPER INSULATOR PAD

WA#	REPLACES	WIDTH	LENGTH	HEIGHT	PIN DIAM.	APPLICATION
WA12-5013	10QK370 EUCLID® E-2919	4 1/2"	6"	3"	1 3/4"	SWS570 SWS573

MACK® STYLE SUSPENSION PARTS (cont.)



MACK® STYLE UPPER INSULATOR PAD

WA#	REPLACES	WIDTH	LENGTH	HEIGHT	PIN DIAM.	APPLICATION
WA12-5113	10QK32B-P1 EUCLID® E-3679	5 3/8"	6 7/8"	3 3/4"	1 1/2"	5" WIDE SPRINGS 50,000 LB. SERIES



MACK® STYLE LOWER INSULATOR PAD

WA#	REPLACES	WIDTH	LENGTH	HEIGHT	PIN DIAM.	APPLICATION
WA12-5014	10QK36B EUCLID® E-2920	6"	6"	3 3/4"	1 3/4"	SWS56 SWS57 SWS571 SWS573



MACK® STYLE LOWER INSULATOR PAD

WA#	REPLACES	WIDTH	LENGTH	HEIGHT	PIN DIAM.	APPLICATION
WA12-5034	MACK® 10QK372 EUCLID® E-3680	7"	7"	4 1/4"	2"	5" WIDE SPRINGS 50,000 LB. SERIES



MACK® STYLE INSULATOR SPACER BLOCK

WA#	REPLACES MACK®	DESCRIPTION	APPLICATION
WA12-5043	MACK® 13QK246 EUCLID® E-3689	MACK® INSULATOR	SC, SS, ST, SW SERIES SUSPENSION



EARLY MODEL RUBBER TRUNNION BUSHINGS

WA#	REPLACES	ID	OD	LENGTH	APPLICATION
WA04-5084	10QK49 EUCLID: E-2923A	3 3/8"	4 3/8"	7 9/16"	SWS 56, SWS 57
WA04-5085	10QK130P1 EUCLID: E-2924A	3 3/8"	4 3/8"	8 3/8"	SWS 56, SWS 57
WA04-5086	10QK219P1 EUCLID: E-2921A	3 3/8"	4 11/16"	5 9/16"	SWS 56, SWS 57

WWW.WORLDDAMERICAN.COM

NEWAY® STYLE SUSPENSION PARTS (cont.)



REPAIR PAD		
WA#	REPLACES	APPLICATION
WA12-5024	NEWAY® 91001049 EUCLID® E-2965	TS SERIES



RUBBER AXLE PAD					
WA#	REPLACES	WIDTH	LENGTH	THICK.	APPLICATION
WA12-5004	NEWAY® 91028089 NP-409-2 EUCLID® E-1330	4 5/8"	5 1/8"	13/16"	TS SERIES



UPPER TRUNNION CAP			
WA#	REPLACES	DESCRIPTION	APPLICATION
WA12-5101	NEWAY® 91001051 EUCLID® E-4301	UPPER TRUNNION CAP	TS, US, USR, LD EXCEPT TS-660, 680, 6100



LOWER TRUNNION CAP			
WA#	REPLACES	DESCRIPTION	APPLICATION
WA12-5102	NEWAY® 91010047 EUCLID® E-4302	LOWER TRUNNION CAP	TS, US, USR, LD EXCEPT TS-660, 680, 6100



RUBBER TRUNNION BUSHING					
WA#	REPLACES	I.D.	O.D.	LENGTH	APPLICATION
WA04-5050	NEWAY® 90008011 AR-2044 EUCLID® E-2935	3 1/2"	4 1/2"	5 3/4"	TR SERIES



RUBBER TRUNNION BUSHING					
WA#	REPLACES	I.D.	O.D.	LENGTH	APPLICATION
WA04-5051	NEWAY® 91008023 NP-508	3 1/2"	4 1/2"	8 3/4"	TS SERIES



RUBBER TRUNNION BUSHING					
WA#	REPLACES	I.D.	O.D.	LENGTH	APPLICATION
WA04-5052	NEWAY® 91008014 NP-410-6 EUCLID® E-1333	4"	5"	5 3/4"	RTS SERIES

NEWAY® STYLE SUSPENSION PARTS (cont.)



<i>RUBBER TRUNNION BUSHING</i>						
WA#	REPLACES	I.D.	O.D.	LENGTH	APPLICATION	
WA04-5053	NEWAY® 91008022 NP-410 EUCLID® E-1332	4"	5"	8 3/4"	TS SERIES	



WA#	REPLACES	I.D.	O.D.	LENGTH	APPLICATION	
WA04-5054	NEWAY® 90008148 90008149 EUCLID® E-4410-A	1 1/8"	2 3/4"	5"	AR-90	



WA#	REPLACES	I.D.	O.D.	LENGTH	APPLICATION	
WA04-5055	NEWAY® 90008139 EUCLID® E-4382-A	1 1/8"	3 1/2"	5 1/4"	ART-500-B AR SERIES	



<i>BEAM END BUSHING</i>						
WA#	REPLACES	I.D.	O.D.	LENGTH	APPLICATION	
WA04-5104	NEWAY® 90008131 EUCLID® E-4255	1 1/8"	2 3/8"	5"	AR 50	



<i>HEIGHT CONTROL VALVE</i>		
WA#	REPLACES	DESCRIPTION
WA90054007	NEWAY® 90054007 FIRESTONE® WCI-358-3599 EUCLID® E-4323 LELAND® SA-1560 NAVISTAR® 574696-C91	



<i>HEIGHT CONTROL VALVE - INCLUDES LINKAGE KIT</i>		
WA#	REPLACES	DESCRIPTION
WAKN27000	NEWAY® 90554241 SRK-205 EUCLID® E-4350 MIDLAND® KN27000 WABCO® PB-190	NEWAY® HEIGHT CONTROL VALVE ALSO FITS LATE MODEL FREIGHTLINER® NAVISTAR® AND OTHER AIR SUSPENSIONS

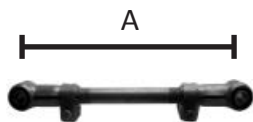
REYCO® STYLE SUSPENSION PARTS



REYCO® STYLE EQUALIZER			
WA#	REPLACES REYCO®	EUCLID®	APPLICATION
WA12-5000	T-5427	E-2846	21B, 22B



REYCO® STYLE EQUALIZER ASSEMBLY - TRUCK - STANDARD			
WA#	REPLACES REYCO®	EUCLID®	APPLICATION
WA12-5001	09120-01	E-2843	101, 101A, 102 - NOT FOR GMC®-TYPE OR FORD®-TYPE



REYCO® ADJUSTABLE TORQUE ARM				
WA#	REPLACES REYCO®	EUCLID®	"A" LENGTH	APPLICATION
WA12-5106	16347-01, T-3036, T-3863	E-2512	14" - 18 1/2"	31, 41
WA12-5107	16348-01, T-3035, T-3343	E-2513	18 1/2" - 21 3/8"	31, 41



REYCO® TORQUE ARM BUSHING ASSEMBLY		
WA#	EUCLID®	APPLICATION
WA12-5110	E-1981	102 SERIES AXLE SEAT END



EQUALIZER BUSHING ASSEMBLY		
WA#	REPLACES	NOTES:
WA12-5111	REYCO TK18998 EUCLID E-3976	use w/WA12-5000 EQUALIZER
WA04-5099	REYCO TK19056 EUCLID E-1970	use w/WA12-5001 EQUALIZER



SPRING ROLLER ASSEMBLY		
WA#	REPLACES	NOTES:
WA07-7151	REYCO: T5544, 74200, TK19011 EUCLID : E-1975	use w/ALL MODELS



ADJUSTABLE TORQUE ARM			
WA#	REPLACES	LENGTH	APPLICATION
WA12-5126	REYCO: 15174-01, 15354-01 EUCLID: E-2866A	19 1/2" to 21 3/4"	102
WA12-5132	REYCO: 15172-01, T-5485, T-5541 EUCLID: E-3283A	15" TO 17 1/4"	21B
WA12-5133	REYCO: 15173-01, T-5486 EUCLID: E-3284A	17 1/4" to 19 1/2"	21B

REYCO® STYLE SUSPENSION PARTS (cont.)



RIGID TORQUE ARM

WA#	REPLACES	LENGTH	APPLICATION
WA12-5134	REYCO: T-7635, 5178-01 EUCLID: E-2855	16 1/4"	21B
WA12-5127	REYCO: 11012-03 EUCLID: E-2860	20 1/2"	101A, 102A
WA12-5128	REYCO: 09481-01, 15178-01 EUCLID: E-2858	21"	102



REYCO TORQUE ARM BUSHING ASSEMBLIES

WA#	REPLACES	APPLICATION
WA07-7112	REYCO: TK19166 EUCLID: E-1963	101, 101A
WA12-5112	REYCO: TK18997 EUCLID: E-1312A	21B
WA07-7100	REYCO: TK7302, TK7424 EUCLID: E-1981	101A, 101F
WA04-5101	REYCO: TK19176 EUCLID: E-3361	181 Hanger End

REYCO STYLE FRONT HANGER - UNDERMOUNT

WA#	REPLACES	APPLICATION
WA12-0084-00	REYCO® 0084-00 EUCLID® E-4804	SUPER 88

REYCO STYLE REAR HANGER - UNDERMOUNT

WA#	REPLACES	APPLICATION
WA12-0086-00	REYCO® 0086-00 EUCLID® E-4806	SUPER 88

REYCO STYLE CENTER HANGER - UNDERMOUNT

WA#	REPLACES	APPLICATION
WA12-0088-00	REYCO® 0088-00 EUCLID® E-4805	SUPER 88

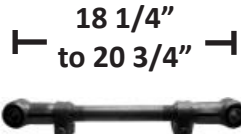
WWW.WORLDDAMERICAN.COM

YOUR #1 SOURCE FOR HEAVY DUTY ELECTRICAL COMPONENTS

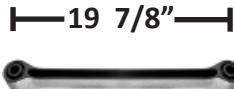
TRANSPRO® STYLE SUSPENSION PARTS (cont.)



TRANSPRO® STYLE HEAVYWEIGHT EQUALIZER ASSEMBLY			
WA#	EUCLID®	REPLACES TRANSPRO®	APPLICATION
WA12-5002	E-4813	0058-00 0650-00 0758-00	HEAVYWEIGHT MODEL



TRANSPRO® STYLE ADJUSTABLE TORQUE ARM			
WA#	EUCLID®	REPLACES TRANSPRO®	APPLICATION
WA12-5003	E-4824	0030-20 CAST 1035-20 CAST	HEAVYWEIGHT & SUPER HEAVY-WEIGHT SERIES



TRANSPRO® STYLE RIGID TORQUE ARM			
WA#	EUCLID®	REPLACES TRANSPRO®	APPLICATION
WA12-5033	E-4825	0075-20 0075-00	HEAVYWEIGHT & SUPER HEAVYWEIGHT SERIES



TRANSPRO®-STYLE SUPER HEAVYWEIGHT 88 EQUALIZER ASSEMBLY			
WA#		REPLACES TRANSPRO®	APPLICATION
WA12-5032		0850-00 CAST	SUPER HEAVYWEIGHT



TRANSPRO® STYLE TOP PLATE					
WA#	REPLACES	WIDTH	LENGTH	MODEL	APPLICATION
WA12-5019	TRANSPRO® 7029-00 EUCLID® E-2907-A	3"	7 1/2"	H7600 H7700T	STANDARD AND NO-HOP AXLES



TRANSPRO® STYLE BOLT			
WA#	REPLACES	O.D.	LENGTH
WA07-5139	TRANSPRO® 0001-14 EUCLID® E-4830	1" - 14 THD.	6 1/4"

SUSPENSION BUSHINGS



WA#	REPLACES	I.D.	O.D.	LENGTH	NOTE
WA04-5018	EUCLID® E-1980 DANA® BUSHING L-1032	7/8"	1 29/32"	3"	



WA#	REPLACES	I.D.	O.D.	LENGTH	NOTE
WA04-5019	EUCLID® E-1982 DANA® BUSHING L-1132	1"	2 3/8"	2 11/16"	



WA#	REPLACES	I.D.	O.D.	LENGTH	NOTE
WA04-5020	EUCLID® E-1020 FRUEHAUF® EQUALIZER BUSHING UXA-0004	2"	3 1/2"	4 3/8"	



WA#	REPLACES	I.D.	O.D.	LENGTH	NOTE
WA04-5021	EUCLID® E-927 FRUEHAUF® BUSHING UXA-000011	1 1/4"	2 3/16"	2 3/8"	



WA#	REPLACES	I.D.	O.D.	LENGTH	NOTE
WA04-5022	EUCLID® E-934 HUTCHENS® 722-00	1"	1 29/32"	3"	



WA#	REPLACES	O.D.	LENGTH	NOTE
WA04-5056	EUCLID® E-1999-A HUTCHENS® 7010-00	3 1/4"	3 7/8"	EQUALIZER BUSHING



WA#	REPLACES	I.D.	O.D.	LENGTH	NOTE
WA04-5023	EUCLID® E-812 REYCO® BUSHING T-1842	1 1/16"	3 3/16"	2 7/8"	



WA#	REPLACES	I.D.	O.D.	LENGTH	APPLICATION
WA04-5050	EUCLID® E-2935 NEWAY® 90008011 AR-2044	3 1/2"	4 1/2"	5 3/4"	TR SERIES

SUSPENSION BUSHINGS (cont.)



WA#	REPLACES	I.D.	O.D.	LENGTH	APPLICATION
WA04-5051	EUCLID® E-1159 NEWAY® 91008023 NP-508	3 1/2"	4 1/2"	8 3/4"	TS SERIES



WA#	REPLACES	I.D.	O.D.	LENGTH	APPLICATION
WA04-5052	EUCLID® E-1333 NEWAY® 91008014 NP-410-6	4"	5"	5 3/4"	RTS SERIES



WA#	REPLACES	I.D.	O.D.	LENGTH	APPLICATION
WA04-5053	EUCLID® E-1332 NEWAY® 91008022 NP-410	4"	5"	8 3/4"	TS SERIES



WA#	REPLACES	I.D.	O.D.	LENGTH	APPLICATION
WA04-5054	EUCLID® E-4410-A NEWAY® 90008148 90008149	1 1/8"	2 3/4"	5"	AR-90



WA#	REPLACES	I.D.	O.D.	LENGTH	APPLICATION
WA04-5055	EUCLID® E-4382-A NEWAY® 90008139	1 1/8"	3 1/2"	5 1/4"	ART-500-B AR SERIES



WA#	REPLACES	I.D.	O.D.	LENGTH	NOTE
WA04-5043	EUCLID® E-3362 REYCO® BUSHING 13945-01	7/8"	2 1/32"	3"	



WA#	REPLACES	I.D.	O.D.	LENGTH	NOTE
WA04-5024	EUCLID® E-1160 REYCO® RUBBER T-5493	1"	2 3/8"	3"	



WA#	REPLACES	I.D.	O.D.	LENGTH	NOTE
WA04-5025	EUCLID® E-1159 REYCO® BUSHING T-5524	1 5/8"	3 3/8"	4 13/32"	

POLYURETHANE SPECIALTY COMPONENTS (cont.)



WA#	REPLACES	I.D.	O.D.	LENGTH	NOTE
WA03-5000	EUCLID® E-8918 FORD® MOTOR MOUNT DOHZ6068B	1 1/2"	3"	3"	



WA#	REPLACES	I.D.	O.D.	LENGTH	NOTE
WA03-5001	EUCLID® E-7431 FREIGHTLINER® MOTOR MOUNT CBA/24-650-17	5/8"	2 3/8" (LG) 1 1/2" (SM)	2 1/8"	5/8" HOLE



WA#	REPLACES	I.D.	O.D.	LENGTH	NOTE
WA03-5002	EUCLID® E-7450 HOLLAND® FIFTH WHEEL BUSHING XB-0011-2	1 1/8"	2 1/4"	4 1/4"	
WA03-5003	HOLLAND® FIFTH WHEEL BUSHING XB-0012-2	1 1/2"	2 1/4"	4 1/4"	



WA#	REPLACES	THICKNESS	WIDTH	LENGTH
WA03-5004	HUTCHENS® SPRING END PAD 814-00	3/4"	3"	5"



WA#	REPLACES	I.D.	O.D.	LENGTH	NOTE
WA03-5005	HYSTER® SUSPENSION BUSHING 400329	3"	5 5/8"	2 7/8"	



WA#	REPLACES	I.D.	O.D.	THICKNESS	NOTE
WA03-5006	KENWORTH® RADIATOR MOUNT M500-70NR	1 1/2"	2 1/2"	2 3/16"	



WA#	REPLACES	I.D.	O.D.	THICKNESS	NOTE
WA03-5007	KENWORTH® FRONT MOTOR MOUNT M700, K066-229	3/4"	3 3/4" (LG) 2 1/16" (SM)	2 5/8"	



WA#	REPLACES	I.D.	O.D.	LENGTH	NOTE
WA03-5008	KENWORTH® K066-293, K066-449, CA-293	2"	2 7/8"	4"	

POLYURETHANE SPECIALTY COMPONENTS (cont.)



WA#	REPLACES	I.D.	O.D.	HEIGHT	NOTE
WA03-5009	KENWORTH® SHOCK ABSORBER BUSHING 5316702	3/4"	1 7/16"	7/8"	



WA#	REPLACES	I.D.	O.D.	O.A.L. HT.	NOTE
WA03-5010	KENWORTH® HOOD LOCATING PIN K179-450	1/2" - 13	3 3/16"	3 3/4"	



WA#	REPLACES	I.D.	O.D.	LENGTH	NOTE
WA03-5011	NEWAY® TRUNNION BUSHING 91008022	4"	5"	8 3/4"	



WA#	REPLACES	I.D.	O.D.	LENGTH	NOTE
WA03-5012	EUCLID® E-7506				
	PETERBILT® MOTOR MOUNT 05-08968	5/8"	2 1/2" (LG) 1 5/8" (SM)	2"	
WA03-5013	PETERBILT® MOTOR MOUNT 05-14794	5/8"	3" (LG) 1 7/8" (SM)	2 1/4"	
	EUCLID® E-7507				
WA03-5014	PETERBILT® MOTOR MOUNT 05-10197	25/32"	2 7/8" (LG) 1 5/8" (SM)	2 1/2"	



WA#	REPLACES	I.D.	O.D.	LENGTH	NOTE
WA03-5015	PETERBILT® RADIATOR SHOCK BUSHING 07-02552	5/8"	1 3/16"	11/16"	



WA#	REPLACES	I.D.	O.D.	LENGTH	NOTE
WA03-5016	EUCLID® E-7529 WESTERN STAR® SHOCK MOUNT 985211	1"	1 7/8"	1"	



WA#	REPLACES	I.D.	O.D.	LENGTH	NOTE
WA03-5017	REYCO® TORQUE ARM BUSHING T5524	1 5/8"	3 3/8"	4 7/16"	



WA#	REPLACES	I.D.	O.D.	LENGTH	NOTE
WA03-5018	REYCO® TORQUE ARM BUSHING T-5493	1"	2 3/8" (LG) 1 13/16" (SM)	3"	

POLYURETHANE SPECIALTY COMPONENTS (cont.)



WA#	REPLACES	I.D.	O.D.	LENGTH	NOTE
WA03-5019	MACK® 10QK130P1	3 7/16"	4 7/16"	8 3/8"	



WA#	REPLACES	I.D.	O.D.	LENGTH	NOTE
WA03-5020	FREIGHTLINER® SPRING EYE BUSHING 68-13250-150 16-13962-000 68-13281-384			7 1/2"	3/4" HOLES



WA#	REPLACES	I.D.	O.D.	LENGTH	NOTE
WA03-5021	FREIGHTLINER® MOTOR MOUNT D47 M-3807 A011166-000			2 3/4" X 1 3/4" X 1 7/16"	5/8" HOLE



WA#	REPLACES	I.D.	O.D.	LENGTH	NOTE
WA03-5022	HOLLAND® FIFTH WHEEL BUSHING	1 1/8"	2 3/4"	4 1/4"	



WA#	REPLACES	I.D.	O.D.	LENGTH	NOTE
WA03-5023	KENWORTH® MOTOR MOUNT K174-555			5" X 2"	1/2" THICK



WA#	REPLACES	I.D.	O.D.	LENGTH	NOTE
WA03-5024	PETERBILT® HOOD HINGE BUSHING 13-03440	5/8"	1 3/8"	1 5/8"	



WA#	REPLACES	I.D.	O.D.	LENGTH	NOTE
WA03-5025	REYCO® TORQUE ARM T-1842 D72	1 1/16"	3 1/16" 1 13/16"	2 7/8"	



WA#	REPLACES	I.D.	O.D.	LENGTH	NOTE
WA03-5026	HENDRICKSON® BEAM END BUSHING 45900 D402	2 1/2"	4 3/8"	5 3/4"	380 SERIES

U-BOLT KITS

ALL U-BOLT KITS CONTAIN: 2 U-BOLTS AND 4 HI-NUTS

SQUARE BEND U-BOLT KITS



WA#	EUCLID®	DIAM.	LEG LENGTH	BETWEEN LEGS	THREAD LENGTH	THREAD	APPLICATION	GRADE
WA07-5006	E-UB8287-11	1 1/8"	11 3/8"	5 3/4"	3"	1 1/8"-12	NEWAY®STYLE	8
WA07-5007	N/A	1 1/8"	12"	5 3/4"	3"	1 1/8"-12	NEWAY®STYLE	8

SEMI-ROUND BEND U-BOLT KITS



WA#	EUCLID®	DIAM.	LEG LENGTH	BETWEEN LEGS	THREAD LENGTH	THREAD	APPLICATION	GRADE
WA07-5008	E-UB8351-18	3/4"	18"	3"	8"	3/4"-12	TRK/TRACTOR	8

FLAT FORGED - ROUND BEND U-BOLT KITS



WA#	EUCLID®	DIAM.	LEG LENGTH	BETWEEN LEGS	THREAD LENGTH	THREAD	APPLICATION	GRADE
WA07-5017	E-UB8479-090	1"	9 1/2"	6 3/8"	3"	1"-14	NEWAY®-STYLE	8

ROUND BEND U-BOLT KITS



WA#	EUCLID®	DIAM.	LEG LENGTH	BETWEEN LEGS	THREAD LENGTH	THREAD	APPLICATION	GRADE
WA07-5009	E-UB8145-076	5/8"	7 3/4"	5"	3"	5/8"-18	NEWAY® STYLE	8
WA07-5010	E-UB8151-18	3/4"	18"	3"	8"	3/4"-16	TRK/TRACTOR	8
WA07-5011	E-UB8154-18	3/4"	18"	4"	8"	3/4"-16	TRK/TRACTOR	8
WA07-5012	E-UB8161-12	7/8"	12"	3"	8"	7/8"-14	TRK/TRACTOR	5
WA07-5013	E-UB5161-14	7/8"	14"	3"	8"	7/8"-14	TRK/TRACTOR	5
WA07-5014	E-UB5161-16	7/8"	16"	3"	8"	7/8"-14	TRK/TRACTOR	5
WA07-5015	E-UB5161-18	7/8"	18"	3"	8"	7/8"-14	TRK/TRACTOR	5
WA07-5016	E-UB5165-14	7/8"	14"	5"	8"	7/8"-14	TRK/TRACTOR	5

SPRING CENTER BOLTS



WA#	EUCLID®	THREAD	LENGTH		HEAD DIAMETER	HEAD LENGTH
			UNDER HEAD	THREAD LENGTH		
WA07-5065	E-3188	3/8" - 24	8"	6"	9/16"	3/8"
WA07-5066	E-3189	7/16" - 20	8"	5 1/2"	5/8"	3/8"
WA07-5067	E-3190	7/16" - 20	12"	9 1/2"	5/8"	3/8"
WA07-5068	E-3191	1/2" - 20	6"	4"	5/8"	5/8"
WA07-5069	E-3192	1/2" - 20	8"	5 1/2"	5/8"	5/8"
WA07-5070	E-3193	1/2" - 20	8"	5 1/2"	3/4"	7/16"
WA07-5071	E-3194	1/2" - 20	8"	5 1/2"	3/4"	3/4"
WA07-5072	E-3195	1/2" - 20	10"	9 1/2"	5/8"	5/8"
WA07-5073	E-3196	1/2" - 20	12"	9 1/2"	5/8"	3/8"
WA07-5074	E-3197	1/2" - 20	12"	9 1/2"	3/4"	7/16"
WA07-5075	E-3198	1/2" - 20	12"	9 1/2"	3/4"	3/4"
WA07-5076	E-3199	5/8" - 18	10"	9 1/2"	7/8"	1/2"

HI NUTS



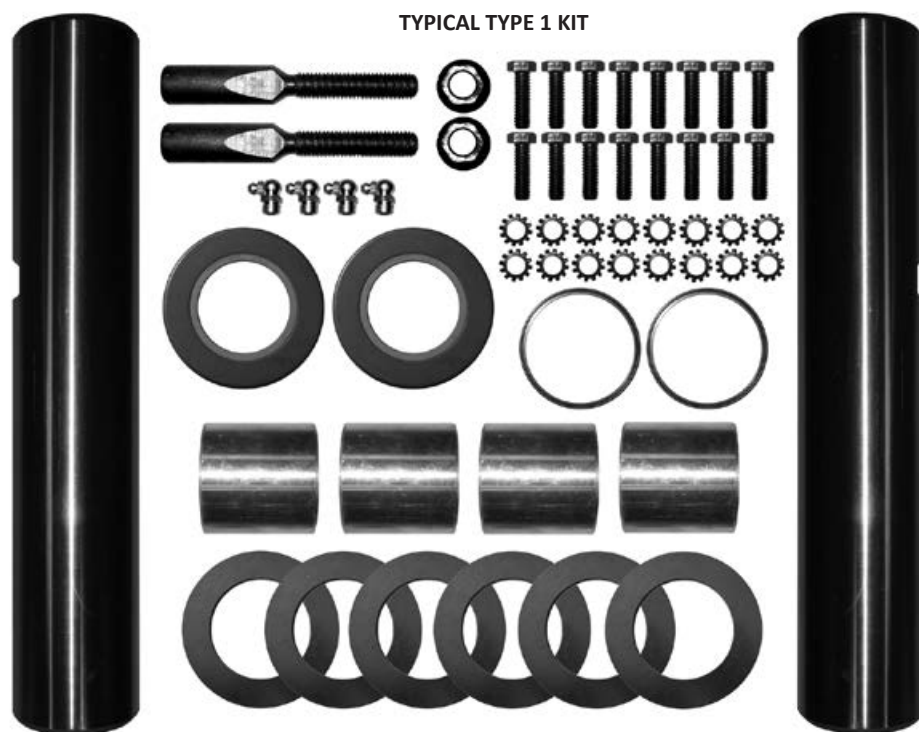
WA#	THREAD	HEX	HEIGHT	EUCLID®
WA07-5083	3/8" - 24	9/16"	17/32"	E-4978
WA07-5084	7/16" - 20	11/16"	19/32"	E-4979
WA07-5085	1/2" - 20	3/4"	1 1/16"	E-4980
WA07-5086	5/8" - 18	15/16"	27/32"	E-3000
WA07-5087	3/4" - 16	1 1/16"	1"	E-3001
WA07-5088	7/8" - 14	1 1/4"	1 5/32"	E-3002-A
WA07-5089	1" - 14	1 7/16"	1 5/16"	E-3003

LOCK NUT



WA#	REPLACES	THREAD	HEX	HEIGHT
WA07-5040	EUCLID® E-5964 DAYTON® 08-201932 GUNITE® W-823	3/4" - 16	1 1/8"	21/32"

KING PIN KITS



TYPICAL TYPE 1 KIT

IDENTIFICATION KEY:

TYPE 1: ONE KEYWAY

TYPE 2: TWO KEYWAYS

TYPE 3: ONE KEYWAY,
TWO OIL GROOVES

TYPE 4: TAPERED



TYPE 1 KINGPIN
1 KEYWAY

WA#	LENGTH / DIAMETER
WAK420C	5.625" .921"
WAK539D	6.360" 1.179"
WAK570DC	6.375" .859"
WAK722B	6.375" 1.179"
WAK472A	6.438" .936"
WAK537	6.520" .859"
WAK525	6.685" 1.054"
WAK545B	6.685" 1.054"
WAK538BIR	6.938" 1.234"
WAK825	6.969" 1.054"
WAK578B	7.270" 1.299"
WAK539BIR	7.625" 1.234"
WAK492AR	7.888" 1.249"
WAK506B	7.888" 1.249"
WAK549B	7.968" 1.359"
WAK549B-15	7.984" 1.374"
WAK818	9.160" 1.609"
WAK586	9.195" 1.625"
WAK609	9.195" 1.625"
WAK552B	9.660" 1.609"
WAK817	9.660" 1.609"
WAK591B	9.965" 1.873"



TYPE 2 KINGPIN
2 KEYWAYS

WA#	LENGTH / DIAMETER
WAK602	9.870" 1.921"
WAK849	9.870" 1.921"
WAK572B	9.672" 1.609"
WAK535B	9.660" 1.609"
WAK840	9.660" 1.609"
WAK517	9.625" 1.608"
WAK567B	9.380" 1.745"
WAK570B	9.375" 1.607"
WAK830	9.375" 1.745"
WAK504	9.120" 1.794"
WAK546B	9.080" 1.607"
WAK526B	8.813" 1.607"
WAK465	8.500" 1.433"
WAK477	8.500" 1.434"
WAK538B	8.250" 1.433"
WAK547	11.212" 1.999"
WAK541	11.040" 1.999"
WAK700	11.040" 1.999"
WAK534B	10.410" 1.794"
WAK563B	10.392" 1.794"
WAK583	10.392" 1.794"
WAK836	10.392" 1.794"
WAK548	10.070" 1.794"



TYPE 3 KINGPIN
1 KEYWAY 2 OIL GROOVES

WA#	LENGTH / DIAMETER
WAK469A	6.547" .859"
WAK466	7.000" .921"
WAK478B	7.000" .921"
WAK470	7.672" 1.128"
WAK493	7.860" 1.231"
WAK509B	8.910" 1.231"
WAK571R	8.910" 1.231"



TYPE 4 "TAPERED" KINGPIN
TAPER

WA#	LENGTH	LARGE END	SMALL END
WAK562B	7.470"	1.625"	1.375"
WAK829B	7.470"	1.625"	1.375"
WAK463	8.750"	1.434"	1.186"
WAK499	8.750"	1.433"	1.186"
WAK574B	8.750"	2.125"	1.749"
WAK834	8.750"	2.125"	1.749"
WAK852	9.188"	1.892"	
WAK450B	9.750"	1.606"	1.309"

KING PIN KITS (cont.)

WA#	TRW®	ELGIN®	EUCLID®	DAYTON®	FLAGG®	MERITOR®	MOOG®	OEM	TYPE®	LENGTH®	DIAMETER
WAK420C	K448	KB420C		300-124	FKP-16-B		8428B	FAK4453	1	5.625"	.921"
WAK450B	K450	KB450A	E-4434B	300-125	FKP-11-B	R200144	8386B	FAK4533 FAK4549 3704112 KIT 144	4	9.750"	1.606" 1.309"
WAK463	K463	KB463	E-4435B	300-128				2321013 8885021	4	8.750"	1.434" 1.186"
WAK463B	> CAN USE WAK463										
WAK465	K465 CAN USE WAK477	KB465A	E-4441B	300-159	FKP-53-B	R200142	8519B	KIT 142 FAK4531 FAK4548	2	8.500"	1.433"
WAK466	K466	KB466	E-9311B	300-129	FKP-25-B		8458B	B7Y3111A FAK4455	3	7.000"	.921"
WAK469A	K469	KB469A		300-131	FKP-22-B		8455B	B7C3111A	3	6.547"	.859"
WAK470	K470	KB470		300-134			8471B	B7T3111A	3	7.672"	1.128"
WAK472A	K472A	KB472A	E-4437B	300-136	FKP-21-B		8454B	FAK4457	1	6.438"	.936"
WAK477	K477	KB465A	E-4441B	300-159				FAK4536	2	8.500"	1.434"
WAK478B	K446	KB466						B7Y3111A	3	7.000"	.921"
WAK492AR	K506B	KB492AR	E-4443B	300-173				FAK4468	1	7.888"	1.249"
WAK493	K493	KB493	E-4440B	300-155	FKP-36-B		8609B	FAK4461	3	7.860"	1.231"
WAK499	K499	KB463N	E-4435N	300-163	FKP-27-N		8462N	2431372 FAK4465	4	8.750"	1.433" 1.186"
WAK504	K504	KB504	E-4442B	300-171	FKP-37-N	R200167	8489N	2492007 C3TZ3111B FAK4540	2	9.120"	1.794"
WAK506B	K506B	KB492AR	E-4443B	300-173	FKP-39-B	R200025	8491B	3858390 FAK4468	1	7.888"	1.249"
WAK509B	K509B	KB571R	E-4445B	300-180	FKP-43-B	R200029	8500B	C7TZ3111A FAK4472	3	8.910"	1.231"
WAK517	K517	KB517	E-4447B	300-188	FKP-45-B	R200032	8503B	15512237 306921C93 FAK4475 FAK4547	2	9.625"	1.608"
WAK525	K545B	KB525	E-6451B	300-214	FKP-74-B		8574B		1	6.685"	1.054"
WAK526B	K526B	KB505A	E-4449B	300-195	FKP-49-B	R200157	8514B	15512233 303138C92 C4TZ3111B DOHZ3111C FAK4539 FAK4550	2	8.813"	1.607"
WAK534B	K534B	KB534B	E-4450B	300-204	FKP-62-B	R200199	8553B	452344C91 694332 FAK4553 FAK4559	2	10.410"	1.794"
WAK535B	K535B	KB325	E-4451B 300-205	300-249				343KK105 588808C91 FAK4517	2	9.660"	1.609"
WAK537	K537	KB523DC	E-9315B	300-197	FKP-60-B		8540B	D5TZ3111A	1	6.520"	.859"
WAK538B	K538B	KB537	E-4452B	300-207	FKP-69-B		8568B	D6TZ3111A	2	8.250"	1.433"
WAK538BIR	K544D	KB538NR	E-6452B	300-213	FKP-66-N		8560N	3780538	1	6.938"	1.234"
WAK539BIR	K543D	KB539BIR	E-4455B	300-212	FKP-67-N		8562N	FAK4490	1	7.625"	1.234"
WAK539D	K539D	KB722N	E-4453B	300-208				15536398 722166	1	6.360"	1.179"
WAK541	K541B	KB700	E-4454B	300-210	FKP-52-B	R200170	8518B	FAK4542	2	11.040"	1.999"
WAK545B	K545B	KB525	E-6451B	300-214				D5UZ3111B FAK4492	1	6.685"	1.054"
WAK546B	K546B	KB546	E-4457B	300-215	FKP-73-B		8573B	D6HZ3111B	2	9.080"	1.607"
WAK547	K547B	KB547	E-4458B	300-216	FKP-71-B	R200198	8571B	15585841 474520C91 597258C91 D5HZ3111C FAK4558	2	11.212"	1.999"
WAK548	K548B	KB548	E-4459B	300-217	FKP-72-B		8572B	D6HZ3111A	2	10.070"	1.794"
WAK549B	K549B	KB645	E-4460B	300-218	FKP-75-B		8577B	101KK109 101KK110 1648204C91 473695C91 FAK5444 FAK5452	1	7.968"	1.359"
WAK549B-15	K549B-15	KB645-15	E-4460B15	300-238	FKP-75-B15			473695C91	1	7.984"	1.374"
WAK552B	K552B	KB817	E-4462B	300-221	FKP-77-B		8581B	337KK101 337KK104 493094C95 ...continued>>>	1	9.660"	1.609"

KING PIN KITS (cont.)

WA#	TRW®	ELGIN®	EUCLID®	DAYTON®	FLAGG®	MERITOR®	MOOG®	OEM	TYPE®	LENGTH®	DIAMETER
								FAK4496 FAK4498 FAK5445 FAK5446			
WAK562B	K562B	KB829	E-4467B	300-231	FKP-85-B		8601B	3015Q47E 3015Q47CP1	4	7.470"	1.625" 1.375"
WAK563B	K563B	KB823	E-4468B	300-232	FKP-90-B	R200195	8590B	KIT 195 8235KIT195 2010021 549800C91 FAK4555	2	10.392"	1.794"
WAK567B	K567B	KB830	E-4469B	300-233	FKP-86-B		8613B	FAK4509 8885621 8885856	2	9.380"	1.745"
WAK570B	K570B	KB837	E-4595B	300-240	FKP-93-B	R201300	8612B	FAK4560	2	9.375"	1.607"
WAK570DC	K532B	KB570DC	E-9313B	300-202	FKP-57-B		8524B	D2TZ3111B	1	6.375"	.859"
WAK571											
WAK571R	K571R	KB571B	E-4445B	300-179	FKP-43-N	R200028	8500N	FAK4472	3	8.910"	1.231"
WAK572B	K572B	KB325	E-4451B	300-205	FKP-68-B		8567B	FAK4517	2	9.672"	1.609"
WAK574B	K574B	KB834	E-4599B	300-245	FKP-94-B		8615B	FAK4514 3015Q52	4	8.750"	2.125" 1.749"
WAK578B	K578B	KB578CB	E-6455B	300-285	FKP-103-B			FAK4595	1	7.270"	1.299"
WAK583	K583	KB836CB	E-4695C	300-244	FKP-100-C	R201309	8611C	15618118 FAK4566	2	10.392"	1.794"
WAK586	K586	KB842CB	E-6869C	300-258	FKP-101-C		8631C	806356 FAK4573	1	9.195"	1.625"
WAK591B	K591B	KB846CB	E-6194B	300-283	FKP-109-B			1008500 811525B	1	9.965"	1.873"
WAK602	K602	KB849	E-9941B	300-276	FKP-118-B			FAK4601	2	9.870"	1.921"
WAK609	K609	KB841	E-4696B	300-274	FKP-115-B		8647B	806355B FAK4583	1	9.195"	1.625"
WAK700	K541B	KB700	E-4454B	300-210				15512234 3015Q44 303140C92 DOHZ3111E FAK4542 FAK4571	2	11.040"	1.999"
WAK722B	K540B	KB722B	E-4453B	300-208	FKP-70-N		8570N	FAK4488	1	6.375"	1.179"
WAK817	K552B	KB817	E-4462B	300-222	FKP-77-N		8581N	FAK5446	1	9.660"	1.609"
WAK818	K554B	KB818	E-4463B	300-223	FKP-78-B		8583B	FAK4500	1	9.160"	1.609"
WAK825	K559B	KB825	E-6450B	300-228	FKP-81-B		8589B	FAK4505	1	6.969"	1.054"
WAK829B	K562B	KB829	E-4467B	300-231				FAK4508	4	7.470"	1.625" 1.375"
WAK830	K830	KB830	E-4469B	300-233				FAK4509	2	9.375"	1.745"
WAK834	K547B	KB834	E-4599B	300-245				FAK4514	4	8.750"	2.125" 1.749"
WAK836	K582	KB836	E-6868B	300-264	FKP-92-B	R201310	8611B	FAK4567	2	10.392"	1.794"
WAK840	K572B	KB840	E-4693B	300-249	FKP-96-B		8617B	FAK4517	2	9.660"	1.609"
WAK849	K602	KB849	E-9941B	300-276				FAK4601	2	9.870"	1.921"
WAK852	K852	KB852	E-10105B	300-288	FKP-122-B		8660B	12540329	4	9.188"	1.892"

DRAG LINKS



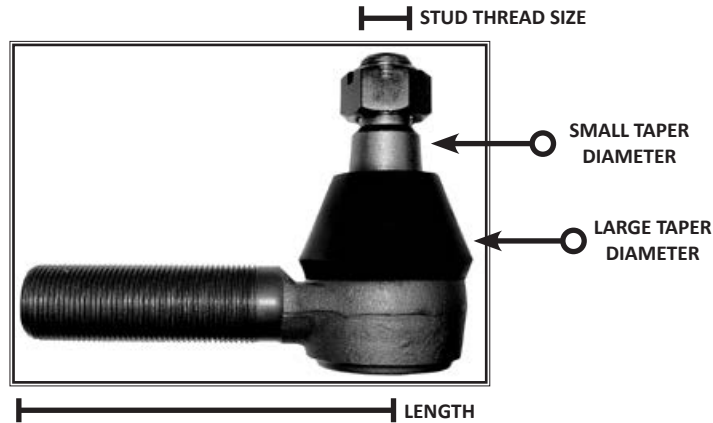
WA346-196



WA346-240

WA#	REPLACES TRW® REF#	REPLACES MERITOR® REF#	REPLACES EUCLID® REF#	AXLE MODEL	OEM REF#
WA346-189	346-189 DS908	R250025	E5325	7M, 9M, 12M, 16M, LENGTH 22.6"	D5HZ3304D E4HZ3304B E3HZ3304H
WA346-196	346-196 DS918	R250025	E6685	7M, 9M, 12M, 16M, LENGTH 18.4"	D7UZ3A130A
WA346-240	346-240 DS970	R250044	E5358	FA98, 101 LENGTH 14.75"	400745C91
WA346-249	346-249 DS979	R250051	E5366	BIG "S" SERIES FA109, FA226, 127 (02109)	480645C92
WA346-293	346-293 DS1034	R250066	E5370	FA71, 73, 101, 104	489023C91

TIE ROD ENDS



TIE ROD END SPECS

WA#	REPLACES	SMALL TAPER DIAMETER	LARGE TAPER DIAMETER	STUD THREAD SIZE	LENGTH*
MW187L	E4610	.967"	1.102"	1 1/8" - 12TPI LH	4.88"
MW187R	E4611	.967"	1.102"	1 1/8" - 12TPI RH	4.88"
MW373L	E4605	.783"	.899"	1" - 16TPI LH	4.43"
MW373R	E4604	.783"	.899"	1" - 16TPI RH	4.43"
MW411L	E4630	.967"	1.102"	1 1/8" - 12TPI LH	9.18"
MW411R	E4630	.967"	1.102"	1 1/8" - 12TPI RH	9.18"
MW423L	E4614	.967"	1.102"	1 1/8" - 12TPI LH	5.44"
MW423R	E4614	.967"	1.102"	1 1/8" - 12TPI RH	5.44"
MW431L	E4616	1.08"	1.25"	1 1/4" - 12TPI LH	5.75"
MW431R	E4617	1.08"	1.25"	1 1/4" - 12TPI RH	5.75"
MW2069R	E4609	.896"	1.03"	1 1/8" - 12TPI RH	4.88"
MW2070L	E4608	.896"	1.03"	1 1/8" - 12TPI LH	4.88"
MW2090L	E4628	1.08"	1.25"	1 1/4" - 12TPI LH	7.37"
MW2091R	E4629	1.08"	1.25"	1 1/4" - 12TPI RH	7.37"
MW3297R	E8758	.967"	1.107"	1 1/4" - 12TPI RH	8.12"
MW3298L	E8757	.967"	1.107"	1 1/4" - 12TPI LH	8.12"
MW3030R	E6856	1.108"	1.25"	1 7/8" - 12TPI RH	12.69"
MW3031L	E6857	1.108"	1.25"	1 7/8" - 12TPI LH	12.69"
MW3176R	E3176R	.967"	1.102"	.875"-14	6.00"**
MW3177L	E3177L	.967"	1.102"	.875"-14	6.00"**
MW9001L	E10138	.967"	1.102"	.875"-14	6.00"**
MW9001R	E10137	.967"	1.102"	.875"-14	6.00"**

* Stud Center to beginning of rod threads 2.53"

** Stud Center to beginning of rod threads 1.68"

WWW.MIDWESTTRUCK.COM
YOUR #1 SOURCE FOR SUSPENSION BUSHINGS!
CALL 800.934.2727 FOR PRICING!

TIE ROD ENDS (cont.)



MW411L



MW373R



MW373L



MW187R

WA# REF#	REPLACES TRW® REF#	REPLACES MERITOR® REF#	REPLACES EUCLID® REF#	AXLE MODEL REF#	OEM
MW187L	ES187L 310-121	R230060 A3144Q225 A23144K193	E4610	FD, FE, F8900	C1TZ3A131C FTR187L 110362R91 10QH248P2
MW187R	ES187R 310-122	R230061 A3144Q226 A23144J192	E4611	FD, FE, FG900	C8TZ3A130 110363R91 FTR187R 10QH248
MW373L	ES373L 310-184	R230019	E4605	FA71, 73, 74, 101, 104, 103	C7TZ3A130D 450063C91 FTR373L 1660273C92
MW373R	ES373R 310-183	R230018	E4604	FA71, 73, 74, 101, 104, 103	C7TZ3A131D 450062C91 FTR373R 1660272C91
MW411L	ES411L 310-215	R230028 R230415	E4630	FA109, 118, 339 342, 309, 127, 341, 340, 329, 139, 337	FTR411L 1649637C91 507835C91
MW411R	ES411R 310-216	R230029	E4631	FA109, 118, 339, 342, 309, 127, 341, 340, 329, 139, 337	FTR411R 1649638C91 507836C91
MW423L	ES423L 310-222	R230068 A3144N458	E4614	FF941, 931, 932, 921, FA109, 309, 139, 329, 339	FTR423L 507837C91 E4HZ3A131A
MW423R	ES423R 310-223	R230069 A3144N456	E4615	FF941, 931, 932, 921, FA109, 309, 139, 329, 339	FTR423R 507838C91 E4HZ3A130A
MW431L	ES431L 310-229	R230071 A3144J297	E4616	FH901, FL901	FTR431L 969055R91 D0HZ3A131B 18QK28A
MW431R	ES431R 310-228	R230070 A3144K296	E4617	FH901, FL901	FTR431R 969056R91 18QK214P2
MW2069R	ES2069R 310-277	R230036	E4609	FORD® -TYPE F90, 120, D, 9M	FTR2069R 2037140



MW431L



MW431R



MW2069

TIE ROD ENDS (cont.)



MW2070L



MW2090L



MW2091

WA#	REPLACES TRW® REF#	REPLACES MERITOR® REF#	REPLACES EUCLID® REF#	AXLE MODEL	OEM REF#
MW2070L	ES2070L ES405L 310-278	R230037	E4608	FORD® TYPE F90, 120, D, 9MM	FTR2070L 2037142
MW2090L	ES2090L 310-283 ES3033L	R230072 A3144A547	E4628	FL941, 931, FH901	FTR2090L FTR3033L 590583C91 10QH312
MW2091R	ES2091R 310-284 310-434 ES3034R	R230073 A31442546	E4629	FL941, 931, FH901	FTR2091R 590584C91 10QH311 581063C91 442354C92 FTR3302R
MW3297R	ES3297R 310-286	R230247	E8758	EFA12F4	1009010
MW3298L	ES3298L 310-285	R230246	E8757	EFA12F4	1009009
MW3030R	ES3030R 310-395	R230104 A3144D550	E6856	FA231 W/ CAST WHEELS	1668480C91 FTR3030RA
MW3031L	ES3031L 310-396	R230105 A3144DD549	E6857	FA231 W/ CAST WHEELS	1668479C91 FTR3031LA
MW3176R	ES3176R 310-472	R230408	E9963		64000002 65033002 F3HZ-3A130B
MW3177L	ES3177L 310-471	R230409	E9962		64000001 65033001 F3HZ-3A131B
MW9001L	ES9001L ES3477 310-456	R230140	E10138	E1200I	817018
MW9001R	ES9001R ES3476 310-455	R230139	E10137	E1200I	817019

REPLACEMENT VICKERS®-TYPE POWER STEERING PUMPS

V10F SERIES

REPLACES VICKERS® NO.	WA NO.
V10F1P4P11A4D20	WAP-029
V10F1P4P11B5D20	WAP-022
V10F1P5P1A5G20	WAP-012
V10F1P5P11A5E20	WAP-013
V10F1P5P11A5G20	WAP-014
V10F1P6P38C4H20	WAP-021
V10F1P6P38C6F20	WAP-019
V10F1P6P38C6G20	WAP-001
V10F1P6P38C6G20L	WAP-027
V10F1P6P38G4F20	WAP-020
V10F1P7P11A5E20	WAP-015
V10F1P7P11A5G20	WAP-016
V10F1P7P11B6D20	WAP-023
V10F1P7P11B6G20	WAP-024
V10F1P7P38A5H20	WAP-030
V10F1P7P38A6F20	WAP-025
V10F1P7P38C4H20L	WAP-026
V10F1P7P38C5F20	WAP-017
V10F1P7P38C5H20	WAP-002
V10F1P7P38D5F20	WAP-031
V10F1P7P38D5G20	WAP-032
V10F1P7P38D5H20	WAP-018
V10F1P7P38D5H20L	WAP-028
V10F1S4T38A5H20	WAP-033

V10NF SERIES

REPLACES VICKERS® NO.	WA NO.
V10NF1S5T38C40	WAP-034
V10NF1S5T38C5G	WAP-036
V10NF1S5T38C5G20L	WAP-038
V10NF1S5T38C5H	WAP-035
V10NF1S6T38C4G20L	WAP-039

V20F SERIES

REPLACES VICKERS® NO.	WA NO.
V20F13P3C6H11	WAP-055
V20F1D9P38C6H22	WAP-085
V20F1D9P38C6H22L	WAP-084
V20F1P11P1C6GL	WAP-086
V20F1P11P1C8H11	WAP-078
V20F1P11P38B6F11L	WAP-067
V20F1P11P38C4G11	WAP-080
V20F1P11P38C4H11L	WAP-064
V20F1P11P38C6F11	WAP-041
V20F1P11P38C6G11	WAP-074
V20F1P11P38C6H11	WAP-010
V20F1P11P38C7H11L	WAP-094
V20F1P11P38C811	WAP-051
V20F1P11P38C8E11	WAP-043
V20F1P11P38C8H11	WAP-009
V20F1P11P38D6E11	WAP-083
V20F1P11P38D6H11	WAP-006
V20F1P11P3B4H11L	WAP-061
V20F1P11P3B6E11	WAP-082
V20F1P11P3C6F11	WAP-066
V20F1P11P3C6H11	WAP-054
V20F1P11P3C8G11	WAP-087
V20F1P12P38C6H11	WAP-057
V20F1P12P3C4H11	WAP-053
V20F1P13P1C8H11	WAP-088

V20F SERIES (cont.)

REPLACES VICKERS® NO.	WA NO.
V20F1P13P38C4F11L	WAP-071
V20F1P13P38C4H11	WAP-072
V20F1P13P38C6F11	WAP-052
V20F1P13P38C6H11	WAP-011
V20F1P13P38C8H11	WAP-040
V20F1P13P38C8H11L	WAP-070
V20F1P13P38D6H11	WAP-007
V20F1P13P38D8F11	WAP-093
V20F1P13P3B6F11L	WAP-047
V20F1P13P3B6H11	WAP-059
V20F1P13P3B8H11L	WAP-089
V20F1P13P38D8F11	WAP-005
V20F1P6P38C6D11	WAP-073
V20F1P6P38C6E11	WAP-081
V20F1P6P38C6G11	WAP-003
V20F1P6P38C6G11L	WAP-090
V20F1P6P38C6H11	WAP-008
V20F1P7P11B6F11	WAP-042
V20F1P7P38B4H11	WAP-075
V20F1P7P38C6H11	WAP-056
V20F1P7P3B4H11L	WAP-068
V20F1P8038C4F11	WAP-049
V20F1P8P38A6F11L	WAP-069
V20F1P8P38C4H11	WAP-058
V20F1P8P38C4H11L	WAP-076
V20F1P8P38C6F11	WAP-044
V20F1P8P38C6G11L	WAP-079
V20F1P8P38C6H11L	WAP-062
V20F1P8P3B4F11L	WAP-048
V20F1P8P3B6F11L	WAP-045
V20F1P8P3C4H11	WAP-065
V20F1P8P3C6F11	WAP-046
V20F1P9P11B6G11	WAP-091
V20F1P9P1C6G11	WAP-077
V20F1P9P38B6H11	WAP-096
V20F1P9P38C6G11	WAP-004
V20F1P9P38C6H22L	WAP-092
V20F1P9P38C8G11	WAP-097
V20F1P9P38C8H22	WAP-098
V20F1P9P38C8H22L	WAP-099
V20F1P9P3B6H11L	WAP-060
V20F1P9P3C6F11	WAP-095
V20F1PP38C6H11L	WAP-063
V20F1RP38C6E22	WAP-100

REPLACES VICKERS® NO.	WA NO.
V20NF1D11P38C8G20	WAP-101
V20NF1D11P38G6H20L	WAP-113
V20NF1D13P38G8H20	WAP-110
V20NF1D6P38C4H20L	WAP-108
V20NF1D6P38C6G20	WAP-104
V20NF1D6P38G4G20	WAP-111
V20NF1D6P3C6G20L	WAP-103
V20NF1D6P3G4H20	WAP-114
V20NF1D9P38C6G20	WAP-106

REPLACES VICKERS® NO.	WA NO.
V20NF1D9P38C6G20L	WAP-107
V20NF1D9P38G8F20L	WAP-109
V20NF1D9P3C6G20	WAP-105
V20NF1D9T38C8H20L	WAP-102
V20NF1D9T38G6H22	WAP-115
V20NF1D9T38G7D22L	WAP-112

POWER STEERING PUMP REBUILD KITS



WA4010



WA4015



WA4018



WA4021



WA4025

<i>WA#</i>	<i>REPLACES</i>	<i>DESCRIPTION</i>
WA4010	HF540000	HF54 PUMP MASTER KIT
WA4012	HF640000	HF64 PUMP MASTER KIT
WA4013	ERS28220	EATON® MODEL "U" SERIES MASTER KIT
WA4014	923548	VICKERS® V10 PUMP MASTER KIT
WA4015	922733	VICKERS® V20 PUMP MASTER KIT
WA4016	HFB520000	HFB52 PUMP MASTER KIT
WA4017	HFB640001	HFB64 PUMP MASTER KIT
WA4018	HFB70000	HFB70 PUMP MASTER KIT
WA4019	7842832	SAGINAW® ROTARY VALVE (ASTRO MASTER KIT)
WA4020	7842829	SAGINAW® ROTARY VALVE GENERAL & BRIGADIER® MASTER KIT
WA4021	TRW371-122A	SHEPPARD® 392 - 3 & 4 SERIES MASTER KIT
WA4022	TRW371-122A	SHEPPARD® 392 - 5 SERIES MASTER KIT
WA4024	TRW371-126A	SHEPPARD® 392 - 3, 4 & 5 SERIES MASTER KIT
WA4025	TRW371-125A	SHEPPARD® 492 PUMP MASTER KIT
WA4026	S518431	SHEPPARD® 392 - 6 SERIES MASTER KIT
WA4033	TAS55	TAS-55 PUMP MASTER KIT
WA4034	TAS650003	TAS-65 PUMP MASTER KIT
WA4035	1675138C91	TAS-65 PUMP MASTER KIT
WA4036	1675137C91	TAS-40 PUMP MASTER KIT
WA4037	1685195C91	SHEPPARD® M100 PUMP

POWER STEERING SECTOR SHAFTS



WATAS40



WATAS55



WAHF64



WAM100

WA#	OEM REF#	DESCRIPTION
WATAS40	TAS40	SECTOR SHAFT
WATAS55	TAS56	SECTOR SHAFT
WATAS65	HFB64	SECTOR SHAFT
WATAS85	HFB70	SECTOR SHAFT
WAHF64	HF64/373-207	SECTOR SHAFT
WAM90	M90	SECTOR SHAFT
WAM100	M100	SECTOR SHAFT



®

WORLD AMERICAN





WORLD AMERICAN®

INDUSTRY LEADER

World American® leads the way in quality, service, and product variety. Distribution is vast with product delivery to over 30 countries World Wide. Our extensive selection of heavy duty and mid-range aftermarket products include:

Manual Transmission
Steering
Hydraulic Pumps
Suspension

Differential
Driveline
PTO
Water Pumps

Air Brake
Electrical
Clutches
Wheel Attaching



Contact World American® at:

Toll Free: 800.934.2727 or 773.247.3400

www.worldamerican.com

Download catalogs for FREE!



INTERCHANGE

ALCOA®

COMPETITOR #	WA#	NOTES	COMPETITOR #	WA#	NOTES
5548-L	WA07-5031		5956-L	WA07-5033	
5548-R	WA07-5030		5956-R	WA07-5032	
5549-L	WA07-5025		5977-L	WA07-5023	
5549-R	WA07-5024		5977-R	WA07-5022	
5552-L	WA07-5023		5978-L	WA07-5033	
5552-R	WA07-5022		5978-R	WA07-5032	
5554-L	WA07-6003		5988-L	WA07-5033	
5554-R	WA07-6002		5988-R	WA07-5032	
5575-L	WA07-6127		5995-L	WA07-6015	
5575-R	WA07-6126		5995-R	WA07-6014	
5735-L	WA07-5027		5996-L	WA07-6017	
5735-R	WA07-5026		5996-R	WA07-6016	
5903-L	WA07-5033		7896-L	WA07-5027	
5903-R	WA07-5032		7896-R	WA07-5026	

ATRO®

COMPETITOR #	WA#	NOTES	COMPETITOR #	WA#	NOTES
HV10000	WA03-5004		PL1007	WA03-5004	
KW3VB	WA03-5008		PL1008	WA03-5008	
N215VB	WA03-5011		PL1011	WA03-5010	
NW3000	WA03-5011		PL1025	WA03-5009	
PL1003	WA03-5001		PL1026	WA03-5016	
PL1006	WA03-5002		R130VB	WA03-5018	

AUTOMANN®

COMPETITOR #	WA#	NOTES	COMPETITOR #	WA#	NOTES
101.0251	WA07-5044	SUSPENSION CATALOG	112.11616	WA04-5015	SUSPENSION CATALOG
101.2072	WA07-5045	SUSPENSION CATALOG	112.1162	WA04-5000	SUSPENSION CATALOG
102.2071	WA07-5051	SUSPENSION CATALOG	112.1164	WA04-5001	SUSPENSION CATALOG
102.2122	WA07-5043	SUSPENSION CATALOG	112.1165	WA04-5013	SUSPENSION CATALOG
103.1084	WA04-5028	SUSPENSION CATALOG	112.1167	WA04-5016	SUSPENSION CATALOG
104.03281	WA10-5006	SUSPENSION CATALOG	112.1169	WA04-5004	SUSPENSION CATALOG
104.05091	WA10-5008	SUSPENSION CATALOG	112.1192	WA04-5061	SUSPENSION CATALOG
104.05161	WA10-5009	SUSPENSION CATALOG	112.1202	WA04-5006	SUSPENSION CATALOG
104.06181	WA10-5021	SUSPENSION CATALOG	112.1203	WA04-5059	SUSPENSION CATALOG
104.07041	WA10-5000	SUSPENSION CATALOG	112.1206	WA04-5008	SUSPENSION CATALOG
104.07061	WA10-5022	SUSPENSION CATALOG	112.1241	WA04-5005	SUSPENSION CATALOG
104.07221	WA10-5001	SUSPENSION CATALOG	112.1281	WA04-5007	SUSPENSION CATALOG
104.08001	WA10-5023	SUSPENSION CATALOG	113.1281	WA09-5000	SUSPENSION CATALOG
105.1002	WA10-5013	SUSPENSION CATALOG	113.1282	WA09-5001	SUSPENSION CATALOG
105.1004	WA10-5014	SUSPENSION CATALOG	113.1283	WA09-5003	SUSPENSION CATALOG
105.2004	WA10-5011	SUSPENSION CATALOG	113.2001	WA09-5004	SUSPENSION CATALOG
110.2002	WA08-5013	SUSPENSION CATALOG	113.2023	WA09-5002	SUSPENSION CATALOG
110.2101	WA08-5005	SUSPENSION CATALOG	114.1162	WA07-5136	SUSPENSION CATALOG
110.2204	WA08-5006	SUSPENSION CATALOG	114.1171	WA07-5129	SUSPENSION CATALOG
110.2215	WA08-5007	SUSPENSION CATALOG	114.1172	WA07-5127	SUSPENSION CATALOG
110.2217	WA08-5002	SUSPENSION CATALOG	114.1174	WA07-5128	SUSPENSION CATALOG
110.2302	WA08-5009	SUSPENSION CATALOG	114.1211	WA07-5134	SUSPENSION CATALOG
110.2304	WA08-5013	SUSPENSION CATALOG	115.1161	WA07-5001	SUSPENSION CATALOG
110.2506	WA08-5016	SUSPENSION CATALOG	115.1162	WA07-5003	SUSPENSION CATALOG
111.0001	WA07-5019	SUSPENSION CATALOG	134.1031	WAKN47011	SUSPENSION CATALOG
112.1081	WA04-5058	SUSPENSION CATALOG	134.1041	WAKN47001	SUSPENSION CATALOG
112.1083	WA04-5057	SUSPENSION CATALOG	134.2831	WAKN44061	SUSPENSION CATALOG
112.1161	WA04-5011	SUSPENSION CATALOG	134.2841	WAKN44071	SUSPENSION CATALOG
112.11614	WA04-5060	SUSPENSION CATALOG	134.3741	WAKN44041	SUSPENSION CATALOG
112.11615	WA04-5003	SUSPENSION CATALOG	170.065437	WA65437AIR	VALVE CATALOG

INTERCHANGE

AUTOMANN® cont.

COMPETITOR #	WA#	NOTES	COMPETITOR #	WA#	NOTES
170.065439	WA65439AIR	VALVE CATALOG	182.4522	45220	BEARING
170.101112	WA101112	AIR VALVE CATALOG	182.4528	45280	BEARING
170.101622	WA101622	AIR VALVE CATALOG	182.47679	47679	BEARING
170.101818	WA101818	AIR VALVE CATALOG	182.47686	47686	BEARING
170.102626	WA102626	AIR VALVE CATALOG	182.493	493	BEARING
170.103009	WA103009	AIR VALVE CATALOG	182.497	497	BEARING
170.10301	WA103010	AIR VALVE CATALOG	182.518	HM518445	BEARING
170.103028	WA103028	AIR VALVE CATALOG	182.563	563	BEARING
170.104358	WA104358	AIR VALVE CATALOG	182.567	567	BEARING
170.107798	WA107798	AIR VALVE CATALOG	182.572	572	BEARING
170.109578	WA109578	AIR VALVE CATALOG	182.58	580	BEARING
170.109994	WA109994	AIR VALVE CATALOG	182.582	582	BEARING
170.11017	WA110170	AIR VALVE CATALOG	182.594	594	BEARING
170.110171	WA110171	AIR VALVE CATALOG	182.598	598	BEARING
170.12105	WA12105	AIR VALVE CATALOG	182.642	6420	BEARING
170.205105	WA205105	AIR VALVE CATALOG	182.653	653	BEARING
170.2286	WA228600	AIR VALVE CATALOG	182.663	663	BEARING
170.229635	WA229635	AIR VALVE CATALOG	201.6149	WA07-5374	
170.229859	WAKN32005	AIR VALVE CATALOG	201.6162	WA07-6192	
170.22986	WA229860	AIR VALVE CATALOG	203.3002	WA07-5018	
170.248433	WA248433	AIR VALVE CATALOG	100.1308.10	WAE3869	SUSPENSION CATALOG
170.275491	WAKN18530	AIR VALVE CATALOG	100.1308.30	WAE5139	SUSPENSION CATALOG
170.276566	WA276566	AIR VALVE CATALOG	100.4311.10	WA1887ASHD	SUSPENSION CATALOG
170.276567	WA276567	AIR VALVE CATALOG	100.4515.21	WA2769SHD	SUSPENSION CATALOG
170.277863	WA277863	AIR VALVE CATALOG	100.4515.22	WA2769SHD	SUSPENSION CATALOG
170.27918	WA279180	AIR VALVE CATALOG	100.4515.31	WA3710SHD	SUSPENSION CATALOG
170.281865	WA281865	AIR VALVE CATALOG	100.4515.32	WA3710SHD	SUSPENSION CATALOG
170.284142	WA284142	AIR VALVE CATALOG	100.4524.11	WA08-5019	SUSPENSION CATALOG
170.28476	WA284760	AIR VALVE CATALOG	100.4702.10	WAE9064	SUSPENSION CATALOG
170.286171	WA286171	AIR VALVE CATALOG	100.4709.10	WAE5481A	SUSPENSION CATALOG
170.28637	WA286370	AIR VALVE CATALOG	101.0251.99	WA07-5050	SUSPENSION CATALOG
170.2865	WA286500	AIR VALVE CATALOG	101.2051K	WA07-5047	SUSPENSION CATALOG
170.287376	WA287376	AIR VALVE CATALOG	101.2075K	WA07-5046	SUSPENSION CATALOG
170.288239	WA288239	AIR VALVE CATALOG	104.08001HD	WA10-5024	SUSPENSION CATALOG
170.288241	WA288241	AIR VALVE CATALOG	104.10261HD	WA10-5005	SUSPENSION CATALOG
170.289714	WA289714	AIR VALVE CATALOG	110.2220	WA08-5010	SUSPENSION CATALOG
170.800376	WA800376	AIR VALVE CATALOG	121.371604.01	WA05-5003	SUSPENSION CATALOG
174.6909	A6909	AIR VALVE CATALOG	121.671604.02	WA05-5002	SUSPENSION CATALOG
174.691	A6910	AIR VALVE CATALOG	122.280818.01	WA05-5049	SUSPENSION CATALOG
174.6913	A6913	AIR VALVE CATALOG	122.280818.02	WA05-5048	SUSPENSION CATALOG
174.6915	A6915	AIR VALVE CATALOG	122.280818.03	WA05-5039	SUSPENSION CATALOG
174.6918	A6918	AIR VALVE CATALOG	122.280818.04	WA05-5038	SUSPENSION CATALOG
177.6001	WA11600	SUSPENSION CATALOG	122.281107.01	WA05-5043	SUSPENSION CATALOG
177.6002	WA11602	SUSPENSION CATALOG	122.281107.02	WA05-5042	SUSPENSION CATALOG
177.6005	WA11544	SUSPENSION CATALOG	122.281118.03	WA05-5041	SUSPENSION CATALOG
177.6006	WA11548	SUSPENSION CATALOG	122.281118.04	WA05-5040	SUSPENSION CATALOG
177.7015	WA01-5016	SUSPENSION CATALOG	122.281710.01	WA05-5009	SUSPENSION CATALOG
177.7016	WA01-5017	SUSPENSION CATALOG	122.281710.02	WA05-5008	SUSPENSION CATALOG
177.7017	WA01-5018	SUSPENSION CATALOG	122.281710.03	WA05-5019	SUSPENSION CATALOG
177.7018	WA01-5019	SUSPENSION CATALOG	122.281710.04	WA05-5018	SUSPENSION CATALOG
180.10616	WA14-5024	SUSPENSION CATALOG	122.282013.01	WA05-5011	SUSPENSION CATALOG
180.10617	WA359-5990	SUSPENSION CATALOG	122.282013.02	WA05-5010	SUSPENSION CATALOG
180.10618	WA340-4975	SUSPENSION CATALOG	122.282402.01	WA05-5013	SUSPENSION CATALOG
181.127591	127591	SEAL	122.282402.02	WA05-5012	SUSPENSION CATALOG
181.3591	3591	SEAL	122.282402.03	WA05-5020	SUSPENSION CATALOG
182.372	3720	BEARING	122.282402.04	WA05-5019	SUSPENSION CATALOG
182.3782	3782	BEARING	123.281714.01	WA05-5057	SUSPENSION CATALOG
182.3952	39520	BEARING	123.281714.02	WA05-5056	SUSPENSION CATALOG
182.3959	39590	BEARING	123.282014.01	WA05-5071	SUSPENSION CATALOG

INTERCHANGE

AUTOMANN® cont.

COMPETITOR #	WA#	NOTES	COMPETITOR #	WA#	NOTES
123.282014.02	WA05-5070	SUSPENSION CATALOG	181.370005A	370005A	SEAL
123.282014.03	WA05-5077	SUSPENSION CATALOG	181.370019A	370019A	SEAL
123.282014.04	WA05-5076	SUSPENSION CATALOG	181.370021A	370021A	SEAL
123.282318.01	WA05-5073	SUSPENSION CATALOG	181.370022A	370022A	SEAL
123.282318.02	WA05-5072	SUSPENSION CATALOG	181.370023A	370023A	SEAL
123.282318.03	WA05-5017	SUSPENSION CATALOG	181.370025A	370025A	SEAL
123.282318.04	WA05-5016	SUSPENSION CATALOG	181.370031A	370031A	SEAL
123.282402.03	WA05-5051	SUSPENSION CATALOG	181.370036A	370036A	SEAL
123.282402.04	WA05-5050	SUSPENSION CATALOG	181.370047A	370047A	SEAL
124.102014.01	WA05-5001	SUSPENSION CATALOG	181.370048A	370048A	SEAL
124.102014.02	WA05-5000	SUSPENSION CATALOG	181.370065A	370065A	SEAL
124.102228.01	WA05-5053	SUSPENSION CATALOG	181.370120A	370120A	SEAL
124.102228.02	WA05-5052	SUSPENSION CATALOG	181.370131A	370131A	SEAL
124.102314.01	WA05-5007	SUSPENSION CATALOG	181.473274N	473274N	SEAL
124.102314.02	WA05-5006	SUSPENSION CATALOG	181.475003N	475003N	SEAL
125.101100.01	WA05-5037	SUSPENSION CATALOG	181.475009N	475009N	SEAL
125.101100.02	WA05-5036	SUSPENSION CATALOG	181.475012N	475012N	SEAL
125.281102.01	WA05-5031	SUSPENSION CATALOG	181.476023N	476023N	SEAL
125.281102.02	WA05-5030	SUSPENSION CATALOG	181.T65060U	370025A	SEAL
170.A1000	WAA1000	AIR VALVE CATALOG	181.T65071U	370031A	SEAL
170.KN20900	WA290655	AIR VALVE CATALOG	181.T65078U	370131A	SEAL
170.KN23000	WAKN23000	AIR VALVE CATALOG	181.T65092U	370048A	SEAL
170.KN23040	WAKN23040	AIR VALVE CATALOG	181.T65111U	370047A	SEAL
170.KN26000	WAKN26000	AIR VALVE CATALOG	181.T65152U	370023A	SEAL
170.KN28500	WAKN28500	AIR VALVE CATALOG	181.T65156U	370003A	SEAL
170.KN28510	WAKN28510	AIR VALVE CATALOG	181.T65165U	370005A	SEAL
170.KN28520	WAKN28520	AIR VALVE CATALOG	181.T65172U	370021A	SEAL
170.KN30400	WAKN30400	AIR VALVE CATALOG	181.T65261U	370036A	SEAL
170.KN31000	WAKN31000	AIR VALVE CATALOG	181.T65262U	370065A	SEAL
171.H184	WA90054007	AIR VALVE CATALOG	181.T65263U	370001A	SEAL
171.KN27000	WAKN27000	AIR VALVE CATALOG	181.T65270U	370022A	SEAL
171.LV100	WA90054007	AIR VALVE CATALOG	181.T69598	370025A	SEAL
177.7020	WA01-5011	SUSPENSION CATALOG	181.T69699	370001A	SEAL
177.7024	WA01-5022	SUSPENSION CATALOG	181.T69794	370023A	SEAL
179.1001	WA11452	SUSPENSION CATALOG	181.T69799	370003A	SEAL
179.1002	WA11451	SUSPENSION CATALOG	181.T70561	370036A	SEAL
179.1003	WA11450	SUSPENSION CATALOG	181.T70596	370065A	SEAL
179.1010	WA10024	SUSPENSION CATALOG	181.T70796	370022A	SEAL
179.1016	WA15-730	ELECTRICAL CATALOG	181.T70798	370005A	SEAL
179.1017	WA15-720	ELECTRICAL CATALOG	181.T70799	370003A	SEAL
179.3003.15	WA451036N	SUSPENSION CATALOG	182.47620	47620	BEARING
179.3005	WA01-5046	SUSPENSION CATALOG	182.552A	552A	BEARING
179.3010.12	WA22-4621	ELECTRICAL CATALOG	182.555S	555S	BEARING
179.3010.15	WA24-4621	ELECTRICAL CATALOG	182.592A	592A	BEARING
179.3011.15	WA30-4621	ELECTRICAL CATALOG	182.594A	594A	BEARING
179.4013	RB-30PS	AIR VALVE CATALOG	182.598A	598A	BEARING
179.DT12	WAKN18120	SUSPENSION CATALOG	182.6461A	6461A	BEARING
179.DT16	WAKN18160	SUSPENSION CATALOG	182.HM212011	HM212011	BEARING
179.DT20	WAKN18200	SUSPENSION CATALOG	182.HM212047	HM212047	BEARING
179.DT24	WAKN18240	SUSPENSION CATALOG	182.HM212049	HM212049	BEARING
179.DT30	WAKN18300	SUSPENSION CATALOG	182.HM218210	HM218210	BEARING
179.DT9	WAKN18090	SUSPENSION CATALOG	182.HM218248	HM218248	BEARING
179.SB3030	WA3030TC	AIR VALVE CATALOG	182.HM516410	HM516410	BEARING
179.SC16	WA16SC	AIR VALVE CATALOG	182.HM516449C	HM516449C	BEARING
179.SC20	WA20SC	AIR VALVE CATALOG	182.HM518410	HM518410	BEARING
179.SC24	WA24SC	AIR VALVE CATALOG	201.1001L	WA07-5025	
179.SC30	WA30SC	AIR VALVE CATALOG	201.1001R	WA07-5024	
181.370001A	WA370001A	SEAL	201.1002L	WA07-5027	
181.370003A	WA370003A	SEAL	201.1002R	WA07-5026	

INTERCHANGE

AUTOMANN® cont.

COMPETITOR #	WA#	NOTES	COMPETITOR #	WA#	NOTES
201.1003L	WA07-5029		201.6104R	WA07-6120	
201.1003R	WA07-5028		201.6106L	WA07-6193	
201.1004L	WA07-5155		201.6106R	WA07-5116	
201.1004R	WA07-5154		201.6107L	WA07-6233	
201.1007L	WA07-5033		201.6107R	WA07-6232	
201.1007R	WA07-5032		201.6108L	WA07-5141	
201.2001L	WA07-5021		201.6108R	WA07-5173	
201.2001R	WA07-5020		201.6109L	WA07-5176	
201.2003L	WA07-5023		201.6109R	WA07-5175	
201.2003R	WA07-5022		201.6111L	WA07-6075	
201.2006L	WA07-5157		201.6111R	WA07-6074	
201.2006R	WA07-5156		201.6113R	WA07-6108	
201.2009L	WA07-6015		201.6114L	WA07-5105	
201.2009R	WA07-6014		201.6114R	WA07-5104	
201.3013	WA07-5037		201.6119L	WA07-5178	
201.3014	WA07-5035		201.6119R	WA07-5177	
201.3015	WA07-5036		201.6132	WA07-5200	
201.3019L	WA07-5301		201.6133	WA07-5201	
201.3019R	WA07-5300		201.6141	WA07-6083	
201.6035L	WA07-5164		201.6145	WA07-5202	
201.6035R	WA07-5163		201.6150	WA07-6085	
201.6037L	WA07-5097		201.6151	WA07-5038	
201.6037R	WA07-5096		201.6152	WA07-5204	
201.6042L	WA07-5099		201.6153	WA07-6087	
201.6042R	WA07-5098		201.6157	WA07-5039	
201.6043L	WA07-6067		201.6158	WA07-5205	
201.6043R	WA07-6066		201.6159	WA07-5114	
201.6045L	WA07-6065		201.6172	WA07-6093	
201.6045R	WA07-6064		201.6178R	WA07-6076	
201.6049L	WA07-6069		201.6183L	WA07-6237	
201.6049R	WA07-6068		201.6183R	WA07-3236	
201.6050L	WA07-6071		201.6187L	WA07-5180	
201.6050R	WA07-6070		201.6187R	WA07-5179	
201.6054L	WA07-5166		201.6193L	WA07-5107	
201.6054R	WA07-5165		201.6193R	WA07-5106	
201.6057L	WA07-5353		201.6195L	WA07-6111	
201.6057R	WA07-5167		201.6195R	WA07-6110	
201.6062L	WA07-5505		201.7002L	WA07-5190	
201.6062R	WA07-5504		201.7002R	WA07-5189	
201.6067L	WA07-5101		201.7003L	WA07-5192	
201.6067R	WA07-5100		201.7003R	WA07-5191	
201.6069L	WA07-5103		201.7004L	WA07-5194	
201.6069R	WA07-5102		201.7004R	WA07-5193	
201.6071L	WA07-5355		201.7005L	WA07-5196	
201.6071R	WA07-5169		201.7005R	WA07-5195	
201.6073L	WA07-6143		201.7006L	WA07-6045	
201.6073R	WA07-6142		201.7006R	WA07-6044	
201.6074L	WA07-6153		201.7007L	WA07-6163	
201.6074R	WA07-6152		201.7007R	WA07-6162	
201.6075R	WA07-6158		201.7010L	WA07-5198	
201.6082L	WA07-6059		201.7010R	WA07-5197	
201.6082R	WA07-6058		201.7011L	WA07-6165	
201.6086L	WA07-6167		201.7011R	WA07-6164	
201.6086R	WA07-6166		201.7027R	WA07-6046	
201.6097L	WA07-5172		203.1010	WA15-5003	
201.6097R	WA07-5171		203.2013	WA15-5000	
201.6103L	WA07-6173		203.2014	WA15-5006	
201.6103R	WA07-6172		203.2015	WA15-5001	
201.6104L	WA07-6037		203.2016	WA15-5002	

INTERCHANGE

AUTOMANN® cont.

COMPETITOR #	WA#	NOTES	COMPETITOR #	WA#	NOTES
203.2023	WA15-5009		AB1DK23F-9039	WA01-9039	SUSPENSION CATALOG
203.2041	WA15-5015		AB1DK23H-8204	WA01-8204	SUSPENSION CATALOG
203.2042	WA15-5010		AB1DK23H-9105	WA01-9105	SUSPENSION CATALOG
203.3001	WA07-5152		AB1DK23I-9069	WA01-9069	SUSPENSION CATALOG
203.3103	WA07-5153		AB1DK23I-9270	WA01-9270	SUSPENSION CATALOG
203.4002	WA07-5150		AB1DK23K-9082	WA01-9082	SUSPENSION CATALOG
203.4005	WA07-5004		AB1DK23K-9213	WA01-9213	SUSPENSION CATALOG
203.4006	WA07-5005		AB1DK23K-9219	WA01-9219	SUSPENSION CATALOG
203.4010	WA07-6051		AB1DK23K-9296	WA01-9296	SUSPENSION CATALOG
209.1110	WA07-5405		AB1DK23K-9648	WA01-9648	SUSPENSION CATALOG
209.1111	WA07-5402		AB1DK23K-9780	WA01-9780	SUSPENSION CATALOG
209.1210	WA07-5382		AB1DK23L-9265	WA01-9265	SUSPENSION CATALOG
209.1215	WA07-5387		AB1DK23L-9394	WA01-9394	SUSPENSION CATALOG
209.1222	WA07-5386		AB1DK23P-8944	WA01-8944	SUSPENSION CATALOG
209.1223	WA07-5384		AB1DK23P-9287	WA01-9287	SUSPENSION CATALOG
209.1225	WA07-5381		AB1DK23P-9373	WA01-9373	SUSPENSION CATALOG
209.1307	WA07-5090		AB1DK23P-9921	WA01-9921	SUSPENSION CATALOG
209.1308	WA07-5092		AB1DK28A-8050	WA01-8050	SUSPENSION CATALOG
209.2109	WA07-5403		ABP4	WA12-5013	SUSPENSION CATALOG
209.2206	WA07-5091		ABP5	WA12-5113	SUSPENSION CATALOG
209.2209	WA07-5391		ABP6	WA12-5034	SUSPENSION CATALOG
209.2210	WA07-5388		BP198	WA04-5045	SUSPENSION CATALOG
209.2214	WA07-5385		BP200	WA04-5042	SUSPENSION CATALOG
209.2215	WA07-5215		EQ019	WA12-5027	SUSPENSION CATALOG
209.2216	WA07-6030		EQ022	WA12-5002	SUSPENSION CATALOG
209.2313	WA07-5093		EQ028	WA12-5028	SUSPENSION CATALOG
462.ES187L	MW187L	SUSPENSION CATALOG	FLN107	WA07-5059	
462.ES187R	MW187R	SUSPENSION CATALOG	KP100	WA15-5050	SUSPENSION CATALOG
462.ES2035L	MW2035L	SUSPENSION CATALOG	KPL002	WA15-5051	SUSPENSION CATALOG
462.ES2036R	MW2036R	SUSPENSION CATALOG	M1970	WA04-5030	SUSPENSION CATALOG
462.ES2069R	MW2069R	SUSPENSION CATALOG	M1972	WA04-5035	SUSPENSION CATALOG
462.ES2070L	MW2070L	SUSPENSION CATALOG	M1978	WA04-5036	SUSPENSION CATALOG
462.ES2090L	MW2090L	SUSPENSION CATALOG	M1980	WA04-5037	SUSPENSION CATALOG
462.ES2091R	MW2091R	SUSPENSION CATALOG	M1988	WA04-5031	SUSPENSION CATALOG
462.ES3030R	MW3030R	SUSPENSION CATALOG	M8286	WA12-5081	SUSPENSION CATALOG
462.ES3031L	MW3031L	SUSPENSION CATALOG	M852	WA12-5019	SUSPENSION CATALOG
462.ES373L	MW373L	SUSPENSION CATALOG	MLP466	WA07-5115	SUSPENSION CATALOG
462.ES373R	MW373R	SUSPENSION CATALOG	MN11444	WA12-5024	SUSPENSION CATALOG
462.ES411L	MW411L	SUSPENSION CATALOG	TR004	WA12-5015	SUSPENSION CATALOG
462.ES411R	MW411R	SUSPENSION CATALOG	TR009	WA12-5003	SUSPENSION CATALOG
462.ES423L	MW423L	SUSPENSION CATALOG	TR010	WA12-5033	SUSPENSION CATALOG
462.ES423R	MW423R	SUSPENSION CATALOG	TR061	WA12-5106	SUSPENSION CATALOG
462.ES431L	MW431L	SUSPENSION CATALOG	TR062	WA12-5107	SUSPENSION CATALOG
462.ES431R	MW431R	SUSPENSION CATALOG	TRB5066	WA04-5025	SUSPENSION CATALOG
750.210084-2X	210084-2X	CENTER SUPPORT BRG	TRB6000	WA04-5019	SUSPENSION CATALOG
750.210088-1X	210088-1X	CENTER SUPPORT BRG	TRB6002	WA04-5023	SUSPENSION CATALOG
750.21021-1X	210121-1X	CENTER SUPPORT BRG	TRB6008	WA04-5024	SUSPENSION CATALOG
750.210391-1X	210391-1X	CENTER SUPPORT BRG	TRB6112	WA12-5096	SUSPENSION CATALOG
750.210433-1X	210433-1X	CENTER SUPPORT BRG	TRB6116	WA12-5093	SUSPENSION CATALOG
750.210661-1X	210661-1X	CENTER SUPPORT BRG	TRB6117	WA12-5094	SUSPENSION CATALOG
750.210866-1X	210866-1X	CENTER SUPPORT BRG	TRB6119	WA12-5095	SUSPENSION CATALOG
750.210875-1X	210875-1X	CENTER SUPPORT BRG	TRB6164	WA12-5005	SUSPENSION CATALOG
750.211590-1X	211590-1X	CENTER SUPPORT BRG	TRB6300	WA04-5021	SUSPENSION CATALOG
AB1D28C-9122	WA01-9122	SUSPENSION CATALOG	TRB6820	WA12-5006	SUSPENSION CATALOG
AB1D28G-9121	WA01-9121	SUSPENSION CATALOG	TRK5541	WA04-5062	SUSPENSION CATALOG
AB1DK20D-9422	WA01-9422	SUSPENSION CATALOG	TRK6326	WA07-5060	SUSPENSION CATALOG
AB1DK20F-9293	WA01-9293	SUSPENSION CATALOG	TR56326	WA07-5058	SUSPENSION CATALOG
AB1DK20F-9295	WA01-9295	SUSPENSION CATALOG			

INTERCHANGE

BENDIX®

COMPETITOR #	WA#	NOTES	COMPETITOR #	WA#	NOTES
205730	WA01-5024		234433	WAKN18090	
215535	WA01-5018		239076	WA01-5042	
215536	WA01-5016		248579	WA09-5007	
215539	WA01-5014		275150	WA11450	
215540	WA01-5012		278323	WAKN47001	
225926	WA24SC		278850	WA11452	
225927	WA30SC		278851	WA11451	
234099	WAKN18200		283411	WAKN44041	
234100	WAKN18240		287899	WAKN44061	
234101	WAKN18300		288753	WAKN44061	
234189	WAKN18160		288808	WA24SC	
234226	WAKN18120		288813	WA30SC	

BUDD®

COMPETITOR #	WA#	NOTES	COMPETITOR #	WA#	NOTES
10708	WA07-5024		48794	WA07-5192	
10709	WA07-5025		49851	WA07-5100	
13096	WA07-5189		49852	WA07-5102	
13097	WA07-5190		59172	WA07-5195	
13988	WA07-5191		59173	WA07-5196	
13989	WA07-5192		59183	WA07-5102	
13990	WA07-5193		59184	WA07-5103	
13991	WA07-5194		59191	WA07-5163	
16271	WA07-5197		59192	WA07-5164	
16272	WA07-5198		59263	WA07-5096	
19004	WA07-5195		59264	WA07-5097	
19005	WA07-5196		59533	WA07-5163	
22621	WA07-5028		59534	WA07-5164	
22622	WA07-5029		61491	WA07-5368	
35336	WA07-5026		61492	WA07-5369	
35337	WA07-5027		61968	WA07-5098	
37888	WA07-5020		61969	WA07-5099	
37889	WA07-5021		63123	WA07-5197	
37891	WA07-5022		63124	WA07-5198	
37892	WA07-5023		69912	WA07-5300	
40336	WA07-5368		69913	WA07-5301	
40337	WA07-5369		70611	WA07-5030	
40338	WA07-5370		70612	WA07-5031	
40339	WA07-5371		82525	WA07-5161	
40607	WA07-5193		82526	WA07-5162	
40608	WA07-5194		88013	WA07-5028	
43801	WA07-5368		88014	WA07-5029	
43802	WA07-5369		106202	WA07-5172	
43803	WA07-5020		106216	WA07-5200	
43804	WA07-5021		106333	WA07-5035	
43808	WA07-5024		106397	WA07-5201	
43809	WA07-5025		3008401	WA07-5171	
43811	WA07-5022		3008402	WA07-5172	
43812	WA07-5023		3018501	WA07-5201	
47696	WA07-5022		3008503	WA07-5200	
47697	WA07-5023		3203001	WA07-5028	
47698	WA07-5024		3203002	WA07-5029	
47699	WA07-5025		3203401	WA07-5026	
48097	WA07-5020		3203402	WA07-5027	
48098	WA07-5021		3208301	WA07-5022	
48337	WA07-5189		3203802	WA07-5023	
48338	WA07-5190		3208401	WA07-5035	
48793	WA07-5191				

INTERCHANGE

BWP®

COMPETITOR #	WA#	NOTES	COMPETITOR #	WA#	NOTES
M-1	WA15-5004	CLAMP	M-1115	WA07-7171	STUD
M-10	WA15-5052	CLAMP	M-1116	WA07-6144	STUD
M-1005	WA07-7000	PIN	M-1117	WA07-6145	STUD
M-1009	WA10-5021	SPRING	M-1118	WA07-7172	STUD
M-1010	WA10-5026	SPRING	M-1119	WA07-7173	STUD
M-1011	WA10-5027	SPRING	M-1120	WA07-5169	STUD
M-1012	WA10-5028	SPRING	M-1121	WA07-5355	STUD
M-1014	WA10-5005	SPRING	M-1122	WA15-5054	CLAMP
M-1015-L	WA05-5105	CAMSHAFT	M-1123	WA15-5006	CLAMP
M-1015-R	WA05-5104	CAMSHAFT	M-1124	WA15-5007	CLAMP
M-102	WA07-5183	STUD	M-1125	WA15-5008	CLAMP
M-1026	WA07-7001	BOOT	M-1127	WA15-5010	CLAMP
M-1028	WA07-7002	NUT	M-1128	WA15-5055	CLAMP
M-1029	WA07-7003	CAP	M-1129	WA15-5056	CLAMP
M-103	WA07-5184	STUD	M-1130	WA15-5027	CLAMP
M-1031	WA07-7004	PISTON	M-1133	WA15-5057	CLAMP
M-1035	WA07-7005	WEDGE ASSEMBLY	M-1134	WA15-5058	CLAMP
M-104	WA07-5370	STUD	M-1135	WA15-5011	CLAMP
M-1045	WA07-5134	WASHER	M-1136	WA15-5059	CLAMP
M-1046	WA07-5003	LOCK RING	M-1138	WA15-5060	CLAMP
M-1047	WA04-5061	BUSHING	M-1139	WA15-5097	CLAMP
M-1048	WA07-7006	RETAINER	M-114	WA07-7174	STUD
M-1049	WA04-5008	BUSHING	M-1141	WA15-5061	CLAMP
M-105	WA07-5371	STUD	M-1142	WA15-5009	CLAMP
M-1050	WA07-5094	NUT	M-1143	WA15-5062	CLAMP
M-1051	WA07-5095	LOCKWASHER	M-1144	WA07-6052	BOLT
M-1052	WA340-4975	HUB CAP	M-1145	WA07-5153	NUT
M-1054	WA07-7007	PIN	M-1149	WA15-5063	CLAMP
M-1055	WA07-7008	RETAINER	M-115	WA07-7175	STUD
M-1056	WA10-5029	SPRING	M-1151	WA07-6219	STUD
M-1058	WA04-5017	BUSHING	M-1152	WA07-6220	STUD
M-1061	WA279947	SLACK ADJUSTER	M-1153	WA07-6149	NUT
M-1062	WA279946	SLACK ADJUSTER	M-116	WA07-7176	STUD
M-1065	WA14-5001	O RING	M-1160	WA07-7177	NUT
M-1066	WA359-5990	PLUG	M-1161	WA07-7178	NUT
M-1068	WA07-5093	LOCK	M-1164	WA07-7179	STUD
M-1069	WA07-7357	PIN	M-1165	WA07-7180	STUD
M-1074	WA07-7009	ACTUATOR	M-1166	WA07-6042	STUD
M-1075	WAC66418	SEAL	M-1167	WA07-6300	STUD
M-108	WA07-7163	STUD	M-1168	WA07-7181	STUD
M-1085	WA07-7010	ADJUSTING BOLT	M-1169	WA07-7182	STUD
M-1086	WA07-7011	LEVER & SPRING	M-117	WA07-7183	STUD
M-109	WA07-7164	STUD	M-1170	WA07-6046	STUD
M-1090	WA07-7098	KING PIN LOCK	M-1171	WA07-6301	STUD
M-1093	WA09-5008	O RING	M-1172	WA07-6222	STUD
M-11	WA15-5053	CLAMP	M-1173	WA15-5064	CLAMP
M-110	WA07-7165	STUD	M-1175	WA15-5013	CLAMP
M-1100	WA07-7166	BOLT	M-1176	WA07-6152	STUD
M-1102	WA07-5005	STUD	M-1177	WA07-6153	STUD
M-1106	WA07-6138	STUD	M-118	WA07-7184	STUD
M-1107	WA07-6139	STUD	M-1180	WA13-5833	5/8 SETTER
M-1108	WA07-7167	STUD	M-1181	WA13-5836	3/4 REMOVER
M-1109	WA07-7168	STUD	M-1183	WA15-5065	CLAMP
M-111	WA07-7169	STUD	M-1188	WA15-5066	CLAMP
M-1110	WA07-6140	STUD	M-119	WA07-7185	STUD
M-1111	WA07-6141	STUD	M-1191	WA07-7099	1-1/8 HI-NUT
M-1112	WA07-6142	STUD	M-1192	WA07-5086	5/8 HI-NUT
M-1113	WA07-6143	STUD	M-1193	WA07-5087	3/4 HI-NUT
M-1114	WA07-7170	STUD	M-1194	WA07-5088	7/8 HI-NUT

INTERCHANGE

BWP® cont.

COMPETITOR #	WA#	NOTES	COMPETITOR #	WA#	NOTES
M-1196	WA07-5084	7/16 HI-NUT	M-1290	WA07-6234	STUD
M-1201	WA07-7186	NUT	M-1291	WA07-6235	STUD
M-1206	WA07-6154	STUD	M-1292	WA07-7210	STUD
M-1207	WA07-6155	STUD	M-1293	WA07-7211	STUD
M-1208	WA07-6156	STUD	M-1294	WA07-7212	STUD
M-1209	WA07-6157	STUD	M-1295	WA07-7213	STUD
M-1210	WA07-6158	STUD	M-130	WA07-5026	INNER BUDD NUT
M-1211	WA07-6302	STUD	M-1305	WA07-7354	HUB
M-1212	WA07-5175	STUD	M-1308	WA01-5050	NYLON TUBING1/4
M-1213	WA07-5176	STUD	M-1309	WA01-5051	NYLON TUBING3/8
M-1214	WA07-7187	STUD	M-131	WA07-5027	INNER BUDD NUT
M-1215	WA07-7188	STUD	M-1311	WA01-5052	ELBOW
M-1218	WA07-7189	STUD	M-1315	WA01-5053	TUBE SUPPORT1/4
M-1219	WA07-7190	STUD	M-1316	WA01-5054	TUBE SUPPORT3/8
M-1220	WA07-7191	STUD	M-1317	WA01-5055	TUBE SUPPORT1/2
M-1221	WA07-7192	STUD	M-132	WA07-5028	INNER BUDD NUT
M-1222	WA07-7193	STUD	M-1320	WA01-5056	VALVE
M-1223	WA07-7194	STUD	M-1321	WA01-5057	VALVE
M-1224	WA07-7195	STUD	M-1322	WA12105	VALVE
M-124	WA07-5020	3/4 BUDD NUT	M-1323	WA01-5058	VALVE
M-1242	WA15-5014	CLAMP	M-1324	WA01-5059	VALVE
M-1243	WA15-5067	CLAMP	M-1326	WA01-5060	VALVE
M-1244	WA15-5068	CLAMP	M-1327	WA01-5061	1/4 SLEEVE
M-1247	WA15-5069	CLAMP	M-1328	WA01-5062	3/8 SLEEVE
M-1248	WA15-5070	CLAMP	M-1329	WA01-5063	1/2 SLEEVE
M-1249	WA15-5015	CLAMP	M-133	WA07-5029	INNER BUDD NUT
M-125	WA07-5021	3/4 BUDD NUT	M-1332	WA01-5064	1/4 NUT
M-1250	WA07-7196	STUD	M-1333	WA01-5065	3/8 NUT
M-1251	WA07-7197	STUD	M-1334	WA01-5066	1/2 NUT
M-1254	WA07-5511	NUT	M-1335	WA01-5067	5/8 NUT
M-1255	WA07-7198	NUT	M-1337	WA01-5068	MALE CONNECTOR
M-126	WA07-5022	OUTER BUDD NUT	M-1338	WA01-5069	MALE CONNECTOR
M-1260	WA15-5071	CLAMP	M-134	WA07-6002	NUT
M-1262	WA15-5072	CLAMP	M-1340	WA01-5070	MALE CONNECTOR
M-1263	WA07-6225	STUD	M-1341	WA01-5071	MALE CONNECTOR
M-1264	WA07-6226	STUD	M-1343	WA01-5072	MALE CONNECTOR
M-1265	WA07-6227	STUD	M-1344	WA01-5073	MALE CONNECTOR
M-1266	WA07-5122	NUT	M-1345	WA01-5074	MALE CONNECTOR
M-1267	WA07-7199	NUT	M-1347	WA01-5075	1/4 UNION
M-1268	WA07-7200	NUT	M-1348	WA01-5076	3/8 UNION
M-1269	WA07-7201	STUD	M-1349	WA01-5077	1/2 UNION
M-127	WA07-5023	OUTER BUDD NUT	M-135	WA07-6003	NUT
M-1270	WA07-7202	STUD	M-1350	WA01-5078	5/8 UNION
M-1271	WA07-7203	STUD	M-1352	WA01-5079	MALE ELBOW
M-1272	WA07-6304	STUD	M-136	WA07-5030	NUT
M-1273	WA07-6229	STUD	M-1362	WA01-5019	CONNECTOR
M-1276	WA07-7204	STUD	M-1366	WA01-5021	SLEEVE
M-1278	WA07-7205	STUD	M-137	WA07-5031	NUT
M-1279	WA07-7206	STUD	M-1371	WA01-5080	MALE ELBOW
M-128	WA07-5024	INNER BUDD NUT	M-1373	WA01-5081	MALE ELBOW
M-1280	WA07-6031	STUD	M-1374	WA01-5082	MALE ELBOW
M-1281	WA07-6320	STUD	M-1375	WA01-5083	MALE ELBOW
M-1283	WA07-6231	STUD	M-1376	WA01-5084	MALE ELBOW
M-1284	WA07-7207	STUD	M-1377	WA01-5085	MALE ELBOW
M-1285	WA07-7208	DRUM SCREW	M-1381	WA01-5086	YOKE ASSY
M-1286	WA07-7209	STUD	M-1382	WA01-5087	YOKE ASSY
M-1288	WA07-6232	STUD	M-1383	WA01-5088	YOKE ASSY
M-1289	WA07-6233	STUD	M-1389	WA01-5028	AIR HSE ASSY 28
M-129	WA07-5025	INNER BUDD NUT	M-1390	WA01-5089	AIR HSE ASSY 30

INTERCHANGE

BWP® cont.

COMPETITOR #	WA#	NOTES	COMPETITOR #	WA#	NOTES
M-140	WA07-6124	NUT	M-1520	WA04-5064	2 PC BUSHING
M-1400	WA04-5066	BUSHING	M-1521	WA07-5019	CAM BRACKET
M-1401	WA09-5004	SEAL	M-1523	WA07-5002	LOCK RING
M-1402-A	WA07-5132	WASHER	M-1524	WA07-7016	AXLE NUT
M-1403	WA09-5003	SEAL	M-1547	WA10-5033	SPRING
M-1404	WA04-5006	BUSHING	M-1549	WA04-5069	BUSHING
M-1405	WA04-5067	BUSHING	M-1550	WA04-5011	BUSHING
M-1406	WA04-5068	BUSHING ASSY	M-1551	WA04-5046	BUSHING
M-1407	WA04-5007	BUSHING ASSY	M-1554	WA07-5117	BRACKET
M-1408	WA07-7012	WASHER	M-1555	WA07-7017	FELT RETAINER
M-1409	WA07-7013	WASHER	M-1559	WA07-7018	FELT
M-140-A	WA07-6126	NUT	M-1560	WA07-7019	FELT
M-140-B	WA07-6127	NUT	M-157	WA07-7217	NUT
M-140-C	WA07-7214	NUT	M-1571-L	WA05-5107	CAMSHAFT
M-140-E	WA07-6128	NUT	M-1571-R	WA05-5106	CAMSHAFT
M-140-F	WA07-6129	NUT	M-1572	WA07-6250	BRACKET
M-140-G	WA07-5159	NUT	M-1574	WA07-7020	DUST SHIELD
M-140-H	WA07-5158	NUT	M-1576	WA07-7021	WEAR PLATE
M-140-K	WA07-7215	NUT	M-158	WA07-5161	STUD
M-1415	WA07-5113	ALEMITE FITTING	M-1582	WA07-7022	WEAR PLATE
M-142	WA07-5510	NUT	M-1583	WA07-7023	DUST SHIELD
M-1421	WA17-4515Q	Q BRAKE SHOE	M-1586	WA04-5070	BUSHING
M-1422	WA07-5051	Q ANCHOR PIN	M-1587	WA04-5071	BUSHING
M-1423	WA10-5009	Q SPRING	M-1589	WA07-7024	WASHER
M-1424	WA10-5030	Q SPRING	M-159	WA07-5162	STUD
M-1426	WA07-7014	ANCHOR PIN	M-1596	WA07-7025	RIVET 7-8
M-1427	WA10-5031	RETURN SPRING	M-1603	WA07-7026	RIVET 10-8
M-1428	WA10-5013	RETAINER	M-1614	WA07-7027	ST RVT 10-8
M-143	WA07-7216	NUT	M-1634-B	WA07-7028	STEEL BOLT ASSY
M-1430	WA07-5041	COTTER PIN	M-1636	WA07-7029	STEEL BOLT ASSY
M-1433	WA10-5012	RETAINER	M-164	WA07-6004	NUT
M-144	WA07-6210	NUT	M-165	WA07-6005	NUT
M-1449	WA04-5018	BUSHING	M-1656	WA04-5088	BUSHING ASSY
M-145	WA07-5057	FLANGE NUT	M-1659	WA04-5089	BUSHING
M-1450	WA07-7100	BOLT ASSEMBLY	M-166	WA07-5300	NUT
M-1451	WA04-5062	BEARING ASSY	M-1661	WA07-7105	WASHER
M-1452	WA04-5056	BUSHING	M-1662	WA07-7106	U-BOLT PLATE
M-1453	WA07-7101	BOLT	M-1664	WA04-5090	T A BUSHING
M-1454	WA07-7102	LOCK	M-1665	WA12-5203	T A PIN
M-1455	WA07-6199	NUT	M-1667	WA04-5091	BUSHING
M-1456	WA07-7103	BEARING ASSY	M-167	WA07-2301	NUT
M-1457	WA07-7104	BEARING	M-1670	WA12-5000	EQUALIZER
M-1460	WA04-5082	PAD	M-1671	WA12-5001	EQUALIZER
M-1464	WA04-5083	BUSHING	M-168	WA07-7218	FLANGE
M-1477	WA04-5084	BUSHING	M-1690	WA12-5002	EQUALIZER
M-1478	WA04-5085	BUSHING	M-1691	WA07-5139	BOLT
M-1479	WA04-5086	BUSHING	M-1694	WA04-5092	BUSHING
M-1485	WA04-5087	PAD	M-1697	WA07-7107	T A ASSY
M-1490	WA07-5010	U-BOLT KIT	M-17	WA15-5073	CLAMP
M-1491	WA07-5008	U-BOLT KIT	M-1701	WA12-5004	PAD
M-1492	WA07-5013	U-BOLT KIT	M-1706	WA04-5053	BUSHING
M-1493	WA07-5015	U-BOLT KIT	M-1711	WA07-5006	U-BOLT KIT
M-1494	WA07-5016	U-BOLT KIT	M-1713	WA07-5007	U-BOLT KIT
M-1497	WA07-5014	U-BOLT KIT	M-1714	WA07-5009	U-BOLT KIT
M-1498	WA07-5011	U-BOLT KIT	M-1718	WA04-5024	BUSHING
M-1499	WA07-5012	U-BOLT KIT	M-1719	WA04-5025	BUSHING
M-1500	WA10-5011	SPRING PIN	M-1720	WA07-7108	WASHER
M-1505	WA07-7015	LOCK RING	M-1721	WA07-7109	SHAFT
M-1507	WA10-5032	SPRING	M-1724	WA04-5025	BUSHING

INTERCHANGE

BWP® cont.

COMPETITOR #	WA#	NOTES	COMPETITOR #	WA#	NOTES
M-1725	WA04-5029	BUSHING	M-1942	WA13-1942	THREAD CHASER
M-1726	WA04-5030	BUSHING	M-195	WA07-7222	STUD
M-1736	WA04-5093	BUSHING	M-1951	WA13-0000	WRENCH BOARD
M-1737	WA07-7110	SHAFT	M-1956	WA07-5402	NUT
M-1738	WA07-7111	NUT	M-1957	WA07-5403	WASHER
M-1749	WA07-7112	BOLT ASSEMBLY	M-1958	WA07-5404	WASHER
M-1751	WA04-5094	BUSHING	M-1959	WA07-5405	NUT
M-1753	WA07-7113	BOLT	M-196	WA07-7223	STUD
M-1757	WA07-7114	SHAFT	M-1960	WA07-5406	NUT
M-1759	WA07-7115	NUT	M-1961	WA07-5407	WASHER
M-1760	WA12-5136	BOLT ASSEMBLY	M-1962	WA07-5408	WASHER
M-1763	WA12-5110	BOLT ASSEMBLY	M-1963	WA07-6027	NUT
M-1765	WA12-5112	BOLT ASSEMBLY	M-1964	WA07-6028	WASHER
M-1766	WA07-7116	BOLT	M-1965	WA07-5409	NUT
M-1777	WA07-7117	BOLT	M-1966	WA07-5410	WASHER
M-1784	WA07-7118	PIN ASSEMBLY	M-1967	WA07-5411	WASHER
M-1785	WA07-7119	PIN	M-1968	WA07-6029	NUT
M-1803	WA12-5038	BOLT ASSEMBLY	M-1969	WA07-5392	NUT
M-1805	WA07-7120	WASHER	M-197	WA07-7224	STUD
M-1816	WA07-7121	BOLT & NUT	M-1970	WA07-5393	WASHER
M-1818	WA04-5021	BUSHING	M-1971	WA07-5394	NUT
M1839	WA07-7122	WASHER	M-1972	WA07-5395	NUT
M-1845	WA04-5019	BUSHING	M-1973	WA07-5396	WASHER
M-1846	WA04-5023	BUSHING	M-1974	WA07-5397	NUT
M-185	WA07-7219	STUD	M-1975	WA07-5413	NUT
M-186	WA07-7220	STUD	M-1976	WA07-5414	WASHER
M-187	WA07-7221	STUD	M-1977	WA07-5415	NUT
M-1871	WA07-7123	BOLT ASSEMBLY	M-1978	WA07-5384	NUT
M-1883	WA07-7124	BOLT	M-1979	WA07-5385	WASHER
M-1884	WA07-7125	NUT	M-198	WA07-7225	STUD
M-1888	WA04-5022	BUSHING	M-1980	WA07-5213	NUT
M-189	WA07-6211	STUD	M-1981	WA07-5399	NUT
M-190	WA07-6212	STUD	M-1982	WA07-5400	WASHER
M-1902	WA13-1902	WRENCH	M-1983	WA07-5401	NUT
M-1903	WA13-1903	WRENCH	M-1984	WA07-5375	NUT
M-1904	WA13-1904	WRENCH	M-1985	WA07-5217	WASHER
M-1905	WA13-1905	WRENCH	M-1986	WA07-5382	NUT
M-1908	WA13-1908	WRENCH	M-1987	WA07-5377	NUT
M-1909	WA13-1909	WRENCH	M-1988	WA07-5378	WASHER
M-191	WA07-6213	STUD	M-1989	WA07-5379	NUT
M-1910	WA13-1910	WRENCH	M-1990	WA07-5380	NUT
M-1912	WA13-1912	WRENCH	M-1991	WA07-5215	WASHER
M-1913	WA13-1913	WRENCH	M-1992	WA07-5381	NUT
M-1914	WA13-1914	WRENCH	M-1994	WA07-7359	NUT BOARD
M-1915	WA13-1915	WRENCH	M-1995	WA07-RACK	DISPLAY RACK
M-1917	WA13-1917	WRENCH	M-1997	WA07-5387	NUT
M-1919	WA13-1919	WRENCH	M-1998	WA07-5388	WASHER
M-192	WA07-6305	STUD	M-1999	WA07-5389	NUT
M-1920	WA13-1920	WRENCH	M-2	WA15-5025	CLAMP
M-1924	WA13-1924	WRENCH	M-200	WA07-6216	STUD
M-1929	WA13-1929	WRENCH	M-2005	WA07-7126	FITTING
M-193	WA07-6215	STUD	M-2006	WA04-5095	BUSHING ASSY
M-1930	WA13-1930	WRENCH	M-2009	WA09-5017	SEAL
M-1932	WA13-1932	WRENCH	M-2010	WA04-5032	ADAPTOR ASSY
M-1933	WA13-1933	WRENCH	M-2012	WA04-5033	ADAPTOR ASSY
M-1935	WA13-1935	WRENCH	M-2014	WA07-7127	PLUG
M-1936	WA13-1936	WRENCH	M-2027	WA07-7128	CAP
M-1937	WA13-1937	WRENCH	M-203	WA07-7226	NUT
M-1940	WA13-1940	WRENCH	M-2033	WA07-7129	STUD

INTERCHANGE

BWP® cont.

COMPETITOR #	WA#	NOTES	COMPETITOR #	WA#	NOTES
M-2038	WA07-7130	BOLT ASSEMBLY	M-2332	WAK535B	KING BOLT SET
M-204	WA07-7227	NUT	M-2337	WAK545B	KING BOLT SET
M-2040	WA07-5056	PIN	M-2338	WAK546B	KING BOLT SET
M-2041	WA07-5054	KEY ASSEMBLY	M-2340	WAK548BN	KING BOLT SET
M-2043	WA04-5041	BUSHING ASSY	M-2341	WAK549B	KING BOLT SET
M-2053	WA07-7131	U-BOLT KIT	M-2343	WAK552B	KING BOLT SET
M-2062	WA04-5096	CUSHION	M-2348	WAK563B	KING BOLT SET
M-2063	WA04-5039	SHEAR SPRING	M-2357	WAK549B-15	KING BOLT SET
M-2067	WA07-7132	WASHER	M-2358	WAK570B	KING BOLT SET
M-2068	WA04-5097	BUSHING	M-2396	WAK578B	KING PIN SET
M-2069	WA12-5005	CARTRIDGE	M-2400	WA07-5032	NUT
M-2070	WA12-5006	CARTRIDGE	M-2401	WA07-5033	NUT
M-2072	WA12-5096	CARTRIDGE	M-2402	WA07-6162	STUD
M-2074	WA07-7133	NUT	M-2403	WA07-6163	STUD
M-2079	WA12-5117	TORQUE ROD END	M-2404	WA07-6164	STUD
M-2080	WA12-5118	TORQUE ROD	M-2405	WA07-6165	STUD
M-2087	WA12-5142	OFFSET CARTRIDGE	M-2406	WA07-7231	STUD
M-2089	WA12-5094	TAPERED STUD CARTRIDGE	M-2407	WA07-7232	STUD
M-2090	WA12-5095	TAPERED STUD CARTRIDGE	M-2408	WA07-7233	STUD
M-2104	WA07-7355	WASHER	M-2409	WA07-7234	STUD
M-2109	WA12-5119	INSULATOR PAD	M-2410	WA07-7235	STUD
M-2110	WA12-5012	INSULATOR PAD	M-2411	WA07-7236	STUD
M-2112	WA12-5014	INSULATOR PAD	M-2412	WA07-7237	STUD
M-2118	WA04-5107	BEAM END BUSHING	M-2413	WA07-7238	STUD
M-2121	WA07-7135	BOLT	M-2414	WA07-7239	STUD
M-2125	WA07-7136	BOLT	M-2415	WA07-7240	STUD
M-2126	WA07-7137	NUT	M-2416	WA07-7241	STUD
M-2127	WA07-7138	NUT	M-2417	WA07-7242	STUD
M-2128	WA07-5017	U BOLT KIT	M-2418	WA07-7243	STUD
M-2136	WA07-7139	WASHER	M-2419	WA07-7244	STUD
M-2140	WA07-7140	PIN	M-2420	WA07-6166	STUD
M-2142	WA12-5100	TORQUE ARM ASSY	M-2421	WA07-6167	STUD
M-2143	WA12-5015	TORQUE ARM	M-2422	WA07-7245	STUD
M-2144	WA12-5016	TORQUE ARM	M-2423	WA07-7246	STUD
M-2146	WA12-5017	EQUALIZER ASSY	M-2424	WA07-7247	STUD
M-2147	WA12-5018	EQUALIZER ASSY	M-2425	WA07-7248	STUD
M-2148	WA12-5019	TOP PLATE	M-2426	WA07-7249	STUD
M-2149	WA12-5020	BOTTOM PLATE	M-2427	WA07-7250	STUD
M-2150	WA12-5022	EQUALIZER	M-2428	WA07-6168	STUD
M-2152	WA12-5037	RADIUS ROD - FIXED	M-2429	WA07-6169	STUD
M-2159	WA07-5060	TORQUE ARM ASSY	M-2430	WA07-5106	STUD
M-2160	WA07-5058	BOLT	M-2431	WA07-5107	STUD
M-2161	WA07-5059	FLANGE NUT	M-2432	WA07-6170	STUD
M-219	WA07-7228	STUD	M-2433	WA07-6171	STUD
M-22	WA15-5074	CLAMP	M-2434	WA07-6172	STUD
M-220	WA07-6132	NUT	M-2435	WA07-6173	STUD
M-2201	WA07-7360	NUT	M-2436	WA07-5173	STUD
M-2204	WA07-5046	KNURLED ROLLER	M-2437	WA07-7251	STUD
M-225	WA07-6133	STUD	M-2438	WA07-5104	STUD
M-226	WA07-6218	STUD	M-2439	WA07-5105	STUD
M-227	WA07-7229	STUD	M-2440	WA07-7252	STUD
M-23	WA15-5075	CLAMP	M-2441	WA07-7253	STUD
M-230	WA07-7230	NUT	M-2444	WA07-7254	STUD
M-2306	WAK463B	KING BOLT SET	M-2445	WA07-7255	STUD
M-2310	WAK493	KING BOLT SET	M-2446	WA07-7256	STUD
M-2313	WAK499	KING BOLT SET	M-2447	WA07-7257	STUD
M-2317	WAK506B	KING BOLT SET	M-2448	WA07-7258	STUD
M-2321	WAK509B	KING BOLT SET	M-2450	WA07-7259	STUD
M-2326	WAK526B	KING BOLT SET	M-2451	WA07-7260	STUD

INTERCHANGE

BWP® cont.

COMPETITOR #	WA#	NOTES	COMPETITOR #	WA#	NOTES
M-2454	WA07-6006	DRUM BOLT	M-2539	WA14-5036	BD/HK SHIP W M2538
M-2455	WA07-7261	DRUM BOLT	M-2545	WA14-1221	HUB
M-2456	WA07-6008	DRUM BOLT	M-2546	WA14-1001	HUB
M-2458	WA07-6012	NUT	M-2548	WA04-5002	BUSHING
M-2459	WA07-5040	NUT	M-256	WA07-7277	NUT
M-2460	WA15-5076	CLAMP	M-2567	WA07-7361	LOCK WASHER
M-2461	WA15-5077	CLAMP	M-2568	WA07-7362	LOCK
M-2462	WA07-6178	STUD	M-2569	WA07-7363	AXLE NUT
M-2464	WA07-6180	STUD	M-257	WA07-7278	NUT
M-2466	WA07-5177	STUD	M-2571	WA07-7364	AXLE NUT
M-2467	WA07-5178	STUD	M-2577	WAKN44061	SLACK ADJUSTER
M-2469	WA07-7262	STUD	M-2578	WAKN49020	SLACK ADJUSTER
M-2471	WA07-7263	STUD	M-258	WA07-5187	STUD
M-2472	WA07-3236	STUD	M-2580	WAKN49000	SLACK ADJUSTER
M-2473	WA07-6237	STUD	M-2581	WAKN49010	SLACK ADJUSTER
M-2474	WA07-6238	STUD	M-2582	WAKN48001	SLACK ADJUSTER
M-2475	WA07-6239	STUD	M-259	WA07-5188	STUD
M-2476	WA07-6240	STUD	M-2594	WA07-5120	CAM BRACKET
M-2477	WA07-6241	STUD	M-2595	WA07-7030	BRACKET
M-2479	WA07-6243	STUD	M-2597-L	WA05-5109	CAMSHAFT
M-248	WA07-7264	NUT	M-2597-R	WA05-5108	CAMSHAFT
M-2480	WA07-6244	STUD	M-2598-L	WA05-5111	CAMSHAFT
M-2481	WA07-6245	STUD	M-2598-R	WA05-5110	CAMSHAFT
M-2486	WA07-7265	STUD	M-2599-L	WA05-5113	CAMSHAFT
M-2488	WA07-7266	STUD	M-2599-R	WA05-5112	CAMSHAFT
M-2489	WA07-7267	STUD	M-26	WA15-5079	CLAMP
M-248-A	WA07-7268	NUT	M-260	WA07-5182	STUD
M-249	WA07-7269	NUT	M-2600-L	WA05-5115	CAMSHAFT
M-2490	WA07-7270	STUD	M-2600-R	WA05-5114	CAMSHAFT
M-2491	WA07-7271	STUD	M-2601-L	WA05-5117	CAMSHAFT
M-2494	WA07-7272	STUD	M-2601-R	WA05-5116	CAMSHAFT
M-2495	WA07-7273	STUD	M-2602-R	WA05-5118	CAMSHAFT
M-2496	WA07-7274	STUD	M-2604-L	WA05-5047	CAMSHAFT
M-2497	WA07-7275	STUD	M-2604-R	WA05-5046	CAMSHAFT
M-2498	WA07-6246	STUD	M-2605-L	WA05-5049	CAMSHAFT
M-2499	WA07-6247	STUD	M-2605-R	WA05-5048	CAMSHAFT
M-249-A	WA07-6135	NUT	M-2606-L	WA05-5029	CAMSHAFT
M-25	WA15-5078	CLAMP	M-2606-R	WA05-5028	CAMSHAFT
M-2509	WA07-5208	STUD	M-2607-L	WA05-5081	CAMSHAFT
M-2517	WA07-7276	STUD	M-2607-R	WA05-5080	CAMSHAFT
M-2520	WA07-6182	STUD	M-261	WA07-5181	STUD
M-2521	WA07-6183	STUD	M-2610-L	WA05-5121	CAMSHAFT
M-2522	WA07-5206	STUD	M-2610-R	WA05-5120	CAMSHAFT
M-2523	WA07-5207	STUD	M-2612-L	WA05-5123	CAMSHAFT
M-2524	WA07-5209	STUD	M-2612-R	WA05-5122	CAMSHAFT
M-2525	WA07-6185	STUD	M-2613-L	WA05-5043	CAMSHAFT
M-2526	WA07-6186	STUD	M-2613-R	WA05-5042	CAMSHAFT
M-2527	WA07-5080	WEDGE	M-2614-L	WA05-5015	CAMSHAFT
M-2528	WA07-5081	WEDGE	M-2614-R	WA05-5014	CAMSHAFT
M-2529	WA07-5082	WEDGE	M-2615-L	WA05-5125	CAMSHAFT
M-2530	WA14-5027	GASKET	M-2615-R	WA05-5124	CAMSHAFT
M-2531	WA14-5028	GASKET	M-2616-L	WA05-5127	CAMSHAFT
M-2532	WA14-5029	GASKET	M-2616-R	WA05-5126	CAMSHAFT
M-2533	WA14-5030	GASKET	M-2618	WA04-5058	CAM BUSHING
M-2534	WA14-5031	GASKET	M-2619	WA04-5072	CAM BUSHING
M-2535	WA14-5032	GASKET	M-2621	WA04-5059	CAM BUSHING
M-2536	WA14-5033	GASKET	M-2622	WA04-5012	CAM BUSHING
M-2537	WA14-5034	GASKET	M-2623	WA04-5016	CAM BUSHING
M-2538	WA14-5035	ASST MDSE SHIP w/ M2539	M-2630	WA09-5011	CAM SEAL

INTERCHANGE

BWP® cont.

COMPETITOR #	WA#	NOTES	COMPETITOR #	WA#	NOTES
M-2631	WA09-5012	CAM SEAL	M-2848	WA07-7153	EQ BUSHING ASSY
M-2632	WA09-5013	CAM SEAL	M-2853	WA07-7154	WASHER
M-2634	WA07-5137	CAM WASHER	M-2854	WA07-7155	WASHER
M-2635	WA07-7031	CAM WASHER	M-2855	WA12-5120	RADIUS ROD ASSY
M-2637	WA07-7032	CAM WASHER	M-2866	WA12-5121	EQ BRACKET ASSY
M-2639	WA07-7033	CAM WASHER	M-2868	WA12-5021	AXLE SEAT
M-2640	WA07-7034	CAM WASHER	M-2872	WA12-5097	DELRIN LINER
M-2643	WA07-7035	CAM WASHER	M-2879	WA12-5122	EQUALIZER
M-2645	WA07-5118	RETAINER PLATE	M-2884	WA12-5023	EQUALIZER
M-2648	WA07-7036	CAM LOCK	M-29	WA15-5082	CLAMP
M-2649	WA07-7037	CAM LOCK	M-2900	WA12-5123	TRUNNION ASSY
M-2659	WA17-1307T	BRAKE SHOE	M-2901	WA04-5098	BRONZE BUSHING
M-2660	WA17-1308T	BRAKE SHOE	M-2902	WA12-5124	TRUNNION UPPER
M-2667	WA17-4223A	BRAKE SHOE	M-2903	WA12-5125	TRUNNION LOWER
M-2680	WA17-400	BRAKE SHOE	M-2906	WA07-7156	SPACER
M-2686	WA17-4515EXEM3	NEW XEM SHOE	M-2907	WA07-7157	COLLAR
M-2691	WA17-4514ET	BRAKE SHOE	M-2910	WA07-7158	BOLT
M-2694	WA17-4551EST	BRAKE SHOE	M-2926	WA07-7159	DELRIN LINER
M-27	WA15-5080	CLAMP	M-2928	WA07-7160	SPACER WASHER
M-2702	WA07-7038	ANCHOR PIN	M-2936	WA12-5111	EQ BUSHING ASSY
M-2713	WA07-7039	LOCK RING	M-2937	WA04-5099	EQ BUSHING ASSY
M-2715	WA07-7040	LOCK RING	M-2938	WA04-5100	EQ BUSHING
M-2717	WA07-7041	ROLLER PIN	M-2944	WA04-5101	T A BUSHNG ASSY
M-2720	WA07-7042	HOLD DOWN ASSY	M-2954	WA12-5126	TORQUE ROD
M-2721	WA07-7043	HOLD DOWN ASSY	M-2956	WA12-5127	TORQUE ROD
M-2724	WA07-5049	ROLLER PIN	M-2958	WA12-5128	TORQUE ROD
M-2725	WA07-7044	ROLLER	M-2962	WA12-5129	EQUALIZER
M-2727	WA07-7045	ROLLER	M-2964	WA12-5130	BOLT KIT
M-2732	WA10-5003	SPRING	M-2965	WA12-5131	SPRG ROLLER ASSY
M-2733	WA10-5034	SPRING	M-2973	WA12-5025	SPG ROLLER ASSY
M-2734	WA10-5035	SPRING	M-2975	WA12-5026	EQUAL. BOLT KIT
M-2735	WA10-5036	SPRING	M-2978	WA07-5066	CENTER BOLT
M-2736	WA10-5037	SPRING	M-2983	WA07-5071	CENTER BOLT
M-2738	WA10-5038	SPRING	M-2985	WA07-5073	CENTER BOLT
M-2740	WA10-5039	SPRING	M-2986	WA07-5074	CENTER BOLT
M-2742	WA10-5040	RETAINER	M-2987	WA07-5075	CENTER BOLT
M-2743	WA10-5041	RETURN SPRING	M-2988	WA07-5076	CENTER BOLT
M-2744	WA10-5042	RETURN SPRING	M-3	WA15-5000	CLAMP
M-2747	WA10-5043	SPRING	M-30	WA15-5083	CLAMP
M-2748	WA07-5052	XEM Q ANCHOR PIN	M-3000	WA06-12063	SOCKET
M-2752	WA10-5044	SPRING	M-3001	WA06-12091	PLUG
M-2764	WA640-0003	HUB CAP	M-301	WA01-5013	CONNECTOR
M-2768	WA330-3009	6 HOLE GASKET	M-3013	WA06-11750	BRACKET
M-2770	WA4013	5 HOLE HUB CAP	M-3016	WA06-50036	SWITCH
M-2772	WA330-3013	5 HOLE GASKET	M-3017	WA06-9283	SWITCH
M-2773	WA640-0002	5 HOLE HUB CAP	M-3019	WA06-5007	SWITCH
M-2782	WA07-7141	U-BOLT KIT	M-3020	WA06-5011	SWITCH
M-2783	WA07-7142	U-BOLT KIT	M-3022	WA06-5582	SWITCH
M-2786	WA07-7143	U-BOLT KIT	M-3023	WA06-8640	SWITCH
M-2787	WA07-7144	U-BOLT KIT	M-3026	WA06-12092	PLUG
M-2788	WA07-7145	U-BOLT KIT	M-3029	WA06-4099	BUZZER
M-2789	WA07-7146	U-BOLT KIT	M-3030	WA06-95582	SWITCH
M-2795	WA07-7147	U-BOLT KIT	M-3036	WA06-11165	BRACKET
M-2796	WA07-7148	U-BOLT KIT	M-3038	WA06-11041	SOCKET
M-2798	WA07-7149	U-BOLT KIT	M-3039	WA06-11042	PLUG
M-2799	WA07-7150	U-BOLT KIT	M-3040	WA06-11011	ADAPTOR
M-28	WA15-5081	CLAMP	M-3046	WA06-30056-10	BREAKER
M-2819	WA07-7151	ASSEMBLY	M-3047	WA06-30056-15	BREAKER
M-2823	WA07-7152	NUT	M-3048	WA06-30056-20	BREAKER

INTERCHANGE

BWP® cont.

COMPETITOR #	WA#	NOTES	COMPETITOR #	WA#	NOTES
M-3049	WA06-30056-25	BREAKER	M-3147-L	WA05-5017	CAMSHAFT
M-305	WA01-5018	CONNECTOR	M-3147-R	WA05-5016	CAMSHAFT
M-3050	WA06-30056-30	BREAKER	M-3148-L	WA05-5016	CAMSHAFT
M-3051	WA06-30056-40	BREAKER	M-3148-R	WA05-5148	CAMSHAFT
M-3055	WA11600	SPRING	M-3149-L	WA05-5151	CAMSHAFT
M-3057	WA11602	SPRING	M-3149-R	WA05-5150	CAMSHAFT
M-3062	WA06-4075	CABLE-4 WAY	M-3155-L	WA05-5153	CAMSHAFT
M-3063	WA06-11247-01	COIL CABLE ASSY	M-3155-R	WA05-5152	CAMSHAFT
M-3070	WA04-5102	BUMPER	M-315-A	WA01-5042	B AIR HOSE
M-3073	WA06-5586	SWITCH	M-316	WA01-5090	SHUT-OFF COCK
M-308	WA01-5089	BODY	M-3169-L	WA05-5051	CAMSHAFT
M-3086	WA06-2484	SWITCH	M-3169-R	WA05-5050	CAMSHAFT
M-3087	WA06-75903	SWITCH	M-317	WA01-5024	TERMINAL BOLT
M-3088	WA06-90030	SWITCH	M-3170-L	WA05-5019	CAMSHAFT
M-3089	WA06-9023	SWITCH	M-3170-R	WA05-5018	CAMSHAFT
M-3093	WA06-11127-05	CABLE ASSY	M-3171-L	WA05-5069	CAMSHAFT
M-3097	WA06-24059	SOLENOID	M-3171-R	WA05-5068	CAMSHAFT
M-3098	WA06-24063	SOLENOID	M-3172-L	WA05-5021	CAMSHAFT
M-30-A	WA15-5084	CLAMP	M-3172-R	WA05-5020	CAMSHAFT
M-30-B	WA15-5090	CLAMP	M-3173-L	WA05-5053	CAMSHAFT
M-31	WA07-5357	BOLT	M-3173-R	WA05-5052	CAMSHAFT
M-3109-L	WA05-5039	CAMSHAFT	M-3174-L	WA05-5153	CAMSHAFT
M-3109-R	WA05-5038	CAMSHAFT	M-3174-R	WA05-5154	CAMSHAFT
M-3110-L	WA05-5129	CAMSHAFT	M-3175-L	WA05-5067	CAMSHAFT
M-3110-R	WA05-5128	CAMSHAFT	M-3175-R	WA05-5066	CAMSHAFT
M-3111-L	WA05-5041	CAMSHAFT	M-3176-L	WA05-5157	CAMSHAFT
M-3111-R	WA05-5040	CAMSHAFT	M-3176-R	WA05-5156	CAMSHAFT
M-3112-L	WA05-5025	CAMSHAFT	M-3178-L	WA05-5223	CAMSHAFT
M-3112-R	WA05-5024	CAMSHAFT	M-3178-R	WA05-5222	CAMSHAFT
M-3113-L	WA05-5131	CAMSHAFT	M-3179-L	WA05-5159	CAMSHAFT
M-3113-R	WA05-5130	CAMSHAFT	M-3179-R	WA05-5158	CAMSHAFT
M-3116-L	WA05-5209	CAMSHAFT	M-318	WA01-5091	DRAIN COCK
M-3116-R	WA05-5208	CAMSHAFT	M-3180-L	WA05-5193	CAMSHAFT
M-312	WA09-5007	SEAL	M-3180-R	WA05-5192	CAMSHAFT
M-3121-L	WA05-5133	CAMSHAFT	M-3181-L	WA05-5091	CAMSHAFT
M-3121-R	WA05-5132	CAMSHAFT	M-3181-R	WA05-5090	CAMSHAFT
M-3126-L	WA05-5133	CAMSHAFT	M-3184-L	WA05-5161	CAMSHAFT
M-3126-R	WA05-5134	CAMSHAFT	M-3184-R	WA05-5160	CAMSHAFT
M-3128-L	WA05-5137	CAMSHAFT	M-3185-L	WA05-5103	CAMSHAFT
M-3128-R	WA05-5136	CAMSHAFT	M-3185-R	WA05-5102	CAMSHAFT
M-313	WAN1202C	GLADHAND	M-3186-L	WA05-5055	CAMSHAFT
M-3131-L	WA05-5079	CAMSHAFT	M-3186-R	WA05-5054	CAMSHAFT
M-3131-R	WA05-5078	CAMSHAFT	M-3187-L	WA05-5057	CAMSHAFT
M-3134-L	WA05-5139	CAMSHAFT	M-3187-R	WA05-5056	CAMSHAFT
M-3136-L	WA05-5141	CAMSHAFT	M-3188-L	WA05-5059	CAMSHAFT
M-3136-R	WA05-5140	CAMSHAFT	M-3188-R	WA05-5058	CAMSHAFT
M-3137-L	WA05-5075	CAMSHAFT	M-3189	WA17-4707XT	BRAKE SHOE
M-3137-R	WA05-5074	CAMSHAFT	M-3190	WA17-4709	BRAKE SHOE
M-314	WA441739	SEAL	M-3191	WA17-1308ST	BRAKE SHOE
M-3140-L	WA05-5071	CAMSHAFT	M-3193	WA17-4515HQ	BRAKE SHOE
M-3140-R	WA05-5070	CAMSHAFT	M-3195	WA17-4515EFC	BRAKE SHOE
M-3141-L	WA05-5143	CAMSHAFT	M-3196	WA17-4536DP	BRAKE SHOE
M-3141-R	WA05-5142	CAMSHAFT	M-3197	WA17-4692DP	BRAKE SHOE
M-3142-L	WA05-5073	CAMSHAFT	M-3198	WA17-4536DFC	BRAKE SHOE
M-3142-R	WA05-5072	CAMSHAFT	M-3199	WA17-4524ESTM	BRAKE SHOE
M-3143-L	WA05-5145	CAMSHAFT	M-32	WA07-6200	BOLT
M-3143-R	WA05-5144	CAMSHAFT	M-3200	WA07-6188	BUDD METRIC STUD
M-3145-L	WA05-5147	CAMSHAFT	M-3201	WA07-5200	BUDD METRIC STUD
M-3145-R	WA05-5146	CAMSHAFT	M-3202	WA07-5201	BUDD METRIC STUD

INTERCHANGE

BWP® cont.

COMPETITOR #	WA#	NOTES	COMPETITOR #	WA#	NOTES
M-3203	WA07-5035	BUDD METRIC NUT	M-3346	WA10-5000	RETURN SPRING
M-3204	WA07-6190	MW METRIC STUD	M-3349	WA07-5000	LOCK RING
M-3205	WA07-7279	MW METRIC STUD	M-3350	WA17-1308E	BRAKE SHOE
M-3206	WA07-6192	MW METRIC STUD	M-3351	WA04-5057	BUSHING
M-3207	WA07-5036	MW METRIC NUT	M-3352	WA09-5014	SEAL
M-3208	WA07-6014	FRONT CAP NUT	M-3353	WA07-5133	WASHER
M-3209	WA07-6015	FRONT CAP NUT	M-3354	WA07-7050	WASHER
M-3210	WA07-6016	OUTER CAP NUT	M-3356	WA10-5001	SPRING
M-3211	WA07-6017	OUTER CAP NUT	M-3357	WA10-5008	SPRING
M-3212	WA15-5085	CLAMP WEBB 3350	M-3360	WA07-5047	ROLLER
M-3213	WA15-5086	CLAMP 15QJ251	M-3361	WA10-5014	RETAINER
M-3214	WA15-5087	CLAMP 452010C1	M-3362	WA10-5004	RETURN SPRING
M-3215	WA07-5374	STUD	M-3363	WA24100	AUTO SLACK
M-3216	WA07-7280	STUD	M-3364	WA24300	AUTO SLACK
M-3217	WA07-7281	STUD	M-3365	WA25100	AUTO SLACK
M-3218	WA07-5171	STUD	M-3366	WA52336	AUTO SLACK
M-3219	WA07-5172	STUD	M-3367	WA21103	AUTO SLACK
M-3220	WA07-6054	STUD	M-3368	WA22103	AUTO SLACK
M-3221	WA07-7282	STUD	M-3369	WA21102	AUTO SLACK
M-3222	WA07-7283	STUD	M-3370	WA22102	AUTO SLACK
M-3223	WA07-7284	STUD	M-3371	WA43106	AUTO SLACK
M-3224	WA07-6056	STUD	M-3372	WA43100	AUTO SLACK
M-3225	WA07-6057	STUD	M-3373	WAKN44071	SLACK ADJUSTER
M-3226	WA07-6058	STUD	M-3374	WAKN51010	SLACK ADJUSTER
M-3227	WA07-6059	STUD	M-3375	WAKN48031	SLACK ADJUSTER
M-3228	WA07-6060	STUD	M-3381	WA17-4701 LINING	LINING-4701
M-3229	WA07-6061	STUD	M-3382	WA17-4707 LINING	LINING-4707
M-3230	WA07-7285	STUD	M-3385	WA07-7051	CLEVIS 8110
M-3231	WA07-7286	STUD	M-3386	WA07-7052	CLEVIS 8120
M-3232	WA07-7287	STUD	M-3387	WA07-6000	CLEVIS 8115
M-3233	WA17-4702XT	BRAKE SHOE	M-3388	WA07-7053	CLEVIS 8125
M-3234	WA07-7288	STUD	M-3389	WA07-7054	CLEVIS 8120W
M-3235	WA07-7289	STUD	M-3390	WA07-7371	NUT
M-3237	WA04-5073	BUSHING	M-3392	WA07-5398	NUT
M-3239	WA07-7046	CLIP	M-3393	WA07-7372	LOCK WASHER
M-3241	WA07-5165	STUD	M-3394	WA07-5022	OUT BUDD NUT 8
M-3242	WA07-5166	STUD	M-3395	WA07-5023	OUT BUDD NUT 8
M-3251	WA10-5045	SPRING	M-3396	WA07-5024	IN BUDD NUT 8
M-3253	WA07-7047	ANCHOR PIN	M-3397	WA07-5025	IN BUDD NUT 8
M-3254	WA07-7048	ROLLER PIN	M-3398	WA07-7055	SNAP RING
M-3260	WA10-5025	SPRING	M-34	WA07-7292	BOLT
M-3261	WA07-7049	KNURLED ROLLER	M-3403	WA12-5132	TORQUE ARM
M-3263	WA90054007	CONTROL VALVE	M-3404	WA12-5133	TORQUE ARM
M-3264	WA04-5103	BUSHING	M-3405	WA12-5134	TORQUE ARM
M-3265	WA04-5104	BUSHING	M-3435	WA04-5105	BUSHING ASSY
M-3266	WA07-7290	STUD	M-3461	WA12-5101	TRUNNION CAP
M-3267	WA07-7291	STUD	M-3463	WA12-5116	SPRING SEAT
M-3288	WA07-7365	LOCK WASHER	M-3465	WA12-5102	TRUNNION CAP
M-3289	WA07-5391	LOCK WASHER	M-3467	WA07-7161	SPACER WASHER
M-3291	WA07-7366	LOCK WASHER	M-3480	WA12-5135	EQUALIZER
M-3296	WA07-7367	INNER & OUTER NUT	M-3482	WA12-5027	EQUALIZER ASSY
M-3297	WA07-7368	INNER & OUTER NUT	M-3482-C	WA12-5028	CAST EQUALIZER
M-3298	WA07-7369	THRUST WASHER	M-3483	WA12-5136	EQUALIZER BUSHING
M-3299	WA07-7370	THRUST WASHER	M-3484	WA07-7162	BOLT
M-3310	WA17-4591 LINING	LINING-4591	M-3485	WA12-5061	ALIGNMENT PLATE
M-3316	WA17-1252 LINING	LINING-1252	M-3487	WA12-5029	HANGER
M-3320	WA17-1307 LINING	LINING-1307	M-3488	WA12-5030	HANGER
M-3321	WA17-1308 LINING	LINING-1308	M-3489	WA12-5031	HANGER
M-3345	WA10-5006	RETAINER SPRING	M-3491	WA10-5010	SPRING

INTERCHANGE

BWP® cont.

COMPETITOR #	WA#	NOTES	COMPETITOR #	WA#	NOTES
M-3492	WA22123	AUTO SLACK	M-3672	WA07-6090	STUD
M-3493	WA21123	AUTO SLACK	M-3674	WA07-7301	STUD
M-3495	WA11549	1/2 HOSE SEPERATOR	M-3676	WA07-7302	STUD
M-3497	WA10-5019	SPRING	M-3678	WA07-7303	STUD
M-35	WA07-6051	STUD	M-3679	WA07-5303	STUD
M-3506	WA01-7400	AIR SPRING	M-3680	WA07-6094	STUD
M-3507	WA01-7403	AIR SPRING	M-3681	WA07-7304	STUD
M-3513	WA01-9082	AIR SPRING	M-3682-L	WA05-5093	CAMSHAFT
M-3527	WA01-6994	AIR SPRING	M-3682-R	WA05-5092	CAMSHAFT
M-354	WA01-5092	FEM CONNECTOR	M-3683-L	WA05-5163	CAMSHAFT
M-3553	WA01-8008	AIR SPRING	M-3683-R	WA05-5162	CAMSHAFT
M-36	WA07-7293	STUD	M-3689-L	WA05-5165	CAMSHAFT
M-3600	WA15-5005	CLAMP	M-3689-R	WA05-5164	CAMSHAFT
M-3602	WA15-5017	CLAMP	M-3692-L	WA05-5167	CAMSHAFT
M-3608	WA07-6064	STUD	M-3692-R	WA05-5166	CAMSHAFT
M-3609	WA07-6065	STUD	M-3696-L	WA05-5169	CAMSHAFT
M-3610	WA07-6066	STUD	M-3696-R	WA05-5168	CAMSHAFT
M-3611	WA07-6067	STUD	M-3698-L	WA05-5169	CAMSHAFT
M-3612	WA07-6068	STUD	M-3698-R	WA05-5170	CAMSHAFT
M-3615	WA07-6071	STUD	M-37	WA07-6049	STUD
M-3616	WA07-6072	STUD	M-370	WA01-5093	MALE ELBOW
M-3617	WA07-6073	STUD	M-3703	WA17-4607	LINING-4607
M-3618	WA07-5116	STUD	M-3731	WA13-5055	SLACK PULLER
M-3619	WA07-6193	STUD	M-3735	WA01-5094	SCREW ASSEMBLY
M-3620	WA07-6194	STUD	M-3736	WA01-5035	WIRE HARNESS
M-3621	WA07-6195	STUD	M-3738	WA06-421147	7-POLE PLUG
M-3622	WA07-6196	STUD	M-3747	WA04-5009	METAL BUSHING
M-3626	WA07-6074	STUD	M-3748	WA04-5014	BUSHING
M-3627	WA07-6075	STUD	M-3751	WA07-5119	BRACKET KIT
M-3628	WA07-7294	STUD	M-3756	WA01-5035	AIR HOSE 26
M-3630	WA07-6076	STUD	M-3763	WA01-5095	AIR HOSE 40
M-3631	WA07-6309	STUD	M-3768	WA01-5001	AIR HOSE 22
M-3632	WA07-5179	STUD	M-3769	WA01-5003	AIR HOSE 26
M-3633	WA07-5180	STUD	M-3770	WA01-5005	AIR HOSE 30
M-3634	WA07-7295	STUD	M-3773	WA01-5096	AIR HOSE 42
M-3638	WA07-7296	STUD	M-3774	WA01-0000	HOSE RACK
M-3639	WA07-7297	STUD	M-3775	WA441004	GLADHAND
M-3642	WA07-7298	STUD	M-3776	WA441014	GLADHAND
M-3644	WA07-6080	STUD	M-3777	WAR9017R	RED POLY SEAL
M-3645	WA07-6081	STUD	M-3778	WAR9017B	BLUE POLY SEAL
M-3646	WA07-7299	STUD	M-3779	WA01-5097	TERMINAL BOLT
M-3647	WA07-7300	STUD	M-3780	WA01-5098	TERMINAL BOLT
M-3648	WA07-6062	STUD	M-3781	WA01-5099	TERMINAL BOLT
M-3649	WA07-6063	STUD	M-3787	WA11543	AIR HOSE CLAMP
M-3650	WA07-5502	STUD	M-3799-L	WA05-5063	CAMSHAFT
M-3651	WA07-5503	STUD	M-3799-R	WA05-5062	CAMSHAFT
M-3652	WA07-5167	STUD	M-38	WA07-5150	STUD
M-3653	WA07-5353	STUD	M-3805	WA03-5020	SPRING EYE PIN
M-3654	WA07-5504	STUD	M-3807	WA03-5021	MOTOR MOUNT
M-3658	WA07-5506	STUD	M-3824	WA03-5002	BUSHING
M-3659	WA07-6083	STUD	M-3826	WA03-5022	BUSHING
M-3662	WA07-5509	STUD	M-3833	WA03-5007	MOTOR MOUNT
M-3663	WA07-5202	STUD	M-3836	WA03-5023	MOTOR MOUNT
M-3664	WA07-5203	STUD	M-3840	WA03-5009	HINGE BUSHING
M-3665	WA07-6085	STUD	M-3842	WA03-5010	PIN
M-3666	WA07-5204	STUD	M-3858	WA03-5011	BUSHING
M-3668	WA07-6088	STUD	M-386	WA01-5100	UNION TEE
M-3669	WA07-5205	STUD	M-3869	WA03-5024	BUSHING
M-3670	WA07-5114	STUD	M-3870	WA03-5012	MOTOR MOUNT

INTERCHANGE

BWP® cont.

COMPETITOR #	WA#	NOTES	COMPETITOR #	WA#	NOTES
M-3871	WA03-5013	MOTOR MOUNT	M-421	WA01-5102	1/2 TUBING 25FT
M-3888	WA03-5016	BUSHING	M-43	WA07-5152	5/8 WHEEL NUT
M-3890	WA04-5042	BAR PIN BUSHING	M-432	WA04-5074	BUSHING
M-39	WA07-5004	STUD	M-433	WA04-5075	BUSHING
M-3913	WA07-6111	STUD	M-434	WAKN47001	SLACK ADJUSTER
M-3916	WA07-7305	STUD	M-435	WA278045	SLACK ADJUSTER
M-3917	WA07-7306	STUD	M-44	WA07-6118	5/8 ERIE NUT
M-3924	WA07-7307	STUD	M-444	WA01-5022	UNION
M-3925	WA07-7308	STUD	M-45	WA07-5018	3/4 WHEEL NUT
M-3931	WA07-7309	STUD	M-451	WA278010	SLACK ADJUSTER
M-3932	WA07-6100	STUD	M-452	WAKN47080	SLACK ADJUSTER
M-3933	WA07-6101	STUD	M-455	WA288541	SLACK ADJUSTER
M-3935	WA07-7310	STUD	M-456	WA288542	SLACK ADJUSTER
M-3940	WA07-7311	STUD	M-457	WAKN47011	SLACK ADJUSTER
M-3942	WA07-7312	STUD	M-459	WA30SC	AIR CHAMBER
M-3946	WA07-6312	STUD	M-46	WA07-6038	STUD
M-3947	WA07-5304	STUD	M-460	WAKN18090	DIAPHRAGM-9
M-3956	WA07-6102	STUD	M-461	WAKN18120	DIAPHRAGM-12
M-3957	WA07-6315	STUD	M-462	WAKN18160	DIAPHRAGM-16
M-3960	WA07-6104	STUD	M-463	WAKN18200	DIAPHRAGM-20
M-3966	WA07-6096	STUD	M-464	WAKN18240	DIAPHRAGM-24
M-3972	WA07-6114	STUD	M-465	WA07-7355	BOLT & NUT
M-3979	WA07-5037	METRIC NUT	M-466	WAKN18300	DIAPHRAGM-30
M-3980	WA07-5156	METRIC OUTER NUT	M-467	WAKN18360	DIAPHRAGM-36
M-3981	WA07-5157	METRIC OUTER NUT	M-468	WA07-7389	BOLT & NUT
M-3982	WA07-5154	METRIC INNER NUT	M-47	WA07-6039	STUD
M-3983	WA07-5155	METRIC INNER NUT	M-470	WA07-7356	BOLT & NUT
M-3984	WAKN55001	SLACK ADJUSTER	M-473	WA11548	HOSE SEPARATOR
M-3997	WA04-5044	CAMSHAFT BUSHING	M-474	WAKN44041	SLACK ADJUSTER
M-3998	WA10024	GLADHAND SEAL	M-475	WAKN2943	SLACK ADJUSTER
M-4	WA15-5002	CLAMP	M-477-L	WA05-5173	CAMSHAFT
M-40	WA07-5151	STUD	M-477-R	WA05-5172	CAMSHAFT
M-4031-L	WA05-5037	CAMSHAFAT	M-478-L	WA05-5097	CAMSHAFT
M-4031-R	WA05-5036	CAMSHAFT	M-478-R	WA05-5096	CAMSHAFT
M-4043	WAR801041	AUTO SLACK	M-48	WA07-5189	STUD
M-4044	WAR801042	AUTO SLACK	M-49	WA07-5190	STUD
M-4046	WAR801073	AUTO SLACK	M-496-L	WA05-5173	CAMSHAFT
M-4047	WAR801074	AUTO SLACK	M-496-R	WA05-5174	CAMSHAFT
M-4056	WA10144	AUTO SLACK	M-498	WA451035N	COILED TUBING
M-4058	WA10143	AUTO SLACK	M-499	WA451036N	COILED TUBING
M-4059	WA10140	AUTO SLACK	M-5	WA15-5026	CLAMP
M-4060	WA10141	AUTO SLACK	M-50	WA07-5191	STUD
M-4062	WA10305	AUTO SLACK	M-504	WA17-4591SF	BRAKE SHOE
M-4064	WA10216	AUTO SLACK	M-51	WA07-5192	STUD
M-4065	WA10211	AUTO SLACK	M-511	WA17-4515T	BRAKE SHOE
M-4066	WA10212	AUTO SLACK	M-511-N	WA17-4515T LINED	LINED SHOE
M-4067	WA10214	AUTO SLACK	M-516	WA17-4515F	BRAKE SHOE
M-4069	WA42100	AUTO SLACK	M-517	WA17-2227-1	BRAKE SHOE
M-4071	WA42106	AUTO SLACK	M-52	WA07-5193	STUD
M-41	WA07-7313	BOLT	M-53	WA07-5194	STUD
M-4117	WA14-5016	LANDING GEAR SHOE	M-534	WA07-7056	BRASS BOLT ASSY
M-4118	WA14-5007	ADJ LANDING GEAR BRACE	M-534-A	WA07-7057	BRASS BOLT ASSY
M-4119	WA14-5008	ADJ LANDING GEAR BRACE	M-534-B	WA07-7058	BRASS BOLT ASSY
M-4127	WA14-5013	LANDING GEAR CRANK	M-534-D	WA07-7059	BRASS BOLT ASSY
M-4128	WA14-5012	LANDING GEAR CRANK	M-534-G	WA07-7060	BRASS BOLT ASSY
M-4142	WA12-5029	FRONT STRADDLE MOUNT HANGER	M-534-H	WA07-7061	BRASS BOLT ASSY
M-4145	WA12-5042	REAR HANGER	M-534-J	WA07-7062	BRASS BOLT ASSY
M-416	WA01-5101	MALE ELBOW-45	M-535	WA07-7063	BRASS BOLT ASSY
M-42	WA07-6202	WHEEL NUT	M-535-K	WA07-7064	BRASS BOLT ASSY

INTERCHANGE

BWP® cont.

COMPETITOR #	WA#	NOTES	COMPETITOR #	WA#	NOTES
M-536	WA07-7065	BRASS BOLT ASSY	M-63	WA07-6317	STUD
M-538	WA04-5026	BUSHING	M-633	WA07-7080	ANCHOR PIN
M-539	WA04-5076	BUSHING	M-638	WAKN44051	SLACK ADJUSTER
M-54	WA07-5195	STUD	M-64	WA07-7316	STUD
M-543	WA04-5077	BUSHING	M-640	WA07-7081	LOCK RING
M-547	WA10-5046	SPRING	M-641	WA07-7082	FELT
M-548	WA10-5023	SPRING	M-641-A	WA09-5015	SEAL
M-549	WA10-5047	SPRING	M-642	WA10-5050	RETAINER
M-55	WA07-5196	STUD	M-643	WA10-5051	RETAINER
M-553	WA10-5048	SPRING	M-644	WA10-5018	RETAINER
M-554	WA10-5049	SPRING	M-645	WA07-7083	LOCK RING
M-557-L	WA05-5177	CAMSHAFT	M-647	WA07-7084	PIN
M-557-R	WA05-5176	CAMSHAFT	M-648	WA07-7085	SCREW
M-56	WA07-6044	STUD	M-649	WA07-7372	WASHER
M-562-L	WA05-5001	CAMSHAFT	M-65	WA07-7317	STUD
M-562-R	WA05-5000	CAMSHAFT	M-650	WA07-7373	WASHER
M-563-L	WA05-5003	CAMSHAFT	M-651	WA07-7374	WASHER
M-563-R	WA05-5002	CAMSHAFT	M-66	WA07-7318	STUD
M-566-L	WA05-5005	CAMSHAFT	M-67	WA07-7319	STUD
M-566-R	WA05-5004	CAMSHAFT	M-670-A	WAL-444 SEAL	
M-567-L	WA05-5179	CAMSHAFT	M-679	WA07-7375	WASHER
M-567-R	WA05-5178	CAMSHAFT	M-680	WA07-7376	NUT
M-57	WA07-6045	STUD	M-681	WA07-7377	WASHER
M-571	WA04-5000	BUSHING	M-682	WA07-5090	NUT
M-571-A	WA04-5003	BUSHING	M-683	WA07-5091	LOCK
M-571-B	WA04-5001	BUSHING	M-684	WA07-5092	NUT
M-572	WA04-5015	BUSHING	M-692	WA04-5106	BUSHING
M-578	WA04-5078	BUSHING	M-698	WA15-5050	KING PIN
M-579	WA07-5001	LOCK RING	M-7	WA15-5089	CLAMP
M-58	WA07-7314	STUD	M-70	WA07-7320	STUD
M-580	WA07-5124	WASHER	M-701	WA07-5064	AIR CHAMBER BRACKET
M-582	WA04-5013	BUSHING	M-706	WA07-7086	BOLT & NUT
M-583	WA07-5128	WASHER	M-71	WA07-7321	STUD
M-584	WA07-5136	WASHER	M-719	WA07-5131	WASHER
M-587	WA07-7066	FELT	M-72	WA07-6204	STUD
M-587-A	WA09-5002	SEAL	M-720	WA10-5052	SPRING
M-588	WA07-7067	WASHER	M-721	WA10-5020	SPRING
M-589	WA07-7068	RETAINER	M-722	WA04-5079	BUSHING
M-59	WA07-7315	STUD	M-73	WA07-6318	STUD
M-592	WA07-5044	ROLLER	M-737	WA07-5110	BRAKE SPIDER
M-592-A	WA07-7069	ROLLER	M-739	WA10-5053	SPRING
M-592-B	WA07-7070	ROLLER	M-74	WA07-5163	STUD
M-596	WA07-5045	ROLLER	M-741	WA04-5080	BUSHING
M-596-A	WA07-5045A	ROLLER	M-742	WA04-5081	BUSHING
M-597	WA07-7071	ROLLER	M-743-L	WA05-5027	CAMSHAFT
M-599	WA07-7072	ROLLER	M-743-R	WA05-5026	CAMSHAFT
M-6	WA15-5088	CLAMP	M-744-L	WA05-5007	CAMSHAFT
M-60	WA07-5197	STUD	M-744-R	WA05-5006	CAMSHAFT
M-602	WA07-7073	ROLLER	M-746-L	WA05-5181	CAMSHAFT
M-603	WA07-7074	ROLLER	M-746-R	WA05-5180	CAMSHAFT
M-61	WA07-5198	STUD	M-747	WA04-5028	BUSHING
M-612	WA07-5050	PIN	M-748	WA07-5108	WASHER
M-613	WA07-7075	PIN	M-75	WA07-5164	STUD
M-618	WA07-5416	ANCHOR PIN	M-757	WA14-5015	L.G. SHOE
M-619	WA07-7076	ANCHOR PIN	M-76	WA07-5096	STUD
M-62	WA07-6048	STUD	M-760	WA07-7087	ROLLER
M-620	WA07-7077	ANCHOR PIN	M-77	WA07-5097	STUD
M-622	WA07-7078	ANCHOR PIN	M-770	WA15-5051	LOCK
M-623	WA07-7079	ANCHOR PIN	M-771	WA07-5109	ANCHOR PIN

INTERCHANGE

BWP® cont.

COMPETITOR #	WA#	NOTES	COMPETITOR #	WA#	NOTES
M-776-L	WA05-5183	CAMSHFT	M-937	WA07-7333	STUD
M-776-R	WA05-5182	CAMSHAFT	M-957	WA07-7334	STUD
M-779	WA07-7088	ANCHOR PIN	M-958	WA07-7335	STUD
M-78	WA07-5098	STUD	M-959	WA07-7336	STUD
M-79	WA07-5099	STUD	M-96	WA07-7355	STUD
M-792	WA10-5024	SPRING	M-960	WA07-6018	STUD
M-798	WA10-5054	SPRING	M-961	WA07-7337	STUD
M-8	WA15-5001	CLAMP	M-962	WA07-7338	STUD
M-80	WA07-5100	STUD	M-963	WA07-7339	STUD
M-807	WA17-4605S	BRAKE SHOE	M-964	WA07-7340	STUD
M-81	WA07-5101	STUD	M-965	WA07-7341	STUD
M-82	WA07-5102	STUD	M-966	WA07-7342	STUD
M-822	WA17-4607TC	BRAKE SHOE	M-967	WA07-7343	STUD
M-823	WA10-5055	SPRING	M-968	WA07-7344	STUD
M-824	WA09-5000	SEAL	M-969	WA07-7345	STUD
M-824-A	WA09-5001	SEAL	M-97	WA07-6123	STUD
M-825	WA09-5016	SEAL	M-971	WA07-7346	STUD
M-826	WA04-5004	BUSHING	M-973	WA07-7347	STUD
M-829	WA330-3003	GASKET	M-974	WA07-7348	STUD
M-83	WA07-5103	STUD	M-975	WA07-7349	STUD
M-830	WA10-5056	SPRING	M-976	WA07-7350	STUD
M-837	WA330-3067	GASKET	M-977	WA07-7351	STUD
M-838	WA07-7378	NUT	M-978	WA07-7352	STUD
M-839	WA07-6024	WASHER	M-979	WA07-7353	STUD
M-84	WA07-6032	STUD	M-98	WA07-5160	STUD
M-840	WA07-6025	NUT	M-980	WA07-6136	STUD
M-844	WA10-5007	SPRING	M-981	WA07-6022	DRIVE WEDGE
M-846	WA07-6026	NUT	M-982	WA07-5077	DRIVE WEDGE
M-847	WA04-5005	BUSHING	M-983	WA07-6019	DRIVE WEDGE
M-85	WA07-6033	STUD	M-984	WA07-6020	DRIVE WEDGE
M-850	WA07-7089	CLIP ASSEMBLY	M-985	WA07-5078	DRIVE WEDGE
M-85030	WA01-85030	SHOCK ABSORBER	M-986	WA07-6021	DRIVE WEDGE
M-85300	WA01-85300	SHOCK ABSORBER	M-987	WA07-5079	DRIVE WEDGE
M-86	WA07-6034	STUD	M-99	WA07-6207	STUD
M-860	WA07-7090	WEDGE ASSEMBLY	M-990-L	WA05-5009	CAMSHAFT
M-87	WA07-6035	STUD	M-990-R	WA05-5008	CAMSHAFT
M-879	WA07-7091	ADJUSTING BOLT	M-991-L	WA05-5011	CAMSHAFT
M-88	WA07-6120	STUD	M-991-R	WA05-5010	CAMSHAFT
M-881	WA07-7092	SEAL	M-992-L	WA05-5013	CAMSHAFT
M-884	WA07-7093	PAWL	M-992-R	WA05-5012	CAMSHAFT
M-888	WA07-7094	ACTUATOR	M-993-L	WA05-5185	CAMSHAFT
M-89	WA07-6037	STUD	M-993-R	WA05-5184	CAMSHAFT
M-892	WA07-7095	NUT	M-994-L	WA05-5187	CAMSHAFT
M-89411	WA01-89411	SHOCK ABSORBER	M-994-R	WA05-5186	CAMSHAFT
M-89424	WA01-89424	SHOCK ABSORBER	M-995-L	WA05-5189	CAMSHAFT
M-89434	WA01-89434	SHOCK ABSORBER	M-995-R	WA05-5188	CAMSHAFT
M-895	WA07-7096	GUIDE	M-996-L	WA05-5191	CAMSHAFT
M-896	WA07-7097	BOOT	M-996-R	WA05-5190	CAMSHAFT
M-900	WA07-7322	STUD	M-997-L	WA05-5045	CAMSHAFT
M-901	WA07-7323	STUD	M-997-R	WA05-5044	CAMSHAFT
M-906	WA07-7324	STUD	M-999	WA04-5060	BUSHING
M-908	WA07-7325	STUD	M-K1	WA08-5032	SHOE KIT
M-910	WA07-7326	STUD	M-K10	WA1887ASHD	SHOE KIT
M-914	WA07-7327	STUD	M-K101	WA08-5003	CAM KIT
M-92	WA07-7328	STUD	M-K102	WA08-5033	CAM KIT
M-922	WA07-7329	STUD	M-K103	WA08-5004	CAM KIT
M-928	WA07-7330	STUD	M-K105	WAE10244	SHOE KIT
M-929	WA07-7331	STUD	M-K106	WA08-5019	SHOE KIT
M-93	WA07-7332	STUD	M-K107	WA08-5016	CAMSHAFT KIT

INTERCHANGE

BWP® cont.

COMPETITOR #	WA#	NOTES	COMPETITOR #	WA#	NOTES
M-K109	WA08-5034	SHOE KIT	M-K53	WA08-5064	SHOE KIT
M-K11	WA08-5035	SHOE KIT	M-K54	WA08-5065	SHOE KIT
M-K111	WA08-5036	CAMSHAFT KIT	M-K55	WA08-5066	SHOE KIT
M-K112	WA08-5037	SHOE KIT	M-K56	WA08-5067	SHOE KIT
M-K113	WA08-5038	SHOE KIT	M-K57	WA08-5068	SHOE KIT
M-K12	WA08-5022	SHOE KIT	M-K59	WA08-5029	SHOE KIT
M-K129	WA05-5010	BRAKE SHOE KIT	M-K6	WA08-5069	SHOE KIT
M-K13	WA08-5039	CAM KIT	M-K60	WA08-5070	CAM KIT
M-K134	WA08-5011	BRAKE SHOE KIT	M-K61	WA08-5006	CAM KIT
M-K14	WA08-5023	CAM KIT	M-K62	WA08-5071	CAM KIT
M-K15	WA08-5040	CAM KIT	M-K63	WA08-5012	CAM KIT
M-K16	WA08-5007	CAM KIT	M-K64	WA08-5013	CAM KIT
M-K17	WA08-5041	CAM KIT	M-K65	WA08-5072	CAM KIT
M-K18	WA08-5042	CAM KIT	M-K66	WA08-5073	CAM KIT
M-K19	WA08-5024	CAM KIT	M-K68	WA08-5074	CAM KIT
M-K2	WA08-5043	SHOE KIT	M-K69	WA08-5075	CAM KIT
M-K20	WA08-5005	CAM KIT	M-K7	WA08-5020	SHOE KIT
M-K21	WA08-5044	CAM KIT	M-K70	WA08-5076	WEDGE KIT
M-K22	WA08-5031	CAM KIT	M-K72	WA2769SHD	SHOE KIT
M-K23	WA08-5025	CAM KIT	M-K74	WA08-5077	WEDGE KIT
M-K24	WA08-5009	CAM KIT	M-K77	WAE5139	SHOE KIT
M-K25	WA08-5045	CAM KIT	M-K78	WA08-5078	CAM KIT
M-K26	WA08-5026	CAM KIT	M-K79	WAE3869	SHOE KIT
M-K27	WA08-5027	CAM KIT	M-K79-B	WA08-5079	SHOE KIT
M-K3	WA08-5046	SHOE KIT	M-K8	WA08-5080	SHOE KIT
M-K30	WA08-5047	WEDGE KIT	M-K80	WA08-5081	SHOE KIT
M-K31	WA08-5048	WEDGE KIT	M-K81	WA08-5008	CAMSHAFT KIT
M-K32	WA08-5049	WEDGE KIT	M-K82	WA08-5082	SHOE KIT
M-K33	WA08-5050	WEDGE KIT	M-K83	WA08-5083	SHOE KIT
M-K35	WA08-5051	WEDGE KIT	M-K84	WAE5481	SHOE KIT
M-K36	WA08-5052	WEDGE KIT	M-K85	WA08-5084	CAM KIT
M-K37	WA08-5029	WEDGE KIT	M-K86	WA08-5085	CAM KIT
M-K39	WA2769SHD	Q SHOE KIT	M-K87	WA08-5086	CAM KIT
M-K4	WA08-5053	SHOE KIT	M-K88	WA08-5001	CAM KIT
M-K41	WA08-5054	XEM SHOE KIT	M-K90	WA08-5002	CAM KIT
M-K42	WA3710SHD	X E M Q KIT	M-K91	WA08-5015	SHOE KIT
M-K43	WA08-5055	SHOE KIT	M-K92	WA08-5087	SHOE KIT
M-K44	WA08-5056	SHOE KIT	M-K93	WA08-5088	SHOE KIT
M-K45	WA08-5057	SHOE KIT	M-K94	WA08-5089	SHOE KIT
M-K46	WA08-5058	BRAKE SHOE KIT	M-K95	WA08-5090	SHOE KIT
M-K49	WA08-5059	SHOE KIT	M-K96	WA08-5091	CAM KIT
M-K5	WA08-5060	SHOE KIT	M-K97	WA08-5092	CAM KIT
M-K50	WA08-5061	SHOE KIT	M-K98	WA08-5093	SHOE KIT
M-K51	WA08-5062	SHOE KIT	M-K99	WA08-5030	SHOE KIT
M-K52	WA08-5063	SHOE KIT			

INTERCHANGE



U.S.A. Toll Free 800.934.2727

MEXICO Toll Free: 001.877.623.7576

VENEZUELA Toll Free: 0800.100.2593

COLOMBIA Toll Free: 980.915.5094

WWW.WORLDAMERICAN.COM

INTERCHANGE

DAYTON®

COMPETITOR #	WA#	COMPETITOR #	WA#
01-200	WA07-5045	03-114	WA07-5117
01-217	WA07-5044	03-119	WA07-5118
01-234	WA07-5046	03-200	WA04-5015
01-237	WA07-5049	03-201	WA04-5003
01-244	WA07-5048	03-202	WA04-5060
01-247	WA07-5047	03-206	WA04-5061
01-262	WA07-5050	03-207	WA04-5017
01-294	WA10-5014	03-208	WA04-5013
01-300	WA10-5018	03-208	WA04-5014
01-311	WA10-5013	03-209	WA07-5019
01-313	WA10-5012	03-210	WA04-5012
01-320	WA10-5011	03-212	WA04-5011
01-322	WA10-5024	03-214	WA04-5016
01-331	WA10-5021	03-273	WA07-5120
01-340	WA10-5017	04-310	WA07-5001
01-348	WA10-5007	04-315	WA07-5003
01-349	WA10-5005	01-3481	WA10-5010
01-354	WA07-5136	01-3696	WA10-5002
01-357	WA10-5006	01-3751	WA10-5019
01-358	WA10-5000	01-3864	WA10-5004
01-363	WA10-5001	04-300	WA07-5136
01-364	WA10-5020	04-301	WA07-5124
01-370	WA10-5009	04-302	WA07-5128
01-374	WA10-5022	04-303	WA07-5131
01-379	WA10-5003	04-304	WA07-5134
01-380	WA10-5008	04-307	WA07-5126
01-434	WA07-5051	04-308	WA07-5125
01-448	WA07-5052	04-320	WA07-5132
01-451	WA07-5053	04-322	WA07-5130
01-472	WA07-5108	04-328	WA07-5129
01-477	WA07-5042	04-334	WA07-5137
01-478	WA07-5043	04-350	WA07-5133
01-482	WA07-5002	04-357	WA07-5138
01-492	WA07-5000	04-358	WA07-5132
01-500	WA04-5026	04-451121	WA05-5044
02-132	WA07-5110	04-451122	WA05-5045
02-202	WA04-5000	04-451251	WA05-5084
02-203	WA04-5001	04-451252	WA05-5085
02-204	WA04-5002	04-460851	WA05-5048
02-213	WA09-5005	04-460852	WA05-5049
02-219	WA04-5028	04-461121	WA05-5042
02-220	WA04-5008	04-461122	WA05-5043
02-224	WA04-5059	04-461151	WA05-5014
02-225	WA04-5057	04-461152	WA05-5015
02-230	WA04-5005	04-461311	WA05-5080
02-231	WA04-5004	04-461312	WA05-5081
02-233	WA04-5058	04-480861	WA05-5038
02-235	WA04-5027	04-480862	WA05-5039
02-241	WA04-5007	04-481151	WA05-5040
02-242	WA04-5006	04-481152	WA05-5041
02-248	WA08-5002	04-481151	WA05-5024
02-256	WA04-5009	04-481152	WA05-5025
02-257	WA04-5044	04-562041	WA05-5076
02-300	WA09-5002	04-562042	WA05-5077
02-304	WA09-5001	04-562351	WA05-5016
02-309	WA09-5003	04-562352	WA05-5017
02-310	WA09-5004	04-562411	WA05-5022
02-312	WA09-5000	04-562412	WA05-5023
02-350	WA07-5124	04-572041	WA05-5000

INTERCHANGE

DAYTON® cont.

COMPETITOR #	WA#	NOTES	COMPETITOR #	WA#	NOTES
04-572042	WA05-5001		05-238	WAKN44071	
04-572241	WA05-5086		05-240	WAKN44041	
04-572242	WA05-5087		05-560	WA21103	
04-572301	WA05-5052		05-561	WA21102	
04-572302	WA05-5053		05-562	WA22103	
04-572351	WA05-5006		05-563	WA22102	
04-572352	WA05-5007		05-570	WA24100	
04-582041	WA05-5066		05-572	WA25100	
04-582042	WA05-5067		06-201	WA07-5092	
04-582271	WA05-5074		06-202	WA07-5091	
04-582272	WA05-5075		06-203	WA07-5090	
04-582351	WA05-5054		06-226	WA07-5094	
04-582352	WA05-5055		06-228	WA07-5095	
04-601741	WA05-5056		06-229	WA07-5041	
04-601742	WA05-5057		06-230	WA07-5093	
04-602041	WA05-5070		08-1042	WA1887ASHD	
04-602042	WA05-5071		08-1088	WA2769SHD	
04-602301	WA05-5058		08-1091	WA3710SHD	
04-602302	WA05-5059		08-1111	WAE3869	
04-602351	WA05-5072		08-1113	WAE5139	
04-602352	WA05-5073		08-1116	WA08-5019	
04-602411	WA05-5050		08-1148	WAE5481A	
04-602412	WA05-5051		08-1149	WAE10244	
04-712371	WA05-5046		08-1160	WAE9064	
04-712372	WA05-5047		08-1306	WA08-5007	
04-741941	WA05-5064		08-1318	WA08-5008	
04-741942	WA05-5065		08-1321	WA08-5009	
04-742361	WA05-5078		08-1328	WA08-5004	
04-742362	WA05-5079		08-1331	WA08-5005	
04-811621	WA05-5002		08-1364	WA08-5012	
04-811622	WA05-5003		08-6301	WA04-5038	
04-812121	WA05-5004		08-108834	WA2769SHD	
04-812122	WA05-5005		08-130301	WA08-5016	
04-861121	WA05-5060		08-130601	WA08-5006	
04-861122	WA05-5061		08-130611	WA08-5001	
04-871121	WA05-5030		08-132110	WA08-5003	
04-871122	WA05-5031		08-132111	WA08-5013	
04-891731	WA05-5008		09-2179	WA12-5023	
04-891732	WA05-5009		09-2180	WA12-5022	
04-892041	WA05-5010		09-2190	WA12-5036	
04-892042	WA05-5011		09-2194	WA12-5037	
04-892421	WA05-5012		09-2247	WA04-5021	
04-892422	WA05-5013		09-2251	WA12-5038	
04-931731	WA05-5018		09-2269	WA04-5020	
04-931731	WA05-5032		09-2271	WA12-5035	
04-931732	WA05-5019		09-2285	WA04-5023	
04-931732	WA05-5033		09-2290	WA04-5024	
04-932041	WA05-5068		09-2294	WA04-5018	
04-932042	WA05-5069		09-2317	WA04-5025	
04-932421	WA05-5020		09-2354	WA12-5110	
04-932421	WA05-5034		09-2400	WA12-5109	
04-932422	WA05-5021		09-2402	WA12-5108	
04-937422	WA05-5035		09-2404	WA12-5106	
05-124	*WA24SC		09-2405	WA12-5107	
05-130	*WA30SC		09-2458	WA12-5000	
05-201	WAKN47011		09-2467	WA12-5002	
05-203	WAKN47001		09-2472	WA12-5032	
05-237	WAKN44061		09-260	WA12-5001	
05-238	WAKN44051		09-2819	WA12-5003	

INTERCHANGE

DAYTON® cont.

COMPETITOR #	WA#	NOTES	COMPETITOR #	WA#	NOTES
09-2886	WA12-5019		10-3127	WA07-5012	
09-3066	WA12-5027		10-3147	WA07-5013	
09-3067	WA12-5028		10-3187	WA07-5015	
09-3067	WA12-5029		10-3200	WA07-5014	
09-3217	WA12-5026		10-4018	WA07-5011	
09-3220	WA12-5017		10-4030	WA07-5008	
09-3221	WA12-5018		10-5147	WA07-5016	
09-3240	WA12-5015		10-5302	WA07-5006	
09-3249	WA12-5016		10-5305	WA07-5007	
09-3254	WA12-5030		10-5402	WA07-5009	
09-3257	WA12-5031		10-5451	WA07-5017	
09-3260	WA12-5021		10-5900	WA07-5010	
09-3280	WA12-5020		10-98050	WA01-8050	
09-3301	WA12-5025		10-98709	WA01-8709	
09-3344	WA04-5022		10-99069	WA01-9069	
09-3351	WA04-5056		10-99082	WA01-9082	
09-3372	WA07-5040		10-99265	WA01-9265	
09-3379	WA04-5019		10-99270	WA01-9270	
09-3404	WA12-5105		10-99422	WA01-9422	
09-3978	WA12-5061		10-99580	WA01-9580	
09-4420	WA04-5051		10-99780	WA01-9780	
09-4422	WA04-5053		10-99781	WA01-9781	
09-4424	WA12-5004		11-0100	WA14-5011	
09-4425	WA04-5052		11-0125	WA14-5006	
09-4430	WA12-5024		11-0130	WA14-5015	
09-4431	WA04-5050		11-0150	WA14-5017	
09-4478	WA04-5054		11-0185	WA14-0009	
09-4486	WA04-5055		11-0186	WA14-0015	
09-55000	WA04-5034		11-0187	WA14-0020	
09-5501	WA04-5029		11-0188	WA14-0031	
09-5510	WA04-5035		11-0195	WA14-5019	
09-5511	WA04-5030		11-0198	WA15-5051	
09-5620	WA04-5036		11-0212	WA15-5050	
09-5621	WA04-5037		11-0408	WA07-5065	
09-5650	WA04-5032		11-0412	WA07-5066	
09-5651	WA04-5033		11-0414	WA07-5067	
09-5670	WA07-5055		11-0419	WA07-5068	
09-5671	WA07-5056		11-0420	WA07-5070	
09-5675	WA07-5054		11-0421	WA07-5071	
09-5678	WA04-5040		11-0422	WA07-5074	
09-5679	WA04-5041		11-0426	WA07-5076	
09-5700	WA04-5039		11-0670	WA340-4975	
09-5717	WA12-5094		11-0674	WA343-009	
09-5719	WA12-5095		11-0674	WA14-5005	
09-5720	WA12-5093		11-0677	WA14-5003	
09-5721	WA12-5096		11-0680	WA14-5001	
09-5722	WA12-5005		11-0681	WA359-5990	
09-5723	WA12-5006		12-26000 *	WA11600	
09-5728	WA04-5031		12-26200 *	WA11602	
09-7520	WA12-5043		12-26500 *	WA11543	
09-7593	WA12-5012		12-26900 *	WA11548	
09-7594	WA12-5014		12-26901 *	WA11549	
09-7595	WA12-5013		12-36801	WA01-5012	
09-7902	WA90054007		12-36802	WA01-5013	
10-2602	WA07-5086		12-36803	WA01-5014	
10-2603	WA07-5087		12-36808	WA01-5020	
10-2604	WA07-5088		12-36812	WA01-5015	
10-2605	WA07-5089		12-36818	WA01-5021	
10-2605	WA07-5083		12-37801	WA01-5016	

INTERCHANGE

DAYTON® cont.

COMPETITOR #	WA#	NOTES	COMPETITOR #	WA#	NOTES
12-37802	WA01-5017		13-1618-L	WA07-5107	
12-37803	WA01-5018		13-1231-R	WA07-5104	
12-37812	WA01-5019		13-1231-L	WA07-5105	
12-37879	WA01-5011		13-3005-R	WA07-5024	
12-37904	WA01-5022		13-3005-L	WA07-5025	
12-37914	WA01-5023		13-3012-R	WA07-5022	
12-38020	WA01-5025		13-3012-L	WA07-5023	
12-38024	WA01-5026		13-3013-R	WA07-5020	
12-38026	WA01-5027		13-3013-L	WA07-5021	
12-38028	WA01-5028		13-3026-R	WA07-5032	
12-38030	WA01-5030		13-3026-L	WA07-5031	
12-38036	WA01-5030		13-3026-R	WA07-5032	
12-38042	WA01-5031		13-3026-L	WA07-5033	
12-38048	WA01-5032		13-3028-R	WA05-5026	
12-38118	WA01-5000		13-3028-L	WA05-5027	
12-38124	WA01-5002		13-3029-R	WA07-5028	
12-38128	WA01-5004		13-3029-L	WA07-5029	
12-38132	WA01-5006		13-3047-R	WA07-5122	
12-38136	WA01-5007		13-3050	WA07-5036	
12-38140	WA01-5008		13-3052	WA07-5035	
12-38144	WA01-5009		13-3057	WA07-5037	
12-38148	WA01-5010		13-4002	WA15-5000	
12-40009	WAKN18090		13-4004	WA15-5001	
12-40012	WAKN18120		13-4006	WA15-5002	
12-40016	WAKN18160		13-5014	WA15-5003	
12-40020	WAKN18200		13-6003	WA07-5004	
12-40024	WAKN18240		13-6008	WA07-5005	
12-40030	WAKN18300		13-7202	WA07-5077	
12-40202 *	WAKN36470		13-7204	WA07-5080	
12-40403	WA09-5007		13-7208	WA07-5078	
12-40416 *	WA11450		13-7210	WA07-5081	
12-40418 *	WA11452		13-7216	WA07-5079	
12-40419 *	WA11451		13-7218	WA07-5082	
12-40501	WA01-5024		13-8004	WA07-5018	
13-1103-R	WA07-5096		330-146	WA12-5085	
13-1103-L	WA07-5097		330-200	WA12-5089	
13-1104-R	WA07-5100		334-130	WA07-5115	
13-1104-L	WA07-5101		334-138	WA04-5049	
13-1105-R	WA07-5102		334-354	WA04-5048	
13-1105-L	WA07-5103		334-467	WA04-5047	
13-1107-R	WA07-5098		345-191	WA12-5100	
13-1107-L	WA07-5099		345-238	WA12-5099	
13-1273R	WA07-5121		338-181	WA12-5091	
13-1571	WA07-5038		338-1350	WA12-5101	
13-1572	WA07-5039		338-1351	WA12-5102	
13-1618-R	WA07-5106				

WWW.WORLDAMERICAN.COM

YOUR #1 SOURCE FOR HEAVY DUTY PARTS!

CALL 800.934.2727 FOR PRICING

INTERCHANGE

DODGE®

COMPETITOR #	WA#	NOTES	COMPETITOR #	WA#	NOTES
124862	WA04-5030		1194097	WA07-5150	
124863	WA04-5035		1194103	WA07-5004	
503550	WA07-5024		1194113	WA07-5018	
503551	WA07-5025		1194126	WA07-5163	
513796	WA07-5152		1194127	WA07-5164	
531378	WA07-5081		1260634	WA07-5368	
532062	WA07-5189		1260635	WA07-5369	
533063	WA07-5190		1261180	WA07-5372	
585192	WA07-5020		1261181	WA07-5373	
585193	WA07-5021		1506562	WA04-5000	
585194	WA07-5022		1925790	WA07-5098	
585195	WA07-5023		1925791	WA07-5099	
1191797	WA07-5078		1927774	WA15-5000	
1192671	WA07-5124				

DYCO®

COMPETITOR #	WA#	NOTES	COMPETITOR #	WA#	NOTES
D1	WA03-5016		D59	WA03-5017	
D2	WA03-5015		D63	WA03-5019	
D4	WA03-5012		D71	WA03-5018	
D5	WA03-5013		D72	WA03-5025	
D7	WA03-5007		D89	WA03-5022	
D9	WA03-5014		D90	WA03-5002	
D10	WA03-5024		D92	WA03-5003	
D21	WA03-5023		D98	WA03-5004	
D26	WA03-5010		D208	WA03-5005	
D27	WA03-5006		D232	WA03-5011	
D35	WA03-5008		D329	WA03-5009	
D46	WA03-5020		D402	WA03-5026	
D47	WA03-5021		D430	WA03-5000	
D48	WA03-5001				

EATON®

COMPETITOR #	WA#	COMPETITOR #	WA#
B-615-4	WA04-5026	39075	WA07-5050
B-1212-1	WA07-5136	40864	WA09-5000
B-1214	WA07-5002	43943	WA07-5128
B1216	WA07-5128	51547	WA04-5000
B-1283-9	WA05-5087	68439	WA04-5000
B-1283-10	WA05-5086	70326	WA10-5007
B-1283-101	WA05-5087	79903	WA09-5000
B-1283-102	WA05-5086	125030	WA05-5047
B-1581	WA04-5000	125031	WA05-5046
B-1593-1	WA07-5110	779321	WA07-5090
B-1599	WA04-5026	799041	WA07-5091
B-1662	WA09-5002	807304	WA05-5047
B1691-9	WA05-5087	807305	WA05-5046
B-1691-10	WA05-5086	807928	WA07-5108
B-1691-25	WA05-5007	807929	WA07-5002
B-1691-26	WA05-5006	808058	WA10-5014
B-1713	WA04-5026	810025	WA05-5079
B-1716	WA07-5001	810026	WA05-5078
B-1736-1	WA09-5001	810538	WA055065
B-2021	WA04-5000	810539	WA05-5064
B-2022	WA04-5028	820007	WA07-5002
B-2028A	WA04-5060	820095	WA07-5001
39074	WA07-5044	820183	WA04-5000

INTERCHANGE

EATON® cont.

COMPETITOR #	WA#	COMPETITOR #	WA#
820185	WA04-5060	3-2192	WA07-5137
1000035	WA04-5000	3-2714	WA04-5059
2-2107	WA07-5045	3-2715	WA04-5016
2-2108	WA07-5044	4-2194	WA07-5092
2-2111	WA10-5018	4-2196	WA07-5090
2-2112	WA10-5013	5-2243	WA1887ASHD
2-2113	WA10-5012	5-2245	WA2769SHD
2-2115	WA10-5011	5-3319	WA2769SHD
2-2118	WA10-5024	5-3321	WA3710SHD
2-2121	WA10-5021	6-2251	WA08-5007
2-2122	WA10-5005	6-2253	WA08-5008
2-2123	WA10-5007	6-2257	WA08-5005
2-2124	WA10-5009	6-2710	WA08-5006
2-2125	WA10-5006	6-2724	WA1887ASHD
2-2127	WA07-5109	6-2725	WA08-5006
2-2130	WA07-5051	6-2732	WA08-5005
2-2132	WA07-5052	6-2736	WA08-5008
2-2137	WA07-5002	7-2391	WA05-5044
2-2141	WA04-5028	7-2392	WA05-5045
2-2143	WA04-5027	7-2393	WA05-5026
3-2137	WA07-5002	7-2394	WA05-5027
3-2147	WA04-5001	7-2411	WA05-5001
3-2149	WA04-5000	7-2412	WA05-5000
3-2150	WA04-5008	7-2425	WA05-5006
3-2152	WA04-5004	7-2426	WA05-5007
3-2153	WA04-5007	7-2433	WA05-5043
3-2154	WA04-5006	7-2434	WA05-5042
3-2155	WA04-5015	7-2435	WA05-5015
3-2156	WA07-5019	7-2436	WA05-5014
3-2157	WA04-5061	7-2437	WA05-5009
3-2158	WA04-5017	7-2438	WA05-5008
3-2159	WA04-5013	7-2439	WA05-5011
3-2165	WA09-5002	7-2440	WA05-5010
3-2166	WA09-5000	7-2441	WA05-5013
3-2167	WA09-5004	7-2442	WA05-5012
3-2168	WA09-5003	7-2443	WA05-5003
3-2172	WA09-5000	7-2444	WA05-5002
3-2179	WA07-5136	7-2447	WA05-5004
3-2180	WA07-5128	7-2448	WA05-5005
3-2181	WA07-5128	8-2068	WAKN47001
3-2183	WA07-5134	8-2069	WAKN44051
3-2186	WA07-5001	8-2073	WAKN47001
3-2187	WA07-5003		

INTERCHANGE

ELGIN® KINGPINS

COMPETITOR #	WA#	COMPETITOR #	WA#
KB325	WAK535B	KB571B	WAK571R
KB325	WAK572B	KB571R	WAK509B
KB420C	WAK420C	KB578CB	WAK578B
KB450A	WAK450B	KB645	WAK549B
KB463	WAK463	KB645-15	WAK549B-15
KB463N	WAK499	KB700	WAK541
KB465A	WAK465	KB700	WAK700
KB465A	WAK477	KB722B	WAK722B
KB466	WAK466	KB722N	WAK539D
KB466	WAK478B	KB817	WAK552B
KB469A	WAK469A	KB817	WAK817
KB470	WAK470	KB818	WAK818
KB472A	WAK472A	KB823	WAK563B
KB492AR	WAK492AR	KB825	WAK825
KB492AR	WAK506B	KB829	WAK562B
KB493	WAK493	KB829	WAK829B
KB504	WAK504	KB830	WAK567B
KB505A	WAK526B	KB830	WAK830
KB517	WAK517	KB834	WAK574B
KB523DC	WAK537	KB834	WAK834
KB525	WAK525	KB836CB	WAK583
KB525	WAK545B	KB836CB	WAK836
KB534B	WAK534B	KB837	WAK570B
KB537	WAK538B	KB840	WAK840
KB538NR	WAK538BIR	KB841	WAK609
KB539BIR	WAK539BIR	KB842CB	WAK586
KB546	WAK546B	KB846CB	WAK591B
KB547	WAK547	KB849	WAK602
KB548	WAK548	KB849	WAK849
KB570DC	WAK570DC	KB852	WAK852

WWW.WORLDAMERICAN.COM

YOUR #1 SOURCE FOR HEAVY DUTY CAMSHAFTS AND RELATED PARTS!

CALL 800.934.2727 FOR PRICING!

INTERCHANGE

EUCLID® cont.

COMPETITOR #	WA#	COMPETITOR #	WA#
E-04000	WA359-5990	E-10929	WA05-5153
E-04075	WA340-4975	E-10930	WA05-5152
E-05500	WA14-5001	E-1094	WA05-5006
E-055005	WA14-5001	E-10948	WA08-5036
E-10105B	WAK852	E-1095	WA05-5007
E-10137	MW9001L	E-1140	WA10-5028
E-10138	MW9001L	E-11433	WA05-5063
E-10197	WA10-5004	E-11434	WA05-5062
E-10198	WA10-5010	E-11449	WA04-5044
E-1020	WA04-5020	E-1147	WA05-5026
E-10202L	WA07-6311	E-1148	WA05-5027
E-10202R	WA07-6098	E-11497	WA10-5026
E-10206L	WA07-6101	E-11540	WA05-5128
E-10206R	WA07-6100	E-11541	WA05-5129
E-10208L	WA07-5353	E-1159	WA04-1159
E-10208R	WA07-5167	E-1160	WA04-5024
E-10209L	WA07-5503	E-11858	WA05-5171
E-10209R	WA07-5502	E-11859	WA05-5170
E-10210L	WA07-5505	E-11866	WA05-5031
E-10210R	WA07-5504	E-11867	WA05-5030
E-10213R	WA07-6096	E-1271	WA04-5004
E-10215	WA07-5506	E-1312A	WA12-5112
E-10216	WA07-5507	E-1318A	WA07-5019
E-10217	WA07-5508	E-1330	WA12-5004
E-10219	WA07-6083	E-1332	WA04-5053
E-10220	WA07-5509	E-1333	WA04-5052
E-10221	WA07-5202	E-1338	WA04-5034
E-10222	WA07-6114	E-1339	WA04-5035
E-10229	WA07-6123	E-1340	WA04-5029
E-1023	WA12-5038	E-1341A	WA04-5030
E-10230	WA07-5160	E-1357A	WA08-5039
E-1024	WA12-5035	E-1364	WA04-5071
E-10241	WA07-6116	E-1366	WA04-5070
E-10244	WAE10244	E-1385	WA04-5060
E-10249L	WA07-6243	E-1393	WA05-5182
E-10249R	WA07-6242	E-1394	WA05-5183
E-1025	WA10-5020	E-1410	WA05-5172
E-10253L	WA07-5155	E-1411	WA05-5173
E-10253R	WA07-5154	E-1415	WA14-5017
E-10254L	WA07-5157	E-1416	WA09-5000
E-10254R	WA07-5156	E-1416A	WA09-5001
E-10257	WA07-6319	E-1418	WA10-5007
E-10259L	WA07-6316	E-1422	WA05-5096
E-10259R	WA07-6104	E-1423	WA05-5097
E-10675	WA07-5203	E-1424	WA05-5000
E-10676	WA07-6088	E-1425	WA05-5001
E-10746	WA451039N	E-1428A	WA10-5005
E-10757	WA08-5034	E-1458	WA10-5027
E-10760	WA08-5038	E-1546	WA04-5038
E-10875	WA08-5037	E-1559	WA07-5041
E-10897	WA08-5085	E-1561	WA07-5095
E-10899	WA05-5061	E-1563	WA05-5003
E-10900	WA05-5060	E-1564	WA05-5002
E-10909	WA05-5023	E-1565	WA07-5134
E-10910	WA05-5022	E-1567	WA04-5008
E-10917	WA05-5151	E-1569	WA07-5003
E-10918	WA05-5150	E-1571	WA04-5061
E-10921	WA05-5089	E-1574HD	WAKN44041
E-10922	WA05-5088	E-1574HDF	WAKN44041

INTERCHANGE

EUCLID® cont.

COMPETITOR #	WA#	COMPETITOR #	WA#
E-1577	WA04-5017	E-2087	WA08-5027
E-1583	WA10-5029	E-2088A	WA08-5023
E-1594	WA04-5036	E-2089	WA08-5071
E-1595	WA04-5037	E-2090	WA08-5005
E-1607HD	WA08-5067	E-2099	WA05-5004
E-1773B	WA05-5044	E-2100	WA05-5005
E-1774B	WA05-5045	E-2102	WA04-5013
E-1775	WA05-5106	E-2104	WA07-5117
E-1776	WA05-5107	E-2107	WA05-5177
E-1781	WA07-5125	E-2108	WA05-5176
E-1782	WA07-5126	E-2122	WA08-5044
E-1812	WA08-5056	E-2123	WA08-5042
E-1816HD	WA08-5020	E-2125	WA08-5024
E-1816SHD	WA08-5043	E-2126	WA08-5058
E-1817	WA07-5055	E-2157	WA08-5028
E-1818	WA07-5056	E-2158	WA08-5051
E-1819	WA07-5054	E-2160	WA08-5052
E-1876	WA04-5040	E-2163	WA10-5056
E-1877	WA04-5041	E-2177	WA07-5046
E-1880B	WA10-5024	E-2199A	WA08-5050
E-1887ASHD	WA1887ASHD	E-2225	WA12-5005
E-1893	WA04-5028	E-2226	WA12-5006
E-1901	WA13-1901	E-2227	WA12-5093
E-1902	WA13-1902	E-2228	WA12-5096
E-1903	WA13-1903	E-2237	WA07-5093
E-1904	WA13-1904	E-2250	WA07-5094
E-1905	WA13-1905	E-2287	WA08-5009
E-1906	WA13-1906	E-2294	WA12-5108
E-1907	WA13-1907	E-2295	WA12-5109
E-1908	WA13-1908	E-2296	WA07-5402
E-1909	WA13-1909	E-2297	WA07-5404
E-1910	WA13-1910	E-2298	WA07-5403
E-1911	WA13-1911	E-2299	WA07-5405
E-1912	WA13-1912	E-2300	WA07-5406
E-1913	WA13-1913	E-2301	WA07-5407
E-1914	WA13-1914	E-2302	WA07-5408
E-1915	WA13-1915	E-2303	WA07-5213
E-1916	WA13-1916	E-2304	WA07-5385
E-1917	WA13-1917	E-2305	WA07-5384
E-1918	WA13-1918	E-2361	WA04-5011
E-1919	WA13-1919	E-2363	WA08-5040
E-1920	WA13-1920	E-2365	WA07-5118
E-1921	WA13-1921	E-2372	WA04-5032
E-1922	WA13-1922	E-2374	WA04-5033
E-1927	WA13-1927	E-2380	WA04-5005
E-1943	WA07-6010	E-2382	WA08-5007
E-1946	WA07-5121	E-2386	WA07-5213
E-1948	WA04-5039	E-2389	WA04-5027
E-1963	WA07-7112	E-2398	WA10-5021
E-1970	WA04-5099	E-2402HD	WA08-5022
E-1975	WA07-7151	E-2403HD	WA08-5055
E-1980	WA04-5018	E-2405	WA09-5004
E-1981	WA12-5110	E-2406	WA09-5003
E-1982	WA04-5019	E-2407	WA04-5007
E-1983	WA12-5110	E-2408	WA04-5006
E-1999A	WA04-5056	E-2409	WA07-5129
E-2003	WA04-5062	E-2411A	WA07-5133
E-2030HD	WA08-5035	E-2417	WA07-5394
E-2086B	WA08-5041	E-2418	WA07-5393

INTERCHANGE

EUCLID® cont.

COMPETITOR #	WA#	COMPETITOR #	WA#
E-2419	WA07-5387	E-2558	WA07-5115
E-2420	WA07-5397	E-2634	WA12-5091
E-2421	WA07-5396	E-2658	WA07-5409
E-2422	WA07-5395	E-2659	WA07-5410
E-2423	WA07-5415	E-2660	WA07-5411
E-2424	WA07-5414	E-2670	WA04-5068
E-2425	WA07-5413	E-2675SHD	WA08-5065
E-2426	WA07-5401	E-2676	WA08-5066
E-2427	WA07-5400	E-2679A	WA08-5072
E-2428	WA07-5399	E-2680	WA08-5013
E-2441A	WA05-5009	E-2690A	WA04-5059
E-2441B	WA05-5033	E-2693	WA05-5115
E-2442A	WA05-5008	E-2694	WA05-5114
E-2442B	WA05-5032	E-2695	WA04-5016
E-2443A	WA05-5011	E-2696A	WA08-5012
E-2444A	WA05-5010	E-2713	WA08-5062
E-2445A	WA05-5013	E-2714A	WA05-5120
E-2445B	WA05-5035	E-2715A	WA05-5121
E-2446A	WA05-5012	E-2732	WA04-5072
E-2446B	WA05-5034	E-2740	WA08-5059
E-2447	WA05-5185	E-2745	WA10-5035
E-2448	WA05-5184	E-2746	WA08-5076
E-2449	WA05-5187	E-2749A	WA08-5077
E-2450	WA05-5186	E-2766	WA07-5051
E-2451	WA05-5189	E-2767	WA10-5009
E-2452	WA05-5188	E-2768	WA10-5015
E-2458	WAKN44051	E-2769SHD	WA2769SHD
E-2458HD	WAKN44051	E-2771	WA04-5031
E-2459HD	WAKN44061	E-2781A	WA12-5017
E-2460	WA07-5375	E-2785	WA10-5044
E-2461	WA07-5217	E-2786	WA05-5124
E-2462	WA07-5382	E-2787	WA05-5125
E-2463	WA07-5377	E-2794	WA05-5104
E-2464	WA07-5378	E-2795	WA05-5105
E-2465	WA07-5379	E-2796	WA05-5116
E-2466	WA07-5380	E-2797	WA05-5117
E-2467	WA07-5215	E-2804	WA10-5039
E-2468	WA07-5381	E-2815	WA12-5095
E-2469	WA08-5026	E-2830	WA12-5022
E-2475	WA10-5034	E-2841	WA12-5097
E-2476	WA10-5036	E-2842	WA12-5098
E-2478A	WA05-5190	E-2843	WA12-5001
E-2479A	WA05-5191	E-2846	WA12-5000
E-2484	WA08-5057	E-2855	WA12-5134
E-2492	WA05-5174	E-2858	WA12-5128
E-2493	WA05-5175	E-2860	WA12-5127
E-2494	WA05-5145	E-2866A	WA12-5126
E-2495	WA05-5144	E-2889	WA12-5018
E-2507	WA14-5006	E-2891	WA07-5058
E-2510	WA12-5099	E-2892	WA07-5059
E-2511	WA12-5015	E-2899	WA12-5016
E-2512	WA12-5106	E-2907	WA12-5019
E-2513	WA12-5107	E-2907A	WA12-5019
E-2514	WA12-5037	E-2908	WA12-5021
E-2515	WA12-5036	E-2909	WA12-5020
E-2517	WA04-5012	E-2910A	WA12-5039
E-2526	WA08-5045	E-2911	WA12-5040
E-2551	WA04-5066	E-2913A	WA12-5029
E-2555	WA04-5049	E-2914	WA12-5030

INTERCHANGE

EUCLID® cont.

COMPETITOR #	WA#	COMPETITOR #	WA#
E-2915A	WA12-5031	E-3516	WA05-5119
E-2916	WA12-5094	E-3517	WA05-5118
E-2917	WA12-5012	E-3518	WA08-5029
E-2919	WA12-5013	E-3520A	WA08-5006
E-2920	WA12-5014	E-3679	WA12-5113
E-2921A	WA04-5086	E-3680	WA12-5034
E-2923A	WA04-5084	E-3689	WA12-5043
E-2924A	WA04-5085	E-3710SHD	WA3710SHD
E-2935	WA04-5050	E-3711	WA07-5043
E-2965	WA12-5024	E-3780	WA07-5053
E-3000	WA07-5086	E-3782	WA08-5083
E-3001	WA07-5087	E-3801	WA08-5069
E-3002A	WA07-5088	E-3854	WA05-5067
E-3003	WA07-5089	E-3855	WA05-5054
E-3007A	WA10-5012	E-3856	WA05-5055
E-3012	WA12-5105	E-3858	WA08-5087
E-3079	WA07-5060	E-3861	WA05-5193
E-3188	WA07-5065	E-3862	WA05-5192
E-3189	WA07-5066	E-3869	WAE3869
E-3190	WA07-5067	E-3872	WA10-5001
E-3191	WA07-5068	E-3873	WA10-5008
E-3192	WA07-5069	E-3874	WA07-5042
E-3193	WA07-5070	E-3876	WA08-5086
E-3194	WA07-5071	E-3877	WA04-5073
E-3195	WA07-5072	E-3895	WAE3895
E-3196	WA07-5073	E-3976	WA12-5111
E-3197	WA07-5074	E-3989	WA08-5084
E-3198	WA07-5075	E-3991	WA09-5005
E-3199	WA07-5076	E-3993B	WA08-5008
E-3227	WA10-5013	E-4255	WA04-5104
E-3228	WA10-5031	E-4301	WA12-5101
E-3276	WA12-5099	E-4302	WA12-5102
E-3283A	WA12-5132	E-4323	WA90054007
E-3284A	WA12-5133	E-4347	WA07-6012
E-3291	WA08-5061	E-4382A	WA04-5055
E-3347	WA05-5159	E-4410A	WA04-5054
E-3348	WA05-5158	E-44345B	WAK450B
E-3349	WA05-5043	E-4435B	WAK463
E-3350	WA05-5042	E-4435N	WAK499
E-3351	WA05-5015	E-4437B	WAK472A
E-3352	WA05-5014	E-4440B	WAK493
E-3353A	WA08-5073	E-4441B	WAK465
E-3361	WA04-5101	E-4442B	WAK504
E-3374HD	WA08-5082	E-4443B	WAK492AR
E-3390	WA12-5100	E-4445B	WAK509B
E-3414	WA12-5026	E-4447B	WAK517
E-3421A	WA07-5048	E-4449B	WAK526B
E-3436	WA10-5037	E-4450B	WAK534B
E-3437	WA10-5022	E-4451B	WAK535B
E-3446	WA08-5074	E-4452B	WAK538B
E-3447	WA04-5058	E-4453B	WAK539D
E-3468A	WA08-5075	E-4454B	WAK541
E-3478	WA07-5137	E-4455B	WAK539BIR
E-3479	WA07-5130	E-4457B	WAK546B
E-3489	WA08-5068	E-4458B	WAK547
E-3490B	WA10-5003	E-4459B	WAK548
E-3504	WA07-5389	E-4460B	WAK549B
E-3505	WA07-5388	E-4462B	WAK817
E-3510	WA07-5412	E-4463B	WAK818

INTERCHANGE

EUCLID® cont.

COMPETITOR #	WA#	COMPETITOR #	WA#
E-4467B	WAK829B	E-4888	WA05-5161
E-4468B	WAK563B	E-4889	WA05-5160
E-4469B	WAK567B	E-4890	WA05-5103
E-4587	WA07-5120	E-4891	WA05-5102
E-4595B	WAK570B	E-4894	WA05-5029
E-4599B	WAK574B	E-4895	WA05-5028
E-4604	MW373R	E-4896	WA05-5049
E-4605	MW373L	E-4897	WA05-5048
E-4608	MW2070L	E-4898	WA05-5133
E-4609	MW2069R	E-4899	WA05-5132
E-4610	MW187L	E-4900	WA05-5165
E-4611	MW187R	E-4901	WA05-5164
E-4614	MW423L	E-4944	WA07-6018
E-4615	MW423R	E-4955	WA07-6049
E-4616	MW431L	E-4956A	WA07-5004
E-4617	MW431R	E-4957	WA07-5151
E-4628	MW2090L	E-4958	WA07-5150
E-4629	MW2091R	E-4960	WA07-6186
E-4630	MW411L	E-4962	WA07-5152
E-4631	MW411R	E-4963	WA07-5018
E-4691	WA08-5063	E-4964L	WA07-6318
E-4692	WA08-5064	E-4964R	WA07-6204
E-4693B	WAK840	E-4965L	WA07-5164
E-4695C	WAK583	E-4965R	WA07-5163
E-4696B	WAK609	E-4966L	WA07-5097
E-4702A	WA05-5090	E-4966R	WA07-5096
E-4703A	WA05-5091	E-4967L	WA07-5099
E-4708A	WA05-5084	E-4967R	WA07-5098
E-4709A	WA05-5085	E-4968L	WA07-5101
E-4716	WA05-5180	E-4968R	WA07-5100
E-4717	WA05-5181	E-4969L	WA07-5103
E-4720	WA05-5046	E-4969R	WA07-5102
E-4721	WA05-5047	E-4978	WA07-5083
E-4722	WA05-5154	E-4979	WA07-5084
E-4723	WA05-5155	E-4980	WA07-5085
E-4726	WA05-5122	E-4986A	WA07-6118
E-4727	WA05-5123	E-4987A	WA07-6051
E-4728	WA05-5080	E-4988L	WA07-5184
E-4729	WA05-5081	E-4988R	WA07-5183
E-4730	WA05-5108	E-5006	WA07-6202
E-4731	WA05-5109	E-5007	WA07-6132
E-4732	WA05-5110	E-5009	WA07-6124
E-4733	WA05-5111	E-502	WA07-5416
E-4734	WA05-5112	E-5040A	WA15-5001
E-4735	WA05-5113	E-5045	WA15-5025
E-4804	WA12-0084-00	E-5046	WA15-5026
E-4805	WA12-0088-00	E-5047	WA15-5029
E-4806	WA12-0086-00	E-5086	WA08-5088
E-4813	WA12-5002	E-5093	WA07-5000
E-4824	WA12-5003	E-5122	WA10-5006
E-4825	WA12-5033	E-5123	WA10-5000
E-4830	WA07-5139	E-5127	WA04-5057
E-4835	WA12-5025	E-5128	WA09-5014
E-4877	WA07-5391	E-5139	WAE5139
E-4880SHD	WA08-5054	E-5140	WA08-5078
E-4884	WA05-5053	E-5228	WA12-5061
E-4885	WA05-5052	E-523	WA07-5045
E-4886	WA05-5157	E-526	WA07-5001
E-4887	WA05-5156	E-5307	WA08-5033

INTERCHANGE

EUCLID® cont.

COMPETITOR #	WA#	COMPETITOR #	WA#
E-5325	WA346-189	E-5560R	WA07-5195
E-535	WA04-5015	E-5561L	WA07-5194
E-5358	WA346-240	E-5561R	WA07-5193
E-536	WA04-5000	E-5570	WA15-5004
E-5366	WA346-249	E-5571A	WA15-5000
E-5370	WA346-293	E-5572A	WA15-5002
E-539	WA10-5018	E-5576L	WA07-6129
E-540	WA07-5090	E-5576R	WA07-6128
E-541	WA04-5026	E-5578L	WA07-6005
E-543	WA10-5047	E-5578R	WA07-6004
E-544	WA10-5046	E-5579L	WA07-5301
E-545A	WA10-5023	E-5579R	WA07-5300
E-5477	WA07-5047	E-5587L	WA07-5181
E-5478	WA10-5014	E-5587R	WA07-5182
E-5481A	WA08-5080	E-5588L	WA07-5371
E-5482	WA07-5138	E-5588R	WA07-5370
E-5492	WA05-5137	E-5589L	WA07-6301
E-5493	WA05-5136	E-5589R	WA07-6046
E-5494	WA05-5145	E-5591L	WA07-6218
E-5495	WA05-5144	E-5591R	WA07-6133
E-5506	WA05-5019	E-5592R	WA07-6216
E-5507	WA05-5018	E-5607	WA07-6205
E-5508	WA05-5069	E-5618L	WA07-5188
E-5509	WA05-5068	E-5618R	WA07-5187
E-5510	WA05-5020	E-5622	WA07-6130
E-5511	WA05-5021	E-5625	WA07-6209
E-5513	WA08-5017	E-5628	WA07-6207
E-5515	WA08-5002	E-564	WA07-5124
E-5518	WA05-5147	E-5652L	WA07-5021
E-5519	WA05-5146	E-5652R	WA07-5020
E-5520	WA05-5139	E-5682	WA07-5161
E-5521	WA05-5138	E-5683	WA07-5162
E-5522	WA05-5057	E-5701	WA07-6151
E-5523	WA05-5056	E-5703	WA07-6220
E-5524	WA05-5071	E-5704	WA07-6149
E-5525	WA05-5070	E-5706	WA07-5005
E-5526	WA05-5073	E-5708	WA07-5510
E-5527	WA05-5072	E-5709	WA07-7216
E-5548L	WA07-5031	E-5710	WA07-6210
E-5548R	WA07-5030	E-5711	WA07-5057
E-5549L	WA07-5025	E-5712	WA07-6200
E-5549R	WA07-5024	E-5714L	WA07-6300
E-5551L	WA07-6045	E-5714R	WA07-6042
E-5551R	WA07-6044	E-5718L	WA07-6033
E-5552L	WA07-5023	E-5718R	WA07-6032
E-5552R	WA07-5022	E-5719L	WA07-6035
E-5553L	WA07-5198	E-5719R	WA07-6034
E-5553R	WA07-5197	E-572	WA07-5092
E-5554L	WA07-6003	E-5720L	WA07-6037
E-5554R	WA07-6002	E-5720R	WA07-6120
E-5556L	WA07-5190	E-5721L	WA07-6139
E-5556R	WA07-5189	E-5721R	WA07-6138
E-5557L	WA07-6317	E-5724	WA07-6122
E-5557R	WA07-6048	E-5726	WA07-6225
E-5558L	WA07-6039	E-5728	WA07-6226
E-5558R	WA07-6038	E-5729	WA07-6227
E-5559L	WA07-5192	E-573	WA07-5091
E-5559R	WA07-5191	E-5731	WA07-6178
E-5560L	WA07-5196	E-5736	WA07-6022

INTERCHANGE

EUCLID® cont.

COMPETITOR #	WA#	COMPETITOR #	WA#
E-5737	WA07-5077	E-5904A	WA15-5014
E-5738	WA07-6019	E-5909L	WA07-6235
E-5739	WA07-6020	E-5909R	WA07-6234
E-5740	WA07-5078	E-5910L	WA07-5105
E-5742	WA07-6021	E-5910R	WA07-5173
E-5743	WA07-5079	E-5911L	WA07-6171
E-5749L	WA07-6145	E-5911R	WA07-6170
E-5749R	WA07-6144	E-5924L	WA07-6167
E-5751	WA07-6181	E-5924R	WA07-6166
E-5755	WA15-5027	E-5931L	WA07-6165
E-5756L	WA07-6141	E-5931R	WA07-6164
E-5756R	WA07-6140	E-5932L	WA07-6163
E-5757L	WA07-6143	E-5932R	WA07-6162
E-5757R	WA07-6142	E-5938	WA07-6206
E-5761	WA07-6052	E-595	WA07-5044
E-5762	WA07-5153	E-5952	WA07-5080
E-5764L	WA07-6155	E-5955	WA07-6185
E-5764R	WA07-6154	E-5957	WA07-5081
E-5765L	WA07-5355	E-5960	WA07-5082
E-5765R	WA07-5169	E-5964	WA07-5040
E-5766L	WA07-6153	E-5966	WA07-6006
E-5766R	WA07-6152	E-5968	WA07-6008
E-5775	WA07-6219	E-596A	WA07-5050
E-5778	WA15-5028	E-5977L	WA07-5023
E-5781	WA15-5013	E-5977R	WA07-5022
E-5783	WA15-5010	E-5982L	WA07-5107
E-5784A	WA15-5006	E-5982R	WA07-5106
E-5792	WA07-6179	E-5983L	WA07-5178
E-5796	WA07-6180	E-5983R	WA07-5177
E-5798	WA07-6182	E-5985L	WA07-6245
E-5799	WA07-6183	E-5985R	WA07-6244
E-580	WA07-5128	E-5986L	WA07-5309
E-5800	WA07-5207	E-5986R	WA07-6076
E-5801	WA07-5208	E-5987L	WA07-6233
E-581	WA07-5127	E-5987R	WA07-6232
E-5816	WA07-6231	E-5988L	WA07-5033
E-5819	WA07-6131	E-5988R	WA07-5032
E-5821	WA15-5015	E-5989L	WA07-6081
E-5823	WA07-6224	E-5989R	WA07-6080
E-5828	WA15-5009	E-5991	WA07-5036
E-5837	WA15-5011	E-5993	WA07-6192
E-5868L	WA07-6169	E-5994	WA07-6190
E-5868R	WA07-6168	E-5995L	WA07-6015
E-5869L	WA07-6302	E-5995R	WA07-6014
E-5869R	WA07-6158	E-5996L	WA07-6017
E-5870L	WA07-6157	E-5996R	WA07-6016
E-5870R	WA07-6156	E-5997	WA07-5200
E-5871L	WA07-5176	E-5998	WA07-6188
E-5871R	WA07-5175	E-5999	WA07-5201
E-5872	WA07-5209	E-6000A	WA07-5035
E-5876L	WA07-6303	E-602	WA04-5078
E-5876R	WA07-6160	E-6026R	WA07-6054
E-5885	WA15-5016	E-6027L	WA07-6057
E-5892	WA07-5511	E-6027R	WA07-6056
E-5896L	WA07-5105	E-6028L	WA07-6061
E-5896R	WA07-5104	E-6028R	WA07-6060
E-5900L	WA07-6173	E-6029A	WA07-5303
E-5900R	WA07-6172	E-603	WA07-6250
E-5902	WA15-5003	E-6036	WA07-5374

INTERCHANGE

EUCLID® cont.

COMPETITOR #	WA#	COMPETITOR #	WA#
E-6057L	WA07-6075	E-7896R	WA07-5026
E-6057R	WA07-6074	E-7897L	WA07-5029
E-6059L	WA07-6059	E-7897R	WA07-5028
E-6059R	WA07-6058	E-7898L	WA07-6127
E-6060L	WA07-5158	E-7898R	WA07-6126
E-6060R	WA07-5159	E-7899	WA08-5079
E-6078	WA08-5002	E-801	WA04-5002
E-6121	WA04-5063	E-812	WA04-5023
E-612HD	WAKN47001	E-8579-20	WA01-5025
E-6142	WA07-5383	E-8579-24	WA01-5026
E-6194B	WAK591B	E-8579-26	WA01-5027
E-629	WA10-5049	E-8579-28	WA01-5028
E-637	WA10-5048	E-8579-32	WA01-5029
E-6450B	WAK825	E-8579-36	WA01-5030
E-6451B	WAK525	E-8579-42	WA01-5031
E-6452B	WAK538BIR	E-8579-48	WA01-5032
E-6455B	WAK578B	E-8580-18	WA01-5033
E-654	WA09-5002	E-8580-24	WA01-5034
E-656	WA07-5136	E-8580-26	WA01-5035
E-661	WA04-5003	E-8580-28	WA01-5036
E-663	WA04-5069	E-8580-30	WA01-5037
E-665	WA10-5053	E-8580-32	WA01-5038
E-667	WA04-5046	E-8580-36	WA01-5039
E-6685	WA346-196	E-8580-42	WA01-5040
E-684	WA05-5178	E-8580-48	WA01-5041
E-685	WA05-5179	E-8582-18	WA01-5000
E-6856	MW3030R	E-8582-20	WA01-5047
E-6857	MW3031L	E-8582-22	WA01-5001
E-6868B	WAK836	E-8582-24	WA01-5002
E-6869C	WAK586	E-8582-26	WA01-5003
E-6884	WA05-5075	E-8582-28	WA01-5004
E-6885	WA05-5074	E-8582-30	WA01-5005
E-690	WA05-5086	E-8582-32	WA01-5006
E-691	WA05-5087	E-8582-36	WA01-5007
E-6999S	WAE6999S	E-8582-40	WA01-5008
E-700	WA15-5050	E-8582-44	WA01-5009
E-702	WA15-5051	E-8582-48	WA01-5010
E-719	WA07-5131	E-8590	WA01-5012
E-7213A	WA08-5049	E-8591	WA01-5013
E-7231	WA08-5089	E-8592	WA01-5014
E-7235	WA08-5091	E-8593	WA01-5015
E-7237	WA08-5090	E-8595	WA01-5016
E-7241	WA08-5092	E-8596	WA01-5017
E-7431	WA03-5001	E-8597	WA01-5018
E-7450	WA03-5002	E-8598	WA01-5019
E-747	WA10-5011	E-8600	WA01-5022
E-7506	WA03-5012	E-8601	WA01-5023
E-7507	WA03-5014	E-8602	WA01-5020
E-752	WA10-5054	E-8603	WA01-5021
E-7529	WA03-5016	E-8616	WA01-5024
E-753	WA10-5052	E-8757	MW3298L
E-7532	WA12-5027	E-8758	MW3297R
E-756-43	WA12-5089	E-8918	WA03-5000
E-757	WA10-5032	E-8931	WA12-5023
E-759	WA04-5001	E-8946L	WA07-6229
E-781	WA07-5045A	E-8946R	WA07-6031
E-7895L	WA07-5025	E-8947L	WA07-6065
E-7895R	WA07-5024	E-8947R	WA07-6064
E-7896L	WA07-5027	E-8948L	WA07-6247

INTERCHANGE

EUCLID® cont.

COMPETITOR #	WA#	COMPETITOR #	WA#
E-8948R	WA07-6246	E-9098	WA05-5059
E-8949L	WA07-5172	E-9099	WA05-5058
E-8949R	WA07-5171	E-9100	WA05-5051
E-8957L	WA07-5304	E-9101	WA05-5050
E-8957R	WA07-6312	E-9107	WA11452
E-8961	WA07-6315	E-9108	WA11451
E-8962	WA07-6102	E-9109	WA11450
E-8968L	WA07-6071	E-9110	WA09-5007
E-8968R	WA07-6070	E-9131	RB-30PS
E-8969L	WA07-6067	E-9133	WA07-6000
E-8969R	WA07-6066	E-9134	WA07-6000
E-8971L	WA07-6308	E-925	WA14-5015
E-8971R	WA07-6198	E-926	WA14-5011
E-8972L	WA07-5180	E-927	WA04-5021
E-8972R	WA07-5179	E-9311B	WAK466
E-8979L	WA07-5166	E-9313B	WAK570DC
E-8979R	WA07-5165	E-9315B	WAK537
E-8980	WA07-5205	E-9325	WA04-5045
E-8981	WA07-5204	E-9326	WA04-5042
E-8982L	WA07-6069	E-934	WA04-5022
E-8982R	WA07-6068	E-939	WAKN48001
E-8984L	WA07-6195	E-940HD	WAKN47011
E-8984R	WA07-6194	E-9420	WA04-5047
E-8985L	WA07-6111	E-9421	WA04-5048
E-8985R	WA07-6110	E-943	WA04-5064
E-8986	WA07-6093	E-944	WA10-5033
E-8987	WA07-5114	E-9471	WA12-5028
E-8988	WA07-6085	E-9524L	WA07-6313
E-8989	WA07-6087	E-9524R	WA07-6106
E-8994L	WA07-6212	E-9525L	WA07-6314
E-8994R	WA07-6211	E-9525R	WA07-6108
E-8995L	WA07-6241	E-9526	WA07-6090
E-8995R	WA07-6240	E-957	WA07-5110
E-8996L	WA07-6237	E-9643	WA10-5019
E-8996R	WA07-3236	E-9644	WA08-5019
E-8997	WA07-6094	E-9649	WA05-5039
E-9001L	WA07-6239	E-9650	WA05-5038
E-9001R	WA07-6238	E-9659	WA05-5041
E-9003L	WA07-6099	E-9660	WA05-5040
E-9003R	WA07-6208	E-9661	WA05-5025
E-9004L	WA07-6310	E-9662	WA05-5024
E-9004R	WA07-6078	E-9665	WA05-5131
E-9008L	WA07-6073	E-9666	WA05-5130
E-9008R	WA07-6072	E-9671	WA05-5100
E-9009	WA07-6089	E-9672	WA05-5101
E-9010L	WA07-6193	E-9673A	WA05-5093
E-9010R	WA07-5116	E-9674A	WA05-5092
E-9020	WA07-5037	E-9675	WA05-5163
E-9022R	WA07-5122	E-9676	WA05-5162
E-9037	WA10-5017	E-9725	WA05-5141
E-9057	WA05-5065	E-9726	WA05-5140
E-9058	WA05-5064	E-9731	WA05-5169
E-9059	WA05-5079	E-9732	WA05-5168
E-9060	WA05-5078	E-9733	WA05-5077
E-9063	WA10-5002	E-9734	WA05-5076
E-9064	WAE9064	E-9735	WA05-5017
E-9079HD	WA08-5001	E-9736	WA05-5016
E-9087	WA05-5095	E-9737	WA05-5143
E-9088	WA05-5094	E-9738	WA05-5142

INTERCHANGE

EUCLID® cont.

COMPETITOR #	WA#	COMPETITOR #	WA#
E-9741	WA05-5149	E-UB5161-14	WA07-5013
E-9742	WA05-5148	E-UB5161-16	WA07-5014
E-975	WA14-5024	E-UB5161-18	WA07-5015
E-9771	WA05-5135	E-UB5165-14	WA07-5016
E-9772	WA05-5134	E-UB8145-076	WA07-5009
E-9787/E-9788	WA07-5119	E-UB8151-18	WA07-5010
E-9789	WA04-5009	E-UB8154-18	WA07-5011
E-9790A	WA08-5004	E-UB8161-12	WA07-5012
E-9791	WA08-5016	E-UB8287-11	WA07-5006
E-9792	WA04-5014	E-UB8351-18	WA07-5008
E-9941B	WAK602	E-UB8479-090	WA07-5017
E-9962	MW3177L	KIT 1	WA08-5032
E-9963	MW3176R	KIT 4SHD	WA08-5046
E-RSN401045	WA12105	KIT4HD	WAKIT4HD
E-UB3851-18	WA07-5008		

HEAVY DUTY AXLES, CLUTCHES, ELECTRICAL, DIFFERENTIAL & TRANSMISSION COMPONENTS, HYDRAULICS, SUSPENSION, BRAKES, VALVES & MORE!

MIDWEST

TRUCK & AUTO PARTS INC.

WORLD AMERICAN®

WWW.WORLDAMERICAN.COM

Motive Gear

INTERCHANGE

FLAGG®

COMPETITOR #	WA#	COMPETITOR #	WA#
BA48	WA04-5029	H114	WA12-5097
	WA04-5032	H115	WA12-5079
BA49	WA04-5030	HAK-34	WA04-5032
	WA04-5033	HAK-38	WA04-5033
B1112	WA07-5055	HBK	WA04-5036
B1171	WA07-5056	N90041696	WA07-5006
B1224	WA04-5032	N90041698	WA07-5007
B1380	WA07-5134	N90041878	WA07-5017
C862	WA04-5030	N90042796	WA07-5006
C863	WA04-5035	N91001049	WA12-5024
C864	WA04-5034	N91008014	WA04-5052
C865	WA04-5029	N91008022	WA04-5053
C866	WA04-5036	R103	WA12-5000
C867	WA04-5037	R110	WA04-5025
C871	WA04-5031	R131	WA04-5019
C878	WA12-5005	R150	WA04-5023
C879	WA12-5006	RB84	WA04-5056
C882	WA12-5094	RB164	WA12-5005
C883	WA12-5096	RB200	WA04-5021
C884	WA12-5095	RB201	WA04-5022
C885	WA12-5093	RB203	WA04-5020
DN3	WA07-5086	RB205	WA12-5114
DN4	WA07-5087	RB234	WA04-5065
DN5	WA07-5088	RB268	WA12-5136
DN6	WA07-5089	RBT200	WA04-5021
E303	WA12-5019	RBT201	WA04-5022
E467	WA12-5022	TN100	WA04-5053
H100	WA12-5017	TN101	WA04-5052
H101	WA12-5018	TN104	WA12-5004
H103	WA07-5058	TP723	WA07-5083
H104	WA07-5059	TPK	WA04-5041
H112	WA07-5060	W35	WA07-5089

FLAGG KING PINS®

COMPETITOR #	WA#	COMPETITOR #	WA#
FKP-16-B	WAK420C	FKP-75-B15	WAK549B-15
FKP-11-B	WAK450B	FKP-77-B	WAK552B
FKP-53-B	WAK465	FKP-85-B	WAK562B
FKP-25-B	WAK466	FKP-90-B	WAK563B
FKP-22-B	WAK469A	FKP-86-B	WAK567B
FKP-21-B	WAK472A	FKP-93-B	WAK570B
FKP-36-B	WAK493	FKP-57-B	WAK570DC
FKP-27-N	WAK499	FKP-43-N	WAK571R
FKP-37-N	WAK504	FKP-68-B	WAK572B
FKP-39-B	WAK506B	FKP-94-B	WAK574B
FKP-43-B	WAK509B	FKP-103-B	WAK578B
FKP-45-B	WAK517	FKP-100-C	WAK583
FKP-74-B	WAK525	FKP-101-C	WAK586
FKP-49-B	WAK526B	FKP-109-B	WAK591B
FKP-62-B	WAK534B	FKP-118-B	WAK602
FKP-60-B	WAK537	FKP-115-B	WAK609
FKP-69-B	WAK538B	FKP-70-N	WAK722B
FKP-66-N	WAK538BIR	FKP-77-N	WAK817
FKP-67-N	WAK539BIR	FKP-78-B	WAK818
FKP-52-B	WAK541	FKP-81-B	WAK825
FKP-73-B	WAK546B	FKP-92-B	WAK836
FKP-71-B	WAK547	FKP-96-B	WAK840
FKP-72-B	WAK548	FKP-122-B	WAK852
FKP-75-B	WAK549B		

INTERCHANGE



U.S.A. Toll Free 800.934.2727

MEXICO Toll Free: 001.877.623.7576

VENEZUELA Toll Free: 0800.100.2593

COLOMBIA Toll Free: 980.915.5094

WWW.WORLDAMERICAN.COM

INTERCHANGE

FORD®

COMPETITOR #	WA#	COMPETITOR #	WA#
356085-S8B	WA07-5152	C2TZ-1107B	WA07-5359
51-1107	WA07-5368	C3TZ-28038A	WA09-5002
51-1108	WA07-5369	C3TZ-3111A	WAK493B
863494	WA07-5194	C3TZ-4A106A	WA07-5081
7EQH-1118	WA07-5096	C5TZ-1118C	WA07-5100
7EQH-1119	WA07-5097	C5TZ-1119C	WA07-5101
7EQ-1124	WA07-5091	C5TZ-3111D	WAK541B
7EQH-1124	WA07-5217	C6TZ-2125B	WA10-5020
8EB-1195	WA07-5403	C6TZ-5781A	WA04-5040
8EB-3293	WA07-5404	C6TZ-5781B	WA04-5041
8QH-1181	WA07-5375	C6TZ-5899A	WA04-5039
8QH-2138A	WA07-5124	C7TS-1043	WA15-5001
8QH-2138B	WA07-5128	C7TZ-2B087A	WA04-5028
8QH-2237A	WA04-5000	C7TZ-2333A	WA07-5109
B-34331X	WA07-5197	C8TZ-2130A	WA07-5128
B-34332X	WA07-5198	C8TZ-2296A	WA10-5005
B-4919X	WA07-5024	C9HS-5872A	WA04-5036
B-4920X	WA07-5025	C9HZ-3295A	WA07-5405
B4T-1124A	WA07-5393	C9TZ-1151A	WA07-5004
B5QH-2045A	WA07-5050	DOHZ-3111E	WAK541B
B5QH-2359A	WA07-5044	DOHZ-5A601A	WA07-5087
B-6320X	WA07-5191	DOHZ-5705A	WA07-5010
B-6321X	WA07-5192	D3H-82B038A	WA09-5002
B7TZ-3111B	WAK477	D3HZ-2318A	WA07-5001
B7TZ-3111C	WAK450B	D5HZ-2023A	WA07-5049
B7TZ-3111F	WAK477	D5HZ-3111C	WAK547B
B7Y-3111A	WAK466B	D5TZ-1042A	WA15-5003
B8QH-1124A	WA07-5215	D6HZ-3111A	WAK548BN
B8QH-1142A	WA07-5082	D6TZ-3111A	WAK538B
B8QH-1181A	WA07-5380	D7HZ-4245A	WA07-5382
B8QH-2045A	WA07-5045	D7HZ-4255A	WA07-5383
B8QH-2237A	WA04-5000	D8HZ-2237A	WA04-5058
B8QH-2341A	WA10-5011	D8HZ-2035A	WA10-5022
B8QH-2356A	WA10-5018	D8QH-2317A	WA05-5026
B8QH-4252A	WA07-5381	E1HT-5781EA	WA04-5043
B8QH-5780B	WA07-5056	E2H-1124	WA07-5217
B8QH-5872A	WA04-5035	E9HZ-1151A	WA07-5171
B8QH-5873A	WA04-5030	E9HZ-1152A	WA07-5172
BB-1120	WA07-5020	F-81-T-1118	WA07-5370
BB-1121	WA07-5021	F-81-T-1119	WA07-5371
BB-1132	WA07-5024	SC-352849	WA15-5000
BB-1133	WA07-5025	TDAA-1118A	WA07-5163
BB-1134	WA07-5022	TDAA-1119A	WA07-5164
BB-1135	WA07-5023	TUAA-1118A	WA07-5193
BB-1142B	WA07-5077	TUAA-1119A	WA07-5194
BB-2208	WA07-5020	TUAA-1124A	WA07-5378
COTZ-2296A	WA10-5007	TUAA-4252A	WA07-5379
C1TT-2316A	WA05-5044	TUAA-5782A	WA07-5054
C155-2316C	WA05-5085	TVAA-1181A	WA07-5377
C1TT-2317A	WA05-5045	TWAA-5780A	WA07-5055
C1TT-2317C	WA05-5084	TWAA-5872A	WA04-5034
C1TT-4255A	WA07-5090	TWAA-5873A	WA04-5029
C2TZ-1107A	WA07-5358		

INTERCHANGE

FREIGHTLINER®

COMPETITOR #	WA#	COMPETITOR #	WA#
11-9714-11	WA07-6165	16-10769-000	WA01-7400C
11-9714-12	WA07-6164	11-9714-3	WA07-6162
11-9714-2	WA07-6163	11-9714-2	WA07-6163
11-9714-3	WA07-6162	11-9714-12	WA07-6164
1613962000	WA04-5065	11-9714-11	WA07-6165
6813281384	WA04-5065	11-9714-16	WA07-7231
681-325-02-50	WA12-5114	11-9714-15	WA07-7232
681-325-01-50	WA12-5114	11-9714-1	WA07-7233
1616412001	WA12-5136	11-9714-0	WA07-7234
1618035000	WA12-5136	11-9714-14	WA07-7235
6813202435	WA01-FL51	11-9714-13	WA07-7236
6813202535	WA01-FL52	11-9714-18	WA07-7237
16-13810-000	WA01-9780C	11-9714-17	WA07-7238
16-16773-000	WA01-9781C	N30103BN	WAKN20541
16-11378-000	WA01-7410C		

FRUEHAUF®

COMPETITOR #	WA#	COMPETITOR #	WA#
ACA-0073	WAKN47001	AXA-0449-1	WAKN44041
ACA-0247-1	WA11451	AXA-0471-1	WA10-5013
ACA-0247-2	WA11452	AXA-0484-1	WA14-5017
ACA-0247-900	WA11450	AXA-1005-1	WA359-5990
ACA-0842-6	WA30SC	AXA-1011-1	WAKN44041
ACA-8587	WA07-5025	BXE-00298-901	WA07-5013
ACA-8587-1	WA07-5024	BXE-00298-902	WA07-5013
ACA-8588	WA07-5023	BXE-00298-903	WA07-5015
ACA-8588-1	WA07-5022	BXE-00298-904	WA07-5015
ACB-1437	WA11548	FSP-0006-1-1	WA07-5088
ACB-3948	WAKN18300	FSP-0006-1-3	WA07-5089
ACC-1996-923	WA3710SHD	SCE-3719-2	WA14-5015
ACC-7538-900	WA340-4975	SXA-0250	WA14-5011
ACD-2285-900	WA04-5017	UCA-0456	WA12-5017
ACE-5937-3	WA01-5007	UCA-0457	WA12-5015
ACE-5937-5	WA01-5006	UCA-0459	WA07-5058
ACE-5937-6	WA01-5008	UCA-0472	WA04-5056
ACE-5937-8	WA01-5000	UCA-3754	WA04-5022
ACE-5937-12	WA01-5002	UCD-6632-1	WA12-5097
ACE-5937-14	WA01-5010	UCD-6632-2	WA12-5098
ACE-8510-1	WA07-5094	UCD-7607-1	WA12-5019
ACE-9910-1	WA07-5045	UCE-9393-2	WA01-9394
ACF-0015-1	WAKN44041	UCF-2640-1	WA12-5036
ACF-1328-1	WA10-5013	UXA-0004	WA04-5020
ACF-3079-1	WA10-5009	UXA-0004-900	WA12-5035
ACF-3378-1	WA07-5052	UXA-0011	WA04-5021
ACF-6404-2	WAKN44041	UXA-0011-900	WA12-5038
AXA-0408-1	WA07-5095	UXA-017	WA12-5022
AXA-0409-1	WA07-5041	UXA-0026	WA12-5037
AXA-0410-1	WA07-5094	UXA-0027-1	WA12-5036
AXA-0413-900	WA04-5008	UXA-0046-1	WA07-5013
AXA-0417-1	WA07-5134	UXA-0046-2	WA07-5013
AXA-0418-1	WA07-5003	UXA-0046-3	WA07-5013
AXA-0420-1	WA05-5003	UXA-0046-5	WA07-5015
AXA-0420-2	WA05-5002	UXA-1146-6	WA07-5015
AXA-0420-3	WA05-5003	UXA-0046-7	WA07-5015
AXA-0420-4	WA05-5004	58043	WA05-5001
AXA-0420-900	WA08-5005	58044	WA05-5000
AXA-0429-900	WA04-5061	61608	WA04-5015
AXA-0432-1	WA07-5128	219158	WA07-5136

INTERCHANGE

FRUEHAUF® cont.

COMPETITOR #	WA#	COMPETITOR #	WA#
219160	WA07-5001	534773	WA07-5194
219992	WA07-5124	534780	WA07-5189
219293	WA07-5128	534781	WA07-5190
219299	WA04-5026	534782	WA07-5191
219310	WA10-5023	534783	WA07-5192
219316	WA05-5001	535414	WA15-5002
219317	WA05-5002	535588	WA15-5000
275340	WA07-5030	535798	WA07-5018
275341	WA07-5031	535799	WA07-5004
330733	WA07-5045	535860	WA07-5150
330734	WA10-5018	535861	WA07-5152
34816	WA07-5026	535884	WA15-5000
334817	WA07-5027	535885	WA07-5018
508459	WA09-5007	535886	WA07-5004
508865	WA07-5195	535920	WA07-5197
509360	WA07-5196	535921	WA07-5198
515147	WA04-5000	536365	WA07-5369
515148	WA04-5015	536366	WA07-5368
534764	WA07-5022	580443	WA05-5001
534765	WA07-5023	580444	WA05-5000
234766	WA07-5024	582886	WA07-5102
534767	WA07-5025	582887	WA07-5103
534768	WA07-5020	583015	WA10-5011
534769	WA07-5021	586121	WA04-5021
534772	WA07-5193		

GABRIEL®

COMPETITOR #	WA#	COMPETITOR #	WA#
83009	WA01-83009	85030	WA01-85030
83105	WA01-83105	85031	WA01-85031
83121	WA01-83121	85043	WA01-85043
83125	WA01-83125	85047	WA01-85047
83128	WA01-83128	85052	WA01-85052
83207	WA01-83207	85303	WA01-85303
83215	WA01-83215	85305	WA01-85305
83312	WA01-83312	85307	WA01-85307
83317	WA01-83317	85311	WA01-85311
83318	WA01-83318	85319	WA01-85319
83456	WA01-83456	85320	WA01-85320
83613	WA01-83613	85323	WA01-85323
85000	WA01-85000	85724	WA01-85724
85001	WA01-85001	85900	WA01-85900
85006	WA01-85006	85918	WA01-85918
85010	WA01-85010	85931	WA01-85931
85012	WA01-85012	89415	WA01-89415

INTERCHANGE

GOODYEAR®

COMPETITOR #	WA#	COMPETITOR #	WA#
1R10-120	WA01-9293	1R12-538	WA01-9648
1R11-028	WA01-9422	1R12-568	WA01-8852
1R11-166	WA01-9295	1R12-580	WA01-9370
1R11-221	WA01-9622	1R12-603	WA01-9781
1R11-222	WA01-9625	1R12-615	WA01-8829
1R12-069	WA01-9069	1R13-038	WA01-9122
1R12-090	WA01-9213	1R13-039	WA01-9121
1R12-092	WA01-9082	1R13-118	WA01-9580
1R12-095	WA01-9039	1R13-119	WA01-9270
1R12-103	WA01-9101	1R13-124	WA01-8755
1R12-132	WA01-9105	1R13-130	WA01-8729
1R12-167	WA01-9192	1R13-159	WA01-8709
1R12-173	WA01-9466	1R13-176	WA01-8713
1R12-182	WA01-9219	1R13-177	WA01-8708
1R12-279	WA01-9394	1R14-039	WA01-8050
1R12-303	WA01-9780	1R14-171	WA01-8091
1R12-335	WA01-9321	2B10-226	WA01-7795
1R12-366	WA01-8944	2B12-300	WA01-7424
1R12-367	WA01-9640	2B12-307	WA01-7403
1R12-375	WA01-9265	2B12-309	WA01-7400
1R12-400	WA01-9296	2B12-404	WA01-9375
1R12-401	WA01-9371	2B12-406	WA01-7410
1R12-403	WA01-9373	2B12-440	WA01-7555
1R12-404	WA01-9375	2B14-356	WA01-7136
1R12-424	WA01-9287	2B14-360	WA01-7135
1R12-487	WA01-9366	2B9-201	WA01-6902
1R12-502	WA01-9921	2B9-206	WA01-6905
1R12-508	WA01-8204	2B9-229	WA01-6897
1R12-532	WA01-9935		

GREAT DANE®

COMPETITOR #	WA#	COMPETITOR #	WA#
GD1/2X18	WA01-5000	56955	WA01-5045
GD1/2X24	WA01-5002	HENS-21800	WA01-8709
GD1/2X28	WA01-5004	HENS20124	WA01-9265
GD1/2X30	WA01-5005	HENS-20010	WA01-9270
GD1/2X36	WA01-5007	HENS-20127	WA01-9580
GD1/2X40	WA01-5008	BWPM-1049	WA04-5008
GD1/2X48	WA01-5010	BWPM-582	WA04-5013
BWPM-317	WA01-5024	BWPM-1058	WA04-5017
GD3/8X24	WA01-5026	HUT7620-00	WA04-5021
GD3/8X36	WA01-5030	HUT722-00	WA04-5022
GD3/8X42	WA01-5031	HUT7010-00	WA04-5056
GD3/8X48	WA01-5032	GD562R	WA05-5000
GD56917	WA01-5042	GD562L	WA05-5001
GD56917	WA01-5042	GD563R	WA05-5002
GD55924	WA01-5043	GD563L	WA05-5003
GD55924	WA01-5043	GD566R	WA05-5004
56955	WA01-5045	GD566L	WA05-5005

INTERCHANGE

GREAT DANE® cont.

COMPETITOR #	WA#	COMPETITOR #	WA#
GD990R	WA05-5008	SEA110415	WA110415
MER2210-Q-8155	WA05-5008	SEA110500	WA110500
GD990L	WA05-5009	HAL11543	WA11543
MER2210-R-8156	WA05-5009	HAL11544	WA11544
GD991R	WA05-5010	34020HC	WA11548
GD991L	WA05-5011	01-099-010	WA11549
GD992R	WA05-5012	HAL11600	WA11600
GD992L	WA05-5013	BWPM-3055	WA11600
DANM16WKR25-236	WA05-5016	HAL11601	WA11601
DANM16WKL25-236	WA05-5017	BWPM-3057	WA11602
BWPM-3170R	WA05-5018	HAL11603	WA11603
BWPM-3170L	WA05-5019	45436	WA12105
BWPM-3172R	WA05-5020	GD56878	WA14-5006
BWPM-3172L	WA05-5021	ABA-15-42-57	WA14-5007
BWPM-3171R	WA05-5068	PNS04-40-56-72	WA14-5008
BWPM-3171L	WA05-5069	PNS03-215-V	WA14-5011
BWPM-39	WA07-5004	PNS03-2221-V	WA14-5012
BWPM-45	WA07-5018	PNS03-215-H	WA14-5013
BWPM-1521	WA07-5019	41516MEPH	WA14-5014
37891	WA07-5022	44185	WA14-5015
37891	WA07-5022	GD0070-02	WA14-5017
37892	WA07-5023	PNSO6-345	WA14-5018
37892	WA07-5023	44609	WA14-5019
10708	WA07-5024	158	WA14-5020
10708	WA07-5024	PHL15-400	WA15-400
10709	WA07-5025	PHL15-430	WA15-430
10709	WA07-5025	KP-T-809-F	WA15-5050
43060	WA07-5030	PHL15-720	WA15-720
43061	WA07-5031	PHL15-730	WA15-730
BWPM-2204	WA07-5046	GD10	WA1887ASHD
BWPM-1422	WA07-5051	HALBE22040	WA22040
BWPM-682	WA07-5090	BND229859	WA229859
BWPM-684	WA07-5092	GD39	WA2769SHD
BWPM-1050	WA07-5094	BND281865	WA281865
BWPM-1051	WA07-5095	GD761525-15	WA451036N
BWPM-80	WA07-5100	GD761525-15	WA451036N
BWPM-81	WA07-5101	GUNAS1038	WA65174
BWPMK-88	WA08-5001	HAL90054007	WA90054007
BWPMK-103	WA08-5004	GD42	WAE3710SHD
GD20	WA08-5005	1008306	WAE-5139
BWPMK-61	WA08-5006	RBPRB-D-09	WAKN18090
GD16	WA08-5007	RBPRB-D-12	WAKN18120
HENS-23974	WA08-5010	RBPRB-D-16	WAKN18160
HENS-28890	WA08-5011	RBPRB-D-20	WAKN18200
HAL40010142	WA10142	RBPRB-D-24	WAKN18240
HAL40010143	WA10143	RBPRB-D-30	WAKN18300
HAL40010211	WA10211	HALKN26000	WAKN26000
HAL40010212	WA10212	HALKN28500	WAKN28500
HAL40010214	WA10214	HALKN28510	WAKN28510
BWPM-1423	WA10-5009	HALKN28600	WAKN28600
BWPM-548	WA10-5023	HALKN28601	WAKN28601
SEA110170	WA110170	HALKN30400	WAKN30400
SEA110171	WA110171	HALKN32005	WAKN32005
SEA110191	WA110191	BWPM-474	WAKN44041
SEA110197	WA110197	BWPM-638	WAKN44051
SEA110200	WA110200	BWPM-434	WAKN47001
SEA110380	WA110380		

INTERCHANGE

HENDRICKSON®

COMPETITOR #	WA#	COMPETITOR #	WA#
5919	WA04-5035	44695	WA12-5006
6572	WA04-5030	45900	WA04-5030
6664	WA04-5034	49600	WA04-5037
6969	WA04-5029	29878-1	WA04-5031
13938	WA07-5056	30057-7	WA04-5040
15137	WA04-5039	30057-8	WA04-5041
22279	WA04-5036	34013-088	WA04-5042
22282	WA04-5037	45000-13	WA04-5032
30437	WA04-5038	45000-7	WA04-5033
32276	WA07-5055	62-1	WA07-5054
44694	WA12-5005		

HENDRICKSON AIR SPRING®

COMPETITOR #	WA#	COMPETITOR #	WA#
B-11650	WA01-9039	S-20124	WA01-9265
B12514-014	WA01-7135	S-20127	WA01-9580
B-4771	WA01-8050	S-20217	WA01-8944
C-22173	WA01-9122	S-20223	WA01-9640
S-1013	WA01-7400	S-21623	WA01-8755
S-10170	WA01-7410	S-21800	WA01-8709
S-10352	WA01-9394	S-21966	WA01-8708
S-1080	WA01-7136	S-22948	WA01-8713
S-1159	WA01-7403	S-2630	WA01-6902
S-1245	WA01-9105	S-3518	WA01-6905
S-20010	WA01-9270		

HUTCHENS®

COMPETITOR #	WA#	COMPETITOR #	WA#
H-722	WA04-5022	7010-00	WA04-5056
H-7010	WA04-5056	7029-00	WA12-5019
H-9424-1	WA01-9039	7040-55	WA07-5013
H-9630-01	WA01-9082	7052-02	WA12-5098
H-9630-03	WA01-9082	7620-00	WA04-5021
34-00	WA07-5088	7701-02	WA12-5029
704-01	WA12-5018	7702-02	WA12-5030
705-01	WA12-5021	7703-02	WA12-5031
710-00	WA12-5020	9239-02	WA12-5100
713-02	WA12-5099	9239-03	WA12-5099
713-05	WA12-5015	10287-01	WA12-5026
713-10	WA12-5100	10562-00	WA07-5059
715-00	WA12-5016	10608-00	WA12-5061
719-02	WA07-5058	16158-01	WA12-5027
750-03	WA12-5017	16290-01	WA12-5028
756-00	WA12-5025		

KENWORTH®

COMPETITOR #	WA#	COMPETITOR #	WA#
K-303-6	WA01-9422	K-303-22	WA01-9622
K-303-14	WA01-9422	K-303-25	WA01-9625
K-303-15	WA01-9422	K-303-28	WA01-9622

INTERCHANGE

LELAND®

COMPETITOR #	WA#	COMPETITOR #	WA#
L-112	WA04-5026	L-1657	WA05-5012
L-120	WA07-5124	L-1658	WA05-5013
L-137	WA07-5001	L-1700	WA14-5001
L-149	WA07-5045	L-1701	WA359-5990
L-151	WA10-5018	L-1711	WA04-5012
L-166	WA04-5000	L-1762	WA07-5041
L-167	WA04-5015	L-1766	WA04-5005
L-173	WA05-5000	L-1767	WA04-5004
L-174	WA05-5001	L-1770	WA09-5000
L-176	WA07-5090	L-2338	WA05-5014
L-177	WA07-5091	L-2339	WA05-5015
L-178	WA07-5092	L-2364	WA07-5052
L-192	WA07-5127	L-2370	WA10-5003
L-193	WA07-5128	L-2387	WA07-5118
L-250	WA07-5044	L-2711	WA07-5120
L-251	WA07-5050	L-2811	WA07-5049
L-266	WA04-5003	L-2825	WA10-5006
L-324	WA10-5011	L-2826	WA07-5048
L-329	WA09-5002	L-2829	WA10-5000
L-331	WA07-5000	L-2832	WA07-5133
L-344	WA07-5131	L-2854	WA07-5019
L-397	WA07-5002	L-2921	WA14-5003
L-580	WA05-5007	L-2930	WA07-5503
L-581	WA05-5006	L-2931	WA10-5001
L-759	WA04-5001	L-2932	WA10-5008
L-807	WA04-5002	L-2933	WA07-5042
L-835	WA10-5005	L-2934	WA07-5043
L-838	WA05-5003	L-2947	WA07-5132
L-839	WA05-5002	L-2960	WA07-5047
L-885	WA340-4975	L-2961	WA10-5014
L-888	WA04-5028	L-2962	WA10-5004
L-889	WA07-5108	L-3069	WA10-5002
L-894	WA10-5013	L-3112	WA05-5018
L-896	WA04-5008	L-3113	WA05-5019
L-897	WA07-5003	L-3116	WA05-5020
L-966	WA09-5001	L-3117	WA05-5021
L-967	WA10-5007	L-3126	WA10-5019
L-1023	WA05-5004	L-3127	WA04-5009
L-1024	WA05-5005	L-3146	WA04-5014
L-1191	WA04-5017	L-3154/3155	WA07-5119
L-1199	WA04-5013	L-3179	WA07-5123
L-1293	WA09-5004	L-3320	WA05-5022
L-1294	WA04-5007	L-3321	WA05-5023
L-1295	WA09-5003	L-3369	WA10-5010
L-1296	WA04-5006	L-9735	WA05-5017
L-1298	WA05-5008	L-9736	WA05-5016
L-1299	WA05-5009	SA-1005	WA04-5019
L-1307	WA04-5011	SA-1013	WA04-5018
L-1327	WA07-5093	SA-1159	WA04-5025
L-1371	WA07-5129	SA-1160	WA04-5024
L-1373	WA04-5027	SA-1216	WA04-5020
L-1395	WA07-5094	SA-1235	WA04-5021
L-1416	WA07-5051	SA-1246	WA07-5054
L-1417	WA10-5009	SA-1261	WA04-5040
L-1476	WA05-5010	SA-1262	WA04-5041
L-1477	WA05-5011	SA-1267	WA07-5055
L-1533	WA07-5046	SA-1268	WA07-5056
L-1537	WA10-5012	SA-1448	WA04-5022
L-1598	WA04-4016	SA-1614	WA12-5004

INTERCHANGE

LELAND® cont.

COMPETITOR #	WA#	COMPETITOR #	WA#
SA-1744	WA04-5023	SC-1440	WA12-5031
SA-1889	WA12-5005	SC-1451	WA12-5018
SA-1890	WA12-5006	SC-1701	WA12-5000
SA-1976	WA12-5025	SC-1728	WA12-5001
SA-1983	WA12-5026	SC-1956	WA12-5002
SB-1219	WA07-5012	SC-2637	WA12-5027
SB-1220	WA07-5013	W-3	WA15-5000
SB-1279	WA04-5029	W-4	WA15-5002
SB-1298	WA04-5030	W-6	WA07-5004
SB-1299	WA04-5032	W-8	WA07-5018
SB-1300	WA04-5031	W-11	WA07-5024
SB-1308	WA04-5033	W-12	WA07-5025
SB-1420	WA12-5019	W-13	WA07-5022
SB-1443	WA12-5015	W-14	WA07-5023
SB-1444	WA12-5016	W-15	WA07-5020
SB-1445	WA12-5021	W-16	WA07-5021
SB-1446	WA12-5020	W-66	WA07-5096
SB-1494	WA12-5012	W-67	WA07-5097
SB-1512	WA12-5014	W-68	WA07-5098
SB-1513	WA12-5013	W-69	WA07-5099
SB-1522	WA12-5043	W-70	WA07-5100
SB-1540	WA07-5017	W-71	WA07-5101
SB-1631	WA07-5009	W-72	WA07-5102
SB-1691	WA07-5016	W-73	WA07-5103
SB-1739	WA07-5010	W-120	WA15-5001
SB-1841	WA07-5011	W-246	WA07-5005
SB-1842	WA07-5015	W-256	WA15-5003
SB-1850	WA12-5024	W-276	WA07-5104
SB-1853	WA07-5006	W-277	WA07-5105
SB-1854	WA07-5007	W-451	WA07-5040
SB-1856	WA07-5008	W-477	WA07-5106
SB-1960	WA12-5003	W-478	WA07-5107
SB-2350	WA12-5061	W-486	WA07-5030
SC-1222	WA12-5022	W-487	WA07-5031
SC-1223	WA12-5023	W-492	WA07-5036
SC-1276	WA04-5034	W-498	WA07-5035
SC-1277	WA04-5036	W-545	WA07-5038
SC-1294	WA04-5035	W-546	WA07-5039
SC-1295	WA04-5037	W-616	WA07-5028
SC-1301	WA04-5038	W-617	WA07-5029
SC-1364	WA04-5039	W-620	WA05-5026
SC-1430	WA12-5017	W-621	WA05-5027
SC-1439	WA12-5030		

WWW.WORLDAMERICAN.COM

YOUR #1 SOURCE FOR HEAVY DUTY PARTS!

CALL 800.934.2727 FOR PRICING

INTERCHANGE

MACK® cont.

COMPETITOR #	WA#	COMPETITOR #	WA#
10QK-36B	WA12-5014	21AX-629	WA07-5030
10QK-365A	WA12-5012	21AX-630	WA07-5031
10QK-370	WA12-5013	23QJ-201	WA07-5385
10QK-372	WA12-5034	23QJ-125	WA07-5388
11BMT-148	WA07-5081	23QJ-129	WA07-5388
11EHT-31	WA07-5080	23QJ-138	WA07-5389
12QDA-37	WA12-5001	25QJ-35	WA07-5386
130QK-246	WA12-5043	25QJ-36	WA07-5384
15QJ-154A	WA15-5000	25QJ-168	WA07-5379
18AX-64	WA07-5193	33AX-52	WAKN36470
18AX-65	WA07-5194	35AX-600	WA07-5077
18AX-337	WA07-5189	35AX-606	WA07-5079
18AX-338	WA07-5190	80AX-641	WA04-5000
18AX-346	WA07-5150	205SQ-15	WAK538B
18AX-829	WA07-5189	261SZ-22	WA07-5004
18AX-830	WA07-5190	261SZ-78	WA07-5018
18AX-1068	WA07-5150	301SQ-47CP1	WAK562B
18AX-1108	WA07-5096	342SM-12	WA07-5045
18AX-1109	WA07-5097	343SZ-19A	WA07-5002
21AX-91	WA07-5020	362SZ-15	WA07-5197
21AX-92	WA07-5021	362SZ-61	WA07-5198
21AX-93	WA07-5024	362SZ-17	WA07-5191
21AX-94	WA07-5025	362SZ-18	WA07-5192
21AX-95	WA07-5022	364SM-27	WA10-5023
21AX-96	WA07-5023	1688-227710	WA12-5005
21AX-442	WA07-5028	1688-227720	WA12-5006
21AX-133	WA07-5029	1688-229240	WA12-5095

MERITOR®

COMPETITOR #	WA#	COMPETITOR #	WA#
2210-K-3027	WA05-5044	1229-G-1463	WA07-5136
2210-L-3028	WA05-5045	1229-N-2250	WA07-5137
2210-Q-2981	WA05-5026	1225-F-266	WA04-5026
2210-P-2980	WA05-5027	1225-B-496	WA04-5028
2210-M-2405	WA05-5084	2210-A-5331	WA05-5014
2210-L-2404	WA05-5085	2210-B-5332	WA05-5015
2210-E-5439	WA05-5048	2210-W-5327	WA05-5028
2210-F-5049	WA05-5049	2210-X-5328	WA05-5029
2210-U-5325	WA05-5042	2210-K-5341	WA05-5080
2210-V-5326	WA05-5043	2210-L-5342	WA05-5081
1225-L-1208	WA04-5000	2210-L-4328	WA05-5008
1225-J-634	WA04-5004	2210-U-6573	WA05-5008
1225-A-781	WA04-5005	2210-M-4329	WA05-5009
1225-G-631	WA04-5005	2210-V-6574	WA05-5009
1225-B-834	WA04-5006	2210-Q-8155	WA05-5032
1225-A-833	WA04-5007	2210-R-8156	WA05-5033
1225-R-1058	WA04-5011	2210-Q-4333	WA05-5010
A-3299-G-1541	WA04-5015	2210-N-6593	WA05-5010
1225-M-897	WA04-5056	2210-R-4334	WA05-5011
1225-D-420	WA04-5058	2210-P-6594	WA05-5011
1225-V-438	WA04-5058	2210-N-4330	WA05-5012
1229-J-868	WA07-5124	2210-W-6575	WA05-5012
1229-Q-771	WA07-5127	2210-P-4332	WA05-5013
1229-R-122	WA07-5128	2210-X-6576	WA05-5013
1229-S-2697	WA07-5130	2210-U-8159	WA05-5034
1229-F-2502	WA07-5132	2210-V-8160	WA05-5035
1229-X-3118	WA07-5133	2210-P-7426	WA05-5038

INTERCHANGE

MERITOR® cont.

COMPETITOR #	WA#	COMPETITOR #	WA#
2210-Q-7427	WA05-5039	2210-B-6869	WA05-5021
2210-Z-7098	WA05-5040	2210-M-2483	WA05-5000
2210-A-7099	WA05-5041	2210-F-3594	WA05-5000
2210-Z-6942	WA05-5024	2210-N-2484	WA05-5001
2210-A-6943	WA05-5025	2210-G-3595	WA05-5001
2210-B-6866	WA05-5018	2210-Z-6344	WA05-6344
2210-C-6867	WA05-5019	2210-A-6345	WA05-5053
2210-F-6870	WA05-5068	2210-W-3117	WA05-5006
2210-G-6871	WA05-5069	2210-X-3118	WA05-5007
2210-D-6868	WA05-5020		

MIDLAND®

COMPETITOR #	WA#	COMPETITOR #	WA#
C-10469	WA11600	16042	WA01-5031
N-11171	WA01-5024	16048	WA01-5032
N-1202BC	WA11452	16318	WA01-5000
N-1202BD	WA11451	16324	WA01-5002
N-1202DA	WA11450	16328	WA01-5004
N-20097E	WAKN18240	16332	WA01-5006
N-20130F	WAKN18300	16336	WA01-5007
N-20145C	WAKN18200	16340	WA01-5008
N-20151E	WAKN18160	16344	WA01-5009
N-20168C	WAKN18120	16348	WA01-5010
KN36240	WA24SC	18536	WAKN44041
KN36300	WA30SC	200316C	WAKN18090
KN36470	WAKN36470	23402	WA15-400
KN44040	WAKN44041	23784	WA15-730
KN44051	WAKN44051	30111	WA14-0009
KN44061	WAKN44061	30112	WA14-0015
KN47001	WAKN47001	30113	WA14-0021
KN47011	WAKN47011	30114	WA14-0031
100469	WA11548	30115	WA14-0041
10600	WA11600	41014	WA05-5045
10601	WA11601	41015	WA05-5044
10602	WA11602	41016	WA05-5027
11000	WA01-5042	41017	WA05-5026
11001	WA01-5043	41504	WA05-5009
11002	WA01-5044	41505	WA05-5008
11450	WA11450	41506	WA05-5001
11451	WA11451	41507	WA05-5000
11452	WA11452	41512	WA05-5005
11900	WA01-5016	41513	WA05-5004
11901	WA01-5017	41518	WA05-5087
11902	WA01-5018	41519	WA05-5086
11903	WA01-5012	41522	WA05-5007
11904	WA01-5013	41523	WA05-5006
11905	WA01-5014	41526	WA05-5011
11912	WA01-5020	41527	WA05-5010
11913	WA01-5022	41528	WA05-5003
11952	WA451036N	41529	WA05-5002
12104	WA12105	41544	WA05-5047
12105	WA12105	41545	WA05-5046
16020	WA01-5025	41550	WA05-5049
16024	WA01-5026	41551	WA05-5048
16026	WA01-5027	41560	WA05-5043
16028	WA01-5028	41561	WA05-5042
16032	WA01-5029	41564	WA05-5029
16036	WA01-5030	41565	WA05-5028

INTERCHANGE

MIDLAND® cont.

COMPETITOR #	WA#	COMPETITOR #	WA#
41566	WA05-5081	66902	WA07-5044
41567	WA05-5080	66903	WA10-5012
41662	WA05-5015	66904	WA07-5041
41663	WA05-5014	66913	WA3710SHD
41758	WA05-5013	67202	WA15-5000
41759	WA05-5012	67203	WA15-5002
62X1320BO	WA01-5025	67204	WA07-5150
62X1324BO	WA01-5026	67205	WA07-5004
62X1326BO	WA01-5027	67206	WA07-5152
62X1328BO	WA01-5028	67207	WA07-5018
62X1332BO	WA01-5029	67209	WA07-5024
62X1336BO	WA01-5030	67210	WA07-5025
62X1342BO	WA01-5031	67211	WA07-5022
62X1348BO	WA01-5032	67212	WA07-5023
62X7418BO	WA01-5000	67213	WA07-5020
62X7424BO	WA01-5002	67214	WA07-5021
62X7428BO	WA01-5004	67226	WA07-5189
62X7432BO	WA01-5006	67227	WA07-5190
62X7436BO	WA01-5007	67228	WA07-5192
62X7440BO	WA01-5008	67266	WA07-5030
62X7448BO	WA01-5009	67267	WA07-5031
62X7448BO	WA01-5010	67272	WA15-5001
65318	WA07-5001	67310	WA07-5191
65320	WA10-5007	67319	WA1887ASHD
65327	WA10-5018	67324	WA08-5005
65329	WA04-5000	67332	WA08-5009
65330	WA04-5015	67334	WA08-5007
65337	WA10-5023	67353	WA08-5013
65351	WA10-5011	67354	WA08-5012
65352	WA09-5002	67358	WA04-5012
65358	WA07-5002	67361	WA04-5060
65359	WA04-5002	67362	WA04-5016
65369	WA07-5109	67391	WA07-5032
65372	WA04-4028	67392	WA07-5033
65373	WA07-5108	67905	WA15-5006
65375	WA04-5007	CS111028	WA01-9422
65376	WA10-5013	CS112069	WA01-9069
65378	WA04-5008	CS112090	WA01-9213
65379	WA07-5003	CS112092	WA01-9082
65380	WA04-5061	CS112095	WA01-9039
65384	WA04-5001	CS112103	WA01-9101
65431	WA07-5050	CS112132	WA01-9105
65449	WA10-5024	CS112167	WA01-9192
65450	WA10-5005	CS112256	WA01-9321
65476	WA04-5013	CS113038	WA01-9122
66326	WA07-5045	CS113039	WA01-9121
66549	WA07-5019	CS114039	WA01-8050
66645	WA04-5017	CS209201	WA01-6902
66646	WA04-5011	CS212300	WA01-7424
66861	WA2769SHD	CS212307	WA01-7403
66863	WA10-5009	CS212309	WA01-7400
66866	WA07-5051	CS212406	WA01-7410
66867	WA2769SHD	CS214356	WA01-7136
66901	WA07-5046	CS214360	WA01-7135

INTERCHANGE

NAVISTAR®

COMPETITOR #	WA#	COMPETITOR #	WA#
41419	WA07-5024	54700-R1	WA07-5082
41420	WA07-5025	55539-H	WA07-5182
101729-H1	WA07-5189	55540-H	WA07-5181
101731-H1	WA07-5024	55575-H	WA07-5191
101732-H1	WA07-5025	55576-H	WA07-5192
102906-H1	WA07-6038	55585-H	WA07-6186
102907-H1	WA07-6039	59684-H	WA07-5198
110730-H1	WA07-5190	59790-R1	WA07-5188
121364-H1	WA07-5163	59791-R1	WA07-5187
121365-H1	WA07-5164	59863-H	WA07-5197
129300-R1	WA07-6003	60421-R1	WA07-5209
129301-R1	WA07-6002	60793-R2	WA07-6182
129302-R1	WA07-5031	67675-R92	WA07-5375
129303-R1	WA07-5030	67678-R1	WA07-5382
1610751-C1	WA07-5036	68333-H	WA07-6200
17903-HA	WA07-5379	69327-R2	WA07-5184
184197-R1	WA07-5097	69328-R2	WA07-5183
184198-R1	WA07-5096	698166-R1	WA07-6127
189444-R1	WA07-5150	698167-R1	WA07-6128
189445-R1	WA07-5152	698168-R1	WA07-6129
195759-R1	WA07-6049	698794-R1	WA07-5191
212254-R1	WA07-6033	698795-R1	WA07-5192
212255-R1	WA07-6032	698796-R1	WA07-6048
22422-V	WA07-5189	698797-R1	WA07-6317
22423-V	WA07-5190	6998165-R1	WA07-6126
224957-R1	WA07-6145	72169-R1	WA07-6180
224958-R1	WA07-6144	74342-R1	WA07-5080
253874-C1	WA15-5006	773433-C1	WA07-6168
260578-C1	WA07-5150	773434-C1	WA07-6169
292963-C1	WA07-5180	791042-C1	WA07-5176
292964-C1	WA07-5179	791043-C1	WA07-5175
304481-R1	WA07-5150	83155-H	WA07-5022
332528-C1	WA07-6155	83156-H	WA07-5023
332529-C1	WA07-6154	84711-H	WA07-5020
351138-C1	WA07-6235	84712-H	WA07-5021
351139-C1	WA07-6234	870813-R1	WA07-5090
40377-V	WA07-5081	878210-R1	WA07-5163
41419-V	WA07-5024	878211-R1	WA07-5164
41420-V	WA07-5025	89764-R1	WA07-6037
425282-R1	WA07-5301	89765-R1	WA07-6120
425283-R1	WA07-5300	898375-R1	WA07-5028
437858-C1	WA07-5122	898376-R1	WA07-5029
443660-C1	WA07-6139	91872-H	WA07-5150
443661-C1	WA07-6138	92134-H	WA15-5004
446217-R1	WA15-5002	92135-H	WA15-5025
44668-H	WA07-6044	94819-R1	WA07-6135
44669-H	WA07-6045	973226-R1	WA07-5150
447556-R1	WA07-6147	973230-R1	WA15-5026
469609-C7	WA07-6168	974272-R1	WA07-5077
469610-C7	WA07-6169	974745-R1	WA07-5158
472007-R1	WA07-6232	974746-R1	WA07-5159
472008-R1	WA07-6233	983878-R1	WA07-5097
48796-H	WA07-6044	983879-R1	WA07-5096
48797-H	WA07-6045	98726-R1	WA07-6139
50993-R11	WA07-5380	98727-R1	WA07-6138
54491-R1	WA07-5018	988339-R1	WA15-5006
54493-R2	WA15-5000	98839-R1	WA15-5006
54494-R1	WA07-5004		

INTERCHANGE

NEWAY AIR SPRING®

COMPETITOR #	WA#	COMPETITOR #	WA#
90557001	WA01-7135	90557019	WA01-9121
90557006	WA01-9082	90557077	WA01-9122
90557008	WA01-9101	90557108	WA01-9192
90557011	WA01-9039	90557120	WA01-9293
90557016	WA01-7400	90557121	WA01-9295

PETERBILT®

COMPETITOR #	WA#	COMPETITOR #	WA#
03-01649	WA01-9069	03-07112	WA01-9069
03-02038	WA01-9069	03-07887	WA01-8852
03-02456	WA01-9069	23-10042	WA01-9069
03-01759	WA01-9069		

SIRCO®

COMPETITOR #	WA#	COMPETITOR #	WA#
123	WA15-5000	897L	WA07-5029
160	WA07-5039	8R343186	WA07-5010
162	WA07-5038	8R344186	WA07-5011
183	WA07-5102	9015V	WA359-5990
184	WA07-5103	988R	WA07-5032
235	WA15-5002	988L	WA07-5033
263	WA07-5096	A1015	WAA451036N
264	WA07-5097	A1450	*WA11450
411	WA07-5005	A1451	*WA11451
715	WA07-5004	A1452	*WA11452
716	WA07-5018	B052	WA07-5044
722	WA15-5003	B120	WA07-5051
851	WA07-5100	B151	WA10-5018
852	WA07-5101	B152	WA07-5055
920	WA07-5037	B161	WA10-5012
993	WA15-5001	B211	WA04-5026
5200	WA07-5092	B220	WA10-5009
5210	WA07-5090	B277	WA07-5052
5300	WA07-5091	B302	WA10-5015
5401	WA07-5094	B307	WA10-5021
5402	WA07-5095	B348	WA10-5019
5403	WA07-5041	B349	WA10-5003
5660	WA07-5093	B362	WA04-5027
9013	WA340-4975	B423	WA10-5011
9014	WA14-5001	B430K	WA07-5047
9015	WA359-5990	B431	WA10-5014
333B	WA07-5035	B432A	WA10-5004
5R783123	WA07-5012	B433	WA10-5017
54783146	WA07-5013	B434	WA10-5010
5R783166	WA07-5014	B725	WA07-5049
5R783186	WA07-5015	B728	WA10-5024
5R785146	WA07-5016	B769	WA10-5007
708AL	WA07-5025	B793	WA07-5002
708AR	WA07-5024	B804	WA07-5001
881M	WA07-5036	B805	WA04-5009
888R	WA07-5020	B806	WA04-5044
889L	WA07-5021	B807	WA04-5002
891AR	WA07-5022	B887	WA07-5109
892AL	WA07-5023	B888	WA04-5028
896R	WA07-5026	B911	WA07-5046
896L	WA07-5027	B941	WA07-5045
897R	WA07-5028	B951	WA07-5043

INTERCHANGE

SIRCO® cont.

COMPETITOR #	WA#	COMPETITOR #	WA#
B952	WA10-5001	C060R	WA05-5078
B956	WA10-5002	C094R	WA05-5006
B-960	WA07-5133	C095L	WA05-5007
B-962	WA075135	C098L	WA05-5059
B-963	WA07-5123	C099R	WA05-5058
B971	WA10-5023	C100R	WA05-5004
B981	WA10-5005	C101L	WA05-5005
B988	WA07-5108	C102L	WA05-5051
B8600	WA04-5000	C103R	WA05-5050
B8601	WA04-5003	C147R	WA05-5026
B8602	WA04-5001	C148L	WA05-5027
B8603	WA04-5015	C349L	WA05-5043
B8606	WA04-5013	C350R	WA05-5042
B8606A	WA04-5014	C351L	WA05-5015
B8608	WA07-5136	C352R	WA05-5014
B8609	WA09-5002	C424R	WA05-5000
B8612	WA09-5000	C425L	WA05-5001
B8612A	WA09-5001	C426R	WA05-5038
B8614	WA04-5004	C427L	WA05-5039
B8615	WA04-5005	C441BL	WA05-5019
B8616	WA04-5060	C3441L	WA05-5009
B8619	WA07-5134	C426R	WA05-5048
B8620	WA04-5008	C427L	WA05-5049
B8622	WA07-5003	C442BR	WA05-5018
B8623	WA04-5061	C442R	WA05-5008
B8624	WA04-5017	C443BL	WA05-5069
B8625	WA09-5004	C443L	WA05-5011
B8627	WA04-5006	C444BR	WA05-5068
B8628	WA04-5007	C444R	WA05-5010
B8629	WA07-5126	C445BL	WA05-5021
B8630	WA07-5125	C445L	WA05-5013
B8632	WA07-5129	C446BR	WA05-5020
B8633	WA07-5132	C446R	WA05-5012
B8636	WA04-5011	C518L	WA05-5057
B8645A	WA08-5007	C519R	WA05-5056
B8649A	WA08-5005	C520L	WA05-5071
B8683	WA08-5006	C521R	WA05-5070
B8684	WA08-5012	C522R	WA05-5040
B8685	WA08-5013	C524L	WA05-5041
B8687	WA08-5003	C526L	WA05-5073
B8688	WA04-5016	C527R	WA05-5072
B8696	WA07-5019	C536R	WA05-5024
B8696HD	WA07-5019	C537L	WA05-5025
B8698	WA04-5059	C563L	WA05-5003
B8699	WA04-5012	C564R	WA05-5002
B8707	WA08-5008	C602R	WA05-5060
B8718	WA07-5137	C603L	WA05-5061
B8719	WA07-5130	C604R	WA05-5062
B-8750	WA04-5057	C605L	WA05-5063
B8754	WA04-5058	C708BR	WA05-5084
B8763	WA07-5138	C709BL	WA05-5085
B8764	WA09-5005	C720R	WA05-5046
B8766	WA08-5017	C721L	WA05-5047
B8788	WA08-5002	C773CR	WA05-5044
B8790	WA08-5016	C774CL	WA05-5045
B8792	WA08-5004	C854L	WA05-5067
B8794	WA08-5010	C855R	WA05-5066
B8773M	WA08-5001	C856L	WA05-5055
C059L	WA05-5079	C857R	WA05-5054

INTERCHANGE

SIRCO® cont.

COMPETITOR #	WA#	COMPETITOR #	WA#
C866R	WA05-5018	SH1023	WA12-5098
C867L	WA05-5019	SH1025	WA12-5018
C869R	WA05-5020	SH1026	WA07-5058
C868L	WA05-5021	SH1027	WA07-5059
C870R	WA05-5068	SH1029	WA12-5016
C871L	WA05-5069	SH1030	WA12-5019
C884L	WA05-5053	SH1031	WA12-5021
C885R	WA05-5052	SH1032	WA12-5020
C890L	WA05-5076	SH1033	WA12-5039
C891R	WA05-5074	SH1034	WA12-5040
C894L	WA05-5029	SH1035	WA12-5042
C895R	WA05-5028	SH1036	WA12-5029
C910L	WA05-5023	SH1037	WA12-5030
C911R	WA05-5022	SH1038	WA12-5031
C933L	WA05-5077	SH1039	WA07-5088
C934R	WA05-5076	SH1040	WA07-5060
C935L	WA05-5017	SH1041	WA12-5099
C936R	WA05-5016	SH1042	WA12-5015
MF-2	WA08-5019	SH1043	WA12-5100
S2010A	WAKN47001	SH1044	WA12-5026
S2011A	WAKN44051	SH1048	WA12-5027
S2012A	WAKN44041	SH1050	WA12-5028
S2019A	WAKN44061	SH1057	WA12-5025
S2020A	WAKN47011	SH1059	WA12-5041
S2022A	WAKN44071	SH1064	WA07-5087
SB1004	WA04-5018	SH1080	WA07-5085
SB1007	WA12-5003	SH1082	WA07-5086
SF1000	WA12-5022	SH1083	WA07-5089
SF1001	WA12-5023	SH1086	WA07-5083
SF1002	WA12-5035	SH1087	WA07-5084
SF1004	WA04-5020	SR1000	WA12-5000
SF1007	WA12-5036	SR1002	WA04-5025
SF1008	WA12-5037	SR1008	WA04-5024
SF1009	WA12-5038	ST1000	WA12-5002
SF1011	WA04-5021	ST1001	WA12-5032
SH1001	WA04-5022	ST1005	WA12-5033
SH1008	WA04-5056	W8649	WA08-5005
SH1021	WA12-5017		

SPICER®

COMPETITOR #	WA#	COMPETITOR #	WA#
10-351-10	WAKN47001	17-502	WA05-5072
10-355-10	WAKN44051	17-503	WA05-5073
10-367HD	WAKN44041	17-510	WA05-5058
10-368-10	WAKN44061	17-511	WA05-5059
10-379-10	WAKN44041	17-512	WA05-5056
17-470	WA05-5064	17-513	WA05-5057
17-471	WA05-5065	17-514	WA05-5050
17-472	WA05-5078	17-515	WA05-5051
17-473	WA05-5079	17-574	WA05-5006
17-480	WA05-5066	17-575	WA05-5007
17-481	WA05-5067	17-580	WA05-5000
17-482	WA05-5054	17-581	WA05-5001
17-483	WA05-5055	17-584	WA05-5086
17-484	WA05-5074	17-585	WA05-5087
17-485	WA05-5075	17-594	WA05-5052
17-500	WA05-5070	17-595	WA05-5053
17-501	WA05-5071	17-620	WA05-5002

INTERCHANGE

SPICER® cont.

COMPETITOR #	WA#	COMPETITOR #	WA#
17-621	WA05-5003	50-1006R	WA07-5193
17-622	WA05-5004	50-1006L	WA07-5194
17-623	WA05-5005	50-1007R	WA07-5195
17-626	WA05-5008	50-1007L	WA07-5196
17-627	WA05-5009	50-1010R	WA07-5197
17-628	WA05-5010	50-1010L	WA07-5198
17-629	WA05-5011	50-1097L	WA07-5107
17-630	WA05-5012	50-1122R	WA07-5163
17-631	WA05-5013	50-1122L	WA07-5164
17-636	WA05-5046	50-1123R	WA07-5096
17-637	WA05-5047	50-1123L	WA07-5097
17-720	WA05-5018	50-1127R	WA07-5098
17-721	WA05-5019	50-1127L	WA07-5099
17-722	WA05-5068	50-1128R	WA07-5100
17-723	WA05-5069	50-1128L	WA07-5101
17-724	WA05-5020	50-1131R	WA07-5102
17-725	WA05-5021	50-1131L	WA07-5103
17-920	WA05-5076	50-1181R	WA07-5175
17-921	WA05-5077	50-1181L	WA07-5176
17-930	WA05-5022	50-1200R	WA07-5182
17-931	WA05-5023	50-1200L	WA07-5181
18-504	WA05-5038	50-1201R	WA07-5183
18-505	WA05-5039	50-1201L	WA07-5184
18-516	WA05-5040	50-1202R	WA07-5370
18-517	WA05-5041	50-1202L	WA07-5371
18-518	WA05-5024	50-1267	WA07-5374
18-519	WA05-5025	50-1268	WA07-5038
18-808	WA05-5044	50-1269	WA07-5039
18-809	WA05-5045	50-1285	WA07-5200
18-810	WA05-5026	50-1286	WA07-5201
18-811	WA05-5027	51-1003R	WA07-5032
18-812	WA05-5084	51-1003L	WA07-5033
18-813	WA05-5085	51-1005R	WA07-5024
18-830	WA05-5042	51-1005L	WA07-5025
18-831	WA05-5043	51-1006R	WA07-5026
18-832	WA05-5014	51-1006L	WA07-5027
18-833	WA05-5015	51-1007R	WA07-5028
18-836	WA05-5080	51-1007L	WA07-5029
18-837	WA05-5081	51-1009R	WA07-5030
18-868	WA05-5028	51-1009L	WA07-5031
18-869	WA05-5029	51-1012R	WA07-5022
24A	WA1887ASHD	51-1012L	WA07-5023
28-1A	WA2769SHD	51-1013R	WA07-5020
34A	WA3710SHD	51-1013L	WA07-5021
43-7030	WA08-5013	52-1301	WA15-5000
43-7032	WA08-5009	52-1304	WA15-5001
43-7035	WA08-5009	52-1306	WA15-5002
43-7037	WA08-5007	53-1500	WA07-5150
43-7037A	WA08-5006	53-1501	WA07-5004
43-7039	WA08-5005	53-1502	WA07-5151
43-7043A	WA08-5012	52-1503	WA07-5005
43-7047	WAE5139	53-1560	WA07-5018
43-7048	WA08-5008	53-1561	WA07-5152
43-7072	WA08-5001	54A	WAE5139
43-7072A	WA08-5002	54-1637	WA07-5079
50-1003R	WA07-5189	55A	WAE3869
50-1003L	WA07-5190	63A	WA5481A
50-1004R	WA07-5191	66A	WAE9064
50-1004L	WA07-5192	H73035	WA07-5013

INTERCHANGE

VOLVO® cont.

COMPETITOR #	WA#	COMPETITOR #	WA#
20396293	WA01-8829	35003-3209	WA01-9219
20413888	WA01-8829	3934699	WA01-8829
20505399	WA01-8829	8061151	WA01-9296
35003-3201	WA01-9219	8079902	WA01-8829
35003-3203	WA01-9219	8084296	WA01-8829
35003-3204	WA01-9219	8097092	WA01-8829



WORLD AMERICAN®

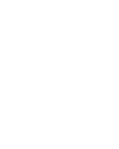
INDUSTRY LEADER

World American® leads the way in quality, service, and product variety. Distribution is vast with product delivery to over 30 countries World Wide. Our extensive selection of heavy duty and mid-range aftermarket products include:

Manual Transmission
Steering
Hydraulic Pumps
Suspension

Differential
Driveline
PTO
Water Pumps

Air Brake
Electrical
Clutches
Wheel Attaching



Contact World American® at:

Toll Free: 800.934.2727 or 773.247.3400

www.worldamerican.com

Download catalogs for FREE!



INDEX

WA#	DESCRIPTION	PAGE #	WA#	DESCRIPTION	PAGE #
MUD FLAP HANGER	MUD FLAP HANGER	123	SET 413	WHEEL BEARING SET	116
MW187L	TIE ROD END	161	SET 414	WHEEL BEARING SET	116
MW187L	TIE ROD END	162	SET 415	WHEEL BEARING SET	116
MW187R	TIE ROD END	161	SET 416	WHEEL BEARING SET	116
MW187R	TIE ROD END	162	SET 417	WHEEL BEARING SET	116
MW2069R	TIE ROD END	161	SET 418	WHEEL BEARING SET	116
MW2069R	TIE ROD END	162	SET 419	WHEEL BEARING SET	116
MW2070L	TIE ROD END	161	SET 420	WHEEL BEARING SET	116
MW2070L	TIE ROD END	163	SET 421	WHEEL BEARING SET	116
MW2090L	TIE ROD END	161	SET 422	WHEEL BEARING SET	116
MW2090L	TIE ROD END	163	SET 423	WHEEL BEARING SET	116
MW2091R	TIE ROD END	161	SET 424	WHEEL BEARING SET	116
MW2091R	TIE ROD END	163	WA01-0000	AIR HOSE RACK	37
MW3030R	TIE ROD END	161	WA01-5000	AIR HOSE ASSEMBLY	37
MW3030R	TIE ROD END	163	WA01-5001	AIR HOSE ASSEMBLY	37
MW3031L	TIE ROD END	161	WA01-5002	AIR HOSE ASSEMBLY	37
MW3031L	TIE ROD END	163	WA01-5003	AIR HOSE ASSEMBLY	37
MW3176R	TIE ROD END	161	WA01-5004	AIR HOSE ASSEMBLY	37
MW3176R	TIE ROD END	163	WA01-5005	AIR HOSE ASSEMBLY	37
MW3177L	TIE ROD END	161	WA01-5006	AIR HOSE ASSEMBLY	37
MW3177L	TIE ROD END	163	WA01-5007	AIR HOSE ASSEMBLY	37
MW3297R	TIE ROD END	161	WA01-5008	AIR HOSE ASSEMBLY	37
MW3297R	TIE ROD END	163	WA01-5009	AIR HOSE ASSEMBLY	37
MW3298L	TIE ROD END	161	WA01-5010	AIR HOSE ASSEMBLY	37
MW3298L	TIE ROD END	163	WA01-5011	AIR HOSE CONNECTOR	43
MW373L	TIE ROD END	161	WA01-5012	AIR HOSE CONNECTOR	42
MW373L	TIE ROD END	162	WA01-5013	AIR HOSE CONNECTOR	42
MW373R	TIE ROD END	161	WA01-5014	AIR HOSE CONNECTOR	43
MW373R	TIE ROD END	162	WA01-5015	AIR HOSE CONNECTOR	43
MW411L	TIE ROD END	161	WA01-5016	AIR HOSE CONNECTOR	43
MW411L	TIE ROD END	162	WA01-5017	AIR HOSE CONNECTOR	43
MW411R	TIE ROD END	161	WA01-5018	AIR HOSE CONNECTOR	43
MW411R	TIE ROD END	162	WA01-5019	AIR HOSE CONNECTOR	43
MW423L	TIE ROD END	161	WA01-5020	NYLON HOSE SLEEVES	43
MW423L	TIE ROD END	162	WA01-5021	NYLON HOSE SLEEVES	43
MW423R	TIE ROD END	161	WA01-5022	AIR HOSE UNIONS	44
MW423R	TIE ROD END	162	WA01-5023	AIR HOSE UNIONS	44
MW431L	TIE ROD END	161	WA01-5024	BULKHEAD FITTING	46
MW431L	TIE ROD END	162	WA01-5025	AIR HOSE ASSEMBLY	37
MW431R	TIE ROD END	161	WA01-5026	AIR HOSE ASSEMBLY	37
MW431R	TIE ROD END	162	WA01-5027	AIR HOSE ASSEMBLY	37
MW9001L	TIE ROD END	161	WA01-5028	AIR HOSE ASSEMBLY	37
MW9001L	TIE ROD END	163	WA01-5029	AIR HOSE ASSEMBLY	37
MW9001R	TIE ROD END	161	WA01-5030	AIR HOSE ASSEMBLY	37
MW9001R	TIE ROD END	163	WA01-5031	AIR HOSE ASSEMBLY	37
RB-30CL	CLEVIS	49	WA01-5033	AIR HOSE ASSEMBLY	37
RB-30PS	SPRING	50	WA01-5034	AIR HOSE ASSEMBLY	37
SET 401	WHEEL BEARING SET	116	WA01-5035	AIR HOSE ASSEMBLY	37
SET 402	WHEEL BEARING SET	116	WA01-5036	AIR HOSE ASSEMBLY	37
SET 403	WHEEL BEARING SET	116	WA01-5037	AIR HOSE ASSEMBLY	37
SET 404	WHEEL BEARING SET	116	WA01-5038	AIR HOSE ASSEMBLY	37
SET 405	WHEEL BEARING SET	116	WA01-5039	AIR HOSE ASSEMBLY	37
SET 406	WHEEL BEARING SET	116	WA01-5040	AIR HOSE ASSEMBLY	37
SET 407	WHEEL BEARING SET	116	WA01-5041	AIR HOSE ASSEMBLY	37
SET 408	WHEEL BEARING SET	116	WA01-5042	BULK AIR HOSE	38
SET 409	WHEEL BEARING SET	116	WA01-5043	BULK AIR HOSE	38
SET 410	WHEEL BEARING SET	116	WA01-5044	BULK AIR HOSE	38
SET 411	WHEEL BEARING SET	116	WA01-5045	BULK AIR HOSE	38
SET 412	WHEEL BEARING SET	116	WA01-5046	GLADHAND HANDLES	40

INDEX

WA#	DESCRIPTION	PAGE #	WA#	DESCRIPTION	PAGE #
WA01-5047	AIR HOSE ASSEMBLY	37	WA01-5136	AIR HOSE ASSEMBLY	37
WA01-5053	BRASS INSERT	44	WA01-5137	AIR HOSE ASSEMBLY	37
WA01-5054	BRASS INSERT	44	WA01-5138	AIR HOSE ASSEMBLY	37
WA01-5055	BRASS INSERT	44	WA01-5139	AIR HOSE ASSEMBLY	37
WA01-5058	RELIEF VALVE	46	WA01-5140	AIR HOSE ASSEMBLY	37
WA01-5059	RELIEF VALVE	46	WA01-5141	AIR HOSE ASSEMBLY	37
WA01-5060	DRAIN VALVE	41	WA01-5142	AIR HOSE ASSEMBLY	37
WA01-5061	NYLON HOSE SLEEVES	43	WA01-5143	AIR HOSE ASSEMBLY	37
WA01-5062	NYLON HOSE SLEEVES	44	WA01-5144	AIR HOSE ASSEMBLY	37
WA01-5063	NYLON HOSE SLEEVES	44	WA01-5145	AIR HOSE ASSEMBLY	37
WA01-5064	NYLON TUBING NUT	45	WA01-5146	AIR HOSE ASSEMBLY	37
WA01-5065	NYLON TUBING NUT	45	WA01-5147	AIR HOSE ASSEMBLY	37
WA01-5066	NYLON TUBING NUT	45	WA01-5148	AIR HOSE ASSEMBLY	37
WA01-5068	MALE CONNECTOR	45	WA01-5149	AIR HOSE ASSEMBLY	37
WA01-5069	MALE CONNECTOR	45	WA01-5150	AIR HOSE ASSEMBLY	37
WA01-5070	MALE CONNECTOR	45	WA01-5151	AIR HOSE ASSEMBLY	37
WA01-5071	MALE CONNECTOR	45	WA01-5152	AIR HOSE ASSEMBLY	37
WA01-5072	MALE CONNECTOR	45	WA01-5153	AIR HOSE ASSEMBLY	37
WA01-5073	MALE CONNECTOR	45	WA01-5423C	AIR SPRING	5
WA01-5074	MALE CONNECTOR	45	WA01-6801C	AIR SPRING	5
WA01-5075	NYLON HOSE UNIONS	44	WA01-6897C	AIR SPRING	5
WA01-5076	NYLON HOSE UNIONS	44	WA01-6897C	AIR SPRING	28
WA01-5077	NYLON HOSE UNIONS	44	WA01-6902C	AIR SPRING	5
WA01-5078	NYLON HOSE UNIONS	44	WA01-6902C	AIR SPRING	28
WA01-5079	MALE ELBOW	45	WA01-6902C	AIR SPRING	139
WA01-5080	MALE ELBOW	45	WA01-6905C	AIR SPRING	5
WA01-5081	MALE ELBOW	45	WA01-6905C	AIR SPRING	29
WA01-5082	MALE ELBOW	46	WA01-6905C	AIR SPRING	139
WA01-5083	MALE ELBOW	46	WA01-6910C	AIR SPRING	5
WA01-5084	MALE ELBOW	46	WA01-6910C	AIR SPRING	29
WA01-5085	MALE ELBOW	46	WA01-7135C	AIR SPRING	5
WA01-5090	AIR SHUT OFF COCK	46	WA01-7135C	AIR SPRING	29
WA01-5091	DRAIN VALVE	41	WA01-7136C	AIR SPRING	5
WA01-5110	AIR HOSE ASSEMBLY	37	WA01-7136C	AIR SPRING	30
WA01-5111	AIR HOSE ASSEMBLY	37	WA01-7136C	AIR SPRING	139
WA01-5112	AIR HOSE ASSEMBLY	37	WA01-7140C	AIR SPRING	5
WA01-5113	AIR HOSE ASSEMBLY	37	WA01-7325C	AIR SPRING	5
WA01-5114	AIR HOSE ASSEMBLY	37	WA01-7400C	AIR SPRING	5
WA01-5115	AIR HOSE ASSEMBLY	37	WA01-7400C	AIR SPRING	30
WA01-5116	AIR HOSE ASSEMBLY	37	WA01-7400C	AIR SPRING	132
WA01-5117	AIR HOSE ASSEMBLY	37	WA01-7403C	AIR SPRING	5
WA01-5118	AIR HOSE ASSEMBLY	37	WA01-7403C	AIR SPRING	30
WA01-5119	AIR HOSE ASSEMBLY	37	WA01-7403C	AIR SPRING	139
WA01-5120	AIR HOSE ASSEMBLY	37	WA01-7410C	AIR SPRING	5
WA01-5121	AIR HOSE ASSEMBLY	37	WA01-7410C	AIR SPRING	31
WA01-5122	AIR HOSE ASSEMBLY	37	WA01-7410C	AIR SPRING	132
WA01-5123	AIR HOSE ASSEMBLY	37	WA01-7443C	AIR SPRING	31
WA01-5124	AIR HOSE ASSEMBLY	37	WA01-7446C	AIR SPRING	139
WA01-5125	AIR HOSE ASSEMBLY	37	WA01-7555C	AIR SPRING	5
WA01-5126	AIR HOSE ASSEMBLY	37	WA01-7784C	AIR SPRING	31
WA01-5127	AIR HOSE ASSEMBLY	37	WA01-7795C	AIR SPRING	5
WA01-5128	AIR HOSE ASSEMBLY	37	WA01-7795C	AIR SPRING	32
WA01-5129	AIR HOSE ASSEMBLY	37	WA01-7795C	AIR SPRING	139
WA01-5130	AIR HOSE ASSEMBLY	37	WA01-7800C	AIR SPRING	5
WA01-5131	AIR HOSE ASSEMBLY	37	WA01-7855C	AIR SPRING	5
WA01-5132	AIR HOSE ASSEMBLY	37	WA01-7897C	AIR SPRING	32
WA01-5133	AIR HOSE ASSEMBLY	37	WA01-8018C	AIR SPRING	32
WA01-5134	AIR HOSE ASSEMBLY	37	WA01-8033C	AIR SPRING	5
WA01-5135	AIR HOSE ASSEMBLY	37	WA01-8033C	AIR SPRING	33

INDEX

WA#	DESCRIPTION	PAGE #	WA#	DESCRIPTION	PAGE #
WA01-8033C	AIR SPRING	139	WA01-8709C	AIR SPRING	5
WA01-8050C	AIR SPRING	5	WA01-8709C	AIR SPRING	7
WA01-8050C	AIR SPRING	6	WA01-8709C	AIR SPRING	139
WA01-8050C	AIR SPRING	139	WA01-8713C	AIR SPRING	5
WA01-8091C	AIR SPRING	5	WA01-8713C	AIR SPRING	8
WA01-8091C	AIR SPRING	6	WA01-8713C	AIR SPRING	139
WA01-8091C	AIR SPRING	139	WA01-8729C	AIR SPRING	5
WA01-8197C	AIR SPRING	6	WA01-8729C	AIR SPRING	8
WA01-8204C	AIR SPRING	5	WA01-8740C	AIR SPRING	5
WA01-8204C	AIR SPRING	7	WA01-8749C	AIR SPRING	8
WA01-83001	SHOCK ABSORBER	36	WA01-8753C	AIR SPRING	9
WA01-83001	SHOCK ABSORBER	132	WA01-8755C	AIR SPRING	5
WA01-83004	SHOCK ABSORBER	36	WA01-8755C	AIR SPRING	9
WA01-83009	SHOCK ABSORBER	36	WA01-8755C	AIR SPRING	139
WA01-83009	SHOCK ABSORBER	132	WA01-8813C	AIR SPRING	5
WA01-83031	SHOCK ABSORBER	36	WA01-8829C	AIR SPRING	5
WA01-83105	SHOCK ABSORBER	36	WA01-8852C	AIR SPRING	5
WA01-83121	SHOCK ABSORBER	36	WA01-8852C	AIR SPRING	9
WA01-83125	SHOCK ABSORBER	36	WA01-8864C	AIR SPRING	5
WA01-83128	SHOCK ABSORBER	36	WA01-8864C	AIR SPRING	10
WA01-83128	SHOCK ABSORBER	132	WA01-89408	SHOCK ABSORBER	36
WA01-83207	SHOCK ABSORBER	36	WA01-89410	SHOCK ABSORBER	36
WA01-83215	SHOCK ABSORBER	36	WA01-89415	SHOCK ABSORBER	36
WA01-83312	SHOCK ABSORBER	36	WA01-89423	SHOCK ABSORBER	36
WA01-83317	SHOCK ABSORBER	36	WA01-89429	SHOCK ABSORBER	36
WA01-83318	SHOCK ABSORBER	36	WA01-89429	SHOCK ABSORBER	132
WA01-83456	SHOCK ABSORBER	36	WA01-8944C	AIR SPRING	5
WA01-83613	SHOCK ABSORBER	36	WA01-8944C	AIR SPRING	10
WA01-85000	SHOCK ABSORBER	36	WA01-8944C	AIR SPRING	139
WA01-85001	SHOCK ABSORBER	36	WA01-8984C	AIR SPRING	5
WA01-85003	SHOCK ABSORBER	36	WA01-9026C	AIR SPRING	5
WA01-85006	SHOCK ABSORBER	36	WA01-9026C	AIR SPRING	10
WA01-85006	SHOCK ABSORBER	132	WA01-9039C	AIR SPRING	5
WA01-85010	SHOCK ABSORBER	36	WA01-9039C	AIR SPRING	11
WA01-85012	SHOCK ABSORBER	36	WA01-9039C	AIR SPRING	139
WA01-85030	SHOCK ABSORBER	36	WA01-9069C	AIR SPRING	5
WA01-85031	SHOCK ABSORBER	36	WA01-9069C	AIR SPRING	11
WA01-85043	SHOCK ABSORBER	36	WA01-9082C	AIR SPRING	5
WA01-85043	SHOCK ABSORBER	132	WA01-9082C	AIR SPRING	11
WA01-85047	SHOCK ABSORBER	36	WA01-9082C	AIR SPRING	139
WA01-85052	SHOCK ABSORBER	36	WA01-9096C	AIR SPRING	5
WA01-85303	SHOCK ABSORBER	36	WA01-9101C	AIR SPRING	5
WA01-85305	SHOCK ABSORBER	36	WA01-9101C	AIR SPRING	12
WA01-85307	SHOCK ABSORBER	36	WA01-9105C	AIR SPRING	12
WA01-85311	SHOCK ABSORBER	36	WA01-9105C	AIR SPRING	139
WA01-85319	SHOCK ABSORBER	36	WA01-9121C	AIR SPRING	12
WA01-85319	SHOCK ABSORBER	132	WA01-9122C	AIR SPRING	5
WA01-85320	SHOCK ABSORBER	36	WA01-9122C	AIR SPRING	13
WA01-85320	SHOCK ABSORBER	132	WA01-9122C	AIR SPRING	139
WA01-85323	SHOCK ABSORBER	36	WA01-9134C	AIR SPRING	13
WA01-85724	SHOCK ABSORBER	36	WA01-9156C	AIR SPRING	13
WA01-85724	SHOCK ABSORBER	132	WA01-9158C	AIR SPRING	14
WA01-85900	SHOCK ABSORBER	36	WA01-9192C	AIR SPRING	5
WA01-85900	SHOCK ABSORBER	132	WA01-9192C	AIR SPRING	15
WA01-85918	SHOCK ABSORBER	36	WA01-9192C	AIR SPRING	139
WA01-85931	SHOCK ABSORBER	36	WA01-9203C	AIR SPRING	15
WA01-8708C	AIR SPRING	5	WA01-9213C	AIR SPRING	5
WA01-8708C	AIR SPRING	7	WA01-9213C	AIR SPRING	15
WA01-8708C	AIR SPRING	139	WA01-9215C	AIR SPRING	16

INDEX

WA#	DESCRIPTION	PAGE #	WA#	DESCRIPTION	PAGE #
WA01-9219C	AIR SPRING	5	WA01-9781C	AIR SPRING	5
WA01-9223C	AIR SPRING	16	WA01-9781C	AIR SPRING	132
WA01-9243C	AIR SPRING	16	WA01-9782C	AIR SPRING	5
WA01-9265C	AIR SPRING	5	WA01-9807C	AIR SPRING	5
WA01-9265C	AIR SPRING	17	WA01-9807C	AIR SPRING	25
WA01-9265C	AIR SPRING	139	WA01-9875C	AIR SPRING	26
WA01-9270C	AIR SPRING	5	WA01-9921C	AIR SPRING	5
WA01-9270C	AIR SPRING	17	WA01-9921C	AIR SPRING	26
WA01-9270C	AIR SPRING	139	WA01-9923C	AIR SPRING	5
WA01-9287C	AIR SPRING	18	WA01-9923C	AIR SPRING	26
WA01-9287C	AIR SPRING	139	WA01-9935C	AIR SPRING	5
WA01-9293C	AIR SPRING	5	WA01-9936C	AIR SPRING	27
WA01-9293C	AIR SPRING	18	WA01-9974C	AIR SPRING	27
WA01-9295C	AIR SPRING	5	WA01-FL51	SHCK ABSRBR BRACKET LH	131
WA01-9295C	AIR SPRING	18	WA01-FL52	SHCK ABSRBR BRACKET RH	132
WA01-9296C	AIR SPRING	5	WA02-7035C	CAB AIR SPRING	34
WA01-9302C	AIR SPRING	19	WA02-7036C	CAB AIR SPRING	5
WA01-9307C	AIR SPRING	5	WA02-7036C	CAB AIR SPRING	33
WA01-9307C	AIR SPRING	19	WA02-7064C	CAB AIR SPRING	5
WA01-9321C	AIR SPRING	5	WA02-7093C	CAB AIR SPRING	33
WA01-9321C	AIR SPRING	19	WA02-7109C	CAB AIR SPRING	35
WA01-9325C	AIR SPRING	5	WA02-7202C	CAB AIR SPRING	34
WA01-9366C	AIR SPRING	5	WA02-7206C	CAB AIR SPRING	5
WA01-9366C	AIR SPRING	20	WA02-7207C	CAB AIR SPRING	5
WA01-9367C	AIR SPRING	20	WA02-7215C	CAB AIR SPRING	5
WA01-9370C	AIR SPRING	5	WA02-7215C	CAB AIR SPRING	34
WA01-9370C	AIR SPRING	21	WA02-9000C	CAB AIR SPRING	35
WA01-9371C	AIR SPRING	5	WA03-5000	POLY MOTOR MOUNT	153
WA01-9371C	AIR SPRING	21	WA03-5001	POLY MOTOR MOUNT	153
WA01-9373C	AIR SPRING	5	WA03-5002	POLY 5TH WHEEL BUSHING	153
WA01-9373C	AIR SPRING	22	WA03-5003	POLY 5TH WHEEL BUSHING	153
WA01-9373C	AIR SPRING	139	WA03-5004	POLY SPRING PAD	153
WA01-9375C	AIR SPRING	5	WA03-5005	POLY BUSHING	153
WA01-9375C	AIR SPRING	22	WA03-5006	POLY RADIATOR MOUNT	153
WA01-9375C	AIR SPRING	139	WA03-5007	POLY MOTOR MOUNT	153
WA01-9394C	AIR SPRING	5	WA03-5008	POLY BUSHING	153
WA01-9394C	AIR SPRING	22	WA03-5009	POLY SHOCK MOUNT	154
WA01-9422C	AIR SPRING	5	WA03-5010	POLY HOOD LOCATOR PIN	154
WA01-9422C	AIR SPRING	23	WA03-5011	POLY BUSHING	154
WA01-9459C	AIR SPRING	5	WA03-5012	POLY MOTOR MOUNT	154
WA01-9466C	AIR SPRING	5	WA03-5013	POLY MOTOR MOUNT	154
WA01-9466C	AIR SPRING	23	WA03-5014	POLY MOTOR MOUNT	154
WA01-9471C	AIR SPRING	23	WA03-5015	POLY RADIATOR MOUNT	154
WA01-9547C	AIR SPRING	5	WA03-5016	POLY SHOCK MOUNT	154
WA01-9575C	AIR SPRING	5	WA03-5017	POLY BUSHING	154
WA01-9580C	AIR SPRING	5	WA03-5018	POLY BUSHING	154
WA01-9580C	AIR SPRING	24	WA03-5019	POLY BUSHING	155
WA01-9580C	AIR SPRING	139	WA03-5020	POLY SPRING EYE BUSHING	155
WA01-9622C	AIR SPRING	5	WA03-5021	POLY MOTOR MOUNT	155
WA01-9622C	AIR SPRING	24	WA03-5022	POLY 5TH WHEEL BUSHING	155
WA01-9626C	AIR SPRING	24	WA03-5023	POLY MOTOR MOUNT	155
WA01-9640C	AIR SPRING	5	WA03-5024	POLY HOOD HINGE BUSHING	155
WA01-9640C	AIR SPRING	25	WA03-5025	POLY TORQUE ARM BUSHING	155
WA01-9640C	AIR SPRING	139	WA03-5026	POLY BEAM END BUSHING	155
WA01-9648C	AIR SPRING	5	WA04-5000	BUSHING	82
WA01-9697C	AIR SPRING	5	WA04-5001	BUSHING	82
WA01-9780C	AIR SPRING	5	WA04-5002	BUSHING	82
WA01-9780C	AIR SPRING	25	WA04-5003	BUSHING	82
WA01-9780C	AIR SPRING	132	WA04-5004	BUSHING	83

INDEX

WA#	DESCRIPTION	PAGE #	WA#	DESCRIPTION	PAGE #
WA04-5005	BUSHING	83	WA04-5057	BUSHING	81
WA04-5006	BUSHING	83	WA04-5058	BUSHING	81
WA04-5007	BUSHING	83	WA04-5059	BUSHING	83
WA04-5008	BUSHING	83	WA04-5060	BUSHING	84
WA04-5009	BUSHING	84	WA04-5061	BUSHING	84
WA04-5011	BUSHING	84	WA04-5062	EQUALIZER BUSHING KIT	140
WA04-5012	BUSHING	84	WA04-5063	TRI FUNCTIONAL PIVIT KIT	139
WA04-5013	BUSHING	84	WA04-5064	BUSHING	81
WA04-5014	BUSHING	84	WA04-5065	SPRING EYE BUSHING	131
WA04-5015	BUSHING	84	WA04-5066	BUSHING	82
WA04-5016	BUSHING	84	WA04-5067	BUSHING	83
WA04-5017	BUSHING	84	WA04-5068	BUSHING	83
WA04-5018	TORQUE ARM BUSHING	131	WA04-5069	BUSHING	81
WA04-5018	BUSHING	151	WA04-5070	BUSHING	82
WA04-5019	BUSHING	151	WA04-5071	BUSHING	82
WA04-5020	BUSHING	151	WA04-5072	BUSHING	81
WA04-5021	BUSHING	151	WA04-5073	BUSHING	81
WA04-5022	TORQUE ARM BUSHING	140	WA04-5078	BUSHING	82
WA04-5022	BUSHING	151	WA04-5084	TRUNNION BUSHING	145
WA04-5023	BUSHING	151	WA04-5085	TRUNNION BUSHING	145
WA04-5024	BUSHING	152	WA04-5086	TRUNNION BUSHING	145
WA04-5025	BUSHING	152	WA04-5099	EQUALIZER BUSHING KIT	148
WA04-5026	ANCHOR PIN	90	WA04-5101	TORQUE ARM ASSEMBLY	149
WA04-5027	ANCHOR PIN	90	WA04-5104	BUSHING	147
WA04-5028	ANCHOR PIN	90	WA05-5000	CAMSHAFT	73
WA04-5029	BEAM END BUSHING	134	WA05-5001	CAMSHAFT	73
WA04-5030	BEAM END BUSHING	134	WA05-5002	CAMSHAFT	64
WA04-5031	BEAM END BUSHING	135	WA05-5003	CAMSHAFT	64
WA04-5032	BEAM END BUSHING	135	WA05-5004	CAMSHAFT	64
WA04-5033	BEAM END BUSHING	135	WA05-5005	CAMSHAFT	64
WA04-5034	BEAM CENTER BUSHING	135	WA05-5006	CAMSHAFT	74
WA04-5035	BEAM CENTER BUSHING	136	WA05-5007	CAMSHAFT	74
WA04-5036	BEAM CENTER BUSHING	136	WA05-5008	CAMSHAFT	71
WA04-5037	BEAM CENTER BUSHING	136	WA05-5009	CAMSHAFT	71
WA04-5038	BEAM CENTER BUSHING	136	WA05-5010	CAMSHAFT	71
WA04-5039	SHEAR SPRING	137	WA05-5011	CAMSHAFT	71
WA04-5040	SPRING EYE BUSHING	137	WA05-5012	CAMSHAFT	71
WA04-5041	SPRING EYE BUSHING	138	WA05-5013	CAMSHAFT	71
WA04-5042	BAR PIN BUSHING	138	WA05-5014	CAMSHAFT	67
WA04-5043	BUSHING	152	WA05-5015	CAMSHAFT	67
WA04-5044	BUSHING	83	WA05-5016	CAMSHAFT	60
WA04-5045	BAR PIN BUSHING	138	WA05-5017	CAMSHAFT	60
WA04-5046	BUSHING	82	WA05-5018	CAMSHAFT	72
WA04-5047	ADAPTER KIT	135	WA05-5019	CAMSHAFT	72
WA04-5048	ADAPTER KIT	135	WA05-5020	CAMSHAFT	72
WA04-5049	ADAPTER KIT	135	WA05-5021	CAMSHAFT	72
WA04-5050	TRUNNION BUSHING	146	WA05-5022	CAMSHAFT	60
WA04-5050	BUSHING	151	WA05-5023	CAMSHAFT	60
WA04-5051	TRUNNION BUSHING	146	WA05-5024	CAMSHAFT	69
WA04-5051	BUSHING	152	WA05-5025	CAMSHAFT	69
WA04-5052	TRUNNION BUSHING	146	WA05-5026	CAMSHAFT	66
WA04-5052	BUSHING	152	WA05-5027	CAMSHAFT	66
WA04-5053	TRUNNION BUSHING	147	WA05-5028	CAMSHAFT	67
WA04-5053	BUSHING	152	WA05-5029	CAMSHAFT	67
WA04-5054	BUSHING	147	WA05-5030	CAMSHAFT	65
WA04-5054	BUSHING	152	WA05-5031	CAMSHAFT	65
WA04-5055	BUSHING	147	WA05-5032	CAMSHAFT	69
WA04-5055	BUSHING	152	WA05-5033	CAMSHAFT	69
WA04-5056	BUSHING	151	WA05-5034	CAMSHAFT	69

INDEX

WA#	DESCRIPTION	PAGE #	WA#	DESCRIPTION	PAGE #
WA05-5035	CAMSHAFT	69	WA05-5098	CAMSHAFT	73
WA05-5038	CAMSHAFT	68	WA05-5099	CAMSHAFT	73
WA05-5039	CAMSHAFT	68	WA05-5100	CAMSHAFT	69
WA05-5040	CAMSHAFT	68	WA05-5101	CAMSHAFT	69
WA05-5041	CAMSHAFT	68	WA05-5102	CAMSHAFT	65
WA05-5042	CAMSHAFT	67	WA05-5103	CAMSHAFT	65
WA05-5043	CAMSHAFT	67	WA05-5104	CAMSHAFT	73
WA05-5044	CAMSHAFT	66	WA05-5105	CAMSHAFT	73
WA05-5045	CAMSHAFT	66	WA05-5106	CAMSHAFT	63
WA05-5046	CAMSHAFT	62	WA05-5107	CAMSHAFT	63
WA05-5047	CAMSHAFT	62	WA05-5108	CAMSHAFT	68
WA05-5048	CAMSHAFT	67	WA05-5109	CAMSHAFT	68
WA05-5049	CAMSHAFT	67	WA05-5110	CAMSHAFT	68
WA05-5050	CAMSHAFT	59	WA05-5111	CAMSHAFT	68
WA05-5051	CAMSHAFT	59	WA05-5112	CAMSHAFT	68
WA05-5052	CAMSHAFT	74	WA05-5113	CAMSHAFT	68
WA05-5053	CAMSHAFT	74	WA05-5114	CAMSHAFT	62
WA05-5054	CAMSHAFT	57	WA05-5115	CAMSHAFT	62
WA05-5055	CAMSHAFT	57	WA05-5116	CAMSHAFT	74
WA05-5056	CAMSHAFT	59	WA05-5117	CAMSHAFT	74
WA05-5057	CAMSHAFT	59	WA05-5118	CAMSHAFT	70
WA05-5058	CAMSHAFT	59	WA05-5119	CAMSHAFT	70
WA05-5059	CAMSHAFT	59	WA05-5120	CAMSHAFT	66
WA05-5060	CAMSHAFT	65	WA05-5121	CAMSHAFT	66
WA05-5061	CAMSHAFT	65	WA05-5122	CAMSHAFT	67
WA05-5062	CAMSHAFT	65	WA05-5123	CAMSHAFT	67
WA05-5063	CAMSHAFT	65	WA05-5124	CAMSHAFT	63
WA05-5064	CAMSHAFT	62	WA05-5125	CAMSHAFT	63
WA05-5065	CAMSHAFT	62	WA05-5126	CAMSHAFT	63
WA05-5066	CAMSHAFT	57	WA05-5127	CAMSHAFT	63
WA05-5067	CAMSHAFT	57	WA05-5128	CAMSHAFT	68
WA05-5068	CAMSHAFT	72	WA05-5129	CAMSHAFT	68
WA05-5069	CAMSHAFT	72	WA05-5130	CAMSHAFT	69
WA05-5070	CAMSHAFT	59	WA05-5131	CAMSHAFT	69
WA05-5071	CAMSHAFT	59	WA05-5132	CAMSHAFT	67
WA05-5072	CAMSHAFT	59	WA05-5133	CAMSHAFT	67
WA05-5073	CAMSHAFT	59	WA05-5134	CAMSHAFT	64
WA05-5074	CAMSHAFT	57	WA05-5135	CAMSHAFT	64
WA05-5075	CAMSHAFT	57	WA05-5136	CAMSHAFT	64
WA05-5076	CAMSHAFT	60	WA05-5137	CAMSHAFT	64
WA05-5077	CAMSHAFT	60	WA05-5138	CAMSHAFT	58
WA05-5078	CAMSHAFT	62	WA05-5139	CAMSHAFT	58
WA05-5079	CAMSHAFT	62	WA05-5140	CAMSHAFT	57
WA05-5080	CAMSHAFT	68	WA05-5141	CAMSHAFT	57
WA05-5081	CAMSHAFT	68	WA05-5142	CAMSHAFT	60
WA05-5084	CAMSHAFT	66	WA05-5143	CAMSHAFT	60
WA05-5085	CAMSHAFT	66	WA05-5144	CAMSHAFT	63
WA05-5086	CAMSHAFT	74	WA05-5145	CAMSHAFT	63
WA05-5087	CAMSHAFT	74	WA05-5146	CAMSHAFT	57
WA05-5088	CAMSHAFT	61	WA05-5147	CAMSHAFT	57
WA05-5089	CAMSHAFT	61	WA05-5148	CAMSHAFT	58
WA05-5090	CAMSHAFT	66	WA05-5149	CAMSHAFT	58
WA05-5091	CAMSHAFT	66	WA05-5150	CAMSHAFT	61
WA05-5092	CAMSHAFT	69	WA05-5151	CAMSHAFT	61
WA05-5093	CAMSHAFT	69	WA05-5152	CAMSHAFT	61
WA05-5094	CAMSHAFT	70	WA05-5153	CAMSHAFT	61
WA05-5095	CAMSHAFT	70	WA05-5154	CAMSHAFT	62
WA05-5096	CAMSHAFT	56	WA05-5155	CAMSHAFT	62
WA05-5097	CAMSHAFT	56	WA05-5156	CAMSHAFT	63

INDEX

WA#	DESCRIPTION	PAGE #	WA#	DESCRIPTION	PAGE #
WA05-5157	CAMSHAFT	63	WA07-5023	OUTER CAP NUT LH	120
WA05-5158	CAMSHAFT	67	WA07-5024	INNER CAP NUT RH	119
WA05-5159	CAMSHAFT	67	WA07-5025	INNER CAP NUT LH	119
WA05-5160	CAMSHAFT	63	WA07-5026	INNER CAP NUT RH	119
WA05-5161	CAMSHAFT	63	WA07-5027	INNER CAP NUT LH	119
WA05-5162	CAMSHAFT	69	WA07-5028	INNER CAP NUT RH	119
WA05-5163	CAMSHAFT	69	WA07-5029	INNER CAP NUT LH	119
WA05-5164	CAMSHAFT	70	WA07-5030	INNER CAP NUT RH	120
WA05-5165	CAMSHAFT	70	WA07-5031	INNER CAP NUT LH	120
WA05-5166	CAMSHAFT	58	WA07-5032	INNER CAP NUT RH	120
WA05-5167	CAMSHAFT	58	WA07-5033	INNER CAP NUT LH	120
WA05-5168	CAMSHAFT	60	WA07-5035	METRIC FLANGE NUT	132
WA05-5169	CAMSHAFT	60	WA07-5036	METRIC FLANGE NUT	132
WA05-5170	CAMSHAFT	60	WA07-5037	METRIC FLANGE NUT	132
WA05-5171	CAMSHAFT	60	WA07-5040	LOCK NUT	157
WA05-5172	CAMSHAFT	56	WA07-5041	COTTER PIN	134
WA05-5173	CAMSHAFT	56	WA07-5042	WASHER	90
WA05-5174	CAMSHAFT	61	WA07-5043	ANCHOR PIN LOCK	90
WA05-5175	CAMSHAFT	61	WA07-5044	ROLLER	104
WA05-5176	CAMSHAFT	73	WA07-5045	ROLLER PIN	104
WA05-5177	CAMSHAFT	73	WA07-5045A	ROLLER PIN	104
WA05-5178	CAMSHAFT	73	WA07-5046	ROLLER PIN	104
WA05-5179	CAMSHAFT	73	WA07-5047	ROLLER PIN	104
WA05-5180	CAMSHAFT	74	WA07-5048	ROLLER PIN	104
WA05-5181	CAMSHAFT	74	WA07-5049	ROLLER PIN	104
WA05-5182	CAMSHAFT	61	WA07-5050	ROLLER PIN	104
WA05-5183	CAMSHAFT	61	WA07-5051	ANCHOR PIN	89
WA05-5184	CAMSHAFT	70	WA07-5052	ANCHOR PIN	89
WA05-5185	CAMSHAFT	71	WA07-5053	ANCHOR PIN	89
WA05-5186	CAMSHAFT	71	WA07-5054	SPRING HANGER PIN	136
WA05-5187	CAMSHAFT	71	WA07-5055	HANGER PIN	137
WA05-5188	CAMSHAFT	71	WA07-5056	HANGER PIN	137
WA05-5189	CAMSHAFT	71	WA07-5058	TORQUE ARM BOLT	140
WA05-5190	CAMSHAFT	66	WA07-5059	TORQUE ARM NUT	140
WA05-5191	CAMSHAFT	66	WA07-5060	TORQUE ARM BUSHING KIT	140
WA05-5192	CAMSHAFT	64	WA07-5064	BRACKET	50
WA05-5193	CAMSHAFT	64	WA07-5065	SPRING CENTER BOLT	157
WA07-0000	DISPLAY BOARD	113	WA07-5066	SPRING CENTER BOLT	157
WA07-0001	BOARD W/NUT&WASHERS	113	WA07-5067	SPRING CENTER BOLT	157
WA07-5000	CAMSHAFT LOCK RING	89	WA07-5068	SPRING CENTER BOLT	157
WA07-5001	CAMSHAFT LOCK RING	89	WA07-5069	SPRING CENTER BOLT	157
WA07-5002	CAMSHAFT LOCK RING	89	WA07-5070	SPRING CENTER BOLT	157
WA07-5003	CAMSHAFT LOCK RING	89	WA07-5071	SPRING CENTER BOLT	157
WA07-5006	U-BOLT KIT	156	WA07-5072	SPRING CENTER BOLT	157
WA07-5007	U-BOLT KIT	156	WA07-5073	SPRING CENTER BOLT	157
WA07-5008	U-BOLT KIT	156	WA07-5074	SPRING CENTER BOLT	157
WA07-5009	U-BOLT KIT	156	WA07-5075	SPRING CENTER BOLT	157
WA07-5010	U-BOLT KIT	156	WA07-5076	SPRING CENTER BOLT	157
WA07-5011	U-BOLT KIT	156	WA07-5077	DRIVE FLANGE WEDGE	107
WA07-5012	U-BOLT KIT	156	WA07-5078	DRIVE FLANGE WEDGE	107
WA07-5013	U-BOLT KIT	156	WA07-5079	DRIVE FLANGE WEDGE	107
WA07-5014	U-BOLT KIT	156	WA07-5080	DRIVE FLANGE WEDGE	107
WA07-5015	U-BOLT KIT	156	WA07-5081	DRIVE FLANGE WEDGE	107
WA07-5016	U-BOLT KIT	156	WA07-5082	DRIVE FLANGE WEDGE	107
WA07-5017	U-BOLT KIT	156	WA07-5083	HI NUT	157
WA07-5019	CAM BRACKET	75	WA07-5084	HI NUT	157
WA07-5020	OUTER CAP NUT RH	121	WA07-5085	HI NUT	157
WA07-5021	OUTER CAP NUT LH	121	WA07-5086	HI NUT	157
WA07-5022	OUTER CAP NUT RH	120	WA07-5087	HI NUT	157

INDEX

WA#	DESCRIPTION	PAGE #	WA#	DESCRIPTION	PAGE #
WA07-5088	HI NUT	157	WA07-5382	AXLE NUT	110
WA07-5089	HI NUT	157	WA07-5383	AXLE NUT	109
WA07-5090	AXLE NUT	108	WA07-5383	AXLE NUT	111
WA07-5091	AXLE WASHER	108	WA07-5384	AXLE NUT	110
WA07-5091	AXLE WASHER	109	WA07-5384	AXLE NUT	111
WA07-5092	AXLE NUT	108	WA07-5385	AXLE WASHER	110
WA07-5093	AXLE WASHER	108	WA07-5385	AXLE WASHER	111
WA07-5094	AXLE NUT	108	WA07-5386	AXLE NUT	110
WA07-5095	AXLE WASHER	108	WA07-5386	AXLE NUT	111
WA07-5108	CAMSHAFT WASHER	85	WA07-5387	AXLE NUT	110
WA07-5109	ANCHOR PIN	89	WA07-5388	AXLE WASHER	110
WA07-5110	BRAKE SPIDER	75	WA07-5389	AXLE NUT	110
WA07-5115	SPRING HANGER PIN	136	WA07-5391	AXLE WASHER	110
WA07-5117	CAM BRACKET	75	WA07-5392	AXLE NUT	110
WA07-5118	CAM BRACKET	75	WA07-5393	AXLE WASHER	110
WA07-5119	CAM BRACKET	75	WA07-5394	AXLE NUT	110
WA07-5120	CAM BRACKET	75	WA07-5395	AXLE NUT	110
WA07-5121	NUT	137	WA07-5396	AXLE WASHER	110
WA07-5123	CAMSHAFT WASHER	85	WA07-5396	AXLE NUT	111
WA07-5124	CAMSHAFT WASHER	85	WA07-5397	AXLE NUT	110
WA07-5125	CAMSHAFT WASHER	85	WA07-5398	AXLE NUT	111
WA07-5126	CAMSHAFT WASHER	85	WA07-5399	AXLE NUT	111
WA07-5127	CAMSHAFT WASHER	85	WA07-5400	AXLE WASHER	111
WA07-5128	CAMSHAFT WASHER	86	WA07-5401	AXLE NUT	111
WA07-5129	CAMSHAFT WASHER	86	WA07-5402	AXLE NUT	112
WA07-5130	CAMSHAFT WASHER	86	WA07-5403	AXLE WASHER	112
WA07-5131	CAMSHAFT WASHER	86	WA07-5404	AXLE WASHER	112
WA07-5132	CAMSHAFT WASHER	86	WA07-5405	AXLE NUT	112
WA07-5133	CAMSHAFT WASHER	86	WA07-5406	AXLE NUT	112
WA07-5134	CAMSHAFT WASHER	86	WA07-5407	AXLE WASHER	112
WA07-5135	CAMSHAFT WASHER	86	WA07-5408	AXLE WASHER	112
WA07-5136	CAMSHAFT WASHER	87	WA07-5409	AXLE NUT	112
WA07-5137	CAMSHAFT WASHER	87	WA07-5410	AXLE WASHER	112
WA07-5138	CAMSHAFT WASHER	87	WA07-5411	AXLE WASHER	112
WA07-5139	BOLT	150	WA07-5412	AXLE NUT	112
WA07-5140	CAMSHAFT WASHER	85	WA07-5413	AXLE NUT	111
WA07-5154	METRIC INNER CAP NUT RH	119	WA07-5414	AXLE WASHER	111
WA07-5155	METRIC INNER CAP NUT LH	119	WA07-5415	AXLE NUT	111
WA07-5156	METRIC OUTER CAP NUT RH	121	WA07-6000	CLEVIS	49
WA07-5157	METRIC OUTER CAP NUT LH	121	WA07-6002	WHEEL NUT RH	121
WA07-5158	OUTER CAP NUT LH	122	WA07-6003	WHEEL NUT LH	121
WA07-5159	OUTER CAP NUT RH	122	WA07-6014	OUTER CAP NUT RH	121
WA07-5206	DRIVE FLANGE STUD	106	WA07-6015	OUTER CAP NUT LH	121
WA07-5207	DRIVE FLANGE STUD	106	WA07-6016	OUTER CAP NUT RH	121
WA07-5208	DRIVE FLANGE STUD	106	WA07-6017	OUTER CAP NUT LH	121
WA07-5209	DRIVE FLANGE STUD	106	WA07-6019	DRIVE FLANGE WEDGE	107
WA07-5215	AXLE WASHER	109	WA07-6020	DRIVE FLANGE WEDGE	107
WA07-5217	AXLE WASHER	109	WA07-6021	DRIVE FLANGE WEDGE	107
WA07-5217	AXLE WASHER	109	WA07-6022	DRIVE FLANGE WEDGE	107
WA07-5300	FLANGE NUT RH	122	WA07-6126	INNER CAP NUT RH	119
WA07-5301	FLANGE NUT LH	122	WA07-6127	INNER CAP NUT LH	119
WA07-5375	AXLE NUT	109	WA07-6128	OUTER CAP NUT RH	122
WA07-5377	AXLE NUT	109	WA07-6129	OUTER CAP NUT LH	122
WA07-5378	AXLE WASHER	109	WA07-6162	SHOULDER STUD	132
WA07-5379	AXLE NUT	109	WA07-6163	SHOULDER STUD	132
WA07-5380	AXLE NUT	109	WA07-6164	SHOULDER STUD	132
WA07-5381	AXLE NUT	109	WA07-6165	SHOULDER STUD	132
WA07-5382	AXLE NUT	109	WA07-6178	DRIVE FLANGE STUD	106
WA07-5382	AXLE NUT	109	WA07-6179	DRIVE FLANGE STUD	105

INDEX

WA#	DESCRIPTION	PAGE #	WA#	DESCRIPTION	PAGE #
WA07-6180	DRIVE FLANGE STUD	105	WA08-5038	BRAKE KIT	93
WA07-6181	DRIVE FLANGE STUD	106	WA08-5039	CAM REPAIR KIT	79
WA07-6182	DRIVE FLANGE STUD	106	WA08-5040	CAM REPAIR KIT	79
WA07-6183	DRIVE FLANGE STUD	106	WA08-5041	CAM REPAIR KIT	79
WA07-6185	DRIVE FLANGE STUD	107	WA08-5042	CAM REPAIR KIT	79
WA07-6186	DRIVE FLANGE STUD	107	WA08-5043	BRAKE KIT	93
WA07-7052	CLEVIS	49	WA08-5044	CAM REPAIR KIT	79
WA07-7100	TORQUE ARM ASSEMBLY	149	WA08-5045	CAM REPAIR KIT	79
WA07-7112	TORQUE ARM ASSEMBLY	149	WA08-5046	BRAKE KIT	93
WA07-7151	SPRING ROLLER ASSEMBLY	148	WA08-5047	BRAKE KIT	93
WA07-7231	SHOULDER STUD	132	WA08-5048	BRAKE KIT	94
WA07-7232	SHOULDER STUD	132	WA08-5049	BRAKE KIT	94
WA07-7233	SHOULDER STUD	132	WA08-5050	BRAKE KIT	94
WA07-7234	SHOULDER STUD	132	WA08-5051	BRAKE KIT	94
WA07-7235	SHOULDER STUD	132	WA08-5052	BRAKE KIT	94
WA07-7236	SHOULDER STUD	132	WA08-5054	BRAKE KIT	94
WA07-7237	SHOULDER STUD	132	WA08-5055	BRAKE KIT	94
WA07-7238	SHOULDER STUD	132	WA08-5056	BRAKE KIT	94
WA07-8006	METRIC SLEEVE NUT	118	WA08-5057	BRAKE KIT	94
WA07-8019	METRIC SLEEVE NUT	118	WA08-5058	BRAKE KIT	95
WA07-8028	METRIC SLEEVE NUT	118	WA08-5059	BRAKE KIT	95
WA07-8039	METRIC SLEEVE NUT	118	WA08-5060	BRAKE KIT	95
WA07-RACK	DISPLAY RACK	122	WA08-5061	BRAKE KIT	95
WA08-5001	CAM REPAIR KIT	76	WA08-5062	BRAKE KIT	95
WA08-5002	CAM REPAIR KIT	76	WA08-5063	BRAKE KIT	95
WA08-5003	CAM REPAIR KIT	76	WA08-5064	BRAKE KIT	95
WA08-5004	CAM REPAIR KIT	76	WA08-5065	BRAKE KIT	95
WA08-5005	CAM REPAIR KIT	76	WA08-5066	BRAKE KIT	95
WA08-5006	CAM REPAIR KIT	76	WA08-5067	BRAKE KIT	96
WA08-5007	CAM REPAIR KIT	76	WA08-5068	BRAKE KIT	96
WA08-5008	CAM REPAIR KIT	76	WA08-5069	BRAKE KIT	96
WA08-5009	CAM REPAIR KIT	77	WA08-5070	CAM REPAIR KIT	79
WA08-5010	CAM REPAIR KIT	77	WA08-5071	CAM REPAIR KIT	79
WA08-5011	CAM REPAIR KIT	77	WA08-5072	CAM REPAIR KIT	80
WA08-5012	CAM REPAIR KIT	77	WA08-5073	CAM REPAIR KIT	80
WA08-5013	CAM REPAIR KIT	77	WA08-5074	CAM REPAIR KIT	80
WA08-5015	BRAKE KIT	92	WA08-5075	CAM REPAIR KIT	80
WA08-5016	CAM REPAIR KIT	77	WA08-5076	BRAKE KIT	96
WA08-5017	CAM REPAIR KIT	77	WA08-5077	BRAKE KIT	96
WA08-5018	CAM REPAIR KIT	77	WA08-5078	CAM REPAIR KIT	80
WA08-5019	BRAKE KIT	92	WA08-5079	BRAKE KIT	96
WA08-5020	BRAKE KIT	92	WA08-5080	BRAKE KIT	96
WA08-5021	BRAKE KIT	92	WA08-5081	BRAKE KIT	96
WA08-5022	BRAKE KIT	92	WA08-5082	BRAKE KIT	96
WA08-5023	CAM REPAIR KIT	78	WA08-5083	BRAKE KIT	97
WA08-5024	CAM REPAIR KIT	78	WA08-5084	CAM REPAIR KIT	80
WA08-5025	CAM REPAIR KIT	78	WA08-5085	CAM REPAIR KIT	80
WA08-5026	CAM REPAIR KIT	78	WA08-5086	CAM REPAIR KIT	80
WA08-5027	CAM REPAIR KIT	78	WA08-5087	BRAKE KIT	97
WA08-5028	BRAKE KIT	92	WA08-5088	BRAKE KIT	97
WA08-5029	BRAKE KIT	92	WA08-5089	BRAKE KIT	97
WA08-5030	BRAKE KIT	93	WA08-5090	BRAKE KIT	97
WA08-5031	CAM REPAIR KIT	78	WA08-5091	CAM REPAIR KIT	81
WA08-5032	BRAKE KIT	93	WA08-5091	BRAKE KIT	97
WA08-5033	CAM REPAIR KIT	78	WA08-5092	CAM REPAIR KIT	81
WA08-5034	BRAKE KIT	93	WA09-5000	CAMSHAFT SEAL	87
WA08-5035	BRAKE KIT	93	WA09-5001	CAMSHAFT SEAL	87
WA08-5036	CAM REPAIR KIT	78	WA09-5002	CAMSHAFT SEAL	87
WA08-5037	BRAKE KIT	93	WA09-5003	CAMSHAFT SEAL	87

INDEX

WA#	DESCRIPTION	PAGE #	WA#	DESCRIPTION	PAGE #
WA09-5004	CAMSHAFT SEAL	88	WA10-5044	SPRING	102
WA09-5005	CAMSHAFT SEAL	88	WA10-5045	SPRING	101
WA09-5011	CAMSHAFT SEAL	88	WA10-5046	SPRING	101
WA09-5012	CAMSHAFT SEAL	88	WA10-5047	SPRING	102
WA09-5013	CAMSHAFT SEAL	88	WA10-5048	SPRING	102
WA09-5014	CAMSHAFT SEAL	88	WA10-5049	SPRING	103
WA09-5016	CAMSHAFT SEAL	88	WA10-5052	SPRING	103
WA10024	GLAD HAND SEALS	42	WA10-5053	SPRING	101
WA10028	GLAD HAND SEALS	42	WA10-5054	SPRING	103
WA10140	SLACK ADJUSTER	53	WA10-5055	SPRING	101
WA10141	SLACK ADJUSTER	53	WA10-5056	SPRING	102
WA10142	SLACK ADJUSTER	53	WA11450	GLAD HAND	40
WA10143	SLACK ADJUSTER	53	WA11451	GLAD HAND	40
WA10144	SLACK ADJUSTER	53	WA11452	GLAD HAND	41
WA10211	SLACK ADJUSTER	54	WA11543	3 HOSE HOSE CLAMP	39
WA10212	SLACK ADJUSTER	54	WA11544	3 HOSE HOSE CLAMP	39
WA10214	SLACK ADJUSTER	54	WA11548	AIR HOSE SEPARATOR	39
WA10216	SLACK ADJUSTER	54	WA11549	AIR HOSE SEPARATOR	39
WA10305	SLACK ADJUSTER	54	WA11600	SUPPORT SPRING	39
WA10-5000	SPRING	98	WA11601	SUPPORT SPRING	39
WA10-5001	SPRING	98	WA11602	SUPPORT SPRING	39
WA10-5003	SPRING	99	WA11603	SUPPORT SPRING	39
WA10-5004	SPRING	99	WA12-0084-00	HANGER FRONT	149
WA10-5005	SPRING	99	WA12-0086-00	HANGER REAR	149
WA10-5006	SPRING	99	WA12-0088-00	HANGER CENTER	149
WA10-5007	SPRING	100	WA12105	DRAIN VALVE	41
WA10-5008	SPRING	100	WA12105	DRAIN VALVE	46
WA10-5009	SPRING	100	WA12-5000	EQUALIZER	148
WA10-5010	SPRING	100	WA12-5001	EQUALIZER	148
WA10-5011	SPRING	100	WA12-5002	EQUALIZER	150
WA10-5012	RETAINER	103	WA12-5003	ADJ TORQUE ARM	150
WA10-5013	RETAINER	103	WA12-5004	RUBBER AXLE PAD	146
WA10-5014	RETAINER	103	WA12-5005	STRADDLE MOUNT CARTRIDGE	134
WA10-5015	SPRING	99	WA12-5006	STRADDLE MOUNT CARTRIDGE	134
WA10-5017	SPRING	98	WA12-5012	UPPER INSULATOR PAD	144
WA10-5018	RETAINER	103	WA12-5013	UPPER INSULATOR PAD	144
WA10-5019	SPRING	99	WA12-5014	LOWER INSULATOR PAD	145
WA10-5020	SPRING	98	WA12-5015	ADJ TORQUE ROD	140
WA10-5021	SPRING	98	WA12-5016	ADJ TORQUE ROD	140
WA10-5022	SPRING	98	WA12-5017	EQUALIZER	141
WA10-5023	SPRING	98	WA12-5018	EQUALIZER	141
WA10-5024	SPRING	98	WA12-5019	TOP PLATE	150
WA10-5025	SPRING	99	WA12-5020	BOTTOM PLATE	141
WA10-5026	SPRING	102	WA12-5021	AXLE SEAT	141
WA10-5027	SPRING	102	WA12-5022	CAST EQUALIZER	133
WA10-5028	SPRING	102	WA12-5023	CAST EQUALIZER	133
WA10-5029	SPRING	100	WA12-5024	REPAIR PAD	146
WA10-5030	SPRING	101	WA12-5025	SPRING ROLLER ASSEMBLY	141
WA10-5031	SPRING	99	WA12-5026	EQUALIZER BOLT KIT	141
WA10-5031	SPRING	101	WA12-5027	EQUALIZER	142
WA10-5032	SPRING	100	WA12-5028	CAST EQUALIZER	142
WA10-5033	SPRING	100	WA12-5029	FRONT HANGER	142
WA10-5034	SPRING	102	WA12-5030	REAR HANGER	142
WA10-5035	SPRING	101	WA12-5031	REAR HANGER	142
WA10-5036	SPRING	101	WA12-5032	EQUALIZER	150
WA10-5037	SPRING	102	WA12-5033	RIGID TORQUE ARM	150
WA10-5039	SPRING	103	WA12-5034	LOWER INSULATOR PAD	145
WA10-5041	SPRING	100	WA12-5035	EQUAIZER BUSHING ASSEMBLY	133
WA10-5042	SPRING	101	WA12-5036	RADIUS ROD ADJUSTABLE	133

INDEX

WA#	DESCRIPTION	PAGE #	WA#	DESCRIPTION	PAGE #
WA12-5037	RADIUS ROD FIXED	133	WA13-1912	SOCKET	114
WA12-5038	RADIUS ROD ASSEMBLE	133	WA13-1913	SOCKET	114
WA12-5039	FRONT HANGER	142	WA13-1914	SOCKET	114
WA12-5040	CENTER HANGER	142	WA13-1915	SOCKET	114
WA12-5041	REAR HANGER	143	WA13-1916	SOCKET	114
WA12-5042	REAR HANGER	143	WA13-1917	SOCKET	114
WA12-5043	INSULATOR SPACER BLOCK	145	WA13-1918	SOCKET	114
WA12-5061	ADJUSTMENT PLATE	141	WA13-1919	SOCKET	114
WA12-5085	SHACKLE	143	WA13-1920	SOCKET	114
WA12-5089	SHACKLE	131	WA13-1921	SOCKET	114
WA12-5090	HANGER	131	WA13-1922	SOCKET	114
WA12-5091	TORQUE ROD BRACKET	137	WA13-1923	SOCKET	114
WA12-5093	CARTRIDGE	138	WA13-1924	SOCKET	114
WA12-5094	CARTRIDGE	138	WA13-1925	SOCKET	114
WA12-5095	CARTRIDGE	138	WA13-1927	SOCKET	114
WA12-5096	CARTRIDGE	138	WA13-1928	SOCKET	114
WA12-5097	LEAF SPRING LINER	133	WA13-1932	SOCKET	114
WA12-5098	LEAF SPRING LINER	134	WA13-1933	SOCKET	114
WA12-5099	ADJ TORQUE ROD	139	WA13-1935	SOCKET	114
WA12-5100	ADJ TORQUE ROD	139	WA13-1936	SOCKET	114
WA12-5101	TRUNNION CAP UPPER	146	WA13-1937	SOCKET	114
WA12-5102	TRUNNION CAP LOWER	146	WA13-1938	SOCKET	114
WA12-5105	EQUALIZER	130	WA13-1939	SOCKET	114
WA12-5106	ADJ TORQUE ARM-DANA	130	WA13-1940	SOCKET	114
WA12-5106	ADJ TORQUE ARM-DAYTON	130	WA13-1941	SOCKET	114
WA12-5106	ADJ TORQUE ROD	148	WA13-1943	SOCKET	114
WA12-5107	ADJ TORQUE ARM-DANA	130	WA14-0009	9" TARP STRAP	128
WA12-5107	ADJ TORQUE ARM-DAYTON	130	WA14-0015	15" TARP STRAP	128
WA12-5107	ADJ TORQUE ROD	148	WA14-0021	21" TARP STRAP	128
WA12-5108	ADJ TORQUE ROD	130	WA14-0031	31" TARP STRAP	128
WA12-5109	ADJ TORQUE ROD	130	WA14-0041	41" TARP STRAP	128
WA12-5110	BUSHING KIT	130	WA14-5001	HUB CAP O RING	126
WA12-5110	BUSHING ASSEMBLY	148	WA14-5003	HUB CAP	126
WA12-5111	EQUALIZER BUSHING KIT	148	WA14-5005	HUB CAP WINDOW KIT	126
WA12-5112	TORQUE ARM ASSEMBLY	149	WA14-5006	ADJUSTABLE BRACE	129
WA12-5113	UPPER INSULATOR PAD	145	WA14-5007	ADJUSTABLE BRACE	129
WA12-5114	SPRING EYE BUSHING	131	WA14-5008	ADJUSTABLE BRACE	129
WA12-5126	ADJ TORQUE ROD	148	WA14-5009	ADJUSTABLE BRACE	129
WA12-5127	RIGID TORQUE ARM	149	WA14-5010	ADJUSTABLE BRACE	129
WA12-5128	RIGID TORQUE ARM	149	WA14-5011	CRANK HANDLE	129
WA12-5132	ADJ TORQUE ROD	148	WA14-5012	CRANK HANDLE	129
WA12-5133	ADJ TORQUE ROD	148	WA14-5013	CRANK HANDLE	129
WA12-5134	RIGID TORQUE ARM	149	WA14-5014	CRANK HANDLE	129
WA12-5136	SPRING EYE BUSHING	131	WA14-5015	SAND SHOE - STANDARD	129
WA12-5142	STRADDLE MOUNT CARTRIDGE	134	WA14-5016	SAND SHOE - LOW PROFILE	129
WA13-0000	SOCKET BOARD	115	WA14-5017	SAND SHOE AXLE	129
WA13-0001	SOCKET BOARD 19 SOCKETS	115	WA14-5018	T STAMP AXLE HOUSING	129
WA13-0002	SOCKET BOARD 10 SOCKETS	115	WA14-5019	DOCUMENT HOLDER	124
WA13-1901	SOCKET	114	WA14-5020	DOCUMENT HOLDER	123
WA13-1902	SOCKET	114	WA14-5021	CONTROL BOX	127
WA13-1903	SOCKET	114	WA14-5022	CONTROL BOX	127
WA13-1904	SOCKET	114	WA14-5023	HUB CAP	126
WA13-1905	SOCKET	114	WA14-5024	HUB CAP	127
WA13-1906	SOCKET	114	WA14-5025	WHEEL CHOCK	128
WA13-1907	SOCKET	114	WA14-5026	WHEEL CHOCK	128
WA13-1908	SOCKET	114	WA14-5027	GASKET	105
WA13-1909	SOCKET	114	WA14-5028	GASKET	105
WA13-1910	SOCKET	114	WA14-5029	GASKET	105
WA13-1911	SOCKET	114	WA14-5030	GASKET	105

INDEX

WA#	DESCRIPTION	PAGE #	WA#	DESCRIPTION	PAGE #
WA14-5031	GASKET	105	WA346-240	DRAG LINK	160
WA14-5032	GASKET	105	WA346-249	DRAG LINK	160
WA14-5033	GASKET	105	WA346-293	DRAG LINK	160
WA14-5034	GASKET	105	WA359-5990	HUB CAP PLUG	126
WA15-400	4 WAY ELECTRICAL SOCKET	124	WA3636T	BRAKE CHAMBER	48
WA15-430	4 WAY ELECTRICAL PLUG	124	WA36SC	SERVICE BRAKE	49
WA15-5050	8" TRAILER KING PIN 3/8"	128	WA3710SHD	BRAKE KIT	91
WA15-5051	TRAILER KING PIN LOCK	128	WA4010	PWR STR PUMP REBUILD KIT	165
WA15-600	6 WAY ELECTRICAL SOCKET	125	WA4012	PWR STR PUMP REBUILD KIT	165
WA15-630	6 WAY ELECTRICAL PLUG	125	WA4013	PWR STR PUMP REBUILD KIT	165
WA15-720	7 WAY ELECTRICAL SOCKET	125	WA4014	PWR STR PUMP REBUILD KIT	165
WA15-730	7 WAY ELECTRICAL PLUG	125	WA4015	PWR STR PUMP REBUILD KIT	165
WA15-740	7 WAY WEATHER BOOT	125	WA4016	PWR STR PUMP REBUILD KIT	165
WA16SC	SERVICE BRAKE	48	WA4017	PWR STR PUMP REBUILD KIT	165
WA2024C	BRAKE CHAMBER	47	WA4018	PWR STR PUMP REBUILD KIT	165
WA20SC	SERVICE BRAKE	48	WA4019	PWR STR PUMP REBUILD KIT	165
WA20SC3	SERVICE BRAKE	48	WA4020	PWR STR PUMP REBUILD KIT	165
WA21102	SLACK ADJUSTER	55	WA4021	PWR STR PUMP REBUILD KIT	165
WA21103	SLACK ADJUSTER	55	WA4022	PWR STR PUMP REBUILD KIT	165
WA22040	TERMINAL JUNCTION BOX	125	WA4024	PWR STR PUMP REBUILD KIT	165
WA22102	SLACK ADJUSTER	55	WA4025	PWR STR PUMP REBUILD KIT	165
WA22103	SLACK ADJUSTER	55	WA4026	PWR STR PUMP REBUILD KIT	165
WA22-4621	HD ELECTRICAL CORD	124	WA4033	PWR STR PUMP REBUILD KIT	165
WA23102	SLACK ADJUSTER	55	WA4034	PWR STR PUMP REBUILD KIT	165
WA24100	SLACK ADJUSTER	55	WA4035	PWR STR PUMP REBUILD KIT	165
WA24102	SLACK ADJUSTER	55	WA4036	PWR STR PUMP REBUILD KIT	165
WA24103	SLACK ADJUSTER	55	WA4037	PWR STR PUMP REBUILD KIT	165
WA2424C3	BRAKE CHAMBER	47	WA441004	GLAD HAND	41
WA2424PBK	BRAKE CHAMBER	47	WA441014	GLAD HAND	41
WA2424T	BRAKE CHAMBER	47	WA451036N	COILED AIR HOSE	40
WA2424TC	BRAKE CHAMBER	47	WA451039N	COILED AIR HOSE	40
WA2430C	BRAKE CHAMBER	47	WA5295	THREADED BUSHING	144
WA2430C3	BRAKE CHAMBER	47	WA65167	SLACK ADJUSTER	52
WA2430PBK	BRAKE CHAMBER	47	WA65170	SLACK ADJUSTER	52
WA24-4621	LD ELECTRICAL CORD	124	WA65172	SLACK ADJUSTER	52
WA24SC	SERVICE BRAKE	49	WA65174	SLACK ADJUSTER	52
WA24SC3	SERVICE BRAKE	49	WA65175	SLACK ADJUSTER	52
WA25100	SLACK ADJUSTER	55	WA65176	SLACK ADJUSTER	52
WA25102	SLACK ADJUSTER	55	WA90054007	HEIGHT CONTROL VALVE	147
WA25103	SLACK ADJUSTER	55	WA9017B	GLAD HAND SEALS	42
WA-2733B	MUD FLAP HANGER	123	WA9017R	GLAD HAND SEALS	42
WA2769SHD	BRAKE KIT	91	WA9054088	DRAIN VALVE	41
WA3030PBK3	BRAKE CHAMBER	48	WA9054088	DRAIN VALVE	46
WA3030PBKIT	BRAKE CHAMBER	48	WAAS1132	SLACK ADJUSTER	55
WA3030TC	BRAKE CHAMBER	48	WAAS1133	SLACK ADJUSTER	55
WA3030TL	BRAKE CHAMBER	47	WAAS1140	SLACK ADJUSTER	55
WA3030TL	BRAKE CHAMBER	48	WAAS1141	SLACK ADJUSTER	55
WA3036C	BRAKE CHAMBER	48	WAAS3000	CLEVIS	49
WA3036PBK	BRAKE CHAMBER	48	WAB13-1000	METRIC THREADED BUSHING	144
WA30-4621	GREEN ABS CORD	124	WAB13-1002	METRIC THREADED BUSHING	144
WA30SC	SERVICE BRAKE	49	WAB65-1001	SPRING BUSHING	143
WA30SC3	SERVICE BRAKE	49	WAB65-1006	SPRING BUSHING	143
WA330-3009	HUB CAP GASKET	126	WAB65-1012	SPRING BUSHING	143
WA340-4249	HUB CAP	127	WAB65-1013	SPRING BUSHING	143
WA340-4975	HUB CAP	126	WAD-30003	DIAPHRAGMS	50
WA343-009	HUB CAP	126	WAE10244	BRAKE KIT	91
WA343-4075	HUB CAP	127	WAE1887ASHD	BRAKE KIT	91
WA346-189	DRAG LINK	160	WAE3869	BRAKE KIT	91
WA346-196	DRAG LINK	160	WAE3895	BRAKE KIT	91

INDEX

WA#	DESCRIPTION	PAGE #	WA#	DESCRIPTION	PAGE #
WAE5139	BRAKE KIT	91	WAK825	KING PIN KIT	158
WAE5481A	BRAKE KIT	91	WAK829B	KING PIN KIT	158
WAE6999S	BRAKE KIT	91	WAK830	KING PIN KIT	158
WAE9064	BRAKE KIT	92	WAK834	KING PIN KIT	158
WAHF64	PWR STR SECTOR SHAFT	166	WAK836	KING PIN KIT	158
WAK233-520	LOWER SHOCK BOLT	144	WAK840	KING PIN KIT	158
WAK420C	KING PIN KIT	158	WAK849	KING PIN KIT	158
WAK450B	KING PIN KIT	158	WAK852	KING PIN KIT	158
WAK463	KING PIN KIT	158	WAKIT4HD	BRAKE KIT	92
WAK465	KING PIN KIT	158	WAKN18090	DIAPHRAGMS	50
WAK466	KING PIN KIT	158	WAKN18120	DIAPHRAGMS	50
WAK469A	KING PIN KIT	158	WAKN18160	DIAPHRAGMS	50
WAK470	KING PIN KIT	158	WAKN18200	DIAPHRAGMS	50
WAK472A	KING PIN KIT	158	WAKN18240	DIAPHRAGMS	50
WAK477	KING PIN KIT	158	WAKN18300	DIAPHRAGMS	50
WAK478B	KING PIN KIT	158	WAKN20541	CONTROL VALVE	132
WAK492AR	KING PIN KIT	158	WAKN27000	HEIGHT CONTROL VALVE	147
WAK493	KING PIN KIT	158	WAKN44041	SLACK ADJUSTER	51
WAK499	KING PIN KIT	158	WAKN44051	SLACK ADJUSTER	51
WAK504	KING PIN KIT	158	WAKN44061	SLACK ADJUSTER	51
WAK506B	KING PIN KIT	158	WAKN44071	SLACK ADJUSTER	51
WAK509B	KING PIN KIT	158	WAKN47001	SLACK ADJUSTER	51
WAK517	KING PIN KIT	158	WAKN47011	SLACK ADJUSTER	51
WAK525	KING PIN KIT	158	WAKN48001	SLACK ADJUSTER	51
WAK526B	KING PIN KIT	158	WAKN49000	SLACK ADJUSTER	51
WAK534B	KING PIN KIT	158	WAKN49010	SLACK ADJUSTER	51
WAK535B	KING PIN KIT	158	WAM100	PWR STR SECTOR SHAFT	166
WAK537	KING PIN KIT	158	WAM90	PWR STR SECTOR SHAFT	166
WAK538BIR	KING PIN KIT	158	WAP-001	POWER STEERING PUMP	164
WAK538BIR	KING PIN KIT	158	WAP-002	POWER STEERING PUMP	164
WAK539BIR	KING PIN KIT	158	WAP-003	POWER STEERING PUMP	164
WAK539D	KING PIN KIT	158	WAP-004	POWER STEERING PUMP	164
WAK541	KING PIN KIT	158	WAP-005	POWER STEERING PUMP	164
WAK545B	KING PIN KIT	158	WAP-006	POWER STEERING PUMP	164
WAK546B	KING PIN KIT	158	WAP-007	POWER STEERING PUMP	164
WAK547	KING PIN KIT	158	WAP-008	POWER STEERING PUMP	164
WAK548	KING PIN KIT	158	WAP-009	POWER STEERING PUMP	164
WAK549B	KING PIN KIT	158	WAP-010	POWER STEERING PUMP	164
WAK549B-15	KING PIN KIT	158	WAP-011	POWER STEERING PUMP	164
WAK552B	KING PIN KIT	158	WAP-012	POWER STEERING PUMP	164
WAK562B	KING PIN KIT	158	WAP-013	POWER STEERING PUMP	164
WAK563B	KING PIN KIT	158	WAP-014	POWER STEERING PUMP	164
WAK567B	KING PIN KIT	158	WAP-015	POWER STEERING PUMP	164
WAK570B	KING PIN KIT	158	WAP-016	POWER STEERING PUMP	164
WAK570DC	KING PIN KIT	158	WAP-017	POWER STEERING PUMP	164
WAK571R	KING PIN KIT	158	WAP-018	POWER STEERING PUMP	164
WAK572B	KING PIN KIT	158	WAP-019	POWER STEERING PUMP	164
WAK574B	KING PIN KIT	158	WAP-020	POWER STEERING PUMP	164
WAK578B	KING PIN KIT	158	WAP-021	POWER STEERING PUMP	164
WAK583	KING PIN KIT	158	WAP-022	POWER STEERING PUMP	164
WAK586	KING PIN KIT	158	WAP-023	POWER STEERING PUMP	164
WAK591B	KING PIN KIT	158	WAP-024	POWER STEERING PUMP	164
WAK602	KING PIN KIT	158	WAP-025	POWER STEERING PUMP	164
WAK609	KING PIN KIT	158	WAP-026	POWER STEERING PUMP	164
WAK700	KING PIN KIT	158	WAP-027	POWER STEERING PUMP	164
WAK711	MUD FLAP MOUNTING KIT	123	WAP-028	POWER STEERING PUMP	164
WAK722B	KING PIN KIT	158	WAP-029	POWER STEERING PUMP	164
WAK817	KING PIN KIT	158	WAP-030	POWER STEERING PUMP	164
WAK818	KING PIN KIT	158	WAP-031	POWER STEERING PUMP	164

INDEX

WA#	DESCRIPTION	PAGE #	WA#	DESCRIPTION	PAGE #
WAP-032	POWER STEERING PUMP	164	WAP-082	POWER STEERING PUMP	164
WAP-033	POWER STEERING PUMP	164	WAP-083	POWER STEERING PUMP	164
WAP-034	POWER STEERING PUMP	164	WAP-084	POWER STEERING PUMP	164
WAP-035	POWER STEERING PUMP	164	WAP-085	POWER STEERING PUMP	164
WAP-036	POWER STEERING PUMP	164	WAP-086	POWER STEERING PUMP	164
WAP-038	POWER STEERING PUMP	164	WAP-087	POWER STEERING PUMP	164
WAP-039	POWER STEERING PUMP	164	WAP-088	POWER STEERING PUMP	164
WAP-040	POWER STEERING PUMP	164	WAP-089	POWER STEERING PUMP	164
WAP-041	POWER STEERING PUMP	164	WAP-090	POWER STEERING PUMP	164
WAP-042	POWER STEERING PUMP	164	WAP-091	POWER STEERING PUMP	164
WAP-043	POWER STEERING PUMP	164	WAP-092	POWER STEERING PUMP	164
WAP-044	POWER STEERING PUMP	164	WAP-093	POWER STEERING PUMP	164
WAP-045	POWER STEERING PUMP	164	WAP-094	POWER STEERING PUMP	164
WAP-046	POWER STEERING PUMP	164	WAP-095	POWER STEERING PUMP	164
WAP-047	POWER STEERING PUMP	164	WAP-096	POWER STEERING PUMP	164
WAP-048	POWER STEERING PUMP	164	WAP-097	POWER STEERING PUMP	164
WAP-049	POWER STEERING PUMP	164	WAP-098	POWER STEERING PUMP	164
WAP-051	POWER STEERING PUMP	164	WAP-099	POWER STEERING PUMP	164
WAP-052	POWER STEERING PUMP	164	WAP-100	POWER STEERING PUMP	164
WAP-053	POWER STEERING PUMP	164	WAP-101	POWER STEERING PUMP	164
WAP-054	POWER STEERING PUMP	164	WAP-102	POWER STEERING PUMP	164
WAP-055	POWER STEERING PUMP	164	WAP-103	POWER STEERING PUMP	164
WAP-056	POWER STEERING PUMP	164	WAP-104	POWER STEERING PUMP	164
WAP-057	POWER STEERING PUMP	164	WAP-105	POWER STEERING PUMP	164
WAP-058	POWER STEERING PUMP	164	WAP-106	POWER STEERING PUMP	164
WAP-059	POWER STEERING PUMP	164	WAP-107	POWER STEERING PUMP	164
WAP-060	POWER STEERING PUMP	164	WAP-108	POWER STEERING PUMP	164
WAP-061	POWER STEERING PUMP	164	WAP-109	POWER STEERING PUMP	164
WAP-062	POWER STEERING PUMP	164	WAP-110	POWER STEERING PUMP	164
WAP-063	POWER STEERING PUMP	164	WAP-111	POWER STEERING PUMP	164
WAP-064	POWER STEERING PUMP	164	WAP-112	POWER STEERING PUMP	164
WAP-065	POWER STEERING PUMP	164	WAP-113	POWER STEERING PUMP	164
WAP-066	POWER STEERING PUMP	164	WAP-114	POWER STEERING PUMP	164
WAP-067	POWER STEERING PUMP	164	WAP-115	POWER STEERING PUMP	164
WAP-068	POWER STEERING PUMP	164	WAR801003	SLACK ADJUSTER	52
WAP-069	POWER STEERING PUMP	164	WAR801041	SLACK ADJUSTER	52
WAP-070	POWER STEERING PUMP	164	WAR801042	SLACK ADJUSTER	52
WAP-071	POWER STEERING PUMP	164	WAR801071	SLACK ADJUSTER	52
WAP-072	POWER STEERING PUMP	164	WAR801073	SLACK ADJUSTER	52
WAP-073	POWER STEERING PUMP	164	WAR801074	SLACK ADJUSTER	52
WAP-074	POWER STEERING PUMP	164	WAR801075	SLACK ADJUSTER	52
WAP-075	POWER STEERING PUMP	164	WA-REFLECTOR	TRIANGLE REFLECTOR KIT	123
WAP-076	POWER STEERING PUMP	164	WATAS40	PWR STR SECTOR SHAFT	166
WAP-077	POWER STEERING PUMP	164	WATAS55	PWR STR SECTOR SHAFT	166
WAP-078	POWER STEERING PUMP	164	WATAS65	PWR STR SECTOR SHAFT	166
WAP-079	POWER STEERING PUMP	164	WATAS85	PWR STR SECTOR SHAFT	166
WAP-080	POWER STEERING PUMP	164			
WAP-081	POWER STEERING PUMP	164			

WWW.WORLDAMERICAN.COM

YOUR #1 SOURCE FOR HEAVY DUTY PARTS!

CALL 800.934.2727 FOR PRICING

DISCLAIMER



DISCLAIMER

PARTS LISTED IN THIS CATALOG ARE NOT NECESSARILY MANUFACTURED BY THE ORIGINAL EQUIPMENT MANUFACTURER AND ANY REFERENCE TO THE TRADEMARKS OR PART NUMBERS OF OTHERS ARE FOR CROSS REFERENCE INFORMATIONAL PURPOSES ONLY. THE PHOTOS PROVIDED HEREIN ARE PROVIDED ONLY FOR

ILLUSTRATIVE PURPOSES. THE ACTUAL PRODUCTS SUPPLIED MAY DIFFER. THE TRADEMARKS OF OTHERS REFERRED TO HEREIN ARE OWNED BY THEIR RESPECTIVE COMPANIES AND ARE NOT AFFILIATED IN ANY WAY WITH MIDWEST TRUCK & AUTO PARTS, INC.™. WORLD AMERICAN®, MOTIVE GEAR® AND MOTIVE GEAR PERFORMANCE® ARE REGISTERED TRADEMARKS OF MIDWEST TRUCK & AUTO PARTS, INC.™. USE OF THE '®' IN CONNECTION WITH A MARK OF MIDWEST TRUCK & AUTO PARTS, INC.™ INDICATES THAT THE MARK IS REGISTERED IN AT LEAST THE UNITED STATES. NO REPRESENTATION IS MADE WITH RESPECT TO THE SOURCE OF MANUFACTURE OF ANY PARTICULAR PART. WHILE EVERY EFFORT IS MADE TO PROVIDE ACCURATE INFORMATION, NO GUARANTEE IS PROVIDED AS TO THE ACCURACY OF THE INFORMATION CONTAINED HEREIN. WE ARE NOT RESPONSIBLE FOR TYPOGRAPHICAL ERRORS.

WARRANTY



WARRANTY

MIDWEST TRUCK & AUTO PARTS, INC.™ warrants that all new MIDWEST TRUCK & AUTO PARTS, INC.™, except as otherwise provided herein, will be free from defects in material and workmanship for the first 6 months or 50,000 miles, whichever occurs first, with the sole exception of its heavy duty alternators and starters, the warranty for which shall extend for the first year, with no mileage limit. THIS WARRANTY WILL NOT APPLY IF ANY PART HAS BEEN MODIFIED, DAMAGED OR IS DEFECTIVE AS A RESULT OF ANY ACCIDENT, MISUSE, USE IN COMPETITIVE APPLICATIONS, IMPROPER INSTALLATION, NEGLIGENCE, REPAIR OR ALTERATION.

COMPETITION PARTS ARE SOLD "AS IS", WITHOUT ANY WARRANTY WHATSOEVER. IMPLIED WARRANTIES, INCLUDING WARRANTIES OF MERCHANTABILITY OR FITNESS FOR A PARTICULAR PURPOSE, ARE EXCLUDED. THE ENTIRE RISK AS TO THE QUALITY AND PERFORMANCE OF SUCH PARTS IS WITH THE BUYER. SHOULD SUCH PARTS PROVE DEFECTIVE FOLLOWING THEIR PURCHASE, THE BUYER, AND NOT THE MANUFACTURER, DISTRIBUTOR OR RETAILER, ASSUMES THE ENTIRE COST OF ALL NECESSARY SERVICING OR REPAIR.

The MIDWEST TRUCK & AUTO PARTS, INC.™ parts warranty is voided if the part is used for competition or if it has been modified.

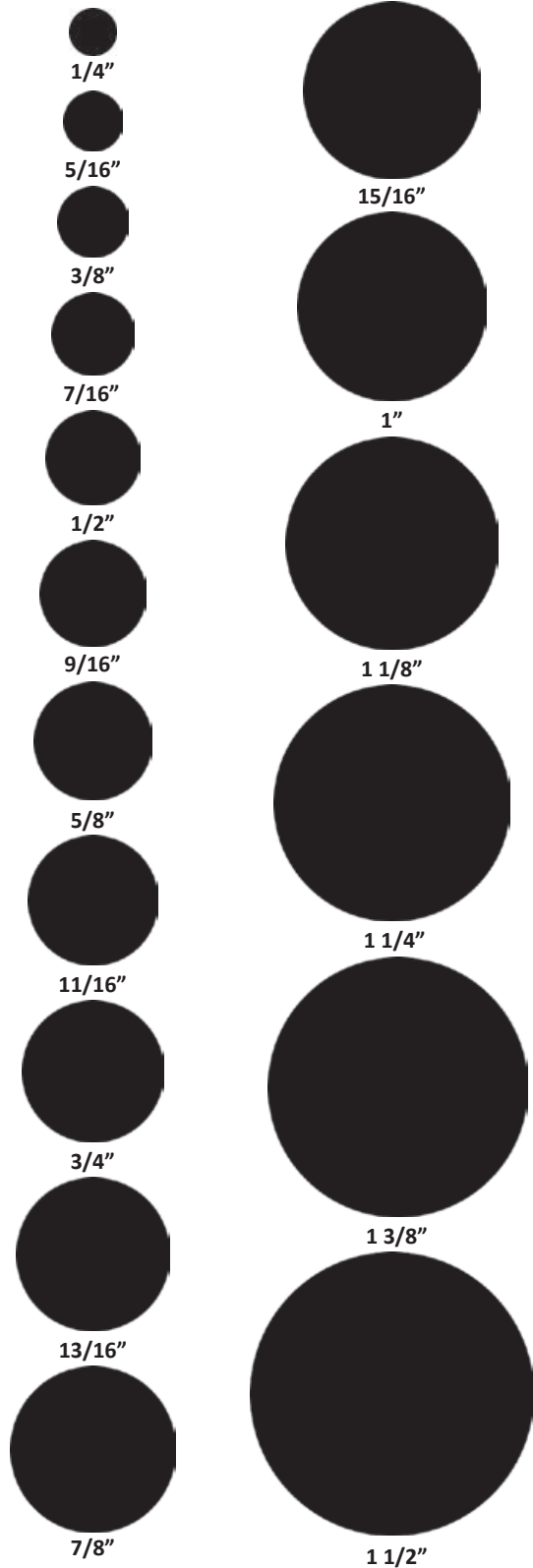
To make a warranty claim on parts used in non-competitive applications, distributors should contact MIDWEST TRUCK & AUTO PARTS, INC.™ distributor for a Return Goods Authorization (RGA) Number. No returns will be accepted without an RGA Number. All parts should be returned to MIDWEST TRUCK & AUTO PARTS, INC.™, freight prepaid. MIDWEST TRUCK & AUTO PARTS, INC.™ will issue a credit equal to the original purchase price for all defective parts covered by this warranty. In the event that a warranty claim cannot be substantiated by MIDWEST TRUCK & AUTO PARTS, INC.™, the parts will be returned to the customer, freight collect.

THIS WARRANTY IS IN LIEU OF ALL OTHER WARRANTIES, EXPRESSED OR IMPLIED, INCLUDING, BUT NOT LIMITED TO, ANY IMPLIED WARRANTY OF MERCHANTABILITY OR FITNESS FOR A PARTICULAR PURPOSE, AND IN NO EVENT WILL MIDWEST BE LIABLE FOR INCIDENTAL, SPECIAL OR CONSEQUENTIAL DAMAGES INCLUDING, BUT NOT LIMITED TO, ANY LABOR COSTS.

DECIMAL & METRIC SIZE CONVERSION CHARTS



FRACTIONS (INCH)	DECIMAL (INCH)	METRIC (MM)
1/64	.016	0.40
1/32	.031	0.79
3/64	.047	1.19
1/16	.063	1.59
5/64	.078	1.98
3/32	.094	2.38
7/64	.109	2.78
1/8	.125	3.18
5/32	.156	3.97
3/16	.188	4.46
7/32	.219	5.56
1/4	.250	6.35
9/32	.281	7.14
5/16	.313	7.94
11/32	.873	3.44
3/8	.375	9.53
13/32	.406	10.32
7/16	.438	11.11
15/16	.469	11.91
1/2	.500	12.70
17/32	.531	13.49
9/16	.563	14.29
19/32	.594	15.08
5/8	.625	15.88
21/32	.656	16.67
11/16	.688	17.46
23/32	.719	18.26
3/4	.750	19.05
25/32	.781	19.84
13/16	.813	20.64
27/32	.844	21.43
7/8	.875	22.23
29/32	.906	23.02
15/16	.938	23.81
31/32	.969	24.61
1	1.000	25.40



CONVERSION FACTORS

1 INCH = 25.4MM

CONVERT FROM	TO	FACTOR
INCHES (IN)	MILLIMETERS (MM)	MULTIPLY INCHES BY 25.4
MILLIMETERS (MM)	INCHES (IN)	DIVIDE MILLIMETERS BY 25.4