

BRAKE

BWP

and WHEEL PARTS

Industries INC.



Replacement Parts For:

TRUCKS

TRACTORS

TRAILERS

Wheel Parts

Air Brake & Electrical Parts

Brake Parts

Wedge Brake Parts

Axle Parts

Suspension Parts

Interchanges & Indexes

BWP INDUSTRIES INC.

2415 W. 21st. Street | Chicago, Illinois 60608

773.847.7000 | 800.621.8836 | Fax: 773.847.5149 | Fax: 866.370.5149 | www.bwpindustries.com

BWP WAREHOUSE LOCATIONS

BWP MAIN OFFICE AND WAREHOUSE

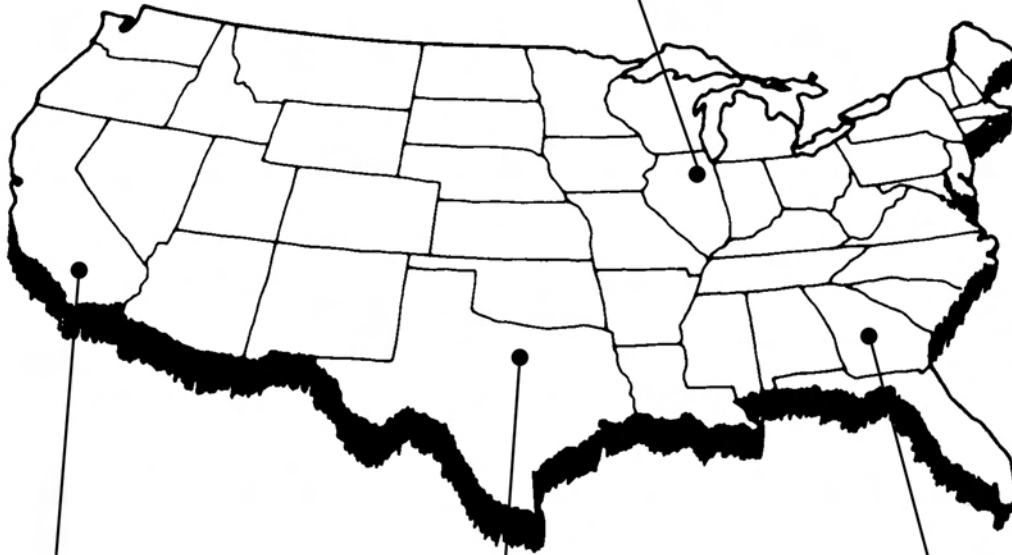
2415 W. 21st Street
Chicago, IL 60608

(773) 847-7000

(800) 621-8836

(773) 847-5149 (fax)

(866) 370-5149 (fax)



BWP WEST DISTRIBUTION CENTER CROWN PACKAGING PRODUCTS

11901 Burke St.
Santa Fe Springs, CA 90670

(562) 789-9622

(562) 789-2733 (fax)

BWP SOUTHEAST DISTRIBUTION CENTER ENGINE PARTS INC.

5060 Bakers Ferry Road SW
Atlanta, GA 30336

(404) 472-0048

(404) 472-0107 (fax)

BWP SOUTHWEST DISTRIBUTION CENTER THE SLOAN COMPANY

4605 Old Denton Rd.
Ft. Worth, TX 76117

(817) 485-1252

(817) 656-4702 (fax)



VISIT US ON THE WEB AT:

www.bwpindustries.com

All manufacturer's names, numbers, symbols and descriptions are used for reference purposes only, and it is not implied that any part listed is the product of these manufacturers.

CONTENTS

	Page No.
AIR BRAKE AND ELECTRICAL SECTION INDEX56 - 80
AXLE BRAKE SECTION INDEX231 - 252
BRAKE PARTS SECTION INDEX81 - 209
INTERCHANGES, MANUFACTURERS, COMPETITORS INDEX417 - 493
PART NUMBER PAGES INDEX494 - 504
SUSPENSION PARTS INDEX253 - 416
WEDGE BRAKE SECTION INDEX210 - 230
WHEEL PARTS SECTION INDEX2 - 55

WHEEL PARTS

AIR BRAKE & ELEC.

BRAKE PARTS

WEDGE BRAKE

AXLE PARTS

SUSPENSION & MISC.

INTERCHANGES

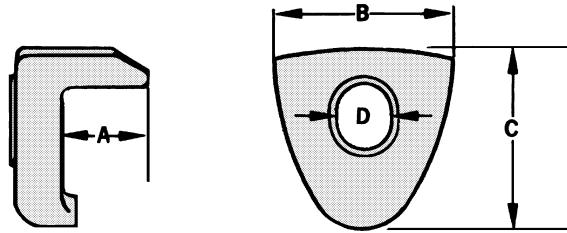
WHEEL PARTS SECTION INDEX

	Page No.
DISC WHEEL NUTS	
BACK AND FLAT NUTS	20
FLANGE	18 - 20
INNER	16, 17
OUTER	17, 18
LIGHT TRUCK	15
METRIC FLANGE	19
SPOKEWHEEL NUTS	15
DISC WHEEL STUDS	
CLIPPED HEAD TYPE	31, 32
HEADED TYPE	23 - 30
LIGHT TRUCK	21, 22
METRIC TYPE	39 - 41
SHOULDER TYPE	34 - 38
WEDGE HEAD TYPE	33
DRIVE FLANGE STUDS & WEDGES	48, 49
GENERAL PURPOSE STUDS	42 - 48
SPOKE WHEEL	
BOLTS	14
CLAMPS	3 - 12
NUTS	15 - 20
STUDS	13, 16, 17
STUD SETTERS AND REMOVERS	49
TORQUE CHART	50
TROUBLE SHOOTING STUDS & NUTS	51, 52
TIRE TOOLS	53 - 55
VALVE STEM LOCKS	49

DAYTON WHEEL CLAMPS

FOR DAYTON CAST SPOKE TRUCK AND TRAILER WHEELS

USE THESE
DIMENSIONS FOR
MEASURING CLAMPS:



DAYTON "F" STYLE WHEEL CLAMPS



BWP NO.	REPLACES		A	B	C	D	SPACER BAND WIDTH
	DAYTON	NWRA					
FOR 5/8" WHEEL STUDS							
M-1	09-541417	W-90	1"	2 7/8"	2 1/2"	5/8"	4"
M-2	09-658417	W-93	1 3/8"	2 7/8"	2 1/2"	5/8"	3 5/8"
M-7	09-604017	W-91	1 5/8"	2 7/8"	2 1/2"	5/8"	3 3/8"
M-1126	09-604317	W-92	2"	2 7/8"	2 1/2"	5/8"	3"
FOR 3/4" WHEEL STUDS							
M-3	09-612317	W-96	1 1/8"	2 7/8"	2 1/2"	3/4"	4"
M-1123	09-870817	W-103	1 1/4"	2 7/8"	2 1/2"	3/4"	4"
M-8	09-699317	W-98	1 1/2"	2 7/8"	2 1/2"	3/4"	3 5/8"
M-4	09-623517	W-97	1 3/4"	2 7/8"	2 1/2"	3/4"	3 3/8"
M-3600	09-851817	W-101	1 7/8"	2 7/8"	2 1/2"	3/4"	
M-1124	09-870917	W-104	2"	2 7/8"	2 1/2"	3/4"	3 3/8"
M-1125	09-705317	W-99	2 1/8"	2 7/8"	2 1/2"	3/4"	3"

DAYTON CLAMPS FOR CAST AND ALUMINUM WHEELS

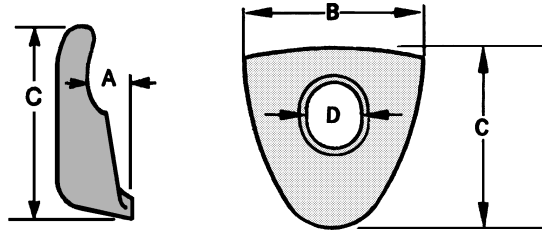


BWP NO.	REPLACES		A	B	C	D	SPACER BAND WIDTH
	DAYTON	NWRA					
FOR 5/8" WHEEL STUDS							
M-1101	5414*	— —	1"	2 1/2"	2 1/2"	5/8"	4"
M-6	09-717510	W-94	1"	3"	2 1/2"	5/8"	4"
FOR 3/4" WHEEL STUDS							
M-5	09-717110	W-100	1"	3"	2 1/2"	3/4"	4"
M-1103	6123*	— —	1"	2 1/2"	2 1/2"	3/4"	4"
M-1104	6235*	— —	1 5/8"	2 5/8"	2 1/2"	3/4"	3 3/8"

*INDICATES EARLY STYLE CLAMP

DAYTON WHEEL CLAMPS

DAYTON FRONT WHEEL CLAMPS



BWP NO.	REPLACES		A	B	C	D
	DAYTON	NWRA				

FOR 5/8" WHEEL STUDS

M-27	09-839910	W-84	1/2"	2"	2"	5/8"
-------------	-----------	------	------	----	----	------

FOR 3/4" WHEEL STUDS

M-1122	09-885310	W-85	1/2"	2"	2"	3/4"
---------------	-----------	------	------	----	----	------



BWP NO.	REPLACES		A	B	C	D
	DAYTON	NWRA				

FOR 5/8" WHEEL STUDS

M-30A	09-008422	W-86	1/4"	3 1/8"	2 5/8"	5/8"
--------------	-----------	------	------	--------	--------	------

FOR 3/4" WHEEL STUDS

M-30B	09-729514	W-87	3/16"	2 5/8"	2 5/8"	3/4"
--------------	-----------	------	-------	--------	--------	------



BWP NO.	REPLACES	A	B	C	D
M-3213	09-001422 MACK 15QJ251	15/16"	2 1/2"	2 5/8"	13/16"

DAYTON CLAMPS FOR DUAL REAR WHEELS



BWP NO.	REPLACES		A	B	C	D	SPACER BAND WIDTH
	DAYTON-MACK	NWRA					

FOR 3/4" WHEEL STUDS

M-1141	09-006256 15QJ16	W-112	1 1/8"	6"	2 7/16"	3/4"	4"
M-2500	15QJ16P3	—	1 5/16"	6"	2 1/2"	3/4"	4"
M-1105	09-006302	W-114	1 7/16"	6 7/8"	2 7/16"	3/4"	4"
M-1142	09-006257 15QJ17P1	W-113	1 13/16"	6"	2 7/16"	3/4"	3 3/8"

BWP NO.	REPLACES		A	B	C	D	SPACER BAND WIDTH
	DAYTON-MACK	NWRA					

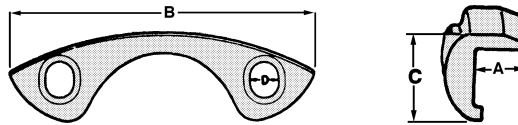
FOR 5/8" WHEEL STUDS

M-10	09-005822 15QJ149P1	W-110	1 3/4"	6"	2 1/2"	5/8"	3 3/8"
-------------	------------------------	-------	--------	----	--------	------	--------

NOTE: M-10 NO DRIVE LUGS

DAYTON WHEEL CLAMPS

USE THESE DIMENSIONS FOR MEASURING ALL THREE SPOKE CLAMPS:



DAYTON THREE SPOKE WHEEL CLAMPS



BWP NO.	REPLACES		A	B	C	D	WHEEL DIA.
	DAYTON	NWRA					
FOR 3/4" WHEEL STUDS							
M-1131	09-008629	---	1"	9 ⁷ / ₁₆ "	3"	3/4"	20"
M-1132	09-008630	W-80	1"	10 ³ / ₁₆ "	3 ¹ / ₄ "	3/4"	22"



BWP NO.	REPLACES		A	B	C	D	WHEEL DIA.
	DAYTON	NWRA					
FOR 3/4" WHEEL STUDS							
M-1138	09-008621	W-77	1"	10 ³ / ₁₆ "	3 ¹ / ₄ "	3/4"	22"
M-1139	09-008622	---	1"	9 ⁷ / ₁₆ "	3"	3/4"	20"

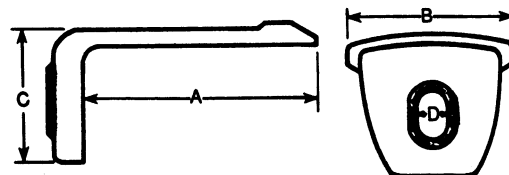


BWP NO.	REPLACES		A	B	C	D	WHEEL DIA.
	DAYTON	NWRA					
FOR 3/4" WHEEL STUDS							
M-1140	09-001228	---	1 ¹ / ₁₆ "	9 ¹ / ₄ "	2 ¹ / ₂ "	3/4"	20"



BWP NO.	REPLACES		A	B	C	D	WHEEL DIA.
	DAYTON	NWRA					
FOR 3/4" WHEEL STUDS							
M-3601	09-001229	---	1 ¹ / ₈ "	6 ¹³ / ₁₆ "	1 ³ / ₄ "	3/4"	15"

DAYTON SINGLE WHEEL MOUNT TO REPLACE DUAL WHEELS

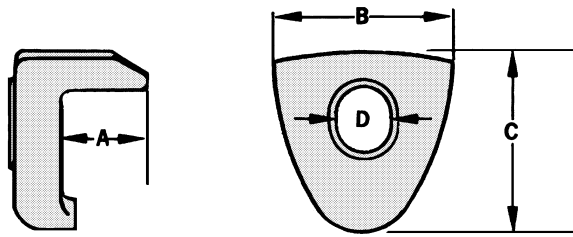


NOT RECOMMENDED FOR OFF HIGHWAY APPLICATIONS OR SEVERE SERVICE



BWP NO.	REPLACES	A	B	C	D
M-3212	DAYTON 09-007564 WEBB 3350	5 ³ / ₄ "	4 ³ / ₄ "	2 ¹ / ₁₆ "	3/4"

ERIE AND GOODYEAR WHEEL CLAMPS



ERIE WHEEL CLAMPS

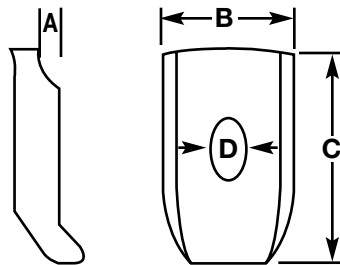


BWP NO.	REPLACES		A	B	C	D	SPACER BAND WIDTH
	ERIE	NWRA					
FOR 5/8" WHEEL BOLTS							
M-11	W-55K	W-55K	1 1/8"	3 1/2"	2 3/8"	3/4"	4"
M-12	W-56X	W-56X	1 1/4"	3 1/2"	2 1/4"	3/4"	4"
FOR 3/4" WHEEL BOLTS AND STUDS							
M-1143	H	W-57H	1 1/8"	3 1/2"	2 1/4"	3/4"	4"
M-1258	B	W-66B	1 3/16"	2 13/16"	2 1/8"	3/4"	4"
M-1259	B-2	W-105	1 7/8"	2 13/16"	2 1/8"	3/4"	3 3/8"

GOODYEAR WHEEL CLAMPS

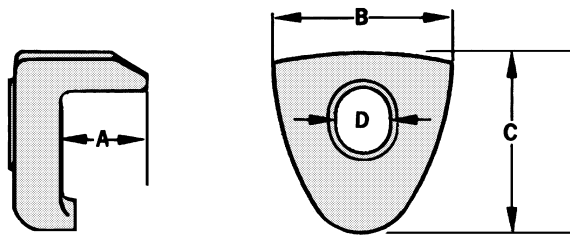


BWP NO.	REPLACES		A	B	C	D	NOTE
	GOODYEAR	NWRA					
FOR 3/4" WHEEL STUDS							
M-1282	CL-1008	---	1 3/16"	2 1/2"	2 7/16"	3/4"	REAR WHEELS
FOR 1/2" WHEEL STUDS							
M-3602	GY-562	---	1 1/16"	2 1/8"	1 13/16"	9/16"	REAR WHEELS



BWP NO.	REPLACES		A	B	C	D	APPLICATION
	GOODYEAR	NWRA					
FOR 3/4" WHEEL STUDS							
M-3603	CL-1022	---	3/8"	2 1/2"	3 13/32"	3/4"	VARIOUS TOW TRUCKS FORK LIFTS

GMC, GUNITE WHEEL CLAMPS



GUNITE WHEEL CLAMPS



CAST SHOWN

BWP NO.	REPLACES		A	B	C	D	SPACER BAND WIDTH
	GUNITE	NWRA					
M-1242	W-1138 CAST W-846 FORGE	W-255 W-242	1 ³ / ₈ "	2 ⁷ / ₈ "	2 ³ / ₈ "	3/4"	4"
M-1243	W-1110 CAST W-858 FORGE	W-256 W-241	1 ³ / ₁₆ "	2 ⁷ / ₈ "	2 ³ / ₈ "	3/4"	4"



FORGED SHOWN

BWP NO.	REPLACES		A	B	C	D	SPACER BAND WIDTH
	GUNITE	NWRA					
M-1244	W-866	W-239	1 ³ / ₄ "	2 ⁵ / ₁₆ "	2 ⁵ / ₁₆ "	3/4"	3 ⁵ / ₈ "



HEEL TYPE

BWP NO.	REPLACES		A	B	C	D	SPACER BAND WIDTH
	GUNITE	NWRA					
FOR 5/8" WHEEL STUDS							
M-1137	WP-367	— —	1 ¹ / ₈ "	2 ⁷ / ₈ "	2"	5/8"	4"
M-23	WP-193	W-184	1 ¹ / ₈ "	2 ⁷ / ₈ "	2 ³ / ₈ "	5/8"	4"
M-17	WP-9	W-182	1 ³ / ₈ "	3 ¹ / ₂ "	2 ³ / ₈ "	5/8"	4"
M-22	WP-166	W-185	1 ¹ / ₂ "	2 ⁷ / ₈ "	2 ³ / ₈ "	5/8"	3 ⁵ / ₈ "
M-20	WP-65	W-188	1 ⁵ / ₈ "	3 ¹ / ₂ "	2 ³ / ₈ "	5/8"	3 ⁵ / ₈ "



BWP NO.	REPLACES		A	B	C	D
	GUNITE	NWRA				
FOR 5/8" WHEEL STUDS						
M-1133	WP-259 WP-455	C-230	5/8"	2"	2 ¹ / ₄ "	5/8"

GUNITE WHEEL CLAMPS



HEEL TYPE



HEEL-LESS

BWP NO.	REPLACES		A	B	C	D	SPACER BAND WIDTH
	GUNITE	NWRA					
FOR 9/16" WHEEL STUDS							
M-21	WP-142	W-189	1"	2"	2"	9/16"	4"
FOR 5/8" WHEEL STUDS							
M-18	WP-17	W-186	1 3/8"	2 3/8"	2 3/8"	5/8"	4"
FOR 3/4" WHEEL STUDS							
M-1147	WP-318	W-190	1"	2 5/8"	2 3/8"	3/4"	4"
M-1148	WP-383	W-194	1 1/4"	2 5/8"	2 3/8"	3/4"	4"
M-1261	WP-433	W-196	1 1/4"	3 1/2"	2 7/16"	3/4"	4"
M-1262	WP-682	W-118	1 7/16"	2 1/2"	2 3/8"	3/4"	3 5/8"
M-1149	WP-384	W-195	1 5/8"	2 5/8"	2 3/8"	3/4"	3 5/8"

BWP NO.	REPLACES		A	B	C	D	SPACER BAND WIDTH
	GUNITE	NWRA					
FOR 3/4" WHEEL STUDS							
M-1134	WP-267	W-227	1"	2 3/8"	1 3/4"	3/4"	4"
M-1130*	WP-368	W-228	1 5/16"	2 1/4"	1 13/16"	3/4"	4"
M-1136	WP-344	W-191	1 1/2"	2 3/8"	1 3/4"	3/4"	3 5/8"
M-1135	WP-398	W-240	1 3/4"	2 3/8"	1 3/4"	3/4"	3 5/8"

*NOTE M-1130 ALSO REPLACES IHC 868368-R1.

GUNITE FRONT WHEEL CLAMPS

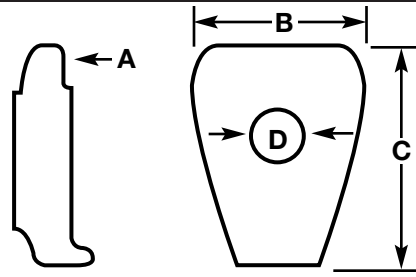


BWP NO.	REPLACES		A	B	C	D
	GUNITE	NWRA				
FOR 3/4" WHEEL STUDS						
M-2460	WP-722	W-243	1/2"	2 1/2"	3 3/8"	3/4"
M-2461	WP-725	W-244	5/8"	2 1/2"	3 3/8"	3/4"



BWP NO.	REPLACES		A	B	C	D
	GUNITE	NWRA				
FOR 5/8" WHEEL STUDS						
M-28	WP-80	C-181	5/8"	2 1/16"	2 1/2"	5/8"
FOR 3/4" WHEEL STUDS						
M-1188	WP-515	C-232	1/2"	2"	2 1/4"	3/4"
M-1173	WP-544	C-233	1/2"	2"	2 1/4"	3/4"
M-1189	WP-545	C-234	1/2"	2"	2 1/4"	3/4"

MACK WHEEL CLAMPS



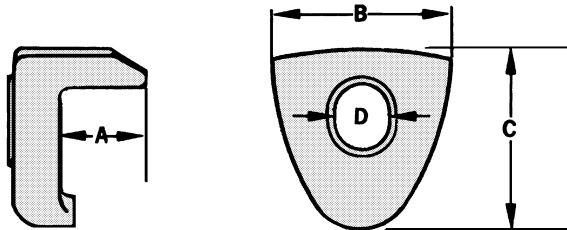
MACK FRONT WHEEL CLAMP



BWP NO.	REPLACES		A	B	C	D
	MACK	NWRA				
FOR 5/8" WHEEL STUDS						
M-1178	15QJ121B 15QJ121C	W-122	9/16"	1 3/4"	1 13/16"	5/8"



FOR 3/4" WHEEL STUDS						
BWP NO.	REPLACES		A	B	C	D
	MACK	NWRA				
M-3213	15QJ251	W-263	5/16"	2 1/2"	2 5/8"	1 3/16"



MACK REAR WHEEL CLAMPS



BWP NO.	REPLACES		A	B	C	D
	MACK	NWRA				
FOR 3/4" WHEEL STUDS						
M-1245	15QJ223BP1 15QJ223CP1	—	7/8"	2 1/2"	2 1/2"	3/4"
M-1246	15QJ223BP4 15QJ223CP4	W-189	1"	2 1/2"	2 1/2"	3/4"
M-1247	15QJ223BP5 15QJ223CP5	W-96	1 3/8"	2 1/2"	2 1/2"	3/4"
M-1248	15QJ223BP2 15QJ223CP2	—	1 5/8"	2 1/2"	2 1/2"	3/4"
M-26	15QJ223AP	—	1 3/4"	2 5/8"	2 1/2"	3/4"
M-1175	15QJ223BP8 15QJ223CP8	W-98	1 7/8"	2 1/2"	2 1/2"	3/4"
M-1249	15QJ223BP3 15QJ223CP3	W-97	2"	2 1/2"	2 1/2"	3/4"
M-1127	15QJ223BP6 15QJ223CP6	W-104	2 3/8"	2 1/2"	2 1/2"	3/4"

NAVISTAR (IHC) WHEEL CLAMPS

NAVISTAR (IHC) REAR WHEEL CLAMPS



BWP NO.	REPLACES		A	B	C	D
	IHC	NWRA				
FOR 5/8" WHEEL STUDS						
M-24	68335-H	W-163	1"	2 1/2"	2 1/2"	5/8"
M-1174	171194-R3	—	1 1/8"	3"	2 7/16"	5/8"
M-25	66091R1	W-164	1 3/8"	2 1/2"	2 3/8"	5/8"
FOR 3/4" WHEEL STUDS						
M-1260	189898R1	—	1 7/16"	3"	2 7/16"	3/4"



BWP NO.	REPLACES		A	B	C	D
	IHC	NWRA				
FOR 3/4" WHEEL STUDS						
M-1130	868368-R1	W-228	1 5/16"	2 1/4"	1 13/16"	3/4"

*NOTE: M-1130 ALSO REPLACES GUNITE WP-368.

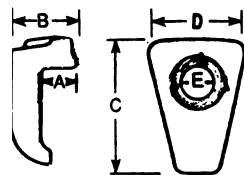
NAVISTAR (IHC) FRONT WHEEL CLAMPS



BWP NO.	REPLACES		A	B	C	D
	IHC	NWRA				
FOR 5/8" WHEEL STUDS						
M-30	19488-HB	C-162	1 1/8"	3 1/2"	2 3/4"	5/8"



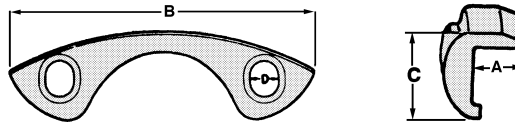
BWP NO.	REPLACES		A	B	C	D
	IHC	NWRA				
FOR 1/2" WHEEL STUDS						
M-29	27194-H	C-160	3/4"	1 3/4"	1 9/16"	1/2"



BWP NO.	REPLACES	A	C	D	E
M-3214	NAVISTAR 452010C1	1/2"	3 7/16"	2"	1 3/16"

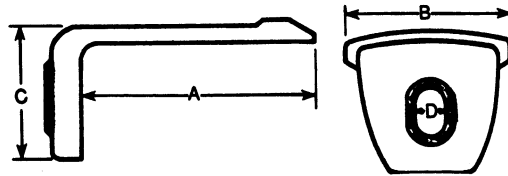
WEBB WHEEL CLAMPS

WEBB THREE SPOKE CLAMPS



BWP NO.	REPLACES		A	B	C	D	WHEEL DIA.
	WEBB	NWRA					
M-1128	3320	W-72	1 ¹ / ₁₆ "	10 ⁵ / ₈ "	2 ¹ / ₂ "	3/4"	20"
M-1129	3322	W-74	1 ¹ / ₁₆ "	12 ¹ / ₄ "	2 ¹ / ₈ "	3/4"	22"
M-1183	3314	W-68	1 ¹ / ₄ "	7 ³ / ₄ "	1 ⁵ / ₈ "	3/4"	15"
M-1185	3319	W-69	1 ⁵ / ₈ "	7 ³ / ₄ "	1 ⁵ / ₈ "	3/4"	15"

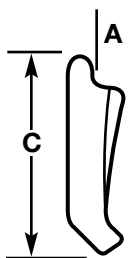
WEBB THREE SPOKE CLAMP (SINGLE WHEEL DUPLEX RIM)



NOTE: NOT ADVISED FOR SEVERE SERVICE OFF HIGHWAY USE.

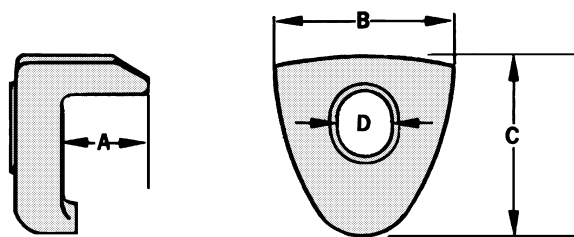
BWP NO.	REPLACES		A	B	C	D STUD DIA.
	WEBB	NWRA				
FOR 3/4" WHEEL STUDS						
M-3212	3350	---	5 ³ / ₄ "	4 ³ / ₄ "	2 ¹ / ₁₆ "	3/4"

WEBB FRONT WHEEL CLAMPS



BWP NO.	REPLACES	A	B	C	D STUD DIA.
M-3604	WEBB 16175 16177	1 ¹ / ₃₂ "	2 ⁵ / ₈ "	2 ³ / ₄ "	3/4"
M-3605	WEBB 16185 16187	1 ⁹ / ₃₂ "	2 ⁵ / ₈ "	2 ¹³ / ₁₆ "	3/4"

WEBB WHEEL CLAMPS



WEBB SPOKE WHEELS



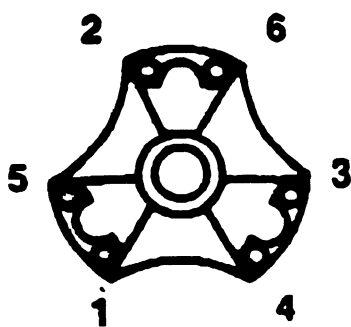
BWP NO.	REPLACES	A	B	C	D	SPACER WIDTH
M-1	WEBB 15414	1"	2 ⁷ / ₈ "	2 ¹ / ₂ "	5 ⁵ / ₈ "	4"
M-3	WEBB 16123	1 ¹ / ₈ "	2 ⁷ / ₈ "	2 ¹ / ₂ "	3 ³ / ₄ "	4"
M-8	WEBB 16129	1 ¹ / ₂ "	2 ⁷ / ₈ "	2 ¹ / ₂ "	3 ³ / ₄ "	3 ⁵ / ₈ "
M-3600	WEBB 16124	1 ⁷ / ₈ "	2 ⁷ / ₈ "	2 ¹ / ₂ "	3 ³ / ₄ "	

SPOKE WHEEL INSTALLATION AND MAINTENANCE

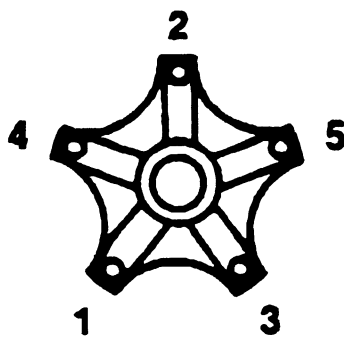
Rim Mounting Instructions

Rims must be correctly assembled, rim clamps must match the rim spacer width and rim clamp nuts must be correctly tightened to assure maximum service life and maximum safety.

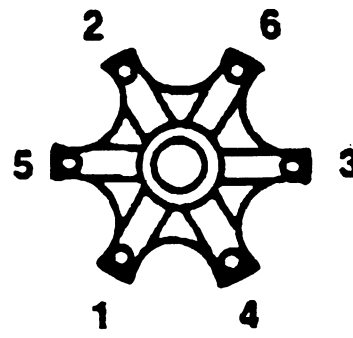
1. All parts must be clean, free of rust, dirt or paint.
2. Slide the inside rim over the wheel so the 28° mounting surfaces mate. Be sure the valve stem is pointing out and is centered between two spokes.
3. Slide the rim spacer over the wheel and against the inner rim.
4. Slide the outer rim over the wheel. Be sure the valve stem is pointing in and is centered between the same spokes as the inner valve stem.
5. Install the rim clamps and nuts. Lightly tighten the rim nuts while rotating the wheel.
6. Tighten the rim nuts a quarter turn at a time in order shown until tightened to the correct torque.



3 SPOKE



5 SPOKE

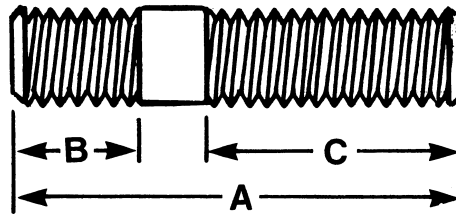


6 SPOKE

RECOMMENDED TORQUE 200 to 250 ft. lb.

CAST SPOKE WHEEL STUDS

USE THESE DIMENSIONS
FOR MEASURING ALL
WHEEL STUDS:



DAYTON WHEEL STUDS



BWP. NO.	REPLACES		DIA. THREAD	A	B	C	USE BWP NUT NO.
	DAYTON	NWRA					
M-37	08-005148	B-600	5/8"-11	2 ³ / ₈ "	7/8"	1 ³ / ₈ "	M-43
M-38	08-006654	B-601	5/8"-11	2 ³ / ₄ "	1"	1 ¹ / ₂ "	M-43
M-39	08-005715	B-602	3/4"-10	2 ¹³ / ₁₆ "	1 ¹ / ₁₆ "	1 ¹¹ / ₁₆ "	M-45
M-1102	08-008411	B-612	3/4"-10	3 ¹ / ₈ "	1"	1 ⁷ / ₈ "	M-45
M-40	08-034396	B-605	3/4"-10	3 ⁹ / ₁₆ "	1 ⁵ / ₈ "	1 ⁵ / ₈ "	M-45

GOODYEAR WHEEL STUDS



BWP. NO.	REPLACES		DIA. THREAD	A	B	C	USE BWP NUT NO.
	GOODYEAR	NWRA					
M-1263	ST-178	—	5/8"-11	3 ¹ / ₄ "	7/8"	1 ⁷ / ₈ "	M-43
M-1264	ST-770	X-1730	3/4"-10	3 ⁵ / ₈ "	1 ¹ / ₁₆ "	2 ³ / ₈ "	M-45
M-1265	ST-570	—	3/4"-10	4"	1 ¹ / ₁₆ "	2 ³ / ₄ "	M-45

MACK WHEEL STUDS



BWP. NO.	REPLACES		DIA. THREAD	A	B	C	USE BWP NUT NO.
	MACK	NWRA					
M-35	18-AX-405	B-606	3/4"-10 3/4"-16	2 ⁷ / ₈ "	7/8"	1 ³ / ₈ "	M-45



M-2462	18-AX-970	—	5/8"-18	3"	1 ³ / ₁₆ "	1 ³ / ₁₆ "	—
M-2465	18-AX-971	—	5/8"-18	3 ¹ / ₂ "	1 ⁷ / ₁₆ "	1 ³ / ₁₆ "	—

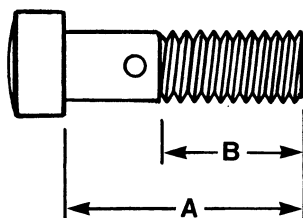
ALUMINUM WHEEL STUDS



BWP. NO.	REPLACES		DIA. THREAD	A	B	C	USE BWP NUT NO.
	OEM	NWRA					
M-1269	ALCOA B-5795 GUNITE WP-395	B-609	3/4"-10	3 ²¹ / ₃₂ "	1 ³ / ₄ "	1 ³ / ₄ "	M-45

CAST SPOKE WHEEL BOLTS

USE THESE DIMENSIONS FOR MEASURING ALL WHEEL BOLTS:

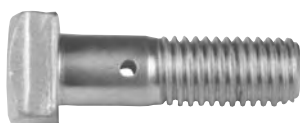


ERIE WHEEL BOLTS



BWP. NO.	REPLACES		DIA. THREAD	A	B	C	USE BWP NUT NO.
	ERIE	NWRA					
M-31	5095	B-610	5/8"-11	2"	1 5/16"	---	M-44
M-1144	5247	B-607	3/4"-10	2 1/4"	1 3/8"	---	M-1145

GUNITE WHEEL BOLTS



BWP. NO.	REPLACES		DIA. THREAD	A	B	C	USE BWP NUT NO.
	GUNITE	NWRA					
M-41	WP-1	B-604	5/8"-11	2 1/16"	1 3/16"	---	M-43
M-1100	---	---	3/4"-10	2 1/8"	1 3/16"	---	M-45
M-36	WP-165	---	9/16"-12	2 1/8"	1 1/16"	---	M-36A

NAVISTAR WHEEL BOLTS



BWP. NO.	REPLACES		DIA. THREAD	A	B	USE BWP NUT NO.
	IHC	NWRA				
M-32	68333H	B-467	5/8"-11	2"	1 3/16"	M-43
M-3606	172052R1 172746R1	---	5/8"-18	2"	1"	M-1455
M-34	75887H	N-3324	5/8"-11	2"	1 1/8"	M-43

BRAKE DRUM BOLTS



BWP. NO.	REPLACES			THREAD SIZE	LENGTH UNDER HEAD	USE BWP NUT NO.
	DAYTON	GUNITE	WEBB			
M-2454	08-201140	WP-185	8622	5/8"-18	2"	M-2457
M-2455	---	---	87521	3/4"-10	2"	M-2458
M-2456	08-201500	W-845	---	3/4"-16	2"	M-2459

BRAKE DRUM ATTACHING SCREW FOR OUT BOARD MOUNTING



BWP. NO.	REPLACES	THREAD SIZE	LENGTH
M-1285	BUDD 59891 FORD 355816-57	N.W. 87133 R.S. S-788-5	1/2"-13 1"

SPOKE WHEEL AND LIGHT TRUCK DISC WHEEL NUTS

DAYTON STYLE — CHAMFERED — SPOKE WHEEL NUTS



BWP NO.	REPLACES					THREAD	HEX
	DAYTON	ERIE	GUNITE	WEBB	NWRA		
M-43	08-005149	5270	WP-2	74611	N-26	5/8"-11	1 1/16"
M-45	08-005716	5260	WP-148	74710	N-40	3/4"-10	1 1/4"

ERIE STYLE — BALL FACE — SPOKE WHEEL NUTS



BWP NO.	REPLACES			THREAD	HEX
	DAYTON	ERIE	NWRA		
M-42	08-005354	—	N-17	1/2"-13	7/8"
M-44	08-005265	538-U	N-42	5/8"-11	1 1/16"
M-1145	—	5248-U	N-43	3/4"-10	1 1/4"

LOCK NUTS FOR BRAKE DRUM BOLTS



BWP NO.	REPLACES		THREAD SIZE	HEX	HEIGHT	USE WITH BOLT NO.
	DAYTON	GUNITE				
M-2823	—	—	5/8"-11	15/16"	35/64"	—
M-2457	08-201931	—	5/8"-18	15/16"	3/4"	M-2454
M-2458	—	—	3/4"-10	1 1/8"	3/4"	M-2455
M-2459	08-201932	W-823	3/4"-16	1 1/8"	21/32"	M-2456

LIGHT TRUCK CAP NUTS — 60° AND 90° CONICAL TAPER



BWP NO.	REPLACES		THREAD	HEX	HT	TYPE	TAPER	
	OEM	NWRA						
M-207	K-15085	N-10R	R/H	7/16"-20	3/4"	9/16"	CONICAL	60°
M-1201	K-21245	N-10L	L/H					
M-230	B-40417	X-1138	R/H	1/2"-20	3/4"	9/16"	CONICAL	60°
M-231	B-40418	X-1139	L/H					
M-212	K-30040	—	R/H	1/2"-20	3/4"	5/8"	CONICAL	60°
M-203	B-39388	X-1023R	R/H	1/2"-20	13/16"	5/8"	CONICAL	60°
M-204	B-39389	X-1023L	L/H					
M-236	B-64186	X-1140	R/H	9/16"-18	7/8"	5/8"	CONICAL	60°
M-237	B-64187	X-1141	L/H					
M-242	B-38594	X-1142	R/H	9/16"-18	7/8"	5/8"	BALL	—
M-243	B-38595	X-1143	L/H					
M-256	B-41233	X-1146	R/H	9/16"-18	1"	1 1/16"	CONICAL	90°
M-257	B-41234	X-1147	L/H					
M-3656	C7TZ-1120A	X-2067	R/H	9/16"-18	1 1/16"	5/8"	CONICAL	90°
M-3657	C7TZ-1121A	X-2068	L/H					
M-248	B-67147	X-1148	R/H	5/8"-18	1"	2 1/32"	CONICAL	90°
M-249	B-67148	X-1149	L/H					
M-248A	B-47147	—	R/H	5/8"-18	1 1/16"	2 1/32"	CONICAL	90°
M-249A	B-47148	—	L/H					

INNER NUTS FOR DISC WHEELS

STANDARD INNER CAP NUT — STEEL WHEELS



BWP NO.	REPLACES		OTHER THREAD	INNER THREAD	LENGTH	SQUARE HEAD	GRADE MATERIALS	
	BUDD	NWRA						
M-128	10708	X-1828	R/H	1 ¹ / ₈ "-16	3/4"-16	2 ¹ / ₈ "	1 ³ / ₁₆ "	5
M-129	10709	X-1829	L/H					
M-3396	3203403	—	R/H	1 ¹ / ₈ "-16	3/4"-16	2 ¹ / ₈ "	1 ³ / ₁₆ "	8
M-3397	3203404	—	L/H					

★ RECOMMENDED FOR SEVERE SERVICE

METRIC INNER DISC WHEEL NUTS



BWP NO.	HINO	NAVISTAR	IZUZU	GMC	THREAD
M-3982	9004-23101	43212Z5025R	1-42335-005-0R	94039630	RH
M-3983	9004-24101	43212Z5025L	1-42335-005-0L	94039631	LH

EXTRA LENGTH INNER CAP NUTS — STEEL WHEELS



BWP NO.	REPLACES		OUTER THREAD	INNER THREAD	LENGTH	SQUARE HEAD	GRADE MATERIALS	
	BUDD	NWRA						
M-130	35336	X-1835	R/H	1 ¹ / ₈ "-16	3/4"-16	2 ⁹ / ₁₆ "	1 ³ / ₁₆ "	8
M-131	35337	X-1836	L/H					
M-132	22621	X-1407	R/H	1 ¹ / ₈ "-16	3/4"-16	3 ¹ / ₁₆ "	1 ³ / ₁₆ "	
M-133	22622	X-1408	L/H					

HEAVY DUTY OFF-HIGHWAY INNER NUTS



BWP NO.	REPLACES		OUTER THREAD	INNER THREAD	LENGTH	SQUARE HEAD	GRADE MATERIALS	
	BUDD	NWRA						
M-140A	49414	X-1411	R/H	1 ⁵ / ₁₆ "-12	1 ⁵ / ₁₆ "-12	3"	1 ⁵ / ₁₆ "	8
M-140B	49415	X-1412	L/H					

STANDARD INNER CAP NUTS — ALUMINUM WHEELS



BWP NO.	REPLACES		OTHER THREAD	INNER THREAD	LENGTH	SQUARE HEAD	GRADE MATERIALS	
	BUDD	NWRA						
M-136	70611	X1801	R/H	1 ¹ / ₈ "-16	3/4"-16	2 ⁵ / ₈ "	1 ³ / ₁₆ "	8
M-137	70612	X-1802	L/H					

EXTRA LENGTH INNER CAP NUTS GRADE 8 — ALUMINUM WHEELS



BWP NO.	REPLACES		OUTER THREAD	INNER THREAD	LENGTH	SQUARE HEAD	GRADE MATERIALS	
	ALCOA	NWRA						
M-2400	5988R	X-1873	R/H	1 ¹ / ₈ "-16	3/4"-16	2 ¹⁵ / ₁₆ "	1 ³ / ₁₆ "	8
M-2401	5988L	X-1874	L/H					

NOTE: ALSO AVAILABLE WITH FULL INNER THREAD. ORDER AS "M-2400 FULL THREAD ONLY"

INNER NUTS FOR DISC WHEELS

V-BELT DRIVE INNER CAP NUTS — ALUMINUM WHEELS



BWP NO.	REPLACES		OUTER THREAD	INNER THREAD	LENGTH	SQUARE HEAD	GRADE MATERIALS	
	ALCOA	NWRA						
M-1160	5567R	X-2023	R/H	1 ¹ / ₈ "-16	3 ³ / ₄ "-16	3 ¹ / ₄ "	1 ³ / ₁₆ "	5
M-1161	5567L	X-2024	L/H					

DISC WHEEL OUTER AND FRONT NUTS

STANDARD OUTER CAP NUTS



BWP NO.	REPLACES		THREAD	HEX	HT.	MAT'L GRADE	GENERAL INFORMATION	
	BUDD	NWRA						
M-126	37891	X-1831	R/H	1 ¹ / ₈ "-16	1 ¹ / ₂ "	7 ⁷ / ₈ "	5	STANDARD FOR STEEL & ALUMINUM DUAL WHEELS & SINGLE WHEELS WITH 1 ¹ / ₈ " DIA. STUDS
M-127	37892	X-1832	L/H					
M-3394	ALCOA	NWRA	R/H	1 ¹ / ₈ "-16	1 ¹ / ₂ "	7 ⁷ / ₈ "	8	
	5977R	— —						
M-3395	ALCOA	NWRA	L/H	1 ¹ / ₈ "-16	1 ¹ / ₂ "	7 ⁷ / ₈ "	8	
	5977L	— —						

NOTE: FOR HEAVY DUTY APPLICATIONS USE M-166 & M-167

METRIC OUTER DISC WHEEL NUTS



BWP NO.	HINO	NAVISTAR	IZUZU	THREAD	APPLICATION
M-3980	9004-21112	433241Z5025R	1-42333-023-0R	RH	USE WITH M-3982 & 3 INNER NUTS
M-3981	9004-22104	433241Z5025L	1-42333-023-0L	LH	

OUTER CAP NUTS — WIDE BASE ALUMINUM WHEELS



BWP NO.	REPLACES	THREAD	HEX	HT.	GENERAL INFORMATION
M-3210	ALCOA 5996R	R/H 1 ¹ / ₈ "-16	1 ¹ / ₂ "	1"	USED WITH WIDE BASED ALUMINUM WHEELS COUNTERBORE ON I.D.
M-3211	ALCOA 5996L	L/H 1 ¹ / ₈ "-16	1 ¹ / ₂ "	1"	

OUTER CAP NUTS — WIDE BASE ALUMINUM WHEELS



BWP NO.	REPLACES	THREAD	HEX	HT.	GENERAL INFORMATION
M-3208	ALCOA 5995R	R/H 3 ³ / ₄ "-16	1 ¹ / ₂ "	1 ³ / ₈ "	USED WITH WIDE BASED ALUMINUM WHEELS
M-3209	ALCOA 5995L	L/H 3 ³ / ₄ "-16	1 ¹ / ₂ "	1 ³ / ₈ "	

DISC WHEEL OUTER AND FRONT NUTS

STANDARD OUTER CAP NUTS — SINGLE WHEELS



BWP NO.	REPLACES		THREAD	HEX	HT.	GENERAL INFORMATION	
	BUDD	NWRA					
M-124	37888	X-1803	R/H	3/4"-16	1 1/2"	7/8"	STANDARD FOR FRONT & REAR SINGLE MOUNTED WHEELS
M-125	37889	X-1804	L/H				

NOTE: FOR HEAVY DUTY APPLICATIONS USE M-164 M-165

STANDARD FRONT OR SINGLE REAR ALUMINUM WHEEL NUTS



BWP NO.	REPLACES		THREAD	HEX	HT.	GENERAL INFORMATION	
	BUDD	NWRA					
M-134	70613	X-1807	R/H	3/4"-16	1 1/2"	1"	FOR USE ON ALUMINUM WHEELS
M-135	70614	X-1808	L/H				

DISC WHEEL AND FLANGE NUTS

HEAVY DUTY OFF-HIGHWAY OUTER OR SINGLE CAP NUTS



BWP NO.	REPLACES		THREAD	HEX	GENERAL INFORMATION	
	BUDD	NWRA				
M-140C	48051	X-1414	R/H	1 3/16"-12	1 3/4"	FOR HEAVY DUTY OPERATIONS WITH EXTREME LOADS
M-140D	48052	X-1415	L/H			
M-140E	49416	X-1416	R/H	1 5/16"-12	1 3/4"	USE WITH M-140A & M-140B INNER NUTS
M-140F	49417	X-1417	L/H			

HEAVY DUTY OFF-HIGHWAY OUTER OR SINGLE CAP NUTS



BWP NO.	REPLACES		THREAD	HEX	GENERAL INFORMATION	
	BUDD	NWRA				
M-140G	67011	X-1362	R/H	1 1/8"-16	1 3/4"	TO ADAPT HEAVY DUTY MOUNTING TO 1 1/8" STUDS
M-140H	67012	X-1363	L/H			
M-140J	76635	X-1644	R/H	1 5/16"-12	1 3/4"	FOR HEAVY DUTY OPERATIONS WITH EXTREME LOADS
M-140K	76636	X-1645	L/H			

FLANGED OUTER CAP NUTS — HEAVY DUTY



BWP NO.	REPLACES		THREAD	HEX	GENERAL INFORMATION	
	BUDD	NWRA				
M-166	69912	X-1420	R/H	1 1/2"-16	1 1/2"	HEAVY DUTY VERSION OF M-126, M-127 USED FOR SEVERE SERVICE
M-167	69913	X-1421	L/H			

DISC WHEEL FLANGE NUTS

FLANGED OUTER CAP NUTS — SINGLE WHEELS



BWP NO.	REPLACES		THREAD	HEX	GENERAL INFORMATION	
	BUDD	NWRA				
M-164	77136	X-1418	R/H	3/4"-16	1 1/2"	HEAVY DUTY VERSION OF M-124, M-125 USED FOR SEVERE SERVICE
M-165	71737	X-1419	L/H			

FLANGED NUTS



BWP NO.	REPLACES		THREAD	HEX	HEIGHT	GENERAL INFORMATION
	BUDD	NWRA				
M-1254	GMC 3988631	X-1470	9/16"-18 RH	7/8"	1/2"	FOR CHEV. & GMC 3/4 & 1 TON TRUCKS
M-1266	95188 3637720	X-1837	5/8"-18 RH	1 1/8"	1 1/16"	FOR DODGE TRUCKS WITH 1 TON DUALS
M-1267	95189 3637719	X-1838	5/8"-18 LH	1 1/8"	1 1/16"	
M-157	81269 GMC 3771410	X-1110	1 1/16"-16 RH	1 1/8"	1 1/16"	USE WITH M-158 & M-159 STUDS
M-1153	84608 FORD C3TZ-1120A	X-1342	3/4"-16 RH	1 1/8"	1 1/16"	USE WITH M-1151, M-1152 & M-1284 STUDS

MOTOR WHEEL CONE LOCK NUTS — FLOATING FLANGE



BWP NO.	REPLACES		THREAD	HEX	HEIGHT	GENERAL INFORMATION
	MW	NWRA				
M-142	08434	X-1164	3/4"-16	1 3/16"	1 5/16"	THE CONE LOCK NUT IDENTIFIES THE MOTOR WHEEL MOUNTING. THEY ARE FOR "SINGLE NUT" APPLICATIONS ONLY.
M-143	06605	—	3/4"-16	1 3/16"	1 5/16"	
M-144	07652	X-1687	7/8"-14	1 1/2"	7/8"	
M-145	07669	X-1818	7/8"-14	1 1/2"	1 5/16"	

BUDD METRIC FLANGE NUT



BWP NO.	REPLACES BUDD	THREAD	HEX	HT	APPLICATION
M-3203	106333	M22X1.5	1 1/4" (33MM)	1 7/32" (31MM)	BUDD UNMOUNT 10 WHEEL STUDS

NOTE: USE M-3269 WRENCH

METFORM/SECUREX METRIC FLANGE NUT



BWP NO.	REPLACES	THREAD	HEX	HEIGHT	APPLICATION
M-3979	METFORM/SECUREX 39701/627 ALCOA 39691/39949 FORD E6HZ1120A NAVISTAR 1649492C1	M22X1.5	1 3/10" (33mm)	1 1/32" (32mm)	ALCOA HUB PILOTTED WHEELS

DISC WHEEL FLANGE NUTS

MOTOR WHEEL METRIC FLANGE NUT



BWP NO.	REPLACES MOTOR WHEEL	THREAD	HEX	HT	APPLICATION
M-3207	88881	M22X1.5	1 1/2" (38MM)	1 3/8" (34.9MM)	MOTOR WHEEL 8 STUD WHEELS

BACK NUTS



BWP NO.	REPLACES		THREAD	HEX	HEIGHT	APPLICATION
	BUDD	NWRA				
M-2459	41073-7	X-1068	3/4"-16	1 1/16"	1 1/16"	HEAT TREATED LOCKNUTS
	47693-7	X-1432				
M-1255	41073-8 47693-8	X-1431	7/8"-14	1 1/4"	1 7/8"	
M-1268	44672-9	X-1445	1"-14	1 7/16"	1 1/16"	

FLAT WHEEL NUTS



BWP NO.	REPLACES		THREAD	HEX	HEIGHT	REPLACES OEM NO.
	KELSEY	NWRA				
M-220	K43935	X-1124	1/2"-20	7/8"	1/2"	CHEV. 3726212
M-140	K38604	X-1430	5/8"-18	1 1/16"	39/64"	GMC 3724246



M-215	K34435	X-1122	1/2"-20	3/4"	7/16"	N.W. 86897
--------------	--------	--------	---------	------	-------	------------

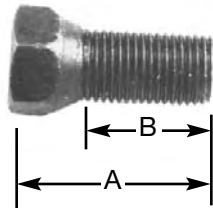
REINFORCING FLANGE — FOR OFF-HIGHWAY INNER NUTS



BWP NO.	REPLACES BUDD	I.D.	O.D.	GENERAL INFORMATION
M-168	71551	1 3/8"	2 1/2"	USED WITH M-140A, B, E & F HEAVY DUTY NUTS. TWICE THE EFFECTIVE PRESSURE AREA IS PROVIDED INCREASING MOUNTING STRENGTH.

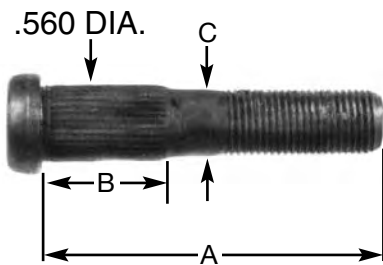
DISC WHEEL STUDS - LIGHT TRUCK

3/4" HEX HEAD WHEEL STUDS



BWP NO.	REPLACES		THREAD	A	B
	DODGE	NWRA			
M-225	393984	X-1064	1/2"-20 RH	1 1/2"	7/8"
M-226	856981	X-1065	1/2"-20 LH		
M-200	386985 M.W. 05163	X-1092	9/16"-18 RH	1 1/2"	7/8"
M-227	856982	X-1093	9/16"-18 LH		

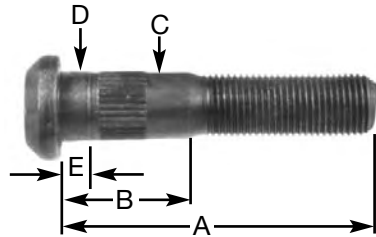
1/2"-20 THREAD — KELSEY-GMC STUDS



BWP NO.	REPLACES			A	B	C
	KELSEY	GM	NWRA			
M-210	30019	---	X-1236	1 3/4"	11/16"	9/16"
M-219	43936	---	X-1241	2 5/16"	15/16"	9/16"
M-214	43941	---	X-1242	2 1/2"	15/16"	9/16"
M-214A	---	3819780	---	2 7/8"	15/16"	9/16"

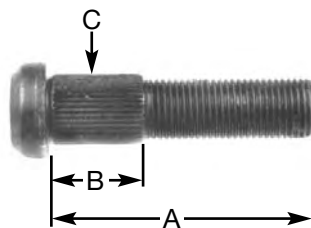
ALL R/H STUDS

9/16"-18 THREAD — SHOULDER UNDER HEAD — FORD TRUCK



BWP NO.	REPLACES FORD	THREAD	A	B	C	D	E	USE BWP NUT NO.
M-1270	DOTZ-1107A	R/H	2 13/16"	1 1/8"	1 9/32"	5/8"	9/32"	M-256
M-1271	DOTZ-1119A	L/H						M-257

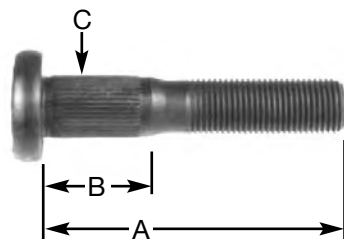
9/16"-18 THREAD — BUDD, MOTOR WHEEL



BWP NO.	REPLACES			A	B	C
	M.W.	BUDD	NWRA			
M-1163	81109	---	X-1198	1 5/8"	5/8"	5/8"
M-1172	81118	---	X-1196	2 5/16"	13/16"	5/8"
M-90	---	31439	---	3 1/4"	1 19/64"	1 9/32"

ALL R/H STUDS

9/16"-18 THREAD — CHEVROLET TRUCK

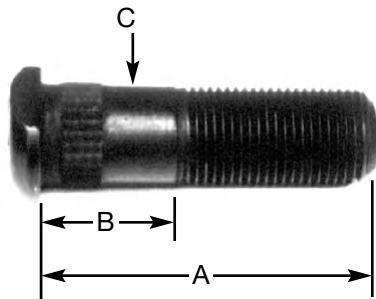


BWP NO.	REPLACES		A	B	C
	CHEV. TRUCK	NWRA			
M-1276	3988538	X-1473	3"	1 1/16"	5/8"
M-1277	3993579	---	3 3/16"	1 3/4"	5/8"
M-1278	334386	---	3 1/2"	1 1/16"	5/8"
M-1279	355815	---	3 9/16"	1 5/16"	5/8"

ALL R/H STUDS

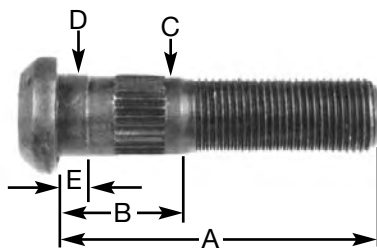
DISC WHEEL STUDS – LIGHT TRUCK

5/8"–18 THREAD — CLIPPED HEAD — BUDD, KELSEY



BWP NO.	REPLACES			THREAD	A	B	C
	BUDD	KELSEY	NWRA				
M-92	67458	36733	X-1184 X-1286	R/H	2 1/8"	13/16"	5/8"
M-93	67459	36734	X-1185 X-1287	L/H			
M-94	67461	37555	X-1190 X-1250	R/H	2 7/16"	13/16"	5/8"
M-95	67462	37556	X-1191 X-1251	L/H			

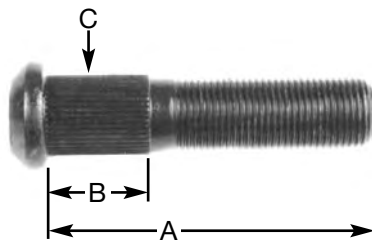
5/8"–18 THREAD — SHOULDER UNDER HEAD — BUDD



BWP NO.	REPLACES		THD.	A	B	C	D	E	USE BWP NUT
	BUDD	STD. FG. DODGE							
M-1280	92176	301123	R/H	2 9/16"	15/16"	5/8"	2 1/32"	1/4"	M-248
M-1281	92177	301124	L/H						M-249
M-1272	98348	3637878	R/H	2 15/16"	15/16"	5/8"	2 1/32"	1/4"	M-1266
M-1273	98349	3637879	L/H						M-1267

5/8"–18 THREAD — KELSEY STUDS

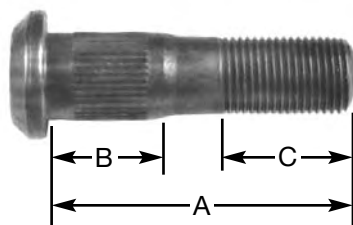
ALL R/H STUDS



BWP NO.	REPLACES		A	B	C
	KELSEY	GMC			
M-100	K-38606	3707583	1 11/16"	9/16"	1 1/16"
M-91	K-30020	3682387	2"	9/16"	1 1/16"
M-96	K-30021	3682389	2 13/16"	7/8"	1 1/16"
M-101	K-38605	3707585	2 27/32"	1"	1 1/16"
M-97	K-34460	3694508	2 15/16"	3/4"	1 1/16"
M-99	K-31104	3682153	3 3/64"	1 7/64"	1 1/16"
M-98	K-43939	3697043	3 3/16"	1"	1 1/16"

1 1/16"–16 THREAD — BUDD, GMC — BODY DIA. .728–.732

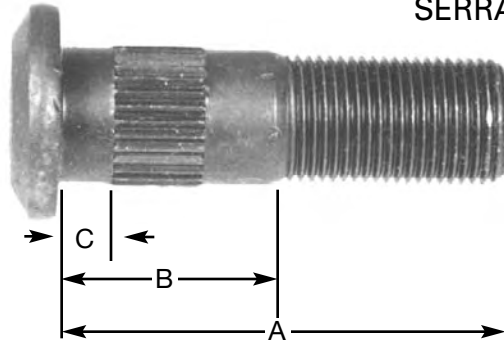
ALL R/H STUDS



BWP NO.	REPLACES			A	B	C	NOTE
	BUDD	GMC	NWRA				
M-158	82525	3763619	X-1108	2 5/8"	1"	1 1/8"	FRONT WHEELS USE M-157 NUT
M-159	82526	3765876	X-1109	3 1/4"	1"	1 27/64"	REAR WHEELS USE M-157 NUT
M-1283	83172	S.F. 301112-1	—	3 1/4"	1 21/64"	1 3/8"	USE M-157 NUT

HEADED DISC WHEEL STUDS

3/4" -16 THREAD — SERRATED BODY BODY DIA. .783-.786 GRADE 8
SERRATED DIA. .810-.820



① = BODY DIA. .778-.781
 ② = BODY DIA. .783-.789

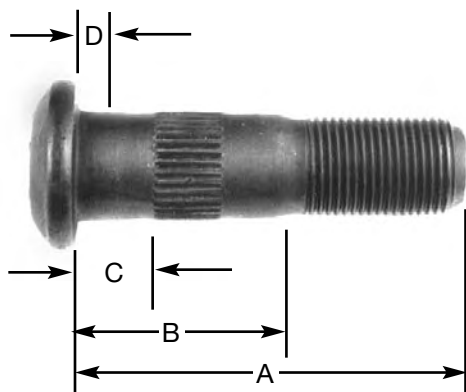
★ = NEW STUD

BWP NO.		REPLACES				A	B	C
		MFG. NO.		NWRA				
R/H	L/H	R/H	L/H	R/H	L/H			
M-72	M-73	BUDD 59364	BUDD 59365	X-1858	X-1859	2 1/8"	3/4"	1/4"
M-74	M-75	BUDD 59191 WEBB 159190	BUDD 59192 WEBB 159191	X-1080	X-1081	2 3/8"	1"	1/4"
M-1286	M-1287	M.W. 87319 ①*	M.W. 87320 ①*	X-1768	X1769	2 15/32"	15/16"	5/16"
★ M-3926	M-3927	GUNITE W1091R	GUNITE W1091L	---	---	2 1/2"	3/4"	1/4"
M-76	M-77	BUDD 59263 TRAILMOBILE 50-33A-29	BUDD 59264 TRAILMOBILE 50-33A-30	X-1712	X-1713	2 5/8"	1 1/4"	5/16"
★ M-3928	M-3929	GUNITE WP465 & 6R	GUNITE WP465 & 6L	---	---	2 5/8"	1 11/32"	1/4"
★ M-3930	M-3931	GUNITE W1170R	GUNITE W1170L	---	---	2 11/16"	31/32"	1/4"
M-3648	M-3649	CONMET 102192 WEBB 102192	CONMET 102191 WEBB 102191	---	---	2 25/32"	1 1/16"	1/8"
M-78	M-79	BUDD 61968 MERITOR 20X1576 G.M. 3723968	BUDD 61969 MERITOR 20X1575 G.M. 3723969	X-1823	X-1824	2 7/8"	1 1/2"	1/4"
★ M-3954	M-3955	MERITOR 20X1812	MERITOR 20X1811	---	---	2 29/32"	1 1/16"	1/2"
M-3608	M-3609	BUDD 100145 WEBB 159184	BUDD 100146 WEBB 159183	---	---	2 31/32"	1 13/32"	1/2"
M3610	M-3611	GUNITE W-981R G.M. 15580830	GUNITE W-981L G.M. 15580833	---	---	2 15/16"	15/16"	1/4"
★ M-3932	M-3933	GUNITE W1064R	GUNITE W1064L	---	---	3"	1 21/32"	1/4"
M-3612	M-3613	GUNITE W-1166R	GUNITE W-1166L	---	---	3 1/8"	1 11/32"	1/4"
M-3650	M-3651	CONMET 102278 WEBB 102278	COMMET 102277 WEBB 102277	---	---	3 5/32"	1 7/16"	1/8"
M-3614	M-3615	GUNITE W-980R	GUNITE W-980L	---	---	3 3/16"	1 13/32"	1/4"
★ M-3934	M-3935	GUNITE W1006R	GUNITE W1006L	---	---	3 1/4"	1 3/4"	1/4"
M-3241	M-3242	GUNITE W-1133R W-992R	GUNITE W-1133L W-992L	---	---	3 11/32"	1 9/32"	1/4"
M-3616	M-3617	WEBB 100164 ②*	WEBB 100163 ②*	---	---	3 12/32"	1 13/32"	1/2"
M-3652	M-3653	CONMET 102280 WEBB 102280	CONMET 102279 WEBB 102279	---	---	3 13/32"	1 7/16"	1/8"
★ M-3936	M-3937	GUNITE W1033R	GUNITE W1033L	---	---	3 3/8"	1 29/32"	1/4"
M-3654	M-3655	CONMET 102282 WEBB 102282	CONMET 102281 WEBB 102281	---	---	3 25/32"	1 7/16"	1/8"

HEADED DISC WHEEL STUDS

3/4" - 16 THREAD — SERRATED BODY WITH RAISED SHOULDER

GRADE 8



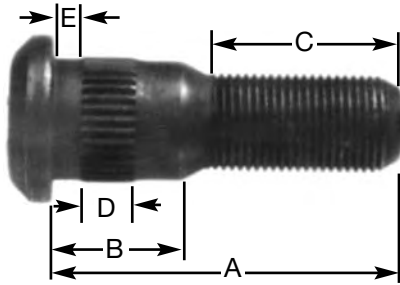
BODY DIA. .783-.786
SERRATED DIA. .810-.820
RAISED SHOULDER DIA. .798-.808

BWP NO. R/H L/H		REPLACES				A	B	C	D
		MFG. NO.		NWRA					
		R/H	L/H	R/H	L/H				
M-1206	M-1207	BUDD 90553	BUDD 90554	X-1688	X-1689	2 ³ / ₈ "	1"	3/ ₈ "	3/ ₁₆ "
M-1208	M-1209	BUDD 90513	BUDD 90514	X-1693	X-1694	2 ⁵ / ₈ "	1 ¹ / ₄ "	7/ ₁₆ "	3/ ₁₆ "
M-1151	---	BUDD 85108 FORD C3T2-1118A	---	---	---	2 ³ / ₄ "	1 ³ / ₈ "	1/ ₂ "	1/ ₄ "
M-80	M-81	BUDD 49851 TRAILMOBILE 50-33A-25 WHITE 6043825 MERITOR 20X996 WEBB 198510	BUDD 49852 TRAILMOBILE 50-33A-26 WHITE 6043826 MERITOR 20X997 WEBB 198511	X-1384	X-1385	2 ⁷ / ₈ "	1 ¹ / ₂ "	1/ ₂ "	5/ ₁₆ "
M-1284	---	BUDD 85141 FORD CTZ-1119A	---	X-1700	---	3"	1 ⁹ / ₁₆ "	1/ ₂ "	5/ ₁₆ "
M-82	M-83	BUDD 59183 FREHAUF 582886	BUDD 59184 FRUEHAUF 582887	X-1386	X-1387	3 ¹ / ₈ "	1 ³ / ₄ "	9/ ₁₆ "	5/ ₁₆ "
M-1152	---	BUDD 85106 FORD CTZ-1119A	---	X-1701	---	3 ³ / ₈ "	1 ¹³ / ₁₆ "	1/ ₂ "	5/ ₁₆ "
M-1120	M-1121	BUDD 84097	BUDD 84098	X-1702	X-1703	3 ³ / ₈ "	2"	3/ ₈ "	3/ ₁₆ "
M-1110	M-1111	BUDD 59066	BUDD 59067	X-1704	X-1705	3 ³ / ₈ "	2"	9/ ₁₆ "	5/ ₁₆ "
M-1112	M-1113	BUDD 59375	BUDD 59376	X-1706	X-1707	3 ⁵ / ₈ "	2 ¹ / ₄ "	9/ ₁₆ "	5/ ₁₆ "
M-1176	M-1177	BUDD 59373	BUDD 59374	X-1708	X-1709	3 ⁷ / ₈ "	2 ¹ / ₂ "	9/ ₁₆ "	5/ ₁₆ "
M-1210	M-1211	BUDD 59371	BUDD 59372	X-1710	X-1711	4 ¹ / ₈ "	2 ³ / ₄ "	9/ ₁₆ "	5/ ₁₆ "

HEADED DISC WHEEL STUDS

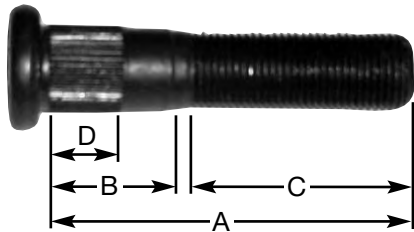
BUDD UNIMOUNT WHEEL STUD

$\frac{3}{4}$ "-16 THREAD — SERRATED BODY BODY DIA. .900-.906 GRADE 8
SERRATED DIA. .935-.942



BWP NO.		REPLACES MFG. NO.		A	B	C	D	E
R/H	L/H	R/H	L/H					
M-3218	M-3219	BUDD 106201	BUDD 106202	2 ¹⁹ / ₃₂ "	1"	1 ¹ / ₄ "	1 ³ / ₃₂ "	6 ⁶ / ₃₂ "

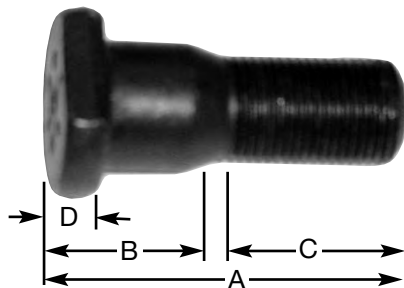
$\frac{11}{16}$ "-16 THREAD — SERRATED BODY BODY DIA. .747-.749
SERRATED DIA. .761-.767



BWP NO.		REPLACES MFG. NO.		A	B	C	D
★ M-3956	RH	GMC 3874369	RH				
★ M-3957	LH	GMC 704173	LH	3 ⁵ / ₈ "	1 ⁵ / ₁₆ "	1 ³¹ / ₃₂ "	1 ¹ / ₂ "

★ = NEW STUD

$\frac{3}{4}$ "-16 THREAD — "D" HEAD STUDS FOR DURA-LIGHT HUBS
BODY DIA. .888

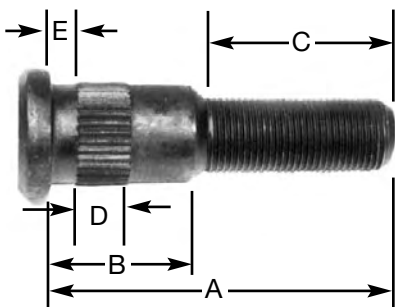


BWP NO.		REPLACES MFG. NO.		A	B	C	D
R/H	L/H	R/H	L/H				
★ M-3958	M-3959	WALTHER EMC 02-00031	WALTHER EMC 02-00032	2 ¹ / ₁₆ "	5 ⁵ / ₈ "	1 ¹ / ₈ "	5 ⁵ / ₁₆ "
★ M-3960	M-3961	WALTHER EMC 02-00027	WALTHER EMC 02-00028	2 ¹¹ / ₃₂ "	5 ⁵ / ₈ "	1 ³ / ₈ "	5 ⁵ / ₁₆ "

★ = NEW STUD

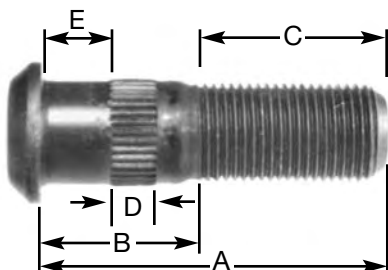
HEADED DISC WHEEL STUDS

3/4"–16 THREAD — SERRATED BODY BODY DIA. .971–.975 GRADE 8
SERRATED DIA. .998–.1006



BWP NO.		REPLACES MFG. NO.		A	B	C	D	E
R/H	L/H	R/H	L/H					
M-3618	M-3619	WEBB 101172	WEBB 101173	27/8"	13/16"	1 1/8"	3/8"	1/4"
M-3620	M-3621	GUNITE W-1199R	GUNITE W-1199L	3 3/8"	1 3/8"	1 13/16"	1/2"	1/4"
M-3622	M-3623	MERITOR 20X348	MERITOR 20X349	3 5/8"	1 3/16"	1 1/8"	7/16"	1/8"
M-3624	M-3625	GUNITE W985R	GUNITE W-985L	3 7/16"	1 15/16"	1 5/16"	3/4"	1"

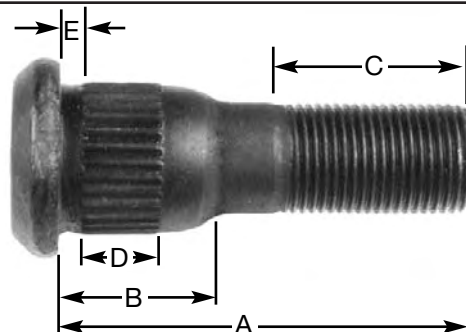
15/16"–12 THREAD — SERRATED BODY BODY DIA. .971–.975 GRADE 8
SERRATED DIA. .998–1.005



BWP NO.		REPLACES MFG. NO.		A	B	C	D	E
		R/H	L/H					
M-1296	M-1297	MERITOR 20X804	MERITOR 20X803	3 3/16"	1 1/2"	1 5/8"	3/8"	5/8"
M-1298	M-1299	MERITOR 20X512	MERITOR 20X511	3 7/8"	1 3/16"	1 7/8"	1/2"	5/8"

HEADED DISC WHEEL STUDS

3/4" -16 THREAD — SERRATED BODY
 BODY DIA. .973-.977
 SERRATED BODY DIA. .998-.1006



① USE IN PLACE OF M-1288 R & L FOR CAST DRUMS

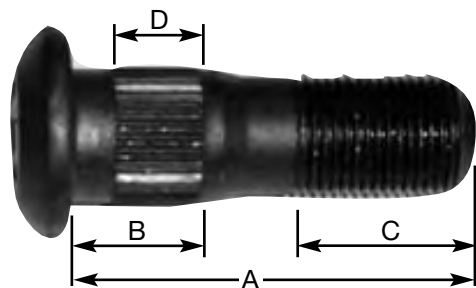
★ = NEW STUD

BWP NO. R/H L/H		REPLACES				A	B	C	D	E
		MFG. NO.		NWRA						
		R/H	L/H	R/H	L/H					
M-84	M-85	BUDD 63625-2 MERITOR 20X208	BUDD 63626-2 MERITOR 20X209	X-1833	X-1834	2 ³ / ₈ "	1 ³ / ₁₆ "	1 ⁵ / ₃₂ "	7/ ₁₆ "	1/ ₈ "
M-86	M-87	BUDD 63625-3 MERITOR 20X210	BUDD 63626-3 MERITOR 20X211	X-1391	X-1392	2 ⁹ / ₁₆ "	1 ³ / ₁₆ "	1 ⁵ / ₃₂ "	5/ ₈ "	1/ ₈ "
M-88	M-89	BUDD 63625-1 MERITOR 20X206	BUDD 63626-1 MERITOR 20X207	X-1393	X-1394	2 ²³ / ₃₂ "	1 ³ / ₁₆ "	1 ⁵ / ₃₂ "	7/ ₁₆ "	1/ ₈ "
M-2432	M-2433	MERITOR 20X402	MERITOR 20X403	X-1884	X-1885	2 ⁹ / ₁₆ "	1 ⁵ / ₁₆ "	1 ¹ / ₄ "	7/ ₁₆ "	9/ ₃₂ "
M-2434	M-2435	MERITOR 20X831	MERITOR 20X832	X-1905	X-1906	2 ¹¹ / ₁₆ "	1 ³ / ₁₆ "	1 ⁷ / ₁₆ "	7/ ₁₆ "	1/ ₈ "
M-1106	M-1107	BUDD 82578 MERITOR 20X404	BUDD 82579 MERITOR 20X405	X-1843	X-1844	2 ¹³ / ₁₆ "	1 ³ / ₁₆ "	1 ³ / ₁₆ "	1/ ₂ "	3/ ₈ "
M-1288	M-1289	NW 86797 NAVISTAR 472008C	NW86798 NAVISTAR 472007C1	X-1762	X-1763	2 ¹⁵ / ₁₆ "	1 ¹ / ₄ "	1 ¹ / ₄ "	1"	1/ ₁₆ "
M-2436	M-2437	MERITOR 20X344	MERITOR 20X345	X-1888	X-1889	3 ¹ / ₁₆ "	1 ³ / ₁₆ "	1 ¹ / ₂ "	7/ ₁₆ "	1/ ₈ "
M-1212	M-1213	MERITOR 20X481	MERITOR 20X482	X-1861	X-1862	3 ³ / ₃₂ "	1 ³ / ₈ "	1 ¹ / ₄ "	1 ¹ / ₈ "	3/ ₁₆ "
★ M-3950	M-3951	WEBB 101174	WEBB 101175	— —	— —	3 ³ / ₁₆ "	2 ⁵ / ₃₂ "	1 ¹⁹ / ₃₂ "	1/ ₂ "	3/ ₈ "
① M-3626	M-3627	MW 90801	MW 90802	— —	— —	3 ³ / ₁₆ "	1 ³ / ₁₆ "	1 ⁵ / ₃₂ "	1"	1/ ₁₆ "
M-2438	M-2439	PETERBILT 03-02207 KENWORTH 233-2871R	PETERBILT 03-02208 KENWORTH 233-2871L	X-1935	X-1936	3 ⁵ / ₁₆ "	1 ⁷ / ₁₆ "	1 ³ / ₃₂ "	1"	5/ ₁₆ "
★ M-3952	M-3953	WEBB 101178	WEBB 101179	— —	— —	3 ¹¹ / ₃₂ "	2 ⁵ / ₃₂ "	1 ²⁷ / ₃₂ "	1/ ₂ "	3/ ₈ "
M-1290	M-1291	MERITOR 20X852	MERITOR 20X853	X-1893	X-1894	3 ¹¹ / ₃₂ "	1 ²⁷ / ₃₂ "	1 ¹ / ₄ "	1/ ₂ "	3/ ₈ "
M-1292	M-1293	MERITOR 20X1284	MERITOR 20X1285	X-1895	X-1896	3 ²¹ / ₃₂ "	2 ⁷ / ₃₂ "	1 ¹ / ₁₆ "	1"	13/ ₃₂ "
M-2466	M-2467	PETERBILT 03-02852 KENWORTH 12452-001R	PETERBILT 03-02853 KENWORTH 122452-001L	X-2131	X-2132	3 ³ / ₄ "	1 ³ / ₈ "	1 ⁷ / ₈ "	1 ¹ / ₁₆ "	3/ ₁₆ "

CONTINUED NEXT PAGE

HEADED DISC WHEEL STUDS

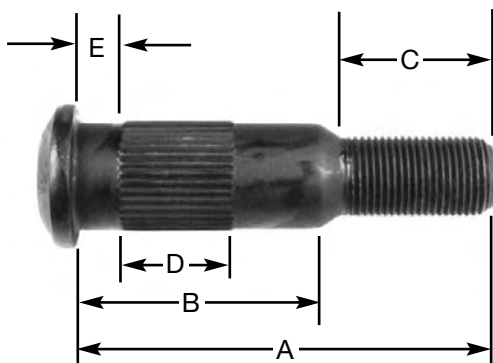
3/4" -16 THREAD — SERRATED BODY BODY DIA. .772-.784



★ = NEW STUD

BWP NO.		REPLACES				A	B	C	D
		MFG. NO.		NWRA					
R/H	L/H	R/H	L/H	R/H	L/H				
★ M-3938	M-3939	WEBB 159190	WEBB 159191	---	---	2 ³ / ₈ "	7/ ₈ "	1 ¹ / ₁₆ "	1/2"
★ M-3940	M-3941	DAYTON 09-861902	DAYTON 09-861901	---	---	2 ⁷ / ₈ "	1 1/2"	1 ³ / ₁₆ "	1/2"
★ M-3942	M-3943	DAYTON 09-001484	DAYTON 09-001485	---	---	3 ³ / ₈ "	1 ⁹ / ₃₂ "	1 ¹⁵ / ₁₆ "	1/2"
★ M-3944	M-3945	GUNITE W1073R	GUNITE W1073L	---	---	3 ¹³ / ₃₂ "	1 ²⁹ / ₃₂ "	1 ⁷ / ₃₂ "	1/2"
★ M-3946	M-3947	DAYTON 09-001588	DAYTON 09-001589	---	---	3 1/2"	1 ²⁵ / ₃₂ "	1 ⁹ / ₃₂ "	1/2"
★ M-3948	M-3949	DAYTON 09-001326	DAYTON 09-001327	---	---	3 ²⁷ / ₃₂ "	2 ¹¹ / ₃₂ "	1 ⁹ / ₃₂ "	1/2"
M-3628	M-3629	GUNITE W1061R	GUNITE W1061L	---	---	3 ⁷ / ₈ "	2 ¹ / ₁₆ "	1 ¹¹ / ₁₆ "	1/2"

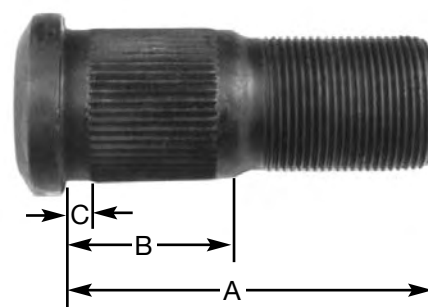
3/4" -16 THREAD — SERRATED BODY BODY DIA. .973-.977 GRADE 8
SERRATED BODY DIA. .998-.1006



BWP NO.		REPLACES				A	B	C	D	E
		MFG. NO.		NWRA						
R/H	L/H	R/H	L/H	R/H	L/H					
M-2440	M-2441	MERITOR 20X780	MERITOR 20X781	X-1882	X-1883	3 ³ / ₄ "	2"	---	1"	7/ ₁₆ "
M-1214	M-1215	MERITOR 20X488	MERITOR 20X487	X-1907	X-1908	3 ²⁵ / ₃₂ "	2 ⁷ / ₃₂ "	1 ³ / ₁₆ "	1"	5/ ₁₆ "
M-1294	M-1295	MERITOR 20X1282	MERITOR 20X1283	X-1897	X-1898	3 ⁷ / ₈ "	2 ⁷ / ₁₆ "	1 ¹ / ₁₆ "	1 ¹ / ₁₆ "	5/ ₈ "
M-1108	M-1109	BUDD 83851	BUDD 83852	X-1378	X-1379	4"	2 ⁷ / ₁₆ "	1 ³ / ₁₆ "	1"	5/ ₈ "
M-2442	M-2443	MERITOR 20X408	MERITOR 20X409	X-2027	X-2028	4 ³ / ₁₆ "	2 ¹¹ / ₁₆ "	1 ¹ / ₄ "	1/2"	3/ ₈ "

HEADED DISC WHEEL STUDS

1 1/8" -16 THREAD —
 SERRATED BODY
 BODY DIA. 1.218-1.222 GRADE 8
 SERRATED BODY DIA. 1.244-1.252



FRONT WHEEL STUDS

★ = NEW STUD

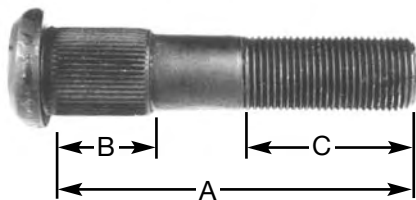
BWP NO.		REPLACES				A	B	C
		MFG. NO.		NWRA				
RH	LH	RH	LH	RH	LH			
M-1114	M-1115	BUDD 82573 MERITOR 20X370	BUDD 82574 MERITOR 20X369	X-1718	X-1719	2 ¹³ / ₃₂ "	7/8"	3/16"
M-1216	M-1217	BUDD 83814 MERITOR 20X368	BUDD 83185 MERITOR 20X367	X-1721	X-1722	2 ¹⁹ / ₃₂ "	7/8"	3/16"
M-1218	M-1219	BUDD 83818 MERITOR 20X378	BUDD 83819 MERITOR 20X377	X-1723	X-1724	2 ²¹ / ₃₂ "	7/8"	3/16"
M-1116	M-1117	BUDD 82575 MERITOR 20X372	BUDD 82576 MERITOR 20X371	X-1725	X-1726	2 ¹³ / ₁₆ "	7/8"	3/16"
M-2468	M-2469	MERITOR 20X676	MERITOR 20X675	X-1925	X-1926	2 ²⁷ / ₃₂ "	1 ⁵ / ₁₆ "	9/16"
M-2470	M-2471	MERITOR 20X582	MERITOR 20X583	X-2033	X-2034	2 ²⁹ / ₃₂ "	1 ³ / ₈ "	1/4"
M-3630	M-3631	NW 88108 WEBB 188108	NW 88109 WEBB 188109	X-1983	X-1984	2 ³¹ / ₃₂ "	3/4"	1/8"
M-1118	M-1119	BUDD 83853 MERITOR 20X584	BUDD 83854 MERITOR 20X585	X-1727	X-1728	3"	1 ³ / ₈ "	1/4"
M-1204	M-1205	MERITOR 20X746	MERITOR 20X747	X-1927	X-1928	3 ⁵ / ₃₂ "	1 ⁵ / ₁₆ "	9/16"
M-1250	M-1251	MERITOR 20X588 GUNITE W-1148R	MERITOR 20X589 GUNITE W-1148L	X-1931	X-1932	3 ³ / ₁₆ "	1 ³ / ₈ "	1/4"
M-2472	M-2473	NW 88291	NW 88292	X-1991	X-1992	3 ¹ / ₄ "	3/4"	1/8"
M-2474	M-2475	MERITOR 20X1356	MERITOR 20X1357	X-2037	X-2038	3 ⁵ / ₃₂ "	7/8"	1/8"
M-3632	M-3633	GUNITE W-988R W-1118R NAVISTAR 593096C1	GUNITE W988L W1118L NAVISTAR 593097C1	---	---	3 ¹ / ₂ "	1 ³ / ₁₆ "	1/4"
M-2476	M-2477	MW 87142	MW 87143	X-1766	X-1767	3 ¹ / ₂ "	1 ¹ / ₂ "	5/16"
★ M-3910	★ M-3911	GUNITE W890R	GUNITE W890L	---	---	3 ⁹ / ₁₆ "	1 ⁹ / ₁₆ "	3/16"
★ M-3912	★ M-3913	GUNITE W1203R	GUNITE W1203L	---	---	3 ¹³ / ₁₆ "	1 ³ / ₁₆ "	3/16"
★ M-3916	★ M-3917	WEBB 100170	WEBB 100181	---	---	3 ⁵ / ₈ "	1 ³ / ₄ "	3/16"
M-2428	M-2429	BUDD 85381 99616 PETERBILT 02-00573 WEBB 133610	BUDD 85382 99617 PETERBILT 02-00572 WEBB 133609	X-1731	X-1732	3 ⁵ / ₈ "	1 ¹³ / ₁₆ "	9/16"
M-2430	M-2431	KW 233B359R PETERBILT 02-00772	KW 233B359L PETERBILT 02-00771	X-2133	X-2134	3 ³ / ₄ "	1 ⁷ / ₃₂ "	1/8"
M-2478	M-2479	MERITOR 20X1476	MERITOR 20X1475	X-2111	X-2112	3 ³ / ₄ "	1 ³ / ₈ "	5/8"
M-2480	M-2481	MERITOR 20X586	MERITOR 20X587	X-2113	X-2114	3 ²⁵ / ₃₂ "	1 ³ / ₈ "	7/32"
★ M-3914	★ M-3915	KW K233C372R	KW K233C372L	---	---	4"	1 ⁵ / ₁₆ "	3/16"

HEADED DISC WHEEL STUDS

$\frac{3}{4}$ "-16 THREAD — FULLY SERRATED BODY

BODY DIA. .742-.749

SERRATED BODY DIA. .875

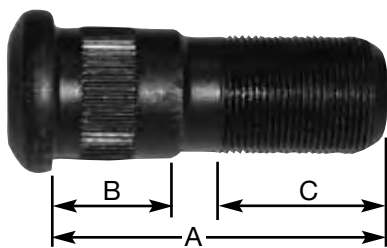


BWP NO.		REPLACES		A	B	C
		MOTORWHEEL				
RH	LH	RH	LH			
M-189	M-190	82017	82018	$2\frac{15}{32}$ "	$\frac{29}{32}$ "	$\frac{15}{32}$ "
M-191	M-192	84155	84156	$2\frac{5}{8}$ "	$\frac{29}{32}$ "	$\frac{15}{32}$ "
M-193	M-194	84986	84987	$2\frac{13}{16}$ "	$\frac{29}{32}$ "	$\frac{15}{32}$ "
M-195	M-196	82095	82096	$2\frac{31}{32}$ "	$\frac{15}{16}$ "	$\frac{15}{32}$ "
M-187	— —	84935	— —	$3\frac{1}{8}$ "	$1\frac{1}{8}$ "	$1\frac{3}{4}$ "
M-197	M-198	82842	82843	$3\frac{1}{4}$ "	$1\frac{1}{8}$ "	$\frac{15}{32}$ "
M-186	— —	08003	— —	$3\frac{1}{2}$ "	$1\frac{1}{32}$ "	$1\frac{1}{2}$ "
M-185	— —	07778	— —	$3\frac{9}{16}$ "	$\frac{27}{32}$ "	$1\frac{1}{2}$ "

FRONT WHEEL STUDS FOR ALUMINUM DISC WHEELS

$1\frac{1}{8}$ "-16 THREAD

BODY DIA. 1.220



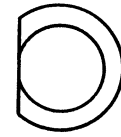
BWP NO.		REPLACES CONMET		A	B	C
		MFG. NO.				
RH	LH	RH	LH			
★ M-3918	★ M-3919	103190	103189	$3\frac{3}{32}$ "	$\frac{15}{32}$ "	$1\frac{15}{32}$ "
★ M-3920	★ M-3921	102085	102084	$3\frac{13}{32}$ "	$1\frac{17}{32}$ "	$1\frac{15}{32}$ "
★ M-3922	★ M-3923	103192	103191	$3\frac{9}{16}$ "	$\frac{15}{32}$ "	$1\frac{15}{16}$ "
★ M-3924	★ M-3925	101874	101873	$3\frac{7}{8}$ "	$1\frac{17}{32}$ "	$1\frac{29}{32}$ "

★ = NEW STUD

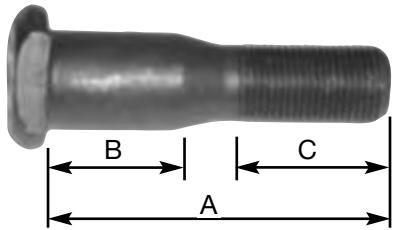
CLIPPED HEAD WHEEL STUDS

CLIPPED HEAD STUDS

$\frac{3}{4}$ "-16 THREAD BODY DIA. .910



HEAD SHAPE

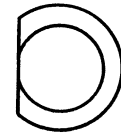


BWP NO.	REPLACES	THREAD	A	B	C
★ M-3962	CONMET 101774	R/H	$3\frac{5}{32}$ "	$1\frac{3}{16}$ "	$1\frac{1}{4}$ "
★ M-3963	CONMET 101773	L/H			

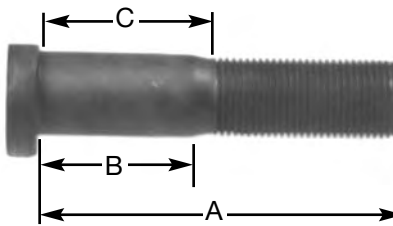
★ = NEW STUD

CON-MET DRIVE AND TRAILER ALUMINUM HUBS

$\frac{3}{4}$ "-16 THREAD BODY DIA. .783-.786 GRADE 8



HEAD SHAPE

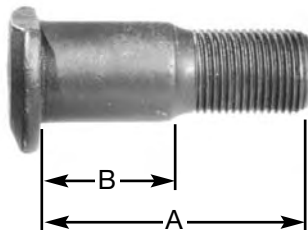
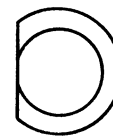


BWP NO.	REPLACES	THREAD	A	B	C
★ M-3964	PACCAR K01	R/H	$2\frac{11}{16}$ "	$1\frac{1}{8}$ "	$1\frac{5}{16}$ "
★ M-3965	PACCAR K02	L/H			
★ M-3966	PACCAR K03	R/H	$2\frac{15}{16}$ "	$1\frac{1}{8}$ "	$1\frac{5}{16}$ "
★ M-3967	PACCAR K04	L/H			
M-3220	100013	R/H	$3\frac{5}{32}$ "	$1\frac{13}{32}$ "	$1\frac{23}{32}$ "
M-3221	100012	L/H			
M-3222	100369	R/H	$3\frac{1}{4}$ "	$1\frac{17}{32}$ "	$1\frac{7}{8}$ "
M-3223	100368	L/H			
★ M-3968	PACCAR K05	R/H	$3\frac{5}{16}$ "	$1\frac{3}{4}$ "	$1\frac{5}{16}$ "
★ M-3969	PACCAR K06	L/H			
M-3224	100255	R/H	$3\frac{13}{32}$ "	$1\frac{13}{32}$ "	$1\frac{3}{4}$ "
M-3225	100254	L/H			
M-3226	100371	R/H	$3\frac{17}{32}$ "	$1\frac{9}{16}$ "	$1\frac{29}{32}$ "
M-3227	100370	L/H			
M-3228	100373	R/H	$3\frac{25}{32}$ "	$1\frac{9}{16}$ "	$1\frac{3}{4}$ "
M-3229	100372	L/H			

★ = NEW STUD

CLIPPED HEAD WHEEL STUDS

BUDD $3/4"$ -16 THREAD BODY DIA. .875-.879



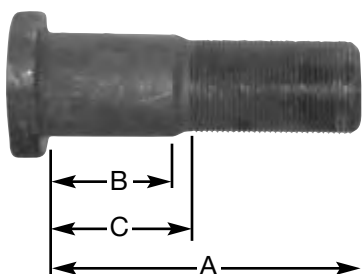
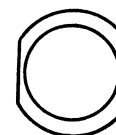
BWP NO.		REPLACES				A	B
		BUDD-MERITOR		NWRA			
RH	LH	RH	LH	RH	LH		
M-260	M-261	35786	35787	X-1395	X-1396	2"	$3/4"$
M-102	M-103	40336 20X655	40337 20X656	X-1050	X-1051	$2\frac{1}{4}"$	$1\frac{3}{64}"$
M-104	M-105	40338	40339	X-1397	X-1398	$2\frac{3}{8}"$	$1\frac{3}{16}"$
M-258	M-259	59536 20X120	59537 20X121	X-1666	X-1667	$2\frac{39}{64}"$	$1\frac{9}{32}"$

APPLICABLE NUTS FOR ALL ABOVE STUDS

SINGLE WHEEL	M-124 RH	M-125 LH
DUAL WHEEL INNER NUTS	M-128 RH	M-129 LH
DUAL WHEEL OUTER NUTS	M-126 RH	M-127 LH

CON-MET ALUMINUM FRONT HUB

$1\frac{1}{8}"$ -16 THREAD BODY DIA. 1.223-1.227 GRADE 8



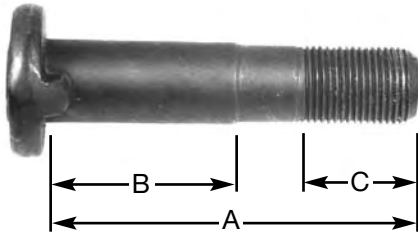
BWP NO.	REPLACES	THREAD	A	B	C
M-3230	100265	R/H	$3\frac{23}{32}"$	$1\frac{9}{16}"$	$1\frac{3}{4}"$
M-3231	100264	L/H			

WEDGE HEAD WHEEL STUDS

MERITOR STUDS FOR ALUMINUM HUBS

$\frac{3}{4}$ "-16 THREAD — BODY DIA. .786-.789
UNDERHEAD DIA. .790-.795

GRADE 8

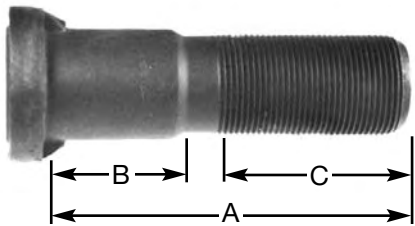


BWP NO.		REPLACES				A	B	C
		MERITOR		NWRA				
RH	LH	RH	LH	RH	LH			
M-3634	M-3635	20X2089	20X2088	—	—	2 $\frac{5}{8}$ "	1 $\frac{5}{16}$ "	1 $\frac{9}{32}$ "
M-3636	M-3637	20X1980	20X1979	—	—	3 $\frac{1}{8}$ "	1 $\frac{13}{32}$ "	1 $\frac{3}{8}$ "
M-2420	M-2421	20X1335 20X1464	20X1334 20X1463	X-1913	X-1914	3 $\frac{3}{8}$ "	1 $\frac{13}{32}$ "	1 $\frac{3}{32}$ "
M-2422	M-2423	20X1312 20X1460	20X1311 20X1459	X-1915	X-1916	3 $\frac{17}{32}$ "	1 $\frac{3}{4}$ "	1 $\frac{3}{32}$ "
M-2482	M-2483	20X1306	20X1305	X-1921	X-1922	3 $\frac{21}{32}$ "	1 $\frac{13}{16}$ "	1 $\frac{3}{32}$ "
M-3638	M-3639	20X1472	20X1471	—	—	3 $\frac{3}{4}$ "	1 $\frac{7}{16}$ "	1 $\frac{11}{16}$ "
M-2424	M-2425	20X1310 20X1458	20X1309 20X1457	X-1917	X-1918	3 $\frac{3}{4}$ "	1 $\frac{13}{16}$ "	1 $\frac{3}{32}$ "
M-2484	M-2485	20X1308	20X1307	X-2043	X-2044	4"	1 $\frac{7}{16}$ "	2"

$1\frac{1}{8}$ "-16 THREAD — BODY DIA. 1.226-1.229

UNDERHEAD DIA. 1.231-1.234

GRADE 8

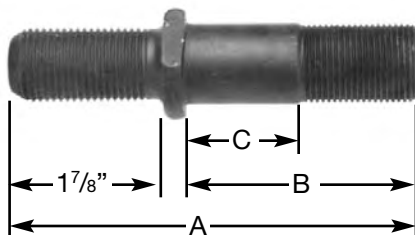


BWP NO.		REPLACES				A	B	C
		MERITOR		NWRA				
RH	LH	RH	LH	RH	LH			
M-2426	M-2427	20X1380	20X1381	—	—	4"	1 $\frac{7}{16}$ "	2 $\frac{1}{4}$ "

OFF-HIGHWAY SHOULDER STUDS WITH FLATS

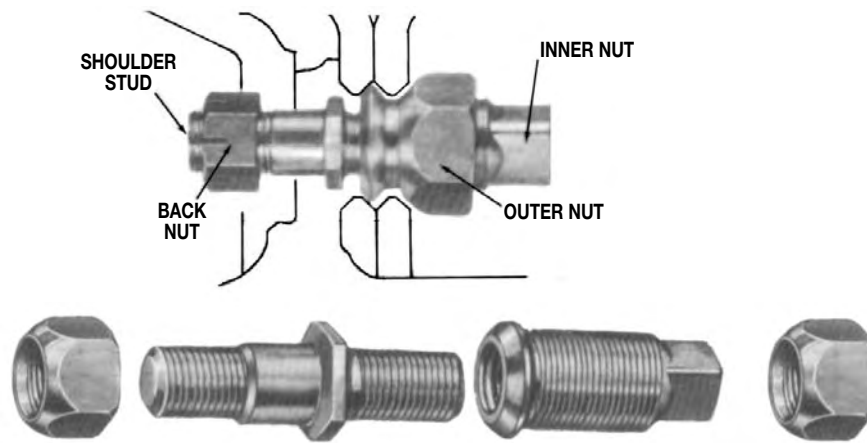
1"-14 THREAD HUB END — $1\frac{5}{16}$ "-12 THREAD WHEEL END
BODY DIA. 1.010-1.013

GRADE 8



BWP NO.		REPLACES				A	B	C
		BUDD - MERITOR		NWRA				
RH	LH	RH	LH	RH	LH			
M-1226	M-1227	49541 20X446	49542 20X447	X-1632	X-1633	5"	2 $\frac{7}{8}$ "	1 $\frac{13}{32}$ "
M-1228	M-1229	63341	63342	X-1636	X-1637	5 $\frac{5}{8}$ "	3 $\frac{1}{2}$ "	1 $\frac{7}{8}$ "
M-2486	M-2487	20X460	20X461	X-1933	X-1934	5 $\frac{7}{8}$ "	3 $\frac{11}{16}$ "	2 $\frac{3}{8}$ "
M-2488	M-2489	63866 20X468	63867 20X469	X-1642	X-1643	7"	4 $\frac{7}{8}$ "	3 $\frac{5}{32}$ "

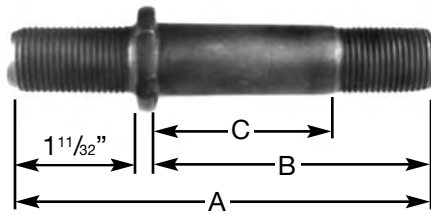
SHOULDER STUDS FOR DISC WHEELS



	BACK NUT	SHOULDER STUD	INNER NET	OUTER NUT
STANDARD MOUNTING	M-2459 3/4"-16	M-46 THRU M-71	M-128 RH M-129 LH	M-126 RH M-127 LH
HEAVY DUTY OFF HIGHWAY MOUNTING	M-1255 7/8"-14 M-1268 1"-14	M-1224 THRU M-1231 M-2486 THRU M-2489	M-140A RH M-140B LH	M-140E RH M-140F LH

3/4" - 16 THREAD BOTH ENDS — FLATS ON SHOULDER
BODY DIA. .783-.786

GRADE 8



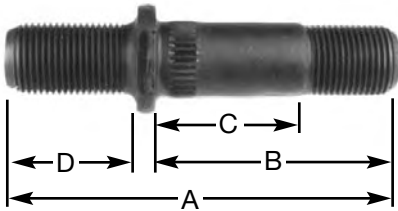
BWP NO.	REPLACES						A	B	C
	BUDD		NWRA		RH	LH			
	RH	LH	RH	LH					
M-46	M-47	12247	12248	X-1554	X-1555	3 1/8"	1 19/32"	5/8"	
M-48	M-49	13096	13097	X-1558	X-1559	3 19/32"	2 1/16"	7/8"	
M-50	M-51	13988	13989	X-1562	X-1563	3 23/32"	2 3/16"	1 1/16"	
M-52	M-53	13990	13991	X-1568	X-1569	3 31/32"	2 7/16"	1 5/32"	
M-54	M-55	19004	19005	X-1572	X-1573	4 1/32"	2 1/2"	1 9/32"	
M-56	M-57	17123	17124	X-1574	X-1575	4 7/32"	2 11/16"	1 7/16"	
M-58	M-59	22005	22006	X-1578	X-1579	4 11/32"	2 13/16"	1 25/32"	
★ M-3900	M-3901	CONMET 100329	CONMET 100330	---	---	4 17/32"	3"	1 9/16"	
M-60	M-61	16271	16272	X-1580	X-1581	4 17/32"	3"	1 29/32"	
M-3640	M-3641	18309	18310	X-1584	X-1585	4 23/32"	3 3/16"	2 5/16"	
M-3642	M-3643	21942 CONMET 100118	21943 CONMET 100117	X-1586	X-1587	4 27/32"	3 5/16"	1 11/16"	
M-3644	M-3645	FRT. 11-9714-5 CONMET 100525	FRT. 11-9714-4 CONMET 100524	---	---	4 29/32"	3 3/8"	2 1/32"	
M-62	M-63	16003	16004	X-1588	X-1589	5 1/32"	3 1/2"	2 15/32"	
M-64	M-65	16856	16857	X-1590	X-1591	5 7/32"	3 11/16"	2 21/32"	
★ M-3902	M-3903	CONMET 100256	CONMET 100257	---	---	5 1/4"	3 5/16"	1 21/32"	
M-66	M-67	33792	33793	X-1863	X-1864	5 17/32"	4"	3"	
M-68	M-69	39677	39678	---	---	5 23/32"	4 3/16"	3 3/16"	
M-70	M-71	24100	24101	X-1594	X-1595	6 1/32"	4 1/2"	3 13/32"	

★ = NEW STUD

SHOULDER STUDS FOR DISC WHEELS

FLATS ON SHOULDER — SERRATIONS UNDER SHOULDER FOR MACK

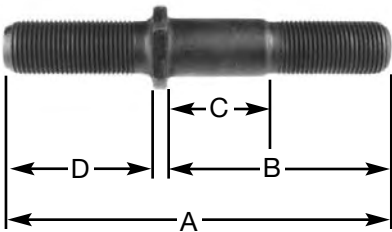
$\frac{3}{4}$ "-16 THREAD BOTH ENDS — BODY DIA. .783-.786



BWP NO.		REPLACES MACK		A	B	C	D
RH	LH	RH	LH				
M-2490	M-2491	18AX926	18AX927	4 $\frac{1}{16}$ "	2 $\frac{9}{16}$ "	1"	1 $\frac{11}{32}$ "

FLATS ON SHOULDER — LONGER CAP NUT END FOR ALUMINUM WHEELS

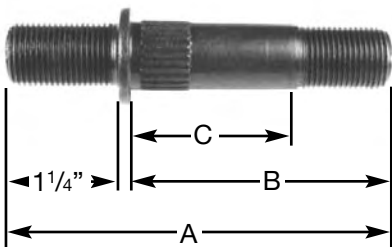
$\frac{3}{4}$ "-16 THREAD BOTH ENDS — BODY DIA. .783-.786



BWP NO.		REPLACES				A	B	C	D
		FREIGHTLINER		BUDD/NWRA					
RH	LH	RH	LH	RH	LH				
M-2402	M-2403	11-9714-3	11-9714-2	95693	95694	4 $\frac{1}{4}$ "	2 $\frac{3}{8}$ "	1 $\frac{1}{16}$ "	1 $\frac{5}{8}$ "
M-2404	M-2405	11-9714-12	11-9714-11	X-2053	X-2054	4 $\frac{1}{2}$ "	2 $\frac{3}{8}$ "	1 $\frac{1}{32}$ "	1 $\frac{15}{16}$ "
M-3904	M-3905	WEBB 183102	WEBB 183101	—	—	4 $\frac{29}{32}$ "	3 $\frac{3}{8}$ "	1 $\frac{55}{64}$ "	1 $\frac{23}{64}$ "
M-2406	M-2407	11-9714-16	11-9714-15	X-2055	X-2056	5 $\frac{3}{16}$ "	3"	1 $\frac{5}{16}$ "	2"
M-2408	M-2409	11-9714-1	11-9714-0	95691 X-1592	95692 X-1593	5 $\frac{1}{4}$ "	2 $\frac{7}{8}$ "	1 $\frac{3}{8}$ "	2 $\frac{1}{4}$ "
M-2410	M-2411	11-9714-14	11-9714-13	X-2057	X-2058	5 $\frac{9}{16}$ "	3 $\frac{3}{8}$ "	1 $\frac{3}{4}$ "	2"
M-2412	M-2413	11-9714-18	11-9714-17	X-2061	X-2062	5 $\frac{11}{16}$ "	2 $\frac{3}{4}$ "	1 $\frac{11}{16}$ "	2 $\frac{3}{4}$ "

ROUND SHOULDER — SERRATIONS UNDER SHOULDER

$\frac{3}{4}$ "-16 THREAD BOTH ENDS — BODY DIA. .783-.786

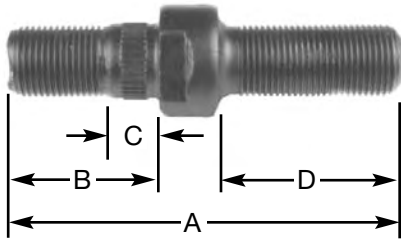


BWP NO.		REPLACES				A	B	C
		BUDD		NWRA				
RH	LH	RH	LH	RH	LH			
M-1164	M-1165	75931	75932	X-1606	X-1607	3 $\frac{13}{32}$ "	2 $\frac{1}{16}$ "	2 $\frac{7}{32}$ "
M-1166	M-1167	82581	82582	X-1608	X-1609	3 $\frac{5}{8}$ "	2 $\frac{9}{32}$ "	1 $\frac{1}{16}$ "
M-2492	M-2493	93295	93296	—	—	3 $\frac{23}{32}$ "	2 $\frac{3}{8}$ "	1 $\frac{5}{32}$ "
M-2494	M-2495	63385	63386	X-1612	X-1613	4"	2 $\frac{9}{16}$ "	1 $\frac{5}{16}$ "
M-1168	M-1169	80697	80698	X-1614	X-1615	4 $\frac{11}{32}$ "	3"	1 $\frac{29}{32}$ "
M-2496	M-2497	69205	69206	—	—	4 $\frac{17}{32}$ "	3"	1 $\frac{15}{16}$ "
M-1170	M-1171	83812	83813	X-1616	X-1617	4 $\frac{5}{8}$ "	3 $\frac{9}{32}$ "	2"
M-2498	M-2499	101321	101322	FRUEHAUF ACD-7629-4, -3		4 $\frac{7}{8}$ "	3 $\frac{17}{32}$ "	2"

SHOULDER STUDS FOR DISC WHEELS

DEMOUNTABLE DRUM TYPE STUDS

$\frac{3}{4}$ "-16 THREAD BOTH ENDS — BODY DIA. .783-.786

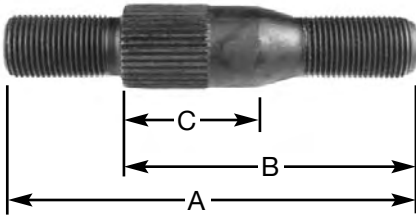


BWP NO.		REPLACES				A	B	C	D
		BUDD-MERITOR		NWRA					
RH	LH	RH	LH	RH	LH				
M-2510	M-2511	36412 20X88	36413 20X87	X-1951	X-1952	$3\frac{19}{32}$ "	$1\frac{9}{16}$ "	$\frac{29}{32}$ "	$1\frac{15}{32}$ "
M-2512	M-2513	66068	60069	X-1600	X-1601	$4\frac{1}{32}$ "	$1\frac{9}{16}$ "	$\frac{15}{32}$ "	$1\frac{29}{32}$ "
M-2514	M-2515	49301 20X366	49302 20X365	X-1598	X-1599	$4\frac{1}{32}$ "	$2\frac{1}{16}$ "	$\frac{27}{32}$ "	$1\frac{11}{32}$ "

NOTE: M-2512 AND M-2513 ARE SERRATED ON BODY.

SERRATED STUDS FOR ALUMINUM HUBS

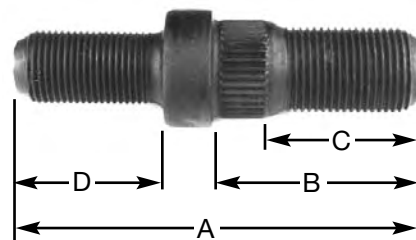
$\frac{3}{4}$ "-16 THREAD BOTH ENDS — BODY DIA. .971-.975



BWP NO.		REPLACES				A	B	C
		MERITOR		NWRA				
RH	LH	RH	LH	RH	LH			
M-1220	M-1221	20X244	20X245	X-1955	X-1956	$4\frac{21}{32}$ "	$3\frac{5}{16}$ "	$1\frac{15}{32}$ "
M-1222	M-1223	20X242	20X243	X-1957	X-1958	$4\frac{13}{16}$ "	$3\frac{15}{32}$ "	$1\frac{15}{32}$ "
M-1224	M-1225	20X234	20X235	—	—	$5\frac{5}{16}$ "	$3\frac{31}{32}$ "	$1\frac{15}{16}$ "

SERRATED STUDS FOR BUS AND FRONT END

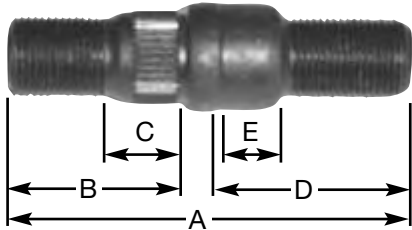
$\frac{3}{4}$ "-16 THREAD WHEEL END — $\frac{7}{8}$ "-14 THREAD HUB END —
BODY DIA. .971-.975



BWP NO.		REPLACES				A	B	C	D
		MERITOR		NWRA					
RH	LH	RH	LH	RH	LH				
M-2448	M-2449	20X1228	20X1227	X-1941	X-1942	4"	$2\frac{3}{32}$ "	$1\frac{1}{4}$ "	$\frac{17}{16}$ "
M-2450	M-2451	20X436	20X437	X-1943	X-1944	$4\frac{1}{4}$ "	$2\frac{13}{32}$ "	$1\frac{9}{16}$ "	$\frac{17}{16}$ "
M-2452	M-2453	20X1234	20X1233	X-1945	X-1946	$4\frac{15}{16}$ "	$3\frac{3}{32}$ "	$1\frac{13}{16}$ "	$\frac{17}{16}$ "

SHOULDER STUDS FOR DISC WHEELS

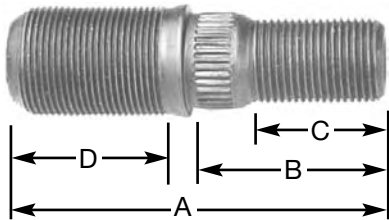
SERRATED STUDS FOR BUS AND FRONT END
 $\frac{7}{8}$ "-14 THREAD BOTH ENDS
 BODY DIA. .973



BWP NO.	REPLACES MERITOR	A	B	C	D	E
★ M-3906	20X2128	4 $\frac{1}{4}$ "	1 $\frac{7}{8}$ "	$\frac{15}{16}$ "	2 $\frac{1}{16}$ "	$\frac{7}{16}$ "
★ M-3907	20X2144	5 $\frac{5}{8}$ "	1 $\frac{7}{8}$ "	$\frac{15}{16}$ "	3 $\frac{7}{16}$ "	1 $\frac{1}{4}$ "

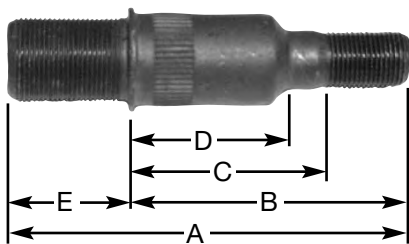
★ = NEW STUD

SERRATED STUDS FOR BUS AND FRONT END
 1 $\frac{1}{8}$ "-16 THREAD WHEEL END — $\frac{7}{8}$ "-14 THREAD HUB END —
 BODY DIA. .971-.975



BWP NO.		REPLACES				A	B	C	D
		MERITOR		NWRA					
RH	LH	RH	LH	RH	LH				
M-2444	M-2445	20X1240	20X1239	X-1937	X-1938	3 $\frac{5}{8}$ "	1 $\frac{7}{8}$ "	1 $\frac{1}{16}$ "	1 $\frac{15}{32}$ "
M-2446	M-2447	20X1242	20X1241	X-1947	X-1948	4"	2"	1 $\frac{3}{16}$ "	1 $\frac{3}{4}$ "

SERRATED STUDS FOR BUS AND FRONT END
 1 $\frac{1}{8}$ "-16 THREAD WHEEL END — $\frac{3}{4}$ "-16 THREAD HUB END —
 BODY DIA. 1.220



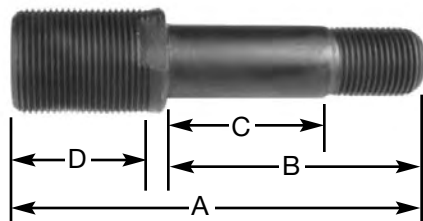
BWP NO.	REPLACES GUNITE/MERITOR	A	B	C	D	E
★ M-3908	W1060R/20X1760	5 $\frac{5}{16}$ "	3 $\frac{5}{8}$ "	2 $\frac{5}{8}$ "	2 $\frac{3}{32}$ "	1 $\frac{11}{16}$ "
★ M-3909	W1060L/20X1761	5 $\frac{5}{16}$ "	3 $\frac{5}{8}$ "	2 $\frac{5}{8}$ "	2 $\frac{3}{32}$ "	1 $\frac{11}{16}$ "

★ = NEW STUD

SHOULDER STUDS FOR DISC WHEELS

BUS TYPE SHOULDER STUDS WITH FLATS

1¹/₈"-16 THREAD WHEEL END — 3³/₄"-16 THREAD HUB END —
BODY DIA. .783-.786



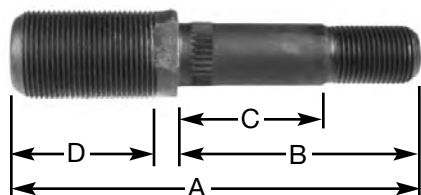
GRADE 8

BWP NO.		REPLACES				A	B	C	D
		MFG'R NO		NWRA NO.					
RH	LH	RH	LH	RH	LH				
M-108	M-109	BUDD 32309 MACK 11AX1130	BUDD 32310 MACK 11AX1131	X-1512	X-1513	3 ³ / ₁₆ "	1 ⁹ / ₃₂ "	1 ⁷ / ₃₂ "	1 ¹³ / ₃₂ "
M-112	M-113	BUDD 31783	BUDD 31784	---	---	3 ¹⁵ / ₃₂ "	1 ⁷ / ₈ "	7 ⁷ / ₈ "	1 ¹³ / ₃₂ "
M-116	M-117	BUDD 31703	BUDD 31704	X-1514	X-1515	3 ²¹ / ₃₂ "	2 ¹ / ₁₆ "	3 ¹ / ₃₂ "	1 ¹³ / ₃₂ "
• M-2414	• M-2415	BUDD 95711	BUDD 95712	X-1516	X-1517	3 ³ / ₄ "	1 ⁷ / ₈ "	2 ⁵ / ₃₂ "	1 ¹¹ / ₁₆ "
M-106	M-107	BUDD 31781	BUDD 31782	X-1518	X-1519	3 ²⁹ / ₃₂ "	2 ⁵ / ₁₆ "	1 ⁵ / ₃₂ "	1 ¹³ / ₃₂ "
• M-2416	• M-2417	BUDD 95707	BUDD 95708	X-1520	X-1521	3 ¹⁵ / ₁₆ "	2 ¹ / ₁₆ "	3 ¹ / ₃₂ "	1 ¹¹ / ₁₆ "
M-114	M-115	BUDD 45631	BUDD 45632	---	---	4 ¹ / ₃₂ "	2 ⁷ / ₁₆ "	1 ⁵ / ₁₆ "	1 ¹³ / ₃₂ "
• M-2418	• M-2419	BUDD 90217	BUDD 90218	X-1522	X-1523	4 ¹ / ₄ "	2 ⁷ / ₁₆ "	1 ⁷ / ₃₂ "	1 ⁵ / ₈ "
M-110	M-111	BUDD 35089	BUDD 35090	X-1524	X-1525	4 ¹¹ / ₃₂ "	2 ³ / ₄ "	1 ²³ / ₃₂ "	1 ¹³ / ₃₂ "
• M-3234	• M-3235	FREIGHTLINER 10-9607-0	FREIGHTLINER 10-9607-1	---	---	4 ⁹ / ₁₆ "	2 ³ / ₄ "	1 ³⁷ / ₆₄ "	1 ¹ / ₂ "
M-118	M-119	BUDD 36757	BUDD 36758	---	---	5 ¹⁵ / ₃₂ "	3 ⁷ / ₈ "	2 ⁷ / ₈ "	1 ¹³ / ₃₂ "

• FOR ALUMINUM WHEELS

BUS TYPE SHOULDER STUDS WITH FLATS — SERRATIONS ON BODY

1¹/₈"-16 THREAD WHEEL END — 3³/₄"-16 THREAD END
BODY DIA. .783-.786 — SERRATED DIA. .810-.820



GRADE 8

BWP NO.		REPLACES				A	B	C	D
		MFG'R NO		NWRA NO.					
RH	LH	RH	LH	RH	LH				
M-3646	M-3647	CONMET 100344	CONMET 100343	---	---	4 ⁹ / ₁₆ "	2 ³ / ₄ "	1 ¹⁷ / ₃₂ "	1 ¹³ / ₁₆ "
M-2516	M-2517	MACK 18X924	MACK 18X925	X-2045	X-2046	5"	3"	1 ⁷ / ₈ "	1 ³ / ₄ "
M-2518	M-2519	MACK 18X952	MACK 18X953	X-2047	X-2048	5 ¹ / ₂ "	3 ⁹ / ₁₆ "	2 ³ / ₈ "	1 ³ / ₄ "

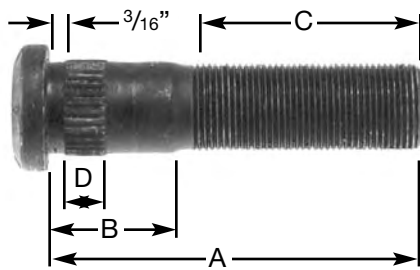
METRIC WHEEL STUDS

BUDD UNIMOUNT SYSTEM

METRIC M22X1.5 THREAD — HEADED STUD WITH SERRATED BODY

BODY DIA. .900–.903 — SERRATED DIA. .935–.944

GRADE 10.9



BWP NO.	REPLACES BUDD	A	B	C	D
M-3200	106377	3 ⁵ / ₃₂ "	1 ⁷ / ₃₂ "	1 ⁵ / ₈ "	1 ³ / ₃₂ "
M-3201	106216	3 ²¹ / ₃₂ "	1 ⁷ / ₃₂ "	2 ¹ / ₈ "	1 ³ / ₃₂ "
M-3202	106397	4 ²⁹ / ₆₄ "	1 ⁷ / ₃₂ "	2 ²⁹ / ₃₂ "	1 ³ / ₃₂ "

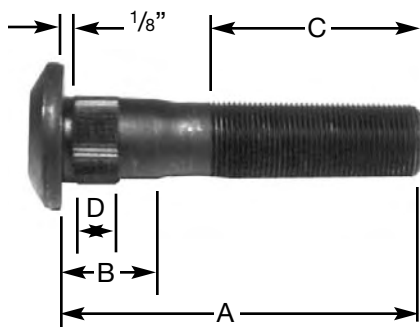
USE METRIC NUT M-3203

CON-MET ALUMINUM HUB

METRIC M22X1.5 THREAD — HEADED STUD WITH SERRATED BODY

BODY DIA. .908–.912 — SERRATED DIA. .929–.937

GRADE 10.9



BWP NO.	REPLACES CON-MET	A	B	C	D
★ M-3972	103193	3 ²¹ / ₃₂ "	1 ⁷ / ₃₂ "	2 ³ / ₃₂ "	1/2"
★ M-3973	102033	3 ³¹ / ₃₂ "	1 ⁹ / ₁₆ "	2 ¹ / ₁₆ "	1/2"
M-3658	102188	4 ³ / ₃₂ "	1 ¹ / ₁₆ "	2 ¹¹ / ₃₂ "	1/2"
★ M-3974	103431	4 ⁵ / ₃₂ "	1 ⁹ / ₁₆ "	2 ¹ / ₄ "	1/2"
M-3659	102290	4 ¹ / ₂ "	1 ⁹ / ₁₆ "	2 ¹⁹ / ₃₂ "	1/2"
M-3660	102189	4 ⁹ / ₁₆ "	1 ¹ / ₁₆ "	2 ²⁶ / ₃₂ "	1/2"
M-3661	102190	4 ¹⁵ / ₁₆ "	1 ¹ / ₁₆ "	3 ⁶ / ₃₂ "	1/2"
M-3662	102291	5"	1 ⁹ / ₁₆ "	3 ³ / ₃₂ "	1/2"
M-3663	102292	5 ⁵ / ₁₆ "	1 ⁹ / ₁₆ "	3 ¹³ / ₃₂ "	1/2"

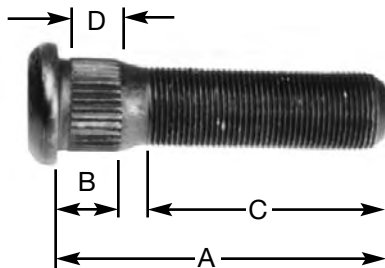
★ = NEW STUD

GUNITE

METRIC M22X1.5 THREAD — HEADED STUD WITH SERRATED BODY

BODY DIA. .971–.975 — SERRATED DIA. 1.001–1.005

GRADE 10.9

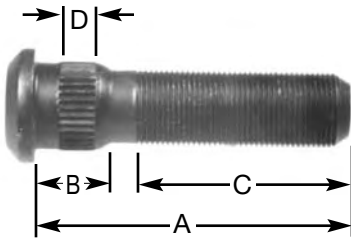


BWP NO.	REPLACES GUNITE	A	B	C	D
M-3664	W-1324	3 ¹ / ₂ "	2 ¹ / ₃₂ "	2 ⁵ / ₈ "	1/2"
M-3665	W-1246	3 ¹¹ / ₁₆ "	7/8"	2 ¹¹ / ₃₂ "	1/2"
M-3666	W-1164	4"	3/4"	2 ⁷ / ₈ "	1/2"
M-3667	W-1249	4 ¹ / ₄ "	1 ¹ / ₁₆ "	2 ⁷ / ₈ "	1/2"
M-3668	W-1327	4 ¹ / ₄ "	2 ¹ / ₃₂ "	3 ¹ / ₄ "	1/2"
★ M-3976	KW K233-468	4 ³ / ₈ "	1 ³ / ₈ "	2 ³ / ₈ "	1"
M-3669	W-1160	5 ³ / ₃₂ "	7/8"	3 ³ / ₄ "	1/2"
M-3670	W-1211	5 ³ / ₁₆ "	1 ¹ / ₁₆ "	3 ²³ / ₃₂ "	1/2"

★ = NEW STUD

METRIC WHEEL STUDS

WEBB
 METRIC M22X1.5 THREAD — HEADED STUD WITH SERRATED BODY
 BODY DIA. .973-.977 — SERRATED BODY DIA. 1.000-1.015 GRADE 10.9

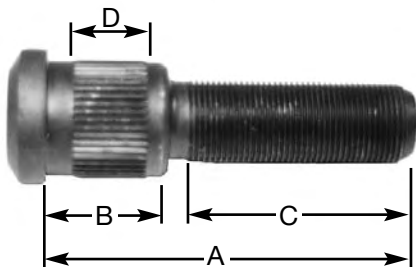


BWP NO.	REPLACES WEBB	A	B	C	D
M-3671	101166	2 ⁹ / ₁₆ "	2 ³ / ₃₂ "	1 ¹¹ / ₁₆ "	3/8"
★ M-3975	101191	2 ²⁹ / ₃₂ "	2 ³ / ₃₂ "	1 ²¹ / ₃₂ "	3/8"
M-3215	101164	3 ¹ / ₂ "	2 ³ / ₃₂ "	2 ¹ / ₄ "	3/8"
M-3216	101162	3 ¹⁵ / ₁₆ "	2 ³ / ₃₂ "	2 ¹¹ / ₁₆ "	3/8"
M-3672	101161	4 ⁵ / ₁₆ "	2 ³ / ₃₂ "	3 ¹ / ₁₆ "	3/8"
M-3217	101160	4 ²⁵ / ₃₂ "	2 ³ / ₃₂ "	3 ¹⁷ / ₃₂ "	3/8"

USES METRIC NUT M-3207

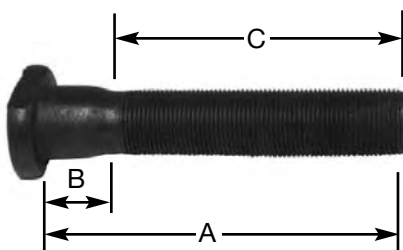
★ = NEW STUD

METRIC HEADED STUDS WITH SERRATED BODY
 M22X1.5 THREAD — BODY DIA. 1.218-1.222 — SERRATED DIA. 1.244-1.252
 GRADE 10.9



BWP NO.	REPLACES MFG. NO	A	B	C	D	NOTE:
M-3673	GUNITE W-1202	3 ⁷ / ₈ "	1 ³ / ₁₆ "	2 ¹¹ / ₃₂ "	3/4"	
M-3674	PACCAR 12452-106	3 ⁷ / ₈ "	1 ⁵ / ₁₆ "	2 ¹ / ₁₆ "	1/2"	USED PILOT MOUNT AND STUD MOUNT
M-3675	PACCAR 02-02145	4"	1 ³ / ₁₆ "	2 ¹ / ₄ "	1/2"	
M-3676	M.W. 90092	4 ¹ / ₈ "	1 ⁷ / ₈ "	2 ¹ / ₈ "	1"	
M-3677	GUNITE W-1205	4 ¹³ / ₃₂ "	1 ³ / ₁₆ "	2 ⁷ / ₈ "	3/4"	
M-3678	PACCAR 12452-102	4 ⁹ / ₁₆ "	1 ⁵ / ₁₆ "	3"	1/2"	USED PILOT & STUD MOUNT

METRIC CLIPPED HEAD STUDS
 M22X1.5 THREAD — BODY DIA. .908-.912 GRADE 10.9



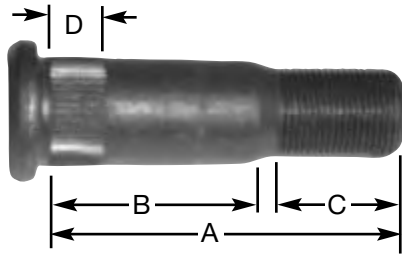
BWP NO.	REPLACES	A	B	C
M-3679	CONMET 101151 WEBB 89983	4 ³ / ₈ "	1 ¹⁹ / ₆₄ "	2 ¹ / ₂ "
M-3680	MOTORWHEEL 89620	4 ²⁵ / ₃₂ "	5/8"	3 ³ / ₄ "
M-3232	MOTORWHEEL 89774 CONMET 101171	4 ³¹ / ₃₂ "	1 ¹⁹ / ₆₄ "	3 ¹ / ₄ "
M-3681	CONMET 101150	5 ¹ / ₄ "	1 ¹⁹ / ₆₄ "	3 ¹¹ / ₃₂ "

USE METRIC NUT M-3207

METRIC WHEEL STUDS

SERRATED WHEEL STUDS
METRIC M22X1.5 THREAD — BODY DIA. .982 – SERRATED DIA. 1.001

GRADE 10.9

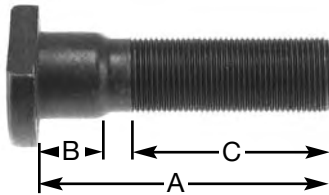


BWP NO.	REPLACES	A	B	C	D
★ M-3970	FORD CARGO E6HZ1107A	3 ⁷ / ₁₆ "	2"	1"	1/2"
★ M-3971	MACK MID-LINER 5000-438684	3 ¹⁵ / ₃₂ "	1 ¹³ / ₁₆ "	1 ³ / ₃₂ "	1 ¹ / ₃₂ "

★ = NEW STUD

MOTOR WHEEL
M22X1.5 THREAD — CLIPPED HEAD STUDS — BODY DIA. .980–.983

GRADE 10.9

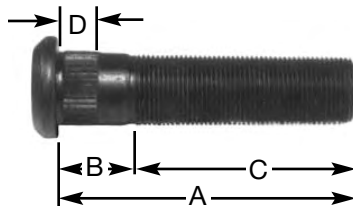


BWP NO.	REPLACES MOTORWHEEL	A	B	C
M-3204	88808	3 ¹ / ₄ "	4 ³ / ₆₄ "	2 ¹ / ₄ "
M-3205	88836	3 ⁷ / ₁₆ "	2 ³ / ₃₂ "	2 ⁷ / ₁₆ "
M-3206	88799	4 ¹ / ₈ "	2 ³ / ₃₂ "	3 ¹ / ₁₆ "

USE METRIC NUT M-3207

DAYTON
METRIC M22X1.5 THREAD HEADED STUD WITH SERRATED BODY
BODY DIA. .887–.890 — SERRATED DIA. .904–.908

GRADE 10.9



BWP NO.	REPLACES DAYTON	A	B	C	D
M-3266	09-001740	3 ⁵ / ₈ "	7/8"	3 ³ / ₄ "	3/8"
M-3267	09-001862	4 ⁷ / ₈ "	7/8"	3 ³ / ₄ "	3/8"

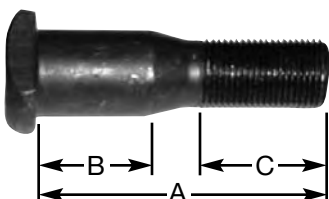
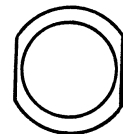
M-3266 USED UTILITY STEEL WHEELS
M-3267 USED UTILITY ALUMINUM WHEELS

WALTHER EMC
METRIC "D" HEAD CLIPPED STUDS
M22X1.5 THREAD
BODY DIA. .888

GRADE 10.9

★ = NEW STUD

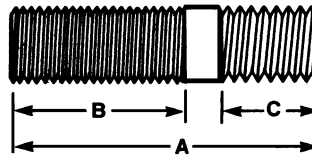
HEAD SHAPE



BWP NO.	REPLACES	A	B	C
★ M-3977	WALTHER EMC 02-00010	3 ³ / ₈ "	1/2"	2 ¹ / ₂ "
★ M-3978	WALTHER EMC 02-00014	4 ³ / ₁₆ "	1/2"	3 ⁵ / ₁₆ "

GENERAL PURPOSE HIGH TENSILE STUDS

USE THESE DIMENSIONS
FOR MEASURING ALL STUDS



1/4" X 1/4" DIA. STUDS



BWP NO.	A OVERALL	B		C	
		THREAD	LGTH	THREAD	LGTH
M-900	1"	1/4"-28	3/8"	1/4"-20	7/16"
M-901	1 1/4"	1/4"-28	1/2"	1/4"-20	1/2"
M-902	1 1/2"	1/4"-28	13/16"	1/4"-20	3/8"
M-903	2"	1/4"-28	1 5/16"	1/4"-20	3/8"
M-904	2 1/2"	1/4"-28	1 7/8"	1/4"-20	3/8"

1/4" X 5/16" DIA. STUDS



M-905	1"	1/4"-28	3/8"	5/16"-18	3/8"
--------------	----	---------	------	----------	------

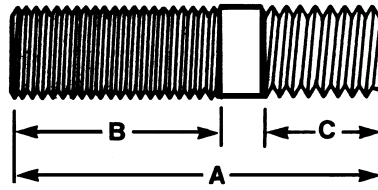
5/16" X 5/16" DIA. STUDS



M-906	1"	5/16"-24	7/16"	5/16"-18	3/8"
M-907	1 1/4"	5/16"-24	5/8"	5/16"-18	1/2"
M-908	1 1/2"	5/16"-24	3/4"	5/16"-18	9/16"
M-914	1 1/2"	5/16"-18	7/8"	5/16"-18	7/16"
M-909	1 3/4"	5/16"-24	7/8"	5/16"-18	5/8"
M-915	1 3/4"	5/16"-18	1 5/16"	5/16"-18	1/2"
M-910	2"	5/16"-24	1"	5/16"-18	9/16"
M-916	2"	5/16"-18	1 1/16"	5/16"-18	7/16"
M-911	2 1/2"	5/16"-24	1 9/16"	5/16"-18	1/2"
M-912	2 1/2"	5/16"-18	1 1/2"	5/16"-18	1/2"
M-913	3"	5/16"-24	1 9/16"	5/16"-18	5/8"

GENERAL PURPOSE HIGH TENSILE STUDS

USE THESE DIMENSIONS
FOR MEASURING ALL STUDS



5/16" X 3/8" DIA. STUDS



BWP NO.	A OVERALL	B		C	
		THREAD	LGTH	THREAD	LGTH
M-917	1 1/4"	5/16"-24	5/8"	3/8"-16	7/16"

3/8" X 3/8" DIA. STUDS



M-918	1 1/2"	3/8"-24	3/4"	3/8"-16	1/2"
M-919	1 3/4"	3/8"-24	7/8"	3/8"-16	1/2"
M-927	1 1/2"	3/8"-16	1 1/16"	3/8"-16	9/16"
M-928	1 3/4"	3/8"-16	7/8"	3/8"-16	5/8"
M-920	2"	3/8"-24	1 1/16"	3/8"-16	1 1/16"
M-929	2"	3/8"-16	1"	3/8"-16	3/4"
M-921	2 3/8"	3/8"-24	1 5/16"	3/8"-16	1 1/16"
M-922	2 3/4"	3/8"-24	1 11/16"	3/8"-16	5/8"
M-923	3"	3/8"-24	2"	3/8"-16	1 1/16"
M-930	3"	3/8"-16	2"	3/8"-16	1 1/16"
M-931	4"	3/8"-16	1 15/16"	3/8"-16	3/4"
M-924	4"	3/8"-24	1 15/16"	3/8"-16	9/16"

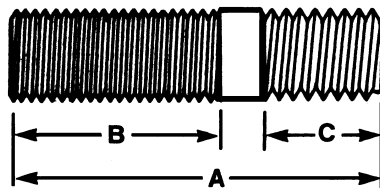
3/8" X 7/16" DIA. STUDS



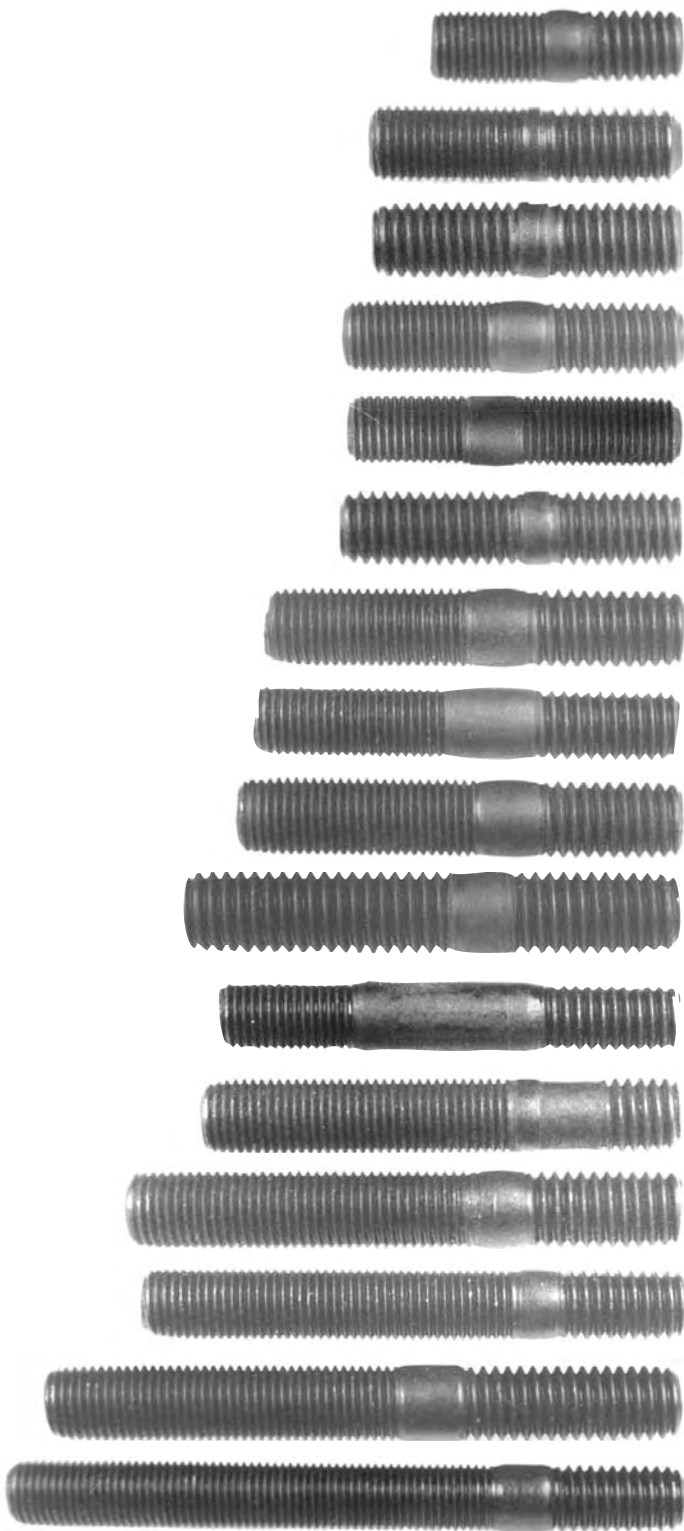
M-925	1 7/8"	3/8"-24	1 3/16"	7/16"-14	7/8"
M-932	2"	3/8"-16	3/4"	7/16"-14	1"
M-926	2 1/2"	3/8"-24	1 5/16"	7/16"-14	7/8"

GENERAL PURPOSE HIGH TENSILE STUDS

USE THESE DIMENSIONS
FOR MEASURING ALL STUDS



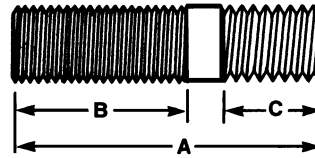
7/16" X 7/16" DIA. STUDS



BWP NO.	A OVERALL	B		C	
		THREAD	LGTH	THREAD	LGTH
M-933	1 1/2"	7/16"-20	1 1/16"	7/16"-14	5/8"
M-934	1 3/4"	7/16"-20	7/8"	7/16"-14	3/4"
M-935	1 3/4"	7/16"-14	1 3/16"	7/16"-14	1 1/16"
M-936	2"	7/16"-20	7/8"	7/16"-14	3/4"
M-946	2"	7/16"-20	1 5/16"	7/16"-20	1 1/16"
M-947	2"	7/16"-14	1"	7/16"-14	3/4"
M-937	2 1/4"	7/16"-20	1 1/16"	7/16"-14	1 3/16"
M-938	2 1/2"	7/16"-20	1"	7/16"-14	1 3/16"
M-939	2 1/2"	7/16"-20	1 3/8"	7/16"-14	3/4"
M-948	2 1/2"	7/16"-14	1 3/16"	7/16"-14	1 3/16"
M-940	2 3/4"	7/16"-20	1 3/16"	7/16"-14	1 3/16"
M-941	2 3/4"	7/16"-20	1 3/4"	7/16"-14	3/4"
M-942	3"	7/16"-20	1 13/16"	7/16"-14	1 3/16"
M-943	3 1/4"	7/16"-20	2 3/16"	7/16"-14	3/4"
M-944	3 5/8"	7/16"-20	2"	7/16"-14	1 3/16"
M-945	4 3/8"	7/16"-20	3 1/8"	7/16"-14	1 3/16"

GENERAL PURPOSE HIGH TENSILE STUDS

USE THESE DIMENSIONS
FOR MEASURING ALL STUDS



7/16" X 1/2" DIA. STUDS



1/2" X 1/2" DIA. STUDS

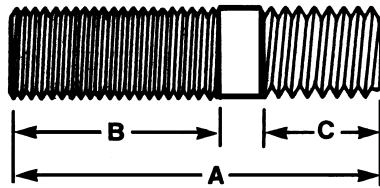


BWP NO.	A OVERALL	B		C	
		THREAD	LGTH	THREAD	LGTH
M-949	2"	7/16"-20	15/16"	1/2"-13	3/4"
M-950	2 1/4"	7/16"-20	15/16"	1/2"-13	3/4"
M-951	2 3/4"	7/16"-20	3/4"	1/2"-13	3/4"
M-952	3"	7/16"-20	1 13/16"	1/2"-13	1 1/16"
M-953	4"	7/16"-20	2 1/2"	1/2"-13	1 3/16"

M-955	1 1/2"	1/2"-20	5/8"	1/2"-13	9/16"
M-956	1 3/4"	1/2"-20	7/8"	1/2"-13	3/4"
M-957	2"	1/2"-20	15/16"	1/2"-13	13/16"
M-958	2 1/4"	1/2"-20	1"	1/2"-13	3/4"
M-959	2 1/4"	1/2"-13	15/16"	1/2"-13	1 1/16"
M-960	2 1/2"	1/2"-20	1 1/8"	1/2"-13	3/4"
M-961	2 3/4"	1/2"-20	1 5/8"	1/2"-13	3/4"
M-962	3"	1/2"-20	2"	1/2"-13	1 1/16"
M-963	3"	1/2"-13	1 7/8"	1/2"-13	5/8"
M-964	3 1/2"	1/2"-20	2 1/4"	1/2"-13	1 5/16"

GENERAL PURPOSE HIGH TENSILE STUDS

USE THESE DIMENSIONS
FOR MEASURING ALL STUDS



1/2" X 9/16" DIA. STUDS



BWP NO.	A OVERALL	B		C	
		THREAD	LGTH	THREAD	LGTH
M-965	2 3/8"	1/2"-20	1 1/16"	9/16"-12	3/4"
M-966	3"	1/2"-20	1 7/8"	9/16"-12	5/8"

1/2" X 5/8" DIA. STUDS



M-967	3"	1/2"-20	1 5/8"	5/8"-11	1"
--------------	----	---------	--------	---------	----

9/16" X 9/16" DIA. STUDS



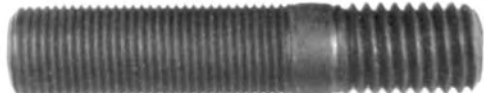
M-968	2 1/2"	9/16"-18	1 3/8"	9/16"-12	15/16"
M-969	2 3/4"	9/16"-18	1 9/16"	9/16"-12	13/16"
M-971	3 1/4"	9/16"-18	2"	9/16"-12	7/8"

9/16" X 5/8" DIA. STUDS



M-970	3"	9/16"-18	1 5/8"	5/8"-11	13/16"
--------------	----	----------	--------	---------	--------

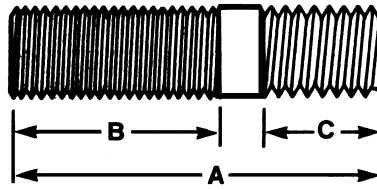
5/8" X 5/8" DIA. STUDS



M-973	2 1/2"	5/8"-11	1 1/4"	5/8"-11	3/4"
M-974	2 5/8"	5/8"-18	1 3/16"	5/8"-11	1"
M-975	2 3/4"	5/8" 1	1 1/2"	5/8"-11	15/16"
M-976	3"	5/8"-18	1 3/4"	5/8"-11	15/16"
M-977	3 1/2"	5/8"-18	1 11/16"	5/8"-11	1"

GENERAL PURPOSE STUDS – DRIVE FLANGE WEDGES

USE THESE DIMENSIONS
FOR MEASURING ALL STUDS



5/8" X 3/4" DIA. STUDS



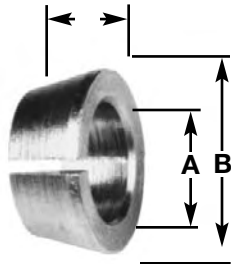
BWP NO.	A	B		C	
	OVERALL	THREAD	LGTH	THREAD	LGTH
M-978	3 1/2"	5/8"-18	1 11/16"	3/4"-10	7/8"

3/4" X 3/4" DIA. STUDS



M-979	2 3/4"	3/4"-10	1 1/2"	3/4"-10	1"
M-980	3 1/4"	3/4"-16	1 7/8"	3/4"-10	1"

DRIVE FLANGE WEDGES — CONES



BWP NO.	A	B	C	REPLACES		
				GMC	IHC	MERITOR
M-2527	7/16"	1 1/16"	13/32"	---	72342R1	1246-Z-234
M-981	7/16"	3/4"	5/16"	---	---	---
M-982	7/16"	3/4"	13/32"	2124231	974272R1	1246-X-232
M-983	7/16"	13/16"	11/32"	3651372	---	---
M-984	1/2"	13/16"	5/16"	---	---	---
M-985	1/2"	13/16"	13/32"	---	972423R1	1246-T-306
M-2528	1/2"	7/8"	15/32"	652328	40377-V	1246-B-28
M-986	9/16"	7/8"	3/8"	---	---	---
M-987	5/8"	1"	15/32"	2019573	141316H	1246-Y-233
M-2529	5/8"	1"	9/16"	2231319	54700R1	1246-D-290

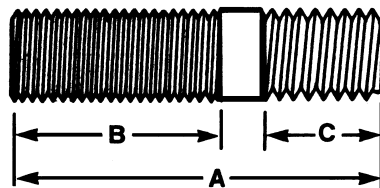
AXLE STUD CONE PLIER



BWP NO.	GENERAL INFORMATION
M-2547	A SPECIALLY DESIGNED CONE PLIER TO GIVE THE LEVERAGE NEEDED TO EXPAND AND REMOVE THE TAPERED CONE FROM REAR AXLE STUDS WITHOUT DAMAGING THE STUD THREADS.

DRIVE FLANGE STUDS

USE THESE DIMENSIONS
FOR MEASURING ALL STUDS



7/16" DRIVE FLANGE STUDS



BWP NO.	A OVERALL	B		C		REPLACES
		THREAD	LGTH	THREAD	LGTH	
M-2463	2"	7/16"-20	5/8"	7/16"-14	1/2"	BUDD 18560
M-2464	2 3/16"	7/16"-20	15/16"	7/16"-14	9/16"	BUDD 42793 DAYTON 08-007358 KELSEY WP-28 MERITOR SC-718

1/2" DRIVE FLANGE STUDS



M-2520	2 3/8"	1/2"-20	13/16"	1/2"-13	13/16"	BUDD 37181, 44577 MERITOR SC-819
M-2521	2 9/16"	1/2"-20	15/16"	1/2"-13	1 1/16"	DAYTON 08-004350 KELSEY WP-81 WEBB 152026
M-2522	2 7/8"	1/2"-20	15/16"	1/2"-13	7/8"	DAYTON 08-008134 GMC 2216914 M-W 85521

5/8" DRIVE FLANGE STUDS



M-2523	2 3/4"	5/8"-18	1"	5/8"-11	1"	BUDD 63606 DAYTON 08-007775 IHC 119345H KELSEY WP-174
M-2462	3"	5/8"-18	7/8"	5/8"-18	1 1/2"	MACK 18AX970
M-2509	3 1/16"	5/8"-18	1 1/16"	5/8"-11	1 1/8"	BUDD 48966
M-2465	3 1/2"	5/8"-18	7/8"	5/8"-18	1 7/16"	MACK 18AX971
M-2524	3 1 1/16"	5/8"-18	1 1/8"	5/8"-11	1 9/16"	N-W 86478 MERITOR 4X1027

3/4" DRIVE FLANGE STUDS



M-2525	3 3/16"	3/4"-16	1 1/8"	3/4"-10	1"	DAYTON 08-007471 IHC 61142H
M-2526	3 3/4"	3/4"-16	1 9/16"	3/4"-10	1 1/8"	BUDD 37179, 49321 IHC 55585H KELSEY WP-39 MERITOR 4X1207

STUD SETTERS AND REMOVERS – VALVE STEM LOCKS

5/8" AND 3/4" WHEEL STUD SETTERS



1 1/4" HEX

BWP NO.	APPLICATION	NOTE
M-1179	3/4"-10 WHEEL STUDS	FOR INSTALLING 3/4" AND 5/8" WHEEL STUDS WITH EITHER 4-WAY WRENCH OR IMPACT WRENCH. SCREW STUD INTO TOOL AND THEN INTO WHEEL. REVERSE AND THE CHROME BALL ALLOWS EASY TOOL REMOVAL.
M-1180	5/8"-11 WHEEL STUDS	

5/8" AND 3/4" WHEEL STUD REMOVERS



1 1/4" HEX

BWP NO.	APPLICATION	NOTE
M-1181	3/4" WHEEL STUDS	REMOVES FULL OR BROKEN STUDS. ONLY A 3/16" PROJECTION IS REQUIRED. ALTHOUGH THE BEST MATERIAL AND HEAT TREATING AVAILABLE IS USED TO MANUFACTURE THESE TOOLS, AFTER A FEW USES (3 TO 4) THE TOOL WILL DESTROY ITS SELF-TAPPING SPLINES AND MUST BE REPLACED. DO NOT USE WITH IMPACK WRENCH. SAFETY GLASSES RECOMMENDED.
M-1182	5/8" WHEEL STUDS	

INNER BUDD NUT REMOVER



BWP NO.	APPLICATION	NOTE
M-1190	BUDD INNER NUTS	REMOVES BROKEN BUDD WHEEL NUTS. DRIVE THE M-1190 FIRMLY OVER THE BROKEN NUT AND BACK THE BROKEN PART OUT. ALTHOUGH THE BEST MATERIAL AND HEAT TREATING AVAILABLE IS USED TO MANUFACTURE THE M-1190, AFTER A FEW USES (3 TO 4) THE TOOL WILL DESTROY ITS SELF-TAPPING SPLINES AND MUST BE REPLACED. DO NOT USE WITH IMPACT WRENCH. SAFETY GLASSES RECOMMENDED.

VALVE STEM LOCK



BWP NO.	APPLICATION	NOTE
M-1313	TRUCK, TRAILER, TRACTOR TIRES	AN INEXPENSIVE WAY TO SAVE TIRES AND TUBES WHEN BLOW OUTS OCCUR. SIMPLE TO INSTALL ON STRAIGHT OR BENT VALVE STEMS.

VALVE STEM LOCK



BWP NO.	APPLICATION	NOTE
M-1314	TRUCK, TRAILER, TRACTOR TIRES	MADE OF LONG LASTING NEOPRENE RUBBER. THE M-1314 INCLUDES SPEED NUT TO LOCK ONTO STEM.

TORQUE CHART – CAST SPOKE AND DISC WHEELS

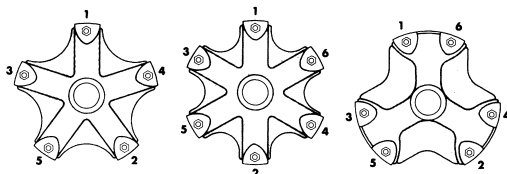
APPLICATION	STUD OR BOLT SIZE AND THREAD	RECOMMENDED TORQUE IN FOOT POUNDS
LIGHT TRUCKS With disc over .150-in. thick alternate in-and-out coined wheels	$7/16$ "-20 $1/2$ "-20 $9/16$ "-18 $5/8$ "-18 $5/8$ "-18 $11/16$ "-16	75-85 75-85 175-200 175-200 275-325 (Flanged Cap Nut) 250-300
HIGHWAY VEHICLES—TRUCK-TRAILER-BUS WITH DISC WHEELS Standard Budd-Double Cap Nut Mounting With countersunk holes—aluminum & steel disc Motor Wheel studs Motor Wheel spoke steel studs—straight stud hole Motor Wheel bus—front wheels and single rear Motor Wheel bus—dual rear wheels Back nuts—on inner end of wheel stud Back nuts—on inner end of wheel stud WITH CAST WHEELS With cast wheels—demountable rims With cast wheels—demountable rims With cast wheels—demountable rims With cast wheels—demountable rims	$3/4$ "-16 $11/8$ "-16 $9/16$ "-18 $3/4$ "-16 $7/8$ "-14 $7/8$ "-14 $3/4$ "-16 $7/8$ "-14 $1/2$ "-13 $5/8$ "-11 $3/4$ "-10 $3/4$ "-10	450-500 450-500 175-225 300-350 325-375 350-400 175-200 175-200 90 150-175 175-200 (w/Channel Spacer) 240-260 (w/Corrugated Spacer)
OFF THE ROAD VEHICLES WITH CAST WHEELS Budd standard mounting, countersunk holes Budd studs—that use black nuts Budd studs—with heads—no back nuts Budd heavy-duty mounting Budd heavy-duty mounting Back nuts on inner end of wheel stud back nuts on inner end of wheel stud WITH CAST WHEELS With cast wheels—demountable rims With cast wheels—demountable rims With cast wheels—demountable rims	$3/4$ "-16 $11/8$ "-16 $11/8$ "-16 $11/8$ "-16 $15/16$ "-12 $15/16$ "-12 $7/8$ "-14 1"-14 $3/4$ "-10 1"-8 1"-14	450-500 450-500 650-750 650-750 750-900 750-900 175-200 175-200 225 450 450

TORQUE RECOMMENDATIONS FOR RIM AND WHEEL NUTS AND BOLTS.

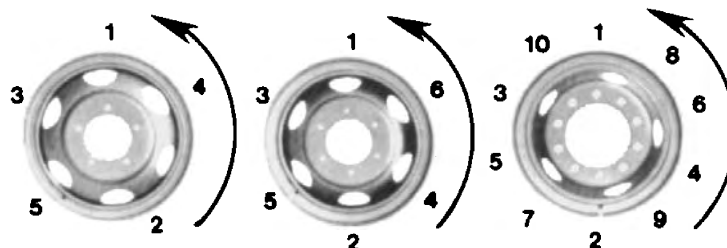
- Use the correct torque in foot pounds.
- Do not lubricate—the threads of wheels and rims, studs, bolts and nuts and the bearing surface should be clean, dry and free from oil or grease when torqued to specified foot pounds.
- Frequent checks should be made, especially after every change in wheel or rim mounting.
- Replace both studs on either side of a broken stud; they have been weakened by overloading.
- Periodically check air wrenches, to determine the amount of torque delivered; this must be an accurate measurement with no room for error.
- Tighten all nuts to 50 Ft. Lbs. using respective sequence illustration shown below. Using same sequence, tighten all nuts in increments of 50 Ft. Lbs. to recommended torque shown above.

CORRECT SEQUENCE FOR TIGHTENING NUTS

SPOKE WHEELS



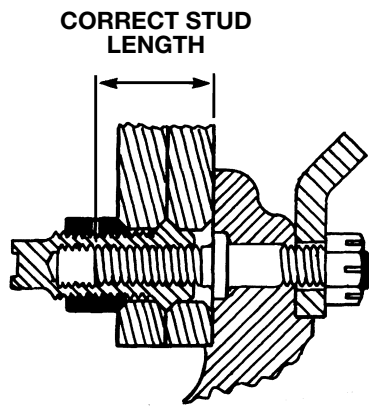
DISC WHEELS



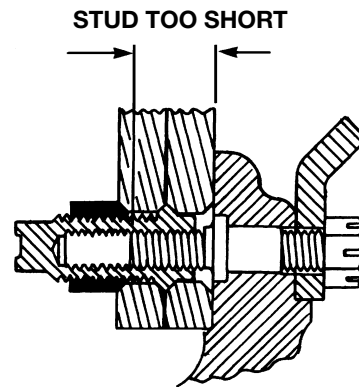
STUD LENGTH FOR DISC WHEEL DUAL MOUNTING

ALUMINUM WHEEL MOUNTING

Shown below in figure 1 is the correct mounting of aluminum disc wheels. Note the length of the stud extending through the outer wheel giving it the necessary support. Illustrated in figure 2 is the incorrect mounting of aluminum wheels. The stud used on this application is too short, causing the outer wheel to be insufficiently supported.



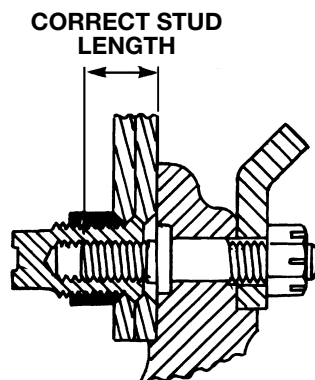
CORRECT
Figure 1



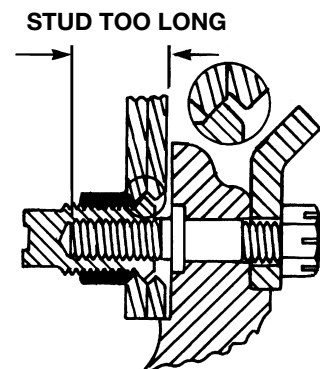
INCORRECT
Figure 2

STEEL WHEEL MOUNTING

The same application principal also applies to steel wheels. Stud stand-out must extend beyond both wheels by at least $\frac{5}{16}$ " (see figure 3). You must insure that the stud is not too long because it could "bottom out" in the inner nut. This condition (as shown in figure 4) will prevent the inner nut from properly holding the wheel even though the recommended torque procedures were followed.



CORRECT
Figure 3



INCORRECT
Figure 4

Below are seven recommended procedures which will help prolong the life of wheels and attaching parts.

RECOMMENDED PROCEDURES

1. When replacing a broken stud, the studs on each side of it should be replaced. If more than one stud is broken, all studs in the wheel should be replaced.
2. Verify the studs being used are the correct length for the type of wheels used. Stud stand-out must extend beyond both wheels as shown above.
3. Check the inner cap nuts to be sure they are correct for the type of wheels. Make sure the stud does not "bottom out" in the inner nut.
4. Follow the recommended torque and tightening procedures.
5. Inspect studs, nuts and wheels at regular maintenance intervals.
6. Replace broken studs immediately.
7. Correct stud length is critical.

SERVICE DATA

BROKEN STUDS



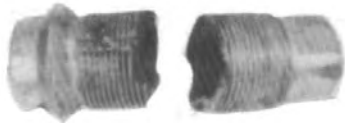
Broken studs are generally caused by loose cap nuts or vehicle overloading. Replace studs on either side of broken stud as they likely have been overloaded. If more than two studs are broken, replace entire set. Use torque recommended in chart and maintain periodic checks.

STRIPPED OR MUTILATED THREADS



Stripped threads are generally caused by either excessive torque or sliding wheel across studs during wheel assembly. Replace stripped studs (with correct size studs). Always follow correct torque recommendations.

INNER NUT FAILURE



Inner nuts may fail due to extremely rough service or use of incorrect studs (length). Using studs with the correct length will eliminate nut failure in most cases. Correct stud length is critical.

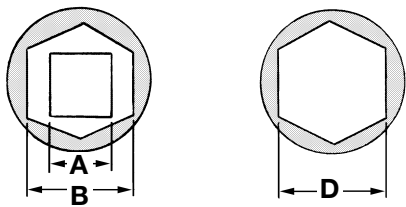
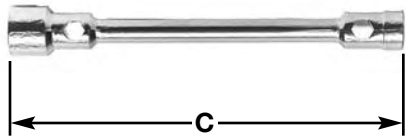
CORRODED, FROZEN INNER CAP NUTS



If corrosion is slight, wire brushing may be sufficient. If corrosion is excessive, replace studs and nuts. If condition persists, lubricate first three threads of each stud with a graphite-base lubricant. *Do not permit lubricant to get on ball seals of stud holes or on ball face of cap nuts.*

WHEEL SERVICE TOOLS

DOUBLE END TRUCK WRENCHES



BWP NO.	A SQUARE SOCKET	B HEX SOCKET	C LENGTH	D HEX SOCKET	USE BWP BAR NO.	APPLICATION
M-149	13/16"	1 1/8"	16"	1 1/2"	M-154	BUDD WHEEL NUTS AND CHEV. & FORD FLANGED NUTS.
M-150	5/8"	1"	16"	1 1/4"	M-154	CHEVROLET AND GMC DUAL WHEELS
M-153	---	1 1/16"	16"	1 1/4"	M-154	DAYTON-GUNITE-ERIE-WEBB SPOKE WHEELS
M-3268	13/16"	---	16"	1 1/2"	M-154	
M-3269	---	24MM	16"	33MM	M-154	METRIC ENDS HUB PILOT WHEELS

WRENCH HANDLE



BWP NO.	OVERALL LENGTH	DIAMETER OR HEX	APPLICATION
M-154	22"	3/4" HEX	USED WITH M-149, M-150, M-153, M-WRENCHES

BUDD OUTER NUT WRENCH



BWP NO.	HEX SIZES	APPLICATION
M-155	1 1/2"	HOLD OUTER NUT, WITH LIP WHICH FITS IN EMPTY BOLT HOLE, WHILE INNER NUT TURNS.

BUDD NUT POWER WRENCH



BWP NO.	APPLICATION
M-156	FOR BUDD DUAL WHEEL INNER AND OUTER NUTS. CONSISTS OF A 3 TO 1 RATIO GEAR TYPE POWER WRENCH AND ONE SOLID BAR AND ONE TUBE TYPE BAR.

HEAVY DUTY 4-WAY TRUCK WRENCHES



BWP NO.	ARM LENGTH	SOCKET SIZES		HEX	SQUARE	NOTE
		HEX	HEX			
M-1252	27 1/2"	1 1/16"	1 1/2"	1 1/2"	13/16"	1" STOCK WITH CENTER HOLE FOR LEVERAGE BAR
M-1253	27 1/2"	1 1/16"	1 1/4"	1 1/2"	13/16"	1" STOCK NO CENTER HOLE
M-3270	27 1/2"	24, 27, 30, 33MM				METRIC 4-WAY WRENCH

TIRE TOOLS FOR TRUCK, TRACTOR, TRAILER

FIBERGLASS WEDGE HAMMERS



BWP NO.	GENERAL INFORMATION
M-3271	18" LENGTH 4 ³ / ₄ lbs. HEAD WT.
M-3272	32" LENGTH 8 ¹ / ₂ lbs. HEAD WT.

REPLACEMENT HANDLES



BWP NO.	GENERAL INFORMATION
M-3273	17" LENGTH (HICKORY WOOD)
M-3274	30" LENGTH (HICKORY WOOD)
M-3275	18" LENGTH (FIBERGLASS)

TIRE IRONS FOR TUBELESS TRUCK TIRES (STRAIGHT MOUNT/DEMOUNT)



BWP NO.	GENERAL INFORMATION
M-1235	37" LENGTH 3/4" STOCK
M-3276	41" LENGTH 7/8" STOCK
M-3277	52" LENGTH 1" STOCK

SUPER SINGLE TIRE MOUNT/DEMOUNT TOOLS



BWP NO.	GENERAL INFORMATION
M-3278	50" LENGTH 7/8" STOCK USE ON 16.5" X 22.5" DUPLEX AND REAR TRACTOR TIRES



BWP NO.	GENERAL INFORMATION
M-3279	51" LENGTH 7/8" STOCK USE ON 16.5" X 22.5" DUPLEX AND 25" SOLID WHEEL LOADER TIRES.

NOTE: M-3278 AND M-3279 ARE USED TOGETHER

TIRE TOOLS FOR TRUCK, TRACTOR, TRAILER

CURVED TIRE SPOONS



BWP NO.	GENERAL INFORMATION		
M-3280	24" LONG	$1\frac{1}{16}$ " STOCK	USE LIGHT TRUCK
M-3281	30" LONG	$1\frac{1}{16}$ " STOCK	USE FOR HEAVY DUTY
M-3282	30" LONG	$\frac{7}{8}$ " STOCK	

STRAIGHT TIRE SPOONS



BWP NO.	GENERAL INFORMATION		
M-3283	24" LONG	$1\frac{1}{16}$ " STOCK	USE LIGHT TRUCK
M-3284	30" LONG	$1\frac{1}{16}$ " STOCK	USE FOR HEAVY DUTY
M-3285	30" LONG	$\frac{7}{8}$ " STOCK	

LOCK RING TOOLS



BWP NO.	GENERAL INFORMATION		
M-1233	30" LONG	$1\frac{1}{16}$ " STOCK	LOCK RING REMOVER FIRESTONE RH AND RI RIMS
M-3286	23 $\frac{1}{2}$ " LONG	$1\frac{1}{16}$ " STOCK	FLAT TAPERED END FOR ALL ROUND RING TRIM WORK
M-1234	18" LONG	$\frac{5}{8}$ " STOCK	5° WIDE BASE RIMS

HEAVY DUTY LOCK RING TOOL

BWP NO.	GENERAL INFORMATION		
M-3287	37" LONG	$\frac{3}{4}$ " STOCK	USED ON HUB TYPE WITH MULTI-PIECE WHEELS



AIR BRAKE AND ELECTRICAL SECTION INDEX

	Page No.
AIR BRAKE PARTS	
CHAMBERS, DIAPHRAGMS, BOLTS AND NUTS, BRACKETS57, 58
COILED AIR BRAKE TUBING66
COMPRESSOR DRIVE COUPLINGS AND HUBS67
COPPER TUBING59
COPPER TUBE FITTINGS64, 65
GLADHAND, SEALS66
HOSE AND HOSE ASSEMBLIES61, 62
HOSE CONNECTORS AND UNIONS63
HOSE SUPPORT SPRINGS AND CLIP62
LOOM59
NYLON TUBING59
NYLON TUBE FITTINGS60
TANK DRAIN COCK AND VALVES68
TERMINAL BOLTS AND FRAME COUPLINGS67
 ELECTRICAL PARTS	
CABLE AND COILED ELECTRICAL72, 73
CIRCUIT BREAKERS80
PLUGS70, 71
SOCKETS69, 71
SWITCHES74 – 79
WIRING CODE & CONNECTOR MARKINGS72

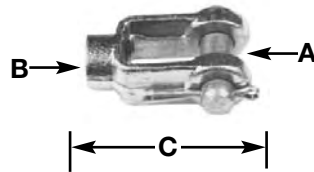
AIR BRAKE CHAMBERS, DIAPHRAGMS AND BOLTS

AIR BRAKE CHAMBERS



BWP NO.	CHAMBER TYPE	REPLACES		NOTES
		B-W	MIDLAND	
M-458	24	288808	KN36240	FULLY THREADED RODS 5/8" DIA.
M-459	30	288813	KN36300	

YOKE ASSEMBLIES



BWP NO.	A CLEVIS DIA.	B THREAD DIA.	C OVERALL LENGTH	REPLACES	
				B-W	MIDLAND
M-1381	1/2"	1/2"-20	3 1/2"	205948	KN36490
M-1382	1/2"	5/8"-18	2 3/8"	228790	KN36470
M-1383	5/8"	5/8"-18	2 1/4"	228798	KN36480

AIR BRAKE DIAPHRAGMS — CLAMP RING TYPE



BWP NO.	TYPE	SIZE	REPLACES		
			B-W	MIDLAND	BERG
M-460	9	5"	23443	200316	18090
M-461	12	5 1/2"	234226	N20168	18120
M-462	16	6"	234189	N20151	18160
M-463	20	6 1/2"	234099	N20145	18200
M-464	24	7"	234100	N20097	18240
M-466	30	8"	234101	N20130	18300
M-467	36	9"	234362	N20136	18360

AIR CHAMBER CLAMP RING BOLTS AND NUTS



BWP NO.	MFG.	THREAD DIA.	BOLT LENGTH	REPLACES	
				BOLT	NUT
M-468	MIDLAND	3/8"-24	2 3/16"	N-13367	N-13368
M-470	BENDIX	5/16"-24	1 15/32"	237886	237887
M-471	BENDIX	5/16"-24	1 11/16"	234146	234147
M-465	ANCHORLOK MGM	3/8"-16	2"	11M052, 781A	11M051, 781P

AIR BRAKE & ELEC.

AIR CHAMBER BRACKETS

AIR BRAKE & ELEC.



BWP NO.	REPLACES	APPLICATION
M-505	FRUEHAUF AXA-0402-1 ACF-6608-1	FRUEHAUF PRO-PAR AXLES WITH 16 1/2" DIA. BRAKES



BWP NO.	REPLACES	APPLICATION
M-431	MERITOR 3299-V-5300 EATON 820006 STD. FORGE 210128	UNIVERSAL BRACKET FOR MANY 4 1/2" AND 5" ROUND AXLES



M-700	MERITOR 3299-U-5299	MERITOR 4" x 6" PAYMASTER AXLE
--------------	---------------------	--------------------------------



M-701	MERITOR 3299-A-5981	MERITOR 5" ROUND AXLE
--------------	---------------------	-----------------------



BWP NO.	REPLACES	APPLICATION
M-507	DANA M10WJ103 STD. FORGE 210172-001	HEAVY DUTY BRACKET FOR STD. FORGE AXLES 5/16" THICK MATERIAL 5" ROUND AXLES

THERMOPLASTIC AND COPPER TUBING AND LOOM

THERMOPLASTIC AIR BRAKE NYLON TUBING — SAE J 844



BWP NO.	O.D.	I.D.	COIL LENGTH	WALL THICKNESS	REPLACES		
					BENDIX	BERG	SYNFLEX
M-1307	1/8"	.079"	250'	.023"	249094	11020	4246-0220
M-1308	1/4"	.170"	200'	.040"	246113	11021	4246-0410
M-1309	3/8"	.251"	100'	.062"	246115	11022	3250-0610
M-1310	1/2"	.376"	100'	.062"	246117	11023	3250-0810
M-1355	5/8"	.441"	50'	.092"	247606	11024	3250-1010
M-1356	3/4"	.556"	50'	.092"	247607	11025	3250-1210

AIR BRAKE & ELEC.

BRASS INSERTS FOR NYLON TUBING



BWP NO.	EYELET SIZE	USE WITH BWP TUBING NO.	REPLACES		
			BENDIX	BERG	SYNFLEX
M-1315	1/4"	M-1308	246088	11130	1484
M-1316	3/8"	M-1309	246089	11131	1484X6
M-1317	1/2"	M-1310	246090	11132	1484X8
M-1357	5/8"	M-1355	247608	11133	1484x10
M-1358	3/4"	M-1356	246091	11134	1484x12

COPPER TUBING — AUTOMOTIVE AND HEAVY DUTY AUTOMOTIVE .030" TO .035" WALL — HEAVY DUTY .049" WALL



BWP NO.	TUBING O.D.	WALL THICKNESS	REPLACES BENDIX	BWP NO.	TUBING O.D.	WALL THICKNESS	REPLACES BENDIX
25' COILS				50' COILS			
M-418	1/4"	.030"	279567	M-418-5	1/4"	.032"	279568
M-419	5/16"	.032"	279569	M-420-5	3/8"	.032"	279572
M-420	3/8"	.032"	279571	M-421-5	1/2"	.032"	279574
M-421	1/2"	.032"	279573	M-447	3/8"	.049"	H.D.
M-422	5/8"	.035"	279575	M-448	1/2"	.049"	H.D.
M-423	3/4"	.035"	279576	M-449	5/8"	.049"	H.D.
				M-450	3/4"	.049"	H.D.

LOOM — BRAIDED, NON METALLIC



BWP NO.	APPLICATION	COIL LENGTH	GENERAL INFORMATION
M-424	FOR 1/4" TUBING	100'	BWP LOOM PROVIDES PROTECTION FOR METAL TUBING, INSULATED WIRES, AND OTHER PARTS REQUIRING A WATER AND ACID PROOF COVERING RESISTANT TO FIRE AND ABRASION. BWP LOOM WILL WITHSTAND A TEMPERATURE OF 275° FAHRENHEIT WITHOUT MELTING.
M-425	FOR 5/16" TUBING	100'	
M-426	FOR 3/8" TUBING	100'	
M-427	FOR 1/2" TUBING	100'	
M-428	FOR 5/8" TUBING	100'	
M-429	FOR 3/4" TUBING	100'	

AIR BRAKE FITTINGS FOR NYLON TUBING

SLEEVES FOR NYLON TUBING



BWP NO.	FOR TUBING O.D.
M-1327	1/4"
M-1328	3/8"
M-1329	1/2"
M-1330	5/8"
M-1331	3/4"

NUTS FOR NYLON TUBING



BWP NO.	FOR TUBING O.D.
M-1332	1/4"
M-1333	3/8"
M-1334	1/2"
M-1335	5/8"
M-1336	3/4"

MALE CONNECTORS FOR NYLON TUBING

Tubing
O.D.



Male Pipe
Thread

BWP NO.	FOR TUBING O.D.	MALE PIPE THREAD	REPLACES	
			BENDIX	BERG
M-1337	1/4"	1/8"	283137	11228
M-1338	1/4"	1/4"	283138	11229
M-1339	3/8"	1/8"	283124	11231
M-1340	3/8"	1/4"	283121	11232
M-1341	3/8"	3/8"	283122	11233
M-1342	3/8"	1/2"	— —	— —
M-1343	1/2"	3/8"	283147	11235
M-1344	1/2"	1/2"	283148	11236
M-1345	5/8"	1/2"	283172	11238
M-1346	3/4"	1/2"	— —	11239

UNIONS FOR NYLON TUBING

Tubing
O.D.



Tubing
O.D.

BWP NO.	FOR TUBING O.D.	REPLACES	
		BENDIX	BERG
M-1347	1/4"	283135	11201
M-1348	3/8"	283119	11202
M-1349	1/2"	283146	11203
M-1350	5/8"	283170	11204
M-1351	3/4"	— —	— —

MALE ELBOWS FOR NYLON TUBING

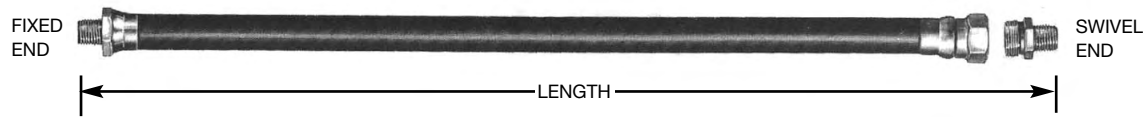


Male Pipe
Thread

Tubing
O.D.

BWP NO.	FOR TUBING O.D.	MALE PIPE THREAD	REPLACES	
			BENDIX	BERG
M-1352	1/4"	1/8"	283132	11258
M-1371	1/4"	1/4"	283133	11259
M-1372	3/8"	1/8"	283131	11261
M-1373	3/8"	1/4"	283111	11262
M-1374	3/8"	3/8"	283112	11263
M-1375	3/8"	1/2"	— —	11264
M-1376	1/2"	3/8"	283142	11292
M-1377	1/2"	1/2"	283143	11266
M-1378	5/8"	1/2"	283166	11268
M-1379	3/4"	1/2"	— —	11270

AIR HOSE ASSEMBLIES



3/8" AIR HOSE ASSEMBLIES

1/4"-18 NTPF ENDS 1 SWIVEL/1 FIXED	
BWP NO.	LENGTH
M-1384	18"
M-1385	20"
M-1386	22"
M-1387	24"
M-1388	26"
M-1389	28"
M-1390	30"
M-1391	32"
M-1392	34"
M-1393	36"
M-1394	38"
M-1395	40"
M-1396	42"
M-1397	44"
M-1398	48"

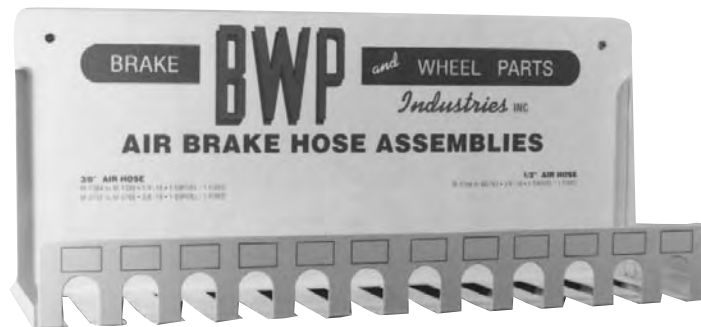
3/8"-18 NTPF ENDS 1 SWIVEL/1 FIXED	
BWP NO.	LENGTH
M-3752	18"
M-3753	20"
M-3754	22"
M-3755	24"
M-3756	26"
M-3757	28"
M-3758	30"
M-3759	32"
M-3760	34"
M-3761	36"
M-3762	38"
M-3763	40"
M-3764	42"
M-3765	44"
M-3766	48"

1/2" AIR HOSE ASSEMBLIES

3/8"-18 NTPF ENDS 1 SWIVEL/1 FIXED	
BWP NO.	LENGTH
M-2756	18"
M-3767	20"
M-3768	22"
M-2757	24"
M-3769	26"
M-2758	28"
M-3770	30"
M-2759	32"
M-3771	34"
M-2760	36"
M-3772	38"
M-2761	40"
M-3773	42"
M-2762	44"
M-2763	48"

AIR BRAKE & ELEC.

HOSE ASSEMBLY WALL DISPLAY RACK BWP NO. M-3774



- HOLDS UP TO 72 HOSE ASSEMBLIES
- 6 SLOTS FOR 3/8" HOSE
- 6 SLOTS FOR 1/2" HOSE
- EACH SLOT WILL HOLD 6 ASSEMBLIES

AIR BRAKE HOSE AND CONNECTOR PARTS

AIR BRAKE & ELEC.

3/8" AND 1/2" TYPE "B" AIR BRAKE HOSE



MEETS SAE J-1402 AND
MVSS 106 SPECIFICATIONS

BWP NO.	I.D.	O.D.	HOSE LENGTH	REPLACES	
				BENDIX	BERG
3/8" AIR BRAKE HOSE					
M-315A	3/8"	3/4"	50' COILS	277546	11000
M-315-S	3/8"	3/4"	250' REELS	285498	11001
BWP NO.	I.D.	O.D.	HOSE LENGTH	REPLACES	
				WAGNER	VELVAC
1/2" BRAKE HOSE					
M-1359	1/2"	7/8"	50' COILS	A89031	54A-21-8

SEPARATOR CLIP FOR 3/8" I.D. AIR HOSE



BWP NO.	REPLACES	APPLICATION
M-473	MIDLAND 100469	FOR ALL 3/4" O.D. HOSE. KEEPS HOSE PROPERLY SEPARATED.

SEPARATOR CLIP FOR 1/2" I.D. AIR HOSE



BWP NO.	REPLACES	APPLICATION
M-3495	---	---

HOSE CLAMP FOR 3/8" I.D. AIR HOSE



BWP NO.	REPLACES	APPLICATION
M-3787	---	3 HOLE TO ACCOMMODATE WIRING

AIR HOSE SUPPORT SPRINGS



BWP NO.	O.D.	LENGTH	REPLACES		
			BENDIX	BERG	MIDLAND
M-3056	3/4"	12 1/2"	200661	10601	N12929
M-3057	1"	12 1/2"	249393	10602	---
M-3055	1 1/8"	25 1/2"	249394	10600	C10469

HOSE CONNECTOR PLAIN NUTS



BWP NO.	APPLICATION	REPLACES		
		BENDIX	BERG	MIDLAND
M-310	3/8" AIR HOSE	203624	11906	55C-11-2
M-1367	1/2" AIR HOSE	---	---	---

HOSE CONNECTOR NUT AND SPRING GUARD



BWP NO.	APPLICATION	REPLACES		
		BENDIX	BERG	MIDLAND
M-311A	3/8" AIR HOSE	226950	---	55C-41-1

3/8" AND 1/2" AIR HOSE CONNECTORS AND UNIONS

CONNECTOR LESS SPRING GUARD



BWP NO.	MALE PIPE THREAD	REPLACES			
		BENDIX	BERG	MIDLAND	VELVAC
3/8" HOSE CONNECTORS					
M-300	1/4"	215540	11903	N10492A	55C-31
M-301	3/8"	224487	11904	N10492C	55C-21
M-302	1/2"	215539	11905	N10492F	55C-11
1/2" HOSE CONNECTORS					
M-1360	3/8"	---	---	---	56C-21
M-1361	1/2"	---	---	---	---

CONNECTOR WITH SPRING GUARD



BWP NO.	MALE PIPE THREAD	REPLACES			
		BENDIX	BERG	MIDLAND	VELVAC
3/8" HOSE CONNECTORS WITH SPRING					
M-303	1/4"	215536	11900	N10492D	55C-61
M-304	3/8"	223907	11901	N10492E	55C-51
M-305	1/2"	215535	11902	N10492	55C-41
1/2" HOSE CONNECTORS WITH SPRING					
M-1362	3/8"	---	---	---	---
M-1363	1/2"	---	---	---	---

CONNECTOR BODIES



BWP NO.	MALE PIPE THREAD	REPLACES			
		BENDIX	BERG	MIDLAND	VELVAC
3/8" HOSE CONNECTOR BODIES					
M-306	1/4"	215993	11907	N10916A	55C-31-1
M-307	3/8"	233470	11908	N10916B	55C-21-1
M-308	1/2"	215992	11909	N10916	55C-11-1
1/2" HOSE CONNECTOR BODIES					
M-1364	3/8"	---	---	---	---
M-1365	1/2"	---	---	---	---

CONNECTOR SLEEVES



BWP NO.	APPLICATION	REPLACES		
		BENDIX	BERG	VELVAC
M-309	3/8" AIR HOSE	203610	11912	55C-11-3
M-1366	1/2" AIR HOSE	---	---	56C-11-3

AIR HOSE UNIONS 3/8" and 1/2" HOSE



BWP NO.	REPLACES		
	BENDIX	BERG	VELVAC
3/8" AIR HOSE UNION			
M-444	216678	11913	55C-71
1/2" AIR HOSE UNION			
M-1380	---	---	---

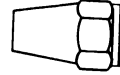
AIR BRAKE COMPRESSION FITTINGS

SLEEVES — COMPRESSION



BWP NO.	TUBING O.D.	REPLACES	
		BENDIX	BERG
M-319	1/4"	200457	11060
M-320	3/8"	200361	11061
M-321	1/2"	203754	11062
M-322	5/8"	210612	11063
M-323	3/4"	203897	—

NUTS — COMPRESSION



BWP NO.	TUBING O.D.	REPLACES	
		BENDIX	BERG
M-324	1/4"	200455	11056
M-325	3/8"	200360	11057
M-326	1/2"	203755	11058
M-327	5/8"	210613	11059
M-328	3/4"	203896	—

MALE CONNECTORS — AIR BRAKE COMPRESSION



BWP NO.	FOR TUBING O.D.	MALE PIPE THREAD	REPLACES	
			BENDIX	BERG
M-329	1/4"	1/8"	205127	11064
M-330	1/4"	1/4"	205183	11065
M-331	1/4"	3/8"	—	—
M-332	1/4"	1/2"	—	—
M-333	3/8"	1/8"	205509	11066
M-334	3/8"	1/4"	205053	11067
M-335	3/8"	3/8"	205824	11068
M-336	3/8"	1/2"	222063	—
M-338	1/2"	3/8"	217525	11070
M-339	1/2"	1/4"	217690	11069
M-340	1/2"	1/2"	217691	11071
M-342	5/8"	1/2"	216684	—
M-343	5/8"	3/8"	216685	—
M-345	3/4"	1/2"	217621	—

FEMALE CONNECTORS — AIR BRAKE COMPRESSION



BWP NO.	FOR TUBING O.D.	FEMALE PIPE THREAD	REPLACES	
			BENDIX	BERG
M-347	1/4"	1/8"	—	—
M-348	1/4"	1/4"	—	—
M-349	3/8"	1/8"	205418	—
M-350	3/8"	1/4"	205826	—
M-351	3/8"	3/8"	205827	—
M-352	1/2"	3/8"	215711	—
M-353	1/2"	1/2"	—	—
M-354	1/2"	1/4"	—	—
M-355	5/8"	1/2"	221987	—

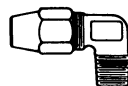
UNIONS — AIR BRAKE COMPRESSION



BWP NO.	FOR TUBING O.D.	REPLACES	
		BENDIX	BERG
M-358	1/4"	205514	11050
M-359	3/8"	205134	11051
M-360	1/2"	215710	11052
M-361	5/8"	221826	—
M-362	3/4"	216523	—

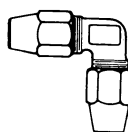
AIR BRAKE COMPRESSION FITTINGS

MALE ELBOWS — AIR BRAKE COMPRESSION



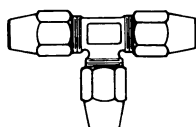
BWP NO.	FOR TUBING O.D.	MALE PIPE THREAD	REPLACES	
			BENDIX	BERG
M-363	1/4"	1/8"	205539	11075
M-364	1/4"	1/4"	224318	11076
M-365	1/4"	3/8"	—	—
M-366	3/8"	1/8"	205522	11077
M-367	3/8"	1/4"	205102	11078
M-368	3/8"	3/8"	205829	11079
M-369	3/8"	1/2"	222062	—
M-370	1/2"	3/8"	215709	11080
M-371	1/2"	1/4"	220475	11081
M-372	1/2"	1/2"	216310	11082
M-373	5/8"	1/2"	221825	—
M-374	5/8"	3/8"	221993	—
M-377	3/4"	1/2"	217504	—

UNION ELBOWS — AIR BRAKE COMPRESSION



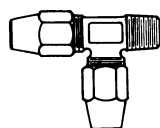
BWP NO.	FOR TUBING O.D.	REPLACES	
		BENDIX	BERG
M-379	1/4"	224317	—
M-380	3/8"	205113	—
M-381	1/2"	222359	—

UNION TEES — AIR BRAKE COMPRESSION



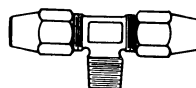
BWP NO.	FOR TUBING O.D.	REPLACES	
		BENDIX	BERG
M-384	1/4"	221979	11053
M-385	3/8"	205106	11054
M-386	1/2"	215712	11055

RUN TEES — AIR BRAKE COMPRESSION



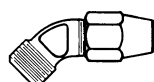
BWP NO.	FOR TUBING O.D.	MALE PIPE THREAD	REPLACES	
			BENDIX	BERG
M-391	3/8"	1/4"	205104	11085
M-392	1/2"	3/8"	215701	11087

BRANCH TEES — AIR BRAKE COMPRESSION



BWP NO.	FOR TUBING O.D.	MALE PIPE THREAD	REPLACES	
			BENDIX	BERG
M-398	3/8"	1/8"	217051	—
M-399	3/8"	1/4"	205103	—
M-400	1/2"	3/8"	215700	—

45° ELBOWS — MALE — AIR BRAKE COMPRESSION



BWP NO.	FOR TUBING O.D.	MALE PIPE THREAD	REPLACES	
			BENDIX	BERG
M-414	1/4"	1/8"	—	11072
M-415	3/8"	1/4"	220722	11073
M-416	1/2"	3/8"	220292	11074
M-417	5/8"	1/2"	222065	—

AIR BRAKE & ELEC.

COILED AIR, GLADHANDS AND PARTS

COILED AIR BRAKE TUBING , J 844-B FOR SERVICE AND EMERGENCY HOOK-UP BETWEEN TRACTOR AND TRAILER



BWP NO.	COIL SPECS.	GENERAL INFORMATION
M-498	TWO 12' COILS ONE RED, ONE BLUE	1/2" NPTF MALE PIPE THREAD ON TRACTOR END. 1/2" NPTF MALE PIPE THREAD TRAILER END. AVAILABLE ONLY IN BOXED PAIRS.
M-499	TWO 15' COILS ONE RED, ONE BLUE	

DIE CAST ALUMINUM (LIGHTWEIGHT) GLADHANDS



BWP NO.	TYPE	REPLACES	
		BENDIX	MIDLAND
M-313A	UNIVERSAL	275150	11450
M-313B	SERVICE	278850	11452
M-313C	EMERGENCY	278851	11451

CAST IRON (HEAVY DUTY) GLADHANDS



BWP NO.	TYPE	REPLACES		
		BENDIX	BERG	VELVAC
M-313	UNIVERSAL	220165	N1202C	55B-11
M-313D	SERVICE	---	---	---
M-313E	EMERGENCY	---	---	---

DIE CAST ALUMINUM GLADHANDS WITH SHUT OFF



BWP NO.	TYPE	REPLACES
M-3775	SERVICE	ALLOWS AIR SHUT OFF AT GLAD HANDS
M-3776	EMERGENCY	

GLADHAND SEALS



BWP NO.	TYPE	REPLACES
M-314	NARROW LIP BLACK	BENDIX 213630 MIDLAND N1072B VELVAC 55-B-11-5
M-312	WIDE LIP BLACK	BENDIX 248579 VELVAC 55-B-21-5
M-3777	RED POLYURETHANE	SERVICES
M-3778	BLUE POLYURETHANE	EMERGENCY

AIR COMPRESSOR AND WATER PUMP COUPLINGS

GMC COMPRESSOR DRIVE COUPLINGS — MOLDED FIBER



BWP NO.	REPLACES	I.D.	O.D.	NOTE
M-1304	GM 2136944	2 ⁷ / ₁₆ "	5 ³ / ₈ "	MOLDED FIBER MATERIAL

GMC COMPRESSOR DRIVE HUBS — FIBER AND STEEL



BWP NO.	REPLACES	I.D.	O.D.	NOTE
M-1305	GM 2136945	7 ⁷ / ₈ "	3 ⁷ / ₁₆ "	MOLDED FIBER MATERIAL
M-1354	GM 5144866	7 ⁷ / ₈ "	3 ⁷ / ₁₆ "	STEEL MATERIAL

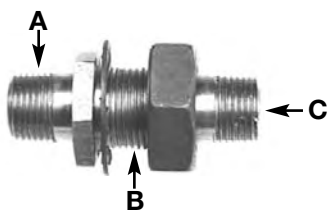
MACK COMPRESSOR DRIVE HUB — MOLDED FIBER



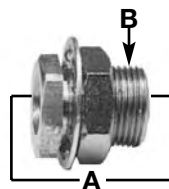
BWP NO.	REPLACES	I.D.	O.D.	NOTE
M-1303	MACK 320GB11A	1"	3 ⁹ / ₁₆ "	FIBER MATERIAL

AIR BRAKE & ELEC.

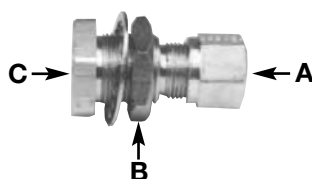
TERMINAL BOLTS AND FRAME COUPLINGS



BWP NO.	A	B	C	OVERALL LENGTH
M-317	1/2"-14 NPTF	1"-14 UNS	1/4"-18 NPTF	2 ⁷ / ₈ "



BWP NO.	A	B	C	OVERALL LENGTH
M-3779	3/8"-18 NPTF	1"-14 UNS	—	1 ⁵ / ₁₆ "



BWP NO.	A	B	C	OVERALL LENGTH
M-3780	1/2" O.D. TUBE	7/8"-20 UNF	3/8"-18 NPTF	1 ⁵ / ₁₆ "
M-3781	3/8" O.D. TUBE	7/8"-20 UNF	3/8"-18 NPTF	1 ³ / ₈ "

AIR TANK, AIR LINE AND HEATER PARTS

AIR BRAKE & ELEC.

AIR TANK DRAIN COCK



BWP NO.	SPEC.	REPLACES		
		BENDIX	BERG	MIDLAND
M-318	1/4" PIPE THREAD	215310	12110	N12142

AIR TANK DRAIN VALVES



BWP NO.	CABLE LENGTH	REPLACES	
		BERG	VELVAC
M-1320	LESS CABLE	12100	03281
M-1321	4 FEET	12104	— —
M-1322	5 FEET	12105	03282

AIR TANK PRESSURE RELIEF VALVES



BWP NO.	THREAD	SPEC	REPLACES	
			BENDIX	BERG
M-1323	1/4"-18 NPTF	PREVENTS AIR SYSTEM PRESSURE FROM EXCEEDING 150 P.S.I.	205105 284142	12020
M-1324	3/8"-18 NPTF		223444	12021

AIR SHUT-OFF COCK



BWP NO.	SPEC.	REPLACES		
		BENDIX	BERG	MIDLAND
M-316	1/2" FPT BOTH ENDS	217799	12113	N13553

AIR LINE ELBOW — TRAILMOBILE



BWP NO.	REPLACES
M-1311	TRAILMOBILE 17-17-81, 17-17-122

WATER VALVE SHUT-OFF FOR TRUCK HEATERS



BWP NO.	PIPE THREAD	HOSE I.D.	REPLACES	
			IMPERIAL	WEATHERHEAD
M-1325	3/8"	3/8"	51-E	1422
M-1326	3/8"	5/8"	50-E	1423

ELECTRICAL SOCKETS

13 POLE SOCKET FOR STATE OF THE ART SYSTEMS (SURPASSES J560b) INTERCHANGEABLE BETWEEN 7 AND 13 POLE PLUGS



BWP NO.	REPLACES COLE HERSEE	TERMINALS	HOUSING MATERIAL	NOTES
M-3708	12300*	EXPOSED	GLASS FILLED PLASTIC	<ul style="list-style-type: none"> • ACCEPTS UP TO #10 WIRE FOR 7 POLE TERMINALS AND UP TO #14 WIRE FOR 6 ADD'L CONNECTORS • GROUND TERMINAL UP TO #8 WIRE

*INCLUDES 6 CRIMP ON CONNECTORS TO CHANGE TO 13 POLE OPERATION

7 POLE SOCKETS — MEET SAE J560b FMV551 121



BWP NO.	REPLACES COLE HERSEE	TERMINALS	HOUSING MATERIAL	NOTES
M-3000	12063	EXPOSED	DIE CAST METAL	<ul style="list-style-type: none"> • ACCEPTS UP TO #10 WIRE FOR TERMINALS • GROUND WIRE UP TO #8 WIRE
M-3709	12080	EXPOSED	GLASS FILLED PLASTIC	

7 POLE SOCKET — SURPASSES SAE J560b STANDARDS



BWP NO.	REPLACES COLE HERSEE	TERMINALS	HOUSING MATERIAL	NOTES
M-3710	12310	EXPOSED	GLASS FILLED PLASTIC	<ul style="list-style-type: none"> • ACCEPTS UP TO #10 WIRE FOR TERMINALS • GROUND WIRE UP TO #8 WIRE

7 POLE SOCKET WITH BUILT IN CIRCUIT BREAKER



BWP NO.	REPLACES COLE HERSEE	TERMINALS	HOUSING MATERIAL	NOTES
M-3037	12061	EXPOSED	DIE CAST METAL	<ul style="list-style-type: none"> • CONTAINS 6 INTEGRAL 20 AMP CIRCUIT BREAKERS

6 POLE SOCKETS



BWP NO.	REPLACES COLE HERSEE	TERMINALS	HOUSING MATERIAL	NOTES
M-3002	1235	EXPOSED	DIE CAST METAL	<ul style="list-style-type: none"> • ACCEPTS UP TO #12 WIRE FOR TERMINALS
M-3027	1258	EXPOSED	DIE CAST METAL	

4 POLE SOCKET



BWP NO.	REPLACES COLE HERSEE	TERMINALS	HOUSING MATERIAL	NOTES
M-3004	1232	CONCEALED	DIE CAST METAL	<ul style="list-style-type: none"> • ACCEPTS UP TO #12 WIRE

ELECTRICAL PLUGS

13 POLE PLUG FOR STATE OF THE ART SYSTEMS (SURPASSES J560b) INTERCHANGEABLE BETWEEN 7 AND 13 POLE SOCKETS



BWP NO.	TYPE	REPLACES COLE HERSEE	HOUSING MATERIAL	NOTES
M-3711	13 POLE*	12301	GLASS FILLED PLASTIC	<ul style="list-style-type: none"> • ACCEPTS UP TO #10 WIRE FOR 7 POLE TERMINALS AND UP TO #14 WIRE FOR 6 ADD'L CONNECTORS • GROUND TERMINAL UP TO #8 WIRE

*INCLUDES 6 CRIMP ON CONNECTORS TO MATE WITH ADDITIONAL PINS IN PLUG M-3708

7 POLE PLUG — SURPASSES SAE J560B STANDARDS



BWP NO.	TYPE	REPLACES COLE HERSEE	HOUSING MATERIAL	NOTES
M-3712	7 POLE	12311	GLASS FILLED PLASTIC	<ul style="list-style-type: none"> • USED WITH M-3000, M-3709 • COMPATIBLE WITH M-3708

PLUGS WITH "SPRING CLIP" RELEASE INTERIORS



BWP NO.	TYPE	REPLACES COLE HERSEE	HOUSING MATERIAL	NOTES
M-3001	7 POLE	12091	DIE CAST METAL	<ul style="list-style-type: none"> • ACCEPTS UP TO #10 WIRE FOR TERMINALS, #8 WIRE FOR GROUND
M-3713	7 POLE	12081	GLASS FILLED PLASTIC	
M-3003	6 POLE	1236	DIE CAST METAL	<ul style="list-style-type: none"> • ACCEPTS UP TO #12 WIRE FOR TERMINALS
M-3005	4 POLE	1233	DIE CAST METAL	

PLUGS WITH CABLE PROTECTORS — "SPRING CLIP" RELEASE INTERIORS



BWP NO.	TYPE	REPLACES COLE HERSEE	HOUSING MATERIAL	NOTES
M-3026	7 POLE	12092	DIE CAST ALUMINUM	<ul style="list-style-type: none"> • ACCEPTS UP TO #10 WIRE FOR TERMINALS, #8 WIRE FOR GROUND
M-3738	7 POLE	12082	GLASS FILLED PLASTIC	
M-3025	6 POLE	1254	DIE CAST METAL	<ul style="list-style-type: none"> • ACCEPTS UP TO #12 WIRE FOR TERMINALS
M-3024	4 POLE	1253	DIE CAST METAL	

CABLE PROTECTOR FOR 7 POLE PLUGS



BWP NO.	REPLACES COLE HERSEE	NOTE
M-3099	81192	<ul style="list-style-type: none"> • SCREW ON ASSEMBLY FOR M-3001, M-3026, M-3713, M-3738

SOCKET AND PLUG – SPECIALTY ITEMS

CIRCUIT CHECKER — 7 POLE



BWP NO.	NOTE
M-3095	BWP CIRCUIT CHECKERS CHECK THE TRACTOR PLUG FOR VOLTAGE AND WIRING. JUST PLUG THE CHECKER INTO THE TRACTOR PLUG AND SWITCH THE LIGHTS ON. THE INDICATORS ON THE CHECKERS WILL TELL YOU IF YOU HAVE: SHORTS ACROSS LINES, OPEN LINES, OPEN GROUND WIRE OR TRACTOR NOT WIRED TO A.T.A. STANDARDS.

RUBBER COVER FOR 7 POLE SOCKETS



BWP NO.	REPLACES COLE-HERSEE	NOTE
M-3012	11178	COMPLETELY SEALS AGAINST DIRT AND WATER.

STOR-A-WAY BRACKET FOR 7 POLE PLUGS



BWP NO.	REPLACES COLE-HERSEE	NOTE
M-3013	11750	MOUNTS EASILY TO BACK OF CAB. PROTECTS PLUGS FROM WEATHER. SPRING LOADED FOR SECURE HOLD.

MOUNTING BRACKET FOR 7, 6, AND 4 POLE PLUGS



BWP NO.	REPLACES COLE-HERSEE	NOTE
M-3036	11165	FOR MOUNTING TRAILER CONNECTOR SOCKETS ON FLAT-BED TRAILERS AND OTHER EQUIPMENT.

POWER TAKE-OFF PLUG



BWP NO.	REPLACES COLE-HERSEE	NOTE
M-3039	11042	<ul style="list-style-type: none"> • RUGGED DIE CAST HOUSING • INTEGRAL GROUND RETURN TERMINAL • TAKES UP TO "0" SIZE CABLE

POWER TAKE-OFF SOCKET



BWP NO.	REPLACES COLE-HERSEE	NOTE
M-3038	11041	<ul style="list-style-type: none"> • SINGLE POLE FLAP LOCK • TAKES UP TO "0" SIZE CABLE • PERMITS TRACTOR BATTERY TO POWER AUXILIARY EQUIP.

TRAILER CONNECTOR ADAPTERS



BWP NO.	REPLACES		NOTE
	BERG	COLE-HERSEE	
M-3040	27404	11011	CONVERTS 7-POLE TRACTOR PLUG TO 6-POLE TRAILER SOCKET
M-3042	27401	11017	CONVERTS 6-POLE TRACTOR PLUG TO 7-POLE TRAILER SOCKET

TRAILER CABLE AND DIAGRAMS

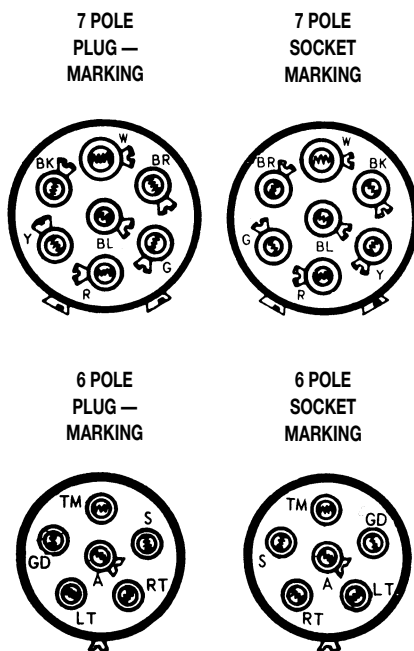
TRAILER CABLE



BWP NO.	CONDUCTOR	GAUGE	COIL SIZE	REPLACES COLE HERSEE
M-3737	13 WAY	ONE, 8 GA. ONE, 10 GA. FIVE, 12 GA. SIX, 14 GA.	100'	98647
M-3060	7 WAY	SIX, 12 GA. ONE, 10 GA.	100'	4077
M-3061	6 WAY	SIX, 14 GA.	100'	4076
M-3062	4 WAY	FOUR, 14 GA.	100'	4075

WIRING CODE 7 CONNECTOR MARKING TO CONFORM TO S.A.E., A.T.A. & CANADIAN STD. ASSOC. — ALL BWP 7 POLE TRAILER CONNECTORS ACCOMMODATE UP TO #8 AND #10 GAUGE WIRES FOR COMPLIANCE WITH MVSS-121

AIR BRAKE & ELEC.

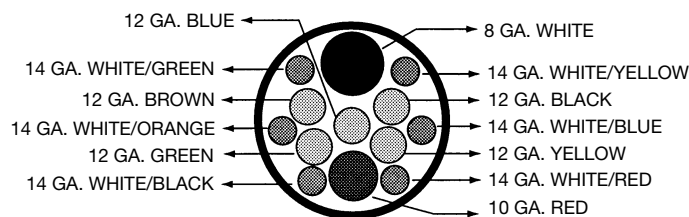


LAMP & SIGNAL CIRCUITS	WIRE COLOR	COND. NO.	TERM. MKGS.
7 POLE TRAILER WIRING CIRCUITS T.T.M.A., A.T.A, S.A.E.			
GROUND RETURN TO TOWING VEHICLE	WHITE	1	W
CLEARANCE, SIDE-MARKER & IDENTIFICATION LAMPS	BLACK	2*	BK
LEFT-HAND TURN SIGNAL & HAZARD SIGNAL	YELLOW	3	Y
STOPLAMPS & ANTILOCK DEVICES	RED	4	R
RIGHT-HAND TURN SIGNAL & HAZARD SIGNAL	GREEN	5	G
TAIL, CLEARANCE, SIDE-MARKER LAMPS & LICENSE PLATE LAMPS	BROWN	6*	BR
AUXILIARY CIRCUITS	BLUE	7	BL

*T.T.M.A. SUGGESTS THESE CIRCUITS BE BALANCED.

WIRE COLOR	COND. NO.	TERM. MKGS.
6 POLE TRAILER WIRING CIRCUITS		
WHITE	1	GD
BROWN	2	TM
YELLOW	3	LT
RED	4	S
GREEN	5	RT
PUT TAIL LAMP LOAD IN WITH MARKER CIRCUIT #2		—
BLACK OR DARK BLUE	6	A

WIRING DIAGRAM FOR 13 CONDUCTOR TRACTOR TRAILER CABLE



- 100% COPPER WIRE
- SUBJECT TO -70°F WITHOUT CRACKING

BWP NO. M-3737

TRAILER CABLE, TIES AND CABLE ASSEMBLIES

NYLON TIES FOR CABLE AND WIRE



BWP NO.	LENGTH	NOTE
M-3053	7½"	ADJUSTABLE AND SELF-LOCKING—APPLY BY HAND TIE AROUND BUNDLE, PULL TIGHT, CUT OFF FLUSH. TIES HAVE A 3/16" DIA. MOUNTING HOLE.
M-3054	14"	

RECOIL CABLE ASSEMBLY WITH 7 POLE PLUGS



BWP NO.	COLE-HERSEE NUMBER	NOTE
M-3063	11247-01	WITH TWO 7 WAY PLUGS WITH SPRING GUARDS, EXTENDED LENGTH IS 12 FEET. 2 STRAIGHT ENDS 12" LONG AND 18" LONG.

STRAIGHT CABLE ASSEMBLY WITH 7 POLE PLUGS



BWP NO.	COLE-HERSEE NUMBER	NOTE
M-3093	11127-05	WITH TWO 7 WAY PLUGS WITH SPRING GUARDS. 10'8" OF 7 WAY CABLE, SIX 12 GA. ONE 10 GA.

CONNECTOR AND CABLE ASSEMBLY



BWP NO.	COLE-HERSEE NUMBER	NOTE
M-3736	40102	WIRE HARNESS THAT CONNECTS M-3017 TERMINAL BLOCK SWITCH AND M-3016 TWO SPEED AXLE SWITCH.

DRIVE SCREW ASSEMBLY



BWP NO.	COLE-HERSEE NUMBER	NOTE
M-3735	40103	SCREW ASSEMBLY OPERATES M-3017 TERMINAL BLOCK LIMIT SWITCH.

ELECTRICAL SWITCHES

TWO SPEED AXLE SWITCH



BWP NO.	REPLACES		NOTE
	COLE HERSEE	EATON	
M-3016	50036	32861	<ul style="list-style-type: none"> EXTRA HEAVY DUTY 32-6 VOLTS FOR USE WITH EATON TWO-SPEED REAR AXLE TWO POSITIONS, S.P.D.T., BOTH ON MOUNTS ON GEAR SHIFT LEVEL USE WITH M-3017 SWITCH & M-3736 HARNESS

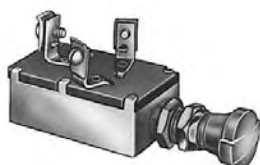
TWO SPEED AXLE SHIFT SWITCH



*SEE M-3735 DRIVE SCREW ASS'Y

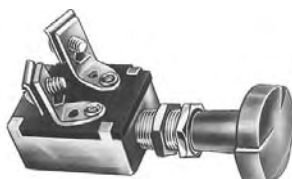
BWP NO.	REPLACES		NOTE
	COLE HERSEE	EATON	
M-3017*	9283	32382	<ul style="list-style-type: none"> A LIMIT SWITCH CONTROLLING THE EATON TWO-SPEED ELECTRIC AXLE SHIFT ASSEMBLED IN THE TWO-SPEED AXLE SHIFT MOTOR HOUSING FURNISHED WITH FIBRE INSULATOR BASE AND TWO "O" RINGS

EXTRA HEAVY DUTY PUSH-PULL SWITCH



BWP NO.	REPLACES COLE HERSEE	NOTE
M-3018	5027	<ul style="list-style-type: none"> EXTRA H.D., 32-6 VOLTS 2 POSITION, S.P.S.T., ON-OFF SILVER CONTACTS AND CONTRACTORS MTG. STEM 1/2" DIA., 5/8" LONG PLASTIC SCREW-ON KNOB WITH SET SCREW 3 SCREW TERMINALS

HEAVY DUTY PUSH-PULL SWITCH



BWP NO.	REPLACES COLE HERSEE	NOTE
M-3019	5007	<ul style="list-style-type: none"> HEAVY DUTY 12-6 VOLTS 2 POSITION, S.P.S.T., ON-OFF PLASTIC SCREW-ON KNOB MOUNTING STEM 3/8" DIA., 5/8" LONG 2 SCREW TERMINALS

HEAVY DUTY PUSH-PULL SWITCH



BWP NO.	REPLACES COLE HERSEE	NOTE
M-3020	5011	<ul style="list-style-type: none"> HEAVY DUTY 12-6 VOLTS 2 POSITION, S.P.S.T., ON-OFF MOUNTING STEM 1/2" DIA., 3/8" LONG CHROME PLATED INTEGRAL KNOB 2 SCREW TERMINALS

HEAVY DUTY HEATER SWITCH



BWP NO.	REPLACES COLE HERSEE	NOTE
M-3028	7014	<ul style="list-style-type: none"> HEAVY DUTY 12 VOLTS 4 POSITIONS — OFF-LOW-MED-HIGH 3 OHM COIL RESISTANCE MOUNTING STEM 7/16" DIA. 2 SCREW TERMINALS

EXTRA HEAVY DUTY PUSH-PULL SWITCH



BWP NO.	REPLACES COLE HERSEE	NOTE
M-3052	50001	<ul style="list-style-type: none"> EXTRA H.D., 32-6 VOLTS 2 POSITIONS, S.P.S.T., ON-OFF SEALED AGAINST DUST AND MOISTURE SILVER CONTACTS AND CONTRACTORS MTG. STEM 1/2" DIA., 3/8" LONG PLASTIC SCREW-ON KNOB WITH SET SCREW

ELECTRICAL TOGGLE SWITCHES

UNIVERSAL TOGGLE SWITCH — HEAVY DUTY



BWP NO.	REPLACES COLE HERSEE	NOTE
M-3021	5558	<ul style="list-style-type: none"> • TWO POSITION, S.P.S.T., — OFF-ON • RATED 6 AMPS—125 V, A.C.; 3 AMPS—250 V, A.C. • MTG. STEM $1\frac{1}{32}$" DIA. • U.L. AND C.S.A. APPROVED • 2 SCREW TERMINALS

UNIVERSAL TOGGLE SWITCH — EXTRA HEAVY DUTY



BWP NO.	REPLACES COLE HERSEE	NOTE
M-3022	5582	<ul style="list-style-type: none"> • TWO POSITION, S.P.S.T., — OFF-ON • 2 SCREW TERMINALS • UL APPROVED FOR 15 AMPS—125 VOLTS, A.C. AND 10 AMPS—250 VOLTS A.C.

UNIVERSAL TOGGLE SWITCH — EXTRA HEAVY DUTY



BWP NO.	REPLACES COLE HERSEE	NOTE
M-3073	5586	<ul style="list-style-type: none"> • S.P.D.T. • THREE POSITIONS: ON-OFF-ON • 3 SCREW TERMINALS • U.L. APPROVED FOR 15 AMPS—125 VOLTS A.C. AND 10 AMPS—250 VOLTS A.C.

UNIVERSAL TOGGLE SWITCH — EXTRA HEAVY DUTY



BWP NO.	REPLACES		NOTE
	COLE HERSEE	I.H.C.	
M-3074	55055	362390C91	<ul style="list-style-type: none"> • $1\frac{1}{2}$" LONG CHROME PLATED HANDLE • TWO POSITIONS: ON-OFF • 2 "QUICK CONNECT" MALE BLADE TERMINALS • MOUNTING STEM $1\frac{1}{32}$" LONG • UL APPROVED FOR 15 AMPS—125 VOLTS A.C. AND 10 AMPS—250 VOLTS A.C.

ILLUMINATED DECORATOR TOGGLE SWITCH



BWP NO.	REPLACES COLE HERSEE	NOTE
M-3107	M-54109	<ul style="list-style-type: none"> • TOGGLE LIGHT CIRCUIT ENERGIZED INDEPENDENTLY • PERMITS IDENTIFICATION OF SWITCH POSITION AT NIGHT OR UNDER LOW LIGHT CONDITIONS • INTEGRAL 12 V.D.C. BULB EMITS LIGHT THROUGH TRANSLUCENT LEXAN HANDLE • OFF-WHITE—ON RED (S.P.S.T.), 4 SCREW TERMINALS
M-3715	M-54110	<ul style="list-style-type: none"> • ON RED (S.P.D.T.) OFF-WHITE ON WHITE • 5 SCREW TERMINALS

1" PADDLE HANDLE TOGGLE SWITCH

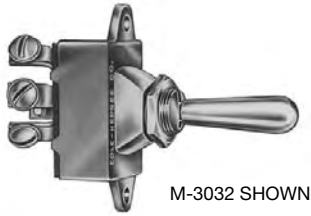


BWP NO.	REPLACES COLE HERSEE	NOTE
M-3714	59024-200	<ul style="list-style-type: none"> • PLASTIC HOUSING WITH PLATED STEEL CAP • BLACK PLASTIC HANDLE • POSITION ON/UP OFF/DOWN • S.P.S.T. — 2 SCREW TERMINALS • 25 AMPS AT 12 VOLTS, D.C • KEYWAY IN STEM LOCATED IN DOWN POSITION

AIR BRAKE & ELEC.

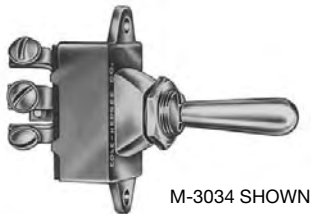
ELECTRICAL TOGGLE SWITCHES, SOLENOIDS

TOGGLE SWITCHES — HEAVY DUTY DIE CAST



BWP NO.	REPLACES COLE HERSEE	CIRCUITRY	NOTES
M-3031	551800	2 POSITION, ON-OFF, S.P.S.T.	CONSERVATIVE RATING: • 12 & 6 VOLT D.C. APPLICATIONS • 20 AMPERE LAMP LOAD • 25 AMPERE INDUCTIVE LOAD • SCREW TERMINALS
M-3032	551802	3 POSITION, ON-OFF-ON, S.P.D.T.	

TOGGLE SWITCHES — EXTRA HEAVY DUTY DIE CAST



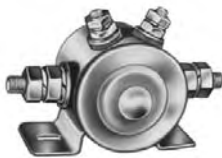
BWP NO.	REPLACES COLE HERSEE	NOTE
M-3033	551840	• 12 & 6 VOLT D.C. APPLICATIONS, 30 AMPERE LAMP LOAD, 35 AMPERE INDUCTIVE LOAD • S.P.S.T., 2 POSITION, ON-OFF, SCREW TERMINALS
M-3034	551842	• 32 & 24 VOLT D.C. APPLICATIONS, 15 AMPERE LAMP LOAD, 20 AMPERE INDUCTIVE LOAD • S.P.D.T., 3 POSITION, ON-OFF-ON, SCREW TERMINALS

TOGGLE SWITCHES — FREIGHTLINER REPLACEMENT



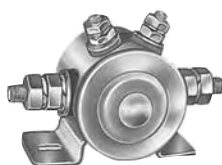
BWP. NO	REPLACES COLE HERSEE	CIRCUITRY	NOTES
M-3716	59024-33	2 POSITION ON-OFF S.P.S.T.	• 25 AMPS AT 12 VOLTS D.C. • ALL INCLUDE BRACKETS • TERMINALS ARRANGED TO ACCEPT O.E.M. WIRING CONNECTORS
M-3717	59024-34	3 POSITION ON-OFF-ON S.P.D.T.	
M-3718	59024-38	3 POSITION MOM.ON-ON-MOM.ON D.P.D.T.	

CONTINUOUS DUTY SOLENOIDS 85–100 AMPS



BWP NO.	REPLACES COLE HERSEE	VOLTAGE	NOTE
M-3097	24059	12 VOLTS	• S.P.S.T. NORMALLY OFF • ONE CIRCUIT OFF-ON • HEAVY DUTY ELECTRICAL TERMINALS FOR POSITIVE CONTROL • TERMINAL HEX NUTS AND LOCK WASHERS PROVIDED
M-3098	24063	24 VOLTS	

CONTINUOUS DUTY SOLENOID 200 AMPS



BWP NO.	REPLACES COLE HERSEE	VOLTAGE	NOTE
M-3719	24143	12 VOLTS	• S.P.S.T. NORMALLY OPEN CONTACTS • ONE CIRCUIT OFF-ON • SILVER CONTACTS • PLATED STEEL HOUSING

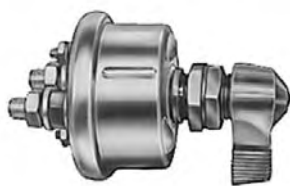
DISCONNECT SWITCHES

SAFETY MASTER DISCONNECT SWITCH S.P.S.T. 800 – 1000 AMPS



BWP NO.	REPLACES COLE HERSEE	NOTE
M-3086	2484	<ul style="list-style-type: none"> • S.P.S.T. (OFF-ON) 2 STUD TERMINALS • DISCONNECTS BATTERY ONLY • HEAVY STEEL CASE, DIE CAST LEVER • TWO 3/8" BRASS STUD TERMINALS • BRASS MTG. STEM 3/4" DIA., 25/32" LG. • O.A. LGTH. 4 1/8" BODY DIA., 2 5/8" • 12 & 6 VOLTS

SAFETY MASTER DISCONNECT SWITCH D.P.S.T. 1000 AMPS



BWP NO.	REPLACES COLE HERSEE	NOTE
M-3087	75903	<ul style="list-style-type: none"> • D.P.S.T. (OFF-ON) 4 STUD TERMINALS • DISCONNECTS BATTERY CIRCUIT AND ALTERNATOR OR GENERATOR FIELD CIRCUIT • 2 3/8" & 2 #10-32 STUD TERMINALS • BRASS MTG. STEM 3/4" DIA., 25/32" LG. • O.A. LGTH. 4 1/8" BODY DIA., 2 5/8" • 12 & 6 VOLTS

SAFETY MASTER DISCONNECT SWITCH 2000 AMPS



BWP NO.	REPLACES COLE HERSEE	NOTE
M-3720	75908	<ul style="list-style-type: none"> • SINGEPOLE (OFF-ON) • DISCONNECTS BATTERY CIRCUIT ONLY • 2000 AMPS INTERMITTENT • 30 SEC. ON, 3 MINUTES OFF, 300 AMPS CONTINUOUS

SAFETY MASTER DISCONNECT SWITCH 2000 AMPS



BWP NO.	REPLACES COLE HERSEE	NOTE
M-3721	75907	<ul style="list-style-type: none"> • DOUBLE POLE (OFF-ON) • DISCONNECTS BATTERY AND FIELD CIRCUIT • LARGE STUDS, 2000 AMPS INTERMITTENT: 30 SEC. ON, 3 MINUTES OFF, 300 AMPS CONTINUOUS • SMALL STUDS, 20 AMPS CONTINUOUS

LOCKOUT LEVER KIT FOR DISCONNECT SWITCHES



BWP NO.	REPLACES COLE HERSEE	NOTE
M-3722	24505	<ul style="list-style-type: none"> • FOR LOCKING SWITCH IN OFF POSITION W/PADLOCK • PADLOCKS UP TO 5/16" DIA. CAN BE USED • CAN BE USED WITH M-3086, M-3087 • PREVENTS ACCIDENTAL ACTIVATION OF SWITCH

ELECTRICAL SWITCHES

LOW AIR PRESSURE SWITCH



BWP NO.	REPLACES COLE HERSEE	NOTE
M-3023	8640	<ul style="list-style-type: none"> • SELF GROUNDED • WIDE CLEARANCE BETWEEN TERMINALS PREVENTS SHORTS CAUSED BY DIRT • 1/4" — 18 DRYSEAL THREAD • BREAKS CONTACT AT 58-65 P.S.I.

IGNITION SWITCH — 12 VOLT



BWP NO.	REPLACES COLE HERSEE	NOTE
M-3030	95582	<ul style="list-style-type: none"> • WATERPROOF • 3 POSITIONS — OFF - IGNITION - IGNITION AND START • CODED TUMBLER LOCK WITH 2 BRASS KEYS • KNURLED ALUMINUM FACE NUT SUITABLE FOR EITHER 3/4" or 7/8" DIA. MOUNTING • SCREW TERMINALS AND LOCK WASHERS

IGNITION AND ACCESSORY SWITCH



BWP NO.	REPLACES COLE HERSEE	NOTE
M-3092	9579	<ul style="list-style-type: none"> • 4 POSITIONS — ACC. - OFF - IGNITION & ACC. - IGNITION & START • KNURLED FACE NUT AND STEEL BACK FOR MOUNTING IN 3/4" or 7/8" DIA. HOLES • 4 SCREW TERMINALS WITH LOCK WASHERS • SUPPLIED WITH 2 BRASS KEYS

GMC DIMMER SWITCH — S.P.D.T.



* Use M-3788 (Cole Hersee #30155) 3-Wire Connector

BWP NO.	REPLACES		NOTE
	COLE HERSEE	GMC	
M-3101*	7762	1997040 1997028	<ul style="list-style-type: none"> • 2 POSITION: ON-ON S.P.D.T. • MOUNTS ON FLOORBOARD • MOUNTING HOLES 9/32" DIA., 1 3/4" ON CENTERS

MOMENTARY PUSH BUTTON SWITCH



BWP NO.	REPLACES COLE HERSEE	NOTE
M-3088	90030	<ul style="list-style-type: none"> • NORMALLY "OFF", 2 POSITIONS: S.P.S.T. • EXTRA HEAVY DUTY FOR UP TO 36 VOLT APPLICATIONS • FURNISHED WITH HEX NUT TO ADJUST FOR PANEL THICKNESS. FITS PANELS UP TO 7/32" THICK • 2 SCREW TERMINALS • MTG. STEM 5/8" - 32 THD., 2 1/32" LONG

MOMENTARY PUSH BUTTON SWITCH



BWP NO.	REPLACES COLE HERSEE	NOTE
M-3089	9023	<ul style="list-style-type: none"> • EXTRA HEAVY DUTY FOR UP TO 36 VOLT APPLICATIONS • NORMALLY "OFF", 2 POSITIONS: S.P.S.T. • "ON" WITH PLUNGER DEPRESSED — SPRING RETURN TO "OFF" • MTG. STEM 5/8" DIA., 7/8" LONG

ELECTRICAL SWITCHES

ROCKER SWITCHES SNAP-IN MOUNTING



M-3080 SHOWN

BWP NO.	REPLACES COLE HERSEE	CIRCUITRY AND TERMINAL TYPE	NOTES
M-3077	56000-01	2 POSITIONS: ON-OFF (S.P.S.T.) — 2 SCREW TERMINALS	<ul style="list-style-type: none"> • 12 VOLTS, D.C. LAMP LOAD - 25 AMPS • 12 VOLTS D.C. INDUCTIVE LOAD - 35 AMPS • A.C. RATING 15 AMPS AT 125 VOLTS, 10 AMPS AT 250 VOLTS
M-3078	57000-01	2 POSITIONS: ON-OFF (S.P.S.T.) — 2 "QUICK CONNECT" TERMINALS	
M-3079	56300-01	2 POSITIONS: ON-OFF (S.P.S.T.) — 3 SCREW TERMINALS	
M-3080	56003-01	3 POSITIONS: ON-OFF (S.P.D.T.) — 3 SCREW TERMINALS	

AIR BRAKE & ELEC.

ROCKER SWITCH BRACKETS

For installing two or more snap-in mounting rocker switches in panels.



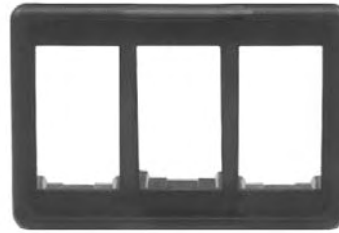
Install two switches using two end sections



End Section
M-3739



Center Section
M-3740



Add center sections for three or more switches



Bracket Hole Plug **M-3741**

- DURABLE MOLDED PLASTIC — BLACK FINISH • SECURE INTERLOCKING
- TO BE USED WITH SNAP IN ROCKER SWITCHES

WEATHER RESISTANT ROCKER SWITCHES

RATING: 25 AMP AT 12 VOLTS D.C.



BWP NO.	REPLACES COLE HERSEE	CIRCUITRY	TERMINALS	TOP LENS	BOTTOM LENS	PILOT LIGHT*
M-3723	58328-04	OFF-ON SPST	3 BLADES	RED	—	DEPENDENT
M-3724	58328-01	OFF-ON SPST	4 BLADES	RED	—	INDEPENDENT
M-3725	58328-16	ON-ON SPDT	4 BLADES	RED	RED	DEPENDENT
M-3726	58328-26	ON-OFF-ON SPDT	4 BLADES	RED	RED	DEPENDENT
M-3727	58328-40	OFF-ON SPST	4 BLADES	RED	RED	1 DEPENDENT 1 INDEPENDENT

STANDARD ROCKER SWITCHES



BWP NO.	REPLACES COLE HERSEE	CIRCUITRY	TERMINALS	NOTES
M-3728	56027-01	OFF-ON	2 SCREWS	ELECTRICAL RATING 25 AMPS AT 12 VOLTS, D.C. GASKET SEALED HOUSING
M-3729	58027-03	ON-OFF-ON	3 BLADES	
M-3730	58027-11	MOM.ON-OFF MOM.ON	6 BLADES	

BUZZER ALARM, CIRCUIT BREAKERS

UNIVERSAL WARNING BUZZER ALARM



BWP NO.	REPLACES COLE HERSEE	NOTE
M-3029	4099	<ul style="list-style-type: none"> • ELECTRICAL CONTACTS DESIGNED FOR INSTANT RESPONSE AND UNINTERRUPTED SIGNAL • TWO SCREW TERMINALS WITH LOCK WASHERS • HEAVY GAUGE, STEEL HOUSING • MOISTURE REPELLENT INSULATOR • OVERALL SIZE: 1⁷/₃₂" L x 2¹/₂" W x 2¹⁷/₃₂" H • TYPICAL APPLICATIONS: BUS "DOOR OPEN" WARNING, BACK-UP WARNING, BUS OPERATOR SIGNAL, LOW AIR PRESSURE WARNING

AIR BRAKE & ELEC.

CIRCUIT BREAKERS WITH STUD TERMINALS



BWP NO.	REPLACES COLE HERSEE	AMPERE RATING	NOTE
M-3046	30056-10	10	<ul style="list-style-type: none"> • FOR 6, 12 AND 24 VOLT APPLICATION • COMPLETE WITH NUTS AND LOCK WASHERS • DETENTS FOR SNAP FIT IN STANDARD CIRCUIT BREAKER MOUNTING BRACKETS • OVERALL SIZE: 1¹/₄" x 2⁵/₃₂" x 1²¹/₆₄"
M-3047	30056-15	15	
M-3048	30056-20	20	
M-3049	30056-25	25	
M-3050	30056-30	30	
M-3051	30056-40	40	

CIRCUIT BREAKERS FOR FUSE CLIP MOUNTING



BWP NO.	REPLACES COLE HERSEE	AMPERE RATING	NOTE
M-3081	30410-10	10	<ul style="list-style-type: none"> • FOR 12 VOLT ELECTRICAL SYSTEMS • SNAP-IN MOUNTING IN STANDARD FUSE CLIPS, 1/4" DIA. X 1 1/4" LONG • REPLACES ALL 3AG (AGC) & SFE 20 AMP FUSES • NON-CORROSIVE COPPER TERMINALS PROVIDE BETTER PROTECTION AGAINST MOISTURE AND RUST • MOLDED PHENOLIC SIDE WALL CONSTRUCTION PROTECTS AND INSULATES ELECTRICAL CONTACTS
M-3082	30410-15	15	
M-3083	30410-20	20	
M-3084	30410-25	25	
M-3085	30410-30	30	

CIRCUIT BREAKERS PLUG-IN TYPE



→ Position C
 → Position B
 → Position A

A = .750 LONG (FORD PICK UP)
 B = .500 LONG (DODGE, FORD, NAVISTAR TRUCKS)
 C = .300 LONG (FORD PICKUP TRUCKS)

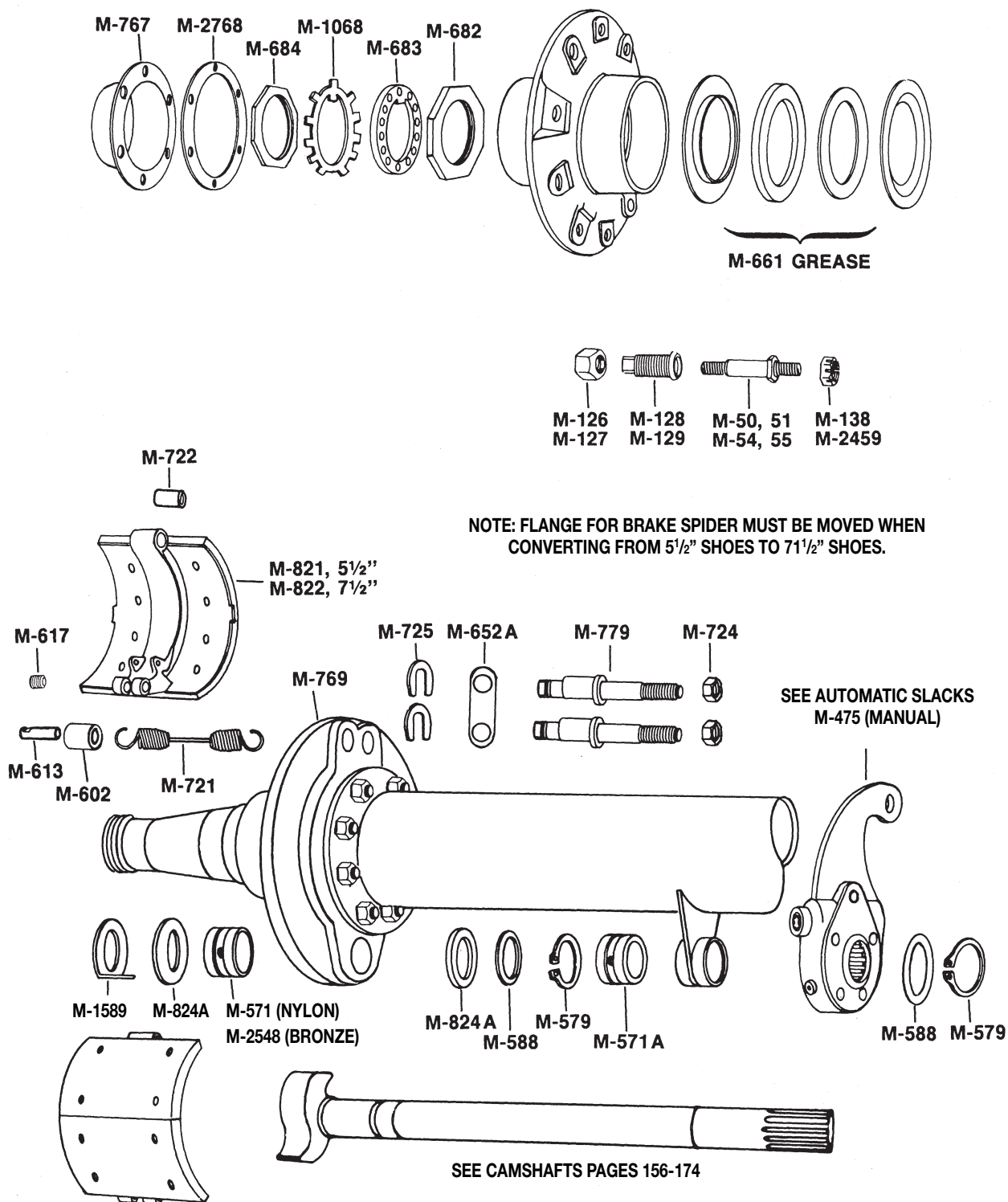
BWP NO.	REPLACES COLE HERSEE	AMPERE RATING	NOTE
M-3742	30409-10	10	<ul style="list-style-type: none"> • RATED 12 VOLT D.C. • UNIVERSAL PLUG IN MOUNTED CIRCUIT BREAKERS • TERMINALS GROOVED FOR SNAP OFF SIZE ADJUSTMENT • HEAVY DUTY REPLACEMENT FOR ATC & ATO BLADE FUSE
M-3743	30409-15	15	
M-3744	30409-20	20	
M-3745	30409-25	25	
M-3746	30409-30	30	

BRAKE PARTS SECTION INDEX

	Page No.
ANCHOR PINS	126-130
ANCHOR PIN ATTACHING PARTS	
BUSHINGS	134
FELTS, RETAINERS	130
LOCK RINGS, PINS	132-133
WASHERS, LINKS	131
BRAKE LINING	109-110
BRAKE AND AXLE DIAGRAMS	82-106
BRAKE LINING BOLTS	107
RIVETS	108
BRAKE SHOES - LINED	111
UNLINED	112-117
HOLD DOWN ASSEMBLIES	118
BRAKE SHOE KITS	140-154
BRAKE KIT TO CAMSHAFT KIT REFERENCE CHART	154-155
BRAKE SPIDERS	208
CAMSHAFTS	156-174
CAMSHAFT APPLICATION CHARTS FOR KITS	175-179
CAM SUPPORT BRACKETS	191-192
CAM BUSHING FOR BRAKE SPIDERS	193-196
CAM BUSHINGS FOR CAM SUPPORT BRACKETS	197
CAM FELTS, RETAINERS, SEALS	198
CAM LOCK RINGS	201
CAM WASHERS	199-200
CAMSHAFT KITS	180-190
CAMSHAFT KIT TO BRAKE KIT REFERENCE CHART	190
ROLLER PINS	135
ROLLERS	136-137
PINS FOR ROLLERS	138
ROLLER PIN RETAINERS, LOCKS	139
SLACK ADJUSTERS	
MANUAL	202-205
AUTOMATIC	206-207
SPRINGS	
RETURN SPRINGS	119-125
SPRING RETAINERS	125

DANA (STANDARD FORGE) AXLE-12¹/₄" DIA. BRAKE, CAST SHOES

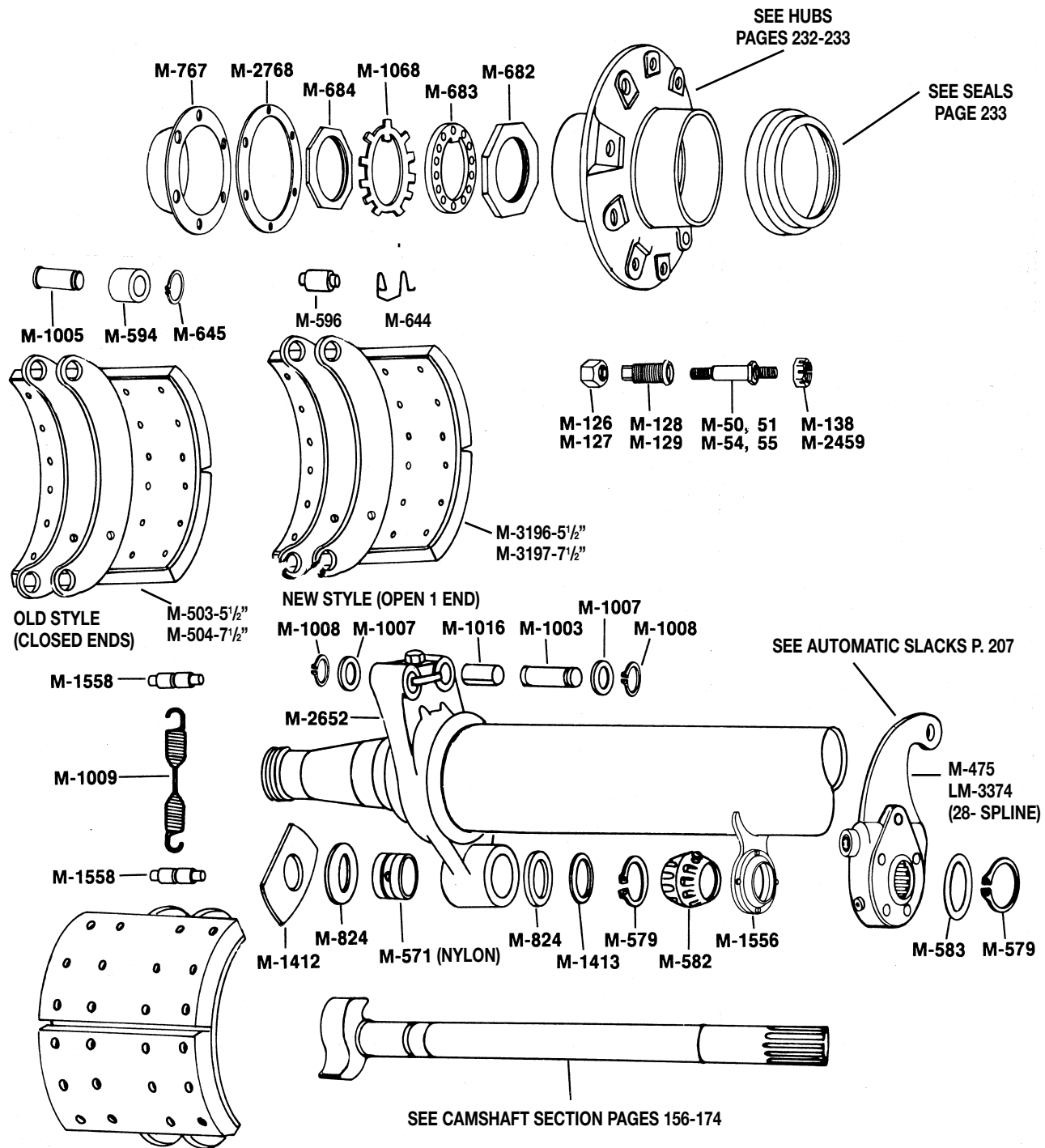
BRAKE PARTS



REPAIR KITS

CAMSHAFT KIT	EARLY RIGID BRACKET	M-K25	PG 180
BRAKE SHOE KIT	M-821, M-822	M-K11	PG 152

DANA (STD. FORGE) AXLE — 12¹/₄" DIA. BRAKE — FABRICATED SHOES



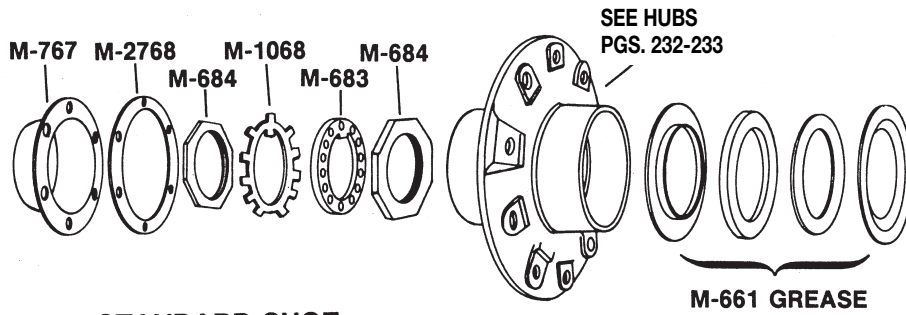
BRAKE PARTS

REPAIR KITS

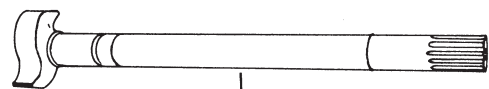
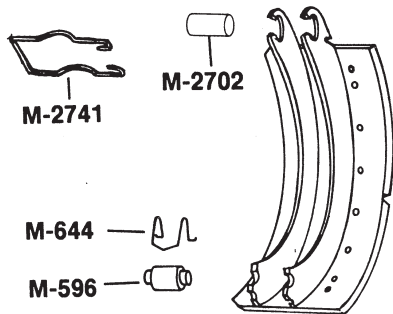
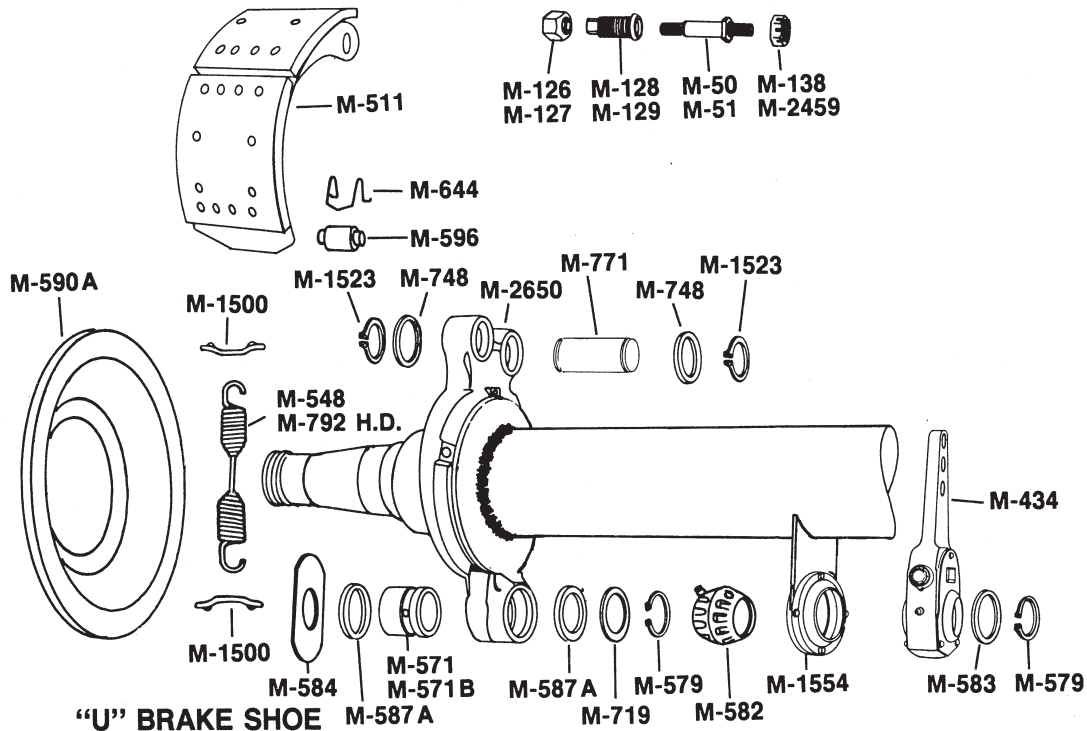
CAMSHAFT KIT	M-1556 BRACKET	M-K26	PG. 180
BRAKE SHOE KIT	M-503, M-504 SHOES	M-K12	PG. 152
	M-3196, M-3197 SHOES	M-K82	PG. 140

DANA (STD. FORGE) LATE A-17, A-19 TRAILER AXLE — 16 1/2" DIA. BRAKE

BRAKE PARTS



STANDARD SHOE

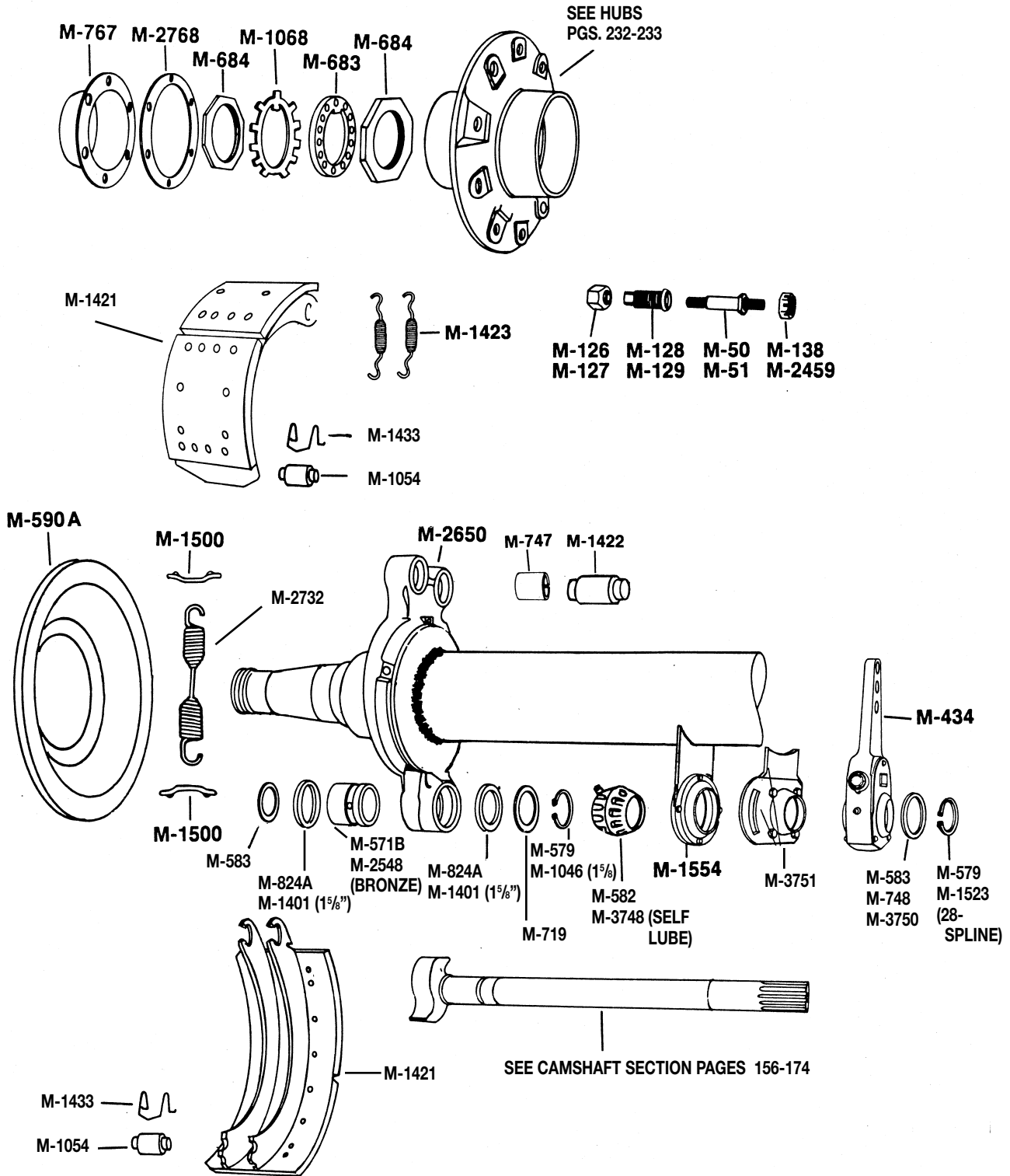


SEE CAMSHAFTS SECTION PAGES 156-174

REPAIR KITS

CAMSHAFT KIT	LATE AXLE	M-K24	PG. 189
CAMSHAFT KIT	EARLY AXLE	M-K27	PG. 181
BRAKE SHOE KIT	STANDARD	M-K7 or M-K4	PG. 151, PG. 150
BRAKE SHOE KIT	“U” BRAKE	M-K57	PG. 153

DANA — 16¹/₂" DIA. BRAKE — "XTRALIFE" BRAKES



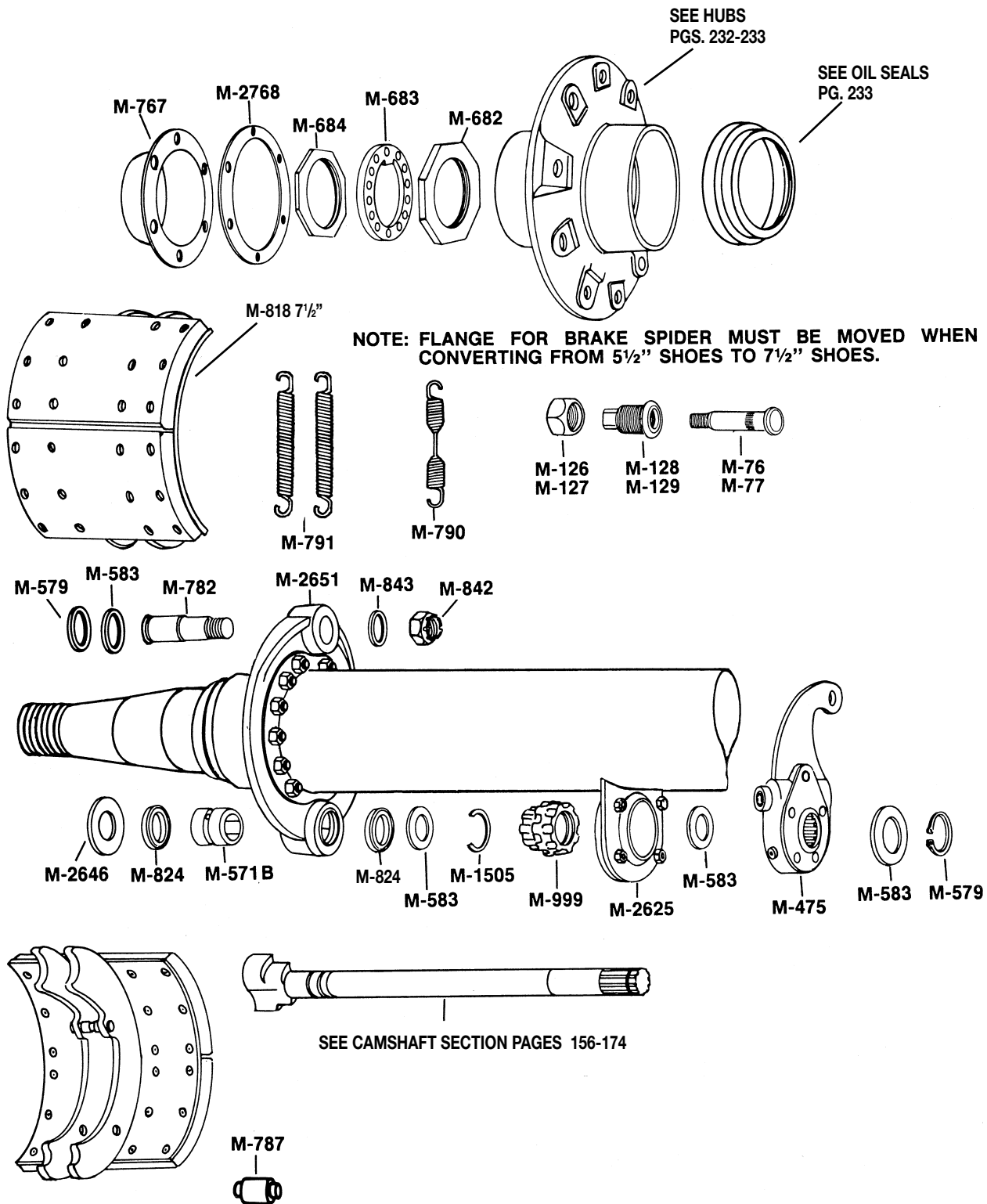
BRAKE PARTS

REPAIR KITS

CAMSHAFT KIT	1 ¹ / ₂ " BEARING SURFACE	M-K101	PG. 181
	1 ⁵ / ₈ " BEARING SURFACE	M-K103	PG. 181
BRAKESHOE KIT		M-K91	PG. 142

EATON (SHULER) C & E SERIES TRAILER AXLE 12 1/4" DIA. BRAKE

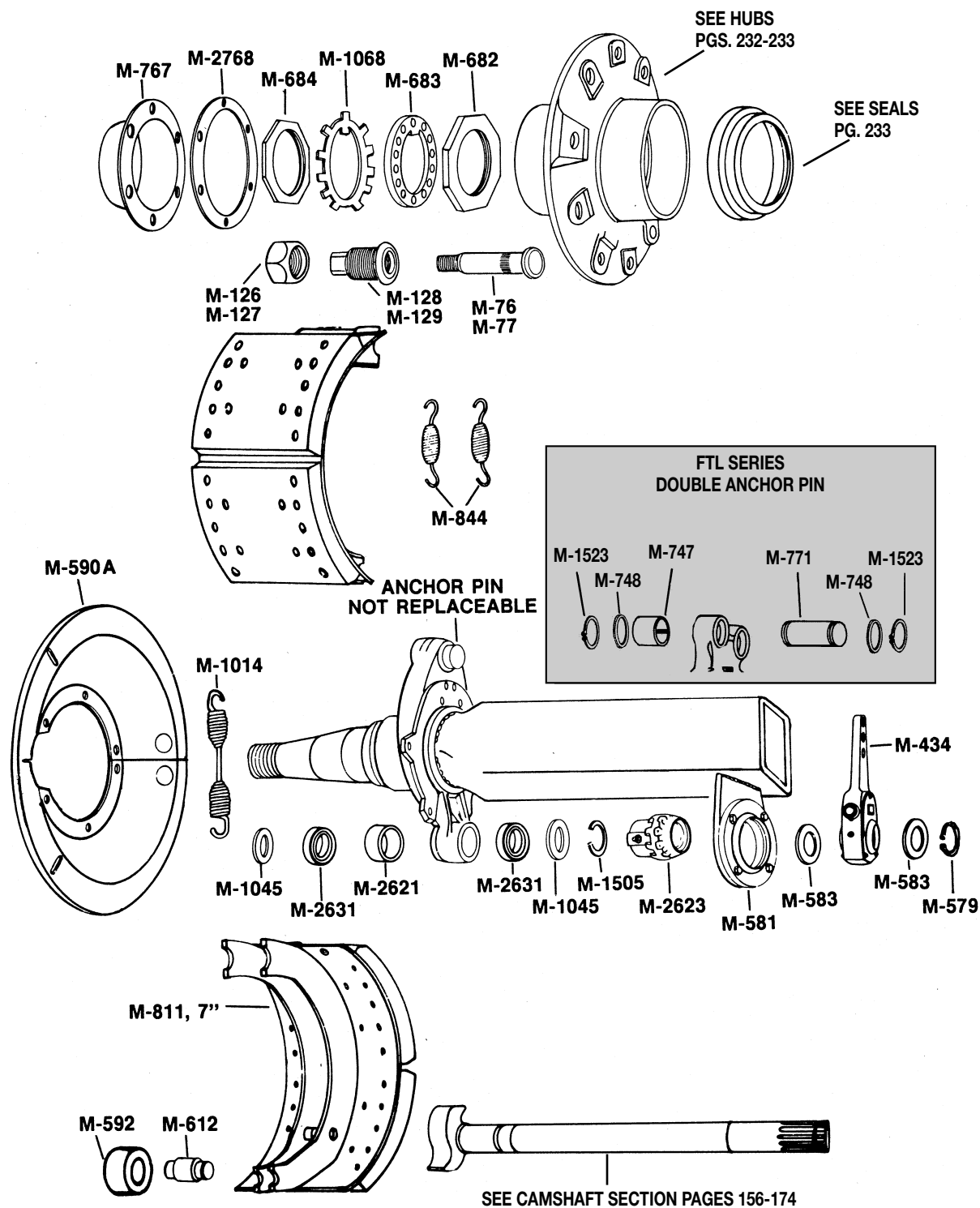
BRAKE PARTS



REPAIR KITS

CAMSHAFT KIT	M-K60	PG. 182
BRAKE SHOE KIT	M-K46	PG. 142

EATON (SHULER) 22L, 22R, 23L, 23R AXLES 16 1/2" DIA. — 501 SERIES BRAKE



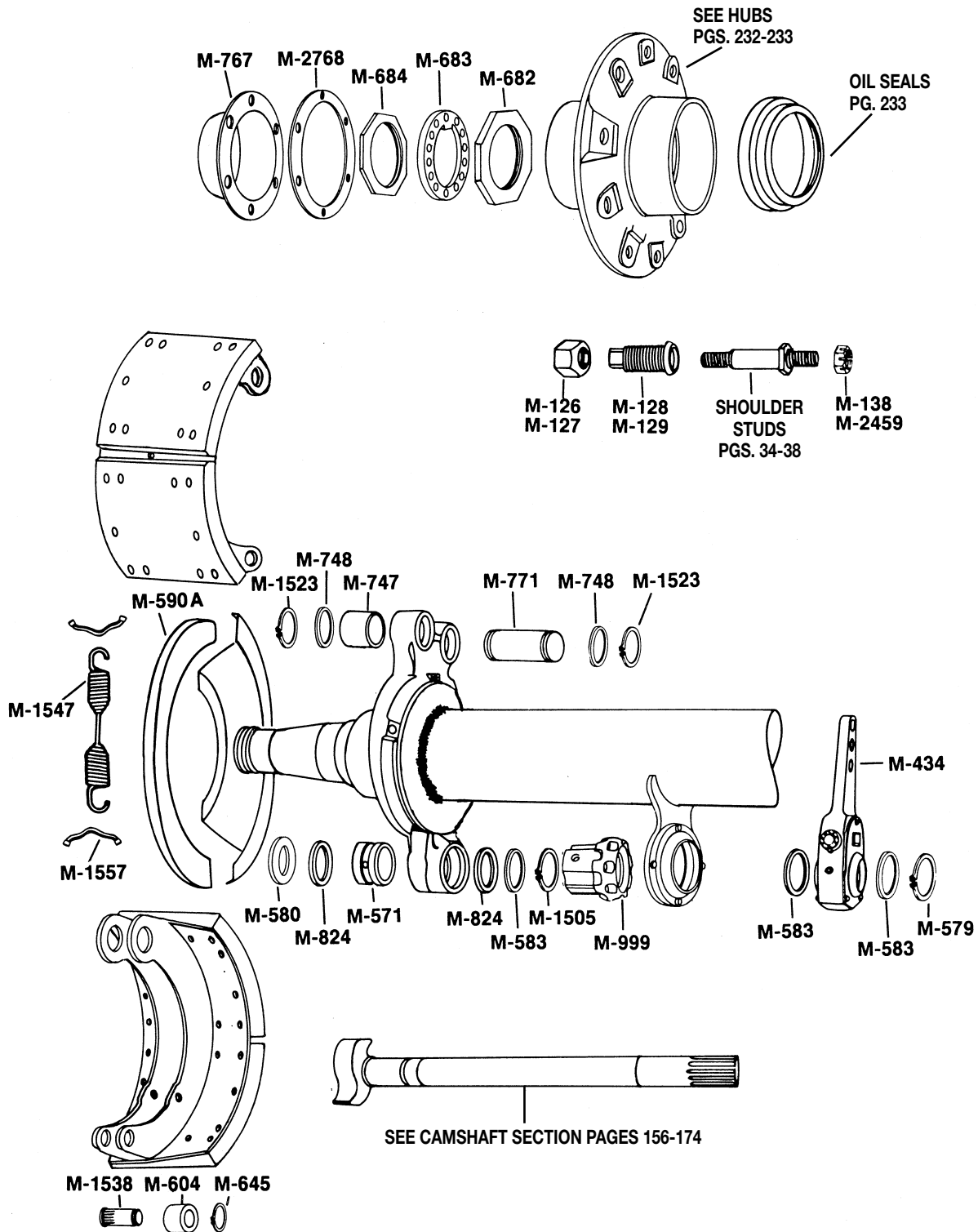
BRAKE PARTS

REPAIR KITS

CAMSHAFT KIT	501 SERIES	M-K63	PG. 183
BRAKE SHOE KIT	501 SERIES	M-K10	PG. 143
BRAKE SHOE KIT	FTL SERIES	M-K9	PG. 144

EATON (SHULER) C, E & J SERIES TRAILER AXLE 16 1/2" DIA. BRAKE

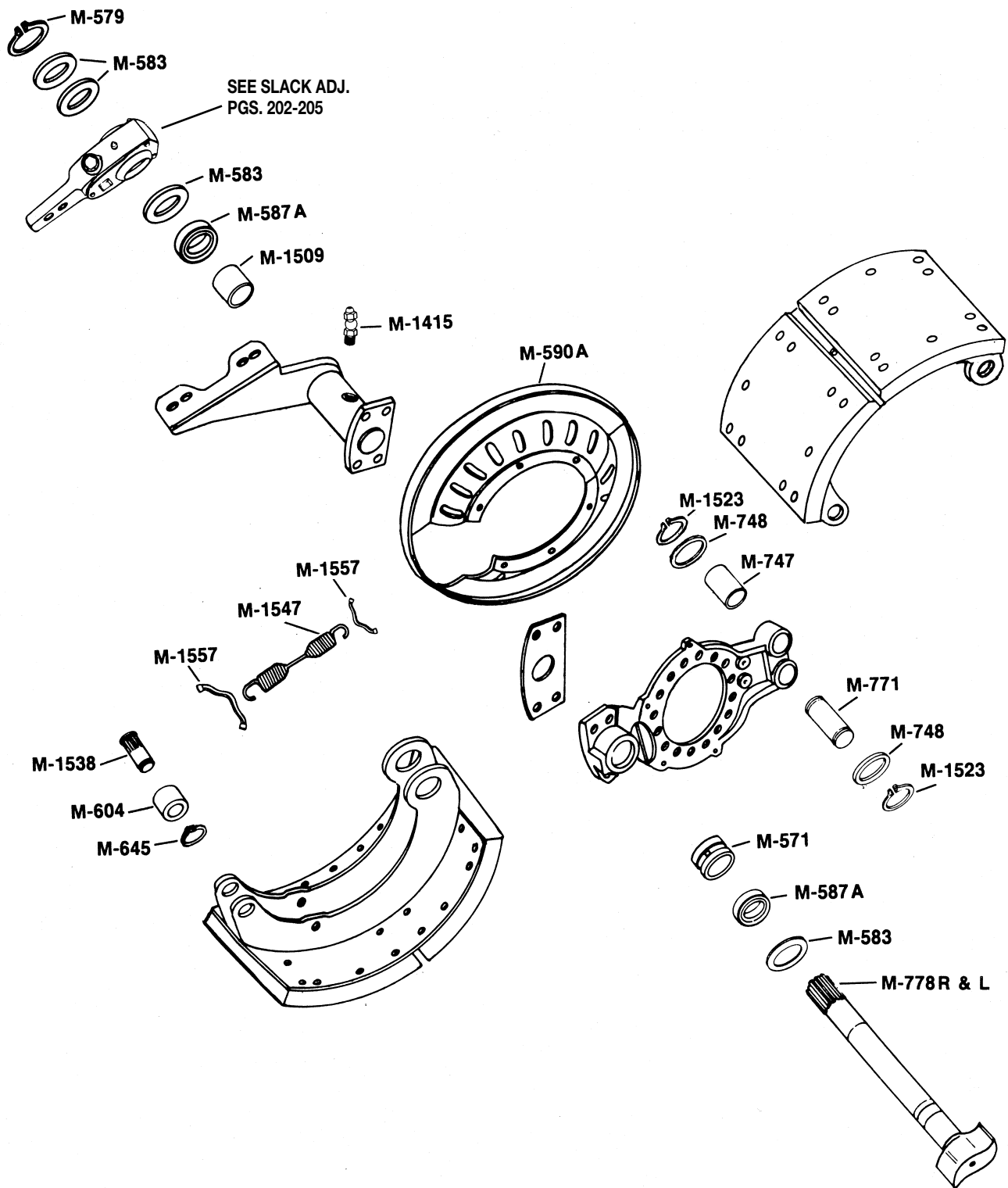
BRAKE PARTS



REPAIR KITS

CAMSHAFT KIT FOR WELD ON SPIDER	M-K18	PG. 183
CAMSHAFT KIT FOR BOLT ON SPIDER	M-K62	PG. 182
BRAKE SHOE KIT FOR M-814	M-K9	PG. 144

EATON (SHULER) FTL SELF-CONTAINED TRAILER BRAKE 16 1/2" X 7"

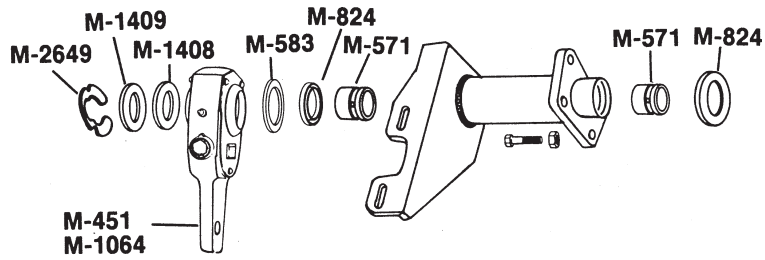


BRAKE PARTS

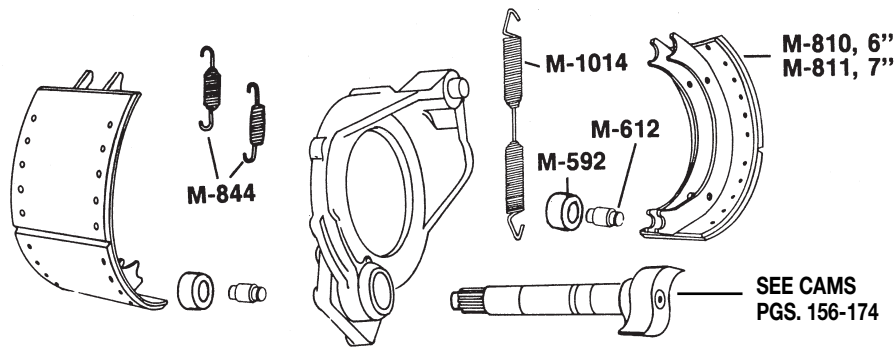
REPAIR KIT

BRAKE SHOE KIT	M-K9	PG. 144
----------------	-------------	---------

EATON SELF-CONTAINED TRACTOR BRAKES



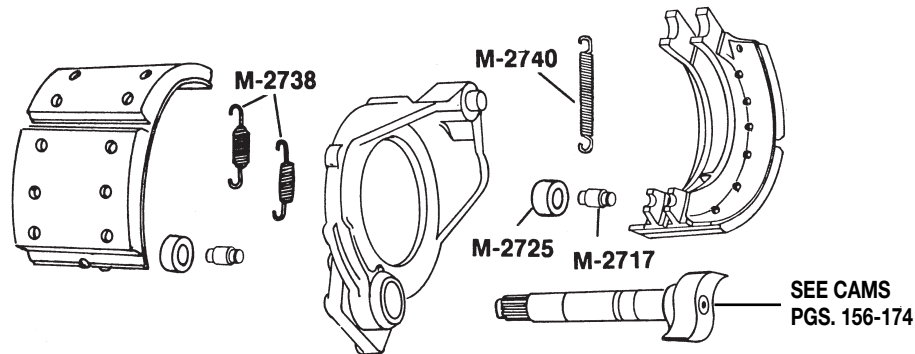
EATON 541 SERIES 16½" x 6" & 7" BRAKE FABRICATED SHOES



REPAIR KITS

CAMSHAFT KIT	M-K19	PG. 182
BRAKE SHOE KIT	M-K10	PG. 143

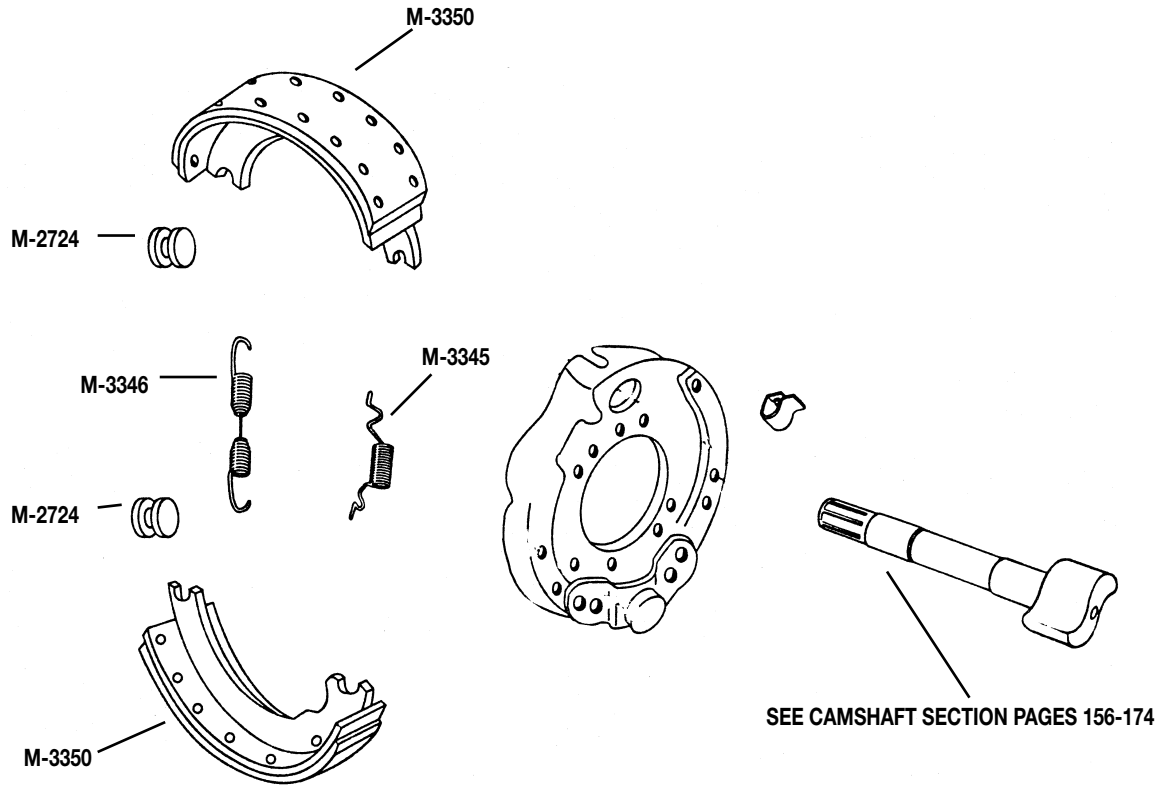
EATON HEAVY DUTY 18" x 7" BRAKE CAST SHOES



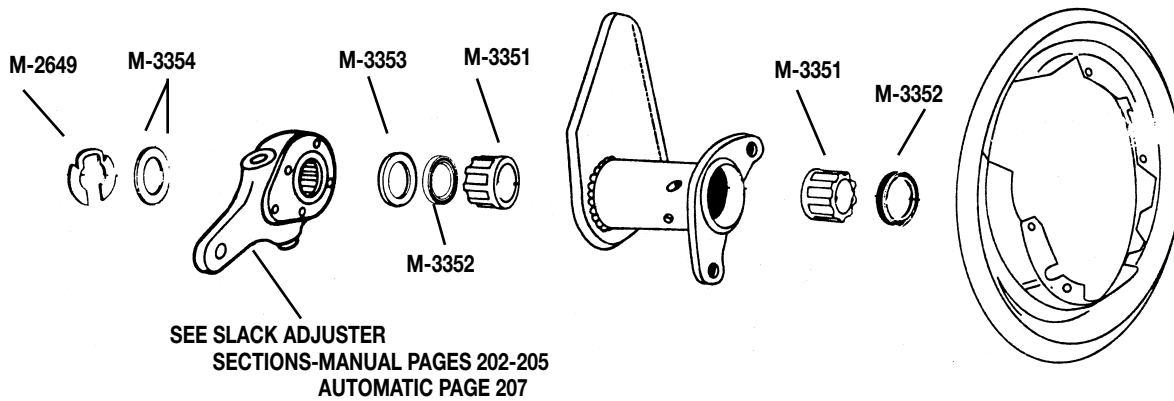
REPAIR KITS

CAMSHAFT KIT	M-K19	PG. 182
BRAKE SHOE KIT	M-K58	PG. 145

EATON 15" STANDARD AND "ES" FRONT AXLE BRAKES



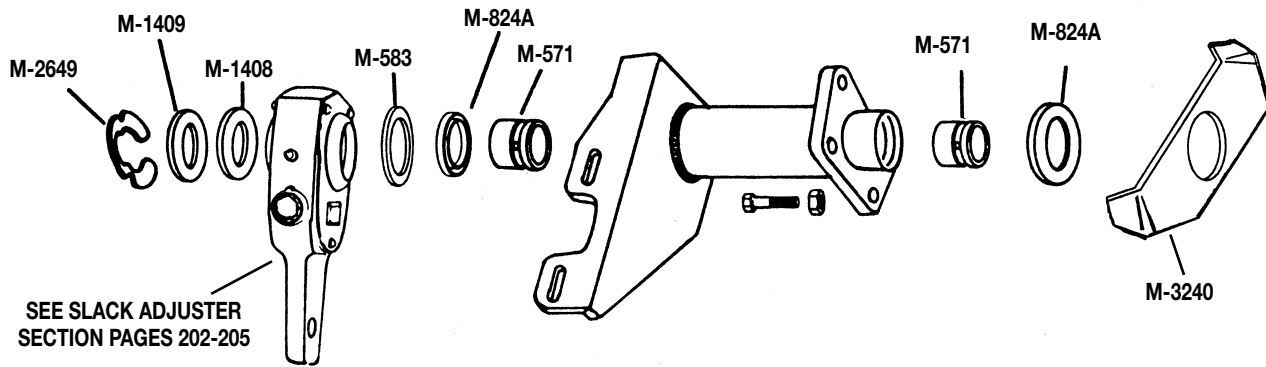
BRAKE PARTS



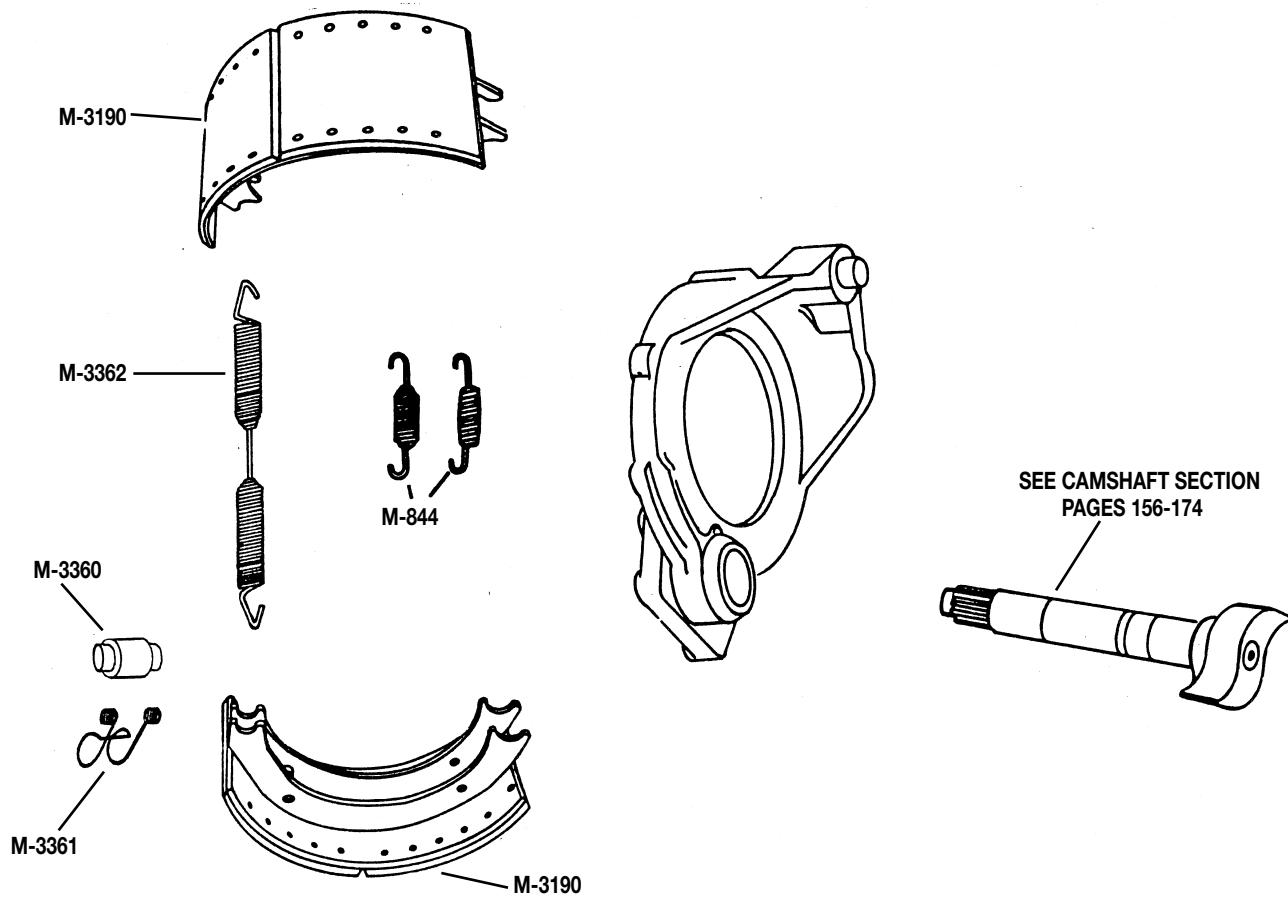
REPAIR KITS

CAMSHAFT KIT	M-K78	PG. 182
BRAKE SHOE KIT	M-K77	PG. 143

EATON 16½" DIA. "ES" EXTENDED SERVICE BRAKES SELF-CONTAINED TRUCK AND TRACTOR BRAKES



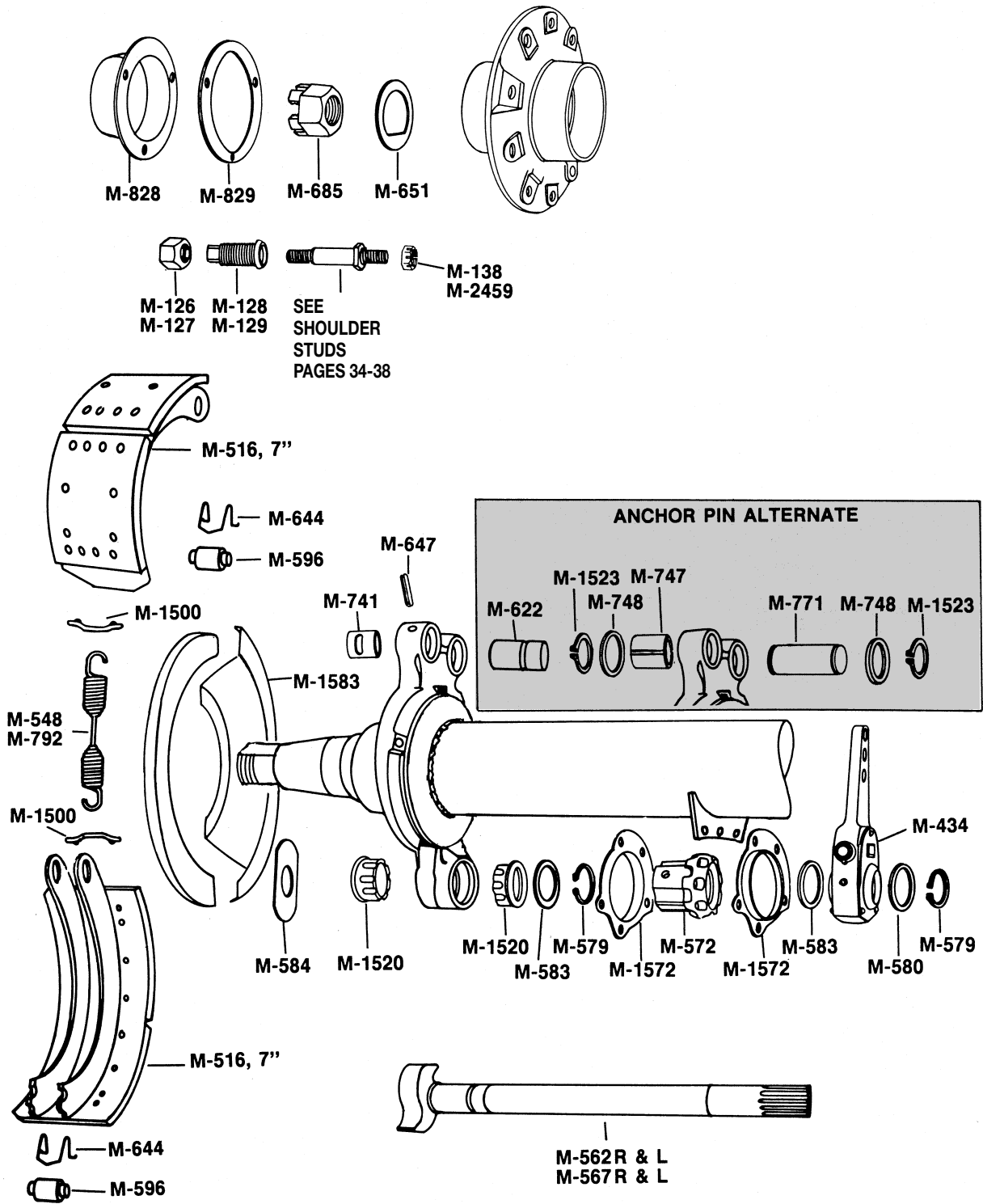
BRAKE PARTS



REPAIR KITS

CAMSHAFT KIT	M-K86	PG. 183
BRAKE SHOE KIT	M-K84	PG. 144

FRUEHAUF NO. 5 AXLE



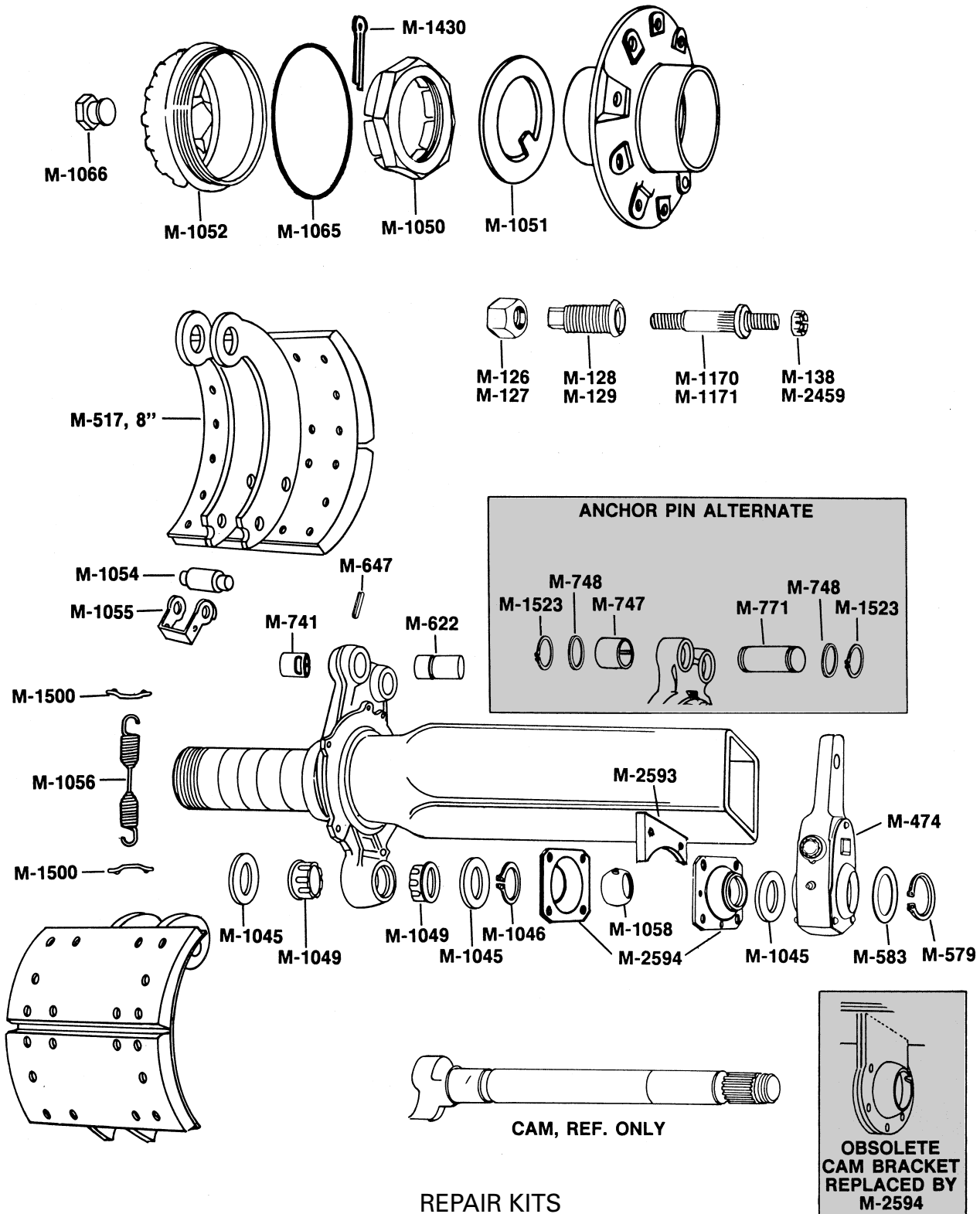
BRAKE PARTS

REPAIR KITS

CAMSHAFT KIT	M-562R & L, M-567R & L	M-K13	PG. 187
BRAKE SHOE KIT	WELD-ON SPIDER	M-K7, M-K8	PG. 151, PG. 145
BRAKE SHOE KIT	BOLT-ON SPIDER	M-K4	PG. 150

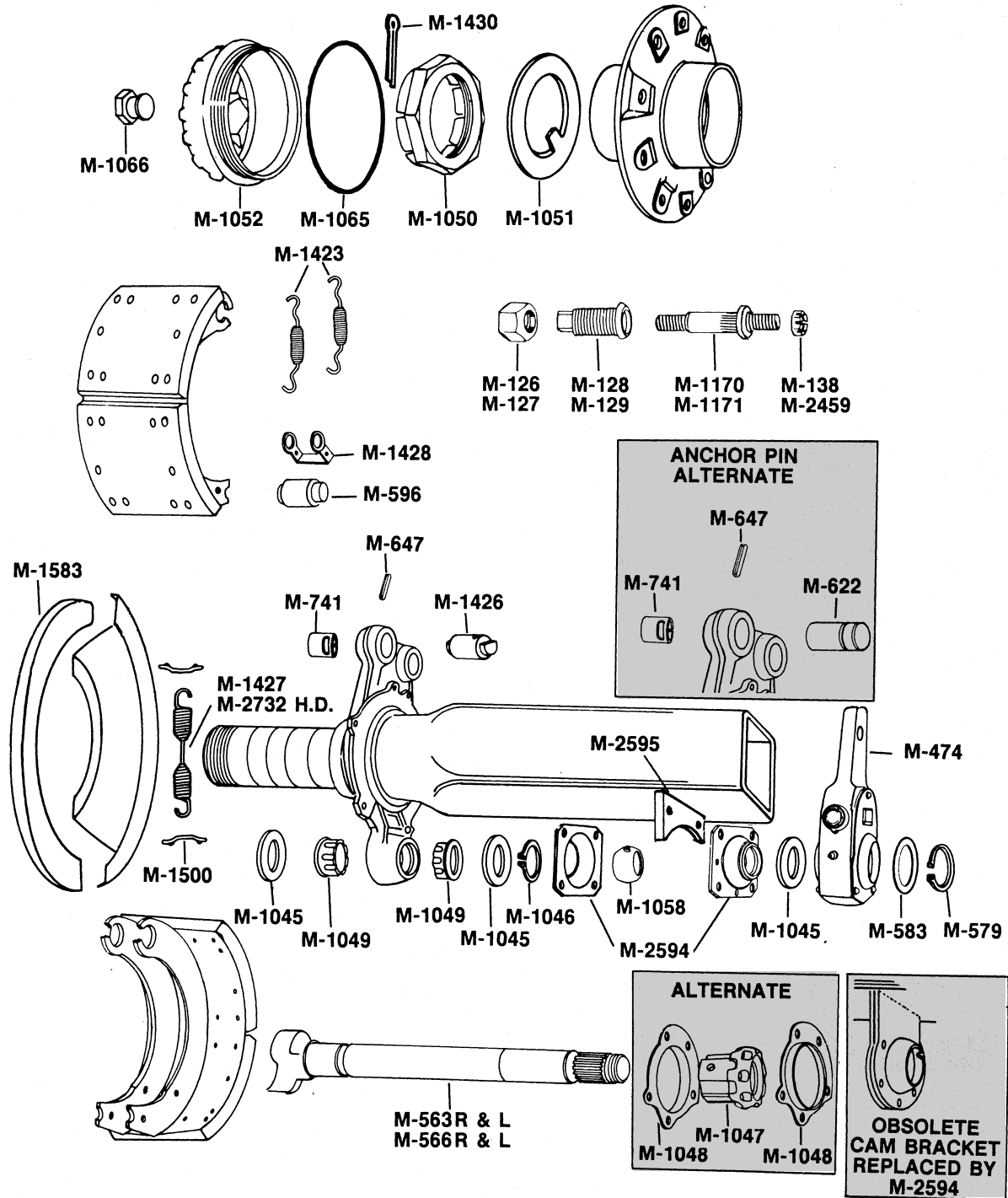
FRUEHAUF PRO-PAR TRAILER AXLE 12 1/4" DIA. BRAKE

BRAKE PARTS



CAMSHAFT KIT		M-K20	PG. 184
CAMSHAFT KIT	ALTERNATE	M-K21	PG. 184
BRAKE SHOE KIT	M-517	M-K47	PG. 145

FRUEHAUF PRO-PAR TRAILER AXLE 16 1/2" DIA. EARLY XEM BRAKE



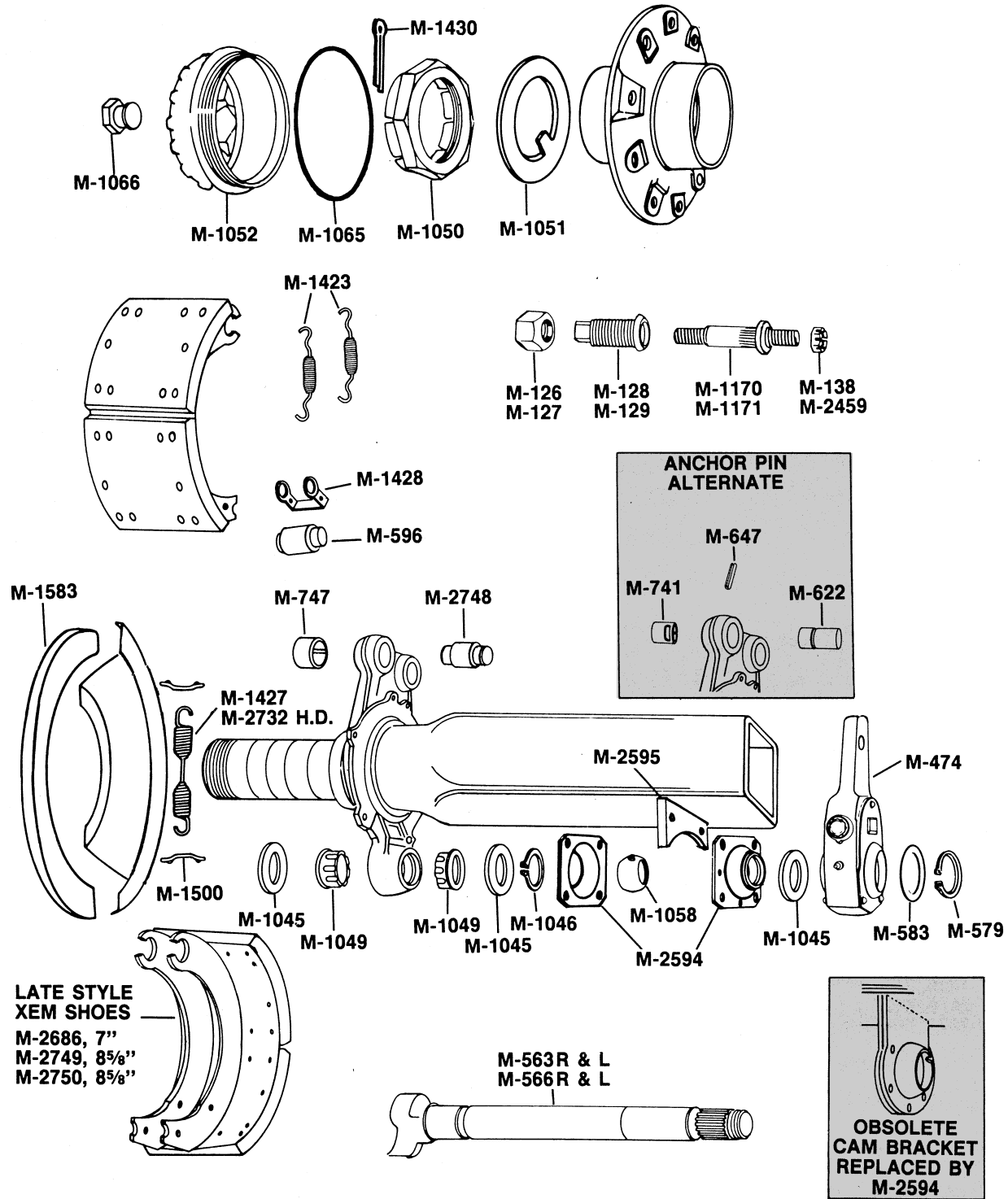
BRAKE PARTS

REPAIR KITS

CAMSHAFT KIT		M-K20	PG. 184
CAMSHAFT KIT	ALTERNATE	M-K21	PG. 184
BRAKE SHOE KIT	EARLY XEM	M-K41	PG. 146
BRAKE SHOE KIT	ALTERNATE	M-K5 or M-K8	PG. 145

FRUEHAUF PRO-PAR TRAILER AXLE 16 1/2" DIA. LATE XEM BRAKE

BRAKE PARTS

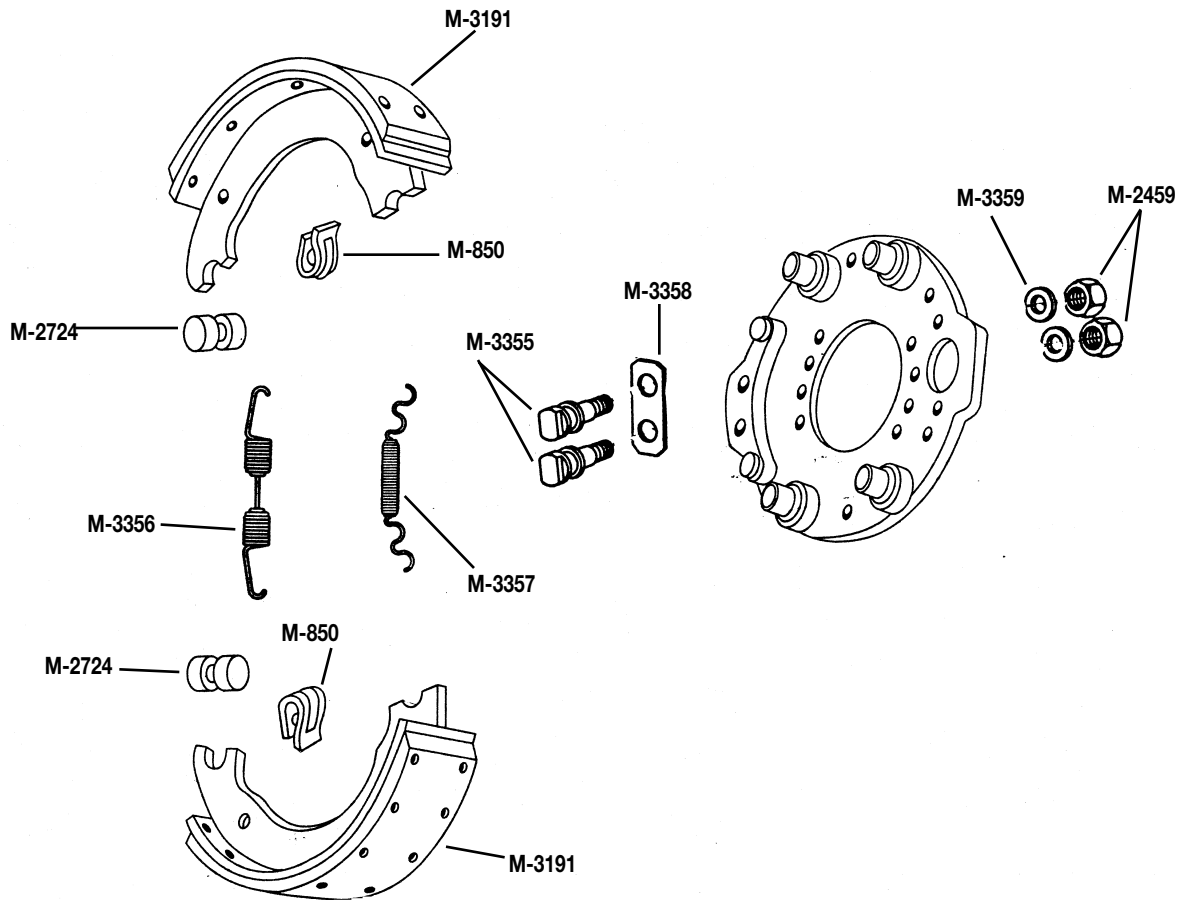


REPAIR KITS

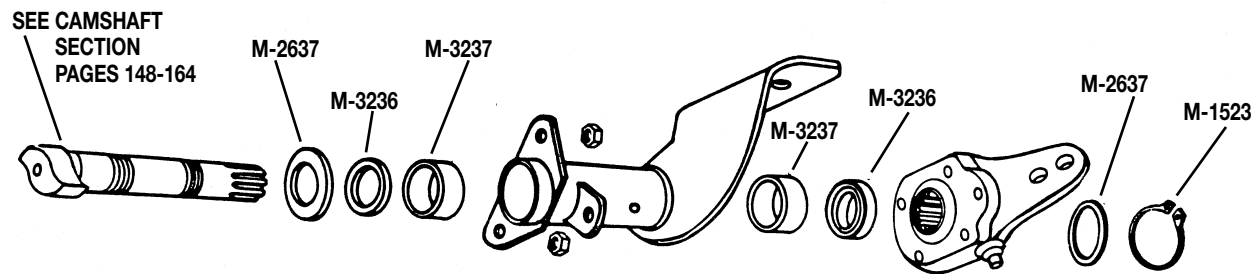
CAMSHAFT KIT		M-K20	PG. 184
BRAKE SHOE KIT	LATE XEM	M-K42	PG. 146
BRAKE SHOE KIT	ALTERNATE	M-K5 or M-K8	PG. 145

MERITOR 15" DIA. "Q" BRAKES

SINGLE WEB STEERING AXLE BRAKE



BRAKE PARTS



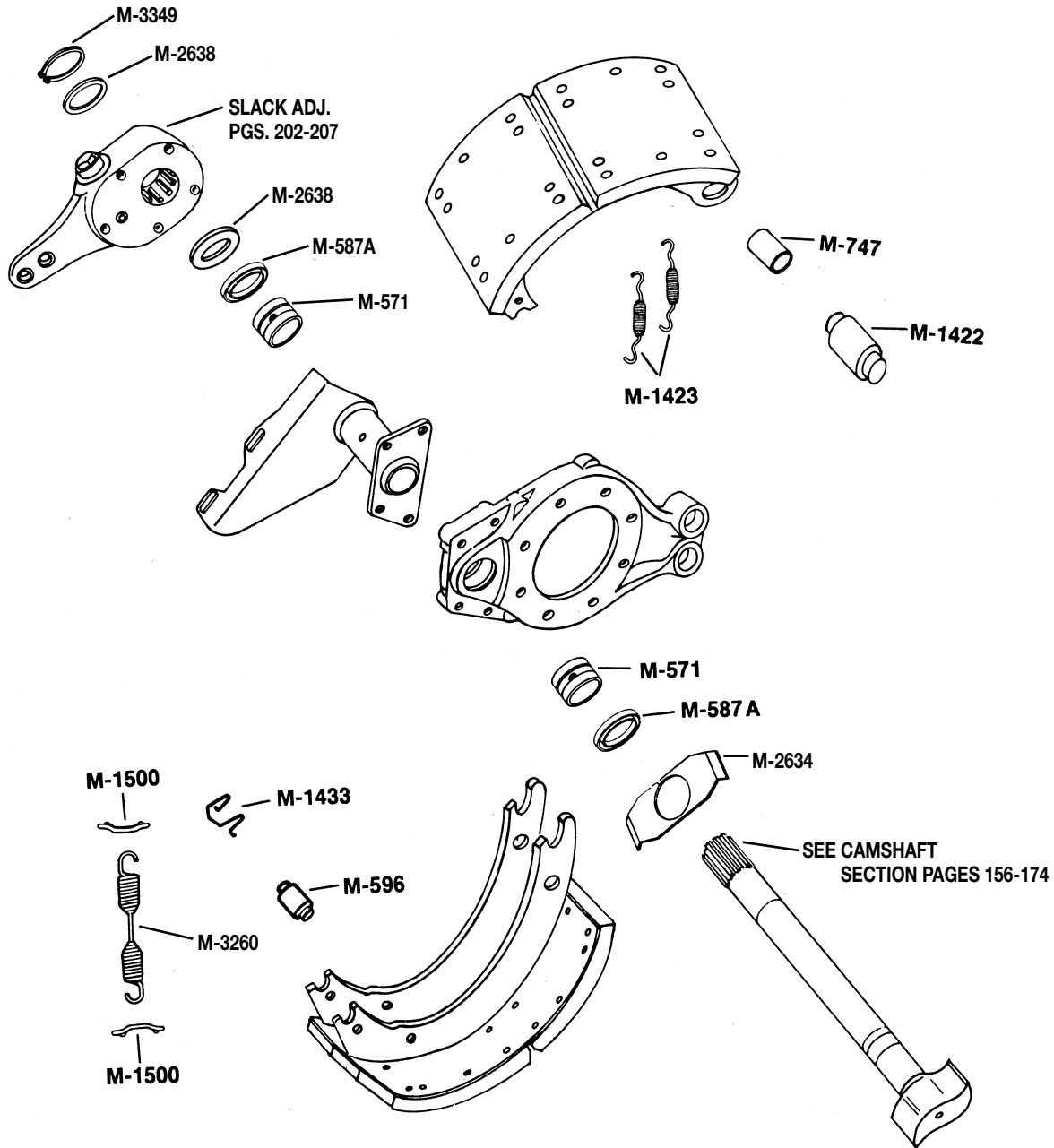
REPAIR KITS

CAMSHAFT KIT	M-K87	PG. 185
BRAKE SHOE KIT	M-K79	PG. 148

MERITOR 15" DIA. "Q PLUS" BRAKES

STEER AXLE BRAKE

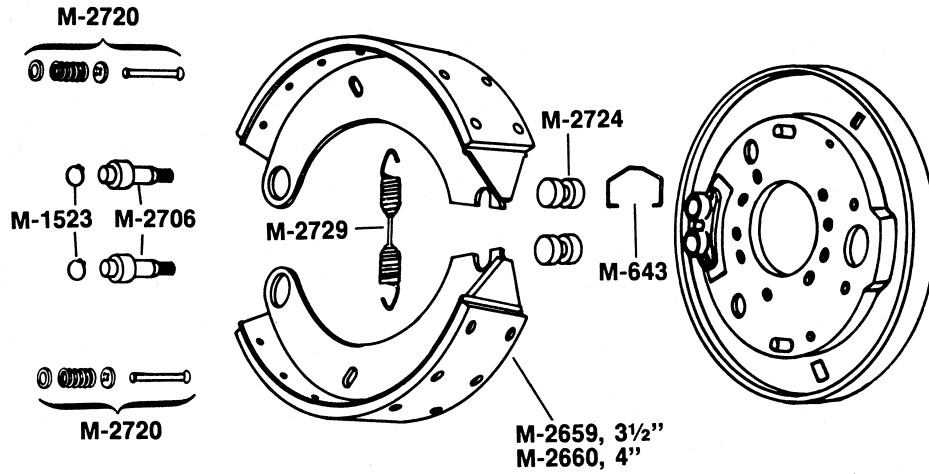
BRAKE PARTS



REPAIR KITS

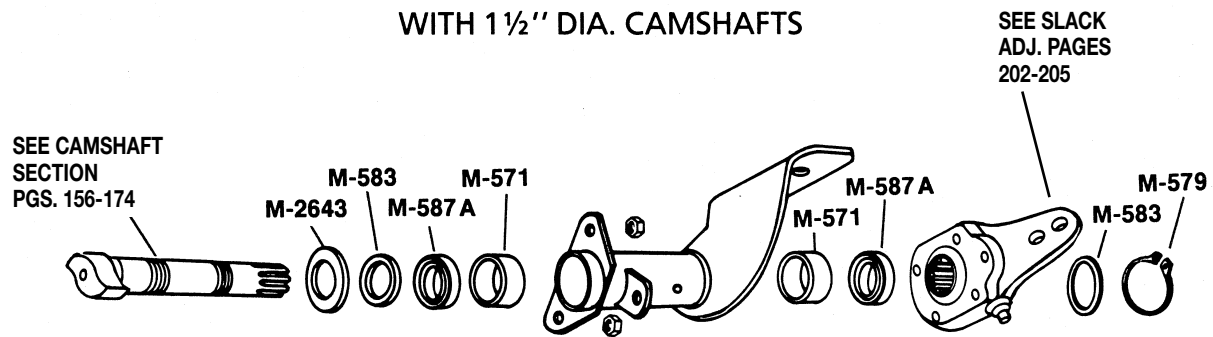
CAMSHAFT KIT	M-K81	PG. 186
BRAKE SHOE KIT	M-K98	PG. 148

MERITOR "T" SERIES — 15" DIA. BRAKES

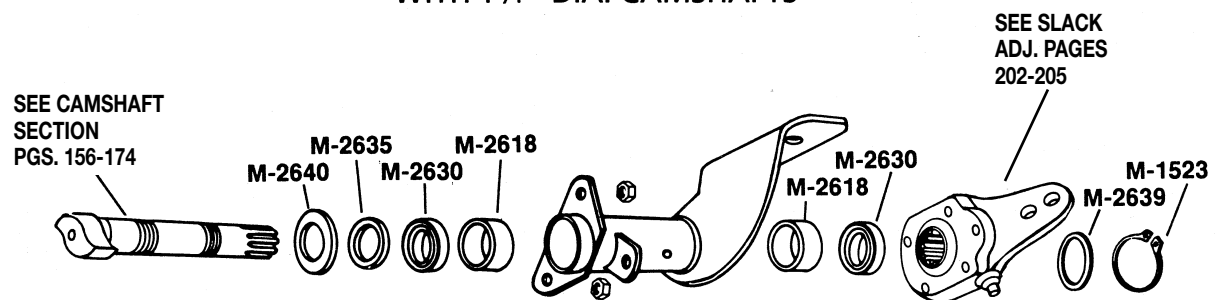


BRAKE PARTS

WITH 1 1/2" DIA. CAMSHAFTS



WITH 1 1/4" DIA. CAMSHAFTS

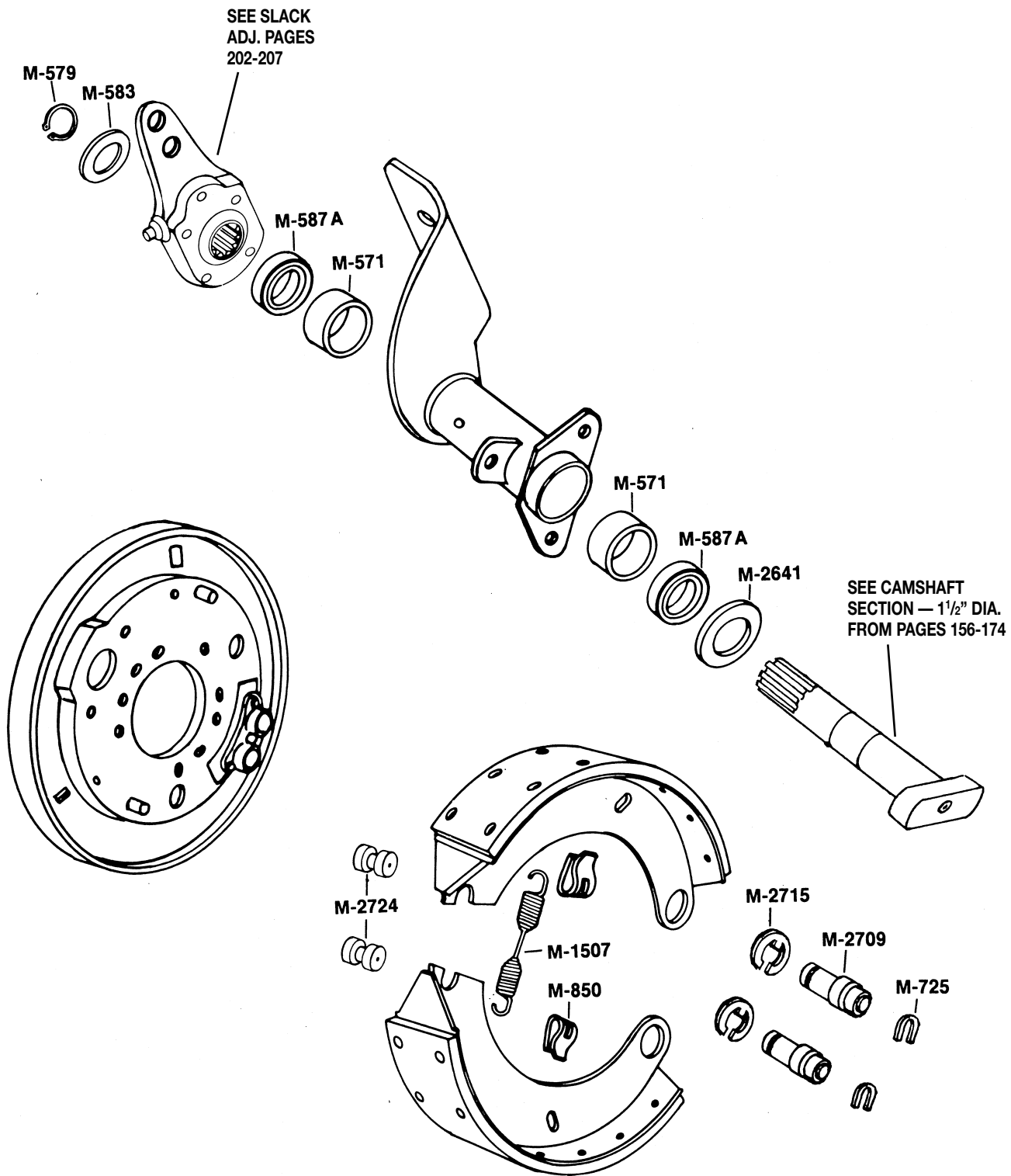


REPAIR KITS

CAMSHAFT KIT	1 1/2" DIA. CAMS	M-K69	PG. 188
CAMSHAFT KIT	1 1/4" DIA. CAMS	M-K68	PG. 185
BRAKE SHOE KIT	M-2659, M-2660 SHOES	M-K52	PG. 147

MERITOR "T" SERIES — 16¼" DIA. BRAKE

BRAKE PARTS



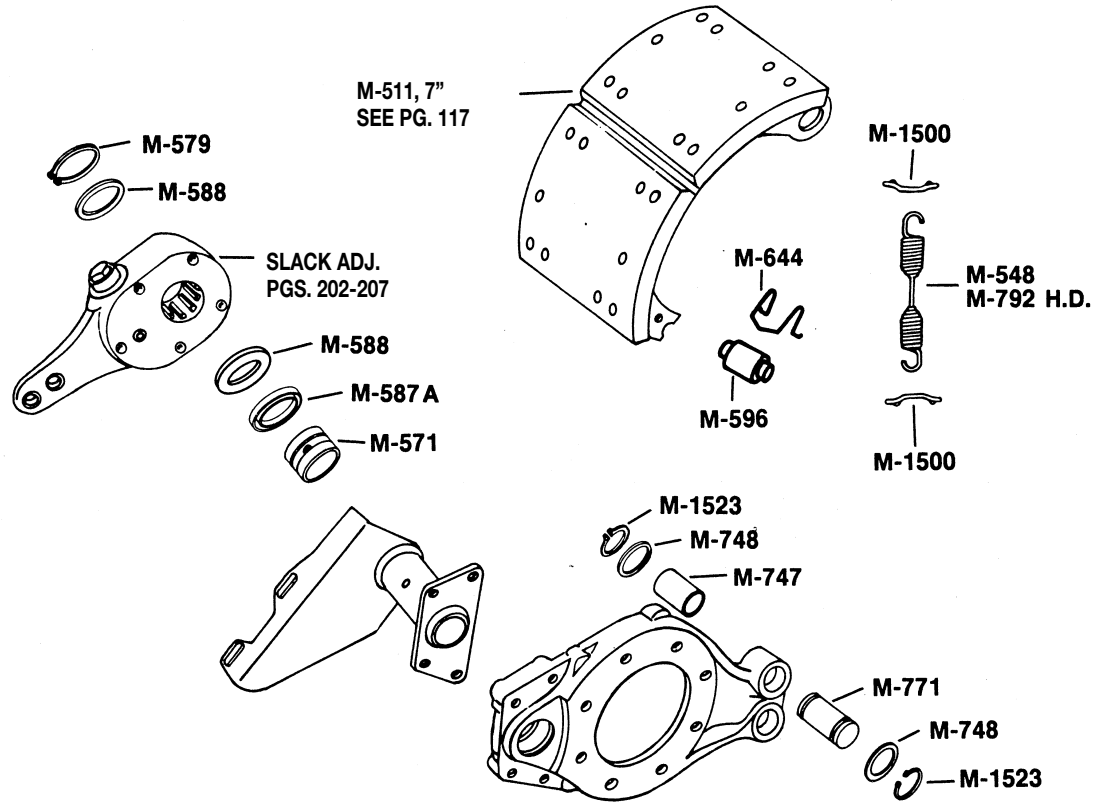
REPAIR KITS

CAMSHAFT KIT	1½" DIA. CAMS	M-K69	PG. 188
BRAKE SHOE KIT	M-2675, M-2676 SHOES	M-K53	PG. 149

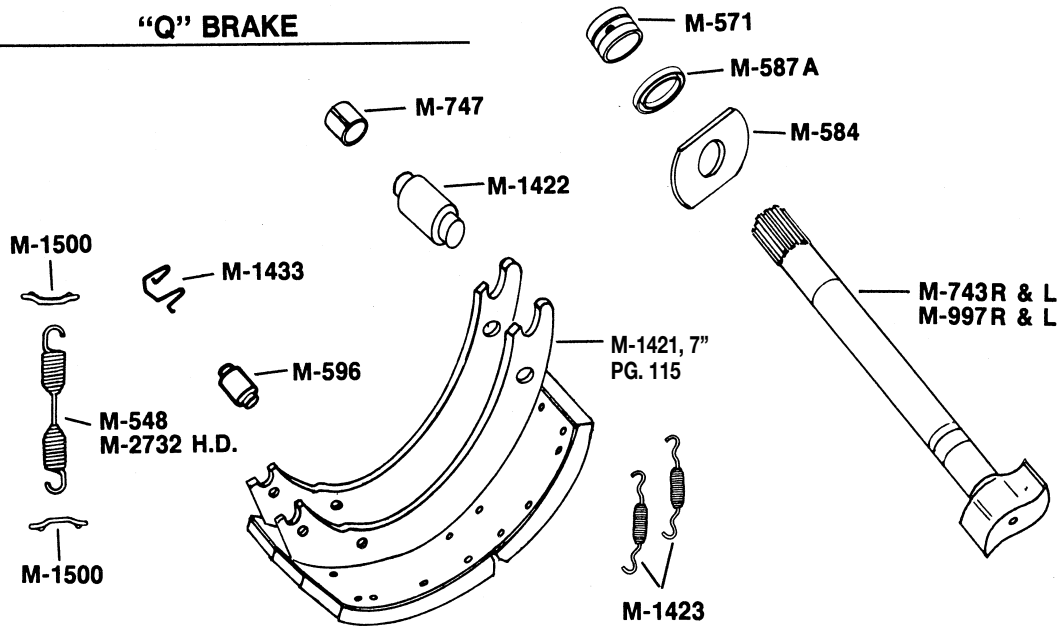
MERITOR 16¹/₂" DIA. "P AND Q" BRAKES

BRAKE PARTS

"P" BRAKE



"Q" BRAKE

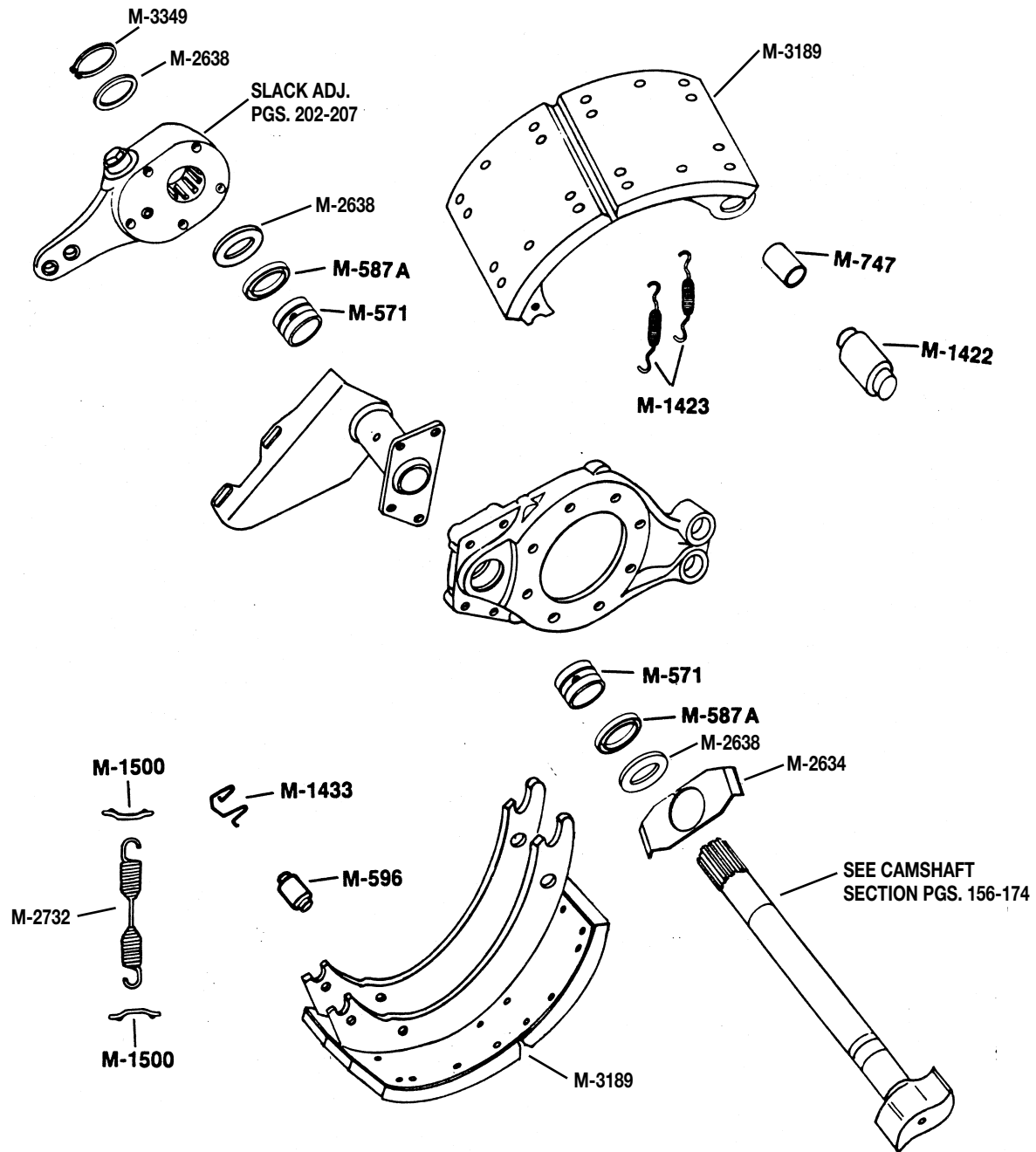


REPAIR KITS

CAMSHAFT KIT		M-K17	PG. 188
BRAKE SHOE KIT	"P" BRAKE	M-K7, M-K4	PGS. 150, 151
BRAKE SHOE KIT	"Q" BRAKE	M-K39	PG. 148

MERITOR 16 $\frac{1}{2}$ " DIA. "Q PLUS" BRAKES

TRUCK AND TRACTOR BRAKES



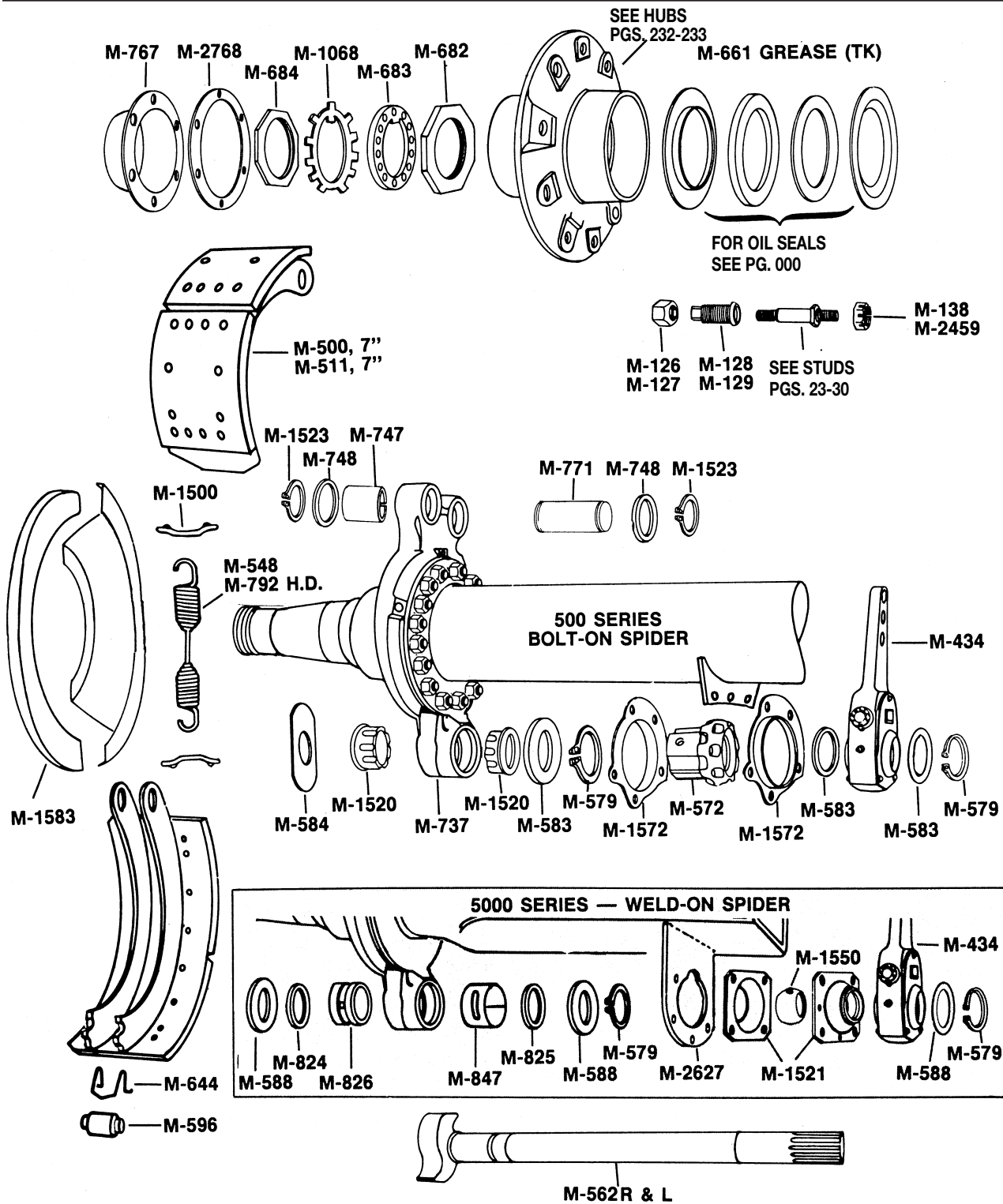
BRAKE PARTS

REPAIR KITS

CAMSHAFT KIT	M-K81	PG. 186
BRAKE SHOE KIT	M-K39 M-K72 (KNURLED ROLLERS)	PGS. 148, 149

MERITOR TK & TKL SERIES AXLES 500 SERIES AND 5,000 SERIES

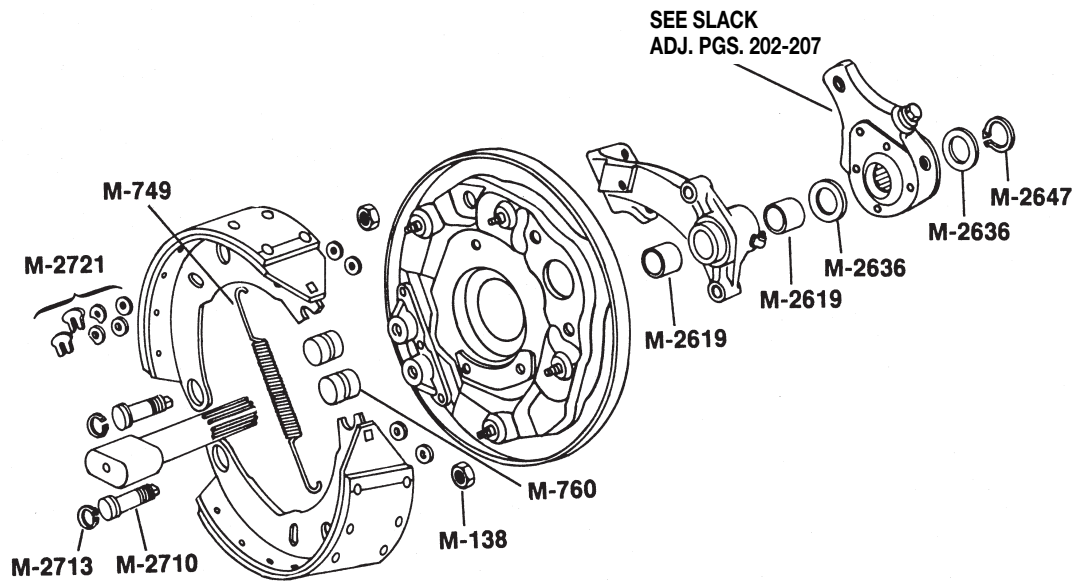
BRAKE PARTS



REPAIR KITS

CAMSHAFT KIT	EARLY MODEL 500 SERIES	M-K13	PG. 187
CAMSHAFT KIT	5000 SERIES	M-K14	PG. 187
BRAKE SHOE KIT	"P" BRAKE	M-K4, M-K7	PGS. 150, 151

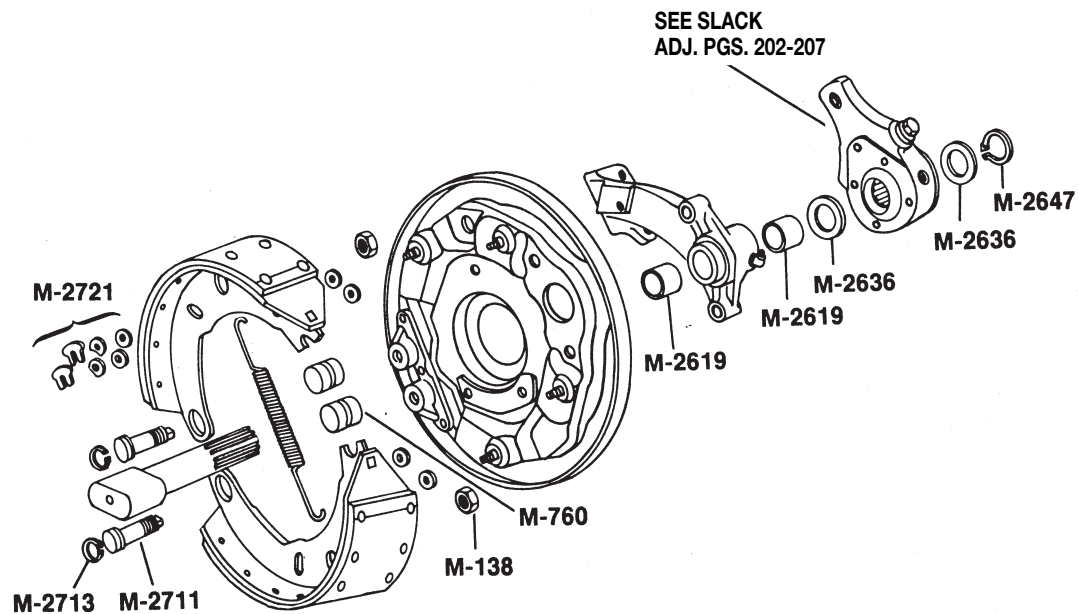
WAGNER FRONT AXLE — 15" x 3" BRAKE



REPAIR KITS

CAMSHAFT KIT	15" x 3" BRAKE	M-K66	PG. 189
BRAKE SHOE KIT	15" x 3" BRAKE	M-K48	PG. 153

WAGNER FRONT AXLE — 15" x 3 1/2" BRAKE

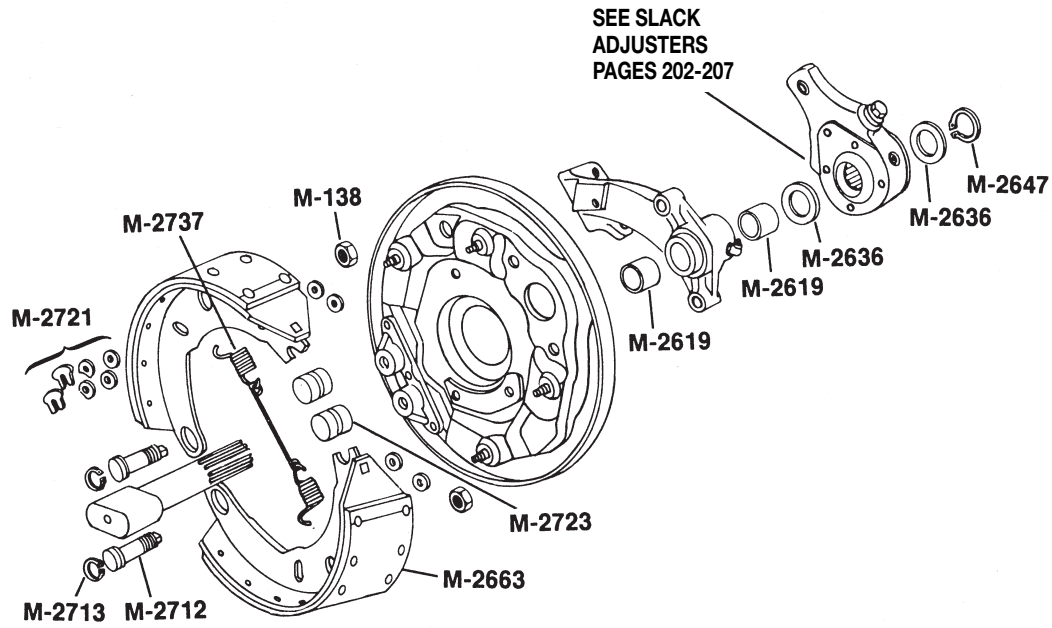


REPAIR KITS

CAMSHAFT KIT	15" x 3 1/2" BRAKE	M-K66	PG. 189
BRAKE SHOE KIT		M-K49	PG. 153

WAGNER FRONT AXLE — 15" x 4" BRAKE

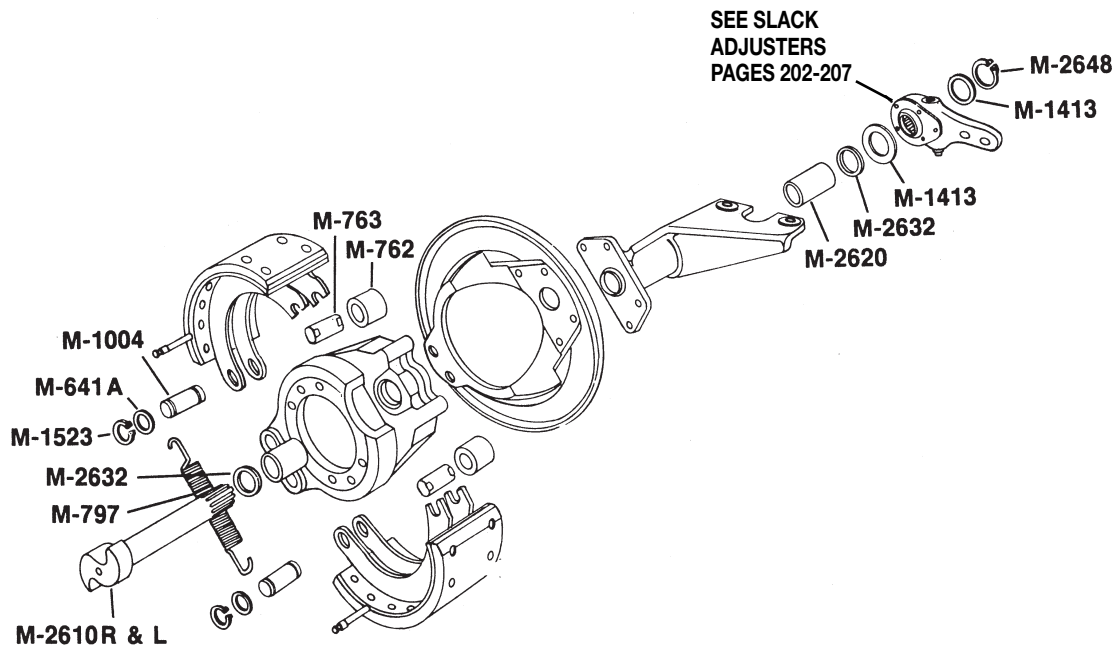
BRAKE PARTS



REPAIR KITS

CAMSHAFT KIT	15" x 4" BRAKE	M-K66	PG. 189
BRAKE SHOE KIT	15" x 4" BRAKE	M-K50	PG. 153

WAGNER DRIVE AXLE — 15" x 6" & 7" BRAKE



REPAIR KITS

CAMSHAFT KIT	15" x 6" & 7" BRAKE	M-K67	PG. 189
BRAKE SHOE KIT	15" x 6" & 7" BRAKE	M-K51	PG. 154

BRAKE BLOCK BOLT ASSEMBLIES - BRASS AND STEEL

BRASS — 3/16" & 1/4" BOLTS WITH NUTS AND WASHERS



BWP. NO.	BOLT SIZE	REPLACES RIVET
M-535	3/16" x 1"	NO. 8
M-536	1/4" x 1"	NO. 10

BRASS — 3/16" & 1/4" BOLTS WITH KEPS NUTS AND WASHER



BWP. NO.	BOLT SIZE	REPLACES RIVET
M-535K	3/16" x 1"	NO. 8
M-536K	1/4" x 1"	NO. 10

BRASS — 3/8" BOLTS WITH NUTS AND WASHER



BWP. NO.	BOLT SIZE	THREAD
M-534	3/8"-24 x 1 1/2" SAE	Fine
M-534A	3/8"-16 x 1 1/2" USS	Coarse
M-534B	3/8"-24 x 1 1/4" SAE	Fine
M-534C	3/8"-16 x 1 1/4" USS	Coarse
M-534D	3/8"-24 x 1" SAE	Fine
M-534E	3/8"-16 x 1" USS	Coarse

BRASS — 3/8" BOLTS WITH KEPS NUTS



BWP. NO.	BOLT SIZE	THREAD
M-534F	3/8"-24 x 1 1/2" SAE	Fine
M-534G	3/8"-16 x 1 1/2" USS	Coarse
M-534H	3/8"-24 x 1 1/4" SAE	Fine
M-534J	3/8"-16 x 1 1/4" USS	Coarse
M-534K	3/8"-24 x 1" SAE	Fine
M-534L	3/8"-16 x 1" USS	Coarse

STEEL — 3/16" & 1/4" BOLTS WITH NUTS AND WASHERS



BWP. NO.	BOLT SIZE	REPLACES RIVET
M-1635	3/16" x 1"	NO. 8
M-1636	1/4" x 1"	NO. 10

STEEL — 3/8" BOLTS WITH NUTS AND WASHER



BWP. NO.	BOLT SIZE	THREAD
M-1634	3/8"-24 x 1 1/2" SAE	Fine
M-1634A	3/8"-16 x 1 1/2" USS	Coarse
M-1634B	3/8"-24 x 1 1/4" SAE	Fine
M-1634C	3/8"-16 x 1 1/4" USS	Coarse
M-1634D	3/8"-24 x 1" SAE	Fine
M-1634E	3/8"-16 x 1" USS	Coarse

ALL BOLTS ARE PACKED 100 SETS TO A CARTON

BRAKE PARTS

BRAKE LINING RIVETS — BRASS AND STEEL

BRASS — BRAKE LINING RIVETS

BWP. NO.	STD. NO.	LENGTH	HEAD DIA.	BODY DIA.
M-1590	4-4	4/16"	5/16"	9/64"
M-1591	4-5	9/32"	5/16"	9/64"
M-1592	5-5	5/16"	3/8"	9/64"
M-1593	7-5	5/16"	3/8"	3/16"
M-1594	7-6	6/16"	3/8"	3/16"
M-1595	7-7	7/16"	3/8"	3/16"
M-1596	7-8	8/16"	3/8"	3/16"
M-1598	8-7	7/16"	1/2"	3/16"
M-1599	8-8	8/16"	1/2"	3/16"
M-1600	8-9	9/16"	1/2"	3/16"
M-1601	8-10	10/16"	1/2"	3/16"
M-1603	10-8	8/16"	1/2"	1/4"
M-1612	10-8 1/2"	17/32"	1/2"	1/4"
M-1604	10-9	9/16"	1/2"	1/4"
M-1605	10-10	10/16"	1/2"	1/4"
M-1606	10-12	12/16"	1/2"	1/4"
M-1607	20-8	8/16"	1/2"	.200
M-1613	20-8 1/2"	17/32"	1/2"	.200



BRAKE PARTS

STEEL — BRAKE LINING RIVETS — BRASS PLATED

BWP. NO.	STD. NO.	LENGTH	HEAD DIA.	BODY DIA.
M-3384	10-7	7/16"	1/2"	1/4"
M-1614	10-8	8/16"	1/2"	1/4"
M-1615	10-8 1/2"	17/32"	1/2"	1/4"
M-1616	10-9	9/16"	1/2"	1/4"
M-1617	10-10	10/16"	1/2"	1/4"
M-1618	20-8	8/16"	1/2"	.200
M-1619	20-8 1/2"	17/32"	1/2"	.200
M-1620	20-9	9/16"	1/2"	.200



NOTE: ALL RIVETS ARE PACKED 1000 TO A CARTON

HEAVY DUTY TRUCK BLOCK — NON ASBESTOS

- ORGANIC LINING FORMULATED FOR MOST OVER-THE-ROAD TRUCK, TRACTOR AND TRAILER APPLICATIONS
- F.M.V.S.S. #121 RATING AT A 20,000LB. AXLE GAWR
- PROVIDES LOW DRUM AND LINING WEAR
- “FF” FRICTION RATING



1 SET LINES 4 SHOES

BWP NO.	FMSI	SIZE	RIVET OR BOLT NO.	NO. USED PER SET
M-3301	4311J	16 ¹ / ₂ " x 7"	10-8 M-1603	80
M-3305	4515	16 ¹ / ₂ " x 7"	20-8 M-1607	96
M-3306	4515C	16 ¹ / ₂ " x 7"	10-8 M-1603	96
M-3307	4515E	16 ¹ / ₂ " x 7"	10-8 M-1603	128
M-3700	4515G	16 ¹ / ₂ " x 7"	10-10 M-1605	112
M-3701	4524B	16 ¹ / ₂ " x 5"	10-9 M-1604	64
M-3378	4536E	12 ¹ / ₄ " x 5 ¹ / ₂ "	20-8 M-1607	72
M-3702	4544	12 ¹ / ₄ " x 5 ¹ / ₂ "	³ / ₈ " BOLT	32
M-3309	4551	16 ¹ / ₂ " x 8 ⁵ / ₈ "	20-8 M-1607	96
M-3310	4591	12 ¹ / ₄ " x 7 ¹ / ₂ "	20-8 M-1607	96
M-3311	4602	15" x 7"	10-9 M-1604	96
M-3703	4607	12 ¹ / ₄ " x 7 ¹ / ₂ "	³ / ₈ " BOLT	32
M-3704	4670	12 ¹ / ₄ " x 7 ¹ / ₂ "	10-8 M-1603	80
M-3379	4692	12 ¹ / ₄ " x 7 ¹ / ₂ "	10-8 M-1603	80
M-3380	4693	15" x 4"	10-8 M-1603	64
M-3381	4701	16 ¹ / ₂ " x 7"	10-8 M-1603	96
M-3705	4702	15" x 4"	10-8 M-1603	64
M-3382	4707	16 ¹ / ₂ " x 7"	10-8 M-1603	112
M-3706	4708	16 ¹ / ₂ " x 7"	10-8 M-1603	112
M-3383	4709	16 ¹ / ₂ " x 7"	10-8 M-1603	112

BRAKE PARTS

MEDIUM TRUCK AND BUS LINING — NON ASBESTOS

- PREMIUM ORGANIC MATERIAL SPECIFICALLY DESIGNED FOR MEDIUM TRUCK AND BUSES.
- MEETS FMSI #121 STANDARD
- PROVIDES EXTENDED LIFE OVER BEST MATERIALS IN ITS CLASS
- EF FRICTION RATING

BRAKE PARTS



1 SET LINES 4 SHOES

BWP NO.	FMSI	SIZE	RIVET NO.	NO. USED PER SET
M-3314	1245A	15" x 3"	7-6 M-1594	56
M-3315	1245C	15" x 3"	7-6 M-1594	56
M-3316	1252	15" x 5"	8-7 M-1598	56
M-3317	1279	15" x 3 1/2"	8-7 M-1598	56
M-3318	1280	15" x 3 1/2"	7-6 M-1594	56
M-3319	1280B	15" x 3 1/2"	7-6 M-1594	56
M-3320	1307	15" x 3 1/2"	10-8 M-1603/M-1614	56
M-3321	1308	15" x 4"	10-8 M-1603/M-1614	56
M-3322	1308A	15" x 4"	8-7 M-1598	56
M-3376	1308TT	15" x 4"	10-8 M-1603/M-1614	56
M-3326	2086	9" x 3"	4-	24
M-3330	4596	15" x 6"	8-9 M-1600	56
M-3331	4597	15" x 7"	8-9 M-1600	56
M-3332	4639	15" x 5"	7-7 M-1595	56
M-3333	4646	15" x 5"	7-7 M-1595	56

BRAKE SHOE BUSHING ADAPTERS – FABRICATED SHOES



BWP NO.	I.D.	O.D.	THICK	APPLICATION
M-1642	1"	1 3/4"	3/8"	STD. FORGE 12 1/4" DIA. FABRICATED SHOES. MAY BE WELDED INSIDE OR OUTSIDE WEBS. USE M-1003 ANCHOR PIN FOR INSIDE WELD, USE M-2703 ANCHOR PIN FOR OUTSIDE WELD.
M-1641	1 1/4"	1 3/4"	3/8"	16 1/2" DIA. FABRICATED SHOES NO BUSHING IS REQUIRED
M-1640	1 3/8"	1 3/4"	3/8"	16 1/2" DIA. FABRICATED SHOES TO BE USED WITH M-538 ANCHOR PIN BUSHING

LINED BRAKE SHOES - NON-ASBESTOS LINING

FOR EATON — 16½" x 7" TRACTOR, TRAILER BRAKES



BWP NO.	REPLACES	FMSI	NOTE
M-811N	EATON 804365 LINED WITH NON-ASBESTOS FF FRICTION	4311J	USE WITH BWP KIT: M-K10

FOR FRUEHAUF — 16½" x 7" PRO-PAR AXLES



BWP NO.	REPLACES	FMSI	NOTE
M-516N	FRUEHAUF 514961 LINED WITH NON-ASBESTOS FF FRICTION	4515	USE WITH BWP KIT: M-K5 OR M-K8

FOR FRUEHAUF — 16½" x 7" LATE XEM DESIGN



BWP NO.	REPLACES	FMSI	NOTE
M-2686N	FRUEHAUF ACF-3379-1 LINED WITH NON-ASBESTOS FF FRICTION	4515E	USE WITH BWP KIT: M-K42

FOR ROCKWELL — 16½" x 7" "P" SERIES BRAKES



BWP NO.	REPLACES	FMSI	NOTE
M-511N	MERITOR A-3222-R-876 LINED WITH NON-ASBESTOS FF FRICTION	4515	USE WITH BWP KIT: M-K4 OR M-K7

FOR ROCKWELL — 16½" x 7" "Q" BRAKE SERIES



BWP NO.	REPLACES	FMSI	NOTE
M-1421N	MERITOR A-3222-S-1293 LINED WITH NON-ASBESTOS FF FRICTION	4515E	USE WITH BWP KIT: M-K39

BRAKE PARTS

12¹/₄" DIA. UNLINED BRAKE SHOES

DANA "FT" NEW STYLE 12¹/₄" DIA. BRAKE SHOES



BWP NO.	REPLACES	SIZE	FMSI	RIVET	USE BWP KIT
M-3196	DANA M12WS151X	12 ¹ / ₄ " x 5 ¹ / ₂ "	4536E	20-8	M-K82
M-3197	DANA M12WS148X	12 ¹ / ₄ " x 7 ¹ / ₂ "	4692	10-8	M-K82

DANA "FT" OLD STYLE 12¹/₄" DIA. BRAKE SHOES



BWP NO.	REPLACES STD. FORGE	SIZE	FMSI	RIVET	USE BWP KIT NO.
M-503	201142 DANA M12WS124X	12 ¹ / ₄ " x 5 ¹ / ₂ "	4536	20-8	M-K12
M-504	201140 DANA M12WS127X	12 ¹ / ₄ " x 7 ¹ / ₂ "	4591	20-8	M-K12

DANA "FC" NEW STYLE 12¹/₄" DIA. "U" BRAKE SHOES



BWP NO.	REPLACES	SIZE	FMSI	RIVET	USE BWP KIT
M-3198	DANA M12WS154X	12 ¹ / ₄ " x 5 ¹ / ₂ "	4536E	20-8	M-K83
M-3192	DANA M12WS149X	12 ¹ / ₄ " x 7 ¹ / ₂ "	4692	10-8	M-K83

DANA & STD. FORGE 12¹/₄" DIA. SHOES — CAST



BWP NO.	REPLACES STD. FORGE, DANA	SIZE	FMSI	BOLT	USE BWP KIT NO.
M-821	201102 12017 M12WS108	12 ¹ / ₄ " x 5 ¹ / ₂ "	4544	3/8"	M-K11
M-822	201103 12019 M12WS102	12 ¹ / ₄ " x 7 ¹ / ₂ "	4607	3/8"	M-K11

EATON 12¹/₄" DIA. SHOES — "FTL" AND "SA"



BWP NO.	REPLACES EATON	SIZE	FMSI	RIVET	USE BWP KIT NO.
M-818	B-2012-1B B-1830-1B	12 ¹ / ₄ " x 7 ¹ / ₂ "	4591	20-8	M-K46

12¹/₄" DIA., 15" DIA. UNLINED BRAKE SHOES

FRUEHAUF 12¹/₄" DIA. — PROPAR



BWP NO.	REPLACES FRUEHAUF	SIZE	FMSI	RIVET	USE BWP KIT NO.
M-517	ACD-2227-1	12 ¹ / ₄ " x 8"	4649	20-8	M-K47

ROCKWELL 12¹/₄" DIA. SHOE — "Q" BRAKE



BWP NO.	REPLACES ROCKWELL	SIZE	FMSI	RIVET	USE BWP KIT NO.
M-2653	A-3222-S-1527	12 ¹ / ₄ " x 7 ¹ / ₂ "	4670	10-8	M-K45

BENDIX "BRAZILIAN" 15" x 4" FRONT BRAKE SHOE



BWP NO.	REPLACES	SIZE	FMSI	RIVET	USE BWP KIT
M-3194	BENDIX 2259428 250605 FORD 85HU2020A	15" x 4"	4693	10-10	M-K94

BENDIX 15" DIA. WEDGE BRAKE SHOE



BWP NO.	REPLACES BENDIX	SIZE	FMSI	RIVET	USE BWP KIT NO.
M-820	316998	15" x 7"	4602	10-9	M-K37

EATON 15" x 4" FRONT BRAKE SHOE



BWP NO.	REPLACES	SIZE	FMSI	RIVET	USE BWP KIT
M-3350	EATON 1005840	15" x 4"	1308	10-8	M-K77

KELSEY-HAYES 15" DIA. SHOES — TRUCK & BUS HYDRAULIC BRAKES



BWP NO.	REPLACES	SIZE	FMSI	RIVET	FMSI SHOE NO.
M-2679	FORD C8TZ2218B KELSEY E-55934	15" x 4"	4647	7-6	401
M-2680	FORD C8TZ2218C KELSEY E-59936	15" x 5"	4646	7-6	400

15" DIA. UNLINED BRAKE SHOES

MERITOR 15" DIA. WEDGE BRAKE SHOES (SINGLE ACTUATOR)



BWP NO.	REPLACES MERITOR	SIZE	FMSI	RIVET	USE BWP KIT NO.
M-2655	A-3222-D-1096	15" x 3 1/2"	1307	10-8	---
M-2656	A-3222-V-1088	15" x 4"	1308	10-8	---

MERITOR 15" DIA. WEDGE BRAKE SHOES (DUAL ACTUATOR)



BWP NO.	REPLACES MERITOR	SIZE	FMSI	RIVET	USE BWP KIT NO.
M-2658	A-3727-T-358	15" x 5"	4615	10-9	M-K30, M-K31 OR M-K32
M-807	A-3722-U-359	15" x 6"	4605	10-9	
M-808	A-3727-V-360	15" x 7"	4602	10-9	

MERITOR 15" x 4" "Q" SERIES FRONT BRAKE



BWP NO.	REPLACES MERITOR	SIZE	FMSI	RIVET	USE BWP KIT
M-3191	A-3222-F-1982	15" x 4"	1308TT	10-7	M-K79

MERITOR 15" x 4" "Q PLUS" BRAKE



BWP NO.	REPLACES MERITOR	SIZE	FMSI	RIVET	USE BWP KIT
M-3233	A-3222-C-2109 A-3222-G-2165	15" x 4"	4702	10-8	M-K98

MERITOR 15" DIA. "T" SERIES SHOES — STEERING AXLE



BWP NO.	REPLACES MERITOR	SIZE	FMSI	RIVET	USE BWP KIT NO.
M-2659	A-3222-K-1103	15" x 3 1/2"	1307	10-8	M-K52
M-2660	A-3222-F-1072	15" x 4"	1308	10-8	M-K52

16¹/₂" DIA. UNLINED BRAKE SHOES

BENDIX "BRAZILIAN" 16¹/₂" x 7" REAR BRAKE SHOE



BWP NO.	REPLACES	SIZE	FMSI	RIVET	USE BWP KIT
M-3195	BENDIX 2259450 250606 FORD 85HU2220A	16 ¹ / ₂ " x 7"	4515G	10-10	M-K95

DANA "XL" XTRALIFE 16¹/₂" DIA. BRAKE SHOE



BWP NO.	REPLACES	SIZE	FMSI	RIVET	USE BWP KIT
M-1421	DANA M16WS103X	16 ¹ / ₂ " x 7"	4701	10-8	M-K91

NOTE: 4701 lining has same drill pattern as 4515 but it is thicker and requires a smaller diameter roller, M-1054, for Dana applications

DANA 16¹/₂" DIA. CAST SHOE



BWP NO.	REPLACES STD. FORGE	SIZE	FMSI	BOLT	USE BWP KIT NO.
M-502	DANA M16WS105-4 S.F. 201110	16 ¹ / ₂ " x 7"	4468	3/8"	M-K1

EATON 16¹/₂" DIA. SHOES-SINGLE ANCHOR PIN FOR TRACTOR & TRAILER



BWP NO.	REPLACES EATON	SIZE	FMSI	RIVET	USE BWP KIT NO.
M-2667	89695	16 ¹ / ₂ " x 5"	4223A	10-10	M-K6
M-810	54152	16 ¹ / ₂ " x 6"	4317G	10-8	M-K10
M-811	804365 805442	16 ¹ / ₂ " x 7"	4311J 4311G	10-8	M-K10
M-2668*	1001955	16 ¹ / ₂ " x 7"	4311J	10-8	M-K6
M-3190	"ES" BRAKE 806229	16 ¹ / ₂ " x 7"	4709	10-8	M-K84
M-3499	805682	16 ¹ / ₂ " x 8 ⁵ / ₈ "	4674	10-8	M-K99

* SHOE HAS OFFSET SPRING RETAINER PIN
USE M-2733 SPRING ON SOME FORD APPLICATIONS FOR CLEARANCE

16 1/2" DIA. UNLINED BRAKE SHOES

FRUEHAUF 16 1/2" DIA. SHOES - PROPAG



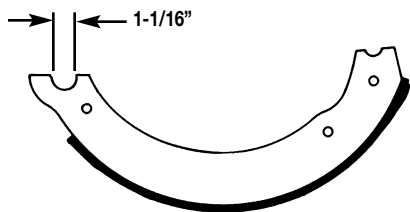
BWP NO.	REPLACES FRUEHAUF	SIZE	FMSI	RIVET	USE BWP KIT NO.
M-516	514961	16 1/2" x 7"	4515	20-9	M-K5 OR M-K8
M-2669	ACE-6184-1	16 1/2" x 7"	4515E	10-9	

FRUEHAUF 16 1/2" DIA. SHOES - "XEM" LATE DESIGN

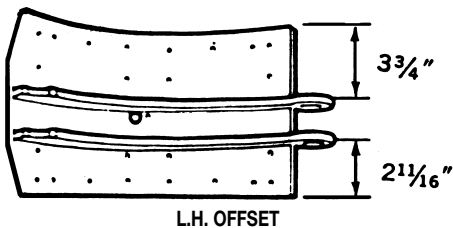


BWP NO.	REPLACES FRUEHAUF	SIZE	FMSI	RIVET	USE BWP KIT NO.
M-2686	ACF-3379-1	16 1/2" x 7"	4515	20-9	M-K42

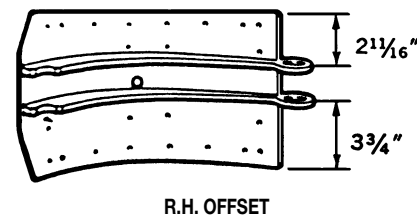
OFFSET STYLE



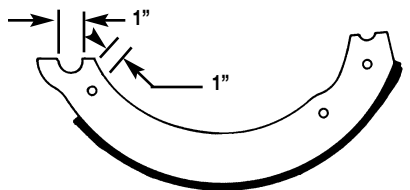
BWP NO.	REPLACES FRUEHAUF	SIZE	FMSI	RIVET	USE BWP KIT NO.
M-2749	ACF-3380-1 LH OFF-SET	16 1/2" x 8 5/8"	4551	20-8	M-K42
M-2750	ACF 3380-2 RH OFF-SET	16 1/2" x 8 5/8"	4551	20-8	M-K42



THESE DIAGRAMS
APPLY TO ALL
OFF-SET SHOES
ON THIS PAGE



MERITOR 16 1/2" DIA. SHOE — FRUEHAUF "XEM" SERIES



BWP NO.	REPLACES MERITOR	SIZE	FMSI	RIVET	USE BWP KIT NO.
M-2689	A-3222-N-1496	16 1/2" x 7"	4515E	10-9	M-K39

MERITOR 16 1/2" x 7" "Q" — MACK DRIVE AXLES



BWP NO.	REPLACES MERITOR	SIZE	FMSI	RIVET	USE BWP KIT
M-3193	A-3222-S-1735	16 1/2" x 7"	4515H	10-8	M-K93

BRAKE PARTS

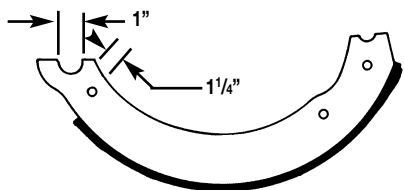
16 1/2" DIA. UNLINED BRAKE SHOES

MERITOR 16 1/2" x 5" "Q" FRONT — MACK APPLICATION



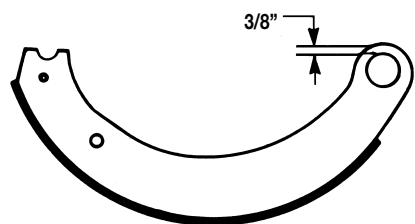
BWP NO.	REPLACES	SIZE	FMSI	RIVET	USE BWP KIT
M-3199	MERITOR A-3222-J-1440	16 1/2" x 5"	4524B	10-8	M-K92

MERITOR 16 1/2" DIA. SHOES — "Q" BRAKE



BWP NO.	REPLACES MERITOR	SIZE	FMSI	RIVET	USE BWP KIT NO.
M-2693	A-3222-E-1383	16 1/2" x 5"	4524	20-8	M-K39
M-2695	A-3222-C-1381	16 1/2" x 6"	4515G	10-9	M-K39
M-1421	A-3222-S-1293	16 1/2" x 7"	4515G	10-10	M-K39
M-3189	A-3222-D-2006	16 1/2" x 7"	4707	10-8	M-K39
M-2694	A-3222-J-1570	16 1/2" x 8 5/8"	4551	20-8	M-K39
M-2696	A-3222-D-1356	16 1/2" x 10"	4549C 4514G	10-9	M-K39

MERITOR 16 1/2" DIA. SHOES — "P" SERIES TRACTOR AND TRAILER



BWP NO.	REPLACES MERITOR	SIZE	FMSI	RIVET	USE BWP KIT NO.
M-510	A-3722-L-64	16 1/2" x 6"	4514	20-8	M-K4, M-K7
M-511	A-3222-R-876	16 1/2" x 7"	4515	20-9	M-K4, M-K7
M-500	A-3722-N-66	16 1/2" x 7"	4515E	10-9	M-K4, M-K7
M-512	A-3722-T-254	16 1/2" x 8 5/8"	4551	20-8	M-K4, M-K7
M-2691	A-3722-X-388	16 1/2" x 10"	4514G 4549C	10-9	M-K4, M-K7

MERITOR 16 1/2" DIA. SHOES — STEERING AXLE "P" SERIES



BWP NO.	REPLACES MERITOR	SIZE	FMSI	RIVET	USE BWP KIT NO.
M-800	A-3722-B-80	16 1/2" x 4"	4549C	10-9	M-K4 OR M-K7
M-801	A-3722-D-82	16 1/2" x 5"	4524B	10-9	

BRAKE PARTS

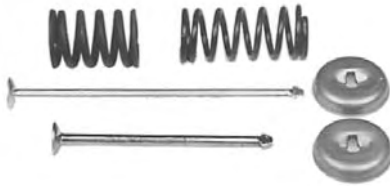
BRAKE SHOE HOLD-DOWN ASSEMBLIES

MERITOR — 12¹/₂" DIA. WEDGE BRAKE



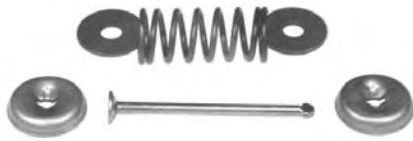
BWP. NO.	ASSEMBLY CONTAINS	APPLICATION
M-867	1 BOLT 1199-U-2309 2 WASHERS 1229-M-1573 1 SPRING 2258-E-577 1 NUT N-54 1 COTTER PIN K-226	MERITOR 12 ¹ / ₂ " DIA. SPIDER MOUNTED WEDGE BRAKE SHOES

MERITOR — "T" SERIES BRAKE



BWP. NO.	ASSEMBLY CONTAINS	APPLICATION
M-2720	2 RETAINERS 1807-A-1 1 SPRING 2858-T-46 1 SPRING 2858-M-91 1 PIN 1199-A-3745 1 PIN 1779-M-377	MERITOR "T" SERIES 15" DIA. BRAKE SHOES

MERITOR — 15" DIA. WEDGE BRAKE



BWP. NO.	ASSEMBLY CONTAINS	APPLICATION
M-1082	2 ROD 1779-Q-147 1 SPRING 2858-T-46 2 RETAINERS 1807-A-1 2 WASHERS 1829-P-198	MERITOR 15" DIA., BACKING PLATE MOUNTED BRAKE SHOES

MERITOR — 15" DIA. WEDGE BRAKE



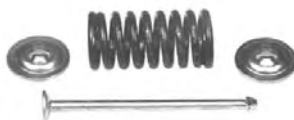
BWP. NO.	ASSEMBLY CONTAINS	APPLICATION
M-850	1 CLIP 1718-D-134 1 BOLT 5-146 1 LOCKWASHER WA-14 1 NUT N-14	MERITOR 15" DIA., SPIDER MOUNTED WEDGE BRAKES SHOES

WAGNER — 15" DIA. BRAKE



BWP. NO.	ASSEMBLY CONTAINS	APPLICATION
M-2721	2 WASHERS FC-18788 1 WASHER FC-15915 1 "C" WASHER FC-4395	WAGNER 15" DIA. FRONT BRAKE SHOES

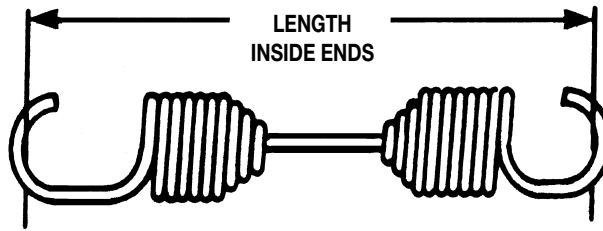
BENDIX — 15" DIA. WEDGE BRAKE













BWP. NO.	ASSEMBLY CONTAINS	APPLICATION
M-1087	2 CUPS 023969 1 PIN 049624 1 SPRING 316368	BENDIX 15" DIA. BACKING PLATE MOUNTED, WEDGE BRAKE SHOES

BRAKE SHOE RETURN SPRINGS

ALL SPRINGS ARE LISTED BY TYPE AND LENGTH INSIDE HOOKS













SPRING LENGTHS MAY VARY SLIGHTLY AND STILL BE CORRECT

BWP NO.	REPLACES	INSIDE LENGTH	COIL O.D.	APPLICATION
 M-721	STD. FORGE 208105 DANA 11528 EATON 70325	4 ¹ / ₈ "	3/4"	12 ¹ / ₄ " DIA. BRAKES WITH CAST SHOES H.D. SPRING
 M-790	EATON B-866	5"	1"	EATON 12 ¹ / ₄ " BRAKES WITH "S" CAMS. USE WITH M-791 SPRING
 M-2743	MERITOR 2258-B-184	5 ⁵ / ₈ "	1"	MERITOR "T" SERIES. 16 ¹ / ₄ " DIA. FRONT BRAKE
 M-1507	MERITOR 2258-V-256	6 ³ / ₁₆ "	1"	MERITOR "T" SERIES. 16 ¹ / ₄ " x 3 ¹ / ₂ " FRONT BRAKE
 M-1009	STD. FORGE 208106	6 ¹ / ₂ "	1"	STD. FORGE 12 ¹ / ₄ " DIA. FAB. SHOES M-503, M-504
 M-2728	MERITOR 2258-T-124 2258-B-704	6 ¹³ / ₁₆ "	1 ¹ / ₈ "	MERITOR 12 ¹ / ₄ " DIA. "Q" BRAKE
 M-1056	FRUEHAUF ACD-2287-1	6 ⁷ / ₈ "	1 ¹ / ₁₆ "	PRO-PAR 12 ¹ / ₄ " DIA. BRAKE SHOE, M-517
 M-3346	EATON 1006562	7 ¹ / ₄ "	1 ³ / ₁₆ "	EATON 15" x 4" FRONT BRAKE
 M-2729	MERITOR 2258-G-579	7 ³ / ₈ "	7/8"	MERITOR "T" SERIES. 15" DIA. FRONT BRAKE
 M-1547	EATON B-1486 B-981	7 ³ / ₈ "	1 ³ / ₁₆ "	EATON CLOSED CHANNEL FAB. SHOES AND H.D. VERSION OF M-547











BRAKE PARTS

BRAKE SHOE RETURN SPRINGS

BRAKE PARTS

BWP NO.	REPLACES	INSIDE LENGTH	COIL O.D.	APPLICATION
 M-547	GMC 2154474 IHC 62333 R1 STD. FORGE 208104	7 ⁹ / ₁₆ "	1 ³ / ₃₂ "	STD. FORGE 16 ¹ / ₂ " DIA. CAST SHOES H.D. SPRING IS M-1547
 M-2730	STD. FORGE 208100	7 ⁹ / ₁₆ "	1 ¹ / ₈ "	STD. FORGE 16 ¹ / ₂ "x10" AND 18"x7" CAST SHOES
 M-3356	MERITOR 2258-H-1126 2258-K-1181	7 ¹¹ / ₁₆ "	1 ³ / ₁₆ "	MERITOR 15" x 4" "Q" BRAKE
 M-2731	MERITOR 2258-Q-433	7 ⁷ / ₈ "	1 ¹ / ₈ "	FE FRONT AXLES. SAME AS M-548 EXCEPT LONGER CENTER LINK FOR CAM HEAD
 M-548	MERITOR 2258-P-354 DANA 11227 FRUEHAUF 219310 STD. FORGE 208102	7 ¹⁵ / ₁₆ "	1 ¹ / ₈ "	STANDARD FOR FAB. SHOES. H.D. SPRING IS M-792
 M-792	MERITOR 2258-Z-416	7 ¹⁵ / ₁₆ "	1 ¹ / ₄ "	HEAVY DUTY VERSION OF M-548
 M-2734	BENDIX 324095	8"	1 ⁵ / ₁₆ "	BENDIX NON-SERVO FRONT WEDGE BRAKE
 M-2744	MERITOR 2258-G-527	8"	1 ¹ / ₈ "	MERITOR FRONT AXLES. HAS LONGER CENTER LINK FOR EXTRA CAM HEAD ROOM
 M-2735	MERITOR 2758-W-127	8 ¹ / ₁₆ "	1"	MERITOR FRONT WEDGE BRAKE WITH CAST SPIDER. HAS SQUARE CENTER ROD
 M-1013	MERITOR 2758-Y-77	8 ¹ / ₄ "	1"	SPIDER MOUNTED FRONT BRAKE WHEN SPIDER HAS ²⁹ / ₃₂ " OR LESS OFFSET

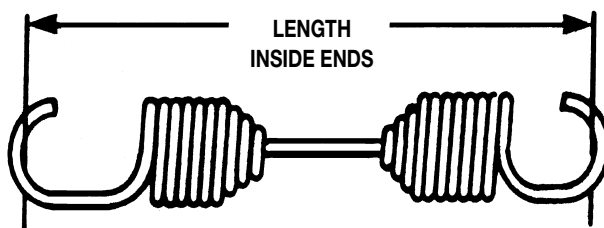
BRAKE SHOE RETURN SPRINGS

	BWP NO.	REPLACES	INSIDE LENGTH	COIL O.D.	APPLICATION
	M-3251	BENDIX	8 ⁵ / ₁₆ "	1 ¹ / ₈ "	BENDIX "BRAZILIAN" 16 ¹ / ₂ " x 7" REAR BRAKE
	M-3260	MERITOR 2258-L-1234	8 ³ / ₈ "	1 ¹ / ₈ "	MERITOR 15" x 4" "Q PLUS" BRAKE
	M-1427	FRUEHAUF ACE-9911-1	8 ³ / ₈ "	1 ¹ / ₈ "	FRUEHAUF PRO-PAR "XEM" SPRING USE WITH M-1423 ON LATE SERIES
	M-1424	MERITOR 2258-U-619	8 ³ / ₈ "	1 ¹ / ₁₆ "	MERITOR "Q" BRAKE. USE WITH M-1423
	M-2732	MERITOR 2258-W-803 SAME AS M-1424 AND M-1427	8 ³ / ₈ "	1 ¹ / ₈ "	H.D. VERSION OF BOTH M-1424 "Q" AND M-1427 "XEM" SRPINGS
	M-739	IHC 106724R1	8 ³ / ₈ "	1 ¹ / ₈ "	REAR BRAKES FOR GM, FORD.
	M-823	GM2377712	8 ⁹ / ₁₆ "	5 ⁵ / ₈ "	FRONT BRAKE SHOES ON GM BUSES. HAS SQUARE CENTER ROD
	M-549	MERITOR 2258-K-349 FRUEHAUF 219311	8 ³ / ₄ "	1 ¹ / ₈ "	MERITOR AND FRUEHAUF CAST SHOES
	M-2745	MERITOR 2258-F-396	8 ³ / ₄ "	1 ¹ / ₈ "	MACK TRUCK ON MERITOR 16 ¹ / ₂ " x 4" & 5" FRONT BRAKES
	M-799	EATON 33117 WHITE 718763	9"	1"	EATON 16" DIA. BRAKES

BRAKE PARTS

BRAKE SHOE RETURN SPRINGS

ALL SPRINGS ARE LISTED BY TYPE AND LENGTH INSIDE HOOKS



SPRING LENGTHS MAY VARY SLIGHTLY AND STILL BE CORRECT

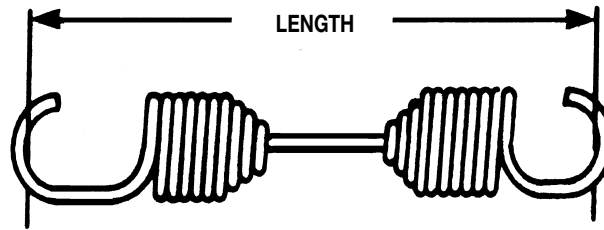
BRAKE PARTS



BWP NO.	REPLACES	INSIDE LENGTH	COIL O.D.	APPLICATION
M-2746	MERITOR 2258-R-642	9 ¹ / ₁₆ "	1 ¹ / ₈ "	MERITOR FRONT AXLE, 16 ¹ / ₂ " DIA. BRAKE
M-3497	MERITOR 2258-Y-1273	9 ¹ / ₁₆ "	1 ³ / ₁₆ "	"Q" PLUS CAMSHAFTS CLAW-HEAD OR HAMMER CLAW CAMS, FOUND IN KIT M-K106
M-2736	MERITOR 2758-X-50	9 ¹ / ₈ "	1"	MERITOR "T" SERIES 16 ¹ / ₄ " DIA. FRONT BRAKE
M-3249	BENDIX	9 ³ / ₄ "	1 ¹ / ₈ "	BENDIX BRAZILIAN 15" x 4" FRONT BRAKES
M-2733	EATON 1000406	9 ¹³ / ₁₆ "	1 ¹ / ₈ "	EATON AXLES, USE WITH M-2667, M-2668 BRAKE SHOES
M-3987	EATON 812992	10 ¹ / ₈ "	1 ¹ / ₈ "	EATON 15" x 8 ⁵ / ₈ " "ES" REDUCED ENVELOPE DRIVE AXLE BRAKE
M-2737	WAGNER: LINK FC-89178 COIL FC-89177	10 ¹ / ₈ "	1"	WAGNER 15" x 4" FRONT BRAKE
M-3362	EATON 806235	10 ³ / ₄ "	1 ¹ / ₃₂ "	EATON "ES" BRAKE
M-2752	EATON 1003817	10 ¹³ / ₁₆ "	1 ¹ / ₈ "	EATON AXLES WITH SINGLE ANCHOR PIN BRAKE SHOES M-1014 IS H.D. VERSION
M-1014	EATON 78580 FORD C8TZ-2296A	10 ¹³ / ₁₆ "	1 ¹ / ₈ "	HEAVY DUTY SPRING FOR EATON SINGLE ANCHOR PIN BRAKE

BRAKE SHOE RETURN SPRINGS

MEASURE LENGTH
INSIDE HOOKS














SPRING LENGTHS MAY
VARY SLIGHTLY AND
STILL BE CORRECT





BWP NO.	REPLACES	INSIDE LENGTH	COIL O.D.	APPLICATION
M-3498	EATON 817017	3 ⁹ / ₁₆ "	1 ³ / ₁₆ "	EATON 15" x 6" "ES" REDUCED ENVELOPE FRONT AXLE BRAKE REQUIRES 2 SPRINGS PER BRAKE ASS'Y
M-3345	EATON 1003999	"A" DIMEN. 4"	5/8"	EATON 15" x 4" FRONT BRAKE
M-2738	EATON 1000092	4 ⁹ / ₁₆ "	1 ¹ / ₄ "	EATON 18" x 7" BRAKE 2 PER WHEEL USE WITH M-2740 SPRING
M-1011	MERITOR 2758-Q-43	6"	9/16"	MERITOR FRONT WEDGE BRAKE
M-791	EATON B-2010	6 ¹ / ₈ "	1/2"	EATON 12 ¹ / ₄ " DIA. BRAKES. 2 PER WHEEL. USE WITH M-790 SPRING
M-1010	BENDIX 316367	6 ¹ / ₂ "	5/8"	BENDIX NON-SERVO, FRONT WEDGE BRAKE
M-797	WAGNER FD-31958 GM 3772286	7 ¹ / ₂ "	1 ³ / ₃₂ "	WAGNER DRIVE AXLE BRAKES ON GM TRUCKS
M-830	BENDIX 249942	7 ⁵ / ₈ "	15/16"	BENDIX TWIN-PLEX WEDGE BRAKE
M-1012	MERITOR 2258-K-583 2258-E-629 2758-C-55	7 ¹¹ / ₁₆ "	7/8"	MERITOR WEDGE BRAKE FOR DRIVE AND TRAILER AXLES.
M-2751	BENDIX 445089	9 ¹ / ₈ "	5/8"	BENDIX FRONT WEDGE BRAKE
M-749	WAGNER FC-31922 GM 3774253	9 ¹ / ₄ "	5/8"	WAGNER 15" DIA. FRONT BRAKE ON GM TRUCK

BRAKE PARTS




BRAKE SHOE RETURN SPRINGS

BWP NO.	REPLACES	INSIDE LENGTH	COIL O.D.	APPLICATION
	M-844 EATON 70326 FORD C6TZ-2125A	4 ³ / ₈ "	1"	EATON SINGLE ANCHOR PIN FAB. SHOES, SOME CAST SHOES, 2 PER WHEEL
	M-555A EATON 39081 56198	4 ¹ / ₂ "	5/8"	SOME EATON CAST SHOES. FOR ADDITIONAL CLEARANCE
	M-3252 BENDIX	5 ³ / ₈ "	1 ¹ / ₁₆ "	BENDIX BRAZILIAN 16 ¹ / ₂ " x 7" REAR BRAKE
	M-3357 MERITOR 2258-E-1123	5 ⁵ / ₁₆ "	5/8"	15" x 4" "Q" FRONT BRAKE
	M-1423 MERITOR 2258-Q-615	5 ¹ / ₂ "	3/4"	MERITOR "Q" BRAKE SPRING. 2 PER WHEEL
	M-3491 EATON 819725	5 ¹ / ₂ "	1 ³ / ₁₆ "	SPRING FOR M-K105, EATON 16 ¹ / ₂ " x 7" ES II BRAKE
	M-3250 BENDIX	5 ¹³ / ₁₆ "	3/4"	BENDIX BRAZILIAN 15" x 4" FRONT BRAKE
	M-553 MACK 58-AX-208	6"	1 ¹ / ₃₂ "	MACK TRUCK
	M-2739 MERITOR 2258-R-590	6 ³ / ₁₆ "	3/4"	MERITOR 18" DIA. BRAKE USING M-2742 RETAINER
	M-3245 MERITOR 2258-X-804	6 ⁵ / ₁₆ "	3/4"	MERITOR DRIVE AXLE FOR MACK
	M-796 MACK 58-AX-209	6 ¹⁵ / ₁₆ "	1"	MACK TRUCK






BRAKE SHOE RETURN SPRINGS AND RETAINING SPRING

BWP NO.	REPLACES	INSIDE LENGTH	COIL O.D.	APPLICATION
 M-720	MACK 58-AX-96	7 ¹ / ₁₆ "	1 ⁵ / ₃₂ "	MACK TRUCK
 M-798	MACK 58-AX-117	7 ³ / ₄ "	1 ⁵ / ₃₂ "	MACK TRUCK
 M-554	MACK 58-AX-200	8 ³ / ₁₆ "	1 ⁵ / ₃₂ "	MACK TRUCK
 M-2740	EATON 1000091	11 ¹ / ₄ "	1 ¹ / ₄ "	EATON 18" x 7" BRAKE USE WITH M-2738 SPRING

RETURN AND RETAINER SPRINGS

 M-2741	DANA M16WJ116 STD. FORGE 208110	6 ³ / ₄ "	3/ ₁₆ " DIA.	STD. FORGE "U" BRAKE RETAILER 16 ¹ / ₂ " BRAKES
 M-3239	DANA M10WJ150	5"	3/ ₁₆ " DIA.	DANA "U" BRAKE RETAINER 12 ¹ / ₄ " BRAKES
 M-1019	MERITOR 2258-W-465	— —	5/ ₁₆ " DIA.	MERITOR 12 ¹ / ₄ " DIA. WEDGE BRAKE

RETAINERS FOR BRAKE SHOE RETURN SPRINGS

BWP NO.	REPLACES	LENGTH	O.D.	APPLICATION
 M-1500	MERITOR 1218-G-85 DANA 11228 M16WJ102 FRUEHAUF 583015 STD. FORGE 207102	2 ³ / ₄ "	1/ ₄ "	STANDARD RETAINER PIN FOR MOST FABRICATED SHOES
 M-1557	EATON B-2154 820202	3"	1/ ₄ "	EATON OPEN CHANNEL FAB. SHOES
 M-1558	DANA M10WJ119 STD. FORGE 207100	2 ¹ / ₈ "	7/ ₁₆ "	STD. FORGE FAB. SHOES
 M-2742	MERITOR 1218-C-107	— —	1/ ₄ "	MERITOR 18" DIA. CAST SHOES USE WITH M-2739 SPRING
 M-3244	MERITOR A-19-X-143	3 ⁵ / ₈ "	1/ ₂ "	16 ¹ / ₂ " x 7" "Q" MACK DRIVE AXLE

BRAKE SHOE ANCHOR PINS

GROUPED BY SIMILAR DESIGNS

1" DIA. ANCHOR PINS



BWP NO.	REPLACES	O.D.	LENGTH	APPLICATION
M-3238	STD. FORGE 203113-011 DANA. MIOWJ 151	1"	2 ¹ / ₄ "	DANA 12 ¹ / ₄ " "U" BRAKE
M-1003	STD. FORGE 203108	1"	2 ³ / ₄ "	LATE 12 ¹ / ₄ " DIA. FAB. SHOES WITH WELD-ON SPIDER USE WITH M-1008 LOCK RING
M-2703	SAME AS M-1003, LONGER FOR ADAPTERS	1"	3 ¹ / ₂ "	FOR WELD-ON ADAPTERS ON STD. FORGE 12 ¹ / ₄ " DIA. SHOES M-503, M-504

1¹/₄" DIA. ANCHOR PINS

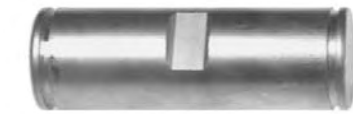
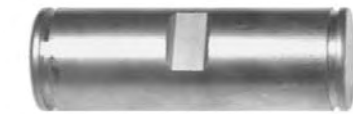


BWP NO.	REPLACES	O.D.	LENGTH	APPLICATION
M-2702	STD. FORGE 203112-001	1 ¹ / ₄ "	2 ¹ / ₄ "	STD. FORGE "U" BRAKE USE WITH M-2741 SPRING
M-1004	WAGNER FC31983 GM 3772283	1 ¹ / ₄ "	2 ⁹ / ₁₆ "	GM TRUCKS WITH WAGNER 15" x 6" & 7" AIR BRAKES
M-771	MERITOR 1259-J-218 EATON B-2076 STD. FORGE 203109	1 ¹ / ₄ "	2 ³ / ₄ "	MERITOR, EATON, STD. FORGE AXLE USE WITH M-1523 LOCK & M-748 WASHER
M-620	MERITOR 1759-M-13 EATON B-2083 FRUEHAUF 330673 STD. FORGE 203102-001	1 ¹ / ₄ "	2 ⁷ / ₈ "	POPULAR STANDARD PIN FOR FABRICATED SHOES
M-623	FRUEHAUF 244848 MERITOR 1259-U-151	1 ¹ / ₄ "	3 ³ / ₈ "	EARLY FRUEHAUF FAB. SHOES. USE WITH M-541 BUSHING

BRAKE SHOE ANCHOR PINS

GROUPED BY SIMILAR DESIGNS

1 1/4" DIA. ANCHOR PINS



BWP NO.	REPLACES	O.D.	LENGTH	APPLICATION
M-2704	EATON B-2023	1 1/4"	3 1/2"	FOR CAST SHOES OR FAB. SHOES WITH BUSHING ADAPTERS
M-618	MERITOR 1259-L-90 1259-R-252 EATON B-1223-1 FRUEHAUF 219162 STD. FORGE 203100-001	1 1/4"	3 3/4"	CAST SHOES AND FAB. SHOES WITH BUSHING ADAPTERS
M-619	MERITOR 1259-G-163 EATON B-1223-2 STD. FORGE 203100-002	1 1/4"	3 3/4"	SAME AS M-618 EXCEPT DRILLED FOR LUBRICATION
M-1519	EATON B-1223-3 STD. FORGE 203101-001	1 1/4"	4 3/4"	FOR EATON, STD. FORGE 16 1/2" x 10" BRAKES
M-633	MACK 34-QD-150	1 1/4"	5 13/16"	MACK TRUCK

BRAKE PARTS

1" DIA. ANCHOR PINS



M-779	STD. FORGE 203105-001 203105-003 DANA 11523	1"	6 9/32"	CONCENTRIC PIN USED WITH M-821, M-822 CAST SHOES
M-1431	STD. FORGE 203110	1"	6 7/16"	STD. FORGE 12 1/4" DIA. BRAKES FAB. SHOES BOLT-ON SPIDER
M-723	STD. FORGE 203104-003 UB-3003	1"	6 1/2"	EARLY 12 1/4" DIA. BRAKES WITH CAST SHOES, WEAR PLATES M-1582. ECCENTRIC PIN

BRAKE SHOE ANCHOR PINS

GROUPED BY SIMILAR DESIGNS

1¹/₈" DIA. ANCHOR PIN



BWP NO.	REPLACES	O.D.	LENGTH	APPLICATION
M-3256	BENDIX 2258199	1 ¹ / ₈ "	2 ¹ / ₄ "	BENDIX 16 ¹ / ₂ " x 7" REAR BRAKE

1¹/₄" DIA. ANCHOR PINS



BWP NO.	REPLACES	O.D.	LENGTH	APPLICATION
M-1422	MERITOR 1259-N-274	1 ¹ / ₄ "	2 ⁷ / ₃₂ "	MERITOR "Q" BRAKE
M-3246	MERITOR 1259-V-308	1 ¹ / ₄ "	2 ¹¹ / ₃₂ "	MERITOR "Q" FOR MACK APPLICATION
M-2748	FRUEHAUF ACF3378-001	1 ¹ / ₄ "	2 ³ / ₈ "	FRUEHAUF "XEM" LATE DESIGN. WILL NOT INTERCHANGE WITH M-1422
M-1426	FRUEHAUF ACE9909-001	1 ¹ / ₄ "	2 ¹ / ₂ "	FRUEHAUF "XEM" EARLY DESIGN
M-622	MERITOR 1259-N-170 FRUEHAUF 578322 STD. FORGE 203106	1 ¹ / ₄ "	2 ¹⁵ / ₃₂ "	MERITOR & FRUEHAUF FAB. SHOES WITH OFF-SET LOCK

1¹/₂" DIA. ANCHOR PIN



BWP NO.	REPLACES	O.D.	LENGTH	APPLICATION
M-3253	BENDIX 2251254	1 ¹ / ₂ "	2 ¹ / ₄ "	BENDIX 15" x 4" FRONT BRAKE

BRAKE SHOE ANCHOR PINS

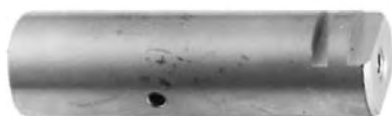
GROUPED BY SIMILAR DESIGNS



BWP NO.	REPLACES	O.D.	LENGTH	APPLICATION
M-2708	MERITOR 1259-E-265	7/8"	2 ⁹ / ₁₆ "	MERITOR "T" 16 ¹ / ₄ " x 3 ¹ / ₂ " BRAKE
M-2709	MERITOR 1259-C-263	7/8"	2 ⁹ / ₁₆ "	MERITOR "T" 16 ¹ / ₄ " x 3 ¹ / ₂ " BRAKE
M-3355	MERITOR 1259-X-1012	1 ³ / ₁₆ "	2 ¹¹ / ₁₆ "	MERITOR "Q" 15" x 4" FRONT BRAKE
M-2705	MERITOR 1759-Y-25	1 ³ / ₁₆ "	2 ¹¹ / ₁₆ "	MERITOR "T" 16 ¹ / ₄ " x 3 ¹ / ₂ " BRAKE
M-2706	MERITOR 1259-B-262	1 ³ / ₁₆ "	2 ¹¹ / ₁₆ "	MERITOR "T" 15" DIA. BRAKE
M-2707	MERITOR 1759-Z-26	1 ³ / ₁₆ "	3 ⁵ / ₁₆ "	MERITOR "T" 16 ¹ / ₄ " x 3 ¹ / ₂ " BRAKE
M-2710	WAGNER 31902	1 ³ / ₁₆ "	2 ³¹ / ₃₂ "	WAGNER 15" x 3" BRAKES USE M-2713 LOCK RING, M-138 NUT
M-2711	WAGNER 32495	1 ³ / ₁₆ "	3 ¹ / ₄ "	WAGNER 15" x 3 ¹ / ₂ " BRAKES USE M-2713 LOCK RING, M-138 NUT
M-2712	WAGNER 80414	1 ³ / ₁₆ "	3 ⁵ / ₁₆ "	WAGNER 15" x 4" BRAKES USE M-2713 LOCK RING, M-138 NUT

BRAKE PARTS

BRAKE SHOE ANCHOR PINS



BWP NO.	REPLACES	O.D.	LENGTH	APPLICATION
M-782	EATON B-1705	1½"	5 ¹ / ₁₆ "	EATON 12 ¼" SINGLE ANCHOR PIN BRAKES. USE M-579 LOCK
M-626	MERITOR 1259-X-76 ACF BRILL 285993 GM 2030115 WHITE 819640	1¼"	4 ³ / ₈ "	BUS FRONT BRAKES
M-633	MACK 34-QD-150	1¼"	5 ¹³ / ₁₆ "	MACK TRUCK

BRAKE PARTS

ANCHOR PIN ATTACHING PARTS

UNIVERSAL ANCHOR PIN SEAL — NEOPRENE



BWP NO.	REPLACES	I.D.	O.D.	THICK.	APPLICATION
M-641A	ALL MFG. NOS. LISTED FOR M-641 FELT AND M-642 RETAINER US PATENT NO. 3129012	1¼"	1 ¹¹ / ₁₆ "	5/32"	ALL 1¼" DIA. ANCHOR PINS

ANCHOR PIN FELTS



BWP NO.	REPLACES	I.D.	O.D.	THICK.	APPLICATION
M-641	MERITOR 5-X-180 5-X-640 FRUEHAUF 219295 EATON X-6562 STD. FORGE 409100	1¼"	1 ⁵ / ₈ "	5/32"	USE WITH M-642 FOR 1¼" ANCHOR PINS
M-1559	MACK 41-AX-167	1¼"	1 ⁵ / ₈ "	5/16"	USE WITH M-1561 RETAINER FOR M-633 PINS

ANCHOR PIN FELT RETAINERS



BWP NO.	REPLACES	I.D.	O.D.	THICK.	APPLICATION
M-642	MERITOR 1205-K-193 FRUEHAUF 219296 EATON B-1211 STD. FORGE 403101	1¼"	1 ³ / ₄ "	5/32"	USE WITH M-641 FOR 1¼" ANCHOR PINS
M-1561	MACK 35-AX-697	1¼"	1 ¹¹ / ₁₆ "	1/4"	USE WITH M-1559 FELT FOR M-633 PINS

ANCHOR PIN ATTACHING PARTS

ANCHOR PIN WASHERS



BWP NO.	REPLACES	I.D.	O.D.	TH.	APPLICATION
M-2714	MERITOR 1229-V-1556	$\frac{25}{32}$ "	$1\frac{3}{8}$ "		MERITOR "T" BRAKES 15" x 3" 15" x 4"
M-3359	MERITOR 1229-V-1504	$\frac{25}{32}$ "	$1\frac{1}{4}$ "	$\frac{1}{8}$ "	MERITOR "Q" 15" x 4" BRAKE
M-1007	STD. FORGE 403147	1"	$1\frac{1}{2}$ "	$\frac{1}{32}$ "	STD. FORGE 12 $\frac{1}{4}$ " FAB. SHOES. USE WITH M-1003 ANCHOR PIN
M-748	MERITOR 1229-Q-433 1229-B-1848 EATON B-2019	$1\frac{17}{64}$ "	$1\frac{7}{8}$ "	$\frac{1}{16}$ "	MERITOR PAYMASTER AXLE. USE WITH M-771 ANCHOR PIN

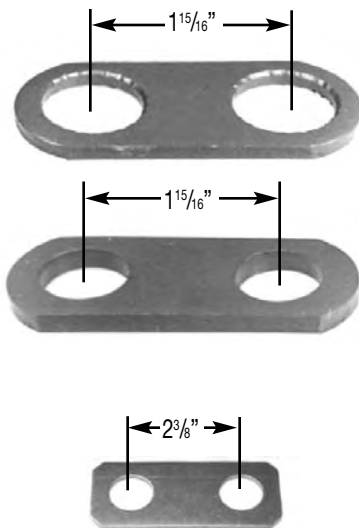
BRAKE PARTS

ANCHOR PIN LOCKWASHER "C" TYPE



BWP NO.	REPLACES	OPENING	HT.	APPLICATION
M-725	STD. FORGE 403104 DANA 11527	$\frac{5}{8}$ "	$1\frac{11}{32}$ " HT.	LOCK FOR 12 $\frac{1}{4}$ " DIA. BRAKES

ANCHOR PIN LINKS



BWP NO.	REPLACES	O.A. LENGTH	HOLE DIA.	TH.	APPLICATION
M-1432	STD. FORGE 999197 DANA M10HR105	$3\frac{1}{2}$ "	1"	$\frac{3}{16}$ "	STD. FORGE, DANA FABRICATED 12 $\frac{1}{4}$ " DIA. SHOES
M-652A	STD FORGE 999100 DANA M10HR101	$3\frac{5}{8}$ "	$\frac{7}{8}$ "	$\frac{1}{4}$ "	EARLY STD. FORGE 12 $\frac{1}{4}$ " DIA. CAST SHOES
M-3358	MERITOR 2205-P-1004	4"	$\frac{7}{8}$ "	$\frac{3}{32}$ "	MERITOR "Q" 15" x 4" FRONT BRAKE

ANCHOR PIN ATTACHING PARTS

ANCHOR PIN LOCK RINGS

BRAKE PARTS



BWP NO.	REPLACES	I.D.	THICK.	APPLICATION
M-645	MERITOR 1229-M-1105 EATON B-1661 FRUEHAUF 253395 STD. FORGE 214102	3/4"	1/32"	FOR 3/4" DIA. ANCHOR PINS
M-1008	LOCK RING STD. FORGE 214107	15/16"	3/64"	USE WITH M-1003 ANCHOR PIN WITH 12 1/4" FAB. SHOES
M-1523	EATON B1214 820007 MERITOR 1229-X-1116	1 1/8"	1/16"	FOR ALL 1 1/4" ANCHOR PINS WITH GROOVES
M-3349	MERITOR 1229-D-2942	1 5/32"	3/32"	MERITOR "Q" 16 1/2" x 7" BRAKES THICKER M-1523
M-2713	WAGNER FC-031926	1 1/4"	1/16"	FOR 1 3/8" DIA. PINS M-2710, M-2711, M-2712
M-3496	MERITOR 1229-Q-2851	1 3/8"	3/32"	FOR USE WITH MERITOR DRIVE AXLE CAMSHAFTS FOUND IN KIT M-K107

ANCHOR PIN LOCK RINGS



BWP NO.	REPLACES	APPLICATION
M-640	MERITOR 1218-M-13 FRUEHAUF 219156 EATON B-1214 STD. FORGE 214100	FOR ALL 1 1/4" ANCHOR PINS WITH ROUNDED GROOVES. DO NOT USE WITH SQUARE GROOVES.



BWP NO.	REPLACES	I.D.	O.D.	APPLICATION
M-2715	LOCK RING MERITOR 1229-B-2498	— —	— —	16 1/4" DIA. "T" SERIES USE WITH M-2708, M-2709 ANCHOR PINS
M-843	EATON X-4212	1"	1 1/4"	USE WITH M-842 NUT FOR M-782 ANCHOR PIN
M-1522	EATON 39077	1 9/32"	1 17/32"	1/8" THICK. USE WITH M-764 ANCHOR PIN
M-1512	MACK 97-AX-19	1 3/16"	1 7/16"	USE WITH M-633 PIN 3/32" THICK

ANCHOR PIN ATTACHING PARTS

ANCHOR PIN LOCK NUTS



BWP NO.	REPLACES	THD.	HEX.	HT.	APPLICATION
M-2459	MERITOR NL-112-1	3/4"-16"	1 1/8"	2 1/32"	MERITOR "Q" 15" x 4" BRAKES "T" 16 1/2" x 7" SERIES
M-724	STD. FORGE 402101 DANA 12052	3/4"-16"	1 1/8"	7/16"	USE WITH M-723 M-779, M-1431 PINS
M-1889	EATON 44672E	1"-14	1 7/16"	1 3/16"	USE WITH M-843 WASHER FOR M-782 ANCHOR PIN

ANCHOR PIN LOCK SCREW



BWP NO.	REPLACES	THD.	LENGTH	APPLICATION
M-648	MERITOR S-265-D FRUEHAUF 254253 EATON B-1213 STD. FORGE 400103	3/8"-16	3/4"	FOR SPIDERS, TO LOCK ANCHOR PIN

ANCHOR PIN LOCK PINS



ROLL TYPE



SOLID TYPE

BWP NO.	REPLACES	O.D.	LENGTH	APPLICATION
M-647	MERITOR 1199-E-1695 FRUEHAUF 578323 EATON B-1552	5/16"	1 3/4"	FOR M-622, M-1541 AND M-1426 ANCHOR PINS
M-1429	FRUEHAUF ACE-9912-1	5/16"	1 11/16"	SOLID PIN FOR EARLY "XEM" SHOES

BRAKE SHOE WEAR PLATES



BWP NO.	REPLACES	LENGTH	WIDTH	THICK.	APPLICATION
M-1576	MACK 6-QD-120	1 5/8"	1 1/2"	1/4"	EARLY MACK CAST SHOES



BWP NO.	REPLACES	LENGTH	WIDTH	THICK.	APPLICATION
M-1582	STD. FORGE UB-3013	2"	1 5/8"	3/8"	EARLY STD. FORGE 12 1/4" CAST SHOES

ANCHOR PIN BUSHINGS

ANCHOR PIN BUSHINGS FOR BRAKE SPIDERS

BRAKE PARTS



BWP NO.	REPLACES	I.D.	O.D.	LENGTH	APPLICATION
M-1016	STD. FORGE 405131	1"	1 1/8"	1 7/16"	STD. FORGE 12 1/4" BRAKES WELD-ON SPIDER
M-3257	BENDIX 2258191	1 1/8"	1 1/4"	1 15/32"	BENDIX BRAZILIAN 16 1/2" x 7" BRAKE
M-741	MERITOR 1225-A-443 FRUEHAUF AXA-0068	1 1/4"	1 3/8"	1 15/32"	OFF-CENTER SLOT FOR M-622 ANCHOR PIN
M-742	MERITOR 1225-G-449	1 1/4"	1 3/8"	1 15/32"	CENTERED SLOT FOR M-620, M-618 ANCHOR PINS
M-747	MERITOR 1225-B-496 EATON B-2022	1 1/4"	1 3/8"	1 29/64"	NO SLOT FOR M-771 ANCHOR PIN

ANCHOR PIN BUSHINGS FOR BRAKE SHOES



BWP NO.	REPLACES	I.D.	O.D.	LGTH.	APPLICATION
M-545	MERITOR 1225-Q-95 EATON 17947	1"	1 1/16"	1"	MERITOR, EATON FRONT AXLES
M-722	STD. FORGE 405100 DANA 11508	1"	1 1/16"	1 3/4"	EARLY DANA, STD. FORGE 12 1/4" CAST SHOES
M-541	MERITOR 1225-N-352 FRUEHAUF 253396	1 1/4"	1 3/8"	1/2"	EARLY FRUEHAUF FAB. SHOE
M-538	MERITOR 1225-F-266 FRUEHAUF 219299 STD. FORGE 405101	1 1/4"	1 3/8"	3/4"	POPULAR, STD. BUSHING FOR MOST CAST SHOES
M-542	KINGHAM 4021	1 1/4"	1 3/8"	1"	CAST SHOE BUSHING
M-543	EATON B-1713-1 MACK 80-AX-395 STD. FORGE 405102	1 1/4"	1 3/8"	1 1/4"	MACK, EATON, STD. FORGE CAST SHOES
M-539	MERITOR 1225-A-183 WHITE 819641	1 1/4"	1 3/8"	2"	CAST SHOE BUSHING
M-2716	K-B KBE-9421	1 1/4"	1 1/2"	3/4"	KAY BRUNNER FAB. SHOES

BRAKE SHOE ROLLER-PINS

1" DIA. ROLLER PINS



BWP NO.	REPLACES	O.D.	LENGTH	APPLICATION
M-1054	FRUEHAUF ACD-2232-1	1"	2 ⁷ / ₃₂ "	FRUEHAUF PRO-PAR 12 ¹ / ₄ " DIA SHOE M-517
M-3254	BENDIX 2251804	1"	2 ¹ / ₄ "	BENDIX "BRAZILIAN" BRAKE

1¹/₄" DIA. ROLLER PINS



BWP NO.	REPLACES	O.D.	LENGTH	APPLICATION
M-596	MERITOR 1779-R-18 FRUEHAUF 330733 STD. FORGE 204101-001	1 ¹ / ₄ "	2 ⁷ / ₃₂ "	STANDARD ROLLER FABRICATED SHOES
M-2204	KNURLED VERSION OF M-596	1 ¹ / ₄ "	2 ⁷ / ₃₂ "	STANDARD ROLLER FABRICATED SHOES
M-3360*	EATON 806234	1 ¹ / ₄ "	2 ³ / ₁₆ "	EATON "ES" BRAKE

*SIMILAR TO M-596. DIFFERENCE ON ENDS. M-3360 IS 1³/₁₆" DIA.

1³/₈" DIA. ROLLER PIN

BWP NO.	REPLACES	O.D.	LENGTH	APPLICATION
M-596A	MERITOR 1779-C-81	1 ³ / ₈ "	2 ⁷ / ₃₂ "	1/8" OVERSIZE OF M-596

1¹/₂" DIA. ROLLER PINS



M-787 SHOWN

BWP NO.	REPLACES	O.D.	LENGTH	APPLICATION
M-787	EATON B-2011	1 ¹ / ₂ "	2"	EATON 12 ¹ / ₄ " DIA. SHOES M-817, M-816
M-597	MERITOR 1779-D-82 GM 2356111	1 ¹ / ₂ "	2 ⁷ / ₃₂ "	1/4" OVERSIZE OF M-596

1⁵/₈" DIA. ROLLER PINS



BWP NO.	REPLACES	O.D.	LENGTH	APPLICATION
M-2722	MERITOR 1199-A-3719	1 ⁵ / ₈ "	2 ¹ / ₄ "	FROM M-2673 SHOE. M-598 1/8" OVERSIZE
M-2719	MERITOR 1199-U-3765	1 ⁵ / ₈ "	2 ³ / ₁₆ "	MERITOR 18" x 7" CAST IRON SHOE
M-3243	MERITOR 2247-X-128	1 ⁵ / ₈ "	2 ⁵ / ₁₆ "	MACK DRIVE AXLE BRAKES

1³/₄" DIA. ROLLER PIN



BWP NO.	REPLACES	O.D.	LENGTH	APPLICATION
M-598	MERITOR 1779-E-83 GM 2373652	1 ³ / ₄ "	2 ⁷ / ₃₂ "	1/2" OVERSIZE OF M-596

BRAKE SHOE ROLLERS

1 1/4" DIA. ROLLERS O.D.



BWP NO.	REPLACES	O.D.	I.D.	LGTH.	USE BWP PIN	APPLICATION
M-602	MERITOR 1199-A-625 EATON B-1220 FRUEHAUF 219300 STD. FORGE 204100-001 DANA M10HD100	1 1/4"	3/4"	15/16"	M-613	STANDARD FOR MANY CAST SHOES
M-3348	DANA M10HD104	1 1/4"	3/4"	1 3/8"	M-1005	12 1/4" FAB. SHOE

1 3/8" DIA. ROLLERS



BWP NO.	REPLACES	O.D.	I.D.	LGTH.	USE BWP PIN	APPLICATION
M-603	MERITOR 1199-A-937 GM 2095075	1 3/8"	3/4"	15/16"	M-613	1/8" OVERSIZE OF M-602

1 1/2" DIA. ROLLERS O.D.



M-594 SHOWN

BWP NO.	REPLACES	O.D.	I.D.	LGTH.	USE BWP PIN	APPLICATION
M-595	FRUEHAUF 533979 KBE-5786	1 1/2"	5/8"	1"	M-600	EARLY FRUEHAUF CAST SHOES
M-604	MERITOR 1199-Z-910 EATON B-1969 DANA 10WJ165	1 1/2"	3/4"	7/8"	M-613 OR M-1538 EATON	1/4" OVERSIZE OF M-602
M-594	STD. FORGE 204108-001	1 1/2"	3/4"	1 3/8"	M-1005	STANDARD FOR M-503, M-504 SHOES
M-2727	MERITOR 2297-E-3983	1 1/2"	3/4"	17/16"	M-2718	USE WITH M-2653 SHOE
M-3255	BENDIX 2251797	1 1/2"	1 1/32"	17/16"	M-3254	BENDIX "BRAZILIAN" BRAKE

1 5/8" DIA. ROLLERS O.D.



M-592 SHOWN

BWP NO.	REPLACES	O.D.	I.D.	LGTH.	USE BWP PIN	APPLICATION
M-1534	UTILITY 51L365	1 5/8"	3/4"	7/8"	M-1535	EARLY UTILITY FAB. SHOES
M-2726	OVERSIZED M-594	1 5/8"	3/4"	1 3/8"	M-1005	1/8" OVERSIZE OF M-594
M-762	WAGNER F31970 GM 3772284	1 5/8"	29/32"	1 11/32"	M-763	GMC AND WAGNER BRAKES
M-592	EATON 39074 FORD B5QH2359A GM 2326940 IH 142917R1	1 5/8"	15/16"	25/32"	M-612	STANDARD FOR EATON FAB. SHOES
M-3261	KNURLED VERSION OF M-592	1 5/8"	15/16"	25/32"	M-612	
M-2725	EATON 1003831	1 5/8"	15/16"	1 1/4"	M-2717	LATE EATON 18" x 7" CAST SHOE, M-2699

BRAKE SHOE ROLLERS

1⁹/₁₆" DIA. ROLLER O.D.



BWP NO.	REPLACES	O.D.	I.D.	LGTH.	USE BWP PIN	APPLICATION
M-599	MACK 55MX111P2	1 ⁹ / ₁₆ "	3/4"	1"	M-613	MACK TRUCK

1³/₄" DIA. ROLLER O.D.



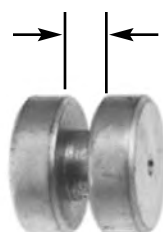
BWP NO.	REPLACES	O.D.	I.D.	LGTH.	USE BWP PIN	APPLICATION
M-592A	SAME AS M-592 OVERSIZED	1 ³ / ₄ "	15/16"	25/32"	M-612	1/8" OVERSIZE OF M-592
M-605	MERITOR 1199-A-911 GM 2034977	1 ³ / ₄ "	3/4"	15/16"	M-613	1/2" OVERSIZE OF M-602

1⁷/₈" DIA. ROLLER O.D.



BWP NO.	REPLACES	O.D.	I.D.	LGTH.	USE BWP PIN	APPLICATION
M-592B	SAME AS M-592 OVERSIZED	1 ⁷ / ₈ "	15/16"	25/32"	M-612	1/4" OVERSIZE OF M-592

FRONT BRAKE SHOE ROLLERS



BWP NO.	REPLACES	O.D.	A	LENGTH	APPLICATION
M-601	MERITOR 1779-K-63	1 ¹ / ₄ "	3/8"	1 ³ / ₈ "	MERITOR "T" SERIES 16 ¹ / ₄ " DIA. FRONT BRAKE
M-601A	SAME AS M-601 1/4" OVERSIZE	1 ¹ / ₂ "	3/8"	1 ³ / ₈ "	1/4" OVERSIZE FOR M-601
M-760	WAGNER F31923 GM 3774254	1 ¹ / ₄ "	1/4"	1 ⁵ / ₃₂ "	WAGNER 3" & 3 ¹ / ₂ " FRONT BRAKES
M-761	SAME AS M-760	1 ¹ / ₂ "	1/4"	1 ⁵ / ₃₂ "	1/4" OVERSIZE FOR M-760
M-2723	WAGNER 80433	1 ¹ / ₄ "	1 ¹ / ₃₂ "	1 ¹ / ₄ "	WAGNER 4" FRONT BRAKES
M-3347	EATON 1005204	1 ¹ / ₄ "	3/8"	1 ⁵ / ₁₆ "	EATON 15" x 4" FRONT DIA. BRAKES
M-2724	MERITOR 1199-G-3725	1 ¹ / ₄ "	3/8"	1 ³ / ₈ "	MERITOR 15" x 4" DIA. "T" SERIES BRAKE

BRAKE PARTS

PINS FOR BRAKE SHOE ROLLERS

SLOTTED PIN TYPE



BWP NO.	REPLACES	O.D.	LENGTH	APPLICATION
M-613	MERITOR 1246-S-227 EATON B-1219 GM 2009343 STD. FORGE 205100-001	3/4"	2 1/4"	USE WITH M-602 ROLLER & OTHERS USE WITH M-617 SET SCREW
M-763	WAGNER FC-31971 GM 3772285	29/32"	2"	USE WITH M-762 ROLLER. WAGNER BRAKES ON GM TRUCKS

ROLLER PIN TYPE



BWP NO.	REPLACES	O.D.	LENGTH	APPLICATION
M-612	EATON 39075 FORD B5QH2045A GM 2326941 NAVISTAR 142918R1	29/32"	1 21/32"	USE WITH M-592 ROLLER. LATE EATON FAB. SHOES
M-2717	EATON 1000382	15/16"	2 5/32"	USE WITH M-2725 ROLLER. 18" x 7" CAST SHOE

HEAD AND SERRATED TYPE



BWP NO.	REPLACES	O.D.	LENGTH	APPLICATION
M-1538	EATON B-2081	3/4"	2 1/16"	USE WITH M-604 ROLLER. OPEN CHANNEL FAB. SHOES. M-645 LOCK RING
M-1005	STD. FORGE 205107-001 DANA M10WJ116	3/4"	2 7/16"	USE WITH M-594 ROLLER. STD. FORGE 12 1/4" FAB. SHOES. M-645 LOCK RING

GROOVE FOR LOCK RING TYPE



BWP NO.	REPLACES	O.D.	LENGTH	APPLICATION
M-2718	MERITOR 1246-C-627	3/4"	2 13/32"	USE WITH M-2727 ROLLER. 12 1/4" DIA. "Q" SHOE. M-645 LOCK RING
M-615	FRUEHAUF 253394 MERITOR 1246-G-345	3/4"	2 5/16"	USE WITH M-602 ROLLER. FRUEHAUF CLOSED CHANNEL SHOE

SET SCREW — ROLLER PINS FOR CAST SHOES



BWP NO.	REPLACES	THD.	LENGTH	APPLICATION
M-617	MERITOR 1199-B-626 EATON B-1217 STD. FORGE 400101	1/4-20"	1/4"	CAST SHOES. USE WITH M-613 ROLLER PIN

BRAKE SHOE ROLLER PIN RETAINERS AND LOCKS

UNIVERSAL ROLLER RETAINER — FABRICATED SHOES



BWP NO.	REPLACES		APPLICATION
M-644	MERITOR DANA FRUEHAUF STD. FORGE MACK	1718-Y-103 M16WJ103 330734 214103 341SM18	STANDARD RETAINER FOR M-596 ROLLER AND OVERSIZES

MERITOR "Q" BRAKE ROLLER RETAINER — LATE STYLE



BWP NO.	REPLACES		APPLICATION
M-1433	MERITOR	3105-B-210	NEW "Q" BRAKE RETAINER DESIGN, LOCKS POSITIVELY TO ROLLER ENDS

MERITOR "T" SERIES ROLLER RETAINER



BWP NO.	REPLACES		APPLICATION
M-643	MERITOR	1718-N-118	MERITOR "T" SERIES FRONT BRAKES. USE WITH M-601, M-601A ROLLERS

FRUEHAUF PRO-PAR ROLLER RETAINERS



BWP NO.	REPLACES		APPLICATION
M-1428	FRUEHAUF	AXA-0471-1 ACF-1328-1	FRUEHAUF PRO-PAR 16 $\frac{1}{2}$ " DIA. BRAKES ALSO "XEM" BRAKES
M-1055	FRUEHAUF	ACD-2233-1	FRUEHAUF PRO-PAR 12 $\frac{1}{4}$ " DIA. BRAKES

EATON ROLLER RETAINER FOR "ES" BRAKE



BWP NO.	REPLACES		APPLICATION
M-3361	EATON	808058	EATON "ES" BRAKE USED IN BWP KIT M-K84

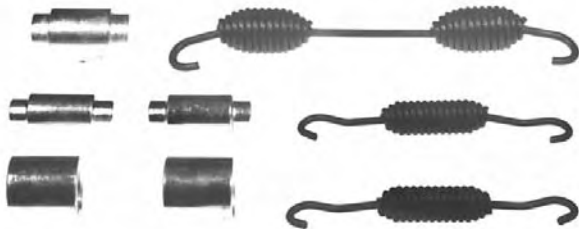
ROLLER PIN LOCK RING — $\frac{3}{4}$ " DIA. PINS



BWP NO.	REPLACES	O.D.	LENGTH	APPLICATION
M-645	MERITOR 1229-M-1105 EATON B-1661 FRUEHAUF 253395 STD. FORGE 214102	1 $\frac{1}{16}$ "	1 $\frac{1}{32}$ "	FOR $\frac{3}{4}$ " DIA. GROOVED ROLLER PINS

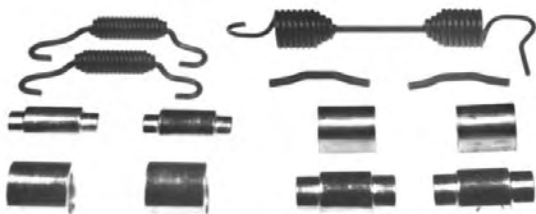
BRAKE SHOE REPAIR KITS-BENDIX "BRAZILIAN" & DANA

BENDIX BRAZILIAN 15" x 4" FRONT BRAKE SHOE KIT



BWP KIT	CONTAINS	USE BWP SHOE
M-K 94	2 M-3253 ANCHOR PIN 2 M-3254 ROLLER PIN 2 M-3255 ROLLER 1 M-3249 RETURN SPRING 2 M-3250 RETAINER SPRING	M-3194

BENDIX BRAZILIAN 16 1/4" x 7" REAR BRAKE SHOE KIT



BWP KIT	CONTAINS	USE BWP SHOE
M-K 95	2 M-3256 ANCHOR PIN 2 M-3254 ROLLER PIN 2 M-3255 ROLLER 2 M-1500 SPRING PIN 2 M-3257 BUSHING 1 M-3251 RETURN SPRING 2 M-3252 RETAINER SPRING	M-3195

DANA 12 1/4" BRAKES - NEW "FC" STYLE SHOES FOR WELD-ON SPIDER



DANABWP KIT	CONTAINS	USE BWP SHOE
M-K80 REPLACES: DANA M12KBH06	2 M-596 ROLLER PIN 2 M-644 RETAINER 2 M-1500 SPRING PIN 1 M-1009 SPRING 2 M-1003 ANCHOR PIN 4 M-1008 LOCK RING 4 M-1007 WASHER 2 M-1016 BUSHING	M-3196 M-3197 NEW STYLE SHOES WITH OPEN CAM END

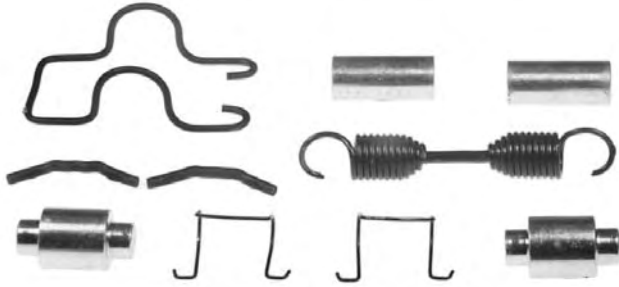
DANA 12 1/4" BRAKES - NEW "FC" STYLE SHOES FOR BOLT-ON SPIDER



BWP KIT	CONTAINS	USE BWP SHOE
M-K82 REPLACES: DANA M12KBH04	2 M-596 ROLLER PIN 2 M-644 RETAINER 2 M-724 NUT 2 M-1771 LOCK WASHER 2 M-1008 LOCK RING 1 M-1009 PSRING 2 M-1431 ANCHOR PIN 1 M-1432 LINK 2 M-1500 SPRING PIN	M-3196 M-3197 NEW STYLE SHOES WITH OPEN CAM END

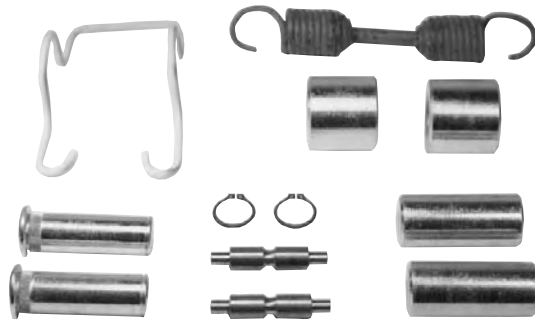
BRAKE SHOE REPAIR KITS – DANA

DANA 12¹/₄" U BRAKES – NEW "FC" STYLE SHOES



BWP KIT	CONTAINS	USE BWP SHOE
M-K83	2 M-596 ROLLER PIN	M-3192
	2 M-1500 SPRING PIN	
	2 M-644 RETAINER	
	1 M-1009 SPRING	
	1 M-3239 RETAINER	
	2 M-3238 ANCHOR PIN	

DANA 12¹/₄" U BRAKES – OLD STYLE SHOES



BWP KIT	CONTAINS	USE BWP SHOE
M-K104	2 M-594 ROLLER	
	2 M-1005 ROLLER PIN	
	2 M-645 LOCK RING	
	2 M-3238 ANCHOR PIN	
	1 M-3239 RETAINER	
	2 M-1558 SPRING RETAINER	
	1 M-1009 RETURN SPRING	

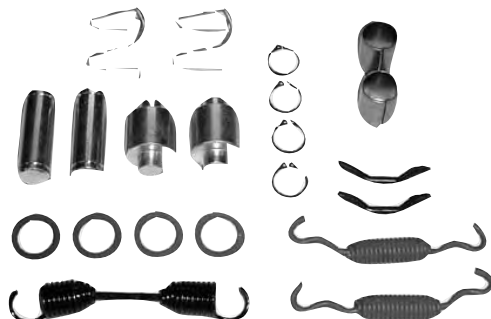
BRAKE PARTS

DANA (SPICER) 12¹/₄" BRAKE WITH FABRICATED SHOES



BWP KIT	KIT CONTAINS	NOTES
M-K108	2 M-597 ROLLER	FOR USE WITH "0794" CAMS ONLY
	2 M-644 RETAINER	
	2 M-747 BUSHING	
	1 M-1009 RETURN SPRING	
	2 M-1422 ANCHOR PIN	
	2 M-1423 SPRING	
	2 M-1500 RETAINER PIN	

DANA (SPICER) 12¹/₄" BRAKE WITH FABRICATED SHOES



BWP KIT	KIT CONTAINS	NOTES
M-K109	2 M-597 ROLLER	FOR USE WITH "0794" CAMS ONLY
	2 M-644 RETAINER	
	2 M-747 BUSHING	
	2 M-1003 ANCHOR PIN	
	4 M-1007 WASHER	
	4 M-1008 LOCK RING	
	1 M-1009 RETURN SPRING	
	2 M-1423 SPRING	
	2 M-1500 RETAINER PIN	

ALL KITS CONTAIN PARTS FOR TWO BRAKE SHOES

BRAKE SHOE REPAIR KITS – DANA, EATON

DANA (SPICER) & STANDARD FORGE
12¹/₄" BRAKE WITH CAST SHOES



BWP KIT	KIT CONTAINS	USE BWP SHOES
M-K110	1 M-652-A LINK 2 M-721 RETURN SPRING 2 M-724 NUT 2 M-725 LOCK WASHER 2 M-779 ANCHOR PIN	M-821 & M-822

BRAKE PARTS

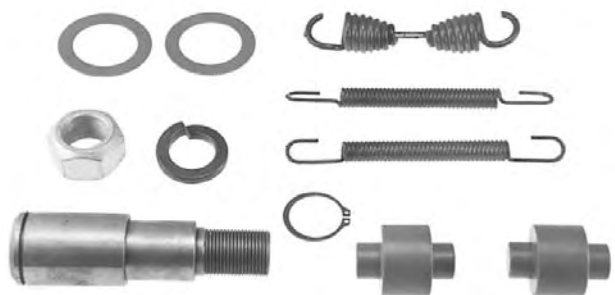
DANA 16¹/₂" x 7" "EXTRA LIFE" BRAKE SHOE KIT TO BE USED WITH
DANA "XL" CAMSHAFTS



BWP KIT	CONTAINS	USE BWP SHOE
M-K91	2 M-747 BUSHING 2 M-1054 ROLLER PIN 2 M-1422 ANCHOR PIN 2 M-1423 RETAINER SPRING 2 M-1433 ROLLER RETAINER 2 M-1500 SPRING RETAINER 1 M-2732 RETURN SPRING	M-1421

NOTE:
USE M-K91 WITH
DANA
"XL"
CAM
ONLY

EATON 12¹/₄" DIA. BRAKES – FABRICATED SHOES, "S" CAMS

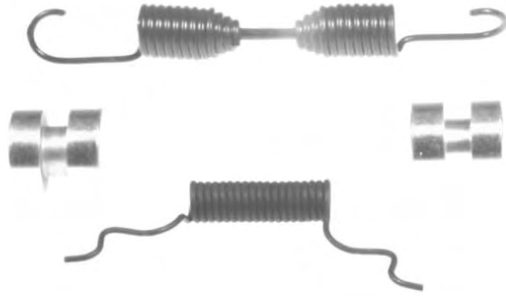


BWP KIT	CONTAINS	USE BWP SHOE
M-K46	1 M-782 ANCHOR PIN 2 M-787 ROLLER PIN 1 M-790 SPRING 2 M-791 SPRING 2 M-583 WASHER 1 M-843 LOCK WASHER 1 M-1889 NUT 1 M-579 LOCK RING	M-817 M-818 NOTE: FLANGE FOR BRAKE SPIDER MUST BE MOVED WHEN CONVERTING FROM 5 ¹ / ₂ " SHOES TO 7 ¹ / ₂ " SHOES

ALL KITS CONTAIN PARTS FOR TWO BRAKE SHOES

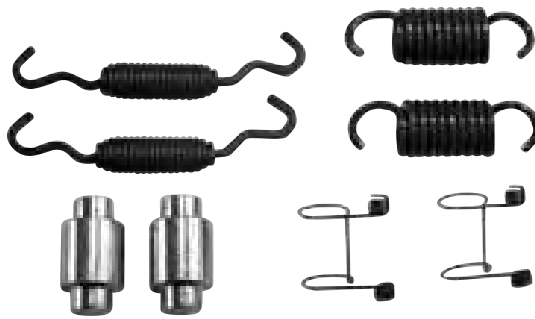
BRAKE SHOE REPAIR KITS – EATON

EATON 15" x 4" FRONT AXLE BRAKE KIT



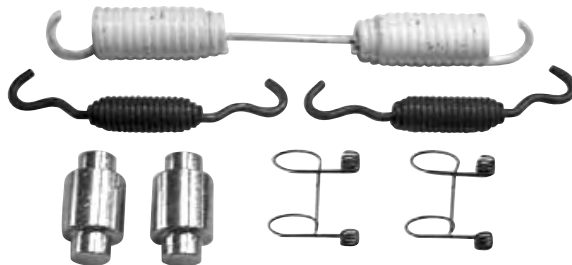
BWP KIT	CONTAINS	USE BWP SHOE
M-K77		
REPLACE	1 M-3345 SPRING	M-3350
S: EATON	1 M-3346 SPRING	
1008306	2 M-3347 ROLLER	

EATON 15" x 6" "ES" REDUCED ENVELOPE FRONT AXLE BRAKE



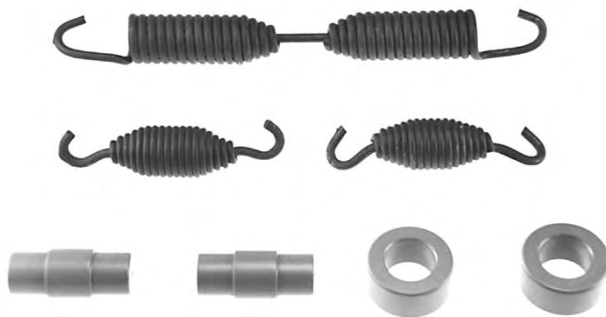
BWP KIT	CONTAINS	USE BWP SHOE
M-K114		
	2 M-1423 SPRING	--
	2 M-3360 ROLLER	
	2 M-3361 RETAINER	
	2 M-3498 SPRING	

EATON 15 x 8⁵/₈" "ES" REDUCED ENVELOPE DRIVE AXLE BRAKE



BWP KIT	CONTAINS	USE BWP SHOE
M-K115		
	2 M-1423 SPRING	--
	2 M-3360 ROLLER	
	2 M-3361 RETAINER	
	1 M-3987 SPRING	

EATON 16¹/₂" DIA. BRAKE – SINGLE ANCHOR PIN, TRACTOR-TRAILER



BWP KIT	CONTAINS	USE BWP SHOE
M-K10		
	2 M-592 ROLLER	M-810 M-811
	2 M-612 ROLLER PIN	
	1 M-1014 H.D. SPRING	
	2 M-844 SPRING	

ALL KITS CONTAIN PARTS FOR TWO BRAKE SHOES

BRAKE PARTS

BRAKE SHOE REPAIR KITS – EATON

EATON 16 $\frac{1}{2}$ " DIA. BRAKES – SINGLE ANCHOR PIN, FORD APPLICATION



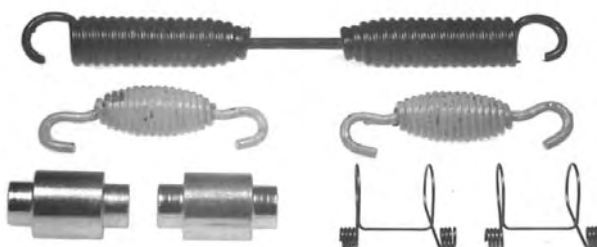
BWP KIT	CONTAINS	USE BWP SHOE
M-K6	2 M-592 ROLLER	M-2668
	2 M-612 ROLLER PIN	NOTE: M-2733 SPRING ALLOWS CLEARANCE FOR HI-MOUNT FORD SHOE.
	1 M-2733 SPRING	
	2 M-844 SPRING	

EATON 16 $\frac{1}{2}$ " DIA. BRAKES – DOUBLE ANCHOR PIN, FABRICATED SHOES



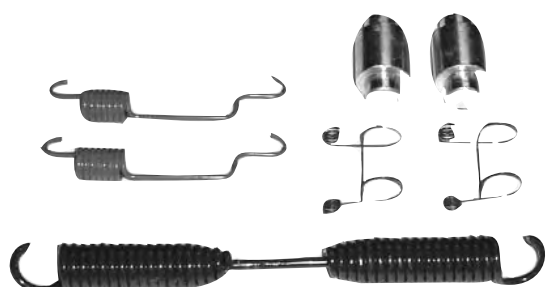
BWP KIT	CONTAINS	USE BWP SHOE
M-K9	2 M-771 ANCHOR PIN	M-814 EATON OPEN CHANNEL TRAILER SHOES
	2 M-604 ROLLER	
	2 M-1538 ROLLER PIN	
	2 M-747 BUSHING	
	1 M-1547 SPRING	
	4 M-748 WASHER	
	2 M-645 LOCK RING	
	4 M-1523 LOCK RING	

EATON 16 $\frac{1}{2}$ " DIA. "ES" EXTENDED SERVICE BRAKE KIT



BWP KIT	CONTAINS	USE BWP SHOE
M-K84 REPLACES EATON 808330	2 M-844 SPRING	M-3190
	2 M-3360 ROLLER	
	2 M-3361 RETAINER	
	1 M-3362 RETURN SPRING	

EATON 16 $\frac{1}{2}$ " "ES-II" "EXTENDED SERVICE" BRAKE

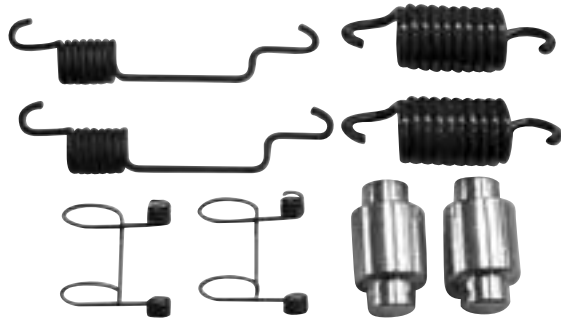


BWP KIT	KIT CONTAINS	NOTES
M-K105	2 M-3360 ROLLER	REPLACES EATON 314147
	2 M-3361 RETAINER	
	1 M-3362 RETURN SPRING	
	2 M-3491 SPRING	

ALL KITS CONTAIN PARTS FOR TWO BRAKE SHOES

BRAKE SHOE REPAIR KITS – EATON, FRUEHAUF

EATON 16¹/₂" "ES-II" EXTENDED SERVICE FRONT BRAKE AXLE



BWP KIT	CONTAINS	USE BWP SHOE
M-K113	2 M-3360 ROLLER 2 M-3361 RETAINER 2 M-3491 SPRING 2 M-3498 SPRING	--

EATON 16¹/₂" DIA. BRAKE – SINGLE ANCHOR PIN, TRACTOR-TRAILER-KNURLED ROLLER



BWP KIT	CONTAINS	USE BWP SHOE
M-K99	2 M-3261 ROLLER (KNURLED) 2 M-612 ROLLER PIN 1 M-1014 HD SPRING 2 M-844 SPRING NOTE: SAME AS M-K10 EXCEPT FOR KNURLED ROLLER	M-810 M-811

EATON 18" DIA. BRAKES – SINGLE ANCHOR PIN, CAST SHOE



BWP KIT	CONTAINS	USE BWP SHOE
M-K58	2 M-2725 ROLLER 2 M-2717 ROLLER PIN 1 M-2740 SPRING 2 M-2738 SPRING	M-2699 CAST SHOE FOR: MACK, IHC TRACTOR BRAKES

FRUEHAUF 12¹/₄" DIA. BRAKES – PRO-PAR AXLE, FABRICATED SHOES



BWP KIT	CONTAINS	USE BWP SHOE
M-K47	2 M-622 ANCHOR PIN 2 M-1054 ROLLER PIN 2 M-741 BUSHING 1 M-1056 SPRING 2 M-1055 RETAINER 2 M-647 LOCK PIN 2 M-1500 SPRING PIN	M-517

ALL KITS CONTAIN PARTS FOR TWO BRAKE SHOES

BRAKE PARTS

BRAKE SHOE REPAIR KITS – FRUEHAUF

FRUEHAUF 16½" DIA. BRAKES – PRO-PAR AXLE, FABRICATED SHOES



BWP KIT	CONTAINS	USE BWP SHOE
M-K8	2 M-622 ANCHOR PIN	M-516 M-513 M-514
	2 M-596 ROLLER PIN	
	2 M-741 BUSHING	
	1 M-792 H.D. SPRING	
	2 M-647 LOCK PIN	
	2 M-1428 RETAINER	
	2 M-1500 SPRING PIN	

FRUEHAUF 16½" DIA. BRAKES – NO. 5 AXLE, FABRICATED SHOES



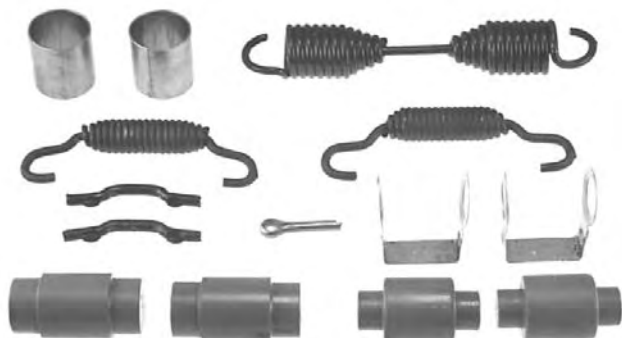
BWP KIT	CONTAINS	USE BWP SHOE
M-K5	2 M-622 ANCHOR PIN	M-516 M-513 M-514
	2 M-596 ROLLER PIN	
	1 M-792 H.D. SPRING	
	2 M-644 RETAINER	
	2 M-647 LOCK PIN	FOR: FRUEHAUF, MERITOR, TRAILMOBILE
	2 M-1500 SPRING PIN	

FRUEHAUF 16½" DIA. BRAKES – XEM, EARLY 1st & 2nd DESIGN



BWP KIT	CONTAINS	USE BWP SHOE
M-K41	2 M-1426 ANCHOR PIN	M-1425 M-2670 M-2671 M-647 PINS ARE INCLUDED IN KIT FOR CONVERT- ING STANDARD SHOES TO XEM SHOES
	2 M-596 ROLLER PIN	
	2 M-741 BUSHING	
	1 M-2732 H.D. SPRING	
	2 M-1423 SPRING	
	2 M-647 LOCK PIN	
	2 M-1428 RETAINER	
	1 M-1430 COTTER PIN	
	2 M-1500 SPRING PIN	

FRUEHAUF 16½" DIA. BRAKES – XEM, LATE 3rd DESIGN



BWP KIT	CONTAINS	USE BWP SHOE
M-K42	2 M-2748 ANCHOR PIN	M-2686 M-2749 M-2750
	2 M-596 ROLLER PIN	
	2 M-747 BUSHING	
	1 M-2732 H.D. SPRING	
	2 M-1423 SPRING	
	2 M-1428 RETAINER	
	1 M-1430 COTTER PIN	
	2 M-1500 SPRING PIN	

ALL KITS CONTAIN PARTS FOR TWO BRAKE SHOES

BRAKE SHOE REPAIR KITS – MACK, MERITOR

MACK 16½" DIA. BRAKES – MERITOR SHOES, SPECIAL ROLLER



BWP KIT	CONTAINS	USE BWP SHOE
M-K54	2 M-618 ANCHOR PIN	M-2673 ANCHOR PIN HOLES ARE BUSHED
	2 M-2722 ROLLER PIN	
	1 M-792 H.D. SPRING	
	4 M-641A SEAL	
	2 M-644 RETAINER	
	2 M-648 LOCK SCREW	
	2 M-1500 SPRING PIN	
	4 M-1523 LOCK RING	

MACK 16½" DIA. BRAKES – MERITOR SHOES, STANDARD ROLLER



BWP KIT	CONTAINS	USE BWP SHOE
M-K56	2 M-618 ANCHOR PIN	M-803 M-2672 ANCHOR PIN HOLES ARE BUSHED
	2 M-596 ROLLER PIN	
	1 M-792 H.D. SPRING	
	4 M-641A SEAL	
	2 M-644 RETAINER	
	2 M-648 LOCK SCREW	
	2 M-1500 SPRING PIN	
	4 M-1523 LOCK RING	

MACK 16½" DIA. BRAKES – CAST SHOES WITH WEAR PLATES



BWP KIT	CONTAINS	USE BWP SHOE
M-K55	2 M-633 ANCHOR PIN	SHOE NOT AVAILABLE
	2 M-1576 WEAR PLATE	
	4 M-543 BUSHING	
	1 M-798 SPRING	
	4 M-1559 FELT	
	4 M-1561 RETAINER	
	4 M-1512 LOCK RING	

MERITOR 12¼" DIA. BRAKES – "Q" BRAKE, FABRICATED SHOE



BWP KIT	CONTAINS	USE BWP SHOE
M-K45	2 M-1422 ANCHOR PIN	M-2653 FOR 12¼" X 7½" "Q" BRAKES
	2 M-2727 ROLLER	
	2 M-2718 ROLLER PIN	
	2 M-747 BUSHING	
	1 M-2728 SPRING	
	2 M-1423 SPRING	
	4 M-645 LOCK RING	

ALL KITS CONTAIN PARTS FOR TWO BRAKE SHOES

BRAKE PARTS

BRAKE SHOE REPAIR KITS – MERITOR

MERITOR 12¹/₄" "Q" BRAKE



BWP KIT	KIT CONTAINS	NOTES
M-K112	2 M-594 ROLLER 4 M-645 LOCK RING 2 M-747 BUSHING 2 M-1005 ROLLER PIN 1 M-1009 RETURN SPRING 2 M-1422 ANCHOR PIN 2 M-1423 SPRING 2 M-1500 RETAINER PIN	

MERITOR 15" DIA. BRAKES - "T" SERIES



BWP KIT	CONTAINS	USE BWP SHOE
M-K52	2 M-2706 ANCHOR PIN	
	2 M-2724 ROLLER	M-2659
	1 M-2729 SPRING	M-2660
	2 M-643 RETAINER	
	2 M-1082 HOLD-DOWN	MERITOR
	2 M-2034 NUT	15" DIA.
	2 M-1523 LOCK RING	"T" SERIES
	2 1199-A-3745 ROD	

MERITOR 15" DIA. "Q" SERIES FRONT BRAKE KIT



BWP KIT	CONTAINS	USE BWP SHOE
M-K79	2 M-2724 ROLLER	
	2 M-3355 ANCHOR PIN	
	1 M-3356 RETURN SPRING	
	1 M-3357 SPRING	M-3191
	1 M-3358 PLATE	
	2 M-3359 WASHER	
	2 M-2459 LOCK NUT	
	REPLACES: MERITOR 8029	

MERITOR 15" "Q" SERIES FRONT BRAKE



BWP KIT	KIT CONTAINS	USE BWP SHOE
M-K79-B	2 M-2724 ROLLER 1 M-3356 SPRING 1 M-3357 SPRING	M-3191

ALL KITS CONTAIN PARTS FOR TWO BRAKE SHOES

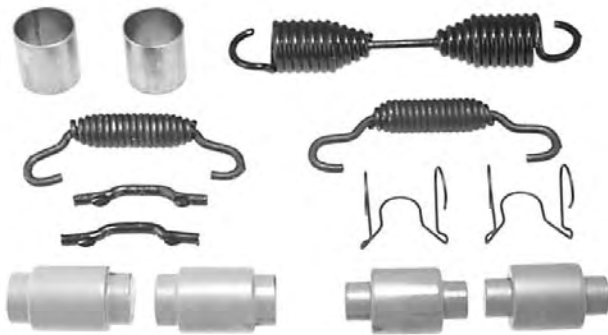
BRAKE SHOE REPAIR KITS – MERITOR

FOR MERITOR 15" x 4" "Q" PLUS BRAKE



BWP KIT	CONTAINS	USE BWP SHOE
M-K98	2 M-1422 ANCHOR PIN	M-3233
	2 M-596 ROLLER PIN	
	1 M-3260 H.D. SPRING	
	2 M-1423 SPRING	
	2 M-747 BUSHING	
	2 M-1433 RETAINER	
	2 M-1500 SPRING PIN	

MERITOR 16½" DIA. BRAKES – "Q" BRAKE



BWP KIT	CONTAINS	USE BWP SHOE
M-K39	2 M-1422 ANCHOR PIN	M-1421 M-2689 M-2693 M-2694 M-2695 M-2696
	2 M-596 ROLLER PIN	
	1 M-2732 H.D. SPRING	
	2 M-1423 SPRING	
	2 M-747 BUSHING	
	2 M-1433 RETAINER	
	2 M-1500 SPRING PIN	

MERITOR 16½" DIA. BRAKES – "Q" BRAKE WITH KNURLED ROLLERS



BWP KIT	CONTAINS	USE BWP SHOE
M-K72	2 M-1422 ANCHOR PIN	SAME AS M-K39 KIT EXCEPT FOR M-2204 KNURLED ROLLER INSTEAD OF M-596 ROLLER
	2 M-2204 ROLLER PIN	
	1 M-2732 H.D. SPRING	
	2 M-1423 SPRING	
	2 M-747 BUSHING	
	2 M-1433 RETAINER	
	2 M-1500 SPRING PIN	

MERITOR 16½"X5" "Q" FRONT BRAKE – MACK APPLICATION



BWP KIT	CONTAINS	USE BWP SHOE
M-K92	2 M-596 ROLLER PIN	M-3199
	2 M-747 BUSHING	
	2 M-1422 ANCHOR PIN	
	2 M-1423 SPRING	
	2 M-1433 RETAINER	
	2 M-1500 SPRING PIN	
	1 M-2746 RETURN SPRING	
	SAME AS M-K39 EXCEPT M-2746 SPRING REPLACES M-2732	

ALL KITS CONTAIN PARTS FOR TWO BRAKE SHOES

BRAKE PARTS

BRAKE SHOE REPAIR KITS – MERITOR

MERITOR 16½"X7" "Q" DRIVE AXLE – MACK APPLICATION



BWP KIT	CONTAINS	USE BWP SHOE
M-K93 REPLACES: MERITOR 8026HD	2 M-747 BUSHING	M-3193
	2 M-1433 RETAINER	
	2 M-1500 SPRING PIN	
	1 M-2732 RETURN SPRING	
	2 M-3243 ROLLER PIN	
	2 M-3244 SPRING PIN ASS'Y	
	2 M-3245 RETAINER SPRING	
	2 M-3246 ANCHOR PIN	

MERITOR 16¼" DIA. BRAKES – "T" SERIES



BWP KIT	CONTAINS	USE BWP SHOE
M-K53	2 M-2709 ANCHOR PIN	M-2675 M-2676 MERITOR 16¼" DIA. "T" SERIES
	2 M-2724 ROLLER	
	1 M-1507 SPRING	
	2 M-643 RETAINER	
	2 M-850 SHOE CLIP	
	2 M-725 "C" CLIP	
	2 M-2715 "E" WASHER	

MERITOR 16½" DIA. BRAKES – CAST SHOES



BWP KIT	CONTAINS	USE BWP SHOE
M-K1	2 M-618 ANCHOR PIN	M-502 MERITOR, EATON, STD. FORGE 17,000 & 18,000 LB. AXLES WITH CAST SHOES
	2 M-602 ROLLER	
	2 M-613 ROLLER PIN	
	1 M-547 SPRING	
	4 M-538 BUSHING	
	4 M-641A SEAL	
	2 M-617 SET SCREW	
	2 M-648 LOCK SCREW	
	4 M-1523 LOCK RING	

MERITOR 16½" DIA. BRAKES – FABRICATED SHOES, BOLT-ON SPIDERS



4BWP KIT	CONTAINS	USE BWP SHOE
M-K4	2 M-620 ANCHOR PIN	M-500 M-510 M-511 M-512 M-806
	2 M-596 ROLLER PIN	
	1 M-792 H.D. SPRING	
	4 M-641A SEAL	
	2 M-644 RETAINER	
	2 M-648 LOCK SCREW	
	2 M-1500 SPRING PIN	
	4 M-1523 LOCK RING	

ALL KITS CONTAIN PARTS FOR TWO BRAKE SHOES

BRAKE SHOE REPAIR KITS – UNIVERSAL, MERITOR

MERITOR 18" DIA. BRAKES – CAST SHOES



BWP KIT	CONTAINS	USE BWP SHOE
M-K59	2 M-618 ANCHOR PIN	MERITOR 18" X 7" CAST SHOES
	2 M-2719 ROLLER PIN	
	1 M-2739 SPRING	
	4 M-538 BUSHING	
	4 M-641A SEAL	
	2 M-2742 RETAINER	
	2 M-648 LOCK SCREW	
	4 M-1523 LOCK RING	

UNIVERSAL KIT 16 1/2" DIA. BRAKES – WITH KNURLED ROLLERS



BWP KIT	CONTAINS	USE BWP SHOE
M-K3	2 M-620 ANCHOR PIN	SAME AS M-K4 KIT EXCEPT FOR M-2204 KNURLED ROLLER INSTEAD OF M-596 ROLLER
	2 M-2204 ROLLER PIN	
	1 M-792 H.D. SPRING	
	4 M-641A SEAL	
	2 M-644 RETAINER	
	2 M-648 LOCK SCREW	
	2 M-1500 SPRING PIN	
	4 M-1523 LOCK RING	

BRAKE PARTS

MERITOR, STD. FORGE, DANA 16 1/2" DIA. BRAKES – UNIVERSAL KIT



BWP KIT	CONTAINS	USE BWP SHOE
M-K7	2 M-771 ANCHOR PIN	M-500 M-510 M-511 M-512 M-806 MERITOR, FRUEHAUF WELD-ON SPIDERS
	2 M-596 ROLLER PIN	
	1 M-792 H.D. SPRING	
	2 M-747 BUSHING	
	2 M-644 RETAINER	
	4 M-748 WASHER	
	2 M-1500 SPRING PIN	
	4 M-1523 LOCK RING	

MERITOR, STD. FORGE, DANA 16 1/2" DIA. BRAKES – WITH KNURLED ROLLERS

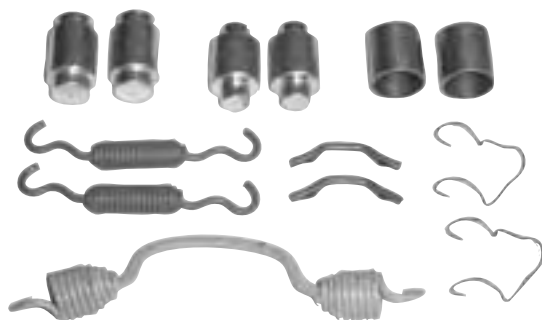


BWP KIT	CONTAINS	USE BWP SHOE
M-K2	2 M-771 ANCHOR PIN	SAME AS M-K7 KIT EXCEPT FOR M-2204 KNURLED ROLLER INSTEAD OF M-596 ROLLER
	2 M-2204 ROLLER PIN	
	1 M-792 H.D. SPRING	
	2 M-747 BUSHING	
	2 M-644 RETAINER	
	4 M-748 WASHER	
	2 M-1500 SPRING PIN	
	4 M-1523 LOCK RING	

ALL KITS CONTAIN PARTS FOR TWO BRAKE SHOES

BRAKE SHOE REPAIR KITS – MERITOR, STD. FORGE

MERITOR 16¹/₂" STEEL AXLE BRAKE



BWP KIT	KIT CONTAINS	USE BWP SHOE
M-K106	2 M-2204 KNURLED ROLLER 2 M-747 BUSHING 2 M-1422 ANCHOR PIN 2 M-1423 SPRING 2 M-1433 RETAINER 2 M-1500 RETAINER PIN 1 M-3497 RETURN SPRING	M-3199

STD. FORGE 12¹/₄" DIA. BRAKES – FABRICATED SHOES, "S" CAMS



BWP KIT	CONTAINS	USE BWP SHOE
M-K12	2 M-1003 ANCHOR PIN 2 M-594 ROLLER 2 M-1005 ROLLER PIN 1 M-1009 SPRING 2 M-1016 BUSHING 4 M-1008 LOCK RING 4 M-1007 WASHER 2 M-1558 SPRING PIN 2 M-645 LOCK RING	M-503 M-504

STD. FORGE 12¹/₄" DIA. BRAKES – CONVERTS CAST SHOES TO FABRICATED SHOES



BWP KIT	CONTAINS	USE BWP SHOE
M-K43	2 M-1431 ANCHOR PIN 2 M-594 ROLLER 2 M-1005 ROLLER PIN 1 M-1009 SPRING 2 M-1432 LINK 2 M-724 NUT 2 M-725 LOCK 2 M-1558 SPRING PIN 2 M-645 LOCK RING	M-503; M-504 TO CONVERT EARLY CAST SHOES TO FABRICATED SHOES NOTE: FLANGE FOR BRAKE SPIDER MUST BE MOVED WHEN CONVERTING FROM 5 ¹ / ₂ " SHOES TO 7 ¹ / ₂ " SHOES.

STD. FORGE 12¹/₄" BRAKES – CAST SHOES, "S" CAMS



BWP KIT	CONTAINS	USE BWP SHOE
M-K11	2 M-779 ANCHOR PIN 2 M-602 ROLLER 2 M-613 ROLLER PIN 2 M-721 SPRING 2 M-722 BUSHING 2 M-724 NUT 2 M-725 LOCK 2 M-617 SET SCREW 1 M-652A LINK	M-821 M-822 CAST SHOES WITH SMALL "S" CAMS

ALL KITS CONTAIN PARTS FOR TWO BRAKE SHOES

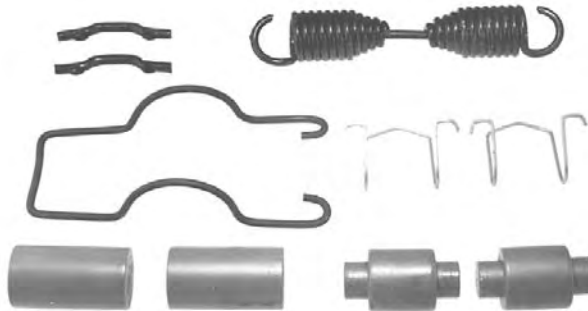
BRAKE SHOE REPAIR KITS – STD. FORGE, WAGNER

STD. FORGE 12¹/₄" BRAKES – EARLY CAST SHOES, FLAT HEAD CAMS



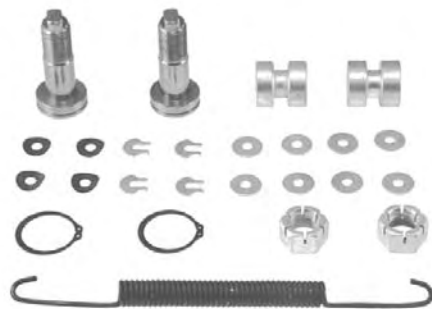
BWP KIT	CONTAINS	USE BWP SHOE
M-K44	2 M-723 ANCHOR PIN	EARLY CAST SHOES WITH WEAR PLATES
	2 M-1582 WEAR PLATE	
	2 M-721 SPRING	
	2 M-722 BUSHING	
	2 M-724 NUT	
	2 M-725 LOCK	
	1 M-652A LINK	

STD. FORGE 16¹/₂" DIA. BRAKES – "U" BRAKE



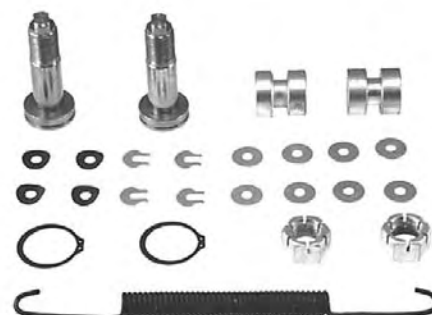
BWP KIT	CONTAINS	USE BWP SHOE
M-K57	2 M-2702 ANCHOR PIN	M-2697 LATE "U" BRAKE SHOE
	2 M-596 ROLLER	
	1 M-792 H.D. SPRING	
	1 M-2741 "U" SPRING	
	2 M-644 RETAINER	
	2 M-1500 SPRING PIN	

WAGNER 15" DIA. BRAKES – FRONT AXLE, 3" SHOE



BWP KIT	CONTAINS	USE BWP SHOE
M-K48	2 M-2710 ANCHOR PIN	-- WAGNER 15" X 3" FRONT BRAKE
	2 M-760 ROLLER PIN	
	1 M-749 SPRING	
	4 M-2721 HOLD DOWN	
	2 M-2713 RETAINER	
	2 M-138 NUT	

WAGNER 15" DIA. BRAKES – FRONT AXLE, 3¹/₂" SHOE



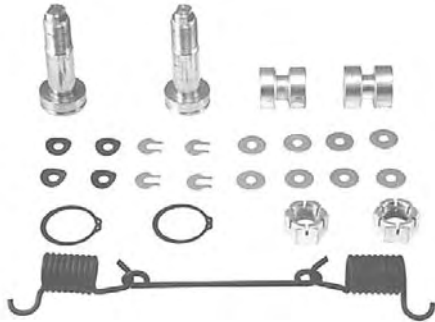
BWP KIT	CONTAINS	USE BWP SHOE
M-K49	2 M-2711 ANCHOR PIN	M-2662 WAGNER 15" x 3 ¹ / ₂ " FRONT BRAKE
	2 M-760 ROLLER PIN	
	1 M-749 SPRING	
	4 M-2721 HOLD DOWN	
	2 M-2713 RETAINER	
	2 M-138 NUT	

ALL KITS CONTAIN PARTS FOR TWO BRAKE SHOES

BRAKE PARTS

BRAKE SHOE REPAIR KIT - WAGNER – BRAKE KIT CHART

WAGNER 15" DIA. BRAKES – FRONT AXLE, 4" SHOE



BWP KIT	CONTAINS	USE BWP SHOE
M-K50	2 M-2712 ANCHOR PIN	M-2663 WAGNER 15" x 4" FRONT BRAKE
	2 M-2723 ROLLER PIN	
	1 M-2737 SPRING	
	4 M-2721 HOLD DOWN	
	2 M-2713 RETAINER	
	2 M-138 NUT	

WAGNER 15" DIA. BRAKES – DRIVE AXLE



BWP KIT	CONTAINS	USE BWP SHOE
M-K51	2 M-1004 ANCHOR PIN	M-2664 M-2665 WAGNER 15" x 6" & 7" DRIVE AXLE
	2 M-762 ROLLER	
	2 M-763 ROLLER PIN	
	1 M-797 SPRING	
	4 M-641A SEAL	
	4 M-1523 LOCK RING	

BWP BRAKE SHOE KIT	MANUFACTURER	BRAKE DIA.	USE BWP CAMSHAFT KIT
M-K1	DANA, STD. FORGE	16 ¹ / ₂ " DIA.	M-K22, M-K27
M-K2	SAME AS M-K7	SAME AS M-K7	SAME AS M-K7
M-K3	SAME AS M-K4	SAME AS M-K4	SAME AS M-K4
M-K4	MULTIPLE	16 ¹ / ₂ " DIA.	M-K13, M-K17, M-K27, M-K62, M-K64
M-K5	FRUEHAUF	12 ¹ / ₄ " DIA., 16 ¹ / ₂ " DIA.	M-K20
M-K6	EATON-FORD	16 ¹ / ₂ " DIA.	M-K19, M-K63
M-K7	MULTIPLE	16 ¹ / ₂ " DIA.	M-K13, M-K16, M-K17, M-K20, M-K24, M-K61, M-K64
M-K8	FRUEHAUF	12 ¹ / ₄ " DIA., 16 ¹ / ₂ " DIA.	M-K20, M-K21
M-K9	EATON	16 ¹ / ₂ " DIA.	M-K18, M-K62
M-K10	EATON	16 ¹ / ₂ " DIA.	M-K19, M-K63
M-K11	STD. FORGE	12 ¹ / ₄ " DIA.	M-K25
M-K12	STD. FORGE	12 ¹ / ₄ " DIA.	M-K26
M-K39	MERITOR "Q"	16 ¹ / ₂ " DIA.	M-K14, M-K15, M-K16, M-K17, M-K61
M-K41	FRUEHAUF	16 ¹ / ₂ " DIA.	M-K20, M-K21
M-K42	FRUEHAUF	16 ¹ / ₂ " DIA.	M-K20, M-K21
M-K43	STD. FORGE	12 ¹ / ₄ " DIA.	M-K25
M-K44	STD. FORGE	12 ¹ / ₄ " DIA.	M-K25

BRAKE KIT CHART – CONTINUED

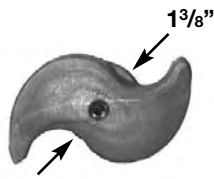
BRAKE SHOE KIT TO CAMSHAFT KIT REFERENCE CHART

BWP BRAKE SHOE KIT	MANUFACTURER	BRAKE DIA.	USE BWP CAMSHAFT KIT
M-K45	MERITOR	12 ¹ / ₄ " DIA.	M-K16
M-K46	EATON	12 ¹ / ₄ " DIA.	M-K60
M-K47	FRUEHAUF	12 ¹ / ₄ " DIA.	M-K20
M-K48	WAGNER	15" DIA.	M-K66
M-K49	WAGNER	15" DIA.	M-K66
M-K50	WAGNER	15" DIA.	M-K66
M-K51	WAGNER	15" DIA.	M-K67
M-K52	MERITOR	15" DIA.	M-K68, M-K69
M-K53	MERITOR "T."	16 ¹ / ₄ " DIA.	M-K69
M-K54	MACK-MERITOR	16 ¹ / ₂ " DIA.	M-K17
M-K55	MACK	16 ¹ / ₂ " DIA.	M-K17
M-K56	MACK-MERITOR	16 ¹ / ₂ " DIA.	M-K17
M-K57	STD. FORGE	16 ¹ / ₂ " DIA.	M-K24
M-K58	EATON	18" DIA.	M-K19
M-K59	MERITOR	18" DIA.	M-K17
M-K72	MERITOR "Q."	16 ¹ / ₂ " DIA.	M-K14, M-K15, M-K16, M-K17, M-K61
M-K77	EATON	15" DIA.	M-K78
M-K79	MERITOR	15" DIA.	M-K87
M-79-B	MERITOR	15" DIA.	M-K87
M-K80	DANA	12 ¹ / ₄ " DIA.	M-K25
M-K82	DANA	12 ¹ / ₄ " DIA.	M-K25
M-K83	DANA	12 ¹ / ₄ " DIA.	M-K102, M-K111
M-K84	EATON	16 ¹ / ₂ " DIA.	M-K86, M-K63
M-K91	DANA	16 ¹ / ₂ " DIA.	M-K101, M-K103
M-K92	MERITOR "Q."	16 ¹ / ₂ " DIA.	M-K14, M-K15, M-K16, M-K17, M-K61
M-K93	MERITOR "Q."	16 ¹ / ₂ " DIA.	M-K14, M-K15, M-K16, M-K17, M-K61
M-K94	BENDIX "BRAZILIAN"	15" DIA.	M-K96
M-K95	BENDIX "BRAZILIAN"	16 ¹ / ₂ " DIA.	M-K97
M-K98	MERITOR	15" DIA.	M-K81
M-K99	EATON	16 ¹ / ₂ " DIA.	M-K19, M-K63
M-K104	DANA	12 ¹ / ₂ " DIA.	M-K102
M-K105	EATON	16 ¹ / ₂ " DIA.	M-K86, M-K63
M-K106	MERITOR	16 ¹ / ₂ " DIA.	M-K81
M-K108	DANA (SPICER)	12 ¹ / ₄ " DIA.	—
M-K109	DANA (SPICER)	12 ¹ / ₄ " DIA.	M-K25, M-K24, M-K26
M-K110	DANA (SPICER)	12 ¹ / ₄ " DIA.	M-K25, M-K24, M-K26
M-K112	MERITOR	12 ¹ / ₄ " DIA.	M-K16
M-K113	EATON	16 ¹ / ₂ " DIA.	—
M-K114	EATON	15" DIA.	—
M-K115	EATON	15" DIA.	—

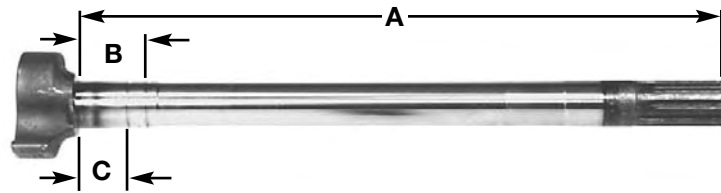
BRAKE PARTS

TRAILER CAMSHAFTS – MULTIPLE APPLICATIONS

TRAILER CAMSHAFTS – 1½" DIA. - 10 SPLINE - 16½" BRAKES



RIGHT HAND
VIEW FROM HEAD END



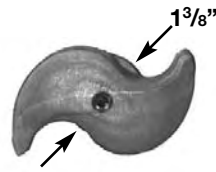
1½" DIA. - 10 SPLINE
1½" DIA. BEARING SURFACE

BRAKE PARTS

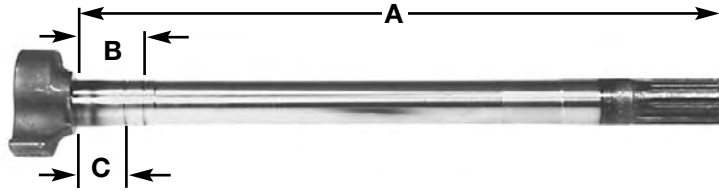
BWP NO.	REPLACES		A	B	C	APPLICATION
			UNDERHEAD TO LOCKRING GROOVE	UNDERHEAD TO BEARING SURFACE GROOVE		
M-778R	EATON	B-1735-2 820103	10¼"	2 ⁷ / ₃₂ "	—	EATON SELF-CONTAINED TRAILER BRAKES
M-778L	EATON	B-1735-1 820102				
M-561R	DANA EATON MERITOR STD. FORGE	M16WK102-9 B-1691-48 2210-R-2488 202100-166R	16½"	2 ⁷ / ₃₂ "	—	MERITOR R-100 AXLES ALSO FORD, GMC, WHITE
M-561L	DANA EATON MERITOR STD. FORGE	M16WK103-9 B-1691-47 2210-S-2489 202100-166L				
M-1015R	DANA STD. FORGE	M16WK116 202100-175R	17 ³ / ₈ "	2 ⁷ / ₃₂ "	—	—
M-1015L	DANA STD. FORGE	M16WK117 202100-175L				
M-559R	DANA EATON MERITOR STD. FORGE	M16WK102-12 B-1691-6 2210-M-1573 2210-D-1434 202100-185R	18 ³ / ₈ "	2 ⁷ / ₃₂ "	—	FOR ¼" LONGER USE M-3178R&L
M-559L	DANA EATON MERITOR STD. FORGE	M16WK103-12 B-1691-5 2210-N-1574 2210-E-1435 202100-185L				

TRAILER CAMSHAFTS – MULTIPLE APPLICATIONS

TRAILER CAMSHAFTS – 1½" DIA. - 10 SPLINE - 16½" BRAKES



RIGHT HAND
VIEW FROM HEAD END



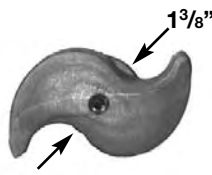
1½" DIA. - 10 SPLINE
1½" DIA. BEARING SURFACE

BWP NO.	REPLACES		A	B	C	APPLICATION
			UNDERHEAD TO LOCKRING GROOVE	UNDERHEAD TO BEARING SURFACE GROOVE		
M-3178R	DANA MERITOR STD. FORGE	M16WK110-4 M16WK103-13 2210-U-5533 202100-187R	18 ⁵ / ₈ "	2 ⁷ / ₃₂ "	—	—
M-3178L	DANA MERITOR STD. FORGE	M16WK111-4 M16WK102-13 2210-V-5534 202100-187L				
M-562R	DANA FRUEHAUF MERITOR STD. FORGE TRAILMOBILE	M16WK103-17 M16WK111-5 219317 58044 2210-M-2483 2210-F-3594 202100-205R 7-5-64	20 ³ / ₈ "	2 ⁷ / ₃₂ "	1 ⁵ / ₈ "	1 ⁵ / ₈ " GROOVE FOR PAYMASTER RL & RN AXLES
M-562L	DANA FRUEHAUF MERITOR STD. FORGE TRAILMOBILE	M16WK102-17 M16WK110-5 219316 58043 2210-N-2484 2210-G-3595 202100-205L 7-5-63				
M-557R	EATON	B-1691-2 B-1691-132 820074	20 ³ / ₈ "	2 ⁷ / ₃₂ "	1 ⁵ / ₈ "	"S" HEAD HAS DEEPER OPENING TO SEAT M-604 ROLLER PROPERLY
M-557L	EATON	B-1691-1 B-1691-131 820073				

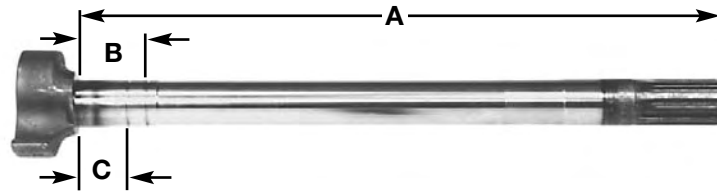
BRAKE PARTS

TRAILER CAMSHAFTS – MULTIPLE APPLICATIONS

TRAILER CAMSHAFTS – 1½" DIA. - 10 SPLINE - 16½" BRAKES



RIGHT HAND
VIEW FROM HEAD END



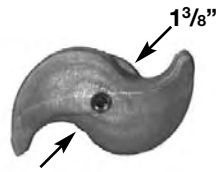
1½" DIA. - 10 SPLINE
1½" DIA. BEARING SURFACE

BRAKE PARTS

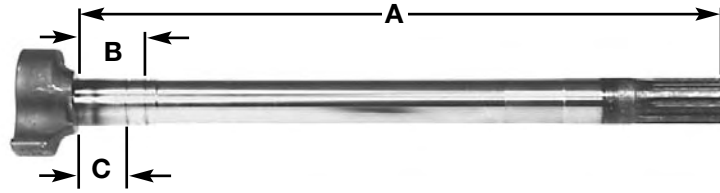
BWP NO.	REPLACES	A	B	C	APPLICATION
		UNDERHEAD TO LOCKRING GROOVE	UNDERHEAD TO BEARING SURFACE GROOVE		
M-567R	DANA M16WK102-19 M16WK111-6	21 ³ / ₃₂ "	2 ⁷ / ₃₂ "	—	FRUEHAUF NO. 5 AXLES
	EATON B-1691-18 FRUEHAUF 305681 MERITOR 2210-T-2490				
M-567L	DANA M16WK103-19 M16WK110-6	22 ¹ / ₁₆ "	2 ⁹ / ₁₆ "	2 ⁷ / ₃₂ "	—
	EATON B-1691-17 FRUEHAUF 305680 MERITOR 2210-U-2491				
M-560R	EATON B-1283-10 B-1283-102 B-1691-10	22 ¹ / ₁₆ "	2 ⁹ / ₁₆ "	2 ⁷ / ₃₂ "	—
M-560L	EATON B-1283-9 B-1283-101 B-1691-9				
M-3173R	DANA M16WK103-23 M16WKR-10-236 16407	22 ⁷ / ₈ "	2 ⁷ / ₃₂ "	—	—
	MERITOR 2210-Z-6344				
M-3173L	DANA M16WK102-23 M16WKL-10-236 16408	22 ⁷ / ₈ "	2 ⁷ / ₃₂ "	—	—
MERITOR 2210-A-6345					

TRAILER CAMSHAFTS – MULTIPLE APPLICATIONS

TRAILER CAMSHAFTS – 1½" DIA. - 10 SPLINE - 16½" BRAKES



RIGHT HAND
VIEW FROM HEAD END



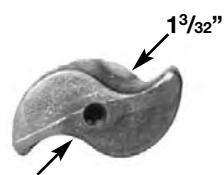
1½" DIA. - 10 SPLINE
1½" DIA. BEARING SURFACE

BWP NO.	REPLACES	A	B	C	APPLICATION
		UNDERHEAD TO LOCKRING GROOVE	UNDERHEAD TO BEARING SURFACE GROOVE		
M-744R	DANA M16WK103-25 M16WK111-9 EATON F-1691-26 MERITOR 2210-W-3117 STD. FORGE 202100-236R	23 ⁷ / ₁₆ "	2 ⁷ / ₃₂ "	—	NEWAY AIR RIDE SUSPENSIONS
M-744L	DANA M16WK102-25 M16WK110-9 EATON F-1691-25 MERITOR 2210-X-3118 STD. FORGE 202100-236L				
M-746R	DANA M16WK103-26 M-16WK111 EATON B-1691-56 & 820083 MERITOR 2210-C-6399 STD. FORGE 202100-242R	24"	2 ⁷ / ₃₂ "	—	AIR RIDE SUSPENSIONS
M-746L	DANA M16WK102-26 M16WK110-11 EATON B-1691-55 & 820084 MERITOR 2210-D-6400 STD. FORGE 202100-242L				
M-2601R	DANA M16WK111-12 STD. FORGE 202100-245R	24 ³ / ₈ "	2 ⁷ / ₃₂ "	—	DUMP TRAILERS WITH STD. FORGE AXLES
M-2601L	DANA M16WK110-12 STD. FORGE 202100-245L				
M-3183R	DANA M16WK103-88 M16WK111-13 EATON B-1691-60 820088	25 ³ / ₄ "	2 ⁷ / ₃₂ "	—	AIR RIDE SUSPENSIONS EXTRA LONG APPLICATIONS
M-3183L	DANA M16WK102-88 M16WK110-13 EATON B-1691-59 820087				

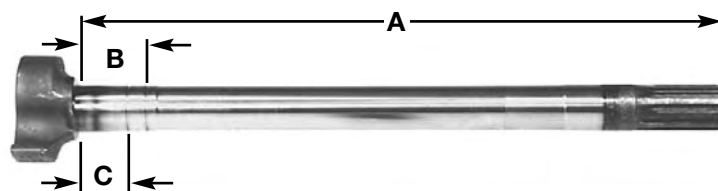
BRAKE PARTS

TRAILER CAMSHAFTS – DANA (SPICER)

1½" DIA. - 10 SPLINE - 12¼" DANA
(STANDARD FORGE) – SMALL "S" HEAD



RIGHT HAND
VIEW FROM HEAD END

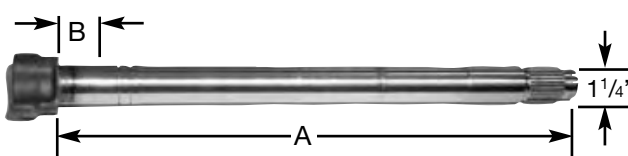
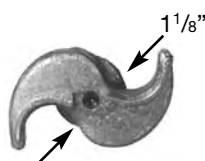


1½" DIA. - 10 SPLINE
1½" DIA. BEARING SURFACE

BRAKE PARTS

BWP NO.	REPLACES		A	B	C	APPLICATION
			UNDERHEAD TO LOCKRING GROOVE	UNDERHEAD TO BEARING SURFACE GROOVE		
M-477R	STD. FORGE	202103-213R	21¼"	2 ²¹ / ₃₂ "	2 ⁷ / ₃₂ "	STD. FORGE LOWBOY AXLES
M-477L	STD. FORGE	202103-213L				
M-478R	STD. FORGE	202103-233R	23¼"	2 ²¹ / ₃₂ "	2 ⁷ / ₃₂ "	STD. FORGE LOWBOY AXLES WITH AIR RIDE SUSPENSION
M-478L	STD. FORGE	202103-233L				
M-479R	STD. FORGE	202103-241R	24"	2 ²¹ / ₃₂ "	2 ⁷ / ₃₂ "	
M-479L	STD. FORGE	202103-241L				
M-2603R	STD. FORGE	202103-247R	24 ⁵ / ₈ "	2 ⁵ / ₈ "	2 ⁷ / ₃₂ "	—
M-2603L	STD. FORGE	202103-247L				

1½" DIA. - 28 SPLINE - 12¼" TRAILER BRAKES
New Head Design Replaces "FAST RISE" Camshaft Head Style

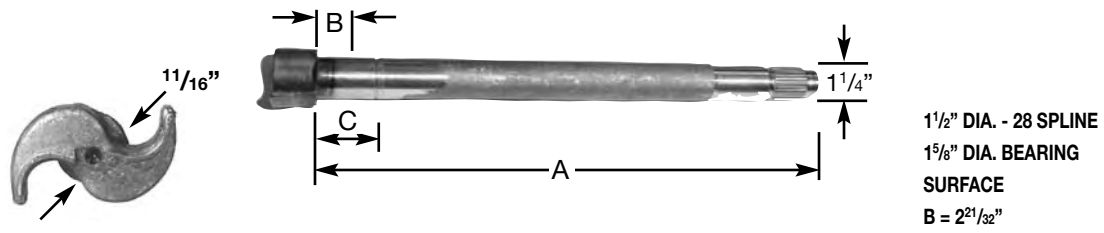


1½" DIA. - 28 SPLINE
1½" DIA. BEARING SURFACE
B = 2⁷/₃₂"

BWP NO.	SPICER NO.	A	APPLICATIONS
		UNDERHEAD TO LOCKRING GROOVE	
M-3791R	M12WKR20-205	20 ⁷ / ₁₆ "	THESE CAMS REPLACE THE "FAST RISE" CAM HEAD STYLE AND ARE NOW KNOWN AS THE "HIGH-LIFT" SECOND DESIGN. DANA DID NOT CHANGE THE PART NUMBERS WHEN THEY CHANGED THE HEAD DESIGN. THESE CAMS CANNOT BE USED WITH CAST SHOES NOR CAN THEY BE COMBINED WITH "FAST-RISE" CAMS ON THE SAME AXLE.
M-3791L	M12WKL20-205	20 ⁷ / ₁₆ "	
M-3792R	M12WKR20-214	21 ⁵ / ₁₆ "	
M-3792L	M12WKL20-214	21 ⁵ / ₁₆ "	
M-3793R	M12WKR20-222	22 ¹ / ₁₆ "	
M-3793L	M12WKL20-222	22 ¹ / ₁₆ "	
M-3789R	M12WKR20-233	23 ³ / ₁₆ "	
M-3789L	M12WKL20-233	23 ³ / ₁₆ "	

TRAILER CAMSHAFTS – DANA (SPICER)

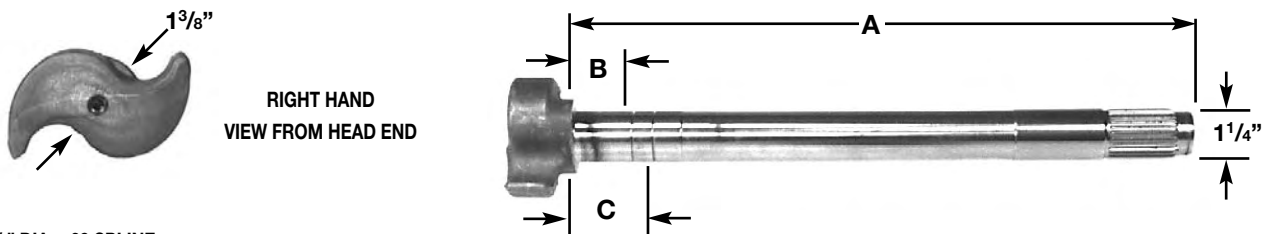
1 1/2" DIA. - 28 SPLINE - 12 1/4" TRAILER BRAKES
 New Head Design Replaces "FAST RISE" Camshaft Head Design



BWP NO.	SPICER NO.	A	APPLICATIONS
		UNDERHEAD TO LOCKRING GROOVE	
M-3794R	M12WKR25-206	20 9/16"	THESE CAMS REPLACE THE "FAST RISE" CAM HEAD STYLE AND ARE NOW KNOWN AS THE "HIGH-LIFT" SECOND DESIGN. DANA DID NOT CHANGE THE PART NUMBERS WHEN THEY CHANGED THE HEAD DESIGN. THESE CAMS CANNOT BE USED WITH CAST SHOES NOR CAN THEY BE COMBINED WITH "FAST-RISE" CAMS ON THE SAME AXLE.
M-3794L	M12WKL25-206	20 9/16"	
M-3795R	M12WKR25-214	21 5/16"	
M-3795L	M12WKL25-214	21 5/16"	
M-3796R	M12WKR25-233	23 3/16"	
M-3796L	M12WKL25-233	23 3/16"	
M-3797R	M12WKR25-241	23 15/16"	USE CAM KITS M-K26 OR M-K102
M-3797L	M12WKL25-241	23 15/16"	

BRAKE PARTS

1 1/2" DIA. - 28 SPLINE - 16 1/2" BRAKES
 (OLD STYLE "S" HEAD)



1 1/2" DIA. - 28 SPLINE
 1 1/2" DIA. BEARING SURFACE

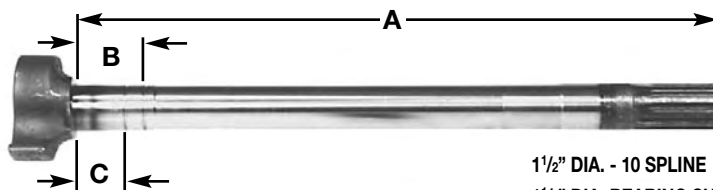
BWP NO.	REPLACES	A	B	C	APPLICATION
		UNDERHEAD TO LOCKRING GROOVE	UNDERHEAD TO BEARING SURFACE GROOVE		
M-3136R	DANA M16WK105-10	17 7/16"	1 5/8"	2 7/32"	NOTE: FOR THINNER HEAD CAMSHAFTS WITH SAME MEASUREMENTS USE "XTRALIFE" TYPE (SEE NEXT PAGE)
M-3136L	DANA M16WK104-10				
M-3175R	DANA M16WK105-17	20 3/8"	1 5/8"	2 7/32"	
M-3175L	DANA M16WK104-17				
M-3137R	DANA M16WK105-23	22 15/16"	1 5/8"	2 7/32"	
M-3137L	DANA M16WK104-23				
M-3186R	DANA M16WK105-25	23 7/16"	1 5/8"	2 7/32"	
M-3186L	DANA M16WK104-25				

TRAILER CAMSHAFTS – DANA (SPICER)

1 1/2" DIA. - 10 SPLINE - 16 1/2" "XL" BRAKES

"XTRALIFE"

RIGHT HAND
VIEW FROM HEAD END



1 1/2" DIA. - 10 SPLINE
1 1/2" DIA. BEARING SURFACE

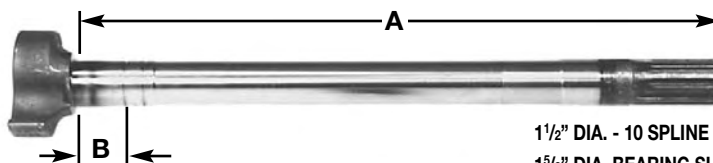
BWP NO.	REPLACES	A	B	C	APPLICATION	
		UNDERHEAD TO LOCKRING GROOVE	UNDERHEAD TO BEARING SURFACE GROOVE			
M-3132R	DANA M16WKR10-175	17 7/16"	1 5/8"	2 7/32"	NOTE: USE THESE CAMSHAFTS IN "PAIRS ONLY" DO NOT MIX ON AN AXLE	
M-3132L	DANA M16WKL10-175					
M-3145R	DANA M16WKR10-205	20 7/16"	1 5/8"	2 7/32"		
M-3145L	DANA M16WKL10-205					
M-3133R	DANA M16WKR10-231	22 15/16"	1 5/8"	2 7/32"		
M-3133L	DANA M16WKL10-231					
M-3134R	DANA M16WKR10-236	23 9/16"	1 5/8"	2 7/32"		NOTE: DIFFERENCE FROM BELOW 1 1/2" BEARING SURFACE
M-3134L	DANA M16WKL10-236					
M-3135R	DANA M16WKR10-242	24 1/16"	1 5/8"	2 7/32"		
M-3135L	DANA M16WKL10-242					
M-3148R	DANA M16WKR10-264	26 1/4"	1 5/8"	2 7/32"		
M-3148L	DANA M16WKL10-264					

BRAKE PARTS

1 1/2" DIA. - 10 SPLINE - 16 1/2" "XL" BRAKES (AXLES AFTER SEPT 1995)

"XTRALIFE"

RIGHT HAND
VIEW FROM HEAD END

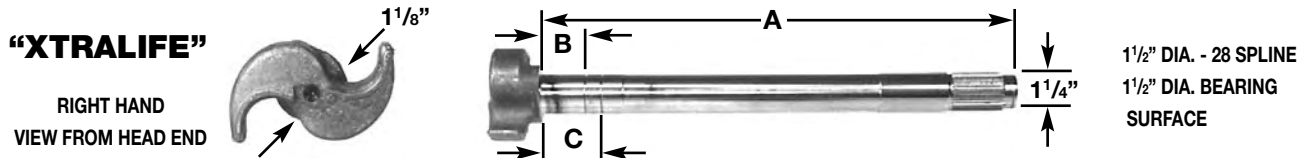


1 1/2" DIA. - 10 SPLINE
1 5/8" DIA. BEARING SURFACE

BWP NO.	REPLACES	A	B	APPLICATION	
		UNDERHEAD TO LOCKRING GROOVE	UNDERHEAD TO BEARING SURFACE GROOVE		
M-3690R	DANA MW16WKR15-175	17 7/16"	2 7/32"	NOTE: USE THESE CAMSHAFTS IN "PAIRS ONLY" DO NOT MIX ON AN AXLE	
M-3690L	DANA MW16WKL15-175				
M-3691R	DANA MW16WKR15-205	20 7/16"	2 7/32"		
M-3691L	DANA MW16WKL15-205				
M-3692R	DANA MW16WKR15-231	22 15/16"	2 7/32"		
M-3692L	DANA MW16WKL15-231				
M-3693R	DANA MW16WKR15-236	23 9/16"	2 7/32"		NOTE: DIFFERENCE FROM ABOVE 1 5/8" BEARING SURFACE
M-3693L	DANA MW16WKL15-236				
M-3694R	DANA MW16WKR15-242	24 1/16"	2 7/32"		
M-3694L	DANA MW16WKL15-242				
M-3695R	DANA MW16WKR15-264	26 1/4"	2 7/32"		
M-3695L	DANA MW16WKL15-264				

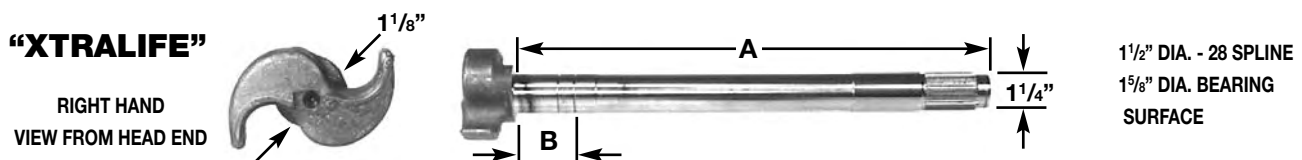
TRAILER CAMSHAFTS - DANA (SPICER)

1 1/2" DIA. - 28 SPLINE - 16 1/2" "XL" BRAKES



BWP NO.	REPLACES	A	B	C	APPLICATION
		UNDERHEAD TO LOCKRING GROOVE	UNDERHEAD TO BEARING SURFACE GROOVE		
M-3187R	DANA M16WKR20-175	17 7/16"	1 5/8"	2 7/32"	NOTE: USE THESE CAMSHAFTS IN "PAIRS ONLY" DO NOT MIX ON AN AXLE NOTE: ONLY DIFFERENCE FROM BELOW GROUP 1 1/2" DIA. BEARING SURFACE
M-3187L	DANA M16WKL20-175				
M-3140R	DANA M16WKR20-205	20 3/8"	1 5/8"	2 7/32"	
M-3140L	DANA M16WKL20-205				
M-3188R	DANA M16WKR20-231	22 15/16"	1 5/8"	2 7/32"	
M-3188L	DANA M16WKL20-231				
M-3142R	DANA M16WKR20-236	23 7/16"	1 5/8"	2 7/32"	
M-3142L	DANA M16WKL20-236				
M-3169R	DANA M16WKR20-242	24 1/8"	1 5/8"	2 7/32"	
M-3169L	DANA M16WKL20-242				
M-3139R	DANA M16WKR20-261	26"	1 5/8"	2 7/32"	
M-3139L	DANA M16WKL20-261				
M-3138R	DANA M16WKR20-271	27"	1 5/8"	2 7/32"	
M-3138L	DANA M16WKL20-271				

1 1/2" DIA. - 28 SPLINE - 16 1/2" "XL" BRAKES (AXLES AFTER SEPT 1995)

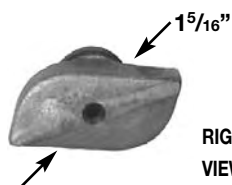


BWP NO.	REPLACES	A	B	APPLICATION
		UNDERHEAD TO LOCKRING GROOVE	UNDERHEAD TO BEARING SURFACE GROOVE	
M-3696R	DANA M16WKR25-175	17 7/16"	2 7/32"	NOTE: USE THESE CAMSHAFTS IN "PAIRS ONLY" DO NOT MIX ON AN AXLE NOTE: ONLY DIFFERENCE FROM ABOVE GROUP 1 5/8" DIA. BEARING SURFACE
M-3696L	DANA M16WKL25-175			
M-3697R	DANA M16WKR25-205	20 3/8"	2 7/32"	
M-3697L	DANA M16WKL25-205			
M-3698R	DANA M16WKR25-231	22 15/16"	2 7/32"	
M-3698L	DANA M16WKL25-231			
M-3147R	DANA M16WKR25-236	23 7/16"	2 7/32"	
M-3147L	DANA M16WKL25-236			
M-3699R	DANA M16WKR25-242	24 1/8"	2 7/32"	
M-3699L	DANA M16WKL25-242			
M-3146R	DANA M16WKR25-261	26"	2 7/32"	
M-3146L	DANA M16WKL25-261			
M-3141R	DANA M16WKR25-271	27"	2 7/32"	
M-3141L	DANA M16WKL25-271			

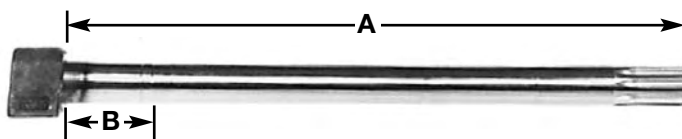
BRAKE PARTS

TRAILER CAMSHAFTS – DANA (STD FORGE)

1½" DIA. - 10 SPLINE - 12¼" BRAKES – OLD STYLE "WEAR PLATE" SHOES



RIGHT HAND
VIEW FROM
HEAD END



1½" DIA. - 10 SPLINE
1½" DIA. BEARING SURFACE

BWP NO.	REPLACES	A	B	APPLICATION
		UNDERHEAD TO LOCKRING GROOVE	UNDERHEAD TO BEARING SURFACE GROOVE	
M-3182R	STD. FORGE 202102-214R	21¼"	2 ²¹ / ₃₂ "	FLAT HEAD CAM USED FOR SHOES WITH WEAR PLATES
M-3182L	STD. FORGE 202102-214L			

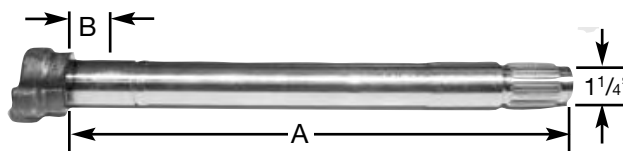
BRAKE PARTS

TRAILER CAMSHAFTS – DEXTER

1½" DIA. - 28 SPLINE - 12¼" TRAILER BRAKES



RIGHT HAND
VIEW FROM
HEAD END

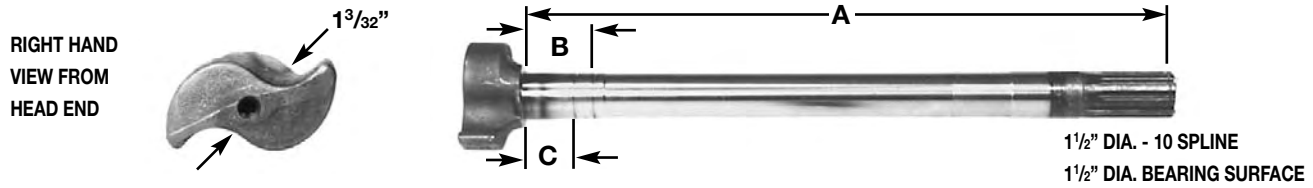


1½" DIA. - 28 SPLINE
1½" DIA. BEARING SURFACE

BWP NO.	DEXTER NO.	A	B	APPLICATIONS
		UNDERHEAD TO LOCKRING GROOVE	UNDERHEAD TO BEARING SURFACE GROOVE	
M-3149R	034-189-01	16 ³ / ₈ "	2 ⁷ / ₃₂ "	FOR STANDARD AND EXTENDED SERVICE BRAKE REPAIR KIT USE BWP KIT NO. M-K112 CAMSHAFT REPAIR KIT USE BWP KIT NO. M-K26
M-3149L	034-188-01			
M-3150R	034-189-04	20 ⁵ / ₁₆ "	2 ⁷ / ₃₂ "	
M-3150L	034-188-04			
M-3151R	034-189-00	21 ¹ / ₈ "	2 ⁷ / ₃₂ "	
M-3151L	034-188-00			
M-3152R	034-189-03	22 ⁵ / ₁₆ "	2 ⁷ / ₃₂ "	
M-3152L	034-188-03			
M-3153R	034-189-05	23 ³ / ₈ "	2 ⁷ / ₃₂ "	
M-3153L	034-188-05			
M-3154R	034-189-11	24 ⁵ / ₈ "	2 ⁷ / ₃₂ "	
M-3154L	034-188-11			
M-3155R	034-189-09	26 ¹ / ₂ "	2 ⁷ / ₃₂ "	
M-3155L	034-188-09			

TRAILER CAMSHAFTS - EATON

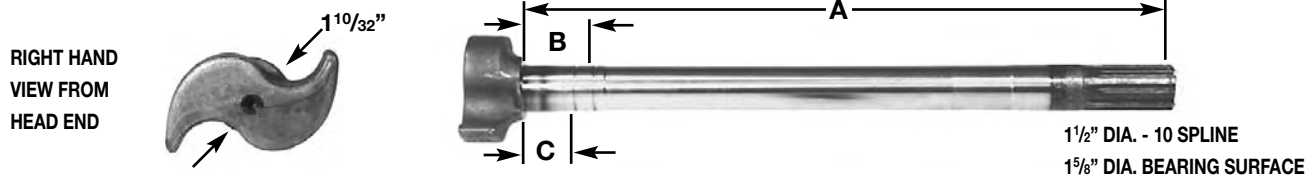
1 1/2" DIA. - 10 SPLINE - 12 1/4" BRAKES - SMALL "S" HEAD



BWP NO.	REPLACES	A	B	C	APPLICATION
		UNDERHEAD TO LOCKRING GROOVE	UNDERHEAD TO BEARING SURFACE GROOVE		
M-776R	EATON B-2060-4 B-2060-38	20 ⁵ / ₁₆ "	2 ⁷ / ₃₂ "	1 ¹¹ / ₃₂ "	DOUBLE GROOVES ALLOW USE WITH BOTH NARROW AND WIDE BOSS SPIDERS
M-776L	EATON B-2060-3 B-2060-37				
M-496R	EATON B-2060-24 B-2060-56 820244	22 ⁵ / ₁₆ "	2 ⁷ / ₃₂ "	1 ¹¹ / ₃₂ "	
M-496L	EATON B-2060-23 B-2060-55 820243				

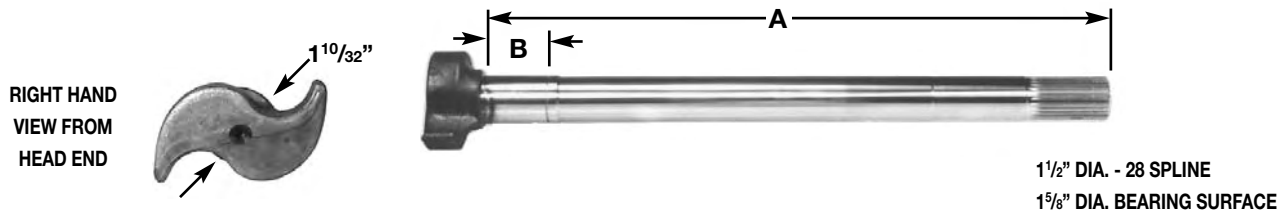
BRAKE PARTS

1 1/2" DIA. - 10 SPLINE - 16 1/2" BRAKES - "501" SERIES AXLE



BWP NO.	REPLACES	A	B	APPLICATION
		UNDERHEAD TO LOCKRING GROOVE	UNDERHEAD TO BEARING SURFACE GROOVE	
M-2600R	EATON 125035 807287	19 ¹ / ₂ "	2 ⁷ / ₃₂ "	EATON TRAILER AXLES WITH "501" SERIES BRAKES
M-2600L	EATON 125034 807286			
M-2604R	EATON 125031 807305	23 ³ / ₄ "	2 ⁷ / ₃₂ "	
M-2604L	EATON 125030 807304			

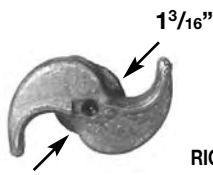
1 1/2" DIA. - 28 SPLINE - 16 1/2" BRAKES - "501" SERIES AXLE



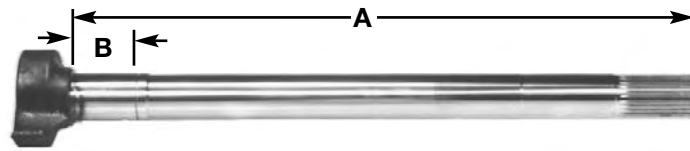
BWP NO.	REPLACES	A	B	APPLICATION
		UNDERHEAD TO LOCKRING GROOVE	UNDERHEAD TO BEARING SURFACE GROOVE	
M-3174R	EATON 125043	20 ³ / ₈ "	2 ⁷ / ₃₂ "	EATON TRAILER AXLES WITH 501 SERIES BRAKES
M-3174L	EATON 125042			

TRAILER CAMSHAFTS – EATON

1 1/2" DIA. -28 SPLINE - 16 1/2" BRAKES – "501" SERIES AXLE



RIGHT HAND
VIEW FROM
HEAD END



"ES"
(EXTENDED SERVICE)

1 1/2" DIA. - 28 SPLINE
1 5/8" DIA. BEARING SURFACE

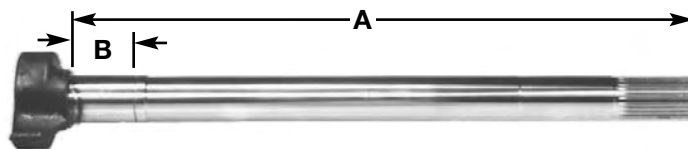
BWP NO.	REPLACES	A	B	APPLICATION
		UNDERHEAD TO LOCKRING GROOVE	UNDERHEAD TO BEARING SURFACE GROOVE	
M-3130R	EATON 810539	19 1/2"	2 7/32"	—
M-3130L	EATON 810538			
M-3131R	EATON 810026	23 3/4"	2 7/32"	THINNER HEAD FOR "ES" USE
M-3131L	EATON 810025			

BRAKE PARTS

1 1/2" DIA. -10 SPLINE - 16 1/2" BRAKES – "501" SERIES AXLE



RIGHT HAND
VIEW FROM
HEAD END



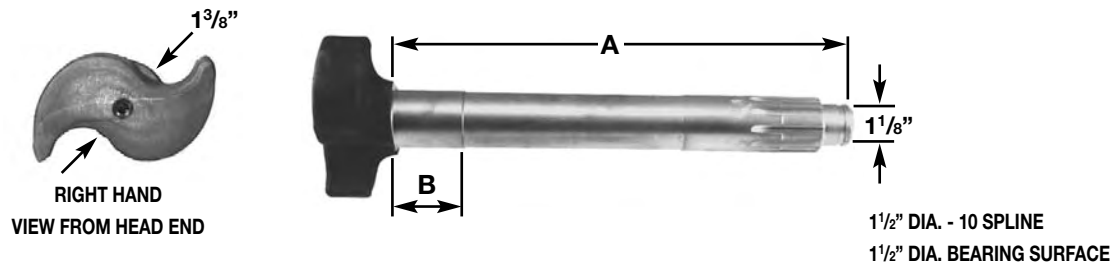
"ES"
(EXTENDED SERVICE)

1 1/2" DIA. - 10 SPLINE
1 5/8" DIA. BEARING SURFACE

BWP NO.	REPLACES	A	B	APPLICATION
		UNDERHEAD TO LOCKRING GROOVE	UNDERHEAD TO BEARING SURFACE GROOVE	
M-3143R	EATON 808079	19 1/2"	2 7/32"	—
M-3143L	EATON 808078			
M-3144R	EATON 806655	23 3/4"	2 7/32"	THINNER HEAD FOR "ES" USE
M-3144L	EATON 806654			

EATON DRIVE AXLE CAMSHAFTS

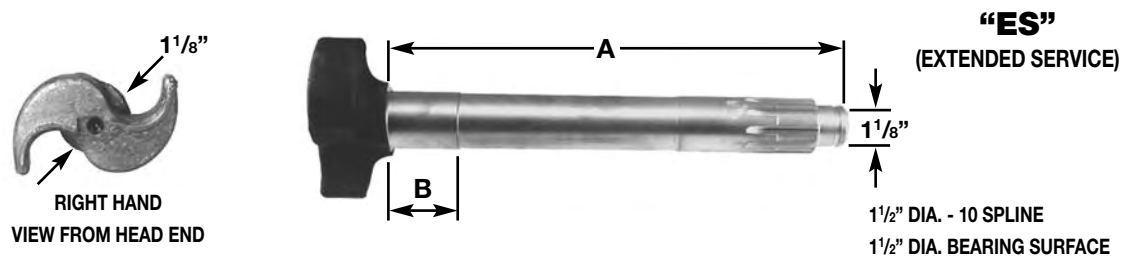
1 1/2" DIA. - 10 SPLINE - 16 1/2" BRAKES



BWP NO.	REPLACES	A	B	APPLICATION
		UNDERHEAD TO LOCKRING GROOVE	UNDERHEAD TO BEARING SURFACE GROOVE	
M-2615R	EATON 1000088	8 ⁹ / ₁₆ "	1 ²¹ / ₃₂ "	EATON 16 1/2 x 7 AND 18 x 7 BRAKES ON NAVISTAR AND MACK AXLES
M-2615L	EATON 1000087			
M-3176R	EATON 70309	10 ⁵ / ₈ "	1 ²¹ / ₃₂ "	—
M-3176L	EATON 70308			
M-1571R	EATON 70307	11 1/2"	1 ²¹ / ₃₂ "	—
M-1571L	EATON 70306			
M-2616R	EATON 71307	12 ⁷ / ₁₆ "	1 ²¹ / ₃₂ "	NAVISTAR AND MACK WITH EATON 18 X 7 BRAKES
M-2616L	EATON 71306			
M-3184R	EATON 1000840	12 ³¹ / ₃₂ "	1 ²¹ / ₃₂ "	—
M-3184L	EATON 1000839			
M-2617R	EATON 1001581	14 ⁵ / ₁₆ "	1 ²¹ / ₃₂ "	—
M-2617L	EATON 1001580			

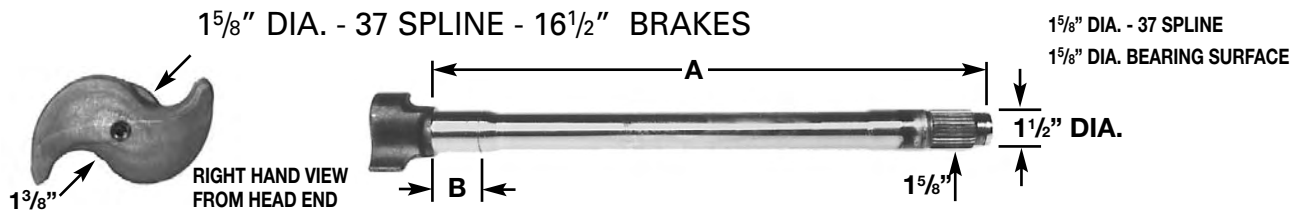
BRAKE PARTS

1 1/2" DIA. -10 SPLINE - 16 1/2" BRAKES AND 15" REDUCED ENVELOPE BRAKES

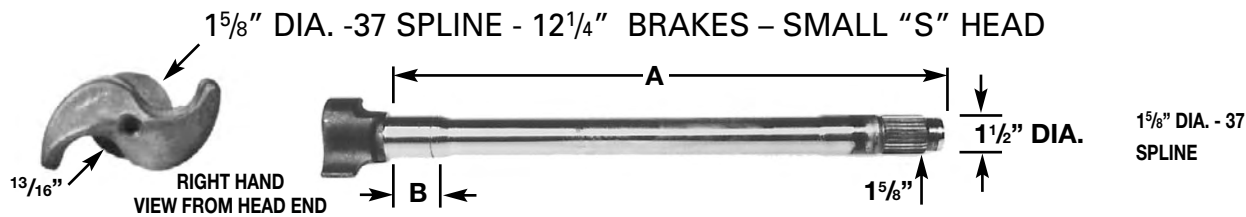


BWP NO.	REPLACES	A	B	APPLICATION
		UNDERHEAD TO LOCKRING GROOVE	UNDERHEAD TO BEARING SURFACE GROOVE	
M-3129R	EATON 808709	8 ⁵ / ₈ "	1 ⁹ / ₁₆ "	MACK NAVISTAR
M-3129L	EATON 808708			
M-3128R	EATON 806527	11 ⁹ / ₁₆ "	1 ⁹ / ₁₆ "	MACK NAVISTAR
M-3128L	EATON 806526			
M-3127R	EATON 808291	12 1/2"	1 ⁹ / ₁₆ "	MACK NAVISTAR } 18 X 7 BRAKES
M-3127L	EATON 808290			
M-3126R	EATON 807863	14 ⁵ / ₁₆ "	1 ⁹ / ₁₆ "	—
M-3126L	EATON 807862			

FRUEHAUF PRO-PAR TRAILER CAMSHAFTS

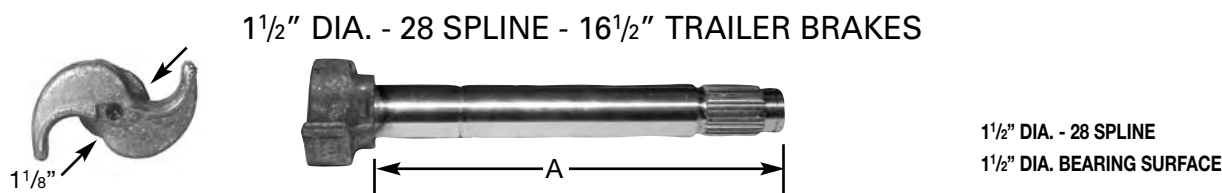


BWP NO.	REPLACES	A		APPLICATION
		UNDERHEAD TO LOCKRING GROOVE	UNDERHEAD TO BEARING SURFACE GROOVE	
M-563R	FRUEHAUF AXA-0420-2	16 1/8"	2 5/32"	—
M-563L	FRUEHAUF AXA-0420-1			
M-566R	FRUEHAUF AXA-0420-4	21 1/8"	2 5/32"	LONGER LENGTHS FOR AIR RIDE SUSPENSIONS
M-566L	FRUEHAUF AXA-0420-3			
M-3180R	FRUEHAUF AXA-0420-6	23 7/8"	2 5/32"	
M-3180L	FRUEHAUF AXA-0420-5			



BWP NO.	REPLACES	A		APPLICATION
		UNDERHEAD TO LOCKRING GROOVE	UNDERHEAD TO BEARING SURFACE GROOVE	
M-3177R	FRUEHAUF ACD-2193-2	16 1/8"	2 5/32"	SMALL "S" HEAD
M-3177L	FRUEHAUF ACD-2193-1			
M-3185R	FRUEHAUF ACD-2193-6	21 3/16"	2 5/32"	
M-3185L	FRUEHAUF ACD-2193-5			

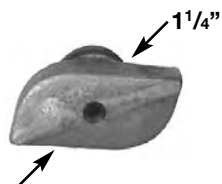
HENDRICKSON INTRAAX TRAILER CAMSHAFTS



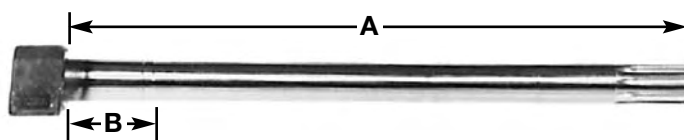
BWP NO.	HEND. NO.	A		APPLICATIONS
		UNDERHEAD TO LOCKRING GROOVE		
M-3798R	S-20806-1R	11 1/16"	USE CAM REPAIR KIT M-K107, BRAKE REPAIR KIT M-K39.	
M-3798L	S-20806-1L	11 1/16"		
M-3799R	S-22347-1R	11 1/16"		
M-3799L	S-22347-1L	11 1/16"		

MERITOR FRONT AXLE CAMSHAFTS

1 1/4" DIA. - 10 SPLINE - 15" "T" BRAKES - OLD STYLE FLATHEAD



RIGHT HAND
VIEW FROM HEAD END



1 1/4" DIA. - 10 SPLINE
1 1/4" DIA. BEARING SURFACE

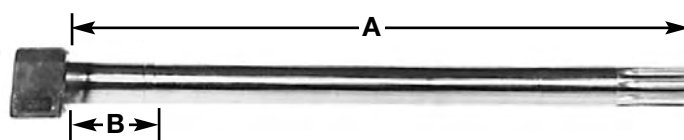
BWP NO.	REPLACES	A	B	APPLICATION
		UNDERHEAD TO LOCKRING GROOVE	UNDERHEAD TO BEARING SURFACE GROOVE	
M-2609R	MERITOR 2210-Z-4992	7 15/16"	2"	MERITOR "T" SERIES BRAKES
M-2609R	MERITOR 2210-Y-4991			

BRAKE PARTS

1 1/4" DIA. - 10 SPLINE - 15" "T" AND "Q" - NEW STYLE "S"



RIGHT HAND
VIEW FROM HEAD END

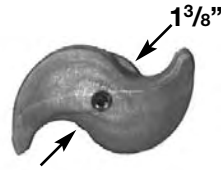


1 1/4" DIA. - 10 SPLINE
1 1/4" DIA. BEARING SURFACE

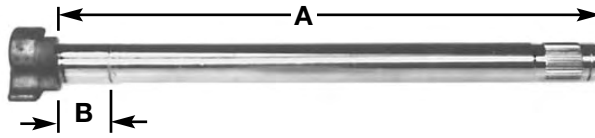
BWP NO.	REPLACES	A	B	APPLICATION
		UNDERHEAD TO LOCKRING GROOVE	UNDERHEAD TO BEARING SURFACE GROOVE	
M-3122R	MERITOR 2210-E-6843	7 11/16"	1 3/4"	LATE DESIGN "S" PROFILE
M-3122L	MERITOR 2210-D-6842			
M-3123R	MERITOR 2210-G-6845	7 15/16"	1 3/4"	
M-3123L	MERITOR 2210-F-6844			
M-3124R	MERITOR 2210-N-6852	8 7/16"	1 3/4"	
M-3124L	MERITOR 2210-M-6851			
M-3125R	MERITOR 2210-W-6861	9 1/2"	1 3/4"	
M-3125L	MERITOR 2210-V-6860			

MERITOR DRIVE AXLE CAMSHAFTS

1 1/2" DIA. - 10 SPLINE - 16 1/2" "P" AND "Q" BRAKES



RIGHT HAND
VIEW FROM HEAD END



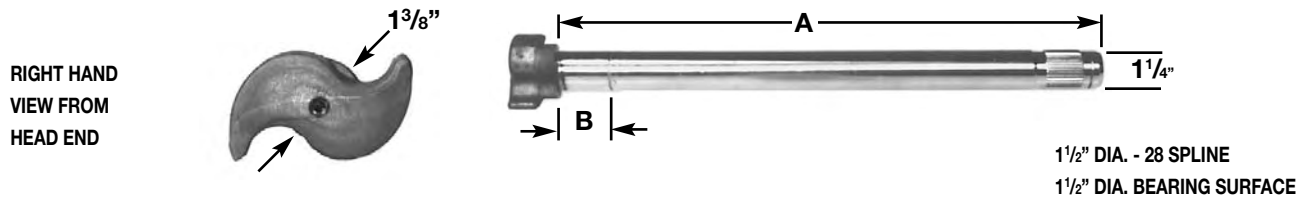
1 1/2" DIA. - 10 SPLINE
1 1/2" DIA. BEARING SURFACE

BRAKE PARTS

BWP NO.	REPLACES		A	B	APPLICATION
			UNDERHEAD TO LOCKRING GROOVE	UNDERHEAD TO BEARING SURFACE GROOVE	
M-988R	MERITOR	2210-Y-3067	6 3/8"	1 3/4"	—
M-988L	MERITOR	2210-X-3066			
M-989R	MERITOR	2210-H-3024	7 7/8"	1 3/4"	—
M-989L	MERITOR	2210-J-3026			
M-996R	MERITOR	2210-X-2442	8 9/16"	1 3/4"	MACK TRUCK
M-996L	MERITOR	2210-Y-2443			
M-2611R	MERITOR	2210-B-3226	10 9/16"	1 3/4"	—
M-2611L	MERITOR	2210-A-3225			
M-997R	MERITOR	2210-K-3027	11 1/4"	1 3/4"	—
M-997L	MERITOR	2210-L-3028			
M-743R	MERITOR IHC WHITE	2210-Q-2981 109520R1 843369	11 1/2"	1 3/4"	MERITOR TU-267, TU-287 AXLES
M-743L	MERITOR IHC WHITE	2210-P-2980 109519R1 843368			
M-3181R	MERITOR	2210-Y-5719	11 3/4"	1 3/4"	—
M-3181L	MERITOR	2210-Z-5720			
M-2610R	MERITOR WAGNER	2210-C-3097 31944	12"	1 3/4"	WAGNER 15" DIA. AIR BRAKES
M-2610L	MERITOR WAGNER	2210-D-3098 31945			
M-998R	MERITOR	2210-M-2405	12 3/8"	1 3/4"	—
M-998L	MERITOR	2210-L-2404			
M-1570R	MERITOR WHITE	2210-P-2408 10048M1	15 3/4"	1 3/4"	MERITOR SQ, DD, QD, QDD, AXLES
M-1570L	MERITOR WHITE	2210-N-2406 10047M1			

MERITOR DRIVE AXLE CAMSHAFTS

1 1/2" DIA. - 28 SPLINE - 16 1/2" "P" AND "Q" BRAKES



BWP NO.	REPLACES	A	B	APPLICATION
		UNDERHEAD TO LOCKRING GROOVE	UNDERHEAD TO BEARING SURFACE GROOVE	
M-2605R	MERITOR 2210-E-5439	8 5/8"	1 3/4"	
M-2605L	MERITOR 2210-F-5440			
M-3121R	MERITOR 2210-U-5455	9 1/16"	1 3/4"	
M-3121L	MERITOR 2210-V-5456			
M-3120R	MERITOR 2210-V-7484	10 3/16"	1 3/4"	
M-3120L	MERITOR 2210-W-7485			
M-3179R	MERITOR 2210-V-5092	10 7/16"	1 3/4"	
M-3179L	MERITOR 2210-W-5093			
M-2612R	MERITOR 2210-Y-5433	11"	1 3/4"	
M-2612L	MERITOR 2210-Z-5434			
M-2613R	MERITOR 2210-U-5325	11 1/4"	1 3/4"	
M-2613L	MERITOR 2210-V-5326			
M-2614R	MERITOR 2210-A-5331	11 5/8"	1 3/4"	
M-2614L	MERITOR 2210-B-5332			
M-2606R	MERITOR 2210-W-5327	12 1/2"	1 3/4"	
M-2606L	MERITOR 2210-X-5328			
M-2607R	MERITOR 2210-K-5341	13"	1 3/4"	
M-2607L	MERITOR 2210-L-5342			
M-2597R	MERITOR 2210-C-5333	13 1/4"	1 3/4"	
M-2597L	MERITOR 2210-D-5334			
M-2598R	MERITOR 2210-M-5395	13 1/2"	1 3/4"	
M-2598L	MERITOR 2210-N-5396			
M-2599R	MERITOR 2210-M-5369	14 1/8"	1 3/4"	
M-2599L	MERITOR 2210-N-5370			
M-3115R	MERITOR 2210-K-5445	14 11/16"	1 3/4"	
M-3115L	MERITOR 2210-L-5446			
M-3116R	MERITOR 2210-K-5783	15 9/32"	1 3/4"	
M-3116L	MERITOR 2210-L-5784			
M-3117R	MERITOR 2210-K-5393	15 13/16"	1 3/4"	
M-3117L	MERITOR 2210-L-5394			
M-3118R	MERITOR 2210-M-5447	16 1/2"	1 3/4"	
M-3118L	MERITOR 2210-N-5448			
M-3119R	MERITOR 2210-T-7066	17 3/8"	1 3/4"	
M-3119L	MERITOR 2210-U-7067			

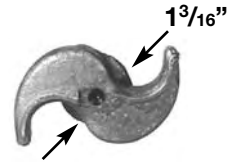
NOTE: ALL ABOVE HAVE LOCK RING GROOVE AT SPLINE END ONLY

BRAKE PARTS

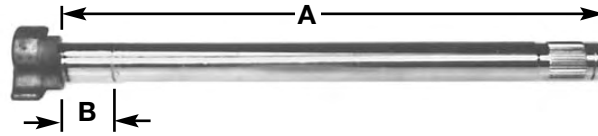
MERITOR DRIVE AXLE CAMSHAFTS

1½" DIA. - 28 SPLINE - 16½" BRAKES

"Q-PLUS"



RIGHT HAND
VIEW FROM HEAD END



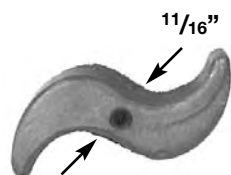
1½" DIA. - 28 SPLINE
1½" DIA. BEARING SURFACE

BRAKE PARTS

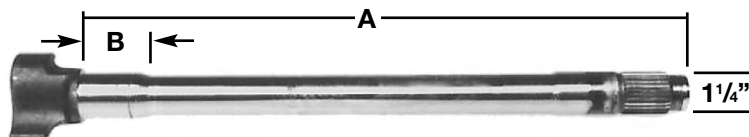
BWP NO.	REPLACES	A	B	APPLICATION
		UNDERHEAD TO LOCKRING GROOVE	UNDERHEAD TO BEARING SURFACE GROOVE	
M-3108R	MERITOR 2210-K-7395	7 ¹³ / ₁₆ "	1 ³ / ₄ "	USE IN PAIRS ONLY IF REPLACING STANDARD CAMS, DIFFERENT HEAD THICKNESS
M-3108L	MERITOR 2210-L-7396			
M-3109R	MERITOR 2210-P-7426	8 ⁹ / ₁₆ "	1 ³ / ₄ "	
M-3109L	MERITOR 2210-Q-7427			
M-3110R	MERITOR 2210-R-6960	10 ¹ / ₂ "	1 ³ / ₄ "	
M-3110L	MERITOR 2210-S-6961			
M-3111R	MERITOR 2210-Z-7098	11 ³ / ₁₆ "	1 ³ / ₄ "	
M-3111L	MERITOR 2210-A-7099			
M-3112R	MERITOR 2210-Z-6942	11 ¹⁵ / ₃₂ "	1 ³ / ₄ "	
M-3112L	MERITOR 2210-A-6943			
M-3113R	MERITOR 2210-K-7551	12"	1 ³ / ₄ "	
M-3113L	MERITOR 2210-L-7552			
M-3114R	MERITOR 2210-Z-6994	13 ¹ / ₈ "	1 ³ / ₄ "	
M-3114L	MERITOR 2210-A-6995			
M-3682R	MERITOR 2210-T-6962	13 ¹⁵ / ₃₂ "	1 ³ / ₄ "	
M-3682L	MERITOR 2210-U-6963			
M-3683R	MERITOR 2210-P-6984	14 ³ / ₃₂ "	1 ³ / ₄ "	
M-3683L	MERITOR 2210-Q-6985			
M-3684R	MERITOR 2210-M-7189	14 ³ / ₄ "	1 ³ / ₄ "	
M-3684L	MERITOR 2210-N-7190			
M-3685R	MERITOR 2210-X-7070	15 ³ / ₁₆ "	1 ³ / ₄ "	
M-3685L	MERITOR 2210-Y-7071			
M-3686R	MERITOR 2210-M-7683	15 ⁹ / ₁₆ "	1 ³ / ₄ "	
M-3686L	MERITOR 2210-N-7684			
M-3687R	MERITOR 2210-V-7692	15 ¹⁵ / ₁₆ "	1 ³ / ₄ "	
M-3687L	MERITOR 2210-W-7693			

MERITOR TRAILER CAMSHAFTS

1 1/2" DIA. - 28 SPLINE - 12 1/4" BRAKES - SMALL "S" HEAD



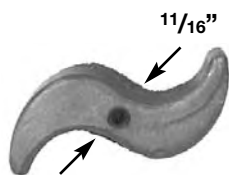
RIGHT HAND
VIEW FROM HEAD END



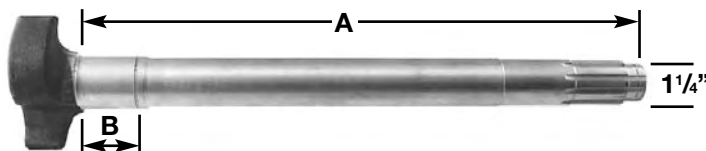
1 1/2" DIA. - 28 SPLINE
1 5/8" DIA. BEARING SURFACE

BWP NO.	REPLACES	A	B	APPLICATION
		UNDERHEAD TO LOCKRING GROOVE	UNDERHEAD TO BEARING SURFACE GROOVE	
M-2602R	MERITOR 2210-T-5246	20 ³ / ₈ "	1 ¹¹ / ₁₆ "	4200 AND 6200 SERIES "Q" BRAKES
M-2602L	MERITOR 2210-U-5247			
M-3688R	MERITOR 2210-E-6167	23 ⁵ / ₁₆ "	1 ¹¹ / ₁₆ "	
M-3688L	MERITOR 2210-F-6168			

1 1/2" DIA. - 10 SPLINE - 12 1/4" BRAKES - SMALL "S" HEAD



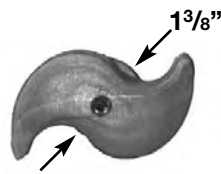
RIGHT HAND
VIEW FROM HEAD END



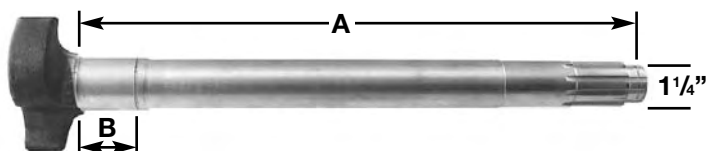
1 1/2" DIA. - 10 SPLINE
1 5/8" DIA. BEARING SURFACE

BWP NO.	REPLACES	A	B	APPLICATION
		UNDERHEAD TO LOCKRING GROOVE	UNDERHEAD TO BEARING SURFACE GROOVE	
M-3689R	MERITOR 2210-G-6013	20 ³ / ₈ "	1 ¹¹ / ₁₆ "	-
M-3689L	MERITOR 2210-H-6014			

1 1/2" DIA. - 10 SPLINE 16 1/2" BRAKES - "P" AND "Q" BRAKES



RIGHT HAND
VIEW FROM HEAD END

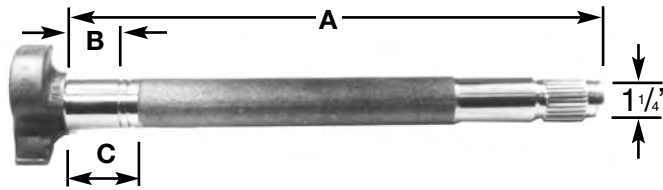


1 1/2" DIA. - 10 SPLINE
1 5/8" DIA. BEARING SURFACE

BWP NO.	REPLACES	A	B	APPLICATION
		UNDERHEAD TO LOCKRING GROOVE	UNDERHEAD TO BEARING SURFACE GROOVE	
M-993R	MERITOR 2210-R-4178	17 ³ / ₈ "	1 ¹³ / ₁₆ "	4000-6000 SERIES
M-993L	MERITOR 2210-S-4179			
M-994R	MERITOR 2210-V-4182	20 ¹⁵ / ₃₂ "	1 ¹³ / ₁₆ "	
M-994L	MERITOR 2210-W-4183			
M-995R	MERITOR 2210-T-4180	24 ¹ / ₈ "	1 ¹³ / ₁₆ "	
M-995L	MERITOR 2210-U-4181			

MERITOR TRAILER CAMSHAFTS

1 1/2" DIA. - 28 SPLINE - 16 1/2" BRAKES - "P" AND "Q" BRAKES

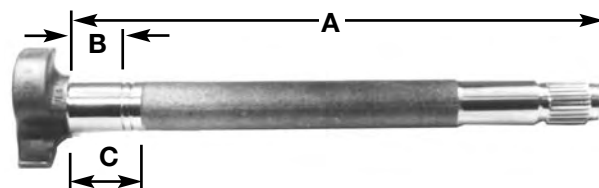
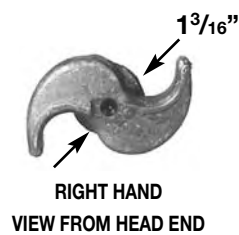


1 1/2" DIA. - 28 SPLINE
1 5/8" DIA. BEARING SURFACE

BRAKE PARTS

BWP NO.	REPLACES	A	B	C	APPLICATION
		UNDERHEAD TO LOCKRING GROOVE	UNDERHEAD TO BEARING SURFACE GROOVE		
M-990R	MERITOR 2210-L-4328 2210-U-6573	17 1/4"	1 11/16"	2"	4000-6000 SERIES CAN BE USED WITH NARROW AND WIDE BOSS SPIDERS
M-990L	MERITOR 2210-M-4329 2210-V-6574				
M-991R	MERITOR 2210-Q-4333 2210-N-6593	20 3/8"	1 11/16"	2"	
M-991L	MERITOR 2210-R-4334 2210-P-6594				
M-992R	MERITOR 2210-N-4330 2210-W-6575	24 1/16"	1 11/16"	2"	
M-992L	MERITOR 2210-P-4332 2210-X-6576				

1 1/2" DIA. - 28 SPLINE - 16 1/2" BRAKES



"Q-PLUS"

1 1/2" DIA. - 28 SPLINE
1 5/8" DIA. BEARING SURFACE

BWP NO.	REPLACES	A	B	C	APPLICATION
		UNDERHEAD TO LOCKRING GROOVE	UNDERHEAD TO BEARING SURFACE GROOVE		
M-3170R	MERITOR 2210-B-6866	17 5/16"	1 11/16"	2"	USE IN PAIRS ONLY WHEN REPLACING STANDARD CAMs DIFFERENT HEAD THICKNESS
M-3170L	MERITOR 2210-C-6867				
M-3171R	MERITOR 2210-F-6870	20 3/8"	1 11/16"	2"	
M-3171L	MERITOR 2210-G-6871				
M-3172R	MERITOR 2210-D-6868	24 1/16"	1 11/16"	2"	
M-3172L	MERITOR 2210-B-6869				

APPLICATION CHARTS

BWP CAMSHAFT NO.	MANUFACTURER APPLICATION	USE BWP CAM KIT NO.	USE BWP BRAKE SHOE KIT NO.
M-477R&L M-478R&L M-479R&L	DANA (STANDARD FORGE)	M-K25 (cast shoes) M-K26 (fab. shoes)	M-K11 (cast shoes) M-K12 (fab. shoes)
M-496R&L	EATON	M-K60	M-K46
M-557R&L	EATON	M-K62	M-K9
M-559R&L M-560R&L M-561R&L M-562R&L	DANA (S.F.) EATON EATON MERITOR	M-K24 M-K18 (weld on spider) M-K62 (bolt on spider) M-K14 MERITOR "P"	M-K2 M-K4 M-K7 M-K39 M-K57 M-K59 SELECT KIT FOR MANUFACTURER APPLICATION
M-563R&L M-566R&L	FRUHAUF	M-K21 early PRO PAR M-K20 late PRO PAR	M-K8 early PRO PAR M-K42 late XEM
M-567R&L	DANA (S.F.) EATON EATON MERITOR	M-K24 M-K18 (weld on spider) M-K62 (bolt on spider) M-K14 MERITOR "P"	M-K2 M-K4 M-K7 M-K39 M-K57 M-K59 SELECT KIT FOR MANUFACTURER APPLICATION
M-743R&L	MERITOR	M-K17 "P" M-K81 "Q"	M-K7 "P" M-K39 "Q"
M-744R&L M-746R&L	DANA (S.F.) EATON EATON MERITOR	M-K24 M-K18 (weld on spider) M-K62 (bolt on spider) M-K14 MERITOR "P"	M-K2 M-K4 M-K7 M-K39 M-K57 M-K59 SELECT KIT FOR MANUFACTURER APPLICATION
M-776R&L	EATON	M-K60	M-K46
M-778R&L	DANA (S.F.) EATON EATON MERITOR	M-K24 M-K18 (weld on spider) M-K62 (bolt on spider) M-K14 MERITOR "P"	M-K2 M-K4 M-K7 M-K39 M-K57 M-K59 SELECT KIT FOR MANUFACTURER APPLICATION
M-988R&L M-989R&L	MERITOR	M-K17 "P" M-K81 "Q"	M-K7 "P" M-K39 "Q"
M-990R&L M-991R&L M-992R&L M-993R&L M-994R&L M-995R&L	MERITOR	M-K16 (less M-1521 bracket) M-K61 (steel bushings) M-K85 (nylon bushings) M-K89 (heavy duty metal bushings)	M-K7 "P" M-K39 "Q"
M-996R&L M-997R&L M-998R&L	MERITOR	M-K17 "P" M-K81 "Q"	M-K7 "P" M-K39 "Q"

BRAKE PARTS

APPLICATION CHARTS

BWP CAMSHAFT NO.	MANUFACTURER APPLICATION	USE BWP CAM KIT NO.	USE BWP BRAKE SHOE KIT NO.
M-1015R&L	DANA (S.F.) EATON EATON MERITOR	M-K24 M-K18 (weld on spider) M-K62 (bolt on spider) M-K14 MERITOR "P"	M-K2 M-K4 M-K7 M-K39 M-K57 M-K59 SELECT KIT FOR MANUFACTURER APPLICATION
M-1570R&L	MERITOR	M-K17 "P" M-K81 "Q"	M-K7 "P" M-K39 "Q"
M-1571R&L	EATON	M-K19 M-K86 "ES"	M-K10 M-K58 (18" brake)
M-2597R&L M-2598R&L M-2599R&L	MERITOR	M-K17 "P" M-K81 "Q"	M-K7 "P" M-K39 "Q"
M-2600R&L	EATON	M-K63	M-K10
M-2601R&L	DANA (S.F.) EATON EATON MERITOR	M-K24 M-K18 (weld on spider) M-K62 (bolt on spider) M-K14 MERITOR "P"	M-K2 M-K4 M-K7 M-K39 M-K57 M-K59 SELECT KIT FOR MANUFACTURER APPLICATION
M-2602R&L	MERITOR	M-K16 (less M-1521 bracket) M-K61 (steel bushings) M-K85 (nylon bushings) M-K89 (heavy duty metal bushings)	M-K45
M-2603R&L	DANA (S.F.)	M-K25 (cast shoes) M-K26 (fab. shoes)	M-K11 (cast shoes) M-K12 (fab. shoes)
M-2604R&L	EATON	M-K63	M-K10
M-2605R&L M-2606R&L M-2607R&L	MERITOR	M-K17 "P" M-K81 "Q"	M-K7 "P" M-K39 "Q"
M-2609R&L	MERITOR	M-K68	M-K52
M-2610R&L M-2611R&L M-2612R&L M-2613R&L M-2614R7L	MERITOR	M-K17 "P" M-K81 "Q"	M-K7 "P" M-K39 "Q"
M-2615R&L M-2616R&L M-2617R&L	EATON	M-K19 M-K86 "ES"	M-K10 M-K58 (18" brake)
M-3108R&L M-3109R&L M-3110R&L M-3111R&L M-3112R&L M-3113R&L M-3114R&L	MERITOR	M-K81	M-K39 M-K72 (knurled roller/pin)

BRAKE PARTS

APPLICATION CHARTS

BWP CAMSHAFT NO.	MANUFACTURER APPLICATION	USE BWP CAM KIT NO.	USE BWP BRAKE SHOE KIT NO.
M-3115R&L M-3116R&L M-3117R&L M-3118R&L M-3119R&L M-3120R&L M-3121R&L	MERITOR	M-K17 "P" M-K81 "Q"	M-K7 "P" M-K39 "Q"
M-3122R&L M-3123R&L M-3124R&L M-3125R&L	MERITOR	M-K68 "T" M-K87 "Q"	M-K52
M-3126R&L M-3127R&L M-3128R&L M-3129R&L	EATON	M-K86 "ES"	M-K84
M-3130R&L M-3131R&L	EATON	M-K63 "ES"	M-K84
M-3132R&L M-3133R&L M-3134R&L M-3135R&L	DANA	M-K101 "XTRALIFE"	M-K91
M-3136R&L M-3137R&L	MERITOR	M-K64	M-K7 "P" M-K39 "Q"
M-3138R&L M-3139R&L M-3140R&L	DANA	M-K101 "XTRALIFE"	M-K91
M-3141R&L	DANA	M-K103	M-K91
M-3142R&L	DANA	M-K101 "XTRALIFE"	M-K91
M-3143R&L M-3144R&L	EATON	M-K63	M-K84
M-3145R&L	DANA	M-K101 "XTRALIFE"	M-K91
M-3146R&L M-3147R&L	DANA	M-K103	M-K91
M-3148R&L	DANA	M-K101 "XTRALIFE"	M-K91
M-3149R&L M-3150R&L M-3151R&L M-3152R&L M-3153R&L M-3154R&L M-3155R&L	DEXTER	M-K26	M-K112
M-3169R&L	DANA	M-K101 "XTRALIFE"	M-K91
M-3170R&L M-3171R&L M-3172R&L	MERITOR	M-K88 (for fab. spiders) M-K89 (H.D. metal bushings)	M-K39 M-K72 (knurled roller/pin)

BRAKE PARTS

APPLICATION CHARTS

BRAKE PARTS

BWP CAMSHAFT NO.	MANUFACTURER APPLICATION	USE BWP CAM KIT NO.	USE BWP BRAKE SHOE KIT NO.
M-3173R&L	DANA (S.F.) EATON EATON MERITOR	MK-24 MK-18 (weld on spider) MK-62 (bolt on spider) MERITOR "P"	MK-2 M-4 MK-7 MK-39 SELECT KIT FOR MK-57 MANUFACTURER MK-59 APPLICATION
M-3174R&L	EATOB	MK-63	MK-10
M-3175R&L	DANA (S.F.)	MK-64 DANA MK-24 S.F.	MK-7 "P" MK-39 "Q"
M-3176R&L	EATON	MK-19 MK-86 "ES"	MK-10 MK-58 (18" BRAKE)
M-3177R&L	FRUEHAUF	MK-20 late PRO-PAR MK-21 early PRO-PAR	MK-47
M-3178R&L	DANA (S.F.) EATON EATON MERITOR	MK-24 MK-18 (weld on spider) MK-62 (bolt on spider) MERITOR "P"	MK-2 MK-4 MK-7 SELECT KIT FOR MK-39 MANUFACTURER MK-57 APPLICATION
M-3179R&L	MERITOR	MK-17 "P" MK-81 "Q"	MK-8 early PRO-PAR MK-42 late XEM
M-3180R&L	FRUEHAUF	MK-17 "P" MK-81 "Q"	MK-7 "P" MK-39 "Q"
M-3181R&L	MERITOR	MK-21 early PRO-PAR MK-20 late PRO-PAR	MK-7 "P" MK-39 "Q"
M-3182R&L	DANA (S.F.)	MK-25	MK-44
M-3183R&L	DANA (S.F.) EATON EATON MERITOR	MK-24 MK-18 (weld on spider) MK-62 (bolt on spider) MK-14 MERITOR "P"	MK-2 MK-4 MK-7 SELECT KIT FOR MK-39 MANUFACTURER MK-57 APPLICATION MK-59
M-3184R&L	EATON	MK-19 MK-86 "ES"	MK-10 MK-58 (18" brake)
M-3185R&L	FRUEHAUF	MK-21 early PRO-PAR MK-20 late PRO-PAR	MK-47
M-3186R&L	MERITOR	MK-64	MK-7 "P" MK-39 "Q"
M-3187R&L M-3188R&L	DANA	MK-101 "XTRALIFE"	MK-91
M-3682R&L M-3683R&L M-3684R&L M-3685R&L M-3686R&L M-3687R&L	MERITOR	MK-81	MK-39 MK-72 (knurled roller/pins)

APPLICATION CHARTS

BWP CAMSHAFT NO.	MANUFACTURER APPLICATION	USE BWP CAM KIT NO.	USE BWP BRAKE SHOE KIT NO.
M-3688R&L M-3689R&L	MERITOR	M-K16 (less M-1521 bracket) M-K61 (metal bushings) M-K85 (nylon bushings) M-K89 (heavy duty metal bushings)	M-K5
M-3690R&L M-3691R&L M-3692R&L M-3693R&L M-3694R&L M-3695R&L M-3696R&L M-3697R&L M-3698R&L M-3699R&L	DANA	M-K103	M-K91
M-3789R&L M-3791R&L M-3792R&L M-3793R&L	DANA (SPICER)	M-K26	M-K12 M-K104
M-3794R&L M-3795R&L M-3796R&L M-3797R&L	DANA (SPICER)	M-K26 M-K102	M-K83
M-3798R&L M-3799R&L	HENDRICKSON INTRAAX	M-K107	M-K39

BRAKE PARTS

CAMSHAFT REPAIR KITS – BENDIX “BRAZILIAN”

BENDIX BRAZILIAN 15”X4” FRONT BRAKE CAMSHAFT KIT



BWP KIT	CONTAINS
M-K96	4 M-3258 BUSHING
	4 M-824A SEAL
	2 M-1008 LOCK RING
	4 M-1408 SPACER 2/32" th.
	2 M-1409 SPACER 1/32" th.
	2 M-2638 WASHER 3/32" th.
FOR 1 1/2" DIA. CAMSHAFTS	

BENDIX BRAZILIAN 16 1/2”X7” BRAKE CAMSHAFT KIT



BWP KIT	CONTAINS
M-K97	4 M-587A SEAL
	2 M-1008 LOCK RING
	4 M-1408 SPACER 2/32" th.
	4 M-1409 SPACER 1/32" th.
	2 M-2638 WASHER 3/32" th.
	2 M-2634 CAMHEAD WASHER
	4 M-3258 BUSHING
	2 M-3259 CAM BRACKET GASKET
	FOR 1 1/2" DIA. CAMSHAFTS

ALL KITS CONTAIN REPLACEMENT PARTS FOR TWO CAMSHAFTS.

CAMSHAFT REPAIR KITS – DANA

DANA, STD. FORGE 12¹/₄" DIA. BRAKES – CAST SHOES



BWP KIT	CONTAINS
M-K25	2 M-571 SPIDER BUSHING
	2 M-571A SUPPORT BUSHING
	4 M-824A SEAL
	2 M-583 SPACER WASHER
	4 M-588 SPACER WASHER
	2 M-1589 BENT WASHER
	4 M-579 LOCK RING
FOR 1 ¹ / ₂ " DIA. CAMSHAFTS	

DANA, STD. FORGE 12¹/₄" DIA. BRAKES – LATE MODEL FABRICATED SHOES



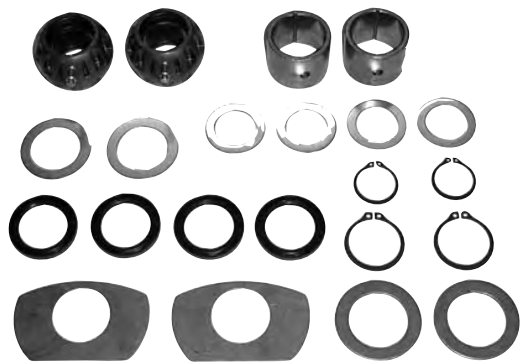
BWP KIT	CONTAINS
M-K26	2 M-571 SPIDER BUSHING
	2 M-582 SUPPORT BUSHING
	4 M-824 SPIDER SEAL
	4 M-583 SPACING WASHER
	2 M-1412 SPACING WASHER
	2 M-1413 SPACING WASHER
	4 M-579 LOCK RING
FOR 1 ¹ / ₂ " DIA. CAMSHAFTS	

DANA, SPICER 12¹/₄" DIA. BRAKES – "U" BRAKE



BWP KIT	CONTAINS
M-K102	2 M-582 BUSHING
	2 M-2548 BUSHING-METAL
	4 M-824A SEAL
	4 M-579 LOCK RING
	2 M-583 WASHER
	2 M-1412 WASHER
	2 M-1413 WASHER
	FOR 1 ¹ / ₂ " DIA. CAMSHAFTS

DANA (SPICER) 12¹/₄" BRAKES



BWP KIT	CONTAINS
M-K111	2 M-583 WASHER
	4 M-748 WASHER
	2 M-1046 LOCK RING
	4 M-1401 SEAL
	2 M-1523 LOCK RING
	2 M-3747 BRONZE BUSHING
	2 M-3748 BUSHING
	2 M-3985 WASHER
	2 M-3986 WASHER
FOR 1 ¹ / ₂ " DIA. CAMSHAFTS	

ALL KITS CONTAIN REPLACEMENT PARTS FOR TWO CAMSHAFTS

CAMSHAFT REPAIR KITS – DANA

DANA, SPICER 16 $\frac{1}{2}$ " DIA. BRAKES 'XTRALIFE''



BWP KIT	CONTAINS	
M-K101	4 M-579 LOCK RING	
	2 M-1523 LOCK RING	
	2 M-580 WASHER	
	2 M-583 WASHER	
	2 M-748 WASHER	
	4 M-824A SEAL	
	2 M-582 BUSHING	
	2 M-2548 BUSHING-METAL	
	FOR 1 $\frac{1}{2}$ " DIA. CAMSHAFTS	

DANA, STD. FORGE 16 $\frac{1}{2}$ " DIA. BRAKES – ALL EARLY MODELS



BWP KIT	CONTAINS
M-K27	4 M-571 BUSHING
	4 M-587A SEAL
	4 M-824A SEAL
	4 M-583 SPACER WASHER
	2 M-584 "D" WASHER
	2 M-719 SPACER WASHER
	4 M-579 LOCK RING
	FOR 1 $\frac{1}{2}$ " DIA. CAMSHAFTS

DANA 16 $\frac{1}{2}$ " DIA. BRAKS – LATE MODEL WITH SPHERICAL CAM BUSHING



BWP KIT	CONTAINS
M-K64	2 M-2548 SPIDER BUSHING
	2 M-2622 SUPPORT BUSHING
	4 M-824 SEAL
	2 M-583 SPACER WASHER
	2 M-584 "D" WASHER
	2 M-719 SPACER WASHER
	4 M-1093 "O" RING
	4 M-579 LOCK RING
FOR 1 $\frac{1}{2}$ " DIA. CAMSHAFTS	

DANA 16 $\frac{1}{2}$ " DIA. BRAKES (AXLES AFTER 1995) WITH 1 $\frac{5}{8}$ " DIA. BEARING SURFACE



BWP KIT	CONTAINS
M-K103	2 M-3747 METAL BUSHING
	2 M-3748 GREASELESS BUSHING
	2 M-1046 LOCK RING
	2 M-1523 LOCK RING
	4 M-1401-A SEAL
	2 M-3749 WASHER
	2 M-3750 WASHER
	FOR 1 $\frac{5}{8}$ " DIA. CAMSHAFTS

ALL KITS CONTAIN REPLACEMENT PARTS FOR TWO CAMSHAFTS.

BRAKE PARTS

CAMSHAFT REPAIR KITS – EATON AXLES

EATON 12¹/₄" DIA., LATE MODEL BRAKES WITH M-2651 SPIDER



BWP KIT	CONTAINS
M-K60	2 M-571B SPIDER BUSHING
	2 M-999 SUPPORT BUSHING
	4 M-824A SEAL
	6 M-583 SPACER WASHER
	2 M-2646 SPACER WASHER
	2 M-579 LOCK RING
	2 M-1505 LOCK RING
	FOR 1 ¹ / ₂ " DIA. CAMSHAFTS

EATON 15" x 4" FRONT BRAKES



BWP KIT	CONTAINS
M-K78	4 M-3351 BUSHING
	4 M-3352 SEAL
	2 M-3353 WASHER
	2 M-3354 WASHER
	2 M-2649 LOCK
	REPLACES: EATON 1008325
FOR 1 ¹ / ₄ " DIA. CAMSHAFTS, 15"X4" SINGLE ANCHOR PIN BRAKE	

EATON 16¹/₂" DIA. SELF CONTAINED BRAKES – DRIVE AXLE



BWP KIT	CONTAINS
M-K19	4 M-571 BUSHING
	4 M-824 SEAL
	2 M-583 SPACER WASHER
	2 M-1408 SPACER WASHER
	2 M-1409 SPACER WASHER
	2 M-1017 LOCK RING
	2 M-1018 COTTER PIN
	FOR 1 ¹ / ₂ " DIA. CAMSHAFTS

EATON 16¹/₂" DIA. BRAKES – 5" ROUND AXLES WITH BOLT-ON SPIDERS



BWP KIT	CONTAINS
M-K62	2 M-571 SPIDER BUSHING
	2 M-999 SUPPORT BUSHING
	4 M-587A SEAL
	8 M-583 SPACER WASHER
	2 M-584 "D" WASHER
	2 M-1505 LOCK RING
	2 M-579 LOCK RING
	FOR 1 ¹ / ₂ " DIA. CAMSHAFTS

ALL KITS CONTAIN REPLACEMENT PARTS FOR TWO CAMSHAFTS

CAMSHAFT REPAIR KITS – EATON AXLES

EATON 16 1/2" DIA. BRAKES - 22L & 23L SQUARE AXLE AND LATE "C" AXLE



BWP KIT	CONTAINS	
M-K18	2	M-571 SPIDER BUSHING
	2	M-999 SUPPORT BUSHING
	4	M-824 SPIDER SEAL
	8	M-583 SPACING WASHER
	2	M-1505 LOCK RING
	2	M-579 LOCK RING
	FOR 1 1/2" DIA. CAMSHAFTS	

EATON 16 1/2" DIA. BRAKES – "501 SERIES" LATE AXLE



BWP KIT	CONTAINS	
M-K63	2	M-2621 SPIDER BUSHING
	2	M-2623 SUPPORT BUSHING
	4	M-2631 SEAL
	4	M-583 SPACER WASHER
	4	M-1045 SPACER WASHER
	2	M-579 LOCK RINGS
	2	M-1505 LOCK RINGS
FOR 1 5/8" DIA. CAMSHAFTS		

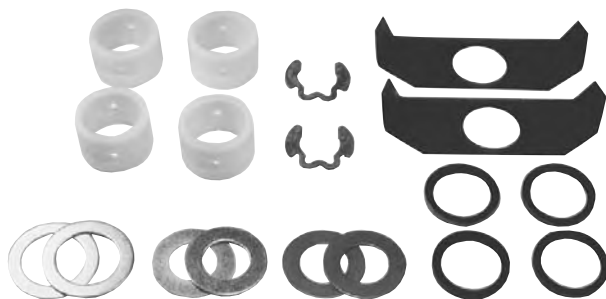
BRAKE PARTS

EATON 16 1/2" DIA "ES" TRAILER BRAKES



BWP KIT	CONTAINS	
M-K63	2	M-2621 SPIDER BUSHING
	2	M-2623 SUPPORT BUSHING
	4	M-2631 SEAL
	4	M-583 SPACER WASHER
	4	M-1045 SPACER WASHER
	2	M-579 LOCK RINGS
	2	M-1505 LOCK RINGS
FOR 1 5/8" DIA. CAMSHAFTS		

EATON 16 1/2" DIA "ES" TRAILER BRAKES

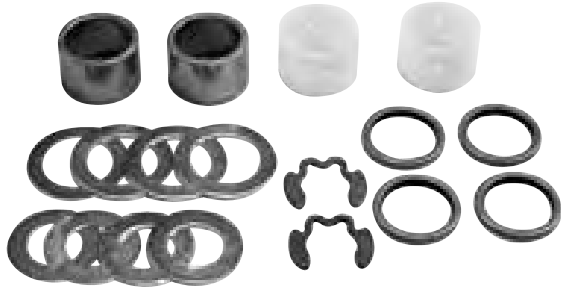


BWP KIT	CONTAINS	
M-K86	4	M-571 BUSHING
	2	M-583 WASHER
	4	M824A SEAL
	2	M-1408 WASHER
	2	M-1409 WASHER
	2	M-2649 LOCK RING
	2	M-3240 WASHER
	FOR 1 1/2" DIA. CAMSHAFTS "ES" TRACTOR BRAKES	

ALL KITS CONTAIN REPLACEMENT PARTS FOR TWO CAMSHAFTS

CAMSHAFT REPAIR KITS – EATON, FRUEHAUF, HENDRICKSON

EATON 16¹/₂" DIA. "ES" SEVERE SERVICE DRIVE AXLE BRAKES



BWP KIT	CONTAINS
M-K116	2 M-571 BUSHING
	4 M-583 WASHER
	4 M-824 SEAL
	2 M-1408 WASHER
	2 M-1409 WASHER
	2 M-1551 BUSHING
	2 M-2649 CAM LOCK
	FOR 1 ⁵ / ₈ " DIA. CAMSHAFTS

FRUEHAUF 12¹/₄" AND 16¹/₂" DIA. BRAKES – LATE PRO-PAR AXLES



BWP KIT	CONTAINS
M-K20	4 M-1049 SPIDER BUSHING
	2 M-1058 SUPPORT BUSHING
	2 M-583 SPACER WASHER
	6 M-1045 SPACER WASHER
	2 M-579 LOCK RING
	2 M-1046 LOCK RING
FOR 1 ⁵ / ₈ " DIA. CAMSHAFTS	

FRUEHAUF 12¹/₄" AND 16¹/₂" DIA. BRAKES – EARLY PRO-PAR AXLES



BWP KIT	CONTAINS
M-K21	4 M-1049 SPIDER BUSHING
	2 M-1047 SUPPORT BUSHING
	2 M-583 SPACER WASHER
	4 M-1045 SPACER WASHER
	2 M-579 LOCK RING
	2 M-1046 LOCK RING
FOR 1 ⁵ / ₈ " DIA. CAMSHAFTS	

HENDRICKSON INTRAAX 16¹/₂" BRAKES

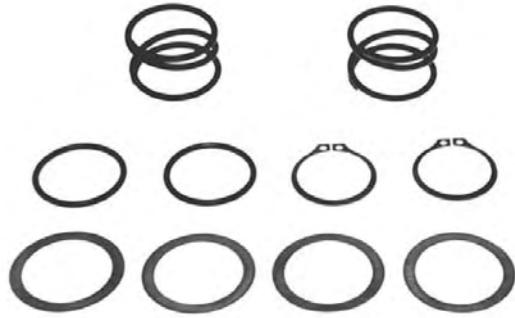


BWP KIT	CONTAINS
M-K107	2 M-584 WASHER
	8 M-588 WASHER
	4 M-719 WASHER
	2 M-748 WASHER
	4 M-824 SEAL
	2 M-1521 CAM BRACKET
	2 M-2548 BUSHING
	2 M-2648 CAM LOCK
	2 M-3496 LOCK RING
FOR 1 ¹ / ₂ " DIA. CAMSHAFTS	

ALL KITS CONTAIN REPLACEMENT PARTS FOR TWO CAMSHAFTS

CAMSHAFT REPAIR KITS – K-B, MERITOR AXLES

K-B AXLE – ALL MODELS WITH ENCLOSED CAMSHAFTS



BWP KIT	CONTAINS
M-K71	2 KBE-7211 SPRING
	2 M-1092 "O" RING
	4 M-588 SPACER WASHER
	2 M-579 LOCK RING
	NOTE: KBE-7211 SPRING AVAILABLE IN KIT ONLY
FOR 1½" DIA. CAMSHAFTS	

MERITOR 15" DIA. BRAKES – "T" SERIES WITH 1¼" DIA. CAMS



BWP KIT	CONTAINS
M-K68	4 M-2618 BUSHING
	4 M-2630 SEAL
	6 M-2640 WASHER
	2 M-2637 WASHER
	2 M-2639 WASHER
	2 M-2635 WASHER
	2 M-1523 LOCK RING
	FOR 1¼" DIA. CAMSHAFTS

BRAKE PARTS

MERITOR STEERING AXLES WITH 15" X 4" "Q" BRAKES



BWP KIT	CONTAINS
M-K87	4 M-3237 BUSHING
	4 M-3236 SEAL
	4 M-2637 WASHER
	2 M-1523 LOCK RING
	FOR 1¼" DIA. CAMSHAFTS
REPLACES: 2 ROCKWELL 8022 KITS	

MERITOR 12¼" AND 16½" DIA. BRAKES LATE 4000-6000 TRAILER AXLES ALTERNATE FOR M-K61 KIT



BWP KIT	CONTAINS
M-K85	4 M-588 WASHER
	2 M-748 WASHER
	2 M-1046 LOCK RING
	4 M-1402 WASHER
	2 M-1403 SEAL
	2 M-1521 BRACKET
	2 M-2621 BUSHING
	2 M-1523 LOCK RING
	ALTERNATE FOR M-K61 KIT. USES NYLON BUSHINGS ONLY, INSTEAD OF NYLON BUSHINGS AND STEEL BUSHINGS
	FOR 1½" DIA. CAMSHAFTS

ALL KITS CONTAIN REPLACEMENT PARTS FOR TWO CAMSHAFTS

CAMSHAFT REPAIR KITS – MERITOR AXLES

MERITOR 12¹/₄" AND 16¹/₂" DIA. BRAKES - LATE 4000-6000 TRAILER AXLES WITH HEAVY DUTY METAL BUSHINGS AND SPACERS



BWP KIT	CONTAINS
M-K89	4 M-588 WASHERS
	2 M-748 WASHERS
	2 M-1046 LOCK RING
	4 M-1401 SEAL
	2 M-1521 BRACKET
	2 M-3247 BUSHING
	2 M-3248 SPACER
	2 M-1523 LOCK RING
	H.D. ALTERNATE FOR M-K61 KIT. USES H.D. METAL BUSHINGS AND SPACERS.
FOR 1 ⁵ / ₈ " DIA. CAMSHAFTS	

MERITOR 12¹/₄" AND 16¹/₂" DIA. BRAKES-LATE 4000-6000 TRAILER AXLES



BWP KIT	CONTAINS
M-K61	2 M-1521 SUPPORT BRACKET
	2 M-1401 SEAL
	2 M-1403 "O" RING SEAL
	2 M-1404 INNER BUSHING
	2 M-1405 OUTER BUSHING
	2 M-588 SPACING WASHER
	2 M-748 WASHER
	4 M-1402A WASHER
	2 M-1046 LOCK RING
	2 M-1523 LOCK RING
	FOR 1 ⁵ / ₈ " DIA. CAMSHAFTS

MERITOR 12¹/₄" AND 16¹/₂" DIA. BRAKES-LATE 4000-6000 TRAILER AXLES



BWP KIT	CONTAINS
M-K16	2 M-1550 BUSHING
	4 M-1093 "O" RING
	2 M-1401 SEAL
	2 M-1403 "O" RING SEAL
	2 M-1404 INNER BUSHING
	2 M-1405 OUTER BUSHING
	2 M-588 SPACING WASHER
	2 M-748 SPACING WASHER
	4 M-1402A SPACING WASHER
	2 M-1046 LOCK RING
	2 M-1523 LOCK RING
	FOR 1 ⁵ / ₈ " DIA. CAMSHAFTS.
	SAME AS M-K61 KIT LESS M-1521

MERITOR DRIVE AXLES WITH 16¹/₂" DIA "Q" BRAKES



BWP KIT	CONTAINS
M-K81	4 M-571 BUSHING
	4 M-587A SEAL
	4 M-748 WASHER
	2 M-1093 "O" RING
	2 M-1523 LOCK RING
	2 M-2634 WASHER
	4 M-2638 WASHER
	2 M-3349 LOCK RING
	FOR 1 ¹ / ₂ " DIA. CAMSHAFTS

ALL KITS CONTAIN REPLACEMENT PARTS FOR TWO CAMSHAFTS

CAMSHAFT REPAIR KITS – MERITOR AXLES

MERITOR 16 $\frac{1}{2}$ " DIA. LATE TRAILER AXLES WITH FABRICATED SPIDERS



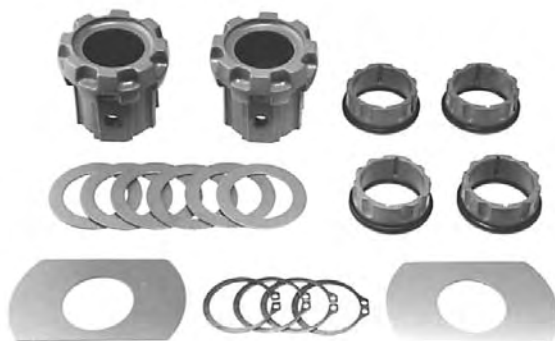
BWP KIT	CONTAINS
M-K88	2 M-588 WASHER
	2 M-748 WASHER
	2 M-1523 LOCK RING
	2 M-1521 BRACKET
	2 M-3349 LOCK RING
	2 M-K90 KIT
	FOR 1 $\frac{5}{8}$ " DIA. CAMSHAFTS

MERITOR BOSS - BEARING CAM KIT FOR FABRICATED SPIDERS



BWP KIT	CONTAINS
M-K90	1 BRACKET BUSHING
	4 SCREWS
	1 CAMHEAD WASHER
	1 WASHER
	2 SEALS
	1 LOCK RING
REPLACES MERITOR 8289	
	FOR 1 $\frac{5}{8}$ " DIA. CAMSHAFTS

MERITOR 16 $\frac{1}{2}$ " DIA. BRAKES - "P" SERIES TRAILER AXLES



BWP KIT	CONTAINS
M-K13	2 M-1520 SPIDER SUPPORT
	2 M-572 SUPPORT BUSHING
	6 M-583 SPACING WASHER
	2 M-584 "D" WASHER
	4 M-579 LOCK RING

MERITOR 16 $\frac{1}{2}$ " DIA. BRAKES – LATE "P" SERIES TRAILER AXLES



BWP KIT	CONTAINS	
M-K15	2 M-1550 BUSHING	
	4 M-1093 "O" RING	
	2 M-824 SPIDER SEAL	
	2 M-825 QUAD RING	
	2 M-826 INNER BUSHING	
	2 M-847 OUTER BUSHING	
	6 M-588 SPACING WASHER	
	4 M-579 LOCK RING	
		FOR 1 $\frac{1}{2}$ " DIA. CAMSHAFTS
		SAME AS M-K14 LESS M-1521

ALL KITS CONTAIN REPLACEMENT PARTS FOR TWO CAMSHAFTS

BRAKE PARTS

CAMSHAFT REPAIR KITS – MERITOR

MERITOR 16 1/2" DIA. BRAKES - LATE "P" SERIES TRAILER AXLES



BWP KIT	CONTAINS
M-K14	2 M-1521 SUPPORT BRACKET
	2 M-824 SPIDER SEAL
	2 M-825 QUAD RING
	2 M-826 INNER BUSHING
	2 M-847 OUTER BUSHING
	6 M-588 SPACING WASHER
	4 M-579 LOCK RING
	FOR 1 1/2" DIA. CAMSHAFTS

MERITOR 16 1/2" DIA. BRAKES - EARLY "P" SERIES



BWP KIT	CONTAINS
M-K17	4 M-571 BUSHING
	4 M-587-A SEAL
	2 M-584 "D" WASHER
	2 M-580 SPACING WASHER
	2 M-583 SPACING WASHER
	2 M-579 LOCK RING
	FOR SELF CONTAINED TRACTOR BRAKES FOR 1 1/2" DIA. CAMSHAFTS

MERITOR 16 1/2" DIA. BRAKES - "P" SERIES TRAILER BRAKES



BWP KIT	CONTAINS
M-K65	2 M-1521 SUPPORT BRACKET
	2 M-1400 CAMSHAFT BUSHING
	2 M-587-A SEAL
	2 M-825 SPIDER SEAL
	8 M-588 SPACING WASHER
	4 M-579 LOCK RING
	WHEN USING M-1400 BUSHING IN PLACE OF M-1520 FOR 1 1/2" DIA. CAMSHAFTS

MERITOR 15" DIA. & 16 1/4" DIA. BRAKES—"T" SERIES WITH 1 1/2" DIA. CAM



BWP KIT	CONTAINS
M-K69	4 M-571 BUSHING
	4 M-587A SEAL
	2 M-580 WASHER
	4 M-583 WASHER
	2 M-2643 WASHER
	2 M-2641 WASHER
	2 M-579 LOCK RING
	FOR 1 1/2" DIA. CAMSHAFTS

ALL KITS CONTAIN REPLACEMENT PARTS FOR TWO CAMSHAFTS

CAMSHAFT REPAIR KITS – STD. FORGE, WAGNER

STD. FORGE 16¹/₂" DIA. BRAKES - EARLY AXLES USING CAST BRACKET



BWP KIT	CONTAINS
M-K22	2 M-571 SPIDER BUSHING
	2 M-571-A SUPPORT BUSHING
	4 M-587-A SEAL
	2 M-584 "D" WASHER
	6 M-583 SPACING WASHER
	4 M-579 LOCK RING
FOR UNDERCUT BORE SPIDERS. FOR 1 ¹ / ₂ " DIA. CAMSHAFTS	

STD. FORGE 16¹/₂" DIA. BRAKES - BOLT-ON SPIDER



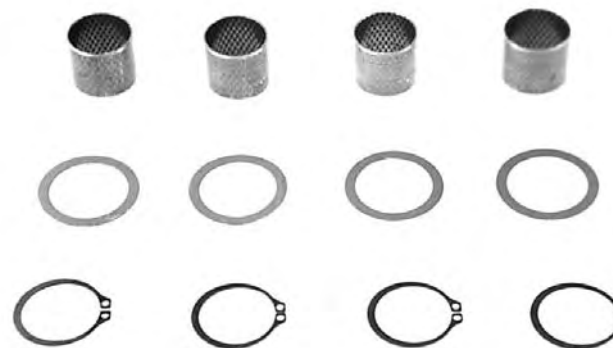
BWP KIT	CONTAINS
M-K23	2 M-571 SPIDER BUSHING
	2 M-582 SUPPORT BUSHING
	4 M-587-A SPIDER SEAL
	2 M-584 "D" WASHER
	6 M-583 SPACER WASHER
	4 M-579 LOCK RING
FOR 1 ¹ / ₂ " DIA. CAMSHAFTS	

STD. FORGE 16¹/₂" DIA. BRAKES - WELD ON SPIDER



BWP KIT	CONTAINS	
M-K24	2 M-571 SPIDER BUSHING	
	2 M-582 SUPPORT BUSHING	
	4 M-824-A SPIDER SEAL	
	2 M-584 "D" WASHER	
	6 M-583 SPACER WASHER	
	2 M-579 LOCK RING	
	2 M-748 WASHER	
	2 M-1523 LOCK RING	
	FOR 1 ¹ / ₂ " DIA. CAMSHAFTS	

WAGNER 15" DIA. FRONT BRAKES – 3", 3¹/₂", 4" SHOES



BWP KIT	CONTAINS
M-K66	4 M-2619 BUSHING
	4 M-2636 WASHER
	4 M-2647 LOCK RING
FOR 1 ¹ / ₄ " DIA. CAMSHAFTS	

ALL KITS CONTAIN REPLACEMENT PARTS FOR TWO CAMSHAFTS

BRAKE PARTS

CAMSHAFT REPAIR KIT - WAGNER / CAM KIT CHART

WAGNER 15" DIA. DRIVE AXLE BRAKES – 6", 7" SHOES



BWP KIT	CONTAINS
M-K67	4 M-2620 BUSHING
	4 M-2632 SEAL
	4 M-1413 WASHER
	4 M-2648 LOCK RING
	FOR 1 1/2" DIA. CAMSHAFTS

BRAKE PARTS

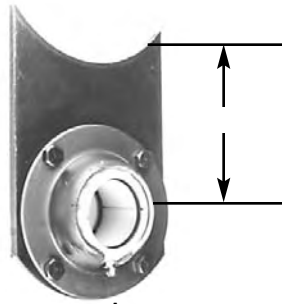
CAMSHAFT KIT TO BRAKE SHOE KIT REFERENCE CHART

BWP CAM KIT	MFG.	BRAKE DIA.	USE BWP BRAKE SHOE KIT
M-K13	MERITOR	16 1/2"	M-K4, M-K7
M-K14	MERITOR	16 1/2"	M-K7, M-K39
M-K15	MERITOR	16 1/2"	M-K7, M-K39
M-K16	MERITOR	12 1/4"	M-K45
M-K16	MERITOR	16 1/2"	M-K7, M-K39
M-K17	MACK	16 1/2"	M-K54, M-K56
M-K17	MERITOR	16 1/2"	M-K4, M-K7, M-K39
M-K18	EATON	16 1/2"	M-K9
M-K19	EATON	16 1/2"	M-K10, M-K58
M-K20	FRUEHAUF	12 1/4"	M-K5, M-K8, M-K47
M-K20	FRUEHAUF	16 1/2"	M-K7, M-K41, M-K42
M-K21	FRUEHAUF	16 1/2"	M-K7, M-K41, M-K42
M-K22	STD. FORGE	16 1/2"	M-K4
M-K23	STD. FORGE	16 1/2"	M-K4
M-K24	STD. FORGE	16 1/2"	M-K7, M-K57
M-K25	STD. FORGE	12 1/4"	M-K11, M-K43
M-K26	STD. FORGE	12 1/4"	M-K12
M-K27	STD. FORGE	16 1/2"	M-K4
M-K27	DANA	16 1/2"	M-K1, M-K4
M-K60	EATON	12 1/4"	M-K46
M-K61	MERITOR	16 1/2"	M-K7, M-K39
M-K62	EATON	16 1/2"	M-K4, M-K9

BWP CAM KIT	MFG.	BRAKE DIA.	USE BWP BRAKE SHOE KIT
M-K63	EATON	16 1/2"	M-K10
M-K64	DANA	16 1/2"	M-K7
M-K65	MERITOR	16 1/2"	M-K7
M-K66	WAGNER	15"	M-K48, M-K49, M-K50
M-K67	WAGNER	15"	M-K51
M-K68	MERITOR	15"	M-K52
M-K69	MERITOR	15"	M-K52
M-K69	MERITOR	16 1/4"	M-K53
M-K71	KB AXLE	16 1/2"	M-K4
M-K78	EATON	15"	M-K77
M-K81	MERITOR	16 1/2"	M-K39, M-K72
M-K85	MERITOR	16 1/2"	M-K39, M-K7
M-K86	EATON	16 1/2"	M-K10, M-K58 (18")
M-K87	MERITOR	15"	M-K52
M-K88	MERITOR	16 1/2"	M-K39, M-K72
M-K89	MERITOR	16 1/2"	M-K7, M-K39
M-K90	MERITOR	16 1/2"	M-K39
M-K101	DANA	16 1/2"	M-K91
M-K102	DANA	12 1/4"	M-K83, M-K104
M-K103	DANA	16 1/2"	M-K91
M-K107	HENDRICKSON	16 1/2"	M-K39
M-K111	DANA	12 1/4"	M-K83

CAMSHAFT SUPPORT BRACKETS

DANA (STD. FORGE) CAMSHAFT SUPPORT BRACKETS



A
M-1556 = 2"
M-1554 = 3 1/2"

BWP. NO.	REPLACES	USE BWP BUSHING	APPLICATION
M-1556	STD. FORGE 209999-019 DANA-M12WH112	M-582	12 1/4" DIA. BRAKE 5" ROUND AXLE
M-1554	STD. FORGE 209999-018 DANA-M16WH113X	M-582	16 1/2" DIA. BRAKE 5" ROUND AXLE
M-2645	RETAINER CUP STD. FORGE 209108-001	RETAINER ONLY	RETAINER CUPS FOR M-1554 AND M-1556

DANA LATE MODEL SUPPORT BRACKET (1996 ON)



BWP. NO.	REPLACES	CONTAINS	APPLICATION
M-3751*	DANA M16KY204	2 COVERS 2 BUSHINGS 8 TAP SCREWS	12 1/4" DIA. & 16 1/2" DIA. BRAKES

*TO BE USED WITH EXISTING MOUNTING BRACKETS

FRUEHAUF CAMSHAFT SUPPORT BRACKET – EARLY PRO-PAR



BWP. NO.	REPLACES	USE BWP BUSHING	APPLICATION
M-1048	FRUEHAUF AXA-0430-1	M-1047	EARLY PRO-PAR 1 5/8" DIA. CAMS

FRUEHAUF CAMSHAFT SUPPORT BRACKET – LATE STYLE



BWP. NO.	REPLACES	USE BWP BUSHING	APPLICATION
M-2594	FRUEHAUF ACF-4021-1 ACF-4022-1	M-1058	LATE PRO-PAR 16 1/2" & 12 1/4" DIA. BRAKE INCLUDES BOLTS AND BUSHING

FRUEHAUF BRACKET SUPPORTS



BWP. NO.	REPLACES	USE BWP BUSHING	APPLICATION
M-2595	FRUEHAUF ACF-4024-1	M-2594	16 1/2" DIA. PRO-PAR BRAKE
M-2593	FRUEHAUF ACF-4024-2	M-2594	12 1/4" DIA. PRO-PAR BRAKE

BRAKE PARTS

CAMSHAFT SUPPORT BRACKETS

MERITOR CAMSHAFT SUPPORT BRACKET



BWP. NO.	REPLACES	USE BWP BUSHING	APPLICATION
M-1521	MERITOR A-1199-D-2526 A-3105-V-282	M-1550 AND M-1093 "O" RINGS	ALL LATE MODEL MERITOR AXLES

MERITOR CAMSHAFT SUPPORTS FOR M-1521



BWP. NO.	REPLACES	USE BWP BRACKET	APPLICATION
M-1553	MERITOR 3299-H-3102 (Old) KIT 1759 (New)	M-1521	4" X 6" AXLE



BWP. NO.	REPLACES	USE BWP BRACKET	APPLICATION
M-2627	MERITOR 3299-T-5298 (Old) 3299-T-5844 (New)	M-1521	5" ROUND AXLE BUSHING INCLUDED

MERITOR CAMSHAFT SUPPORT RETAINER



BWP. NO.	REPLACES	USE BWP BUSHING	APPLICATION
M-1572	MERITOR 1205-N-430 FRUEHAUF 219157	M-572	EARLY MERITOR AND SOME EARLY FRUEHAUF AXLES









"O" RINGS FOR SUPPORT BRACKET AND SPIDER BUSHINGS



BWP NO.	REPLACES	I.D.	O.D.	USE WITH BUSHING
M-1092	MERITOR 1205-R-694	1 1/2"	1 3/4"	M-572, M-582, M-999
M-1093	MERITOR 1205-X-726	1 1/2"	1 7/8"	M-1550
M-1094	MERITOR 1205-R-746	1 1/2"	1 11/16"	M-1520 - I.D.
M-1095	MERITOR 1205-G-761	1 7/8"	2 1/16"	M-1520 - O.D.
M-1096	FRUEHAUF AXA-0412-1	1 19/32"	1 27/32"	M-1047, M-1058
M-1097	FRUEHAUF AXA-0414-1	1 5/8"	1 13/16"	M-1049 - I.D.
M-1098	FRUEHAUF AXA-0415-1	2"	2 3/16"	M-1049 - O.D.

CAMSHAFT BUSHINGS FOR BRAKE SPIDERS

LISTED BY I.D. AND O.D. DIMENSIONS

BWP NO.	REPLACES	I.D.	O.D.	LENGTH	NOTE
	M-3257 BENDIX 2258191	1 ¹ / ₈ "	1 ¹ / ₄ "	1 ¹⁵ / ₃₂ "	BENDIX "BRAZILIAN" BRAKE STEEL MAT'L
	M-2619 WAGNER FC-032976	1 ¹ / ₄ "	1 ⁷ / ₁₆ "	1"	WAGNER FRONT BRAKES WITH 1 ¹ / ₄ " DIA. CAMS BRONZE MAT'L
	M-3237 MERITOR 1225-R-1136	1 ¹ / ₄ "	1 ⁵ / ₈ "	1 ³ / ₁₆ "	MERITOR 15"X4" STEERING AXLE WTH "Q" BRAKES NYLON MAT'L
	M-2618 MERITOR 1225-M-897	1 ¹ / ₄ "	1 ⁷ / ₈ "	1 ³ / ₁₆ "	MERITOR "T" SERIES FOR 1 ¹ / ₄ " DIA. CAMS NYLON MAT'L (Pink)
	M-3351 EATON 1006530 1008220	1 ¹ / ₄ "	1 ⁷ / ₈ "	1 ⁵ / ₁₆ "	EATON 15"X4" FRONT BRAKE NYLON MAT'L
	M-710 MERITOR 1225-J-218 GM 2290548 80-AX-220	1 ¹ / ₂ "	1 ⁵ / ₈ "	1"	MERITOR FRONT BRAKES STEEL MAT'L
	M-1552 MACK 80-AX-485	1 ¹ / ₂ "	1 ⁵ / ₈ "	1 ⁵ / ₁₆ "	MACK TRUCK STEEL MAT'L
	M-1509 MERITOR 1225-U-151 MACK 80-AX-269 WHITE 93139	1 ¹ / ₂ "	1 ⁵ / ₈ "	1 ⁷ / ₁₆ "	MERITOR AND MACK APPLICATIONS STEEL MAT'L
	M-1549 EATON 18454 GM 2290549 IHC 56853HA	1 ¹ / ₂ "	1 ⁵ / ₈ "	1 ¹¹ / ₁₆ "	EATON APPLICATIONS STEEL MAT'L

BRAKE PARTS

CAMSHAFT BUSHINGS FOR BRAKE SPIDERS

LISTED BY I.D. AND O.D. DIMENSIONS

BRAKE PARTS



BWP NO.	REPLACES	I.D.	O.D.	LENGTH	NOTE
M-576	EATON B-1146-3 STD. FORGE UB-1066	1 ¹ / ₂ "	1 ³ / ₄ "	1 ¹ / ₄ "	OLD STYLE EATON, STD. FORGE BRAKE BRONZE MAT'L
M-2620	WAGNER FC-033602	1 ¹ / ₂ "	1 ¹¹ / ₁₆ "	1 ¹¹ / ₁₆ "	FOR WAGNER DRIVE AXLE SPIDERS BRONZE MAT'L
M-841	EATON B-1752	1 ¹ / ₂ "	1 ⁷ / ₈ "	⁷ / ₈ "	EATON 12 ¹ / ₄ " BRAKES, M-772 SPIDER BRONZE MAT'L
M-3258	BENDIX	1 ¹ / ₂ "	1 ⁷ / ₈ "	1 ¹ / ₄ "	BENDIX "BRAZILIAN" BRAKE 15"X4" AND 16 ¹ / ₂ "X7" BRAKES BRONZE MAT'L
M-1520	MERITOR 1225-D-420 1225-V-438 FRUEHAUF ACA-3265 ACA-3266	1 ¹ / ₂ "	1 ⁷ / ₈ "	1 ¹ / ₄ "	2 PIECE BUSHING YELLOW AND WHITE INCLUDES "O" RINGS. YELLOW-INSIDE, WHITE-OUTSIDE NYLON MAT'L
M-571	MERITOR 1225-L-1208 DANA 11008 EATON B-2021 STD. FORGE 405126	1 ¹ / ₂ "	1 ⁷ / ₈ "	1 ¹ / ₄ "	NYLON MATERIAL GROOVED ON O.D. FOR GREASE
M-1551	SAME AS M-571 EATON 1003000	1 ¹ / ₂ "	1 ⁷ / ₈ "	1 ¹ / ₄ "	BRONZE BUSHING, OIL IMPREGNATED
M-1587	SAME AS M-571	1 ¹ / ₂ "	1 ⁷ / ₈ "	1 ¹ / ₄ "	PHENOLIC MATERIAL, REQUIRES INFREQUENT LUBRICATION
M-1586	SAME AS M-571	1 ¹ / ₂ "	1 ⁷ / ₈ "	1 ³ / ₈ "	PHENOLIC MATERIAL, MAY USE IN PLACE OF M-571, M-571B

CAMSHAFT BUSHINGS FOR BRAKE SPIDERS

LISTED BY I.D. AND O.D. DIMENSIONS

BWP NO.	REPLACES	I.D.	O.D.	LENGTH	NOTE
 M-571B	STD. FORGE 405129	1½"	1⅞"	1½"	NYLON MATERIAL GROOVED ON O.D. FOR GREASE
 M-2548	SAME USE AS M-571B SF 405133 DANA M16HD100	1½"	1⅞"	1½"	GROOVED IN I.D. FOR LUBE PURPOSES BRONZE MAT'L
 M-1400	MERITOR 1225-X-804	1½"	1⅞"	1⅞"	LATE 500 SERIES MERITOR AXLES NYLON MAT'L
 M-571A	DANA 11019 STD. FORGE 405109 DANA M10WJ178	1½"	1⅞"	2"	NYLON MATERIAL
 M-1585	SAME AS M-571A	1½"	1⅞"	2"	PHENOLIC MATERIAL, WITH MOLYBDENUM DISULFATE
 M-578	DANA 16054 STD. FORGE 405123 DANA M10WJ182	1½"	1⅞"	2"	BRONZE MATERIAL
 M-826	MERITOR 1225-J-634	1½"	1¾"	1⅞"	INNER BUSHING
 M-847	MERITOR 1225-A-781 1225-G-631	1¾"	1⅞"	1⅝"	OUTER BUSHING
 M-1407	BUSHING ASSEMBLY	1½"	1⅞"	1½" TOTAL	ASSEMBLY FOR 1½" DIA. CAMS — CONTAINS: 1 M-824 1 M-825 1 M-826 1 M-827

BRAKE PARTS

CAMSHAFT BUSHINGS FOR BRAKE SPIDERS

LISTED BY I.D. AND O.D. DIMENSIONS

BRAKE PARTS



BWP NO.	REPLACES	I.D.	O.D.	LENGTH	NOTE
M-1404	MERITOR 1225-B-834	1 ⁵ / ₈ "	1 ⁷ / ₈ "	1 ¹ / ₈ "	INNER BUSHING PHENOLIC MAT'L
M-1405	MERITOR 1225-A-833	1 ⁷ / ₈ "	2"	1 ⁵ / ₁₆ "	OUTER BUSHING METAL MAT'L
M-1406	BUSHING ASSEMBLY	1 ⁵ / ₈ "	2"	1 ¹ / ₂ " TOTAL	ASSEMBLY FOR 1 ⁵ / ₈ " DIA. CAMS — CONTAINS: 1 M-1401 1 M-1403 1 M-1404 1 M-1405
M-1049	FRUEHAUF AXA-0413-900	1 ⁵ / ₈ "	2"	7 ⁷ / ₈ "	FRUEHAUF PRO-PAR 1 ⁵ / ₈ " DIA. CAMS 2 PER SPIDER NYLON MAT'L
M-3247	MERITOR 1225-N-1158	1 ⁵ / ₈ "	2"	1"	MERITOR AXLES WITH CAST SPIDERS METAL MAT'L
M-2621	EATON 1002248 1008412	1 ⁵ / ₈ "	2"	1 ¹ / ₄ "	EATON 501 SERIES CAMS 1 PER SPIDER NYLON MAT'L
M-3747	DANA M16HD106	1 ⁵ / ₈ "	2"	1 ¹ / ₂ "	DANA LATE 16 ¹ / ₂ " BRACKET WITH 1 ⁵ / ₈ " BEARING SURFACES BRONZE MAT'L

CAMSHAFT BUSHINGS FOR CAM SUPPORT BRACKETS

LISTED BY I.D. AND O.D. DIMENSIONS



BWP NO.	REPLACES	I.D.	O.D.	LENGTH	NOTE
M-1550	MERITOR 1225-R-1058	1½"	2⅛"	1"	FOR ALL LATE MERITOR AXLES. USED IN M-1521 BRACKET WITH M-1093 "O" RINGS NYLON MAT'L
M-2622	DANA M10WJ100	1½"	2 ¹⁵ / ₃₂ "	1½"	NYLON MATERIAL FOR DANA AXLES NYLON MAT'L
M-582	STD. FORGE 405128 DANA M10WJ212X	1½"	2 ¹⁵ / ₃₂ "	1¾"	NYLON MATERIAL INCLUDES ZERK AND "O" RINGS
M-3748	DANA M10WJ237X	1½"	2 ¹⁵ / ₃₂ "	1¾"	SELF-LUBE VERSION OF M-582 1" ZIRC FITTING
M-999	EATON B-2028-A 820185	1½"	2¾"	2"	NYLON MATERIAL INCLUDES ZERK AND "O" RINGS
M-572	MERITOR A-3299-G-1541 FRUEHAUF 515148 STD. FORGE 405125	1½"	2¾"	2½"	NYLON MATERIAL INCLUDES "O" RINGS
M-2623	EATON 1002262	1½"	2¾"	2½"	FOR EATON 501 SERIES. INCLUDES 2 M-824 SEALS NYLON MAT'L
M-1058	FRUEHAUF ACD-2285-900	1⅝"	2½"	1½"	USE WITH M-2594 NEW STYLE BRACKET AND M-1059, M-1060 OBSOLETE BRACKETS NYLON MAT'L
M-1047	FRUEHAUF AXA-0429-900	1⅝"	2⅞"	2½"	EARLY PRO-PAR AXLES USE WITH M-1048 BRACKET NYLON MAT'L

BRAKE PARTS

CAMSHAFT SEALS, FELTS, RETAINERS-FOR BRAKE SPIDERS

CAMSHAFT SEALS 1³/₁₆" I.D. TO 1⁵/₈" I.D. DIA.

BRAKE PARTS



BWP NO.	REPLACES	I.D.	O.D.	THICK.	APPLICATION
M-3236	MERITOR A-1205-D-2110	1 ³ / ₁₆ "	1 ³ / ₄ "	1/4"	MERITOR 15"X4" STEERING AXLE WITH "Q" BRAKES
M-3352	EATON 1004846	1 ¹ / ₄ "	1 ⁷ / ₈ "	1/4"	EATON 15"X4" FRONT BRAKE
M-2630	MERITOR A-1205-P-1602	1 ¹ / ₄ "	2 ¹ / ₁₆ "	1/4"	MERITOR "T" SERIES
M-825	MERITOR 1205-N-924	1 ¹ / ₂ "	1 ³ / ₄ "	1/8"	QUAD RING, USE WITH M-826, M-847
M-824	MERITOR 1205-M-1105 STD. FORGE 408101	1 ¹ / ₂ "	1 ⁷ / ₈ "	3/16"	LATE MERITOR, STD. FORGE WELD-ON SPIDERS
M-824A	EATON B-1736 40864 79903	1 ¹ / ₂ "	1 ⁷ / ₈ "	1/4"	EATON ONLY NOT FOR LATE ROCKWELL
M-2629	MERITOR 3780-A-131	1 ¹ / ₂ "	1 ⁷ / ₈ "	7/32"	"O" RING, USE WITH M-2633 RETAINER
M-2632	WAGNER, FC031933	1 ¹ / ₂ "	2"	3/16"	LEATHER LIP, WAGNER DRIVE AXLE
M-587A	MERITOR 1705-M-143 EATON B-1662	1 ¹ / ₂ "	2 ¹ / ₁₆ "	1/4"	MOST BOLT-ON SPIDERS AND SOME BRACKETS
M-1403	MERITOR 1205-V-1452	1 ⁵ / ₈ "	1 ⁷ / ₈ "	1/8"	QUAD RING FOR MERITOR 4000-6000 AXLES
M-1401	MERITOR 1205-U-1451	1 ⁵ / ₈ "	2"	1/4"	SEAL FOR MERITOR 4000-6000 AXLES
M-1401A	USE WITH M-2621 BUSHING	1 ⁵ / ₈ "	2"	3/16"	MERITOR TRAILER SPIDERS
M-2631	EATON 1002279	1 ⁵ / ₈ "	2"	1/4"	EATON 501 SERIES BRAKE

CAMSHAFT FELTS – 1¹/₂" DIA.



BWP NO.	REPLACES	I.D.	O.D.	THICK.	APPLICATION
M-1560	MACK 41-AX-221	1 ¹ / ₂ "	1 ¹³ / ₁₆ "	1/4"	WITH M-1555 FELT
M-586	MERITOR 5-X-191 FRUEHAUF 219177	1 ¹ / ₂ "	2"	3/16"	WITH M-589 RETAINER
M-587	MERITOR 5-X-433 FRUEHAUF 219294	1 ¹ / ₂ "	2 ¹ / ₁₆ "	1/4"	WITH M-589 RETAINER

CAMSHAFT FELT RETAINERS – 1¹/₂" DIA.



BWP NO.	REPLACES	I.D.	O.D.	THICK.	APPLICATION
M-1555	MACK 11-BC-1209	1 ⁹ / ₁₆ "	1 ⁷ / ₈ "	1/4"	USE WITH M-1560 RETAINER
M-2633	MERITOR 1705-D-290	1 ¹ / ₂ "	2 ¹ / ₁₆ "	7/32"	USE WITH M-2629 "O" RING
M-589	MERITOR 1205-W-205 FRUEHAUF 219178	1 ⁹ / ₁₆ "	2 ¹ / ₁₆ "	3/16"	USE WITH M-586, M-587 FELTS

CAMSHAFT SPACING WASHERS

CAMSHAFT WASHERS – 1¼" I.D. TO 1⅝" O.D. DIA.



BWP NO.	REPLACES	I.D.	O.D.	THICK.	APPLICATION
M-2636	WAGNER FC-03002	1¼"	1¾"	⅛"	WAGNER FRONT AXLE
M-748	MERITOR 1229-B-1848	1¼"	1⅞"	⅛"	MERITOR 4000-6000, SPLINE END
M-3353	EATON 1005202	1¼"	2¼"	⅛"	INNER SPACER MK-78 KIT
M-3354	EATON 1005203	1¼"	2¼"	⅜"	OUTER SPACER MK-78 KIT
M-3750	DANA M10HS146	1⅞"	1⅞"	⅜"	DANA 16½" SPLINE END
M-2637	MERITOR 1229-Q-277	1⅞"	2⅜"	⅛"	MERITOR "T" SERIES
M-2639	MERITOR 1107-D-56	1⅞"	2⅞"	⅜"	MERITOR "T" SERIES
M-2640	MERITOR 1229-B-236	1⅝"	2½"	⅛"	MERITOR "T" SERIES
M-588	MERITOR 1229-J-868 EATON B-1221 STD. FORGE 403107	1⅞"	2"	⅜"	UNIVERSAL USAGE
M-1409	EATON 23570	1⅞"	2"	⅜"	EATON SELF-CONTAINED BRAKE
M-1408	EATON 35428	1⅞"	2"	⅛"	EATON SELF-CONTAINED BRAKE
M-580	MERITOR 1229-Q-771 FRUEHAUF 219292	1⅞"	2¼"	⅜"	UNIVERSAL FOR 1½" DIA. CAMS
M-583	MERITOR 1229-R-122 EATON B-1216 FRUEHAUF 219293	1⅞"	2¼"	⅛"	UNIVERSAL FOR 1½" DIA. CAMS
M-1413	STD. FORGE 403149	1⅞"	2¼"	⅜"	STD. FORGE 12¼" DIA. BRAKE
M-2638	MERITOR 1229-S-2697	1⅞"	2⅜"	7/64"	MERITOR "Q" DRIVE AXLE
M-719	STD. FORGE 403105	1⅞"	2⅞"	⅛"	STD. FORGE, EATON, MERITOR
M-2641	MERITOR 1229-P-302	1⅞"	2¾"	⅛"	MERITOR "T" SERIES
M-2642	STD. FORGE 403111	1⅞"	3"	3/16"	STD. FORGE EARLY AXLES
M-2643	MERITOR 1229-E-811	1⅞"	3⅛"	⅛"	MERITOR "T" SERIES
M-2644	MERITOR 1229-F-1618	1⅞"	3⅛"	⅛"	MERITOR "T" SERIES
M-2646	EATON B-1740	1⅞"	3⅛"	⅛"	EATON 12¼" DIA. BRAKE
M-1402	MERITOR 1229-F-2502	1⅝"	2"	⅛"	MERITOR 4000-6000 CAM END
M-1402A	MERITOR 1229-X-3118	1⅝"	2¼"	⅛"	MERITOR 4000-6000 CAM END
M-1045	FRUEHAUF AXA-0417-1	1⅝"	2⅜"	⅛"	FRUEHAUF PRO-PAR
M-3985	SPICER M10HS143	1⅞"	2⅞"	⅛"	FOUND IN KIT M-K111
M-3749	DANA M10HS143	1⅞"	2¼"	⅛"	DANA 16½" 1⅝" CAMS

BRAKE PARTS

CAMSHAFT SPECIALTY WASHERS, LOCK RINGS

CAMSHAFT HEAD WASHERS

BRAKE PARTS



BWP NO.	REPLACES	I.D.	O.D.	THICK.	APPLICATION
M-2635	NYLON WASHER MERITOR 1225-C-939	1 $\frac{1}{2}$ "	1 $\frac{7}{8}$ "	$\frac{9}{32}$ "	MERITOR "T" SERIES CAMSHAFTS
M-1589	BENT WASHER STD. FORGE 403112	1 $\frac{17}{32}$ "	3 $\frac{1}{2}$ "	$\frac{1}{16}$ "	12 $\frac{1}{4}$ " DIA. BRAKES WITH "S" HEAD CAMS
M-584	"D" WASHER MERITOR 1229-G-1463 EATON B-1212-1 FRUEHAUF 219158 STD. FORGE 403108	1 $\frac{1}{2}$ "	3 $\frac{7}{8}$ "	$\frac{1}{16}$ "	UNIVERSAL FOR MANY 1 $\frac{1}{2}$ " CAMS. REVERSE FOR FRUEHAUF
M-1412	STD. FORGE 403150	1 $\frac{17}{32}$ "	3 $\frac{7}{8}$ "	$\frac{1}{16}$ "	STD. FORGE LATE SERIES 12 $\frac{1}{4}$ " BRAKES
M-2634	MERITOR 1229-N-2250	1 $\frac{1}{2}$ "	5 $\frac{13}{16}$ "	$\frac{1}{16}$ "	MERITOR "P" AND "T" SERIES CAMS
M-3240	EATON 806380	1 $\frac{1}{2}$ "	2"x6"	$\frac{1}{16}$ "	EATON "ES" BRAKE
M-3986	SPICER M10HS147	1 $\frac{11}{16}$ "	2 $\frac{7}{16}$ "	$\frac{19}{32}$ "	FOR LATE MODEL STANDARD FORGE 12 $\frac{1}{4}$ " BRAKE
M-3248	MERITOR 1229-C-4137	1 $\frac{11}{16}$ "	2 $\frac{3}{8}$ "	$\frac{11}{32}$ "	FOR DOUBLE GROOVE CAMS USING M-3247 BUSHING
M-3259	BENDIX GASKET FOR CAM BRACKET	2 $\frac{1}{16}$ "	2 $\frac{7}{16}$ "	$\frac{1}{32}$ "	BENDIX BRAZILIAN BRAKE IN MK-97 KIT

CAMSHAFT LOCK RINGS

CAMSHAFT LOCK RINGS



BWP NO.	REPLACES	I.D.	O.D.	CAM DIA.	APPLICATION
M-2647	WAGNER FC-031921	1 ¹ / ₈ "	1 ¹ / ₃₂ "	1 ¹ / ₄ "	WAGNER 1 ¹ / ₄ " CAMSHAFTS
M-2648	WAGNER FC-031955	1 ⁵ / ₁₆ "	1 ¹ / ₁₆ "	1 ¹ / ₂ "	WAGNER 1 ¹ / ₂ " CAMSHAFTS
M-3349	MERITOR 1229-D-2942	1 ⁵ / ₃₂ "	3 ³ / ₃₂ "	1 ¹ / ₂ "	MERITOR 15 ¹ / ₂ " X 3 ¹ / ₂ ", 4" "T" BRAKES
M-579	MERITOR 1229-Z-1118 EATON B-1716 FRUEHAUF 219160	1 ³ / ₈ "	1 ¹ / ₁₆ "	1 ¹ / ₂ "	ALL 1 ¹ / ₂ " DIA. CAMSHAFTS
M-1523	MERITOR 1229-X-1116	1 ¹ / ₈ "	1 ¹ / ₁₆ "	1 ⁵ / ₈ "	MERITOR 1 ⁵ / ₈ " CAMS-SPINE END
M-1046	MERITOR 1229-A-1119 FRUEHAUF AXA-0418-1	1 ¹ / ₂ "	1 ¹ / ₁₆ "	1 ⁵ / ₈ "	FRUEHAUF & MERITOR 1 ⁵ / ₈ " CAMS

BRAKE PARTS

CAMSHAFT LOCKS – MISCELLANEOUS



BWP NO.	REPLACES	I.D.	TH.	APPLICATION
M-1505	EATON B-1215 STD. FORGE 214104	1 ¹ / ₂ "	1 ¹ / ₁₆ "	FOR FRONT LOCK RING GROOVE ON CAM
M-3398	MERITOR 1229-T-4102	1 ⁵ / ₈ "	3 ³ / ₃₂ "	MERITOR 16 ¹ / ₂ " "Q" PLUS BRAKES
M-2649	EATON 804017	1 ¹ / ₈ "	3 ³ / ₃₂ "	EATON SELF CONTAINED BRAKES AND 15"X4" FRONT BRAKES
M-1017	EATON 35473	1 ¹ / ₃₂ "	1 ¹ / ₈ "	EARLY EATON CAM LOCKS
M-1018	EATON 3723 MERITOR 1229-J-166	1 ¹ / ₄ "	2" LONG	OLD STYLE EATON CAMS DRILLED FOR A COTTER PIN

MANUAL SLACK ADJUSTERS

1 1/4" - 10 SPLINE – STRAIGHT ARM

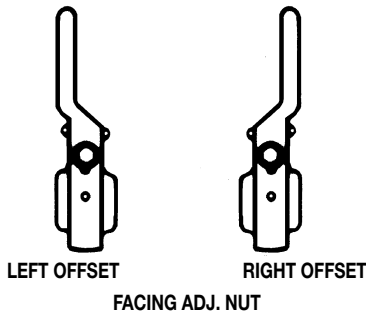


BWP NO.	REPLACES	DRILLING	NOTES
M-3375	MIDLAND KN48031 MERITOR R822009	4 1/2", 5 1/2"	26,000LBS. TORQUE RATING 1/2" CLEVIS HOLES
M-2582	BENDIX 278303 MIDLAND KN48001 MERITOR R82208	5" - 6"	26,000LBS. TORQUE RATING 1/2" CLEVIS HOLES

1 1/4" - 10 SPLINE – 5/8" OFFSET ARM



BWP NO.	REPLACES	DRILLING	NOTES
M-2578 (R/H)	BENDIX 278288 MIDLAND KN49020 MERITOR R822011	4" - 5"	26,000LBS. TORQUE RATING 1/2" CLEVIS HOLES
M-2579 (L/H)	BENDIX 278289 MIDLAND KN49030 MERITOR R822012	4" - 5"	26,000LBS. TORQUE RATING 1/2" CLEVIS HOLES
M-2580 (R/H)	MIDLAND KN49000 MERITOR R822013 WAGNER AC32382	4 1/2" - 5 1/2"	26,000LBS. TORQUE RATING 1/2" CLEVIS HOLES
M-2581 (L/H)	MIDLAND KN49010 MERITOR R822014 WAGNER AC32381	4 1/2" - 5 1/2"	26,000LBS. TORQUE RATING 1/2" CLEVIS HOLES



MANUAL SLACK ADJUSTER



BWP NO.	REPLACES	DRILLING	NOTES
M-3984	MIDLAND KN55001 MERITOR R825020	5 1/2"	1 1/4" - 24 CLEVIS HOLES

1 1/2" - 10 SPLINE – STRAIGHT ARM



BWP NO.	REPLACES	DRILLING	NOTES
M-434	BENDIX 278323 MIDLAND KN47001 MERITOR R822000 DANA M10WR119 M16WR100	5" - 6" - 7"	26,000LBS. TORQUE RATING 1/2" CLEVIS HOLES

MANUAL SLACK ADJUSTERS

1 1/2" - 10 SPINE – STRAIGHT ARM – HEAVY DUTY



BWP NO.	REPLACES	DRILLING	NOTES
M-435	BENDIX 278045 MERITOR R823000	5" - 6" - 7"	30,000LBS. TORQUE RATING 1/2" CLEVIS HOLES

1 1/2" - 10 SPLINE – STRAIGHT ARM



BWP NO.	REPLACES	DRILLING	NOTES
M-452	B-W 278312 MIDLAND KN-47080 MERITOR R822010	5" - 6"	TORQUE RATING: 22,000 FT. LBS. 1/2" CLEVIS HOLES
M-457	B-W 278321 MIDLAND KN-47011 MERITOR R822001	5 1/2" - 6 1/2"	TORQUE RATING: 26,000 FT. LBS. 1/2" CLEVIS HOLES

BRAKE PARTS

1 1/2" - 10 SPLINE – STRAIGHT ARM – HEAVY DUTY



BWP NO.	REPLACES	DRILLING	NOTES
M-451	B-W 278010 DANA M16WR105	5" - 6"	TORQUE RATING: 30,000 FT. LBS. 1/2" CLEVIS HOLES
M-1064	B-W 278008 MERITOR R823001	5 1/2" - 6 1/2"	TORQUE RATING: 30,000 FT. LBS. MACK APPLICATIONS 1/2" CLEVIS HOLES

1 1/2" - 10 SPLINE – STRAIGHT ARM – MACK



BWP NO.	REPLACES	DRILLING	NOTES
M-1063	B-W 279634	6 3/4" - 7 3/4"	TORQUE RATING: 30,000 FT. LBS. MACK APPLICATIONS 1/2" CLEVIS HOLES

MANUAL SLACK ADJUSTERS

1 1/2" - 10 SPLINE - 5/8" OFFSET ARM



LH SHOWN

BWP NO.	REPLACES	DRILLING	NOTES
M-1061	B-W 279947 LEFT HAND	6" - 7"	TORQUE RATING: 26,000 FT. LBS. MACK TRUCK L.H. OFFST 1/2" CLEVIS HOLES
M-1062	B-W 279946 RIGHT HAND	6" - 7"	TORQUE RATING: 26,000 FT. LBS. MACK TRUCK R.H. OFFST 1/2" CLEVIS HOLES

1 1/2" - 10 SPLINE - 1 1/2" OFFSET ARM



LH SHOWN

BWP NO.	REPLACES	DRILLING	NOTES
M-455	B-W 288541 B-W 278105 RIGHT HAND	5" - 6"	TORQUE RATING: 26,000 FT. LBS. FOR TRACTOR TRAILER 1/2" CLEVIS HOLES
M-456	B-W 288542 B-W 278106 LEFT HAND	5" - 6"	TORQUE RATING: 26,000 FT. LBS. FOR TRACTOR TRAILER 1/2" CLEVIS HOLES

1 1/2" - 10 SPLINE - CURVED ARM



BWP NO.	REPLACES	DRILLING	NOTES
M-475	B-W 278084 EATON R2138 MIDLAND N2943 STD. FORGE 212111	6"	TORQUE RATING: 26,000 FT. LBS. 12 1/4" DIA. TRAILER BRAKES

1 1/2" - 28 SPLINE - CURVED ARM



BWP NO.	REPLACES	DRILLING	NOTES
M-3374	MIDLAND KN51010 MERITOR A-3275-H-686	6"	26,000 TORQUE RATING MERITOR 12 1/4" "Q" BRAKES

1 3/4" - 37 SPLINE - FRUEHAUF PRO-PAR AXLES



BWP NO.	REPLACES	DRILLING	NOTES
M-474	B-W 283411 MIDLAND KN-44040 FRUEHAUF AXA-1011-1 MERITOR R822007	6"	TORQUE RATING: 26,000 FT. LBS. PRO-PAR AXLES

MANUAL SLACK ADJUSTERS

1 1/2" - 28 SPLINE - STRAIGHT ARM



BWP NO.	REPLACES	DRILLING	NOTES
M-638	B-W 286965 MIDLAND KN-44051 MERITOR R822003	5" - 6"	TORQUE RATING: 26,000 FT. LBS. 1/2" CLEVIS HOLES
M-2577	B-W 288753 MIDLAND KN44061 MERITOR R822004	5 1/2" - 6 1/2"	TORQUE RATING: 26,000 FT. LBS. MERITOR 4000-6000 AXLES 1/2" CLEVIS HOLES

1 1/2" - 28 SPLINE - STRAIGHT ARM - HEAVY DUTY



BWP NO.	REPLACES	DRILLING	NOTES
M-3373	BENDIX 101215 MERITOR R823002	5" - 6" - 7"	30,000 LBS. TORQUE RATING 1/2" CLEVIS HOLES

BUSHINGS FOR SLACK ADJUSTER ARM



BWP NO.	I.D.	O.D.	LENGTH	APPLICATION
M-432	1/2"	5/8"	17/32"	FOR 1/2" CLEVIS PINS STANDARD FOR MOST SLACK ADJUSTERS
M-433	5/8"	3/4"	17/32"	FOR 5/8" CLEVIS PINS

ALEMITE GREASE FITTINGS



BWP NO.	DESCRIPTION	THREAD	APPLICATION
M-1414	STRAIGHT	1/8" PIPE	MULTIPLE USES: BRAKE SPIDERS SUPPORT BRACKETS CAMSHAFT BUSHINGS OTHERS
M-1415	45°	1/8" PIPE	
M-1416	90°	1/8" PIPE	

BRAKE PARTS

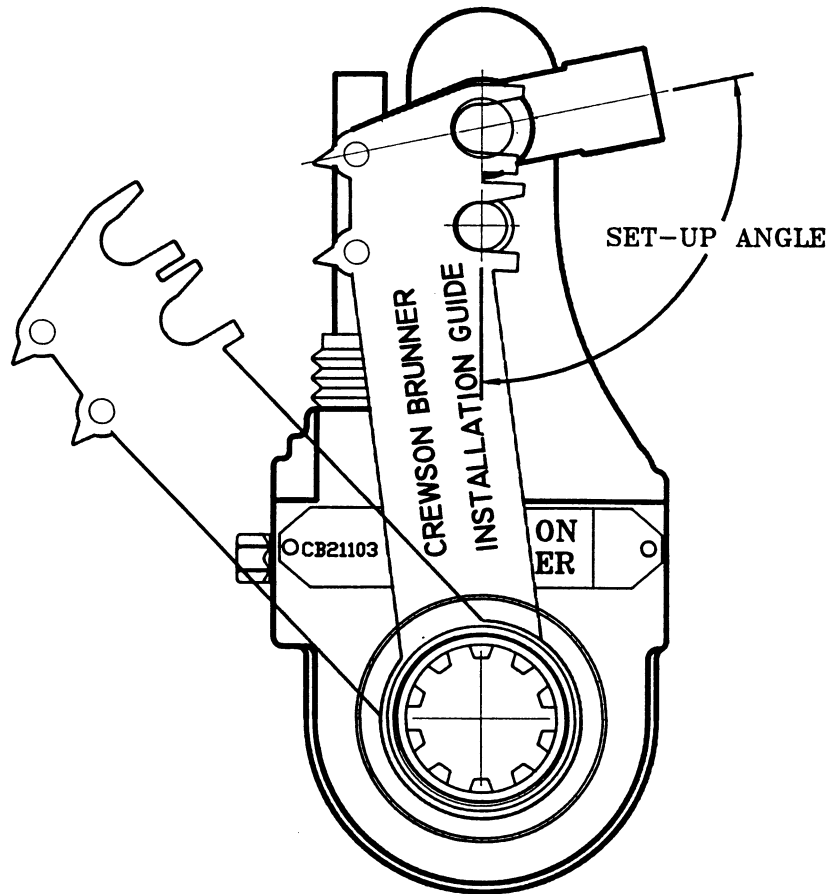
AUTOMATIC SLACKS

DESIGN FEATURES

- 30,000 lbs Torque Rating
- Double Sealing And E-Coat Corrosion Protection
- Clearance Sensing
- Adjustment Completed On Return Stroke
- Instructions With Each Slack Adjuster

BRAKE PARTS

CREWSON BRUNNER



AUTOMATIC SLACKS

EASY INSTALLATION GUIDE:

- 1 - Fit Guide Tool On S-Cam
- 2 - Guide Swings Into New Clevis
- 3 - Reposition Clevis Until 1/4" Pin Holes Line Up
- 4 - Clevis Is Now Correctly Positioned

CREWSON BRUNNER AUTOMATIC SLACK ADJUSTERS



BWP NO.	SPLINE SIZE	ARM DRILLING	CLEVIS THRD.	ARM DESCRIPTION	APPLICATION INFORMATION
M-3363	1 1/4" - 10	5 1/2"	5/8" - 18	STRAIGHT	MERITOR "T" SERIES EATON SINGLE WEBB BRAKE SHOES
M-3364	1 1/4" - 10	5 1/2"	5/8" - 18	5/8" OFFSET*	
M-3365	1 1/4" - 24	5 1/2"	5/8" - 18	STRAIGHT	MERITOR "Q" & "T" SERIES BRAKES
M-3366	1 1/4" - 24	5 1/2"	5/8" - 18	5/8" OFFSET*	
M-3367	1 1/2" - 10	5", 6"	5/8" - 18	STRAIGHT	TRAILER BRAKES
M-3368	1 1/2" - 28	5", 6"	5/8" - 18	STRAIGHT	STERING AXLES DRIVE AXLES TRAILER AXLES
M-3369	1 1/2" - 10	5 1/2", 6 1/2"	5/8" - 18	STRAIGHT	STEERING AXLES DRIVE AXLES
M-3370	1 1/2" - 28	5 1/2", 6 1/2"	5/8" - 18	STRAIGHT	STEERING AXLES DRIVE AXLES
M-3371	1 5/8" - 37	5", 6"	5/8" - 18	STRAIGHT	FRUEHAUF TRAILER BRAKES
M-3372	1 5/8" - 37	5 1/2", 6 1/2"	5/8" - 18	STRAIGHT	
M-3492	1 1/2" - 28	5", 6"	5/8" - 18	STRAIGHT	—
M-3493	1 1/2" - 10	5", 6"	5/8" - 18	STRAIGHT	—

*NOTE - OFFSETS ARE UNIVERSAL - REVERSE OFFSET CLEVIS TO USE AS R/H OR L/H

BRAKE PARTS

CLEVIS ASSEMBLIES



BWP NO.	A THREAD DIAMETER	B CLEVIS PIN DIA.	C PIN DIA"	ARM	INFORMATION
M-3385	1/2" - 20	1/2"	1/4"	STRAIGHT	EACH KIT CONTAINS: 1 CLEVIS 1 1/2" PIN 1 1/4" PIN 2 COTTER PINS
M-3386	5/8" - 18	1/2"	1/4"	STRAIGHT	
M-3389	5/8" - 18	1/2"	1/4"	EXTENDED STRAIGHT	
M-3387	1/2" - 20	1/2"	1/4"	5/8" OFFSET	
M-3388	5/8" - 18	1/2"	1/4"	5/8" OFFSET	

BRAKE SPIDERS

UNIVERSAL BOLT-ON – 16¹/₄" DIA. BRAKE



BWP NO.	REPLACES	APPLICATION
M-737	DANA M16WS135-X MERITOR A-3211-A-833 EATON B-1593-1 STD. FORGE 200999-010 TRAILMOBILE 7-A1-13	UNIVERSAL ADJUSTABLE SPIDER FOR MANY 16 HOLD 16 ¹ / ₂ " DIA. SPIDERS 5 ⁵ / ₈ " PILOT DIA. 16 HOLES, 1/2" DIA. 6 ⁵ / ₈ " BOLT CIRCLE WITH: M-571B, M-824

DANA, STD. FORGE BOLT-ON – 12¹/₄" DIA. BRAKE



BWP NO.	REPLACES	APPLICATION
M-769	DANA M12WS131-X STD. FORGE 200999-002	STD. FORGE 12 ¹ / ₄ " BRAKES 5 ⁵ / ₈ " PILOT DIA. 8 HOLES, 1/2" DIA. 6 ⁵ / ₈ " BOLT CIRCLE WITH: M571A, M-824

DANA, STD. FORGE WELD-ON – 12¹/₄" DIA. BRAKE



BWP NO.	REPLACES	APPLICATION
M-2652	DANA 12WS5128X STD. FORGE 200999-014	STD. FORGE 12 ¹ / ₄ " DIA. BRAKES 5 ⁵ / ₈ " PILOT DIA. WITH: M-571, M-824, M-1016

DANA, STD. FORGE WELD-ON – 16¹/₂" DIA. BRAKE



BWP NO.	REPLACES	APPLICATION
M-2650	DANA M16WS100-1 M16WS134-X STD. FORGE 200999-009	ADJUSTABLE WELD-ON SPIDER FOR 16 ¹ / ₂ " BRAKES WELD-ON VERSION OF M-737 5 ¹ / ₈ " PILOT DIA. WITH: M-571B, M-824

BRAKE SPIDER FLANGES



BWP NO.	REPLACES	APPLICATION
M-703	EATON B-1190-1 STD. FORGE 102100-002	FOR 4 ¹ / ₂ " DIA. AXLES. 4 ⁹ / ₈ " I.D. BORE
M-704	EATON B-1323-1 STD. FORGE 102102-002	FOR 5" DIA. AXLES. 5 ¹ / ₈ " I.D. BORE

BRAKE SPIDERS, BOLTS, DUST SHIELDS

BRAKE SPIDER MOUNTING BOLTS AND NUTS



BWP NO.	SHOULDER DIA.	LENGTH	APPLICATION
M-706	1/2"	1 3/4"	MOUNTING SPIDERS WITH 1/2" DIA. HOLES
M-845	17/32"	1 3/4"	MOUNTING SPIDERS WITH 17/32" DIA. HOLES

DUST SHIELD, ONE PIECE & TWO PIECE — 16 1/2" DIA. BRAKES



BWP NO.	REPLACES	APPLICATION
M-590A	EATON STD. FORGE B-1820 211102-001	ONE PIECE DUST SHIELD FOR 16 1/2" X 7" BRAKES



BWP NO.	REPLACES	APPLICATION
M-1574	FRUEHAUF 237449 L.H. 237450 R.H.	TWO PIECE DUST SHIELD FOR 16 1/2" X 7" BRAKES
M-1583	FRUEHAUF 966691 L.H. 966692 R.H. MERITOR 3236-A-1249 L.H. 3236-B-1250 R.H.	TWO PIECE DUST SHIELD FOR 16 1/2" X 7" BRAKES

DUST SHIELD — 16 1/2" x 6" 16 1/2" x 7" DIA BRAKES



BWP NO.	REPLACES	APPLICATION
M-3494	MERITOR A2-3264-N-1236 A2-3264-P-1238 KIT 8055	DUST SHIELD FOR MERITOR TRAILER APPLICATIONS WITH FABRICATED STEEL SPIDERS

WEDGE BRAKE SECTION INDEX

Page No.

BENDIX WEDGE BRAKE

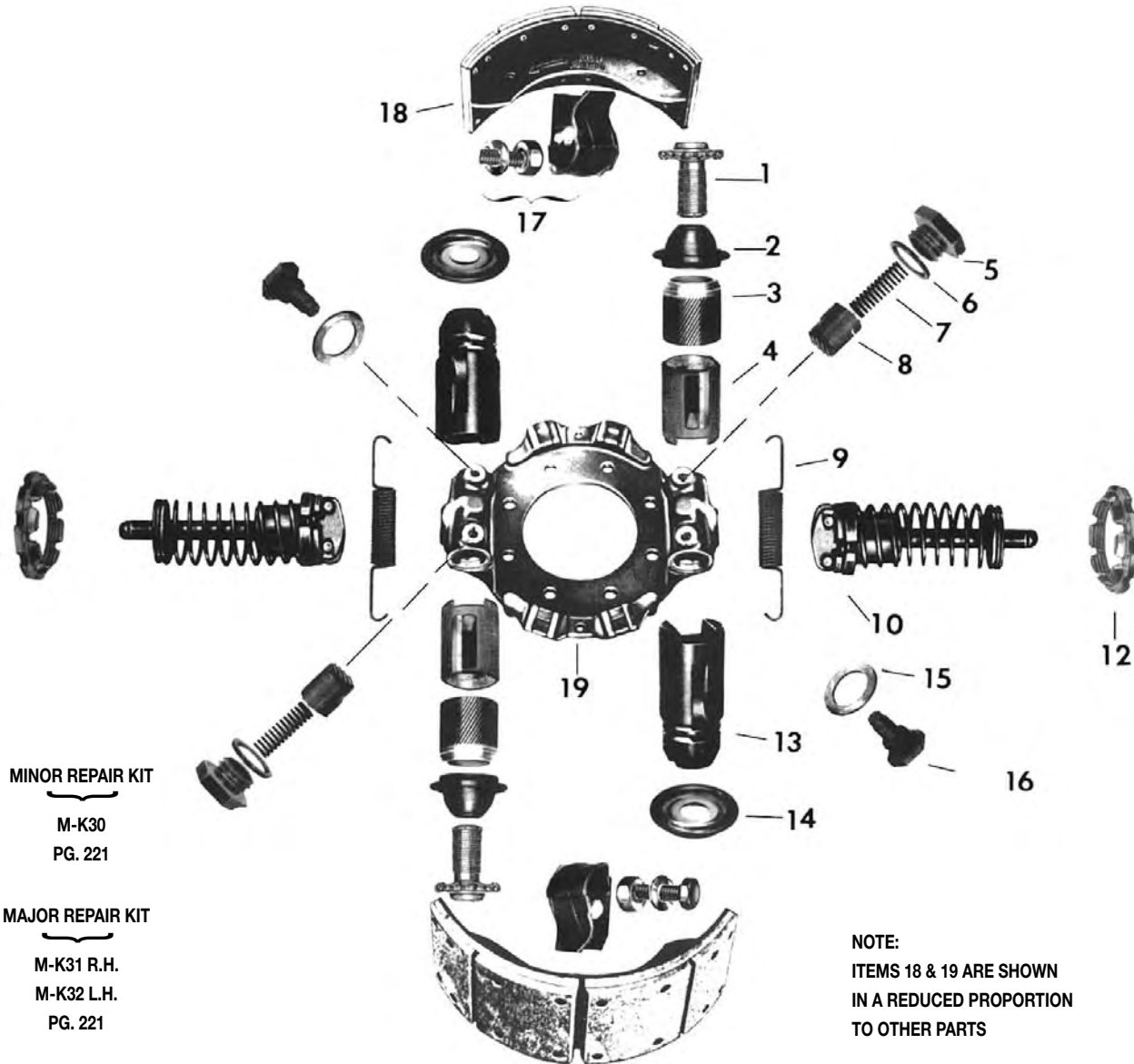
ADJUSTING NUT AND CAP227
ADJUSTING PISTON AND BOOT226-227
ADJUSTING SCREWS226
ANCHOR PISTONS226
ANCHOR PISTON BOOT227
BRAKE SHOES228
DIAGRAM — TWINPLEX DESIGN224
DIAGRAM — NON-SERVO DESIGN225
KITS, MAJOR AND MINOR REPAIR229-230
SPRINGS — BRAKE SHOE RETURN228
WEDGE ASSEMBLIES226

MERITOR WEDGE BRAKE — STOPMASTER AND STOPMASTER II

ADJUSTING ACTUATORS216
ADJUSTING BOLTS215
ADJUSTING PAWLS218
ADJUSTING PLUNGERS217
ANCHOR PLUNGERS217
BRAKE SHOES219
BRAKE SHOE HOLD DOWN ASSEMBLIES220
DIAGRAMS	
TRUCK-TRACTOR BRAKE — BOLT-ON SPIDER211
TRAILER BRAKE — WELD-ON SPIDER212
TRUCK-TRACTOR BRAKE — BACKING PLATE MOUNTED213
TRAILER BRAKE — 12 ¹ / ₄ " DIA. SPIDER MOUNTED214
KITS, MAJOR AND MINOR REPAIR221-223
LOCK RING215
LUBRICANT220
PLUNGER GUIDES218
PLUNGER HOUSING219
SEALS216
SPRINGS — BRAKE SHOE RETURN219
WEDGE ASSEMBLIES215

WEDGE BRAKE

“STOPMASTER” TRUCK-TRACTOR BRAKE — BOLTED-ON SPIDER

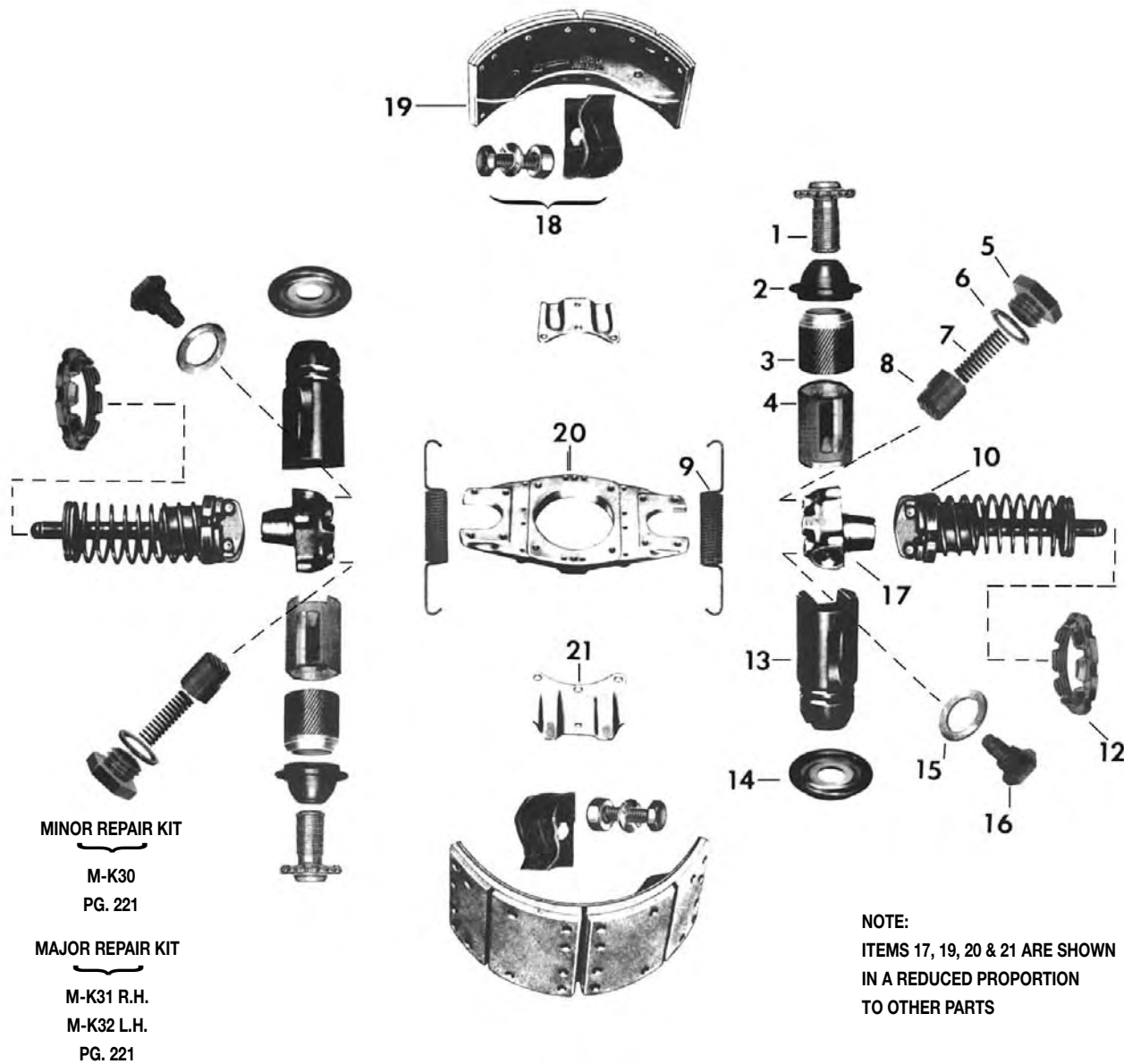


“STOPMASTER” TRUCK & TRACTOR WEDGE BRAKE — BOLTED-ON SPIDER 15' DIA. — 3/4" LINING

KEY NO.	BWP. NO.	ROCKWELL NO.	DESCRIPTION
1	M-879	A-2297-L-3158	Adj. Bolt Assembly
2	M-881	A1-1705-K-219	Bellows Seal
3	M-888	2297-N-3212	Auto Adj. Acutator
4	M-859	2297-J-2376	12° Adj. Plunger
5	M-891	1779-H-320	Cap Screw
5	M-882	1199-F-3464	Cap Screw Stop II
6	M-876	1729-B-262	Gasket
7	M-889	2758-N-66	Guide Spring
7	M-883	2258-S-539	Guide Spring Stop II
8	M-890	1779-A-339	Adj. Pawl
8	M-884	1199-Z-3432	Adj. Pawl Stop II
9	M-1012	2258-K-583	Shoe Return Spring

KEY NO.	BWP. NO.	ROCKWELL NO.	DESCRIPTION
10	M-860	A-2747-H-112	12° Wedge Assembly
12	M-892	1727-N-40	Spanner Nut
13	M-862	2797-B-418	12° R Anchor Plunger
13	M-863	2797-C-419	12° L Anchor Plunger
14	M-878	A-1705-K-219	Double Lip Seal
15	M-876	1729-B-262	Gasket
16	M-877	1779-M-195	Plunger Guide
17	M-850	1718-D-124	Shoe Hold Down Assy
18	M-807	A-3722-U-359	6" Brake Shoe
18	M-808	A-3722-V-360	7" Brake Shoe
19			BRAKE SPIDER FOR REFERENCE ONLY

"STOPMASTER" TRAILER BRAKE – WELDED-ON SPIDER

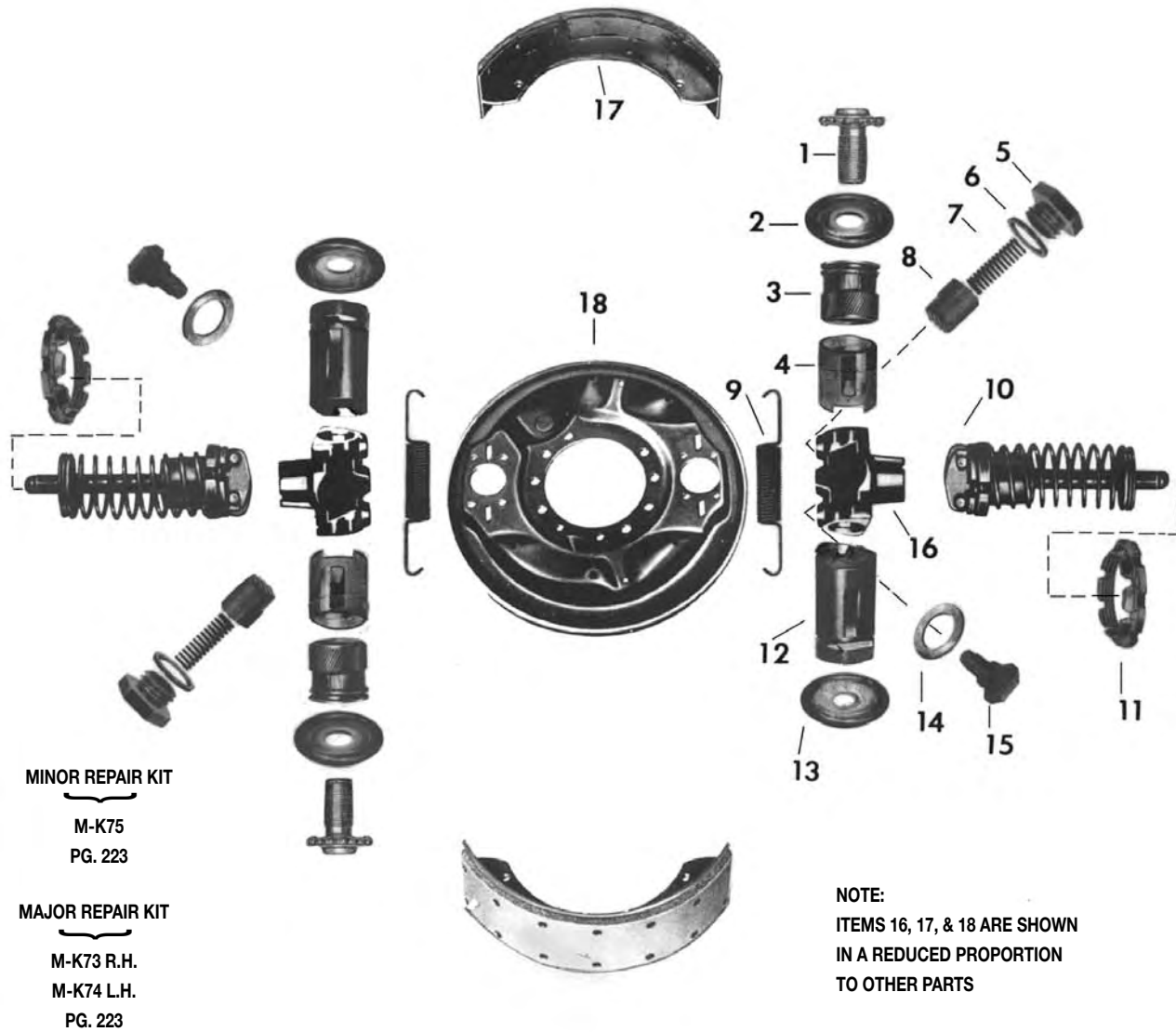


"STOPMASTER" TRAILER WEDGE BRAKE — WELDED-ON SPIDER 15' DIA. — 3/4" LINING

KEY NO.	BWP. NO.	ROCKWELL NO.	DESCRIPTION
1	M-879	A-2297-L-3158	Adj. Bolt Assembly
2	M-881	A1-1705-K-219	Bellows Seal
3	M-888	2297-N-3212	Auto Adj. Actuator
4	M-859	2297-J-2376	12° Adj. Plunger
5	M-891	1779-H-320	Cap Screw
5	M-882	1199-F-3464	Cap Screw Stop II
6	M-876	1729-B-262	Gasket
7	M-889	2758-N-66	Guide Spring
7	M-883	2258-S-539	Guide Spring Stop II
8	M-890	1779-A-339	Adj. Pawl
8	M-884	1199-Z-3432	Adj. Pawl Stop II
9	M-1012	2258-K-583	Shoe Return Spring
10	M-860	A-2747-H-112	12° Wedge Assembly

KEY NO.	BWP. NO.	ROCKWELL NO.	DESCRIPTION
12	M-892	1727-N-40	Spanner Nut
13	M-862	2797-B-418	12° R Anchor Plunger
13	M-863	2797-C-419	12° L Anchor Plunger
14	M-878	A-1705-K-219	Double Lip Seal
15	M-876	1729-B-262	Gasket
16	M-877	1779-M-195	Plunger Guide
17	M-897	3299-C-4189	Plunger Housing Stop II
18	M-850	1718-D-124	Shoe Hold Down Assy
19	M-807	A-3722-U-359	6" Brake Shoe
19	M-808	A-3722-V-360	7" Brake Shoe
20	BRAKE SPIDER FOR REFERENCE ONLY		
21	SHOE SUPPORT BRACKET FOR REFERENCE ONLY		

“STOPMASTER” TRUCK AND TRACTOR BRAKE — BACKING PLATE MOUNTED



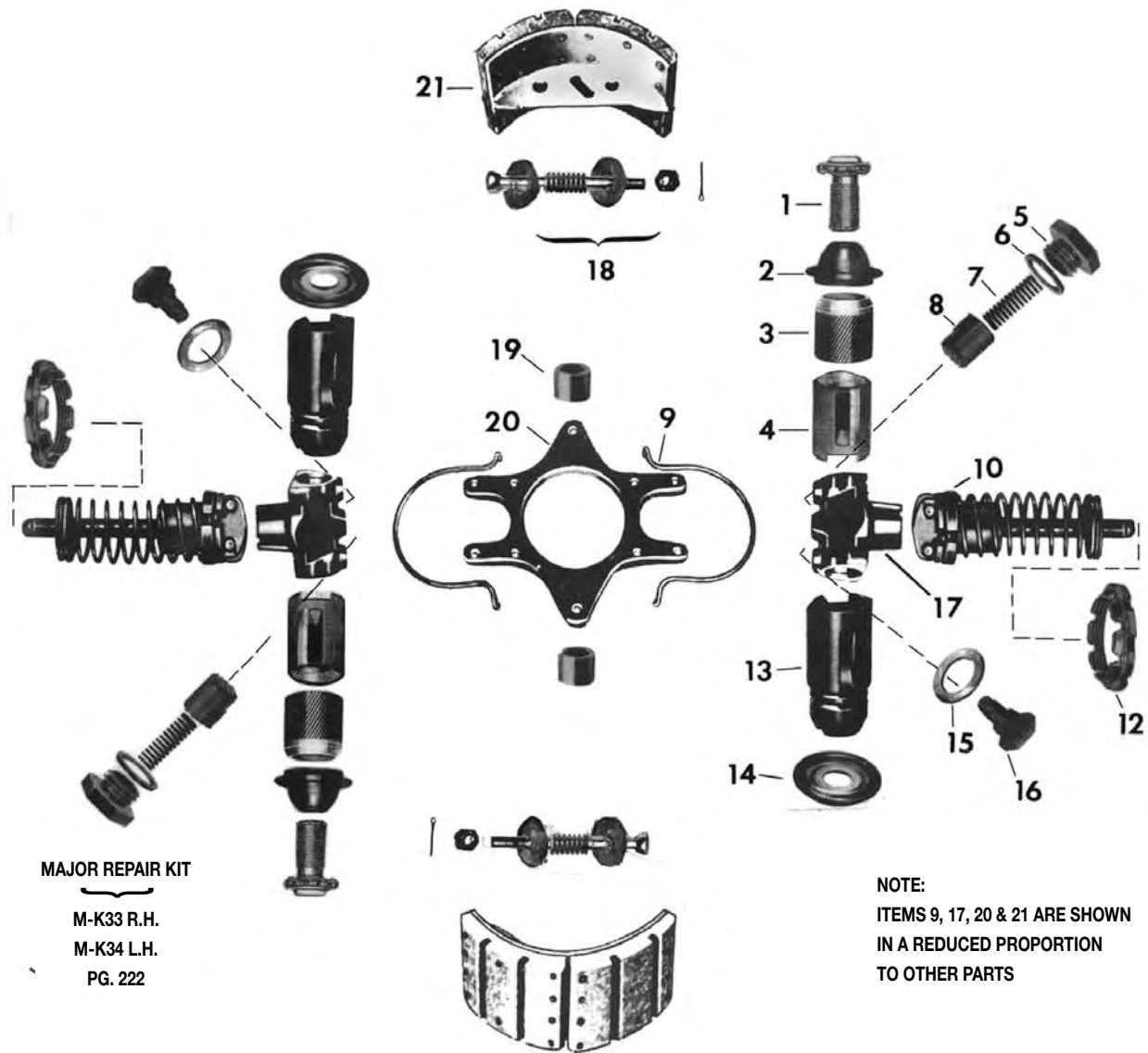
WEDGE BRAKES

“STOPMASTER” TRUCK & TRACTOR WEDGE BRAKE BACKING PLATE MOUNTED DOUBLE ACTUATION — 15" DIA. 5/16" & 3/8" LINING

KEY NO.	BWP. NO.	ROCKWELL NO.	DESCRIPTION
1	M-1073	A-2797-B-288	Adj. Bolt Assembly
2	M-1075	A-1705-M-221	Double Lip Seal
3	M-1074	1779-Y-701	Auto Adj. Actuator
4	M-1076	2797-C-133	12° Adj. Plunger
5	M-891	1779-H-320	Cap Screw
6	M-876	1729-B-262	Gasket
7	M-889	2758-N-66	Guide Spring
8	M-890	1779-A-339	Adj. Pawl
9	M-1011	2758-Q43	Shoe Return Spring
10	M-1072	A-2747-X-24	12° Wedge Assembly

KEY NO.	BWP. NO.	ROCKWELL NO.	DESCRIPTION
11	M-892	1727-N-40	Spanner Nut
12	M-1077	2797-M-143	12° R Anchor Plunger
12	M-1078	2797-L-142	12° L Anchor Plunger
13	M-1075	A-1705-M-221	Double Lip Seal
14	M-876	1729-B-262	Gasket
15	M-1080	1779-T-592	Plunger Guide
16	PLUNGER HOUSING FOR REFERENCE ONLY		
17	M-2700	A-3722-D-680	3" Brake Shoe
17	M-2657	A-3722-E-681	3 1/2" Brake Shoe
18	BACKING PLATE FOR REFERENCE ONLY		

“STOPMASTER” 12¹/₄” DIA. TRAILER BRAKE — SPIDER MOUNTED



MAJOR REPAIR KIT

M-K33 R.H.

M-K34 L.H.

PG. 222

NOTE:

ITEMS 9, 17, 20 & 21 ARE SHOWN
IN A REDUCED PROPORTION
TO OTHER PARTS

“STOPMASTER” 12¹/₄” DIA. TRAILER WEDGE BRAKE — SPIDER MOUNTED

KEY NO.	BWP. NO.	ROCKWELL NO.	DESCRIPTION
1	M-848	A-2297-V-2466	Adj. Bolt Assembly
2	M-881	A1-1705-K-219	Bellows Seal
3	M-888	2297-N-3212	Auto Adj. Actuator
4	M-859	2297-J-2376	12° Adj. Plunger
5	M-891	1779-H-320	Cap Screw
5	M-882	1199-F-3464	Cap Screw Stop II
6	M-876	1729-B-262	Gasket
7	M-889	2758-N-66	Guide Spring
7	M-883	2258-S-539	Guide Spring Stop II
8	M-890	1779-A-339	Adj. Pawl
8	M-884	1199-Z-3432	Adj. Pawl Stop II
9	M-1019	2258-W-465	Shoe Return Spring

KEY NO.	BWP. NO.	ROCKWELL NO.	DESCRIPTION
10	M-860	A-2747-H-112	12° Wedge Assembly
12	M-892	1727-N-40	Spanner Nut
13	M-862	2797-B-418	12° R Anchor Plunger
13	M-863	2797-C-419	12° L Anchor Plunger
14	M-878	A-1705-K-219	Double Lip Seal
15	M-876	1729-B-262	Gasket
16	M-877	1779-M-195	Plunger Guide
17	M-897	3299-C-4189	Plunger Housing Stop II
18	M-867	See Page 211	Shoe Hold Down Assy
19	M-855	1199-P-2538	Spacer Sleeve
20	BRAKE SPIDER FOR REFERENCE ONLY		
21	M-2654	A-3222-D-784	Brake Shoe

WEDGE BRAKE PARTS – MERITOR STOPMASTER

WEDGE ASSEMBLIES — DRIVE AND TRAILER AXLES



BWP NO.	WEDGE ANGLE	REPLACES MERITOR	APPLICATION
M-854	10°	A-2747-G-111	1 1/4" STROKE. WEDGE ANGLE STAMPED ON END OF WEDGE STEM. 12° MOST POPULAR.
M-860	12°	A-2747-H-112	
M-866	14°	A-2747-J-114	
M-872	16°	A-2747-K-115	

WEDGE ASSEMBLY — FRONT AXLES



BWP NO.	WEDGE ANGLE	REPLACES MERITOR	APPLICATION
M-1072	12°	A-2747-X-24	1 1/2" STROKE

ADJUSTING BOLT — DRIVE AND TRAILER AXLES



BWP NO.	REPLACES MERITOR	APPLICATION
M-879	A-2297-L-3158	USE WITH M-881 SEAL AND M-888 ACTUATOR. FOR 15" DIA. BRAKES.

ADJUSTING BOLT — TRAILER AXLES



BWP NO.	REPLACES MERITOR	APPLICATION
M-848	A-2297-V-2466	USE WITH M-881 SEAL AND M-888 ACTUATOR. FOR 12 1/4" DIA. BRAKES.

ADJUSTING BOLTS — FRONT AXLES



BWP NO.	REPLACES MERITOR	APPLICATION
M-1073	A-2797-B-288	EARLY FRONT AXLES. USE WITH M-1074 ACTUATOR. 1 1/2" OVERALL LENGTH.
M-2584	A-2297-V-2882	LATE FRONT AXLES. USE WITH M-2585 ACTUATOR. 1 5/8" OVERALL LENGTH.

LOCK RING FOR OLD STYLE ADJUSTING BOLT



BWP NO.	REPLACES MERITOR	APPLICATION
M-880	1779-Z-650	USE WITH OLD STYLE ADJUSTING BOLTS WITH LOCK RING GROOVE AT BOTTOM.

WEDGE BRAKES

WEDGE BRAKE PARTS – MERITOR STOPMASTER

ADJUSTING ACTUATOR — 12¹/₄" AND 15" BRAKES



BWP NO.	REPLACES MERITOR	APPLICATION
M-888	2297-N-3212	USE WITH M-879 OR M-848 BOLTS AND M-881 SEAL FOR SPIDER MOUNTED BRAKES. OVERALL HEIGHT IS 1 ¹ / ₄ "

ADJUSTING ACTUATOR — LATE FRONT BRAKES



BWP NO.	REPLACES MERITOR	APPLICATION
M-2585	2297-N-2874	USE WITH M-2584 BOLT FOR LATE FRONT AXLES WITH RSA BRAKES. OVERALL HEIGHT IS 1".

ADJUSTING ACTUATOR — EARLY FRONT BRAKES



BWP NO.	REPLACES MERITOR	APPLICATION
M-1074	1779-Y-701	USE WITH M-1073 BOLT FOR EARLY FRONT BRAKES. OVERALL HEIGHT IS 1 ¹ / ₁₆ "

BELLOWS SEAL — ADJUSTING BOLT END



BWP NO.	REPLACES MERITOR	APPLICATION
M-881	A1-1705-K-219	FOR STOPMASTER II ADJUSTING BOLTS. USE WITH M-888 ACTUATOR.

DOUBLE LIP SEAL — ANCHOR END



BWP NO.	REPLACES MERITOR	APPLICATION
M-878	A-1705-K-219	FOR ANCHOR PLUNGERS ON 12 ¹ / ₄ " AND 15" SPIDER MOUNTED BRAKES.

SINGLE LIP SEALS — EARLY STYLE



BWP NO.	REPLACES MERITOR	APPLICATION
M-894	A-1705-P-120	EARLY SEAL FOR TRAILER AND DRIVE AXLES
M-1083	A2-1705-M-221	FRONT AXLE SEAL FOR ANCHOR END

FRONT AXLE SEAL



BWP NO.	REPLACES MERITOR	APPLICATION
M-1075	A-1705-M-221	FRONT AXLE SEAL FOR ADJUSTING BOLT END

WEDGE BRAKE PARTS – MERITOR STOPMASTER

ANCHOR PLUNGERS — DRIVE AND TRAILER AXLES



BWP NO.	ANGLE	SIDE	REPLACES MERITOR	APPLICATION
M-856	10°	RH	2797-X-414	WEDGE ANGLE AND R OR L STAMPED ON PART 12° MOST POPULAR
M-857		LH	2797-Y-415	
M-862	12°	RH	2797-B-418	
M-863		LH	2797-C-419	
M-868	14°	RH	2797-F-422	
M-869		LH	2797-G-423	
M-874	16°	RH	2797-H-424	
M-875		LH	2797-J-426	

ANCHOR PLUNGERS — FRONT AXLES



BWP NO.	ANGLE	SIDE	REPLACES MERITOR	APPLICATION
M-1077	12°	RH	2797-M-143	WEDGE ANGLE AND R OR L STAMPED ON PART
M-1078		LH	2797-L-142	

AUTOMATIC ADJUSTING PLUNGERS — DRIVE AND TRAILER AXLES



BWP NO.	ANGLE	REPLACES MERITOR	APPLICATION
M-853	10°	2297-G-2373	WEDGE ANGLE AND R OR L STAMPED ON PART 12° MOST POPULAR
M-859	12°	2297-J-2376	
M-865	14°	2297-L-2378	
M-871	16°	2297-M-2379	

AUTOMATIC ADJUSTING PLUNGER — FRONT AXLES



BWP NO.	ANGLE	REPLACES MERITOR	APPLICATION
M-1076	12°	2797-C-133	FRONT AXLE BRAKES

MANUAL ADJUSTING PLUNGER — DRIVE AND TRAILER AXLES



BWP NO.	ANGLE	REPLACES MERITOR	APPLICATION
M-858	12°	2797-R-408	DRIVER AND TRAILER BRAKES

WEDGE BRAKES

WEDGE BRAKE PARTS – MERITOR STOPMASTER

PLUNGER GUIDES



BWP NO.	REPLACES MERITOR	APPLICATION
M-877	1779-M-195	DRIVE AND TRAILER AXLES
M-1080	1779-T-592	FRONT AXLES

ADJUSTING PAWL ASSEMBLY PARTS



BWP NO.	REPLACES MERITOR	APPLICATION
M-882	1199-F-3464 GUIDE SPRING SCREW	FOR STOPMASTER II, HAS NOTCHES ON HEX. PAWL ASSEMBLY IS M-882, M-876, M-883, M-884
M-891	1779-H-320 GUIDE SPRING SCREW	FOR STOPMASTER, NOT NOTCHED. PAWL ASSEMBLY IS M-891, M-876, M-889, M-890
M-876	1729-B-262 GASKET SEAL	USED FOR ALL MERITOR WEDGE BRAKES.
M-883	2258-S-539 GUIDE SPRING	FOR STOPMASTER II DRIVE AND TRAILER AXLES
M-889	2758-N-66 GUIDE SPRING	FOR STOPMASTER DRIVE AND TRAILER AXLES
M-2690	2258-K-531 GUIDE SPRING	FOR STOPMASTER II FRONT AXLES
M-1081	2758-J-88 GUIDE SPRING	FOR STOPMASTER FRONT AXLES
M-884	1199-Z-3432 ADJUSTING PAWL	FOR STOPMASTER II. USE M-883 FOR DRIVE AND TRAILER AXLES. USE M-2690 FOR FRONT AXLES.
M-890	1779-A-339 ADJUSTING PAWL	FOR STOPMASTER. USE M-889 FOR DRIVE AND TRAILER AXLES. USE M-1081 FOR FRONT AXLES.

WEDGE BRAKE PARTS – MERITOR STOPMASTER

WEDGE BRAKE SHOES — UNLINED



BWP NO.	REPLACES MERITOR	SHOE SIZE	FMSI LINING	RIVET
M-807	A-3722-U-359	15" X 6"	4605	10-9
M-808	A-3722-Y-360	15" X 7"	4602	10-9

WEDGE BRAKE SHOE RETURN SPRINGS



BWP NO.	REPLACES MERITOR	LENGTH	O.D.	APPLICATION
M-1011	2758-Q-43	6 ⁵ / ₁₆ "	9/ ₁₆ "	FRONT AXLES
M-1012	2258-E-629 2258-K-583 2758-C-55	8"	7/ ₈ "	DRIVE AND TRAILER AXLES
M-1013	2758-Y-77	8 ¹ / ₁₆ "	15/ ₁₆ "	FOR BRAKE OFFSET OF ²⁹ / ₃₂ " OR LESS
M-2735	2758-W-127	8 ³ / ₄ "	1"	FRONT AXLE WITH CAST SPIDER
M-1019	2258-W-465	—	5/ ₁₆ "	12 ¹ / ₄ " TRAILER BRAKES

WEDGE BRAKES

PLUNGER HOUSING FOR TRAILER AXLES



BWP NO.	REPLACES MERITOR	APPLICATION
M-897	3299-C-4189	PLUNGER HOUSING FOR TRAILER AXLES. HAS POSITIVE ALIGNMENT KEYWAY.

WEDGE BRAKE PARTS – MERITOR STOPMASTER

WEDGE BRAKES



BWP NO.	REPLACES MERITOR	APPLICATION
M-850	SHOE HOLD DOWN KIT 9020 CONTAINS: 1718-D-134 5-146, WA-14, N-14	15" SPIDER MOUNTED BRAKE FOR ONE SHOE
M-1082	SHOE HOLD DOWN KIT 1127 CONTAINS: 1807-A 1779-Q-147, 1829-P-198, 2858-T-46	15" BACKING PLATED MOUNTED BRAKE FOR ONE SHOE
M-867	SHOE HOLD DOWN KIT 1128 CONTAINS: K-226, N-54 1199-U-2309, 1229-M-1573 2758-K-89	12 ¹ / ₄ " SPIDER MOUNTED BRAKE FOR ONE SHOE
M-849	WEAR BUTTON 1199-N-2302	12 ¹ / ₄ " BRAKE EARLY STYLE SPIDER
M-855	SPACER 1199-P-2538	SHOE HOLD DOWN SPACER FOR 12 ¹ / ₄ " BRAKE NEW STYLE SPIDER
M-895	WEDGE GUIDE 1779-Q-433	WEDGE GUIDE FOR STOPMASTER CHAMBERS
M-896	BOOT SEAL KIT KIT MPS-2003	PUSH ROD BOOT SEAL KIT FOR STOPMASTER II
M-892	COLLET SPANNER NUT 1727-N-40	NON PRESSURE HOUSINGS
M-899	WEDGE LUBRICANT A-1779-W-283	14.5 OZ. CARTRIDGE CONTAINS ENOUGH LUBRICANT FOR ONE AXLE

WEDGE BRAKE REPAIR KITS – MERITOR STOPMASTER

MAJOR REPAIR KIT FOR 15" DIA. SPIDER MOUNTED TRAILER AND DRIVE BRAKES



12° FOR RIGHT HAND SPIDER MOUNT

BWP KIT M-K31

CONSISTS OF:

- 2 **M-860** 12° Wedge Assembly
- 2 **M-879** Adjusting Bolt Assembly
- 2 **M-881** Bellows Seal
- 2 **M-888** Automatic Adj. Actuator
- 2 **M-859** 12° Adj. Plunger
- 2 **M-878** Double Lip Seal
- 2 **M-862** 12° R/H Anchor Plunger
- 2 **M-877** Plunger Guide
- 2 **M-882** Cap Screw
- 2 **M-883** Guide Spring
- 2 **M-884** Adj. Plunger Pawl
- 4 **M-876** Gasket
- 2 **M-891** Cap Screw
- 2 **M-889** Guide Spring
- 2 **M-890** Adj. Plunger Pawl
- 2 **M-850** Shoe Clip Assembly
- 2 **M-1012** Shoe Return Spring
- 1 **M-899** Wedge Brake Lubricant

New Style
Adj. Pawl
Assembly

Old Style
Adj. Pawl
Assembly

MATERIAL FOR ONE WHEEL
USE WITH M-807, M-808 SHOES

12° FOR LEFT HAND SPIDER MOUNT

BWP KIT M-K32

CONSISTS OF:

- All parts as in M-K31 except
- 2 **M-863** 12° L/H Anchor Plunger
- in place of 2 **M-862**

MATERIAL FOR ONE WHEEL
USE WITH M-807, M-808 SHOES

WEDGE BRAKES

MINOR REPAIR KIT FOR 15" DIA. SPIDER MOUNTED TRAILER AND DRIVE BRAKES



BWP KIT M-K30

CONSISTS OF:

- 2 **M-879** Adjusting Bolt Assembly
- 2 **M-881** Bellows Seal
- 2 **M-888** Adjusting Actuator
- 2 **M-878** Double Lip Seal
- 2 **M-882** Cap Screw
- 2 **M-883** Guide Spring
- 2 **M-884** Adj. Plunger Pawl
- 4 **M-876** Gasket
- 2 **M-891** Cap Screw
- 2 **M-889** Guide Spring
- 2 **M-890** Adj. Plunger Pawl
- 2 **M-1012** Shoe Return Spring
- 1 **M-899** Wedge Brake Lubricant

New Style
Adj. Pawl
Assembly

Old Style
Adj. Pawl
Assembly

MATERIAL FOR ONE WHEEL
USE WITH M-807, M-808 SHOES

WEDGE BRAKE REPAIR KITS – MERITOR STOPMASTER

MAJOR REPAIR KIT FOR 12 $\frac{1}{4}$ " DIA. SPIDER MOUNTED TRAILER BRAKES



12° FOR RIGHT HAND SPIDER MOUNT

BWP KIT M-K33

CONSISTS OF:

- 2 **M-860** 12° Wedge Assembly
- 2 **M-848** Adjusting Bolt Assembly
- 2 **M-881** Bellows Seal
- 2 **M-888** Automatic Adj. Actuator
- 2 **M-859** 12° Adj. Plunger
- 2 **M-878** Double Lip Seal
- 2 **M-862** 12° R/H Anchor Plunger
- 2 **M-877** Plunger Guide
- 2 **M-882** Cap Screw
- 2 **M-883** Guide Spring
- 2 **M-884** Adj. Plunger Pawl
- 4 **M-876** Gasket
- 2 **M-891** Cap Screw
- 2 **M-889** Guide Spring
- 2 **M-890** Adj. Plunger Pawl
- 4 **M-849** Wear Button
- 2 **M-855** Spacer Sleeve
- 2 **M-867** Shoe Hold Down Assembly
- 2 **M-1019** Shoe Return Spring
- 1 **M-899** Wedge Brake Lubricant

New Style
Adj. Pawl
Assembly

Old Style
Adj. Pawl
Assembly

MATERIAL FOR ONE WHEEL

12° FOR LEFT HAND SPIDER MOUNT

BWP KIT M-K34

CONSISTS OF:

- All parts as in M-K33 except
- 2 **M-863** 12° L/H Anchor Plunger
in place of 2 **M-862**

MATERIAL FOR ONE WHEEL

WEDGE BRAKES

MINOR REPAIR KIT FRONT BRAKES — 15" BACKING PLATE MOUNTED FRONT AXLE



BWP KIT M-K76

CONSISTS OF:

- 2 **M-2584** Adjusting Bolt
- 2 **M-2585** Actuator
- 2 **M-1075** Seal
- 1 **M-1011** Shoe Return Spring
- 2 **M-1082** Shoe Hold Down Assembly
- 2 **M-882** Cap Screw
- 2 **M-883** Spring
- 2 **M-884** Pawl
- 2 **M-876** Gasket
- 2 **M-1523** Lock Ring
- 2 **M-899** Wedge Brake Lubricant

MATERIAL FOR ONE WHEEL

WEDGE BRAKE REPAIR KITS – MERITOR STOPMASTER

MAJOR REPAIR KIT FOR 15" DIA. BACKING PLATE MOUNTED FRONT AXLE



12° FOR RIGHT HAND FRONT BRAKE
DUAL ACTUATED

BWP KIT M-K73

CONSISTS OF:

- 2 **M-1072** 12° Wedge Assembly
- 2 **M-2584** Adjusting Bolt
- 2 **M-1074** Actuator
- 2 **M-1075** Seal Adj. Plunger
- 2 **M-1076** Auto Adj. Plunger
- 2 **M-1077** 12° RH Anchor Plunger
- 2 **M-1083** Seal Anchor Plunger
- 2 **M-1080** Plunger Guide
- 2 **M-1011** Return Spring
- 2 **M-1013** Return Spring
- 2 **M-2735** Return Spring
- 2 **M-1082** Shoe Hold Down
- 2 **M-891** Cap Screw
- 4 **M-876** Gasket
- 2 **M-1081** Guide Spring Pawl
- 2 **M-890** Cap Screw
- 2 **M-882** Cap Screw
- 2 **M-2690** Guide Spring
- 2 **M-884** Pawl
- 1 **M-899** Lubricant

MATERIAL FOR ONE WHEEL

12° FOR LEFT HAND FRONT BRAKE
DUAL ACTUATED

BWP KIT M-K74

CONSISTS OF:

- All parts as in M-K73 except
- 2 **M-1078** LH Anchor Plunger
in place of 2 **M-1077**

WEDGE BRAKES

MINOR REPAIR KIT FOR 15" DIA. BACKING PLATE MOUNTED FRONT AXLE



FOR DUAL ACTUATED FRONT BRAKE

BWP KIT M-K75

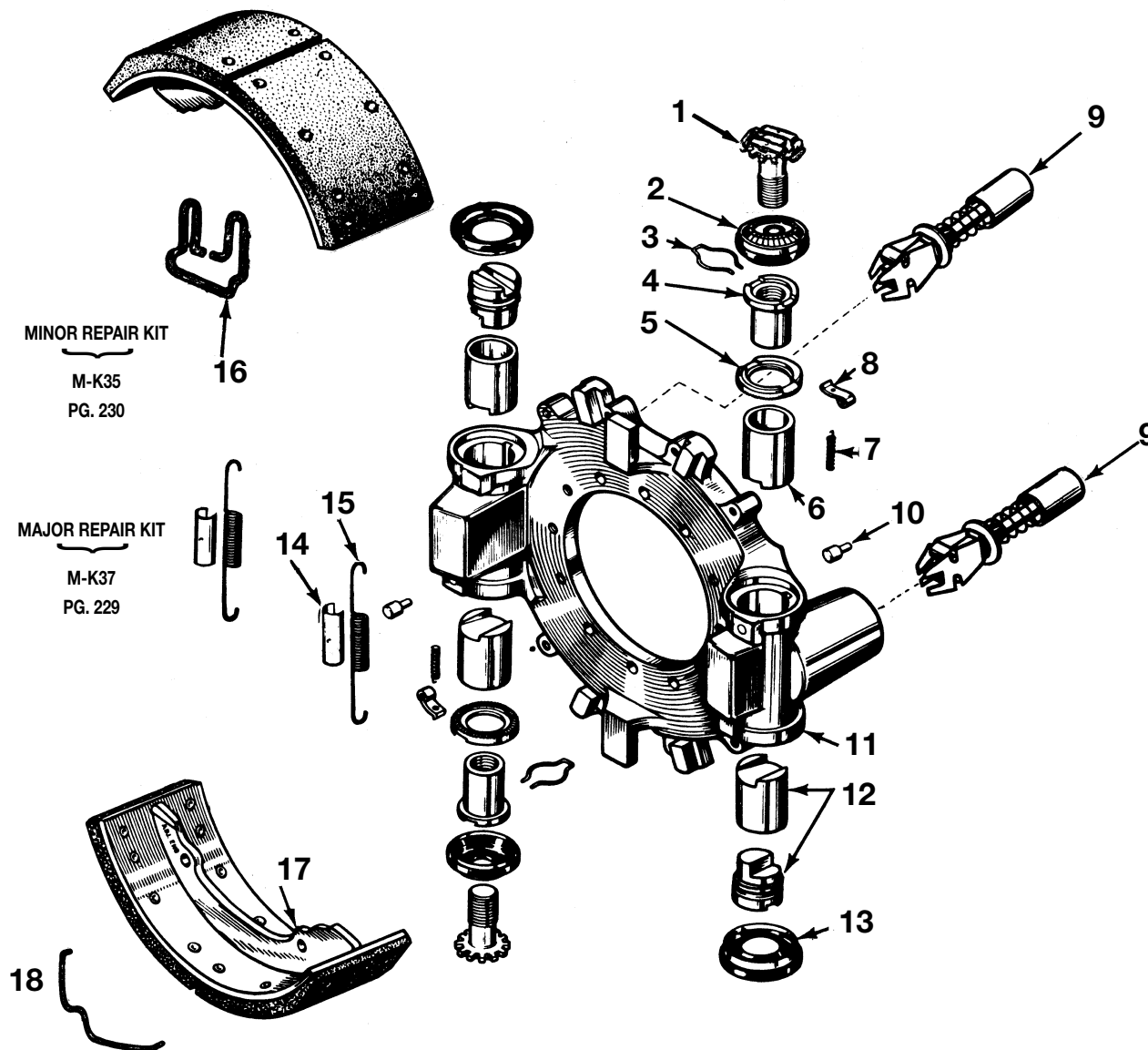
CONSISTS OF:

- 2 **M-2584** Adjusting Bolt
- 2 **M-1074** Actuator
- 2 **M-1075** Seal Adj. Plunger
- 2 **M-1083** Seal Anchor Plunger
- 2 **M-1011** Return Spring
- 2 **M-891** Cap Screw
- 4 **M-876** Gasket
- 2 **M-889** Guide Spring
- 2 **M-890** Pawl
- 2 **M-882** Cap Screw
- 2 **M-2690** Guide Spring
- 2 **M-884** Pawl
- 1 **M-899** Lubricant

MATERIAL FOR ONE WHEEL

NOTE: M-K 75 MAY ALSO BE USED FOR SINGLE ACTUATED FRONT BRAKES — DO NOT USE M-1083 SEALS

BENDIX WEDGE BRAKE – TWINPLEX DESIGN

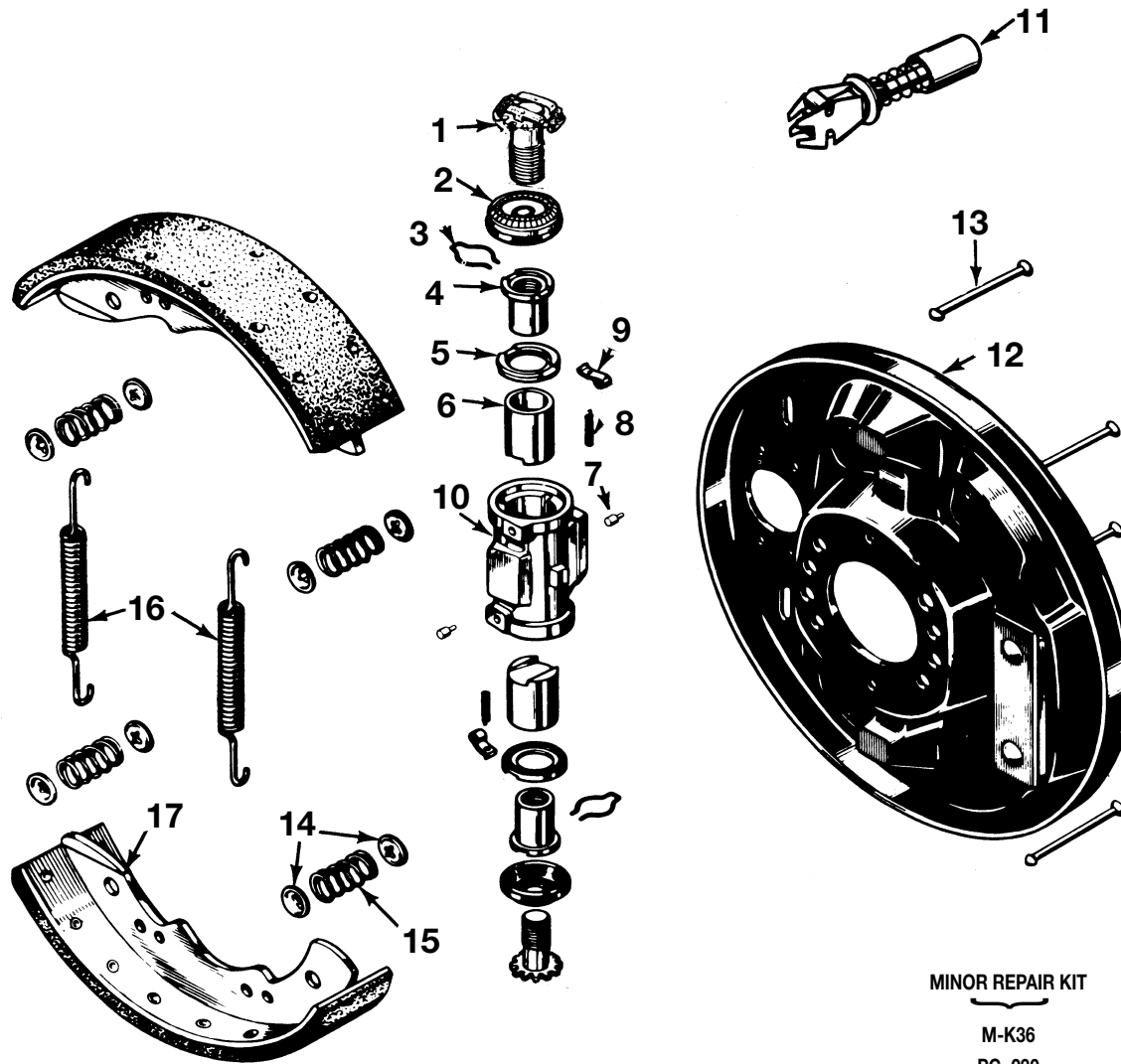


BENDIX TWINPLEX TRACTOR-TRAILER, SPIDER MOUNTED BRAKE

KEY NO.	BWP. NO.	MERITOR NO.	DESCRIPTION
1	M-1085	445343	Adj. Screw Assembly
2	M-1026	324330	Boot for Adj. Piston
3	M-1027	316356	Adj. Overload Spring
4	M-1028	316354	Adjusting Nut
5	M-1029	316355	Adj. Nut Cap
6	M-1031	324757	Adjusting Piston
7	M-1086	249941	Adj. Lever Spring
8		249940	Adjusting Lever
9	M-1034 thru M-1037		New Style Wedge Assy
10	M-1038	316331	Adj. Lever Pin
11	BRAKE SPIDER REFERENCE ONLY		

KEY NO.	BWP. NO.	MERITOR NO.	DESCRIPTION
12	M-1041	325007	Universal Anchor Piston
13	M-1043	318564	Anchor Piston Boot
14	M-1044	249943	Spring Damper
15	M-830	249942	Shoe Return Spring
16	M-1088	249925	Shoe Stabilizer for Old Style Spiders
17	M-819	316997	6" Unlined Brake Shoe
17	M-820	316998	7" Unlined Brake Shoe
18	M-2747	445280	Shoe Stabilizer for New Style Spiders

BENDIX WEDGE BRAKE - NON-SERVO DESIGN



MINOR REPAIR KIT

M-K36
PG. 230

MAJOR REPAIR KIT

M-K38
PG. 229

WEDGE BRAKES

BENDIX WEDGE BRAKE FOR TRACTORS — BACKING PLATE MOUNTED

KEY NO.	BWP. NO.	MERITOR NO.	DESCRIPTION
1	M-1084	445342	Adj. Screw Assembly
2	M-1026	324330	Boot for Adj. Piston
3	M-1027	316356	Adj. Overload Spring
4	M-1028	316354	Adjusting Nut
5	M-1029	316355	Adj. Nut Cap
6	M-1031	324757	Adjusting Piston
7	M-1038	316331	Adj. Lever Pin
8	M-1086	249941	Adj. Lever Spring
9		249940	Adjusting Lever

KEY NO.	BWP. NO.	MERITOR NO.	DESCRIPTION
10	REF. ONLY	316448	Actuator
11	M-1034 thru M-1037		New Style Wedge Assy
12	BENDIX BACKING PLATE REFERENCE ONLY		
13	M-1087	49624	Brake Shoe
14		23969	Hold Down
15		316368	Assembly
16	M-1010	316367	Shoe Return Spring
17	BENDIX BRAKE SHOE REFERENCE ONLY		

WEDGE BRAKE PARTS – BENDIX

WEDGE ASSEMBLIES — LATE STYLE



BWP NO.	WEDGE ANGLE	REPLACES BENDIX	APPLICATION
M-1034	10°	285783	TRAILER AXLE
M-1035	12°	285784	DRIVE AND TRAILER AXLE
M-1036	14°	285785	DRIVE AXLE
M-1037	18°	285786	STEERING AXLE

ADJUSTING SCREW ASSEMBLIES



BWP NO.	REPLACES BENDIX	APPLICATION
M-1085	445343	FOR 15" X 5", 6", & 7" SHOES. 5/16" SLOT WIDTH.
M-1084	445342	FOR 15" X 3", & 3 1/2" SHOES. 1/4" SLOT WIDTH.

ADJUSTING PISTON



BWP NO.	REPLACES BENDIX	APPLICATION
M-1031	324757	TWIN PLEX AND NON SERVO

ADJUSTING PISTON BOOT



BWP NO.	REPLACES BENDIX	APPLICATION
M-1026	324330	TWIN PLEX AND NON SERVO

ANCHOR PISTON ASSEMBLY — UNIVERSAL



BWP NO.	REPLACES BENDIX	APPLICATION
M-1041	325007	UNIVERSAL RH AND LH FOR TWIN PLEX

WEDGE BRAKES

WEDGE BRAKE PARTS – BENDIX

ANCHOR PISTON BOOT



BWP NO.	REPLACES BENDIX	APPLICATION
M-1043	318564	TWIN PLEX AND NON SERVO

ADJUSTING NUT



BWP NO.	REPLACES BENDIX	APPLICATION
M-1028	316354	TWIN PLEX AND NON SERVO

CAP FOR ADJUSTING NUT



BWP NO.	REPLACES BENDIX	APPLICATION
M-1029	316355	TWIN PLEX AND NON SERVO

ADJUSTING OVERLOAD SPRING



BWP NO.	REPLACES BENDIX	APPLICATION
M-1027	316356	TWIN PLEX AND NON SERVO

ADJUSTING LEVER AND SPRING



BWP NO.	REPLACES BENDIX	APPLICATION
M-1086	249940 249941	TWIN PLEX AND NON SERVO

ADJUSTING LEVER PIN



BWP NO.	REPLACES BENDIX	APPLICATION
M-1038	316331	TWIN PLEX AND NON SERVO

ANCHOR PIN INSERT



BWP NO.	REPLACES BENDIX	APPLICATION
M-2583	445335	USE WITH HEAVY DUTY NON SERVO FRONT BRAKE

WEDGE BRAKES

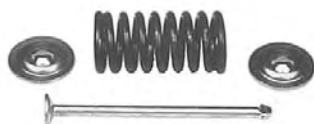
WEDGE BRAKE PARTS – BENDIX

BRAKE SHOES



BWP NO.	REPLACES BENDIX	SIZE	FMSI
M-820	316998	15 x 7"	4602

BRAKE SHOE HOLD-DOWN ASSEMBLY



BWP NO.	REPLACES BENDIX	APPLICATION
M-1087	23969 49624 316368	FRONT WHEEL BRAKE, BACKING PLATE MOUNTED

BRAKE SHOE RETURN SPRINGS AND DAMPER



BWP NO.	REPLACES MERITOR	LENGTH	O.D.	APPLICATION
M-1010	316367	6 ⁹ / ₁₆ "	5/8"	NON SERVO FRONT BRAKES EARLY STYLE
M-830	249942	7 ³ / ₄ "	1"	TWIN PLEX TRAILER AND DRIVE AXLES
M-1044	259943	2"	29/32"	USE WITH M-830 SPRING
M-2734	324095	8"	15/16"	NON SERVO FRONT BRAKES
M-2751	445089	9 ¹ / ₈ "	5/8"	NON SERVO FRONT BRAKES LATE STYLE

BRAKE SHOE STABILIZERS



M-1088	249925			EARLY STYLE SPIDER MOUNTED BRAKE
M-2747	445280	7 ¹ / ₂ "	1/8"	LATE MODEL SPIDER MOUNTED BRAKE

WEDGE BRAKE – MAJOR REPAIR KITS – BENDIX

MAJOR REPAIR KIT FOR TWINPLEX WEDGE BRAKE UNIVERSAL — FOR BOTH RIGHT AND LEFT SPIDER MOUNT



BWP KIT M-K37

CONSISTS OF:

- 2 M-1085 Adj. Screw Assembly
- 2 M-1026 Adj. Piston Boot
- 2 M-1027 Overload Spring
- 2 M-1028 Adj. Nut
- 2 M-1029 Adj. Nut Cap
- 2 M-1031 Adj. Piston
- 2 M-1086 Adj. Lever and Spring
- 2 M-1038 Adj. Lever Pin
- 2 M-1041 Universal Anchor Piston
- 2 M-1043 Anchor Piston Boot
- 2 M-830 Shoe Return Spring
- 2 M-1044 Spring Damper
- 1 M-899 Wedge Brake Lubricant

MATERIAL FOR ONE WHEEL

WEDGE BRAKES

MAJOR REPAIR KIT FOR NON-SERVO WEDGE BRAKE BACKING PLATE MOUNTED



BWP KIT M-K38

CONSISTS OF:

- 2 M-1084 Adj. Screw Assembly
- 2 M-1026 Adj. Piston Boot
- 2 M-1027 Overload Spring
- 2 M-1028 Adj. Nut
- 2 M-1029 Adj. Nut Cap
- 2 M-1031 Adj. Piston
- 2 M-1038 Adj. Lever Pin
- 2 M-1086 Adj. Lever and Spring
- 2 M-1010 Shoe Return Spring
- 4 M-1087 Shoe Hold Down Assembly
- 1 M-899 Wedge Brake Lubricant

MATERIAL FOR ONE WHEEL

WEDGE BRAKE – MINOR REPAIR KITS – BENDIX

MINOR REPAIR KIT — BENDIX TWINPLEX TRAILER AND DRIVE AXLE SPIDER MOUNTED



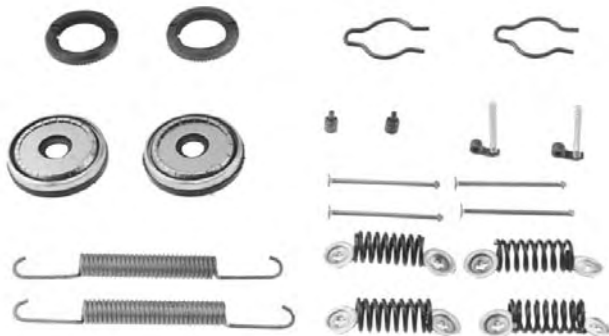
BWP KIT M-K35

CONSISTS OF:

- 2 **M-1026** Boot Assembly
- 2 **M-1027** Overload Spring
- 2 **M-1029** Adj. Nut Cap
- 2 **M-1038** Adj. Lever Pin
- 2 **M-1086** Adj. Lever and Spring
- 2 **M-1043** Anchor Piston Boot
- 2 **M-830** Shoe Return Spring
- 2 **M-1044** Spring Damper
- 1 **M-899** Wedge Brake Lubricant

MATERIAL FOR ONE WHEEL

MINOR REPAIR KIT — BENDIX NON SERVO FRONT BRAKE BACKING PLATE MOUNTED



BWP KIT M-K36

CONSISTS OF:

- 2 **M-1026** Boot Assembly
- 2 **M-1027** Overload Spring
- 2 **M-1029** Adj. Nut Cap
- 2 **M-1038** Adj. Lever Pin
- 2 **M-1086** Adj. Lever and Spring
- 2 **M-1010** Shoe Return Spring
- 4 **M-1087** Shoe Hold Down Assembly
- 1 **M-899** Wedge Brake Lubricant

MATERIAL FOR ONE WHEEL

MINOR REPAIR KIT — BENDIX NON SERVO FRONT BRAKE SPIDER MOUNTED



BWP KIT M-K70

CONSISTS OF:

- 2 **M-1026** Boot Assembly
- 2 **M-1027** Overload Spring
- 2 **M-1028** Adj. Nut
- 2 **M-1029** Adj. Nut Cap
- 2 **M-1031** Adj. Piston
- 2 **M-1038** Adj. Lever Pin
- 2 **M-1086** Adj. Lever and Spring
- 2 **M-1085** Adj. Screw
- 2 **M-2747** Shoe Stabilizer
- 2 **M-2734** Shoe Return Spring
- 1 **M-899** Wedge Brake Lubricant

MATERIAL FOR ONE WHEEL

AXLE PARTS SECTION

	Page No.
AXLE NUTS	
DISPLAY SETS248
DRIVE AXLE NUTS238-241
STEERING AXLE NUTS241-244
TRAILER AXLE NUTS245-247
AXLE NUT WRENCHES	
DISPLAY SETS249
WRENCHES250, 251
GASKETS, FLANGES, "O" RINGS236-237
HUBS232-233
HUB CAPS234-235
SEALS233
SPECIALTY TOOLS251-252
ANCHOR PIN PRESS252
AXLE STUD PLIERS252
BRAKE SPRING PLIERS252
BRAKE CLEVIS PIN PRESS252
CAMSHAFT, BUSHING REMOVER251
SLACK ADJUSTER CHECKER, PULLER252
THREAD RESTORER251

DISC WHEEL HUBS

8 HOLE HUB — INBOARD MOUNT DRUM — SERRATED METRIC STUDS



BWP NO.	REPLACES	HUB SPEC.	INNER & OUTER BEARINGS	AXLE APPLICATION
M-3292	WEBB 2028 MOTOR WHEEL 89425 CONMET 101146 CONMET 101158	BOLT CIRCLE 10 ^{53/64} " DRUM PILOT 9"	INNER CUP=HM218210 INNER CONE=HM218248 OUTER CUP=HM212011 OUTER CONE=HM518445	DANA EATON MERITOR K-B STD. FORGE

10 HOLE HUB — INBOARD MOUNT DRUM — SHOULDER STUDS



BWP NO.	REPLACES	HUB SPEC.	INNER AND OUTER CUPS	AXLE APPLICATION
M-2545	DANA 20101 MERITOR A-333-W-985 STD. FORGE 300126-001 WEBB 1221 LESS BEARING CUPS	BOLT CIRCLE 11 ^{1/4} " DRUM PILOT 9 ^{7/16} "	INNER 653 OUTER HM212011 HM212049	EATON MERITOR, STD. FORGE, 16 ^{1/2} " DIA. BRAKES

10 HOLE HUB — INBOARD MOUNT DRUM — SHOULDER STUDS



BWP NO.	REPLACES	HUB SPEC.	INNER AND OUTER CUPS	AXLE APPLICATION
M-2546	DANA 22044 STD. FORGE 300140-001 WEBB 1001 LESS BEARING CUPS	BOLT CIRCLE 11 ^{1/4} " DRUM PILOT 9 ^{7/16} "	INNER HM218210 OUTER HM212011	DANA, EATON, MERITOR, STD. FORGE 16 ^{1/2} " DIA. BRAKES

10 HOLE HUB — INBOARD MOUNT DRUM — SHOULDER STUDS



BWP NO.	REPLACES	HUB SPEC.	INNER AND OUTER CUPS	AXLE APPLICATION
M-2543	BUDD 103563 DAYTON 04-09179 FRUEHAUF ACC-5227-001 GUNITE H372 REYCO 402 & 410 WEBB 1331 & 1332 LESS BEARING CUPS	BOLT CIRCLE 11 ^{1/4} " DRUM PILOT 9 ^{1/2} "	INNER HM518410 OUTER HM518410	FRUEHAUF PRO-PAR MERITOR TP

10 HOLE HUB — INBOARD MOUNT DRUM — SHOULDER STUDS



BWP NO.	REPLACES	HUB SPEC.	INNER AND OUTER CUPS	AXLE APPLICATION
M-2541	DANA 22062 STD. FORGE 300147-001 WEBB 1051 LESS BEARING CUPS	BOLT CIRCLE 8 ^{3/4} " DRUM PILOT 7 ^{1/4} "	INNER HM218210 OUTER HM212011	DANA STD. FORGE, 12 ^{1/4} " DIA. BRAKES

10 HOLE HUB — OUTBOARD MOUNT DRUM — HEADED STUDS



BWP NO.	REPLACES	HUB SPEC.	INNER AND OUTER CUPS	AXLE APPLICATION
M-2542	WEBB 1000 LESS BEARING CUPS	BOLT CIRCLE 11 ^{1/4} " DRUM PILOT 9 ^{7/16} "	INNER HM218210 OUTER HM212011	DANA EATON MERITOR, STD. FORGE, 16 ^{1/2} " DIA. BRAKES

DISC WHEEL HUBS

10 HOLE HUB — OUTBOARD MOUNT DRUM — HEADED STUDS



BWP NO.	REPLACES	HUB SPEC.	INNER AND OUTER CUPS	AXLE APPLICATION
M-2544	WEBB 1020 LESS BEARING CUPS	BOLT CIRCLE 1 1/4" DRUM PILOT 8 17/32"	INNER HM218210 OUTER HM212011	DANA, EATON, MERITOR, STD. FORGE, 16 1/2" DIA. BRAKES

10 HOLE HUB — OUTBOARD MOUNT DRUM — SERRATED STUDS



BWP NO.	REPLACES	HUB SPEC.	INNER AND OUTER CUPS	AXLE APPLICATION
M-3294	MOTORWHEEL 87396 REYCO 409 WEBB 1320 LESS BEARING CUPS	BOLT CIRCLE 1 1/4" DRUM PILOT 8 17/32"	INNER HM518410 OUTER HM518410	FRUEHAUF, PRO-PAR, MERITOR TP

10 HOLE HUB — OUTBOARD MOUNT DRUM — SERRATED STUDS



BWP NO.	REPLACES	HUB SPEC.	INNER & OUTER BEARINGS	AXLE APPLICATION
M-3290	WEBB 2323 CONMET 101265/6 GUNITE HT683K REYCO 411 ERIE 708-52	BOLT CIRCLE 1 1/4" DRUM PILOT 8 3/4"	INNER & OUTER CUP HM518410 INNER & OUTER CONE HM518445	DANA EATON FRUEHAUF INGERSOLL MERITOR

10 HOLE HUB — OUTBOARD MOUNT DRUM — HUB PILOTED, METRIC STUDS



BWP NO.	REPLACES	HUB SPEC.	INNER AND OUTER CUPS	AXLE APPLICATION
M-3295	ERIE 706 WEBB 2023 LESS BEARING CUPS	BOLT CIRCLE 287.75MM DRUM PILOT 8.78"	INNER HM218210 OUTER HM212011	DANA, "22" EATON, J, JE MERITOR, RN, TN

AXLE PARTS

TRAILER AXLE SEALS



M-675	GREASE SEAL FRUEHAUF 77895	3 1/2"	6"	FRUEHAUF NO. 5 EARLY I-BEAM AXLES. USE M-677 DOWEL PIN
--------------	-------------------------------	--------	----	--



M-670A	NEOPRENE SEAL EATON F-1354 STD. FORGE 106999-003	4"	5 3/4"	POPULAR 18,000 LB. AXLE SEAL. WILL REPLACE M-661
M-2576	NEOPRENE SEAL DANA 30064 STD. FORGE 106999-005	4 1/2"	6 1/2"	STD. FORGE A-26, DANA K-30 AXLES

HUB CAPS – OIL

FRUEHAUF PRO-PAR CENTER FILL TYPE — LEXAN



BWP NO.	REPLACES	THREAD SIZE	NOTE
M-1052	FRUEHAUF ACC-7538-900	6 ¹ / ₄ " - 8	M-1052 CAP INCLUDES: 1-1065 "O" RING M-1066 PLUG BWP WRENCH: M-1941

FRUEHAUF PRO-PAR — HUBODOMETER TYPE — LEXAN



BWP NO.	REPLACES	THREAD SIZE	NOTE
M-2764	FRUEHAUF ACC-6113-900 STEMCO 640-0003 HU-700L 01-000700L-001	6 ¹ / ₄ " - 8	SAME AS M-1052 EXCEPT HAS SIDE PLUG FOR HUBODOMETER M-2764 CAP INCLUDES: M-1065 "O" RING M-2765 SIDE PLUG

6 HOLE HUB CAP — CENTER FILL TYPE — LEXAN



BWP NO.	REPLACES	BOLT CIRCLE	BOLT SIZE	INSIDE DEPTH	O.D.	I.D.	NOTE
M-2766	STEMCO 4009 4046	5 ¹ / ₂ "	5/16"	2 ³ / ₄ "	6 ¹¹ / ₁₆ "	4 ⁵ / ₁₆ "	M-2766 CAP INCLUDES: M-2768 GASKET M-2767 FLANGE M-1066 PLUG M-2765 SIDE PLUG

6 HOLE HUB CAP — HUBODOMETER TYPE — LEXAN



BWP NO.	REPLACES	BOLT CIRCLE	BOLT SIZE	INSIDE DEPTH	O.D.	I.D.	NOTE
M-2769	STEMCO 640-0001 HU353L 01-000353L-001	5 ¹ / ₂ "	5/16"	2 ³ / ₄ "	6 ¹¹ / ₁₆ "	4 ⁵ / ₁₆ "	SAME AS M-2766 EXCEPT HAS SIDE PLUG FOR HUBODOMETER. M-2769 CAP INCLUDES: M-2768 GASKET M-2767 FLANGE M-2765 SIDE PLUG

6 HOLE HUB CAP — CENTER FILL STEMCO TYPE — ALUMINUM



BWP NO.	REPLACES	BOLT CIRCLE	BOLT SIZE	INSIDE DEPTH	O.D.	I.D.	NOTE
M-2774	STEMCO 240-4009	5 ¹ / ₂ "	5/16"	1 ¹⁵ / ₁₆ "	6 ¹ / ₄ "	4 ³ / ₈ "	DIE CAST ALUMINUM TYPE WITH WINDOW: M-2774 CAP INCLUDES: M-2768 GASKET M-1066 PLUG

HUB CAPS, OIL AND GREASE – HUB CAP DISPLAY

6 HOLE CAP — CENTER FILL ALUMINUM TYPE — STEMCO



BWP NO.	REPLACES	BOLT CIRCLE	BOLT SIZE	INSIDE DEPTH	O.D.	I.D.	NOTE
M-3988	STEMCO 343-4009	5 1/2"	5/16"	1 15/16"	6 1/4"	4 3/8"	SAME AS M-2774 EXCEPT HAS SIDE PLUG. INCLUDES: M-2468 GASKET M-1066 PLUG

WINDOW KIT — FOR M-3988



BWP NO.	NOTE
M-3989 WINDOW KIT	FOR M-3988

5 HOLE HUB CAP — CENTER FILL TYPE — LEXAN



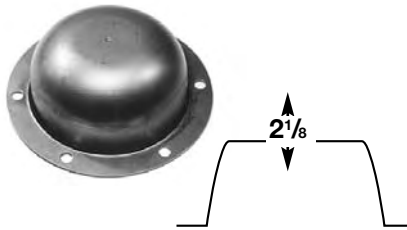
BWP NO.	REPLACES	BOLT CIRCLE	BOLT SIZE	INSIDE DEPTH	O.D.	I.D.	NOTE
M-2770	STEMCO 4013	5 1/2"	5/16"	2 3/4"	6 13/16"	4 5/16"	M-2770 CAP INCLUDES: M-2772 GASKET M-2771 FLANGE M-1066 PLUG

5 HOLE HUB CAP — HUBODOMETER TYPE — LEXAN



BWP NO.	REPLACES	BOLT CIRCLE	BOLT SIZE	INSIDE DEPTH	O.D.	I.D.	NOTE
M-2773	STEMCO 640-0002 HU360L 01-000360L-001	5 1/2"	5/16"	2 3/4"	6 13/16"	4 5/16"	SAME AS M-2770 EXCEPT HAS SIDE PLUG FOR HUBODOMETER. M-2773 CAP INCL.: M-2772 GASKET M-2771 FLANGE M-2765 SIDE PLUG

6 HOLE HUB CAP — GREASE TYPE — METAL



BWP NO.	REPLACES	BOLT CIRCLE	BOLT SIZE	O.D.	I.D.	NOTE
M-767	DANA M-10HK129 MERITOR 3262-S-45 STD. FORGE A-170074	5 1/2"	5/16"	6 1/8"	4 1/2"	METAL HUB CAP FOR MERITOR AND STD. FORGE AXLES. USE WITH M-837 OR M-2768 GASKETS

HUB CAP DISPLAY AND DISPLAY BOARD



BWP NO.	DISPLAY INCLUDES	NOTES
M-2775	1 M-1052 HUB CAP 1 M-2764 HUB CAP 1 M-2766 HUB CAP 1 M-2769 HUB CAP 1 M-2774 HUB CAP 1 M-2770 HUB CAP 1 M-2773 HUB CAP 1 M-767 HUB CAP 6 M-1065 "O" RING 6 M-1066 PLUG 6 M-2765 PLUG 25 M-2768 GASKET 25 M-2772 GASKET 2 M-2767 FLANGE 2 M-2771 FLANGE 1 M-2776 BOARD	FOR BOARD AND HOOKS ONLY, ORDER: M-2776. DIMENSIONS ARE: 24" WIDE X 30" HIGH

AXLE PARTS

"O" RING, PLUGS, GASKETS, FLANGES

"O" RING FOR PRO-PAR HUB CAP



BWP NO.	REPLACES	I.D.	O.D.	NOTE
M-1065	"O" RING FRUEHAUF AXA-0484-1	5 $\frac{1}{2}$ "	6"	USE WITH: M-1052 CAP M-2764 CAP

PLUGS — CENTER FILL AND SIDE PLUGS



BWP NO.	REPLACES	NOTE
M-1066	CENTER FILL PLUG FRUEHAUF AXA-1005-1	STANDARD PLUG FOR ALL CENTER FILL HUB CAPS
M-2765	SIDE FILL (HUBO) PLUG ENGLIER 641-0001	STANDARD SIDE PLUG (INCLUDES "O" RING) FOR ALL SIDE FILL LEXAN HUBODOMETER PLUGS

GASKETS — UNIVERSAL, 3, 5 AND 6 HOLE



BWP NO.	REPLACES	O.D.	I.D.	BOLT CIRCLE	NOTE
M-837	UNIVERSAL GASKET MAY BE USED FOR 3, 4, 5, 6 HOLE HUB CAPS	6 $\frac{3}{8}$ "	4 $\frac{3}{8}$ "	5 $\frac{1}{2}$ "	MAY BE USED ON ALL HUB CAPS WITH 5 $\frac{1}{2}$ " BOLT CIRCLE
M-2768	6 HOLE GASKET STEMCO 330-3009	6 $\frac{1}{4}$ "	4 $\frac{3}{4}$ "	5 $\frac{1}{2}$ "	STANDARD FOR 6 HOLE HUB CAPS USE WITH: M-2766, M-2769, M-2774, M-767
M-2772	5 HOLE GASKET STEMCO 330-3013	6 $\frac{5}{8}$ "	4 $\frac{3}{4}$ "	5 $\frac{1}{2}$ "	STANDARD FOR 5 HOLE HUB CAPS USE WITH: M-2770, M-2773
M-829	3 HOLE GASKET STEMCO 330-3003	6 $\frac{1}{16}$ "	4 $\frac{1}{2}$ "	5 $\frac{1}{4}$ "	USE WITH: M-828 HUB CAP

FLANGES — 5 HOLE AND 6 HOLE



BWP NO.	REPLACES	O.D.	I.D.	BOLT CIRCLE	BOLT SIZE	NOTE
M-2767	6 HOLE FLANGE FOR ALL STANDARD 6 HOLE HUB CAPS WITH 5 $\frac{1}{2}$ " BOLT CIRCLE	6 $\frac{3}{4}$ "	4 $\frac{7}{8}$ "	5 $\frac{1}{2}$ "	5/16"	USE WITH: M-2766, M-2769 CAPS

DRIVE AXLE FLANGE GASKETS AND DISPLAY BOARD

DRIVE AXLE FLANGE GASKETS



BWP NO.	TYPE	I.D.	O.D.	BOLT CIRCLE	BOLT SIZE	NO. OF BOLTS	REPLACES
M-2530	1	4"	5 ⁹ / ₁₆ "	4 ³ / ₄ "	7/ ₁₆ "	8	FORD A8TZ1001A
M-2531	3	4 ¹ / ₂ "	6 ¹ / ₁₆ "	5 ¹ / ₄ "	1/ ₂ "	12	GMC 2362158
M-2532	1	4 ¹ / ₂ "	6 ¹ / ₈ "	5 ⁹ / ₃₂ "	1/ ₂ "	8	FORD A8TZ-1001C GMC 2310537 IHC 218208R1 ROCK. 2208-J-426 WHITE 466884
M-2533	3	5"	6 ¹ / ₂ "	5 ¹ / ₁₆ "	7/ ₁₆ "	12	GMC 2321015 IHC 974577R1 MACK 131SP47 ROCK. 2208-F-422 WHITE 467836
M-2534	2	5 ⁵ / ₈ "	8 ¹ / ₂ "	7	3/ ₄ "	8	FORD B3TZ1001A IHC 115135H MACK 130SP19 WHITE 716743
M-2535	3	5 ¹¹ / ₁₆ "	7 ⁷ / ₁₆ "	6 ⁷ / ₁₆ "	1/ ₂ "	12	IHC 138776R1 MACK 131SP59 ROCK. 2208-Z-416 WHITE 476375
M-2536	1	5 ³ / ₄ "	8 ³ / ₈ "	7"	5/ ₈ "	8	---
M-2537	1	6"	8 ¹ / ₄ "	7	5/ ₈ "	8	GMC 2362287 IHC 297336C1 MACK 131SP31 ROCK. 2208-W-413 WHITE 453127

GASKET DISPLAY BOARD



BWP NO.	GENERAL INFORMATION
M-2538	<p>COMPLETE DISPLAY INCLUDES:</p> <ul style="list-style-type: none"> 25 M-2530 AXLE FLANGE GASKET 25 M-2531 AXLE FLANGE GASKET 25 M-2532 AXLE FLANGE GASKET 25 M-2533 AXLE FLANGE GASKET 50 M-2534 AXLE FLANGE GASKET 50 M-2535 AXLE FLANGE GASKET 25 M-2536 AXLE FLANGE GASKET 50 M-2537 AXLE FLANGE GASKET 25 M-837 HUB CAP GASKET 25 M-1065 HUB CAP "O" RING 1 M-2539 DISPLAY BOARD AND HOOKS
M-2539	DISPLAY BOARD AND HOOKS ONLY

AXLE PARTS

DRIVE AXLE SPINDLE NUTS AND WASHERS

EATON 32M-MR, 34M-MF, 34D-DT-RP-RT, 17800-1 AXLES

OUTER NUT & SEAL



BWP NO.	REPLACES	I.D. OR THREAD	O.D. OR A.F.	THICK.	NOTE
M-1984	OUTER NUT EATON 34090	2 ⁵ / ₈ "-12 THD.	3 ³ / ₈ " A.F.	1"	BWP WRENCH: M-1910
M-1985	LOCK WASHER EATON 30714	2 ⁵ / ₈ " I.D.	4" O.D.	3/32"	---
M-1986	INNER NUT EATON 19186	2 ⁵ / ₈ "-12 THD.	3 ⁷ / ₁₆ " A.F.	15/32"	BWP WRENCH: M-1910

EATON 38R3-RP-RT, 42R3-RP-RT, 18800, 18801-2-3 AXLES

LOCKWASHER



M-1987	OUTER NUT EATON 31926	3"-12 THD.	3 ¹³ / ₁₆ " A.F.	1"	BWP WRENCH: M-1912
M-1988	LOCK WASHER EATON 90180	3" I.D.	4 ¹ / ₂ " O.D.	3/32"	---
M-1989	INNER NUT EATON 90229	3"-12 THD.	3 ¹³ / ₁₆ " A.F.	1/2"	BWP WRENCH: M-1912

EATON 1911-1919, 2011, 20500-1, 19500-1-2 AXLES

INNER NUT



M-1990	OUTER NUT EATON 31927	3 ¹ / ₄ "-12 THD.	4 ¹ / ₁₆ " A.F.	1"	BWP WRENCH: M-1915
M-1991	LOCK WASHER EATON 11245	3 ¹ / ₄ " I.D.	4 ³ / ₄ " O.D.	1/8"	---
M-1992	INNER NUT EATON 11249	3 ¹ / ₄ "-12 THD.	4 ¹ / ₈ " A.F.	1/2"	BWP WRENCH: M-1915

FORD 18,000 LB. REAR AXLES

AXLE PARTS



OUTER
NUT



LOCK
WASHER



LOCK
WASHER



INNER
NUT

BWP NO.	REPLACES	I.D. OR THREAD	O.D. OR A.F.	THICK.	NOTE
M-1986	OUTER NUT FORD D7HZ-4245A	2 ⁵ / ₈ "-12 THD.	3 ⁷ / ₁₆ " A.F.	15/32"	BWP WRENCH: M-1910
M-1985	LOCK WASHER FORD EQH-1124	2 ⁵ / ₈ " I.D.	4" O.D.	3/32"	---
M-683	LOCK WASHER FORD 7EQ-1124A	2 ⁴¹ / ₆₄ " I.D.	3 ¹⁵ / ₁₆ "	1/4"	---
M-3391	INNER NUT FORD D7HZ-4255A	2 ⁵ / ₈ "-12	3 ¹ / ₂ "	3/8"	BWP WRENCH: M-1910

DRIVE AXLE SPINDLE NUTS AND WASHERS

MACK 50,000 LB. AXLES

OUTER NUT



BWP NO.	REPLACES	I.D. OR THREAD	O.D. OR A.F.	THICK.	NOTE
M-1978	OUTER NUT MACK 25QJ36	3 ¹ / ₄ "-12 THD.	4" A.F.	3 ³ / ₈ "	BWP WRENCH: M-1914
M-1979	LOCK WASHER MACK 23QJ201	3 ¹ / ₄ " I.D.	4 ⁵ / ₁₆ " O.D.	3 ¹ / ₁₆ "	---
M-1980	INNER NUT MACK 25QJ35	3 ¹ / ₄ "-12 THD.	4" A.F.	3 ³ / ₈ "	BWP WRENCH: M-1914

MACK SW-56C AXLES

LOCK WASHER



BWP NO.	REPLACES	I.D. OR THREAD	O.D. OR A.F.	THICK.	NOTE
M-1997	OUTER NUT MACK 21-AX-626	2 ⁷ / ₈ "-12 THD.	4 ¹ / ₈ " A.F.	3 ³ / ₈ "	BWP WRENCH: M-1915
M-1998	LOCK WASHER MACK 23-QJ-125 23-QJ-129	2 ⁷ / ₈ " I.D.	4 ⁷ / ₁₆ " O.D.	1 ¹ / ₈ "	---
M-1999	INNER NUT MACK 25-QJ-138	2 ⁷ / ₈ "-12 THD.	4 ¹ / ₈ " A.F.	3 ³ / ₈ "	BWP WRENCH: M-1915

MACK SW-57C AXLES

INNER NUT



M-2201	OUTER NUT MACK 21-AX-335	2 ¹⁵ / ₁₆ "-12 THD.	4 ¹ / ₈ " A.F.	3 ³ / ₈ "	BWP WRENCH: M-1915
M-2202	LOCK WASHER MACK 23-QJ-12B	2 ¹⁵ / ₁₆ " I.D.	4 ⁷ / ₁₆ " O.D.	1 ¹ / ₄ "	---
M-2203	INNER NUT MACK 25-QJ-13	2 ¹⁵ / ₁₆ "-12 THD.	4 ¹ / ₈ " A.F.	3 ³ / ₈ "	BWP WRENCH: M-1915

NAVISTAR 17,000-17,500-30,000 LB. AXLES



INNER & OUTER SPINDLE NUT



LOCK WASHER

BWP NO.	REPLACES	I.D. OR THREAD	O.D. OR A.F.	THICK.	APPLICATION
M-3296	INNER & OUTER NUT NAVISTAR 36415HB	2 ¹ / ₂ "-12	3 ¹ / ₄ "	1 ¹ / ₃₂ "	NAVISTAR AXLES 14039 14042 14199 14341
M-3291	LOCK WASHER NAVISTAR 36416HB	2 ¹⁷ / ₃₂ " I.D.	3 ³ / ₄ " O.D.	1 ¹ / ₈ "	

DRIVE AXLE SPINDLE NUTS AND WASHERS

NAVISTAR 19,000-34,000 LB. AXLES



INNER & OUTER SPINDLE NUT

BWP NO.	REPLACES	I.D. OR THREAD	O.D. OR A.F.	THICK.	APPLICATION
M-1986	INNER & OUTER NUT NAVISTAR 67678R1	2 ⁵ / ₈ "-12 THD.	3 ⁷ / ₁₆ " A.F.	1 ⁵ / ₃₂ "	NAVISTAR AXLES 14044 14186 14351
M-3289	LOCK WASHER NAVISTAR 470422C1	2 ⁵ / ₈ " I.D.	4 ¹ / ₁₆ " O.D.	1/8"	

NAVISTAR 34,000-50,000 LB. AXLES



LOCK WASHER

BWP NO.	REPLACES	I.D. OR THREAD	O.D. OR A.F.	THICK.	APPLICATION
M-3390	INNER & OUTER NUT NAVISTAR 157501R1	3 ¹ / ₄ "-12 THD.	4 ¹ / ₈ " A.F.	3/8"	NAVISTAR 14309 14311 14342 14493 14364 14493 14494 14277 14348 14338 14368
M-3393	LOCK WASHER NAVISTAR 581694C1	3 ¹ / ₄ " I.D.	4 ³ / ₄ " O.D.	1/8"	

MERITOR DRIVE AXLE — "F" SERIES

OUTER NUT



BWP NO.	REPLACES	I.D. OR THREAD	O.D. OR A.F.	THICK.	NOTE
M-1969	OUTER NUT MERITOR 1227-D-446	2 ¹ / ₂ "-16 THD.	3 ¹ / ₂ " A.F.	5/16"	BWP WRENCH: M-1910
M-1970	LOCK WASHER MERITOR 1229-C-1459	2 ¹ / ₂ " I.D.	3 ³ / ₄ " O.D.	5/32"	--
M-1971	INNER NUT MERITOR 1227-U-515	2 ¹ / ₂ "-16 THD.	3 ¹ / ₂ " A.F.	5/16"	BWP WRENCH: M-1910

MERITOR DRIVE AXLE — "H" SERIES

LOCK WASHER



BWP NO.	REPLACES	I.D. OR THREAD	O.D. OR A.F.	THICK.	NOTE
M-1972	OUTER NUT MERITOR 1227-T-228	2 ⁵ / ₈ "-16 THD.	3 ¹ / ₂ " A.F.	3/8"	BWP WRENCH: M-1910
M-1973	LOCK WASHER MERITOR 1229-G-1021	2 ⁵ / ₈ " I.D.	3 ³ / ₄ " O.D.	3/16"	--
M-1974	INNER NUT MERITOR A-1227-T-540	2 ⁵ / ₈ "-16 THD.	3 ¹ / ₂ " A.F.	3/8"	BWP WRENCH: M-1910

MERITOR DRIVE AXLE — SPECIAL "H" SERIES

INNER NUT



BWP NO.	REPLACES	I.D. OR THREAD	O.D. OR A.F.	THICK.	NOTE
M-3392	OUTER NUT MERITOR 1227-E-1045	2 ⁵ / ₈ "-12 THD.	3 ¹ / ₂ " A.F.	3/8"	BWP WRENCH: M-1910
M-1973	LOCK WASHER MERITOR 1229-G-1021	2 ⁵ / ₈ " I.D.	3 ³ / ₄ " O.D.	3/16"	--
M-3391	INNER NUT MERITOR 1227-Z-1040	2 ⁵ / ₈ "-12 THD.	3 ¹ / ₂ " A.F.	3/8"	BWP WRENCH: M-1910

DRIVE AXLE SPINDLE NUTS AND LOCKS

MERITOR DRIVE AXLE — "J" AND "L" SERIES

OUTER NUT



BWP NO.	REPLACES	I.D. OR THREAD	O.D. OR A.F.	THICK.	NOTE
M-1975	OUTER NUT MERITOR 1227-H-346	3"-12 THD.	4" A.F.	3/8"	BWP WRENCH: M-1914
M-1976	LOCK WASHER MERITOR 1229-R-1058	3" I.D.	4 1/4" O.D.	3/16"	---
M-1977	INNER NUT MERITOR A-1227-V-516	3"-12 THD.	4" A.F.	3/8"	BWP WRENCH: M-1914

MERITOR DRIVE AXLE "Q", "R", "S", "T" SRIES

LOCK WASHER



BWP NO.	REPLACES	I.D. OR THREAD	O.D. OR A.F.	THICK.	NOTE
M-1978	OUTER NUT MERITOR 1227-R-330	3 1/4"-12 THD.	4" A.F.	3/8"	BWP WRENCH: M-1914
M-1979	LOCK WASHER MERITOR 1229-V-1009	3 1/4" I.D.	4 5/16" O.D.	3/16"	---
M-1980	INNER NUT MERITOR 1227-W-517	3 1/4"-12 THD.	4" A.F.	3/8"	BWP WRENCH: M-1914

MERITOR DRIVE AXLE — "S", "U" AND FU900 SERIES

INNER NUT



BWP NO.	REPLACES	I.D. OR THREAD	O.D. OR A.F.	THICK.	NOTE
M-1981	OUTER NUT MERITOR 1227-P-328	3 3/8"-12 THD.	4 3/8" A.F.	3/8"	BWP WRENCH: M-1917
M-1982	LOCK WASHER MERITOR 1229-V-48	3 3/8" I.D.	4" O.D.	7/32"	---
M-1983	INNER NUT MERITOR 1227-A-547	3 3/8"-12 THD.	4 7/8" A.F.	5/16"	BWP WRENCH: M-1919

FRONT STEERING AXLE NUTS AND LOCKS

EATON — FRONT STEERING AXLES



BWP NO.	REPLACES	I.D. OR THREAD	O.D. OR A.F.	THICK.	NOTE
M-2564	OUTER NUT EATON F-328-1	1 3/4"-12 THD.	2 3/4" A.F.	1"	BWP WRENCH: M-1923
M-2565	THRUST WASHER EATON F-911-1	1 3/4" I.D.	3 1/2" O.D.	1/4"	---
M-2566	COTTER PIN EATON X-8-331	---	3/16" O.D..	3" LONG	---

AXLE PARTS

FRONT STEERING AXLE NUTS AND LOCKS

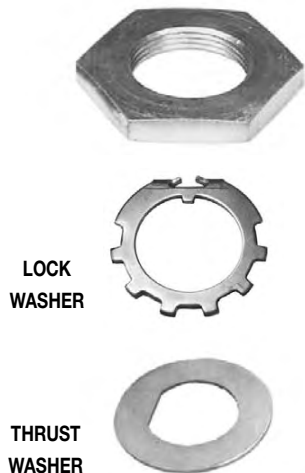
MACK — FRONT STEERING AXLES



BWP NO.	REPLACES	I.D. OR THREAD	O.D. OR A.F.	THICK.	NOTE
M-2573	SPINDLE NUT MACK 21-AX-790	1 ⁵ / ₈ "-12 THD.	2 ⁵ / ₈ " A.F.	3/ ₈ "	BWP WRENCH: M-1922
M-2574	THRUST WASHER MACK 35-AX-1415	1 ¹¹ / ₁₆ " I.D.	3" O.D.	1/ ₈ "	---
M-2575	LOCK WASHER	1 ¹¹ / ₁₆ " I.D.	3 ³ / ₈ " O.D.	3/ ₁₆ "	---

NAVISTAR - 9,000 - 10,000 - 12,000 AXLES

INNER & OUTER SPINDLE UNIT



LOCK
WASHER

THRUST
WASHER

BWP NO.	REPLACES	I.D. OR THREAD	O.D. OR A.F.	THICK.	NOTE
M-3297	INNER & OUTER NUT NAVISTAR 50325R1	2 ¹ / ₁₆ "-16 THD.	2 ⁷ / ₈ "	3/ ₈ "	NAVISTAR 02109 02139 02309 02329
M-3288	LOCK WASHER NAVISTAR 470421C1	2 ³ / ₃₂ " I.D.	3 ⁷ / ₁₆ " O.D.	3/ ₃₂ "	
M-3298 •	THRUST WASHER NAVISTAR 451941C1	2 ³ / ₃₂ " I.D.	3 ³ / ₄ " O.D.	1/ ₄ "	
M-3299 •	THRUST WASHER NAVISTAR 484188C1	2 ³ / ₃₂ " I.D.	4 ¹ / ₈ " O.D.	1/ ₄ "	

• CHOICE OF THRUST WASHER TO USE

MERITOR — FC900, FC901, AND 32550 AXLES



BWP NO.	REPLACES	I.D. OR THREAD	O.D. OR A.F.	THICK.	NOTE
M-2571	OUTER NUT MERITOR X-1421	1"-14 THD.	1 ⁷ / ₁₆ " A.F.	5/ ₈ "	---
M-2572	THRUST WASHER MERITOR 1229-Y-1325	1 ¹ / ₆₄ " I.D.	2 ⁵ / ₈ " O.D.	1/ ₈ "	---

FRONT STEERING AXLE NUTS AND LOCKS

MERITOR — FD900, FD901, FD931, FE900, FF901, FF931 AXLES



BWP NO.	REPLACES	I.D. OR THREAD	O.D. OR A.F.	THICK.	NOTE
M-1956	OUTER NUT MERITOR 1227-B-106	1 1/2"-12 THD.	2 1/4" A.F.	7/16"	BWP WRENCH: M-1922
M-1957	OUTER WASHER MERITOR 1229-F-474	1 17/32" I.D.	3" O.D.	1/32"	ALSO USED WITH M-2569, M-2570 FOR FE931 AXLES
M-1958	LOCK WASHER MERITOR 1229-G-475	1 17/32" I.D.	3" O.D.	3/16"	ALSO USED WITH M-2569, M-2570 FOR FE931 AXLES
M-1959	INNER NUT MERITOR 1227-U-541 1227-L-194 A-1227-A-105	1 1/2"-12 THD.	2 5/8" O.D.	3/8"	BWP WRENCH: M-1922

MERITOR — FE931 AXLES



BWP NO.	REPLACES	I.D. OR THREAD	O.D. OR A.F.	THICK.	NOTE
M-2569	OUTER NUT MERITOR 1227-K-947	1 1/2"-18 THD.	2 1/4" A.F.	7/8"	USE WITH M-1957, M-1958 FOR FE931 AXLE. BWP WRENCH: M-1902
M-2570	WASHER MERITOR 1229-L-2378	1 17/32" I.D.	3 1/8" O.D.	3/16"	USE WITH M-1957, M-1958 FOR FE931 AXLE

MERITOR — FE970 AND "E" SERIES AXLES



BWP NO.	REPLACES	I.D. OR THREAD	O.D. OR A.F.	THICK.	NOTE
M-1960	OUTER NUT MERITOR 1227-F-162	2 1/4"-16 THD.	2 7/8" A.F.	1/4"	BWP WRENCH: M-1932
M-1961	LOCK WASHER MERITOR 1229-S-721	2 1/4" I.D.	3 5/16" O.D.	1/16"	---
M-1962	THRUST WASHER MERITOR 1229-H-1568	2 1/4" I.D.	4 5/16" O.D.	1/4"	---

AXLE PARTS

FRONT STEERING AXLE NUTS AND LOCKS

MERITOR — FH901, FL901, FL931 AXLES



BWP NO.	REPLACES	I.D. OR THREAD	O.D. OR A.F.	THICK.	NOTE
M-1963	OUTER NUT MERITOR 1227-Y-571	1 ³ / ₄ "-12 THD.	2 ⁵ / ₈ " A.F.	1 ³ / ₈ "	BWP WRENCH: M-1922
M-1964	THRUST WASHER MERITOR 1229-C-1693	1 ²⁵ / ₃₂ " I.D.	4 ¹ / ₈ " O.D.	1/4"	---

MERITOR — FG900 AXLES



BWP NO.	REPLACES	I.D. OR THREAD	O.D. OR A.F.	THICK.	NOTE
M-1965	OUTER NUT MERITOR 1227-D-108	1 ³ / ₄ "-12 THD.	2 ¹ / ₂ " A.F.	1 ¹ / ₁₆ "	BWP WRENCH: M-1921
M-1966	OUTER WASHER MERITOR 1229-J-478	1 ²⁵ / ₃₂ " I.D.	3 ¹ / ₄ " O.D.	1/32"	---
M-1967	LOCK WASHER MERITOR 1229-H-476	1 ²⁵ / ₃₂ " I.D.	3 ¹ / ₄ " O.D.	7/32"	---
M-2549	INNER NUT MERITOR A-1227-C-107	1 ³ / ₄ "-12 THD.	3 ⁵ / ₁₆ " O.D.	7/16"	---

MERITOR — 16900, 16910, 16920, 16930, 16931 AXLES



BWP NO.	REPLACES	I.D. OR THREAD	O.D. OR A.F.	THICK.	NOTE
M-1968	INNER NUT MERITOR A-1227-A-391	1 ³ / ₄ "-12 THD.	4 ¹ / ₈ " O.D.	7/16"	USE WITH: M-1965, M-1966, M-1967 FOR 16000 SERIES

TRAILER AXLE SPINDLE NUTS AND WASHERS

FRUEHAUF NO. 5 AND TKF AND EATON AXLES



BWP NO.	REPLACES	I.D. OR THREAD	O.D. OR A.F.	THICK.	NOTE
M-685	SPINDLE NUT FRUEHUF 530088 EATON X-1-115	1 $\frac{1}{2}$ "-12 THD.	2 $\frac{3}{16}$ " A.F.	1 $\frac{1}{2}$ "	USE WITH M-1069 COTTER PIN BWP WRENCH: M-1902
M-651	LOCK WASHER FRUEHAUF 530085	1 $\frac{3}{8}$ "-1 $\frac{1}{2}$ " D HOLE	3" O.D.	1 $\frac{1}{4}$ "	---
M-1069	COTTER PIN FRUEHAUF FSP-8-1-3	---	1 $\frac{1}{4}$ " O.D.	3" LONG	---

FRUEHAUF PRO-PAR AXLES



BWP NO.	REPLACES	I.D. OR THREAD	O.D. OR A.F.	THICK.	NOTE
M-1050	HEAVY DUTY NUT FRUEHAUF ACE-8510-1	3 $\frac{1}{2}$ "-12 THD.	4 $\frac{13}{16}$ " A.F.	1 $\frac{1}{8}$ "	LATE STYLE NUT, FULLY THREADED. BWP WRENCH: M-1941
M-1051	LOCK WASHER FRUEHAUF AXA-0408-1	3 $\frac{1}{2}$ " I.D.	5" O.D.	3 $\frac{1}{16}$ "	HEAT TREATED
M-1430	COTTER PIN FRUEHAUF AXA-0409-1	---	1 $\frac{1}{4}$ " O.D.	1" LONG	---

MERITOR TN, TQ AXLES — MANUAL ADJUSTMENT



BWP NO.	REPLACES	I.D. OR THREAD	O.D. OR A.F.	THICK.	NOTE
M-684	OUTER NUT MERITOR 1227-B-756	2 $\frac{5}{8}$ "-16 THD.	3 $\frac{1}{4}$ " A.F.	3 $\frac{3}{8}$ "	BWP WRENCH M-1909 OR M-1940
M-2567	LOCK WASHER MERITOR A-1229-W-2545	2 $\frac{41}{64}$ " I.D.	3 $\frac{15}{16}$ " O.D.	1 $\frac{1}{4}$ "	---
M-682	INNER NUT MERITOR 1227-C-549	2 $\frac{5}{8}$ "-16 THD.	3 $\frac{13}{16}$ " A.F.	3 $\frac{3}{8}$ "	BWP WRENCH M-1927

AXLE PARTS

TRAILER AXLE SPINDLE NUTS AND WASHERS

MERITOR, DANA, EATON, STD FORGE — 17,000-18,000 LB. AXLES



BWP NO.	REPLACES	I.D. OR THREAD	O.D. OR A.F.	THICK.	NOTE
M-682	INNER NUT MERITOR 1227-C-549 DANA 10284 EATON F-1529 STD. FORGE 103103-002 103104-001 DANA M10HN158	2 ⁵ / ₈ "-16 THD.	3 ¹³ / ₁₆ " A.F.	3/8"	STANDARD INNER NUT BWP WRENCH: M-1913 OR M-1940
M-683	LOCK WASHER MERITOR 1227-V-1660 DANA 10287 EATON F-1531 STD. FORGE 105107 DANA M10HN100	2 ⁴¹ / ₆₄ " I.D.	3 ¹⁵ / ₁₆ " O.D.	1/4"	STANDARD LOCK WASHER
M-2567	LOCK WASHER MERITOR 1229-W-2545 INCLUDES 1 SET SCREW TO POSITION AS A STOP	2 ⁴¹ / ₆₄ " I.D.	3 ¹⁵ / ₁₆ " O.D.	1/4"	SHORTER TAB FOR SHALLOW DEPTH AXLE KEYWAY ON SOME LATE ROCKWELL AXLES
M-684	OUTER NUT MERITOR 1227-B-756 DANA 10286 EATON F-1530 STD. FORGE 103102-001	2 ⁵ / ₈ "-16 THD.	3 ¹ / ₄ " A.F.	3/8"	STANDARD OUTER NUT BWP WRENCH: M-1909 OR M-1940
M-1068	TAB LOCK STD. FORGE 105106 DANA M10HN151	2 ⁴¹ / ₆₄ " I.D.	4 ¹ / ₃₂ " O.D.	1/16"	POSITION LOCK INSIDE M-684 NUT, BEND TABS TO LOCK NUT

MERITOR, STD. FORGE, EATON — 13,000 AND 14,000 LB. AXLES



BWP NO.	REPLACES	I.D. OR THREAD	O.D. OR A.F.	THICK.	NOTE
M-680	SPINDLE NUT MERITOR 1227-H-34 EATON F-1202 STD. FORGE 103100-001	1 ³ / ₄ "-12 THD.	2 ¹ / ₂ " A.F.	3/8"	BWP WRENCH: M-1921
M-649	LOCK WASHER MERITOR 1229-G-709 EATON F-1203 STD. FORGE 105102	1 ⁵ / ₈ "-1 ³ / ₄ " D HOLE	3"	1/16"	---
M-650	THRUST WASHER MERITOR 1229-F-708 EATON F-1247 STD. FORGE 105103	1 ⁵ / ₈ "-1 ³ / ₄ " D HOLE	3"	1/8"	---

AXLE PARTS

TRAILER AXLE SPINDLE NUTS AND WASHERS

MERITOR, STD. FORGE — 10,000 AND 11,000 LB. AXLES



BWP NO.	REPLACES	I.D. OR THREAD	O.D. OR A.F.	THICK.	NOTE
M-1524	SPINDLE NUT MERITOR 1227-X-102 STD. FORGE 103105	1½"-12 THD.	2¼" A.F.	9/32"	BWP WRENCH: M-1920
M-679	LOCK WASHER MERITOR 1229-T-462 STD. FORGE 105109	1⅜"-1½" D HOLE	27/8"	1/16"	---
M-681	THRUST WASHER MERITOR 1229-J-712 STD. FORGE 105108	1⅜"-1½" D HOLE	2¼" O.D.	1/8"	---

MERITOR PAYMASTER AXLES — RN MODEL

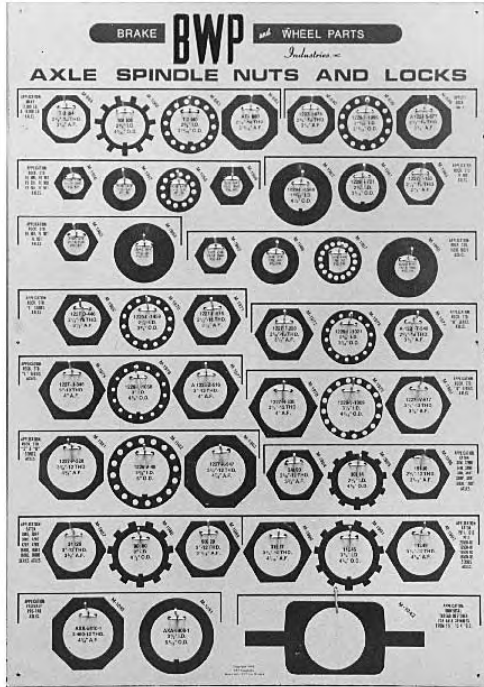


BWP NO.	REPLACES	I.D. OR THREAD	O.D. OR A.F.	THICK.	NOTE
M-846	INNER NUT MERITOR A-1227-S-887	2⅜"-16 THD.	3¾" A.F.	31/64"	HAS RECESS AROUND I.D. FOR WORN BEARINGS. BWP WRENCH: M-1927
M-838	INNER NUT MERITOR 1227-B-678	2⅜"-16" THD.	3¾" A.F.	31/64"	POSITIVE ADJUSTMENT NUT BWP WRENCH: M-1927
M-839	LOCK WASHER MERITOR 1229-T-1996	213/32" I.D.	313/16" O.D.	1/4"	---
M-840	OUTER NUT MERITOR 1227-Z-676	2⅜"-16 THD.	3¼" A.F.	11/32"	BWP WRENCH: M-1909 OR M-1940
M-2568	TAB LOCK POSITION BETWEEN M-839 AND M-840, AND BEND TABS	213/32" I.D.	4" O.D.	1/16"	LOCK TAB FOR M-840 NUT

AXLE PARTS

BWP AXLE NUT DISPLAY AND PARTS RACK

BWP AXLE NUT AND AXLE NUT LOCK WASHER DISPLAY — 46" LONG, 32" WIDE



BWP NO.	CONSISTS OF																																														
M-1993	1 M-1994 BOARD AND ONE EACH OF THE PARTS LISTED BELOW																																														
	<table border="0"> <tr> <td>M-682 Nut</td> <td>M-1970 Washer</td> </tr> <tr> <td>M-683 Washer</td> <td>M-1971 Nut</td> </tr> <tr> <td>M-684 Nut</td> <td>M-1972 Nut</td> </tr> <tr> <td>M-1068 Washer</td> <td>M-1973 Washer</td> </tr> <tr> <td>M-846 Nut</td> <td>M-1974 Nut</td> </tr> <tr> <td>M-839 Washer</td> <td>M-1975 Nut</td> </tr> <tr> <td>M-840 Nut</td> <td>M-1976 Washer</td> </tr> <tr> <td>M-1050 Nut</td> <td>M-1977 Nut</td> </tr> <tr> <td>M-1051 Washer</td> <td>M-1978 Nut</td> </tr> <tr> <td>M-1956 Nut</td> <td>M-1979 Washer</td> </tr> <tr> <td>M-1957 Washer</td> <td>M-1980 Nut</td> </tr> <tr> <td>M-1958 Washer</td> <td>M-1981 Nut</td> </tr> <tr> <td>M-1959 Nut</td> <td>M-1982 Washer</td> </tr> <tr> <td>M-1960 Nut</td> <td>M-1983 Nut</td> </tr> <tr> <td>M-1961 Washer</td> <td>M-1984 Nut</td> </tr> <tr> <td>M-1962 Washer</td> <td>M-1985 Washer</td> </tr> <tr> <td>M-1963 Nut</td> <td>M-1986 Nut</td> </tr> <tr> <td>M-1964 Washer</td> <td>M-1987 Nut</td> </tr> <tr> <td>M-1965 Nut</td> <td>M-1988 Washer</td> </tr> <tr> <td>M-1966 Washer</td> <td>M-1989 Nut</td> </tr> <tr> <td>M-1967 Washer</td> <td>M-1990 Nut</td> </tr> <tr> <td>M-1968 Nut</td> <td>M-1991 Washer</td> </tr> <tr> <td>M-1969 Nut</td> <td>M-1992 Nut</td> </tr> </table>	M-682 Nut	M-1970 Washer	M-683 Washer	M-1971 Nut	M-684 Nut	M-1972 Nut	M-1068 Washer	M-1973 Washer	M-846 Nut	M-1974 Nut	M-839 Washer	M-1975 Nut	M-840 Nut	M-1976 Washer	M-1050 Nut	M-1977 Nut	M-1051 Washer	M-1978 Nut	M-1956 Nut	M-1979 Washer	M-1957 Washer	M-1980 Nut	M-1958 Washer	M-1981 Nut	M-1959 Nut	M-1982 Washer	M-1960 Nut	M-1983 Nut	M-1961 Washer	M-1984 Nut	M-1962 Washer	M-1985 Washer	M-1963 Nut	M-1986 Nut	M-1964 Washer	M-1987 Nut	M-1965 Nut	M-1988 Washer	M-1966 Washer	M-1989 Nut	M-1967 Washer	M-1990 Nut	M-1968 Nut	M-1991 Washer	M-1969 Nut	M-1992 Nut
	M-682 Nut	M-1970 Washer																																													
	M-683 Washer	M-1971 Nut																																													
	M-684 Nut	M-1972 Nut																																													
	M-1068 Washer	M-1973 Washer																																													
	M-846 Nut	M-1974 Nut																																													
	M-839 Washer	M-1975 Nut																																													
	M-840 Nut	M-1976 Washer																																													
	M-1050 Nut	M-1977 Nut																																													
	M-1051 Washer	M-1978 Nut																																													
	M-1956 Nut	M-1979 Washer																																													
	M-1957 Washer	M-1980 Nut																																													
	M-1958 Washer	M-1981 Nut																																													
	M-1959 Nut	M-1982 Washer																																													
	M-1960 Nut	M-1983 Nut																																													
	M-1961 Washer	M-1984 Nut																																													
	M-1962 Washer	M-1985 Washer																																													
	M-1963 Nut	M-1986 Nut																																													
	M-1964 Washer	M-1987 Nut																																													
M-1965 Nut	M-1988 Washer																																														
M-1966 Washer	M-1989 Nut																																														
M-1967 Washer	M-1990 Nut																																														
M-1968 Nut	M-1991 Washer																																														
M-1969 Nut	M-1992 Nut																																														
	THE BWP AXLE NUT DISPLAY BOARD IS MARKED WITH THE BWP PART NO., SIZE AND APPLICATION DATA FOR EACH NUT AND WASHER M-1942 THREAD CHASER IS OUTLINED ON BOARD BUT IS NOT INCLUDED IN M-1993 ASSORTMENT.																																														
M-1994	DISPLAY BOARD & HOOKS ONLY																																														

BWP SMALL PARTS DISPLAY CABINET



BWP NO.	INFORMATION
M-1995	• A PROMINENT PROMOTIONAL DISPLAY FOR YOUR OVER-THE-COUNTER SALES.
	• A RUGGED HEAVY DUTY RACK FOR THE POPULAR SMALL PARTS.
	• BWP'S PARTS DISPLAY RACK HAS 8 TRAYS AND 48 ADJUSTABLE COMPARTMENTS.
	• HEIGHT IS 4½" FT. WIDE IS 26 INCHES. SHIPPING WEIGHT IS 52 LBS.

BWP WRENCH DISPLAYS – 40 WRENCH SIZES

COMPLETE WRENCH DISPLAY — 20 WRENCHES



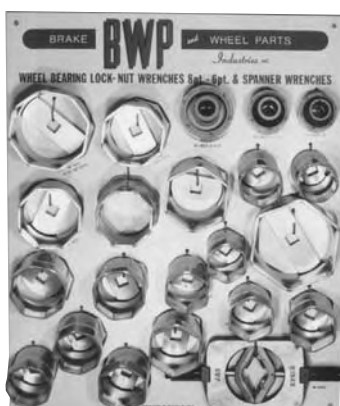
BWP NO.	INCLUDES		
M-1950	1 DISPLAY BOARD (M-1951) AND 20 WRENCHES SHOWN BELOW		
	6 POINT WRENCHES		8 POINT WRENCHES
	M-1901	2 ³ / ₃₂ "	M-1912 3 ⁷ / ₈ "
	M-1902	2 ³ / ₈ "	M-1914 4"
	M-1904	2 ⁹ / ₁₆ "	M-1915 4 ¹ / ₈ "
	M-1906	3"	M-1916 4 ³ / ₈ "
	M-1908	3 ¹ / ₄ "	M-1918 4 ⁷ / ₈ "
	M-1910	3 ¹ / ₂ "	M-1943 5 ¹ / ₄ "
			M-1903 2 ³ / ₈ "
			M-1905 2 ⁹ / ₁₆ "
			M-1907 3"
			M-1909 3 ¹ / ₄ "
			M-1911 3 ¹ / ₂ "
			M-1913 3 ⁷ / ₈ "
		M-1917 4 ³ / ₈ "	
		M-1919 4 ⁷ / ₈ "	

DISPLAY OF 8 MOST POPULAR WRENCHES



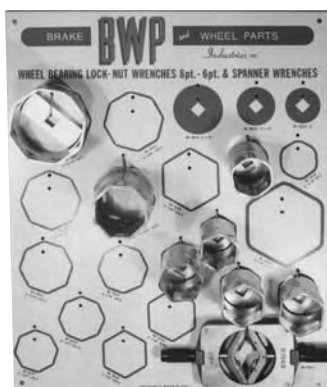
BWP NO.	INCLUDES	
M-1952	1 DISPLAY BOARD (M-1951) AND 8 POPULAR WRENCHES SHOWN BELOW.	
	6 POINT WRENCHES	
	M-1904	2 ⁹ / ₁₆ "
	M-1910	3 ¹ / ₂ "
	M-1912	3 ⁷ / ₈ "
	M-1914	4"
	M-1915	4 ¹ / ₈ "
	8 POINT WRENCHES	
	M-1909	3 ¹ / ₄ "
	M-1913	3 ⁷ / ₈ "
M-1919	4 ⁷ / ₈ "	

2ND WRENCH DISPLAY — 20 WRENCHES, THREAD CHASER



BWP NO.	INCLUDES		
M-1953	1 DISPLAY BOARD (M-1954) AND ALL 20 WRENCHES SHOWN BELOW AND 1 M-1942 THREAD CHASER.		
	6 POINT WRENCHES		8 POINT WRENCHES
	M-1920	2 ¹ / ₄ "	M-1937 2 ³ / ₄ "
	M-1936	2 ³ / ₈ "	M-1933 2 ⁷ / ₈ "
	M-1921	2 ¹ / ₂ "	M-1935 3 ¹ / ₈ "
	M-1928	2 ⁹ / ₁₆ "	M-1924 3 ³ / ₈ "
	M-1922	2 ⁵ / ₈ "	M-1925 3 ³ / ₄ "
	M-1923	2 ³ / ₄ "	M-1927 3 ¹³ / ₁₆ "
	M-1932	2 ⁷ / ₈ "	M-1940 3 ⁷ / ₈ " x 3 ³ / ₈ "
	M-1934	3 ¹ / ₈ "	M-1941 4 ¹³ / ₁₆ "
	M-1926		
	SPANNER WRENCHES		
	M-1929	2"	
	M-1930	2 ¹ / ₈ "	
	M-1932	2 ¹ / ₂ "	
	THREAD CHASER		
	M-1942	1 ³ / ₄ " TO 4"	

DISPLAY OF 7 MOST POPULAR WRENCHES AND THREAD CHASER



BWP NO.	INCLUDES	
M-1955	1 DISPLAY BOARD (M-1954) AND THE 7 POPULAR WRENCHES SHOWN WITH 1 M-1942 THREAD CHASER.	
	6 POINT WRENCHES	
	M-1920	2 ¹ / ₄ "
	M-1921	2 ¹ / ₂ "
	M-1928	2 ⁹ / ₁₆ "
	M-1922	2 ⁵ / ₈ "
	M-1923	2 ³ / ₄ "
	8 POINT WRENCHES	
	M-1940	3 ³ / ₄ x 3 ⁷ / ₈ "
	M-1941	4 ¹³ / ₁₆ "
THREAD CHASER		
M-1942	1 ³ / ₄ TO 4"	

AXLE PARTS

HEAVY DUTY AXLE NUT WRENCHES

COMPLETE LINE OF 6 POINT AND 8 POINT WRENCHES
 $\frac{3}{4}$ " DRIVE SQUARE OPENING

BWP 6 POINT WRENCHES



BWP WRENCH NO.	OPENING SIZE
M-1901	2 $\frac{3}{32}$ "
M-1920	2 $\frac{1}{4}$ "
M-1902	2 $\frac{3}{8}$ "
M-1936*	2 $\frac{3}{8}$ "
M-1921	2 $\frac{1}{2}$ "
M-1904	2 $\frac{9}{16}$ "
M-1928*	2 $\frac{9}{16}$ "
M-1922	2 $\frac{5}{8}$ "
M-1923	2 $\frac{3}{4}$ "
M-1932	2 $\frac{7}{8}$ "

*M-1928 & M-1936 FITS SPECIAL ROUNDED HEX NUT FOR SOME FORD TRUCKS & DANA AXLES.

BWP WRENCH NO.	OPENING SIZE
M-1906	3"
M-1934	3 $\frac{1}{8}$ "
M-1908	3 $\frac{1}{4}$ "
M-1910	3 $\frac{1}{2}$ "
M-1926	3 $\frac{3}{4}$ "
M-1912	3 $\frac{7}{8}$ "
M-1914	4"
M-1915	4 $\frac{1}{8}$ "
M-1916	4 $\frac{3}{8}$ "
M-1918	4 $\frac{7}{8}$ "
M-1943	5 $\frac{1}{4}$ "

M-1943 FITS MACK AXLE NUTS.

BWP 8 POINT WRENCHES



BWP WRENCH NO.	OPENING SIZE
M-1903	2 $\frac{3}{8}$ "
M-1905	2 $\frac{9}{16}$ "
M-1937	2 $\frac{3}{4}$ "
M-1933	2 $\frac{7}{8}$ "
M-1907	3"
M-1909	3 $\frac{1}{4}$ "
M-1911	3 $\frac{1}{2}$ "
M-1927	3 $\frac{13}{16}$ "

BWP WRENCH NO.	OPENING SIZE
M-1913	3 $\frac{7}{8}$ "
M-1917	4 $\frac{3}{8}$ "
M-1919	4 $\frac{7}{8}$ "
M-1935	3 $\frac{1}{8}$ "
M-1924	3 $\frac{3}{8}$ "
M-1925	3 $\frac{3}{4}$ "
M-1939	4 $\frac{1}{8}$ "
M-1938	4 $\frac{1}{2}$ "
M-1941	4 $\frac{13}{16}$ "

SPANNER NUT WRENCHES



BWP WRENCH NO.	APPLICATION	USE WITH GM NUT SIZE
M-1929	1946 THRU CURRENT CHEVROLET 5,200 & 7,200 LB. AXLES	2"-16 THD. X2 $\frac{5}{8}$ " O.D.
M-1930	1954 THRU CURRENT CHEVROLET 11,000 TO 13,500 LB. AXLES	2 $\frac{1}{8}$ "-16 THD. X2 $\frac{7}{8}$ " O.D.
M-1931	1954 THRU CURRENT CHEVROLET 15,000 LB. AXLE. 1966 THRU CURRENT CHEVROLET 17,000 LB. TWO SPEED AXLE. 1965 THRU CURRENT CHEVROLET 15,000 LB. TRAINING AXLE.	2 $\frac{1}{2}$ "-16 THD. X3 $\frac{5}{8}$ " O.D.

AXLE NUT WRENCHES – SPECIALTY TOOLS

DOUBLE END 8 POINT WRENCH



BWP NO.	APPLICATION
M-1940	8 POINT OPENINGS — 3 ¹ / ₄ " AND 3 ⁷ / ₈ " USE WITH: M-682, M-684, M-838, M-840, M-846 ETC.

PRO-PAR HUB CAP AND SPINDLE NUT WRENCH



BWP NO.	APPLICATION
M-1941	8 POINT OPENINGS — 4 ¹³ / ₁₆ " USE WITH: M-1050 NUT, M-1052 HUB CAP

MACK 6 POINT AXLE NUT WRENCH



BWP NO.	APPLICATION
M-1943	6 POINT OPENINGS — 5 ¹ / ₄ " USE WITH: MACK NUT 25QJ225

UNIVERSAL OUTSIDE THREAD RESTORER



BWP NO.	APPLICATION
M-1942	CHASES THREADS FROM 1 ³ / ₄ " TO 4" O.D. NO SEPARATE DIES NEEDED. THE BWP THREAD RESTORER THREADS IN ANY PITCH FROM 6 TO 28 THREADS TO THE INCH, RIGHT OR LEFT HAND THREADS. PERFECT FOR AXLE SPINDLES.
M-1942A	SET OF 3 REPLACEMENT TEETH FOR M-1942.

ROLL PIN PUNCH TOOL



BWP NO.	APPLICATION
M-2588	FOR REMOVAL OF M-647 ROLL PINS. SMALL END SEATS INSIDE ROLL PIN, PREVENTING PUNCH FROM SLIPPING. 9/32" DIA. x 5" LONG

CAMSHAFT BUSHING, ANCHOR PIN BUSHING REMOVAL TOOL



BWP NO.	APPLICATION
M-2624	FOR 1 ¹ / ₄ ", 1 ¹ / ₂ " AND 1 ⁵ / ₈ " BUSHINGS. THIS UNIVERSAL STEP-DOWN TOOL SAVES TIME AND PREVENTS BUSHING DAMAGE.

SPECIALTY TOOLS AND LUBRICANTS

ANCHOR PIN PRESS



BWP NO.	APPLICATION
M-2586	FOR ANCHOR PINS UP TO 1 1/4" DIA. A HEAVY DUTY PRESS THAT WILL EASILY REMOVE RUSTED AND CORRODED BRAKE ANCHOR PINS WITHOUT DAMAGE TO THE BRAKE SPIDER.

BRAKE SPRING PLIER — HEAVY DUTY



BWP NO.	APPLICATION
M-2587	FOR WEDGE BRAKES. HEAVY DUTY TRUCK BRAKE SPRING PLIER — PROVIDES THE EXTRA LEVERAGE AND STRENGTH NEEDED FOR SERVICING BRAKE SPRINGS. ITS 26 1/4" LENGTH GIVES THE LEVERAGE TO DO THE JOB.
M-2587A	REPLACEMENT TIP FOR M-2587



AXLE STUD DOWEL PLIER



BWP NO.	APPLICATION
M-2547	A SPECIALLY DESIGNED CONE PLIER TO GIVE THE LEVERAGE NEEDED TO EXPAND AND REMOVE THE TAPERED CONE FROM REAR AXLE STUDS WITHOUT DAMAGING THE STUD THREADS.

SLACK ADJUSTER PULLERS



BWP NO.	APPLICATION
M-3731	SLACK ADJUSTER PULLER FOR ALL MANUAL TYPES
M-3732	SLACK ADJUSTER PULLER FOR ROCKWELL, HALDEX, BENDIX AND GUINTE AUTOMATIC SLACK ADJUSTER

SLACK ADJUSTER CHECKER



BWP NO.	APPLICATION
M-3733	FAST ACCURATE CHECK FOR BRAKE ADJUSTMENT ON CLASS 7 AND 8 TRUCKS AND TRAILER SWITCH S-CAMS USE FOR MANUAL OR AUTOMATIC SLACK ADJUSTERS

BRAKE CLEVIS PIN PRESS



BWP NO.	APPLICATION
M-3734	REMOVE RUSTED OR CORRODED AIR BRAKE PUSH ROD CLEVIS PINS

WEDGE BRAKE LUBRICANT



BWP NO.	APPLICATION
M-899	LUBRIPLATE NO. 110 WEDGE BRAKE LUBRICANT TO BE GENEROUSLY APPLIED TO THE PLUNGERS AND ROLLERS OF THE WEDGE ASSEMBLY AND TO THE INSIDE PORTION OF THE SEAL ASSEMBLY. PACKAGED IN 14.5 OZ. CARTRIDGE

SUSPENSION PARTS SECTION INDEX

	Page No.
FIRESTONE AIR SPRINGS372-390
GABRIEL SHOCK ABSORBERS391-396
KING PIN KITS397-403
KING PINS AND KING PIN LOCKS254
LANDING GEAR PARTS255
POLYURETHANE COMPONENTS	404-416
SPRING CENTER BOLTS366
TARP STRAPS AND DOCK BUMPERS256
U-BOLT KITS365-366
SUSPENSIONS BY MANUFACTURER257-364
DANA257-263
DAYTON264-268
FABCO310
FREIGHTLINER269-276
FRUEHAUF277-281
HENDRICKSON282-299
HUTCHENS300-309
KENWORTH310-311
MACK312-317
NAVISTAR318
NEWAY319-328
PAGE329-330
PETERBILT331-332
REYCO333-353
TRAILMOBILE354-359
TRANSPRO360-364
REFERENCE CHARTS	
BOLTS BY DIAMETER AND LENGTH367-368
NUTS BY THREAD, HEX AND HEIGHT368-370
WASHERS BY I.D., O.D. AND THICKNESS370-371

TRAILER KING PINS AND KING PIN SECURITY LOCKS

8" DIA. FLANGE KING PIN — WELD-ON STYLE



BWP NO.	SPECIFICATIONS	NOTES
M-698	8" DIA. FLANGE 3/8" THICK PLATE	<ul style="list-style-type: none"> • HIGH TENSILE ALLOY STEEL FORGING. • HEAT TREATED. • MEETS OR EXCEEDS OEM SPECIFICATIONS.

8" DIA. FLANGE KING PIN — BOLT ON STYLE



BWP NO.	SPECIFICATIONS	NOTES
M-699	8" DIA. FLANGE 3/8" THICK PLATE 1/2" DIA. HOLES	<ul style="list-style-type: none"> • HIGH TENSILE ALLOY STEEL FORGING. • HEAT TREATED. • MEETS OR EXCEEDS OEM SPECIFICATIONS.

KING PIN LOCK — HEAVY DUTY — AND CAUTION FLAG



BWP NO.	NOTES
M-1090	<ul style="list-style-type: none"> • INCLUDES ONE KEY AND CAUTION FLAG. • MAY BE USED ON ALL STANDARD TRAILER KING PINS. • EXTRA HEAVY DUTY MALLEABLE IRON CASTING. • MULTIPLE UNITS MAY BE ORDERED KEYED ALIKE OR KEYED DIFFERENTLY.
M-1090A	KEY ONLY FOR M-1090
M-1090B	LOCK AND KEY FOR M-1090

KING PIN LOCK AND CAUTION FLAG



BWP NO.	NOTES
M-770	<ul style="list-style-type: none"> • INCLUDES ONE KEY AND CAUTION FLAG. • MAY BE USED ON ALL STANDARD TRAILER KING PINS. • EXTRA HEAVY DUTY MALLEABLE IRON CASTING. • MULTIPLE UNITS MAY BE ORDERED KEYED ALIKE OR KEYED DIFFERENTLY.
M-770A	KEY ONLY FOR M-770
M-770B	LOCK AND KEY FOR M-770

LANDING GEAR AND BODY PARTS

LANDING GEAR CRANK



BWP NO.	APPLICATION
M-756	TUBULAR STEEL MATERIAL UNIVERSAL FOR MOST LANDING GEAR ASSEMBLIES — FOR ROUND AND SQUARE SHAFTS.

LANDING GEAR SHOES



BWP NO.	APPLICATION
M-757	10" X 10" SQUARE BASE — 2 ¹ / ₁₆ " HUB I.D. 4 ¹ / ₂ " FROM AXLE CENTER TO BOTTOM OF SHOE.
M-758	16" X 16" SQUARE BASE — 2 ¹ / ₁₆ " HUB I.D. 5" FROM AXLE CENTER TO BOTTOM OF SHOE.

AXLE ASSEMBLY FOR LANDING GEAR SHOES



BWP NO.	APPLICATION
M-1780	1 ²⁹ / ₃₂ " O.D. X 10 ³ / ₄ " LONG. ONE PIECE AXLE ASSEMBLY FOR L.G. SHOES, HAS WELDED CAP ON ONE END.

9" DIA. LANDING GEAR WHEEL



BWP NO.	APPLICATION
M-752	3 ³ / ₄ " WIDE X 9" DIA. 2 ¹ / ₁₆ " HUB DIA. CORRUGATED L.G. WHEEL

ADJUSTABLE LANDING GEAR BRACE — 2 PIECE



BWP NO.	APPLICATION
M-1781	UNIVERSAL 2 PIECE ADJUSTABLE BRACE ADJUSTS FROM 26" TO 41", ENDS MAY BE TURNED TO ANY ANGLE.

DOOR HOLD BACK



BWP NO.	APPLICATION
M-1495	MOUNTS PERMANENTLY TO DOOR AND BODY. SAVES TIME AND HELPS PREVENT ACCIDENTS.

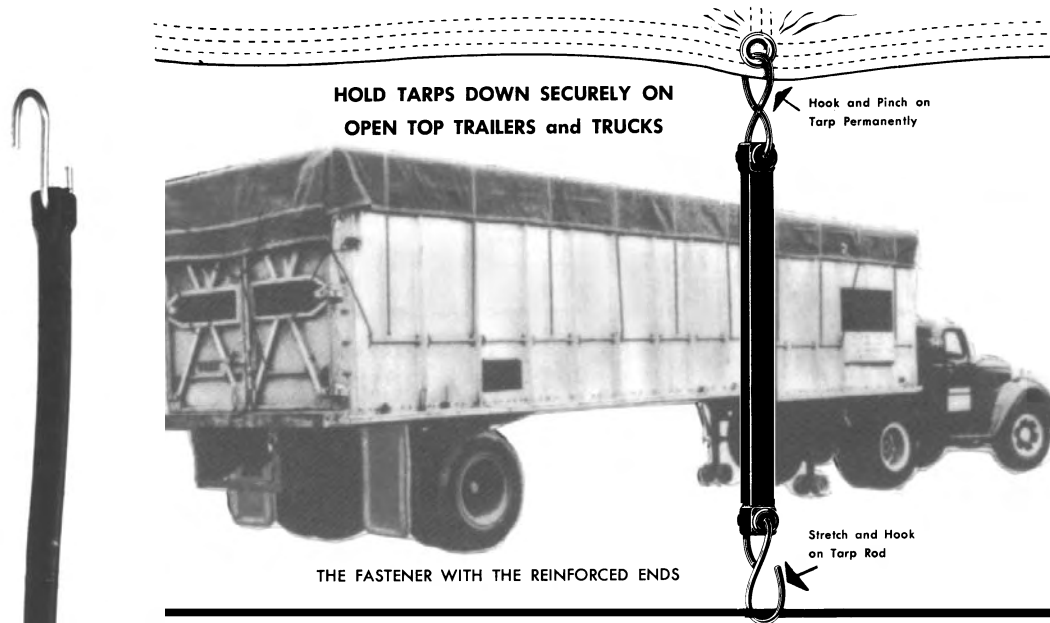
ALUMINUM MANIFEST BOX



BWP NO.	APPLICATION
M-1496	13" LONG X 8" WIDE X 1 ¹ / ₂ " HIGH. MOUNTS DIRECTLY TO TRAILER TO KEEP VITAL RECORDS WITH CARGO. CAN BE LOCKED TO SAFEGUARD PAPERS.

TARP STRAPS AND DOCK BUMPERS

RUBBER TARP FASTENERS — HOOKS INSTALLED
ALL STRAPS SUPPLIED WITH 2½" HOOKS



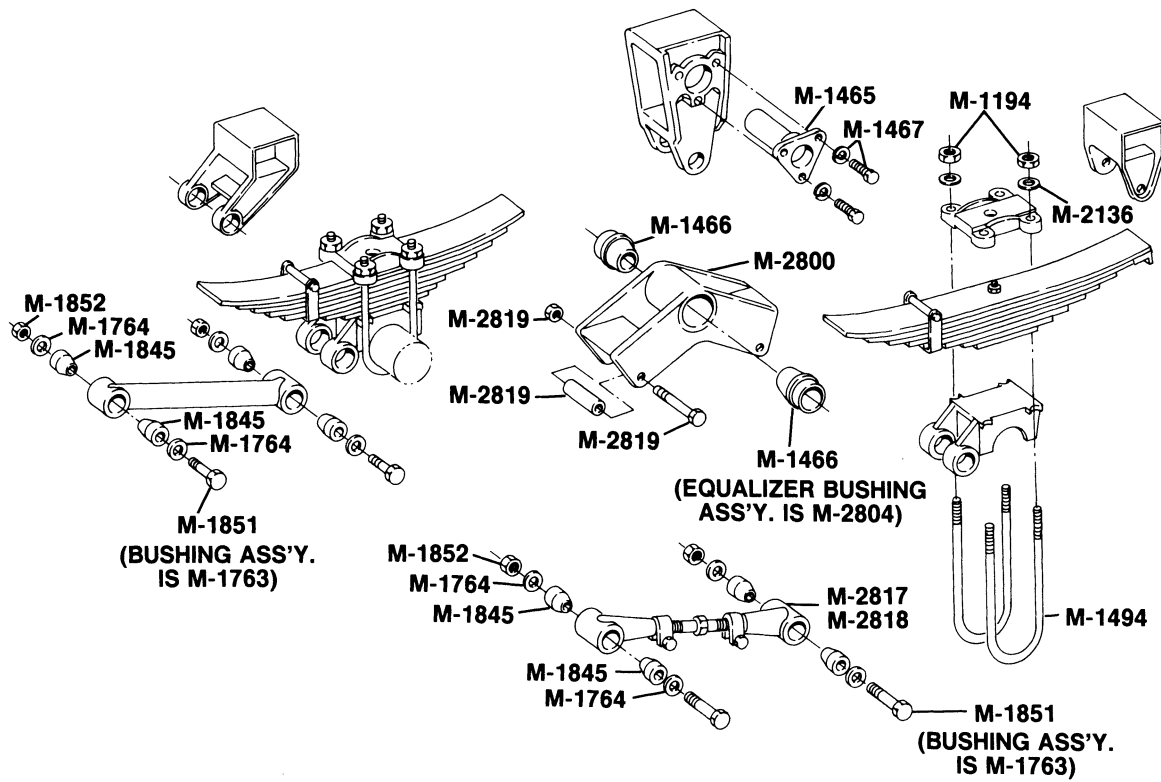
BWP NO.	DISTANCE FROM TARP TO THE ROD	LENGTH OF STRAP ONLY	OVERALL LENGTH INCLUDING HOOKS	NOTES
M-3066	15" TO 20"	9"	14"	<ul style="list-style-type: none"> • HOOKS INSTALLED IN ALL STRAPS • ELIMINATE WET FREIGHT • PREVENT FLAPPING TRAPS • INCREASE TARP LIFE • PREVENT WATER POCKETS • ALLOW QUICK ON AND OFF • HAVE SPECIAL RUBBER TO RESIST SUN AND WEATHER • GIVE NEAT APPEARANCE • FITS ALL TRAILERS
M-3067	20" TO 29"	15"	20"	
M-3068	30" TO 39"	20"	25"	
M-3069	40" TO 49"	31"	36"	
M-3065	50" TO 61"	41"	46"	

TRUCK AND DOCK BUMPERS

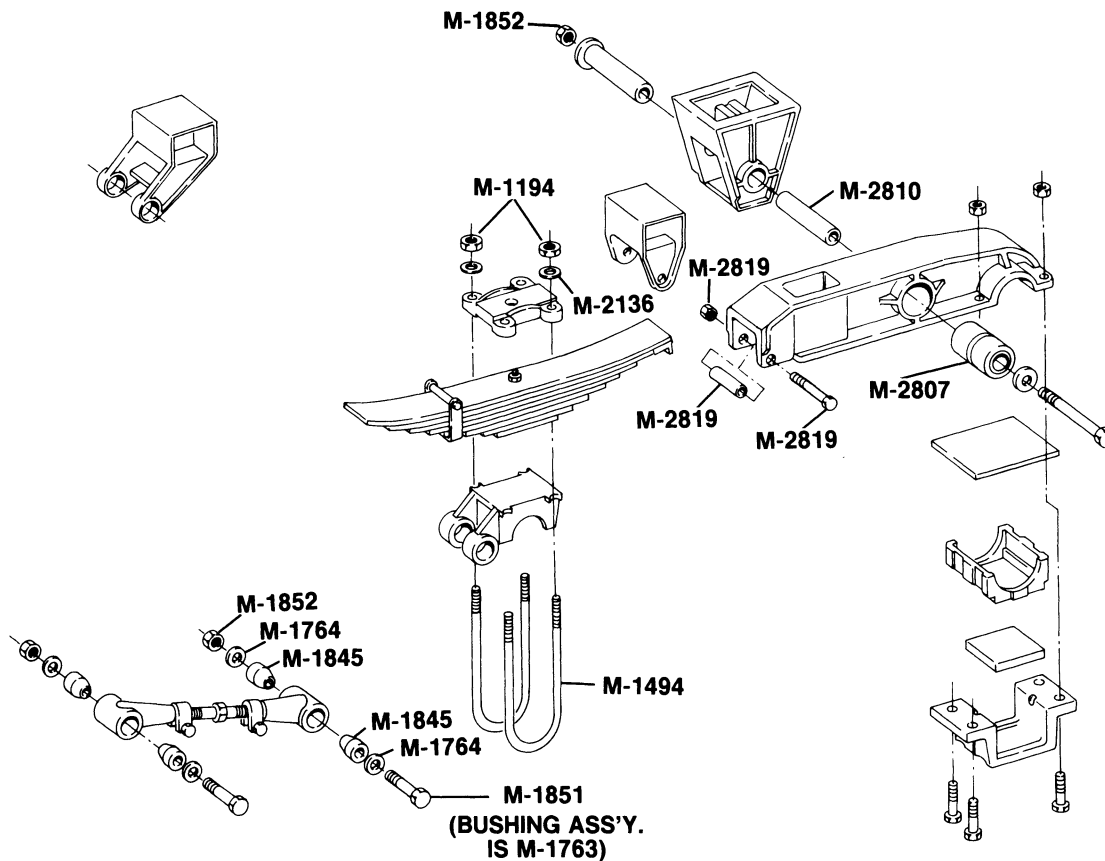


BWP NO.	LENGTH	WIDTH	DEPTH	NOTES
M-3070	8"	5½"	3½"	MOLDED FROM RUBBER REINFORCED WITH RAYON AND NYLON TIRE CORD FOR ADDED STRENGTH
M-3071	12"	6"	2¾"	

BWP REPLACEMENT PARTS FOR **DANA 26 SERIES SUSPENSION**

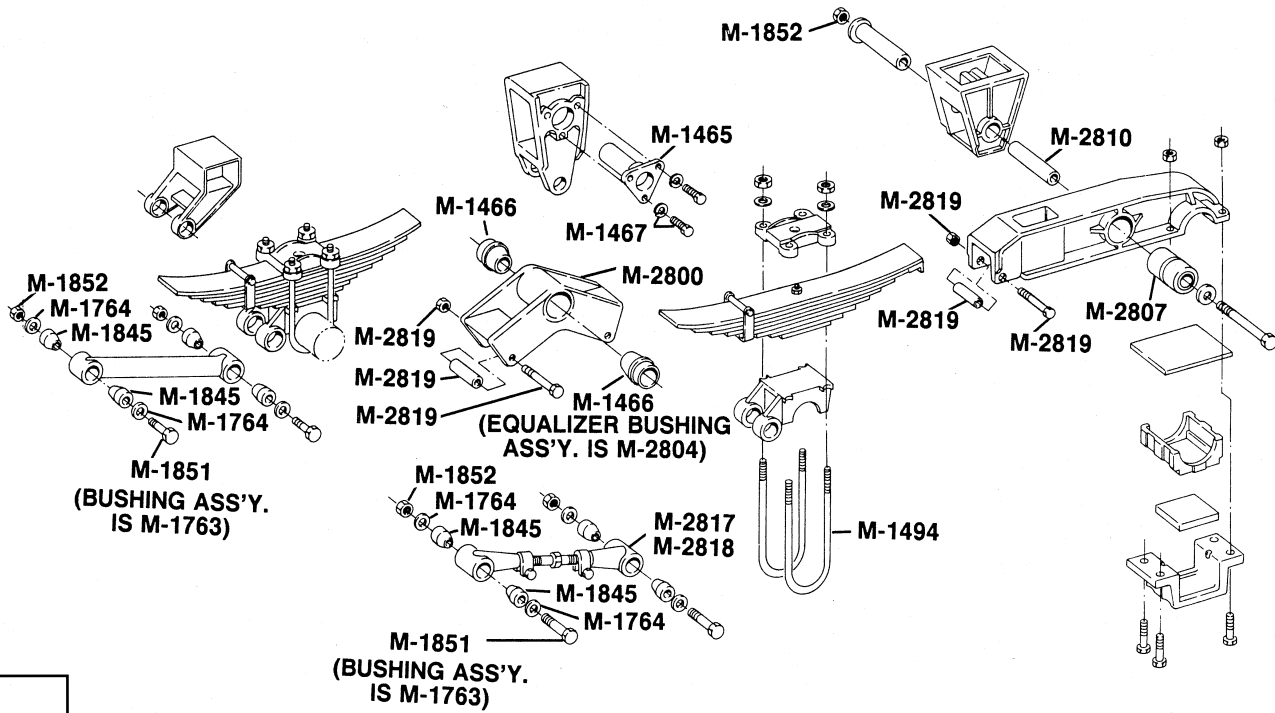


BWP REPLACEMENT PARTS FOR **DANA 36 SERIES TANDEM SUSPENSION**

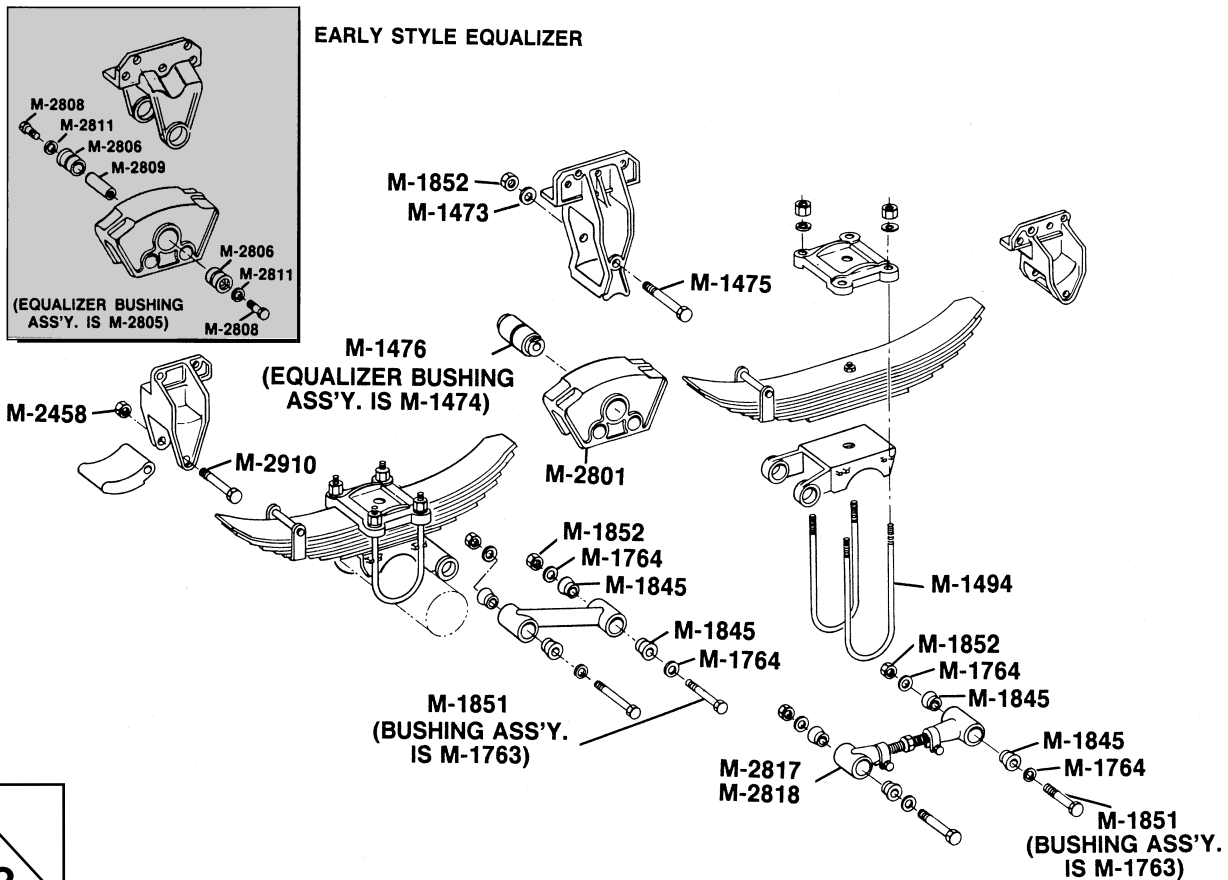


SUSPENSION & MISC.

BWP REPLACEMENT PARTS FOR **DANA 36 SERIES TRI-AXLE SUSPENSION**

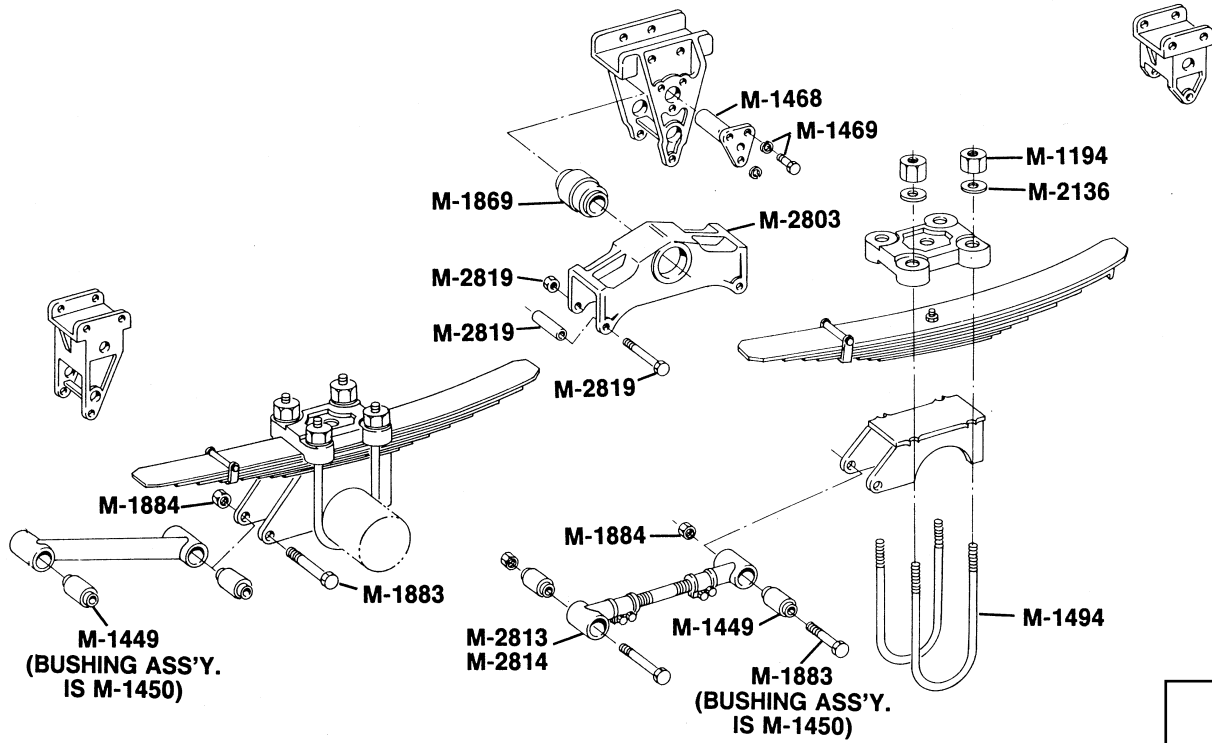


BWP REPLACEMENT PARTS FOR **DANA 55 SERIES SUSPENSION**

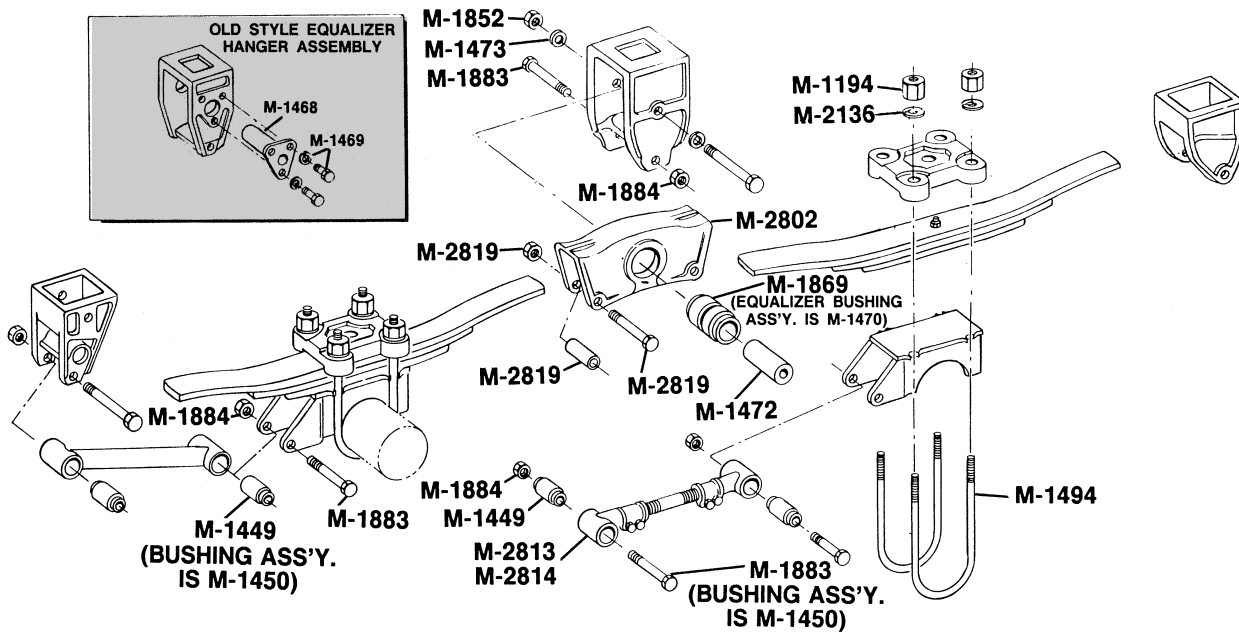


SUSPENSION & MISC.

BWP REPLACEMENT PARTS FOR **DANA 62 SERIES SUSPENSION**



BWP REPLACEMENT PARTS FOR **DANA 68 SERIES SUSPENSION**



SUSPENSION & MISC.

DANA SUSPENSION PARTS

DANA EQUALIZER — 26 AND 36 SERIES



BWP NO.	REPLACES DANA	APPLICATION
M-2800	B52634	26 AND 36 TRI AXLE. DOES NOT INCLUDE BUSHINGS. USE M-1466 BUSHING

EQUALIZER BUSHING ASSEMBLY



BWP NO.	REPLACES DANA	ASSEMBLY CONTAINS	APPLICATION
M-2804	L-4125	1 M-1465 SHAFT 2 M-1466 BUSHING 3 M-1467 BOLT	26 AND 36 TRI-AXLE

EQUALIZER BUSHING ASSEMBLY COMPONENTS



BWP NO.	REPLACES DANA	I.D.	O.D.	LENGTH
M-1465	SHAFT K-1624	—	2 1/2"	7 5/16"
M-1466	BUSHING L-1125	2 1/2"	4"	2 3/4"
M-1467	BOLT & WASHER H-86216 H-126	—	5/8" - 18 THD.	1 1/2"

EQUALIZER BUSHING AND SHAFT FOR 36 SERIES



BWP NO.	REPLACES DANA	I.D.	O.D.	LENGTH
M-2810	SHAFT K-1127	2 1/2"	3 1/2"	7 1/4"
M-2807	BUSHING L-1336	3 1/2"	5 3/16"	5"

EQUALIZER SPRING ROLLER ASSEMBLY



BWP NO.	REPLACES DANA	THD.	LGTH.	APPLICATION
M-2819	H-85045 H-75520 K-1036	1/2" - 20	4 3/4"	26, 62, 68 SERIES

DANA SUSPENSION PARTS

DANA EQUALIZER — 55 SERIES SUSPENSION



BWP NO.	REPLACES DANA	APPLICATION
M-2801	B-55536	55 SERIES INCLUDES BUSHING

EQUALIZER BUSHING ASSEMBLY — 55 SERIES — LATE MODEL



BWP NO.	REPLACES DANA	ASSEMBLY CONTAINS	APPLICATION
M-1474	L-4025	1 M-1475 BOLT 1 M-1476 BUSHING 2 M-1473 WASHER 1 M-1852 NUT	55 SERIES LATE MODEL

EQUALIZER BUSHING ASSEMBLY COMPONENTS



BWP NO.	REPLACES DANA	I.D.	O.D.	LENGTH
M-1476	BUSHING L-1425	1"	3 ¹ / ₁₆ "	5"
M-1475	BOLT H-80080	—	1" - 18 THD.	8"
M-1473	WASHER H-230	1 ¹ / ₁₆ "	2 ¹ / ₂ "	3 ³ / ₁₆ "
M-1852	LOCK NUT H-76008	1" - 8 THD.	1 ⁷ / ₁₆ " HEX	7 ⁷ / ₈ "

EQUALIZER BUSHING ASSEMBLY — 55 SERIES — EARLY MODEL



BWP NO.	REPLACES DANA	ASSEMBLY CONTAINS	APPLICATION
M-2805	L-4325	2 M-2806 BUSHING 1 M-2809 SHAFT 2 M-2811 WASHER 2 M-2808 SCREW	55 SERIES EARLY MODEL

EQUALIZER BUSHING ASSEMBLY COMPONENTS



BWP NO.	REPLACES DANA	I.D.	O.D.	LENGTH
M-2806	BUSHING L-1325	1 ³ / ₄ "	3 ⁵ / ₈ "	4 ¹ / ₁₆ "
M-2809	SHAFT K-1410	1" USS TAPPED	1 ³ / ₄ "	7 ¹ / ₂ "
M-2811	WASHER H-241	1 ¹ / ₁₆ "	3 ³ / ₄ "	1 ¹ / ₂ " THK.
M-2808	SCREW & WASHER H-80025	—	1" USS	2 ¹ / ₂ "

SUSPENSION & MISC.

DANA SUSPENSION PARTS

DANA EQUALIZER — 62 SERIES SUSPENSION



BWP NO.	REPLACES DANA	APPLICATION
M-2803	EQUALIZER B-56634	62 SERIES SUSPENSION INCLUDES M-1869 BUSHING USE M-2819 ROLLER ASSEMBLY

EQUALIZER BUSHING AND SHAFT — 62 SERIES



BWP NO.	REPLACES DANA	I.D.	O.D.	LENGTH
M-1869	BUSHING L-1025	2"	3 1/8"	4 1/32"
M-1468	SHAFT K-1124	—	2"	6 1/2"
M-1469	SCREW & WASHER H-86210	—	5/8" - 11 THD.	1 1/4"

DANA EQUALIZER — 68 SERIES SUSPENSION



BWP NO.	REPLACES DANA	APPLICATION
M-2802	EQUALIZER B-56834	68 SERIES SUSPENSION INCLUDES M-1869 BUSHING USE M-2819 ROLLER ASSEMBLY

EQUALIZER BUSHING ASSEMBLY — 68 SERIES



BWP NO.	REPLACES DANA	ASSEMBLY CONTAINS	APPLICATION
M-1470	BUSHING ASSEMBLY L-4425	1 M-1869 BUSHING 1 M-1472 SHAFT 2 M-1473 WASHER 1 M-1471 BOLT 1 M-1852 NUT	68 SERIES LATE MODEL

EQUALIZER BUSHING ASSEMBLY COMPONENTS



BWP NO.	REPLACES DANA	I.D.	O.D.	LENGTH
M-1869	BUSHING L-1025	2"	3 1/8"	4 1/4"
M-1472	SHAFT K-1424	1"	2"	4 11/32"
M-1473	WASHER H-230	1 1/16"	2 1/2"	3/16" THK.
M-1471	BOLT H-80070	—	1" - 8 THD.	7"
M-1852	LOCK NUT H-76008	1" - 8 THD.	17/16" HEX	7/8"

DANA SUSPENSION PARTS

DANA ADJUSTABLE TORQUE RODS — INCLUDES BUSHINGS



BWP NO.	REPLACES DANA	WITH BUSHING	BUSHING ASSEMBLY	ADJ. LENGTH	FOR MODEL
M-2813	M-109201	M-1449	M-1450	14" - 18 ¹ / ₂ "	62-68
M-2814	M-109202	M-1449	M-1450	18 ¹ / ₂ " - 21 ³ / ₈ "	62-68

TORQUE ARM BUSHING ASSEMBLY



BWP NO.	REPLACES DANA	ASSEMBLY CONTAINS	USE WITH BWP RODS
M-1450	L-4032	1 M-1449 BUSHING 1 M-1883 BOLT 1 M-1884 NUT	M-2813 M-2814

TORQUE ARM BUSHING ASSEMBLY COMPONENTS



BWP NO.	REPLACES DANA	I.D.	O.D.	LENGTH
M-1449	BUSHING L-1032	7/8"	1 ²⁹ / ₃₂ "	3"
M-1883	BOLT H-88755	—	7/8" - 9 THD.	5 ¹ / ₂ "
M-1884	LOCK NUT H-75809	7/8" - 9 THD.	1 ³ / ₈ " HEX	1 ⁵ / ₁₆ "

DANA ADJUSTABLE TORQUE RODS — LESS BUSHING



BWP NO.	REPLACES DANA	BUSHING ASSEMBLY	ADJ. LENGTH	FOR MODEL
M-2817	M-109101	M-1763	14" - 18 ¹ / ₂ "	26-55
M-2818	M-109102	M-1763	18 ¹ / ₂ " - 21 ³ / ₈ "	23-26-55

TORQUE ARM BUSHING ASSEMBLY



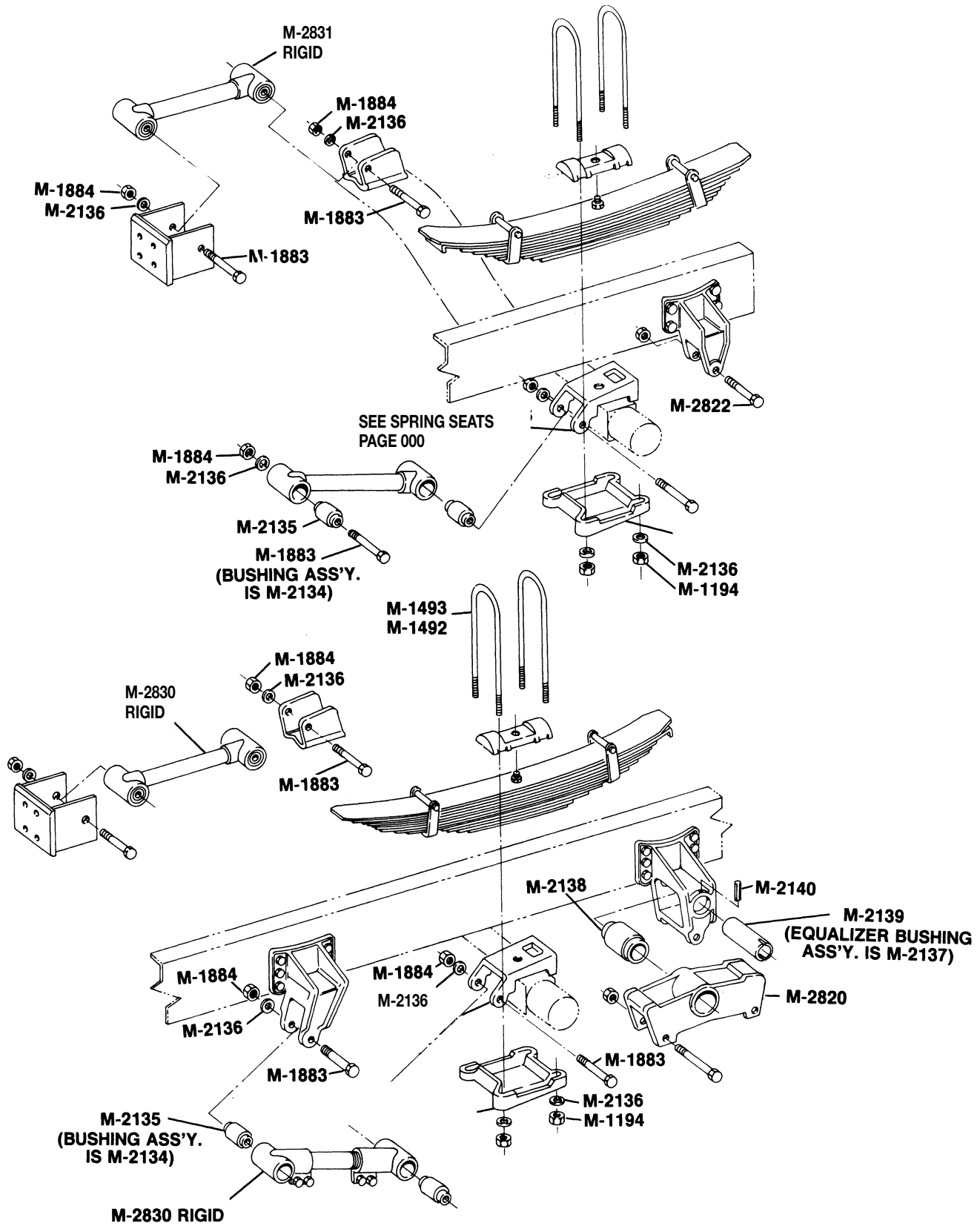
BWP NO.	REPLACES DANA	ASSEMBLY CONTAINS	USE WITH BWP RODS
M-1763	L-4132	2 M-1845 BUSHING 1 M-1851 BOLT 2 M-1764 WASHER 1 M-1852 NUT	M-2817 M-2818

TORQUE ARM BUSHING ASSEMBLY COMPONENTS



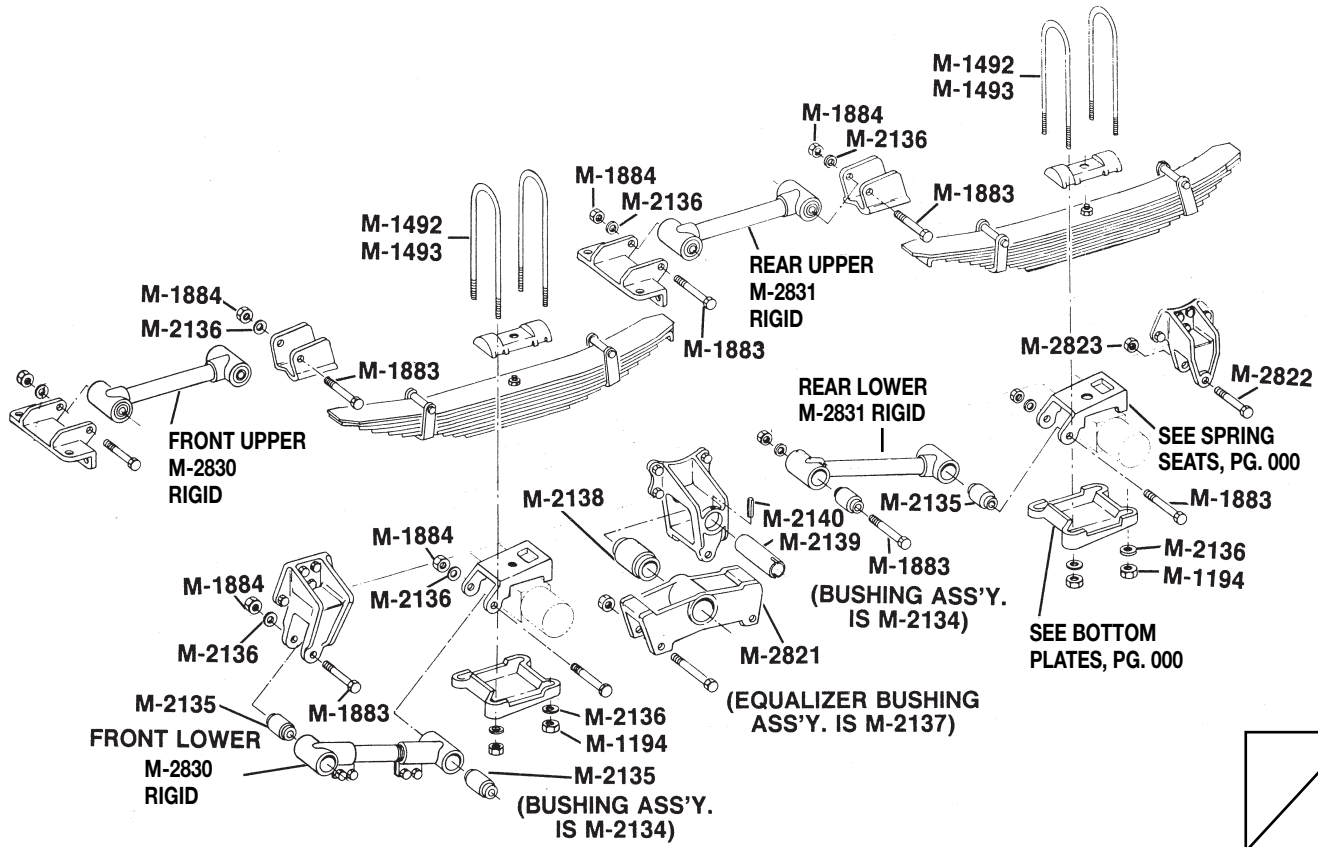
BWP NO.	REPLACES DANA	I.D.	O.D.	LENGTH
M-1845	BUSHING L-1132	1"	2 ³ / ₈ "	2 ¹¹ / ₁₆ "
M-1851	BOLT H-80063	—	1" - 8 THD.	6 ⁵ / ₁₆ "
M-1764	WASHER H-231	1 ¹ / ₁₆ "	2 ³ / ₄ " HEX	3/16" THK.
M-1852	LOCK NUT H-76008	1" - 8 THD.	1 ⁷ / ₁₆ " HEX	7/8"

BWP REPLACEMENT PARTS FOR **DAYTON TRUCKMASTER SUSPENSION**

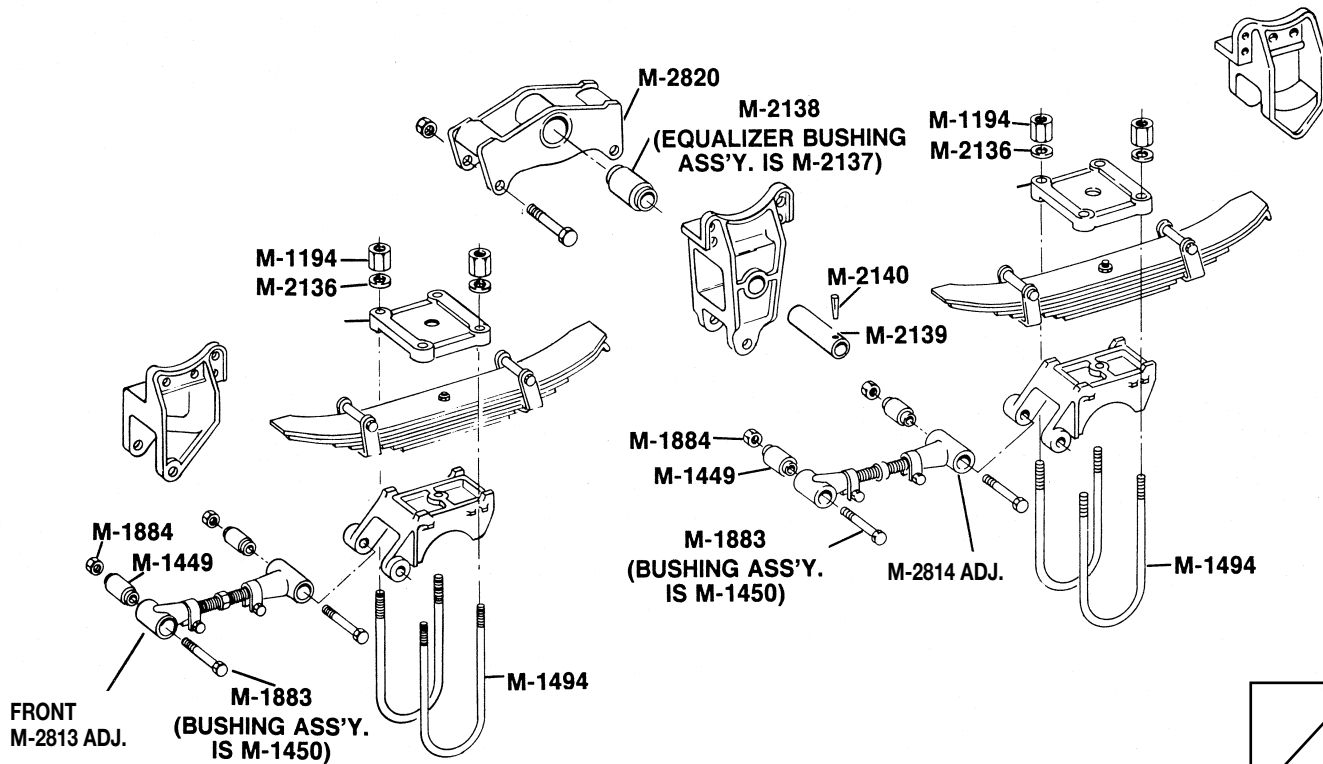


SUSPENSION & MISC.

BWP REPLACEMENT PARTS FOR **DAYTON-IHC 4 SPRING SUSPENSION**



BWP REPLACEMENT PARTS FOR **DAYTON TRI-LITE TRAILER SUSPENSION**



SUSPENSION & MISC.

DAYTON SUSPENSION PARTS

DAYTON EQUALIZER ASSEMBLY — TRUCK, TRAILER



BWP NO.	REPLACES DAYTON	OVERALL WIDTH	SUSPENSION MODEL
M-2820	39240007	16"	TRI-LITE TRUCKMASTER INCLUDES BUSHING

DAYTON EQUALIZER ASSEMBLY — IHC



BWP NO.	REPLACES DAYTON	OVERALL WIDTH	SUSPENSION MODEL
M-2821	39240011 IHC 377202-C11	14"	IHC INCLUDES BUSHING

DAYTON EQUALIZER BUSHING ASSEMBLY



BWP NO.	ASSEMBLY CONTAINS	APPLICATION
M-2137	1 M-2138 BUSHING 1 M-2139 SHAFT 1 M-2140 PIN	IHC TRI-LITE TRUCKMASTER

EQUALIZER BUSHING ASSEMBLY COMPONENTS



BWP NO.	REPLACES DATON-IHC	I.D.	O.D.	LENGTH
M-2138	BUSHING 39400014 377203C1	2"	3 1/8"	4 1/4"
M-2139	SHAFT 39400089 365350C1	1 1/2"	2"	6 3/4"
M-2140	GROOVED PIN 08-204569 SOLID	—	1/2"	2 3/4"

EQUALIZER SPRING ROLLER ASSEMBLY



BWP NO.	THD.	LENGTH	APPLICATION
M-2819	1/2" - 20	4 3/4"	FOR M-2820 AND M-2821 EQUALIZERS

REAR SPRING RETAINER BOLT AND NUT



BWP NO.	REPLACES DAYTON	THD.	LENGTH	APPLICATION
M-2822	BOLT 08-203551	5/8" - 11	5 1/2"	ALL MODELS
M-2823	LOCK NUT 08-203440	5/8" - 11	1 5/16" HEX	ALL MODELS

DAYTON SUSPENSION PARTS

RIGID TORQUE RODS — BUSHINGS INCLUDED



BWP NO.	REPLACES DAYTON-IHC	WITH BUSHING	BUSHING ASSEMBLY	LENGTH CENTER TO CENTER	MODEL
M-2830	39080129 412592C91	M-2135	M-2134	15 ¹⁵ / ₁₆ "	TRUCKMASTER FRONT
M-2831	39080130 412593C91	M-2135	M-2134	20 ¹ / ₁₆ "	TRUCKMASTER REAR

DAYTON TORQUE ARM BUSHING ASSEMBLY — TRUCKMASTER AND IHC



BWP NO.	ASSEMBLY CONTAINS	APPLICATION
M-2134	1 M-2135 BUSHING 1 M-1883 BOLT 1 M-2136 WASHER 1 M-1884 NUT	TRACTOR TRUCKMASTER AND EARLY IHC. ALL ABOVE RODS

TORQUE ARM BUSHING ASSEMBLY COMPONENTS



BWP NO.	REPLACES DAYTON-IHC	I.D.	O.D.	LENGTH
M-2135	BUSHING 39400013 412587C1	7/8"	2 ³ / ₈ "	3"
M-1883	BOLT 08-203488 346951C1	—	7/8" - 9 THD.	5 ¹ / ₂ "
M-2136	WASHER 08-204565 4QK29304K4	7/8"	1 ¹ / ₂ "	1/4" THK.
M-1884	LOCK OUT 08-204568 414001	7/8"-9 THD.	1 ³ / ₈ " HEX	15/16"

SUSPENSION & MISC.

DAYTON SUSPENSION PARTS

DAYTON TORQUE RODS — TRI-LITE ADJUSTABLE TORQUE RODS — INCLUDE BUSHINGS



BWP NO.	REPLACES DAYTON	WITH BUSHING	BUSHING ASSEMBLY	ADJ. LENGTH	MODEL
M-2813	39090029	M-1449	M-1450	14" - 18½"	TRI-LITE FRONT
M-2814	39090030	M-1449	M-1450	18½" - 21⅜"	TRI-LITE REAR

DAYTON TORQUE ARM BUSHING ASSEMBLY



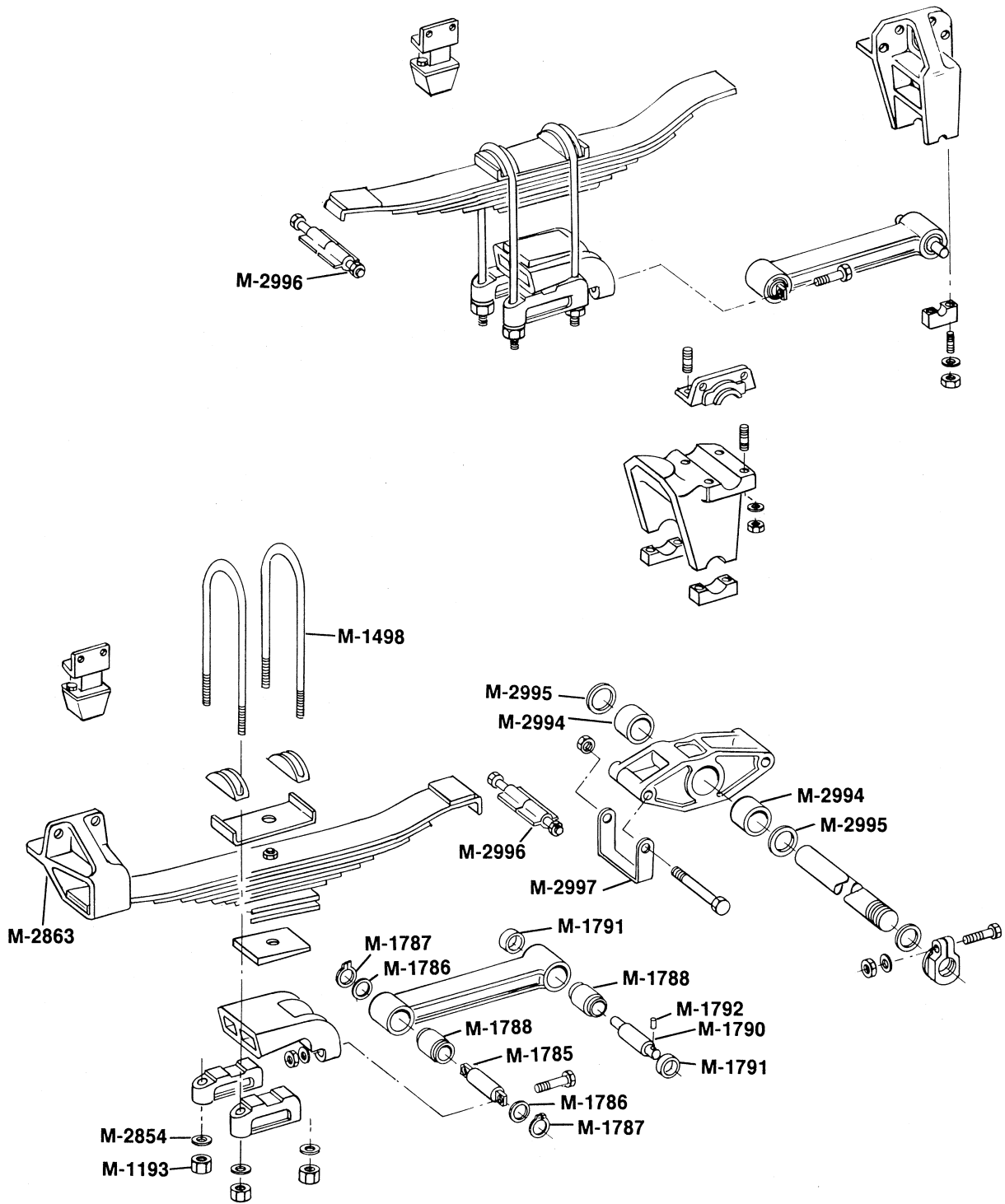
BWP NO.	ASSEMBLY CONTAINS	APPLICATION
M-1450	1 M-1449 BUSHING 1 M-1883 BOLT 1 M-1884 LOCK NUT	TRAILER TRI-LITE SUSPENSIONS ALL ABOVE RODS

TORQUE ARM BUSHING ASSEMBLY COMPONENTS



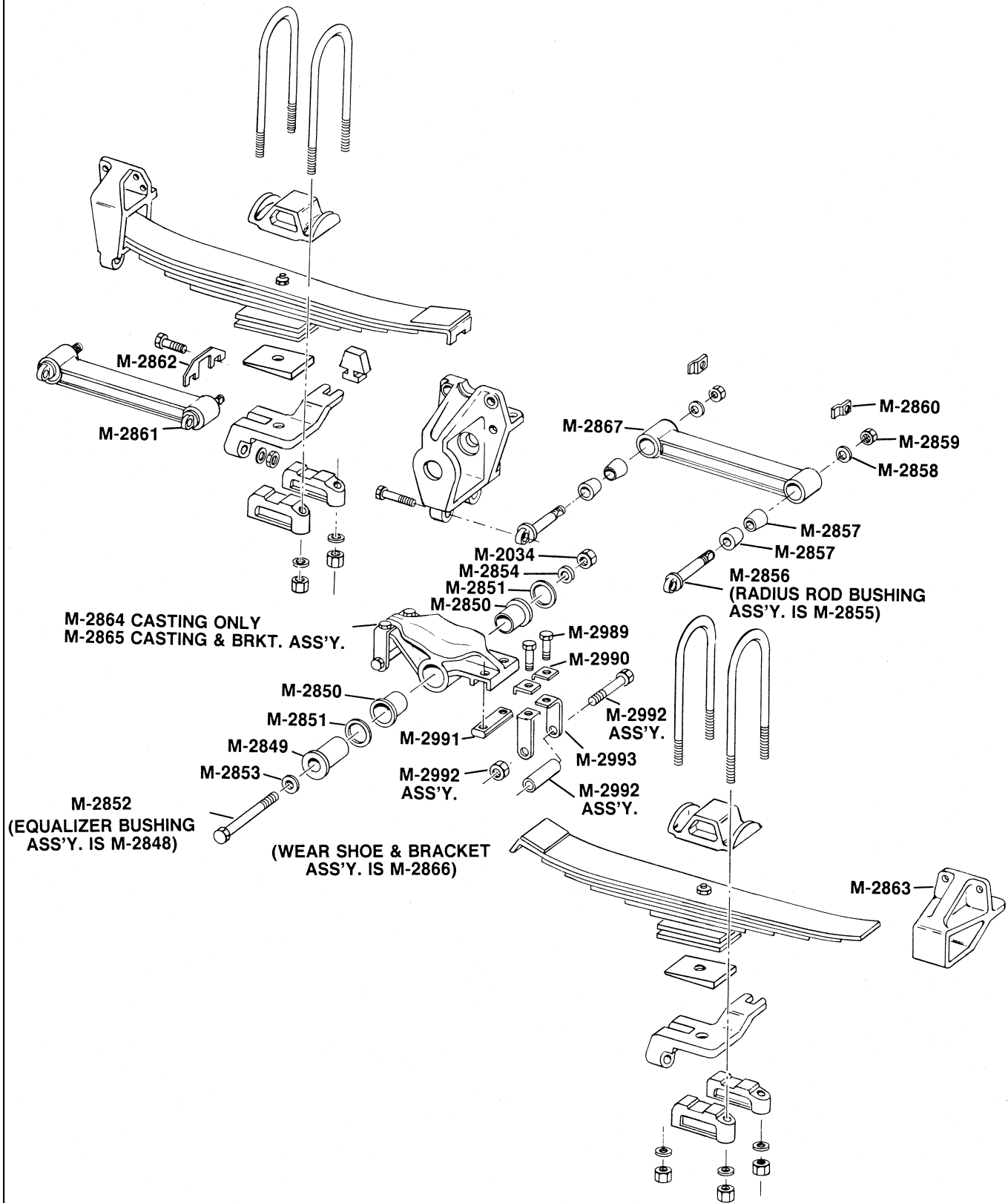
BWP NO.	REPLACES DAYTON-IHC	I.D.	O.D.	LENGTH
M-1449	BUSHING 39400016 347374C1	7/8"	1 ²⁹ / ₃₂ "	3"
M-1883	BOLT 08-203488 346951C1	—	7/8" - 9 THD.	5½"
M-1884	LOCK NUT 08-204568 414001	7/8"-9 THD.	1 ³ / ₈ " HEX	1 ⁵ / ₁₆ "

BWP REPLACEMENT PARTS FOR **FREIGHTLINER FH32 SERIES SUSPENSION**



SUSPENSION & MISC.

BWP REPLACEMENT PARTS FOR **FREIGHTLINER FH34 SERIES SUSPENSION**



SUSPENSION & MISC.

FREIGHTLINER SUSPENSION PARTS

FREIGHTLINER EQUALIZER ASSEMBLY — CAST STEEL



BWP NO.	REPLACES FREIGHTLINER	ASSEMBLY CONTAINS	MODEL
M-2865	B16-02440-5	1 M-2864 EQUALIZER 2 M-2866 BRACKET ASSEMBLY BUSHING NOT INCLUDED	FH34 SUSPENSION

FREIGHTLINER EQUALIZER ONLY — CAST STEEL



BWP NO.	REPLACES FREIGHTLINER	INCLUDES	MODEL
M-2864	16-10175 16-10175-1	EQUALIZER CASTING ONLY	FH34 SUSPENSION

EQUALIZER BUSHING ASSEMBLY



BWP NO.	ASSEMBLY CONTAINS	APPLICATION
M-2848	2 M-2850 BUSHING 1 M-2849 CAPPED TUBE 2 M-2851 WASHER 1 M-2852 BOLT 1 M-2853 WASHER 1 M-2854 WASHER 1 M-2034 NUT	FREIGHTLINER FH 34 SUSPENSION

EQUALIZER BUSHING ASSEMBLY COMPONENTS



BWP NO.	REPLACES FREIGHTLINER	I.D.	O.D.	LENGTH
M-2850	BUSHING A16-10549	2 ¹ / ₄ "	2 ³ / ₄ "	2 ³ / ₈ "
M-2849	CAPPED SHAFT A16-10550	1 ⁵ / ₈ "	2 ¹ / ₄ "	6 ⁹ / ₁₆ "
M-2851	WASHER 16-10177	2 ¹ / ₄ "	3 ³ / ₄ "	1 ¹ / ₁₆ " THK.
M-2852	BOLT 23-10757-900	—	3 ³ / ₄ " - 16 THD.	8 ¹ / ₂ "
M-2853	WASHER 29-9427-75	2 ⁵ / ₃₂ "	2 ¹ / ₃₂ "	1 ¹ / ₈ " THK.
M-2854	WASHER 23-9114-4	1 ³ / ₁₆ "	1 ¹⁵ / ₃₂ "	1 ¹ / ₈ " THK.
M-2034	NUT 23-461-6	—	3 ³ / ₄ " - 16 THD.	1 ¹ / ₄ " HEX

SUSPENSION & MISC.

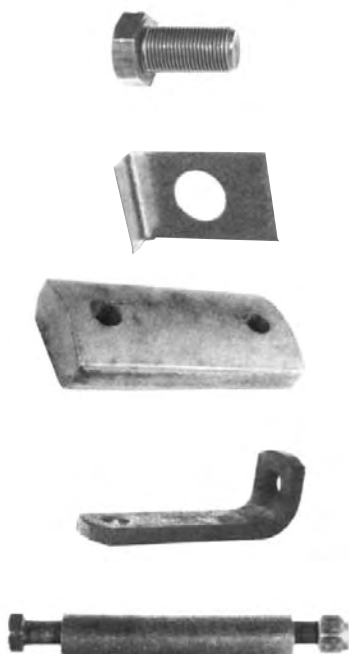
FREIGHTLINER SUSPENSION PARTS

FREIGHTLINER EQUALIZER WEAR SHOE — BRACKET ASSEMBLY — FH34



BWP NO.	ASSEMBLY CONTAINS	APPLICATION
M-2866	2 M-2989 CAP SCREW 2 M-2990 LOCK TAB 1 M-2991 WEAR SHOE 2 M-2993 BRACKET 1 M-2992 ROLLER ASSEMBLY	FH 34 SUSPENSION USE WITH M-2864 EQUALIZER. SUPPLIED WITH M-2865 EQUALIZER ASSEMBLY.

WEAR SHOE & BRACKET ASSEMBLY COMPONENTS



BWP NO.	REPLACES FREIGHTLINER	NOTE
M-2989	CAP SCREW 23-9441-175	1/2" - 20 X 1 3/4" LONG
M-2990	LOCK TAB 16-10414	---
M-2991	WEAR SHOE 16-9895	---
M-2993	BRACKET 16-09893	HARDENED ALLOY STEEL
M-2992	ROLLER ASSEMBLY 23-9471-550 23-9900-208 16-9943	1/2" - 20 x 5 1/2" BOLT 1/2" - 20 x 3/4" HEX LOCK NUT 4 1/2" LONG ROLLER

SLIM — FH34 SUSPENSION



BWP NO.	REPLACES FREIGHTLINER	THICKNESS	APPLICATION
M-2862	11-9588-1	1/16"	FH34 SUSPENSION

SUSPENSION & MISC.

FREIGHTLINER SUSPENSION PARTS

FREIGHTLINER TORQUE RODS — RADIUS RODS



BWP NO.	REPLACES FREIGHTLINER	CENTER TO CENTER	APPLICATION
M-2861	B-16-10420-1	18 ³ / ₁₆ "	FABRICATED STEEL MATERIAL NON-REPLACEABLE BUSHING
M-2867	16-09864-0	18 ¹ / ₂ "	HEAVY DUTY CAST IRON MATERIAL USE M-2855 BUSHING ASSEMBLY

RADIUS ROD BUSHING ASSEMBLY



BWP NO.	ASSEMBLY CONTAINS	APPLICATION
M-2855	1 M-2856 PIN 2 M-2857 BUSHING 1 M-2858 WASHER 1 M-2859 NUT 1 M-2860 LOCK	USE WITH M-2867 RADIUS ROD

RADIUS ROD BUSHING ASSEMBLY COMPONENTS



BWP NO.	REPLACES FREIGHTLINER	I.D.	O.D.	LENGTH
M-2856	PIN R16-9848	1 ³ / ₈ " - 12 THD.	1 ¹³ / ₃₂ "	5 ⁵ / ₈ "
M-2857	BUSHING 16-11351	1 ³ / ₈ "	2 ³ / ₁₆ "	1 ³ / ₁₆ "
M-2858	WASHER 16-10431-C	1 ³ / ₈ "	2 ³ / ₈ "	1/8" THK.
M-2859	NUT 16-10430	1 ³ / ₈ " - 12 THD.	1 ³ / ₄ " HEX	5/16" THK.
M-2860	NUT LOCK 16-10429	5/8"	7/8" HGT.	1 ¹ / ₂ "

SUSPENSION & MISC.

FREIGHTLINER SUSPENSION PARTS

FREIGHTLINER TORQUE ARM PIN ASSEMBLY — AXLE END



BWP NO.	ASSEMBLY CONTAINS	APPLICATION
M-1784	1 M-1785 PIN 1 M-1788 BUSHING 2 M-1786 WASHER 2 M-1787 LOCK	AXLE END USE 4 PER TANDEM

TORQUE ARM PIN ASSEMBLY COMPONENTS



BWP NO.	REPLACES FREIGHTLINER-WHITE	I.D.	O.D.	LENGTH
M-1785	PIN 11-9448	— —	1 ⁵ / ₁₆ "	5 ¹ / ₂ "
M-1788	BUSHING 11-9569	1 ⁵ / ₁₆ "	2 ²⁷ / ₆₄ "	1 ²⁹ / ₃₂ "
M-1786	WASHER 11-9579	1 ³ / ₈ "	1 ³ / ₄ "	1/8" THK.
M-1787	H.D. LOCK RING FOR 1 ⁵ / ₁₆ " DIA. PIN	1 ⁵ / ₁₆ " PIN	— —	3/32" THK.

FREIGHTLINER TORQUE ARM PIN ASSEMBLY — FRAME END



BWP NO.	ASSEMBLY CONTAINS	APPLICATION
M-1789	1 M-1790 PIN 1 M-1788 BUSHING 2 M-1791 RING 1 M-1792 LOCK	FRAME END USE 4 PER TANDEM

TORQUE ARM PIN ASSEMBLY COMPONENTS



BWP NO.	REPLACES FREIGHTLINER-WHITE	I.D.	O.D.	LENGTH
M-1790	PIN 11-9256	— —	1 ⁵ / ₁₆ "	5 ³ / ₁₆ "
M-1788	BUSHING 11-9569	1 ⁵ / ₁₆ "	2 ²⁷ / ₆₄ "	1 ²⁹ / ₃₂ "
M-1791	PIN RING 11-9255	1"	1 ⁵ / ₈ "	7/16" THK.
M-1792	LOCK PIN 13-3406	— —	5/16"	1 ¹ / ₁₆ "

SUSPENSION & MISC.

FREIGHTLINER SUSPENSION PARTS

REAR HANGER — FH32 AND FH34 SUSPENSIONS



BWP NO.	REPLACES FREIGHTLINER	APPLICATION
M-2863	16-9985-1	FH-32 AND FH-34 HEAVY DUTY CAST IRON MATERIAL

EQUALIZER BUSHING AND SEAL FH32



BWP NO.	REPLACES FREIGHTLINER	I.D.	O.D.	LGTH.	APPLICATION
M-2994	RYERTEX BUSHING 16-9502	2"	2 1/2"	1 13/16"	FH32 SERIES USE WITH FREIGHTLINER EARLY STYLE EQUALIZER 16-9490



M-2995	SEAL NA-450360	2"	2 5/8"	1/2" THK.	FH32 SERIES USE WITH FREIGHTLINER EARLY STYLE EQUALIZER 16-9490
---------------	-------------------	----	--------	-----------	---

EQUALIZER WEAR SHOE ASSEMBLY AND STIRRUP — FH32



BWP NO.	REPLACES FREIGHTLINER	APPLICATION
M-2996	WEAR SHOE ASSEMBLY 16-9938	AVAILABLE AS ASSEMBLY ONLY. USE WITH M-2997 STIRRUP FOR 16-9490 EQUALIZER.



M-2997	STIRRUP 16-9401	USE WITH M-2996 ASSEMBLY. FOR FH32 EARLY STYLE EQUALIZER.
---------------	--------------------	--

FREIGHTLINER SUSPENSION PARTS

SPRING HANGER BRACKET (NEW STYLE)



BWP NO.	REPLACES	APPLICATION
M-3468	A16-12314-000	AIR RIDE INCLUDES BUSHING M-3469

SPRING HANGER BRACKET BUSHING



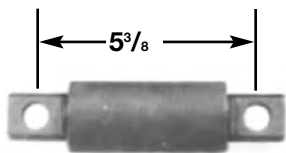
BWP NO.	REPLACES	I.D.	O.D.	LENGTH	APPLICATION
M-3469	236900	7/8"	1 3/4"	4"	AIR RIDE

SHOCK ABSORBER BUSHING



BWP NO.	REPLACES	I.D.	O.D.	LENGTH	APPLICATION
M-3470	16-10722-000	1"	1 7/8"	1"	AIR RIDE

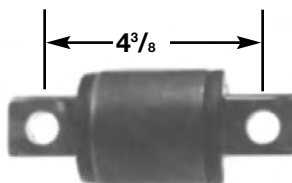
TORQUE LEAF BUSHING



21/32" HOLES

BWP NO.	REPLACES	I.D.	O.D.	LENGTH	APPLICATION
M-3471	HR1-HBUS41	---	1 3/4"	4"	F/L AIR SUSPENSION

TORQUE ARM RUBBER BUSHING



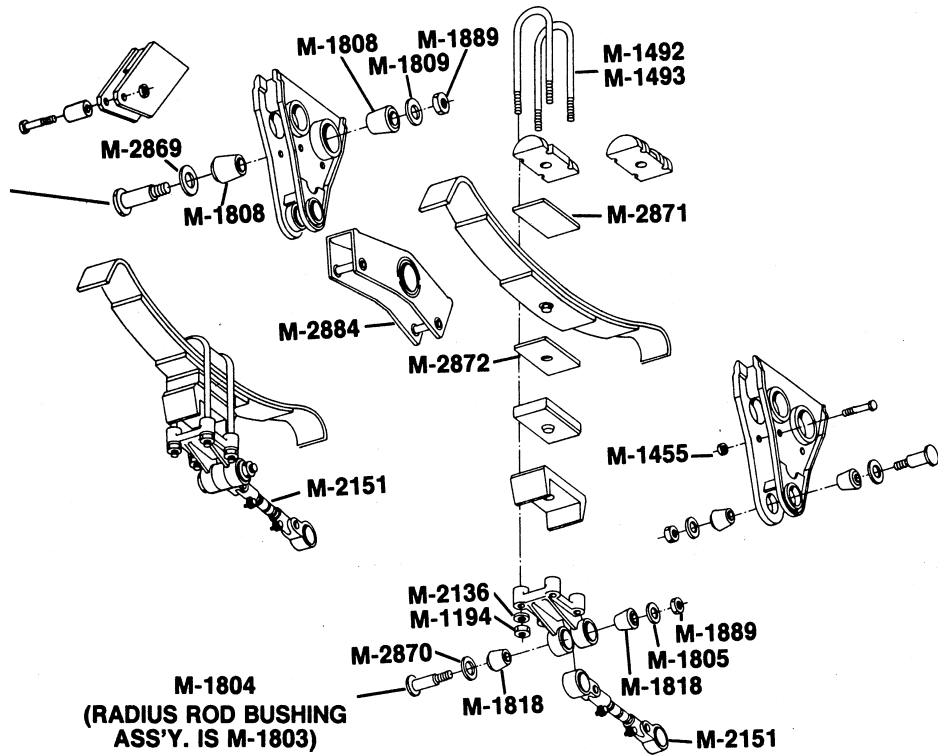
21/32" HOLES

BWP NO.	REPLACES	I.D.	O.D.	LENGTH	APPLICATION
M-3472	151087-148	---	2 3/8"	5 3/4"	AIR RIDE

SUSPENSION & MISC.

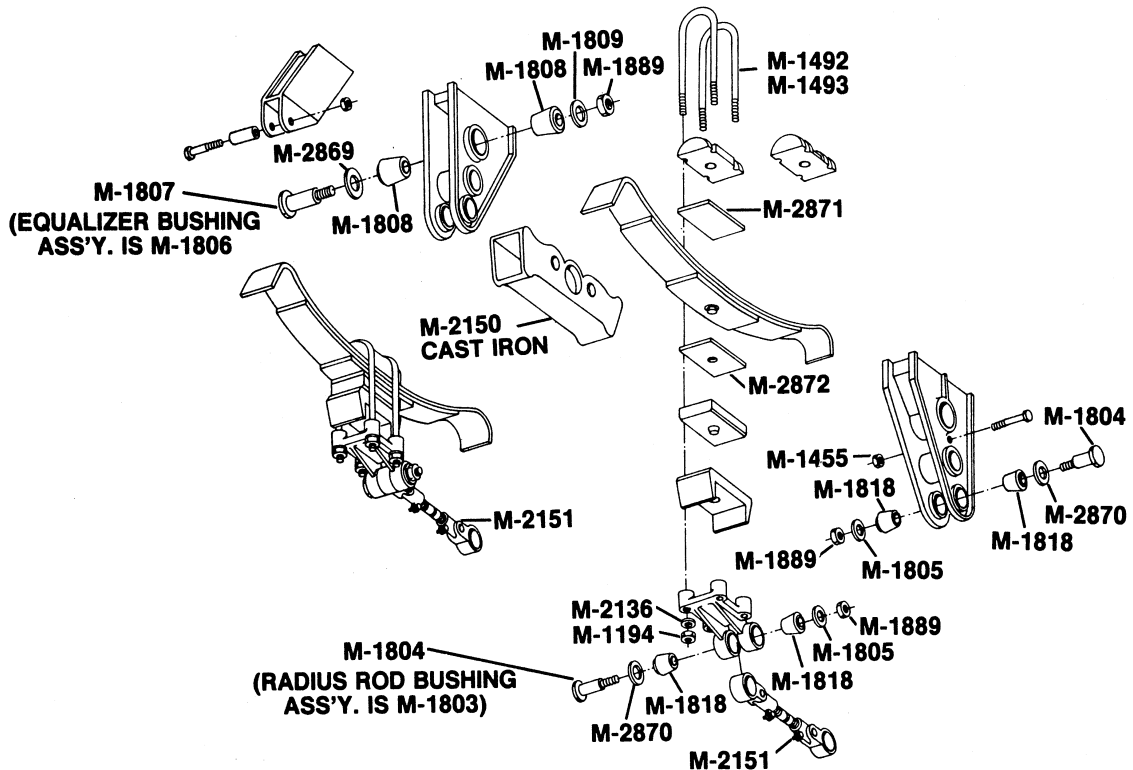
FRUEHAUF F-2 SERIES WIDE BASE SUSPENSION

BWP REPLACEMENT PARTS FOR



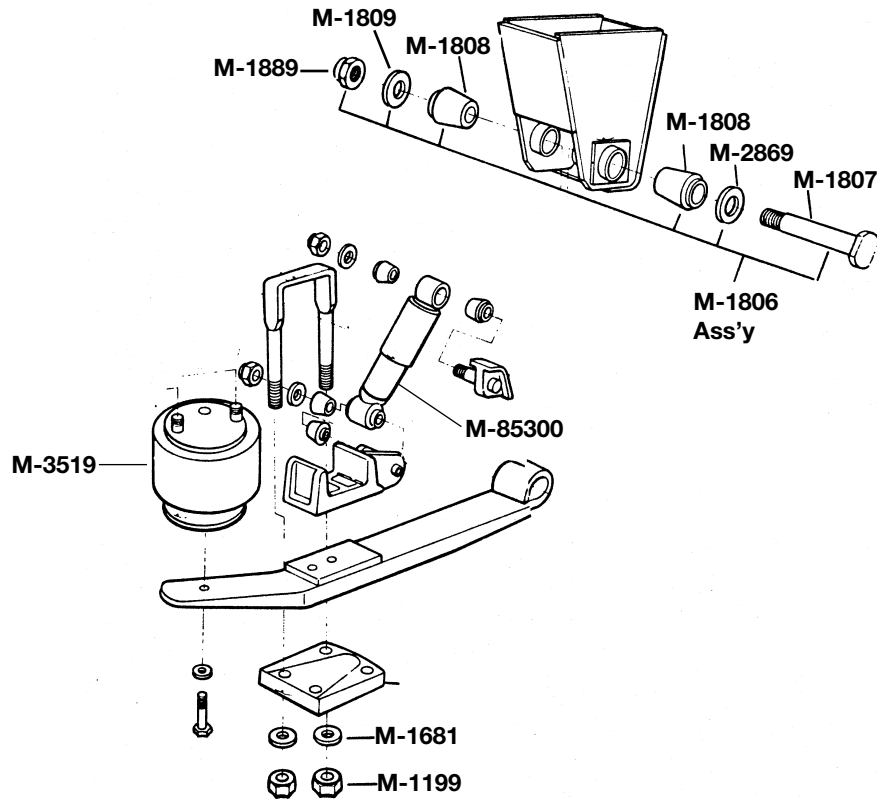
FRUEHAUF F-2 SERIES STANDARD SUSPENSION

BWP REPLACEMENT PARTS FOR

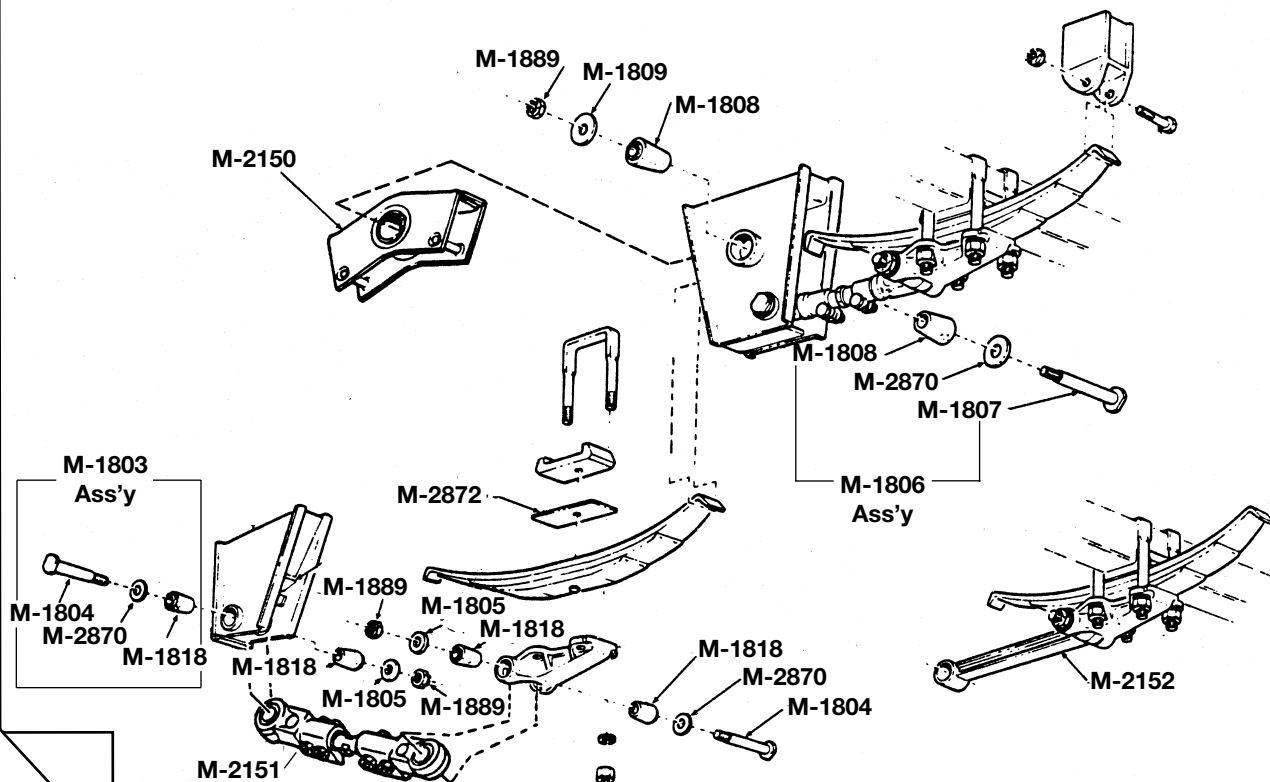


SUSPENSION & MISC.

BWP REPLACEMENT PARTS FOR **FRUEHAUF T1 AND W24T1 SUSPENSIONS**



BWP REPLACEMENT PARTS FOR **FRUEHAUF J-2 SERIES**



SUSPENSION & MISC.

FRUEHAUF SUSPENSION PARTS

FRUEHAUF CAST EQUALIZER



BWP NO.	REPLACES FRUEHAUF	APPLICATION
M-2150	CAST EQUALIZER UXA-000017	EARLY F2 AND CURRENT F3 SUSPENSIONS USE M-1806 BUSHING ASSEMBLY

FRUEHAUF FABRICATED EQUALIZER



BWP NO.	REPLACES FRUEHAUF	APPLICATION
M-2884	FABRICATED EQUALIZER UCE-007936-001 UCF-001463-901 UCF-6963-01 (DUCTILE IRON)	LATE F2 SUSPENSION USE M-1806 BUSHING ASSEMBLY

FRUEHAUF EQUALIZER BUSHING ASSEMBLY



BWP NO.	APPLICATION	ASSEMBLY CONTAINS
M-1806	F SUSPENSIONS USE WITH M-2150 AND M-2884 EQUALIZERS	1 M-1807 BOLT 2 M-1808 BUSHING 1 M-1809 WASHER 1 M-2869 WASHER 1 M-1889 NUT

COMPONENTS FOR EQUALIZER BUSHING ASSEMBLY



BWP NO.	REPLACES FRUEHAUF	I.D.	O.D.	LENGTH
M-1807	EQUALIZER BOLT UXA-00015-001	1"-14 THD.	2"	10 ⁹ / ₁₆ "
M-1808	EQUALIZER BUSHING UXA-0004	2"	3 ¹ / ₂ "	4 ³ / ₈ "
M-1809	WASHER UXA-0003	1 ¹ / ₁₆ "	4"	1/4" THK.
M-2869	OUTER WASHER UXA-0356-001	2 ¹ / ₁₆ "	4"	1/16" THK.
M-1889	LOCK NUT FSP-6-2-PK9	1"-14 THD.	1 ⁷ / ₁₆ " HX.	1 ³ / ₁₆ " HT.

SUSPENSION & MISC.

FRUEHAUF SUSPENSION PARTS

FRUEHAUF RADIUS (TORQUE) ROD— ADJUSTABLE



BWP NO.	REPLACES FRUEHAUF	APPLICATION
M-2151	UXA-000027-001 BUSHINGS NOT INCLUDED	<ul style="list-style-type: none"> • “F” SUSPENSIONS • 14¹/₁₆” TO 16⁷/₁₆” ADJUSTABLE LENGTH • USES M-1818 BUSHING AND M-1803 ASSEMBLY

FRUEHAUF RADIUS ROD — FIXED



BWP NO.	REPLACES FRUEHAUF	APPLICATION
M-2152	UXA-000026 BUSHINGS NOT INCLUDED	<ul style="list-style-type: none"> • “F” SUSPENSIONS • 15¹/₂” CTR. TO CTR. FIXED LENGTH • USES M-1818 BUSHING AND M-1803 ASSEMBLY

FRUEHAUF RADIUS ROD BUSHING ASSEMBLY



BWP NO.	REPLACES FRUEHAUF	APPLICATION
M-1803	1 M-1804 BOLT 2 M-1818 BUSHING 1 M-1805 WASHER 1 M-2870 WASHER 1 M-1889 NUT	<ul style="list-style-type: none"> • “F” SUSPENSIONS • USE WITH M-2151 AND M-2152

COMPONENTS FOR RADIUS ROD BUSHING ASSEMBLY



BWP NO.	REPLACES FRUEHAUF	I.D.	O.D.	LENGTH
M-1804	BOLT UXA-000016	1”-14 THD.	1 ¹ / ₄ ”	6”
M-1818	BUSHING UXA-000011	1 ¹ / ₄ ”	2 ³ / ₁₆ ”	2 ³ / ₈ ”
M-1805	WASHER UXA-000002	1 ¹ / ₁₆ ”	2 ¹ / ₂ ”	1 ¹ / ₄ ” THK.
M-2870	OUTER WASHER UXA-000356-001	1 ⁵ / ₁₆ ”	2 ¹ / ₂ ”	1 ¹ / ₁₆ ” THK.
M-1889	LOCK NUT FSP-6-2-PK9	1”-14 THD.	1 ⁷ / ₁₆ ” HX	1 ³ / ₁₆ ” HT.

SUSPENSION & MISC.

FRUEHAUF SUSPENSION PARTS

RADIUS ROD BUSHING ASSEMBLIES — EARLY STYLE



BWP NO.	APPLICATION	ASSEMBLY CONTAINS
M-1812	RR 55 SUSPENSION SPRING HANGER END	1 M-693 SPINDLE 1 M-1816 BOLT 2 M-695 BUSHING 2 M-1814 WASHER 2 M-1815 WASHER
M-1813	RR 55 SUSPENSION SPRING SEAT END	1 M-694 SPINDLE 1 M-1816 BOLT 2 M-695 BUSHING 2 M-1814 WASHER 2 M-1815 WASHER

RADIUS ROD BUSHING ASSEMBLY



BWP NO.	APPLICATION	ASSEMBLY CONTAINS
M-1817	P2 SUSPENSION	1 M-694 SPINDLE 1 M-1816 BOLT 2 M-1818 BUSHING 2 M-1810 WASHER

COMPONENTS OF ABOVE BUSHING ASSEMBLIES

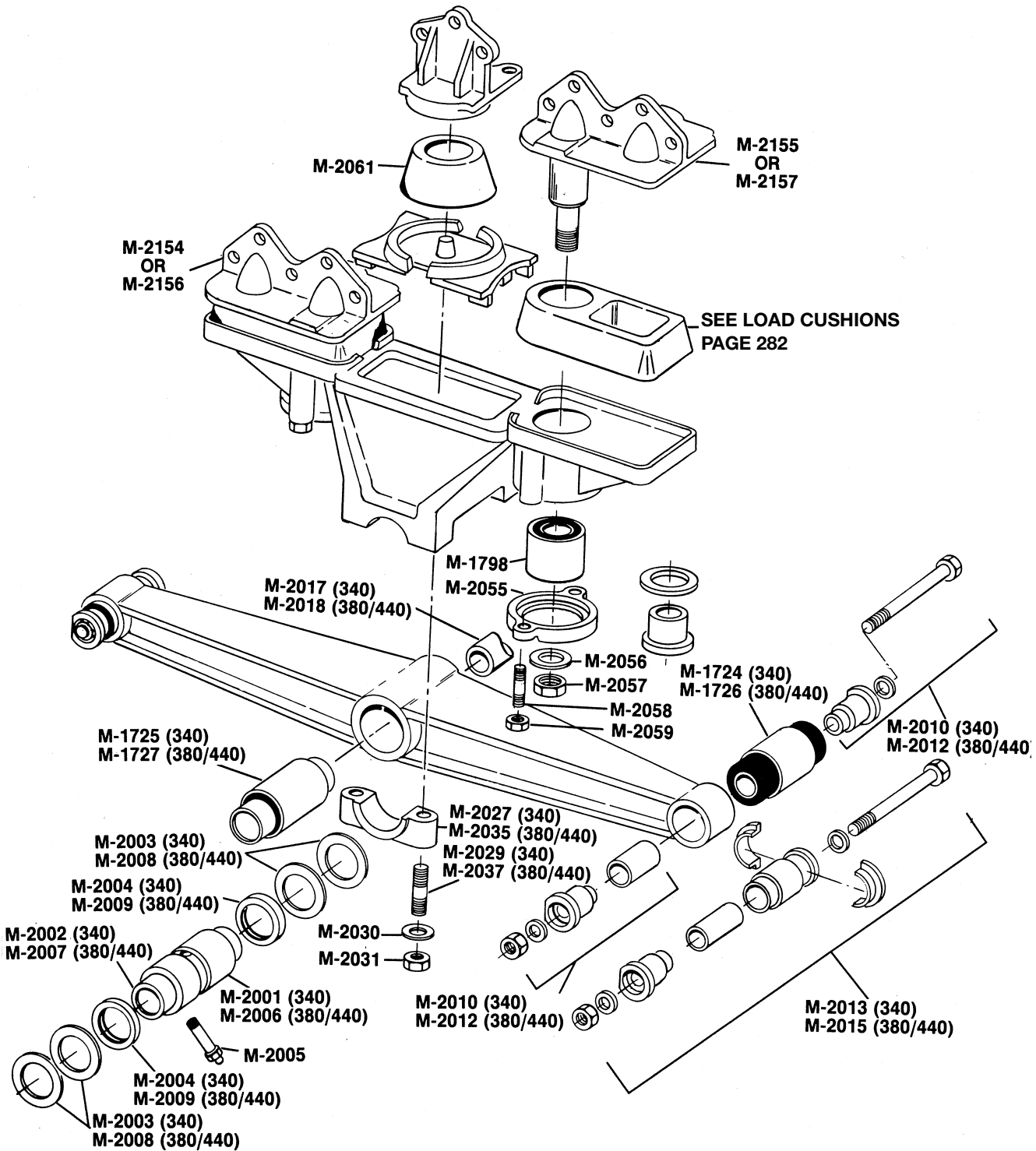


BWP NO.	REPLACES FRUEHAUF	I.D.	O.D.	LENGTH
M-1818	BUSHING UXA-0011 586121	1 ¹ / ₄ "	2 ³ / ₁₆ "	2 ³ / ₈ "
M-695	BUSHING 563400	1 ¹ / ₄ "	2"	2 ¹ / ₂ "
M-1816	BOLT & NUT 126084	— —	5/8"-18 THD.	6"
M-693	SPINDLE 557797	1 ¹ / ₁₆ "	1 ¹ / ₄ "	4 ¹ / ₈ "
M-694	SPINDLE 563824	1 ¹ / ₁₆ "	1 ¹ / ₄ "	4 ¹ / ₂ "
M-1810	WASHER 446512	1 ¹ / ₁₆ "	2 ³ / ₈ "	5/32" THK.
M-1815	INNER WASHER 564270	1 ⁹ / ₃₂ "	2 ¹ / ₄ "	1/32" THK.
M-1814	OUTER WASHER 563823	5/8"	2 ³ / ₄ "	3/32" HT.

SUSPENSION & MISC.

HENDRICKSON RS 400/460 SERIES SUSPENSION

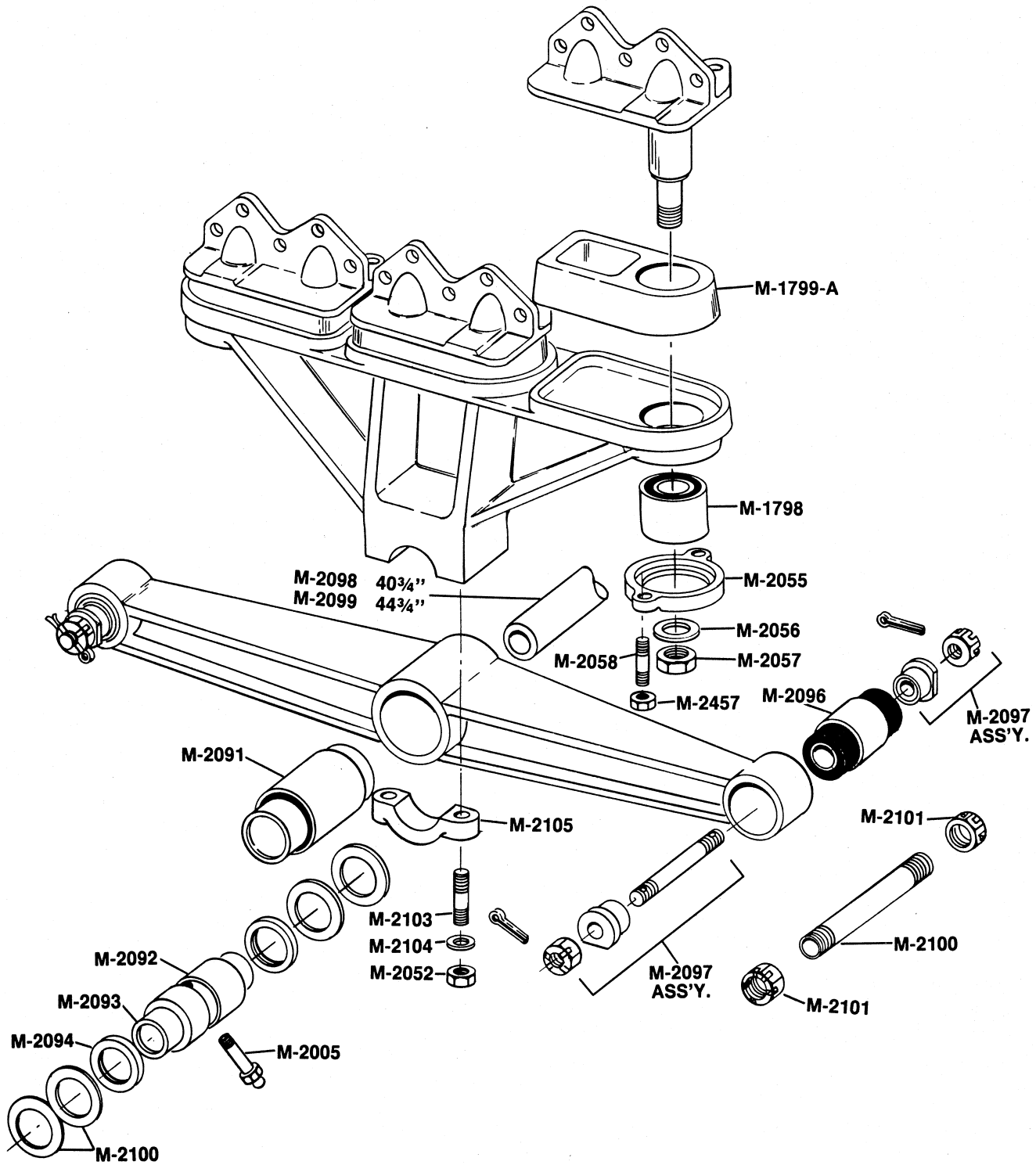
(SUPERCEDES RS 340/380/440)



SUSPENSION & MISC.

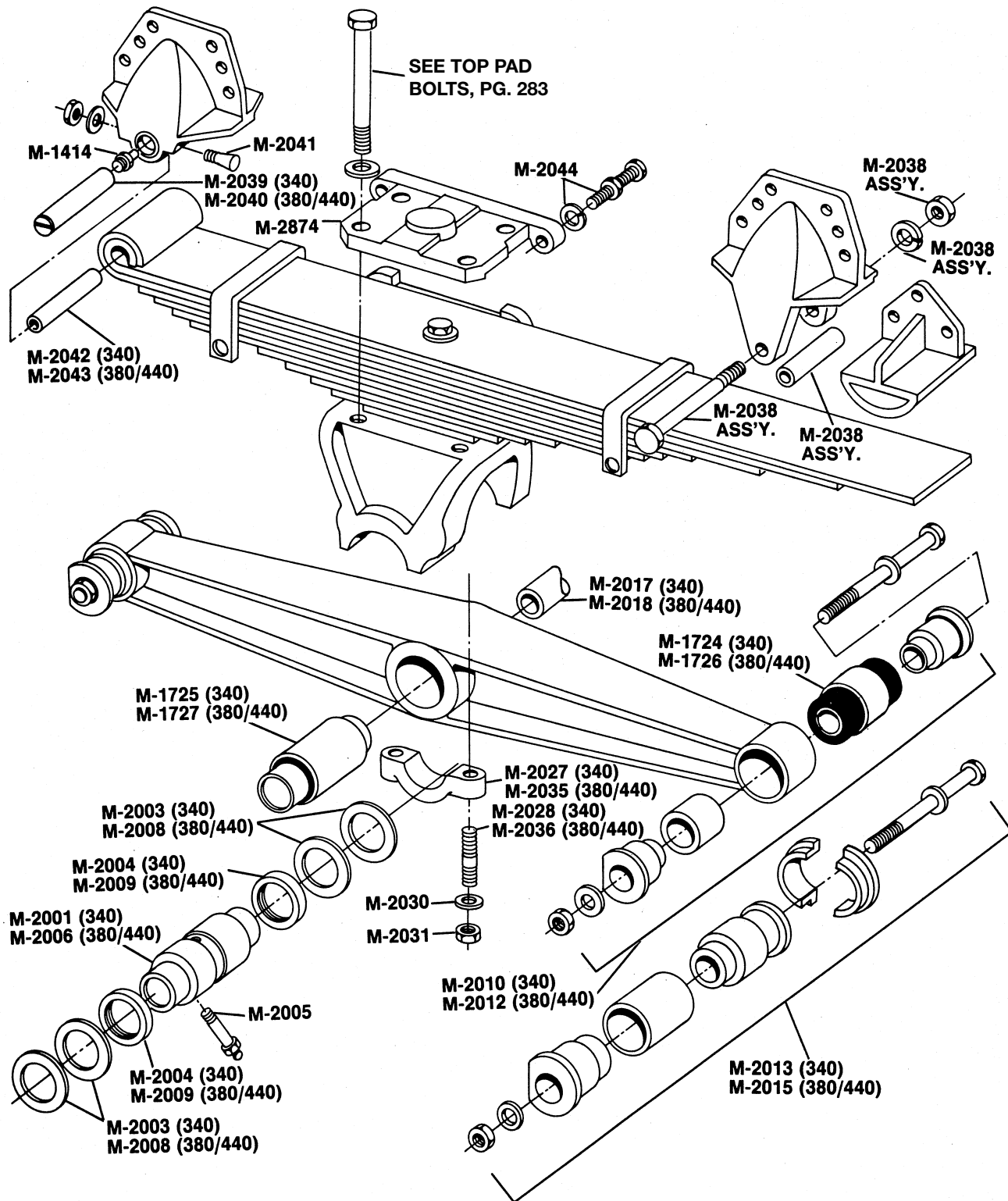
HENDRICKSON RS 650 SERIES SUSPENSION

(SUPERCEDES RS500 SERIES)



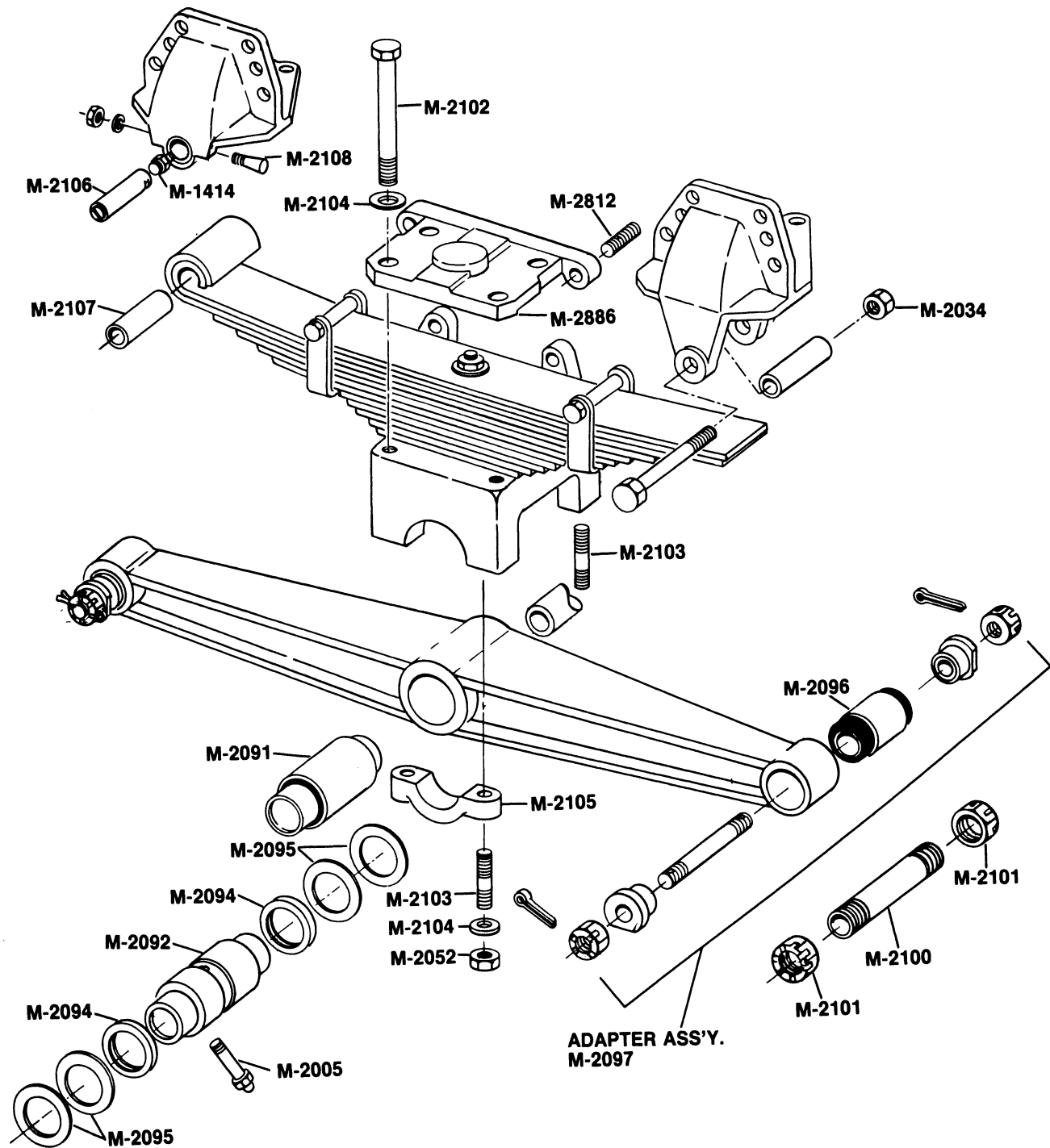
SUSPENSION & MISC.

HENDRICKSON RT/RTE 400/460 SERIES (SUPERCEDES RT/RTE 340/380/440)



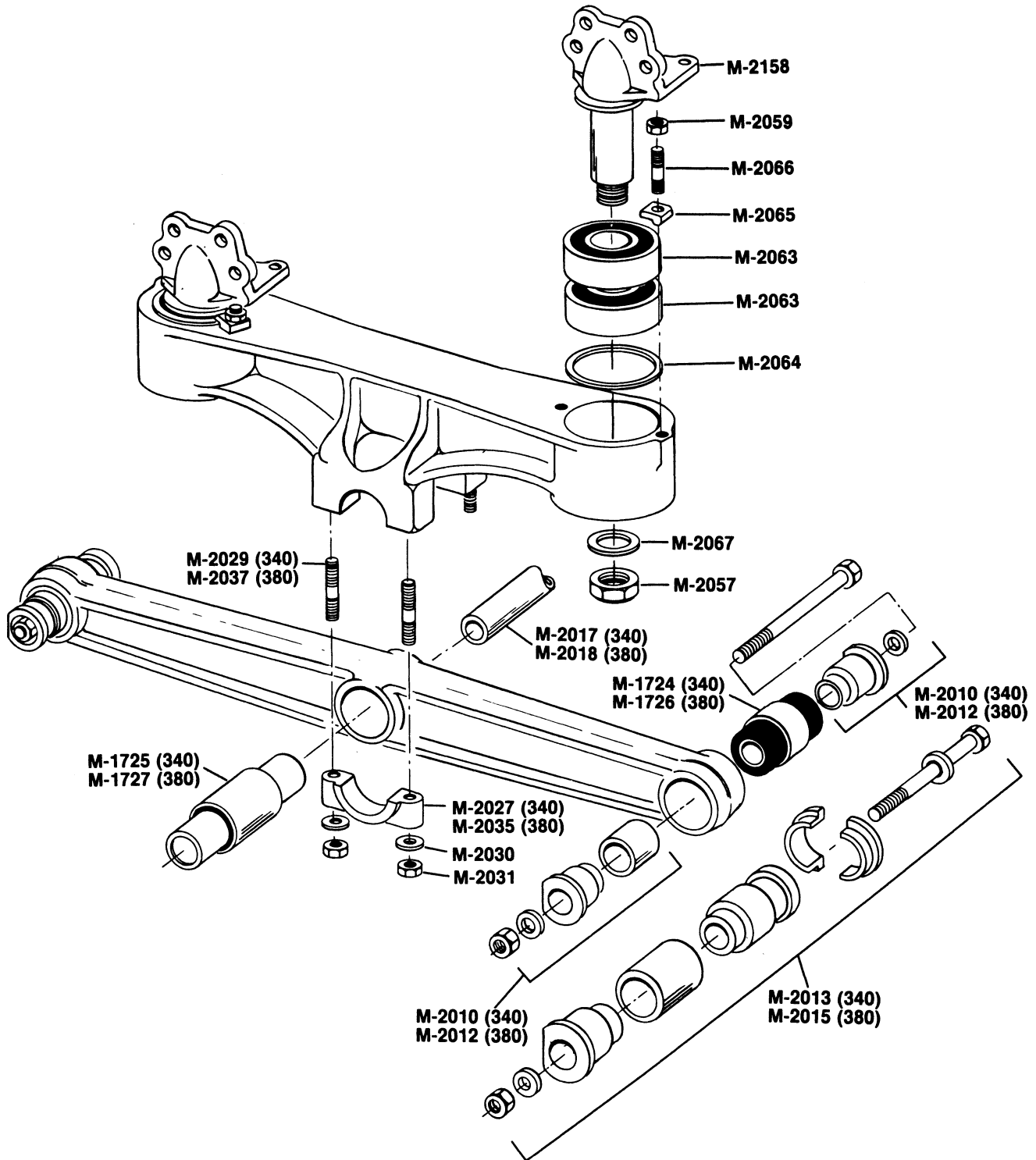
SUSPENSION & MISC.

HENDRICKSON RT 650 SERIES SUSPENSION (SUPERCEDES RT 500 SERIES)



SUSPENSION & MISC.

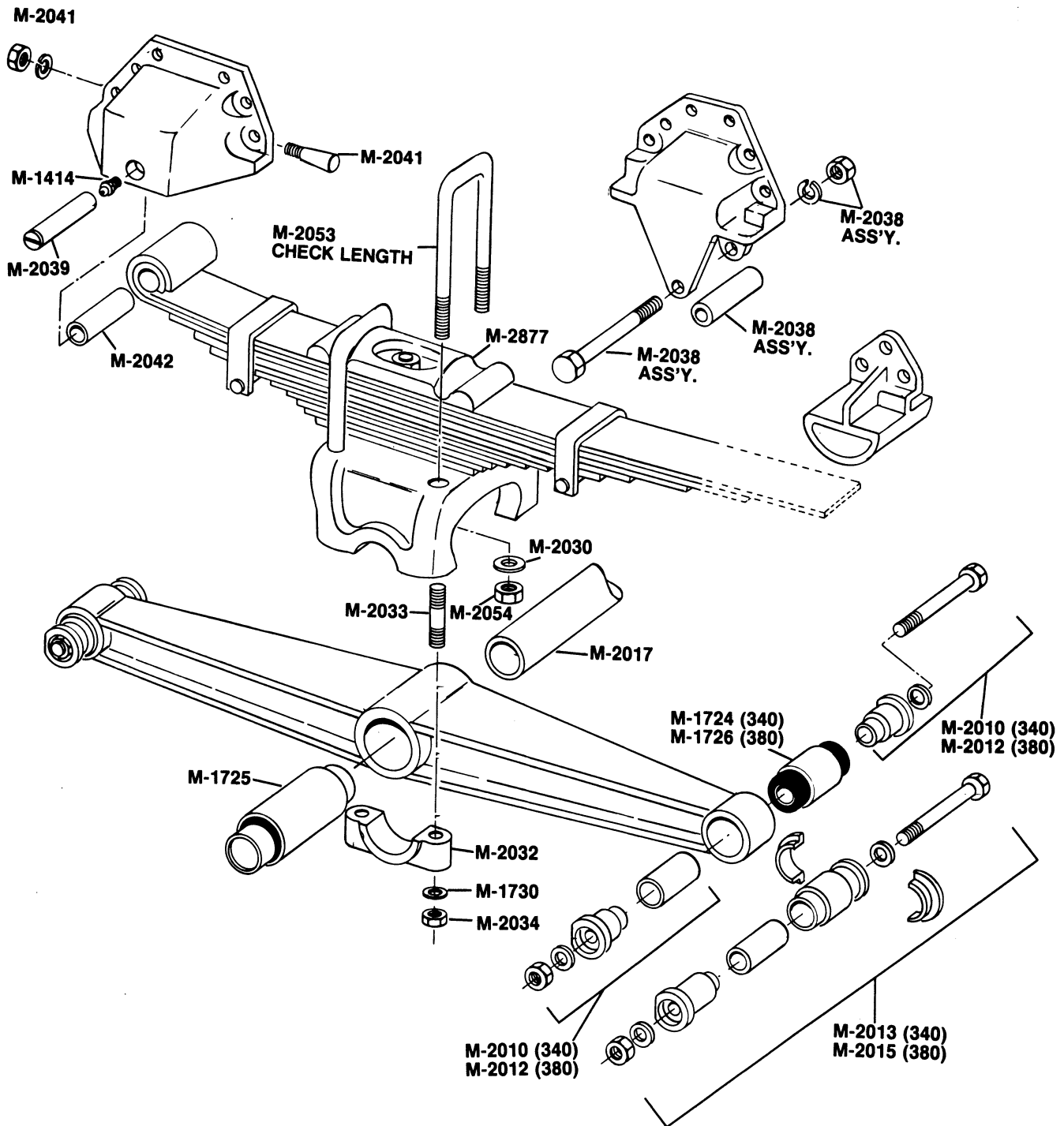
HENDRICKSON SR340 AND SR380 SERIES SUSPENSION



SUSPENSION & MISC.

HENDRICKSON U/UE - 340 SERIES SUSPENSION

(SUPERCEDES RU/RUE 340)



SUSPENSION & MISC.

HENDRICKSON SUSPENSION PARTS

HENDRICKSON BEAM END BUSHINGS



BWP NO.	REPLACES HENDRICKSON	I.D.	O.D.	LENGTH	APPLICATION
M-1724	6969	2 ¹ / ₂ "	4 ³ / ₈ "	5 ¹ / ₄ "	340 SERIES SUSPENSIONS
M-1726	6572, 45900	2 ¹ / ₂ "	4 ³ / ₈ "	5 ³ / ₄ "	440/460 SERIES SUSPENSION
M-2153	29878-1	2 ¹ / ₂ "	4 ³ / ₈ "	5 ³ / ₄ "	380/520 SERIES SUSPENSIONS
M-2948	45407	2 ¹ / ₂ "	4 ³ / ₈ "	6"	450 SERIES SUSPENSIONS
M-2096	10363	3"	6"	6"	RS/RT 650 SERIES SUSPENSIONS

ADAPTER ASSEMBLIES FOR END BUSHINGS



BWP NO.	REPLACES HENDRICKSON	LENGTH ASSEMBLED	APPLICATION
M-2010	45000-13	7 ⁹ / ₁₆ "	340 SERIES USE WITH M-1724
M-2012	45000-7	8 ¹ / ₁₆ "	ALL SERIES USE WITH M-1726
M-2950	21140-33	8 ¹ / ₄ "	450 SERIES USE WITH M-2948

SPLIT FLANGE ADAPTER ASSEMBLIES



BWP NO.	REPLACES HENDRICKSON	LENGTH ASSEMBLED	APPLICATION
M-2013	45000-14	7 ⁹ / ₁₆ "	340 SERIES SUSPENSIONS
M-2015	45000-8	8 ¹ / ₁₆ "	380 SERIES SUSPENSIONS
M-2966	21140-23	8 ¹ / ₄ "	450 SERIES SUSPENSIONS

500 SERIES ADAPTER ASSEMBLY



BWP NO.	REPLACES HENDRICKSON	LENGTH ASSEMBLED	APPLICATION
M-2097	21140-7	12 ³ / ₄ "	RS-RT 500/650 SERIES USE WITH M-2096

500 SERIES BEAM HANGER TUBE



BWP NO.	REPLACES HENDRICKSON	O.D.	LGTH.	APPLICATION
M-2100	10372	3"	9 ³ / ₄ "	500/650 SERIES OFF HIGHWAY

NUT FOR TUBE ADAPTER



BWP NO.	REPLACES HENDRICKSON	THREAD	APPLICATION
M-2101	10371	3"-12	500/650 SERIES USE WITH M-2100 TUBE

HENDRICKSON SUSPENSION PARTS

HENDRICKSON BEAM END BRONZE BUSHING ASSEMBLY



BWP NO.	REPLACES HENDRICKSON	APPLICATION AND CONTENTS		
M-2873	34013-40	441 SERIES BEAM END CONTAINS: 1 M-2021 1 M-2020 1 M-2022 2 M-2026 2 M-2876 2 M-2878	CANNOT REPLACE RUBBER STYLE ASS'Y	

COMPONENTS FOR BRONZE BUSHING ASSEMBLY



BWP NO.	REPLACES HENDRICKSON	DIMENSIONS		
M-2021	BRONZE SOCKET 5059	2 ¹ / ₈ " I.D.	4" O.D.	2 ⁷ / ₈ " WIDE
M-2022	BALL 4990	1 ³ / ₈ " I.D.	3 ³ / ₈ " O.D.	4" WIDE
M-2876	RUBBER BOOT 45229	1 ¹ / ₂ " I.D.	3 ¹ / ₄ " O.D.	3 ³ / ₄ " WIDE
M-2020	SHAFT 3350	1 ³ / ₈ " -12 THD.	---	9 ⁵ / ₈ " LONG
M-2026	NUT 8582	1 ³ / ₈ " -12 THD.	---	2" HEX
M-2878	BOLT ASSEMBLY 30970-1 BOLT 30978 NUT 22962-14 WASHERS	1 ¹ / ₂ " -20 THD.	---	3 ¹ / ₂ " LONG

BOLT, NUT AND WASHER FOR ADAPTER ASSEMBLY



BWP NO.	REPLACES HENDRICKSON	DIMENSIONS		
M-2011	BOLT 21867-23	3 ³ / ₄ " -16 THD.	---	6 ¹ / ₈ " LONG
M-1730	WASHER 22962-1	1 ³ / ₁₆ " I.D.	1 ³ / ₈ " O.D.	3 ³ / ₃₂ " THK.
M-1731	NUT 17700-15	3 ³ / ₄ " -16 THD.	---	1 ¹ / ₈ " HEX

SUSPENSION & MISC.

HENDRICKSON SUSPENSION PARTS

HENDRICKSON BEAM CENTER BUSHINGS



BWP NO.	REPLACES HENDRICKSON	SMALL I.D.	LG. O.D.	LGTH.	APPLICATION
M-1725	6664	2 ³ / ₄ "	3 ⁵ / ₈ "	12"	340 SERIES SUSPENSIONS
M-1727	5919	3 ¹ / ₂ "	4 ³ / ₄ "	12"	400/460 SERIES SUSPENSION
M-2091	10366	4"	5 ¹ / ₂ "	14 ⁵ / ₈ "	RS/RT 650 SERIES SUSPENSIONS

BEAM CENTER BUSHINGS WITH LOOSE PLUGS



BWP NO.	REPLACES HENDRICKSON	SMALL I.D.	LG. O.D.	LGTH.	APPLICATION
M-1793	22279	2 ³ / ₄ "	3 ⁵ / ₈ "	12"	340 SERIES SUSPENSIONS
M-1794	22282 49600	3 ¹ / ₂ "	4 ³ / ₄ "	12"	400 SERIES SUSPENSION

PLUGS FOR BEAM CENTER BUSHINGS



BWP NO.	REPLACES HENDRICKSON	O.D.	THCK.	APPLICATION
M-2014	22278	1 ¹⁵ / ₁₆ "	³ / ₁₆ "	USE WITH M-1793
M-2016	22281	2 ⁷ / ₁₆ "	³ / ₁₆ "	USE WITH M-1794

EQUALIZER BEAM CROSS TUBES



BWP NO.	REPLACES HENDRICKSON	O.D.	LENGTH	APPLICATION
M-2017	44642-8	1 ¹⁵ / ₁₆ "	44 ⁷ / ₈ "	RS, RT, SR 400 SERIES SUSPENSION
M-2018	44643-9	2 ⁷ / ₁₆ "	44 ⁷ / ₈ "	RS, RT, SR 400 SERIES SUSPENSION

BEAM CENTER BUSHING KIT FOR RU340 SERIES



BWP NO.	REPLACES HENDRICKSON	APPLICATION
M-2000	45385	RU AND RUE 340 SERIES KIT CONTAINS: 2 M-1725, 1 M-2017, 8 M-2033, 8 M-2034, 8 M-2030

HENDRICKSON SUSPENSION PARTS

HENDRICKSON EQUALIZER BRONZE CENTER BUSHING KITS



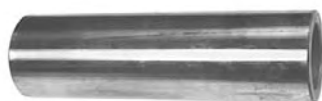
BWP NO.	REPLACES HENDRICKSON	APPLICATION AND KIT CONTENTS
M-1796	30436	340 SERIES SUSPENSIONS 2 M-2001, 2 M-2002, 4 M-2003, 4 M-2004, 2 M-2005
M-1797	30437	380 SERIES SUSPENSIONS 2 M-2006, 2 M-2007, 4 M-2008, 2 M-2009, 2 M-2005
M-2885	45374	RS-RT 500 SERIES SUSPENSIONS 2 M-2092, 2 M-2093, 4 M-2094, 4 M-2095, 2 M-2005

BEAM CENTER BUSHINGS — BRONZE



BWP NO.	REPLACES HENDRICKSON	I.D.	O.D.	LGTH.	APPLICATION
M-2001	30240-1	2 ³ / ₄ "	3 ⁵ / ₈ "	5 ⁷ / ₈ "	340 SERIES
M-2006	30240-2	3 ¹ / ₂ "	4 ¹ / ₄ "	5 ⁷ / ₈ "	400 SERIES
M-2092	30240-5	4"	5 ¹ / ₂ "	8 ¹ / ₁₆ "	RS-RT 500 SERIES

BEAM CENTER SLEEVES — STEEL



BWP NO.	REPLACES HENDRICKSON	O.D.	LENGTH	APPLICATION
M-2002	14684	2 ³ / ₄ "	12"	340 SERIES
M-2007	14685	3 ¹ / ₂ "	12"	380 SERIES
M-2093	25102	4"	15"	RS-RT 500 SERIES

SEALS FOR BEAM CENTER BUSHING



BWP NO.	REPLACES HENDRICKSON	I.D.	O.D.	THK.	APPLICATION
M-2004	30333	2 ³ / ₄ "	3 ⁵ / ₈ "	1/4"	340 SERIES
M-2009	30334	3 ¹ / ₂ "	4 ³ / ₄ "	1/4"	400 SERIES
M-2094	31577	4"	5 ¹ / ₂ "	3/8"	RS-RT 500 SERIES

THRUST WASHERS FOR BEAM CENTER BUSHING



BWP NO.	REPLACES HENDRICKSON	I.D.	O.D.	THK.	APPLICATION
M-2003	32364	2 ³ / ₄ "	4 ⁵ / ₈ "	1/8"	340 SERIES
M-2008	32365	3 ¹ / ₂ "	5 ³ / ₄ "	1/8"	400 SERIES
M-2095	3416	4"	5 ³ / ₄ "	1/8"	RS-RT 500 SERIES

ALEMITE FITTING FOR BEAM CENTER BUSHING

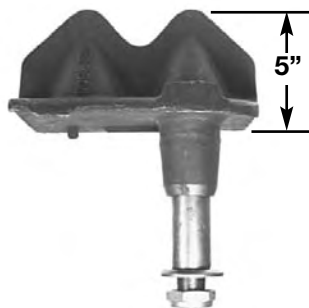


BWP NO.	REPLACES HENDRICKSON	APPLICATION
M-2005	30087	ALL 340, 380 AND RS-RT 500 SERIES SUSPENSIONS

SUSPENSION & MISC.

HENDRICKSON SUSPENSION PARTS

FRAME HANGERS, WASHER, NUT



BWP NO.	REPLACES HENDRICKSON	CASTING NO.	FRAME WIDTH	HANGER POSITION	APPLICATION
M-2154	31675-1 47355-3	9494	34"	LEFT FRONT RIGHT REAR	RS 340 RS 380 RS 440 SERIES SUSPENSION
M-2155	31675-2 47355-4	9493	34"	RIGHT FRONT LEFT REAR	
M-2156	31675-3 47355-5	9497	34 ¹ / ₂ "	LEFT FRONT RIGHT REAR	
M-2157	31675-4 47355-6	9498	34 ¹ / ₂ "	RIGHT FRONT LEFT REAR	

NOTE: FRAME HANGERS ARE UNDRILLED AND INCLUDE M-2056 WASHER AND M-2057 NUT

NUT AND WASHER FOR FRAME HANGERS



BWP NO.	REPLACES HENDRICKSON	I.D.	O.D.	THK.	APPLICATION
M-2056	WASHER 8536	1 ¹ / ₂ "	3 ¹ / ₄ "	³ / ₈ "	AR, RS 340-380
M-2057	NUT 25151	1 ¹ / ₂ "-12	2 ³ / ₁₆ " HX.	¹³ / ₁₆ "	AR, RS, SR 340-380

FRAME HANGER SR 340-380 SERIES



BWP NO.	REPLACES HENDRICKSON	CASTING NO.	APPLICATION
M-2158	23217-13	21283-1	400 SERIES. M-2067 WASHER AND M-2057 NUT INCLUDED.

WASHER FOR FRAME HANGER



BWP NO.	REPLACES HENDRICKSON	I.D.	O.D.	THK.	APPLICATION
M-2067	21037	1 ⁹ / ₁₆ "	3 ³ / ₄ "	³ / ₈ "	SR 340-380 SERIES. USE M-2057 NUT.

HENDRICKSON LOAD CUSHIONS



BWP NO.	REPLACES HENDRICKSON	DUROMETER HARDNESS	APPLICATION
M-2061	24209	60	RS 340-380

BWP NO.	REPLACES HENDRICKSON	DUROMETER HARDNESS	APPLICATION
M-2060	8985	60	RS 400-460
M-1799	8992	40	RS 340-380
M-1799A	9047	60	RS 400-460
M-2062	26953	65-70	RS 450/460/480/520

HENDRICKSON SUSPENSION PARTS

HENDRICKSON SPRING SADDLE TOP PADS



BWP NO.	REPLACES HENDRICKSON	APPLICATION
M-2874	35064	RT 340-380 SERIES
M-2886	19199	RT 500 SERIES

SET SCREW ASSEMBLIES FOR TOP PADS



BWP NO.	REPLACES HENDRICKSON	O.D.	LGTH.	APPLICATION
M-2044	35370-2 6813	3/4"-10	3 1/4"	RT 340-380 SERIES INCLUDES WASHER & NUT
M-2812	19201-1	3/4"-10	2"	RS-RT 500 SERIES SET SCREW ONLY

BOLTS FOR SPRING SADDLE TOP PADS



BWP NO.	REPLACES HENDRICKSON	LENGTH UNDER HEAD	APPLICATION
M-2045	30550-19	8 1/2"	ALL BOLTS ARE • 1"-14 THREAD • 1 7/8" THREAD LENGTH • GRADE 8 • USE M-2052 NUT
M-2046	30550-1	8 3/4"	
M-2047	30550-2	9"	
M-2048	30550-4	9 1/2"	
M-2049	30550-5	9 3/4"	
M-2050	30550-6	10"	
M-2051	30550-7	10 3/16"	
M-2102	30550-10	11"	

NUTS FOR TOP PAD, BOLTS AND U BOLTS



BWP NO.	REPLACES HENDRICKSON	THD.	HEX	HT.	APPLICATION
M-2052	8017	1"-14	1 1/2"	7/8"	TOP PAD BOLTS
M-2054	29248	7/8"-14	1 5/16"	3/4"	RU 340 U BOLTS

SPRING HANGER SPACER BOLT ASSEMBLY



BWP NO.	REPLACES HENDRICKSON	APPLICATION
M-2038	29828-23	ALL RT, RTE, RU, RUE, SERIES SUSPENSIONS

SPRING TOP PAD FOR RU-340



BWP NO.	REPLACES HENDRICKSON	APPLICATION
M-2877	19281-1	RU-340 SERIES. USE M-2053 U BOLT KIT

SPRING U BOLT KIT FOR RU-340



BWP NO.	REPLACES HENDRICKSON	APPLICATION
M-2053	22303-2 U BOLT 29248 NUT	RU-340 SERIES. KIT CONTAINS 2 U-BOLTS, 4 NUTS

SUSPENSION & MISC.

HENDRICKSON SUSPENSION PARTS

HENDRICKSON SPRING HANGER PINS



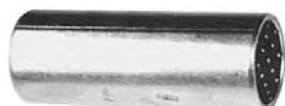
BWP NO.	REPLACES HENDRICKSON	O.D.	LGTH.	APPLICATION
M-2875	46958	1 1/4"	7 1/8"	IHC 236-162-RI
M-2039	32276	1 1/4"	7 3/16"	RT-RU 340 SERIES
M-2040	13938	1 3/8"	7 5/16"	RT 380 SERIES
M-2106	BE-5	1 1/2"	7 1/2"	RT 500 SERIES

DRAW KEY ASSEMBLIES FOR SPRING HANGER PINS



BWP NO.	REPLACES HENDRICKSON	THD.	LGTH.	APPLICATION
M-2041	62-1	1/2"-13	3 1/8"	RT 340, 380, RU 340 SERIES
M-2108	81-1	1/2"-13	3 3/4"	RT 500 SERIES

SPRING EYE BUSHING ASSEMBLIES



BWP NO.	REPLACES HENDRICKSON	I.D.	O.D.	LGTH.	APPLICATION
M-2042	30057-7	1 1/4"	1 1/2"	3 15/16"	RT-RU 340 SERIES
M-2043	30057-8	1 3/8"	1 5/8"	3 15/16"	RT 380 SERIES
M-2107	22285	1 1/2"	1 3/4"	4"	RT 500 SERIES

HENDRICKSON – IHC – TORQUE ROD BUSHINGS



BWP NO.	REPLACES HENDRICKSON	I.D.	O.D.	LGTH.	APPLICATION
M-1735	24504 124759R92	1 1/8"	2 7/8"	3 1/4"	FOR IHC, FORD, WHITE USE ALL BUSHINGS WITH M-1737 AND M-1738
M-2068	45477 322069C91	1 1/8"	3"	3 1/4"	
M-1736	44993 124890R91	1 1/8"	3 3/8"	3 1/4"	

SHAFT FOR TORQUE ROD BUSHINGS



BWP NO.	REPLACES HENDRICKSON	O.D.	LGTH.	APPLICATION
M-1737	27210 124755R1	1 1/8"	7"	USE WITH M-1735, M-2068, M-1736

NUT FOR TORQUE ROD SHAFT



BWP NO.	REPLACES HENDRICKSON	THD.	HEX	HT.	APPLICATION
M-1738	27204 427655	1 1/8"-12	1 11/16"	1"	USE WITH M-1737

HENDRICKSON SUSPENSION PARTS

HENDRICKSON SADDLE BUSHING AND ATTACHING PARTS



BWP NO.	REPLACES HENDRICKSON	I.D.	O.D.	LGTH.	APPLICATION
M-1798	SADDLE BUSHING 19279	2"	4 ¹ / ₈ "	4"	ALL USED WITH AR-RS 340-380 SERIES SUSPENSION. USE 4 M-1798 4 M-2055 PER TANDEM.
M-2055	BUSHING CAP 5917	---	---	---	
M-2058	CAP STUD 19111-1	5/8"-18 THD.	5/8"-11 THD.	3"	
M-2059	LOCK NUT 19114	5/8"-18 THD.	15/16" HEX	35/64" HIGH	

SHEAR SPRING AND ALLIED PARTS



BWP NO.	REPLACES HENDRICKSON	I.D.	O.D.	LGTH.	APPLICATION
M-2063	SHEAR SPRING 15137	3"	6 ¹⁵ / ₁₆ "	3 ⁵ / ₈ "	RS 340-380 SERIES USE 8 PER TANDEM
M-2064	SPACER RING 21278	6"	6 ⁷ / ₈ "	3/16"	RS 340-380 SERIES USE 4 PER TANDEM
M-2065	CLAMP 21297	---	---	---	RS 340-380 SERIES USE M-2066 STUD AND M-2059 NUT
M-2066	CLAMP STUD 19111-5	5/8"-18 THD.	5/8"-11 THD.	2 ³ / ₄ "	RS 340-380 SERIES
M-2059	LOCK NUT 19114	5/8"-18 THD.	15/16" HEX	35/64" HIGH	RS 340-380 SERIES

SUSPENSION & MISC.

HENDRICKSON SUSPENSION PARTS

HENDRICKSON SADDLE CAPS — RT, RTE SERIES



BWP NO.	REPLACES HENDRICKSON	A DIM.	APPLICATION
M-2027	6662	2 ³ / ₄ "	RT-RTE 340 SERIES USE M-2028 STUD
M-2035	6612	3 ¹ / ₂ "	RT-RTE 380 SERIES USE M-2036 STUD

HENDRICKSON SADDLE CAPS — RU, RS-RT SERIES



BWP NO.	REPLACES HENDRICKSON	A DIM.	APPLICATION
M-2032	19382-2	2 ³ / ₄ "	RU 340 SERIES. USE M-2033 STUD.
M-2105	15785	4"	RS-RT 500 SERIES. USE M-2103 STUD.

STUDS FOR SADDLE CAPS



BWP NO.	REPLACES HENDRICKSON	THREAD		LGTH.	APPLICATION
M-2028	7002	7/8"-14	7/8"-14	4 ³ / ₈ "	RT-RTE 340 SERIES
M-2036	6696	7/8"-14	7/8"-14	4 ¹³ / ₁₆ "	RT-RTE 380 SERIES
M-2029	9029	7/8"-14	7/8"-9	4 ⁷ / ₁₆ "	AR-RS SR 380 SERIES
M-2037	9030	7/8"-14	7/8"-9	5"	AR-RS SR 380 SERIES
M-2033	23441-4	3/4"-16	3/4"-16	4 ⁷ / ₆₄ "	CONVERT RU TO USE M-1725 STD. BUSHING
M-2103	10948	1"-14	1"-14	6 ¹ / ₁₆ "	RS-RT 500 SERIES

WASHERS FOR SADDLE CAP STUDS



BWP NO.	REPLACES HENDRICKSON	I.D.	O.D.	THICK.	APPLICATION
M-1730	22962-1	1 ³ / ₁₆ "	1 ³ / ₈ "	3/32"	RU 340 SERIES
M-2030	22962-2	1 ⁵ / ₁₆ "	1 ¹ / ₂ "	7/64"	340-380 SERIES EXCEPT RU
M-2104	22962-6	1"	1 ³ / ₄ "	7/64"	RS-RT 500 SERIES

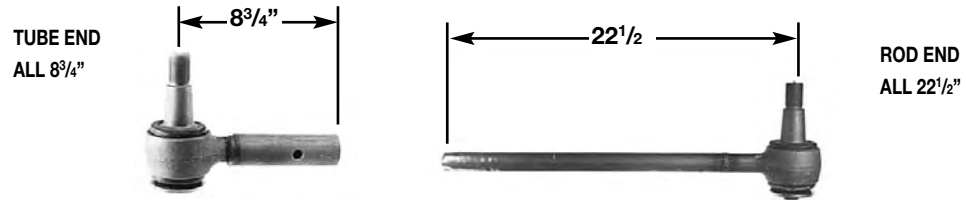
NUTS FOR SADDLE CAP STUDS



BWP NO.	REPLACES HENDRICKSON	THD.	HEX	HT.	APPLICATION
M-2034	30191	3/4"-16	1 ¹ / ₈ "	2 ¹ / ₃₂ "	WITH M-2033 STUD
M-2031	4842	7/8"-14	1 ⁵ / ₁₆ "	2 ⁷ / ₃₂ "	340-380 SERIES EXCEPT RU
M-2052	8017	1"-14	1 ¹ / ₂ "	7/8"	RS-RT 500 SERIES

HENDRICKSON SUSPENSION PARTS

HENDRICKSON "MAXI-ROD" TWO PIECE TORQUE RODS REPLACEABLE CARTRIDGE ENDS — CARTRIDGE INCLUDED



340 SERIES — TAPERED STUD MOUNT



BWP NO.	REPLACES HENDRICKSON	REPLACEMENT CARTRIDGE
M-2077	TUBE END 46620	M-2089
M-2078	ROD END 46671	M-2089

340 – 380 – 440 SERIES — STRADDLE MOUNT



BWP NO.	REPLACES HENDRICKSON	REPLACEMENT CARTRIDGE
M-2079	TUBE END 46610	M-2070
M-2080	ROD END 46661	M-2070

340 – 440 SERIES — TAPERED STUD MOUNT



BWP NO.	REPLACES HENDRICKSON	REPLACEMENT CARTRIDGE
M-2081	TUBE END 46630	M-2072
M-2082	ROD END 46681	M-2072

IHC — HOLLOW SLEEVE MOUNT



BWP NO.	REPLACES HENDRICKSON	REPLACEMENT CARTRIDGE
M-2085	TUBE END 46650	M-2088
M-2086	ROD END 46701	M-2088

IHC — OFFSET STRADDLE MOUNT



BWP NO.	REPLACES HENDRICKSON	REPLACEMENT CARTRIDGE
M-2083	TUBE END 46650	M-2088

MACK — TAPERED STUD MOUNT

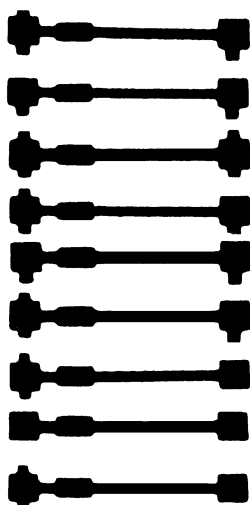


BWP NO.	REPLACES HENDRICKSON	REPLACEMENT CARTRIDGE
M-2084	TUBE END 46691	M-2090

SUSPENSION & MISC.

HENDRICKSON SUSPENSION PARTS

HENDRICKSON MAXI-ROD COMBINATION CHART



BWP TUBE END	BWP ROD END	APPLICATION
M-2079	M-2078	340 SERIES
M-2077	M-2078	340 SERIES
M-2079	M-2080	340, 380 SERIES
M-2079	M-2082	380 SERIES
M-2081	M-2082	380 SERIES
M-2079	M-2084	MACK ONLY
M-2083	M-2086	IHC ONLY
M-2085	M-2086	IHC ONLY
M-2079	M-2086	IHC ONLY

TAPERED STUD CARTRIDGES



BWP NO.	REPLACES HENDRICKSON	O.D.	STUD SHOULDER	THD.	APPLICATION
M-2071	44809	2 ¹⁷ / ₃₂ "	2"	1 ¹ / ₈ "-12	340 SERIES
M-2089	46737	2 ³ / ₄ "	2"	1 ¹ / ₈ "-12	340 SERIES
M-2090	46735	2 ³ / ₄ "	1 ⁷ / ₈ "	1 ¹ / ₄ "-12	MACK
M-2072	44697	2 ³ / ₄ "	3"	1 ¹ / ₄ "-12	380-440 SERIES

STRADDLE MOUNT CARTRIDGES



BWP NO.	REPLACES HENDRICKSON	O.D.	HOLE CENTER	APPLICATION
M-2069	44694	2 ¹⁷ / ₃₂ "	4 ¹ / ₂ "	340 SERIES
M-2070	44695	2 ³ / ₄ "	4 ¹ / ₂ "	380-440 SERIES

OFFSET STRADDLE MOUNT CARTRIDGE



BWP NO.	REPLACES HENDRICKSON	O.D.	HOLE CENTER	APPLICATION
M-2087	46734	2 ³ / ₄ "	5 ¹¹ / ₁₆ "	NAVISTAR
M-3262	47699-1	3"	5 ¹¹ / ₁₆ "	NAVISTAR 438506C91

TORQUE ARM BUSHING



BWP NO.	REPLACES HENDRICKSON	O.D.	LENGTH	APPLICATION
M-3790	47691	2"	4 ³ / ₈ "	⁵ / ₈ " BOLT HOLES E4 SERIES

HOLLOW SLEEVE CARTRIDGES



BWP NO.	REPLACES HENDRICKSON	I.D.	O.D.	LENGTH	APPLICATION
M-2088	46736	1 ¹ / ₈ "	2 ³ / ₄ "	3 ¹ / ₄ "	IHC
M-2068	45477	1 ¹ / ₈ "	3"	3 ¹ / ₄ "	IHC

HENDRICKSON SUSPENSION PARTS

LOCK NUTS AND WASHER FOR CARTRIDGES



BWP NO.	REPLACES HENDRICKSON	THD.	HEX	HT.	APPLICATION
M-2075	30574	1 ⁵ / ₁₆ " I.D."	2 ¹ / ₄ " O.D	1/4"	ALL SERIES
M-2073	29896	1 ¹ / ₈ "-12	1 ⁵ / ₈ "	1 ¹ / ₈ "	340 SERIES
M-2074	29749	1 ¹ / ₄ "-12	1 ¹³ / ₁₆ "	1 ¹ / ₁₆ "	380-440 SERIES

EQUALIZER CENTER BUSHING — E4 SERIES



BWP NO.	REPLACES	I.D.	O.D.	LENGTH	APPLICATION
M-3782	HENDRICKSON 47420 FORD E4HZ5872A	1"	2 ³ / ₄ "	4 ⁵ / ₈ "	E4 SERIES

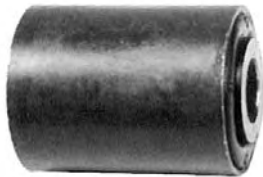
EQUALIZER CENTER BOLT



BWP NO.	REPLACES	THD.	LGTH.	APPLICATION
M-3783	30550-35	1"-14	7 ¹ / ₄ "	EQUALIZER CENTERBOLT GRADE 8

USE M-2052 NUT

EQUALIZER END BUSHING — E4 SERIES



BWP NO.	REPLACES	I.D.	O.D.	LENGTH	APPLICATION
M-3784	HENDRICKSON 47421 FORD E4HZ5873A	7/8"	2 ³ / ₈ "	3"	E4 SERIES

SHACKLE BOLT



BWP NO.	REPLACES	THD.	LGTH.	APPLICATION
M-3785	HENDRICKSON 48728	7/8"-9	4 ³ / ₁₆ "	SHACKLE BOLT

USE M-1884 NUT

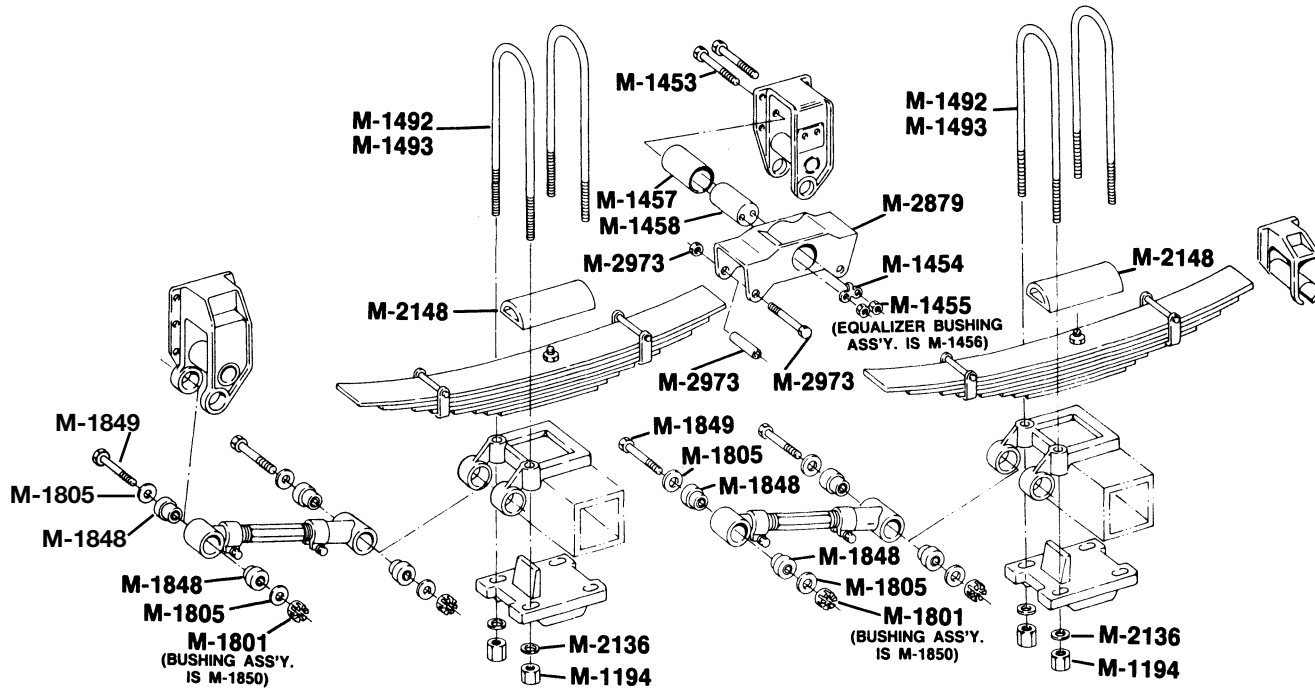
EQUALIZER THRUST WASHER



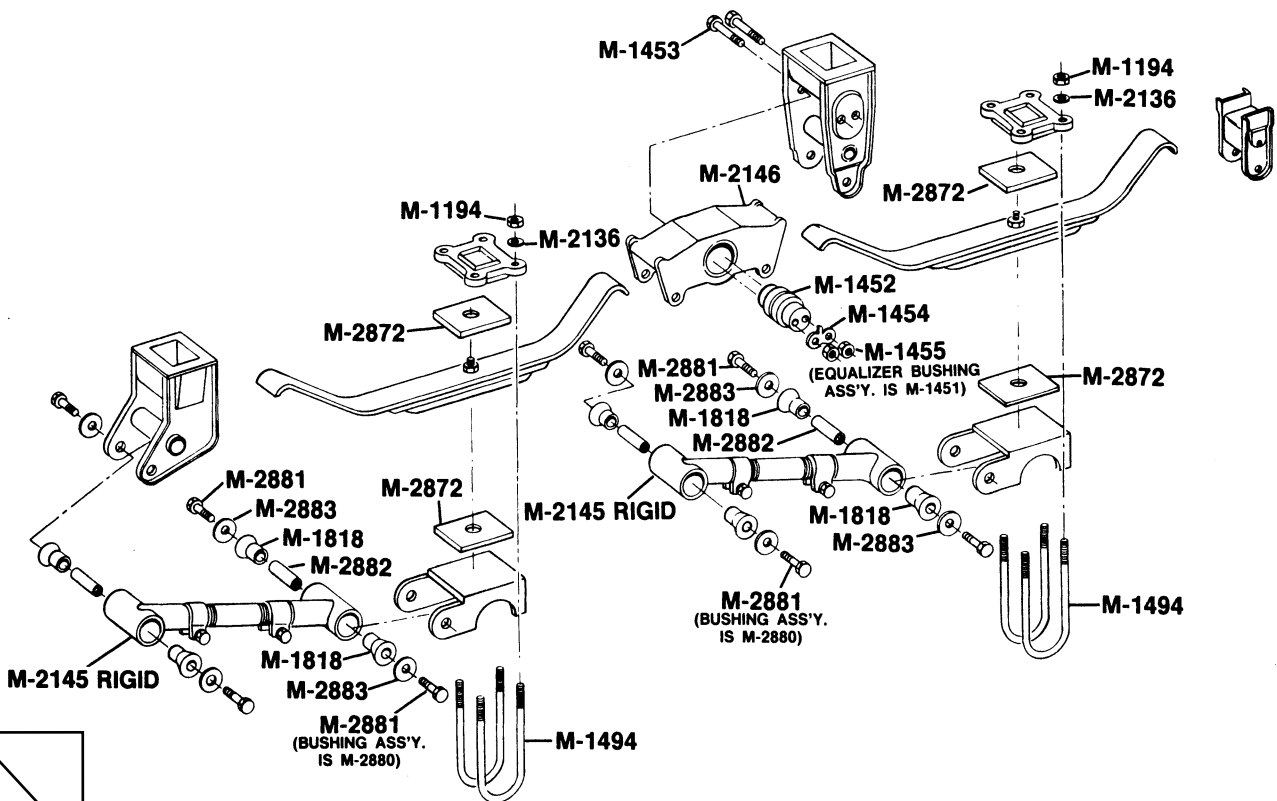
BWP NO.	REPLACES	I.D.	O.D.	THICK	APPLICATION
M-3786	HENDRICKSON 47416 FORD E4HZ5A552A	1 ¹⁵ / ₁₆ "	3 ¹¹ / ₁₆ "	1/8"	E4 SERIES

SUSPENSION & MISC.

BWP REPLACEMENT PARTS FOR **HUTCHENS H-2200 SERIES SUSPENSION**

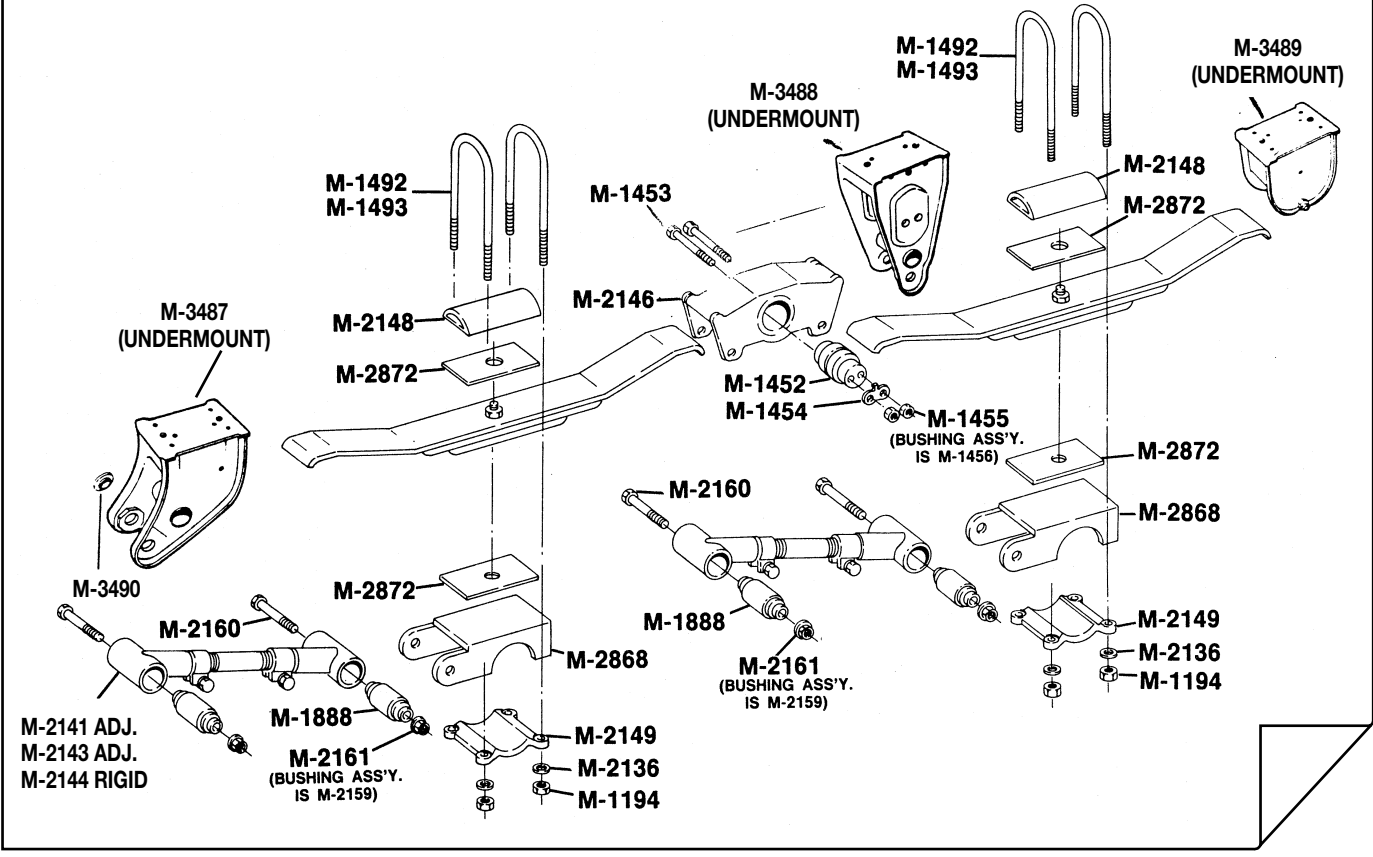


BWP REPLACEMENT PARTS FOR **HUTCHENS H-7600 SERIES SUSPENSION**

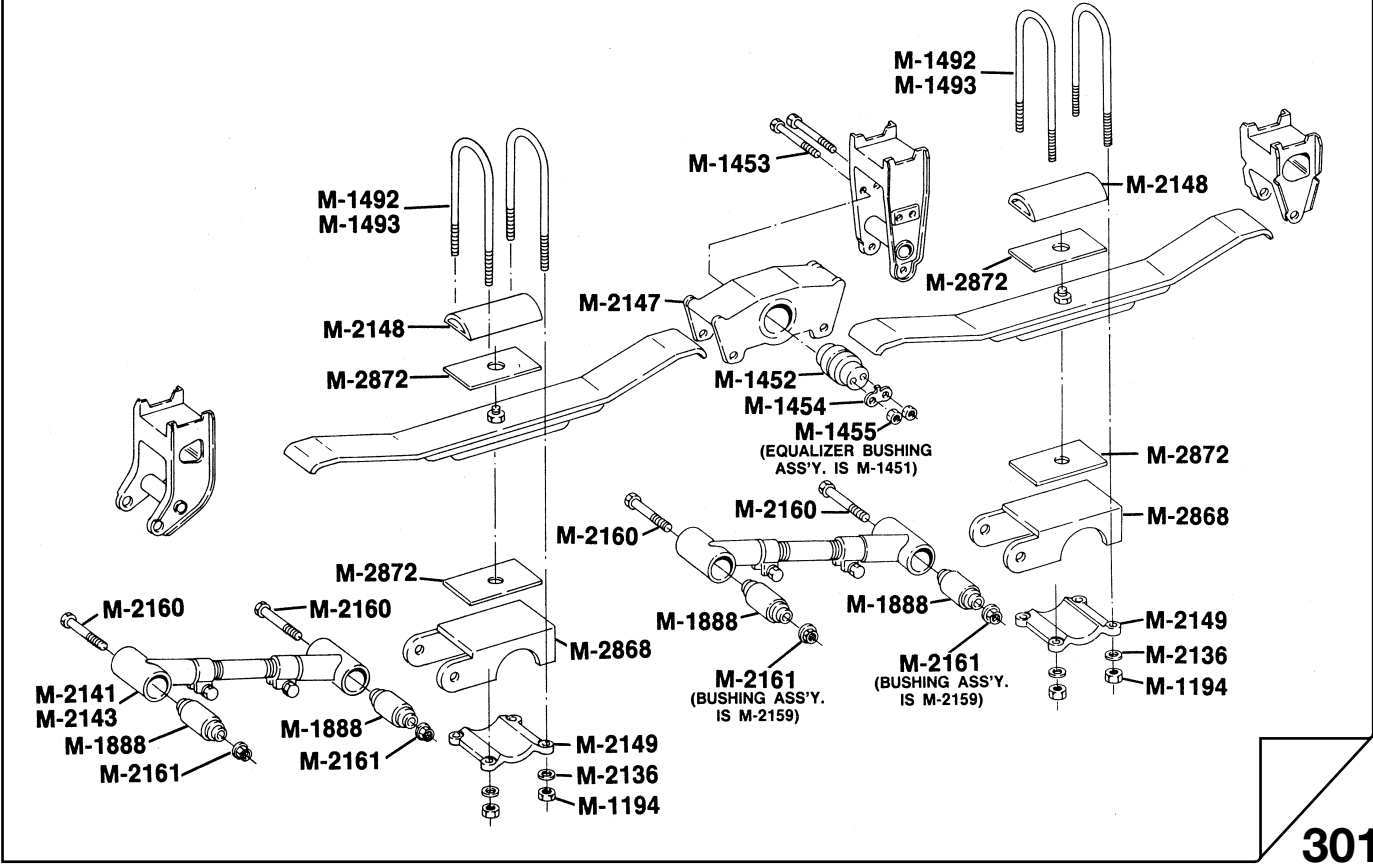


SUSPENSION & MISC.

BWP REPLACEMENT PARTS FOR **HUTCHENS H-7700 SERIES SUSPENSION**

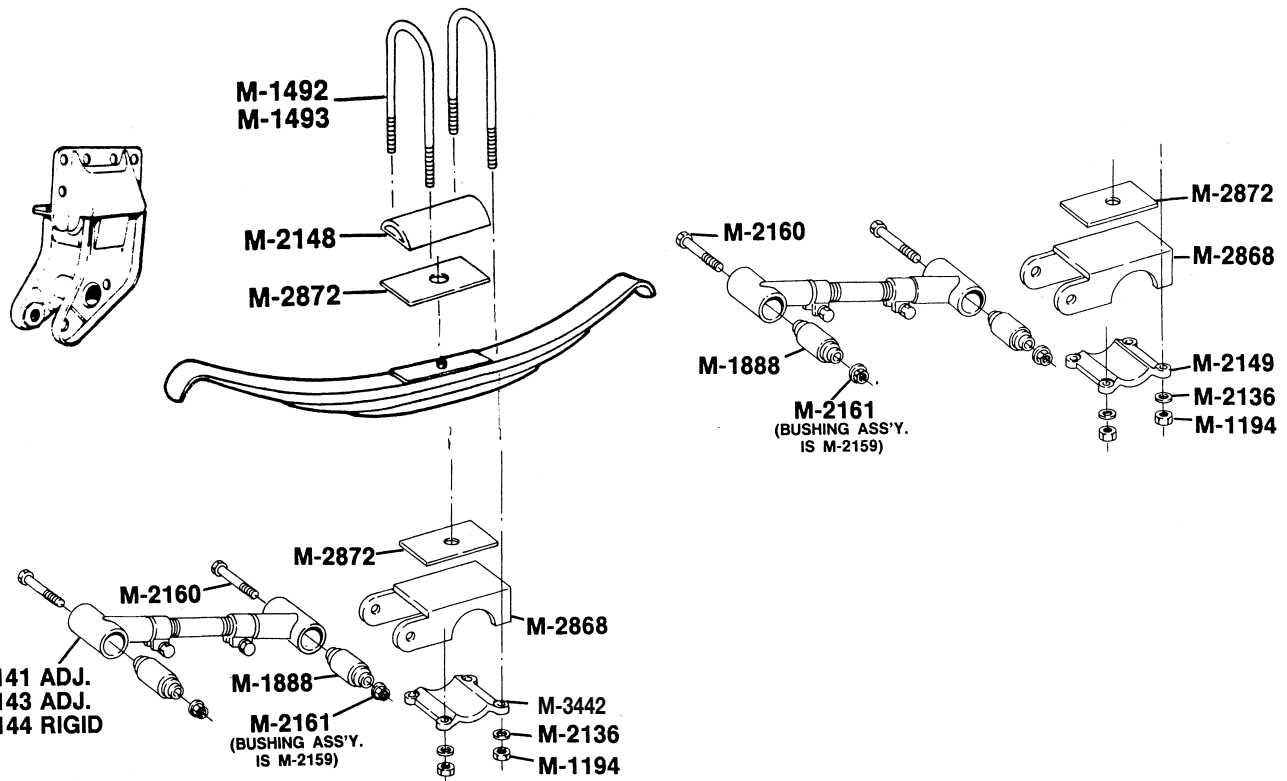
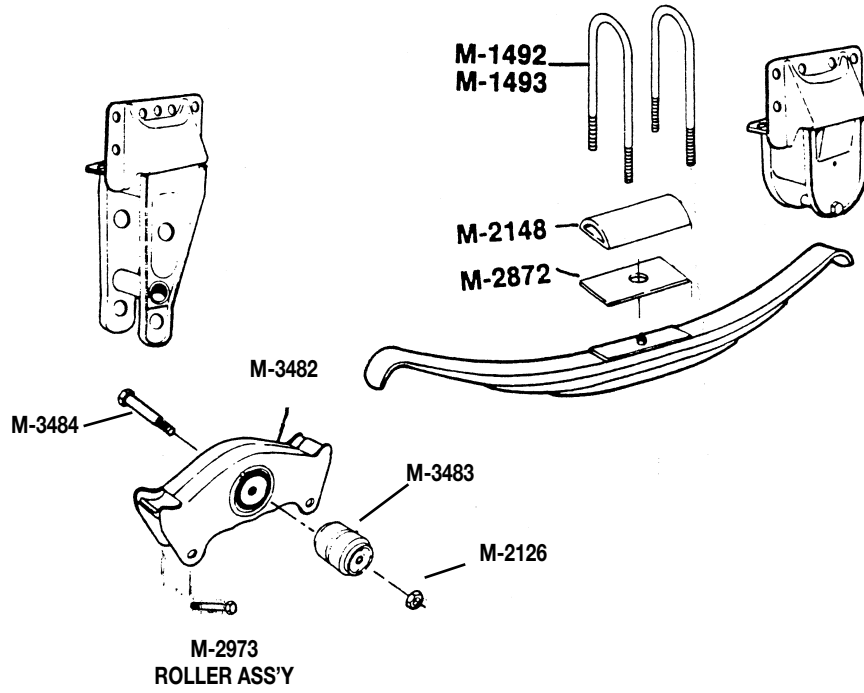


BWP REPLACEMENT PARTS FOR **HUTCHENS CH-7700 SERIES SUSPENSION**



SUSPENSION & MISC.

BWP REPLACEMENT PARTS FOR **HUTCHENS H-9700 SERIES SUSPENSION**



SUSPENSION & MISC.

HUTCHENS SUSPENSION PARTS

HUTCHENS EQUALIZER ASSEMBLY — FABRICATED STEEL



BWP NO.	REPLACES HUTCHENS	APPLICATION
M-2146	750-03	H-7600, H-7700 H.D. FABRICATED STEEL INCLUDES M-1452 BUSHING

HUTCHENS EQUALIZER ASSEMBLY — CAST STEEL



BWP NO.	REPLACES HUTCHENS	APPLICATION
M-2147	704-01	CH-7700, CH-7800 CAST STEEL INCLUDES M-1452 BUSHING

HUTCHENS EQUALIZER BUSHING ASSEMBLY



BWP NO.	ASSEMBLY CONTAINS	APPLICATION
M-1451	1 M-1452 BUSHING 2 M-1453 BOLT 1 M-1454 LOCK 2 M-1455 NUT	H-7600, H-7700, CH-7700, CH-7800 USE WITH M-2146, M-2147

EQUALIZER BUSHING ASSEMBLY COMPONENTS



BWP NO.	REPLACES HUTCHENS	O.D.	LENGTH
M-1452	BUSHING 7010-00	3 ¹ / ₄ "	3 ⁷ / ₈ "
M-1453	BOLT 7016-01	5 ⁸ / ₈ " - 18 THD. 3 ³ / ₄ " BODY DIA.	6"
M-1454	LOCK TAB 729-00	---	---
M-1455	NUT 37-01	5 ⁸ / ₈ " - 18 THD. 1 ⁵ / ₁₆ " HEX	1 ⁷ / ₃₂ " HIGH

HUTCHENS SPRING ROLLER ASSEMBLY



BWP NO.	REPLACES HUTCHENS	THD.	LGTH.	APPLICATION
M-2973	759-00 BOLT 756-00 TUBE 37-03 NUT	5 ⁸ / ₈ "-18	4 ³ / ₄ "	USE WITH M-2146, M-2147, M-2879 EQUALIZERS

SUSPENSION & MISC.

HUTCHENS SUSPENSION PARTS

HUTCHENS EQUALIZER ASSEMBLY — CAST STEEL



BWP NO.	REPLACES HUTCHENS	APPLICATION
M-2879	2224-01	H-2200 CAST STEEL INCLUDES M-1457 BUSHING

HUTCHENS EQUALIZER BEARING ASSEMBLY



BWP NO.	ASSEMBLY CONTAINS	APPLICATION
M-1456	1 M-1457 BUSHING 1 M-1458 SHAFT 2 M-1453 BOLT 1 M-1454 LOCK 2 M-1455 NUT	H-2200 USE WITH M-2879 EQUALIZER

EQUALIZER BEARING ASSEMBLY COMPONENTS



BWP NO.	REPLACES HUTCHENS	O.D.	LENGTH
M-1457	BEARING 720-00	2 ⁵ / ₈ " I.D. 3 ¹ / ₄ " O.D.	3 ³ / ₄ "
M-1458	SHAFT 7013-00	2 ⁵ / ₈ "	3 ¹⁵ / ₁₆ "
M-1453	BOLT 7016-01	5/ ₈ " - 18 THD. 3/ ₄ " BODY DIA.	6"
M-1454	LOCK TAB 729-00	---	---
M-1455	NUT 37-01	5/ ₈ " - 18 THD. 1 ⁵ / ₁₆ " HEX	1 ⁷ / ₃₂ " HIGH

HUTCHENS BOLT KITS FOR EQUALIZERS



BWP NO.	APPLICATION	ASSEMBLY CONTAINS
M-2975	HUTCHENS H-7600 AND H-7700 SUSPENSIONS	2 M-1453 BOLT 2 M-1455 NUT 1 M-1454 TAB 2 M-2973 ROLLER ASSEMBLY

SUSPENSION & MISC.

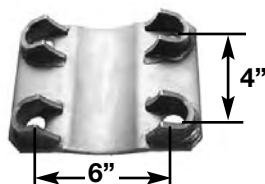
HUTCHENS SUSPENSION PARTS

TOP PLATE FOR U-BOLTS



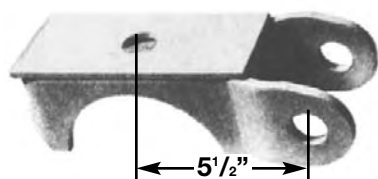
BWP NO.	REPLACES HUTCHENS	WIDTH	LGTH.	MODEL	APPLICATION
M-2148	7029-00	3"	7½"	H7600 H7700	STANDARD & NO-HOP AXLES

BOTTOM PLATE FOR U-BOLTS



BWP NO.	REPLACES HUTCHENS	MODEL	APPLICATION
M-2149	710-00	H7700	STANDARD 5" ROUND AXLE

AXLE SEAT



BWP NO.	REPLACES HUTCHENS	SPEC.	MODEL	APPLICATION
M-2868	705-01	¾" HIGH SEAT	H7700 H7800	5" ROUND AXLE

DELRIN LINER FOR LEAF SPRINGS — BOTTOM PAD



BWP NO.	REPLACES HUTCHENS	WIDTH	LGTH.	THK.	MODEL	APPLICATION
M-2872	7052-02 FRUEHAUF UC6632-2	2⅞"	8"	.043	H7600 H7700 H7800	SINGLE & 3 LEAF SPRINGS

DELRIN LINER FOR TOP PAD



BWP NO.	REPLACES	WIDTH	LGTH.	THK.	APPLICATION
M-2871	FRUEHAUF UCD-6632-1	2⅞"	8"	.043	FRUEHAUF "F" SERIES

RUBBER END PAD



BWP NO.	REPLACES HUTCHENS	WIDTH	LGTH.	THK.	MODEL	APPLICATION
M-1460	814-00	2⅞"	5"	⅞"	H800	USE 8 PER TANDEM

HUTCHENS SUSPENSION PARTS

HUTCHENS ADJUSTABLE TORQUE RODS — INCLUDE BUSHINGS



BWP NO.	REPLACES HUTCHENS	BUSHING	BUSHING ASSEMBLY	ADJUSTABLE LENGTH	APPLICATION
M-2141	713-02	M-1888	M-2159	14" TO 18 ¹ / ₂ "	H7700 CH7700 CH7800
M-2142	713-10	M-1888	M-2159	14 ¹ / ₄ " TO 19 ¹ / ₄ "	H9000 CH9000
M-2143	713-05	M-1888	M-2159	18 ¹ / ₂ " TO 21 ³ / ₈ "	H7700 CH7700 CH7800

HUTCHENS RIGID TORQUE ROD — INCLUDES BUSHINGS



BWP NO.	REPLACES HUTCHENS	BUSHING	BUSHING ASSEMBLY	LENGTH CENTER TO CENTER	APPLICATION
M-2144	715-00	M-1888	M-2159	19 ¹ / ₄ "	H7700 CH7700 CH7800

HUTCHENS RIGID TORQUE ROD — LESS BUSHINGS



BWP NO.	REPLACES HUTCHENS	BUSHING	BUSHING ASSEMBLY	LENGTH CENTER TO CENTER	APPLICATION
M-2145	7615-02	M-1818	M-2880	19 ¹ / ₄ "	H7600

HUTCHENS TORQUE ARM BUSHING ASSEMBLY



BWP NO.	ASSEMBLY CONTAINS	APPLICATION
M-2159	1 M-1888 BUSHING 1 M-2160 BOLT 1 M-2161 NUT	LATE STYLE ASSEMBLY H7700 CH7700 CH7800 USE M-2159 ASSEMBLY IN PLACE OF OLD STYLE, M-1890 ASSEMBLY

TORQUE ARM BUSHING ASSEMBLY COMPONENTS



BWP NO.	REPLACES HUTCHENS	I.D.	O.D.	LENGTH
M-1888	722-00	1"	1 ²⁹ / ₃₂ "	3"
M-2160	719-02	—	1" - 14 THD.	5"
M-2161	10562-00	1" - 14 THD.	1 ⁷ / ₁₆ "	7 ⁷ / ₈ " HT.

SUSPENSION & MISC.

HUTCHENS SUSPENSION PARTS

HUTCHENS TORQUE ARM BUSHING ASSEMBLY



BWP NO.	ASSEMBLY CONTAINS	APPLICATION
M-1850	2 M-1848 BUSHING 1 M-1849 BOLT 2 M-1805 WASHER 1 M-1801 NUT	H200 H2200

TORQUE ARM BUSHING ASSEMBLY COMPONENTS



BWP NO.	REPLACES HUTCHENS	I.D.	O.D.	LENGTH
M-1848	BUSHING 222-00	1"	2 ³ / ₁₆ "	3 ¹ / ₈ "
M-1849	BOLT 2219-01	— —	1" - 14 THD.	7 ¹ / ₄ "
M-1805	WASHER H-227	1 ¹ / ₁₆ "	2 ¹ / ₂ "	1 ¹ / ₆₄ " THK.
M-1801	NUT 30-00	1" - 14 THD.	1 ⁷ / ₁₆ " HEX	1" HIGH

HUTCHENS TORQUE ARM BUSHING ASSEMBLY



BWP NO.	ASSEMBLY CONTAINS	APPLICATION
M-2880	2 M-1818 BUSHING 1 M-2882 SHAFT 2 M-2883 WASHER 2 M-2881 BOLT	H7600 USE WITH M-2145 TORQUE ROD

TORQUE ARM BUSHING ASSEMBLY COMPONENTS



BWP NO.	REPLACES HUTCHENS	I.D.	O.D.	LENGTH
M-1818	BUSHING 7620-00	1 ¹ / ₄ "	2 ³ / ₁₆ "	2 ³ / ₈ "
M-2882	SHAFT 7637-00	5 ⁵ / ₈ " - 18 THD.	1 ¹ / ₄ "	4 ¹ / ₂ "
M-2883	WASHER 7636-00	2 ¹ / ₃₂ "	2 ¹ / ₄ "	7 ⁷ / ₃₂ " THK.
M-2881	BOLT 7638-00	— —	5 ⁵ / ₈ " - 18 THD.	1 ¹ / ₄ "

SUSPENSION & MISC.

HUTCHENS SUSPENSION PARTS

EQUALIZER ASSEMBLY-FABRICATED



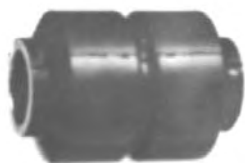
BWP NO.	REPLACES	APPLICATION
M-3482	HUTCHENS 16158-01	H-9700 INCLUDES BUSHING M-3483

CAST EQUALIZER



BWP NO.	REPLACES	APPLICATION
M-3482-C	HUTCHENS 16290-01	FOR MODELS: CH9600, CH9700 NOTE: INCLUDES M-3483 BUSHING

EQUALIZER BUSHING



BWP NO.	REPLACES	I.D.	O.D.	LENGTH	APPLICATION
M-3483	HUTCHENS 16146-01	1 ¹ / ₈ "	3 ¹¹ / ₃₂ "	3 ⁷ / ₈ "	H-9700

EQUALIZER BOLT



BWP NO.	REPLACES	THREAD	LENGTH	APPLICATION
M-3484	HUTCHENS 16150-01	1 ¹ / ₈ " - 7	6 ⁵ / ₈ "	H-9700 USE M-2126 NUT

ALIGNMENT ADJUSTING PLATE



BWP NO.	REPLACES	THREAD	LENGTH	APPLICATION
M-3485	HUTCHENS 10608-00	12"	5"	H-900

BUSHING



BWP NO.	REPLACES	I.D.	O.D.	LENGTH	APPLICATION
M-3486	HUTCHENS 890-00	4"	5"	9 ¹ / ₈ "	H-900

HUTCHENS SPRING HANGERS

FRONT HANGER UNDERMOUNT



BWP NO.	REPLACES	APPLICATION
M-3487	HUTCHENS 7701-02	H-7700

CENTER HANGER UNDERMOUNT



BWP NO.	REPLACES	APPLICATION
M-3488	HUTCHENS 7702-02	H-7700

REAR HANGER UNDERMOUNT



BWP NO.	REPLACES	APPLICATION
M-3489	HUTCHENS 7703 -02	H-7700

WASHER BUSHING (STEEL)



BWP NO.	REPLACES	I.D.	O.D.	THICK	APPLICATION
M-3490	HUTCHENS 7717-00	1"	1 ³ / ₄ "	1 ¹ / ₃₂ "	WELD-IN HANGERS AND SPRING SEATS

FABCO AND KENWORTH SUSPENSION PARTS

FABCO TORQUE ROD BUSHING ASSEMBLY



BWP NO.	ASSEMBLY CONTAINS	APPLICATION
M-1826	1 M-1827 BUSHING 1 M-1828 BOLT, NUT, WASHER	USE 16 PER TANDEM

FABCO TORQUE ROD BUSHING ASSEMBLY COMPONENTS



BWP NO.	REPLACES FABCO	I.D.	O.D.	LENGTH
M-1827	BUSHING DD75-383	7/8"	2 1/2"	2 1/2"
M-1828	BOLT NUT WASHER DD75-289	7/8" - 14 THD.	7/8"	4 5/8"

KENWORTH GLIDERIDE EQUALIZER SHAFT ASSEMBLY



BWP NO.	ASSEMBLY CONTAINS	APPLICATION
M-1650	1 M-1651 SHAFT 2 M-1652 BUSHING 1 M-1653 WASHER 1 M-1654 WASHER 1 M-2073 NUT	KENWORTH GLIDERIDE EQUALIZER

KENWORTH EQUALIZER SHAFT ASSEMBLY COMPONENTS



BWP NO.	REPLACES KENWORTH	I.D.	O.D.	LENGTH
M-1651	SHAFT K179-424 K179-449	1 1/8" - 12 THD.	1 5/8" O.D.	9"
M-1652	METAL BUSHING K066-331 NOTE: REPLACES K066-123 FIBER BUSHING K221-2802 SPACER	1 5/8"	2"	2 1/2"
M-1653	WASHER K363-204	1 5/8"	3"	3/32" THK.
M-1654	WASHER K363-262	1 5/32"	3"	3/32" THK.
M-2073	LOCK NUT 49NE-1812	1 1/8" - 12 THD.	1 5/8" HEX	1 1/8" HT.

KENWORTH SUSPENSION PARTS

EQUALIZER ASSEMBLY



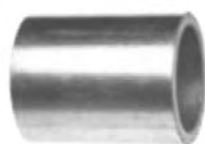
BWP NO.	REPLACES	INCLUDES	APPLICATION
M-3473	K-034-58 (OLD) K-034-144 (NEW)	2 M-1652 BUSHING 2 M-1655 ROLLER ASSEMBLY	"GLIDE RIDE" SUSPENSIONS

SPRING ROLLER AND BOLT ASSEMBLY



BWP NO.	ASSEMBLY CONTAINS	APPLICATION
M-1655	1 ROLLER K-174-530 1 CAP SCREW K220-641-6 1 TUBE K220-425 1 LOCKNUT 29NE820	"GLIDE RIDE" EQUALIZER

EQUALIZER BUSHING



BWP NO.	REPLACES	I.D.	O.D.	LENGTH	APPLICATION
M-1652	METAL BUSHING K066-331	1 ⁵ / ₈ "	2 ¹ / ₁₆ "	2 ¹ / ₂ "	"GLIDE RIDE"

STABILIZER BUSHING



BWP NO.	REPLACES	I.D.	O.D.	LENGTH	APPLICATION
M-3264	K066-050 (NEW) K066-058 (OLD)	2"	2 ⁷ / ₈ "	4"	"AIR GLIDE"

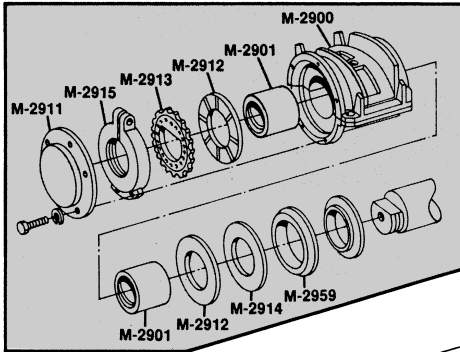
SPRING HANGER LOAD PAD



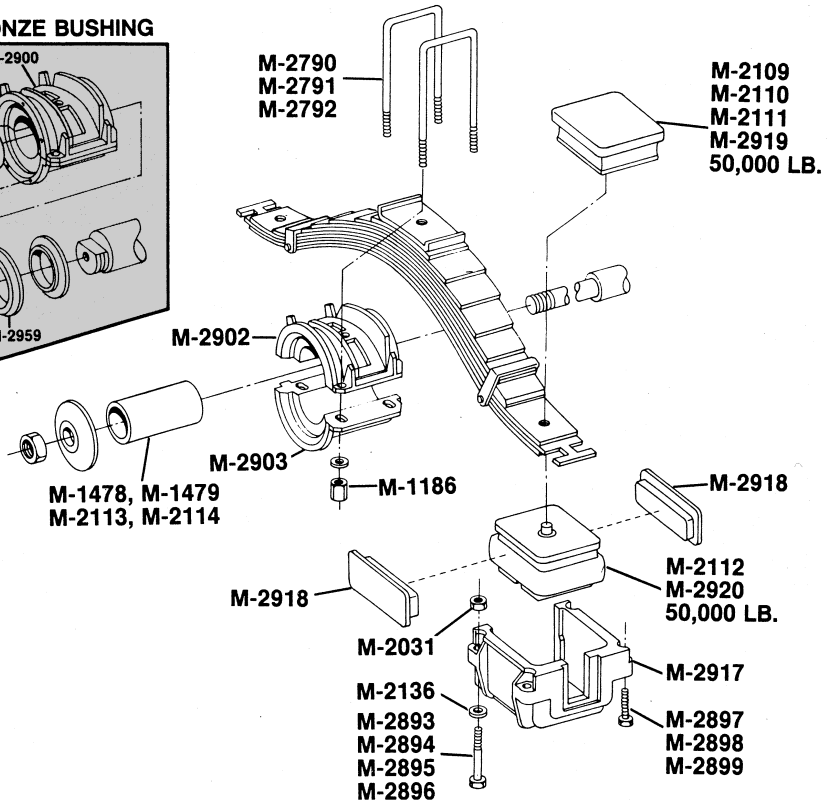
BWP NO.	REPLACES	APPLICATION
M-3474	K174-744 K-174-527	ALL SPRING HANGERS

MACK SS34, 38 AND 44 SERIES TRUNNION SUSPENSION RUBBER TRUNNION BUSHING — EARLY MODEL

EARLY MODEL WITH BRONZE BUSHING

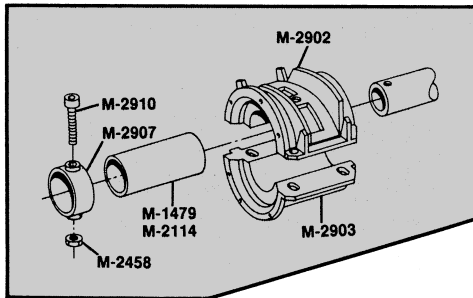


RUBBER BUSHING — EARLY MODEL

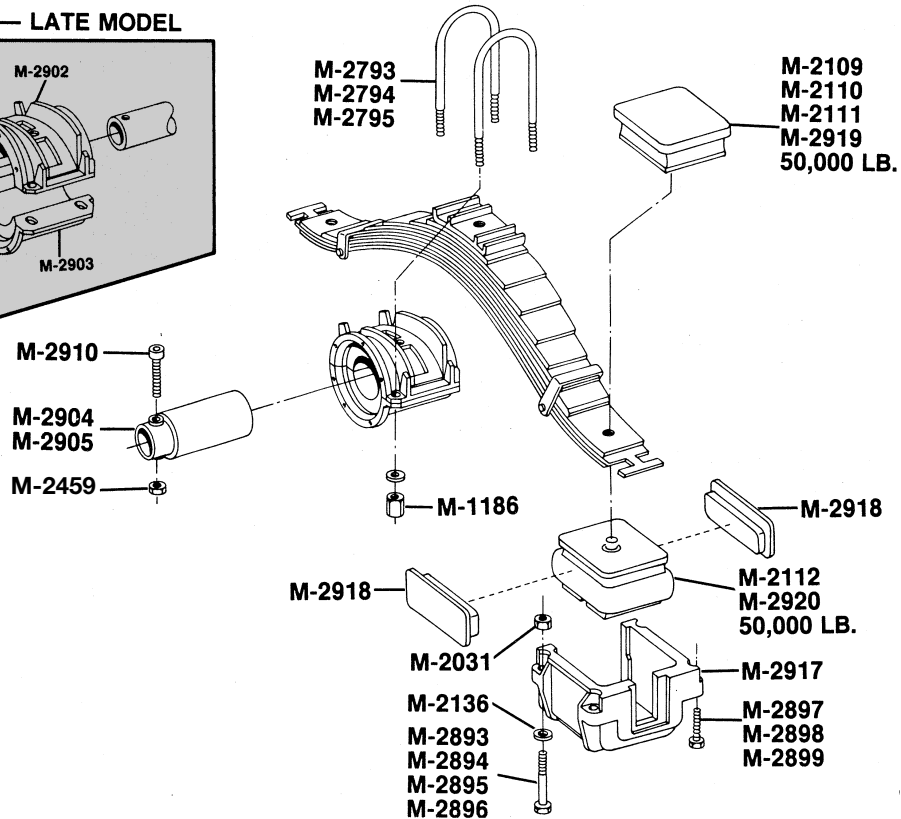


MACK SS34, 38 AND 44 SERIES TRUNNION SUSPENSION BONDED STEEL AND RUBBER TRUNNION BUSHING

RUBBER BUSHING — LATE MODEL



BONDED STEEL AND RUBBER TRUNNION BUSHING



SUSPENSION & MISC.

MACK SUSPENSION PARTS

MACK TRUNNION — UPPER HALF



BWP NO.	REPLACES MACK	WIDTH	APPLICATION
M-2902	39QK433A	8 ³ / ₄ "	SS 34, 38, 44, ST

MACK TRUNNION — LOWER HALF



BWP NO.	REPLACES MACK	WIDTH	APPLICATION
M-2903	39QK431	8 ³ / ₄ "	SS 34, 38, 44, ST

RUBBER TRUNNION BUSHINGS — LATE MODEL



BWP NO.	REPLACES MACK	I.D.	O.D.	LENGTH	APPLICATION
M-2113	10QK219P2	3 ³ / ₈ "	4 ¹¹ / ₁₆ "	6 ⁵ / ₁₆ "	SWS 56, SWS 57
M-2114	10QK219P3	3 ³ / ₈ "	4 ¹¹ / ₁₆ "	6 ⁵ / ₈ "	

RUBBER TRUNNION BUSHINGS — EARLY MODEL



BWP NO.	REPLACES MACK	I.D.	O.D.	LENGTH	APPLICATION
M-1477	10QK149	3 ³ / ₈ "	4 ³ / ₈ "	7 ⁹ / ₁₆ "	SWS 56, SWS 57
M-1478	10QK130P1	3 ³ / ₈ "	4 ³ / ₈ "	8 ³ / ₈ "	
M-1479	10QK219P1	3 ³ / ₈ "	4 ¹¹ / ₁₆ "	5 ⁹ / ₁₆ "	

INNER SPACERS



BWP NO.	REPLACES MACK	I.D.	O.D.	THICK.	APPLICATION
M-2906	44RU2224	3 ¹ / ₂ "	4 ⁷ / ₈ "	3 ⁸ / ₈ "	FOR EARLY STYLE SPRING RETENTION
M-2908	44RU2223P2	3 ¹ / ₂ "	4 ¹ / ₈ "	7 ¹ / ₁₆ "	SS SERIES
M-2909	44RU2223P1	3 ¹ / ₂ "	4 ¹ / ₈ "	1 ¹ / ₂ "	SS SERIES

OUTER SPACER — COLLAR



BWP NO.	REPLACES MACK	I.D.	O.D.	WIDTH	APPLICATION
M-2907	44RU2221P2	3 ¹ / ₂ "	4 ¹ / ₈ "	1 ³ / ₄ "	SS SERIES

BOLT AND NUT FOR OUTER SPACER



BWP NO.	REPLACES MACK	THREAD	HEX	LENGTH	APPLICATION
M-2910	BOLT 1AX127	3 ⁴ / ₄ " - 16	—	5"	USE WITH M-2907 COLLAR
M-2459	NUT 21AX786	3 ⁴ / ₄ " - 16	1 ¹ / ₈ "	2 ¹ / ₃₂ " HT.	

MACK SUSPENSION PARTS

MACK TRUNNION AND BUSHING ASSEMBLY



BWP NO.	REPLACES MACK	APPLICATION
M-2900	39QK27E 39QK27F	FOR SS 38 & 44 SERIES. INCLUDES BRONZE BUSHINGS.

MACK TRUNNION SHAFT KIT COMPONENTS



BWP NO.	REPLACES MACK	I.D.	O.D.	THICK.
M-2901	BRONZE BUSHING 10QK157 80AX300	3 1/2"	3 3/4"	3 7/16" LGTH.
M-2912	BRONZE WASHER 43QJ116 35AX688	3 1/2"	5 1/4"	1/4"
M-2913	LOCK WASHER 23QJ112B	3 5/16"	4 7/8"	1/4"
M-2914	SPACER WASHER 43QK117	3 1/2"	5 5/8"	5/16"
M-2915	TRUNNION NUT 25QJ223	3 5/16" - 12 THD.	4 1/16"	3 1/32"
M-2959	SEAL 88AX244 88AX446	4 3/8"	5 1/2"	9/16"

TRUNNION CAP — CAST STEEL



BWP NO.	REPLACES MACK	APPLICATION
M-2911	87QK22-P2	SS, SW SERIES. HAS 6 HOLES USE WITH M-2900 TRUNNION

MACK SUSPENSION PARTS

MACK INSULATOR BOX



BWP NO.	REPLACES MACK	APPLICATION
M-2917	52QK418-AP4	SC, SS, ST, SW SERIES SUSPENSION

MACK INSULATOR SPACER BLOCK



BWP NO.	REPLACES MACK	APPLICATION
M-2918	13QK246	SC, SS, ST, SW SERIES SUSPENSION

MACK UPPER INSULATOR PADS



BWP NO.	REPLACES MACK	WIDTH	LENGTH	HEIGHT	PIN DIA.	APPLICATION
M-2110	10QK365A	4 1/2"	6"	2 1/2"	1 3/4"	SWS 56 SWS 57
M-2109	10QK33A	4 1/2"	6"	3"	1 1/4"	SWD 53
M-2111	10QK370	4 1/2"	6"	3"	1 3/4"	SWS 570 SWS 573
M-2919	10QK32B-P1	5 3/8"	6 7/8"	3 3/4"	1 1/2"	5" WIDE SPRINGS 50,000 LB. SERIES

MACK LOWER INSULATOR PADS



BWP NO.	REPLACES MACK	WIDTH	LENGTH	HEIGHT	PIN DIA.	APPLICATION
M-2112	10QK36B	6"	6"	3 3/4"	1 3/4"	SWS 56 & 57 SWS 571 & 573
M-2920	10QK372	7"	7"	4 1/4"	2"	5" WIDE SPRINGS 50,000 LB. SERIES

MACK LOWER INSULATOR PAD — OFF CENTER PIN



BWP NO.	REPLACES MACK	WIDTH	LENGTH	HEIGHT	PIN DIA.	APPLICATION
M-2921	10QK48	6"	6"	3 3/4"	1 3/4"	PIN 1/8" OFF CENTER TO CORRECT AXLE ALIGNMENT

SUSPENSION & MISC.

MACK SUSPENSION PARTS

MACK TRUNNION BUSHINGS — BONDED STEEL AND RUBBER



BWP NO.	REPLACES MACK	I.D.	O.D.	LENGTH	APPLICATION
M-2904	10QK368A	3 ¹ / ₂ "	5 ¹ / ₄ "	9 ⁷ / ₁₆ "	SWS 56 & 57 LATE MODEL
M-2905	10QK371A	3 ¹ / ₂ "	5 ¹ / ₄ "	10 ⁵ / ₈ "	SS & SW SERIES

INSULATOR BOX BOLTS — GRADE 8 — FINE THREAD



BWP NO.	REPLACES MACK	THREAD	LENGTH
M-2893	1AX425	7/8" - 14	5"
M-2894	1AX475	7/8" - 14	5 ¹ / ₄ "
M-2895	1AX427 3AX987	7/8" - 14	6"
M-2896	3AX1344	7/8" - 14	6 ¹ / ₂ "

NUT AND WASHER FOR INSULATOR BOX BOLTS



BWP NO.	REPLACES MACK	I.D.	O.D.	THICK.
M-2136	WASHER 37AX1310	7/8"	1 ¹ / ₂ "	1/4"
M-2031	LOCK NUT 21AX480	7/8" - 14 THD.	1 ⁵ / ₁₆ " HEX.	2 ⁷ / ₃₂ " HIGH

INSULATOR BOX STUDS — GRADE 8 — COURSE THREAD



BWP NO.	REPLACES MACK	THREAD	LENGTH
M-2897	4AX319	7/8" - 9	4"
M-2898	4AX343	7/8" - 9	4 ¹ / ₄ "
M-2899	4AX320 6AX837	7/8" - 9	4 ¹ / ₂ "

FRONT SPRING INSULATOR



BWP NO.	REPLACES MACK	APPLICATION
M-2922	10QK332A	FRONT SUSPENSIONS

U-BOLT TOP PLATES



BWP NO.	REPLACES MACK	LENGTH	APPLICATION
M-2923	8QK335P1	8 ¹ / ₂ "	SS 34, 38, 44 SERIES SUSPENSIONS
M-2924	8QK335P2	9 ⁵ / ₈ "	

MACK SUSPENSION PARTS

MACK SPRING EYE BUSHING ASSEMBLY



BWP NO.	ASSEMBLY CONTAINS	APPLICATION
M-1480	1 M-1482 BUSHING 1 M-1481 BOLT 1 M-1483 NUT	TANDEM BOGIE SPRING SUSPENSION SC, ST

SPRING EYE BUSHING ASSEMBLY COMPONENTS

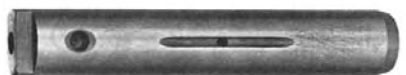


BWP NO.	REPLACES MACK	I.D.	O.D.	LENGTH
M-1482	BUSHING 10QK146	1 ¹ / ₄ "	2 ¹ / ₂ "	4 ¹ / ₄ "
M-1481	BOLT 3AX1343 3AX1682	—	1 ¹ / ₄ " - 12 THD.	7"
M-1483	LOCK NUT	1 ¹ / ₄ " - 12 THD.	1 ¹³ / ₁₆ " HEX	1 ³ / ₈ " HT.

MACK SPRING EYE PINS



BWP NO.	REPLACES MACK	O.D.	LENGTH	APPLICATION
M-2887	44QK173B	1 ¹ / ₄ "	6 ¹ / ₄ "	1962 & AFTER ON FRONT SUSPENSIONS



BWP NO.	REPLACES MACK	O.D.	LENGTH	APPLICATION
M-2888	44QK19301B	1 ¹ / ₄ "	7 ¹ / ₁₆ "	LATE SERIES CRUISELINER



BWP NO.	REPLACES MACK	O.D.	LENGTH	APPLICATION
M-2889	44QK25	1 ⁵ / ₁₆ "	7"	FL, FS, RL, RS LATE SERIES



BWP NO.	REPLACES MACK	O.D.	LENGTH	APPLICATION
M-2890	44QK26A	1 ⁵ / ₁₆ "	6 ⁹ / ₁₆ "	FL, FS, RL, RS LATE SERIES



M-2891	44QK29301B	1 ⁵ / ₁₆ "	7 ¹ / ₁₆ "	CRUISELINER LATE SERIES
---------------	------------	----------------------------------	----------------------------------	----------------------------

MACK SHACKLE

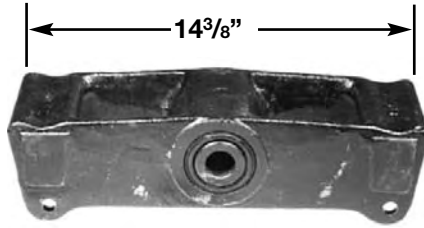


BWP NO.	REPLACES MACK	APPLICATION
M-2892	22QK39301	FRONT SUSPENSIONS

SUSPENSION & MISC.

NAVISTAR/INTERNATIONAL SUSPENSION PARTS

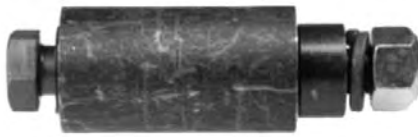
EQUALIZER ASSEMBLY



INSIDE WIDTH 3 3/4"

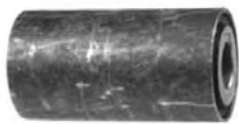
BWP NO.	REPLACES	APPLICATION
M-3475	NAVISTAR 497790C2 497789C2	NAVISTAR "CORPORATE" SUSPENSION INCLUDES BUSHING AND ROLLER ASSEMBLY

EQUALIZER BUSHING ASSEMBLY



BWP NO.	REPLACES	APPLICATION
M-3476	1 M-3477 BOLT 1 M-3478 BUSHING 1 M-3479 ADAPTER 1 M-1852 NUT 1 1" LOCKWASHER	NAVISTAR "CORPORATE" SUSPENSION USED WITH M-3475 EQUALIZER

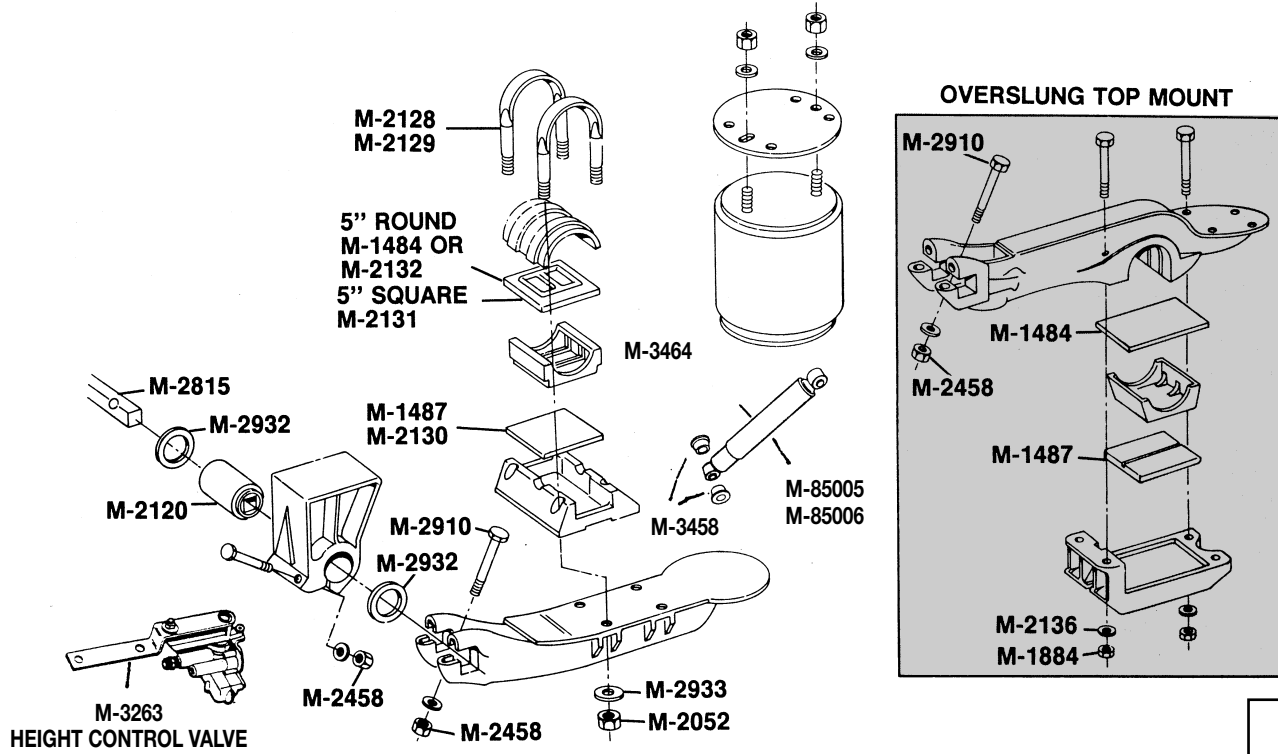
COMPONENT FOR EQUALIZER BUSHING ASSEMBLY



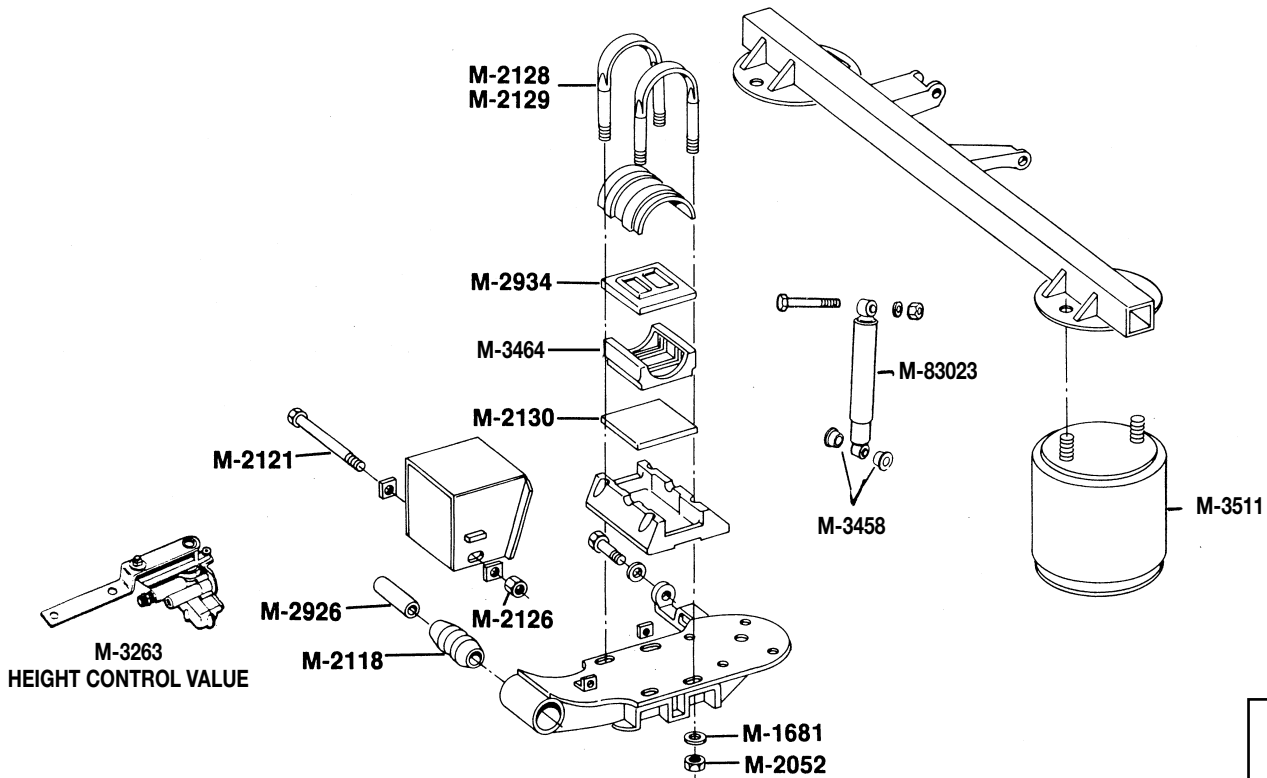
BWP NO.	REPLACES	I.D.	O.D.	LENGTH
M-3477	BOLT NAVISTAR 26015R1 (GRADE 8 MAT'L)	— —	1" - 8 THRD	7 3/8"
M-3478	BUSHING NAVISTAR 497501C2	1 1/32"	2 1/2 "	4 23/32"
M-3479	EQUALIZER ADAPTOR NAVISTAR 497785C2	1 1/32"	1 7/8 "	2 9/32 "
M-1852	LOCKNUT NAVISTAR 25531R1	1" - 8 THRD	1 1/2 " HEX	7/8 "

SUSPENSION & MISC.

BWP REPLACEMENT PARTS FOR **NEWAY AR-1 SERIES —
UNDERSLUNG TRAILER SUSPENSION**

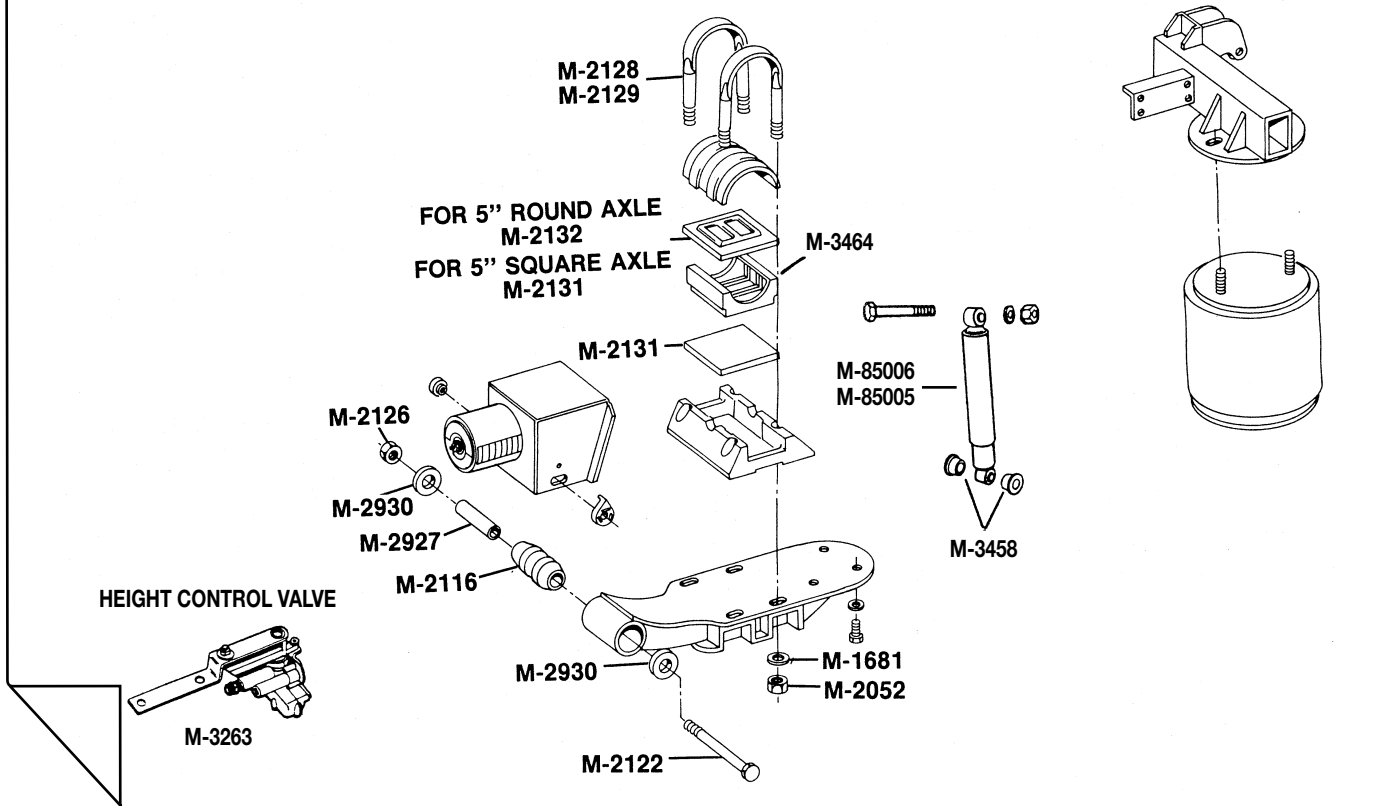


BWP REPLACEMENT PARTS FOR **NEWAY AR-11 SERIES —
UNDERSLUNG TRAILER SUSPENSION**

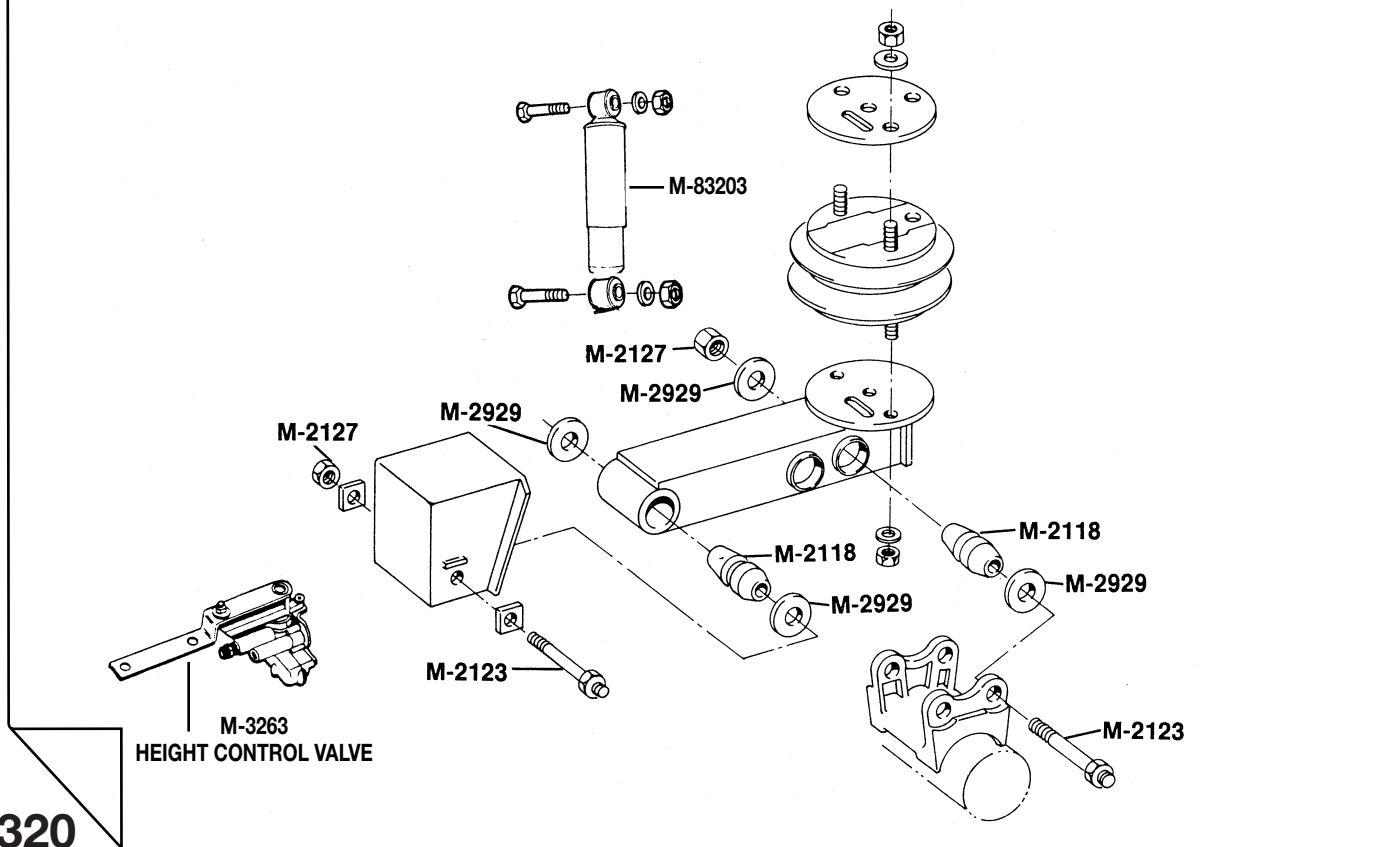


SUSPENSION & MISC.

BWP REPLACEMENT PARTS FOR **NEWAY AR-111 SERIES — TRAILER SUSPENSION**

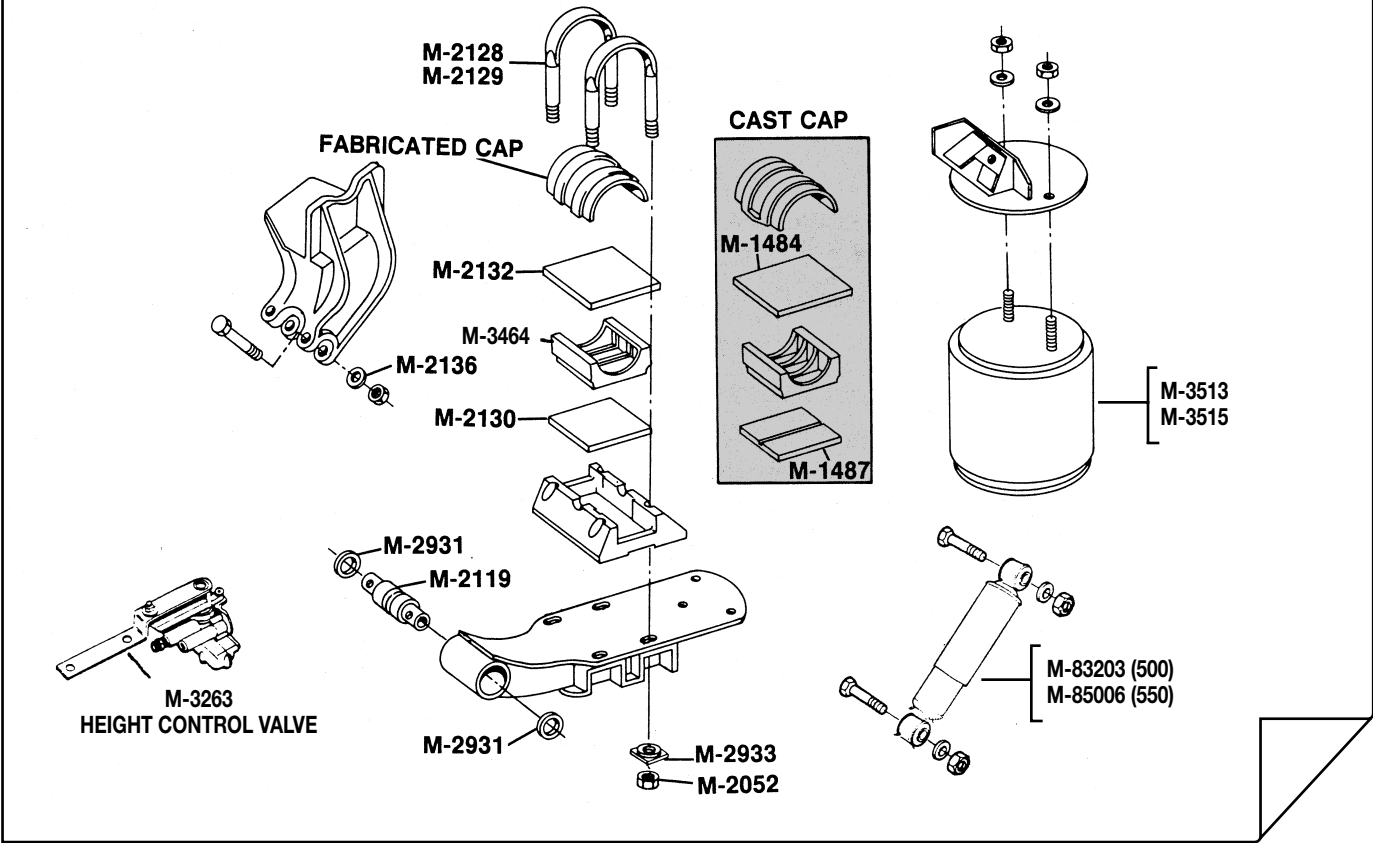


BWP REPLACEMENT PARTS FOR **NEWAY ARL SERIES — TRAILER SUSPENSION**

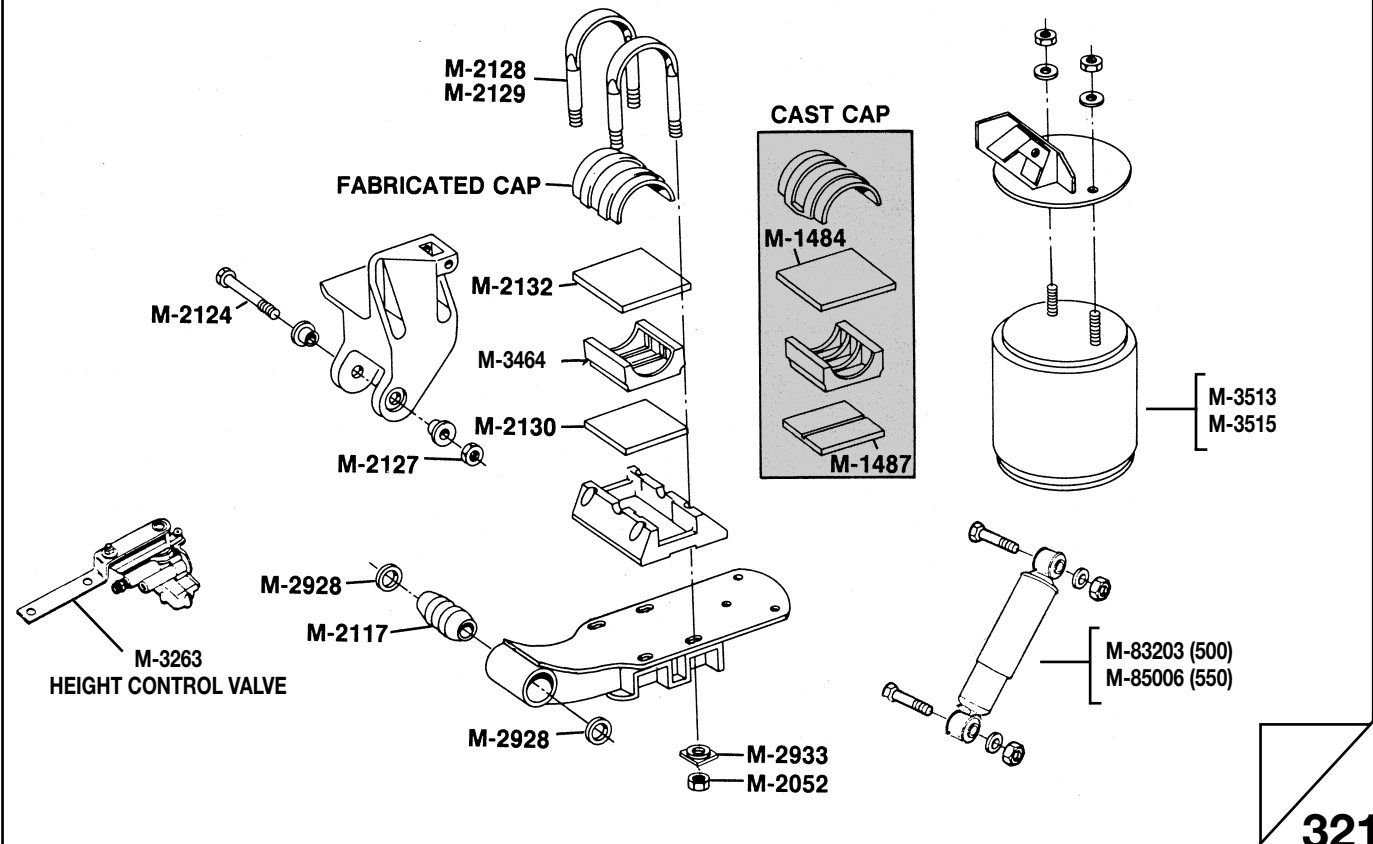


SUSPENSION & MISC.

BWP REPLACEMENT PARTS FOR **NEWAY ART500 US SERIES — TRACTOR SUSPENSION**

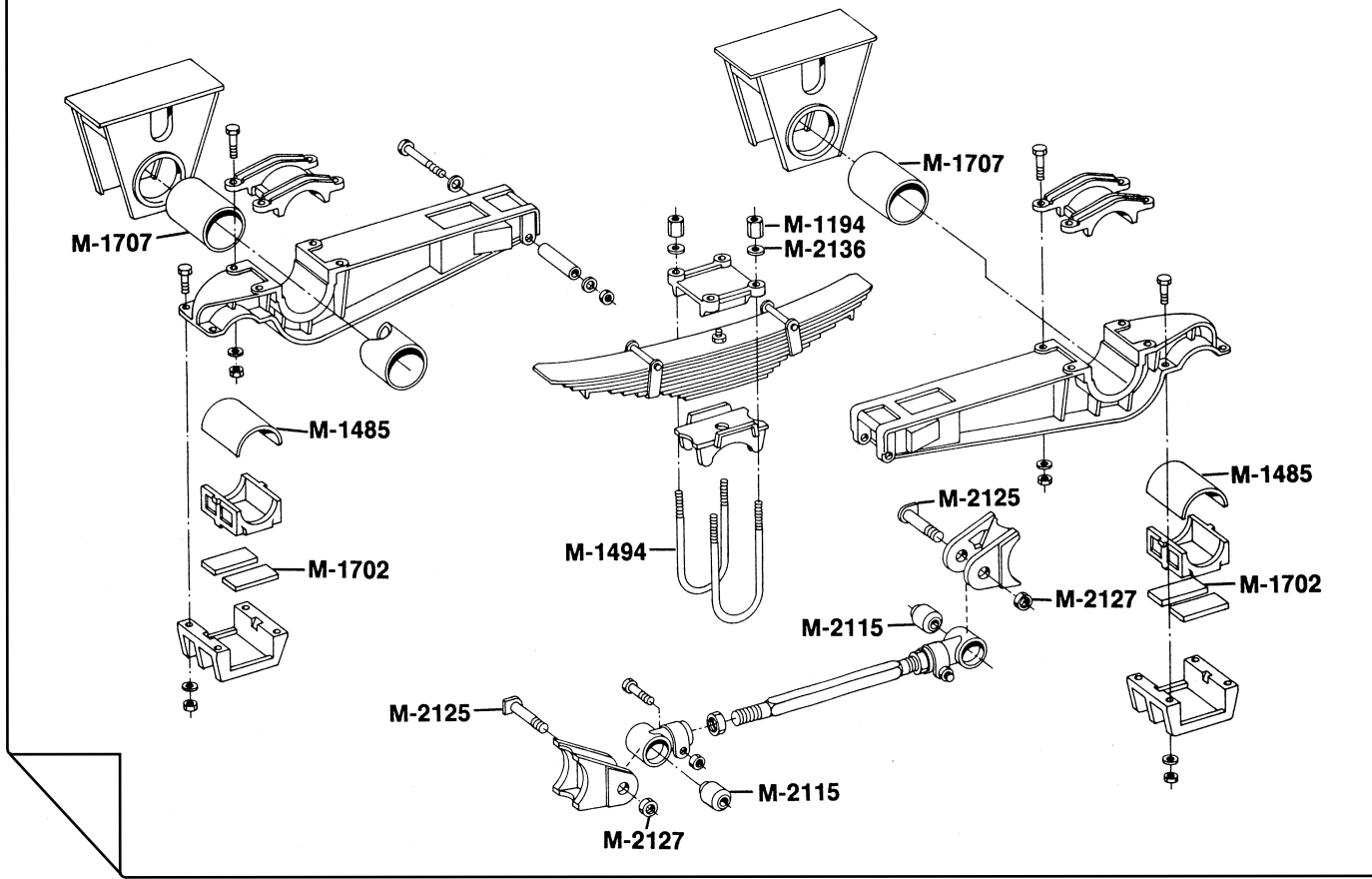


BWP REPLACEMENT PARTS FOR **NEWAY ART500 US-A SERIES — TRACTOR SUSPENSION**

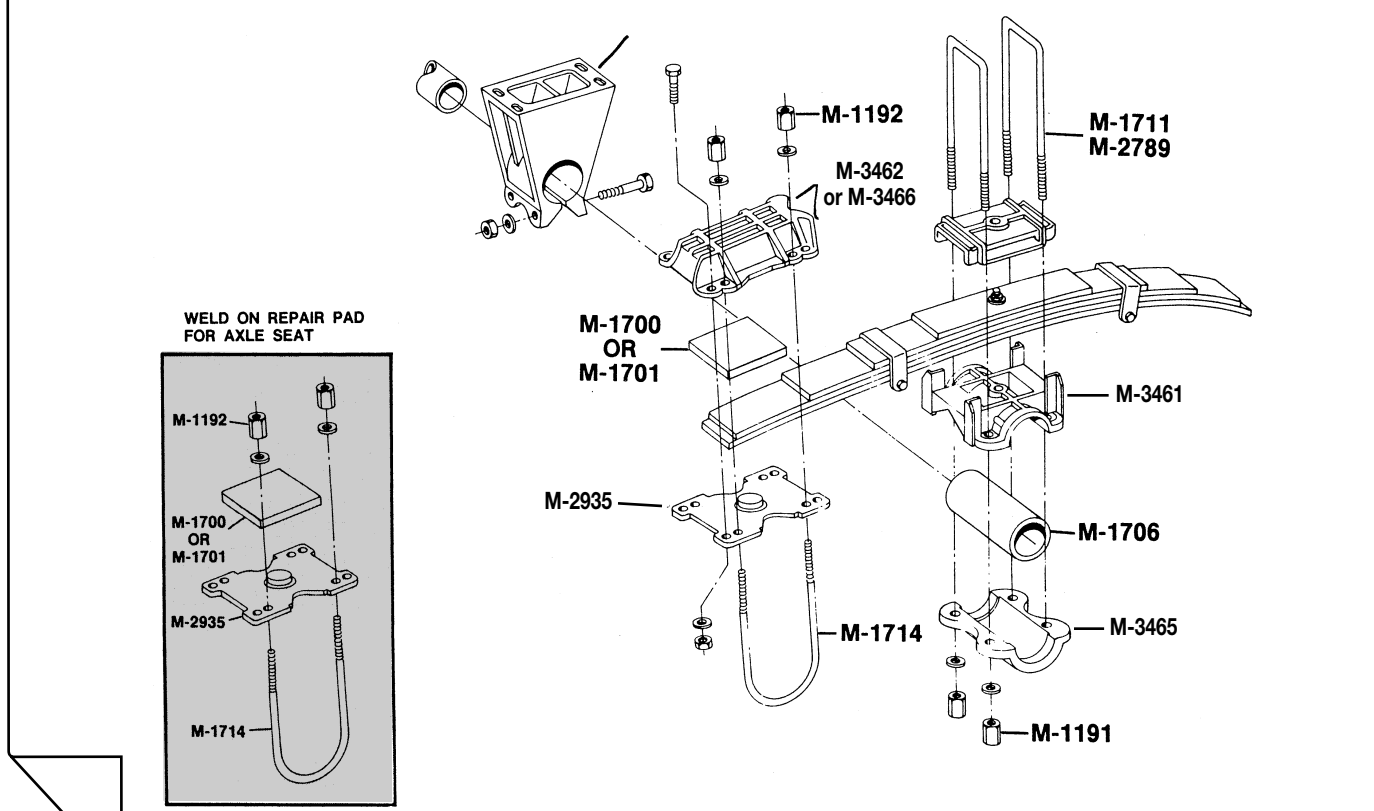


SUSPENSION & MISC.

BWP REPLACEMENT PARTS FOR **NEWAY RTS SERIES TRAILER SUSPENSION**



BWP REPLACEMENT PARTS FOR **NEWAY TS SERIES TRAILER SUSPENSION**



SUSPENSION & MISC.

RUBBER TRUNNION BUSHINGS



BWP NO.	REPLACES NEWAY	I.D.	O.D.	LENGTH	APPLICATION
M-1709	91008040 TA-802-A	3 1/2"	4 1/2"	3 1/2"	TA SERIES
M-1488	90008011 AR-2044	3 1/2"	4 1/2"	5 3/4"	TR SERIES
M-1489	91008023 NP-508	3 1/2"	4 1/2"	8 3/4"	TS SERIES
M-1707	91008014 NP-410-6	4"	5"	5 3/4"	RTS SERIES
M-1706	91008022 NP-410	4"	5"	8 3/4"	TS SERIES

RUBBER SHACKLE PIN BUSHING



BWP NO.	REPLACES NEWAY	I.D.	O.D.	LENGTH	APPLICATION
M-1710	91008047 TA-812	1 3/4"	2 3/8"	2 7/8"	TA SERIES

TORQUE ARM BUSHING



BWP NO.	REPLACES NEWAY	I.D.	O.D.	LENGTH	APPLICATION
M-2115	91008007 NP-1529	1 1/4"	2 3/8"	2 1/2"	RTS, TR SERIES USE WITH M-2125 BOLT

BEAM END BUSHINGS



BWP NO.	REPLACES NEWAY	I.D.	O.D.	LENGTH	APPLICATION
M-2118	90008002	1 1/4"	2 3/8"	5"	AR-50 TR SERIES ARD
M-3265	90008131	1 1/8"	2 3/8"	5"	AR-50 (NEW STYLE)
M-3455	90008145	1 1/8"	2 5/8"	5"	ARD (NEW STYLE)

BEAM END BUSHINGS



BWP NO.	REPLACES NEWAY	I.D.	O.D.	LENGTH	APPLICATION
M-2116	90008102	1 1/4"	3 1/2"	5 13/16"	AR SERIES
M-2117	90008013	1 1/4"	3 1/2"	5 1/4"	ART-500-B ART-500-US-A AR SERIES (OLD)
M-3456	90008139	1 1/8"	3 1/2"	5 1/4"	ART-500-B AR SERIES (NEW STYLE)

BWP REPLACEMENT PARTS FOR **NEWAY SUSPENSION PARTS**

BEAM END BUSHINGS



BWP NO.	REPLACES NEWAY	I.D.	O.D.	LENGTH	APPLICATION
M-2119	90008005 AR-1152-A	2 1/2"	3 1/4"	9"	ART SERIES



BWP NO.	REPLACES NEWAY	I.D.	O.D.	LENGTH	APPLICATION
M-2120	90508001 AR-631-A	1 1/2" SQ.	4 1/2"	4 9/16"	AR, ART SERIES

BEAM CENTER BUSHINGS



BWP NO.	REPLACES NEWAY	I.D.	O.D.	LENGTH	APPLICATION
M-3452	90008006	2 1/2"	3 7/8"	5 1/4"	ARD
M-3453	90008008	2 1/2"	3 7/8"	5 3/4"	ARD
M-3454	90008148 90008149	1 1/8"	2 3/4"	5"	AR-90

TRANSVERSE BEAM BUSHING



BWP NO.	REPLACES NEWAY	I.D.	O.D.	LENGTH	APPLICATION
M-3457	90008113	LG. END 3 9/32" SM. END 2 25/32"	LG. END 3 13/16" SM. END 2 9/16"	25/8"	ARD

SHOCK BUSHING



BWP NO.	REPLACES NEWAY	APPLICATION
M-3458	90508004	ALL HEAVY DUTY SHOCK APPLICATIONS - 3/4" DIA. SHAFTS

SPRING END BOOT



BWP NO.	REPLACES NEWAY	APPLICATION
M-3459	91008032	ALL SL AND TL SERIES 12 1/2" X 5" W

SUSPENSION & MISC.

BWP REPLACEMENT PARTS FOR **NEWAY SUSPENSION PARTS**

TORSION BAR



BWP NO.	REPLACES NEWAY	LENGTH	SQUARE	APPLICATION
M-2815	90006003	43 ⁷ / ₈ "	1 ¹ / ₂ "	AR, ART 100 SERIES

TORQUE ARM BOLT



BWP NO.	REPLACES NEWAY	THREAD	THREAD LENGTH	LENGTH UNDER HEAD	APPLICATION
M-2125	93900009 NP-1519	1 ¹ / ₄ " - 7	1 ¹ / ₁₆ "	4 ¹³ / ₁₆ "	USE WITH M-2115 BUSHING

BEAM END BOLTS



BWP NO.	REPLACES NEWAY	THREAD	THREAD LENGTH	LENGTH UNDER HEAD	APPLICATION
M-2121	93200945	1 ¹ / ₈ " - 7	1 ⁹ / ₁₆ "	8 ¹ / ₁₆ "	AR-11 SERIES
M-2122	93200961	1 ¹ / ₈ " - 7	2 ³ / ₈ "	9 ¹ / ₄ "	AR-111, ART500 SERIES
M-2123	93200959 NP-1239-B	1 ¹ / ₄ " - 7	1 ¹ / ₂ "	8 ¹ / ₁₆ "	ARL SERIES
M-2124	93200993	1 ¹ / ₄ " - 7	2 ³ / ₈ "	9 ¹ / ₄ "	ART-500 SERIES

DELRIN LINERS



BWP NO.	REPLACES NEWAY	I.D.	O.D.	LENGTH	APPLICATION
M-2925	90008037 AR-2991	1 ¹ / ₈ "	1 ¹ / ₄ "	5 ¹ / ₄ "	ART-500 SERIES
M-2926	90038083 AR-2269	1 ¹ / ₈ "	1 ¹ / ₄ "	5"	AR-11 SERIES
M-2927	90008101	1 ¹ / ₈ "	1 ¹ / ₄ "	5 ³ / ₄ "	AR-111 SERIES

REPAIR PAD



BWP NO.	REPLACES NEWAY	APPLICATION
M-2935	91001049	TS SERIES USE WHEN KNOB IS WORN TO AVOID REPLACING AXLE SEAT.

SPRING END RETAINER



BWP NO.	REPLACES NEWAY	APPLICATION
M-3460	91001062	ALL SL AND TL SERIES 4 ¹ / ₂ " L X 4 ⁵ / ₁₆ " W. KNOB DIA. 1 ¹ / ₄ "

SUSPENSION & MISC.

RUBBER AXLE PADS AND END PADS



BWP NO.	REPLACES NEWAY	LENGTH	WIDTH	THICK.	APPLICATION
M-1700	91028013 NP-409-1	5 ¹ / ₈ "	4 ⁵ / ₈ "	5 ⁵ / ₈ "	TS SERIES
M-1701	91028089 NP-409-2	5 ¹ / ₈ "	4 ⁵ / ₈ "	1 ³ / ₁₆ "	TS SERIES
M-1702	91028023 NP-460	5 ⁷ / ₁₆ "	1 ⁵ / ₈ "	1 ¹ / ₁₆ "	RTS SERIES
M-2130	90028043 90028075	6 ¹ / ₂ "	5 ¹ / ₂ "	7 ⁷ / ₁₆ "	AR-111, ART SERIES

BOTTOM AXLE PAD — STEEL AND BONDED RUBBER



BWP NO.	REPLACES NEWAY	LENGTH	WIDTH	THICK.	APPLICATION
M-1487	90028016 AR-888	7"	5 ⁵ / ₈ "	3 ³ / ₈ "	AR, ART SERIES

RUBBER AXLE WRAPPERS



BWP NO.	REPLACES NEWAY	LENGTH	WIDTH	THICK.	APPLICATION
M-1484	90028007 AR-604-5	7 ¹ / ₄ "	7 ¹ / ₄ "	3 ³ / ₈ "	AR, ART SERIES
M-2934	90028022 AR-2268	8"	7 ¹ / ₄ "	7 ⁷ / ₁₆ "	AR-111 SERIES
M-1703	91028060 TA-810-1	8 ⁵ / ₈ "	3 ¹ / ₂ "	5 ⁵ / ₈ "	ATA, TA SERIES
M-1485	91028010 NP-380-A1	9 ¹ / ₂ "	4"	1 ¹ / ₁₆ "	RTS SERIES
M-2131	90028005 AR-604-3	9 ⁹ / ₁₆ "	7 ¹ / ₈ "	3 ³ / ₈ "	ART, AR-111 SERIES

RUBBER AXLE WRAPPER



BWP NO.	REPLACES NEWAY	LENGTH	WIDTH	THICK.	APPLICATION
M-2132	90028047	8"	7 ¹ / ₄ "	1 ¹ / ₂ "	AR-111 SERIES

RUBBER AXLE WRAPPERS



BWP NO.	REPLACES NEWAY	LENGTH	WIDTH	THICK.	APPLICATION
M-1486	91028051 NP-8019-2	9"	5"	3 ³ / ₄ "	TR SERIES 5" AXLE
M-2133	91028053 NP-8019-4	8 ¹ / ₂ "	5"	1"	TR SERIES 5 ³ / ₄ " AXLE

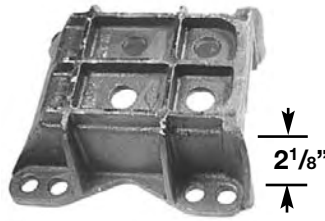
BWP REPLACEMENT PARTS FOR **NEWAY SUSPENSION PARTS**

UPPER TRUNNION CAP



BWP NO.	REPLACES NEWAY	APPLICATION
M-3461	91001051	TS, US, USR, LD (EXCEPT TS-660, 680, 6100)

SPRING END CAP
(2 MAIN LEAF)



BWP NO.	REPLACES NEWAY	APPLICATION
M-3462	91010043	TS

SPRING SEAT
(5" ROUND AXLE)



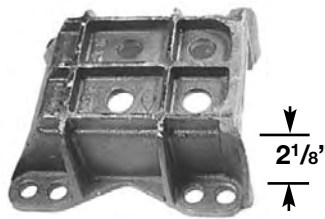
BWP NO.	REPLACES NEWAY	APPLICATION
M-3463	91001044	TS, LD

LOWER TRUNNION CAP



BWP NO.	REPLACES NEWAY	APPLICATION
M-3465	91010047	TS, US, USR, LD, (EXCEPT TS-660, 680, 6100)

SPRING END CAP
(3 MAIN LEAF)



BWP NO.	REPLACES NEWAY	APPLICATION
M-3466	91010038	TS

SPRING SEAT REPAIR PAD



USE WITH SPRING SEATS 5" ROUND AXLE OR 5" SQUARE AXLE

BWP NO.	REPLACES NEWAY	APPLICATION
M-2935	91001049	TS, LD

AXLE ADAPTER
(5" ROUND AXLE)



BWP NO.	REPLACES NEWAY	APPLICATION
M-3464	90001082	AR, ART (EXCEPT ARL)

AXLE SEAT



BWP NO.	REPLACES NEWAY	APPLICATION
M-3433	90001006	ART-120-US, 125-US, 50-US, 51-US, AR-70, 95

HEIGHT CONTROL VALVE



BWP NO.	REPLACES NEWAY	APPLICATION
M-3263	90054007	ALL AIR RIDE MODELS

SUSPENSION & MISC.

BWP REPLACEMENT PARTS FOR **NEWAY SUSPENSION PARTS**

FORGED-FLAT U-BOLT KITS — ROUND BEND



BWP NO.	REPLACES NEWAY	LEG LENGTH	BETWEEN LEGS	THREAD & LENGTH	APPLICATION
M-2128	90041878	9 ¹ / ₂ "	6 ⁵ / ₁₆ "	1" - 14 THD. 3"	EACH KIT CONTAINS 2 U-BOLTS & 4 LOCK NUTS
M-2129	90042792	12 ¹ / ₂ "	6 ⁵ / ₁₆ "	1" - 14 THD. 3"	

5/8" DIA. AXLE ATTACHMENT U-BOLT KITS — ROUND BEND



BWP NO.	REPLACES NEWAY	LEG LENGTH	BETWEEN LEGS	THREAD & LENGTH	APPLICATION
M-1712	90041067 NP-509	7 ¹ / ₄ "	5"	3"	EACH KIT CONTAINS 2 U-BOLTS & 4-HI NUTS
M-1714	90041069 NP-509-1	7 ³ / ₄ "	5"	3"	

1 1/8" DIA. SPRING ATTACHMENT U-BOLT KITS — SQUARE BEND



BWP NO.	REPLACES NEWAY	LEG LENGTH	BETWEEN LEGS	THREAD & LENGTH	APPLICATION
M-1711	90041695 NP-79-A8	11 ³ / ₈ "	5 ³ / ₄ "	1 ¹ / ₈ "-12 3"	EACH KIT CONTAINS 2 U-BOLTS & 4-HI NUTS
M-1713	90041699 NP-79-A7	12 ¹ / ₈ "	5 ³ / ₄ "	1 ¹ / ₈ "-12 3"	

BEAM END SPACER WASHERS



★ SHOWN



★

BWP NO.	REPLACES NEWAY	I.D.	O.D.	LENGTH	APPLICATION
M-3467	90036140	1 ¹ / ₈ "	4"	1/4"	ART 500
M-2928	90036006	1 ¹ / ₄ "	4"	1/4"	ART 500
M-2929	93600029	1 ¹¹ / ₁₆ "	3 ¹ / ₄ "	1/8"	ARL
M-2930	90036080	2 ⁹ / ₁₆ "	4"	1/4"	AR SERIES
M-2931	90036003	2 ⁹ / ₁₆ "	4 ¹ / ₁₆ "	5/32"	ART 500
M-2932	93600035	3 ¹ / ₂ "	5 ⁷ / ₁₆ "	1/4"	AR SERIES
M-2933	93600028	1"	2"	3/8"	ART, AR-US

LOCK NUTS



BWP NO.	REPLACES NEWAY	I.D.	O.D.	HEIGHT	APPLICATION
M-2052	93400502	1"-14	1 ¹ / ₂ "	7/8"	ALL 1" FLAT U-BOLTS
M-2126	93400504	1 ¹ / ₈ "-7	1 ⁵ / ₈ "	1 ⁵ / ₁₆ "	AR-1, AR-111 ART SERIES
M-2127	93400510	1 ¹ / ₄ "-7	1 ⁷ / ₈ "	1 ¹ / ₁₆ "	ARL, RTS SERIES

SUSPENSION & MISC.

PAGE SUSPENSION PARTS

PAGE COMPRESSION BOLT ASSEMBLY — EARLY STYLE



BWP KIT	REPLACES PAGE	ASSEMBLY CONTAINS	APPLICATION
M-1861	1025884 R-813-A21	1 M-1865 BOLT 1 M-1862 COLLAR 2 M-691 BUSHING 1 M-1863 COLLAR 1 M-1867 WASHER 1 M-1866 NUT	700 SERIES SUSPENSIONS

PAGE COMPRESSION BOLT ASSEMBLY COMPONENTS



BWP NO.	REPLACES PAGE	I.D.	O.D.	LENGTH
M-1865	BOLT 1025263 M-813-F20	1 ¹ / ₈ "-12 THD.	1 ⁵ / ₁₆ "	4 ⁷ / ₈ "
M-691	BUSHING 1025269 PP-739	1 ⁵ / ₁₆ "	2 ¹ / ₁₆ "	1 ¹ / ₂ "
M-1862	INNER COLLAR 1025260 M312-P3	1 ¹¹ / ₃₂ "	—	3 ³ / ₄ "
M-1863	OUTER COLLAR 1025261 M427-P20	1 ¹ / ₈ "	—	3 ³ / ₄ "
M-1867	WASHER 1025264 PP41-5	1 ³ / ₁₆ "	1 ²⁵ / ₃₂ "	1 ¹ / ₁₆ " THK.
M-1866	NUT 1025262 M811-A1	1 ¹ / ₈ "-12 THD.	1 ⁵ / ₈ " HEX	9 ¹ / ₁₆ " HT.

PAGE COMPRESSION BOLT ASSEMBLY — LATE STYLE



BWP KIT	REPLACES PAGE	ASSEMBLY CONTAINS	APPLICATION
M-1891	1025931 R-813-A34	1 M-1892 BOLT 1 M-1862 COLLAR 2 M-1893 BUSHING 1 M-1863 COLLAR 1 M-1867 WASHER 1 M-1866 NUT	700 AND 800 SERIES SUSPENSIONS

PAGE COMPRESSION BOLT ASSEMBLY COMPONENTS



BWP NO.	REPLACES PAGE	I.D.	O.D.	LENGTH
M-1892	BOLT 1025590 M-813-F33	1 ¹ / ₈ "-12 THD.	1 ⁵ / ₁₆ "	5 ⁵ / ₈ "
M-1893	BUSHING 1025583 M-900-P36	1 ⁵ / ₁₆ "	2 ¹ / ₁₆ "	1 ¹¹ / ₁₆ "

SUSPENSION & MISC.

PAGE SUSPENSION PARTS

PAGE BEAM END BUSHINGS



BWP NO.	REPLACES PAGE-HEND.	I.D.	O.D.	LENGTH	APPLICATION
M-1724	1027037 6969	2 ¹ / ₂ "	4 ³ / ₈ "	5 ¹ / ₄ "	34,000 LB. HUSKY SUSPENSIONS
M-1726	1027038 6572	2 ¹ / ₂ "	4 ³ / ₈ "	5 ³ / ₄ "	38,000 LB. HUSKY SUSPENSIONS

PAGE BEAM END BUSHING ADAPTERS



BWP NO.	REPLACES HENDRICKSON	LENGTH	APPLICATION
M-2020	45000-13	7 ⁹ / ₁₆ "	USE WITH M-1724 BUSHING
M-2012	45000-7	8 ¹ / ₁₆ "	USE WITH M-1726 BUSHING

PAGE WALKING BEAM PIVOT BUSHING — RUBBER



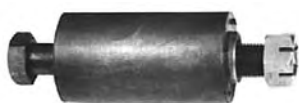
BWP NO.	REPLACES PAGE	I.D.	O.D.	LENGTH	APPLICATION
M-1461	1027371	3 ¹ / ₂ "	4 ¹ / ₂ "	4 ¹³ / ₁₆ "	PAGE HUSKY SUSPENSION

PAGE EQUALIZER BUSHING — RUBBER



BWP NO.	REPLACES PAGE	I.D.	O.D.	LENGTH	APPLICATION
M-1864	1025124	3"	4 ¹ / ₄ "	2 ³ / ₈ "	700 AND 800 SERIES SUSPENSIONS

PAGE SPRING ROLLER ASSEMBLY



BWP KIT	REPLACES PAGE	ASSEMBLY CONTAINS	APPLICATION
M-1772	1025126 1025121 1025100	1 M-1775 BUSHING 1 M-1773 BOLT 1 M-1774 NUT	700 AND 800 SERIES SUSPENSIONS

SPRING ROLLER ASSEMBLY COMPONENTS



BWP NO.	REPLACES PAGE	I.D.	O.D.	LENGTH
M-1775	1025126 PP-770	5/8"	1 ¹ / ₂ "	3 ¹ / ₈ "
M-1773	1025121	— —	9/16"-18 THD.	4 ¹ / ₄ "
M-1774	1025100	9/16"-18 THD.	7/8" HEX	7/16" HGT.

PETERBILT SUSPENSION PARTS

PETERBILT BEAM END BUSHING ASSEMBLY — AIR LEAF SUSPENSION



BWP NO.	APPLICATION	ASSEMBLY CONTAINS
M-1656	PETERBILT AIR LEAF SUSPENSION	2 M-1659 BUSHING 1 M-1658 SLEEVE 2 M-1660 WASHER 2 M-1661 WASHER 1 M-1657 BOLT 1 M-2052 NUT

BEAM END BUSHING ASSEMBLY COMPONENTS



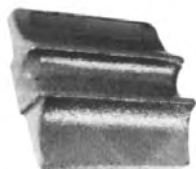
BWP NO.	REPLACES PETERBILT	I.D.	O.D.	LENGTH
M-1659	RUBBER BUSHING 03-01674	1 ³ / ₄ "	2 ¹ / ₂ "	2 ³ / ₄ "
M-1658	SLEEVE 03-01669	1"	1 ³ / ₄ "	5 ³ / ₄ "
M-1660	COMPRESSION WASHER 03-01670	1"	3 ⁵ / ₁₆ "	3 ³ / ₈ " THK.
M-1661	POLYURETHANE WASHER 03-01675	1 ³ / ₄ "	2 ⁵ / ₈ "	1 ⁵ / ₁₆ "
M-1657	BOLT 03-01668	GRADE 8	1"-14 THD. 2 ³ / ₄ " LONG	8 ¹ / ₂ "
M-2052	LOCKNUT 27-00434	1"-14 THD.	1 ¹ / ₂ " HEX	7 ⁷ / ₈ " HT.

PETERBILT TOP U-BOLT PLATE



BWP NO.	REPLACES PETERBILT	APPLICATION
M-1662	03-1656	FOR 4" WIDE SPRINGS. MATERIAL: MALLEABLE IRON

PETERBILT FRONT U-BOLT PLATE

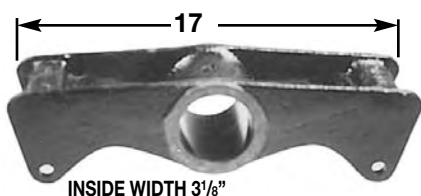


BWP NO.	REPLACES PETERBILT	APPLICATION
M-1663	03-1657	MATERIAL: MALLEABLE IRON

SUSPENSION & MISC.

PETERBILT SUSPENSION PARTS

EQUALIZER



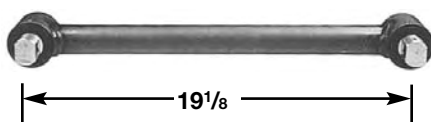
BWP NO.	REPLACES PETERBILT	APPLICATION
M-3480	03-03328	PETERBILT 4 SPRING SUSPENSION BUSHING M-1667 NOT INCLUDED

EQUALIZER BUSHING



BWP NO.	REPLACES PETERBILT	I.D.	O.D.	LENGTH
M-1667	03-02099	2 $\frac{1}{2}$ "	3 $\frac{1}{8}$ "	2 $\frac{1}{4}$ "

TORQUE ARM ASSEMBLY — NON-REBUSHABLE



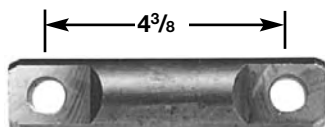
BWP NO.	REPLACES PETERBILT	APPLICATION
M-3481	03-01781 03-04839	PETERBILT 4 SPRING SUSPENSION FOR 52" AXLE SPACING

TORQUE ARM BUSHING



BWP NO.	REPLACES PETERBILT	I.D.	O.D.	LENGTH
M-1664	03-01776	1 $\frac{3}{8}$ "	2 $\frac{1}{8}$ "	2 $\frac{9}{16}$ "

TORQUE ARM PIN (TAPERED O.D.)



BWP NO.	REPLACES PETERBILT	O.D.	LENGTH	APPLICATION
M-1665	03-01768	1 $\frac{3}{8}$ "	5 $\frac{3}{4}$ "	PETERBILT 4-SPRING SUSPENSION

U-BOLT CAP



BWP NO.	REPLACES PETERBILT	APPLICATION
M-1666	03-01766	MALLEABLE IRON MATERIAL

U-BOLT PLATE



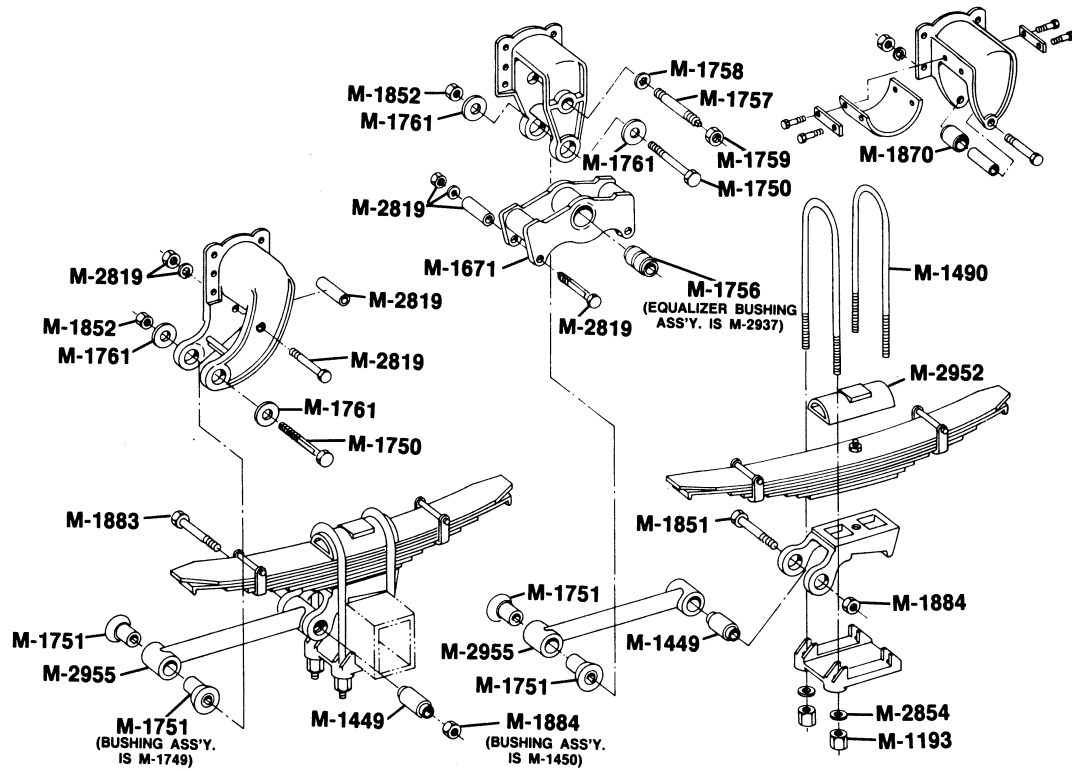
BWP NO.	REPLACES PETERBILT	LENGTH	WIDTH	APPLICATION
M-1668	03-01769	7 $\frac{11}{16}$ "	2 $\frac{7}{8}$ "	PETERBILT 4-SPRING

TOP U-BOLT PLATE

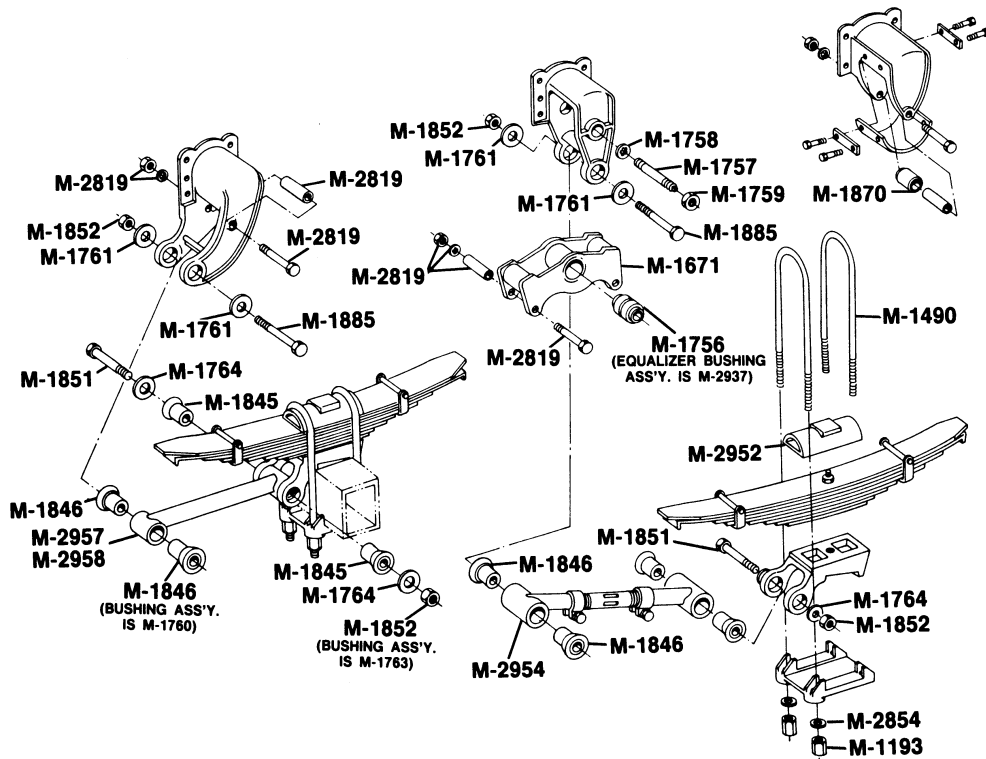


BWP NO.	REPLACES PETERBILT	LENGTH	WIDTH	NOTE
M-1669	03-00408	9 $\frac{3}{8}$ "	3 $\frac{1}{2}$ "	DUCTILE IRON MATERIAL

REYCO MODEL 101A — TRACTOR SUSPENSION



REYCO MODEL 102 — TRACTOR SUSPENSION



SUSPENSION & MISC.

REYCO EQUALIZER COMPONENTS

REYCO EQUALIZER — TRAILER SUSPENSIONS



BWP NO.	REPLACES REYCO	APPLICATION
M-1670	T-5427	21B, 22B, SUSPENSIONS. USE M-2936 BUSHING ASSEMBLY. BUSHINGS NOT INCLUDED. USE M-2819 ROLLER ASSEMBLY.

EQUALIZER BUSHING ASSEMBLY



SHOWN WITH 3/4" HARDWARE

BWP NO.	APPLICATION	ASSEMBLY CONTAINS
M-2936	21B, 22B SUSPENSIONS USE WITH M-1670 EQUALIZER	2 M-1719 BUSHING 1 M-1721 SHAFT 2 M-1720 WASHER 2 M-1770 BOLT 2 M-1771 WASHER

EQUALIZER BUSHING ASSEMBLY COMPONENTS



BWP NO.	REPLACES REYCO	I.D.	O.D.	LENGTH
M-1719	BUSHING T-5524	1 ⁵ / ₈ "	3 ³ / ₈ "	4 ¹³ / ₃₂ "



BWP NO.	REPLACES REYCO	I.D.	O.D.	LENGTH
M-1721	T-5888	3/4"-16 THD.	1 ⁵ / ₈ "	8 ¹¹ / ₁₆ "
M-3432	14247-01	1"-8 THD.	1 ⁵ / ₈ "	8 ¹¹ / ₁₆ "



BWP NO.	REPLACES REYCO	I.D.	O.D.	THICKNESS
M-1720	WASHER T-5887	1 ³ / ₁₆ "	3 ³ / ₄ "	3/8"
M-2811	14249-01	1 ¹ / ₁₆ "	3 ³ / ₄ "	1/4"



BWP NO.	REPLACES REYCO	I.D.	O.D.	THICKNESS
M-1771	LOCK WASHER T-3164	1 ³ / ₁₆ "	1 ³ / ₁₆ "	3/16"
M-3434	14250-01	1"	1 ³ / ₄ "	5/16"



BWP NO.	REPLACES REYCO	I.D.	O.D.	LENGTH
M-1770	BOLT T-5886	---	3/4"-16 THD	2 ¹ / ₂ "
M-2808	14248-01	---	1"-8 THD	2 ¹ / ₂ "

SUSPENSION & MISC.

REYCO SUSPENSION PARTS

REYCO EQUALIZER ASSEMBLY — TRUCK — STANDARD



BWP NO.	REPLACES REYCO	APPLICATION
M-1671*	09120-01	101, 101A, 102 SERIES. M-1756 BUSHING INCLUDED. USE M-2937 ASSEMBLY, NOT FOR GMC OR FORD.

*USE M-3430 EQUALIZER FOR "NO SLOT" BUSHING

REYCO EQUALIZER BUSHINGS ASSEMBLY (OLD STYLE)



BWP NO.	APPLICATION	ASSEMBLY CONTAINS
M-2937*	101, 101A, 102 SERIES	1 M-1756 BUSHING 1 M-1757 SHAFT 1 M-1758 WASHER 1 M-1759 NUT

*USE M-3449 ASSY FOR "NO SLOT" BUSHING

EQUALIZER BUSHING ASSEMBLY COMPONENTS



BWP NO.	REPLACES REYCO	I.D.	O.D.	LENGTH
M-1756	BUSHING 08363-01	1 $\frac{1}{2}$ "	3 $\frac{1}{8}$ "	4 $\frac{1}{2}$ "
M-1757	SHAFT 08686-01	1 $\frac{7}{16}$ "-12 THD.	1 $\frac{1}{2}$ "	8"
M-1758	LOCK WASHER T-5551	1 $\frac{17}{32}$ "	2 $\frac{1}{2}$ "	1 $\frac{1}{16}$ " THK.
M-1759	NUT 08687-01	1 $\frac{7}{16}$ "-12 THD.	2 $\frac{1}{4}$ " HEX	7 $\frac{1}{8}$ " HT.

SPRING ROLLER ASSEMBLY



BWP NO.	REPLACES REYCO	APPLICATION
M-2819	T-1703 BOLT T-1704 NUT T-1705 WASHER T-2106 ROLLER	ALL MODELS

REYCO SUSPENSION PARTS

REYCO EQUALIZER ASSEMBLY — TRUCK — STANDARD



BWP NO.	REPLACES REYCO	"A" DIMEN.	APPLICATION
M-3430	14723-01	4"	101, 101A, 102. NOT FORD, GMC. USE M-3399 BUSHING.
M-3431	14743-01	4 ⁵ / ₈ "	GMC USE M-3399 BUSHING.

REYCO EQUALIZER BUSHING ASSEMBLY (NEW STYLE - NO SLOTS)



BWP NO.	REPLACES REYCO	ASSEMBLY CONTAINS
M-3449	TK-19165	1 M-3399 BUSHING 1 M-1757 SHAFT 1 M-1758 WASHER 1 M-1759 NUT

EQUALIZER BUSHING ASSEMBLY COMPONENTS



BWP NO.	REPLACES REYCO	I.D.	O.D.	LENGTH
M-3399	BUSHING 14713-01	1 ¹ / ₂ "	3 ¹ / ₈ "	4 ¹ / ₂ "
M-1757	SHAFT 08686-01	1 ⁷ / ₁₆ "-12 THD.	1 ¹ / ₂ "	8"
M-1758	LOCK WASHER T-5551	1 ⁷ / ₃₂ "	2 ¹ / ₂ "	1 ¹ / ₁₆ " THK.
M-1759	NUT 08687-01	1 ⁷ / ₁₆ "-12 THD.	2 ¹ / ₄ " HEX	7 ⁸ / ₁₆ " HT.

SPRING ROLLER ASSEMBLY



BWP NO.	REPLACES REYCO	APPLICATION
M-2819	T-1703 BOLT T-1704 NUT T-1705 WASHER T-2106 ROLLER	ALL MODELS

SUSPENSION & MISC.

REYCO SUSPENSION PARTS

REYCO EQUALIZER ASSEMBLY — TRUCK — GMC



BWP NO.	REPLACES REYCO	APPLICATION
M-1673	08918-01	GMC 101, 102 SERIES. M-2938 UNSLOTTED BUSHING INCLUDED.

REYCO EQUALIZER BUSHING ASSEMBLY



BWP NO.	APPLICATION	ASSEMBLY CONTAINS
M-2942	GMC 101, 102 SERIES	1 M-2938 BUSHING 1 M-1677 BOLT 2 M-2940 WASHER 1 M-2941 NUT

EQUALIZER BUSHING ASSEMBLY COMPONENTS



BWP NO.	REPLACES REYCO	I.D.	O.D.	LENGTH
M-2938	BUSHING 08915-01	1 ¹ / ₄ "	3 ¹ / ₈ "	4 ¹ / ₂ "
M-1677	BOLT 10949-01	—	1 ¹ / ₄ "-12 THD.	8 ⁷ / ₈ "
M-2940	WASHER 08913-01	1 ⁵ / ₁₆ "	2 ¹ / ₄ "	3 ³ / ₁₆ "
M-2941	LOCK NUT 08914-01	1 ¹ / ₄ "-12 THD.	1 ⁷ / ₈ " HEX	7 ⁷ / ₈ " HT.

REYCO EQUALIZER ASSEMBLY — TRUCK — FORD



BWP NO.	REPLACES REYCO	APPLICATION
M-1672	08996-01	FORD 101 SERIES. M-2960 SLOTTED BUSHING INCLUDED.

REYCO EQUALIZER BUSHING ASSEMBLY



BWP NO.	APPLICATION	ASSEMBLY CONTAINS
M-1676	FORD 101 SERIES REYCO TK-19164	1 M-2960 BUSHING 1 M-1677 BOLT 2 M-2940 WASHER 1 M-2941 NUT

REYCO EQUALIZER BUSHING



BWP NO.	REPLACES REYCO	I.D.	O.D.	LENGTH
M-2960	BUSHING 08995-01	1 ¹ / ₄ "	3 ¹ / ₈ "	4 ⁹ / ₁₆ "

REYCO SUSPENSION PARTS

REYCO EQUALIZER BEAM ASSEMBLIES



BWP NO.	REPLACES REYCO-FORD	APPLICATION
M-1674	13841-01 E1HZ5889-B	FOR 4 LEAF SPRING SUSPENSIONS. M-2961 CENTER BUSHING AND M-2949 END BUSHINGS INCLUDED.



BWP NO.	REPLACES REYCO-FORD	APPLICATION
M-1675	13840-01 E1HT5889-CA	FOR 7 LEAF SPRING SUSPENSIONS. M-2961 CENTER BUSHING AND M-2949 END BUSHINGS INCLUDED.

REYCO EQUALIZER CENTER BUSHING ASSEMBLY



BWP NO.	APPLICATION	ASSEMBLY CONTAINS
M-1678	CENTER BUSHING ASSEMBLY FOR 4 LEAF AND 7 LEAF SPRING SUSPENSIONS	1 M-2961 BUSHING 1 M-1680 BOLT 2 M-1681 WASHER 1 M-2052 NUT

EQUALIZER CENTER BUSHING ASSEMBLY COMPONENTS



BWP NO.	REPLACES REYCO-FORD	I.D.	O.D.	LENGTH
M-2961	BUSHING 13940-01 E1HT5781-BA	1"	3 ¹ / ₁₆ "	3 ¹ / ₄ "
M-1680	BOLT 11823-01 B8HZ5A606-B	2 ¹ / ₈ " THD. LENGTH	1"-14 THD.	5 ¹ / ₂ "
M-1681	WASHER T-5770 B8HZ5A552-A	1"	2"	1 ¹ / ₈ "
M-2052	LOCK NUT 11643-01 D8HZ5A608-B	1"-14 THD.	1 ¹ / ₂ " HEX	7 ⁷ / ₈ " HT.

EQUALIZER, END SHACKLE BUSHING — LATE STYLE



BWP NO.	REPLACES REYCO-FORD	I.D.	O.D.	LENGTH
M-2949	13941-01 E1HT5781-CA	3 ³ / ₄ "	2 ³ / ₈ "	3"

SUSPENSION & MISC.

REYCO SUSPENSION PARTS

EQUALIZER SHACKLE BUSHING — LATE STYLE



BWP NO.	REPLACES REYCO-FORD	I.D.	O.D.	LENGTH	APPLICATION
M-2949	13941-01 E1HT5781-CA	3/4"	2 3/8"	3"	101F, 181 SERIES

EQUALIZER SHACKLE BUSHING BOLTS



BWP NO.	REPLACES REYCO-FORD	THREAD	THREAD LENGTH	LENGTH	APPLICATION
M-1685	12492-01 D8HZ5A611-C	3/4"-10	1/2"	4 1/4"	LATE STYLE FOR THREADED SHACKLE
M-1686	11828-01 D8HZ58611-B	3/4"-10	1"	4 3/4"	EARLY STYLE USE WITH M-2458 NUT

SHACKLE BOLT LOCK NUT



BWP NO.	REPLACES REYCO-FORD	THREAD	HEX	HEIGHT	APPLICATION
M-2458	11010-01 D8HZ5A615A	3/4"-10	1 1/8"	3/4"	USE WITH M-1686 BOLT

EQUALIZER SHACKLE LOCK STRIP



BWP NO.	REPLACES REYCO-FORD	APPLICATION
M-1679	12488-01 D8HZ5A615A	USE WITH M-1685 BOLT. CRIMP TABS OVER BOLT HEAD TO PREVENT LOOSENING.

REYCO DELRIN LINER



BWP NO.	REPLACES REYCO-FORD	LENGTH	WIDTH	THK.	APPLICATION
M-2872	T-5166	8"	2 7/8"	.043	MODEL 21B, 22B SINGLE LEAF SPRINGS

REYCO EQUALIZER BUSHING ASSEMBLY COMPONENTS



BWP NO.	REPLACES REYCO	I.D.	O.D.	LENGTH	APPLICATION
M-1869	BUSHING T-3214	2"	3 1/8"	4 1/4"	FOR MODELS 30, 31, 41, 42 COMPLETE EQUALIZER BUSHING ASSEMBLY. CONSISTS OF: 1 M-1869 BUSHING 1 M-1868 SHAFT 1 M-1872 PIN
M-1868	SHAFT T-3220	— —	2"	6 1/8"	
M-1872	ROLL PIN T-3010	— —	3/8"	5"	

REYCO SUSPENSION PARTS

REYCO EQUALIZER RUBBER BUSHING ASSEMBLY



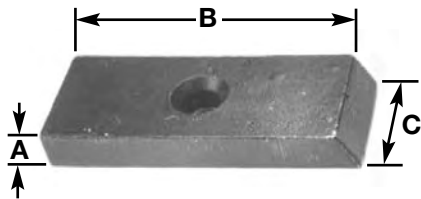
BWP NO.	APPLICATION	ASSEMBLY CONTAINS
M-2951	MODELS 21, 21-4, 21SK	2 M-1847 BUSHING 1 M-1855 SHAFT 2 M-1768 WASHER 2 M-1858 NUT 2 M-1882 PIN

EQUALIZER RUBBER BUSHING ASSEMBLY COMPONENTS



BWP NO.	REPLACES REYCO	I.D.	O.D.	LENGTH
M-1847	RUBBER BUSHING T-2102	2 ³ / ₈ "	4 ¹ / ₁₆ "	2 ⁹ / ₁₆ "
M-1855	SHAFT T-2158	---	2 ¹ / ₂ "-16 THD.	12 ¹ / ₂ "
M-1768	WASHER T-2103	2 ⁹ / ₁₆ "	4 ³ / ₄ "	1/4" THK.
M-1858	SHAFT NUT T-2111 11129-01	2 ¹ / ₂ "-16 THD.	3 ¹ / ₈ "	1 ³ / ₁₆ " THK.
M-1882	LOCK PIN T-2305	---	1/4"	4"

SPACER BLOCKS



BWP NO.	REPLACES REYCO	A	B	C	TYPE	USE
M-3426	T-7555	1/2"	7"	3"	FAB	21, 21B, 22B, 31, 101, 101A, 102, 102W, 201
M-3427	T-7716	1"	7 ¹ / ₂ "	3"	CAST	
M-3428	T-7654	1 ¹ / ₂ "	7 ¹ / ₂ "	3"	CAST	
M-3429	T-7655	2"	7"	3"	CAST	

SUSPENSION & MISC.

REYCO SUSPENSION PARTS

REYCO EQUALIZER BUSHING ASSEMBLY COMPONENTS



BWP NO.	REPLACES REYCO	I.D.	O.D.	LENGTH	APPLICATION
M-1856	FIBER BUSHING T-1708	2"	2 ⁵ / ₈ "	3 ³ / ₄ "	FOR MODELS 1700-1, 1700-3 COMPLETE EQUALIZER BUSHING ASSEMBLY. CONSISTS OF: 1 M-1856 BUSHING 1 M-1853 SHAFT 1 M-1857 SEAL 1 M-1769 ADAPTER 1 M-1898 PIN
M-1853	SHAFT T-1858	---	2"	7 ¹ / ₈ "	
M-1857	SEAL T-1792 T-2167	2"	2 ⁵ / ₈ "	1/4" THK.	
M-1769	ADAPTER T-1844	1/8" PIPE THD.	3/4"-10 THD.	---	
M-1898	LOCK PIN T-1856	---	3/8"-24 THD.	3 ⁷ / ₈ "	

REYCO EQUALIZER SHAFT



BWP NO.	REPLACES REYCO	I.D.	LENGTH	APPLICATION
M-1854	T-2211	2"	7 ⁵ / ₁₆ "	FOR MODELS 21, 21-4, 21SK COMPLETE ASSEMBLY CONSISTS OF: 1 M-1856 BUSHING 1 M-1854 SHAFT 2 M-1857 SEAL 1 M-1769 ADAPTER 1 M-1898 PIN

AXLE SEATS

	BWP NO.	REPLACES REYCO		BWP NO.	REPLACES REYCO
	M-3407	09730-01			M-3408

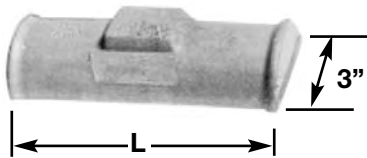
SUSPENSION & MISC.

REYCO SUSPENSION PARTS

TOP PLATES



BWP NO.	REPLACES REYCO	"L"	APPLICATION
M-2953	T-7175	5 ⁷ / ₈ "	21B, 22B USE 7/8" U-BOLTS UP 5" ROUND OR 5" SQ. EATON
M-3448	T-1734	6 ¹¹ / ₃₂ "	21B, 22B USE 7/8" U-BOLTS UP 5" ROUND OR 5" SQ. EATON

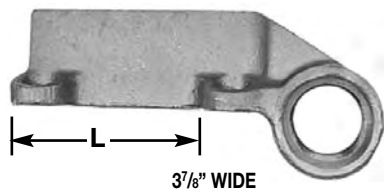


BWP NO.	REPLACES REYCO	"L"	APPLICATION
M-2952	08677-01	7 ³ / ₄ "	21B, 22B USE U-BOLTS DOWN ALL MODELS WITH INVERTED U-BOLTS

BOTTOM PLATES



BWP NO.	REPLACES REYCO	"L"	APPLICATION
M-3450	09229-01	6 ³ / ₈ "	21, 21B, 31 5" SQ. AXLE U-BOLTS DOWN
M-1684	09139-01	5 ⁷ / ₈ "	21, 21B 5" ROUND AXLE U-BOLTS DOWN

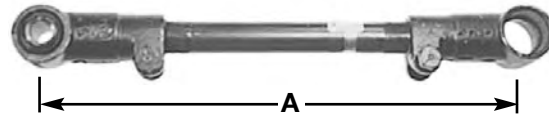


BWP NO.	REPLACES REYCO	"L"	APPLICATION
M-3451	T-5727	5 ⁷ / ₈ "	21, 21B 5" ROUND 49" TO 69" UNDERSLUNG

SUSPENSION & MISC.

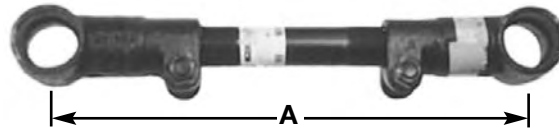
REYCO SUSPENSION PARTS

ADJUSTABLE TYPE



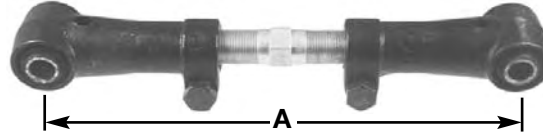
BUSHING INCLUDED
AXLE END ONLY

BWP NO.	REPLACES REYCO	"A" LENGTH	HANGER END		AXLE END		MODEL USE
			BUSHING	BUSHING ASS'Y	BUSHING	BUSHING ASS'Y	
M-3402	15186-01	20 $\frac{1}{2}$ "	M-1846	M-1760	M-1449	M-1450	102 W 102 AR



BUSHING NOT INCLUDED

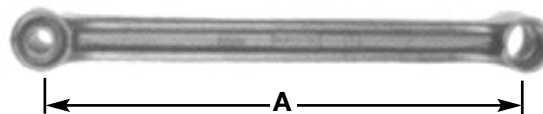
BWP NO.	REPLACES REYCO	"A" LENGTH	HANGER END		AXLE END		MODEL USE
			BUSHING	BUSHING ASS'Y	BUSHING	BUSHING ASS'Y	
M-2954	15174-01 15354-01	19 $\frac{1}{2}$ " to 21 $\frac{3}{4}$ "	M-1846	M-1760	M-1845	M-1763	102
M-3403	15172-01 T-5485 T-5541	15" to 17 $\frac{1}{4}$ "	M-1718	M-1765	M-1718	M-1765	21B
M-3404	15173-01 T-5486	17 $\frac{1}{4}$ " to 19 $\frac{1}{2}$ "	M-1718	M-1765	M-1718	M-1765	21B



BUSHINGS INCLUDED
BOTH ENDS

BWP NO.	REPLACES REYCO	"A" LENGTH	HANGER END		AXLE END		MODEL USE
			BUSHING	BUSHING ASS'Y	BUSHING	BUSHING ASS'Y	
M-2813	16347-01 T-3036 T-3863	14" to 18 $\frac{1}{2}$ "	M-1449 OR M-1870	M-1450 OR M-1880	M-1449 OR M-1870	M-1450 OR M-1880	31, 41
M-2814	16348-01 T-3035 T-3343	18 $\frac{1}{2}$ " to 21 $\frac{3}{8}$ "	M-1449 OR M-1880	M-1450 OR M-1880	M-1449 OR M-1870	M-1450 OR M-1880	31, 41

RIGID TYPE

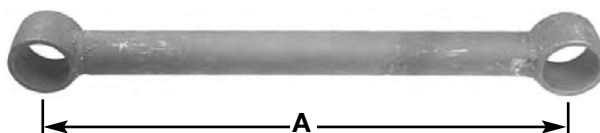


BUSHINGS INCLUDED
AXLE END ONLY

BWP NO.	REPLACES REYCO	"A" LENGTH	HANGER END		AXLE END		MODEL USE
			BUSHING	BUSHING ASS'Y	BUSHING	BUSHING ASS'Y	
M-2955	10937-01	19 $\frac{5}{16}$ "	M-1751	M-1749	M-1449	M-1450	101A, 102A
M-2956	11012-03	20 $\frac{1}{2}$ "	M-1751	M-1749	M-1449	M-1450	101A, 102A

REYCO SUSPENSION PARTS

RIGID TYPE



BUSHING NOT INCLUDED

BWP NO.	REPLACES REYCO	"A" LENGTH	HANGER END		AXLE END		MODEL USE
			BUSHING	BUSHING ASS'Y	BUSHING	BUSHING ASS'Y	
M-2957	T-7645	19 ¹ / ₂ "	M-1846	M-1760	M-1845	M-1763	102
M-2958	09481-01	21"	M-1846	M-1760	M-1845	M-1763	102
M-3405	T-7635 15178-01	16 ¹ / ₄ "	M-1718	M-1765	M-1718	M-1765	21B
M-3406	T-2293 15179-01	18 ⁷ / ₈ "	M-1718	M-1765	M-1718	M-1765	21B

REYCO TORQUE ARM BUSHING ASSEMBLY



BWP NO.	APPLICATION	ASSEMBLY CONTAINS
M-1763	102 SERIES AXLE SEAT END	2 M-1845 BUSHING 1 M-1851 BOLT 2 M-1754 WASHER 1 M-1852 NUT

TORQUE ARM BUSHING ASSEMBLY COMPONENTS



BWP NO.	REPLACES REYCO	I.D.	O.D.	LENGTH
M-1845	BUSHING T-2242	1"	2 ³ / ₈ "	2 ¹ / ₁₆ "
M-1851	BOLT T-2243	---	1"-8 THD.	6 ⁵ / ₁₆ "
M-1764	WASHER T-2224	1 ¹ / ₁₆ "	2 ³ / ₄ "	3 ¹ / ₁₆ " THK.
M-1852	LOCK NUT T-1722	1"-8 THD.	1 ⁷ / ₁₆ " HEX	7 ⁸ / ₈ " HT.

SUSPENSION & MISC.

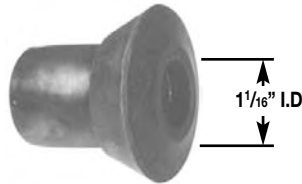
REYCO SUSPENSION PARTS

REYCO TORQUE ARM BUSHING ASSEMBLIES



BWP NO.	REPLACES REYCO	ASSEMBLY CONTAINS
M-1760	TK-19152	2 M-1846 2 M-1762
	FOR	1 M-1885 1 M-1852
	102, 102W, 102AR	2 M-1761

BWP NO.	REPLACES REYCO	ASSEMBLY CONTAINS
M-3435	TK-21640	2 M-3436 2 M-1762
	FOR	1 M-3437 1 M-1889
	102, 102W, 102AR	2 M-1761



BWP NO.	REPLACES REYCO	I.D.	O.D.	LENGTH
M-1846	BUSHING T-1842	1 1/16"	3 1/16"	2 7/8"

BWP NO.	REPLACES REYCO	I.D.	O.D.	LENGTH
M-3436	BUSHING 21238-01	1"	3 3/16"	2 7/8"



BWP NO.	REPLACES REYCO	I.D.	O.D.	LENGTH
M-1885	BOLT 21001-01	---	1"-8 THD	7 1/4"

BWP NO.	REPLACES REYCO	I.D.	O.D.	LENGTH
M-3437	BOLT T-5492	---	1"-14 THD	7 1/4"



BWP NO.	REPLACES REYCO	I.D.	O.D.	THICKNESS
M-1761	WASHER T-1724	1 1/8"	3 11/16"	1/4"

BWP NO.	REPLACES REYCO	I.D.	O.D.	THICKNESS
M-1761	WASHER T-1724	1 1/8"	3 11/16"	1/4"



BWP NO.	REPLACES REYCO	I.D.	O.D.	THICKNESS
M-1762	WASHER T-1828	2"	3"	1/8"

BWP NO.	REPLACES REYCO	I.D.	O.D.	THICKNESS
M-1762	WASHER T-1828	2"	3"	1/8"



BWP NO.	REPLACES REYCO	I.D.	O.D.	THICKNESS
M-1852	LOCKNUT T-1722	1"- 8 THD	1 7/16" HEX	7/8"

BWP NO.	REPLACES REYCO	I.D.	O.D.	THICKNESS
M-1889	LOCKNUT 12327-01	1"- 14 THD	1 7/16" HEX	1 3/16"

SUSPENSION & MISC.

REYCO SUSPENSION PARTS

REYCO TORQUE ARM BUSHING ASSEMBLY



BWP NO.	APPLICATION	ASSEMBLY CONTAINS
M-1749	101, 101A SERIES	2 M-1751 BUSHING 1 M-1750 BOLT 2 M-1761 WASHER 1 M-1852 NUT

TORQUE ARM BUSHING ASSEMBLY COMPONENTS



BWP NO.	REPLACES REYCO	I.D.	O.D.	LENGTH
M-1751	ECCENTRIC BUSHING T-1723	1 ¹ / ₁₆ "	3 ¹ / ₁₆ "	2 ⁷ / ₈ "
M-1750	BOLT — FLAT SIDED T-1721	— —	1"–8 THD.	7 ³ / ₁₆ "
M-1761	WASHER T-1724	1 ¹ / ₈ "	3 ¹¹ / ₁₆ "	1 ¹ / ₄ " THK.
M-1852	LOCKNUT T-1722	1"–8 THD.	1 ⁷ / ₁₆ " HEX"	7 ⁷ / ₈ " HT.

REYCO TORQUE ARM BUSHING ASSEMBLY



BWP NO.	APPLICATION	ASSEMBLY CONTAINS
M-1765	21B SERIES	2 M-1718 BUSHING 1 M-1766 BOLT 2 M-1764 WASHER 1 M-1767 NUT

TORQUE ARM BUSHING ASSEMBLY



BWP NO.	REPLACES REYCO	I.D.	O.D.	LENGTH
M-1718	BUSHING — RUBBER T-5493	1"	2 ³ / ₈ "	3"
M-1766	BOLT T-5492	— —	1"–14 THD.	6 ³ / ₄ "
M-1764	WASHER T-2224	1 ¹ / ₁₆ "	2 ³ / ₄ "	3 ¹ / ₁₆ " THK.
M-1767	LOCKNUT T-5495	1"–14 THD.	1 ⁷ / ₁₆ " HEX"	1 ¹ / ₁₆ " HT.

SUSPENSION & MISC.

REYCO SUSPENSION PARTS

REYCO TORQUE ARM BUSHING ASSEMBLY



BWP NO.	APPLICATION	ASSEMBLY CONTAINS
M-1450	101A, 101F SERIES	1 M-1449 BUSHING 1 M-1883 BOLT 1 M-1884 NUT

TORQUE ARM BUSHING ASSEMBLY COMPONENTS



BWP NO.	REPLACES REYCO	I.D.	O.D.	LENGTH
M-1449	BUSHING 09729-01	7/8"	1 ²⁹ / ₃₂ "	3"
M-1883	BOLT 10033-01 T-3014	—	7/8"-9 THD.	5 1/2"
M-1884	LOCK NUT T-3015	7/8"-9 THD.	1 3/8" HEX	15/16" HT.

REYCO TORQUE ARM BUSHING ASSEMBLY — EARLY STYLE



BWP NO.	APPLICATION	ASSEMBLY CONTAINS
M-1880	30, 31, 41, 42 SERIES EARLY STYLE ASSEMBLY	1 M-1870 BUSHING 1 M-1883 BOLT 1 M-1884 NUT

TORQUE ARM BUSHING — EARLY STYLE



BWP NO.	REPLACES REYCO	I.D.	O.D.	LENGTH
M-1870	BUSHING T-3016	7/8"	1 ²⁹ / ₃₂ "	3"

REYCO TORQUE ARM BUSHING ASSEMBLY



BWP NO.	APPLICATION	ASSEMBLY CONTAINS
M-2946	101F, 181 SERIES LATE STYLE ASSEMBLY	1 M-2945 BUSHING 1 M-1883 BOLT 1 M-1884 NUT

TORQUE ARM BUSHING



BWP NO.	REPLACES REYCO	I.D.	O.D.	LENGTH
M-2945	BUSHING 13945-01	7/8"	2 1/32"	3"

REYCO SUSPENSION PARTS

REYCO TORQUE ARM BUSHING ASSEMBLY



BWP NO.	APPLICATION	ASSEMBLY CONTAINS
M-2944	181 SERIES HANGER END	1 M-2943 BUSHING 1 M-2816 SLEEVE 1 M-2947 BOLT 1 M-1852 NUT

TORQUE ARM BUSHING ASSEMBLY COMPONENTS



BWP NO.	REPLACES REYCO	I.D.	O.D.	LENGTH
M-2943	BUSHING 13944-01	1½"	2¾"	3¾"
M-2816	SLEEVE — FLAT I.D. 13899-01	1"	1½"	3¼"
M-2947	BOLT — FLAT SIDED 11824-01	— —	1"-8 THD.	6"
M-1852	LOCK NUT T-1722	1" - 8 THD.	1⅞" HEX	7⁄8" HT.

REYCO TORQUE ARM BUSHING ASSEMBLY



BWP NO.	APPLICATION	ASSEMBLY CONTAINS
M-1752	25 SERIES	2 M-1755 BUSHING 1 M-1753 BOLT 2 M-1754 WASHER 1 M-1884 NUT

TORQUE ARM BUSHING ASSEMBLY COMPONENTS




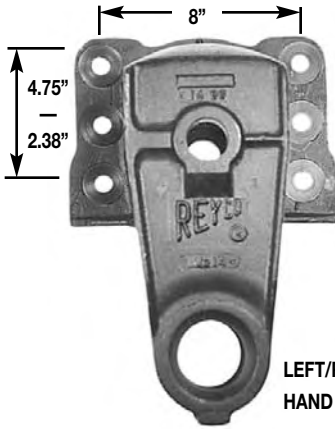
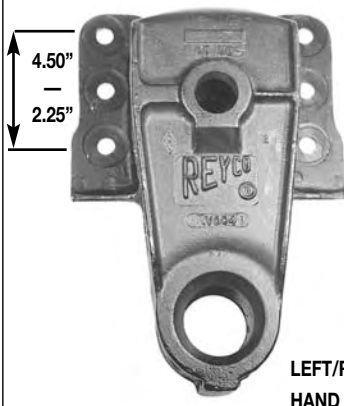
BWP NO.	REPLACES REYCO	I.D.	O.D.	LENGTH
M-1755	BUSHING T-5708	7⁄8"	1¹¹⁄₁₆"	2⁷⁄₈"
M-1753	BOLT T-5729	— —	7⁄₈"-9 THD.	6½"
M-1754	WASHER T-5730	7⁄₈"	2¼"	3⁄₁₆" THK.
M-1884	LOCK NUT 10092-01 T-3015	7⁄₈" - 9 THD.	1³⁄₈" HEX	15⁄₁₆" HT.

SUSPENSION & MISC.

REYCO SUSPENSION PARTS



REYCO SPRING HANGERS

CENTER HANGER-BLANK CENTER HANGER-STANDARD CENTER HANGER-KW

 <p>UNDRILLED LEFT/RIGHT HAND</p>			 <p>LEFT/RIGHT HAND</p>			 <p>LEFT/RIGHT HAND</p>		
BWP NO.	REPLACES REYCO	USE	BWP NO.	REPLACES REYCO	USE	BWP NO.	REPLACES REYCO	USE
M-3411	10186-01	101, 101A, 102, 102W	M-3412	10107-01	101, 101A, 102, 102W	M-3413	09910-01	101, 101A, 102, 102W



FRONT UNDERMOUNT (WELD-ON)

REAR UNDERMOUNT (WELD-ON)

 <p>RIGHT HAND SHOWN</p>	BWP NO.	REPLACES REYCO	 <p>LEFT HAND SHOWN</p>	BWP NO.	REPLACES REYCO
	M-3414	T-5562		M-3416	T-5566
	RIGHT HAND USE: 21B, 21½B			RIGHT HAND USE: 21B, 21½B	
	BWP NO.	REPLACES REYCO		BWP NO.	REPLACES REYCO
	M-3415	T-5563		M-3417	T-5565
LEFT HAND USE: 21B, 21½B		LEFT HAND USE: 21B, 21½B			

EQUALIZER UNDERMOUNT (WELD ON)



EQUALIZER FLANGE MOUNT

	BWP NO.	REPLACES REYCO		BWP NO.	REPLACES REYCO
	M-3418	T-5564		M-3419	T-5426
USE: 21B, 21½B			USE: 21B, 21½B		

SUSPENSION & MISC.

REYCO SUSPENSION PARTS



FRONT FLANGEMOUNT

 <p style="text-align: center;">LEFT HAND SHOWN</p>	BWP NO.	REPLACES REYCO	 <p style="text-align: center;">LEFT HAND SHOWN</p>	BWP NO.	REPLACES REYCO
	M-3420	T-5424		M-3422	T-5428
	RIGHT HAND USE: 21B, 21½B			RIGHT HAND USE: 21B, 21½B	
	BWP NO.	REPLACES REYCO		BWP NO.	REPLACES REYCO
	M-3421	T-5425		M-3423	T-5429
LEFT HAND USE: 21B, 21½B		LEFT HAND USE: 21B, 21½B			

REYCO WEAR PADS



HANGER WELD-ON PAD

EQUALIZER PAD

					
BWP NO.	REPLACES REYCO	USE	BWP NO.	REPLACES REYCO	USE
M-3424	11853-01	21B, 21½B	M-3425	11852-01	21B, 21½B

NOTE: CONTACT REYCO FOR CORRECT PLACEMENTS

REYCO SPRING SEATS

<p>5" ROUND AXLE</p> 	BWP NO.	REPLACES REYCO	<p>5" SQUARE</p> 	BWP NO.	REPLACES REYCO
M-3409	10114-01	USE: STABILIZED OR UNDERSLUNG	M-3410	09103-01	USE: STABILIZED

SUSPENSION & MISC.

TRAILMOBILE SUSPENSION PARTS

TRAILMOBILE EQUALIZER ASSEMBLY — 3 1/2" SPRINGS



BWP NO.	REPLACES TRAILMOBILE	APPLICATION
M-2962	3-A66-43	FOR 3 1/2" WIDE FABRICATED SERIES. 16" OVERALL LENGTH INCLUDES M-1464 BUSHING.

TRAILMOBILE EQUALIZER BUSHING ASSEMBLY



BWP NO.	APPLICATION	ASSEMBLY CONTAINS
M-1462	FOR 3 1/2" WIDE SPRING SUSPENSION	1 M-1464 BUSHING 2 M-1463 BOLT 1 M-1454 TAB 2 M-1455 NUT

EQUALIZER BUSHING ASSEMBLY COMPONENTS



BWP NO.	REPLACES TRAILMOBILE	I.D.	O.D.	LENGTH
M-1464	BUSHING 3-12-32	---	3 1/4"	4 7/16"
M-1463	BOLT 50-B1T-34	5/8" - 18 THD.	3/4"	6 1/2"
M-1454	TAB LOCK 3-36-16	---	---	---
M-1455	NUT 50-2Z-69	5/8" - 18 THD.	15/16" HEX	17/32" HT.

TRAILMOBILE BOLT KIT FOR EQUALIZER



BWP NO.	APPLICATION	ASSEMBLY CONTAINS
M-2964	TRAILMOBILE NO. 700-7-155 3 1/2" FABRICATED SUSPENSION WITH 3 1/2" WIDE SPRINGS	2 M-1463 BOLT 2 M-1455 NUT 1 M-1454 TAB 2 M-2965 ROLLER ASSEMBLY

SUSPENSION & MISC.

TRAILMOBILE SUSPENSION PARTS

TRAILMOBILE CAST IRON EQUALIZER — SHORT ROCKER



BWP NO.	REPLACES TRAILMOBILE	APPLICATION
M-2963	3-A66-42	SHORT ROCKER CAST SUSPENSION SERIES. 16½" OVERALL LENGTH. M-1869 BUSHING INCLUDED.

EQUALIZER BUSHING ASSEMBLY



BWP NO.	APPLICATION	ASSEMBLY CONTAINS
M-2976	SHORT ROCKER CAST SUSPENSION SERIES	1 M-1869 BUSHING 1 M-1874 SHAFT 2 M-1857 SEAL 1 M-1873 PIN

EQUALIZER BUSHING ASSEMBLY COMPONENTS



BWP NO.	REPLACES TRAILMOBILE	I.D.	O.D.	LENGTH
M-1869	BUSHING 3-12-20	2"	3⅛"	4¼"
M-1874	SHAFT 3-10-34 SOLID TYPE	— —	2"	7⅞"
M-1857	SEAL 50-101-29-2	2"	2⅝"	¼" THK.
M-1873	PIN 3-10-36	— —	½"	2¾"

TRAILMOBILE ADJUSTABLE TORQUE ROD



BWP NO.	REPLACES TRAILMOBILE	APPLICATION
M-2972	3-A11-74G	SHORT ROCKER SERIES. INCLUDES M-688 BUSHING. USE M-1871 BOLT ASSEMBLY SHOWN ON NEXT PAGE.

TRAILMOBILE SUSPENSION PARTS

TRAILMOBILE TORQUE ARM BUSHING ASSEMBLY — SHORT ROCKER



BWP NO.	APPLICATION	ASSEMBLY CONTAINS
M-1871	SHORT ROCKER SUSPENSION	1 M-688 BUSHING 1 M-687 SLEEVE 1 M-1878 BOLT 2 M-1876 WASHER 1 M-1879 NUT

TORQUE ARM BUSHING ASSEMBLY COMPONENTS



BWP NO.	REPLACES TRAILMOBILE	I.D.	O.D.	LENGTH
M-688	BUSHING 3-12-6	1 ⁵ / ₁₆ "	2 ⁵ / ₁₆ "	2 ¹ / ₄ "
M-687	SLEEVE - PIN 3-12-7	1 ³ / ₁₆ "	1 ⁵ / ₁₆ "	4 ³ / ₁₆ "
M-1878	BOLT 50-1B-200	—	3/4"-16 THD.	5 ¹ / ₄ "
M-1876	WASHER 3-36-5	2 ⁷ / ₃₂ "	1 ¹ / ₂ "	1/8" THK.
M-1879	NUT 3-23-2	3/4"-16 THD.	1 ¹ / ₈ " HEX	3/8" HT.

TRAILMOBILE TORQUE ARM BUSHING ASSEMBLY — PARALLELOGRAM



BWP NO.	APPLICATION	ASSEMBLY CONTAINS
M-1776	PARALLELOGRAM SUSPENSION	1 M-1722 BUSHING 1 M-1723 SLEEVE 1 M-1777 BOLT 2 M-1876 WASHER 1 M-1879 NUT

TORQUE ARM BUSHING ASSEMBLY COMPONENTS



BWP NO.	REPLACES TRAILMOBILE	I.D.	O.D.	LENGTH
M-1722	BUSHING 3-12-16	1 ⁵ / ₁₆ "	2 ⁵ / ₁₆ "	3"
M-1723	SLEEVE - PIN 3-12-17	1 ³ / ₁₆ "	1 ⁵ / ₁₆ "	4 ¹⁵ / ₁₆ "
M-1777	BOLT 50-1B-150	—	3/4"-16 THD.	6"

SUSPENSION & MISC.

TRAILMOBILE SUSPENSION PARTS

TRAILMOBILE ADJUSTABLE TORQUE ROD



BWP NO.	REPLACES TRAILMOBILE	APPLICATION
M-2142	3-11-65A	LATE MODEL FABRICATED SUSPENSION WITH 3 1/2" WIDE SPRINGS. M-1888 BUSHING INCLUDED

TRAILMOBILE RIGID TORQUE ROD



BWP NO.	REPLACES TRAILMOBILE	APPLICATION
M-2974	3-A11-64	FABRICATED SUSPENSION WITH 3 1/2" WIDE SPRINGS. 17" CENTER TO CENTER M-1888 BUSHING INCLUDED

TORQUE ARM BUSHING ASSEMBLY



BWP NO.	APPLICATION	ASSEMBLY CONTAINS
M-2159	M-2142 AND M-2974 TORQUE RODS	1 M-1888 BUSHING 1 M-2160 BOLT 1 M-2161 NUT

TORQUE ARM BUSHING ASSEMBLY COMPONENTS



BWP NO.	REPLACES TRAILMOBILE	I.D.	O.D.	LENGTH
M-1888	BUSHING 3-12-25	1"	1 29/32"	3"
M-2160	SLEEVE - PIN 3-13-29	---	1" - 14 THD.	5"
M-2161	FLANGED LOCK NUT 3-23-5	1" - 14 THD.	1 7/16" HEX	7/8" HT.

TRAILMOBILE SPRING ROLLER ASSEMBLY



BWP NO.	REPLACES TRAILMOBILE	DESCRIPTION
M-2965	50-1B-146 BOLT 3-34-45 SLEEVE 50-22-69 NUT	5/8"-18 X 5" LONG 2 1/32" I.D. X 3/4" O.C. X 3/4" LG. 5/8"-18 (M-1455)

TRAILMOBILE SUSPENSION PARTS

U-BOLT TOP PLATE — 3½" SPRINGS



BWP NO.	REPLACES TRAILMOBILE	APPLICATION
M-2967	3-A26-11	3½" WIDE SPRINGS FABRICATED SUSPENSION. 7½" WIDE, 3½" LONG

U-BOLT BOTTOM PLATE — 3½" SPRINGS



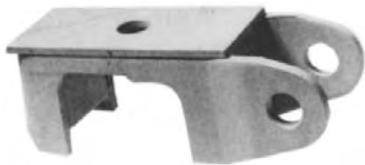
BWP NO.	REPLACES TRAILMOBILE	APPLICATION
M-2970	3-A5-8	3½" WIDE SPRINGS FABRICATED SUSPENSION.

DELRIN SPRING LINER — 3½" WIDE SPRING SUSPENSION



BWP NO.	REPLACES TRAILMOBILE	LENGTH	WIDTH	THICK.
M-2971	3-34-33	8"	3½"	.043

AXLE SEATS — 3½" WIDE SPRING SUSPENSION



BWP NO.	REPLACES TRAILMOBILE	APPLICATION
M-2968	3-A5-7A	FABRICATED SUSPENSION 1" FROM TOP TO DIMPLE
M-2969	3-A5-7B	FABRICATED SUSPENSION 1¾" FROM TOP TO DIMPLE

OLD STYLE TORQUE ARM BOLT ASSEMBLY



BWP NO.	APPLICATION	ASSEMBLY CONTAINS
M-1831	LONG ROCKER SERIES.	2 M-691 BUSHING 1 M-690 BOLT 2 M-692 BUSHING 1 M-1832 WASHER 1 M-1834 WASHER 1 M-1833 NUT

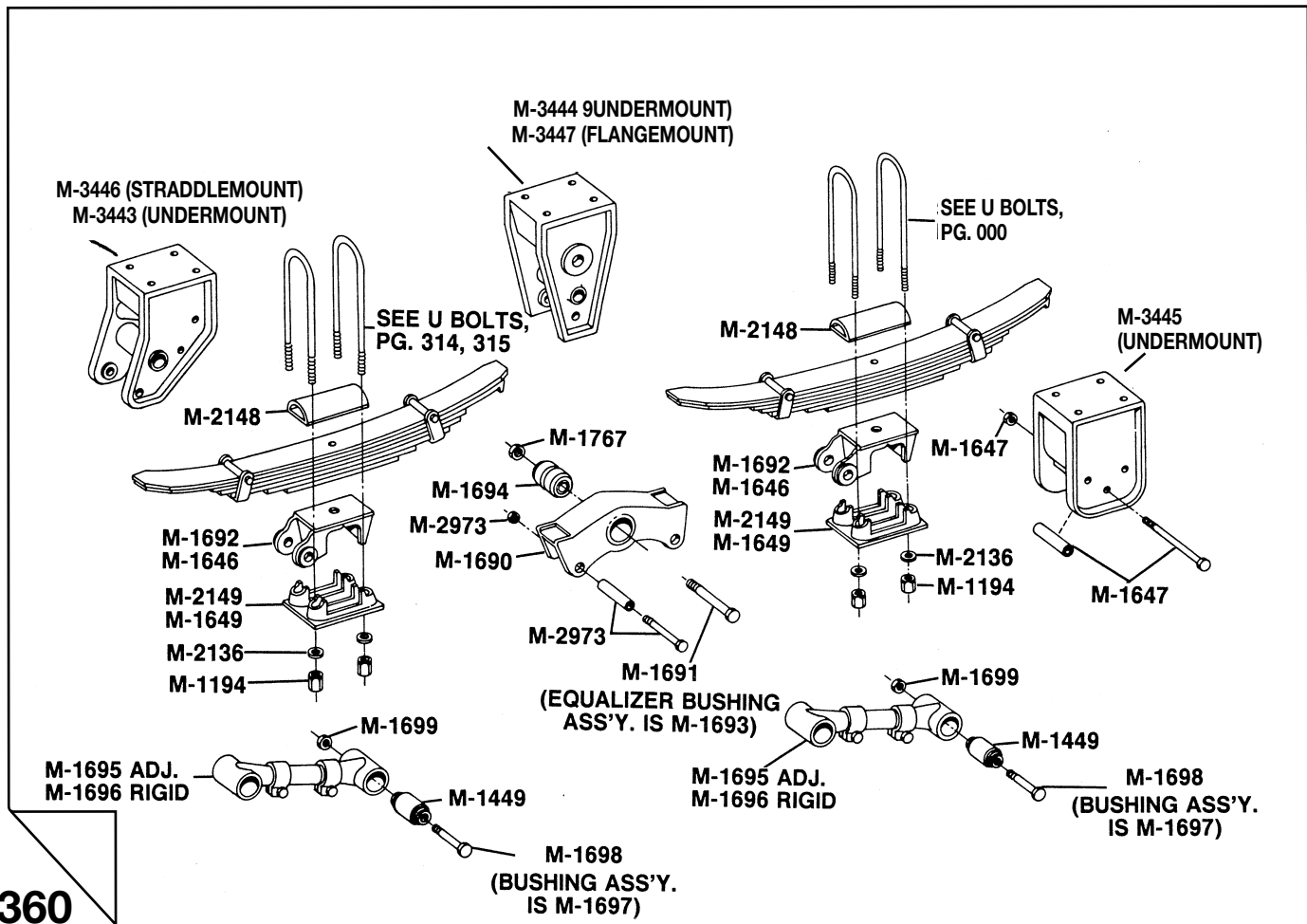
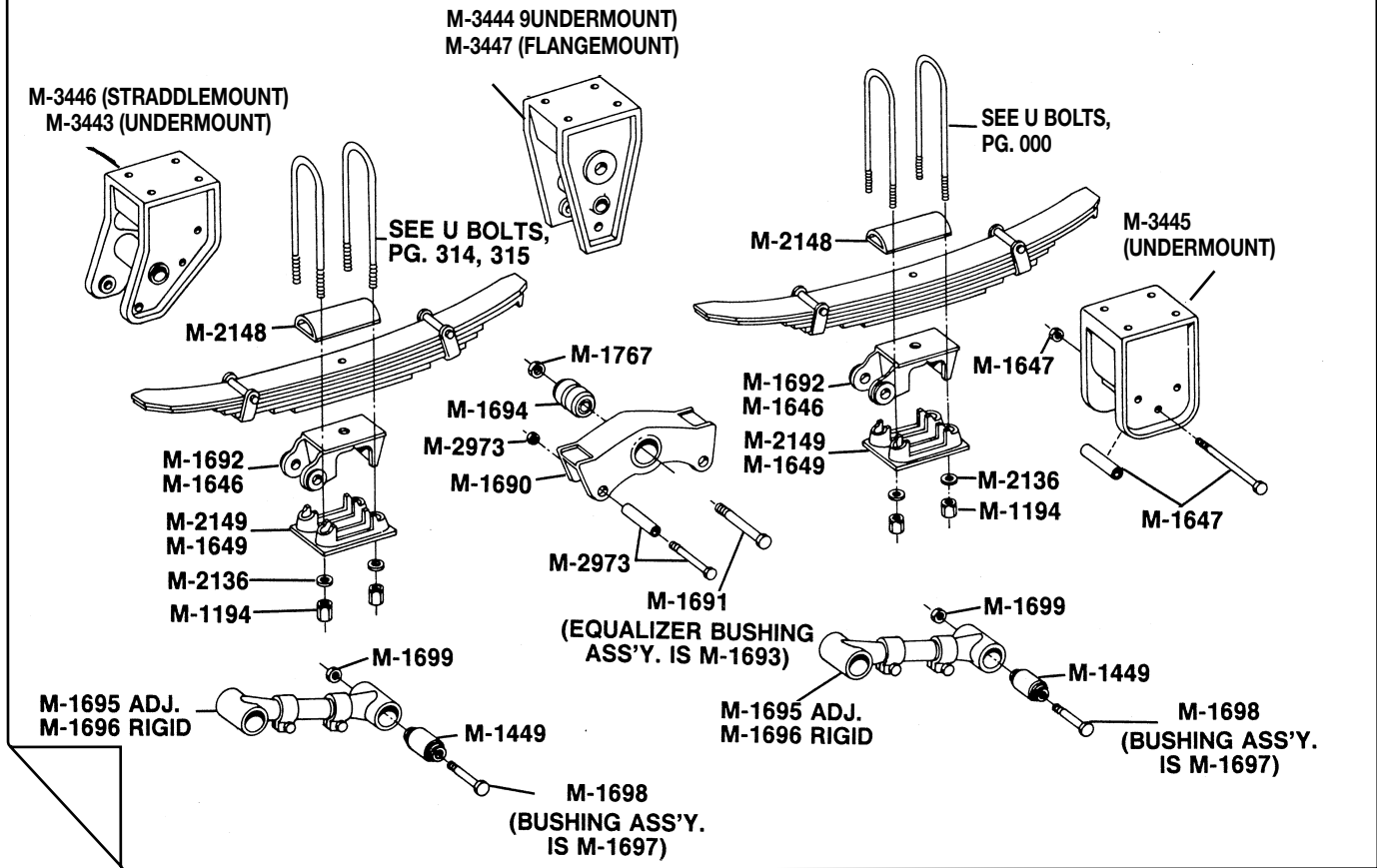
BUSHING FOR OLD STYLE TORQUE ARM BOLT ASSEMBLY



BWP NO.	REPLACES TRAILMOBILE	I.D.	O.D.	LENGTH
M-691	3-12-1	15/16"	21/16"	1½"

SUSPENSION & MISC.

TRANSPRO HEAVYWEIGHT SUSPENSION



SUSPENSION & MISC.

TRANSPRO SUSPENSION PARTS

TRANSPRO HEAVYWEIGHT EQUALIZER ASSEMBLY



BWP NO.	REPLACES TRANSPRO	APPLICATION
M-1690	0058-00 } 0650-00 } FABRICATED 0758-00 }	"HEAVYWEIGHT" MODEL INCLUDES: M-1694 BUSHING

TRANSPRO "SUPER-HEAVYWEIGHT 88" EQUALIZER ASSEMBLY



BWP NO.	REPLACES TRANSPRO	APPLICATION
M-3707	0850-00 (CAST)	SUPER HEAVYWEIGHT MODEL INCLUDES: 1 M-1694 BUSHING

SUPER HEAVYWEIGHT 88 EQUALIZER BUSHING ASSEMBLY



BWP NO.	APPLICATION	ASSEMBLY CONTAINS
M-1693	"SUPER HEAVYWEIGHT" MODEL	1 M-1694 BUSHING 1 M-1691 BOLT 1 M-1767 NUT

BUSHING FOR BUSHING ASSEMBLY



BWP NO.	REPLACES TRANSPRO	I.D.	O.D.	LENGTH
M-1694	0649-02	1"	3 ²³ / ₆₄ "	3 ¹⁵ / ₁₆ "

"HEAVYWEIGHT" EQUALIZER BUSHING ASSEMBLY



BWP NO.	APPLICATION	ASSEMBLY CONTAINS
M-1688	HEAVYWEIGHT MODEL	1 M-1689 BUSHING 1 M-1691 BOLT 1 M-1767 NUT

EQUALIZER BUSHING ASSEMBLY COMPONENTS



BWP NO.	REPLACES TRANSPRO	I.D.	O.D.	LENGTH
M-1689	BUSHING 0106-06	1"	3 ¹ / ₈ "	3 ¹⁵ / ₁₆ "
M-1691	BOLT 0001-14	—	1"-14 THD.	6 ¹ / ₄ "
M-1767	LOCK NUT 0274-01	1"-14 THD.	1 ⁹ / ₁₆ " HEX	7 ⁷ / ₈ " HT.

SUSPENSION & MISC.

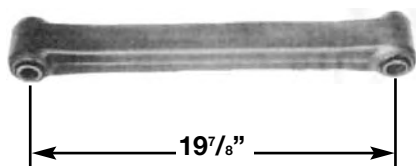
TRANSPRO SUSPENSION PARTS

TRANSPRO ADJUSTABLE TORQUE ARM



BWP NO.	REPLACES TRANSPRO	APPLICATION
M-1695	0030-20 FAB 1035-20 CAST	HEAVYWEIGHT AND SUPER HEAVYWEIGHT SERIES INCLUDES: M-1449 BUSHING

TRANSPRO RIGID TORQUE ARM



BWP NO.	REPLACES TRANSPRO	APPLICATION
M-1696	0075-20 0075-00	HEAVYWEIGHT AND SUPER HEAVYWEIGHT SERIES INCLUDES: M-1449 BUSHING

TRANSPRO TORQUE ARM BUSHING ASSEMBLY



BWP NO.	APPLICATION	ASSEMBLY CONTAINS
M-1697	HEAVYWEIGHT AND SUPER HEAVYWEIGHT SERIES FOR M-1695 AND M-1696 TORQUE ARMS	1 M-1449 BUSHING 1 M-1698 BOLT 1 M-1699 NUT

TRANSPRO BUSHING ASSEMBLY COMPONENTS

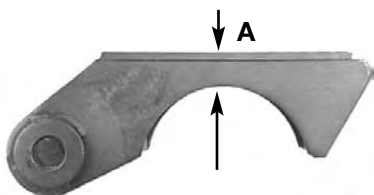


BWP NO.	REPLACES TRANSPRO	I.D.	O.D.	LENGTH
M-1449	BUSHING 0022-00	7/8"	1 29/32"	3"
M-1698	BOLT 0001-08	—	7/8"-14 THD.	5 1/4"
M-1699	LOCK NUT 0002-09	7/8"-14 THD.	1 3/8"	15/16"

SUSPENSION & MISC.

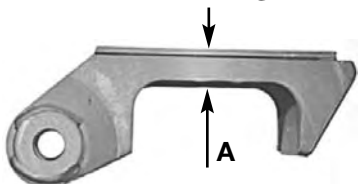
TRANSPRO SUSPENSION PARTS

AXLE SEATS FOR 5" ROUND AXLE



BWP NO.	REPLACES TRANSPRO	AXLE SEAT HEIGHT "A"	APPLICATION
M-1692	0636-01	1"	HEAVYWEIGHT AND SUPER HEAVYWEIGHT MODEL 88
M-3438	0636-015	1½"	
M-3439	0636-02	2"	

AXLE SEAT FOR 5" SQUARE AXLE



BWP NO.	REPLACES TRANSPRO	AXLE SEAT HEIGHT "A"	APPLICATION
M-3440	0632-01	1"	HEAVYWEIGHT AND SUPER HEAVYWEIGHT MODEL 88

SPRING SEAT — UNDERSLUNG AND NO-HOP MODELS



BWP NO.	REPLACES TRANSPRO	APPLICATION
M-1646	0637-01	UNDERSLUG AND NO-HOP 1" FROM TOP TO TOP OF CIRCLE

TRANSPRO REPLACEABLE WEAR PAD — SPRING HANGERS



BWP NO.	REPLACES TRANSPRO	APPLICATION
M-1648	0045-00	FRONT AND REAR SPRING HANGERS

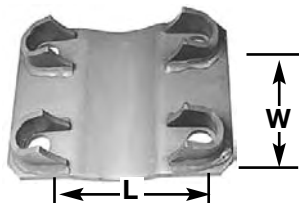
TOP PLATES



BWP NO.	REPLACES TRANSPRO	L	W	APPLICATION
M-2148	0077-00 FABRICATED	7½"	3"	86-88 TRAILER
M-3441	1098-00 CAST	6⅞"	3"	86-88 TRAILER

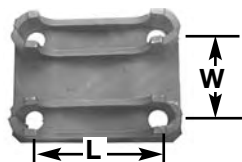


BOTTOM PLATES — 5" ROUND AXLE



BWP NO.	REPLACES TRANSPRO	L	W	APPLICATION
M-2149	0538-00	5 ¹⁵ / ₁₆ "	3 ¹⁵ / ₁₆ "	86-88 TRAILER 7/8" U-BOLTS DOWN
M-3442	0880-00	5 ⁷ / ₈ "	3 ¹⁵ / ₁₆ "	

BOTTOM PLATE — 5" SQUARE AXLE



BWP NO.	REPLACES TRANSPRO	L	W	APPLICATION
M-1649	0149-00	5 ¹⁵ / ₁₆ "	3 ¹⁵ / ₁₆ "	86-88 TRAILER U-BOLTS DOWN

SUSPENSION & MISC.

TRANSPRO SPRING HANGERS

FRONT HANGER
UNDERMOUNT



INCLUDES M-1648 PAD
LEFT/RIGHT
HAND

BWP NO.	REPLACES REYCO	USE
M-3443	0084-00	SUPER 88

CENTER HANGER
UNDERMOUNT



LEFT/RIGHT
HAND

BWP NO.	REPLACES REYCO	USE
M-3444	0088-00	SUPER 88

REAR HANGER
UNDERMOUNT



LEFT/RIGHT
HAND

BWP NO.	REPLACES REYCO	USE
M-3445	0086-00	SUPER 88

FRONT HANGER
STRADDLEMOUNT



INCLUDES M-1648 PAD
LEFT/RIGHT
HAND

BWP NO.	REPLACES TRANSPRO	USE
M-3446	0046-20	SUPER 88

CENTER HANGER
FLANGE



LEFT/RIGHT
HAND

BWP NO.	REPLACES TRANSPRO	USE
M-3447	0401-00	SUPER 88

DELRIN SPRING LINER



BWP NO.	REPLACES TRANSPRO	WIDE	LONG
M-2872	0375-00	8"	2 ⁷ / ₈ "

HANGER SPRING ROLLER ASSEMBLY



BWP NO.	REPLACES TRANSPRO	USE
M-1647	0741-05K	REAR HANGER — ALL MODELS

SUSPENSION & MISC.

U-BOLT KITS

SQUARE BEND U-BOLT KITS

ALL U-BOLT KITS
CONTAIN:
2 U-BOLTS, 4 HI-NUTS



BWP NO.	DIAM.	LEG LENGTH	BETWEEN LEGS	THREAD LENGTH	THREAD	APPLICATION	MAT'L GRADE EQUIV.
M-2782	5/8"	18"	3 1/2"	8"	5/8"-18	BODY MOUNTING	5
M-2783		20"	3 1/2"	8"	5/8"-18	BODY MOUNTING	5
M-2784		16"	4"	8"	5/8"-18	BODY MOUNTING	5
M-2785		20"	4"	8"	5/8"-18	BODY MOUNTING	5
M-2786	3/4"	12 1/4"	4"	6"	3/4"-16	TRUCK TRACTOR	8
M-2787	7/8"	16"	3"	8"	7/8"-14	TRACTOR TRAILER	8
M-2053		8 3/8"	4"	1 3/4"	7/8"-14	HENDRICKSON	8
M-2788		16"	4 1/2"	8"	7/8"-14	TRACTOR TRAILER	8
M-1711	1 1/8"	11 3/8"	5 3/4"	3"	1 1/8"-12	NEWAY	8
M-1713		12"	5 3/4"	3"	1 1/8"-12	NEWAY	8
M-2789		14"	5 3/4"	6"	1 1/8"-12	NEWAY	8
M-2790	1 1/4"	14"	4"	6"	1 1/4"-12	TRACTOR	8
M-2791		16 1/4"	4"	6"	1 1/4"-12	TRACTOR	8
M-2792		18"	4"	6"	1 1/4"-12	TRACTOR	8

SEMI-ROUND BEND U-BOLT KITS



BWP NO.	DIAM.	LEG LENGTH	BETWEEN LEGS	THREAD LENGTH	THREAD	APPLICATION	MAT'L GRADE EQUIV.
M-1491	3/4"	18"	3"	8"	3/4"-12	TRUCK TRACTOR	8
M-2793	1 1/4"	14 1/2"	4"	3 1/2"	1 1/4"-12	TRACTOR	8
M-2794		16 1/4"	4"	6"	1 1/4"-12	TRACTOR	8
M-2795		18"	4"	6"	1 1/4"-12	TRACTOR	8

FLAT FORGED — ROUND BEND U-BOLT KITS



BWP NO.	DIAM.	LEG LENGTH	BETWEEN LEGS	THREAD LENGTH	THREAD	APPLICATION	MAT'L GRADE EQUIV.
M-2128	1"	9 1/2"	6 3/8"	3"	1"-14	NEWAY	8
M-2129		12 1/2"	6 3/8"	3"	1"-14	NEWAY	8

SUSPENSION & MISC.

U-BOLT KITS – SPRING CENTER BOLTS

ROUND BEND U-BOLT KITS

ALL U-BOLT KITS
CONTAIN:
2 U-BOLTS, 4 HI-NUTS



BWP NO.	DIAM.	LEG LENGTH	BETWEEN LEGS	THREAD LENGTH	THREAD	APPLICATION	MAT'L GRADE EQUIV.	
M-1712	5/8"	7 1/4"	5"	3"	5/8"-18	NEWAY AIR RIDE	8	
M-1714		7 3/4"	5"	3"	5/8"-18	NEWAY AIR RIDE	8	
M-1490	3/4"	18"	3"	8"	3/4"-16	TRUCK TRACTOR	8	
M-1498		18"	4"	8"	3/4"-16	TRUCK TRACTOR	8	
M-1499	7/8"	12"	3"	8"	7/8"-14	TRACTOR TRAILER	5	
M-1492		14"	3"	8"	7/8"-14	TRACTOR TRAILER	5	
M-1497		16"	3"	8"	7/8"-14	TRACTOR TRAILER	5	
M-1493		18"	3"	8"	7/8"-14	TRACTOR TRAILER	5	
M-2796		14"	3 1/2"	8"	7/8"-14	TRACTOR TRAILER	5	
M-2797		18"	3 1/2"	8"	7/8"-14	TRACTOR TRAILER	5	
M-1494		14"	5"	8"	7/8"-14	TRACTOR TRAILER	5	
M-2798		18"	5"	8"	7/8"-14	TRACTOR TRAILER	5	
M-2799		1"	12 3/4"	5"	8"	1"-14	TRAILER	8

SPRING CENTER BOLTS

ALL SPRING CENTER
BOLTS FURNISHED WITH NUTS



BWP NO.	THREAD	LENGTH UNDER HEAD	THREAD LENGTH	HEAD DIAMETER	HEAD LENGTH
M-2977	3/8"-24	8"	6"	9/16"	3/8"
M-2978	7/16"-20	8"	5 1/2"	5/8"	3/8"
M-2979	7/16"-20	12"	9 1/2"	5/8"	3/8"
M-2980	1/2"-20	6"	4"	5/8"	5/8"
M-2981	1/2"-20	8"	5 1/2"	5/8"	3/8"
M-2982	1/2"-20	8"	5 1/2"	3/4"	7/16"
M-2983	1/2"-20	8"	5 1/2"	3/4"	3/4"
M-2984	1/2"-20	10"	9 1/2"	5/8"	5/8"
M-2985	1/2"-20	12"	9 1/2"	5/8"	3/8"
M-2986	1/2"-20	12"	9 1/2"	3/4"	7/16"
M-2987	1/2"-20	12"	9 1/2"	3/4"	3/4"
M-2988	5/8"-18	10"	9 1/2"	7/8"	1/2"

SUSPENSION BOLTS – READY REFERENCE

LISTING OF ALL BWP SUSPENSION BOLTS BY DIAMETER AND LENGTH

ALL BOLTS LISTED ON THIS PAGE HAVE THE SAME BODY DIAMETER AS THREAD DIAMETER AND HAVE FULL ROUND BODIES



BWP NO.	THREAD	LENGTH UNDER HEAD
M-2989	1/2"-20	1 3/4"
M-1773	9/16"-18	4 1/4"
M-1469	5/8"-11	1 1/4"
M-2881	5/8"-18	1 1/4"
M-1836	5/8"-18	3 1/4"
M-2822	5/8"-11	5 1/2"
M-1816	5/8"-18	6"
M-1770	3/4"-16	2 1/2"
M-1685	3/4"-10	4 1/4"
M-1686	3/4"-10	4 3/4"
M-2910	3/4"-16	5"
M-1878	3/4"-16	5 1/4"
M-1777	3/4"-16	6"
M-2011	3/4"-16	6 1/8"
M-2852	3/4"-16	9"
M-2897	7/8"-9	4"
M-3785	7/8"-9	4 3/16"
M-2898	7/8"-9	4 1/4"
M-2899	7/8"-9	4 1/2"
M-1828	7/8"-14	4 5/8"
M-2893	7/8"-14	5"
M-2894	7/8"-14	5 1/4"
M-1698	7/8"-14	5 1/4"
M-1883	7/8"-9	5 1/2"
M-2895	7/8"-14	6"
M-1753	7/8"-9	6 1/2"
M-2896	7/8"-14	6 1/2"
M-2808	1"-8	2 1/2"
M-2160	1"-14	5"
M-1680	1"-14	5 1/2"
M-1691	1"-14	6 1/4"
M-1851	1"-8	6 5/16"
M-1766	1"-14	6 3/4"
M-1471	1"-8	7"
M-1885	1"-8	7 1/4"
M-1849	1"-14	GRD5 7 1/4"
M-3783	1"-14	GRD8 7 1/4"
M-3477	1"-8	7 3/4"
M-1475	1"-8	8"
M-1657	1"-14	8 1/2"
M-2045	1"-14	8 1/2"
M-2046	1"-14	8 3/4"

CONTINUED NEXT PAGE

SUSPENSION & MISC.

SUSPENSION BOLTS – READY REFERENCE

LISTING OF ALL BWP SUSPENSION BOLTS BY DIAMETER AND LENGTH



BWP NO.	THREAD	LENGTH UNDER HEAD
M-2047	1"-14	9"
M-2048	1"-14	9½"
M-2049	1"-14	9¾"
M-2050	1"-14	10"
M-2051	1"-14	10¾"
M-2102	1"-14	11"
M-3484	1½"-7	6⅝"
M-2121	1½"-7	8⅛"
M-2122	1½"-7	9¼"
M-1481	1¼"-12	7"
M-2123	1¼"-7	8⅛"
M-1677	1¼"-12	8⅞"
M-2124	1¼"-7	9¼"

SUSPENSION NUTS – READY REFERENCE

LISTING OF ALL BWP SUSPENSION NUTS BY THREAD SIZE AND STYLE

HI-NUTS



BWP NO.	THREAD	HEX	HEIGHT
M-1195	⅜"-24	9/16"	17/32"
M-1196	7/16"-20	11/16"	19/32"
M-1197	½"-20	¾"	11/16"
M-1198	9/16"-18	7/8"	¾"
M-1192	5/8"-18	15/16"	27/32"
M-1193	¾"-16	1 1/16"	1"
M-1194	7/8"-14	1 ¼"	1 5/32"
M-1199	1"-14	1 7/16"	1 5/16"
M-1191	1 1/8"-12	1 ½"	1 5/8"
M-1186	1 ¼"-12	1 7/8"	2 ¾"

GRADE 8

MARSDEN LOCK NUT



BWP NO.	THREAD	HEX	HEIGHT
M-1774	9/16"-18	7/8"	7/16"

LOCK NUT — COLLAR STYLE



BWP NO.	THREAD	HEX	HEIGHT
M-2126	1 1/8"-7	1 5/8"	1 5/16"
M-2941	1 ¼"-12	1 7/8"	7/8"

SUSPENSION NUTS – READY REFERENCE

LISTING OF BWP SUSPENSION NUTS BY THREAD SIZE AND STYLE

LOCK NUTS — BALL FACE, SINGLE CHAMFER



BWP NO.	THREAD	HEX	HEIGHT
M-2823	5/8"-11	15/16"	9/16"
M-1455	5/8"-18	15/16"	17/32"
M-2059	5/8"-18	15/16"	35/64"
M-2034	3/4"-16	1 1/8"	5/8"
M-2459	3/4"-16	1 1/8"	21/32"
M-2458	3/4"-10	1 1/8"	3/4"
M-1884	7/8"-9	1 3/8"	3/4"
M-2054	7/8"-14	1 5/16"	3/4"
M-2031	7/8"-14	1 5/16"	27/32"
M-1699	7/8"-14	1 3/8"	15/16"
M-1852	1"-8	1 7/16"	7/8"
M-1889	1"-14	1 7/16"	13/16"
M-2052	1"-14	1 1/2"	7/8"
M-2127	1 1/4"-7	1 7/8"	1 1/16"

LOCK NUTS — NYLON INSERT — SINGLE CHAMFER



BWP NO.	THREAD	HEX	HEIGHT
M-1731	3/4"-16	1 1/8"	7/8"
M-1767	1"-14	1 9/16"	7/8"
M-2073	1 1/8"-12	1 5/8"	1 1/8"
M-1483	1 1/4"-12	1 13/16"	1 3/8"
M-2074	1 1/4"-12	1 13/16"	1 1/16"
M-2057	1 1/2"-12	2 3/16"	1 3/16"
M-1858	2 1/2"-16	3 1/8"	1 3/16"

LOCK NUT — FLANGED



BWP NO.	THREAD	HEX	HEIGHT
M-2161	1"-14	1 7/16"	7/8"

ADDITIONAL NUTS SHOWN ON NEXT PAGE

SUSPENSION & MISC.

SUSPENSION NUTS – READY REFERENCE

LISTING OF ALL BWP SUSPENSION NUTS BY THREAD SIZE AND STYLE
CASTELLATED NUTS



BWP NO.	THREAD	HEX	HEIGHT
M-1801	1"-14	17/16"	1"
M-1866	1 1/8"-12	1 5/8"	9/16"
M-1738	1 1/8"-12	1 11/16"	1"
M-2026	1 3/8"-12	2"	7/8"
M-2101	3"-12	3 15/16"	3/4"

DOUBLE CHAMFER NUTS



BWP NO.	THREAD	HEX	HEIGHT
M-1879	3/4"-16	1 1/8"	3/8"
M-2859	1 3/8"-12	1 3/4"	5/16"
M-1759	1 7/16"-12	2 1/4"	7/8"

MARSDEN LOCK NUT



BWP NO.	THREAD	HEX	HEIGHT
M-1774	9/16"-18	7/8"	7/16"

SUSPENSION FLAT WASHERS – READY REFERENCE

LISTING OF ALL FLAT SUSPENSION WASHERS BY I.D. AND O.D.



BWP NO.	I.D.	O.D.	THICKNESS
M-1840	5/8"	1 1/2"	1/64"
M-1839	5/8"	1 1/2"	1/32"
M-2883	2 1/32"	2 1/4"	7/32"
M-1810	1 1/16"	2 3/8"	5/32"
M-2853	2 5/32"	2 1/32"	1/8"
M-1730	1 3/16"	1 3/8"	3/32"
M-2854	1 3/16"	1 15/32"	1/8"
M-1720	1 3/16"	3 3/4"	3/8"
M-1876	2 5/32"	1 5/8"	3/16"
M-2136	7/8"	1 1/2"	1/4"
M-1754	7/8"	2 1/4"	3/16"
M-2030	1 5/16"	1 1/2"	7/64"
M-2104	1"	1 3/4"	7/64"
M-1681	1"	2"	1/8"

WASHERS CONTINUED NEXT PAGE

SUSPENSION FLAT WASHERS – READY REFERENCE

LISTING OF ALL FLAT SUSPENSION WASHERS BY I.D. AND O.D.



BWP NO.	I.D.	O.D.	THICKNESS
M-2933	1"	2"	3/8"
M-1802	1 1/16"	2 1/2"	11/64"
M-1473	1 1/16"	2 1/2"	3/16"
M-1805	1 1/16"	2 1/2"	1/4"
M-1764	1 1/16"	2 3/4"	3/16"
M-2811	1 1/16"	3 3/4"	1/2"
M-1809	1 1/16"	4"	1/4"
M-1761	1 1/8"	3 11/16"	1/4"
M-3467	1 1/8"	4"	1/4"
M-1867	1 3/16"	1 25/32"	1/16"
M-1838	1 1/4"	3"	1/16"
M-2928	1 1/4"	4"	1/4"
M-1654	1 5/32"	3"	3/32"
M-1815	1 9/32"	2 1/4"	1/32"
M-2940	1 5/16"	2 1/4"	3/16"
M-2018	1 5/16"	2 1/4"	1/4"
M-2870	1 5/16"	2 1/2"	1/16"
M-1786	1 3/8"	1 3/4"	1/8"
M-2858	1 3/8"	2 3/8"	1/8"
M-2067	1 9/16"	3 3/4"	3/8"
M-1653	1 5/8"	3"	3/32"
M-2929	1 11/16"	3 1/4"	1/8"
M-3786	1 15/16"	3 11/16"	1/8"
M-1762	2"	3"	1/8"
M-2869	2 1/16"	4"	1/16"
M-2851	2 1/4"	3 3/4"	1/16"
M-2930	2 9/16"	4"	1/4"
M-2931	2 9/16"	4 1/16"	5/32"
M-1768	2 9/16"	4 3/4"	1/4"
M-2003	2 3/4"	4 5/8"	1/8"
M-2914	3 1/2"	5 3/8"	5/16"
M-2932	3 1/2"	5 7/16"	1/4"
M-2008	3 1/2"	5 3/4"	1/8"
M-2095	4"	5 3/4"	1/8"
M-2064	6"	6 7/8"	3/16"

SUSPENSION LOCK WASHERS

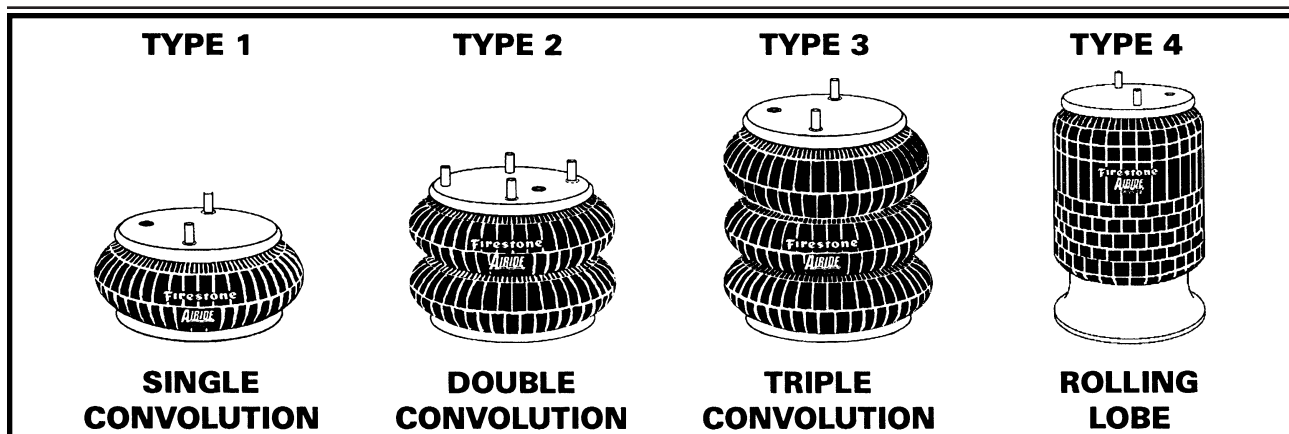
LISTING BY I.D. AND O.D.



BWP NO.	I.D.	O.D.	THICKNESS
M-1771	1 3/16"	1 3/16"	3/16"
M-843	1"	1 1/4"	1/4"
M-3434	1"	1 3/4"	5/16"

SUSPENSION & MISC.

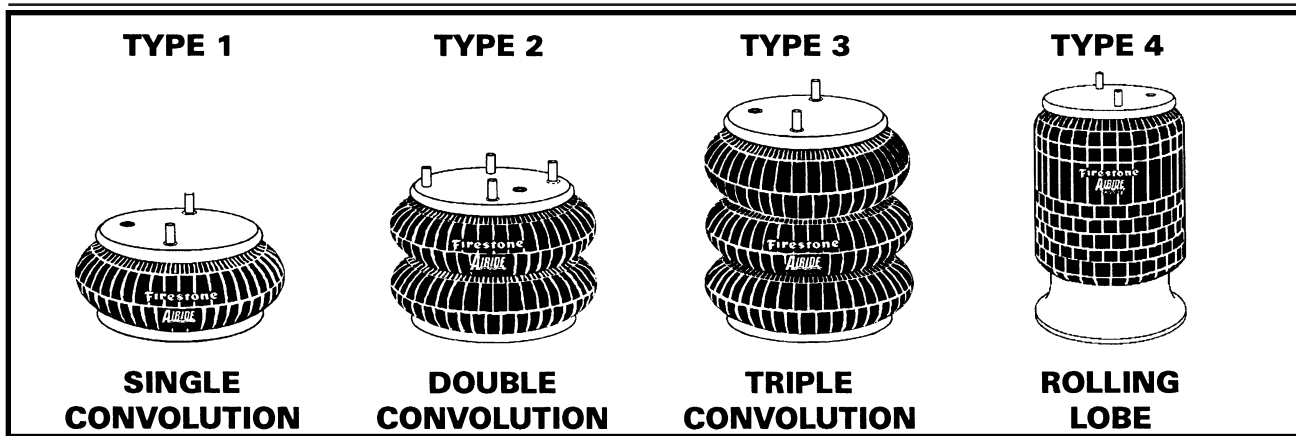
AIR SPRING INTERCHANGE LISTINGS



FIRESTONE NO.	BWP NO.	TYPE	GOODYEAR NO.	BATCO NO.	EUCLID NO.	LELAND NO.
5410	M-3534	4	1R9-070	10-95410	E-FS5410	
6897	M-3528	2	2B9-229	10-96897	E-FS6897	
6902	M-3500	2	2B09-201	10-96902	E-FS6902	SC-2010
6905	M-3551	2	2B9-206	10-96905	E-F56905	SC-2071
6910	M-3501	2	2B09-200	10-96910	E-FS6910	SC-2011
6927	M-3556	2	2B9-218	10-96927	E-FS6927	SC-2072
6944	M-3559	2	2B9-252	10-96944	E-FS6944	SC-2124
6994	M-3527	1		10-96994	E-FS6994	
7135	M-3502	2	2B14-360	10-97135	E-FS7135	SC-2013
7136	M-3503	2	2B14-356	10-97136	E-FS7136	SC-2014
7140	M-3504	2	2B14-359	10-97140	E-FS7140	SC-2015
7145	M-3505	2	2B14-354	10-97145	E-FS7145	SC-2016
7180	M-3529	2	2B12-311	10-97180	E-FS7180	SC-2075
7325	M-3557	2	2B8-550	10-97325	E-FS7325	
7400	M-3506	2	2B12-309	10-97400	E-FS7400	SC-2020
7403	M-3507	2	2B12-307	10-97403	E-FS7403	SC-2021
7410	M-3508	2	2B12-406	10-97410	E-FS7410	SC-2023
7424	M-3509	2	2B12-300	10-97424	E-FS7424	SC-2024
7443	M-3549	2	2B12-305	10-97443	E-FS7443	SC-2026
7555	M-3531	2	2B12-440	10-97555	E-FS7555	SC-2676
7800	M-3532	3	3B14-360	10-97800	E-FS7800	SC-2030
7808	M-3533	3	3B14-354	10-97808	E-FS7808	SC-2031
8008	M-3553	3	3B12-300	10-98008	E-FS8008	SC-2130
8050	M-3510	4	1R14-039	10-98050	E-FS8050	SC-2052
8052	M-3535	4	1R14-042	10-98052	E-FS8052	SC-2121
8709	M-3560	4	1R13-159	10-98709	E-FS8709	
9039	M-3511	4	1R12-095	10-99039	E-FS9039	SC-2033
9069	M-3512	4	1R12-069	10-99069	E-FS9069	SC-2034
9075	M-3536	4		10-99075	E-FS9075	
9082	M-3513	4	1R12-092	10-99082	E-FS9082	SC-2035

SUSPENSION & MISC.

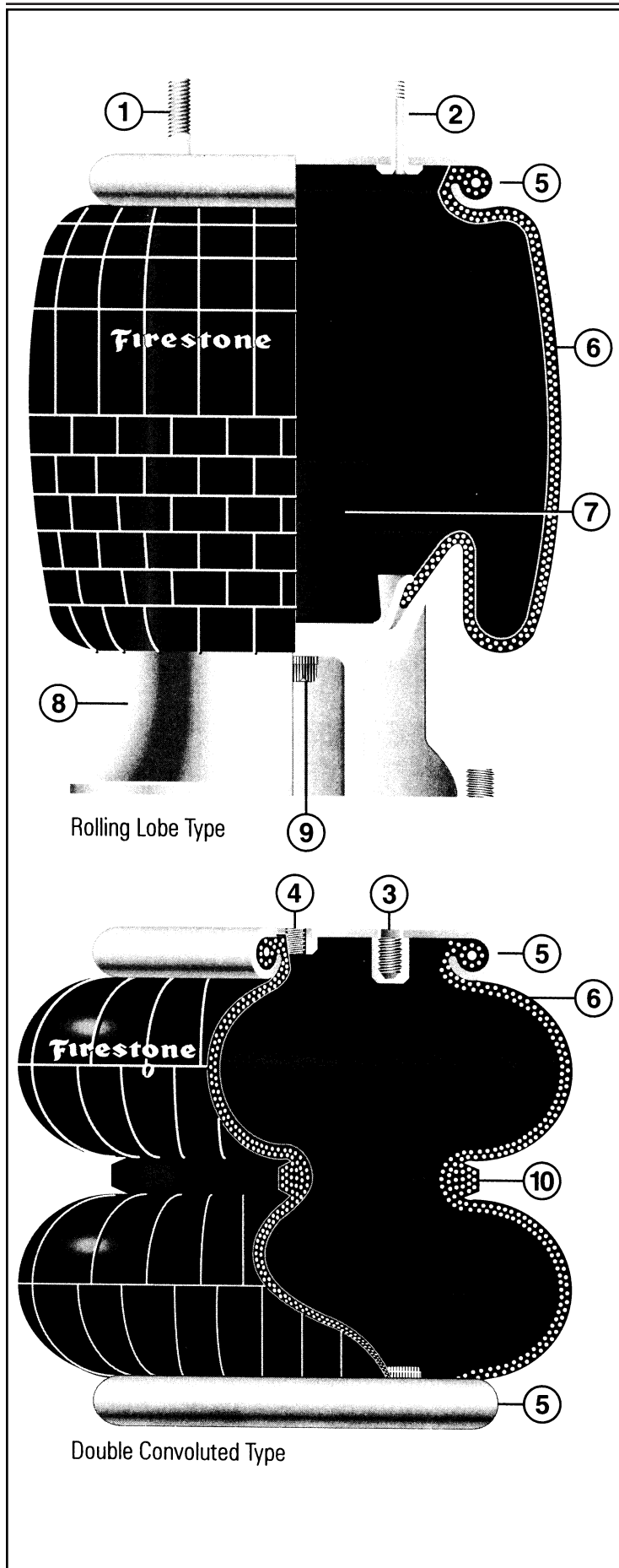
AIR SPRINGS



FIRESTONE NO.	BWP NO.	TYPE	GOODYEAR NO.	BATCO NO.	EUCLID NO.	LELAND NO.
9083	M-3514	4	1R12-066	10-99083	E-FS9083	SC-2036
9098	M-3537	4	1R13-014	10-99098	E-FS9098	SC-2037
9101	M-3515	4	1R13-103	10-99101	E-FS9101	SC-2038
9105	M-3516	4	1R12-132	10-99105	E-FS9105	SC-2039
9121	M-3517	4	1R13-039	10-99121	E-FS9121	SC-2040
9122	M-3518	4	1R13-038	10-99122	E-FS9122	SC-2041
9130	M-3519	4	1R12-905	10-99130	E-FS9130	
9158	M-3520	4	1R14-030	10-99158	E-FS9158	SC-2045
9177	M-3521	4	1R14-028	10-99177	E-FS9177	SC-2046
9192	M-3538	4	1R12-167	10-99192	E-FS9192	SC-2102
9194	M-3539	4	1R12-356	10-99194	E-FS9194	
9213	M-3522	4	1R12-090	10-99213	E-FS9213	SC-2048
9219	M-3540	4	1R12-151	10-99219	E-FS9219	SC-2070
9241	M-3523	4	1R12-142	10-99321	E-FS9241	SC-2108
9243	M-3541	4	1R12-480	10-99243	E-FS9243	
9265	M-3524	4	1R12-375	10-99265	E-FS9265	
9270	M-3542	4	1R12-077	10-99270	E-FS9270	
9293	M-3543	4	1R12-501	10-99293	E-FS9293	
9295	M-3544	4	1R11-913	10-99295	E-FS9295	
9320	M-3558	4	1R12-363	10-99320	E-FS9320	
9321	M-3545	4	1R12-256	10-99321	E-FS9321	SC-2120
9370	M-3554		1R12-440	10-99370	E-FS9370	
9371	M-3555		1S12-244	10-99371	E-FS9371	
9394	M-3546	4		10-99394	E-FS9394	
9421	M-3547	4		10-99421	E-FS9421	
9422	M-3525	4	1R11-028	10-99422	E-FS9422	SC-2050
9466	M-3526	4	1R12-173	10-99466	E-FS9466	
9780	M-3550	4	1R12-303	10-99780	E-FS9780	
9921	M-3552	4	1R12-502	10-99921	E-FS9921	
9923	M-3548	4	1R12-481	10-99923	E-FS9923	

SUSPENSION & MISC.

AIR SPRING COMPONENTS



1. Stud

A permanent part of the bead plate assembly used to attach the airspring to the suspension.

2. Combo Stud

Combination mounting stud and air fitting.

3. Blind Nut

A permanent part of the bead plate assembly providing an alternate mounting system to the stud.

4. Air Fitting Hole

A tapped hole usually 1/4" N.P.T. providing air entrance for the part.

5. Bead Plate

Permanently crimped onto the bellows at the factory allowing complete part leak testing prior to shipment.

6. Bellows

The heart of an Airide spring. Includes at least four plies, or layers, of material—an inner layer, two plies of cord-reinforced fabric, and an outer layer.

7. Bumper (Optional)

A solid molded rubber, fail-safe device used on many suspension applications. Prevents excessive damage to vehicle and suspension in the case of sudden air pressure loss.

8. Piston

The lower section of the 1T and 1X style of air spring made from aluminum, steel or fiber reinforced plastic. Provides lower mounting arrangement for the airspring, in the form of a tapped holes or studs.

9. Pistol Bolt

Attaches the piston to the bellows assembly. Extended, in some cases, to serve as a means of attaching the spring to the suspension.

10. Girdle Hoop

A ring between the convolutions of the convoluted-type air spring.

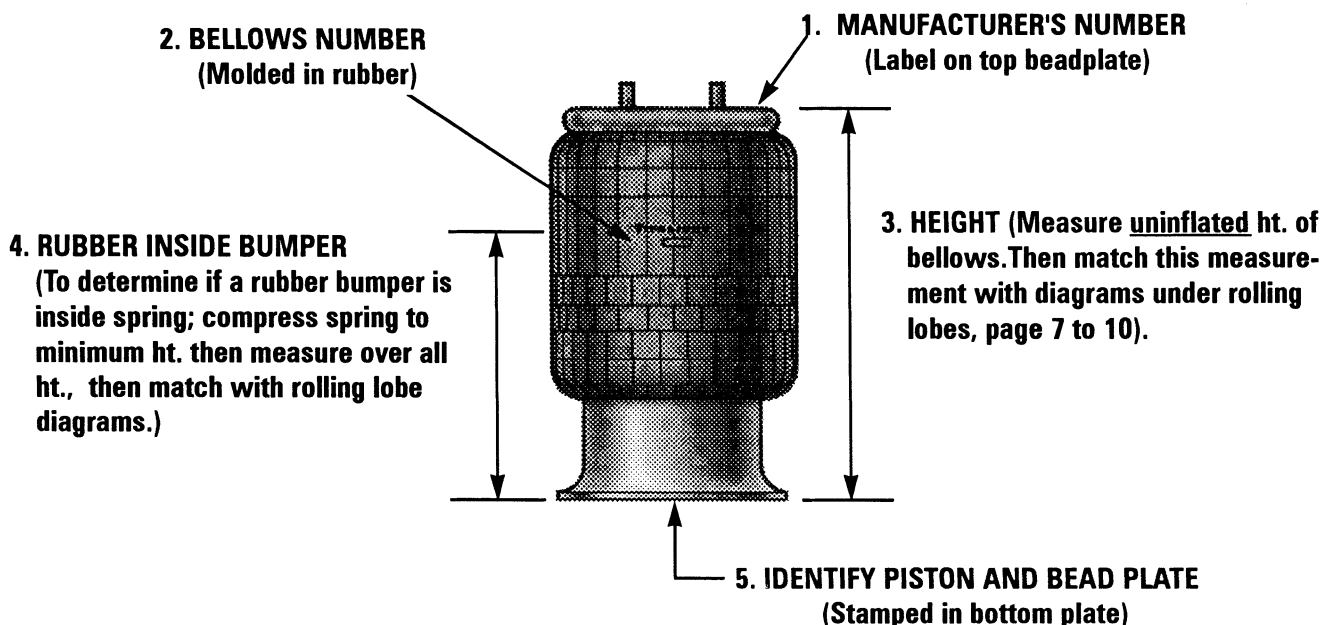
Service Assembly

On Firestone Airide springs of the 1T style, the rubber bellows bead plate portion of the spring is a separate hermetically sealed unit, available for replacement use without the piston. Called a "service assembly." It includes a bead plate, bellows, internal bumper (if any), and all attached hardware.

HOW TO IDENTIFY AN AIR SPRING

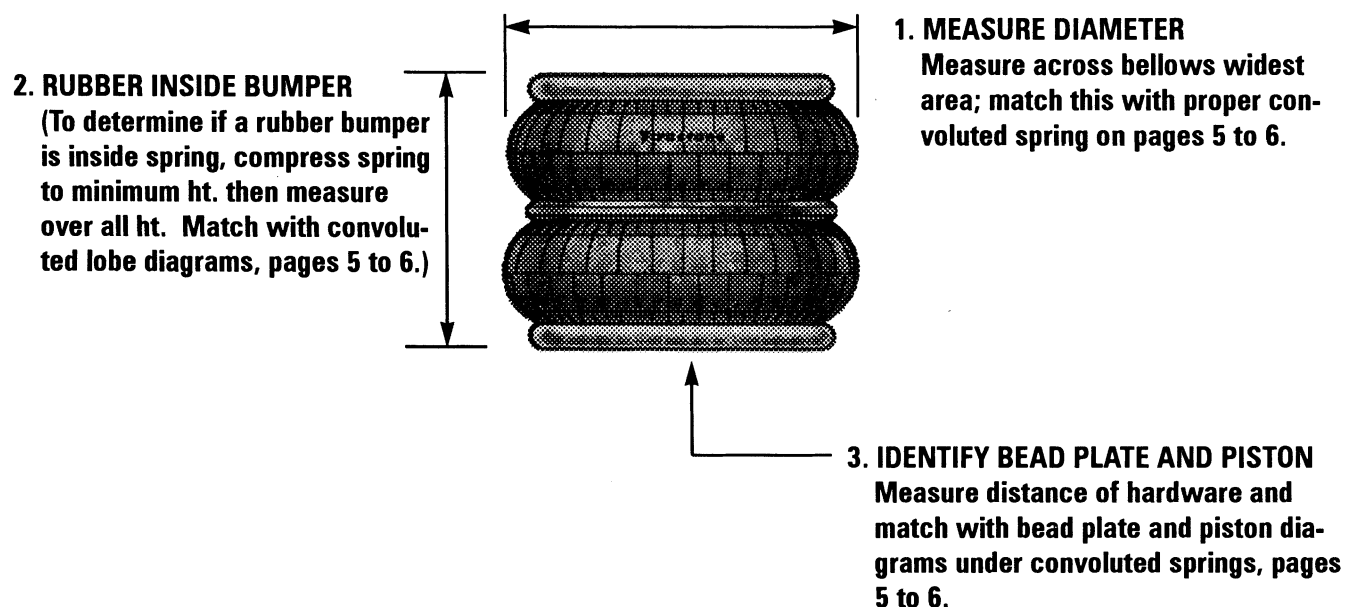
There are a number of ways to help determine the proper air spring. Start with step 1 and proceed to other steps as necessary.

ROLLING LOBE TYPE



5. The same bellows are used with different types of bead plates and pistons. Definitely compare your bead plate and piston measurements with rolling lobe diagram on pages 7 to 10.
(Note: All newer pistons have 4 threaded holes in outer diameter, and a center hole. On some mountings the outer holes may not be used. If the diameter and height of the piston match measurements on rolling lobe diagrams, the piston will work.)

CONVOLUTED TYPE



HOW TO READ PARTS TABLE FOR CONVOLUTED TYPES

BWP NO.	FIRESTONE NO.	REPLACES	CROSS SECTION VIEW	TOP VIEW (BEAD PLATE)	BOTTOM VIEW (PISTON)
M-3507	7403 BELLOWS NO. 22	Goodyear 2B12-307 Granning 2725 Hendrickson Tuner B01159/ R & S Truck & Bocy 1040201 Ht (Canada) B-12514-001			

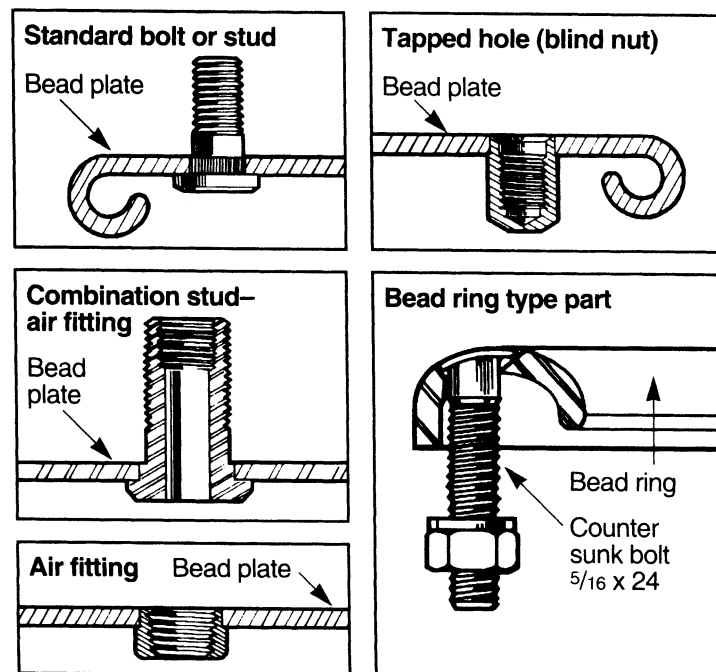
Hardware Key Above

Hardware Key

● Bolt or Stud 1/2-13 ● Threaded Hole 3/8-16 Blind Nut on Bead Plates 1/2-13 in Pistons ⊗ Air Inlet 1/4 N.P.T.
⊗ Combination Stud/Air Inlet Stud Outside Thread is 3/4-16 Studs Inside Thread (Air Inlet) is 1/4 N.P.T. Exceptions will be noted on Part View as ⊗

- 1. REPLACES** various manufacturer's numbers.
- 2. CROSS-SECTION VIEW** shows UNINFLATED bellows diameter and minimum ht.
- 3. TOP VIEW (BEAD PLATE)** shows upper bead plate dimension and necessary hardware.
- 4. BOTTOM VIEW (PISTON)** shows lower bead plate dimens and necsary hardware.

TYPICAL TYPES OF ATTACHING HARDWARE FOUND ON BEAD PLATES



AIR SPRINGS (SINGLE CONVOLUTION)

BWP NO.	FIRESTONE NO.	REPLACES	CROSS SECTION VIEW	TOP VIEW (BEAD PLATE)	BOTTOM VIEW (PISTON)
M-3527	6994 Bellows No. 19	Capacity of Texas			

AIR SPRINGS (DOUBLE CONVOLUTION)

BWP NO.	FIRESTONE NO.	REPLACES	CROSS SECTION VIEW	TOP VIEW (BEAD PLATE)	BOTTOM VIEW (PISTON)
M-3528	6897 Bellows No. 20	WATSON & CHALIN AS-0058			
M-3500	6902 Bellows No. 20	Goodyear 2B9-201 Granning 4848 Hendrickson Turner B-2630 R & S Truck & Body 1027505 Ridewell 1003586902C American Carrier			
M-3551	6905	Hendrickson S-3518/S-5270 Hendrickson Canada 45843-1 Ridewell 1003586905C Watson & Chalin AS-0020			

Hardware Key

● Bolt or Stud 1/2-13 ⊕ Threaded Hole 3/8-16 Blind Nut on Bead Plates 1/2-13 in Pistons ⊗ Air Inlet 1/4 N.P.T.
 ⊗ Combination Stud/Air Inlet Stud Outside Thread is 3/4-16 Studs Inside Thread (Air Inlet) is 1/4 N.P.T. Exceptions will be noted on Part View as ⊗

SUSPENSION & MISC.

AIR SPRINGS (DOUBLE CONVOLUTION)

BWP NO.	FIRESTONE NO.	REPLACES	CROSS SECTION VIEW	TOP VIEW (BEAD PLATE)	BOTTOM VIEW (PISTON)
M-3501	6910 Bellows No. 20	Goodyear 2B9-200 Granning 1371 Hendrickson Turner 8768 (Canada) 45843-3 R & S Truck & Body 1027505 Ridewell 1003586910C			
M-3556	6927	Reyco 12906-01			
M-3559	6944	Histeer 10307			
M-3502	7135 Bellows No. 21	Goodyear 2B14-360 Neway 905-57-001 Pezzani AR-21-A Ridewell 1003587135C Silent Drive Truckstell (Marion Mfg.) 63641 Truckstell (Marion Mfg.) 63644 HT (Canada) B-12514-014			
M-3503	7136 Bellows No. 21	Fargo Trailer Goodyear 2B14-356 Granning 1626 Hendrickson Turner B-1080 R & S Truck & Body 1027556 Ridewell 1003587136C Watson & Chalin AS-0004			

SUSPENSION & MISC.

Hardware Key

● Bolt or Stud 1/2-13 ⊙ Threaded Hole 3/8-16 Blind Nut on Bead Plates 1/2-13 in Pistons ⊗ Air Inlet 1/4 N.P.T.
 ⊗ Combination Stud/Air Inlet Stud Outside Thread is 3/4-16 Studs Inside Thread (Air Inlet) is 1/4 N.P.T. Exceptions will be noted on Part View as ⊗

AIR SPRINGS (DOUBLE CONVOLUTION)

BWP NO.	FIRESTONE NO.	REPLACES	CROSS SECTION VIEW	TOP VIEW (BEAD PLATE)	BOTTOM VIEW (PISTON)
M-3504	7140 Bellows No. 21	Goodyear 2B14-359 Granning 1015 Hendrickson Turner B-3184 Porcupine (replaces 7142) R & S Truck & Body 1090214 Ridewell 103587140C Temisko Watson & Shalin AS-0008			
M-3505	7145 Bellows No. 21	Goodyear 2B14-354 Mack 57QL239 Ridewell 1003587145C Volvo/K-M Heavy Duty Truck 35203-0005			
M-3529	7180 Bellows No. 22	EZ Ride 8030190 Goodyear 2B12-425 Hendrickson Turner KwikLock Peerless 0550-00001 Talbert Todco (Jifflox)			
M-3557	7325	American Carrier 8003-006 Mack 227QS-32 & 57QK1113 Sauer P10-754 Watson & Chalin AS-0030			
M-3506	7400 Bellows No. 22	Fab Tek (West Unit) 04-0080 Fargo Trailer Freightliner 16-10769-000 GMC 693230 Goodyear 2B12-309 Granning 2726 Hendrickson Turner C-1013 Neway 905-57-016 or TC-144-4 R & S Truck & Body 1027519 Ridewell 1003587 400C Taico Talbert Watson & Chalin AS-0003			

Hardware Key

● Bolt or Stud 1/2-13 ⊕ Threaded Hole 3/8-16 Blind Nut on Bead Plates 1/2-13 in Pistons ⊗ Air Inlet 1/4 N.P.T.
 ⊗ Combination Stud/Air Inlet Stud Outside Thread is 3/4-16 Studs Inside Thread (Air Inlet) is 1/4 N.P.T. Exceptions will be noted on Part View as ⊗

SUSPENSION & MISC.

AIR SPRINGS (DOUBLE CONVOLUTION)

BWP NO.	FIRESTONE NO.	REPLACES	CROSS SECTION VIEW	TOP VIEW (BEAD PLATE)	BOTTOM VIEW (PISTON)
M-3507	7403 Bellows No. 22	Goodyear 2B12-307 Granning 2725 Hendrickson Turner B-1159/ R & S Truck & Body 1040201 HT (Canada) B-12514-001			
M-3508	7410 Bellows No. 22	Freightliner 16-11378-000 Goodyear 2B12-406			
M-3509	7424 Bellows No. 22	Goodyear 2B12-300 Integrated Neway 905-57-014 or TC-144-2 Porcupine R & S Truck & Body 1090215 Sauer P10-755			
M-3549	7443 Bellows No. 22-1.5	Goodyear 2B12-305 Granning 1218 (replaces 7416) Watson & Chalin AS-0027 (replaces 7416)			
M-3531	7555 Bellows No. 228-1.5	Reyco 18813-01 (7550) Reyco 20018-01 Binkley XB-SPN-053-37 Note: Supersedes 7550			

Hardware Key

● Bolt or Stud 1/2-13 ⊕ Threaded Hole 3/8-16 Blind Nut on Bead Plates 1/2-13 in Pistons ⊗ Air Inlet 1/4 N.P.T.
 ⊗ Combination Stud/Air Inlet Stud Outside Thread is 3/4-16 Studs Inside Thread (Air Inlet) is 1/4 N.P.T. Exceptions will be noted on Part View as ⊗

SUSPENSION & MISC.

AIR SPRINGS (TRIPLE CONVOLUTION)

BWP NO.	FIRESTONE NO.	REPLACES	CROSS SECTION VIEW	TOP VIEW (BEAD PLATE)	BOTTOM VIEW (PISTON)
M-3532	7800 Bellows No. 313	Goodyear 3B14-360 Granning 4514 Holland Hitch 4514 Ridewell 1003587800C Silent Drive			
M-3533	7808 Bellows No. 313	Goodyear 3B14-354 Ridewell 1003587808C Truckstell (Marion Mfg.) 63640			
M-3553	8008	Ridewell 1003588008C Watson & Chalin AS-0019 Hendrickson S-11637			

Hardware Key

Bolt or Stud 1/2-13
 Threaded Hole 3/8-16 Blind Nut on Bead Plates 1/2-13 in Pistons
 Air Inlet 1/4 N.P.T.
 Combination Stud/Air Inlet Stud Outside Thread is 3/4-16 Studs Inside Thread (Air Inlet) is 1/4 N.P.T. Exceptions will be noted on Part View as

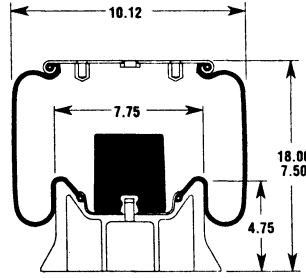
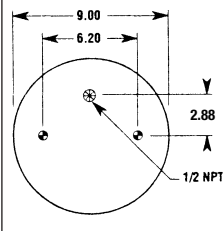
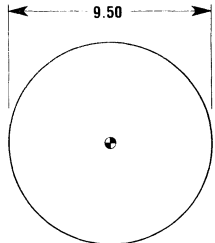
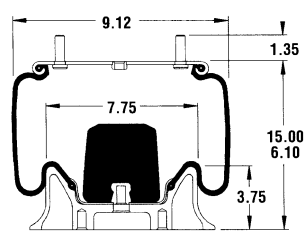
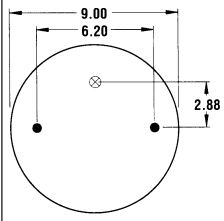
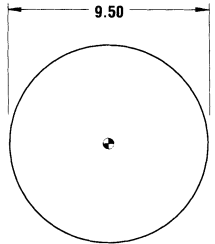
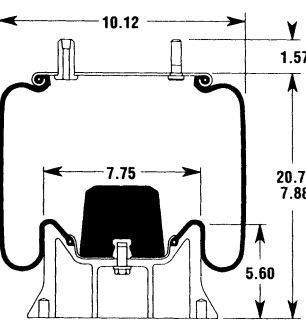
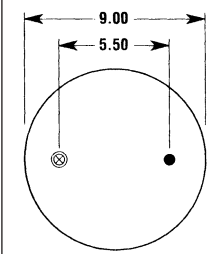
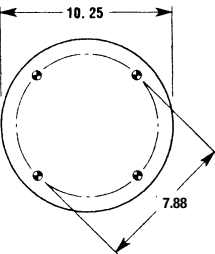
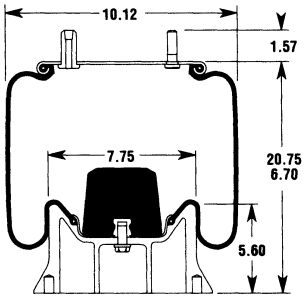
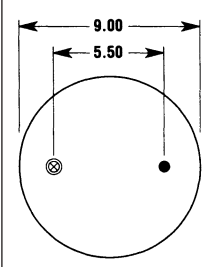
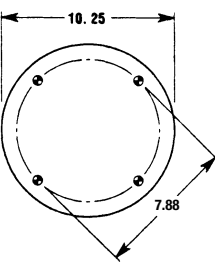
AIR SPRINGS (ROLLING LOBE)

BWP NO.	FIRESTONE NO.	REPLACES	CROSS SECTION VIEW	TOP VIEW (BEAD PLATE)	BOTTOM VIEW (PISTON)
M-3534	5410 Bellows No. IT14C-3 or IT14F-4	Granning 2112 Ridewell 1003585410C Mfg. SV. # Ridewell 1013585404C			
M-3510	8050 Bellows No. 1T19J-6	Goodyear 1R14-039 Hendrickson Turner (Canada) 36514-13 Turner			
M-3535	8052 Bellows No. 1T19J-6	Hendrickson Turner (Canada) B-12514-012			
M-3560	8709	Hendrickson S-21800 Replaced Firestone 8751 6/1/98			
M-3511	9039 Bellows No. 1T15M-0	Goodyear 1R12-095 Goodyear 1R12-122 (Crimped) Hendrickson Turner B-2064/B-11650 Hutchens H-9424-01 Neway 905-57-11 or AR-1517-1-G Neway 905-57-023 or AR-1517-1-F Neway 905-57-085 R & S Truck & Body 1090218 Ridewell 1013589039C Sauer P50-734 MFG. SV.# Hutchens H-9424-1 Neway 900-44 199 Ridewell 1003580702C			

SUSPENSION & MISC.

Hardware Key Bolt or Stud 1/2-13 ● Threaded Hole 3/8-16 Blind Nut on Bead Plates 1/2-13 in Pistons ● Air Inlet 1/4 N.P.T. ⊗
 ⊗ Combination Stud/Air Inlet Stud Outside Thread is 3/4-16 Studs Inside Thread (Air Inlet) is 1/4 N.P.T. Exceptions will be noted on Part View as ⊗

AIR SPRINGS (ROLLING LOBE)

BWP NO.	FIRESTONE NO.	REPLACES	CROSS SECTION VIEW	TOP VIEW (BEAD PLATE)	BOTTOM VIEW (PISTON)
M-3512	9069 Bellows No. 1T15M-4	Goodyear 1R12-069 Peterbilt 03-02456 03-04759 03-01649 03-06746 03-07112 03-02038 MFG. SV# Peterbilt 03-10042			
M-3536	9075 Bellows No. 1T156-2	Hutchens H-2007 Pezzani MFG. SV.# Hutchens H-2007-7			
M-3513	9082 Bellows No. 1T15M-6	Goodyear 1R12-092 Goodyear 1R12-134 (Crimped) Granning 2727 Hendrickson Turner (Canada) B-2066/36514-7 Hendrickson Turner B-4773-1 Hutchens H-9630-01 Kelderman Kwik Lok/Todco (Jifflox) CP-5152 Navistar 517559C-9 Neway 905-57-006 or AR-1315-1-G Neway 905-57-127 or AR-1315-1-F Neway 905-57-031 or AR-1315-3-F Neway 905-57-037 Neway 905-57-075 R & S Truck & Body 1090217 Reyco 12882-01 Ridewell 10035899082C Watson & Chalin A5-0011 MFG. SV.# Hutchens H-9630-03 Neway 900-44-200 Ridewell 1003580712C			
M-3514	9083 Bellows No. 1T15M-6	Goodyear 1R12-066 Granning 1359 Ridewell 1003589083C Watson & Chalin A5-0028 MFG. SV.# Granning 1528 Ridewell 1013589080C			

SUSPENSION & MISC.

Hardware Key Bolt or Stud 1/2-13 ● Threaded Hole 3/8-16 Blind Nut on Bead Plates 1/2-13 in Pistons ⊕ Air Inlet 1/4 N.P.T. ⊗
 ⊗ Combination Stud/Air Inlet Stud Outside Thread is 3/4-16 Studs Inside Thread (Air Inlet) is 1/4 N.P.T. Exceptions will be noted on Part View as ⊗

AIR SPRINGS (ROLLING LOBE)

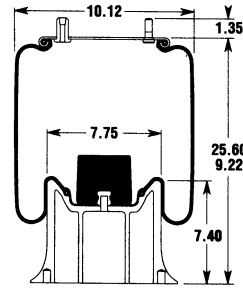
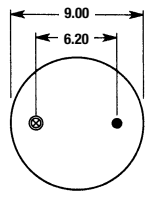
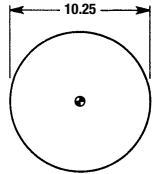
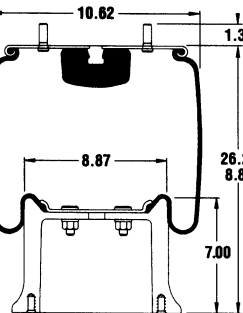
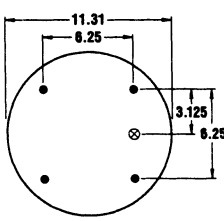
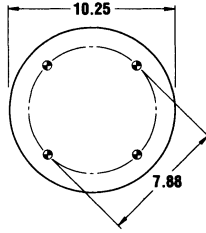
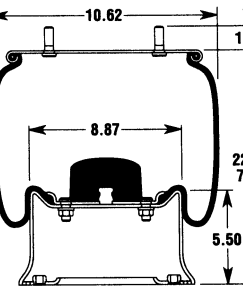
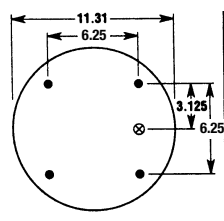
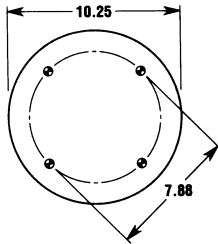
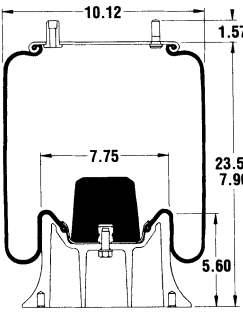
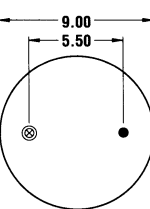
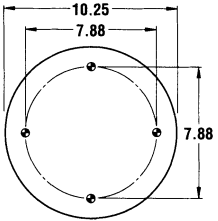
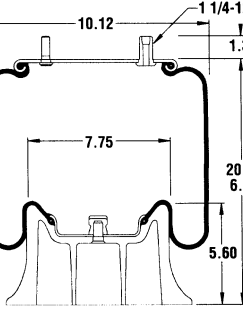
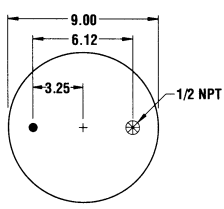
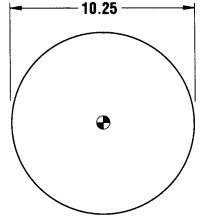
BWP NO.	FIRESTONE NO.	REPLACES	CROSS SECTION VIEW	TOP VIEW (BEAD PLATE)	BOTTOM VIEW (PISTON)
M-3537	9098 Bellows No. 1T15MJ-6	Goodyear 1R12-014 Goodyear 1R12-047 Navistar 350243C-94 Navistar 426212C-1 Navistar 442305C-91 Navistar 442306C-91 MFG. SV.# Navistar 454590C-1 Navistar 454588C-91			
M-3515	9101 Bellows No. 1T15M-9	Goodyear 1R12-103 Goodyear 1R12-135 (Crimped) Neway 905-57-008 or AR-1415-1-G Neway 905-57-009 or AR-1415-1-F Neway 905-57-082 Reyco 12883-01 Ridewell 1003589101C Silent Drive Truckstell (Marion Mfg.) 63647 MFG. SV# Neway 900-44-201 Ridewell 1003589102C			
M-3516	9105 Bellows No. 1T15M-9	Goodyear 1R12-132 Hendrickson Turner B-1245 Ridewell 1003589105C Granning 5065			
M-3517	9121 Bellows No. 1T19F-7 or 1T19L-7	Goodyear 1R13-039 Goodyear 1R13-043 (Crimped) Neway 905-57-019 or AR-1115-1-G Neway 905-57-078 Neway 905-57-083 R & S Truck & Body 1090023 Reyco 12882-02 Ridewell 1003589121C Sauer P50-733 MFG. SV.# Ridewell 1013589123C			
M-3518	9122 Bellows No. 1T19F-11 or 1T19L-11	Goodyear 1R13-038 Goodyear 1R14-045 Hendrickson Turner B-3830 Hendrickson Turner (Canada) B-12514-008, B-12514-010, B-3830 Neway 905-57-020 or AR-1515-1-G Neway 905-57-076 Neway 905-57-077 Porcupine Reyco 12883-02 Ridewell 1003589122C Sauer P50-732 Temisko MFG. SV.# Neway 900-44-658 Ridewell 1013589-124C			

SUSPENSION & MISC.

Hardware Key Bolt or Stud 1/2-13 ● Threaded Hole 3/8-16 Blind Nut on Bead Plates 1/2-13 in Pistons ● Air Inlet 1/4 N.P.T. ⊗

⊗ Combination Stud/Air Inlet Stud Outside Thread is 3/4-16 Studs Inside Thread (Air Inlet) is 1/4 N.P.T. Exceptions will be noted on Part View as ⊗

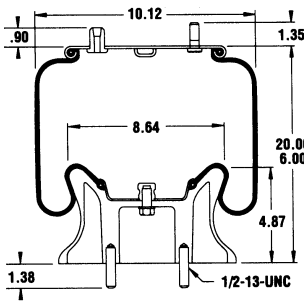
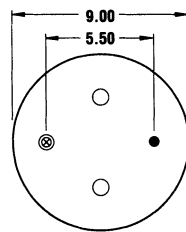
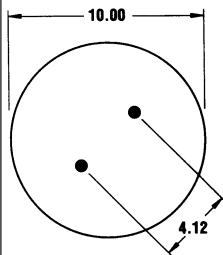
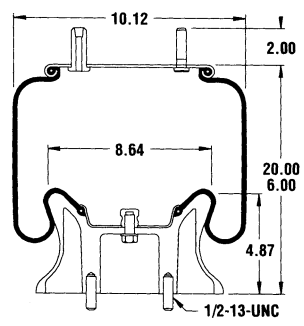
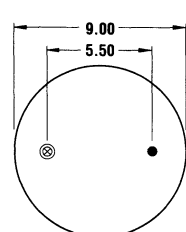
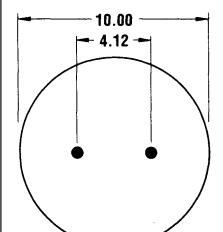
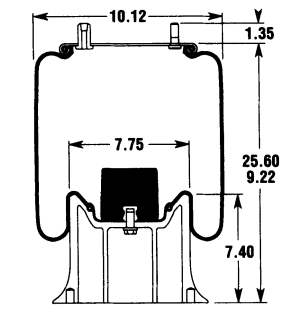
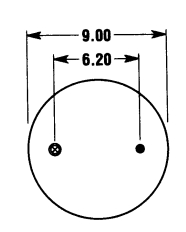
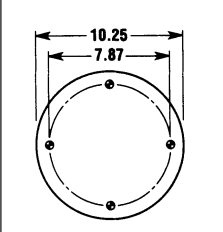
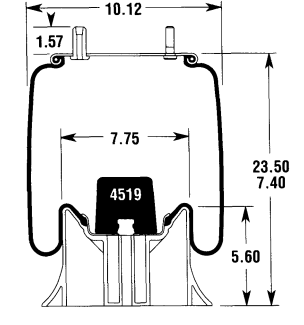
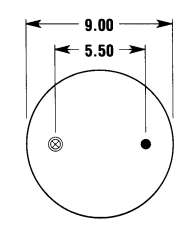
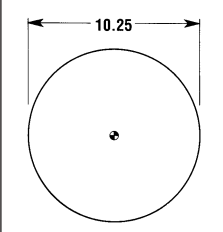
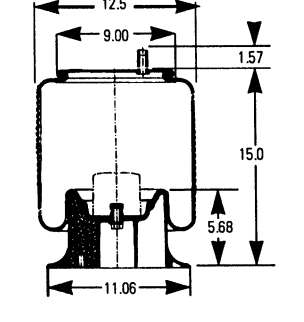
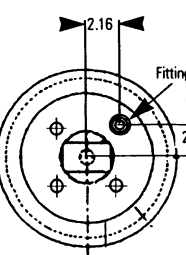
AIR SPRINGS (ROLLING LOBE)

BWP NO.	FIRESTONE NO.	REPLACES	CROSS SECTION VIEW	TOP VIEW (BEAD PLATE)	BOTTOM VIEW (PISTON)
M-3519	9130 Bellows No. 1T15M-9	Fruehauf UCE-9393-1			
M-3520	9158 Bellows No. 1T19F-11 or 1T19L-11	Goodyear 1R14-030 Hendrickson Turner (Canada) 36514-1, B-12514-001 B-12514-004 Hendrickson Turner (Canada) B-2063/36514-4 Neway 905-57-005 or AR-1215-1-F Peerless Porcupine Ridewell 1003589158C MFG. SV.# Neway 900-44-197 Peerless 0550-0081 Ridewell 1013589154C			
M-3521	9177 Bellows No. 1T19F-7 or 1T19L-7	Goodyear 1R14-028 Hendrickson Turner B-2065 Neway 905-57-003 or AR-1115-1-F R & S Truck & Body 1090216 Ridewell 1003589177C MFG. SV.# Ridewell 1013589159C			
M-3538	9192 Bellows No. 1T15M-9	Hendrickson Turner B-6195 Goodyear 1R12-167 Neway 905-57-086			
M-3539	9194 Bellows No. 1T15M-6	Peterbilt 03-05107			

Hardware Key Bolt or Stud 1/2-13 ● Threaded Hole 3/8-16 Blind Nut on Bead Plates 1/2-13 in Pistons ⊕ Air Inlet 1/4 N.P.T. ⊗
 ⊗ Combination Stud/Air Inlet Stud Outside Thread is 3/4-16 Studs Inside Thread (Air Inlet) is 1/4 N.P.T. Exceptions will be noted on Part View as ⊗

SUSPENSION & MISC.

AIR SPRINGS (ROLLING LOBE)

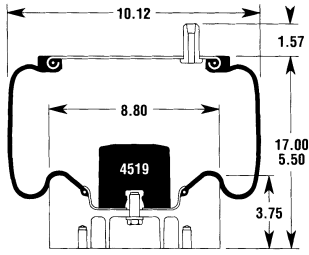
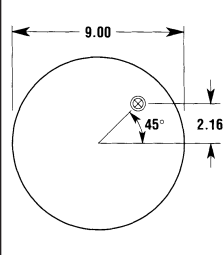
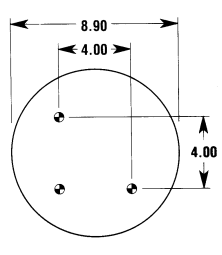
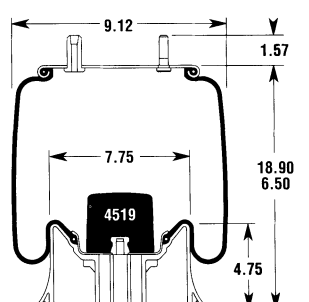
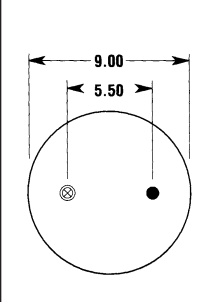
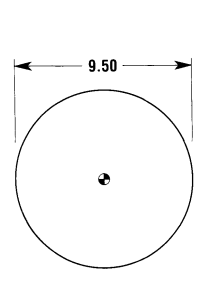
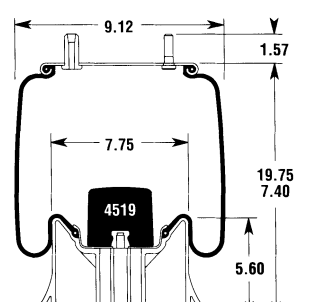
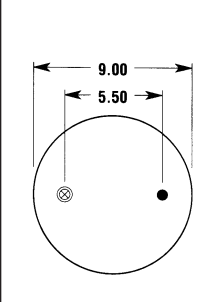
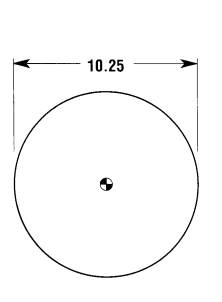
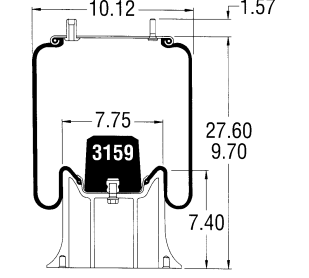
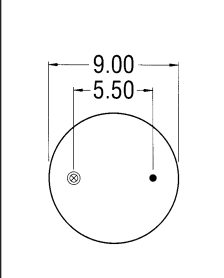
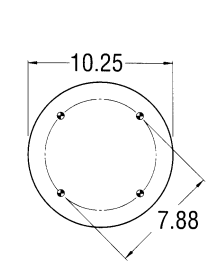
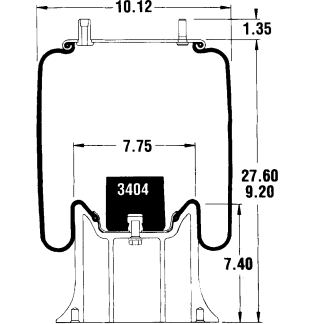
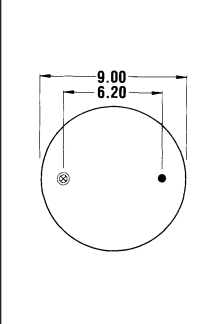
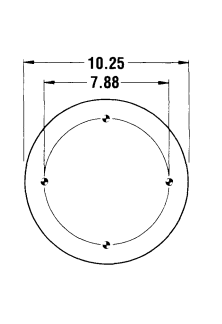
BWP NO.	FIRESTONE NO.	REPLACES	CROSS SECTION VIEW	TOP VIEW (BEAD PLATE)	BOTTOM VIEW (PISTON)
M-3522	9213 Bellows No. 1T15M-6	Goodyear 1R12-090 Navistar 501559C-1 1660581C-1			
M-3540	9219 Bellows No. 1T15M-6	Goodyear 1R12-151 Volvo/GM Heavy Duty Truck 350003-3203			
M-3523	9241 Bellows No. 1T15M-9	Hendrickson Turner B-4375 Hendrickson Turner (Canada) B-10352			
M-3541	9243 Bellows No. 1T15M-9	Neway 900557112			
M-3524	9265 Bellows No. 1T15MM9	Hendrickson C20124			

Hardware Key Bolt or Stud 1/2-13 ● Threaded Hole 3/8-16 Blind Nut on Bead Plates 1/2-13 in Pistons ⊕ Air Inlet 1/4 N.P.T. ⊗

⊗ Combination Stud/Air Inlet Stud Outside Thread is 3/4-16 Studs Inside Thread (Air Inlet) is 1/4 N.P.T. Exceptions will be noted on Part View as ⊗

SUSPENSION & MISC.

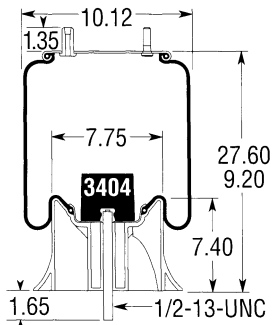
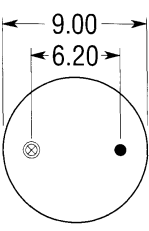
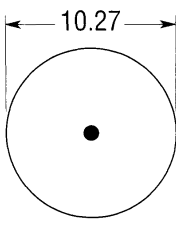
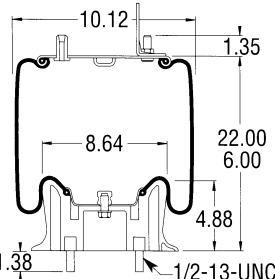
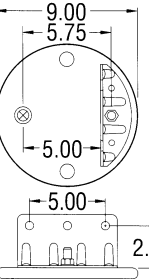
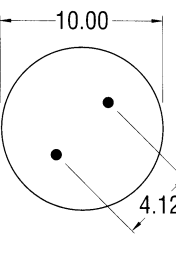
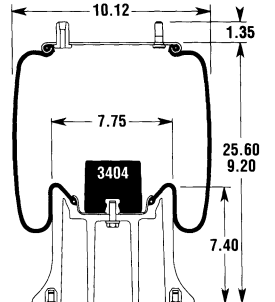
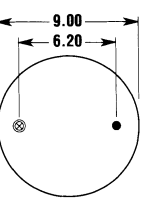
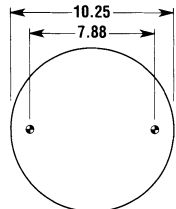
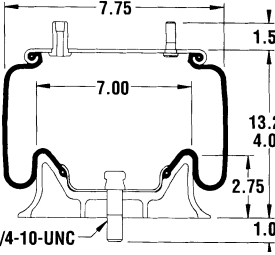
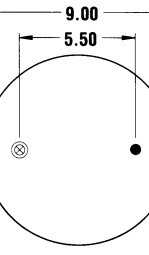
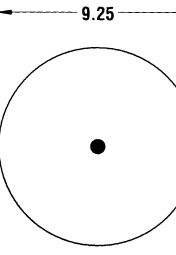
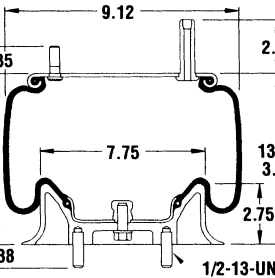
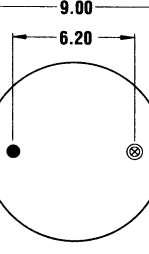
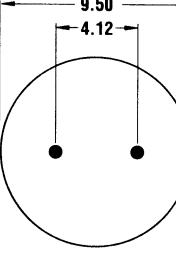
AIR SPRINGS (ROLLING LOBE)

BWP NO.	FIRESTONE NO.	REPLACES	CROSS SECTION VIEW	TOP VIEW (BEAD PLATE)	BOTTOM VIEW (PISTON)
M-3542	9270 Bellows No. 1T15VM-4	Hendrickson Turner C-20010			
M-3543	9293 Bellows No. 1T15LP-5	Neway 905-57-120			
M-3544	9295 Bellows No. 1T15LP-5	Neway 905-57-121			
M-3558	9320	Neway 905-57-099			
M-3545	9321 Bellows No. 1T15M-11	Hendrickson Turner B-4375 (replaces 9241) Watson & Chalin (replaces 9241)			

Hardware Key Bolt or Stud 1/2-13 ● Threaded Hole 3/8-16 Blind Nut on Bead Plates 1/2-13 in Pistons ● Air Inlet 1/4 N.P.T. ⊗
 ⊗ Combination Stud/Air Inlet Stud Outside Thread is 3/4-16 Studs Inside Thread (Air Inlet) is 1/4 N.P.T. Exceptions will be noted on Part View as ⊗

SUSPENSION & MISC.

AIR SPRINGS (ROLLING LOBE)

BWP NO.	FIRESTONE NO.	REPLACES	CROSS SECTION VIEW	TOP VIEW (BEAD PLATE)	BOTTOM VIEW (PISTON)
M-3554	9370	Watson & Chalin AS-0057			
M-3555	9371	Navistar 1670043C-1 1686386C-1 2027911C-1			
M-3546	9394	Fruehauf UCE-9393-2 Bellows No. 1T15M-9			
M-3547	9421	American Carrier 8003-003 Bellows No. 1T15T-1			
M-3525	9422	Goodyear 1R11-028 Kenworth K303-6, K303-14, K-303-15 Bellows No. 1T15L-1.5			

SUSPENSION & MISC.

Hardware Key Bolt or Stud 1/2-13 ● Threaded Hole 3/8-16 Blind Nut on Bead Plates 1/2-13 in Pistons ● Air Inlet 1/4 N.P.T. ⊗
 ⊗ Combination Stud/Air Inlet Stud Outside Thread is 3/4-16 Studs Inside Thread (Air Inlet) is 1/4 N.P.T. Exceptions will be noted on Part View as ⊗

AIR SPRINGS (ROLLING LOBE)

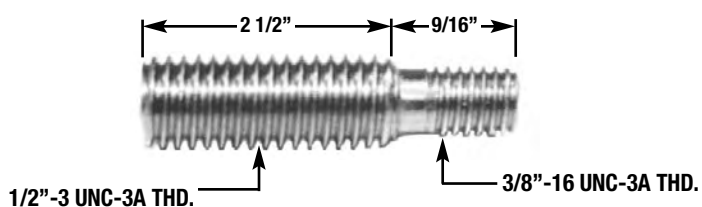
BWP NO.	FIRESTONE NO.	REPLACES	CROSS SECTION VIEW	TOP VIEW (BEAD PLATE)	BOTTOM VIEW (PISTON)
M-3526	9466 Bellows No. 1T15MT6	Hendrickson 49048 49647			
M-3550	9780	Freightliner 681-320-0017 ALUM Freightliner 16-13810-000 PLASTIC			
M-3552	9921	Neway 905-57-119 (AR92-12 & 14) (AR93-14) Silent Drive Watson & Chalin AS-0090			
M-3548	9923 Bellows No. 1T15M-7.5	Neway 905-57-118			

SUSPENSION & MISC.

Hardware Key Bolt or Stud 1/2-13 ● Threaded Hole 3/8-16 Blind Nut on Bead Plates 1/2-13 in Pistons ◐ Air Inlet 1/4 N.P.T. ⊗
 ⊗ Combination Stud/Air Inlet Stud Outside Thread is 3/4-16 Studs Inside Thread (Air Inlet) is 1/4 N.P.T. Exceptions will be noted on Part View as ⊗

AIR SPRING ACCESSORIES

M-3530 SHOULDER STUD



If the air spring you are replacing has studs attached to the top or bottom plates and the replacement BWP Air Spring is identical except that it has recessed blind taps, use the optional shoulder studs M-3530. Screw them into the plate using Loctite #271 or an equivalent material as a thread lubricant for installation and to insure that the studs do not loosen in service.

If the user wishes to use cap screws or his own bolts for attaching air springs with recessed, blind nuts to his suspension, caution him that the screw must have 3/8" - 16 threads and must extend no more than .562 into the air spring. If long screws are forced into the blind taps, the new spring will leak and cannot be satisfactorily repaired.

Springs with damaged blind taps are not considered for warranty claims.

M-3263 HEIGHT CONTROL VALVE (Use on all air ride suspensions)



REPLACES:

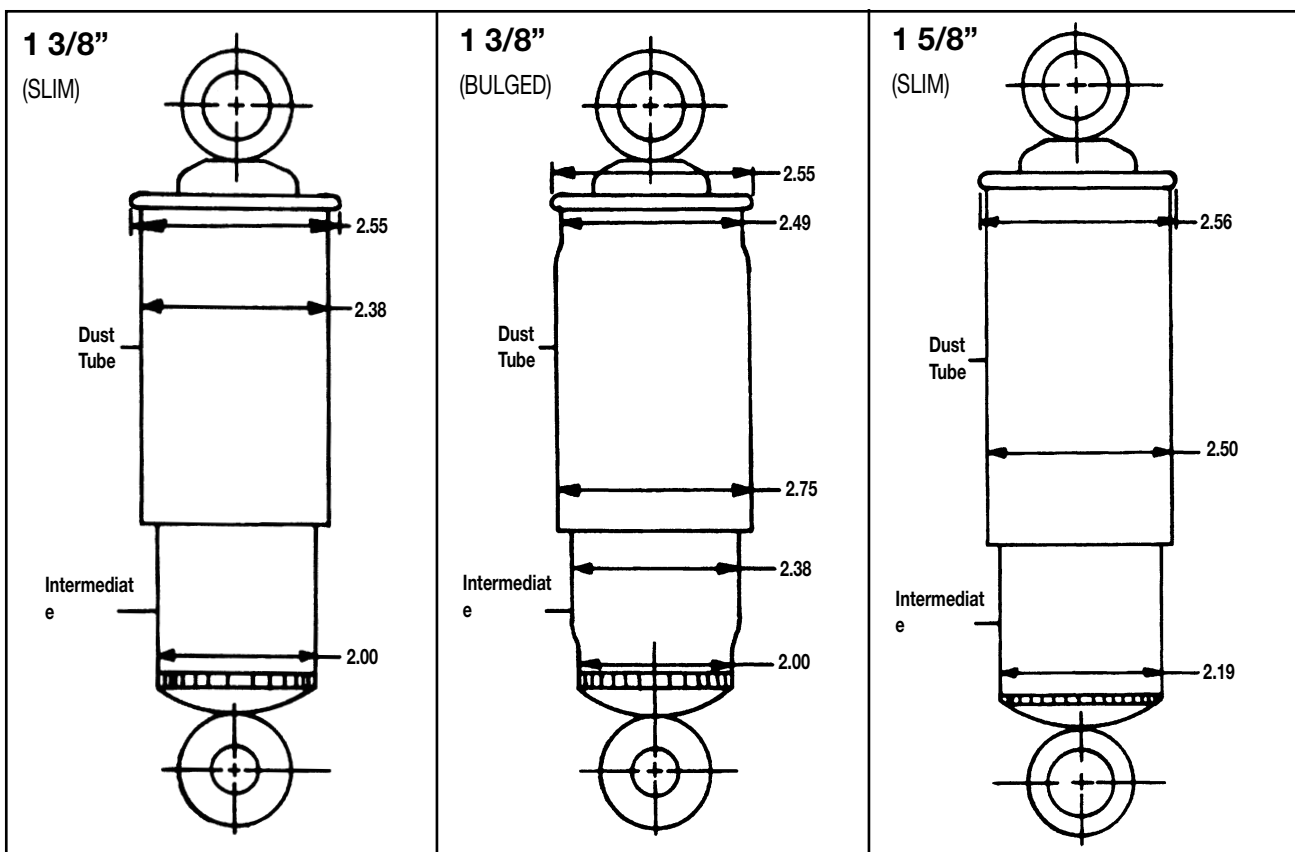
FIRESTONE	WCI-358-3599
NEWAY	90054007
EUCLID	E-4323
LELAND	SA-1560
NAVISTAR	574696-C91
	(May have to reverse hose lines)

TRUCK SHOCK ABSORBER STYLES

M-83200 Series

M-83300 Series

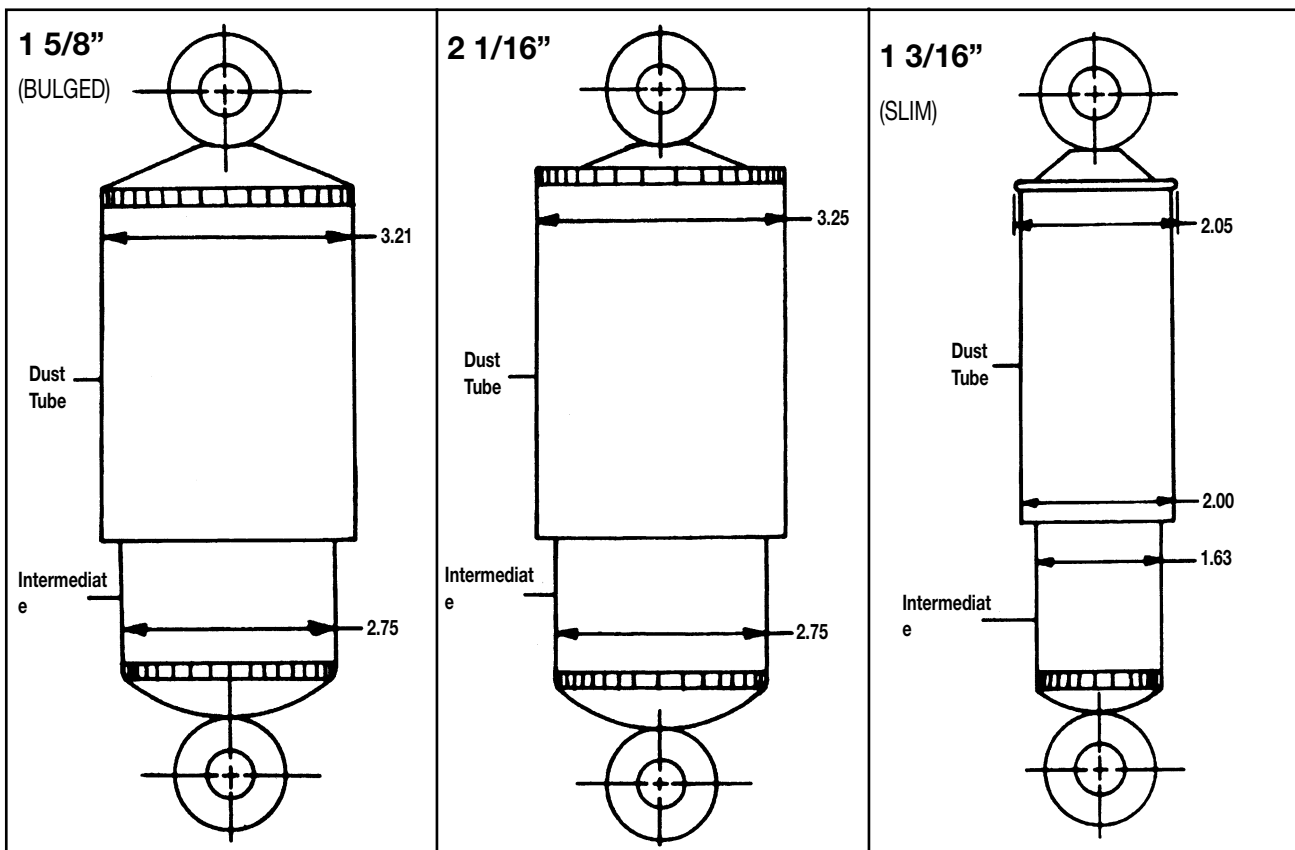
M-85000 Series



M-85300 Series 85700*

M-87000 Series*

M-83400 Series*



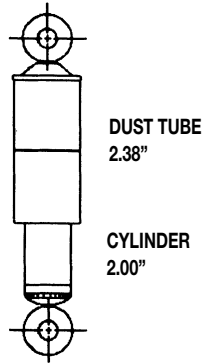
*Can be ordered on request

SUSPENSION & MISC.

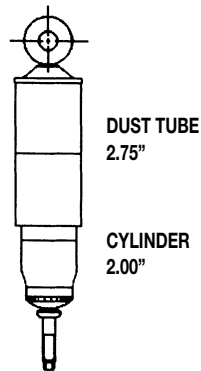
HOW TO IDENTIFY TRUCK SHOCK ABSORBERS

STEP 1 MEASURE THE DIAMETER OF THE DUST TUBE AND CYLINDER FOR PROPER SERIES

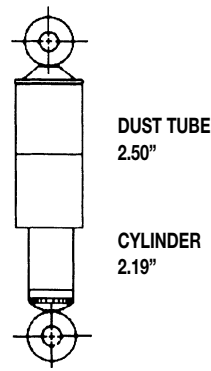
M-83200 SERIES



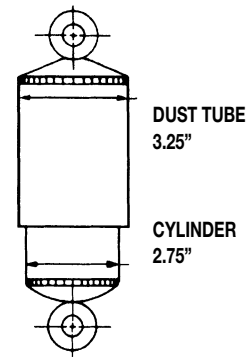
M-83300 SERIES



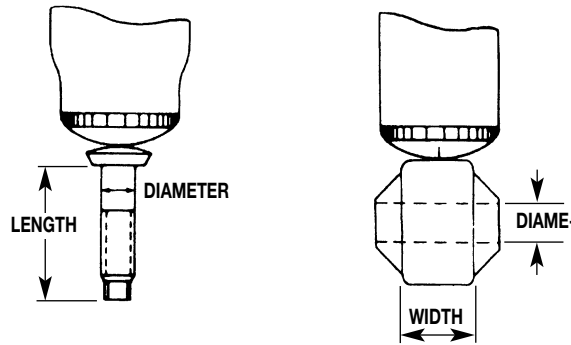
M-85000 SERIES



M-85300 SERIES

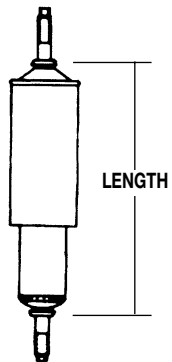


STEP 2 IDENTIFY MOUNTING STYLE BY MEASURING END MOUNT, DIAMETERS, LENGTHS, AND WIDTHS.

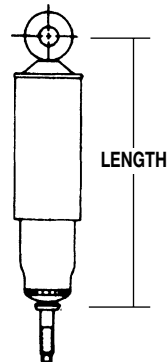


STEP 3 MEASURE FULLY EXTENDED AND FULLY COLLAPSED LENGTHS WITH MOUNTING STYLE SELECTED.

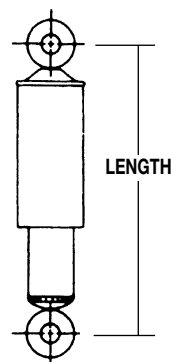
STUD UPPER & LOWER MOUNTING



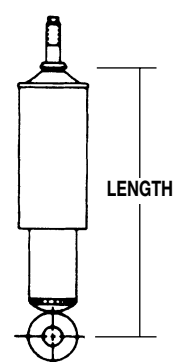
EYE RING UPPER, STUD LOWER MOUNTING



EYE RING UPPER, & LOWER MOUNTING



STUD UPPER, EYE RING LOWER MOUNTING

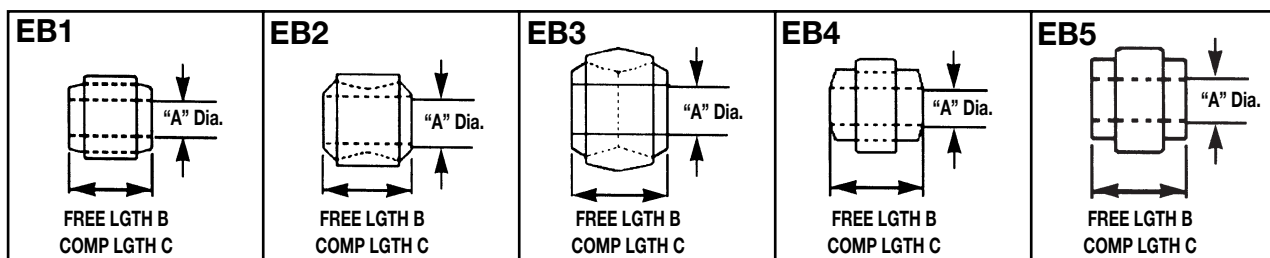


STEP 4 SEE SPECIFICATION CHARTS FOR BWP PART NUMBER IN LEFT COLUMN

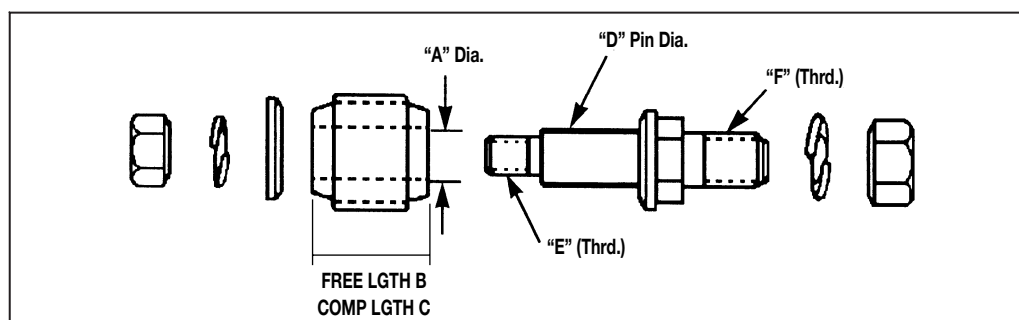
SUSPENSION & MISC.

MOUNTING STYLES

MOUNTING CODE "EB" EYE RING AND BUSHING



MOUNTING PINS FURNISHED WITH SHOCKS EB6, EB7 & EB8



MOUNTING CODE	"A" DIAMETER	"B" FREE LGTH	"C" COMP LGTH	MOUNTING PIN DIMENSIONS		
				D	E	F
EB1	5/8"	1.44	1.31/1.25	5/8"	--	--
EB2	3/4"	1.75	1.50	3/4"	--	--
EB3	1"	1.91	1.75	1"	--	--
EB4	1 1/16"	1.72	1.55	1 1/16"	--	--
EB5	5/8"	1.51	1.25	5/8"	--	--
EB6	5/8"	1.44	1.31/1.25	5/8"	7/16 - 20	1/2 - 20
EB7	5/8"	1.44	1.31/1.25	5/8"	1/2 - 20	5/8 - 18
EB8	5/8"	1.44	1.31/1.25	5/8"	12 MMX 1.5	14 MMX 1.5

MOUNTING CODE "S" STUD MOUNTS

MOUNTING CODE	A	B	C	D
S1	2.37	1.00	3/8"	3/8 - 24
S16	2.95	1.45	5/8"	M16-1.5
S21	3.28	1.75	5/8"	5/8 - 18

MOUNTING CODE "ES" EYE RING AND BUSHING WITH STEEL SLEEVE

MOUNTING CODE	A	B
ES36	3/4"	1.75
ES90	5/8"	2.00
ES136	5/8"	1.75
ES150	3/4"	2.24

SUSPENSION & MISC.

SPECIFICATION CHART

1 - - FIND APPROPRIATE SERIES (Page 378)

2 -- FIND CORRECT MOUNTING CODE (Page 380)

3 -- MATCH EXTENDED/COLLAPSED LENGTH (Below)

M - 83200 SERIES - 1³/₈" BORE (FLEETLINE)

BWP NUMBER	UPPER MOUNT	LOWER MOUNT	BORE	EXTENDED LENGTH	COLLAPSED LENGTH	STROKE	DUST TUBE	RECOIL CUT-OFF	CONTROLS	
									REBOUND	COMPRESS
M-83201	ES36	ES36	1 ³ / ₈ "	28.14	16.86	11.28	YES	YES	671	110
M-83202	ES36	ES36	1 ³ / ₈ "	25.14	15.36	9.78	YES	YES	672	136
M-83203	ES36	ES36	1 ³ / ₈ "	17.14	11.36	5.78	YES	YES	708	132
M-83204	ES36	ES36	1 ³ / ₈ "	20.14	12.86	7.28	YES	YES	451	110
M-83207	ES36	ES36	1 ³ / ₈ "	21.64	13.61	8.03	YES	YES	553	143
M-83209	ES36	ES36	1 ³ / ₈ "	29.64	17.61	12.03	YES	YES	670	78
M-83213	EB2	EB3	1 ³ / ₈ "	28.64	17.11	11.53	YES	YES	589	135
M-83215	EB3	EB3	1 ³ / ₈ "	26.64	16.36	10.28	YES	NO	661	125
M-83216	EB2	EB2	1 ³ / ₈ "	23.51	14.48	9.03	YES	NO	776	262
M-83217	EB3	EB3	1 ³ / ₈ "	22.77	14.49	8.28	YES	NO	539	202
M-83219	EB2	EB2	1 ³ / ₈ "	20.01	12.73	7.28	YES	NO	299	125
M-83221	ES36	ES36	1 ³ / ₈ "	24.01	14.73	9.28	YES	NO	599	153
M-83225	EB3	EB3	1 ³ / ₈ "	24.14	15.11	9.03	YES	YES	482	159

M - 83300 SERIES - 1³/₈" BORE (FLEETLINE)

BWP NUMBER	UPPER MOUNT	LOWER MOUNT	BORE	EXTENDED LENGTH	COLLAPSED LENGTH	STROKE	DUST TUBE	RECOIL CUT-OFF	CONTROLS	
									REBOUND	COMPRESS
M-83300	S16	S16	1 ³ / ₈ "	24.03	14.25	9.78	YES	NO	566	80
M-83302	ES36	ES36	1 ³ / ₈ "	26.64	16.11	10.53	YES	YES	635	321
M-83303	EB7	ES36	1 ³ / ₈ "	24.86	15.08	9.78	YES	NO	470	122
M-83304	EB7	ES36	1 ³ / ₈ "	22.86	14.08	8.78	YES	NO	470	122
M-83308	EB2	EB2	1 ³ / ₈ "	25.14	15.36	9.78	YES	YES	445	180
M-83309	EB2	EB2	1 ³ / ₈ "	28.64	17.11	11.53	YES	YES	589	135
M-83312	EB2	EB2	1 ³ / ₈ "	26.64	16.11	10.53	YES	YES	527	152
M-83314	EB2	EB2	1 ³ / ₈ "	30.64	18.11	12.53	YES	YES	633	143
M-83318	S16	S16	1 ³ / ₈ "	22.53	13.50	9.03	YES	NO	323	77

SUSPENSION & MISC.

SPECIFICATION CHART (Continued)

M - 85000 SERIES - 1 ⁵ / ₈ " BORE (FLEETLINE)										
BWP NUMBER	UPPER MOUNT	LOWER MOUNT	BORE	EXTENDED LENGTH	COLLAPSED LENGTH	STROKE	DUST TUBE	RECOIL CUT-OFF	CONTROLS	
									REBOUND	COMPRESS
M-85000	ES36	ES36	1 ⁵ / ₈ "	17.22	11.46	5.76	YES	YES	679	127
M-85001	EB3	EB3	1 ⁵ / ₈ "	26.33	16.42	9.91	YES	NO	816	155
M-85003	ES90	ES90	1 ⁵ / ₈ "	25.37	15.59	9.78	YES	YES	405	135
M-85004	EB3	EB3	1 ⁵ / ₈ "	20.68	13.67	7.01	YES	YES	1192	207
M-85005	ES36	ES36	1 ⁵ / ₈ "	24.74	15.21	9.53	YES	YES	929	123
M-85006	ES36	ES36	1 ⁵ / ₈ "	28.50	17.09	11.41	YES	YES	650	124
M-85007	EB3	EB3	1 ⁵ / ₈ "	24.21	15.30	8.91	YES	YES	880	149
M-85012	EB2	EB2	1 ⁵ / ₈ "	20.99	13.21	7.78	YES	NO	474	156
M-85013	ES36	ES36	1 ⁵ / ₈ "	29.74	17.71	12.03	YES	YES	994	181
M-85014	ES36	ES36	1 ⁵ / ₈ "	21.74	13.71	8.03	YES	YES	994	181
M-85024	EB2	EB2	1 ⁵ / ₈ "	28.74	17.21	11.53	YES	YES	631	295
M-85026	ES136	S21	1 ⁵ / ₈ "	23.00	13.97	9.03	YES	NO	704	512
M-85027	S21	S21	1 ⁵ / ₈ "	21.52	12.99	8.53	YES	NO	631	484
M-85030	ES36	ES36	1 ⁵ / ₈ "	24.00	14.84	9.16	YES	YES	994	181
M-85046	EB2	EB2	1 ⁵ / ₈ "	27.51	16.60	10.91	YES	YES	987	504

M - 85300 SERIES - 1 ⁵ / ₈ " BORE (FLEETLINE)										
BWP NUMBER	UPPER MOUNT	LOWER MOUNT	BORE	EXTENDED LENGTH	COLLAPSED LENGTH	STROKE	DUST TUBE	RECOIL CUT-OFF	CONTROLS	
									REBOUND	COMPRESS
M-85300	EB3	EB3	1 ⁵ / ₈ "	18.00	12.22	5.78	YES	YES	1096	115
M-85301	EB3	EB3	1 ⁵ / ₈ "	31.92	19.03	12.89	YES	NO	1442	445
M-85302	EB3	EB3	1 ⁵ / ₈ "	22.75	14.72	8.03	YES	NO	836	253
M-85303	EB3	EB3	1 ⁵ / ₈ "	24.75	15.47	9.28	YES	NO	1027	214
M-85304	EB3	EB3	1 ⁵ / ₈ "	22.25	14.22	8.03	YES	NO	771	318
M-85305	EB3	EB3	1 ⁵ / ₈ "	27.25	16.72	10.53	YES	NO	1125	217
M-85307	EB3	EB3	1 ⁵ / ₈ "	24.01	15.10	8.91	YES	NO	1098	155
M-85308	EB3	EB3	1 ⁵ / ₈ "	25.13	15.85	9.28	YES	YES	1033	146
M-85310	S21	S21	1 ⁵ / ₈ "	18.65	11.74	6.91	YES	YES	1098	155
M-85311	S21	EB3	1 ⁵ / ₈ "	23.95	14.79	9.16	YES	YES	771	223
M-85313	EB3	EB3	1 ⁵ / ₈ "	26.26	16.35	9.91	YES	YES	618	61
M-85317	S21	EB3	1 ⁵ / ₈ "	27.18	17.42	9.76	YES	YES	771	222
M-85319	S21	ES150	1 ⁵ / ₈ "	22.20	13.92	8.28	YES	YES	988	454

M - 85700 SERIES - 1 ⁵ / ₈ " BORE (FLEETLINE)										
BWP NUMBER	UPPER MOUNT	LOWER MOUNT	BORE	EXTENDED LENGTH	COLLAPSED LENGTH	STROKE	DUST TUBE	RECOIL CUT-OFF	CONTROLS	
									REBOUND	COMPRESS
M-85724	ES ¹	ES ¹	1 ⁵ / ₈ "	22.78	14.50	8.28	YES	YES	1235	454

¹ SPECIAL MOUNT -- FREIGHTLINER ONLY

SPECIFICATION CHART (Continued)

M-89400 SERIES - 1⁵/₈" BORE (GAS SLX)

BWP NUMBER	UPPER MOUNT	LOWER MOUNT	BORE	EXTENDED LENGTH	COLLAPSED LENGTH	STROKE	DUST TUBE	RECOIL CUT-OFF
M-89405	ES36	ES36	1 ⁵ / ₈ "	26.24	16.41	9.83	YES	YES
M-89406	ES36	ES36	1 ⁵ / ₈ "	24.74	15.66	9.08	YES	YES
M-89407	ES36	ES36	1 ⁵ / ₈ "	21.62	14.04	7.58	YES	YES
M-89408	EB2	EB2	1 ⁵ / ₈ "	19.67	12.79	6.88	YES	NO
M-89409	EB2	EB2	1 ⁵ / ₈ "	26.36	16.41	9.95	YES	YES
M-89410	EB3	EB3	1 ⁵ / ₈ "	26.33	16.42	9.91	YES	NO
M-89411	ES90	ES90	1 ⁵ / ₈ "	25.36	15.59	9.78	YES	YES
M-89412	EB3	EB3	1 ⁵ / ₈ "	24.26	15.68	8.58	YES	YES
M-89413	EB2	EB2	1 ⁵ / ₈ "	20.91	13.41	7.50	YES	NO
M-89414	ES36	ES36	1 ⁵ / ₈ "	29.62	18.04	11.58	YES	YES
M-89416	EB2	EB2	1 ⁵ / ₈ "	28.62	17.54	11.08	YES	YES
M-89417	ES136	S21	1 ⁵ / ₈ "	22.93	14.18	8.75	YES	NO
M-89419	EB3	EB3	1 ⁵ / ₈ "	18.00	12.55	5.45	YES	YES
M-89420	EB3	EB3	1 ⁵ / ₈ "	22.81	14.68	8.13	YES	NO
M-89422	EB3	EB3	1 ⁵ / ₈ "	25.13	16.18	8.95	YES	YES
M-89423	S21	S21	1 ⁵ / ₈ "	18.65	12.07	6.58	YES	YES
M-89424	S21	EB3	1 ⁵ / ₈ "	23.70	15.00	8.70	YES	YES
M-89425	EB3	EB3	1 ⁵ / ₈ "	26.50	16.80	9.70	YES	YES
M-89427	S21	EB3	1 ⁵ / ₈ "	27.20	17.50	9.70	YES	YES
M-89428	S21	ES150	1 ⁵ / ₈ "	21.96	14.13	7.83	YES	YES
M-89429	EB3	EB3	1 ⁵ / ₈ "	26.18	16.43	9.75	YES	NO
M-89430	ES36	ES36	1 ⁵ / ₈ "	24.74	15.54	9.53	YES	YES
M-89432	ES36	ES36	1 ⁵ / ₈ "	23.41	14.66	8.75	YES	NO
M-89434	EB2	EB2	1 ⁵ / ₈ "	27.12	16.79	10.33	YES	YES
M-89435	EB2	EB2	1 ⁵ / ₈ "	25.25	15.47	9.78	YES	YES

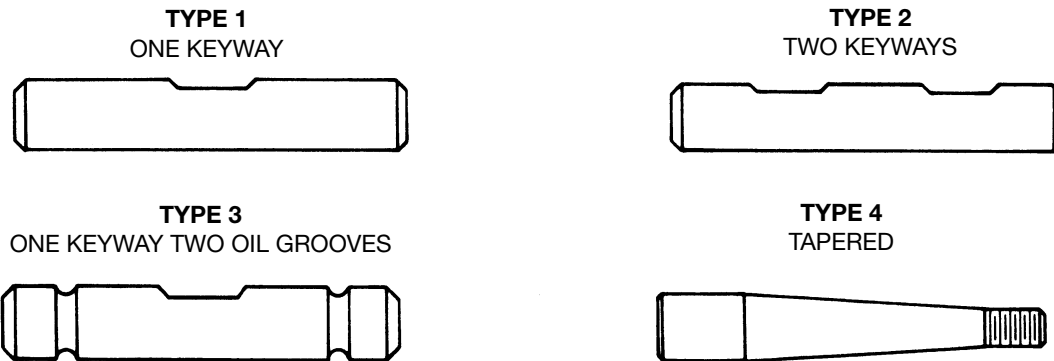
KING PIN KITS



KING PIN KITS

- ★ CONTAIN ALL COMPONENT PARTS NECESSARY TO DO A COMPLETE REBUILD JOB.
- ★ MANUFACTURED IN THE U.S.A. TO MEET OR EXCEED OEM SPECIFICATIONS.
- ★ SUPPLIED WITH CASE HARDENED BOLTS FOR LONG LIFE.
- ★ AVAILABLE WITH EITHER BIMETAL (STEEL BACKED BRONZE) BUSHINGS FOR LONGER BUSHING LIFE OR NYLON (DELTRIN) BUSHINGS FOR EASE OF INSTALLATION, OR GARLOCK LINED (STEEL BACK)

KING PIN TYPES



KING PIN TYPES

BI-METAL
(STEEL BACKED BRONZE)



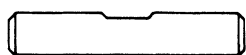
GARLOCK
(STEEL BACKED COMPOSITE)



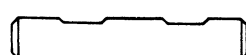
NYLON (DELTRIN)



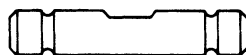
KING PIN KITS



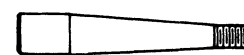
TYPE 1



TYPE 2



TYPE 3



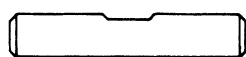
TYPE 4

BWP NO.	REPLACES			KING PIN SPECIFICATIONS			BUSHING TYPE	APPLICATION
	TRW *	TRW H.D.	OEM	TYPE	DIAMETER	LENGTH		
M-2300	K-391C	300-107	3691111 GMC 3854744	1	1.1090"	6.340"	BIMETAL	GMC 1947-1975
M-2301	K-401N	300-110	IHC 61556R91	1	1.2335"	7.660"	BIMETAL	FA65, 80, 89, 91, 98, 99 AXLES
M-2303	K-431	300-118	IHC 69971R91	1	1.1095"	6.250"	BIMETAL	FA12, 20, 28, 30, 41, 48 AXLES
M-2304	K-432	300-120	IHC 70594R91	1	1.2335"	6.750"	BIMETAL	FA60, 68, 69, 70, 72 AXLES
M-2305	K-450	300-125	MERITOR KIT 144	4	LG. 1.6065" SM. 1.3090"	9.750"	BIMETAL	FE900, 910 AXLES
M-2306	K-463	300-128	2321013 GMC 8885021	4	LG. 1.4335" SM. 1.1860"	8.750"	BIMETAL	GMC 1955-1962
K-2307	K-466	300-129	FORD B7Y-3111A	3	.9215"	6.990"	BIMETAL	FORD TRUCK 1957-1976
M-2308	K-469	300-131	FORD B7C-3111A	3	.8590"	6.540"	BIMETAL	FORD TRUCK 1956-1967
M-2363	K-477	300-140	B7TZ-3111B FORD B7TZ-3111F	2	1.2340"	7.440"	BIMETAL	FORD TRUCK 1957-1972
M-2351	K-479	300-142	WHITE 216446	1	1.8105"	10.781"	BIMETAL	WHITE 12M LB. F-120 1952-1965
M-2309	K-489	300-150	MERITOR KIT 123	4	LG. 1.6065" SM. 1.3090"	9.750"	NYLON	FE900, 910 AXLES
M-2310	K-493	300-155	FORD C3TZ-3111A	3	1.2305"	7.860"	BIMETAL	FORD TRUCK 1963-1983
M-2311	K-496	300-158	MERITOR KIT 154	2	1.4335"	8.500"	NYLON	FD901 AXLE
M-2312	K-496B	300-159	MERITOR KIT 142	2	1.4335"	8.500"	BIMETAL	FD901 AXLE
M-2313	K-499	300-163	2431372 GMC 8885621	4	LG. 1.4335" SM. 1.1860"	8.750"	NYLON	GMC 1966-1978
M-2315	K-504	300-171	MERITOR KIT 167	2	1.7935"	9.120"	NYLON	FE901, 903, FD218 AXLES
M-2316	K-506	300-172	3858390 GMC 3927943	1	1.2495"	7.880"	NYLON	GMC 1964-1984
M-2317	K-506B	300-173	3858390 GMC 3927943	1	1.2495"	7.880"	BIMETAL	GMC 1964-1978
M-2318	K-507	300-174	3858389 GMC 3927942	1	1.1090"	6.340"	NYLON	GMC 1965-1975
M-2319	K-507B	300-175	3858389 GMC 3927942	1	1.1090"	6.340"	BIMETAL	GMC 1965-1975

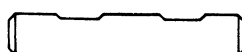
SUSPENSION & MISC.

*LISTED IN ORDER OF TRW NUMBER

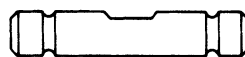
KING PIN KITS



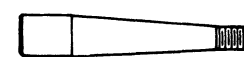
TYPE 1



TYPE 2



TYPE 3



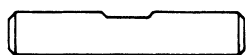
TYPE 4

BWP NO.	REPLACES			KING PIN SPECIFICATIONS			BUSHING TYPE	APPLICATION
	TRW *	TRW H.D.	OEM	TYPE	DIAMETER	LENGTH		
M-2320	K-509	300-179	FORD C7TZ-3111A	3	1.2305"	8.910"	NYLON	FORD TRUCK 1967-1984
M-2321	K-509B	300-180	FORD C7TZ-3111A	3	1.2305"	8.910"	BIMETAL	FORD TRUCK 1967-1984
M-2356	K-509B-10	300-181	FORD C7TZ-3111A .010 OVERSIZE	3	1.2405"	8.910"	BIMETAL	.010 OVERSIZE PIN FOR M-2321
M-2322	K-510B	300-182	MERITOR KIT 172	2	1.7935"	9.120"	BIMETAL	FE901, 903, FD218 AXLES
M-2323	K-512D	300-184	C6TZ-3111A FORD C8TZ-3111A	1	.8592"	6.353"	NYLON	FORD TRUCK 1968-1974
M-2324	K-517	300-188	IHC 306921C91	2	1.6085"	9.610"	BIMETAL	FA119 AXLE
M-2354	K-517D	300-189	IHC 306921C91	2	1.6085"	9.610"	NYLON	FA119 AXLE
M-2325	K-524B	300-194	IHC 408547C93	2	1.4837"	8.850"	BIMETAL	FA109 AXLE AFTER EARLY 1970
M-2326	K-526B	300-195	MERITOR KIT 157	2	1.6065"	8.810"	BIMETAL	FE970 AXLE
M-2327	K-526D	300-196	MERITOR KIT 156	2	1.6065"	8.810"	NYLON	FE970 AXLE
M-2328	K-527B	300-197	FORD D5TZ-3111A	1	.8592"	6.483"	BIMETAL	FORD TRUCK 1973-1979
M-2366	K-528B	300-198	FORD D5UZ-3111A	1	.8592"	6.670"	BIMETAL	FORD TRUCK 1975-1984
M-2329	K-531B	300-201	C7TZ-3111D FORD D2TZ-3111C	1	1.0540"	6.450"	BIMETAL	FORD TRUCK 1969-1979
M-2330	K-532B	300-202	C6TZ-3111B FORD C2TZ-3111B	1	.8592"	6.353"	BIMETAL	FORD TRUCK 1966-1971
M-2331	K-534B	300-204	MERITOR KIT 199	2	1.7935"	10.380"	BIMETAL	FF921, FF923 AXLES
M-2332	K-535B	300-205	IHC 399942C93	2	1.6085"	9.660"	BIMETAL	FA139 AXLE - 2 LOCK PINS PER SIDE
M-2333	K-535D	300-206	IHC 399942C93	2	1.6085"	9.660"	NYLON	FA139 - 2 LOCK PINS PER SIDE
M-2334	K-538B	300-207	FORD D6TZ-3111A	2	1.4335"	8.250"	BIMETAL	FORD TRUCK 7000 & 9000 LB. AXLES 1975-1984
M-2335	K-539D	300-208	GMC 722166	1	1.1792"	6.360"	NYLON	FO50, FO55 AXLES, 1975-1984
M-2370	K-540B	300-209	GMC 722166	1	1.1792"	6.360"	BIMETAL	FO50, FO55 AXLES, 1975-1984
M-2393	K-540B+10	300-209	GMC 722166 .010 OVERSIZE	1	1.8792"	6.360"	BIMETAL	.010 OVERSIZE FOR M-2370

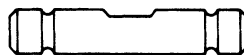
*LISTED IN ORDER OF TRW NUMBER

SUSPENSION & MISC.

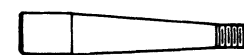
KING PIN KITS



TYPE 1



TYPE 2



TYPE 3

TYPE 4

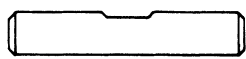
BWP NO.	REPLACES			KING PIN SPECIFICATIONS			BUSHING TYPE	APPLICATION
	TRW *	TRW H.D.	OEM	TYPE	DIAMETER	LENGTH		
M-2336	K-541B	300-210	MERITOR KIT 170	2	1.9985"	11.040"	BIMETAL	FH901, FL901 AXLES
M-2352	K-542D	300-211	MERITOR KIT 168	2	1.9985"	11.040"	NYLON	FH901, FL901 AXLES
M-2371	K-544D	300-213	DODGE 3780538	1	1.2340"	6.960"	NYLON	DODGE TRUCK MOTOR HOMES 1977-1979
M-2337	K-545B	300-214	FORD D5UZ-3111B	1	1.0540"	6.690"	BIMETAL	FORD TRUCK 1975-1984
M-2338	K-546B	300-215	FORD D6HZ-3111B	2	1.6065"	9.080"	BIMETAL	FORD TRUCK 9000 LB. H.D. AXLE 1975-1984
M-2339	K-547B	300-216	MERITOR KIT 198	2	1.9985"	11.212"	BIMETAL	FL931 AXLE
M-2340	K-548B	300-217	FORD D6HZ-3111A	2	1.7935"	10.070"	BIMETAL	FORD TRUCK 12,000 LB. AXLE 1975-1984
M-2341¹	K-549B	300-218	IHC 473695C91	1	1.3585"	7.970"	BIMETAL	FA71, 73, 74, 101, 103 AXLES
M-2357	K-549B-15	300-238	IHC 473695C91 .015 OVERSIZE	1	1.3735"	7.970"	BIMETAL	.015 OVERSIZE FOR M-2341
M-2372	K-550D	300-219	DODGE 4026848	2	1.1235"	7.190"	NYLON	MR400, 500 MOTOR HOME, 1974-1978
M-2342	K-551B	300-220	IHC 493092C91	1	1.4837"	8.850"	BIMETAL	FA109 AXLE 1 LOCK PIN PER SIDE
M-2343	K-552B	300-221	IHC 493094C92	1	1.6085"	9.660"	BIMETAL	FA118, 127, 139, 329, 339, 340, 341 AXLES 1 LOCK PIN PER SIDE
M-2344	K-553D	300-222	IHC 493094C92	1	1.6085"	9.660"	NYLON	FA118, 127, 139, 329, 339, 340, 341 AXLES 1 LOCK PIN PER SIDE
M-2373	K-554B	300-223	IHC 493095C91	1	1.6085"	9.160"	BIMETAL	FA309 AXLE 1 LOCK PIN PER SIDE
M-2345	K-555D	300-224	IHC 493095C91	1	1.6085"	9.160"	NYLON	FA309 AXLE 1 LOCK PIN PER SIDE
M-2375	K-559B	300-228	FORD E0TZ-3111A	1	1.0540"	6.969"	BIMETAL	FORD TRUCK 1980-1984
M-2353	K-561B	300-230	MACK 301SQ46B	4	LG. 1.5000" SM. 1.2500"	7.400"	BIMETAL	FA535 AXLE
M-2347	K-562B	300-231	MACK 301SQ47CP1	4	LG. 1.6250" SM. 1.3750"	7.470"	BIMETAL	FA532, 536, 537 FAW536, 537 AXLES
M-2348	K-563B	300-232	MERITOR KIT 195	2	1.7935"	10.392"	BIMETAL	FF931 AXLE
M-2378	K-564B	300-234	WHITE 217175	1	1.8100"	10.531"	BIMETAL	F3W125 AXLES

*LISTED IN ORDER OF TRW NUMBER

¹ SEE M-2384 FOR 2 LOCKS PINS PER SIDE

SUSPENSION & MISC.

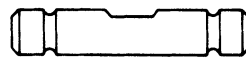
KING PIN KITS



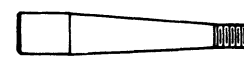
TYPE 1



TYPE 2



TYPE 3



TYPE 4

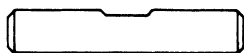
BWP NO.	REPLACES			KING PIN SPECIFICATIONS			BUSHING TYPE	APPLICATION
	TRW *	TRW H.D.	OEM	TYPE	DIAMETER	LENGTH		
M-2349	K-565B	300-235	WHITE 37090-5005	1	1.8105"	10.390"	BIMETAL	F3W 1200 F3W 1400
M-2376	K-566B	300-236	WHITE 217016A	1	1.8105"	10.375"	BIMETAL	F1300-1, F1300-2, F6W100 AXLES
M-2350	K-567B	300-233	GMC 8885621	2	1.7450"	9.380"	BIMETAL	F120, F120D AXLES 1975-1984
M-2358	K-570B	300-240	MERITOR KIT 1300	2	1.6065"	9.380"	BIMETAL	FF971 AXLE
M-2379	---	---	IHC 586806C91	2	1.6085"	9.160"	BIMETAL	FA309 AXLE — 2 LOCK PINS PER SIDE
M-2380	---	300-249	IHC 588808C91	2	1.6090"	9.660"	BIMETAL	FA118, 127, 329, 339 AXLES — 2 LOCK PINS PER SIDE
M-2381	K-576C	300-242	MERITOR KIT 1307	2	1.7935"	10.392"	GARLOCK	FF941 "EASYTEER AXLE"
M-2396	K-578B	---	FORD E8TZ-3111A	1	1.300"	7.270"	BIMETAL	FORD
M-2395	K-578C	---	FORD E8TZ-3111A	1	1.300"	7.270"	GARLOCK	FORD
M-2382	K-584	300-257	EATON 806355	1	1.625"	9.200"	GARLOCK	EFA 12 F4 AXLE
M-2383	K-586	300-258	EATON 806356	1	1.625"	9.200"	GARLOCK	EFA 12F3 EFA 13F3
M-2384	K-592	300-268	NAVISTAR 1660271C92	2	1.3585"	7.970"	BIMETAL	SAMES AS M-2341 2 LOCK PINS/SIDE
M-2385	K-593	300-266	MERITOR KIT 1315	2	1.7935"	10.392"	GARLOCK	ROCKWELL AXLE FF961
M-2387	K-594	300-269	NAVISTAR 1658934C91	2	1.609"	9.66"	GARLOCK	FA118, 127, 139, 242, 338
M-2386	K-595	300-270	NAVISTAR 591945C91	2	1.4837"	8.85"	BIMETAL	FA 109 AXLE
M-2392	K-597	---	FORD E8HZ-3111A	2	1.299"	7.75"	BIMETAL	FORD 7000 LB. AXLE
M-2394	K-602	---	NAVISTAR 1668411-C91	2	1.922"	9.937"	BIMETAL	FAK 5455
M-2388	K-608	---	AS M-2319 THRUST WASNER TYPE	1	1.109"	6.344"	BIMETAL	1984 GMC FOR UPS VEHICLES
M-2389	K-609	300-274	AS M-2382 WITH BIMETAL BUSH	1	1.625"	9.200"	BIMETAL	EFA 12 F4 AXLE
M-2390	K-610	300-275	AS M-2383 WITH BIMETAL BUSH	1	1.625"	9.201"	BIMETAL	EFA 12 F3 EFA 13 F3
M-2391	K-611	300-279	GMC 15584763 BIMETAL BUSH	1	1.179"	6.360"	BIMETAL	FA 941 AXLES CHEV/GMC VANS
M-2397	K-628	---	---	1	1.795"	9.000"	BIMETAL	

*LISTED IN ORDER OF TRW NUMBER

SUSPENSION & MISC.

KING PIN KITS

PROGRESSIVE SIZE LISTING OF KING PINS OUTER DIAMETER TYPE 1 — ONE KEYWAY



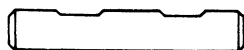
**TYPE 1
ONE KEYWAY**

PIN DIAMETER	PIN LENGTH	USE BWP KIT NO.		
		BIMETAL BUSHING	NYLON BUSHING	GARLOCK BUSHING
.8592"	6.353"	M-2330	M-2323	---
.8592"	6.483"	M-2328	---	---
.8592"	6.670"	M-2366	---	---
1.0540"	6.450"	M-2329	---	---
1.0540"	6.690"	M-2337	---	---
1.0540"	6.969"	M-2375	---	---
1.1090"	6.340"	M-2300	---	---
1.1090"	6.340"	M-2319	M-2318	---
1.1095"	6.250"	M-2303	---	---
1.1095"	6.344"	M-2388	---	---
1.1792"	6.360"	M-2370 M-2391	M-2335	---
1.1892"	6.360"	M-2393	---	---
1.2335"	6.750"	M-2304	---	---
1.2335"	7.660"	M-2301	---	---
1.2340"	6.960"	---	M-2371	---
1.2495"	7.880"	M-2317	M-2316	---
1.3000"	7.270"	M-2396	---	M-2395
1.3585"	7.970"	M-2341	---	---
1.3735"	7.970"	M-2357	---	---
1.4837"	8.850"	M-2342	---	---
1.6085"	9.160"	M-2373	M-2345	---
1.6085"	9.660"	M-2343	M-2344	---
1.6250"	9.200"	M-2389 M-2390	---	M-2382 M-2383
1.795"	9.000"	M-2397	---	---
1.8100"	10.531"	M-2378	---	---
1.8105"	10.375"	M-2376	---	---
1.8105"	10.390"	M-2349	---	---
1.8105"	10.781"	M-2351	---	---

SUSPENSION & MISC.

KING PIN KITS

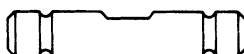
PROGRESSIVE SIZE LISTING OF KING PINS OUTER DIAMETER TYPE 2 — TWO KEYWAYS



**TYPE 2
TWO KEYWAYS**

PIN DIAMETER	PIN LENGTH	USE BWP KIT NO.		
		BIMETAL BUSHING	NYLON BUSHING	GARLOCK BUSHING
1.1235"	7.190"	---	M-2372	---
1.2340"	7.440"	M-2363	---	---
1.2990"	7.750"	M-2392	---	---
1.3585"	7.970"	M-2384	---	---
1.4335"	8.250"	M-2334	---	---
1.4335"	8.500"	M-2312	M-2311	---
1.4837"	8.850"	M-2325 M-2386	---	---
1.6065"	8.810"	M-2326	M-2327	---
1.6065"	9.080"	M-2338	---	---
1.6065"	9.380"	M-2358	---	---
1.6085"	9.610"	M-2324	M-2354	---
1.6085"	9.660"	M-2332	M-2333	---
1.6090"	9.160"	M-2379	---	---
1.6090"	9.660"	M-2380	---	M-2387
1.7450"	9.380"	M-2350	---	---
1.7935"	9.120"	M-2322	M-2315	---
1.7935"	10.070"	M-2340	---	---
1.7935"	10.380"	M-2331	---	---
1.7935"	10.392"	M-2348	---	M-2381 M-2385
1.922"	9.937"	M-2394	---	---
1.9985"	11.040"	M-2336	M-2352	---
1.9985"	11.212"	M-2239	---	---

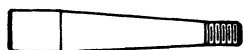
TYPE 3 — ONE KEYWAY TWO OIL GROOVES



**TYPE 3
ONE KEYWAY
TWO OIL GROOVES**

PIN DIAMETER	PIN LENGTH	USE BWP KIT NO.		
		BIMETAL BUSHING	NYLON BUSHING	GARLOCK BUSHING
.8590"	6.540"	M-2308	---	---
.9215"	6.990"	M-2307	---	---
1.2305"	7.860"	M-2310	---	---
1.2305"	8.910"	M-2321	M-2320	---
1.2405"	8.910"	M-2356	---	---

TYPE 4 — TAPERED PIN



**TYPE 4
TAPERED**

PIN DIAMETER		PIN		USE BWP KIT NO.	
LARGE DIA.	SMALL DIA.	LENGTH	THREAD	BIMETAL BUSHING	NYLON BUSHING
1.4335"	1.1860"	8.750"	1"-14	M-2306	M-2313
1.5000"	1.2500"	7.400"	NONE	M-2353	---
1.6065"	1.3090"	9.750"	1 1/8"-12	M-2305	M-2309
1.6250"	1.3750"	7.470"	NONE	M-2347	---

SUSPENSION & MISC.

POLYURETHANE COMPONENTS

TORQUE ARM BUSHINGS



BWP NO.	REPLACES CHALMERS	I.D.	O.D.	LENGTH	NOTE
M-3800	800010	2 1/2"	3 9/16"	2 1/8"	NEED 4 PER TORQUE ARM
M-3801	22128	2 3/8"	3"	1 7/8"	

SPRING EYE BUSHING



BWP NO.	REPLACES CROWN	I.D.	O.D.	LENGTH	NOTE
M-3802	3522-18	1 1/4"	2 1/4" (sm) 2 3/4" (lg)	2 3/4"	

TORQUE ARM BUSHING



BWP NO.	REPLACES FABCO	I.D.	O.D.	LENGTH	NOTE
M-3803	234255 DD75-383	7/8"	2 1/2"	2 1/2"	

MOTOR MOUNT



BWP NO.	REPLACES FORD	I.D.	O.D.	LENGTH	NOTE
M-3804	DOHZ6068B	1 1/2"	3"	3"	

SPRING EYE PIN



BWP NO.	REPLACES FREIGHTLINER	I.D.	O.D.	LENGTH	NOTE
M-3805*	6813200150	Hole 3/4"	2 1/2"	7 1/2"	FREELY ROTATING INNER PIN

* FREELY ROTATING INNER PIN

POLYURETHANE COMPONENTS

EQUALIZER BUSHING



BWP NO.	REPLACES FREIGHTLINER	I.D.	O.D.	LENGTH	NOTE
M-3806	A16-10549 16-13568-000	2 ¹ / ₄ "	3 ³ / ₄ " (lg) 2 ³ / ₄ " (sm)	2 ¹ / ₄ "	2 USED PER EQUALIZER

MOTOR MOUNTS



BWP NO.	REPLACES FREIGHTLINER	WIDTH	LENGTH	HT	NOTE
M-3807	A011166-000	1 ⁴⁹ / ₆₄ "	2 ³ / ₄ "	1 ²⁹ / ₆₄ "	5/8" HOLE



BWP NO.	REPLACES FREIGHTLINER	I.D.	O.D.	LENGTH	NOTE
M-3808	CBA/24-650-17	5/8"	2 ³ / ₈ "(lg) 1 ¹ / ₂ "(sm)	2 ¹ / ₈ "	5/8" HOLE

EQUALIZER BUSHING



BWP NO.	REPLACES FRUEHAUF	I.D.	O.D.	LENGTH	NOTE
M-3809	UXA-000004	2"	3 ¹ / ₂ "	4 ³ / ₈ "	

TORQUE ARM BUSHING



BWP NO.	REPLACES FRUEHAUF	I.D.	O.D.	LENGTH	NOTE
M-3810	UXA-000011	1 ¹ / ₄ "	2 ³ / ₁₆ "(sm)	2 ³ / ₈ "	

TRUNNION BUSHING FOR M2



BWP NO.	REPLACES FRUEHAUF	I.D.	O.D.	LENGTH	NOTE
M-3811	UXA-000160	4"	5"	8 ⁵ / ₁₆ "	

SUSPENSION & MISC.

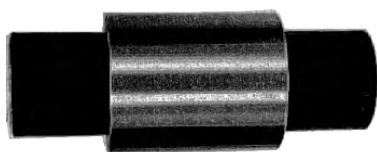
POLYURETHANE COMPONENTS

MOTOR MOUNT



BWP NO.	REPLACES GMC	I.D.	O.D.	LENGTH	NOTE
M-3813	702727	5/8"	3 1/4" (lg) 2 1/4" (sm)	2 5/8"	

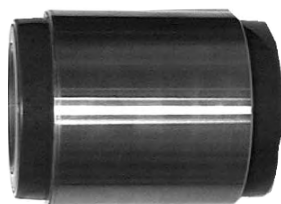
BEAM CENTER BUSHINGS



BWP NO.	REPLACES HENDRICKSON	SMALL I.D.	LARGE O.D.	LENGTH	APPLICATION
M-3814*	22279	2 3/4"	3 5/8"	12"	340 SERIES
M-3815*	22282	3 1/2"	4 3/4"	12"	380 SERIES

OPTIONAL URETHANE END PLUG SUPPLIED
 ★ FREELY ROTATING INNER SLEEVE

BEAM END BUSHINGS



BWP NO.	REPLACES HENDRICKSON	I.D.	O.D.	LENGTH	APPLICATION
M-3816*	6969	2 1/2"	4 3/8"	5 1/4"	340 SERIES
M-3817*	45900	2 1/2"	4 3/8"	5 3/4"	380 SERIES

★ FREELY ROTATING INNER SLEEVE

OFFSET STRADDLE MOUNT



BWP NO.	REPLACES HENDRICKSON	I.D.	O.D.	LENGTH	APPLICATION
M-3875*	46734	3/4" Holes	2 3/4"	7"	NAVISTAR

MEASUREMENT EYELET TO EYELET 5 1/16"
 ★ FREELY ROTATING INNER PIN

POLYURETHANE COMPONENTS

LOAD CUSHIONS



BWP NO.	REPLACES HENDRICKSON	DUROMETER HARDNESS	APPLICATION
M-3818	26953	75	450/460/480/520



BWP NO.	REPLACES HENDRICKSON	DUROMETER HARDNESS	APPLICATION
M-3819	24209	75	340/380

TORQUE ROD BUSHINGS



BWP NO.	REPLACES HENDRICKSON	HOLE	O.D.	LENGTH TO EYELET CENTERS	APPLICATION
M-3820*	44694	5/8"	2 ¹⁷ / ₃₂ "	4 ³ / ₈ "	340 SERIES PETERBILT
M-3821*	44695	5/8"	2 ³ / ₄ "	4 ³ / ₈ "	380/440 SERIES
M-3822*	49210	3/4"	2 ³ / ₄ "	4 ³ / ₈ "	PETERBILT



BWP NO.	REPLACES HENDRICKSON	THREAD	O.D.	LENGTH	APPLICATION
M-3823*	44697	1 ¹ / ₄ -12	2 ³ / ₄ "	8"	VARIOUS

★ FREELY ROTATING INNER PIN

FIFTH WHEEL BUSHINGS



BWP NO.	REPLACES HOLLAND	I.D.	WIDTH	LENGTH	NOTE
M-3824	XB-0011-2	1 ¹ / ₈ "	2 ¹ / ₄ "	4 ¹ / ₄ "	
M-3825	XB-0012-2	1 ¹ / ₂ "	2 ¹ / ₄ "	4 ¹ / ₄ "	



BWP NO.	REPLACES HOLLAND	I.D.	WIDTH	LENGTH	NOTE
M-3826	1604-5	1 ¹ / ₈ "	2 ³ / ₄ "	4 ¹ / ₄ "	

SUSPENSION & MISC.

POLYURETHANE COMPONENTS

TORQUE ARM BUSHING



BWP NO.	REPLACES HUTCHENS	I.D.	O.D.	LENGTH
M-3827*	722-00	1"	1 ¹⁵ / ₁₆ "	3"

★ NO INSTALLATION TOOL REQUIRED

TRUNNION BUSHING



BWP NO.	REPLACES HUTCHENS	I.D.	O.D.	LENGTH
M-3828	890-00	4"	5"	9"

SPRING END PAD



BWP NO.	REPLACES HUTCHENS	THICKNESS	WIDTH	LENGTH
M-3829	814-00	3/4"	3"	5"

SUSPENSION BUSHING



BWP NO.	REPLACES HYSTER	I.D.	O.D.	LENGTH
M-3830	400329	3"	5 ⁵ / ₈ "	2 ⁷ / ₈ "

RADIATOR MOUNTS



BWP NO.	REPLACES KENWORTH	I.D.	O.D.	THICKNESS
M-3831	M601-70NR	5/8"	3 ¹ / ₁₆ " (lg) 1 ⁷ / ₈ " (sm)	1 ³ / ₁₆ "



BWP NO.	REPLACES KENWORTH	I.D.	O.D.	THICKNESS
M-3832	M500-70NR	1 ¹ / ₂ "	2 ¹ / ₂ "	2 ³ / ₁₆ "

5/8" HOLE

SUSPENSION & MISC.

POLYURETHANE COMPONENTS

FRONT MOTOR MOUNT



BWP NO.	REPLACES KENWORTH	I.D.	O.D.	THICKNESS
M-3833	M700 K066-229	3/4"	3 3/4" (lg) 2 1/16" (sm)	2 5/8"

REAR CAB MOUNTS



BWP NO.	REPLACES KENWORTH	I.D.	O.D.	THICKNESS
M-3834	M602-70NR	5/8"	3" (lg) 1 7/8" (sm)	1 15/16"



BWP NO.	REPLACES KENWORTH	I.D.	O.D.	THICKNESS
M-3835	M600 K066-176	5/8"	3" (lg) 1 3/4" (sm)	2 1/2"

MOTOR MOUNTS



BWP NO.	REPLACES KENWORTH	WIDTH	LENGTH	THICKNESS
M-3836	K174-155 K174B456	2"	5"	1/2"



BWP NO.	REPLACES KENWORTH	WIDTH	LENGTH	HEIGHT
M-3837	M506-70NR	2"	5 3/8"	2 3/8"

AIR RIDE BUSHING



BWP NO.	REPLACES KENWORTH	I.D.	O.D.	LENGTH
M-3838	K066-293 K066-449 CA-293	2"	2 7/8"	4"

SUSPENSION & MISC.

POLYURETHANE COMPONENTS

SHOCK ABSORBER BUSHINGS



BWP NO.	REPLACES KENWORTH	I.D.	O.D.	HEIGHT
M-3839	K066-266 COM-266 CA368-6	5/8"	1 7/8"	1 1/4"



BWP NO.	REPLACES KENWORTH	I.D.	O.D.	HEIGHT
M-3840	5316702	3/4"	1 7/16"	7/8"

HOOD HINGE BUSHING



BWP NO.	REPLACES KENWORTH	I.D.	O.D.	HEIGHT
M-3841	M300-70NR	1/2"	1 3/16" (sm) 1 3/4" (lg)	1 3/8"

HOOD LOCATING PIN



BWP NO.	REPLACES KENWORTH	I.D.	O.D.	O.A.L. HT.
M-3842	K179-450	1/2"-13	3 3/16"	3 3/4"

BATTERY BOX WASHER



BWP NO.	REPLACES KENWORTH	I.D.	O.D.	THICKNESS
M-3843	K366-474 K363-409	3/8"	1 1/2"	3/16"

AUX TRANS REAR MOUNT (BROWNIE MOUNT)



BWP NO.	REPLACES KENWORTH	I.D.	O.D.	THICKNESS
M-3844	K066-269	29/32"	1 9/16" (sm) 2 1/4" (lg)	1 1/64"

USE WITH M-3847 WASHER

AUX TRANS REAR WASHER (BROWNIE WASHER)



BWP NO.	REPLACES KENWORTH	I.D.	O.D.	THICKNESS
M-3845	K363-275	1/8"	2 1/4"	7/16"

USE WITH M-3846 MOUNT

POLYURETHANE COMPONENTS

TRUNNION BUSHINGS



BWP NO.	REPLACES MACK	I.D.	O.D.	HT.
M-3846	10QK219P2 10QK276	3 ⁷ / ₁₆ "	4 ¹¹ / ₁₆ "	6 ⁵ / ₁₆ "
M-3847	10QK130P1	3 ⁷ / ₁₆ "	4 ⁷ / ₁₆ "	8 ³ / ₈ "

INSULATOR PADS



BWP NO.	REPLACES MACK	WIDTH	LENGTH	HT.
M-3848	10QK365A	4 ¹ / ₂ "	6"	2 ¹ / ₂ "
M-3849	10QK370	4 ¹ / ₂ "	6"	3"
M-3850	10QK36B 10QK388	6"	6"	3 ³ / ₄ "

ALL PIN DIAMETERS ARE 1³/₄"

MOTOR MOUNTS



BWP NO.	REPLACES MACK	I.D.	O.D.	HT.
M-3851	20QL1175 20QL1118A	1 ³ / ₁₆ "	1 ³ / ₄ " (sm) 3 ¹ / ₄ " (lg)	1 ¹ / ₂ "
M-3852	20QL324M	3 ¹ / ₄ "	2 ¹ / ₄ " (sm) 3 ³ / ₄ " (lg)	1 ⁷ / ₈ "

CAB MOUNT BUSHING



BWP NO.	REPLACES NAVISTAR	I.D.	O.D.	THICKNESS
M-3853	270203CI	1 ¹ / ₂ "	1 ¹ / ₂ "	3 ¹ / ₄ "

HOOD PIN



BWP NO.	REPLACES NAVISTAR	THREAD	O.D.	THICKNESS
M-3854	472697CI	5 ¹ / ₁₆ "-18	2 ³ / ₈ " (lg) 1 ³ / ₄ " (sm)	1 ¹ / ₂ "

SUSPENSION & MISC.

POLYURETHANE COMPONENTS

MOTOR MOUNTS



BWP NO.	REPLACES NAVISTAR	I.D.	O.D.	LENGTH
M-3855	470031C2	5/8"	1 3/8" (sm) 2 3/8" (lg)	2"
M-3856	753997C93	1 1/16"	2" (sm) 3" (lg)	4"
M-3857	479237C1	1 1/16"	1 1/8" (sm) 2 7/8" (lg)	2 9/16"

TRUNNION BUSHING



BWP NO.	REPLACES NEWAY	I.D.	O.D.	LENGTH
M-3858	91008022	4"	5"	8 3/4"

BEAM PIVOT BUSHING



BWP NO.	REPLACES NEWAY	I.D.	O.D.	LENGTH
M-3859	90008131	1 1/8"	2 3/8"	5"

CENTER BEAM BUSHING



BWP NO.	REPLACES NEWAY	I.D.	O.D.	LENGTH
M-3860	90008008	2 1/2"	3 7/8"	5 3/4"

TRUNNION BUSHINGS



BWP NO.	REPLACES PEERLESS	I.D.	O.D.	LENGTH
M-3861	36-10	4"	4 15/16"	7 7/8"
M-3862	36-500	4"	5"	10 3/8"

POLYURETHANE COMPONENTS

PIVOT ARM MOUNTING



BWP NO.	REPLACES PEERLESS	I.D.	O.D.	LENGTH
M-3863*	36-21	2½"	3½"	7"

★ SPLIT BUSHING

TRAILING ARM BUSHING



BWP NO.	REPLACES PEERLESS	I.D.	O.D.	LENGTH
M-3864*	36-15	3½"	4½"	10½"

★ SPLIT BUSHING

WALKING BEAM BUSHING



BWP NO.	REPLACES PEERLESS	I.D.	O.D.	LENGTH
M-3865	36-22	3½"	4½"	7½"

REACH CRADLE



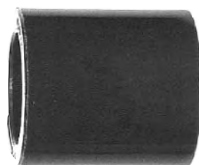
BWP NO.	REPLACES PEERLESS	WIDTH	LENGTH	HEIGHT
M-3866	20623	4"	11½"	4¼"

SPRING END PAD



BWP NO.	REPLACES PEERLESS	WIDTH	LENGTH	THICKNESS
M-3867	31-12	4½"	6¼"	⅝"

AIR RIDE BUSHING



BWP NO.	REPLACES PETERBILT	I.D.	O.D.	LENGTH
M-3868	03-01674 03-07016	1¾"	2½"	2¾"

HOOD HINGE BUSHING



BWP NO.	REPLACES PETERBILT	I.D.	O.D.	LENGTH
M-3869	13-03440	⅝"	1⅜"	1⅝"

POLYURETHANE COMPONENTS

MOTOR MOUNTS



BWP NO.	REPLACES PETERBILT	I.D.	O.D.	LENGTH
M-3870	05-08968	5/8"	2 1/2" (lg) 1 5/8" (sm)	2"
M-3871	05-14794	5/8"	3" (lg) 1 7/8" (sm)	2 1/4"
M-3872	05-16919	3/4"	3 5/8" (lg) 2 1/4" (sm)	2 1/2"
M-3873	05-08969 05-16401	3/4"	3 3/4" (lg) 2 1/4" (sm)	2 5/8"
M-3874	05-10197	25/32"	2 7/8" (lg) 1 5/8" (sm)	2 1/2"

MOTOR MOUNT



BWP NO.	REPLACES PETERBILT	I.D.	O.D.	LENGTH
M-3876	05-18263	53/64"	2 1/2"	2 1/2"

RADIATOR MOUNT



BWP NO.	REPLACES PETERBILT	I.D.	O.D.	LENGTH
M-3831	07-03286	5/8"	3 1/16" (lg) 1 7/8" (sm)	1 3/16"

RADIATOR SHOCK BUSHING



BWP NO.	REPLACES PETERBILT	I.D.	O.D.	LENGTH
M-3877	07-02552	5/8"	1 3/16"	1 1/16"

BUSHINGS



BWP NO.	REPLACES PREMIER	I.D.	O.D.	LENGTH
M-3878	448-A	2"	3 1/2"	1 3/4"
M-3879	348-A	2"	3 1/2"	3 1/2"
M-3880	437-A	2"	4 1/4"	4 1/2"
M-3881	344-A	1 5/8"	3 1/2"	4 1/2"

POLYURETHANE COMPONENTS

TORQUE ARM BUSHINGS



BWP NO.	REPLACES REYCO	I.D.	O.D.	LENGTH
M-3882	T-2242	1"	2 ³ / ₈ " (lg) 1 ³ / ₄ " (sm)	2 ³ / ₄ "



BWP NO.	REPLACES REYCO	I.D.	O.D.	LENGTH
M-3883	T-5493	1"	2 ³ / ₈ " (lg) 1 ¹³ / ₁₆ " (sm)	3"



BWP NO.	REPLACES REYCO	I.D.	O.D.	LENGTH
M-3884	T-1842	1 ¹ / ₁₆ "	3 ¹ / ₁₆ " (lg) 1 ¹³ / ₁₆ " (sm)	2 ⁷ / ₈ "



BWP NO.	REPLACES REYCO	I.D.	O.D.	LENGTH
M-3885*	09729-01	7/8"	1 ⁷ / ₈ "	3"

★ NO INSTALLATION TOOL REQUIRED

EYE BUSHING



BWP NO.	REPLACES SILVER EAGLE	I.D.	O.D.	LENGTH
M-3886	R-205	2 ¹ / ₂ "	4 ³ / ₄ "	5 ³ / ₁₆ "

HINGE BUSHING



BWP NO.	REPLACES UTILITY	WIDTH	LENGTH	HEIGHT
M-3887	3-1306	2 ⁷ / ₈ "	3"	3"

1⁷/₈" HOLE

SUSPENSION & MISC.

POLYURETHANE COMPONENTS

MOTOR MOUNT



BWP NO.	REPLACES VOLVO WHITE	I.D.	O.D.	LENGTH
M-3804	12004-0007	1½"	3"	3"

SHOCK ABSORBER



BWP NO.	REPLACES VOLVO WHITE	I.D.	O.D.	HEIGHT
M-3840	V8057131	¾"	1 ⁷ / ₁₆ "	7/8"

SHOCK MOUNT



BWP NO.	REPLACES WESTERN STAR	I.D.	O.D.	LENGTH
M-3888	985211	1"	1 ⁷ / ₈ "	1"

HINGE BUSHING



BWP NO.	REPLACES WESTERN UNIT	I.D.	WIDTH	HEIGHT
M-3889	102308	1 ³ / ₄ "	2 ¹ / ₄ "	3 ¹ / ₄ "

INTERCHANGE PAGES BY COMPANY

COMPETITORS' INTERCHANGES

Company	Page No.
DAYTON/BATCO	467
EUCLID	476
LELAND	486

MANUFACTURERS' INTERCHANGES

Company	Page No.
ACF DRILL BUS	420
ALCOA	420
ANCHORLOK	420
ATRO	420
AUTOCAR	420
AUTOMANN	420
BECK BUS	420
BENDIX	420
BLUEBIRD SCHOOL BUS	421
BROCKWAY SCHOOL BUS	421
BUDD	421
BUILT RITE	422
BUS AND TRUCK	422
CASCADE TRAILER	422
CHALMERS	422
CHAMP	422
CHANCE BUS	422
CLARK EQUIPMENT	422
COLE HERSEE	422
CONMET	422
CONTINENTAL TRAILWAYS	422
CRANE CARRIER	423
CREWSON BRUNNER	423
CROWN COACH	423
DANA	423
DAYTON/WALTHER	424
DAYTON/BATCO	424
DAYTON PARTS	425
DELCO	426
DEXTER	427
DIAMOND REO	427
DIAMOND T	427
DODGE TRUCK	427
DUPLEX TRUCK	427
DURA SUSPENSION	427
DYCO INDUSTRIES	427
EAGLE MOTOR COACH	427
EATON AXLE	427

INTERCHANGE PAGES BY COMPANY

MANUFACTURERS' INTERCHANGES (Cont'd)

Company	Page No.
EATON (TOP SPEC)	428
ENERGY SUSPENSIONS	429
ERIE WHEEL	429
FIRESTONE	429
FLAGG	430
FLAGG (KING PINS)	430
FLEXIBLE BUS	431
FORD CARGO	431
FORD MOTOR CO.	431
FREIGHTLINER	433
FRUEHAUF	433
FWD TRUCK	434
GABRIEL	434
GENERAL TRAILER	435
GILLIG BROTHERS	435
GMC	435
GOODYEAR	437
GRANNING SUSPENSION	437
GREYHOUND BUS	437
GUNITE	437
HARDEE MFG.	438
HEND INTRAAX	438
HENDRICKSON MFG.	438
HENDRICKSON-TURNER (See Turner Suspensions)	438
HIGHWAY	438
HOBBS TRAILER	438
HOLLAND	438
HUTCHENS	438
HYSTER	439
IMPERIAL EASTMAN	439
K-B AXLE	439
KELSEY (GUNITE)	439
KEN TOOL	439
KENWORTH	440
KONI	440
LODAL, INC.	440
MACK	440
MACK MID-LINER	441
MAECO	441
MARMON	441
MERITOR	441
MGM	446
MIDLAND	447
MOHAWK	448
MONROE	448
MOOG (KING PINS)	448
MOTOR COACH INDUSTRIES	449
MOTOR WHEEL	449
NAVISTAR FLEETRITE	449

INTERCHANGE PAGES BY COMPANY

MANUFACTURERS' INTERCHANGES (Cont'd)

Company	Page No.
NAVISTAR (IHC)	449
NAVISTAR (IHC) KING PINS	451
NEWAY	451
NWRA	451
OLE GRANNING	453
ONTARIO BUS	453
OSHKOSH MOTORS	453
OSTERLUND TRUCK	453
OTC (OWATONNA TOOL)	453
OTTAWA TRUCK	453
PACCAR	453
PAGE	453
PAI CORP.	454
PARKER-HANNIFIN	454
PEERLESS	454
PEERLESS TRAILER	454
PETERBILT	454
PREMIER	454
REYCO	454
REYCO OF MT. VERNON (See Transpro)	455
RIDEWELL CORP.	455
R & S TRUCK AND BODY	456
SAVER	456
SEVERSON	456
SLOAN	456
SPICER (DANA)	457
STANDARD FORGE AND AXLE	459
SYNFLEX	460
THOMAS SCHOOL BUS	460
TRAILMOBILE	460
TRANSPORTATION MFG. CORP	461
TRANSPRO (Reyco of Mt. Vernon)	461
TRUCKSTELL (MARION MFG)	461
TRW AUTOMOTIVE (KING PINS)	461
TRW HD (KING PINS)	462
TURNER SUSPENSION	462
TWIN COACH	462
UTILITY TRAILER	462
VELVAC	462
VOLVO WHITE	463
WAGNER	463
WALTHER EMC	464
WATSON & CHALIN SUSPENSION	464
WEATHERHEAD	464
WEBB WHEEL	465
WESTERN STAR	465
WESTERN UNIT "STABILAIRE"	465
WHITE	465

MANUFACTURER'S PART NUMBERS TO BWP PART NUMBERS

BENDIX		BENDIX		BROCKWAY SCHOOL BUS		BUDD		BUDD	
Mfg. No.	BWP No.	Mfg. No.	BWP No.	Mfg. No.	BWP No.	Mfg. No.	BWP No.	Mfg. No.	BWP No.
249094	M-1307	316355	M-1029	140K-281-P10	M-85305	45631 & 2	M-114 & 5	74723 & 4	M-94 & 5
249393	M-1357	316356	M-1027	140K-282-P3	M-83216	47136 & 7	M-46 & 7	74725 & 5	M-92 & 3
249394	M-1355	316367	M-1010	152412	M-83215	47147 & 8	M-248A & 9A	75931 & 2	M-1164 & 5
249925	M-1088	316368	M-1087	508657	M-85307	47543 & 4	M-120 & 1	76635 & 6	M-140J & K
249940 } 249941 }	M-1086	316997	M-819	515231	M-85303	47693-7	M-138	77115 & 6	M-94 & 5
249942	M-830	316998	M-820	530873	M-83207	47693-8	M-1255	80521	M-207
249943	M-1044	318564	M-1043	530873	M-89407	47696 & 7	M-126 & 7	80522	M-1201
250605	M-3194	318597	M-1034	532397	M-85307	47698 & 9	M-128 & 9	80697 & 8	M-1168 & 9
250606	M-3195	318598	M-1035			48051 & 2	M-140C & D	81269	M-157
		318599	M-1036			48097 & 8	M-124 & 5	82232 & 3	M-84 & 5
275150	M-313A	318601	M-1037					82525	M-158
278008	M-1064	318658	M-1026			48337 & 8	M-48 & 9	82526	M-159
278010	M-451	318870	M-899			48966	M-2509	82573 & 4	M-1114 & 5
278045	M-435	322854	M-899			48793 & 4	M-50 & 1	82575 & 6	M-1116 & 7
278084	M-475	323162	M-1089			49301 & 2	M-2514 & 5	82578 & 9	M-1106 & 7
						49311 & 2	M-108 & 9		
278105	M-455	324095	M-2734			49321	M-2526	82581 & 2	M-1166 & 7
278106	M-456	324330	M-1026			49383 & 4	M-112 & 3	83172	M-1283
278288	M-2578	324757	M-1031			49414 & 5	M-140A & B	83812 & 3	M-1170 & 1
278289	M-2579	325007	M-1041			49416 & 7	M-140E & F	83814 & 5	M-1216 & 7
278294	M-2580	445089	M-2751			49541 & 2	M-1226 & 7	83818 & 9	M-1218 & 9
278295	M-2581	445280	M-2747	16856 & 7	M-64 & 5	49851 & 2	M-80 & 1	83851 & 2	M-1108 & 9
278302	M-3375	445335	M-2583	17123 & 4	M-56 & 7	59066 & 7	M-1110 & 1	83853 & 4	M-1118 & 9
278303	M-2582	445342	M-1084	18309 & 10	M-3640 & 41	59127 & 8	M-56 & 7	84097 & 8	M-1120 & 1
278312	M-452	445343	M-1085	18560	M-2463	59172 & 3	M-54 & 5	84608	M-1153
278321	M-457	2250995	M-824A	19004 & 5	M-54 & 5	59183 & 4	M-82 & 3	85106	M-1152
						59191 & 2	M-74 & 5	85108	M-1151
278323	M-434	2251254	M-3253	19937	M-2521	59191 & 2	M-74 & 5	85141	M-1284
278850	M-313B	2251804	M-3254	21942 & 43	M-3642 & 43	59263 & 4	M-76 & 7	85381 & 2	M-2428 & 9
278851	M-313C	2251797	M-3255	22005 & 6	M-58 & 9	59364 & 5	M-72 & 3	88013	M-132
279567	M-418	2258191	M-3257	22621 & 2	M-132 & 3	59371 & 2	M-1210 & 1	88014	M-133
279568	M-418-5	2258196	M-3251	24100 & 1	M-70 & 1	59373 & 4	M-1176 & 7		
279569	M-419	2258199	M-3256	31439	M-90	59375 & 6	M-1112 & 3	90217 & 8	M-2418 & 9
279572	M-447	2258200	M-3252	31703 & 4	M-116 & 7	59533 & 4	M-74 & 5	90513 & 4	M-1208 & 9
279574	M-448	2259428	M-3194	31781 & 2	M-106 & 7	59536 & 7	M-258 & 9	90553 & 4	M-1206 & 7
279575	M-449	2259450	M-3195	31783 & 4	M-112 & 3	59891	M-1285	92176 & 7	M-1280 & 1
279576	M-450	2260285	M-3249	32309 & 10	M-108 & 9	61491 & 2	M-102 & 3	92861	M-2546
279634	M-1063	2261362	M-3250	33792 & 3	M-66 & 7	61968 & 9	M-78 & 9	93295 & 6	M-2492 & 3
279946	M-1062	3200070	M-1034	35089 & 90	M-3234 & 35	63121 & 2	M-64 & 5	93894 & 5	M-92 & 3
279947	M-1061	3200449	M-1037	35336 & 7	M130 & 1	63123 & 4	M-60 & 1	94072	M-2546
280420	M-1062	3200709	M-1035	35786 & 7	M-260 & 1	63341 & 2	M-1228 & 9	95188 & 9	M-1266 & 7
280421	M-1061	3200710	M-1036	36412 & 3	M-2510 & 11	63385 & 6	M-2494 & 5	95691 & 2	M-2408 & 9
283411	M-474			36672 & 3	M-122 & 3	63606	M-2523	95693 & 4	M-2402 & 3
285498	M-315S			36757 & 8	M-118 & 9	63625-1	M-88	95707 & 8	M-2416 & 7
285783	M-1034			37179	M-2526	63625-2	M-84	95711 & 2	M-2414 & 5
285784	M-1035			37181	M-2520	63625-3	M-86	98348 & 9	M-1272 & 3
285785	M-1036			37888 & 9	M-124 & 5	63626-1	M-89	99616	M-2428
285786	M-1037			37891 & 2	M-126 & 7	63626-2	M-85	99617	M-2429
286740	M-2577			38532 & 3	M-230 & 1	63626-3	M-87	100145 & 6	M-3608 & 9
286965	M-3373			38594 & 5	M-242 & 3	63866 & 7	M-2488 & 9	101321 & 2	M-2498 & 9
287389	M-2757			39388 & 9	M-203 & 4	64186 & 7	M-236 & 7	103563	M-2543
287899	M-2577			39677 & 8	M-68 & 9			106201	M-3218
288131	M-2756	0609180	M-85304	40336 & 7	M-102 & 3	65455 & 6	M-58 & 9	106202	M-3219
288138	M-2758	0823054	M-85304	40338 & 9	M-104 & 5	66068 & 9	M-2512 & 3	106216	M-3201
288140	M-2759	1217934	M-85304	40417 & 8	M-230 & 1	66477 & 8	M-1230 & 1	106333	M-3203
288142	M-2760	1316546	M-85006	40417 & 8	M-230 & 1	67011 & 2	M-140G & H	106333	M-3203
288144	M-2761			40607 & 8	M-52 & 3	67147 & 8	M-248 & 9	106377	M-3200
				41073-7	M-138	67458 & 9	M-92 & 3	106397	M-3202
288146	M-2762	2021459	M-85012	41073-8	M-1255	67461 & 2	M-94 & 5	3008401	M-3218
288148	M-2763	2050516	M-85307	41233 & 4	M-256 & 7	67536 & 7	M-110 & 1	3008402	M-3219
288541	M-455	614958	M-85307	42793	M-2464	69205 & 6	M-2496 & 7	3018501	M-3202
288542	M-456	614966	M-89420	43801 & 2	M-102 & 3	69912 & 3	M-166 & 7	3018502	M-3200
288753	M-2577	614974	M-85304	43803 & 4	M-124 & 5	70611 & 2	M-136 & 7	3008503	M-3201
288808	M-458			43806 & 7	M-260 & 1	70613 & 4	M-134 & 5	3203001	M-132
288813	M-459			43808 & 9	M-128 & 9	71551	M-168	3203002	M-133
291223	M-475			43811 & 2	M-126 & 7	71736 & 7	M-164 & 5	3203401	M-130
316331	M-1038			44577	M-2520	73278	M-2545	3203402	M-131
316354	M-1028			44672-9	M-1268	74486	M-2545	3203403	M-3396

INTERCHANGES

MANUFACTURER'S PART NUMBERS TO BWP PART NUMBERS

CONTINENTAL TRAILWAYS		DANA		DANA		DANA		DANA	
Mfg. No.	BWP No.	Mfg. No.	BWP No.	Mfg. No.	BWP No.	Mfg. No.	BWP No.	Mfg. No.	BWP No.
680091	M-85303	14032	M-649	M10HM136	M-1007	M12KY100	M-K15	M15WK103-23	M-3173R
70039	M-85303	14033	M-650	M10HM140	M-1230	M12KY101	M-K26	M16WK102-25	M-744L
70041	M-85305	16029	M-583	M10HM141	M-1231	M12KY202	M-K26	M16WK103-25	M-744R
		16030	M-579	M10HN100	M-683	M12WH112X	M-1556	M16WK102-26	M-746L
		16032	M-1551	M10HN101	M-682	M12WK100-3	M-478R	M16WK103-26	M-746R
		16034	M-747	M10HN102	M-684	M12WK101-3	M-478L	M16WK102-88	M-3183L
		16050	M-2628	M10HN104	M-650	M21WK100-17	M-478R	M16WK103-88	M-3183R
		16054	M-578	M10HN105	M-649	M12WK101-17	M-478L	M16WK104-10	M-3136L
		16055	M-824	M10HN107	M-680	M12WK100-18	M-2603R	M16WK105-10	M-3136R
		16064	M-2622	M10HN128	M-1524	M12WK101-18	M-2603L	M16WK104-17	M-3175L
		16080	M-502	M10HN129	M-681	M12WK100-19	M-479R	M16WK105-17	M-3175R
		16097	M-538	M10HN130	M-679	M12WK101-19	M-479L	M16WK104-23	M-3137L
		16098	M-543	M10HN139	M-588	M12WK106-6	M-477R	M16WK105-23	M-3137R
		16099	M-548	M10HN151	M-1068	M12WK107-6	M-477L	M16WK104-25	M-3186L
		16101	M-547	M10HN152	M-584	M12WK106-10	M-478R	M16WK105-25	M-3186R
		16116	M-511	M10HN153	M-642	M12WK107-10	M-478L	M16WK110-4	M-3178R
		16197	M-618	M10HN154	M-725	M12WK106-11	M-479R	M16WK111-4	M-3178L
		16200	M-771	M10HN158	M-682	M12WK107-11	M-479L	M16WK110-5	M-562R
		16359	M-596	M10HP102	M-771	M12WR101	M-590A	M16WK111-5	M-562L
		16361	M-1500	M10HP103	M-779	M12WS102	M-822	M16WK110-6	M-567R
		16391	M-562R	M10HR101	M-652A	M12WS108	M-821	M16WK111-6	M-567L
		16392	M-562L	M10HR102	M-645	M12WS122X	M-3197	M16WK110-9	M-744L
		16395	M-744R	M10HR104	M-1008	M12WS124X	M-3196	M16WK111-9	M-744R
		16396	M-744L	M10HR105	M-1432	M12WS127	M-504	M16WK110-10	M-746R
		16399	M-567R	M10HR119	M-641	M12WS128X	M-2652	M16WK111-10	M-746L
		16400	M-567L	M10HR123	M-640	M12WS129X	M-3192	M16WK110-12	M-2601L
		16407	M-3173R	M10HS115	M-1412	M12WS131X	M-769	M16WK111-12	M-2601R
		16408	M-3173L	M10HS117	M-719	M12WS148X	M-3197	M16WK110-13	M-3183L
		16425	M-3178R	M10HS143	M-3749	M12WS149X	M-3192	M16WK111-13	M-3183R
		16426	M-3178L	M10HS146	M-3750	M12WS151X	M-3196	M16WK116	M-1015R
		16429	M-774R	M10KY100	M-K64	M12WS154X	M-3198	M16WK117	M-1015L
		16430	M-774L	M10KY103	M-K103	M16HD100	M-2548	M12WKR10-204	M-776R
		16441	M-565R	M10KY104	M-K101	M16HD102	M-543	M12WKL10-204	M-776L
		16442	M-565L	M10LK103X	M-K2	M16HD106	M-3747	M12WKR10-213	M-477R
		16443	M-3178R	M10LK105X	M-K11	M16KY20	M-K24	M12WKL10-213	M-477L
		16444	M-3178L	M10MH178-2	M-1272	M16KY202	M-K64	M12WKR10-234	M-478R
		16449	M-561R	M10MH179-2	M-1273	M16KY204	M-3751	M12WKL10-234	M-478L
		16450	M-561L	M10SS100	M-613	M16TF112	M-704	M12WKR10-241	M-479R
		16483	M-2601R	M10WJ100	M-2622	M16WB101	M-590A	M12WKL10-241	M-479L
		16484	M-2601L	M10WJ102	M-722	M16WH113X	M-1554	M16WKR10-166	M-561R
		16493	M-746R	M10WJ103	M-507	M16WHR50	M-3751	M16WKL10-166	M-561L
		16494	M-746L	M10WJ107	M-582	M16WJ100	M-2732	M16WKR10-175	M-3132R
		16497	M-560R	M10WJ108	M-1003	M16WJ101	M-1423	M16WKL10-175	M-3132L
		16498	M-560L	M10WJ116	M-1005	M16WJ102	M-1500	M16WKR10-205	M-3145R
		16523	M-3175R	M10JW118	M-571B	M16WJ103	M-644	M16WKL10-205	M-3145L
		16524	M-3175L	M10WJ119	M-1558	M16WJ104	M-596	M16WKR10-213	M-567R
		16583	M-746R	M10WJ135	M-548	M16WJ105	M-1422	M16WKL10-213	M-567L
		16584	M-746L	M10WJ138	M-1016	M16WJ114	M-597	M16WKR10-231	M-3133R
		16643	M-774R	M10WJ144	M-507	M16WJ116	M-2741	M16WKL10-231	M-3133L
		16644	M-774L	M10WJ150	M-3239	M16WJ121	M-1054	M16WKR10-236	M-3134R
		16655	M-3188R	M10WJ151	M-3238	M16WJ146	M-2741	M16WKL10-236	M-3134L
		16656	M-3188L	M10WJ154	M-547	M16WR105	M-451	M16WKR10-242	M-3135R
		20101	M-2545	M10WJ155	M-721	M16WS100-1	M-2650	M16WKL10-242	M-3135L
		22044	M-2546	M10WJ159	M-618	M16WS105-4	M-502	M16WKR10-264	M-3148R
		22062	M-2541	M10WJ160	M-619	M16WS134X	M-2650	M16WKL10-264	M-3148L
		M10HD100	M-602	M10WJ162	M-620	M16WS135X	M-737	M16WKR15-175	M-3690R
		M10HD101	M-594	M10WJ164	M-622	M16WK102-9	M-561R	M16WKL15-175	M-3690L
		M10HD104	M-3348	M10WJ165	M-604	M16WK103-9	M-561L	M16WKR15-205	M-3691R
		M10HK129	M-767	M10WJ178	M-571A	M16WK102-12	M-559R	M16WKL15-205	M-3691L
		M10HK182	M-2774	M10WJ182	M-578	M16WK103-12	M-559L	M16WKR15-231	M-3692R
		M10HM107	M-1226	M10WJ212X	M-582	M16WK102-17	M-562R	M16WKL15-231	M-3692L
		M10HM108	M-1227	M10WJ237X	M-3748	M16WK103-17	M-562L	M16WKR15-236	M-3693R
		M10HM107-4	M-1228	M10WR119	M-434	M16WK102-19	M-567L	M16WKL15-236	M-3693L
		M10HM108-4	M-1229	M12KBH04	M-82	M16WK103-19	M-567R	M16WKR15-242	M-3694R
		M10HM130	M-648	M12KBH06	M-80	M16WK102-23	M-3173L	M16WKL15-242	M-3694L

INTERCHANGES

MANUFACTURER'S PART NUMBERS TO BWP PART NUMBERS

DANA		DANA		DAYTON/WALTHER		DAYTON/WALTHER		DAYTON/BATCO	
Mfg. No.	BWP No.	Mfg. No.	BWP No.	Mfg. No.	BWP No.	Mfg. No.	BWP No.	Mfg. No.	BWP No.
M16WKR15-264	M-3695R	R16WKL20-114	M-2613L	09-001395	M-2498	39120109	M-1494	13-1017-R	M-3904
M16WKL15-264	M-3695L	R16WKR20-117	M-2614R	09-001296	M-2499	39120110	M-1494	13-1042-L	M-3903
M16WKR20-175	M-3187R	R16WKL20-117	M-2614L	09-001422	M-3213	32120111	M-1494	13-1042-R	M-3902
M16WKL20-175	M-3187L	R16WKR20-127	M-2606R	09-001484	M-3942	39180077	M-2840	13-1124-L	M-3935
M16WKR20-205	M-3140R	R16WKL20-127	M-2606L	09-001485	M-3943	39180118	M-2835	13-1124-R	M-3934
M16WKL20-205	M-3140L	R16WKR20-132	M-2607R	09-001588	M-3946	39180119	M-2836	13-1126-L	M-3933
M16WKR20-231	M-3188R	R16WKL20-132	M-2607L	09-001589	M-3947	39180136	M-2837	13-1126-R	M-3932
M16WKL20-231	M-3188L	R16WKR20-134	M-2597R	09-001740	M-3266	39180137	M-2838	13-1130-L	M-3945
M16WKR20-236	M-3142R	R16WKL20-134	M-2597L	09-001862	M-3267	39180138	M-2839	13-1130-R	M-3944
M16WKL20-236	M-3142L	R16WKR20-136	M-2598R	09-005782	M-9	39240007	M-2820	13-1131-L	M-3927
M16WKR20-242	M-3169R	R16WKL20-136	M-2598L	09-005822	M-10	39240011	M-2821	13-1131-R	M-3926
M16WKL20-242	M-3169L	R16WKR20-143	M-2599R	09-006256	M-1141	39400013	M-2135	13-1132-L	M-3929
M16WKR20-261	M-3139R	R16WKL20-143	M-2599L	09-006257	M-1142	39400014	M-2138	13-1132-R	M-3928
M16WKL20-261	M-3139L	R16WKR21-175	M-990R	09-006302	M-1105	39400016	M-1449	13-1133-L	M-3931
M16WKR20-271	M-3138R	R16WKL21-175	M-990L	09-007295	M-30-B	39400021	M-2139	13-1133-R	M-3930
M16WKL20-271	M-3138L	R16WKR21-206	M-991R	09-007564	M-3212	39400089	M-2139	13-1137-L	M-3937
M16WKR25-175	M-3696R	R16WKL21-206	M-991L	09-007587	M-27			13-1137-R	M-3936
M16WKL25-175	M-3696L	R16WKR21-243	M-992R	09-008422	M-30A			13-1143-L	M-3955
M16WKR25-205	M-3697R	R16WKL21-243	M-992L	09-008498	M-3602			13-1143-R	M-3954
M16WKL25-205	M-3697L			09-008621	M-1138			13-1168-L	M-3941
M16WKR25-231	M-3698R			09-008629	M-1131			13-1168-R	M-3940
M16WKL25-231	M-3698L			09-009122	M-1218			13-1171-L	M-3947
M16WKR25-236	M-3147R			09-009123	M-1219			13-1171-R	M-3946
M16WKL25-236	M-3147L			09-01639	M-1166			13-1173-L	M-3943
M16WKR25-242	M-3699R			09-01640	M-1167			13-1173-R	M-3942
M16WKL25-242	M-3699L			09-541417	M-1			13-1176-L	M-3949
M16WKR25-261	M-3146R			09-604017	M-7			13-1176-R	M-3948
M16WKL25-261	M-3146L			09-604317	M-1126			13-1177-L	M-3939
M16WKR25-271	M-3141R			09-612317	M-3			13-1177-R	M-3938
M16WKL25-271	M-3141L			09-623517	M-4			13-1274-L	M-3951
P16WKR30-164	M-563R			09-658417	M-2			13-1274-R	M-3950
P16WKL30-164	M-563L			09-699317	M-8			13-1275-L	M-3953
R16WKR10-066	M-988R			09-705317	M-1125			13-1275-R	M-3952
R16WKL10-066	M-988L			09-717110	M-5			13-1474-L	M-3909
R16WKR10-082	M-989R			09-717510	M-6			13-1474-R	M-3908
R16WKL10-082	M-989L			09-729514	M-30B			13-1510-L	M-3965
R16WKR10-087	M-996R			09-839910	M-27			13-1510-R	M-3964
R16WKL10-087	M-996L			09-851817	M-3600			13-1511-L	M-3967
R16WKR10-114	M-997R			09-861901	M-3941			13-1511-R	M-3966
R16WKL10-114	M-997L			09-861902	M-3940			13-1512-L	M-3969
R16WKR10-117	M-734R			09-870817	M-1123			13-1512-R	M-3968
R16WKL10-117	M-734L			09-870917	M-1124			13-1547	M-3974
R16WKR10-121	M-3181R			09-885310	M-1122			13-1548	M-3972
R16WKL10-121	M-3181L			3904002	M-2820			13-1549	M-3973
R16WKR10-124	M-2610R			39040016	M-2821			13-1565	M-3975
R16WKL10-124	M-2610L			39050002	M-2834			13-1593	M-3977
R16WKR10-127	M-998R			39050021	M-2832			13-1594	M-3978
R16WKL10-127	M-998L			39050038	M-2833			13-1625-L	M-3911
R16WKR10-160	M-1570R			39060085	M-2844			13-1625-R	M-3910
R16WKL10-160	M-1570L			39060086	M-2845			13-1626-L	M-3917
R16WKR10-187	M-774R			39060087	M-2846			13-1626-R	M-3916
R16WKL10-187	M-774L			39060166	M-2841			13-1627-L	M-3915
R16WKR13-175	M-993R			39060167	M-2842			13-1627-R	M-3914
R16WKL13-175	M-993L			39060226	M-2843			13-1635-L	M-3913
R16WKR13-206	M-994R			39080011	M-2826			13-1635-R	M-3912
R16WKL13-206	M-994L			39080129	M-2830			13-1660-L	M-3925
R16WKR13-243	M-995R			39080130	M-2831			13-1660-R	M-3924
R16WKL13-243	M-995L			39090029	M-2813			13-2006	M-3957
R16WKR20-087	M-2605R			39090030	M-2814			13-2007	M-3956
R16WKL20-087	M-2605L			39120014	M-1492			13-2386-L	M-3963
R16WKR20-107	M-3179R			39120076	M-1492			13-2386-R	M-3962
R16WKL20-107	M-3179L			39120079	M-1493			13-2461	M-3907
R16WKR20-112	M-2612R			39120081	M-1493			13-2464	M-3906
R16WKL20-112	M-2612L			39120085	M-1492			13-2850	M-3970
R16WKR20-114	M-2613R			39120088	M-1492			13-2950	M-3971
				39120106	M-1494			13-3057	M-3979

DAYTON/WALTHER

Mfg. No. BWP No.

04-09179	M-2543
04-14344	M-2542
08-004350	M-2521
08-005148	M-37
08-005149	M-43
08-005265	M-44
08-005354	M-42
08-005716	M-45
08-006654	M-38
08-007358	M-2464
08-007471	M-2525
08-007775	M-2523
08-008134	M-2522
08-008411	M-39
08-034396	M-40
08-201140	M-2454
08-201500	M-2456
08-203440	M-2823
08-203480	M-1194
08-203488	M-1883
08-203531	M-2819
08-203551	M-2822
08-204565	M-2136
08-204566	M-2137
08-204568	M-1884
08-204569	M-2140
08-204734	M-1102
08-853501	M-126
08-853502	M-127
08-853701	M-128
08-853702	M-129
09-001164	M-1204
09-001165	M-1205
09-001217	M-1250
09-001218	M-1251
09-001228	M-1139
09-001229	M-3601
09-001275	M-2460
09-001326	M-3948
09-001327	M-3949
09-001393	M-1170
09-001394	M-1171

DAYTON/BATCO

Mfg. No. BWP No.

01-340	M-3498
01-347	M-3987
01-3751	M-3497
02-515	M-3494
04-318	M-3496
04-329	M-3985
04-542051	M-3794-R
04-542052	M-3794-L
04-542131	M-3795-R
04-542132	M-3795-L
04-542321	M-3796-R
04-542322	M-3796-L
04-542401	M-3797-R
04-542402	M-3797-L
04-642041	M-3791-R
04-642042	M-3791-L
04-642131	M-3792-R
04-642132	M-3792-L
04-642211	M-3793-R
04-642212	M-3793-L
04-642321	M-3789-R
04-642322	M-3789-L
04-861121	M-3798-R
04-861122	M-3798-L
04-871121	M-3799-R
04-871122	M-3799-L
05-254	M-3984
08-104300	M-K114
08-104330	M-K115
08-104700	M-K112
08-104900	M-K108
08-105000	M-K109
08-107303	M-K110
08-111102	M-K79-B
08-111635	M-K106
08-1149	M-K105
08-114920	M-K113
08-130301	M-K107
08-132900	M-K111
08-135110	M-K116
09-5039	M-3790
12-26901	M-3495
13-1016-L	M-3901
13-1016-R	M-3900
13-1017-L	M-3905

INTERCHANGES

MANUFACTURER'S PART NUMBERS TO BWP PART NUMBERS

DAYTON/BATCO		DAYTON PARTS		DAYTON PARTS		DAYTON PARTS		DAYTON PARTS	
Mfg. No.	BWP No.	Mfg. No.	BWP No.	Mfg. No.	BWP No.	Mfg. No.	BWP No.	Mfg. No.	BWP No.
13-3130-L	M-3983	300-214	M-2337	306-148*	M-2379	321-175	M-1888	327-104	M-2102
13-3130-R	M-3982	300-215	M-2338	306-154*	M-2347	321-176	M-1452	327-106	M-2039
13-3131-L	M-3981	300-216	M-2339	306-155*	M-2346	321-177	M-1818	327-107	M-2040
13-3131-R	M-3980	300-217	M-2340	306-156*	M-2353	321-178	M-2119	327-108	M-2106
1R12-303	M-3550	300-218	M-2341	306-160*	M-2331	321-186	M-2135	327-110	M-2875
1R12-363	M-3558	300-219	M-2372	306-162*	{ M-2336	321-187	M-2138	327-112	M-2047
2B8-550	M-3557	300-220	M-2342		{ M-2352	321-188	M-2117	327-113	M-2048
2B9-206	M-3551	300-221	M-2343		{ M-2322	321-190	M-1808	327-114	M-2051
2B9-218	M-3556	300-222	M-2344	306-163*	{ M-2315	321-220	M-1464	327-116	M-2102
2B9-252	M-3559	300-223	M-2373			321-224	M-2945	327-308	M-2893
3B12-300	M-3553	300-224	M-2345	306-163*	M-2331				
		300-225	M-2374	306-165*	M-2340	321-229	M-2116	327-309	M-2895
		300-227	M-2340	306-166*	M-2348	321-233	M-2120	327-310	M-2894
		300-228	M-2375	306-167*	M-2339	321-234	M-2115	327-316	M-2896
		300-229	M-2346	306-168*	{ M-2326	321-235	M-2118	327-319	M-1481
					{ M-2327	321-242	M-2153	327-321	M-2897
		300-230	M-2353	306-169*	M-2358	322-100	M-2042	327-322	M-2898
		300-231	M-2347	320-108	M-1659	322-101	M-2043	327-323	M-2899
		300-232	M-2348	321-117	M-1725	322-102	M-1797	327-330	M-2889
		300-233	M-2350	321-118	M-1793	322-103	M-2006	327-331	M-2890
		300-234	M-2378	321-120	M-1724	322-104	M-1796	327-342	M-2887
		300-235	M-2349	321-121	M-1726	322-105	M-2001	327-345	M-2888
		300-236	M-2376	321-122	M-1727	322-106	M-2107	327-346	M-2891
		300-238	M-2357	321-123	M-1794	322-107	M-2885	330-102	M-2892
		300-240	M-2358	321-124	M-1727	322-108	M-2092	334-100	M-2038
		300-242	M-2381	321-125	M-1798	322-109	M-2873	334-101	M-2044
		300-248	M-2379	321-126	M-2153	322-114	M-2901	334-102	M-2017
		300-249	M-2380	321-126	M-1726	322-117	M-1457	334-103	M-2028
		306-111*	M-2303	321-127	M-2948	322-119	M-1667	334-104	M-2002
		306-113*	M-2310	321-128	M-2091	322-120	M-1664	334-105	M-2004
		306-115*	M-2318	321-129	M-2096			334-106	M-2003
		306-115*	M-2319	321-131	M-2069	322-123	M-1788		
		306-119*	M-2371	321-132	M-2070	322-124	M-2994	334-107	M-2005
		306-117*	{ M-2370	321-133	M-2072	323-084	M-1482	334-108	M-2010
			{ M-2335	321-134	M-2071	325-100	M-2061	334-109	M-2012
		306-119*	M-2304	321-135	M-2087	325-103	M-1799A	334-110	M-2013
		306-121*	{ M-2321					334-111	M-2015
			{ M-2320	321-136	M-2090	325-104	M-2062		
				321-137	M-2088	325-108	M-2919	334-112	M-2041
				321-138	M-2089	325-109	M-2109	334-113	M-2018
		306-122*	{ M-2317	321-140	M-1735	325-110	M-2112	334-114	M-2007
			{ M-2316	321-141	M-2068	325-111	M-2922	334-115	M-2009
		306-124*	M-2334			325-112	M-2110	334-116	M-2008
		306-126*	M-2338	321-142	M-1736	325-113	M-2111	334-117	M-2056
			{ M-2306	321-143	M-2063	325-114	M-2920	334-118	M-2057
		306-127*	{ M-2313	321-144	M-3262	325-115	M-1478	334-119	M-2065
				321-145	M-1718	325-116	M-1477	334-120	M-2064
				321-146	M-1719	325-117	M-1479	334-121	M-2067
		306-128*	M-2301						
		306-128*	M-2355	321-147	M-1845	325-118	M-2113	334-126	M-2966
		306-129*	M-2376	321-149	M-1847	325-119	M-1460	334-127	M-2966
		306-130*	M-2341	321-150	M-1755	325-125	M-2921	334-128	M-2812
		306-131*	M-2342	321-152	M-1756	325-129	M-2130	334-130	M-2108
				321-153	M-1449	325-130	M-2131	334-134	M-2098
		306-132*	M-2325						
			{ M-2324	321-154	M-1869	325-131	M-2132	334-135	M-2094
		306-133*	{ M-2354	321-157	M-1751	325-132	M-1484	334-136	M-2093
			{ M-2332	321-158	M-1846	325-133	M-1487	334-137	M-2095
			{ M-2333	321-159	M-2960	325-134	M-1488	334-138	M-2097
		306-134*	M-2351	321-160	M-2960	325-135	M-1707	334-144	M-2058
		306-135*	M-2350						
		306-136*	{ M-2305	321-161	M-2943	325-137	M-1706	334-149	M-2031
			{ M-2309	321-162	M-2945	325-138	M-1485	334-150	M-2030
		306-137*	M-2349	321-163	M-2961	325-139	M-1700	334-151	M-2029
				321-164	M-2949	325-140	M-1702	334-152	M-2104
		306-138*	M-2378	321-167	M-1449	325-141	M-1486		
			{ M-2343	321-168	M-1689	325-142	M-1701	334-153	M-1767
		306-139*	{ M-2344	321-169	M-1694	325-144	M-1709	334-164	M-2459
			{ M-2380	321-170	M-2904	327-100	M-2047	334-165	M-2033
		306-140*	M-2380	321-171	M-2905	327-101	M-2048	334-166	M-1730
			{ M-2373	321-171	M-2905	327-101	M-2048	334-168	M-2058
		306-147*	{ M-2345	321-173	M-1848	327-102	M-2050	334-171	M-2037

★= Available from Chicago warehouse

MANUFACTURER'S PART NUMBERS TO BWP PART NUMBERS

DAYTON PARTS		DAYTON PARTS		DAYTON PARTS		DAYTON PARTS		DAYTON PARTS	
Mfg. No.	BWP No.	Mfg. No.	BWP No.	Mfg. No.	BWP No.	Mfg. No.	BWP No.	Mfg. No.	BWP No.
334-173	M-2036	334-345	M-2160	334-565	M-1803	338-705	M-2865	352-9101	M-3515
334-174	M-2036	334-348	M-1456	334-566	M-1804	338-706	M-2863	352-9105	M-3516
334-179	M-2020	334-350	M-1850	334-567	M-2870	338-709	M-2902	352-9121	M-3517
334-180	M-2026	334-354	M-2950	334-568	M-1805	338-710	M-2903	352-9122	M-3518
334-184	M-2873	334-357	M-1192	334-595	M-2932	338-713	M-2923	352-9130	M-3519
334-188	M-2054	334-365	M-1458	334-597	M-2932	338-714	M-2924	352-9158	M-3520
334-189	M-2099	334-375	M-2126	334-605	M-2122	338-715	M-2150	352-9177	M-3521
334-190	M-2014	334-380	M-1724	334-607	M-2121	338-718	M-1662	352-9192	M-3538
334-191	M-2016	334-380	M-2010	334-608	M-2124	338-722	M-2998	352-9194	M-3539
334-192	M-2074		M-1726	334-610	M-2933	338-725	M-1663	352-9213	M-3522
334-193	M-2073	334-381	M-2012	334-631	M-2695	338-726	M-1669	352-9321	M-3523
334-194	M-2075	334-419	M-2134	334-639	M-2975	338-728	M-2917	352-9265	M-3524
334-195	M-1737	334-420	M-2137	334-882	M-2125	338-729	M-2918	352-9270	M-3542
334-196	M-1738	334-423	M-2139	338-108	M-2874	338-782	M-2155	352-9321	M-3545
334-201	M-2819	334-427	M-2822	338-123	M-2027	338-807	M-2962	352-9130	M-3546
334-203	M-1766	334-430	M-2876	338-124	M-2877	338-808	M-2970	352-9422	M-3525
334-205	M-1764	334-434	M-1651	338-127	M-2032	338-810	M-2967	354-6902	M-3500
334-207	M-1721	334-435	M-2971	338-148	M-2035	338-876	M-2935	354-6910	M-3501
334-208	M-1720	334-436	M-2991	338-151	M-2154	338-1106	M-2884	354-7135	M-3502
334-211	M-2936	334-441	M-2915	338-152	M-2154	338-1818	M-2935	354-7136	M-3503
334-213	M-2872	334-442	M-2913	338-153	M-2156	345-107	M-2954	354-7140	M-3504
334-217	M-1852	334-443	M-2912	338-154	M-2155	345-113	M-2957	354-7145	M-3505
334-226	M-2951	334-444	M-2914	338-155	M-2157	345-121	M-2958	354-7400	M-3506
334-230	M-1898	334-445	M-2959	338-160	M-2055	345-130	M-2813	354-7403	M-3507
334-236	M-1884	334-448	M-1191	338-163	M-2158	345-132	M-2814	354-7410	M-3508
334-237	M-1754	334-452A	M-1806	338-167	M-2886	345-133	M-2826	354-7424	M-3509
334-239	M-1757	334-453A	M-1807	338-168	M-2105	345-136	M-2813	354-7443	M-3549
334-240	M-1757	334-454	M-2869	338-199	M-1670	345-138	M-2814	354-7800	M-3532
334-241	M-1759	334-455	M-1809	338-200	M-2952	345-147	M-2955	354-7808	M-3533
334-242	M-1758	334-456	M-1661	338-203	M-2953	345-148	M-2956	361-100	M-2053
334-243	M-2937	334-457	M-1660	338-214	M-1684	345-154	M-2956	361-110	M-2793
334-244	M-1883	334-458	M-1657	338-300	M-1671	345-157	M-1695	361-112	M-2794
334-246	M-1883	334-459	M-1658	338-328	M-1673	345-158	M-1696	361-114	M-2794
334-247	M-1450	334-460	M-1656	338-343	M-1672	345-164	M-2143	361-118	M-2795
334-248	M-1868	334-468	M-2911	338-350	M-1674	345-167	M-2144	361-122	M-2791
334-249	★	334-470	M-1666	338-351	M-1675	345-170	M-2145	361-124	M-2791
334-252	M-1765	334-476	M-1045	338-352	M-1683	345-175	M-2828	361-126	M-2791
334-253	M-1763	334-477	M-1805	338-353	M-1682	245-176	M-2829	361-128	M-2792
334-254	M-1752	334-479	M-2907	338-354	M-2952	345-177	M-2830	361-130	M-2792
334-277	M-1856	334-480	M-2908	338-376	M-1648	345-178	M-2831	361-138	M-2992
334-285	M-1749	334-481	M-2906	338-378	M-1690	345-183	M-2824	361-140	M-2790
334-288	M-1760	334-482	M-2866	338-381	M-2148	345-184	M-2825	361-144	M-2790
334-291	M-2941	334-484	M-2989	338-382	M-1692	345-185	M-2861	361-144	M-2791
334-293	M-2942	334-487	M-2990	338-383	M-1646	345-191	M-2142	361-146	M-2793
334-296	M-1676	334-488	M-2993	338-388	M-2149	345-192	M-2974	361-168	M-1497
334-300	M-2944	334-490	M-2992	338-389	M-1649	345-198	M-2954	361-172	M-2796
334-301	M-2946	334-491	M-2849	338-408	M-2147	345-201	M-2151	361-174	M-2797
334-305	M-1680	334-492	M-2850	338-409	M-2868	345-202	M-2152	361-182	M-1498
334-306	M-1678	334-493	M-2851	338-415	M-2149	345-238	M-2141	361-200	M-2786
334-307	M-1685	334-494	M-2852	338-419	M-2146	345-610	M-2079	361-224	M-2128
334-308	M-1679	334-495	M-2853	338-434	M-1672	345-620	M-2077	361-228	M-2129
334-312	M-1647	334-497	M-2848	338-435	M-2879	345-630	M-2081	361-230	M-2129
334-316	M-1697	334-503	M-1792	338-471	M-1649	345-640	M-2083	361-236	M-1713
334-317	M-1691	334-504	M-1791	338-483	M-2834	345-650	M-2085	361-238	M-2789
334-319	M-2161	334-505	M-1790	338-660	M-2953	345-661	M-2080	361-240	M-1714
334-321	M-1688	334-506	M-1789	338-664	M-2952	345-671	M-2078	361-246	M-2799
334-325	M-1753	334-507	M-1784	338-683	M-2844	345-681	M-2082	361-248	M-1499
334-329	M-1647	334-508	M-1785	338-684	M-2845	345-691	M-2084	361-250	M-1493
334-330	M-2872	334-509	M-1786	338-685	M-2846	345-701	M-2086	361-252	M-1494
334-336	M-1453	334-510	M-1787	338-689	M-2841	352-8050	M-3510	361-254	M-1494
334-337	M-1186	334-533	M-2995	338-690	M-2842	352-9039	M-3511	361-262	M-1490
334-339	M-2880	334-546	M-1463	338-697	M-2843	352-9069	M-3512	361-270	M-1491
334-341	M-1451	334-547	M-1462	338-699	M-2820	352-9082	M-3513	361-296	M-2787
334-343	M-2973	334-549	M-2997	338-700	M-2821	352-9083	M-3514	361-490	M-2796
334-344	M-2159	334-555	M-2815	338-702	M-2900	352-9098	M-3537	361-491	M-2797

INTERCHANGES

MANUFACTURER'S PART NUMBERS TO BWP PART NUMBERS

EATON AXLE		EATON AXLE		EATON AXLE		EATON AXLE		EATON AXLE	
Mfg. No.	BWP No.	Mfg. No.	BWP No.	Mfg. No.	BWP No.	Mfg. No.	BWP No.	Mfg. No.	BWP No.
B-1217	M-617	B-2025-15A	M-2625	35473	M-1017	806527	M-3128R	1000590	M-2699
B-1219	M-613	B-2055-19A	M-1002	37126	M-1549	806554	M-3144L	1000839	M-3184L
B-1220	M-602	B-2060-23	M-496L	39074	M-592	806555	M-3144R	1000840	M-3184R
B-1221	M-588	B-2060-24	M-496R	39075	M-612	807286	M-2600L	1001238	M-K99
B-1223-1	M-618	B-2060-3	M-776L	39076	M-764	807287	M-2600R	1001580	M-2617L
B-1223-2	M-619	B-2060-37	M-776L	39077	M-1522	807304	M-2604L	1001581	M-2617R
B-1223-3	M-1519	B-2060-38	M-776R	39081	M-555A	807305	M-2604R	1001955	M-2668
B-1283-9	M-560L	B-2060-4	M-776R	40398	M-1410	807862	M-3126L	1002248	M-2621
B-1283-10	M-560R	B-2060-55	M-496L	40399	M-1411	807863	M-3126R	1002252	M-2596
B-1283-99	M-559L	B-2060-56	M-496R	40435	M-1988	807685	M-3350	1002253	M-1002
B-1283-100	M-559R	B-2076	M-771	40864	M-824	807928	M-748	1002254	M-2626
B-1283-101	M-560L	B-2081	M-1538	42688	M-764	807929	M-1523	1002262	M-2623
B-1283-102	M-560R	B-2154	M-1557	43943	M-583	808058	M-3361	1002279	M-2631
B-1323-1	M-704	B-2206-1	M-510	51547	M-571	808078	M-3143L	1002352	M-2589
B-1486	M-1547	B-2207-1	M-511	54152	M-810	808079	M-3143R	1003000	M-3258
B-1551	M-646	B-2232-1A	M-2651	54153	M-811	808290	M-3127L	1003017	M-2699
B-1552	M-647	B-2460-3	M-776L	56198	M-555-A	808291	M-3127R	1003817	M-2752
B-1581	M-571	B-2460-4	M-776R	65046	M-751	808330	M-K84	1003831	M-2725
B-1593-1	M-737	B-2460-37	M-776L	68439	M-571	808708	M-3129L	1003832	M-2717
B-1599	M-538	B-2460-38	M-776R	70306	M-1571L	808709	M-3129R	1003999	M-3345
B-1688-A	M-590A	B-2460-55	M-496L	70307	M-1571R	809069	M-742	1004846	M-3352
B-1661	M-645	B-2460-56	M-496R	70308	M-3176L	810025	M-3131L	1005006	M-K58
B-1662	M-587-A	F-328-1	M-2564	70309	M-3176R	810026	M-3131R	1005202	M-3353
B-1691-1	M-557L	F-911-1	M-2565	70325	M-721	810538	M-3130L	1005203	M-3354
B-1691-2	M-557R	F-940	M-682	70326	M-844	810539	M-3130R	1005204	M-3347
B-1691-5	M-559L	F-941	M-684	71306	M-2616L	812992	M-3987	1005840	M-3350
B-1691-6	M-559R	F-942	M-683	71307	M-2616R	815626	M-K115	1005846	M-3352
B-1691-9	M-560L	F-955-1	M-585	71326	M-2666	817017	M-3498	1006530	M-3351
B-1691-10	M-560R	F-1202	M-680	78500	M-K86	819725	M-3491	1006562	M-3346
B-1691-17	M-567L	F-1203	M-649	78580	M-1014	820006	M-431		
B-1691-18	M-567R	F-1247	M-650	79903	M-824	820007	M-1523	1008047	M-K86
B-1691-25	M-744L	F-1354	M-670-A	89695	M-2667	820016	M-1547	1008220	M-K116
B-1691-26	M-744R	F-1529	M-682	90180	M-1988	820063	M-645	1008306	M-3351
B-1691-47	M-561L	F-1530	M-684	90229	M-1989	820073	M-557L	1008347	M-K77
B-1691-48	M-561R	F-1531	M-688	125011	M-1402A	820074	M-557R	1008412	M-K63
B-1691-59	M-3183L	F-1847-9	M-2429	125016	M-2590	820083	M-746L	1008431	M-2321
B-1691-60	M-3183R	F-1847-10	M-2428	125017	M-2591	820084	M-746R	1008431	M-2382
B-1691-131	M-557L	R-2138	M-475	125030	M-2604L	820087	M-3183L	1194080	M-37
B-1691-132	M-557R	X-1-115	M-685	125031	M-2604R	820088	M-3183R	2007396	M-1507
B-1705	M-782	X-6-561	M-587	125034	M-2600L	820092	M-782	2009342	M-602
B-1713	M-538	X-6-562	M-641	125035	M-2600R	820095	M-579	2009343	M-613
B-1713-1	M-543	X-1421	M-2571	125042	M-3174L	820102	M-778L		
B-1716	M-579	X-4212	M-843	125043	M-3174R	820103	M-778R		
B-1735-1	M-778L	3723	M-1018	127808	M-K86	820112	M-1509		
B-1735-2	M-778R	40X35	M-1988	314146	M-K113	820114	M-2643		
B-1736-1	M-824A	45X93	M-1989	779321	M-682	820161	M-604		
B-1740	M-2646	6823	M-2534	798004	M-318	820165	M-787		
B-1742	M-1529	10505	M-537	799041	M-683	820173	M-818		
B-1752	M-841	11245	M-1991	804017	M-2649	820183	M-571		
B-1770	M-1541	11249	M-1992	804365	M-811	820185	M-999		
B-1820-A	M-590-A	11514	M-1507	804378	M-2667	820194	M-1002		
B-1830-1B	M-818	127808	M-K19	804845	M-2668	820202	M-1557		
B-1883-7A	M-1000	17947	M-545	804897	M-810	820243	M-496L		
B-1883-11A	M-1000	18454	M-1549	805442	M-811	820244	M-496R		
B-1969	M-604	19186	M-1986	805460	M-2668	820276	M-790		
B-1993-1	M-543	23570	M-1409	805677	M-2667	821231	M-843		
B-1993-2	M-538	27499	M-1510	805678	M-810	821233	M-641		
B-2010	M-791	29577	M-551	805682	M-3499	821616	M-1889		
B-2011	M-787	30714	M-1985	806229	M-3190	823141	M-K114		
B-2012-2A	M-818	314147	M-K105	806234	M-3360	1000035	M-571		
B-2019	M-748	31926	M-1987	806235	M-3362	1000087	M-2615L		
B-2021	M-571	31927	M-1990	806355	M-2382	1000088	M-2615R		
B-2022	M-747	33117	M-799	806356	M-2389	1000091	M-2740		
B-2023	M-2704	34090	M-1984	806380	M-2383	1000092	M-2738		
B-2028-A	M-999	35428	M-1408	806526	M-2390	1000268	M-2699		
					M-3240	1000406	M-2733		
					M-3128L				

EATON (Top Spec)	
Mfg. No.	BWP No.
2-2107	M-596
2-2108	M-592
2-2109	M-594
2-2110	M-3347
2-2111	M-644
2-2112	M-1428
2-2113	M-1433
2-2114	M-1558
2-2115	M-1500
2-2116	M-3346
2-2117	M-548
2-2118	M-792
2-2119	M-1427
2-2120	M-1424
2-2121	M-1009
2-2122	M-1014
2-2123	M-844
2-2124	M-1423
2-2125	M-3345
2-2126	M-622

INTERCHANGES

MANUFACTURER'S PART NUMBERS TO BWP PART NUMBERS

FLAGG		FLAGG		FLAG (King Pin)		FORD MOTOR CO		FORD MOTOR CO	
Mfg. No.	BWP No.	Mfg. No.	BWP No.	Mfg. No.	BWP No.	Mfg. No.	BWP No.	Mfg. No.	BWP No.
R107	M-1721	RBT201	M-1888	FKP-46-B	M-2363	2438430	M-894	8Q-1151	M-41
R109	M-1720	RBT201VB	M-3827	FKP-49-B	M-2326	334502	M-2056	8QH-1181	M-1984
R110	M-1719	RBT202	M-688	FKP-49-N	M-2327	34813-S7	M-2044	8QH-2028	M-545
R113	M-1756	RBT203	M-1808	FKP-51-B	M-2325	35205858	M-2028	8QH-2036	M-551
R114	M-1757	RBT205	M-1869	FKP-52-B	M-2336	35370-S	M-2031	8QH-2122	M-780
R115	M-1759	RBT206	M-1735	FKP-52-N	M-2352	353834-S2	M-2047	8QH-2130C	M-1408
R116	M-1758	RBT207	M-3262	FKP-53-B	M-2312	}	M-2048	8QH-2138A	M-580
R117	M-2952	RNK-SB	M-2042	FKP-53-N	M-2311		353835-S	M-2052	8QH-2138B
R118	M-2954	SAK34	M-2013	FKP-59-B	M-2351	354805-S	M-1522	8QH-2237A	M-571
R119	M-2954	SAK340	M-2013	FKP-61-B	M-2366	3558168	M-1285	8QH-2290	M-710
R120	M-1671	SAK38	M-2015	FKP-62-B	M-2331	356085-S8B	M-43	8QH-2296	M-1507
R121	M-1868	SAK380	M-2015	FKP-66-N	M-2371	35670188	M-781	8QH-2343	M-652
R122	M-2953	SB3VB	M-3839	FKP-68-B	M-2332	358653-S8B	M-36A	8QH-2358	M-537
R124	M-2952	SD105	M-2028	FKP-68-N	M-2333	358708-S8B	M-36	A8TZ-1000A	M-2530
R127	M-1751	SD106	M-2044	FKP-69-B	M-2334	3651372	M-983	A8TZ-1001C	M-2532
R128	M-1750	SD107	M-2036	FKP-70-B	M-2370	37068565	M-2036	A8TZ-1001D	M-2531
R129	M-1449	SUW118	M-2854	FKP-70-N	M-2335	3715755	M-641	B-1012	M-203
R129VB	M-3885	TM100	M-2962	FKP-71-B	M-2339	377817-S7	M-2029	B1QH-2318A	M-1017
R130	M-1718	TM101	M-1463	FKP-72-B	M-2340	378211-S	M-1731	B3Q-18124-A	M-83219
R130VB	M-3883	TN100	M-1706	FKP-73-B	M-2338	379742-S	M-1730	B3Q-18125-A	M-83217
R131	M-1845	TN101	M-1707	FKP-74-B	M-2337	47902-13	M-83202	B3T-18125-A	M-83217
R132	M-1869	TN102	M-1709	FKP-75-B	M-2341	47902-13	M-89406	B3TZ-18125-A	M-83217
R133	M-1847	TN103	M-1703	FKP-76-B	M-2342	47902-8	M-83202	B-34331X	M-60
R139	M-2819	TN104	M-1701	FKP-77-B	M-2343	51-1107	M-102	B-34332X	M-61
R148	M-1885	TN105	M-1700	FKP-77-N	M-2344	51-1108	M-103	B3TZ-1001A	M-2534
R149	M-1761	TN106	M-1484	FKP-78-B	M-2373	647747	M-1222	B-4919X	M-128
R150	M-1846	TN107	M-1487	FKP-78-N	M-2345	647748	M-1223	B-4920X	M-129
R151	M-2958	TN108	M-1485	FKP-79-B	M-2340	735021	M-1251	B-4921X	M-47
R152	M-1852	TP723	M-1195	FKP-81-B	M-2375	735022	M-1250	B-4922X	M-46
R159	M-1764	TP1160	M-1767	FKP-83-B	M-2346	828437	M-140-E	B4T-1124A	M-1970
R160	M-1851	TPK	M-2043	FKP-84-B	M-2353	830619	M-1115	B5QH-2045A	M-612
R161	M-2938	TPK-SB	M-2043	FKP-85-B	M-2347	831171	M-1114	B5QH-2296A	M-555A
R162	M-2960	UBW75	M-1730	FKP-86-B	M-2350	831196	M-2511	B5QH-2333A	M-764
R163	M-1677	UBW80	M-2136	FKP-87-B	M-2376	831197	M-2510	B5QH-2359A	M-592
R164	M-1677	UBW85	M-2104	FKP-88-B	M-2349	863110	M-2489	B-6320X	M-50
R165	M-2940	W35	M-1199	FKP-89-B	M-2378	863113	M-2488	B-6321X	M-51
R166	M-2941			FKP-90-B	M-2348	863494	M-53	B6Q-1043A	M-23
R172	M-1683			FKP-91-B	M-2379	870944	M-1219	B6Q-1043B	M-21
R174	M-1682			FKP-96-B	M-2380	870945	M-1218	B6Q-2027A	M-2705
R178	M-1685			FKP-110-B	M-2384	872325	M-140-B	B6Q-2333B	M-764
R179	M-1679			FKP-115-B	M-2389	872326	M-140-F	B6QH-2023A	M-601
R180	M-1674					872331	M-140-A	B6QH-2027A	M-2707
R181	M-1675					875902	M-2486	B6QH-2046A	M-643
R185	M-1680					875903	M-2487	B6TZ-18124A	M-83219
R186	M-1889					876005	M-1166	B7C-3111-A	M-2308
R187	M-1681					876006	M-1167	B7C-18125-A	M-83217
R188	M-2949					878526	M-1214	B7J-18124-A	M-83219
R191	M-1884					878528	M-1215	B7J-18125-A	M-83217
R192	M-1883					886892	M-2468	B7J-18125-C	M-83217
R193	M-2943					886893	M-2469	B7Q-1043A	M-22
R194	M-2816					7EQ-1118	M-84	B7QH-3111A	M-2311(N)
R195	M-2947					7EQH-1118	M-76	}	M-2312(BM)
R197	M-2961					7EQ-1119	M-85		B7T-18124-A
R205	M-2952					7EQH-1119	M-77	B7T-18124-B	M-83216
R208	M-2945					7EQ-1124	M-683	B7T-18124-C	M-83217
RB84	M-1452					7EQH-1124	M-1985	B7TZ-1151A	M-2520
RB164	M-2069					7EQ-1142	M-985	B7TZ-3111B	M-2363
RB200	M-1818					81-T-1118	M-46	B7TZ-3111C	M-2305
RB201	M-1888					81-T-1119	M-47	B7TZ-3111D	M-2312
RB202	M-688					8EB-1107	M-88	B7TZ-3111F	M-2363
RB203	M-1808					8EB-1108	M-89	B7TZ-3111G	M-2312
RB205	M-1869					8EB-1195	M-1957	B7TZ-18124-B	M-83216
RB206	M-1735					8EB-3293	M-1958	B7TZ-18124-C	M-83216
RBT200	M-1818					8EQ-1042	M-28	B7TZ-18124-D	M-83219
RBT200VB	M-3810					8EQ-1043	M-18	B7TZ-18125-C	M-83217

INTERCHANGES

MANUFACTURER'S PART NUMBERS TO BWP PART NUMBERS

FORD MOTOR CO		FORD MOTOR CO		FORD MOTOR CO		FORD MOTOR CO		FORD MOTOR CO	
Mfg. No.	BWP No.	Mfg. No.	BWP No.	Mfg. No.	BWP No.	Mfg. No.	BWP No.	Mfg. No.	BWP No.
B7Y-3111A	M-2307	C1YZ-3111C	{ M-2309(N) M-2305(BM) M-640	C5TS-5A633A	M-2003	C8TZ-2130A	M-583	D2HF-18045-AA	M-83314
B8QH-1118A	M-56			C5TS-5872A	M-2002	C8TZ-2296A	M-1014	D2HF-18045-BA	M-83309
B8QH-1119A	M-57			C5TZ-1118C	M-80	C8TZ-2316B	M-1571R	D2HF-18045-CA	M-83308
B8QH-1124A	M-1991			C5TZ-1119C	M-81	C8TZ-2317B	M-1571L	D2HF-18045-DA	M-83312
B8QH-1142A	M-2529			C5TZ-2035A	M-2735	C8TZ-3111A	M-2323	D2HF-18045-DA	M-89409
B8QH-1181A	M-1990	C1TZ-18124-A	M-83217	C5TZ-3111A	M-2365	C8TZ-3111B	M-2330	D2HF-18124-AA	M-83314
B8QH-2045A	M-596	C1TZ-18124-B	M-83216	C5TZ-3111B	M-2352	C8TZ-3111C	M-2329	D2HT-18045-EA	M-83314
B8QH-2237A	M-571	C1TZ-18124-C	M-83312	C5TZ-3111C	M-2365	C9HS-5872A	M-1793	D2HT-18045-CA	M-83312
B8QH-2333A	M-620	C1TZ-18124-C	M-89409	C5TZ-3111D	M-2336	C9HZ-3295A	M-1959	D2HT-18045-GA	M-83308
B8QH-2341A	M-1500	C1TZ-18124-D	M-83309	C5TZ-5884A	M-2018	C9TZ-1042B	M-1173	D2HT-18080-HA	M-83225
B8QH-2356A	M-644	C1TZ-18124-N	M-83314	C5TZ-18124-A	M-83308	C9TZ-1107A	M-2435	D2HZ-1107A	M-1204
B8QH-3111B	{ M-2309(N) M-2305(BM)	C1TZ-18125-B	M-83217	C6PF-18077-DD	M-83216	C9TZ-1107B	M-2434	D2HZ-1108A	M-1205
B8QH-4252A		M-1992	C1VT-18080-B	M-83217	C6PF-18077-DE	M-83219	C9TZ-1151A	M-39	D2HZ-18045-EA
B8QH-5780B	M-2040	C2TA-18045-A	M-83216	C6PF-18077-DL	M-83312	C9TZ-3111A	M-2330	D2HZ-18080-A	M-83209
		C2TA-18045-B	M-83308	C6PF-18077-DL	M-89409	C9TZ-3111B	M-2329	D2HZ-18125-A	M-83209
B8QH-5872A	M-1727	C2TZ-5872A	M-2007	C6PF-18077-DN	M-83314	C9TZ-3111C	M-2322	D2HZ-18125-B	M-83209
B8QH-5873A	M-1726	C2TZ-1107A	M-1212	C6PF-18077-F	M-83225	CTTS-1C436	M-2	D2KF-18045-AA	M-83312
B8Q-18125-A	M-85307	C2TZ-1107B	M-1213	C6TA-18045-U	M-85301	CUTZ-2130A	M-2641	D2KF-18045-AA	M-89409
B8QZ-18124-A	M-83312	C2TZ-3111C	M-2311	C6TA-18045-V	M-85301	DOHA-18045-D	M-83309	D2KF-18124-AA	M-89409
B8QZ-18124-A	M-89409	C2TZ-3111D	M-2309	C6TA-18045-Y	M-85301	DOHA-18045-E	M-83312	D2TA-18045-AAA	M-83219
B8T-18124-A	M-83219	C2TZ-3111G	M-2311	C6TA-18045-Z	M-85301	DOHA-18045-E	M-89409	D2TA-18045-ZA	M-83219
B9TT-1118A	M-94	C2TZ-18124-A	M-83308	C6TS-1144A	M-2537	DOHS-5A606A	M-1728	D2TF-18045-AA	M-83312
B9TT-1119A	M-95	C3TA-18045-A	M-83216	C6TS-5A552A	M-2008	DOHZ-1042B	M-1189	D2TF-18045-AA	M-89409
B9TT-1120A	M-248	C3TA-18124-A	M-83308	C6TS-18080-A	M-83217	DOHZ-18124-A	M-83309	D2TF-18045-GA	M-83308
B9TT-1121A	M-249	C3TZ-1107A	M-12	C6TZ-2B009A	M-878	DOHZ-18124-B	M-83312	D2TF-18045-GA	M-83314
B9TT-18045-C	M-83219	C3TZ-1118A	M-1152	C6TZ-2042B	M-862	DOHZ-18124-B	M-89409	D2TF-18080-HA	M-83225
B9TT-18045-D	M-83219	C3TZ-1118B	M-1151	C6TZ-2042C	M-863	DOHZ-18124-C	M-83314	D2TF-18124-F	M-83309
B9-TZ-2296B	M-751	C3TZ-1119A	M-1152	C6TZ-2042E	M-857	DOHZ6068B	M-3804	D2TZ-3111A	M-2376
BB-1120	M-124	C3TZ-1120A	M-1153	C6TZ-2125A	M-844	DOHZ-2B001A	M-892	D2TZ-3111B	M-2330
BB-1121	M-125	C3TZ-2B004B	M-853	C6TZ-2125B	M-721	DOHZ-2236A	M-2644	D2TZ-3111C	M-2329
BB-1132	M-128	C3TZ-2B005A	M-877	C6TZ-3111A	M-2323	DOHZ-3111B	M-2322	D2TZ-18124-A	M-83308
BB-1133	M-129	C3TZ-2B005B	M-890	C6TZ-3111B	M-2330	DOHZ-3111C	{ M-2327(N) M-2326(BM)	D2TZ-18124-E	M-83312
BB-1134	M-126	C3TZ-2B007A	M-891	C6TZ-5781A	M-2042	DOHZ-3111E		M-2336	D2TZ-18124-E
BB-1135	M-127	C3TZ-2B009A	M-894	C6TZ-5781B	M-2043	DOHZ-5A570A	M-2854	D2TZ-18124-F	M-83309
BB-1142A	M-981	C3TZ-2B032A	M-876	C6TZ-5874A	M-2027	DOHZ-5A601A	M-1193	D2TZ-18124-F	M-83314
BB-1142B	M-982	C3TZ-2035A	M-1011	C6TZ-5875B	M-2035	DOHZ-5705A	M-1490	D2TZ-18124-H	M-83308
BB-2208	M-124	C3TZ-2B038A	M-587-A	C6TZ-5875C	M-2035	DOHZ-5872A	M-2006	D2TZ-18124-J	M-83312
COTT-18045-A	M-83219	C3TZ-3111A	M-2310	C6TZ-5880A	M-2067	DOHZ-5878A	M-2009	D2TZ-18124-J	M-8940
COTT-18045-D	M-83216	C3TZ-3111B	M-2315	C6TZ-5897A	M-2064	DOHZ-5878A	M-2050	D2UZ-3111A	M-2369
COTZ-18124-A	M-83216	C3TZ-4A101B	M-645	C6TZ-5898A	M-2065	DOHZ-5887A	M-2050	D2UZ-3111B	M-2368
COTZ-2296A	M-844	C3TZ-4A106A	M-2528	C6TZ-5899A	M-2063	DOTF-18045-LA	M-83312	D3H-82B038A	M-587-A
C1AZ-1107A	M-12	C3TZ-5A598A	M-1798	C6TZ-18124-D	M-85301	DOTZ-1107A	M-1270	D3HZ-2318A	M-579
C1TT-2296A	M-555A	C3TZ-5A599A	M-2055	C6TZ-18124-E	M-85301	DOTZ-1119A	M-1271	D3TA-18045-BA	M-83219
C1TT-2A311A	M-586	C4HZ-18124-A	M-83312	C6TZ-18124-H	M-85301	D1HD-1043AA	M-1242	D3TZ-18124-B	M-83219
C1TT-2A312A	M-589	C4HZ-18124-A	M-89409	C6TZ-18124-J	M-85301	D1HZ-3111A	M-2312	D3TZ-18125-C	M-83217
C1TT-2314A	M-452	C4HZ-18124-B	M-83309	C7HZ-18124-A	M-83312	D1HZ-3111B	M-2322	D3TZ-18125-D	M-83217
C1TT-2316A	M-997R	C4HZ-18124-C	M-83314	C7HZ-18124-A	M-89409	D1TF-18045-LA	M-89409	D4HA-18080-A	M-83209
C155-2316C	M-998L	C4HZ-18124-D	M-83312	C7PF-18077-A	M-83225	D1TZ-1107A	M-1106	D4HA-18080-AA	M-83209
C1TT-2317A	M-997L	C4HZ-18124-D	M-89409	C7PF-18077-Z	M-83217	D1TZ-1108A	M-1107	D4HS-1043BB	M-1242
C1TT-2317C	M-998R	C4HZ-18124-E	M-83309	C7TA-18045-R	M-83216	D1TZ-18124-D	M-83308	D4TZ-18124-J	M-83308
C1TT-2333A	M-622	C4HZ-18124-F	M-83308	C7TA-18045-Z	M-85301	D1TZ-18124-E	M-83216	D5HZ-1043A	M-2461
C1TT-4255A	M-682	C4PF-18045-H	M-83216	C7TS-1043	M-8	D1TZ-18125-E	M-83217	D5HZ-1195	M-2520
C1TT-18045-C	M-83312	C4TZ-1107A	M-2468	C7TZ-1120A	M-3656	D2EF-18045-AA	M-83312	D5HZ-2023A	M-2724
C1TT-18045-C	M-89409	C4TZ-1107B	M-2469	C7TZ-1121A	M-3657	D2EF-18045-AA	M-89409	D5HZ-2027A	M-2709
C1TT-18045-D	M-83309	C4TZ-2B005A	M-895	C7TZ-2B087A	M-747	D2EF-18124-AA	M-83312	D5HZ-2054A	M-2715
C1TT-18045-E	M-83314	C4TZ-2035A	M-2736	C7TZ-2333A	M-771	D2HA-18045-E1A	M-85304	D5HZ-2236A	M-2643
C1TT-18080-B	M-83217	C4TZ-2330A	M-1093	C7TZ-3111A	{ M-2320(N) M-2321(BM)	D2HA-18045-E1B	M-85304	D5HZ-3111C	M-2339
C1TZ-1118A	M-88	C4TZ-3111A	M-2327	C7TZ-3111D		M-2329	D2HA-18045-E2A	M-85304	D5TZ-1042A
C1TZ-1119A	M-89	C4TZ-3111B	M-2326	C8HA-18045-A	M-83312	D2HA-18045-E2B	M-85304	D5TZ-3111A	M-2328
C1TZ-2218A	M-809	C4TZ-18124-AA	M-83308	C8HA-18045-A	M-83312	D2HA-18045-EB	M-85301	D5TZ-18124-B	M-83308
C1TZ-2218B	M-810	C4TZ-18124-AB	M-83308	C8HA-18045-A	M-89409	D2HA-18045-F1A	M-85301	D5TZ-18124-C	M-83312
C1TZ-2218C	M-811	C4TZ-18124-B	M-83308	C8HS-5884A	M-2018	D2HA-18045-F1B	M-85301	D5TZ-18124-C	M-89409
C1TZ-2237A	M-1549	C4UZ-3111A	M-2364	C8PF-18045-CM	M-83216	D2HA-18045-F2A	M-85301	D5UZ-3111A	M-2366
C1TZ-2296A	M-555A	C4UZ-3111B	M-2364	C8TZ-1107F	M-1251	D2HA-18045-F2B	M-85301	D5UZ-3111B	M-2337
		C5TA-5705A	M-2053	C8TZ-1107G	M-1250	D2HF-18045-A	M-83314	D6HZ-3111A	M-2340

INTERCHANGES

MANUFACTURER'S PART NUMBERS TO BWP PART NUMBERS

FORD MOTOR CO		FORD MOTOR CO		FORD MOTOR CO		FREIGHTLINER		FREIGHTLINER	
Mfg. No.	BWP No.	Mfg. No.	BWP No.	Mfg. No.	BWP No.	Mfg. No.	BWP No.	Mfg. No.	BWP No.
D6HZ-3111B	M-2338	D8HZ-5886A	M-1884	TFAA-18080-A	M-85307	11-10839-4	M-3229	70029	M-85308
D6TZ-3111A	M-2334	D8HZ-18124-A	M-85301	TGAF-2138A	M-748	11-10839-5	M-3228	70042	M-89422
D7HA-18080-AA	M-83302	D8HZ-18125-A	M-83209	THAB-18045-A	M-83219	151087-148	M-3472		M-85302
D7HF-18045-FA	M-83312	D8HZ-18125-B	M-83302	THAB-18045-B	M-83219	16-3406	M-1792	M-89420	
D7HF-18080-AA	M-83215	D8QH-2296A	M-2728	TQSH-18045-A	M-83309	16-9401	M-2997		
D7HF-18125-AA	M-83215	D8QH-2317A	M-743R	TUAA-1043A	M-20	16-9447-900	M-2852	FRUEHAUF	
D7HT-1043AA	M-1243	EOHT-18045-AA	M-83309	TUAA-1118A	M-52	16-9490	M-2865	Mfg. No.	BWP No.
D7HT-18045-BA	M-83312	EOHT-18045-AB	M-83309	TUAA-1119A	M-53	16-9502	M-2994	ACA-0073	M-434
D7HT-18045-BA	M-89409	EOHZ-3111A	M-2392	TUAA-1124A	M-1988	16-9503-001	M-2999	ACA-0247-1	M-313C
D7HT-18045-CA	M-83314	EOHZ-5776A	M-1682	TUAA-4252A	M-1989	16-9516	M-2863	ACA-0247-2	M-313B
D7HT-18045-DA	M-83309	EOHZ-5776B	M-1683	TUAA-5782A	M-2041	16-9864J	M-2867	ACA-0247-900	M-313A
D7HT-18045-EA	M-83312	EOHZ-18124-A	M-83213	TVAA-1181A	M-1987	16-9895	M-2991	ACA-0842-6	M-459
D7HT-18045-EA	M-89409	EOTZ-3111A	M-2375	TWAA-5708A	M-2874	16-9938	M-2996	ACA-1851	M-726
D7HT-18045-GA	M-83308	E1HT-4A126AA	M-2816	TWAA-5780A	M-2039	16-9943	M-2992	ACA-2691	M-1094
D7HT-18045-HA	M-85012	E1HT-5781BA	M-2961	TWAA-5872A	M-1725	16-9985-1	M-2863	ACA-2692	M-1095
D7HT-18045-JA	M-83308	E1HT-5781CA	M-2949	TWAA-5873A	M-1724	16-09893	M-2993	ACA-3265 & 6	M-1520
D7HT-18045-NA	M-85301	E1HT-5781EA	M-2945	TWAA-5884A	M-2017	16-10175	M-2864	ACA-8587	M-129
D7HT-18080-AA	M-83302	E1HT-57810A	M-2943			16-10175-1	M-2864	ACA-8587-1	M-128
D7HT-18080-AA	M-83215	E1HT-5889CA	M-1675	FREIGHTLINER		16-10177	M-2851	ACA-8588	M-127
D7HT-18080-BA	M-83225	E1HZ-5889B	M-1674	Mfg. No.	BWP No.	16-10355	M-2995	ACA-8588-1	M-126
D7HT-18080-CA	M-83225	E1TA-18045-AA	M-83309	A011166-000	M-3807	16-10389-2	M-2998	ACB-1437	M-473
D7HT-18080-DA	M-83215	E1TD-18045-AA	M-83309	A16-10549	M-2850	16-10414	M-2990	ACB-3948	M-466
D7HT-18124-BA	M-83312	E2H-1124	M-1985	A16-10549	M-3806	16-10420-1	M-2861	ACC-1996-901	M-K8
D7HT-18124-CA	M-83314	E4HZ-5872A	M-3782	A16-10550	M-2849	16-10429	M-2860	ACC-1996-903	M-K41
D7HT-18124-DA	M-83309	E4HZ-5873A	M-3784	A16-12314-000	M-3468	16-10430	M-2859	ACC-1996-912	M-K7
D7HT-18124-EA	M-83312	E4HZ-5A552A	M-3786	B16-02440-5	M-2865	16-10431-C	M-2858	ACC-1996-923	M-K42
D7HT-18124-EA	M-89409	E5HT-18045-AA	M-85301	B16-09864-0	M-2867	16-10688-0	M-83217	ACC-5227-1	M-2543
D7HT-18124-FA	M-83312	E9HS-18045-AA	M-83309	CBA24-650-17	M-3808	16-10722-0	M-3470	ACC-5963-900	M-1941
D7HT-18124-FA	M-89409	E9HS-18080-AA	M-83217	HR1-HBUS41	M-3471	16-10769-0	M-3506	ACC-6113-900	M-2764
D7HT-18124-GA	M-83308	E9HZ-1151A	M-3218	R16-9848	M-2856	16-10782	M-2045	ACC-7538-900	M-1052
D7HT-18124-HA	M-83219	E9HZ-1152A	M-3219	1PC227720	M-2070	16-10784	M-1805	ACD-2193-1	M-3177R
D7HT-18124-JA	M-83308	F1HT-18045-AA	M-83216	1PC229610	M-2072	16-1113	M-83225	ACD-2193-2	M-3177L
D7HT-18124-KA	M-85301	F1HT-18045-CA	M-83308	10-9607-0	M-3234	16-11275-0	M-2861	ACD-2193-5	M-3185R
D7HT-18125-BA	M-83217	F1HT-18045-DA	M-83312	10-9607-1	M-3235	16-11351	M-2857	ACD-2193-6	M-3185L
D7HT-18125-CA	M-83217	F1HT-18045-DA	M-89409	10-12032-000	M-85320	16-11378-0	M-3508	ACD-2227-1	M-517
D7HT-18125-DA	M-83215	F1HT-18045-EA	M-85308	10-12032-001	M-89429	16-12117-000	M-85007	ACD-2232-1	M-1054
D7HT-18125-FA	M-83302	F1HT-18045-EA	M-89422	10-12046	M-89429	16-13568-000	M-3806	ACD-2233-1	M-1055
D7HZ-2036A	M-549	F-81-T-1118	M-104	11-9255	M-1791	16-13947-000	M-85319	ACD-2282-2	M-1059
D7HZ-2333A	M-2704	F-81-T-1119	M-105	11-9256	M-1790	23-461-6	M-2034	ACD-2282-3	M-1060
D7HZ-4245A	M-1986	09B-2023	M-602	11-9448	M-1785	23-461-7	M-1194	ACD-2285-900	M-1058
D7HZ-4255A	M-3391	09B-2025	M-613	11-9569	M-1788	236900	M-3469	ACD-2287-1	M-1056
D7HZ-4326C	M-2714	SC-352849	M-3	11-9579	M-1786	23-9114-4	M-2854	ACD-7629-1	M-1171
D7HZ-18125-A	M-83215	TACAA-18045-A	M-83216	11-9588-1	M-2862	23-9427-75	M-2853	ACD-7629-2	M-1170
D7KF-18045-EA	M-83312	TANNA-18045-A	M-83312	11-9714-0	M-2409	23-9441-175	M-2989	ACD-7629-3	M-2499
D7KF-18045-EA	M-89409	TANNA-18045-A	M-89409	11-9714-1	M-2408	23-9900-208	M-2992	ACD-7629-4	M-2498
D7TA-18124-GA	M-83314	TBDA-18080-A	M-83217	11-9714-2	M-2403	23-9901-216	M-1889	ACE-5937-3	M-2760
D8HZA-552A	M-1681	TBDA-18080-B	M-83217	11-9714-3	M-2402	23-09598-14	M-1699	ACE-5937-5	M-2759
D8HZA-615A	M-2458	TCAA-1108A	M-93	11-9714-4	M-2404	23-10751-550	M-2992	ACE-5937-6	M-2761
D8HHZ-2237A	M-2618	TCAA-1118B	M-94	11-9714-5	M-2407	23-10757-900	M-2852	ACE-5937-8	M-2756
D8HZ-1043A	M-1243	TCAA-1119B	M-95	11-9714-10	M-2404	23-11480-144	M-2034	ACE-5937-12	M-2757
D8HZ-2027A	M-2706	TCAA-1120	M-248A	11-9714-13	M-2411	39-400021	M-2139	ACE-5937-14	M-2763
D8HZ-2035A	M-2729	TCAA-1120A	M-248A	11-9714-14	M-2410	NA-450360	M-2995	ACE-6116-1	M-505
D8HZ-2B038A	M-2630	TCAA-1121	M-249	11-9714-15	M-2407	535227	M-85007	ACE-6184-1	M-2669
D8HZ-2054A	M-2637	TCAA-1121A	M-249A	11-9714-16	M-2406	535227	M-89412	ACE-6186-1	M-514
D8HZ-2054B	M-2639	TDAA-1118A	M-74	11-9714-17	M-2413	535228	M-85302	ACE-6186-2	M-513
D8HZ-2138A	M-2640	TDAA-1119A	M-75	11-9714-18	M-2412	650224	M-89420	ACE-6477-1	M-473
D8HZ-2296A	M-1424	TDAA-18080-B	M-83217	11-10839-0	M-3222	650224	M-85007	ACE-8510-1	M-1050
D8HZ-2316A	M-2616L	TDBA-18045-A	M-83219	11-10839-1	M-3223	680-323-03-00	M-89412	ACE-9909-1	M-1426
D8HZ-2319A	M-2616R	TDBA-18045-B	M-83219	11-10839-2	M-3227	680-325-01-50	M-85006	ACE-9910-1	M-596
D8HZ-5A606B	M-1680	TDBA-18080-A	M-83217	11-10839-3	M-3226	680009	M-3805	ACE-9911-1	M-1427
D8HZ-5A608B	M-2052	TDBA-18080-B	M-83217			681-326-04-00	M-85302	ACE-9912-1	M-1429
D8HZ-5A611C	M-1685	TDBA-18080-C	M-83217				M-89420	ACE-9934-1	M-1425
D8HZ-5A879A	M-1679	TDBE-18045-A	M-83219				M-85319		
D8HZ-5882B	M-1883	TFAA-18045-B	M-83219				M-89428		
D8HZ-5882C	M-2947	TFAA-18045-C	M-83219						

★ = Available from Chicago warehouse

MANUFACTURER'S PART NUMBERS TO BWP PART NUMBERS

FRUEHAUF		FRUEHAUF		FRUEHAUF		FRUEHAUF		FRUEHAUF	
Mfg. No.	BWP No.	Mfg. No.	BWP No.	Mfg. No.	BWP No.	Mfg. No.	BWP No.	Mfg. No.	BWP No.
ACE-9937-1	M-1425	FSP-0012-19-1	M-325	UXA-0026	M-2152	330673	M-620	535920	M-60
ACE-9938-1	M-2670	FSP-0012-20-1	M-320	UXA-0027-1	M-2151	330733	M-596	535921	M-61
ACE-9938-2	M-2671	FSP-0012-28-1	M-1333	UXA-0046-1	M-1492	330734	M-644	536224	M-67
ACF-0015-1	M-474	FSP-0012-28-2	M-1334	UXA-0046-2	M-1492	334816	M-130	536225	M-66
ACF-1328-1	M-1428	FSP-0012-29-1	M-1328	UXA-0046-3	M-1492	334817	M-131	536226	M-65
ACF-3079-1	M-1423	FSP-0012-29-2	M-1329	UXA-0046-5	M-1493	446512	M-1810	536227	M-64
ACF-3378-1	M-2748	FSP-0012-30-1	M-1340	UXA-1146-6	M-1493	500118	M-697A	536365	M-103
ACF-3379-1	M-2686	FSP-0012-30-2	M-1341	UXA-0046-7	M-1493	500119	M-697	536366	M-102
ACF-3380-1	M-2670	FSP-0012-30-3	M-1338	UXA-0155-2	M-2799	502282	M-138	557797	M-693
ACF-3380-2	M-2671	FSP-0012-30-5	M-1343	UXA-0356-1	M-2870	502283	M-108	563400	M-695
ACF-4024-1	M-2595	FSP-0012-30-6	M-1344	UXA-0356-2	M-2869	502284	M-109	563823	M-1814
ACF-4024-2	M-2593	FSP-0012-31-1	M-1316	58043	M-562L	502786	M-57	563824	M-694
ACF-4024-901	M-2594	FSP-0012-31-2	M-1317	58044	M-562R	502787	M-56	564270	M-1815
ACF-4024-900	M-2594	FSP-0012-32-1	M-1373	050667	M-709	503196	M-1840	578322	M-622
	M-2595	FSP-0012-32-3	M-1374	061608	M-572	503699	M-9	578323	M-647
ACF-6404-2	M-474	FSP-0012-32-4	M-1377	061778	M-569	505456	M-828	580443	M-562L
ACF-6608-1	M-505	FSP-0012-32-5	M-1371	077895	M-675	507305	M-30A	580444	M-562R
AXA-0043	M-1057	FSP-0012-32-6	M-1376	102570	M-617	507321	M-37	580867	M-727
AXA-0068	M-741	FSP-0012-32-7	M-1375	103030	M-1816	507335	M-27A	582884	M-1170
AXA-0402-1	M-505	FSP-006-02-9	M-1889	103348	M-1802	508459	M-312	582885	M-1171
AXA-0408-1	M-1051	FSP-007-02-8	M-2136	103426	M-1069	508865	M-54	582886	M-82
AXA-0409-1	M-1430	LCG-6828-1	M-3037	119256	M-1837	509360	M-55	582887	M-83
AXA-0410-1	M-1050	MRS-061198	M-640	119259	M-1801	514956	M-515	583015	M-1500
AXA-0412-1	M-1096	SCE-3719-2	M-757	119965	M-1816	514958	M-516	584005	M-513
AXA-0413-900	M-1049	SXA-0250	M-756	126084	M-1816	514960	M-515	584004	M-514
AXA-0414-1	M-1097	SXA-0267-1	M-752	214100	M-640	514961	M-516	586121	M-1818
AXA-0415-1	M-1098	UCA-01113	M-85304	219156	M-640	515147	M-571	650009	M-1838
AXA-0417-1	M-1045	UCA-0456	M-2146	219157	M-1572	515148	M-572	650014	M-696
AXA-0418-1	M-1046	UCA-0457	M-2143	219158	M-584	515149	M-1092	650058	M-1836
AXA-0420-1	M-563L	UCA-0459	M-2160	219160	M-579	517839	★	650070	M-1839
AXA-0420-2	M-563R	UCA-0460	M-1889	219162	M-618	530085	M-651	650114	M-1830
AXA-0420-3	M-566L	UCA-0461	M-1887	219177	M-586	530088	M-685	650118	M-1800
AXA-0420-4	M-566R	UCA-0469	M-1453	219178	M-589	530370	M-678	663400	M-695
AXA-0420-5	M-3180L	UCA-0470	M-1455	219179	M-588	533979	M-595	680117	M-85300
AXA-0420-6	M-3180R	UCA-0472	M-1452	219292	M-580	533980	M-608	680117	M-89419
AXA-0420-900	M-K20	UCA-3754	M-1888	219293	M-583	534591	M-677	901480	M-37
AXA-0429-900	M-1047	UCA-5431	M-85305	219294	M-587	534764	M-126	966691 & 92	M-1583
AXA-0430-1	M-1048	UCD-6216-1	M-83203	219295	M-641	534765	M-127		
AXA-0432-1	M-583	UCD-6632-1	M-2871	219296	M-642	534766	M-128		
AXA-0449-1	M-474	UCD-6632-2	M-2872	219297	M-648	534767	M-129		
AXA-0471-1	M-1428	UCD-7607-1	M-2148	219299	M-538	534768	M-124		
AXA-0484-1	M-1065	UCE-1295-1	M-85300	219300	M-602	534769	M-125		
AXA-1005-1	M-1066	UCE-1295-1	M-89419	219301	M-613	534770	M-46		
AXA-1011-1	M-474	UCE-1295-901	M-85300	219310	M-548	534771	M-47		
AXA-305680-900	M-K21	UCE-1295-901	M-89419	219311	M-549	534772	M-52		
BXE-00298-901	M-1492	UCE-7936-1	M-2884	219316	M-526L	534773	M-53		
BXE-00298-902	M-1492	UCE-9393-1	M-3519	219317	M-562R	534780	M-48		
BXE-00298-903	M-1493	UCE-9393-2	M-3546	219320	M-548	534781	M-49		
BXE-00298-904	M-1493	UCE-9399-1	M-83202	226604	M-140A	534782	M-50		
FSP-0006-1-1	M-1194	UCE-9399-1	M-89406	226605	M-140B	534783	M-51		
FSP-0006-1-2	M-1191	UCF-1463-901	M-2884	237449 & 50	M-1574	534784	M-62		
FSP-0006-1-3	M-1199	UCF-2640-1	M-2151	239777	M-829	534785	M-63		
FSP-0008-1-3	M-1069	UCF-6963-1	M-2884	244848	M-623	534907	M-1		
FSP-0012-2-1	M-1414	UXA-000004	M-3809	251519	M-678	5352856	M-85305		
FSP-0012-2-3	M-1415	UXA-000011	M-3810	253394	M-615	535406	M-7		
FSP-0012-4-1	M-359	UXA-000160	M-3811	253395	M-645	535414	M-4		
FSP-0012-5-1	M-330	UXA-0002	M-1805	253396	M-541	535588	M-3		
FSP-0012-5-2	M-334	UXA-0003	M-1809	254253	M-648	535797	M-1103		
FSP-0012-5-3	M-335	UXA-0004	M-1808	275340	M-136	535798	M-45		
FSP-0012-6-1	M-415	UXA-0004-900	M-1806	275341	M-137	535799	M-39		
FSP-0012-9-1	M-384	UXA-0011	M-1818	287249	M-734	535860	M-38		
FSP-0012-9-2	M-385	UXA-0011-900	M-1803	298484	M-87	535861	M-43		
FSP-0012-10-1	M-391	UXA-0015	M-1807	298485	M-86	535884	M-3		
FSP-0012-11-1	M-364	UXA-0016	M-1804	305680	M-567L	535885	M-45		
FSP-0012-11-3	M-368	UXA-0017	M-2150	305681	M-567R	535886	M-39		

FWD TRUCK

Mfg. No.	BWP No.
450739	M-85302
450739	M-89420

GABRIEL

Mfg. No.	BWP No.
83201	M-83201
83202	M-83202
83203	M-83203
83204	M-83204
83207	M-83207
83209	M-83209
83213	M-83213
83215	M-83215
83216	M-83216
83217	M-83217
83219	M-83219
83221	M-83221
83225	M-83225
83300	M-83300
83302	M-83302

INTERCHANGES

MANUFACTURER'S PART NUMBERS TO BWP PART NUMBERS

GMC		GMC		GMC		GMC		GMC			
Mfg. No.	BWP No.	Mfg. No.	BWP No.	Mfg. No.	BWP No.	Mfg. No.	BWP No.	Mfg. No.	BWP No.		
2284739	M-607	2362900	{ M-2305(BM) M-2309(N) M-472 M-2045 M-2676	2452227	M-451	3192657	M-83216	4939852	M-89422		
2285552	M-644			2452376	M-2731	3192890	M-85005	4939967	M-85308		
2285894	M-467			2363040	M-472	2452381	M-1114	3192890	M-89430	4939967	M-89422
2287591	M-466			2366097	M-2045	2452382	M-1115	3192891	M-83221	4940601	M-83216
2290548	M-710			2366668	M-2676			3192892	M-83221	4940606	M-85005
2290549	M-1549	2366685	M-2707	2452865	{ M-2336(BM) M-2352(N)	3651372	M-983	4940606	M-89430		
2292911	M-2048	2366690	M-643	2452890		M-2611L	3670899	M-210	4940614	M-83216	
2292948	M-2524	2366700	M-2470	2452891	M-2611R	3680920	M-212	4940627	M-83203		
2295423	M-620	2366701	M-2471	2454867	M-2063	3682153	M-99	4940640	M-83216		
2295551	M-596	2368978	M-2610R	2454872	M-2067	3682387	M-91	4940650	M-83207		
2295552	M-644	2368979	M-2610L	2454873	M-2064	3682389	M-96	4940650	M-89407		
2299413	M-579	2370758	M-641	2454874	M-2065	3691111	M-2300	4940654	M-83216		
2302989	M-2052	2373648	M-1544	2456877	M-2474	3694508	M-97	4940660	M-83207		
2305192	M-572	2373652	M-598	2456878	M-2475	3697043	M-98	4940660	M-89407		
2306653	M-364	2377707	M-622	2457094	M-452	3697734	M-214	4940662	M-85005		
2309435	M-778L	2377712	M-823	2457165	M-455	3705442	M-140	4940662	M-89430		
2309436	M-778R	2377906	M-1136	2457166	M-456	3705783	M-100	4963844	M-85307		
2309474	M-571	2382486	M-2040	2461720	M-1013	3705785	M-101	4963853	M-83216		
2310537	M-2532	2382489	M-2038	2467674	M-1250	3719845	M-203	4963854	M-83216		
2310540	M-2537	2390348	M-2018	2467675	M-1251	3723955	M-74	4964853	M-83217		
2319723	M-2514	2390375	M-837	2471965	M-1133	3723956	M-75	4975429	M-85300		
2319724	M-2515	2392367	M-4	2472377	M-1011	3723967	M-79	4975429	M-89419		
2320989	M-2052	2393267	M-4	2473149	M-2030	3723968	M-78	4975467	M-83207		
2321013	M-2306	2396590	M-2037	2473969	M-1072	3724246	M-140	4975467	M-89407		
2321015	M-2533	2398446	M-1	2473972	M-1078	3726212	M-220	4975494	M-83207		
2324962	M-2017	2398447	M-7	2473973	M-1077	3729737	M-125	4975494	M-89407		
2325966	M-2027	2398831	M-997R	2473974	M-1076	3729738	M-124	4975497	M-85005		
2325967	M-2028	2404335	M-2665	2473978	M-1081	3735549	M-127	4975497	M-89430		
2325968	M-2031	2405564	M-75	2474635	M-810	3735550	M-126	4975510	M-83221		
2325972	M-1725	2405565	M-74	2474641	M-751			4975511	M-83303		
2325973	M-1724	2408341	M-682	2475297	M-458	3745285	{ M-2311(N) M-2312(BM)	4984526	M-83216		
2326940	M-592	2411282	M-2705	2475298	M-459	3752019		M-764	5144866	M-1354	
2326941	M-612	2411849	M-2644	2476888	M-879	3752789	M-129	5170450	M-1353		
2326943	M-1522	2418859	M-808	2476996	M-2436	3752790	M-128	5171068	M-83216		
2326944	M-555A	2418865	M-738	2476997	M-2437	3763619	M-158	5172947	M-472		
2327413	M-2056	2418869	M-850	2483369	M-2043	3765876	M-159	5179605	M-472		
2328707	M-2055	2418873	M-877	2485257	M-2035	3767619	M-158	5239215	M-641		
2329281	M-463	2423359	M-640	2485259	M-2053	3771410	M-157	5239216	M-642		
2331463	M-989R	2423368	M-1799	2485260	M-1730	3772283	M-1004	5257209	M-1970		
2331464	M-989L	2423369	M-1799A	2486027	M-811	3772284	M-762	5316784	M-85313		
2333597	M-1507	2425394	M-1798	2486051	M-2019	3772285	M-763	5316791	M-83219		
2335498	M-468	2429785	M-891	2487908	M-2735	3772286	M-797	5316792	M-85305		
2351585	M-1500	2429786	M-889	2487962	M-45	3774253	M-749	5316793	M-85305		
2355084	M-470	2431372	M-2313	2493784	M-2050	3774254	M-760	5321920	M-85307		
2355085	M-470	2433502	M-555A	2496078	M-468			5321929	M-85307		
2355610	M-1300	2434296	M-741	2496447	M-878	3778640	M-1135				
2355613	M-1301	2435473	M-859	3496448	M-888	3786208	M-2047	5348631	M-83203		
2355750	M-1551	2435474	M-890	2496450	M-863	3796630	M-1972	5352858	M-85305		
2355896	M-1093	2436411	M-2008	2497102	M-858	3819780	M-214A	5355054	M-85308		
2356111	M-597	2436412	M-2007	2497104	M-862	3853990	M-2319	5353054	M-89422		
						3854004	M-2314	5355798	M-85307		
2356115	M-1543	2438371	M-2046	2497303	M-1080	3854744	M-2300	5357955	M-85308		
2357567	M-998R	2438375	M-2042	2497307	M-1073			5357955	M-89422		
2357568	M-998L	2442145	{ M-2326 M-2327	2497310	M-2657	3858389	{ M-2318(N) M-2319(BM)	5357959	M-85300		
2358294	M-996L			3171068	M-83216	3858390		{ M-2316(N) M-2317(BM)	5357959	M-89419	
2359278	M-2035	2443336	M-807	3171069	M-85304		M-2317(BM)		5374779	M-85308	
2359279	M-2036	2443336A	M-807	3171462	M-85005		{ M-2318(N) M-2319(BM)	5374779	M-89422		
2359280	M-1727	2443343	M-2058	3171462	M-89430	3927942		M-2319(BM)	5374999	M-85307	
2359281	M-1726	2449450	M-871	3171696	M-85307		{ M-2316(N) M-2317(BM)	5385939	M-85307		
2359885	M-626	2449491	M-2641	3172948	M-85303	3927943		M-2317(BM)	5392387	M-85303	
2362138	M-2531	2449492	M-2736	3178507	M-85313			5394448	M-85305		
2362158	M-2531	2446604	M-887	3178995	M-85313	3928439	M-2314	5394467	M-85305		
2362285	M-1586	2449449	M-875	3187991	M-83219	3988537	M-1274	5455798	M-85307		
2362287	M-2537	2449450	M-871	3188626	M-85300	3988538	M-1276	5513489	M-83216		
2362866	M-2029	2450337	M-895	3188626	M-89419	3988631	M-1254	5513716	M-85304		
		2452132	M-876	3188729	M-85303	4939852	M-85308	5516459	M-85305		

¹M-2876 replaces retainer, washer, felt

²Includes (2) Washers 17341, (1) Locknut 17348

MANUFACTURER'S PART NUMBERS TO BWP PART NUMBERS

HUTCHENS		HYSTER		IMPERIAL EASTMAN		IMPERIAL EASTMAN		KELSEY GUNITE	
Mfg. No.	BWP No.	Mfg. No.	BWP No.	Mfg. No.	BWP No.	Mfg. No.	BWP No.	Mfg. No.	BWP No.
713-02	M-2141	400329	M-3830	461F-10	M-327	4-462F-06	M-1348	30719	M-44
713-05	M-2143	650150	M-83217	461F-12	M-328	4-462F-08	M-1349	31104	M-99
713-10	M-2142	73516	M-83217	461FS-04	M-1332	4-462F-10	M-1350	34271	M-126
715-00	M-2144			461FS-06	M-1333	4-462F-12	M-1351	34272	M-127
719-02	M-2160			461FS-08	M-1334	4-468F-04X02	M-1337	34435	M-215
720-00	M-1457 M-1888 M-3827	IMPERIAL EASTMAN		461FS-10	M-1335	4-468F-04X04	M-1338	34460	M-97
729-00	M-1454	Mfg. No.	BWP No.	461FS-12	M-1336	4-468F-06X02	M-1339	36162	M-128
750-03	M-2146			462F-04	M-358	4-468F-06X04	M-1340	36163	M-129
756-00	M-2973	AB06-73	M-309	462F-06	M-359	4-468F-06X06	M-1341	36707	M-74
759-00	M-2973	AB06-81	M-310	462F-08	M-360	4-468F-06X08	M-1342	36708	M-75
774-01	M-1887	AB06-82	M-310A	462F-10	M-361	4-468F-08X06	M-1343	36733	M-92
814-00	M-1460 M-3829	AB06-82	M-310	462F-12	M-362	4-468F-08X08	M-1344	36734	M-93
890-00	M-3486 M-3828	AB06-95	M-311	464F-04	M-384	4-468F-10X08	M-1345	37556	M-94
1138-00	M-85300	AB08-73	M-1366	464F-06	M-385	4-468F-12X08	M-1346	37557	M-95
1138-00	M-89419	AB08-81	M-1367	464F-08	M-386	4-469F-04X02	M-1352	38605	M-101
1139-00	M-85300	AB08-82	M-1368	465F-04	M-379	4-469F-04X04	M-1371	40338	M-104
1139-00	M-89419	AB08-82	M-1368	465F-06	M-380	4-469F-06X02	M-1372	40339	M-105
2219-01	M-1849	AB08-95	M-1369	465F-08	M-381	4-469F-06X04	M-1373	43935	M-220
2224-01	M-2879	AB08-96	M-1370	466F-04X02	M-347	4-469F-06X06	M-1374	43939	M-98
7010-00	M-1452	AB06X06RM	M-444	466F-04X04	M-348	4-469F-06X08	M-1375	45681	M-157
7013-00	M-1458	AB06-04PR	M-300	466F-06X02	M-349	4-469F-08X06	M-1376	46009	M-158
7016-01	M-1453	AB06-06PR	M-301	466F-06X04	M-350	4-469F-08X08	M-1377	46010	M-159
7029-00	M-2148	AB06-08PR	M-302	466F-06X06	M-351	4-469F-10X08	M-1378	49748	M-1153
7040-55	M-1492	AB06-04PR-85	M-306	466F-08X06	M-352	4-469F-12X08	M-1379		
7040-14	M-1492	AB06-06PR-85	M-307	466F-08X08	M-353				
7040-15 to 7040-21	M-1493	AB06-08PR-85	M-308	466F-10X08	M-355	K-B AXLE			
7052-02	M-2872	AB06-04PR-94	M-303	468F-04X02	M-329	Mfg. No.	BWP No.		
7615-02	M-2145	AB06-06PR-94	M-304	468F-04X04	M-330	E-5786	M-595	T11DH	M-3273
7620-00	M-1818	AB08-06PR	M-1360	468F-06X02	M-333	KB-12304	M-620	T11EH	M-3274
7636-00	M-2883	AB08-08PR	M-1361	468F-06X04	M-334	KB-12305	M-579	T19	M-3283
7637-00	M-2882	AB08-06PR-85	M-1364	468F-06X06	M-335	KBC-11429C-1	M-559L	T19A	M-3284
7638-00	M-2881	AB08-06PR-94	M-1362	468F-06X08	M-336	KBC-11429C-2	M-559R	T20	M-3280
7701-02	M-3487	AB08-08PR-94	M-1363	468F-08X04	M-339	KBD-9424	M-618	T20A	M-3281
7702-02	M-3488	C602-250	M-1307	468F-08X06	M-338	KBD-9431	M-548	T23A	M-1233
7703-02	M-3489	C604-200	M-1308	468F-08X08	M-340	KBE-9421	M-2716	T23B	M-3286
7717-00	M-3490	C606-100	M-1309	468F-10X06	M-343	KBE-9423	M-640	T25	M-1234
7816-05 to 7816-14	M-1494	C608-100	M-1310	469F-04X02	M-363	KBE-10227	M-682	T38	M-3285
7816-15 to 7816-18	M-2798	C610-50	M-1355	469F-04X04	M-364	KBE-10228	M-683	T39	M-3282
9015-00	M-2974	C612-50	M-1356	469F-06X02	M-366	KBE-10974	M-588	T45A	M-1235
9202-00	M-2953	Y106	M-315-S	469F-06X04	M-364	KBE-10975	M-1092	T45DX	M-3279
9239-02	M-2142	Y108-50	M-1359	469F-06X06	M-368	KBP-5298	M-2601R	T45HD	M-3276
9239-03	M-2141	9-GH	M-313A	469F-06X08	M-369	KBP-5299	M-2601L	T45SX	M-3278
9423-00	M-83203	10-GH	M-313	469F-08X04	M-371	KBP-5593	M-562L	T47A	M-3277
9423-00	M-85000	11-GH	M-314	469F-08X06	M-370	KBP-5594	M-562R	T48A	M-3287
10287-01	M-2975	12-GH	M-313D	469F-08X08	M-372			T95	M-1252
10562-00	M-2161	13-GH	M-313E	469F-10X06	M-374	KELSEY GUNITE		TM95	M-3270
		42-E	M-318	469F-10X08	M-373	Mfg. No.	BWP No.	T96	M-1253
		50-E	M-1326	469F-12X08	M-377	13974	M-132	TG11D	M-3271
		51-E	M-1325	472F-06X04X06	M-391	20048	M-102	TG11DH	M-3275
		388-AB-12	M-498	472F-06X06X02	M-398	20049	M-103	TG11E	M-3272
		388-AB-15	M-499	472F-06X06X04	M-399	20441	M-133	TR1	M-149
		459F-04	M-1315	472F-08X06X08	M-392	21137	M-138	TR2	M-150
		459F-06	M-1316	472F-08X08X06	M-400	25264	M-124	TRM2	M-3269
		459F-08	M-1317	474F-04X02	M-414	25265	M-125	TR5	M-154
		459F-10	M-1357	474F-06X04	M-415	30020	M-91	TR9	M-153
		459F-12	M-1358	474F-08X06	M-416	30021	M-96	TX9	M-155
		460F-04	M-319	474F-10X08	M-417	30023	M-139	TR43	M-156
		460F-06	M-320	4-460F-04	M-1327			TR98	M-3268
		460F-08	M-321	4-460F-06	M-1328			30609	M-155
		460F-10	M-322	4-460F-08	M-1329			32119	M-3283
		460F-12	M-323	4-460F-10	M-1330			32120	M-3280
		461F-04	M-324	4-460F-12	M-1331			32125	M-1234
		461F-06	M-325	4-462F-04	M-1347				
		461F-08	M-326						

INTERCHANGES

MANUFACTURER'S PART NUMBERS TO BWP PART NUMBERS

KEN TOOL		KENWORTH		KONI		MACK		MACK			
Mfg. No.	BWP No.	Mfg. No.	BWP No.	Mfg. No.	BWP No.	Mfg. No.	BWP No.	Mfg. No.	BWP No.		
32318	M-154	K233-468	M-3976	88-1489	M-83302	80K-338	M-2833	140K-2110	M-85305		
32501	M-149	K233-C372-L	M-3915	88-1490	M-83207	80K-2891	M-2832	140K-2110-P1	M-85305		
32502	M-150	K233-C372-R	M-3914	88-1499	M-85001	80K-29303	M-2833	140K-2112	M-1757		
32508	M-3268	K303-6	M-3525	88-1558	M-83209	100K-32BP1	M-2919	140K-2113-P3	M-85001		
32509	M-153	K303-14		88-1558	M-85013	100K-33A	M-2109	140K-2113-P3	M-89410		
		K303-15									
32552	M-3269			88-1560	M-83219	100K-36B	M-2112	140K-2115	M-85305		
33219	M-3284	K363-119	M-2136	88-1560	M-85012		M-3850	140K-282-P3	M-83216		
33220	M-3281	K363-204	M-1653	88-1561	M-83219	100K-48	M-2921	140K-288-P2	M-83217		
33223	M-1233	K363-262	M-1654	88-1561	M-85012	100K-130P1	M-3847	140K-29001-P2	M-85303		
33224	M-3286	K363-275	M-3845	88-1562	M-85003	100K-130P1	M-1478	140K-29301-P1	M-83207		
33238	M-3285	K363-474	M-3843	90-1577	M-85310	100K-146	M-1482	140K-29301-P1	M-89407		
33239	M-3282	K374-11	M-85001	90-1811	M-85301	100K-147	M-1477	140K-29301-P2	M-83207		
34543	M-156	K374-11	M-89410	90-1867	M-85307	100K-149	M-1477	140K-29301-P2	M-89407		
34645	M-1235	K374-14	M-83312	90-1868	M-85307	100K-157	M-2901	140K-29302	M-83207		
34647	M-3276	K374-14	M-89409	90-1896	M-85302	100K-219P2	M-3846	140K-29302	M-89407		
34648	M-3287	K374-16	M-85001	90-1897	M-85303	100K-219	M-1479	140K-29302-P1	M-83207		
34847	M-3277	K374-16	M-89410	90-1898	M-85305	100K-219P1	M-1479	140K-29302-P1	M-89407		
34945	M-3278	K374-26	M-85001	90-1943	M-85307	100K-219P2	M-2113	140K-366	M-83302		
34946	M-3279	K374-26	M-89410	90-1951	M-85304	100K-219P3	M-2114	140K-366-P2	M-83302		
35127	M-3273	K374-27	M-85001	90-1965	M-85304	100K-225	M-2901	140K-366-P3	M-83308		
35129	M-3274	K374-27	M-89410	90-1974	M-85311	100K-276	M-3846	140K-366-P4	M-83209		
35227	M-3275	K374-28	M-89425	90-2148	M-85304	100K-332A	M-2922	140K-372-M	M-83321		
35427	M-3271	K374-29	M-85310	LODAL, INC.						140K-372-M2	M-83209
35429	M-3272	K374-29	M-89423	Mfg. No.	BWP No.	100K-365A	M-3848	140K-372-M3	M-83202		
35695	M-1252	K374-3	M-83312	9960257	M-83202	100K-368A	M-2904	140K-373	M-85007		
35696	M-1253	K374-3	M-89409	9960257	M-89406	100K-370	M-2111	140K-373	M-89412		
35795	M-3270	K374-32	M-85310	MACK						140K-375-M	M-83302
		K374-32	M-89423	Mfg. No.	BWP No.	100K-371A	M-2905	140K-378-M	M-85007		
		K374-33	M-83312	11BX-1209	M-1555	100K-372	M-2920	140K-378-M	M-89412		
		K374-33	M-89409	11BMT-148	M-2528	11BC-1209	M-1555	140K-392-AM2	M-83302		
		K374-4	M-89425	11BX-1182	M-1578			140K2113	M-85001		
		K374-5	M-83312	11CQ-168	M-10			140K2113	M-89410		
		K374-5	M-89409	11EH-168	M-12			140K2113-P4	M-85007		
		K374-7	M-85310	11EHT-3016	M-12			140K2113-P4	M-89412		
		K374-7	M-89423					140K2113-P5	M-85001		
		K374-9	M-85310	1AX-127	M-2910	11EHT-31	M-2527	140K2113-P5	M-89410		
		K374-9	M-89423	1AX-425	M-2893	12AK-2189	M-30A	140K2113-P6	M-85007		
		M300-70NR	M-3841	1AX-427	M-2895	12BJ-188	M-1579	140K2113-P6	M-89412		
		M500-70NR	M-3832	1AX-475	M-2894	12QDA-37	M-1671	140K366-P1	M-83302		
		M506-70NR	M-3837	3AX-987	M-2895	13QK-246	M-2918	140K377-M	M-85007		
		M600/K066-176	M-3835	3AX-1343	M-1481	140K-1200-P4	M-83207	140K377-M	M-89412		
		M700/M066-229	M-3833	3AX-1344	M-2896	140K-1200-P4	M-89407	140K392-AM	M-85005		
		49NE1812	M-2073	3AX-1348	M-2896	140K-140	M-85304	140K392-AM	M-89430		
		1610BL	M-1414	3AX-1682	M-1481	140K-140-P1	M-83207	150D-123	M-1511		
		12452-001R	M-2466	4AX-319	M-2897	140K-140-P1	M-89407	150J-16	M-1141		
		12452-001L	M-2467	4AX-320	M-2899	140K-142-AP1	M-83215	150J-16P3	M-2500		
		227720	M-2070	4AX-343	M-2898	140K-142-P1	M-83215	150J-17P1	M-1142		
		229610	M-2072	6AX-460	M-32	140K-143	M-83207	150J-21	M-11		
		5316702	M-3840	6AX-837	M-2899	140K-143	M-89407	150J-111	M-1		
		665565	M-85007	6AX-1557	M-1885	140K-145	M-85307	150J-118	M-4		
			M-89412	6QD-120	M-1576	140K-20001-P2	M-85308	150J-118P2	M-7		
				6QD-180P2	M-1578	140K-20001-P2	M-89422	150J-118P3	M-2		
				7QK-3131P5	M-2790	140K-2100-P1	M-83221	150J-121B	M-1178		
				7QK-3145P1	M-2793	140K-2100-P3	M-83207	150J-121C	M-1178		
				7QK-3145P2	M-2794	140K-2100-P3	M-89407	150J-148P2	M-9		
				7QK-3145P3	M-2794	140K-2100-P4	M-83207	150J-149P1	M-10		
				7QK-3145P4	M-2795	140K-2100-P4	M-89407	150J-154	M-1103		
				7QK-3154P1	M-2790	140K-2100-P5	M-83221	150J-154A	M-3		
				7QK-3154P2	M-2790	140K-2100-P6	M-83302	150J-210	M-30B		
				7QK-3154P3	M-2791	140K-2100-P7	M-83221	150J-223AP	M-26		
				7QK-3154P5	M-2791	140K-2102	M-85304	150J-223BP1	M-1245		
				7QK-3154P8	M-2792	140K-2107-P1	M-83215	150J-223BP2	M-1248		
				7QK-3154P9	M-2791	140K-2107-P2	M-83215	150J-223BP3	M-1249		
				8QK-335P1	M-2923	140K-2107-P3	M-83215	150J-223BP4	M-1246		
				8QK-335P2	M-2924	140K-2108	M-85000	150J-223BP5	M-1247		

INTERCHANGES

MANUFACTURER'S PART NUMBERS TO BWP PART NUMBERS

MACK		MACK		MACK		MACK		MAECO	
Mfg. No.	BWP No.	Mfg. No.	BWP No.	Mfg. No.	BWP No.	Mfg. No.	BWP No.	Mfg. No.	BWP No.
150J-223BP6	M-1127	21AX-443	M-133	440K-29301B	M-2891	362SZ-33	M-2436	70042	M-85302
150J-223BP8	M-1175	21AX-480	M-2031	44RU-2221P2	M-2907	362SZ-34	M-2437	70042	M-89420
150J-223CP3	M-1249	21AX-609	M-140A	44RU-2223P1	M-2909	362SZ-46	M-88	70088	M-85307
150J-223CP4	M-1246	21AX-610	M-140B	44RU-2223P2	M-2908	362SZ-47	M-89		
150J-223CP5	M-1247	21AX-611	M-140E	44RU-2224	M-2906	362SZ-59	M-1115		
150J-223CP6	M-1127	21AX-612	M-140F	49AX-50	M-1513	362SZ-60	M-1114		
150J-223CP7	M-5	21AX-626	M-1997	52QK-398	M-2835	362SM-69	M-2672		
150J-223CP8	M-1175	21AX-629	M-136	52QK-399	M-2836	362SZ-75	M-2469		
150J-231	M-1123	21AX-630	M-137	52QK-418AP4	M-2917	362SZ-76	M-2468		
150J-238	M-28	21AX-631	M-134	55MX-111P1	M-603	362SZ-95	M-1214		
150J-239	M-1173	21AX-632	M-135	55MX-111P2	M-599	362SZ-96	M-1215		
150J-242	M-1188	20QL-1118	M-3851	55MX-111P9	M-603	362SZ-109	M-2470		
150J-244	M-30B	20QL-324M	M-3852	58AX-94	M-553	362SZ-110	M-2471		
150J-248	M-2460	21AX-655	M-1186	58AX-117	M-798	362SZ-117	M-1218		
150J-249	M-2461	21AX-689	M-138	58AX-200	M-554	362SZ-118	M-1219		
150J-251	M-3213	21AX772	M-1483	58AX-208	M-553	362SZ-119	M-1204		
150J-19301	M-1242	21AX-786	M-2458	58AX-209	M-796	362SZ-120	M-1205		
150J-29302	M-1243	21AX-790	M-2573	63SP-23	M-2529	363SM-31	M-1549		
150J-29303	M-1261	21AX-849	M-140J	63SP-29	M-2527	363SZ-58	M-2526		
170F-417	M-2955	21AX-850	M-140K	68RV-1106	M-45	364SM-27	M-548		
170F-417P3	M-2956	22QK-39301	M-2892	80AX-220	M-710	365SZ-124	M-1285		
170F-421	M-2955	23QJ-201	M-1979	80AX-269	M-1509	1688-227710	M-2069		
18AX-48	M-46	23AX-229	M-44	80AX-270	M-150	1688-227720	M-2070		
18AX-49	M-47	23AX-479	M-1852	80AX-300	M-2901	1688-229240	M-2090		
18AX-64	M-52	23QJ-12B	M-2202	80AX-358	M-735	47902-9	M-83302		
18AX-65	M-53	23QJ-112B	M-2913	80AX-395	M-543	47902-9	M-89405		
18AX-145	M-108	23QJ-123	M-2575	80AX-485	M-1552	4940654	M-83216		
18AX-146	M-109	23QJ-125	M-1998	80AX-641	M-571	5533699	M-85302		
18AX-337	M-48	23QJ-129	M-1998	870K-22P2	M-2911	5533699	M-89420		
18AX-338	M-49	23QJ-138	M-1999	88AX-244	M-2959	5554184	M-85302		
18AX-346	M-38	25QJ-13	M-2203	88AX-446	M-2959	5554184	M-89420		
18AX-405	M-35	25QJ-35	M-1980	97AX-19	M-3349	651012	M-83221		
18AX-423	M-56	25QJ-36	M-1978	97AX-75	M-1512	651103	M-83302		
18AX-424	M-57	25QJ-168	M-1999	102SM-11	M-641	651151	M-83209		
18AX-825	M-46	25QJ-223	M-2915	130SP-19	M-2534	70042	M-85302		
18AX-826	M-47	31AX-436	M-613	131SP-31	M-2536	70042	M-89420		
18AX-829	M-48	31AX-514	M-646	131SP-47	M-2533				
18AX-830	M-49	32GB-11A	M-1303	131SP-59	M-2535				
18AX-881	M-116	33AX-52	M-1382	205SQ-11	{ M-2305(BM) M-2309(N)				
18AX-882	M-117	33AX-105	M-1381	205SQ-12	{ M-2336(BM) M-2352(N)				
18AX-924	M-2516	34QD-126A	M-1542	205SQ-15	M-2334				
18AX-925	M-2517	34QD-127	M-633	261SZ-22	M-39				
18AX-926	M-2490	34QD-141	M-632	261SZ-78	M-45				
18AX-927	M-2491	34QD-150	M-633	263SZ-27	M-140B				
18AX-952	M-2518	35AX-600	M-982	263SZ-28	M-140F				
18AX-953	M-2519	35AX-606	M-987	263SZ-29	M-140A				
18AX-970	M-2462	35AX-688	M-2912	263SZ-30	M-140E				
18AX-971	M-2465	35AX-697	M-1561	301SQ-44	{ M-2336(BM) M-2352(N)				
18AX-989	M-62	35AX-1415	M-2574	301SQ-45A	M-2346				
18AX-990	M-63	35AX-1509	M-1758	301SQ-46B	M-2353				
18AX-1068	M-38	37AX-1310	M-2136	301SQ-47CP1	M-2347				
18AX-1108	M-76	39QK-27E	M-2900	301SM-86	M-620				
18AX-1109	M-77	39QK-431	M-2903	320GB-11A	M-1303				
18AX1130	M-108	39QK-433A	M-2902	341SM-18	M-644				
18AX1131	M-109	41AX-167	M-1559	342SM-12	M-596				
20AX-8	M-138	41AX-221	M-1560	342SQ-26	M-642				
20AX36	M-1483	43QJ-116	M-2912	343SZ-19A	M-1523				
21AX-91	M-124	43QK-117	M-2914	362SZ-15	M-60				
21AX-92	M-125	43RV-289	M-1750	362SZ-16	M-61				
21AX-93	M-128	43RV-588	M-1250	362SZ-17	M-50				
21AX-94	M-129	43RV-589	M-1251	362SZ-18	M-51				
21AX-95	M-126	44QK-25	M-2889	362SZ-32	M-2437				
21AX-96	M-127	44QK-26A	M-2890						
21AX-335	M-2201	44QK-173B	M-2887						
21AX-442	M-132	44QK-19301B	M-2888						

MARMON	
Mfg. No.	BWP No.
1-7001	M-83216
37-1-1	M-83202
51-139-28	M-85003
51-139-28	M-89411
51-163-7	M-83302
576451	M-83202
576451	M-89406
665147	M-83216

MERITOR	
Mfg. No.	BWP No.
KIT 123	M-2309
KIT 142	M-2312
KIT 143	M-2363
KIT 144	M-2305
KIT 154	M-2311
KIT 156	M-2327
KIT 157	M-2326
KIT 167	M-2315
KIT 168	M-2352
KIT 170	M-2336
KIT 172	M-2322
KIT 178	M-2324
KIT 195	M-2348
KIT 198	M-2339
KIT 199	M-2331
KIT 969	M-K15
KIT 970	M-K16
KIT 971	★
KIT 1105B	M-K31/32
KIT 1106B	M-K30
KIT 1125	★
KIT 1128	M-867(2)
KIT 1129	M-1082(2)
KIT 1131	M-K30(2)
KIT 1161	M-1082(2)
KIT 1164	M-K30
KIT 1191	M-K76
KIT 1192	M-K33/34
KIT 1300	M-2358
KIT 1307	M-2381
KIT 1315	M-2385
KIT 1760	★
KIT 1759	M-1553
KIT 8000	★ ¹
KIT 8000HD	M-K39
KIT 8000MB	★ ²
KIT 8002HD	★
KIT 8002SS	★
KIT 8003	★
KIT 8004	M-K45

MACK MID-LINER	
Mfg. No.	BWP No.
5000-438684	M-3971

MAECO	
Mfg. No.	BWP No.
12608	M-83201
12788	M-83216
12866	M-83207
12866	M-89407
6025	M-83202
6025	M-89406
6026	M-83204
70018	M-85303
70021	M-85303
70029	M-85308
70029	M-89422
70034	M-85302
70034	M-89420
70039	M-85303
70041	M-85305

INTERCHANGES

MANUFACTURER'S PART NUMBERS TO BWP PART NUMBERS

MERITOR		MERITOR		MERITOR		MERITOR		MERITOR	
Mfg. No.	BWP No.	Mfg. No.	BWP No.	Mfg. No.	BWP No.	Mfg. No.	BWP No.	Mfg. No.	BWP No.
KIT 8008	★	19X143	M-3244	20X803 & 4	M-1297 & 6	1199-B-2160	M-144	1225-C-939	M-2635
KIT 8009	★	20X19 & 20	M-47 & 6	20X831 & 2	M-2435 & 4	1199-N-2302	M-849	1225-R-1058	M-1550
KIT 8011	M-618	20X37 & 8	M-51 & 50	20X852 & 3	M-1290 & 1	1199-U-2309	M-867	1225-R-1136	M-3237
KIT 8014	★	20X41 & 2	M-63 & 2	20X996 & 7	M-80 & 1	1199-J-2350	M-140-J	1225-N-1158	M-3247
KIT 8014HD	★	20X52 & 3	M-52 & 3	20X1040 & 1	M-46 & 7	1199-K-2351	M-140-K	1225-L-1208	M-571
KIT 8022	M-K87	20X54 & 5	M-48 & 9	20X1227 & 8	M-2449 & 8	A-1199-D-2526	M-1521	1227-H-34	M-680
KIT 8026HD	M-K93	20X58 & 9	M-56 & 7	20X1233 & 4	M-2453 & 2	1199-P-2538	M-855	1227-X-102	M-1524
KIT 8028	★	20X66 & 7	M-60 & 1	20X1239 & 40	M-2445 & 4	A-1199-Z-3432	M-882	A1227-A-105	M-1959
KIT 8029	M-K79	20X70 & 1	M-58 & 9	20X1241 & 2	M-2447 & 6		M-883	1227-B-106	M-1956
KIT 8030HD	★	20X77 & 8	M-65 & 4	20X1282 & 3	M-1294 & 5	M-884	A1227-C-107	M-2549	
KIT 8032	★	20X85 & 6	M-55 & 4	20X1284 & 5	M-1292 & 3	1199-F-3464	M-882	1227-D-108	M-1965
KIT 8033	★	20X87 & 8	M-2511 & 10	20X1305 & 6	M-2483 & 2	1199-A-3719	M-2722	1227-F-162	M-1960
KIT 8042	M-K81	20X89 & 90	M-109 & 8	20X1307 & 8	M-2485 & 4	1199-G-3725	M-2724	1227-L-194	M-1959
KIT 8046	M-K14	20X111 & 2	M-117 & 6	20X1309 & 10	M-2425 & 4	1199-A-3745	M-2720	1227-T-228	M-1972
KIT 8047	★	20X117 & 8	M-67 & 6	20X1311 & 2	M-2423 & 2	1199-U-3765	M-2719	A-1227-S-305	M-1983
KIT 8048	M-K61	20X120 & 1	M-258 & 9	20X1334 & 5	M-2420 & 1	1199-J-3910	M-603	1227-P-328	M-1981
KIT 8053	M-K92	20X132 & 3	M-70 & 1	20X1356 & 7	M-2474 & 5	1199-K-3911	M-604	1227-R-330	M-1978
KIT 8112	★	20X140 & 1	M-112 & 3	20X1380 & 1	M-2426 & 7	1205-K-193	M-642	1227-S-331	M-1980
KIT 8289	M-K90	20X150 & 1	M-106 & 7	20X1393 & 4	M-1209 & 8	1205-W-205	M-589	1227-H-346	M-1975
KIT 8813	★	20X156 & 7	M-68 & 9	20X1457 & 8	M-2425 & 4	1205-K-271	M-661	A-1227-A-391	M-1968
KIT 8821	★	20X206 & 7	M-88 & 9	20X1459 & 60	M-2423 & 2	1205L272	M-661	1227-D-446	M-1969
KIT 8824HD	M-K98	20X208 & 9	M-84 & 5	20X1463 & 4	M-2421 & 20	1205-N-430	M-1572	1227-V-464	M-3390
KIT 9000	M-K7	20X210 & 11	M-86 & 7	20X1469 & 70	M-83 & 82	1205-R-694	M-1092	1227-F-474	M-1957
KIT 9001	M-K7	20X234 & 5	M-1224 & 5	20X1471 & 72	M-3639 & 38	1205-X-726	M-1093	1227-U515	M-1971
KIT 9002	M-K3	20X242 & 3	M-1222 & 3	20X1474 & 3	M-2427 & 6	1205-R-746	M-1094	1227-V-516	M-1977
KIT 9003	M-K54	20X244 & 5	M-1220 & 1	20X1475 & 6	M-2479 & 8	1205-G-761	M-1095	1227-W-517	M-1980
KIT 9004	M-K56	20X344 & 5	M-2436 & 7	20X1477 & 8	M-2475 & 4	1205-N-924	M-825	1227-T-540	M-1974
KIT 9005	M-K4	20X348 & 9	M-3622 & 23	20X1563 & 4	M-1219 & 8	A-1205-D-940	M-836	1227-U-541	M-1959
KIT 9006B	★	20X358 & 9	M-110 & 1	20X1571 & 2	M-81 & 80	1205-M-1105	M-824	1227-A-547	M-1983
KIT 9017	M-K3	20X365 & 6	M-2515 & 4	20X1575 & 6	M-79 & 8	1205-U-1451	M-1401	1227-C-549	M-682
KIT 9020	M-850(2)	20X367 & 8	M-1217 & 6	20X1805 & 6	M-75 & 4	1205-V-1452	M-1403	1227-Y-571	M-1963
KIT 9033	M-1520	20X369 & 70	M-1115 & 4	20X1809 & 10	M-1209 & 8	A1205-V-1556	M-587-A	1227-Z-676	M-840
KIT 9034	M-1406	20X371 & 2	M-1117 & 6	20X1867 & 8	M-2447 & 6	A1205-P-1602	M-2630	1227-B-678	M-838
KIT 9035	M-K65	20X377 & 78	M-1219 & 18	20X1977 & 8	M-2421 & 20	A1205-S-1943	M-641-A	1227-M-715	M-1986
KIT 9036	M-1407	20X379 & 80	M-1119 & 18	20X1979 & 80	M-3637 & 6	1205-B-2004	M-878	1227-B-756	M-684
KIT 9037	M-K13	20X387 & 8	M-1219 & 8	20X2088 & 89	M-3635 & 4	1205-C-2005	M-881	A1227-S-877	M-846
KIT 9078	M-K17	20X397 & 8	M-115 & 4	1107-D-56	M-2639	1205-D-2110	M-3236	1227-K-947	M-2569
KIT 9078A	★	20X402 & 3	M-2432 & 3	1127-N-40	M-892	1205-Q-2123	M-1401	1227-Z-1040	M-3391
KIT 9081	M-K59	20X404 & 5	M-1106 & 7	1199-G-111	M-125	1218-M-13	M-640	1227-E-1045	M-3392
KIT 9094	M-K52	20X408 & 9	M-2442 & 3	1199-H-112	M-124	1218-G-85	M-1500	1228A53	M-574
KIT 9300	M-K68	20X430 & 1	M-80 & 1	1199-J-114	M-128	1218-L-90	M-640	1229-Q-2851	M-3496
KIT 9304	M-K69	20X436 & 7	M-2450 & 1	1199-K-115	M-129	1218-C-107	M-2742	1229-V-48	M-1982
KIT 9404	★	20X446 & 7	M-126 & 7	1199-M-117	M-127	1225-G-85	M-1510	1229-R-122	M-583
KIT 9423	★	20X460 & 1	M-2486 & 7	1199-N-118	M-126	1225-Q-95	M-545	1229-J-166	M-1018
KIT 9424	M-K53	20X468 & 9	M-2488 & 9	1199-R-616	M-145	1225-U-151	M-1509	1229-M-221	M-725
KIT 9425	M-2702(2)	20X477 & 8	M-1109 & 8	1199-A-625	M-602	1225-A-183	M-539	1229-B-236	M-2640
4X199	M-90	20X481 & 2	M-1213 & 2	1199-B-626	M-617	1225-J-218	M-710	1229-Q-277	M-2637
4X237	M-179	20X487 & 8	M-1214 & 5	1199-Z-910	M-604	1225-F-266	M-538	1229-P-302	M-2641
4X1027	M-2524	20X491 & 2	M-77 & 6	1199-M-937	M-603	1225-X-336	M-1551	1229-Q-433	M-748
4X1207	M-2526	20X511 & 12	M-1299 & 8	1199-F-968	M-132	1225-N-352	M-541	1229-T-462	M-679
4X1613	M-2523	20X564 & 5	M-108 & 9	1199-G-969	M-133	1225-N-378	M-571	1229-F-474	M-1957
5X180	M-641	20X582 & 3	M-2470 & 1	1199-A-1175	M-142	A1225-D-420	M-1520	1229-G-475	M-1958
5X191	M-586	20X584 & 5	M-1118 & 9	1199-D-1200	M-140-C	A1225-V-438		M-1520	1229-H-476
5X-265	M-660	20X586 & 7	M-2480 & 1	1199-E-1201	M-140-D	1225-A-443	M-741	1229-J-478	M-1966
5X418	M-656	20X588 & 9	M-1250 & 1	1199-V-1348	M-140-A	1225-G-449	M-742	1229-M-559	M-719
5X433	M-587	20X592 & 3	M-74 & 5	1199-W-1349	M-140-B	225-B-496	M-747	1229-F-708	M-650
5X482	M-665	20X601 & 2	M-1171 & 70	1199-X-1350	M-140-E	1225-R-512	M-1551	1229-G-709	M-649
5X640	M-641	20X603 & 4	M-1167 & 6	1199-Y-1351	M-140-F	1225-G-631	M-827	1229-J-712	M-681
13X116	M-45	20X605 & 6	M-1165 & 4	1199-B-1432	M-140-G	1225-J-634	M-826	1229-K-713	M-661
15X882	M-536	20X655 & 6	M-102 & 3	1199-C-1433	M-140-H	1225-P-640	M-1550	1229-S-721	M-1961
15X1300	M-867	20X675 & 6	M-2469 & 8	1199-E-1695	M-647	1225-A-781	M-847	1229-Q-771	M-580
15X1605	M-534E	20X679 & 80	M-119 & 8	1199-Q-1811	M-167	1225-X-804	M-1400	1229-E-811	M-2643
19X41	M-1382	20X687 & 8	M-75 & 4	1199-R-1812	M-166	1225-A-833	M-1405	1229-E-837	M-584
19X42	M-1383	20X746 & 7	M-1204 & 5	1199-Q-1863	M-165	1225-B-834	M-1404	1229-J-866	M-579
19X45	M-1381	20X780 & 1	M-2440 & 1	1199-R-1864	M-164	1225-M-897	M-2618	1229-J-868	M-588

INTERCHANGES

MANUFACTURER'S PART NUMBERS TO BWP PART NUMBERS

MERITOR		MERITOR		MERITOR		MERITOR		MERITOR	
Mfg. No.	BWP No.	Mfg. No.	BWP No.	Mfg. No.	BWP No.	Mfg. No.	BWP No.	Mfg. No.	BWP No.
1229-U-1009	M-1979	1259-U-281	M-619	2210-D-1434	M-3178R	2210-R-4334	M-991L	2210-U-5637	M-1570R
1229-G-1021	M-1973	1259-E-291	M-1422	2210-E-1435	M-3178L	2210-G-4765	M-2602L	2210-V-5638	M-1570L
1229-R-1058	M-1976	1259-F-292	M-620	2210-M-1573	M-559R	2210-H-4766	M-2602R	2210-W-5639	M-996R
1229-M-1105	M-645	1259-V-308	M-3246	2210-N-1574	M-559L	2210-G-4869	M-2614R	2210-X-5640	M-996L
1229-X-1116	M-1523	1259-X-1012	M-3355	2210-W-2337	M-774R	2210-H-4870	M-2614L	2210-E-5699	M-778R
1229-Z-1118	M-579	1259-M-1131	M-771	2210-X-2338	M-774L	2210-Y-4991	M-2609R	2210-F-5700	M-778L
1229-A-1119	M-1046	1259-N-1132	M-618	2210-Y-2339	M-562R	2210-Z-4992	M-2609L	2210-W-5717	M-989R
1229-B-1302	M-579	A13222X1090	M-803	2210-Z-2340	M-562L	2210-E-4997	M-2605L	2210-X-5718	M-989L
1229-Y-1325	M-2572	A1705-P-120	M-894	2210-L-2404	M-998L	2210-F-4998	M-2605R	2210-Y-5719	M-3181R
1229-C-1459	M-1970	1705-M-143	M-587A	2210-M-2405	M-998R	2210-V-5092	M-3179R	2210-Z-5720	M-3181L
1229-G-1463	M-584	A1705-K-219	M-878	2210-N-2406	M-1570L	2210-W-5093	M-3179L	2210-A-5721	M-988R
1229-V-1504	M-3359	A1-1705-K-219	M-881	2210-P-2408	M-1570R	2210-K-5107	M-2612R	2210-B-5722	M-988L
1229-V-1556	M-2714	A-1705-M-221	M-1075	2210-W-2440	M-778R	2210-L-5108	M-2612L	2210-E-5725	M-2610R
1229-H-1568	M-1962	A1-1705-M-221	M-1083	2210-V-2441	M-778L	2210-E-5127	M-2599R	2210-F-5726	M-2610L
1229-M-1573	M-867	1705-H-294	M-587A	2210-X-2442	M-996R	2210-F-5128	M-2599L	2210-K-5783	M-3116R
1229-F-1618	M-2644	1718-Y-103	M-644	2210-Y-2443	M-996L	2210-Y-5173	M-2613R	2210-L-5784	M-3116L
1229-V-1660	M-683	1718-N-118	M-643	2210-K-2481	M-773-R	2210-Z-5174	M-2613L	2210-G-6013	M-3689R
1229-C-1693	M-1964	1718-D-134	M-850	2210-L-2482	M-773-L	2210-T-5246	M-2602R	2210-H-6014	M-3689L
1229-B-1848	M-748	1725-W-23	M-571	2210-M-2483	M-562R	2210-U-5247	M-2602L	2210-C-6165	M-2602L
1229-T-1996	M-839	1727-H-8	M-892	2210-N-2484	M-562L	2210-K-5263	M-2611R	2210-D-6166	M-2602R
1229-N-2250	M-2634	1727-N-40	M-892	2210-R-2488	M-561R	2210-L-5264	M-2611L	2210-E-6167	M-3688R
1229-L-2378	M-2570	1727-E1045	M-3392	2210-S-2489	M-561L	2210-U-5325	M-2613R	2210-F-6168	M-3688L
1229-B-2498	M-2715	1729-B-262	M-876	2210-T-2490	M-567R	2210-V-5326	M-2613L	2210-G-6169	M-3689R
1229-F-2502	M-1402	1759-M-13	M-620	2210-U-2491	M-567L	2210-W-5327	M-2606R	2210-H-6170	M-3689L
A1229-W-2545	M-2567	1759-Y-25	M-2706	2210-G-2555	M-561R	2210-X-5328	M-2606L	2210-X-6316	M-561R
1229-S-2697	M-2638	1759-Z-26	M-2707	2210-H-2556	M-561L	2210-A-5331	M-2614R	2210-Y-6317	M-561L
1229-D-2942	M-3349	1779-R-18	M-596	2210-J-2558	M-3178R	2210-B-5332	M-2614L	2210-A-6318	M-567R
1229-G-2971	M-748	1779-K-63	M-601	2210-K-2559	M-3178L	2210-C-5333	M-2597R	2210-B-6319	M-567L
1229-X-3118	M-1402A	1779-C-81	M-596A	2210-H-2946	M-560R	2210-D-5334	M-2597L	2210-Z-6344	M-3173R
1229-D-3124	M-1046	1779-D-82	M-597	2210-J-2948	M-560L	2210-K-5341	M-2607R	2210-A-6345	M-3173L
1229-T-3166	M-645	1779-E-83	M-598	2210-P-2980	M-743L	2210-L-5342	M-2607L	2210-Q-6387	M-744R
1229-T-4102	M-3398	1779-J-114	M-1543	2210-Q-2981	M-743R	2210-W-5353	M-997R	2210-R-6388	M-744L
1229-C-4137	M-3248	1779-K-115	M-597	2210-H-3024	M-989R	2210-X-5354	M-997L	2210-A-6397	M-2601R
1245-C-185	M-1382	1779-B-132	M-1544	2210-J-3026	M-989L	2210-A-5357	M-998R	2210-B-6398	M-2601L
1245-D-186	M-1383	1779-F-136	M-1598	2210-K-3027	M-997R	2210-B-5358	M-998L	2210-C-6399	M-746R
1245-J-192	M-1381	1779-Q-147	M-1082	2210-L-3028	M-997L	2210-C-5359	M-743R	2210-D-6400	M-746L
1246-B-28	M-2528	1779-M-195	M-877	2210-D-3046	M-3181R	2210-D-5360	M-743L	2210-U-6573	M-990R
1246-S-227	M-613	1779-A-235	M-470	2210-E-3047	M-3181L	2210-E-5361	M-3179R	2210-V-6574	M-990L
1246-X-232	M-982	A1779-W-283	M-1420	2210-X-3066	M-988L	2210-F-5262	M-3179L	2210-W-6575	M-992R
1246-Y-233	M-987	1779-H-320	M-891	2210-Y-3067	M-988R	2210-M-5369	M-2599R	2210-X-6576	M-992L
1246-Z-234	M-2527	1779-A-339	M-890	2210-C-3097	M-2610R	2210-N-5370	M-2599L	2210-N-6593	M-991R
1246-D-290	M-2529	1779-M-337	M-2720	2210-D-3098	M-2610L	2210-S-5375	M-2611R	2210-P-6594	M-991L
1246-T-306	M-985	1779-C-419	M-887	2210-W-3117	M-744R	2210-T-5376	M-2611L	2210-C-6607	M-3120R
1246-G-345	M-615	1779-Q-433	M-895	2210-X-3118	M-744L	2210-Y-5381	M-2611R	2210-D-6608	M-3120L
1246-G-475	M-613	1779-T-592	M-1080	2210-A-3225	M-2611L	2210-Z-5382	M-2611L	2210-D-6842	M-3122L
1246-C-627	M-2718	1779-Z-650	M-880	2210-B-3226	M-2611R	2210-K-5393	M-3117R	2210-E-6843	M-3122R
1246-F-1020	M-2718	1779-K-687	M-888	2210-T-3374	M-2601R	2210-L-5394	M-3117L	2210-F-6844	M-3123R
1259-X-76	M-626	1779-Y-701	M-1074	2210-U-3375	M-2601L	2110-M-5395	M-2598R	2210-G-6845	M-3123L
1259-L-90	M-618	1779-B-1172	M-596	2210-V-3376	M-746R	2210-N-5396	M-2598L	2210-M-6851	M-3124L
1259-U-151	M-623	1807-A-1	M-1082	2210-W-3377	M-746L	2210-E-5413	M-562R	2210-N-6852	M-3124R
1259-G-163	M-619	1829-P-198	M-1082	2210-F-3594	M-562R	2210-F-5414	M-562L	2210-V-6860	M-3125L
1259-L-169	M-1541	20X1811	M-3955	2210-G-3595	M-562L	2210-Y-5433	M-2612R	2210-W-6861	M-3125R
1259-M-169	M-727	20X1812	M-3954	2210-K-3795	M-3108R	2210-Z-5434	M-2612L	2210-B-6866	M-3170R
1259-N-170	M-622	20X2128	M-3906	2210-L-3796	M-3108L	2210-E-5439	M-2605R	2210-C-6867	M-3170L
1259-R-200	M-771	20X2144	M-3907	2210-R-4178	M-993R	2210-F-5440	M-2605L	2210-D-6868	M-3172R
1259-S-201	M-2704	2205-P-1004	M-3358	2210-S-4179	M-993L	2210-K-5445	M-3115R	2210-E-6869	M-3172L
1259-J-218	M-771	2208-W-412	M-2537	2210-T-4180	M-995R	2210-L-5446	M-3115L	2210-F-6870	M-3171R
1259-K-219	M-618	2208-W-413	M-2536	2210-U-4181	M-995L	2210-M-5447	M-3118R	2210-G-6871	M-3171L
1259-Q-251	M-620	2208-Z-416	M-2535	2210-V-4182	M-994R	2210-N-5448	M-3118L	2210-Z-6942	M-3112R
1259-R-252	M-619	2208-F-422	M-2533	2210-W-4183	M-994L	2210-U-5455	M-3121R	2210-A-6943	M-3112L
1259-B-262	M-2706	2208-J-426	M-2532	2210-L-4328	M-990R	2210-V-5456	M-3121L	2210-R-6960	M-3110R
1259-C-263	M-2709	2208-X-430	M-2768	2210-M-4329	M-990L	2210-U-5533	M-3178R	2210-S-6961	M-3110L
1259-E-265	M-2708	2208-X-440	M-2536	2210-N-4330	M-992R	2210-V-5534	M-3178L	2210-T-6962	M-3682R
1259-N-274	M-1422	2210-Z-936	M-3182R	2210-P-4332	M-992L	2210-Q-5555	M-2609L	2210-U-6963	M-3682L
1259-T-280	M-620	2210-A-937	M-3182L	2210-Q-4333	M-991R	2210-R-5556	M-2609R	2210-P-6984	M-3683R

MANUFACTURER'S PART NUMBERS TO BWP PART NUMBERS

MERITOR		MERITOR		MERITOR		MERITOR		MERITOR	
Mfg. No.	BWP No.	Mfg. No.	BWP No.	Mfg. No.	BWP No.	Mfg. No.	BWP No.	Mfg. No.	BWP No.
2210-Q-6985	M-3683L	2258-E-577	M-867	2797-Y-129	M-853	A693275-G-501	M-1064	R001253R	M-2442
2210-Z-6994	M-3114R	2258-G-579	M-2729	2258-Z-130	M-859	A7-3275-X-518	M-451	R001253L	M-2443
2210-A-6995	M-3114L	2258-K-583	M-1012	2797-B-132	M-865	A18-3275-X-518	M-1064	R001415L	M-2517
2210-T-7066	M-3119R	2258-R-590	M-2739	2797-C-133	M-1076	A2-3264-N-1236	M-3494	R001415R	M-2516
2210-U-7067	M-3119L	2258-Q-615	M-1423	2797-L-142	M-1078	8081	M-K106	R001559	M-1069
2210-X-7070	M-3685R	2258-U-619	M-1424	2797-M-143	M-1077	A-3275-X-596	M-638	R001561	M-1051
2210-Y-7071	M-3685L	2258-E-629	M-1012	2797-R-174	M-871	A2-3275-X-596	M-2577	R001607L	M-2471
2210-Z-7098	M-3111R	2258-R-642	M-2746	A2797-B-288	M-1073	A-3275-H-686	M-3374	R001607R	M-2470
2210-A-7099	M-3111L	2258-B-704	M-2728	2797-D-290	M-879	A3280V8185	M-853	R001623L	M-2479
2210-D-7180	M-2611R	2258-W-803	M-2732	2797-X-414	M-856	A3280V8186	M-859	R001623R	M-2478
2210-E-7181	M-2611L	2258-X-804	M-3245	2797-Y-415	M-857	A-3280-W-8187	M-865	R001943	M-2457
2210-M-7189	M-3684R	2258-E-1123	M-3357	2797-B-418	M-862	A-3280-X-8188	M-871	R002128	M-846
2210-N-7190	M-3684L	2258-H-1126	M-3356	2797-C-419	M-863	A-3280-Z-8190	M-877	R002237	M-1068
2210-K-7395	M-3108R	2258-K-1181	M-3356	2797-F-422	M-868	A3299-Y-883	M-572	R002296	M-1956
2210-L-7396	M-3108L	2258-L-1234	M-3260	2797-G-423	M-869	3299-H-996	M-431	R002297	M-1958
2210-P-7426	M-3109R	2258-Y-1273	M-3497	2797-H-424	M-874	A3299-G-1541	M-572	R002298	M-1957
2210-Q-7427	M-3109L	A2297-Y-77A	M-2070	2797-J-426	M-875	3299-H-3102	M-1553	R002299	M-1959
2210-V-7484	M-3120R	2297-C-133	M-1076	2797-B-1042	M-460	3299-C-4189	M-897	R002301	M-1961
2210-W-7485	M-3120L	2297-U-1373	M-848	2797-C-1043	M-461	3299-R-5296	M-1553	R002303	M-1980
2210-H-7522	M-3111R	A2297-D-2370	M-879	2797-D-1044	M-462	3299-T-5298	M-2627	R002304	M-1979
2210-J-7524	M-3111L	2297-G-2373	M-853	2858-T-46	M-2720	3299-U-5299	M-700	R002305	M-1978
2210-V-7536	M-3112R	2297-J-2376	M-859	2858-M-91	M-2720	3299-V-5300	M-431	R002340	M-2535
2210-W-7537	M-3112L	2297-L-2378	M-865	3105-L-194	M-1433	A3299-T-5844	M-2627	R002431	M-2534
2210-K-7551	M-3113R	2297-M-2379	M-871	3105-B-210	M-1433	3299-R-5946	M-1553	R002433	M-2532
2210-L-7552	M-3113L	A2297-V-2466	M-848	A3105-V-282	M-1521	3299-A-5981	M-701	R002435	M-2537
2210-B-7594	M-3114R	2297-H-2712	M-858	A3105-L-1078	M-K90	A333-W-985	M-2545	R002437	M-2531
2210-C-7595	M-3114L	2297-C-2863	M-1076	A3211-A-833	M-737	A-333-R-1526	M-2546	R002438	M-2533
2210-H-7626	M-3683R	2297-N-2874	M-2585	A3222-D-784	M-2654	A3722-L-64	M-510	R002461	M-1985
2210-J-7628	M-3683L	A2297-V-2882	M-2584	A3222-R-876	M-500	A3722-N-66	M-500	R002462	M-1986
2210-H-7652	M-3684R	A2297-L-3158	M-879	A3222-F-1072	M-2660	A3722-S-71	M-516	R002464	M-1988
2210-J-7654	M-3684L	2297-N-3212	M-888	A3222-H-1074	M-2673	A3722-B-80	M-800	R002467	M-1991
2210-Z-7670	M-3685R	2297-C-5021	M-2727	A3222-P-1082	M-2675	A-3722-D-82	M-801	R002468	M-1992
2210-A-7671	M-3685L	2297-J-5106	M-882	A3222-V-1088	M-2656	A3722-K-167	M-2676	R002550	M-1996
2210-M-7683	M-3686R	A2297-V-5326	M-879	A3222-X-1090	M-2672	A3722-N-248	M-514	R002650	M-1276
2210-N-7684	M-3886L	2297-W-5327	M-857	A3222-D-1096	M-2655	A3722-Q-251	M-513	R002652	M-1274
2210-V-7692	M-3687R	2297-X-5328	M-856	A3222-K-1103	M-2659	A3722-T-254	M-512	R002991	M-2458
2210-W-7693	M-3687L	2297-Y-5329	M-863	A3222-S-1293	M-1421	A3722-T-358	M-2658	R003040R	M-203
2210-R-8156	M-3170L	2297-Z-5330	M-862	A3222-T-1346	M-2694	A3722-U-359	M-807	R003040L	M-204
2210-Q-8155	M-3170R	2297-A-5331	M-869	A3222-D-1356	M-2696	A3722-V-360	M-808	R003723R	M-108
2247-X-128	M-3243	2297-B-5332	M-868	A3222-C-1381	M-2695	A3722-F-396	M-2692	R003723L	M-109
A-2247-C-1017	M-854	2297-C-5333	M-875	A3222-E-1383	M-2693	A3722-Y-597	M-2674	R003724R	M-112
A-2247-D-1018	M-860	2297-T-5350	M-874	A3222-R-1422	M-2691	A3722-D-680	M-2700	R003724L	M-113
A-2247-E-1019	M-866	A2297-B-5670	M-882	A3222-J-1440	M-3199	A3722-E-681	M-2657	R003728R	M-110
A-2247-F-1020	M-872		M-883	A3222-N-1496	M-2689	A3722-X-1090	M-2672	R003728L	M-111
A-2247-M-1001	M-850		M-884	A3222-S-1501	M-3199	3780-A-131	M-2629	R004955	M-37
2258-T-46	M-1082	A2297-K-5757	M-889	A3222-S-1527	M-2653	A43780-H-8	M-3375	R004956A	M-39
2258-C-55	M-1012		M-890	A3222-J-1570	M-2694	3787-V-853	M-893	R004957	M-40
2258-T-124	M-2728		M-891	A3222-L-1572	M-512	4299-G-4245	M-701	R004958	M-38
2258-B-184	M-2743		M-860	A3222-A-1717	M-2669	4299-B-4474	M-700	R004960	M-2526
2258-B-228	M-556		M-1072	2747-X-24	M-3193	AT-6880	M-682	R004961A	M-138
2258-K-245	M-2745	A2747-G-111	M-854	A3222-Q-1837	M-3191	MPS-2003	M-896	R004962	M-43
2258-V-256	M-1507	A2747-H-112	M-860	A3222-F-1982	M-3191	N-14		R004963	M-45
2258-B-288	M-556	A2747-J-114	M-866	A3222-D-2006	M-3189	S-146		R004964L	M-73
2258-K-349	M-549	A2747-K-115	M-872	A3222-S-2021	M-808	W-14		R004964R	M-72
2258-P-354	M-548	2758-H-8	M-739	A3222-L-2066	M-3189	N-18-1	M-215	R004965L	M-75
2258-F-396	M-2745	2758-Q-43	M-1011	A3222-C-2109	M-3233	N-110-1	M-1455	R004965R	M-74
2258-K-401	M-823	2758-X-50	M-2736	A3222-G-2165	M-3233	N-112-1	M-2459	R004966L	M-77
2258-Z-416	M-792	2758-C-55	M-1012	3236-A-1249		N-54-C	M-867	R004966R	M-76
2258-Q-433	M-2731	2758-N-66	M-889	3236-B-1250	M-590A	R000540	M-682	R004967L	M-79
2258-W-439	M-1019	2758-Y-77	M-1013	3256-E-5	M-1940	R000572	M-684	R004967R	M-78
2258-W-465	M-1019	2758-J-88	M-1081	3256-K11	M-1902	R000573	M-683	R004968L	M-81
2258-G-527	M-2744	2758-K-89	M-867	3256-L12	M-1904	R001011L	M-67	R004968R	M-80
2258-K-531	M-2690	2758-W-127	M-2735	3262-S-45	M-767	R001011R	M-66	R004969L	M-83
2258-S-539	M-883	2760-J-10	M-896	A25-3275-G-501	M-452	R001251	M-840	R004969R	M-82
2258-D-576	M-1019	2760-U-21	M-896	A60-3275-G-501	M-457	R001252	M-839	R004975L	M-249

INTERCHANGES

MANUFACTURER'S PART NUMBERS TO BWP PART NUMBERS

MERITOR		MERITOR		MERITOR		MERITOR		MERITOR	
Mfg. No.	BWP No.	Mfg. No.	BWP No.	Mfg. No.	BWP No.	Mfg. No.	BWP No.	Mfg. No.	BWP No.
R004975R	M-248	R005588L	M-105	R005763L	M-1223	R005905A	M-1243	R005991	M-3207
R004976R	M-256	R005588R	M-104	R005764R	M-1206	R005906	M-1244	R005992	M-3205
R004986A	M-44	R005589L	M-1171	R005764L	M-1207	R005907R	M-1294	R005993	M-3206
R004987A	M-35	R005589R	M-1170	R005765R	M-1120	R005907L	M-1295	R005994	M-3204
R004988R	M-102	R005610L	M-245	R005765L	M-1121	R005908R	M-1292	R005997	M-3201
R004988L	M-103	R005612L	M-247	R005766R	M-1176	R005908L	M-1293	R005998	M-3200
R004989	M-31	R005612R	M-246	R005766L	M-1177	R005909R	M-1290	R005999	M-3202
R004990	M-41	R005618L	M-258	R005772	M-1174	R005909L	M-1291	R006000	M-3203
R005008	M-139	R005618R	M-259	R005775	M-1151	R005910R	M-2436	R006060R	M-140-G
R005010	M-1269	R005652L	M-125	R005778	M-1148	R005910L	M-2437	R006060L	M-140-H
R005012	M-34	R005652R	M-124	R005780	M-1178	R005911R	M-2432	R007895R	M-128
R005018	M-1285	R005682	M-158	R005781	M-1175	R005911L	M-2433	R007895L	M-129
R005032	M-215	R005683	M-159	R005783	M-1127	R005916R	M-2422	R007896R	M-130
R005033	M-23	R005703	M-1152	R005784	M-1123	R005916L	M-2423	R007896L	M-131
R005035	M-25	R005704	M-1153	R005785	M-1124	R005918R	M-2452	R007897R	M-132
R005036	M-28	R005706	M-1102	R005786	M-1125	R005918L	M-2453	R007897L	M-133
R005040A	M-8	R005708	M-142	R005796	M-2464	R005920R	M-2448	R007898R	M-140-A
R005041	M-22	R005710	M-144	R005798	M-2520	R005920L	M-2449	R007898L	M-140-B
R005044	M-7	R005711	M-145	R005799	M-2521	R005921R	M-2444	R008942R	M-2514
R005045	M-2	R005712	M-32	R005800	M-8523	R005921L	M-2445	R008942L	M-2515
R005046	M-5	R005713R	M-1164	R005801	M-2509	R005922R	M-2446	R008943R	M-1226
R005047	M-6	R005713L	M-1165	R005816	M-1283	R005922L	M-2447	R008943L	M-1227
R005055	M-26	R005714R	M-1166	R005820	M-1248	R005923R	M-2424	R008946R	M-1272
R005548R	M-136	R005714L	M-1167	R005821	M-1249	R005923L	M-2425	R008946L	M-1273
R005548L	M-137	R005715R	M-2494	R005822	M-1247	R005924R	M-2420	R008959R	M-1270
R005551L	M-57	R005715L	M-2495	R005824	M-1128	R005924L	M-2421	R008959L	M-1271
R005551R	M-56	R005716R	M-1168	R005825	M-1129	R005926	M-1122	R008964	M-1278
R005552L	M-127	R005716L	M-1169	R005826	M-1150	R005927	M-27	R008965	M-1279
R005552R	M-126	R005718	M-84	R005827	M-1141	R005929R	M-2406	R008992R	M-195
R005553L	M-61	R005718L	M-85	R005828	M-1142	R005929L	M-2407	R008992L	M-196
R005553R	M-60	R005719R	M-86	R005829	M-1105	R005930R	M-2410	R008993R	M-197
R005554L	M-135	R005719L	M-87	R005837	M-1135	R005930L	M-2411	R008993L	M-198
R005554R	M-134	R005720R	M-88	R005838	M-30-B	R005931R	M-2404	R008994R	M-189
R005556L	M-49	R005720L	M-89	R005863R	M-140-J	R005931L	M-2405	R008994L	M-190
R005556R	M-48	R005721R	M-1106	R005863L	M-140-K	R005932R	M-2402	R008995R	M-2476
R005557L	M-62	R005721L	M-1107	R005868R	M-2428	R005932L	M-2403	R008995L	M-2477
R005557R	M-63	R005722R	M-1108	R005868L	M-2429	R005933R	M-2408	R008996R	M-2472
R005558L	M-47	R005722L	M-1109	R005869R	M-1210	R005933L	M-2409	R008996L	M-2473
R005558R	M-46	R005726	M-1263	R005869L	M-1211	R005934R	M-2412	R008999R	M-2440
R005559L	M-51	R005728	M-1264	R005870R	M-1208	R005934L	M-2413	R008999L	M-2441
R005559R	M-50	R005729	M-1265	R005870L	M-1209	R005935R	M-2414	R009000R	M-2484
R005560L	M-55	R005734	M-1557	R005871R	M-1212	R005935L	M-2415	R009000L	M-2485
R005560R	M-54	R005745	M-1140	R005871L	M-1213	R005936R	M-2416	R009001R	M-2474
R005561L	M-53	R005746	M-30-A	R005872	M-2524	R005936L	M-2417	R009001L	M-2475
R005561R	M-52	R005747	M-1134	R005875R	M-1230	R005937R	M-2418	R009022R	M-1266
R005562L	M-65	R005748R	M-1114	R005875L	M-1231	R005937L	M-2419	R009022L	M-1267
R005562R	M-64	R005748L	M-1115	R005882	M-1245	R005952	M-2527	R009023	M-2461
R005565L	M-71	R005749R	M-1116	R005883	M-2500	R005953	M-1183	R200001	M-2300
R005565R	M-70	R005749L	M-1117	R005885	M-1282	R005955	M-2525	R200003	M-2301
R005571A	M-3	R005750R	M-1118	R005889	M-1188	R005957	M-2528	R200004	M-2355
R005572A	M-4	R005750L	M-1119	R005890	M-1173	R005960	M-2529	R200007	M-2303
R005573	M-11	R005751	M-2465	R005891	M-1189	R005964	M-2034	R200008	M-2304
R005574	M-12	R005753	M-1136	R005892	M-1254	R005974	M-1262	R200024	M-2316
R005576L	M-140-F	R005754	M-1133	R005896R	M-2438	R005982R	M-2430	R200025	M-2317
R005576R	M-140-E	R005755	M-1130	R005896L	M-2439	R005982L	M-2431	R200026	M-2318
R005577L	M-140-D	R005756R	M-1110	R005897R	M-1218	R005983R	M-2466	R200027	M-2319
R005577R	M-140-C	R005756L	M-1111	R005897L	M-1219	R005983L	M-2467	R200029	M-2321
R005578L	M-165	R005757R	M-1112	R005898R	M-1250	R005984R	M-2426	R200032	M-2324
R005578R	M-164	R005757L	M-1113	R005898L	M-1251	R005984L	M-2427	R200033	M-2354
R005579L	M-167	R005758R	M-1220	R005899R	M-1204	R005985R	M-2480	R200034	M-2325
R005579R	M-166	R005758L	M-1221	R005899L	M-1205	R005985L	M-2481	R200036	M-2366
R005585L	M-59	R005760	M-1143	R005900R	M-2434	R005987R	M-1288	R200042	M-2332
R005585R	M-58	R005761	M-1144	R005900L	M-2435	R005987L	M-1289	R200043	M-2333
R005587L	M-261	R005762	M-1145	R005902	M-2460	R005988R	M-2400	R200045	M-2335
R005587R	M-260	R005763R	M-1222	R005904A	M-1242	R005988L	M-2401	R200046	M-2370

MANUFACTURER'S PART NUMBERS TO BWP PART NUMBERS

MERITOR		MERITOR		MERITOR		MERITOR		MERITOR	
Mfg. No.	BWP No.	Mfg. No.	BWP No.	Mfg. No.	BWP No.	Mfg. No.	BWP No.	Mfg. No.	BWP No.
R200048	M-2371	R-517509	M-612	R607042	M-746L	R607229	M-3697L	R801713	M-3386
R200049	M-2337	R-527001	M-1055	R607043	M-3183L	R607230	M-3697R	R801772	M-432
R200050	M-2338	R-527002	M-1428	R607044	M-3183R	R607231	M-3149L	R822000	M-434
R200051	M-2340	R-527003	M-1557	R607045	M-2604L	R607232	M-3149R	R822001	M-457
R200052	M-2341	R-537001	M-1003	R607046	M-2604R	R607237	M-3148L	R822003	M-638
R200054	M-2342	R-537002	M-1431	R607047	M-3174L	R607238	M-3148R	R822004	M-2577
R200055	M-2343	R537003	M-782	R607048	M-3174R	R615000	M-K60	R822005	M-1062
R200056	M-2344	R537004	M-1426	R607051	M-558L	R615001	M-K25	R822006	M-1061
R200062	M-2375	R537005	M-2748	R607052	M-558R	R615002	M-K19	R822007	M-474
R200065	M-2347	R537006	M-779	R607105	M-3128L	R615003	M-K18	R822008	M-2582
R200066	M-2350	R547001	M-1432	R607106	M-3128R	R615004	M-K63	R822009	M-3375
R200074	M-2380	R547003	M-1007	R607107	M-3144L	R615005	M-K20	R822010	M-2582
R200123	M-2309	R547004	M-1008	R607108	M-3144R	R615006	M-K21	R822011	M-2578
R200142	M-2312	R547005	M-652A	R607109	M-3143L	R615007	M-K64	R822012	M-2579
R200142	M-2363	R547007	M-722	R607110	M-3143R	R615008	M-K26	R822013	M-2580
R200144	M-2305	R557001	M-1016	R607111	M-3129L	R617001	M-571A	R822014	M-2581
R200154	M-2311	R567001	M-2752	R607112	M-3129R	R617002	M-582	R823000	M-435
R200156	M-2327	R567002	M-1056	R607113	M-3131L	R617003	M-571B	R823001	M-1064
R200157	M-2326	R567003	M-791	R607114	M-3131R	R617004	M-571	R823002	M-3373
R200167	M-2315	R567004	M-790	R607115	M-3130L	R617005	M-2621	R823003	M-2577
R200168	M-2352	R567005	M-1009	R607116	M-3130R	R617006	M-2623	R823004	M-455
R200170	M-2336	R567006	M-1014	R607125	M-3184L	R617007	M-1047	R823005	M-456
R200172	M-2322	R567007	M-1547	R607126	M-3184R	R617008	M-2622	R823007	M-474
R200195	M-2348	R567008	M-1427	R607153	M-3127L	R617009	M-1058	R823008	M-474
R200198	M-2339	R567009	M-3346	R607154	M-3127R	R627001	M-1589	R824000	M-434
R200199	M-2331	R567010	M-2732	R607155	M-3126L	R627002	M-1045	R824001	M-457
R200268	M-2384	R567011	M-721	R607156	M-3126R	R627005	M-1408	R824003	M-3373
R201300	M-2358	R567501	M-3345	R607161	M-3180L	R627006	M-1409	R824004	M-2577
R201315	M-2385	R567502	M-844	R607162	M-3180R	R627008	M-824A	R824009	M-3375
R201307	M-2381	R577001	M-1558	R607167	M-2603L	R627009	M-999	R824013	M-2580
R507000	M-K46	R607001	M-744R	R607168	M-2603R	R627012	M-2649	R824014	M-2581
R507001	M-K9	R607002	M-744L	R607169	M-3175L	R627013	M-1018	R870024	M-458
R507002	M-K10	R607003	M-776R	R607170	M-3175R	R627014	M-1505	R870030	M-459
R507003	★	R607004	M-776L	R607171	M-3186L	R627015	M-2631	RV-354	M-1590
R507004	M-K77	R607005	M-477R	R607172	M-3186R	R627016	M-1505	RV-376	M-1593
R507005	M-K47	R507006	M-477L	R607173	M-3132L	R627017	M-1046	RV-387	M-1598
R-507006	★	R607007	M-479R	R607174	M-3132R	R627018	M-824	RV-3107	M-1603
R-507007	M-K41	R607008	M-479L	R607175	M-3145L	R627019	M-1093	RV-3108	M-1612
R-507008	★	R607009	M-478R	R607176	M-3145R	R657001	M-2548	RV-3109	M-1604
R-507010	M-K42	R607010	M-478L	R607177	M-3134L	R657003	M-1049	S-265D	M-648
R-507011	★	R607011	M-563L	R607178	M-3134R	R700321	M-2677	S-788S	M-1285
R-507012	M-K8	R607012	M-563R	R607179	M-3187L	R700322	M-2687	S-843	M-617
R-507013	M-K5	R607015	M-1571R	R607180	M-3187R	R700346	M-2683	S-11016-1	M-2454
R-507014	M-K11	R607016	M-1571L	R607181	M-3140L	R700381	M-2684	SC-718	M-2464
R-507015	M-K12	R607017	M-778R	R607182	M-3140R	R700383	M-2685	SC-819-1	M-2520
R-509000	M-K2	R607018	M-778L	R607183	M-3142L	R700400	M-2680	SC-820-1	M-2521
R-509001	M-K7	R607019	M-566R	R607184	M-3142R	R700401	M-2679	T-3262-S-45	M-767
R-509002	M-K2	R607020	M-566L	R607185	M-3133L	R700427	M-2688	T-3564	M-684
R-509004	★	R607021	M-562R	R607186	M-3133R	R700442	M-2681	T-3840	M-683
R-509010	★	R607022	M-562L	R607189	M-3137L	R700455	M-2662		
R-509011	★	R607023	M-496R	R607190	M-3137R	R700458	M-2663		
R-509015	★	R607024	M-496L	R607191	M-3148L	R704000	M-1425		
R-509063	★	R607025	M-2600R	R607192	M-3148R	R704002	M-516		
R-509150	★	R607026	M-2600L	R607197	M-3188L	R704003	M-2669		
R-509406	M-K54	R607029	M-2616R	R607198	M-3188R	R704311	M-811		
R-509408	★	R607030	M-2616L	R607199	M-3169L	R704317	M-810		
R-509409	M-K56	R607031	M-1015R	R607200	M-3169R	R704516	M-2686		
R-517001	M-3347	R607032	M-1015L	R607221	M-3136L	R704551	M-2750		
R-517002	M-1054	R607033	M-2601R	R607222	M-3136R	R704552	M-2749		
R-517003	M-594	R607034	M-2601L	R607223	M-3135L	R704591	M-504		
R-517004	M-604	R607035	M-2615R	R607224	M-3135R	R704594	M-2664		
R-517005	M-787	R607036	M-2615L	R607225	M-3138L	R704595	M-2665		
R-517006	M-592	R607037	M-2617R	R607226	M-3138R	R801710	M-3387		
R-517506	M-1005	R607038	M-2617L	R607227	M-3696L	R801711	M-3385		
R-517508	M-1538	R607041	M-746R	R607228	M-3696R	R801712	M-3388		

MGM

Mfg. No.	BWP No.
1424001	M-458
1430001	M-459
8024006	M-895
8034001	M-892
8110008	M-465
8130013	M-465
8292001	M-1382
8292002	M-1383
8292003	M-1381

INTERCHANGES

MANUFACTURER'S PART NUMBERS TO BWP PART NUMBERS

MIDLAND		MIDLAND		MIDLAND		MIDLAND		MIDLAND	
Mfg. No.	BWP No.	Mfg. No.	BWP No.	Mfg. No.	BWP No.	Mfg. No.	BWP No.	Mfg. No.	BWP No.
A77770	M-313D	11051	M-359	11264	M-1375	22315	M-3047	41293	M-2600R
A77771	M-313E	11052	M-360	11266	M-1377	22320	M-3048	41504	M-990L
A86300	M-313	11053	M-384	11268	M-1378	22330	M-3050	41505	M-990R
C-10469	M-3055	11054	M-385	11270	M-1379	22340	M-3051	41506	M-562L
KN55001	M-3984	11055	M-386	11280	M-398	23402	M-3004	41507	M-562R
N-1072B	M-314	11056	M-324	11281	M-399	23403	M-3005	41508	M-565L
N-1178A	M-1324	11057	M-325	11283	M-400	23602	M-3027	41509	M-565R
N-1178B	M-1323	11058	M-326	11292	M-1376	23603	M-3003	41510	M-2602L
N-11171	M-317	11059	M-327	11450	M-313A	23752	M-3000	41511	M-2602R
N-1202BC	M-313B	11060	M-319	11451	M-313C	23753	M-3001	41512	M-566L
N-1202BD	M-313C	11061	M-320	11452	M-313B	23784	M-3026	41513	M-566R
N-1202C	M-313	11062	M-321	11601	M-1356	27023	M-3064	41514	M-567L
N-1202DA	M-313A	11063	M-322	11602	M-1357	27029	M-3063	41515	M-567R
N-12142	M-318	11064	M-329	11603	M-1355	28414	M-3062	41518	M-560L
N-13553	M-316	11065	M-330	11900	M-303	28614	M-3061	41519	M-560R
N-20097E	M-464	11066	M-333	11901	M-304	28712	M-3060	41522	M-744L
N-20130F	M-466	11067	M-334	11902	M-305	28713	M-3059	41523	M-744R
N-20136	M-467	11068	M-335	11903	M-300	30111	M-3066	41524	M-746L
N-20145C	M-463	11069	M-339	11904	M-301	30112	M-3067	41525	M-746R
N-20151E	M-462	11070	M-338	11905	M-302	30113	M-3068	41526	M-991L
N-20168C	M-461	11071	M-340	11906	M-310	30114	M-3069	41527	M-991R
N-2902	M-2578	11072	M-414	11907	M-306	30115	M-3065	41528	M-563L
N-2903	M-2579	11073	M-415	11908	M-307	41002	M-996L	41529	M-563R
N-2904	M-2580	11074	M-416	11909	M-308	41003	M-996R	41532	M-994L
N-2905	M-2581	11075	M-363	11910	M-310A	41010	M-778L	41533	M-994R
KN36240	M-458	11076	M-364	11911	M-311	41011	M-778R	41542	M-3133L
KN36300	M-459	11077	M-366	11912	M-309	41014	M-997L	41543	M-3133R
KN36470	M-1382	11078	M-367	11913	M-444	41015	M-997R	41544	M-2604L
KN36480	M-1383	11079	M-368	11950	M-498	41016	M-743L	41545	M-2604R
KN36490	M-1381	11080	M-371	11952	M-499	41017	M-743R	41548	M-3174L
KN44040	M-474	11081	M-370	12020	M-1323	41022	M-988L	41549	M-3174R
KN44051	M-638	11082	M-372	12021	M-1324	41023	M-988R	41550	M-2605L
KN44061	M-2577	11085	M-391	12100	M-1320	41024	M-989L	41551	M-2605R
KN47001	M-434	11087	M-392	12104	M-1321	41025	M-989R	41552	M-3121L
KN47011	M-457	11130	M-1315	12105	M-1322	41026	M-2615L	41553	M-3121R
KN47080	M-452	11131	M-1316	12110	M-318	41027	M-2615R	41556	M-3179L
KN48001	M-2582	11132	M-1317	16018	M-1384	41028	M-996L	41557	M-3179R
KN48031	M-3375	11133	M-1357	16020	M-1385	41029	M-996R	41558	M-2612L
KN49000	M-2580	11134	M-1358	16022	M-1386	41032	M-3176L	41559	M-2612R
KN49010	M-2581	11201	M-1347	16024	M-1387	41033	M-3176R	41560	M-2613L
KN49020	M-2578	11202	M-1348	16026	M-1388	41034	M-2611L	41561	M-2613R
KN49030	M-2579	11203	M-1349	16028	M-1389	41035	M-2611R	41564	M-2606L
KN51000	M-475	11204	M-1350	16030	M-1390	41036	M-3181L	41565	M-2606R
KN51010	M-3374	11218	M-1332	16032	M-1391	41037	M-3181R	41566	M-2607L
SN-3072BV	M-1303	11219	M-1333	16034	M-1392	41040	M-2610L	41567	M-2607R
10028	M-312	11220	M-1334	16036	M-1393	41041	M-2610R	41568	M-2597L
10029	M-314	11221	M-1335	16038	M-1394	41042	M-2616L	41569	M-2597R
100469	M-473	11223	M-1327	16040	M-1395	41043	M-2616R	41662	M-2614L
10600	M-3055	11224	M-1328	16042	M-1396	41044	M-998L	41663	M-2614R
10601	M-3056	11225	M-1329	16044	M-1397	41045	M-998R	41710	M-776L
10602	M-3057	11226	M-1330	16048	M-1398	41046	M-3184L	41711	M-776R
11000	M-315A	11228	M-1337	16318	M-2756	41047	M-3184R	41714	M-496L
11001	M-315S	11229	M-1338	16324	M-2757	41050	M-2617L	41715	M-496R
11002	M-1359	11231	M-1339	16328	M-2758	41051	M-2617R	41718	M-478L
11011	M-447	11232	M-1340	16332	M-2759	41260	M-1570L	41719	M-478R
11013	M-448	11233	M-1341	16336	M-2760	41261	M-1570R	41722	M-479L
11014	M-449	11235	M-1343	16340	M-2761	41264	M-561L	41723	M-479R
11015	M-450	11236	M-1344	16344	M-2762	41265	M-561R	41724	M-2603L
11020	M-1307	11238	M-1345	16348	M-2763	41266	M-1015L	41725	M-2603R
11021	M-1308	11239	M-1346	18X213	M-445	41267	M-1015R	41732	M-3185L
11022	M-1309	11258	M-1352	18X214	M-446	41276	M-993L	41733	M-3185R
11023	M-1310	11259	M-1371	18502	M-451	41277	M-993R	41752	M-995L
11024	M-1355	11261	M-1372	18511	M-1064	41284	M-559L	41753	M-995R
11025	M-1356	11262	M-1373	18536	M-474	41285	M-559R	41754	M-2601L
11050	M-358	11263	M-1374	200316C	M-460	41292	M-2600L	41755	M-2601R

INTERCHANGES

MANUFACTURER'S PART NUMBERS TO BWP PART NUMBERS

MIDLAND		MIDLAND		MIDLAND		MIDLAND		MONROE	
Mfg. No.	BWP No.	Mfg. No.	BWP No.	Mfg. No.	BWP No.	Mfg. No.	BWP No.	Mfg. No.	BWP No.
41756	M-3183L	65375	M-1407	67219	M-44	CS114028	M-3521	6912	M-83304
41757	M-3183R	65376	M-1428	67220	M-1144	CS114030	M-3520	6913	M-83303
41758	M-992L	65378	M-1049	67226	M-48	CS114039	M-3510	6916	M-83302
41759	M-992R	65379	M-1046	67227	M-49	CS114042	M-3535	6921	M-83318
41760	M-1571L	65380	M-1047	67228	M-51	CS209200	M-3501	6923	M-83300
41761	M-1571R	65384	M-571B	67266	M-136	CS209201	M-3500	6924	M-83301
41762	M-477L	65425	M-641	67267	M-137	CS212300	M-3509	6956	M-85003
41763	M-477R	65431	M-612	67272	M-8	CS212307	M-3507	6957	M-83225
41764	M-559L	65437	M-1509	67300	M-1145	CS212309	M-3506	6969	M-85030
41765	M-559R	65449	M-792	67310	M-50	CS212406	M-3508	65101	M-89408
41770	M-2598L	65450	M-1014	67313	M-K49	CS214354	M-3505	65102	M-89410
41771	M-2598R	65452	M-1505	67314	M-K51	CS214356	M-3503	65103	M-89425
41772	M-2599L	65453	M-810	67315	M-K4	CS214359	M-3504	65105	M-89417
41773	M-2599R	65454	M-808	67316	M-K8	CS214360	M-3502	65106	M-89407
62X1318B0	M-1384	65455	M-820	67317	M-K7	CS314354	M-3533	65108	M-89432
62X1320B0	M-1385	65456	M-811	67318	M-K9	CS314360	M-3532	65110	M-89430
62X1322B0	M-1386	65476	M-582	67319	M-K10			65113	M-89413
62X1324B0	M-1387	66326	M-596	67324 ¹	M-K20			65400	M-89427
62X1326B0	M-1388	66549	M-1521	67325 ¹	M-K18			65402	M-89424
62X1328B0	M-1389	66553	M-477R	67326 ¹	M-K19			65404	M-89423
62X1330B0	M-1390	66554	M-477L	67327 ¹	M-K17			65406	M-89416
62X1332B0	M-1391	66559	M-821	67328 ¹	M-K14			65407	M-89412
62X1334B0	M-1392	66560	M-822	67329 ¹	M-K13			65408	M-89428
62X1336B0	M-1393	66645	M-1058	67331 ¹	M-K27			65409	M-89411
62X1338B0	M-1394	66646	M-1550	67332 ¹	M-K24			65410	M-89419
62X1340B0	M-1395	66735	M-K7	67334 ¹	M-K16			65411	M-89405
62X1342B0	M-1396	66740 ¹	M-K21	67353 ¹	M-K64			65412	M-89406
62X1344B0	M-1397	66741	M-K1	67354 ¹	M-K63			74001	M-85307
62X1348B0	M-1398	66829	M-3178R	67355	M-K66			74003	M-85305
62X7418B0	M-2756	66830	M-3178L	67356	M-K54			74006	M-85304
62X7424B0	M-2757	66831	M-1406	67357	M-K56			74025	M-85303
62X7428B0	M-2758	66861	M-K39	67358	M-2622			74028	M-85302
62X7432B0	M-2759	66862	M-1426	67361	M-999			74029	M-85308
62X7436B0	M-2760	66863	M-1423	67362	M-2623			74069	M-85301
62X7440B0	M-2761	66864	M-1424	67379	M-1421			74073	M-85313
62X7444B0	M-2762	66866	M-1422	67380	M-1425			74405	M-85300
62X7448B0	M-2763	66867	M-K72	67382	M-K26			74409	M-85310
65302	M-641A	66874	M-K41	67384	M-K62			74413	M-85313
65307	M-618	66875	M-K41	67386	M-K61			74417	M-85311
65313	M-588	66890	M-2620	67388	M-K46			74420	M-85308
65318	M-579	66898	M-2619	67390	M-K3			74421	M-85027
65320	M-844	66901	M-2204	67391	M-2400			74422	M-85312
65327	M-644	66902	M-592	67392	M-2401				
65328	M-620	66903	M-1433	67394	M-K47				
65329	M-571	66904	M-1430	67395	M-K45				
65330	M-572	66913	M-K42	67407	M-K59				
65331	M-648	66919	M-K52	67410	M-K60				
65336	M-741	66920	M-K69	67434	M-K5				
65337	M-548	66922	M-K68	67435	M-K7				
65344	M-622	66962	M-K50	67905	M-1123				
65345	M-647	67015	M-2680	CS111028	M-3525				
65348	M-502	67200	M-1	CS112014	M-3537				
65349	M-508	67202	M-3	CS112066	M-3514				
65351	M-1500	67203	M-4	CS112069	M-3512				
65352	M-587A	67204	M-38	CS112090	M-3522				
65356	M-500	67205	M-39	CS112092	M-3513				
65357	M-516	67206	M-43	CS112095	M-3511				
65358	M-1523	67207	M-45	CS112103	M-3515				
65359	M-2548	67209	M-128	CS112132	M-3516				
65366	M-741	67210	M-129	CS112142	M-3523				
65368	M-1520	67211	M-126	CS112145	M-3523				
65369	M-771	67212	M-127	CS112167	M-3538				
65372	M-747	67213	M-124	CS112256	M-3545				
65373	M-748	67214	M-125	CS113038	M-3518				
65374	M-1560	67216	M-31	CS113039	M-3517				

MOHAWK		Mfg. No.	BWP No.
		01-0100-905	M-85303
		020273544	M-83203
		4968853	M-83216
		6-367-7	M-85305
		MM-6886	M-83207
		MM-6886	M-89407
		MM-6957	M-83225
		MM-74029	M-85308
		MM-74029	M-89422

MONROE		Mfg. No.	BWP No.
		6608	M-85000
		6614	M-85006
		6707	M-85001
		6710	M-83204
		6712	M-85301
		6714	M-83216
		6715	M-85026
		6716	M-83217
		6718	M-85024
		6720	M-85003
		6811	M-83312
		6828	M-85012
		6833	M-85005
		6841	M-83216
		6860	M-83308
		6861	M-83309
		6863	M-83314
		6878	M-83221
		6886	M-83207
		6891	M-83215
		6893	M-83203
		6894	M-83209
		6895	M-83204
		6897	M-85005
		6898	M-85006

MOOG (King Pins)		Mfg. No.	BWP No.
		8375B	M-2301
		8375B-15	M-2355
		8385B	M-2304
		8386B	M-2305
		8386N	M-2309
		8389B	M-2303
		8390B	M-2360
		8390T	M-2302
		8453B	M-2361
		8455B	M-2308
		8458B	M-2307
		8462B	M-2306
		8462N	M-2313
		8476B	M-2351
		8485B	M-2364

INTERCHANGES

MANUFACTURER'S PART NUMBERS TO BWP PART NUMBERS

MOOG (King Pins)		MOOG (King Pins)		MOTOR WHEEL		NAVISTAR FLEETRITE		NAVISTAR (IHC)	
Mfg. No.	BWP No.	Mfg. No.	BWP No.	Mfg. No.	BWP No.	Mfg. No.	BWP No.	Mfg. No.	BWP No.
8488B	M-2310	8605B	M-2349	81124	M-256	AMS600101	M-85003	40795-C1	M-2049
8489N	M-2315	8607B	M-2378	81125	M-257	AMS600102	M-85005	41419	M-128
8490T	M-2300	8610B	M-2379	81442	M-176	AMS600103	M-83207	41419-V	M-128
8491B	M-2317	8612B	M-2358	81454	M-177	AMS600104	M-83203	41420	M-129
8491B-10	M-2359	8613B	M-2350	81468	M-189	AMS600105	M-83304	41420-V	M-129
8491N	M-2316	8616C	M-2381	81559	M-178	AMS600106	M-83312	44668-H	M-56
8492B	M-2319	8617B	M-2380	82017	M-189	AMS600107	M-83309	44669-H	M-57
8492N	M-2318	8617C	M-2387	82018	M-190	AMS600108	M-83209	470031C2	M-3855
8492T	M-2388	8618C	M-2382	82095	M-195	AMS600109	M-83225	472697C1	M-3854
8484N	M-2314	8627B	M-2391	82096	M-196	AMS600110	M-83303	479237C1	M-3857
8496N	M-2365	8629B	M-2396	82700	M-138	AMS600112	M-83300	48796-H	M-56
8500B	M-2321	8631B	M-2390	82809	M-172	AMS600113	M-83215	48797-H	M-57
8500B-10	M-2356	8631C	M-2383	82842	M-197	AMS600114	M-85006	50325-R1	M-3297
8500N	M-2320	8635C	M-2385	82843	M-198	AMS600116	M-83216	50993-R11	M-1990
8503B	M-2324	8637B	M-2384	83028	M-184	AMS600117	M-83308	54491-R1	M-45
8503N	M-2354	8640N	M-2377	83162	M-199	AMS600118	M-85012	54493-R1	M-1103
8507B	M-2363	8645B	M-2386	84155	M-191	AMS600119	M-83314	54493-R2	M-3
8510N	M-2323	8647B	M-2389	84156	M-192	AMS600125	M-83302	54494-R1	M-39
8514B	M-2326			84523	M-124	AMS600130	M-83204	54700-R1	M-2529
8514N	M-2327			84524	M-125	AMS600131	M-83318	55539-H	M-260
8515B	M-2322	MOTOR COACH INDUSTRIES		84525	M-128	AMS600132	M-85001	55540-H	M-261
8516B	M-2324	Mfg. No.	BWP No.	84526	M-129	AMS600134	M-85030	55575-H	M-50
8517B	M-2325			84527	M-126	AMS600142	M-83204	55576-H	M-51
8518B	M-2336			84528	M-127	AMS600145	M-85301	55585-H	M-2526
8518N	M-2352	12J-5-11	M-85313	84935	M-187	AMS600147	M-83216	56098-R1	M-538
8519B	M-2312	12J-5-3	M-85313	84986	M-193	AMS600148	M-85026	56102-R1	M-602
8519N	M-2311			84987	M-194	AMS600149	M-83217	56103-R1	M-613
8522B	M-2367			85521	M-2522	AMS600151	M-85024	56104-R1	M-618
8523B	M-2369	MOTOR WHEEL		85628	M-74	AMS600153	M-85003	56105-R1	M-648
8524B	M-2330	Mfg. No.	BWP No.	85629	M-75	AMS700101	M-85308	56106-R1	M-641
8524N	M-2323			85991	M-2545	AMS700102	M-85303	56107-R1	M-642
8525B	M-2310	02148	M-138	86478	M-2524	AMS700103	M-85302	56108-R1	M-640
8527B	M-2351	05163	M-200	86797	M-1288	AMS700104	M-85304	56109-R1	M-549
8540B	M-2328	05393	M-225	86798	M-1289	AMS700105	M-85305	56110-R21	M-561R
8551B	M-2366	06165	M-179	86897	M-215	AMS700106	M-85301	56111-R21	M-561L
8551N	M-2374	06191	M-180	87133	M-1285	AMS700107	M-85307	56112-R1	M-584
8553B	M-2331			87142	M-2476	AMS700111	M-85313	56113-R1	M-587
8555B	M-2329	06330	M-183	87143	M-2477	AMS700402	M-85310	56114-R1	M-588
8557B	M-2368	06605	M-143	87319	M-1286	AMS700404	M-85311	56115-R1	M-580
8560N	M-2371	06970	M-169	87320	M-1287	AMS700405	M-85300	56116-R1	M-583
8567B	M-2332	07652	M-144	87336	M-2544	AMS700410	M-85313	56119-R98	M-572
8567N	M-2333	07669	M-145	88108	M-3630	AMS700418	M-85308	56121-R2	M-587A
8568B	M-2334	07772	M-170	88109	M-3631	AMS700419	M-85027	56122-R1	M-589
8570B	M-2370	07778	M-185	88291	M-2472			56152-42	M-2537
8570N	M-2335	08003	M-186	88292	M-2473			56677-R1	M-2874
8571B	M-2339	08127	M-188	88332	M-2544	NAVISTAR (IHC)		56807-HA	M-1510
8572B	M-2340	08434	M-142	88799	M-3206	Mfg. No.	BWP No.	56837-H	M-537
8573B	M-2338			88808	M-3204	13611-VA	M-2714	56853-HA	M-1549
8574B	M-2337	31323	M-204	88836	M-3205	15750-R1	M-3390	56905-HA	M-1549
8577B	M-2341	31589	M-207	88881	M-3207	17482	M-974	58559-H	M-1507
8579B	M-2342	31909	M-227	89620	M-3680	17903-HA	M-1989	58563-HA	M-545
8581B	M-2343	31910	M-226	89774	M-3232	18558-R1	M-1731	59790-R1	M-259
8581N	M-2344	32889	M-201	90092	M-3676			59791-R1	M-258
8583B	M-2373	32890	M-202	90801	M-3626	19488-HB	M-30	59863-H	M-60
8583N	M-2345	34937	M-205	90802	M-3627	22422-V	M-48	59684-H	M-61
8587N	M-2372	35429	M-1201	90807	M-3205	22423-V	M-49	60292-R1	M-1225
8589B	M-2375	35430	M-230			25531-R1	M-1852	60293-R1	M-1224
8590B	M-2348	35431	M-231			26015R1	M-3477	60421-R1	M-2524
8591B	M-2301	35432	M-236					60793-R2	M-2520
8591B-15	M-2355	35433	M-237			270203C1	M-3853	61228-H	M-58
8592B	M-2346	40285	M-203			27194-H	M-29	61229-H	M-59
8593B	M-2353	81109	M-1163			36415-HB	M-3296	61883-R1	M-33
8601B	M-2347	81118	M-1172			36416-HB	M-3291	62322-R1	M-548
8603B	M-2350					40377-V	M-2528	62333-R1	M-547
8604B	M-2376							66091-R1	M-25

INTERCHANGES

MANUFACTURER'S PART NUMBERS TO BWP PART NUMBERS

NAVISTAR (IHC)		NAVISTAR (IHC)		NAVISTAR (IHC)		NAVISTAR (IHC)		NAVISTAR (IHC)	
Mfg. No.	BWP No.	Mfg. No.	BWP No.	Mfg. No.	BWP No.	Mfg. No.	BWP No.	Mfg. No.	BWP No.
67675-R92	M-1984	121364-H1	M-74	1693069-C1	M-2088	265162-C1	M-1570L	346459-C1	M-2846
67678-R1	M-1986	121365-H1	M-75	1693070-C1	M-2087	266303-C1	M-1012	346951-C1	M-1883
68333-H	M-32	122407-R1	M-571	171194-R3	M-1174	268439-C1	M-895	347374-C1	M-1449
68335-H	M-24	124863R2	M-2017	171194-R5	M-1101	272889-R1	M-680	349508-C1	M-2063
68932-HC	M-2039	124865R1	M-1724	172052-R1	M-3606	276345-C1	M-2065	349510-C1	M-2054
69104-HA	M-2041	124755-R1	M-1737	172446-R1	M-3606	276346-C1	M-2064	350243-94	M-3537
69327-R2	M-103	124759-R92	M-1735	172716-R1	M-95	276348-C1	M-2063	350425C1	M-85300
69328-R2	M-102	124761-R1	M-2027	172717-R1	M-94	277773-C1	M-89	350425C1	M-89419
69339-R1	M-579	124864-R1	M-1725	184197-R1	M-77	277774-C1	M-88	351138-C1	M-1291
69340-R1	M-1572	124865-R1	M-1724	184198-R1	M-76	283832-C1	M-1133	351139-C1	M-1290
69354-R1	M-2511	124890-R91	M-1736	185843-R1	M-583	288920C91	M-83225	352680-C91	M-587A
69355-R1	M-2510	124892-R1	M-1726	189444-R1	M-38	288921R92	M-83225	355536-C1	M-896
69955-H	M-201	124896-R2	M-2018	189445-R1	M-43	292963C1	M-3633	358224-C91	M-854
69956-H	M-202	124901-R91	M-1727	189446-R1	M-30A	292964C1	M-3632	360444C91	M-85012
69957	M-203	126402-R1	M-644	189897-R1	M-1269	293009C91	M-85308	361716-C91	M-866
69957-H	M-203	126403-R1	M-620	189898-R1	M-1260	293009C91	M-89422	365350-C1	M-2139
69958-H	M-204	126404-R1	M-596	195759-R1	M-37	294334C91	M-83216	377202-C1	M-2821
72169-R1	M-2464	129300-R1	M-135	204994R91	M-83225	295610-C1	M-2735	3772-03-C1	M-2137
74342-R1	M-2527	129301-R1	M-134	206620R91	M-83216	297331-C1	M-2537	379076-C1	M-2001
753997C93	M-3856	129302-R1	M-137	207184-R1	M-743L	298087-C1	M-1299	379077-C1	M-2006
75887-H	M-34	129303-R1	M-136	207185R1	M-743R	298088-C1	M-1298	380335-C91	M-2004
81364-H	M-256	130555-R1	M-2036	208664C91	M-85307	298689-C1	M-140-K	380336-C91	M-2009
81365-H	M-257	130558-R1	M-2028	210533R91	M-83225	298690-C1	M-140-J	381373-C1	M-858
83155-H	M-126	130564-R1	M-2031	210533R92	M-83225	301112-C1	M-1221	383379-C91	M-83308
83156-H	M-127	131281-R1	M-2433	210535R91	M-83225	301113-C1	M-1220	384102-C1	M-30B
84711-H	M-124	131282-R1	M-2432	210536R91	M-83225	303842-C91	M-1073	384191-C1	M-2087
84712-H	M-125	132896-H1	M-2528	210537R91	M-83225	303844-C1	M-1076	384435C91	M-83216
85627-R1	M-799	132917-R1	M-2055	210538R91	M-83225	303854-C1	M-1081	385957-C1	M-1571L
88119-R1	M-579	138725-R1	M-2056	210918R91	M-83215	304481-R1	M-38	385960-C1	M-844
89764-R1	M-89	138727-R2	M-1799	210919R91	M-83215	306444C91	M-85012	386789-C1	M-1173
89765-R1	M-88	138776-R1	M-2535	210919R91	M-85307	3085640C92	M-83216	403961-C1	M-1243
91872-H	M-38	138808-R2	M-645	210920R91	M-85308	308646C91	M-83216	407975-C1	M-2049
92134-H	M-1	139856-R1	M-601	210920R91	M-89422	3086646C91	M-85012	411729-C1	M-1075
92135-H	M-2	139857-R1	M-643	212085-R1	M-997R	3086648C91	M-83225	412587-C1	M-2135
94819-R1	M-249A	141096-H	M-1509	212086-R1	M-997L	308649C91	M-83216	412592-C91	M-2830
94820-R1	M-248A	141131-H	M-1957	212254-R1	M-85	308650C91	M-83216	412593-C91	M-2831
94821-R1	M-249	14131GH	M-987	212255-R1	M-84	308664C91	M-83215	412594-C3	M-2824
95372-R2	M-710	142739-R1	M-2707	214111-R1	M-2705	308668C91	M-85012	412595-C3	M-2825
96916-H	M-242	142917-R1	M-592	215664-R1	M-27	310293-C1	M-2046	414001	M-1884
96917-H	M-243	142918-R1	M-612	218208-R1	M-2532	310508-C91	M-879	415782-C1	M-1074
97999-R1	M-1408	142919-R1	M-1014	224957-R1	M-1117	314256-C1	M-1080	422232-C2	M-2040
98726-R1	M-1107	142919-R3	M-1014	224958-R1	M-1116	316472-C1	M-2043	422821-R1	M-2052
98727-R1	M-1106	142921-R1	M-1522	228866-R1	M-2469	316479-C1	M-2524	423560-R1	M-1215
98839-R1	M-1123	142922-R1	M-555A	228867-R1	M-2468	320444C91	M-85012	423560-R1	M-1214
101729-H1	M-48	150544-R1	M-989L	228884-R1	M-2641	3212934-R1	M-1523	424622-R1	M-41
110730-H1	M-49	157501-R1	M-3390	228897-R1	M-2736	322069-C91	M-2068	425192-R2	M-2062
101731-H1	M-128	1610751-C1	M-3207	236162-R1	M-2875	3249322-R1	M-2069	425282-R1	M-167
101732-H1	M-129	1663606C91	M-85027	239406-R1	M-28	325006-C1	M-853	425283-R1	M-166
101735-H	M-138	1664788C2	M-85302	239664-C1	M-863	327185-C91	M-878	426212C1	M-3537
102906-H1	M-46	1664788C2	M-89420	253874-C1	M-1123	327186-C1	M-865	426744C91	M-85303
102907-H1	M-47	1667520C1	M-89413	258005-C1	M-1013	327187-C1	M-869	427655	M-1738
103241	M-1018	1675455C1	M-85003	258009-C2	M-892	327188-C1	M-868	429284-R1	M-1799A
10455-R1	M-2443	1675455C1	M-85308	258014-C91	M-894	329316C92	M-85012	430394-C1	M-2610R
104555-R1	M-2442	1675455C1	M-89411	258015-C1	M-859	329664-C1	M-863	430395-C1	M-2610L
106724-R1	M-739	1675455C1	M-89422	258018-C2	M-888	329665-C1	M-862	431566-C1	M-2616L
108346-R1	M-27A	1677707C1	M-85030	258023-C1	M-890	330855-C1	M-856	431567-C1	M-2616R
109519-R1	M-743L	167707C1	M-89432	258024-C1	M-877	330856-C1	M-857	43212Z5025-L	M-3983
109520-R1	M-743R	1690035C1	M-85003	258268-C1	M-876	332528-C1	M-1207	43212Z5025-R	M-3982
110001-R1	M-1115	1690035C1	M-89411	258269-C1	M-891	332529-C1	M-1206	433241Z5025-L	M-3981
110002-R1	M-1114	1690367-C1	M-2089	258508-C91	M-879	332547-C1	M-2030	433241Z5025-R	M-3980
110542-R2	M-2644	1693060-C1	M-2069	258627-C1	M-887	332902-C1	M-2042	431857-C1	M-1267
111067-R1	M-589	1693061-C1	M-2070	259726-C1	M-998R	338333-R1	M-889	437858-C1	M-1266
111428-H	M-2520	1693064-C1	M-2070	260578-C1	M-38	346129-C1	M-2844	438061-R1	M-1219
115135H	M-2534	1693065-C1	M-2071	264621-C1	M-1011	346130-C1	M-2845	438062-R1	M-1218
119345H	M-2523	1693066-C1	M-2072	264630-C91	M-1083	346156-C1	M-2833	438506-C91	M-3262

INTERCHANGES

MANUFACTURER'S PART NUMBERS TO BWP PART NUMBERS

NAVISTAR (IHC)		NAVISTAR (IHC)		NAVISTAR (IHC)		NAVISTAR (IHC)		NEWAY	
Mfg. No.	BWP No.	Mfg. No.	BWP No.	Mfg. No.	BWP No.	Mfg. No.	BWP No.	Mfg. No.	BWP No.
442305C91	M-3537	472711C91	M-83300	698167-R1	M-140E	974577-R1	M-2533	AR-142	M-2118
442306C91	M-3537	472412C91	M-83300	698168-R1	M-140F	974745-R1	M-140H	AR-604-3	M-2131
443660-C1	M-1107	472414C91	M-83318	698191-R1	M-140C	974746-R1	M-140G	AR-604-5	M-1484
443661-C1	M-1106	472976-C1	M-1014	698192-R1	M-140D	974859-R1	M-2536	AR-631-A	M-2120
		474002C91	M-83308	698794-R1	M-50	980226-R1	M-2029	AR-683-B	M-2128
446217-R1	M-4								
447556-R1	M-1119	474497-C91	M-2740	698795-R1	M-51	982159-R1	M-837	AR-683-B-3	M-2129
447557-R1	M-1118	474498-C1	M-2738	698796-R1	M-62	983277-R1	M-2471	AR-718-C-HD	M-83203
449234-R1	M-2037	474546-C	M-2704	698797-R1	M-63	983278-R1	M-2470	AR-781	M-83203
451941-C1	M-3298	477132C1	M-85303	698911-R1	M-1510	983622-R1	M-1500	AR-888	M-1487
452010-C1	M-3214	482438C1	M-2706	752841-C1	M-2067	983878-R1	M-77	AR-958	M-83207
452566C91	M-83225	484188C1	M-3299	753612-C1	M-1205	983879-R1	M-76	AR-958	M-89407
453556C91	M-85012	485286-C1	M-2482	753613-C1	M-1204	983883-R1	M-622	AR-984-A2	M-2815
453561C91	M-83225	485287-C1	M-2483	757816-C1	M-1730	988339-R1	M-1123	AR-1008	M-85006
453562C91	M-83225	487473-C1	M-2729	758759-C1	M-1223			AR-1141	M-83204
453564C91	M-85012	487479-C1	M-2585	759760-C1	M-1222			AR-1141-C	M-83204
453565C91	M-83225	487480-C91	M-2584	767601-C1	M-2035			AR-1152-A	M-2119
453566C91	M-83225	48798C91	M-83216	773433-C1	M-2428			AR-1153	M-2931
453567C91	M-83216	491688-C1	M-1012	773434-C1	M-2429			AR-1202	M-85300
453568C91	M-83225	492283-C1	M-1424	780410-C1	M-140-K			AR-1202	M-89419
453569C91	M-83225	493186-C1	M-2742	780411-C1	M-140-J			AR-134-C	M-85005
453570C91	M-83216	495147-C1	M-2475	790335C91	M-83204			AR-134-C	M-89430
453571C91	M-83216	495148-C1	M-2474	791042-C1	M-1213	61556R91	M-2301	AR-1404	M-85301
453572C91	M-83309	497501C2	M-3478	791043-C1	M-1212	62905R93	M-2360	AR-1425	M-85301
453574C91	M-83215	497785C2	M-3479	798011-C1	M-1295	69971R91	M-2303	AR-1434	M-83023
453574C91	M-85307	497789C2	M-3475	798012-C1	M-1294	70594R91	M-2304	AR-1537	M-2928
						155932R91	M-2309		
453575C91	M-83308	497790C2	M-3475	820196	M-771				
453576C91	M-85303	501553C91	M-85003	866072-R1	M-2441	303136C92	{ M-2311(N) M-2312(BM)	AR-1538	M-2117
453576C92	M-85303	501553C91	M-85308	866073-R1	M-2440	303137C92	{ M-2309(N) M-2305(BM)	AR-1654	M-83209
453577C91	M-85308	501553C91	M-89411	868368-R1	M-1130	303138C92	{ M-2326(BM) M-2327(N)	AR-1822	M-85304
453577C91	M-89422	501553C91	M-89422	868789-R91	M-1798			AR-2044	M-1488
								AR-2253-SA	M-2121
453579C91	M-85308	501559C1	M-3522	870813-R1	M-682	303139C91	{ M-2315(N) M-2322(BM)	AR-2268	M-2934
453579C91	M-89422	501788C1	M-2617L	873619C92	M-83314			AR-2269	M-2926
453597C91	M-83216	501789C1	M-2617R	873622C91	M-83308	303140C92	{ M-2352(N) M-2336(BM)	AR-2329	M-2130
454588C91	M-3537	50325R1	M-3297	874695R91	M-85012			AR-2451	M-83203
		503550C1	M-83207	874696R91	M-85012	306921C91	{ M-2324(BM) M-2354(N)	AR-2598	M-83302
4545590C91	M-3537	503610C2	M-83207	878179-R1	M-138			AR-2991	M-2925
455306-C1	M-865	503610C2	M-89407	878210-R1	M-74	306921C93	M-2324	M-109101	M-2817
456307-C1	M-853	507202C1	M-85030	878211-R1	M-75	371416C91	M-2327	M-109102	M-2818
456308-C1	M-859	507202C1	M-89432	890251-R1	M-2003	399942C93	{ M-2333(N) M-2332(BM)	NP-380-A1	M-1485
461207-C1	M-2482	512633C1	M-1189	890252-R1	M-2002			NP-409-1	M-1700
461402-C1	M-2427	517559C1	M-3513	891256-R1	M-2048	408547C93	M-2325	NP-409-2	M-1701
461403-C1	M-2426	519386C1	M-2461	891267-R1	M-2044	452344C91	M-2331	NP-410	M-1706
462424-C1	M-2733	537524C91	M-83302	892192-R1	M-2008	473695C91	M-2341	NP-410-6	M-1707
462557C91	M-85300	537525C91	M-83302	892611-R1	M-2006	474520C91	M-2339	NP-435	M-2935
462557C91	M-89419	549322	M-1258	894786-R1	M-1219	493092C91	M-2342	NP-460	M-1702
462753C91	M-83216	549807-C1	M-2447	894787-R1	M-1218	493094C92	{ M-2344(N) M-2343(BM)	NP-482	M-2953
467018C1	M-2464	549808-C1	M-2444	898375-R1	M-132			NP-508	M-1489
467371C91	M-83225	549809-C1	M-2485	898376-R1	M-133	493095C91	{ M-2345(N) M-2373(BM)	NP-509	M-1712
467372C91	M-83225	549810-C1	M-2484	923190-R1	M-2040			NP-509-1	M-1714
467871C91	M-83225	574696C91	M-3263	965080-R1	M-1725	586806C91	M-2379	NP-720	M-2126
						588808C91	M-2380		
467983C91	M-85012	581694-C1	M-3393	966152-R1	M-2611L	591945-C1	M-2386	NP-79-A7	M-1713
467984C91	M-83216	585958-C1	M-1571R	966153-R1	M-2611R	870148R91	M-2322	NP-79-A8	M-1711
467985C91	M-85012	586724C91	M-83300	966197-R1	M-741	891098R91	M-2302	NP-79-A19	M-1713
469025-C1	M-2425	591945C91	M-2386	967147-R1	M-1730			NP-1012	M-2933
469026-C1	M-2424	593096C1	M-3632	971273-R1	M-691	966157R92	{ M-2336(BM) M-2352(N)	NP-1013	M-2929
469609-C7	M-2428	593097C1	M-3633	972423-R1	M-985	1344579R91	M-2355	NP-1239-B	M-2123
469610-C7	M-2429	597991-C1	M-3241	972890-R1	M-649	1658934-C91	M-2387	NP-1442-A	M-2124
470421-C1	M-3288	597992-C1	M-3242	973226-R1	M-38	1660271-C92	M-2384	NP-1519	M-2125
470400-C1	M-3289	611428-H	M-2524	973230-R1	M-5			NP-1529	M-2115
471201C91	M-85012	680076-R1	M-2058	973952-R1	M-1227			NP-8019-2	M-1486
471203C91	M-83308	682363-R91	M-1727	973953-R1	M-1226			NP-8019-4	M-2133
472007-R1	M-1288	685548-R1	M-2059	974098-R1	M-2487			TA-800-B	★
472008-R1	M-1289	69340-R1	M-1572	974099-R1	M-2486			SRK-4	★
472277-C1	M-2460	698165-R1	M-140A	974272-R1	M-982			SRK-12	★
472367C91	M-83318	698166-R1	M-140B	974401-R1	M-562R			SRK-39	★

INTERCHANGES

MANUFACTURER'S PART NUMBERS TO BWP PART NUMBERS

REYCO		REYCO		REYCO		REYCO		REYCO OF MT. VERNON (SEE TRANSPRO)	
Mfg. No.	BWP No.	Mfg. No.	BWP No.	Mfg. No.	BWP No.	Mfg. No.	BWP No.	Mfg. No.	BWP No.
08525-01	M-2798	12885-01	M-85300	21896-17	M-2974	T-5496	M-2854		
08596-01	M-1492	12885-01	M-89419	22270-00	M-3413	T-5497	M-1193		
08621-01	M-1872	12885-03	M-85300	22274-01	M-3411	T-5514	M-1684		
08677-01	M-2952	12885-03	M-89419	T-1704	M-215	T-5524	M-1719		
08686-01	M-1757	12887-01	M-83204	T-1708	M-1856	T-5530	M-1757		
08687-01	M-1759	13840-01	M-1675	T-1721	M-1750	T-5541	M-3403		
08912-01	M-1677	13841-01	M-1674	T-1722	M-1852	T-5544	M-2819		
08913-01	M-2940	13899-01	M-2816	T-1723	M-1751	T-5549	M-2992		
08914-01	M-2941	13940-01	M-2961	T-1724	M-1761	T-5551	M-1758		
08915-01	M-2938	13940-01	M-2949	T-1734	M-3448	T-5562	M-3414		
08918-01	M-1673	13944-01	M-2943	T-1792	M-1857	T-5563	M-3415		
08995-01	M-2960	13945-01	M-2945	T-1828	M-1762	T-5564	M-3418		
08996-01	M-1672	14169-01	M-1852	T-1842	M-1846	T-5565	M-3417		
09103-01	M-3410	14213-01	M-3399	T-1843	M-3884	T-5566	M-3416		
09120-01	M-1671	14246-01	M-1758		M-1885	T-5644	M-1756		
09139-01	M-1684	14247-01	M-3432	T-1844	M-1769	T-5708	M-1755		
09229-01	M-3450	14248-01	M-2808	T-1856	M-1898	T-5727	M-3451		
09352-01	M-1194	14249-01	M-2811	T-1858	M-1853	T-5729	M-1753		
09481-01	M-2958	14250-01	M-843	T-2102	M-1847	T-5730	M-1754		
09709-01	M-1497	14339-01	M-2153	T-2103	M-1768	T-5770	M-1681		
09729-01	M-1449	14347-01	M-2012	T-2111	M-1858	T-5886	M-1770		
	M-3885	14354-01	M-2954	T-2158	M-1855	T-5887	M-1720		
09730-01	M-3407	14713-01	M-3399	T-2167	M-1857	T-5888	M-1721		
09910-01	M-3413	14723-01	M-3430	T-2211	M-1854	T-7175	M-2953		
01133-01	M-1883	14743-01	M-3431			T-7292	M-2136		
10092-01	M-1884	14954-01	M-83225	T-2224	M-1764	T-7434	M-2954		
10107-01	M-3412	15012-01	M-2958	T-2242	M-1845	T-7555	M-3426		
10114-01	M-3409	15172-01	M-3403	T-2243	M-3882	T-7635	M-3405		
10186-01	M-3411	15173-01	M-3404	T-2244	M-1851	T-7645	M-2957		
10937-01	M-2955	15174-01	M-2954	T-2293	M-1764	T-7654	M-3428		
10938-01	M-2956	15178-01	M-3405	T-2305	M-1882	T-7655	M-3429		
10949-01	M-1677	15179-01	M-3406	T-3001	M-1868	T-7716	M-3427		
11010-01	M-2458	15186-01	M-3402	T-3010	M-1872	TK-2200X	M-1763		
11011-01	M-2955	15211-34	M-2014	T-3013	M-1884	TK-2205	M-2951		
11012-03	M-2956	15211-38	M-2016	T-3014	M-1883	TK-7302	M-1450		
11129-01	M-1858	15354-01	M-2954	T-3015	M-1884	TK-7319	M-1765		
11643-01	M-2052	16347-01	M-2813	T-3016	M-1870	TK-7424	M-1450		
11802-01	M-1674	16348-01	M-2814	T-3035	M-2814	TK-10586	M-1749		
11808-01	M-2952	16349-01	M-2814	T-3036	M-2813	TK-10588	★		
11823-01	M-1680	16725-01	M-83221	T-3164	M-1771	TK-11492	★		
11824-01	M-2947	17146-01	M-83204	T-3214	M-1869	TK-12506	(2)M-2936		
11826-01	M-2816	17146-01	M-83209	T-3220	M-1868	TK-18997	M-1765		
11828-01	M-1686	17210-01	M-1750	T-3342	M-2813	TK-18998	M-2936		
11830-01	M-2949	17358-01	M-85005	T-3343	M-2814	TK-19011	M-2819		
11831-01	M-2949	17358-01	M-89430	T-3683	M-2813	TK-19049	M-1752		
11832-01	M-2961	17403-01	M-85005	T-4769	M-2815	TK-19056	M-2937		
11833-01	M-2961	17403-01	M-89430	T-4771	M-2814	TK-19089	M-1763		
11834-01	M-2943	17408-01	M-85005	T-4821	M-2813	TK-19091	★		
11845-01	M-2949	17408-01	M-89430	T-4823	M-2814	TK-19152	M-1760		
11852-01	M-3425	17794-01	M-83215	T-5139	M-2813				
11853-01	M-3424	18146-01	M-85313	T-5166	M-2872	TK-19153	M-1720		
119259-01	M-1801	18163-01	M-83207	T-5384	M-1883	TK-19164	M-1770		
12327-01	M-1889	18163-01	M-89407	T-5424	M-3420	TK-19165	M-1676		
12488-01	M-1679	18164-01	M-85005	T-5425	M-3421	TK-19166	M-3449		
12492-01	M-1685	18164-01	M-89430	T-5426	M-3419		M-1749		
12652-01	M-2949	18165-01	M-85006	T-5427	M-1670	TK-19173	M-1685		
12653-01	M-2961	18800-01	M-83203	T-5428	M-3422	TK-19174	M-2949		
12712-01	M-1674	18813-01	M-3531	T-5429	M-3423		M-1678		
12750-01	M-1675	19495-01	M-85030	T-5485	M-3403	TK-19175	M-2946		
12852-01	M-1682	1945-01	M-89432	T-5486	M-3404	TK-19176	M-2944		
12853-01	M-1683	19623-01	M-83302	T-5488	M-2953	TK-21640	M-3435		
12882-01	M-3513	19824-01	M-85006	T-5492	M-3437	TK-22581	M-2819		
12882-02	M-3517	20018-01	M-3531	T-5493	M-1718				
12883-01	M-3515	21001-01	M-1885	T-5495	M-3883				
12883-02	M-3518	21238-01	M-3436		M-1767				

RIDEWELL CORP	
Mfg. No.	BWP No.
AS546B	M-85006
AS563B	M-83203
AS563B	M-85000
AS575B	M-85005
AS575B	M-89430
AS789B	M-83207
AS789B	M-85014
S2607B	M-85307
S3069B	M-85005
S3069B	M-89430
S5477B	M-85307
S5478B	M-85307
S5878B	M-83207
S5878B	M-85014
S6009B	M-83203
S6009B	M-85000
S7120B	M-85304
S7172B	M-83207
S7172B	M-85014
S7249B	M-85014
S7249B	M-85307
S7365B	M-85305
1003586902C	M-3500
1003586910C	M-3501
1003587135C	M-3502
1003587136C	M-3503
1003587140C	M-3504
1003587145C	M-3505
1003587400C	M-3506
1003587800C	M-3532
1003587808C	M-3533
1003585410C	M-3534
1013585404C	M-3534
1013589039C	M-3511
1003580702C	M-3511
1003589082C	M-3513
1003580712C	M-3513
1003589083C	M-3514
1013589080C	M-3514
1003589101C	M-3515
1003589102C	M-3515
1003589105C	M-3516
1003589121C	M-3517
1013589123C	M-3517
1003589122C	M-3518
1013589-124C	M-3518
1003589158C	M-3520
1013589154C	M-3520
1003589177C	M-3521
1013589159C	M-3521

INTERCHANGES

MANUFACTURER'S PART NUMBERS TO BWP PART NUMBERS

SPICER (DANA)		SPICER (DANA)		SPICER (DANA)		SPICER (DANA)		SPICER (DANA)	
Mfg. No.	BWP No.	Mfg. No.	BWP No.	Mfg. No.	BWP No.	Mfg. No.	BWP No.	Mfg. No.	BWP No.
10-351-10	M-434	17-580	M-562R	17-723	M-3171L	18-780	M-3115R	18-985	M-3127L
10-351HD	M-435	17-581	M-562L	17-724	M-3172R	18-781	M-3115L	24A	MK-10
10-354-10	M-457	17-582	M-567R	17-725	M-3172L	18-784	M-778R	28-1A	MK-39
10-355-10	M-638	17-583	M-567L	17-760	M-478R	18-785	M-778L	34A	MK-42
10-355HD	M-3373	17-584	M-560R	17-461	M-478L	18-786	M-3181R	43-7029	MK-27
10-366HD	M-1064	17-585	M-560L	17-764	M-479R	18-787	M-3181L	43-7030	MK-64
10-367HD	M-474	17-586	M-746R	17-765	M-479L	18-800	M-988R	43-7031	MK-25
10-368-10	M-2577	17-587	M-746L	17-844	M-3690R	18-801	M-988L	43-7032	MK-24
10-379-10	M-474	17-588	M-2601R	17-845	M-3690L	18-802	M-989R	43-7033	MK-26
10-399-10	M-3375	17-589	M-2601L	17-852	M-3691R	18-803	M-989L	43-7034	MK-17
14-3A	MK-7	17-590	M-3148R	17-853	M-3691L	18-804	M-996R	43-7035	MK-24
16A	MK-3	17-591	M-3148L	17-860	M-3692R	18-805	M-996L	43-7037	MK-16
16-4A	MK-3	17-594	M-3173R	17-861	M-3692L	18-806	M-2611R	43-7037A	MK-61
17-460	M-3143R	17-595	M-3173L	17-862	M-3693R	18-807	M-2611L	43-7037B	MK-85
17-461	M-3143L	17-596	M-3183R	17-863	M-3693L	18-808	M-997R	43-7038	MK-21
17-462	M-3144R	17-597	M-3183L	17-864	M-3694R	18-809	M-997L	43-7039	MK-20
17-463	M-3144L	17-616	M-3180R	17-865	M-3694L	18-810	M-743R	43-7040	MK-60
17-470	M-3130R	17-617	M-3180L	17-870	M-3695R	18-811	M-743L	43-7041	MK-19
17-471	M-3130L	17-618	M-3185R	17-871	M-3695L	18-812	M-998R	43-7042	MK-62
17-472	M-3131R	17-619	M-3185L	17-914	M-3696R	18-813	M-998L	43-7043A	MK-63
17-473	M-3131L	17-620	M-563R	17-915	M-3696L	18-818	M-1570R	43-7044	MK-14
17-478	M-3136R	17-621	M-563L	17-920	M-3697R	18-819	M-1570L	43-7044A	MK-15
17-479	M-3136L	17-622	M-566R	17-921	M-3697L	18-820	M-2597R	43-7046	MK-65
17-480	M-3175R	17-623	M-566L	17-926	M-3698R	18-821	M-2597L	43-7047	MK-77
17-481	M-3175L	17-624	M-3177R	17-927	M-3698L	18-822	M-2598R	43-7048	MK-81
17-482	M-3186R	17-625	M-3177L	17-928	M-3147R	18-823	M-2598L	43-7050	MK-69
17-483	M-3186L	17-626	M-990R	17-929	M-3147L	18-824	M-2605R	43-7051	MK-68
17-484	M-3137R	17-627	M-990L	17-930	M-3699R	18-825	M-2605L	43-7053A	MK-66
17-485	M-3137L	17-628	M-991R	17-931	M-3699L	18-826	M-3179R	43-7059	MK-87
17-492	M-3139R	17-629	M-991L	17-940	M-3141R	18-827	M-3179L	43-7060	MK-78
17-493	M-3139L	17-630	M-992R	17-941	M-3141L	18-828	M-2612R	43-7061	MK-67
17-500	M-3140R	17-631	M-992L	18-500	M-3108R	18-829	M-2612L	43-7062	MK-102
17-501	M-3140L	17-632	M-994R	18-501	M-3108L	18-830	M-2613R	43-7064	MK-96
17-502	M-3142R	17-633	M-994L	18-504	M-3109R	18-831	M-2613L	43-7065	MK-97
17-503	M-3142L	17-634	M-2600R	18-505	M-3109L	18-832	M-2614R	43-7069	MK-86
17-504	M-3145R	17-635	M-2600L	18-516	M-3111R	18-833	M-2614L	43-7072	MK-88
17-505	M-3145L	17-636	M-2604R	18-517	M-3111L	18-834	M-2599R	43-7072A	MK-90
17-506	M-3135R	17-637	M-2604L	18-518	M-3112R	18-835	M-2599L	50-1000R	M-46
17-507	M-3135L	17-638	M-3174R	18-519	M-3112L	18-836	M-2607R	50-1000L	M-47
17-508	M-3134R	17-639	M-3174L	18-522	M-3113R	18-837	M-2607L	50-1003R	M-48
17-509	M-3134L	17-640	M-993R	18-523	M-3113L	18-848	M-2610R	50-1003L	M-49
17-510	M-3188R	17-641	M-993L	18-528	M-3114R	18-849	M-2610L	50-1004R	M-50
17-511	M-3188L	17-642	M-995R	18-529	M-3114L	18-850	M-3121R	50-1004L	M-51
17-512	M-3187R	17-643	M-995L	18-534	M-3683R	18-851	M-3121L	50-1006R	M-52
17-513	M-3187L	17-648	M-2603R	18-535	M-3683L	18-852	M-2610R	50-1006L	M-53
17-514	M-3169R	17-649	M-2603L	18-538	M-3684R	18-853	M-2610L	50-1007R	M-54
17-515	M-3169L	17-682	M-776R	18-539	M-3684L	18-856	M-2609R	50-1007L	M-55
17-516	M-3132R	17-683	M-776L	18-540	M-3685R	18-857	M-2609L	50-1008R	M-56
17-517	M-3132L	17-684	M-477R	18-541	M-3685L	18-868	M-2606R	50-1008L	M-57
17-518	M-3133R	17-685	M-477L	18-710	M-3120R	18-869	M-2606L	50-1009R	M-58
17-519	M-3133L	17-690	M-478R	18-711	M-3120L	18-940	M-3129R	50-1009L	M-59
17-522	M-3138R	17-691	M-478L	18-712	M-3116R	18-941	M-3129L	50-1010R	M-60
17-523	M-3138L	17-694	M-479R	18-713	M-3116L	18-942	M-3128R	50-1010L	M-61
17-556	M-3148R	17-695	M-479L	18-716	M-3117R	18-943	M-3128L	50-1013R	M-62
17-557	M-3148L	17-698	M-496R	18-717	M-3117L	18-944	M-3126R	50-1013L	M-63
17-566	M-559R	17-699	M-496L	18-734	M-3176R	18-945	M-3126L	50-1014R	M-64
17-567	M-559L	17-700	M-2602R	18-735	M-3176L	18-950	M-3123R	50-1014L	M-65
17-568	M-1015R	17-701	M-2602L	18-738	M-1571R	18-951	M-3123L	50-1015R	M-66
17-569	M-1015L	17-702	M-3688R	18-739	M-1571L	18-952	M-3124R	50-1015L	M-67
17-574	M-744R	17-703	M-3688L	18-740	M-2616R	18-953	M-3124L	50-1016R	M-68
17-575	M-744L	17-714	M-3689R	18-741	M-2616L	18-954	M-3122R	50-1016L	M-69
17-576	M-561R	17-715	M-3689L	18-746	M-2617R	18-955	M-3122L	50-1017R	M-70
17-577	M-561L	17-720	M-3170R	18-747	M-2617L	18-958	M-3125R	50-1017L	M-71
17-578	M-3178R	17-721	M-3170L	18-748	M-3184R	18-959	M-3125L	50-1025R	M-2402
17-579	M-3178L	17-722	M-3171R	18-749	M-3184L	18-984	M-3127R	50-1025L	M-2403

INTERCHANGES

MANUFACTURER'S PART NUMBERS TO BWP PART NUMBERS

SPICER (DANA)		SPICER (DANA)		SPICER (DANA)		SPICER (DANA)		SPICER (DANA)	
Mfg. No.	BWP No.	Mfg. No.	BWP No.	Mfg. No.	BWP No.	Mfg. No.	BWP No.	Mfg. No.	BWP No.
50-1026R	M-2404	50-1097L	M-2431	50-1161R	M-86	50-1253L	M-2425	51-1015R	M-140E
50-1026L	M-2405	50-1098R	M-2478	50-1161L	M-87	50-1254R	M-2484	51-1015L	M-140F
50-1027R	M-2408	50-1098L	M-2479	50-1162R	M-2432	50-1254L	M-2485	51-1016R	M-140J
50-1027L	M-2409	50-1101R	M-1250	50-1162L	M-2433	50-1258R	M-3230	51-1016L	M-140K
50-1028R	M-2406	50-1101L	M-1251	50-1163R	M-2434	50-1258L	M-3231	51-1017R	M-134
50-1028L	M-2407	50-1102R	M-2516	50-1163L	M-2435	50-1260R	M-3220	51-1017L	M-135
50-1029R	M-2410	50-1102L	M-2517	50-1164R	M-88	50-1260L	M-3221	51-1018R	M-166
50-1029L	M-2411	50-1103R	M-2518	50-1164L	M-89	50-1261R	M-3228	51-1018L	M-167
50-1030R	M-2412	50-1103L	M-2519	50-1165R	M-2436	50-1261L	M-3229	51-1019R	M-164
50-1030L	M-2413	50-1104R	M-3646	50-1165L	M-2437	50-1263R	M-3222	51-1019L	M-165
50-1040R	M-1226	50-1104L	M-3647	50-1168R	M-1272	50-1263L	M-3223	51-1020	M-138
50-1040L	M-1227	50-1105R	M-2510	50-1168L	M-1273	50-1264R	M-3226	51-1021	M-1255
50-1041R	M-1228	50-1105L	M-2511	50-1170R	M-1106	50-1264L	M-3227	51-1022	M-1268
50-1041L	M-1229	50-1106R	M-2514	50-1170L	M-1107	50-1265R	M-3224	51-1023R	M-203
50-1042R	M-2486	50-1106L	M-2515	50-1171R	M-2440	50-1265L	M-3225	51-1023L	M-204
50-1042L	M-2487	50-1107R	M-2512	50-1171L	M-2441	50-1267	M-3215	51-1024R	M-230
50-1043R	M-2488	50-1107L	M-2513	50-1172R	M-1294	50-1268	M-3216	51-1024L	M-231
50-1043L	M-2489	50-1110	M-158	50-1172L	M-1295	50-1269	M-3217	51-1025R	M-256
50-1050R	M-1230	50-1111	M-159	50-1173R	M-1108	50-1274	M-3206	51-1025L	M-257
50-1050L	M-1231	50-1112	M-1283	50-1173L	M-1109	50-1275	M-3204	51-1027R	M-248
50-1053R	M-2490	50-1113	M-90	50-1174R	M-2442	50-1276	M-3205	51-1027L	M-249
50-1053L	M-2491	50-1114	M-96	50-1174L	M-2443	50-1284	M-3200	51-1028R	M-1266
50-1061R	M-1164	50-1115	M-97	50-1180R	M-1288	50-1285	M-3201	51-1028L	M-1267
50-1061L	M-1165	50-1116	M-98	50-1180L	M-1289	50-1286	M-3202	51-1029	M-1254
50-1062R	M-1166	50-1120R	M-72	50-1181R	M-1212	50-1290R	M-2444	51-1030	M-157
50-1062L	M-1167	50-1120L	M-73	50-1181L	M-1213	50-1290L	M-2445	51-1031	M-1153
50-1063R	M-1168	50-1121R	M-1206	50-1182R	M-2438	50-1291R	M-2446	51-1032	M-3207
50-1063L	M-1169	50-1121L	M-1207	50-1182L	M-2439	50-1291L	M-2447	51-1033	M-3203
50-1064R	M-1170	50-1122R	M-74	50-1183R	M-1290	50-1295R	M-2452	51-1040R	M-140C
50-1064L	M-1171	50-1122L	M-75	50-1183L	M-1291	50-1295L	M-2453	51-1040L	M-140D
50-1065R	M-2498	50-1123R	M-76	50-1184R	M-1292	50-1296R	M-2450	52-1300	M-1
50-1065L	M-2499	50-1123L	M-77	50-1184L	M-1293	50-1296L	M-2451	52-1301	M-3
50-1066R	M-2496	50-1124R	M-1208	50-1185R	M-2466	50-1297R	M-2448	52-1302	M-30
50-1066L	M-2497	50-1124L	M-1209	50-1185L	M-2467	50-1297L	M-2449	52-1303	M-2
50-1067R	M-2494	50-1126	M-1151	50-1190R	M-1220	50-1326R	M-94	52-1304	M-8
50-1067L	M-2495	50-1127R	M-78	50-1190L	M-1221	50-1326L	M-95	52-1305	M-7
50-1080R	M-1218	50-1127L	M-79	50-1191R	M-1222	50-1327R	M-92	52-1306	M-4
50-1080L	M-1219	50-1128R	M-80	50-1191L	M-1223	50-1327L	M-93	52-1307	M-1125
50-1081R	M-1116	50-1128L	M-81	50-1192R	M-1224	50-1329R	M-1270	52-1308	M-3600
50-1081L	M-1117	50-1129	M-1284	50-1192L	M-1225	50-1329L	M-1271	52-1309	M-1123
50-1082R	M-1114	50-1131R	M-82	50-1195R	M-1296	50-1330	M-1276	52-1310	M-1124
50-1082L	M-1115	50-1131L	M-83	50-1195L	M-1297	50-1331	M-1278	52-1315	M-1259
50-1083R	M-1216	50-1132	M-1152	50-1196R	M-1298	50-1332	M-1274	52-1320	M-5
50-1083L	M-1217	50-1133R	M-1120	50-1196L	M-1299	50-1333	M-1279	52-1321	M-6
50-1084R	M-2470	50-1133L	M-1121	50-1200R	M-260	51-1A	MK-52	52-1325	M-24
50-1084L	M-2471	50-1134R	M-1110	50-1200L	M-261	51-1003R	M-2400	52-1326	M-25
50-1085R	M-1118	50-1134L	M-1111	50-1201R	M-102	51-1003L	M-2401	52-1327	M-1260
50-1085L	M-1119	50-1135R	M-1112	50-1201L	M-103	51-1004R	M-1160	52-1328	M-1174
50-1086R	M-2468	50-1135L	M-1113	50-1202R	M-104	51-1004L	M-1161	52-1330	M-1143
50-1086L	M-2469	50-1136R	M-1176	50-1202L	M-105	51-1005R	M-128	52-1331	M-11
50-1088R	M-1204	50-1136L	M-1177	50-1205R	M-258	51-1005L	M-129	52-1332	M-12
50-1088L	M-1205	50-1137R	M-1210	50-1205L	M-259	51-1006R	M-130	52-1335	M-1244
50-1089R	M-1250	50-1137L	M-1211	50-1226	M-185	51-1006L	M-131	52-1336	M-1243
50-1089L	M-1251	50-1146	M-3681	50-1228	M-187	51-1007R	M-132	52-1337	M-1242
50-1090R	M-2472	50-1147	M-3679	50-1235R	M-191	51-1007L	M-133	52-1338	M-1262
50-1090L	M-2473	50-1152R	M-189	50-1235L	M-192	51-1008R	M-140A	52-1350	M-19
50-1092R	M-2476	50-1152L	M-190	50-1240R	M-2426	51-1008L	M-140B	52-1351	M-20
50-1092L	M-2477	50-1154R	M-193	50-1240L	M-2427	51-1009R	M-136	52-1352	M-22
50-1093R	M-2474	50-1154L	M-194	50-1250R	M-2420	51-1009L	M-137	52-1353	M-23
50-1093L	M-2475	50-1155R	M-195	50-1250L	M-2421	51-1012R	M-126	52-1358	M-1262
50-1095R	M-2428	50-1155L	M-196	50-1251R	M-2422	51-1012L	M-127	52-1369	M-1135
50-1095L	M-2429	50-1156R	M-197	50-1251L	M-2423	51-1013R	M-124	52-1370	M-1134
50-1096R	M-2480	50-1156L	M-198	50-1252R	M-2482	51-1013L	M-125	52-1371	M-1136
50-1096L	M-2481	50-1160R	M-84	50-1252L	M-2483	51-1014R	M-140G	52-1372	M-1130
50-1097R	M-2430	50-1160L	M-85	50-1253R	M-2424	51-1014L	M-140H	52-1373	M-1135

MANUFACTURER'S PART NUMBERS TO BWP PART NUMBERS

SPICER (DANA)		SPICER (DANA)		SPICER (DANA)		STANDARD FORGE & AXLE MFG.		STANDARD FORGE & AXLE MFG.	
Mfg. No.	BWP No.	Mfg. No.	BWP No.	Mfg. No.	BWP No.	Mfg. No.	BWP No.	Mfg. No.	BWP No.
52-1374	M-29	54-1614	M-2523	L1125	M-1466	200105	M-569	202102-214R	M-3182R
52-1375	M-26	54-1619	M-2509	L1132	M-1845	200999-02	M-769	202102-214L	M-3182L
52-1376	M-1245	54-1621	M-2524	L1138	M-1485	200999-009	M-2650	202103-Y1-206R	M-776R
52-1377	M-21	54-1624	M-2525	L1325	M-2806	200999-010	M-737	202103-Y1-206L	M-776L
52-1378	M-1247	54-1630	M-982	L1136	M-2807	200999-012	M-769	202103-213R	M-477R
52-1379	M-1248	54-1632	M-2527	L1137	M-1702	200999-014	M-2652	202103-213L	M-477L
52-1380	M-1175	54-1633	M-984	L1338	M-1485	200999-023	M-2652	202103-Y2-225R	M-496R
52-1381	M-1127	54-1634	M-985	L1425	M-1476	201102-001	M-821	202103-Y2-225L	M-496L
52-1382	M-1249	54-1635	M-2528	L4025	M-1474	201103-001	M-822	202103-233R	M-478R
52-1385	M-1282	54-1636	M-986	L4026	★	201106-001	M-501	202103-233L	M-478L
52-1390	M-2500	54-1637	M-987	L4032	M-1880	201107-001	M-506	202103-241R	M-479R
52-1391	M-10	54-1638	M-2529	L4125	M-2804	201108-001	M-508	202103-241L	M-479L
52-1392	M-1141	54-1650	M-2454	L4132	M-1763	201110-001	M-502	202103-247R	M-2603R
52-1393	M-9	54-1651	M-2456	L4325	M-2805	201115-001	M-806	202103-247L	M-2603L
52-1394	M-1142	54-1660	M-2457	L4425	M-1470	201116-001	M-511	202106-X1-162R	M-563R
52-1395	M-1105	54-1661	M-2459	M109101	M-2817	201118-001	M-510	202106-X1-162L	M-563L
52-1405	M-1128	55A	MK-79	M109102	M-2818	201128	M-803	202106-X1-212R	M-566R
52-1406	M-1186	63A	MK-84	M109201	M-2813	201130	M-516	202106-X1-212L	M-566L
52-1407	M-1129	66A	MK-98	M109202	M-2814	201132	M-512	203100-001	M-618
52-1408	M-1187	B52634	M-2800	M10HS143	M-3985	201137	M-2698	203100-002	M-619
52-1409	M-1184	B55536	M-2801	M10HS147	M-3986	201138	M-816	203101-001	M-1519
52-1410	M-1183	B56634	M-2803	M12KBH10	M-K109	201140	M-504	203102-001	M-620
52-1411	M-1185	B56834	M-2802	M12KBH11	M-K108	201142	M-503	203104-001	M-723
52-1415	M-1139	H126	M-1467	M12WKL20-205	M-3791-L	201146	M-500	203105-003	M-779
52-1416	M-1138	H229	M-2136	M12WKL20-214	M-3792-L	201148	M-2697	203106	M-622
52-1417	M-1131	H230	M-1473	M12WKL20-222	M-3793-L	202100-X9-086R	M-996R	203108	M-1003
52-1418	M-1132	H231	M-1764	M12WKL20-233	M-3789-L	202100-X9-086L	M-996L	203019	M-771
52-1420	M-28	H241	M-2811	M12WKL25-206	M-3794-L	202100-Y5-11XTR	M-1571R	203110	M-1431
52-1421	M-1188	H73000	M-1492	M12WKL25-214	M-3795-L	202100-Y5-11XTL	M-1571L	203112-001	M-2702
52-1422	M-1173	H73025	M-1492	M12WKL25-233	M-3796-L	202100-X9-104R	M-778R	203113-001	M-3238
52-1423	M-1189	H73035	M-1492	M12WKL25-241	M-3797-L	202100-X9-104L	M-778L	204100-001	M-602
52-1425	M-1133	H73045	M-1493	M12WKR20-205	M-3791-R	202100-X9-114R	M-997R	204101-001	M-596
52-1430	M-2460	H73055	M-1493	M12WKR20-214	M-3792-R	202100-X9-114L	M-997L	204102-001	M-605
52-1431	M-2461	H73065	M-1493	M12WKR20-222	M-3793-R	202100-X9-116R	M-743R	204104	M-604
52-1435	M-30A	H73075	M-1493	M12WKR20-233	M-3789-R	202100-X9-116L	M-743L	204105	M-597
52-1436	M-30B	H73085	M-1493	M12WKR25-206	M-3794-R	202100-X9-125R	M-998R	204018-001	M-594
52-1440	M-27	H75010	M-1494	M12WKR25-214	M-3795-R	202100-X9-125L	M-998L	205100-001	M-613
52-1441	M-1122	H75015	M-1494	M12WKR25-233	M-3796-R	202100-X9-160R	M-1570R	205103	M-613A
52-1445	M-1178	H75025	M-1494	M12WKR25-241	M-3797-R	202100-X9-160L	M-1570L	205107-001	M-1005
53-1500	M-38	H75035	M-1494			202100-166R	M-561R	206100-001	M-1582
53-1501	M-39	H75045	M-1494			202100-166L	M-561L	207100	M-1558
53-1502	M-40	H75055	M-1494			202100-175R	M-1015R	207102	M-1500
52-1503	M-1102	H75520	M-2819			202100-175L	M-1015L	208100	M-2730
53-1511	M-1263	H75710	M-2458			202100-184R	M-559R	208102	M-548
53-1514	M-37	H75809	M-1884			202100-184L	M-559L	208104	M-547
53-1517	M-1264	H76008	M-1852			202100-185R	M-774R	208105	M-721
53-1518	M-1265	H80025	M-2808			202100-185L	M-774L	208106	M-1009
53-1522	M-1269	H80063	M-1851			202100-187R	M-3178R	208110	M-2741
53-1525	M-35	H80070	M-1471			202100-187L	M-3178L	208111	M-3239
53-1536	M-2465	H80080	M-1475			202100-205R	M-562R	209108-001	M-2645
53-1539	M-41	H85050	M-2819			202100-205L	M-562L	209999-004	M-707
53-1540	M-34	H86210	M-1469			202100-Y3-205R	M-565R	209999-018	M-1554
53-1550	M-31	H86216	M-1467			202100-Y3-205L	M-565L	209999-019	M-1556
53-1551	M-1144	H87550	M-2910			202100-213R	M-567R	210127	M-430
53-1555	M-1285	H88755	M-1883			202100-213L	M-567L	210128	M-431
53-1560	M-45	K1014	M-2953			202100-Y7-222R	M-560R	210172-001	M-507
53-1561	M-43	K1036	M-2819			202100-Y7-222L	M-560L	211102-001	M-590A
53-1565	M-42	K1124	M-1468			202100-231R	M-3173R	212101	M-451
53-1566	M-1145	K1127	M-2810			202100-231L	M-3173L	212102	M-452
54A	MK-77	K1215	M-2148			202100-236R	M-744R	212111	M-475
54-1602	M-2464	K1410	M-2809			202100-236L	M-744L	212113	M-455
54-1606	M-2520	K1424	M-1472			202100-242R	M-746R	212114	M-456
54-1607	M-2521	K1624	M-1465			202100-242L	M-746L	212116	M-434
54-1610	M-2522	L1025	M-1869			202100-245R	M-2601R	212118	M-810
54-1612	M-2462	L1032	M-1449			202100-245L	M-2601L	212122	M-474

STANDARD FORGE & AXLE MFG.

Mfg. No.	BWP No.
102100-002	M-703
102102-002	M-704
103100-001	M-680
103102-001	M-684
103103-002	M-682
103104-002	M-2200
103105	M-1524
103108	M-1983
103109	M-1981
105102	M-649
105103	M-650
105106	M-1068
105107	M-683
105108	M-681
105109	M-679
105116	M-1982
106999-005	M-2576
106999-001	M-655
106999-003	M-670A
106999-019	M-661

INTERCHANGES

MANUFACTURER'S PART NUMBERS TO BWP PART NUMBERS

STANDARD FORGE & AXLE MFG.		STANDARD FORGE & AXLE MFG.		STEMCO		TRAILMOBILE		TRAILMOBILE		
Mfg. No.	BWP No.	Mfg. No.	BWP No.	Mfg. No.	BWP No.	Mfg. No.	BWP No.	Mfg. No.	BWP No.	
212134	M-474	303121	M-249	4009 }	M-2766	16157	M-1077	19094	M-565R	
212135	M-638	304104	M-767	4046 }			16215	M-1706	19095	M-565L
214100	M-1523	400101	M-617	4013		M-2770	16350	M-1710	19096	M-1553
214101	M-579	400103	M-648	240-4009	M-2774	16564	M-1855	19103	M-680	
214102	M-645	400143	M-535	343-4009	{ M-3988	16565	M-1847	19105	M-684	
					{ M-3989					
214103	M-644	400144	M-536	640-0001	M-2769	16566	M-1858	19107	M-683	
214104	M-1505	401101	M-845	640-0002	M-2773	16567	M-1768	19116	M-548	
214106	M-640	401113	M-706	640-0003	M-2764	16568	M-1882	19118	M-584	
214107	M-1008	402101	M-724			16570	M-1721	19132	M-596	
214108	M-1523	402109	M-138			16571	M-1719	19142	M-511	
300113-001	M-2542	402111	M-1255	SYNFLEX		16573	M-1868	19143	M-767	
300119-001	M-2544	402136	M-1268			16574	M-1872	19144	M-837	
300126-001	M-2545	403101	M-642			16592	M-1848	19161	M-604	
300140-001	M-2546	403104	M-725			16608	M-1883	19166	M-1094	
300147-001	M-2541	403105	M-1560			16609	M-1870	19167	M-1095	
301102-1L	M-1227	403107	M-588	3250-0610	M-1309	16610	M-1884	19170	M-619	
301102-1R	M-1226	403108	M-584	3250-0810	M-1310	16622	M-1769	19171	M-596A	
301102-3L	M-1229	403111	M-2642	3250-1010	M-1355	16623	M-1898	19172	M-597	
301102-3R	M-1228	403112	M-1589	3250-1210	M-1356	16624	M-1856	19173	M-598	
301108-1L	M-1231	403115	M-585	4246-0220	M-1307	16625	M-1857	19202	M-807	
301108-1R	M-1230	403120	M-588	4246-0410	M-1308	16639	M-1885	19203	M-2654	
301110-1L	M-47	403145	M-748			16640	M-1846	19249	M-892	
301110-1R	M-46	403147	M-1007	THOMAS SCHOOL BUS		16641	M-1762	21092	M-1701	
301110-2L	M-49	403149	M-1413			16646	M-1761	21303	M-1869	
301110-2R	M-48	403150	M-1412			16657	M-1857	3-A5-7A	M-2968	
301110-3L	M-51	403152	M-585	Mfg. No.	BWP No.	16658	M-1854	3-A5-7B	M-2969	
301110-3R	M-50	405100	M-722	614996	M-85307	16747	M-1851	3-A5-8	M-2970	
301110-4L	M-53	405101	M-538	614974	M-85304	16748	M-1852	3-10-33	M-1872	
301110-4R	M-52	405102	M-543	63-0001	M-85308	16857	M-1767	3-10-34	M-1874	
301110-5L	M-55	405106	M-571B	63-0001	M-89422	16951	M-1853	3-10-36	M-1873	
				680010	M-85304	17037	M-744R	3-A11-64	M-2974	
301110-5R	M-54	405109	M-571	680054	M-85307	17038	M-744L	3-A11-65A	M-2142	
301110-6L	M-57	405110	M-571A	68088	M-89422	17072	M-1764	3-A11-74G	M-2972	
301110-6R	M-56	405123	M-576			17073	M-1766	3-12-1	M-691	
301112-001	M-1283	405125	M-572			17075	M-1883	3-12-5	M-692	
301116-001	M-90	405126	M-571							
301123	M-1280	405128	M-582	TRAILMOBILE		17274	M-863	3-12-6	M-688	
301124	M-1281	405129	M-571B			17275	M-862	3-12-7	M-687	
301135-1R	M-1272	405131	M-1016	Mfg. No.	BWP No.	17345	M-860	3-12-16	M-1722	
301135-1L	M-1273	405133	M-2548	15082	M-1845	17374	M-863	3-12-17	M-1723	
301137-1R	M-1165	405999-001	M-582	15108	M-1520	17375	M-862	3-12-19	M-1888	
				15109	M-1520					
301137-1L	M-1166	408100	M-587A	15160	M-891	17587	M-1718	3-12-20	M-1869	
301137-2R	M-2492	408101	M-824	15174	M-790	18329	M-1720	3-12-32	M-1464	
301137-2L	M-2493	408102	M-641A			18330	M-1771	3-12-35	M-1888	
301137-3R	M-1168	408103	M-587A			18331	M-1770	3-13-29	M-2160	
301137-3L	M-1169	409100	M-641			19002	M-876	3-13-39	M-1818	
301153	M-1280	409103	M-660	15192	M-1886	19029	M-849	3-23-2	M-1879	
301154	M-1281	409120	M-587	15193	M-1889	19032		3-23-5	M-2161	
303100	M-128	411101	M-647	15194	M-1887	19033		3-23-7	M-2457	
303101	M-129	499102	M-534D	15209	M-1888	19035	M-867	3-A26-11	M-2967	
303102	M-140A	499110	M-534B	15276	M-771	19041			3-34-33	M-2971
						19042				
303103	M-140B	499142	M-534	15305	M-2627			3-34-45	M-2965	
303104	M-126	499143	M-535	15333	M-878	19034	M-1019	3-36-5	M-1876	
303105	M-127	499144	M-536	15405	M-434	19050	M-850	3-36-16	M-1454	
303106	M-124	999100	M-652A	15408	M-748	19060	M-877	3-56-1	M-1832	
303107	M-125	999197	M-1432	15409	M-747	19062	M-890	3-57-1	M-1834	
						19064	M-887			
303108	M-140E	9-100100-011	M-698	15510	M-894			3-A-66-11	M-2967	
303109	M-140F	9-100100-030	M-699	15846	M-558L	19065	M-895	3-A-66-42	M-2963	
303110	M-166	A150039	M-661	15847	M-558R	19069	M-889	3-A-66-43	M-2962	
303111	M-167	A170074	M-767	15874	M-1703	19073	M-859	6-3-3	M-680	
303112	M-140G	BK-100	M-K1	15875	M-1709	19079	M-850	6-3-5	M-1524	
						19085	M-825			
303113	M-140H	BK-102	M-K5	15876	M-1702			6-3-7	M-682	
303114	M-140C	BK-103	M-K7	15898	M-1700	19090	M-826	6-4-2	M-684	
303115	M-140D	BK-104	M-K4	16038	M-1707	19091	M-840	6-5-1	M-649	
303119	M-157	BK-105	M-K11	16046	M-661	19092	M-846	6-5-8	M-683	
303120	M-248	BK-106	M-K12	16101	M-1012	19093	M-839	6-5-9	M-679	
				16156	M-1078					

INTERCHANGES

MANUFACTURER'S PART NUMBERS TO BWP PART NUMBERS

TRAILMOBILE		TRAILMOBILE		TRANSPRO (REYCO OF MT. VERNON)		TRANSPRO (REYCO OF MT. VERNON)		TRUCKSTELL (MARION MFG.)	
Mfg. No.	BWP No.	Mfg. No.	BWP No.	Mfg. No.	BWP No.	Mfg. No.	BWP No.	Mfg. No.	BWP No.
6-6-2	M-681	50-2A-7C	M-43	0001-04		0725-00	M-1453	63640	M-3533
6-6-6	M-650	50-2Z-69	M-1455	0002-07	M-2973	0741-00	M-2973	63641	M-3502
6-A8-6	M-655	50-33A-1	M-48	0741-01		0741-05K	M-1647	63644	M-3502
6-9-1	M-660	50-33A-7	M-50	0001-08	M-1698	0742-00	M-2819	63647	M-3515
7-A1-13	M-737	50-33A-9	M-51	0001-12	M-1698	0743-00	M-2159		
7-A3-77	M-803	50-33A-10	M-49	0001-14	M-1691	0744-00	M-1764		
7-A3-95	M-511	50-33A-15	M-60	0001-17		0748-00	M-2147		
7-A3-96	M-510	50-33A-16	M-61	0002-05	M-1647	0751-00	M-1451		
7-3-11	M-808	50-33A-25	M-80	0378-00		0752-00	M-2801		
7-5-63	M-562L	50-33A-26	M-81	0002-07	M-1455	0755-00	M-2150		
7-5-64	M-562R	50-33A-27	M-74	0002-09	M-1699	0758-00	M-1687		
7-5-111	M-991R	50-33A-28	M-75	0002-12	M-2031	0759-00	M-2802		
7-5-112	M-991L	50-33A-29	M-76	0022-00	M-1449	0760-00	M-2803		
7-6-17	M-571	50-33A-30	M-77	0022-01K	M-1697	0762-00	M-1476		
7-6-18	M-572	50-33A-31	M-1206	0030-20	M-1695	0768-00	M-1452		
7-8-1	M-548	50-33A-32	M-1207	0037-20	M-1695	0769-00	M-2146		
7-8-22	M-549	50-33A-37	M-58	0045-00	M-1648	0770-00	M-1464		
7-8-34	M-1012	50-33A-38	M-59	0046-00	M-3446	0771-00	M-2150		
7-9-1	M-584	50-34A-1	M-124	0058-00	M-1690	0777-00	M-2962		
7-9-3	M-583	50-34A-2	M-125	0075-20	M-1696	0850-00	M-3707		
7-9-11	M-580	50-34A-7	M-138	0077-00	M-2148	0851-00	M-2879		
7-12-1	M-618	50-34B-1	M-128	0078-12	M-1499	0853-00	M-1457		
7-12-28	M-620	50-34B-2	M-129	0078-14	M-1492	0860-00	M-2864		
7-12-31	M-1500	50-34B-5	M-136	0078-16	M-1497	0861-00	M-2867		
7-12-32	M-622	50-34B-6	M-137	0078-18	M-1493	0863-00	M-2863		
7-12-33	M-647	50-34B-11	M-140A	0084-00	M-3443	0864-00	M-2998		
7-12-35	M-1529	50-34B-12	M-140B	0086-00	M-3445	0869-00	M-2820		
7-13-17	M-1572	50-34C-1	M-126	0088-00	M-3444	0870-00	M-2821		
7-18-1	M-642	50-34C-2	M-127	0102-10		0872-00	M-2800		
7-18-4	M-589	50-34C-5	M-166	0102-14 ^{to}	M-1494	0876-00	M-2138		
7-18-8	M-644	50-34C-6	M-167	0102-15		0880-00	M-3442		
7-22-2	M-539	50-34C-9	M-164	0102-18	M-2798	0887-19	M-2145		
7-22-3	M-538	50-34C-10	M-165	0106-06	M-1689	0904-00	M-1809		
7-23-3	M-602	50-34C-13	M-140C	0106-07	M-1688	0906-00	M-1818		
7-23-7	M-596	50-34C-14	M-140D	0149-00	M-1649	0907-01	M-1848		
7-24-1	M-613	50-101-29	M-1857	0151-00	M-1720	0909-00	M-1703		
7-25-2	M-641	700-1-621	M-741	0152-00	M-1761	0910-00	M-1701		
7-25-5	M-586	700-1-622	M-742	0154-00	M-1768	0911-00	M-1702		
7-26-3	M-587	700-1-628	M-1547	0257-00	M-2974	0912-00	M-1706		
7-27-3	M-588	700-3-25	M-1494	0269-00	M-1888	0913-00	M-1707		
7-33-3	M-640	700-3-27	M-2797	0270-00	M-2160	0914-00	M-1709		
7-33-4	M-579	700-3-29	M-2796	0274-01	M-2161	0915-00	M-1708		
7-34-2	M-617	700-7-44	M-1871	0282-00	M-1454	0916-00	M-1710		
7-78-1	M-648	700-7-149	M-2159	0292-00	M-1463	0917-00	M-2806		
8-8-3	M-1	700-7-150	M-2880	0375-00	M-2872	0918-00	M-1466		
8-8-6	M-3	700-7-155	M-2964	0378-01	M-1647	0919-00	M-1484		
8-8-8	M-7	700-7-188	M-2600L	0401-00	M-3447	0920-00	M-1847		
8-8-12	M-6	700-7-187	M-2600R	0538-00	M-2149	0921-00	M-1485		
8-8-18	M-5	700-17-333	M-566L	0575-00	M-1696	0925-00	M-1488		
8-9-5	M-37	700-17-332	M-566R	0576-00	M-2144	0926-00	M-2119		
8-9-7	M-38			0632-01	M-3440	0927-00	M-2117		
8-9-8	M-39			0636-01	M-1692	0928-00	M-2116		
8-9-18	M-40			0636-015	M-3438	0929-00	M-2115		
8-9-36	M-1110			0636-02	M-3439	0930-00	M-2118		
8-9-37	M-1111			0637-01	M-1646	0931-00	M-2934		
8-15-4	M-45			0642-00	M-1452	0932-00	M-2132		
8-16-3	M-43			0648-00	M-2952	0933-00	M-2171		
17-17-81	M-1311			0649-02	M-1694	0934-00	M-1486		
17-17-122	M-1311			0649-04K	M-1693	0935-00	M-2133		
17-18-6	M-579			0650-00	M-1690	0936-00	M-2135		
50-B1T-34	M-1463			0654-16	M-2141	1035-20	M-1695		
50-BZF-23C	M-724			0654-17	M-2142	1090-00K	(2)M-2159		
50-1B-146	M-2965			0654-19	M-2143	1091-00K	M-2975		
50-1B-150	M-1777			0695-00	M-1458	1098-00	M-3441		
50-1B-200	M-1878			0696-00	M-2139	1270-00	M-2010		
				0703-00	M-1468	1271-00	M-2012		

TRW AUTOMOTIVE (King Pins)	
Mfg. No.	BWP No.
K-391C	M-2300
K-401N	M-2301
K-401N-15	M-2355
K-403N	M-2360
K-403T	M-2302
K-431	M-2303
K-432	M-2304
K-450	M-2305
K-463	M-2306
K-466	M-2307
K-469	M-2308
K-473	M-2361
K-477	M-2363
K-479	M-2351
K-489	M-2309
K-493	M-2310
K-495	M-2364
K-496	M-2311
K-496B	M-2312
K-499	M-2313
K-502	M-2314
K-504	M-2315
K-506	M-2316
K-506B	M-2317
K-506B-10	M-2359
K-507	M-2318
K-507B	M-2319
K-509	M-2320
K-509B	M-2321
K-509B-10	M-2356
K-509B-15	M-2362
K-510B	M-2322
K-511	M-2365
K-512D	M-2323
K-517	M-2324
K-517D	M-2354
K-524B	M-2325
K-562B	M-2326
K-526D	M-2327
K-527B	M-2328
K-528B	M-2366
K-529B	M-2367
K-530B	M-2368
K-531B	M-2329
K-532B	M-2330
K-533B	M-2369
K-534B	M-2331
K-535B	M-2332
K-535D	M-2333
K-538B	M-2334
K-539D	M-2335
K-540B	M-2370
K-54B-10	M-2393
K-541B	M-2336
K-542D	M-2352

INTERCHANGES

MANUFACTURER'S PART NUMBERS TO BWP PART NUMBERS

TRW AUTOMOTIVE (King Pins)		TRW HD (King Pins)		TRW HD (King Pins)		TURNER SUSPENSION		VELVAC	
Mfg. No.	BWP No.	Mfg. No.	BWP No.	Mfg. No.	BWP No.	Mfg. No.	BWP No.	Mfg. No.	BWP No.
K-544D	M-2371	300-155	M-2310	300-258	M-2383	SA-1300-17	M-2126	011007	M-322
K-545B	M-2337	300-157	M-2364	300-266	M-2385	SA-1500-1	M-2136	011009	M-323
K-546B	M-2338	300-158	M-2311	300-268	M-2384	SA-8900-7	M-2126	011013	M-324
K-547B	M-2339	300-159	M-2312	300-269	M-2387			011023	M-325
K-548B	M-2340	300-163	M-2313	300-270	M-2386			011025	M-326
<hr/>									
K-549B	M-2341	300-168	M-2314	300-274	M-2389	TWIN COACH		011027	M-327
K-549B-15	M-2357	300-171	M-2315	300-275	M-2390	Mfg. No.	BWP No.	011029	M-328
K-550D	M-2372	300-172	M-2316	300-279	M-2391	90044089C	M-83207	011033	M-358
K-551B	M-2342	300-173	M-2317	TURNER SUSPENSION				011041	M-359
K-552B	M-2343	300-174	M-2318	Mfg. No.	BWP No.	90044089C	M-89407	011043	M-360
K-553D	M-2344	300-175	M-2319	A-1135	M-1494	90044162	M-85000	011045	M-361
K-554B	M-2373	300-179	M-2320	A-1329	M-3263	AR-718-C-HD	M-85000	011047	M-362
K-555D	M-2345	300-180	M-2321	A-1667	M-85000	AR-958	M-83207	011051	M-384
K-556D	M-2374	300-181	M-2356	A-1712	M-1449	AR-958	M-89407	011057	M-385
K-559B	M-2375	300-182	M-2322	A-20002	M-85000	UTILITY TRAILER		011059	M-386
K-560B	M-2346	300-183	M-2365	A-2160	M-85014	Mfg. No.	BWP No.	011073	M-380
K-561B	M-2353	300-184	M-2323	A-2213	M-83312	3-1306	M-3887	011075	M-381
K-562B	M-2347	300-188	M-2324	A-2213	M-89409	VELVAC		011085	M-348
K-563B	M-2348	300-189	M-2354	A-2218	M-85030	Mfg. No.	BWP No.	011091	M-349
K-564B	M-2378	300-194	M-2325	A-2218	M-89432	28D-18	M-1384	011093	M-350
K-565B	M-2349	300-195	M-2326	A-2230	M-85005	28D-20	M-1385	012001	M-353
K-566B	M-2376	300-196	M-2327	A-2230	M-89430	28D-22	M-1386	012017	M-329
K-567B	M-2350	300-197	M-2328	A-2232	M-89430	28D-24	M-1387	012021	M-330
K-568B	M-2377	300-198	M-2366	A-2240	M-85013	28D-26	M-1388	012023	M-331
K-570B	M-2358	300-199	M-2367	A-2240	M-89414	28D-28	M-1389	012035	M-333
K-576C	M-2381	300-200	M-2368	A-2471	M-85006	28D-28	M-1389	012037	M-334
K-578B	M-2396	300-201	M-2329	A-4084	M-85005	28D-30	M-1390	012041	M-335
K-578C	M-2395	300-202	M-2330	A-4084	M-89430	28D-32	M-1391	012043	M-336
K-584	M-2382	200-203	M-2369	A-4089	M-83209	28D-34	M-1392	012045	M-339
K-586	M-2383	300-204	M-2331	B1080	M-3503	28D-36	M-1393	012047	M-338
K-592	M-2384	300-205	M-2332	B1159	M-3507	28D-36	M-1393	012049	M-340
K-593	M-2385	300-206	M-2333	B1245	M-3516	28D-38	M-1394	012053	M-343
K-594	M-2387	300-207	M-2334	B2063	M-3520	28D-40	M-1395	012055	M-342
K-595	M-2386	300-208	M-2335	B2064	M-3511	28D-42	M-1396	012061	M-345
K-597	M-2392	300-209	M-2370	B2065	M-3521	28D-44	M-1397	012067	M-363
K-602	M-2394	300-210	M-2336	B2066	M-3513	28D-48	M-1398	012071	M-364
K-608	M-2388	300-211	M-2352	B2630	M-3500	28G-18	M-2756	012073	M-365
K-609	M-2389	300-213	M-2371	B3830	M-3518	28G-24	M-2757	012087	M-366
K-610	M-2390	300-214	M-2337	B4375	M-3523	28G-28	M-2758	012091	M-367
K-611	M-2391	300-215	M-2338	B4375	M-3545	28G-36	M-1760	012093	M-368
<hr/>									
TRW HD (King Pins)		300-216	M-2339	B4773-1	M-3513	55B-11-5	M-314	012095	M-369
Mfg. No.	BWP No.	300-217	M-2340	B6195	M-3538	59A-21-5	M-312	012097	M-371
300-107	M-2300	300-218	M-2341	B8768	M-3501	59A-4X14	M-3062	012099	M-370
300-110	M-2301	300-219	M-2372	B10352	M-3523	59A-6X-14	M-3061	013001	M-370
300-111	M-2355	300-220	M-2342	B11650	M-3511	59P-1	M-3039	013003	M-372
300-112	M-2360	300-221	M-2343	B12514-004	M-3520	59P-21-2X12	M-3029	013011	M-373
300-114	M-2302	300-222	M-2344	B12514-008	M-3518			013041	M-391
300-118	M-2303	300-223	M-2373	B12514-011	M-3520			013045	M-392
300-120	M-2304	300-224	M-2345	B12514-012	M-3535			013057	M-399
300-125	M-2305	300-225	M-2374	B20010	M-3542			013061	M-400
300-128	M-2306	300-228	M-2375	B36514-1	M-3520			013075	M-415
300-129	M-2307	300-229	M-2346	B36514-13	M-3510			013077	M-416
300-131	M-2308	300-230	M-2353	C-1013	M-3506			013079	M-417
300-138	M-2361	300-231	M-2347	C-1032	M-2813			016200	M-1350
300-140	M-2363	300-232	M-2348	C-1032-1	M-2814			016201	M-1351
300-142	M-2351	300-233	M-2350	SA-1000-2	M-1883			016240	M-1347
300-150	M-2309	300-234	M-2378	SA-1000-3	M-1884			016260	M-1348
		300-235	M-2349	SA-1000-4	M-2121			016260	M-1349
		300-236	M-2376	SA-1300-1	M-1194			016808	M-1345
		300-237	M-2377	SA-1300-3	M-1884			016818	M-1346
		300-238	M-2357					016842	M-1337
		300-240	M-2358					016844	M-1338
		300-241	M-2359					016862	M-1339
		300-242	M-2381					016864	M-1340
		300-257	M-2382					016866	M-1341
								016886	M-1343

INTERCHANGES

MANUFACTURER'S PART NUMBERS TO BWP PART NUMBERS

WAGNER		WAGNER		WAGNER		WATSON & CHALIN SUSPENSION		WEATHERHEAD	
Mfg. No.	BWP No.	Mfg. No.	BWP No.	Mfg. No.	BWP No.	Mfg. No.	BWP No.	Mfg. No.	BWP No.
914031	M-1426	920002	M-K68	926024	M-458	AS-0015	M-3516	W17799	M-316
914032	M-2706	920003	M-K69	926030	M-459	AS-0023	M-3518	W20292	M-416
914040	M-1523	920005	M-K19	926305	M-1381	AS-0028	M-3514	W20722	M-415
914043	M-647	920007	M-K62	926306	M-1382	AS-0029	M-3534	W21826	M-361
914044	M-644	920008	M-K18	926307	M-1383	AS-0036	M-3545	W22063	M-336
914045	M-1433	920009	M-K63	928012	M-461	AS-0038	M-3538	W22065	M-417
914047	M-1428	920010	M-K20	928016	M-462	AS-0039	M-3535	W23907	M-304
914049	M-642	920011	M-K21	928020	M-463	AS-0040	M-3515	W24887	M-301
914050	M-641	920012	M-K64	928024	M-464	AS-0061	M-3541	W33470	M-307
914052	M-641-A	920014	M-K13	928030	M-466			W33801	M-1366
914054	M-748	920015	M-K65	940226	M-1388			W33802	M-1367
914061	M-722	920016	M-K61	940230	M-1390			W33803	M-1368
914064	M-742	920017	M-K16	940236	M-1393			W33804	M-1369
914090	M-1500	920018	M-K85	940518	M-2756			W33883	M-1360
914100	M-721	920019	M-K15	940524	M-2757			W33884	M-1361
914105	M-548	920020	M-K14	940536	M-2760			W33885	M-1362
914108	M-547	920021	M-K81	941000	M-313A	NT10002	M-1307	W33886	M-1363
914109	M-2729	920022	M-K27	941010	M-313B	NT10004	M-1308	W33888	M-1364
914110	M-1423	920023	M-K24	941030	M-313C	NT10006	M-1309	W33889	M-1365
914111	M-1424	920501	M-1521	941100	M-312	NT10008	M-1310	164-4	M-384
914112	M-3345	920510	M-2594	W-237	M-2661	NT10010	M-1355	164-6	M-385
914113	M-1427	921000	M-571	W-321	M-2677	NT10012	M-1356	165-4	M-379
914115	M-844	921001	M-571-B	W-381	M-2684	W00360	M-325	165-6	M-380
914116	M-3346	921002	M-571-A	W-383	M-2685	W00361	M-320	165-8	M-381
914121	M-2752	921003	M-572	W-400	M-2680	W00455	M-324	166-12X8	M-345
916000	M-43	921004	M-582	W-401	M-2679	W00457	M-319	169-4X2	M-363
916001	M-45	921005	M-1550	W-402	M-2678	W01045	M-311	169-4X4	M-364
916003	M-1145	921006	M-1047	W-425	M-2662	W03610	M-309	169-6X2	M-366
916010	M-38	921007	M-1551	W-442	M-2681	W03613	M-311A	169-6X4	M-367
916011	M-39	921008	M-1058	W-458	M-2663	W03724	M-310	169-6X6	M-368
916012	M-1102	921009	M-2623			W03754	M-321	169-6X8	M-369
916040	M-3	921010	M-3351			W03755	M-326	169-8X6	M-370
916041	M-1123	921011	M-2618			W03896	M-328	169-8X4	M-371
916042	M-4	921012	M-1520			W03897	M-323	169-8X8	M-372
916045	M-8	921013	M-1049			W05053	M-334	169-10X8	M-373
916100	M-128	921014	M-2621			W05127	M-329	169-10X6	M-374
916101	M-129	921016	M-1407			W05134	M-359	169-12X8	M-377
916108	M-136	921020	M-1406			W05183	M-330	171-6X4	M-391
916109	M-137	921026	M-824			W05418	M-349	171-8X6	M-392
916110	M-2400	921027	M-824-A			W05509	M-333	172-6X2	M-398
916111	M-2401	921028	M-1401			W05514	M-358	172-6X4	M-399
916112	M-2400	921029	M-2630			W05824	M-335	172-8X6	M-400
916113	M-2400	921030	M-587-A			W05826	M-350	1460X4	M-1327
916116	M-126	921031	M-3352			W05827	M-351	1460X6	M-1328
916117	M-127	921040	M-1589			W10612	M-322	1460X8	M-1329
916150	M-1212	921041	M-2635			W10613	M-327	1460X10	M-1330
916151	M-1213	921044	M-588			W15535	M-305	1460X12	M-1331
916152	M-2438	921045	M-1402-A			W15536	M-303	1461X4	M-1332
916153	M-2439	921046	M-580			W15539	M-302	1461X6	M-1333
916156	M-80	921047	M-583			W15540	M-300	1461X8	M-1334
916157	M-81	921048	M-3353			W15710	M-360	1461X10	M-1335
916200	M-680	921049	M-3354			W15711	M-352	1461X12	M-1336
916201	M-650	921050	M-2637			W15992	M-308	1462X4	M-1347
916202	M-1996	921051	M-2639			W15993	M-306	1462X6	M-1348
916203	M-1051	921052	M-2640			W16523	M-362	1462X8	M-1349
916204	M-1430	921053	M-1045			W16678	M-444	1462X10	M-1350
916205	M-682	921054	M-719			W16684	M-342	1462X12	M-1351
916206	M-684	921055	M-2643			W16685	M-343	1468X4	M-1337
916207	M-683	921056	M-584			W17515	M-338	1468X4X4	M-1338
916210	M-838	921057	M-1409			W17690	M-339	1468X6X2	M-1339
916211	M-840	921059	M-1408			W17691	M-340	1468X6	M-1340
916212	M-839	921060	M-579					1468X6X6	M-1341
916213	M-846	921061	M-1046					1468X6X8	M-1342
920000	M-K25	921062	M-1505					1468X8	M-1343
920001	M-K78	921063	M-2649					1468X8X8	M-1344

INTERCHANGES

MANUFACTURER'S PART NUMBERS TO BWP PART NUMBERS

WEATHERHEAD		WEBB WHEEL		WESTERN STAR		WHITE		WHITE	
Mfg. No.	BWP No.	Mfg. No.	BWP No.	Mfg. No.	BWP No.	Mfg. No.	BWP No.	Mfg. No.	BWP No.
1468X10	M-1345	100163	M-3617	35066-4413	M-83202	B-34332X	M-61	307672	M-583
1468X12	M-1346	100164	M-3616	35901-0001	M-83209	B-34420	M-70	328382	M-43
1469X4	M-1352	100181	M-3917	35901-0001	M-85013	B-34421	M-71	334702	M-545
1469X4X4	M-1371	101160	M-3217	37301-3401	M-85007	U-00042	M-1261	334742	M-545
1469X6X2	M-1372	101161	M-3672	37301-3401	M-89412	V-3867	M-795	342117	M-579
1469X6	M-1373	101162	M-3216	47902-8	M-83202	V-4020X	M-1507	361045	M-138
1469X6X6	M-1374	101164	M-3215	47902-8	M-89406	X-394266	M-106	365899	M-680
1469X6X8	M-1375	101166	M-3671	57252	M-83225	X-394267	M-107	373812	M-1957
1469X8	M-1376	100170	M-3916	985211	M-3888	Y-481084	M-133	375911	M-584
1469X8X8	M-1377	101172	M-3618	90044025	M-83209	Y-481085	M-132	380630	M-138
1469X10	M-1378	101173	M-3619	90044025	M-85013	Y-484442	M-131	383467A	M-2644
1469X12	M-1379	101174	M-3950			Y-484443	M-130	388890	M-538
1484X4	M-1315	101175	M-3951			Y-717755	M-659	388894	M-602
1484X6	M-1316	101178	M-3952			Y-717756	M-658	338895	M-613
1484X8	M-1317	101179	M-3953			Y-718406	M-561R	388897	M-548
1484X10	M-1357	101191	M-3975			Y-718407	M-561L	388898	M-618
1484X12	M-1358	102191	M-3649			YB-331157	M-143	389030	M-587
6892	M-318	102192	M-3648			53X8	M-138	389031	M-588
		102277	M-3651			479-S-5	M-85302	389033	M-580
		102278	M-3650			479-S-5	M-89420	389034	M-579
		102279	M-3653			570-S-5	M-85302	389936	M-837
		102280	M-3652			570-S-5	M-89420	390524	M-642
		102281	M-3655			02709-1941	M-2331	400245A	M-7
		102282	M-3654			26936F	M-1285	403926	M-987
		105988	M-2400			35901-0001	M-83209	408790	M-537
		105989	M-2401			35901-0001	M-85013	425836	M-1726
		107080	M-128			35901-0003	M-85301	426956	M-39
		107081	M-129			35901-0004	M-83219	426957	M-3
		107082	M-3396			35901-0005	M-83219	429531	M-9
		107083	M-3397			35901-3201	M-85024	434196	M-138
		109414	M-140A			35901-3201	M-89416	434199	M-112
		109415	M-140B			35901-3409	M-85304	434200	M-113
		133609	M-2428			35901-3410	M-85307	435332	M-69
		133610	M-2429			37090-5005	M-2349	435333	M-68
		139902	M-52			37301-0001	M-83209	435709	M-109
		139903	M-53			37301-0001	M-85013	435710	M-108
		142022	M-2464			37301-0005	M-83216	448408	M-2055
		152026	M-2521			37301-0016	M-85026	448888	M-1104
		159183	M-3609			37301-0016	M-89417	448888A	M-4
		159184	M-3608			37301-0018	M-85005	449068	M-2437
		159190	M-74			37301-0018	M-89430	449069	M-2436
		159191	M-3938			37301-0021	M-85026	451061A	M-8
		159191	M-75			37301-0021	M-89417	452835	M-2035
		159191	M-3939			37301-3201	M-85027	452836	M-1726
		161127	M-38			37301-3202	M-85026	452837	M-2036
		171027	M-39			37301-3202	M-89417	452839	M-1727
		178736	M-124			70042	M-85302	452840	M-2027
		178737	M-125			70042	M-89420	453127	M-2537
		178910	M-126			90413	M-837	461516	M-1572
		178911	M-127			93101	M-62	461520	M-586
		179416	M-140E			93102	M-63	461521	M-589
		179417	M-140F			93139	M-1509	462596	M-2537
		179933	M-3203			116872J	M-2524	462598	M-2529
		179955	M-3207			141132H	M-1956	466121A	M-8
		183101	M-1171			143007	M-1510	466590	M-85
		183101	M-3905			216446	M-2351	466591	M-84
		183102	M-1170			217016A	M-2376	466670	M-1523
		188108	M-3904			217175	M-2378	466827	M-1973
		188108	M-3630			300190	M-125	466884	M-2532
		188109	M-3631			300191	M-124	466885	M-985
		195693	M-2402			300248	M-127	467129	M-2520
		195694	M-2403			300249	M-126	467823	M-1285
						303780	M-1988	467824	M-89
						303781	M-1989	467825	M-88
						304981	M-982	467836	M-2533

WESTERN UNIT "STABILAIRE"

Mfg. No.	BWP No.
080370	M-85304
080600	M-85300
080600	M-89419
101030	M-85307
102308	M-3889
102309	M-3889
4939967	M-85308
4939967	M-89422

WHITE

Mfg. No.	BWP No.
A-13817X	M-45
A-300248X	M-127
A-300249X	M-126
A-33768X	M-1
B-2250X	M-56
B-2251X	M-57
B-22550X	M-56
B-22551X	M-57
B-4919X	M-128
B-4920X	M-129
B-4921X	M-46
B-4922X	M-47
B-5331X	M-48
B-5332X	M-49
B-6320X	M-50
B-6321X	M-51
B-9487X	M-116
B-9488X	M-117
B-17280X	M-58
B-17281X	M-59
B-21383X	M-122
B-21384X	M-123
B-21385X	M-118
B-21386X	M-119
B-21593X	M-64
B-21594X	M-65
B-33831X	M-145
B-33956X	M-110
B-33957X	M-111
B-34331X	M-60

INTERCHANGES

MANUFACTURER'S PART NUMBERS TO BWP PART NUMBERS

WHITE		WHITE		WHITE		WHITE		WHITE	
Mfg. No.	BWP No.	Mfg. No.	BWP No.	Mfg. No.	BWP No.	Mfg. No.	BWP No.	Mfg. No.	BWP No.
467837	M-2527	716743	M-2534	860175	M-2767	884823	M-75	3109848	M-2616R
475236	M-142	716762	M-1987	861634	M-38	884830	M-2045	3114387	M-1074
475399	M-19	716802	M-41	861676	M-21	884834	M-2041	3171696	M-85307
475620	M-1409	716805	M-2526	862529	M-2050	886892	M-2468	3172948	M-85303
475644	M-1985	716829	M-1990	863110	M-2489	886893	M-2469	4940640	M-83216
475713	M-1984	717971	M-649	863113	M-2488	886959	M-741	4940660	M-83219
475718	M-53	718568	M-2039	863493	M-52	887076	M-590-A	4975549	M-83216
475719	M-52	718577	M-2874	863494	M-53	887181	M-859	5513989	M-83216
475950	M-186	718850	M-2044	863694	M-38	887183	M-894	5531435	M-85307
476068	M-17	718984	M-2048	864113	M-1012	887185	M-890	5531436	M-85307
476075	M-2534	735021	M-1251	864127	M-877	887186	M-889	5531437	M-85307
476375	M-2535	735022	M-1250	864834	M-2041	887498	M-871	5534430	M-85303
476822	M-55	814822	M-619	865380	M-2003	889364	M-2063	5534447	M-85303
476823	M-54	818066	M-1408	865765	M-876	889365	M-2065	5549899	M-83219
477089	M-134	818217	M-185	868330	M-2058	889367	M-2067	5549925	M-85304
477090	M-135	819640	M-626	868331	M-2059	890040	M-1291	6043825	M-80
477091	M-136	819644	M-556	870143	M-691	890041	M-1290	6043826	M-81
477092	M-137	819677	M-1117	870866	M-2056	890092	M-1011	7006766	M-2062
481212	M-2031	819678	M-1116	870944	M-1219	890565	M-1072	8026658	M-85024
490608	M-1269	827403	M-1549	870945	M-1218	890703	M-895	8026658	M-89416
491803	M-20	827701	M-620	870985	M-1500	890955	M-1570L	22012065	M-85304
498403	M-1725	827702	M-596	871112	M-500	890957	M-1570R	22046483	M-85304
498406	M-2027	827703	M-644	871484	M-988L	893154	M-2064	27022252	M-2460
498407A	M-1798	827712	M-2524	871485	M-988R	894688	M-1242	27073496	M-65
498408	M-2055	827932	M-710	871976	M-2037	894898	M-2641	7612-5007	M-1077
498417	M-1724	828325	M-2052	872317	M-1118	897131	M-1081	027086630	M-613
498450	M-2028	828437	M-140E	872320	M-1119	897639	M-138	027086754	M-897
499716	M-27	828613	M-1224	872325	M-140-B	899066	M-1014	027089235	M-856
507989	M-2046	830619	M-1115	872331	M-140-A	899878	M-2042	027090150	M-2633
514009	M-1730	831171	M-1114	872687	M-1093	1023222	M-1173	027091698	M-866
521845	M-452	831196	M-2511	873061	M-2037	1705822	M-2714	027092259	M-881
521896	M-2047	831197	M-2510	874372	M-997L	1714667	M-1793	027092262	M-859
530596	M-85308	831739	M-115	874373	M-997R	1714668	M-1794	027092684	M-2601L
530596	M-89422	831740	M-114	874405	M-592	1716824	M-85304	027092685	M-2601R
549331	M-1869	835816	M-737	874406	M-612	1720728	M-2352	761035007	M-994L
550631	M-1884	837770	M-54	874407	M-764	1720746	M-1013	761035008	M-994R
550670	M-2140	837771	M-55	874408	M-1522	1727738	M-2736	761035010	M-562L
567731	M-2009	838551	M-998L	874409	M-555A	1737113	M-1244	76103510A	M-884
567732	M-2006	838960	M-572	874603	M-140-H	1738138	M-2735	761035011	M-562R
569245	M-2001	838961	M-571	874608	M-140-G	1738771	M-2043	761045035	M-2627
569597	M-2053	839109	M-801	874612	M-140-D	1739844	M-2336	761045037	M-509
618451	M-1551	839714	M-66	874614	M-140-C	1741269	M-571L	761095002	M-888
629398	M-85307	839715	M-67	874617	M-18	1741270	M-151R	761115001	M-571
629501	M-85307	840762	M-1225	875902	M-2486	1741275	M-571	761115002	M-1400
630995	M-85308	841861	M-1524	875903	M-2487	1743582	M-2004	761115003	M-1404
630995	M-89422	842330	M-679	875911	M-584	3005505	M-1205	761115004	M-1405
631220	M-85308	842338	M-2639	875993	M-622	3005506	M-1204	761215001	M-858
631220	M-89422	342346	M-579	875994	M-647	3006344	M-857	761215005	M-1076
646375	M-2040	843368	M-743L	876005	M-1166	3006345	M-1073	761225001	M-2704
647747	M-1222	843369	M-743R	876006	M-1167	3006666	M-1080	761245001	M-1521
647748	M-1223	844853	M-641	876319	M-1226	3100604	M-431	761255001	M-825
648628	M-1123	845260	M-2528	876320	M-1227	3101084	M-2030	761255002	M-1403
649634	M-2008	851253A	M-645	877187	M-891	3101621	M-869	761275003	M-2722
649635	M-2007	852156	M-2433	877578	M-77	3101622	M-865	761315002	M-2733
650849	M-1991	852187	M-2432	877579	M-76	3101622A	M-865	903010001	M-2461
650850	M-1992	852957	M-28	878526	M-1214	3101623	M-868	904065001	M-2427
654213	M-1731	853111	M-989L	878528	M-1215	3102916	M-863	904065002	M-2426
668302	M-83216	853112	M-989R	878943	M-2705	3103024	M-862	913055005	M-2441
683671	M-1799A	857328	M-2305(BM)	880365	M-2065	3103026	M-874	913055006	M-2440
683672	M-1799		M-2309(N)	881522	M-2002	3103027	M-875	940015005	M-1401
684628	M-1123	857684	M-1106	883318	M-764	3103624	M-844		
689783	M-39	857685	M-1107	883328	M-583	3107796	M-587A		
700189	M-742	860169	M-2707	883558	M-1970	3109805	M-747		
700940	M-854	860172	M-601	884232	M-682	3109819	M-771		
714855	M-549	860173	M-648	884822	M-74	3109845	M-2616L		

INTERCHANGES

DAYTON/BATCO TO BWP INTERCHANGE

DAYTON/BATCO		DAYTON/BATCO		DAYTON/BATCO		DAYTON/BATCO		DAYTON/BATCO	
Mfg. No.	BWP No.	Mfg. No.	BWP No.	Mfg. No.	BWP No.	Mfg. No.	BWP No.	Mfg. No.	BWP No.
01-004	M-3233	01-176	M-504	01-305	M-3239	01-387	M-1424-B	01-496	M-652-A
01-008	M-3189	01-182	M-2668	01-307	M-646	01-390	M-2720	01-497	M-724
01-012	M-3190	01-185	M-2666	01-308	M-643	01-391	M-850	01-499	M-2713
01-046	M-2677	01-186	M-2667	01-310	M-1055	01-392	M-2721	01-500	M-538
01-047	M-2687	01-188	M-810	01-311	M-1428	01-3751	M-3497	01-501	M-541
01-050	M-2684	01-191	M-811	01-313	M-1433	01-400	M-622	01-503	M-722
01-051	M-2685	01-193	M-3499	01-314	M-2742	01-401	M-771	01-504	M-542
01-052	M-2680	01-194	M-2659	01-317	M-2741	01-403	M-623	01-508	M-537
01-053	M-2679	01-195	M-2660	01-318	M-1558	01-405	M-619	01-510	M-543
01-055	M-2688	01-196	M-2676	01-319	M-1557	01-406	M-1541	01-512	M-545
01-056	M-2681	01-197	M-2664	01-320	M-1500	01-408	M-723	01-518	M-2716
01-061	M-2678	01-198	M-2665	01-321	M-548	01-413	M-1431	01-600	M-535
01-062	M-2683	01-200	M-596	01-322	M-792	01-415	M-2703	01-601	M-536
01-069	M-2662	01-201	M-596-A	01-323	M-549	01-416	M-764	01-602	M-534
01-070	M-2663	01-202	M-597	01-325	M-1547	01-417	M-1003	01-603	M-534-A
01-075	M-2675	01-203	M-598	01-331	M-1009	01-418	M-2702	01-604	M-534-B
01-077	M-3191	01-204	M-3243	01-333	M-554	01-419	M-1519	01-605	M-534-C
01-078	M-3194	01-205	M-602	01-334	M-553	01-420	M-1004	01-606	M-534-D
01-079	M-3195	01-206	M-603	01-335	M-798	01-421	M-633	01-607	M-534-E
01-080	M-3350	01-207	M-604	01-336	M-720	01-422	M-632	01-608	M-1635
01-085	M-818	01-208	M-605	01-337	M-739	01-424	M-618	01-609	M-1636
01-087	M-2653	01-209	M-595	01-339	M-1507	01-430	M-2707	01-610	M-1634-B
01-089	M-1642	01-214	M-1534	01-340	M-3498	01-431	M-779	01-611	M-1634-C
01-090	M-1641	01-215	M-2725	01-341	M-790	01-432	M-782	01-612	M-534-F
01-091	M-1640	01-217	M-592	01-343	M-797	01-434	M-1422	01-613	M-534-G
01-096	M-2674	01-217-K	M-3261	01-344	M-555-A	01-435	M-1426	01-614	M-534-J
01-099	M-2692	01-218	M-592-A	01-345	M-791	01-436	M-2705	01-615	M-534-H
01-100	M-500	01-219	M-601	01-346	M-2731	01-437	M-2706	01-616	M-535-K
01-101	M-2672	01-220	M-601-A	01-347	M-3987	01-438	M-2709	01-617	M-536-K
01-104	M-800	01-221	M-599	01-348	M-844	01-439	M-2708	01-658	M-1603
01-105	M-801	01-222	M-762	01-349	M-1014	01-440	M-620	01-658	M-1614
01-106	M-510	01-223	M-594	01-350	M-1056	01-444	M-2710	01-659	M-1616
01-107	M-511	01-224	M-760	01-352	M-2730	01-445	M-2711	01-660	M-1617
01-108	M-512	01-225	M-787	01-354	M-548	01-446	M-2712	01-664	M-1618
01-109	M-2691	01-227	M-1054	01-355	M-547	01-447	M-3238	01-665	M-1620
01-111	M-2689	01-229	M-2722	01-356	M-2752	01-448	M-2748	01-666	M-1621
01-112	M-2669	01-233	M-2726	01-357	M-3345	01-451	M-3355	02-125	M-769
01-113	M-1425	01-234	M-2204	01-358	M-3346	01-452	M-3246	02-129	M-2651
01-114	M-2670	01-235	M-602-K	01-359	M-1427	01-454	M-3253	02-132	M-737
01-115	M-2671	01-236	M-2719	01-360	M-2740	01-455	M-3256	02-134	M-2650
01-117	M-516	01-237	M-2724	01-361	M-2738	01-460	M-641	02-200	M-1520
01-118	M-514	01-238	M-2727	01-362	M-2733	01-461	M-1559	02-202	M-571
01-119	M-513	01-239	M-2723	01-363	M-3356	01-462	M-641-A	02-203	M-571-B
01-120	M-517	01-240	M-1582	01-364	M-721	01-470	M-642	02-204	M-2548
01-121	M-2686	01-243	M-1576	01-365	M-2743	01-471	M-1561	02-205	M-1509
01-122	M-2749	01-244	M-3347	01-366	M-2736	01-472	M-748	02-206	M-1551
01-123	M-2750	01-245	M-3348	01-367	M-2745	01-473	M-1007	02-207	M-710
01-125	M-3193	01-247	M-3360	01-368	M-2744	01-475	M-2714	02-211	M-3258
01-127	M-3199	01-248	M-3255	01-369	M-1424	01-476	M-2459	02-213	M-571-A
01-128	M-1421	01-250	M-613	01-3696	M-3260	01-477	M-3359	02-216	M-741
01-130	M-2693	01-251	M-615	01-370	M-1423	01-478	M-3358	02-217	M-742
01-131	M-2695	01-254	M-1529	01-371	M-2739	01-480	M-640	02-218	M-1407
01-132	M-2694	01-259	M-1535	01-374	M-2729	01-482	M-1523	02-219	M-747
01-133	M-2696	01-262	M-612	01-375	M-2746	01-484	M-1511	02-220	M-1049
01-150	M-806	01-263	M-1005	01-376	M-749	01-485	M-1522	02-222	M-841
01-151	M-2698	01-264	M-2717	01-377	M-2737	01-487	M-2715	02-224	M-2621
01-154	M-2697	01-265	M-763	01-378	M-2728	01-488	M-1432	02-225	M-3351
01-157	M-502	01-267	M-1538	01-379	M-2732	01-489	M-1008	02-226	M-1549
01-164	M-815	01-271	M-2718	01-380	M-3357	01-490	M-648	02-227	M-1552
01-168	M-3196	01-272	M-3254	01-381	M-3245	01-491	M-647	02-228	M-2619
01-169	M-3197	01-294	M-3361	01-382	M-3249	01-491	M-1429	02-229	M-2620
01-170	M-3192	01-300	M-644	01-383	M-3250	01-492	M-1512	02-230	M-847
01-173	M-821	01-301	M-645	01-384	M-3251	01-492	M-3349	02-231	M-826
01-174	M-822	01-302	M-617	01-385	M-3252	01-493	M-725	02-232	M-1400
01-175	M-503	01-304	M-3244	01-386	M-3262	01-494	M-1513	02-233	M-2618

INTERCHANGES

DAYTON/BATCO TO BWP INTERCHANGE

DAYTON/BATCO		DAYTON/BATCO		DAYTON/BATCO		DAYTON/BATCO		DAYTON/BATCO	
Mfg. No.	BWP No.	Mfg. No.	BWP No.	Mfg. No.	BWP No.	Mfg. No.	BWP No.	Mfg. No.	BWP No.
02-234	M-3257	03-273	M-2595	04-391251	M-3127-R	04-481212	M-3113-L	04-602301	M-3188-R
02-235	M-1016	03-274	M-2593	04-391252	M-3127-L	04-481331	M-3114-R	04-602302	M-3188-L
02-240	M-1406	03-500	M-1000	04-391441	M-3126-R	04-481332	M-3114-L	04-602351	M-3142-R
02-241	M-1405	04-198011	M-2609-R	04-391442	M-3126-L	04-481351	M-3682-R	04-602352	M-3142-L
02-242	M-1404	04-190812	M-2609-L	04-450651	M-988-R	04-481352	M-3682-L	04-602411	M-3169-R
02-244	M-3237	04-190851	M-3124-R	04-450652	M-988-L	04-481421	M-3683-R	04-602412	M-3169-L
02-246	M-3247	04-190852	M-3124-L	04-450811	M-989-R	04-481422	M-3683-L	04-602601	M-3139-R
02-248	M-K90	04-200771	M-3122-R	04-450812	M-989-L	04-481471	M-3684-R	04-602602	M-3139-L
02-300	M-587-A	04-200772	M-3122-L	04-450861	M-996-R	04-481472	M-3684-L	04-602701	M-3138-R
02-301	M-586	04-200811	M-3123-R	04-450862	M-996-L	04-481531	M-3685-R	04-602702	M-3138-L
02-302	M-587	04-200812	M-3123-L	04-451031	M-778-R	04-481532	M-3685-L	04-612121	M-477-R
02-303	M-1560	04-200961	M-3125-R	04-451032	M-778-L	04-542051	M-3794-R	04-612122	M-477-L
02-304	M-824-A	04-200962	M-3125-L	04-451051	M-2611-R	04-542052	M-3794-L	04-612321	M-478-R
02-306	M-825	04-300	M-584	04-451052	M-2611-L	04-542131	M-3795-R	04-612322	M-478-L
02-309	M-1403	04-301	M-580	04-451121	M-997-R	04-542132	M-3795-L	04-612401	M-479-R
02-310	M-1401	04-302	M-583	04-451122	M-997-L	04-542321	M-3796-R	04-612402	M-479-L
02-312	M-824	04-303	M-719	04-451151	M-743-R	04-542322	M-3796-L	04-612461	M-2603-R
02-313	M-2631	04-304	M-1045	04-451152	M-743-L	04-542401	M-3797-R	04-612462	M-2603-L
02-314	M-2629	04-305	M-2642	04-451171	M-3181-R	04-542402	M-3797-L	04-632631	M-3148-R
02-315	M-3352	04-306	M-1589	04-451172	M-3181-L	04-571651	M-561-R	04-632632	M-3148-L
02-316	M-2630	04-307	M-1408	04-451221	M-2610-R	04-571652	M-561-L	04-642041	M-3791-R
02-317	M-2632	04-308	M-1409	04-451222	M-2610-L	04-571741	M-1015-R	04-642042	M-3791-L
02-319	M-3236	04-310	M-579	04-451251	M-998-R	04-571742	M-1015-L	04-642131	M-3792-R
02-328	M-3259	04-314	M-1505	04-451252	M-998-L	04-571841	M-559-R	04-642132	M-3792-L
02-350	M-588	04-315	M-1046	04-451561	M-1570-R	04-571842	M-559-L	04-642211	M-3793-R
02-351	M-589	04-316	M-1017	04-451562	M-1570-L	04-571861	M-3178-R	04-642212	M-3793-L
02-353	M-1555	04-317	M-3398	04-460851	M-2605-R	04-571862	M-3178-L	04-642321	M-3789-R
02-356	M-2633	04-318	M-3496	04-460852	M-2605-L	04-572041	M-562-R	04-642322	M-3789-L
02-400	M-704	04-319	M-2649	04-460921	M-3121-R	04-572042	M-562-L	04-652131	M-3182-R
02-401	M-703	04-320	M-1402	04-460922	M-3121-L	04-572111	M-567-R	04-652132	M-3182-L
02-474	M-706	04-322	M-2638	04-461031	M-3120-R	04-572112	M-567-L	04-711951	M-2600-R
02-507	M-590-A	04-327	M-1412	04-461032	M-3120-L	04-572241	M-560-R	04-711952	M-2600-L
02-508	M-1583	04-328	M-1413	04-461051	M-3179-R	04-572242	M-560-L	04-712371	M-2604-R
02-515	M-3494	04-329	M-3985	04-461052	M-3179-L	04-572301	M-3173-R	04-712372	M-2604-L
03-114	M-1554	04-332	M-2646	04-461101	M-2612-R	04-572302	M-3173-L	04-722021	M-3174-R
03-115	M-1556	04-334	M-2634	04-461102	M-2612-L	04-572351	M-744-R	04-722022	M-3174-L
03-119	M-2645	04-339	M-2643	04-461121	M-2613-R	04-572352	M-744-L	04-731941	M-3143-R
03-120	M-1002	04-340	M-2640	04-461122	M-2613-L	04-572411	M-746-R	04-731942	M-3143-L
03-125	M-2628	04-341	M-2641	04-461151	M-2614-R	04-572412	M-746-L	04-732361	M-3144-R
03-126	M-2701	04-344	M-2644	04-461152	M-2614-L	04-572441	M-2601-R	04-732362	M-3144-L
03-200	M-572	04-345	M-2639	04-461251	M-2606-R	04-572442	M-2601-L	04-741941	M-3130-R
03-201	M-571-A	04-346	M-2635	04-461252	M-2606-L	04-572571	M-3183-R	04-741942	M-3130-L
03-202	M-999	04-347	M-2637	04-461311	M-2607-R	04-572572	M-3183-L	04-742361	M-3131-R
03-203	M-578	04-348	M-2636	04-461312	M-2607-L	04-581741	M-3136-R	04-742362	M-3131-L
03-204	M-576	04-350	M-3353	04-461331	M-2597-R	04-581742	M-3136-L	04-772041	M-557-R
03-205	M-1521	04-351	M-3354	04-461332	M-2597-L	04-582041	M-3175-R	04-772042	M-557-L
03-206	M-1047	04-357	M-3240	04-461351	M-2598-R	04-582042	M-3175-L	04-782031	M-776-R
03-207	M-1058	04-362	M-3248	04-461352	M-2598-L	04-582271	M-3137-R	04-782032	M-776-L
03-208	M-582	04-363	M-3398	04-461421	M-2599-R	04-582272	M-3137-L	04-782231	M-496-R
03-209	M-1521	04-370861	M-2615-R	04-461422	M-2599-L	04-582351	M-3186-R	04-782232	M-496-L
03-210	M-2622	04-370862	M-2615-L	04-461461	M-3115-R	04-582352	M-3186-L	04-811621	M-563-R
03-212	M-1550	04-371051	M-3176-R	04-461462	M-3115-L	04-591741	M-3132-R	04-811622	M-563-L
03-213	M-1093	04-371052	M-3176-L	04-461531	M-3116-R	04-591742	M-3132-L	04-812121	M-566-R
03-214	M-2623	04-371151	M-1571-R	04-461532	M-3116-L	04-592041	M-3145-R	04-812122	M-566-L
03-220	M-1092	04-371152	M-1571-L	04-480771	M-3108-R	04-592042	M-3145-L	04-812401	M-3180-R
03-250	M-1572	04-371251	M-2616-R	04-480772	M-3108-L	04-592301	M-3133-R	04-812402	M-3180-L
03-251	M-1048	04-371252	M-2616-L	04-480861	M-3109-R	04-592302	M-3133-L	04-831621	M-3177-R
03-258	M-1553	04-371311	M-3184-R	04-480862	M-3109-L	04-592351	M-3134-R	04-831622	M-3177-L
03-259	M-2627	04-371312	M-3184-L	04-481051	M-3110-R	04-592352	M-3134-L	04-832121	M-3185-R
03-261	M-1553	04-371431	M-2617-R	04-481052	M-3110-L	04-592411	M-3135-R	04-832122	M-3185-L
03-270	{ M-2594	04-371432	M-2617-L	04-481121	M-3111-R	04-592412	M-3135-L	04-861121	M-3798-R
	{ M-2595	04-390861	M-3129-R	04-481122	M-3111-L	04-601741	M-3187-R	04-861122	M-3798-L
03-271	{ M-2593	04-390862	M-3129-L	04-481151	M-3112-R	04-601742	M-3187-L	04-871121	M-3799-R
	{ M-2594	04-391161	M-3128-R	04-481152	M-3112-L	04-602041	M-3140-R	04-871122	M-3799-L
03-272	M-2594	04-391162	M-3128-L	04-481211	M-3113-R	04-602042	M-3140-L	04-881731	M-993-R

INTERCHANGES

DAYTON/BATCO TO BWP INTERCHANGE

DAYTON/BATCO		DAYTON/BATCO		DAYTON/BATCO		DAYTON/BATCO		DAYTON/BATCO	
Mfg. No.	BWP No.	Mfg. No.	BWP No.	Mfg. No.	BWP No.	Mfg. No.	BWP No.	Mfg. No.	BWP No.
04-881732	M-993-L	05-564	M-3371	06-405	M-1973	07-184	M-888	08-1001	M-K4
04-882041	M-994-R	05-565	M-3372	06-407	M-1977	07-186	M-1074	08-1002	M-K4
04-882042	M-994-L	05-570	M-3363	06-408	M-1975	07-187	M-2585	08-1003	M-K7
04-882421	M-995-R	05-572	M-3365	06-409	M-1976	07-190	M-853	08-1004	M-K7
04-882422	M-995-L	05-574	M-3385	06-411	M-1980	07-191	M-859	08-1005	M-K5
04-891731	M-990-R	05-575	M-3386	06-412	M-1978	07-192	M-865	08-1006	M-K8
04-891732	M-990-L	05-576	M-3387	06-413	M-1979	07-193	M-871	08-1039	M-K1
04-892041	M-991-R	05-577	M-3388	06-420	M-1983	07-194	M-1076	08-1041	M-K1
04-892042	M-991-L	06-201	M-684	06-421	M-1981	07-210	M-857	08-1042	M-K10
04-892421	M-992-R	06-202	M-683	06-422	M-1982	07-211	M-856	08-104300	M-K114
04-892422	M-992-L	06-203	M-682	06-424	M-3391	07-212	M-863	08-104330	M-K115
04-931731	M-3170-R	06-204	M-685	06-425	M-3392	07-213	M-862	08-104700	M-K112
04-931732	M-3170-L	06-205	M-1069	06-470	M-1986	07-214	M-869	08-104900	M-K108
04-932041	M-3171-R	06-206	M-651	06-471	M-1985	07-215	M-868	08-105000	M-K109
04-932042	M-3171-L	06-207	M-680	06-472	M-1984	07-218	M-1078	08-1051	M-K104
04-932421	M-3172-R	06-208	M-649	06-476	M-1989	07-219	M-1077	08-1052	M-K57
04-932422	M-3172-L	06-209	M-650	06-477	M-1988	07-245	M-891	08-1053	★
04-942041	M-3689-R	06-210	M-1524	06-478	M-1987	07-246	M-877	08-1071	M-K9
04-942042	M-3689-L	06-211	M-679	06-482	M-1992	07-248	M-1080	08-1072	M-K44
04-952041	M-2602-R	06-212	M-681	06-483	M-1991	07-249	M-890	08-1073	M-K11
04-952042	M-2602-L	06-221	M-838	06-484	M-1990	07-250	M-876	08-107303	M-K110
04-952331	M-3688-R	06-222	M-839	06-500	M-1999	07-252	M-889	08-1074	M-K12
04-952332	M-3688-L	06-223	M-840	06-501	M-1998	07-253	M-1081	08-1075	M-K43
05-124	M-458	06-224	M-846	06-502	M-1997	07-255	M-882	08-1076	M-K46
05-130	M-459	06-226	M-1050	06-504	M-2203	07-256	M-884	08-1077	M-K47
05-150	M-471	06-226	M-1996	06-505	M-2202	07-257	M-883	08-1081	M-K55
05-151	M-470	06-228	M-1051	06-506	M-2201	07-258	M-2690	08-1082	M-K56
05-152	M-468	06-229	M-1430	06-520	M-3297	07-260	M-897	08-1083	M-K54
05-153	M-469	06-230	M-1068	06-562	M-3296		M-882	08-1084	M-K51
05-154	M-465	06-254	M-661	06-563	M-3291	07-270	M-883	08-1088	M-K39
05-160	M-431	06-256	M-660	06-571	M-3289		M-884	08-1088-16	M-K72A
05-162	M-507	06-260	M-670-A	06-595	M-3393		M-889	08-1088-30	M-K39C
05-171	M-701	06-264	M-675	06-596	M-3390	07-271	M-890	08-1088-41	M-K39B
05-172	M-700	06-267	M-678	07-101	M-2700		M-891	08-1088-42	M-K39A
05-174	M-2589	06-269	M-677	07-103	M-2657	07-507	M-820	08-1090	M-K41
05-175	M-2590	06-282	M-655	07-105	M-2658	07-523	M-1087	08-1091	M-K42
05-177	M-505	06-296	M-2576	07-106	M-807	07-524	M-2747	08-1093	M-K45
05-201	M-457	06-348	M-2569	07-107	M-808	07-525	M-1088	08-1095	★
05-202	M-452	06-349	M-2570	07-114	M-2655	07-534	M-1044	08-1096	M-K58
05-203	M-434	06-350	M-2571	07-115	M-2656	07-535	M-830	08-1097	★
05-204	M-1064	06-352	M-2572	07-121	M-850	07-536	M-1010	08-1098	M-K59
05-205	M-451	06-354	M-1956	07-123	M-1082	07-537	M-2734	08-1098	★
05-210	M-432	06-355	M-1958	07-124	M-867	07-538	M-2751	08-1099	M-K50
05-214	M-3375	06-357	M-1957	07-128	M-855	07-551	M-1035	08-1102	M-K49
05-215	M-2582	06-358	M-1959	07-129	M-849	07-552	M-1036	08-1103	★
05-216	M-455	06-360	M-1960	07-134	M-1012	07-553	M-1037	08-1104	★
05-217	M-456	06-361	M-1961	07-136	M-1011	07-554	M-1034	08-1105	M-K59
05-224	M-1062	06-362	M-1962	07-137	M-2735	07-570	M-1085	08-1106	★
05-225	M-1061	06-365	M-2549	07-138	M-1013	07-571	M-1084	08-1107	M-K52
05-232	M-2580	06-366	M-1965	07-141	M-1019	07-574	M-1026	08-1107-17	M-K52A
05-233	M-2581	06-367	M-1967	07-148	M-880	07-585	M-1028	08-1108	★
05-234	M-2578	06-368	M-1966	07-150	M-854	07-586	M-1029	08-1109	M-K53
05-235	M-2579	06-369	M-1968	07-151	M-860	07-587	M-1027	08-1111	M-K79
05-237	M-2577	06-370	M-1963	07-152	M-866	07-590	M-1031	08-111102	M-K79-B
05-238	M-638	06-371	M-1964	07-153	M-872	07-593	M-1041	08-1112	M-K79B
05-238	M-3373	06-380	M-2564	07-156	M-1072	07-594	M-2583	08-1113	M-K77
05-240	M-474	06-381	M-2565	07-163	M-879	07-595	M-1043	08-1114	★
05-250	M-475	06-384	M-2573	07-167	M-1073	07-600	M-1086	08-1115	M-K93
05-251	M-3374	06-385	M-2574	07-168	M-2584	07-605	M-1038	08-111635	M-K106
05-254	M-3984	06-386	M-2575	07-169	M-848	07-900	M-892	08-1140	M-K94
05-260	M-435	06-400	M-1971	07-173	M-881	07-902	M-887	08-1142	M-K95
05-560	M-3367	06-401	M-1969	07-174	M-878	07-906	M-895	08-1148	M-K84
05-561	M-3369	06-402	M-1970	07-176	M-894	07-909	M-896	08-1149	M-K105
05-562	M-3368	06-403	M-1974	07-177	M-1075	07-930	M-1420	08-114920	M-K113
05-563	M-3370	06-404	M-1972	07-178	M-1083	07-931	M-899	08-1160	M-K98

★ = Available from Chicago warehouse

DAYTON/BATCO TO BWP INTERCHANGE

DAYTON/BATCO		DAYTON/BATCO		DAYTON/BATCO		DAYTON/BATCO		DAYTON/BATCO	
Mfg. No.	BWP No.	Mfg. No.	BWP No.	Mfg. No.	BWP No.	Mfg. No.	BWP No.	Mfg. No.	BWP No.
08-1162	M-K91	08-1928	★	09-1213	M-1876	09-2310	M-1768	09-2462	M-1673
08-1300	M-K13	08-1930	M-K35	09-1214	M-1776	09-2312	M-1882	09-2465	M-3430
08-1301	M-K14	08-1931	★	09-1215	M-1723	09-2313	M-1868	09-2466	M-1690
08-1302	M-K17	08-1932	M-K37	09-1216	M-1722	09-2314	M-1869	09-2467	M-1690
08-130301	M-K107	08-1933	★	09-1217	M-1777	09-2315	M-1872	09-2469	M-3431
08-1304	★	08-1934	M-K70	09-1218	M-1464	09-2316	M-1721	09-2470	M-1697
08-1305	M-K65	08-1935	M-K36	09-1219	M-1463	09-2317	M-1719	09-2471	M-1698
08-1306	M-K16	08-1937	M-K38	09-1230	M-1874	09-2318	M-1770	09-2472	M-3707
08-130601	M-K61	08-6211	★	09-1231	M-1873	09-2319	M-1771	09-2473	M-1699
08-130611	M-K88	08-6230	★	09-1250	M-2976	09-2320	M-2936	09-2474	M-1674
08-130699	M-K61(1/2)	08-6243	★	09-1251	M-2963	09-2321	M-1720	09-2476	M-1688
08-1307	★	08-6246	★	09-1254	M-2972	09-2322	M-3399	09-2477	M-1691
08-1308	M-K18	08-6247	★	09-2179	M-2884	09-2323	M-1756	09-2481	M-1693
08-1308	M-K62	08-6251	★	09-2180	M-2150	09-2326	M-1758	09-2482	M-1689
08-1310	★	08-6269	★	09-2185	M-2869	09-2327	M-1757	09-2483	M-1694
08-1311	M-K15	08-6272	★	09-2188	M-2870	09-2328	M-1759	09-2492	M-1675
08-1312	★	08-6274	★	09-2190	M-2151	09-2329	M-2937	09-2495	M-1683
08-1318	M-K81	08-6275	★	09-2194	M-2152	09-2330	M-1677	09-2496	M-1682
08-1320	M-K22	08-6280	★	09-2200	M-1817	09-2331	M-2941	09-2497	M-2945
08-1321	M-K24	08-6293	★	09-2239	M-1813	09-2332	M-2940	09-2570	M-3411
08-1323	M-K26	08-6298	★	09-2240	M-1812	09-2333	M-2960	09-2571	M-3412
08-1324	M-K27	08-6299	★	09-2241	M-693	09-2334	M-2938	09-2574	M-3413
08-1325	M-K64	08-6300	M-1796	09-2242	M-695	09-2337	M-1680	09-2578	M-3441
08-1326	M-K101	08-6301	M-1797	09-2243	M-1814	09-2338	M-1681	09-2579	M-2952
08-132900	M-K111	08-6308	★	09-2244	M-1815	09-2339	M-2947	09-2781	M-3426
08-1330	M-K21	08-6316	★	09-2246	M-1816	09-2340	M-2816	09-2783	M-3427
08-1331	M-K20	08-6317	★	09-2247	M-1818	09-2342	M-2943	09-2784	M-3428
08-1341	M-K25	08-6350	★	09-2248	M-1810	09-2343	M-1686	09-2785	M-3429
08-1350	★	08-6352	★	09-2249	M-694	09-2347	M-2458	09-2793	M-3436
08-1351	M-K19	08-6353	★	09-2250	M-1804	09-2348	M-2949	09-2801	M-3403
08-135110	M-K116	08-6413	★	09-2251	M-1803	09-2349	M-1685	09-2802	M-3404
08-1352	M-K86	08-6430	★	09-2252	M-1805	09-2350	M-2961	09-2803	M-2954
08-1360	★	09-1100	M-1861	09-2253	M-1889	09-2351	M-1765	09-2819	M-1695
08-1361	M-K87	09-1102	M-1865	09-2259	★	09-2354	M-1679	09-2850	M-3414
08-1363	M-K71	09-1103	M-1862	09-2268	M-1807	09-2355	M-1450	09-2851	M-3415
08-1364	M-K63	09-1104	M-1863	09-2269	M-1808	09-2358	M-3432	09-2852	M-3420
08-1366	M-K60	09-1105	M-1867	09-2270	M-1809	09-2360	M-1752	09-2853	M-3421
08-1367	★	09-1106	M-1866	09-2271	M-1806	09-2361	M-1763	09-2854	M-3418
08-1368	M-K69	09-1107	M-691	09-2276	M-1749	09-2362	M-3449	09-2855	M-3419
08-1369	M-K68	09-1109	M-1891	09-2277	M-1750	09-2364	M-2951	09-2856	M-3416
08-1370	M-K66	09-1110	M-1892	09-2278	M-1751	09-2365	★	09-2857	M-3417
08-1371	M-K67	09-1111	M-1893	09-2282	M-1760	09-2366	M-2944	09-2858	M-3423
08-1372	★	09-1120	M-1864	09-2282-02	M-3435	09-2367	M-1676	09-2859	M-3422
08-1374	★	09-1124	M-1461	09-2283	M-1885	09-2368	M-2942	09-2861	M-3445
08-1375	M-K78	09-1128	M-1775	09-2284	M-1852	09-2369	M-1678	09-2868	M-3446
08-1378	M-K96			09-2285	M-1846	09-2370	★	09-2869	M-3443
09-1379	M-K97	09-1129	M-1773	09-2286	M-1761	09-2371	M-2819	09-2877	M-3444
08-1417	M-K3	09-1130	M-1772	09-2287	M-1762	09-2374	M-2946	09-2878	M-3447
08-1419	M-K4	09-1160	M-2962	09-2288	M-3437	09-2376	M-1647	09-2886	M-2148
08-1420	M-K4	09-1161	M-2965	09-2290	M-1718	09-2390	M-1648	09-2894	M-2872
08-1434	M-K48	09-1164	M-2968	09-2291	M-1764	09-2392	M-3405	09-2896	M-3451
08-1900	M-K30	09-1165	M-2969	09-2292	M-1883	09-2393	M-3406	09-2900	M-3407
08-1909	M-K31	09-1178	M-2970	09-2293	M-1884	09-2396	M-2957	09-2904	M-3408
08-1910	M-K32	09-1180	M-2964	09-2294	M-1870	09-2400	M-1696	09-2906	M-3440
08-1911	★	09-1190	M-1462	09-2295	M-1753	09-2402	M-2818	09-2912	M-1692
09-1912	★	09-1192	M-2967	09-2296	M-1755	09-2404	M-2817	09-2913	M-3439
08-1915	M-K33	09-1193	M-2971	09-2297	M-1754	09-2405	M-2813	09-2914	M-1646
08-1916	M-K34	09-1200	M-1831	09-2300	M-1853	09-2413	M-2814	09-2916	M-1684
08-1917	★	09-1203	M-692	09-2301	M-1856	09-2423	M-3402	09-2919	M-3409
08-1918	★	09-1205	M-1832	09-2302	M-1857	09-2426	M-2955	09-2920	M-3410
08-1919	M-K76	09-1206	M-1834	09-2304	M-1769	09-2427	M-2956	09-3066	M-3482
08-1920	M-K75	09-1209	M-1871	09-2306	M-1854	09-2458	M-2958	09-3068	M-3483
08-1921	M-K73	09-1210	M-687	09-2307	M-1855	09-2460	M-1670	09-3070	M-3484
08-1922	M-K74	09-1211	M-688	09-2308	M-1858	09-2461	M-1671	09-3100	M-2880
08-1923	★	09-1212	M-1878	09-2309	M-1847		M-1672	09-3101	M-2882

INTERCHANGES

DAYTON/BATCO TO BWP INTERCHANGE

DAYTON/BATCO		DAYTON/BATCO		DAYTON/BATCO		DAYTON/BATCO		DAYTON/BATCO	
Mfg. No.	BWP No.	Mfg. No.	BWP No.	Mfg. No.	BWP No.	Mfg. No.	BWP No.	Mfg. No.	BWP No.
09-3102	M-2881	09-3452	M-2805	09-4530	M-3462	09-5635	M-2000	09-5739	M-2878
09-3103	M-2883	09-3453	M-1470	09-4531	M-3466	09-5636	M-2017	09-5882	M-2154
09-3110	M-2145	09-3454	★	09-4534	M-3463	09-5637	M-2018	09-5883	M-2155
09-3217	M-2975	09-3490	M-2834	09-4537	M-3461	09-5640	M-2027	09-5888	M-2156
09-3218	M-1451	09-3490	M-2953	09-4538	M-3465	09-5641	M-2032	09-5889	M-2157
09-3220	M-2146	09-3492	M-3448	09-5017	M-3782	09-5642	M-2035	09-5993	M-2874
09-3221	M-2147	09-3541	M-2810	09-5018	M-3784	09-5644	M-2105	09-5996	M-2886
09-3238	M-2141	09-3543	M-2807	09-5019	M-3786	09-5646	M-2028	09-6450	M-1826
09-3239	M-2142	09-4206	M-3464	09-5020	M-3783	09-5647	M-2033	09-6451	M-1828
09-3240	M-2143	09-4356	M-3460	09-5028	M-3785	09-5648	M-2029	09-6452	M-1827
09-3248	M-2974	09-4370	M-3459	09-5039	M-3790	09-5649	M-2036	09-6500	M-3468
09-3249	M-2144	09-4372	M-3457	09-5420	M-2079	09-5650	M-2010	09-6501	M-3469
09-3251	M-3487	09-4398	M-1710	09-5421	M-2077	09-5651	M-2012	09-6512	M-3471
09-3254	M-3488	09-4399	M-1709	09-5422	M-2081	09-5652	M-2013	09-6538	M-1789
09-3257	M-3489	09-4404	M-1703	09-5424	M-2080	09-5653	M-2015	09-6359	M-1784
09-3260	M-2868	09-4407	M-1702	09-5425	M-2078	09-5655	M-2030	09-6540	M-1788
09-3280	M-2149	09-4409	M-2125	09-5426	M-2082	09-5656	M-1730	09-6541	M-1790
09-3280	M-3442	09-4410	M-2118	09-5427	M-2083	09-5657	M-2104	09-6542	M-1785
09-3281	M-1649	09-4411	M-1487	09-5428	M-2085	09-5658	M-2031	09-6543	M-1791
09-3284	M-3450	09-4412	M-1484	09-5429	M-2084	09-5659	M-2034	09-6544	M-1786
09-3298	M-1851	09-4414	M-3265	09-5430	M-2086	09-5660	{ M-1724	09-6545	M-1792
09-3300	M-2161	09-4415	M-3455	09-5460	M-2948		{ M-2010	09-6546	M-1787
09-3301	M-2973	09-4420	M-1489	09-5461	M-2950	09-5661	{ M-1726	09-6550	M-2994
09-3302	M-1456	09-4422	M-1706	09-5463	M-2966		{ M-2012	09-6551	M-2995
09-3303	M-2879	09-4423	M-1700	09-5470	M-2091			09-6557	M-2997
09-3338	M-3490	09-4424	M-1701	09-5471	M-2096	09-5663	M-2037	09-6558	M-2996
09-3339	M-1850	09-4425	M-1707	09-5472	M-2097	09-5665	M-2103	09-6559	M-2999
09-3340	M-1849	09-4427	M-2115	09-5478	M-2100	09-5670	M-2039	09-6574	M-2867
09-3341	M-1848	09-4428	M-1485	09-5479	M-2101	09-5671	M-2040	09-6576	M-2863
09-3342	M-1764	09-4430	M-2935	09-5480	M-2092	09-5672	M-2875	09-6578	M-2861
09-3343	M-2160	09-4431	M-1488	09-5481	M-2093	09-5675	M-2041	09-6580	M-2857
09-3344	M-1888	09-4433	M-1486	09-5482	M-2094	09-5678	M-2042	09-6581	M-2864
09-3345	M-1887	09-4434	M-2133	09-5482	M-2094	09-5679	M-2043	09-6582	M-2864
09-3346	M-2159	09-4434	M-2133	09-5483	M-2095	09-5683	M-2812	09-6582	M-3472
09-3351	M-1452	09-4450	M-2929	09-5485	M-2099	09-5684	M-2044	09-6584	M-2852
09-3352	M-1453	09-4451	M-2127	09-5485	M-2106	09-5685	M-2038	09-6585	M-2849
09-3353	M-2059	09-4452	M-2123	09-5488	M-2107	09-5686	M-2877	09-6586	M-2851
09-3354	M-1454	09-4454	M-2127	09-5489	M-2108	09-5690	M-2061	09-6587	M-2853
09-3355	M-1458	09-4455	M-3470	09-5500	M-1725	09-5695	M-2055	09-6588	{ M-2850
09-3358	M-1457	09-4456	M-3458	09-5501	M-1724	09-5696	M-2056		{ M-3806
		09-4459	M-2130	09-5510	M-1727	09-5697	M-2057		
09-3362	M-1460	09-4461	M-2132	09-5511	M-1726	09-5698	M-2058	09-6589	M-2865
09-3365	M-3486	09-4462	M-2120	09-5518	M-3262	09-5700	M-2063	09-6590	M-2991
09-3366	M-3828	09-4463	M-2932	09-5519	M-2068	09-5701	M-2064	09-6591	M-2866
09-3372	M-2459	09-4464	M-2815	09-5520	M-1735	09-5702	M-2067	09-6592	M-2993
09-3378	M-3485	09-4466	M-2131	09-5521	M-1736	09-5702	M-2067	09-6593	M-2990
						09-5703	M-2065	09-6594	M-2992
09-3379	M-1845	09-4470	M-2121	09-5522	M-1737	09-5704	M-2066	09-6595	M-2989
09-3380	M-1465	09-4471	M-2126	09-5523	M-1738	09-5706	M-2158	09-6598	M-2848
09-3381	M-1466	09-4472	M-2926	09-5523	M-1738	09-5706	M-2158	09-6598	M-2848
09-3382	M-1467	09-4472	M-2926	09-5530	M-1799-A	09-5716	M-2088	09-6600	M-2135
09-3383	M-2809	09-4476	M-2934	09-5532	M-2062	09-5717	M-2089	09-6602	M-2134
		09-4478	M-3454	09-5533	M-2060	09-5718	M-2087	09-6603	M-2136
09-3384	M-2806	09-4479	M-2935	09-5535	M-1798	09-5719	M-2090	09-6604	M-2820
09-3385	M-2808	09-4480	M-2116	09-5537	M-1799	09-5720	M-2071	09-6605	M-2821
09-3386	M-2811	09-4482	M-2927	09-5598	M-2014	09-5721	M-2072	09-6606	M-2137
09-3390	M-1468	09-4483	M-2930	09-5599	M-2016	09-5722	M-2069	09-6607	M-2822
09-3391	M-1469	09-4485	M-3467	09-5620	M-1793	09-5723	M-2070	09-6608	M-2139
09-3393	M-1476	09-4486	M-3456	09-5621	M-1794	09-5724	M-2073	09-6609	M-2138
09-3394	M-1475	09-4487	M-2122	09-5622	M-2001	09-5725	M-2074	09-6613	M-2825
09-3396	M-1472	09-4488	M-3452	09-5623	M-2006	09-5728	M-2153	09-6614	M-2830
09-3397	M-1471	09-4489	M-3453	09-5624	M-2002	09-5729	M-2075	09-6615	M-2831
09-3400	M-1474	09-4490	M-2117	09-5625	M-2007	09-5730	M-2873	09-6624	M-2826
09-3402	M-2800	09-4491	M-2925	09-5626	M-2004	09-5731	M-2876	09-6631	M-2829
09-3404	M-2801	09-4492	M-2928	09-5627	M-2009	09-5732	M-2021	09-6642	M-2833
09-3406	M-2803	09-4495	M-2124	09-5628	M-2003	09-5733	M-2022	09-6652	M-2844
09-3407	M-2802	09-4500	M-2119	09-5629	M-2008	09-5734	M-2020	09-6653	M-2845
09-3450	M-2804	09-4501	M-2931	09-5630	M-2005	09-5735	M-2026	09-6654	M-2846

★ = Available from Chicago warehouse

DAYTON/BATCO TO BWP INTERCHANGE

DAYTON/BATCO		DAYTON/BATCO		DAYTON/BATCO		DAYTON/BATCO		DAYTON/BATCO	
Mfg. No.	BWP No.	Mfg. No.	BWP No.	Mfg. No.	BWP No.	Mfg. No.	BWP No.	Mfg. No.	BWP No.
09-6656	M-2842	09-7625	M-2901	10-6002	M-2786	10-89413	M-89413	10-99923	M-3548
09-6684	M-2835	09-7829	M-2924	10-6800	M-2799	10-89414	M-89414	11-0100	M-756
09-6685	M-2836	09-7902	M-3263	10-7558	M-2782	10-89416	M-89416	11-0125	M-1781
09-6686	M-2837	09-8010	M-1665	10-7559	M-2783	10-89417	M-89417	11-0130	M-757
09-6687	M-2839	09-8011	M-1664	10-7566	M-2784	10-89419	M-89419	11-0140	M-752
09-6691	M-2838	09-8014	M-1667	10-7569	M-2785	10-89420	M-89420	11-0150	M-1780
09-6849	M-3476	09-8015	M-3480	10-83201	M-83201	10-89422	M-89422	11-0185	M-3066
09-6850	M-3475	09-8016	M-1666	10-83202	M-83202	10-89423	M-89423	11-0186	M-3067
09-6851	M-3478	09-8017	M-1668	10-83203	M-83203	10-89424	M-89424	11-0187	M-3068
09-6852	M-3477	09-8020	M-1658	10-83204	M-83204	10-89425	M-89425	11-0188	M-3069
09-6853	M-3479	09-8021	M-1657	10-83207	M-83207	10-89427	M-89427	11-0195	M-1496
09-7102	M-3473	09-8022	M-1660	10-83209	M-83209	10-89428	M-89428	11-0198	M-770
09-7103	M-1655	09-8023	M-1661	10-83213	M-83213	10-89429	M-89429	11-0201	M-699
09-7104	M-3474	09-8024	M-1659	10-83215	M-83215	10-89430	M-89430	11-0212	M-698
09-7109	M-1652	09-8025	M-1656	10-83216	M-83216	10-89432	M-89432	11-0250	M-1304
09-7110	M-1651	09-8026	M-1192	10-83217	M-83217	10-89434	M-89434	11-0251	M-1305
09-7111	M-1653	09-8030	M-1663	10-83219	M-83219	10-89435	M-89435	11-0252	M-1300
09-7112	M-1654	09-8031	M-1662	10-83221	M-83221	10-95410	M-3534	11-0253	M-1306
09-7114	M-1650	09-8050	M-3481	10-83225	M-83225	10-96897	M-3528	11-0254	M-1301
09-7150	M-3264	09-8100	M-1669	10-83300	M-83300	10-96902	M-3500	11-0255	M-1303
09-7151	M-3838	10-2601	M-1198	10-83302	M-83302	10-96910	M-3501	11-0256	M-1353
09-7400	M-2922	10-2602	M-1192	10-83303	M-83303	10-96994	M-3527	11-0257	M-1354
09-7498	M-2917	10-2603	M-1193	10-83304	M-83304	10-97135	M-3502	11-0408	M-2977
09-7502	M-2897	10-2604	M-1194	10-83308	M-83308	10-97136	M-3503	11-0412	M-2978
09-7503	M-2898	10-2605	M-1195	10-83309	M-83309	10-97140	M-3504	11-0414	M-2979
09-7504	M-2899	10-2605	M-1199	10-83312	M-83312	10-97145	M-3505	11-0419	M-2980
09-7510	M-2893	10-2606	M-1191	10-83314	M-83314	10-97180	M-3529	11-0420	M-2982
09-7511	M-2894	10-2608	M-1186	10-83318	M-83318	10-97400	M-3506	11-0421	M-2983
09-7514	M-2895	10-2634	M-2054	10-85000	M-85000	10-97403	M-3507	11-0422	M-2986
09-7515	M-2896	10-2635	M-2052	10-85001	M-85001	10-97410	M-3508	11-0426	M-2988
09-7520	M-2918	10-2641	M-2161	10-85003	M-85003	10-97424	M-3509	11-0504	M-1743
09-7528	M-2923	10-2653	M-2854	10-85004	M-85004	10-97443	M-3549	11-0600	M-2545
09-7530	M-2902	10-2654	M-2136	10-85005	M-85005	10-97555	M-3531	11-0602	M-2546
09-7531	M-2903	10-2670	M-2933	10-85006	M-85006	10-97800	M-3532	11-0604	M-2542
09-7532	M-2900	10-3127	M-1499	10-85007	M-85007	10-97808	M-3533	11-0605	M-2544
09-7534	M-2911	10-3147	M-1492	10-85012	M-85012	10-98050	M-3510	11-0606	M-3293
09-7536	M-2915	10-3187	M-1493	10-85013	M-85013	10-98052	M-3535	11-0609	M-2541
09-7539	M-2913	10-3200	M-1497	10-85014	M-85014	10-99039	M-3511	11-0618	M-2543
09-7540	M-2912	10-3201	M-2787	10-85024	M-85024	10-99069	M-3512	11-0624	M-3294
09-7541	M-2914	10-3647	M-2796	10-85026	M-85026	10-99075	M-3536	11-0657	M-3295
09-7542	M-2959	10-3667	M-2797	10-85027	M-85027	10-99082	M-3513	11-0660	M-767
09-7567	M-3849	10-4018	M-1498	10-85030	M-85030	10-99083	M-3514	11-0670	M-1052
09-7568	M-2906	10-4030	M-1491	10-85046	M-85046	10-99098	M-3537	11-0671	M-2764
09-7570	M-2908	10-4600	M-2788	10-85300	M-85300	10-99101	M-3515	11-0672	M-2766
09-7571	M-2909	10-5147	M-1494	10-85301	M-85301	10-99105	M-3516	11-0673	M-2769
09-7572	M-2907	10-5187	M-2798	10-85302	M-85302	10-99121	M-3517	11-0674	M-2774
09-7579	M-2113	10-5302	M-1711	10-85303	M-85303	10-99122	M-3518	11-0680	M-1065
09-7579	M-2114	10-5305	M-1713	10-85304	M-85304	10-99130	M-3519	11-0681	M-1066
09-7580	M-1479	10-5340	M-2789	10-85305	M-85305	10-99158	M-3520	11-1821	M-2588
09-7581	M-1478	10-5402	M-1714	10-85307	M-85307	10-99177	M-3521	11-1830	} M-2624
09-7582	M-1477	10-5450	M-2129	10-85308	M-85308	10-99192	M-3538	11-1831	
09-7583	M-3846	10-5451	M-2128	10-85310	M-85310	10-99194	M-3539	11-1832	
09-7585	M-1482	10-5500	M-2791	10-85311	M-85311	10-99213	M-3522	11-1880	M-1942
09-7587	M-2921	10-5501	M-2790	10-85313	M-85313	10-99219	M-3540	11-1886	M-2547
09-7590	M-1481	10-5502	M-2792	10-85317	M-85317	10-99243	M-3541	11-1887	M-2586
09-7591	M-1483	10-5510	M-2793	10-85319	M-85319	10-99265	M-3524	11-1888	M-2587
09-7592	M-2109	10-5511	M-2794	10-85724	M-85724	10-99270	M-3542	11-1890	M-1950
09-7593	M-2110	10-5512	M-2795	10-89405	M-89405	10-99293	M-3543	11-1892	M-1953
09-7594	M-2112	10-5800	M-2053	10-89406	M-89406	10-99295	M-3544	11-1895	M-1951
09-7595	M-2111	10-5809	M-2045	10-89407	M-89407	10-99321	M-3523	11-1896	M-1954
09-7596	M-2920	10-5810	M-2047	10-89408	M-89408	10-99321	M-3545	11-1901	M-1901
09-7597	M-2919	10-5811	M-2048	10-89409	M-89409	10-99394	M-3546	11-1902	M-1902
09-7598	M-3850	10-5812	M-2050	10-89410	M-89410	10-99421	M-3547	11-1903	M-1903
09-7600	M-2904	10-5813	M-2102	10-89411	M-89411	10-99422	M-3525	11-1904	M-1904
09-7601	M-2905	10-5900	M-1490	10-89412	M-89412	10-99466	M-3526	11-1905	M-1905

INTERCHANGES

DAYTON/BATCO TO BWP INTERCHANGE

DAYTON/BATCO		DAYTON/BATCO		DAYTON/BATCO		DAYTON/BATCO		DAYTON/BATCO	
Mfg. No.	BWP No.	Mfg. No.	BWP No.	Mfg. No.	BWP No.	Mfg. No.	BWP No.	Mfg. No.	BWP No.
11-1906	M-1906	12-09810	M-1357	12-16901	M-363	12-38132	M-2759	13-1017-R	M-3644
11-1907	M-1907	12-09812	M-1358	12-16902	M-364	12-38136	M-2760		M-3904
11-1908	M-1908	12-09903	M-1332	12-16905	M-366	12-38140	M-2761	13-1018-L	M-3643
11-1909	M-1909	12-09904	M-1333	12-16906	M-367	12-38144	M-2762	13-1018-R	M-3642
11-1910	M-1910	12-09905	M-1334	12-16907	M-368	12-38148	M-2763	13-1019-L	M-2407
11-1911	M-1911	12-09906	M-1335	12-16908	M-369	12-38205	M-315-A	13-1019-R	M-2406
11-1912	M-1912	12-09911	M-1327	12-16910	M-370	12-38225	M-315-S	13-1021-L	M-2411
11-1913	M-1913	12-09912	M-1328	12-16911	M-372	12-38405	M-1359	13-1021-R	M-2410
11-1914	M-1914	12-09913	M-1329	12-16912	M-374	12-40009	M-460	13-1037-L	M-2405
11-1915	M-1915	12-09914	M-1330	12-16913	M-373	12-40012	M-461	13-1037-R	M-2404
11-1916	M-1916	12-09923	M-1337	12-16914	M-377	12-40016	M-462	13-1038-L	M-2403
11-1917	M-1917	12-09924	M-1338	12-17103	M-391	12-40020	M-463	13-1038-R	M-2402
11-1918	M-1918	12-09925	M-1339	12-17203	M-399	12-40024	M-464	13-1040-L	M-2409
11-1919	M-1919	12-09926	M-1340	12-17205	M-400	12-40030	M-466	13-1040-R	M-2408
11-1920	M-1920	12-09927	M-1341	12-17701	M-415	12-40036	M-467	13-1041-L	M-2413
11-1921	M-1921	12-09928	M-1343	12-17702	M-416	12-40201	M-1381	13-1041-R	M-2412
11-1922	M-1922	12-09929	M-1344	12-17703	M-417	12-40202	M-1382	13-1042-L	M-3903
11-1923	M-1923	12-09930	M-1345	12-20100	M-1325	12-40204	M-1383	13-1042-R	M-3902
11-1924	M-1924	12-09934	M-1352	12-20101	M-1326	12-40401	M-313	13-1070-L	M-2491
11-1925	M-1925	12-09935	M-1371	12-26000	M-3055	12-40402	M-314	13-1070-R	M-2490
11-1926	M-1926	12-09936	M-1372	12-26200	M-3057	12-40403	M-312	13-1101L	M-73
11-1927	M-1927	12-09937	M-1373	12-26500	M-3787	12-40407	M-1311	13-1101R	M-72
11-1928	M-1928	12-09938	M-1374	12-26900	M-473	12-40416	M-313-A	13-1102L	M-75
11-1929	M-1929	12-09939	M-1376	12-26901	M-3495	12-40418	M-313-B	13-1102R	M-74
11-1930	M-1930	12-09941	M-1377	12-36801	M-300	12-40419	M-313-C	13-1103L	M-77
11-1931	M-1931	12-09942	M-1378	12-36802	M-301	12-40420	M-313-D	13-1103R	M-76
11-1932	M-1932	12-09951	M-1347	12-36803	M-302	10-40421	M-313-E	13-1104L	M-81
11-1933	M-1933	12-09952	M-1348	12-36804	M-306	12-40430	M-3775	13-1104R	M-80
11-1934	M-1934	12-09953	M-1349	12-36805	M-307	12-40431	M-3776	13-1105L	M-83
11-1935	M-1935	12-09954	M-1350	12-36806	M-308	12-40501	M-317	13-1105R	M-82
11-1936	M-1936	12-16004	M-319	12-36807	M-310	12-40601	M-316	13-1106-L	M-1113
11-1937	M-1937	12-16006	M-320	12-36808	M-309	12-40604	M-318	13-1106-R	M-1112
11-1938	M-1938	12-16008	M-321	12-36812	M-1360	12-40621	M-1322	13-1107L	M-79
11-1939	M-1943	12-16010	M-322	12-36813	M-1361	13-1001-L	M-47	13-1107R	M-78
11-1946	M-1941	12-16012	M-323	12-36815	M-1364	13-1001-R	M-46	13-1108-L	M-1121
11-1954	M-1940	12-16104	M-324	12-36816	M-1365	13-1002-R	M-48	13-1108-R	M-1120
11-1960	M-149	12-16106	M-325	12-36817	M-1367	13-1002L	M-49	13-1110-L	M-1177
11-1961	M-150	12-16108	M-326	12-36818	M-1366	13-1003L	M-51	13-1110-R	M-1176
11-1962	M-152	12-16110	M-327	12-37801	M-303	13-1003R	M-50	13-1111-L	M-1207
11-1963	M-153	12-16112	M-328	12-37802	M-304	13-1004L	M-53	13-1111-R	M-1206
11-1968	M-155	12-16204	M-358	12-37803	M-305	13-1004R	M-52	13-1112-L	M-1209
11-1969	M-154	12-16206	M-359	12-37812	M-1362	13-1005L	M-55	12-1112-R	M-1208
11-1970	M-156	12-16208	M-360	12-37813	M-1363	13-1005R	M-54	13-1113-L	M-1111
11-1974	M-1256	12-16210	M-361	12-37879	M-311-A	13-1006-L	M-57	13-1113-R	M-1110
11-1975	M-1257	12-16212	M-362	12-37889	M-1370	13-1006-R	M-56	13-1114-L	M-1211
11-1976	M-1252	12-16404	M-384	12-37904	M-444	13-1007L	M-59	13-1114-R	M-1210
11-1977	M-1253	12-16406	M-385	12-37914	M-1380	13-1007R	M-58	13-1121-L	M-1287
11-1978	M-3268	12-16504	M-379	12-38018	M-1384	13-1008L	M-61	13-1121-R	M-1286
11-1981	M-3269	12-16506	M-380	12-38020	M-1385	13-1008R	M-60	13-1122-L	M-3609
11-1985	M-3270	12-16508	M-381	12-38022	M-1386	13-1009L	M-63	13-1122-R	M-3608
11-1986	M-1180	12-16601	M-347	12-38024	M-1387	13-1009R	M-62	13-1124-L	M-3935
11-1987	M-1179	12-16602	M-350	12-38026	M-1388	13-1010L	M-65	13-1124-R	M-3934
11-1993	M-1190	12-16603	M-351	12-38028	M-1389	13-1010R	M-64	13-1126-L	M-3933
11-1994	M-1181	12-16605	M-353	12-38030	M-1390	13-1011L	M-67	13-1126-R	M-3932
11-1995	M-1182	12-16801	M-329	12-38032	M-1391	13-1011R	M-66	13-1128-L	M-3611
11-2021	M-1995	12-16802	M-330	12-38034	M-1392	13-1012L	M-69	13-1128-R	M-3610
12-08002	M-1307	12-16805	M-333	12-38036	M-1393	13-1012R	M-68	13-1129-L	M-3242
12-08004	M-1308	12-16806	M-334	12-38038	M-1394	13-1013L	M-71	13-1129-R	M-3241
12-08006	M-1309	12-16807	M-335	12-38040	M-1395	13-1013R	M-70	13-1130-L	M-3945
12-08008	M-1310	12-16808	M-336	12-38042	M-1396	13-1014-L	M-3641	13-1130-R	M-3944
12-08010	M-1355	12-16809	M-338	12-38044	M-1397	13-1014-R	M-3640	13-1131-L	M-3927
12-08012	M-1356	12-16810	M-340	12-38048	M-1398	13-1016-L	M-3901	13-1131-R	M-3926
12-09804	M-1315	12-16811	M-343	12-38118	M-2756	13-1016-R	M-3900	13-1132-L	M-3929
12-09806	M-1316	12-16812	M-342	12-38124	M-2757	13-1017-L	M-3645	13-1132-R	M-3928
12-09808	M-1317	12-16813	M-345	12-38128	M-2758		M-3905	13-1133-L	M-3931

INTERCHANGES

DAYTON/BATCO TO BWP INTERCHANGE

DAYTON/BATCO		DAYTON/BATCO		DAYTON/BATCO		DAYTON/BATCO		DAYTON/BATCO	
Mfg. No.	BWP No.	Mfg. No.	BWP No.	Mfg. No.	BWP No.	Mfg. No.	BWP No.	Mfg. No.	BWP No.
13-1133-R	M-3930	13-1235-R	M-3626	13-1510-L	M-3965	13-1617-R	M-2476	13-2322-L	M-2485
13-1135-L	M-3615	13-1236-L	M-1107	13-1510-R	M-3964	13-1618-L	M-2431	13-2322-R	M-2484
13-1135-R	M-3614	13-1236-R	M-1106	13-1511-L	M-3967	13-1618-R	M-2430	13-2323-L	M-2421
13-1137-L	M-3937	13-1250-L	M-2441	13-1511-R	M-3966	13-1620-L	M-2473	13-2323-R	M-2420
13-1137-R	M-3936	13-1250-R	M-2440	13-1512-L	M-3969	13-1620-R	M-2472	13-2324-L	M-2483
13-1139-L	M-3629	13-1251-L	M-1295	13-1512-R	M-3968	13-1621-L	M-2475	13-2324-R	M-2482
13-1139-R	M-3628	13-1251-R	M-1294	13-1544	M-3658	13-1621-R	M-2474	13-2325-L	M-3639
13-1140-L	M-3617	13-1252-L	M-1293	13-1545	M-3660	13-1622-L	M-3631	13-2325-R	M-3638
13-1140-R	M-3616	13-1252-R	M-1292	13-1546	M-3661	13-1622-R	M-3630	13-2326-L	M-3635
13-1143-L	M-3955	13-1253-L	M-2443	13-1547	M-3974	13-1623-L	M-2479	13-2326-R	M-3634
13-1143-R	M-3954	13-1253-R	M-2442	13-1548	M-3972	13-1623-R	M-2478	13-2327-L	M-3637
13-1146-L	M-3613	13-1254-L	M-1109	13-1549	M-3973	13-1625-L	M-3911	13-2327-R	M-3636
13-1146-R	M-3612	13-1254-R	M-1108	13-1550	M-3659	13-1625-R	M-3910	13-2334-L	M-2427
13-1150	M-1151	12-1256-L	M-3625	13-1551	M-3662	13-1626-L	M-3917	13-2334-R	M-2426
13-1151	M-1152	12-1256-R	M-3624	13-1552	M-3663	13-1626-R	M-3916	13-2344-L	M-1215
13-1152	M-1284	13-1259-L	M-3621	13-1560	M-3206	13-1627-L	M-3915	13-2344-R	M-1214
12-1154-L	M-3649	13-1259-R	M-3620	13-1561	M-3204	13-1627-R	M-3914	13-2360-L	M-3231
13-1154-R	M-3648	13-1273-L	M-3619	13-1562	M-3205	13-1630-L	M-3633	13-2360-R	M-3230
13-1156-L	M-3651	13-1273-R	M-3618	13-1563	M-3680	13-1630-R	M-3632	13-2372-L	M-3221
13-1156-R	M-3650	13-1274-L	M-3951	13-1565	M-3975	13-1635-L	M-3913	13-2372-R	M-3220
13-1157-L	M-3653	13-1274-R	M-3950	13-1567	M-3666	13-1635-R	M-3912	13-2373-L	M-3229
13-1157-R	M-3652	13-1275-L	M-3953	13-1569	M-3672	13-1660-L	M-3925	13-2373-R	M-3228
13-1158-L	M-3655	13-1275-R	M-3952	13-1570	M-3215	13-1660-R	M-3924	13-2374-L	M-3223
13-1158-R	M-3654	13-1301-L	M-1165	13-1571	M-3216	13-1710	M-3678	13-2374-R	M-3222
13-1168-L	M-3941	13-1301-R	M-1164	13-1572	M-3217	13-1712	M-3674	13-2375-L	M-3227
13-1168-R	M-3940	13-1302-L	M-1167	13-1573	M-3671	13-1713	M-3675	13-2375-R	M-3226
13-1171-L	M-3947	13-1302-R	M-1166	13-1576	M-3669	13-1720	M-3673	13-2376-L	M-3225
13-1171-R	M-3946	13-1303-L	M-2495	13-1577	M-3667	13-1721	M-3677	13-2376-R	M-3224
13-1173-L	M-3943	13-1303-R	M-2494	13-1578	M-3670	13-1730	M-3676	13-2386-L	M-3963
13-1173-R	M-3942	13-1304-L	M-1169	13-1579	M-3665	13-1801-L	M-1221	13-2386-R	M-3962
13-1176-L	M-3949	13-1304-R	M-1168	13-1580	M-3200	13-1801-R	M-1220	13-2400-L	M-2445
13-1176-R	M-3948	13-1305-L	M-1171	13-1581	M-3201	13-1802-L	M-1225	13-2400-R	M-2444
13-1177-L	M-3939	13-1305-R	M-1170	13-1582	M-3202	13-1802-R	M-1224	13-2401-L	M-2447
13-1177-R	M-3938	13-1306-L	M-2499	13-1585-L	M-3219	13-1803-L	M-1223	13-2401-R	M-2446
13-1180-L	M-196	13-1306-R	M-2498	13-1585-R	M-3218	13-1803-R	M-1222	13-2440-L	M-2453
13-1180-R	M-195	13-1404L	M-107	13-1587	M-3266	13-1901	M-90	13-2440-R	M-2452
13-1181-L	M-198	13-1404R	M-106	13-1589	M-3267	13-1902	M-96	13-2441-L	M-2451
13-1181-R	M-197	13-1407-L	M-121	13-1590	M-3681	13-1903	M-97	13-2441-R	M-2450
13-1182-L	M-190	13-1407-R	M-120	13-1591	M-3679	13-1904	M-99	13-2442-L	M-2449
13-1182-R	M-189	13-1408L	M-119	13-1592	M-3232	13-1905	M-98	13-2442-R	M-2448
13-1201-L	M-85	13-1408R	M-118	13-1593	M-3977	13-2001	M-158	13-2461	M-3907
13-1201-R	M-84	13-1410L	M-109	13-1594	M-3978	13-2002	M-159	13-2464	M-3906
13-1202L	M-87	13-1410R	M-108	13-1601-L	M-1219	13-2003	M-1283	13-2501-L	M-1299
13-1202R	M-86	13-1411-L	M-2415	13-1601-R	M-1218	13-2006	M-3957	13-2501-R	M-1298
13-1203L	M-89	13-1411-R	M-2414	13-1604-L	M-1117	13-2007	M-3956	13-2502-L	M-1297
13-1203R	M-88	13-1412-L	M-2417	13-1604-R	M-1116	13-2103-L	M-2511	13-2502-R	M-1296
13-1204-L	M-2437	13-1412-R	M-2416	13-1605-L	M-1115	13-2103-R	M-2510	13-2550-L	M-1281
13-1204-R	M-2436	13-1413-L	M-2419	13-1605-R	M-1114	13-2106-L	M-2515	13-2550-R	M-1280
13-1205-L	M-2433	13-1413-R	M-2418	13-1606-L	M-1217	13-2106-R	M-2514	13-2551-L	M-1273
13-1205-R	M-2432	13-1414-L	M-3235	13-1606-R	M-1216	13-2107-L	M-2513	13-2551-R	M-1272
13-1206-L	M-2435	13-1414-R	M-3234	13-1607-L	M-2471	13-2107-R	M-2512	13-2560L	M-93
13-1206-R	M-2434	13-1415-L	M-2517	13-1607-R	M-2470	13-2201-L	M-1227	13-2560R	M-92
13-1208-L	M-3623	13-1415-R	M-2516	13-1608-L	M-1119	13-2201-R	M-1226	13-2561L	M-95
13-1208-R	M-3622	13-1416-L	M-2519	13-1608-R	M-1118	13-2202-L	M-2487	13-2561R	M-94
13-1230-L	M-1213	13-1416-R	M-2518	13-1609-L	M-2481	13-2202-R	M-2486	13-2570-L	M-95
13-1230-R	M-1212	13-1419-L	M-3647	13-1609-R	M-2480	13-2203-L	M-2489	13-2570-R	M-94
13-1231-L	M-2439	13-1419-R	M-3646	13-1610-L	M-1251	13-2203-R	M-2488	13-2571-L	M-93
13-1231-R	M-2438	13-1474-L	M-3909	13-1610-R	M-1250	13-2204-L	M-1229	13-2571-R	M-92
13-1232-L	M-2467	13-1474-R	M-3908	13-1611-L	M-2469	13-2204-R	M-1228	13-2600-L	M-1271
12-1232-R	M-2466	13-1502-L	M-103	13-1611-R	M-2468	13-2300-L	M-1231	13-2600-R	M-1270
13-1233-L	M-1291	13-1502-R	M-102	13-1612-L	M-1205	13-2300-R	M-1230	13-2650	M-1276
13-1233-R	M-1290	13-1505L	M-105	13-1612-R	M-1204	13-2320-L	M-2425	13-2651	M-1278
13-1234-L	M-1289	13-1505R	M-104	13-1616-L	M-2429	13-2320-R	M-2424	13-2652	M-1274
13-1234-R	M-1288	13-1506-L	M-259	13-1616-R	M-2428	13-2321-L	M-2423	13-2653	M-1279
13-1235-L	M-3627	13-1506-R	M-258	13-1617-L	M-2477	13-2321-R	M-2422	13-2850	M-3970

INTERCHANGES

DAYTON/BATCO TO BWP INTERCHANGE

DAYTON/BATCO		DAYTON/BATCO		DAYTON/BATCO		DAYTON/BATCO		DAYTON/BATCO	
Mfg. No.	BWP No.	Mfg. No.	BWP No.	Mfg. No.	BWP No.	Mfg. No.	BWP No.	Mfg. No.	BWP No.
13-2950	M-3971	13-3131-L	M-3981	13-5001	M-3214	13-7204	M-2527	20-2430	M-2379
13-3002	M-1153	13-3131-R	M-3980	13-5002	M-30	13-7208	M-985	20-2440	M-2373
13-3003	M-142	13-4001	M-1	13-5003	M-29	13-7210	M-2528	20-2450	M-2345
13-3004	M-157	13-4002	M-3	13-5004	M-28	13-7216	M-987	20-2460	M-2324
13-3005-L	M-129	13-4003	M-2	13-5005	M-1133	13-7218	M-2529	20-2470	M-2380
13-3005-R	M-128	13-4004	M-8	13-5006	M-30-A	13-7251	M-215	20-2480	M-2343
13-3009-L	M-1160	13-4005	M-7	13-5007	M-27	13-7254	M-1455	20-2481	M-2344
13-3009-R	M-1161	13-4006	M-4	13-5008	M-1188	13-7300	M-1285	20-2490	M-2332
13-3010-L	M-140-B	13-4007	M-1126	13-5009	M-1173	13-8001	M-42	20-2491	M-2333
13-3010-R	M-140-A	13-4008	M-1125	13-5010	M-1189	13-8002	M-44	20-2501	M-2390
13-3011	M-138	13-4009	M-3600	13-5011	M-1178	13-8003	M-43	20-2510	M-2389
13-3012-L	M-127	13-4010	M-1123	13-5012	M-1122	13-8004	M-45	20-2520	M-2350
13-3012-R	M-126	13-4011	M-1124	13-5014	M-2460	13-8005	M-1145	20-2530	M-2322
13-3013-L	M-125	13-4050	M-5	13-5015	M-2461	20-1200	M-2330	20-2531	M-2315
13-3013-R	M-124	13-4101	M-24	13-5016	M-3213	20-1201	M-2323	20-2560	M-2340
13-3015-L	M-165	13-4102	M-25	13-5020	M-30-B	20-1210	M-2328	20-2570	M-2331
13-3015-R	M-164	13-4104	M-1174	13-5022	M-3604	20-1211	M-2377	20-2610	M-2348
13-3016-L	M-167	13-4105	M-1260	13-5023	M-3605	20-1220	M-2308	20-2620	M-2378
13-3016-R	M-166	13-4204	M-6	13-6001	M-37	20-1230	M-2366	20-2630	M-2351
13-3017-L	M-140-F	13-4301	M-9	13-6002	M-38	20-1231	M-2374	20-2650	M-2349
13-3017-R	M-140-E	13-4310	M-1258	13-6003	M-39	20-1240	M-2367	20-2670	M-2339
13-3018-L	M-140-D	13-4311	M-1259	13-6004	M-40	20-1280	M-2360	20-2680	M-2336
13-3018-R	M-140-C	13-4401	M-1143	13-6006	M-36	20-1360	M-2361	20-2681	M-2352
13-3019-L	M-140-H	13-4402	M-11	13-6008	M-1102	20-1430	M-2307	20-2800	M-2346
13-3019-R	M-140-G	13-4403	M-12	13-6012	M-1263	20-2000	M-2329	20-2810	M-2353
13-3022-L	M-140-K	13-4501	M-17	13-6014	M-1264	20-2020	M-2337	20-2820	M-2347
13-3022-R	M-140-J	13-4503	M-19	13-6015	M-1265	20-2030	M-2375	20-2840	M-2306
13-3026-L	M-2401	13-4504	M-20	13-6101	M-35	1R12-303	M-3550	20-2841	M-2313
13-3026-R	M-2400	13-4505	M-21	13-6202	M-1269	1R12-363	M-3558	20-2870	M-2305
13-3027-L	M-133	13-4506	M-22	13-6301	M-41	2B8-550	M-3557	20-2871	M-2309
13-3027-R	M-132	13-4507	M-23	13-6302	M-1100	2B9-206	M-3551		
13-3028-L	M-131	13-4508	M-1147	13-6402	M-34	2B9-218	M-3556		
13-3028-R	M-130	13-4509	M-1137	13-6501	M-31	2B9-252	M-3559		
13-3029-L	M-133	13-4511	M-1148	13-6502	M-1144	3B12-300	M-3553		
13-3029-R	M-132	13-4512	M-1149	13-6506	M-3606	20-2060	M-2303		
13-3030	M-1255	13-4513	M-1261	13-6521	M-2454	20-2070	M-2300		
13-3031	M-1268	13-4519	M-1262	13-6522	M-2455	20-2081	M-2319		
13-3032-L	M-3397	13-4525	M-1244	13-6523	M-2456	20-2082	M-2318		
13-3032-R	M-3396	13-4526	M-1243	13-6560	M-2823	20-2141	M-2372		
13-3034-L	M-2401*	13-4527	M-1242	13-6561	M-2457	20-2190	M-2370		
13-3034-R	M-2400*	13-4530	M-1243	13-6562	M-2458	20-2191	M-2391		
13-3040-L	M-204	13-4531	M-1242	13-6563	M-2459	20-2192	M-2335		
13-3040-R	M-203	13-4601	M-1134	13-6571	M-2854	20-2201	M-2321		
13-3041-L	M-257	13-4602	M-1136	13-7000	M-2464	20-2203	M-2320		
13-3041-R	M-256	13-4605	M-1130	13-7010	M-2520	20-2211	M-2310		
13-3042-L	M-249	13-4606	M-1135	13-7012	M-2521	20-2220	M-2304		
13-3042-L	M-249-A	13-4701	M-26	13-7014	M-2522	20-2233	M-2371		
13-3042-R	M-248	13-4702	M-1175	13-7021	M-2523	20-2241	M-2363		
13-3042-R	M-248-A	13-4703	M-1127	13-7026	M-2524	20-2271	M-2301		
13-3043-L	M-231	13-4704	M-1249	13-7028	M-2465	20-2274	M-2355		
13-3043-R	M-230	13-4705	M-1247	13-7038	M-2509	20-2281	M-2317		
13-3044-L	M-3657	13-4720	M-2500	13-7050	M-2526	20-2282	M-2316		
13-3044-R	M-3656	13-4722	M-10	13-7055	M-2525	20-2301	M-2396		
13-3047-L	M-1267	13-4723	M-1141	13-7100	M-2538	20-2310	M-2383		
13-3047-R	M-1266	13-4724	M-1142	13-1701	M-2539	20-2310	M-2384		
13-3048	M-1254	13-4725	M-1105	13-7108	M-2532	20-2330	M-2341		
13-3050	M-3207	13-4750	M-3212	13-7110	M-2531	20-2340	M-2312		
13-3052	M-3203	13-4801	M-1128	13-7112	M-2533	20-2341	M-2311		
13-3054-L	M-3209	13-4802	M-1129	13-7114	M-2535	20-2350	M-2334		
13-3054-R	M-3208	13-4807	M-1183	13-7116	M-2537	20-2360	M-2325		
13-3055-L	M-3211	13-4808	M-1185	13-7120	M-2534	20-2370	M-2342		
13-3055-R	M-3210	13-4809	M-1131	13-7123	M-2530	20-2390	M-2338		
13-3057	M-3979	13-4810	M-1132	13-7150	M-837	20-2410	M-2358		
13-3130-L	M-3983	13-4820	M-1140	13-7151	M-2768	20-2421	M-2327		
13-3130-R	M-3982	13-4850	M-1282	13-7202	M-982	20-2430	M-2326		

INTERCHANGES

EUCLID TO BWP INTERCHANGE

EUCLID		EUCLID		EUCLID		EUCLID		EUCLID	
Mfg. No.	BWP No.	Mfg. No.	BWP No.	Mfg. No.	BWP No.	Mfg. No.	BWP No.	Mfg. No.	BWP No.
KIT 1	M-K1	E-543	M-549	E-651	M-643	E-807	M-2548	E-940	M-457
KIT 4HD	M-K3	E-544	M-547	E-652	M-601	E-812	M-1846	E-940HD	M-1064
KIT 4S	M-K3	E-545A	M-548	E-653	M-601-A	E-813	M-1847	E-943	M-1520
KIT 4SHD	M-K3	E-547	M-556	E-654	M-587-A	E-828	M-1541	E-944	M-1547
KIT 5	M-K5	E-552A	M-655	E-656	M-584	E-834	M-1856	E-947	M-1582
4-4B-BK	M-1590	E-553	M-675	E-661	M-571-A	E-835	M-1853	E-957	M-737
4-5B-BK	M-1591	E-555	M-657	E-662	M-710	E-836	M-1857	E-958	M-472
5-5B-BK	M-1592	E-559	M-587	E-663	M-1549	E-837	M-1855	E-959	★
7-5B-BK	M-1593	E-560	M-660	E-665	M-739	E-838	M-1858	E-961	M-1552
7-6B-BK	M-1594	E-561	M-678	E-667	M-1551	E-843	M-709	E-963	M-764
7-7B-BK	M-1595	E-562	M-656	E-670	M-1559	E-844	M-1940	E-965	M-799
7-8B-BK	M-1596	E-563	M-642	E-671	M-1561	E-855	M-1867	E-966	M-796
7-9B-BK	M-1597	E-564	M-588	E-672	M-1815	E-856	M-1862	E-972	M-829
8-7B-BK	M-1598	E-569	M-659	E-673	M-1814	E-857	M-1863	E-975	M-767
8-8B-BK	M-1599	E-570	M-658	E-674	M-1816	E-858	M-1865	E-977	M-727
8-9B-BK	M-1600	E-571	M-589	E-675	M-1522	E-859	M-1866	E-979	M-749
8-10B-BK	M-1601	E-572	M-684	E-676	M-1832	E-860	M-1861	E-980	M-797
8-12B-BK	M-1602	E-573	M-683	E-677	M-1834	E-861	M-1864	E-983	M-735
10-7S-BK	M-3384	E-576	M-685	E-678	M-1833	E-862	M-1854	E-984	M-732
10-8B-BK	M-1603	E-577	M-615	E-682	M-511	E-863	M-703	E-985	M-733
10-8S-BK	M-1614	E-579A	M-648	E-683	M-670-A	E-864	M-704	E-986	M-734
10-9B-BK	M-1604	E-580	M-583	E-684	M-567-R	E-866	M-1842	E-992	M-1634
10-9S-BK	M-1616	E-581	M-580	E-685	M-567-L	E-873	M-1768	E-993	M-1634-A
10-10B-BK	M-1605	E-582	M-599	E-686	M-561-R	E-885	M-1574	E-994	M-1634-B
10-10S-BK	M-1617	E-583X	M-534	E-687	M-561-L	E-886	M-1583	E-995	M-1634-C
10-12B-BK	M-1606	E-584	M-605	E-688	M-559-R	E-889	M-516	E-996	M-1634-D
20-8B-BK	M-1607	E-585	M-539	E-689	M-559-L	E-894	M-1641	E-997	M-1634-E
20-8S-BK	M-1618	E-586	M-597	E-690	M-560-R	E-897	M-1868	E-998X	M-1635
20-9B-BK	M-1608	E-587	M-586	E-691	M-560-L	E-898	M-1872	E-999X	M-1636
20-9S-BK	M-1620	E-595	M-592	E-700	M-698	E-899	M-1769	E-1000	M-679
20-10-SM	M-1621	E-596A	M-612	E-701	M-699	E-900	M-1851	E-1001	M-681
20-10B-BK	M-1609	E-598	M-598	E-702	M-770	E-901	M-1883	E-1002	M-1891
E-03009	M-837	E-601	M-502	E-703	M-1835	E-902	M-1885	E-1003	M-1892
E-04000	M-1066	E-602	M-578	E-710	M-1812	E-903	M-1852	E-1004	M-1893
E-04075	M-1052	E-603	M-1572	E-711	M-1813	E-904	M-1884	E-1006	M-845
E-04075H	M-2764	E-606	M-626	E-712	M-1509	E-905	M-1761	E-1014	M-1773
E-05500	M-1065	E-608	M-633	E-713	M-697-A	E-906	M-1762	E-1015	M-1774
E-24S	M-458	E-609	M-622	E-714	M-1576	E-907	M-1764	E-1016	M-1775
E-30S	M-459	E-612	M-434	E-717	M-1555	E-908	M-1882	E-1017	M-1772
E-500	M-602	E-612HD	M-435	E-718	M-1560	E-910	M-1505	E-1018	M-1804
E-501	M-613	E-615	M-545	E-719	M-719	E-911X	M-534-F	E-1019	M-1807
E-502	M-618	E-617	M-649	E-722	M-1511	E-912X	M-534-G	E-1020	M-1808
E-503	M-619	E-618	M-680	E-725	M-1801	E-913X	M-534-H	E-1021	M-1809
E-504	M-604	E-619	M-650	E-726	M-1838	E-914X	M-534-J	E-1023	M-1803
E-505	M-603	E-620	M-651	E-726	M-1840	E-915X	M-534-K	E-1024	M-1806
E-506	M-623	E-622	M-661	E-727	M-1802	E-916X	M-534-L	E-1025	M-721
E-512	M-620	E-626	M-647	E-728	M-1839	E-917X	M-535-K	E-1038	M-1848
E-519	M-595	E-626	M-1429	E-747	M-1500	E-918X	M-536-K	E-1039	M-1305
E-520	M-677	E-628X	M-534-C	E-752	M-798	E-919	M-742	E-1040	M-1304
E-521	M-632	E-629	M-554	E-753	M-720	E-920	M-741	E-1042	M-1306
E-523	M-596	E-631	M-431	E-754	M-794	E-921	M-752	E-1043	M-1300
E-526	M-579	E-632	M-706	E-757	M-1507	E-925	M-757	E-1044	M-1301
E-527	M-645	E-633X	M-535	E-759	M-571-B	E-926	M-756	E-1046	M-1303
E-528	M-542	E-634X	M-536	E-765	M-1534	E-927	M-1818	E-1060	M-1311
E-530	M-543	E-635X	M-534-A	E-766	M-1529	E-928	M-1810	E-1061	M-1870
E-531	M-537	E-636X	M-534-B	E-767	M-1535	E-929	M-1817	E-1063HD	M-451
E-532	M-541	E-637	M-553	E-773	M-617	E-930	M-1828	E-1064	M-1640
E-533	M-576	E-640	M-688	E-781	M-596-A	E-931	M-1827	E-1072	M-1869
E-535	M-572	E-641	M-687	E-783	M-1543	E-932	M-1826	E-1073	M-1849
E-536	M-571	E-643	M-691	E-784	M-1544	E-933	M-1890	E-1074	M-1805
E-537	M-641	E-644	M-692	E-795	M-592-A	E-934	M-1888	E-1075	M-1850
E-538	M-640	E-647	M-696	E-796	M-592-B	E-936	M-1887	E-1083	M-471
E-539	M-644	E-648	M-693	E-797X	M-534-D	E-937	M-1889	E-1084	M-470
E-540	M-682	E-649	M-695	E-798X	M-534-E	E-938	M-452	E-1085	M-468
E-541	M-538	E-650	M-694	E-801	M-1523	E-939	M-2582	E-1086	M-469

INTERCHANGES

EUCLID TO BWP INTERCHANGE

EUCLID		EUCLID		EUCLID		EUCLID		EUCLID	
Mfg. No.	BWP No.	Mfg. No.	BWP No.	Mfg. No.	BWP No.	Mfg. No.	BWP No.	Mfg. No.	BWP No.
E-1087	M-1524	E-1277	M-1871	E-1422	M-478-R	E-1598A	M-1799-A	E-1909	M-1909
E-1092	M-555-A	E-1278	M-1874	E-1423	M-478-L	E-1598A	M-2060	E-1910	M-1910
E-1094	M-744-R	E-1279	M-1873	E-1424	M-562-R	E-1599A	M-1799	E-1911	M-1911
E-1095	M-744-L	E-1289	M-652-A	E-1425	M-562-L	E-1607HD	M-K56	E-1912	M-1912
E-1099	M-803	E-1302	M-760	E-1428A	M-1014	E-1773B	M-997-R	E-1913	M-1913
E-1105	M-2691	E-1303	M-761	E-1431	M-1519	E-1774B	M-997-L	E-1914	M-1914
E-1106	M-725	E-1304	M-762	E-1433	M-2730	E-1775	M-1571-R	E-1915	M-1915
E-1107	M-724	E-1305	M-763	E-1435	M-1538	E-1776	M-1571-L	E-1916	M-1916
E-1108	M-769	E-1307	M-1414	E-1446	M-1080	E-1777	M-810	E-1917	M-1917
E-1112	M-771	E-1308	M-1415	E-1447	M-1083	E-1778	M-811	E-1918	M-1918
E-1113	M-748	E-1310A	M-1760	E-1449	M-1076	E-1779	M-1017	E-1919	M-1919
E-1115	M-455	E-1312	M-1765	E-1451	M-1073	E-1781	M-1409	E-1920	M-1920
E-1116	M-456	E-1313	M-1880	E-1452	M-1077	E-1782	M-1408	E-1921	M-1921
E-1117	M-876	E-1314	M-1093	E-1453	M-1078	E-1788	M-778-R	E-1922	M-1922
E-1119	M-891	E-1318A	M-1521	E-1455	M-2700	E-1789	M-778-L	E-1923	M-1923
E-1125	M-858	E-1319A	M-1553	E-1457	M-2657	E-1790	M-1000	E-1924	M-1924
E-1126	M-859	E-1325	M-1830	E-1458	M-1011	E-1808	M-722	E-1925	M-1925
E-1128	M-892	E-1326	M-1703	E-1459	M-1074	E-1812	M-K44	E-1926	M-1926
E-1136	M-862	E-1329	M-1700	E-1460	M-1081	E-1813	M-723	E-1927	M-1927
E-1137	M-863	E-1330	M-1701	E-1461	M-1072	E-1816HD	M-K7	E-1928	M-1928
E-1138	M-807	E-1331	M-1702	E-1473	M-2654	E-1816SHD	M-K2	E-1929	M-1929
E-1139	M-808	E-1332	M-1706	E-1474	M-849	E-1817	M-2039	E-1930	M-1930
E-1140	M-1012	E-1333	M-1707	E-1486	M-1038	E-1818	M-2040	E-1931	M-1931
E-1141	M-887	E-1334	M-1709	E-1493	M-1087	E-1819	M-2041	E-1932	M-1932
E-1143	M-889	E-1336	M-1710	E-1495		E-1822	M-2038	E-1933	M-1933
E-1144	M-890	E-1337	M-1004	E-1496		E-1825	M-2044	E-1934	M-1934
E-1147B	M-743-R	E-1338	M-1725	E-1497	M-1010	E-1828	M-2052	E-1935	M-1935
E-1148B	M-743-L	E-1339	M-1727	E-1518	M-1075	E-1829	M-2028	E-1936	M-1936
E-1159	M-1719	E-1340	M-1724	E-1519	M-855	E-1830	M-2036	E-1937	M-1937
E-1160	M-1718	E-1341A	M-1726	E-1545	M-1796	E-1831	M-2027	E-1940	M-1798
E-1161	M-1721	E-1344	M-1730	E-1546	M-1797	E-1832	M-2032	E-1941	M-2055
E-1162	M-1770	E-1345	M-1731	E-1547	M-2002	E-1833	M-2035	E-1942	M-2058
E-1163	M-1771	E-1351	M-1735	E-1548	M-2001	E-1834	M-2030	E-1943	M-2059
E-1164	M-1720	E-1352	M-1736	E-1549	M-2004	E-1835	M-2031	E-1943	M-2457
E-1166	M-1766	E-1353	M-1737	E-1551	M-2007	E-1838	M-1699	E-1944	M-2029
E-1190	M-894	E-1354	M-1738	E-1552	M-2006	E-1838	M-2054	E-1945	M-2056
E-1197	M-1788	E-1357	M-K13	E-1553	M-2009	E-1840	M-2017	E-1946	M-2057
E-1198	M-1790	E-1364	M-1587	E-1555	M-2005	E-1842	M-2018	E-1947	M-2037
E-1200	M-1791	E-1366	M-1586	E-1559	M-1430	E-1855	M-2051	E-1948	M-2063
E-1201	M-1786	E-1367	M-1585	E-1561	M-1051	E-1856	M-2050	E-1949	M-2066
E-1202	M-1792	E-1385	M-999	E-1563	M-563-L	E-1857	M-2049	E-1950	M-2065
E-1204	M-1878	E-1386	M-1092	E-1564	M-563-R	E-1859	M-2048	E-1951	M-2064
E-1206	M-1876	E-1388	M-1094	E-1565	M-1045	E-1860	M-2047	E-1952	M-2067
E-1208	M-1789	E-1389	M-1095	E-1566	M-1097	E-1861	M-2046	E-1960	M-2062
E-1214	M-1026	E-1393	M-776-R	E-1567	M-1049	E-1862	M-2045	E-1963	M-1749
E-1215	M-1027	E-1394	M-776-L	E-1568	M-1098	E-1869	M-2874	E-1964	M-1751
E-1216	M-1028	E-1398	M-818	E-1569	M-1046	E-1870	M-2877	E-1965	M-1750
E-1217	M-1029	E-1399	M-772	E-1570	M-1096	E-1876	M-2042	E-1966	M-1756
E-1218	M-1031	E-1400	M-791	E-1571	M-1047	E-1877	M-2043	E-1967	M-1757
E-1230	M-1043	E-1402	M-790	E-1572	M-1048	E-1880B	M-792	E-1968	M-1759
E-1232	M-820	E-1403	M-782	E-1574	M-474	E-1887AHD	M-K99	E-1969	M-1758
E-1246	M-893	E-1404	M-841	E-1577	M-1058	E-1887ASHD	M-K10	E-1970	M-2937
E-1250	M-2624	E-1406	M-787	E-1580	M-517	E-1892	M-806	E-1975	M-2819
E-1251	M-840	E-1408	M-1589	E-1581	M-1055	E-1893	M-747	E-1980	M-1449
E-1252	M-839	E-1409	M-2642	E-1582	M-1054	E-1894	M-1041	E-1981	M-1450
E-1253	M-838	E-1410	M-477-R	E-1583	M-1056	E-1897	M-1951	E-1982	M-1845
E-1261	M-860	E-1411	M-477-L	E-1584	M-3177-R	E-1899	M-1950	E-1983	M-1763
E-1262	M-895	E-1412A	M-821	E-1585	M-3177-L	E-1901	M-1901	E-1984	M-2806
E-1269	M-641-A	E-1413A	M-822	E-1588	M-513	E-1902	M-1902	E-1985	M-2809
E-1271	M-826	E-1415	M-1780	E-1589	M-514	E-1903	M-1903	E-1986A	M-2811
E-1272	M-825	E-1416	M-824	E-1594	M-1793	E-1904	M-1904	E-1987	M-2808
E-1273	M-1777	E-1416A	M-824-A	E-1594-2	M-2014	E-1905	M-1905	E-1988A	M-2805
E-1274	M-1722	E-1418	M-844	E-1595	M-1794	E-1906	M-1906	E-1989	M-1466
E-1275	M-1723	E-1420	M-479-R	E-1595-2	M-2016	E-1907	M-1907	E-1990	M-1465
E-1276	M-1776	E-1421	M-479-L	E-1597A	M-1941	E-1908	M-1908	E-1991	M-1467

INTERCHANGES

EUCLID TO BWP INTERCHANGE

EUCLID		EUCLID		EUCLID		EUCLID		EUCLID	
Mfg. No.	BWP No.	Mfg. No.	BWP No.	Mfg. No.	BWP No.	Mfg. No.	BWP No.	Mfg. No.	BWP No.
E-1992	M-2804	E-2133	M-871	E-2297	M-1958	E-2432	M-2530	E-2519	M-2564
E-1993	M-1468	E-2134	M-856	E-2298	M-1957	E-2433	M-2532	E-2520	M-2565
E-1994	M-1469	E-2135	M-857	E-2299	M-1959	E-2435	M-2536	E-2521	M-2566
E-1995	★	E-2136	M-868	E-2300	M-1960	E-2437	M-2531	E-2522	M-850
E-1996	M-1472	E-2137	M-869	E-2301	M-1961	E-2438	M-2533	E-2526	M-K25
E-1997	M-1471	E-2138	M-874	E-2302	M-1962	E-2439	M-2539	E-2529	M-2683
E-1998A	M-1470	E-2139	M-875	E-2303	M-1980	E-2440	M-2538	E-2533	M-1498
E-1999A	M-1452	E-2140	M-854	E-2304	M-1979	E-2441A	M-990-L	E-2545	M-2854
E-2000	M-1453	E-2141	M-866	E-2305	M-1978	E-2442A	M-990-R	E-2546	M-2136
E-2001	M-1454	E-2142	M-872	E-2306	M-1069	E-2443A	M-991-L	E-2549	M-2677
E-2002	M-1455	E-2143	M-1013	E-2307	M-432	E-2444A	M-991-R	E-2550	M-1050
E-2003	M-1451	E-2144	M-465	E-2340	M-2535	E-2445A	M-992-L	E-2551	M-1400
E-2004	M-1457	E-2146A	M-K75	E-2341	M-2537	E-2446A	M-992-R	E-2552	M-2747
E-2005	M-1458	E-2153	M-1034	E-2359	M-2545	E-2447	M-993-L	E-2553	M-2091
E-2007	M-1456	E-2154	M-1035	E-2360	M-2546	E-2448	M-993-R	E-2554	M-2096
E-2009	M-1484	E-2155	M-1036	E-2361	M-1550	E-2449	M-994-L	E-2555	M-2097
E-2010	M-1487	E-2156	M-1037	E-2363	M-K15	E-2450	M-994-R	E-2556	M-2106
E-2011	M-1485	E-2157	M-K37	E-2364	M-2672	E-2451	M-995-L	E-2557	M-2107
E-2015	M-899	E-2158	M-K35	E-2365	M-2645	E-2452	M-995-R	E-2558	M-2108
E-2017	M-2074	E-2159	M-K38	E-2372	M-2010	E-2453A	M-2543	E-2562	M-2092
E-2018	M-2075	E-2160	M-K36	E-2373	M-2013	E-2458	M-638	E-2563	M-2093
E-2020	M-2003	E-2161	M-1086	E-2374	M-2012	E-2458HD	M-3373	E-2564	M-2094
E-2021	M-2008	E-2162		E-2375	M-2015	E-2459	M-2577	E-2565	M-2095
E-2028	M-2875	E-2163	M-830	E-2380	M-847	E-2460	M-1984	E-2566	M-2100
E-2029	M-779	E-2164	M-1044	E-2382	M-K16	E-2461	M-1985	E-2567	M-2101
E-2030HD	M-K11	E-2176	M-602K	E-2388	M-2652	E-2462	M-1986	E-2570	M-2102
E-2031A	M-2873	E-2177	M-2204	E-2389	M-1016	E-2463	M-1987	E-2571	M-2105
E-2032	M-2022	E-2185	M-880	E-2390	M-1003	E-2464	M-1988	E-2572	M-2103
E-2033	M-2021	E-2187	M-1954	E-2391	M-1007	E-2465	M-1989	E-2573	M-2104
E-2034	M-2020	E-2188	M-1953	E-2392	M-1008	E-2466	M-1990	E-2574	M-2812
E-2035	M-2026	E-2191	M-883	E-2393	M-503	E-2467	M-1991	E-2575	M-2886
E-2040	M-2878	E-2192	M-882	E-2393A	M-3196	E-2468	M-1992	E-2598A	M-2154
E-2079	M-2073	E-2193	M-897	E-2394	M-504	E-2469	M-K26	E-2599A	M-2155
E-2086B	M-K17	E-2199A	M-K33	E-2394A	M-3197	E-2471	M-2625	E-2600A	M-2156
E-2087	M-K27	E-2200A	M-K34	E-2395	M-594	E-2473	M-2666	E-2601A	M-2157
E-2088A	M-K14	E-2201A	M-2650	E-2396	M-1005	E-2474	M-2667	E-2626	M-2158
E-2089	M-K62	E-2217A	M-3261	E-2398	M-1009	E-2475	M-2733	E-2638	M-2081
E-2090	M-K20	E-2225	M-2069	E-2399	M-1558	E-2476	M-2735	E-2639	M-2079
E-2091	M-475	E-2226	M-2070	E-2401	M-1432	E-2477B	M-2627	E-2640	M-2077
E-2096	M-700	E-2227	M-2071	E-2402AHD	M-K80	E-2478A	M-996-R	E-2641	M-2078
E-2098	M-2588	E-2228	M-2072	E-2402HD	M-K12	E-2479A	M-996-L	E-2642	M-2080
E-2099	M-566-L	E-2229	M-2033	E-2403HD	M-K43	E-2484	M-879	E-2643	M-2082
E-2100	M-566-R	E-2232	M-2061	E-2404	M-1412	E-2486	M-888	E-2644	M-1942
E-2101	M-721	E-2237	M-1068	E-2405	M-1401	E-2487	M-2651	E-2654	M-2586
E-2102	M-582	E-2238	M-2068	E-2406	M-1403	E-2488	M-2646	E-2655	M-2547
E-2103	M-1556	E-2239	M-2731	E-2407	M-1405	E-2492	M-496-R	E-2656	M-2587
E-2104	M-1554	E-2241	M-500	E-2408	M-1404	E-2493	M-496-L	E-2657	M-1190
E-2106	M-1002	E-2263	M-1353	E-2409	M-1413	E-2494	M-K60	E-2658	M-1965
E-2107	M-557-L	E-2272	M-1474	E-2411A	M-1402-A	E-2496	M-2698	E-2659	M-1966
E-2108	M-557-R	E-2273	M-1476	E-2412	M-3178-R	E-2497	M-2681	E-2660	M-1967
E-2109	M-1557	E-2274	M-1475	E-2413	M-3178-L	E-2498	M-2684	E-2661	M-1968
E-2113	M-2976	E-2275	M-1473	E-2414	M-1431	E-2499	M-2685	E-2662	M-1963
E-2116A	M-2951	E-2277	M-1354	E-2417	M-1971	E-2500	M-2680	E-2663	M-1964
E-2118	★	E-2281	M-1085	E-2418	M-1970	E-2501	M-2679	E-2665	M-2541
E-2119	M-2704	E-2282	M-1084	E-2419	M-1969	E-2502	M-2678	E-2668	M-1062
E-2120HD	M-K9	E-2283	M-1787	E-2420	M-1974	E-2507	M-1781	E-2669	M-1061
E-2121HD	M-K8	E-2284	M-1785	E-2421	M-1973	E-2510	M-2141	E-2670	M-1406
E-2122	M-K21	E-2285	M-1784	E-2422	M-1972	E-2511	M-2143	E-2672	M-2722
E-2123	M-K18	E-2286	M-K47	E-2423	M-1977	E-2512	M-2813	E-2675HD	M-K54
E-2125	M-K19	E-2287	M-K24	E-2424	M-1976	E-2513	M-2814	E-2676	M-K55
E-2126	M-K46	E-2290	M-896	E-2425	M-1975	E-2514	M-2152	E-2679A	M-K65
E-2128	M-846	E-2291	M-1407	E-2426	M-1983	E-2515	M-2151	E-2680	M-K64
E-2129	M-1088	E-2294	M-2817	E-2427	M-1982	E-2516	M-2628	E-2681A	M-701
E-2131	M-853	E-2295	M-2818	E-2428	M-1981	E-2517	M-2622	E-2684	M-510
E-2132	M-865	E-2296	M-1956	E-2431	M-2534	E-2518A	M-507	E-2685	M-2669

EUCLID TO BWP INTERCHANGE

EUCLID		EUCLID		EUCLID		EUCLID		EUCLID	
Mfg. No.	BWP No.	Mfg. No.	BWP No.	Mfg. No.	BWP No.	Mfg. No.	BWP No.	Mfg. No.	BWP No.
E-2686	M-800	E-2802	M-2725	E-2915A	M-3489	E-3085A	M-2137	E-3304	M-2695
E-2687	M-801	E-2803	M-2717	E-2916	M-2089	E-3086	M-2135	E-3305	M-K48
E-2689	M-2658	E-2804	M-2740	E-2917	M-2110	E-3087	M-2134	E-3347	M-3179-L
E-2690A	M-2621	E-2805	M-2738	E-2918	M-2109	E-3088	★	E-3348	M-3179-R
E-2693	M-2600-L	E-2810	M-2083	E-2919	M-2111	E-3089A	★	E-3349	M-2613-L
E-2694	M-2600-R	E-2811	M-2085	E-2920	M-2112	E-3090A	★	E-3350	M-2613-R
E-2695	M-2623	E-2812	M-2084	E-2921A	M-1479	E-3091A	★	E-3351	M-2614-L
E-2696A	M-K63	E-2813	M-2086	E-2922A	M-2114	E-3093	M-2825	E-3352	M-2614-R
E-2699	M-2589	E-2814	M-2087	E-2923A	M-1477	E-3094	M-2830	E-3353A	M-K66
E-2700A	M-2611-R	E-2815	M-2090	E-2924A	M-1478	E-3095	M-2831	E-3354	M-K67
E-2701A	M-2611-L	E-2816	M-2088	E-2925	M-2901	E-3096	M-2826	E-3355	M-1674
E-2704	M-2716	E-2818	M-2692	E-2926	M-2904	E-3098	M-2828	E-3356	M-1675
E-2705	M-K71	E-2819	M-2668	E-2927	M-2905	E-3187	M-2959	E-3357	M-2961
E-2711	M-2664	E-2820	★	E-2935	M-1488	E-3188	M-2977	E-3358	M-1678
E-2712	M-2665	E-2821	M-K58	E-2936	M-2119	E-3189	M-2978	E-3359	M-2949
E-2713	M-K51	E-2830	M-2150	E-2937	M-2117	E-3190	M-2979	E-3360	M-2943
E-2714A	M-2610-R	E-2832	M-2869	E-2938	M-2116	E-3191	M-2980	E-3361	M-2944
E-2715A	M-2610-L	E-2833	M-2870	E-2939	M-2115	E-3192	M-2981	E-3362	M-2945
E-2716	M-2620	E-2835	★	E-2940	M-2118	E-3193	M-2982	E-3363	M-2946
E-2717	M-2632	E-2841	M-2871	E-2941	M-2934	E-3194	M-2983	E-3364	M-2816
E-2720	M-2648	E-2842	M-2872	E-2943	M-2132	E-3195	M-2984	E-3371	M-1943
E-2722	M-2711	E-2843	M-1671	E-2944	M-2131	E-3196	M-2985	E-3372	M-1939
E-2723	M-2713	E-2844	M-1672	E-2945	M-1486	E-3197	M-2986	E-3373HD	★
E-2724-5-6	M-2721	E-2845	M-1673	E-2946	M-2133	E-3198	M-2987	E-3374HD	★
E-2728	M-2662	E-2846	M-1670	E-2947A	M-2130	E-3199	M-2988	E-3379	M-3734
E-2729	M-2663	E-2847	M-1676	E-2950	M-2124	E-3201	M-2833	E-3383	M-2962
E-2732	M-2619	E-2848	M-2942	E-2951	M-2123	E-3202	M-2834	E-3384	M-2970
E-2733	M-2636	E-2849	M-2960	E-2952	M-2925	E-3203	M-2835	E-3385	M-2967
E-2734	M-2647	E-2850	M-2938	E-2953	M-2926	E-3204	M-2836	E-3386	M-2971
E-2739	M-2624	E-2852	M-1677	E-2954	M-2927	E-3205	M-2837	E-3390	M-2142
E-2740	M-K49	E-2853	M-2940	E-2955	M-2928	E-3206	M-2838	E-3391	M-2974
E-2744	M-2583	E-2854	M-2941	E-2956	M-2929	E-3207	M-2839	E-3392	M-1463
E-2745	M-2734	E-2855	M-3405	E-2957	M-2930	E-3210	M-2842	E-3393	M-1462
E-2746	M-K70	E-2856	M-3406	E-2958	M-2931	E-3212	M-2844	E-3394A	M-1464
E-2748A	M-K73	E-2857	M-2957	E-2959	M-2932	E-3213	M-2845	E-3398	M-2963
E-2749A	M-K74	E-2858	M-2958	E-2960	M-2933	E-3214	M-2846	E-3405	M-2972
E-2760	M-2578	E-2859	M-2955	E-2962	M-2127	E-3224	M-2822	E-3409	M-2968
E-2761	M-2579	E-2860	M-2956	E-2963	M-2815	E-3227	M-1428	E-3410	M-2969
E-2762	M-2580	E-2866A	M-2954	E-2965	M-2935	E-3228	M-1427	E-3411	M-3262
E-2763	M-2581	E-2869A	★	E-2975	M-1681	E-3231	M-2726	E-3414	M-2975
E-2765	M-1019	E-2873	M-2952	E-2988	M-2823	E-3232	M-2703	E-3415 }	M-470
E-2766	M-1422	E-2874	M-1684	E-2995	★	E-3233	M-1642	E-3416 }	
E-2767	M-1423	E-2875	M-2953	E-2998	M-2120	E-3234	M-2649	E-3417	M-2696
E-2768	M-1424	E-2878	M-3429	E-3000	M-1192	E-3237	M-1682	E-3418	M-2674
E-2769HD	M-K39	E-2879	M-3420	E-3001	M-1193	E-3238	M-1683	E-3421A	M-2724
E-2769SHD	M-K72	E-2880	M-3421	E-3002A	M-1194	E-3240	M-1680	E-3422	M-2709
E-2770	M-2737	E-2881	M-3419	E-3003	M-1199	E-3243	M-1685	E-3423	M-2708
E-2771	M-2153	E-2882	M-3422	E-3004	M-1191	E-3244	M-1679	E-3424	M-2706
E-2772	M-2723	E-2883	M-3423	E-3006	M-1186	E-3245	M-1686	E-3425	M-2705
E-2773	M-1426	E-2886	M-3411	E-3007A	M-1433	E-3247	M-2947	E-3426	M-2715
E-2778	M-1421	E-2889	M-2147	E-3008	M-2567	E-3275A	M-2113	E-3427	M-2714
E-2781A	M-2146	E-2890	M-2879	E-3010	M-2568	E-3276	M-2141	E-3436	M-2736
E-2782	M-2690	E-2891	M-2160	E-3011	M-2800	E-3277	M-2143	E-3437	M-2729
E-2785	M-2752	E-2892	M-2161	E-3012	M-2801	E-3283A	M-3403	E-3438	M-2659
E-2786	M-2616-R	E-2893	M-2881	E-3013	M-2802	E-3284A	M-3404	E-3439	M-2660
E-2787	M-2616-L	E-2894	M-2882	E-3014	M-2803	E-3291	M-K50	E-3440	M-2675
E-2792	M-2603-R	E-2895	M-2883	E-3016	M-2807	E-3294	M-2855	E-3441	M-2676
E-2793	M-2603-L	E-2896	M-2880	E-3032	M-2910	E-3295	M-2856	E-3445	M-2707
E-2794	M-1015-R	E-2899	M-2144	E-3051	M-2810	E-3296	M-2857	E-3446	M-K68
E-2795	M-1015-L	E-2900	M-2145	E-3079	M-2159	E-3297	M-2858	E-3447	M-2618
E-2796	M-2601-R	E-2907	M-2148	E-3080	M-2820	E-3298	M-2859	E-3460	M-2609-L
E-2797	M-2601-L	E-2908	M-2868	E-3081	M-2821	E-3299	M-2860	E-3461	M-2609-R
E-2798	M-2712	E-2909	M-2149	E-3082	M-2138	E-3301A	★	E-3466	M-2629
E-2799	M-2615-R	E-2913A	M-3487	E-3083A	M-2139	E-3302	M-2710	E-3467	M-2633
E-2800	M-2615-L	E-2914	M-3488	E-3084	M-2140	E-3303	M-2693	E-3468A	M-K69

★ = Available from Chicago warehouse

EUCLID TO BWP INTERCHANGE

EUCLID		EUCLID		EUCLID		EUCLID		EUCLID	
Mfg. No.	BWP No.	Mfg. No.	BWP No.	Mfg. No.	BWP No.	Mfg. No.	BWP No.	Mfg. No.	BWP No.
E-3469	M-2630	E-3565	M-1805	E-3854	M-3175-L	E-4430B	M-2300	E-4649	M-1651
E-3471	M-2640	E-3573	M-2863	E-3855	M-3175-R	E-4431B	M-2301	E-4652	M-1654
E-3472	M-2641	E-3677	M-2993	E-3856	M-3186-L	E-4431B15	M-2355	E-4653	M-1653
E-3473	M-2643	E-3679	M-2919	E-3857	M-3186-R	E-4432B	M-2303	E-4655	M-1655
E-3474	M-2635	E-3680	M-2920	E-3858	M-K92	E-4433B	M-2304	E-4669	M-3264
E-3475	M-2639	E-3683	M-2902	E-3861	M-3180-L	E-4434B	M-2305	E-4671	M-3474
E-3476	M-2637	E-3685	M-2903	E-3862	M-3180-R	E-4434N	M-2309	E-4691	M-K52
E-3477	M-2644	E-3687	M-2900	E-3869	M-K79	E-4435B	M-2306	E-4692	M-K53
E-3478	M-2634	E-3688	M-2917	E-3870	M-3355	E-4435N	M-2313	E-4693B	M-2380
E-3479	M-2638	E-3689	M-2918	E-3871	M-3358	E-4438B	M-2363	E-4694C	M-2381
E-3481A	M-2728	E-3690	M-2893	E-3872	M-3356	E-4440B	M-2310	E-4696B	M-2389
E-3482	M-2718	E-3691	M-2994	E-3873	M-3357	E-4441B	M-2312	E-4696C	M-2382
E-3483	M-2727	E-3692	M-2895	E-3874	M-3359	E-4441N	M-2311	E-4697B	M-2379
E-3484	M-K45	E-3693	M-2896	E-3876	M-K87	E-4442B	M-2322	E-4702A	M-3181-R
E-3486	M-2697	E-3694	M-2897	E-3877	M-3237	E-4442N	M-2315	E-4703A	M-3181-L
E-3487	M-2702	E-3695	M-2898	E-3878	M-3236	E-4443B	M-2317	E-4704A	M-988-R
E-3488	M-2741	E-3696	M-2899	E-3895S	★	E-4443N	M-2316	E-4705A	M-988-L
E-3489	M-K57	E-3697	M-2911	E-3895R	★	E-4444B	M-2319	E-4706A	M-989-R
E-3490B	M-2732	E-3698	M-2912	E-3900	M-1482	E-4444N	M-2318	E-4707A	M-989-L
E-3491	M-2653	E-3699	M-2914	E-3901	M-1481	E-4445B	M-2321	E-4708A	M-998-R
E-3492	M-2584	E-3700	M-2915	E-3913	M-2876	E-4445N	M-2320	E-4709A	M-998-L
E-3494	M-2655	E-3701	M-2906	E-3915	M-2913	E-4447B	M-2324	E-4710A	M-1570-R
E-3495	M-2656	E-3702	M-2908	E-3917	M-2865	E-4447N	M-2354	E-4711A	M-1570-L
E-3499	M-2585	E-3703	M-2909	E-3917A	M-2864	E-4448B	M-2325	E-4716	M-746-R
E-3501	M-2573	E-3704	M-2907	E-3918	M-2867	E-4449B	M-2326	E-4717	M-746-L
E-3502	M-2574	E-3705	M-2923	E-3919	M-2921	E-4449N	M-2327	E-4718	M-3183-R
E-3504	M-1999	E-3706	M-2924	E-3920	M-2686	E-4450B	M-2331	E-4719	M-3183-L
E-3505	M-1998	E-3710HD	M-K42	E-3972	M-3432	E-4451B	M-2332	E-4720	M-2604-R
E-3506	M-1997	E-3711	M-2748	E-3975	M-843	E-4451N	M-2333	E-4721	M-2604-L
E-3507	M-2203	E-3713	M-2749	E-3976	M-2936	E-4452B	M-2334	E-4722	M-3174-R
E-3508	M-2202	E-3714	M-2750	E-3977	M-3399	E-4453B	M-2370	E-4723	M-3174-L
E-3509	M-2201	E-3715	M-2887	E-3978	M-3430	E-4453B-10	M-2393	E-4726	M-2612-R
E-3510	M-2549	E-3716	M-2889	E-3979	M-1858	E-4453N	M-2335	E-4727	M-2612-L
E-3511	M-2719	E-3717	M-2890	E-3989	M-K85	E-4454B	M-2336	E-4728	M-2607-R
E-3512	M-2739	E-3718	M-2888	E-3991	M-1401-A	E-4454N	M-2352	E-4729	M-2607-L
E-3513	M-2742	E-3719	M-2891	E-3992	★	E-4456N	M-2371	E-4730	M-2597-R
E-3516	M-2602-L	E-3720	M-2892	E-3993B	M-K81	E-4457B	M-2338	E-4731	M-2597-L
E-3517	M-2602-R	E-3722	M-2922	E-3994	M-881	E-4458B	M-2339	E-4732	M-2598-R
E-3518	M-K59	E-3723L	M-109	E-3995	M-878	E-4459B	M-2340	E-4733	M-2598-L
E-3520A	M-K61	E-3723R	M-108	E-4004	M-2687	E-4460B	M-2341	E-4734	M-2599-R
E-3521	M-2626	E-3724L	M-113	E-4016	M-2688	E-4461B	M-2342	E-4735	M-2599-L
E-3522	M-2694	E-3724R	M-112	E-401754	M-3470	E-4462B	M-2343	E-4736	M-3496
E-3523	M-2617-L	E-3725L	M-117	E-4252	M-3452	E-4462N	M-2344	E-4744	M-3480
E-3524	M-2617-R	E-3725R	M-116	E-4253	M-3453	E-4463B	M-2373	E-4745	M-1667
E-3525	M-1082	E-3726L	M-107	E-4255	M-3265	E-4463N	M-2345	E-4749	M-1666
E-3527	M-2964	E-3726R	M-106	E-4256	M-3455	E-4466B	M-2353	E-4750	M-1668
E-3538	M-2848	E-3727L	M-115	E-4257	M-3457	E-4467B	M-2347	E-4751	M-1665
E-3539	M-2849	E-3727R	M-114	E-4261	M-2125	E-4468B	M-2348	E-4752	M-1664
E-3540A	M-2850	E-3728L	M-111	E-4289	M-3464	E-4469B	M-2350	E-4753	M-3481
E-3541	M-2851	E-3728R	M-110	E-4292	M-3433	E-4470B	M-2378	E-4755	M-2930
E-3542	M-2852	E-3763	M-2151	E-4302	M-3465	E-4471B	M-2349	E-4773	M-1656
E-3543	M-2853	E-3775	M-590-A	E-4305	M-3463	E-4472B	M-2376	E-4774	M-1658
E-3546	M-2861	E-3781	M-505	E-4306	M-3460	E-4585	M-2593	E-4775	M-1659
E-3547	M-2862	E-3782	M-K83	E-4307	M-3459	E-4586	M-2595	E-4776	M-1661
E-3548	M-2994	E-3783	M-3475	E-4308	M-3466	E-4587	M-2594	E-4777	M-1660
E-3548	M-3806	E-3784	M-3478	E-4309	M-3462	E-4593	M-2593	E-4778	M-1657
E-3549	M-2995	E-3785	M-3477	E-4323	M-3263	E-4594	M-2594	E-4779	M-1767
E-3550	M-2996	E-3786	M-3479	E-4347	M-2458	E-4594	M-2594	E-4781	M-1662
E-3553	★	E-3787	M-3476	E-4358	M-2126	E-4595B	M-2595	E-4782	M-1663
E-3554	★	E-3801	M-K6	E-4361	M-2121	E-4597	M-2358	E-4796	M-3402
E-3555	M-2989	E-3816	M-3468	E-4363	M-3467	E-4597	M-3530	E-4800	M-2720
E-3556	M-2990	E-3817	M-3469	E-4364	M-2122	E-4598B	M-2351	E-4801	M-3446
E-3557	M-2991	E-3823	M-3199	E-4382A	M-3456	E-4643	M-1652	E-4804	M-3443
E-3561A	M-2866	E-3824	M-2746	E-4403	M-3458	E-4644	M-1650	E-4805	M-3444
E-3564	M-2045	E-3844	M-3431	E-4410A	M-3454	E-4647	M-3473	E-4806	M-3445

INTERCHANGES

EUCLID TO BWP INTERCHANGE

EUCLID		EUCLID		EUCLID		EUCLID		EUCLID	
Mfg. No.	BWP No.	Mfg. No.	BWP No.	Mfg. No.	BWP No.	Mfg. No.	BWP No.	Mfg. No.	BWP No.
E-4809	M-3447	E-4964R	M-72	E-5093	M-3349	E-5507	M-3170-R	E-5576L	M-140-F
E-4813	M-1690	E-4965L	M-75	E-5105	M-2542	E-5508	M-3171-L	E-5576R	M-140-E
E-4814	M-1692	E-4965R	M-74	E-5107	M-2544	E-5509	M-3171-R	E-5577L	M-140-D
E-4815	M-3439	E-4966L	M-77	E-5109	M-3293	E-5510	M-3172-R	E-5577R	M-140-C
E-4816	M-1646	E-4966R	M-76	E-5113	M-3294	E-5511	M-3172-L	E-5578L	M-165
E-4817	M-3440	E-4967L	M-79	E-5118	M-3292	E-5512	M-571	E-5578R	M-164
E-4823	M-1649	E-4967R	M-78	E-5122	M-3345	E-5513	★	E-5579L	M-167
E-4824	M-1695	E-4968L	M-81	E-5123	M-3346	E-5515	M-K91	E-5579R	M-166
E-4825	M-1696	E-4968R	M-80	E-5126	M-3350	E-5516	M-3132-L	E-5580R	M-207
E-4826	M-1689	E-4969L	M-83	E-5127	M-3351	E-5517	M-3132-R	E-5581L	M-231
E-4827	M-1694	E-4969R	M-82	E-5128	M-3352	E-5518	M-3145-L	E-5581R	M-230
E-4828	M-1648	E-4975L	M-249	E-5137	M-3353	E-5519	M-3145-R	E-5584	M-212
E-4830	M-1691	E-4975R	M-248	E-5138	M-3354	E-5520	M-3134-L	E-5585L	M-59
E-4831	M-1688	E-4976L	M-257	E-5139	M-K77	E-5521	M-3134-R	E-5585R	M-58
E-4832	M-1693	E-4976R	M-256	E-5140	M-K78	E-5522	M-3187-L	E-5586L	M-204
E-4833	M-1698	E-4977L	M-243	E-5216	M-3486	E-5523	M-3187-R	E-5586R	M-203
E-4834	M-1697	E-4977R	M-242	E-5227	M-1460	E-5524	M-3140-L	E-5587L	M-261
E-4835	M-2973	E-4978	M-1195	E-5228	M-3485	E-5525	M-3140-R	E-5587R	M-260
E-4837	M-1647	E-4979	M-1196	E-5239	M-512	E-5526	M-3142-L	E-5588L	M-105
E-4841	★	E-4980	M-1197	E-5253	M-3451	E-5527	M-3142-R	E-5588R	M-104
E-4842	★	E-4981	M-1198	E-5254	M-3407	E-5528	M-3191	E-5589L	M-1171
E-4855	M-3297	E-4986A	M-44	E-5257	M-3415	E-5532	M-1075	E-5589R	M-1170
E-4857	M-3296	E-4987A	M-35	E-5258	M-3414	E-5540	M-884	E-5590L	M-237
E-4871	M-3288	E-4988L	M-103	E-5259	M-3418	E-5541	M-877	E-5590R	M-236
E-4877	M-3289	E-4988R	M-102	E-5260	M-3417	E-5542	★	E-5591L	M-226
E-4880HD	M-K41	E-4989	M-31	E-5261	M-3416	E-5543	M-K76	E-5591R	M-225
E-4881	M-3291	E-4990	M-41	E-5269	M-3782	E-5548L	M-137	E-5592L	M-227
E-4884	M-3173-L	E-5005	M-1100	E-5270	M-3784	E-5548R	M-136	E-5592R	M-200
E-4885	M-3173-R	E-5006	M-42	E-5271	M-3783	E-5549L	M-129	E-5604	M-210
E-4886	M-3176-L	E-5007	M-220	E-5272	M-3785	E-5549R	M-128	E-5607	M-91
E-4887	M-3176-R	E-5008	M-139	E-5273	M-3786	E-5551L	M-57	E-5610L	M-93
E-4888	M-3184-L	E-5009	M-140	E-5275	M-3790	E-5551R	M-56	E-5610R	M-92
E-4889	M-3184-R	E-5010	M-1269	E-5276	M-2945	E-5552L	M-127	E-5612L	M-95
E-4890	M-3185-L	E-5011	M-33	E-5303A	M-3192	E-5552R	M-126	E-5612R	M-94
E-4891	M-3185-R	E-5012	M-34	E-5304	M-3238	E-5553L	M-61	E-5613L	M-95
E-4894	M-2606-L	E-5018	M-1285	E-5305	M-3239	E-5553R	M-60	E-5613R	M-94
E-4895	M-2606-R	E-5030	M-30	E-5306	MK-102	E-5554L	M-135	E-5618L	M-259
E-4896	M-2605-L	E-5031	M-17	E-5307	MK-102	E-5554R	M-134	E-5618R	M-258
E-4897	M-2605-R	E-5031	M-18	E-5308	M-1724	E-5556L	M-49	E-5621	M-219
E-4898	M-3121-L	E-5032	M-215	E-5308	M-2010	E-5556R	M-48	E-5622	M-214
E-4899	M-3121-R	E-5033	M-23	E-5309	M-1726	E-5557L	M-63	E-5623	M-100
E-4900	M-3689-L	E-5034	M-21	E-5309	M-2012	E-5557R	M-62	E-5625	M-101
E-4901	M-3689-R	E-5035	M-25	E-5477	M-3360	E-5558L	M-47	E-5628	M-99
E-4904	M-3375	E-5036	M-28	E-5478	M-3361	E-5558R	M-46	E-5652L	M-125
E-4942	M-957	E-5037	M-20	E-5479A	M-3362	E-5559L	M-51	E-5652R	M-124
E-4943	M-958	E-5038	M-24	E-5480	M-3190	E-5559R	M-50	E-5654	M-36
E-4944	M-960	E-5039	M-27-A	E-5481	M-K84	E-5560L	M-55	E-5656	M-36-A
E-4945	M-961	E-5040A	M-8	E-5482	M-3240	E-5560R	M-54	E-5682	M-158
E-4946	M-962	E-5041	M-22	E-5485B	M-2392	E-5561L	M-53	E-5683	M-159
E-4947	M-964	E-5042	M-9	E-5487	M-1425	E-5561R	M-52	E-5690L	M-1217
E-4948	M-968	E-5043	M-10	E-5488B	M-2384	E-5562L	M-65	E-5690R	M-1216
E-4949	M-969	E-5044	M-7	E-5489C	M-2385	E-5562R	M-64	E-5701	M-1163
E-4950	M-971	E-5045	M-2	E-5490	M-3129-L	E-5563L	M-67	E-5703	M-1152
E-4951	M-974	E-5046	M-5	E-5491	M-3129-R	E-5563R	M-66	E-5704	M-1153
E-4952	M-976	E-5047	M-6	E-5492	M-3128-L	E-5564L	M-69	E-5706	M-1102
E-4953	M-977	E-5048	M-1131	E-5493	M-3128-R	E-5564R	M-68	E-5708	M-142
E-4955	M-37	E-5049	M-1132	E-5494	M-3143-L	E-5565L	M-71	E-5709	M-143
E-4956A	M-39	E-5054	M-19	E-5495	M-3143-R	E-5565R	M-70	E-5710	M-144
E-4957	M-40	E-5055	M-26	E-5496	M-3144-L	E-5567L	M-1161	E-5711	M-145
E-4958	M-38	E-5086	M-K93	E-5497	M-3144-R	E-5567R	M-1160	E-5712	M-32
E-4960	M-2526	E-5087	M-3246	E-5498	M-3374	E-5570	M-1	E-5713L	M-1165
E-4961A	M-138	E-5088	M-3245	E-5499	★	E-5571A	M-3	E-5713R	M-1164
E-4962	M-43	E-5089	M-3243	E-5501	M-K86	E-5572A	M-4	E-5714L	M-1167
E-4963	M-45	E-5090	M-3244	E-5503	M-3189	E-5573	M-11	E-5714R	M-1166
E-4964L	M-73	E-5092	M-3193	E-5506	M-3170-L	E-5574	M-12	E-5715L	M-2495

★ = Available from Chicago warehouse

EUCLID TO BWP INTERCHANGE

EUCLID		EUCLID		EUCLID		EUCLID		EUCLID	
Mfg. No.	BWP No.	Mfg. No.	BWP No.	Mfg. No.	BWP No.	Mfg. No.	BWP No.	Mfg. No.	BWP No.
E-5715R	M-2494	E-5778	M-1148	E-5891	M-1189	E-5952	M-2527	E-6038	M-3269
E-5716L	M-1169	E-5780	M-1178	E-5892	M-1254	E-5953	M-1183	E-6053	M-3213
E-5716R	M-1168	E-5781	M-1175	E-5896L	M-2439	E-5955	M-2525	E-6054	M-3214
E-5717L	M-2497	E-5782	M-1149	E-5896R	M-2438	E-5957	M-2528	E-6057L	M-3627
E-5717R	M-2496	E-5783	M-1127	E-5897L	M-1219	E-5960	M-2529	E-6057R	M-3626
E-5718L	M-85	E-5784A	M-1123	E-5897R	M-1218	E-5964	M-2459	E-6058L	M-3223
E-5718R	M-84	E-5785	M-1124	E-5898L	M-1251	E-5966	M-2454	E-6058R	M-3222
E-5719L	M-87	E-5786	M-1125	E-5898R	M-1250	E-5967	M-2455	E-6059L	M-3227
E-5719R	M-86	E-5792	M-2463	E-5899L	M-1205	E-5968	M-2456	E-6059R	M-3226
E-5720L	M-89	E-5796	M-2464	E-5899R	M-1204	E-5973	M-1185	E-6060L	M-140-H
E-5720R	M-88	E-5798	M-2520	E-5900L	M-2435	E-5974	M-1262	E-6060R	M-140-G
E-5721L	M-1107	E-5799	M-2521	E-5900R	M-2434	E-5975	M-1261	E-6075	M-2689
E-5721R	M-1106	E-5800	M-2523	E-5901	M-39	E-5976	M-3212	E-6078	M-K90
E-5722L	M-1109	E-5801	M-2509	E-5902	M-2460	E-5977L	M-3395	E-6080	M-3247
E-5722R	M-1108	E-5803L	M-1215	E-5904A	M-1242	E-5977R	M-3394	E-6081	M-992L
E-5724	M-90	E-5803R	M-1214	E-5905A	M-1243	E-5978R	M-2400	E-6082	M-992R
E-5726	M-1263	E-5816	M-1283	E-5906	M-1244	E-5978L	M-2401	E-6137	M-1938
E-5728	M-1264	E-5819	M-214-A	E-5907L	M-1295	E-5982L	M-2431	E-6138	M-3298
E-5729	M-1265	E-5820	M-1248	E-5907R	M-1294	E-5982R	M-2430	E-6139	M-3299
E-5731	M-2462	E-5821	M-1249	E-5908L	M-1293	E-5983L	M-2467	E-6140	M-3390
E-5734	M-157	E-5822	M-1247	E-5908R	M-1292	E-5983R	M-2466	E-6141	M-3393
E-5736	M-981	E-5823	M-1246	E-5909L	M-1291	E-5984L	M-2427	E-6142	M-3391
E-5737	M-982	E-5824	M-1128	E-5909R	M-1290	E-5984R	M-2426	E-6198B	M-2384
E-5738	M-983	E-5825	M-1129	E-5910L	M-2437	E-5985L	M-2481	E-6199C	M-2385
E-5739	M-984	E-5826	M-1150	E-5910R	M-2436	E-5985R	M-2480	E-6449N	M-2374
E-5740	M-985	E-5827	M-1141	E-5911L	M-2433	E-5986L	M-3631	E-6450B	M-2375
E-5742	M-986	E-5828	M-1142	E-5911R	M-2432	E-5986R	M-3630	E-6541B	M-2337
E-5743	M-987	E-5829	M-1105	E-5916L	M-2423	E-5987L	M-1289	E-6453B	M-2366
E-5744	M-1138	E-5833	M-1180	E-5916R	M-2422	E-5987R	M-1288	E-6454C	M-2391
E-5745	M-1139	E-5834	M-1179	E-5918L	M-2453	E-5988L	M-2401	E-6869C	M-2383
E-5745	M-1140	E-5835	M-1182	E-5918R	M-2452	E-5988R	M-2400	E-6869C	M-2390
E-5746	M-30-A	E-5836	M-1181	E-5919L	M-2451	E-5989-L	M-3905	E-6875C	M-2387
E-5747	M-1134	E-5837	M-1135	E-5919R	M-2450	E-5989-R	M-3904	E-6876C	M-2386
E-5748L	M-1115	E-5838	M-30-B	E-5920L	M-2449	E-5990R	M-3234	E-6879	M-K52A
E-5748R	M-1114	E-5839	M-1126	E-5920R	M-2448	E-5990L	M-3235	E-6884	M-3137-L
E-5749L	M-1117	E-5850	M-149	E-5921L	M-2445	E-5991	M-3207	E-6885	M-3137-R
E-5749R	M-1116	E-5851	M-150	E-5921R	M-2444	E-5992	M-3205	E-6987	M-3363
E-5750L	M-1119	E-5852	M-151	E-5922L	M-2447	E-5993	M-3206	E-6988	M-3364
E-5750R	M-1118	E-5853	M-152	E-5922R	M-2446	E-5994	M-3204	E-6989	M-3365
E-5751	M-2465	E-5854	M-154	E-5923L	M-2425	E-5995L	M-3209	E-6990	M-3366
E-5753	M-1136	E-5855	M-155	E-5923R	M-2424	E-5995R	M-3208	E-6991	M-3367
E-5754	M-1133	E-5856	M-153	E-5924L	M-2421	E-5996L	M-3211	E-6992	M-3369
E-5755	M-1130	E-5857	M-156	E-5924R	M-2420	E-5996R	M-3210	E-6993	M-3368
E-5756L	M-1111	E-5863L	M-140-K	E-5925	M-3606	E-5997	M-3201	E-6994	M-3370
E-5756R	M-1110	E-5863R	M-140-J	E-5926	M-1122	E-5998	M-3200	E-6995	M-3371
E-5757L	M-1113	E-5868L	M-2429	E-5927	M-27	E-5999	M-3202	E-6996	M-3372
E-5757R	M-1112	E-5868R	M-2428	E-5929L	M-2407	E-6000	M-3203	E-6999S	★
E-5758L	M-1221	E-5869L	M-1211	E-5929R	M-2406	E-6001	M-3232	E-6999AS	★
E-5758R	M-1220	E-5869R	M-1210	E-5930L	M-2411	E-6023L	M-3643	E-7212A	M-K30
E-5760	M-1143	E-5870L	M-1209	E-5930R	M-2410	E-6023R	M-3642	E-7213A	M-K32
E-5761	M-1144	E-5870R	M-1208	E-5931L	M-2405	E-6024-L	M-3903	E-7214A	M-K31
E-5762	M-1145	E-5871L	M-1213	E-5931R	M-2404	E-6024-R	M-3902	E-7230	M-3194
E-5763L	M-1223	E-5871R	M-1212	E-5932L	M-2403	E-6026L	M-3221	E-7231	M-K94
E-5763R	M-1222	E-5872	M-2524	E-5932R	M-2402	E-6026R	M-3220	E-7235	M-K96
E-5764L	M-1207	E-5875L	M-1231	E-5933L	M-2409	E-6027L	M-3225	E-7236	M-3195
E-5764R	M-1206	E-5875R	M-1230	E-5933R	M-2408	E-6027R	M-3224	E-7237	M-K95
E-5765L	M-1121	E-5876L	M-1229	E-5934L	M-2413	E-6028L	M-3229	E-7241	M-K97
E-5765R	M-1120	E-5876R	M-1228	E-5934R	M-2412	E-6028R	M-3228	E-7426	M-3800
E-5766L	M-1177	E-5877	M-1255	E-5935L	M-2415	E-6029	M-3679	E-7427	M-3801
E-5766R	M-1176	E-5878	M-1268	E-5935R	M-2414	E-6030	M-3681	E-7429	M-3802
E-5769L	M-2513	E-5882	M-1245	E-5936L	M-2417	E-6033-L	M-3917	E-7430	M-3807
E-5769R	M-2512	E-5883	M-2500	E-5936R	M-2416	E-6033-R	M-3916	E-7431	M-3808
E-5772	M-1174	E-5885	M-1282	E-5937L	M-2419	E-6034	M-3217	E-7432	M-3809
E-5775	M-1151	E-5889	M-1188	E-5937R	M-2418	E-6035	M-3216	E-7433	M-3810
E-5776	M-1284	E-5890	M-1173	E-5938	M-96	E-6036	M-3215	E-7440	M-3813

INTERCHANGES

EUCLID TO BWP INTERCHANGE

EUCLID		EUCLID		EUCLID		EUCLID		EUCLID	
Mfg. No.	BWP No.	Mfg. No.	BWP No.	Mfg. No.	BWP No.	Mfg. No.	BWP No.	Mfg. No.	BWP No.
E-7441	M-3847	E-7898L	M-140-B	E-8579-34	M-1392	E-8656	M-3889	E-8951L	M-3647
E-7446	M-3838	E-7898R	M-140-A	E-8579-36	M-1393	E-8658R	M-3777	E-8951R	M-3646
E-7449	M-3862	E-7899	M-K79-B	E-8579-38	M-1394	E-8658B	M-3778	E-8952-L	M-3963
E-7450	M-3824	E-83201	M-83201	E-8579-40	M-1395	E-8663	M-3811	E-8952-R	M-3962
E-7451	M-3826	E-83202	M-83202	E-8579-42	M-1396	E-8665	M-3829	E-8954-L	M-3949
E-7453	M-3827	E-83203	M-83203	E-8579-44	M-1397	E-8667	M-3849	E-8954-R	M-3948
E-7455	M-3828	E-83204	M-83204	E-8580-18	M-3752	E-8681	M-3860	E-8955-L	M-3943
E-7457	M-3830	E-83207	M-83207	E-8580-20	M-3753	E-8703	M-3774	E-8955-R	M-3942
E-7459	M-3843	E-83209	M-83209	E-8580-22	M-3754	E-8888	M-460	E-8957-L	M-3947
E-7460	M-3844	E-83213	M-83213	E-8580-24	M-3755	E-8889	M-461	E-8957-R	M-3946
E-7461	M-3845	E-83215	M-83215	E-8580-26	M-3756	E-8890	M-462	E-8958-L	M-3941
E-7462	M-3835	E-83216	M-83216	E-8580-28	M-3757	E-8891	M-463	E-8958-R	M-3940
E-7466	M-3841	E-83217	M-83217	E-8580-30	M-3758	E-8892	M-464	E-8959L	M-1271
E-7467	M-3842	E-83219	M-83219	E-8580-32	M-3759	E-8894	M-466	E-8959R	M-1270
E-7468	M-3837	E-83221	M-83221	E-8580-34	M-3760	E-8895	M-467	E-8960	M-3970
E-7469	M-3833	E-83225	M-83225	E-8580-36	M-3761	E-8896	M-1381	E-8961	M-3957
E-7470	M-3836	E-83300	M-83300	E-8580-38	M-3762	E-8897	M-1382	E-8962	M-3956
E-7471	M-3832	E-83302	M-83302	E-8580-40	M-3763	E-8898	M-1383	E-8963	M-1276
E-7472	M-3831	E-83303	M-83303	E-8580-42	M-3764	E-8918	M-3804	E-8964	M-1278
E-7473	M-3834	E-83304	M-83304	E-8580-44	M-3765	E-8927	M-3825	E-8965	M-1279
E-7474	M-3839	E-83308	M-83308	E-8582-18	M-2756	E-8931	M-2884	E-8966-L	M-3911
E-7477	M-3851	E-83309	M-83309	E-8582-24	M-2757	E-8990-L	M-3915	E-8966-R	M-3910
E-7479	M-3846	E-83312	M-83312	E-8582-28	M-2758	E-8990-R	M-3914	E-8968L	M-3615
E-7480	M-3850	E-83314	M-83314	E-8582-32	M-2759	E-8991	M-3971	E-8968R	M-3614
E-7481	M-3848	E-83318	M-83318	E-8582-36	M-2760	E-89405	M-89405	E-8969L	M-3611
E-7483	M-3854	E-85000	M-85000	E-8582-40	M-2761	E-89406	M-89406	E-8969R	M-3610
E-7484	M-3856	E-85001	M-85001	E-8582-44	M-2762	E-89407	M-89407	E-8971L	M-3625
E-7485	M-3859	E-85003	M-85003	E-8582-48	M-2763	E-89408	M-89408	E-8971R	M-3624
E-7486	M-3858	E-85004	M-85004	E-8583-20	M-3767	E-89409	M-89409	E-8972L	M-3633
E-7497	M-3866	E-85005	M-85005	E-8583-22	M-3768	E-89410	M-89410	E-8972R	M-3632
E-7498	M-3865	E-85006	M-85006	E-8583-26	M-3769	E-89411	M-89411	E-8976-L	M-3909
E-7499	M-3864	E-85007	M-85007	E-8583-30	M-3770	E-89412	M-89412	E-8976-R	M-3908
E-7500	M-3863	E-85012	M-85012	E-8583-34	M-3771	E-89413	M-89413	E-8977L	M-3629
E-7501	M-3867	E-85013	M-85013	E-8583-38	M-3772	E-89414	M-89414	E-8977R	M-3628
E-7503	M-3869	E-85014	M-85014	E-8583-42	M-3773	E-89416	M-89416	E-8978-L	M-3945
E-7506	M-3870	E-85024	M-85024	E-8585	M-306	E-89417	M-89417	E-8978-R	M-3944
E-7507	M-3874	E-85026	M-85026	E-8586	M-307	E-89419	M-89419	E-8979L	M-3242
E-7508	M-3877	E-85027	M-85027	E-8587	M-308	E-8942-L	M-2515	E-8979R	M-3241
E-7509	M-3868	E-85030	M-85030	E-8588	M-1364	E-8942-R	M-2514	E-8980	M-3669
E-7515	M-3881	E-85046	M-85046	E-8589	M-1365	E-89420	M-89420	E-8981	M-3666
E-7516	M-3878	E-85300	M-85300	E-8590	M-300	E-89422	M-89422	E-8982L	M-3613
E-7517	M-3879	E-85301	M-85301	E-8591	M-301	E-89423	M-89423	E-8982R	M-3612
E-7518	M-3880	E-85302	M-85302	E-8592	M-302	E-89424	M-89424	E-8983-L	M-3931
E-7520	M-3885	E-85303	M-85303	E-8593	M-1360	E-89425	M-89425	E-8983-R	M-3930
E-7521	M-3884	E-85304	M-85304	E-8594	M-1361	E-89427	M-89427	E-8984L	M-3621
E-7522	M-3882	E-85305	M-85305	E-8595	M-303	E-89428	M-89428	E-8984R	M-3620
E-7523	M-3883	E-85307	M-85307	E-8596	M-304	E-89429	M-89429	E-8985-L	M-3913
E-7524	M-3886	E-85308	M-85308	E-8597	M-305	E-8943-L	M-1227	E-8985-R	M-3912
E-7527	M-3887	E-85310	M-85310	E-8598	M-1362	E-8943-R	M-1226	E-8986	M-3677
E-7528	M-3840	E-85311	M-85311	E-8599	M-1363	E-89430	M-89430	E-8987	M-3670
E-7529	M-3889	E-85313	M-85313	E-8600	M-444	E-89432	M-89432	E-8988	M-3665
E-7532	M-3482	E-85317	M-85317	E-8601	M-1380	E-89434	M-89434	E-8989	M-3667
E-7533	M-3484	E-85319	M-85319	E-8602	M-309	E-89435	M-89435	E-8992L	M-196
E-7621	M-3483	E-85724	M-85724	E-8603	M-1366	E-8945R	M-84	E-8992R	M-195
E-7638	M-3820	E-8577	M-315-A	E-8604	M-310	E-8945L	M-85	E-8993L	M-198
E-7639	M-3821	E-8577BK	M-315-S	E-8605	M-1367	E-8946L	M-1273	E-8993R	M-197
E-7641	M-3852	E-8578	M-1359	E-8506	M-310-A	E-8946R	M-1272	E-8994L	M-190
E-7644	M-3853	E-8579-18	M-1384	E-8607	M-1368	E-8947L	M-3609	E-8994R	M-189
E-7703	M-2852	E-8579-20	M-1385	E-8608	M-311	E-8947R	M-3608	E-8995L	M-2477
E-7895L	M-3397	E-8579-22	M-1386	E-8609	M-1369	E-8948L	M-2499	E-8995R	M-2476
E-7895R	M-3396	E-8579-24	M-1387	E-8616	M-317	E-8948R	M-2498	E-8996L	M-2473
E-7896L	M-131	E-8579-26	M-1388	E-8620	M-3779	E-8949L	M-3219	E-8996R	M-2472
E-7896R	M-130	E-8579-28	M-1389	E-8623	M-3780	E-8949R	M-3218	E-8997	M-3680
E-7897L	M-133	E-8579-30	M-1390	E-8624	M-3781	E-8950L	M-3231	E-8998	M-2524
E-7897R	M-132	E-8579-32	M-1391	E-8651	M-3823	E-8950R	M-3230	E-8999L	M-2441

★ = Available from Chicago warehouse

EUCLID TO BWP INTERCHANGE

EUCLID		EUCLID		EUCLID		EUCLID		EUCLID	
Mfg. No.	BWP No.	Mfg. No.	BWP No.	Mfg. No.	BWP No.	Mfg. No.	BWP No.	Mfg. No.	BWP No.
E-8999R	M-2440	E-9092	M-990-R	E-9673-A	M-3682-L	E-10201-R	M-3934	E-10258-L	M-3959
E-9000L	M-2485	E-9093	M-991-L	E-9674-A	M-3682-R	E-10202-L	M-3927	E-10258-R	M-3958
E-9000R	M-2484	E-9094	M-991-R	E-9675	M-3683-L	E-10202-R	M-3926	E-10259-L	M-3961
E-9001L	M-2475	E-9095-A	M-3494	E-9676	M-3683-R	E-10203-L	M-3929	E-10259-R	M-3960
E-9001R	M-2474	E-9098	M-3188-L	E-9679	M-3684-L	E-10203-R	M-3928	E-10675	M-3664
E-9002L	M-3639	E-9099	M-3188-R	E-9680	M-3684-R	E-10205-L	M-3937	E-10676	M-3668
E-9002R	M-3638	E-9100	M-3169-L	E-9681	M-3685-L	E-10205-R	M-3936	E-10679	M-K110
E-9003-L	M-3955	E-9101	M-3169-R	E-9682	M-3685-R	E-10206-L	M-3933	E-10756	M-K108
E-9003-R	M-3954	E-9102	M-3984	E-9693	M-3122-L	E-10206-R	M-3932	E-10757	M-K109
E-9004L	M-3637	E-9107	M-313-B	E-9694	M-3122-R	E-10208-L	M-3653	E-10760	M-K113
E-9004R	M-3636	E-9108	M-313-C	E-9695	M-3123-L	E-10208-R	M-3652	E-10800	M-3985
E-9005L	M-3635	E-9109	M-313-A	E-9696	M-3123-R	E-10209-L	M-3651	E-10801	M-3986
E-9005R	M-3634	E-9110	M-312	E-9697	M-3124-L	E-10209-R	M-3650	E-10875	M-K112
E-9006	M-3906	E-9132	M-3385	E-9698	M-3124-R	E-10210-L	M-3655	E-10899	M-3798-L
E-9007	M-3907	E-9133	M-3386	E-9701	M-3125-L	E-10210-R	M-3654	E-10900	M-3798-R
E-9008L	M-3617	E-9134	M-3387	E-9702	M-3125-R	E-10212-L	M-3965	E-10901	M-3794-L
E-9008R	M-3616	E-9135	M-3388	E-9725	M-3136-L	E-10212-R	M-3964	E-10902	M-3794-R
E-9009	M-3671	E-9141	M-K114	E-9726	M-3136-R	E-10213-L	M-3967	E-10903	M-3795-L
E-9010L	M-3619	E-9283	M-K83	E-9727	M-3135-L	E-10213-R	M-3966	E-10904	M-3795-R
E-9010R	M-3618	E-9319	M-3731	E-9728	M-3135-R	E-10214-L	M-3969	E-10905	M-3796-L
E-9011-L	M-3939	E-9320	M-3732	E-9729	M-3138-L	E-10214-R	M-3968	E-10906	M-3796-R
E-9011-R	M-3938	E-9348	M-3295	E-9730	M-3138-R	E-10215	M-3658	E-10907	M-3797-L
E-9012L	M-3657	E-9349	M-3290	E-9731	M-3696-L	E-10216	M-3660	E-10908	M-3797-R
E-9012R	M-3656	E-9353	M-3441	E-9732	M-3696-R	E-10217	M-3661	E-10917	M-3149-L
E-9020	M-3979	E-9471	M-3482-C	E-9733	M-3697-L	E-10218	M-3973	E-10918	M-3149-R
E-9022L	M-1267	E-9510	M-3815	E-9734	M-3697-R	E-10219	M-3659	E-10919	M-3150-L
E-9022R	M-1266	E-9511	M-3816	E-9735	M-3147-L	E-10220	M-3662	E-10920	M-3150-R
E-9023	M-2461	E-9512	M-3817	E-9736	M-3147-R	E-10221	M-3663	E-10921	M-3151-L
E-9024	M-3604	E-9513	M-3818	E-9737	M-3141-L	E-10222	M-3972	E-10922	M-3151-R
E-9037	M-3498	E-9517	M-3875	E-9738	M-3141-R	E-10223	M-3974	E-10923	M-3152-L
E-9038	M-3987	E-9520	M-3814	E-9741	M-3148-L	E-10224-L	M-2471	E-10924	M-3152-R
E-9039	M-K115	E-9524-L	M-3951	E-9742	M-3148-R	E-10224-R	M-2470		
E-9053	M-K116	E-9524-R	M-3950	E-9753	M-3791-L	E-10225-L	M-3925		
E-9054	M-3499	E-9525-L	M-3953	E-9754	M-3791-R	E-10225-R	M-3924		
E-9057	M-3130L	E-9525-R	M-3952	E-9755	M-3792-L	E-10226-L	M-3921		
E-9058	M-3130R	E-9526	M-3672	E-9756	M-3792-R	E-10226-R	M-3920		
E-9059	M-3131-L	E-9554	M-3448	E-9757	M-3793-L	E-10227-L	M-3919		
E-9060	M-3131-R	E-9562	M-3426	E-9758	M-3793-R	E-10227-R	M-3918		
E-9062	M-3233	E-9563	M-3427	E-9759	M-3789-L	E-10228-L	M-3923		
E-9063	M-3260	E-9564	M-3428	E-9760	M-3789-R	E-10228-R	M-3922		
E-9064	M-K98	E-9573	M-3408	E-9769	M-3127-L	E-10229	M-97		
E-9075	M-3248	E-9643	M-3497	E-9770	M-3127-R	E-10230	M-98		
E-9077	M-3398	E-9644	M-K106	E-9771	M-3126-L	E-10231-L	M-2489		
E-9079HD	M-K88	E-9645	M-3108-L	E-9772	M-3126-R	E-10231-R	M-2488		
E-9081	M-3115-L	E-9645	M-3108-R	E-9789	M-3747	E-10241	M-3976		
E-9082	M-3115-R	E-9649	M-3109-L	E-9790A	M-K103	E-10242	M-3975		
E-9083	M-3116-L	E-9650	M-3109-R	E-9791	M-K107	E-10244	M-K105		
E-9084	M-3116-R	E-9659	M-3111-L	E-9792	M-3748	E-10249-L	M-2479		
E-9085	M-3117-L	E-9660	M-3111-R	E-9837	M-3266	E-10249-R	M-2478		
E-9086	M-3117-R	E-9661	M-3112-L	E-10198	M-3491	E-10253-L	M-3983		
E-9087	M-3688-L	E-9662	M-3112-R	E-10199-L	M-3641	E-10253-R	M-3982		
E-9088	M-3688-R	E-9665	M-3113-L	E-10199-R	M-3640	E-10254-L	M-3981		
E-9089	M-3173-L	E-9666	M-3113-R	E-10200-L	M-3901	E-10254-R	M-3980		
E-9090	M-3173-R	E-9671	M-3114-L	E-10200-R	M-3900	E-10256	M-3977		
E-9091	M-990-L	E-9672	M-3114-R	E-10201-L	M-3935	E-10257	M-3978		

EUCLID TO BWP INTERCHANGE

DAYTON/BATCO		DAYTON/BATCO		DAYTON/BATCO		DAYTON/BATCO		DAYTON/BATCO	
Mfg. No.	BWP No.	Mfg. No.	BWP No.	Mfg. No.	BWP No.	Mfg. No.	BWP No.	Mfg. No.	BWP No.
E-10925	M-3153-L	E-FS7145	M-3505	E-FS9105	M-3516	E-FS9422	M-3525	E-UB8261-16	M-2787
E-10926	M-3153-R	E-FS7180	M-3529	E-FS9121	M-3517	E-FS9466	M-3526	E-UB8264-083	M-2053
E-10927	M-3154-L	E-FS7325	M-3557	E-FS9122	M-3518	E-FS9780	M-3550	E-UB8287-11	M-1711
E-10928	M-3154-R	E-FS7400	M-3506	E-FS9130	M-3519	E-FS9921	M-3552	E-UB8287-14	M-2789
E-10929	M-3155-L	E-FS7403	M-3507	E-FS9158	M-3520	E-FS9923	M-3548	E-UB8294-14	M-2790
E-10930	M-3155-R	E-FS7410	M-3508	E-FS9177	M-3521	E-UB5161-14	M-1492	E-UB8294-162	M-2791
E-10948	M-K111	E-FS7424	M-3509	E-FS9192	M-3538	E-UB5161-16	M-1497	E-UB8294-18	M-2792
E-10949	M-3492	E-FS7443	M-3549	E-FS9194	M-3539	E-UB5161-18	M-1493	E-UB8351-18	M-1491
E-10950	M-3493	E-FS7555	M-3531	E-FS9213	M-3522	E-UB5163-14	M-2796	E-UB8394-144	M-2793
E-11433	M-3799-L	E-FS7800	M-3532	E-FS9219	M-3540	E-UB5163-18	M-2797	E-UB8394-162	M-2794
E-11434	M-3799-R	E-FS7808	M-3533	E-FS9243	M-3541	E-UB5165-14	M-1494	E-UB8394-18	M-2795
E-FS5410	M-3534	E-FS8008	M-3553	E-FS9265	M-3524	E-UB5165-18	M-2798	E-UB8479-090	M-2128
E-FS6897	M-3528	E-FS8050	M-3510	E-FS9270	M-3542	E-UB5243-18	M-2782	E-UB8479-124	M-2129
E-FS6902	M-3500	E-FS8052	M-3535	E-FS9293	M-3543	E-UB5243-20	M-2783	PC-100	M-1995
E-FS6905	M-3551	E-FS8709	M-3560	E-FS9295	M-3544	E-UB5244-16	M-2784		
E-FS6910	M-3501	E-FS9039	M-3511	E-FS9320	M-3558	E-UB5244-20	M-2785		
E-FS6927	M-3556	E-FS9069	M-3512	E-FS9321	M-3523	E-UB8145-076	M-1712		
E-FS6944	M-3559	E-FS9075	M-3536	E-FS9321	M-3545	E-UB8145-076	M-1714		
E-FS6994	M-3527	E-FS9082	M-3513	E-FS9370	M-3554	E-UB8151-18	M-1490		
E-FS7135	M-3502	E-FS9083	M-3514	E-FS9371	M-3555	E-UB8154-18	M-1498		
E-FS7136	M-3503	E-FS9098	M-3537	E-FS9394	M-3546	E-UB8178-126	M-2799		
E-FS7140	M-3504	E-FS9101	M-3515	E-FS9421	M-3547	E-UB8254-14	M-2786		

BWP WAREHOUSE LOCATIONS

BWP MAIN OFFICE AND WAREHOUSE

2415 W. 21st Street
Chicago, Illinois 60608

Phone
(773) 847-7000
(800) 621-8836

Fax
(773) 847-5149
(866) 370-5149

WEST DISTR. CTR.
CROWN PACKAGING PRODUCTS
11901 Burke St.
Santa Fe Springs, CA 90670

(562) 789-9622
(562) 789-2733 (fax)

SOUTHWEST DISTR. CTR.
THE SLOAN COMPANY
4605 Old Denton Rd.
Ft. Worth, TX 76117

(817) 485-1252
(817) 656-4702 (fax)

SOUTHEAST DISTR. CTR.
ENGINE PARTS INC.
5060 Bakers Ferry Road SW
Atlanta, GA 30336

(404) 472-0048
(404) 472-0107 (fax)



VISIT US ON THE WEB AT:
www.bwpindustries.com

LELAND TO BWP INTERCHANGE

LELAND		LELAND		LELAND		LELAND		LELAND	
Mfg. No.	BWP No.	Mfg. No.	BWP No.	Mfg. No.	BWP No.	Mfg. No.	BWP No.	Mfg. No.	BWP No.
A-450	M-1353	K-105	M-K47	K-289(2)	M-K89	L-137	M-579	L-262	M-3178-L
A-610	M-1300	K-106	M-K46	K-290	★	L-139	M-586	L-263	M-535
A-613	M-1301	K-108(2)	M-K20	K-292	M-K92	L-140	M-656	L-264	M-536
A-866	M-1354	K-109	★	K-293	M-K93	L-144A	M-534	L-266	M-571-A
A-912	M-1303	K-110	★	K-295	M-K84	L-144C	M-534-A	L-273	M-661
A-944	M-1304	K-111	M-K57	K-296(2)	M-K86	L-144E	M-534-D	L-276	M-502
A-945	M-1305	K-112	M-1082	K-297	M-K94	L-144F	M-534-B	L-283	M-739
A-946	M-1306	K-115	M-K3	K-298	★	L-144G	M-534-C	L-285	M-692
B-2265	M-472	K-116	M-K7	K-299	M-K95	L-144H	M-534-E	L-286	M-690
K-23	M-K31	K-117	M-K72	K-300	★	L-145	M-617	L-287	M-1800
K-24	M-K32	K-118	M-K41	K-303	★	L-146	M-2703	L-288	M-1835
K-25	M-867	K-119	M-K99	K-304	★	L-147	M-537	L-290	M-709
K-26	M-1082	K-123(2)	M-K26	K-305	M-K91	L-149	M-596	L-294	M-596-A
K-27	M-K33	M-127	M-K41	K-306	M-K39	L-151	M-644	L-296	M-601
K-29	M-K73	K-128A	★	K-308	M-K70	L-152	M-620	L-297	M-601-A
K-30	M-1087	K-128	M-K39	K-309	★	L-157	M-542	L-298	M-643
K-31	M-K37	K-128K	M-K72	K-309A	★	L-158	M-597	L-299	M-710
K-32	M-K38	K-130	M-K49	K-311	M-K70	L-159	M-677	L-300	M-1549
K-33	M-K34	K-131	M-K66	K-313	M-K88	L-160	M-675	L-301	M-697-A
K-34	M-K74	K-132	M-K51	K-314(2)	M-K26	L-162	M-678	L-303	M-1509
K-42	M-K10	K-133	M-K67	K-315	★	L-166	M-571	L-304	M-1576
K-43	M-K8	K-134	M-K50	K-316	★	L-167	M-572	L-306	M-431
K-44	M-K4	K-135	M-K42	K-317(2)	M-K81	L-168	M-648	L-324	M-1500
K-44A	M-K4	K-136	M-K42	K-318	M-K98	L-171	M-595	L-326	M-592-A
K-44B	★	K-137	★	K-320	★	L-173	M-562-R	L-327	M-592-B
K-45	M-K2	K-138(2)	M-K62	K-323	M-K31	L-174	M-562-L	L-329	M-587-A
K-45	M-K7	K-139	M-K18	K-324	M-K32	L-176	M-682	L-330	M-1551
K-46	M-K56	K-140(2)	M-K86	K-343	M-K26	L-177	M-683	L-331	M-3349
K-48(2)	M-K17	K-141(2)	M-K63	K-346	M-K27	L-178	M-684	L-333	M-1559
K-50	M-K43	K-144(2)	M-K25	K-348	M-K101	L-179	M-548	L-334	M-1561
K-51(2)	M-K13	K-145(2)	M-K26	K-355	M-K103	L-182	M-632	L-338	M-1838
K-52(2)	M-K21	K-146(2)	M-K22	K-356	M-K114	L-182X	M-633	L-339	M-1840
K-53(2)	M-K16	K-147(2)	M-K18	K-357	M-K86	L-183	M-543	L-340	M-1839
K-54	M-K1	K-148(2)	M-K15	K-358	M-K115	L-190	M-576	L-341	M-1833
K-58	M-K5	K-149(2)	M-K15	K-360	M-K63	L-191	M-655	L-342	M-1834
K-59	M-K4	K-150	★	K-363	M-K88	L-192	M-580	L-343	M-1832
K-60	★	K-151(2)	M-K64	K-368	M-K14	L-193	M-583	L-344	M-719
K-61	★	K-152	★	K-376	M-K113	L-195	M-685	L-345	M-698
K-62	M-K11	K-154	M-K45	L-100	M-602	L-196	M-434	L-346	M-699
K-63	M-K30	K-160	M-K6	L-101	M-613	L-198	M-545	L-356	M-1574
K-64	M-K35	K-259	M-2720	L-102	M-556	L-200	M-569	L-358	M-1511
K-65	M-K36	K-260	M-K52	L-103	M-626	L-202	M-584	L-359	M-1555
K-66	M-K75	K-263	M-K77	L-105	M-641-A	L-203	M-578	L-360	M-1560
K-69	M-K12	K-264(2)	M-K78	L-109	M-641	L-209	M-680	L-361	M-1529
K-70	M-K39	K-265	★	L-110	M-642	L-210	M-649	L-368	M-1534
K-70	M-K72	K-266	★	L-111	M-640	L-211	M-650	L-369	M-1535
K-70A	★	K-268(2)	M-K14	L-112	M-538	L-215	M-554	L-375	M-798
K-74	★	K-269(2)	M-K61	L-113	M-618	L-216	M-553	L-376	M-720
K-75	M-K4	K-270	M-K61	L-114	M-619	L-219	M-706	L-382	M-1801
K-76	M-K41	K-272(2)	M-K69	L-115	M-549	L-224	M-567-R	L-383	M-1547
K-77	M-K54	K-273(2)	M-K68	L-116	M-547	L-225	M-567-L	L-385	M-1507
K-79	M-K62	K-274	M-K59	L-118	M-645	L-234	M-561-R	L-386	M-560-R
K-80	M-K19	K-275	M-K58	L-119	M-615	L-235	M-561-L	L-387	M-560-L
K-81	M-K17	K-277	M-K80	L-120	M-588	L-238	M-622	L-389	M-571-B
K-84	M-K24	K-278(2)	M-K81	L-121	M-657	L-239	M-647	L-392	M-510
K-87	M-K25	K-279	M-K83	L-122	M-658	L-241	M-646	L-393	M-511
K-88	M-K20	K-280	★	L-123	M-659	L-242	M-1572	L-395	M-516
K-90	M-K27	K-280A	M-K42	L-125	M-660	L-243	M-697	L-397	M-1523
K-91	M-K60	K-281	★	L-126	M-587	L-244	M-696	L-402	M-2548
K-93	M-K13	K-282(2)	M-K79	L-127	M-605	L-249	M-651	L-414	M-1831
K-94	M-K21	K-283	M-K79	L-128	M-603	L-250	M-592	L-415	M-1552
K-97	M-K16	K-284	M-850	L-129	M-539	L-251	M-612	L-416	M-1541
K-98	M-K65	K-285	M-K87	L-130	M-623	L-253	M-1522	L-417	M-721
K-101	M-K49	K-286	M-K53	L-135	M-589	L-254	M-555-A	L-419	M-799
K-103	M-K9	K-288	M-K82	L-136	M-541	L-261	M-3178-R	L-421	M-842

INTERCHANGES

LELAND TO BWP INTERCHANGE

LELAND		LELAND		LELAND		LELAND		LELAND	
Mfg. No.	BWP No.	Mfg. No.	BWP No.	Mfg. No.	BWP No.	Mfg. No.	BWP No.	Mfg. No.	BWP No.
L-425	M-722	L-727	M-821	L-899	M-1048	L-1081	M-313-B	L-1324	M-2684
L-426	M-760	L-728	M-779	L-900	M-776-L	L-1082	M-312	L-1325	M-2678
L-427	M-761	L-733	M-478-R	L-901	M-776-R	L-1083	M-2680	L-1327	M-1068
L-428	M-762	L-734	M-478-L	L-902	M-746-R	L-1084	M-2679	L-1328	M-1524
L-429	M-763	L-735	M-479-R	L-903	M-746-L	L-1086	M-1382	L-1329	M-679
L-431	M-764	L-736	M-479-L	L-911	M-1731	L-1102	M-2457	L-1330	M-681
L-434	M-829	L-738	M-590-A	L-930	M-1809	L-1114	M-2065	L-1331	M-1956
L-437	M-1640	L-752	M-1520	L-951	M-1890	L-1115	M-2066	L-1332	M-1957
L-438	M-769	L-754	M-876	L-953	M-1891	L-1143	M-1769	L-1333	M-1958
L-440	M-1582	L-755	M-877	L-957	M-1099	L-1153	M-1776	L-1334	M-1959
L-441	M-704	L-756	M-850	L-961	M-1762	L-1154	M-1777	L-1335	M-1960
L-442	M-703	L-760	M-878	L-964	M-819	L-1160	M-2140	L-1336	M-1961
L-444	M-670-A	L-761	M-858	L-965	M-820	L-1178	M-881	L-1337	M-1962
L-445	M-723	L-762	M-859	L-966	M-824-A			L-1338	M-1963
L-452	M-837	L-764	M-892	L-967	M-844			L-1339	M-1964
L-453	M-2768	L-767	M-889	L-968	M-1011	L-1183	M-882	L-1340	M-1965
L-454	M-767	L-768	M-890	L-970	M-1031		M-883	L-1341	M-1966
L-455	M-725	L-769	M-891	L-971	M-1028	L-1184	M-884	L-1342	M-1967
L-457	M-752	L-773	M-860	L-971	M-1028	L-1185	M-883	L-1342	M-1967
L-461	M-756	L-773	M-860	L-972	M-1029	L-1186	M-882	L-1343	M-1968
L-461	M-756	L-781	M-862	L-973	M-1041	L-1188	M-848	L-1344	M-1969
L-462	M-796	L-782	M-863	L-975	M-1034	L-1189	M-880	L-1345	M-1970
L-465	M-797	L-783	M-887	L-976	M-1492	L-1190	M-517	L-1346	M-1971
L-467	M-1505	L-784	M-810	L-978	M-1493	L-1191	M-1058	L-1347	M-1972
L-468	M-1519	L-786	M-807	L-980	M-1494	L-1193	M-559-R	L-1348	M-1973
L-479	M-1853	L-787	M-808	L-982	M-2798	L-1193	M-774-R	L-1349	M-1974
L-484	M-1856	L-788	M-771	L-985	M-1072	L-1194	M-559-L	L-1350	M-1975
L-488	M-1854	L-798	M-1892	L-1010	M-1026	L-1194	M-774-L	L-1351	M-1976
L-492	M-732	L-799	M-1893	L-1011	M-1027	L-1198	M-1554	L-1352	M-1977
L-493	M-733	L-800	M-1722	L-1012	M-1086	L-1199	M-582	L-1353	M-1978
L-494	M-734	L-801	M-1723	L-1013		L-1202	M-1571-R	L-1354	M-1979
L-496	M-1641	L-821	M-461	L-1014	M-1043	L-1203	M-1571-L	L-1355	M-1980
L-507	M-743-R	L-822	M-462	L-1017	M-899	L-1204	M-997-R	L-1356	M-1981
L-508	M-743-L	L-823	M-463	L-1018	M-1019	L-1205	M-997-L	L-1357	M-1982
L-509	M-724	L-824	M-464	L-1019	M-897	L-1209	M-782	L-1358	M-1983
L-511C	M-1634-A	L-825	M-466	L-1020	M-850	L-1233	M-2877	L-1359	M-1984
L-511G	M-1634-C	L-826	M-467	L-1021	M-855	L-1275	M-475	L-1360	M-1985
L-511H	M-1634-E	L-827	M-792	L-1023	M-566-R	L-1276	M-507	L-1361	M-1986
L-512A	M-534-F	L-828	M-1381	L-1024	M-566-L	L-1277	M-1431	L-1362	M-1987
L-512C	M-534-G	L-829	M-1383	L-1025	M-846	L-1278	M-1432	L-1363	M-1988
L-512E	M-534-K	L-835	M-1014	L-1026	M-839	L-1279	M-1009	L-1364	M-1989
L-512F	M-534-H	L-838	M-563-L	L-1034	M-790	L-1280	M-594	L-1365	M-1990
L-512G	M-534-J	L-839	M-563-R	L-1035	M-791	L-1281	M-1005	L-1366	M-1991
L-512H	M-534-L	L-840	M-840	L-1037	M-2654	L-1282	M-503	L-1367	M-1992
L-513	M-1635	L-841	M-474	L-1038	M-2700	L-1283	M-504	L-1368	M-1003
L-514	M-535-K	L-845	M-457	L-1039	M-2657	L-1284	M-652-A	L-1369	M-1007
L-515	M-1636	L-845	M-1064	L-1040	M-512	L-1289	M-500	L-1370	M-1008
L-516	M-536-K	L-846	M-468	L-1041	M-2691	L-1292	M-2658	L-1371	M-1413
L-517	M-737	L-848	M-470	L-1044	M-514	L-1293	M-1401	L-1372	M-1412
L-519	M-845	L-850	M-469	L-1045	M-513	L-1294	M-1405	L-1373	M-1016
L-527	M-1710	L-852	M-471	L-1046	M-1073	L-1295	M-1403	L-1374	M-1322
L-528	M-1709	L-857	M-1767	L-1047	M-1075	L-1296	M-1404	L-1375	M-1323
L-530	M-1849	L-871	M-314	L-1048	M-1074	L-1297	M-1402	L-1376	M-1324
L-556	M-1583	L-872	M-313	L-1049	M-1076	L-1298	M-990-R	L-1377	M-2578
L-559	M-456	L-872	M-313-A	L-1050	M-1078	L-1299	M-990-L	L-1378	M-2579
L-562	M-451	L-879	M-757	L-1051	M-1077	L-1300	M-1085	L-1379	M-2580
L-563	M-455	L-885	M-1052	L-1052	M-1081	L-1301	M-1084	L-1380	M-2581
L-573	M-823	L-888	M-747	L-1053	M-1080	L-1305	M-1406	L-1384	M-496-R
L-580	M-744-L	L-889	M-748	L-1064	M-849	L-1307	M-1550	L-1385	M-496-L
L-581	M-744-R	L-891	M-1407	L-1065	M-1010	L-1308	M-638	L-1395	M-1050
L-594	M-741	L-893	M-1051	L-1066	M-1038	L-1308	M-3373	L-1400	M-1498
L-595	M-742	L-894	M-1428	L-1072	M-778-R	L-1317	M-879	L-1403	M-2796
L-599	M-1586	L-895	M-1045	L-1073	M-778-L	L-1318	M-888	L-1404	M-2797
L-601	M-803	L-896	M-1049	L-1074	M-477-R	L-1320	M-1407	L-1412	M-996-R
L-604	M-1585	L-897	M-1046	L-1075	M-477-L	L-1321	M-2669	L-1413	M-996-L
L-726	M-822	L-898	M-1047	L-1080	M-313-C	L-1322	M-2677	L-1416	M-1422

(2) = 2 Leland kits = 1 BWP kit

LELAND TO BWP INTERCHANGE

LELAND		LELAND		LELAND		LELAND		LELAND	
Mfg. No.	BWP No.	Mfg. No.	BWP No.	Mfg. No.	BWP No.	Mfg. No.	BWP No.	Mfg. No.	BWP No.
L-1417	M-1423	L-1617	M-2600-R	L-1706	M-2747	L-1918	M-1918	L-2375	M-1998
L-1418	M-1424	L-1618	M-2600-L	L-1707	M-1088	L-1919	M-1919	L-2376	M-1999
L-1475	M-2722	L-1619	M-2616-R	L-1708	M-1035	L-1920	M-1920	L-2377	M-2201
L-1476	M-991-R	L-1620	M-2616-L	L-1709	M-1036	L-1921	M-1921	L-2378	M-1997
L-1477	M-991-L	L-1621	M-2699	L-1710	M-1037	L-1922	M-1922	L-2379	M-3185-R
L-1478	M-1421	L-1622	M-2725	L-1711	M-2622	L-1923	M-1923	L-2380	M-3185-L
L-1479	M-1425	L-1623	M-2717	L-1712	M-2628	L-1924	M-1924	L-2381	M-2587
L-1480	M-2673	L-1624	M-2740	L-1714	M-2716	L-1925	M-1925	L-2381A	M-2587-A
L-1481	M-2672	L-1625	M-2738	L-1716	M-602-K	L-1926	M-1926	L-2382	M-2621
L-1496	M-1426	L-1627	M-1557	L-1718	M-1556	L-1927	M-1927	L-2387	M-2645
L-1499	M-1083	L-1628	M-557-R	L-1719	M-1589	L-1928	M-1928	L-2395	M-2692
L-1502	M-2530	L-1629	M-557-L	L-1724	M-2643	L-1929	M-1929	L-2399	M-2668
L-1504	M-2532	L-1630	M-2752	L-1725	M-2650	L-1930	M-1930	L-2400	M-2674
L-1505	M-2531	L-1631	M-2615-R	L-1729	M-1093	L-1931	M-1931	L-2409	M-2687
L-1506	M-2533	L-1632	M-2615-L	L-1730	M-1550	L-1932	M-1932	L-2410	M-2688
L-1508	M-2535	L-1633	M-2646	L-1732	M-2659	L-1933	M-1933	L-2411	M-2681
L-1509	M-2536	L-1634	M-2651	L-1733	M-2660	L-1934	M-1934	L-2427	M-2200
L-1510	M-2537	L-1641	M-1400	L-1734	M-2729	L-1935	M-1935	L-2435	M-2689
L-1511	M-2534	L-1642	M-2627	L-1735	M-1092	L-1936	M-1936	L-2440	M-1015-R
L-1513	M-981	L-1643	M-800	L-1736	M-2706	L-1937	M-1937	L-2441	M-1015-L
L-1513	M-2527	L-1644	M-801	L-1737	M-2609-R	L-1940	M-1940	L-2550	M-998-R
L-1514	M-982	L-1646	M-2719	L-1738	M-2609-L	L-1941	M-1941	L-2551	M-998-L
L-1515	M-985	L-1648	M-2577	L-1743	M-2640	L-1943	M-1942	L-2452	M-3181-R
L-1516	M-2528	L-1649	M-1553	L-1744	M-2630	L-1945	M-1190	L-2453	M-3181-L
L-1517	M-987	L-1650	M-2735	L-1745	M-2635	L-1948	M-2586	L-2454	M-2611-R
L-1518	M-2529	L-1651	M-993-R	L-1746	M-2618	L-1949	M-2547	L-2455	M-2611-L
L-1519	M-2464	L-1652	M-993-L	L-1747	M-2637	L-2035	M-811	L-2456	M-989-R
L-1520	M-2520	L-1653	M-995-R	L-1748	M-2639	L-2036	M-1062	L-2457	M-989-L
L-1521	M-2521	L-1654	M-995-L	L-1751	M-2714	L-2037	M-1061	L-2458	M-988-R
L-1522	M-2522	L-1655	M-994-R	L-1752	M-2459	L-2047	M-2694	L-2459	M-988-L
L-1525	M-2523	L-1656	M-994-L	L-1753	M-2641	L-2048	M-2696	L-2466	M-2604-R
L-1527	M-2465	L-1657	M-992-R	L-1756	M-2709	L-2089	M-2601-R	L-2467	M-2604-L
L-1529	M-2524	L-1658	M-992-L	L-1757	M-2708	L-2090	M-2601-L	L-2480	M-2617-R
L-1530	M-2525	L-1659	M-1097	L-1758	M-2715	L-2093	M-2521	L-2481	M-2617-L
L-1531	M-2526	L-1660	M-1098	L-1759	M-2642	L-2094	M-2509	L-2482	M-3184-R
L-1533	M-2204	L-1661	M-1094	L-1760	M-2675	L-2098	M-1427	L-2483	M-3184-L
L-1534	M-3261	L-1662	M-1095	L-1761	M-2730	L-2099	M-838	L-2486	M-3176-R
L-1535	M-1558	L-1667	M-1096	L-1762	M-1430	L-2338	M-2614-R	L-2487	M-3176-L
L-1536	M-571B	L-1669	M-2711	L-1764	M-1044	L-2339	M-2614-L	L-2494	M-3375
L-1537	M-1433	L-1670	M-2713	L-1765	M-830	L-2340	M-2613-R	L-2495	M-2582
L-1583	M-2652	L-1671/73/74	M-2721	L-1766	M-847	L-2341	M-2613-L	L-2592	M-3297
L-1584	M-2697	L-1672	M-749	L-1767	M-826	L-2342	M-2599-R	L-2593	M-3288
L-1585	M-2702	L-1675	M-2712	L-1768	M-825	L-2343	M-2599-L	L-2599	M-3296
L-1586	M-2741	L-1676	M-2662	L-1769	M-2734	L-2346	M-2653	L-2604	M-3289
L-1588	M-1538	L-1680	M-2619	L-1770	M-824	L-2347	M-2602-R	L-2620	M-3391
L-1590	M-1000	L-1681	M-2636	L-1784	M-2704	L-2348	M-2602-L	L-2670	M-2749
L-1593	M-1002	L-1683	M-1004	L-1786	M-2033	L-2349	M-3374	L-2671	M-2750
L-1594	M-999	L-1684	M-2610-R	L-1790	M-432	L-2351	M-2728	L-2707	M-2594
L-1598	M-2623	L-1685	M-2610-L	L-1901	M-1901	L-2352	M-2727		M-2595
L-1600	M-787	L-1686	M-2620	L-1902	M-1902	L-2353	M-2718		
L-1601	M-2666	L-1687	M-2632	L-1903	M-1903	L-2354	M-2695	L-2711	M-2594
L-1602	M-2667	L-1688	M-2664	L-1904	M-1904	L-2355	M-2693	L-2712	M-2595
L-1603	M-2733	L-1689	M-2665	L-1905	M-1905	L-2356	M-560-R	L-2713	M-2593
L-1605	M-818	L-1691	M-2723	L-1906	M-1906	L-2357	M-560-L	L-2714	M-2593
L-1606	M-2649	L-1693	M-2737	L-1907	M-1907	L-2358	M-2710	L-2714	M-2594
L-1607	M-1018	L-1694	M-2685	L-1908	M-1908	L-2360	M-2683	L-2795	M-1942-A
L-1608	M-1409	L-1695	M-1056	L-1909	M-1909	L-2363	M-2686	L-2804	M-2663
L-1609	M-1408	L-1696	M-1054	L-1910	M-1910	L-2364	M-2748	L-2808	M-3350
L-1610	M-3398	L-1697	M-1055	L-1911	M-1911	L-2367	M-3239	L-2811	M-2724
L-1611	M-2631	L-1698	M-3177-R	L-1912	M-1912	L-2368	M-3238	L-2825	M-3345
L-1612	M-1402A	L-1699	M-3177-L	L-1913	M-1913	L-2369	M-3499	L-2826	M-3347
L-1613	M-2564	L-1700	M-1065	L-1914	M-1914	L-2370	M-2732	L-2829	M-3346
L-1614	M-2565	L-1701	M-1066	L-1915	M-1915	L-2371	M-1780	L-2830	M-3352
L-1615	M-2566	L-1702	M-2670	L-1916	M-1916	L-2373	M-2202	L-2831	M-3351
L-1616	M-604	L-1703	M-2671	L-1917	M-1917	L-2374	M-2203	L-2832	M-3353
								L-2833	M-3354

INTERCHANGES

LELAND TO BWP INTERCHANGE

LELAND		LELAND		LELAND		LELAND		LELAND	
Mfg. No.	BWP No.	Mfg. No.	BWP No.	Mfg. No.	BWP No.	Mfg. No.	BWP No.	Mfg. No.	BWP No.
L-2843	M-2746	L-2976	M-3127-R	L-3116	M-3172-R	L-3340	M-3687-R	W-9	M-41
L-2854	M-1521	L-2977	M-3127-L	L-3117	M-3172-L	L-3341	M-3687-L	W-11	M-128
L-2856	M-1012	L-2981	M-3190	L-3123	M-3388	L-3344	M-3686-R	W-12	M-129
L-2858	M-2739	L-2982	M-3194	L-3124	M-3148-R	L-3345	M-3886-L	W-13	M-126
L-2859	M-2742	L-2992	M-3195	L-3125	M-3148-L	L-3346	M-3688-R	W-14	M-127
L-2870	M-2605-R	L-3003	M-3367	L-3127	M-3747	L-3347	M-3688-L	W-15	M-124
L-2871	M-2605-L	L-3004	M-3369	L-3146	M-3748	L-3350	M-3109-R	W-16	M-125
L-2872	M-3179-R	L-3005	M-3368	L-3154	M-3751	L-3351	M-3109-L	W-17	M-37
L-2873	M-3179-L	L-3006	M-3370	L-3155	M-3751	L-57639	M-85000	W-19	M-31
L-2876	M-2612-R	L-3007	M-3371	L-3173	M-3498	L-57644	M-85006	W-19	M-32
L-2877	M-2612-L	L-3008	M-3372	L-3175	M-3987	L-57645	M-85005	W-21	M-34
L-2880	M-2606-R	L-3009	M-3363	L-3176	M-3732	L-57646	M-85003	W-22	M-35
L-2881	M-2606-L	L-3010	M-3365	L-3177	M-3731	L-57647	M-85004	W-24	M-215
L-2882	M-2607-R	L-3011	M-3189	L-3178	M-3749	L-57648	M-85007	W-27	M-44
L-2883	M-2607-L	L-3020	M-2686	L-3179	M-3750	L-57653	M-85012	W-28	M-1192
L-2884	M-2597-R	L-3026	M-3174-R	L-3200	M-3130-R	L-57654	M-85013	W-29	M-1193
L-2885	M-2597-L	L-3027	M-3174-L	L-3201	M-3130-L	L-57655	M-85014	W-34	M-1198
L-2888	M-2598-R	L-3030	M-3187-R	L-3202	M-3131-R	L-57657	M-85024	W-36	M-46
L-2889	M-2598-L	L-3031	M-3187-L	L-3203	M-3131-L	L-57659	M-85026	W-37	M-47
L-2890	M-3115-R	L-3033	M-K90	L-3209	M-3299	L-57660	M-85027	W-38	M-48
L-2891	M-3115-L	L-3034	M-2614-R	L-3210	M-3298	L-57662	M-85030	W-39	M-49
L-2897	M-3175-R	L-3035	M-2614-L	L-3211	M-3390	L-59009	M-83217	W-40	M-50
L-2898	M-3175-L	L-3036	M-3689-R	L-3212	M-3393	L-59016	M-83312	W-41	M-51
L-2901	M-3348	L-3037	M-3689-L	L-3278	M-3693-R	L-59017	M-83314	W-42	M-52
L-2916	M-3196	L-3038	M-3108-R	L-3279	M-3693-L	L-59018	M-83213	W-43	M-53
L-2917	M-3197	L-3039	M-3108-L	L-3280	M-3690-R	L-59018	M-83309	W-44	M-54
L-2918	M-3192	L-3040	M-2594	L-3281	M-3690-L	L-59019	M-83203	W-45	M-55
L-2921	M-2766	L-3042	M-2595	L-3282	M-3696-R	L-59022	M-83308	W-46	M-56
L-2927	M-2634	L-3043	M-K90	L-3283	M-3696-L	L-59023	M-83216	W-47	M-57
L-2928	M-2638	L-3043	M-K90	L-3284	M-3698-R	L-59024	M-83219	W-48	M-58
L-2929	M-3191	L-3044	M-3142-R	L-3285	M-3698-L	L-59030	M-83204	W-49	M-59
L-2930	M-3355	L-3045	M-3142-L	L-3286	M-3697-R	L-59031	M-83201	W-50	M-60
L-2931	M-3356	L-3046	M-3188-R	L-3287	M-3697-L	L-59032	M-83221	W-51	M-61
L-2932	M-3357	L-3047	M-3188-L	L-3288	M-3147-R	L-59033	M-83215	W-52	M-62
L-2933	M-3359	L-3048	M-3198	L-3289	M-3147-L	L-59039	M-83207	W-53	M-63
L-2934	M-3358	L-3049	M-3387	L-3290	M-3134-R	L-59040	M-83202	W-54	M-64
L-2938	M-3236	L-3057	M-K90	L-3291	M-3134-L	L-59079	M-83304	W-55	M-65
L-2939	M-3237	L-3059	M-3364	L-3292	M-3132-R	L-59086	M-83209	W-56	M-66
L-2941	M-1401	L-3060	M-3366	L-3293	M-3132-L	L-59088	M-83225	W-57	M-67
L-2942	M-3247	L-3063	M-3386	L-3294	M-3126-R	L-59090	M-83300	W-58	M-68
L-2943	M-2726	L-3064	M-3385	L-3295	M-3126-L	L-59092	M-83302	W-59	M-69
L-2944	M-3248	L-3069	M-3260	L-3306	M-3135-R	L-59093	M-83303	W-60	M-70
L-2946	M-2459	L-3070	M-3233	L-3307	M-3135-L	L-59098	M-83318	W-61	M-71
L-2947	M-1402-A	L-3072	M-3140-R	L-3310	M-3169-R	L-76024	M-85308	W-62	M-72
L-2948	M-3173-R	L-3073	M-3140-L	L-3311	M-3169-L	L-76025	M-85303	W-63	M-73
L-2949	M-3173-L	L-3094	M-3110-R	L-3318	M-3180-R	L-76026	M-85302	W-64	M-74
L-2950	M-3199	L-3095	M-3110-L	L-3319	M-3180-L	L-76027	M-85001	W-65	M-75
L-2951	M-3193	L-3096	M-3111-R	L-3320	M-3699-R	L-76028	M-85307	W-66	M-76
L-2952	M-3246	L-3097	M-3111-L	L-3321	M-3699-L	L-76029	M-85301	W-67	M-77
L-2953	M-3245	L-3098	M-3112-R	L-3322	M-3123-R	L-76030	M-85300	W-68	M-78
L-2954	M-3243	L-3099	M-3112-L	L-3323	M-3123-L	L-76114	M-85304	W-69	M-79
L-2955	M-3244	L-3100	M-3114-R	L-3324	M-3125-R	L-76115	M-85305	W-70	M-80
L-2958	M-986	L-3101	M-3114-L	L-3325	M-3125-L	L-76117	M-85310	W-71	M-81
L-2960	M-3360	L-3104	M-3682-R	L-3326	M-3124-R	L-76118	M-88311	W-72	M-82
L-2961	M-3361	L-3105	M-3682-L	L-3327	M-3124-L	L-76120	M-85313	W-73	M-83
L-2962	M-3362	L-3106	M-3683-R	L-3328	M-3120-R	L-76124	M-85317	W-74	M-90
L-2963	M-3240	L-3107	M-3683-L	L-3329	M-3120-L	L-76126	M-85319	W-75	M-100
L-2966	M-3143-R	L-3108	M-3684-R	L-3330	M-3117-R	W-1	M-1	W-76	M-92
L-2967	M-3143-L	L-3109	M-3684-L	L-3331	M-3117-L	W-2	M-2	W-77	M-96
L-2968	M-3144-R	L-3110	M-3685-R	L-3332	M-3119-R	W-3	M-3	W-78	M-101
L-2969	M-3144-L	L-3111	M-3685-L	L-3333	M-3119-L	W-4	M-4	W-79	M-97
L-2970	M-3129-R	L-3112	M-3170-R	L-3334	M-3116-R	W-5	M-38	W-80	M-99
L-2971	M-3129-L	L-3113	M-3170-L	L-3335	M-3116-L	W-6	M-39	W-81	M-98
L-2974	M-3128-R	L-3114	M-3171-R	L-3336	M-3118-R	W-7	M-43	W-82	M-92
L-2975	M-3128-L	L-3115	M-3171-L	L-3337	M-3118-L	W-8	M-45	W-83	M-93

(2) = 2 Leland kits = 1 BWP kit

LELAND TO BWP INTERCHANGE

LELAND		LELAND		LELAND		LELAND		LELAND	
Mfg. No.	BWP No.	Mfg. No.	BWP No.	Mfg. No.	BWP No.	Mfg. No.	BWP No.	Mfg. No.	BWP No.
W-84	M-94	W-156	M-1160	W-264	M-2420	W-331	M-2475	W-396	M-2437
W-85	M-95	W-157	M-1161	W-265	M-2421	W-332	M-2478	W-397	M-2432
W-86	M-956	W-158	M-130	W-266	M-1222	W-333	M-2479	W-398	M-2433
W-87	M-957	W-159	M-131	W-267	M-1223	W-334	M-3640	W-399	M-2434
W-88	M-958	W-160	M-140-A	W-268	M-1220	W-335	M-3641	W-400	M-2435
W-89	M-960	W-161	M-140-B	W-269	M-1221	W-336	M-2402	W-401	M-258
W-90	M-961	W-165	M-1269	W-270	M-1106	W-337	M-2403	W-402	M-259
W-91	M-962	W-166	M-88	W-271	M-1107	W-338	M-2408	W-403	M-1125
W-92	M-964	W-167	M-89	W-272	M-1214	W-339	M-2409	W-404	M-3600
W-93	M-968	W-168	M-84	W-273	M-1215	W-340	M-2490	W-405	M-1123
W-94	M-969	W-169	M-85	W-274	M-1212	W-341	M-2491	W-406	M-1124
W-95	M-971	W-170	M-86	W-275	M-1213	W-342	M-2414	W-407	M-30-B
W-96	M-974	W-171	M-87	W-276	M-2438	W-343	M-2415	W-408	M-1122
W-97	M-976	W-180	M-158	W-277	M-2439	W-344	M-2516	W-409	M-21
W-98	M-977	W-181	M-159	W-278	M-1112	W-345	M-2517	W-410	M-1261
W-101	M-102	W-182	M-157	W-279	M-1113	W-346	M-2418	W-413	M-1262
W-102	M-103	W-183	M-1153	W-280	M-1176	W-347	M-2419	W-414	M-1133
W-103	M-104	W-184	M-1105	W-281	M-1177	W-348	M-2516	W-415	M-1188
W-104	M-105	W-193	M-1126	W-282	M-1206	W-349	M-2517	W-416	M-1173
W-105	M-136	W-197	M-1143	W-283	M-1207	W-350	M-2518	W-417	M-1189
W-106	M-137	W-205	M-1164	W-284	M-1208	W-351	M-2519	W-418	M-2461
W-107	M-132	W-206	M-1165	W-285	M-1209	W-352	M-1224	W-420	M-1183
W-108	M-133	W-207	M-1166	W-286	M-1210	W-353	M-1225	W-421	M-1185
W-109	M-139	W-208	M-1167	W-287	M-1211	W-354	M-1216	W-423	M-1187
W-110	M-138	W-209	M-2494	W-288	M-2428	W-355	M-1217	W-424	M-140-C
W-111	M-220	W-210	M-2495	W-289	M-2429	W-356	M-2470	W-425	M-140-D
W-112	M-140	W-211	M-1168	W-290	M-1204	W-357	M-2471	W-426	M-140-G
W-113	M-164	W-212	M-1169	W-291	M-1205	W-358	M-2480	W-427	M-140-H
W-114	M-165	W-215	M-1170	W-292	M-1218	W-359	M-2481	W-429	M-2462
W-115	M-166	W-216	M-1171	W-293	M-1219	W-360	M-2468	W-430	M-1263
W-116	M-167	W-217	M-1230	W-294	M-1250	W-361	M-2469	W-431	M-1264
W-117	M-5	W-218	M-1231	W-295	M-1251	W-362	M-2476	W-432	M-1265
W-118	M-6	W-220	M-1144	W-298	M-2492	W-363	M-2477	W-434	M-1100
W-119	M-7	W-221	M-1145	W-299	M-2493	W-364	M-2472	W-446	M-1136
W-120	M-8	W-223	M-2545	W-300	M-1228	W-365	M-2473	W-447	M-26
W-121	M-10	W-226	M-1128	W-301	M-1229	W-366	M-2440	W-448	M-1175
W-122	M-134	W-227	M-1129	W-302	M-2510	W-367	M-2441	W-449	M-1127
W-123	M-135	W-228	M-140-J	W-303	M-2511	W-368	M-2442	W-450	M-1142
W-124	M-27	W-229	M-140-K	W-304	M-2514	W-369	M-2443	W-451	M-2459
W-125	M-260	W-230	M-248	W-305	M-2515	W-370	M-1108	W-454	M-2496
W-126	M-261	W-231	M-249	W-306	M-2512	W-371	M-1109	W-455	M-2497
W-129	M-17	W-232	M-1255	W-307	M-2513	W-372	M-1110	W-456	M-1282
W-130	M-18	W-234	M-142	W-308	M-1226	W-373	M-1111	W-458	M-1254
W-131	M-19	W-235	M-145	W-309	M-1227	W-374	M-1294	W-459	M-2406
W-132	M-20	W-236	M-1120	W-310	M-2486	W-375	M-1295	W-460	M-2407
W-133	M-22	W-237	M-1121	W-311	M-2487	W-376	M-2426	W-461	M-2410
W-134	M-23	W-240	M-1115	W-312	M-2488	W-377	M-2427	W-462	M-2411
W-135	M-1134	W-241	M-1114	W-313	M-2489	W-378	M-1290	W-463	M-2404
W-136	M-11	W-242	M-1117	W-314	M-2446	W-379	M-1291	W-464	M-2405
W-137	M-12	W-243	M-1116	W-315	M-2447	W-380	M-1288	W-465	M-2412
W-142	M-30	W-244	M-1118	W-316	M-2452	W-381	M-1289	W-466	M-2413
W-143	M-24	W-245	M-1119	W-317	M-2453	W-382	M-1298	W-467	M-1249
W-144	M-25	W-246	M-1102	W-318	M-2450	W-383	M-1299	W-474	M-144
W-145	M-29	W-248	M-214-A	W-319	M-2451	W-384	M-1280	W-475	M-2466
W-146	M-28	W-251	M-2546	W-320	M-2448	W-385	M-1281	W-476	M-2467
W-147	M-1131	W-254	M-2543	W-321	M-2449	W-386	M-1286	W-477	M-2430
W-148	M-1132	W-255	M-1135	W-322	M-108	W-387	M-1287	W-478	M-2431
W-149	M-30-A	W-256	M-2460	W-323	M-109	W-388	M-1151	W-479	M-1247
W-150	M-1138	W-257	M-1242	W-324	M-116	W-389	M-1152	W-480	M-2542
W-151	M-40	W-258	M-1243	W-325	M-117	W-390	M-1284	W-481	M-2544
W-152	M-42	W-259	M-1244	W-326	M-106	W-391	M-195	W-482	M-3293
W-153	M-1139	W-260	M-2424	W-327	M-107	W-392	M-196	W-486	M-2400
W-153	M-1140	W-261	M-2425	W-328	M-110	W-393	M-197	W-487	M-2401
W-154	M-140-E	W-262	M-2422	W-329	M-111	W-394	M-198	W-489	M-3206
W-155	M-140-F	W-263	M-2423	W-330	M-2474	W-395	M-2436	W-490	M-3204

INTERCHANGES

LELAND TO BWP INTERCHANGE

LELAND		LELAND		LELAND		LELAND		LELAND	
Mfg. No.	BWP No.	Mfg. No.	BWP No.	Mfg. No.	BWP No.	Mfg. No.	BWP No.	Mfg. No.	BWP No.
W-491	M-3205	W-578	M-3229	10-10SM	M-1617	SC1090	M-2820	SA1233	M-1804
W-492	M-3207	W-579	M-3642	10-12M	M-1606	SC1091	M-2821	SA1234	M-2870
W-494	M-3214	W-580	M-3643	20-8M	M-1607	SC1092	M-2822	SA1235	M-1818
W-495	M-3202	W-583	M-203	20-8 SM	M-1618	SA1094	M-2833	SA1236	M-1805
W-496	M-3200	W-584	M-3656	20-9M	M-1608	SA1095	M-2832	SA1237	M-1194
W-497	M-3201	W-585	M-3657	20-9 SM	M-1620	SB1097	M-2834	SB1238	M-2151
W-498	M-3203	W-586	M-256	20-10M	M-1609	SB1103	M-2845	SA1240	M-1803
W-500	M-3644	W-587	M-257	20-10 SM	M-1621	SB1104	M-2846	SB1241	M-2152
W-501	M-3645	W-588	M-248-A	2400SC	M-458	SB1113	M-2835	SA1246	M-2041
W-504	M-3218	W-589	M-249-A	3000SC	M-459	SB1114	M-2836	SA1247	M-2047
W-505	M-3219	W-590	M-1266	SUSPENSION PARTS		SB1115	M-2837	SA1248	M-2048
W-506	M-3208	W-591	M-1267	SC1000	M-2801	SB1116	M-2838	SA1249	M-2050
W-507	M-3209	W-592	M-919	SC1001	M-2803	SB1117	M-2839	SA1250	M-2051
W-508	M-3210	W-593	M-920	SC1003	M-2800	SB1149	M-2867	SA1256	M-2981
W-509	M-3211	W-595	M-937	SC1004	M-2802	SA1156	M-2849	SA1257	M-1414
W-510	M-3632	W-596	M-938	SA1005	M-1845	SA1157	M-2850	SA1259	M-2044
W-511	M-3633	W-597	M-939	SA1006	M-1851	SA1158	M-2852	SA1261	M-2042
W-512	M-3646	W-598	M-1270	SA1007	M-1852	SA1159	M-2851	SA1262	M-2043
W-513	M-3647	W-599	M-1271	SA1008	M-1869	SA1160	M-2853	SA1263	M-2874
W-516	M-3234	W-600	M-1276	SA1009	M-1883	SA1161	M-2854	SA1267	M-2039
W-517	M-3235	W-601	M-1277	SA1010	M-1884	SA1162	M-2034	SA1268	M-2040
W-518	M-2498	W-602	M-1279	SA1012	M-1763	SA1164	M-3472	SA1270	M-2875
W-519	M-2499	W-603	M-1272	SA1013	M-1449	SA1165	M-2991	SA1272	M-2038
W-520	M-3630	W-604	M-1273	SA1014	M-1450	SA1166	M-2993	SC1273	M-2017
W-521	M-3631	W-608	M-3610	SA1018	M-2819	SA1167	M-2992	SC1276	M-1725
W-522	M-3220	W-609	M-3611	SA1019	M-1466	SA1168		SC1277	M-1793
W-523	M-3221	W-610	M-3241	SA1020	M-2806	SA1169	SA1278	M-2014	
W-524	M-3681	W-611	M-3242	SB1021	M-2813	SA1170	M-2990	SA1279	M-1724
W-526	M-3222	W-612	M-3634	SB1022	M-2814	SA1171	M-2989	SC1280	M-1796
W-527	M-3223	W-613	M-3635	SB1023	M-2817	SC1172	M-2865	SA1281	M-2003
W-528	M-3226	W-620	M-130	SB1024	M-2818	SA1173	M-2848	SB1282	M-2001
W-529	M-3227	W-621	M-131	SA1029	M-1465	SA1174	M-2866	SC1283	M-2002
W-530	M-3230	W-634	M-3628	SA1030 & 1031	M-1467	SA1175	M-2862	SA1284	M-2004
W-531	M-3231	W-635	M-3629	SA1032	M-2804	SA1176	M-2856	SA1285	M-2005
W-533	M-1130	W-656	M-3669	SA1034	M-2810	SA1177	M-2857	SA1287	M-2030
W-534	M-3212	W-657	M-3666	SA1039	M-1475	SA1178	M-2858	SA1288	M-2031
W-536	M-1141	W-661	M-3671	SA1040	M-1476	SA1179	M-2859	SA1289	M-2028
W-537	M-2500	W-664	M-3612	SA1041	M-1473	SA1181	M-2855	SB1290	M-2027
W-539	M-1178	W-665	M-3613	SA1042	M-1474	SA1182	M-2994	SB1291	M-2010
W-540	M-3606	W-666	M-3636	SA1043	M-2808	SA1183	M-2995	SB1292	★
W-541	M-1258	W-667	M-3637	SA1044	M-2811	SA1184	M-2996	SB1293	M-2013
W-542	M-3224	W-668	M-3670	SA1045	M-2809	SA1187	M-1790	SC1294	M-1727
W-543	M-3225	W-669	M-3667	SA1046	M-2805	SA1188	M-1791	SC1295	M-1794
W-544	M-3215	W-674	M-3614	SA1047	M-1468	SA1189	M-1792	SA1297	M-1887
W-545	M-3216	W-675	M-3615	SA1048	M-1469	SA1190	M-1788	SB1298	M-1726
W-546	M-3217	W-676	M-3677	SA1049	★	SA1191	M-1785	SB1300	M-2153
W-547	M-3232	W-678	M-3665	SA1050	M-1471	SA1192	M-1786	SC1301	M-1797
W-548	M-3626	W-679	M-3680	SA1051	M-1472	SA1193	M-1787	SA1302	M-2008
W-549	M-3627	W-686	M-3616	SA1052	M-1470	SA1194	M-2997	SB1303	M-2006
W-558	M-1455	W-687	M-3617	SA1059	M-1485	SA1196	M-1789	SC1304	M-2007
W-560	M-1285	4-4M	M-1590	SA1062	M-2910	SA1197	M-1784	SA1305	M-2009
W-562	M-2454	5-5M	M-1592	SA1063	M-2458	SA1201	M-2052	SA1306	M-2036
W-563	M-2455	7-5M	M-1593	SA1075	M-1873	SB1205	M-2799	SB1307	M-2035
W-564	M-2456	7-6M	M-1594	SA1076	M-2136	SA1210	M-1199	SB1308	M-2012
W-565	M-3213	7-7M	M-1595	SA1079	M-2830	SB1213	M-1806	SB1310	M-2015
W-566	M-3604	7-8M	M-1596	SB1080	M-2831	SB1214	M-1807	SA1311	M-2016
W-567	M-3605	8-7M	M-1598	SA1081	M-2135	SA1215	M-2869	SA1312	M-2108
W-569	M-1174	8-8M	N-1599	SA1086	M-2134	SA1216	M-1808	SA1313	M-2106
W-570	M-1148	8-9M	M-1600	SA1087	M-2138	SA1217	M-1761	SA1314	M-2107
W-571	M-1149	8-10M	M-1601	SA1088	M-2139	SA1218	M-1889	SA1315	M-2102
W-572	M-1248	10-8M	M-1603	SA1089	M-2137	SC1222	M-2150	SA1316	M-2104
W-574	M-3679	10-8 SM	M-1614			SC1223	M-2884	SC1317	M-2886
W-575	M-3608	10-9M	M-1604			SA1226	M-2871	SA1318	M-2812
W-576	M-3609	10-9 SM	M-1616			SA1227	M-2872	SC1320	M-2091
W-577	M-3228	10-10M	M-1605			SA1232	M-2059	SC1321	M-2099

★ = Available from Chicago warehouse

LELAND TO BWP INTERCHANGE

LELAND		LELAND		LELAND		LELAND		LELAND	
Mfg. No.	BWP No.	Mfg. No.	BWP No.	Mfg. No.	BWP No.	Mfg. No.	BWP No.	Mfg. No.	BWP No.
SA1324	M-2095	SA1441	M-3490	SA1545	M-2131	SB1684	M-2953	SB1772	M-3410
SB1325	M-2092	SB1442	M-2141	SA1546	M-1487	SB1685	M-3403	SC1777	M-1675
SC1326	M-2093	SB1443	M-2143	SA1547	M-2130	SB1686	M-3404	SA1778	M-2961
SA1327	M-2094	SB1444	M-2144	SA1548	M-2933	SB1688	M-3405	SA1779	M-1680
SB1328	M-2105	SB1445	M-2868	SC1549	M-2815	SB1689	M-3406	SA1780	M-1681
SB1329	M-2096	SB1446	M-2149	SA1550	M-2932	SA1693	M-3426	SA1781	M-1683
SB1330	M-2097	SA1447	M-2160	SA1551	M-2120	SA1694	M-3427	SA1783	M-1679
SB1331	M-2100	SA1448	M-1888	SA1553	M-2823	SA1695	M-3428	SA1784	M-2949
SA1332	M-2101	SA1449	M-2161	SA1555	M-2458	SC1696	M-3420	SA1785	M-1685
SB1333	M-2053	SA1450	M-2159	SA1560	M-3263	SC1697	M-3421	SA1789	M-2943
SA1336	M-2054	SC1451	M-2147	SA1562	M-2121	SC1698	M-3419	SB1790	M-2816
SA1337	M-1730	SC1459	M-3475	SA1563	M-2926	SC1699	M-3423	SB1791	M-2947
SA1338	M-2033	SA1460	M-3478	SA1564	M-2118	SC1700	M-3422	SA1792	M-2945
SB1339	M-2032	SA1461	M-3479	SA1565	M-2126	SC1701	M-1670	SA1793	★
SC1340	M-2000	SA1462	M-3477	SA1566	M-2930	SB1702	M-2952	SA1794	M-2944
SB1343	M-2061	SA1463	M-1852	SA1567	M-2927	SB1703	M-1684	SA1795	M-2946
SC1345	M-2154	SA1464	M-3434	SA1568	M-2116	SB1704	M-2936	SA1810	M-1871
SC1346	M-2155	SA1476	M-2823	SA1569	M-2122	SA1705	M-1770	SA1811	M-1878
SC1347	M-2156	SA1482	M-1653	SA1570	M-2127	SA1706	M-1771	SA1813	M-1876
SC1348	M-2157	SA1483	M-1654	SA1571	M-2929	SA1707	M-1720	SA1814	M-687
SC1349	M-1799	SA1485	M-2073	SA1572	M-2123	SA1708	M-1719	SA1816	M-688
SC1350	M-1799-A	SA1486	M-1655	SA1573	M-2124	SA1709	M-1721	SA1818	M-138
SC1351	M-2060	SA1487		SA1575	M-2931	SA1710	M-1880	SA1820	M-2976
SC1352	M-2062	SA1488		SA1576	M-2928	SA1711	M-1870	SA1821	M-1872
SB1353	M-1798	SA1491		M-3474	SA1577	M-2119	SA1712	★	SA1824
SA1354	M-2055	SB1494	M-2110	SA1578	M-2117	SA1713	M-1872	SA1826	M-2971
SA1355	M-2056	SB1495	M-2109	SA1579	M-1852	SA1714	M-1868	SC1831	M-2967
SA1356	M-2057	SA1496	M-1479	SA1580	M-2125	SA1715	★	SC1832	M-2962
SA1357	M-2029	SB1503	M-3457	SA1581	M-2115	SA1716	M-1672	SB1833	M-2968
SA1358	M-2058	SB1504	M-2114	SB1596	M-1707	SC1717	M-1673	SB1834	M-2969
SA1360	M-2037	SB1505	M-1477	SA1598	M-1485	SA1718	M-2942	SA1835	M-1462
SC1361	M-2158	SB1506	M-1478	SA1599	M-1702	SA1719	M-2941	SA1836	M-1464
SC1364	M-2063	SA1509	M-1186	SB1600	M-3459	SA1720	M-2940	SB1837	M-2142
SB1365	M-2064	SC1510	M-2904	SA1601	M-3460	SA1721	M-2960	SB1838	M-2970
SB1386	M-2087	SC1511	M-2905	SA1613	M-1486	SA1722	M-2938	SB1839	M-2974
SB1387	M-2089	SB1512	M-2112	SA1614	M-1701	SA1723	M-1677	SB1848	M-2786
SB1388	M-2090	SB1513	M-2111	SA1619	M-1488	SA1725	M-1749	SB1849	M-2787
SB1389	M-2088	SB1514	M-2901	SA1627	M-1711	SA1726	M-1751	SB1850	M-2935
SA1393	M-1460	SC1515	M-2902	SA1628	M-1192	SA1727	M-1750	SB1852	M-2788
SA1395	M-1191	SC1516	M-2903	SA1629	M-1700	SC1728	M-1671	SB1853	M-1713
SB1396	M-3486	SB1517	M-2923	SA1630	M-1706	SA1729	M-2937	SB1854	M-2789
SB1410	M-1456	SB1518	M-2924	SB1631	M-1714	SA1731	M-1758	SB1856	M-1491
SA1411	M-1453	SB1519	M-2113	SA1633	M-1666	SA1732	M-1757	SA1859	M-1812
SA1412	M-1457	SC1520	M-2917	SA1634	M-1668	SA1733	M-1759	SA1860	M-1816
SA1413	M-1458	SB1522	M-2918	SB1635	M-3481	SC1736	M-3411	SA1861	M-693
SA1414	M-1454	SA1523	★	SA1639	M-1664	SB1739	M-1490	SA1862	M-695
SB1415	M-1850	SA1524	M-2908	SA1640	M-1665	SA1741	M-1193	SA1863	M-1815
SA1416	M-1849	SA1525	M-2909	SA1646	M-1662	SB1742	M-2955	SA1864	M-1814
SA1417	M-1805	SA1526	M-2897	SA1659	M-1658	SB1743	M-2956	SA1865	M-1813
SA1418	M-1848	SA1527	M-2898	SA1660	M-1659	SA1744	M-1846	SA1866	M-694
SB1420	M-2148	SA1528	M-2899	SA1661	M-1661	SB1745	M-1760	SA1867	M-1817
SA1421	M-2973	SA1529	M-2893	SA1662	M-1660	SB1746	M-2957	SA1868	M-1810
SC1422	M-2879	SA1530	M-2894	SA1663	M-1657	SB1747	M-2958	SA1872	M-2045
SA1425	M-2880	SA1531	M-2895	SB1665	M-1667	SB1748	M-2954	SA1873	M-2046
SA1426	M-2881	SA1532	M-2896	SA1666	M-1663	SC1749	M-3414	SA1874	M-2049
SA1427	M-2883	SA1534	M-2031	SB1668	M-2951	SC1750	M-3415	SA1875	M-2020
SA1428	M-2882	SC1535	M-2900	SA1669	M-1858	SC1751	M-3418	SA1876	M-2022
SA1429	M-2973	SA1536	M-2959	SA1670	M-1768	SC1752	M-3416	SA1877	M-2021
SC1430	M-2146	SB1537	M-2912	SA1671	M-1847	SC1753	M-3417	SA1878	M-2876
SA1431	M-1451	SB1538	M-2914	SA1672	M-1855	SB1754	M-3448	SA1881	M-2026
SA1432	M-1452	SB1539	M-2911	SA1673	M-1882	SB1759	M-3451	SA1882	M-1735
SB1434	M-2145	SB1540	M-2128	SA1675	M-1857	SB1760	M-3407	SA1883	M-1736
SC1438	M-3487	SB1541	M-2129	SA1680	M-1765	SB1762	M-3408	SA1884	M-2068
SC1439	M-3488	SA1543	M-1484	SA1681	M-1766	SB1769	M-3450	SA1886	M-1737
SC1440	M-3489	SA1544	M-2132	SA1682	M-1718	SB1771	M-3409	SA1888	M-1738

INTERCHANGES

LELAND TO BWP INTERCHANGE

LELAND		LELAND		LELAND		LELAND		LELAND	
Mfg. No.	BWP No.	Mfg. No.	BWP No.	Mfg. No.	BWP No.	Mfg. No.	BWP No.	Mfg. No.	BWP No.
SA1889	M-2069	SA1962	M-1698	SC-2023	M-3508	SA2183	M-3786	SA-2524	M-3467
SA1890	M-2070	SA1963	M-1647	SC-2024	M-3509	SA2197	M-2860	SA-2540	M-3265
SA1891	M-2071	SA1966	M-1692	SC-2026	M-3549	SB2316	M-2085	SA-2541	M-3455
SA1892	M-2073	SB1967	M-1646	SC-2030	M-3532	SB2317	M-2086	SA-2542	M-3458
SA1893	M-2072	SB1968	M-3440	SC-2031	M-3533	SB2318	M-2079	SC-2554	M-3461
SA1894	M-2074	SA1974	M-1693	SC-2033	M-3511	SB2319	M-2083	SC-2555	M-3463
SA1895	M-2075	SA1976	M-2973	SC-2034	M-3512	SB2320	M-2080	SC-2565	M-3465
SA1896	M-2159	SA1979	M-1655	SC-2035	M-3513	SB2321	M-2078	SA-2571	M-2133
SA1897	M-1861	SA1980	M-3476	SC-2036	M-3514	SB2322	M-2081	SC-2617	M-3430
SA1898	M-1865	SA1981	M-1656	SC-2037	M-3537	SB2323	M-2077	SC-2624	M-1674
SA1899	M-1866	SA1982	M-3480	SC-2038	M-3515	SB2324	M-2084	SA-2635	M-3483
SA1900	M-1867	SA1983	M-2975	SC-2039	M-3516	SB2325	M-2082	SC-2637	M-3482
SA1901	M-1862	SC1985	M-2018	SC-2040	M-3517	SB2340	M-3468	SC-2676	M-3531
SA1902	M-1863	SB1986	M-2053	SC-2041	M-3518	SA2341	M-3469	SC-2678	M-2963
SA1903	M-691	SA1987	M-2103	SC-2045	M-3520	SB2350	M-3485	SC-2759	M-3542
SA1904	M-1772	SA1989	M-2067	SC-2046	M-3521	SB2379	M-3264	SC-2763	M-3524
SA1905	M-1773	SA1990	M-1694	SC-2048	M-3522	SA-2383	M-2887	SC-2786	M-3539
SA1906	M-1774	SA1991	M-2965	SC-2050	M-3525	SA-2385	M-2890		
SA1907	M-1775	SA1992		SC-2052	M-3510	SA-2386	M-2888		
SA1908	M-1864	SA1993		SC-2059	M-2964	SA-2388	M-2892		
SA1909	M-1461	SC1994	M-3473	SC-2060	M-3431	SA-2389	M-1482		
SA1910	M-1752	SA1996	M-3456	SC-2061	M-3530	SA-2396	M-2913		
SA1911	M-1753	SB2003	M-2873	SA2062	M-3432	SA-2397	M-2915		
SA1912	M-1755	SB2005	M-2861	SA2067	M-3399	SB-2407	M-2919		
SA1913	M-1754	SC2006	M-2863	SC2070	M-3540	SB-2412	M-2922		
SA1942	M-1463	SB2007	M-2921	SC2075	M-3529	SA-2413	M-1481		
SA1946	M-3447	SB2008	M-3262	SC2102	M-3538	SA-2420	M-2906		
SC1949	M-3446	SC-2010	M-3500	SC2108	M-3523	SB-2422	M-2920		
SC1952	M-3443	SC-2011	M-3501	SA2118	M-1652	SB-2424	M-2790		
SC1953	M-3444	SC-2013	M-3502	SC2120	M-3545	SB-2425	M-2791		
SC1954	M-3445	SC-2014	M-3503	SC2121	M-3535	SB-2427	M-2795		
SC1956	M-1690	SC-2015	M-3504	SA2179	M-3783	SB-2432	M-2793		
SA1959	M-1691	SC-2016	M-3505	SB2180	M-3782	SA-2506	M-2925		
SB1960	M-1695	SC-2020	M-3506	SB2181	M-3784	SA-2511	M-3454		
SB1961	M-1696	SC-2021	M-3507	SA2182	M-3785	SA-2520	M-2934		

★ = Available from Chicago warehouse

BWP PAGE INDEX

BWP No.	Page No.	BWP No.	Page No.	BWP No.	Page No.	BWP No.	Page No.	BWP No.	Page No.
M-1	3, 12	M-74	23	M-140E	18	M-301	63	M-366	65
M-2	3	M-75	23	M-140F	18	M-302	63	M-367	65
M-3	3, 12	M-76	23	M-140G	18	M-303	63	M-369	65
M-4	3	M-77	23	M-140H	18	M-304	63	M-370	65
M-5	3	M-78	23	M-140J	18	M-305	63	M-371	65
M-6	3	M-79	23	M-140K	18	M-306	63	M-372	65
M-8	3, 12	M-79-B	148	M-142	19	M-307	63	M-373	65
M-10	4	M-80	24	M-143	19	M-308	63	M-374	65
M-11	6	M-81	24	M-144	19	M-309	63	M-377	65
M-12	6	M-82	24	M-145	19	M-310	62	M-379	65
M-17	7	M-83	24	M-149	53	M-311A	62	M-380	65
M-18	8	M-84	27	M-150	53	M-312	66	M-381	65
M-20	7	M-85	27	M-153	53	M-313	66	M-384	65
M-21	8	M-86	27	M-154	53	M-313A	66	M-385	65
M-22	7	M-87	27	M-155	53	M-313B	66	M-386	65
M-23	7	M-88	27	M-156	53	M-313C	66	M-391	65
M-24	10	M-89	27	M-157	19	M-313D	66	M-392	65
M-25	10	M-90	20	M-158	22	M-313E	66	M-398	65
M-26	9	M-91	22	M-159	22	M-314	66	M-399	65
M-27	4	M-92	22	M-164	19	M-315-S	62	M-400	65
M-28	8	M-93	22	M-165	19	M-315A	62	M-414	65
M-29	10	M-94	22	M-166	18	M-316	68	M-415	65
M-30	10	M-95	22	M-167	18	M-317	67	M-416	65
M-30A	4	M-96	22	M-168	20	M-318	68	M-417	65
M-30B	4	M-97	22	M-185	30	M-319	64	M-418	59
M-31	14	M-98	22	M-186	30	M-320	64	M-418-5	59
M-32	14	M-99	22	M-187	30	M-321	64	M-419	59
M-34	14	M-100	22	M-189	30	M-322	64	M-420	59
M-35	13	M-101	22	M-190	30	M-323	64	M-421	59
M-36	14	M-102	32	M-191	30	M-324	64	M-421-5	59
M-37	13	M-103	32	M-192	30	M-325	64	M-422	59
M-38	13	M-104	32	M-193	30	M-326	64	M-423	59
M-39	13	M-105	32	M-194	30	M-327	64	M-424	59
M-40	13	M-106	38	M-195	30	M-328	64	M-425	59
M-41	14	M-107	38	M-196	30	M-329	64	M-426	59
M-42	15	M-108	38	M-197	30	M-330	64	M-427	59
M-43	15	M-109	38	M-198	30	M-331	64	M-428	59
M-44	15	M-110	38	M-200	20	M-332	64	M-429	59
M-45	15	M-111	38	M-203	15	M-333	64	M-429-5	59
M-46	34	M-112	38	M-204	15	M-334	64	M-431	58
M-47	34	M-113	38	M-207	15	M-335	64	M-432	205
M-48	34	M-114	38	M-210	20	M-336	64	M-433	205
M-49	34	M-115	38	M-214	20	M-338	64	M-434	202
M-50	34	M-116	38	M-214A	20	M-339	64	M-435	203
M-51	34	M-117	38	M-215	20	M-340	64	M-444	63
M-52	34	M-118	38	M-219	20	M-342	64	M-447	59
M-53	34	M-124	18	M-220	20	M-343	64	M-448	59
M-54	34	M-125	18	M-225	21	M-344	64	M-449	59
M-55	34	M-126	17	M-226	20	M-345	64	M-450	59
M-56	34	M-127	17	M-227	20	M-347	64	M-451	203
M-57	34	M-128	16	M-236	15	M-348	64	M-452	203
M-60	34	M-129	16	M-237	15	M-350	64	M-455	204
M-61	34	M-130	16	M-242	15	M-351	64	M-456	204
M-62	34	M-131	16	M-243	15	M-352	64	M-457	203
M-63	34	M-132	16	M-248	15	M-353	64	M-458	57
M-64	34	M-133	16	M-248A	15	M-354	64	M-459	57
M-65	34	M-134	18	M-249	15	M-355	64	M-460	57
M-66	34	M-135	18	M-249A	15	M-358	64	M-461	57
M-67	34	M-136	16	M-256	15	M-359	64	M-462	57
M-68	34	M-137	16	M-257	15	M-360	64	M-463	57
M-69	34	M-140	20	M-258	32	M-361	64	M-464	57
M-70	34	M-140A	16	M-259	32	M-362	64	M-465	57
M-71	34	M-140B	16	M-260	32	M-363	65	M-466	57
M-72	23	M-140C	18	M-261	32	M-364	65	M-467	57
M-73	23	M-140D	18	M-300	63	M-365	65	M-468	57

BWP PAGE INDEX

BWP No.	Page No.	BWP No.	Page No.	BWP No.	Page No.	BWP No.	Page No.	BWP No.	Page No.
M-470	57	M-563L	168	M-679	247	M-797	123	M-891	218
M-471	57	M-563R	168	M-680	246	M-798	125	M-892	220
M-473	62	M-566L	168	M-681	247	M-799	121	M-894	216
M-474	204	M-566R	168	M-682	245, 246	M-800	117	M-895	220
M-475	204	M-567L	158	M-683	238, 246	M-801	117	M-896	220
M-477L	160	M-567R	158	M-684	245, 246	M-807	114, 219	M-897	219
M-477R	160	M-571	194	M-685	245	M-808	114, 219	M-899	220, 252
M-478L	160	M-571A	195	M-687	357	M-810	115	M-900	42
M-478R	160	M-571B	195	M-688	357	M-811	115	M-901	42
M-479L	160	M-572	197	M-691	329, 359	M-811N	111	M-902	42
M-479R	160	M-576	194	M-693	281	M-818	112	M-903	42
M-496L	165	M-578	195	M-694	281	M-820	113, 228	M-904	42
M-496R	165	M-579	201	M-695	281	M-821	112	M-905	42
M-498	66	M-580	199	M-698	254	M-822	112	M-906	42
M-499	66	M-582	197	M-699	254	M-823	121	M-907	42
M-500	117	M-583	199	M-700	58	M-824	198	M-908	42
M-502	115	M-584	200	M-701	58	M-824A	198	M-909	42
M-503	112	M-586	198	M-703	208	M-825	198	M-910	42
M-504	112	M-587	198	M-704	208	M-826	195	M-911	42
M-505	58	M-587A	198	M-706	209	M-829	236	M-912	42
M-507	58	M-588	199	M-710	193	M-830	123, 228	M-913	42
M-510	117	M-589	198	M-719	199	M-837	236	M-914	42
M-511	117	M-590A	209	M-720	125	M-838	247	M-915	42
M-511N	111	M-592	136	M-721	119	M-839	247	M-916	42
M-512	117	M-592A	137	M-722	134	M-840	247	M-917	43
M-516	116	M-592B	137	M-723	127	M-841	194	M-918	43
M-516N	111	M-594	136	M-724	133	M-843	132, 371	M-919	43
M-517	113	M-595	136	M-725	131	M-844	124	M-921	43
M-534	107	M-596	135	M-737	208	M-845	209	M-922	43
M-534A	107	M-596A	135	M-739	121	M-846	247	M-923	43
M-534B	107	M-597	135	M-741	134	M-847	195	M-924	43
M-534C	107	M-598	135	M-742	134	M-848	215	M-925	43
M-534D	107	M-599	137	M-743L	170	M-849	220	M-926	43
M-534E	107	M-601	137	M-743R	170	M-850	118, 220	M-927	43
M-534F	107	M-601A	137	M-744L	159	M-853	217	M-928	43
M-534G	107	M-602	136	M-744R	159	M-854	215	M-929	43
M-534H	107	M-603	136	M-746L	159	M-855	220	M-930	43
M-534J	107	M-604	136	M-746R	159	M-856	217	M-931	43
M-534K	107	M-605	137	M-747	134	M-857	217	M-932	43
M-534L	107	M-612	138	M-748	131, 199	M-858	217	M-933	44
M-535	107	M-613	138	M-749	123	M-859	217	M-934	44
M-535K	107	M-615	138	M-752	255	M-860	215	M-935	44
M-536	107	M-617	138	M-756	255	M-862	217	M-936	44
M-536K	107	M-618	127	M-757	255	M-863	217	M-937	44
M-538	134	M-619	127	M-758	255	M-865	217	M-938	44
M-539	134	M-620	126	M-760	137	M-866	215	M-939	44
M-541	134	M-622	128	M-761	137	M-867	118, 220	M-940	44
M-542	134	M-623	126	M-762	136	M-868	217	M-941	44
M-543	134	M-626	130	M-763	138	M-869	217	M-942	44
M-545	134	M-633	127, 130	M-767	235	M-871	217	M-943	44
M-547	120	M-638	205	M-769	208	M-872	215	M-944	44
M-548	120	M-640	132	M-770	254	M-874	217	M-945	44
M-549	121	M-641	130	M-770A	254	M-875	217	M-947	44
M-553	124	M-641A	130	M-770B	254	M-876	218	M-948	44
M-554	125	M-642	130	M-771	126	M-877	218	M-949	45
M-555A	124	M-643	139	M-776L	165	M-878	216	M-950	45
M-557L	157	M-644	139	M-776R	165	M-879	215	M-951	45
M-557R	157	M-645	132, 139	M-778L	156	M-880	215	M-952	45
M-559L	156	M-647	133	M-778R	156	M-881	216	M-953	45
M-559R	156	M-648	133	M-779	127	M-882	218	M-955	45
M-560L	158	M-649	246	M-782	130	M-883	218	M-956	45
M-560R	158	M-650	246	M-787	135	M-884	218	M-957	45
M-561L	156	M-651	245	M-790	119	M-888	216	M-958	45
M-561R	156	M-652A	131	M-791	123	M-889	218	M-959	45
M-562L	157	M-670A	233	M-792	120	M-890	218	M-960	45
M-562R	157	M-675	233	M-796	124				

BWP PAGE INDEX

BWP No.	Page No.	BWP No.	Page No.	BWP No.	Page No.	BWP No.	Page No.	BWP No.	Page No.
M-961	45	M-1018	201	M-1105	4	M-1179	49	M-1260	10
M-962	45	M-1019	125, 219	M-1106	27	M-1180	49	M-1261	8
M-963	45	M-1026	226	M-1107	27	M-1181	49	M-1262	8
M-964	45	M-1027	227	M-1108	28	M-1182	49	M-1263	13
M-965	46	M-1028	227	M-1109	28	M-1183	11	M-1264	13
M-966	46	M-1029	227	M-1110	24	M-1185	11	M-1265	13
M-967	45	M-1031	226	M-1111	24	M-1186	368	M-1266	19
M-968	45	M-1034	226	M-1112	24	M-1188	8	M-1267	19
M-969	45	M-1035	226	M-1113	24	M-1189	8	M-1268	20
M-970	45	M-1036	226	M-1114	29	M-1190	49	M-1269	13
M-971	45	M-1037	226	M-1115	29	M-1191	368	M-1270	20
M-973	46	M-1038	227	M-1116	29	M-1192	368	M-1271	20
M-974	46	M-1041	226	M-1117	29	M-1193	368	M-1272	22
M-975	46	M-1043	227	M-1118	29	M-1194	368	M-1273	22
M-976	46	M-1044	228	M-1119	29	M-1195	368	M-1276	20
M-977	46	M-1045	199	M-1120	24	M-1196	368	M-1277	20
M-978	47	M-1046	201	M-1121	24	M-1197	368	M-1279	20
M-979	47	M-1047	197	M-1122	4	M-1198	368	M-1280	22
M-980	47	M-1048	191	M-1123	3	M-1199	368	M-1281	22
M-981	47	M-1049	196	M-1124	3	M-1201	15	M-1282	6
M-982	47	M-1050	245	M-1125	3	M-1204	29	M-1283	22
M-983	47	M-1051	245	M-1126	3	M-1205	29	M-1284	24
M-984	47	M-1052	234	M-1127	9	M-1206	24	M-1285	14
M-985	47	M-1054	135	M-1128	11	M-1207	24	M-1286	23
M-986	47	M-1056	119	M-1129	11	M-1208	24	M-1287	23
M-987	47	M-1058	197	M-1130	8, 10	M-1209	24	M-1288	27
M-988L	170	M-1061	204	M-1131	5	M-1210	24	M-1289	27
M-988R	170	M-1062	204	M-1132	5	M-1211	24	M-1290	27
M-989L	170	M-1063	203	M-1133	7	M-1212	27	M-1291	27
M-989R	170	M-1064	203	M-1134	8	M-1213	27	M-1292	27
M-990L	174	M-1065	236	M-1135	8	M-1214	28	M-1293	27
M-990R	174	M-1066	236	M-1136	8	M-1215	28	M-1294	28
M-991L	174	M-1068	246	M-1137	7	M-1216	29	M-1295	28
M-991R	174	M-1069	245	M-1138	5	M-1217	29	M-1296	26
M-992L	174	M-1072	215	M-1139	5	M-1218	29	M-1297	26
M-992R	174	M-1073	215	M-1140	5	M-1219	29	M-1298	26
M-993L	173	M-1074	216	M-1141	4	M-1220	36	M-1299	26
M-993R	173	M-1075	216	M-1142	4	M-1221	36	M-1303	67
M-994L	173	M-1076	217	M-1143	6	M-1222	36	M-1304	67
M-994R	173	M-1077	217	M-1144	14	M-1223	36	M-1305	67
M-995L	173	M-1078	217	M-1145	15	M-1224	36	M-1307	59
M-995R	173	M-1080	218	M-1147	8	M-1225	36	M-1308	59
M-996L	170	M-1081	218	M-1148	8	M-1226	33	M-1309	59
M-996R	170	M-1082	118, 220	M-1149	8	M-1227	33	M-1310	59
M-997L	170	M-1083	216	M-1151	24	M-1228	33	M-1311	68
M-997R	170	M-1084	226	M-1152	24	M-1229	33	M-1313	49
M-998L	170	M-1085	226	M-1153	19	M-1233	55	M-1314	49
M-998R	170	M-1086	227	M-1160	17	M-1234	55	M-1315	59
M-999	197	M-1087	118, 228	M-1161	17	M-1235	54	M-1316	59
M-1003	126	M-1088	228	M-1163	20	M-1242	7	M-1317	59
M-1004	126	M-1090	254	M-1164	35	M-1243	7	M-1320	68
M-1005	138	M-1090A	254	M-1165	35	M-1244	7	M-1321	68
M-1005	139	M-1090B	254	M-1166	35	M-1245	9	M-1322	68
M-1007	131	M-1092	192	M-1167	35	M-1246	9	M-1323	68
M-1008	132	M-1093	192	M-1168	35	M-1247	9	M-1324	68
M-1009	119	M-1094	192	M-1169	35	M-1248	9	M-1325	68
M-1010	123, 228	M-1095	192	M-1170	35	M-1249	9	M-1326	68
M-1011	123, 219	M-1096	192	M-1171	35	M-1250	29	M-1327	60
M-1012	123, 219	M-1097	192	M-1172	21	M-1251	29	M-1328	60
M-1013	120, 219	M-1098	192	M-1173	8	M-1252	53	M-1329	60
M-1014	122	M-1100	14	M-1174	10	M-1253	53	M-1330	60
M-1015L	156	M-1101	3	M-1175	9	M-1254	19	M-1331	60
M-1015R	156	M-1102	13	M-1176	24	M-1255	20	M-1332	60
M-1016	134	M-1103	3	M-1177	24	M-1258	6	M-1333	60
M-1017	201	M-1104	3	M-1178	9	M-1259	6	M-1334	60

INTERCHANGES

BWP PAGE INDEX

BWP No.	Page No.	BWP No.	Page No.	BWP No.	Page No.	BWP No.	Page No.	BWP No.	Page No.
M-1335	60	M-1403	198	M-1489	323	M-1607	108	M-1695	362
M-1336	60	M-1404	196	M-1490	366	M-1612	108	M-1696	362
M-1337	60	M-1405	196	M-1491	365	M-1613	108	M-1697	362
M-1338	60	M-1406	196	M-1492	366	M-1614	108	M-1698	362, 367
M-1339	60	M-1407	195	M-1493	466	M-1615	108	M-1699	362, 369
M-1340	60	M-1408	199	M-1494	366	M-1616	108	M-1700	326
M-1341	60	M-1409	199	M-1495	255	M-1617	108	M-1701	326
M-1342	60	M-1412	200	M-1496	255	M-1618	108	M-1702	326
M-1343	60	M-1413	199	M-1497	366	M-1619	108	M-1703	326
M-1344	60	M-1414	205	M-1498	366	M-1620	108	M-1706	323
M-1345	60	M-1415	205	M-1499	366	M-1634	107	M-1707	323
M-1346	60	M-1416	205	M-1500	125	M-1634A	107	M-1709	323
M-1347	60	M-1421	115, 117	M-1505	201	M-1634B	107	M-1710	323
M-1348	60	M-1421N	111	M-1507	119	M-1634C	107	M-1711	328, 365
M-1349	60	M-1422	128	M-1509	193	M-1634D	107	M-1712	328, 366
M-1350	60	M-1423	124	M-1512	132	M-1634E	107	M-1713	328, 365
M-1351	60	M-1424	121	M-1519	127	M-1635	107	M-1714	328, 366
M-1352	60	M-1426	128	M-1520	194	M-1640	110	M-1718	349
M-1354	67	M-1427	121	M-1521	192	M-1641	110	M-1719	337
M-1355	59	M-1428	139	M-1522	132	M-1642	110	M-1720	370
M-1356	59	M-1429	133	M-1523	132, 201	M-1646	363	M-1721	337
M-1357	59	M-1430	245	M-1524	247	M-1647	364	M-1722	357
M-1358	59	M-1431	127	M-1534	136	M-1648	363	M-1723	357
M-1359	62	M-1432	131	M-1538	138	M-1649	363	M-1724	288, 330
M-1360	63	M-1433	139	M-1547	119	M-1650	310	M-1725	290
M-1361	63	M-1449	263,268,350,362	M-1549	193	M-1651	310	M-1726	288, 330
M-1362	63	M-1450	263, 268, 350	M-1550	197	M-1652	310, 311	M-1727	290
M-1363	63	M-1451	303	M-1551	194	M-1653	310, 371	M-1730	289, 296, 370
M-1364	63	M-1452	303	M-1552	193	M-1654	310, 371	M-1731	289, 369
M-1365	63	M-1453	303, 304	M-1553	192	M-1655	311	M-1735	294
M-1366	63	M-1454	303, 304, 355	M-1554	191	M-1656	331	M-1736	294
M-1367	62	M-1455	303,304,355,369	M-1555	198	M-1657	331, 367	M-1737	294
M-1371	60	M-1456	304	M-1556	191	M-1658	331	M-1738	294, 370
M-1372	60	M-1457	304	M-1557	125	M-1659	331	M-1749	349
M-1373	60	M-1458	304	M-1558	125	M-1660	331	M-1750	349
M-1374	60	M-1460	305	M-1559	130	M-1661	331	M-1751	349
M-1375	60	M-1461	330	M-1560	198	M-1662	331	M-1752	351
M-1376	60	M-1462	355	M-1561	130	M-1663	331	M-1753	351, 367
M-1377	60	M-1463	355	M-1570L	170	M-1664	332	M-1754	351, 370
M-1378	60	M-1464	355	M-1570R	170	M-1665	332	M-1755	351
M-1379	60	M-1465	260	M-1571L	167	M-1666	332	M-1756	338
M-1380	63	M-1466	260	M-1571R	167	M-1667	332	M-1757	338, 339
M-1381	57	M-1467	260	M-1572	192	M-1668	332	M-1758	338, 339
M-1382	57	M-1468	262	M-1574	209	M-1669	332	M-1759	338, 339
M-1383	57	M-1469	262	M-1576	133	M-1670	337	M-1759	370
M-1384	61	M-1469	367	M-1582	133	M-1671	338	M-1760	348
M-1385	61	M-1470	262	M-1583	209	M-1672	340	M-1761	348, 349, 371
M-1386	61	M-1471	262, 367	M-1585	195	M-1674	341	M-1762	348, 371
M-1387	61	M-1472	262	M-1586	194	M-1675	341	M-1763	263, 347
M-1388	61	M-1473	261, 262, 371	M-1587	194	M-1676	340	M-1764	263,347,349,371
M-1389	61	M-1474	261	M-1589	200	M-1677	340, 368	M-1765	349
M-1390	61	M-1475	261, 367	M-1590	108	M-1678	341	M-1766	349, 367
M-1391	61	M-1476	261	M-1591	108	M-1679	342	M-1767	349, 361, 369
M-1392	61	M-1477	313	M-1592	108	M-1680	341, 367	M-1768	343, 371
M-1393	61	M-1478	313	M-1593	108	M-1681	341, 370	M-1769	344
M-1394	61	M-1479	313	M-1594	108	M-1684	345	M-1770	337, 367
M-1395	61	M-1480	317	M-1595	108	M-1685	342, 367	M-1771	337, 371
M-1396	61	M-1481	317, 368	M-1596	108	M-1686	342, 367	M-1772	330
M-1397	61	M-1482	317	M-1598	108	M-1688	361	M-1773	330, 367
M-1398	61	M-1483	317, 369	M-1600	108	M-1689	361	M-1774	330, 368, 370
M-1400	195	M-1484	326	M-1601	108	M-1690	361	M-1775	330
M-1401	198	M-1485	326	M-1603	108	M-1691	361, 367	M-1776	357
M-1401A	198	M-1486	326	M-1604	108	M-1692	363	M-1777	357, 367
M-1402	199	M-1487	326	M-1605	108	M-1693	361	M-1780	255
M-1402A	199	M-1488	323	M-1606	108	M-1694	361	M-1781	255

BWP PAGE INDEX

BWP No.	Page No.	BWP No.	Page No.	BWP No.	Page No.	BWP No.	Page No.	BWP No.	Page No.
M-1784	274	M-1870	350	M-1942A	251	M-2016	290	M-2085	297, 298
M-1785	274	M-1871	357	M-1943	250, 251	M-2017	290	M-2086	297, 298
M-1786	274, 371	M-1872	342	M-1950	249	M-2018	290, 371	M-2087	298
M-1787	274	M-1873	340, 356	M-1952	249	M-2020	289, 330	M-2088	298
M-1788	274	M-1874	356	M-1953	249	M-2021	289	M-2089	298
M-1789	274	M-1876	357, 370	M-1955	249	M-2022	289	M-2090	298
M-1790	274	M-1878	357, 367	M-1956	243	M-2026	289, 370	M-2091	290
M-1791	274	M-1879	357, 370	M-1957	243	M-2027	296	M-2092	291
M-1792	274	M-1880	350	M-1958	243	M-2028	296	M-2093	291
M-1793	290	M-1881	307	M-1959	243	M-2029	296	M-2094	291
M-1794	290	M-1882	343	M-1960	243	M-2030	296, 370	M-2095	291, 371
M-1796	291	M-1883	263, 267, 268,	M-1961	243	M-2031	296, 316, 369	M-2096	288
M-1797	291		350, 367	M-1962	243	M-2032	296	M-2097	288
M-1798	295	M-1884	263, 267, 268,	M-1963	244	M-2033	296	M-2100	288
M-1799	292		350, 351, 369	M-1964	244	M-2034	271, 296, 369	M-2101	288, 370
M-1799A	292	M-1885	348	M-1965	244	M-2035	296	M-2102	293, 368
M-1801	307, 370	M-1888	306, 358	M-1966	244	M-2036	296	M-2103	296
M-1802	371	M-1889	133, 279, 280,	M-1967	244	M-2037	296	M-2104	296, 370
M-1803	280		348, 369	M-1968	244	M-2038	293	M-2105	296
M-1804	280	M-1891	329	M-1969	240	M-2039	294	M-2106	294
M-1805	280, 307, 371	M-1892	329	M-1970	240	M-2040	294	M-2107	294
M-1806	279	M-1893	329	M-1971	240	M-2041	294	M-2108	294
M-1807	279	M-1898	344	M-1972	240	M-2042	294	M-2109	315
M-1808	279	M-1901	250	M-1973	240	M-2043	294	M-2110	315
M-1809	279, 371	M-1902	250	M-1974	240	M-2044	293	M-2111	315
M-1810	281, 370	M-1903	250	M-1975	241	M-2045	293, 367	M-2112	315
M-1812	281	M-1904	250	M-1976	241	M-2046	293, 367	M-2113	313
M-1813	281	M-1905	250	M-1977	241	M-2047	293, 368	M-2114	313
M-1814	281	M-1906	250	M-1978	239, 241	M-2048	293, 368	M-2115	323
M-1815	281, 371	M-1907	250	M-1979	239, 241	M-2049	293, 368	M-2116	323
M-1816	281, 367	M-1908	250	M-1980	239, 241	M-2050	293, 368	M-2117	323
M-1817	281	M-1909	250	M-1981	241	M-2051	293, 368	M-2118	323
M-1818	280, 281	M-1910	250	M-1982	241	M-2052	293, 296, 328,	M-2119	324
M-1826	310	M-1911	250	M-1983	241		331, 341, 369	M-2120	324
M-1827	310	M-1912	250	M-1984	238	M-2053	293, 365	M-2121	325, 368
M-1828	310, 367	M-1913	250	M-1985	238	M-2054	293, 369	M-2122	325, 368
M-1831	359	M-1914	250	M-1986	238, 240	M-2055	295	M-2123	325, 368
M-1836	367	M-1915	250	M-1987	238	M-2056	292	M-2124	325, 368
M-1838	371	M-1916	250	M-1988	238	M-2057	292, 369	M-2125	325
M-1839	370	M-1917	250	M-1989	238	M-2058	295	M-2126	328, 368
M-1840	370	M-1918	250	M-1990	238	M-2059	295, 369	M-2127	328, 369
M-1845	263, 347	M-1919	250	M-1991	238	M-2060	292	M-2128	328, 365
M-1846	348	M-1920	250	M-1992	238	M-2061	292	M-2129	328, 365
M-1847	343	M-1921	250	M-1993	248	M-2062	292	M-2130	326
M-1848	307	M-1922	250	M-1994	248	M-2063	295	M-2131	326
M-1849	307, 367	M-1923	250	M-1995	248	M-2064	295, 371	M-2132	326
M-1850	307	M-1924	250	M-1997	239	M-2065	295	M-2133	326
M-1851	263, 347, 367	M-1925	250	M-1998	239	M-2066	295	M-2134	267
M-1852	261, 262, 263, 318,	M-1926	250	M-1999	239	M-2067	292, 371	M-2135	267
	347, 348, 349, 351, 369	M-1927	250	M-2000	290	M-2068	294, 298	M-2136	267, 316, 370
M-1853	344	M-1928	250	M-2001	291	M-2069	298	M-2137	266
M-1854	344	M-1929	250	M-2002	291	M-2070	298	M-2138	266
M-1855	343, 367	M-1930	250	M-2003	291, 371	M-2071	298	M-2139	266
M-1856	344	M-1931	250	M-2004	291	M-2072	298	M-2140	266
M-1857	344, 356	M-1932	250	M-2005	291	M-2073	299, 310, 369	M-2141	306
M-1858	343, 369	M-1933	250	M-2006	291	M-2074	299, 369	M-2142	306, 358
M-1861	329	M-1934	250	M-2007	291	M-2075	299	M-2143	306
M-1862	329	M-1935	250	M-2008	291, 371	M-2077	297, 298	M-2144	306
M-1863	329	M-1936	250	M-2009	291	M-2078	297, 298	M-2146	303
M-1864	330	M-1937	250	M-2010	288	M-2079	297, 298	M-2147	303
M-1865	329	M-1938	250	M-2011	289, 367	M-2080	297, 298	M-2148	305, 363
M-1866	329, 370	M-1939	250	M-2012	288, 330	M-2081	297, 298	M-2149	305, 363
M-1867	329, 371	M-1940	251	M-2013	288	M-2082	297, 298	M-2150	279
M-1868	342	M-1941	250, 251	M-2014	290	M-2083	297, 298	M-2151	280
M-1869	262, 342, 356	M-1942	251	M-2015	288	M-2084	297, 298	M-2152	280

BWP PAGE INDEX

BWP No.	Page No.	BWP No.	Page No.	BWP No.	Page No.	BWP No.	Page No.	BWP No.	Page No.
M-2153	288	M-2353	400, 403	M-2431	29	M-2498	35	M-2587	252
M-2154	292	M-2354	399, 403	M-2432	27	M-2499	35	M-2587A	252
M-2155	292	M-2356	399, 403	M-2433	27	M-2500	4	M-2588	251
M-2156	292	M-2357	400, 402	M-2434	27	M-2509	48	M-2593	191
M-2157	292	M-2358	401, 403	M-2435	27	M-2510	36	M-2594	191
M-2158	292	M-2361	8	M-2436	27	M-2511	36	M-2595	191
M-2159	306	M-2363	398, 403	M-2437	27	M-2512	35	M-2597L	171
M-2159	358	M-2366	399, 402	M-2438	27	M-2513	36	M-2597R	171
M-2160	306, 358, 367	M-2370	399, 402	M-2439	27	M-2514	36	M-2598L	171
M-2161	306, 358, 369	M-2371	400, 402	M-2440	28	M-2515	36	M-2598R	171
M-2201	239	M-2372	400, 403	M-2441	28	M-2516	38	M-2599L	171
M-2202	239	M-2373	400, 402	M-2442	28	M-2517	38	M-2599R	171
M-2203	239	M-2375	400, 402	M-2443	28	M-2518	38	M-2600L	165
M-2204	135	M-2376	401, 402	M-2444	37	M-2519	38	M-2600R	165
M-2239	403	M-2378	400, 402	M-2445	37	M-2520	48	M-2601L	159
M-2300	398, 402	M-2379	401, 403	M-2446	37	M-2521	48	M-2601R	159
M-2301	398, 402	M-2380	401, 403	M-2447	37	M-2522	48	M-2602L	173
M-2303	398, 402	M-2381	401, 403	M-2448	36	M-2523	48	M-2602R	173
M-2304	398, 402	M-2382	401, 402	M-2449	36	M-2524	48	M-2603L	160
M-2305	398, 403	M-2383	401, 402	M-2450	36	M-2525	48	M-2603R	160
M-2306	398, 403	M-2384	401, 403	M-2451	36	M-2526	48	M-2604L	165
M-2307	398, 403	M-2385	401, 403	M-2452	36	M-2527	47	M-2604R	165
M-2308	398, 403	M-2386	401, 403	M-2453	36	M-2528	47	M-2605L	171
M-2309	398, 403	M-2387	401, 403	M-2454	14	M-2529	47	M-2605R	171
M-2310	398, 403	M-2388	401, 402	M-2455	14	M-2530	237	M-2606L	171
M-2311	398, 403	M-2389	401, 402	M-2456	14	M-2531	237	M-2606R	171
M-2312	398, 403	M-2390	401, 402	M-2457	15	M-2532	237	M-2607L	171
M-2313	403	M-2391	401, 402	M-2458	15, 342, 369	M-2533	237	M-2607R	171
M-2315	398, 403	M-2392	401, 403	M-2459	15, 20, 133, 313, 369	M-2534	237	M-2609L	169
M-2316	398, 402	M-2393	399, 402			M-2535	237	M-2609R	169
M-2317	398, 402	M-2394	401, 403	M-2460	8	M-2536	237	M-2610L	170
M-2318	398, 402	M-2395	401, 402	M-2462	13, 48	M-2537	237	M-2610R	170
M-2319	398, 402	M-2396	401, 402	M-2463	48	M-2538	237	M-2611L	170
M-2320	399, 403	M-2397	401, 402	M-2464	48	M-2539	237	M-2611R	170
M-2321	399, 403	M-2400	16	M-2465	13, 48	M-2541	232	M-2612L	171
M-2322	399, 403	M-2401	16	M-2466	27	M-2542	232	M-2612R	171
M-2323	399, 402	M-2402	35	M-2467	27	M-2543	232	M-2613L	171
M-2324	399, 403	M-2403	35	M-2468	29	M-2544	233	M-2613R	171
M-2325	399, 403	M-2404	35	M-2469	29	M-2545	232	M-2614L	171
M-2326	399, 403	M-2405	35	M-2470	29	M-2546	232	M-2614R	171
M-2327	399, 403	M-2406	35	M-2471	29	M-2547	47, 252	M-2615L	167
M-2328	399, 402	M-2407	35	M-2472	29	M-2548	195	M-2615R	167
M-2329	399, 402	M-2408	35	M-2473	29	M-2549	244	M-2616L	167
M-2330	399, 402	M-2409	35	M-2474	29	M-2564	241	M-2616R	167
M-2331	399, 403	M-2410	35	M-2475	29	M-2565	241	M-2617L	167
M-2332	399, 403	M-2411	35	M-2476	29	M-2566	241	M-2617R	167
M-2333	399, 403	M-2412	35	M-2477	29	M-2567	245, 246	M-2618	193
M-2334	399, 403	M-2413	35	M-2478	29	M-2568	247	M-2619	193
M-2335	399	M-2414	38	M-2479	29	M-2569	243	M-2620	194
M-2336	400, 403	M-2415	38	M-2480	29	M-2570	243	M-2621	196
M-2337	400, 402	M-2416	38	M-2481	29	M-2571	242	M-2622	197
M-2338	400, 403	M-2417	38	M-2482	33	M-2573	242	M-2623	197
M-2339	400	M-2418	38	M-2483	33	M-2574	242	M-2624	251
M-2340	400, 403	M-2419	38	M-2484	33	M-2575	242	M-2627	192
M-2341	400, 402	M-2420	33	M-2485	33	M-2576	233	M-2629	198
M-2342	400, 402	M-2421	33	M-2486	33	M-2577	205	M-2630	198
M-2343	400, 402	M-2422	33	M-2487	33	M-2578	202	M-2631	198
M-2344	400, 402	M-2423	33	M-2488	33	M-2579	202	M-2632	198
M-2345	400, 402	M-2424	33	M-2489	33	M-2580	202	M-2633	198
M-2347	400, 403	M-2425	33	M-2490	35	M-2581	202	M-2634	200
M-2348	400, 403	M-2426	33	M-2491	35	M-2582	202	M-2635	200
M-2349	401, 402	M-2427	33	M-2492	35	M-2583	227	M-2636	199
M-2350	401, 403	M-2428	29	M-2493	35	M-2584	215	M-2637	199
M-2351	398, 402	M-2429	29	M-2496	35	M-2585	216	M-2638	199
M-2352	400, 403	M-2430	29	M-2497	35	M-2586	252	M-2639	199

INTERCHANGES

BWP PAGE INDEX

BWP No.	Page No.	BWP No.	Page No.	BWP No.	Page No.	BWP No.	Page No.	BWP No.	Page No.
M-2640	199	M-2735	120, 219	M-2811	261, 337, 371	M-2899	316, 367	M-2966	288
M-2641	199	M-2736	122	M-2812	293	M-2900	314	M-2967	359
M-2642	199	M-2737	122	M-2813	263, 268, 346	M-2901	314	M-2968	359
M-2643	199	M-2738	123	M-2814	263, 268, 346	M-2902	313	M-2969	359
M-2644	199	M-2739	124	M-2815	325	M-2903	313	M-2970	359
M-2645	191	M-2740	125	M-2816	351	M-2904	316	M-2971	359
M-2646	199	M-2741	125	M-2817	263	M-2905	316	M-2972	356
M-2647	201	M-2742	125	M-2818	263	M-2906	313	M-2973	303
M-2648	201	M-2743	119	M-2819	260,266,338,339	M-2907	313	M-2974	358
M-2649	201	M-2744	120	M-2820	266	M-2908	313	M-2975	304
M-2650	208	M-2745	121	M-2821	266	M-2909	313	M-2976	356
M-2652	208	M-2746	122	M-2822	266, 367	M-2910	313, 367	M-2977	366
M-2653	113	M-2747	228	M-2823	15, 266, 369	M-2911	314	M-2978	366
M-2655	114	M-2748	128	M-2830	267	M-2912	314	M-2979	366
M-2656	114	M-2749	116	M-2831	267	M-2913	314	M-2980	366
M-2658	114	M-2750	116	M-2848	271	M-2914	314, 371	M-2981	366
M-2659	114	M-2751	123, 228	M-2849	271	M-2915	314	M-2982	366
M-2660	114	M-2752	122	M-2850	271	M-2917	315	M-2983	366
M-2667	115	M-2756	61	M-2851	271, 371	M-2918	315	M-2984	366
M-2668	115	M-2758	61	M-2852	271, 367	M-2919	315	M-2985	366
M-2669	116	M-2759	61	M-2853	271, 370	M-2920	315	M-2986	366
M-2679	113	M-2760	61	M-2854	271, 370	M-2921	315	M-2987	366
M-2680	113	M-2761	61	M-2855	273	M-2922	316	M-2988	366
M-2683	275	M-2762	61	M-2856	273	M-2923	316	M-2989	272
M-2686N	111, 116	M-2763	61	M-2857	273	M-2924	316	M-2989	367
M-2689	116	M-2764	234	M-2858	273, 371	M-2925	325	M-2990	272
M-2690	218	M-2765	236	M-2859	273, 370	M-2926	325	M-2991	272
M-2691	117	M-2766	234	M-2860	273	M-2927	325	M-2992	272
M-2693	117	M-2767	236	M-2861	273	M-2928	328, 371	M-2993	272
M-2694	117	M-2768	236	M-2862	272	M-2929	328, 371	M-2994	275
M-2695	117	M-2769	234	M-2864	271	M-2930	328, 371	M-2995	275
M-2696	117	M-2770	235	M-2865	271	M-2931	328, 371	M-2996	275
M-2702	126	M-2772	236	M-2866	272	M-2932	328, 371	M-2997	275
M-2703	126	M-2773	235	M-2867	273	M-2933	328, 371	M-3000	69
M-2704	127	M-2774	234	M-2868	305	M-2934	326	M-3001	70
M-2705	129	M-2775	235	M-2869	279, 371	M-2935	325, 327	M-3002	69
M-2706	129	M-2782	365	M-2870	280, 371	M-2936	337	M-3003	70
M-2707	129	M-2783	365	M-2871	305	M-2937	338	M-3004	69
M-2708	129	M-2784	365	M-2872	305, 342, 364	M-2938	340	M-3005	70
M-2709	129	M-2785	365	M-2873	289	M-2940	340, 371	M-3012	71
M-2710	129	M-2786	365	M-2874	293	M-2941	340, 368	M-3013	71
M-2711	129	M-2787	365	M-2875	294	M-2942	340	M-3016	74
M-2712	129	M-2788	365	M-2876	289	M-2943	351	M-3017	74
M-2713	132	M-2789	365	M-2877	293	M-2944	351	M-3018	74
M-2714	131	M-2790	365	M-2878	289	M-2945	350	M-3019	74
M-2715	132	M-2791	365	M-2879	304	M-2946	350	M-3020	74
M-2716	134	M-2792	365	M-2880	307	M-2947	351	M-3021	75
M-2717	138	M-2793	365	M-2881	307, 367	M-2948	288	M-3022	75
M-2718	138	M-2794	365	M-2882	307	M-2949	341, 342	M-3023	78
M-2719	135	M-2795	365	M-2883	307, 370	M-2950	288	M-3024	70
M-2720	118	M-2796	466	M-2884	279	M-2951	343	M-3025	70
M-2721	118	M-2797	366, 466	M-2885	291	M-2952	345	M-3026	70
M-2722	135	M-2798	366	M-2886	293	M-2953	345	M-3027	69
M-2723	137	M-2799	366	M-2887	317	M-2954	346	M-3028	74
M-2724	137	M-2800	260	M-2888	317	M-2955	346	M-3029	80
M-2725	136	M-2801	261	M-2889	317	M-2956	346	M-3030	78
M-2726	136	M-2802	262	M-2890	317	M-2957	347	M-3031	76
M-2727	136	M-2803	262	M-2891	317	M-2958	347	M-3032	76
M-2728	119	M-2804	260	M-2892	317	M-2959	314	M-3033	76
M-2729	119	M-2805	261	M-2893	316, 367	M-2960	340	M-3034	76
M-2730	120	M-2806	261	M-2894	316, 367	M-2961	341	M-3036	71
M-2731	120	M-2807	260	M-2895	316, 367	M-2962	355	M-3037	69
M-2732	121	M-2808	261, 337, 367	M-2896	316, 367	M-2963	356	M-3038	71
M-2733	122	M-2809	261	M-2897	316, 367	M-2964	355	M-3039	71
M-2734	120, 228	M-2810	260	M-2898	316, 367	M-2965	358	M-3040	71

BWP PAGE INDEX

BWP No.	Page No.	BWP No.	Page No.	BWP No.	Page No.	BWP No.	Page No.	BWP No.	Page No.
M-3042	71	M-3117L	171	M-3149R	164	M-3201	39	M-3266	41
M-3046	80	M-3117R	171	M-3150L	164	M-3202	39	M-3267	41
M-3047	80	M-3118L	171	M-3150R	164	M-3203	19	M-3268	53
M-3048	80	M-3118R	171	M-3151L	164	M-3204	41	M-3269	53
M-3049	80	M-3119L	171	M-3151R	164	M-3205	41	M-3270	53
M-3050	80	M-3119R	171	M-3152L	164	M-3206	41	M-3271	54
M-3051	80	M-3120L	171	M-3152R	164	M-3207	20	M-3272	54
M-3052	74	M-3120R	171	M-3153L	164	M-3208	17	M-3273	54
M-3053	73	M-3121L	171	M-3153R	164	M-3209	17	M-3274	54
M-3054	73	M-3121R	171	M-3154L	164	M-3210	17	M-3275	54
M-3055	62	M-3122L	169	M-3154R	164	M-3211	17	M-3276	54
M-3056	62	M-3122R	169	M-3155L	164	M-3212	5, 11	M-3277	54
M-3057	62	M-3123L	169	M-3155R	164	M-3213	4, 9	M-3278	54
M-3060	72	M-3123R	169	M-3169L	163	M-3214	10	M-3279	54
M-3061	72	M-3124L	169	M-3169R	163	M-3215	40	M-3280	55
M-3062	72	M-3124R	169	M-3170L	174	M-3216	40	M-3281	55
M-3063	73	M-3125L	169	M-3170R	174	M-3217	40	M-3282	55
M-3065	256	M-3125R	169	M-3171L	174	M-3218	25	M-3283	55
M-3066	256	M-3126L	167	M-3171R	174	M-3219	25	M-3284	55
M-3067	256	M-3126R	167	M-3172L	174	M-3220	31	M-3285	55
M-3068	256	M-3127L	167	M-3172R	174	M-3221	31	M-3286	55
M-3069	256	M-3127R	167	M-3173L	158	M-3222	31	M-3287	55
M-3070	256	M-3128L	167	M-3173R	158	M-3223	31	M-3288	242
M-3071	256	M-3128R	167	M-3174L	165	M-3224	31	M-3289	240
M-3073	75	M-3129L	167	M-3174R	165	M-3225	31	M-3290	233
M-3074	75	M-3129R	167	M-3175L	161	M-3226	31	M-3291	239
M-3077	79	M-3130L	166	M-3175R	161	M-3227	31	M-3292	232
M-3078	79	M-3130R	166	M-3176L	167	M-3228	31	M-3294	233
M-3079	79	M-3131L	166	M-3176R	167	M-3229	31	M-3295	233
M-3080	79	M-3131R	166	M-3177L	168	M-3230	32	M-3296	239
M-3081	80	M-3132L	162	M-3177R	168	M-3231	32	M-3297	242
M-3082	80	M-3132R	162	M-3178L	157	M-3232	40	M-3298	242
M-3083	80	M-3133L	162	M-3178R	157	M-3233	114	M-3299	242
M-3084	80	M-3133R	162	M-3179L	171	M-3234	38	M-3301	109
M-3085	80	M-3134L	162	M-3179R	171	M-3235	38	M-3305	109
M-3086	77	M-3134R	162	M-3180L	168	M-3236	198	M-3306	109
M-3087	77	M-3135L	162	M-3180R	168	M-3237	193	M-3307	109
M-3088	78	M-3135R	162	M-3181L	170	M-3238	126	M-3309	109
M-3089	78	M-3136L	161	M-3181R	170	M-3239	125	M-3310	109
M-3092	78	M-3136R	161	M-3182L	164	M-3240	200	M-3311	109
M-3093	73	M-3137L	161	M-3182R	164	M-3241	23	M-3314	110
M-3095	71	M-3137R	161	M-3183L	159	M-3242	23	M-3315	110
M-3097	76	M-3138L	163	M-3183R	159	M-3243	135	M-3316	110
M-3098	76	M-3138R	163	M-3184L	167	M-3244	125	M-3317	110
M-3099	70	M-3139L	163	M-3184R	167	M-3245	124	M-3318	110
M-3101	78	M-3139R	163	M-3185L	168	M-3246	128	M-3319	110
M-3107	75	M-3140L	163	M-3185R	168	M-3247	196	M-3320	110
M-3108L	172	M-3140R	163	M-3186L	161	M-3248	200	M-3321	110
M-3108R	172	M-3141L	163	M-3186R	161	M-3249	122	M-3322	110
M-3109L	172	M-3141R	163	M-3187L	163	M-3250	124	M-3326	110
M-3109R	172	M-3142L	163	M-3187R	163	M-3251	121	M-3330	110
M-3110L	172	M-3142R	163	M-3188L	163	M-3252	124	M-3331	110
M-3110R	172	M-3143L	166	M-3188R	163	M-3253	128	M-3332	110
M-3111L	172	M-3143R	166	M-3189	117	M-3254	135	M-3333	110
M-3111R	172	M-3144L	166	M-3190	115	M-3255	136	M-3345	123
M-3112L	172	M-3144R	166	M-3191	114	M-3256	128	M-3346	119
M-3112R	172	M-3145L	162	M-3192	112	M-3257	134, 193	M-3347	137
M-3113L	172	M-3145R	162	M-3193	116	M-3258	194	M-3348	136
M-3113R	172	M-3146L	163	M-3194	113	M-3259	200	M-3349	64, 132, 201
M-3114L	172	M-3146R	163	M-3195	115	M-3260	121	M-3350	113
M-3114R	172	M-3147L	163	M-3196	112	M-3261	136	M-3351	193
M-3115L	171	M-3147R	163	M-3197	112	M-3262	298	M-3352	198
M-3115R	171	M-3148L	162	M-3198	112	M-3263	327	M-3353	199
M-3116L	171	M-3148R	162	M-3199	117	M-3264	311	M-3354	199
M-3116R	171	M-3149L	164	M-3200	39	M-3265	323	M-3355	129

INTERCHANGES

BWP PAGE INDEX

BWP No.	Page No.	BWP No.	Page No.	BWP No.	Page No.	BWP No.	Page No.	BWP No.	Page No.
M-3356	120	M-3423	353	M-3487	309	M-3553	381	M-3657	15
M-3357	124	M-3424	353	M-3488	309	M-3554	388	M-3659	39
M-3358	131	M-3425	353	M-3489	309	M-3555	388	M-3660	39
M-3359	131	M-3426	343	M-3490	309	M-3556	378	M-3661	39
M-3360	135	M-3427	343	M-3491	124	M-3557	379	M-3662	39
M-3361	139	M-3428	343	M-3492	207	M-3558	387	M-3663	39
M-3362	122	M-3429	343	M-3493	207	M-3559	378	M-3664	39
M-3363	207	M-3430	339	M-3494	209	M-3560	382	M-3665	39
M-3364	207	M-3431	339	M-3495	62	M-3584R	172	M-3666	39
M-3365	207	M-3433	327	M-3496	132	M-3600	3, 12	M-3667	39
M-3366	207	M-3434	337, 371	M-3497	122	M-3601	5	M-3668	39
M-3367	207	M-3435	348	M-3498	123	M-3602	6	M-3669	39
M-3368	207	M-3436	348	M-3499	115	M-3603	6	M-3670	39
M-3369	207	M-3437	348	M-3500	377	M-3604	11	M-3671	40
M-3370	207	M-3438	363	M-3501	378	M-3605	11	M-3672	40
M-3371	207	M-3439	363	M-3502	378	M-3606	14	M-3673	40
M-3372	207	M-3440	363	M-3503	378	M-3608	23	M-3674	40
M-3373	205	M-3441	363	M-3504	379	M-3609	23	M-3675	40
M-3374	204	M-3442	363	M-3505	379	M-3610	23	M-3676	40
M-3375	202	M-3443	364	M-3506	379	M-3611	23	M-3677	40
M-3376	110	M-3444	364	M-3507	376, 380	M-3612	23	M-3678	40
M-3378	109	M-3445	364	M-3508	380	M-3613	23	M-3679	40
M-3379	109	M-3446	364	M-3509	380	M-3614	23	M-3680	40
M-3380	109	M-3447	364	M-3510	382	M-3615	23	M-3681	40
M-3381	109	M-3448	345	M-3511	382	M-3616	23	M-3682L	172
M-3382	109	M-3449	339	M-3512	383	M-3617	23	M-3682R	172
M-3383	109	M-3450	345	M-3513	383	M-3618	26	M-3683L	172
M-3384	108	M-3451	345	M-3514	383	M-3619	26	M-3683R	172
m-3385	207	M-3452	324	M-3515	384	M-3620	26	M-3684L	172
M-3386	207	M-3453	324	M-3516	384	M-3621	26	M-3685L	172
M-3387	207	M-3454	324	M-3517	384	M-3622	26	M-3685R	172
M-3388	207	M-3455	323	M-3518	384	M-3623	26	M-3686L	172
M-3389	207	M-3456	323	M-3519	385	M-3624	26	M-3686R	172
M-3390	240	M-3457	324	M-3520	385	M-3625	26	M-3687L	172
M-3391	238	M-3458	324	M-3521	385	M-3626	27	M-3687R	172
M-3391	240	M-3459	324	M-3522	386	M-3627	27	M-3688L	173
M-3392	240	M-3460	325	M-3523	386	M-3628	28	M-3688R	173
M-3393	240	M-3461	327	M-3524	386	M-3629	28	M-3689L	173
M-3394	17	M-3462	327	M-3525	388	M-3630	29	M-3689R	173
M-3395	17	M-3463	327	M-3526	389	M-3631	29	M-3690L	162
M-3396	16	M-3464	327	M-3527	377	M-3632	29	M-3690R	162
M-3397	16	M-3465	327	M-3528	377	M-3633	29	M-3691L	162
M-3398	201	M-3465	327	M-3529	379	M-3634	33	M-3691R	162
M-3399	339	M-3466	327, 327	M-3531	380	M-3635	33	M-3692L	162
M-3402	346	M-3467	328, 371	M-3532	381	M-3636	33	M-3692R	162
M-3403	346	M-3468	276	M-3533	381	M-3637	33	M-3693L	162
M-3404	346	M-3469	276	M-3534	382	M-3638	33	M-3693R	162
M-3405	347	M-3470	276	M-3535	382	M-3639	33	M-3694L	162
M-3406	347	M-3471	276	M-3536	383	M-3640	34	M-3694R	162
M-3407	344	M-3472	276	M-3537	384	M-3641	34	M-3695L	162
M-3408	344	M-3473	311	M-3538	385	M-3642	34	M-3695R	162
M-3409	353	M-3474	311	M-3539	385	M-3643	34	M-3696L	163
M-3410	353	M-3475	318	M-3540	386	M-3644	34	M-3696R	163
M-3411	352	M-3476	318	M-3541	386	M-3645	34	M-3697L	163
M-3412	352	M-3477	318, 367	M-3542	387	M-3646	38	M-3697R	163
M-3413	352	M-3478	318	M-3543	387	M-3647	38	M-3698L	163
M-3414	352	M-3479	318	M-3544	387	M-3648	23	M-3698R	163
M-3415	352	M-3480	332	M-3545	387	M-3649	23	M-3699L	163
M-3416	352	M-3481	332	M-3546	388	M-3650	23	M-3699R	163
M-3417	352	M-3482	308	M-3547	388	M-3651	23	M-3700	109
M-3418	352	M-3482C	308	M-3548	389	M-3652	23	M-3701	109
M-3419	352	M-3483	308	M-3549	380	M-3653	23	M-3702	109
M-3420	353	M-3484	368	M-3550	389	M-3654	23, 61	M-3703	109
M-3421	353	M-3485	308	M-3551	377	M-3655	23	M-3704	109
M-3422	353	M-3486	308	M-3552	389	M-3656	15	M-3705	109

BWP PAGE INDEX

BWP No.	Page No.	BWP No.	Page No.	BWP No.	Page No.	BWP No.	Page No.	BWP No.	Page No.
M-3706	109	M-3776	66	M-3833	409	M-3911	29	M-3977	41
M-3707	361	M-3777	66	M-3834	409	M-3912	29	M-3978	41
M-3708	69	M-3778	66	M-3835	409	M-3913	29	M-3979	19
M-3709	69	M-3779	67	M-3836	409	M-3914	29	M-3980	17
M-3710	69	M-3780	67	M-3837	409	M-3915	29	M-3981	17
M-3711	70	M-3781	67	M-3838	409	M-3916	29	M-3982	16
M-3712	70	M-3782	299	M-3839	410	M-3917	29	M-3983	16
M-3713	70	M-3783	299, 367	M-3840	410, 416	M-3918	30	M-3984	202
M-3714	75	M-3784	299	M-3841	410	M-3919	30	M-3985	199
M-3715	75	M-3785	299, 367	M-3842	410	M-3920	30	M-3986	200
M-3716	76	M-3786	299, 371	M-3843	410	M-3921	28, 30	M-3987	122
M-3717	76	M-3787	62	M-3844	410	M-3922	30	M-3988	235
M-3718	76	M-3790	298	M-3845	410	M-3923	30	M-3989	235
M-3719	76	M-3791L	160	M-3846	410	M-3924	30	M-83201	394
M-3720	77	M-3791R	160	M-3847	410	M-3925	30	M-83202	394
M-3721	77	M-3792L	160	M-3848	410	M-3926	23	M-83203	394
M-3722	77	M-3792R	160	M-3849	410	M-3927	23	M-83204	394
M-3723	79	M-3793L	160	M-3850	410	M-3928	23	M-83207	394
M-3724	79	M-3793R	160	M-3851	410	M-3929	23	M-83209	394
M-3725	79	M-3794L	161	M-3852	410	M-3930	23	M-83213	394
M-3726	79	M-3794R	161	M-3853	410	M-3931	23	M-83215	394
M-3727	79	M-3795L	161	M-3854	410	M-3932	23	M-83216	394
M-3728	79	M-3795R	161	M-3855	412	M-3933	23	M-83217	394
M-3729	79	M-3796L	161	M-3856	412	M-3934	23	M-83219	394
M-3730	79	M-3796R	161	M-3857	412	M-3935	23	M-83221	394
M-3731	252	M-3797L	161	M-3858	412	M-3936	23	M-83225	394
M-3732	252	M-3797R	161	M-3859	412	M-3937	23	M-83300	394
M-3733	252	M-3798L	160	M-3860	412	M-3938	28	M-83302	394
M-3734	252	M-3798L	168	M-3861	412	M-3939	28	M-83303	394
M-3735	73	M-3798R	160	M-3862	412	M-3940	28	M-83304	394
M-3736	73	M-3798R	168	M-3863	413	M-3942	28	M-83308	394
M-3737	72	M-3799L	168	M-3864	413	M-3943	28	M-83309	394
M-3738	70	M-3799R	168	M-3865	413	M-3944	28	M-83312	394
M-3742	80	M-3800	404	M-3866	413	M-3945	28	M-83314	394
M-3743	80	M-3801	404	M-3867	413	M-3946	28	M-83318	394
M-3744	80	M-3802	404	M-3868	413	M-3947	28	M-85000	395
M-3745	80	M-3803	404	M-3869	413	M-3948	28	M-85001	395
M-3746	80	M-3804	404, 416	M-3870	414	M-3949	28	M-85003	395
M-3747	196	M-3805	404	M-3871	414	M-3950	27	M-85004	395
M-3748	197	M-3806	405	M-3872	414	M-3951	27	M-85005	395
M-3749	199	M-3807	405	M-3873	414	M-3952	27	M-85006	395
M-3750	199	M-3808	405	M-3874	414	M-3953	27	M-85007	395
M-3751	191	M-3809	405	M-3875	406	M-3954	23	M-85012	395
M-3752	61	M-3810	405	M-3876	414	M-3955	23	M-85013	395
M-3753	61	M-3811	405	M-3877	414	M-3956	25	M-85014	395
M-3755	61	M-3813	406	M-3878	414	M-3957	25	M-85024	395
M-3756	61	M-3814	406	M-3879	414	M-3958	25	M-85026	395
M-3757	61	M-3815	406	M-3880	414	M-3959	25	M-85027	395
M-3758	61	M-3816	406	M-3881	414	M-3960	25	M-85030	395
M-3759	61	M-3817	406	M-3882	415	M-3961	25	M-85046	395
M-3760	61	M-3818	407	M-3883	415	M-3962	31	M-85300	395
M-3761	61	M-3819	407	M-3884	415	M-3963	31	M-85301	395
M-3762	61	M-3820	407	M-3886	415	M-3964	31	M-85302	395
M-3763	61	M-3821	407	M-3887	415	M-3965	31	M-85303	395
M-3764	61	M-3822	407	M-3888	416	M-3966	31	M-85304	395
M-3765	61	M-3823	407	M-3889	416	M-3967	31	M-85305	395
M-3766	61	M-3824	407	M-3900	34	M-3968	31	M-85307	395
M-3767	61	M-3825	407	M-3901	34	M-3969	31	M-85308	395
M-3768	61	M-3826	407	M-3902	34	M-3970	41	M-85310	395
M-3769	61	M-3827	408	M-3903	34	M-3971	41	M-85311	395
M-3770	61	M-3828	408	M-3906	37	M-3972	39	M-85313	395
M-3771	61	M-3829	408	M-3907	37	M-3973	39	M-85317	395
M-3772	61	M-3830	408	M-3908	37	M-3974	39	M-85319	395
M-3773	61	M-3831	408, 414	M-3909	37	M-3975	40	M-85724	395
M-3775	66	M-3832	408	M-3910	29	M-3976	39	M-89405	396

INTERCHANGES

BWP PAGE INDEX

BWP No.	Page No.	BWP No.	Page No.	BWP No.	Page No.	BWP No.	Page No.	BWP No.	Page No.
M-K56	147	M-K71	185	M-K86	183	M-K96	179	M-K107	184
M-K57	153	M-K72	149	M-K87	185	M-K97	179	M-K108	141
M-K58	145	M-K73	223	M-K88	187	M-K98	149	M-K109	141
M-K59	151	M-K74	223	M-K89	186	M-K99	145	M-K110	142
M-K60	182	M-K75	223	M-K90	187	M-K101	181	M-K111	180
M-K61	186	M-K76	222	M-K91	142	M-K102	180	M-K112	148
M-K62	182	M-K77	143	M-K92	149	M-K103	181	M-K113	145
M-K63	183	M-K78	182	M-K93	150	M-K104	141	M-K114	143
M-K64	181	M-K79	148	M-K94	140	M-K105	144	M-K116	184
M-K65	188	M-K80	140	M-K95	140	M-K106	152		
M-K66	189	M-K81	186						
M-K67	190	M-K82	140						
M-K68	185	M-K83	141						
M-K69	188	M-K84	144						
M-K70	230	M-K85	185						

BWP WAREHOUSE LOCATIONS

BWP MAIN OFFICE AND WAREHOUSE

2415 W. 21st Street

Chicago, Illinois 60608

Phone

(773) 847-7000

(800) 621-8836

Fax

(773) 847-5149

(866) 370-5149

WEST DISTR. CTR.

CROWN PACKAGING PRODUCTS

11901 Burke St.

Santa Fe Springs, CA 90670

(562) 789-9622

(562) 789-2733 (fax)

SOUTHWEST DISTR. CTR.

THE SLOAN COMPANY

4605 Old Denton Rd.

Ft. Worth, TX 76117

(817) 485-1252

(817) 656-4702 (fax)

SOUTHEAST DISTR. CTR.

ENGINE PARTS INC.

5060 Bakers Ferry Road SW

Atlanta, GA 30336

(404) 472-0048

(404) 472-0107 (fax)



VISIT US ON THE WEB AT:

www.bwpindustries.com

LIMITED WARRANTY

We warrant to the original consumer purchaser that the product purchased from us shall be free from defect in material and workmanship for sixty (60) days from the date of receipt by the original consumer of the product under normal use and service. Defects caused by tampering, abuse, improper use, unauthorized alteration or repair, or contact with other defective products not purchased from us are not covered by the Warranty.

If a defect covered by this Warranty arises during the Warranty, promptly return the product to us, together with your proof of purchase showing the date of purchase, postage pre-paid, for replacement or repair (at our option), at the following address:

BWP INDUSTRIES, INC.
2415 West 21st Street
Chicago, Illinois 60608

WE SHALL NOT BE LIABLE FOR ANY LOSS, DAMAGE, OR CLAIM, INCLUDING (WITHOUT LIMITATION) INCIDENTAL OR CONSEQUENTIAL DAMAGES, OF ANY KIND WHATSOEVER INCLUDING ANY LOSS, DAMAGE OR CLAIM RESULTING, DIRECTLY OR INDIRECTLY, FROM ANY BREACH OF ANY WARRANTY, EXPRESS OR IMPLIED, OR ANY OTHER USE OF OR DEFECT IN THIS PRODUCT. Some states do not allow the exclusion or limitation of incidental or consequential damages, so the above limitation or exclusion may not apply to you.

THIS LIMITED WARRANTY IS THE ONLY WARRANTY GIVEN BY US AND IS IN LIEU OF ALL OTHER WARRANTIES, EXPRESS OR IMPLIED, OF ANY KIND WHATSOEVER, INCLUDING (WITHOUT LIMITATION) THE IMPLIED WARRANTIES OF FITNESS FOR A PARTICULAR PURPOSE AND OF MERCHANT ABILITY, EXCEPT THE IMPLIED WARRANTIES OF MERCHANTABILITY AND FITNESS FOR A PARTICULAR PURPOSE SHALL APPLY ONLY FOR THE SIXTY DAY DURATION OF THIS WARRANTY. THIS WARRANTY MAY NOT BE EXTENDED OR MODIFIED BY ANY PERSON OR ENTITY, INCLUDING ANY PERSON OR ENTITY SELLING THE PRODUCT TO THE ORIGINAL CONSUMER PURCHASER, WITHOUT OUR PRIOR WRITTEN CONSENT. Some states do not allow limitations on how long an implied warranty lasts, so the above limitation may not apply to you.

This Warranty gives you specific legal rights, and you may also have other rights which vary from state to state.

All manufacturers' names, numbers, symbols and descriptions are used for reference purposes only, and it is not implied that any part listed is the product of these manufacturers.

BRAKE

BWP

and WHEEL PARTS

Industries INC.

BWP MAIN WAREHOUSE

2415 W. 21st. Street
Chicago, Illinois 60608
773.847.7000
800.621.8836
773.847.5149 Fax
866.370.5149 Fax

THE SLOAN CO.

4605 Old Denton Road
Ft Worth, Texas 76117
817.485.1252
817.656.4702 Fax

ENGINE PARTS INC.

5060 Bakers Ferry Road SW
Atlanta, Georgia 30336
404.472.0048
404.472.0107 Fax

CROWN PACKAGING PRODUCTS

11901 Burke St.
Santa Fe Springs, California 90670
562.789.9622
562.789.2733 Fax



VISIT US ON THE WEB AT:

www.bwpindustries.com

