

CATALOG &
TECHNICAL
GUIDE – INCH



SOLID END MILLS



SOLUTIONS & SUPPORT

By choosing Seco, you get more than just a comprehensive portfolio of advanced metal-cutting solutions and expert services. You get a partnership based on trust, respect and communication and a team that is always ready to help you gain the competitive advantage.

Globally headquartered in Fagersta, Sweden and present in more than 50 countries, Seco develops cutting tools, processes and services for high productivity and profitability. Our team of over 5,000 dedicated employees maintains partnerships around the world to identify and overcome the challenges faced by today's manufacturers.

Our broad selection of milling, turning, holmaking and toolholding solutions include over 30,000 standard products, custom items for special applications and a team of metal-cutting experts who help customers identify and implement cost-effective solutions.

General	Index..... 2	
	Product introduction and technical information 3-19	P M
Universal	Product information and cutting data..... 20-149	K N
		S H
		TS/P
Steel and cast iron	Product information and cutting data..... 150-170	P
		K
Stainless steel and S-materials (HRSA and Titanium alloys)	Product information and cutting data..... 171-190	M
		S
Non-ferrous	Product information and cutting data..... 191-236	N
		TS
Hardened steel	Product information and cutting data..... 237-268	H
Plastic and CFRPs	Product information and cutting data..... 269-312	TS&TP
Graphite	Product information and cutting data..... 313-335	GR
Technical information	Recalculations 336-344	
	Cutting calculations and definitions..... 345-346	
SMG	Workpiece Materials – Classification, SMG v2..... 347-359	

H

HK/HKM. 127-137

J

J28. 311
 J29. 123
 J36. 125
 J93. 309
 J99. 309
 JC840 273-274
 JC845 276
 JC850 278
 JC860 280-281
 JC870 283-286
 JC871 288-291
 JC875 293-294
 JC880 296
 JC885 298
 JCO710 186-187
 JD620 316
 JD630 318
 JD640 320
 JD660 323
 JD665 325
 JD670 327
 JH111. 164-165, 257-258
 JH120 247
 JH130 249
 JH141 159-160, 254-255
 JH150 167, 260
 JH160 169, 262
 JH40 215
 JH410 217
 JH421 219-221
 JH440 227
 JH450 229
 JH460 231
 JH720 189
 JH820 223
 JH830 225
 JH910 109, 111
 JH930 115, 251
 JH970 118, 162
 JHF180 243-244
 JHF980 120
 JHP170 240-241
 JHP490 211-213
 JHP750 173-174
 JHP760 176-177
 JHP770 179-181
 JHP780 183-184
 JHP951 156-157
 JHP993 153-154
 JM103 264-265
 JM106 264-265
 JM113 267
 JM116 267
 JM403 233
 JM404 233
 JM406 233
 JM413 235
 JM416 235

JM600 329
 JM610 331
 JM650 333
 JM655 335
 JM905 142-144
 JM915 147-148
 JM920 142-144
 JM925 147-148
 JPD840 300
 JPD850 302
 JPD880 304
 JPD890 306-307
 JS412 195-196
 JS413 198-199, 201
 JS452 201-204, 206
 JS453 206-209
 JS506 103-104
 JS509 106-107
 JS512 26-28
 JS513 31-34
 JS514 37-39
 JS520 80-81
 JS522 85
 JS532 89-91
 JS533 94-95
 JS534 98-100
 JS553 42-49
 JS554 54-63, 70-75

T

TDM. 138

V

V31 140



JABRO was founded in 1976 in Lottum, Netherlands.

JABRO is Seco's competence center for solid milling solutions, and has global responsibility for Research & Development, Manufacturing and Application Engineering.

Seco JABRO's products provide the world market with a wide range of standard tools and custom tool solutions, including reconditioning, mainly for General Engineering, Aerospace, Energy, Medical and Mold & Die customers.

Advanced manufacturing technology and an environmental focus ensures JABRO's sustainable development and production of products that successfully respond to market demands in milling operations for both ferrous and non-ferrous materials.

- General Engineering
- Mold & Die
- Aerospace
- Medical
- Power Generation

JABRO® – SOLID²



Jabro-Solid² is a range of solid carbide end mills for applications in general machining that offer flexibility, speed and cost efficiency. Jabro-Solid² is available in a diameter range of $\varnothing 1$ - $\varnothing 25$ mm and in inch $\varnothing 1/32$ - 1 1/4.

Jabro-Solid² also includes a group of dedicated advanced roughing tools (554 3C).

These tools offer excellent performance when applied in well defined tool paths with constant arc of contact with high cutting speed and high cutting depth applications.

For the complete range of JS500 series tools all chamfer ($c^{\circ}45^{\circ}$) have the following tolerances: $c = D_c \leq 3 = +0.01$, $3 < D_c \leq 6 = +0.02$, $6 < D_c \leq 10 = +0.03$,

$10 < D_c \leq 14 = +0.04$, $14 < D_c \leq 18 = +0.05$, $18 < D_c \leq 24 = +0.06$,

All Jabro-Solid² product codes begin with JS.

Please see page 8 for a grouped overview of JS² products.

JABRO® – HSM/TORNADO (High speed machining)



A complete range of peak performance coated solid carbide milling cutters specially developed for High Speed Machining (HSM) with a diameter range from 2-20 mm in various geometrical styles.

All HSM/Tornado product codes begin with JH.

Please see page 8 for a grouped overview of HSM 'tornado' products.

JABRO® – HPM (High performance machining)



A complete range of peak performance coated solid carbide milling cutters specially developed to reach high metal removal rates in different materials.

Diameter range from 2-25 mm.

All HPM product codes begin with JHP.

Please see page 8 for a grouped overview of high performance machining (HPM) products.

JABRO® – HFM (High feed machining)



A range of solid carbide tools for High Feed Machining.
Can also be used for plunge milling.
Diameter range from 1.5-12 mm.
All HFM product codes begin with JHF.
Please see page 8 for a grouped overview of high feed machining (HFM) products.

JABRO® – MINI (Micro machining)



Miniature 'MEGA-64-T', 'MEGA-T' and 'DIAMOND' coated solid carbide milling cutters with a diameter range from 0.1 mm (.0039") to 2.0 mm (.0787")
All MINI product codes begin with JM.
Please see page 9 for a grouped overview of micro machining (MINI) products.

JABRO® – DIAMOND



Solid carbide milling cutters with Chemical Vapour Deposition (CVD) 'DIAMOND' coating for machining abrasive materials like graphite.
Diameter range from 3-12 mm.
DIAMOND product codes begin with JD and JM for MINI DIAMOND.
Please see page 9 for a grouped overview of diamond coated (DIAMOND) products.

JABRO® – COMPOSITE



The Jabro JC800 range cutters are specifically designed to efficiently machine composite parts.

The JC family of tools includes a wide range of cutters with the high degree of specialization needed to meet the specific requirements of these diverse composite materials. The cutters are designed for elimination of fiber break out and delamination as well as improved edge finish.

All Composite product codes begin with JC.

Please see page 9 for a grouped overview of Composite (JC) products.

The Jabro JPD800 series are brazed PCD end mills designed for machining composites.

All PCD product codes begin with JPD.

JABRO® – VHM (General engineering)



A selection of solid carbide coated and uncoated cutters.

Diameter range from 1-32 mm.

All VHM product codes begin with J.

Please see page 9 for a grouped overview of the (VHM) products.

The quality of a tool is dependent on the tool material, geometry and coating.

Solid carbide:

A solid carbide tool is highly dependent on the quality of the cemented carbide.

Seco-Jabro determines the carbide used in new developments after extensive research and by using results from laboratory and field tests.

Advanced technology ensures high quality carbide, therefore longer and repeatable tool life.

Coating:

Coating is an important factor in the success of a carbide cutting tool.

Seco applies PVD and CVD coatings.

The PVD coatings are: MEGA-T (MT), MEGA-64 (M64), SIRON-A (SIRA) and NXT

The CVD coatings are: DIAMOND and DURA.

The coating protects the cutting edge of the tool against wear. During machining the temperature can reach 900°.

The insulating properties of the coating protect the basic material. The hardness of a typical PVD coating is higher than the hardness of carbide.

The new NXT coating is an advanced TiAlN based coating specifically designed to perform in wide range of materials.

Due to this the tool has higher resistance to wear with a longer tool life as a result.

The coating also ensures reduced friction, so the wear develops less rapidly and the chip removal is optimized.

DIAMOND coating is specially developed for machining graphite, a highly abrasive material.

The very hard and homogeneous structure of the Dura coating makes the tool very resistant to the wear caused by machining composites.

Product family	Technology	Product	1**	4**	5**	6**	7**	8**	9**
Jabro-Solid ²	General machining	JS		■	■				
Jabro - HPM	High performance machining	JHP	■	■			■		■
Jabro - HFM	High feed machining	JHF	■						■
Jabro - Mini	Micro machining	JM	■	■		■			■
Jabro - HSM/Tornado	High speed machining	JH	■	■			■		■
Jabro - Diamond	Graphite machining	JD				■			
Jabro - Composites	Composite machining	JC, JPD						■	
Jabro - VHM	General machining	J		■					■
Jabro-HSS-E	General machining	JCO					■		■

SMG		1**	4**	5**	6**	7**	8**	9**
P1-8				■				■
P11				■				■
M1-3				■		■		
M4-5				■		■		
K1-7				■				■
S1-3				■		■		
S11-13				■		■		
H		■		■				
N1			■	■				
N2-3			■	■				
N11			■	■				
TS			■	■			■	
TP			■	■			■	
GR					■			

For further explanation on SMG please see page 347.

	Page	Family name	Name	P1-8	P11	M1-3	M4-5	K1-7	N1	N2-3	N11	S1-3	S11-13	H3-31	TS1	TS2-3	TS4	TP1	TP2-3	TP4	Honeycomb	GR		
	26-30	JS ²	JS512	•	•	•	○	•	○	○	○	○	•	○	○			○				○		
	31-36		JS513	•	•	•	○	•	○	○	○	○	○	•	○	○			○				○	
	37-41		JS514	•	•	○	○	•	○	○	○	○	○	•	○	○			○				○	
	42-53		JS553	•	•	•	•	•	•	•	•	•	•	•	•	•	•	•	•	•				○
	54-79		JS554	•	•	•	•	•	•	•	•	•	•	•	•	•	•	•	•	•				○
	195-197		JS412							•	•						•		•					
	198-200		JS413							•	•						•		•					
	201-205		JS452							•	•						•		•					
	206-210		JS453							•	•						•		•					
	80-83		JS520	•	•	○	○	•	•	•	•	•	○	•	○	○	•		•					○
	84-87		JS522	•	•	•	•	•	•	•	•	•	○	•	•		•		•					○
	88-93		JS532	•	•	•	•	•	•	•	•	•	○	•	○	○	•		•					○
	94-97		JS533	•	•	•	•	•	•	•	•	•	○	•	○	○	•		•					○
	98-102		JS534	•	•	•	•	•	•	•	•	•	○	•	○	○	•		•					○
	103-105		JS506	•	•	•	•	•	•	•	•	•	○	•	•	•	•		•					○
106-108	JS509	•	•	•	•	•	•	•	•	•	○	•	•	•	•		•					○		
	215-216	HSM/ TORNADO	JH40					•	•	•	•				•			•						
	164-166, 257-259		JH111					•	•	•	•				•									
	247-248		JH120												•									
	249-250		JH130												•									
	159-161, 254-256		JH141	•	•			•							•									
	167-168, 260-261		JH150	•	•			•							•									
	169-170, 262-263		JH160	•	•										•									
	217-218		JH410							•	•	•				•			•					
	219-222		JH421							•	•	•				•			•					
	227-228		JH440							•	•	•				•			•					
	229-230		JH450							•	•	•				•			•					
	231-232		JH460							•	•	•				•			•					
	189-190		JH720			•	•						○	•										
	223-224		JH820								•													
	225-226		JH830								•													
	109-114		JH910	•	•	•	•	•					•	•		•			•				•	
	115-117, 251-253		JH930	•	•			•					•	•	•	•								
118-119, 162-163	JH970	•	•	•	•						•	•	•	•										
	240-242	HPM	JHP170									•	•	•										
	173-175		JHP750										•	•	•									
	176-178		JHP760			•	•																	
	179-182		JHP770											•	•									
	183-185		JHP780										•	•	•									
	211-214		JHP490							•	•	•												
	156-158		JHP951	•	•			•																
153-155	JHP993	•	•			•																		
	243-246	HFM	JHF180		○									•										
	120-122		JHF980	•	•	•	•	•					•	•	•									

• Preferred choice, ○ Alternative choice

	Page	Family name	Name	P1-8	P11	M1-3	M4-5	K1-7	N1	N2-3	N11	S1-3	S11-13	H9-31	TS1	TS2-3	TS4	TP1	TP2-3	TP4	Honeycomb	GR		
	328-329	MINI DIAMOND	JM600																			•		
	330-331		JM610																				•	
	332-333		JM650																				•	
	334-335		JM655																				•	
	264-266	MINI	JM103/JM106												•									
	267-268		JM113/JM116												•									
	233-234		JM403/04/06							•	•	•				•				•				
	235-236		JM413/416							•	•	•				•				•				
	142-146		JM905	•	•	•	•			○	○	○			•	○							○	
	147-149		JM915	•	•	•	•			○	○	○			•	○								○
	142-146		JM920	•	•	•	•			○	○	○			•	○								○
147-149	JM925		•	•	•	•			○	○	○			•	○								○	
	316-317	DIAMOND	JD620																			•		
	318-319		JD630																				•	
	320-321		JD640																				•	
	322-323		JD660																				•	
	324-325		JD665VL																				•	
	326-327		JD670																				•	
	273-275	COMPOSITE	JC840													•				•				
	276-277		JC845														•				•			
	278-279		JC850														•				•			
	280-282		JC860														•				•	•		
	283-287		JC870														•				•	•		
	288-292		JC871														•				•	•		
	293-295		JC875														•				•			
	296-297		JC880														•				•			
	298-299	JC885														•				•				
	300-301	PCD	JPD840														•				•			
	302-303		JPD850														•				•			
304-305	JPD880															•				•				
306-308	JPD890															•				•				
	311-312	VHM	J28												•									
	123-124		J29	•	•	•	•	•	•	•	•	•	•	•	•	•				•			•	
	140-141		V31	•	•	•	•	•	•	•	•	•	•	•	•	•				•			•	
	125-126		J36	○	○	○	○	○	○	○	○	○	○	○	○	○				○				
	127-137		HK/HKM	•	•	•	•	•	•	•	•	•	•	•	•	•	•				•			•
	138-139		TDM	•	•	•	•	•	•	•	•	•	•	•	•	•	•				•			
309-310	J93/J99-F													•				•						
	186-188	Hss-Co	JCO710			•	•						•											

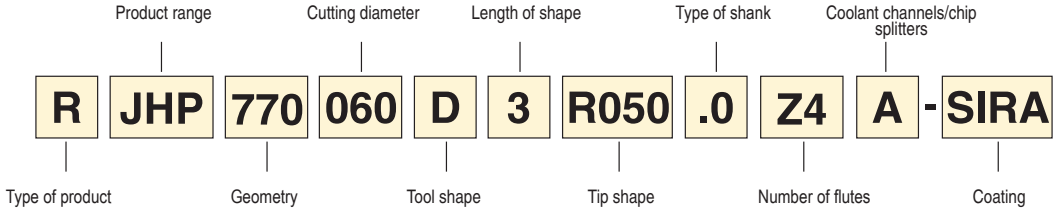
• Preferred choice, ○ Alternative choice

Code key – For catalog products, valid for following geometries:

JS512,513,514,553,554,520,506,509,412,413,452,453

JHP951,993,770,780

JC845, 875, 885, JPD840, 850, 880, 890, JCO710



Product range

J = JABRO® VHM
 JC = JABRO® Composites
 JD = JABRO® Diamond
 JH = JABRO® HSM/Tornado
 JHF = JABRO® HFM
 JHP = JABRO® HPM
 JM = JABRO® Mini
 JS = JABRO® SOLID²
 JPD = JABRO® PCD
 JCO = JABRO® HSS-Co

Type of product

BLANK = Standard (catalog) product
 R = Reconditioned product (complete)
 RK = Reconditioned product (frontal)

Length of shape

A single digit that gives an indication of the length of the cutter compared to other products with the same cutting geometry. This replaces the previous L, XL, SL, K, and other versions. For most products 1=K, 2=N, 3=L, 4=XL

Number of flutes

This figure indicates the number of flutes in the cutter. For example; Z2= 2 flutes, Z6 = 6 flutes

Cutting diameter

Metric = 3 digit code (in case of 4 digit code – xx,xx mm)
 Imperial = a dot followed by a 3 digit code
 For example: (050 = metric, 5 mm) / (.500 = imperial, ½ inch)

Coolant channels/chip splitters

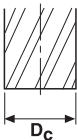
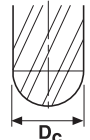
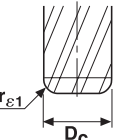
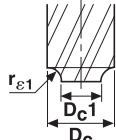
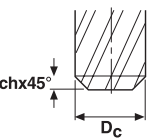
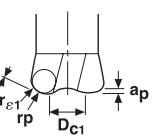
BLANK = No coolant channels
 A = Internal coolant channel(s)
 C = Chip splitters


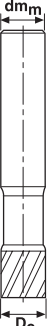

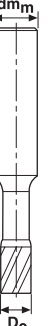



Geometry

Geometry
 A three-digit combination specifying the cutting geometry. For example; 111, 950, 553, 514, etc.

Type of shank

Indicates the shank types that are available.
 .0 = Cylindrical
 .3 = Weldon
 .5 = Whistle Notch
 .9 = Safe-Lock

Tip shape						Coating
Sharp	Ball-nose	Corner radius	Concave radius	Chamfer	High feed	4 character code specifying the coating on the cutter. MEGA = MEGA MT = MEGA-T M64 = MEGA-64 M64T = MEGA-64-T TRI = TRIBON SIRA = SIRON-A HEMI = HEMI DIA = DIAMOND DURA = DURA NXT = NXT
						
S	B	R...	K...	C	H	
Size of radius for convex and concave radius tipped products 000 = For metric products the tip shape is shown by a three-digit figure. By dividing this figure by 100 you will get the actual corner radius size in millimetres. .000 = For imperial products the tip shape is shown by a dot, followed by a three-digit figure. This figure actually shows the size of the corner radius in inch (e.g. R.100 would indicate a radius of 0.100 inch).						

Tool shape						
$(D_c = dm_m)$		$(D_c < dm_m)$				$(D_c > dm_m)$
						
D	E	F	G	J	N	P

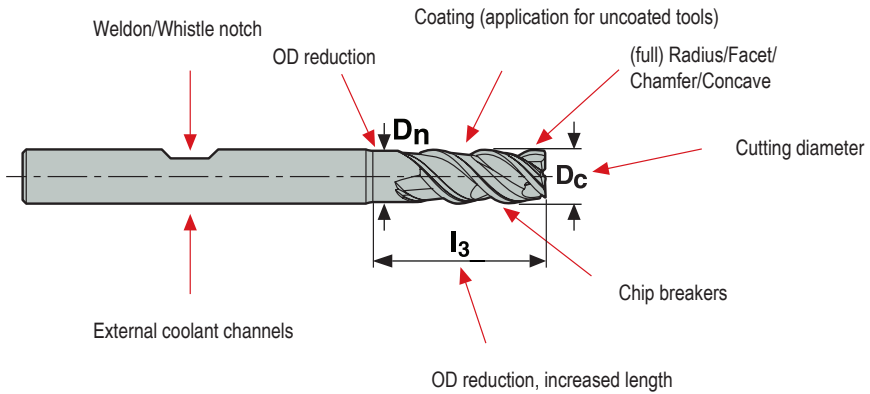
Custom tools

A significant part of Seco’s offer is in the form of custom tools. Here there is expertise in all the major customer segments including Aerospace, Power Generation and Medical Engineering. Seco engineers work in close cooperation with customers to provide the best possible solution to specific machining challenges where the demands stretch beyond standard tools.



Modified tools

Seco offers a quick delivery solution for standard tools requiring modification to meet specific dimensional requirements.



For further information on custom, modified and reconditioned tools please contact your local Seco representative.

Reconditioning cuts cost and tools inventory



Seco’s modern carbide tools offer remarkable performance by utilizing the best combinations of carbide substrates with highly wear resistant coatings, optimized cutting geometry and controlled edge preparation. However good a tool is, as part of its function, it will eventually show signs of wear on the cutting edge. Controlling this wear and the timely replacement of the tool will allow the used tool to be reconditioned, thus reducing tool investment costs.

At Seco, your solid carbide tools are reconditioned using the same advanced technology and care that we use to manufacture our new products.



Your benefits from reconditioning

- Manufactured to Seco’s high standards with the original Seco geometry, edge preparation and coating processes.
- Savings on tooling costs by repeated use of the same solid carbide tool.
- Our easy to use and free ‘reconditioning box’ includes a pre-prepared delivery note.
- Free, reliable collection on the following day when you call your Seco contact for pick up.
- An easy process due to the package service, reconditioning box and prepared delivery note. Delivery via the normal Seco channels.
- Safe transportation and storage of the reconditioned tools by packaging them in similar packaging as new tools.
- A new packaging label is included.
- Work towards greener and cleaner environment. Seco’s processes are globally certified with ISO14001.
- Guaranteed quality, as all processes are ISO9001 certified.



Basic operations:

- Face milling
- Slot milling
- Side milling
- Copy milling

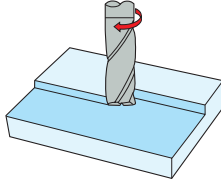
Definitions, basic operations:

Face milling:

Operation where the tool is in engagement with less than 180° arc of contact.

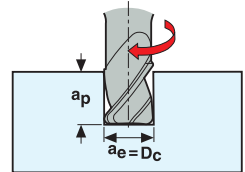
Tool engagement:

Small a_p and large a_e .



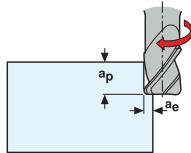
Slot milling:

Operation where the full diameter is in engagement, a_e is equal to D_c and a_p up to 1½ times D_c depending on the machining strategy in use.



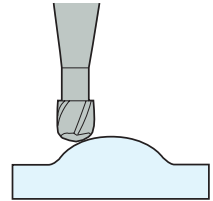
Side milling:

Operation where the side of the tool is in engagement, a_p is large and a_e is small.



Copy milling:

Operation where the radius is in engagement. a_p and a_e are both small.



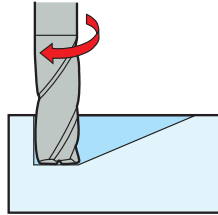
Advanced machining methods:

- Ramping
- Advanced roughing / Optirough
- Helical interpolation
- Trochoidal milling
- Push-pull
- Plunge milling
- Z-leveling
- Drilling

Definitions, advanced machining methods:

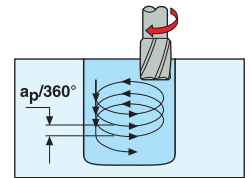
Ramping:

Opening up a pocket by making a Z axis at an angle.



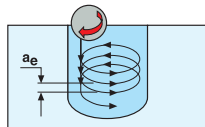
Helical interpolation ramping:

Opening a pocket by making a circular movement with the tool while ramping in Z axis.



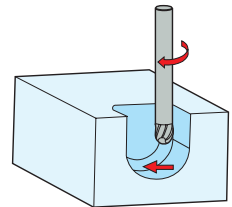
Trochoidal:

Opening a slot by using side milling, making a partial circular movement in X- or Y-axis. (changing slot milling into side milling).



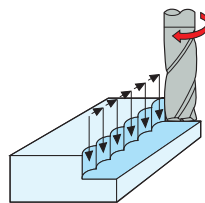
Push-pull:

Machining a 3D form by making a down and up copying movement following the profile of the form.



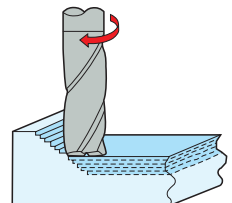
Plunge milling:

Opening up a deep slot by using drilling (Z) axis.



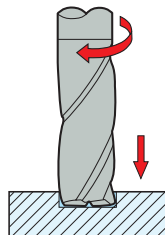
Z-leveling:

Machining a surface by making a small drilling or ramping in Z axis then opening the pocket with X and Y movements.



Drilling:

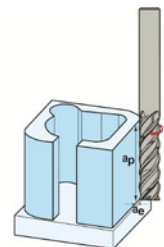
Making a hole with movement in Z axis.



Advanced roughing/Optirough

Well defined tool paths with constant arc of contact for reliable roughing of simple & complex shapes.

The large axial depths (a_p) & small radial depths (a_e) of cut combined with high feeds per tooth (f_z) and cutting speeds (V_c) results in high productivity.



Definitions:

Machining strategies:

- General machining
- High speed machining
- High performance machining
- High feed machining
- Micro machining
- Advanced roughing / Optirough

Definitions, machining strategies:

General machining:

A machining strategy for general use. a_e - a_p ratio can vary depending on the operation.

Tool characteristics: Tools have relatively long cutting lengths and thin core diameters. There are no high requirements on the tolerances.

Machine requirements: There are no special machine requirements needed.

With basic CNC technology, difficult advanced machining methods are not possible.

Average results will be reached on metal removal rate Q (cm^3/min).

The application area usually includes small batch sizes and a wide range of materials.

High speed machining:

A machining strategy where a combination of a small radial depth of cut and high cutting speed and table feeds are used.

Depending on the method, a high metal removal and a low R_a value can be reached. Typical for this strategy are low cutting forces, less heat build up in the tool and workpiece, less burr formation and high dimensional accuracy on the workpiece.

With HSM (High Speed Machining) you achieve high metal removal rate and/or surface finish by using a much higher cutting speed compared to general machining.

Tool characteristics: Stable, (thick core diameter and a short cutting length) clear and well formed chip space for good chip evacuation, coating.

Machine requirements: Quick CNC control, high RPM, quick transmission to the axis.

The applications area is: Mold & Die industry on pre-finishing and finishing operations in hardened steel (48-62 HRc) in a short lead time.

This technique can also be applied in most other materials when using the right tool and advanced machining method.

High Performance Machining:

A machining strategy where very high metal removal rates can be achieved. Typical for this strategy is that a_e is 1 times D_c and a_p is 1 to 1½ times D_c depending the workpiece material.

With HPM (High Performance Machining) you achieve an extremely high metal removal rate by using a much higher chip load than in general machining.

Tool characteristics: Specially developed chip formers in the flute of the tool, tip protection with a small 45° face or corner radius, special smooth formed chip space and coating, with or without Weldon shank.

Machine requirements: High stability, high power requirements, CNC control, rigid clamping system.

The application areas are: Operations in a mass production environment where production time/lead time is of great importance or on single products where a high metal removal rate Q (cm^3/min .) is required.

High Feed Machining:

A machining strategy where high feed rates can be reached with large radial engagements (a_e) in combination with a small a_p . With HFM (High Feed Machining) you achieve high metal removal rates and/or surface finish by using a much higher table feed compared to general machining.

Tool characteristics: Specially developed front teeth, very short cutting length and coating.

Machine requirements: Good stability, CNC, possibility for high table feed (v_t).

The big advantage of this technology is that it is very user friendly, easy, safe and quick to program in CAM. By using the so called Z-leveling strategy it is relatively easy to program complex forms without the necessity of having extensive experience in programming.

The application area is: soft to hardened steel, titanium and stainless steel. It is very good as a pre-operation before HSM is used.

It can also be applied in deep pocket machining.

Micro machining:

A machining strategy where extremely small tool diameters are used.

Tool characteristics: Diameter range \varnothing 0.1 to 2.0 mm, small cutting lengths, a wide range of OD reductions, high accuracy, coating.

Machine requirements: High spindle accuracy, high RPM, CNC, thermal stability against spindle growth.

Application area is: Production of cavities like slots, pockets, holes or engravings in many types of material.

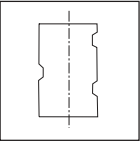
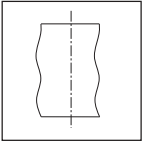
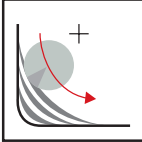
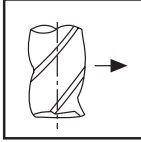
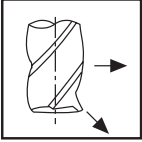
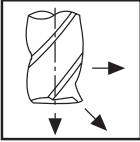
Advanced roughing / Optirough:

Advanced roughing / Optirough (method/strategy): Well defined tool paths with constant arc of contact for reliable roughing of simple & complex shapes.

Large axial depths (a_p) & small radial depths (a_e) of cut combined with high feeds per tooth (f_z) and cutting speeds (V_c) result in high productivity.

Center cut $z_n=1$	Center cut $z_n=2$	2 teeth across center $z_n=2$	No center cut $z_n=2$	Uneven pitch $z_n=2$	No center cut $z_n=3$
Center cut $z_n=3$	Uneven pitch $z_n=3$	Center cut $z_n=4$	2 teeth across center $z_n=4$	4 teeth across center $z_n=4$	No teeth across center $z_n=4$
					PCD
Uneven pitch $z_n=4$	Uneven pitch / 1 tooth across center $z_n=4$	No center cut $z_n=5$	No center cut $z_n=6$	No center cut $z_n=8$	PCD
HSS-Co					
HSS-Co	Cylindrical shank	Weldon	Safelock	Sharp	Full radius
Corner radius	Chamfer	Tapered sharp	250° sphere	Helix angle 30°	Double helix 20° - 20°
				ICC	
Helix angle left 15°	Curved helix	Unequal helix	Cutting rake 10°	ICC end Y	Roughing profile

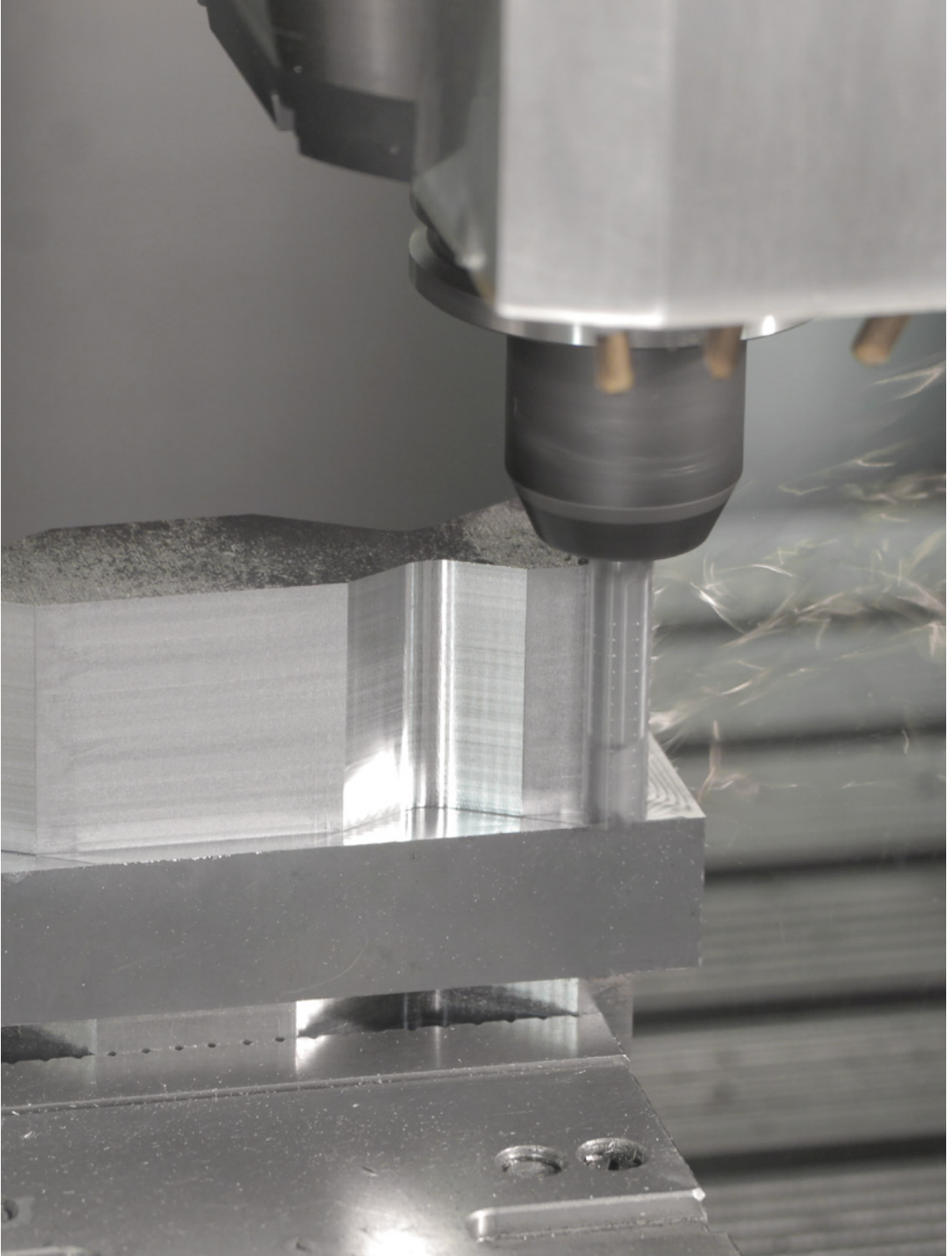
Remark: not all picture key symbols are mentioned.











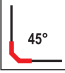
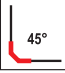
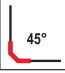
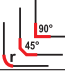
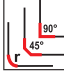
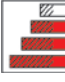
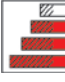
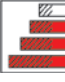



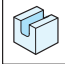
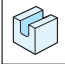
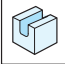

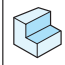
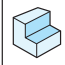
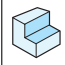
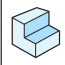


 <p>Chip splitters</p>	 <p>Variable flute profile</p>	<p>MEGA-64-T</p> <p>Mega-64-T (M64)</p>	<p>DURA</p> <p>Dura</p>	<p>HEMI</p> <p>Hemi</p>	<p>MEGA-T</p> <p>Mega-T (MT)</p>
<p>MEGA</p> <p>Mega</p>	<p>MEGA-64</p> <p>Mega-64 (M64)</p>	<p>TRIBON</p> <p>Tribon(TRI)</p>	<p>SIRON-A</p> <p>Siron-A (SIRA)</p>	<p>DIAMOND</p> <p>Diamond (DIA)</p>	<p>M64</p> <p>M64</p>
<p>NXT</p> <p>NXT</p>	<p>MT</p> <p>MT</p>	<p>SIRA</p> <p>SIRA</p>	 <p>Advanced roughing</p>	 <p>Radial</p>	 <p>Radial/ ramping</p>
 <p>Radial ramping / plunging / drilling</p>					

Remark: not all picture key symbols are mentioned.

JS554 3C applied in advanced roughing.

Find the JS554-3C offering including cutting data on page 68-79.



						
						
Name		JS512	JS513	JS514	JS553	JS554*
Page		26-30	31-36	37-41	42-53	54-79
Family		JS ²	JS ²	JS ²	JS ²	JS ²
Type of mill						
Shank	Cylindrical	■	■	■	■	■
	Weldon	■	■	■	■	■
Number of flutes		2	3	4	3	4
ICC						
Diameter range	Metric	1-25	1-25	1-25	2-25	3-25
	Inch				1/8-1	1/4-1
Lengths available, based on length index		 2,3,4	 2,3,4	 2,3,4	 2,3	 2,3
Operation						
						
						
SMG						
P1-8		●	●	●	●	●
P11		●	●	●	●	●
M1-3		●	●	○	●	●
M4-5		○	○	○	●	●
K1-7		●	●	●	●	●
S1-3		○	○	○	●	●
S11-13		●	●	●	●	●
H5 H8 H11 H12 H21		○	○	○	●	●
N1		○	○	○	●	●
N2-3		○	○	○	●	●
N11		○	○	○	●	●
TS1		○	○	○	●	●
TP1		○	○	○	●	●
GR		○	○	○	○	○

■ Stock standard □ Weldon available, delivery time is 3 days. ● Preferred choice, ○ Alternative choice
 *JS554 3C also available. Can be applied in advanced roughing.

Name		JS520	JS522	JS532	JS533	JS534
Page		80-83	84-87	88-93	94-97	98-102
Family		JS ²	JS ²	JS ²	JS ²	JS ²
Type of mill						
Shank	Cylindrical	■	■	■	■	■
	Weldon	□		□	□	□
Number of flutes		5-8	2	2	3	4
ICC						
Diameter range	Metric	4-25	6-32	1-20	1-20	2-20
	Inch		5/16-1 1/4	1/32-3/4		1/32-3/4
Lengths available, based on length index		 2,3	 4	 1,2,3	 1,2	 1,2,3
Operation						
SMG						
P1-8		●	●	●	●	●
P11		●	●	●	●	●
M1-3		○	●	●	●	●
M4-5		○	●	●	●	●
K1-7		●	●	●	●	●
S1-3		○	○	○	○	○
S11-13		●	●	●	●	●
H5 H8 H11 H12 H21		○		○	○	○
N1		●	●	●	●	●
N2-3		●	●	●	●	●
N11		●	●	●	●	●
TS1		●	●	●	●	●
TP1		●	●	●	●	●
GR		○	○	○	○	○

■ Stock standard □ Weldon available, delivery time is 3 days. ● Preferred choice, ○ Alternative choice

Name		JS506	JS509	JH910	JH930	JH970
Page		103-105	106-108	109-114	115-117, 251-253	118-119, 162-163
Family		JS ²	JS ²	HSM/TORNADO	HSM/TORNADO	HSM/TORNADO
Type of mill						
Shank	Cylindrical	■	■	■	■	■
	Weldon	■	■			
Number of flutes		3-4	3-4	3	5-6, 8	2
Diameter range	Metric	4-12	4-12	2-20	6-20	2-16
	Inch					
Lengths available, based on length index		 2	 2	 2,3,4	 2	 1,2,3
Operation						
SMG						
P1-8		●	●	●	●	●
P11		●	●	●	●	●
M1-3		●	●	●	●	●
M4-5		●	●	●	●	●
K1-7		●	●	●	●	●
S1-3		○	○	●	●	●
S11-13		●	●	●	●	●
H5 H8 H11 H12 H21		●	●		●	
N1		●	●			
N2-3		●	●			
N11		●	●			
TS1		●	●	●		
TP1		●	●	●		
GR		○	○	●		

■ Stock standard □ Weldon available, delivery time is 3 days. ● Preferred choice, ○ Alternative choice

Name		JHF980	J29	J36	HK/HKM	TDM
Page		120-122	123-124	125-126	127-137	138-139
Family		HFM	VHM	VHM	VHM	VHM
Type of mill						
Shank	Cylindrical	■	■	■	■	■
	Weldon		□	□	□	□
Number of flutes		3-5	1	3	2-4	2-4
ICC						
Diameter range	Metric	0.5-6	0.2-6	2-20	1-10	3-10
	Inch					
Lengths available, based on length index		 1,2,3	 2	 2	 2	 2
Operation						
SMG						
P1-8		●	●	○	●	●
P11		●	●	○	●	●
M1-3		●	●	○	●	●
M4-5		●	●	○	●	●
K1-7		●	●	○	●	●
S1-3		●	●	○	●	●
S11-13		●	●	○	●	●
H5 H8 H11 H12 H21		●			●	
N1			●	○	●	●
N2-3			●		○	●
N11			●	●	●	●
TS1			●	○	●	●
TP1			●	○	●	●
GR			●		●	

■ Stock standard □ Weldon available, delivery time is 3 days. ● Preferred choice, ○ Alternative choice

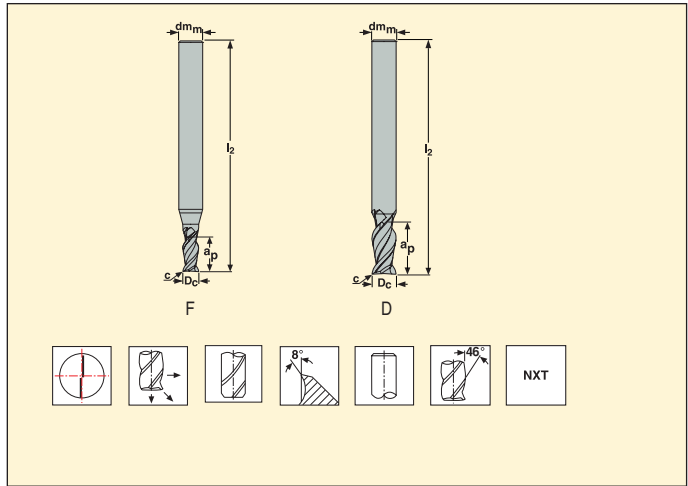
Name		V31	JM905	JM915	JM920	JM925
Page		140-141	142-146	147-149	142-146	147-149
Family		VHM	MINI	MINI	MINI	MINI
Type of mill						
Shank	Cylindrical	■	■	■	■	■
	Weldon	□				
Number of flutes		4	2 & 4	2	2 & 4	2
ICC						
Diameter range	Metric	6-28	0.1-2.0	0.1-2.0	0.1-2.0	0.1-2.0
	Inch					
Lengths available, based on length index						
		2	1,2,3,4,5,6,7	1,2,3,4,5,6	1,2,3,4,5,6,7	1,2,3,4,5,6
Operation						
SMG						
P1-8		●	●	●	●	●
P11		●	●	●	●	●
M1-3		●	●	●	●	●
M4-5		●	●	●	●	●
K1-7		●	●	●	●	●
S1-3		●				
S11-13		●	●	●	●	●
H5 H8 H11 H12 H21		●	○	○	○	○
N1		●	○	○	○	○
N2-3		●	○	○	○	○
N11		●	○	○	○	○
TS1		●				
TP1		●				
GR		●	○	○	○	○

■ Stock standard □ Weldon available, delivery time is 3 days. ● Preferred choice, ○ Alternative choice

JS512 – Solid carbide end mill – cylindrical – two flute – 45° chamfer



Tolerances:
 $dm_m = h5$
 $D_c = e8$



EDP No.	Part No.	Length index	Tool shape	Dimensions in mm					z_n	Cylindrical
				D_c	dm_m	a_p	l_2	$c \times 45^\circ$		
01544	JS512010F2C.0Z2-NXT	2	F	1	3	2	38	0.01	2	■
01547	JS512015F2C.0Z2-NXT	2	F	1.5	3	3	38	0.015	2	■
01553	JS512021F2C.0Z2-NXT	2	F	2	3	4	38	0.02	2	■
01552	JS512020F2C.0Z2-NXT	2	F	2	6	4	57	0.02	2	■
01561	JS512030D2C.0Z2-NXT	2	D	3	3	6	38	0.03	2	■
01555	JS512030F2C.0Z2-NXT	2	F	3	6	6	57	0.03	2	■
01580	JS512040D2C.0Z2-NXT	2	D	4	4	8	50	0.04	2	■
01569	JS512040F2C.0Z2-NXT	2	F	4	6	8	57	0.04	2	■
01587	JS512050D2C.0Z2-NXT	2	D	5	5	10	50	0.05	2	■
01586	JS512050F2C.0Z2-NXT	2	F	5	6	10	57	0.05	2	■
01589	JS512060D2C.0Z2-NXT	2	D	6	6	12	57	0.06	2	■
01590	JS512080D2C.0Z2-NXT	2	D	8	8	16	63	0.08	2	■
01591	JS512100D2C.0Z2-NXT	2	D	10	10	20	72	0.1	2	■
01592	JS512120D2C.0Z2-NXT	2	D	12	12	24	83	0.12	2	■
01593	JS512160D2C.0Z2-NXT	2	D	16	16	30	92	0.16	2	■
01736	JS512200D2C.0Z2-NXT	2	D	20	20	35	104	0.2	2	■
01737	JS512250D2C.0Z2-NXT	2	D	25	25	40	125	0.25	2	■
01738	JS512010F3C.0Z2-NXT	3	F	1	3	3	38	0.01	2	■
01739	JS512015F3C.0Z2-NXT	3	F	1.5	3	6	38	0.015	2	■
01685	JS512020F3C.0Z2-NXT	3	F	2	6	7	57	0.02	2	■
01708	JS512030F3C.0Z2-NXT	3	F	3	6	10	57	0.03	2	■
01709	JS512040F3C.0Z2-NXT	3	F	4	6	14	57	0.04	2	■
01741	JS512050F3C.0Z2-NXT	3	F	5	6	18	57	0.05	2	■
01713	JS512060D3C.0Z2-NXT	3	D	6	6	20	63	0.06	2	■
01719	JS512080D3C.0Z2-NXT	3	D	8	8	28	80	0.08	2	■
01725	JS512100D3C.0Z2-NXT	3	D	10	10	35	89	0.1	2	■
01726	JS512120D3C.0Z2-NXT	3	D	12	12	42	100	0.12	2	■
01742	JS512160D3C.0Z2-NXT	3	D	16	16	50	115	0.16	2	■
01747	JS512200D3C.0Z2-NXT	3	D	20	20	60	125	0.2	2	■
01748	JS512250D3C.0Z2-NXT	3	D	25	25	70	150	0.25	2	■
01727	JS512020F4C.0Z2-NXT	4	F	2	6	10	57	0.02	2	■
01729	JS512030F4C.0Z2-NXT	4	F	3	6	15	57	0.03	2	■
01732	JS512040F4C.0Z2-NXT	4	F	4	6	20	63	0.04	2	■
01751	JS512050F4C.0Z2-NXT	4	F	5	6	25	63	0.05	2	■
01733	JS512060D4C.0Z2-NXT	4	D	6	6	30	75	0.06	2	■
01734	JS512080D4C.0Z2-NXT	4	D	8	8	40	100	0.08	2	■
01735	JS512100D4C.0Z2-NXT	4	D	10	10	50	100	0.1	2	■

■ Stock standard. Subject to change, refer to current price-and stock-list.

JS512 - Solid carbide end mill - cylindrical - two flute - 45° chamfer



Tolerances:
 $dm_m = h5$
 $D_c = e8$

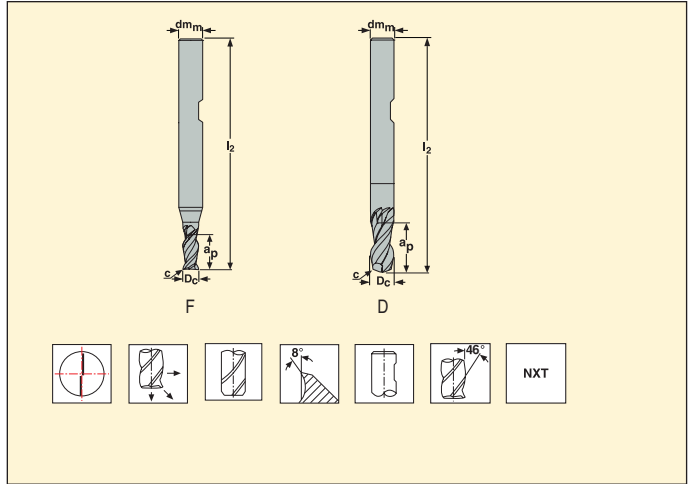
EDP No.	Part No.	Length index	Tool shape	Dimensions in mm					z_n	Cylindrical
				D_c	dm_m	a_p	l_2	$c \times 45^\circ$		
01752	JS512120D4C.0Z2-NXT	4	D	12	12	60	125	0.12	2	■
01773	JS512160D4C.0Z2-NXT	4	D	16	16	70	130	0.16	2	■
01774	JS512200D4C.0Z2-NXT	4	D	20	20	80	150	0.2	2	■
01775	JS512250D4C.0Z2-NXT	4	D	25	25	90	165	0.25	2	■

■ Stock standard. Subject to change, refer to current price-and stock-list.

JS512 – Solid carbide end mill – Weldon – two flute – 45° chamfer




Tolerances:
 $dm_m = h5$
 $D_c = e8$



EDP No.	Part No.	Length index	Tool shape	Dimensions in mm					z_n	Weldon
				D_c	dm_m	a_p	l_2	$c \times 45^\circ$		
01793	JS512020F2C.3Z2-NXT	2	F	2	6	4	57	0.02	2	<input type="checkbox"/>
01794	JS512030F2C.3Z2-NXT	2	F	3	6	6	57	0.03	2	<input type="checkbox"/>
01795	JS512040F2C.3Z2-NXT	2	F	4	6	8	57	0.04	2	<input type="checkbox"/>
01796	JS512050F2C.3Z2-NXT	2	F	5	6	10	57	0.05	2	<input type="checkbox"/>
01797	JS512060D2C.3Z2-NXT	2	D	6	6	12	57	0.06	2	<input type="checkbox"/>
01798	JS512080D2C.3Z2-NXT	2	D	8	8	16	63	0.08	2	<input type="checkbox"/>
01799	JS512100D2C.3Z2-NXT	2	D	10	10	20	72	0.1	2	<input type="checkbox"/>
01800	JS512120D2C.3Z2-NXT	2	D	12	12	24	83	0.12	2	<input type="checkbox"/>
01801	JS512160D2C.3Z2-NXT	2	D	16	16	30	92	0.16	2	<input type="checkbox"/>
01802	JS512200D2C.3Z2-NXT	2	D	20	20	35	104	0.2	2	<input type="checkbox"/>
01805	JS512250D2C.3Z2-NXT	2	D	25	25	40	125	0.25	2	<input type="checkbox"/>
01806	JS512020F3C.3Z2-NXT	3	F	2	6	7	57	0.02	2	<input type="checkbox"/>
01809	JS512030F3C.3Z2-NXT	3	F	3	6	10	57	0.03	2	<input type="checkbox"/>
01818	JS512040F3C.3Z2-NXT	3	F	4	6	14	57	0.04	2	<input type="checkbox"/>
01824	JS512050F3C.3Z2-NXT	3	F	5	6	18	57	0.05	2	<input type="checkbox"/>
01827	JS512060D3C.3Z2-NXT	3	D	6	6	20	63	0.06	2	<input type="checkbox"/>
01828	JS512080D3C.3Z2-NXT	3	D	8	8	28	80	0.08	2	<input type="checkbox"/>
01840	JS512100D3C.3Z2-NXT	3	D	10	10	35	89	0.1	2	<input type="checkbox"/>
01845	JS512120D3C.3Z2-NXT	3	D	12	12	42	100	0.12	2	<input type="checkbox"/>
01849	JS512160D3C.3Z2-NXT	3	D	16	16	50	115	0.16	2	<input type="checkbox"/>
01850	JS512200D3C.3Z2-NXT	3	D	20	20	60	125	0.2	2	<input type="checkbox"/>
01851	JS512250D3C.3Z2-NXT	3	D	25	25	70	150	0.25	2	<input type="checkbox"/>
01874	JS512020F4C.3Z2-NXT	4	F	2	6	10	57	0.02	2	<input type="checkbox"/>
01875	JS512030F4C.3Z2-NXT	4	F	3	6	15	57	0.03	2	<input type="checkbox"/>
01878	JS512040F4C.3Z2-NXT	4	F	4	6	20	63	0.04	2	<input type="checkbox"/>
01881	JS512050F4C.3Z2-NXT	4	F	5	6	25	63	0.05	2	<input type="checkbox"/>
01914	JS512060D4C.3Z2-NXT	4	D	6	6	30	75	0.06	2	<input type="checkbox"/>
01933	JS512080D4C.3Z2-NXT	4	D	8	8	40	100	0.08	2	<input type="checkbox"/>
01934	JS512100D4C.3Z2-NXT	4	D	10	10	50	100	0.1	2	<input type="checkbox"/>
01935	JS512120D4C.3Z2-NXT	4	D	12	12	60	125	0.12	2	<input type="checkbox"/>
01936	JS512160D4C.3Z2-NXT	4	D	16	16	70	130	0.16	2	<input type="checkbox"/>
01937	JS512200D4C.3Z2-NXT	4	D	20	20	80	150	0.2	2	<input type="checkbox"/>
01945	JS512250D4C.3Z2-NXT	4	D	25	25	90	165	0.25	2	<input type="checkbox"/>

Weldon available, delivery time is 3 days.

Cutting data – JS512 Slotting

SMG		a_p / D_c	f_z														v_c
			1	2	3	4	5	6	8	10	12	14	16	18	20	25	
P1	E	1.0	0.0055	0.011	0.016	0.022	0.028	0.032	0.044	0.055	0.065	0.070	0.080	0.085	0.090	0.10	165 (140 – 195)
P2	E	1.0	0.0055	0.011	0.017	0.022	0.028	0.034	0.044	0.055	0.065	0.075	0.080	0.085	0.095	0.11	160 (135 – 190)
P3	E	1.0	0.0050	0.010	0.016	0.020	0.026	0.032	0.042	0.050	0.060	0.070	0.075	0.085	0.090	0.10	140 (120 – 165)
P4	E	1.0	0.0050	0.010	0.015	0.020	0.026	0.030	0.040	0.050	0.060	0.070	0.075	0.080	0.085	0.10	125 (105 – 145)
P5	E	1.0	0.0050	0.010	0.015	0.020	0.026	0.030	0.040	0.050	0.060	0.065	0.075	0.080	0.085	0.095	120 (100 – 140)
P6	E	1.0	0.0050	0.010	0.015	0.020	0.024	0.030	0.040	0.050	0.060	0.065	0.075	0.080	0.085	0.095	135 (110 – 150)
P7	E	1.0	0.0050	0.010	0.015	0.020	0.024	0.030	0.040	0.050	0.060	0.065	0.075	0.080	0.085	0.095	125 (105 – 145)
P8	E	1.0	0.0050	0.010	0.016	0.020	0.026	0.032	0.042	0.050	0.060	0.070	0.075	0.085	0.090	0.10	120 (100 – 140)
P11	E	1.0	0.0050	0.010	0.015	0.020	0.024	0.030	0.040	0.050	0.060	0.065	0.075	0.080	0.085	0.095	120 (100 – 145)
M1	E	0.80	0.0055	0.011	0.017	0.022	0.028	0.034	0.044	0.055	0.065	0.075	0.080	0.085	0.095	0.11	95 (85 – 110)
M2	E	0.80	0.0050	0.010	0.015	0.020	0.026	0.030	0.040	0.050	0.060	0.065	0.075	0.080	0.085	0.095	80 (70 – 90)
M3	E	0.65	0.0040	0.0080	0.012	0.016	0.020	0.024	0.032	0.040	0.048	0.055	0.060	0.065	0.070	0.075	65 (55 – 70)
M4	E	0.48	0.0036	0.0070	0.011	0.014	0.018	0.022	0.028	0.036	0.042	0.046	0.050	0.055	0.060	0.065	48 (42 – 55)
M5	E	0.48	0.0036	0.0070	0.011	0.014	0.018	0.022	0.028	0.036	0.042	0.046	0.050	0.055	0.060	0.065	40 (35 – 45)
K1	E	1.0	0.0055	0.011	0.017	0.022	0.028	0.034	0.044	0.055	0.065	0.075	0.080	0.085	0.095	0.11	145 (125 – 165)
K2	E	1.0	0.0050	0.010	0.015	0.020	0.026	0.030	0.040	0.050	0.060	0.065	0.075	0.080	0.085	0.095	130 (110 – 145)
K3	E	1.0	0.0050	0.010	0.015	0.020	0.026	0.030	0.040	0.050	0.060	0.065	0.075	0.080	0.085	0.095	110 (95 – 125)
K4	E	1.0	0.0050	0.010	0.015	0.020	0.026	0.030	0.040	0.050	0.060	0.065	0.075	0.080	0.085	0.095	105 (90 – 120)
K5	E	1.0	0.0046	0.0090	0.014	0.018	0.022	0.028	0.036	0.046	0.055	0.060	0.065	0.070	0.075	0.085	65 (55 – 70)
K6	E	1.0	0.0050	0.010	0.015	0.020	0.026	0.030	0.040	0.050	0.060	0.065	0.075	0.080	0.085	0.095	90 (80 – 105)
K7	E	1.0	0.0046	0.0090	0.014	0.018	0.022	0.028	0.036	0.046	0.055	0.060	0.065	0.070	0.075	0.085	80 (70 – 90)
N1	E	0.40	0.0060	0.012	0.018	0.024	0.030	0.036	0.048	0.060	0.070	0.080	0.090	0.095	0.10	0.11	620 (465 – 770)
N2	E	0.40	0.0060	0.012	0.018	0.024	0.030	0.036	0.048	0.060	0.070	0.080	0.090	0.095	0.10	0.11	400 (300 – 500)
N3	E	0.40	0.0060	0.012	0.018	0.024	0.030	0.036	0.048	0.060	0.070	0.080	0.090	0.095	0.10	0.11	265 (200 – 330)
N11	E	1.0	0.0060	0.012	0.018	0.024	0.030	0.036	0.048	0.060	0.070	0.080	0.090	0.095	0.10	0.11	295 (200 – 395)
S1	E	0.40	0.0032	0.0065	0.0095	0.013	0.016	0.019	0.026	0.032	0.038	0.044	0.048	0.050	0.055	0.060	39 (30 – 49)
S2	E	0.40	0.0032	0.0065	0.0095	0.013	0.016	0.019	0.026	0.032	0.038	0.044	0.048	0.050	0.055	0.060	39 (30 – 49)
S3	E	0.40	0.0030	0.0060	0.0090	0.012	0.015	0.018	0.024	0.030	0.036	0.040	0.044	0.048	0.050	0.055	23 (14 – 33)
S11	E	0.60	0.0040	0.0080	0.012	0.016	0.020	0.024	0.032	0.040	0.048	0.055	0.060	0.065	0.070	0.075	90 (65 – 115)
S12	E	0.60	0.0040	0.0080	0.012	0.016	0.020	0.024	0.032	0.040	0.048	0.055	0.060	0.065	0.070	0.075	70 (50 – 90)
S13	E	0.50	0.0034	0.0070	0.010	0.014	0.017	0.020	0.028	0.034	0.042	0.046	0.050	0.055	0.060	0.065	55 (40 – 70)
H5	M/A/D	0.22	0.0030	0.0060	0.0090	0.012	0.015	0.018	0.024	0.030	0.036	0.040	0.044	0.048	0.050	0.060	47 (38 – 55)
H8	M/A/D	0.20	0.0024	0.0046	0.0070	0.0090	0.012	0.014	0.018	0.024	0.028	0.030	0.034	0.036	0.040	0.044	49 (39 – 60)
H11	M/A/D	0.22	0.0030	0.0060	0.0090	0.012	0.015	0.018	0.024	0.030	0.036	0.040	0.044	0.048	0.050	0.060	60 (49 – 75)
H12	M/A/D	0.22	0.0030	0.0060	0.0090	0.012	0.015	0.018	0.024	0.030	0.036	0.040	0.044	0.048	0.050	0.060	100 (80 – 120)
H21	M/A/D	0.20	0.0024	0.0046	0.0070	0.0090	0.012	0.014	0.018	0.024	0.028	0.030	0.034	0.036	0.040	0.044	49 (39 – 60)
TS1	A	1.0	0.0070	0.014	0.022	0.028	0.036	0.042	0.055	0.070	0.085	0.095	0.10	0.11	0.12	0.13	510 (410 – 610)
TP1	A	1.0	0.0070	0.014	0.022	0.028	0.036	0.042	0.055	0.070	0.085	0.095	0.10	0.11	0.12	0.13	510 (410 – 610)
GR1	D/A	1.0	0.0050	0.010	0.015	0.020	0.026	0.030	0.040	0.050	0.060	0.065	0.075	0.080	0.085	0.095	530 (430 – 640)

For cutting data recalculations, see pages 336-344.

SMG = Seco material group

Coolant = A=air D=dry E=emulsion M=mist spray

v_c = m/min

f_z = mm

a_p (mm)/ D_c (mm) = factor

All cutting data are target values

Cutting data – JS512 Side milling $a_p/D_c = 0.4$

SMG		a_p / D_c	f_z													v_c	
			1	2	3	4	5	6	8	10	12	14	16	18	20		25
P1	M/A/D/E	1.2	0.0055	0.011	0.017	0.022	0.028	0.034	0.044	0.055	0.065	0.075	0.080	0.090	0.095	0.11	205 (175 – 240)
P2	M/A/D/E	1.2	0.0055	0.011	0.017	0.022	0.028	0.034	0.044	0.055	0.065	0.075	0.085	0.090	0.095	0.11	200 (170 – 235)
P3	M/A/D/E	1.2	0.0055	0.011	0.016	0.022	0.026	0.032	0.042	0.055	0.065	0.070	0.080	0.085	0.090	0.10	175 (145 – 205)
P4	M/A/D/E	1.2	0.0050	0.010	0.016	0.020	0.026	0.032	0.042	0.050	0.060	0.070	0.075	0.085	0.090	0.10	155 (130 – 180)
P5	M/A/D/E	1.2	0.0050	0.010	0.015	0.020	0.026	0.030	0.040	0.050	0.060	0.070	0.075	0.080	0.085	0.10	150 (125 – 175)
P6	M/A/D/E	1.2	0.0050	0.010	0.015	0.020	0.026	0.030	0.040	0.050	0.060	0.070	0.075	0.080	0.085	0.095	165 (140 – 195)
P7	M/A/D/E	1.2	0.0050	0.010	0.015	0.020	0.026	0.030	0.040	0.050	0.060	0.070	0.075	0.080	0.085	0.095	160 (130 – 185)
P8	M/A/D/E	1.2	0.0055	0.011	0.016	0.022	0.026	0.032	0.042	0.055	0.065	0.070	0.080	0.085	0.090	0.10	145 (120 – 170)
P11	M/A/D/E	1.2	0.0050	0.010	0.015	0.020	0.026	0.030	0.040	0.050	0.060	0.070	0.075	0.080	0.085	0.095	155 (130 – 180)
M1	E/M/A	1.0	0.0055	0.011	0.017	0.022	0.028	0.034	0.044	0.055	0.065	0.075	0.085	0.090	0.095	0.11	120 (100 – 135)
M2	E/M/A	1.0	0.0050	0.010	0.015	0.020	0.026	0.030	0.040	0.050	0.060	0.070	0.075	0.080	0.085	0.10	100 (85 – 110)
M3	E/M/A	0.80	0.0040	0.0080	0.012	0.016	0.020	0.024	0.032	0.040	0.048	0.055	0.060	0.065	0.070	0.080	80 (70 – 90)
M4	E/M/A	0.60	0.0036	0.0070	0.011	0.014	0.018	0.022	0.028	0.036	0.042	0.048	0.055	0.060	0.065	0.070	60 (55 – 70)
M5	E/M/A	0.60	0.0036	0.0070	0.011	0.014	0.018	0.022	0.028	0.036	0.042	0.048	0.055	0.060	0.065	0.070	50 (44 – 55)
K1	A/D/M/E	1.2	0.0055	0.011	0.017	0.022	0.028	0.034	0.044	0.055	0.065	0.075	0.085	0.090	0.095	0.11	180 (160 – 205)
K2	A/D/M/E	1.2	0.0050	0.010	0.015	0.020	0.026	0.030	0.040	0.050	0.060	0.070	0.075	0.080	0.085	0.10	160 (140 – 185)
K3	A/D/M/E	1.2	0.0050	0.010	0.015	0.020	0.026	0.030	0.040	0.050	0.060	0.070	0.075	0.080	0.085	0.10	135 (120 – 155)
K4	A/D/M/E	1.2	0.0050	0.010	0.015	0.020	0.026	0.030	0.040	0.050	0.060	0.070	0.075	0.080	0.085	0.10	130 (115 – 150)
K5	A/D/M/E	1.2	0.0046	0.0090	0.014	0.018	0.022	0.028	0.036	0.046	0.055	0.060	0.070	0.075	0.080	0.090	80 (70 – 90)
K6	A/D/M/E	1.2	0.0050	0.010	0.015	0.020	0.026	0.030	0.040	0.050	0.060	0.070	0.075	0.080	0.085	0.10	115 (100 – 130)
K7	A/D/M/E	1.2	0.0046	0.0090	0.014	0.018	0.022	0.028	0.036	0.046	0.055	0.060	0.070	0.075	0.080	0.090	100 (85 – 115)
TS1	A/D	1.0	0.0070	0.014	0.022	0.028	0.036	0.042	0.055	0.070	0.085	0.095	0.11	0.11	0.12	0.14	640 (510 – 770)
TP1	A/D	1.0	0.0070	0.014	0.022	0.028	0.036	0.042	0.055	0.070	0.085	0.095	0.11	0.11	0.12	0.14	640 (510 – 770)
GR1	A/D	1.4	0.0050	0.010	0.015	0.020	0.026	0.030	0.040	0.050	0.060	0.070	0.075	0.080	0.085	0.10	670 (530 – 800)

Cutting data – JS512 Side milling $a_p/D_c = 0.2$

SMG		a_p / D_c	f_z													v_c
			1	2	3	4	5	6	8	10	12	16	20	25		
N1	E/M/A	1.3	0.0075	0.015	0.022	0.030	0.038	0.046	0.060	0.075	0.090	0.11	0.13	0.14	0.14	860 (650 – 1075)
N2	E/M/A	1.3	0.0075	0.015	0.022	0.030	0.038	0.046	0.060	0.075	0.090	0.11	0.13	0.14	0.14	560 (415 – 690)
N3	E/M/A	1.3	0.0075	0.015	0.022	0.030	0.038	0.046	0.060	0.075	0.090	0.11	0.13	0.14	0.14	370 (280 – 465)
S1	E	1.0	0.0040	0.0080	0.012	0.016	0.020	0.024	0.032	0.040	0.048	0.060	0.070	0.075	0.075	55 (41 – 70)
S2	E	1.0	0.0040	0.0080	0.012	0.016	0.020	0.024	0.032	0.040	0.048	0.060	0.070	0.075	0.075	55 (41 – 70)
S3	E	1.0	0.0038	0.0075	0.011	0.015	0.019	0.022	0.030	0.038	0.044	0.055	0.065	0.070	0.070	32 (19 – 45)
S11	E	1.3	0.0050	0.010	0.015	0.020	0.026	0.030	0.040	0.050	0.060	0.075	0.085	0.095	0.095	125 (90 – 160)
S12	E	1.3	0.0050	0.010	0.015	0.020	0.026	0.030	0.040	0.050	0.060	0.075	0.085	0.095	0.095	95 (70 – 125)
S13	E	1.1	0.0044	0.0090	0.013	0.018	0.022	0.026	0.036	0.044	0.050	0.065	0.075	0.085	0.085	75 (55 – 100)
H5	M/A/D	0.22	0.0038	0.0075	0.011	0.015	0.019	0.022	0.030	0.038	0.044	0.055	0.065	0.070	0.070	65 (55 – 80)
H8	M/A/D	0.20	0.0028	0.0060	0.0085	0.012	0.014	0.017	0.024	0.028	0.034	0.042	0.048	0.055	0.055	70 (55 – 80)
H21	M/A/D	0.20	0.0028	0.0060	0.0085	0.012	0.014	0.017	0.024	0.028	0.034	0.042	0.048	0.055	0.055	70 (55 – 80)
H31	M/A/D	0.20	0.0026	0.0050	0.0075	0.010	0.013	0.015	0.020	0.026	0.030	0.036	0.042	0.048	0.048	50 (42 – 65)

For cutting data recalculations, see pages 336-344.

SMG = Seco material group

Coolant = A=air D=dry E=emulsion M=mist spray

v_c = m/min

f_z = mm

a_p (mm)/ D_c (mm) = factor

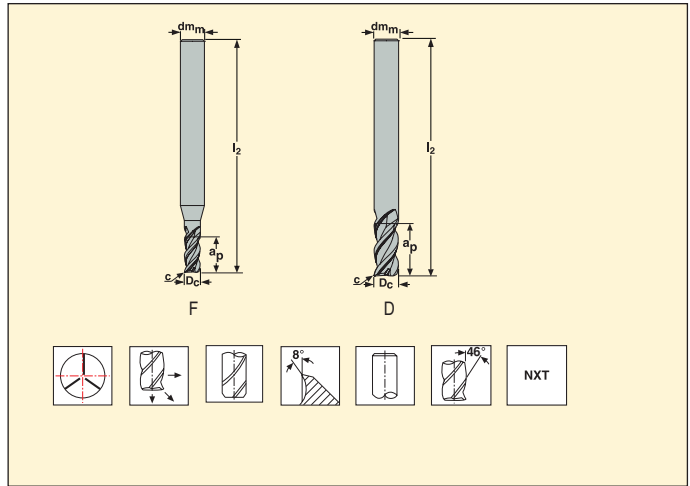
a_e (mm)/ D_c (mm) = factor

All cutting data are target values

JS513 – Solid carbide end mill – cylindrical – three flute – 45° chamfer



Tolerances:
 $dm_m = h5$
 $D_c = e8$



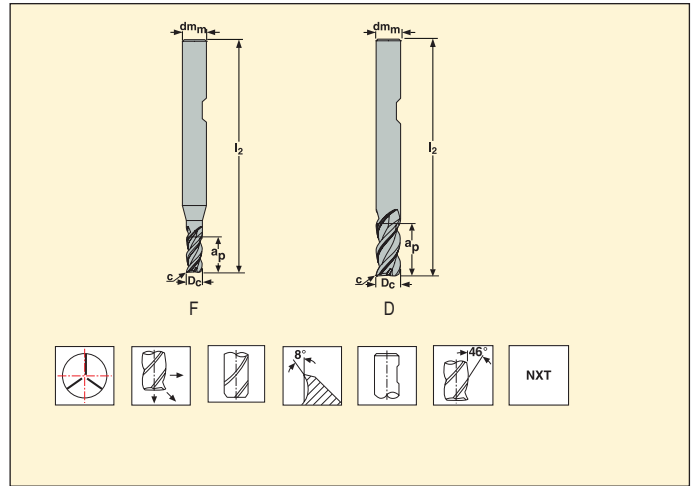
EDP No.	Part No.	Length index	Tool shape	Dimensions in mm					z_n	Cylindrical
				D_c	dm_m	a_p	l_2	$c \times 45^\circ$		
01946	JS513010F2C.0Z3-NXT	2	F	1	3	2	38	0.01	3	■
06474	JS513015F2C.0Z3-NXT	2	F	1.5	3	3	38	0.015	3	■
01952	JS513021F2C.0Z3-NXT	2	F	2	3	4	38	0.02	3	■
01951	JS513020F2C.0Z3-NXT	2	F	2	6	4	57	0.02	3	■
01969	JS513025F2C.0Z3-NXT	2	F	2.5	6	5	57	0.025	3	■
01971	JS513030F2C.0Z3-NXT	2	F	3	6	6	57	0.03	3	■
01973	JS513030D2C.0Z3-NXT	2	D	3	3	6	38	0.03	3	■
01974	JS513040F2C.0Z3-NXT	2	F	4	6	8	57	0.04	3	■
01976	JS513040D2C.0Z3-NXT	2	D	4	4	8	50	0.04	3	■
01980	JS513050F2C.0Z3-NXT	2	F	5	6	10	57	0.05	3	■
01989	JS513050D2C.0Z3-NXT	2	D	5	5	10	50	0.05	3	■
01992	JS513060D2C.0Z3-NXT	2	D	6	6	12	57	0.06	3	■
02024	JS513080D2C.0Z3-NXT	2	D	8	8	16	63	0.08	3	■
02037	JS513100D2C.0Z3-NXT	2	D	10	10	20	72	0.1	3	■
02043	JS513120D2C.0Z3-NXT	2	D	12	12	24	83	0.12	3	■
02047	JS513140D2C.0Z3-NXT	2	D	14	14	28	83	0.14	3	■
02055	JS513160D2C.0Z3-NXT	2	D	16	16	30	92	0.16	3	■
02057	JS513180D2C.0Z3-NXT	2	D	18	18	35	100	0.18	3	■
02339	JS513200D2C.0Z3-NXT	2	D	20	20	35	104	0.2	3	■
02347	JS513250D2C.0Z3-NXT	2	D	25	25	40	125	0.25	3	■
01948	JS513010F3C.0Z3-NXT	3	F	1	3	3	38	0.01	3	■
02070	JS513015F3C.0Z3-NXT	3	F	1.5	3	6	38	0.015	3	■
02071	JS513020F3C.0Z3-NXT	3	F	2	6	7	57	0.02	3	■
02349	JS513025F3C.0Z3-NXT	3	F	2.5	6	9	57	0.025	3	■
02076	JS513030F3C.0Z3-NXT	3	F	3	6	10	57	0.03	3	■
02081	JS513040F3C.0Z3-NXT	3	F	4	6	14	57	0.04	3	■
02084	JS513050F3C.0Z3-NXT	3	F	5	6	18	57	0.05	3	■
02101	JS513060D3C.0Z3-NXT	3	D	6	6	20	63	0.06	3	■
02177	JS513080D3C.0Z3-NXT	3	D	8	8	28	80	0.08	3	■
02212	JS513100D3C.0Z3-NXT	3	D	10	10	35	89	0.1	3	■
02218	JS513120D3C.0Z3-NXT	3	D	12	12	42	100	0.12	3	■
02248	JS513140D3C.0Z3-NXT	3	D	14	14	50	120	0.14	3	■
02249	JS513160D3C.0Z3-NXT	3	D	16	16	50	115	0.16	3	■
02250	JS513200D3C.0Z3-NXT	3	D	20	20	60	125	0.2	3	■
02355	JS513250D3C.0Z3-NXT	3	D	25	25	70	150	0.25	3	■

■ Stock standard. Subject to change, refer to current price-and stock-list.

JS513 – Solid carbide end mill – Weldon – three flute – 45° chamfer



Tolerances:
 $dm_m = h5$
 $D_c = e8$



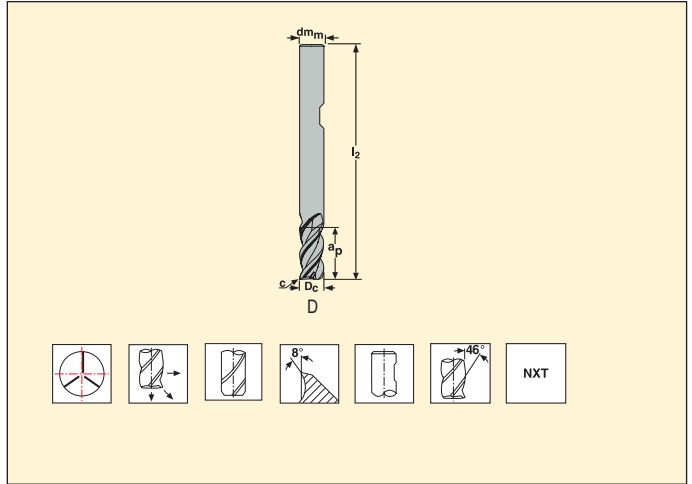
EDP No.	Part No.	Length index	Tool shape	Dimensions in mm					z_n	Weldon
				D_c	dm_m	a_p	l_2	$c \times 45^\circ$		
02491	JS513020F2C.3Z3-NXT	2	F	2	6	4	57	0.02	3	<input type="checkbox"/>
02512	JS513025F2C.3Z3-NXT	2	F	2.5	6	5	57	0.025	3	<input type="checkbox"/>
02515	JS513030F2C.3Z3-NXT	2	F	3	6	6	57	0.03	3	<input type="checkbox"/>
02516	JS513040F2C.3Z3-NXT	2	F	4	6	8	57	0.04	3	<input type="checkbox"/>
02532	JS513050F2C.3Z3-NXT	2	F	5	6	10	57	0.05	3	<input type="checkbox"/>
02533	JS513060D2C.3Z3-NXT	2	D	6	6	12	57	0.06	3	<input type="checkbox"/>
02540	JS513080D2C.3Z3-NXT	2	D	8	8	16	63	0.08	3	<input type="checkbox"/>
02542	JS513100D2C.3Z3-NXT	2	D	10	10	20	72	0.1	3	<input type="checkbox"/>
02547	JS513120D2C.3Z3-NXT	2	D	12	12	24	83	0.12	3	<input type="checkbox"/>
02549	JS513140D2C.3Z3-NXT	2	D	14	14	28	83	0.14	3	<input type="checkbox"/>
02551	JS513160D2C.3Z3-NXT	2	D	16	16	30	92	0.16	3	<input type="checkbox"/>
02552	JS513180D2C.3Z3-NXT	2	D	18	18	35	100	0.18	3	<input type="checkbox"/>
02553	JS513200D2C.3Z3-NXT	2	D	20	20	35	104	0.2	3	<input type="checkbox"/>
02554	JS513250D2C.3Z3-NXT	2	D	25	25	40	125	0.25	3	<input type="checkbox"/>
02555	JS513020F3C.3Z3-NXT	3	F	2	6	7	57	0.02	3	<input type="checkbox"/>
02556	JS513025F3C.3Z3-NXT	3	F	2.5	6	9	57	0.025	3	<input type="checkbox"/>
02557	JS513030F3C.3Z3-NXT	3	F	3	6	10	57	0.03	3	<input type="checkbox"/>
02558	JS513040F3C.3Z3-NXT	3	F	4	6	14	57	0.04	3	<input type="checkbox"/>
02559	JS513050F3C.3Z3-NXT	3	F	5	6	18	57	0.05	3	<input type="checkbox"/>
02560	JS513060D3C.3Z3-NXT	3	D	6	6	20	63	0.06	3	<input type="checkbox"/>
02561	JS513080D3C.3Z3-NXT	3	D	8	8	28	80	0.08	3	<input type="checkbox"/>
02562	JS513100D3C.3Z3-NXT	3	D	10	10	35	89	0.1	3	<input type="checkbox"/>
02563	JS513120D3C.3Z3-NXT	3	D	12	12	42	100	0.12	3	<input type="checkbox"/>
02564	JS513140D3C.3Z3-NXT	3	D	14	14	50	120	0.14	3	<input type="checkbox"/>
02566	JS513160D3C.3Z3-NXT	3	D	16	16	50	115	0.16	3	<input type="checkbox"/>
02567	JS513200D3C.3Z3-NXT	3	D	20	20	60	125	0.2	3	<input type="checkbox"/>
02568	JS513250D3C.3Z3-NXT	3	D	25	25	70	150	0.25	3	<input type="checkbox"/>
02569	JS513020F4C.3Z3-NXT	4	F	2	6	10	57	0.02	3	<input type="checkbox"/>
02570	JS513025F4C.3Z3-NXT	4	F	2.5	6	13	57	0.025	3	<input type="checkbox"/>
02571	JS513030F4C.3Z3-NXT	4	F	3	6	15	57	0.03	3	<input type="checkbox"/>
02572	JS513040F4C.3Z3-NXT	4	F	4	6	20	63	0.04	3	<input type="checkbox"/>
02574	JS513050F4C.3Z3-NXT	4	F	5	6	25	63	0.05	3	<input type="checkbox"/>
02575	JS513060D4C.3Z3-NXT	4	D	6	6	30	80	0.06	3	<input type="checkbox"/>
02576	JS513080D4C.3Z3-NXT	4	D	8	8	40	100	0.08	3	<input type="checkbox"/>
02577	JS513100D4C.3Z3-NXT	4	D	10	10	50	100	0.1	3	<input type="checkbox"/>
02582	JS513120D4C.3Z3-NXT	4	D	12	12	60	125	0.12	3	<input type="checkbox"/>
02583	JS513140D4C.3Z3-NXT	4	D	14	14	65	140	0.14	3	<input type="checkbox"/>

Weldon available, delivery time is 3 days.

JS513 – Solid carbide end mill – Weldon – three flute – 45° chamfer




Tolerances:
 $dm_m = h5$
 $D_c = e8$



EDP No.	Part No.	Length index	Tool shape	Dimensions in mm					z _n	Weldon
				D _c	dm _m	a _p	l ₂	c x 45°		
02592	JS513160D4C.3Z3-NXT	4	D	16	16	70	130	0.16	3	<input type="checkbox"/>
02594	JS513200D4C.3Z3-NXT	4	D	20	20	80	150	0.2	3	<input type="checkbox"/>
02596	JS513250D4C.3Z3-NXT	4	D	25	25	90	165	0.25	3	<input type="checkbox"/>

Weldon available, delivery time is 3 days.

Cutting data – JS513 Slotting

SMG		a_p / D_c	f_z													v_c	
			1	2	3	4	5	6	8	10	12	14	16	18	20		25
P1	E	0.70	0.0044	0.0085	0.013	0.017	0.022	0.026	0.034	0.044	0.050	0.060	0.065	0.070	0.075	0.085	165 (140 – 195)
P2	E	0.70	0.0044	0.0090	0.013	0.018	0.022	0.026	0.036	0.044	0.050	0.060	0.065	0.070	0.075	0.085	160 (135 – 190)
P3	E	0.70	0.0042	0.0085	0.012	0.017	0.020	0.024	0.034	0.042	0.050	0.055	0.060	0.065	0.070	0.080	140 (115 – 165)
P4	E	0.70	0.0040	0.0080	0.012	0.016	0.020	0.024	0.032	0.040	0.048	0.055	0.060	0.065	0.070	0.080	125 (105 – 145)
P5	E	0.70	0.0040	0.0080	0.012	0.016	0.020	0.024	0.032	0.040	0.048	0.055	0.060	0.065	0.070	0.075	120 (100 – 140)
P6	E	0.70	0.0040	0.0080	0.012	0.016	0.020	0.024	0.032	0.040	0.046	0.055	0.060	0.065	0.065	0.075	135 (110 – 155)
P7	E	0.70	0.0040	0.0080	0.012	0.016	0.020	0.024	0.032	0.040	0.046	0.055	0.060	0.065	0.065	0.075	125 (105 – 145)
P8	E	0.70	0.0042	0.0085	0.012	0.017	0.020	0.024	0.034	0.042	0.050	0.055	0.060	0.065	0.070	0.080	120 (100 – 140)
P11	E	0.70	0.0040	0.0080	0.012	0.016	0.020	0.024	0.032	0.040	0.046	0.055	0.060	0.065	0.065	0.075	125 (100 – 145)
M1	E	0.60	0.0034	0.0065	0.010	0.013	0.017	0.020	0.026	0.034	0.040	0.044	0.048	0.050	0.055	0.065	95 (85 – 110)
M2	E	0.60	0.0030	0.0060	0.0090	0.012	0.015	0.018	0.024	0.030	0.036	0.040	0.044	0.048	0.050	0.055	80 (70 – 90)
M3	E	0.48	0.0024	0.0048	0.0070	0.0095	0.012	0.014	0.019	0.024	0.028	0.032	0.036	0.038	0.040	0.046	65 (55 – 70)
M4	E	0.36	0.0022	0.0042	0.0065	0.0085	0.011	0.013	0.017	0.022	0.024	0.028	0.030	0.034	0.036	0.040	48 (42 – 55)
M5	E	0.36	0.0022	0.0042	0.0065	0.0085	0.011	0.013	0.017	0.022	0.024	0.028	0.030	0.034	0.036	0.040	40 (35 – 45)
K1	E	0.70	0.0044	0.0090	0.013	0.018	0.022	0.026	0.036	0.044	0.050	0.060	0.065	0.070	0.075	0.085	140 (120 – 160)
K2	E	0.70	0.0040	0.0080	0.012	0.016	0.020	0.024	0.032	0.040	0.048	0.055	0.060	0.065	0.070	0.075	125 (105 – 140)
K3	E	0.70	0.0040	0.0080	0.012	0.016	0.020	0.024	0.032	0.040	0.048	0.055	0.060	0.065	0.070	0.075	105 (90 – 120)
K4	E	0.70	0.0040	0.0080	0.012	0.016	0.020	0.024	0.032	0.040	0.048	0.055	0.060	0.065	0.070	0.075	100 (85 – 110)
K5	E	0.70	0.0036	0.0070	0.011	0.014	0.018	0.022	0.028	0.036	0.042	0.048	0.055	0.055	0.060	0.070	60 (50 – 70)
K6	E	0.70	0.0040	0.0080	0.012	0.016	0.020	0.024	0.032	0.040	0.048	0.055	0.060	0.065	0.070	0.075	85 (75 – 100)
K7	E	0.70	0.0036	0.0070	0.011	0.014	0.018	0.022	0.028	0.036	0.042	0.048	0.055	0.055	0.060	0.070	75 (65 – 85)
N11	E	0.70	0.0060	0.012	0.018	0.024	0.030	0.036	0.048	0.060	0.070	0.080	0.090	0.095	0.10	0.11	300 (200 – 395)
S1	E	0.30	0.0032	0.0065	0.0095	0.013	0.016	0.019	0.026	0.032	0.038	0.044	0.048	0.050	0.055	0.060	40 (30 – 49)
S2	E	0.30	0.0032	0.0065	0.0095	0.013	0.016	0.019	0.026	0.032	0.038	0.044	0.048	0.050	0.055	0.060	40 (30 – 49)
S3	E	0.30	0.0030	0.0060	0.0090	0.012	0.015	0.018	0.024	0.030	0.036	0.040	0.044	0.048	0.050	0.055	24 (14 – 33)
S11	E	0.40	0.0030	0.0060	0.0090	0.012	0.015	0.018	0.024	0.030	0.036	0.040	0.044	0.048	0.050	0.055	80 (65 – 90)
S12	E	0.40	0.0030	0.0060	0.0090	0.012	0.015	0.018	0.024	0.030	0.036	0.040	0.044	0.048	0.050	0.055	60 (50 – 70)
S13	E	0.34	0.0026	0.0055	0.0080	0.011	0.013	0.016	0.022	0.026	0.032	0.036	0.038	0.042	0.044	0.050	47 (40 – 55)
H5	M/A/D	0.22	0.0030	0.0060	0.0090	0.012	0.015	0.018	0.024	0.030	0.036	0.040	0.044	0.048	0.050	0.060	47 (38 – 55)
H8	M/A/D	0.20	0.0024	0.0046	0.0070	0.0090	0.012	0.014	0.018	0.024	0.028	0.030	0.034	0.036	0.040	0.044	49 (39 – 60)
H11	M/A/D	0.22	0.0030	0.0060	0.0090	0.012	0.015	0.018	0.024	0.030	0.036	0.040	0.044	0.048	0.050	0.060	60 (49 – 75)
H12	M/A/D	0.22	0.0030	0.0060	0.0090	0.012	0.015	0.018	0.024	0.030	0.036	0.040	0.044	0.048	0.050	0.060	100 (80 – 120)
H21	M/A/D	0.20	0.0024	0.0046	0.0070	0.0090	0.012	0.014	0.018	0.024	0.028	0.030	0.034	0.036	0.040	0.044	49 (39 – 60)
TP1	A	0.80	0.0060	0.012	0.018	0.024	0.030	0.036	0.048	0.060	0.070	0.080	0.090	0.095	0.10	0.11	495 (395 – 600)
GR1	A	0.80	0.0080	0.016	0.024	0.032	0.040	0.048	0.065	0.080	0.095	0.11	0.12	0.13	0.14	0.15	495 (395 – 600)

For cutting data recalculations, see pages 336-344.

SMG = Seco material group

Coolant = A=air D=dry E=emulsion M=mist spray

v_c = m/min

f_z = mm

a_p (mm)/ D_c (mm) = factor

All cutting data are target values

Cutting data – JS513 Side milling $a_p/D_c = 0.4$

SMG		a_p / D_c	f_z													v_c	
			1	2	3	4	5	6	8	10	12	14	16	18	20		25
P1	M/A/D/E	1.0	0.0044	0.0090	0.013	0.018	0.022	0.026	0.036	0.044	0.050	0.060	0.065	0.070	0.075	0.085	205 (175 – 240)
P2	M/A/D/E	1.0	0.0044	0.0090	0.013	0.018	0.022	0.026	0.036	0.044	0.055	0.060	0.065	0.070	0.075	0.085	200 (170 – 235)
P3	M/A/D/E	1.0	0.0042	0.0085	0.013	0.017	0.022	0.026	0.034	0.042	0.050	0.055	0.060	0.065	0.070	0.080	175 (145 – 205)
P4	M/A/D/E	1.0	0.0042	0.0085	0.012	0.017	0.020	0.024	0.034	0.042	0.050	0.055	0.060	0.065	0.070	0.080	155 (130 – 180)
P5	M/A/D/E	1.0	0.0040	0.0080	0.012	0.016	0.020	0.024	0.032	0.040	0.048	0.055	0.060	0.065	0.070	0.080	150 (125 – 175)
P6	M/A/D/E	1.0	0.0040	0.0080	0.012	0.016	0.020	0.024	0.032	0.040	0.048	0.055	0.060	0.065	0.070	0.075	165 (140 – 195)
P7	M/A/D/E	1.0	0.0040	0.0080	0.012	0.016	0.020	0.024	0.032	0.040	0.048	0.055	0.060	0.065	0.070	0.075	155 (130 – 185)
P8	M/A/D/E	1.0	0.0042	0.0085	0.013	0.017	0.022	0.026	0.034	0.042	0.050	0.055	0.060	0.065	0.070	0.080	145 (125 – 170)
P11	M/A/D/E	1.0	0.0040	0.0080	0.012	0.016	0.020	0.024	0.032	0.040	0.048	0.055	0.060	0.065	0.070	0.075	155 (125 – 180)
M1	E/M/A	1.0	0.0034	0.0065	0.010	0.013	0.017	0.020	0.026	0.034	0.040	0.046	0.050	0.055	0.055	0.065	120 (105 – 135)
M2	E/M/A	1.0	0.0030	0.0060	0.0090	0.012	0.015	0.018	0.024	0.030	0.036	0.040	0.046	0.048	0.050	0.060	100 (85 – 110)
M3	E/M/A	0.80	0.0024	0.0048	0.0075	0.010	0.012	0.015	0.020	0.024	0.028	0.032	0.036	0.038	0.042	0.046	80 (70 – 90)
M4	E/M/A	0.60	0.0022	0.0042	0.0065	0.0085	0.011	0.013	0.017	0.022	0.026	0.028	0.032	0.034	0.036	0.042	60 (50 – 65)
M5	E/M/A	0.60	0.0022	0.0042	0.0065	0.0085	0.011	0.013	0.017	0.022	0.026	0.028	0.032	0.034	0.036	0.042	49 (43 – 55)
K1	A/D/M/E	1.0	0.0044	0.0090	0.013	0.018	0.022	0.026	0.036	0.044	0.055	0.060	0.065	0.070	0.075	0.085	175 (150 – 195)
K2	A/D/M/E	1.0	0.0040	0.0080	0.012	0.016	0.020	0.024	0.032	0.040	0.048	0.055	0.060	0.065	0.070	0.080	155 (135 – 175)
K3	A/D/M/E	1.0	0.0040	0.0080	0.012	0.016	0.020	0.024	0.032	0.040	0.048	0.055	0.060	0.065	0.070	0.080	130 (110 – 145)
K4	A/D/M/E	1.0	0.0040	0.0080	0.012	0.016	0.020	0.024	0.032	0.040	0.048	0.055	0.060	0.065	0.070	0.080	125 (105 – 140)
K5	A/D/M/E	1.0	0.0036	0.0075	0.011	0.015	0.018	0.022	0.030	0.036	0.044	0.050	0.055	0.060	0.060	0.070	75 (65 – 85)
K6	A/D/M/E	1.0	0.0040	0.0080	0.012	0.016	0.020	0.024	0.032	0.040	0.048	0.055	0.060	0.065	0.070	0.080	110 (95 – 125)
K7	A/D/M/E	1.0	0.0036	0.0075	0.011	0.015	0.018	0.022	0.030	0.036	0.044	0.050	0.055	0.060	0.060	0.070	95 (85 – 110)
N11	E/M/A	1.0	0.0060	0.012	0.018	0.024	0.030	0.036	0.048	0.060	0.070	0.080	0.090	0.095	0.10	0.12	370 (250 – 495)
S11	E	1.0	0.0030	0.0060	0.0090	0.012	0.015	0.018	0.024	0.030	0.036	0.040	0.046	0.048	0.050	0.060	95 (80 – 110)
S12	E	1.0	0.0030	0.0060	0.0090	0.012	0.015	0.018	0.024	0.030	0.036	0.040	0.046	0.048	0.050	0.060	75 (60 – 85)
S13	E	0.85	0.0026	0.0055	0.0080	0.011	0.013	0.016	0.022	0.026	0.032	0.036	0.040	0.042	0.046	0.050	60 (49 – 70)
TS1	A/D	1.4	0.0080	0.016	0.024	0.032	0.040	0.050	0.065	0.080	0.095	0.11	0.12	0.13	0.14	0.16	620 (495 – 750)
TP1	A/D	1.0	0.0060	0.012	0.018	0.024	0.030	0.036	0.050	0.060	0.070	0.080	0.090	0.095	0.10	0.12	620 (495 – 750)
GR1	A/D	1.4	0.0080	0.016	0.024	0.032	0.040	0.050	0.065	0.080	0.095	0.11	0.12	0.13	0.14	0.16	620 (495 – 750)

Cutting data – JS513 Side milling $a_p/D_c = 0.2$

SMG		a_p / D_c	f_z													v_c	
			1	2	3	4	5	6	8	10	12	14	16	18	20		25
N1	E/M/A	1.2	0.0065	0.013	0.019	0.026	0.032	0.038	0.050	0.065	0.075	0.085	0.090	0.10	0.11	0.12	800 (640 – 960)
N2	E/M/A	1.2	0.0065	0.013	0.019	0.026	0.032	0.038	0.050	0.065	0.075	0.085	0.090	0.10	0.11	0.12	520 (410 – 620)
N3	E/M/A	1.2	0.0065	0.013	0.019	0.026	0.032	0.038	0.050	0.065	0.075	0.085	0.090	0.10	0.11	0.12	345 (275 – 410)
S1	E	1.0	0.0040	0.0080	0.012	0.016	0.020	0.024	0.032	0.040	0.048	0.055	0.060	0.065	0.070	0.075	55 (41 – 70)
S2	E	1.0	0.0040	0.0080	0.012	0.016	0.020	0.024	0.032	0.040	0.048	0.055	0.060	0.065	0.070	0.075	55 (41 – 70)
S3	E	1.0	0.0038	0.0075	0.011	0.015	0.019	0.022	0.030	0.038	0.044	0.050	0.055	0.060	0.065	0.070	32 (19 – 45)
H5	M/A/D	0.22	0.0038	0.0075	0.011	0.015	0.019	0.022	0.030	0.038	0.044	0.050	0.055	0.060	0.065	0.070	65 (55 – 80)
H8	M/A/D	0.20	0.0028	0.0060	0.0085	0.012	0.014	0.017	0.024	0.028	0.034	0.038	0.042	0.046	0.048	0.055	70 (55 – 80)
H21	M/A/D	0.20	0.0028	0.0060	0.0085	0.012	0.014	0.017	0.024	0.028	0.034	0.038	0.042	0.046	0.048	0.055	70 (55 – 80)
H31	M/A/D	0.20	0.0026	0.0050	0.0075	0.010	0.013	0.015	0.020	0.026	0.030	0.034	0.036	0.040	0.042	0.048	50 (42 – 65)

For cutting data recalculations, see pages 336-344.

SMG = Seco material group

Coolant = A=air D=dry E=emulsion M=mist spray

v_c = m/min

f_z = mm

a_p (mm)/ D_c (mm) = factor

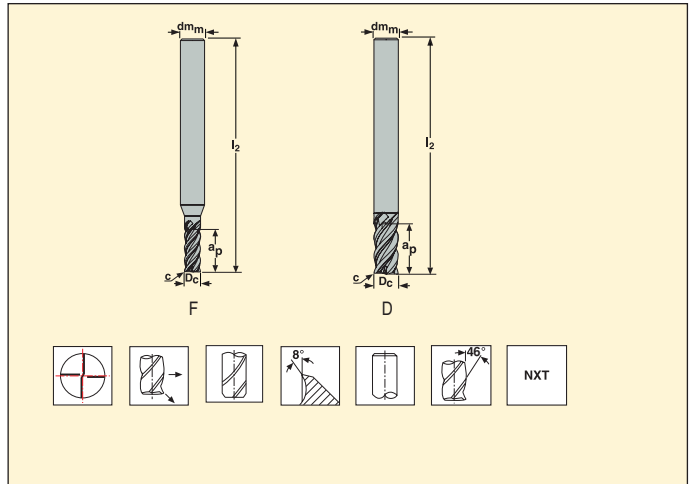
a_e (mm)/ D_c (mm) = factor

All cutting data are target values

JS514 – Solid carbide end mill – cylindrical – four flute – 45° chamfer



Tolerances:
 $dm_m = h5$
 $D_c = e8$



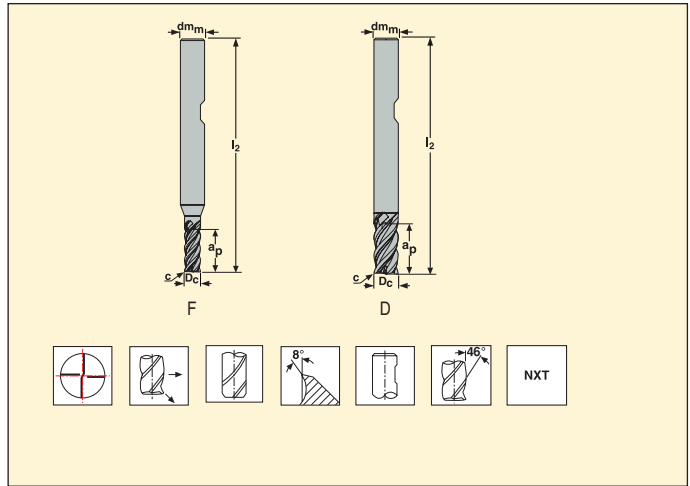
EDP No.	Part No.	Length index	Tool shape	Dimensions in mm					z_n	Cylindrical
				D_c	dm_m	a_p	l_2	$c \times 45^\circ$		
02603	JS514010F2C.0Z4-NXT	2	F	1	3	2	38	0.01	4	■
02604	JS514015F2C.0Z4-NXT	2	F	1.5	3	3	38	0.015	4	■
02606	JS514020F2C.0Z4-NXT	2	F	2	6	5	57	0.02	4	■
02610	JS514021F2C.0Z4-NXT	2	F	2	3	5	38	0.02	4	■
02612	JS514030F2C.0Z4-NXT	2	F	3	6	7	57	0.03	4	■
02613	JS514030D2C.0Z4-NXT	2	D	3	3	7	38	0.03	4	■
02614	JS514040F2C.0Z4-NXT	2	F	4	6	10	57	0.04	4	■
02615	JS514040D2C.0Z4-NXT	2	D	4	4	10	50	0.04	4	■
02616	JS514050F2C.0Z4-NXT	2	F	5	6	12	57	0.05	4	■
02617	JS514050D2C.0Z4-NXT	2	D	5	5	12	50	0.05	4	■
02618	JS514060D2C.0Z4-NXT	2	D	6	6	13	57	0.06	4	■
02619	JS514080D2C.0Z4-NXT	2	D	8	8	18	63	0.08	4	■
02626	JS514100D2C.0Z4-NXT	2	D	10	10	22	72	0.1	4	■
02631	JS514120D2C.0Z4-NXT	2	D	12	12	26	83	0.12	4	■
02633	JS514160D2C.0Z4-NXT	2	D	16	16	32	92	0.16	4	■
02635	JS514200D2C.0Z4-NXT	2	D	20	20	40	104	0.2	4	■
02638	JS514250D2C.0Z4-NXT	2	D	25	25	50	125	0.25	4	■
02639	JS514010F3C.0Z4-NXT	3	F	1	3	3	38	0.01	4	■
02658	JS514015F3C.0Z4-NXT	3	F	1.5	3	6	38	0.015	4	■
02659	JS514020F3C.0Z4-NXT	3	F	2	6	8	57	0.02	4	■
02673	JS514030F3C.0Z4-NXT	3	F	3	6	12	57	0.03	4	■
02678	JS514040F3C.0Z4-NXT	3	F	4	6	16	57	0.04	4	■
02701	JS514050F3C.0Z4-NXT	3	F	5	6	21	63	0.05	4	■
02702	JS514060D3C.0Z4-NXT	3	D	6	6	23	63	0.06	4	■
02704	JS514080D3C.0Z4-NXT	3	D	8	8	32	80	0.08	4	■
02705	JS514100D3C.0Z4-NXT	3	D	10	10	40	89	0.1	4	■
02706	JS514120D3C.0Z4-NXT	3	D	12	12	45	100	0.12	4	■
02716	JS514160D3C.0Z4-NXT	3	D	16	16	55	115	0.16	4	■
02717	JS514200D3C.0Z4-NXT	3	D	20	20	65	125	0.2	4	■
02718	JS514250D3C.0Z4-NXT	3	D	25	25	80	150	0.25	4	■
02720	JS514020F4C.0Z4-NXT	4	F	2	6	10	57	0.02	4	■
02722	JS514030F4C.0Z4-NXT	4	F	3	6	17	57	0.03	4	■
02723	JS514040F4C.0Z4-NXT	4	F	4	6	25	63	0.04	4	■
02724	JS514050F4C.0Z4-NXT	4	F	5	6	28	75	0.05	4	■
02726	JS514060D4C.0Z4-NXT	4	D	6	6	35	75	0.06	4	■
02733	JS514080D4C.0Z4-NXT	4	D	8	8	45	100	0.08	4	■
02740	JS514100D4C.0Z4-NXT	4	D	10	10	55	100	0.1	4	■

■ Stock standard. Subject to change, refer to current price-and stock-list.

JS514 – Solid carbide end mill – Weldon – 45° chamfer




Tolerances:
 $dm_m = h5$
 $D_c = e8$



EDP No.	Part No.	Length index	Tool shape	Dimensions in mm					z_n	Weldon
				D_c	dm_m	a_p	l_2	$c \times 45^\circ$		
02752	JS514020F2C.3Z4-NXT	2	F	2	6	5	57	0.02	4	<input type="checkbox"/>
02753	JS514030F2C.3Z4-NXT	2	F	3	6	7	57	0.03	4	<input type="checkbox"/>
02755	JS514040F2C.3Z4-NXT	2	F	4	6	10	57	0.04	4	<input type="checkbox"/>
02756	JS514050F2C.3Z4-NXT	2	F	5	6	12	57	0.05	4	<input type="checkbox"/>
02757	JS514060D2C.3Z4-NXT	2	D	6	6	13	57	0.06	4	<input type="checkbox"/>
02758	JS514080D2C.3Z4-NXT	2	D	8	8	18	63	0.08	4	<input type="checkbox"/>
02759	JS514100D2C.3Z4-NXT	2	D	10	10	22	72	0.1	4	<input type="checkbox"/>
02760	JS514120D2C.3Z4-NXT	2	D	12	12	26	83	0.12	4	<input type="checkbox"/>
02761	JS514160D2C.3Z4-NXT	2	D	16	16	32	92	0.16	4	<input type="checkbox"/>
02762	JS514200D2C.3Z4-NXT	2	D	20	20	40	104	0.2	4	<input type="checkbox"/>
02763	JS514250D2C.3Z4-NXT	2	D	25	25	50	125	0.25	4	<input type="checkbox"/>
02764	JS514020F3C.3Z4-NXT	3	F	2	6	8	57	0.02	4	<input type="checkbox"/>
02765	JS514030F3C.3Z4-NXT	3	F	3	6	12	57	0.03	4	<input type="checkbox"/>
02766	JS514040F3C.3Z4-NXT	3	F	4	6	16	57	0.04	4	<input type="checkbox"/>
02767	JS514050F3C.3Z4-NXT	3	F	5	6	21	63	0.05	4	<input type="checkbox"/>
02768	JS514060D3C.3Z4-NXT	3	D	6	6	23	63	0.06	4	<input type="checkbox"/>
02769	JS514080D3C.3Z4-NXT	3	D	8	8	32	80	0.08	4	<input type="checkbox"/>
02771	JS514100D3C.3Z4-NXT	3	D	10	10	40	89	0.1	4	<input type="checkbox"/>
02772	JS514120D3C.3Z4-NXT	3	D	12	12	45	100	0.12	4	<input type="checkbox"/>
02773	JS514160D3C.3Z4-NXT	3	D	16	16	55	115	0.16	4	<input type="checkbox"/>
02775	JS514200D3C.3Z4-NXT	3	D	20	20	65	125	0.2	4	<input type="checkbox"/>
02783	JS514250D3C.3Z4-NXT	3	D	25	25	80	150	0.25	4	<input type="checkbox"/>
02785	JS514020F4C.3Z4-NXT	4	F	2	6	10	57	0.02	4	<input type="checkbox"/>
02786	JS514030F4C.3Z4-NXT	4	F	3	6	17	57	0.03	4	<input type="checkbox"/>
02789	JS514040F4C.3Z4-NXT	4	F	4	6	25	63	0.04	4	<input type="checkbox"/>
02796	JS514050F4C.3Z4-NXT	4	F	5	6	28	75	0.05	4	<input type="checkbox"/>
02797	JS514060D4C.3Z4-NXT	4	D	6	6	35	75	0.06	4	<input type="checkbox"/>
02799	JS514080D4C.3Z4-NXT	4	D	8	8	45	100	0.08	4	<input type="checkbox"/>
02802	JS514100D4C.3Z4-NXT	4	D	10	10	55	100	0.1	4	<input type="checkbox"/>
02803	JS514120D4C.3Z4-NXT	4	D	12	12	65	125	0.12	4	<input type="checkbox"/>
02804	JS514160D4C.3Z4-NXT	4	D	16	16	80	150	0.16	4	<input type="checkbox"/>
02805	JS514200D4C.3Z4-NXT	4	D	20	20	90	150	0.2	4	<input type="checkbox"/>
02814	JS514250D4C.3Z4-NXT	4	D	25	25	110	196	0.25	4	<input type="checkbox"/>

Weldon available, delivery time is 3 days.

Cutting data – JS514 Slotting

SMG		a_p / D_c	f_z														v_c
			1	2	3	4	5	6	8	10	12	14	16	18	20	25	
P1	M/A/D/E	0.55	0.0055	0.011	0.016	0.022	0.026	0.032	0.044	0.055	0.065	0.070	0.080	0.085	0.090	0.10	165 (140 – 195)
P2	M/A/D/E	0.55	0.0055	0.011	0.016	0.022	0.028	0.032	0.044	0.055	0.065	0.075	0.080	0.085	0.095	0.11	160 (135 – 190)
P3	M/A/D/E	0.55	0.0050	0.010	0.016	0.020	0.026	0.032	0.042	0.050	0.060	0.070	0.075	0.085	0.090	0.10	140 (120 – 165)
P4	M/A/D/E	0.55	0.0050	0.010	0.015	0.020	0.026	0.030	0.040	0.050	0.060	0.070	0.075	0.080	0.085	0.10	125 (105 – 145)
P5	M/A/D/E	0.55	0.0050	0.010	0.015	0.020	0.024	0.030	0.040	0.050	0.060	0.065	0.075	0.080	0.085	0.095	120 (100 – 140)
P6	M/A/D/E	0.55	0.0050	0.010	0.015	0.020	0.024	0.030	0.040	0.050	0.060	0.065	0.075	0.080	0.085	0.095	135 (110 – 155)
P7	M/A/D/E	0.55	0.0050	0.010	0.015	0.020	0.024	0.030	0.040	0.050	0.060	0.065	0.075	0.080	0.085	0.095	125 (105 – 145)
P8	M/A/D/E	0.55	0.0050	0.010	0.016	0.020	0.026	0.032	0.042	0.050	0.060	0.070	0.075	0.085	0.090	0.10	120 (100 – 140)
P11	M/A/D/E	0.55	0.0050	0.010	0.015	0.020	0.024	0.030	0.040	0.050	0.060	0.065	0.075	0.080	0.085	0.095	125 (100 – 145)
M1	E	0.55	0.0022	0.0044	0.0065	0.0090	0.011	0.013	0.018	0.022	0.026	0.030	0.032	0.034	0.038	0.042	95 (85 – 110)
M2	E	0.55	0.0020	0.0040	0.0060	0.0080	0.010	0.012	0.016	0.020	0.024	0.026	0.030	0.032	0.034	0.038	80 (70 – 90)
M3	E	0.44	0.0016	0.0032	0.0048	0.0065	0.0080	0.0095	0.013	0.016	0.019	0.022	0.024	0.026	0.028	0.030	60 (55 – 70)
M4	E	0.34	0.0014	0.0028	0.0042	0.0055	0.0070	0.0085	0.011	0.014	0.017	0.019	0.020	0.022	0.024	0.026	48 (42 – 55)
M5	E	0.34	0.0014	0.0028	0.0042	0.0055	0.0070	0.0085	0.011	0.014	0.017	0.019	0.020	0.022	0.024	0.026	40 (35 – 45)
K1	E	0.55	0.0055	0.011	0.016	0.022	0.028	0.032	0.044	0.055	0.065	0.075	0.080	0.085	0.095	0.11	135 (115 – 150)
K2	E	0.55	0.0050	0.010	0.015	0.020	0.024	0.030	0.040	0.050	0.060	0.065	0.075	0.080	0.085	0.095	120 (100 – 135)
K3	E	0.55	0.0050	0.010	0.015	0.020	0.024	0.030	0.040	0.050	0.060	0.065	0.075	0.080	0.085	0.095	100 (85 – 115)
K4	E	0.55	0.0050	0.010	0.015	0.020	0.024	0.030	0.040	0.050	0.060	0.065	0.075	0.080	0.085	0.095	95 (80 – 110)
K5	E	0.55	0.0044	0.0090	0.013	0.018	0.022	0.026	0.036	0.044	0.055	0.060	0.065	0.070	0.075	0.085	60 (50 – 65)
K6	E	0.55	0.0050	0.010	0.015	0.020	0.024	0.030	0.040	0.050	0.060	0.065	0.075	0.080	0.085	0.095	85 (75 – 95)
K7	E	0.55	0.0044	0.0090	0.013	0.018	0.022	0.026	0.036	0.044	0.055	0.060	0.065	0.070	0.075	0.085	75 (65 – 85)
N11	E	0.55	0.0070	0.014	0.020	0.028	0.034	0.042	0.055	0.070	0.085	0.095	0.10	0.11	0.12	0.13	275 (185 – 370)
S1	E	0.34	0.0036	0.0070	0.011	0.014	0.018	0.022	0.028	0.036	0.042	0.046	0.050	0.055	0.060	0.065	39 (29 – 48)
S2	E	0.34	0.0036	0.0070	0.011	0.014	0.018	0.022	0.028	0.036	0.042	0.046	0.050	0.055	0.060	0.065	39 (29 – 48)
S3	E	0.34	0.0032	0.0065	0.010	0.013	0.016	0.020	0.026	0.032	0.038	0.044	0.048	0.050	0.055	0.060	23 (14 – 32)
S11	E	0.38	0.0040	0.0080	0.012	0.016	0.020	0.024	0.032	0.040	0.048	0.055	0.060	0.065	0.070	0.075	80 (70 – 95)
S12	E	0.38	0.0040	0.0080	0.012	0.016	0.020	0.024	0.032	0.040	0.048	0.055	0.060	0.065	0.070	0.075	60 (50 – 75)
S13	E	0.34	0.0036	0.0070	0.011	0.014	0.018	0.022	0.028	0.036	0.042	0.046	0.050	0.055	0.060	0.065	49 (41 – 60)
H5	M/A/D	0.26	0.0030	0.0060	0.0090	0.012	0.015	0.018	0.024	0.030	0.036	0.040	0.044	0.048	0.050	0.060	47 (38 – 55)
H8	M/A/D	0.22	0.0024	0.0046	0.0070	0.0090	0.012	0.014	0.018	0.024	0.028	0.030	0.034	0.036	0.040	0.044	49 (39 – 60)
H11	M/A/D	0.26	0.0030	0.0060	0.0090	0.012	0.015	0.018	0.024	0.030	0.036	0.040	0.044	0.048	0.050	0.060	60 (48 – 75)
H12	M/A/D	0.26	0.0030	0.0060	0.0090	0.012	0.015	0.018	0.024	0.030	0.036	0.040	0.044	0.048	0.050	0.060	100 (80 – 115)
H21	M/A/D	0.22	0.0024	0.0046	0.0070	0.0090	0.012	0.014	0.018	0.024	0.028	0.030	0.034	0.036	0.040	0.044	49 (39 – 60)
H31	M/A/D	0.22	0.0020	0.0040	0.0060	0.0080	0.010	0.012	0.016	0.020	0.024	0.026	0.030	0.032	0.034	0.038	38 (30 – 45)
GR1	A	0.55	0.0050	0.010	0.015	0.020	0.024	0.030	0.040	0.050	0.060	0.065	0.075	0.080	0.085	0.095	550 (445 – 670)

For cutting data recalculations, see pages 336-344.

SMG = Seco material group

Coolant = A=air D=dry E=emulsion M=mist spray

v_c = m/min

f_z = mm

a_p (mm)/ D_c (mm) = factor

All cutting data are target values

Cutting data – JS514 Side milling $a_p/D_c = 0.3$

SMG		a_p / D_c	f_z													v_c	
			1	2	3	4	5	6	8	10	12	14	16	18	20		25
P1	M/A/D/E	1.1	0.0060	0.012	0.018	0.024	0.030	0.036	0.048	0.060	0.070	0.080	0.085	0.095	0.10	0.11	215 (180 – 255)
P2	M/A/D/E	1.1	0.0060	0.012	0.018	0.024	0.030	0.036	0.048	0.060	0.070	0.080	0.090	0.095	0.10	0.12	210 (175 – 245)
P3	M/A/D/E	1.1	0.0055	0.011	0.017	0.022	0.028	0.034	0.046	0.055	0.065	0.075	0.085	0.090	0.095	0.11	185 (155 – 215)
P4	M/A/D/E	1.1	0.0055	0.011	0.017	0.022	0.028	0.034	0.044	0.055	0.065	0.075	0.080	0.090	0.095	0.11	165 (135 – 190)
P5	M/A/D/E	1.1	0.0055	0.011	0.016	0.022	0.028	0.032	0.044	0.055	0.065	0.075	0.080	0.085	0.090	0.10	155 (130 – 180)
P6	M/A/D/E	1.1	0.0055	0.011	0.016	0.022	0.028	0.032	0.044	0.055	0.065	0.070	0.080	0.085	0.090	0.10	175 (145 – 205)
P7	M/A/D/E	1.1	0.0055	0.011	0.016	0.022	0.028	0.032	0.044	0.055	0.065	0.070	0.080	0.085	0.090	0.10	165 (140 – 195)
P8	M/A/D/E	1.1	0.0055	0.011	0.017	0.022	0.028	0.034	0.046	0.055	0.065	0.075	0.085	0.090	0.095	0.11	155 (130 – 180)
P11	M/A/D/E	1.1	0.0055	0.011	0.016	0.022	0.028	0.032	0.044	0.055	0.065	0.070	0.080	0.085	0.090	0.10	160 (135 – 185)
M1	E/M/A	1.3	0.0024	0.0048	0.0070	0.0095	0.012	0.014	0.019	0.024	0.028	0.032	0.036	0.038	0.040	0.046	125 (110 – 140)
M2	E/M/A	1.3	0.0022	0.0044	0.0065	0.0085	0.011	0.013	0.017	0.022	0.026	0.030	0.032	0.034	0.036	0.042	105 (90 – 115)
M3	E/M/A	1.0	0.0017	0.0034	0.0050	0.0070	0.0085	0.010	0.014	0.017	0.020	0.024	0.026	0.028	0.030	0.034	80 (70 – 90)
M4	E/M/A	0.75	0.0015	0.0030	0.0046	0.0060	0.0075	0.0090	0.012	0.015	0.018	0.020	0.022	0.024	0.026	0.030	60 (55 – 70)
M5	E/M/A	0.75	0.0015	0.0030	0.0046	0.0060	0.0075	0.0090	0.012	0.015	0.018	0.020	0.022	0.024	0.026	0.030	50 (45 – 60)
K1	A/D/M/E	1.1	0.0060	0.012	0.018	0.024	0.030	0.036	0.048	0.060	0.070	0.080	0.090	0.095	0.10	0.12	175 (150 – 195)
K2	A/D/M/E	1.1	0.0055	0.011	0.016	0.022	0.028	0.032	0.044	0.055	0.065	0.075	0.080	0.085	0.090	0.10	155 (135 – 175)
K3	A/D/M/E	1.1	0.0055	0.011	0.016	0.022	0.028	0.032	0.044	0.055	0.065	0.075	0.080	0.085	0.090	0.10	130 (115 – 145)
K4	A/D/M/E	1.1	0.0055	0.011	0.016	0.022	0.028	0.032	0.044	0.055	0.065	0.075	0.080	0.085	0.090	0.10	125 (105 – 140)
K5	A/D/M/E	1.1	0.0050	0.010	0.015	0.020	0.024	0.030	0.040	0.050	0.060	0.065	0.070	0.080	0.085	0.095	75 (65 – 85)
K6	A/D/M/E	1.1	0.0055	0.011	0.016	0.022	0.028	0.032	0.044	0.055	0.065	0.075	0.080	0.085	0.090	0.10	110 (95 – 125)
K7	A/D/M/E	1.1	0.0050	0.010	0.015	0.020	0.024	0.030	0.040	0.050	0.060	0.065	0.070	0.080	0.085	0.095	95 (85 – 110)
N1	E/M/A	1.1	0.0085	0.017	0.026	0.034	0.044	0.050	0.070	0.085	0.10	0.12	0.13	0.14	0.15	0.17	780 (620 – 940)
N2	E/M/A	1.1	0.0085	0.017	0.026	0.034	0.044	0.050	0.070	0.085	0.10	0.12	0.13	0.14	0.15	0.17	500 (400 – 600)
N3	E/M/A	1.1	0.0085	0.017	0.026	0.034	0.044	0.050	0.070	0.085	0.10	0.12	0.13	0.14	0.15	0.17	335 (270 – 400)
N11	E/M/A	1.1	0.0075	0.015	0.022	0.030	0.038	0.046	0.060	0.075	0.090	0.10	0.11	0.12	0.13	0.15	365 (245 – 485)
TS1	A/D	1.3	0.010	0.020	0.030	0.040	0.050	0.060	0.080	0.10	0.12	0.13	0.14	0.16	0.17	0.19	710 (600 – 1075)
TP1	A/D	1.3	0.0060	0.012	0.018	0.024	0.030	0.036	0.048	0.060	0.070	0.085	0.095	0.11	0.12	0.15	730 (610 – 1100)
GR1	A/D	1.1	0.0055	0.011	0.016	0.022	0.028	0.032	0.044	0.055	0.065	0.075	0.080	0.085	0.090	0.10	720 (580 – 870)

Cutting data – JS514 Side milling $a_p/D_c = 0.2$

SMG		a_p / D_c	f_z													v_c	
			1	2	3	4	5	6	8	10	12	14	16	20	25		
S1	E	0.85	0.0044	0.0090	0.013	0.018	0.022	0.026	0.036	0.044	0.050	0.060	0.065	0.075	0.085	0.085	55 (40 – 65)
S2	E	0.85	0.0044	0.0090	0.013	0.018	0.022	0.026	0.036	0.044	0.050	0.060	0.065	0.075	0.085	0.085	55 (40 – 65)
S3	E	0.85	0.0040	0.0080	0.012	0.016	0.020	0.024	0.032	0.040	0.048	0.055	0.060	0.070	0.080	0.080	32 (19 – 45)
S11	E	0.95	0.0050	0.010	0.015	0.020	0.026	0.030	0.040	0.050	0.060	0.065	0.075	0.085	0.095	0.095	115 (95 – 130)
S12	E	0.95	0.0050	0.010	0.015	0.020	0.026	0.030	0.040	0.050	0.060	0.065	0.075	0.085	0.095	0.095	85 (70 – 100)
S13	E	0.85	0.0044	0.0090	0.013	0.018	0.022	0.026	0.036	0.044	0.050	0.060	0.065	0.075	0.085	0.085	70 (55 – 80)
H5	M/A/D	0.26	0.0038	0.0075	0.011	0.015	0.019	0.022	0.030	0.038	0.044	0.050	0.055	0.065	0.070	0.070	65 (50 – 80)
H8	M/A/D	0.22	0.0028	0.0060	0.0085	0.012	0.014	0.017	0.024	0.028	0.034	0.038	0.042	0.048	0.055	0.055	70 (55 – 80)
H21	M/A/D	0.22	0.0028	0.0060	0.0085	0.012	0.014	0.017	0.024	0.028	0.034	0.038	0.042	0.048	0.055	0.055	70 (55 – 80)
H31	M/A/D	0.22	0.0026	0.0050	0.0075	0.010	0.013	0.015	0.020	0.026	0.030	0.034	0.036	0.042	0.048	0.048	50 (42 – 65)

For cutting data recalculations, see pages 336-344.

SMG = Seco material group

Coolant = A=air D=dry E=emulsion M=mist spray

v_c = m/min

f_z = mm

a_p (mm)/ D_c (mm) = factor

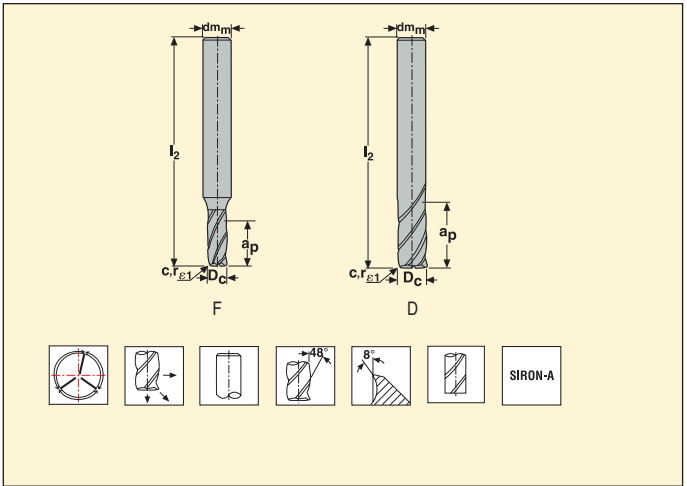
a_e (mm)/ D_c (mm) = factor

All cutting data are target values

JS553 - Solid carbide end mill - cylindrical - three flute - sharp 90° corner - unequal flute spacing



Tolerances:
 $dm_m = h5$
 $D_c = e7$



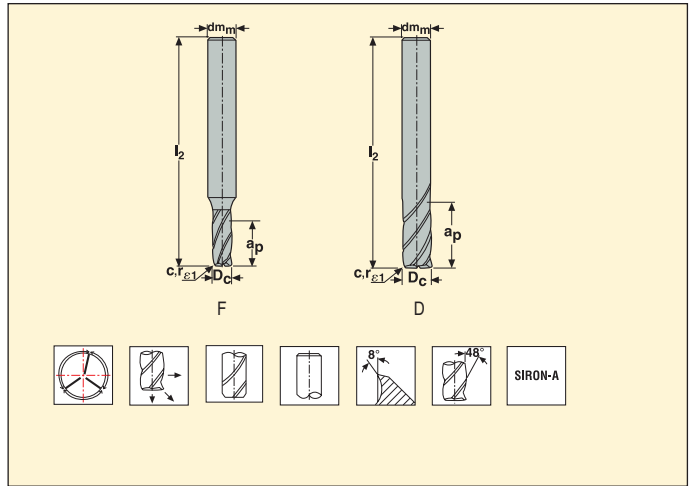
EDP No.	Part No.	Length index	Tool shape	Dimensions in mm				z_n	Cylindrical
				D_c	dm_m	a_p	l_2		
64143	553020SZ3.0-SIRON-A	2	F	2	6	5	50	3	■
64144	553030SZ3.0-SIRON-A	2	F	3	6	7	50	3	■
64146	553040SZ3.0-SIRON-A	2	F	4	6	10	55	3	■
64148	553050SZ3.0-SIRON-A	2	F	5	6	12	55	3	■
64149	553060SZ3.0-SIRON-A	2	D	6	6	14	55	3	■
64153	553080SZ3.0-SIRON-A	2	D	8	8	18	60	3	■
64156	553100SZ3.0-SIRON-A	2	D	10	10	22	70	3	■

■ Stock standard. Subject to change, refer to current price-and stock-list.

JS553 – Solid carbide end mill – cylindrical – three flute – 45° chamfer – unequal flute spacing



Tolerances:
 $dm_m = h5$
 $D_c = e7$



EDP No.	Part No.	Length index	Tool shape	Dimensions in mm					z_n	Cylindrical
				D_c	dm_m	a_p	l_2	$c \times 45^\circ$		
51805	553020Z3.0-SIRON-A	2	F	2	6	5	50	0.025	3	■
51807	553025Z3.0-SIRON-A	2	F	2.5	6	7	50	0.025	3	■
51808	553030Z3.0-SIRON-A	2	F	3	6	7	50	0.035	3	■
51810	553035Z3.0-SIRON-A	2	F	3.5	6	9	55	0.035	3	■
51811	553040Z3.0-SIRON-A	2	F	4	6	10	55	0.045	3	■
51812	553045Z3.0-SIRON-A	2	F	4.5	6	12	55	0.045	3	■
51813	553050Z3.0-SIRON-A	2	F	5	6	12	55	0.055	3	■
51814	553055Z3.0-SIRON-A	2	F	5.5	6	14	55	0.055	3	■
51817	553060Z3.0-SIRON-A	2	D	6	6	14	55	0.075	3	■
64152	553075Z3.0-SIRON-A	2	F	7.5	8	18	60	0.1	3	■
51820	553080Z3.0-SIRON-A	2	D	8	8	18	60	0.1	3	■
64155	553095Z3.0-SIRON-A	2	F	9.5	10	22	70	0.125	3	■
51824	553100Z3.0-SIRON-A	2	D	10	10	22	70	0.125	3	■
64158	553115Z3.0-SIRON-A	2	F	11.5	12	26	80	0.15	3	■
51828	553120Z3.0-SIRON-A	2	D	12	12	26	80	0.15	3	■
64160	553140Z3.0-SIRON-A	2	D	14	14	30	85	0.175	3	■
51832	553160Z3.0-SIRON-A	2	D	16	16	34	90	0.2	3	■
51836	553200Z3.0-SIRON-A	2	D	20	20	42	110	0.25	3	■
51840	553250Z3.0-SIRON-A	2	D	25	25	52	125	0.3	3	■
64173	553L020Z3.0-SIRON-A	3	F	2	6	7	50	0.025	3	■
64174	553L030Z3.0-SIRON-A	3	F	3	6	10	55	0.035	3	■
64175	553L040Z3.0-SIRON-A	3	F	4	6	14	60	0.045	3	■
64176	553L050Z3.0-SIRON-A	3	F	5	6	18	60	0.055	3	■
64178	553L060Z3.0-SIRON-A	3	D	6	6	20	65	0.075	3	■
64180	553L080Z3.0-SIRON-A	3	D	8	8	28	70	0.1	3	■
64182	553L100Z3.0-SIRON-A	3	D	10	10	35	85	0.125	3	■
64184	553L120Z3.0-SIRON-A	3	D	12	12	40	95	0.15	3	■
64187	553L160Z3.0-SIRON-A	3	D	16	16	50	110	0.2	3	■
64189	553L200Z3.0-SIRON-A	3	D	20	20	60	125	0.25	3	■
64191	553L250Z3.0-SIRON-A	3	D	25	25	75	150	0.3	3	■

■ Stock standard. Subject to change, refer to current price-and stock-list.

JS553 – Solid carbide end mill – cylindrical – three flute – corner radius – OD reduction – unequal flute spacing

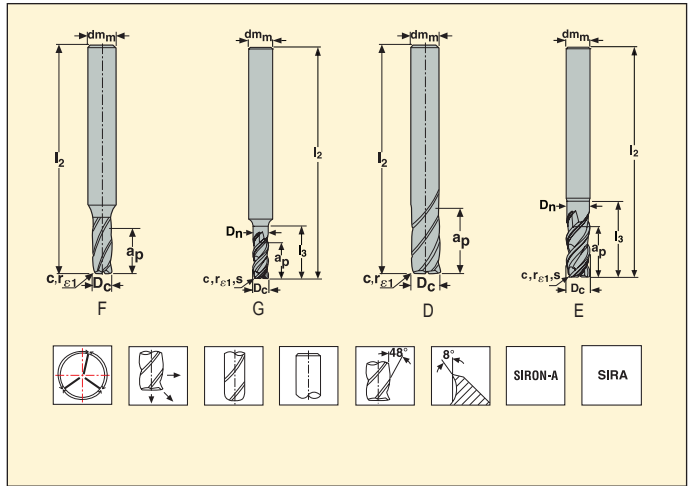


Tolerances:

$dm_m = h5$

$D_c = e7$

$r_{\epsilon 1} = +/- 0.02 \text{ mm}$



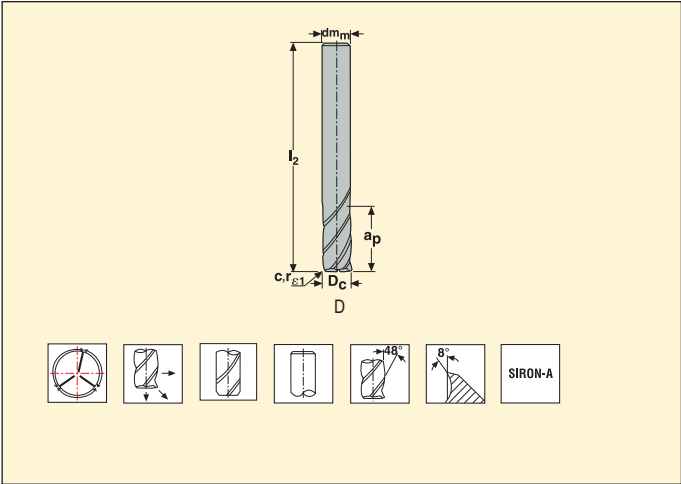
EDP No.	Part No.	Length index	Tool shape	Dimensions in mm								z _n	Cylindrical
				D _c	dm _m	a _p	l ₂	l ₃	D _n	r _{ε1}			
84373	JS553020G2R050.0Z3-SIRA	2	G	2	6	5	57	8	1.9	0.5	3	■	
64145	553030R015Z3.0-SIRON-A	2	F	3	6	7	50	–	–	0.15	3	■	
84374	JS553030G2R050.0Z3-SIRA	2	G	3	6	7	57	11	2.85	0.5	3	■	
64147	553040R020Z3.0-SIRON-A	2	F	4	6	10	55	–	–	0.2	3	■	
84375	JS553040G2R050.0Z3-SIRA	2	G	4	6	10	57	13	3.8	0.5	3	■	
45274	553050R020Z3.0-SIRON-A	2	F	5	6	12	55	–	–	0.2	3	■	
84376	JS553050G2R050.0Z3-SIRA	2	G	5	6	10	57	15	4.75	0.5	3	■	
51818	553060R020Z3.0-SIRON-A	2	D	6	6	14	55	–	–	0.2	3	■	
84377	JS553060E2R050.0Z3-SIRA	2	E	6	6	14	57	19	5.7	0.5	3	■	
84378	JS553060E2R100.0Z3-SIRA	2	E	6	6	14	57	19	5.7	1	3	■	
51821	553080R050Z3.0-SIRON-A	2	D	8	8	18	60	–	–	0.5	3	■	
51825	553100R050Z3.0-SIRON-A	2	D	10	10	22	70	–	–	0.5	3	■	
51826	553100R100Z3.0-SIRON-A	2	D	10	10	22	70	–	–	1	3	■	
10157	553100R250Z3.0-SIRON-A	2	D	10	10	22	70	–	–	2.5	3	■	
10158	553100R310Z3.0-SIRON-A	2	D	10	10	22	70	–	–	3.1	3	■	
10156	553100R200Z3.0-SIRON-A	2	D	10	10	22	70	–	–	2	3	■	
51829	553120R050Z3.0-SIRON-A	2	D	12	12	26	80	–	–	0.5	3	■	
51830	553120R100Z3.0-SIRON-A	2	D	12	12	26	80	–	–	1	3	■	
10159	553120R200Z3.0-SIRON-A	2	D	12	12	26	80	–	–	2	3	■	
10160	553120R250Z3.0-SIRON-A	2	D	12	12	26	80	–	–	2.5	3	■	
10161	553120R310Z3.0-SIRON-A	2	D	12	12	26	80	–	–	3.1	3	■	
51833	553160R050Z3.0-SIRON-A	2	D	16	16	34	90	–	–	0.5	3	■	
51834	553160R100Z3.0-SIRON-A	2	D	16	16	34	90	–	–	1	3	■	
10162	553160R200Z3.0-SIRON-A	2	D	16	16	34	90	–	–	2	3	■	
10164	553160R310Z3.0-SIRON-A	2	D	16	16	34	90	–	–	3.1	3	■	
10165	553160R400Z3.0-SIRON-A	2	D	16	16	34	90	–	–	4	3	■	
10163	553160R250Z3.0-SIRON-A	2	D	16	16	34	90	–	–	2.5	3	■	
51837	553200R050Z3.0-SIRON-A	2	D	20	20	42	110	–	–	0.5	3	■	
51838	553200R100Z3.0-SIRON-A	2	D	20	20	42	110	–	–	1	3	■	
84379	JS553200E2R200.0Z3-SIRA	2	E	20	20	42	110	54	19	2	3	■	
51841	553250R050Z3.0-SIRON-A	2	D	25	25	52	125	–	–	0.5	3	■	
51842	553250R100Z3.0-SIRON-A	2	D	25	25	52	125	–	–	1	3	■	

■ Stock standard. Subject to change, refer to current price-and stock-list.

JS553 – Solid carbide end mill – cylindrical – three flute – 45° chamfer – inch – unequal flute spacing



Tolerances:
 $dm_m=h5$
 $D_c=e7$



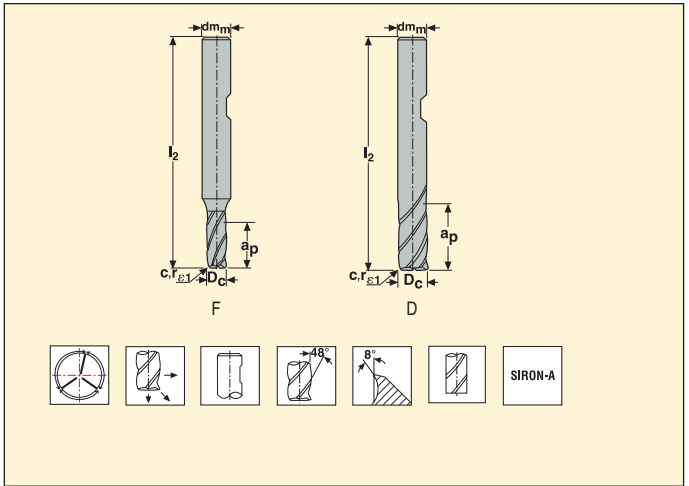
EDP No.	Part No.	Length index	Tool shape	Dimensions in inch					z_n	Cylindrical
				D_c	dm_m	a_p	l_2	$c \times 45^\circ$		
58915	5530125Z3.0-SIRON-A	2	D	0.125	0.125	0.250	2.000	0.001	3	■
58916	5530187Z3.0-SIRON-A	2	D	0.188	0.188	0.375	2.000	0.001	3	■
58917	5530250Z3.0-SIRON-A	2	D	0.250	0.250	0.500	2.500	0.003	3	■
58919	5530312Z3.0-SIRON-A	2	D	0.312	0.313	0.625	2.500	0.004	3	■
58921	5530375Z3.0-SIRON-A	2	D	0.375	0.375	0.750	3.000	0.005	3	■
58925	5530500Z3.0-SIRON-A	2	D	0.500	0.500	1.000	3.500	0.006	3	■
58931	5530625Z3.0-SIRON-A	2	D	0.625	0.625	1.250	3.750	0.008	3	■
58956	5530750Z3.0-SIRON-A	2	D	0.750	0.750	1.500	4.000	0.010	3	■
58962	5531000Z3.0-SIRON-A	2	D	1.000	1.000	2.000	5.000	0.012	3	■

■ Stock standard. Subject to change, refer to current price-and stock-list.

JS553 – Solid carbide end mill – Weldon – three flute – sharp 90° corner – unequal flute spacing



Tolerances:
 $dm_m = h5$
 $D_c = e7$



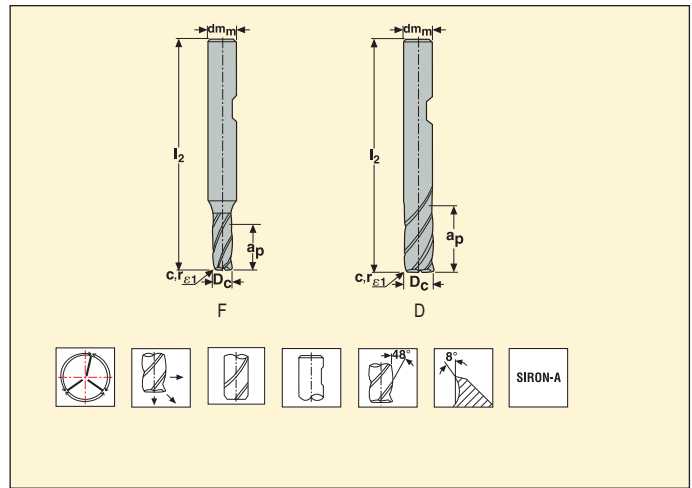
EDP No.	Part No.	Length index	Tool shape	Dimensions in mm				z_n	Weldon
				D_c	dm_m	a_p	l_2		
64161	553020SZ3.0-SIRON-AW	2	F	2	6	5	50	3	<input type="checkbox"/>
64165	553030SZ3.0-SIRON-AW	2	F	3	6	7	50	3	<input type="checkbox"/>
64167	553040SZ3.0-SIRON-AW	2	F	4	6	10	55	3	<input type="checkbox"/>
64169	553050SZ3.0-SIRON-AW	2	F	5	6	12	55	3	<input type="checkbox"/>
64170	553060SZ3.0-SIRON-AW	2	D	6	6	14	55	3	<input type="checkbox"/>
64171	553080SZ3.0-SIRON-AW	2	D	8	8	18	60	3	<input type="checkbox"/>
64172	553100SZ3.0-SIRON-AW	2	D	10	10	22	70	3	<input type="checkbox"/>

Weldon available, delivery time is 3 days.

JS553 – Solid carbide end mill – Weldon – three flute – 45° chamfer – unequal flute spacing



Tolerances:
 $dm_m = h5$
 $D_c = e7$



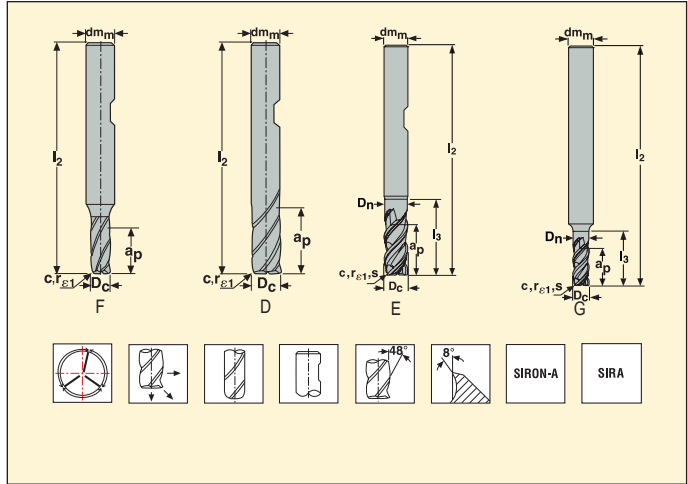
EDP No.	Part No.	Length index	Tool shape	Dimensions in mm					z_n	Weldon
				D_c	dm_m	a_p	l_2	$c \times 45^\circ$		
55479	553020Z3.0-SIRON-AW	2	F	2	6	5	50	0.025	3	<input type="checkbox"/>
55676	553025Z3.0-SIRON-AW	2	F	2.5	6	7	50	0.025	3	<input type="checkbox"/>
55677	553030Z3.0-SIRON-AW	2	F	3	6	7	50	0.035	3	<input type="checkbox"/>
55678	553035Z3.0-SIRON-AW	2	F	3.5	6	9	55	0.035	3	<input type="checkbox"/>
55680	553040Z3.0-SIRON-AW	2	F	4	6	10	55	0.045	3	<input type="checkbox"/>
55681	553045Z3.0-SIRON-AW	2	F	4.5	6	12	55	0.045	3	<input type="checkbox"/>
55683	553050Z3.0-SIRON-AW	2	F	5	6	12	55	0.055	3	<input type="checkbox"/>
55684	553055Z3.0-SIRON-AW	2	F	5.5	6	14	55	0.055	3	<input type="checkbox"/>
51816	553060Z3.3-SIRON-A	2	D	6	6	14	55	0.075	3	<input checked="" type="checkbox"/>
64150	553075Z3.3-SIRON-A	2	F	7.5	8	18	60	0.1	3	<input checked="" type="checkbox"/>
51819	553080Z3.3-SIRON-A	2	D	8	8	18	60	0.1	3	<input checked="" type="checkbox"/>
64154	553095Z3.3-SIRON-A	2	F	9.5	10	22	70	0.125	3	<input checked="" type="checkbox"/>
51822	553100Z3.3-SIRON-A	2	D	10	10	22	70	0.125	3	<input checked="" type="checkbox"/>
64157	553115Z3.3-SIRON-A	2	F	11.5	12	26	80	0.15	3	<input checked="" type="checkbox"/>
51827	553120Z3.3-SIRON-A	2	D	12	12	26	80	0.15	3	<input checked="" type="checkbox"/>
64159	553140Z3.3-SIRON-A	2	D	14	14	30	85	0.175	3	<input checked="" type="checkbox"/>
51831	553160Z3.3-SIRON-A	2	D	16	16	34	90	0.2	3	<input checked="" type="checkbox"/>
51835	553200Z3.3-SIRON-A	2	D	20	20	42	110	0.25	3	<input checked="" type="checkbox"/>
51839	553250Z3.3-SIRON-A	2	D	25	25	52	125	0.3	3	<input checked="" type="checkbox"/>
64192	553L020Z3.0-SIRON-AW	3	F	2	6	7	50	0.025	3	<input type="checkbox"/>
64193	553L030Z3.0-SIRON-AW	3	F	3	6	10	55	0.035	3	<input type="checkbox"/>
64194	553L040Z3.0-SIRON-AW	3	F	4	6	14	60	0.045	3	<input type="checkbox"/>
64195	553L050Z3.0-SIRON-AW	3	F	5	6	18	60	0.055	3	<input type="checkbox"/>
64177	553L060Z3.3-SIRON-A	3	D	6	6	20	65	0.075	3	<input checked="" type="checkbox"/>
64179	553L080Z3.3-SIRON-A	3	D	8	8	28	70	0.1	3	<input checked="" type="checkbox"/>
64181	553L100Z3.3-SIRON-A	3	D	10	10	35	85	0.125	3	<input checked="" type="checkbox"/>
64183	553L120Z3.3-SIRON-A	3	D	12	12	40	95	0.15	3	<input checked="" type="checkbox"/>
64185	553L160Z3.3-SIRON-A	3	D	16	16	50	110	0.2	3	<input checked="" type="checkbox"/>
64188	553L200Z3.3-SIRON-A	3	D	20	20	60	125	0.25	3	<input checked="" type="checkbox"/>
64190	553L250Z3.3-SIRON-A	3	D	25	25	75	150	0.3	3	<input checked="" type="checkbox"/>

■ Stock standard. Subject to change, refer to current price-and stock-list. □ Weldon available, delivery time is 3 days.

JS553 – Solid carbide end mill – Weldon – three flute – corner radius – OD-reduction – unequal flute spacing



Tolerances:
 $dm_m = h5$
 $D_c = e7$
 $r_{\epsilon 1} = +/- 0.02 \text{ mm}$



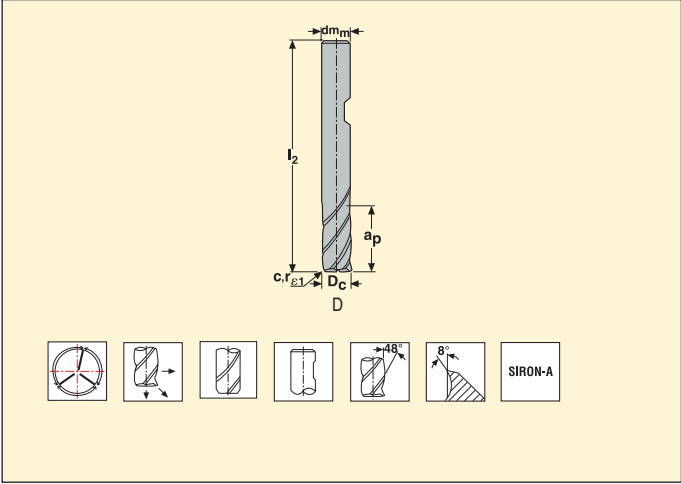
EDP No.	Part No.	Length index	Tool shape	Dimensions in mm								z _n	Weldon
				D _c	dm _m	a _p	l ₂	l ₃	D _n	r _{ε1}			
84380	JS553020G2R050.3Z3-SIRA	2	G	2	6	5	57	8	1.9	0.5	3	<input type="checkbox"/>	
64166	553030R015Z3.0-SIRON-AW	2	F	3	6	7	50	–	–	0.15	3	<input type="checkbox"/>	
84381	JS553030G2R050.3Z3-SIRA	2	G	3	6	7	57	11	2.85	0.5	3	<input type="checkbox"/>	
64168	553040R020Z3.0-SIRON-AW	2	F	4	6	10	55	–	–	0.2	3	<input type="checkbox"/>	
84382	JS553040G2R050.3Z3-SIRA	2	G	4	6	10	57	13	3.8	0.5	3	<input type="checkbox"/>	
57280	553050R020Z3.0-SIRON-AW	2	F	5	6	12	55	–	–	0.2	3	<input type="checkbox"/>	
84383	JS553050G2R050.3Z3-SIRA	2	G	5	6	10	57	15	4.75	0.5	3	<input type="checkbox"/>	
55686	553060R020Z3.0-SIRON-AW	2	D	6	6	14	55	–	–	0.2	3	<input type="checkbox"/>	
84384	JS553060E2R050.3Z3-SIRA	2	E	6	6	14	57	19	5.7	0.5	3	<input type="checkbox"/>	
84385	JS553060E2R100.3Z3-SIRA	2	E	6	6	14	57	19	5.7	1	3	<input type="checkbox"/>	
55688	553080R050Z3.0-SIRON-AW	2	D	8	8	18	60	–	–	0.5	3	<input type="checkbox"/>	
55690	553100R050Z3.0-SIRON-AW	2	D	10	10	22	70	–	–	0.5	3	<input type="checkbox"/>	
55692	553100R100Z3.0-SIRON-AW	2	D	10	10	22	70	–	–	1	3	<input type="checkbox"/>	
10166	553100R200Z3.3-SIRON-A	2	D	10	10	22	70	–	–	2	3	<input type="checkbox"/>	
10167	553100R250Z3.3-SIRON-A	2	D	10	10	22	70	–	–	2.5	3	<input type="checkbox"/>	
10168	553100R310Z3.3-SIRON-A	2	D	10	10	22	70	–	–	3.1	3	<input type="checkbox"/>	
55695	553120R050Z3.0-SIRON-AW	2	D	12	12	26	80	–	–	0.5	3	<input type="checkbox"/>	
55696	553120R100Z3.0-SIRON-AW	2	D	12	12	26	80	–	–	1	3	<input type="checkbox"/>	
10173	553120R200Z3.3-SIRON-A	2	D	12	12	26	80	–	–	2	3	<input type="checkbox"/>	
10174	553120R250Z3.3-SIRON-A	2	D	12	12	26	80	–	–	2.5	3	<input type="checkbox"/>	
10179	553120R310Z3.3-SIRON-A	2	D	12	12	26	80	–	–	3.1	3	<input type="checkbox"/>	
55698	553160R050Z3.0-SIRON-AW	2	D	16	16	34	90	–	–	0.5	3	<input type="checkbox"/>	
55699	553160R100Z3.0-SIRON-AW	2	D	16	16	34	90	–	–	1	3	<input type="checkbox"/>	
10182	553160R200Z3.3-SIRON-A	2	D	16	16	34	90	–	–	2	3	<input type="checkbox"/>	
10184	553160R250Z3.3-SIRON-A	2	D	16	16	34	90	–	–	2.5	3	<input type="checkbox"/>	
10185	553160R310Z3.3-SIRON-A	2	D	16	16	34	90	–	–	3.1	3	<input type="checkbox"/>	
10186	553160R400Z3.3-SIRON-A	2	D	16	16	34	90	–	–	4	3	<input type="checkbox"/>	
55701	553200R050Z3.0-SIRON-AW	2	D	20	20	42	110	–	–	0.5	3	<input type="checkbox"/>	
55702	553200R100Z3.0-SIRON-AW	2	D	20	20	42	110	–	–	1	3	<input type="checkbox"/>	
84386	JS553200E2R200.3Z3-SIRA	2	E	20	20	42	110	54	19	2	3	<input type="checkbox"/>	
55703	553250R100Z3.0-SIRON-AW	2	D	25	25	52	125	–	–	1	3	<input type="checkbox"/>	
55704	553250R050Z3.0-SIRON-AW	2	D	25	25	52	125	–	–	0.5	3	<input type="checkbox"/>	

Weldon available, delivery time is 3 days.

JS553 - Solid carbide end mill - Weldon - three flute - 45° chamfer - inch - unequal flute spacing



Tolerances:
 $dm_m = h5$
 $D_c = e7$



EDP No.	Part No.	Length index	Tool shape	Dimensions in inch					z_n	Weldon
				D_c	dm_m	a_p	l_2	$c \times 45^\circ$		
58924	5530500Z3.3-SIRON-A	2	D	0.500	0.500	1.000	3.500	0.006	3	■
58930	5530625Z3.3-SIRON-A	2	D	0.625	0.625	1.250	3.750	0.008	3	■
58955	5530750Z3.3-SIRON-A	2	D	0.750	0.750	1.500	4.000	0.010	3	■
58961	5531000Z3.3-SIRON-A	2	D	1.000	1.000	2.000	5.000	0.012	3	■

■ Stock standard. Subject to change, refer to current price-and stock-list.

Cutting data – JS553 Slotting

SMG		a _p / D _c	f _z													v _c
			2	3	4	5	6	8	10	12	14	16	20	25		
P1	M/A/D/E	1.0	0.015	0.022	0.030	0.038	0.046	0.060	0.075	0.090	0.10	0.11	0.13	0.14	195 (170 – 225)	
P2	M/A/D/E	1.0	0.015	0.024	0.030	0.038	0.046	0.060	0.075	0.090	0.10	0.11	0.13	0.15	190 (165 – 220)	
P3	M/A/D/E	1.0	0.015	0.022	0.030	0.036	0.044	0.060	0.075	0.085	0.095	0.11	0.12	0.14	165 (140 – 185)	
P4	M/A/D/E	1.0	0.014	0.022	0.028	0.036	0.042	0.055	0.070	0.085	0.095	0.10	0.12	0.14	145 (125 – 170)	
P5	M/A/D/E	1.0	0.014	0.022	0.028	0.036	0.042	0.055	0.070	0.085	0.095	0.10	0.12	0.13	140 (120 – 160)	
P6	M/A/D/E	1.0	0.014	0.020	0.028	0.034	0.042	0.055	0.070	0.080	0.095	0.10	0.12	0.13	160 (135 – 180)	
P7	M/A/D/E	1.0	0.014	0.020	0.028	0.034	0.042	0.055	0.070	0.080	0.095	0.10	0.12	0.13	150 (125 – 170)	
P8	M/A/D/E	1.0	0.015	0.022	0.030	0.036	0.044	0.060	0.075	0.085	0.095	0.11	0.12	0.14	140 (120 – 160)	
P11	M/A/D/E	1.0	0.014	0.020	0.028	0.034	0.042	0.055	0.070	0.080	0.095	0.10	0.12	0.13	145 (125 – 165)	
M1	E	0.80	0.011	0.017	0.022	0.028	0.034	0.044	0.055	0.065	0.075	0.080	0.095	0.11	95 (85 – 110)	
M2	E	0.80	0.010	0.015	0.020	0.026	0.030	0.040	0.050	0.060	0.065	0.075	0.085	0.095	80 (70 – 90)	
M3	E	0.65	0.0080	0.012	0.016	0.020	0.024	0.032	0.040	0.048	0.055	0.060	0.070	0.075	65 (55 – 70)	
M4	E	0.48	0.0070	0.011	0.014	0.018	0.022	0.028	0.036	0.042	0.046	0.050	0.060	0.065	49 (43 – 55)	
M5	E	0.48	0.0070	0.011	0.014	0.018	0.022	0.028	0.036	0.042	0.046	0.050	0.060	0.065	41 (36 – 46)	
K1	E	1.0	0.012	0.018	0.024	0.030	0.036	0.048	0.060	0.070	0.080	0.090	0.10	0.11	160 (140 – 180)	
K2	E	1.0	0.011	0.016	0.022	0.028	0.032	0.044	0.055	0.065	0.075	0.080	0.090	0.10	140 (125 – 160)	
K3	E	1.0	0.011	0.016	0.022	0.028	0.032	0.044	0.055	0.065	0.075	0.080	0.090	0.10	120 (105 – 135)	
K4	E	0.70	0.010	0.015	0.020	0.024	0.030	0.040	0.050	0.060	0.065	0.075	0.085	0.095	115 (100 – 130)	
K5	E	0.70	0.0090	0.013	0.018	0.022	0.026	0.036	0.044	0.055	0.060	0.065	0.075	0.085	70 (65 – 80)	
K6	E	0.70	0.010	0.015	0.020	0.024	0.030	0.040	0.050	0.060	0.065	0.075	0.085	0.095	105 (90 – 115)	
K7	E	0.70	0.0090	0.013	0.018	0.022	0.026	0.036	0.044	0.055	0.060	0.065	0.075	0.085	90 (80 – 105)	
N1	E	0.70	0.014	0.022	0.028	0.036	0.042	0.055	0.070	0.085	0.095	0.10	0.12	0.13	930 (780 – 1100)	
N2	E	0.70	0.014	0.022	0.028	0.036	0.042	0.055	0.070	0.085	0.095	0.10	0.12	0.13	600 (500 – 700)	
N3	E	0.70	0.014	0.022	0.028	0.036	0.042	0.055	0.070	0.085	0.095	0.10	0.12	0.13	400 (335 – 465)	
N11	E	0.70	0.014	0.022	0.028	0.036	0.042	0.055	0.070	0.085	0.095	0.10	0.12	0.13	290 (240 – 340)	
S1	E	0.40	0.0065	0.0095	0.013	0.016	0.019	0.026	0.032	0.038	0.044	0.048	0.055	0.060	40 (30 – 50)	
S2	E	0.40	0.0065	0.0095	0.013	0.016	0.019	0.026	0.032	0.038	0.044	0.048	0.055	0.060	40 (30 – 50)	
S3	E	0.40	0.0060	0.0090	0.012	0.015	0.018	0.024	0.030	0.036	0.040	0.044	0.050	0.055	25 (15 – 35)	
S11	E	1.0	0.012	0.018	0.024	0.030	0.036	0.048	0.060	0.070	0.080	0.090	0.10	0.11	85 (60 – 110)	
S12	E	1.0	0.012	0.018	0.024	0.030	0.036	0.048	0.060	0.070	0.080	0.090	0.10	0.11	65 (48 – 85)	
S13	E	0.85	0.011	0.016	0.022	0.026	0.032	0.042	0.055	0.060	0.070	0.075	0.090	0.10	55 (38 – 70)	
H5	M/A/D	0.50	0.0040	0.0060	0.0080	0.010	0.012	0.016	0.020	0.024	0.026	0.030	0.034	0.038	50 (40 – 60)	
H8	M/A/D	0.50	0.0046	0.0070	0.0090	0.012	0.014	0.018	0.024	0.028	0.030	0.034	0.040	0.044	49 (39 – 60)	
H11	M/A/D	0.50	0.0040	0.0060	0.0080	0.010	0.012	0.016	0.020	0.024	0.026	0.030	0.034	0.038	65 (50 – 75)	
H12	M/A/D	0.50	0.0040	0.0060	0.0080	0.010	0.012	0.016	0.020	0.024	0.026	0.030	0.034	0.038	105 (85 – 125)	
H21	M/A/D	0.50	0.0046	0.0070	0.0090	0.012	0.014	0.018	0.024	0.028	0.030	0.034	0.040	0.044	49 (39 – 60)	
TS1	A	1.0	0.020	0.030	0.040	0.050	0.060	0.080	0.10	0.12	0.13	0.15	0.17	0.19	250 (200 – 300)	
TP1	A	1.0	0.020	0.030	0.040	0.050	0.060	0.080	0.10	0.12	0.13	0.15	0.17	0.19	230 (135 – 320)	
GR1	A	1.0	0.020	0.030	0.040	0.050	0.060	0.080	0.10	0.12	0.13	0.15	0.17	0.19	500 (450 – 550)	

For cutting data recalculations, see pages 336-344.

SMG = Seco material group

Coolant = A=air D=dry E=emulsion M=mist spray

v_c = m/min

f_z = mm

a_p (mm)/D_c (mm) = factor

All cutting data are target values

Cutting data – JS553 Side milling $a_p/D_c = 0.4$

SMG		a_p / D_c	f_z												v_c
			2	3	4	5	6	8	10	12	14	16	20	25	
P1	M/A/D/E	1.0	0.015	0.024	0.030	0.038	0.046	0.060	0.075	0.090	0.10	0.11	0.13	0.15	245 (210 – 280)
P2	M/A/D/E	1.0	0.016	0.024	0.032	0.040	0.048	0.065	0.080	0.095	0.11	0.12	0.13	0.15	235 (200 – 270)
P3	M/A/D/E	1.0	0.015	0.022	0.030	0.038	0.044	0.060	0.075	0.090	0.10	0.11	0.13	0.14	205 (175 – 235)
P4	M/A/D/E	1.0	0.015	0.022	0.030	0.036	0.044	0.060	0.075	0.085	0.095	0.11	0.12	0.14	180 (155 – 205)
P5	M/A/D/E	1.0	0.014	0.022	0.028	0.036	0.042	0.055	0.070	0.085	0.095	0.11	0.12	0.14	175 (150 – 200)
P6	M/A/D/E	1.0	0.014	0.022	0.028	0.036	0.042	0.055	0.070	0.085	0.095	0.10	0.12	0.14	200 (170 – 225)
P7	M/A/D/E	1.0	0.014	0.022	0.028	0.036	0.042	0.055	0.070	0.085	0.095	0.10	0.12	0.14	185 (160 – 215)
P8	M/A/D/E	1.0	0.015	0.022	0.030	0.038	0.044	0.060	0.075	0.090	0.10	0.11	0.13	0.14	175 (150 – 200)
P11	M/A/D/E	1.0	0.014	0.022	0.028	0.036	0.042	0.055	0.070	0.085	0.095	0.10	0.12	0.14	180 (155 – 205)
M1	E	1.0	0.011	0.017	0.022	0.028	0.034	0.044	0.055	0.065	0.075	0.085	0.095	0.11	120 (105 – 135)
M2	E	1.0	0.010	0.015	0.020	0.026	0.030	0.040	0.050	0.060	0.070	0.075	0.085	0.10	100 (90 – 115)
M3	E	0.80	0.0080	0.012	0.016	0.020	0.024	0.032	0.040	0.048	0.055	0.060	0.070	0.080	80 (70 – 90)
M4	E	0.60	0.0070	0.011	0.014	0.018	0.022	0.028	0.036	0.042	0.048	0.055	0.060	0.070	60 (55 – 70)
M5	E	0.60	0.0070	0.011	0.014	0.018	0.022	0.028	0.036	0.042	0.048	0.055	0.060	0.070	50 (45 – 55)
K1	E	1.0	0.012	0.018	0.024	0.030	0.036	0.050	0.060	0.070	0.080	0.090	0.10	0.12	200 (175 – 225)
K2	E	1.0	0.011	0.017	0.022	0.028	0.034	0.044	0.055	0.065	0.075	0.080	0.095	0.11	180 (155 – 200)
K3	E	1.0	0.011	0.017	0.022	0.028	0.034	0.044	0.055	0.065	0.075	0.080	0.095	0.11	150 (130 – 170)
K4	E	1.0	0.010	0.015	0.020	0.026	0.030	0.040	0.050	0.060	0.070	0.075	0.085	0.10	145 (130 – 165)
K5	E	1.0	0.0090	0.014	0.018	0.022	0.028	0.036	0.046	0.055	0.060	0.070	0.080	0.090	90 (75 – 100)
K6	E	1.0	0.010	0.015	0.020	0.026	0.030	0.040	0.050	0.060	0.070	0.075	0.085	0.10	130 (115 – 145)
K7	E	1.0	0.0090	0.014	0.018	0.022	0.028	0.036	0.046	0.055	0.060	0.070	0.080	0.090	115 (100 – 125)
N1	E	1.2	0.014	0.022	0.028	0.036	0.042	0.055	0.070	0.085	0.095	0.11	0.12	0.14	1175 (970 – 1350)
N2	E	1.2	0.014	0.022	0.028	0.036	0.042	0.055	0.070	0.085	0.095	0.11	0.12	0.14	750 (630 – 880)
N3	E	1.2	0.014	0.022	0.028	0.036	0.042	0.055	0.070	0.085	0.095	0.11	0.12	0.14	500 (415 – 580)
N11	E	1.2	0.014	0.022	0.028	0.036	0.042	0.055	0.070	0.085	0.095	0.11	0.12	0.14	360 (300 – 425)
S11	E	1.0	0.012	0.018	0.024	0.030	0.036	0.050	0.060	0.070	0.080	0.090	0.10	0.12	110 (80 – 140)
S12	E	1.0	0.012	0.018	0.024	0.030	0.036	0.050	0.060	0.070	0.080	0.090	0.10	0.12	85 (60 – 110)
S13	E	0.85	0.011	0.016	0.022	0.026	0.032	0.042	0.055	0.065	0.070	0.080	0.090	0.10	65 (47 – 85)
TS1	A	1.0	0.020	0.030	0.040	0.050	0.060	0.080	0.10	0.12	0.14	0.15	0.17	0.20	315 (250 – 380)
TP1	A	1.0	0.020	0.030	0.040	0.050	0.060	0.080	0.10	0.12	0.14	0.15	0.17	0.20	285 (170 – 400)
GR1	A	1.0	0.020	0.030	0.040	0.050	0.060	0.080	0.10	0.12	0.14	0.15	0.17	0.20	630 (570 – 690)

Cutting data – JS553 Side milling $a_p/D_c = 0.2$

SMG		a_p / D_c	f_z												v_c
			2	3	4	5	6	8	10	12	14	16	20	25	
S1	E	0.60	0.0080	0.012	0.016	0.020	0.024	0.032	0.040	0.048	0.055	0.060	0.070	0.075	55 (41 – 70)
S2	E	0.60	0.0080	0.012	0.016	0.020	0.024	0.032	0.040	0.048	0.055	0.060	0.070	0.075	55 (41 – 70)
S3	E	0.60	0.0075	0.011	0.015	0.019	0.022	0.030	0.038	0.044	0.050	0.055	0.065	0.070	35 (21 – 48)
H5	M/A/D	1.0	0.0050	0.0075	0.010	0.013	0.015	0.020	0.026	0.030	0.034	0.036	0.042	0.048	70 (55 – 85)
H8	M/A/D	1.0	0.0060	0.0085	0.012	0.014	0.017	0.024	0.028	0.034	0.038	0.042	0.048	0.055	70 (55 – 80)
H21	M/A/D	1.0	0.0060	0.0085	0.012	0.014	0.017	0.024	0.028	0.034	0.038	0.042	0.048	0.055	70 (55 – 80)
H31	M/A/D	1.0	0.0050	0.0075	0.010	0.013	0.015	0.020	0.026	0.030	0.034	0.036	0.042	0.048	50 (42 – 60)

For cutting data recalculations, see pages 336-344.

SMG = Seco material group

Coolant = A=air D=dry E=emulsion M=mist spray

v_c = m/min

f_z = mm

a_p (mm)/ D_c (mm)= factor

a_e (mm)/ D_c (mm)= factor

All cutting data are target values

Cutting data – JS553 Slotting

SMG		a_p / D_c	f_z									v_c
			1/8	3/16	1/4	5/16	3/8	1/2	5/8	3/4	1	
P1	M/A/D/E	0.95	0.00095	0.0014	0.0019	0.0024	0.0028	0.0038	0.0044	0.0048	0.0060	650 (560 – 750)
P2	M/A/D/E	0.95	0.00095	0.0014	0.0019	0.0024	0.0030	0.0038	0.0044	0.0050	0.0060	630 (540 – 720)
P3	M/A/D/E	0.95	0.00095	0.0013	0.0018	0.0024	0.0028	0.0036	0.0044	0.0048	0.0055	550 (470 – 630)
P4	M/A/D/E	0.95	0.00085	0.0013	0.0018	0.0022	0.0028	0.0036	0.0040	0.0048	0.0055	480 (415 – 550)
P5	M/A/D/E	0.95	0.00085	0.0013	0.0017	0.0022	0.0026	0.0034	0.0040	0.0048	0.0055	470 (400 – 540)
P6	M/A/D/E	0.95	0.00085	0.0013	0.0017	0.0022	0.0026	0.0034	0.0040	0.0044	0.0050	450 (400 – 600)
P7	M/A/D/E	0.95	0.00085	0.0013	0.0017	0.0022	0.0026	0.0034	0.0040	0.0044	0.0050	495 (425 – 570)
P8	M/A/D/E	0.95	0.00095	0.0013	0.0018	0.0024	0.0028	0.0036	0.0044	0.0048	0.0055	460 (395 – 530)
P11	M/A/D/E	0.95	0.00085	0.0013	0.0017	0.0022	0.0026	0.0034	0.0040	0.0044	0.0050	480 (415 – 550)
M1	E	0.75	0.00065	0.0010	0.0013	0.0017	0.0020	0.0028	0.0032	0.0036	0.0044	325 (285 – 365)
M2	E	0.75	0.00065	0.00095	0.0013	0.0016	0.0019	0.0024	0.0030	0.0032	0.0038	265 (235 – 300)
M3	E	0.65	0.00050	0.00075	0.0010	0.0013	0.0015	0.0020	0.0024	0.0026	0.0030	210 (185 – 240)
M4	E	0.42	0.00044	0.00065	0.00085	0.0011	0.0013	0.0017	0.0020	0.0024	0.0028	165 (145 – 185)
M5	E	0.42	0.00044	0.00065	0.00085	0.0011	0.0013	0.0017	0.0020	0.0024	0.0028	135 (120 – 155)
K1	E	0.95	0.00075	0.0011	0.0015	0.0019	0.0022	0.0030	0.0036	0.0040	0.0048	540 (470 – 600)
K2	E	0.95	0.00065	0.0010	0.0013	0.0017	0.0020	0.0028	0.0032	0.0036	0.0044	475 (415 – 530)
K3	E	0.95	0.00065	0.0010	0.0013	0.0017	0.0020	0.0028	0.0032	0.0036	0.0044	400 (350 – 450)
K4	E	0.65	0.00065	0.00095	0.0013	0.0016	0.0019	0.0024	0.0030	0.0032	0.0038	390 (340 – 435)
K5	E	0.65	0.00055	0.00085	0.0011	0.0014	0.0017	0.0022	0.0026	0.0030	0.0034	235 (210 – 265)
K6	E	0.65	0.00065	0.00095	0.0013	0.0016	0.0019	0.0024	0.0030	0.0032	0.0038	340 (300 – 385)
K7	E	0.65	0.00055	0.00085	0.0011	0.0014	0.0017	0.0022	0.0026	0.0030	0.0034	305 (265 – 340)
N1	E	0.65	0.00085	0.0013	0.0017	0.0022	0.0026	0.0034	0.0040	0.0048	0.0055	3125 (2600 – 3650)
N2	E	0.65	0.00085	0.0013	0.0017	0.0022	0.0026	0.0034	0.0040	0.0048	0.0055	2000 (1675 – 2350)
N3	E	0.65	0.00085	0.0013	0.0017	0.0022	0.0026	0.0034	0.0040	0.0048	0.0055	1350 (1125 – 1550)
N11	E	0.65	0.00085	0.0013	0.0017	0.0022	0.0026	0.0034	0.0040	0.0048	0.0055	970 (810 – 1125)
S1	E	0.36	0.00040	0.00060	0.00080	0.0010	0.0012	0.0016	0.0019	0.0022	0.0024	130 (100 – 165)
S2	E	0.36	0.00040	0.00060	0.00080	0.0010	0.0012	0.0016	0.0019	0.0022	0.0024	130 (100 – 165)
S3	E	0.36	0.00038	0.00055	0.00075	0.00095	0.0011	0.0015	0.0017	0.0020	0.0024	85 (50 – 115)
S11	E	0.95	0.00075	0.0011	0.0015	0.0019	0.0022	0.0030	0.0036	0.0040	0.0048	290 (210 – 375)
S12	E	0.95	0.00075	0.0011	0.0015	0.0019	0.0022	0.0030	0.0036	0.0040	0.0048	225 (160 – 290)
S13	E	0.75	0.00065	0.0010	0.0013	0.0017	0.0020	0.0026	0.0030	0.0034	0.0040	180 (125 – 230)
H5	M/A/D	0.48	0.00026	0.00038	0.00050	0.00065	0.00075	0.00095	0.0012	0.0013	0.0015	170 (135 – 200)
H8	M/A/D	0.48	0.00030	0.00044	0.00060	0.00070	0.00085	0.0011	0.0013	0.0015	0.0017	165 (130 – 195)
H11	M/A/D	0.48	0.00026	0.00038	0.00050	0.00065	0.00075	0.00095	0.0012	0.0013	0.0015	215 (170 – 255)
H12	M/A/D	0.48	0.00026	0.00038	0.00050	0.00065	0.00075	0.00095	0.0012	0.0013	0.0015	325 (260 – 385)
H21	M/A/D	0.48	0.00030	0.00044	0.00060	0.00070	0.00085	0.0011	0.0013	0.0015	0.0017	165 (130 – 195)
TS1	A	0.95	0.0013	0.0019	0.0026	0.0032	0.0038	0.0048	0.0060	0.0065	0.0075	830 (670 – 1000)
TP1	A	0.95	0.0013	0.0019	0.0026	0.0032	0.0038	0.0048	0.0060	0.0065	0.0075	760 (455 – 1075)
GR1	A	0.95	0.0013	0.0019	0.0026	0.0032	0.0038	0.0048	0.0060	0.0065	0.0075	1675 (1500 – 1825)

For cutting data recalculations, see pages 336-344.

SMG = Seco Material Group

Coolant = A=air D=dry E=emulsion M=mist spray

v_c = sf/min

f_z = in/tooth

a_p / D_c = factor

a_e / D_c = factor

All cutting data are target values

Cutting data – JS553 Side milling $a_p/D_c = 0.4$

SMG		a_p / D_c	f_z									v_c
			1/8	3/16	1/4	5/16	3/8	1/2	5/8	3/4	1	
P1	M/A/D/E	0.95	0.00095	0.0014	0.0020	0.0024	0.0030	0.0038	0.0044	0.0050	0.0060	810 (690 – 920)
P2	M/A/D/E	0.95	0.00095	0.0015	0.0020	0.0024	0.0030	0.0038	0.0044	0.0050	0.0060	790 (670 – 900)
P3	M/A/D/E	0.95	0.00095	0.0014	0.0019	0.0024	0.0028	0.0036	0.0044	0.0048	0.0055	690 (590 – 790)
P4	M/A/D/E	0.95	0.00095	0.0013	0.0018	0.0024	0.0028	0.0036	0.0044	0.0048	0.0055	610 (520 – 690)
P5	M/A/D/E	0.95	0.00085	0.0013	0.0018	0.0022	0.0028	0.0036	0.0040	0.0048	0.0055	580 (495 – 660)
P6	M/A/D/E	0.95	0.00085	0.0013	0.0017	0.0022	0.0026	0.0036	0.0040	0.0048	0.0055	660 (570 – 750)
P7	M/A/D/E	0.95	0.00085	0.0013	0.0017	0.0022	0.0026	0.0036	0.0040	0.0048	0.0055	620 (530 – 710)
P8	M/A/D/E	0.95	0.00095	0.0014	0.0019	0.0024	0.0028	0.0036	0.0044	0.0048	0.0055	580 (495 – 660)
P11	M/A/D/E	0.95	0.00085	0.0013	0.0017	0.0022	0.0026	0.0036	0.0040	0.0048	0.0055	610 (520 – 690)
M1	E	0.75	0.00070	0.0010	0.0014	0.0017	0.0022	0.0028	0.0032	0.0036	0.0044	400 (350 – 450)
M2	E	0.75	0.00065	0.00095	0.0013	0.0016	0.0019	0.0026	0.0030	0.0034	0.0040	335 (290 – 375)
M3	E	0.65	0.00050	0.00075	0.0010	0.0013	0.0015	0.0020	0.0024	0.0026	0.0032	265 (230 – 300)
M4	E	0.42	0.00044	0.00065	0.00085	0.0011	0.0013	0.0017	0.0020	0.0024	0.0028	205 (180 – 230)
M5	E	0.42	0.00044	0.00065	0.00085	0.0011	0.0013	0.0017	0.0020	0.0024	0.0028	170 (150 – 190)
K1	E	0.95	0.00075	0.0012	0.0015	0.0019	0.0024	0.0030	0.0036	0.0040	0.0048	660 (580 – 740)
K2	E	0.95	0.00070	0.0010	0.0014	0.0017	0.0022	0.0028	0.0032	0.0036	0.0044	580 (510 – 660)
K3	E	0.95	0.00070	0.0010	0.0014	0.0017	0.0022	0.0028	0.0032	0.0036	0.0044	495 (430 – 550)
K4	E	0.65	0.00065	0.00095	0.0013	0.0016	0.0019	0.0026	0.0030	0.0034	0.0040	485 (425 – 550)
K5	E	0.65	0.00060	0.00085	0.0012	0.0014	0.0017	0.0022	0.0026	0.0030	0.0036	295 (255 – 330)
K6	E	0.65	0.00065	0.00095	0.0013	0.0016	0.0019	0.0026	0.0030	0.0034	0.0040	430 (375 – 480)
K7	E	0.65	0.00060	0.00085	0.0012	0.0014	0.0017	0.0022	0.0026	0.0030	0.0036	375 (330 – 425)
N1	E	1.0	0.00085	0.0013	0.0018	0.0022	0.0028	0.0036	0.0040	0.0048	0.0055	3825 (3200 – 4475)
N2	E	1.0	0.00085	0.0013	0.0018	0.0022	0.0028	0.0036	0.0040	0.0048	0.0055	2475 (2050 – 2875)
N3	E	1.0	0.00085	0.0013	0.0018	0.0022	0.0028	0.0036	0.0040	0.0048	0.0055	1650 (1375 – 1925)
N11	E	1.0	0.00085	0.0013	0.0018	0.0022	0.0028	0.0036	0.0040	0.0048	0.0055	1200 (990 – 1400)
S11	E	0.95	0.00075	0.0012	0.0015	0.0019	0.0024	0.0030	0.0036	0.0040	0.0048	360 (255 – 460)
S12	E	0.95	0.00075	0.0012	0.0015	0.0019	0.0024	0.0030	0.0036	0.0040	0.0048	275 (195 – 355)
S13	E	0.75	0.00065	0.0010	0.0013	0.0017	0.0020	0.0026	0.0032	0.0036	0.0040	225 (160 – 285)
TS1	A	0.95	0.0013	0.0019	0.0026	0.0032	0.0038	0.0050	0.0060	0.0065	0.0080	1050 (840 – 1250)
TP1	A	0.95	0.0013	0.0019	0.0026	0.0032	0.0038	0.0050	0.0060	0.0065	0.0080	960 (570 – 1350)
GR1	A	0.95	0.0013	0.0019	0.0026	0.0032	0.0038	0.0050	0.0060	0.0065	0.0080	2100 (1900 – 2300)

Cutting data – JS553 Side milling $a_p/D_c = 0.2$

SMG		a_p / D_c	f_z									v_c
			1/8	3/16	1/4	5/16	3/8	1/2	5/8	3/4	1	
S1	E	0.36	0.00050	0.00075	0.0010	0.0013	0.0015	0.0020	0.0024	0.0026	0.0032	185 (140 – 230)
S2	E	0.36	0.00050	0.00075	0.0010	0.0013	0.0015	0.0020	0.0024	0.0026	0.0032	185 (140 – 230)
S3	E	0.36	0.00048	0.00070	0.00095	0.0012	0.0014	0.0018	0.0022	0.0024	0.0030	115 (70 – 160)
H5	M/A/D	0.48	0.00032	0.00048	0.00065	0.00080	0.00095	0.0013	0.0014	0.0017	0.0019	230 (185 – 280)
H8	M/A/D	0.48	0.00036	0.00055	0.00070	0.00085	0.0011	0.0014	0.0017	0.0019	0.0022	230 (180 – 275)
H21	M/A/D	0.48	0.00036	0.00055	0.00070	0.00085	0.0011	0.0014	0.0017	0.0019	0.0022	230 (180 – 275)
H31	M/A/D	0.48	0.00032	0.00048	0.00065	0.00080	0.00095	0.0013	0.0014	0.0017	0.0019	175 (140 – 210)

For cutting data recalculations, see pages 336-344.

SMG = Seco Material Group

Coolant = A=air D=dry E=emulsion M=mist spray

v_c = sf/min

f_z = in/tooth

a_p/D_c = factor

a_p/D_c = factor

All cutting data are target values

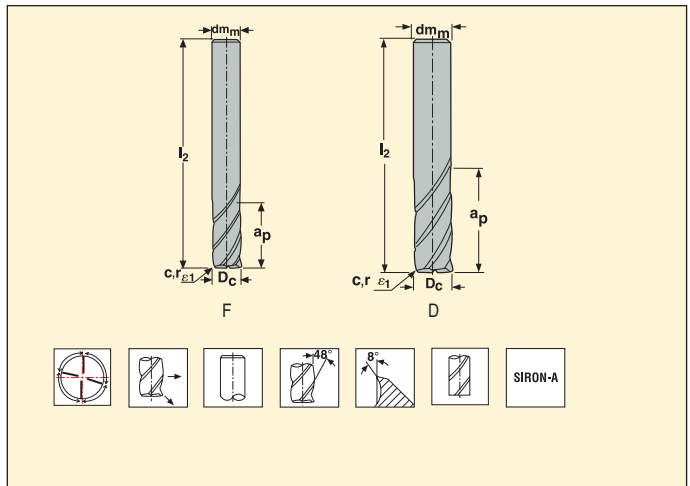
JS554 – Solid carbide end mill – cylindrical – four flute – 90° sharp corner – unequal flute spacing



Tolerances:

$dm_m = h5$

$D_c = e7$



EDP No.	Part No.	Length index	Tool shape	Dimensions in mm				z_n	Cylindrical
				D_c	dm_m	a_p	l_2		
64088	554030SZ4.0-SIRON-A	2	F	3	6	7	50	4	■
64091	554040SZ4.0-SIRON-A	2	F	4	6	10	55	4	■
64099	554050SZ4.0-SIRON-A	2	F	5	6	12	55	4	■
64101	554060SZ4.0-SIRON-A	2	D	6	6	14	55	4	■
64102	554080SZ4.0-SIRON-A	2	D	8	8	18	60	4	■
64105	554100SZ4.0-SIRON-A	2	D	10	10	22	70	4	■

■ Stock standard. Subject to change, refer to current price-and stock-list.

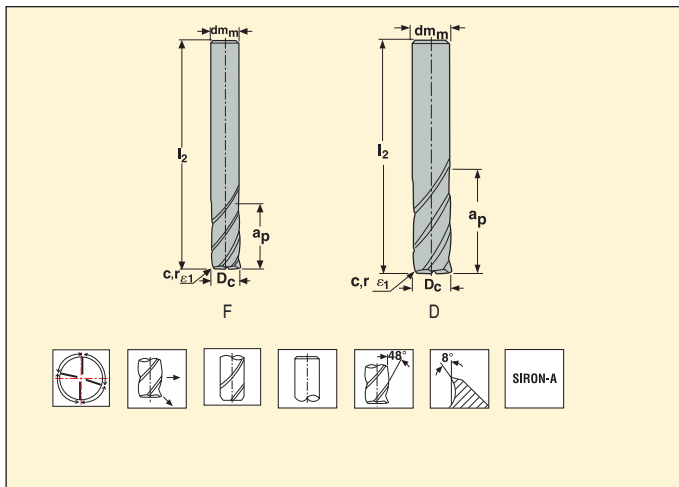
JS554 – Solid carbide end mill – cylindrical – four flute – 45° corner chamfer – unequal flute spacing



Tolerances:

$dm_m = h5$

$D_c = e7$



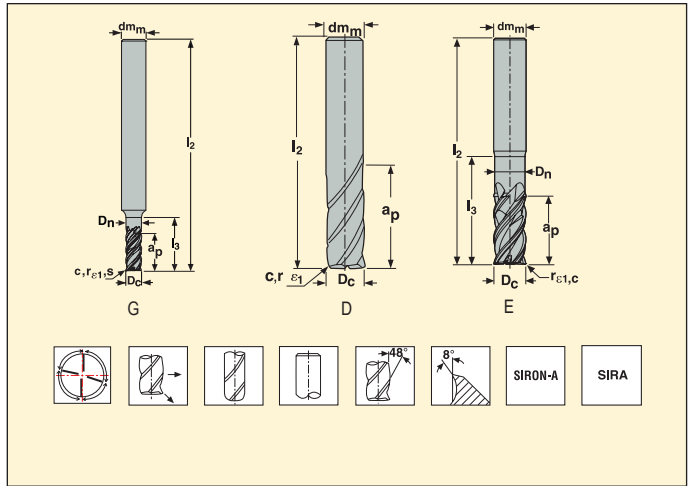
EDP No.	Part No.	Length index	Tool shape	Dimensions in mm					z_n	Cylindrical
				D_c	dm_m	a_p	l_2	$c \times 45^\circ$		
64089	554030Z4.0-SIRON-A	2	F	3	6	7	50	0.035	4	■
64092	554040Z4.0-SIRON-A	2	F	4	6	10	55	0.045	4	■
64100	554050Z4.0-SIRON-A	2	F	5	6	12	55	0.055	4	■
51854	554060Z4.0-SIRON-A	2	D	6	6	14	55	0.075	4	■
51860	554080Z4.0-SIRON-A	2	D	8	8	18	60	0.1	4	■
51864	554100Z4.0-SIRON-A	2	D	10	10	22	70	0.125	4	■
51876	554120Z4.0-SIRON-A	2	D	12	12	26	80	0.15	4	■
51883	554160Z4.0-SIRON-A	2	D	16	16	34	90	0.2	4	■
51889	554200Z4.0-SIRON-A	2	D	20	20	42	100	0.25	4	■
51895	554250Z4.0-SIRON-A	2	D	25	25	52	125	0.3	4	■
64107	554L030Z4.0-SIRON-A	3	F	3	6	12	55	0.035	4	■
64109	554L040Z4.0-SIRON-A	3	F	4	6	16	60	0.045	4	■
64111	554L050Z4.0-SIRON-A	3	F	5	6	20	65	0.055	4	■
64113	554L060Z4.0-SIRON-A	3	D	6	6	23	65	0.075	4	■
64115	554L080Z4.0-SIRON-A	3	D	8	8	32	75	0.1	4	■
64117	554L100Z4.0-SIRON-A	3	D	10	10	40	85	0.125	4	■
64120	554L120Z4.0-SIRON-A	3	D	12	12	45	100	0.15	4	■
64122	554L160Z4.0-SIRON-A	3	D	16	16	55	115	0.2	4	■
64124	554L200Z4.0-SIRON-A	3	D	20	20	65	125	0.25	4	■
64128	554L250Z4.0-SIRON-A	3	D	25	25	85	150	0.3	4	■

■ Stock standard. Subject to change, refer to current price-and stock-list.

JS554 – Solid carbide end mill – cylindrical – four flute – corner radius – OD-reduction – unequal flute spacing



Tolerances:
 $dm_m = h5$
 $D_c = e7$
 $r_{ε1} = \pm 0.02 \text{ mm}$



EDP No.	Part No.	Length index	Tool shape	Dimensions in mm								z_n	Cylindrical
				D_c	dm_m	a_p	l_2	l_3	D_n	$r_{ε1}$			
84387	JS554030G2R015.0Z4-SIRA	2	G	3	6	7	57	10	2.85	0.15	4	■	
84388	JS554040G2R020.0Z4-SIRA	2	G	4	6	10	57	13	3.8	0.2	4	■	
84389	JS554050G2R020.0Z4-SIRA	2	G	5	6	12	57	16	4.75	0.2	4	■	
51856	554060R020Z4.0-SIRON-A	2	D	6	6	14	55	–	–	0.2	4	■	
84390	JS554060E2R050.0Z4-SIRA	2	E	6	6	14	57	18	5.7	0.5	4	■	
51862	554080R050Z4.0-SIRON-A	2	D	8	8	18	60	–	–	0.5	4	■	
84391	JS554080E2R100.0Z4-SIRA	2	E	8	8	18	63	25	7.6	1	4	■	
51866	554100R050Z4.0-SIRON-A	2	D	10	10	22	70	–	–	0.5	4	■	
51872	554100R100Z4.0-SIRON-A	2	D	10	10	22	70	–	–	1	4	■	
84392	JS554100E2R200.0Z4-SIRA	2	E	10	10	22	72	29	9.5	2	4	■	
51878	554120R050Z4.0-SIRON-A	2	D	12	12	26	80	–	–	0.5	4	■	
51881	554120R100Z4.0-SIRON-A	2	D	12	12	26	80	–	–	1	4	■	
84393	JS554120E2R200.0Z4-SIRA	2	E	12	12	26	83	35	11.4	2	4	■	
84394	JS554120E2R250.0Z4-SIRA	2	E	12	12	26	83	35	11.4	2.5	4	■	
51885	554160R050Z4.0-SIRON-A	2	D	16	16	34	90	–	–	0.5	4	■	
51887	554160R100Z4.0-SIRON-A	2	D	16	16	34	90	–	–	1	4	■	
10201	554160R200Z4.0-SIRON-A	2	D	16	16	34	90	–	–	2	4	■	
10203	554160R310Z4.0-SIRON-A	2	D	16	16	34	90	–	–	3.1	4	■	
10205	554160R400Z4.0-SIRON-A	2	D	16	16	34	90	–	–	4	4	■	
51891	554200R050Z4.0-SIRON-A	2	D	20	20	42	100	–	–	0.5	4	■	
51893	554200R100Z4.0-SIRON-A	2	D	20	20	42	100	–	–	1	4	■	
84395	JS554200E2R200.0Z4-SIRA	2	E	20	20	42	110	54	19	2	4	■	
10207	554200R250Z4.0-SIRON-A	2	D	20	20	42	100	–	–	2.5	4	■	
10210	554200R310Z4.0-SIRON-A	2	D	20	20	42	100	–	–	3.1	4	■	
10214	554200R400Z4.0-SIRON-A	2	D	20	20	42	100	–	–	4	4	■	
51897	554250R050Z4.0-SIRON-A	2	D	25	25	52	125	–	–	0.5	4	■	
51899	554250R100Z4.0-SIRON-A	2	D	25	25	52	125	–	–	1	4	■	
10217	554250R310Z4.0-SIRON-A	2	D	25	25	52	125	–	–	3.1	4	■	
10220	554250R400Z4.0-SIRON-A	2	D	25	25	52	125	–	–	4	4	■	

■ Stock standard. Subject to change, refer to current price-and stock-list.

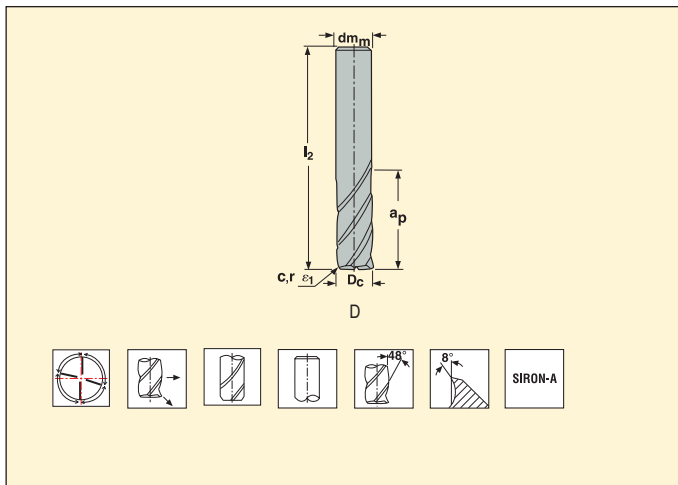
JS554 – Solid carbide end mill – cylindrical – four flute – 45° chamfer – inch – unequal flute spacing



Tolerances:

$dm_m = h5$

$D_c = e7$



EDP No.	Part No.	Length index	Tool shape	Dimensions in inch					z_n	Cylindrical
				D_c	dm_m	a_p	l_2	$c \times 45^\circ$		
58708	5540250Z4.0-SIRON-A	2	D	0.250	0.250	0.500	2.500	0.003	4	■
58710	5540312Z4.0-SIRON-A	2	D	0.312	0.313	0.625	2.500	0.004	4	■
58712	5540375Z4.0-SIRON-A	2	D	0.375	0.375	0.750	3.000	0.005	4	■
58730	5540500Z4.0-SIRON-A	2	D	0.500	0.500	1.000	3.500	0.006	4	■
58736	5540625Z4.0-SIRON-A	2	D	0.625	0.625	1.250	3.750	0.008	4	■
58742	5540750Z4.0-SIRON-A	2	D	0.750	0.750	1.500	4.000	0.010	4	■
58748	5541000Z4.0-SIRON-A	2	D	1.000	1.000	2.000	5.000	0.012	4	■

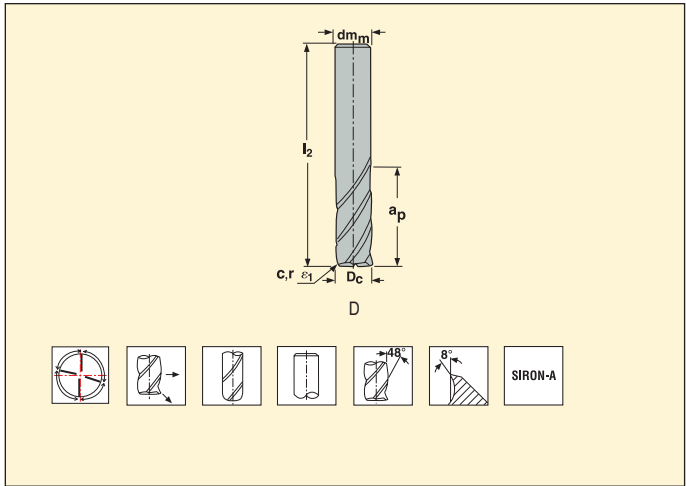
■ Stock standard. Subject to change, refer to current price-and stock-list.

JS554 – Solid carbide end mill – cylindrical – four flute – corner radius – inch – unequal flute spacing



Tolerances:

$dm_m = h5$
 $D_c = e7$
 $r_{c1} = +/- 0.0008$



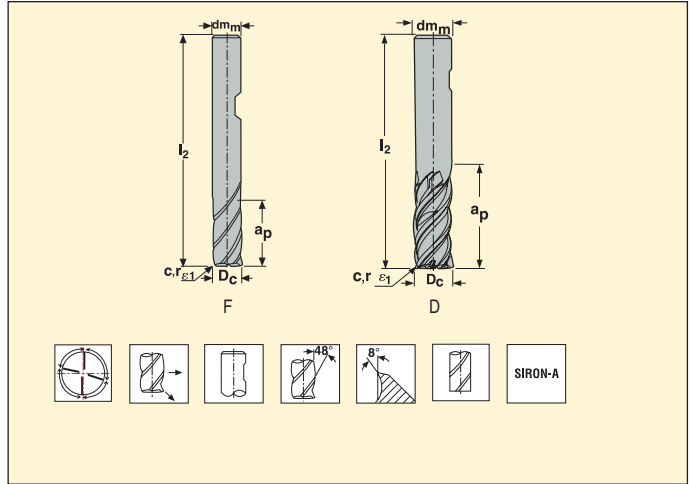
EDP No.	Part No.	Length index	Tool shape	Dimensions in inch					z _n	Cylindrical
				D _c	dm _m	a _p	l ₂	r _{c1}		
58709	5540250R015Z4.0-SIRON-A	2	D	0.250	0.250	0.500	2.500	0.015	4	■
58711	5540312R015Z4.0-SIRON-A	2	D	0.312	0.313	0.625	2.500	0.015	4	■
58727	5540375R015Z4.0-SIRON-A	2	D	0.375	0.375	0.750	3.000	0.015	4	■
58728	5540375R030Z4.0-SIRON-A	2	D	0.375	0.375	0.750	3.000	0.030	4	■
58732	5540500R015Z4.0-SIRON-A	2	D	0.500	0.500	1.000	3.500	0.015	4	■
58734	5540500R030Z4.0-SIRON-A	2	D	0.500	0.500	1.000	3.500	0.030	4	■
79732	5540500R125Z4.0-SIRON-A	2	D	0.500	0.500	1.000	3.500	0.125	4	■
58738	5540625R015Z4.0-SIRON-A	2	D	0.625	0.625	1.250	3.750	0.015	4	■
58740	5540625R030Z4.0-SIRON-A	2	D	0.625	0.625	1.250	3.750	0.030	4	■
79734	5540625R125Z4.0-SIRON-A	2	D	0.625	0.625	1.250	3.750	0.125	4	■
58744	5540750R030Z4.0-SIRON-A	2	D	0.750	0.750	1.500	4.000	0.030	4	■
58746	5540750R060Z4.0-SIRON-A	2	D	0.750	0.750	1.500	4.000	0.060	4	■
79735	5540750R090Z4.0-SIRON-A	2	D	0.750	0.750	1.500	4.000	0.090	4	■
79740	5540750R125Z4.0-SIRON-A	2	D	0.750	0.750	1.500	4.000	0.125	4	■
58750	5541000R030Z4.0-SIRON-A	2	D	1.000	1.000	2.000	5.000	0.030	4	■
58752	5541000R060Z4.0-SIRON-A	2	D	1.000	1.000	2.000	5.000	0.060	4	■
79743	5541000R090Z4.0-SIRON-A	2	D	1.000	1.000	2.000	5.000	0.090	4	■
79745	5541000R125Z4.0-SIRON-A	2	D	1.000	1.000	2.000	5.000	0.125	4	■

■ Stock standard. Subject to change, refer to current price-and stock-list.

JS554 - Solid carbide end mill - Weldon - four flute - 90° sharp corner - unequal flute spacing



Tolerances:
 $dm_m = h5$
 $D_c = e7$



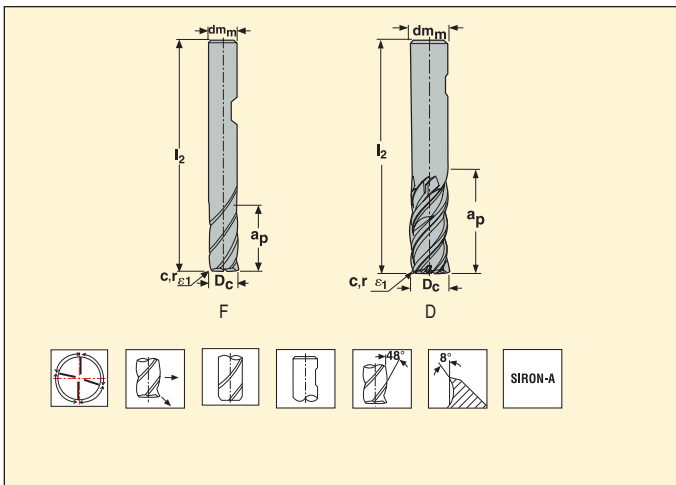
EDP No.	Part No.	Length index	Tool shape	Dimensions in mm				z _n	Weldon
				D _c	dm _m	a _p	I ₂		
64129	554030SZ4.0-SIRON-AW	2	F	3	6	7	50	4	<input type="checkbox"/>
64130	554040SZ4.0-SIRON-AW	2	F	4	6	10	55	4	<input type="checkbox"/>
64131	554050SZ4.0-SIRON-AW	2	F	5	6	12	55	4	<input type="checkbox"/>
64133	554060SZ4.0-SIRON-AW	2	D	6	6	14	55	4	<input type="checkbox"/>
64134	554080SZ4.0-SIRON-AW	2	D	8	8	18	60	4	<input type="checkbox"/>
64135	554100SZ4.0-SIRON-AW	2	D	10	10	22	70	4	<input type="checkbox"/>

Weldon available, delivery time is 3 days.

JS554 - Solid carbide end mill - Weldon - four flute - 45° corner chamfer - unequal flute spacing



Tolerances:
 $dm_m = h5$
 $D_c = e7$
 $r_{ε1} = +/- 0.02 \text{ mm}$



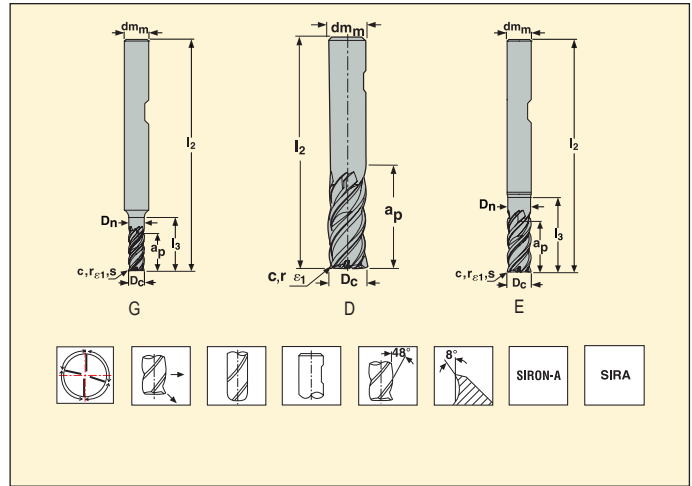
EDP No.	Part No.	Length index	Tool shape	Dimensions in mm					z _n	Weldon
				D _c	dm _m	a _p	l ₂	c x 45°		
64087	554030Z4.3-SIRON-A	2	F	3	6	7	50	0.035	4	■
64090	554040Z4.3-SIRON-A	2	F	4	6	10	55	0.045	4	■
64093	554050Z4.3-SIRON-A	2	F	5	6	12	55	0.055	4	■
51853	554060Z4.3-SIRON-A	2	D	6	6	14	55	0.075	4	■
51857	554080Z4.3-SIRON-A	2	D	8	8	18	60	0.1	4	■
51863	554100Z4.3-SIRON-A	2	D	10	10	22	70	0.125	4	■
51875	554120Z4.3-SIRON-A	2	D	12	12	26	80	0.15	4	■
51882	554160Z4.3-SIRON-A	2	D	16	16	34	90	0.2	4	■
51888	554200Z4.3-SIRON-A	2	D	20	20	42	100	0.25	4	■
51894	554250Z4.3-SIRON-A	2	D	25	25	52	125	0.3	4	■
64106	554L030Z4.3-SIRON-A	3	F	3	6	12	55	0.035	4	■
64108	554L040Z4.3-SIRON-A	3	F	4	6	16	60	0.045	4	■
64110	554L050Z4.3-SIRON-A	3	F	5	6	20	65	0.055	4	■
64112	554L060Z4.3-SIRON-A	3	D	6	6	23	65	0.075	4	■
64114	554L080Z4.3-SIRON-A	3	D	8	8	32	75	0.1	4	■
64116	554L100Z4.3-SIRON-A	3	D	10	10	40	85	0.125	4	■
64119	554L120Z4.3-SIRON-A	3	D	12	12	45	100	0.15	4	■
64121	554L160Z4.3-SIRON-A	3	D	16	16	55	115	0.2	4	■
64123	554L200Z4.3-SIRON-A	3	D	20	20	65	125	0.25	4	■
64126	554L250Z4.3-SIRON-A	3	D	25	25	85	150	0.3	4	■

■ Stock standard. Subject to change, refer to current price-and stock-list.

JS554 – Solid carbide end mill – Weldon – four flute – corner radius – unequal flute spacing



Tolerances:
 $dm_m = h5$
 $D_c = e7$
 $r_{\epsilon 1} = \pm 0.02 \text{ mm}$



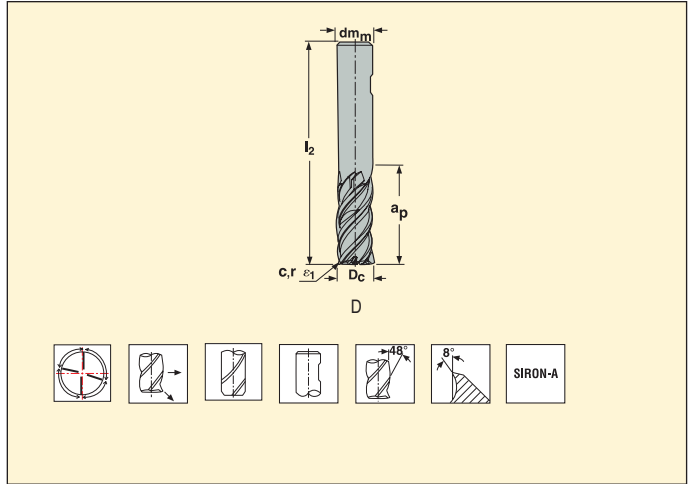
EDP No.	Part No.	Length index	Tool shape	Dimensions in mm							z_n	Weldon
				D_c	dm_m	a_p	l_2	l_3	D_n	$r_{\epsilon 1}$		
84396	JS554030G2R015.3Z4-SIRA	2	G	3	6	7	57	10	2.85	0.15	4	■
84583	JS554040G2R020.3Z4-SIRA	2	G	4	6	10	57	13	3.8	0.2	4	■
84398	JS554050G2R020.3Z4-SIRA	2	G	5	6	12	57	16	4.75	0.2	4	■
51855	554060R020Z4.3-SIRON-A	2	D	6	6	14	55	-	-	0.2	4	■
84399	JS554060E2R050.3Z4-SIRA	2	E	6	6	14	57	18	5.7	0.5	4	■
51861	554080R050Z4.3-SIRON-A	2	D	8	8	18	60	-	-	0.5	4	■
84400	JS554080E2R100.3Z4-SIRA	2	E	8	8	18	63	25	7.6	1	4	■
51865	554100R050Z4.3-SIRON-A	2	D	10	10	22	70	-	-	0.5	4	■
51871	554100R100Z4.3-SIRON-A	2	D	10	10	22	70	-	-	1	4	■
84401	JS554100E2R200.3Z4-SIRA	2	E	10	10	22	72	29	9.5	2	4	■
51877	554120R050Z4.3-SIRON-A	2	D	12	12	26	80	-	-	0.5	4	■
51880	554120R100Z4.3-SIRON-A	2	D	12	12	26	80	-	-	1	4	■
84402	JS554120E2R200.3Z4-SIRA	2	E	12	12	26	83	35	11.4	2	4	■
84403	JS554120E2R250.3Z4-SIRA	2	E	12	12	26	83	35	11.4	2.5	4	■
51884	554160R050Z4.3-SIRON-A	2	D	16	16	34	90	-	-	0.5	4	■
51886	554160R100Z4.3-SIRON-A	2	D	16	16	34	90	-	-	1	4	■
10200	554160R200Z4.3-SIRON-A	2	D	16	16	34	90	-	-	2	4	■
10202	554160R310Z4.3-SIRON-A	2	D	16	16	34	90	-	-	3.1	4	■
10204	554160R400Z4.3-SIRON-A	2	D	16	16	34	90	-	-	4	4	■
51890	554200R050Z4.3-SIRON-A	2	D	20	20	42	100	-	-	0.5	4	■
51892	554200R100Z4.3-SIRON-A	2	D	20	20	42	100	-	-	1	4	■
84404	JS554200E2R200.3Z4-SIRA	2	E	20	20	42	110	54	19	2	4	■
10206	554200R250Z4.3-SIRON-A	2	D	20	20	42	100	-	-	2.5	4	■
10209	554200R310Z4.3-SIRON-A	2	D	20	20	42	100	-	-	3.1	4	■
10212	554200R400Z4.3-SIRON-A	2	D	20	20	42	100	-	-	4	4	■
51896	554250R050Z4.3-SIRON-A	2	D	25	25	52	125	-	-	0.5	4	■
51898	554250R100Z4.3-SIRON-A	2	D	25	25	52	125	-	-	1	4	■
10215	554250R310Z4.3-SIRON-A	2	D	25	25	52	125	-	-	3.1	4	■
10219	554250R400Z4.3-SIRON-A	2	D	25	25	52	125	-	-	4	4	■

■ Stock standard. Subject to change, refer to current price-and stock-list.

JS554 – Solid carbide end mill – Weldon – four flute – 45° corner chamfer – inch – unequal flute spacing



Tolerances:
 $dm_m = h5$
 $D_c = e7$



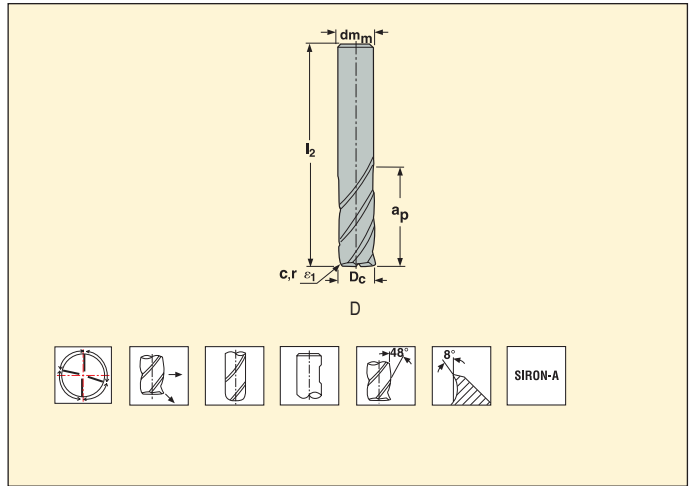
EDP No.	Part No.	Length index	Tool shape	Dimensions in inch					z_n	Weldon
				D_c	dm_m	a_p	l_2	$c \times 45^\circ$		
58729	5540500Z4.3-SIRON-A	2	D	0.500	0.500	1.000	3.500	0.006	4	■
58735	5540625Z4.3-SIRON-A	2	D	0.625	0.625	1.250	3.750	0.008	4	■
58741	5540750Z4.3-SIRON-A	2	D	0.750	0.750	1.500	4.000	0.010	4	■
58747	5541000Z4.3-SIRON-A	2	D	1.000	1.000	2.000	5.000	0.012	4	■

■ Stock standard. Subject to change, refer to current price-and stock-list.

JS554 – Solid carbide end mill – Weldon – four flute – corner radius – inch – unequal flute spacing



Tolerances:
 $dm_m = h5$
 $D_c = e7$
 $r_{\epsilon 1} = + / - 0.0008$



EDP No.	Part No.	Length index	Tool shape	Dimensions in inch					Z _n	Weldon
				D _c	dm _m	a _p	l ₂	r _{ε1}		
58731	5540500R015Z4.3-SIRON-A	2	D	0.500	0.500	1.000	3.500	0.015	4	■
58733	5540500R030Z4.3-SIRON-A	2	D	0.500	0.500	1.000	3.500	0.030	4	■
80219	5540500R125Z4.3-SIRON-A	2	D	0.500	0.500	1.000	3.500	0.125	4	■
58737	5540625R015Z4.3-SIRON-A	2	D	0.625	0.625	1.250	3.750	0.015	4	■
58739	5540625R030Z4.3-SIRON-A	2	D	0.625	0.625	1.250	3.750	0.030	4	■
80222	5540625R125Z4.3-SIRON-A	2	D	0.625	0.625	1.250	3.750	0.125	4	■
58743	5540750R030Z4.3-SIRON-A	2	D	0.750	0.750	1.500	4.000	0.030	4	■
58745	5540750R060Z4.3-SIRON-A	2	D	0.750	0.750	1.500	4.000	0.060	4	■
80223	5540750R090Z4.3-SIRON-A	2	D	0.750	0.750	1.500	4.000	0.090	4	■
80224	5540750R125Z4.3-SIRON-A	2	D	0.750	0.750	1.500	4.000	0.125	4	■
58749	5541000R030Z4.3-SIRON-A	2	D	1.000	1.000	2.000	5.000	0.030	4	■
58751	5541000R060Z4.3-SIRON-A	2	D	1.000	1.000	2.000	5.000	0.060	4	■
80225	5541000R090Z4.3-SIRON-A	2	D	1.000	1.000	2.000	5.000	0.090	4	■
80228	5541000R125Z4.3-SIRON-A	2	D	1.000	1.000	2.000	5.000	0.125	4	■

■ Stock standard. Subject to change, refer to current price-and stock-list.

Cutting data – JS554 Slotting

SMG		a_p / D_c	f_z										v_c
			3	4	5	6	8	10	12	16	20	25	
P1	M/A/D/E	1.0	0.019	0.026	0.032	0.038	0.050	0.065	0.075	0.095	0.11	0.12	195 (170 – 225)
P2	M/A/D/E	1.0	0.020	0.026	0.034	0.040	0.055	0.065	0.080	0.095	0.11	0.13	190 (165 – 220)
P3	M/A/D/E	1.0	0.019	0.024	0.032	0.038	0.050	0.060	0.075	0.090	0.11	0.12	165 (145 – 190)
P4	M/A/D/E	1.0	0.018	0.024	0.030	0.036	0.048	0.060	0.070	0.090	0.10	0.12	145 (125 – 170)
P5	M/A/D/E	1.0	0.018	0.024	0.030	0.036	0.048	0.060	0.070	0.090	0.10	0.11	140 (120 – 160)
P6	M/A/D/E	1.0	0.018	0.024	0.030	0.036	0.048	0.060	0.070	0.085	0.10	0.11	160 (135 – 180)
P7	M/A/D/E	1.0	0.018	0.024	0.030	0.036	0.048	0.060	0.070	0.085	0.10	0.11	150 (125 – 170)
P8	M/A/D/E	1.0	0.019	0.024	0.032	0.038	0.050	0.060	0.075	0.090	0.11	0.12	140 (120 – 160)
P11	M/A/D/E	1.0	0.018	0.024	0.030	0.036	0.048	0.060	0.070	0.085	0.10	0.11	145 (125 – 165)
M1	E	0.80	0.013	0.018	0.022	0.026	0.036	0.044	0.050	0.065	0.075	0.085	100 (85 – 110)
M2	E	0.80	0.012	0.016	0.020	0.024	0.032	0.040	0.048	0.060	0.070	0.075	80 (70 – 90)
M3	E	0.65	0.0095	0.013	0.016	0.019	0.026	0.032	0.038	0.048	0.055	0.060	65 (55 – 70)
M4	E	0.48	0.0085	0.011	0.014	0.017	0.022	0.028	0.034	0.042	0.048	0.055	49 (43 – 55)
M5	E	0.48	0.0085	0.011	0.014	0.017	0.022	0.028	0.034	0.042	0.048	0.055	41 (36 – 46)
K1	E	1.0	0.015	0.020	0.026	0.030	0.040	0.050	0.060	0.075	0.085	0.095	160 (140 – 180)
K2	E	1.0	0.014	0.018	0.022	0.028	0.036	0.046	0.055	0.065	0.075	0.085	140 (125 – 160)
K3	E	1.0	0.014	0.018	0.022	0.028	0.036	0.046	0.055	0.065	0.075	0.085	120 (105 – 135)
K4	E	0.80	0.015	0.020	0.026	0.030	0.040	0.050	0.060	0.075	0.085	0.095	110 (100 – 125)
K5	E	0.80	0.014	0.018	0.022	0.028	0.036	0.046	0.055	0.065	0.075	0.085	70 (60 – 75)
K6	E	0.80	0.015	0.020	0.026	0.030	0.040	0.050	0.060	0.075	0.085	0.095	100 (85 – 110)
K7	E	0.80	0.014	0.018	0.022	0.028	0.036	0.046	0.055	0.065	0.075	0.085	85 (75 – 100)
N1	E	0.50	0.018	0.024	0.030	0.036	0.048	0.060	0.070	0.090	0.10	0.11	930 (780 – 1100)
N2	E	0.50	0.018	0.024	0.030	0.036	0.048	0.060	0.070	0.090	0.10	0.11	600 (500 – 700)
N3	E	0.50	0.018	0.024	0.030	0.036	0.048	0.060	0.070	0.090	0.10	0.11	400 (335 – 465)
N11	E	0.50	0.018	0.024	0.030	0.036	0.048	0.060	0.070	0.090	0.10	0.11	300 (250 – 350)
S1	E	0.40	0.0095	0.013	0.016	0.019	0.026	0.032	0.038	0.048	0.055	0.060	40 (30 – 50)
S2	E	0.40	0.0095	0.013	0.016	0.019	0.026	0.032	0.038	0.048	0.055	0.060	40 (30 – 50)
S3	E	0.40	0.0090	0.012	0.015	0.018	0.024	0.030	0.036	0.044	0.050	0.055	25 (15 – 35)
S11	E	1.0	0.018	0.024	0.030	0.036	0.048	0.060	0.070	0.090	0.10	0.11	85 (70 – 95)
S12	E	1.0	0.018	0.024	0.030	0.036	0.048	0.060	0.070	0.090	0.10	0.11	65 (55 – 75)
S13	E	0.85	0.016	0.022	0.026	0.032	0.042	0.055	0.060	0.075	0.090	0.10	50 (44 – 60)
H5	M/A/D	0.40	0.0060	0.0080	0.010	0.012	0.016	0.020	0.024	0.030	0.034	0.038	50 (40 – 60)
H8	M/A/D	0.50	0.0070	0.0090	0.012	0.014	0.018	0.024	0.028	0.034	0.040	0.044	49 (39 – 60)
H11	M/A/D	0.40	0.0060	0.0080	0.010	0.012	0.016	0.020	0.024	0.030	0.034	0.038	65 (50 – 80)
H12	M/A/D	0.40	0.0060	0.0080	0.010	0.012	0.016	0.020	0.024	0.030	0.034	0.038	105 (85 – 125)
H21	M/A/D	0.50	0.0070	0.0090	0.012	0.014	0.018	0.024	0.028	0.034	0.040	0.044	49 (39 – 60)
TS1	A	0.80	0.030	0.040	0.050	0.060	0.080	0.10	0.12	0.15	0.17	0.19	250 (150 – 350)
TP1	A	0.80	0.030	0.040	0.050	0.060	0.080	0.10	0.12	0.15	0.17	0.19	230 (135 – 320)
GR1	A	0.80	0.030	0.040	0.050	0.060	0.080	0.10	0.12	0.15	0.17	0.19	500 (400 – 600)

For cutting data recalculations, see pages 336-344.

SMG = Seco material group

Coolant = A=air D=dry E=emulsion M=mist spray

v_c = m/min

f_z = mm

a_p (mm)/ D_c (mm) = factor

All cutting data are target values

Cutting data – JS554 Side milling roughing $a_e/D_c = 0.4$

SMG		a_p / D_c	f_z										v_c
			3	4	5	6	8	10	12	16	20	25	
P1	M/A/D/E	1.0	0.020	0.026	0.034	0.040	0.055	0.065	0.080	0.095	0.11	0.13	245 (210 – 280)
P2	M/A/D/E	1.0	0.020	0.026	0.034	0.040	0.055	0.065	0.080	0.10	0.11	0.13	240 (205 – 275)
P3	M/A/D/E	1.0	0.019	0.026	0.032	0.038	0.050	0.065	0.075	0.095	0.11	0.12	205 (175 – 235)
P4	M/A/D/E	1.0	0.019	0.024	0.032	0.038	0.050	0.060	0.075	0.090	0.11	0.12	185 (160 – 210)
P5	M/A/D/E	1.0	0.018	0.024	0.030	0.036	0.050	0.060	0.070	0.090	0.10	0.12	175 (150 – 200)
P6	M/A/D/E	1.0	0.018	0.024	0.030	0.036	0.048	0.060	0.070	0.090	0.10	0.12	200 (170 – 225)
P7	M/A/D/E	1.0	0.018	0.024	0.030	0.036	0.048	0.060	0.070	0.090	0.10	0.12	185 (160 – 215)
P8	M/A/D/E	1.0	0.019	0.026	0.032	0.038	0.050	0.065	0.075	0.095	0.11	0.12	175 (150 – 200)
P11	M/A/D/E	1.0	0.018	0.024	0.030	0.036	0.048	0.060	0.070	0.090	0.10	0.12	180 (155 – 205)
M1	E	1.0	0.013	0.018	0.022	0.026	0.036	0.044	0.055	0.065	0.075	0.085	120 (105 – 135)
M2	E	1.0	0.012	0.016	0.020	0.024	0.032	0.040	0.048	0.060	0.070	0.080	100 (90 – 115)
M3	E	0.80	0.010	0.013	0.016	0.020	0.026	0.032	0.038	0.048	0.055	0.065	80 (70 – 90)
M4	E	0.60	0.0085	0.011	0.014	0.017	0.022	0.028	0.034	0.042	0.048	0.055	60 (55 – 70)
M5	E	0.60	0.0085	0.011	0.014	0.017	0.022	0.028	0.034	0.042	0.048	0.055	50 (44 – 55)
K1	E	1.0	0.015	0.020	0.026	0.030	0.040	0.050	0.060	0.075	0.085	0.10	200 (175 – 225)
K2	E	1.0	0.014	0.019	0.024	0.028	0.038	0.046	0.055	0.070	0.080	0.090	175 (155 – 200)
K3	E	1.0	0.014	0.019	0.024	0.028	0.038	0.046	0.055	0.070	0.080	0.090	150 (130 – 170)
K4	E	1.0	0.015	0.020	0.026	0.030	0.040	0.050	0.060	0.075	0.085	0.10	140 (125 – 160)
K5	E	1.0	0.014	0.018	0.022	0.028	0.036	0.046	0.055	0.070	0.080	0.090	85 (75 – 95)
K6	E	1.0	0.015	0.020	0.026	0.030	0.040	0.050	0.060	0.075	0.085	0.10	125 (110 – 140)
K7	E	1.0	0.014	0.018	0.022	0.028	0.036	0.046	0.055	0.070	0.080	0.090	110 (95 – 125)
N1	E	1.2	0.018	0.024	0.030	0.036	0.048	0.060	0.070	0.090	0.10	0.12	1150 (970 – 1350)
N2	E	1.2	0.018	0.024	0.030	0.036	0.048	0.060	0.070	0.090	0.10	0.12	750 (620 – 870)
N3	E	1.2	0.018	0.024	0.030	0.036	0.048	0.060	0.070	0.090	0.10	0.12	495 (415 – 580)
N11	E	1.2	0.018	0.024	0.030	0.036	0.048	0.060	0.070	0.090	0.10	0.12	375 (310 – 435)
S11	E	1.0	0.018	0.024	0.030	0.036	0.050	0.060	0.070	0.090	0.10	0.12	105 (90 – 120)
S12	E	1.0	0.018	0.024	0.030	0.036	0.050	0.060	0.070	0.090	0.10	0.12	80 (70 – 90)
S13	E	0.85	0.016	0.022	0.026	0.032	0.042	0.055	0.065	0.080	0.090	0.10	65 (55 – 75)
TS1	A	1.1	0.030	0.040	0.050	0.060	0.080	0.10	0.12	0.15	0.17	0.20	315 (190 – 440)
TP1	A	1.1	0.030	0.040	0.050	0.060	0.080	0.10	0.12	0.15	0.17	0.20	285 (170 – 400)
GR1	A	1.1	0.030	0.040	0.050	0.060	0.080	0.10	0.12	0.15	0.17	0.20	630 (500 – 750)

For cutting data recalculations, see pages 336-344.

SMG = Seco material group

Coolant = A=air D=dry E=emulsion M=mist spray

v_c = m/min

f_z = mm

a_p (mm)/ D_c (mm)= factor

a_e (mm)/ D_c (mm)= factor

All cutting data are target values

Cutting data – JS554 Slotting

SMG		a_p / D_c	f_z							v_c
			1/4	5/16	3/8	1/2	5/8	3/4	1	
P1	M/A/D/E	0.95	0.0017	0.0020	0.0024	0.0032	0.0038	0.0044	0.0050	610 (520 – 700)
P2	M/A/D/E	0.95	0.0017	0.0020	0.0026	0.0032	0.0038	0.0044	0.0050	590 (510 – 680)
P3	M/A/D/E	0.95	0.0016	0.0020	0.0024	0.0030	0.0036	0.0040	0.0048	520 (445 – 590)
P4	M/A/D/E	0.95	0.0015	0.0019	0.0024	0.0030	0.0036	0.0040	0.0048	460 (390 – 520)
P5	M/A/D/E	0.95	0.0015	0.0019	0.0022	0.0030	0.0036	0.0040	0.0048	435 (375 – 500)
P6	M/A/D/E	0.95	0.0015	0.0019	0.0022	0.0030	0.0034	0.0040	0.0044	490 (420 – 560)
P7	M/A/D/E	0.95	0.0015	0.0019	0.0022	0.0030	0.0034	0.0040	0.0044	465 (395 – 530)
P8	M/A/D/E	0.95	0.0016	0.0020	0.0024	0.0030	0.0036	0.0040	0.0048	435 (375 – 500)
P11	M/A/D/E	0.95	0.0015	0.0019	0.0022	0.0030	0.0034	0.0040	0.0044	450 (385 – 510)
M1	E	0.70	0.0011	0.0013	0.0017	0.0022	0.0026	0.0028	0.0034	305 (265 – 345)
M2	E	0.70	0.0010	0.0013	0.0015	0.0020	0.0024	0.0026	0.0030	250 (220 – 285)
M3	E	0.55	0.00080	0.0010	0.0012	0.0016	0.0018	0.0022	0.0024	200 (175 – 225)
M4	E	0.48	0.00070	0.00085	0.0010	0.0013	0.0016	0.0018	0.0022	155 (135 – 175)
M5	E	0.48	0.00070	0.00085	0.0010	0.0013	0.0016	0.0018	0.0022	130 (115 – 145)
K1	E	0.85	0.0013	0.0016	0.0019	0.0024	0.0030	0.0032	0.0038	510 (445 – 570)
K2	E	0.85	0.0011	0.0014	0.0017	0.0022	0.0026	0.0030	0.0036	445 (390 – 500)
K3	E	0.85	0.0011	0.0014	0.0017	0.0022	0.0026	0.0030	0.0036	380 (330 – 425)
K4	E	0.70	0.0013	0.0016	0.0019	0.0024	0.0030	0.0032	0.0038	355 (310 – 400)
K5	E	0.70	0.0011	0.0014	0.0017	0.0022	0.0026	0.0030	0.0034	215 (190 – 240)
K6	E	0.70	0.0013	0.0016	0.0019	0.0024	0.0030	0.0032	0.0038	315 (275 – 350)
K7	E	0.70	0.0011	0.0014	0.0017	0.0022	0.0026	0.0030	0.0034	275 (240 – 310)
N1	E	0.48	0.0015	0.0019	0.0022	0.0030	0.0036	0.0040	0.0048	2900 (2425 – 3375)
N2	E	0.48	0.0015	0.0019	0.0022	0.0030	0.0036	0.0040	0.0048	1875 (1550 – 2175)
N3	E	0.48	0.0015	0.0019	0.0022	0.0030	0.0036	0.0040	0.0048	1250 (1025 – 1450)
N11	E	0.48	0.0015	0.0019	0.0022	0.0030	0.0036	0.0040	0.0048	940 (780 – 1100)
S1	E	0.36	0.00080	0.0010	0.0012	0.0016	0.0019	0.0022	0.0024	125 (95 – 155)
S2	E	0.36	0.00080	0.0010	0.0012	0.0016	0.0019	0.0022	0.0024	125 (95 – 155)
S3	E	0.36	0.00075	0.00095	0.0011	0.0015	0.0017	0.0020	0.0024	80 (47 – 110)
S11	E	0.95	0.0015	0.0019	0.0022	0.0030	0.0036	0.0040	0.0048	260 (225 – 295)
S12	E	0.95	0.0015	0.0019	0.0022	0.0030	0.0036	0.0040	0.0048	200 (170 – 230)
S13	E	0.80	0.0013	0.0017	0.0020	0.0026	0.0030	0.0034	0.0040	160 (140 – 185)
H5	M/A/D	0.36	0.00050	0.00065	0.00075	0.00095	0.0012	0.0013	0.0015	165 (130 – 195)
H8	M/A/D	0.48	0.00060	0.00070	0.00085	0.0011	0.0013	0.0015	0.0017	160 (125 – 190)
H11	M/A/D	0.36	0.00050	0.00065	0.00075	0.00095	0.0012	0.0013	0.0015	205 (165 – 250)
H12	M/A/D	0.36	0.00050	0.00065	0.00075	0.00095	0.0012	0.0013	0.0015	315 (250 – 375)
H21	M/A/D	0.48	0.00060	0.00070	0.00085	0.0011	0.0013	0.0015	0.0017	160 (125 – 190)
TS1	A	0.70	0.0026	0.0032	0.0038	0.0048	0.0060	0.0065	0.0075	780 (470 – 1100)
TP1	A	0.70	0.0026	0.0032	0.0038	0.0048	0.0060	0.0065	0.0075	710 (430 – 1000)
GR1	A	0.70	0.0026	0.0032	0.0038	0.0048	0.0060	0.0065	0.0075	1550 (1250 – 1875)

For cutting data recalculations, see pages 336-344.

SMG = Seco Material Group

Coolant = A=air D=dry E=emulsion M=mist spray

v_c = sf/min

f_z = in/tooth

a_p/D_c = factor

a_e/D_c = factor

All cutting data are target values

Cutting data – JS554 Side milling roughing $a_p/D_c = 0.4$

SMG		a_p / D_c	f_z							v_c
			1/4	5/16	3/8	1/2	5/8	3/4	1	
P1	M/A/D/E	0.95	0.0017	0.0022	0.0026	0.0032	0.0038	0.0044	0.0050	770 (660 – 880)
P2	M/A/D/E	0.95	0.0017	0.0022	0.0026	0.0034	0.0040	0.0044	0.0050	740 (630 – 840)
P3	M/A/D/E	0.95	0.0016	0.0020	0.0024	0.0032	0.0038	0.0040	0.0048	640 (550 – 730)
P4	M/A/D/E	0.95	0.0016	0.0020	0.0024	0.0030	0.0036	0.0040	0.0048	570 (490 – 660)
P5	M/A/D/E	0.95	0.0015	0.0019	0.0024	0.0030	0.0036	0.0040	0.0048	550 (470 – 630)
P6	M/A/D/E	0.95	0.0015	0.0019	0.0024	0.0030	0.0036	0.0040	0.0048	620 (530 – 700)
P7	M/A/D/E	0.95	0.0015	0.0019	0.0024	0.0030	0.0036	0.0040	0.0048	580 (500 – 660)
P8	M/A/D/E	0.95	0.0016	0.0020	0.0024	0.0032	0.0038	0.0040	0.0048	540 (465 – 620)
P11	M/A/D/E	0.95	0.0015	0.0019	0.0024	0.0030	0.0036	0.0040	0.0048	560 (485 – 650)
M1	E	0.70	0.0011	0.0014	0.0017	0.0022	0.0026	0.0030	0.0034	385 (335 – 430)
M2	E	0.70	0.0010	0.0013	0.0015	0.0020	0.0024	0.0026	0.0032	315 (275 – 355)
M3	E	0.55	0.00080	0.0010	0.0013	0.0016	0.0019	0.0022	0.0026	250 (220 – 285)
M4	E	0.48	0.00070	0.00085	0.0011	0.0014	0.0017	0.0019	0.0022	190 (170 – 215)
M5	E	0.48	0.00070	0.00085	0.0011	0.0014	0.0017	0.0019	0.0022	160 (140 – 180)
K1	E	0.85	0.0013	0.0016	0.0019	0.0026	0.0030	0.0034	0.0040	620 (550 – 700)
K2	E	0.85	0.0012	0.0014	0.0017	0.0022	0.0028	0.0030	0.0036	560 (490 – 630)
K3	E	0.85	0.0012	0.0014	0.0017	0.0022	0.0028	0.0030	0.0036	475 (415 – 530)
K4	E	0.70	0.0013	0.0016	0.0019	0.0026	0.0030	0.0034	0.0040	435 (380 – 490)
K5	E	0.70	0.0012	0.0014	0.0017	0.0022	0.0026	0.0030	0.0036	270 (235 – 305)
K6	E	0.70	0.0013	0.0016	0.0019	0.0026	0.0030	0.0034	0.0040	385 (335 – 435)
K7	E	0.70	0.0012	0.0014	0.0017	0.0022	0.0026	0.0030	0.0036	345 (300 – 390)
N1	E	1.1	0.0015	0.0019	0.0024	0.0030	0.0036	0.0040	0.0048	3625 (3025 – 4225)
N2	E	1.1	0.0015	0.0019	0.0024	0.0030	0.0036	0.0040	0.0048	2325 (1950 – 2725)
N3	E	1.1	0.0015	0.0019	0.0024	0.0030	0.0036	0.0040	0.0048	1550 (1300 – 1800)
N11	E	1.1	0.0015	0.0019	0.0024	0.0030	0.0036	0.0040	0.0048	1175 (970 – 1375)
S11	E	0.95	0.0015	0.0019	0.0024	0.0030	0.0036	0.0040	0.0048	325 (280 – 375)
S12	E	0.95	0.0015	0.0019	0.0024	0.0030	0.0036	0.0040	0.0048	250 (215 – 285)
S13	E	0.80	0.0013	0.0017	0.0020	0.0026	0.0032	0.0036	0.0040	200 (175 – 230)
TS1	A	1.0	0.0026	0.0032	0.0038	0.0050	0.0060	0.0065	0.0080	960 (570 – 1350)
TP1	A	1.0	0.0026	0.0032	0.0038	0.0050	0.0060	0.0065	0.0080	880 (530 – 1225)
GR1	A	1.0	0.0026	0.0032	0.0038	0.0050	0.0060	0.0065	0.0080	1925 (1525 – 2300)

Cutting data – JS554 Side milling roughing $a_p/D_c = 0.2$

SMG		a_p / D_c	f_z							v_c
			1/4	5/16	3/8	1/2	5/8	3/4	1	
S1	E	0.36	0.0010	0.0013	0.0015	0.0020	0.0024	0.0026	0.0032	175 (130 – 220)
S2	E	0.36	0.0010	0.0013	0.0015	0.0020	0.0024	0.0026	0.0032	175 (130 – 220)
S3	E	0.36	0.00095	0.0012	0.0014	0.0018	0.0022	0.0024	0.0030	110 (65 – 155)
H5	M/A/D	0.36	0.00065	0.00080	0.00095	0.0013	0.0014	0.0017	0.0019	225 (180 – 270)
H8	M/A/D	0.48	0.00070	0.00085	0.0011	0.0014	0.0017	0.0019	0.0022	220 (175 – 265)
H21	M/A/D	0.48	0.00070	0.00085	0.0011	0.0014	0.0017	0.0019	0.0022	220 (175 – 265)
H31	M/A/D	0.48	0.00065	0.00080	0.00095	0.0013	0.0014	0.0017	0.0019	170 (135 – 200)

For cutting data recalculations, see pages 336-344.

SMG = Seco Material Group

Coolant = A=air D=dry E=emulsion M=mist spray

v_c = sf/min

f_z = in/tooth

a_p/D_c = factor

a_g/D_c = factor

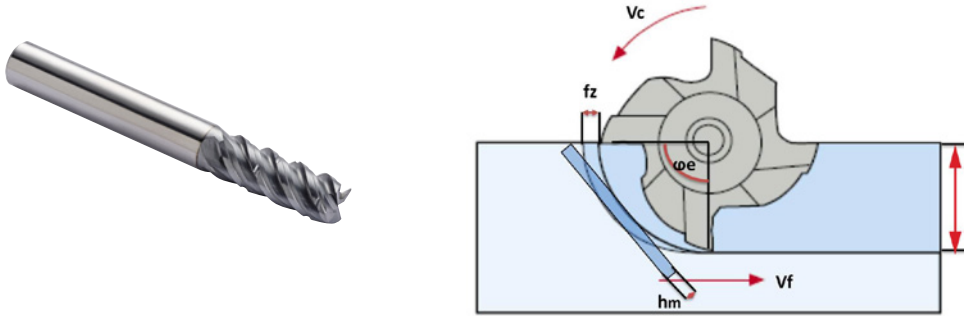
All cutting data are target values

Advanced Roughing, what does it mean?

These CAM-based rough-machining, or dynamic milling, strategies center on a cutting tool's arc of contact and its average chip load.

When reducing the arc of contact, the amount of heat generated during roughing operations is reduced. As the radial depth of cut decreases, so does a cutter's arc of contact. A smaller amount of contact results in less friction and, therefore, less heat between the tool's cutting edges and the workpiece it is machining. These lower machining temperatures allow for increased cutting speeds, prolonged tool life and shorter cycle times.

JS554-2C/3C Cutter designs for advanced roughing machining methods



To cover a wide range of workpiece materials, Seco recently modified the geometries of its Jabro®-Solid² 550 line of cutters specifically for optimized rough-machining strategies.

Two series are added, 554-2C and 554-3C offering two different length versions covering a wide range of applications.

When a steady arc of contact is maintained, these tools experience consistent and evenly distributed wear along their flutes and provide a long and predictable tool life.

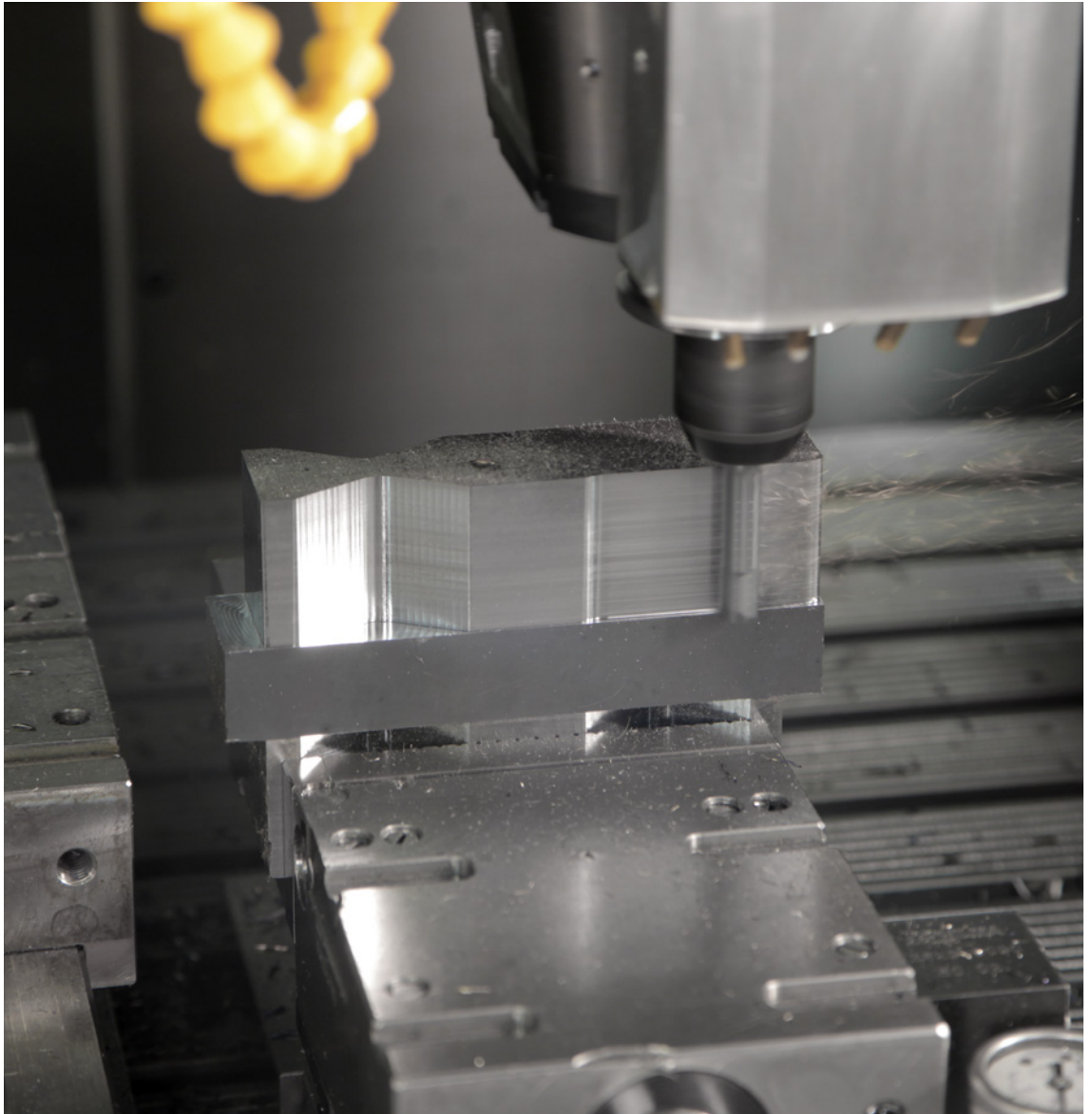
To create chips that are smaller and more manageable, SECO modified the cutter design by adding chip splitters.

JS554-2C/3C applied in Advanced roughing

Today's CAM packages offer toolpath strategies specifically for inside/outside radii shapes where changing arcs of contact are common when using conventional toolpaths. These software packages automatically apply different feeds to control arc of contact and keep chip loads consistent.

In advanced roughing, to maintain arc of contact, CAM packages need to employ trochoidal machining and peel milling techniques when entering a radius.

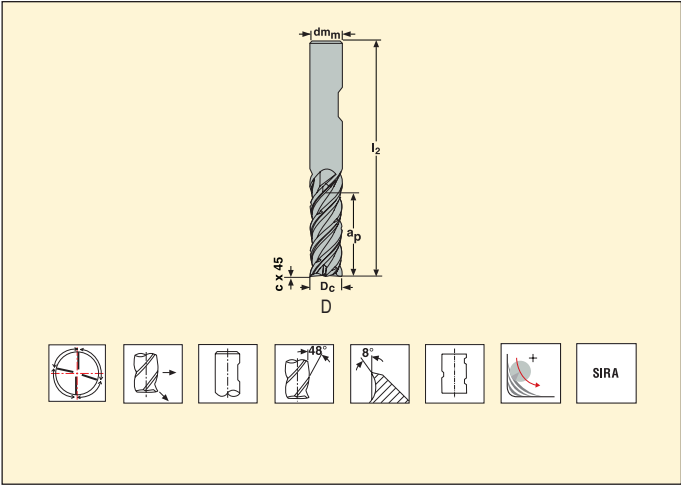
When using an optimized roughing toolpath and maintaining consistent arc of contact, the cutter's radius can match that of the inside radius being cut without risk of cutter overload, grabbing or overcutting. This capability allows the JS554-2C/3C to remove more stock in the roughing pass, thus reducing the amount of stock the finish pass has to cut – all of which translates to faster machining cycle times.



JS554 - Solid carbide end mill - cylindrical - four flute - chip splitters - advanced roughing - chamfer



Tolerances:
Run-out=0.01 mm
 $dm_m=h5$



EDP No.	Part No.	Length index	Tool shape	Dimensions in mm					z_n	Weldon
				D_c	dm_m	a_p	l_2	$c \times 45^\circ$		
53259	JS554060D2C.3Z4C-SIRA	2	D	6	6	15	57	0.08	4	■
53260	JS554080D2C.3Z4C-SIRA	2	D	8	8	20	63	0.1	4	■
53300	JS554100D2C.3Z4C-SIRA	2	D	10	10	25	72	0.12	4	■
53308	JS554120D2C.3Z4C-SIRA	2	D	12	12	30	83	0.2	4	■
53327	JS554160D2C.3Z4C-SIRA	2	D	16	16	40	99	0.25	4	■
53368	JS554200D2C.3Z4C-SIRA	2	D	20	20	50	114	0.3	4	■

■ Stock standard. Subject to change, refer to current price-and stock-list.

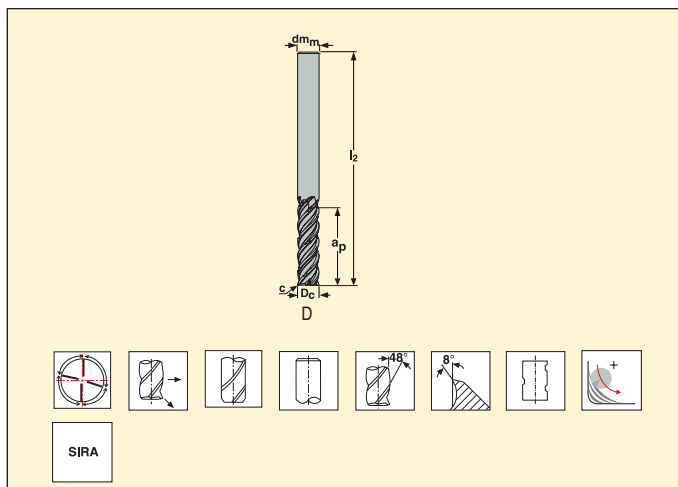
JS554 – Solid carbide end mill – cylindrical – four flute – chip splitters – advanced roughing – chamfer 45°



Tolerances:

$dm_m = h5$

$D_c = e7$



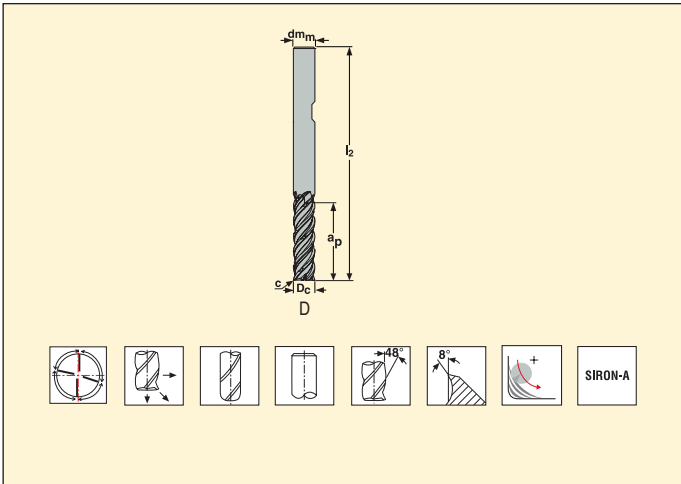
EDP No.	Part No.	Length index	Tool shape	Dimensions in mm					z_n	Cylindrical
				D_c	dm_m	a_p	l_2	$c \times 45^\circ$		
10223	JS554060D3C.0Z4C-SIRA	3	D	6	6	23	65	0.075	4	■
10225	JS554080D3C.0Z4C-SIRA	3	D	8	8	32	75	0.1	4	■
10248	JS554100D3C.0Z4C-SIRA	3	D	10	10	40	85	0.125	4	■
10250	JS554120D3C.0Z4C-SIRA	3	D	12	12	45	100	0.15	4	■
10270	JS554160D3C.0Z4C-SIRA	3	D	16	16	55	115	0.2	4	■
10272	JS554200D3C.0Z4C-SIRA	3	D	20	20	65	125	0.25	4	■
10273	JS554250D3C.0Z4C-SIRA	3	D	25	25	85	150	0.3	4	■

■ Stock standard. Subject to change, refer to current price-and stock-list.

JS554 – Solid carbide end mill – cylindrical – four flute – chip splitters – advanced roughing – inch – chamfer 45°



Tolerances:
 $dm_m = h5$
 $D_c = e8$
 $r_{c1} = +/- 0.0008$



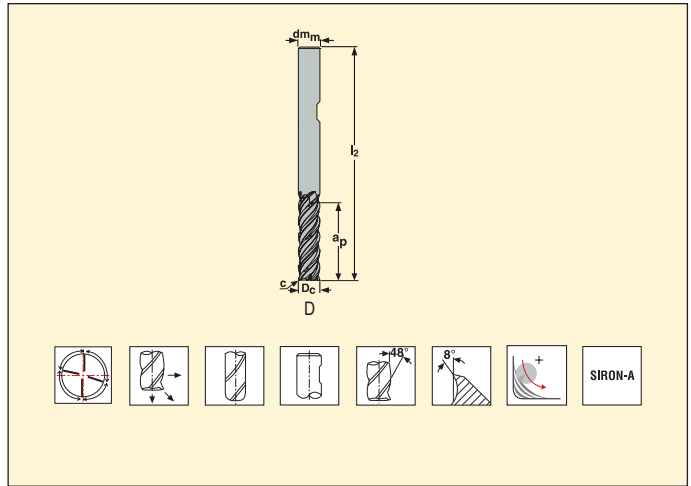
EDP No.	Part No.	Length index	Tool shape	Dimensions in inch						z _n	Cylindrical
				D _c	dm _m	a _p	l ₂	r _{c1}	c x 45°		
79681	JS554.250D3C.0Z4C-SIRA	3	D	0.250	0.250	0.875	2.250	–	0.003	4	■
79682	JS554.375D3C.0Z4C-SIRA	3	D	0.375	0.375	1.250	3.000	–	0.005	4	■
79683	JS554.500D3C.0Z4C-SIRA	3	D	0.500	0.500	1.750	3.750	–	0.006	4	■
79685	JS554.625D3C.0Z4C-SIRA	3	D	0.625	0.625	2.250	4.250	–	0.008	4	■
79686	JS554.750D3C.0Z4C-SIRA	3	D	0.750	0.750	2.625	5.000	–	0.010	4	■
79687	JS5541.00D3C.0Z4C-SIRA	3	D	1.000	1.000	3.500	6.250	–	0.012	4	■

■ Stock standard. Subject to change, refer to current price-and stock-list.

JS554 – Solid carbide end mill – Weldon – four flute – chip splitters – advanced roughing – inch – chamfer 45°



Tolerances:
 $dm_m = h5$
 $D_c = e8$
 $r_{c1} = \pm 0.0008$



EDP No.	Part No.	Length index	Tool shape	Dimensions in inch						z_n	Weldon
				D_c	dm_m	a_p	l_2	r_{c1}	$c \times 45^\circ$		
80191	JS554.250D3C.3Z4C-SIRA	3	D	0.250	0.250	0.875	2.250	–	0.003	4	<input type="checkbox"/>
80193	JS554.375D3C.3Z4C-SIRA	3	D	0.375	0.375	1.250	3.000	–	0.005	4	<input type="checkbox"/>
80194	JS554.500D3C.3Z4C-SIRA	3	D	0.500	0.500	1.750	3.750	–	0.006	4	<input type="checkbox"/>
80195	JS554.625D3C.3Z4C-SIRA	3	D	0.625	0.625	2.250	4.250	–	0.008	4	<input type="checkbox"/>
80196	JS554.750D3C.3Z4C-SIRA	3	D	0.750	0.750	2.625	5.000	–	0.010	4	<input type="checkbox"/>
80197	JS5541.00D3C.3Z4C-SIRA	3	D	1.000	1.000	3.500	6.250	–	0.012	4	<input type="checkbox"/>

Weldon available, delivery time is 3 days.

Cutting data – JS554 – 2C SIRA advanced roughing $a_p/D_c = 0.12$

SMG		a_p / D_c	f_z								v_c
			4	5	6	8	10	12	16	20	
P1	M/A/D/E	2.5	0.044	0.055	0.065	0.090	0.11	0.13	0.16	0.19	255 (205 – 300)
P2	M/A/D/E	2.5	0.044	0.055	0.065	0.090	0.11	0.13	0.16	0.19	245 (200 – 295)
P3	M/A/D/E	2.5	0.042	0.055	0.065	0.085	0.11	0.12	0.16	0.18	250 (200 – 295)
P4	M/A/D/E	2.5	0.042	0.050	0.060	0.085	0.10	0.12	0.15	0.18	245 (195 – 290)
P5	M/A/D/E	2.5	0.040	0.050	0.060	0.080	0.10	0.12	0.15	0.17	245 (195 – 290)
P6	M/A/D/E	2.5	0.040	0.050	0.060	0.080	0.10	0.12	0.15	0.17	275 (220 – 330)
P7	M/A/D/E	2.5	0.040	0.050	0.060	0.080	0.10	0.12	0.15	0.17	260 (205 – 310)
P8	M/A/D/E	2.5	0.042	0.055	0.065	0.085	0.11	0.12	0.16	0.18	240 (190 – 285)
P11	M/A/D/E	2.5	0.040	0.050	0.060	0.080	0.10	0.12	0.15	0.17	250 (200 – 300)
M1	E	2.5	0.024	0.030	0.036	0.050	0.060	0.075	0.090	0.10	145 (120 – 180)
M2	E	2.5	0.022	0.028	0.034	0.044	0.055	0.065	0.080	0.095	135 (110 – 165)
M3	E	2.5	0.024	0.030	0.036	0.050	0.060	0.075	0.090	0.10	110 (85 – 125)
K1	E	2.5	0.044	0.055	0.065	0.090	0.11	0.13	0.16	0.19	285 (240 – 335)
K2	E	2.5	0.040	0.050	0.060	0.080	0.10	0.12	0.15	0.17	255 (210 – 295)
K3	E	2.5	0.040	0.050	0.060	0.080	0.10	0.12	0.15	0.17	215 (180 – 250)
K4	E	2.5	0.040	0.050	0.060	0.080	0.10	0.12	0.15	0.17	205 (170 – 240)
K5	E	2.5	0.036	0.046	0.055	0.075	0.090	0.11	0.13	0.15	275 (250 – 300)
K6	E	2.5	0.040	0.050	0.060	0.080	0.10	0.12	0.15	0.17	430 (395 – 470)
K7	E	2.5	0.036	0.046	0.055	0.075	0.090	0.11	0.13	0.15	395 (375 – 425)
N1	E	2.5	0.040	0.050	0.060	0.080	0.10	0.12	0.15	0.17	680 (580 – 780)
N2	E	2.5	0.040	0.050	0.060	0.080	0.10	0.12	0.15	0.17	680 (580 – 780)
N11	E	2.5	0.040	0.050	0.060	0.080	0.10	0.12	0.15	0.17	340 (290 – 390)

Cutting data – JS554 – 2C SIRA advanced roughing $a_p/D_c = 0.10$

SMG		a_p / D_c	f_z								v_c
			4	5	6	8	10	12	16	20	
M4	E	2.5	0.026	0.032	0.038	0.050	0.065	0.075	0.095	0.11	80 (55 – 100)
M5	E	2.5	0.026	0.032	0.038	0.050	0.065	0.075	0.095	0.11	65 (47 – 85)
N3	E	2.5	0.048	0.060	0.075	0.095	0.12	0.14	0.18	0.20	480 (410 – 550)
S11	E	2.0	0.030	0.036	0.044	0.060	0.075	0.085	0.11	0.12	85 (80 – 105)
S12	E	2.0	0.030	0.036	0.044	0.060	0.075	0.085	0.11	0.12	125 (100 – 150)
S13	E	2.0	0.026	0.032	0.038	0.050	0.065	0.075	0.095	0.11	100 (80 – 115)
H5	M/A/D	2.5	0.020	0.026	0.030	0.040	0.050	0.060	0.075	0.085	170 (145 – 195)
H8	M/A/D	2.5	0.015	0.019	0.022	0.030	0.038	0.046	0.055	0.065	180 (155 – 200)
H11	M/A/D	2.5	0.020	0.026	0.030	0.040	0.050	0.060	0.075	0.085	220 (190 – 250)
H12	M/A/D	2.5	0.020	0.026	0.030	0.040	0.050	0.060	0.075	0.085	330 (285 – 375)
H21	M/A/D	2.5	0.015	0.019	0.022	0.030	0.038	0.046	0.055	0.065	180 (155 – 200)
H31	M/A/D	2.5	0.020	0.026	0.030	0.040	0.050	0.060	0.075	0.085	130 (110 – 150)

Cutting data – JS554 – 2C SIRA advanced roughing $a_p/D_c = 0.05$

SMG		a_p / D_c	f_z								v_c
			4	5	6	8	10	12	16	20	
S1	E	2.0	0.030	0.038	0.046	0.060	0.075	0.090	0.11	0.13	85 (70 – 95)
S2	E	2.0	0.030	0.038	0.046	0.060	0.075	0.090	0.11	0.13	65 (60 – 75)
S3	E	2.0	0.028	0.036	0.042	0.055	0.070	0.085	0.10	0.12	49 (44 – 60)

For cutting data recalculations, see pages 336-344.

SMG = Seco material group

Coolant = A=air D=dry E=emulsion M=mist spray

v_c = m/min

f_z = mm

a_p (mm)/ D_c (mm) = factor

a_e (mm)/ D_c (mm) = factor

All cutting data are target values

Cutting data – JS554 – 3C Advanced roughing $a_p/D_c = 0.1$

SMG		a_p / D_c	f_z							v_c
			6	8	10	12	16	20	25	
P1	M/A/D/E	3.5	0.065	0.085	0.11	0.13	0.16	0.18	0.20	420 (350 – 630)
P2	M/A/D/E	3.5	0.065	0.090	0.11	0.13	0.16	0.19	0.22	410 (345 – 610)
P3	M/A/D/E	3.5	0.065	0.085	0.10	0.12	0.15	0.18	0.20	360 (300 – 540)
P4	M/A/D/E	3.5	0.060	0.080	0.10	0.12	0.15	0.17	0.20	315 (265 – 470)
P5	M/A/D/E	3.5	0.060	0.080	0.10	0.12	0.15	0.17	0.19	300 (255 – 450)
P6	M/A/D/E	3.5	0.060	0.080	0.10	0.12	0.15	0.17	0.19	340 (285 – 510)
P7	M/A/D/E	3.5	0.060	0.080	0.10	0.12	0.15	0.17	0.19	320 (270 – 475)
P8	M/A/D/E	3.5	0.065	0.085	0.10	0.12	0.15	0.18	0.20	300 (255 – 450)
P11	M/A/D/E	3.5	0.060	0.080	0.10	0.12	0.15	0.17	0.19	310 (260 – 465)
M1	E	3.5	0.085	0.11	0.14	0.16	0.20	0.24	0.26	175 (145 – 260)
M2	E	3.5	0.075	0.10	0.13	0.15	0.19	0.22	0.24	140 (120 – 215)
M3	E	3.5	0.060	0.080	0.10	0.12	0.15	0.17	0.19	115 (95 – 170)
M4	E	3.5	0.060	0.080	0.10	0.12	0.15	0.17	0.19	85 (70 – 130)
M5	E	3.5	0.060	0.080	0.10	0.12	0.15	0.17	0.19	70 (60 – 105)
K1	E	3.5	0.065	0.090	0.11	0.13	0.16	0.19	0.22	345 (290 – 510)
K2	E	3.5	0.060	0.080	0.10	0.12	0.15	0.17	0.19	305 (255 – 455)
K3	E	3.5	0.060	0.080	0.10	0.12	0.15	0.17	0.19	260 (215 – 385)
K4	E	3.5	0.060	0.080	0.10	0.12	0.15	0.17	0.19	245 (205 – 370)
K5	E	3.5	0.055	0.075	0.090	0.11	0.13	0.15	0.17	150 (125 – 225)
K6	E	3.5	0.060	0.080	0.10	0.12	0.15	0.17	0.19	215 (180 – 325)
K7	E	3.5	0.055	0.075	0.090	0.11	0.13	0.15	0.17	190 (160 – 285)
N1	E	3.5	0.085	0.11	0.14	0.17	0.20	0.24	0.28	1075 (910 – 1625)
N2	E	3.5	0.085	0.11	0.14	0.17	0.20	0.24	0.28	700 (590 – 1050)
N3	E	3.5	0.085	0.11	0.14	0.17	0.20	0.24	0.28	465 (390 – 700)
N11	E	3.5	0.085	0.11	0.14	0.17	0.20	0.24	0.28	350 (295 – 520)
H5	M/A/D	3.5	0.026	0.034	0.044	0.050	0.065	0.075	0.085	230 (195 – 345)
H8	M/A/D	3.5	0.030	0.040	0.050	0.060	0.075	0.085	0.095	225 (190 – 340)
H11	M/A/D	3.5	0.026	0.034	0.044	0.050	0.065	0.075	0.085	295 (250 – 445)
H12	M/A/D	3.5	0.026	0.034	0.044	0.050	0.065	0.075	0.085	480 (400 – 720)
H21	M/A/D	3.5	0.030	0.040	0.050	0.060	0.075	0.085	0.095	225 (190 – 340)

Cutting data – JS554 – 3C Advanced roughing $a_p/D_c = 0.05$

SMG		a_p / D_c	f_z							v_c
			6	8	10	12	16	20	25	
S1	E	3.5	0.046	0.060	0.075	0.090	0.11	0.13	0.15	48 (40 – 70)
S2	E	3.5	0.046	0.060	0.075	0.090	0.11	0.13	0.15	48 (40 – 70)
S3	E	3.5	0.042	0.055	0.070	0.085	0.11	0.12	0.14	24 (20 – 36)
S11	E	3.5	0.036	0.046	0.060	0.070	0.085	0.10	0.11	190 (160 – 285)
S12	E	3.5	0.036	0.046	0.060	0.070	0.085	0.10	0.11	145 (125 – 220)
S13	E	3.5	0.030	0.040	0.050	0.060	0.075	0.085	0.10	115 (100 – 175)

For cutting data recalculations, see pages 336-344.

SMG = Seco material group

Coolant = A=air D=dry E=emulsion M=mist spray

v_c = m/min

f_z = mm

a_p (mm)/ D_c (mm) = factor

a_e (mm)/ D_c (mm) = factor

All cutting data are target values

Cutting data – JS554..3C Opti $a_p/D_c = 0.1$

SMG		a_p / D_c	f_z						v_c
			1/4	3/8	1/2	5/8	3/4	1	
P1	M/A/D/E	3.0	0.0030	0.0044	0.0055	0.0065	0.0075	0.0085	1325 (1125 – 2000)
P2	M/A/D/E	3.0	0.0030	0.0044	0.0055	0.0065	0.0075	0.0085	1300 (1100 – 1950)
P3	M/A/D/E	3.0	0.0028	0.0040	0.0055	0.0065	0.0070	0.0085	1125 (940 – 1675)
P4	M/A/D/E	3.0	0.0028	0.0040	0.0050	0.0065	0.0070	0.0080	1000 (840 – 1500)
P5	M/A/D/E	3.0	0.0026	0.0040	0.0050	0.0060	0.0065	0.0080	960 (800 – 1425)
P6	M/A/D/E	3.0	0.0026	0.0040	0.0050	0.0060	0.0065	0.0080	1075 (900 – 1600)
P7	M/A/D/E	3.0	0.0026	0.0040	0.0050	0.0060	0.0065	0.0080	1025 (850 – 1525)
P8	M/A/D/E	3.0	0.0028	0.0040	0.0055	0.0065	0.0070	0.0085	940 (790 – 1400)
P11	M/A/D/E	3.0	0.0026	0.0040	0.0050	0.0060	0.0065	0.0080	980 (830 – 1475)
M1	E	3.0	0.0038	0.0055	0.0070	0.0085	0.0095	0.011	550 (460 – 820)
M2	E	3.0	0.0034	0.0050	0.0065	0.0075	0.0085	0.010	455 (385 – 680)
M3	E	3.0	0.0026	0.0040	0.0050	0.0060	0.0065	0.0080	365 (305 – 540)
M4	E	3.0	0.0026	0.0040	0.0050	0.0060	0.0065	0.0080	275 (230 – 410)
M5	E	3.0	0.0026	0.0040	0.0050	0.0060	0.0065	0.0080	230 (190 – 340)
K1	E	3.0	0.0030	0.0044	0.0055	0.0065	0.0075	0.0085	1100 (920 – 1650)
K2	E	3.0	0.0026	0.0040	0.0050	0.0060	0.0065	0.0080	970 (810 – 1450)
K3	E	3.0	0.0026	0.0040	0.0050	0.0060	0.0065	0.0080	820 (690 – 1225)
K4	E	3.0	0.0026	0.0040	0.0050	0.0060	0.0065	0.0080	780 (660 – 1175)
K5	E	3.0	0.0024	0.0036	0.0048	0.0055	0.0065	0.0070	475 (400 – 710)
K6	E	3.0	0.0026	0.0040	0.0050	0.0060	0.0065	0.0080	690 (580 – 1025)
K7	E	3.0	0.0024	0.0036	0.0048	0.0055	0.0065	0.0070	610 (510 – 910)
N1	E	3.0	0.0038	0.0055	0.0070	0.0085	0.0095	0.011	3450 (2900 – 5150)
N2	E	3.0	0.0038	0.0055	0.0070	0.0085	0.0095	0.011	2200 (1850 – 3300)
N3	E	3.0	0.0038	0.0055	0.0070	0.0085	0.0095	0.011	1475 (1250 – 2200)
N11	E	3.0	0.0038	0.0055	0.0070	0.0085	0.0095	0.011	1100 (930 – 1650)
H5	M/A/D	3.0	0.0011	0.0017	0.0022	0.0026	0.0030	0.0034	760 (640 – 1125)
H8	M/A/D	3.0	0.0013	0.0020	0.0026	0.0030	0.0034	0.0040	740 (620 – 1100)
H11	M/A/D	3.0	0.0011	0.0017	0.0022	0.0026	0.0030	0.0034	960 (810 – 1450)
H12	M/A/D	3.0	0.0011	0.0017	0.0022	0.0026	0.0030	0.0034	1450 (1225 – 2175)
H21	M/A/D	3.0	0.0013	0.0020	0.0026	0.0030	0.0034	0.0040	740 (620 – 1100)

Cutting data – JS554..3C Optirough $a_p/D_c = 0.05$

SMG		a_p / D_c	f_z						v_c
			1/4	3/8	1/2	5/8	3/4	1	
S1	E	3.5	0.0022	0.0032	0.0044	0.0050	0.0055	0.0065	160 (135 – 240)
S2	E	3.5	0.0022	0.0032	0.0044	0.0050	0.0055	0.0065	160 (135 – 240)
S3	E	3.5	0.0020	0.0030	0.0040	0.0048	0.0050	0.0060	80 (70 – 120)
S11	E	3.5	0.0017	0.0024	0.0032	0.0038	0.0044	0.0050	650 (550 – 970)
S12	E	3.5	0.0017	0.0024	0.0032	0.0038	0.0044	0.0050	500 (420 – 750)
S13	E	3.5	0.0014	0.0022	0.0028	0.0034	0.0038	0.0044	395 (330 – 590)

For cutting data recalculations, see pages 336-344.

SMG = Seco Material Group

Coolant = A=air D=dry E=emulsion M=mist spray

v_c = sf/min

f_z = in/tooth

a_p/D_c = factor

a_p/D_c = factor

All cutting data are target values

SEE JS554 3C in action



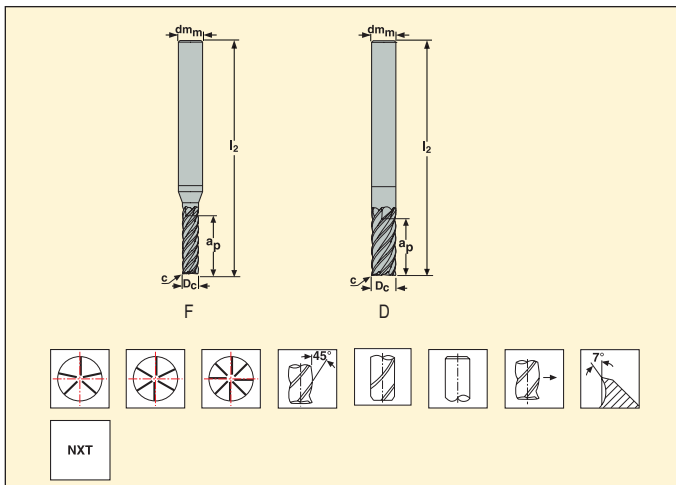
JS520 – Solid carbide end mill – polished coating – cylindrical – multi flute – 45° corner chamfer



Tolerances:

$dm_m = h5$

$D_c = e7$



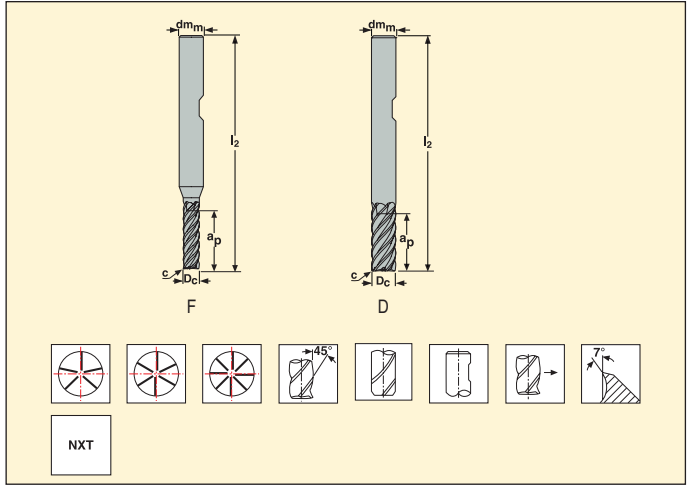
EDP No.	Part No.	Length index	Tool shape	Dimensions in mm					z_n	Cylindrical
				D_c	dm_m	a_p	l_2	$c \times 45^\circ$		
02816	JS520040F2C.0Z5-NXT	2	F	4	6	10	57	0.04	5	■
02819	JS520050F2C.0Z5-NXT	2	F	5	6	12	57	0.05	5	■
02826	JS520060D2C.0Z5-NXT	2	D	6	6	15	57	0.06	5	■
02827	JS520060D2C.0Z6-NXT	2	D	6	6	15	57	0.06	6	■
02858	JS520080D2C.0Z5-NXT	2	D	8	8	20	63	0.08	5	■
02860	JS520080D2C.0Z6-NXT	2	D	8	8	20	63	0.08	6	■
02870	JS520100D2C.0Z6-NXT	2	D	10	10	25	72	0.1	6	■
02875	JS520120D2C.0Z6-NXT	2	D	12	12	25	83	0.12	6	■
02877	JS520140D2C.0Z6-NXT	2	D	14	14	30	83	0.14	6	■
02878	JS520160D2C.0Z6-NXT	2	D	16	16	30	92	0.16	6	■
02880	JS520160D2C.0Z8-NXT	2	D	16	16	30	92	0.16	8	■
02887	JS520200D2C.0Z8-NXT	2	D	20	20	35	104	0.2	8	■
02890	JS520250D2C.0Z8-NXT	2	D	25	25	50	125	0.25	8	■
02818	JS520040F3C.0Z5-NXT	3	F	4	6	15	57	0.04	5	■
02825	JS520050F3C.0Z5-NXT	3	F	5	6	19	57	0.05	5	■
02833	JS520060D3C.0Z5-NXT	3	D	6	6	20	63	0.06	5	■
02843	JS520060D3C.0Z6-NXT	3	D	6	6	20	63	0.06	6	■
02864	JS520080D3C.0Z5-NXT	3	D	8	8	30	80	0.08	5	■
02866	JS520080D3C.0Z6-NXT	3	D	8	8	30	80	0.08	6	■
02873	JS520100D3C.0Z6-NXT	3	D	10	10	40	89	0.1	6	■
02876	JS520120D3C.0Z6-NXT	3	D	12	12	45	100	0.12	6	■
02881	JS520160D3C.0Z6-NXT	3	D	16	16	65	125	0.16	6	■
02883	JS520160D3C.0Z8-NXT	3	D	16	16	65	125	0.16	8	■
02888	JS520200D3C.0Z8-NXT	3	D	20	20	65	125	0.2	8	■
02893	JS520250D3C.0Z8-NXT	3	D	25	25	75	150	0.25	8	■

■ Stock standard. Subject to change, refer to current price-and stock-list.

JS520 - Solid carbide end mill - Weldon - polished coating - multi flute - 45° corner chamfer



Tolerances:
 $dm_m = h5$
 $D_c = e7$



EDP No.	Part No.	Length index	Tool shape	Dimensions in mm					z_n	Weldon
				D_c	dm_m	a_p	l_2	$c \times 45^\circ$		
02894	JS520040F2C.3Z5-NXT	2	F	4	6	10	57	0.04	5	<input type="checkbox"/>
02896	JS520050F2C.3Z5-NXT	2	F	5	6	12	57	0.05	5	<input type="checkbox"/>
02898	JS520060D2C.3Z5-NXT	2	D	6	6	15	57	0.06	5	<input type="checkbox"/>
02899	JS520060D2C.3Z6-NXT	2	D	6	6	15	57	0.06	6	<input type="checkbox"/>
02909	JS520080D2C.3Z5-NXT	2	D	8	8	20	63	0.08	5	<input type="checkbox"/>
02913	JS520080D2C.3Z6-NXT	2	D	8	8	20	63	0.08	6	<input type="checkbox"/>
02926	JS520100D2C.3Z6-NXT	2	D	10	10	25	72	0.1	6	<input type="checkbox"/>
02929	JS520120D2C.3Z6-NXT	2	D	12	12	25	83	0.12	6	<input type="checkbox"/>
02934	JS520140D2C.3Z6-NXT	2	D	14	14	30	83	0.14	6	<input type="checkbox"/>
02937	JS520160D2C.3Z6-NXT	2	D	16	16	30	92	0.16	6	<input type="checkbox"/>
02939	JS520160D2C.3Z8-NXT	2	D	16	16	30	92	0.16	8	<input type="checkbox"/>
02945	JS520200D2C.3Z8-NXT	2	D	20	20	35	104	0.2	8	<input type="checkbox"/>
02947	JS520250D2C.3Z8-NXT	2	D	25	25	50	125	0.25	8	<input type="checkbox"/>
02895	JS520040F3C.3Z5-NXT	3	F	4	6	15	57	0.04	5	<input type="checkbox"/>
02897	JS520050F3C.3Z5-NXT	3	F	5	6	19	57	0.05	5	<input type="checkbox"/>
02903	JS520060D3C.3Z5-NXT	3	D	6	6	20	63	0.06	5	<input type="checkbox"/>
02907	JS520060D3C.3Z6-NXT	3	D	6	6	20	63	0.06	6	<input type="checkbox"/>
02914	JS520080D3C.3Z5-NXT	3	D	8	8	30	80	0.08	5	<input type="checkbox"/>
02915	JS520080D3C.3Z6-NXT	3	D	8	8	30	80	0.08	6	<input type="checkbox"/>
02928	JS520100D3C.3Z6-NXT	3	D	10	10	40	89	0.1	6	<input type="checkbox"/>
02931	JS520120D3C.3Z6-NXT	3	D	12	12	45	100	0.12	6	<input type="checkbox"/>
02941	JS520160D3C.3Z6-NXT	3	D	16	16	65	125	0.16	6	<input type="checkbox"/>
02943	JS520160D3C.3Z8-NXT	3	D	16	16	65	125	0.16	8	<input type="checkbox"/>
02946	JS520200D3C.3Z8-NXT	3	D	20	20	65	125	0.2	8	<input type="checkbox"/>
02948	JS520250D3C.3Z8-NXT	3	D	25	25	75	150	0.25	8	<input type="checkbox"/>

Weldon available, delivery time is 3 days.

Cutting data – JS520 Side milling finishing $a_p/D_c = 0.05$

SMG		a_p / D_c	f_z											v_c
			4	5	6	8	10	12	14	16	20	25		
P1	E/M/A	2.0	0.080	0.10	0.12	0.16	0.20	0.24	0.26	0.28	0.30	0.32	0.36	255 (170 – 340)
P2	E/M/A	2.0	0.080	0.10	0.12	0.16	0.20	0.24	0.26	0.30	0.34	0.38	250 (165 – 330)	
P3	E/M/A	2.0	0.075	0.095	0.11	0.15	0.19	0.22	0.26	0.28	0.32	0.36	215 (145 – 290)	
P4	E/M/A	2.0	0.075	0.090	0.11	0.15	0.18	0.22	0.24	0.26	0.30	0.34	190 (130 – 255)	
P5	E/M/A	2.0	0.070	0.090	0.11	0.14	0.18	0.22	0.24	0.26	0.30	0.34	185 (120 – 245)	
P6	E/M/A	2.0	0.070	0.090	0.11	0.14	0.18	0.22	0.24	0.26	0.30	0.34	205 (135 – 275)	
P7	E/M/A	2.0	0.070	0.090	0.11	0.14	0.18	0.22	0.24	0.26	0.30	0.34	195 (130 – 260)	
P8	E/M/A	2.0	0.075	0.095	0.11	0.15	0.19	0.22	0.26	0.28	0.32	0.36	180 (120 – 240)	
P11	E/M/A	2.0	0.070	0.090	0.11	0.14	0.18	0.22	0.24	0.26	0.30	0.34	190 (125 – 250)	
M1	E/M/A	2.0	0.080	0.10	0.12	0.16	0.20	0.24	0.26	0.30	0.34	0.38	150 (110 – 185)	
M2	E/M/A	2.0	0.070	0.090	0.11	0.14	0.18	0.22	0.24	0.26	0.30	0.34	120 (90 – 155)	
M3	E/M/A	2.0	0.055	0.070	0.085	0.11	0.14	0.17	0.19	0.20	0.24	0.28	95 (75 – 120)	
M4	E/M/A	2.0	0.050	0.060	0.075	0.10	0.12	0.15	0.17	0.18	0.20	0.24	75 (55 – 95)	
M5	E/M/A	2.0	0.050	0.060	0.075	0.10	0.12	0.15	0.17	0.18	0.20	0.24	60 (47 – 80)	
K1	E/M/A	2.0	0.080	0.10	0.12	0.16	0.20	0.24	0.26	0.30	0.34	0.38	180 (120 – 240)	
K2	E/M/A	2.0	0.070	0.090	0.11	0.14	0.18	0.22	0.24	0.26	0.30	0.34	160 (105 – 210)	
K3	E/M/A	2.0	0.070	0.090	0.11	0.14	0.18	0.22	0.24	0.26	0.30	0.34	135 (90 – 180)	
K4	E/M/A	2.0	0.070	0.090	0.11	0.14	0.18	0.22	0.24	0.26	0.30	0.34	130 (85 – 170)	
K5	E/M/A	2.0	0.065	0.080	0.095	0.13	0.16	0.19	0.22	0.24	0.28	0.30	80 (50 – 105)	
K6	E/M/A	2.0	0.070	0.090	0.11	0.14	0.18	0.22	0.24	0.26	0.30	0.34	115 (75 – 150)	
K7	E/M/A	2.0	0.065	0.080	0.095	0.13	0.16	0.19	0.22	0.24	0.28	0.30	100 (65 – 135)	
N1	E/M/A	2.0	0.090	0.11	0.13	0.18	0.22	0.26	0.32	0.36	0.44	0.48	730 (640 – 820)	
N2	E/M/A	2.0	0.090	0.11	0.13	0.18	0.22	0.26	0.32	0.36	0.44	0.48	470 (410 – 530)	
N3	E/M/A	2.0	0.090	0.11	0.13	0.18	0.22	0.26	0.32	0.36	0.44	0.48	315 (275 – 350)	
N11	E/M/A	2.0	0.090	0.11	0.13	0.18	0.22	0.26	0.32	0.36	0.44	0.48	470 (410 – 530)	
S1	E/M/A	2.0	0.048	0.060	0.070	0.095	0.12	0.14	0.16	0.18	0.20	0.22	65 (55 – 75)	
S2	E/M/A	2.0	0.048	0.060	0.070	0.095	0.12	0.14	0.16	0.18	0.20	0.22	65 (55 – 75)	
S3	E/M/A	2.0	0.044	0.055	0.065	0.090	0.11	0.13	0.15	0.16	0.19	0.22	44 (33 – 55)	
S11	E/M/A	2.0	0.055	0.070	0.085	0.11	0.14	0.17	0.19	0.20	0.24	0.28	135 (115 – 150)	
S12	E/M/A	2.0	0.055	0.070	0.085	0.11	0.14	0.17	0.19	0.20	0.24	0.28	100 (90 – 115)	
S13	E/M/A	2.0	0.050	0.060	0.075	0.10	0.12	0.15	0.17	0.18	0.20	0.24	80 (70 – 90)	
H5	M/A	2.0	0.040	0.050	0.060	0.080	0.10	0.12	0.14	0.16	0.19	0.22	125 (60 – 185)	
H8	M/A	2.0	0.034	0.042	0.050	0.065	0.085	0.10	0.11	0.12	0.14	0.16	125 (65 – 190)	
H11	M/A	2.0	0.040	0.050	0.060	0.080	0.10	0.12	0.14	0.16	0.19	0.22	160 (80 – 240)	
H12	M/A	2.0	0.040	0.050	0.060	0.080	0.10	0.12	0.14	0.16	0.19	0.22	255 (130 – 385)	
H21	M/A	2.0	0.034	0.042	0.050	0.065	0.085	0.10	0.11	0.12	0.14	0.16	125 (65 – 190)	
TS1	A/D	2.0	0.070	0.090	0.11	0.14	0.18	0.22	0.24	0.26	0.30	0.34	610 (490 – 730)	
TP1	A/D	2.0	0.070	0.090	0.11	0.14	0.18	0.22	0.24	0.26	0.30	0.34	610 (490 – 730)	
GR1	A/D	2.0	0.070	0.090	0.11	0.14	0.18	0.22	0.24	0.26	0.30	0.34	610 (490 – 730)	

For cutting data recalculations, see pages 336-344.

SMG = Seco material group

Coolant = A=air D=dry E=emulsion M=mist spray

v_c = m/min

f_z = mm

a_p (mm)/ D_c (mm) = factor

a_e (mm)/ D_c (mm) = factor

All cutting data are target values

Cutting data – JS520 Side milling roughing $a_e/D_c = 0.1$

SMG		a_p / D_c	f_z										v_c
			4	5	6	8	10	12	14	16	20	25	
P1	E/M/A	0.65	0.044	0.055	0.065	0.090	0.11	0.13	0.15	0.16	0.19	0.22	225 (150 – 300)
P2	E/M/A	0.65	0.044	0.055	0.065	0.090	0.11	0.13	0.15	0.16	0.19	0.22	220 (145 – 290)
P3	E/M/A	0.65	0.042	0.050	0.060	0.085	0.11	0.13	0.14	0.16	0.18	0.20	190 (125 – 250)
P4	E/M/A	0.65	0.042	0.050	0.060	0.085	0.10	0.12	0.14	0.15	0.18	0.20	170 (110 – 225)
P5	E/M/A	0.65	0.040	0.050	0.060	0.080	0.10	0.12	0.14	0.15	0.17	0.19	160 (105 – 215)
P6	E/M/A	0.65	0.040	0.050	0.060	0.080	0.10	0.12	0.13	0.15	0.17	0.19	180 (120 – 240)
P7	E/M/A	0.65	0.040	0.050	0.060	0.080	0.10	0.12	0.13	0.15	0.17	0.19	170 (115 – 225)
P8	E/M/A	0.65	0.042	0.055	0.065	0.085	0.11	0.13	0.14	0.16	0.18	0.20	160 (105 – 210)
P11	E/M/A	0.65	0.040	0.050	0.060	0.080	0.10	0.12	0.13	0.15	0.17	0.19	165 (110 – 220)
M1	E/M/A	0.65	0.044	0.055	0.065	0.090	0.11	0.13	0.15	0.16	0.19	0.22	130 (100 – 165)
M2	E/M/A	0.65	0.040	0.050	0.060	0.080	0.10	0.12	0.14	0.15	0.17	0.19	105 (80 – 135)
M3	E/M/A	0.50	0.032	0.040	0.048	0.065	0.080	0.095	0.11	0.12	0.14	0.16	85 (65 – 105)
M4	E/M/A	0.38	0.028	0.036	0.042	0.055	0.070	0.085	0.095	0.10	0.12	0.14	65 (49 – 80)
M5	E/M/A	0.38	0.028	0.036	0.042	0.055	0.070	0.085	0.095	0.10	0.12	0.14	55 (41 – 70)
K1	E/M/A	0.65	0.044	0.055	0.065	0.090	0.11	0.13	0.15	0.16	0.19	0.22	160 (105 – 210)
K2	E/M/A	0.65	0.040	0.050	0.060	0.080	0.10	0.12	0.14	0.15	0.17	0.19	140 (95 – 185)
K3	E/M/A	0.65	0.040	0.050	0.060	0.080	0.10	0.12	0.14	0.15	0.17	0.19	120 (80 – 155)
K4	E/M/A	0.65	0.040	0.050	0.060	0.080	0.10	0.12	0.14	0.15	0.17	0.19	115 (75 – 150)
K5	E/M/A	0.65	0.036	0.046	0.055	0.075	0.090	0.11	0.12	0.13	0.15	0.17	70 (46 – 90)
K6	E/M/A	0.65	0.040	0.050	0.060	0.080	0.10	0.12	0.14	0.15	0.17	0.19	100 (65 – 130)
K7	E/M/A	0.65	0.036	0.046	0.055	0.075	0.090	0.11	0.12	0.13	0.15	0.17	85 (60 – 115)
N1	E/M/A	0.65	0.055	0.070	0.085	0.11	0.14	0.17	0.19	0.22	0.24	0.28	620 (550 – 700)
N2	E/M/A	0.65	0.055	0.070	0.085	0.11	0.14	0.17	0.19	0.22	0.24	0.28	400 (350 – 450)
N3	E/M/A	0.65	0.055	0.070	0.085	0.11	0.14	0.17	0.19	0.22	0.24	0.28	265 (235 – 300)
N11	E/M/A	0.65	0.055	0.070	0.085	0.11	0.14	0.17	0.19	0.22	0.24	0.28	400 (350 – 450)
S1	E/M/A	0.11	0.028	0.034	0.042	0.055	0.070	0.080	0.090	0.10	0.12	0.13	55 (48 – 65)
S2	E/M/A	0.11	0.028	0.034	0.042	0.055	0.070	0.080	0.090	0.10	0.12	0.13	55 (48 – 65)
S3	E/M/A	0.11	0.026	0.032	0.038	0.050	0.065	0.075	0.085	0.095	0.11	0.12	39 (29 – 48)
S11	E/M/A	0.44	0.032	0.040	0.048	0.065	0.080	0.095	0.11	0.12	0.14	0.16	115 (100 – 130)
S12	E/M/A	0.44	0.032	0.040	0.048	0.065	0.080	0.095	0.11	0.12	0.14	0.16	90 (80 – 100)
S13	E/M/A	0.38	0.028	0.036	0.042	0.055	0.070	0.085	0.095	0.10	0.12	0.14	70 (60 – 80)
H5	M/A	0.65	0.026	0.032	0.038	0.050	0.065	0.075	0.085	0.095	0.11	0.12	105 (55 – 160)
H8	M/A	0.55	0.019	0.024	0.030	0.038	0.048	0.055	0.065	0.070	0.080	0.095	110 (55 – 165)
H21	M/A	0.55	0.019	0.024	0.030	0.038	0.048	0.055	0.065	0.070	0.080	0.095	110 (55 – 165)
H31	M/A	0.55	0.017	0.020	0.026	0.034	0.042	0.050	0.055	0.060	0.070	0.080	85 (42 – 125)
TS1	A/D	0.65	0.040	0.050	0.060	0.080	0.10	0.12	0.14	0.15	0.17	0.19	540 (430 – 640)
TP1	A/D	0.65	0.040	0.050	0.060	0.080	0.10	0.12	0.14	0.15	0.17	0.19	540 (430 – 640)
GR1	A/D	0.65	0.040	0.050	0.060	0.080	0.10	0.12	0.14	0.15	0.17	0.19	540 (430 – 640)

For cutting data recalculations, see pages 336-344.

SMG = Seco material group

Coolant = A=air D=dry E=emulsion M=mist spray

v_c = m/min

f_z = mm

a_p (mm)/ D_c (mm) = factor

a_e (mm)/ D_c (mm) = factor

All cutting data are target values

JS520 long flute finisher, with special geometry designed to machine high shoulders with excellent surface finish and perpendicularity.



Cutting data – JS522 Side milling finishing $a_p/D_c = 0.02$

SMG		a_p / D_c	f_z								v_c
			6	8	10	12	16	20	25	32	
P1	E/M/A	4.0	0.060	0.080	0.10	0.12	0.16	0.20	0.22	0.26	225 (195 – 260)
P2	E/M/A	4.0	0.060	0.080	0.10	0.12	0.16	0.20	0.22	0.26	220 (190 – 255)
P3	E/M/A	4.0	0.060	0.080	0.10	0.12	0.16	0.19	0.22	0.24	190 (165 – 220)
P4	E/M/A	4.0	0.060	0.080	0.10	0.12	0.16	0.19	0.22	0.24	170 (145 – 190)
P5	E/M/A	4.0	0.060	0.080	0.10	0.12	0.16	0.18	0.20	0.24	160 (135 – 185)
P6	E/M/A	4.0	0.060	0.080	0.10	0.12	0.16	0.18	0.20	0.24	180 (155 – 205)
P7	E/M/A	4.0	0.060	0.080	0.10	0.12	0.16	0.18	0.20	0.24	170 (145 – 195)
P8	E/M/A	4.0	0.060	0.080	0.10	0.12	0.16	0.19	0.22	0.24	160 (135 – 185)
P11	E/M/A	4.0	0.060	0.080	0.10	0.12	0.16	0.18	0.20	0.24	165 (140 – 190)
M1	E/M/A	4.0	0.030	0.040	0.050	0.060	0.080	0.10	0.12	0.16	135 (105 – 170)
M2	E/M/A	4.0	0.030	0.040	0.050	0.060	0.080	0.10	0.12	0.16	110 (85 – 135)
M3	E/M/A	4.0	0.030	0.040	0.050	0.060	0.080	0.10	0.12	0.14	85 (65 – 105)
M4	E/M/A	4.0	0.030	0.040	0.050	0.060	0.080	0.095	0.10	0.12	65 (49 – 80)
M5	E/M/A	4.0	0.030	0.040	0.050	0.060	0.080	0.095	0.10	0.12	55 (41 – 65)
K1	E/M/A	4.0	0.060	0.080	0.10	0.12	0.16	0.20	0.22	0.26	135 (115 – 160)
K2	E/M/A	4.0	0.060	0.080	0.10	0.12	0.16	0.18	0.20	0.24	120 (100 – 140)
K3	E/M/A	4.0	0.060	0.080	0.10	0.12	0.16	0.18	0.20	0.24	100 (85 – 115)
K4	E/M/A	4.0	0.060	0.080	0.10	0.12	0.16	0.18	0.20	0.24	95 (80 – 110)
K5	E/M/A	4.0	0.060	0.080	0.10	0.12	0.14	0.17	0.19	0.20	55 (48 – 65)
K6	E/M/A	4.0	0.060	0.080	0.10	0.12	0.16	0.18	0.20	0.24	85 (70 – 100)
K7	E/M/A	4.0	0.060	0.080	0.10	0.12	0.14	0.17	0.19	0.20	75 (60 – 85)
N1	E/M/A	4.0	0.060	0.080	0.10	0.12	0.16	0.20	0.24	0.32	530 (355 – 710)
N2	E/M/A	4.0	0.060	0.080	0.10	0.12	0.16	0.20	0.24	0.32	345 (230 – 460)
N3	E/M/A	4.0	0.060	0.080	0.10	0.12	0.16	0.20	0.24	0.32	230 (155 – 305)
N11	E/M/A	4.0	0.060	0.080	0.10	0.12	0.16	0.20	0.24	0.32	345 (285 – 400)
S1	E/M/A	4.0	0.030	0.040	0.050	0.060	0.080	0.10	0.12	0.16	55 (43 – 65)
S2	E/M/A	4.0	0.030	0.040	0.050	0.060	0.080	0.10	0.12	0.16	55 (43 – 65)
S3	E/M/A	4.0	0.030	0.040	0.050	0.060	0.080	0.10	0.12	0.16	43 (32 – 43)
S11	E/M/A	4.0	0.050	0.070	0.085	0.10	0.13	0.15	0.17	0.19	150 (120 – 180)
S12	E/M/A	4.0	0.050	0.070	0.085	0.10	0.13	0.15	0.17	0.19	115 (95 – 140)
S13	E/M/A	4.0	0.046	0.060	0.075	0.090	0.11	0.13	0.14	0.16	90 (75 – 110)
TS1	A/D	4.0	0.060	0.080	0.10	0.12	0.16	0.18	0.20	0.24	1150 (1025 – 1250)
TP1	A/D	4.0	0.060	0.080	0.10	0.12	0.16	0.18	0.20	0.24	570 (460 – 690)
GR1	A/D	4.0	0.060	0.080	0.10	0.12	0.16	0.18	0.20	0.24	1150 (1025 – 1250)

For cutting data recalculations, see pages 336-344.

SMG = Seco material group

Coolant = A=air D=dry E=emulsion M=mist spray

v_c = m/min

f_z = mm

a_p (mm)/ D_c (mm) = factor

a_g (mm)/ D_c (mm) = factor

All cutting data are target values

Cutting data – JS522 Side milling semi finishing $a_p/D_c = 0.05$

SMG		a_p / D_c	f_z								v_c
			6	8	10	12	16	20	25	32	
P1	E/M/A	4.0	0.046	0.060	0.075	0.090	0.11	0.13	0.14	0.16	160 (140 – 180)
P2	E/M/A	4.0	0.046	0.060	0.075	0.090	0.11	0.13	0.15	0.17	155 (135 – 175)
P3	E/M/A	4.0	0.044	0.060	0.075	0.085	0.11	0.12	0.14	0.16	165 (140 – 190)
P4	E/M/A	4.0	0.042	0.055	0.070	0.085	0.10	0.12	0.14	0.15	145 (125 – 170)
P5	E/M/A	4.0	0.042	0.055	0.070	0.085	0.10	0.12	0.13	0.15	140 (120 – 160)
P6	E/M/A	4.0	0.042	0.055	0.070	0.080	0.10	0.12	0.13	0.15	120 (100 – 140)
P7	E/M/A	4.0	0.042	0.055	0.070	0.080	0.10	0.12	0.13	0.15	115 (95 – 130)
P8	E/M/A	4.0	0.044	0.060	0.075	0.085	0.11	0.12	0.14	0.16	105 (90 – 125)
P11	E/M/A	4.0	0.042	0.055	0.070	0.080	0.10	0.12	0.13	0.15	110 (90 – 130)
M1	E/M/A	4.0	0.042	0.055	0.070	0.085	0.10	0.12	0.13	0.15	90 (70 – 110)
M2	E/M/A	4.0	0.038	0.050	0.065	0.075	0.095	0.11	0.12	0.14	75 (55 – 90)
M3	E/M/A	4.0	0.042	0.055	0.070	0.085	0.10	0.12	0.13	0.15	80 (60 – 100)
M4	E/M/A	4.0	0.036	0.048	0.060	0.070	0.090	0.10	0.12	0.13	60 (46 – 75)
M5	E/M/A	4.0	0.036	0.048	0.060	0.070	0.090	0.10	0.12	0.13	50 (38 – 65)
K1	E/M/A	4.0	0.046	0.060	0.075	0.090	0.11	0.13	0.15	0.17	120 (100 – 140)
K2	E/M/A	4.0	0.042	0.055	0.070	0.085	0.10	0.12	0.13	0.15	105 (85 – 120)
K3	E/M/A	4.0	0.042	0.055	0.070	0.085	0.10	0.12	0.13	0.15	90 (75 – 105)
K4	E/M/A	4.0	0.042	0.055	0.070	0.085	0.10	0.12	0.13	0.15	85 (70 – 100)
K5	E/M/A	4.0	0.038	0.050	0.065	0.075	0.090	0.11	0.12	0.14	100 (80 – 120)
K6	E/M/A	4.0	0.042	0.055	0.070	0.085	0.10	0.12	0.13	0.15	150 (120 – 180)
K7	E/M/A	4.0	0.038	0.050	0.065	0.075	0.090	0.11	0.12	0.14	130 (105 – 155)
N1	E/M/A	4.0	0.042	0.055	0.070	0.085	0.10	0.12	0.13	0.15	400 (300 – 500)
N2	E/M/A	4.0	0.042	0.055	0.070	0.085	0.10	0.12	0.13	0.15	300 (200 – 400)
N3	E/M/A	4.0	0.042	0.055	0.070	0.085	0.10	0.12	0.13	0.15	200 (135 – 265)
N11	E/M/A	4.0	0.042	0.055	0.070	0.085	0.10	0.12	0.13	0.15	300 (250 – 350)
S11	E/M/A	4.0	0.042	0.055	0.070	0.085	0.10	0.12	0.13	0.15	125 (100 – 150)
S12	E/M/A	4.0	0.042	0.055	0.070	0.085	0.10	0.12	0.13	0.15	95 (75 – 115)
S13	E/M/A	4.0	0.036	0.048	0.060	0.070	0.090	0.10	0.12	0.13	75 (60 – 90)
TS1	A/D	4.0	0.042	0.055	0.070	0.085	0.10	0.12	0.13	0.15	500 (400 – 600)
TP1	A/D	4.0	0.042	0.055	0.070	0.085	0.10	0.12	0.13	0.15	400 (300 – 500)
GR1	A/D	4.0	0.042	0.055	0.070	0.085	0.10	0.12	0.13	0.15	500 (400 – 600)

For cutting data recalculations, see pages 336-344.

SMG = Seco material group

Coolant = A=air D=dry E=emulsion M=mist spray

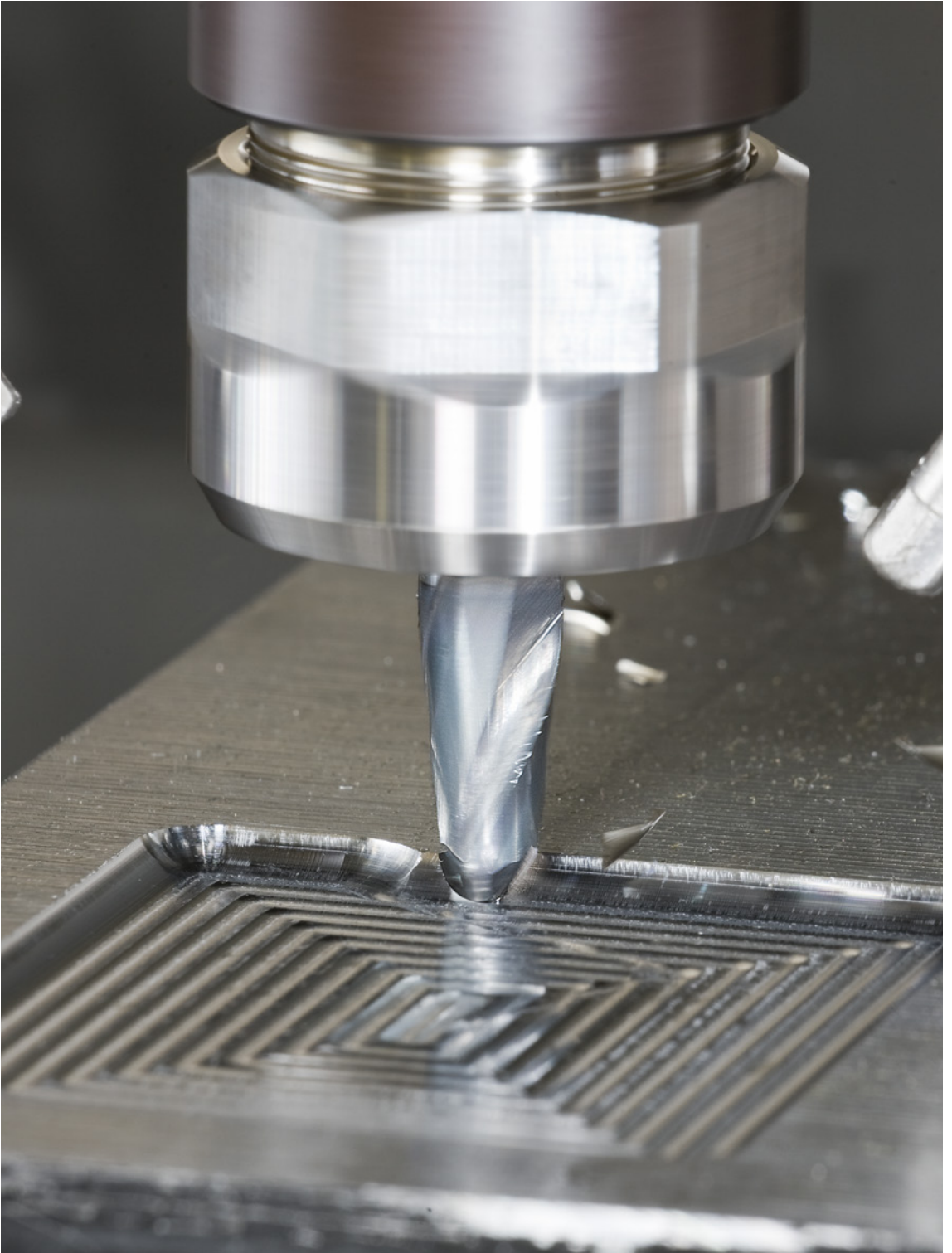
v_c = m/min

f_z = mm

a_p (mm)/ D_c (mm)= factor

a_e (mm)/ D_c (mm)= factor

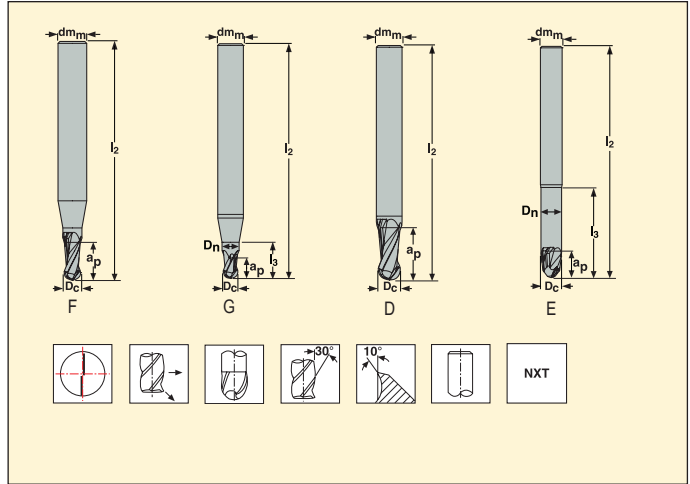
All cutting data are target values



JS532 – Solid carbide end mill – cylindrical – ball nose – two flute



Tolerances:
 $dm_m = h5$
 $D_c = e8$
 $r_{e1} = \pm 0.01 \text{ mm}$



EDP No.	Part No.	Length index	Tool shape	Dimensions in mm							z _n	Cylindrical
				D _c	dm _m	a _p	l ₂	l ₃	D _n	r _{e1}		
06909	JS532010F1B.0Z2-NXT	1	F	1	3	2	38	-	-	0.5	2	■
06929	JS532015F1B.0Z2-NXT	1	F	1.5	3	3	38	-	-	0.75	2	■
06930	JS532020F1B.0Z2-NXT	1	F	2	3	4	38	-	-	1	2	■
06963	JS532025F1B.0Z2-NXT	1	F	2.5	3	5	38	-	-	1.25	2	■
06992	JS532030D1B.0Z2-NXT	1	D	3	3	6	38	-	-	1.5	2	■
07051	JS532035F1B.0Z2-NXT	1	F	3.5	6	7	57	-	-	1.75	2	■
07053	JS532040F1B.0Z2-NXT	1	F	4	6	8	57	-	-	2	2	■
07063	JS532045F1B.0Z2-NXT	1	F	4.5	6	9	57	-	-	2.25	2	■
07065	JS532050F1B.0Z2-NXT	1	F	5	6	10	57	-	-	2.5	2	■
07087	JS532060D1B.0Z2-NXT	1	D	6	6	12	57	-	-	3	2	■
07101	JS532080D1B.0Z2-NXT	1	D	8	8	16	63	-	-	4	2	■
07124	JS532100D1B.0Z2-NXT	1	D	10	10	20	72	-	-	5	2	■
07138	JS532120D1B.0Z2-NXT	1	D	12	12	24	83	-	-	6	2	■
07163	JS532160D1B.0Z2-NXT	1	D	16	16	32	92	-	-	8	2	■
07192	JS532200D1B.0Z2-NXT	1	D	20	20	40	104	-	-	10	2	■
06931	JS532020G2B.0Z2-NXT	2	G	2	3	2	38	8	1.9	1	2	■
06973	JS532025G2B.0Z2-NXT	2	G	2.5	3	2.5	38	8	2.4	1.25	2	■
07013	JS532030E2B.0Z2-NXT	2	E	3	3	3	38	10	2.85	1.5	2	■
07059	JS532040G2B.0Z2-NXT	2	G	4	6	4	57	15	3.8	2	2	■
07085	JS532050G2B.0Z2-NXT	2	G	5	6	5	57	20	4.8	2.5	2	■
07088	JS532060E2B.0Z2-NXT	2	E	6	6	6	63	25	5.7	3	2	■
07102	JS532080E2B.0Z2-NXT	2	E	8	8	8	80	40	7.6	4	2	■
07126	JS532100E2B.0Z2-NXT	2	E	10	10	10	82	40	9.5	5	2	■
07140	JS532120E2B.0Z2-NXT	2	E	12	12	12	100	50	11.4	6	2	■
07185	JS532160E2B.0Z2-NXT	2	E	16	16	16	125	72	15.2	8	2	■
07049	JS532030E3B.0Z2-NXT	3	E	3	3	3	52	20	2.85	1.5	2	■
07061	JS532040G3B.0Z2-NXT	3	G	4	6	4	63	24	3.8	2	2	■
07086	JS532050G3B.0Z2-NXT	3	G	5	6	5	75	35	4.8	2.5	2	■
07099	JS532060E3B.0Z2-NXT	3	E	6	6	6	80	42	5.7	3	2	■
07103	JS532080E3B.0Z2-NXT	3	E	8	8	8	100	60	7.6	4	2	■
07127	JS532100E3B.0Z2-NXT	3	E	10	10	10	125	80	9.5	5	2	■
07159	JS532120E3B.0Z2-NXT	3	E	12	12	12	125	75	11.4	6	2	■
07191	JS532160E3B.0Z2-NXT	3	E	16	16	16	150	100	15.2	8	2	■

■ Stock standard. Subject to change, refer to current price-and stock-list.

JS532 – Solid carbide end mill – Weldon – ball nose – two flute

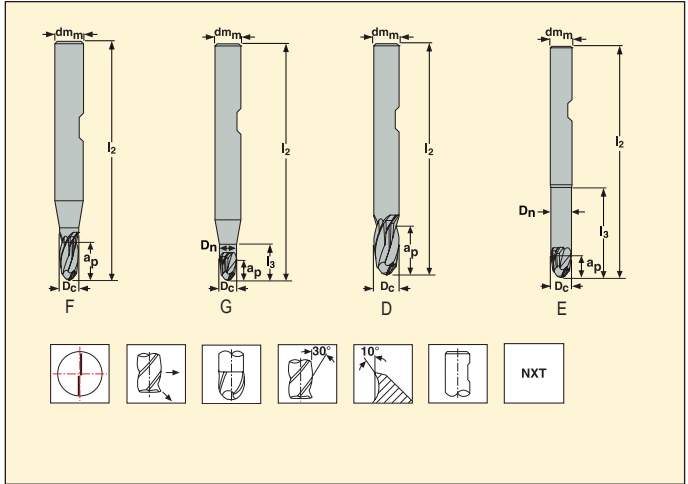


Tolerances:

$dm_m = h5$

$D_c = e8$

$r_{\epsilon 1} = \pm 0.01 \text{ mm}$



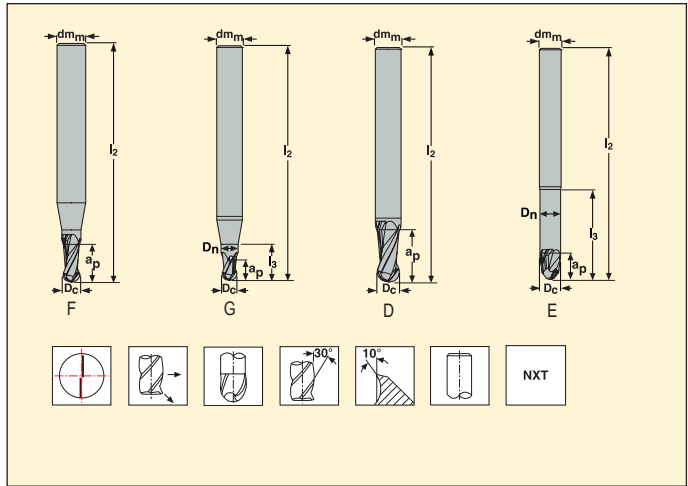
EDP No.	Part No.	Length index	Tool shape	Dimensions in mm								z _n	Weldon
				D _c	dm _m	a _p	l ₂	l ₃	D _n	r _{ε1}			
07437	JS532035F1B.3Z2-NXT	1	F	3.5	6	7	57	–	–	1.75	2	<input type="checkbox"/>	
07438	JS532040F1B.3Z2-NXT	1	F	4	6	8	57	–	–	2	2	<input type="checkbox"/>	
07452	JS532045F1B.3Z2-NXT	1	F	4.5	6	9	57	–	–	2.25	2	<input type="checkbox"/>	
07453	JS532050F1B.3Z2-NXT	1	F	5	6	10	57	–	–	2.5	2	<input type="checkbox"/>	
07456	JS532060D1B.3Z2-NXT	1	D	6	6	12	57	–	–	3	2	<input type="checkbox"/>	
07461	JS532080D1B.3Z2-NXT	1	D	8	8	16	63	–	–	4	2	<input type="checkbox"/>	
07466	JS532100D1B.3Z2-NXT	1	D	10	10	20	72	–	–	5	2	<input type="checkbox"/>	
07469	JS532120D1B.3Z2-NXT	1	D	12	12	24	83	–	–	6	2	<input type="checkbox"/>	
07472	JS532160D1B.3Z2-NXT	1	D	16	16	32	92	–	–	8	2	<input type="checkbox"/>	
07476	JS532200D1B.3Z2-NXT	1	D	20	20	40	104	–	–	10	2	<input type="checkbox"/>	
07439	JS532040G2B.3Z2-NXT	2	G	4	6	4	57	15	3.8	2	2	<input type="checkbox"/>	
07454	JS532050G2B.3Z2-NXT	2	G	5	6	5	57	15	4.8	2.5	2	<input type="checkbox"/>	
07457	JS532060E2B.3Z2-NXT	2	E	6	6	6	63	25	5.7	3	2	<input type="checkbox"/>	
07464	JS532080E2B.3Z2-NXT	2	E	8	8	8	80	40	7.6	4	2	<input type="checkbox"/>	
07467	JS532100E2B.3Z2-NXT	2	E	10	10	10	82	40	9.5	5	2	<input type="checkbox"/>	
07470	JS532120E2B.3Z2-NXT	2	E	12	12	12	100	50	11.4	6	2	<input type="checkbox"/>	
07473	JS532160E2B.3Z2-NXT	2	E	16	16	16	125	70	15.2	8	2	<input type="checkbox"/>	
07451	JS532040G3B.3Z2-NXT	3	G	4	6	4	63	24	3.8	2	2	<input type="checkbox"/>	
07455	JS532050G3B.3Z2-NXT	3	G	5	6	5	75	35	4.8	2.5	2	<input type="checkbox"/>	
07460	JS532060E3B.3Z2-NXT	3	E	6	6	6	80	42	5.7	3	2	<input type="checkbox"/>	
07465	JS532080E3B.3Z2-NXT	3	E	8	8	2	100	60	7.6	4	2	<input type="checkbox"/>	
07468	JS532100E3B.3Z2-NXT	3	E	10	10	10	126	80	9.5	5	2	<input type="checkbox"/>	
07471	JS532120E3B.3Z2-NXT	3	E	12	12	12	125	75	11.4	6	2	<input type="checkbox"/>	
07474	JS532160E3B.3Z2-NXT	3	E	16	16	16	150	100	15.2	8	2	<input type="checkbox"/>	

Weldon available, delivery time is 3 days.

JS532 – Solid carbide end mill – cylindrical – ball nose – two flute – inch



Tolerances:
 $dm_m = h5$
 $D_c = e8$
 $r_{\epsilon 1} = \pm 0.0004$



EDP No.	Part No.	Length index	Tool shape	Dimensions in inch							z_n	Cylindrical
				D_c	dm_m	a_p	l_2	l_3	D_n	$r_{\epsilon 1}$		
07193	JS532.031F1B.0Z2-NXT	1	F	0.031	0.125	0.062	1.500	-	-	0.016	2	■
07276	JS532.062F1B.0Z2-NXT	1	F	0.063	0.125	0.125	1.500	-	-	0.031	2	■
07297	JS532.125D1B.0Z2-NXT	1	D	0.125	0.125	0.250	1.500	-	-	0.063	2	■
07354	JS532.187D1B.0Z2-NXT	1	D	0.188	0.188	0.375	2.000	-	-	0.094	2	■
07356	JS532.250D1B.0Z2-NXT	1	D	0.250	0.250	0.500	2.000	-	-	0.125	2	■
07377	JS532.312D1B.0Z2-NXT	1	D	0.312	0.313	0.625	2.500	-	-	0.156	2	■
07385	JS532.375D1B.0Z2-NXT	1	D	0.375	0.375	0.750	3.000	-	-	0.188	2	■
07397	JS532.500D1B.0Z2-NXT	1	D	0.500	0.500	1.000	4.000	-	-	0.250	2	■
07430	JS532.625D1B.0Z2-NXT	1	D	0.625	0.625	1.250	4.000	-	-	0.313	2	■
07435	JS532.750D1B.0Z2-NXT	1	D	0.750	0.750	1.500	5.000	-	-	0.375	2	■
07288	JS532.062G2B.0Z2-NXT	2	G	0.063	0.125	0.063	1.500	0.315	0.059	0.031	2	■
07299	JS532.125E2B.0Z2-NXT	2	E	0.125	0.125	0.125	1.500	0.394	0.117	0.063	2	■
07355	JS532.187E2B.0Z2-NXT	2	E	0.188	0.188	0.188	2.000	0.787	0.180	0.094	2	■
07372	JS532.250E2B.0Z2-NXT	2	E	0.250	0.250	0.250	2.000	0.866	0.234	0.125	2	■
07386	JS532.375E2B.0Z2-NXT	2	E	0.375	0.375	0.375	3.500	1.772	0.355	0.188	2	■
07418	JS532.500E2B.0Z2-NXT	2	E	0.500	0.500	0.500	4.000	1.969	0.476	0.250	2	■
07432	JS532.625E2B.0Z2-NXT	2	E	0.625	0.625	0.625	5.000	2.953	0.594	0.313	2	■
07436	JS532.750E2B.0Z2-NXT	2	E	0.750	0.750	0.750	6.000	3.740	0.726	0.375	2	■
07353	JS532.125E3B.0Z2-NXT	3	E	0.125	0.125	0.125	2.000	0.787	0.117	0.063	2	■
07376	JS532.250E3B.0Z2-NXT	3	E	0.250	0.250	0.250	3.000	1.772	0.234	0.125	2	■
07387	JS532.375E3B.0Z2-NXT	3	E	0.375	0.375	0.375	4.000	2.362	0.355	0.188	2	■
07426	JS532.500E3B.0Z2-NXT	3	E	0.500	0.500	0.500	5.000	2.953	0.476	0.250	2	■

■ Stock standard. Subject to change, refer to current price-and stock-list.

Cutting data – JS532 Copy milling roughing $a_p/D_c = 0.3$

SMG		a_p / D_c	f_z											v_c
			1	2	3	4	5	6	8	10	12	16	20	
P1	M/A/D/E	0.30	0.0030	0.0065	0.010	0.015	0.020	0.026	0.034	0.042	0.050	0.065	0.070	285 (245 – 320)
P2	M/A/D/E	0.30	0.0032	0.0065	0.010	0.015	0.020	0.026	0.034	0.044	0.050	0.065	0.075	275 (240 – 315)
P3	M/A/D/E	0.30	0.0030	0.0060	0.010	0.014	0.019	0.024	0.032	0.042	0.048	0.060	0.070	240 (205 – 270)
P4	M/A/D/E	0.30	0.0028	0.0060	0.0095	0.014	0.019	0.024	0.032	0.040	0.048	0.060	0.070	210 (185 – 240)
P5	M/A/D/E	0.30	0.0028	0.0060	0.0095	0.013	0.018	0.024	0.032	0.040	0.046	0.060	0.065	200 (175 – 230)
P6	M/A/D/E	0.30	0.0028	0.0060	0.0095	0.013	0.018	0.024	0.032	0.040	0.046	0.060	0.065	225 (195 – 255)
P7	M/A/D/E	0.30	0.0028	0.0060	0.0095	0.013	0.018	0.024	0.032	0.040	0.046	0.060	0.065	215 (185 – 240)
P8	M/A/D/E	0.30	0.0030	0.0060	0.010	0.014	0.019	0.024	0.032	0.042	0.048	0.060	0.070	200 (175 – 225)
P11	M/A/D/E	0.30	0.0028	0.0060	0.0095	0.013	0.018	0.024	0.032	0.040	0.046	0.060	0.065	210 (180 – 235)
K1	E	0.30	0.0028	0.0060	0.0095	0.014	0.019	0.024	0.032	0.040	0.048	0.060	0.070	270 (240 – 300)
K2	E	0.30	0.0026	0.0055	0.0085	0.012	0.017	0.022	0.030	0.036	0.044	0.055	0.060	235 (210 – 260)
K3	E	0.30	0.0026	0.0055	0.0085	0.012	0.017	0.022	0.030	0.036	0.044	0.055	0.060	200 (180 – 220)
N1	E	0.40	0.0044	0.0090	0.014	0.020	0.026	0.032	0.050	0.060	0.075	0.090	0.11	1300 (1100 – 1525)
N2	E	0.40	0.0044	0.0090	0.014	0.020	0.026	0.032	0.050	0.060	0.075	0.090	0.11	840 (700 – 980)
N3	E	0.40	0.0044	0.0090	0.014	0.020	0.026	0.032	0.050	0.060	0.075	0.090	0.11	560 (470 – 660)
N11	E	0.40	0.0028	0.0060	0.0090	0.013	0.017	0.022	0.032	0.040	0.048	0.060	0.070	560 (490 – 630)
S11	E	0.30	0.0028	0.0060	0.0095	0.014	0.019	0.024	0.032	0.040	0.048	0.060	0.070	145 (125 – 160)
S12	E	0.30	0.0028	0.0060	0.0095	0.014	0.019	0.024	0.032	0.040	0.048	0.060	0.070	110 (95 – 125)
S13	E	0.30	0.0026	0.0055	0.0085	0.012	0.016	0.022	0.028	0.036	0.042	0.050	0.060	85 (75 – 100)
TS1	A	0.50	0.0044	0.0090	0.014	0.019	0.024	0.030	0.044	0.060	0.075	0.090	0.11	990 (910 – 1075)
TP1	A	0.50	0.0044	0.0090	0.014	0.019	0.024	0.030	0.044	0.060	0.075	0.090	0.11	830 (750 – 910)
GR1	A	0.50	0.0044	0.0090	0.014	0.019	0.024	0.030	0.044	0.060	0.075	0.090	0.11	990 (830 – 1150)

Cutting data – JS532 Copy milling roughing $a_p/D_c = 0.15$

SMG		a_p / D_c	f_z											v_c
			1	2	3	4	5	6	8	10	12	16	20	
M1	E	0.40	0.0040	0.0080	0.013	0.018	0.024	0.030	0.044	0.055	0.065	0.080	0.095	200 (160 – 235)
M2	E	0.40	0.0036	0.0075	0.012	0.016	0.022	0.028	0.040	0.050	0.060	0.075	0.085	160 (130 – 190)
M3	E	0.20	0.0030	0.0065	0.011	0.016	0.020	0.024	0.032	0.040	0.048	0.060	0.070	130 (105 – 150)
M4	E	0.20	0.0026	0.0055	0.0095	0.014	0.017	0.020	0.028	0.034	0.042	0.050	0.060	95 (80 – 115)
M5	E	0.20	0.0026	0.0055	0.0095	0.014	0.017	0.020	0.028	0.034	0.042	0.050	0.060	80 (65 – 95)
K4	E	0.20	0.0030	0.0065	0.011	0.016	0.020	0.024	0.032	0.040	0.048	0.060	0.070	215 (190 – 240)
K5	E	0.20	0.0026	0.0055	0.0095	0.014	0.018	0.022	0.028	0.036	0.042	0.055	0.060	130 (115 – 140)
K6	E	0.20	0.0030	0.0065	0.011	0.016	0.020	0.024	0.032	0.040	0.048	0.060	0.070	190 (170 – 210)
K7	E	0.20	0.0026	0.0055	0.0095	0.014	0.018	0.022	0.028	0.036	0.042	0.055	0.060	165 (145 – 180)
S1	E	0.20	0.0022	0.0048	0.0080	0.012	0.015	0.018	0.024	0.030	0.036	0.044	0.050	85 (70 – 95)
S2	E	0.20	0.0022	0.0048	0.0080	0.012	0.015	0.018	0.024	0.030	0.036	0.044	0.050	85 (70 – 95)
S3	E	0.15	0.0015	0.0034	0.0060	0.0080	0.010	0.012	0.016	0.020	0.024	0.030	0.034	40 (26 – 55)

For cutting data recalculations, see pages 336-344.

SMG = Seco material group

Coolant = A=air D=dry E=emulsion M=mist spray

v_c = m/min

f_z = mm

a_p (mm)/ D_c (mm)= factor

a_e (mm)/ D_c (mm)= factor

All cutting data are target values

Cutting data – JS532 Copy milling roughing $a_p/D_c = 0.3$

SMG		a_p / D_c	f_z										v_c
			1/32	1/16	1/8	3/16	1/4	5/16	3/8	1/2	5/8	3/4	
P1	M/A/D/E	0.30	0.000095	0.00022	0.00050	0.00080	0.0011	0.0013	0.0017	0.0022	0.00022	0.0028	970 (840 – 1100)
P2	M/A/D/E	0.30	0.00010	0.00022	0.00050	0.00080	0.0011	0.0013	0.0017	0.0022	0.00022	0.0028	950 (820 – 1075)
P3	M/A/D/E	0.30	0.000095	0.00020	0.00048	0.00080	0.0010	0.0013	0.0016	0.0020	0.00020	0.0028	820 (710 – 930)
P4	M/A/D/E	0.30	0.000095	0.00020	0.00048	0.00075	0.0010	0.0013	0.0015	0.0020	0.00020	0.0026	720 (630 – 820)
P5	M/A/D/E	0.30	0.000085	0.00019	0.00048	0.00075	0.0010	0.0013	0.0015	0.0020	0.00019	0.0026	690 (600 – 780)
P6	M/A/D/E	0.30	0.000085	0.00019	0.00048	0.00075	0.0010	0.0013	0.0015	0.0020	0.00019	0.0026	770 (670 – 880)
P7	M/A/D/E	0.30	0.000085	0.00019	0.00048	0.00075	0.0010	0.0013	0.0015	0.0020	0.00019	0.0026	730 (630 – 830)
P8	M/A/D/E	0.30	0.000095	0.00020	0.00048	0.00080	0.0010	0.0013	0.0016	0.0020	0.00020	0.0028	690 (600 – 780)
P11	M/A/D/E	0.30	0.000085	0.00019	0.00048	0.00075	0.0010	0.0013	0.0015	0.0020	0.00019	0.0026	710 (620 – 800)
K1	E	0.30	0.000095	0.00020	0.00048	0.00075	0.0010	0.0013	0.0015	0.0020	0.00020	0.0026	920 (830 – 1025)
K2	E	0.30	0.000085	0.00018	0.00044	0.00070	0.00095	0.0012	0.0014	0.0018	0.00018	0.0024	810 (720 – 890)
K3	E	0.30	0.000085	0.00018	0.00044	0.00070	0.00095	0.0012	0.0014	0.0018	0.00018	0.0024	680 (610 – 750)
N1	E	0.40	0.00014	0.00030	0.00065	0.0011	0.0016	0.0020	0.0024	0.0032	0.00030	0.0040	4575 (3825 – 5350)
N2	E	0.40	0.00014	0.00030	0.00065	0.0011	0.0016	0.0020	0.0024	0.0032	0.00030	0.0040	2950 (2450 – 3450)
N3	E	0.40	0.00014	0.00030	0.00065	0.0011	0.0016	0.0020	0.0024	0.0032	0.00030	0.0040	1975 (1650 – 2300)
N11	E	0.40	0.000095	0.00019	0.00044	0.00075	0.0010	0.0013	0.0015	0.0020	0.00019	0.0026	1925 (1700 – 2175)
S11	E	0.30	0.000095	0.00020	0.00048	0.00075	0.0010	0.0013	0.0015	0.0020	0.00020	0.0026	495 (430 – 560)
S12	E	0.30	0.000095	0.00020	0.00048	0.00075	0.0010	0.0013	0.0015	0.0020	0.00020	0.0026	380 (330 – 425)
S13	E	0.30	0.000080	0.00017	0.00040	0.00065	0.00085	0.0011	0.0013	0.0017	0.00017	0.0024	295 (260 – 335)
TS1	A	0.48	0.00014	0.00030	0.00065	0.0010	0.0016	0.0020	0.0024	0.0032	0.00030	0.0040	3525 (3225 – 3825)
TP1	A	0.48	0.00014	0.00030	0.00065	0.0010	0.0016	0.0020	0.0024	0.0032	0.00030	0.0040	2950 (2650 – 3225)
GR1	A	0.48	0.00014	0.00030	0.00065	0.0010	0.0016	0.0020	0.0024	0.0032	0.00030	0.0040	3525 (2950 – 4125)

Cutting data – JS532 Copy milling roughing $a_p/D_c = 0.15$

SMG		a_p / D_c	f_z										v_c
			1/32	1/16	1/8	3/16	1/4	5/16	3/8	1/2	5/8	3/4	
M1	E	0.40	0.00013	0.00028	0.00060	0.0010	0.0014	0.0018	0.0022	0.0028	0.0034	0.0038	690 (560 – 810)
M2	E	0.40	0.00012	0.00024	0.00055	0.00095	0.0013	0.0017	0.0020	0.0026	0.0030	0.0034	560 (455 – 660)
M3	E	0.20	0.000095	0.00022	0.00050	0.00080	0.0010	0.0013	0.0016	0.0020	0.0024	0.0028	430 (350 – 510)
M4	E	0.20	0.000085	0.00019	0.00044	0.00065	0.00085	0.0011	0.0013	0.0017	0.0022	0.0024	320 (265 – 380)
M5	E	0.20	0.000085	0.00019	0.00044	0.00065	0.00085	0.0011	0.0013	0.0017	0.0022	0.0024	270 (220 – 315)
K4	E	0.20	0.000095	0.00022	0.00050	0.00080	0.0010	0.0013	0.0016	0.0020	0.0024	0.0028	720 (640 – 800)
K5	E	0.20	0.000085	0.00020	0.00048	0.00070	0.00095	0.0012	0.0014	0.0018	0.0022	0.0024	430 (385 – 475)
K6	E	0.20	0.000095	0.00022	0.00050	0.00080	0.0010	0.0013	0.0016	0.0020	0.0024	0.0028	630 (570 – 700)
K7	E	0.20	0.000085	0.00020	0.00048	0.00070	0.00095	0.0012	0.0014	0.0018	0.0022	0.0024	550 (490 – 610)
S1	E	0.20	0.000070	0.00016	0.00040	0.00060	0.00080	0.00095	0.0012	0.0015	0.0018	0.0020	275 (230 – 320)
S2	E	0.20	0.000070	0.00016	0.00040	0.00060	0.00080	0.00095	0.0012	0.0015	0.0018	0.0020	275 (230 – 320)
S3	E	0.15	0.000048	0.00012	0.00026	0.00040	0.00050	0.00065	0.00080	0.0010	0.0012	0.0013	130 (85 – 170)

For cutting data recalculations, see pages 336-344.

SMG = Seco Material Group

Coolant = A=air D=dry E=emulsion M=mist spray

v_c = sf/min

f_z = in/tooth

a_p/D_c = factor

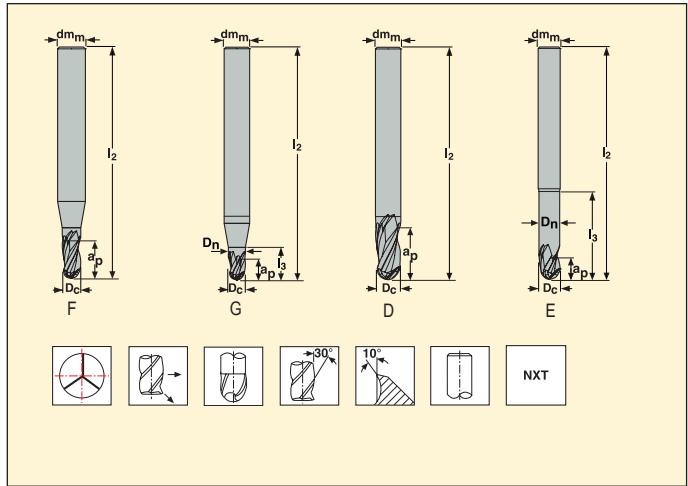
a_p/D_c = factor

All cutting data are target values

JS533 – Solid carbide end mill – cylindrical – ball nose – three flute



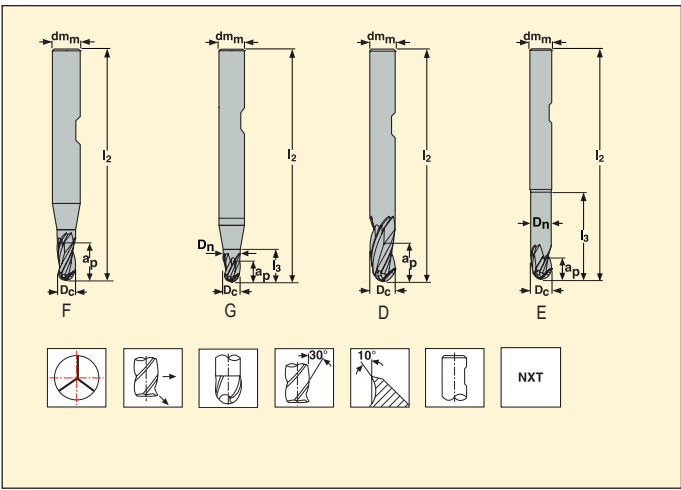
Tolerances:
 $dm_m=h5$
 $D_c=e8$
 $r_{\epsilon 1}=\pm 0.01\text{ mm}$



EDP No.	Part No.	Length index	Tool shape	Dimensions in mm								Cylindrical
				D _c	dm _m	a _p	l ₂	l ₃	D _n	r _{ε1}	z _n	
07478	JS533010F1B.0Z3-NXT	1	F	1	3	2	38	-	-	0.5	3	■
07479	JS533015F1B.0Z3-NXT	1	F	1.5	3	3	38	-	-	0.75	3	■
07480	JS533020F1B.0Z3-NXT	1	F	2	3	4	38	-	-	1	3	■
07482	JS533030D1B.0Z3-NXT	1	D	3	3	6	38	-	-	1.5	3	■
07485	JS533040F1B.0Z3-NXT	1	F	4	6	8	57	-	-	2	3	■
07487	JS533050F1B.0Z3-NXT	1	F	5	6	10	57	-	-	2.5	3	■
07492	JS533060D1B.0Z3-NXT	1	D	6	6	12	57	-	-	3	3	■
07531	JS533080D1B.0Z3-NXT	1	D	8	8	16	63	-	-	4	3	■
07560	JS533100D1B.0Z3-NXT	1	D	10	10	20	72	-	-	5	3	■
07563	JS533120D1B.0Z3-NXT	1	D	12	12	24	83	-	-	6	3	■
07574	JS533160D1B.0Z3-NXT	1	D	16	16	32	110	-	-	8	3	■
07580	JS533200D1B.0Z3-NXT	1	D	20	20	40	125	-	-	10	3	■
07481	JS533020G2B.0Z3-NXT	2	G	2	3	2	38	7	1.9	1	3	■
07484	JS533030E2B.0Z3-NXT	2	E	3	3	3	38	9	2.85	1.5	3	■
07486	JS533040G2B.0Z3-NXT	2	G	4	6	4	57	15	3.8	2	3	■
07488	JS533050G2B.0Z3-NXT	2	G	5	6	5	57	15	4.8	2.5	3	■
07493	JS533060E2B.0Z3-NXT	2	E	6	6	6	63	25	5.7	3	3	■
07553	JS533080E2B.0Z3-NXT	2	E	8	8	8	80	35	7.6	4	3	■
07561	JS533100E2B.0Z3-NXT	2	E	10	10	10	89	40	9.5	5	3	■
07566	JS533120E2B.0Z3-NXT	2	E	12	12	12	100	50	11.4	6	3	■
07578	JS533160E2B.0Z3-NXT	2	E	16	16	16	125	70	15.2	8	3	■

■ Stock standard. Subject to change, refer to current price-and stock-list.

JS533 – Solid carbide end mill – Weldon – ball nose – three flute



Tolerances:
 $dm_m = h5$
 $D_c = e8$
 $r_{e1} = \pm 0.01 \text{ mm}$

EDP No.	Part No.	Length index	Tool shape	Dimensions in mm							z _n	Weldon
				D _c	dm _m	a _p	l ₂	l ₃	D _n	r _{e1}		
07654	JS533040F1B.3Z3-NXT	1	F	4	6	8	57	-	-	2	3	<input type="checkbox"/>
07663	JS533050F1B.3Z3-NXT	1	F	5	6	10	57	-	-	2.5	3	<input type="checkbox"/>
07668	JS533060D1B.3Z3-NXT	1	D	6	6	12	57	-	-	3	3	<input type="checkbox"/>
07675	JS533080D1B.3Z3-NXT	1	D	8	8	16	63	-	-	4	3	<input type="checkbox"/>
07694	JS533100D1B.3Z3-NXT	1	D	10	10	20	72	-	-	5	3	<input type="checkbox"/>
07703	JS533120D1B.3Z3-NXT	1	D	12	12	24	83	-	-	6	3	<input type="checkbox"/>
07709	JS533160D1B.3Z3-NXT	1	D	16	16	32	109	-	-	8	3	<input type="checkbox"/>
07722	JS533200D1B.3Z3-NXT	1	D	20	20	40	125	-	-	10	3	<input type="checkbox"/>
07656	JS533040G2B.3Z3-NXT	2	G	4	6	4	57	15	3.8	2	3	<input type="checkbox"/>
07728	JS533050G2B.3Z3-NXT	2	G	5	6	5	57	15	4.8	2.5	3	<input type="checkbox"/>
07669	JS533060E2B.3Z3-NXT	2	E	6	6	6	63	25	5.7	3	3	<input type="checkbox"/>
07677	JS533080E2B.3Z3-NXT	2	E	8	8	8	80	35	7.6	4	3	<input type="checkbox"/>
07695	JS533100E2B.3Z3-NXT	2	E	10	10	10	89	40	9.5	5	3	<input type="checkbox"/>
07706	JS533120E2B.3Z3-NXT	2	E	12	12	12	100	50	11.4	6	3	<input type="checkbox"/>
07721	JS533160E2B.3Z3-NXT	2	E	16	16	16	125	70	15.2	8	3	<input type="checkbox"/>

Weldon available, delivery time is 3 days.

Cutting data – JS533 Copy milling roughing $a_p/D_c = 0.3$

SMG		a_p / D_c	f_z											v_c
			1	2	3	4	5	6	8	10	12	16	20	
P1	M/A/D/E	0.20	0.0034	0.0070	0.011	0.015	0.020	0.024	0.032	0.040	0.048	0.065	0.080	310 (270 – 355)
P2	M/A/D/E	0.20	0.0036	0.0070	0.011	0.016	0.020	0.024	0.032	0.040	0.048	0.065	0.080	305 (265 – 345)
P3	M/A/D/E	0.20	0.0034	0.0070	0.011	0.015	0.020	0.024	0.032	0.040	0.048	0.065	0.080	260 (225 – 295)
P4	M/A/D/E	0.20	0.0032	0.0065	0.010	0.015	0.019	0.024	0.032	0.040	0.048	0.065	0.080	230 (200 – 260)
P5	M/A/D/E	0.20	0.0032	0.0065	0.010	0.014	0.019	0.024	0.032	0.040	0.048	0.065	0.075	220 (190 – 250)
P6	M/A/D/E	0.20	0.0032	0.0065	0.010	0.014	0.019	0.024	0.032	0.040	0.048	0.065	0.075	250 (215 – 280)
P7	M/A/D/E	0.20	0.0032	0.0065	0.010	0.014	0.019	0.024	0.032	0.040	0.048	0.065	0.075	235 (205 – 265)
P8	M/A/D/E	0.20	0.0034	0.0070	0.011	0.015	0.020	0.024	0.032	0.040	0.048	0.065	0.080	220 (190 – 250)
P11	M/A/D/E	0.20	0.0032	0.0065	0.010	0.014	0.019	0.024	0.032	0.040	0.048	0.065	0.075	225 (195 – 260)
M1	E	0.15	0.0036	0.0075	0.012	0.016	0.020	0.024	0.032	0.040	0.048	0.065	0.080	200 (165 – 235)
M2	E	0.15	0.0032	0.0065	0.011	0.015	0.020	0.024	0.032	0.040	0.048	0.065	0.075	165 (135 – 190)
M3	E	0.15	0.0032	0.0065	0.011	0.015	0.020	0.024	0.032	0.040	0.048	0.065	0.075	125 (100 – 145)
M4	E	0.15	0.0028	0.0060	0.0095	0.013	0.018	0.024	0.032	0.040	0.046	0.060	0.065	95 (75 – 110)
M5	E	0.15	0.0028	0.0060	0.0095	0.013	0.018	0.024	0.032	0.040	0.046	0.060	0.065	80 (65 – 95)
K1	E	0.30	0.0024	0.0048	0.0070	0.010	0.013	0.016	0.022	0.030	0.040	0.048	0.055	300 (270 – 330)
K2	E	0.30	0.0022	0.0042	0.0065	0.0090	0.011	0.014	0.020	0.028	0.036	0.044	0.050	265 (235 – 290)
K3	E	0.30	0.0022	0.0042	0.0065	0.0090	0.011	0.014	0.020	0.028	0.036	0.044	0.050	225 (200 – 245)
K4	E	0.30	0.0022	0.0042	0.0065	0.0090	0.011	0.014	0.020	0.028	0.036	0.044	0.050	210 (190 – 235)
K5	E	0.30	0.0019	0.0038	0.0060	0.0080	0.010	0.013	0.018	0.024	0.032	0.040	0.046	125 (115 – 140)
K6	E	0.30	0.0022	0.0042	0.0065	0.0090	0.011	0.014	0.020	0.028	0.036	0.044	0.050	185 (165 – 205)
K7	E	0.30	0.0019	0.0038	0.0060	0.0080	0.010	0.013	0.018	0.024	0.032	0.040	0.046	165 (145 – 180)
N1	E	0.30	0.0050	0.010	0.015	0.020	0.026	0.034	0.048	0.065	0.085	0.10	0.12	1425 (1175 – 1650)
N2	E	0.30	0.0050	0.010	0.015	0.020	0.026	0.034	0.048	0.065	0.085	0.10	0.12	910 (760 – 1050)
N3	E	0.30	0.0050	0.010	0.015	0.020	0.026	0.034	0.048	0.065	0.085	0.10	0.12	610 (510 – 710)
N11	E	0.30	0.0032	0.0065	0.010	0.013	0.017	0.022	0.030	0.042	0.055	0.065	0.075	650 (570 – 730)
S1	E	0.30	0.0022	0.0042	0.0065	0.0090	0.011	0.014	0.020	0.028	0.036	0.044	0.050	80 (70 – 95)
S2	E	0.30	0.0022	0.0042	0.0065	0.0090	0.011	0.014	0.020	0.028	0.036	0.044	0.050	80 (70 – 95)
S11	E	0.40	0.0032	0.0065	0.0095	0.013	0.017	0.020	0.028	0.038	0.048	0.065	0.075	160 (140 – 180)
S12	E	0.40	0.0032	0.0065	0.0095	0.013	0.017	0.020	0.028	0.038	0.048	0.065	0.075	125 (110 – 140)
S13	E	0.40	0.0028	0.0055	0.0085	0.011	0.015	0.018	0.024	0.032	0.042	0.060	0.065	95 (85 – 110)
TS1	A	0.40	0.0050	0.010	0.015	0.020	0.026	0.032	0.044	0.060	0.075	0.10	0.12	780 (720 – 850)
TP1	A	0.40	0.0050	0.010	0.015	0.020	0.026	0.032	0.044	0.060	0.075	0.10	0.12	650 (590 – 720)
GR1	A	0.40	0.0050	0.010	0.015	0.020	0.026	0.032	0.044	0.060	0.075	0.10	0.12	780 (720 – 850)

For cutting data recalculations, see pages 336-344.

SMG = Seco material group

Coolant = A=air D=dry E=emulsion M=mist spray

v_c = m/min

f_z = mm

a_p (mm)/ D_c (mm) = factor

All cutting data are target values

Cutting data – JS533 Copy milling roughing

SMG		a _p / D _c	f _z									v _c
			1/32	1/16	1/8	3/16	1/4	3/8	1/2	5/8	3/4	
P1	M/A/D/E	0.20	0.00012	0.00026	0.00065	0.00095	0.0013	0.0019	0.0024	0.0030	0.0032	1075 (940 – 1225)
P2	M/A/D/E	0.20	0.00012	0.00026	0.00065	0.00095	0.0013	0.0019	0.0026	0.0030	0.0034	1050 (920 – 1200)
P3	M/A/D/E	0.20	0.00011	0.00026	0.00060	0.00085	0.0012	0.0018	0.0024	0.0028	0.0032	910 (790 – 1025)
P4	M/A/D/E	0.20	0.00011	0.00026	0.00060	0.00085	0.0012	0.0018	0.0024	0.0028	0.0032	800 (700 – 910)
P5	M/A/D/E	0.20	0.00011	0.00024	0.00060	0.00085	0.0012	0.0017	0.0022	0.0028	0.0030	770 (660 – 870)
P6	M/A/D/E	0.20	0.00010	0.00024	0.00060	0.00085	0.0012	0.0017	0.0022	0.0026	0.0030	860 (750 – 980)
P7	M/A/D/E	0.20	0.00010	0.00024	0.00060	0.00085	0.0012	0.0017	0.0022	0.0026	0.0030	810 (700 – 920)
P8	M/A/D/E	0.20	0.00011	0.00026	0.00060	0.00085	0.0012	0.0018	0.0024	0.0028	0.0032	770 (660 – 870)
P11	M/A/D/E	0.20	0.00010	0.00024	0.00060	0.00085	0.0012	0.0017	0.0022	0.0026	0.0030	790 (680 – 890)
M1	E	0.15	0.00012	0.00030	0.00065	0.00095	0.0013	0.0019	0.0026	0.0030	0.0034	690 (560 – 810)
M2	E	0.15	0.00011	0.00026	0.00060	0.00085	0.0012	0.0017	0.0022	0.0028	0.0030	550 (455 – 660)
M3	E	0.15	0.00011	0.00026	0.00060	0.00085	0.0012	0.0017	0.0022	0.0028	0.0030	425 (345 – 500)
M4	E	0.15	0.000095	0.00024	0.00050	0.00075	0.0010	0.0015	0.0020	0.0024	0.0026	315 (260 – 375)
M5	E	0.15	0.000095	0.00024	0.00050	0.00075	0.0010	0.0015	0.0020	0.0024	0.0026	265 (215 – 310)
K1	E	0.30	0.00075	0.0017	0.00040	0.00065	0.00085	0.0013	0.0017	0.0020	0.0022	1050 (940 – 1150)
K2	E	0.30	0.00070	0.00015	0.00036	0.00060	0.00080	0.0012	0.0015	0.0018	0.0020	910 (810 – 1000)
K3	E	0.30	0.00070	0.00015	0.00036	0.00060	0.00080	0.0012	0.0015	0.0018	0.0020	770 (690 – 850)
K4	E	0.30	0.00070	0.00015	0.00036	0.00060	0.00080	0.0012	0.0015	0.0018	0.0020	730 (660 – 810)
K5	E	0.30	0.00065	0.00013	0.00032	0.00050	0.00070	0.0010	0.0013	0.0016	0.0018	435 (390 – 485)
K6	E	0.30	0.00070	0.00015	0.00036	0.00060	0.00080	0.0012	0.0015	0.0018	0.0020	650 (580 – 710)
K7	E	0.30	0.00065	0.00013	0.00032	0.00050	0.00070	0.0010	0.0013	0.0016	0.0018	560 (500 – 620)
N1	E	0.30	0.00017	0.00036	0.00085	0.0013	0.0018	0.0028	0.0036	0.0044	0.0048	5275 (4400 – 6150)
N2	E	0.30	0.00017	0.00036	0.00085	0.0013	0.0018	0.0028	0.0036	0.0044	0.0048	3375 (2825 – 3950)
N3	E	0.30	0.00017	0.00036	0.00085	0.0013	0.0018	0.0028	0.0036	0.0044	0.0048	2250 (1875 – 2625)
N11	E	0.30	0.00010	0.00022	0.00055	0.00085	0.0012	0.0017	0.0022	0.0028	0.0030	2325 (2025 – 2625)
S1	E	0.30	0.00070	0.00015	0.00036	0.00060	0.00080	0.0012	0.0015	0.0018	0.0020	280 (235 – 330)
S2	E	0.30	0.00070	0.00015	0.00036	0.00060	0.00080	0.0012	0.0015	0.0018	0.0020	280 (235 – 330)
S11	E	0.40	0.00010	0.00022	0.00048	0.00085	0.0012	0.0017	0.0022	0.0028	0.0030	580 (510 – 660)
S12	E	0.40	0.00010	0.00022	0.00048	0.00085	0.0012	0.0017	0.0022	0.0028	0.0030	450 (390 – 500)
S13	E	0.40	0.000085	0.00019	0.00044	0.00075	0.0010	0.0015	0.0020	0.0024	0.0026	350 (305 – 395)
TS1	A	0.40	0.00016	0.00034	0.00075	0.0013	0.0018	0.0028	0.0036	0.0044	0.0048	2975 (2725 – 3225)
TP1	A	0.40	0.00016	0.00034	0.00075	0.0013	0.0018	0.0028	0.0036	0.0044	0.0048	2475 (2225 – 2725)
GR1	A	0.40	0.00016	0.00034	0.00075	0.0013	0.0018	0.0028	0.0036	0.0044	0.0048	2975 (2725 – 3225)

For cutting data recalculations, see pages 336-344.

SMG = Seco Material Group

Coolant = A=air D=dry E=emulsion M=mist spray

v_c = sf/min

f_z = in/tooth

a_p/D_c = factor

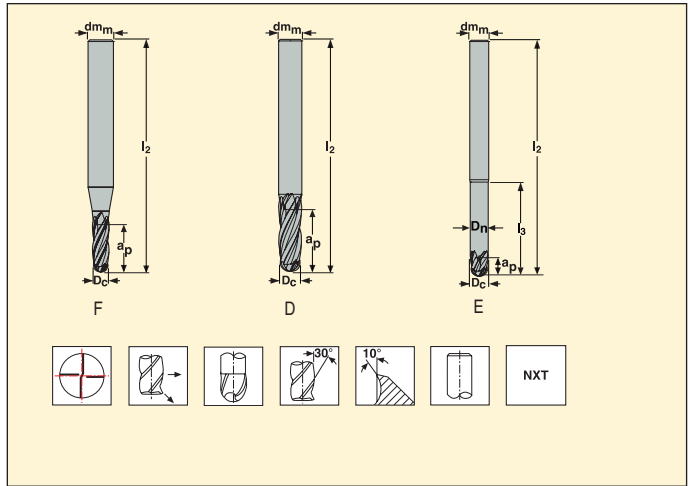
a_e/D_c = factor

All cutting data are target values

JS534 - Solid carbide end mill - cylindrical - ball nose - four flute



Tolerances:
 $dm_m = h5$
 $D_c = e8$
 $r_{\epsilon 1} = \pm 0.01 \text{ mm}$



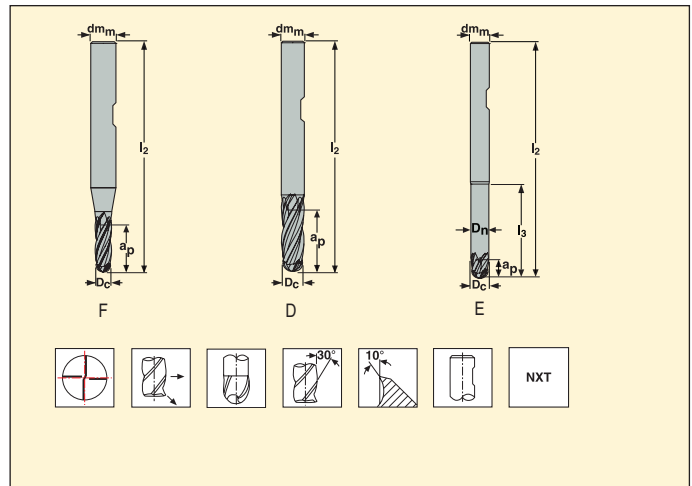
EDP No.	Part No.	Length index	Tool shape	Dimensions in mm								z _n	Cylindrical
				D _c	dm _m	a _p	l ₂	l ₃	D _n	r _{ε1}			
07821	JS534020F1B.0Z4-NXT	1	F	2	3	6	38	-	-	1	4	■	
07822	JS534030D1B.0Z4-NXT	1	D	3	3	9	38	-	-	1.5	4	■	
07823	JS534040F1B.0Z4-NXT	1	F	4	6	12	57	-	-	2	4	■	
07825	JS534050F1B.0Z4-NXT	1	F	5	6	15	57	-	-	2.5	4	■	
07829	JS534060D1B.0Z4-NXT	1	D	6	6	18	57	-	-	3	4	■	
07832	JS534080D1B.0Z4-NXT	1	D	8	8	24	69	-	-	4	4	■	
07835	JS534100D1B.0Z4-NXT	1	D	10	10	30	82	-	-	5	4	■	
07844	JS534120D1B.0Z4-NXT	1	D	12	12	36	100	-	-	6	4	■	
07847	JS534160D1B.0Z4-NXT	1	D	16	16	48	110	-	-	8	4	■	
07861	JS534200D1B.0Z4-NXT	1	D	20	20	60	125	-	-	10	4	■	
07824	JS534040F2B.0Z4-NXT	2	F	4	6	20	63	-	-	2	4	■	
07828	JS534050F2B.0Z4-NXT	2	F	5	6	25	75	-	-	2.5	4	■	
07830	JS534060D2B.0Z4-NXT	2	D	6	6	30	75	-	-	3	4	■	
07833	JS534080D2B.0Z4-NXT	2	D	8	8	40	80	-	-	4	4	■	
07837	JS534100D2B.0Z4-NXT	2	D	10	10	50	100	-	-	5	4	■	
07845	JS534120D2B.0Z4-NXT	2	D	12	12	60	125	-	-	6	4	■	
07848	JS534160D2B.0Z4-NXT	2	D	16	16	80	130	-	-	8	4	■	
07831	JS534060E3B.0Z4-NXT	3	E	6	6	6	75	30	5.7	3	4	■	
07834	JS534080E3B.0Z4-NXT	3	E	8	8	8	80	40	7.6	4	4	■	
07843	JS534100E3B.0Z4-NXT	3	E	10	10	10	100	50	9.7	5	4	■	
07846	JS534120E3B.0Z4-NXT	3	E	12	12	12	125	60	11.4	6	4	■	
07849	JS534160E3B.0Z4-NXT	3	E	16	16	16	130	80	15.2	8	4	■	
07870	JS534200E3B.0Z4-NXT	3	E	20	20	20	150	90	19	10	4	■	

■ Stock standard. Subject to change, refer to current price-and stock-list.

JS534 – Solid carbide end mill – Weldon – ball nose – four flute



Tolerances:
 $dm_m = h5$
 $D_c = e8$
 $r_{\epsilon 1} = \pm 0.01 \text{ mm}$



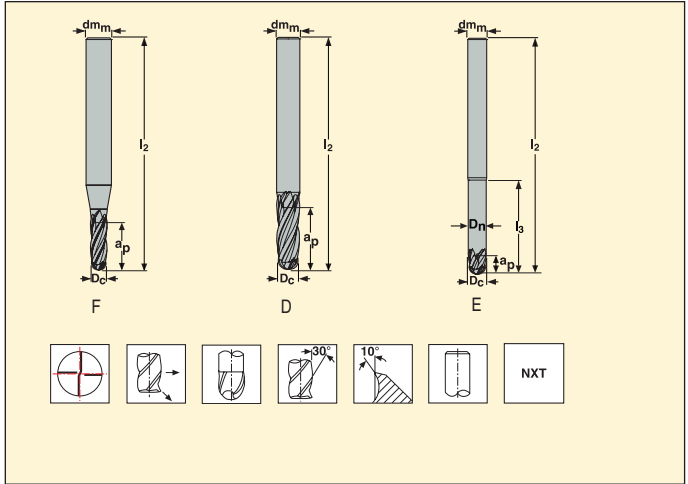
EDP No.	Part No.	Length index	Tool shape	Dimensions in mm							z_n	Weldon
				D_c	dm_m	a_p	l_2	l_3	D_n	$r_{\epsilon 1}$		
07885	JS534040F1B.3Z4-NXT	1	F	4	6	12	57	–	–	2	4	<input type="checkbox"/>
07887	JS534050F1B.3Z4-NXT	1	F	5	6	15	63	–	–	2.5	4	<input type="checkbox"/>
07890	JS534060D1B.3Z4-NXT	1	D	6	6	18	57	–	–	3	4	<input type="checkbox"/>
07893	JS534080D1B.3Z4-NXT	1	D	8	8	24	69	–	–	4	4	<input type="checkbox"/>
07896	JS534100D1B.3Z4-NXT	1	D	10	10	30	82	–	–	5	4	<input type="checkbox"/>
07899	JS534120D1B.3Z4-NXT	1	D	12	12	36	100	–	–	6	4	<input type="checkbox"/>
07902	JS534160D1B.3Z4-NXT	1	D	16	16	48	110	–	–	8	4	<input type="checkbox"/>
07914	JS534200D1B.3Z4-NXT	1	D	20	20	60	125	–	–	10	4	<input type="checkbox"/>
07886	JS534040F2B.3Z4-NXT	2	F	4	6	20	63	–	–	2	4	<input type="checkbox"/>
07888	JS534050F2B.3Z4-NXT	2	F	5	6	25	75	–	–	2.5	4	<input type="checkbox"/>
07891	JS534060D2B.3Z4-NXT	2	D	6	6	30	75	–	–	3	4	<input type="checkbox"/>
07894	JS534080D2B.3Z4-NXT	2	D	8	8	40	100	–	–	4	4	<input type="checkbox"/>
07897	JS534100D2B.3Z4-NXT	2	D	10	10	50	100	–	–	5	4	<input type="checkbox"/>
07900	JS534120D2B.3Z4-NXT	2	D	12	12	60	125	–	–	6	4	<input type="checkbox"/>
07903	JS534160D2B.3Z4-NXT	2	D	16	16	80	130	–	–	8	4	<input type="checkbox"/>
07892	JS534060E3B.3Z4-NXT	3	E	6	6	6	75	30	5.7	3	4	<input type="checkbox"/>
07895	JS534080E3B.3Z4-NXT	3	E	8	8	8	80	40	7.6	4	4	<input type="checkbox"/>
07898	JS534100E3B.3Z4-NXT	3	E	10	10	10	100	50	9.7	5	4	<input type="checkbox"/>
07901	JS534120E3B.3Z4-NXT	3	E	12	12	12	125	60	11.4	6	4	<input type="checkbox"/>
07913	JS534160E3B.3Z4-NXT	3	E	16	16	16	130	80	15.2	8	4	<input type="checkbox"/>
07915	JS534200E3B.3Z4-NXT	3	E	20	20	20	150	90	19	10	4	<input type="checkbox"/>

Weldon available, delivery time is 3 days.

JS534 – Solid carbide end mill – cylindrical – ball nose – four flute – inch



Tolerances:
 $dm_m = h5$
 $D_c = e8$
 $r_{\epsilon1} = +/- 0.01 \text{ mm}$



EDP No.	Part No.	Length index	Tool shape	Dimensions in inch							z_n	Cylindrical	
				D_c	dm_m	a_p	l_2	l_3	D_n	$r_{\epsilon1}$			
07729	JS534.062F1B.0Z4-NXT	1	F	0.063	0.125	0.156	1.500	–	–	0.031	4	■	
07731	JS534.125D1B.0Z4-NXT	1	D	0.125	0.125	0.313	1.500	–	–	0.063	4	■	
07735	JS534.187D1B.0Z4-NXT	1	D	0.188	0.188	0.500	2.000	–	–	0.094	4	■	
07737	JS534.250D1B.0Z4-NXT	1	D	0.250	0.250	0.625	2.000	–	–	0.125	4	■	
07752	JS534.375D1B.0Z4-NXT	1	D	0.375	0.375	1.000	3.000	–	–	0.188	4	■	
07813	JS534.500D1B.0Z4-NXT	1	D	0.500	0.500	1.250	3.500	–	–	0.250	4	■	
07817	JS534.625D1B.0Z4-NXT	1	D	0.625	0.625	1.562	4.000	–	–	0.313	4	■	
07819	JS534.750D1B.0Z4-NXT	1	D	0.750	0.750	1.875	5.000	–	–	0.375	4	■	
07733	JS534.125E2B.0Z4-NXT	2	E	0.125	0.125	0.125	1.500	0.787	0.117	0.063	4	■	
07745	JS534.250E2B.0Z4-NXT	2	E	0.250	0.250	0.250	2.500	1.378	0.234	0.125	4	■	
07756	JS534.375E2B.0Z4-NXT	2	E	0.375	0.375	0.375	3.500	1.575	0.355	0.188	4	■	
07815	JS534.500E2B.0Z4-NXT	2	E	0.500	0.500	0.500	4.500	2.362	0.476	0.250	4	■	
07734	JS534.125E3B.0Z4-NXT	3	E	0.125	0.125	0.125	2.000	0.787	0.117	0.063	4	■	
07751	JS534.250E3B.0Z4-NXT	3	E	0.250	0.250	0.250	3.000	1.378	0.234	0.125	4	■	
07779	JS534.375E3B.0Z4-NXT	3	E	0.375	0.375	0.375	4.000	1.969	0.355	0.188	4	■	
07816	JS534.500E3B.0Z4-NXT	3	E	0.500	0.500	0.500	5.000	2.756	0.476	0.250	4	■	

■ Stock standard. Subject to change, refer to current price-and stock-list.

Cutting data – JS534 Copy milling roughing $a_p/D_c = 0.3$

SMG		a_p / D_c	f_z										v_c
			2	3	4	5	6	8	10	12	16	20	
P1	M/A/D/E	0.15	0.0060	0.0095	0.014	0.018	0.024	0.032	0.040	0.048	0.060	0.070	320 (275 – 360)
P2	M/A/D/E	0.15	0.0060	0.0095	0.014	0.019	0.024	0.032	0.040	0.048	0.060	0.070	310 (270 – 355)
P3	M/A/D/E	0.15	0.0055	0.0090	0.013	0.018	0.024	0.030	0.038	0.046	0.055	0.065	270 (235 – 305)
P4	M/A/D/E	0.15	0.0055	0.0090	0.013	0.017	0.022	0.030	0.038	0.044	0.055	0.065	235 (205 – 270)
P5	M/A/D/E	0.15	0.0055	0.0090	0.013	0.017	0.022	0.030	0.038	0.044	0.055	0.065	225 (195 – 255)
P6	M/A/D/E	0.15	0.0055	0.0085	0.012	0.017	0.022	0.030	0.036	0.044	0.055	0.060	255 (220 – 290)
P7	M/A/D/E	0.15	0.0055	0.0085	0.012	0.017	0.022	0.030	0.036	0.044	0.055	0.060	240 (210 – 275)
P8	M/A/D/E	0.15	0.0055	0.0090	0.013	0.018	0.024	0.030	0.038	0.046	0.055	0.065	225 (195 – 255)
P11	M/A/D/E	0.15	0.0055	0.0085	0.012	0.017	0.022	0.030	0.036	0.044	0.055	0.060	235 (205 – 265)
M1	E	0.10	0.0050	0.0090	0.013	0.017	0.020	0.026	0.034	0.040	0.048	0.055	205 (165 – 240)
M2	E	0.10	0.0048	0.0080	0.012	0.015	0.018	0.024	0.030	0.036	0.044	0.050	165 (135 – 195)
M3	E	0.10	0.0060	0.010	0.015	0.019	0.022	0.030	0.038	0.044	0.055	0.065	125 (100 – 150)
M4	E	0.10	0.0050	0.0085	0.013	0.016	0.019	0.026	0.032	0.038	0.048	0.055	95 (75 – 110)
M5	E	0.10	0.0050	0.0085	0.013	0.016	0.019	0.026	0.032	0.038	0.048	0.055	80 (65 – 95)
K1	E	0.15	0.0044	0.0070	0.010	0.014	0.018	0.024	0.030	0.036	0.044	0.050	315 (280 – 345)
K2	E	0.15	0.0040	0.0065	0.0095	0.013	0.016	0.022	0.028	0.032	0.040	0.046	270 (245 – 300)
K3	E	0.15	0.0040	0.0065	0.0095	0.013	0.016	0.022	0.028	0.032	0.040	0.046	230 (205 – 255)
K4	E	0.10	0.0060	0.010	0.015	0.019	0.022	0.030	0.038	0.044	0.055	0.065	215 (190 – 235)
K5	E	0.10	0.0055	0.0090	0.013	0.017	0.020	0.026	0.034	0.040	0.048	0.055	130 (115 – 140)
K6	E	0.10	0.0060	0.010	0.015	0.019	0.022	0.030	0.038	0.044	0.055	0.065	190 (170 – 210)
K7	E	0.10	0.0055	0.0090	0.013	0.017	0.020	0.026	0.034	0.040	0.048	0.055	165 (145 – 180)
N1	E	0.20	0.0085	0.014	0.019	0.024	0.032	0.048	0.060	0.070	0.090	0.10	1650 (1525 – 1800)
N2	E	0.20	0.0085	0.014	0.019	0.024	0.032	0.048	0.060	0.070	0.090	0.10	1050 (970 – 1150)
N3	E	0.20	0.0085	0.014	0.019	0.024	0.032	0.048	0.060	0.070	0.090	0.10	710 (650 – 770)
N11	E	0.20	0.0055	0.0085	0.012	0.016	0.020	0.030	0.038	0.044	0.055	0.065	690 (600 – 780)
S1	E	0.10	0.0042	0.0070	0.011	0.013	0.016	0.022	0.026	0.032	0.040	0.046	85 (70 – 100)
S2	E	0.10	0.0042	0.0070	0.011	0.013	0.016	0.022	0.026	0.032	0.040	0.046	85 (70 – 100)
S3	E	0.10	0.0040	0.0065	0.010	0.013	0.015	0.020	0.026	0.030	0.036	0.042	41 (27 – 55)
S11	E	0.10	0.0048	0.0080	0.012	0.015	0.018	0.024	0.030	0.036	0.044	0.050	170 (150 – 190)
S12	E	0.10	0.0048	0.0080	0.012	0.015	0.018	0.024	0.030	0.036	0.044	0.050	130 (115 – 145)
S13	E	0.10	0.0042	0.0070	0.010	0.013	0.016	0.020	0.026	0.032	0.038	0.044	100 (90 – 115)
TS1	A	0.30	0.0085	0.013	0.018	0.022	0.028	0.040	0.055	0.070	0.090	0.10	1225 (1125 – 1325)
TP1	A	0.30	0.0085	0.013	0.018	0.022	0.028	0.040	0.055	0.070	0.090	0.10	1025 (920 – 1125)
GR1	A	0.30	0.0085	0.013	0.018	0.022	0.028	0.040	0.055	0.070	0.090	0.10	1225 (1125 – 1325)

For cutting data recalculations, see pages 336-344.

SMG = Seco material group

Coolant = A=air D=dry E=emulsion M=mist spray

v_c = m/min

f_z = mm

a_p (mm)/ D_c (mm) = factor

All cutting data are target values

Cutting data – JS534 Copy milling roughing

SMG		a _p / D _c	f _z								v _c
			1/16	1/8	3/16	1/4	3/8	1/2	5/8	3/4	
P1	M/A/D/E	0.12	0.00026	0.00050	0.00080	0.0010	0.0016	0.0020	0.0024	0.0028	1075 (920 — 1200)
P2	M/A/D/E	0.12	0.00026	0.00055	0.00080	0.0011	0.0016	0.0022	0.0024	0.0028	1050 (900 — 1175)
P3	M/A/D/E	0.12	0.00026	0.00050	0.00075	0.0010	0.0015	0.0020	0.0024	0.0026	890 (770 — 1000)
P4	M/A/D/E	0.12	0.00024	0.00050	0.00075	0.0010	0.0015	0.0020	0.0024	0.0026	780 (680 — 890)
P5	M/A/D/E	0.12	0.00024	0.00048	0.00070	0.00095	0.0014	0.0019	0.0022	0.0026	750 (650 — 850)
P6	M/A/D/E	0.12	0.00024	0.00048	0.00070	0.00095	0.0014	0.0019	0.0022	0.0026	840 (730 — 950)
P7	M/A/D/E	0.12	0.00024	0.00048	0.00070	0.00095	0.0014	0.0019	0.0022	0.0026	790 (690 — 900)
P8	M/A/D/E	0.12	0.00026	0.00050	0.00075	0.0010	0.0015	0.0020	0.0024	0.0026	750 (650 — 850)
P11	M/A/D/E	0.12	0.00024	0.00048	0.00070	0.00095	0.0014	0.0019	0.0022	0.0026	770 (670 — 870)
M1	E	0.080	0.00022	0.00044	0.00065	0.00085	0.0013	0.0017	0.0020	0.0022	640 (520 — 750)
M2	E	0.080	0.00020	0.00040	0.00060	0.00080	0.0012	0.0015	0.0018	0.0020	510 (420 — 600)
M3	E	0.080	0.00024	0.00048	0.00070	0.00095	0.0014	0.0019	0.0022	0.0026	395 (325 — 465)
M4	E	0.080	0.00022	0.00044	0.00065	0.00085	0.0013	0.0017	0.0020	0.0022	295 (240 — 350)
M5	E	0.080	0.00022	0.00044	0.00065	0.00085	0.0013	0.0017	0.0020	0.0022	245 (200 — 290)
K1	E	0.12	0.00020	0.00040	0.00060	0.00080	0.0012	0.0015	0.0018	0.0020	1025 (910 — 1125)
K2	E	0.12	0.00017	0.00036	0.00055	0.00070	0.0011	0.0014	0.0017	0.0019	870 (780 — 960)
K3	E	0.12	0.00017	0.00036	0.00055	0.00070	0.0011	0.0014	0.0017	0.0019	740 (660 — 820)
K4	E	0.080	0.00024	0.00048	0.00070	0.00095	0.0014	0.0019	0.0022	0.0026	680 (610 — 750)
K5	E	0.080	0.00022	0.00044	0.00065	0.00085	0.0013	0.0017	0.0020	0.0022	400 (360 — 445)
K6	E	0.080	0.00024	0.00048	0.00070	0.00095	0.0014	0.0019	0.0022	0.0026	600 (540 — 660)
K7	E	0.080	0.00022	0.00044	0.00065	0.00085	0.0013	0.0017	0.0020	0.0022	510 (460 — 570)
N1	E	0.17	0.00034	0.00080	0.0012	0.0016	0.0024	0.0032	0.0036	0.0040	5850 (5350 — 6325)
N2	E	0.17	0.00034	0.00080	0.0012	0.0016	0.0024	0.0032	0.0036	0.0040	3750 (3450 — 4075)
N3	E	0.17	0.00034	0.00080	0.0012	0.0016	0.0024	0.0032	0.0036	0.0040	2500 (2300 — 2700)
N11	E	0.17	0.00022	0.00050	0.00075	0.0010	0.0015	0.0020	0.0024	0.0026	2350 (2050 — 2650)
S1	E	0.080	0.00017	0.00036	0.00050	0.00070	0.0010	0.0013	0.0017	0.0018	260 (215 — 305)
S2	E	0.080	0.00017	0.00036	0.00050	0.00070	0.0010	0.0013	0.0017	0.0018	260 (215 — 305)
S3	E	0.080	0.00017	0.00034	0.00048	0.00065	0.00095	0.0013	0.0015	0.0017	125 (85 — 170)
S11	E	0.080	0.00020	0.00040	0.00060	0.00080	0.0012	0.0015	0.0018	0.0020	520 (460 — 590)
S12	E	0.080	0.00020	0.00040	0.00060	0.00080	0.0012	0.0015	0.0018	0.0020	400 (350 — 455)
S13	E	0.080	0.00017	0.00034	0.00050	0.00065	0.0010	0.0013	0.0016	0.0018	305 (270 — 345)
TS1	A	0.26	0.00032	0.00080	0.0012	0.0016	0.0024	0.0032	0.0036	0.0040	4500 (4125 — 4875)
TP1	A	0.26	0.00032	0.00080	0.0012	0.0016	0.0024	0.0032	0.0036	0.0040	3750 (3375 — 4125)
GR1	A	0.26	0.00032	0.00080	0.0012	0.0016	0.0024	0.0032	0.0036	0.0040	4500 (4125 — 4875)

For cutting data recalculations, see pages 336-344.

SMG = Seco Material Group

Coolant = A=air D=dry E=emulsion M=mist spray

v_c = sf/min

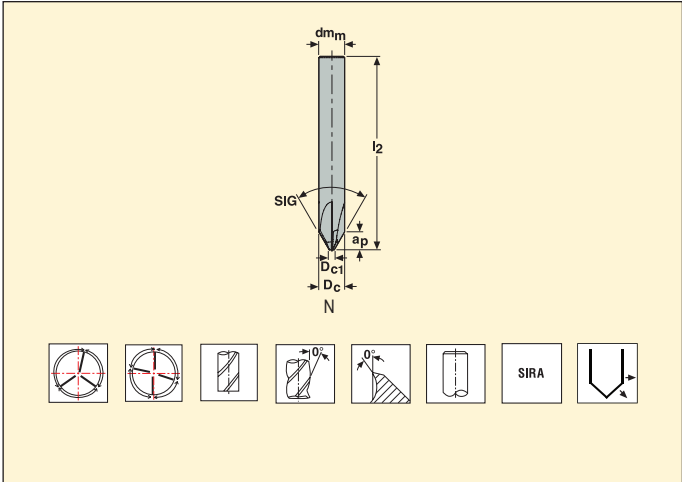
f_z = in/tooth

a_p/D_c = factor

a_p/D_c = factor

All cutting data are target values

JS506 - Solid carbide chamfer tool - cylindrical - unequal flute spacing



Tolerances:
 $dm_m = h5$
 $SIG = + / - 0.5^\circ$

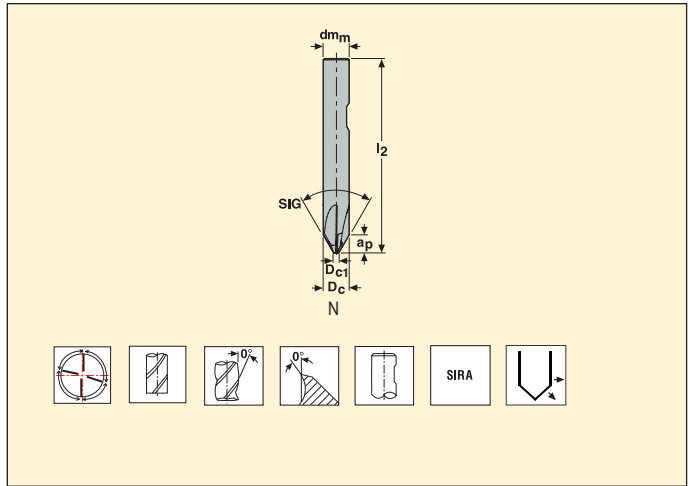
EDP No.	Part No.	Length index	Tool shape	Dimensions in mm						z_n	Cylindrical
				D_c	D_{c1}	dm_m	a_p	l_2	SIG		
84349	JS506030N2CZ3.0-SIRA	2	N	3	0.6	3	2.0	50	60	3	■
84350	JS506040N2CZ3.0-SIRA	2	N	4	0.8	4	2.7	50	60	3	■
84351	JS506060N2CZ4.0-SIRA	2	N	6	1.2	6	4.1	57	60	4	■
84353	JS506080N2CZ4.0-SIRA	2	N	8	1.6	8	5.5	63	60	4	■
84355	JS506100N2CZ4.0-SIRA	2	N	10	2	10	6.9	72	60	4	■
84357	JS506120N2CZ4.0-SIRA	2	N	12	2.4	12	8.3	83	60	4	■

■ Stock standard. Subject to change, refer to current price-and stock-list.

JS506 - Solid carbide chamfer tool - Weldon - unequal flute spacing



Tolerances:
 $dm_m = h5$
 $SIG = \pm 0.5^\circ$



EDP No.	Part No.	Length index	Tool shape	Dimensions in mm						z _n	Weldon
				D _c	D _{c1}	dm _m	a _p	l ₂	SIG		
84352	JS506060N2CZ4.3-SIRA	2	N	6	1.2	6	4.1	57	60	4	■
84354	JS506080N2CZ4.3-SIRA	2	N	8	1.6	8	5.5	63	60	4	■
84356	JS506100N2CZ4.3-SIRA	2	N	10	2	10	6.9	72	60	4	■
84358	JS506120N2CZ4.3-SIRA	2	N	12	2.4	12	8.3	83	60	4	■

■ Stock standard. Subject to change, refer to current price-and stock-list.

Cutting data – JS506 Chamfering $a_e/D_c = 0.1$

SMG		a_p / D_c	f_z						v_c
			3	4	6	8	10	12	
P1	M/A/D/E	0.30	0.024	0.032	0.048	0.065	0.080	0.095	230 (190 – 340)
P2	M/A/D/E	0.30	0.024	0.032	0.048	0.065	0.080	0.095	225 (185 – 335)
P3	M/A/D/E	0.30	0.024	0.032	0.048	0.065	0.080	0.095	190 (160 – 285)
P4	M/A/D/E	0.30	0.024	0.032	0.048	0.065	0.080	0.095	170 (140 – 250)
P5	M/A/D/E	0.30	0.024	0.032	0.048	0.065	0.080	0.095	160 (135 – 240)
P6	M/A/D/E	0.30	0.024	0.032	0.048	0.065	0.080	0.095	180 (150 – 270)
P7	M/A/D/E	0.30	0.024	0.032	0.048	0.065	0.080	0.095	170 (145 – 255)
P8	M/A/D/E	0.30	0.024	0.032	0.048	0.065	0.080	0.095	160 (135 – 240)
P11	M/A/D/E	0.30	0.024	0.032	0.048	0.065	0.080	0.095	165 (140 – 250)
M1	E/M/A	0.30	0.024	0.032	0.048	0.065	0.080	0.095	135 (110 – 200)
M2	E/M/A	0.30	0.024	0.032	0.048	0.065	0.080	0.095	105 (90 – 160)
M3	E/M/A	0.30	0.024	0.032	0.048	0.065	0.080	0.095	80 (70 – 120)
M4	E/M/A	0.24	0.022	0.028	0.044	0.060	0.070	0.085	60 (50 – 90)
M5	E/M/A	0.24	0.022	0.028	0.044	0.060	0.070	0.085	50 (43 – 75)
K1	A/D/M/E	0.30	0.024	0.032	0.048	0.065	0.080	0.095	205 (170 – 305)
K2	A/D/M/E	0.30	0.024	0.032	0.048	0.065	0.080	0.095	175 (150 – 265)
K3	A/D/M/E	0.30	0.024	0.032	0.048	0.065	0.080	0.095	150 (125 – 225)
K4	A/D/M/E	0.30	0.024	0.032	0.048	0.065	0.080	0.095	145 (120 – 215)
K5	A/D/M/E	0.30	0.022	0.030	0.044	0.060	0.075	0.090	85 (70 – 130)
K6	A/D/M/E	0.30	0.024	0.032	0.048	0.065	0.080	0.095	125 (105 – 190)
K7	A/D/M/E	0.30	0.022	0.030	0.044	0.060	0.075	0.090	110 (95 – 165)
N1	E/M/A	0.30	0.024	0.032	0.048	0.065	0.080	0.095	840 (700 – 1250)
N2	E/M/A	0.30	0.024	0.032	0.048	0.065	0.080	0.095	540 (450 – 800)
N3	E/M/A	0.30	0.024	0.032	0.048	0.065	0.080	0.095	360 (300 – 540)
N11	E/M/A	0.30	0.024	0.032	0.048	0.065	0.080	0.095	540 (450 – 800)
S1	E	0.30	0.024	0.032	0.048	0.065	0.080	0.095	50 (42 – 75)
S2	E	0.30	0.024	0.032	0.048	0.065	0.080	0.095	50 (42 – 75)
S3	E	0.30	0.024	0.032	0.048	0.065	0.080	0.095	30 (25 – 45)
S11	E	0.30	0.024	0.032	0.048	0.065	0.080	0.095	105 (90 – 155)
S12	E	0.30	0.024	0.032	0.048	0.065	0.080	0.095	80 (70 – 120)
S13	E	0.26	0.022	0.028	0.044	0.060	0.070	0.085	65 (55 – 95)
H5	M/A/D	0.34	0.024	0.032	0.048	0.065	0.080	0.095	65 (55 – 100)
H8	M/A/D	0.30	0.024	0.032	0.048	0.065	0.080	0.095	65 (55 – 95)
H11	M/A/D	0.34	0.024	0.032	0.048	0.065	0.080	0.095	85 (70 – 125)
H12	M/A/D	0.34	0.024	0.032	0.048	0.065	0.080	0.095	135 (115 – 205)
H21	M/A/D	0.30	0.024	0.032	0.048	0.065	0.080	0.095	65 (55 – 95)
TS1	A/D	0.30	0.028	0.036	0.055	0.070	0.090	0.11	530 (440 – 790)
TP1	A/D	0.30	0.028	0.036	0.055	0.070	0.090	0.11	530 (440 – 790)
GR1	A/D	0.30	0.028	0.036	0.055	0.070	0.090	0.11	530 (440 – 790)

For cutting data recalculations, see pages 336-344.

SMG = Seco material group

Coolant = A=air D=dry E=emulsion M=mist spray

v_c = m/min

f_z = mm

a_p (mm)/ D_c (mm) = factor

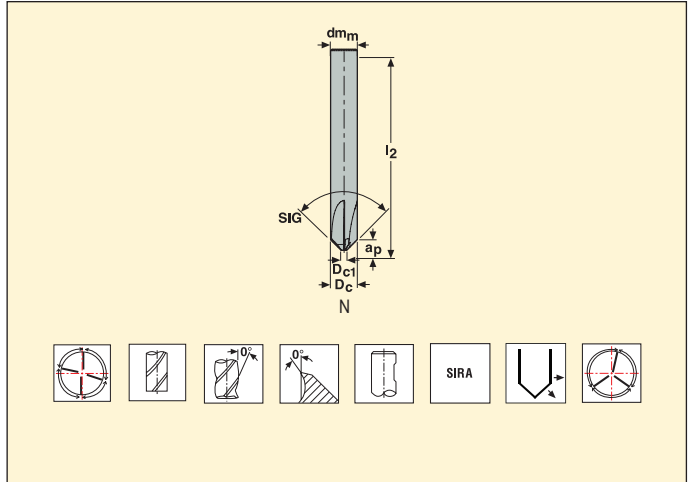
a_e (mm)/ D_c (mm) = factor

All cutting data are target values

JS509 – Solid carbide chamfer tool – Weldon – unequal flute spacing



Tolerances:
 $dm_m = h5$
 SIG = $\pm 0.5^\circ$



EDP No.	Part No.	Length index	Tool shape	Dimensions in mm						z_n	Weldon
				D_c	D_{c1}	dm_m	a_p	l_2	SIG		
84361	JS509030N2CZ3.0-SIRA	2	N	3	0.6	3	1.2	50	90	3	■
84364	JS509060N2CZ4.3-SIRA	2	N	6	1.2	6	2.4	57	90	4	■
84366	JS509080N2CZ4.3-SIRA	2	N	8	1.6	8	3.2	63	90	4	■
84368	JS509100N2CZ4.3-SIRA	2	N	10	2	10	4	72	90	4	■
84370	JS509120N2CZ4.3-SIRA	2	N	12	2.4	12	4.8	83	90	4	■

■ Stock standard. Subject to change, refer to current price-and stock-list.

Cutting data – JS509 Chamfering $a_p/D_c = 0.1$

SMG		a_p / D_c	f_z						v_c
			3	4	6	8	10	12	
P1	M/A/D/E	0.30	0.024	0.032	0.048	0.065	0.080	0.095	230 (190 – 340)
P2	M/A/D/E	0.30	0.024	0.032	0.048	0.065	0.080	0.095	225 (185 – 335)
P3	M/A/D/E	0.30	0.024	0.032	0.048	0.065	0.080	0.095	190 (160 – 285)
P4	M/A/D/E	0.30	0.024	0.032	0.048	0.065	0.080	0.095	170 (140 – 250)
P5	M/A/D/E	0.30	0.024	0.032	0.048	0.065	0.080	0.095	160 (135 – 240)
P6	M/A/D/E	0.30	0.024	0.032	0.048	0.065	0.080	0.095	180 (150 – 270)
P7	M/A/D/E	0.30	0.024	0.032	0.048	0.065	0.080	0.095	170 (145 – 255)
P8	M/A/D/E	0.30	0.024	0.032	0.048	0.065	0.080	0.095	160 (135 – 240)
P11	M/A/D/E	0.30	0.024	0.032	0.048	0.065	0.080	0.095	165 (140 – 250)
M1	E/M/A	0.30	0.024	0.032	0.048	0.065	0.080	0.095	135 (110 – 200)
M2	E/M/A	0.30	0.024	0.032	0.048	0.065	0.080	0.095	105 (90 – 160)
M3	E/M/A	0.30	0.024	0.032	0.048	0.065	0.080	0.095	80 (70 – 120)
M4	E/M/A	0.24	0.022	0.028	0.044	0.060	0.070	0.085	60 (50 – 90)
M5	E/M/A	0.24	0.022	0.028	0.044	0.060	0.070	0.085	50 (43 – 75)
K1	A/D/M/E	0.30	0.024	0.032	0.048	0.065	0.080	0.095	205 (170 – 305)
K2	A/D/M/E	0.30	0.024	0.032	0.048	0.065	0.080	0.095	175 (150 – 265)
K3	A/D/M/E	0.30	0.024	0.032	0.048	0.065	0.080	0.095	150 (125 – 225)
K4	A/D/M/E	0.30	0.024	0.032	0.048	0.065	0.080	0.095	145 (120 – 215)
K5	A/D/M/E	0.30	0.022	0.030	0.044	0.060	0.075	0.090	85 (70 – 130)
K6	A/D/M/E	0.30	0.024	0.032	0.048	0.065	0.080	0.095	125 (105 – 190)
K7	A/D/M/E	0.30	0.022	0.030	0.044	0.060	0.075	0.090	110 (95 – 165)
N1	E/M/A	0.30	0.024	0.032	0.048	0.065	0.080	0.095	840 (700 – 1250)
N2	E/M/A	0.30	0.024	0.032	0.048	0.065	0.080	0.095	540 (450 – 800)
N3	E/M/A	0.30	0.024	0.032	0.048	0.065	0.080	0.095	360 (300 – 540)
N11	E/M/A	0.30	0.024	0.032	0.048	0.065	0.080	0.095	540 (450 – 800)
S1	E	0.30	0.024	0.032	0.048	0.065	0.080	0.095	50 (42 – 75)
S2	E	0.30	0.024	0.032	0.048	0.065	0.080	0.095	50 (42 – 75)
S3	E	0.30	0.024	0.032	0.048	0.065	0.080	0.095	30 (25 – 45)
S11	E	0.30	0.024	0.032	0.048	0.065	0.080	0.095	105 (90 – 155)
S12	E	0.30	0.024	0.032	0.048	0.065	0.080	0.095	80 (70 – 120)
S13	E	0.26	0.022	0.028	0.044	0.060	0.070	0.085	65 (55 – 95)
H5	M/A/D	0.34	0.024	0.032	0.048	0.065	0.080	0.095	65 (55 – 100)
H8	M/A/D	0.30	0.024	0.032	0.048	0.065	0.080	0.095	65 (55 – 95)
H11	M/A/D	0.34	0.024	0.032	0.048	0.065	0.080	0.095	85 (70 – 125)
H12	M/A/D	0.34	0.024	0.032	0.048	0.065	0.080	0.095	135 (115 – 205)
H21	M/A/D	0.30	0.024	0.032	0.048	0.065	0.080	0.095	65 (55 – 95)
TS1	A/D	0.30	0.028	0.036	0.055	0.070	0.090	0.11	530 (440 – 790)
TP1	A/D	0.30	0.028	0.036	0.055	0.070	0.090	0.11	530 (440 – 790)
GR1	A/D	0.30	0.028	0.036	0.055	0.070	0.090	0.11	530 (440 – 790)

For cutting data recalculations, see pages 336-344.

SMG = Seco material group

Coolant = A=air D=dry E=emulsion M=mist spray

v_c = m/min

f_z = mm

a_p (mm)/ D_c (mm) = factor

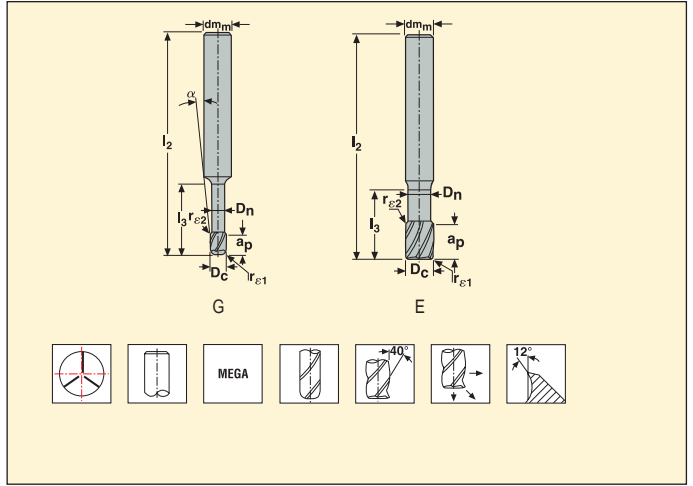
a_e (mm)/ D_c (mm) = factor

All cutting data are target values

JH910 – Solid carbide end mill – cylindrical – corner radius – three flute – MEGA coated



Tolerances:
 $dm_m = h5$
 $D_c = 0.02 / -0.04 \text{ mm}$
 $r_{e1} = +/- 0.05 \text{ mm}$



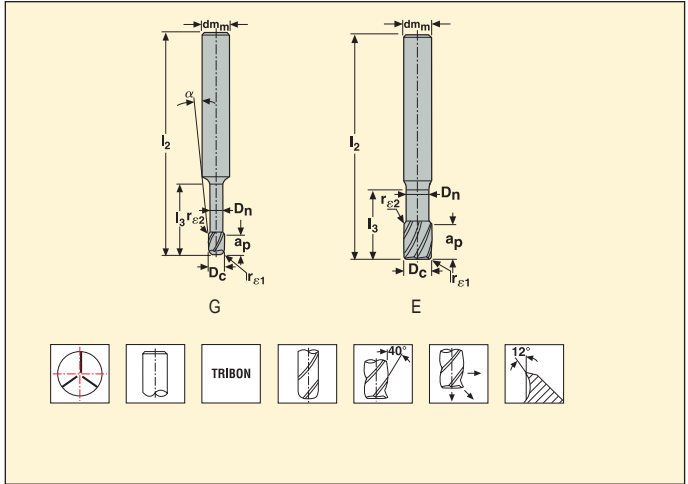
EDP No.	Part No.	Length index	Tool shape	Dimensions in mm									α°	z_n
				D_c	dm_m	a_p	l_2	l_3	D_n	r_{e1}	r_{e2}			
08031	910020R020-MEGA	2	G	2	3	3	40	6	1.9	0.2	2	3.5	3	
08032	910025R020-MEGA	2	G	2.5	3	4	40	6	2.4	0.2	2	2	3	
08033	910030R010-MEGA	2	E	3	3	4	40	7	2.8	0.1	2	-	3	
08034	910030R020-MEGA	2	E	3	3	4	40	7	2.8	0.2	2	-	3	
08035	910035R020-MEGA	2	G	3.5	6	5	50	9	3.2	0.2	2	6	3	
08036	910040R020-MEGA	2	G	4	6	5	50	9	3.7	0.2	2	5	3	
08037	910040R030-MEGA	2	G	4	6	5	50	9	3.7	0.3	2	5	3	
08038	910040R050-MEGA	2	G	4	6	5	50	9	3.7	0.5	2	5	3	
08039	910050R020-MEGA	2	G	5	6	6	50	11	4.6	0.2	2	2.5	3	
08040	910060R020-MEGA	2	E	6	6	7	60	14	5.6	0.2	2	-	3	
08042	910060R030-MEGA	2	E	6	6	7	60	14	5.6	0.3	2	-	3	
08043	910060R050-MEGA	2	E	6	6	7	60	14	5.6	0.5	2	-	3	
08044	910080R020-MEGA	2	E	8	8	9	60	18	7.4	0.2	2	-	3	
08045	910080R050-MEGA	2	E	8	8	9	60	18	7.4	0.5	2	-	3	
08046	910100R020-MEGA	2	E	10	10	12	70	25	9.4	0.2	2	-	3	
08047	910100R050-MEGA	2	E	10	10	12	70	25	9.4	0.5	2	-	3	
08048	910100R100-MEGA	2	E	10	10	12	70	25	9.4	1	2	-	3	
08049	910120R050-MEGA	2	E	12	12	15	80	30	11.4	0.5	3	-	3	
08050	910120R100-MEGA	2	E	12	12	15	80	30	11.4	1	3	-	3	
08051	910120R150-MEGA	2	E	12	12	15	80	30	11.4	1.5	3	-	3	
08052	910160R100-MEGA	2	E	16	16	18	90	38	15.4	1	4	-	3	
08053	910200R100-MEGA	2	E	20	20	22	100	40	19.2	1	4	-	3	

JH910 – Solid carbide end mill – cylindrical – corner radius – three flute – TRIBON coated



Tolerances:

$dm_m = h5$
 $D_c = 0.02/-0.04 \text{ mm}$
 $r_{\epsilon 1} = +/- 0.05 \text{ mm}$

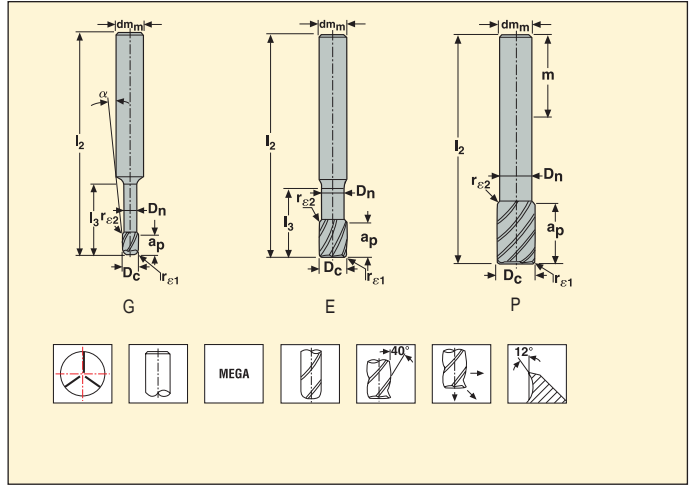


EDP No.	Part No.	Length index	Tool shape	Dimensions in mm									α°	z_n
				D_c	dm_m	a_p	l_2	l_3	D_n	$r_{\epsilon 1}$	$r_{\epsilon 2}$			
08054	910020R020-TRIBON	2	G	2	3	3	40	6	1.9	0.2	2	3.5	3	
08055	910025R020-TRIBON	2	G	2.5	3	4	40	6	2.4	0.2	2	2	3	
08056	910030R010-TRIBON	2	E	3	3	4	40	7	2.8	0.1	2	—	3	
08057	910030R020-TRIBON	2	E	3	3	4	40	7	2.8	0.2	2	—	3	
08058	910035R020-TRIBON	2	G	3.5	6	5	50	9	3.2	0.2	2	6	3	
08059	910040R020-TRIBON	2	G	4	6	5	50	9	3.7	0.2	2	5	3	
08060	910040R030-TRIBON	2	G	4	6	5	50	9	3.7	0.3	2	5	3	
08061	910040R050-TRIBON	2	G	4	6	5	50	9	3.7	0.5	2	5	3	
08062	910050R020-TRIBON	2	G	5	6	6	50	11	4.6	0.2	2	2.5	3	
08063	910060R020-TRIBON	2	E	6	6	7	60	14	5.6	0.2	2	—	3	
08064	910060R030-TRIBON	2	E	6	6	7	60	14	5.6	0.3	2	—	3	
08067	910060R050-TRIBON	2	E	6	6	7	60	14	5.6	0.5	2	—	3	
08068	910080R020-TRIBON	2	E	8	8	9	60	18	7.4	0.2	2	—	3	
08069	910080R050-TRIBON	2	E	8	8	9	60	18	7.4	0.5	2	—	3	
08070	910100R020-TRIBON	2	E	10	10	12	70	25	9.4	0.2	2	—	3	
08071	910100R050-TRIBON	2	E	10	10	12	70	25	9.4	0.5	2	—	3	
08072	910100R100-TRIBON	2	E	10	10	12	70	25	9.4	1	2	—	3	
08073	910120R050-TRIBON	2	E	12	12	15	80	30	11.4	0.5	3	—	3	
08074	910120R100-TRIBON	2	E	12	12	15	80	30	11.4	1	3	—	3	
08075	910120R150-TRIBON	2	E	12	12	15	80	30	11.4	1.5	3	—	3	
08076	910160R100-TRIBON	2	E	16	16	18	90	38	15.4	1	4	—	3	
08077	910200R100-TRIBON	2	E	20	20	22	100	40	19.2	1	4	—	3	

JH910 – Solid carbide end mill – cylindrical – corner radius – three flute – MEGA coated



Tolerances:
 $dm_m = h5$
 $D_c = 0.02/-0.04 \text{ mm}$
 $r_{\epsilon 1} = +/-0.05 \text{ mm}$



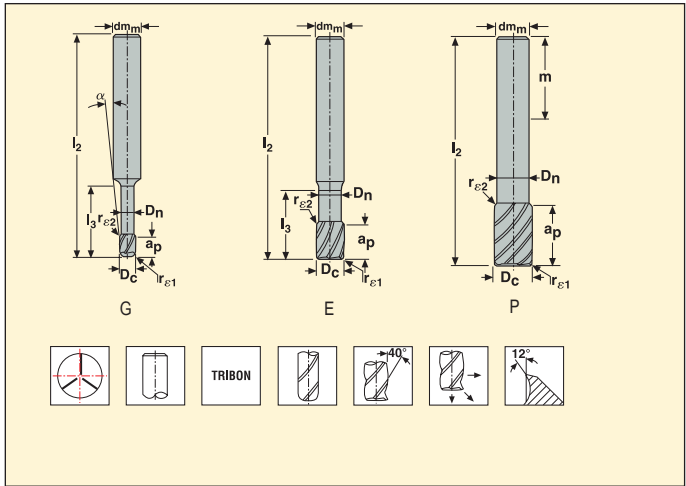
EDP No.	Part No.	Length index	Tool shape	Dimensions in mm								α°	D_n	m	z_n
				D_c	dm_m	a_p	l_2	l_3	$r_{\epsilon 1}$	$r_{\epsilon 2}$					
08088	910L020-MEGA	3	G	2	3	3	60	10	0.2	2	2.5	1.9	28	3	
08089	910L030-MEGA	3	E	3	3	4	60	14	0.2	2	-	2.8	28	3	
08090	910L040-MEGA	3	G	4	6	5	65	18	0.2	2	3	3.7	36	3	
08091	910L050-MEGA	3	G	5	6	6	65	22	0.2	2	1.5	4.6	36	3	
08092	910L060-MEGA	3	E	6	6	7	80	26	0.3	2	-	5.6	36	3	
08093	910L080-MEGA	3	E	8	8	9	85	36	0.5	2	-	7.4	36	3	
08094	910L100-MEGA	3	E	10	10	12	100	45	0.5	2	-	9.4	40	3	
08095	910L120-MEGA	3	E	12	12	15	125	54	0.5	3	-	11.4	45	3	
08096	910L160-MEGA	3	E	16	16	18	125	65	1	4	-	15.4	48	3	
08078	910RS070-MEGA	4	P	7	6	8	100	-	0.3	3	-	6	36	3	
08079	910RS090-MEGA	4	P	9	8	11	100	-	0.5	3	-	8	36	3	
08080	910RS110-MEGA	4	P	11	10	13	125	-	0.5	3	-	10	40	3	
08081	910RS130-MEGA	4	P	13	12	16	150	-	0.6	3	-	12	45	3	

JH910 – Solid carbide end mill – cylindrical – corner radius – three flute – TRIBON coated



Tolerances:

$dm_m = h5$
 $D_c = 0.02 / -0.04 \text{ mm}$
 $r_{e1} = +/- 0.05 \text{ mm}$



EDP No.	Part No.	Length index	Tool shape	Dimensions in mm								α°	D_n	m	z_n
				D_c	dm_m	a_p	l_2	l_3	r_{e1}	r_{e2}					
08097	910L020-TRIBON	3	G	2	3	3	60	10	0.2	2	2.5	1.9	28	3	
08098	910L030-TRIBON	3	E	3	3	4	60	14	0.2	2	–	2.8	28	3	
08099	910L040-TRIBON	3	G	4	6	5	65	18	0.2	2	3	3.7	36	3	
08100	910L050-TRIBON	3	G	5	6	6	65	22	0.2	2	1.5	4.6	36	3	
08101	910L060-TRIBON	3	E	6	6	7	80	26	0.3	2	–	5.6	36	3	
08102	910L080-TRIBON	3	E	8	8	9	85	36	0.5	2	–	7.4	36	3	
08103	910L100-TRIBON	3	E	10	10	12	100	45	0.5	2	–	9.4	40	3	
08104	910L120-TRIBON	3	E	12	12	15	125	54	0.5	3	–	11.4	45	3	
08105	910L160-TRIBON	3	E	16	16	18	125	65	1	4	–	15.4	48	3	
08083	910RS070-TRIBON	4	P	7	6	8	100	–	0.3	3	–	6	36	3	
08084	910RS090-TRIBON	4	P	9	8	11	100	–	0.5	3	–	8	36	3	
08085	910RS110-TRIBON	4	P	11	10	13	125	–	0.5	3	–	10	40	3	
08086	910RS130-TRIBON	4	P	13	12	16	150	–	0.6	3	–	12	45	3	

Cutting data – JH910 Slotting

SMG		a_p / D_c	f_z														v_c
			2	3	4	5	6	8	9	10	11	12	13	16	17	20	
P1	M/E/A	0.30	0.011	0.017	0.022	0.028	0.032	0.044	0.048	0.055	0.060	0.065	0.070	0.080	0.085	0.10	245 (195 – 280)
P2	M/E/A	0.30	0.012	0.017	0.022	0.028	0.034	0.044	0.050	0.055	0.060	0.065	0.070	0.080	0.085	0.10	235 (190 – 275)
P3	M/E/A	0.30	0.011	0.016	0.022	0.026	0.032	0.042	0.046	0.050	0.055	0.060	0.065	0.080	0.085	0.10	205 (165 – 240)
P4	M/E/A	0.30	0.011	0.016	0.020	0.026	0.030	0.040	0.046	0.050	0.055	0.060	0.065	0.080	0.085	0.10	185 (145 – 210)
P5	M/E/A	0.30	0.011	0.015	0.020	0.026	0.030	0.040	0.046	0.050	0.055	0.060	0.065	0.080	0.085	0.10	175 (140 – 205)
P6	M/E/A	0.30	0.010	0.015	0.020	0.026	0.030	0.040	0.046	0.050	0.055	0.060	0.065	0.080	0.085	0.10	195 (160 – 225)
P7	M/E/A	0.30	0.010	0.015	0.020	0.026	0.030	0.040	0.046	0.050	0.055	0.060	0.065	0.080	0.085	0.10	185 (150 – 215)
P8	M/E/A	0.30	0.011	0.016	0.022	0.026	0.032	0.042	0.046	0.050	0.055	0.060	0.065	0.080	0.085	0.10	175 (140 – 205)
P11	M/E/A	0.30	0.010	0.015	0.020	0.026	0.030	0.040	0.046	0.050	0.055	0.060	0.065	0.080	0.085	0.10	180 (145 – 210)
M1	M/E/A	0.10	0.014	0.018	0.022	0.026	0.032	0.040	0.046	0.050	0.055	0.060	0.065	0.080	0.085	0.10	90 (75 – 110)
M2	M/E/A	0.10	0.014	0.018	0.022	0.026	0.032	0.040	0.046	0.050	0.055	0.060	0.065	0.080	0.085	0.10	75 (60 – 90)
M3	M/E/A	0.095	0.014	0.018	0.022	0.026	0.032	0.040	0.046	0.050	0.055	0.060	0.065	0.080	0.085	0.10	90 (65 – 110)
M4	M/E/A	0.075	0.014	0.017	0.020	0.026	0.030	0.040	0.046	0.050	0.055	0.060	0.065	0.080	0.085	0.10	70 (50 – 85)
M5	M/E/A	0.075	0.014	0.017	0.020	0.026	0.030	0.040	0.046	0.050	0.055	0.060	0.065	0.080	0.085	0.10	55 (43 – 70)
K1	A/E	0.30	0.011	0.015	0.020	0.026	0.030	0.040	0.046	0.050	0.055	0.060	0.065	0.080	0.085	0.10	140 (115 – 170)
K2	A/E	0.30	0.011	0.015	0.020	0.026	0.030	0.040	0.046	0.050	0.055	0.060	0.065	0.080	0.085	0.10	120 (100 – 145)
K3	A/E	0.30	0.011	0.015	0.020	0.026	0.030	0.040	0.046	0.050	0.055	0.060	0.065	0.080	0.085	0.10	105 (85 – 125)
K4	A/E	0.30	0.011	0.015	0.020	0.026	0.030	0.040	0.046	0.050	0.055	0.060	0.065	0.080	0.085	0.10	100 (80 – 120)
K5	A/E	0.16	0.012	0.016	0.020	0.026	0.030	0.040	0.046	0.050	0.055	0.060	0.065	0.080	0.085	0.10	110 (80 – 135)
K6	A/E	0.16	0.012	0.016	0.020	0.026	0.030	0.040	0.046	0.050	0.055	0.060	0.065	0.080	0.085	0.10	160 (120 – 200)
K7	A/E	0.16	0.012	0.016	0.020	0.026	0.030	0.040	0.046	0.050	0.055	0.060	0.065	0.080	0.085	0.10	140 (105 – 175)
S1	E/M/A	0.14	0.012	0.016	0.022	0.026	0.030	0.040	0.046	0.050	0.055	0.060	0.065	0.080	0.085	0.10	43 (32 – 55)
S2	E/M/A	0.14	0.012	0.016	0.022	0.026	0.030	0.040	0.046	0.050	0.055	0.060	0.065	0.080	0.085	0.10	35 (26 – 43)
S3	E/M/A	0.080	0.015	0.019	0.022	0.028	0.032	0.040	0.046	0.050	0.055	0.060	0.065	0.080	0.085	0.10	20 (15 – 26)
S11	E/M/A	0.24	0.011	0.016	0.020	0.026	0.030	0.040	0.046	0.050	0.055	0.060	0.065	0.080	0.085	0.10	90 (75 – 105)
S12	E/M/A	0.24	0.011	0.016	0.020	0.026	0.030	0.040	0.046	0.050	0.055	0.060	0.065	0.080	0.085	0.10	70 (55 – 80)
S13	E/M/A	0.20	0.010	0.015	0.020	0.026	0.030	0.040	0.046	0.050	0.055	0.060	0.065	0.080	0.085	0.10	55 (44 – 60)
TP1	A	0.24	0.012	0.018	0.024	0.030	0.036	0.048	0.055	0.060	0.065	0.070	0.080	0.095	0.10	0.12	140 (125 – 155)
GR1	A	0.30	0.014	0.022	0.028	0.036	0.042	0.055	0.065	0.070	0.080	0.085	0.090	0.11	0.12	0.14	600 (500 – 700)

For cutting data recalculations, see pages 336-344.

SMG = Seco material group

Coolant = A=air D=dry E=emulsion M=mist spray

v_c = m/min

f_z = mm

a_p (mm)/ D_c (mm) = factor

All cutting data are target values

Cutting data – JH910 Side milling roughing $a_p/D_c = 0.05$

SMG		a_p / D_c	f_z													v_c	
			2	3	4	5	6	8	9	10	11	12	13	16	17		20
P1	M/E/A	1.0	0.070	0.10	0.14	0.17	0.20	0.28	0.32	0.34	0.38	0.42	0.44	0.50	0.55	0.60	365 (295 – 425)
P2	M/E/A	1.0	0.070	0.11	0.14	0.18	0.22	0.28	0.32	0.36	0.38	0.42	0.44	0.50	0.55	0.60	350 (280 – 405)
P3	M/E/A	1.0	0.065	0.10	0.13	0.17	0.20	0.26	0.30	0.34	0.36	0.40	0.42	0.48	0.50	0.55	305 (245 – 355)
P4	M/E/A	1.0	0.065	0.10	0.13	0.16	0.20	0.26	0.30	0.32	0.36	0.38	0.42	0.48	0.50	0.55	275 (220 – 315)
P5	M/E/A	1.0	0.065	0.095	0.13	0.16	0.19	0.26	0.28	0.32	0.36	0.38	0.40	0.46	0.48	0.55	260 (210 – 305)
P6	M/E/A	1.0	0.065	0.095	0.13	0.16	0.19	0.26	0.28	0.32	0.34	0.38	0.40	0.46	0.48	0.55	295 (235 – 340)
P7	M/E/A	1.0	0.065	0.095	0.13	0.16	0.19	0.26	0.28	0.32	0.34	0.38	0.40	0.46	0.48	0.55	275 (225 – 320)
P8	M/E/A	1.0	0.065	0.10	0.13	0.17	0.20	0.26	0.30	0.34	0.36	0.40	0.42	0.48	0.50	0.55	255 (205 – 300)
P11	M/E/A	1.0	0.065	0.095	0.13	0.16	0.19	0.26	0.28	0.32	0.34	0.38	0.40	0.46	0.48	0.55	270 (215 – 310)
M1	M/E/A	1.0	0.065	0.095	0.13	0.16	0.19	0.26	0.28	0.32	0.34	0.38	0.40	0.46	0.48	0.50	130 (105 – 155)
M2	M/E/A	1.0	0.055	0.085	0.11	0.14	0.17	0.22	0.26	0.28	0.30	0.34	0.36	0.42	0.42	0.48	110 (90 – 130)
M3	M/E/A	0.90	0.065	0.095	0.13	0.16	0.19	0.26	0.28	0.32	0.34	0.38	0.40	0.46	0.48	0.50	125 (95 – 160)
M4	M/E/A	0.70	0.055	0.080	0.11	0.14	0.16	0.22	0.24	0.28	0.30	0.32	0.34	0.40	0.42	0.46	100 (75 – 125)
M5	M/E/A	0.70	0.055	0.080	0.11	0.14	0.16	0.22	0.24	0.28	0.30	0.32	0.34	0.40	0.42	0.46	80 (60 – 105)
K1	A/E	1.0	0.065	0.095	0.13	0.16	0.19	0.26	0.28	0.32	0.34	0.38	0.40	0.46	0.48	0.55	210 (170 – 250)
K2	A/E	1.0	0.060	0.085	0.12	0.14	0.17	0.24	0.26	0.28	0.32	0.34	0.36	0.42	0.44	0.48	190 (150 – 225)
K3	A/E	1.0	0.060	0.085	0.12	0.14	0.17	0.24	0.26	0.28	0.32	0.34	0.36	0.42	0.44	0.48	160 (130 – 190)
K4	A/E	1.0	0.060	0.085	0.12	0.14	0.17	0.24	0.26	0.28	0.32	0.34	0.36	0.42	0.44	0.48	150 (120 – 185)
K5	A/E	0.80	0.065	0.095	0.13	0.16	0.19	0.26	0.28	0.32	0.34	0.38	0.40	0.46	0.48	0.55	160 (120 – 200)
K6	A/E	0.80	0.070	0.11	0.14	0.18	0.22	0.28	0.32	0.36	0.40	0.42	0.44	0.50	0.55	0.60	230 (170 – 285)
K7	A/E	0.80	0.065	0.095	0.13	0.16	0.19	0.26	0.28	0.32	0.34	0.38	0.40	0.46	0.48	0.55	205 (150 – 255)
S1	E/M/A	0.70	0.065	0.095	0.13	0.16	0.19	0.26	0.28	0.32	0.34	0.38	0.40	0.46	0.48	0.55	65 (47 – 80)
S2	E/M/A	0.70	0.065	0.095	0.13	0.16	0.19	0.26	0.28	0.32	0.34	0.38	0.40	0.46	0.48	0.55	50 (38 – 65)
S3	E/M/A	0.50	0.065	0.095	0.12	0.16	0.19	0.24	0.28	0.30	0.34	0.36	0.40	0.46	0.46	0.50	29 (22 – 36)
S11	E/M/A	1.0	0.065	0.095	0.13	0.16	0.19	0.26	0.28	0.32	0.34	0.38	0.40	0.46	0.48	0.55	130 (110 – 155)
S12	E/M/A	1.0	0.065	0.095	0.13	0.16	0.19	0.26	0.28	0.32	0.34	0.38	0.40	0.46	0.48	0.55	100 (85 – 120)
S13	E/M/A	0.90	0.055	0.085	0.11	0.14	0.17	0.22	0.24	0.28	0.30	0.32	0.34	0.40	0.42	0.46	80 (65 – 95)
TP1	A	1.0	0.044	0.065	0.090	0.11	0.13	0.18	0.20	0.22	0.24	0.26	0.28	0.32	0.34	0.36	235 (210 – 260)
GR1	A	1.1	0.080	0.12	0.16	0.20	0.24	0.32	0.36	0.40	0.42	0.46	0.50	0.55	0.60	0.65	900 (750 – 1050)

For cutting data recalculations, see pages 336-344.

SMG = Seco material group

Coolant = A=air D=dry E=emulsion M=mist spray

v_c = m/min

f_z = mm

a_p (mm)/ D_c (mm) = factor

a_e (mm)/ D_c (mm) = factor

All cutting data are target values

Cutting data – JH930 Side milling finishing $a_p/D_c = 0.02$

SMG		a_p / D_c	f_z						v_c
			6	8	10	12	16	20	
P1	M/E/A	1.0	0.080	0.10	0.13	0.16	0.20	0.26	530 (495 – 560)
P2	M/E/A	1.0	0.080	0.10	0.13	0.16	0.20	0.26	510 (480 – 550)
P3	M/E/A	1.0	0.080	0.10	0.13	0.16	0.20	0.26	445 (415 – 470)
P4	M/E/A	1.0	0.080	0.10	0.13	0.16	0.20	0.26	390 (365 – 415)
P5	M/E/A	1.0	0.080	0.10	0.13	0.16	0.20	0.26	370 (350 – 395)
P6	M/E/A	1.0	0.080	0.10	0.13	0.16	0.20	0.26	420 (390 – 445)
P7	M/E/A	1.0	0.080	0.10	0.13	0.16	0.20	0.26	395 (370 – 420)
P8	M/E/A	1.0	0.080	0.10	0.13	0.16	0.20	0.26	370 (350 – 395)
P11	M/E/A	1.0	0.080	0.10	0.13	0.16	0.20	0.26	385 (360 – 410)
K1	E/M/A	1.0	0.080	0.10	0.13	0.16	0.20	0.26	300 (275 – 325)
K2	E/M/A	1.0	0.080	0.10	0.13	0.16	0.20	0.26	260 (240 – 280)
K3	E/M/A	1.0	0.080	0.10	0.13	0.16	0.20	0.26	220 (205 – 240)
K4	E/M/A	0.80	0.080	0.10	0.13	0.16	0.20	0.26	210 (195 – 230)
K5	E/M/A	0.80	0.080	0.10	0.13	0.16	0.20	0.24	125 (115 – 135)
K6	E/M/A	0.80	0.080	0.10	0.13	0.16	0.20	0.26	185 (170 – 200)
K7	E/M/A	0.80	0.080	0.10	0.13	0.16	0.20	0.24	160 (150 – 175)
S1	E/M/A	1.2	0.085	0.12	0.15	0.17	0.22	0.24	85 (65 – 110)
S2	E/M/A	1.2	0.085	0.12	0.15	0.17	0.22	0.24	85 (65 – 110)
S3	E/M/A	0.50	0.055	0.070	0.090	0.11	0.14	0.18	44 (33 – 55)
S11	E/M/A	1.0	0.075	0.10	0.13	0.15	0.19	0.22	185 (155 – 220)
S12	E/M/A	1.0	0.075	0.10	0.13	0.15	0.19	0.22	145 (120 – 170)
S13	E/M/A	1.0	0.065	0.090	0.11	0.13	0.16	0.19	115 (95 – 135)
H3	M/A	0.50	0.018	0.024	0.030	0.036	0.048	0.060	165 (155 – 180)
H5	M/A	1.5	0.030	0.040	0.050	0.060	0.080	0.10	285 (265 – 310)
H7	M/A	0.44	0.018	0.024	0.030	0.036	0.048	0.060	170 (155 – 180)
H8	M/A	1.5	0.030	0.040	0.050	0.060	0.080	0.10	285 (265 – 310)
H21	M/A	1.5	0.030	0.040	0.050	0.060	0.080	0.10	285 (265 – 310)
H31	M/A	1.5	0.030	0.040	0.050	0.060	0.080	0.10	215 (200 – 235)

For cutting data recalculations, see pages 336-344.

SMG = Seco material group

Coolant = A=air D=dry E=emulsion M=mist spray

v_c = m/min

f_z = mm

a_p (mm)/ D_c (mm) = factor

a_e (mm)/ D_c (mm) = factor

All cutting data are target values

Cutting data – JH930 Side milling roughing $a_p/D_c = 0.03$

SMG		a_p / D_c	f_z						v_c
			6	8	10	12	16	20	
P1	M/E/A	1.0	0.080	0.10	0.13	0.16	0.20	0.24	455 (430 – 485)
P2	M/E/A	1.0	0.080	0.10	0.13	0.16	0.20	0.24	445 (415 – 475)
P3	M/E/A	1.0	0.080	0.10	0.13	0.16	0.20	0.22	385 (360 – 410)
P4	M/E/A	1.0	0.080	0.10	0.13	0.16	0.19	0.22	335 (315 – 360)
P5	M/E/A	1.0	0.080	0.10	0.13	0.15	0.19	0.22	320 (300 – 345)
P6	M/E/A	1.0	0.075	0.10	0.13	0.15	0.19	0.22	360 (340 – 385)
P7	M/E/A	1.0	0.075	0.10	0.13	0.15	0.19	0.22	340 (320 – 365)
P8	M/E/A	1.0	0.080	0.10	0.13	0.16	0.20	0.22	320 (300 – 345)
P11	M/E/A	1.0	0.075	0.10	0.13	0.15	0.19	0.22	330 (310 – 355)
K1	E/M/A	1.0	0.080	0.10	0.13	0.16	0.20	0.24	260 (240 – 280)
K2	E/M/A	1.0	0.080	0.10	0.13	0.15	0.19	0.22	225 (205 – 245)
K3	E/M/A	1.0	0.080	0.10	0.13	0.15	0.19	0.22	190 (175 – 205)
K4	E/M/A	0.80	0.080	0.10	0.13	0.15	0.19	0.22	185 (170 – 195)
K5	E/M/A	0.80	0.070	0.095	0.12	0.14	0.17	0.20	110 (100 – 120)
K6	E/M/A	0.80	0.080	0.10	0.13	0.15	0.19	0.22	160 (150 – 175)
K7	E/M/A	0.80	0.070	0.095	0.12	0.14	0.17	0.20	140 (130 – 150)
S1	E/M/A	0.95	0.070	0.095	0.12	0.14	0.17	0.20	80 (60 – 100)
S2	E/M/A	0.95	0.070	0.095	0.12	0.14	0.17	0.20	80 (60 – 100)
S3	E/M/A	0.50	0.055	0.070	0.090	0.11	0.14	0.18	38 (28 – 47)
S11	E/M/A	0.70	0.060	0.080	0.10	0.12	0.15	0.17	170 (140 – 200)
S12	E/M/A	0.70	0.060	0.080	0.10	0.12	0.15	0.17	130 (110 – 155)
S13	E/M/A	0.60	0.055	0.070	0.090	0.11	0.13	0.15	105 (85 – 120)
H5	M/A	1.0	0.030	0.040	0.050	0.060	0.080	0.10	255 (235 – 275)
H8	M/A	1.0	0.030	0.040	0.050	0.060	0.080	0.10	255 (235 – 275)
H21	M/A	1.0	0.030	0.040	0.050	0.060	0.080	0.10	255 (235 – 275)
H31	M/A	1.0	0.030	0.040	0.050	0.060	0.080	0.10	195 (175 – 210)

For cutting data recalculations, see pages 336-344.

SMG = Seco material group

Coolant = A=air D=dry E=emulsion M=mist spray

v_c = m/min

f_z = mm

a_p (mm)/ D_c (mm)= factor

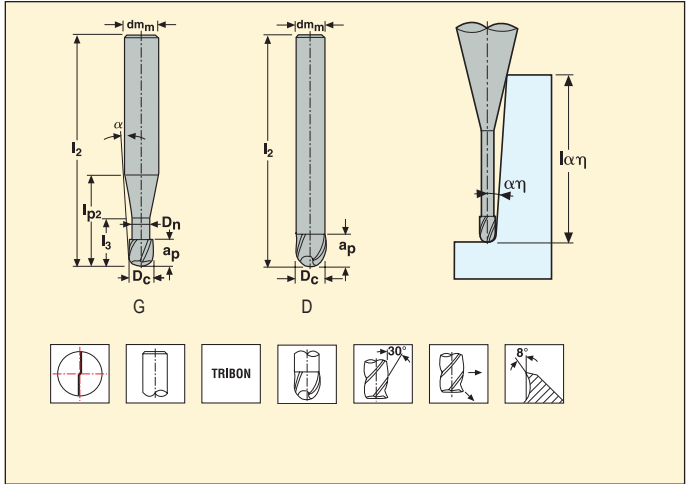
a_e (mm)/ D_c (mm)= factor

All cutting data are target values

JH970 – Solid carbide end mill – cylindrical – ball nose – two flute



Tolerances:
 Run-out=0.01 mm
 $dm_m=h5$
 $D_c=0.02/-0.04$ mm
 $r_{e1}=+/-0.01$ mm



EDP No.	Part No.	Length index	Tool shape	Dimensions in mm										Max. cut depth rel. to $\alpha\eta$ ($l_{a\eta}$, ref)*					
				D _c	dm _m	a _p	l ₂	l ₃	l _{p2}	D _n	α_1°	z _n	0°	0.5°	1°	1.5°	2°	3°	
19804	970021-TRIBON	1	G	2	3	3	50	10	13.3	1.9	2.5	2	10	11	11.5	12.1	12.8	∞	
19805	970031-TRIBON	1	D	3	3	4.5	50	–	–	–	–	2	4.5	∞	∞	∞	∞	∞	
19806	970041-TRIBON	1	D	4	4	6	60	–	–	–	–	2	6	∞	∞	∞	∞	∞	
19807	970051-TRIBON	1	D	5	5	7.5	60	–	–	–	–	2	7.5	∞	∞	∞	∞	∞	
19808	970061-TRIBON	1	D	6	6	9	75	–	–	–	–	2	9	∞	∞	∞	∞	∞	
19809	970020-TRIBON	2	G	2	6	3	60	4	15.8	1.9	8	2	4	4.7	4.9	5.1	5.4	6	
19810	970025-TRIBON	2	G	2.5	6	4	60	5	15.4	2.4	7.5	2	5	5.7	6	6.2	6.5	7.3	
19811	970030-TRIBON	2	G	3	6	4.5	60	6	18.4	2.8	5.5	2	6	7.4	7.8	8.3	9	10.6	
19812	970035-TRIBON	2	G	3.5	6	5	60	7	17.8	3.2	4.5	2	7	8.8	9.4	10	10.7	12.8	
19813	970040-TRIBON	2	G	4	6	6	60	8	21.3	3.7	3	2	8	10.8	11.9	13.3	15.2	∞	
19814	970050-TRIBON	2	G	5	6	7.5	60	10	18.2	4.6	2	2	10	13.6	15	16.8	∞	∞	
19815	970060-TRIBON	2	G	6	8	9	75	12	25.9	5.6	2.5	2	12	15.8	17.4	19.4	22.2	∞	
19870	970080-TRIBON	2	D	8	8	12	75	–	–	–	–	2	12	∞	∞	∞	∞	∞	
19871	970100-TRIBON	2	D	10	10	15	80	–	–	–	–	2	15	∞	∞	∞	∞	∞	
19816	970120-TRIBON	2	D	12	12	18	90	–	–	–	–	2	18	∞	∞	∞	∞	∞	
19817	970160-TRIBON	2	D	16	16	24	100	–	–	–	–	2	24	∞	∞	∞	∞	∞	
19818	970L020-TRIBON	3	G	2	6	3	80	4	15.8	1.9	8	2	4	4.7	4.9	5.1	5.4	6	
19819	970L030-TRIBON	3	G	3	6	4.5	80	6	18.4	2.8	5.5	2	6	7.4	7.8	8.3	9	10.6	
19820	970L040-TRIBON	3	G	4	6	6	80	8	21.3	3.7	3	2	8	10.8	11.9	13.3	15.2	∞	
19821	970L050-TRIBON	3	G	5	6	7.5	100	10	18.2	4.6	2	2	10	13.6	15	16.8	∞	∞	
19822	970L060-TRIBON	3	G	6	8	9	100	12	25.9	5.6	2.5	2	12	15.8	17.4	19.4	22.2	∞	
19823	970L080-TRIBON	3	D	8	8	12	110	–	–	–	–	2	12	∞	∞	∞	∞	∞	
19825	970L100-TRIBON	3	D	10	10	15	125	–	–	–	–	2	15	∞	∞	∞	∞	∞	
19828	970L120-TRIBON	3	D	12	12	18	125	–	–	–	–	2	18	∞	∞	∞	∞	∞	
19829	970L160-TRIBON	3	D	16	16	24	150	–	–	–	–	2	24	∞	∞	∞	∞	∞	

* The effective under -neck length for the various draft angles. Remark ∞ = infinity, no collision in projection length area.

Cutting data – JH970 Copy milling rough $a_p/D_c = 0.3$

SMG		a_p / D_c	f_z									v_c
			2	3	4	5	6	8	10	12	16	
P1	M	0.13	0.036	0.055	0.070	0.090	0.11	0.14	0.18	0.22	0.28	320 (280 – 365)
P2	M	0.13	0.036	0.055	0.070	0.090	0.11	0.14	0.18	0.22	0.28	315 (270 – 355)
P3	M	0.13	0.036	0.055	0.070	0.090	0.11	0.14	0.18	0.22	0.28	270 (235 – 305)
P4	M	0.13	0.036	0.055	0.070	0.090	0.11	0.14	0.18	0.22	0.28	240 (205 – 270)
P5	M	0.13	0.036	0.055	0.070	0.090	0.11	0.14	0.18	0.22	0.28	225 (195 – 255)
P6	M	0.13	0.036	0.055	0.070	0.090	0.11	0.14	0.18	0.22	0.28	255 (220 – 290)
P7	M	0.13	0.036	0.055	0.070	0.090	0.11	0.14	0.18	0.22	0.28	240 (210 – 275)
P8	M	0.13	0.036	0.055	0.070	0.090	0.11	0.14	0.18	0.22	0.28	225 (195 – 255)
P11	M	0.13	0.036	0.055	0.070	0.090	0.11	0.14	0.18	0.22	0.28	235 (205 – 265)
S11	E	0.22	0.024	0.036	0.048	0.060	0.070	0.095	0.12	0.14	0.19	140 (120 – 160)
S12	E	0.22	0.024	0.036	0.048	0.060	0.070	0.095	0.12	0.14	0.19	105 (90 – 120)
S13	E	0.22	0.022	0.034	0.046	0.055	0.070	0.090	0.11	0.13	0.17	85 (70 – 95)

Cutting data – JH970 Copy milling rough $a_p/D_c = 0.1$

SMG		a_p / D_c	f_z									v_c
			2	3	4	5	6	8	10	12	16	
M1	M	0.13	0.028	0.042	0.055	0.070	0.085	0.11	0.14	0.17	0.22	155 (135 – 175)
M2	M	0.13	0.028	0.042	0.055	0.070	0.085	0.11	0.14	0.17	0.22	125 (110 – 140)
M3	M	0.090	0.028	0.042	0.055	0.070	0.085	0.11	0.14	0.17	0.22	90 (80 – 105)
M4	M	0.090	0.028	0.042	0.055	0.070	0.085	0.11	0.14	0.17	0.22	70 (60 – 80)
M5	M	0.090	0.028	0.042	0.055	0.070	0.085	0.11	0.14	0.17	0.22	60 (50 – 65)
S1	E	0.17	0.024	0.036	0.048	0.060	0.070	0.095	0.12	0.14	0.19	70 (60 – 85)
S2	E	0.17	0.024	0.036	0.048	0.060	0.070	0.095	0.12	0.14	0.19	70 (60 – 85)
S3	E	0.11	0.022	0.032	0.044	0.055	0.065	0.090	0.11	0.13	0.18	41 (27 – 55)

For cutting data recalculations, see pages 336-344.

SMG = Seco material group

Coolant = A=air D=dry E=emulsion M=mist spray

v_c = m/min

f_z = mm

a_p (mm)/ D_c (mm)= factor

a_e (mm)/ D_c (mm)= factor

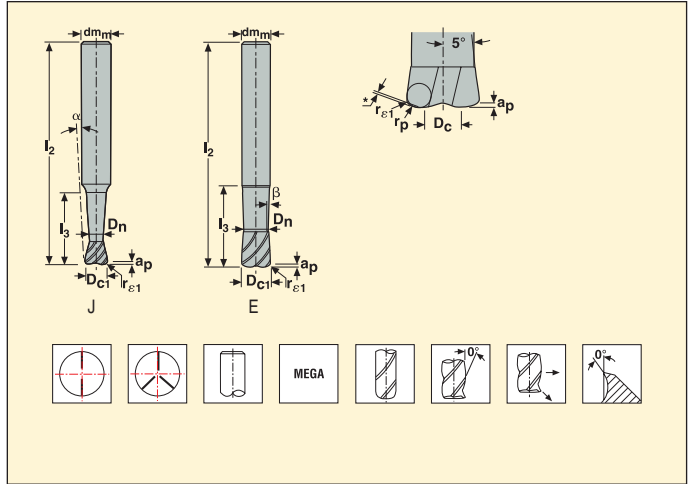
All cutting data are target values

JHF980 – Solid carbide end mill – cylindrical – high feed geometry



Tolerances:

$dm_m = h5$
 $D_c = \pm 1/2 D_{c1}$
 $r_{c1} = \pm 0.05 \text{ mm}$
 $\beta = 0.5$



EDP No.	Part No.	Length index	Tool shape	Dimensions in mm										UTCN	α°	z_n
				D_c	D_{c1}	dm_m	a_p	l_2	l_3	D_n	r_c	r_p	UTCN			
33646	980K080Z3-MEGA	1	E	4	8	8	0.4	70	12	3	0.6	0.935	0.198	-	3	
33647	980K100Z3-MEGA	1	E	5	10	10	0.45	80	15	3.8	0.8	1.176	0.232	-	3	
33648	980K120Z3-MEGA	1	E	6	12	12	0.5	80	18	4.6	1	1.417	0.266	-	3	
33643	980010-MEGA	2	G	0.5	1	6	0.07	40	3	0.7	0.07	0.127	0.028	19.5	2	
24561	980015-MEGA	2	G	0.75	1.5	6	0.1	40	4.5	1.2	0.1	0.183	0.043	14	2	
24564	980020-MEGA	2	G	1	2	6	0.15	40	6	1.7	0.15	0.269	0.055	11	2	
24567	980030-MEGA	2	G	1.5	3	6	0.2	50	9	2.6	0.2	0.366	0.085	7	2	
24570	980040-MEGA	2	G	2	4	6	0.25	60	12	3.5	0.3	0.503	0.107	4	2	
24573	980050-MEGA	2	G	2.5	5	6	0.3	60	15	4.4	0.4	0.641	0.128	2	2	
24580	980060-MEGA	2	G	3	6	8	0.35	60	18	5.2	0.5	0.778	0.150	3	2	
24584	980080-MEGA	2	E	4	8	8	0.4	70	24	7	0.6	0.935	0.198	-	2	
24589	980100-MEGA	2	E	5	10	10	0.45	80	30	8.8	0.8	1.176	0.232	-	2	
24590	980100Z3-MEGA	2	E	5	10	10	0.45	80	30	8.8	0.8	1.176	0.232	-	3	
24593	980120-MEGA	2	E	6	12	12	0.5	80	36	10.6	1	1.417	0.266	-	2	
24594	980120Z3-MEGA	2	E	6	12	12	0.5	80	36	10.6	1	1.417	0.266	-	3	
33644	980ML010-MEGA	3	G	0.5	1	6	0.07	40	5	0.7	0.07	0.127	0.028	15.5	2	
24562	980ML015-MEGA	3	G	0.75	1.5	6	0.1	40	7.5	1.2	0.1	0.183	0.043	10.5	2	
24565	980ML020-MEGA	3	G	1	2	6	0.15	40	10	1.7	0.15	0.269	0.055	8	2	
24568	980ML030-MEGA	3	G	1.5	3	6	0.2	50	15	2.6	0.2	0.366	0.085	5	2	
24571	980ML040-MEGA	3	G	2	4	6	0.25	70	20	3.5	0.3	0.503	0.107	2.5	2	
24574	980ML050-MEGA	3	G	2.5	5	6	0.3	80	25	4.4	0.4	0.641	0.128	1.5	2	
24581	980ML060-MEGA	3	G	3	6	8	0.35	80	30	5.2	0.5	0.778	0.150	2	2	
24587	980ML080-MEGA	3	E	4	8	8	0.4	80	40	7	0.6	0.935	0.198	-	2	
24591	980ML100-MEGA	3	E	5	10	10	0.45	90	50	8.8	0.8	1.176	0.232	-	2	
24595	980ML120-MEGA	3	E	6	12	12	0.5	110	60	10.6	1	1.417	0.266	-	2	
33645	980TL010-MEGA	4	J	0.5	1	6	0.07	40	7	0.7	0.07	0.127	0.028	13	2	
24563	980TL015-MEGA	4	J	0.75	1.5	6	0.1	40	10.5	1.2	0.1	0.183	0.043	8.5	2	
24566	980TL020-MEGA	4	J	1	2	6	0.15	50	14	1.7	0.15	0.269	0.055	6.5	2	
24569	980TL030-MEGA	4	J	1.5	3	6	0.2	60	21	2.6	0.2	0.366	0.085	3.5	2	
24572	980TL040-MEGA	4	J	2	4	6	0.25	80	28	3.5	0.3	0.503	0.107	2	2	
24575	980TL050-MEGA	4	J	2.5	5	6	0.3	90	35	4.4	0.4	0.641	0.128	1	2	
24583	980TL060-MEGA	4	J	3	6	8	0.35	100	42	5.2	0.5	0.778	0.150	1.5	2	
24588	980TL080-MEGA	4	E	4	8	8	0.4	100	56	7	0.6	0.935	0.198	-	2	
24592	980TL100-MEGA	4	E	5	10	10	0.45	110	70	8.8	0.8	1.176	0.232	-	2	
24596	980TL120-MEGA	4	E	6	12	12	0.5	130	84	10.6	1	1.417	0.266	-	2	

* UTCN=uncut thickness

Cutting data – JHF980 Slotting

SMG		a _p / D _c	f _z										v _c
			0.5	0.75	1	1.5	2	2.5	3	4	5	6	
P1	E/M/A	0.090	0.032	0.050	0.065	0.10	0.13	0.16	0.20	0.26	0.32	0.38	340 (300 – 375)
P2	E/M/A	0.090	0.034	0.050	0.065	0.10	0.13	0.17	0.20	0.26	0.34	0.40	325 (290 – 360)
P3	E/M/A	0.090	0.032	0.048	0.065	0.095	0.13	0.16	0.19	0.26	0.32	0.38	285 (250 – 315)
P4	E/M/A	0.090	0.030	0.046	0.060	0.095	0.12	0.15	0.19	0.24	0.30	0.36	255 (225 – 280)
P5	E/M/A	0.090	0.030	0.046	0.060	0.090	0.12	0.15	0.18	0.24	0.30	0.36	240 (215 – 270)
P6	E/M/A	0.090	0.030	0.046	0.060	0.090	0.12	0.15	0.18	0.24	0.30	0.36	270 (240 – 300)
P7	E/M/A	0.090	0.030	0.046	0.060	0.090	0.12	0.15	0.18	0.24	0.30	0.36	255 (230 – 285)
P8	E/M/A	0.090	0.032	0.048	0.065	0.095	0.13	0.16	0.19	0.26	0.32	0.38	240 (210 – 265)
P11	E/M/A	0.090	0.030	0.046	0.060	0.090	0.12	0.15	0.18	0.24	0.30	0.36	250 (220 – 275)
M1	E/M/A	0.065	0.024	0.038	0.050	0.075	0.10	0.12	0.15	0.20	0.24	0.30	175 (150 – 195)
M2	E/M/A	0.065	0.024	0.036	0.048	0.070	0.095	0.12	0.14	0.19	0.24	0.28	140 (125 – 155)
M3	E/M/A	0.065	0.019	0.028	0.038	0.060	0.075	0.095	0.12	0.15	0.19	0.22	110 (100 – 125)
M4	E/M/A	0.065	0.017	0.026	0.034	0.050	0.070	0.085	0.10	0.14	0.17	0.20	85 (75 – 95)
M5	E/M/A	0.065	0.017	0.026	0.034	0.050	0.070	0.085	0.10	0.14	0.17	0.20	70 (60 – 80)
K1	E/M/A	0.090	0.034	0.050	0.065	0.10	0.13	0.17	0.20	0.26	0.34	0.40	185 (155 – 210)
K2	E/M/A	0.090	0.030	0.046	0.060	0.090	0.12	0.15	0.18	0.24	0.30	0.36	165 (140 – 185)
K3	E/M/A	0.090	0.030	0.046	0.060	0.090	0.12	0.15	0.18	0.24	0.30	0.36	140 (120 – 160)
K4	E/M/A	0.090	0.030	0.046	0.060	0.090	0.12	0.15	0.18	0.24	0.30	0.36	130 (115 – 150)
K5	E/M/A	0.090	0.028	0.040	0.055	0.080	0.11	0.14	0.16	0.22	0.28	0.32	80 (70 – 90)
K6	E/M/A	0.090	0.030	0.046	0.060	0.090	0.12	0.15	0.18	0.24	0.30	0.36	115 (100 – 135)
K7	E/M/A	0.090	0.028	0.040	0.055	0.080	0.11	0.14	0.16	0.22	0.28	0.32	100 (85 – 115)
S1	E	0.040	0.020	0.030	0.040	0.060	0.080	0.10	0.12	0.16	0.20	0.24	55 (44 – 65)
S2	E	0.040	0.020	0.030	0.040	0.060	0.080	0.10	0.12	0.16	0.20	0.24	55 (44 – 65)
S3	E	0.040	0.018	0.028	0.036	0.055	0.070	0.090	0.11	0.14	0.18	0.22	33 (22 – 44)
S11	E	0.040	0.018	0.028	0.036	0.055	0.070	0.090	0.11	0.14	0.18	0.22	165 (145 – 185)
S12	E	0.040	0.018	0.028	0.036	0.055	0.070	0.090	0.11	0.14	0.18	0.22	125 (110 – 145)
S13	E	0.040	0.016	0.024	0.032	0.048	0.065	0.080	0.095	0.13	0.16	0.19	100 (85 – 115)
H5	M/A/D	0.065	0.024	0.038	0.050	0.075	0.10	0.12	0.15	0.20	0.24	0.30	105 (90 – 125)
H8	M/A/D	0.065	0.024	0.034	0.046	0.070	0.095	0.12	0.14	0.19	0.24	0.28	105 (90 – 125)
H21	M/A/D	0.065	0.024	0.034	0.046	0.070	0.095	0.12	0.14	0.19	0.24	0.28	105 (90 – 125)
H31	M/A/D	0.065	0.020	0.030	0.040	0.060	0.080	0.10	0.12	0.16	0.20	0.24	85 (70 – 95)

Plunging data available on page 341.

For cutting data recalculations, see pages 336-344.

SMG = Seco material group

Coolant = A=air D=dry E=emulsion M=mist spray

v_c = m/min

f_z = mm

a_p (mm)/D_c (mm)= factor

All cutting data are target values

Cutting data – JHF980 Side milling $a_p/D_c = 0.3$

SMG		a_p / D_c	f_z										v_c
			0.75	0.75	1	1.5	2	2.5	3	4	5	6	
P1	E/M/A	0.090	0.036	0.055	0.070	0.10	0.14	0.18	0.20	0.28	0.36	0.42	495 (440 – 550)
P2	E/M/A	0.090	0.036	0.055	0.070	0.10	0.14	0.18	0.20	0.28	0.36	0.42	485 (430 – 540)
P3	E/M/A	0.090	0.034	0.050	0.070	0.10	0.14	0.17	0.20	0.28	0.34	0.42	420 (370 – 465)
P4	E/M/A	0.090	0.034	0.050	0.070	0.10	0.14	0.17	0.20	0.28	0.34	0.40	370 (330 – 410)
P5	E/M/A	0.090	0.034	0.050	0.065	0.10	0.13	0.17	0.20	0.26	0.34	0.40	350 (315 – 390)
P6	E/M/A	0.090	0.034	0.050	0.065	0.10	0.13	0.17	0.20	0.26	0.34	0.40	395 (350 – 440)
P7	E/M/A	0.090	0.034	0.050	0.065	0.10	0.13	0.17	0.20	0.26	0.34	0.40	375 (330 – 415)
P8	E/M/A	0.090	0.034	0.050	0.070	0.10	0.14	0.17	0.20	0.28	0.34	0.42	350 (315 – 390)
P11	E/M/A	0.090	0.034	0.050	0.065	0.10	0.13	0.17	0.20	0.26	0.34	0.40	360 (320 – 400)
M1	E/M/A	0.065	0.024	0.038	0.050	0.075	0.10	0.12	0.15	0.20	0.24	0.30	250 (220 – 280)
M2	E/M/A	0.065	0.024	0.038	0.050	0.075	0.10	0.12	0.15	0.20	0.24	0.30	205 (180 – 225)
M3	E/M/A	0.065	0.022	0.032	0.042	0.065	0.085	0.11	0.13	0.17	0.22	0.26	160 (140 – 175)
M4	E/M/A	0.065	0.019	0.028	0.038	0.055	0.075	0.095	0.11	0.15	0.19	0.22	120 (105 – 135)
M5	E/M/A	0.065	0.019	0.028	0.038	0.055	0.075	0.095	0.11	0.15	0.19	0.22	100 (90 – 115)
K1	E/M/A	0.090	0.036	0.055	0.070	0.10	0.14	0.18	0.20	0.28	0.36	0.42	270 (235 – 310)
K2	E/M/A	0.090	0.034	0.050	0.065	0.10	0.13	0.17	0.20	0.26	0.34	0.40	235 (205 – 270)
K3	E/M/A	0.090	0.034	0.050	0.065	0.10	0.13	0.17	0.20	0.26	0.34	0.40	200 (170 – 230)
K4	E/M/A	0.090	0.034	0.050	0.065	0.10	0.13	0.17	0.20	0.26	0.34	0.40	190 (165 – 220)
K5	E/M/A	0.090	0.030	0.046	0.060	0.090	0.12	0.15	0.18	0.24	0.30	0.36	115 (100 – 135)
K6	E/M/A	0.090	0.034	0.050	0.065	0.10	0.13	0.17	0.20	0.26	0.34	0.40	170 (145 – 195)
K7	E/M/A	0.090	0.030	0.046	0.060	0.090	0.12	0.15	0.18	0.24	0.30	0.36	150 (130 – 170)
H5	M/A/D	0.065	0.024	0.038	0.050	0.075	0.10	0.12	0.15	0.20	0.24	0.30	155 (130 – 180)
H8	M/A/D	0.065	0.024	0.038	0.050	0.075	0.10	0.12	0.15	0.20	0.24	0.30	155 (130 – 180)
H21	M/A/D	0.065	0.024	0.038	0.050	0.075	0.10	0.12	0.15	0.20	0.24	0.30	155 (130 – 180)
H31	M/A/D	0.065	0.022	0.034	0.044	0.065	0.090	0.11	0.13	0.18	0.22	0.26	120 (100 – 135)

Plunging data available on page 341.

For cutting data recalculations, see pages 336-344.

SMG = Seco material group

Coolant = A=air D=dry E=emulsion M=mist spray

v_c = m/min

f_z = mm

a_p (mm)/ D_c (mm) = factor

a_e (mm)/ D_c (mm) = factor

All cutting data are target values

Cutting data – J29 Slotting

SMG		a_p / D_c	f_z			v_c
			0.2	0.2	0.2	
P1	E	0.24	0.060	0.060	0.060	780 (710 – 860)
P2	E	0.24	0.065	0.065	0.065	750 (680 – 830)
P3	E	0.24	0.060	0.060	0.060	660 (590 – 720)
P4	E	0.24	0.060	0.060	0.060	580 (520 – 640)
P5	E	0.24	0.060	0.060	0.060	550 (500 – 610)
P6	E	0.24	0.055	0.055	0.055	630 (570 – 700)
P7	E	0.24	0.055	0.055	0.055	600 (540 – 660)
P8	E	0.24	0.060	0.060	0.060	550 (500 – 610)
P11	E	0.24	0.055	0.055	0.055	580 (520 – 640)
M1	E	0.24	0.065	0.065	0.065	670 (610 – 740)
M2	E	0.24	0.060	0.060	0.060	550 (500 – 610)
M3	E	0.24	0.046	0.046	0.046	445 (400 – 490)
M4	E	0.24	0.040	0.040	0.040	340 (310 – 375)
M5	E	0.24	0.040	0.040	0.040	285 (255 – 315)
K1	E	0.24	0.065	0.065	0.065	540 (490 – 600)
K2	E	0.24	0.060	0.060	0.060	480 (430 – 530)
K3	E	0.24	0.060	0.060	0.060	405 (365 – 445)
K4	E	0.24	0.060	0.060	0.060	385 (350 – 425)
K5	E	0.24	0.050	0.050	0.050	240 (215 – 265)
K6	E	0.24	0.060	0.060	0.060	340 (305 – 375)
K7	E	0.24	0.050	0.050	0.050	305 (275 – 335)
N1	E	0.24	0.080	0.080	0.080	810 (730 – 890)
N2	E	0.24	0.080	0.080	0.080	520 (465 – 570)
N3	E	0.24	0.080	0.080	0.080	345 (310 – 380)
N11	E	0.24	0.080	0.080	0.080	520 (465 – 570)
S1	E	0.24	0.040	0.040	0.040	600 (540 – 660)
S2	E	0.24	0.040	0.040	0.040	600 (540 – 660)
S3	E	0.24	0.038	0.038	0.038	600 (540 – 660)
S11	E	0.24	0.046	0.046	0.046	760 (680 – 830)
S12	E	0.24	0.046	0.046	0.046	580 (530 – 640)
S13	E	0.24	0.040	0.040	0.040	465 (420 – 510)
H3	M/A/D	0.24	0.026	0.026	0.026	350 (315 – 380)
H5	M/A/D	0.24	0.040	0.040	0.040	600 (540 – 660)
H7	M/A/D	0.24	0.026	0.026	0.026	350 (315 – 380)
H8	M/A/D	0.24	0.030	0.030	0.030	630 (570 – 690)
H11	M/A/D	0.24	0.040	0.040	0.040	770 (690 – 850)
H12	M/A/D	0.24	0.040	0.040	0.040	1250 (1125 – 1375)
H21	M/A/D	0.24	0.030	0.030	0.030	630 (570 – 690)
H31	M/A/D	0.24	0.026	0.026	0.026	485 (435 – 530)
TS1	E	0.24	0.060	0.060	0.060	550 (500 – 610)
TP1	E	0.24	0.060	0.060	0.060	550 (500 – 610)
GR1	D	0.24	0.060	0.060	0.060	550 (500 – 610)

For cutting data recalculations, see pages 336-344.

SMG = Seco material group

Coolant = A=air D=dry E=emulsion M=mist spray

v_c = m/min

f_z = mm

a_p (mm)/ D_c (mm)= factor

All cutting data are target values

J36 – Solid carbide end mill – corner radius – cylindrical – three flute

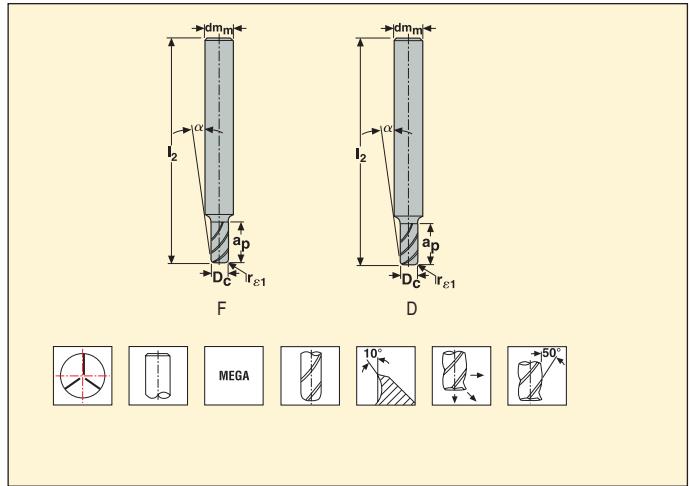


Tolerances:

$dm_m = h5$

$D_c = \text{Ø}2\text{-}6 = -0.02\text{-}0.034$, $\text{Ø}8\text{-}20 = -0.02\text{-}0.044$ mm

$r_{\epsilon1} = \text{Ø}2\text{-}12 = +0.05$, $\text{Ø}14\text{-}25 = +0.1$ mm



EDP No.	Part No.	Length index	Tool shape	Dimensions in mm					α°	z_n
				D_c	dm_m	a_p	l_2	$r_{\epsilon1}$		
08958	36020	2	F	2	3	9	40	0.1	2.5	3
08962	36030	2	F	3	3	12	40	0.1	–	3
08967	36040	2	F	4	4	14	50	0.1	–	3
08968	36050	2	F	5	5	20	50	0.1	–	3
08975	36060	2	D	6	6	20	65	0.1	–	3
08978	36080	2	D	8	8	20	65	0.2	–	3
08992	36100	2	D	10	10	25	75	0.2	–	3
08995	36120	2	D	12	12	25	75	0.2	–	3
09001	36020-MEGA	2	F	2	3	9	40	0.1	–	3
09002	36030-MEGA	2	F	3	3	12	40	0.1	–	3
09003	36040-MEGA	2	F	4	4	14	50	0.1	–	3
09006	36050-MEGA	2	F	5	5	20	50	0.1	–	3
09007	36060-MEGA	2	D	6	6	20	65	0.1	–	3
09008	36080-MEGA	2	D	8	8	20	65	0.2	–	3
09009	36100-MEGA	2	D	10	10	25	75	0.2	–	3
09011	36120-MEGA	2	D	12	12	25	75	0.2	–	3
09012	36140-MEGA	2	D	14	14	30	90	0.5	–	3
09013	36160-MEGA	2	D	16	16	30	90	0.5	–	3
09017	36180-MEGA	2	D	18	18	35	90	0.5	–	3
09018	36200-MEGA	2	D	20	20	40	100	0.5	–	3

Cutting data – J36 Side milling – $a_p/D_c = 0.1$

SMG		a_p / D_c	f_z												v_c
			2	3	4	5	6	8	10	12	14	16	18	20	
P1	E	1.3	0.020	0.030	0.040	0.050	0.060	0.080	0.10	0.12	0.14	0.16	0.17	0.18	215 (180 – 245)
P2	E	1.3	0.020	0.030	0.040	0.050	0.060	0.080	0.10	0.12	0.14	0.16	0.17	0.18	205 (180 – 235)
P3	E	1.3	0.020	0.030	0.040	0.050	0.060	0.080	0.10	0.12	0.14	0.15	0.16	0.17	180 (155 – 205)
P4	E	1.3	0.020	0.030	0.040	0.050	0.060	0.080	0.10	0.12	0.13	0.15	0.16	0.17	155 (135 – 180)
P5	E	1.3	0.020	0.030	0.040	0.050	0.060	0.080	0.10	0.12	0.13	0.15	0.16	0.17	150 (130 – 170)
P6	E	1.3	0.020	0.030	0.040	0.050	0.060	0.080	0.10	0.12	0.13	0.14	0.16	0.17	170 (145 – 190)
P7	E	1.3	0.020	0.030	0.040	0.050	0.060	0.080	0.10	0.12	0.13	0.14	0.16	0.17	160 (135 – 180)
P8	E	1.3	0.020	0.030	0.040	0.050	0.060	0.080	0.10	0.12	0.14	0.15	0.16	0.17	150 (130 – 170)
P11	E	1.3	0.020	0.030	0.040	0.050	0.060	0.080	0.10	0.12	0.13	0.14	0.16	0.17	155 (130 – 175)
M1	E	1.3	0.020	0.030	0.040	0.050	0.060	0.080	0.10	0.12	0.14	0.16	0.17	0.18	130 (105 – 155)
M2	E	1.3	0.020	0.030	0.040	0.050	0.060	0.080	0.10	0.12	0.13	0.15	0.16	0.17	105 (85 – 125)
M3	E	1.0	0.016	0.024	0.032	0.040	0.048	0.065	0.080	0.095	0.11	0.12	0.13	0.13	85 (65 – 100)
M4	E	0.80	0.014	0.020	0.028	0.034	0.042	0.055	0.070	0.080	0.090	0.10	0.11	0.12	65 (50 – 80)
M5	E	0.80	0.014	0.020	0.028	0.034	0.042	0.055	0.070	0.080	0.090	0.10	0.11	0.12	55 (42 – 65)
K1	E	1.3	0.020	0.030	0.040	0.050	0.060	0.080	0.10	0.12	0.14	0.16	0.17	0.18	170 (145 – 195)
K2	E	1.3	0.020	0.030	0.040	0.050	0.060	0.080	0.10	0.12	0.13	0.15	0.16	0.17	145 (125 – 170)
K3	E	1.3	0.020	0.030	0.040	0.050	0.060	0.080	0.10	0.12	0.13	0.15	0.16	0.17	125 (105 – 140)
K4	E	1.3	0.020	0.030	0.040	0.050	0.060	0.080	0.10	0.12	0.13	0.15	0.16	0.17	120 (100 – 135)
K5	E	1.3	0.018	0.026	0.036	0.044	0.055	0.070	0.090	0.11	0.12	0.13	0.14	0.15	70 (60 – 85)
K6	E	1.3	0.020	0.030	0.040	0.050	0.060	0.080	0.10	0.12	0.13	0.15	0.16	0.17	105 (90 – 120)
K7	E	1.3	0.018	0.026	0.036	0.044	0.055	0.070	0.090	0.11	0.12	0.13	0.14	0.15	95 (80 – 105)
N1	E	1.4	0.024	0.036	0.048	0.060	0.070	0.095	0.12	0.14	0.17	0.19	0.22	0.24	1275 (1050 – 1475)
N2	E	1.4	0.024	0.036	0.048	0.060	0.070	0.095	0.12	0.14	0.17	0.19	0.22	0.24	820 (680 – 950)
S1	E	1.0	0.010	0.015	0.020	0.024	0.030	0.040	0.050	0.060	0.065	0.075	0.080	0.085	80 (70 – 95)
S2	E	1.0	0.010	0.015	0.020	0.024	0.030	0.040	0.050	0.060	0.065	0.075	0.080	0.085	80 (70 – 110)
S3	E	1.0	0.0090	0.014	0.018	0.022	0.028	0.036	0.046	0.055	0.060	0.065	0.075	0.080	48 (36 – 60)
S11	E	1.0	0.015	0.024	0.030	0.038	0.046	0.060	0.075	0.090	0.10	0.11	0.12	0.13	155 (140 – 175)
S12	E	1.0	0.015	0.024	0.030	0.038	0.046	0.060	0.075	0.090	0.10	0.11	0.12	0.13	120 (105 – 135)
S13	E	0.85	0.013	0.020	0.026	0.034	0.040	0.055	0.065	0.080	0.090	0.10	0.11	0.11	95 (85 – 110)
TS1	A	1.4	0.024	0.036	0.048	0.060	0.070	0.095	0.12	0.14	0.16	0.18	0.19	0.20	680 (610 – 750)
TP1	A	1.4	0.024	0.036	0.048	0.060	0.070	0.095	0.12	0.14	0.16	0.18	0.19	0.20	550 (475 – 610)

For cutting data recalculations, see pages 336-344.

SMG = Seco material group

Coolant = A=air D=dry E=emulsion M=mist spray

v_c = m/min

f_z = mm

a_p (mm)/ D_c (mm) = factor

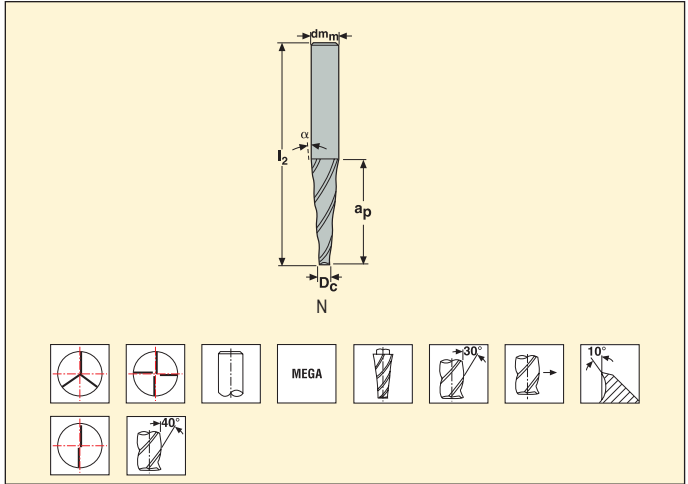
a_e (mm)/ D_c (mm) = factor

All cutting data are target values

HK/HKM - Solid carbide tapered end mill 5° - cylindrical - multi flute



Tolerances:
 $D_c = \text{HKM} + 0.07 / + 0.03 \text{ HK} + 0.1 / 0 \text{ mm}$
 $\alpha^\circ = \pm 0.1^\circ$
 $dm_m = h5$

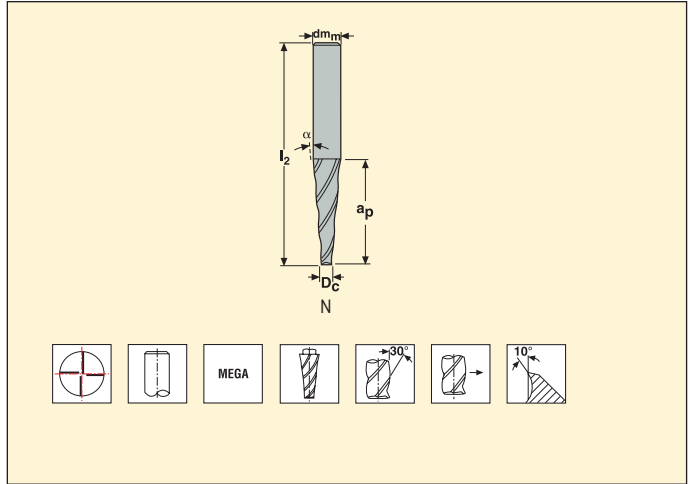


EDP No.	Part No.	Length index	Tool shape	Dimensions in mm				α°	z_n
				D_c	dm_m	a_p	l_2		
10042	HKM050-010-MEGA	2	N	1	3	4	40	5	2
10043	HKM050-015-MEGA	2	N	1.5	3	6	40	5	2
10044	HKM050-020-MEGA	2	N	2	4	10	50	5	2
10045	HKM050-025-MEGA	2	N	2.5	5	10	50	5	2
10046	HK050-025-MEGA	2	N	2.5	6	20	65	5	3
10047	HK050-032-MEGA	2	N	3	8	28	70	5	3
10052	HK050-0420-MEGA	2	N	4	8	22	65	5	3
10055	HK050-050-MEGA	2	N	5	12	40	100	5	3
10057	HK050-063-MEGA	2	N	6	12	32	90	5	3
10058	HK050-065-MEGA	2	N	6	16	55	110	5	3
10060	HK050-103-MEGA	2	N	10	16	32	90	5	4
10061	HK050-105-MEGA	2	N	10	20	55	115	5	4

HK – Solid carbide tapered end mill 8° – cylindrical – four flute

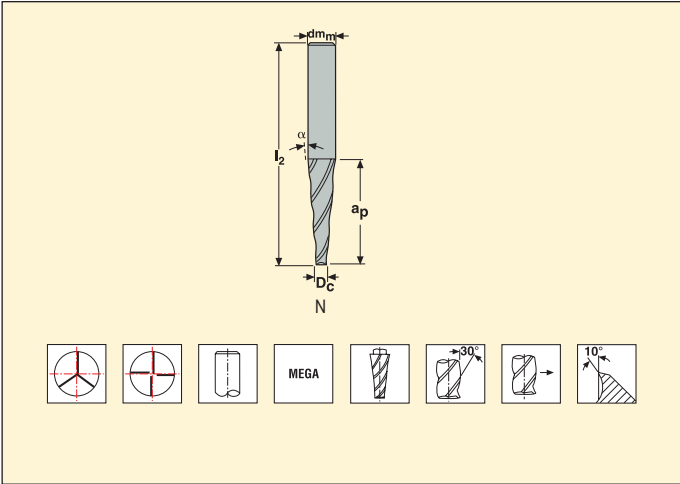


Tolerances:
 $dm_m = h5$
 $D_c = +0.1/0$ mm
 $\alpha = +/- 0.1^\circ$



EDP No.	Part No.	Length index	Tool shape	Dimensions in mm				α°	z_n
				D_c	dm_m	a_p	l_2		
10071	HK080-083-MEGA	2	N	8	18	35	90	8	4

HK - Solid carbide tapered end mill 10°, 11° - cylindrical - multi flute



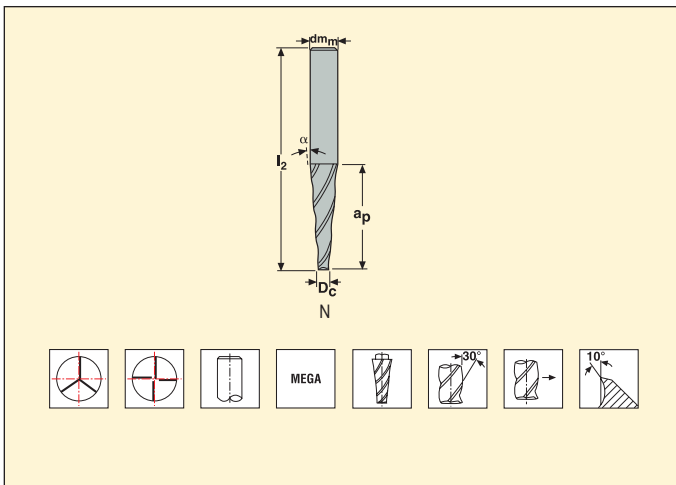
Tolerances:
 $dm_m = h5$
 $D_c = +0.1/0 \text{ mm}$
 $\alpha = +/- 0.1^\circ$

EDP No.	Part No.	Length index	Tool shape	Dimensions in mm				α°	z_n
				D_c	dm_m	a_p	l_2		
10078	HK100-025-MEGA	2	N	2.5	10	20	75	10	3
10079	HK100-030-MEGA	2	N	3	14	30	90	10	3
10080	HK100-050-MEGA	2	N	5	16	30	90	10	3
10081	HK100-080-MEGA	2	N	8	20	32	90	10	4
10086	HK110-020-MEGA	2	N	2	10	20	75	11	3
10089	HK110-050-MEGA	2	N	5	14	20	80	11	3

HK - Solid carbide tapered end mill 15° MEGA or UNCOATED - cylindrical - multi flute



Tolerances:
 $dm_m = h5$
 $D_c = +0.1/0 \text{ mm}$
 $\alpha = \pm 0.1^\circ$



EDP No.	Part No.	Length index	Tool shape	Dimensions in mm				α°	z_n
				D_c	dm_m	a_p	l_2		
10090	HK150-025	2	N	2.5	14	20	80	15	3
10091	HK150-040	2	N	4	12	15	65	15	3
10092	HK150-0651	2	N	6.5	12	10	65	15	3
10093	HK150-0652	2	N	6.5	20	25	90	15	3
10094	HK150-080	2	N	8	20	20	80	15	4
10095	HK150-025-MEGA	2	N	2.5	14	20	80	15	3
10096	HK150-040-MEGA	2	N	4	12	15	65	15	3
10097	HK150-0651-MEGA	2	N	6.5	12	10	65	15	3
10098	HK150-0652-MEGA	2	N	6.5	20	25	90	15	3
10099	HK150-080-MEGA	2	N	8	20	20	80	15	4

Cutting data – TDM Copy milling roughing $a_p/D_c = 0.08$

SMG		a_p / D_c	f_z					v_c
			3	4	6	8	10	
P1	E	0.15	0.020	0.026	0.040	0.055	0.065	440 (395 – 490)
P2	E	0.15	0.020	0.028	0.042	0.055	0.070	430 (385 – 475)
P3	E	0.15	0.019	0.026	0.038	0.050	0.065	370 (330 – 410)
P4	E	0.15	0.019	0.026	0.038	0.050	0.065	325 (290 – 360)
P5	E	0.15	0.019	0.024	0.038	0.050	0.060	310 (280 – 345)
P6	E	0.15	0.018	0.024	0.036	0.050	0.060	350 (310 – 385)
P7	E	0.15	0.018	0.024	0.036	0.050	0.060	330 (295 – 365)
P8	E	0.15	0.019	0.026	0.038	0.050	0.065	310 (280 – 345)
P11	E	0.15	0.018	0.024	0.036	0.050	0.060	320 (285 – 355)
M1	E	0.12	0.018	0.024	0.036	0.048	0.060	280 (245 – 320)
M2	E	0.12	0.017	0.022	0.034	0.044	0.055	225 (195 – 255)
M3	E	0.12	0.017	0.022	0.034	0.044	0.055	170 (150 – 195)
M4	E	0.12	0.015	0.019	0.030	0.038	0.048	130 (110 – 145)
M5	E	0.12	0.015	0.019	0.030	0.038	0.048	105 (90 – 120)
K1	E	0.19	0.024	0.032	0.048	0.065	0.080	335 (300 – 370)
K2	E	0.19	0.022	0.028	0.044	0.060	0.070	290 (260 – 320)
K3	E	0.19	0.022	0.028	0.044	0.060	0.070	245 (220 – 270)
K4	E	0.12	0.013	0.018	0.026	0.036	0.044	220 (195 – 245)
K5	E	0.12	0.012	0.016	0.024	0.032	0.040	130 (115 – 145)
K6	E	0.12	0.013	0.018	0.026	0.036	0.044	195 (175 – 215)
K7	E	0.12	0.012	0.016	0.024	0.032	0.040	165 (150 – 185)
N1	E	0.19	0.030	0.040	0.060	0.080	0.10	2350 (2050 – 2650)
N2	E	0.12	0.026	0.036	0.055	0.070	0.090	1475 (1300 – 1650)
N3	E	0.12	0.026	0.036	0.055	0.070	0.090	980 (860 – 1100)
N11	E	0.12	0.020	0.026	0.040	0.055	0.065	640 (560 – 720)
S11	E	0.12	0.017	0.022	0.034	0.046	0.055	205 (160 – 245)
S12	E	0.12	0.017	0.022	0.034	0.046	0.055	155 (125 – 185)
S13	E	0.12	0.015	0.020	0.030	0.040	0.050	120 (95 – 145)
TS1	A	0.19	0.030	0.040	0.060	0.080	0.10	1325 (1225 – 1425)
TP1	A	0.19	0.030	0.040	0.060	0.080	0.10	1125 (1025 – 1225)

For cutting data recalculations, see pages 336-344.

SMG = Seco material group

Coolant = A=air D=dry E=emulsion M=mist spray

v_c = m/min

f_z = mm

a_p (mm)/ D_c (mm)= factor

a_e (mm)/ D_c (mm)= factor

All cutting data are target values

Cutting data - V31 Side milling finishing $a_p/D_c = 0.024$

SMG		a_p / D_c	f_z								v_c
			6	8	10	12	16	20	25	28	
P1	E/M/A	0.24	0.024	0.032	0.040	0.048	0.065	0.080	0.095	0.10	290 (195 – 310)
P2	E/M/A	0.24	0.024	0.034	0.042	0.050	0.065	0.080	0.095	0.10	280 (190 – 305)
P3	E/M/A	0.24	0.024	0.032	0.040	0.046	0.060	0.075	0.090	0.095	240 (165 – 260)
M1	E/M/A	0.24	0.024	0.034	0.042	0.050	0.065	0.080	0.095	0.10	255 (170 – 270)
M2	E/M/A	0.24	0.022	0.030	0.038	0.046	0.060	0.075	0.085	0.095	205 (135 – 220)
K1	E/M/A	0.24	0.022	0.030	0.038	0.046	0.060	0.075	0.085	0.095	205 (135 – 220)
K2	E/M/A	0.24	0.020	0.028	0.034	0.040	0.055	0.065	0.080	0.085	175 (120 – 190)
N1	E/M/A	0.24	0.022	0.030	0.038	0.046	0.060	0.075	0.085	0.095	315 (215 – 340)
N2	E/M/A	0.24	0.022	0.030	0.038	0.046	0.060	0.075	0.085	0.095	205 (135 – 220)
N3	E/M/A	0.24	0.022	0.030	0.038	0.046	0.060	0.075	0.085	0.095	135 (90 – 145)
S1	E/M/A	0.24	0.024	0.032	0.040	0.048	0.065	0.080	0.095	0.10	205 (140 – 220)
S2	E/M/A	0.24	0.024	0.032	0.040	0.048	0.065	0.080	0.095	0.10	205 (140 – 220)
S3	E/M/A	0.24	0.022	0.030	0.038	0.046	0.060	0.075	0.085	0.095	205 (135 – 220)
S11	E/M/A	0.24	0.022	0.030	0.038	0.046	0.060	0.075	0.085	0.095	265 (180 – 285)
H3	M/A	—	—	—	—	—	—	—	—	—	—
TS1	A/D	0.24	0.022	0.030	0.038	0.046	0.060	0.075	0.085	0.095	205 (135 – 220)
TP1	A/D	0.24	0.022	0.030	0.038	0.046	0.060	0.075	0.085	0.095	205 (135 – 220)
GR1	A/D	0.24	0.022	0.030	0.038	0.046	0.060	0.075	0.085	0.095	205 (135 – 220)

For cutting data recalculations, see pages 336-344.

SMG = Seco material group

Coolant = A=air D=dry E=emulsion M=mist spray

v_c = m/min

f_z = mm

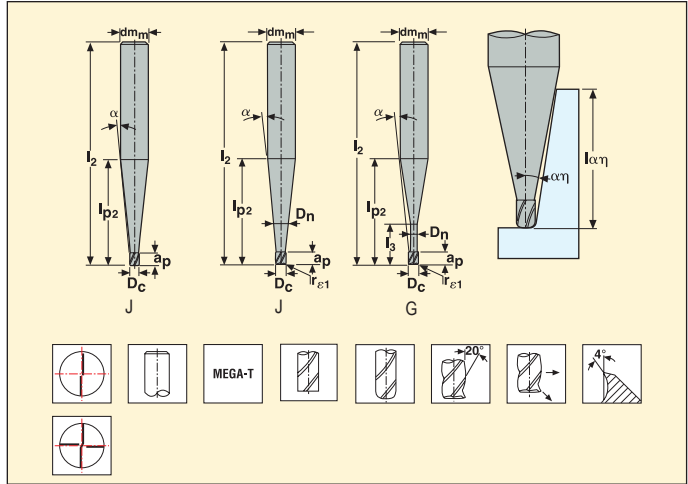
a_p (mm)/ D_c (mm) = factor

All cutting data are target values

JM905/JM920 – Solid carbide end mill - cylindrical - 90° sharp and corner radius - Mini – z_{η} and z_{η}



Tolerances:
 Runout < 0.005 mm
 $dm_m = h5$
 $D_c = -0.01/-0.02$ mm
 $r_{\epsilon 1} = +/- 0.02$ mm



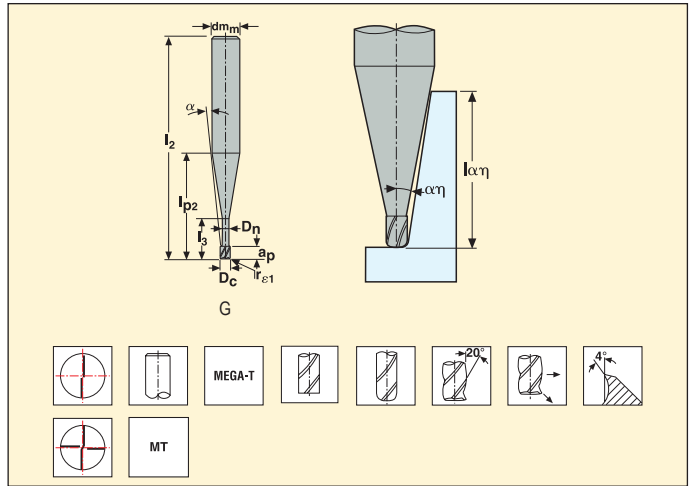
EDP No.	Part No.	Length index	Tool shape	Dimensions in mm													Max. cut depth rel. to α_{η} ($l_{\alpha\eta}$, ref)*					
				D_c	dm_m	a_p	l_2	l_3	l_{p2}	D_n	$r_{\epsilon 1}$	α°	β	z_n	0°	0.5°	1°	1.5°	2°	3°		
08172	9050010-MEGA-T	1	J	0.1	3	0.15	40	-	5.7	-	-	14.5	-	2	0.15	0.3	0.3	0.3	0.3	0.3		
08173	9050015-MEGA-T	1	J	0.15	3	0.25	40	-	5.7	-	-	14	-	2	0.25	0.4	0.4	0.4	0.4	0.4		
08174	905002-MEGA-T	1	J	0.2	3	0.3	40	-	5.7	-	-	14	-	2	0.3	0.5	0.5	0.5	0.5	0.6		
08175	905003-MEGA-T	1	J	0.3	3	0.45	40	-	5.6	-	-	13.5	-	2	0.45	0.6	0.6	0.7	0.7	0.8		
08176	905004-MEGA-T	1	J	0.4	3	0.6	40	-	5.6	-	-	13	-	2	0.6	0.8	0.8	0.8	0.9	0.9		
08177	905005-MEGA-T	1	J	0.5	3	0.7	40	-	5.5	-	0.05	13	-	2	0.7	0.9	0.9	0.9	1	1.1		
08178	905006-MEGA-T	1	J	0.6	3	0.9	40	-	5.5	-	0.05	12.5	-	2	0.9	1.1	1.1	1.2	1.2	1.3		
08179	905008-MEGA-T	1	J	0.8	3	1.2	40	-	5.5	-	0.05	11.5	-	2	1.2	1.4	1.4	1.5	1.6	1.7		
08180	905010-MEGA-T	1	J	1	3	1.5	40	-	5.4	-	0.1	11	-	2	1.5	1.7	1.8	1.8	1.9	2		
08181	905012-MEGA-T	1	J	1.2	3	1.8	40	-	5.3	-	0.1	10	-	2	1.8	2	2.1	2.2	2.2	2.4		
08182	905015-MEGA-T	1	J	1.5	3	2.2	40	-	5.1	-	0.15	8.5	-	2	2.2	2.4	2.5	2.6	2.7	2.9		
08240	920ML005-MEGA-T	2	G	0.5	6	0.7	50	1.5	17.2	0.45	0.05	9.5	-	2	1.3	1.4	1.5	1.6	1.7	1.9		
08241	920ML006-MEGA-T	2	G	0.6	6	0.9	50	2	17.4	0.55	0.05	9	-	2	1.8	1.9	2	2.2	2.3	2.6		
08242	920ML008-MEGA-T	2	G	0.8	6	1.2	50	2.5	17.3	0.75	0.05	9	-	2	2.3	2.5	2.6	2.8	2.9	3.3		
08243	920ML010-MEGA-T	2	G	1	6	1.5	50	4	17	0.95	0.1	8.5	-	2	3.8	4	4.2	4.4	4.7	5.2		
08244	920ML012-MEGA-T	2	G	1.2	6	1.8	50	4.5	17	1.15	0.1	8.5	-	2	4.3	4.8	4.8	5	5.3	5.9		
12555	905SL015-MEGA-T	4.5	G	1.5	3	2.2	60	16	19.1	1.4	0.15	2.5	-	2	15.9	16.4	17	17.6	18.3	∞		
08245	920ML015-MEGA-T	2	G	1.5	6	2.2	50	5	15.8	1.4	0.15	8.5	-	2	4.9	5.1	5.4	5.6	5.9	6.5		
12530	920ML018-MEGA-T	2	G	1.8	6	2.7	50	5	13.1	1.7	0.15	9.5	-	2	4.9	5	5.2	5.4	5.6	6.1		
12556	905SL020-MEGA-T	4.5	G	2	3	2.2	60	20	22.1	1.9	0.15	1.5	-	2	19.9	20.6	21.3	∞	∞	∞		
08246	920ML020-MEGA-T	2	G	2	6	2.2	50	6	14.3	1.9	0.15	8.5	-	2	5.9	6.1	6.3	6.6	6.8	7.4		
04799	JM905008G2R005.0Z4-MT	2	G	0.8	3	1.2	40	2	12	1	0.05	5.5	6.9	4	2.3	2.5	2.7	3	3.3	4.2		
04813	JM920008G2R005.0Z4-MT	2	G	0.8	6	1.2	50	2	14	1	0.05	11.0	13.0	4	2.3	2.4	2.5	2.6	2.7	3		
04800	JM905010G2R010.0Z4-MT	2	G	1	3	1.5	40	4	12	1	0.1	5.0	7.5	4	3.8	4.1	4.4	4.8	5.2	6.4		
04814	JM920010G2R010.0Z4-MT	2	G	1	6	1.5	50	4	14	1	0.1	10.5	14.2	4	3.8	3.9	4.1	4.3	4.4	4.8		
04801	JM905012G2R010.0Z4-MT	2	G	1.2	3	1.8	40	4	12	1	0.1	4.5	7.2	4	4.3	4.6	5	5.5	6	7.5		
04815	JM920012G2R010.0Z4-MT	2	G	1.2	6	1.8	50	4	13	1	0.1	10.5	15.2	4	4.3	4.4	4.6	4.8	5	5.4		
04802	JM905015G2R015.0Z4-MT	2	G	1.5	3	2.2	40	5	11	1	0.15	4.0	7.3	4	4.8	5.2	5.6	6.1	6.7	8.3		
04818	JM920015G2R015.0Z4-MT	2	G	1.5	6	2.2	50	5	14	1	0.15	9.5	14.3	4	4.8	5	5.2	5.4	5.6	6.1		
04803	JM905020G2R015.0Z4-MT	2	G	2	3	2.2	40	6	12	2	0.15	2.5	5.1	4	5.8	6.5	7.3	8.3	9.7	∞		
04819	JM920020G2R015.0Z4-MT	2	G	2	6	2.2	50	6	14	2	0.15	8.5	14.5	4	5.8	6	6.2	6.5	6.7	7.3		

* The effective under-neck length for the various draft angles. Remark ∞ = infinity, no collision in projection length area.

JM905/JM920 – Solid carbide end mill sharp and with corner radius – multi flute – z_n2 and z_n4



Tolerances:
 Runout < 0.005 mm
 $dm_m=h5$
 $D_c=0.01/-0.02$ mm.
 $r_{\epsilon1}=\pm 0.02$ mm



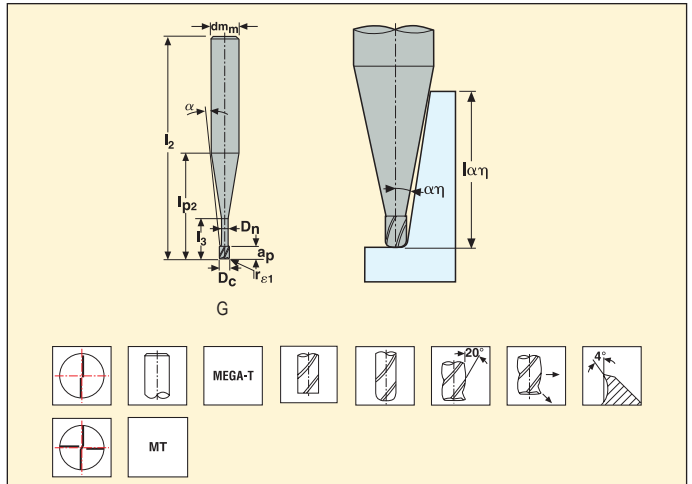
EDP No.	Part No.	Length index	Tool shape	Dimensions in mm										Max. cut depth rel. to $\alpha\eta$ ($l_{\alpha\eta}$, ref)*						
				D_c	dm_m	a_p	l_2	l_3	l_{p2}	D_n	$r_{\epsilon1}$	α°	β	z_n	0°	0.5°	1°	1.5°	2°	3°
08184	905L005-MEGA-T	3	G	0.5	3	0.7	40	2.5	7.4	0.45	0.05	10	–	2	2.3	2.4	2.5	2.5	2.6	2.9
08247	920TL005-MEGA-T	3	G	0.5	6	0.7	50	3.5	17.8	0.45	0.05	9	–	2	3.3	3.5	3.7	3.8	4.1	4.6
08186	905L006-MEGA-T	3	G	0.6	3	0.9	40	3	7.7	0.55	0.05	9	–	2	2.8	2.9	3	3.1	3.2	3.5
08248	920TL006-MEGA-T	3	G	0.6	6	0.9	50	4	16.8	0.55	0.05	9.5	–	2	3.8	4	4.2	4.4	4.6	5.1
08187	905L008-MEGA-T	3	G	0.8	3	1.2	40	4	8.3	0.75	0.05	8	–	2	3.8	3.9	4.1	4.2	4.4	4.7
08249	920TL008-MEGA-T	3	G	0.8	6	1.2	50	5.5	16.9	0.75	0.05	9	–	2	5.3	5.5	5.7	6	6.3	6.9
08188	905L010-MEGA-T	3	G	1	3	1.5	40	5	8.9	0.95	0.1	6.5	–	2	4.8	5	5.1	5.3	5.5	5.9
08250	920TL010-MEGA-T	3	G	1	6	1.5	50	7	17.2	0.95	0.1	8.5	–	2	6.8	7	7.3	7.6	7.9	8.6
08189	905L012-MEGA-T	3	G	1.2	3	1.8	40	6	9.5	1.15	0.1	5.5	–	2	5.8	6	6.2	6.4	6.7	7.2
08251	920TL012-MEGA-T	3	G	1.2	6	1.8	50	8	16.6	1.15	0.1	8.5	–	2	7.8	8	8.3	8.6	8.9	9.5
08190	905L015-MEGA-T	3	G	1.5	3	2.2	40	7.5	10.6	1.4	0.15	4.5	–	2	7.4	7.6	7.9	8.2	8.5	9.2
08252	920TL015-MEGA-T	3	G	1.5	6	2.2	50	10	18.7	1.4	0.15	7	–	2	9.9	10.2	10.6	10.9	11.4	12.3
12531	920TL018-MEGA-T	3	G	1.8	6	2.7	50	10	18.1	1.7	0.15	7	–	2	9.9	10.2	10.6	10.9	11.4	12.3
08253	920TL020-MEGA-T	3	G	2	6	2.2	50	12	19.7	1.9	0.15	6	–	2	11.9	12.3	12.7	13.2	13.7	14.8
08192	905XL005-MEGA-T	4	G	0.5	3	0.7	40	4	8.9	0.45	0.05	8.5	–	2	3.8	3.9	4.1	4.2	4.4	4.7
08193	905XL006-MEGA-T	4	G	0.6	3	0.9	40	5	9.7	0.55	0.05	7.5	–	2	4.8	5	5.1	5.3	5.5	6
08194	905XL008-MEGA-T	4	G	0.8	3	1.2	40	7	11.3	0.75	0.05	6	–	2	6.8	7	7.3	7.5	7.8	8.4
08195	905XL010-MEGA-T	4	G	1	3	1.5	40	8.5	12.4	0.95	0.1	5	–	2	8.3	8.6	8.9	9.2	9.5	10.3
08254	920SL010-MEGA-T	4	G	1	6	1.5	50	10	19.5	0.95	0.1	7.5	–	2	9.8	10.1	10.5	10.8	11.3	12.2
08197	905XL015-MEGA-T	4	G	1.5	3	2.2	60	12	15.1	1.4	0.15	3	–	2	11.9	12.3	12.7	13.2	13.7	∞
08255	920SL015-MEGA-T	4	G	1.5	6	2.2	50	15	23.7	1.4	0.15	5.5	–	2	14.9	15.4	15.9	16.5	17.1	18.5
12529	920SL018-MEGA-T	4	G	1.8	6	2.7	50	15	23.1	1.7	0.15	5.5	–	2	14.9	15.4	15.9	16.5	17.1	18.5
08198	905XL020-MEGA-T	4	G	2	3	2.2	60	16	18.1	1.9	0.15	2	–	2	15.9	16.4	17	17.6	∞	∞
08256	920SL020-MEGA-T	4	G	2	6	2.2	50	18	25.7	1.9	0.15	4.5	–	2	17.9	18.5	19.1	19.8	20.6	22.2
04823	JM920008G4R005.0Z4-MT	4	G	0.8	6	1.2	50	6	14	1	0.05	11.0	17.4	4	5.3	5.5	5.6	5.8	6	6.4
04805	JM905008G4R005.0Z4-MT	4	G	0.8	3	1.2	40	6	12	1	0.05	5.5	10.2	4	5.3	5.6	5.9	6.2	6.6	7.6
04806	JM905010G4R010.0Z4-MT	4	G	1	3	1.5	40	7	12	1	0.1	5.0	12.2	4	6.8	7.1	7.4	7.8	8.1	9
04809	JM905012G4R010.0Z4-MT	4	G	1.2	3	1.8	40	8	12	1	0.1	4.5	14.0	4	7.8	8.1	8.4	8.7	9.1	9.9
04825	JM920010G4R010.0Z4-MT	4	G	1	6	1.5	50	7	14	1	0.1	10.5	19.9	4	6.8	7	7.2	7.3	7.5	8
04826	JM920012G4R010.0Z4-MT	4	G	1.2	6	1.8	50	8	13	1	0.1	10.5	24.2	4	7.8	8	8.1	8.3	8.5	8.9
12532	920XXL010-MEGA-T	5	G	1	6	1.5	80	15	24.5	0.95	0.1	6	–	2	14.8	15.3	15.8	16.4	17	18.4
12557	905XXL015-MEGA-T	5	G	1.5	3	2.2	60	20	23.1	1.4	0.15	2	–	2	19.9	20.6	21.3	22	∞	∞
12533	920XXL015-MEGA-T	5	G	1.5	6	2.2	80	20	28.7	1.4	0.15	5	–	2	19.9	20.6	21.3	22	22.9	24.7
12534	920XXL020-MEGA-T	5	G	2	6	2.2	80	30	37.7	1.9	0.15	3.5	–	2	29.9	30.9	32	33.1	34.4	37.1

* The effective under-neck length for the various draft angles. Remark ∞ = infinity, no collision in projection length area.

JM905/JM920 – Solid carbide end mill sharp and with corner radius – $z_n 2$ and $z_n 4$




Tolerances:
 Runout $\le 0.005\text{ mm}$



EDP No.	Part No.	Length index	Tool shape	Dimensions in mm											Max. cut depth rel. to α_{η} ($l_{\alpha \eta}$, ref)*					
				D_c	dm_m	a_p	l_2	l_3	l_{p2}	D_n	$r_{\epsilon 1}$	α°	β	z_n	0°	0.5°	1°	1.5°	2°	3°
04812	JM905020G5R015.0Z4-MT	5	G	2	3	2.2	50	16	20	1.9	0.15	1.5	7.4	4	15.8	17	18.3	∞	∞	∞
04828	JM920020G5R015.0Z4-MT	5	G	2	6	2.2	60	16	22	2	0.15	5.5	19.0	4	15.8	16.2	16.7	17.1	17.6	18.7
12535	920XSL010-MEGA-T	6	G	1	6	1.5	80	20	29.5	0.95	0.1	5	-	2	19.8	20.5	21.2	21.9	22.8	24.6
12559	905XSL015-MEGA-T	6	G	1.5	3	2.2	60	25	28.1	1.4	0.15	2	-	2	24.9	25.7	26.6	27.6	∞	∞
12543	920XSL015-MEGA-T	6	G	1.5	6	2.2	80	30	38.7	1.4	0.15	3.5	-	2	29.9	30.9	32	33.1	34.4	37.1
12560	905XSL020-MEGA-T	6	G	2	3	2.2	60	30	32.1	1.9	0.15	1	-	2	29.9	30.9	∞	∞	∞	∞
12546	920XSL020-MEGA-T	6	G	2	6	2.2	80	40	47.7	1.9	0.15	2.5	-	2	39.9	41.2	42.7	44.2	45.8	8
04811	JM905015G7R015.0Z4-MT	5	G	1.5	3	2.2	50	16	18	1.4	0.15	2.5	23.5	4	15.8	16.1	16.5	16.8	17.2	∞
04827	JM920015G5R015.0Z4-MT	7	G	1.5	6	2.2	60	16	23	1.4	0.15	6.0	18.9	4	15.8	16.2	16.7	17.1	17.6	18.7

* The effective under -neck length for the various draft angles. Remark ∞ = infinity, no collision in projection length area.

Cutting data – JM905/JM920 Slotting

SMG		a_p / D_c	f_z													v_c
			0.1	0.15	0.2	0.3	0.4	0.5	0.6	0.8	1	1.2	1.5	1.8	2	
P1	M/E/A	0.32	0.0014	0.0022	0.0028	0.0042	0.0055	0.0070	0.0085	0.011	0.014	0.017	0.020	0.022	0.024	280 (250 – 310)
P2	M/E/A	0.32	0.0014	0.0022	0.0028	0.0042	0.0055	0.0070	0.0085	0.011	0.014	0.017	0.020	0.022	0.024	270 (240 – 300)
P3	M/E/A	0.32	0.0014	0.0020	0.0028	0.0040	0.0055	0.0070	0.0080	0.011	0.014	0.016	0.019	0.022	0.022	235 (210 – 260)
P4	M/E/A	0.32	0.0013	0.0020	0.0026	0.0040	0.0055	0.0065	0.0080	0.011	0.013	0.016	0.019	0.022	0.022	205 (185 – 230)
P5	M/E/A	0.32	0.0013	0.0019	0.0026	0.0038	0.0050	0.0065	0.0080	0.010	0.013	0.015	0.018	0.020	0.022	200 (175 – 220)
P6	M/E/A	0.32	0.0013	0.0019	0.0026	0.0038	0.0050	0.0065	0.0075	0.010	0.013	0.015	0.018	0.020	0.022	220 (195 – 245)
P7	M/E/A	0.32	0.0013	0.0019	0.0026	0.0038	0.0050	0.0065	0.0075	0.010	0.013	0.015	0.018	0.020	0.022	210 (185 – 235)
P8	M/E/A	0.32	0.0014	0.0020	0.0028	0.0040	0.0055	0.0070	0.0080	0.011	0.014	0.016	0.019	0.022	0.022	195 (175 – 220)
P11	M/E/A	0.32	0.0013	0.0019	0.0026	0.0038	0.0050	0.0065	0.0075	0.010	0.013	0.015	0.018	0.020	0.022	205 (180 – 225)
M1	E/M/A	0.32	0.0020	0.0030	0.0040	0.0060	0.0080	0.010	0.012	0.016	0.020	0.024	0.030	0.034	0.038	145 (120 – 170)
M2	E/M/A	0.32	0.0020	0.0030	0.0040	0.0060	0.0080	0.010	0.012	0.016	0.020	0.024	0.028	0.032	0.034	115 (95 – 135)
M3	E/M/A	0.32	0.0020	0.0030	0.0040	0.0060	0.0080	0.010	0.012	0.016	0.020	0.024	0.028	0.032	0.034	90 (70 – 105)
M4	E/M/A	0.24	0.0018	0.0028	0.0036	0.0055	0.0070	0.0090	0.011	0.014	0.018	0.022	0.026	0.028	0.030	70 (55 – 80)
M5	E/M/A	0.24	0.0018	0.0028	0.0036	0.0055	0.0070	0.0090	0.011	0.014	0.018	0.022	0.026	0.028	0.030	55 (47 – 65)
N1	E/M/A	0.24	0.0020	0.0030	0.0040	0.0060	0.0080	0.010	0.012	0.016	0.020	0.024	0.028	0.032	0.034	670 (580 – 750)
N2	E/M/A	0.24	0.0020	0.0030	0.0040	0.0060	0.0080	0.010	0.012	0.016	0.020	0.024	0.028	0.032	0.034	430 (375 – 480)
N3	E/M/A	0.24	0.0020	0.0030	0.0040	0.0060	0.0080	0.010	0.012	0.016	0.020	0.024	0.028	0.032	0.034	285 (250 – 320)
N11	E/M/A	0.24	0.0020	0.0030	0.0040	0.0060	0.0080	0.010	0.012	0.016	0.020	0.024	0.028	0.032	0.034	390 (335 – 445)
S11	E/M/A	0.36	0.0020	0.0030	0.0040	0.0060	0.0080	0.010	0.012	0.016	0.020	0.024	0.028	0.032	0.034	190 (165 – 220)
S12	E/M/A	0.36	0.0020	0.0030	0.0040	0.0060	0.0080	0.010	0.012	0.016	0.020	0.024	0.028	0.032	0.034	145 (125 – 170)
S13	E/M/A	0.30	0.0018	0.0026	0.0036	0.0055	0.0070	0.0090	0.011	0.014	0.018	0.020	0.024	0.028	0.030	115 (100 – 135)
H3	M/A	0.050	0.0014	0.0022	0.0028	0.0060	0.0080	0.010	0.012	0.016	0.020	0.024	0.028	0.032	0.034	95 (85 – 110)
H5	M/A	0.20	0.0020	0.0030	0.0040	0.0060	0.0080	0.010	0.012	0.016	0.020	0.024	0.028	0.032	0.034	160 (140 – 185)
H7	M/A	0.044	0.0014	0.0022	0.0028	0.0060	0.0080	0.010	0.012	0.016	0.020	0.024	0.030	0.034	0.036	95 (85 – 110)
H8	M/A	0.20	0.0020	0.0030	0.0040	0.0060	0.0080	0.010	0.012	0.016	0.020	0.024	0.030	0.036	0.040	160 (140 – 185)
H11	M/A	0.20	0.0020	0.0030	0.0040	0.0060	0.0080	0.010	0.012	0.016	0.020	0.024	0.028	0.032	0.034	210 (180 – 235)
H12	M/A	0.20	0.0020	0.0030	0.0040	0.0060	0.0080	0.010	0.012	0.016	0.020	0.024	0.028	0.032	0.034	335 (290 – 380)
H21	M/A	0.20	0.0020	0.0030	0.0040	0.0060	0.0080	0.010	0.012	0.016	0.020	0.024	0.030	0.036	0.040	160 (140 – 185)
H31	M/A	0.20	0.0020	0.0030	0.0040	0.0060	0.0080	0.010	0.012	0.016	0.020	0.024	0.028	0.032	0.034	120 (105 – 140)
GR1	A	0.50	0.0015	0.0022	0.0030	0.0044	0.0060	0.0075	0.0090	0.012	0.015	0.018	0.022	0.024	0.026	370 (315 – 420)

For cutting data recalculations, see pages 336-344.

SMG = Seco material group

Coolant = A=air D=dry E=emulsion M=mist spray

v_c = m/min

f_z = mm

a_p (mm)/ D_c (mm)= factor

All cutting data are target values

Cutting data – JM905/JM920 Side milling roughing $a_p/D_c = 0.05$

SMG		a_p / D_c	f_z													v_c
			0.1	0.15	0.2	0.3	0.4	0.5	0.6	0.8	1	1.2	1.5	1.8	2	
P1	M/E/A	0.60	0.0017	0.0024	0.0032	0.0048	0.0065	0.0080	0.0095	0.013	0.017	0.019	0.024	0.026	0.028	460 (410 – 510)
P2	M/E/A	0.60	0.0017	0.0024	0.0032	0.0050	0.0065	0.0080	0.010	0.014	0.017	0.020	0.024	0.026	0.028	450 (400 – 495)
P3	M/E/A	0.60	0.0016	0.0024	0.0032	0.0048	0.0060	0.0080	0.0095	0.013	0.016	0.019	0.022	0.024	0.028	385 (340 – 430)
P4	M/E/A	0.60	0.0016	0.0024	0.0032	0.0046	0.0060	0.0075	0.0090	0.013	0.016	0.018	0.022	0.024	0.028	340 (300 – 375)
P5	M/E/A	0.60	0.0015	0.0024	0.0030	0.0044	0.0060	0.0075	0.0090	0.012	0.015	0.018	0.020	0.024	0.028	325 (290 – 360)
P6	M/E/A	0.60	0.0015	0.0024	0.0030	0.0044	0.0060	0.0075	0.0090	0.012	0.015	0.018	0.020	0.024	0.028	365 (325 – 405)
P7	M/E/A	0.60	0.0015	0.0024	0.0030	0.0044	0.0060	0.0075	0.0090	0.012	0.015	0.018	0.020	0.024	0.028	345 (305 – 380)
P8	M/E/A	0.60	0.0016	0.0024	0.0032	0.0048	0.0060	0.0080	0.0095	0.013	0.016	0.019	0.022	0.024	0.028	325 (290 – 360)
P11	M/E/A	0.60	0.0015	0.0024	0.0030	0.0044	0.0060	0.0075	0.0090	0.012	0.015	0.018	0.020	0.024	0.028	335 (295 – 370)
M1	E/M/A	0.32	0.0024	0.0036	0.0048	0.0075	0.0095	0.013	0.015	0.020	0.024	0.028	0.034	0.038	0.040	245 (200 – 290)
M2	E/M/A	0.32	0.0024	0.0036	0.0048	0.0075	0.0095	0.013	0.015	0.020	0.024	0.028	0.034	0.038	0.040	200 (165 – 235)
M3	E/M/A	0.32	0.0024	0.0036	0.0048	0.0075	0.0095	0.013	0.015	0.020	0.024	0.028	0.034	0.038	0.040	150 (125 – 180)
M4	E/M/A	0.24	0.0024	0.0034	0.0044	0.0065	0.0090	0.012	0.014	0.018	0.024	0.026	0.032	0.036	0.040	115 (95 – 135)
M5	E/M/A	0.24	0.0024	0.0034	0.0044	0.0065	0.0090	0.012	0.014	0.018	0.024	0.026	0.032	0.036	0.040	95 (80 – 115)
N1	E/M/A	0.75	0.0024	0.0034	0.0044	0.0070	0.0090	0.012	0.014	0.018	0.024	0.028	0.032	0.036	0.040	1100 (960 – 1225)
N2	E/M/A	0.75	0.0024	0.0034	0.0044	0.0070	0.0090	0.012	0.014	0.018	0.024	0.028	0.032	0.036	0.040	710 (620 – 790)
N3	E/M/A	0.75	0.0024	0.0034	0.0044	0.0070	0.0090	0.012	0.014	0.018	0.024	0.028	0.032	0.036	0.040	470 (410 – 530)
N11	E/M/A	0.75	0.0024	0.0034	0.0044	0.0070	0.0090	0.012	0.014	0.018	0.024	0.028	0.032	0.036	0.040	640 (550 – 730)
S11	E/M/A	0.36	0.0024	0.0036	0.0048	0.0070	0.0095	0.012	0.015	0.020	0.024	0.028	0.034	0.038	0.040	330 (285 – 375)
S12	E/M/A	0.36	0.0024	0.0036	0.0048	0.0070	0.0095	0.012	0.015	0.020	0.024	0.028	0.034	0.038	0.040	255 (215 – 290)
S13	E/M/A	0.30	0.0022	0.0032	0.0044	0.0065	0.0085	0.011	0.013	0.018	0.022	0.026	0.032	0.036	0.040	200 (170 – 225)
H3	M/A	0.20	0.0020	0.0030	0.0040	0.0060	0.0080	0.010	0.012	0.016	0.020	0.024	0.030	0.036	0.040	150 (130 – 170)
H5	M/A	0.44	0.0022	0.0032	0.0044	0.0065	0.0090	0.011	0.014	0.018	0.022	0.026	0.032	0.036	0.040	270 (235 – 305)
H7	M/A	0.20	0.0020	0.0030	0.0040	0.0060	0.0080	0.010	0.012	0.016	0.020	0.024	0.030	0.036	0.040	150 (130 – 170)
H8	M/A	0.44	0.0024	0.0038	0.0050	0.0075	0.010	0.013	0.015	0.020	0.024	0.030	0.036	0.040	0.042	265 (230 – 300)
H11	M/A	0.44	0.0022	0.0032	0.0044	0.0065	0.0090	0.011	0.014	0.018	0.022	0.026	0.032	0.036	0.040	345 (300 – 390)
H12	M/A	0.44	0.0022	0.0032	0.0044	0.0065	0.0090	0.011	0.014	0.018	0.022	0.026	0.032	0.036	0.040	560 (480 – 630)
H21	M/A	0.44	0.0024	0.0038	0.0050	0.0075	0.010	0.013	0.015	0.020	0.024	0.030	0.036	0.040	0.042	265 (230 – 300)
H31	M/A	0.44	0.0022	0.0032	0.0044	0.0065	0.0090	0.011	0.014	0.018	0.022	0.026	0.032	0.036	0.040	200 (175 – 230)

Cutting data – JM905/JM920 Side milling roughing $a_p/D_c = 0.5$

SMG		a_p / D_c	f_z													v_c
			0.1	0.15	0.2	0.3	0.4	0.5	0.6	0.8	1	1.2	1.5	1.8	2	
GR1	A	0.50	0.0015	0.0022	0.0030	0.0044	0.0060	0.0075	0.0090	0.012	0.015	0.018	0.022	0.024	0.026	435 (370 – 495)

For cutting data recalculations, see pages 336-344.

SMG = Seco material group

Coolant = A=air D=dry E=emulsion M=mist spray

v_c = m/min

f_z = mm

a_p (mm)/ D_c (mm)= factor

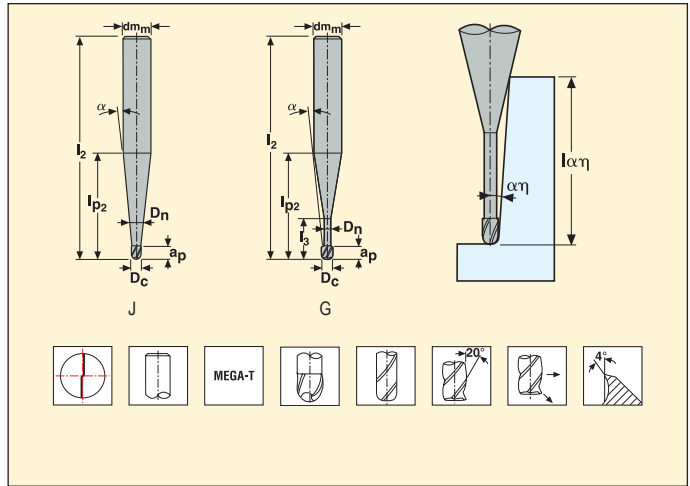
a_e (mm)/ D_c (mm)= factor

All cutting data are target values

JM915/JM925 – Solid carbide end mill - ball nose – two flute



Tolerances:
 Runout < 0.005 mm
 $dm_m = h5$
 $D_c = -0.01/-0.02$ mm
 Radius = ± 0.005 mm



EDP No.	Part No.	Length index	Tool shape	Dimensions in mm										Max. cut depth rel. to $\alpha\eta$ ($l\alpha\eta$, ref)*						
				D_c	dm_m	a_p	l_2	l_3	l_{p2}	D_n	r_{e1}	α°	z_n	0°	0.5°	1°	1.5°	2°	3°	
08199	9150010-MEGA-T	1	J	0.1	3	0.15	40	-	5.7	-	0.05	14.5	2	0.15	0.3	0.3	0.3	0.3	0.3	0.3
08200	9150015-MEGA-T	1	J	0.15	3	0.2	40	-	5.7	-	0.075	14.5	2	0.2	0.4	0.4	0.4	0.4	0.4	0.4
08201	915002-MEGA-T	1	J	0.2	3	0.2	40	-	5.6	-	0.1	14.5	2	0.2	0.4	0.4	0.4	0.4	0.4	0.4
08202	915003-MEGA-T	1	J	0.3	3	0.3	40	-	5.5	-	0.15	14.5	2	0.3	0.5	0.5	0.5	0.5	0.5	0.5
08203	915004-MEGA-T	1	J	0.4	3	0.4	40	-	5.4	-	0.2	14.5	2	0.4	0.5	0.5	0.5	0.5	0.6	0.6
08204	915005-MEGA-T	1	J	0.5	3	0.5	40	-	5.3	-	0.25	14	2	0.5	0.7	0.7	0.7	0.7	0.7	0.8
08205	915006-MEGA-T	1	J	0.6	3	0.6	40	-	5.6	-	0.3	13	2	0.6	0.8	0.8	0.8	0.8	0.8	0.9
08206	915008-MEGA-T	1	J	0.8	3	0.8	40	-	5.1	-	0.4	13.5	2	0.8	1	1	1	1	1	1.1
08207	915010-MEGA-T	1	J	1	3	1	40	-	4.9	-	0.5	-	2	∞	∞	∞	∞	∞	∞	∞
08208	915012-MEGA-T	1	J	1.2	3	1.2	40	-	4.7	-	0.6	12.5	2	1.2	1.4	1.4	1.4	1.5	1.5	1.5
08209	915015-MEGA-T	1	J	1.5	3	1.5	40	-	4.4	-	0.75	11.5	2	1.5	1.7	1.7	1.8	1.8	1.9	1.9
08269	925ML005-MEGA-T	2	G	0.5	6	0.5	50	1.5	17.2	0.45	0.25	9.5	2	1.3	1.4	1.5	1.5	1.6	1.8	1.8
08270	925ML006-MEGA-T	2	G	0.6	6	0.6	50	2	17.4	0.55	0.3	9	2	1.8	1.9	2	2.1	2.2	2.5	2.5
08271	925ML008-MEGA-T	2	G	0.8	6	0.8	50	2.5	17.3	0.75	0.4	9	2	2.3	2.4	2.6	2.7	2.8	3.2	3.2
08272	925ML010-MEGA-T	2	G	1	6	1	50	4	17	0.95	0.5	9	2	3.8	4	4.2	4.4	4.6	5.1	5.1
08273	925ML012-MEGA-T	2	G	1.2	6	1.2	50	4.5	15.9	1.15	0.6	9	2	4.3	4.5	4.7	4.8	5.1	5.6	5.6
08274	925ML015-MEGA-T	2	G	1.5	6	1.5	50	5	15	1.4	0.75	9	2	4.9	5.1	5.3	5.5	5.7	6.2	6.2
12519	925ML018-MEGA-T	2	G	1.8	6	1.8	50	5	14.4	1.7	0.9	9	2	4.9	5.1	5.2	5.4	5.6	6.1	6.1
08276	925ML020-MEGA-T	2	G	2	6	2	50	6	14.3	1.9	1	9	2	5.9	6.1	6.3	6.5	6.7	7.2	7.2
08211	915L005-MEGA-T	3	G	0.5	3	0.5	40	2.5	7.4	0.45	0.25	10	2	2.3	2.4	2.4	2.5	2.6	2.8	2.8
08277	925TL005-MEGA-T	3	G	0.5	6	0.5	50	3.5	17.8	0.45	0.25	9	2	3.3	3.5	3.6	3.8	4	4.5	4.5
08278	925TL006-MEGA-T	3	G	0.6	6	0.6	50	4	16.8	0.55	0.3	9.5	2	3.8	4	4.1	4.3	4.5	5	5
08213	915L008-MEGA-T	3	G	0.8	3	0.8	40	4	8.3	0.75	0.4	8	2	3.8	3.9	4	4.2	4.3	4.6	4.6
08279	925TL008-MEGA-T	3	G	0.8	6	0.8	50	5.5	16.9	0.75	0.4	9	2	5.3	5.5	5.7	5.9	6.2	6.8	6.8
08214	915L010-MEGA-T	3	G	1	3	1	40	5	8.9	0.95	0.5	7	2	4.8	4.9	5.1	5.3	5.4	5.9	5.9
08280	925TL010-MEGA-T	3	G	1	6	1	50	7	16.5	0.95	0.5	9	2	6.8	7	7.2	7.5	7.7	8.3	8.3
08216	915L012-MEGA-T	3	G	1.2	3	1.2	40	6	9.5	1.15	0.6	6	2	5.8	6	6.2	6.4	6.6	7.1	7.1
08281	925TL012-MEGA-T	3	G	1.2	6	1.2	50	8	16.6	1.15	0.6	9	2	7.8	8	8.3	8.5	8.8	9.4	9.4
08217	915L015-MEGA-T	3	G	1.5	3	1.5	40	7.5	10.6	1.4	0.75	4.5	2	7.4	7.6	7.9	8.1	8.4	9	9
12547	915SL015-MEGA-T	4.5	G	1.5	3	1.5	60	16	19.1	1.4	0.75	2.5	2	15.9	16.4	16.9	17.5	18.2	∞	∞
08282	925TL015-MEGA-T	3	G	1.5	6	1.5	50	10	17.3	1.4	0.75	8	2	9.9	10.1	10.4	10.7	11	11.6	11.6
12520	925TL018-MEGA-T	3	G	1.8	6	1.8	50	10	19.4	1.7	0.9	6.5	2	9.9	10.3	10.7	11.1	11.5	12.6	12.6
08218	915L020-MEGA-T	3	G	2	3	2	40	10	12.1	1.9	1	3	2	9.9	10.2	10.5	10.9	11.2	∞	∞
08283	925TL020-MEGA-T	3	G	2	6	2	50	12	20.9	1.9	1	6	2	11.9	12.3	12.8	13.3	13.9	15.1	15.1
12548	915SL020-MEGA-T	4.5	G	2	3	2	60	20	22.1	1.9	1	1.5	2	19.9	20.5	21.2	∞	∞	∞	∞

* The effective under-neck length for the various draft angles. Remark ∞ = infinity, no collision in projection length area.

Cutting data – JM915/JM925 Copy milling roughing $a_e/D_c = 0.05$

SMG		a_p / D_c	f_z													v_c
			0.1	0.15	0.2	0.3	0.4	0.5	0.6	0.8	1	1.2	1.5	1.8	2	
P1	M/E/A	0.60	0.0032	0.0046	0.0060	0.0095	0.013	0.017	0.020	0.030	0.040	0.055	0.060	0.070	0.075	560 (500 – 630)
P2	M/E/A	0.60	0.0032	0.0048	0.0065	0.0095	0.014	0.017	0.020	0.032	0.042	0.055	0.065	0.070	0.075	550 (490 – 610)
P3	M/E/A	0.60	0.0030	0.0044	0.0060	0.0090	0.013	0.016	0.020	0.028	0.040	0.050	0.060	0.065	0.070	475 (425 – 530)
P4	M/E/A	0.60	0.0028	0.0044	0.0060	0.0090	0.013	0.016	0.020	0.028	0.038	0.048	0.060	0.065	0.070	420 (375 – 465)
P5	M/E/A	0.60	0.0028	0.0044	0.0055	0.0085	0.012	0.016	0.019	0.028	0.038	0.048	0.055	0.065	0.070	400 (355 – 445)
P6	M/E/A	0.60	0.0028	0.0042	0.0055	0.0085	0.012	0.016	0.019	0.028	0.036	0.048	0.055	0.065	0.065	450 (400 – 500)
P7	M/E/A	0.60	0.0028	0.0042	0.0055	0.0085	0.012	0.016	0.019	0.028	0.036	0.048	0.055	0.065	0.065	425 (380 – 470)
P8	M/E/A	0.60	0.0030	0.0044	0.0060	0.0090	0.013	0.016	0.020	0.028	0.040	0.050	0.060	0.065	0.070	400 (355 – 445)
P11	M/E/A	0.60	0.0028	0.0042	0.0055	0.0085	0.012	0.016	0.019	0.028	0.036	0.048	0.055	0.065	0.065	415 (365 – 460)
N1	E/M/A	0.75	0.0032	0.0046	0.0060	0.0095	0.013	0.017	0.020	0.028	0.038	0.048	0.060	0.070	0.075	1350 (1200 – 1525)
N2	E/M/A	0.75	0.0032	0.0046	0.0060	0.0095	0.013	0.017	0.020	0.028	0.038	0.048	0.060	0.070	0.075	870 (760 – 980)
N3	E/M/A	0.75	0.0032	0.0046	0.0060	0.0095	0.013	0.017	0.020	0.028	0.038	0.048	0.060	0.070	0.075	580 (510 – 660)
N11	E/M/A	0.75	0.0032	0.0046	0.0060	0.0095	0.013	0.017	0.020	0.028	0.038	0.048	0.060	0.070	0.075	780 (670 – 890)
H3	M/A	0.50	0.0011	0.0017	0.0022	0.0036	0.0048	0.0065	0.0080	0.012	0.016	0.019	0.022	0.026	0.026	200 (175 – 225)
H5	M/A	0.28	0.0015	0.0022	0.0030	0.0044	0.0060	0.0075	0.0090	0.012	0.015	0.018	0.022	0.028	0.030	355 (310 – 400)
H7	M/A	0.50	0.0020	0.0030	0.0040	0.0060	0.0080	0.010	0.012	0.016	0.020	0.024	0.030	0.036	0.040	200 (175 – 225)
H8	M/A	0.44	0.0030	0.0044	0.0060	0.0090	0.013	0.017	0.022	0.032	0.042	0.050	0.060	0.065	0.070	360 (315 – 405)
H11	M/A	0.28	0.0015	0.0022	0.0030	0.0044	0.0060	0.0075	0.0090	0.012	0.015	0.018	0.022	0.028	0.030	455 (400 – 510)
H12	M/A	0.28	0.0015	0.0022	0.0030	0.0044	0.0060	0.0075	0.0090	0.012	0.015	0.018	0.022	0.028	0.030	730 (640 – 830)
H21	M/A	0.44	0.0030	0.0044	0.0060	0.0090	0.013	0.017	0.022	0.032	0.042	0.050	0.060	0.065	0.070	360 (315 – 405)
H31	M/A	0.44	0.0026	0.0040	0.0055	0.0080	0.012	0.015	0.019	0.028	0.038	0.044	0.050	0.060	0.060	270 (235 – 305)

Cutting data – JM915/JM925 Copy milling roughing $a_e/D_c = 0.03$

SMG		a_p / D_c	f_z													v_c
			0.1	0.15	0.2	0.3	0.4	0.5	0.6	0.8	1	1.2	1.5	1.8	2	
M1	E/M/A	0.60	0.0050	0.0075	0.010	0.015	0.020	0.026	0.032	0.044	0.055	0.070	0.085	0.11	0.12	315 (260 – 375)
M2	E/M/A	0.60	0.0050	0.0075	0.010	0.015	0.020	0.026	0.032	0.044	0.055	0.070	0.085	0.11	0.12	255 (210 – 300)
M3	E/M/A	0.60	0.0050	0.0075	0.010	0.015	0.020	0.026	0.032	0.044	0.055	0.070	0.085	0.11	0.12	195 (160 – 230)
M4	E/M/A	0.60	0.0044	0.0065	0.0085	0.013	0.018	0.022	0.028	0.036	0.048	0.060	0.075	0.085	0.095	150 (125 – 175)
M5	E/M/A	0.60	0.0044	0.0065	0.0085	0.013	0.018	0.022	0.028	0.036	0.048	0.060	0.075	0.085	0.095	125 (100 – 150)
S11	E/M/A	0.60	0.0050	0.0075	0.010	0.015	0.020	0.026	0.032	0.044	0.055	0.070	0.085	0.11	0.12	420 (360 – 480)
S12	E/M/A	0.60	0.0050	0.0075	0.010	0.015	0.020	0.026	0.032	0.044	0.055	0.070	0.085	0.11	0.12	325 (280 – 370)
S13	E/M/A	0.60	0.0044	0.0065	0.0085	0.013	0.018	0.022	0.028	0.036	0.048	0.060	0.075	0.085	0.095	260 (220 – 295)

Cutting data – JM915/JM925 Copy milling roughing $a_e/D_c = 0.5$

SMG		a_p / D_c	f_z													v_c
			0.1	0.15	0.2	0.3	0.4	0.5	0.6	0.8	1	1.2	1.5	1.8	2	
GR1	A	0.50	0.0011	0.0016	0.0022	0.0032	0.0044	0.0055	0.0065	0.0090	0.012	0.015	0.019	0.022	0.026	540 (460 – 610)

For cutting data recalculations, see pages 336-344.

SMG = Seco material group

Coolant = A=air D=dry E=emulsion M=mist spray

v_c = m/min







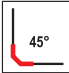
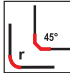


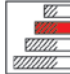
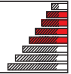
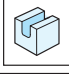
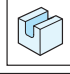
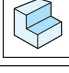
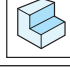
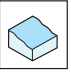
f_z = mm

a_p (mm)/ D_c (mm) = factor









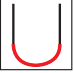
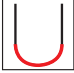
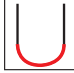
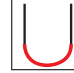


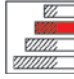
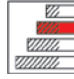


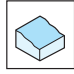
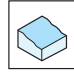
a_e (mm)/ D_c (mm) = factor

All cutting data are target values



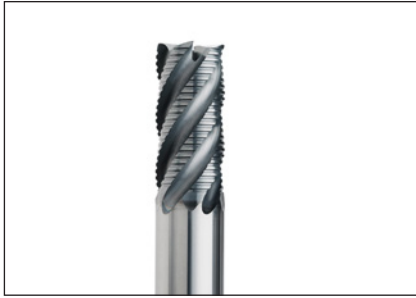
				
				
Name		JHP993	JHP951	JH141
Page		153-155	156-158	159, 161, 254-256
Family		HPM	HPM	HSM/TORNADO
Type of mill				
Shank	Cylindrical	■	■	■
	Weldon	■	■	
Number of flutes		3-6	3-5	2-4
ICC		■		
Diameter range	Metric	4-25	3-25	2-10
	Inch			
Lengths available, based on length index		 2,3	 2	 2,3,4,5
Operation				
				
				
SMG				
P1		●	●	●
P2		●	●	●
P3		●	●	●
P4		●	●	●
P5		●	●	●
P6		●	●	●
P7		●	●	●
P8		●	●	●
P11		●	●	●
K1		●	●	●
K2		●	●	●
K3		●	●	●
K4		●	●	●
K5		●	●	●
K6		●	●	●
K7		●	●	●

Stock standard
 Weldon available, delivery time is 3 days
 Preferred choice,
 Alternative choice

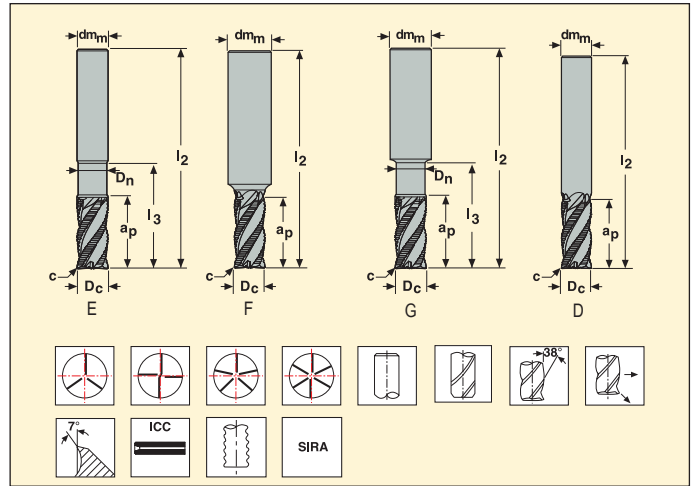
					
					
Name		JH970	JH111	JH150	JH160
Page		118-119, 162-163	164-166, 257-259	167-168, 260-261	169-170, 262-263
Family		HSM/TORNADO	HSM/TORNADO	HSM/TORNADO	HSM/TORNADO
Type of mill					
Shank	Cylindrical	■	■	■	■
	Weldon				
Number of flutes		2	2	4	4
ICC					
Diameter range	Metric	2-16	2-16	6-12	4-12
	Inch				
Lengths available, based on length index		 1,2,3	 1,2,3,4,5	 2	 2
Operation					
					
SMG					
P1		●		●	●
P2		●		●	●
P3		●		●	●
P4		●		●	●
P5		●		●	●
P6		●		●	●
P7		●		●	●
P8		●		●	●
P11		●		●	●
K1			●	●	
K2			●	●	
K3			●	●	
K4			●	●	
K5			●	●	
K6			●	●	
K7			●	●	

■ Stock standard □ Weldon available, delivery time is 3 days
● Preferred choice, ○ Alternative choice

JHP993 – Solid carbide end mill – advanced roughing profile – cylindrical shank – 45° corner chamfer



Tolerances:
 $dm_m = h5$
 $D_c = -0.02 / -0.1 \text{ mm}$
 $c = \pm 0.05 \text{ mm}$



EDP No.	Part No.	Length index	Tool shape	ICC	Dimensions in mm							z _n	Cylindrical
					D _c	dm _m	a _p	l ₂	l ₃	D _n	c x 45°		
84658	JHP993040F2C.0Z3-SIRA	2	F		4	6	10	50	-	-	0.15	3	■
84661	JHP993050F2C.0Z4-SIRA	2	F		5	6	12	55	-	-	0.15	4	■
84646	JHP993060D2C.0Z4-SIRA	2	D		6	6	14	55	-	-	0.2	4	■
84647	JHP993075F2C.0Z4-SIRA	2	F		7.5	8	17	60	-	-	0.2	4	■
84665	JHP993080D2C.0Z4-SIRA	2	D	■	8	8	18	60	-	-	0.2	4	■
84208	JHP993080D2C.0Z4-SIRA	2	D		8	8	18	60	-	-	0.2	4	■
84655	JHP993095F2C.0Z4-SIRA	2	F		9.5	10	20	70	-	-	0.2	4	■
84649	JHP993100D2C.0Z4-SIRA	2	D	■	10	10	22	70	-	-	0.2	4	■
84666	JHP993100D2C.0Z4-SIRA	2	D		10	10	22	70	-	-	0.2	4	■
84652	JHP993115F2C.0Z4-SIRA	2	F		11.5	12	25	80	-	-	0.2	4	■
84664	JHP993120D2C.0Z4-SIRA	2	D	■	12	12	26	80	-	-	0.2	4	■
84656	JHP993120D2C.0Z4-SIRA	2	D		12	12	26	80	-	-	0.2	4	■
84660	JHP993140D2C.0Z4-SIRA	2	D		14	14	30	80	-	-	0.3	4	■
80261	JHP993160D2C.0Z4-SIRA	2	D	■	16	16	34	90	-	-	0.3	4	■
80259	JHP993160D2C.0Z4-SIRA	2	D		16	16	34	90	-	-	0.3	4	■
80267	JHP993200D2C.0Z4-SIRA	2	D	■	20	20	42	100	-	-	0.5	4	■
80266	JHP993200D2C.0Z4-SIRA	2	D		20	20	42	100	-	-	0.5	4	■
80284	JHP993250D2C.0Z4-SIRA	2	D	■	25	25	52	125	-	-	0.5	4	■
84648	JHP993160D2C.0Z5-SIRA	2	D	■	16	16	34	90	-	-	0.3	5	■
84659	JHP993160D2C.0Z5-SIRA	2	D		16	16	34	90	-	-	0.3	5	■
84209	JHP993200D2C.0Z5-SIRA	2	D	■	20	20	42	100	-	-	0.5	5	■
84654	JHP993200D2C.0Z5-SIRA	2	D		20	20	42	100	-	-	0.5	5	■
76109	JHP993250D2C.0Z6A-SIRA	2	D	■	25	25	52	125	-	-	0.5	6	■
84207	JHP993040G3C.0Z3-SIRA	3	G		4	6	10	55	15	3.7	0.15	3	■
84653	JHP993060E3C.0Z4-SIRA	3	E		6	6	14	65	24	5.6	0.2	4	■
84650	JHP993080E3C.0Z4-SIRA	3	E		8	8	18	70	32	7.4	0.2	4	■
84662	JHP993100E3C.0Z4-SIRA	3	E		10	10	22	85	40	9.4	0.2	4	■
84663	JHP993120E3C.0Z4-SIRA	3	E		12	12	26	100	50	11.4	0.2	4	■
80262	JHP993160E3C.0Z4-SIRA	3	E		16	16	34	110	60	15.4	0.3	4	■
80268	JHP993200E3C.0Z4-SIRA	3	E		20	20	42	125	70	19.2	0.5	4	■
84657	JHP993160E3C.0Z5-SIRA	3	E		16	16	34	110	60	15.4	0.3	5	■
84651	JHP993200E3C.0Z5-SIRA	3	E		20	20	42	125	70	19.2	0.5	5	■

SIRA = SIRON-A, ICC = Internal Coolant Channels

■ Stock standard. Subject to change, refer to current price-and stock-list.

JHP993 – Solid carbide end mill – advanced roughing profile – Weldon shank – 45° corner chamfer

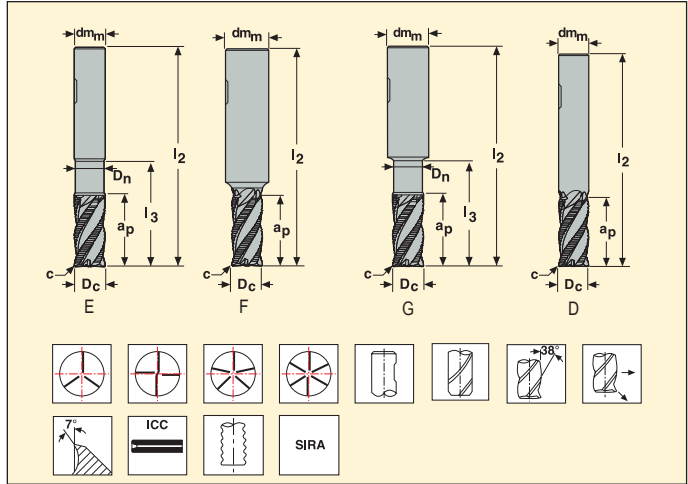


Tolerances:

$dm_m = h5$

$D_c = -0.02 / -0.1 \text{ mm}$

$c = \pm 0.05 \text{ mm}$



EDP No.	Part No.	Length index	Tool shape	ICC	Dimensions in mm								z _n	Weldon
					D _c	dm _m	a _p	l ₂	l ₃	D _n	c x 45°			
84674	JHP993040F2C.3Z3-SIRA	2	F		4	6	10	50	-	-	0.15	3	■	
84681	JHP993050F2C.3Z4-SIRA	2	F		5	6	12	55	-	-	0.15	4	■	
84679	JHP993060D2C.3Z4-SIRA	2	D		6	6	14	55	-	-	0.2	4	■	
84684	JHP993075F2C.3Z4-SIRA	2	F		7.5	8	17	60	-	-	0.2	4	■	
84729	JHP993080D2C.3Z4A-SIRA	2	D	■	8	8	16	60	-	-	0.2	4	□	
84688	JHP993080D2C.3Z4-SIRA	2	D		8	8	18	60	-	-	0.2	4	■	
84687	JHP993095F2C.3Z4-SIRA	2	F		9.5	10	20	70	-	-	0.2	4	■	
84731	JHP993100D2C.3Z4A-SIRA	2	D	■	10	10	20	70	-	-	0.2	4	□	
84675	JHP993100D2C.3Z4-SIRA	2	D		10	10	22	70	-	-	0.2	4	■	
84678	JHP993115F2C.3Z4-SIRA	2	F		11.5	12	25	80	-	-	0.2	4	■	
84727	JHP993120D2C.3Z4A-SIRA	2	D	■	12	12	26	80	-	-	0.2	4	□	
84670	JHP993120D2C.3Z4-SIRA	2	D		12	12	26	80	-	-	0.2	4	■	
84676	JHP993140D2C.3Z4-SIRA	2	D		14	14	30	80	-	-	0.3	4	■	
80286	JHP993160D2C.3Z4A-SIRA	2	D	■	16	16	34	90	-	-	0.3	4	■	
80260	JHP993160D2C.3Z4-SIRA	2	D		16	16	34	90	-	-	0.3	4	■	
80287	JHP993200D2C.3Z4A-SIRA	2	D	■	20	20	42	100	-	-	0.5	4	□	
80264	JHP993200D2C.3Z4-SIRA	2	D		20	20	42	100	-	-	0.5	4	■	
80288	JHP993250D2C.3Z4A-SIRA	2	D	■	25	25	52	125	-	-	0.5	4	■	
80270	JHP993250D2C.3Z4-SIRA	2	D		25	25	52	125	-	-	0.5	4	■	
84730	JHP993160D2C.3Z5A-SIRA	2	D	■	16	16	34	90	-	-	0.3	5	□	
84677	JHP993160D2C.3Z5-SIRA	2	D		16	16	34	90	-	-	0.3	5	■	
84728	JHP993200D2C.3Z5A-SIRA	2	D	■	20	20	42	100	-	-	0.5	5	□	
84686	JHP993200D2C.3Z5-SIRA	2	D		20	20	42	100	-	-	0.5	5	■	
84680	JHP993250D2C.3Z6A-SIRA	2	D	■	25	25	52	125	-	-	0.5	6	□	
84668	JHP993250D2C.3Z6-SIRA	2	D		25	25	52	125	-	-	0.5	6	■	
84673	JHP993040G3C.3Z3-SIRA	3	G		4	6	10	55	15	3.7	0.15	3	■	
84685	JHP993060E3C.3Z4-SIRA	3	F		6	6	14	65	24	5.6	0.2	4	■	
84683	JHP993080E3C.3Z4-SIRA	3	E		8	8	18	70	32	7.4	0.2	4	■	
84682	JHP993100E3C.3Z4-SIRA	3	E		10	10	22	85	40	9.4	0.2	4	■	
84667	JHP993120E3C.3Z4-SIRA	3	E		12	12	26	100	50	11.4	0.2	4	■	
80263	JHP993160E3C.3Z4-SIRA	3	E		16	16	34	110	60	15.4	0.3	4	■	
80269	JHP993200E3C.3Z4-SIRA	3	E		20	20	42	125	70	19.2	0.5	4	■	
80285	JHP993250E3C.3Z4-SIRA	3	E		25	25	52	150	90	24	0.5	4	■	
84671	JHP993160E3C.3Z5-SIRA	3	E		16	16	34	110	60	15.4	0.3	5	■	
84669	JHP993200E3C.3Z5-SIRA	3	E		20	20	42	125	70	19.2	0.5	5	■	
84672	JHP993250E3C.3Z6-SIRA	3	E		25	25	52	150	90	24	0.5	6	■	

SIRA = SIRON-A, ICC = Internal Coolant Channels.

■ Stock standard. Subject to change, refer to current price-and stock-list. □ Weldon available, delivery time is 3 days.

Cutting data – JHP993 Slotting $Z_n=3$ and $Z_n=4$

SMG		a_p / D_c	f_z										v_c
			4	5	6	8	10	12	14	16	20	25	
P1	E/M/A	1.6	0.034	0.044	0.050	0.070	0.085	0.10	0.12	0.13	0.15	0.17	195 (170 – 225)
P2	E/M/A	1.6	0.036	0.044	0.055	0.070	0.090	0.10	0.12	0.13	0.15	0.17	190 (160 – 215)
P3	E/M/A	1.6	0.034	0.042	0.050	0.065	0.085	0.10	0.11	0.12	0.14	0.16	165 (140 – 190)
P4	E/M/A	1.6	0.032	0.040	0.048	0.065	0.080	0.095	0.11	0.12	0.14	0.16	150 (125 – 170)
P5	E/M/A	1.6	0.032	0.040	0.048	0.065	0.080	0.095	0.11	0.12	0.14	0.15	140 (120 – 160)
P6	E/M/A	1.6	0.032	0.040	0.048	0.065	0.080	0.095	0.11	0.12	0.13	0.15	160 (135 – 180)
P7	E/M/A	1.6	0.032	0.040	0.048	0.065	0.080	0.095	0.11	0.12	0.13	0.15	150 (130 – 170)
P8	E/M/A	1.6	0.034	0.042	0.050	0.065	0.085	0.10	0.11	0.12	0.14	0.16	140 (120 – 160)
P11	E/M/A	1.6	0.032	0.040	0.048	0.065	0.080	0.095	0.11	0.12	0.13	0.15	145 (125 – 165)
K1	E/M/A	1.6	0.036	0.044	0.055	0.070	0.090	0.10	0.12	0.13	0.15	0.17	175 (150 – 200)
K2	E/M/A	1.6	0.032	0.040	0.048	0.065	0.080	0.095	0.11	0.12	0.14	0.15	155 (135 – 180)
K3	E/M/A	1.6	0.032	0.040	0.048	0.065	0.080	0.095	0.11	0.12	0.14	0.15	135 (115 – 150)
K4	E/M/A	1.6	0.032	0.040	0.048	0.065	0.080	0.095	0.11	0.12	0.14	0.15	125 (110 – 145)
K5	E/M/A	1.6	0.028	0.036	0.044	0.060	0.070	0.085	0.095	0.11	0.12	0.14	80 (65 – 90)
K6	E/M/A	1.6	0.032	0.040	0.048	0.065	0.080	0.095	0.11	0.12	0.14	0.15	110 (95 – 125)
K7	E/M/A	1.6	0.028	0.036	0.044	0.060	0.070	0.085	0.095	0.11	0.12	0.14	100 (85 – 115)

Cutting data – JHP993 Side milling $z_n=4,5,6$ $a_p/D_c = 0.4$

SMG		a_p / D_c	f_z										v_c
			4	5	6	8	10	12	14	16	20	25	
P1	E/M/A	1.6	0.036	0.044	0.055	0.070	0.090	0.10	0.12	0.13	0.15	0.17	245 (210 – 280)
P2	E/M/A	1.6	0.036	0.044	0.055	0.070	0.090	0.11	0.12	0.13	0.15	0.17	240 (205 – 270)
P3	E/M/A	1.6	0.034	0.042	0.050	0.070	0.085	0.10	0.11	0.12	0.14	0.16	205 (180 – 235)
P4	E/M/A	1.6	0.034	0.042	0.050	0.065	0.085	0.10	0.11	0.12	0.14	0.16	185 (155 – 210)
P5	E/M/A	1.6	0.032	0.040	0.050	0.065	0.080	0.095	0.11	0.12	0.14	0.16	175 (150 – 200)
P6	E/M/A	1.6	0.032	0.040	0.048	0.065	0.080	0.095	0.11	0.12	0.14	0.15	200 (170 – 225)
P7	E/M/A	1.6	0.032	0.040	0.048	0.065	0.080	0.095	0.11	0.12	0.14	0.15	190 (160 – 215)
P8	E/M/A	1.6	0.034	0.042	0.050	0.070	0.085	0.10	0.11	0.12	0.14	0.16	175 (150 – 200)
P11	E/M/A	1.6	0.032	0.040	0.048	0.065	0.080	0.095	0.11	0.12	0.14	0.15	180 (155 – 210)
K1	E/M/A	1.6	0.036	0.044	0.055	0.070	0.090	0.11	0.12	0.13	0.15	0.17	220 (190 – 250)
K2	E/M/A	1.6	0.032	0.040	0.050	0.065	0.080	0.095	0.11	0.12	0.14	0.16	195 (170 – 225)
K3	E/M/A	1.6	0.032	0.040	0.050	0.065	0.080	0.095	0.11	0.12	0.14	0.16	165 (145 – 190)
K4	E/M/A	1.6	0.032	0.040	0.050	0.065	0.080	0.095	0.11	0.12	0.14	0.16	160 (135 – 180)
K5	E/M/A	1.6	0.030	0.036	0.044	0.060	0.075	0.085	0.10	0.11	0.12	0.14	95 (85 – 110)
K6	E/M/A	1.6	0.032	0.040	0.050	0.065	0.080	0.095	0.11	0.12	0.14	0.16	140 (120 – 160)
K7	E/M/A	1.6	0.030	0.036	0.044	0.060	0.075	0.085	0.10	0.11	0.12	0.14	125 (105 – 140)

For cutting data recalculations, see pages 336-344.

SMG = Seco material group

Coolant = A=air D=dry E=emulsion M=mist spray

v_c = m/min

f_z = mm

a_p (mm)/ D_c (mm)= factor

a_e (mm)/ D_c (mm)= factor

All cutting data are target values

JHP951 – Solid carbide end mill – curved helix – cylindrical shank – 45° corner radius

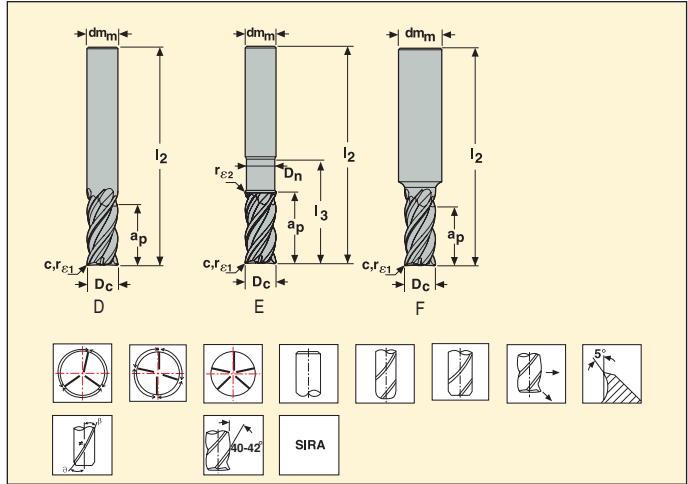


Tolerances:

$dm_m = h5$

$D_c = e7$

$r_{\epsilon 1} = \pm 0.02 \text{ mm}$



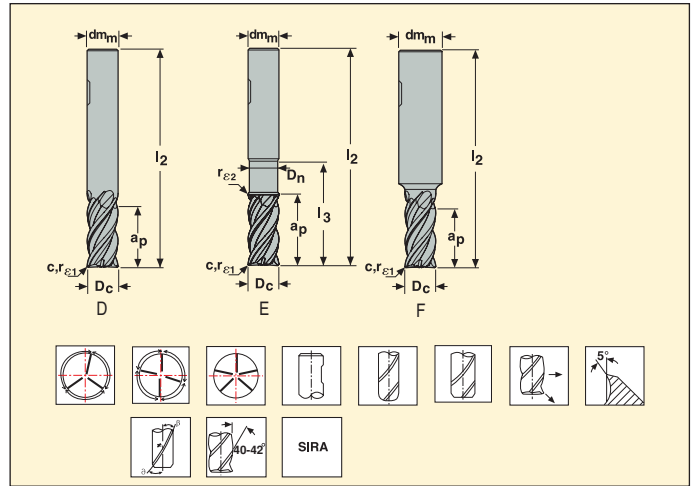
EDP No.	Part No.	Length index	Tool shape	Dimensions in mm								z _n	Cylindrical
				D _c	dm _m	a _p	l ₂	l ₃	D _n	r _{ε1}	c x 45°		
84713	JHP951030F2C.0Z3-SIRA	2	F	3	6	8	50	-	-	0	0.1	3	■
84723	JHP951030F2R020.0Z3-SIRA	2	F	3	6	8	50	-	-	0.2	-	3	■
84692	JHP951030F2R050.0Z3-SIRA	2	F	3	6	8	50	-	-	0.5	-	3	■
84718	JHP951040F2C.0Z4-SIRA	2	F	4	6	10	55	-	-	0	0.15	4	■
84696	JHP951040F2R020.0Z4-SIRA	2	F	4	6	10	55	-	-	0.2	-	4	■
84725	JHP951040F2R050.0Z4-SIRA	2	F	4	6	10	55	-	-	0.5	-	4	■
84695	JHP951050F2C.0Z4-SIRA	2	F	5	6	12	55	-	-	0	0.2	4	■
84715	JHP951050F2R020.0Z4-SIRA	2	F	5	6	12	55	-	-	0.2	-	4	■
84690	JHP951050F2R050.0Z4-SIRA	2	F	5	6	12	55	-	-	0.5	-	4	■
84698	JHP951060D2C.0Z4-SIRA	2	D	6	6	14	55	-	-	0	0.2	4	■
84712	JHP951060D2R020.0Z4-SIRA	2	D	6	6	14	55	-	-	0.2	-	4	■
84699	JHP951060D2R050.0Z4-SIRA	2	D	6	6	14	55	-	-	0.5	-	4	■
84697	JHP951080D2C.0Z4-SIRA	2	D	8	8	18	60	-	-	0	0.3	4	■
84717	JHP951080D2R020.0Z4-SIRA	2	D	8	8	18	60	-	-	0.2	-	4	■
84693	JHP951080D2R050.0Z4-SIRA	2	D	8	8	18	60	-	-	0.5	-	4	■
84704	JHP951080D2R100.0Z4-SIRA	2	D	8	8	18	60	-	-	1	-	4	■
84726	JHP951100E2C.0Z4-SIRA	2	E	10	10	22	70	28	9.4	0	0.3	4	■
84689	JHP951100E2R050.0Z4-SIRA	2	E	10	10	22	70	28	9.4	0.5	-	4	■
84702	JHP951100E2R100.0Z4-SIRA	2	E	10	10	22	70	28	9.4	1	-	4	■
84701	JHP951120E2C.0Z4-SIRA	2	E	12	12	26	80	33	11.4	0	0.4	4	■
84707	JHP951120E2R050.0Z4-SIRA	2	E	12	12	26	80	33	11.4	0.5	-	4	■
84724	JHP951120E2R100.0Z4-SIRA	2	E	12	12	26	80	33	11.4	1	-	4	■
04830	JHP951160E2C.0Z4-SIRA	2	E	16	16	34	90	40	15	0	0.5	4	■
04833	JHP951160E2R050.0Z4-SIRA	2	E	16	16	34	90	40	15	0.5	-	4	■
04834	JHP951160E2R100.0Z4-SIRA	2	E	16	16	34	90	40	15	1	-	4	■
84700	JHP951160E2C.0Z5-SIRA	2	E	16	16	34	90	40	15.4	0	0.5	5	■
84710	JHP951160E2R050.0Z5-SIRA	2	E	16	16	34	90	40	15.4	0.5	-	5	■
84720	JHP951160E2R100.0Z5-SIRA	2	E	16	16	34	90	40	15.4	1	-	5	■

■ Stock standard. Subject to change, refer to current price-and stock-list.

JHP951 – Solid carbide end mill – curved helix – polished coating – Weldon shank – 45° corner radius



Tolerances:
 $dm_m = h5$
 $D_c = e7$
 $r_{\epsilon 1} = \pm 0.02 \text{ mm}$



EDP No.	Part No.	Length index	Tool shape	Dimensions in mm									z _n	Weldon
				D _c	dm _m	a _p	l ₂	l ₃	D _n	r _{ε1}	c x 45°			
84708	JHP951030F2C.3Z3-SIRA	2	F	3	6	8	50	-	-	0	0.1	3	■	
84746	JHP951030F2R020.3Z3-SIRA	2	F	3	6	8	50	-	-	0.2	-	3	□	
84743	JHP951030F2R050.3Z3-SIRA	2	F	3	6	8	50	-	-	0.5	-	3	□	
84711	JHP951040F2C.3Z4-SIRA	2	F	4	6	10	55	-	-	0	0.15	4	■	
84735	JHP951040F2R020.3Z4-SIRA	2	F	4	6	10	55	-	-	0.2	-	4	□	
84747	JHP951040F2R050.3Z4-SIRA	2	F	4	6	10	55	-	-	0.5	-	4	□	
84703	JHP951050F2C.3Z4-SIRA	2	F	5	6	12	55	-	-	0	0.2	4	■	
84738	JHP951050F2R020.3Z4-SIRA	2	F	5	6	12	55	-	-	0.2	-	4	□	
84739	JHP951050F2R050.3Z4-SIRA	2	F	5	6	12	55	-	-	0.5	-	4	□	
84719	JHP951060D2C.3Z4-SIRA	2	D	6	6	14	55	-	-	0	0.2	4	■	
84744	JHP951060D2R020.3Z4-SIRA	2	D	6	6	14	55	-	-	0.2	-	4	□	
84737	JHP951060D2R050.3Z4-SIRA	2	D	6	6	14	55	-	-	0.5	-	4	□	
84714	JHP951080D2C.3Z4-SIRA	2	D	8	8	18	60	-	-	0	0.3	4	■	
84740	JHP951080D2R020.3Z4-SIRA	2	D	8	8	18	60	-	-	0.2	-	4	□	
84742	JHP951080D2R050.3Z4-SIRA	2	D	8	8	18	60	-	-	0.5	-	4	□	
84745	JHP951080D2R100.3Z4-SIRA	2	D	8	8	18	60	-	-	1	-	4	□	
84716	JHP951100E2C.3Z4-SIRA	2	E	10	10	22	70	28	9.4	0	0.3	4	■	
84734	JHP951100E2R050.3Z4-SIRA	2	E	10	10	22	70	28	9.4	0.5	-	4	□	
84736	JHP951100E2R100.3Z4-SIRA	2	E	10	10	22	70	28	9.4	1	-	4	□	
84705	JHP951120E2C.3Z4-SIRA	2	E	12	12	26	80	33	11.4	0	0.4	4	■	
84732	JHP951120E2R050.3Z4-SIRA	2	E	12	12	26	80	33	11.4	0.5	-	4	□	
84741	JHP951120E2R100.3Z4-SIRA	2	E	12	12	26	80	33	11.4	1	-	4	□	
04832	JHP951160E2C.3Z4-SIRA	2	E	16	16	34	90	40	15	0	0.5	4	■	
04838	JHP951160E2R050.3Z4-SIRA	2	E	16	16	34	90	40	15	0.5	-	4	□	
04847	JHP951160E2R100.3Z4-SIRA	2	E	16	16	34	90	40	15	1	-	4	□	
04835	JHP951200E2R050.3Z4-SIRA	2	E	20	20	42	100	48	19	0.5	-	4	□	
04836	JHP951200E2R100.3Z4-SIRA	2	E	20	20	42	100	48	19	1	-	4	□	
84721	JHP951160E2C.3Z5-SIRA	2	E	16	16	34	90	40	15.4	0	0.5	5	■	
84748	JHP951160E2R050.3Z5-SIRA	2	E	16	16	34	90	40	15.4	0.5	-	5	□	
84733	JHP951160E2R100.3Z5-SIRA	2	E	16	16	34	90	40	15.4	1	-	5	□	
84709	JHP951200E2R050.3Z5-SIRA	2	E	20	20	42	100	48	19.4	0.5	-	5	■	
84722	JHP951200E2R100.3Z5-SIRA	2	E	20	20	42	100	48	19.4	1	-	5	■	
84706	JHP951250E2R050.3Z5-SIRA	2	E	25	25	52	125	65	24.4	0.5	-	5	■	
84691	JHP951250E2R100.3Z5-SIRA	2	E	25	25	52	125	65	24.4	1	-	5	■	

■ Stock standard. Subject to change, refer to current price-and stock-list. □ Weldon available, delivery time is 3 days.

Cutting data – JHP951 Slotting

SMG		a_p / D_c	f_z											v_c
			3	4	6	8	10	12	14	16	18	20	25	
P1	E/M/A	1.5	0.024	0.032	0.048	0.065	0.080	0.095	0.11	0.13	0.14	0.16	0.20	160 (140 – 180)
P2	E/M/A	1.5	0.024	0.032	0.048	0.065	0.080	0.095	0.11	0.13	0.14	0.16	0.20	155 (135 – 175)
P3	E/M/A	1.5	0.024	0.032	0.048	0.065	0.080	0.095	0.11	0.13	0.14	0.16	0.20	165 (145 – 190)
P4	E/M/A	1.5	0.024	0.032	0.048	0.065	0.080	0.095	0.11	0.13	0.14	0.16	0.20	145 (125 – 170)
P5	E/M/A	1.5	0.024	0.032	0.048	0.065	0.080	0.095	0.11	0.13	0.14	0.16	0.19	140 (120 – 160)
P6	E/M/A	1.5	0.024	0.032	0.048	0.065	0.080	0.095	0.11	0.13	0.14	0.16	0.19	110 (95 – 130)
P7	E/M/A	1.5	0.024	0.032	0.048	0.065	0.080	0.095	0.11	0.13	0.14	0.16	0.19	105 (90 – 125)
P8	E/M/A	1.5	0.024	0.032	0.048	0.065	0.080	0.095	0.11	0.13	0.14	0.16	0.20	100 (85 – 115)
P11	E/M/A	1.5	0.024	0.032	0.048	0.065	0.080	0.095	0.11	0.13	0.14	0.16	0.19	105 (85 – 120)
K1	E/M/A	1.5	0.024	0.032	0.048	0.065	0.080	0.095	0.11	0.13	0.14	0.16	0.20	195 (170 – 225)
K2	E/M/A	1.5	0.024	0.032	0.048	0.065	0.080	0.095	0.11	0.13	0.14	0.16	0.19	170 (145 – 195)
K3	E/M/A	1.5	0.024	0.032	0.048	0.065	0.080	0.095	0.11	0.13	0.14	0.16	0.19	145 (125 – 165)
K4	E/M/A	1.5	0.024	0.032	0.048	0.065	0.080	0.095	0.11	0.13	0.14	0.16	0.19	135 (115 – 155)
K5	E/M/A	1.5	0.024	0.032	0.048	0.065	0.080	0.095	0.11	0.13	0.14	0.15	0.17	60 (48 – 70)
K6	E/M/A	1.5	0.024	0.032	0.048	0.065	0.080	0.095	0.11	0.13	0.14	0.16	0.19	85 (70 – 100)
K7	E/M/A	1.5	0.024	0.032	0.048	0.065	0.080	0.095	0.11	0.13	0.14	0.15	0.17	75 (60 – 85)

Cutting data – JHP951 Side milling $a_p/D_c = 0.4$

SMG		a_p / D_c	f_z											v_c
			3	4	6	8	10	12	14	16	18	20	25	
P1	E/M/A	1.7	0.034	0.044	0.065	0.090	0.11	0.13	0.15	0.16	0.17	0.19	0.22	185 (165 – 210)
P2	E/M/A	1.7	0.034	0.044	0.065	0.090	0.11	0.13	0.15	0.17	0.18	0.19	0.22	180 (160 – 205)
P3	E/M/A	1.7	0.032	0.042	0.065	0.085	0.11	0.13	0.14	0.16	0.17	0.18	0.20	195 (165 – 220)
P4	E/M/A	1.7	0.032	0.042	0.060	0.085	0.10	0.12	0.14	0.15	0.17	0.18	0.20	175 (150 – 200)
P5	E/M/A	1.7	0.030	0.040	0.060	0.080	0.10	0.12	0.14	0.15	0.16	0.17	0.20	165 (145 – 190)
P6	E/M/A	1.7	0.030	0.040	0.060	0.080	0.10	0.12	0.14	0.15	0.16	0.17	0.19	135 (110 – 155)
P7	E/M/A	1.7	0.030	0.040	0.060	0.080	0.10	0.12	0.14	0.15	0.16	0.17	0.19	125 (105 – 145)
P8	E/M/A	1.7	0.032	0.042	0.065	0.085	0.11	0.13	0.14	0.16	0.17	0.18	0.20	115 (95 – 135)
P11	E/M/A	1.7	0.030	0.040	0.060	0.080	0.10	0.12	0.14	0.15	0.16	0.17	0.19	120 (100 – 145)
K1	E/M/A	1.7	0.034	0.044	0.065	0.090	0.11	0.13	0.15	0.17	0.18	0.19	0.22	225 (195 – 260)
K2	E/M/A	1.7	0.030	0.040	0.060	0.080	0.10	0.12	0.14	0.15	0.16	0.17	0.20	200 (175 – 230)
K3	E/M/A	1.7	0.030	0.040	0.060	0.080	0.10	0.12	0.14	0.15	0.16	0.17	0.20	170 (145 – 195)
K4	E/M/A	1.7	0.030	0.040	0.060	0.080	0.10	0.12	0.14	0.15	0.16	0.17	0.20	165 (140 – 185)
K5	E/M/A	1.7	0.028	0.036	0.055	0.075	0.090	0.11	0.12	0.14	0.15	0.16	0.18	70 (60 – 85)
K6	E/M/A	1.7	0.030	0.040	0.060	0.080	0.10	0.12	0.14	0.15	0.16	0.17	0.20	100 (85 – 120)
K7	E/M/A	1.7	0.028	0.036	0.055	0.075	0.090	0.11	0.12	0.14	0.15	0.16	0.18	90 (75 – 105)

For cutting data recalculations, see pages 336-344.

SMG = Seco material group

Coolant = A=air D=dry E=emulsion M=mist spray

v_c = m/min

f_z = mm

a_p (mm)/ D_c (mm) = factor

a_s (mm)/ D_c (mm) = factor

All cutting data are target values

JH141 - Solid carbide end mill - corner radius - cylindrical



Tolerances:

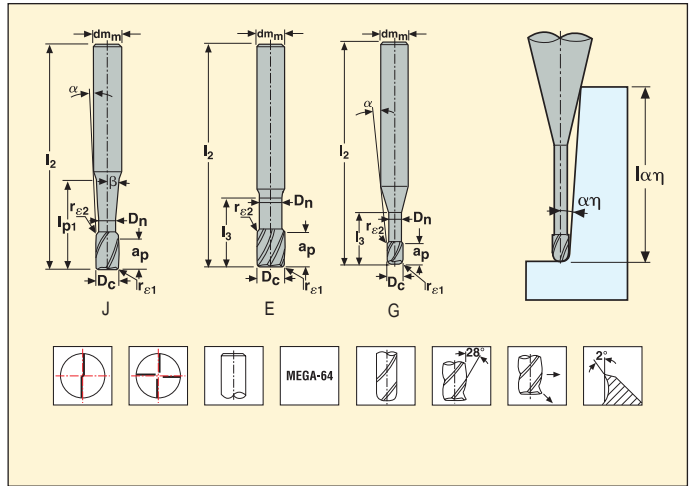
$dm_m = h5$

$D_c = \varnothing 2-6 = -0.005/-0.015$ mm, $\varnothing 8-10 = -0.005/-0.02$ mm,

$\varnothing 12-16 = -0.005/-0.025$ mm

$r_{e1} = +/- 0.01$ mm

$\beta = 0.9$



EDP No.	Part No.	Length index	Tool shape	Dimensions in mm											Max. cut depth rel. to α_n (l_{α_n} , ref)*					
				D _c	dm _m	a _p	l ₂	l ₃	l _{p1}	D _n	r _{e1}	r _{e2}	α°	z _n	0°	0.5°	1°	1.5°	2°	3°
32945	141V020R030Z2-MEGA-64	2	G	2	4	2	40	4	4	1.9	0.3	2	7.5	2	4	4.6	4.7	4.9	5.1	5.5
32946	141V020R050Z2-MEGA-64	2	G	2	4	2	40	4	4	1.9	0.5	2	7.5	2	4	4.6	4.7	4.9	5	5.4
32951	141V030R050Z2-MEGA-64	2	G	3	4	3	40	6	6	2.8	0.5	2	4	2	6	7	7.2	7.4	7.7	8.3
32952	141V030R100Z2-MEGA-64	2	G	3	4	3	40	6	6	2.8	1	2	4	2	6	7	7.2	7.4	7.6	8.2
32957	141V040R030Z2-MEGA-64	2	G	4	6	4	50	8	8	3.7	0.3	2	5	2	8	9.4	9.7	10	10.4	11.2
32958	141V040R050Z2-MEGA-64	2	G	4	6	4	50	8	8	3.7	0.5	2	5	2	8	9.4	9.7	10	10.4	11.2
32959	141V040R100Z2-MEGA-64	2	G	4	6	4	50	8	8	3.7	1	2	5	2	8	9.4	9.7	10	10.3	11.1
39391	141V060R050Z4-MEGA-64	2	E	6	6	6	50	12	12	5.6	0.5	2	-	4	12	∞	∞	∞	∞	∞
32967	141V060R100Z4-MEGA-64	2	E	6	6	6	50	12	12	5.6	1	2	-	4	12	∞	∞	∞	∞	∞
32968	141V060R150Z4-MEGA-64	2	E	6	6	6	50	12	12	5.6	1.5	2	-	4	12	∞	∞	∞	∞	∞
32969	141V060R200Z4-MEGA-64	2	E	6	6	6	50	12	12	5.6	2	2	-	4	12	∞	∞	∞	∞	∞
39395	141V080R050Z4-MEGA-64	2	E	8	8	8	60	16	16	7.4	0.5	2	-	4	16	∞	∞	∞	∞	∞
32980	141V080R100Z4-MEGA-64	2	E	8	8	8	60	16	16	7.4	1	2	-	4	16	∞	∞	∞	∞	∞
32981	141V080R150Z4-MEGA-64	2	E	8	8	8	60	16	16	7.4	1.5	2	-	4	16	∞	∞	∞	∞	∞
32982	141V080R200Z4-MEGA-64	2	E	8	8	8	60	16	16	7.4	2	2	-	4	16	∞	∞	∞	∞	∞
32983	141V080R300Z4-MEGA-64	2	E	8	8	8	60	16	16	7.4	3	2	-	4	16	∞	∞	∞	∞	∞
39399	141V100R050Z4-MEGA-64	2	E	10	10	10	70	20	20	9.4	0.5	2	-	4	20	∞	∞	∞	∞	∞
32996	141V100R100Z4-MEGA-64	2	E	10	10	10	70	20	20	9.4	1	2	-	4	20	∞	∞	∞	∞	∞
32998	141V100R200Z4-MEGA-64	2	E	10	10	10	70	20	20	9.4	2	2	-	4	20	∞	∞	∞	∞	∞
32999	141V100R250Z4-MEGA-64	2	E	10	10	10	70	20	20	9.4	2.5	2	-	4	20	∞	∞	∞	∞	∞
33011	141V120R100Z4-MEGA-64	2	E	12	12	12	75	24	24	11.4	1	3	-	4	24	∞	∞	∞	∞	∞
33012	141V120R200Z4-MEGA-64	2	E	12	12	12	75	24	24	11.4	2	3	-	4	24	∞	∞	∞	∞	∞
33013	141V120R300Z4-MEGA-64	2	E	12	12	12	75	24	24	11.4	3	3	-	4	24	∞	∞	∞	∞	∞
33018	141V160R400Z4-MEGA-64	2	E	16	16	16	90	32	32	15.4	4	4	-	4	32	∞	∞	∞	∞	∞
32947	141VL020R030TNZ2-MEGA-64	3	J	2	6	2	50	-	10	1.9	0.3	2	7	2	5.6	10.3	10.7	11	11.4	12.3
32948	141VL020R050TNZ2-MEGA-64	3	J	2	6	2	50	-	10	1.9	0.5	2	7	2	5.6	10.3	10.6	11	11.4	12.3
32953	141VL030R050TNZ2-MEGA-64	3	J	3	6	3	60	-	15	2.8	0.5	2	4.5	2	9.9	15.5	16.1	16.6	17.2	18.6
32954	141VL030R100TNZ2-MEGA-64	3	J	3	6	3	60	-	15	2.8	1	2	4.5	2	9.9	15.5	16	16.6	17.2	18.5
32961	141VL040R030TNZ2-MEGA-64	3	J	4	6	4	60	-	20	3.7	0.3	2	2.5	2	14.3	20.8	21.5	22.3	23.1	∞
32962	141VL040R050TNZ2-MEGA-64	3	J	4	6	4	60	-	20	3.7	0.5	2	2.5	2	14.3	20.8	21.5	22.3	23.1	∞
32963	141VL040R100TNZ2-MEGA-64	3	J	4	6	4	60	-	20	3.7	1	2	3	2	14.3	20.8	21.5	22.2	23	∞
39392	141VL060R050TNZ4-MEGA-64	3	J	6	8	6	75	-	30	5.6	0.5	2	1.8	4	18.8	30.9	32	33	∞	∞
32970	141VL060R100TNZ4-MEGA-64	3	J	6	8	6	75	-	30	5.6	1	2	2	4	19.6	31.1	32.1	33.2	∞	∞
32971	141VL060R150TNZ4-MEGA-64	3	J	6	8	6	75	-	30	5.6	1.5	2	2	4	19.6	31.1	32.1	33.2	∞	∞
32972	141VL060R200TNZ4-MEGA-64	3	J	6	8	6	75	-	30	5.6	2	2	2	4	19.6	31	32	33.1	∞	∞
39396	141VL080R050TNZ4-MEGA-64	3	J	8	10	8	85	-	40	7.4	0.5	2	1.4	4	27.3	41.4	42.8	∞	∞	∞
32984	141VL080R100TNZ4-MEGA-64	3	J	8	10	8	85	-	40	7.4	1	2	1.5	4	41.6	43	∞	∞	∞	∞

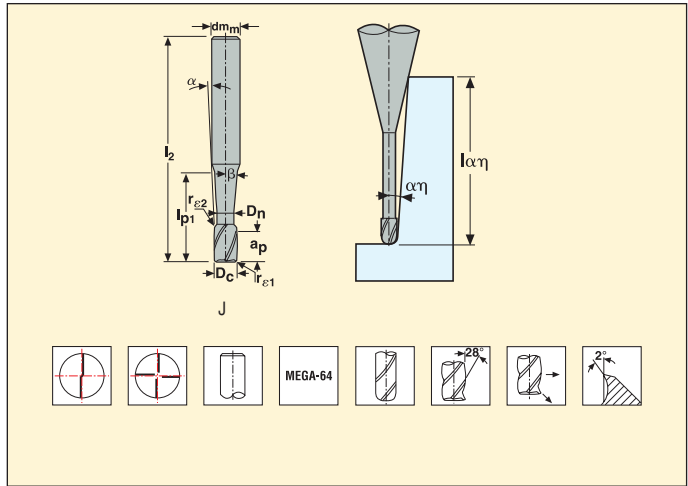
* The effective under-neck length for the various draft angles. Remark ∞ = infinity, no collision in projection length area.

JH141 – Solid carbide end mill – corner radius – cylindrical



Tolerances:

$dm_m = h5$
 $D_c = \varnothing 2-6 = -0.005/-0.015$ mm, $\varnothing 8-10 = -0.005/-0.02$ mm,
 $\varnothing 12-16 = -0.005/-0.025$ mm
 $r_{\epsilon 1} = +/- 0.01$ mm
 $\beta = 0.9$



EDP No.	Part No.	Length index	Tool shape	Dimensions in mm											Max. cut depth rel. to α_{η} (α_{η} , ref)*					
				D _c	dm _m	a _p	l ₂	l _{p1}	D _n	r _{ε1}	r _{ε2}	α ₁ °	z _n	0°	0.5°	1°	1.5°	2°	3°	
32985	141VL080R150TNZ4-MEGA-64	3	J	8	10	8	85	40	7.4	1.5	2	1.5	4	28.1	∞	∞	∞	∞	∞	
32986	141VL080R200TNZ4-MEGA-64	3	J	8	10	8	85	40	7.4	2	2	1.5	4	41.5	42.9	∞	∞	∞	∞	
39400	141VL100R050TNZ4-MEGA-64	3	J	10	12	10	100	50	9.4	0.5	2	1.1	4	29.1	51.6	53.2	∞	∞	∞	
33002	141VL100R100TNZ4-MEGA-64	3	J	10	12	10	100	50	9.4	1	2	1.5	4	30.1	51.7	53.4	∞	∞	∞	
33003	141VL100R200TNZ4-MEGA-64	3	J	10	12	10	100	50	9.4	2	2	1.5	4	30.1	51.6	53.3	∞	∞	∞	
32949	141VXL020R030TNZ2-MEGA-64	4	J	2	6	2	60	20	1.9	0.3	2	4.5	2	5.6	12.3	20.7	21.5	22.3	24	
32950	141VXL020R050TNZ2-MEGA-64	4	J	2	6	2	60	20	1.9	0.5	2	4.5	2	5.6	12	20.7	21.4	22.2	24	
32955	141VXL030R050TNZ2-MEGA-64	4	J	3	6	3	75	30	2.8	0.5	2	3	2	9.9	21.9	31.2	32.3	33.5	∞	
32956	141VXL030R100TNZ2-MEGA-64	4	J	3	6	3	75	30	2.8	1	2	3	2	9.9	21.2	31.1	32.2	33.4	∞	
32964	141VXL040R030TNZ2-MEGA-64	4	J	4	6	4	80	40	3.7	0.3	2	1.5	2	14.3	31.8	41.7	∞	∞	∞	
32965	141VXL040R050TNZ2-MEGA-64	4	J	4	6	4	80	40	3.7	0.5	2	1.5	2	14.3	31.6	41.6	∞	∞	∞	
32966	141VXL040R100TNZ2-MEGA-64	4	J	4	6	4	80	40	3.7	1	2	1.5	2	14.3	30.9	41.6	∞	∞	∞	
39393	141VXL060R050TNZ4-MEGA-64	4	J	6	8	6	100	60	5.6	0.5	2	1.0	4	18.8	41.6	∞	∞	∞	∞	
32973	141VXL060R100TNZ4-MEGA-64	4	J	6	8	6	100	60	5.6	1	2	1	4	19.6	42.9	62.3	∞	∞	∞	
32975	141VXL060R150TNZ4-MEGA-64	4	J	6	8	6	100	60	5.6	1.5	2	1	4	19.6	42.2	∞	∞	∞	∞	
32976	141VXL060R200TNZ4-MEGA-64	4	J	6	8	6	100	60	5.6	2	2	1	4	19.6	41.6	∞	∞	∞	∞	
39397	141VXL080R050TNZ4-MEGA-64	4	J	8	10	8	125	80	7.4	0.5	2	0.8	4	27.3	60.9	∞	∞	∞	∞	
32988	141VXL080R100TNZ4-MEGA-64	4	J	8	10	8	125	80	7.4	1	2	1	4	41.5	42.8	∞	∞	∞	∞	
39401	141VXL100R050TNZ4-MEGA-64	4	J	10	16	10	150	100	9.4	0.5	2	0.6	4	29.1	65	∞	∞	∞	∞	
33005	141VXL100R100TNZ4-MEGA-64	4	J	10	16	10	150	100	9.4	1	2	2	4	30.1	66.6	103.8	107.5	∞	∞	
39394	141VXXL060R050TNZ2-MEGA-64	5	J	6	10	6	130	90	5.6	0.5	2	1.3	2	18.8	41.6	92.1	∞	∞	∞	
39398	141VXXL080R050TNZ2-MEGA-64	5	J	8	12	8	165	120	7.4	0.5	2	1.0	2	27.3	60.9	∞	∞	∞	∞	
39402	141VXXL100R050TNZ2-MEGA-64	5	J	10	16	10	200	150	9.4	0.5	2	1.2	2	29.1	65	154	∞	∞	∞	

* The effective under -neck length for the various draft angles. Remark ∞ = infinity, no collision in projection length area.

Cutting data – JH141 Copy milling roughing $a_p/D_c = 0.05$

SMG		a_p / D_c	f_z								v_c
			2	3	4	6	8	10	12	16	
P1	M/E	0.050	0.018	0.028	0.036	0.055	0.075	0.090	0.11	0.13	510 (465 – 550)
P2	M/E	0.050	0.019	0.028	0.038	0.055	0.075	0.095	0.11	0.14	495 (450 – 530)
P3	M/E	0.050	0.018	0.026	0.036	0.055	0.070	0.090	0.10	0.13	425 (390 – 465)
P4	M/E	0.050	0.017	0.026	0.034	0.050	0.070	0.085	0.10	0.13	380 (345 – 410)
P5	M/E	0.050	0.017	0.026	0.034	0.050	0.065	0.085	0.10	0.12	360 (330 – 390)
P6	M/E	0.050	0.017	0.026	0.034	0.050	0.065	0.085	0.10	0.12	405 (370 – 440)
P7	M/E	0.050	0.017	0.026	0.034	0.050	0.065	0.085	0.10	0.12	385 (350 – 415)
P8	M/E	0.050	0.018	0.026	0.036	0.055	0.070	0.090	0.10	0.13	360 (330 – 390)
P11	M/E	0.050	0.017	0.026	0.034	0.050	0.065	0.085	0.10	0.12	370 (340 – 405)
K1	A/E	0.050	0.019	0.028	0.038	0.055	0.075	0.095	0.11	0.14	355 (325 – 385)
K2	A/E	0.050	0.017	0.026	0.034	0.050	0.065	0.085	0.10	0.12	315 (285 – 340)
K3	A/E	0.050	0.017	0.026	0.034	0.050	0.065	0.085	0.10	0.12	265 (245 – 285)
K4	A/E	0.050	0.017	0.026	0.034	0.050	0.065	0.085	0.10	0.12	255 (230 – 275)
K5	A/E	0.050	0.015	0.022	0.030	0.046	0.060	0.075	0.090	0.11	155 (140 – 165)
K6	A/E	0.050	0.017	0.026	0.034	0.050	0.065	0.085	0.10	0.12	225 (205 – 240)
K7	A/E	0.050	0.015	0.022	0.030	0.046	0.060	0.075	0.090	0.11	195 (180 – 210)

For cutting data recalculations, see pages 336-344.

SMG = Seco material group

Coolant = A=air D=dry E=emulsion M=mist spray

v_c = m/min


f_z = mm

a_p (mm)/ D_c (mm)= factor

a_e (mm)/ D_c (mm)= factor

All cutting data are target values

Cutting data – JH970 Copy milling rough $a_p/D_c = 0.3$

SMG		a_p / D_c	f_z									v_c
			2	3	4	5	6	8	10	12	16	
P1	M	0.13	0.036	0.055	0.070	0.090	0.11	0.14	0.18	0.22	0.28	320 (280 – 365)
P2	M	0.13	0.036	0.055	0.070	0.090	0.11	0.14	0.18	0.22	0.28	315 (270 – 355)
P3	M	0.13	0.036	0.055	0.070	0.090	0.11	0.14	0.18	0.22	0.28	270 (235 – 305)
P4	M	0.13	0.036	0.055	0.070	0.090	0.11	0.14	0.18	0.22	0.28	240 (205 – 270)
P5	M	0.13	0.036	0.055	0.070	0.090	0.11	0.14	0.18	0.22	0.28	225 (195 – 255)
P6	M	0.13	0.036	0.055	0.070	0.090	0.11	0.14	0.18	0.22	0.28	255 (220 – 290)
P7	M	0.13	0.036	0.055	0.070	0.090	0.11	0.14	0.18	0.22	0.28	240 (210 – 275)
P8	M	0.13	0.036	0.055	0.070	0.090	0.11	0.14	0.18	0.22	0.28	225 (195 – 255)
P11	M	0.13	0.036	0.055	0.070	0.090	0.11	0.14	0.18	0.22	0.28	235 (205 – 265)
S11	E	0.22	0.024	0.036	0.048	0.060	0.070	0.095	0.12	0.14	0.19	140 (120 – 160)
S12	E	0.22	0.024	0.036	0.048	0.060	0.070	0.095	0.12	0.14	0.19	105 (90 – 120)
S13	E	0.22	0.022	0.034	0.046	0.055	0.070	0.090	0.11	0.13	0.17	85 (70 – 95)

For cutting data recalculations, see pages 336-344.

SMG = Seco material group

Coolant = A=air D=dry E=emulsion M=mist spray

v_c = m/min

f_z = mm

a_p (mm)/ D_c (mm) = factor

a_e (mm)/ D_c (mm) = factor

All cutting data are target values

JH111 - Solid carbide end mill - ball nose - cylindrical - two flute

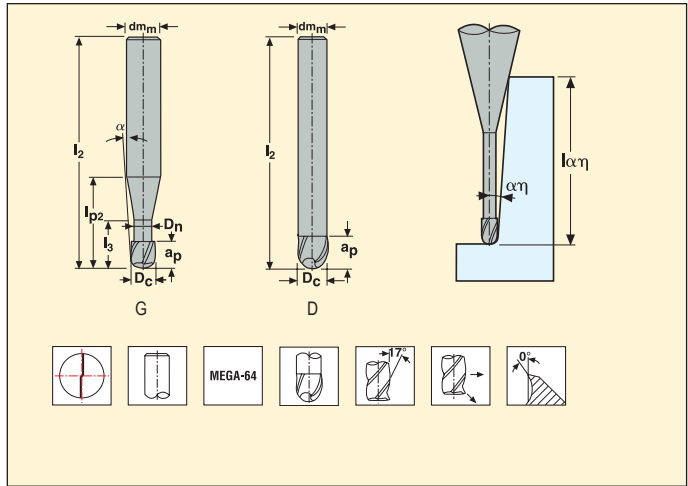


Tolerances:

$dm_m = h5$

$D_c = -0.02/-0.04 \text{ mm}$

Radius = $\pm 0.01 \text{ mm}$



EDP No.	Part No.	Length index	Tool shape	Dimensions in mm									α°	z_n	Max. cut depth rel. to α_n (l_{α_n} , ref)*					
				D_c	dm_m	a_p	l_2	l_3	l_{p2}	D_n	0°	0.5°			1°	1.5°	2°	3°		
10331	111K020-MEGA-64	1	G	2	4	2	40	4	10	1.9	6.5	2	4	4.4	4.6	4.8	5	5.6		
10332	111K030-MEGA-64	1	G	3	4	3	40	6	9.9	2.9	3.5	2	6	6.6	7	7.5	8	9.3		
10333	111K040-MEGA-64	1	D	4	4	4	40	-	-	-	-	2	4	∞	∞	∞	∞	∞		
10334	111K050-MEGA-64	1	G	5	6	5	50	10	18	4.6	2	2	10	13.3	14.7	16.4	∞	∞		
10335	111K060-MEGA-64	1	D	6	6	6	50	-	-	-	-	2	6	∞	∞	∞	∞	∞		
10336	111K080-MEGA-64	1	D	8	8	8	65	-	-	-	-	2	8	∞	∞	∞	∞	∞		
10337	111K100-MEGA-64	1	D	10	10	10	65	-	-	-	-	2	10	∞	∞	∞	∞	∞		
12509	111021-MEGA-64	2	G	2	3	2	50	10	12	1.9	3	2	10	10.4	10.8	11.1	11.5	12.4		
12510	111031-MEGA-64	2	D	3	3	3	50	-	-	-	-	2	3	∞	∞	∞	∞	∞		
12516	111041-MEGA-64	2	D	4	4	4	60	-	-	-	-	2	4	∞	∞	∞	∞	∞		
12517	111051-MEGA-64	2	D	5	5	5	60	-	-	-	-	2	5	∞	∞	∞	∞	∞		
12518	111061-MEGA-64	2	D	6	6	6	75	-	-	-	-	2	6	∞	∞	∞	∞	∞		
10320	111020-MEGA-64	3	G	2	6	2	60	4	16	1.9	8	2	4	4.4	4.6	4.8	5	5.6		
10321	111025-MEGA-64	3	G	2.5	6	2.5	60	5	15.2	2.4	7.5	2	5	5.4	5.7	5.9	6.2	7		
10322	111030-MEGA-64	3	G	3	6	3	60	6	18.1	2.8	5.5	2	6	7.1	7.5	8	8.6	10.2		
10323	111035-MEGA-64	3	G	3.5	6	3.5	65	7	23	3.2	3.5	2	7	9.4	10.4	11.6	13.3	19.1		
10324	111040-MEGA-64	3	G	4	6	4	65	8	21.1	3.7	3	2	8	10.5	11.6	13	14.8	21.3		
10325	111050-MEGA-64	3	G	5	6	5	65	10	18	4.6	2	2	10	13.3	14.7	16.4	∞	∞		
10326	111060-MEGA-64	3	G	6	8	6	75	12	25.7	5.6	3	2	12	15.5	17.1	19.1	21.8	∞		
10327	111080-MEGA-64	3	G	8	8	8	75	-	-	-	-	2	8	∞	∞	∞	∞	∞		
10328	111100-MEGA-64	3	D	10	10	10	80	-	-	-	-	2	10	∞	∞	∞	∞	∞		
10329	111120-MEGA-64	3	D	12	12	12	90	-	-	-	-	2	12	∞	∞	∞	∞	∞		
10330	111160-MEGA-64	3	D	16	16	16	100	-	-	-	-	2	16	∞	∞	∞	∞	∞		
10338	111L020-MEGA-64	4	G	2	6	2	80	4	15.6	1.9	8	2	4	4.4	4.6	4.8	5	5.6		
10339	111L030-MEGA-64	4	G	3	6	3	80	6	18.1	2.8	5.5	2	6	7.1	7.5	8	8.6	10.2		
10340	111L040-MEGA-64	4	G	4	6	4	80	8	21.1	3.7	3	2	8	10.5	11.6	13	14.8	21.3		
10341	111L050-MEGA-64	4	G	5	6	5	100	10	18	4.6	2	2	10	13.3	14.7	16.4	∞	∞		
10342	111L060-MEGA-64	4	G	6	8	6	100	12	25.7	5.6	3	2	12	15.5	17.1	19.1	21.8	∞		
10343	111L080-MEGA-64	4	D	8	8	8	110	-	-	-	-	2	8	∞	∞	∞	∞	∞		
10344	111L100-MEGA-64	4	G	10	10	10	125	-	-	-	-	2	10	∞	∞	∞	∞	∞		
10345	111L120-MEGA-64	4	D	12	12	12	125	-	-	-	-	2	12	∞	∞	∞	∞	∞		
10346	111L160-MEGA-64	4	G	16	16	16	150	-	-	-	-	2	16	∞	∞	∞	∞	∞		

* The effective under -neck length for the various draft angles. Remark ∞ = infinity, no collision in projection length area.

Cutting data – JH111 Copy milling roughing $a_e/D_c = 0.2$

SMG		a_p / D_c	f_z											v_c
			2	2.5	3	3.5	4	5	6	8	10	12	16	
K4	E	0.30	0.024	0.030	0.036	0.044	0.055	0.070	0.095	0.12	0.16	0.18	0.22	215 (175 – 260)
K5	E	0.30	0.020	0.026	0.034	0.040	0.048	0.065	0.085	0.11	0.14	0.17	0.20	130 (105 – 160)
K6	E	0.30	0.024	0.030	0.036	0.044	0.055	0.070	0.095	0.12	0.16	0.18	0.22	190 (150 – 230)
K7	E	0.30	0.020	0.026	0.034	0.040	0.048	0.065	0.085	0.11	0.14	0.17	0.20	170 (135 – 205)
H3	M	0.20	0.024	0.032	0.042	0.050	0.060	0.080	0.095	0.12	0.16	0.18	0.22	125 (100 – 145)
H7	M	0.17	0.026	0.034	0.044	0.055	0.065	0.080	0.095	0.12	0.16	0.18	0.22	125 (105 – 145)

Cutting data – JH111 Copy milling roughing $a_e/D_c = 0.3$

SMG		a_p / D_c	f_z											v_c
			2	2.5	3	3.5	4	5	6	8	10	12	16	
K1	E	0.30	0.020	0.026	0.032	0.038	0.046	0.060	0.080	0.11	0.13	0.16	0.20	295 (235 – 350)
K2	E	0.30	0.018	0.024	0.030	0.036	0.042	0.055	0.075	0.10	0.12	0.14	0.18	260 (205 – 310)
K3	E	0.30	0.018	0.024	0.030	0.036	0.042	0.055	0.075	0.10	0.12	0.14	0.18	220 (175 – 260)
H5	M	0.20	0.030	0.040	0.050	0.065	0.080	0.10	0.12	0.16	0.20	0.24	0.28	200 (165 – 235)
H8	M	0.20	0.036	0.048	0.060	0.075	0.090	0.11	0.14	0.18	0.22	0.26	0.34	195 (160 – 230)
H21	M	0.20	0.036	0.048	0.060	0.075	0.090	0.11	0.14	0.18	0.22	0.26	0.34	195 (160 – 230)
H31	M	0.20	0.030	0.040	0.050	0.065	0.080	0.10	0.12	0.16	0.20	0.24	0.28	150 (125 – 175)

For cutting data recalculations, see pages 336-344.

SMG = Seco material group

Coolant = A=air D=dry E=emulsion M=mist spray

v_c = m/min

f_z = mm

a_p (mm)/ D_c (mm) = factor

a_e (mm)/ D_c (mm) = factor

All cutting data are target values

Cutting data – JH150 Copy milling roughing $a_p/D_c = 0.1$

SMG		a_p / D_c	f_z				v_c
			6	8	10	12	
K5	A	0.15	0.090	0.12	0.15	0.17	120 (85 – 135)
K6	A	0.15	0.090	0.12	0.15	0.18	180 (125 – 200)
K7	A	0.15	0.090	0.12	0.15	0.17	155 (110 – 170)
H3	M	0.030	0.065	0.085	0.11	0.13	110 (95 – 125)
H5	M	0.060	0.090	0.12	0.15	0.18	210 (185 – 235)
H7	M	0.026	0.065	0.085	0.11	0.13	110 (95 – 120)
H8	M	0.060	0.090	0.12	0.15	0.18	210 (185 – 235)
H11	M	0.060	0.090	0.12	0.15	0.18	270 (235 – 300)
H12	M	0.060	0.090	0.12	0.15	0.18	435 (380 – 485)
H21	M	0.060	0.090	0.12	0.15	0.18	210 (185 – 235)
H31	M	0.060	0.090	0.12	0.15	0.18	160 (140 – 175)

Cutting data – JH150 Copy milling roughing $a_p/D_c = 0.3$

SMG		a_p / D_c	f_z				v_c
			6	8	10	12	
K1	A	0.15	0.080	0.11	0.13	0.16	240 (165 – 265)
K2	A	0.15	0.075	0.095	0.12	0.14	210 (145 – 230)
K3	A	0.15	0.075	0.095	0.12	0.14	175 (125 – 195)

For cutting data recalculations, see pages 336-344.

SMG = Seco material group

Coolant = A=air D=dry E=emulsion M=mist spray

v_c = m/min

f_z = mm

a_p (mm)/ D_c (mm)= factor

a_e (mm)/ D_c (mm)= factor

All cutting data are target values

Cutting data – JH160 Copy milling finishing $a_p/D_c = 0.1$

SMG		a_p / D_c	f_z						v_c
			4	5	6	8	10	12	
P1	M/E/A	0.022	0.40	0.50	0.60	0.80	1.0	1.2	490 (405 – 570)
P2	M/E/A	0.022	0.40	0.50	0.60	0.80	1.0	1.2	475 (395 – 550)
P3	M/E/A	0.022	0.40	0.50	0.60	0.80	1.0	1.2	410 (340 – 475)
P4	M/E/A	0.022	0.40	0.50	0.60	0.80	1.0	1.2	360 (300 – 420)
P5	M/E/A	0.022	0.40	0.50	0.60	0.80	1.0	1.2	345 (285 – 400)
P6	M/E/A	0.022	0.40	0.50	0.60	0.80	1.0	1.2	385 (320 – 450)
P7	M/E/A	0.022	0.40	0.50	0.60	0.80	1.0	1.2	365 (305 – 425)
P8	M/E/A	0.022	0.40	0.50	0.60	0.80	1.0	1.2	345 (285 – 400)
P11	M/E/A	0.022	0.40	0.50	0.60	0.80	1.0	1.2	355 (295 – 415)
H3	M/E/A	0.0075	0.40	0.50	0.60	0.80	1.0	1.2	165 (110 – 220)
H5	M/E/A	0.015	0.40	0.50	0.60	0.80	1.0	1.2	305 (205 – 405)
H7	M/E/A	0.0075	0.40	0.50	0.60	0.80	1.0	1.2	165 (110 – 220)
H8	M/E/A	0.015	0.36	0.46	0.55	0.75	0.90	1.1	270 (215 – 325)
H21	M/E/A	0.015	0.36	0.46	0.55	0.75	0.90	1.1	270 (215 – 325)
H31	M/E/A	0.015	0.40	0.50	0.60	0.80	1.0	1.2	215 (160 – 265)

For cutting data recalculations, see pages 336-344.

SMG = Seco material group

Coolant = A=air D=dry E=emulsion M=mist spray

v_c = m/min

f_z = mm

a_p (mm)/ D_c (mm)= factor

a_e (mm)/ D_c (mm)= factor

All cutting data are target values



Name		JHP750	JHP760	JHP770	JHP780	JCO710	JH720
Page		173-175	176-178	179-182	183-185	186-188	189-190
Family		HPM	HPM	HPM	HPM	Hss-Co	HSM/TORNADO
Type of mill							
Shank	Cylindrical	■	■	■	■		■
	Weldon	■	■	■	■	■	
Number of flutes		2-4	2-4	4-5	4	4-6	3
ICC			■	■			
Diameter range	Metric	2-25	4-25	6-25	6-25	16-50	2-16
	Inch						
Lengths available, based on length index		 1,2	 2,3	 2	 2	 2,4	 2,3,4
Operation							
SMG							
M1			•			•	•
M2			•			•	•
M3			•			•	•
M4			•			•	•
M5			•			•	•
S1		•			•		○
S2		•			•		○
S3		•			•		○
S11		•		•		•	•
S12		•		•		•	•
S13		•		•		•	•

■ Stock standard □ Weldon available, delivery time is 3 days
 • Preferred choice, ○ Alternative choice

JHP750 – Solid carbide end mill – corner radius, polished coating, cylindrical shank – unequal flute spacing

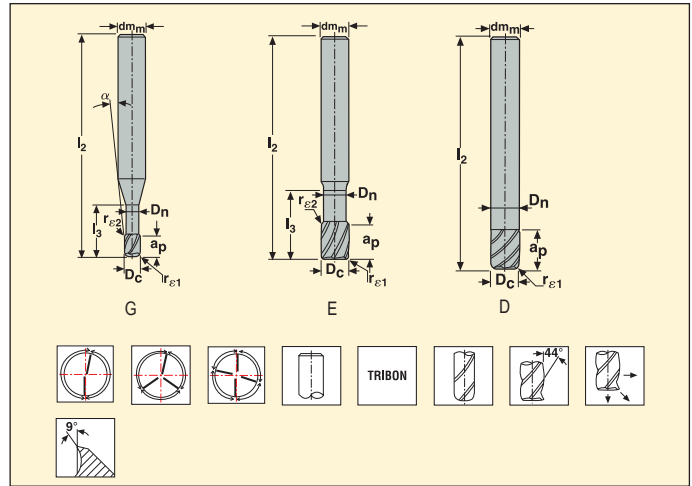


Tolerances:

$dm_m = h5$

$D_c = -0.02 / -0.04 \text{ mm}$

$r_{\epsilon 1} = \pm 0.02 \text{ mm}$



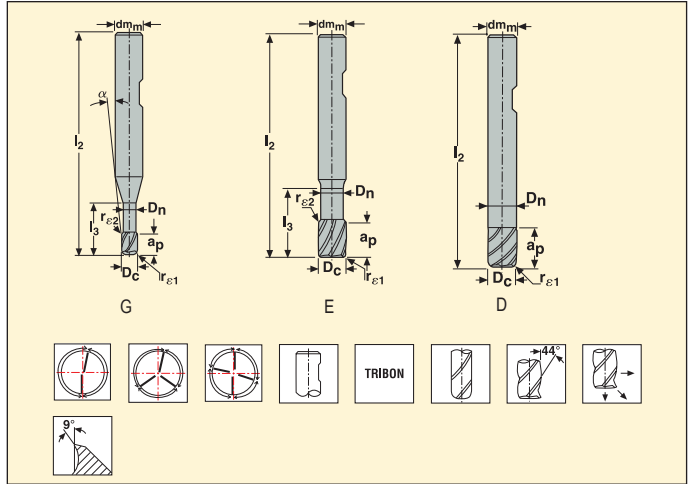
EDP No.	Part No.	Length index	Tool shape	Dimensions in mm										α°	z_n	Cylindrical
				D_c	dm_m	a_p	l_2	l_3	D_n	$r_{\epsilon 1}$	$r_{\epsilon 2}$					
26423	750K080R040.0-TRIBON	1	D	8	8	16	55	-	-	0.4	-	-	4	2	■	
26425	750K100R040.0-TRIBON	1	D	10	10	20	65	-	-	0.4	-	-	4	2	■	
26427	750K100R150.0-TRIBON	1	D	10	10	20	65	-	-	1.5	-	-	4	2	■	
26430	750K120R040.0-TRIBON	1	D	12	12	24	75	-	-	0.4	-	-	4	2	■	
26432	750K120R150.0-TRIBON	1	D	12	12	24	75	-	-	1.5	-	-	4	2	■	
26434	750K160R040.0-TRIBON	1	D	16	16	32	90	-	-	0.4	-	-	4	2	■	
26436	750K160R310.0-TRIBON	1	D	16	16	32	90	-	-	3.1	-	-	4	2	■	
26438	750K160R400.0-TRIBON	1	D	16	16	32	90	-	-	4	-	-	4	2	■	
26440	750K160R150.0-TRIBON	1	D	16	16	32	90	-	-	1.5	-	-	4	2	■	
26442	750K200R080.0-TRIBON	1	D	20	20	40	100	-	-	0.8	-	-	4	2	■	
26444	750K200R310.0-TRIBON	1	D	20	20	40	100	-	-	3.1	-	-	4	2	■	
26446	750K200R400.0-TRIBON	1	D	20	20	40	100	-	-	4	-	-	4	2	■	
24360	750020R020.0-TRIBON	2	G	2	3	3	40	6	1.9	0.2	2	4	2	2	■	
24361	750030R020.0-TRIBON	2	E	3	3	4.5	40	9	2.8	0.2	2	-	2	2	■	
24362	750040R020.0-TRIBON	2	G	4	6	6	40	9	3.7	0.2	2	5	2	2	■	
24363	750050R030.0-TRIBON	2	G	5	6	7.5	40	9	4.6	0.3	2	3	2	2	■	
24364	750060R030.0-TRIBON	2	E	6	6	9	50	19	5.6	0.3	2	-	3	2	■	
24365	750080R040.0-TRIBON	2	E	8	8	16	60	24	7.4	0.4	2	-	4	2	■	
24366	750100R040.0-TRIBON	2	E	10	10	20	70	30	9.4	0.4	2	-	4	2	■	
24369	750100R080.0-TRIBON	2	E	10	10	20	70	30	9.4	0.8	2	-	4	2	■	
24371	750100R200.0-TRIBON	2	E	10	10	20	70	30	9.4	2	2	-	4	2	■	
24373	750120R040.0-TRIBON	2	E	12	12	24	80	35	11.4	0.4	3	-	4	2	■	
24376	750120R080.0-TRIBON	2	E	12	12	24	80	35	11.4	0.8	3	-	4	2	■	
24379	750120R200.0-TRIBON	2	E	12	12	24	80	35	11.4	2	3	-	4	2	■	
24381	750120R310.0-TRIBON	2	E	12	12	24	80	35	11.4	3.1	3	-	4	2	■	
24383	750140R080.0-TRIBON	2	E	14	14	28	90	45	13.4	0.8	4	-	4	2	■	
24385	750140R250.0-TRIBON	2	E	14	14	28	90	45	13.4	2.5	4	-	4	2	■	
24387	750160R040.0-TRIBON	2	E	16	16	32	100	52	15.4	0.4	4	-	4	2	■	
24389	750160R080.0-TRIBON	2	E	16	16	32	100	52	15.4	0.8	4	-	4	2	■	
24391	750160R200.0-TRIBON	2	E	16	16	32	100	52	15.4	2	4	-	4	2	■	
24393	750160R310.0-TRIBON	2	E	16	16	32	100	52	15.4	3.1	4	-	4	2	■	
24395	750160R400.0-TRIBON	2	E	16	16	32	100	52	15.4	4	4	-	4	2	■	
24397	750180R250.0-TRIBON	2	E	18	18	36	100	52	17.4	2.5	4	-	4	2	■	
24399	750200R080.0-TRIBON	2	E	20	20	40	125	75	19.4	0.8	4	-	4	2	■	
24401	750200R200.0-TRIBON	2	E	20	20	40	125	75	19.4	2	4	-	4	2	■	
24403	750200R310.0-TRIBON	2	E	20	20	40	125	75	19.4	3.1	4	-	4	2	■	
24405	750200R400.0-TRIBON	2	E	20	20	40	125	75	19.4	4	4	-	4	2	■	

■ Stock standard. Subject to change, refer to current price-and stock-list.

JHP750 – Solid carbide end mill – corner radius, polished coating, Weldon shank – unequal flute spacing



Tolerances:
 $dm_m = h5$
 $D_c = -0.02/-0.04 \text{ mm}$
 $r_{\epsilon 1} = +/-0.02 \text{ mm}$



EDP No.	Part No.	Length index	Tool shape	Dimensions in mm						Zn	Weldon
				D _c	dm _m	a _p	l ₂	l ₃	r _{ε1}		
26422	750K080R040-TRIBON	1	D	8	8	16	55	16	0.4	4	■
26424	750K100R040-TRIBON	1	D	10	10	20	65	20	0.4	4	■
26426	750K100R150-TRIBON	1	D	10	10	20	65	20	1.5	4	■
26428	750K120R040-TRIBON	1	D	12	12	24	75	24	0.4	4	■
26431	750K120R150-TRIBON	1	D	12	12	24	75	24	1.5	4	■
26433	750K160R040-TRIBON	1	D	16	16	32	90	32	0.4	4	■
26435	750K160R310-TRIBON	1	D	16	16	32	90	32	3.1	4	■
26437	750K160R400-TRIBON	1	D	16	16	32	90	32	4	4	■
26439	750K160R150-TRIBON	1	D	16	16	32	90	32	1.5	4	■
26441	750K200R080-TRIBON	1	D	20	20	40	100	40	0.8	4	■
26443	750K200R310-TRIBON	1	D	20	20	40	100	40	3.1	4	■
26445	750K200R400-TRIBON	1	D	20	20	40	100	40	4	4	■
37931	750K250R050-TRIBON	1	D	25	25	50	125	50	0.5	4	■
37932	750K250R100-TRIBON	1	D	25	25	50	125	50	1	4	■
37933	750K250R200-TRIBON	1	D	25	25	50	125	50	2	4	■
37934	750K250R400-TRIBON	1	D	25	25	50	125	50	4	4	■
26448	750080R040-TRIBON	2	E	8	8	16	60	16	0.4	4	■
24367	750100R040-TRIBON	2	E	10	10	20	70	20	0.4	4	■
24368	750100R080-TRIBON	2	E	10	10	20	70	20	0.8	4	■
24370	750100R200-TRIBON	2	E	10	10	20	70	20	2	4	■
24372	750120R040-TRIBON	2	E	12	12	24	80	24	0.4	4	■
24374	750120R080-TRIBON	2	E	12	12	24	80	24	0.8	4	■
24377	750120R200-TRIBON	2	E	12	12	24	80	24	2	4	■
24380	750120R310-TRIBON	2	E	12	12	24	80	24	3.1	4	■
24382	750140R080-TRIBON	2	E	14	14	28	90	28	0.8	4	■
24384	750140R250-TRIBON	2	E	14	14	28	90	28	2.5	4	■
24386	750160R040-TRIBON	2	E	16	16	32	100	32	0.4	4	■
24388	750160R080-TRIBON	2	E	16	16	32	100	32	0.8	4	■
24390	750160R200-TRIBON	2	E	16	16	32	100	32	2	4	■
24392	750160R310-TRIBON	2	E	16	16	32	100	32	3.1	4	■
24394	750160R400-TRIBON	2	E	16	16	32	100	32	4	4	■
24396	750180R250-TRIBON	2	E	18	18	36	100	36	2.5	4	■
24398	750200R080-TRIBON	2	E	20	20	40	125	40	0.8	4	■
24400	750200R200-TRIBON	2	E	20	20	40	125	40	2	4	■
24402	750200R310-TRIBON	2	E	20	20	40	125	40	3.1	4	■
24404	750200R400-TRIBON	2	E	20	20	40	125	40	4	4	■

Remark: if corner radius >15% of D_c then a_p=-30%, f_z=-20%
 ■ Stock standard. Subject to change, refer to current price-and stock-list.

Cutting data – JHP750 Slotting

SMG		a_p / D_c	f_z											v_c
			2	3	4	6	8	10	12	14	16	18	20	
S1	E/M/A	0.44	0.014	0.020	0.028	0.042	0.055	0.070	0.085	0.10	0.11	0.13	0.14	33 (22 – 43)
S2	E/M/A	0.44	0.014	0.020	0.028	0.042	0.055	0.070	0.085	0.10	0.11	0.13	0.14	33 (22 – 43)
S3	E/M/A	0.44	0.014	0.020	0.028	0.042	0.055	0.070	0.085	0.10	0.11	0.13	0.14	19 (16 – 21)
S11	E/M/A	0.70	0.012	0.018	0.024	0.036	0.048	0.060	0.070	0.080	0.090	0.095	0.10	95 (80 – 110)
S12	E/M/A	0.70	0.012	0.018	0.024	0.036	0.048	0.060	0.070	0.080	0.090	0.095	0.10	75 (65 – 85)
S13	E/M/A	0.60	0.011	0.016	0.022	0.032	0.042	0.055	0.060	0.070	0.075	0.085	0.090	60 (50 – 65)

Cutting data – JHP750 Side milling $a_p/D_c = 0.06$

SMG		a_p / D_c	f_z											v_c
			2	3	4	6	8	10	12	14	16	18	20	
S1	E/M/A	1.3	0.018	0.026	0.036	0.050	0.070	0.085	0.11	0.12	0.13	0.14	0.15	60 (39 – 80)
S2	E/M/A	1.3	0.018	0.026	0.036	0.050	0.070	0.085	0.11	0.12	0.13	0.14	0.15	60 (39 – 80)
S3	E/M/A	1.3	0.018	0.026	0.036	0.050	0.070	0.085	0.11	0.12	0.13	0.14	0.15	34 (28 – 38)
S11	E/M/A	1.3	0.016	0.024	0.032	0.048	0.065	0.080	0.095	0.11	0.13	0.14	0.16	170 (145 – 195)
S12	E/M/A	1.3	0.016	0.024	0.032	0.048	0.065	0.080	0.095	0.11	0.13	0.14	0.16	130 (110 – 150)
S13	E/M/A	1.3	0.016	0.024	0.032	0.048	0.065	0.080	0.095	0.11	0.13	0.14	0.16	100 (85 – 115)

For cutting data recalculations, see pages 336-344.

SMG = Seco material group

Coolant = A=air D=dry E=emulsion M=mist spray

v_c = m/min

f_z = mm

a_p (mm)/ D_c (mm) = factor

a_s (mm)/ D_c (mm) = factor

All cutting data are target values

JHP760 – Solid carbide end mill – corner radius, polished coating, cylindrical shank – unequal flute spacing

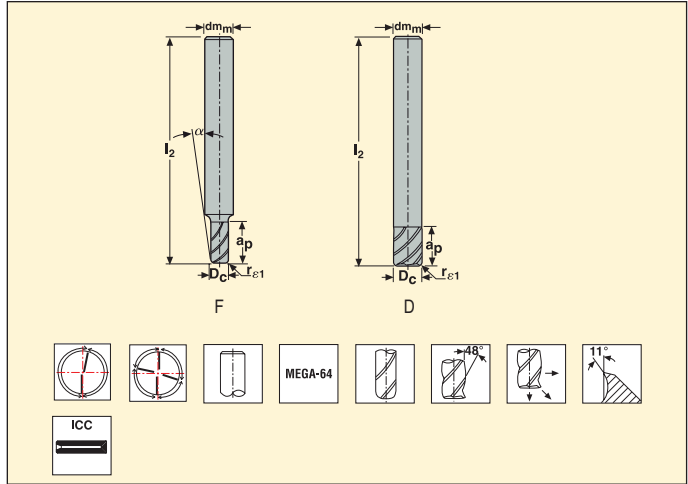


Tolerances:

$dm_m = h5$

$D_c = -0.02 / -0.04 \text{ mm}$

$r_{\epsilon 1} = +/- 0.03 \text{ mm}$



EDP No.	Part No.	Length index	Tool shape	ICC	Dimensions in mm					α°	z_1	Cylindrical
					D_c	dm_m	a_p	l_2	$r_{\epsilon 1}$			
40041	760040R040Z2.0A-MEGA-64	2	F	■	4	6	8	50	0.4	4	2	■
64242	760040R020Z2.0A-MEGA-64	2	F	■	4	6	8	50	0.2	4	2	■
64243	760050R020Z2.0A-MEGA-64	2	F	■	5	6	10	50	0.2	2	2	■
40043	760050R040Z2.0A-MEGA-64	2	F	■	5	6	10	50	0.4	2	2	■
64244	760060R020Z4.0A-MEGA-64	2	D	■	6	6	12	50	0.2	-	4	■
40042	760060R040Z4.0A-MEGA-64	2	D	■	6	6	12	50	0.4	-	4	■
40044	760080R040Z4.0A-MEGA-64	2	D	■	8	8	16	55	0.4	-	4	■
40045	760080R100Z4.0A-MEGA-64	2	D	■	8	8	16	55	1	-	4	■
40049	760100R040Z4.0A-MEGA-64	2	D	■	10	10	20	65	0.4	-	4	■
40052	760100R100Z4.0A-MEGA-64	2	D	■	10	10	20	65	1	-	4	■
40055	760100R150Z4.0A-MEGA-64	2	D	■	10	10	20	65	1.5	-	4	■
40408	760120R040Z4.0A-MEGA-64	2	D	■	12	12	24	75	0.4	-	4	■
40412	760120R100Z4.0A-MEGA-64	2	D	■	12	12	24	75	1	-	4	■
40415	760120R150Z4.0A-MEGA-64	2	D	■	12	12	24	75	1.5	-	4	■
40420	760120R310Z4.0A-MEGA-64	2	D	■	12	12	24	75	3.1	-	4	■
64246	760200R040Z4.0A-MEGA-64	2	D	■	20	20	45	100	0.4	-	4	■
40460	760200R080Z4.0A-MEGA-64	2	D	■	20	20	45	100	0.8	-	4	■
64248	760250R050Z4.0A-MEGA-64	2	D	■	25	25	45	110	0.5	-	4	■
64250	760250R100Z4.0A-MEGA-64	2	D	■	25	25	45	110	1	-	4	■
40046	760L080R040Z4.0A-MEGA-64	3	D	■	8	8	28	65	0.4	-	4	■
40050	760L100R040Z4.0A-MEGA-64	3	D	■	10	10	36	75	0.4	-	4	■
40053	760L100R100Z4.0A-MEGA-64	3	D	■	10	10	36	75	1	-	4	■
40057	760L100R150Z4.0A-MEGA-64	3	D	■	10	10	36	75	1.5	-	4	■
40059	760L100R200Z4.0A-MEGA-64	3	D	■	10	10	36	75	2	-	4	■
40406	760L100R310Z4.0A-MEGA-64	3	D	■	10	10	36	75	3.1	-	4	■
40409	760L120R040Z4.0A-MEGA-64	3	D	■	12	12	42	90	0.4	-	4	■
40413	760L120R100Z4.0A-MEGA-64	3	D	■	12	12	42	90	1	-	4	■
40416	760L120R150Z4.0A-MEGA-64	3	D	■	12	12	42	90	1.5	-	4	■
40418	760L120R200Z4.0A-MEGA-64	3	D	■	12	12	42	90	2	-	4	■
40431	760L160R040Z4.0A-MEGA-64	3	D	■	16	16	50	100	0.4	-	4	■
40435	760L160R100Z4.0A-MEGA-64	3	D	■	16	16	50	100	1	-	4	■
40444	760L160R150Z4.0A-MEGA-64	3	D	■	16	16	50	100	1.5	-	4	■
40451	760L160R200Z4.0A-MEGA-64	3	D	■	16	16	50	100	2	-	4	■

■ Stock standard. Subject to change, refer to current price-and stock-list.

ICC= Internal Coolant Channel

JHP760 – Solid carbide end mill – corner radius, polished coating, Weldon shank – unequal flute spacing

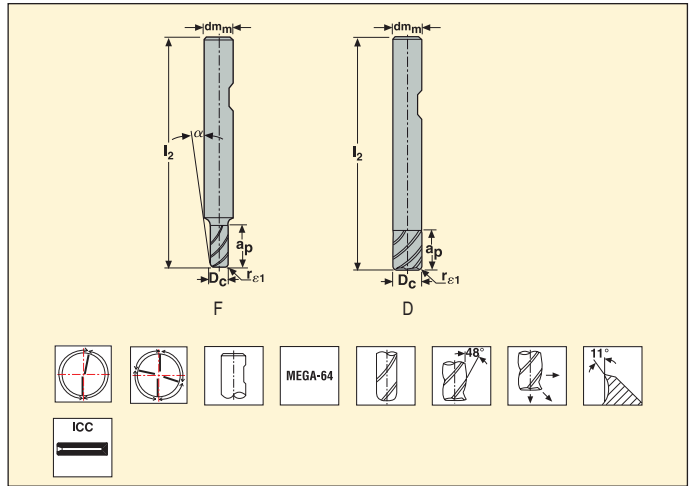


Tolerances:

$dm_m = h5$

$D_c = -0.02 / -0.4 \text{ mm}$

$r_{\varepsilon 1} = + / -0.03 \text{ mm}$



EDP No.	Part No.	Length index	Tool shape	ICC	Dimensions in mm						z _n	Weldon
					D _c	dm _m	a _p	l ₂	r _{ε1}			
64251	760040R020Z2.0A-MEGA-64W	2	F	■	4	6	8	50	0.2	2	<input type="checkbox"/>	
68989	760040R040Z2.0A-MEGA-64W	2	F	■	4	6	8	50	0.4	2	<input type="checkbox"/>	
64252	760050R020Z2.0A-MEGA-64W	2	F	■	5	6	10	50	0.2	2	<input type="checkbox"/>	
68990	760050R040Z2.0A-MEGA-64W	2	F	■	5	6	10	50	0.4	2	<input type="checkbox"/>	
64253	760060R020Z4.0A-MEGA-64W	2	D	■	6	6	12	50	0.2	4	<input type="checkbox"/>	
68991	760060R040Z4.0A-MEGA-64W	2	D	■	6	6	12	50	0.4	4	<input type="checkbox"/>	
68992	760080R040Z4.0A-MEGA-64W	2	D	■	8	8	16	55	0.4	4	<input type="checkbox"/>	
68993	760080R100Z4.0A-MEGA-64W	2	D	■	8	8	16	55	1	4	<input type="checkbox"/>	
40047	760100R040Z4A-MEGA-64	2	D	■	10	10	20	65	0.4	4	■	
40051	760100R100Z4A-MEGA-64	2	D	■	10	10	20	65	1	4	■	
40054	760100R150Z4A-MEGA-64	2	D	■	10	10	20	65	1.5	4	■	
40058	760100R200Z4A-MEGA-64	2	D	■	10	10	20	65	2	4	■	
40407	760120R040Z4A-MEGA-64	2	D	■	12	12	24	75	0.4	4	■	
40411	760120R100Z4A-MEGA-64	2	D	■	12	12	24	75	1	4	■	
40414	760120R150Z4A-MEGA-64	2	D	■	12	12	24	75	1.5	4	■	
40417	760120R200Z4A-MEGA-64	2	D	■	12	12	24	75	2	4	■	
40422	760120R400Z4A-MEGA-64	2	D	■	12	12	24	75	4	4	■	
40429	760160R040Z4A-MEGA-64	2	D	■	16	16	40	90	0.4	4	■	
40433	760160R100Z4A-MEGA-64	2	D	■	16	16	40	90	1	4	■	
40439	760160R150Z4A-MEGA-64	2	D	■	16	16	40	90	1.5	4	■	
40450	760160R200Z4A-MEGA-64	2	D	■	16	16	40	90	2	4	■	
64245	760200R040Z4A-MEGA-64	2	D	■	20	20	45	100	0.4	4	■	
40459	760200R080Z4A-MEGA-64	2	D	■	20	20	45	100	0.8	4	■	
64247	760250R050Z4A-MEGA-64	2	D	■	25	25	45	110	0.5	4	■	
64249	760250R100Z4A-MEGA-64	2	D	■	25	25	45	110	1	4	■	
62387	760L080R040Z4.0A-MEGA-64W	3	D	■	8	8	28	65	0.4	4	<input type="checkbox"/>	
68994	760L100R040Z4.0A-MEGA-64W	3	D	■	10	10	36	75	0.4	4	<input type="checkbox"/>	
68995	760L100R100Z4.0A-MEGA-64W	3	D	■	10	10	36	75	1	4	<input type="checkbox"/>	
68996	760L100R150Z4.0A-MEGA-64W	3	D	■	10	10	36	75	1.5	4	<input type="checkbox"/>	
68997	760L100R200Z4.0A-MEGA-64W	3	D	■	10	10	36	75	2	4	<input type="checkbox"/>	
68999	760L120R040Z4.0A-MEGA-64W	3	D	■	12	12	42	90	0.4	4	<input type="checkbox"/>	
69000	760L120R100Z4.0A-MEGA-64W	3	D	■	12	12	42	90	1	4	<input type="checkbox"/>	
69001	760L120R150Z4.0A-MEGA-64W	3	D	■	12	12	42	90	1.5	4	<input type="checkbox"/>	
69002	760L120R200Z4.0A-MEGA-64W	3	D	■	12	12	42	90	2	4	<input type="checkbox"/>	
69005	760L160R040Z4.0A-MEGA-64W	3	D	■	16	16	50	100	0.4	4	<input type="checkbox"/>	
69006	760L160R100Z4.0A-MEGA-64W	3	D	■	16	16	50	100	1	4	<input type="checkbox"/>	
69007	760L160R150Z4.0A-MEGA-64W	3	D	■	16	16	50	100	1.5	4	<input type="checkbox"/>	
69008	760L160R200Z4.0A-MEGA-64W	3	D	■	16	16	50	100	2	4	<input type="checkbox"/>	

■ Stock standard. Subject to change, refer to current price-and stock-list. □ Weldon available, delivery time is 3 days.

ICC = Internal Coolant Channel

Cutting data – JHP760 Slotting

SMG		a_p / D_c	f_z								v_c
			4	5	6	8	10	12	16	20	
M1	E	1.0	0.018	0.022	0.026	0.036	0.044	0.050	0.065	0.075	105 (90 – 125)
M2	E	1.0	0.016	0.020	0.024	0.032	0.040	0.048	0.060	0.070	90 (75 – 105)
M3	E	0.80	0.013	0.016	0.019	0.026	0.032	0.038	0.048	0.055	70 (60 – 85)
M4	E	0.60	0.011	0.014	0.017	0.022	0.028	0.034	0.042	0.048	55 (45 – 65)
M5	E	0.60	0.011	0.014	0.017	0.022	0.028	0.034	0.042	0.048	45 (37 – 55)

Cutting data – JHP760 Side milling $a_e/D_c = 0.06$

SMG		a_p / D_c	f_z								v_c	
			4	5	6	8	10	12	16	20		25
M1	E	1.5	0.019	0.024	0.028	0.038	0.048	0.055	0.070	0.080	0.090	140 (115 – 165)
M2	E	1.5	0.017	0.022	0.026	0.034	0.044	0.050	0.065	0.075	0.085	115 (95 – 135)
M3	E	1.2	0.014	0.017	0.020	0.028	0.034	0.042	0.050	0.060	0.065	90 (75 – 105)
M4	E	0.90	0.012	0.015	0.018	0.024	0.030	0.036	0.044	0.050	0.060	70 (60 – 80)
M5	E	0.90	0.012	0.015	0.018	0.024	0.030	0.036	0.044	0.050	0.060	60 (48 – 70)

For cutting data recalculations, see pages 336-344.

SMG = Seco material group

Coolant = A=air D=dry E=emulsion M=mist spray

v_c = m/min

f_z = mm

a_p (mm)/ D_c (mm) = factor

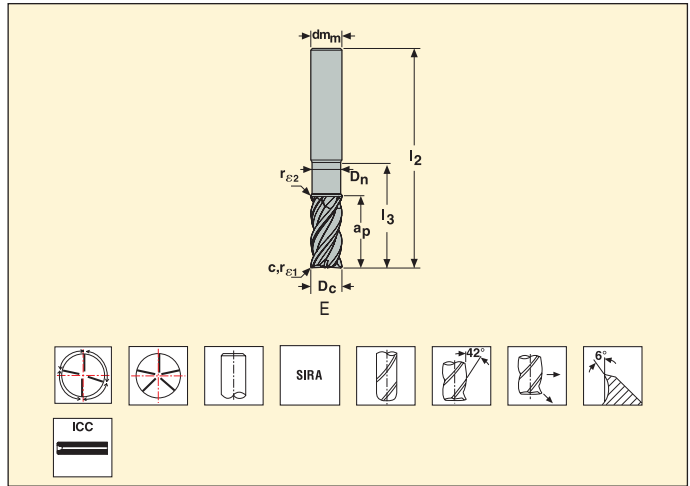
a_e (mm)/ D_c (mm) = factor

All cutting data are target values

JHP770 – Solid carbide end mill – corner radius – polished coating, cylindrical shank – unequal flute spacing



Tolerances:
 $dm_m = h5$
 $D_c = e7$
 $r_{\epsilon 1} = \pm 0.02 \text{ mm}$



EDP No.	Part No.	Length index	Tool shape	ICC	Dimensions in mm									Cylindrical
					D _c	dm _m	a _p	l ₂	l ₃	D _n	r _{ε1}	r _{ε2}	z _n	
67255	JHP770060E2R030.0Z4A-SIRA	2	E	■	6	6	12	60	18	5.6	0.3	2	4	■
84898	JHP770080E2R050.0Z4A-SIRA	2	E	■	8	8	16	65	24	7.4	0.5	2	4	■
84899	JHP770100E2R050.0Z4A-SIRA	2	E	■	10	10	20	75	30	9.4	0.5	2	4	■
84900	JHP770100E2R100.0Z4A-SIRA	2	E	■	10	10	20	75	30	9.4	1	2	4	■
84901	JHP770120E2R050.0Z4A-SIRA	2	E	■	12	12	24	90	36	11.4	0.5	2	4	■
84902	JHP770120E2R100.0Z4A-SIRA	2	E	■	12	12	24	90	36	11.4	1	2	4	■
67262	JHP770120E2R250.0Z4A-SIRA	2	E	■	12	12	24	90	36	11.4	2.5	2	4	■
84903	JHP770140E2R050.0Z4A-SIRA	2	E	■	14	14	28	95	42	13.4	0.5	2	4	■
84904	JHP770160E2R050.0Z4A-SIRA	2	E	■	16	16	32	100	45	15.4	0.5	2	4	■
84905	JHP770160E2R100.0Z4A-SIRA	2	E	■	16	16	32	100	45	15.4	1	2	4	■
67266	JHP770160E2R250.0Z4A-SIRA	2	E	■	16	16	32	100	45	15.4	2.5	2	4	■
67267	JHP770160E2R310.0Z4A-SIRA	2	E	■	16	16	32	100	45	15.4	3.1	2	4	■
67268	JHP770160E2R400.0Z4A-SIRA	2	E	■	16	16	32	100	45	15.4	4	2	4	■
84906	JHP770200E2R050.0Z4A-SIRA	2	E	■	20	20	40	115	55	19.4	0.5	2	4	■
84907	JHP770200E2R100.0Z4A-SIRA	2	E	■	20	20	40	115	55	19.4	1	2	4	■
67271	JHP770200E2R250.0Z4A-SIRA	2	E	■	20	20	40	115	55	19.4	2.5	2	4	■
67272	JHP770200E2R310.0Z4A-SIRA	2	E	■	20	20	40	115	55	19.4	3.1	2	4	■
67273	JHP770200E2R400.0Z4A-SIRA	2	E	■	20	20	40	115	55	19.4	4	2	4	■
84908	JHP770250E2R050.0Z4A-SIRA	2	E	■	25	25	50	130	65	24.4	0.5	2	4	■
84909	JHP770250E2R100.0Z4A-SIRA	2	E	■	25	25	50	130	65	24.4	1	2	4	■
67276	JHP770250E2R310.0Z4A-SIRA	2	E	■	25	25	50	130	65	24.4	3.1	2	4	■
67277	JHP770250E2R400.0Z4A-SIRA	2	E	■	25	25	50	130	65	24.4	4	2	4	■
00757	JHP770160E2R050.0Z5A-SIRA	2	E	■	16	16	32	100	45	15.4	0.5	2	5	■
00758	JHP770160E2R100.0Z5A-SIRA	2	E	■	16	16	32	100	45	15.4	1	2	5	■
00761	JHP770160E2R250.0Z5A-SIRA	2	E	■	16	16	32	100	45	15.4	2.5	2	5	■
00810	JHP770160E2R310.0Z5A-SIRA	2	E	■	16	16	32	100	45	15.4	3.1	2	5	■
10479	JHP770160E2R400.0Z5A-SIRA	2	E	■	16	16	32	100	45	15.4	4	2	5	■
10480	JHP770200E2R050.0Z5A-SIRA	2	E	■	20	20	40	115	55	19.4	0.5	2	5	■
10481	JHP770200E2R100.0Z5A-SIRA	2	E	■	20	20	40	115	55	19.4	1	2	5	■
10494	JHP770200E2R250.0Z5A-SIRA	2	E	■	20	20	40	115	55	19.4	2.5	2	5	■
10496	JHP770200E2R310.0Z5A-SIRA	2	E	■	20	20	40	115	55	19.4	3.1	2	5	■
10498	JHP770200E2R400.0Z5A-SIRA	2	E	■	20	20	40	115	55	19.4	4	2	5	■
10499	JHP770250E2R050.0Z5A-SIRA	2	E	■	25	25	50	130	65	24.4	0.5	2	5	■
10500	JHP770250E2R100.0Z5A-SIRA	2	E	■	25	25	50	130	65	24.4	1	2	5	■
10501	JHP770250E2R310.0Z5A-SIRA	2	E	■	25	25	50	130	65	24.4	3.1	2	5	■
10502	JHP770250E2R400.0Z5A-SIRA	2	E	■	25	25	50	130	65	24.4	4	2	5	■

Remark: if corner radius >15% of D_c then a_p=-30%, f_z=-20%
 ■ Stock standard. Subject to change, refer to current price-and stock-list.
 ICC = Internal Coolant Channel

JHP770 – Solid carbide end mill – corner radius – polished coating, Weldon shank – unequal flute spacing

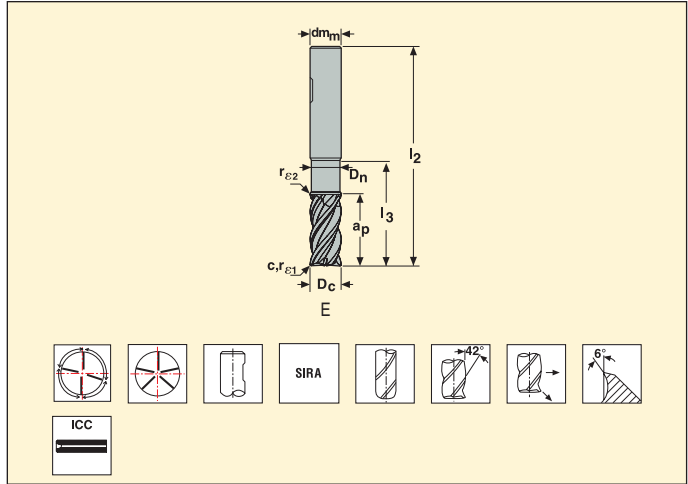


Tolerances:

$dm_m = h5$

$D_c = e7$

$r_{e1} = +/- 0.02 \text{ mm}$



EDP No.	Part No.	Length index	Tool shape	ICC	Dimensions in mm									z _n	Weldon
					D _c	dm _m	a _p	l ₂	l ₃	D _n	r _{e1}	r _{e2}	z _n		
67280	JHP770060E2R030.3Z4A-SIRA	2	E	■	6	6	12	60	18	5.6	0.3	2	4	■	
84910	JHP770080E2R050.3Z4A-SIRA	2	E	■	8	8	16	65	24	7.4	0.5	2	4	■	
84911	JHP770100E2R050.3Z4A-SIRA	2	E	■	10	10	20	75	30	9.4	0.5	2	4	■	
84912	JHP770100E2R100.3Z4A-SIRA	2	E	■	10	10	20	75	30	9.4	1	2	4	■	
84913	JHP770120E2R050.3Z4A-SIRA	2	E	■	12	12	24	90	36	11.4	0.5	2	4	■	
84914	JHP770120E2R100.3Z4A-SIRA	2	E	■	12	12	24	90	36	11.4	1	2	4	■	
67286	JHP770120E2R250.3Z4A-SIRA	2	E	■	12	12	24	90	36	11.4	2.5	2	4	■	
84916	JHP770140E2R050.3Z4A-SIRA	2	E	■	14	14	28	95	42	13.4	0.5	2	4	■	
84918	JHP770160E2R050.3Z4A-SIRA	2	E	■	16	16	32	100	45	15.4	0.5	2	4	■	
84920	JHP770160E2R100.3Z4A-SIRA	2	E	■	16	16	32	100	45	15.4	1	2	4	■	
67289	JHP770160E2R250.3Z4A-SIRA	2	E	■	16	16	32	100	45	15.4	2.5	2	4	■	
67290	JHP770160E2R310.3Z4A-SIRA	2	E	■	16	16	32	100	45	15.4	3.1	2	4	■	
67291	JHP770160E2R400.3Z4A-SIRA	2	E	■	16	16	32	100	45	15.4	4	2	4	■	
84921	JHP770200E2R050.3Z4A-SIRA	2	E	■	20	20	40	115	55	19.4	0.5	2	4	■	
84922	JHP770200E2R100.3Z4A-SIRA	2	E	■	20	20	40	115	55	19.4	1	2	4	■	
67294	JHP770200E2R250.3Z4A-SIRA	2	E	■	20	20	40	115	55	19.4	2.5	2	4	■	
67296	JHP770200E2R310.3Z4A-SIRA	2	E	■	20	20	40	115	55	19.4	3.1	2	4	■	
67297	JHP770200E2R400.3Z4A-SIRA	2	E	■	20	20	40	115	55	19.4	4	2	4	■	
84923	JHP770250E2R050.3Z4A-SIRA	2	E	■	25	25	50	130	65	24.4	0.5	2	4	■	
84924	JHP770250E2R100.3Z4A-SIRA	2	E	■	25	25	50	130	65	24.4	1	2	4	■	
67300	JHP770250E2R310.3Z4A-SIRA	2	E	■	25	25	50	130	65	24.4	3.1	2	4	■	
67303	JHP770250E2R400.3Z4A-SIRA	2	E	■	25	25	50	130	65	24.4	4	2	4	■	
10503	JHP770160E2R050.3Z5A-SIRA	2	E	■	16	16	32	100	45	15.4	0.5	2	5	■	
10504	JHP770160E2R100.3Z5A-SIRA	2	E	■	16	16	32	100	45	15.4	1	2	5	■	
10505	JHP770160E2R250.3Z5A-SIRA	2	E	■	16	16	32	100	45	15.4	2.5	2	5	■	
10506	JHP770160E2R310.3Z5A-SIRA	2	E	■	16	16	32	100	45	15.4	3.1	2	5	■	
10507	JHP770160E2R400.3Z5A-SIRA	2	E	■	16	16	32	100	45	15.4	4	2	5	■	
10508	JHP770200E2R050.3Z5A-SIRA	2	E	■	20	20	40	115	55	19.4	0.5	2	5	■	
10517	JHP770200E2R100.3Z5A-SIRA	2	E	■	20	20	40	115	55	19.4	1	2	5	■	
10520	JHP770200E2R250.3Z5A-SIRA	2	E	■	20	20	40	115	55	19.4	2.5	2	5	■	
10521	JHP770200E2R310.3Z5A-SIRA	2	E	■	20	20	40	115	55	19.4	3.1	2	5	■	
10525	JHP770200E2R400.3Z5A-SIRA	2	E	■	20	20	40	115	55	19.4	4	2	5	■	
10538	JHP770250E2R050.3Z5A-SIRA	2	E	■	25	25	50	130	65	24.4	0.5	2	5	■	
10545	JHP770250E2R100.3Z5A-SIRA	2	E	■	25	25	50	130	65	24.4	1	2	5	■	
10548	JHP770250E2R310.3Z5A-SIRA	2	E	■	25	25	50	130	65	24.4	3.1	2	5	■	
10550	JHP770250E2R400.3Z5A-SIRA	2	E	■	25	25	50	130	65	24.4	4	2	5	■	

Remark: if corner radius >15% of D_c then a_p=-30%, f_z=-20%

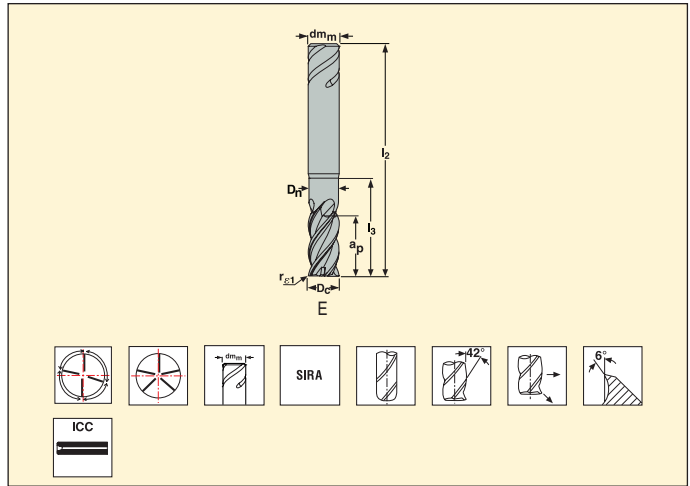
■ Stock standard. Subject to change, refer to current price-and stock-list.

ICC = Internal Coolant Channel

JHP770 – Solid carbide end mill – corner radius – polished coating, Safelock – multi flute



Tolerances:
 $dm_m = h5$
 $D_c = e7$
 $r_{e1} = \pm 0.02 \text{ mm}$



EDP No.	Part No.	Length index	Tool shape	Dimensions in mm									z _n	Safelock
				D _c	dm _m	a _p	l ₂	l ₃	D _n	r _{e1}	r _{e2}			
05039	JHP770120E2R050.9Z4A-SIRA	2	E	12	12	24	90	36	11	0.5	2	4	<input type="checkbox"/>	
05098	JHP770120E2R100.9Z4A-SIRA	2	E	12	12	24	90	36	11	1	2	4	<input type="checkbox"/>	
05099	JHP770120E2R250.9Z4A-SIRA	2	E	12	12	24	90	36	11	2.5	2	4	<input type="checkbox"/>	
05106	JHP770140E2R050.9Z4A-SIRA	2	E	14	14	28	95	42	13	0.5	2	4	<input type="checkbox"/>	
05109	JHP770160E2R100.9Z4A-SIRA	2	E	16	16	32	100	45	15	1	2	4	<input type="checkbox"/>	
05139	JHP770160E2R250.9Z4A-SIRA	2	E	16	16	32	100	45	15	2.5	2	4	<input type="checkbox"/>	
05165	JHP770160E2R310.9Z4A-SIRA	2	E	16	16	32	100	45	15	3.1	2	4	<input type="checkbox"/>	
05201	JHP770160E2R400.9Z4A-SIRA	2	E	16	16	32	100	45	15	4	2	4	<input type="checkbox"/>	
05236	JHP770200E2R050.9Z4A-SIRA	2	E	20	20	40	115	55	19	0.5	2	4	<input type="checkbox"/>	
05254	JHP770200E2R100.9Z4A-SIRA	2	E	20	20	40	115	55	19	1	2	4	<input type="checkbox"/>	
05260	JHP770200E2R250.9Z4A-SIRA	2	E	20	20	40	115	55	19	2.5	2	4	<input type="checkbox"/>	
05283	JHP770200E2R310.9Z4A-SIRA	2	E	20	20	40	115	55	19	3.1	2	4	<input type="checkbox"/>	
05285	JHP770200E2R400.9Z4A-SIRA	2	E	20	20	40	115	55	19	4	2	4	<input type="checkbox"/>	
05322	JHP770250E2R050.9Z4A-SIRA	2	E	25	25	50	130	65	24	0.5	2	4	<input type="checkbox"/>	
05331	JHP770250E2R100.9Z4A-SIRA	2	E	25	25	50	130	65	24	1	2	4	<input type="checkbox"/>	
05357	JHP770250E2R310.9Z4A-SIRA	2	E	25	25	50	130	65	24	3.1	2	4	<input type="checkbox"/>	
05382	JHP770250E2R400.9Z4A-SIRA	2	E	25	25	50	130	65	24	4	2	4	<input type="checkbox"/>	
05423	JHP770160E2R050.9Z4A-SIRA	2	E	16	16	32	100	45	15	0.5	2	4	<input type="checkbox"/>	
05104	JHP770160E2R050.9Z5A-SIRA	2	E	16	16	32	100	45	15	0.5	2	5	<input type="checkbox"/>	
05115	JHP770160E2R100.9Z5A-SIRA	2	E	16	16	32	100	45	15	1	2	5	<input type="checkbox"/>	
05158	JHP770160E2R250.9Z5A-SIRA	2	E	16	16	32	100	45	15	2.5	2	5	<input type="checkbox"/>	
05166	JHP770160E2R310.9Z5A-SIRA	2	E	16	16	32	100	45	15	3.1	2	5	<input type="checkbox"/>	
05204	JHP770160E2R400.9Z5A-SIRA	2	E	16	16	32	100	45	15	4	2	5	<input type="checkbox"/>	
05252	JHP770200E2R050.9Z5A-SIRA	2	E	20	20	40	115	55	19	0.5	2	5	<input type="checkbox"/>	
05257	JHP770200E2R100.9Z5A-SIRA	2	E	20	20	40	115	55	19	1	2	5	<input type="checkbox"/>	
05263	JHP770200E2R250.9Z5A-SIRA	2	E	20	20	40	115	55	19	2.5	2	5	<input type="checkbox"/>	
05284	JHP770200E2R310.9Z5A-SIRA	2	E	20	20	40	115	55	19	3.1	2	5	<input type="checkbox"/>	
05288	JHP770200E2R400.9Z5A-SIRA	2	E	20	20	40	115	55	19	4	2	5	<input type="checkbox"/>	
05323	JHP770250E2R050.9Z5A-SIRA	2	E	25	25	50	130	65	24	0.5	2	5	<input type="checkbox"/>	
05333	JHP770250E2R100.9Z5A-SIRA	2	E	25	25	50	130	65	24	1	2	5	<input type="checkbox"/>	
05348	JHP770250E2R310.9Z5A-SIRA	2	E	25	25	50	130	65	24	3.1	2	5	<input type="checkbox"/>	
05402	JHP770250E2R400.9Z5A-SIRA	2	E	25	25	50	130	65	24	4	2	5	<input type="checkbox"/>	

Remark: if corner radius >15% of D_c then a_p=-30%, f_z=-20%
 Safelock available. Subject to change, refer to current price-and stock-list.

Cutting data – JHP770 Slotting

SMG		a_p / D_c	f_z								v_c
			6	8	10	12	14	16	20	25	
S11	E	1.0	0.030	0.040	0.050	0.060	0.065	0.075	0.085	0.095	110 (95 – 120)
S12	E	1.0	0.030	0.040	0.050	0.060	0.065	0.075	0.085	0.095	85 (75 – 95)
S13	E	0.85	0.026	0.036	0.044	0.050	0.060	0.065	0.075	0.085	65 (60 – 75)

Cutting data – JHP770 Slotting $z_p 5$

SMG		a_p / D_c	f_z			v_c
			16	20	25	
S11	E	1.0	0.075	0.085	0.095	100 (85 – 110)
S12	E	1.0	0.075	0.085	0.095	75 (65 – 85)
S13	E	0.85	0.065	0.075	0.085	60 (55 – 70)

Cutting data – JHP770 Slotting $z_p 5$ Internal coolant

SMG		a_p / D_c	f_z								v_c
			6	8	10	12	14	16	20	25	
S11	E	1.6	0.030	0.040	0.050	0.060	0.065	0.075	0.085	0.095	100 (85 – 110)
S12	E	1.6	0.030	0.040	0.050	0.060	0.065	0.075	0.085	0.095	75 (65 – 85)
S13	E	1.4	0.026	0.036	0.044	0.050	0.060	0.065	0.075	0.085	60 (55 – 70)

Cutting data – JHP770 Side milling $a_e / D_c = 0.4$

SMG		a_p / D_c	f_z								v_c
			6	8	10	12	14	16	20	25	
S11	E	1.8	0.030	0.040	0.050	0.060	0.070	0.075	0.085	0.10	135 (115 – 150)
S12	E	1.8	0.030	0.040	0.050	0.060	0.070	0.075	0.085	0.10	100 (90 – 115)
S13	E	1.8	0.026	0.036	0.044	0.055	0.060	0.065	0.075	0.085	80 (70 – 90)

Cutting data – JHP770 Side milling roughing $a_e / D_c = 0.4$

SMG		a_p / D_c	f_z			v_c
			16	20	25	
S11	E	1.8	0.075	0.085	0.10	120 (105 – 135)
S12	E	1.8	0.075	0.085	0.10	95 (80 – 105)
S13	E	1.8	0.065	0.075	0.085	75 (65 – 85)

For cutting data recalculations, see pages 336-344.

SMG = Seco material group

Coolant = A=air D=dry E=emulsion M=mist spray

v_c = m/min

f_z = mm

a_p (mm)/ D_c (mm)= factor

a_e (mm)/ D_c (mm)= factor

All cutting data are target values

JHP780 – Solid carbide end mill – Weldon – corner radius – polished coating – four flute

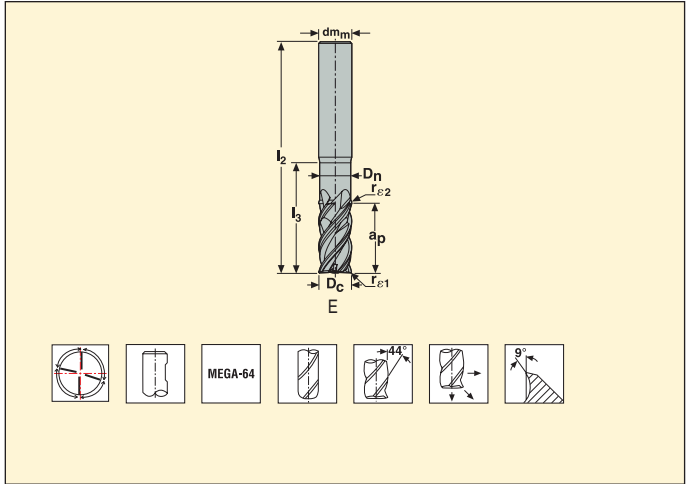


Tolerances:

$dm_m = h5$

$D_c = e7$

$r_{\epsilon 1} = +/- 0.02 \text{ mm}$



EDP No.	Part No.	Length index	Tool shape	Dimensions in mm								z _n	Weldon
				D _c	dm _m	a _p	l ₂	l ₃	D _n	r _{ε1}	r _{ε2}		
67327	JHP780060E2R030.3Z4-M64	2	E	6	6	12	60	18	5.6	0.3	2	4	■
67328	JHP780080E2R040.3Z4-M64	2	E	8	8	16	65	24	7.4	0.4	2	4	■
67329	JHP780100E2R040.3Z4-M64	2	E	10	10	20	75	30	9.4	0.4	2	4	■
67330	JHP780100E2R080.3Z4-M64	2	E	10	10	20	75	30	9.4	0.8	2	4	■
67331	JHP780120E2R040.3Z4-M64	2	E	12	12	24	90	36	11.4	0.4	2	4	■
67332	JHP780120E2R080.3Z4-M64	2	E	12	12	24	90	36	11.4	0.8	2	4	■
67333	JHP780120E2R150.3Z4-M64	2	E	12	12	24	90	36	11.4	1.5	2	4	■
67761	JHP780120E2R250.3Z4-M64	2	E	12	12	24	90	36	11.4	2.5	2	4	■
67334	JHP780140E2R040.3Z4-M64	2	E	14	14	28	95	42	13.4	0.4	2	4	■
67335	JHP780160E2R040.3Z4-M64	2	E	16	16	32	100	45	15.4	0.4	2	4	■
67336	JHP780160E2R080.3Z4-M64	2	E	16	16	32	100	45	15.4	0.8	2	4	■
67337	JHP780160E2R310.3Z4-M64	2	E	16	16	32	100	45	15.4	3.1	2	4	■
67338	JHP780160E2R400.3Z4-M64	2	E	16	16	32	100	45	15.4	4	2	4	■
67339	JHP780200E2R040.3Z4-M64	2	E	20	20	40	115	55	19.4	0.4	2	4	■
67340	JHP780200E2R080.3Z4-M64	2	E	20	20	40	115	55	19.4	0.8	2	4	■
67341	JHP780200E2R310.3Z4-M64	2	E	20	20	40	115	55	19.4	3.1	2	4	■
67342	JHP780200E2R400.3Z4-M64	2	E	20	20	40	115	55	19.4	4	2	4	■
67343	JHP780250E2R040.3Z4-M64	2	E	25	25	50	130	65	24.4	0.4	2	4	■
67344	JHP780250E2R080.3Z4-M64	2	E	25	25	50	130	65	24.4	0.8	2	4	■
67345	JHP780250E2R310.3Z4-M64	2	E	25	25	50	130	65	24.4	3.1	2	4	■
67346	JHP780250E2R400.3Z4-M64	2	E	25	25	50	130	65	24.4	4	2	4	■

■ Stock standard. Subject to change, refer to current price-and stock-list.

Remark: if corner radius is >15% of D₂ then a_p=30%, f_z=20%

Cutting data – JHP780 Slotting

SMG		a_p / D_c	f_z								v_c
			6	8	10	12	14	16	20	25	
S1	E	0.80	0.018	0.024	0.030	0.036	0.040	0.044	0.050	0.055	38 (35 – 42)
S2	E	0.80	0.018	0.024	0.030	0.036	0.040	0.044	0.050	0.055	31 (28 – 34)
S3	E	0.60	0.018	0.024	0.030	0.036	0.040	0.044	0.050	0.055	25 (28 – 22)

Cutting data – JHP780 Side milling $a_e/D_c = 0.3$

SMG		a_p / D_c	f_z								v_c
			6	8	10	12	14	16	20	25	
S1	E	1.0	0.020	0.026	0.032	0.038	0.044	0.048	0.055	0.065	50 (46 – 55)
S2	E	1.0	0.020	0.026	0.032	0.038	0.044	0.048	0.055	0.065	41 (37 – 45)
S3	E	0.80	0.020	0.026	0.032	0.038	0.044	0.048	0.055	0.065	32 (36 – 28)

For cutting data recalculations, see pages 336-344.

SMG = Seco material group

Coolant = A=air D=dry E=emulsion M=mist spray

v_c = m/min

f_z = mm

a_p (mm)/ D_c (mm) = factor

a_e (mm)/ D_c (mm) = factor

All cutting data are target values

Cutting data – JC710 Slotting (for $z_{\eta}=4$ only)

SMG		a_p / D_c	f_z						v_c
			16	20	25	32	40	50	
M1	E	1.0	0.065	0.080	0.10	0.13	0.16	0.19	18 (12 – 24)
M2	E	1.0	0.065	0.080	0.10	0.12	0.15	0.17	14 (10 – 19)
M3	E	0.50	0.048	0.060	0.075	0.090	0.11	0.12	12 (8 – 16)
M4	E	0.50	0.048	0.060	0.075	0.090	0.11	0.12	9 (6 – 12)
M5	E	0.50	0.048	0.060	0.075	0.090	0.11	0.12	7 (5 – 10)
S11	E	0.75	0.048	0.060	0.075	0.095	0.11	0.13	10 (8 – 15)
S12	E	0.75	0.048	0.060	0.075	0.095	0.11	0.13	8 (6 – 12)
S13	E	0.65	0.042	0.050	0.065	0.080	0.095	0.11	6 (5 – 10)

Cutting data – JC710 Side milling $a_p/D_c = 0.5$ for length index 2

SMG		a_p / D_c	f_z						v_c
			16	20	25	32	40	50	
M1	E	1.0	0.065	0.080	0.10	0.13	0.16	0.19	21 (14 – 28)
M2	E	1.0	0.065	0.080	0.10	0.12	0.15	0.17	17 (11 – 23)
S11	E	0.75	0.048	0.060	0.075	0.095	0.11	0.13	12 (9 – 18)
S12	E	0.75	0.048	0.060	0.075	0.095	0.11	0.13	9 (7 – 14)
S13	E	0.65	0.042	0.050	0.065	0.080	0.095	0.11	8 (6 – 11)

For cutting data recalculations, see pages 336-344.

SMG = Seco material group

Coolant = A=air D=dry E=emulsion M=mist spray

v_c = m/min

f_z = mm

a_p (mm)/ D_c (mm) = factor

a_e (mm)/ D_c (mm) = factor

*For length index

All cutting data are target values

JH720 – Solid carbide end mill – ball nose

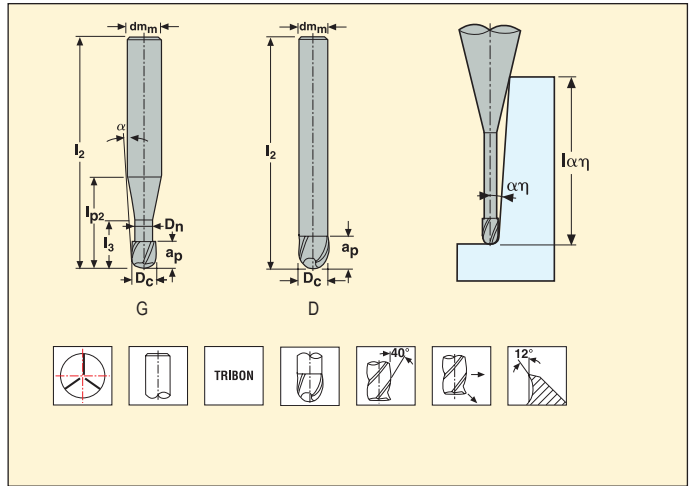


Tolerances:

$dm_m = h5$

$D_c = -0.02 / -0.04 \text{ mm}$

Radius = $\pm 0.01 \text{ mm}$



EDP No.	Part No.	Length index	Tool shape	Dimensions in mm										Max. cut depth rel. to α_n (α_n , ref)*					
				D_c	dm_m	a_p	l_2	l_3	l_{p2}	D_n	α°	z_n	0°	0.5°	1°	1.5°	2°	3°	
08019	720020-TRIBON	2	G	2	6	3	60	6	18.1	1.9	7	3	6.5	7	7.4	7.7	8.2	9.2	
08020	720025-TRIBON	2	G	2.5	6	4	60	6	16.7	2.4	6.5	3	6.5	7	7.3	7.7	8.1	9.1	
08021	720030-TRIBON	2	G	3	6	4.5	60	6.5	19.1	2.8	5	3	7	8.2	8.7	9.3	10	11.9	
08022	720035-TRIBON	2	G	3.5	6	5	65	7	23.5	3.2	3.5	3	7.5	10	11	12.4	14.1	20.4	
08023	720040-TRIBON	2	G	4	6	6	65	8	21.6	3.7	3	3	8.5	11.1	12.2	13.7	15.6	∞	
08024	720050-TRIBON	2	G	5	6	7.5	65	10	18.5	4.6	2	3	10.5	13.9	15.3	17.1	∞	∞	
08025	720060-TRIBON	2	D	6	6	9	75	-	-	-	-	3	9	∞	∞	∞	∞	∞	
08026	720080-TRIBON	2	D	8	8	12	75	-	-	-	-	3	12	∞	∞	∞	∞	∞	
08027	720100-TRIBON	2	D	10	10	15	80	-	-	-	-	3	15	∞	∞	∞	∞	∞	
08028	720120-TRIBON	2	D	12	12	18	90	-	-	-	-	3	18	∞	∞	∞	∞	∞	
08029	720160-TRIBON	2	D	16	16	24	100	-	-	-	-	3	24	∞	∞	∞	∞	∞	

* The effective under-neck length for the various draft angles. Remark ∞ = infinity, no collision in projection length area.

Cutting data – JH720 Side rough milling $a_p/D_c = 0.02$

SMG		a_p / D_c	f_z											v_c
			2	2.5	3	3.5	4	5	6	8	10	12	16	
M1	M/E/A	0.040	0.080	0.11	0.13	0.15	0.17	0.20	0.24	0.32	0.40	0.48	0.60	190 (135 – 245)
M2	M/E/A	0.040	0.080	0.11	0.13	0.15	0.17	0.20	0.24	0.32	0.40	0.48	0.60	155 (110 – 195)
M3	M/E/A	0.040	0.055	0.065	0.080	0.095	0.11	0.14	0.16	0.22	0.28	0.32	0.40	115 (85 – 150)
M4	M/E/A	0.040	0.048	0.060	0.070	0.080	0.095	0.12	0.14	0.19	0.24	0.28	0.34	85 (60 – 110)
M5	M/E/A	0.040	0.048	0.060	0.070	0.080	0.095	0.12	0.14	0.19	0.24	0.28	0.34	75 (50 – 95)
N1	E/M/A	0.060	0.055	0.065	0.080	0.095	0.11	0.14	0.16	0.22	0.28	0.32	0.40	2300 (1850 – 2775)
N2	E/M/A	0.060	0.080	0.11	0.13	0.15	0.17	0.20	0.24	0.32	0.40	0.48	0.60	1450 (1175 – 1750)
N3	E/M/A	0.060	0.080	0.11	0.13	0.15	0.17	0.20	0.24	0.32	0.40	0.48	0.60	970 (780 – 1175)
N11	E/M/A	0.060	0.12	0.15	0.18	0.20	0.24	0.28	0.36	0.48	0.60	0.70	0.80	750 (630 – 880)
S1	E/M/A	0.030	0.055	0.065	0.080	0.095	0.11	0.14	0.16	0.22	0.28	0.32	0.40	90 (75 – 110)
S2	E/M/A	0.030	0.055	0.065	0.080	0.095	0.11	0.14	0.16	0.22	0.28	0.32	0.40	90 (75 – 110)
S3	E/M/A	0.030	0.055	0.065	0.080	0.095	0.11	0.14	0.16	0.22	0.28	0.32	0.40	55 (36 – 70)
S11	E/M/A	0.040	0.055	0.065	0.080	0.095	0.11	0.14	0.16	0.22	0.28	0.32	0.40	225 (190 – 255)
S12	E/M/A	0.040	0.055	0.065	0.080	0.095	0.11	0.14	0.16	0.22	0.28	0.32	0.40	175 (150 – 195)
S13	E/M/A	0.040	0.048	0.060	0.070	0.080	0.095	0.12	0.14	0.19	0.24	0.28	0.34	135 (115 – 155)
TS1	A	0.060	0.055	0.065	0.080	0.095	0.11	0.14	0.16	0.22	0.28	0.32	0.40	1250 (940 – 1550)
TP1	M	0.060	0.055	0.065	0.080	0.095	0.11	0.14	0.16	0.22	0.28	0.32	0.40	1250 (940 – 1550)

Cutting data – JH720 Copy rough milling $a_p/D_c = 0.01$

SMG		a_p / D_c	f_z											v_c
			2	2.5	3	3.5	4	5	6	8	10	12	16	
M1	M/E/A	0.040	0.050	0.065	0.075	0.090	0.10	0.13	0.15	0.20	0.24	0.30	0.36	175 (125 – 225)
M2	M/E/A	0.040	0.050	0.065	0.075	0.090	0.10	0.13	0.15	0.20	0.24	0.30	0.36	140 (100 – 180)
M3	M/E/A	0.040	0.036	0.044	0.055	0.060	0.070	0.085	0.11	0.14	0.18	0.20	0.26	105 (75 – 135)
M4	M/E/A	0.040	0.032	0.040	0.046	0.055	0.060	0.075	0.090	0.13	0.16	0.19	0.24	80 (55 – 105)
M5	M/E/A	0.040	0.032	0.040	0.046	0.055	0.060	0.075	0.090	0.13	0.16	0.19	0.24	65 (48 – 85)
N1	E/M/A	0.060	0.036	0.044	0.055	0.060	0.070	0.085	0.11	0.14	0.18	0.20	0.26	2100 (1700 – 2525)
N2	E/M/A	0.060	0.050	0.065	0.075	0.090	0.10	0.13	0.15	0.20	0.24	0.30	0.36	1350 (1075 – 1625)
N3	E/M/A	0.060	0.050	0.065	0.075	0.090	0.10	0.13	0.15	0.20	0.24	0.30	0.36	900 (720 – 1075)
N11	E/M/A	0.060	0.065	0.085	0.10	0.12	0.14	0.17	0.20	0.28	0.34	0.40	0.48	700 (580 – 820)
S1	E/M/A	0.030	0.036	0.044	0.055	0.060	0.070	0.085	0.11	0.14	0.18	0.20	0.26	85 (65 – 100)
S2	E/M/A	0.030	0.036	0.044	0.055	0.060	0.070	0.085	0.11	0.14	0.18	0.20	0.26	85 (65 – 100)
S3	E/M/A	0.030	0.036	0.044	0.055	0.060	0.070	0.085	0.11	0.14	0.18	0.20	0.26	49 (32 – 65)
S11	E/M/A	0.040	0.036	0.044	0.055	0.060	0.070	0.085	0.11	0.14	0.18	0.20	0.26	205 (175 – 235)
S12	E/M/A	0.040	0.036	0.044	0.055	0.060	0.070	0.085	0.11	0.14	0.18	0.20	0.26	160 (135 – 180)
S13	E/M/A	0.040	0.032	0.040	0.046	0.055	0.060	0.075	0.090	0.13	0.16	0.19	0.24	120 (105 – 140)
TS1	A	0.060	0.036	0.044	0.055	0.060	0.070	0.085	0.11	0.14	0.18	0.20	0.26	1150 (860 – 1425)
TP1	M	0.060	0.036	0.044	0.055	0.060	0.070	0.085	0.11	0.14	0.18	0.20	0.26	1150 (860 – 1425)

For cutting data recalculations, see pages 336-344.

SMG = Seco material group

Coolant = A=air D=dry E=emulsion M=mist spray

v_c = m/min

f_z = mm

a_p (mm)/ D_c (mm) = factor

a_e (mm)/ D_c (mm) = factor

All cutting data are target values



Name		JS412	JS413	JS452	JS453	JHP490
Page		195-197	198-200	201-205	206-210	211-214
Family		JS ²	JS ²	JS ²	JS ²	HPM
Type of mill						
Shank	Cylindrical	■	■	■	■	■
	Weldon	■	■	□	□	■
Number of flutes		2	3	2	3	2-3
ICC						■
Diameter range	Metric	2-20	2-20	8-20	3-20	10-25
	Inch					
Lengths available, based on length index		 2	 2,3	 3	 2,3	 2,3,4
Operation						
SMG						
N1		●	●	●	●	●
N2		●	●	●	●	●
N3		●	●	●	●	●
N11						●
TS1		●	●	●	●	
TP1		●	●	●	●	

■ Stock standard □ Weldon available, delivery time is 3 days

● Preferred choice, ○ Alternative choice

Name		JH40	JH410	JH421	JH820	JH830
Page		215-216	217-218	219-222	223-224	225-226
Family		HSM/TORNADO	HSM/TORNADO	HSM/TORNADO	HSM/TORNADO	HSM/TORNADO
Type of mill						
Shank	Cylindrical	■	■	■	■	■
	Weldon					
Number of flutes		2	1	2-3	2	3
ICC				■		
Diameter range	Metric	6-20	2-17	3-25	4-12	2-12
	Inch					
Lengths available, based on length index						
		1,2	2,3,4	2,3	2	2
Operation						
SMG						
N1		●	●	●		
N2		●			●	●
N3		●			●	●
N11		●	●	●		
TS1		●	●	●		
TP1		●	●	●		

■ Stock standard □ Weldon available, delivery time is 3 days

● Preferred choice, ○ Alternative choice

Name		JH440	JH450	JH460	JM403/04/06	JM413/416
Page		227-228	229-230	231-232	233-234	235-236
Family		HSM/TORNADO	HSM/TORNADO	HSM/TORNADO	MINI	MINI
Type of mill						
Shank	Cylindrical	■	■	■	■	■
	Weldon					
Number of flutes		2	2	2	1	2
ICC						
Diameter range	Metric	6-16	2-20	4-12	0.2-2	0.5-2
	Inch					
Lengths available, based on length index		 2	 2,3	 2	 1,2,5	 2,3,5
Operation						
SMG						
N1		●	●	●	●	●
N2		●	●		●	●
N3		●	●		●	●
N11		●	●	●	●	●
TS1		●	●	●	●	●
TP1		●	●	●	●	●

■ Stock standard □ Weldon available, delivery time is 3 days
 ● Preferred choice, ○ Alternative choice

Cutting data – JS412 Slotting

SMG		a_p / D_c	f_z											v_c
			2	3	4	5	6	8	10	12	14	16	20	
N1	E	1.0	0.020	0.030	0.040	0.050	0.060	0.080	0.10	0.12	0.13	0.15	0.17	590 (440 — 730)
N2	E	1.0	0.020	0.030	0.040	0.050	0.060	0.080	0.10	0.12	0.13	0.15	0.17	380 (285 — 470)
TS1	A	1.0	0.014	0.022	0.028	0.036	0.042	0.055	0.070	0.085	0.095	0.11	0.12	550 (440 — 660)
TP1	A	1.0	0.014	0.022	0.028	0.036	0.042	0.055	0.070	0.085	0.095	0.11	0.12	440 (330 — 550)

Cutting data – JS412 Side milling $a_e/D_c = 0.3$

SMG		a_p / D_c	f_z											v_c
			2	3	4	5	6	8	10	12	14	16	20	
N1	E/M/A	1.5	0.022	0.032	0.044	0.055	0.065	0.085	0.11	0.13	0.15	0.16	0.19	780 (580 — 970)
N2	E/M/A	1.5	0.022	0.032	0.044	0.055	0.065	0.085	0.11	0.13	0.15	0.16	0.19	500 (375 — 620)
TS1	A/D	1.5	0.016	0.024	0.032	0.040	0.046	0.060	0.080	0.090	0.10	0.11	0.13	710 (570 — 860)
TP1	A/D	1.5	0.016	0.024	0.032	0.040	0.046	0.060	0.080	0.090	0.10	0.11	0.13	570 (430 — 710)

For cutting data recalculations, see pages 336-344.

SMG = Seco material group

Coolant = A=air D=dry E=emulsion M=mist spray

v_c = m/min

f_z = mm

a_p (mm)/ D_c (mm)= factor

a_e (mm)/ D_c (mm)= factor

All cutting data are target values

Cutting data – JS413 Slotting

SMG		a_p / D_c	f_z											v_c
			2	3	4	5	6	8	10	12	14	16	20	
N1	E	1.0	0.020	0.030	0.040	0.050	0.060	0.080	0.10	0.12	0.13	0.15	0.17	570 (425 – 710)
N2	E	1.0	0.020	0.030	0.040	0.050	0.060	0.080	0.10	0.12	0.13	0.15	0.17	365 (275 – 455)
N3	E	1.0	0.020	0.030	0.040	0.050	0.060	0.080	0.10	0.12	0.13	0.15	0.17	245 (185 – 305)
TS1	A	1.0	0.014	0.022	0.028	0.036	0.042	0.055	0.070	0.085	0.095	0.11	0.12	550 (440 – 660)
TP1	A	1.0	0.014	0.022	0.028	0.036	0.042	0.055	0.070	0.085	0.095	0.11	0.12	440 (330 – 550)

Cutting data – JS413 Side milling $a_e/D_c = 0.4$

SMG		a_p / D_c	f_z											v_c
			2	3	4	5	6	8	10	12	14	16	20	
N1	E/M/A	1.5	0.020	0.030	0.040	0.050	0.060	0.080	0.10	0.12	0.14	0.15	0.17	720 (540 – 890)
N2	E/M/A	1.5	0.020	0.030	0.040	0.050	0.060	0.080	0.10	0.12	0.14	0.15	0.17	460 (345 – 570)
N3	E/M/A	1.5	0.020	0.030	0.040	0.050	0.060	0.080	0.10	0.12	0.14	0.15	0.17	305 (230 – 385)
TS1	A/D	1.5	0.015	0.022	0.030	0.036	0.044	0.060	0.075	0.085	0.095	0.11	0.12	680 (540 – 810)
TP1	A/D	1.5	0.015	0.022	0.030	0.036	0.044	0.060	0.075	0.085	0.095	0.11	0.12	540 (405 – 680)

For cutting data recalculations, see pages 336-344.

SMG = Seco material group

Coolant = A=air D=dry E=emulsion M=mist spray

v_c = m/min

f_z = mm

a_p (mm)/ D_c (mm) = factor

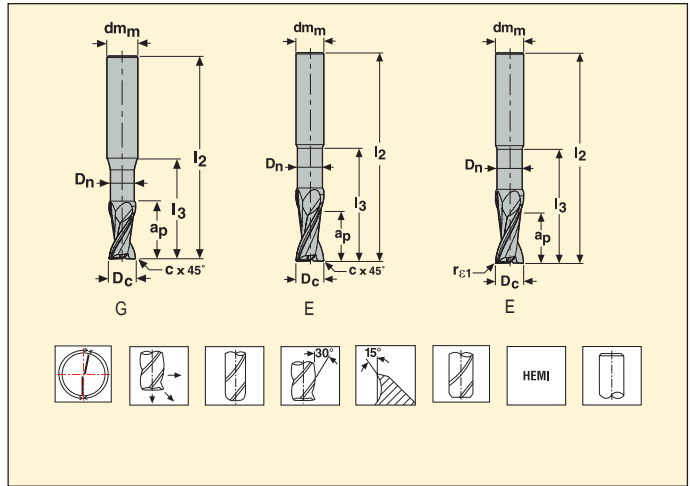
a_e (mm)/ D_c (mm) = factor

All cutting data are target values

JS452 – Solid carbide end mill – cylindrical – polished coating, unequal flute spacing – two flute



Tolerances:
 $dm_m = h5$
 $D_c = e7$
 Corner radius ± 0.02
 Chamfer $+0.04$



EDP No.	Part No.	Length index	Tool shape	Dimensions in mm									z _n	Cylindrical
				D _c	dm _m	a _p	l ₂	l ₃	D _n	r _{c1}	c x 45°			
84489	JS452020G2CZ2.0-HEMI	2	G	2	6	4	57	8	1.9	-	0.1	2	■	
84490	JS452030G2CZ2.0-HEMI	2	G	3	6	6	57	10	2.8	-	0.1	2	■	
84491	JS452040G2CZ2.0-HEMI	2	G	4	6	8	57	14	3.8	-	0.1	2	■	
84492	JS452050G2CZ2.0-HEMI	2	G	5	6	8	57	17	4.7	-	0.1	2	■	
84493	JS452060E2CZ2.0-HEMI	2	E	6	6	12	57	19	5.7	-	0.1	2	■	
84423	JS452080E2CZ2.0-HEMI	2	E	8	8	16	63	24	7.6	-	0.1	2	■	
84500	JS452100E2CZ2.0-HEMI	2	E	10	10	20	72	29	9.5	-	0.1	2	■	
84507	JS452120E2CZ2.0-HEMI	2	E	12	12	24	88	37	11.4	-	0.1	2	■	
84510	JS452140E2CZ2.0-HEMI	2	E	14	14	28	88	41	13.3	-	0.1	2	■	
84511	JS452160E2CZ2.0-HEMI	2	E	16	16	32	100	48	15.2	-	0.1	2	■	
84515	JS452200E2CZ2.0-HEMI	2	E	20	20	36	110	57	19	-	0.1	2	■	
84497	JS452060E2R050Z2.0-HEMI	2	E	6	6	12	57	19	5.7	0.5	-	2	■	
84498	JS452060E2R100Z2.0-HEMI	2	E	6	6	12	57	19	5.7	1	-	2	■	
84499	JS452080E2R050Z2.0-HEMI	2	E	8	8	16	63	24	7.6	0.5	-	2	■	
84424	JS452080E2R100Z2.0-HEMI	2	E	8	8	16	63	24	7.6	1.0	-	2	■	
84505	JS452100E2R050Z2.0-HEMI	2	E	10	10	20	72	29	9.5	0.5	-	2	■	
84506	JS452100E2R100Z2.0-HEMI	2	E	10	10	20	72	29	9.5	1	-	2	■	
84508	JS452120E2R050Z2.0-HEMI	2	E	12	12	24	88	37	11.4	0.5	-	2	■	
84509	JS452120E2R100Z2.0-HEMI	2	E	12	12	24	88	37	11.4	1	-	2	■	
84425	JS452120E2R200Z2.0-HEMI	2	E	12	12	24	88	37	11.4	2.0	-	2	■	
84512	JS452160E2R050Z2.0-HEMI	2	E	16	16	32	100	48	15.2	0.5	-	2	■	
84426	JS452160E2R100Z2.0-HEMI	2	E	16	16	32	100	48	15.2	1.0	-	2	■	
84427	JS452160E2R200Z2.0-HEMI	2	E	16	16	32	100	48	15.2	2.0	-	2	■	
84428	JS452160E2R250Z2.0-HEMI	2	E	16	16	32	100	48	15.2	2.5	-	2	■	
84429	JS452160E2R400Z2.0-HEMI	2	E	16	16	32	100	48	15.2	4.0	-	2	■	
84517	JS452200E2R050Z2.0-HEMI	2	E	20	20	36	110	57	19	0.5	-	2	■	
84413	JS452200E2R100Z2.0-HEMI	2	E	20	20	36	110	57	19	1.0	-	2	■	
84420	JS452200E2R200Z2.0-HEMI	2	E	20	20	36	110	57	19	2.0	-	2	■	
84454	JS452200E2R250Z2.0-HEMI	2	E	20	20	36	110	57	19	2.5	-	2	■	
84468	JS452200E2R400Z2.0-HEMI	2	E	20	20	36	110	57	19	4.0	-	2	■	

■ Stock standard. Subject to change, refer to current price-and stock-list.

JS452 L - Solid carbide end mill for non ferrous materials - weldon - polished coating, unequal flute spacing

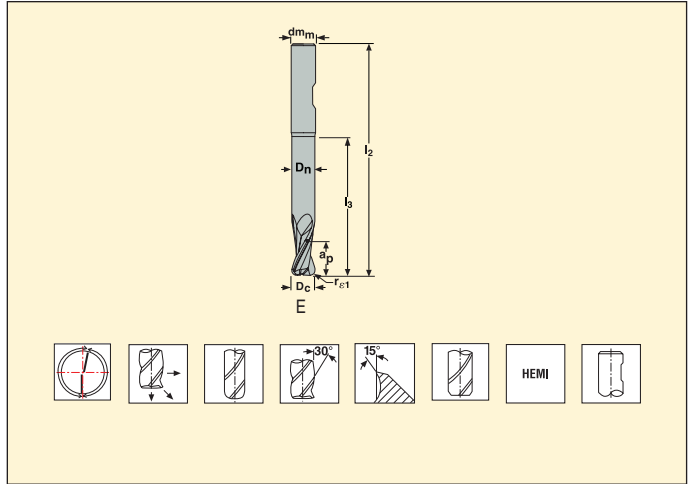


Tolerances:

$dm_m = h5$

$D_c = e7$

Corner radius ± 0.02



EDP No.	Part No.	Length index	Tool shape	Dimensions in mm								z _n	Weldon
				D _c	dm _m	a _p	l ₂	l ₃	D _n	r _{c1}			
53633	JS452080E3R020.3Z2-HEMI	3	E	8	8	12	79	41	7.6	0.2	2	<input type="checkbox"/>	
53634	JS452080E3R050.3Z2-HEMI	3	E	8	8	12	79	41	7.6	0.5	2	<input type="checkbox"/>	
53636	JS452100E3R050.3Z2-HEMI	3	E	10	10	15	99	57	9.5	0.5	2	<input type="checkbox"/>	
53637	JS452100E3R100.3Z2-HEMI	3	E	10	10	15	99	57	9.5	1	2	<input type="checkbox"/>	
53640	JS452100E3R250.3Z2-HEMI	3	E	10	10	15	99	57	9.5	2.5	2	<input type="checkbox"/>	
53643	JS452100E3R300.3Z2-HEMI	3	E	10	10	15	99	57	9.5	3	2	<input type="checkbox"/>	
53644	JS452120E3R050.3Z2-HEMI	3	E	12	12	18	119	72	11.4	0.5	2	<input type="checkbox"/>	
53645	JS452120E3R100.3Z2-HEMI	3	E	12	12	18	119	72	11.4	1	2	<input type="checkbox"/>	
53646	JS452120E3R150.3Z2-HEMI	3	E	12	12	18	119	72	11.4	1.5	2	<input type="checkbox"/>	
53647	JS452120E3R200.3Z2-HEMI	3	E	12	12	18	119	72	11.4	2	2	<input type="checkbox"/>	
53657	JS452120E3R250.3Z2-HEMI	3	E	12	12	18	119	72	11.4	2.5	2	<input type="checkbox"/>	
53662	JS452120E3R300.3Z2-HEMI	3	E	12	12	18	119	72	11.4	3	2	<input type="checkbox"/>	
53664	JS452120E3R400.3Z2-HEMI	3	E	12	12	18	119	72	11.4	4	2	<input type="checkbox"/>	
53670	JS452160E3R050.3Z2-HEMI	3	E	16	16	24	129	79	15.2	0.5	2	<input type="checkbox"/>	
53672	JS452160E3R100.3Z2-HEMI	3	E	16	16	24	129	79	15.2	1	2	<input type="checkbox"/>	
53675	JS452160E3R200.3Z2-HEMI	3	E	16	16	24	129	79	15.2	2	2	<input type="checkbox"/>	
53676	JS452160E3R250.3Z2-HEMI	3	E	16	16	24	129	79	15.2	2.5	2	<input type="checkbox"/>	
53677	JS452160E3R300.3Z2-HEMI	3	E	16	16	24	129	79	15.2	3	2	<input type="checkbox"/>	
53678	JS452160E3R400.3Z2-HEMI	3	E	16	16	24	129	79	15.2	4	2	<input type="checkbox"/>	
53683	JS452160E3R600.3Z2-HEMI	3	E	16	16	24	129	79	15.2	6	2	<input type="checkbox"/>	
53685	JS452200E3R050.3Z2-HEMI	3	E	20	20	30	164	111	19	0.5	2	<input type="checkbox"/>	
53686	JS452200E3R200.3Z2-HEMI	3	E	20	20	30	164	111	19	2	2	<input type="checkbox"/>	
53688	JS452200E3R250.3Z2-HEMI	3	E	20	20	30	164	111	19	2.5	2	<input type="checkbox"/>	
53689	JS452200E3R300.3Z2-HEMI	3	E	20	20	30	164	111	19	3	2	<input type="checkbox"/>	
53690	JS452200E3R400.3Z2-HEMI	3	E	20	20	30	164	111	19	4	2	<input type="checkbox"/>	
53691	JS452200E3R500.3Z2-HEMI	3	E	20	20	30	164	111	19	5	2	<input type="checkbox"/>	
53692	JS452200E3R600.3Z2-HEMI	3	E	20	20	30	164	111	19	6	2	<input type="checkbox"/>	

Weldon available, delivery time is 3 days.

Cutting data – JS452 Slotting*

SMG		a_p / D_c	f_z											v_c
			2	3	4	5	6	8	10	12	14	16	20	
N1	E	1.5	0.020	0.030	0.040	0.050	0.060	0.080	0.10	0.12	0.14	0.16	0.20	500 (405 — 600)
N2	E	1.2	0.016	0.024	0.032	0.040	0.048	0.065	0.080	0.095	0.11	0.13	0.16	405 (305 — 500)
N3	E	1.2	0.016	0.024	0.032	0.040	0.048	0.065	0.080	0.095	0.11	0.13	0.16	270 (200 — 335)
TS1	A	1.5	0.020	0.030	0.040	0.050	0.060	0.080	0.10	0.12	0.14	0.16	0.20	500 (405 — 600)
TP1	A	1.5	0.020	0.030	0.040	0.050	0.060	0.080	0.10	0.12	0.14	0.16	0.20	405 (300 — 500)

Cutting data – JS452 Side milling roughing $a_e/D_c = 0.2^*$

SMG		a_p / D_c	f_z											v_c
			2	3	4	5	6	8	10	12	14	16	20	
N1	E/M/A	1.7	0.040	0.060	0.10	0.13	0.15	0.20	0.26	0.30	0.34	0.36	0.42	700 (560 — 840)
N2	E/M/A	1.7	0.030	0.044	0.075	0.095	0.11	0.15	0.19	0.22	0.24	0.28	0.32	580 (430 — 720)
N3	E/M/A	1.7	0.030	0.044	0.075	0.095	0.11	0.15	0.19	0.22	0.24	0.28	0.32	385 (290 — 480)

For cutting data recalculations, see pages 336-344.

* Remark: If corner radius is >15% of D_c then $a_p = -30\%$, $f_z = -20\%$

SMG = Seco material group

Coolant = A=air D=dry E=emulsion M=mist spray

$v_c =$ m/min

$f_z =$ mm

a_p (mm)/ D_c (mm)= factor

a_e (mm)/ D_c (mm)= factor

All cutting data are target values

JS453 – Solid carbide end mill polished coating – cylindrical – unequal flute spacing – three flute



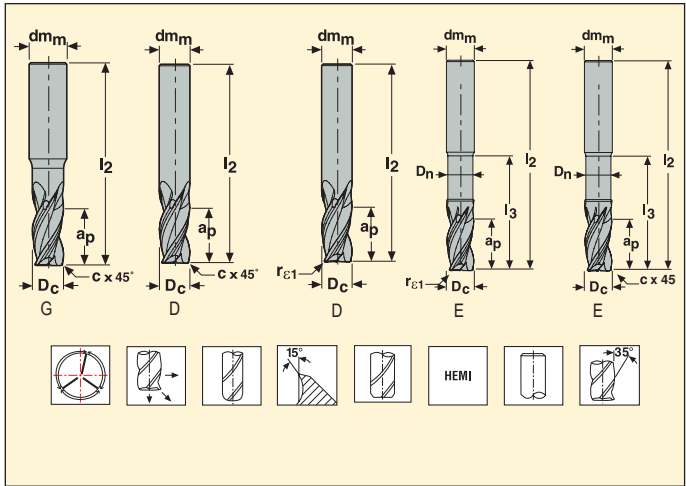
Tolerances:

$dm_m = h5$

$D_c = e7$

Corner radius ± 0.02

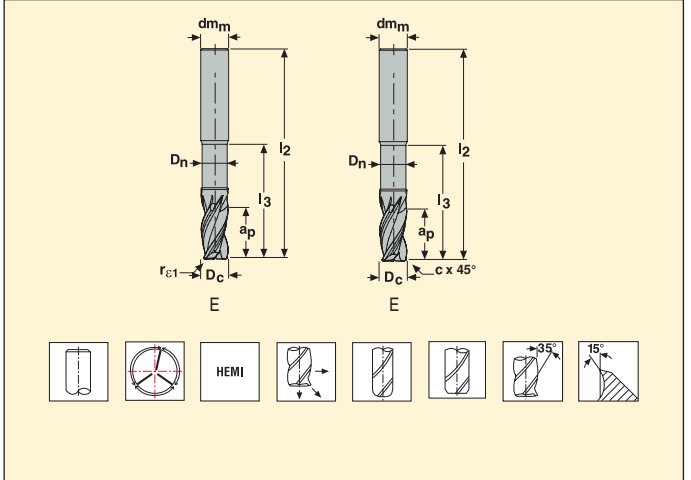
Chamfer $+0.04$



EDP No.	Part No.	Length index	Tool shape	Dimensions in mm								z_n	Cylindrical
				D_c	dm_m	a_p	l_2	l_3	D_n	r_{c1}	$c \times 45^\circ$		
84553	JS453020G2CZ3.0-HEMI	2	G	2	6	4	57	7	1.9	–	0.1	3	■
84554	JS453030G2CZ3.0-HEMI	2	G	3	6	6	57	10	2.85	–	0.1	3	■
84555	JS453040G2CZ3.0-HEMI	2	G	4	6	8	57	13	3.8	–	0.1	3	■
84556	JS453050G2CZ3.0-HEMI	2	G	5	6	10	57	14	4.75	–	0.1	3	■
84557	JS453060D2CZ3.0-HEMI	2	D	6	6	12	57	–	–	–	0.1	3	■
84461	JS453080D2CZ3.0-HEMI	2	D	8	8	16	63	–	–	–	0.1	3	■
84560	JS453100D2CZ3.0-HEMI	2	D	10	10	20	72	–	–	–	0.1	3	■
84562	JS453120D2CZ3.0-HEMI	2	D	12	12	24	88	–	–	–	0.1	3	■
84564	JS453140D2CZ3.0-HEMI	2	D	14	14	28	88	–	–	–	0.1	3	■
84565	JS453160D2CZ3.0-HEMI	2	D	16	16	32	100	–	–	–	0.1	3	■
93027	JS453200E2C.0Z3-HEMI	2	E	20	20	36	110	57	19	–	0.1	3	■
84558	JS453060D2R050Z3.0-HEMI	2	D	6	6	12	57	–	–	0.5	–	3	■
84559	JS453080D2R050Z3.0-HEMI	2	D	8	8	16	63	–	–	0.5	–	3	■
84561	JS453100D2R050Z3.0-HEMI	2	D	10	10	20	72	–	–	0.5	–	3	■
84563	JS453120D2R050Z3.0-HEMI	2	D	12	12	24	88	–	–	0.5	–	3	■
93004	JS453120E2R300.0Z3-HEMI	2	E	12	12	24	88	37	11.4	3.0	–	3	■
84566	JS453160D2R050Z3.0-HEMI	2	D	16	16	32	100	–	–	0.5	–	3	■
93009	JS453160E2R100.0Z3-HEMI	2	E	16	16	32	100	48	15.2	1.0	–	3	■
93013	JS453160E2R200.0Z3-HEMI	2	E	16	16	32	100	48	15.2	2.0	–	3	■
93014	JS453160E2R250.0Z3-HEMI	2	E	16	16	32	100	48	15.2	2.5	–	3	■
93020	JS453160E2R300.0Z3-HEMI	2	E	16	16	32	100	48	15.2	3.0	–	3	■
93021	JS453160E2R400.0Z3-HEMI	2	E	16	16	32	100	48	15.2	4.0	–	3	■
93034	JS453200E2R050.0Z3-HEMI	2	E	20	20	36	110	57	19	0.5	–	3	■
93035	JS453200E2R100.0Z3-HEMI	2	E	20	20	36	110	57	19	1.0	–	3	■
93036	JS453200E2R200.0Z3-HEMI	2	E	20	20	36	110	57	19	2.0	–	3	■
93037	JS453200E2R250.0Z3-HEMI	2	E	20	20	36	110	57	19	2.5	–	3	■
93039	JS453200E2R300.0Z3-HEMI	2	E	20	20	36	110	57	19	3.0	–	3	■
93041	JS453200E2R400.0Z3-HEMI	2	E	20	20	36	110	57	19	4.0	–	3	■
93042	JS453200E2R600.0Z3-HEMI	2	E	20	20	36	110	57	19	6.0	–	3	■

■ Stock standard. Subject to change, refer to current price-and stock-list.

Solid carbide end mill – cylindrical – unequal flute spacing – long version – three flute – weldon flat



Tolerances:

$dm_m = h5$

$D_c = e7$

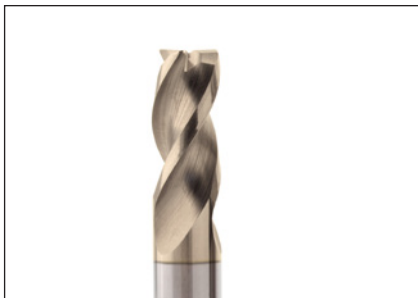
corner radius $\pm 0.02 \text{ mm}$

chamfer $+0.04 \text{ mm}$

EDP No.	Part No.	Length index	Tool shape	Dimensions in mm								Cylindrical	z _n
				D _c	dm _m	l ₂	l ₃	a _p	D _n	r _{c1}	c x 45°		
93044	JS453120E3R300.0Z3-HEMI	3	E	12	12	110	54	24	11.4	3.0	–	■	3
93045	JS453160E3R100.0Z3-HEMI	3	E	16	16	125	77	32	15.2	1.0	–	■	3
93049	JS453160E3R200.0Z3-HEMI	3	E	16	16	125	77	32	15.2	2.0	–	■	3
93050	JS453160E3R250.0Z3-HEMI	3	E	16	16	125	77	32	15.2	2.5	–	■	3
93053	JS453160E3R300.0Z3-HEMI	3	E	16	16	125	77	32	15.2	3.0	–	■	3
93055	JS453160E3R400.0Z3-HEMI	3	E	16	16	125	77	32	15.2	4.0	–	■	3
93056	JS453200E3C.0Z3-HEMI	3	E	20	20	150	90	36	19	–	0.1	■	3
93061	JS453200E3R100.0Z3-HEMI	3	E	20	20	150	90	36	19	1.0	–	■	3
93064	JS453200E3R200.0Z3-HEMI	3	E	20	20	150	90	36	19	2.0	–	■	3
93066	JS453200E3R250.0Z3-HEMI	3	E	20	20	150	90	36	19	2.5	–	■	3
93067	JS453200E3R300.0Z3-HEMI	3	E	20	20	150	90	36	19	3.0	–	■	3
93069	JS453200E3R400.0Z3-HEMI	3	E	20	20	150	90	36	19	4.0	–	■	3
93072	JS453200E3R600.0Z3-HEMI	3	E	20	20	150	90	36	19	6.0	–	■	3

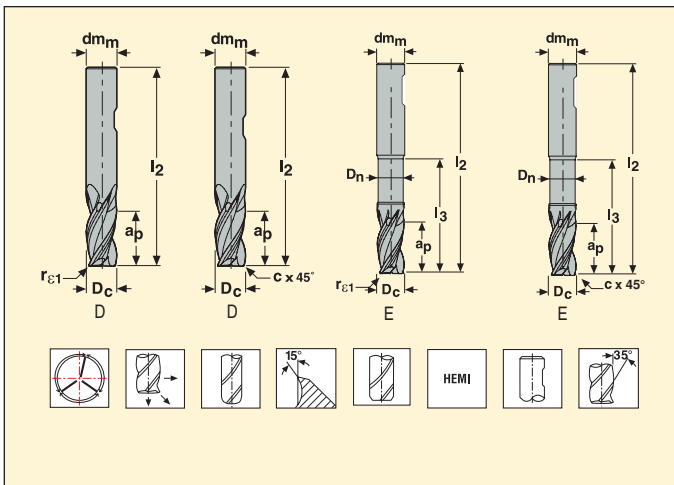
■ Stock standard. Subject to change, refer to current price-and stock-list.

JS453 – Solid carbide end mill – unequal flute spacing – three flute



Tolerances:

$dm_m = h5$
 $D_c = e7$
 corner radius = $\pm 0.02mm$



EDP No.	Part No.	Length index	Tool shape	Dimensions in mm									z _n	Weldon
				D _c	dm _m	a _p	l ₂	l ₃	D _n	r _{c1}	c x 45°			
84567	JS453060D2CZ3.3-HEMI	2	D	6	6	12	57	–	–	–	–	0.1	3	<input type="checkbox"/>
84602	JS453080D2CZ3.3-HEMI	2	D	8	8	16	63	–	–	–	–	0.1	3	<input type="checkbox"/>
84570	JS453100D2CZ3.3-HEMI	2	D	10	10	20	72	–	–	–	–	0.1	3	<input type="checkbox"/>
84572	JS453120D2CZ3.3-HEMI	2	D	12	12	24	88	–	–	–	–	0.1	3	<input type="checkbox"/>
84574	JS453140D2CZ3.3-HEMI	2	D	14	14	28	88	–	–	–	–	0.1	3	<input type="checkbox"/>
84575	JS453160D2CZ3.3-HEMI	2	D	16	16	32	100	–	–	–	–	0.1	3	<input type="checkbox"/>
93085	JS453200E2C.3Z3-HEMI	2	E	20	20	36	110	57	19	–	–	0.1	3	<input type="checkbox"/>
84568	JS453060D2R050Z3.3-HEMI	2	D	6	6	12	57	–	–	0.5	–	–	3	<input type="checkbox"/>
84591	JS453080D2R050Z3.3-HEMI	2	D	8	8	16	63	–	–	0.5	–	–	3	<input type="checkbox"/>
84571	JS453100D2R050Z3.3-HEMI	2	D	10	10	20	72	–	–	0.5	–	–	3	<input type="checkbox"/>
84573	JS453120D2R050Z3.3-HEMI	2	D	12	12	24	88	–	–	0.5	–	–	3	<input type="checkbox"/>
93075	JS453120E2R300.3Z3-HEMI	2	E	12	12	24	88	37	11.4	3.0	–	–	3	<input type="checkbox"/>
84576	JS453160D2R050Z3.3-HEMI	2	D	16	16	32	100	–	–	0.5	–	–	3	<input type="checkbox"/>
93077	JS453160E2R100.3Z3-HEMI	2	E	16	16	32	100	48	15.2	1.0	–	–	3	<input type="checkbox"/>
93078	JS453160E2R200.3Z3-HEMI	2	E	16	16	32	100	48	15.2	2.0	–	–	3	<input type="checkbox"/>
93079	JS453160E2R250.3Z3-HEMI	2	E	16	16	32	100	48	15.2	2.5	–	–	3	<input type="checkbox"/>
93080	JS453160E2R300.3Z3-HEMI	2	E	16	16	32	100	48	15.2	3.0	–	–	3	<input type="checkbox"/>
93081	JS453160E2R400.3Z3-HEMI	2	E	16	16	32	100	48	15.2	4.0	–	–	3	<input type="checkbox"/>
93089	JS453200E2R100.3Z3-HEMI	2	E	20	20	36	110	57	19	1.0	–	–	3	<input type="checkbox"/>
93094	JS453200E2R200.3Z3-HEMI	2	E	20	20	36	110	57	19	2.0	–	–	3	<input type="checkbox"/>
93095	JS453200E2R250.3Z3-HEMI	2	E	20	20	36	110	57	19	2.5	–	–	3	<input type="checkbox"/>
93098	JS453200E2R300.3Z3-HEMI	2	E	20	20	36	110	57	19	3.0	–	–	3	<input type="checkbox"/>
93099	JS453200E2R400.3Z3-HEMI	2	E	20	20	36	110	57	19	4.0	–	–	3	<input type="checkbox"/>
93102	JS453200E2R600.3Z3-HEMI	2	E	20	20	36	110	57	19	6.0	–	–	3	<input type="checkbox"/>

Weldon available, delivery time is 3 days.

Cutting data – JS453 Slotting

SMG		a_p / D_c	f_z											v_c
			2	3	4	5	6	8	10	12	14	16	20	
N1	E	1.5	0.020	0.030	0.040	0.050	0.060	0.080	0.10	0.12	0.13	0.15	0.17	590 (440 – 730)
N2	E	1.2	0.014	0.022	0.028	0.036	0.042	0.055	0.070	0.085	0.095	0.10	0.12	415 (310 – 520)
N3		1.2	0.014	0.022	0.028	0.036	0.042	0.055	0.070	0.085	0.095	0.10	0.12	275 (205 – 345)
TS1	A	1.5	0.014	0.022	0.028	0.036	0.042	0.055	0.070	0.085	0.095	0.10	0.12	570 (455 – 680)
TP1	A	1.5	0.014	0.022	0.028	0.036	0.042	0.055	0.070	0.085	0.095	0.10	0.12	455 (340 – 570)

Cutting data – JS453 Side milling $a_p/D_c = 0.4$

SMG		a_p / D_c	f_z											v_c
			2	3	4	5	6	8	10	12	14	16	20	
N1	E/M/A	1.5	0.020	0.030	0.040	0.050	0.060	0.080	0.10	0.12	0.14	0.15	0.17	710 (540 – 890)
N2	E/M/A	1.2	0.014	0.022	0.028	0.036	0.042	0.055	0.070	0.085	0.095	0.10	0.12	500 (375 – 630)
N3	E/M/A	1.2	0.014	0.022	0.028	0.036	0.042	0.055	0.070	0.085	0.095	0.10	0.12	335 (250 – 420)
TS1	A/D	1.5	0.015	0.022	0.030	0.036	0.044	0.060	0.075	0.085	0.095	0.11	0.12	680 (540 – 810)
TP1	A/D	1.5	0.015	0.022	0.030	0.036	0.044	0.060	0.075	0.085	0.095	0.11	0.12	540 (405 – 680)

For cutting data recalculations, see pages 336-344.

SMG = Seco material group

Coolant = A=air D=dry E=emulsion M=mist spray

v_c = m/min

f_z = mm

a_p (mm)/ D_c (mm) = factor

a_e (mm)/ D_c (mm) = factor

All cutting data are target values

JHP490 – Solid carbide end mill – corner radius, polished coating – roughing profile cylindrical shank

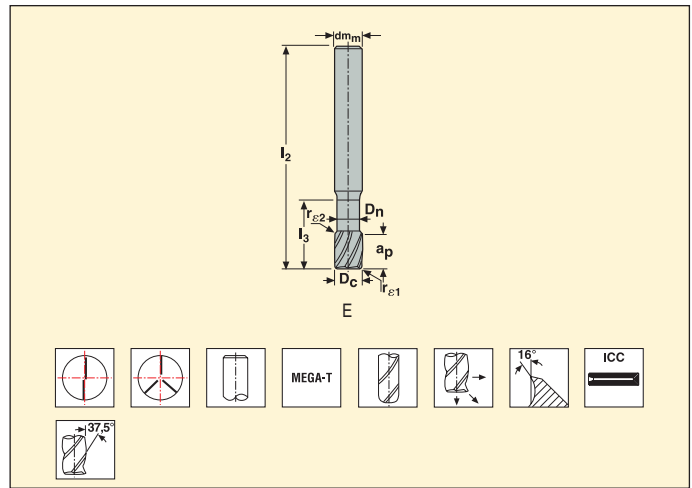


Tolerances:

$dm_m = h5$

$D_c = -0.02 / -0.1 \text{ mm}$

$r_{\epsilon 1} = + / - 0.05 \text{ mm}$



EDP No.	Part No.	Length index	Tool shape	ICC	Dimensions in mm									z _n	Cylindrical
					D _c	dm _m	a _p	l ₂	l ₃	D _n	r _{ε1}	r _{ε2}			
40478	490V100R050Z2.0A-MEGA-T	2	E	■	10	10	12	65	20	9	0.5	2	2	2	■
40481	490V100R200Z2.0A-MEGA-T	2	E	■	10	10	12	65	20	9	2	2	2	2	■
40504	490V120R200Z2.0A-MEGA-T	2	E	■	12	12	14	75	24	11	2	2	2	2	■
40513	490V160R050Z3.0A-MEGA-T	2	E	■	16	16	18	85	32	14.5	0.5	4	3	3	■
40519	490V160R200Z3.0A-MEGA-T	2	E	■	16	16	18	85	32	14.5	2	4	3	3	■
40534	490V200R050Z3.0A-MEGA-T	2	E	■	20	20	22	100	40	18	0.5	4	3	3	■
40554	490V250R050Z3.0A-MEGA-T	2	E	■	25	25	27	125	50	23	0.5	5	3	3	■
40484	490VL100R100Z2.0A-MEGA-T	3	E	■	10	10	22	85	42	9	1	2	2	2	■
40490	490VL120R050Z3.0A-MEGA-T	3	E	■	12	12	14	95	40	11	0.5	2	3	3	■
40508	490VL120R100Z2.0A-MEGA-T	3	E	■	12	12	26	95	50	11	1	2	2	2	■
40515	490VL160R050Z3.0A-MEGA-T	3	E	■	16	16	18	95	45	14.5	0.5	4	3	3	■
40543	490VL200R200Z3.0A-MEGA-T	3	E	■	20	20	42	125	65	18	2	4	3	3	■
40555	490VXL250R050Z3.0A-MEGA-T	4	E	■	25	25	50	125	75	23	0.5	5	3	3	■

■ Stock standard. Subject to change, refer to current price-and stock-list.

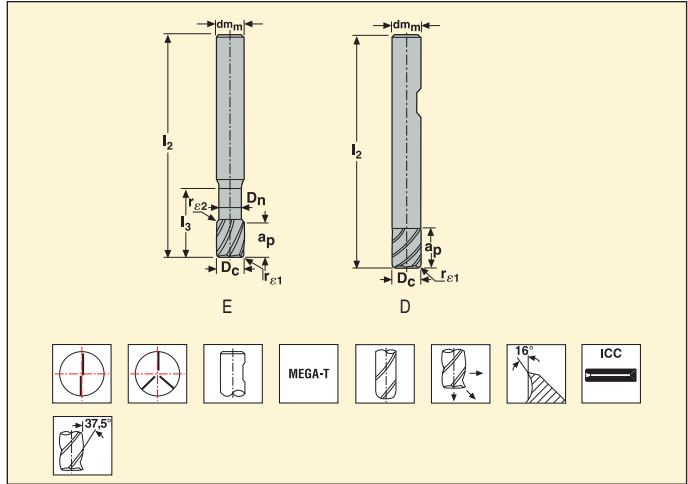
ICC = Internal Coolant Channel

JHP490 – Solid carbide end mill – corner radius, polished coating – roughing profile – Weldon



Tolerances:

$dm_m = h5$
 $D_c = -0.02/-0.1 \text{ mm}$
 $r_{\epsilon 1} = +/-0.05 \text{ mm}$



EDP No.	Part No.	Length index	Tool shape	ICC	Dimensions in mm									Weldon
					D_c	dm_m	a_p	l_2	l_3	D_n	$r_{\epsilon 1}$	$r_{\epsilon 2}$	z_n	
40483	490100R100Z2A-MEGA-T	2	D	■	10	10	22	75	–	–	1	–	2	■
40507	490120R100Z2A-MEGA-T	2	D	■	12	12	26	85	–	–	1	–	2	■
40523	490160R200Z3A-MEGA-T	2	D	■	16	16	34	95	–	–	2	–	3	■
40477	490V100R050Z2A-MEGA-T	2	E	■	10	10	12	65	20	9	0.5	2	2	■
23641	490V100R200Z2.0A-MEGA-TW	2	E	■	10	10	12	65	20	9	2	2	2	□
40486	490V120R050Z2A-MEGA-T	2	E	■	12	12	14	75	24	11	0.5	2	2	■
23642	490V120R200Z2.0A-MEGA-TW	2	E	■	12	12	14	75	24	11	2	2	2	□
40512	490V160R050Z3A-MEGA-T	2	E	■	16	16	18	85	32	14.5	0.5	4	3	■
40518	490V160R200Z3A-MEGA-T	2	E	■	16	16	18	85	32	14.5	2	4	3	■
40533	490V200R050Z3A-MEGA-T	2	E	■	20	20	22	100	40	18	0.5	4	3	■
40552	490V250R050Z3A-MEGA-T	2	E	■	25	25	27	125	50	23	0.5	5	3	■
23643	490VL100R100Z2.0A-MEGA-TW	3	E	■	10	10	22	85	42	9	1	2	2	□
23644	490VL120R050Z3.0A-MEGA-TW	3	E	■	12	12	14	95	40	11	0.5	2	3	□
23645	490VL120R100Z2.0A-MEGA-TW	3	E	■	12	12	26	95	50	11	1	2	2	□
23646	490VL160R050Z3.0A-MEGA-TW	3	E	■	16	16	18	95	45	14.5	0.5	4	3	□
23647	490VL200R200Z3.0A-MEGA-TW	3	E	■	20	20	42	125	65	18	2	4	3	□
23648	490VXL250R050Z3.0A-MEGA-TW	4	E	■	25	25	50	125	75	23	0.5	5	3	□

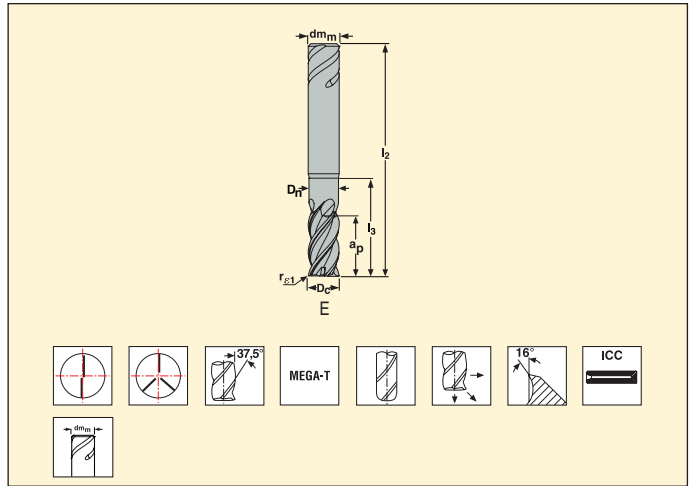
■ Stock standard. Subject to change, refer to current price-and stock-list. □ Weldon available, delivery time is 3 days.

ICC = Internal Coolant Channel

JHP490 – Solid carbide end mill – corner chamfer/radius, polished coating – roughing profile, Safelock shank



Tolerances:
 $dm_m = h5$
 $D_c = -0.02 / -0.1 \text{ mm}$
 $r_{\epsilon 1} = \pm 0.05 \text{ mm}$



EDP No.	Part No.	Length index	Tool shape	ICC	Dimensions in mm									z _n	Safelock
					D _c	dm _m	a _p	l ₂	l ₃	D _n	r _{ε1}	r _{ε2}	z _n		
05443	490100R100Z2.9A-MEGA-T	2	D	■	10	10	22	75	–	–	1	–	2	<input type="checkbox"/>	
05456	490120R100Z2.9A-MEGA-T	2	D	■	12	12	26	85	–	–	1	–	2	<input type="checkbox"/>	
05467	490160R200Z3.9A-MEGA-T	2	E	■	16	16	18	85	32	14	2	4	3	<input type="checkbox"/>	
05444	490V100R050Z2.9A-MEGA-T	2	E	■	10	10	12	65	20	9	0.5	2	2	<input type="checkbox"/>	
05451	490V100R200Z2.9A-MEGA-T	2	E	■	10	10	12	65	20	9	2	2	2	<input type="checkbox"/>	
05454	490V120R050Z2.9A-MEGA-T	2	E	■	12	12	14	75	24	11	0.5	2	2	<input type="checkbox"/>	
05457	490V120R200Z2.9A-MEGA-T	2	E	■	12	12	14	75	24	11	2	2	2	<input type="checkbox"/>	
05470	490V160R050Z3.9A-MEGA-T	2	E	■	16	16	18	85	32	14	0.5	4	3	<input type="checkbox"/>	
05471	490V160R200Z3.9A-MEGA-T	2	E	■	16	16	18	85	32	14	2	4	3	<input type="checkbox"/>	
05473	490V200R050Z3.9A-MEGA-T	2	E	■	20	20	22	100	40	18	0.5	4	3	<input type="checkbox"/>	
05476	490V250R050Z3.9A-MEGA-T	2	E	■	25	25	27	125	50	23	0.5	5	3	<input type="checkbox"/>	
05479	490VL100R100Z2.9A-MEGA-T	3	E	■	10	10	22	85	42	9	1	2	2	<input type="checkbox"/>	
05485	490VL120R050Z3.9A-MEGA-T	3	E	■	12	12	14	95	40	11	0.5	2	3	<input type="checkbox"/>	
05487	490VL120R100Z2.9A-MEGA-T	3	E	■	12	12	26	95	50	11	1	2	2	<input type="checkbox"/>	
05508	490VL160R050Z3.9A-MEGA-T	3	E	■	16	16	18	85	32	14	0.5	4	3	<input type="checkbox"/>	
05605	490VL200R200Z3.9A-MEGA-T	3	E	■	20	20	42	125	65	18	2	4	3	<input type="checkbox"/>	
05606	490VXL250R050Z3.9A-MEGA-T	4	E	■	25	25	50	125	75	23	0.5	5	3	<input type="checkbox"/>	

Safelock available.
ICC = Internal Coolant Channel

Cutting data – JHP490 Slotting

SMG		a_p / D_c	f_z					v_c
			10	12	16	20	25	
N1	E/M/A	1.0	0.20	0.24	0.30	0.34	0.38	810 (650 — 970)
N2	E/M/A	1.0	0.20	0.24	0.30	0.34	0.38	520 (415 — 620)
N3	E/M/A	1.0	0.20	0.24	0.30	0.34	0.38	345 (275 — 415)

Cutting data – JHP490 Side milling $a_e/D_c = 0.5$

SMG		a_p / D_c	f_z					v_c
			10	12	16	20	25	
N1	E/M/A	1.0	0.20	0.24	0.30	0.34	0.38	950 (760 — 1150)
N2	E/M/A	1.0	0.20	0.24	0.30	0.34	0.38	610 (490 — 740)
N3	E/M/A	1.0	0.20	0.24	0.30	0.34	0.38	410 (325 — 490)

For cutting data recalculations, see pages 336-344.

SMG = Seco material group

Coolant = A=air D=dry E=emulsion M=mist spray

v_c = m/min

f_z = mm

a_p (mm)/ D_c (mm) = factor

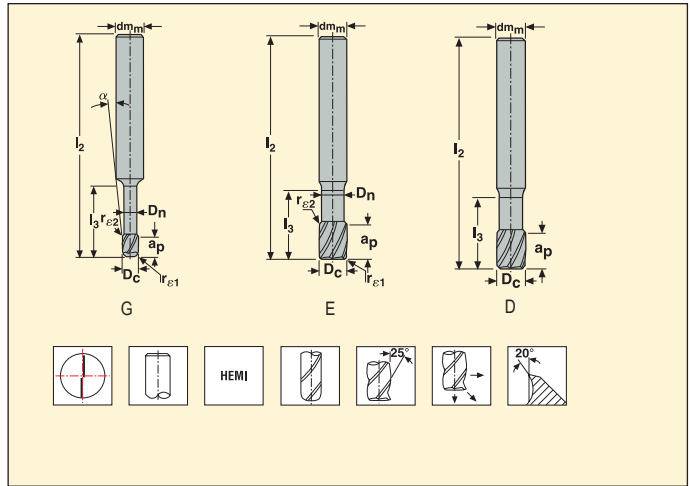
a_e (mm)/ D_c (mm) = factor

All cutting data are target values

JH40 – Solid carbide end mill – cylindrical – corner radius – two flute



Tolerances:
 $dm_m = h5$
 $D_c = -0.02 / -0.04 \text{ mm}$
 $r_{\epsilon 1} = \pm 0.1 \text{ mm}$



EDP No.	Part No.	Length index	Tool shape	Dimensions in mm									α°	z_n	Cylindrical
				D_c	dm_m	a_p	l_2	l_3	D_n	$r_{\epsilon 1}$	$r_{\epsilon 2}$				
08140	40K060-HEMI	1	D	6	6	13	50	-	-	0.1	-	-	2	■	
08141	40K080-HEMI	1	D	8	8	13	50	-	-	0.1	-	-	2	■	
08142	40K100-HEMI	1	D	10	10	16	50	-	-	0.1	-	-	2	■	
08143	40K120-HEMI	1	D	12	12	16	65	-	-	0.1	-	-	2	■	
08144	40020-HEMI	2	G	2	3	3	40	6	1.9	0.1	2	3.5	2	■	
08145	40030-HEMI	2	E	3	3	4	40	8	2.9	0.1	2	-	2	■	
08146	40040-HEMI	2	E	4	4	5	50	12	3.8	0.1	2	-	2	■	
08148	40050-HEMI	2	E	5	5	8	50	14	4.8	0.1	2	-	2	■	
08149	40060-HEMI	2	E	6	6	8	65	18	5.7	0.1	2	-	2	■	
08150	40080-HEMI	2	E	8	8	10	70	22	7.7	0.1	2	-	2	■	
08151	40100-HEMI	2	E	10	10	14	80	28	9.7	0.1	2	-	2	■	
08152	40120-HEMI	2	E	12	12	16	90	35	11.5	0.1	3	-	2	■	
08153	40160-HEMI	2	E	16	16	20	90	40	15.5	0.1	4	-	2	■	
08154	40200-HEMI	2	E	20	20	25	100	50	19.5	0.1	4	-	2	■	

■ Stock standard. Subject to change, refer to current price-and stock-list.

Cutting data – JH40 Slotting

SMG		a_p / D_c	f_z										v_c
			2	3	4	5	6	8	10	12	16	20	
N1	E/M/A	0.60	0.026	0.038	0.050	0.065	0.080	0.10	0.13	0.15	0.19	0.22	600 (500 – 710)
N11	E/M/A	0.60	0.026	0.038	0.050	0.065	0.080	0.10	0.13	0.15	0.19	0.22	355 (265 – 440)
TS1	A	0.60	0.020	0.030	0.040	0.050	0.060	0.080	0.10	0.12	0.15	0.17	650 (540 – 760)

Cutting data – JH40 Side milling $a_e/D_c = 0.4$

SMG		a_p / D_c	f_z										v_c
			2	3	4	5	6	8	10	12	16	20	
N1	E/M/A	1.2	0.026	0.040	0.055	0.065	0.080	0.11	0.13	0.16	0.20	0.22	660 (550 – 780)
N11	E/M/A	1.2	0.026	0.040	0.055	0.065	0.080	0.11	0.13	0.16	0.20	0.22	390 (290 – 485)

Cutting data – JH40 Side milling $a_e/D_c = 0.3$

SMG		a_p / D_c	f_z										v_c
			2	3	4	5	6	8	10	12	16	20	
TS1	A	1.2	0.022	0.032	0.044	0.055	0.065	0.085	0.11	0.13	0.16	0.19	770 (640 – 900)

For cutting data recalculations, see pages 336-344.

SMG = Seco material group

Coolant = A=air D=dry E=emulsion M=mist spray

v_c = m/min

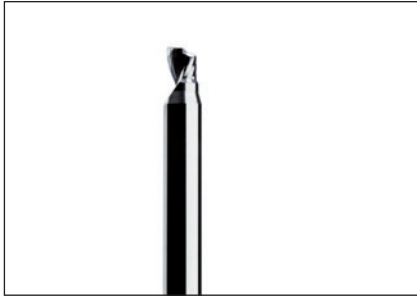
f_z = mm

a_p (mm)/ D_c (mm) = factor

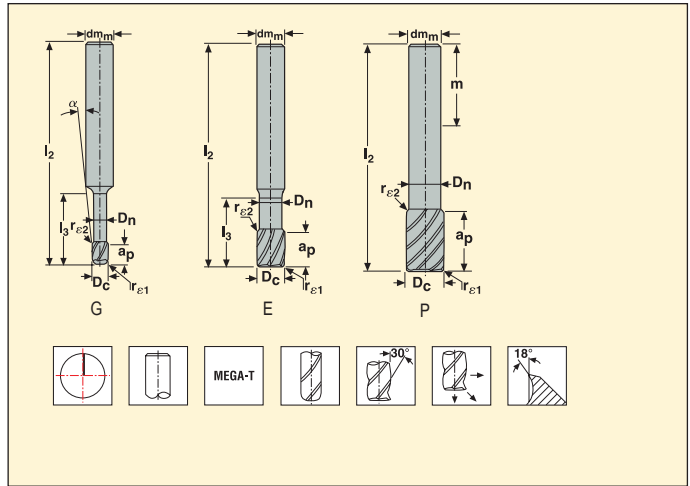
a_e (mm)/ D_c (mm) = factor

All cutting data are target values

JH410 – Solid carbide end mill – cylindrical – corner radius – one flute



Tolerances:
 $dm_m = h5$
 $D_c = -0/-0.05 \text{ mm}$
 $r_{\epsilon 1} = 0/-0.05 \text{ mm}$



EDP No.	Part No.	Length index	Tool shape	Dimensions in mm									α°	z_n
				D_c	dm_m	a_p	l_2	l_3	D_n	$r_{\epsilon 1}$	m			
19690	410020R050-MEGA-T	2	G	2	6	3	50	6	1.7	0.5	36	12	1	
19702	410ML020R050-MEGA-T	2	G	2	6	3	50	12	1.7	0.5	36	7.5	1	
19703	410030R050-MEGA-T	2	G	3	6	4	50	8	2.7	0.5	36	7.5	1	
19706	410ML030R050-MEGA-T	2	G	3	6	4	60	15	2.7	0.5	36	5	1	
19707	410040R050-MEGA-T	2	G	4	6	5	60	8	3.6	0.5	36	5.5	1	
19709	410ML040R050-MEGA-T	2	G	4	6	5	60	15	3.6	0.5	36	3.5	1	
19711	410050R050-MEGA-T	2	G	5	6	7	65	11	4.5	0.5	36	2.5	1	
19714	410ML050R050-MEGA-T	2	G	5	6	7	65	18	4.5	0.5	36	1.5	1	
19716	410060R050-MEGA-T	2	E	6	6	8	70	11	5.3	0.5	36	-	1	
19718	410ML060R050-MEGA-T	2	E	6	6	8	70	18	5.3	0.5	36	-	1	
19719	410070RSR050-MEGA-T	2	P	7	6	9	65	-	6	0.5	36	-	1	
19722	410090RSR050-MEGA-T	2	P	9	8	11	65	-	8	0.5	36	-	1	
19724	410110RSR050-MEGA-T	2	P	11	10	13	70	-	10	0.5	40	-	1	
19727	410130RSR100-MEGA-T	2	P	13	12	15	70	-	12	1	45	-	1	
19729	410150RSR100-MEGA-T	2	P	15	14	17	80	-	14	1	45	-	1	
19732	410170RSR100-MEGA-T	2	P	17	16	19	80	-	16	1	48	-	1	
19721	410L070RSR200-MEGA-T	3	P	7	6	9	85	-	6	2	36	-	1	
19723	410L090RSR200-MEGA-T	3	P	9	8	11	85	-	8	2	36	-	1	
19726	410L110RSR200-MEGA-T	3	P	11	10	13	90	-	10	2	40	-	1	
19728	410L130RSR200-MEGA-T	3	P	13	12	15	90	-	12	2	45	-	1	
19731	410L150RSR200-MEGA-T	3	P	15	14	17	110	-	14	2	45	-	1	
19733	410L170RSR200-MEGA-T	3	P	17	16	19	110	-	16	2	48	-	1	
19704	410TL030R050-MEGA-T	2	G	3	6	4	60	21	2.7	0.5	36	4	1	
19708	410TL040R050-MEGA-T	2	G	4	6	5	60	21	3.6	0.5	36	2.5	1	
19713	410TL050R050-MEGA-T	2	G	5	6	7	65	26	4.5	0.5	36	1.5	1	
19717	410TL060R050-MEGA-T	2	E	6	6	8	70	31	5.3	0.5	36	-	1	

■ Stock standard. Subject to change, refer to current price-and stock-list.

Cutting data – JH410 Slotting

SMG		a_p / D_c	f_z											v_c
			2	3	4	5	6	7	9	11	13	15	17	
N1	E/M/A	0.75	0.060	0.090	0.12	0.15	0.18	0.22	0.28	0.34	0.38	0.44	0.48	570 (475 – 670)
N11	E/M/A	0.44	0.030	0.044	0.060	0.075	0.090	0.10	0.13	0.16	0.19	0.22	0.24	355 (265 – 440)
TS1	A	1.1	0.060	0.090	0.12	0.15	0.18	0.20	0.26	0.32	0.38	0.44	0.48	580 (485 – 680)

Cutting data – JH410 Side roughing $a_e/D_c = 0.3$

SMG		a_p / D_c	f_z											v_c
			2	3	4	5	6	7	9	11	13	15	17	
N11	E/M/A	0.60	0.032	0.050	0.065	0.080	0.10	0.12	0.15	0.18	0.22	0.24	0.26	530 (395 – 660)

Cutting data – JH410 Side roughing $a_e/D_c = 0.4$

SMG		a_p / D_c	f_z											v_c
			2	3	4	5	6	7	9	11	13	15	17	
N1	E/M/A	1.0	0.060	0.090	0.12	0.15	0.18	0.22	0.28	0.34	0.40	0.44	0.48	690 (570 – 800)
TS1	A	1.0	0.060	0.090	0.12	0.15	0.18	0.22	0.28	0.34	0.40	0.44	0.48	690 (580 – 810)

For cutting data recalculations, see pages 336-344.

SMG = Seco material group

Coolant = A=air D=dry E=emulsion M=mist spray

v_c = m/min

f_z = mm

a_p (mm)/ D_c (mm)= factor

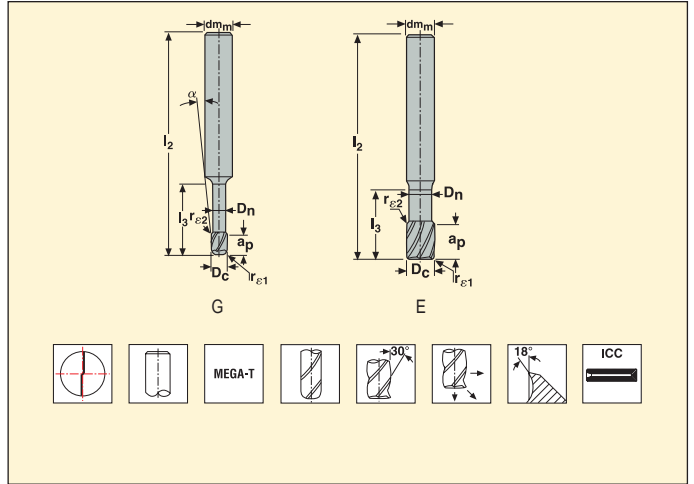
a_e (mm)/ D_c (mm)= factor

All cutting data are target values

JH421 – Solid carbide end mill – cylindrical – corner radius – two flute



Tolerances:
 $dm_m = h5$
 $D_c = -0.02 / -0.04 \text{ mm}$
 $r_{\epsilon 1} = \pm 0.05 \text{ mm}$



EDP No.	Part No.	Length index	Tool shape	ICC	Dimensions in mm								α°	z_n	Cylindrical
					D_c	dm_m	a_p	l_2	l_3	D_n	$r_{\epsilon 1}$	$r_{\epsilon 2}$			
12294	421020R020Z2-MEGA-T	2	G		2	3	3	40	8	1.8	0.2	2	3	2	■
12295	421030R020Z2-MEGA-T	2	G		3	3	4	40	12	2.7	0.2	2	-	2	■
12296	421040R020Z2-MEGA-T	2	G		4	6	5	50	16	3.6	0.2	2	3	2	■
12297	421040R030Z2-MEGA-T	2	G		4	6	5	50	16	3.6	0.3	2	3	2	■
12298	421050R100Z2-MEGA-T	2	G		5	6	6	50	18	4.5	1	2	1.5	2	■
12299	421060R025Z2-MEGA-T	2	E		6	6	8	50	20	5.4	0.25	2	-	2	■
12302	421060R050Z2-MEGA-T	2	E		6	6	8	50	20	5.4	0.5	2	-	2	■
12303	421060R100Z2-MEGA-T	2	E		6	6	8	50	20	5.4	1	2	-	2	■
12304	421080R030Z2-MEGA-T	2	E		8	8	10	65	30	7.2	0.3	2	-	2	■
12305	421080R060Z2-MEGA-T	2	E		8	8	10	65	30	7.2	0.6	2	-	2	■
12306	421080R100Z2-MEGA-T	2	E		8	8	10	65	30	7.2	1	2	-	2	■
12307	421100R030Z2-MEGA-T	2	E		10	10	12	80	36	9	0.3	2	-	2	■
12308	421100R080Z2-MEGA-T	2	E		10	10	12	80	36	9	0.8	2	-	2	■
12309	421100R150Z2-MEGA-T	2	E		10	10	12	80	36	9	1.5	2	-	2	■
16419	421100R250Z2AMEGA-T	2	E	■	10	10	12	80	36	9	2.5	2	-	2	■
16417	421100R250Z2-MEGA-T	2	E		10	10	12	80	36	9	2.5	2	-	2	■
16427	421100R310Z2-MEGA-T	2	E		10	10	12	80	36	9	3.1	2	-	2	■
12310	421120R030Z2-MEGA-T	2	E		12	12	14	90	40	11	0.3	3	-	2	■
12311	421120R050Z2-MEGA-T	2	E		12	12	14	90	40	11	0.5	3	-	2	■
12312	421120R100Z2-MEGA-T	2	E		12	12	14	90	40	11	1	3	-	2	■
12313	421120R150Z2-MEGA-T	2	E		12	12	14	90	40	11	1.5	3	-	2	■
12314	421120R200Z2-MEGA-T	2	E		12	12	14	90	40	11	2	3	-	2	■
12322	421120R250Z2AMEGA-T	2	E	■	12	12	14	90	40	11	2.5	3	-	2	■
12321	421120R250Z2-MEGA-T	2	E		12	12	14	90	40	11	2.5	3	-	2	■
12323	421120R310Z2-MEGA-T	2	E		12	12	14	90	40	11	3.1	3	-	2	■

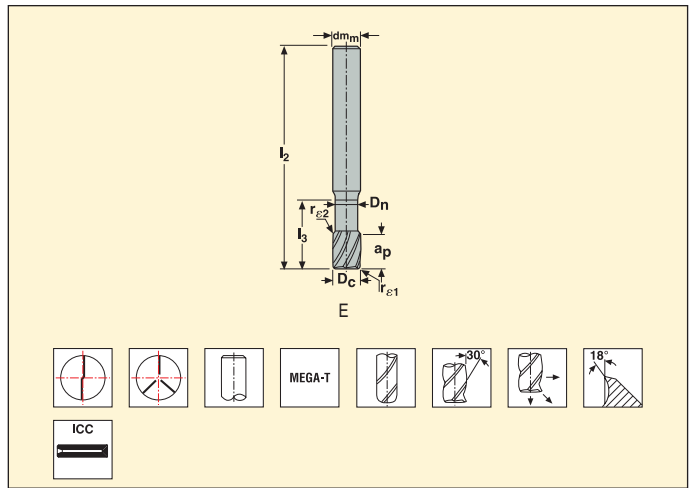
ICC = Internal Coolant Channel

■ Stock standard. Subject to change, refer to current price-and stock-list.

JH421 - Solid carbide end mill - cylindrical - corner radius - multi flute



Tolerances:
 $dm_m = h5$
 $D_c = -0.02 / -0.04$ mm
 $r_{\epsilon1} = \pm 0.05$ mm



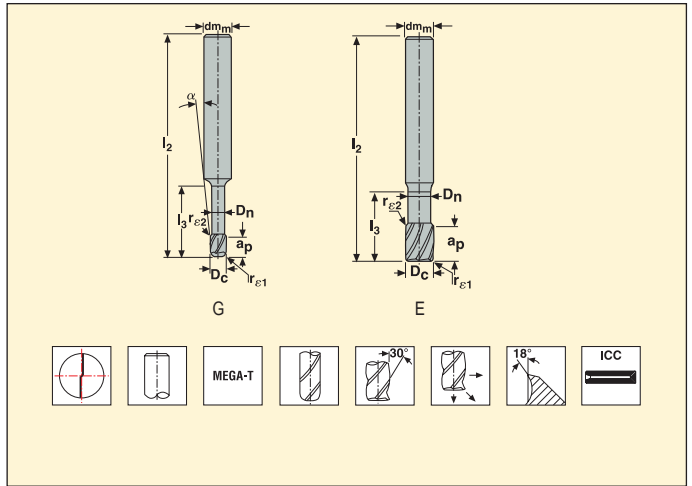
EDP No.	Part No.	Length index	Tool shape	ICC	Dimensions in mm									Cylindrical
					D _c	dm _m	a _p	l ₂	l ₃	D _n	r _{ε1}	r _{ε2}	z _n	
12324	421160R050Z2-MEGA-T	2	E		16	16	18	100	45	14.5	0.5	4	2	■
12325	421160R130Z2-MEGA-T	2	E		16	16	18	100	45	14.5	1.3	4	2	■
12327	421160R200Z2-MEGA-T	2	E	■	16	16	18	100	45	14.5	2	4	2	■
12328	421160R250Z2AMEGA-T	2	E		16	16	18	100	45	14.5	2.5	4	2	■
12326	421160R250Z2-MEGA-T	2	E		16	16	18	100	45	14.5	2.5	4	2	■
12329	421160R250Z3-MEGA-T	2	E		16	16	18	100	45	14.5	2.5	4	3	■
12330	421160R310Z2-MEGA-T	2	E		16	16	18	100	45	14.5	3.1	4	2	■
16428	421160R400Z2AMEGA-T	2	E	■	16	16	18	100	45	14.5	4	4	2	■
12331	421160R400Z2-MEGA-T	2	E		16	16	18	100	45	14.5	4	4	2	■
12332	421160R400Z3-MEGA-T	2	E		16	16	18	100	45	14.5	4	4	3	■
12333	421200R160Z2-MEGA-T	2	E		20	20	24	100	45	18	1.6	4	2	■
12334	421200R200Z2-MEGA-T	2	E		20	20	24	100	45	18	2	4	2	■
16429	421200R250Z2AMEGA-T	2	E	■	20	20	24	100	45	18	2.5	4	2	■
12335	421200R250Z2-MEGA-T	2	E		20	20	24	100	45	18	2.5	4	2	■
12337	421200R310Z2-MEGA-T	2	E		20	20	24	100	45	18	3.1	4	2	■
12342	421200R400Z2AMEGA-T	2	E	■	20	20	24	100	45	18	4	4	2	■
12341	421200R400Z2-MEGA-T	2	E		20	20	24	100	45	18	4	4	2	■
12343	421200R400Z3-MEGA-T	2	E		20	20	24	100	45	18	4	4	3	■
12344	421200R500Z2-MEGA-T	2	E		20	20	24	100	45	18	5	4	2	■
12345	421200R600Z2-MEGA-T	2	E		20	20	24	100	45	18	6	4	2	■
12346	421250R250Z2-MEGA-T	2	E		25	25	30	100	45	23	2.5	4	2	■
12354	421250R500Z2-MEGA-T	2	E		25	25	30	100	45	23	5	5	2	■

ICC = Internal Coolant Channel
 ■ Stock standard. Subject to change, refer to current price-and stock-list.

JH421 – Solid carbide end mill – cylindrical – corner radius – multi flute



Tolerances:
 $dm_m = h5$
 $D_c = -0.02 / -0.04 \text{ mm}$
 $r_{\epsilon 1} = + / -0.05 \text{ mm}$



EDP No.	Part No.	Length index	Tool shape	ICC	Dimensions in mm									α°	z_n	Cylindrical
					D_c	dm_m	a_p	l_2	l_3	D_n	$r_{\epsilon 1}$	$r_{\epsilon 2}$				
12357	421L080R020Z2-MEGA-T	3	E	-	8	8	6	75	40	7.2	0.2	2	-	2	■	
12358	421L100R050Z2-MEGA-T	3	E	-	10	10	8	90	50	9	0.5	2	-	2	■	
16447	421L100R250Z2AMEGA-T	3	E	-	10	10	8	90	50	9	2.5	2	-	2	■	
12359	421L100R250Z2-MEGA-T	3	E	-	10	10	8	90	50	9	2.5	2	-	2	■	
16453	421L100R310Z2-MEGA-T	3	E	-	10	10	8	90	50	9	3.1	2	-	2	■	
12421	421L120R050Z2-MEGA-T	3	E	-	12	12	10	110	70	11	0.5	3	-	2	■	
12422	421L120R100Z2-MEGA-T	3	E	-	12	12	10	110	70	11	1	3	-	2	■	
12423	421L120R150Z2-MEGA-T	3	E	-	12	12	10	110	70	11	1.5	3	-	2	■	
12425	421L120R200Z2-MEGA-T	3	E	-	12	12	10	110	70	11	2	3	-	2	■	
16456	421L120R250Z2AMEGA-T	3	E	-	12	12	10	110	70	11	2.5	3	-	2	■	
12427	421L120R250Z2-MEGA-T	3	E	-	12	12	10	110	70	11	2.5	3	-	2	■	
16457	421L120R310Z2-MEGA-T	3	E	-	12	12	10	110	70	11	3.1	3	-	2	■	
20645	421L140R050Z2-MEGA-T	3	G	-	14	16	12	110	70	13	0.5	3	1.0	2	■	
20647	421L140R310Z2-MEGA-T	3	G	-	14	16	12	110	70	13	3.1	3	1.0	2	■	
12428	421L160R050Z2-MEGA-T	3	E	-	16	16	13	125	80	14.5	0.5	4	-	2	■	
12429	421L160R100Z2-MEGA-T	3	E	-	16	16	13	125	80	14.5	1	4	-	2	■	
12430	421L160R200Z2-MEGA-T	3	E	-	16	16	13	125	80	14.5	2	4	-	2	■	
12432	421L160R250Z2AMEGA-T	3	E	-	16	16	13	125	80	14.5	2.5	4	-	2	■	
12431	421L160R250Z2-MEGA-T	3	E	-	16	16	13	125	80	14.5	2.5	4	-	2	■	
12433	421L160R310Z2-MEGA-T	3	E	-	16	16	13	125	80	14.5	3.1	4	-	2	■	
12435	421L160R400Z2AMEGA-T	3	E	-	16	16	13	125	80	14.5	4	4	-	2	■	
12434	421L160R400Z2-MEGA-T	3	E	-	16	16	13	125	80	14.5	4	5	-	2	■	
12436	421L200R050Z2-MEGA-T	3	E	-	20	20	16	150	100	18	0.5	4	-	2	■	
12438	421L200R200Z2-MEGA-T	3	E	-	20	20	16	150	100	18	2	4	-	2	■	
12441	421L200R310Z2-MEGA-T	3	E	-	20	20	16	150	100	18	3.1	4	-	2	■	
12444	421L200R500Z2-MEGA-T	3	E	-	20	20	16	150	100	18	5	4	-	2	■	

ICC = Internal Coolant Channel
 ■ Stock standard. Subject to change, refer to current price-and stock-list.

Cutting data – JH421 Slotting

SMG		a_p / D_c	f_z												v_c
			2	3	4	5	6	8	10	12	14	16	20	25	
N1	E/M/A	0.50	0.014	0.020	0.028	0.034	0.042	0.055	0.070	0.085	0.095	0.10	0.12	0.13	620 (510 – 720)
N11	E/M/A	0.50	0.0080	0.012	0.016	0.020	0.024	0.032	0.040	0.048	0.055	0.060	0.070	0.075	410 (310 – 510)
TS1	A	0.50	0.014	0.020	0.028	0.034	0.042	0.055	0.070	0.085	0.095	0.10	0.12	0.13	620 (510 – 720)
TP1	M	0.50	0.010	0.015	0.020	0.024	0.030	0.040	0.050	0.060	0.065	0.075	0.085	0.095	410 (310 – 510)

Cutting data – JH421 Side milling $a_p/D_c = 0.4$

SMG		a_p / D_c	f_z												v_c
			2	3	4	5	6	8	10	12	14	16	20	25	
N1	E/M/A	1.0	0.014	0.022	0.028	0.036	0.042	0.055	0.070	0.085	0.095	0.10	0.12	0.14	760 (640 – 890)
N11	E/M/A	1.0	0.0080	0.012	0.016	0.020	0.024	0.032	0.040	0.048	0.055	0.060	0.070	0.080	510 (380 – 630)
TS1	A	1.0	0.014	0.022	0.028	0.036	0.042	0.055	0.070	0.085	0.095	0.10	0.12	0.14	760 (640 – 890)
TP1	M	1.0	0.010	0.015	0.020	0.026	0.030	0.040	0.050	0.060	0.070	0.075	0.085	0.10	510 (380 – 630)

For cutting data recalculations, see pages 336-344.

SMG = Seco material group

Coolant = A=air D=dry E=emulsion M=mist spray

v_c = m/min

f_z = mm

a_p (mm)/ D_c (mm) = factor

a_e (mm)/ D_c (mm) = factor

All cutting data are target values

Cutting data – JH820 Slotting

SMG		a_p / D_c	f_z					v_c
			4	6	8	10	12	
N2	E	0.32	0.024	0.036	0.048	0.060	0.070	370 (315 – 560)
N3	E	0.32	0.024	0.036	0.048	0.060	0.070	250 (210 – 370)

Cutting data – JH820 Side milling $a_e/D_c = 0.2$

SMG		a_p / D_c	f_z					v_c
			4	6	8	10	12	
N2	E	1.0	0.032	0.048	0.065	0.080	0.095	660 (550 – 980)
N3	E	1.0	0.032	0.048	0.065	0.080	0.095	440 (370 – 660)

For cutting data recalculations, see pages 336-344.

SMG = Seco material group

Coolant = A=air D=dry E=emulsion M=mist spray

v_c = m/min

f_z = mm

a_p (mm)/ D_c (mm) = factor

a_e (mm)/ D_c (mm) = factor

All cutting data are target values

Cutting data – JH830 Slotting

SMG		a_p / D_c	f_z								v_c
			2	3	4	5	6	8	10	12	
N2	E	0.32	0.012	0.018	0.024	0.030	0.036	0.048	0.060	0.070	270 (225 – 405)
N3	E	0.32	0.012	0.018	0.024	0.030	0.036	0.048	0.060	0.070	180 (150 – 270)

Cutting data – JH830 Side milling $a_p/D_c = 0.5$

SMG		a_p / D_c	f_z								v_c
			2	3	4	5	6	8	10	12	
N2	E	1.0	0.016	0.024	0.032	0.040	0.048	0.065	0.080	0.095	480 (405 – 720)
N3	E	1.0	0.016	0.024	0.032	0.040	0.048	0.065	0.080	0.095	320 (270 – 480)

For cutting data recalculations, see pages 336-344.

SMG = Seco material group

Coolant = A=air D=dry E=emulsion M=mist spray

v_c = m/min

f_z = mm

a_p (mm)/ D_c (mm) = factor

a_e (mm)/ D_c (mm) = factor

All cutting data are target values

Cutting data – JH440 Copy milling $a_p/D_c = 0.6$

SMG		a_p / D_c	f_z					v_c
			6	8	10	12	16	
N1	E/M/A	0.060	0.070	0.095	0.12	0.14	0.19	1350 (1000 – 1675)
N2	E/M/A	0.060	0.070	0.095	0.12	0.14	0.19	860 (650 – 1075)
N3	E/M/A	0.060	0.070	0.095	0.12	0.14	0.19	580 (430 – 720)
N11	E/M/A	0.060	0.070	0.095	0.12	0.14	0.19	425 (210 – 640)
TS1	A	0.060	0.070	0.095	0.12	0.14	0.18	1300 (1100 – 1525)
TP1	A	0.060	0.070	0.095	0.12	0.14	0.18	760 (540 – 970)

For cutting data recalculations, see pages 336-344.

SMG = Seco material group

Coolant = A=air D=dry E=emulsion M=mist spray

v_c = m/min

f_z = mm

a_p (mm)/ D_c (mm) = factor

a_s (mm)/ D_c (mm) = factor

All cutting data are target values

Cutting data – JH450 Copy rough milling $a_p/D_c = 0.3$

SMG		a_p / D_c	f_z										v_c
			2	3	4	5	6	8	10	12	16	20	
N1	E/M/A	0.38	0.028	0.044	0.060	0.075	0.090	0.13	0.17	0.20	0.30	0.34	610 (510 – 710)
N2	E/M/A	0.38	0.028	0.044	0.060	0.075	0.090	0.13	0.17	0.20	0.30	0.34	390 (325 – 455)
N3	E/M/A	0.38	0.028	0.044	0.060	0.075	0.090	0.13	0.17	0.20	0.30	0.34	260 (215 – 305)
N11	E/M/A	0.38	0.028	0.044	0.060	0.075	0.090	0.13	0.17	0.20	0.30	0.34	770 (640 – 900)
TS1	A	0.38	0.020	0.030	0.042	0.055	0.065	0.090	0.12	0.15	0.20	0.24	1000 (750 – 1250)
TP1	M	0.38	0.020	0.030	0.042	0.055	0.065	0.090	0.12	0.15	0.20	0.24	255 (210 – 295)

For cutting data recalculations, see pages 336-344.

SMG = Seco material group

Coolant = A=air D=dry E=emulsion M=mist spray

v_c = m/min

f_z = mm

a_p (mm)/ D_c (mm) = factor

a_e (mm)/ D_c (mm) = factor

All cutting data are target values

Cutting data – JH460 Copy rough milling $a_p/D_c = 0.6$

SMG		a_p / D_c	f_z							v_c
			3	4	5	6	8	10	12	
N1	E/M/A	0.32	0.060	0.085	0.11	0.14	0.18	0.24	0.28	1050 (880 — 1225)
N11	E/M/A	0.32	0.060	0.085	0.11	0.14	0.18	0.24	0.28	920 (770 — 1075)
S11	E/M/A	0.32	0.044	0.060	0.080	0.10	0.16	0.20	0.24	175 (155 — 190)
S12	E/M/A	0.32	0.044	0.060	0.080	0.10	0.16	0.20	0.24	135 (120 — 150)
S13	E/M/A	0.32	0.040	0.055	0.070	0.090	0.14	0.17	0.20	110 (95 — 120)
TS1	A	0.80	0.060	0.080	0.10	0.13	0.17	0.22	0.28	920 (770 — 1075)
TP1	M	0.32	0.060	0.085	0.11	0.14	0.18	0.24	0.28	280 (210 — 350)

For cutting data recalculations, see pages 336-344.

SMG = Seco material group

Coolant = A=air D=dry E=emulsion M=mist spray

v_c = m/min

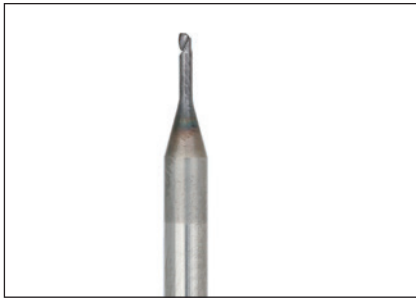
f_z = mm

a_p (mm)/ D_c (mm)= factor

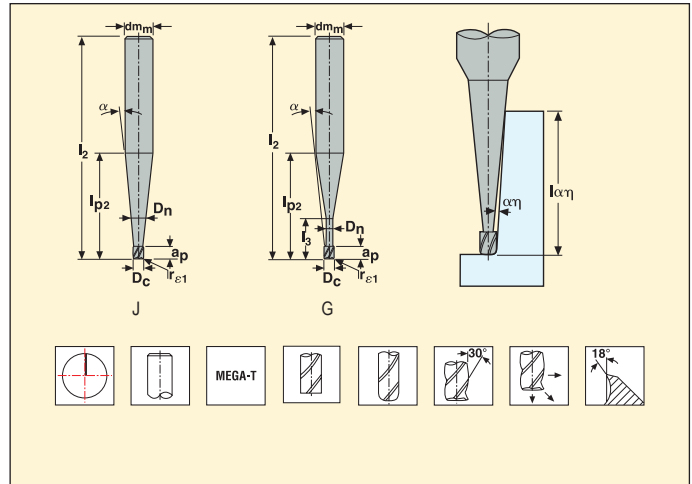
a_e (mm)/ D_c (mm)= factor

All cutting data are target values

JM403/JM404/JM406 – Solid carbide end mill – sharp – cylindrical – corner radius – one flute



Tolerances:
 Runout < 0.005 mm
 $dm_m = h_5$
 $D_c \leq 0,6 = -0.005 / -0.013$, $D_c \geq 0,6 = -0.005 / -0.015$ mm
 $r_{e1} = \pm 0.01$ mm



EDP No.	Part No.	Length index	Tool shape	Dimensions in mm										Max. cut depth rel. to $\alpha\eta$ ($l_{a\eta}$, ref)*					
				D_c	dm_m	a_p	l_2	l_3	l_{p2}	D_n	r_{e1}	α°	z_n	0°	0.5°	1°	1.5°	2°	3°
31939	403002-MEGA-T	1	J	0.2	3	0.2	40	-	6	-	-	13.5	1	0.2	0.3	0.3	0.3	0.4	0.4
31940	403003-MEGA-T	1	J	0.3	3	0.3	40	-	5.9	-	-	13	1	0.3	0.4	0.4	0.4	0.5	0.5
31941	403004-MEGA-T	1	J	0.4	3	0.4	40	-	5.8	-	-	13	1	0.4	0.5	0.5	0.6	0.6	0.6
31942	403005-MEGA-T	1	J	0.5	3	0.5	40	-	5.8	-	-	12.5	1	0.5	0.6	0.6	0.7	0.7	0.8
31944	403ML005R005-MEGA-T	2	G	0.5	3	0.5	40	1.5	6.7	0.45	0.05	11	1	1.5	1.6	1.7	1.7	1.8	1.9
31951	403ML006R005-MEGA-T	2	G	0.6	3	0.6	40	2	7	0.55	0.05	10	1	2	2.1	2.2	2.3	2.3	2.5
31958	403ML008R005-MEGA-T	2	G	0.8	3	0.8	40	2.5	7.1	0.75	0.05	9	1	2.5	2.6	2.7	2.8	2.9	3.2
31964	403ML010R010-MEGA-T	2	G	1	3	1	40	4	8.3	0.95	0.1	7.5	1	4	4.2	4.3	4.5	4.6	5
31980	406ML012R010-MEGA-T	2	G	1.2	6	1.2	50	4.5	14	1.15	0.1	10	1	4.5	4.7	4.9	5	5.2	5.6
31987	406ML015R010-MEGA-T	2	G	1.5	6	1.5	50	5	14	1.4	0.1	9.5	1	5.1	5.3	5.5	5.7	5.9	6.4
33190	404ML020R010-MEGA-T	2	G	2	4	2	40	6	10.4	1.9	0.1	6	1	6.1	6.3	6.6	6.8	7	7.6
31948	403XL005R005-MEGA-T	5	G	0.5	3	0.5	40	4	9.21	0.45	0.05	8	1	4	4.2	4.3	4.5	4.6	5
31954	403XL006R005-MEGA-T	5	G	0.6	3	0.6	40	5	10	0.55	0.05	7	1	5	5.2	5.4	5.6	5.8	6.3
31961	403XL008R005-MEGA-T	5	G	0.8	3	0.8	40	7	11.6	0.75	0.05	5.5	1	7	7.3	7.5	7.8	8.1	8.8
31967	403XL010R010-MEGA-T	5	G	1	3	1	40	8.5	12.8	0.95	0.1	5	1	8.5	8.8	9.1	9.5	9.8	10.6
31983	406XL012R010-MEGA-T	5	G	1.2	6	1.2	50	10	19.5	1.15	0.1	7.5	1	10	10.4	10.7	11.1	11.5	12.5
31990	406XL015R010-MEGA-T	5	G	1.5	6	1.5	60	12	21	1.4	0.1	6.5	1	12.1	12.5	13	13.4	13.9	15.1
31996	406XL020R010-MEGA-T	5	G	2	6	2	60	16	24.1	1.9	0.1	5	1	16.1	16.7	17.3	17.9	8.5	20

* The effective under-neck length for the various draft angles. Remark ∞ = infinity, no collision in projection length area.

Cutting data – JM403/JM404/406 Slotting

SMG		a_p / D_c	f_z										v_c
			0.2	0.3	0.4	0.5	0.6	0.8	1	1.2	1.5	2	
N1	E	0.40	0.0080	0.012	0.016	0.020	0.024	0.032	0.040	0.048	0.055	0.070	510 (425 – 600)
N2	E	0.40	0.0080	0.012	0.016	0.020	0.024	0.032	0.040	0.048	0.055	0.070	330 (275 – 385)
N3	E	0.40	0.0080	0.012	0.016	0.020	0.024	0.032	0.040	0.048	0.055	0.070	220 (185 – 255)

Cutting data – JM403/JM404/406 Side milling $a_p/D_c = 0.5$

SMG		a_p / D_c	f_z										v_c
			0.2	0.3	0.4	0.5	0.6	0.8	1	1.2	1.5	2	
N1	E	0.70	0.0080	0.012	0.016	0.020	0.024	0.032	0.040	0.046	0.055	0.065	590 (490 – 680)
N2	E	0.70	0.0080	0.012	0.016	0.020	0.024	0.032	0.040	0.046	0.055	0.065	375 (315 – 440)
N3	E	0.70	0.0080	0.012	0.016	0.020	0.024	0.032	0.040	0.046	0.055	0.065	250 (210 – 295)

For cutting data recalculations, see pages 336-344.

SMG = Seco material group

Coolant = A=air D=dry E=emulsion M=mist spray

v_c = m/min

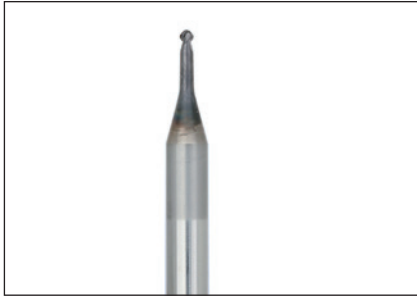
f_z = mm

a_p (mm)/ D_c (mm) = factor

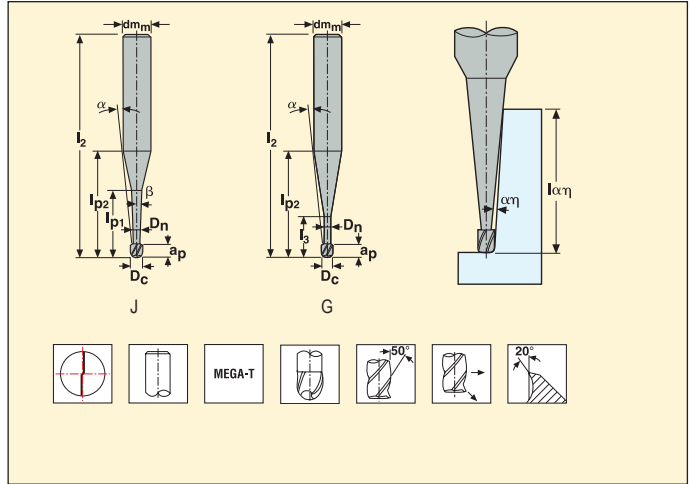
a_e (mm)/ D_c (mm) = factor

All cutting data are target values

JM413/JM416 – Solid carbide end mill – cylindrical – ball nose – two flute



Tolerances:
 Runout < 0.005 mm
 $dm_m = h5$
 $D_c < 0.6 = -0.005 / -0.013$, $D_c \geq 0.6 = -0.005 / -0.015$ mm
 radius = ± 0.005 mm



EDP No.	Part No.	Length index	Tool shape	Dimensions in mm											Max. cut depth rel. to α_η ($l_{a\eta}$, ref)*						
				D _c	dm _m	a _p	l ₂	l ₃	l _{p1}	l _{p2}	D _n	r _{c1}	α_1°	β	z _n	0°	0.5°	1°	1.5°	2°	3°
32014	413ML005TN-MEGA-T	2	J	0.5	3	0.375	40	-	1.5	6.6	0.45	0.25	11.5	0.9	2	1.5	1.5	1.6	1.6	1.7	1.8
32017	413L005-MEGA-T	3	G	0.5	3	0.375	40	2.5	2.5	7.7	0.45	0.25	10	-	2	2.5	2.6	2.7	2.8	2.9	3.1
32024	413L006-MEGA-T	3	G	0.6	3	0.45	40	3	3	8	0.55	0.3	9	-	2	3	3.1	3.2	3.3	3.5	3.7
32031	413L008-MEGA-T	3	G	0.8	3	0.6	40	4	4	8.6	0.75	0.4	8	-	2	4	4.2	4.3	4.4	4.6	4.9
32039	413L010-MEGA-T	3	G	1	3	0.75	40	5	5	9.3	0.95	0.5	7	-	2	5	5.2	5.4	5.5	5.7	6.2
32057	416L012-MEGA-T	3	G	1.2	6	0.9	50	6	6	15.5	1.15	0.6	9.5	-	2	6	6.2	6.4	6.6	6.9	7.4
32064	416L015-MEGA-T	3	G	1.5	6	1.125	50	7.5	7.5	16.5	1.4	0.75	8.5	-	2	7.6	7.9	8.1	8.4	8.7	9.3
32072	416L020-MEGA-T	3	G	2	6	1.5	50	10	10	18.1	1.9	1	7	-	2	10.1	10.4	10.8	11.1	11.5	12.4
32020	413XL005-MEGA-T	5	G	0.5	3	0.375	40	4	4	9.2	0.45	0.25	8	-	2	4	4.2	4.3	4.5	4.6	5
32027	413XL006-MEGA-T	5	G	0.6	3	0.45	40	5	5	10	0.55	0.3	7.5	-	2	5	5.2	5.4	5.6	5.8	6.2
32034	413XL008-MEGA-T	5	G	0.8	3	0.6	40	7	7	11.6	0.75	0.4	6	-	2	7	7.3	7.5	7.8	8	8.7
32042	413XL010-MEGA-T	5	G	1	3	0.75	40	8.5	8.5	12.8	0.95	0.5	5	-	2	8.5	8.8	9.1	9.4	9.8	10.5
32060	416XL012-MEGA-T	5	G	1.2	6	0.9	50	10	10	19.5	1.15	0.6	7.5	-	2	10	10.4	10.7	11.1	11.5	12.4
32068	416XL015-MEGA-T	5	G	1.5	6	1.125	60	12	12	21	1.4	0.75	6.5	-	2	12.1	12.2	12.9	13.4	13.9	14.9
32076	416XL020-MEGA-T	5	G	2	6	1.5	60	16	16	24.1	1.9	1	5	-	2	16.1	16.6	17.2	17.8	18.4	19.8

* The effective under-neck length for the various draft angles. Remark ∞ = infinity, no collision in projection length area.

Cutting data – JM413/416 Copy finishing $a_p/D_c = 0.05$

SMG		a_p / D_c	f_z										v_c
			0.2	0.3	0.4	0.5	0.6	0.8	1	1.2	1.5	2	
N1	E	0.30	0.012	0.018	0.024	0.030	0.040	0.050	0.065	0.075	0.090	0.12	1275 (1075 — 1500)
N2	E	0.30	0.012	0.018	0.024	0.030	0.040	0.050	0.065	0.075	0.090	0.12	830 (690 — 960)
N3	E	0.30	0.012	0.018	0.024	0.030	0.040	0.050	0.065	0.075	0.090	0.12	550 (460 — 640)
TS1	A	0.30	0.012	0.018	0.024	0.030	0.036	0.048	0.060	0.070	0.090	0.12	830 (690 — 970)
TP1	A	0.30	0.012	0.018	0.024	0.030	0.036	0.048	0.060	0.070	0.090	0.12	830 (690 — 970)

Cutting data – JM413/416 Copy roughing $a_p/D_c = 0.3$

SMG		a_p / D_c	f_z										v_c
			0.2	0.3	0.4	0.5	0.6	0.8	1	1.2	1.5	2	
N1	E	0.30	0.0075	0.012	0.016	0.020	0.026	0.036	0.050	0.065	0.075	0.090	880 (730 — 1025)
N2	E	0.30	0.0075	0.012	0.016	0.020	0.026	0.036	0.050	0.065	0.075	0.090	560 (470 — 660)
N3	E	0.30	0.0075	0.012	0.016	0.020	0.026	0.036	0.050	0.065	0.075	0.090	375 (315 — 440)
N11	E	0.30	0.0075	0.012	0.016	0.020	0.026	0.036	0.050	0.065	0.075	0.090	560 (470 — 660)
TS1	A	0.30	0.0055	0.0085	0.011	0.015	0.018	0.026	0.036	0.046	0.055	0.065	590 (495 — 690)
TP1	A	0.30	0.0055	0.0085	0.011	0.015	0.018	0.026	0.036	0.046	0.055	0.065	590 (495 — 690)

For cutting data recalculations, see pages 336-344.

SMG = Seco material group

Coolant = A=air D=dry E=emulsion M=mist spray

v_c = m/min

f_z = mm

a_p (mm)/ D_c (mm) = factor

a_e (mm)/ D_c (mm) = factor

All cutting data are target values



Name		JHP170	JHF180	JH120	JH130	JH930	JH141
Page		240-242	243-246	247-248	249-250	115-117, 251-253,	159-161, 254-256
Family		HPM	HFM	HSM/TORNADO	HSM/TORNADO	HSM/TORNADO	HSM/TORNADO
Type of mill							
Shank	Cylindrical	■	■	■	■	■	■
	Weldon	■					
Number of flutes		3-4	3-5	4	5-6, 8	5-6, 8	2-4
ICC							
Diameter range	Metric	2-20	2-16	2-16	6-20	6-20	2-10
	Inch						
Lengths available, based on length index		 2	 2,3,4	 2	 2	 2	 2,3,4,5
Operation							
SMG							
H3		●	●	●	●	●	●
H5		●	●	●	●	●	●
H7		●	●	●	●	●	●
H8		●	●	●	●	●	●
H11		●	●	●	●	●	●
H12		●	●	●	●	●	●
H21		●	●	●	●	●	●
H31		●	●	●	●	●	●

■ Stock standard □ Weldon available, delivery time is 3 days
 ● Preferred choice, ○ Alternative choice

Name		JH111	JH150	JH160	JM103/JM106	JM113/JM116
Page		164-166, 257-259	167-168, 260-261	169-170, 262-263	264-266	267-268
Family		HSM/TORNADO	HSM/TORNADO	HSM/TORNADO	MINI	MINI
Type of mill						
Shank	Cylindrical	■	■	■	■	■
	Weldon					
Number of flutes		2	4	4	2	2
ICC						
Diameter range	Metric	2-16	6-12	4-12	0.2-2.0	0.2-2.0
	Inch					
Lengths available, based on length index		 1,2,3,4,5	 2	 2	 1,2,3,4,5,6	 1,2,3,4,5,6
Operation						
SMG						
H3		●	●	●	●	●
H5		●	●	●	●	●
H7		●	●	●	●	●
H8		●	●	●	●	●
H11		●	●	●	●	●
H12		●	●	●	●	●
H21		●	●	●	●	●
H31		●	●	●	●	●

■ Stock standard

● Preferred choice, ○ Alternative choice

JHP170 – Solid carbide end mill – corner chamfer/radius – cylindrical



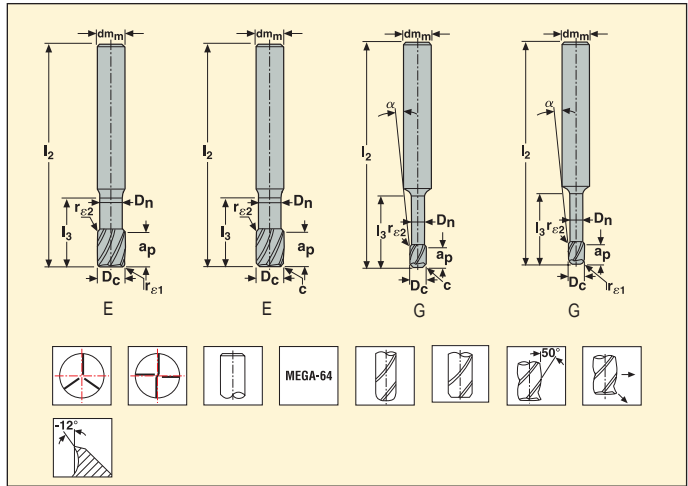
Tolerances:

$dm_m = h5$

$D_c = -0.02/-0.04$ mm

$c = \emptyset 2-4 = +0.05, \emptyset 5-16 = +0.1$

$r_{e1} = +/-0.05$ mm



EDP No.	Part No.	Length index	Tool shape	Dimensions in mm										α°	z_n	Cylindrical
				D_c	dm_m	a_p	l_2	l_3	D_n	r_{e1}	r_{e2}	$c \times 45^\circ$	α°			
20630	170020.0-MEGA-64	2	G	2	6	2	50	4	1.9	0	2	0.08	14.5	3	■	
33666	170020R020.0-MEGA-64	2	G	2	6	2	50	4	1.9	0.2	2	-	14.5	3	■	
33668	170020R050.0-MEGA-64	2	G	2	6	2	50	4	1.9	0.5	2	-	15	3	■	
20631	170030.0-MEGA-64	2	G	3	6	3	50	6	2.8	0	2	0.08	9	3	■	
33669	170030R020.0-MEGA-64	2	G	3	6	3	50	6	2.8	0.2	2	-	9.5	3	■	
33670	170030R050.0-MEGA-64	2	G	3	6	3	50	6	2.8	0.5	2	-	9.5	3	■	
20632	170040.0-MEGA-64	2	G	4	6	4	50	8	3.7	0	2	0.1	5.5	4	■	
33672	170040R020.0-MEGA-64	2	G	4	6	4	50	8	3.7	0.2	2	-	5.5	4	■	
33673	170040R050.0-MEGA-64	2	G	4	6	4	50	8	3.7	0.5	2	-	5.5	4	■	
20633	170050.0-MEGA-64	2	G	5	6	5	50	10	4.6	0	2	0.12	2.5	4	■	
33674	170050R020.0-MEGA-64	2	G	5	6	5	50	10	4.6	0.2	2	-	2.5	4	■	
33675	170050R050.0-MEGA-64	2	G	5	6	5	50	10	4.6	0.5	2	-	2.5	4	■	
20634	170060.0-MEGA-64	2	E	6	6	6	50	11.5	5.6	0	2	0.14	-	4	■	
33676	170060R020.0-MEGA-64	2	E	6	6	6	50	11.5	5.6	0.2	2	-	-	4	■	
33677	170060R050.0-MEGA-64	2	E	6	6	6	50	11.5	5.6	0.5	2	-	-	4	■	
20635	170080.0-MEGA-64	2	E	8	8	8	55	16	7.4	0	2	0.16	-	4	■	
33678	170080R020.0-MEGA-64	2	E	8	8	8	55	16	7.4	0.2	2	-	-	4	■	
33680	170080R050.0-MEGA-64	2	E	8	8	8	55	16	7.4	0.5	2	-	-	4	■	
33681	170080R100.0-MEGA-64	2	E	8	8	8	55	16	7.4	1	2	-	-	4	■	
20636	170100.0-MEGA-64	2	E	10	10	10	65	22	9.4	0	2	0.18	-	4	■	
33682	170100R050.0-MEGA-64	2	E	10	10	10	65	22	9.4	0.5	2	-	-	4	■	
33683	170100R100.0-MEGA-64	2	E	10	10	10	65	22	9.4	1	2	-	-	4	■	
20637	170120.0-MEGA-64	2	E	12	12	12	75	27	11.4	0	3	0.2	-	4	■	
33684	170120R050.0-MEGA-64	2	E	12	12	12	75	27	11.4	0.5	3	-	-	4	■	
33685	170120R100.0-MEGA-64	2	E	12	12	12	75	27	11.4	1	3	-	-	4	■	
20638	170160.0-MEGA-64	2	E	16	16	16	80	29	15.4	0	4	0.3	-	4	■	
33686	170160R050.0-MEGA-64	2	E	16	16	16	80	29	15.4	0.5	4	-	-	4	■	
33687	170160R100.0-MEGA-64	2	E	16	16	16	80	29	15.4	1	4	-	-	4	■	

■ Stock standard. Subject to change, refer to current price-and stock-list.

JHP170 – Solid carbide end mill – corner chamfer/radius – Weldon



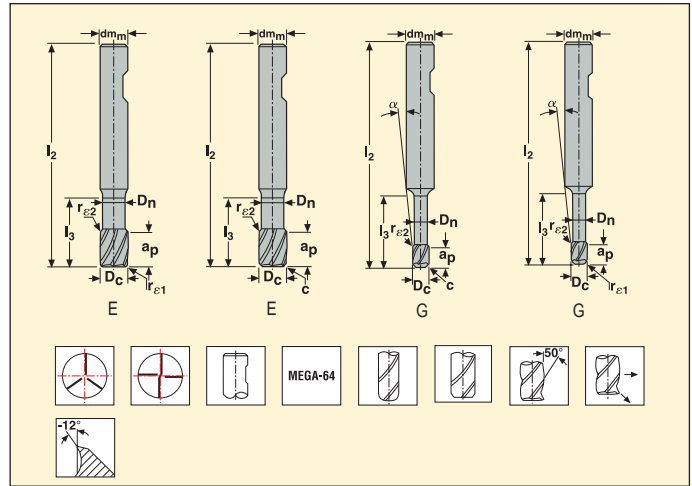
Tolerances:

$dm_m = h5$

$D_c = -0.02 / -0.04 \text{ mm}$

$c = \varnothing 2-4 = +0.05, \varnothing 5-16 = +0.1$

$r_{e1} = \pm 0.05 \text{ mm}$



EDP No.	Part No.	Length index	Tool shape	Dimensions in mm										α°	z_n	Weldon
				D_c	dm_m	a_p	l_2	l_3	D_n	r_{e1}	r_{e2}	$c \times 45^\circ$				
19838	170020-MEGA-64	2	G	2	6	2	50	4	1.9	0	2	0.08	14.5	3	■	
23117	170020R020.0-MEGA-64W	2	G	2	6	2	50	4	1.9	0.2	2	-	-	3	□	
23118	170020R050.0-MEGA-64W	2	G	2	6	2	50	4	1.9	0.5	2	-	-	3	□	
19839	170030-MEGA-64	2	G	3	6	3	50	6	2.8	0	2	0.08	9	3	■	
23193	170030R020.0-MEGA-64W	2	G	3	6	3	50	6	2.8	0.2	2	-	-	3	□	
23194	170030R050.0-MEGA-64W	2	G	3	6	3	50	6	2.8	0.5	2	-	-	3	□	
19840	170040-MEGA-64	2	G	4	6	4	50	8	3.7	0	2	0.1	5.5	4	■	
23195	170040R020.0-MEGA-64W	2	G	4	6	4	50	8	3.7	0.2	2	-	-	4	□	
23196	170040R050.0-MEGA-64W	2	G	4	6	4	50	8	3.7	0.5	2	-	-	4	□	
19841	170050-MEGA-64	2	G	5	6	5	50	10	4.6	0	2	0.12	2.5	4	■	
23197	170050R020.0-MEGA-64W	2	G	5	6	5	50	10	4.6	0.2	2	-	-	4	□	
23198	170050R050.0-MEGA-64W	2	G	5	6	5	50	10	4.6	0.5	2	-	-	4	□	
19843	170060-MEGA-64	2	E	6	6	6	50	11.5	5.6	0	2	0.14	-	4	■	
23199	170060R020.0-MEGA-64W	2	E	6	6	6	50	11.5	5.6	0.2	2	-	-	4	□	
23200	170060R050.0-MEGA-64W	2	E	6	6	6	50	11.5	5.6	0.5	2	-	-	4	□	
19844	170080-MEGA-64	2	E	8	8	8	55	16	7.4	0	2	0.16	-	4	■	
23201	170080R020.0-MEGA-64W	2	E	8	8	8	55	16	7.4	0.2	2	-	-	4	□	
23202	170080R050.0-MEGA-64W	2	E	8	8	8	55	16	7.4	0.5	2	-	-	4	□	
23224	170080R100.0-MEGA-64W	2	E	8	8	8	55	16	7.4	1	2	-	-	4	□	
19845	170100-MEGA-64	2	E	10	10	10	65	22	9.4	0	2	0.18	-	4	■	
23506	170100R050.0-MEGA-64W	2	E	10	10	10	65	22	9.4	0.5	2	-	-	4	□	
23507	170100R100.0-MEGA-64W	2	E	10	10	10	65	22	9.4	1	2	-	-	4	□	
19846	170120-MEGA-64	2	E	12	12	12	75	27	11.4	0	3	0.2	-	4	■	
23508	170120R050.0-MEGA-64W	2	E	12	12	12	75	27	11.4	0.5	3	-	-	4	□	
23509	170120R100.0-MEGA-64W	2	E	12	12	12	75	27	11.4	1	3	-	-	4	□	
19847	170160-MEGA-64	2	E	16	16	16	80	29	15.4	0	4	0.3	-	4	■	
23640	170160R050.0-MEGA-64W	2	E	16	16	16	80	29	15.4	0.5	4	-	-	4	□	
02646	170160R100.0-MEGA-64W	2	E	16	16	16	80	29	15.4	1	4	-	-	4	□	
37935	170200R050-MEGA-64	2	E	20	20	20	100	40	19.2	0.5	-	-	-	4	■	
37936	170200R100-MEGA-64	2	E	20	20	20	100	40	19.2	1	-	-	-	4	■	

■ Stock standard. Subject to change, refer to current price-and stock-list. □ Weldon available. Add W after the designation when ordering. For example 170020R050.0-MEGA-64W

Cutting data – JHP170 Slotting

SMG		a_p / D_c	f_z										v_c
			2	3	4	5	6	8	10	12	16	20	
H3	M	0.40	0.0040	0.0060	0.0080	0.010	0.012	0.016	0.020	0.024	0.030	0.034	31 (28 – 34)
H5	M	0.60	0.0080	0.012	0.016	0.020	0.024	0.032	0.040	0.048	0.060	0.070	50 (46 – 55)
H7	M	0.36	0.0040	0.0060	0.0080	0.010	0.012	0.016	0.020	0.024	0.030	0.034	31 (28 – 34)
H8	M	0.60	0.0090	0.014	0.018	0.024	0.028	0.036	0.046	0.055	0.070	0.080	50 (45 – 55)
H11	M	0.60	0.0080	0.012	0.016	0.020	0.024	0.032	0.040	0.048	0.060	0.070	65 (60 – 70)
H12	M	0.60	0.0080	0.012	0.016	0.020	0.024	0.032	0.040	0.048	0.060	0.070	105 (95 – 115)
H21	M	0.60	0.0090	0.014	0.018	0.024	0.028	0.036	0.046	0.055	0.070	0.080	50 (45 – 55)
H31	M	0.60	0.0080	0.012	0.016	0.020	0.024	0.032	0.040	0.048	0.060	0.070	38 (34 – 42)

Cutting data – JHP170 Side milling $a_p/D_c = 0.2$

SMG		a_p / D_c	f_z										v_c
			2	3	4	5	6	8	10	12	16	20	
H3	M	0.80	0.0050	0.0075	0.010	0.013	0.015	0.020	0.026	0.030	0.036	0.042	42 (38 – 47)
H5	M	1.0	0.010	0.015	0.020	0.026	0.030	0.040	0.050	0.060	0.075	0.085	70 (65 – 80)
H7	M	0.80	0.0050	0.0075	0.010	0.013	0.015	0.020	0.026	0.030	0.036	0.042	42 (38 – 47)
H8	M	1.0	0.012	0.017	0.024	0.028	0.034	0.046	0.060	0.070	0.085	0.10	70 (60 – 75)
H11	M	1.0	0.010	0.015	0.020	0.026	0.030	0.040	0.050	0.060	0.075	0.085	90 (80 – 100)
H12	M	1.0	0.010	0.015	0.020	0.026	0.030	0.040	0.050	0.060	0.075	0.085	145 (130 – 160)
H21	M	1.0	0.012	0.017	0.024	0.028	0.034	0.046	0.060	0.070	0.085	0.10	70 (60 – 75)
H31	M	1.0	0.010	0.015	0.020	0.026	0.030	0.040	0.050	0.060	0.075	0.085	55 (48 – 60)

For cutting data recalculations, see pages 336-344.

SMG = Seco material group

Coolant = A=air D=dry E=emulsion M=mist spray

v_c = m/min

f_z = mm

a_p (mm)/ D_c (mm) = factor

a_e (mm)/ D_c (mm) = factor

All cutting data are target values

JHF180 – Solid carbide high feed end mill – cylindrical – corner radius

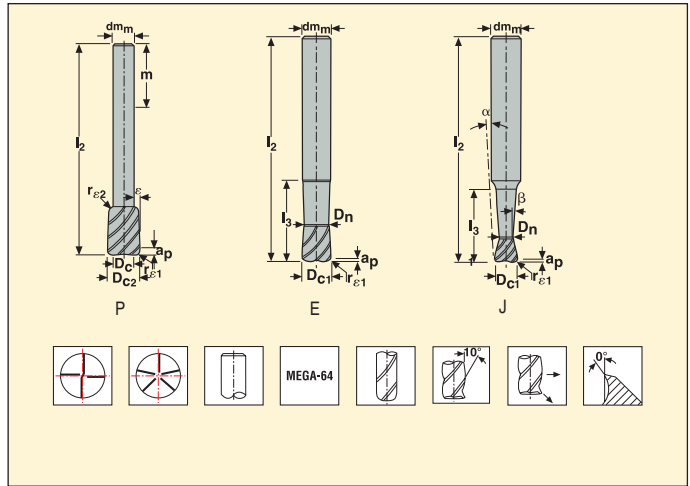


Tolerances:

$dm_m = h5$

$D_c = -0.02 / -0.04 \text{ mm}$

$r_{\epsilon 1} = \pm 0.01 \text{ mm}$



EDP No.	Part No.	Length index	Tool shape	Dimensions in mm												α°	β	z_n	Cylindrical
				D_c	D_{c1}	dm_m	a_p	l_2	l_3	D_n	$r_{\epsilon 1}$	$r_{\epsilon 2}$							
39929	180020R050Z4-4-MEGA-64	1	J	1	2	4	0.5	40	4	0.8	0.5	2	9	-	4	■			
39931	180020R050Z4-6-MEGA-64	1	J	1	2	6	0.5	50	4	0.8	0.5	2	15	-	4	■			
39937	180030R075Z4-MEGA-64	1	J	1.5	3	6	0.75	50	6	1.2	0.75	2	10	-	4	■			
39949	180040R100Z4-MEGA-64	1	J	2	4	6	1	50	8	1.6	1	2	6	-	4	■			
39953	180060R150Z4-MEGA-64	1	E	3	6	6	1.5	50	12	2.4	1.5	2	-	-	4	■			
39957	180070R150Z4-MEGA-64	1	P	4	7	6	1.5	65	-	3	1.5	2	-	-	4	■			
39958	180080R200Z4-MEGA-64	1	E	4	8	8	2	55	16	3.3	2	2	-	-	4	■			
39963	180090R200Z4-MEGA-64	1	P	5	9	8	2	70	-	4	2	2	-	-	4	■			
39964	180100R200Z4-MEGA-64	1	E	6	10	10	2	65	20	5.2	2	2	-	-	4	■			
39965	180100R200Z5-MEGA-64	1	E	6	10	10	2	65	20	5.2	2	2	-	-	5	■			
39969	180110R200Z4-MEGA-64	1	P	7	11	10	2	85	-	6	2	3	-	-	4	■			
39970	180120R300Z4-MEGA-64	1	E	6	12	12	3	75	24	5	3	3	-	-	4	■			
39971	180120R300Z5-MEGA-64	1	E	6	12	12	3	75	24	5	3	3	-	-	5	■			
39975	180130R300Z4-MEGA-64	1	P	7	13	12	3	100	-	6	3	4	-	-	4	■			
39976	180160R300Z4-MEGA-64	1	E	10	16	16	3	80	32	8.8	3	4	-	-	4	■			
39977	180160R300Z5-MEGA-64	1	E	10	16	16	3	80	32	8.8	3	4	-	-	5	■			
39932	180ML020R050Z4-MEGA-64	2	J	1	2	6	0.5	50	8	0.8	0.5	2	10	-	4	■			
39940	180ML030R075Z4-MEGA-64	2	J	1.5	3	6	0.75	50	12	1.2	0.75	2	6	-	4	■			
39950	180ML040R100Z4-MEGA-64	2	J	2	4	6	1	50	16	1.6	1	2	3.5	-	4	■			
39954	180ML060R150Z4-MEGA-64	2	E	3	6	6	1.5	65	24	2.4	1.5	2	-	-	4	■			
39959	180ML080R200Z4-MEGA-64	2	E	4	8	8	2	70	32	3.3	2	2	-	-	4	■			
39966	180ML100R200Z4-MEGA-64	2	E	6	10	10	2	85	40	5.2	2	2	-	-	4	■			
39972	180ML120R300Z4-MEGA-64	2	E	6	12	12	3	100	48	5	3	3	-	-	4	■			
39978	180ML160R300Z4-MEGA-64	2	E	10	16	16	3	125	64	8.8	3	4	-	-	4	■			
39930	180L020R050TNZ4-4-MEGA-64	3	J	1	2	4	0.5	40	10	0.8	0.5	2	5	0.9	4	■			
39933	180L020R050TNZ4-6-MEGA-64	3	J	1	2	6	0.5	50	10	0.8	0.5	2	8.5	0.9	4	■			
39941	180L030R075TNZ4-MEGA-64	3	J	1.5	3	6	0.75	50	15	1.2	0.75	2	5	0.9	4	■			
39951	180L040R100TNZ4-MEGA-64	3	J	2	4	6	1	60	20	1.6	1	2	3	0.9	4	■			
39955	180L060R150TNZ4-MEGA-64	3	J	3	6	8	1.5	65	30	2.4	1.5	2	2	0.9	4	■			
39960	180L080R200TNZ4-MEGA-64	3	E	4	8	10	2	85	40	3.3	2	2	1.5	0.9	4	■			
39967	180L100R200TNZ4-MEGA-64	3	E	6	10	12	2	100	50	5.2	2	2	1.5	0.9	4	■			
39973	180L120R300TNZ4-MEGA-64	3	E	6	12	16	3	100	60	5	3	3	2	0.9	4	■			
39979	180L160R300TNZ4-MEGA-64	3	E	10	16	20	3	130	80	8.8	3	4	1.5	0.9	4	■			

■ Stock standard. Subject to change, refer to current price-and stock-list.

JHF180 - Solid carbide high feed end mill - cylindrical - corner radius - multi flute

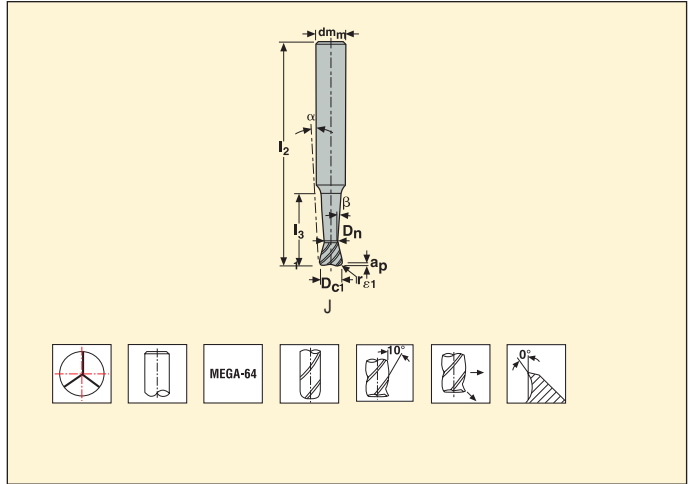


Tolerances:

$dm_m = h5$

$D_c = -0.02 / -0.04 \text{ mm}$

$r_{\epsilon 1} = +/- 0.01 \text{ mm}$



EDP No.	Part No.	Length index	Tool shape	Dimensions in mm											α°	β	z_n	Cylindrical
				D_c	D_{c1}	dm_m	a_p	I_2	I_3	D_n	$r_{\epsilon 1}$	$r_{\epsilon 2}$						
39928	180TL020R050TNZ3-4-MEGA-64	4	J	1	2	4	0.5	40	14	0.8	0.5	2	4	0.9	3	■		
39934	180TL020R050TNZ3-6-MEGA-64	4	J	1	2	6	0.5	50	14	0.8	0.5	2	7	0.9	3	■		
39948	180TL030R075TNZ3-MEGA-64	4	J	1.5	3	6	0.75	60	21	1.2	0.75	2	4	0.9	3	■		
39952	180TL040R100TNZ3-MEGA-64	4	J	2	4	6	1	65	28	1.6	1	2	2	0.9	3	■		
39956	180TL060R150TNZ3-MEGA-64	4	J	3	6	8	1.5	80	42	2.4	1.5	2	1.5	0.9	3	■		
39961	180TL080R200TNZ3-MEGA-64	4	J	4	8	10	2	100	56	3.3	2	2	1.5	0.9	3	■		
39968	180TL100R200TNZ3-MEGA-64	4	J	6	10	12	2	125	70	5.2	2	2	1	0.9	3	■		
39974	180TL120R300TNZ3-MEGA-64	4	J	6	12	16	3	125	84	5	3	3	1.5	0.9	3	■		

■ Stock standard. Subject to change, refer to current price-and stock-list.

Cutting data - JHF180 Slotting $z_{\eta}3$

SMG		a_p / D_c	f_z							v_c
			2	3	4	6	8	10	12	
P6	E/M/A	0.055	0.020	0.030	0.040	0.15	0.20	0.26	0.30	330 (305 — 350)
P7	E/M/A	0.055	0.020	0.030	0.040	0.15	0.20	0.26	0.30	310 (290 — 330)
P8	E/M/A	0.055	0.022	0.032	0.042	0.16	0.22	0.26	0.32	290 (270 — 310)
P11	E/M/A	0.055	0.020	0.030	0.040	0.15	0.20	0.26	0.30	300 (280 — 320)
K1	E/M/A	0.055	0.022	0.034	0.044	0.17	0.22	0.28	0.34	245 (210 — 280)
K2	E/M/A	0.055	0.020	0.030	0.040	0.15	0.20	0.26	0.30	220 (190 — 250)
K3	E/M/A	0.055	0.020	0.030	0.040	0.15	0.20	0.26	0.30	185 (160 — 210)
K4	E/M/A	0.055	0.020	0.030	0.040	0.15	0.20	0.26	0.30	175 (150 — 200)
K5	E/M/A	0.055	0.018	0.028	0.036	0.14	0.18	0.22	0.28	105 (90 — 120)
K6	E/M/A	0.055	0.020	0.030	0.040	0.15	0.20	0.26	0.30	155 (135 — 180)
K7	E/M/A	0.055	0.018	0.028	0.036	0.14	0.18	0.22	0.28	135 (115 — 155)
H3	M/A/D	0.028	0.014	0.022	0.028	0.15	0.20	0.24	0.30	110 (100 — 125)
H5	M/A/D	0.028	0.022	0.032	0.044	0.18	0.24	0.30	0.36	200 (175 — 220)
H7	M/A/D	0.028	0.014	0.022	0.028	0.15	0.20	0.24	0.30	110 (100 — 125)
H8	M/A/D	0.028	0.017	0.026	0.034	0.17	0.22	0.28	0.34	200 (180 — 225)
H21	M/A/D	0.028	0.017	0.026	0.034	0.17	0.22	0.28	0.34	200 (180 — 225)
H31	M/A/D	0.028	0.014	0.022	0.028	0.15	0.20	0.24	0.30	155 (135 — 170)

Cutting data - JHF180 Slotting $z_{\eta}4$

SMG		a_p / D_c	f_z											v_c	
			2	3	4	6	7	8	9	10	11	12	13		16
P6	E/M/A	0.055	0.020	0.030	0.040	0.15	0.18	0.20	0.22	0.26	0.28	0.30	0.32	0.38	325 (305 — 345)
P7	E/M/A	0.055	0.020	0.030	0.040	0.15	0.18	0.20	0.22	0.26	0.28	0.30	0.32	0.38	305 (285 — 325)
P8	E/M/A	0.055	0.022	0.032	0.042	0.16	0.19	0.22	0.24	0.26	0.30	0.32	0.34	0.38	285 (265 — 305)
P11	E/M/A	0.055	0.020	0.030	0.040	0.15	0.18	0.20	0.22	0.26	0.28	0.30	0.32	0.38	300 (280 — 320)
K1	E/M/A	0.055	0.022	0.034	0.044	0.17	0.20	0.22	0.26	0.28	0.30	0.34	0.36	0.42	245 (210 — 280)
K2	E/M/A	0.055	0.020	0.030	0.040	0.15	0.18	0.20	0.22	0.26	0.28	0.30	0.32	0.38	215 (185 — 250)
K3	E/M/A	0.055	0.020	0.030	0.040	0.15	0.18	0.20	0.22	0.26	0.28	0.30	0.32	0.38	185 (155 — 210)
K4	E/M/A	0.055	0.020	0.030	0.040	0.15	0.18	0.20	0.22	0.26	0.28	0.30	0.32	0.38	175 (150 — 200)
K5	E/M/A	0.055	0.018	0.028	0.036	0.14	0.16	0.18	0.20	0.22	0.26	0.28	0.28	0.34	105 (90 — 120)
K6	E/M/A	0.055	0.020	0.030	0.040	0.15	0.18	0.20	0.22	0.26	0.28	0.30	0.32	0.38	155 (130 — 175)
K7	E/M/A	0.055	0.018	0.028	0.036	0.14	0.16	0.18	0.20	0.22	0.26	0.28	0.28	0.34	135 (115 — 155)
H3	M/A/D	0.028	0.014	0.022	0.028	0.15	0.17	0.20	0.22	0.24	0.28	0.30	0.32	0.36	110 (100 — 120)
H5	M/A/D	0.028	0.022	0.032	0.044	0.18	0.20	0.24	0.28	0.30	0.32	0.36	0.40	0.48	195 (175 — 220)
H7	M/A/D	0.028	0.014	0.022	0.028	0.15	0.17	0.20	0.22	0.24	0.28	0.30	0.32	0.36	110 (100 — 120)
H8	M/A/D	0.028	0.017	0.026	0.034	0.17	0.20	0.22	0.26	0.28	0.32	0.34	0.36	0.42	200 (175 — 220)
H21	M/A/D	0.028	0.017	0.026	0.034	0.17	0.20	0.22	0.26	0.28	0.32	0.34	0.36	0.42	200 (175 — 220)
H31	M/A/D	0.028	0.014	0.022	0.028	0.15	0.17	0.20	0.22	0.24	0.28	0.30	0.32	0.36	155 (135 — 170)

For cutting data recalculations, see pages 336-344.

SMG = Seco material group

Coolant = A=air D=dry E=emulsion M=mist spray

v_c = m/min

f_z = mm

a_p (mm)/ D_c (mm) = factor

a_e (mm)/ D_c (mm) = factor

All cutting data are target values

Cutting data – JHF180 Side roughing $z_n 3, a_p/D_c = 0.3$

SMG		a_p / D_c	f_z							v_c
			2	3	4	6	8	10	12	
P6	E/M/A	0.055	0.022	0.034	0.044	0.17	0.22	0.28	0.32	380 (355 – 410)
P7	E/M/A	0.055	0.022	0.034	0.044	0.17	0.22	0.28	0.32	360 (335 – 385)
P8	E/M/A	0.055	0.024	0.034	0.046	0.17	0.24	0.30	0.34	340 (320 – 365)
P11	E/M/A	0.055	0.022	0.034	0.044	0.17	0.22	0.28	0.32	350 (325 – 375)
K1	E/M/A	0.055	0.024	0.036	0.050	0.18	0.24	0.30	0.36	290 (250 – 335)
K2	E/M/A	0.055	0.022	0.034	0.044	0.17	0.22	0.28	0.34	255 (220 – 290)
K3	E/M/A	0.055	0.022	0.034	0.044	0.17	0.22	0.28	0.34	215 (185 – 245)
K4	E/M/A	0.055	0.022	0.034	0.044	0.17	0.22	0.28	0.34	205 (175 – 235)
K5	E/M/A	0.055	0.020	0.030	0.040	0.15	0.20	0.26	0.30	125 (110 – 145)
K6	E/M/A	0.055	0.022	0.034	0.044	0.17	0.22	0.28	0.34	180 (155 – 205)
K7	E/M/A	0.055	0.020	0.030	0.040	0.15	0.20	0.26	0.30	160 (140 – 185)
H3	M/A/D	0.028	0.016	0.024	0.032	0.16	0.22	0.28	0.32	125 (115 – 140)
H5	M/A/D	0.028	0.024	0.036	0.048	0.18	0.24	0.30	0.36	230 (205 – 255)
H7	M/A/D	0.028	0.016	0.024	0.032	0.16	0.22	0.28	0.32	125 (115 – 140)
H8	M/A/D	0.028	0.018	0.028	0.036	0.18	0.24	0.30	0.36	230 (205 – 255)
H21	M/A/D	0.028	0.018	0.028	0.036	0.18	0.24	0.30	0.36	230 (205 – 255)
H31	M/A/D	0.028	0.016	0.024	0.032	0.16	0.22	0.28	0.32	175 (155 – 195)

Cutting data – JHF180 Side roughing $z_n 4, a_p/D_c = 0.3$

SMG		a_p / D_c	f_z												v_c
			2	3	4	6	7	8	9	10	11	12	13	16	
P6	E/M/A	0.055	0.022	0.034	0.044	0.17	0.19	0.22	0.24	0.28	0.30	0.32	0.34	0.40	380 (355 – 405)
P7	E/M/A	0.055	0.022	0.034	0.044	0.17	0.19	0.22	0.24	0.28	0.30	0.32	0.34	0.40	355 (335 – 380)
P8	E/M/A	0.055	0.024	0.034	0.046	0.17	0.20	0.24	0.26	0.30	0.32	0.34	0.36	0.42	335 (315 – 360)
P11	E/M/A	0.055	0.022	0.034	0.044	0.17	0.19	0.22	0.24	0.28	0.30	0.32	0.34	0.40	345 (325 – 370)
K1	E/M/A	0.055	0.024	0.036	0.050	0.18	0.20	0.24	0.28	0.30	0.32	0.36	0.38	0.46	290 (245 – 330)
K2	E/M/A	0.055	0.022	0.034	0.044	0.17	0.20	0.22	0.26	0.28	0.30	0.34	0.36	0.42	255 (215 – 290)
K3	E/M/A	0.055	0.022	0.034	0.044	0.17	0.20	0.22	0.26	0.28	0.30	0.34	0.36	0.42	215 (185 – 245)
K4	E/M/A	0.055	0.022	0.034	0.044	0.17	0.20	0.22	0.26	0.28	0.30	0.34	0.36	0.42	205 (175 – 235)
K5	E/M/A	0.055	0.020	0.030	0.040	0.15	0.18	0.20	0.22	0.26	0.28	0.30	0.32	0.36	125 (105 – 140)
K6	E/M/A	0.055	0.022	0.034	0.044	0.17	0.20	0.22	0.26	0.28	0.30	0.34	0.36	0.42	180 (155 – 205)
K7	E/M/A	0.055	0.020	0.030	0.040	0.15	0.18	0.20	0.22	0.26	0.28	0.30	0.32	0.36	160 (135 – 180)
H3	M/A/D	0.028	0.016	0.024	0.032	0.16	0.19	0.22	0.24	0.28	0.30	0.32	0.34	0.40	125 (110 – 140)
H5	M/A/D	0.028	0.024	0.036	0.048	0.18	0.20	0.24	0.28	0.30	0.32	0.36	0.40	0.48	230 (205 – 255)
H7	M/A/D	0.028	0.016	0.024	0.032	0.16	0.19	0.22	0.24	0.28	0.30	0.32	0.34	0.40	125 (110 – 140)
H8	M/A/D	0.028	0.018	0.028	0.036	0.18	0.20	0.24	0.28	0.30	0.32	0.36	0.40	0.46	230 (205 – 255)
H21	M/A/D	0.028	0.018	0.028	0.036	0.18	0.20	0.24	0.28	0.30	0.32	0.36	0.40	0.46	230 (205 – 255)
H31	M/A/D	0.028	0.016	0.024	0.032	0.16	0.19	0.22	0.24	0.28	0.30	0.32	0.34	0.40	175 (155 – 195)

For cutting data recalculations, see pages 336-344.

SMG = Seco material group

Coolant = A=air D=dry E=emulsion M=mist spray

v_c = m/min

f_z = mm

a_p (mm)/ D_c (mm) = factor

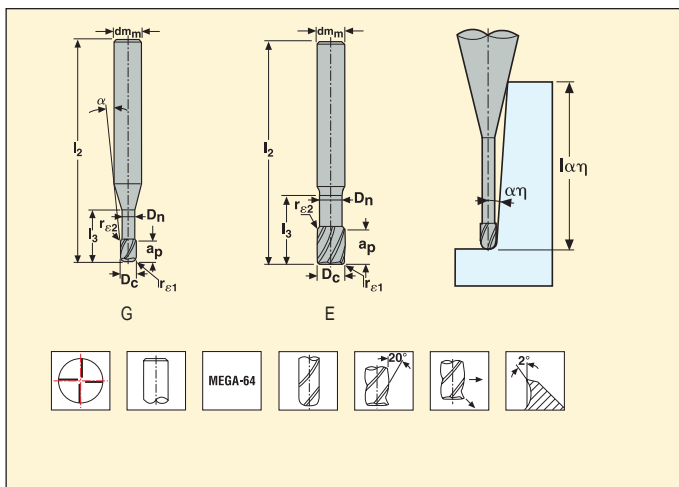
a_e (mm)/ D_c (mm) = factor

All cutting data are target values

JH120 – Solid carbide end mill – corner radius – 4 flute



Tolerances:
 $dm_m = h5$
 $D_c = -0.02 / -0.04$ mm
 $r_{\epsilon 1} = \pm 0.05$ mm



EDP No.	Part No.	Length index	Tool shape	Dimensions in mm											Max. cut depth rel. to α_η (l_{α_η} , ref)*					
				D _c	dm _m	a _p	l ₂	l ₃	D _n	r _{ε1}	r _{ε2}	α°	z _n	0°	0.5°	1°	1.5°	2°	3°	
				07974	120020-MEGA-64	2	G	2	6	2.5	50	5	1.9	0.2	2	10.5	4	5	5.4	5.6
07975	120025-MEGA-64	2	G	2.5	6	3	50	6	2.4	0.25	2	8.5	4	6	6.4	6.6	6.8	7	7.5	
07976	120030-MEGA-64	2	G	3	6	4	50	7	2.8	0.3	2	7	4	7	7.7	8	8.2	8.5	9.2	
07977	120035-MEGA-64	2	G	3.5	6	4.5	50	8	3.2	0.35	2	5.5	4	8	9	9.3	9.7	10	10.9	
07978	120040-MEGA-64	2	G	4	6	5	50	9	3.7	0.4	2	4.5	4	9	10	10.4	10.8	11.2	12.2	
07979	120050-MEGA-64	2	G	5	6	6	50	12	4.6	0.5	2	2.5	4	12	13	13.4	13.7	14.1	14.9	
07980	120060-MEGA-64	2	E	6	6	7	55	14	5.6	0.6	2	-	4	14	∞	∞	∞	∞	∞	
07981	120080-MEGA-64	2	E	8	8	10	60	18	7.4	0.8	2	-	4	18	∞	∞	∞	∞	∞	
07982	120100-MEGA-64	2	E	10	10	12	70	25	9.4	1	2	-	4	25	∞	∞	∞	∞	∞	
07983	120120-MEGA-64	2	E	12	12	15	80	30	11.4	1.2	3	-	4	30	∞	∞	∞	∞	∞	
07984	120160-MEGA-64	2	E	16	16	18	90	35	15.4	1.6	4	-	4	35	∞	∞	∞	∞	∞	

* The effective under-neck length for the various draft angles. Remark ∞ = infinity, no collision in projection length area.

Cutting data – JH120 Slotting

SMG		a_p / D_c	f_z											v_c
			2	2.5	3	3.5	4	5	6	8	10	12	16	
H3	M	0.050	0.0028	0.0050	0.0060	0.0070	0.0080	0.010	0.012	0.016	0.020	0.024	0.030	80 (65 – 95)
H5	M	0.18	0.0080	0.010	0.012	0.014	0.016	0.020	0.024	0.032	0.040	0.048	0.060	125 (100 – 145)
H7	M	0.044	0.0028	0.0055	0.0065	0.0075	0.0085	0.011	0.013	0.017	0.022	0.026	0.032	80 (65 – 95)
H8	M	0.18	0.0090	0.012	0.014	0.016	0.018	0.024	0.028	0.036	0.046	0.055	0.070	120 (100 – 145)
H21	M	0.18	0.0090	0.012	0.014	0.016	0.018	0.024	0.028	0.036	0.046	0.055	0.070	120 (100 – 145)
H31	M	0.18	0.0080	0.010	0.012	0.014	0.016	0.020	0.024	0.032	0.040	0.048	0.060	95 (75 – 110)

Cutting data – JH120 Side milling $a_p/D_c = 0.03$

SMG		a_p / D_c	f_z											v_c
			2	2.5	3	3.5	4	5	6	8	10	12	16	
H3	M	0.050	0.0080	0.010	0.012	0.014	0.016	0.020	0.024	0.032	0.040	0.048	0.065	140 (115 – 165)
H5	M	1.2	0.011	0.014	0.016	0.019	0.020	0.028	0.032	0.042	0.055	0.060	0.080	225 (185 – 265)
H7	M	0.044	0.0080	0.010	0.012	0.014	0.016	0.020	0.024	0.032	0.040	0.048	0.065	140 (115 – 165)
H8	M	1.2	0.012	0.015	0.018	0.020	0.024	0.030	0.036	0.048	0.060	0.070	0.085	220 (180 – 260)
H21	M	1.2	0.012	0.015	0.018	0.020	0.024	0.030	0.036	0.048	0.060	0.070	0.085	220 (180 – 260)
H31	M	1.2	0.011	0.014	0.016	0.019	0.020	0.028	0.032	0.042	0.055	0.060	0.080	170 (140 – 200)

For cutting data recalculations, see pages 336-344.

SMG = Seco material group

Coolant = A=air D=dry E=emulsion M=mist spray

v_c = m/min

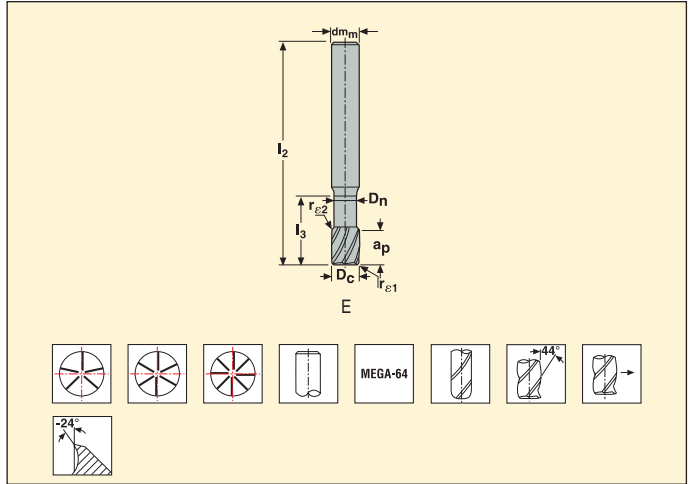
f_z = mm

a_p (mm)/ D_c (mm)= factor

a_s (mm)/ D_c (mm)= factor

All cutting data are target values

JH130 - Solid carbide end mill - corner radius - multiflute



Tolerances:
 $dm_m = h5$
 $D_c = -0.02/-0.04$ mm
 $r_{e1} = +/-0.05$ mm

EDP No.	Part No.	Length index	Tool shape	Dimensions in mm									z _n
				D _c	dm _m	a _p	l ₂	l ₃	D _n	r _{e1}	r _{e2}		
07985	130060-MEGA-64	2	E	6	6	6	55	6	5.6	0.2	2	5	
07986	130080-MEGA-64	2	E	8	8	8	60	8	7.4	0.2	2	5	
07987	130100-MEGA-64	2	E	10	10	10	70	10	9.4	0.3	2	6	
07988	130120-MEGA-64	2	E	12	12	12	80	12	11.4	0.5	3	6	
07989	130160-MEGA-64	2	E	16	16	16	90	16	15.4	0.5	4	8	
07990	130200-MEGA-64	2	E	20	20	20	100	20	19.2	0.5	4	8	

Cutting data – JH130 Side milling finishing $a_p/D_c = 0.02$

SMG		a_p / D_c	f_z						v_c
			6	8	10	12	16	20	
H3	M	1.0	0.018	0.024	0.030	0.036	0.048	0.060	170 (155 – 180)
H5	M	1.0	0.030	0.040	0.050	0.060	0.080	0.10	305 (280 – 330)
H7	M	1.0	0.018	0.024	0.030	0.036	0.048	0.060	170 (155 – 180)
H8	M	1.0	0.034	0.044	0.055	0.065	0.085	0.10	305 (280 – 330)
H21	M	1.0	0.034	0.044	0.055	0.065	0.085	0.10	305 (280 – 330)
H31	M	1.0	0.030	0.040	0.050	0.060	0.080	0.10	230 (210 – 250)

Cutting data – JH130 Side milling roughing $a_p/D_c = 0.2$

SMG		a_p / D_c	f_z						v_c
			6	8	10	12	16	20	
H3	M	1.0	0.018	0.024	0.030	0.036	0.048	0.060	155 (140 – 165)
H5	M	1.0	0.030	0.040	0.050	0.060	0.080	0.10	275 (255 – 295)
H7	M	1.0	0.018	0.024	0.030	0.036	0.048	0.060	155 (140 – 165)
H8	M	1.0	0.030	0.040	0.050	0.060	0.080	0.10	275 (255 – 295)
H21	M	1.0	0.030	0.040	0.050	0.060	0.080	0.10	275 (255 – 295)
H31	M	1.0	0.030	0.040	0.050	0.060	0.080	0.10	205 (190 – 225)

For cutting data recalculations, see pages 336-344.

SMG = Seco material group

Coolant = A=air D=dry E=emulsion M=mist spray

v_c = m/min

f_z = mm

a_p (mm)/ D_c (mm)= factor

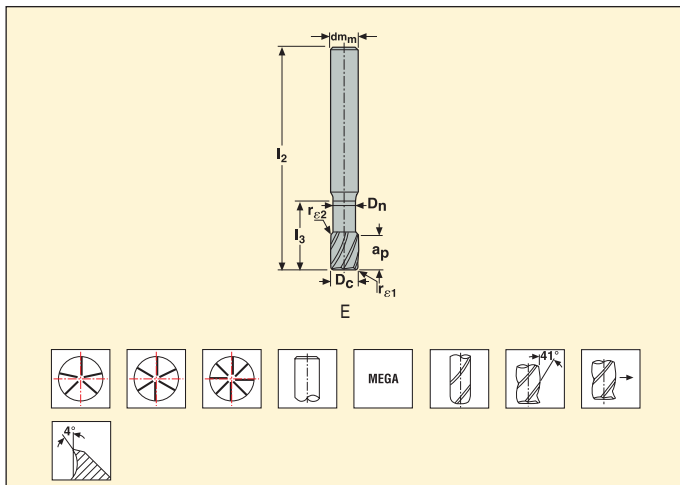
a_s (mm)/ D_c (mm)= factor

All cutting data are target values

JH930 – Solid carbide end mill – corner radius – multiflute



Tolerances:
 $dm_m = h5$
 $D_c = -0.02 / -0.04 \text{ mm}$
 $r_{\epsilon1} = +/- 0.05 \text{ mm}$



EDP No.	Part No.	Length index	Tool shape	Dimensions in mm									z _n
				D _c	dm _m	a _p	l ₂	l ₃	D _n	r _{ε1}	r _{ε2}		
08106	930060R020-MEGA	2	E	6	6	9	55	9	5.6	0.2	2	5	
08107	930060R050-MEGA	2	E	6	6	9	55	9	5.6	0.5	2	5	
08108	930080R020-MEGA	2	E	8	8	12	60	12	7.4	0.2	2	5	
08109	930080R050-MEGA	2	E	8	8	12	60	12	7.4	0.5	2	5	
08110	930100R030-MEGA	2	E	10	10	15	70	15	9.4	0.3	2	6	
08111	930100R100-MEGA	2	E	10	10	15	70	15	9.4	1	2	6	
08112	930120R050-MEGA	2	E	12	12	18	80	18	11.4	0.5	3	6	
08113	930120R100-MEGA	2	E	12	12	18	80	18	11.4	1	3	6	
08114	930160R050-MEGA	2	E	16	16	24	90	24	15.4	0.5	4	8	
08115	930160R100-MEGA	2	E	16	16	24	90	24	15.4	1	4	8	
08116	930200R050-MEGA	2	E	20	20	30	100	30	19.2	0.5	4	8	
08117	930200R100-MEGA	2	E	20	20	30	100	30	19.2	1	4	8	

Cutting data – JH930 Side milling finishing $a_p/D_c = 0.02$

SMG		a_p / D_c	f_z						v_c
			6	8	10	12	16	20	
P1	M/E/A	1.0	0.080	0.10	0.13	0.16	0.20	0.26	530 (495 – 560)
P2	M/E/A	1.0	0.080	0.10	0.13	0.16	0.20	0.26	510 (480 – 550)
P3	M/E/A	1.0	0.080	0.10	0.13	0.16	0.20	0.26	445 (415 – 470)
P4	M/E/A	1.0	0.080	0.10	0.13	0.16	0.20	0.26	390 (365 – 415)
P5	M/E/A	1.0	0.080	0.10	0.13	0.16	0.20	0.26	370 (350 – 395)
P6	M/E/A	1.0	0.080	0.10	0.13	0.16	0.20	0.26	420 (390 – 445)
P7	M/E/A	1.0	0.080	0.10	0.13	0.16	0.20	0.26	395 (370 – 420)
P8	M/E/A	1.0	0.080	0.10	0.13	0.16	0.20	0.26	370 (350 – 395)
P11	M/E/A	1.0	0.080	0.10	0.13	0.16	0.20	0.26	385 (360 – 410)
K1	E/M/A	1.0	0.080	0.10	0.13	0.16	0.20	0.26	300 (275 – 325)
K2	E/M/A	1.0	0.080	0.10	0.13	0.16	0.20	0.26	260 (240 – 280)
K3	E/M/A	1.0	0.080	0.10	0.13	0.16	0.20	0.26	220 (205 – 240)
K4	E/M/A	0.80	0.080	0.10	0.13	0.16	0.20	0.26	210 (195 – 230)
K5	E/M/A	0.80	0.080	0.10	0.13	0.16	0.20	0.24	125 (115 – 135)
K6	E/M/A	0.80	0.080	0.10	0.13	0.16	0.20	0.26	185 (170 – 200)
K7	E/M/A	0.80	0.080	0.10	0.13	0.16	0.20	0.24	160 (150 – 175)
S1	E/M/A	1.2	0.085	0.12	0.15	0.17	0.22	0.24	85 (65 – 110)
S2	E/M/A	1.2	0.085	0.12	0.15	0.17	0.22	0.24	85 (65 – 110)
S3	E/M/A	0.50	0.055	0.070	0.090	0.11	0.14	0.18	44 (33 – 55)
S11	E/M/A	1.0	0.075	0.10	0.13	0.15	0.19	0.22	185 (155 – 220)
S12	E/M/A	1.0	0.075	0.10	0.13	0.15	0.19	0.22	145 (120 – 170)
S13	E/M/A	1.0	0.065	0.090	0.11	0.13	0.16	0.19	115 (95 – 135)
H3	M/A	0.50	0.018	0.024	0.030	0.036	0.048	0.060	165 (155 – 180)
H5	M/A	1.5	0.030	0.040	0.050	0.060	0.080	0.10	285 (265 – 310)
H7	M/A	0.44	0.018	0.024	0.030	0.036	0.048	0.060	170 (155 – 180)
H8	M/A	1.5	0.030	0.040	0.050	0.060	0.080	0.10	285 (265 – 310)
H21	M/A	1.5	0.030	0.040	0.050	0.060	0.080	0.10	285 (265 – 310)
H31	M/A	1.5	0.030	0.040	0.050	0.060	0.080	0.10	215 (200 – 235)

For cutting data recalculations, see pages 336-344.

SMG = Seco material group

Coolant = A=air D=dry E=emulsion M=mist spray

v_c = m/min

f_z = mm

a_p (mm)/ D_c (mm) = factor

a_e (mm)/ D_c (mm) = factor

All cutting data are target values

Cutting data – JH930 Side milling roughing $a_p/D_c = 0.03$

SMG		a_p / D_c	f_z						v_c
			6	8	10	12	16	20	
P1	M/E/A	1.0	0.080	0.10	0.13	0.16	0.20	0.24	455 (430 – 485)
P2	M/E/A	1.0	0.080	0.10	0.13	0.16	0.20	0.24	445 (415 – 475)
P3	M/E/A	1.0	0.080	0.10	0.13	0.16	0.20	0.22	385 (360 – 410)
P4	M/E/A	1.0	0.080	0.10	0.13	0.16	0.19	0.22	335 (315 – 360)
P5	M/E/A	1.0	0.080	0.10	0.13	0.15	0.19	0.22	320 (300 – 345)
P6	M/E/A	1.0	0.075	0.10	0.13	0.15	0.19	0.22	360 (340 – 385)
P7	M/E/A	1.0	0.075	0.10	0.13	0.15	0.19	0.22	340 (320 – 365)
P8	M/E/A	1.0	0.080	0.10	0.13	0.16	0.20	0.22	320 (300 – 345)
P11	M/E/A	1.0	0.075	0.10	0.13	0.15	0.19	0.22	330 (310 – 355)
K1	E/M/A	1.0	0.080	0.10	0.13	0.16	0.20	0.24	260 (240 – 280)
K2	E/M/A	1.0	0.080	0.10	0.13	0.15	0.19	0.22	225 (205 – 245)
K3	E/M/A	1.0	0.080	0.10	0.13	0.15	0.19	0.22	190 (175 – 205)
K4	E/M/A	0.80	0.080	0.10	0.13	0.15	0.19	0.22	185 (170 – 195)
K5	E/M/A	0.80	0.070	0.095	0.12	0.14	0.17	0.20	110 (100 – 120)
K6	E/M/A	0.80	0.080	0.10	0.13	0.15	0.19	0.22	160 (150 – 175)
K7	E/M/A	0.80	0.070	0.095	0.12	0.14	0.17	0.20	140 (130 – 150)
S1	E/M/A	0.95	0.070	0.095	0.12	0.14	0.17	0.20	80 (60 – 100)
S2	E/M/A	0.95	0.070	0.095	0.12	0.14	0.17	0.20	80 (60 – 100)
S3	E/M/A	0.50	0.055	0.070	0.090	0.11	0.14	0.18	38 (28 – 47)
S11	E/M/A	0.70	0.060	0.080	0.10	0.12	0.15	0.17	170 (140 – 200)
S12	E/M/A	0.70	0.060	0.080	0.10	0.12	0.15	0.17	130 (110 – 155)
S13	E/M/A	0.60	0.055	0.070	0.090	0.11	0.13	0.15	105 (85 – 120)
H5	M/A	1.0	0.030	0.040	0.050	0.060	0.080	0.10	255 (235 – 275)
H8	M/A	1.0	0.030	0.040	0.050	0.060	0.080	0.10	255 (235 – 275)
H21	M/A	1.0	0.030	0.040	0.050	0.060	0.080	0.10	255 (235 – 275)
H31	M/A	1.0	0.030	0.040	0.050	0.060	0.080	0.10	195 (175 – 210)

For cutting data recalculations, see pages 336-344.

SMG = Seco material group

Coolant = A=air D=dry E=emulsion M=mist spray

v_c = m/min

f_z = mm

a_p (mm)/ D_c (mm)= factor

a_e (mm)/ D_c (mm)= factor

All cutting data are target values

JH141 – Solid carbide end mill – corner radius – cylindrical



Tolerances:

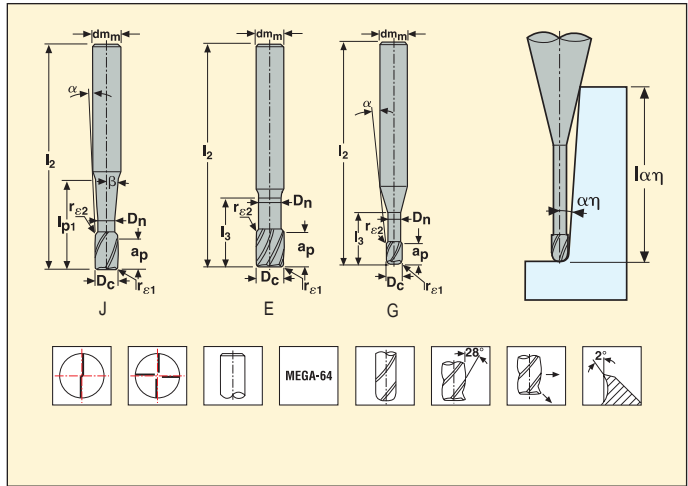
$dm_m = h5$

$D_c = \varnothing 2-6 = -0.005/-0.015$ mm, $\varnothing 8-10 = -0.005/-0.02$ mm,

$\varnothing 12-16 = -0.005/-0.025$ mm

$r_{e1} = +/- 0.01$ mm

$\beta = 0.9$



EDP No.	Part No.	Length index	Tool shape	Dimensions in mm										Max. cut depth rel. to $\alpha\eta$ ($\alpha\eta$, ref)*							
				D _c		dm _m	a _p	l ₂	l ₃	l _{p1}	D _n	r _{e1}	r _{e2}	α°	z _n	0°	0.5°	1°	1.5°	2°	3°
32945	141V020R030Z2-MEGA-64	2	G	2	4	2	40	4	4	1.9	0.3	2	7.5	2	4	4.6	4.7	4.9	5.1	5.5	
32946	141V020R050Z2-MEGA-64	2	G	2	4	2	40	4	4	1.9	0.5	2	7.5	2	4	4.6	4.7	4.9	5	5.4	
32951	141V030R050Z2-MEGA-64	2	G	3	4	3	40	6	6	2.8	0.5	2	4	2	6	7	7.2	7.4	7.7	8.3	
32952	141V030R100Z2-MEGA-64	2	G	3	4	3	40	6	6	2.8	1	2	4	2	6	7	7.2	7.4	7.6	8.2	
32957	141V040R030Z2-MEGA-64	2	G	4	6	4	50	8	8	3.7	0.3	2	5	2	8	9.4	9.7	10	10.4	11.2	
32958	141V040R050Z2-MEGA-64	2	G	4	6	4	50	8	8	3.7	0.5	2	5	2	8	9.4	9.7	10	10.4	11.2	
32959	141V040R100Z2-MEGA-64	2	G	4	6	4	50	8	8	3.7	1	2	5	2	8	9.4	9.7	10	10.3	11.1	
39391	141V060R050Z4-MEGA-64	2	E	6	6	6	50	12	12	5.6	0.5	2	-	4	12	∞	∞	∞	∞	∞	
32967	141V060R100Z4-MEGA-64	2	E	6	6	6	50	12	12	5.6	1	2	-	4	12	∞	∞	∞	∞	∞	
32968	141V060R150Z4-MEGA-64	2	E	6	6	6	50	12	12	5.6	1.5	2	-	4	12	∞	∞	∞	∞	∞	
32969	141V060R200Z4-MEGA-64	2	E	6	6	6	50	12	12	5.6	2	2	-	4	12	∞	∞	∞	∞	∞	
39395	141V080R050Z4-MEGA-64	2	E	8	8	8	60	16	16	7.4	0.5	2	-	4	16	∞	∞	∞	∞	∞	
32980	141V080R100Z4-MEGA-64	2	E	8	8	8	60	16	16	7.4	1	2	-	4	16	∞	∞	∞	∞	∞	
32981	141V080R150Z4-MEGA-64	2	E	8	8	8	60	16	16	7.4	1.5	2	-	4	16	∞	∞	∞	∞	∞	
32982	141V080R200Z4-MEGA-64	2	E	8	8	8	60	16	16	7.4	2	2	-	4	16	∞	∞	∞	∞	∞	
32983	141V080R300Z4-MEGA-64	2	E	8	8	8	60	16	16	7.4	3	2	-	4	16	∞	∞	∞	∞	∞	
39399	141V100R050Z4-MEGA-64	2	E	10	10	10	70	20	20	9.4	0.5	2	-	4	20	∞	∞	∞	∞	∞	
32996	141V100R100Z4-MEGA-64	2	E	10	10	10	70	20	20	9.4	1	2	-	4	20	∞	∞	∞	∞	∞	
32998	141V100R200Z4-MEGA-64	2	E	10	10	10	70	20	20	9.4	2	2	-	4	20	∞	∞	∞	∞	∞	
32999	141V100R250Z4-MEGA-64	2	E	10	10	10	70	20	20	9.4	2.5	2	-	4	20	∞	∞	∞	∞	∞	
33011	141V120R100Z4-MEGA-64	2	E	12	12	12	75	24	24	11.4	1	3	-	4	24	∞	∞	∞	∞	∞	
33012	141V120R200Z4-MEGA-64	2	E	12	12	12	75	24	24	11.4	2	3	-	4	24	∞	∞	∞	∞	∞	
33013	141V120R300Z4-MEGA-64	2	E	12	12	12	75	24	24	11.4	3	3	-	4	24	∞	∞	∞	∞	∞	
33018	141V160R400Z4-MEGA-64	2	E	16	16	16	90	32	32	15.4	4	4	-	4	32	∞	∞	∞	∞	∞	
32947	141VL020R030TNZ2-MEGA-64	3	J	2	6	2	50	-	10	1.9	0.3	2	7	2	5.6	10.3	10.7	11	11.4	12.3	
32948	141VL020R050TNZ2-MEGA-64	3	J	2	6	2	50	-	10	1.9	0.5	2	7	2	5.6	10.3	10.6	11	11.4	12.3	
32953	141VL030R050TNZ2-MEGA-64	3	J	3	6	3	60	-	15	2.8	0.5	2	4.5	2	9.9	15.5	16.1	16.6	17.2	18.6	
32954	141VL030R100TNZ2-MEGA-64	3	J	3	6	3	60	-	15	2.8	1	2	4.5	2	9.9	15.5	16	16.6	17.2	18.5	
32961	141VL040R030TNZ2-MEGA-64	3	J	4	6	4	60	-	20	3.7	0.3	2	2.5	2	14.3	20.8	21.5	22.3	23.1	∞	
32962	141VL040R050TNZ2-MEGA-64	3	J	4	6	4	60	-	20	3.7	0.5	2	2.5	2	14.3	20.8	21.5	22.3	23.1	∞	
32963	141VL040R100TNZ2-MEGA-64	3	J	4	6	4	60	-	20	3.7	1	2	3	2	14.3	20.8	21.5	22.2	23	∞	
39392	141VL060R050TNZ4-MEGA-64	3	J	6	8	6	75	-	30	5.6	0.5	2	1.8	4	18.8	30.9	32	33	∞	∞	
32970	141VL060R100TNZ4-MEGA-64	3	J	6	8	6	75	-	30	5.6	1	2	2	4	19.6	31.1	32.1	33.2	∞	∞	
32971	141VL060R150TNZ4-MEGA-64	3	J	6	8	6	75	-	30	5.6	1.5	2	2	4	19.6	31.1	32.1	33.2	∞	∞	
32972	141VL060R200TNZ4-MEGA-64	3	J	6	8	6	75	-	30	5.6	2	2	2	4	19.6	31	32	33.1	∞	∞	
39396	141VL080R050TNZ4-MEGA-64	3	J	8	10	8	85	-	40	7.4	0.5	2	1.4	4	27.3	41.4	42.8	∞	∞	∞	
32984	141VL080R100TNZ4-MEGA-64	3	J	8	10	8	85	-	40	7.4	1	2	1.5	4	41.6	43	∞	∞	∞	∞	

* The effective under-neck length for the various draft angles. Remark ∞ = infinity, no collision in projection length area.

JH141 – Solid carbide end mill – corner radius – cylindrical



Tolerances:

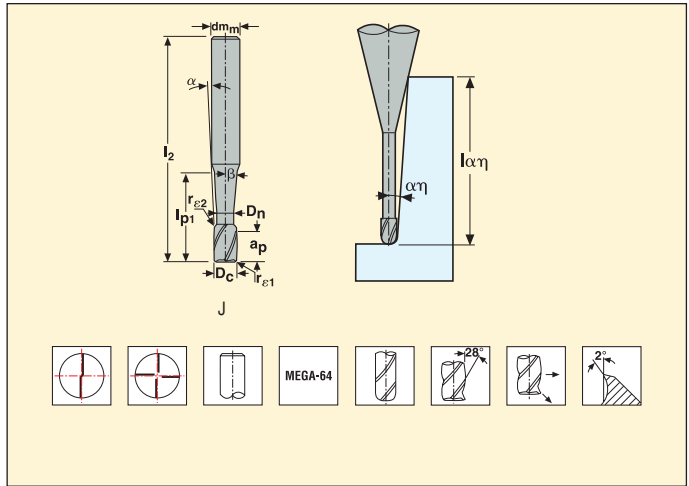
$dm_m = h5$

$D_c = \varnothing 2-6 = -0.005/-0.015$ mm, $\varnothing 8-10 = -0.005/-0.02$ mm,

$\varnothing 12-16 = -0.005/-0.025$ mm

$r_{e1} = +/-0.01$ mm

$\beta = 0.9$



EDP No.	Part No.	Length index	Tool shape	Dimensions in mm										Max. cut depth rel. to $\alpha\eta$ ($\alpha\eta$, ref)*							
				D_c	dm_m	a_p	l_2	l_{p1}	D_n	r_{e1}	r_{e2}	α_1°	z_n	0°	0.5°	1°	1.5°	2°	3°		
32985	141VL080R150TNZ4-MEGA-64	3	J	8	10	8	85	40	7.4	1.5	2	1.5	4	28.1	∞	∞	∞	∞	∞	∞	
32986	141VL080R200TNZ4-MEGA-64	3	J	8	10	8	85	40	7.4	2	2	1.5	4	41.5	42.9	∞	∞	∞	∞	∞	
39400	141VL100R050TNZ4-MEGA-64	3	J	10	12	10	100	50	9.4	0.5	2	1.1	4	29.1	51.6	53.2	∞	∞	∞	∞	
33002	141VL100R100TNZ4-MEGA-64	3	J	10	12	10	100	50	9.4	1	2	1.5	4	30.1	51.7	53.4	∞	∞	∞	∞	
33003	141VL100R200TNZ4-MEGA-64	3	J	10	12	10	100	50	9.4	2	2	1.5	4	30.1	51.6	53.3	∞	∞	∞	∞	
32949	141VXL020R030TNZ2-MEGA-64	4	J	2	6	2	60	20	1.9	0.3	2	4.5	2	5.6	12.3	20.7	21.5	22.3	24	24	
32950	141VXL020R050TNZ2-MEGA-64	4	J	2	6	2	60	20	1.9	0.5	2	4.5	2	5.6	12	20.7	21.4	22.2	24	24	
32955	141VXL030R050TNZ2-MEGA-64	4	J	3	6	3	75	30	2.8	0.5	2	3	2	9.9	21.9	31.2	32.3	33.5	∞	∞	
32956	141VXL030R100TNZ2-MEGA-64	4	J	3	6	3	75	30	2.8	1	2	3	2	9.9	21.2	31.1	32.2	33.4	∞	∞	
32964	141VXL040R030TNZ2-MEGA-64	4	J	4	6	4	80	40	3.7	0.3	2	1.5	2	14.3	31.8	41.7	∞	∞	∞	∞	
32965	141VXL040R050TNZ2-MEGA-64	4	J	4	6	4	80	40	3.7	0.5	2	1.5	2	14.3	31.6	41.6	∞	∞	∞	∞	
32966	141VXL040R100TNZ2-MEGA-64	4	J	4	6	4	80	40	3.7	1	2	1.5	2	14.3	30.9	41.6	∞	∞	∞	∞	
39393	141VXL060R050TNZ4-MEGA-64	4	J	6	8	6	100	60	5.6	0.5	2	1.0	4	18.8	41.6	∞	∞	∞	∞	∞	
32973	141VXL060R100TNZ4-MEGA-64	4	J	6	8	6	100	60	5.6	1	2	1	4	19.6	42.9	62.3	∞	∞	∞	∞	
32975	141VXL060R150TNZ4-MEGA-64	4	J	6	8	6	100	60	5.6	1.5	2	1	4	19.6	42.2	∞	∞	∞	∞	∞	
32976	141VXL060R200TNZ4-MEGA-64	4	J	6	8	6	100	60	5.6	2	2	1	4	19.6	41.6	∞	∞	∞	∞	∞	
39397	141VXL080R050TNZ4-MEGA-64	4	J	8	10	8	125	80	7.4	0.5	2	0.8	4	27.3	60.9	∞	∞	∞	∞	∞	
32988	141VXL080R100TNZ4-MEGA-64	4	J	8	10	8	125	80	7.4	1	2	1	4	41.5	42.8	∞	∞	∞	∞	∞	
39401	141VXL100R050TNZ4-MEGA-64	4	J	10	16	10	150	100	9.4	0.5	2	0.6	4	29.1	65	∞	∞	∞	∞	∞	
33005	141VXL100R100TNZ4-MEGA-64	4	J	10	16	10	150	100	9.4	1	2	2	4	30.1	66.6	103.8	107.5	∞	∞	∞	∞
39394	141VXL060R050TNZ2-MEGA-64	5	J	6	10	6	130	90	5.6	0.5	2	1.3	2	18.8	41.6	92.1	∞	∞	∞	∞	
39398	141VXL080R050TNZ2-MEGA-64	5	J	8	12	8	165	120	7.4	0.5	2	1.0	2	27.3	60.9	∞	∞	∞	∞	∞	
39402	141VXL100R050TNZ2-MEGA-64	5	J	10	16	10	200	150	9.4	0.5	2	1.2	2	29.1	65	154	∞	∞	∞	∞	∞

* The effective under-neck length for the various draft angles. Remark ∞ = infinity, no collision in projection length area.

Cutting data – JH141 Copy milling roughing $a_p/D_c = 0.05$

SMG		a_p / D_c	f_z								v_c
			2	3	4	6	8	10	12	16	
P1	M/E	0.050	0.018	0.028	0.036	0.055	0.075	0.090	0.11	0.13	510 (465 – 550)
P2	M/E	0.050	0.019	0.028	0.038	0.055	0.075	0.095	0.11	0.14	495 (450 – 530)
P3	M/E	0.050	0.018	0.026	0.036	0.055	0.070	0.090	0.10	0.13	425 (390 – 465)
P4	M/E	0.050	0.017	0.026	0.034	0.050	0.070	0.085	0.10	0.13	380 (345 – 410)
P5	M/E	0.050	0.017	0.026	0.034	0.050	0.065	0.085	0.10	0.12	360 (330 – 390)
P6	M/E	0.050	0.017	0.026	0.034	0.050	0.065	0.085	0.10	0.12	405 (370 – 440)
P7	M/E	0.050	0.017	0.026	0.034	0.050	0.065	0.085	0.10	0.12	385 (350 – 415)
P8	M/E	0.050	0.018	0.026	0.036	0.055	0.070	0.090	0.10	0.13	360 (330 – 390)
P11	M/E	0.050	0.017	0.026	0.034	0.050	0.065	0.085	0.10	0.12	370 (340 – 405)
K1	A/E	0.050	0.019	0.028	0.038	0.055	0.075	0.095	0.11	0.14	355 (325 – 385)
K2	A/E	0.050	0.017	0.026	0.034	0.050	0.065	0.085	0.10	0.12	315 (285 – 340)
K3	A/E	0.050	0.017	0.026	0.034	0.050	0.065	0.085	0.10	0.12	265 (245 – 285)
K4	A/E	0.050	0.017	0.026	0.034	0.050	0.065	0.085	0.10	0.12	255 (230 – 275)
K5	A/E	0.050	0.015	0.022	0.030	0.046	0.060	0.075	0.090	0.11	155 (140 – 165)
K6	A/E	0.050	0.017	0.026	0.034	0.050	0.065	0.085	0.10	0.12	225 (205 – 240)
K7	A/E	0.050	0.015	0.022	0.030	0.046	0.060	0.075	0.090	0.11	195 (180 – 210)

Cutting data – JH141 Copy milling roughing $a_p/D_c = 0.03$

SMG		a_p / D_c	f_z								v_c
			2	3	4	6	8	10	12	16	
H3	M/A	0.030	0.013	0.019	0.026	0.038	0.050	0.065	0.075	0.095	200 (185 – 215)
H5	M/A	0.030	0.013	0.019	0.026	0.038	0.050	0.065	0.075	0.095	370 (340 – 400)
H7	M/A	0.030	0.013	0.019	0.026	0.038	0.050	0.065	0.075	0.095	200 (185 – 215)
H8	M/A	0.030	0.015	0.022	0.030	0.044	0.060	0.075	0.085	0.11	370 (335 – 400)
H21	M/A	0.030	0.015	0.022	0.030	0.044	0.060	0.075	0.085	0.11	370 (335 – 400)
H31	M/A	0.030	0.013	0.019	0.026	0.038	0.050	0.065	0.075	0.095	280 (255 – 305)

For cutting data recalculations, see pages 336-344.

SMG = Seco material group

Coolant = A=air D=dry E=emulsion M=mist spray

v_c = m/min

f_z = mm

a_p (mm)/ D_c (mm) = factor

a_e (mm)/ D_c (mm) = factor

All cutting data are target values

JH111 - Solid carbide end mill - ball nose - cylindrical - two flute

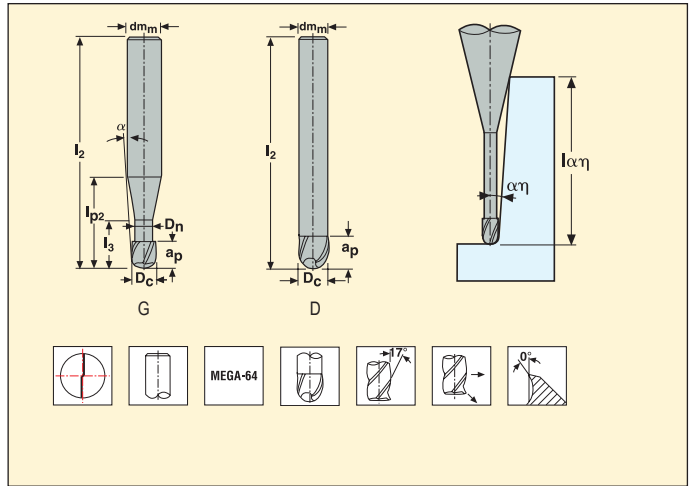


Tolerances:

$dm_m = h5$

$D_c = -0.02 / -0.04 \text{ mm}$

Radius = $\pm 0.01 \text{ mm}$



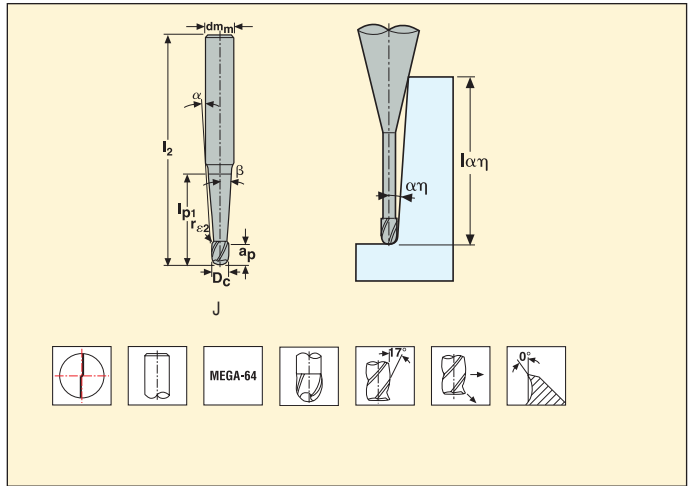
EDP No.	Part No.	Length index	Tool shape	Dimensions in mm										Max. cut depth rel. to α_η (α_η , ref)*				
				D _c	dm _m	a _p	l ₂	l ₃	l _{p2}	D _n	α°	z _n	0°	0.5°	1°	1.5°	2°	3°
10331	111K020-MEGA-64	1	G	2	4	2	40	4	10	1.9	6.5	2	4	4.4	4.6	4.8	5	5.6
10332	111K030-MEGA-64	1	G	3	4	3	40	6	9.9	2.9	3.5	2	6	6.6	7	7.5	8	9.3
10333	111K040-MEGA-64	1	D	4	4	4	40	-	-	-	-	2	4	∞	∞	∞	∞	∞
10334	111K050-MEGA-64	1	G	5	6	5	50	10	18	4.6	2	2	10	13.3	14.7	16.4	∞	∞
10335	111K060-MEGA-64	1	D	6	6	6	50	-	-	-	-	2	6	∞	∞	∞	∞	∞
10336	111K080-MEGA-64	1	D	8	8	8	65	-	-	-	-	2	∞	∞	∞	∞	∞	
10337	111K100-MEGA-64	1	D	10	10	10	65	-	-	-	-	2	10	∞	∞	∞	∞	∞
12509	111021-MEGA-64	2	G	2	3	2	50	10	12	1.9	3	2	10	10.4	10.8	11.1	11.5	12.4
12510	111031-MEGA-64	2	D	3	3	3	50	-	-	-	-	2	3	∞	∞	∞	∞	∞
12516	111041-MEGA-64	2	D	4	4	4	60	-	-	-	-	2	4	∞	∞	∞	∞	∞
12517	111051-MEGA-64	2	D	5	5	5	60	-	-	-	-	2	5	∞	∞	∞	∞	∞
12518	111061-MEGA-64	2	D	6	6	6	75	-	-	-	-	2	6	∞	∞	∞	∞	∞
10320	111020-MEGA-64	3	G	2	6	2	60	4	16	1.9	8	2	4	4.4	4.6	4.8	5	5.6
10321	111025-MEGA-64	3	G	2.5	6	2.5	60	5	15.2	2.4	7.5	2	5	5.4	5.7	5.9	6.2	7
10322	111030-MEGA-64	3	G	3	6	3	60	6	18.1	2.8	5.5	2	6	7.1	7.5	8	8.6	10.2
10323	111035-MEGA-64	3	G	3.5	6	3.5	65	7	23	3.2	3.5	2	7	9.4	10.4	11.6	13.3	19.1
10324	111040-MEGA-64	3	G	4	6	4	65	8	21.1	3.7	3	2	8	10.5	11.6	13	14.8	21.3
10325	111050-MEGA-64	3	G	5	6	5	65	10	18	4.6	2	2	10	13.3	14.7	16.4	∞	∞
10326	111060-MEGA-64	3	G	6	8	6	75	12	25.7	5.6	3	2	12	15.5	17.1	19.1	21.8	∞
10327	111080-MEGA-64	3	G	8	8	8	75	-	-	-	-	2	8	∞	∞	∞	∞	∞
10328	111100-MEGA-64	3	D	10	10	10	80	-	-	-	-	2	10	∞	∞	∞	∞	∞
10329	111120-MEGA-64	3	D	12	12	12	90	-	-	-	-	2	12	∞	∞	∞	∞	∞
10330	111160-MEGA-64	3	D	16	16	16	100	-	-	-	-	2	16	∞	∞	∞	∞	∞
10338	111L020-MEGA-64	4	G	2	6	2	80	4	15.6	1.9	8	2	4	4.4	4.6	4.8	5	5.6
10339	111L030-MEGA-64	4	G	3	6	3	80	6	18.1	2.8	5.5	2	6	7.1	7.5	8	8.6	10.2
10340	111L040-MEGA-64	4	G	4	6	4	80	8	21.1	3.7	3	2	8	10.5	11.6	13	14.8	21.3
10341	111L050-MEGA-64	4	G	5	6	5	100	10	18	4.6	2	2	10	13.3	14.7	16.4	∞	∞
10342	111L060-MEGA-64	4	G	6	8	6	100	12	25.7	5.6	3	2	12	15.5	17.1	19.1	21.8	∞
10343	111L080-MEGA-64	4	D	8	8	8	110	-	-	-	-	2	8	∞	∞	∞	∞	∞
10344	111L100-MEGA-64	4	G	10	10	10	125	-	-	-	-	2	10	∞	∞	∞	∞	∞
10345	111L120-MEGA-64	4	D	12	12	12	125	-	-	-	-	2	12	∞	∞	∞	∞	∞
10346	111L160-MEGA-64	4	G	16	16	16	150	-	-	-	-	2	16	∞	∞	∞	∞	∞

* The effective under-neck length for the various draft angles. Remark ∞ = infinity, no collision in projection length area.

JH111 – Solid carbide end mill – ball nose – cylindrical – two flute



Tolerances:
 $dm_m = h5$
 $D_c = 0.02/-0.04$ mm
 Radius = ± 0.01 mm



EDP No.	Part No.	Length index	Tool shape	Dimensions in mm									α°	z_n	Max. cut depth rel. to $\alpha\eta$ ($l_{a\eta}$, ref)*					
				D_c	dm_m	a_p	l_2	l_3	l_{p1}	D_n	0°	0.5°			1°	1.5°	2°	3°		
24259	111VL020-MEGA-64	4	J	2	6	2	80	35	37.2	1.9	3.5	2	3.1	3.7	4.6	6.5	12.4	∞		
24262	111VL030-MEGA-64	4	J	3	6	3	80	40	40.1	2.8	2.5	2	5.3	6.2	7.9	11.2	21.8	∞		
24263	111VL040-MEGA-64	4	J	4	6	4	80	50	48.9	3.7	1.5	2	9.8	13.9	26.7	∞	∞	∞		
24264	111VL050-MEGA-64	4	J	5	8	5	100	55	56.8	4.6	2	2	12.8	18.1	34.9	∞	∞	∞		
24265	111VL060-MEGA-64	4	J	6	8	6	100	55	52.8	5.6	1.5	2	13.8	19.4	37	∞	∞	∞		
24266	111VL080-MEGA-64	4	J	8	10	8	125	60	58.7	7.4	1.5	2	19.7	27.8	∞	∞	∞	∞		
24267	111VL100-MEGA-64	4	J	10	12	8	125	60	58.7	9.4	1.5	2	19.7	27.3	∞	∞	∞	∞		
24268	111VL120-MEGA-64	4	J	12	16	10	125	70	72.5	11.4	2	2	21.7	29.8	55.4	∞	∞	∞		
24269	111VXL060-MEGA-64	5	J	6	10	6	125	60	62.6	5.6	2	2	13.8	19.4	37	∞	∞	∞		
24270	111VXL080-MEGA-64	5	J	8	12	8	150	65	67.6	7.4	2	2	19.7	27.8	∞	∞	∞	∞		
24271	111VXL100-MEGA-64	5	J	10	12	8	150	80	80	9.4	1.5	2	19.7	27.3	∞	∞	∞	∞		
24272	111VXL120-MEGA-64	5	J	12	16	10	175	100	99.8	11.4	1.5	2	21.7	29.8	55.4	∞	∞	∞		
24273	111VXL160-MEGA-64	5	J	16	20	12	200	100	101.8	15.4	1.5	2	23.7	31.8	57.5	∞	∞	∞		

* The effective under -neck length for the various draft angles. Remark ∞ = infinity, no collision in projection length area.

Cutting data – JH111 Copy milling roughing $a_p/D_c = 0.2$

SMG		a_p / D_c	f_z											v_c
			2	2.5	3	3.5	4	5	6	8	10	12	16	
K4	E	0.30	0.024	0.030	0.036	0.044	0.055	0.070	0.095	0.12	0.16	0.18	0.22	215 (175 – 260)
K5	E	0.30	0.020	0.026	0.034	0.040	0.048	0.065	0.085	0.11	0.14	0.17	0.20	130 (105 – 160)
K6	E	0.30	0.024	0.030	0.036	0.044	0.055	0.070	0.095	0.12	0.16	0.18	0.22	190 (150 – 230)
K7	E	0.30	0.020	0.026	0.034	0.040	0.048	0.065	0.085	0.11	0.14	0.17	0.20	170 (135 – 205)
H3	M	0.20	0.024	0.032	0.042	0.050	0.060	0.080	0.095	0.12	0.16	0.18	0.22	125 (100 – 145)
H7	M	0.17	0.026	0.034	0.044	0.055	0.060	0.080	0.095	0.12	0.16	0.18	0.22	125 (105 – 145)

Cutting data – JH111 Copy milling roughing $a_p/D_c = 0.3$

SMG		a_p / D_c	f_z											v_c
			2	2.5	3	3.5	4	5	6	8	10	12	16	
K1	E	0.30	0.020	0.026	0.032	0.038	0.046	0.060	0.080	0.11	0.13	0.16	0.20	295 (235 – 350)
K2	E	0.30	0.018	0.024	0.030	0.036	0.042	0.055	0.075	0.10	0.12	0.14	0.18	260 (205 – 310)
K3	E	0.30	0.018	0.024	0.030	0.036	0.042	0.055	0.075	0.10	0.12	0.14	0.18	220 (175 – 260)
H5	M	0.20	0.030	0.040	0.050	0.065	0.080	0.10	0.12	0.16	0.20	0.24	0.28	200 (165 – 235)
H8	M	0.20	0.036	0.048	0.060	0.075	0.090	0.11	0.14	0.18	0.22	0.26	0.34	195 (160 – 230)
H21	M	0.20	0.036	0.048	0.060	0.075	0.090	0.11	0.14	0.18	0.22	0.26	0.34	195 (160 – 230)
H31	M	0.20	0.030	0.040	0.050	0.065	0.080	0.10	0.12	0.16	0.20	0.24	0.28	150 (125 – 175)

For cutting data recalculations, see pages 336-344.

SMG = Seco material group

Coolant = A=air D=dry E=emulsion M=mist spray

v_c = m/min

f_z = mm

a_p (mm)/ D_c (mm) = factor

a_e (mm)/ D_c (mm) = factor

All cutting data are target values

Cutting data – JH150 Copy milling roughing $a_p/D_c = 0.1$

SMG		a_p / D_c	f_z				v_c
			6	8	10	12	
K5	A	0.15	0.090	0.12	0.15	0.17	120 (85 – 135)
K6	A	0.15	0.090	0.12	0.15	0.18	180 (125 – 200)
K7	A	0.15	0.090	0.12	0.15	0.17	155 (110 – 170)
H3	M	0.030	0.065	0.085	0.11	0.13	110 (95 – 125)
H5	M	0.060	0.090	0.12	0.15	0.18	210 (185 – 235)
H7	M	0.026	0.065	0.085	0.11	0.13	110 (95 – 120)
H8	M	0.060	0.090	0.12	0.15	0.18	210 (185 – 235)
H11	M	0.060	0.090	0.12	0.15	0.18	270 (235 – 300)
H12	M	0.060	0.090	0.12	0.15	0.18	435 (380 – 485)
H21	M	0.060	0.090	0.12	0.15	0.18	210 (185 – 235)
H31	M	0.060	0.090	0.12	0.15	0.18	160 (140 – 175)

Cutting data – JH150 Copy milling roughing $a_p/D_c = 0.3$

SMG		a_p / D_c	f_z				v_c
			6	8	10	12	
K1	A	0.15	0.080	0.11	0.13	0.16	240 (165 – 265)
K2	A	0.15	0.075	0.095	0.12	0.14	210 (145 – 230)
K3	A	0.15	0.075	0.095	0.12	0.14	175 (125 – 195)

For cutting data recalculations, see pages 336-344.

SMG = Seco material group

Coolant = A=air D=dry E=emulsion M=mist spray

v_c = m/min

f_z = mm

a_p (mm)/ D_c (mm) = factor

a_e (mm)/ D_c (mm) = factor

All cutting data are target values

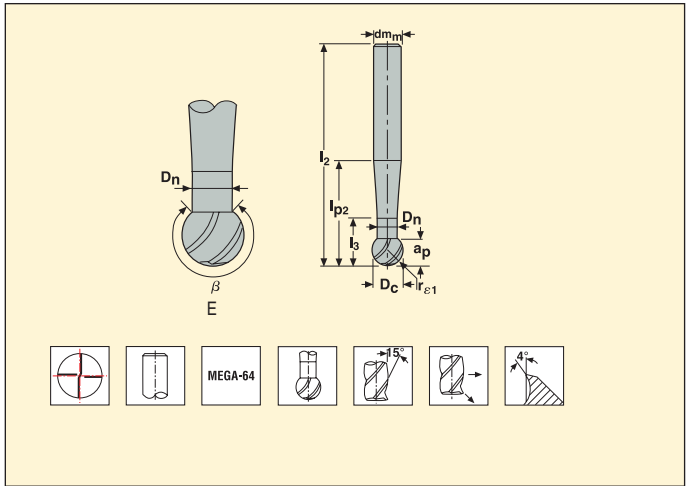
JH160 – Solid carbide end mill – ball sphere 250° – cylindrical – four flute



Tolerances:

$dm_m = h5$

$D_c = 0.02 / -0.06$ mm



EDP No.	Part No.	Length index	Tool shape	Dimensions in mm										β	z_n
				D_c	dm_m	a_p	l_2	l_3	l_{p2}	D_n	ϵ_1	r_{ϵ_1}			
10348	160030-MEGA-64	2	E	3	3	2.3	60	4.5	9	1.8	0.27	1.5	250	4	
10349	160040-MEGA-64	2	E	4	4	3.1	60	5.6	11	2.4	0.36	2	250	4	
10350	160050-MEGA-64	2	E	5	5	3.9	70	6.4	13	3	0.45	2.5	250	4	
10351	160060-MEGA-64	2	E	6	6	4.7	80	9.7	17.3	3.6	0.54	3	250	4	
10352	160080-MEGA-64	2	E	8	8	6.2	85	11.2	21.3	4.8	0.72	4	250	4	
10353	160100-MEGA-64	2	E	10	10	7.8	100	15.6	27.9	6	0.9	5	250	4	
10354	160120-MEGA-64	2	E	12	12	9.4	125	17.2	31.8	7.2	1.08	6	250	4	

Cutting data – JH160 Copy milling finishing $a_p/D_c = 0.1$

SMG		a_p / D_c	f_z							v_c
			3	4	5	6	8	10	12	
P1	M/E/A	0.048	0.044	0.060	0.075	0.090	0.12	0.15	0.18	940 (880 — 1000)
P2	M/E/A	0.048	0.044	0.060	0.075	0.090	0.12	0.15	0.18	920 (860 — 980)
P3	M/E/A	0.048	0.044	0.060	0.075	0.090	0.12	0.15	0.18	790 (740 — 840)
P4	M/E/A	0.048	0.044	0.060	0.075	0.090	0.12	0.15	0.18	700 (650 — 740)
P5	M/E/A	0.048	0.044	0.060	0.075	0.090	0.12	0.15	0.18	660 (620 — 710)
P6	M/E/A	0.048	0.044	0.060	0.075	0.090	0.12	0.15	0.18	750 (700 — 790)
P7	M/E/A	0.048	0.044	0.060	0.075	0.090	0.12	0.15	0.18	700 (660 — 750)
P8	M/E/A	0.048	0.044	0.060	0.075	0.090	0.12	0.15	0.18	660 (620 — 710)
P11	M/E/A	0.048	0.044	0.060	0.075	0.090	0.12	0.15	0.18	680 (640 — 730)
H3	M/E/A	0.032	0.044	0.060	0.075	0.090	0.12	0.15	0.18	255 (235 — 275)
H5	M/E/A	0.60	0.028	0.040	0.050	0.060	0.090	0.13	0.16	510 (475 — 550)
H7	M/E/A	0.032	0.044	0.060	0.075	0.090	0.12	0.15	0.18	255 (235 — 275)
H8	M/E/A	0.032	0.044	0.060	0.075	0.090	0.12	0.15	0.18	470 (435 — 500)
H21	M/E/A	0.032	0.044	0.060	0.075	0.090	0.12	0.15	0.18	470 (435 — 500)
H31	M/E/A	0.032	0.044	0.060	0.075	0.090	0.12	0.15	0.18	355 (330 — 380)

For cutting data recalculations, see pages 336-344.

SMG = Seco material group

Coolant = A=air D=dry E=emulsion M=mist spray

v_c = m/min

f_z = mm

a_p (mm)/ D_c (mm)= factor

a_e (mm)/ D_c (mm)= factor

All cutting data are target values

JM103/JM106 - Solid carbide end mill - corner radius - two flute



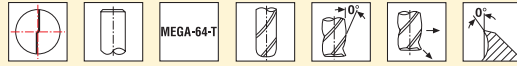
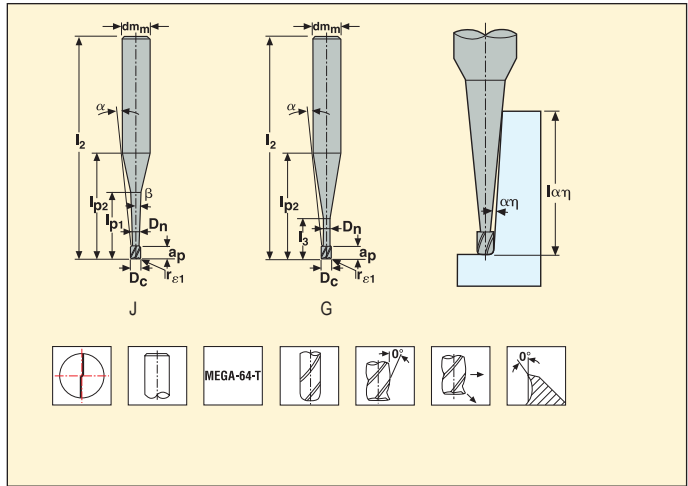
Tolerances:

Runout < 0.005 mm

$dm_m = h5$

$D_c < 0.6 = -0.005 / -0.013$, $D_c \geq 0.6 = -0.005 / -0.015$ mm

$r_{\epsilon 1} = + / - 0.01$ mm



EDP No.	Part No.	Length index	Tool shape	Dimensions in mm											Max. cut depth rel. to α_η ($l_{\alpha\eta}$, ref)*					
				D_c	dm_m	a_p	l_2	l_3	l_{p2}	D_n	$r_{\epsilon 1}$	z_n	α°	β	0°	0.5°	1°	1.5°	2°	3°
32080	103ML002R002TN-MEGA-64-T	2	J	0.2	3	0.1	40	-	6.2	0.18	0.02	2	13	0.9	0.6	0.6	0.6	0.6	0.6	0.7
32082	103ML003R003TN-MEGA-64-T	2	J	0.3	3	0.15	40	-	6.3	0.28	0.03	2	12.5	0.9	0.7	0.9	0.9	0.9	1	1.1
32084	103ML004R004TN-MEGA-64-T	2	J	0.4	3	0.2	40	-	6.4	0.37	0.04	2	12	0.9	1.1	1.2	1.2	1.3	1.3	1.4
32087	103ML005R005TN-MEGA-64-T	2	J	0.5	3	0.25	40	-	6.6	0.45	0.05	2	11	0.9	1.5	1.5	1.6	1.6	1.7	1.8
32088	103ML005R010TN-MEGA-64-T	2	J	0.5	3	0.25	40	-	6.6	0.45	0.1	2	11	0.9	1.5	1.5	1.6	1.6	1.7	1.8
32102	103ML006R005TN-MEGA-64-T	2	J	0.6	3	0.3	40	-	6.9	0.55	0.05	2	10.5	0.9	1.8	2	2.1	2.2	2.2	2.4
32110	103ML008R005TN-MEGA-64-T	2	J	0.8	3	0.4	40	-	7	0.75	0.05	2	9.5	0.9	1.9	2.5	2.6	2.7	2.8	3
32119	103ML010R005TN-MEGA-64-T	2	J	1	3	0.5	40	-	8	0.95	0.05	2	7.5	0.9	2	4	4.1	4.3	4.4	4.8
32120	103ML010R010TN-MEGA-64-T	2	J	1	3	0.5	40	-	8	0.95	0.1	2	7.5	0.9	2	4	4.1	4.2	4.4	4.8
32121	103ML010R020TN-MEGA-64-T	2	J	1	3	0.5	40	-	8	0.95	0.2	2	7.5	0.9	2	4	4.1	4.2	4.4	4.7
32157	106ML012R010TN-MEGA-64-T	2	J	1.2	6	0.6	50	-	13.7	1.15	0.1	2	10.5	0.9	2.1	4.8	4.6	4.8	5	5.4
32166	106ML015R010TN-MEGA-64-T	2	J	1.5	6	0.75	50	-	13.7	1.4	0.1	2	9.5	0.9	3.9	5.1	5.2	5.4	5.6	6.1
32167	106ML015R020TN-MEGA-64-T	2	J	1.5	6	0.75	50	-	13.7	1.4	0.2	2	9.5	0.9	3.9	5	5.2	5.4	5.6	6
32179	106ML020R010TN-MEGA-64-T	2	J	2	6	1	50	-	13.8	1.9	0.1	2	8.5	0.9	4.1	6	6.2	6.5	6.7	7.3
32180	106ML020R020TN-MEGA-64-T	2	J	2	6	1	50	-	13.8	1.9	0.2	2	8.5	0.9	4.1	6	6.2	6.5	6.7	7.2
32181	106ML020R030TN-MEGA-64-T	2	J	2	6	1	50	-	13.8	1.9	0.3	2	8.5	0.9	4.1	6	6.2	6.4	6.7	7.2
32090	103L005R005-MEGA-64-T	3	G	0.5	3	0.25	40	-	7.7	0.45	0.05	2	9.5	-	2.5	2.6	2.7	2.8	2.9	3.2
32092	103L005R010-MEGA-64-T	3	G	0.5	3	0.25	40	2.5	7.7	0.45	0.1	2	9.5	-	2.5	2.6	2.7	2.8	2.9	3.2
32104	103L006R005-MEGA-64-T	3	G	0.6	3	0.3	40	-	8	0.55	0.05	2	9	-	3	3.1	3.3	3.4	3.5	3.8
32112	103L008R005-MEGA-64-T	3	G	0.8	3	0.4	40	-	8.6	0.75	0.05	2	7.5	-	4	4.2	4.3	4.5	4.6	5
32123	103L010R005-MEGA-64-T	3	G	1	3	0.5	40	-	9.3	0.95	0.05	2	6.5	-	5	5.2	5.4	5.6	5.8	6.3
32124	103L010R010TN-MEGA-64-T	3	J	1	3	0.5	40	-	9	0.95	0.1	2	-	0.9	∞	∞	∞	∞	∞	∞
32125	103L010R010-MEGA-64-T	3	G	1	3	0.5	40	5	9.3	0.95	0.1	2	6.5	-	5	5.2	5.4	5.6	5.8	6.3
32127	103L010R020-MEGA-64-T	3	G	1	3	0.5	40	5	9.3	0.95	0.2	2	6.5	-	5	5.2	5.4	5.6	5.8	6.2
32158	106L012R010TN-MEGA-64-T	3	G	1.2	6	0.6	50	-	15.1	1.15	0.1	2	-	0.9	∞	∞	∞	∞	∞	∞
32159	106L012R010-MEGA-64-T	3	G	1.2	6	0.6	50	6	15.5	1.15	0.1	2	9	-	6	6.2	6.5	6.7	6.9	7.5
32168	106L015R010TN-MEGA-64-T	3	G	1.5	6	0.75	50	-	16.1	1.4	0.1	2	-	0.9	∞	∞	∞	∞	∞	∞
32170	106L015R010-MEGA-64-T	3	G	1.5	6	0.75	50	7.5	16.5	1.4	0.1	2	8	-	7.6	7.9	8.2	8.5	8.8	9.5
32172	106L015R020-MEGA-64-T	3	G	1.5	6	0.75	50	7.5	16.5	1.4	0.2	2	8	-	7.6	7.9	8.2	8.4	8.8	9.5
32182	106L020R010TN-MEGA-64-T	3	G	2	6	1	50	-	17.5	1.9	0.1	2	-	0.9	∞	∞	∞	∞	∞	∞
32183	106L020R010-MEGA-64-T	3	G	2	6	1	50	10	18.1	1.9	0.1	2	6.5	-	10.1	10.5	10.8	11.2	11.6	12.6
32185	106L020R020-MEGA-64-T	3	G	2	6	1	50	10	18.1	1.9	0.2	2	6.5	-	10.1	10.5	10.8	11.2	11.6	12.6
32187	106L020R030-MEGA-64-T	3	G	2	6	1	50	10	18.1	1.9	0.3	2	6.5	-	10.1	10.5	10.8	11.2	11.6	12.5

* The effective under -neck length for the various draft angles. Remark ∞ = infinity, no collision in projection length area.

JM103/JM106 – Solid carbide end mill – corner radius – two flute



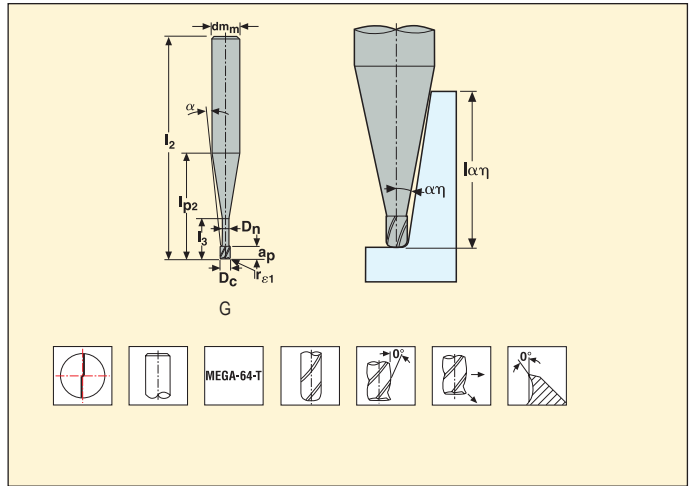
Tolerances:

Runout < 0.005 mm

$dm_m = h5$

$D_c < 0.6 = -0.005 / -0.013$, $D_c \geq 0.6 = -0.005 / -0.015$ mm

$r_{e1} = +/- 0.01$ mm



EDP No.	Part No.	Length index	Tool shape	Dimensions in mm									zn	α°	Max. cut depth rel. to αη (lαη, ref)*				
				Dc	dm	ap	l2	l3	l32	Dn	re1	0°			0.5°	1°	1.5°	2°	3°
32162	106XL012R010-MEGA-64-T	4	G	1.2	6	0.6	50	10	19.5	1.15	0.1	2	7.5	10	10.4	10.7	11.1	11.5	12.5
32176	106XL015R010-MEGA-64-T	4	G	1.5	6	0.75	60	12	21	1.4	0.1	2	6.5	12.1	12.5	13	13.4	13.9	15.1
32178	106XL015R020-MEGA-64-T	4	G	1.5	6	0.75	60	12	21	1.4	0.2	2	6.5	12.1	12.5	13	13.4	13.9	15.1
32192	106XL020R010-MEGA-64-T	4	G	2	6	1	60	16	24.1	1.9	0.1	2	5	16.1	16.7	17.3	17.9	18.5	20
32194	106XL020R020-MEGA-64-T	4	G	2	6	1	60	16	24.1	1.9	0.2	2	5	16.1	16.7	17.3	17.9	18.5	20
32196	106XL020R030-MEGA-64-T	4	G	2	6	1	60	16	24.1	1.9	0.3	2	5	16.1	16.7	17.2	17.9	18.5	20
32097	103XL005R005-MEGA-64-T	5	G	0.5	3	0.25	40	-	9.2	0.45	0.05	2	8	4	4.2	4.3	4.5	4.6	5
32099	103XL005R010-MEGA-64-T	5	G	0.5	3	0.25	40	4	92	0.45	0.1	2	8	4	42	43	45	46	5
32107	103XL006R005-MEGA-64-T	5	G	0.6	3	0.3	40	-	10	0.55	0.05	2	7	5	5.2	5.4	5.6	5.8	6.3
32115	103XL008R005-MEGA-64-T	5	G	0.8	3	0.4	40	-	11.6	0.75	0.05	2	5.5	7	7.3	7.5	7.8	8.1	8.8
32132	103XL010R005-MEGA-64-T	5	G	1	3	0.5	40	-	12.8	0.95	0.05	2	5	8.5	8.8	9.1	9.5	9.8	10.6
32134	103XL010R010-MEGA-64-T	5	G	1	3	0.5	40	8.5	12.8	0.95	0.1	2	5	8.5	8.8	9.1	9.5	9.8	10.6
32137	103XL010R020-MEGA-64-T	5	G	1	3	0.5	40	8.5	12.8	0.95	0.2	2	5	8.5	8.8	9.1	9.5	9.8	10.6

* The effective under-neck length for the various draft angles. Remark ∞ = infinity, no collision in projection length area.

Cutting data – JM103/JM106 Slotting

SMG		a_p / D_c	f_z										v_c
			0.2	0.3	0.4	0.5	0.6	0.8	1	1.2	1.5	2	
H3	M	0.010	0.0014	0.0022	0.0028	0.0036	0.0042	0.0055	0.0070	0.0085	0.010	0.012	60 (48 – 70)
H5	M	0.020	0.0028	0.0042	0.0055	0.0070	0.0085	0.011	0.014	0.017	0.020	0.024	110 (90 – 135)
H7	M	0.0085	0.0015	0.0024	0.0030	0.0038	0.0046	0.0060	0.0075	0.0090	0.011	0.013	60 (48 – 70)
H8	M	0.020	0.0032	0.0050	0.0065	0.0080	0.010	0.013	0.016	0.019	0.022	0.028	110 (90 – 130)
H11	M	0.020	0.0028	0.0042	0.0055	0.0070	0.0085	0.011	0.014	0.017	0.020	0.024	145 (120 – 170)
H12	M	0.020	0.0028	0.0042	0.0055	0.0070	0.0085	0.011	0.014	0.017	0.020	0.024	230 (190 – 275)
H21	M	0.020	0.0032	0.0050	0.0065	0.0080	0.010	0.013	0.016	0.019	0.022	0.028	110 (90 – 130)
H31	M	0.020	0.0028	0.0042	0.0055	0.0070	0.0085	0.011	0.014	0.017	0.020	0.024	85 (70 – 100)

Cutting data – JM103/JM106 Side milling $a_p/D_c = 0.02$

SMG		a_p / D_c	f_z										v_c
			0.2	0.3	0.4	0.5	0.6	0.8	1	1.2	1.5	2	
H3	M	0.020	0.0024	0.0065	0.0090	0.011	0.013	0.018	0.022	0.026	0.032	0.044	105 (85 – 125)
H5	M	0.050	0.0044	0.0075	0.010	0.013	0.015	0.020	0.024	0.030	0.036	0.044	205 (170 – 245)
H7	M	0.020	0.0024	0.0065	0.0090	0.011	0.013	0.018	0.022	0.026	0.032	0.044	105 (85 – 125)
H8	M	0.050	0.0044	0.0085	0.012	0.014	0.017	0.024	0.028	0.032	0.040	0.048	205 (170 – 245)
H11	M	0.050	0.0044	0.0075	0.010	0.013	0.015	0.020	0.024	0.030	0.036	0.044	265 (215 – 315)
H12	M	0.050	0.0044	0.0075	0.010	0.013	0.015	0.020	0.024	0.030	0.036	0.044	425 (350 – 500)
H21	M	0.050	0.0044	0.0085	0.012	0.014	0.017	0.024	0.028	0.032	0.040	0.048	205 (170 – 245)
H31	M	0.050	0.0044	0.0075	0.010	0.013	0.015	0.020	0.024	0.030	0.036	0.044	155 (125 – 185)

For cutting data recalculations, see pages 336-344.

SMG = Seco material group

Coolant = A=air D=dry E=emulsion M=mist spray

v_c = m/min

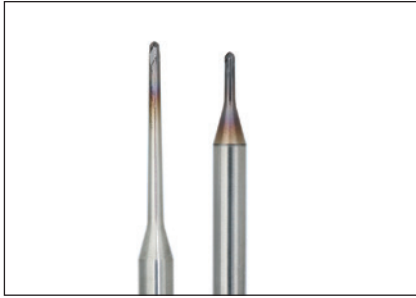
f_z = mm

a_p (mm)/ D_c (mm)= factor

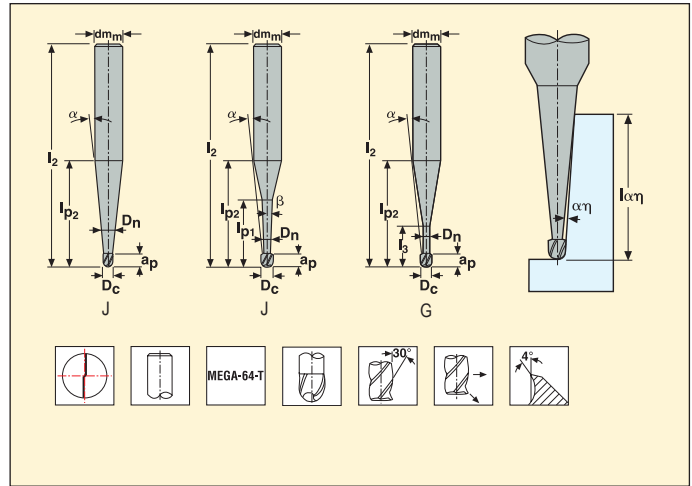
a_s (mm)/ D_c (mm)= factor

All cutting data are target values

JM113/116 – Solid carbide end mill – ball nose



Tolerances:
 Runout<0.005 mm
 $dm_m=h5$
 $D_c < 0.6 = -0.005/-0.013$, $D_c \geq 0.6 = -0.005/-0.015$ mm
 Radius = ± 0.005 mm



EDP No.	Part No.	Length index	Tool shape	Dimensions in mm											Max. cut depth rel. to $\alpha\eta$ ($l_{\alpha\eta}$, ref)*					
				D_c	dm_m	a_p	l_2	l_3	l_{p1}	l_{p2}	D_n	α_1°	β	z_n	0°	0.5°	1°	1.5°	2°	3°
32206	113005-MEGA-64-T	1	J	0.5	3	0.375	40	-	-	5.6	-	13.5	-	2	0.375	0.5	0.5	0.5	0.5	0.5
32213	113006-MEGA-64-T	1	J	0.6	3	0.45	40	-	-	5.6	-	13	-	2	0.45	0.6	0.6	0.6	0.7	0.7
32220	113008-MEGA-64-T	1	J	0.8	3	0.6	40	-	-	5.4	-	13	-	2	0.6	0.8	0.8	0.8	0.8	0.8
32228	113010-MEGA-64-T	1	J	1	3	0.75	40	-	-	5.1	-	12.5	-	2	0.75	0.9	0.9	0.9	1	1
32246	116012-MEGA-64-T	1	J	1.2	6	0.9	50	-	-	10.5	-	14	-	2	0.9	1.1	1.1	1.1	1.1	1.2
32253	116015-MEGA-64-T	1	J	1.5	6	1.125	50	-	-	10.2	-	14	-	2	1.125	1.3	1.3	1.3	1.4	1.4
32201	113ML002TN-MEGA-64-T	2	J	0.2	3	0.15	40	-	0.6	6.3	0.18	13	0.9	2	0.6	0.6	0.7	0.7	0.7	0.8
32203	113ML003TN-MEGA-64-T	2	J	0.3	3	0.225	40	-	0.9	6.4	0.28	12.5	0.9	2	0.9	0.9	1	1	1	1.1
32205	113ML004TN-MEGA-64-T	2	J	0.4	3	0.3	40	-	1.2	6.5	0.35	12	0.9	2	1.2	1.2	1.3	1.3	1.3	1.4
33066	116ML005TN-MEGA-64-T	2	J	0.5	6	0.375	50	-	1.5	12.2	0.45	13.5	0.9	2	1.5	1.5	1.6	1.6	1.7	1.8
33067	116ML006TN-MEGA-64-T	2	J	0.6	6	0.45	50	-	2	12.5	0.55	13	0.9	2	2	2	2.1	2.1	2.2	2.4
33068	116ML008TN-MEGA-64-T	2	J	0.8	6	0.6	50	-	2.5	12.6	0.75	12.5	0.9	2	2.1	2.5	2.6	2.7	2.7	2.9
33069	116ML010TN-MEGA-64-T	2	J	1	6	0.75	50	-	4	13.6	0.95	11	0.9	2	2.3	4	4.1	4.2	4.4	4.7
32247	116ML012TN-MEGA-64-T	2	J	1.2	6	0.9	50	-	4.5	13.7	1.15	10.5	0.9	2	2.4	4.5	4.6	4.7	4.9	5.3
32254	116ML015TN-MEGA-64-T	2	J	1.5	6	1.125	50	-	5	13.8	1.4	10	0.9	2	4.3	5.1	5.2	5.4	5.5	5.9
32261	116ML020TN-MEGA-64-T	2	J	2	6	1.5	50	-	6	13.8	1.9	9	0.9	2	4.6	6	6.2	6.4	6.6	7.1
32208	113L005TN-MEGA-64-T	3	G	0.5	3	0.375	40	-	2.5	7.5	0.45	-	0.9	2	∞	∞	∞	∞	∞	∞
32209	113L005-MEGA-64-T	3	G	0.5	3	0.375	40	2.5	2.5	7.7	0.45	10	-	2	2.5	2.6	2.7	2.8	2.9	3.1
32216	113L006-MEGA-64-T	3	G	0.6	3	0.45	40	3	3	8	0.55	9	-	2	3	3.1	3.2	3.3	3.5	3.7
32223	113L008-MEGA-64-T	3	G	0.8	3	0.6	40	4	4	8.6	0.75	8	-	2	4	4.2	4.3	4.4	4.6	4.9
32231	113L010-MEGA-64-T	3	G	1	3	0.75	40	5	5	9.3	0.95	7	-	2	5	5.2	5.4	5.5	5.7	6.2
32249	116L012-MEGA-64-T	3	G	1.2	6	0.9	50	6	6	15.5	1.15	9.5	-	2	6	6.2	6.4	6.6	6.9	7.4
32256	116L015-MEGA-64-T	3	G	1.5	6	1.125	50	7.5	7.5	16.5	1.4	8.5	-	2	7.6	7.9	8.1	8.4	8.7	9.3
32263	116L020-MEGA-64-T	3	G	2	6	1.5	50	10	10	18.1	1.9	7	-	2	10.1	10.4	10.8	11.1	11.5	12.4
32212	113XL005-MEGA-64-T	5	G	0.5	3	0.375	40	4	4	9.2	0.45	8	-	2	4	4.2	4.3	4.5	4.6	5
32219	113XL006-MEGA-64-T	5	G	0.6	3	0.45	40	5	5	10	0.55	7.5	-	2	5	5.2	5.4	5.6	5.8	6.2
32227	113XL008-MEGA-64-T	5	G	0.8	3	0.6	40	7	7	11.6	0.75	6	-	2	7	7.3	7.5	7.8	8	8.7
32234	113XL010-MEGA-64-T	5	G	1	3	0.75	40	8.5	8.5	12.8	0.95	5	-	2	8.5	8.8	9.1	9.4	9.8	10.5
32252	116XL012-MEGA-64-T	5	G	1.2	6	0.9	50	10	10	19.5	1.15	7.5	-	2	10	10.4	10.7	11.1	11.5	12.4
32259	116XL015-MEGA-64-T	5	G	1.5	6	1.125	60	12	12	21	1.4	6.5	-	2	12.1	12.5	12.9	13.4	13.9	14.9
32266	116XL020-MEGA-64-T	5	G	2	6	1.5	60	16	16	24.1	1.9	5	-	2	16.1	16.6	17.2	17.8	18.4	19.8

* The effective under-neck length for the various draft angles. Remark ∞ = infinity, no collision in projection length area.

Cutting data – JM113/JM116 Copy milling finishing $a_p/D_c = 0.02$

SMG		a_p / D_c	f_z										v_c
			0.2	0.3	0.4	0.5	0.6	0.8	1	1.2	1.5	2	
H3	M	0.15	0.0044	0.0065	0.0090	0.011	0.013	0.018	0.022	0.026	0.032	0.044	200 (175 – 225)
H5	M	0.15	0.0065	0.013	0.017	0.020	0.024	0.032	0.040	0.048	0.055	0.065	390 (340 – 435)
H7	M	0.15	0.0044	0.0065	0.0090	0.011	0.013	0.018	0.022	0.026	0.032	0.044	200 (175 – 225)
H8	M	0.15	0.0075	0.014	0.019	0.024	0.028	0.038	0.048	0.055	0.065	0.075	390 (345 – 435)
H11	M	0.15	0.0065	0.013	0.017	0.020	0.024	0.032	0.040	0.048	0.055	0.065	495 (440 – 560)
H12	M	0.15	0.0065	0.013	0.017	0.020	0.024	0.032	0.040	0.048	0.055	0.065	800 (710 – 900)
H21	M	0.15	0.0075	0.014	0.019	0.024	0.028	0.038	0.048	0.055	0.065	0.075	390 (345 – 435)
H31	M	0.15	0.0065	0.013	0.017	0.020	0.024	0.032	0.040	0.048	0.055	0.065	290 (260 – 325)

Cutting data – JM113/JM116 Copy milling roughing $a_p/D_c = 0.2$

SMG		a_p / D_c	f_z										v_c
			0.2	0.3	0.4	0.5	0.6	0.8	1	1.2	1.5	2	
H3	M	0.15	0.0020	0.0036	0.0050	0.0060	0.0075	0.010	0.012	0.015	0.017	0.020	155 (135 – 170)
H5	M	0.15	0.0042	0.0065	0.0090	0.011	0.013	0.018	0.022	0.026	0.032	0.042	290 (255 – 325)
H7	M	0.15	0.0020	0.0036	0.0050	0.0060	0.0075	0.010	0.012	0.015	0.017	0.020	155 (135 – 170)
H8	M	0.15	0.0044	0.0065	0.0090	0.011	0.013	0.018	0.022	0.026	0.032	0.044	290 (255 – 325)
H11	M	0.15	0.0042	0.0065	0.0090	0.011	0.013	0.018	0.022	0.026	0.032	0.042	375 (330 – 415)
H12	M	0.15	0.0042	0.0065	0.0090	0.011	0.013	0.018	0.022	0.026	0.032	0.042	600 (530 – 670)
H21	M	0.15	0.0044	0.0065	0.0090	0.011	0.013	0.018	0.022	0.026	0.032	0.044	290 (255 – 325)
H31	M	0.15	0.0042	0.0065	0.0090	0.011	0.013	0.018	0.022	0.026	0.032	0.042	220 (195 – 245)

For cutting data recalculations, see pages 336-344.

SMG = Seco material group

Coolant = A=air D=dry E=emulsion M=mist spray

v_c = m/min

f_z = mm

a_p (mm)/ D_c (mm)= factor

a_e (mm)/ D_c (mm)= factor









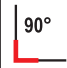
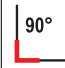


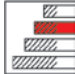
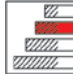
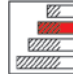
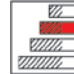
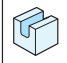
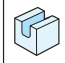
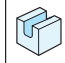
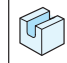


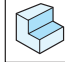
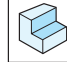
All cutting data are target values



Name		JC840	JC845	JC850	JC860	JC870
Page		273-275	276-277	278-279	280-282	283-287
Family		COMPOSITE	COMPOSITE	COMPOSITE	COMPOSITE	COMPOSITE
Type of mill						
Shank	Cylindrical	■	■	■	■	■
	Weldon					
Number of flutes		4-9	3-5	4	5-11	
ICC						
Diameter range	Metric	6-12	6-12	3-12	6-16	3-12
	Inch	1/4 - 1/2			1/4 - 1/2	1/4 - 1/2
Lengths available, based on length index						
		2	2	2	2	2
Operation						
SMG						
TS1						
TS2		•	•	•	•	•
TS3		•	•	•	•	•
TP1						
TP2		•	•	•	•	•
TP3		•	•	•	•	•
honeycomb*					•	•

*honeycomb refers to a honeycomb-like base structure.

- Stock standard
- Preferred choice, ○ Alternative choice

					
					
Name		JC871	JC875	JC880	JC885
Page		288-292	293-295	296-297	298-299
Family		COMPOSITE	COMPOSITE	COMPOSITE	COMPOSITE
Type of mill					
Shank	Cylindrical	■	■	■	■
	Weldon				
Number of flutes			5-6, 10	4	4
ICC					
Diameter range	Metric	3-12	3-12	4-20	4-12
	Inch	1/4 -1/2	1/4 -1/2		
Lengths available, based on length index		 2	 2	 2	 2
Operation					
					
SMG					
TS1					
TS2		●	●	●	●
TS3		●	●	●	●
TP1					
TP2		●	●	●	●
TP3		●	●	●	●
honeycomb*		●			

*honeycomb refers to a honeycomb-like base structure.

■ Stock standard

● Preferred choice, ○ Alternative choice

Name		JPD840	JPD850	JPD880	JPD890	J93/J99-F	J28
Page		300-301	302-303	304-305	306-308	309-310	311-312
Family		PCD	PCD	PCD	PCD	VHM	VHM
Type of mill							
Shank	Cylindrical	■	■	■	■	■	■
	Weldon						
Number of flutes		1-2	2-3	3	2	2	1
ICC		■	■	■	■		
Diameter range	Metric	6-16	4-16	6-16	6-16	1-25	2-12
	Inch						
Lengths available, based on length index		 2	 2	 2,3	 2,3	 1,2,3	 2
Operation							
SMG							
TS1						•	•
TS2		•	•	•	•		
TS3		•	•	•	•		
TP1						•	
TP2		•	•	•	•		
TP3		•	•	•	•		
honeycomb*							

*honeycomb refers to a honeycomb-like base structure.

- Stock standard
- Preferred choice, ○ Alternative choice

Cutting data – JC840 Slotting

SMG		a_p / D_c	f_z				v_c
			6	8	10	12	
TS2	E/A/D	1.0	0.024	0.032	0.040	0.048	105 (50 – 155)
TS3	E/A/D	1.0	0.024	0.032	0.040	0.048	70 (50 – 95)
TP2	E/A/D	1.0	0.024	0.032	0.040	0.048	155 (105 – 205)
TP3	E/A/D	1.0	0.024	0.032	0.040	0.048	105 (70 – 135)

Cutting data – JC840 Side milling roughing $a_e/D_c = 0.4$

SMG		a_p / D_c	f_z				v_c
			6	8	10	12	
TS2	E/A/D	1.0	0.024	0.032	0.040	0.048	130 (65 – 195)
TS3	E/A/D	1.0	0.024	0.032	0.040	0.048	90 (65 – 115)
TP2	E/A/D	1.0	0.024	0.032	0.040	0.048	195 (130 – 255)
TP3	E/A/D	1.0	0.024	0.032	0.040	0.048	130 (90 – 165)

For cutting data recalculations, see pages 336-344.

SMG = Seco material group

Coolant = A=air D=dry E=emulsion M=mist spray

v_c = m/min

f_z = mm

a_p (mm)/ D_c (mm)= factor

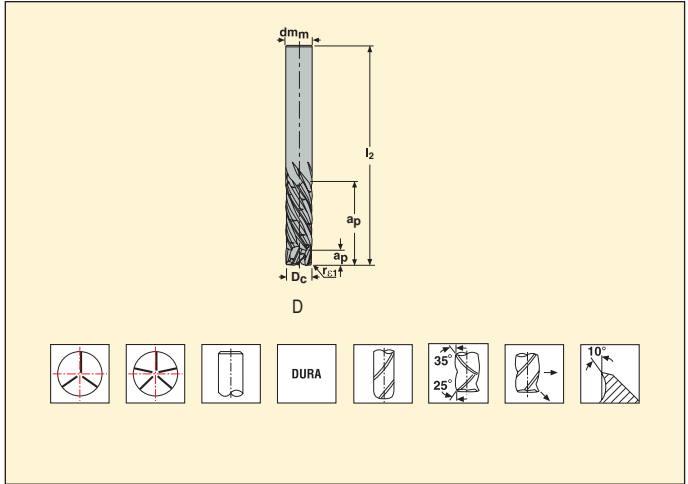
a_e (mm)/ D_c (mm)= factor

All cutting data are target values

JC845 – Solid carbide end mill – compressive double helix to avoid delamination



Tolerances:
 $dm_m = h5$
 $D_c = -0.02 / -0.04 \text{ mm}$
 $r_{\epsilon} = \pm 0.01 \text{ mm}$



EDP No.	Part No.	Length index	Tool shape	Dimensions in mm						z_n	Cylindrical
				D_c	dm_m	l_2	a_p	$a_p \text{ split}$	r_{ϵ}		
84883	JC845060D2R050.0Z3-DURA	2	D	6	6	65	18	4	0.5	3	■
84882	JC845080D2R050.0Z3-DURA	2	D	8	8	75	24	5	0.5	3	■
84881	JC845100D2R050.0Z3-DURA	2	D	10	10	85	30	6	0.5	3	■
84880	JC845120D2R050.0Z5-DURA	2	D	12	12	100	36	8	0.5	5	■

■ Stock standard. Subject to change, refer to current price-and stock-list.

Cutting data - JC845 Slotting

SMG		a_p / D_c	f_z				v_c
			6	8	10	12	
TS2	E/A/D	1.0	0.024	0.032	0.040	0.048	105 (50 — 160)
TS3	E/A/D	1.0	0.024	0.032	0.040	0.048	75 (50 — 95)
TP2	E/A/D	1.0	0.024	0.032	0.040	0.048	155 (105 — 210)
TP3	E/A/D	1.0	0.024	0.032	0.040	0.048	105 (75 — 135)

Cutting data - JC845 Side milling roughing $a_e/D_c = 0.4$

SMG		a_p / D_c	f_z				v_c
			6	8	10	12	
TS2	E/A/D	1.0	0.024	0.032	0.040	0.048	130 (65 — 195)
TS3	E/A/D	1.0	0.024	0.032	0.040	0.048	90 (65 — 115)
TP2	E/A/D	1.0	0.024	0.032	0.040	0.048	195 (130 — 260)
TP3	E/A/D	1.0	0.024	0.032	0.040	0.048	130 (90 — 170)

For cutting data recalculations, see pages 336-344.

SMG = Seco material group

Coolant = A=air D=dry E=emulsion M=mist spray

v_c = m/min


f_z = mm

a_p (mm)/ D_c (mm)= factor

a_e (mm)/ D_c (mm)= factor

All cutting data are target values

Cutting data – JC850 Copy milling $a_p/D_c = 0.2$

SMG		a_p / D_c	f_z						v_c
			3	4	6	8	10	12	
TS2	E/A/D	0.20	0.032	0.046	0.070	0.095	0.12	0.14	310 (155 – 460)
TS3	E/A/D	0.20	0.032	0.046	0.070	0.095	0.12	0.14	145 (75 – 220)
TP2	E/A/D	0.20	0.032	0.046	0.070	0.095	0.12	0.14	385 (310 – 460)
TP3	E/A/D	0.20	0.032	0.046	0.070	0.095	0.12	0.14	220 (145 – 295)

For cutting data recalculations, see pages 336-344.

SMG = Seco material group

Coolant = A=air D=dry E=emulsion M=mist spray

v_c = m/min

f_z = mm

a_p (mm)/ D_c (mm) = factor

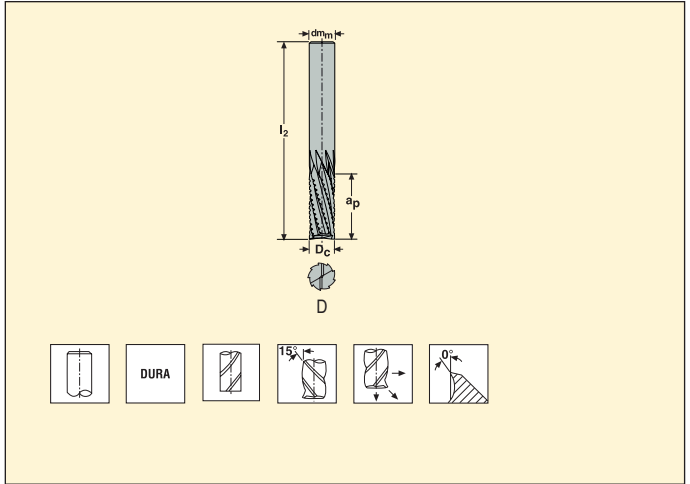
a_e (mm)/ D_c (mm) = factor

All cutting data are target values

JC860 – Solid carbide end mill – Honeycomb router – multiflute



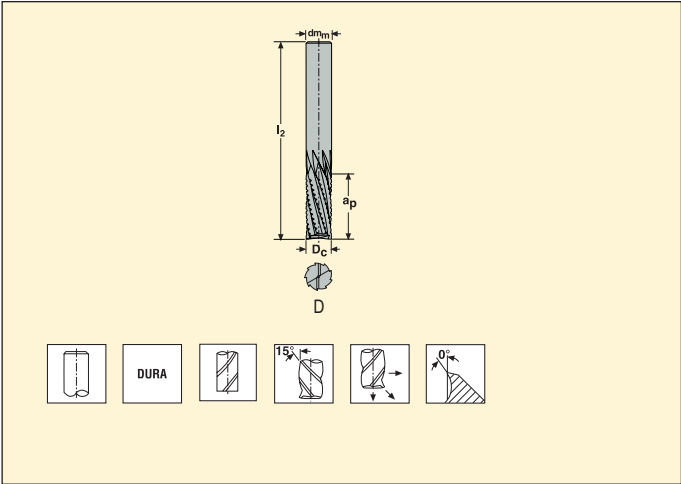
Tolerances:
 $dm_m = h5$
 $D_c = -0.02 / -0.04 \text{ mm}$
 Z_f = frontal teeth



EDP No.	Part No.	Length index	Tool shape	Dimensions in mm				Zf	zn	Cylindrical
				Dc	dm	l2	ap			
62357	860060Z5.0-DURA	2	D	6	6	70	18	2	5	■
62358	860080Z6.0-DURA	2	D	8	8	80	24	2	6	■
62359	860100Z8.0-DURA	2	D	10	10	90	30	2	8	■
62360	860120Z9.0-DURA	2	D	12	12	110	36	2	9	■
62361	860160Z11.0-DURA	2	D	16	16	125	48	2	11	■

■ Stock standard. Subject to change, refer to current price-and stock-list.

JC860 – Solid carbide end mill – honeycomb router – multiflute – inch



Tolerances:
 $dm_m = h5$
 $D_c = -0.02/-0.04$ mm
 Z_f = frontal teeth

EDP No.	Part No.	Length index	Tool shape	Dimensions in inch				Z_f	z_n	Cylindrical
				D_c	dm_m	l_2	a_p			
84884	8600250Z5.0-DURA	2	D	0.250	0.250	2.250	0.750	2	5	■
84885	8600500Z9.0-DURA	2	D	0.500	0.500	4.000	1.500	2	9	■

■ Stock standard. Subject to change, refer to current price-and stock-list.

Cutting data – JC860 Slotting

SMG		a_p / D_c	f_z					v_c
			6	8	10	12	16	
TS2	E/A/D	0.50	0.018	0.024	0.030	0.036	0.044	100 (75 — 125)
TS3	E/A/D	0.50	0.018	0.024	0.030	0.036	0.044	50 (30 — 70)
TP2	E/A/D	0.50	0.018	0.024	0.030	0.036	0.044	150 (125 — 175)
TP3	E/A/D	0.50	0.018	0.024	0.030	0.036	0.044	100 (80 — 120)

Cutting data – JC860 Side milling roughing $a_p/D_c = 0.1$

SMG		a_p / D_c	f_z					v_c
			6	8	10	12	16	
TS2	E/A/D	1.0	0.030	0.040	0.050	0.060	0.075	170 (125 — 210)
TS3	E/A/D	1.0	0.030	0.040	0.050	0.060	0.075	85 (50 — 120)
TP2	E/A/D	1.0	0.030	0.040	0.050	0.060	0.075	255 (210 — 295)
TP3	E/A/D	1.0	0.030	0.040	0.050	0.060	0.075	170 (135 — 200)

For cutting data recalculations, see pages 336-344.

SMG = Seco material group

Coolant = A=air D=dry E=emulsion M=mist spray

v_c = m/min

f_z = mm

a_p (mm)/ D_c (mm) = factor

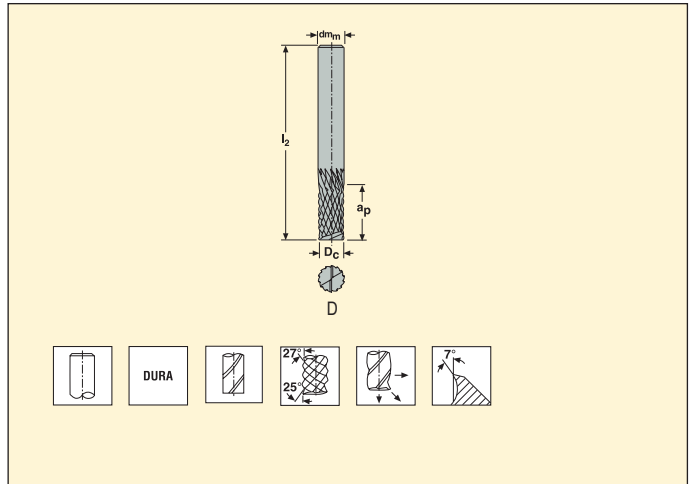
a_e (mm)/ D_c (mm) = factor

All cutting data are target values

JC870 – Solid carbide end mill – router (downcut)*



Tolerances:
 $dm_m = h5$
 $D_c = -0.02 / -0.08 \text{ mm}$



EDP No.	Part No.	Length index	Tool shape	Dimensions in mm				Zf	Cylindrical
				D _c	dm _m	l ₂	a _p		
62362	870030.0-DURA	2	D	3	3	50	9	2	■
62363	870040.0-DURA	2	D	4	4	50	12	2	■
62364	870050.0-DURA	2	D	5	5	50	15	2	■
62365	870060.0-DURA	2	D	6	6	65	18	2	■
62366	870080.0-DURA	2	D	8	8	75	24	2	■
62367	870100.0-DURA	2	D	10	10	85	30	2	■
62368	870120.0-DURA	2	D	12	12	100	36	2	■

*Downcut indicates flute geometries that are combined to create small down forces that assist with maintaining component clamping, particularly where vacuum clamping is employed.
 ■ Stock standard. Subject to change, refer to current price-and stock-list.

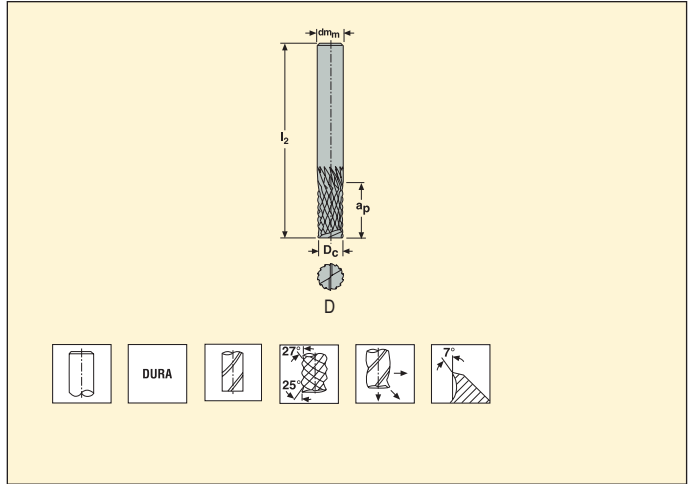
JC870 – Solid carbide end mill – router (downcut)* – inch



Tolerances:

$dm_m = h5$

$D_c = -0.02 / -0.08 \text{ mm}$



EDP No.	Part No.	Length index	Tool shape	Dimensions in inch				Zf	Cylindrical
				D_c	dm_m	l_2	a_p		
62397	8700250.0-DURA	2	D	0.250	0.250	2.250	0.750	2	■
62398	8700375.0-DURA	2	D	0.375	0.375	3.500	1.250	2	■
62399	8700500.0-DURA	2	D	0.500	0.500	4.250	1.500	2	■

*Downcut indicates flute geometries that are combined to create small down forces that assist with maintaining component clamping, particularly where vacuum clamping is employed.

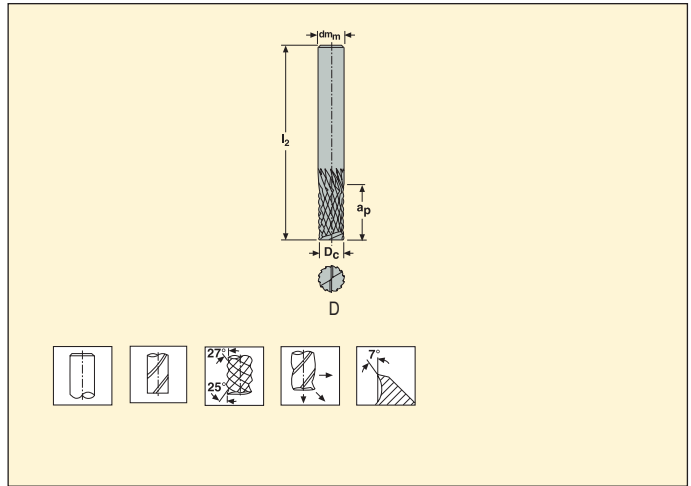
■ Stock standard. Subject to change, refer to current price-and stock-list.

JABRO® - COMPOSITE - JC870 (uncoated)

JC870 – Solid carbide end mill – router (downcut)*



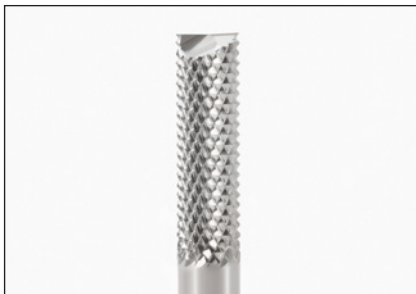
Tolerances:
 $dm_m = h5$
 $D_c = -0.02 / -0.08 \text{ mm}$



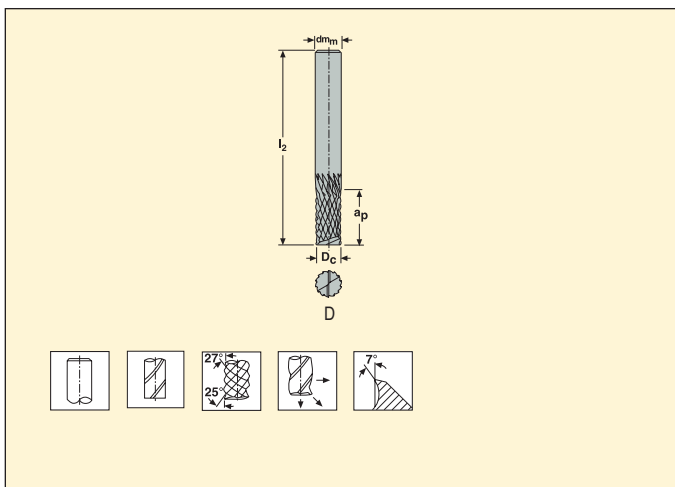
EDP No.	Part No.	Length index	Tool shape	Dimensions in mm				Zf	Cylindrical
				D _c	dm _m	l ₂	a _p		
65040	870030.0	2	D	3	3	50	9	2	■
65041	870040.0	2	D	4	4	50	12	2	■
65042	870050.0	2	D	5	5	50	15	2	■
65043	870060.0	2	D	6	6	65	18	2	■
65044	870080.0	2	D	8	8	75	24	2	■
65045	870100.0	2	D	10	10	85	30	2	■
65046	870120.0	2	D	12	12	100	36	2	■

*Downcut indicates flute geometries that are combined to create small down forces that assist with maintaining component clamping, particularly where vacuum clamping is employed.
 ■ Stock standard. Subject to change, refer to current price-and stock-list.

JC870 – Solid carbide end mill – router (downcut)* – inch



Tolerances:
 $dm_m=h5$
 $D_c=-0.0008 / -0.0015$



EDP No.	Part No.	Length index	Tool shape	Dimensions in inch				Zf	Cylindrical
				D_c	dm_m	l_2	a_p		
65047	8700250.0	2	D	0.250	0.250	2.250	0.750	2	■
65048	8700375.0	2	D	0.375	0.375	3.500	1.250	2	■
65049	8700500.0	2	D	0.500	0.500	4.250	1.500	2	■

*Downcut indicates flute geometries that are combined to create small down forces that assist with maintaining component clamping, particularly where vacuum clamping is employed.
 ■ Stock standard. Subject to change, refer to current price-and stock-list.

Cutting data – JC870 Slotting

SMG		a_p / D_c	f_z							v_c
			3	4	5	6	8	10	12	
TS2	E/A/D	0.50	0.0090	0.012	0.015	0.018	0.024	0.030	0.036	105 (80 – 130)
TS3	E/A/D	0.50	0.0090	0.012	0.015	0.018	0.024	0.030	0.036	55 (32 – 75)
TP2	E/A/D	0.50	0.0090	0.012	0.015	0.018	0.024	0.030	0.036	160 (130 – 185)
TP3	E/A/D	0.50	0.0090	0.012	0.015	0.018	0.024	0.030	0.036	105 (85 – 125)

Cutting data – JC870 Side milling roughing $a_e/D_c = 0.35$

SMG		a_p / D_c	f_z							v_c
			3	4	5	6	8	10	12	
TS2	E/A/D	2.0	0.0095	0.013	0.016	0.019	0.026	0.032	0.038	155 (115 – 195)
TS3	E/A/D	2.0	0.0095	0.013	0.016	0.019	0.026	0.032	0.038	75 (46 – 110)
TP2	E/A/D	2.0	0.0095	0.013	0.016	0.019	0.026	0.032	0.038	230 (195 – 270)
TP3	E/A/D	2.0	0.0095	0.013	0.016	0.019	0.026	0.032	0.038	155 (125 – 185)

For cutting data recalculations, see pages 336-344.

SMG = Seco material group

Coolant = A=air D=dry E=emulsion M=mist spray

v_c = m/min

f_z = mm

a_p (mm)/ D_c (mm)= factor

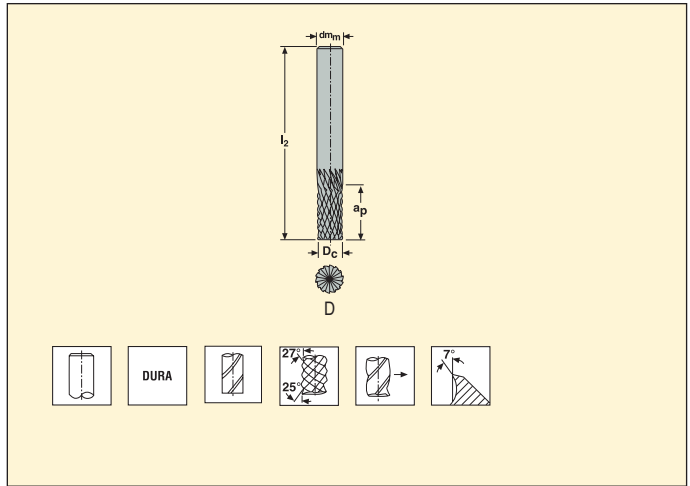
a_e (mm)/ D_c (mm)= factor

All cutting data are target values

JC871 – Solid carbide end mill – router (downcut)*



Tolerances:
 $dm_m = h5$
 $D_c = -0.02/-0.08 \text{ mm}$



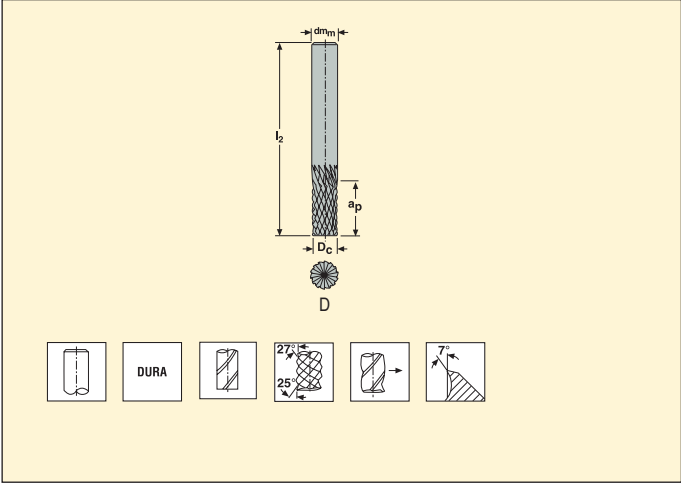
EDP No.	Part No.	Length index	Tool shape	Dimensions in mm				Cylindrical
				D _c	dm _m	l ₂	a _p	
62369	871030.0-DURA	2	D	3	3	50	9	■
62370	871040.0-DURA	2	D	4	4	50	12	■
62371	871050.0-DURA	2	D	5	5	50	15	■
62372	871060.0-DURA	2	D	6	6	65	18	■
62373	871080.0-DURA	2	D	8	8	75	24	■
62374	871100.0-DURA	2	D	10	10	85	30	■
62375	871120.0-DURA	2	D	12	12	100	36	■

*Downcut indicates flute geometries that are combined to create small down forces that assist with maintaining component clamping, particularly where vacuum clamping is employed.
 ■ Stock standard. Subject to change, refer to current price-and stock-list.

JC871 – Solid carbide end mill – router (downcut)* – inch



Tolerances:
 $dm_m = h5$
 $D_c = -0.0008 / -0.0015$



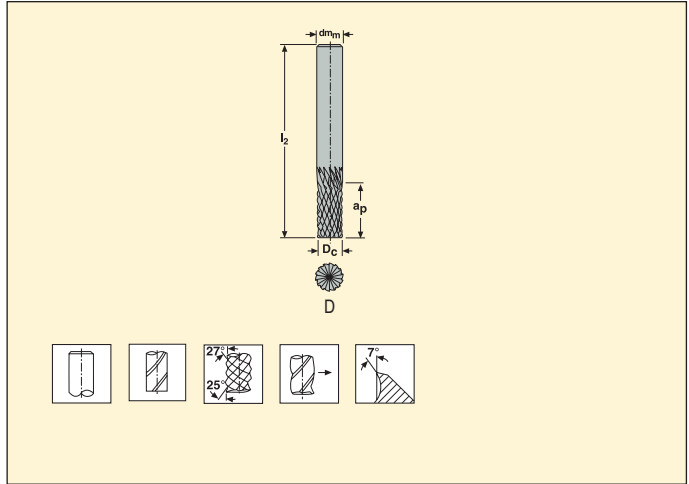
EDP No.	Part No.	Length index	Tool shape	Dimensions in inch				Cylindrical
				D _c	dm _m	l ₂	a _p	
62400	8710250.0-DURA	2	D	0.250	0.250	2.250	0.750	■
62401	8710375.0-DURA	2	D	0.375	0.375	3.500	1.250	■
62402	8710500.0-DURA	2	D	0.500	0.500	4.250	1.500	■

*Downcut indicates flute geometries that are combined to create small down forces that assist with maintaining component clamping, particularly where vacuum clamping is employed.
 ■ Stock standard. Subject to change, refer to current price-and stock-list.

JC871 – Solid carbide end mill – router (downcut)* – inch



Tolerances:
 $dm_m = h5$
 $D_c = -0.02/-0.08 \text{ mm}$



EDP No.	Part No.	Length index	Tool shape	Dimensions in inch				Cylindrical
				D_c	dm_m	l_2	a_p	
65057	8710250.0	2	D	0.250	0.250	2.250	0.750	■
65058	8710375.0	2	D	0.375	0.375	3.500	1.250	■
65060	8710500.0	2	D	0.500	0.500	4.250	1.500	■

*Downcut indicates flute geometries that are combined to create small down forces that assist with maintaining component clamping, particularly where vacuum clamping is employed.
 ■ Stock standard. Subject to change, refer to current price-and stock-list.

Cutting data – JC871 Slotting

SMG		a_p / D_c	f_z						v_c	
			3	4	5	6	8	10		12
TS2	E/A/D	0.50	0.0090	0.012	0.015	0.018	0.024	0.030	0.036	105 (80 – 130)
TS3	E/A/D	0.50	0.0090	0.012	0.015	0.018	0.024	0.030	0.036	55 (32 – 75)
TP2	E/A/D	0.50	0.0090	0.012	0.015	0.018	0.024	0.030	0.036	160 (130 – 185)
TP3	E/A/D	0.50	0.0090	0.012	0.015	0.018	0.024	0.030	0.036	105 (85 – 125)

Cutting data – JC871 Side milling roughing $a_p/D_c = 0.35$

SMG		a_p / D_c	f_z						v_c	
			3	4	5	6	8	10		12
TS2	E/A/D	2.0	0.0095	0.013	0.016	0.019	0.026	0.032	0.038	155 (115 – 195)
TS3	E/A/D	2.0	0.0095	0.013	0.016	0.019	0.026	0.032	0.038	75 (46 – 110)
TP2	E/A/D	2.0	0.0095	0.013	0.016	0.019	0.026	0.032	0.038	230 (195 – 270)
TP3	E/A/D	2.0	0.0095	0.013	0.016	0.019	0.026	0.032	0.038	155 (125 – 185)

For cutting data recalculations, see pages 336-344.

SMG = Seco material group

Coolant = A=air D=dry E=emulsion M=mist spray

v_c = m/min

f_z = mm

a_p (mm)/ D_c (mm) = factor

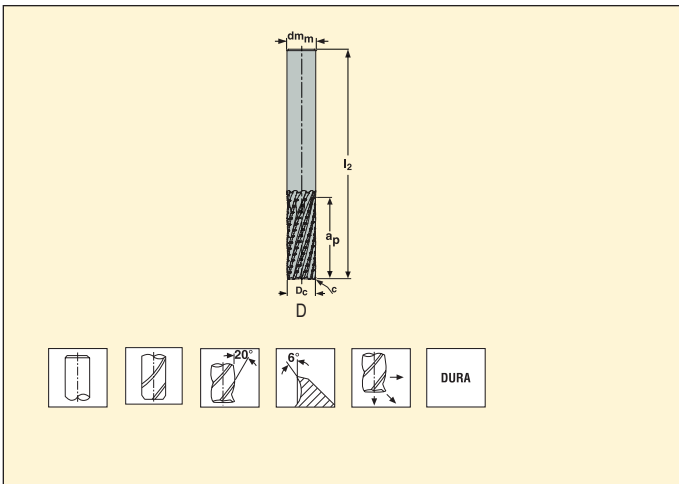
a_e (mm)/ D_c (mm) = factor

All cutting data are target values

JC875 – Solid carbide end mill – advanced router – inch



Tolerances:
 $dm_m = h5$
 $D_c = -0.02 / -0.08$



EDP No.	Part No.	Length index	Tool shape	Dimensions in inch					z_n	Cylindrical
				D_c	dm_m	l_2	a_p	$c \times 45^\circ$		
42837	JC875.250D2.0-DURA	2	D	0.250	0.250	3.000	0.750	0.002	6	■
42857	JC875.375D2.0-DURA	2	D	0.375	0.375	3.000	1.125	0.004	10	■
42860	JC875.500D2.0-DURA	2	D	0.500	0.500	3.752	1.500	0.005	10	■

■ Stock standard. Subject to change, refer to current price-and stock-list.

Cutting data – JC875 Slotting

SMG		a_p / D_c	f_z						v_c
			4	5	6	8	10	12	
TS2	E/A/D	0.50	0.012	0.015	0.018	0.024	0.030	0.036	105 (90 – 155)
TS3	E/A/D	0.50	0.012	0.015	0.018	0.024	0.030	0.036	55 (44 – 80)
TP2	E/A/D	0.50	0.012	0.015	0.018	0.024	0.030	0.036	160 (135 – 235)
TP3	E/A/D	0.50	0.012	0.015	0.018	0.024	0.030	0.036	105 (90 – 155)

Cutting data – JC875 Side milling $a_e/D_c = 0.3$

SMG		a_p / D_c	f_z						v_c
			4	5	6	8	10	12	
TS2	E/A/D	2.0	0.013	0.016	0.019	0.026	0.032	0.038	135 (110 – 200)
TS3	E/A/D	2.0	0.013	0.016	0.019	0.026	0.032	0.038	65 (55 – 100)
TP2	E/A/D	2.0	0.013	0.016	0.019	0.026	0.032	0.038	200 (170 – 300)
TP3	E/A/D	2.0	0.013	0.016	0.019	0.026	0.032	0.038	135 (110 – 200)

For cutting data recalculations, see pages 336-344.

SMG = Seco material group

Coolant = A=air D=dry E=emulsion M=mist spray

v_c = m/min

f_z = mm

a_p (mm)/ D_c (mm)= factor

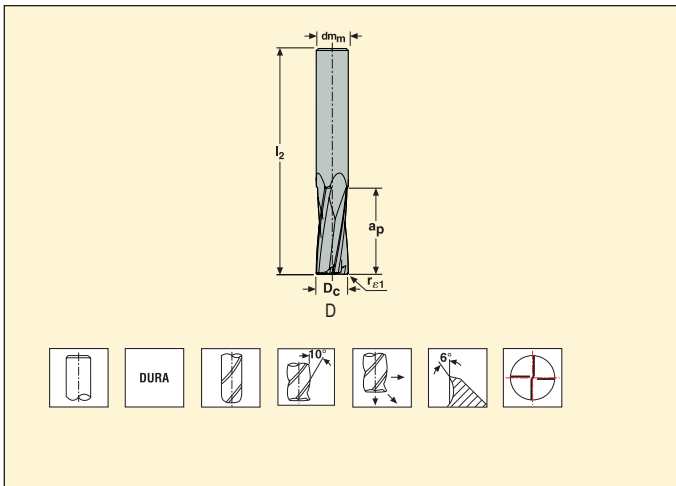
a_e (mm)/ D_c (mm)= factor

All cutting data are target values

JC880 - Solid carbide end mill - low helix



Tolerances:
 $dm_m = h5$
 $D_c = -0.02 / -0.04$ mm
 $r_{ε1} = \pm 0.01$ mm



EDP No.	Part No.	Length index	Tool shape	Dimensions in mm					z_n	Cylindrical
				D_c	dm_m	l_2	a_p	r_c		
84931	880040R020Z4.0-DURA	2	D	4	4	50	12	0.2	4	■
84932	880050R020Z4.0-DURA	2	D	5	5	50	15	0.2	4	■
62376	880060R020Z4.0-DURA	2	D	6	6	65	18	0.2	4	■
62377	880080R020Z4.0-DURA	2	D	8	8	70	24	0.2	4	■
62378	880100R020Z4.0-DURA	2	D	10	10	80	30	0.2	4	■
62379	880120R020Z4.0-DURA	2	D	12	12	100	36	0.2	4	■
62380	880160R020Z4.0-DURA	2	D	16	16	110	48	0.2	4	■
62381	880200R020Z4.0-DURA	2	D	20	20	130	60	0.2	4	■

■ Stock standard. Subject to change, refer to current price-and stock-list.

Cutting data – JC880 Slotting

SMG		a_p / D_c	f_z								v_c
			4	5	6	8	10	12	16	20	
TS2	E/A/D	1.0	0.024	0.030	0.036	0.048	0.060	0.070	0.090	0.10	105 (80 – 135)
TS3	E/A/D	1.0	0.024	0.030	0.036	0.048	0.060	0.070	0.090	0.10	49 (29 – 70)
TP2	E/A/D	1.0	0.024	0.030	0.036	0.048	0.060	0.070	0.090	0.10	160 (135 – 185)
TP3	E/A/D	1.0	0.024	0.030	0.036	0.048	0.060	0.070	0.090	0.10	100 (80 – 115)

Cutting data – JC880 Side milling roughing $a_e/D_c = 0.3$

SMG		a_p / D_c	f_z							v_c
			4	6	8	10	12	16	20	
TS2	E/A/D	2.0	0.026	0.040	0.050	0.065	0.080	0.095	0.11	160 (120 – 200)
TS3	E/A/D	2.0	0.026	0.040	0.050	0.065	0.080	0.095	0.11	75 (44 – 100)
TP2	E/A/D	2.0	0.026	0.040	0.050	0.065	0.080	0.095	0.11	235 (200 – 275)
TP3	E/A/D	2.0	0.026	0.040	0.050	0.065	0.080	0.095	0.11	145 (115 – 175)

For cutting data recalculations, see pages 336-344.

SMG = Seco material group

Coolant = A=air D=dry E=emulsion M=mist spray

v_c = m/min

f_z = mm

a_p (mm)/ D_c (mm)= factor

a_e (mm)/ D_c (mm)= factor

All cutting data are target values

Cutting data – JC885 Slotting

SMG		a_p / D_c	f_z						v_c
			4	5	6	8	10	12	
TS2	E/A/D	1.0	0.024	0.030	0.036	0.048	0.060	0.070	105 (80 – 135)
TS3	E/A/D	1.0	0.024	0.030	0.036	0.048	0.060	0.070	49 (29 – 70)
TP2	E/A/D	1.0	0.024	0.030	0.036	0.048	0.060	0.070	160 (130 – 185)
TP3	E/A/D	1.0	0.024	0.030	0.036	0.048	0.060	0.070	95 (80 – 115)

Cutting data – JC885 Side milling roughing $a_e/D_c = 0.3$

SMG		a_p / D_c	f_z						v_c
			4	5	6	8	10	12	
TS2	E/A/D	2.0	0.026	0.032	0.040	0.050	0.065	0.075	155 (120 – 195)
TS3	E/A/D	2.0	0.026	0.032	0.040	0.050	0.065	0.075	70 (43 – 100)
TP2	E/A/D	2.0	0.026	0.032	0.040	0.050	0.065	0.075	235 (195 – 275)
TP3	E/A/D	2.0	0.026	0.032	0.040	0.050	0.065	0.075	145 (115 – 175)

For cutting data recalculations, see pages 336-344.

SMG = Seco material group

Coolant = A=air D=dry E=emulsion M=mist spray

v_c = m/min

f_z = mm

a_p (mm)/ D_c (mm)= factor

a_e (mm)/ D_c (mm)= factor

All cutting data are target values

JPD840 - PCD end mill compressive helix to avoid delamination

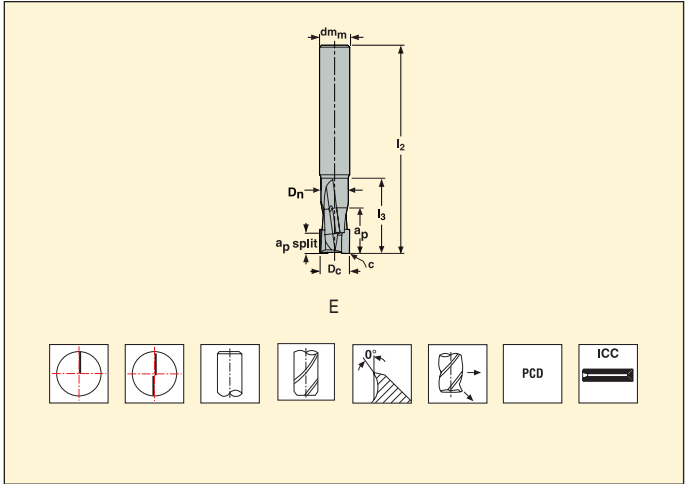


Tolerances:

$dm_m = h5$

$D_c = h10$

ICC=Y



EDP No.	Part No.	Length index	Tool shape	ICC	Dimensions in mm								z _n	Cylindrical
					D _c	dm _m	l ₂	l ₃	a _p	a _p split	D _n	c x 45°		
43082	JPD840060G2C.0Z1A	2	G	■	6	8	64	20	8	3.9	5.3	0.1	1	■
43088	JPD840080E2C.0Z2A	2	E	■	8	8	64	20	13	5.8	7.3	0.1	2	■
43089	JPD840100E2C.0Z2A	2	E	■	10	10	73	25	15	7.4	9.2	0.1	2	■
43090	JPD840120E2C.0Z2A	2	E	■	12	12	83	30	18	8.8	11	0.1	2	■
43094	JPD840160E2C.0Z2A	2	E	■	16	16	90	35	22	10.8	14.8	0.1	2	■

■ Stock standard. Subject to change, refer to current price- and stock-list.
 ICC = Internal Coolant Channel

Cutting data – JPD840 Slotting

SMG		a_p / D_c	f_z					v_c
			6	8	10	12	16	
TS2	E/A/D	1.0	0.060	0.080	0.10	0.12	0.15	375 (315 – 560)
TS3	E/A/D	1.0	0.060	0.080	0.10	0.12	0.15	205 (170 – 305)
TP2	E/A/D	1.0	0.060	0.080	0.10	0.12	0.15	600 (500 – 900)
TP3	E/A/D	1.0	0.060	0.080	0.10	0.12	0.15	385 (325 – 580)

Cutting data – JPD840 Side milling $a_p/D_c = 0.3$

SMG		a_p / D_c	f_z					v_c
			6	8	10	12	16	
TS2	E/A/D	1.4	0.065	0.085	0.11	0.13	0.16	495 (415 – 740)
TS3	E/A/D	1.4	0.065	0.085	0.11	0.13	0.16	270 (230 – 405)
TP2	E/A/D	1.4	0.065	0.085	0.11	0.13	0.16	790 (670 – 1175)
TP3	E/A/D	1.4	0.065	0.085	0.11	0.13	0.16	510 (430 – 770)

For cutting data recalculations, see pages 336-344.

SMG = Seco material group

Coolant = A=air D=dry E=emulsion M=mist spray

v_c = m/min

f_z = mm

a_p (mm)/ D_c (mm)= factor

a_e (mm)/ D_c (mm)= factor

All cutting data are target values

JPD850 - PCD end mill ball nose

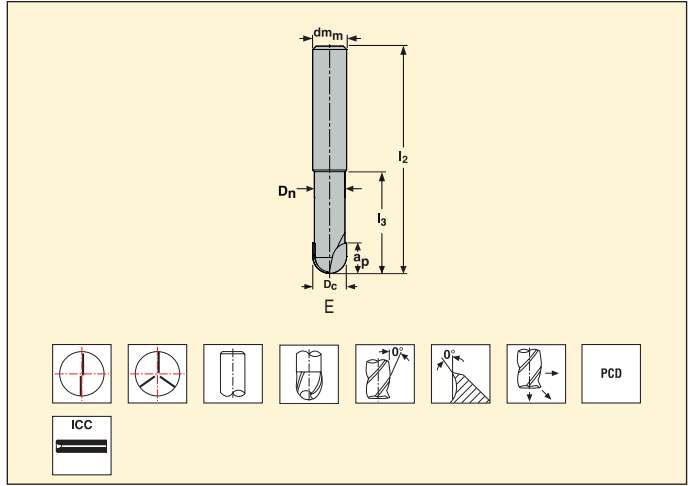


Tolerances:

$dm_m = h5$

$D_c = h10$


ICC= straight



EDP No.	Part No.	Length index	Tool shape	ICC	Dimensions in mm						z_n	Cylindrical
					D_c	dm_m	l_2	l_3	a_p	D_n		
43095	JPD850040G2B.0Z2A	2	G	■	4	6	58	12	6	3.8	2	■
43096	JPD850050G2B.0Z2A	2	G	■	5	6	58	15	6	4.8	2	■
43097	JPD850060E2B.0Z2A	2	E	■	6	6	58	18	7	5.4	2	■
43100	JPD850080E2B.0Z2A	2	E	■	8	8	64	24	8	7.2	2	■
43101	JPD850100E2B.0Z2A	2	E	■	10	10	73	30	10	9	2	■
43102	JPD850120E2B.0Z2A	2	E	■	12	12	83	30	12	11	2	■
43107	JPD850160E2B.0Z3A	2	E	■	16	16	93	35	16	15	3	■

■ Stock standard. Subject to change, refer to current price- and stock-list.
ICC = Internal Coolant Channel

Cutting data – JPD850 Copy milling $a_e/D_c = 0.2$

SMG		a_p / D_c	f_z							v_c
			4	5	6	8	10	12	16	
TS2	E/A/D	0.50	0.030	0.040	0.050	0.075	0.10	0.12	0.15	475 (400 — 710)
TS3	E/A/D	0.50	0.030	0.040	0.050	0.075	0.10	0.12	0.15	265 (225 — 400)
TP2	E/A/D	0.50	0.030	0.040	0.050	0.075	0.10	0.12	0.15	760 (640 — 1125)
TP3	E/A/D	0.50	0.030	0.040	0.050	0.075	0.10	0.12	0.15	500 (425 — 750)

For cutting data recalculations, see pages 336-344.

SMG = Seco material group

Coolant = A=air D=dry E=emulsion M=mist spray

v_c = m/min

f_z = mm

a_p (mm)/ D_c (mm) = factor

a_e (mm)/ D_c (mm) = factor

All cutting data are target values

JPD880 – PCD end mill up down neutral cut

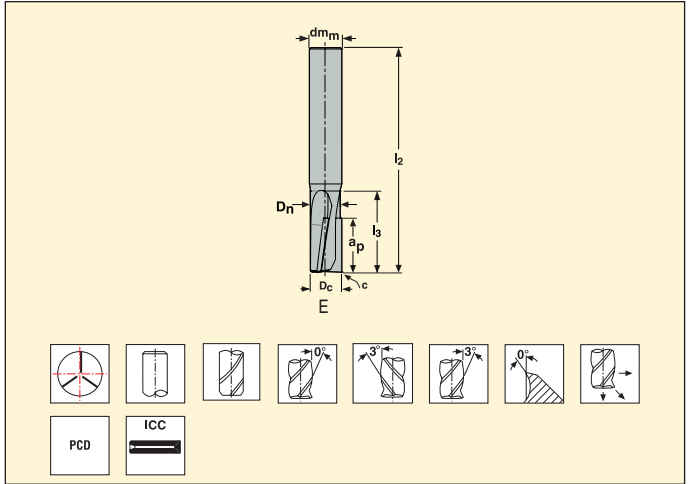


Tolerances:

$dm_m = h5$

$D_c = h10$

ICC=Y



EDP No.	Part No.	Length index	Tool shape	ICC	Dimensions in mm							z _n	Cylindrical	
					D _c	dm _m	l ₂	l ₃	a _p	D _n	c x 45°			
43111	JPD880060G2C.0Z3A	2	G	■	6	8	64	20	13	5.3	0.1	3	■	
43113	JPD880080E2C.0Z3A	2	E	■	8	8	64	20	15	7.3	0.1	3	■	
43120	JPD880100E2C.0Z3A	2	E	■	10	10	73	30	13	9.2	0.1	3	■	
43130	JPD880100E3C.0Z3A	3	E	■	10	10	73	30	20	9.2	0.1	3	■	
43131	JPD880120E2C.0Z3A	2	E	■	12	12	83	30	13	11	0.1	3	■	
43132	JPD880120E3C.0Z3A	3	E	■	12	12	83	30	20	11	0.1	3	■	
43138	JPD880160E2C.0Z3A	2	E	■	16	16	90	35	13	14.8	0.1	3	■	
43139	JPD880160E3C.0Z3A	3	E	■	16	16	90	35	20	14.8	0.1	3	■	

■ Stock standard. Subject to change, refer to current price- and stock-list.

ICC = Internal Coolant Channel

Cutting data – JPD880 Slotting

SMG		a_p / D_c	f_z					v_c
			6	8	10	12	16	
TS2	E/A/D	1.0	0.060	0.080	0.10	0.12	0.15	375 (315 – 560)
TS3	E/A/D	1.0	0.060	0.080	0.10	0.12	0.15	205 (170 – 305)
TP2	E/A/D	1.0	0.060	0.080	0.10	0.12	0.15	600 (500 – 900)
TP3	E/A/D	1.0	0.060	0.080	0.10	0.12	0.15	385 (325 – 580)

Cutting data – JPD880 Side milling $a_p/D_c = 0.3$

SMG		a_p / D_c	f_z					v_c
			6	8	10	12	16	
TS2	E/A/D	1.2	0.065	0.085	0.11	0.13	0.16	495 (415 – 740)
TS3	E/A/D	1.2	0.065	0.085	0.11	0.13	0.16	270 (230 – 405)
TP2	E/A/D	1.2	0.065	0.085	0.11	0.13	0.16	790 (670 – 1175)
TP3	E/A/D	1.2	0.065	0.085	0.11	0.13	0.16	510 (430 – 770)

For cutting data recalculations, see pages 336-344.

SMG = Seco material group

Coolant = A=air D=dry E=emulsion M=mist spray

v_c = m/min

f_z = mm

a_p (mm)/ D_c (mm)= factor

a_e (mm)/ D_c (mm)= factor

All cutting data are target values

JPD890 - PCD end mill - neutral

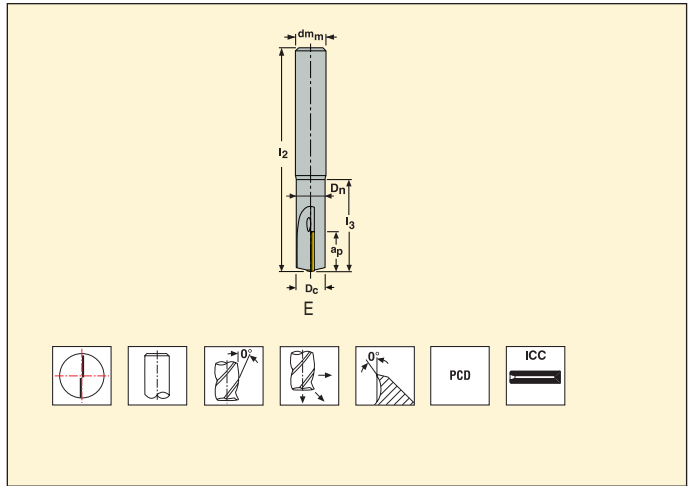


Tolerances:

$dm_m=h5$

$D_c=h10$

ICC=2 straight channels



EDP No.	Part No.	Length index	Tool shape	ICC	Dimensions in mm						z_n	Cylindrical
					D_c	dm_m	l_2	l_3	a_p	$c \times 45^\circ$		
75426	JPD890060G2S.0Z2A	2	G	■	6	8	64	20	13	0.1	2	■
75429	JPD890080E2S.0Z2A	2	E	■	8	8	64	20	15	0.1	2	■
75432	JPD890100E2S.0Z2A	2	E	■	10	10	73	30	13	0.1	2	■
75438	JPD890120E2S.0Z2A	2	E	■	12	12	83	30	13	0.1	2	■
75444	JPD890160E2S.0Z2A	2	E	■	16	16	90	35	13	0.1	2	■
75435	JPD890100E3S.0Z2A	3	E	■	10	10	73	30	20	0.1	2	■
75441	JPD890120E3S.0Z2A	3	E	■	12	12	83	30	20	0.1	2	■
75447	JPD890160E3S.0Z2A	3	E	■	16	16	90	35	20	0.1	2	■

■ Stock standard. Subject to change, refer to current price- and stock-list.
ICC = Internal Coolant Channel

JPD890 - PCD end mill - neutral - inch

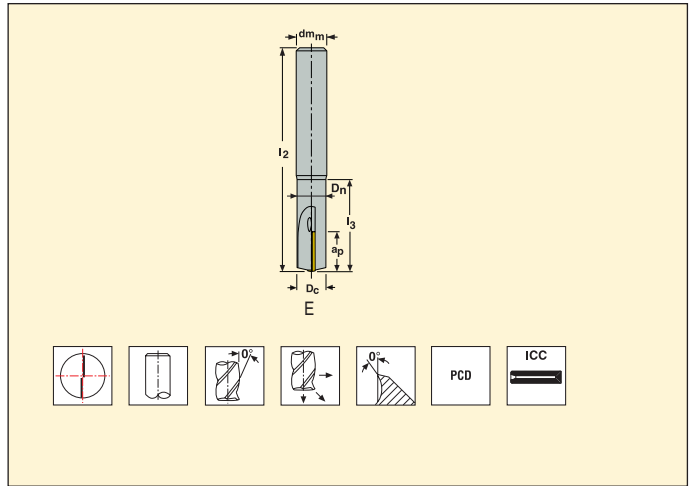


Tolerances:

$dm_m = h5$

$D_c = h10$

ICC=2 straight channels



EDP No.	Part No.	Length index	Tool shape	ICC	Dimensions in inch						z_n	Cylindrical
					D_c	dm_m	l_2	l_3	a_p	$c \times 45^\circ$		
75441	JPD890120E3S.0Z2A	3	E	■	0.472	0.472	3.268	1.181	0.787	0.004	2	■
75444	JPD890160E2S.0Z2A	2	E	■	0.630	0.630	3.543	1.378	0.512	0.004	2	■
75447	JPD890160E3S.0Z2A	3	E	■	0.630	0.630	3.543	1.378	0.787	0.004	2	■

■ Stock standard. Subject to change, refer to current price- and stock-list.
ICC = Internal Coolant Channel

Cutting data – JPD890 Slotting

SMG		a_p / D_c	f_z					v_c
			6	8	10	12	16	
TS2	E/A/D	1.0	0.060	0.080	0.10	0.12	0.15	375 (250 — 500)
TS3	E/A/D	1.0	0.060	0.080	0.10	0.12	0.15	205 (135 — 275)
TP2	E/A/D	1.0	0.060	0.080	0.10	0.12	0.15	600 (500 — 700)
TP3	E/A/D	1.0	0.060	0.080	0.10	0.12	0.15	390 (275 — 500)

Cutting data – JPD890 Side milling $a_p/D_c = 0.3$

SMG		a_p / D_c	f_z					v_c
			6	8	10	12	16	
TS2	E/A/D	1.2	0.065	0.085	0.11	0.13	0.16	495 (330 — 660)
TS3	E/A/D	1.2	0.065	0.085	0.11	0.13	0.16	270 (180 — 360)
TP2	E/A/D	1.2	0.065	0.085	0.11	0.13	0.16	790 (660 — 930)
TP3	E/A/D	1.2	0.065	0.085	0.11	0.13	0.16	510 (360 — 660)

For cutting data recalculations, see pages 336-344.

SMG = Seco material group

Coolant = A=air D=dry E=emulsion M=mist spray

v_c = m/min

f_z = mm

a_p (mm)/ D_c (mm) = factor

a_e (mm)/ D_c (mm) = factor

All cutting data are target values

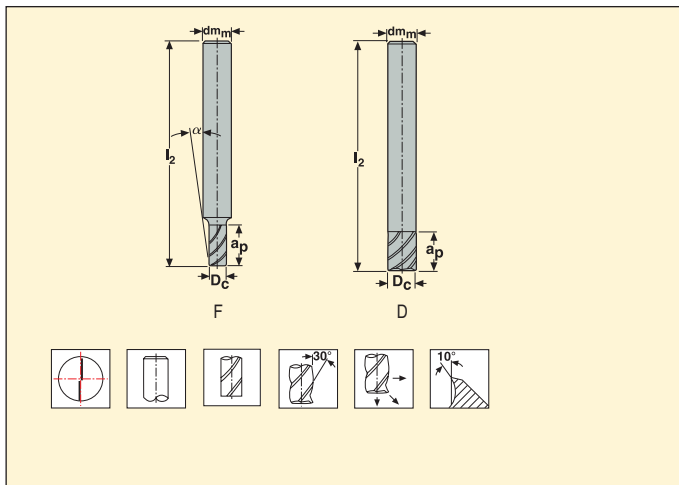
J99-F/J93-F (uncoated) – Solid carbide end mill – cylindrical – sharp



Tolerances:

$dm_m = h5$

$D_c = \varnothing 1-6 = -0.02/-0.04 \text{ mm}$



EDP No.	Part No.	Length index	Tool shape	Dimensions in mm				α°	z_n
				D_c	dm_m	l_2	a_p		
37503	99010-F	1	F	1	3	40	2	7.5	2
37504	99020-F	1	F	2	3	40	4	3.5	2
37505	99030-F	1	D	3	3	40	6	-	2
37506	99040-F	1	D	4	4	50	8	-	2
37507	99050-F	1	D	5	5	50	11	-	2
37508	99060-F	1	D	6	6	50	13	-	2
37509	99080-F	1	D	8	8	50	13	-	2
37510	99100-F	1	D	10	10	50	16	-	2
37511	99120-F	1	D	12	12	65	19	-	2
37458	93015-F	2	D	1.5	3	40	6	4	2
37459	93020-F	2	F	2	3	40	9	2.5	2
37480	93025-F	2	F	2.5	3	40	9	1.5	2
37481	93030-F	2	D	3	3	40	12	-	2
37482	93040-F	2	D	4	4	50	14	-	2
37483	93050-F	2	D	5	5	50	20	-	2
37484	93060-F	2	D	6	6	65	20	-	2
37485	93080-F	2	D	8	8	70	20	-	2
37486	93100-F	2	D	10	10	80	25	-	2
37487	93120-F	2	D	12	12	90	25	-	2
37488	93140-F	2	D	14	14	90	30	1.0	2
37489	93160-F	2	D	16	16	90	30	-	2
37490	93200-F	2	D	20	20	100	35	-	2
37491	93250-F	2	D	25	25	125	40	-	2
37492	93L060-F	3	D	6	6	100	40	-	2
37493	93L080-F	3	D	8	8	100	40	-	2
37494	93L100-F	3	D	10	10	100	40	-	2
37495	93L120-F	3	D	12	12	100	45	-	2
37496	93L140-F	3	D	14	14	100	45	-	2
37497	93L160-F	3	D	16	16	100	45	-	2
37498	93L200-F	3	D	20	20	125	55	-	2
37500	93XL120-F	4	D	12	12	150	30	-	2
37501	93XL160-F	4	D	16	16	150	65	-	2
37502	93XL200-F	4	D	20	20	150	65	-	2

■ Stock standard. Subject to change, refer to current price-and stock-list.

Cutting data – J99/J93 Slotting

SMG		a_p / D_c	f_z													v_c
			1	2	3	4	5	6	8	10	12	14	16	20	25	
TS1	A	0.50	0.010	0.020	0.030	0.040	0.050	0.060	0.080	0.10	0.12	0.13	0.15	0.17	0.19	470 (375 — 570)
TP1	A	0.50	0.010	0.020	0.030	0.040	0.050	0.060	0.080	0.10	0.12	0.13	0.15	0.17	0.19	455 (365 — 550)

Cutting data – J99/J93 Side milling $a_e/D_c = 0.4$

SMG		a_p / D_c	f_z													v_c
			1	2	3	4	5	6	8	10	12	14	16	20	25	
TS1	A/D	1.7	0.010	0.020	0.030	0.040	0.050	0.060	0.080	0.10	0.12	0.14	0.15	0.17	0.20	860 (690 — 1025)
TP1	A/D	1.7	0.010	0.020	0.030	0.040	0.050	0.060	0.080	0.10	0.12	0.14	0.15	0.17	0.20	830 (670 — 1000)

For cutting data recalculations, see pages 336-344.

SMG = Seco material group

Coolant = A=air D=dry E=emulsion M=mist spray

v_c = m/min

f_z = mm

a_p (mm)/ D_c (mm) = factor

a_e (mm)/ D_c (mm) = factor

All cutting data are target values

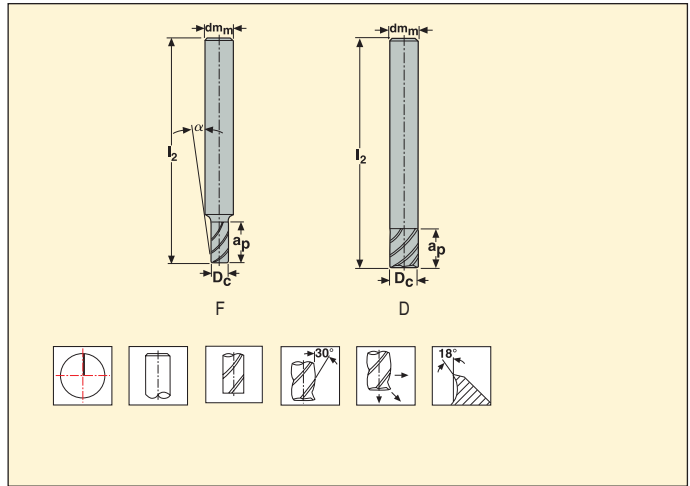
J28 – Solid carbide end mill – cylindrical – 1 flute – sharp



Tolerances:

$dm_m=h5$

$D_c=\emptyset 2-6=-0.02/-0.034$ mm, $\emptyset 8-12=-0.02/-0.044$ mm



EDP No.	Part No.	Length index	Tool shape	Dimensions in mm				α°	z_n
				D_c	dm_m	l_2	a_p		
10140	28020	2	F	2	3	40	4	3	1
10141	28030	2	D	3	3	40	10	—	1
10142	28040	2	D	4	4	50	14	—	1
10143	28050	2	D	5	5	60	16	—	1
10144	28060	2	D	6	6	65	20	—	1
10145	28080	2	D	8	8	75	25	—	1
10146	28100	2	D	10	10	75	25	—	1
10147	28120	2	D	12	12	75	25	—	1

■ Stock standard. Subject to change, refer to current price-and stock-list.

Cutting data – J28 Slotting

SMG		a_p / D_c	f_z								v_c
			2	3	4	5	6	8	10	12	
TS1	A/D	1.2	0.020	0.030	0.040	0.050	0.060	0.080	0.10	0.12	410 (310 — 520)

Cutting data – J28 Side milling $a_p/D_c = 0.4$

SMG		a_p / D_c	f_z								v_c
			2	3	4	5	6	8	10	12	
TS1	A/D	1.5	0.020	0.030	0.040	0.050	0.060	0.080	0.10	0.12	490 (365 — 610)

For cutting data recalculations, see pages 336-344.

SMG = Seco material group

Coolant = A=air D=dry E=emulsion M=mist spray

v_c = m/min

f_z = mm

a_p (mm)/ D_c (mm) = factor

a_e (mm)/ D_c (mm) = factor

All cutting data are target values



Name		JD620	JD630	JD640	JD660	JD665VL	JD670
Page		316-317	318-319	320-321	322-323	324-325	326-327
Family		DIAMOND	DIAMOND	DIAMOND	DIAMOND	DIAMOND	DIAMOND
Type of mill							
Shank	Cylindrical	■	■	■	■	■	■
	Weldon						
Number of flutes		2	3	4	2	4	3
ICC							
Diameter range	Metric	3-12	3-8	6-12	3-12	6-12	5-10
	Inch						
Lengths available, based on length index		 2,3,4	 1,2,3	 1,2,3	 1,2,3,4	 4	 5,6
Operation							
SMG							
GR		●	●	●	●	●	●

■ Stock standard □ Weldon available, delivery time is 3 days
 ● Preferred choice, ○ Alternative choice

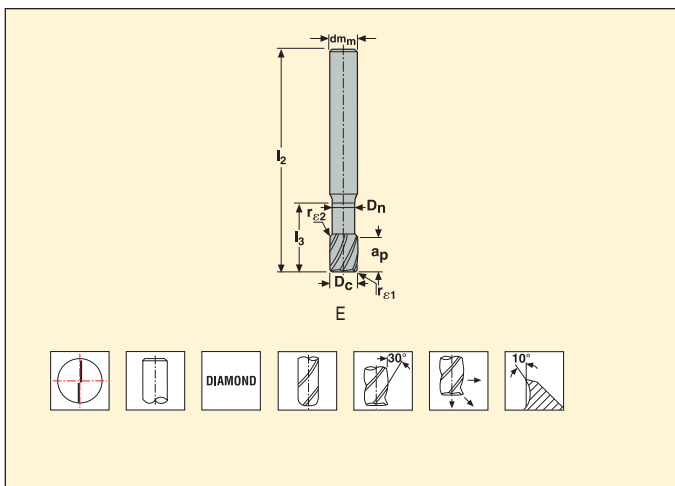
Name		JM600	JM610	JM650	JM655
Page		328-329	330-331	332-333	334-335
Family		MINI DIAMOND	MINI DIAMOND	MINI DIAMOND	MINI DIAMOND
Type of mill					
Shank	Cylindrical	<input checked="" type="checkbox"/>	<input checked="" type="checkbox"/>	<input checked="" type="checkbox"/>	<input checked="" type="checkbox"/>
	Weldon	<input type="checkbox"/>	<input type="checkbox"/>	<input type="checkbox"/>	<input type="checkbox"/>
Number of flutes		2	2	2	2
ICC					
Diameter range	Metric	0.2-2	1-2	0.2-2	1-2
	Inch				
Lengths available, based on length index		 1,3,5,6	 4,5	 1,3,5,6	 1,3,4,5
Operation					
SMG					
GR		<input checked="" type="checkbox"/>	<input checked="" type="checkbox"/>	<input checked="" type="checkbox"/>	<input checked="" type="checkbox"/>

Stock standard Weldon available, delivery time is 3 days
 Preferred choice, Alternative choice

JD620 - Solid carbide end mill - corner radius



Tolerances:
 Runout < 0.01 mm
 $dm_m = h5$
 $D_c = -0.02 / -0.04$ mm
 $r_{\epsilon 1} = \pm 0.05$ mm



EDP No.	Part No.	Length index	Tool shape	Dimensions in mm									z_n
				D_c	dm_m	a_p	l_2	l_3	D_n	$r_{\epsilon 1}$	$r_{\epsilon 2}$		
08355	620V030R050-DIAMOND	2	E	3	3	5	60	30	2.85	0.5	2	2	
08356	620V040R050-DIAMOND	2	E	4	4	5	60	30	3.85	0.5	2	2	
08357	620V050R050-DIAMOND	2	E	5	5	6	70	35	4.85	0.5	2	2	
08358	620V060R050-DIAMOND	2	E	6	6	10	80	40	5.8	0.5	2	2	
08359	620V060R100-DIAMOND	2	E	6	6	10	80	40	5.8	1	2	2	
08360	620V080R050-DIAMOND	2	E	8	8	10	80	40	7.7	0.5	2	2	
08361	620V080R100-DIAMOND	2	E	8	8	10	80	40	7.7	1	2	2	
08362	620V100R050-DIAMOND	2	E	10	10	10	80	40	9.7	0.5	2	2	
08363	620V100R100-DIAMOND	2	E	10	10	10	80	40	9.7	1	2	2	
08364	620V120R050-DIAMOND	2	E	12	12	10	80	40	11.7	0.5	3	2	
08365	620V120R100-DIAMOND	2	E	12	12	10	80	40	11.7	1	3	2	
08366	620VL030R020-DIAMOND	3	E	3	3	5	80	50	2.9	0.2	2	2	
08367	620VL040R020-DIAMOND	3	E	4	4	5	80	50	3.9	0.2	2	2	
08368	620VL050R020-DIAMOND	3	E	5	5	6	100	60	4.9	0.2	2	2	
08369	620VL060R050-DIAMOND	3	E	6	6	10	100	70	5.8	0.5	2	2	
08370	620VL060R100-DIAMOND	3	E	6	6	10	100	70	5.8	1	2	2	
08371	620VL080R050-DIAMOND	3	E	8	8	10	100	70	7.8	0.5	2	2	
08372	620VL080R100-DIAMOND	3	E	8	8	10	100	70	7.8	1	2	2	
08373	620VL100R050-DIAMOND	3	E	10	10	10	100	70	9.8	0.5	2	2	
08374	620VL100R100-DIAMOND	3	E	10	10	10	100	70	9.8	1	2	2	
08375	620VL120R050-DIAMOND	3	E	12	12	10	100	70	11.8	0.5	3	2	
08376	620VL120R100-DIAMOND	3	E	12	12	10	100	70	11.7	1	3	2	
08377	620VSL100R100-DIAMOND	4	E	10	10	10	150	100	9.8	1	2	2	
08378	620VSL120R100-DIAMOND	4	E	12	12	10	150	100	11.8	1	3	2	

Cutting data – JD620 V (2) Slotting

SMG		a_p / D_c	f_z							v_c
			3	4	5	6	8	10	12	
GR1	D	0.50	0.024	0.032	0.040	0.048	0.065	0.080	0.095	630 (520 – 730)

Cutting data – JD620 V (2) Side milling $a_e/D_c = 0,5$

SMG		a_p / D_c	f_z							v_c
			3	4	5	6	8	10	12	
GR1	D	0.50	0.024	0.032	0.040	0.048	0.065	0.080	0.095	740 (620 – 870)

Cutting data – JD620 VL Slotting

SMG		a_p / D_c	f_z							v_c
			3	4	5	6	8	10	12	
GR1	D	0.50	0.024	0.032	0.040	0.048	0.065	0.080	0.095	630 (520 – 730)

Cutting data – JD620 VL Side milling $a_e/D_c = 0.5$

SMG		a_p / D_c	f_z							v_c
			3	4	5	6	8	10	12	
GR1	D	0.50	0.024	0.032	0.040	0.048	0.065	0.080	0.095	740 (620 – 870)

Cutting data – JD620 VSL (4) Slotting

SMG		a_p / D_c	f_z		v_c
			10	12	
GR1	D	0.50	0.080	0.095	670 (560 – 780)

Cutting data – JD620 VSL (4) Side milling $a_e/D_c = 0,5$

SMG		a_p / D_c	f_z		v_c
			10	12	
GR1	D	0.50	0.090	0.10	860 (720 – 1000)

For cutting data recalculations, see pages 336-344.

SMG = Seco material group

Coolant = A=air D=dry E=emulsion M=mist spray

v_c = m/min

f_z = mm

a_p (mm)/ D_c (mm) = factor

a_e (mm)/ D_c (mm) = factor

All cutting data are target values

JD630 – Solid carbide end mill – corner radius



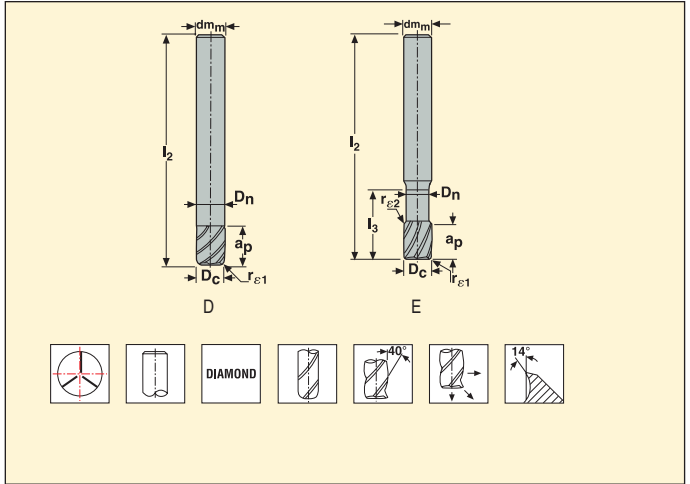
Tolerances:

Runout < 0.01 mm

$dm_m = h5$

$D_c = -0.02 / -0.04$ mm

$r_{\epsilon 1} = \pm 0.05$ mm



EDP No.	Part No.	Tool shape	Length index	Dimensions in mm									z _n
				D _c	dm _m	a _p	l ₂	l ₃	D _n	r _{ε1}	r _{ε2}		
08379	630030R015-DIAMOND	D	2	3	3	12	40	–	–	0.15	–	–	3
08382	630040R020-DIAMOND	D	2	4	4	14	50	–	–	0.2	–	–	3
08383	630050R030-DIAMOND	D	2	5	5	16	50	–	–	0.3	–	–	3
08384	630060R030-DIAMOND	D	2	6	6	20	65	–	–	0.3	–	–	3
08385	630080R050-DIAMOND	D	2	8	8	20	65	–	–	0.5	–	–	3
08386	630V030R030-DIAMOND	E	3	3	3	5	40	15	2.9	0.3	2	–	3
08387	630V040R030-DIAMOND	E	3	4	4	5	50	20	3.9	0.3	2	–	3
08388	630V050R030-DIAMOND	E	3	5	5	6	50	20	4.9	0.3	2	–	3
08389	630VL030R020-DIAMOND	E	4	3	3	5	60	25	2.9	0.2	2	–	3
08390	630VL040R020-DIAMOND	E	4	4	4	5	60	30	3.9	0.2	2	–	3
08391	630VL050R020-DIAMOND	E	4	5	5	6	70	40	4.9	0.2	2	–	3
08392	630VL060R050-DIAMOND	E	4	6	6	10	100	60	5.9	0.5	2	–	3
08393	630VL080R100-DIAMOND	E	4	8	8	10	100	60	7.8	1	2	–	3

Cutting data – JD630 Slotting

SMG		a_p / D_c	f_z					v_c
			3	4	5	6	8	
GR1	D	0.60	0.024	0.032	0.040	0.048	0.065	630 (530 — 740)

Cutting data – JD630 Side milling $a_e/D_c = 0,5$

SMG		a_p / D_c	f_z					v_c
			3	4	5	6	8	
GR1	D	0.60	0.024	0.032	0.040	0.048	0.065	750 (620 — 870)

Cutting data – JD630 V (3) Slotting

SMG		a_p / D_c	f_z			v_c
			3	4	5	
GR1	D	0.30	0.024	0.032	0.040	860 (710 — 1000)

Cutting data – JD630 V (3) Side milling $a_e/D_c = 0,5$

SMG		a_p / D_c	f_z			v_c
			3	4	5	
GR1	D	0.30	0.024	0.032	0.040	860 (710 — 1000)

Cutting data – JD630 VL (4) Slotting

SMG		a_p / D_c	f_z					v_c
			3	4	5	6	8	
GR1	D	0.40	0.024	0.032	0.040	0.048	0.065	780 (650 — 910)

Cutting data – JD630 VL (4) Side milling $a_e/D_c = 0,5$

SMG		a_p / D_c	f_z					v_c
			3	4	5	6	8	
GR1	D	0.40	0.024	0.032	0.040	0.048	0.065	920 (770 — 1075)

For cutting data recalculations, see pages 336-344.

SMG = Seco material group

Coolant = A=air D=dry E=emulsion M=mist spray

v_c = m/min

f_z = mm

a_p (mm)/ D_c (mm)= factor

a_e (mm)/ D_c (mm)= factor

All cutting data are target values

JD640 – Solid carbide end mill – corner radius



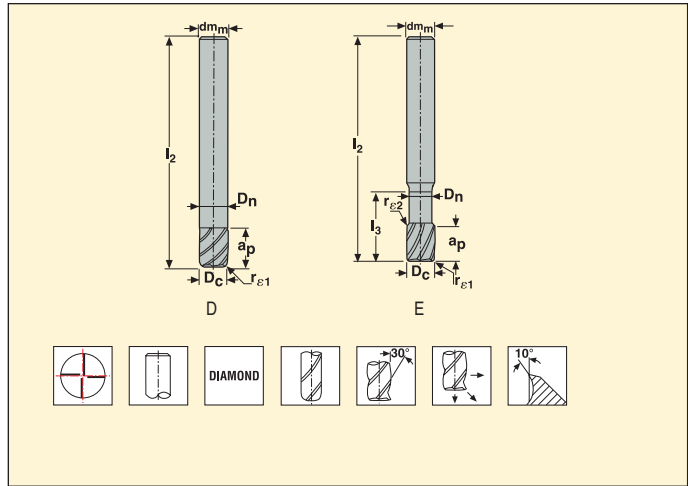
Tolerances:

Runout < 0.01 mm

$dm_m = h5$


$D_c = -0.02 / -0.04$ mm

$r_{\epsilon 1} = \pm 0.05$ mm




EDP No.	Part No.	Length index	Tool shape	Dimensions in mm									z _n
				D _c	dm _m	a _p	l ₂	l ₃	D _n	r _{ε1}	r _{ε2}		
08394	640100R050-DIAMOND	2	D	10	10	25	75	–	–	0.5	–	4	
08395	640120R050-DIAMOND	2	D	12	12	25	80	–	–	0.5	–	4	
08396	640V060R050-DIAMOND	3	E	6	6	10	80	40	5.9	0.5	2	4	
08397	640V080R050-DIAMOND	3	E	8	8	10	80	40	7.8	0.5	2	4	
08398	640V100R050-DIAMOND	3	E	10	10	12	80	40	9.8	0.5	2	4	
10347	640V100R100-DIAMOND	3	E	10	10	12	80	40	9.8	1	2	4	
08409	640V120R050-DIAMOND	3	E	12	12	15	80	40	11.8	0.5	2	4	
08412	640V120R100-DIAMOND	3	E	12	12	15	80	40	11.8	1	2	4	
08414	640VL080R100-DIAMOND	4	E	8	8	10	100	60	7.8	1	2	4	
08417	640VL100R050-DIAMOND	4	E	10	10	12	125	80	9.8	0.5	2	4	
20639	640VL100R100-DIAMOND	4	E	10	10	12	125	80	9.7	1	2	4	
20640	640VL120R050-DIAMOND	4	E	12	12	15	125	80	11.7	0.5	3	4	
08418	640VL120R100-DIAMOND	4	E	12	12	15	125	80	11.8	1	2	4	


Cutting data – JD640 (2) Slotting

SMG		a_p / D_c	f_z		v_c
			10	12	
GR1	D	0.50	0.080	0.095	630 (520 – 730)


Cutting data – JD640 (2) Side milling $a_e/D_c = 0.5$

SMG		a_p / D_c	f_z		v_c
			10	12	
GR1	D	0.50	0.080	0.095	740 (620 – 870)


Cutting data – JD640 V Slotting

SMG		a_p / D_c	f_z				v_c
			6	8	10	12	
GR1	D	0.34	0.050	0.065	0.080	0.095	740 (620 – 870)


Cutting data – JD640 V Side milling $a_e/D_c = 0.5$

SMG		a_p / D_c	f_z				v_c
			6	8	10	12	
GR1	D	0.34	0.050	0.065	0.080	0.095	880 (730 – 1025)

Cutting data – JD640 VL (4) Slotting

SMG		a_p / D_c	f_z			v_c
			8	10	12	
GR1	D	0.24	0.070	0.090	0.11	750 (630 – 880)

Cutting data – JD640 VL (4) Side milling $a_e/D_c = 0,5$

SMG		a_p / D_c	f_z			v_c
			8	10	12	
GR1	D	0.24	0.070	0.090	0.11	880 (730 – 1025)

For cutting data recalculations, see pages 336-344.

SMG = Seco material group

Coolant = A=air D=dry E=emulsion M=mist spray

v_c = m/min

f_z = mm

a_p (mm)/ D_c (mm) = factor

a_e (mm)/ D_c (mm) = factor

All cutting data are target values

JD660 – Solid carbide end mill – ball nose



Tolerances:

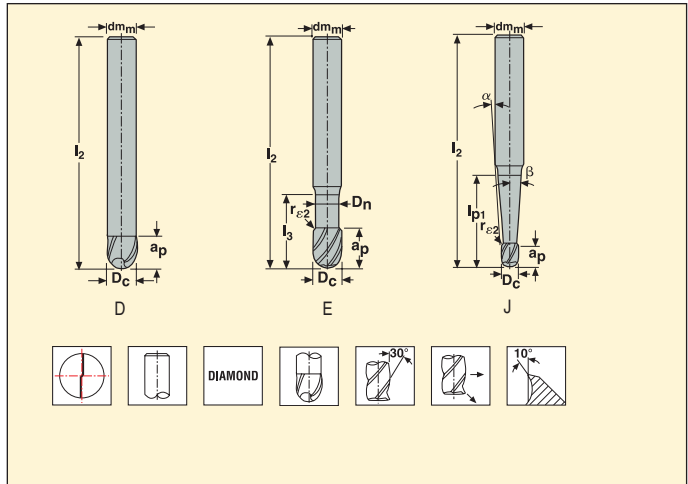
Run-out < 0.01 mm

$dm_m = h5$

$D_c = -0.02 / -0.04$ mm

Radius = ± 0.01 mm

$B = 0.9^\circ$



EDP No.	Part No.	Length index	Tool shape	Dimensions in mm								α_1°	z_n	Max. cut depth rel. to a_η ($l_{a\eta}$, ref)*				
				D_c	dm_m	a_p	l_2	l_{p1}	D_n	r_{c2}	0°			0.5°	1°	1.5°	2°	3°
08419	660030-DIAMOND	1	D	3	3	8	40	-	-	-	-	2	∞	∞	∞	∞	∞	∞
08422	660040-DIAMOND	1	D	4	4	14	50	-	-	-	-	2	∞	∞	∞	∞	∞	∞
08423	660050-DIAMOND	1	D	5	5	20	50	-	-	-	-	2	∞	∞	∞	∞	∞	∞
08424	660060-DIAMOND	1	D	6	6	20	65	-	-	-	-	2	∞	∞	∞	∞	∞	∞
08427	660080-DIAMOND	1	D	8	8	20	65	-	-	-	-	2	∞	∞	∞	∞	∞	∞
08428	660100-DIAMOND	1	D	10	10	25	75	-	-	-	-	2	∞	∞	∞	∞	∞	∞
08435	660V030-DIAMOND	2	E	3	3	6	40	-	2.9	2	-	2	∞	∞	∞	∞	∞	∞
08436	660V040-DIAMOND	2	E	4	4	6	40	-	3.9	2	-	2	∞	∞	∞	∞	∞	∞
08438	660V050-DIAMOND	2	E	5	5	8	40	-	4.9	2	-	2	∞	∞	∞	∞	∞	∞
08441	660V060-DIAMOND	2	E	6	6	10	65	-	5.9	2	-	2	∞	∞	∞	∞	∞	∞
08443	660V080-DIAMOND	2	E	8	8	10	65	-	7.8	2	-	2	∞	∞	∞	∞	∞	∞
08444	660V100-DIAMOND	2	E	10	10	10	75	-	9.8	2	-	2	∞	∞	∞	∞	∞	∞
08447	660V120-DIAMOND	2	E	12	12	10	75	-	11.8	3	-	2	∞	∞	∞	∞	∞	∞
08429	660L030-DIAMOND	3	D	3	3	20	60	-	-	-	-	2	∞	∞	∞	∞	∞	∞
08430	660L040-DIAMOND	3	D	4	4	30	60	-	-	-	-	2	∞	∞	∞	∞	∞	∞
08431	660L050-DIAMOND	3	D	5	5	35	70	-	-	-	-	2	∞	∞	∞	∞	∞	∞
08432	660L060-DIAMOND	3	D	6	6	40	100	-	-	-	-	2	∞	∞	∞	∞	∞	∞
08433	660L080-DIAMOND	3	D	8	8	40	100	-	-	-	-	2	∞	∞	∞	∞	∞	∞
08434	660L100-DIAMOND	3	D	10	10	40	100	-	-	-	-	2	∞	∞	∞	∞	∞	∞
08449	660VL030-DIAMOND	4	E	3	3	6	60	-	2.9	2	-	2	∞	∞	∞	∞	∞	∞
08451	660VL040-DIAMOND	4	E	4	4	6	60	-	3.9	2	-	2	∞	∞	∞	∞	∞	∞
08452	660VL050-DIAMOND	4	E	5	5	8	70	-	4.9	2	-	2	∞	∞	∞	∞	∞	∞
08453	660VL060-DIAMOND	4	E	6	6	10	100	-	5.8	2	-	2	∞	∞	∞	∞	∞	∞
08454	660VL080-DIAMOND	4	E	8	8	10	100	-	7.8	2	-	2	∞	∞	∞	∞	∞	∞
08455	660VL100-DIAMOND	4	E	10	10	10	100	-	9.8	2	-	2	∞	∞	∞	∞	∞	∞
09614	660VL120-DIAMOND	4	E	12	12	10	100	-	11.7	3	-	2	∞	∞	∞	∞	∞	∞
08461	660KL030-DIAMOND	5	J	3	5	6	100	70	2.85	2	1	2	11.7	27	∞	∞	∞	∞
08462	660KL040-DIAMOND	5	J	4	6	8	100	70	3.85	2	1	2	13.7	31.2	∞	∞	∞	∞

* The effective under -neck length for the various draft angles. Remark ∞ = infinity, no collision in projection length area.

Cutting data – JD660 V (2) Side rough milling $a_p/D_c = 0.1$

SMG		a_p / D_c	f_z							v_c
			3	4	5	6	8	10	12	
GR1	D	0.10	0.036	0.048	0.060	0.070	0.095	0.12	0.14	1575 (1325 – 1850)

Cutting data – JD660 V (2) Copy rough milling $a_p/D_c = 0.1$

SMG		a_p / D_c	f_z							v_c
			3	4	5	6	8	10	12	
GR1	D	0.080	0.036	0.048	0.060	0.070	0.095	0.12	0.14	1600 (1325 – 1850)

Cutting data – JD660 L (3) Copy rough milling $a_p/D_c = 0.1$

SMG		a_p / D_c	f_z						v_c
			3	4	5	6	8	10	
GR1	D	0.16	0.050	0.070	0.085	0.10	0.14	0.17	1500 (1250 – 1750)

Cutting data – JD660 L (3) Side milling $a_p/D_c = 0.1$

SMG		a_p / D_c	f_z						v_c
			3	4	5	6	8	10	
GR1	D	0.10	0.050	0.070	0.085	0.10	0.14	0.17	1525 (1275 – 1775)

Cutting data – JD660 VL (4) Copy rough milling $a_p/D_c = 0.1$

SMG		a_p / D_c	f_z							v_c
			3	4	5	6	8	10	12	
GR1	D	0.080	0.050	0.070	0.085	0.10	0.14	0.17	0.20	1600 (1325 – 1875)

Cutting data – JD660 VL (4) Side rough milling $a_p/D_c = 0.1$

SMG		a_p / D_c	f_z							v_c
			3	4	5	6	8	10	12	
GR1	D	0.10	0.050	0.070	0.085	0.10	0.14	0.17	0.20	1525 (1275 – 1775)

Cutting data – JD660 KL (4) Copy rough milling $a_p/D_c = 0.1$

SMG		a_p / D_c	f_z		v_c
			3	4	
GR1	D	0.10	0.050	0.070	1525 (1275 – 1775)

For cutting data recalculations, see pages 336-344.

SMG = Seco material group

Coolant = A=air D=dry E=emulsion M=mist spray

v_c = m/min

f_z = mm

a_p (mm)/ D_c (mm) = factor

a_e (mm)/ D_c (mm) = factor

All cutting data are target values

JD665 – Solid carbide end mill – Ball nose



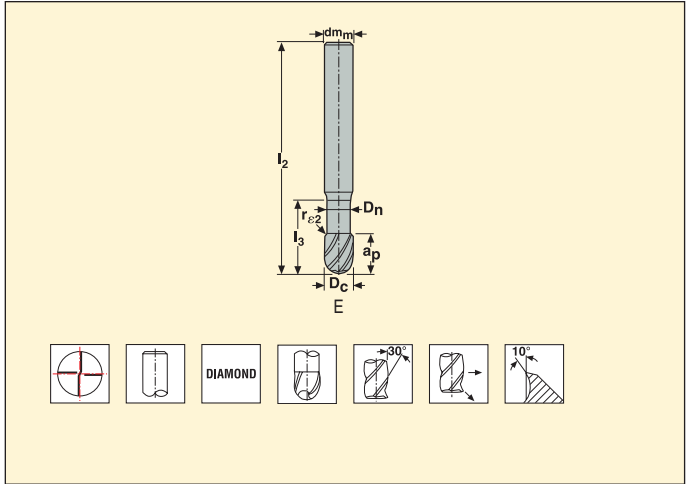
Tolerances:

Runout <math>< 0.01 \text{ mm}</math>

$dm_m = h5$


$D_c = -0.02/-0.04 \text{ mm}$

Radius $= \pm 0.01 \text{ mm}$



EDP No.	Part No.	Length index	Tool shape	Dimensions in mm							z _n
				D _c	dm _m	a _p	l ₂	l ₃	D _n	r _{e2}	
08456	665VL060-DIAMOND	4	E	6	6	10	100	70	5.8	2	4
08457	665VL080-DIAMOND	4	E	8	8	10	100	70	7.8	2	4
08458	665VL100-DIAMOND	4	E	10	10	10	100	70	9.8	2	4
08459	665VL120-DIAMOND	4	E	12	12	10	100	70	11.8	3	4

Cutting data – JD665 VL Copy rough milling $a_p/D_c = 0.1$

SMG		a_p / D_c	f_z				v_c
			6	8	10	12	
GR1	D	0.10	0.070	0.095	0.12	0.14	1500 (1250 – 1750)

For cutting data recalculations, see pages 336-344.

SMG = Seco material group

Coolant = A=air D=dry E=emulsion M=mist spray

v_c = m/min

f_z = mm

a_p (mm)/ D_c (mm) = factor

a_e (mm)/ D_c (mm) = factor

All cutting data are target values

JD670 – Solid carbide end mill – Ball nose



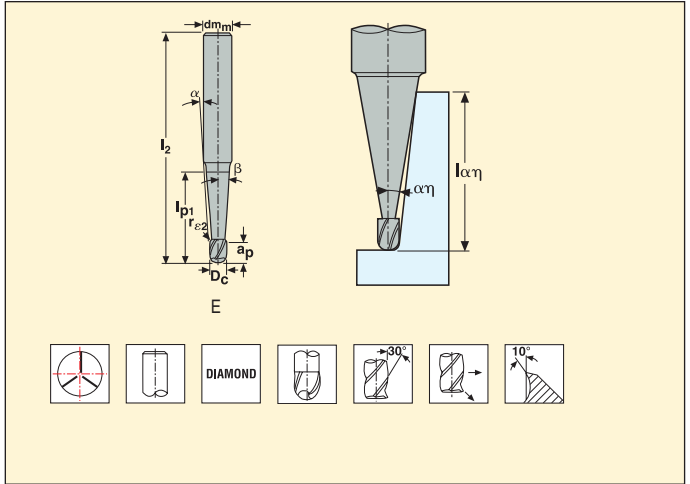
Tolerances:

Runout<0.01 mm

$dm_m=h5$

$D_c=-0.02/-0.04$ mm

Radius=±0.01 mm



EDP No.	Part No.	Length index	Tool shape	Dimensions in mm								z_n	Max. cut depth rel. to $\alpha\eta$ ($\alpha\eta$, ref)*					
				D_c	dm_m	a_p	l_2	l_3	D_n	$r_{\epsilon 2}$	0°		0.5°	1°	1.5°	2°	3°	
08463	670KL050-DIAMOND	5	E	5	6	10	100	50	4.85	2	3	15.7	35.5	∞	∞	∞	∞	
08464	670KL060-DIAMOND	5	E	6	8	10	100	70	5.7	2	3	21	48.2	∞	∞	∞	∞	
08466	670KSL080-DIAMOND	6	E	8	10	10	150	70	7.7	2	3	21	46.7	∞	∞	∞	∞	
08467	670KSL100-DIAMOND	6	E	10	12	10	150	70	9.7	2	3	21	45.2	∞	∞	∞	∞	

* The effective under -neck length for the various draft angles. Remark ∞ = infinity, no collision in projection length area.

Cutting data – JD670 KL (5) Copy finishing milling $a_e/D_c = 0.2$

SMG		a_p / D_c	f_z		v_c
			5	6	
GR1	D	0.30	0.090	0.12	1625 (1350 — 1875)

Cutting data – JD670 KL (5) Copy rough milling $a_e/D_c = 0.3$

SMG		a_p / D_c	f_z		v_c
			5	6	
GR1	D	0.30	0.050	0.065	1000 (840 — 1175)

Cutting data – JD670 KSL (6) Copy finishing milling $a_e/D_c = 0.2$

SMG		a_p / D_c	f_z			v_c
			6	8	10	
GR1	D	0.30	0.12	0.16	0.20	1625 (1350 — 1875)

Cutting data – JD670 KSL (6) Copy rough milling $a_e/D_c = 0.3$

SMG		a_p / D_c	f_z			v_c
			6	8	10	
GR1	D	0.30	0.065	0.085	0.11	1000 (840 — 1175)

For cutting data recalculations, see pages 336-344.

SMG = Seco material group

Coolant = A=air D=dry E=emulsion M=mist spray

v_c = m/min

f_z = mm

a_p (mm)/ D_c (mm) = factor

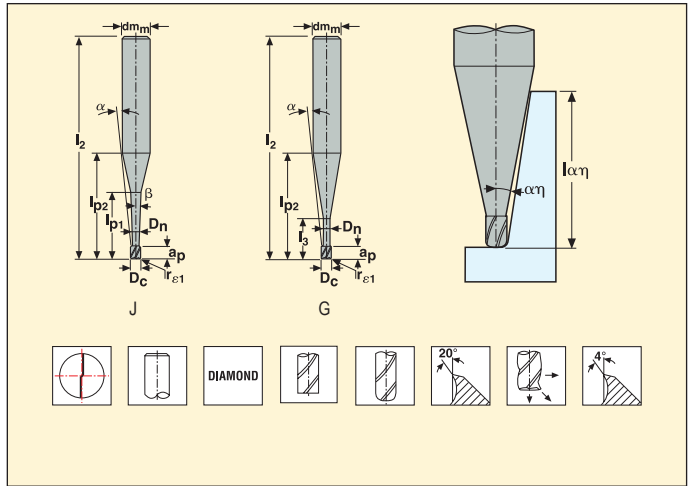
a_e (mm)/ D_c (mm) = factor

All cutting data are target values

JM600 – Solid carbide end mill – sharp or corner radius



Tolerances:
 Runout < 0.005 mm
 $dm_m = h_5$
 $D_c = -0.01 / -0.02$ mm
 $r_{\epsilon 1} = \pm 0.02$ mm



EDP No.	Part No.	Length index	Tool shape	Dimensions in mm										Max. cut depth rel. to α_η ($l_{\alpha\eta}$, ref)*					
				D _c	dm _m	a _p	l ₂	l ₃	D _n	r _{ε1}	l _{p2}	z _n	0°	0.5°	1°	1.5°	2°	3°	
				08287	600002-DIAMOND	1	J	0.2	3	0.3	40	-	-	0	5.7	2	0.3	0.5	0.5
08288	600003-DIAMOND	1	J	0.3	3	0.45	40	-	-	0	5.6	2	0.45	0.6	0.6	0.7	0.7	0.8	
08289	600004-DIAMOND	1	J	0.4	3	0.6	40	-	-	0	5.6	2	0.6	0.8	0.8	0.8	0.9	0.9	
08290	600L005-DIAMOND	3	G	0.5	3	0.7	40	2.5	0.45	0.05	7.4	2	2.3	2.8	2.5	2.5	2.6	2.9	
08291	600L006-DIAMOND	3	G	0.6	3	0.9	40	3	0.55	0.05	7.7	2	2.8	2.9	3	3.1	3.2	3.5	
08292	600L008-DIAMOND	3	G	0.8	3	1.2	40	4	0.75	0.05	8.3	2	3.8	3.9	4.1	4.2	4.4	4.7	
08293	600L010-DIAMOND	3	G	1	3	1.5	40	5	0.95	0.1	8.9	2	4.8	5	5.1	5.3	5.5	5.9	
08294	600L012-DIAMOND	3	G	1.2	3	1.8	50	6	1.15	0.1	9.5	2	5.8	6	6.2	6.4	6.7	7.2	
08295	600L015-DIAMOND	3	G	1.5	3	2.2	50	7.5	1.4	0.15	10.6	2	7.4	7.6	7.9	8.2	8.5	9.2	
08296	600L020-DIAMOND	3	G	2	3	2.2	60	10	1.9	0.15	12.1	2	9.9	10.2	10.6	10.9	11.4	∞	
08297	600XL005-DIAMOND	5	G	0.5	3	0.7	40	4	0.45	0.05	8.9	2	3.8	3.9	4.1	4.2	4.4	4.7	
08298	600XL006-DIAMOND	5	G	0.6	3	0.9	40	5	0.55	0.05	9.7	2	4.8	5	5.1	5.3	5.5	6	
08299	600XL008-DIAMOND	5	G	0.8	3	1.2	40	7	0.75	0.05	11.3	2	6.8	7	7.3	7.5	7.8	8.4	
08300	600XL010-DIAMOND	5	G	1	3	1.5	40	8.5	0.95	0.1	12.4	2	8.3	8.6	8.9	9.2	9.5	10.3	
08301	600XL012-DIAMOND	5	G	1.2	3	1.8	50	10	1.15	0.1	13.5	2	9.8	10.1	10.5	10.8	11.3	12.2	
08302	600XL015-DIAMOND	5	G	1.5	3	2.2	50	12	1.4	0.15	15.1	2	11.9	12.3	12.7	13.2	13.7	∞	
08303	600XL020-DIAMOND	5	G	2	3	2.2	60	16	1.9	0.15	18.1	2	15.9	16.4	17	17.6	∞	∞	
08304	600SL010-DIAMOND	6	G	1	3	1.5	40	12	0.95	0.1	15.9	2	11.8	12.2	12.6	13.1	13.6	14.6	
08305	600SL015-DIAMOND	6	G	1.5	3	2.2	50	18	1.4	0.15	21.1	2	17.9	18.5	19.1	19.8	20.6	∞	
08306	600SL020-DIAMOND	6	G	2	3	2.2	60	25	1.9	0.15	27.1	2	24.9	25.7	26.6	∞	∞	∞	
08307	600SL021-DIAMOND	6	G	2	3	5	70	30	1.9	0.5	32.1	2	29.9	30.9	∞	∞	∞	∞	

* The effective under -neck length for the various draft angles. Remark ∞ = infinity, no collision in projection length area.

Cutting data – JM600 Slotting

SMG		a_p / D_c	f_z										v_c
			0.2	0.3	0.4	0.5	0.6	0.8	1	1.2	1.5	2	
GR1	D	0.50	0.0020	0.0030	0.0040	0.0050	0.0060	0.0080	0.010	0.012	0.014	0.017	305 (255 – 355)

Cutting data – JM600 Side milling $a_e/D_c = 0.5$

SMG		a_p / D_c	f_z										v_c
			0.2	0.3	0.4	0.5	0.6	0.8	1	1.2	1.5	2	
GR1	D	0.50	0.0020	0.0030	0.0040	0.0050	0.0060	0.0080	0.010	0.012	0.014	0.017	375 (310 – 435)

For cutting data recalculations, see pages 336-344.

SMG = Seco material group

Coolant = A=air D=dry E=emulsion M=mist spray

v_c = m/min

f_z = mm

a_p (mm)/ D_c (mm) = factor

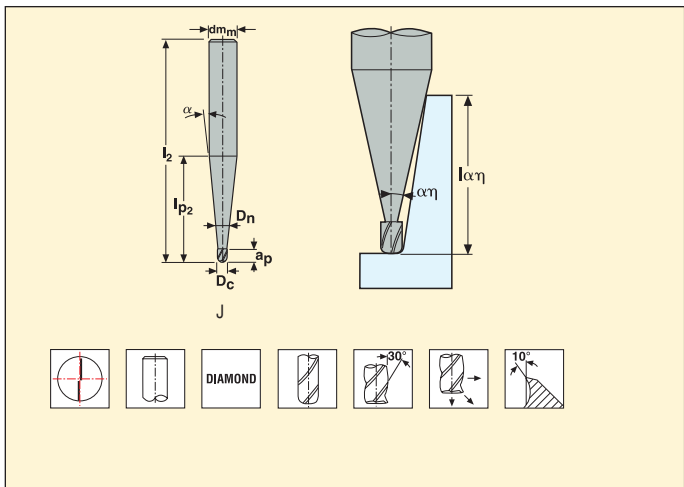
a_e (mm)/ D_c (mm) = factor

All cutting data are target values

JM610 - Solid carbide end mill - Corner radius




Tolerances:
 Runout < 0.005 mm
 $dm_m = h5$
 $D_c = -0.01 / -0.02$ mm
 $r_{\epsilon 1} = \pm 0.02$ mm




EDP No.	Part No.	Length index	Tool shape	Dimensions in mm									Max. cut depth rel. to α_η (l_{α_η} , ref)*					
				D_c	dm_m	a_p	l_2	l_{p2}	D_n	$r_{\epsilon 1}$	z_n	α°	0°	0.5°	1°	1.5°	2°	3°
				08308	610KXL010-DIAMOND	4	J	1	3	2	60	30	0.9	0.1	2	2	5.4	13.4
08309	610KXL015-DIAMOND	4	J	1.5	3	3	60	30	1.4	0.15	2	1.5	6.4	15.8	∞	∞	∞	∞
08311	610KXL020-DIAMOND	4	J	2	3	4	60	30	1.9	0.15	2	1	7.4	18.3	∞	∞	∞	∞
08314	610KSL010-DIAMOND	5	J	1	3	2	100	70	0.9	0.1	2	1	5.4	13.4	∞	∞	∞	∞
08317	610KSL015-DIAMOND	5	J	1.5	3	3	100	50	1.4	0.15	2	1	6.4	15.8	∞	∞	∞	∞
08318	610KSL020-DIAMOND	5	J	2	4	4	100	70	1.9	0.15	2	1	7.4	18.3	∞	∞	∞	∞

* The effective under-length for the various draft angles. Remark ∞ = infinity, no collision in projection length area.


Cutting data – JM610 KXL (4) Slotting

SMG		a_p / D_c	f_z			v_c
			1	1.5	2	
GR1	D	0.10	0.010	0.014	0.017	350 (295 – 410)


Cutting data – JM610 KXL (4) Side milling $a_e/D_c = 0.2$

SMG		a_p / D_c	f_z			v_c
			1	1.5	2	
GR1	D	0.10	0.012	0.018	0.022	475 (395 – 560)

Cutting data – JM610 KSL (5) Slotting

SMG		a_p / D_c	f_z			v_c
			1	1.5	2	
GR1	D	0.10	0.010	0.014	0.017	350 (295 – 410)

Cutting data – JM610 KSL (5) Side milling $a_e/D_c = 0.2$

SMG		a_p / D_c	f_z			v_c
			1	1.5	2	
GR1	D	0.10	0.012	0.018	0.022	475 (395 – 560)

For cutting data recalculations, see pages 336-344.

SMG = Seco material group

Coolant = A=air D=dry E=emulsion M=mist spray

v_c = m/min

f_z = mm

a_p (mm)/ D_c (mm) = factor

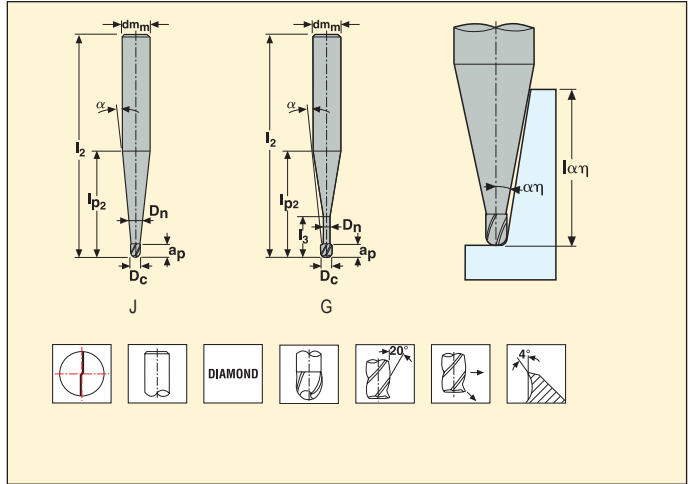
a_e (mm)/ D_c (mm) = factor

All cutting data are target values

JM650 - Solid carbide end mill - ball nose



Tolerances:
 Runout < 0.005 mm
 $dm_m = h_5$
 $D_c = -0.01 / -0.02$ mm
 Radius = ± 0.005 mm



EDP No.	Part No.	Length index	Tool shape	Dimensions in mm										Max. cut depth rel. to $\alpha\eta$ ($l_{\alpha\eta}$, ref)*					
				D _c	dm _m	a _p	l ₂	l ₃	l _{p2}	D _n	z _n	α°	0°	0.5°	1°	1.5°	2°	3°	
08319	650002-DIAMOND	1	J	0.2	3	0.2	40	-	5.6	-	2	14.5	0.2	0.4	0.4	0.4	0.5	0.5	
08320	650003-DIAMOND	1	J	0.3	3	0.3	40	-	5.5	-	2	14	0.3	0.5	0.5	0.5	0.6	0.6	
08321	650004-DIAMOND	1	J	0.4	3	0.4	40	-	5.5	-	2	14	0.4	0.6	0.6	0.6	0.7	0.7	
08322	650L005-DIAMOND	3	G	0.5	3	0.5	40	2.5	7.4	0.45	2	10	2.3	2.4	2.4	2.5	2.6	2.8	
08323	650L006-DIAMOND	3	G	0.6	3	0.6	40	3	7.7	0.55	2	9.5	2.8	2.9	3	3.1	3.2	3.4	
08325	650L008-DIAMOND	3	G	0.8	3	0.8	40	4	8.3	0.75	2	8	3.8	3.9	4	4.2	4.3	4.6	
08326	650L010-DIAMOND	3	G	1	3	1	40	5	8.9	0.95	2	7	4.8	4.9	5.1	5.3	5.4	5.9	
08327	650L012-DIAMOND	3	G	1.2	3	1.2	50	6	9.5	1.15	2	6	5.8	6	6.2	6.4	6.6	7.1	
08328	650L015-DIAMOND	3	G	1.5	3	1.5	50	7.5	10.6	1.4	2	4.5	7.4	7.6	7.9	8.1	8.4	9	
08329	650L020-DIAMOND	3	G	2	3	2	60	10	12.1	1.9	2	3	9.9	10.2	10.5	10.9	11.2	∞	
08330	650XL005-DIAMOND	5	G	0.5	3	0.5	40	4	8.9	0.45	2	8.5	3.8	3.9	4	4.2	4.3	4.7	
08331	650XL006-DIAMOND	5	G	0.6	3	0.6	40	5	9.7	0.55	2	7.5	4.8	4.9	5.1	5.3	5.5	5.9	
08332	650XL008-DIAMOND	5	G	0.8	3	0.8	40	7	11.3	0.75	2	6	6.8	7	7.2	7.5	7.8	8.4	
08333	650XL010-DIAMOND	5	G	1	3	1	40	8.5	12.4	0.95	2	5	8.3	8.6	8.8	9.1	9.5	10.2	
08334	650XL012-DIAMOND	5	G	1.2	3	1.2	50	10	13.5	1.15	2	4	9.8	10.1	10.4	10.8	11.2	12	
08335	650XL015-DIAMOND	5	G	1.5	3	1.5	50	12	15.1	1.4	2	3	11.9	12.3	12.7	13.1	13.6	14.6	
08336	650XL020-DIAMOND	5	G	2	3	2	60	16	18.1	1.9	2	2	15.9	16.4	16.9	17.5	∞	∞	
08337	650SL010-DIAMOND	6	G	1	3	1	40	12	15.9	0.95	2	4	11.8	12.2	12.6	13	13.5	14.6	
08338	650SL015-DIAMOND	6	G	1.5	3	1.5	50	18	21.1	1.4	2	2.5	17.9	18.5	19.1	19.7	20.5	∞	
08339	650SL020-DIAMOND	6	G	2	3	2	60	25	27.1	1.9	2	1.5	24.9	25.7	26.6	∞	∞	∞	
08341	650SL021-DIAMOND	6	G	2	3	5	70	30	32.1	1.9	2	1	29.9	30.9	∞	∞	∞	∞	

* The effective under -neck length for the various draft angles. Remark ∞ = infinity, no collision in projection length area.

Cutting data – JM650 Side milling $a_e/D_c = 0.5$

SMG		a_p / D_c	f_z										v_c
			0.2	0.3	0.4	0.5	0.6	0.8	1	1.2	1.5	2	
GR1	D	0.50	0.0017	0.0026	0.0036	0.0048	0.0060	0.0085	0.012	0.014	0.017	0.020	490 (410 — 570)

Cutting data – JM650 Copy milling $a_e/D_c = 0.5$

SMG		a_p / D_c	f_z										v_c
			0.2	0.3	0.4	0.5	0.6	0.8	1	1.2	1.5	2	
GR1	D	0.50	0.0017	0.0026	0.0036	0.0048	0.0060	0.0085	0.012	0.014	0.017	0.020	490 (410 — 570)

For cutting data recalculations, see pages 336-344.

SMG = Seco material group

Coolant = A=air D=dry E=emulsion M=mist spray

v_c = m/min

f_z = mm

a_p (mm)/ D_c (mm) = factor

a_e (mm)/ D_c (mm) = factor

All cutting data are target values

JM655 – Solid carbide end mill – ball nose



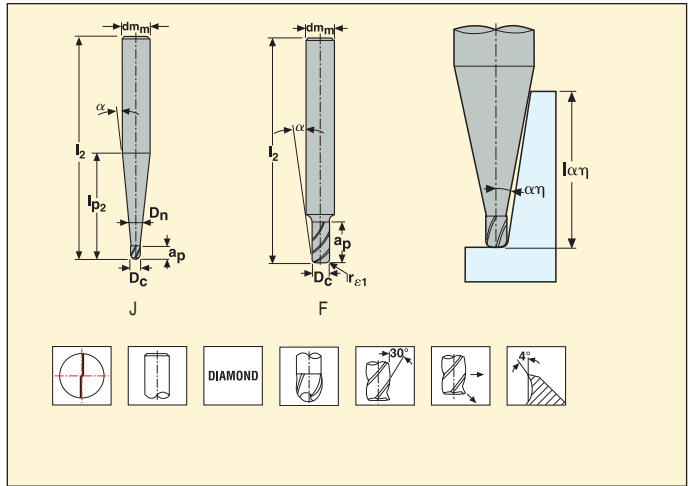
Tolerances:

Runout<0.005 mm

$dm_m=h5$

$D_c=-0.01/-0.02$ mm


Radius= ± 0.001 mm



EDP No.	Part No.	Length index	Tool shape	Dimensions in mm							α°	Max. cut depth rel. to α_η (l_{α_η} , ref)*					
				D_c	dm_m	a_p	l_2	l_{p2}	D_n	z_n		0°	0.5°	1°	1.5°	2°	3°
08342	655010-DIAMOND	1	F	1	3	2	40	-	-	2	8.5	∞	∞	∞	∞	∞	∞
08343	655015-DIAMOND	1	F	1.5	3	3	40	-	-	2	6	∞	∞	∞	∞	∞	∞
08344	655020-DIAMOND	1	F	2	3	4	40	-	-	2	4	∞	∞	∞	∞	∞	∞
08346	655L010-DIAMOND	3	F	1	3	5	40	-	-	2	6	∞	∞	∞	∞	∞	∞
08347	655L015-DIAMOND	3	F	1.5	3	6	40	-	-	2	4.5	∞	∞	∞	∞	∞	∞
08348	655L020-DIAMOND	3	F	2	3	9	40	-	-	2	2.5	∞	∞	∞	∞	∞	∞
08349	655KXL010-DIAMOND	4	J	1	3	2	60	32.1	0.9	2	2	5.4	12.8	∞	∞	∞	∞
08350	655KXL015-DIAMOND	4	J	1.5	3	3	60	31.7	1.4	2	1.5	6.4	14.9	∞	∞	∞	∞
08351	655KXL020-DIAMOND	4	J	2	3	4	60	31	1.9	2	1	7.4	17.1	∞	∞	∞	∞
08352	655KSL010-DIAMOND	5	J	1	3	2	100	70.5	0.9	2	1	5.4	12.8	∞	∞	∞	∞
08353	655KSL015-DIAMOND	5	J	1.5	3	3	100	34.2	1.4	2	1.5	4.9	7.1	∞	∞	∞	∞
08354	655KSL020-DIAMOND	5	J	2	4	4	100	70.6	1.9	2	1	7.4	17.1	∞	∞	∞	∞

* The effective under -neck length for the various draft angles. Remark ∞ = infinity, no collision in projection length area.

Cutting data – JM655 Side milling roughing $a_p/D_c = 0.5$

SMG		a_p / D_c	f_z			v_c
			1	1.5	2	
GR1	D	0.50	0.0095	0.015	0.020	485 (405 – 570)

For cutting data recalculations, see pages 336-344.

SMG = Seco material group

Coolant = A=air D=dry E=emulsion M=mist spray

v_c = m/min

f_z = mm

a_p (mm)/ D_c (mm) = factor

a_e (mm)/ D_c (mm) = factor

All cutting data are target values

Recalculation (all values are percentages of original (100%) cutting data)

STRAIGHT	Use original standard version side rough cutting data then recalculate parameters									Use original standard version slotting cutting data then recalculate parameters						
	Slotting		Side Rough			Side Finish				Ramping		Helical		Drilling		
	a_p	f_z	a_e	f_z	a_p	v_c	a_e (% of D_c)	f_z	a_p	a_p	f_z	f_z	$a_p/360^\circ$ (% of D_c)	hole \varnothing (\geq % of D_c)	f_z	a_p (% of D_c)
$\leq 30^\circ$ *																
JS512	100	100	100	100	100	110	3	65	125	40	40	100	3	130	40	40
Standard (2)	30	100	25	50	170	110	3	65	210	X	X	X	X	X	X	X
L (3)	X	X	X	X	X	70	3	65	290	X	X	X	X	X	X	X
XL (4)																
$\leq 5^\circ$ *																
JS513	100	100	100	100	100	110	3	85	150	100	100	100	3	130	50	40
Standard (2)	30	100	30	50	200	110	3	85	250	X	X	X	X	X	X	X
L (3)	X	X	X	X	X	70	3	85	350	X	X	X	X	X	X	X
XL (4)																
$\leq 5^\circ$ *																
JS514	100	100	100	100	100	110	3	60	150	100	100	100	3	130	X	X
Standard (2)	X	X	25	50	200	110	3	60	250	X	X	X	X	X	X	X
L (3)	X	X	X	X	X	70	3	60	350	X	X	X	X	X	X	X
XL (4)																
$\leq 45^\circ$ *																
JS553	100	100	100	100	100	110	3	55	150	50	55	35	3	130	35	50
Standard (2)	40	60	40	105	200	110	3	55	250	50	15	35	3	130	35	50
L (3)																
$\leq 5^\circ$ *																
JS554	100	100	100	100	100	110	3	53	150	100	100	100	2	130	X	X
Standard (2)	40	60	38	105	200	110	3	53	100	50	50	60	1.5	130	X	X
L (3)																
$\leq 30^\circ$ *																
JS412 (2)	100	100	100	100	100	140	3	40	120	80	100	50	10	130	50	100
$\leq 10^\circ$ *																
JS413 (2)	100	100	100	100	100	150	3	40	120	70	50	50	10	130	X	X
L (3)	X	X	25	60	240	120	3	40	230	70	50	50	10	130	X	X
$\leq 30^\circ$ *																
JS452 (2)	100	100	100	100	100	140	3	35	120	70	100	50	10	130	50	100
L (3)	50	60	75	60	50	120	3	40	100	70	70	50	10	130	20	10
$\leq 10^\circ$ *																
JS453 (2)	100	100	100	100	100	140	3	35	120	70	50	50	10	130	20	10
L (3)	X	X	25	60	240	120	3	40	230	70	70	50	10	130	20	10

* Max ramping angle

Recalculation (all values are percentages of original (100%) cutting data)

STRAIGHT	Use original standard version side rough cutting data then recalculate parameters									Use original standard version slotting cutting data then recalculate parameters						
	Slotting		Side Rough			Side Finish				Ramping		Helical			Drilling	
	a_p	f_z	a_e	f_z	a_p	v_c	a_e (% of D_c)	f_z	a_p	a_p	f_z	f_z	$a_p/360^\circ$ (% of D_c)	hole \varnothing (\geq % of D_c)	f_z	a_p (% of D_c)
$\leq X^* *$																
JS520 Standard (2) L (3)	X	X	100	100	100	133	2	65	100	X	X	X	X	X	X	X
	X	X	X	X	X	133	2	65	175	X	X	X	X	X	X	X
$\leq X^* *$																
JS522 (4)	X	X	100	100	100	129	2	140	100	X	X	X	X	X	X	X
$\leq 20^\circ *$																
J93-F / J99-F Standard (2)	100	100	100	100	100	133	3	40	100	100	100	100	3	130	25	30
$\leq 45^\circ *$																
J28 Standard (2)	100	100	100	100	100	140	3	100	135	40	25	100	10	130	25	60
$\leq 5^\circ *$																
J94 Standard (2) L (3)	100	100	100	100	100	135	3	70	100	100	100	100	3	130	40	30
	60	60	60	70	100	135	3	70	100	60	60	60	3	130	40	30
$\leq X^* *$																
J36 Standard (2)	X	X	100	100	100	120	3	85	150	X	X	X	X	X	X	X
$\leq 20^\circ *$																
JH910 Standard (2) L (3)	100	100	100	100	100	125	4	100	80	15	140	140	3	130	X	X
	80	80	100	80	80	125	4	80	65	10	110	110	3	130	X	X
$\leq X^* *$																
JH 930 Standard (2)	X	X	100	100	100	125	2	30	100	X	X	X	X	X	X	X
$\leq X^* *$																
JH 130 Standard (2)	X	X	100	100	100	120	3	120	80	X	X	X	X	X	X	X

* Max ramping angle

Recalculation (all values are percentages of original (100%) cutting data)

STRAIGHT	Use original standard version side rough cutting data then recalculate parameters									Use original standard version slotting cutting data then recalculate parameters						
	Slotting		Side Rough			Side Finish				Ramping		Helical		Drilling		
	a_p	f_z	a_e	f_z	a_p	v_c	a_e (% of D_c)	f_z	a_p	a_p	f_z	f_z	$a_p/360^\circ$ (% of D_c)	hole \varnothing (\geq % of D_c)	f_z	a_p (% of D_c)
									$\leq 45^\circ$ *							
JH410 Standard (2)	100	100	100	100	100	125	2	25	100	100	67	67	40	130	67	80
TL (2)	125	100	100	100	100	100	2	100	100	100	50	100	40	130	150	80
RS (2)	125	100	100	100	100	100	2	100	100	100	50	100	40	130	150	80
ML (2)	75	60	80	60	100	125	2	25	100	60	40	40	40	130	40	50
L (3)	50	35	50	40	100	125	2	10	100	40	30	30	40	130	30	30
L-RS (3)	95	95	80	100	100	100	2	100	100	50	50	50	40	130	75	40
									$\leq 5^\circ$ *							
JH40 Standard (2)	100	100	100	100	100	100	3	35	100	83	55	55	25	130	55	80
K (1)	100	100	100	100	100	100	3	35	100	83	55	55	25	130	55	80
									$\leq 45^\circ$ *							
JH421 Standard (2)	100	100	100	100	100	100	4	35	100	100	100	25	130	45	80	80
L (3)	60	60	100	60	60	100	4	20	60	60	60	15	130	45	80	80
									$\leq 30^\circ$ *							
JH440 Standard (2)	100	100	100	100	100	125	3	40	100	100	100	5	130	X	X	X
									$\leq 45^\circ$ *							
JH820 Standard (2)	100	100	100	100	100	110	3	110	80	9	135	135	3	130	X	X
									$\leq 45^\circ$ *							
JH830 Standard (2)	100	100	100	100	100	110	3	110	80	9	135	135	3	130	X	X
									$\leq 1^\circ$ *							
JH120 Standard (2)	100	100	100	100	100	120	3	120	80	17	100	100	2	130	X	X

* Max ramping angle

Recalculation (all values are percentages of original (100%) cutting data)

STRAIGHT	Use original standard version side rough cutting data then recalculate parameters									Use original standard version slotting cutting data then recalculate parameters						
	Slotting		Side Rough			Side Finish				Ramping		Helical			Drilling	
	a_p	f_z	a_e	f_z	a_p	v_c	a_e (% of D_c)	f_z	a_p	a_p	f_z	f_z	$a_p/360^\circ$ (% of D_c)	hole \varnothing (\geq % of D_c)	f_z	a_p (% of D_c)
										$\leq X^{\circ}$ *						
JM905-920																
Standard (1)	100	100	100	100	100	125	2	150	5	X	X	X	X	X	X	X
ML (2)	65	100	100	100	65	125	2	150	3	X	X	X	X	X	X	X
L (3)	25	100	100	100	25	125	2	150	1	X	X	X	X	X	X	X
TL (3)	20	100	100	100	20	125	2	150	1	X	X	X	X	X	X	X
XL (4)	10	100	100	100	10	125	2	150	1	X	X	X	X	X	X	X
SL (4)	10	100	100	100	10	125	2	150	1	X	X	X	X	X	X	X
XXL (5)	5	100	100	100	5	125	2	150	1	X	X	X	X	X	X	X
XSL (6)	2	100	100	100	2	125	2	150	1	X	X	X	X	X	X	X
										$\leq X^{\circ}$ *						
JM103-104-106																
Standard (1)	100	100	100	100	100	100	5	71	800	X	X	X	X	X	X	X
ML (2)	85	85	56	86	86	100	4	60	680	X	X	X	X	X	X	X
L (3)	75	75	56	74	76	100	4	54	600	X	X	X	X	X	X	X
TL (3)	60	60	45	60	60	100	3	43	480	X	X	X	X	X	X	X
XL (4)	50	50	38	50	50	100	3	37	400	X	X	X	X	X	X	X
XXL (5)	40	40	30	40	40	100	2	29	320	X	X	X	X	X	X	X
										$\leq X^{\circ}$ *						
JM403-404-406																
Standard (1)	100	100	100	100	100	X	X	X	X	X	X	X	X	X	X	X
ML (2)	100	75	100	75	100	X	X	X	X	X	X	X	X	X	X	X
L (3)	100	75	100	75	90	X	X	X	X	X	X	X	X	X	X	X
TL (3)	90	75	100	75	70	X	X	X	X	X	X	X	X	X	X	X
XL (4)	75	75	100	75	70	X	X	X	X	X	X	X	X	X	X	X
SL (4)	75	75	100	75	45	X	X	X	X	X	X	X	X	X	X	X
XXL (5)	50	50	100	50	30	X	X	X	X	X	X	X	X	X	X	X
										$\leq 10^{\circ}$ *						
JHP993																
Standard (2)	100	100	100	100	100	X	X	X	X	30	100	100	3	130	4	40
L (3)	80	80	80	80	80	X	X	X	X	20	80	80	3	130	3	30
										$\leq 5^{\circ}$ *						
JHP951																
Standard (2)	100	100	100	100	100	158	2	50	113	20	100	125	3	130	6	20
										$\leq 5^{\circ}$ *						
JHP750																
Standard (2)	100	100	100	100	100	100	2	145	100	100	100	100	3	130	10	60
K (1)	115	120	115	115	100	100	2	145	100	100	120	120	3	130	10	70

* Max ramping angle

Recalculation (all values are percentages of original (100%) cutting data)

STRAIGHT	Use original standard version side rough cutting data then recalculate parameters									Use original standard version slotting cutting data then recalculate parameters								
	Slotting		Side Rough			Side Finish				Ramping		Helical			Drilling			
	a_p	f_z	a_e	f_z	a_p	v_c	a_e (% of D_c)	f_z	a_p	a_p	f_z	f_z	$a_p/360^\circ$ (% of D_c)	hole \varnothing (\geq % of D_c)	f_z	a_p (% of D_c)		
JHP760 Standard (2) L (3)										$\leq 5^\circ^*$								
100	100	100	100	100	140	2	125	15	30	100	100	3	130	10	50			
50	50	100	50	50	140	2	125	15	15	50	50	3	130	5	25			
JHP770 Standard (2)										$\leq 15^\circ^*$								
100	100	100	100	100	170	3	125	100	100	40	40	3	130	X	X			
JHP780 Standard (2)										$\leq 5^\circ^*$								
100	100	100	100	100	160	2	135	140	100	100	35	3	130	35	50			
JHP170 Standard (2)										$\leq 1^\circ^*$								
100	100	100	100	100	130	3	175	80	100	100	100	2	130	X	X			
JHP490 Standard (2) V (2) VL (3) VXL (4)										$\leq 30^\circ^*$								
100	100	100	100	100	X	X	X	X	50	50	35	5	130	30	50			
100	75	100	100	100	X	X	X	X	50	50	35	5	130	30	50			
100	75	80	100	100	X	X	X	X	50	50	35	5	130	30	50			
150	75	80	100	100	X	X	X	X	50	50	35	5	130	30	50			
JD620 Standard (2) VL (3) VSL (4)										$\leq X^\circ^*$								
100	100	100	100	100	100	2	110	4	X	X	X	X	X	X	X			
100	100	100	100	100	100	2	110	4	X	X	X	X	X	X	X			
20	100	60	100	60	100	2	110	4	X	X	X	X	X	X	X			
JD630 Standard (2) V (3) VL (4)										$\leq X^\circ^*$								
100	100	100	100	100	100	2	110	4	X	X	X	X	X	X	X			
100	100	100	100	100	100	2	110	4	X	X	X	X	X	X	X			
100	100	100	100	100	100	2	110	4	X	X	X	X	X	X	X			
JD640 Standard (2) V (3) VL (4)										$\leq X^\circ^*$								
100	100	100	100	100	100	2	110	4	X	X	X	X	X	X	X			
100	100	100	100	100	100	2	110	4	X	X	X	X	X	X	X			
100	100	100	100	100	100	2	110	4	X	X	X	X	X	X	X			
JM600 Standard (2) L (3) XL (5) SL (6)										$\leq X^\circ^*$								
100	100	100	100	100	100	2	85	200	X	X	X	X	X	X	X			
100	100	100	100	100	100	2	85	200	X	X	X	X	X	X	X			
30	100	60	100	100	100	2	85	200	X	X	X	X	X	X	X			
30	100	60	100	100	100	2	85	200	X	X	X	X	X	X	X			
JM610 KXL (4) KSL (5)										$\leq X^\circ^*$								
100	100	100	100	100	100	2	85	1000	X	X	X	X	X	X	X			
100	100	100	100	100	100	2	85	1000	X	X	X	X	X	X	X			

* Max ramping angle

Recalculation (all values are percentages of original (100%) cutting data)

STRAIGHT	Use original standard version side rough cutting data then recalculate parameters									Use original standard version slotting cutting data then recalculate parameters																	
	Slotting		Side Rough			Side Finish				Ramping		Helical			Plunging												
	a_p	f_z	a_e	f_z	a_p	v_c	a_e (% of D_c)	f_z	a_p		a_p	f_z	f_z	$a_p/360^\circ$ (% of D_c)	hole \varnothing (\geq % of D_b)	v_c	a_e (% of D_c)	f_z	a_p sd (% of D_{c2})								
										$\leq 1.5^\circ$ *																	
JHF980 K+ Standard (1,2)										100	100	100	100	100	X	X	X	X	100	100	100	3.0	130	70	30	33	200
ML (3)										80	85	100	85	80	X	X	X	X	80	85	85	3.0	130	70	30	33	200
TL (4)										60	70	100	70	60	X	X	X	X	60	70	70	3.0	130	70	30	33	200
										$\leq 1.5^\circ$ *																	
JHF180 Standard (1)										100	100	100	100	100	X	X	X	X	100	100	100	3.4	130	X	X	X	X
ML (2)										80	85	100	85	80	X	X	X	X	80	85	85	2.8	130	X	X	X	X
L (3)										60	70	100	70	60	X	X	X	X	60	70	70	2.1	125	X	X	X	X
TL (3)										40	50	100	50	40	X	X	X	X	40	50	50	1.4	120	X	X	X	X

* Max ramping angle

Recalculation (all values are percentages of original (100%) cutting data)

BALL	Use original standard version side rough cutting data then recalculate parameters									Use original standard version slotting cutting data then recalculate parameters						
	Slotting		Side Rough			Side Finish				Ramping		Helical		Drilling		
	a_p	f_z	a_e	f_z	a_p	v_c	a_e (% of D_c)	f_z	a_p	a_p	f_z	f_z	$a_p/360^\circ$ (% of D_c)	Hole \varnothing (\approx % of D_c)	f_z	a_p (% of D_c)
$\leq X^{\circ *}$																
JS532 Standard (1)	X	X	100	100	100	125	3	125	10	X	X	75	5	130	X	X
L (2)	X	X	70	100	70	125	3	125	10	X	X	75	5	130	X	X
XL (3)	X	X	X	X	X	125	3	125	10	X	X	X	X	X	X	X
$\leq X^{\circ *}$																
JS533 Standard (1)	X	X	100	100	100	125	3	125	15	X	X	75	5	130	X	X
L (2)	X	X	75	75	75	125	3	125	15	X	X	75	5	130	X	X
$\leq X^{\circ *}$																
JS534 Standard (1)	X	X	100	100	100	125	3	170	20	X	X	100	3	130	X	X
L (2)	X	X	70	100	70	125	3	170	20	X	X	100	3	130	X	X
XL (3)	X	X	70	100	70	125	3	170	20	X	X	100	3	130	X	X
$\leq X^{\circ *}$																
TDM Standard (2)	X	X	100	100	100	125	3	100	25	X	X	40	3	130	X	X
$\leq X^{\circ *}$																
JH970 Standard (2)	X	X	100	100	100	155	2	30	15	X	X	40	3	130	X	X
$\leq X^{\circ *}$																
JH720 Standard (2)	X	X	100	100	100	125	2	90	75	X	X	40	3	130	X	X
$\leq X^{\circ *}$																
JH111 Standard (3)	X	X	100	100	100	165	1	70	20	X	X	20	2	130	X	X
K (1)	X	X	100	100	100	165	1	70	20	X	X	20	2	130	X	X
L (4)	X	X	80	80	100	165	1	55	20	X	X	X	X	X	X	X
VL (4)	X	X	70	70	100	165	1	50	20	X	X	X	X	X	X	X
VXL (5)	X	X	50	50	100	165	0.5	35	20	X	X	X	X	X	X	X
$\leq X^{\circ *}$																
JH150 Standard	X	X	100	100	100	165	1	90	35	X	X	30	2	130	X	X

* Max ramping angle

Recalculation (all values are percentages of original (100%) cutting data)

BALL	Use original standard version side rough cutting data then recalculate parameters									Use original standard version slotting cutting data then recalculate parameters								
	Slotting		Side Rough			Side Finish				Ramping		Helical		Drilling				
				a_p	f_z	a_p	v_c	a_e (% of D_c)	f_z	a_p	a_p	f_z	f_z	$a_p/360^\circ$ (% of D_c)	hole \varnothing (\geq % of D_c)	f_z	a_p (% of D_c)	
JH160 Standard (2)	X	X	X	X	X	X	X	X	X	X	X	X	X	X	X	X		
JH450 Standard (2)	X	X	100	100	100	120	5	90	25	$\leq 30^\circ$ *		250	45	45	5	130	X	X
JH460 Standard (2)	X	X	100	100	100	120	5	90	25	$\leq X^\circ$ *		X	X	X	X	X	X	X
JM915-925 Standard (1)	100	100	100	100	100	125	2	150	5	$\leq X^\circ$ *		X	X	X	X	X	X	X
ML (2)	65	100	100	100	60	125	2	150	3	X	X	X	X	X	X	X	X	
L (3)	25	100	100	100	25	125	2	150	1	X	X	X	X	X	X	X	X	
TL (3)	20	100	100	100	20	125	2	150	1	X	X	X	X	X	X	X	X	
XL (4)	12	100	100	100	12	125	2	150	1	X	X	X	X	X	X	X	X	
SL (4)	10	100	100	100	10	125	2	150	0.5	X	X	X	X	X	X	X	X	
XXL (5)	4	100	100	100	1	125	2	150	0.2	X	X	X	X	X	X	X	X	
XSL (6)	3	100	100	100	2	125	2	150	0.2	X	X	X	X	X	X	X	X	
JM113-114-116 Standard (1)	X	X	100	100	100	118	2	100	35	$\leq X^\circ$ *		X	X	X	X	X	X	X
ML(2)	X	X	65	85	85	118	2	100	35	X	X	X	X	X	X	X	X	
L (3)	X	X	55	75	75	118	2	90	35	X	X	X	X	X	X	X	X	
XL (5)	X	X	35	50	50	118	2	100	35	X	X	X	X	X	X	X	X	
JM413-414-416 Standard (1)	X	X	100	100	100	100	5	40	35	$\leq X^\circ$ *		X	X	X	X	X	X	X
ML(2)	X	X	100	60	100	100	5	40	15	X	X	X	X	X	X	X	X	
L (3)	X	X	100	80	100	100	5	40	15	X	X	X	X	X	X	X	X	
XL (5)	X	X	100	60	75	100	5	40	10	X	X	X	X	X	X	X	X	
JD660 Standard (1)	X	X	100	100	100	100	2	100	100	$\leq X^\circ$ *		X	X	X	X	X	X	X
L (3)	X	X	100	100	100	100	2	100	100	X	X	X	X	X	X	X	X	
V (2)	X	X	100	100	100	100	2	100	100	X	X	X	X	X	X	X	X	
VL (4)	X	X	100	100	100	100	2	100	100	X	X	X	X	X	X	X	X	
KL (5)	X	X	100	100	100	100	2	100	100	X	X	X	X	X	X	X	X	

* Max ramping angle

Recalculation (all values are percentages of original (100%) cutting data)

BALL	Use original standard version side rough cutting data then recalculate parameters									Use original standard version slotting cutting data then recalculate parameters					
	Slotting		Side Rough			Side Finish				Ramping		Helical		Drilling	
				a_p	f_z	v_c	a_e (% of D_c)	f_z	a_p	a_p	f_z	$a_p/360^\circ$ (% of D_c)	Hole \varnothing (\pm % of D_c)	f_z	a_p (% of D_c)
JD665 (4)	X	X	100	100	100	100	2	50	20	$\leq X^{\circ *}$					
JD670 KL (5) KSL (6)	X X	X X	100 100	100 100	100 100	100 100	2 2	110 110	7 7	$\leq X^{\circ *}$					
JM650 Standard (1) L (3) KXL (4) KSL (5)	100 100 30 30	100 100 100 100	100 100 60 60	100 100 100 100	100 100 100 100	100 100 100 100	2 2 2 2	125 125 125 125	4 4 4 4	$\leq X^{\circ *}$					
JM655 Standard (1) L (3) KXL (4) KSL (5)	100 100 20 20	100 100 100 100	100 100 40 40	100 100 100 100	100 100 20 20	100 100 100 100	2 2 2 2	125 125 125 125	4 4 4 4	$\leq X^{\circ *}$					

* Max ramping angle

Nomenclature and formulae

RPM

$$n = \frac{v_c \cdot 1000}{\pi \cdot D_c} \quad (\text{rev/min})$$

Cutting speed

$$v_c = \frac{n \cdot \pi \cdot D_c}{1000} \quad (\text{m/min})$$

Feed speed

$$v_f = n \cdot Z_n \cdot f_z \quad (\text{mm/min})$$

Feed per revolution

$$f = Z_n \cdot f_z \quad (\text{mm/rev})$$

Metal removal rate

$$Q = \frac{a_e \cdot a_p \cdot v_f}{1000} \quad (\text{cm}^3/\text{min})$$

Cutting speed and RPM for copying

$$v_c = \frac{n \cdot \pi \cdot D_w}{1000} \quad (\text{m/min})$$

$$n = \frac{v_c \cdot 1000}{\pi \cdot D_w} \quad (\text{RPM})$$

$$D_w = 2 \cdot \sqrt{a_p (D_c - a_p)} \quad (\text{mm})$$

Calculation of a_p vs. overhang length :

If the overhang length (XS) is longer than $4 \times D_c$ and Cylindrical shanks are used it is important to adopt another depth of cut (a_p) value than that indicated in the table.

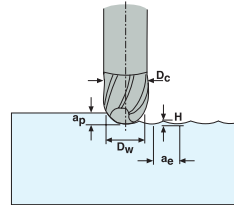
Use the following formula to calculate the new a_p value

$$a_p = a_p \cdot (4 \cdot D_c / XS)^2$$

Profile height

$$H = \frac{D_c}{2} - \frac{\sqrt{D_c^2 - a_p^2}}{2}$$

$$D_w = 2 \cdot \sqrt{a_p (D_c - a_p)} \quad (\text{mm})$$



Profile height H (um)

D_c	Pitch a_e (μm)						
	0.06	0.08	0.11	0.15	0.20	0.30	0.45
1	0.90	1.60	3.00	5.70	10.00	23.00	53.00
2	0.45	0.80	1.50	2.80	5.00	11.00	26.00
4	0.23	0.40	0.76	1.40	2.50	5.60	13.00
6	0.15	0.27	0.50	0.94	1.70	3.80	8.40
8	0.11	0.20	0.38	0.70	1.30	2.80	6.30
10	0.09	0.16	0.30	0.56	1.00	2.30	5.10
12	0.08	0.13	0.25	0.47	0.83	1.90	4.20

a_p = Depth of cut mm/axial depth of cut (mm)

a_e = Width of cut mm/radial depth of cut (mm)

D_c = Cutter diameter

f = Feed per revolution (mm/rev)

f_z = Feed per tooth (mm/tooth)

Z_n = No. of teeth

n = RPM (rev/min)

Q = Material removal rate (cm^3/min)

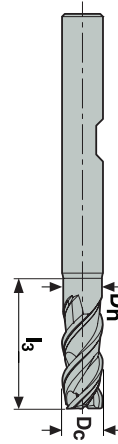
v_c = Cutting speed (m/min)

v_f = Feed speed (mm/min)

D_w = Working diameter

Measurement drawing should be read as follows:

- dm_m = Shank diameter
- D_c = Milling cutting diameter
- m = Minimum clamping length
- l_2 = Total length
- l_3 = Maximum milling cutter depth
- a_p = Effective cutting length
- $r_{c,1}$ = Corner radius
- $r_{c,2}$ = Radius behind the cutting edge
- ε = OD reduction per side
- D_n = Neck reduction

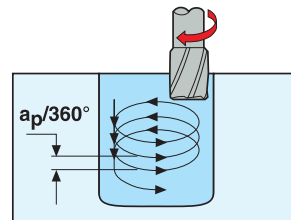


Ramping

The table below shows the feed rate percentage to use at certain ramping angles

Recommended diameter of hole for helical interpolation ramping

Diameter of end mill D_c	Diameter of hole
1-2.5	$1.4 \times D_c$
3-6	$1.3 \times D_c$
8-12	$1.2 \times D_c$
16-32	$1.15 \times D_c$

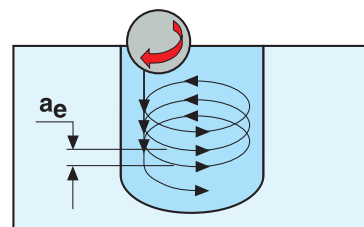


Trochoidal method

The figure below shows a method often called the trochoidal method for milling slots

Recommendation of width of slot

Diameter of end mill D_c	Slot width
1-2.5	$1.8 \times D_c$
3-6	$1.6 \times D_c$
8-12	$1.4 \times D_c$
16-32	$1.2 \times D_c$



SMG version 2 – Introduction

Seco Material Groups version 2 (SMG v2) is the foundation for a new and accurate way of organizing work materials and choosing the correct speed, feed rate and depth of cut for any work material and any Seco tool. In addition to using a greater number of work material groups compared to our previous system, SMG v2 also incorporates a reference material – or standard - for each group. The machinability of all other materials within that group can be compared to the standard, allowing for adjustments to the cutting data, accounting for the unique characteristics of each material (See pages 348-351).

The use of SMG v2 is illustrated below.

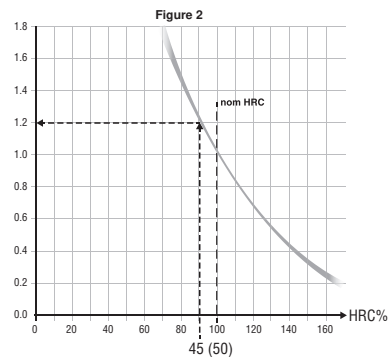
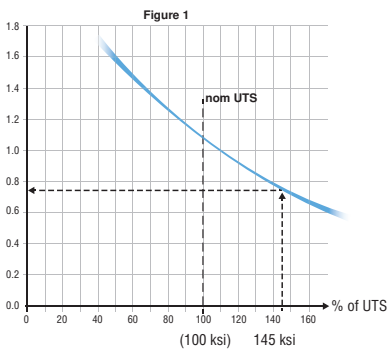
As shown in Table I, the reference material for work material group P4 is 1045, for P5 it is 4140 steel and for H5 it is 4140 hardened to 50 HRC. 4140 steel is available in a wide variety of hardness and tensile strengths. It will be expected that the machinability will vary with these properties.

SMG	Description	Properties	Reference	SMG	Description	Properties	Reference
P4	Low alloy general structural steels, 0.25% < C < 0.67%wt Low alloy Quench & Temper steels	75 < UTS < 175	1045 UTS = 95 ksi	H5	Quenched & Tempered steels	38 < HRC < 56	4140 50 HRC
P5	Structural steels, 0.25% < C < 0.67%wt Quench & Temper steels	80 < UTS < 175	4140 UTS = 100ksi				

Table II gives some examples of 4140 in different conditions.

SMG	EN	W-Nr	AFNOR	BS	UNI	JIS	AISI / ASTM	GOST	Condition	UTS (ksi)	HRC _{nom}
P5	42 CrMo 4	1.1201	42 CD 4	708 M 40	42 CrMo 4	SCM 440 (H)	4142, 4140	38HM	Annealed	100	
	42 CrMo 4	1.1201	42 CD 4	708 M 40	42 CrMo 4	SCM 440 (H)	4142, 4140	38HM	Quenched & Tempered	145	
H5	42 CrMo 4	1.1201	42 CD 4	708 M 40	42 CrMo 4	SCM 440 (H)	4142, 4140	38HM	Quenched & Tempered		45
	42 CrMo 4	1.1201	42 CD 4	708 M 40	42 CrMo 4	SCM 440 (H)	4142, 4140	38HM	Quenched & Tempered		50

The graphs indicate how the speed recommendation for a specific material can be adjusted to account for the different properties of the steel. As an example, consider 4140 with a tensile strength (UTS) of 145 ksi. The standard material for SMG P5 is 4140 steel with a tensile strength of 100 ksi. Since the material of interest is 45% stronger, the cutting speed will have to be reduced. Following the black arrows in Figure 1, it can be seen that a speed 75% of that recommended for 4140 at 100 ksi should be used. So if a cutting speed of 900 sf/min is suggested for a tool of interest when machining 4140 at 100 ksi, a speed of 675 sf/min (900 X 0.75) should be used if the 4140 has a tensile strength of 145 ksi.



If the 4140 is quenched and tempered to a hardness of 45 HRC, an accurate cutting speed can be obtained by using Figure 2. The standard material for SMG H5 is 4140 heat treated to a hardness of 50 HRC. Logically, a softer material, in this case 45 HRC, can be machined at a higher speed. Since the hardness, 45 HRC, is 90% that of the standard material, the graph shows a speed 120% that of the standard could be used. If a speed of 200 sfpm is recommended when machining 4140 at 50 HRC, a speed of 240 sf/min (200 X 1.2) could be used if the 4140 is only 45 HRC.

For further workpiece material details please see page(s) 348 and suggested cutting data at applicable pages.

For more convenient cutting data handling we recommend applicable tools in My Pages – Suggest on www.secotools.com

Steels, ferritic and martensitic stainless steels

SMG	Description	Properties	Reference
P1	Free-cutting steels	50 < UTS < 125	1213 UTS = 55 ksi
P2	Low alloy ferritic steels, C < 0.25%wt Low alloy weldable general structural steels	45 < UTS < 85	A284 GRC UTS = 60 ksi
P3	Ferritic & ferritic/pearlitic steels, C < 0.25%wt Weldable general structural steels Case hardening steels	60 < UTS < 90	5115 UTS = 80 ksi
P4	Low alloy general structural steels, 0.25% < C < 0.67%wt Low alloy Quench & Temper steels	75 < UTS < 175	1045 UTS = 95 ksi
P5	Structural steels, 0.25% < C < 0.67%wt Quench & Temper steels	80 < UTS < 175	4140 UTS = 100ksi
P6	Low alloy through hardening steels, C > 0.67%wt Low alloy spring and bearing steels	75 < UTS < 175	1095 UTS = 85 ksi
P7	Through hardening steels, C > 0.67%wt Spring and bearing steels	85 < UTS < 175	52100 UTS = 95 ksi
P8	Tool steels High Speed Steels (HSS)	85 < UTS < 175	H13 UTS = 100 ksi
P11	Ferritic & martensitic stainless steels	60 < UTS < 175	420 UTS = 95 ksi

Free-cutting, austenitic and duplex stainless steels

SMG	Description	Properties	Reference
M1	Free-cutting austenitic stainless steels		303
M2	Low alloy austenitic stainless steels		304
M3	Medium alloy austenitic stainless steels		316 L
M4	High alloy austenitic and duplex stainless steels		2205 Duplex
M5	Difficult high alloy austenitic and duplex stainless steels		2507 Super duplex

Cast irons

SMG	Description	Properties	Reference
K1	Grey cast irons (GCI)		A48 35 B
K2	Compacted graphite irons (CGI)		Grade 400-15
K3	Malleable cast irons (MCI)		A220 60004
K4	Nodular cast irons (SGI)		80-55-06
K5	Austempered ductile irons (ADI)		1050/700/7
K6	Austenitic lamellar cast irons		A436 Type 1 (Ni-Resist 1)
K7	Austenitic nodular cast irons		A439 Type D-2M (Ni-Resist D-2M)

Non-ferrous metals

SMG	Description	Properties	Reference
N1	Aluminum alloys, Si < 9%		7075-T6
N2	Aluminum alloys, 9% < Si < 16%		413.2 Si = 12%
N3	Aluminum alloys, Si > 16%		AlSi17Cu5
N11	Copper alloys		UNS C38500

Superalloys and titanium

SMG	Description	Properties	Reference
S1	Iron based superalloys		Disalloy
S2	Cobalt based superalloys		Stellite 21
S3	Nickel based superalloys		Inconel 718
S11	Titanium, low alloyed, (α)		Ti
S12	Titanium, medium alloyed, (α + β)		TiAl6V4
S13	Titanium, high alloyed, (near β and β)		Ti10V2Fe3Al

Hard materials

SMG	Description	Properties	Reference
H3	Case hardened steels	58 < HRC < 62	5115 60 HRC
H5	Quenched & Tempered steels	38 < HRC < 56	4140 50 HRC
H7	Quenched & Tempered steels Bearing steels	56 < HRC < 64	52100 60 HRC
H8	Tool steels High Speed Steels	38 < HRC < 64	H13 50 HRC
H11	Martensitic stainless steels	38 < HRC < 50	420 45 HRC
H12	Precipitation hardened stainless steels	33 < HRC < 50	17-4PH 35 HRC
H21	Manganese steels	23 < HRC < 64	Hadfield, High manganese steel 50 HRC
H31	White cast irons	50 < HRC < 64	A532 ID, White cast iron 55 HRC

Other difficult materials

SMG	Description	Properties	Reference
PM1	Low alloy PM materials		F-0008 Fe-0.7C
PM2	Medium alloy PM materials		FLC-4608 Fe2Cu1.8Ni0.5Mo0.2Mn0.8C
PM3	High alloy PM materials Exhaust valve seat materials		
HF1	Hard facing alloys Welded or plasma deposited iron based alloys		
HF2	Hard facing alloys Welded or plasma deposited cobalt and nickel based alloys		
CC1	Sintered tungsten carbide		G50

Plastics and Composites

SMG	Description	Properties	Reference
TS1	Thermosetting polymers		Urea formaldehyde (UF)
TS2	Thermosetting Carbon fiber composites		T300 T700 T800 HTA-S IMA - Epoxy (M21)...
TS3	Thermosetting Glass fiber composites		Epoxy - HX.(42..)/E glass (7781...)...
TS4	Thermosetting Aramide fiber composites		Kevlar 49
TP1	Thermoplastic polymers		Polycarbonate (PC)
TP2	Thermoplastic Carbon fiber composites		PPS/PEEK - T300..
TP3	Thermoplastic Glass fiber composites		PPS/PEEK - E glass or A glass...
TP4	Thermoplastic Aramide fiber composites		

Graphite

SMG	Description	Properties	Reference
GR1	Graphite		R 8500

SMG

SMG	AISI / ASTM	EN	EN-Nr	W-Nr	DIN	AFNOR	BS	UNI	JIS	SS
P1	1213	11 SMn30	1.0715	1.0715	9 SMn 28	S 250	230 M 07	CF 9 SMn 28	SUM 22	1912
	12 L 13	11 SMnPb30	1.0718	1.0718	9 SMnPb 28	S 250 Pb		CF 9 SMnPb 28	SUM 22 L	1914
	1108	10 S 20	1.0721	1.0721	10 S 20	10 F 1	210 M 15	CF 10 S 20		
	11 L 08				10 SPb 20	10 PbF 2		CF 10 SPb 20		
		15 SMn13	1.0725	1.0723	15 S 20		210 A 15		SUM 32	1922
	1140	35 S20	1.0726	1.0726	35 S 20	35 MF 4	212 M 36			1957
	1146	46 S20	1.0727	1.0727	46 S 20	45 MF 4	212 M 44			1973
	1215	11 SMn37	1.0736	1.0736	9 SMn 36	S 300	240 M 07	CF 9 SMn 36		
12 L 14	11 SMnPb 37	1.0737	1.0737	9 SMnPb 36	S 300 Pb		CF 9 SMnPb 36		1926	
P2		S235JR	1.0037	1.0037	St 37-2	E 24-2		Fe 360 B	STKM 12 C	1311
	A 573 Gr. 58	S235JRG2	1.0038	1.0116	St 37-3	E 24-3, E 24-4	4360-40 C	Fe 360 D FF		1312, 1313
	A 573 Gr. 70	S275J2G3	1.0144	1.0144	St 44-3 N	E 28-3, E 28-4	4360-43 C	Fe 430 D FF	SM 41 C	1412, 1414
	1010	C 10	1.0301	1.0301	C 10	AF 34 C 10, XC 10	045 M 10	C 10	S 10 C	
	1015			1.0401	C 15	AF3 7 C 12, XC 18	080 M 15	C 15, C 16		1350
	1023	C22+N	1.0402	1.0402	C 22	C 20	050 A 20	C 20, C 21		1450
		S355JR	1.0570	1.0570	St 52-3	E 36-3, E 36-4	4360-50 C	Fe 510 B	SM 50 YA	2172, 2132
	1015	C 15R	1.1141	1.1141	Ck 15	XC 15, XC 18	080 M 15	C 15, C 16	S 15 C, S 15 CK	1370
	1025			1.1158	Ck 25	XC 25	060 A 25	C 25	S 25 C	
				1.2162	21 MnCr 5	20 NC 5			SCR 420 H	
P3	A 204 Gr. A	16 Mo 3	1.5415	1.5415	15 Mo 3	15 D 3	1501-240	16 Mo 3		2912
	4520			1.5423	16 Mo 5		1503-245-420	16 Mo 5	SB 450 M	
	3310, 9314	14 NiCr 14	1.5752	1.5752	14 NiCr 14	12 NC 15	655 M 13		SNC 815 (H)	
	4320			1.5919	15 CrNi 6	16 NC 6	S 107	16 CrNi 4		
		18 NiCrMo 7 6	1.6587	1.6587	18 CrNiMo 7 6	18 NCD 6	820 A 16	18 NiCrMo 7		
	5115	16 MnCr 5	1.7131	1.7131	16 MnCr 5	16 MC 5	527 M 17	16 MnCr 5	SCR 415	2511
		16 MnCrS 5	1.7139	1.7139	16 MnCrS 5					
	5120	20 MnCr 5	1.7147	1.7147	20 MnCr 5	20 MC 5		20 MnCr 5	SMnC 420 (H)	
	5120 H	20 MnCrS 5	1.7149	1.7149	20 MnCrS 5	20 MnCrS 5			SMnC 21 H	
	A 182-F11, F12	13 CrMo 4 5	1.7335	1.7335	13 CrMo 4 4	15 CD 3.5	1501-620 Gr. 27	14 CrMo 4 5		2216
A 387 Gr. 12 Cl. 2			1.7337	16 CrMo 4 4	15 CD 4.5	1501-620 Gr. 27	14 CrMo 4 5		2216	
A 182-F22	10 CrMo 9 10	1.7380	1.7380	10 CrMo 9 10	10 CD 9.10	1501-622 Gr. 31	12 CrMo 9 10		2218	
P4	1035	C35+N		1.0501	C 35	AF 55 C 35	060 A 35	C 35		1550
	1045	E 335	1.0503	1.0503	C 45	AF 65 C 45	80 M 46	C 45	S 45 C	1650
	1040	C40+N		1.0511	C 40	AF 60 C 40	080 M 40	C 40	S 40 C	
	1055	E 360	1.0070	1.0535	St 70-2	A 70-2		Fe 690		1655
	1060	C60+N	1.0601	1.0601	C 60	CC 55	080 A 62	C 60		
	1039			1.1157	40 Mn 4	35 M 5	150 M 36			
	1330	G 28 Mn6	1.1165	1.1165	30 Mn 5		120 M 36		SMn 1 H, SCMn 2	
	1335	G 28 Mn6+QT	1.1165	1.1167	36 Mn 5	40 M 5	150 M 36		SMn 438 (H), SCMn 3	2120
	1035	C 35E	1.1181	1.1181	Ck 35	XC 38 H1	080 M 36	C 35	S 35 C	1572
	1045	C 45E	1.1191	1.1191	Ck 45	XC 42	080 M 46	C 45	S 45 C	1672
1064	C 60E	1.1221	1.1221	Ck 60	XC 60	080 A 62	C 60	S 58 C	1665, 1678	
1060			1.1740	C 60 W	Y3 55			SK 7		
P5	9255	55 SiCr7	1.7100	1.0904	55 Si 7	55 S 7	250 A 53	55 Si 8		2085, 2090
	4142, 4140	42 CrMo 4	1.7225	1.1201	42 CrMo 4	42 CD 4	708 M 40	42 CrMo 4	SCM 440 (H)	2244
	4142, 4140	42 CrMo 4	1.7225	1.1201	42 CrMo 4	42 CD 4	708 M 40	42 CrMo 4	SCM 440 (H)	2244
	4135			1.2330	35 CrMo 4	34 CD 4	708 A 37	35 CrMo 4		2234
	S1			1.2542	45 WCrV 7		BS 1	45 WCrV 8 KU		2710
	L6		1.2714	1.2714	56 NiCrMoV 7		BH 224-5	56 NiCrMoV7-KU	SKT 4	
	5045			1.5121	46 MnSi 4					
	3135			1.5710	36 NiCr 6	35 NC 6	640 A 35		SNC 236	
	3435			1.5736	36 NiCr 10	35 NC 11		35 NiCr 9	SNC 631 (H)	
	9840	36CrNiMo4+TA		1.6511	36 CrNiMo 4	40 NCD 3	816 M 40	38 NiCrMo 4 (KB)		
	4340	34 CrNiMo 6	1.6582	1.6582	34 CrNiMo 6	35 NCD 6	817 M 40	35 NiCrMo 6 (KW)	SNCM 447	2541
	5132	34 Cr 4	1.7033	1.7033	34 Cr 4	32 C 4	530 A 32	34 Cr 4 (KB)	SCR 430 (H)	
	5140	41 Cr 4	1.7035	1.7035	41 Cr 4	42 C 4	530 M 40	41 Cr 4	SCR 440 (H)	
4130	25 CrMo 4	1.7218	1.7218	25 CrMo 4	25 CD 4 S	708 M 25	25 CrMo 4 (KB)	SCM 425	2225	
			1.7361	32 CrMo 12	30 CD 12	722 M 24	32 CrMo 12		2240	
6150	50 CrV 4	1.8159	1.8159	50 CrV 4	50 CV 4	735 A 50	51 CrV 4	SUP 10	2230	
A 355 Cl. A	41 CrAlMo 7 10	1.8509	1.8509	41 CrAlMo 7	40 CAD 6.12	905 M 39	41 CrAlMo 7	SACM 645	2940	
P6	1070	C 67S	1.1231	1.1231	Ck 67	XC 68	060 A 67	C 70		1770
	1095	C 100S	1.1274	1.1274	Ck 101		060 A 96		SUP 4	1870
	W1	C 105U	1.1545	1.1545	C 105 W1	Y1 105		C 100 KU		1880
				1.1645	C 105 W2	Y1 105		C 100 KU	SK 3	
	W1			1.1663	C 125 W	Y2 120		C 120 KU	SK 2	

SMG

UNS	U.N.E./ I.H.A.	GOST	Misc. Brands	Condition	Structure
G12130				Annealed	
G12134				Annealed	
				Annealed	
				Annealed	
G11400		40		Annealed	
G11460				Annealed	
G12150				Annealed	
G12144				Annealed	
		16D		Annealed	
		18kp		Annealed	
		S114kP		Annealed	
G10100		10		Annealed	
G10170	F.1110	15		Annealed	
G10200		20		Annealed	
		17G1S		Annealed	
G10170	F.1511	15		Annealed	
G10250	F.1120	25		Annealed	
				Annealed	
				Annealed	
G45200				Annealed	
G33106		20X2H4A		Annealed	
				Annealed	
				Annealed	
G51170	F.1516	12KHN2		Annealed	
		18HG		Annealed	
G51200		20KH		Annealed	
		20KH		Annealed	
		12KHM		Annealed	
				Annealed	
J21890	F.155	12KH8		Annealed	
G10350	F.1130	35		Annealed	
G10430	F.5110	45		Annealed	
		40		Annealed	
	F.1150	55		Annealed	
G10600		60		Annealed	
G10390		40G		Annealed	
G13300		30G2		Annealed	
G13350	F.411	35G2		Annealed	
G10340	F.1135	35		Annealed	
G10420	F.1140	45		Annealed	
G10640	F.1150	60		Annealed	
		60		Annealed	
	F.144	55S2		Annealed	
G41400	F.1252	38HM		Annealed	
G41400	F.1252	38HM		Quenched & Tempered	
T51620	F.1250	35KHM		Annealed	
T41901	F.5241	5KHV2S		Annealed	
T61206		5KHNV		Annealed	
				Annealed	
				Quenched & Tempered	
				Annealed	
G98400				Quenched & Tempered	
	F.1280	38H2N2MA		Annealed	
G51320		35KH		Quenched & Tempered	
G51400		40H		Quenched & Tempered	
G41300	F.1251	20KHM		Quenched & Tempered	
				Quenched & Tempered	
H61500	F.143	50KHFA		Quenched & Tempered	
K24065	F.1740			Annealed	
G10700	F.5103	70		Annealed	
G10950	F.5117			Annealed	
	F.5118	U10A		Annealed	
		U10		Annealed	
		U13		Annealed	

SMG

SMG	AISI / ASTM	EN	EN-Nr	W-Nr	DIN	AFNOR	BS	UNI	JIS	SS	UNS
P7	L2	107 CrV 3	1.2210	1.2210	115 CrV 3	100 C 3		107 CrV 3 KU			T61202
	O1			1.2510	100 MnCrV 4	90 MWCV 5	BO 1	95 MnWCr 5 KU	SKS 3	2140	T31501
	O2	90 MnCrV 8	1.2842	1.2842	90 MnCrV 8	90 MV 8	BO 2	90 MnVCr 8 KU			T31502
	52100	100 Cr 6	1.3505	1.3505	100 Cr 6	100 C 6	534 A 99	100 Cr 6	SUJ 2	2258	G51986
P8	D3	X 210 Cr 12	1.2080	1.2080	X 210 Cr 12	Z 200 C 12	BD 3	X 210 Cr 13 KU	SKD 1		T30403
	H11			1.2343	X 38 CrMoV 5 1	Z 38 CDV 5	BH 11	X 37 CrMoV 5 1 KU	SKD 6		T20811
	H13	X 40 CrMoV 5 1	1.2344	1.2344	X 40 CrMoV 5 1	Z 40 CDV 5	BH 13	X 40 CrMo 5 1 1 KU	SKD 61	2242	T20813
	A2	X 100 CrMoV 5	1.2363	1.2363	S 18-1-2-5	Z 100 CDV 5	BA 2	X 100 CrMoV 5 1 KU	SKD 12	2260	T30102
	H10			1.2365	X 32 CrMoV 3 3	32 DCV 28	BH 10	30 CrMoV 12 27 KU	SKD 7		T20810
				1.2436	X 210 CrW 12			X 215 CrW 12 1 KU	SKD 2	2312	
				1.2601	X 165 CrMoV 12			X 165 CrMoV 12 KU		2310	
	L6			1.2713	55 NiCrMoV 6	55 NCDV 7			SKT 4		T61206
	M35	HS 6-5-2-5	1.3243	1.3243	S 6-5-2-5	Z 85 WDKCV 06-05-05-04-02		HS 6-5-2-5	SKH 55	2723	
	M42	HS 2-10-1-8	1.3247	1.3247	S 2-10-1-8	Z 110 DKCWV 09-08-04	BM 42	HS 2-9-1-8	SKH 51		T11342
	T4	HS 18-1-2-5	1.3255	1.3255	S 18-1-2-5	Z 80 WKCV 18-05-04-01	BT 4	HS 18-1-1-5	SKH 3		T12004
	M2	HS 6-5-2	1.3343	1.3343	S 6-5-2	Z 85 WDCV 06-05-04-02	BM 2	HS 6-5-2	SKH 9, SKH 51	2722	T11302
	M7	HS 2-9-2	1.3348	1.3348	S 2-9-2	Z 100 DCWV 09-04-02-02		HS 2-9-2	SKH 58	2782	T11307
T1	HS 18-0-1	1.3355	1.3355	S 18-0-1	Z 80 WCV 18-04-01	BT 1	HS 18-0-1	SKH 2		T12001	
P11	403	X 6 Cr 13	1.4000	1.4000	X 6 Cr 13	Z 6 C 12	403 S 17	X 6 Cr 13	SUS 403	2301	S41008
	410, CA-15	X 12 Cr 13	1.4006	1.4006	X 10 Cr 13	Z 10 C 13	410 S 21	X 12 Cr 13	SUS 410	2302	S41000
	430	X 6 Cr 17	1.4016	1.4016	X 6 Cr 17	Z 8 C 17	430 S 15	X 8 Cr 17	SUS 430	2320	S43000
	420	X 20 Cr 13	1.4021	1.4021	X 20 Cr 13	Z 20 C 13	420 S 37	X 20 Cr 13	SUS 420 J 1	2303	S42000
	420	X 39 Cr 13	1.4031	1.4031	X 40 Cr 13	Z 40 C 14	420 S 45	X 40 Cr 14	SUS 420	2304	S40280
	440 A	X 70 CrMo 15	1.4109	1.4109	X 65 CrMo 14	Z 70 D 14			SUS 440 A		S44002
	440 B	X 90 CrMoV 18	1.4112	1.4112	X 90 CrMoV 18	Z 2 CND 18 05	409 S 19	X CrTi 12	SUS 440 B	2327	S44003
	440 C	X 105 CrMo 17	1.4125	1.4125	X 105 CrMo 17	Z 100 CD 17		X 105 CrMo 17	SUS 440 C		S44004
		X 3 CrNiMo 13 3	1.4313	1.4313	X 5 CrNi 13 4	Z 5 CN 13.4	425 C 11	X 6 CrNi 13 04	SCS 5	2385	J91540
	446	X 18 CrN 28	1.4749	1.4749	X 18 CrN 28	Z 18 C 25				2322	S44600
M1	303	X 10 CrNiS 18 9	1.4305	1.4305	X 10 CrNiS 18 9	Z 10 CNF 18.09	303 S 31	X 10 CrNi 18 09	SUS 303	2346	S30300
M2	302	X 12 CrNi 18 8	1.4300	1.4300	X 12 CrNi 18 8	Z 12 CN 18	302 S 25		SUS 302	2331	S30200
	304, 304 H	X 5 CrNi 18 9	1.4301	1.4301	X 6 CrNi 18 10	Z 6 CN 18.09	304 S 31	X 5 CrNi 18 11	SUS 304	2333	S30400
	304 L	X 2 CrNi 19 11	1.4306	1.4306	X 2 CrNi 19 11	Z 2 CN 18.10	304 S 12	X 3 Cr Ni 18 11	SUS 304 L	2352	S30403
	301	X 9 CrNi 18 8	1.4310	1.4310	X 12 CrNi 17 7	Z 12 CN 17.07	301 S 21	X 12 CrNi 17 07	SUS 301	(2331)	S30100
	316	X 5 CrNiMo 17 12 2	1.4401	1.4401	X 5 CrNiMo 17 12 2	Z 3 CND 17.11.1	316 S 31	X 5 CrNiMo 17 12	SUS 316	2347	S31600
	347	X 6 CrNiNb 18 10	1.4550	1.4550	X 6 CrNiNb 18 10	Z 6 C NNb 18.10	347 S 31	X 6 CrNiNb 18 11	SUS 347	2338	S34700
M3	304 LN	X 2 CrNiN 18 10	1.4311	1.4311	X 2 CrNiN 19 11	Z 2 CN 18 .10Az	304 S 62	X 2 CrNiN 18 11	SUS 304 LN	2371	S30453
	310 S	X 12 CrNi 25 21	1.4335	1.4335	X 12 CrNi 25 21	Z 12 CN 25.20	310 S 24	X 6 CrNi 26 20	SUH 310, SUS 310 S	2361	S31008
	316 LN	X 2 CrNiMoN 17 13 3	1.4429	1.4429	X 2 CrNiMoN 17 13 3	Z 2 CND 17.13 Az	316 S 62	X 2 CrNiMoN 17 13 3	SUS 316 LN	2375	S31653
	316 L	X 2 CrNiMo 18 14 3	1.4435	1.4435	X 2 CrNiMo 18 14 3	Z 2 CND 17.13	316 S 12	X 2 CrNiMo 17 13 2	SCS 16, SUS 316 L	2353	S31603
	317	X 3 CrNiMo 18 12 3	1.4466	1.4466	X 5 CrNi 18 15		317 S 16	X 5 CrNi 18 15	SUS 317	2366	S31700
	X 9 CrNiSiNc 21 11 2	1.4835	1.4893	X 9 CrNiSiNc 21 11 2		310 S 31			2368	S30815	
M4		X 2 CrNiMoSi 19 5	1.4424	1.4417	X 2 CrNiMoSi 19 5	Z 2 CND 18.05.03				2376	S31500
	329	X 3 CrNiMo 27 5 2	1.4460	1.4460	X 4 CrNiMo 27 5 2	Z 3 CND 25.7 Az		X 3 CrNiMo 27 5 2	SUS 329 J 1	2324	S32900
	329 LN	X 2 CrNiMoN 22 5 3	1.4462	1.4462	X 2 CrNiMoN 22 5	Z 2 CND 22.05 Az	332 S 15	X 2 CrNiMoN 22 5		2377	S31803
	904L	X 2 NiCrMoCu 25 20 5	1.4539	1.4539	X 2 NiCrMoCu 25 20 5	Z 2 NCDU 25 20	904 S 13			2562	N08904
M5	F 53	X 2 CrNiMoN 25 7 4	1.4410	1.4410	X 2 CrNiMoN 25 7 4	Z 3 CND 25.07 Az		X 2 CrNiMoN 25 7 4		2328	S32750
		X 1 CrNiMoN 20 18 7	1.4547	1.4529	X 1 CrNiMoN 20 18 7	Z 1 CNDU 20.18.05 Az		X 1 CrNiMoN 20 18 7		2778	S31254
	XM-13	X 6 NiCrTiMoV 25 15	1.4534	1.4534	X 3 CrNiMoAl 13 8 2						S13800
	XM-12		1.4540	1.4540	X 4 CrNiCuNb 16 4	Z 4 C UNb 16.4 M					S15500
	AMS 5528	X 3 CrNiMoAl 13 8 2	1.4568	1.4568	X 7 CrNiAl 17 7	Z 9 CAN 17.7	301 S 81	X 7 CrNiAl 17 7	SUS 631	2388	S17700
		X 1 CrNiMoN 25 22 8	1.4652	1.4652	X 2 CrNiMoN 25 22 7						S32654
		X 10 NiCrAlTi 32 20	1.4876	1.4876	X 10 NiCrAlTi 32 20	Z 10 NC 32.21			NCF 800		N08800
660	X 5 CrNiCuNb 16 4	1.4980	1.4943	X 4 NiCrTi 25 15	Z 6 NCTDU 25.15	HR 51		SUH 660	2570	S66286	

SMG

UNS	U.N.E./ I.H.A.	GOST	Misc. Brands	Condition	Structure
T61202	F.520L	11KHf		Annealed	
T31501	F.5220	9KHVG		Annealed	
T31502		9G2F		Annealed	
G51986	F.5230	SHKH15		Annealed	
T30403	F.5212	KH12		Annealed	
T20811		4KH5MFS		Annealed	
T20813	F.5318	4KH5MF1S		Annealed	
T30102	F.5227	9KH5VF		Annealed	
T20810		3KH3M3F		Annealed	
	F.5213	KH12		Annealed	
		KH12MF		Annealed	
T61206	F.520.S	5KHNM		Annealed	
	F.5613	R6M5K5		Annealed	
T11342		R2AM9K5		Annealed	
T12004		R18K5F2		Annealed	
T11302	F.5603	R6M5		Annealed	
T11307				Annealed	
T12001		R18		Annealed	
S41008		08KH13		Annealed	Ferrite
S41000	F.3401	12KH13, 08KH13		Annealed	Martensite
S43000	F.3113	12KH17		Annealed	Ferrite
S42000	F.5261	20KH13		Annealed	Martensite
S40280	F.3404	40KH13		Annealed	Martensite
S44002				Annealed	Martensite
S44003		95KH18		Annealed	Martensite
S44004		95KH18		Annealed	Martensite
J91540			F6NM	Annealed	Martensite
S44600		15KH28		Annealed	Ferrite
S30300	F.3508	12KH19N9		Annealed	Austenite
S30200		12KH18N9		Annealed	Austenite
S30400	F.3504	08KH18N10		Annealed	Austenite
S30403	F.3504	03KH18N11		Annealed	Austenite
S30100	F.3517	07KH16N6		Annealed	Austenite
S31600	F.3534	08KH17H13M2T		Annealed	Austenite
S34700	F.3524	08KH18N12B		Annealed	Austenite
S30453	F.3541	03KH18N11		Annealed	Austenite
S31008		12KH25N20		Annealed	Austenite
S31653		03KH16N15M3		Annealed	Austenite
S31603	F.3533	03KH17N14M3		Annealed	Austenite
S31700		08KH17H15M3T		Annealed	Austenite
S30815			253 MA	Annealed	Austenite
S31500			3RE60	Annealed	Duplex
S32900				Annealed	Duplex
S31803			SAF 2205	Annealed	Duplex
N08904				Annealed	Super austenite
S32750			SAF 2507	Annealed	Super duplex
S31254			254 SMO	Annealed	Super austenite
S13800			PH13-8Mo	Solution treated	Austenite
S15500			15-5-PH	Solution treated	Martensite
S17700		09KH17N7YU1	17-7-PH	Solution treated	Austenite/ferrite
S32654			654 SMO	Annealed	Super austenite
N08800			Alloy 800	Annealed	Austenite
S66286			A286	Solution treated	Austenite

SMG

SMG	AISI / ASTM	EN	EN-Nr	W-Nr	DIN	AFNOR	BS	UNI	JIS	SS
K1	A48 25 B	EN-GJL-150	0.6150	0.6150	GG-15	Ft 15 D	Grade 150	G15	FC 150	01 15-00
	A48 30 B	EN-GJL-200	0.6200	0.6200	GG-20	Ft 20 D	Grade 220	G20	FC 200	01 20-00
	G 3500	EN-GJL-215			GG-220 HB					02 19
	A48 35 B	EN-GJL-250	0.6250	0.6250	GG-25	Ft 25 D	Grade 260	G25	FC 250	01 25-00
	A48 45 B	EN-GJL-300	0.6300	0.6300	GG-30	Ft 30 D	Grade 300	G30	FC 300	01 30-00
A48 50 B	EN-GJL-350	0.6350	0.6350	GG-35	Ft 35 D	Grade 350	G35	FC 350	01 35-00	
K2	Grade 350	EN-GJV-300			GJV-300					
	Grade 400	EN-GJV-350			GJV-350					
	Grade 400-15	EN-GJV-400			GJV-400					
	Grade 450	EN-GJV-450			GJV-450					
Grade 500	EN-GJV-500			GJV-500						
K3	A220 60004	EN-GJMB-550-4	0.8155		GTS-55-04	P 540/5	P 540/5	P 55-04	PCMP55-04	08 54-00
K4		EN-GJS-350-22	0.7033	0.7033	GGG-35.3	FGS 370-17	Grade 350/22		FCD 350-22L	07 17-15
	60-40-18	EN-GJS-400-15	0.7040	0.7040	GGG-40	FGS 400-12	Grade 420/12	GS 400-12	FCD 400-18L	07 17-02
	60-40-18	EN-GJS-400-18	0.7043	0.7043	GGG-40.3	FGS-370-17	Grade 370/17	GSO 42/17		07 17-12
	A536 80-55-6	EN-GJS-500-7	0.7050	0.7050	GGG-50	FGS 500-7	Grade 500/7	GS 500-7	FCD 500-7	07 27-02
	A476 80-60-03	EN-GJS-600-3	0.7060	0.7060	GGG-60	FGS 600-3	Grade 600/3	GS 600-3	FCD 600-3	07 32-03
A536 100-70-03	EN-GJS-700-2	0.7070	0.7070	GGG-70	FGS 700-2	Grade 700/2	GS 700-2	FCD 700-2	07 37-01	
K5	1600/1300/-	-								
	1050/700/7	EN-GJS-1000-5			GJS-1000-5					
	1200/850/4	EN-GJS-1200-2			GJS-1200-2					
	1400/1100/1	EN-GJS-1400-1			GJS-1400-1					
850/550/10	EN-GJS-800-8			GJS-800-8						
K6	A436 Type 2	EN-GJLA-XNiCr 20-2	0.6660	0.6660	GGL-NiCr 20 2	FGL Ni20 Cr2	Grade F2			05 23-00
	A436 Type 3	EN-GJLA-XNiCr 30-3	0.6676	0.6676	GGL-NiCr 30 3	FGL Ni30 Cr3	Grade F3			
	A436 Type 1	EN-GJLA-XNiCuCr15-6-2	0.6655	0.6655	GGL-NiCuCr 15 6 2	FGL Ni15 Cu6 Cr2	Grade F1			
K7	A439 Type D-5	EN-GJSA-XNi35	0.7683	0.7683	GGG-Ni 35	FGS Ni35				
	A436 Type D-2	EN-GJSA-XNiCr20-2	0.7660	0.7660	GGG-NiCr 20 2	FGS Ni20 Cr2	Grade S2			
	A436 Type D-3	EN-GJSA-XNiCr30-3	0.7676	0.7676	GGG-NiCr 30 3	FGS Ni30 Cr3	Grade S3			
	-	EN-GJSA-XNiMn13-7	0.7652	0.7652	GGG-NiMn 13 7	FGS Ni13 Mn7	Grade S6			07 72-00
A439 Type D-2M	EN-GJSA-XNiMn23-4	0.7673	0.7673	GGG-NiMn 23 4	FGS Ni23 Mn4	Grade S2M				
N1		AW-1050A	Ai99.5	3.0255	Al99.5	A-5/1050A	1B		(A1050)	4007
		AW-3103	AlMn1	3.0515	AlMn1		N3			4054
		AW-3003	AlMn1Cu	3.0517	AlMn1Cu	A-M1/3003			A3003	
		AW-2014	AlCuSiMn	3.1255	AlCuSiMn	A-U4SG/2014	H15			4338
		AW-2011	AlCuBiPb	3.1655	AlCuBiPb	A-U5PbBi/2011	FC1		A2011	4355
	A380	AC-46200	AlSi8Cu3(Si)	3.2161	G-AlSi8Cu3					4251
	B26	AC-42000		3.2341	G-AlSi5Mg	A-S7G	LM25	3599	AC 4C	4244
		AW-6060	AlMgSi0.5	3.3206	AlMgSi0.5	A-GS/6060	(H9)			4103
		AW-6063	AlMgSi0.7	3.3210	AlMgSi0.7	A-GSUC/6061	(H10)		(A6063)	4104,4107
		AW-5005	AlMg1	3.3315	AlMg1	A-G0.6	N41			4106
		AW-7020	AlZn4.5Mg1	3.4335	AlZn4.5Mg1	A-Z5G/7020	H17			4425
		AW-7075		3.4365	AlZnMgCu1.5	A-Z5GU/7075	2L95/2L96		A7075	
	AMS 4442	MN65120	MgSe3Zn2Zr1	3.5103	G-MgSe3Zn2Zr1	ZRE1	MAG6-TE			
	AZ61A	MG-P-63	MgAl6Zn	3.5612	G-MgAl6Zn	G-A6-Z1	MAG-E-121			
AZ80A	MG-P-61	MgAl8Zn	3.5812	G-MgAl8Zn	(G-A7-Z1)					
N2		AW-6082	AlMgSi1	3.2315	AlMgSi1	A-SGM0.7/6082	H30			4212
	B85	AC-43400	AlSi10Mg(Fe)	3.2381	G-AlSi10Mg	A-S10G	LM9			4253
	A413.2	AC-44200	AlSi12	3.2382	GD-AlSi12					
N3	B390.0		AlSi17Cu5						ADC14	
N11	CA952	CC331G		2.0940.01	CuAl10Fe	CuAl10Fe	AB1			5710
	CA955	CC333G		2.0975.01	CuAl10Ni	CuAl10Ni5Fe5	AB2			5716
				2.0872	CuNi10Fe1Mn	CuNi10Fe1Mn	CN102			5667
					CuNi10Zn45					
				2.0790	CuNi18Zn19Pb	CuNi18Zn19Pb1				
	CA937	CW352H		2.1176	CuPb10Sn	CuSn10Pb10	LB2			5640
		CC480K		2.1050.01	CuSn10	CuSn10	CT1			5443
				2.1087	CuSn10Zn					5458
		CW452K	CuSn6	2.1020	CuSn6	CuSn6	PB103		C5191	5428
		CW502L	CuZn15	2.0240	CuZn15	CuZn15	CZ102		CZ300	5112
		CW706R	CuZn28Sn1	2.0470	CuZn28Sn1	CuZn29Sn1				5220
		CW508L	CuZn37	2.0321	CuZn37	CuZn37	CZ108			5150
		CW717R	CuZn38Sn1	2.0530	CuZn38Sn1					
		CW614N	CuZn39Pb3	2.0401	CuZn39Pb3	CuZn39Pb3	CZ121			5170
	CW612N	CuZn40Pb2	2.0402	CuZn40Pb2	CuZn39Pb2	CZ120			5168	
	CW622N	CuZn44Pb2	2.0410	CuZn44Pb2		CZ104			5272	

SMG

UNS	U.N.E./ I.H.A.	GOST	Misc. Brands	Condition	Structure
F11601		Sc 15			Grey cast iron (GCI)
F12101		Sc 20			Grey cast iron (GCI)
					Grey cast iron (GCI)
F12401		Sc 25			Grey cast iron (GCI)
F13101		Sc 30			Grey cast iron (GCI)
F13502		Sc 35			Grey cast iron (GCI)
					Compacted graphite irons (CGI)
					Compacted graphite irons (CGI)
					Compacted graphite irons (CGI)
					Compacted graphite irons (CGI)
					Compacted graphite irons (CGI)
F24130				Tempered	Malleable cast irons (MCI)
					Nodular cast irons (SGI)
F32800	FGE 38-17	Vc 42-12			Nodular cast irons (SGI)
F32800		Vc 42-12			Nodular cast irons (SGI)
F33800	FGE 50-7	Vc 50-2			Nodular cast irons (SGI)
F34100	FGE 60-2	Vc 60-2			Nodular cast irons (SGI)
F34800	FGE 70-2	Vc 70-2			Nodular cast irons (SGI)
ADI grade 5					Austempered cast irons (ADI)
ADI grade 2					Austempered cast irons (ADI)
ADI grade 3					Austempered cast irons (ADI)
ADI grade 4					Austempered cast irons (ADI)
ADI grade 1					Austempered cast irons (ADI)
F41002			Ni-Resist 2		Austenitic lamellar cast irons
F41004			Ni-Resist 3		Austenitic lamellar cast irons
F41000			Ni-Resist 1		Austenitic lamellar cast irons
F43006			Ni-Resist D-5		Austenitic nodular cast irons
F43000			Ni-Resist D-2		Austenitic nodular cast irons
F43003			Ni-Resist D-3		Austenitic nodular cast irons
-			Nodumag		Austenitic nodular cast irons
F43010			Ni-Resist D-2M		Austenitic nodular cast irons
AA1050A					
AA3103					
AA3003					
AA2014					
AA2011					
A13800					
AA6060					
AA6005					
AA5005					
AA7020					
AA7075					
M12330					
M11600					
AA6082					
A13600					
C95200		BrA9ZH3L			
C95500		BrA10ZH4N4L			
C70600					
C76300					
C93700					
C90700					
C90500					
C51900		BrOF6.5-0.15			
C23000		L90			
C44300		LOMsh70-1-0.05			
C27200					
C46400		LO60-1			
C38500					
C37800					
C68700		LAMsh77-2-0.05			

SMG

SMG	AISI / ASTM	EN	EN-Nr	W-Nr	DIN	AFNOR	BS	UNI	JIS	SS
S1										
S2										
S3		NiMo30		2.4810						
		NiMo16Cr15W		2.4819						
		NiCr19Fe19Nb5Mo3		2.4668						
				2.4669						
		NiCr20TiAl		2.4631						
		NiCr19Co18Mo4Ti3Al3								
	NiCr20Co13Mo4Ti3Al		2.4654							
S11				3.7024						
	AMS 4919									
S12	AMS 4943									
	AMS 4920, Grd 5	TiAl6V4		3.7164						
S13	AMS 4986				TiV10Fe2Al3					
H3	5115	16 MnCr 5	1.7131	1.7131	16 MnCr 5	16 MC 5	527 M 17	16 MnCr 5	SCR 415	2511
H5	4142, 4140	42 CrMo 4	1.7225	1.1201	42 CrMo 4	42 CD 4	708 M40	42 CrMo 4	SCM 440 (H)	2244
	1070	C 67S	1.1231	1.1231	Ck 67	XC 68	060 A 67	C 70		1770
	1078, 1080	C 75S	1.1248	1.1248	Ck 75	XC 75	060 A 78	C 75		1774, 1778
	1095	C 100S	1.1274	1.1274	Ck 101		060 A 96		SUP 4	1870
	W 1	C 105U	1.1545	1.1545	C 105 W1	Y1 105			C 100 KU	1880
	S1			1.2550		60 WCV 7	55 WC 20		55 WCV 8 KU	
	5155	55 Cr 3	1.7176	1.7176	55 Cr 3	55 C 3	527 A 60	55 Cr 3	SUP 9 (A)	2253
H7	L2	107 CrV 3	1.2210	1.2210	115 CrV 3	100 C 3			107 CrV 3 KU	
	O1			1.2510		100 MnCrW 4	90 MWCV 5	BO 1	95 MnWCr 5 KU	SKS 3
	O2	90 MnCrV 8	1.2842	1.2842	90 MnCrV 8	90 MV 8		BO 2	90 MnVCr 8 KU	
	52100	100 Cr 6	1.3505	1.3505	100 Cr 6	100 C 6	534 A 99	100 Cr 6	SUJ 2	2258
H8	H13	X 40 CrMoV 5 1	1.2344	1.2344	X 40 CrMoV 5 1	Z 40 CDV 5	BH 13	X 40 CrMo 5 1 1 KU	SKD 61	2242
	A2	X 100 CrMoV 5	1.2363	1.2363	X 100 CrMoV 5 1	Z 100 CDV 5	BA 2	X 100 CrMoV 5 1 KU	SKD 12	2260
	D2	X 155 CrVMo 12 1		1.2379	X 155 CrVMo 12 1	Z 160 CDV 12	BD 2	X 155 CrVMo 12 1 KU	SKD 11	
				1.2436		X 210 CrW 12			X 215 CrW 12 1 KU	SKD 2
				1.2601		X 165 CrMoV 12			X 165 CrMoW 12 KU	
				1.2713		55 NiCrMoV 6	55 NCDV 7			SKT 4
	M35	HS 6-5-2-5	1.3243	1.3243	S 6-5-2-5	Z 85 WDKCV 06-05-05-04-02			HS 6-5-2-5	SKH 55
M42	HS 2-10-1-8	1.3247	1.3247	S 2-10-1-8	Z 110 DKCWV 09-08-04	BM 42	HS 2-9-1-8	SKH 51		
M2	HS 6-5-2	1.3343	1.3343	S 6-5-2	Z 85 WDCV 06-05-04-0	BM 2	HS 6-5-2	SKH 9, SKH 51	2722	
T1	HS 18-0-1	1.3355	1.3355	S 18-0-1	Z 80 WCV 18-04-01	BT 1	HS 18-0-1	SKH 2		
H11	420	X 20 Cr 13	1.4021	1.4021	X 20 Cr 13	Z 20 C 13	420 S 37	X 20 Cr 13	SUS 420 J 1	2303
	440 A	X 70 CrMo 15	1.4109	1.4109	X 65 CrMo 14	Z 70 D 14			SUS 440 A	
	440 B	X 90 CrMoV 18	1.4112	1.4112	X 90 CrMoV 18	Z 2 CND 18 05	409 S 19	X CrTi 12	SUS 440 B	2327
	440 C	X 105 CrMo 17	1.4125	1.4125	X 105 CrMo 17	Z 100 CD 17		X 105 CrMo 17	SUS 440 C	
H12	XM-13	X 3 CrNiMoAl 13 8 2	1.4534	1.4534	X 3 CrNiMoAl 13 8 2					
	630	X 5 CrNiCuNb 16 4	1.4548	1.4542	X 5 CrNiCuNb 17 4	Z 6 CNU 17.4			SCS 24, SUS 630	
	AMS 5528	X 7 CrNiAl 17 7	1.4568	1.4568	X 7 CrNiAl 17 7	Z 9 CAN 17.7	301 S 81	X 7 CrNiAl 17 7	SUS 631	2388
	660	X 6 NiCrTiMoV 25 15	1.4980	1.4943	X 4 NiCrTi 25 15	Z 6 NCTDV 25.15	HR 51		SUH 660	2570
H21	A128 Grade A	X 120 Mn 12	1.3401	1.3401	X 120 Mn 12	Z 120 M 12	BW 10		SC MnH 1	2183
H31	A532 IB (NiCr-LC)	EN-GJN-HV520	0.9620	G-X330 NiCr 4 2	FB Ni4 Cr2 BC	Grade 2 A	Grade 2 A			05 12-00
	A532 IA (NiCr-HC)	EN-GJN-HV550	0.9625	G-X260 NiCr 4 2	FB Ni4 Cr2 HC	Grade 2 B	Grade 2 B			05 13-00
	A532 ID (Ni-HiCr)	EN-GJN-HV600(XCr11)	0.9630	G-X300 CrNiSi 9 5 2	FB Cr9 Ni5	Grade 2 C, D, E	Grade 2 C, D, E			04 57-00

SMG

UNS	U.N.E./ I.H.A.	GOST	Misc. Brands	Condition	Structure
			Discalloy	Precipitation hardened	
			Haynes 25		
			Stellite 21		
			Stellite 31		
N10002			Hastelloy C		
N10276		KHN65MV	Hastelloy C-276		
			IN 100		
N07718			Inconel 718		
N07750			Inconel X-750	Solution treated	
N07080			Nimonic 80A		
			René 41		
N07500			Udimet 500		
N07001			Waspalloy		
			Ti	Commercially pure	Ti (α)
R54620			Ti 6-2-4-2	Annealed	Ti (α)
R56320			Ti 3Al-2.5V (grd 9)	Annealed	Ti ($\alpha+\beta$)
R56400		VT6	Ti 6Al-4V	Annealed	Ti ($\alpha+\beta$)
			Ti 10V-2Fe-3Al	Annealed	Ti (β)
G51170	F.1516	12KHN2		Case hardened	
G41400	F.1252	38HM		Quenched & Tempered	
G10700	F.5103	70		Quenched & Tempered	
G10780	F.5107	75		Quenched & Tempered	
G10950	F.5117			Quenched & Tempered	
	F.5118	U10A		Quenched & Tempered	
		5KHV2SF		Quenched & Tempered	
G51550				Quenched & Tempered	
T61202	F.520L	11KHF		Quenched & Tempered	
T31501	F.5220	9KHVG		Quenched & Tempered	
T31502		9G2F		Quenched & Tempered	
G51986	F.5230	SHKH15		Quenched & Tempered	
T20813	F.5318	4KH5MF1S		Quenched & Tempered	
T30102	F.5227	9KH5VF		Quenched & Tempered	
T30402	F.5211	KH12MF		Quenched & Tempered	
	F.5213	KH12		Quenched & Tempered	
		KH12MF		Quenched & Tempered	
T61206	F.520.S	5KHNM		Quenched & Tempered	
	F.5613	R6M5K5		Quenched & Tempered	
T11342		R2AM9K5		Quenched & Tempered	
T11302	F.5603	R6M5		Quenched & Tempered	
T12001		R18		Quenched & Tempered	
S42000	F.5261	20KH13		Quenched & Tempered	Martensite
S44002				Quenched & Tempered	Martensite
S44003		95KH18		Quenched & Tempered	Martensite
S44004		95KH18		Quenched & Tempered	Martensite
S13800			PH13-8Mo	Precipitation hardened	Martensite
S17400			17-4-PH	Precipitation hardened	Martensite
S17700		09KH17N7YU1	17-7-PH	Precipitation hardened	Austenite/ferrite
S66286			A286	Precipitation hardened	Austenite
F45001			Ni-Hard 2		White cast iron
F45000			Ni-Hard 1		White cast iron
F45003			Ni-Hard 4		White cast iron

This work is published with the understanding that Seco Tools and its editors are supplying information aimed to present a general orientation and direction of metal cutting and related sciences. If professional services are required for specific applications, the assistance of an appropriate professional should be acquired.

The information is provided “as is”;

Seco Tools and its editors disclaim all representations and warranties, express or implied, of any kind, including, without limitations, any warranties of merchantability, fitness for a particular purpose, title, or non-infringement. In no event will Seco Tools or its editors be liable to any party for any direct, indirect, special or other consequential damages for any use of the information, even if Seco Tools or its editors are advised of the possibility of such damage.

The information provided herein is for reference purposes only. Actual prices, specifications, and product descriptions are finalized at the time of sale and may vary by location. The information provided herein is subject to change without prior notice.

To find an Authorized Seco Distributor
please visit SECOLocator.COM

For more info on Seco Tools visit
SECOTOOLS.COM/US

P-1601-6500 GT16-501
Copyright © 2016 Seco Tools, LLC
Printed in USA. All rights reserved.

NORTH AMERICAN HEADQUARTERS
2805 Bellingham Drive
Troy, MI 48083
248-528-5220

For technical assistance call
1-800-832-8326

Technical specifications are subject to
change without notice.