

6150 Battery Power Sweeper



PARTS LIST

**American-Lincoln Model: 576-502, 576-502CE
After Serial Number 630950**

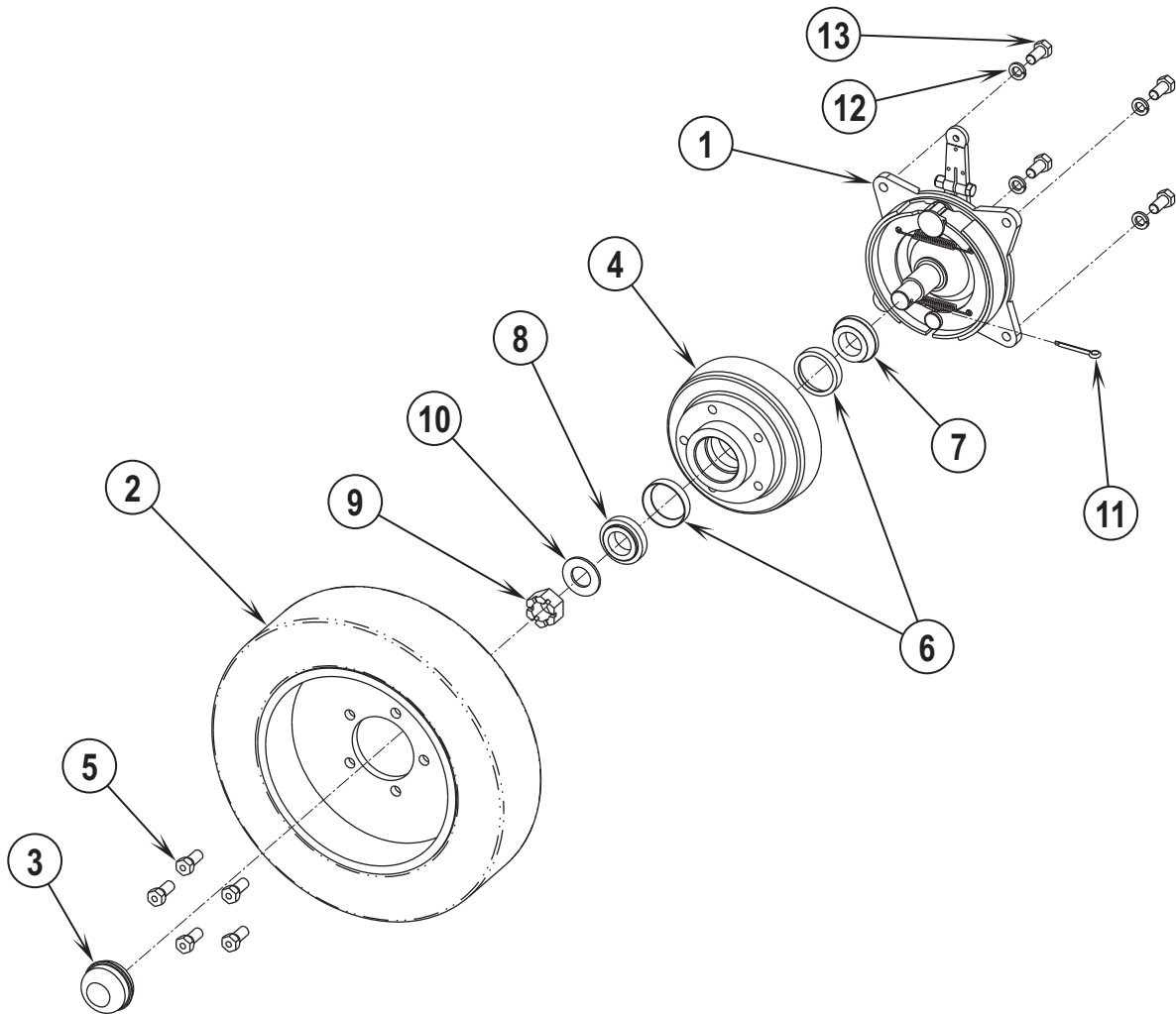
American-Lincoln®

DESCRIPTION	Page
Front Wheel.....	3
Rear Wheel.....	4
Vac Fan.....	6
Broom Door.....	8
Flap Assembly (Wheel Well).....	10
Main Broom Lever.....	12
Main Broom Idler.....	13
Main Broom Driver.....	14
Main Broom Lift Frame.....	15
Side Broom Assembly.....	16
Side Broom Lift System.....	18
Side Broom Lever.....	20
Broom Chamber Flaps And Seals.....	22
Brake Pedal.....	24
Filter Shaker.....	26
Seat Compartment.....	28
Steering Column.....	30
Front Bumper.....	32
Hydraulic Oil Cooler.....	33
Valve - Control And Relief.....	34
Forward/Reverse Control.....	36
Reservoir.....	38
Hopper Assembly.....	40
Hopper Covers & Gasket Assembly.....	42
Hopper Lift.....	44
Hopper Sides.....	45
Dump Door.....	46
Safety Arm.....	48
Hydraulic Filter.....	49
Front Cover.....	50
Access Cover.....	52
Battery Assembly.....	53
Battery Compartment (Left Side).....	54
Motor Pump Electrical Assembly.....	56
Hydraulic Hose Diagram.....	58
Electrical Assembly (Lights & Horn).....	60
Machine Harness Connections.....	61
Electrical Harness Routing.....	62
Instrument Housing.....	64
Instrument Panel.....	66
Power Panel.....	68
Decals.....	70
Decals (Con't).....	72
Power Panel Connection Diagram.....	74
#2 Motor Power Panel Connection Diagram.....	75
CE - Kit.....	76
Electrical Schematic.....	77
Hydraulic Schematic.....	78

WHEN ORDERING PARTS

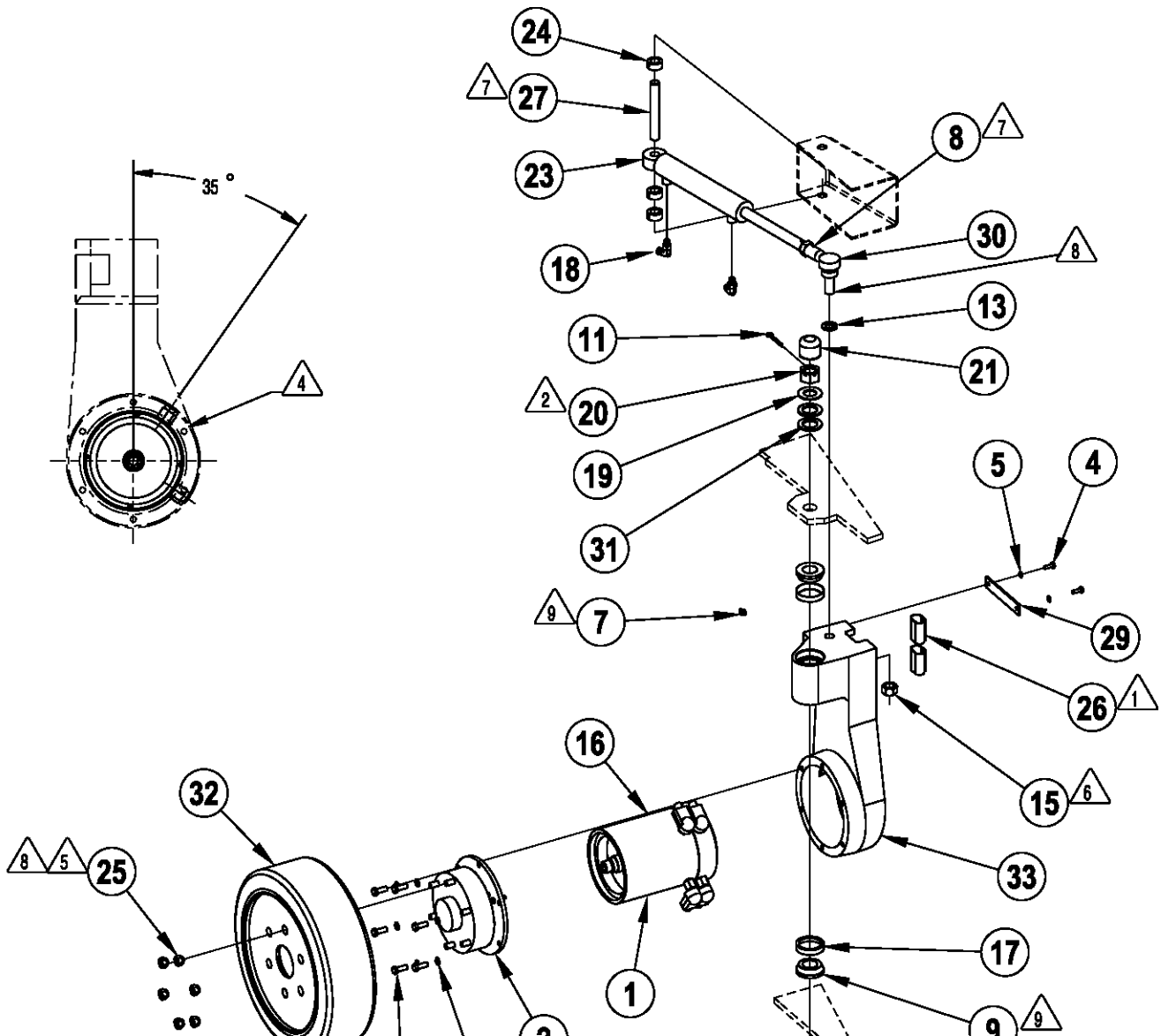
- * Use the numbers from the "Ref. No." columns in this parts list.
- * Specify the model and serial number of the machine.
- * Use the space below to record the model and serial number for future reference.








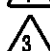


Model _____ Serial No. _____



Item	Ref. No.	Qty	Description
1#	0860-703	2	Axle / Shaft Assy
2	8-89-08079	2	Wheel Molded
3	8-11-00030	2	Grease Cap
4	8-33-09089	2	Hub and Drum
5	8-80-05035	10	Stud
6	2-00-04621	4	Bearing Cup
7	2-00-02079	2	Bearing Cone (Sealed)
8	2-00-04622	2	Bearing Cone
9	2-00-05026	2	Nut
10#	2-00-05024	2	Washer
11	2-00-02436	2	Cotter Pin
12#	2-00-02312	8	Lock Washer, 1/2 HS Med.
13#	2-00-02689	8	Screw, 1/2-20 x 1.000 HHC

= Revised or new since last update

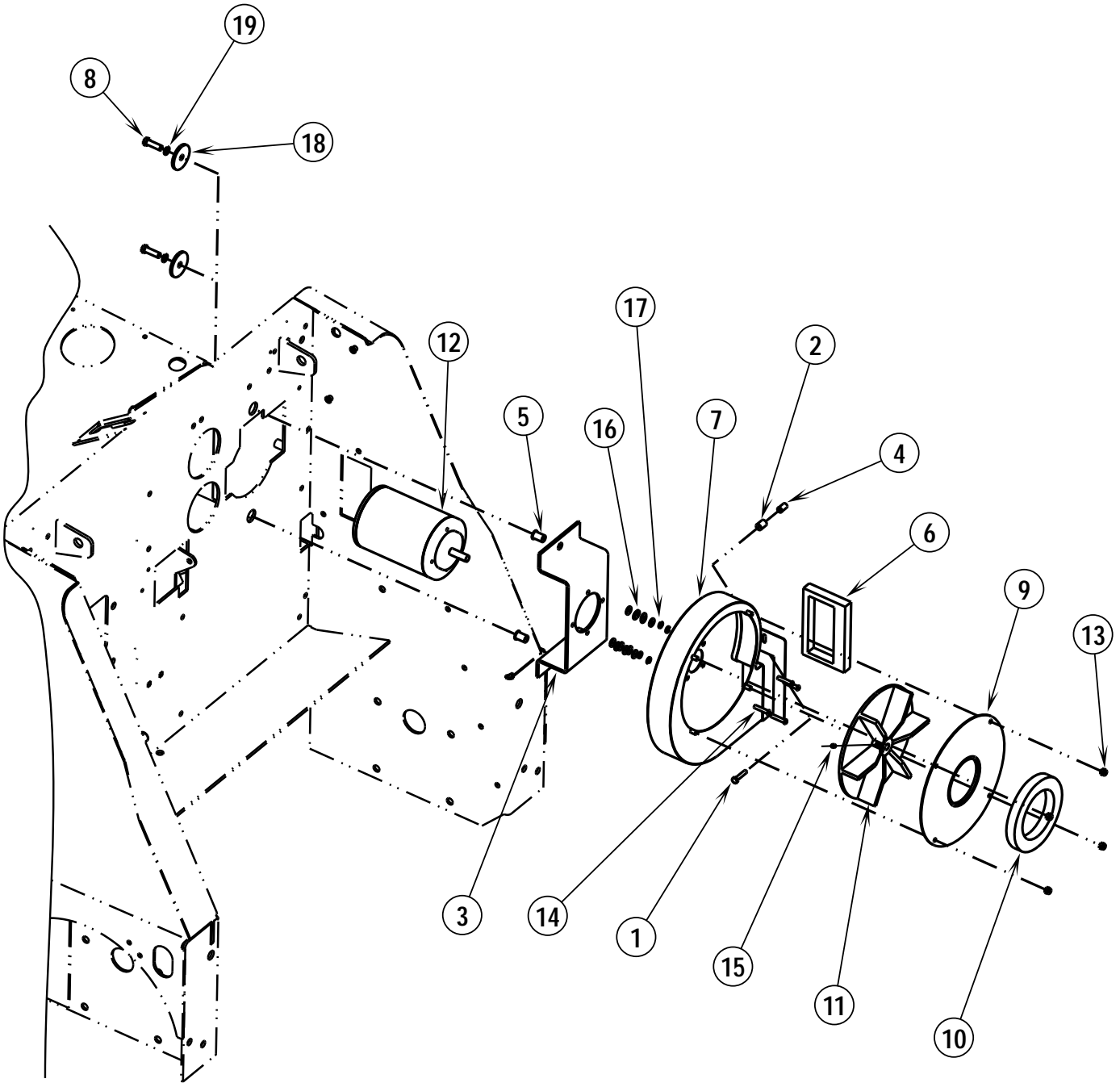


-  - APPLY LOCTITE 272.
-  - APPLY GREASE.
-  - APPLY LOCTITE 242.
-  - APPLY ANTI-SEIZE.
-  - TORQUE TO 100 FT-LBS.
-  - TORQUE TO 75-95 FT-LBS.
-  - LOCATE MOTOR SO WIRE STUDS ARE ORIENTATED FROM CENTERLINE (AS SHOWN)
-  - TIGHTEN AFTER CASTLE NUT(2-00-05026) HAS BEEN TORQUED.
-  - TORQUE TO 70 FT-LBS THEN TIGHTEN TO FIRST NOTCH ON CASTLE NUT.
-  - WRAP AROUND MOTOR LEADS AND SECURE TOP AND BOTTOM WITH WIRE TIES. THEN, SECURE TO 8-65-00045 WITH CRISSCROSSED WIRE TIES.

06-5	REAR WHEEL			
08-7	6150 Battery			5

Item	Ref. No.	Qty	Description
1#	0882-063	1	Motor-Wheel Drive (36 VDC)
2#	0885-093	1	Wheel Drive Assy
3#	2-00-00208	2	Screw, 5/16-18 X .750 HHC
4#	2-00-00221	2	Bolt-Hex Head, Finished, 1/4-20x3/4 LG
5#	2-00-00518	2	Washer, Lock, 1/4" Helical Spring
6#	2-00-00530	2	5/16" Lock Washer
7#	2-00-00566	1	Fitting, Lubrication, Straight, 1/8 NPT
8#	2-00-00618	1	Nut, Jam 3/8-16
9#	2-00-02079	2	Bearing Cone W/ Seal
10#	2-00-02310	6	Washer-Lock, 3/8", Helical Spring
11#	2-00-02436	1	Pin, Cotter
12#	2-00-02606	6	Screw-HHC .375-24 X 1.00 GR5 Z
13#	2-00-03170	1	Washer-Flat (1.5OD X .75ID X .13
14#	2-00-03335	2	Screw, SHCS 5/16-18 X .50
15#	2-00-04156	1	Nut-Ins-Fibre .75-16
16#	2-00-04203	4	Rubber Terminal Boot
17#	2-00-04621	2	Bearing Cup (Cup Only)
18#	2-00-04892	2	Fitting-90° Elbow (O-Ring)
19#	2-00-05024	1	Washer-Flat
20#	2-00-05026	1	1" X 14 Slotted Nut
21#	7-11-00048	1	Cap, 7/8 Hex Nut
22#	7-13-07176	1	Clamp-Pivot Pin
23#	7-17-05017	1	Cylinder, Hydraulic
	7-70-00021	1	Cylinder Seal Kit (service)
24#	8-15-01032	3	Collar W/Set Scr 1.250OD X .768 ID
25#	8-23-03073	6	Nut, Wheel
26#	8-30-05175	2	Guard, Hose
27#	8-55-08128	1	Pin, Steering Cyl. Pivot
28#	8-55-08131	1	Pin-Pivot (Rear Wheel)
29#	8-65-00045	1	Retainer, Hydraulic Hose
30#	8-66-00149	1	Rod End
31#	8-75-01136	2	Washer, 1 1/4" (Thrust)
32#	8-89-08077	1	Wheel, Drive
33#	8-92-00042	1	Wheel, Drive Yoke 6150 B

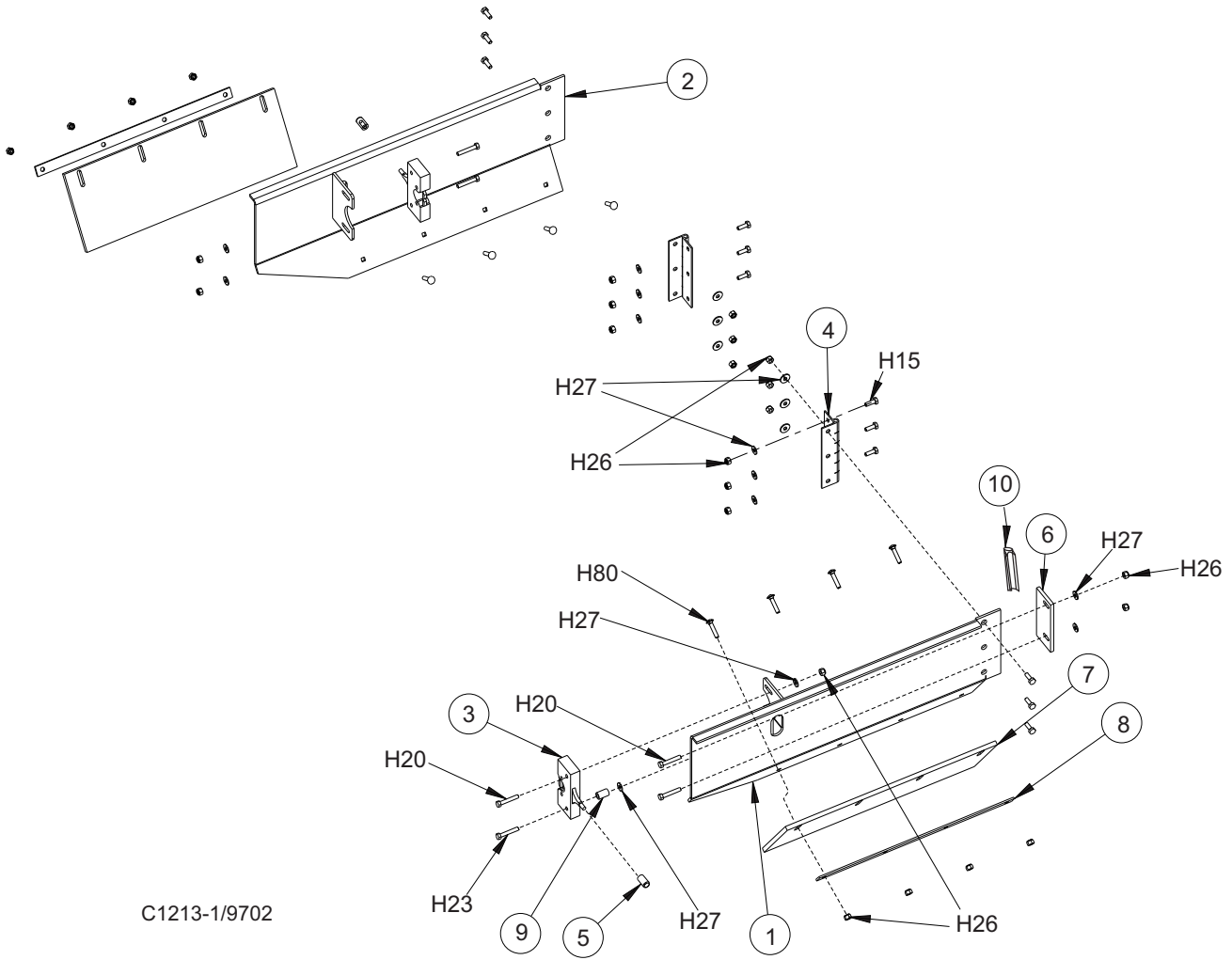
= Revised or new since last update



06-5	VAC FAN		
08-7	6150 Battery		7

Item	Ref. No.	Qty	Description
1#	56001878	1	Scr, Hex 1/4-20 X 1.25
2#	56109263	1	Spacer
3#	56109272	1	Bracket - Vac Fan
4#	2-00-05261	1	Nutsert, 1/4-20
5#	2-00-05347	2	Threaded Insert 3/8-16
6#	8-29-00230-1	1	Gasket
7#	8-72-00005-1	1	Shroud, Vac Fan
8#	2-00-00209	2	Bolt, Hex Head, 3/8-16 X 1 1/4 SS
9#	8-30-05169	1	Weldment-Guard Plate
10#	8-29-00183	1	Gasket - Blower
11#	8-23-00013	1	Impellor
12#	0882-062	1	Motor-Impellor
13#	2-00-00641	4	Nut, Fiber Insert 1/4-20
14#	2-00-00060	4	Screw RHM .25-20 x 1.25 Zn
15#	2-00-00264	2	Setscrew-Hs Knurled Cup Pt. 1/4-20 x 5/16
16#	2-00-03702	12	Washer, .625 x .281 x .063
17#	2-00-00518	4	Washer, Lock, 1/4" Helical Spring
18#	2-95-04689	2	Washer-Axle
19#	2-00-02310	2	Washer-Lock, 3/8", Helical Spring

= Revised or new since last update

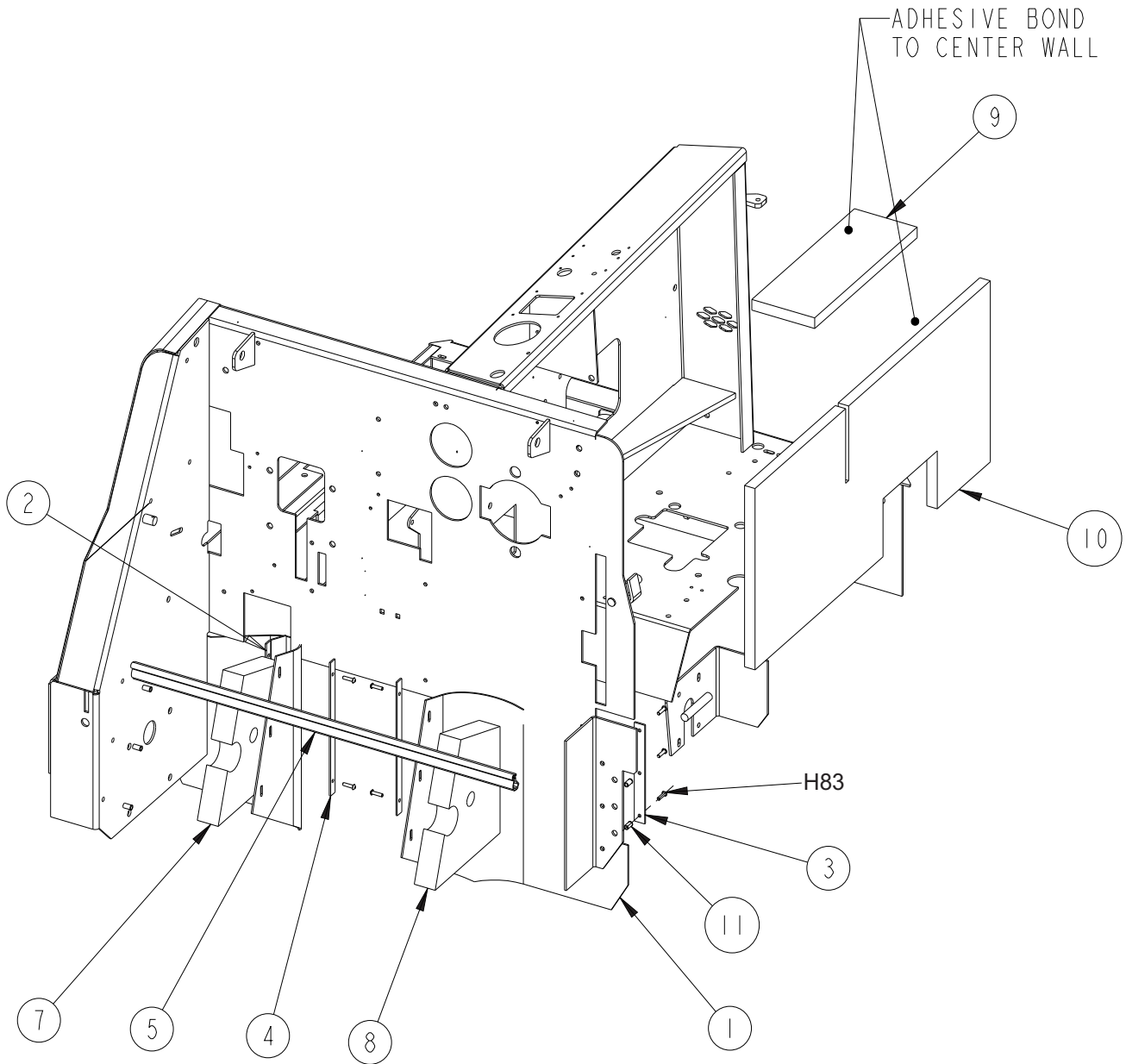


C1213-1/9702

Item	Ref. No.	Qty	Description
1	8-19-08068	1	Broom Door Weldment, Right
2	8-19-08067	1	Broom Door Weldment, Left
3	8-41-00052	2	Latch
4	8-32-00044	2	Hinge
5	8-39-00015	2	Latch Knob, Broom Door
6	8-58-05271	1	Plate, Idler Retainer
7	8-25-08212	2	Flap
8	8-13-07145	2	Clamp
9	8-75-01199	1	Spacer, Broom Door Latch
10	8-29-00232	1	Gasket

HARDWARE USED:

H15	2-00-00221	12	Screw, 1/4-20 x .750 HHC
H20	2-00-00203	6	Screw, 1/4-20 x 1.500 HHC
H23	2-00-01980	1	Screw, 1/4-20 x 1.500 HHC
H26	2-00-00641	14	Nut, 1/4-20 Insert Fiber
H27	2-00-03702	14	Washer, .625 x .281 x .063
H80	2-00-02196	8	Carriage Bolt, 1/4-20 x 1.000 RHM
H116	2-00-01951	8	Carriage Bolt, 1/4-20 x 1.250



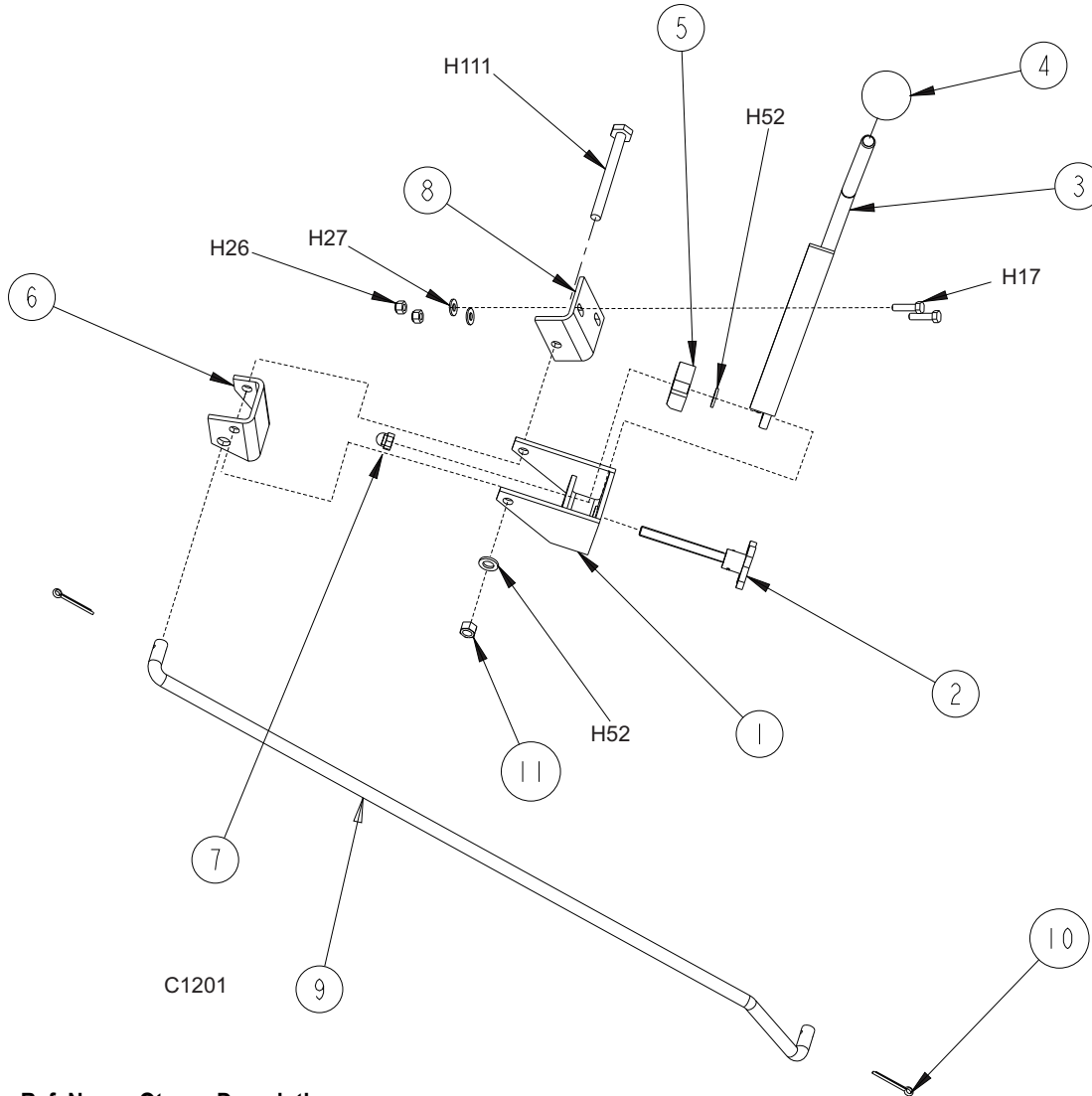
C-1227

Item	Ref. No.	Qty	Description
1	8-25-08211	2	Flap, Wheel Well
2	8-13-07142	2	Clamp, Wheel Well Flap (Front)
3	8-13-07148	2	Clamp, Wheel Well Flap (Rear)
4	8-13-07147	2	Clamp, Wheel Well Flap (Front)
5	8-68-05090	1	Seal, Broom Chamber/Dump Door
6	2-00-05261	1	Threaded Insert
7	8-68-05088	1	Seal, Wheel Well (Right)
8	8-68-05089	1	Seal, Wheel Well (Left)
9*	8-34-09028	1	Insulation, Top
10*	8-34-09029	1	Insulation, Side
11	2-00-05261	12	Threaded Insert, 1/4-20

HARDWARE USED:

H83	2-00-04877	12	Screw, 1/4-20 x 1.000 BHS
-----	------------	----	---------------------------

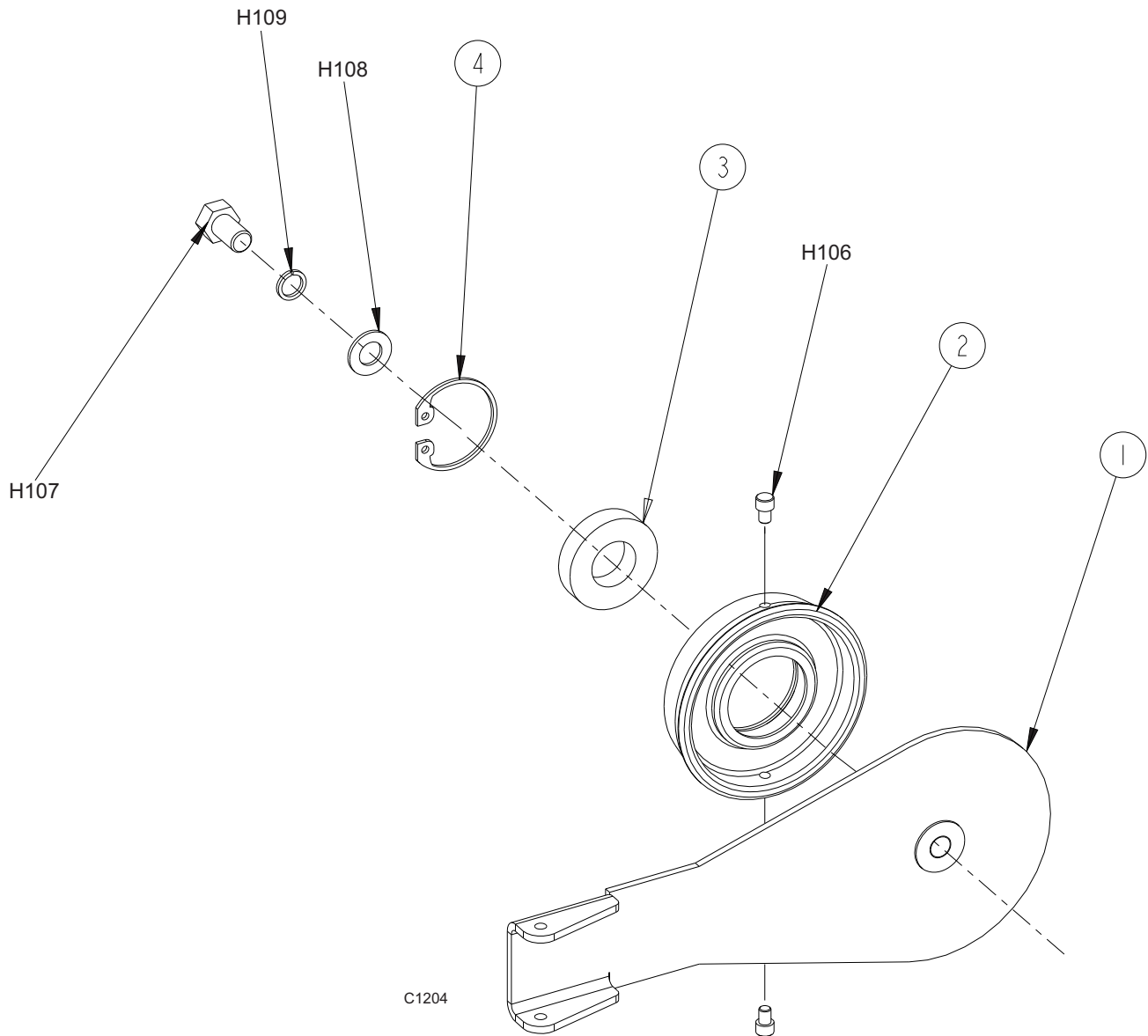
* Use on Gas/LP & Diesel Machines Only



Item	Ref. No.	Qty	Description
1	8-08-00773	1	Lift Weldment, Main Broom/Side Broom
2	8-39-00013	1	Knob Assembly
3	8-66-00166	1	Lever Handle
4	8-39-00003	1	Small Control Knob
5	8-50-03002	1	Broom Adjustment Block
6	8-08-00831	1	Main Broom Adjustment Angle
7	2-00-00650	1	Nut, Low Crown, 3/8-16
8	8-08-00779	1	Pivot, Main Broom Lift
9	8-66-00180	1	Rod, Main Broom Linkage
10	2-00-00776	2	Cotter Pin
11	2-95-04182	1	Nut, Elastic Stop

HARDWARE USED:

H17	2-00-00205	2	Screw, 1/4-20 x 1.000 HHC
H26	2-00-00641	2	Nut, 1/4-20 Insert Fiber
H27	2-00-03702	2	Washer, .625 x .281 x .063
H52	2-00-00402	1	Flat Washer, .750 x .390 x .094
H111	2-00-03296	1	Screw, 3/8-16 x 4.000 HHC

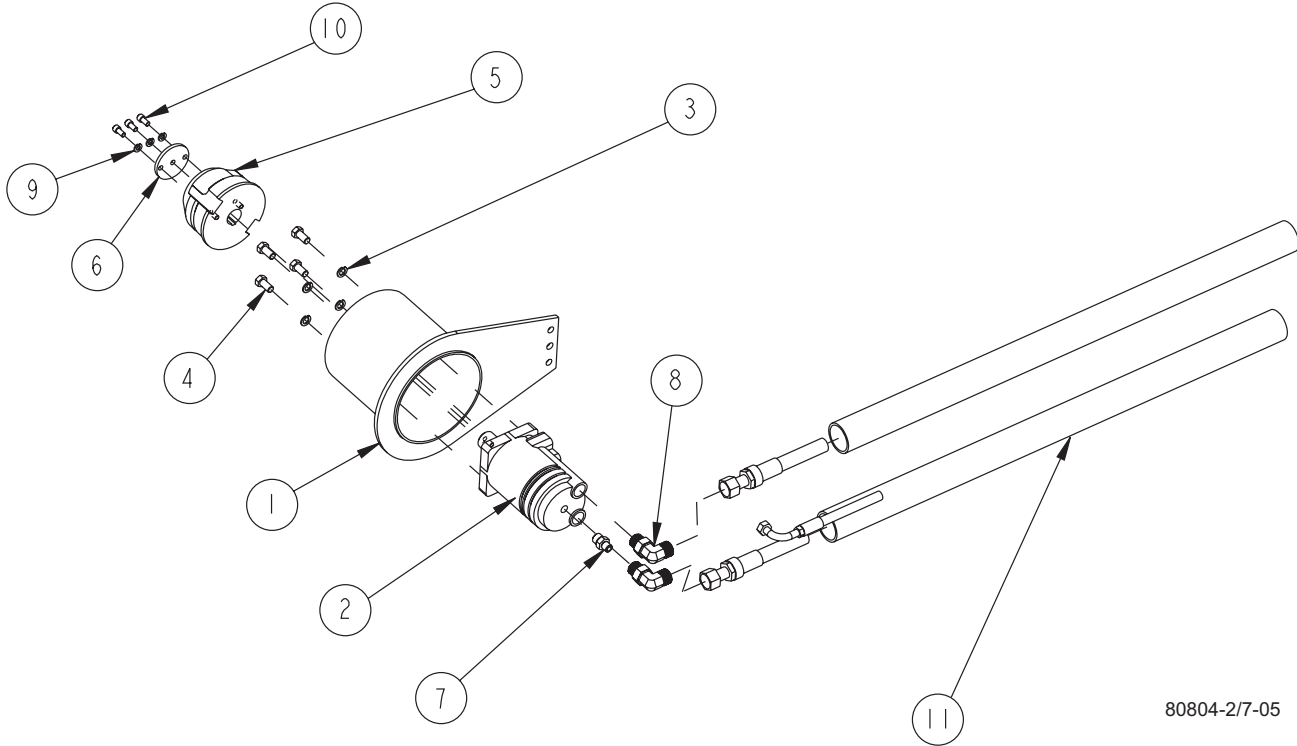


Item	Ref. No.	Qty	Description
1#	8-16-00064	1	Broom Idler Arm Weldment
2	8-33-09090	1	Idler, Machined
3	2-00-04889	1	Bearing
4	2-00-04890	1	Retainer Clip

HARDWARE USED:

H106	2-00-04886	2	Screw, 3/8-16 x .500 HSHC
H107	2-00-04887	1	Screw
H108#	8-75-01157	1	Thrust Washer
H109	2-00-00522	1	Lock Washer, 3/4 Helical Spring

C-1204

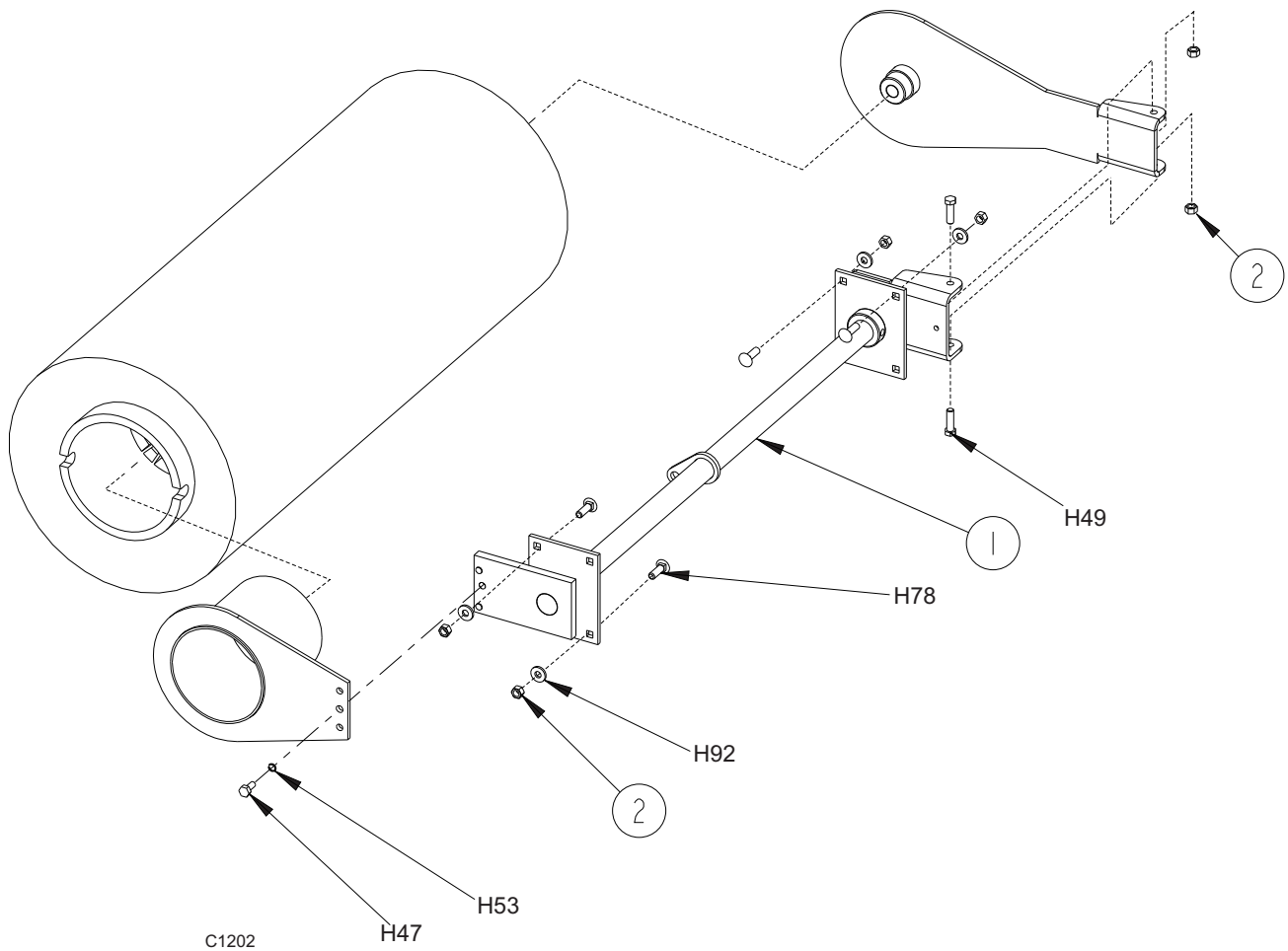


80804-2/7-05

Item	Ref. No.	Qty	Description
1	8-16-00041	1	Driver, Broom Arm
2#	0882-037	1	Motor, Hydraulic
3	2-00-02310	4	Lock Washer, 3/8 Helical Spring
4	2-00-00232	4	Bolt, 3/8-16 x .75 Fin. Hex Head
5	8-33-09046-1	1	Hub, Broom Driver
6	8-58-05160	1	Lock Plate, Broom Driver
7	2-00-04895	1	Fitting, Straight Connector
8	2-00-04885	2	Fitting, 90° Elbow (O-Ring)
9	2-00-00518	3	Lock Washer, 1/4 Helical Spring
10	2-00-03039	3	Set Screw, 1/4-20 x .625 HSHC
11	8-72-03018	2	Sleeve, Hydraulic Hose

= Revised or new since last update

80804-2/7-05



Item	Ref. No.	Qty	Description
1	8-03-04316	1	Main Broom Lift Frame
2	2-95-04182	6	Nut, Elastic Stop

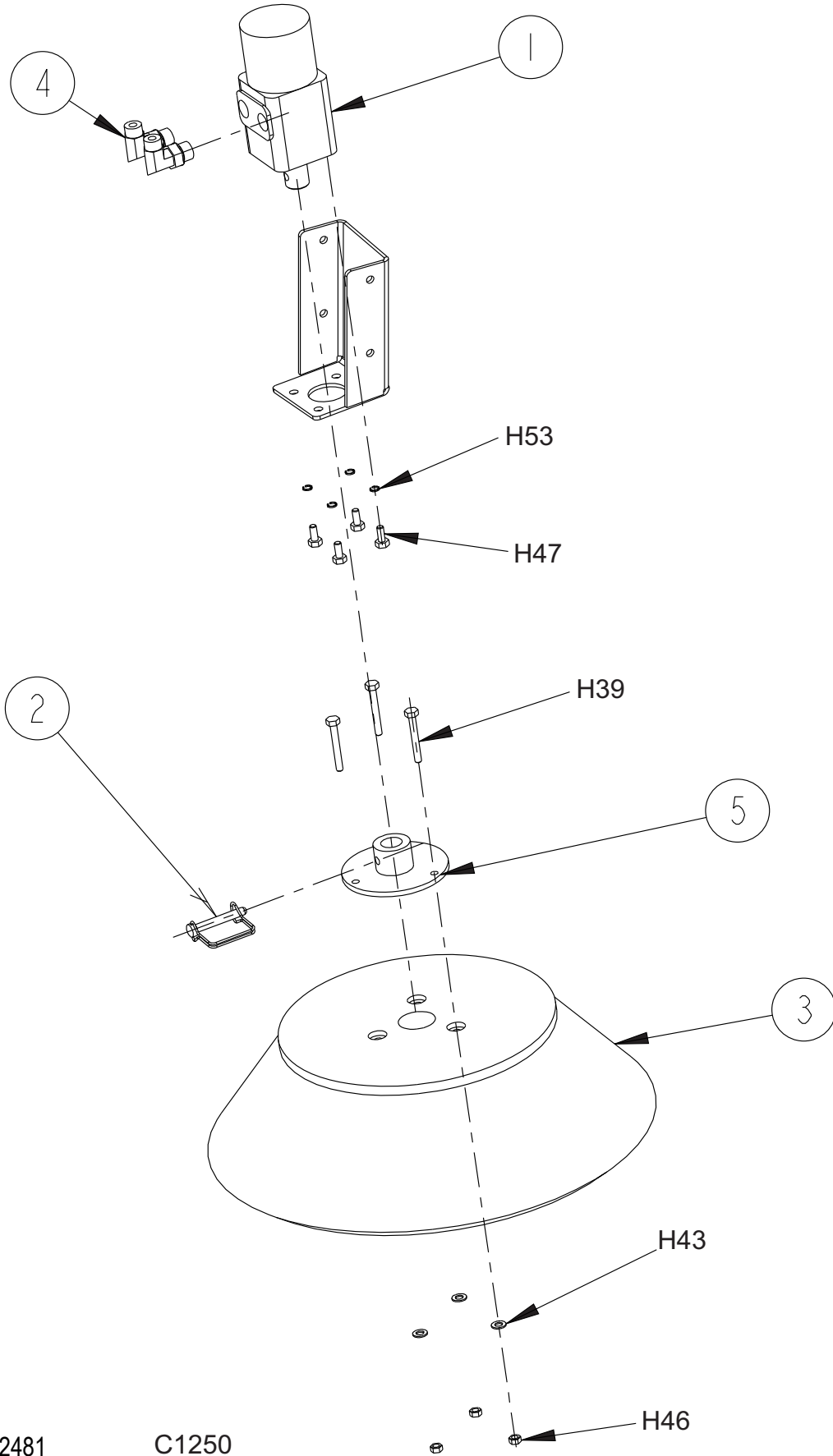
HARDWARE USED:

H47	2-00-00232	1	Screw, 3/8-16 x .750 HHC
H49	2-00-00209	2	Screw, 3/8-16 x 1.250 HHC
H53	2-00-02310	1	Lock Washer, Helical Spring 3/8 Med.
H78	2-00-05187	4	Carriage Bolt, 3/8-16 x 1.250
H92	2-00-04801	4	Flat Washer, .875 x .375 x .125

Main Broom Options

N/S	8-08-03224	Ref.	Proex
N/A	8-08-03225	Ref.	Proex and Wire Main Broom
N/S	8-08-03226	Ref.	Nylon
N/S	8-08-03227	Ref.	Nylon, High Density Main Broom
N/S	8-08-03228	Ref.	Fiber and Wire High Density Main Broom

C-1202



Item	Ref. No.	Qty	Description
1	0882-050	1	Side Broom Motor
2	8-55-08122	1	Pin, Side Broom Flange
3	8-08-03211	1	Side Broom
4	2-00-04921	2	Fitting
5	8-33-09091	1	Hub, Side Broom Weldment

HARDWARE USED:

H43	2-00-00409	3	Flat Washer, .687 x .344 x .062
H46	2-00-00644	3	Nut, 5/16-18, Insert Fiber
H47	2-00-00232	4	Screw, 3/8-16 x .750 HHC
H53	2-00-02310	4	Lock Washer, Helical Spring 3/8 Med.
H84	2-00-00228	3	Screw, 5/16-18 x 2.250 HHC

Side Broom Options

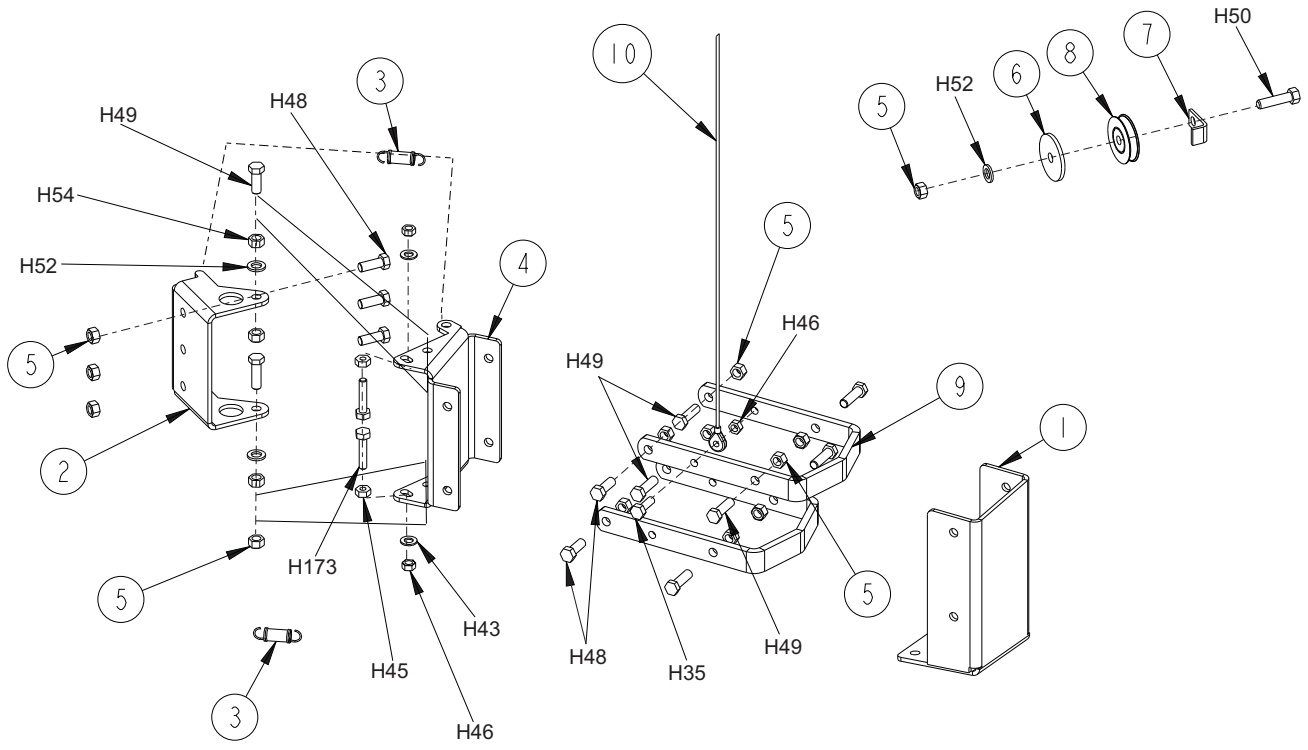
N/S	8-08-03212	Ref.	Black Prolene Side Broom
N/S	8-08-03211	Ref.	Nylon Side Broom

0880-439

Wire Bristle Side Broom Option

N/S	8-08-03199	1	Wire Side Broom
N/S	8-58-05248	1	Plate
N/S	2-00-04121	3	Screw #10 - 13 x .750 RHW

C-1250



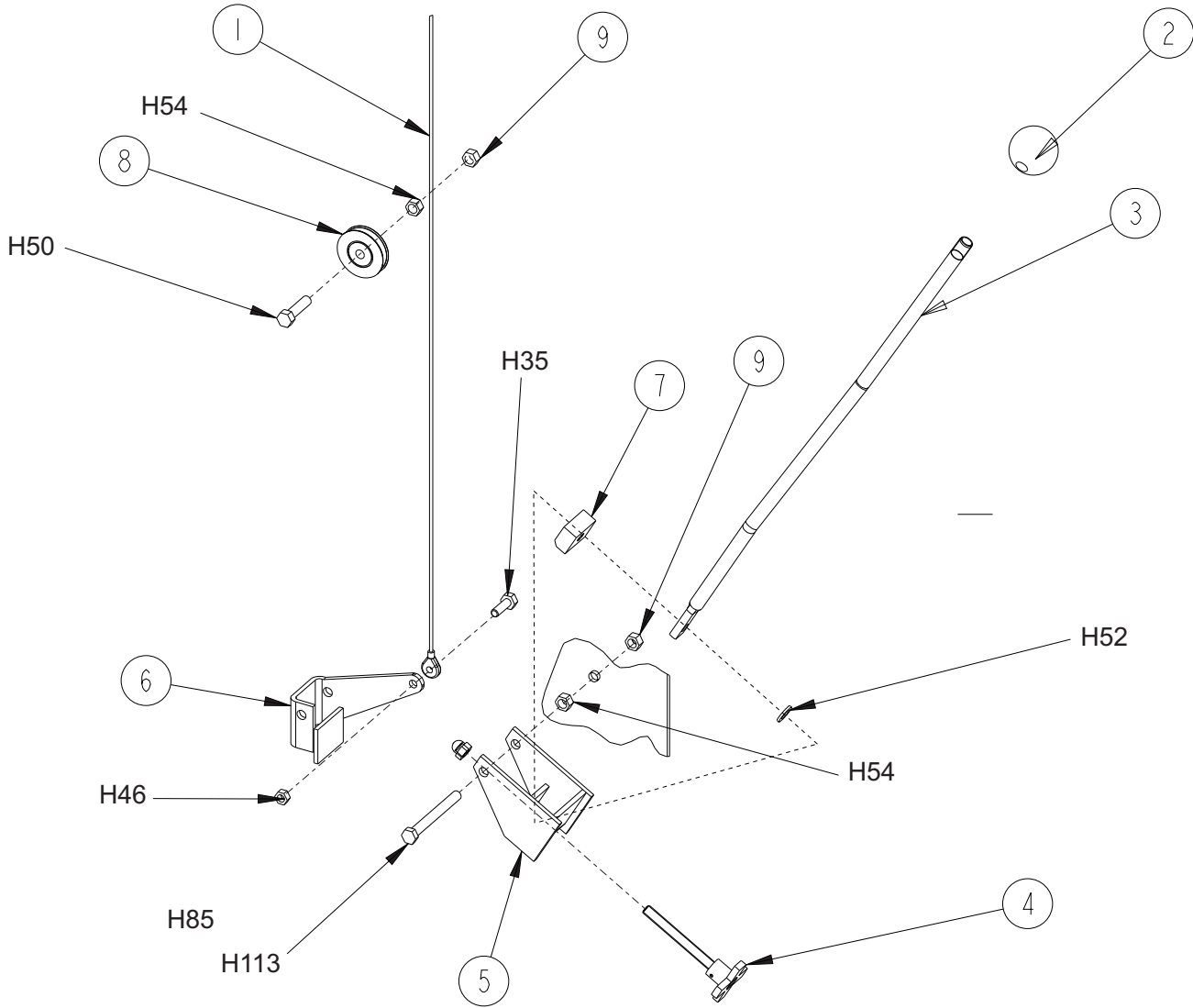
C-1219

Item	Ref. No.	Qty	Description
1	8-08-00772	1	Bracket, Side Broom
2	8-08-00790	1	Bracket, Side Broom
3	7-76-00101	2	Spring
4	8-08-00846	1	Pivot Bracket, Side Broom
5	2-95-04182	14	Nut, Elastic Stop
6	2-95-04689	1	Flat Washer
7	7-13-07130	1	Clip, Cable Retainer
8	7-60-00160	1	Pulley, Cable
9	8-42-05136	2	Link, Side Broom
10	8-10-00040	1	Cable

HARDWARE USED:

H35	2-00-02708	1	Screw, 5/16-18 x 1.000 HHM
H43	2-00-00409	2	Flat Washer, .687 x .344 x .062
H45	2-00-00585	2	Nut, Hex. 5/16-18 x .500 x .265
H46	2-00-00644	3	Nut, 5/16-18, Insert Fiber
H48	2-00-00233	5	Screw, 3/8-16 x 1.000 HHC
H49	2-00-00209	6	Screw, 3/8-16 x 1.250 HHC
H50	2-00-00234	1	Screw, 3/8-16 x 1.500 HHC
H52	2-00-00402	3	Flat Washer, .750 x .390 x .094
H54	2-00-02360	2	Nut, 3/8-16 Hex.
H173	2-00-02709	2	Screw, 5/16-18 x 1.500

C-1219



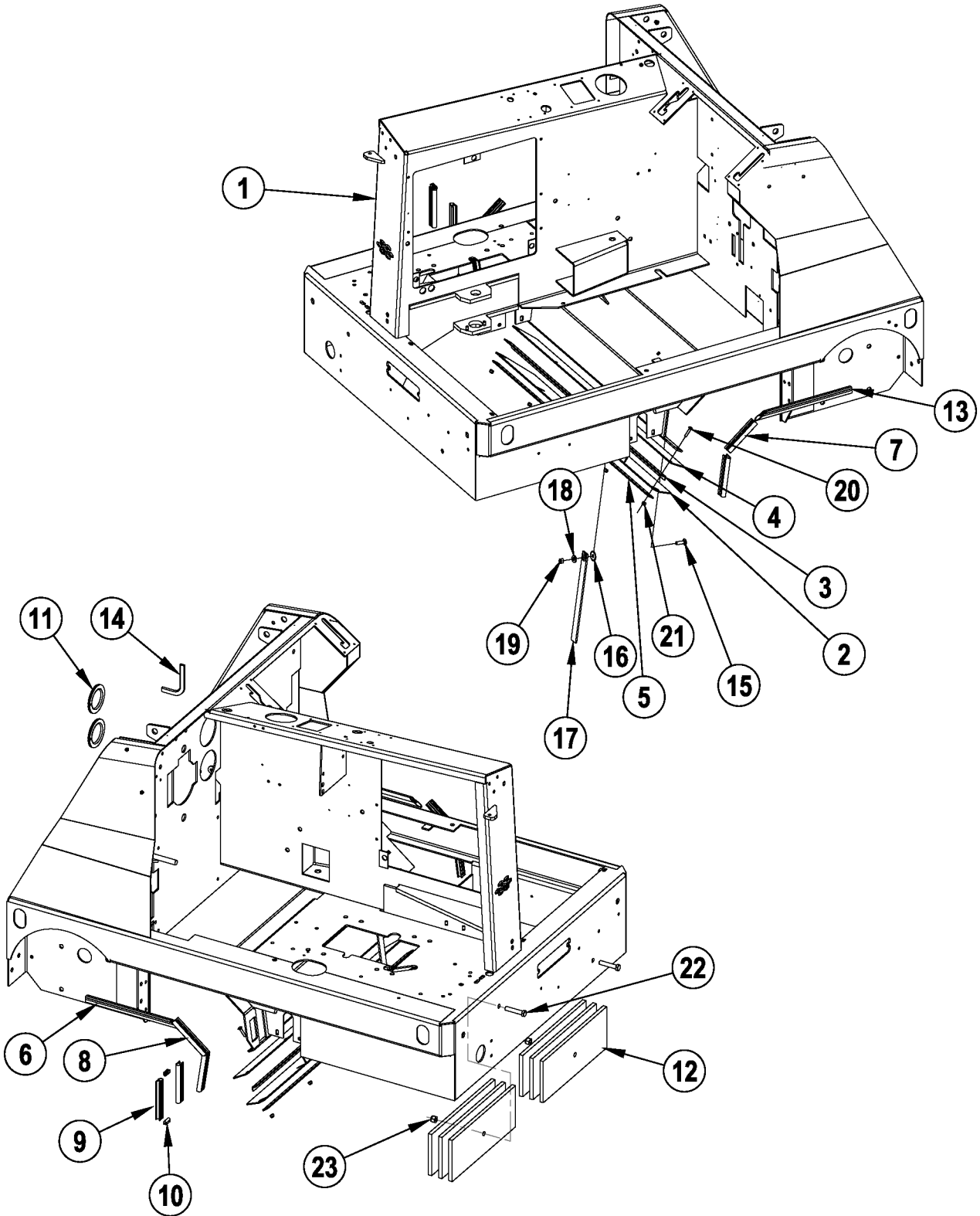
C-1218

Item	Ref. No.	Qty	Description
1	8-10-00040	1	Cable
2	8-39-00003	1	Control Knob
3	8-66-00167	1	Lever Handle, Side Broom
4	8-39-00013	1	Knob Assembly
5	8-08-00773	1	Broom Lift Weldment
6	8-08-00866	1	Bracket, Side Broom Angle Adjustment
7	8-50-03002	1	Broom Adjustment Block
8	7-60-00160	1	Pulley, Cable
9	2-95-04182	1	Nut, Fibre

HARDWARE USED:

H35	2-00-02708	1	Screw, 5/16-18 x 1.000 HHM
H46	2-00-00644	1	Nut, 5/16-18, Insert Fiber
H50	2-00-00234	1	Screw, 3/8-16 x 1.500 HHC
H52	2-00-00402	1	Flat Washer, .750 x .390 x .094
H54	2-00-02360	2	Nut, 3/8-16 Hex.
H85	2-00-00650	1	Nut, Cap 3/8-16 Low Crown
H113	2-00-03333	1	Screw, 3/8-16 x 3.750 HHC

C-1219



06-5

BROOM CHAMBER, FLAPS, & SEALS

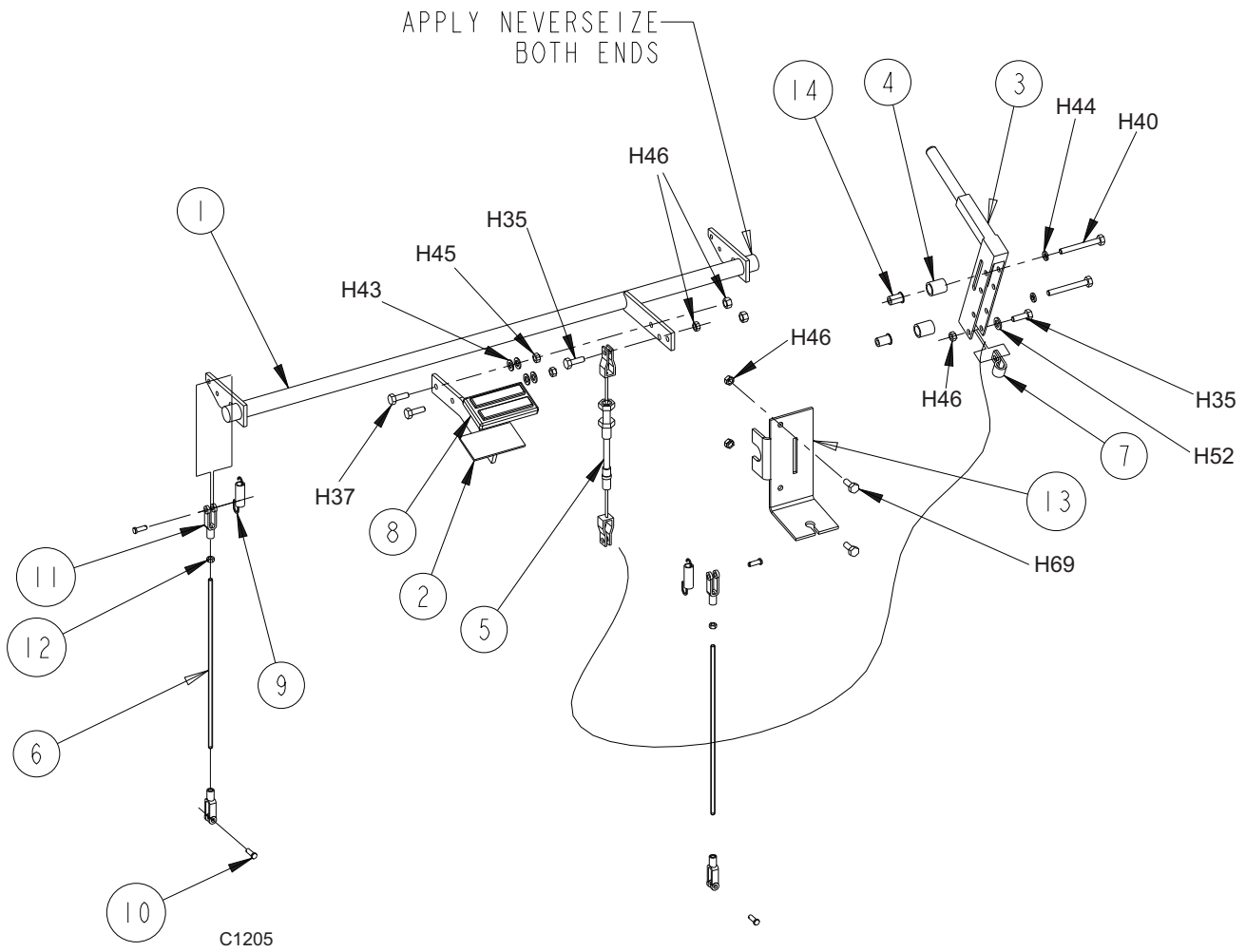
08-7

6150 Battery**23**

Item	Ref. No.	Qty	Description
1	8-27-07121	1	Frame Weldment
2	8-25-08213	1	Flap, Broom Chamber Outer
3	8-13-07143	1	Clamp, Broom Chamber Inner
4	8-25-08214	1	Flap, Broom Chamber Inner
5	8-13-07144	1	Clamp, Broom Chamber Outer
6	8-29-00257	1	Gasket
7	8-29-00232	1	Gasket
8	8-29-00234	1	Gasket
9	8-29-00233	3	Gasket
10	8-21-04048	2	Edging
11	7-21-03003	2	Edging
12*	8-89-04016	6	Weight, 13.5 lbs.
13	8-29-00256	1	Gasket
14	8-21-04015	1	Edging
15#	2-00-05187	1	Bolt Carr. 3/8-16 x 1.25 GR5 ZN
16#	2-00-03829	1	Lk Wash Int/Ext Tooth ZN
17#	56416517	1	Static Strap
18#	2-00-04801	1	Wshr-Flat .875 x .380 x .120 TH ZN
19#	2-95-04182	1	Nut - EL. Stop 3/8-16 ZN PL
20#	2-00-01951	5	Carriage Bolt, 1/4-20 x 1.250
21#	2-00-00641	5	Nut, 1/4-20 Insert Fiber
22#	2-00-00247	2	Screw, 1/2 - 13 x 2.500 HHC
23#	2-00-04936	2	Nut, 1/2 - 13 Fiber Lock

*USED ON GAS, LP AND DIESEL MACHINES ONLY

= Revised or new since last update

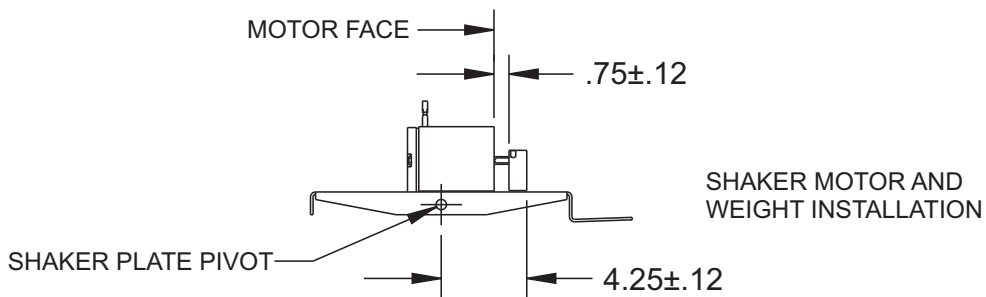
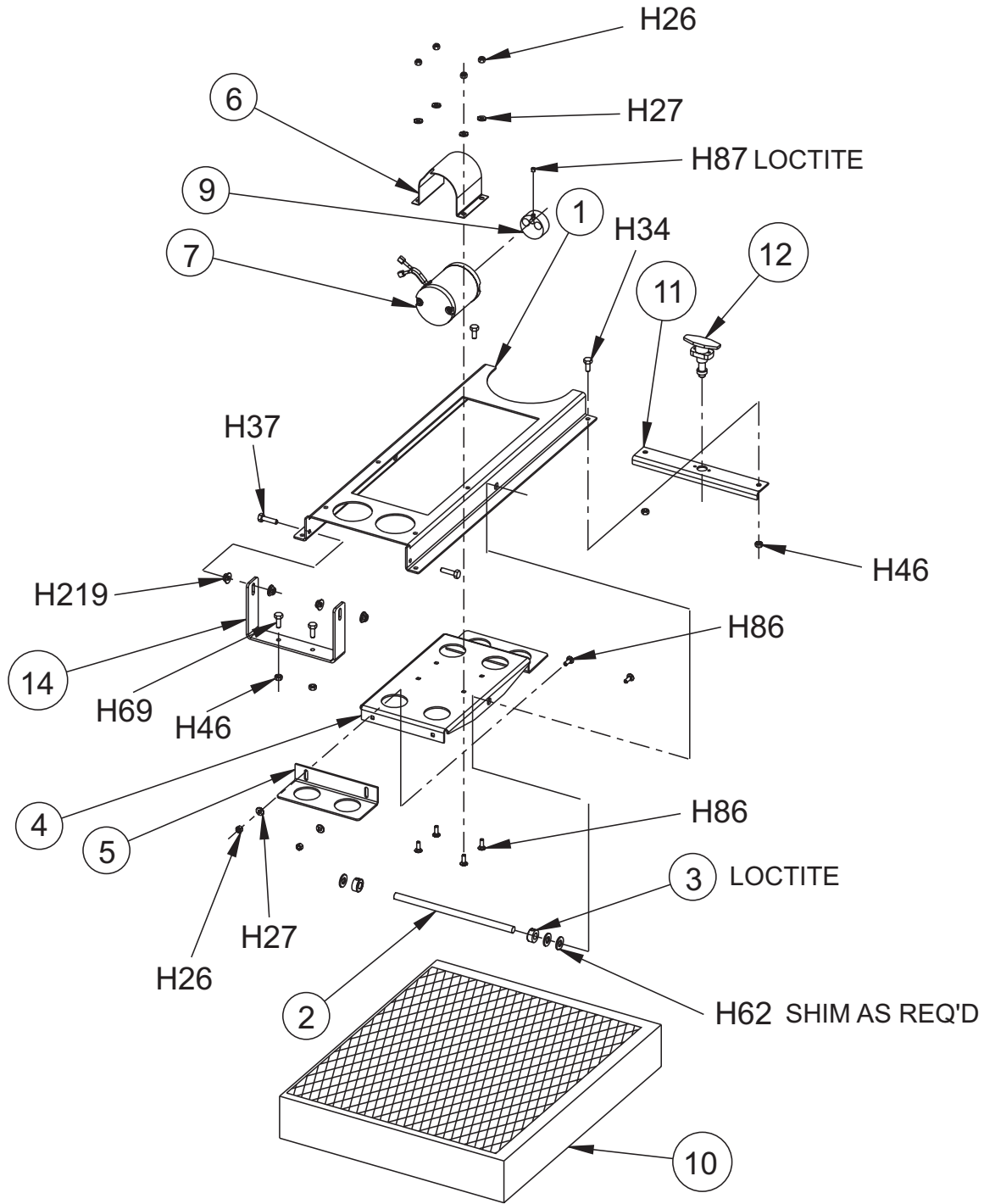


Item	Ref. No.	Qty	Description
1	8-70-05302	1	Brake Cross Shaft
2	8-55-00037	1	Brake Pedal
3	7-41-05083	1	Lever, Parking Brake
4	8-75-01184	2	Spacer, Lever Mounting
5	8-10-00038	1	Cable
6	8-66-00185	2	Brake Rod, 14"
7	2-00-05169	1	Cable Clamp
8#	8-50-05063	1	Pad, Pedal
9	7-76-00051	2	Spring
10	2-00-04909	4	Yoke Pin Assembly
11	8-14-01006	4	Clevis
12	2-95-01999	2	Nut, Jam
13	8-08-00833	1	Center Bracket, Brake Linkage
14	2-00-05330	2	Threaded Insert, 5/16-18

HARDWARE USED:

H35	2-00-02708	1	Screw, 5/16-18 x 1.000 HHM
H37	2-00-00207	2	Screw, 5/16-18 x 1.250 HHC
H40	2-00-01770	2	Screw, 5/16-18 x 2.750 HHC
H43	2-00-00409	4	Flat Washer, .687 x .344 x .062
H44	2-00-00530	2	Lock Washer, 5/16 HS Med.
H45	2-00-00585	2	Nut, Hex. 5/16-18 x .500 x .265
H46	2-00-00644	5	Nut, 5/16-18, Insert Fiber
H69	2-00-01255	2	Screw, 5/16-18 x .875 HHC

C-1205



Item	Ref. No.	Qty	Description
1	8-13-07139	1	Clamp, Filter
2	8-55-08119	1	Pin, Shaker Pivot
3	2-00-03589	2	1/2" Stop Collar
4	8-58-05284	1	Shaker Plate
5	8-03-04302	1	Shaker Arm
6	8-16-07406	1	Filter Shaker Motor Cover
7	0860-623	1	Filter Shaker Motor (12 vdc)
8*	0860-624	1	Filter Shaker Motor (36vdc)
9	8-89-04019	1	Weight
10	8-24-04148	1	Filter
	8-24-04148-2		POLY Filter Option
11	8-13-07121	1	Shaker Mounting Angle
12	8-41-00053	1	Latch
13	8-90-07433	Ref.	Wire, Hopper Shaker
14	8-08-00826	1	Shaker Mounting Angle

HARDWARE USED:

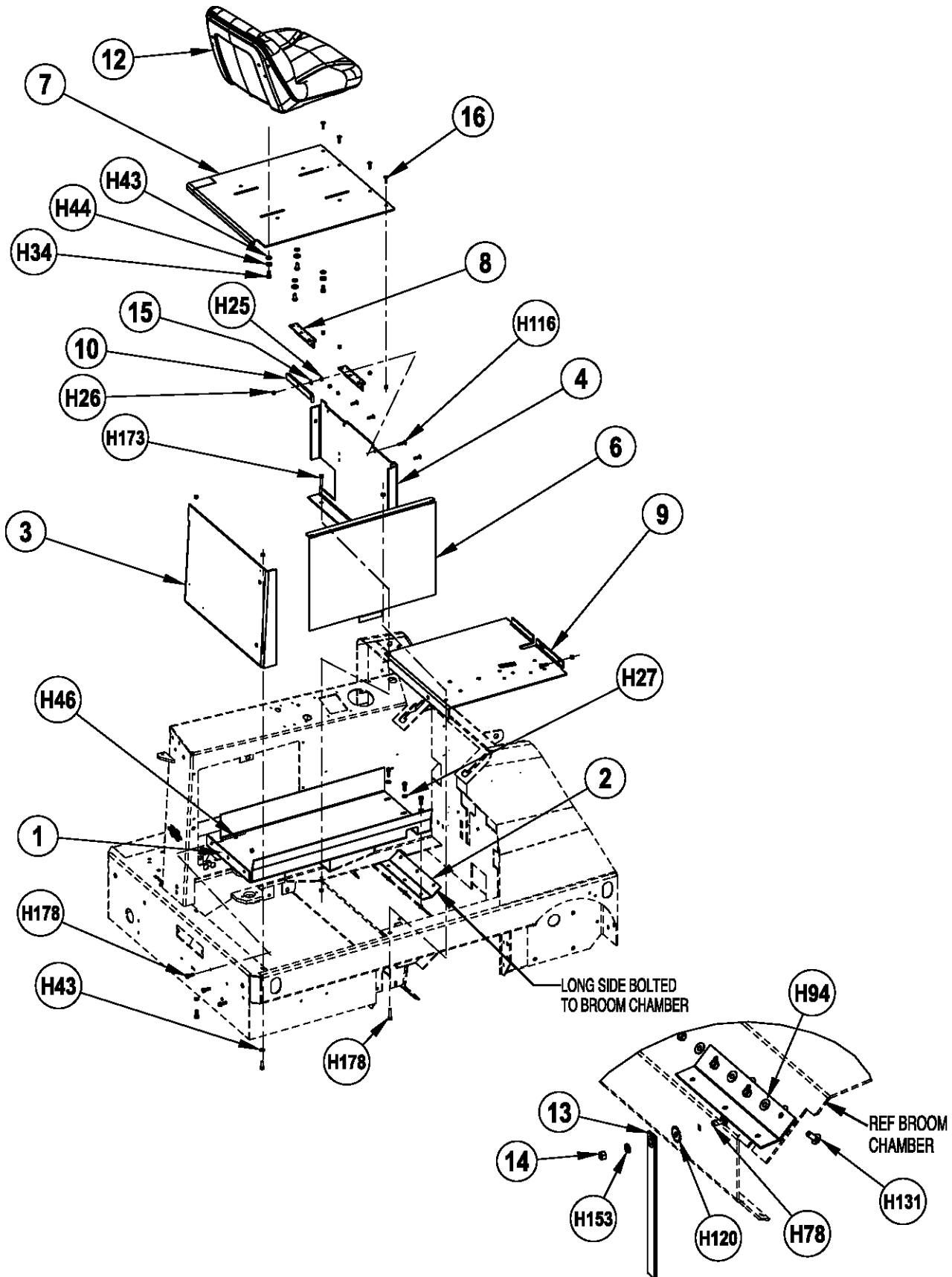
H26	2-00-00641	6	Nut, 1/4-20 Insert Fiber
H27	2-00-03702	6	Washer, .625 x .281 x .063
H34	2-00-00208	2	Screw, 5/16-18 x .750 HHC
H37	2-00-00207	2	Screw, 5/16-18 x 1.250 HHC
H46	2-00-00644	4	Nut, 5/16-18, Insert Fiber
H62	2-00-00405	3	Flat Washer, 1.063 x .531 x .094
H69	2-00-01255	2	Screw, 5/16-18 x .875 HHC
H86	2-00-03575	6	Carriage Bolt, 1/4-20 x .750
H87	2-00-00263	1	Set Screw, 1/4-20 x .250 HSKCP
H219	2-00-05359	4	Nut, Serrated Flange 5/16-18

For Battery Machine Only

Frame and Shaker Adjustment Instructions:

1. Adjust Frame to Filter - Adjust filter frame pivot bolts and pawl of filter frame latch such that filter gasket compress approximately 1/8".
2. Adjust shaker to filter - Adjust shaker arm (8-03-04302) such that it and shaker plate (8-58-05273) force filter screen to contact filter media. **NOTE:** Do not compress filter media with shaker

C-1208



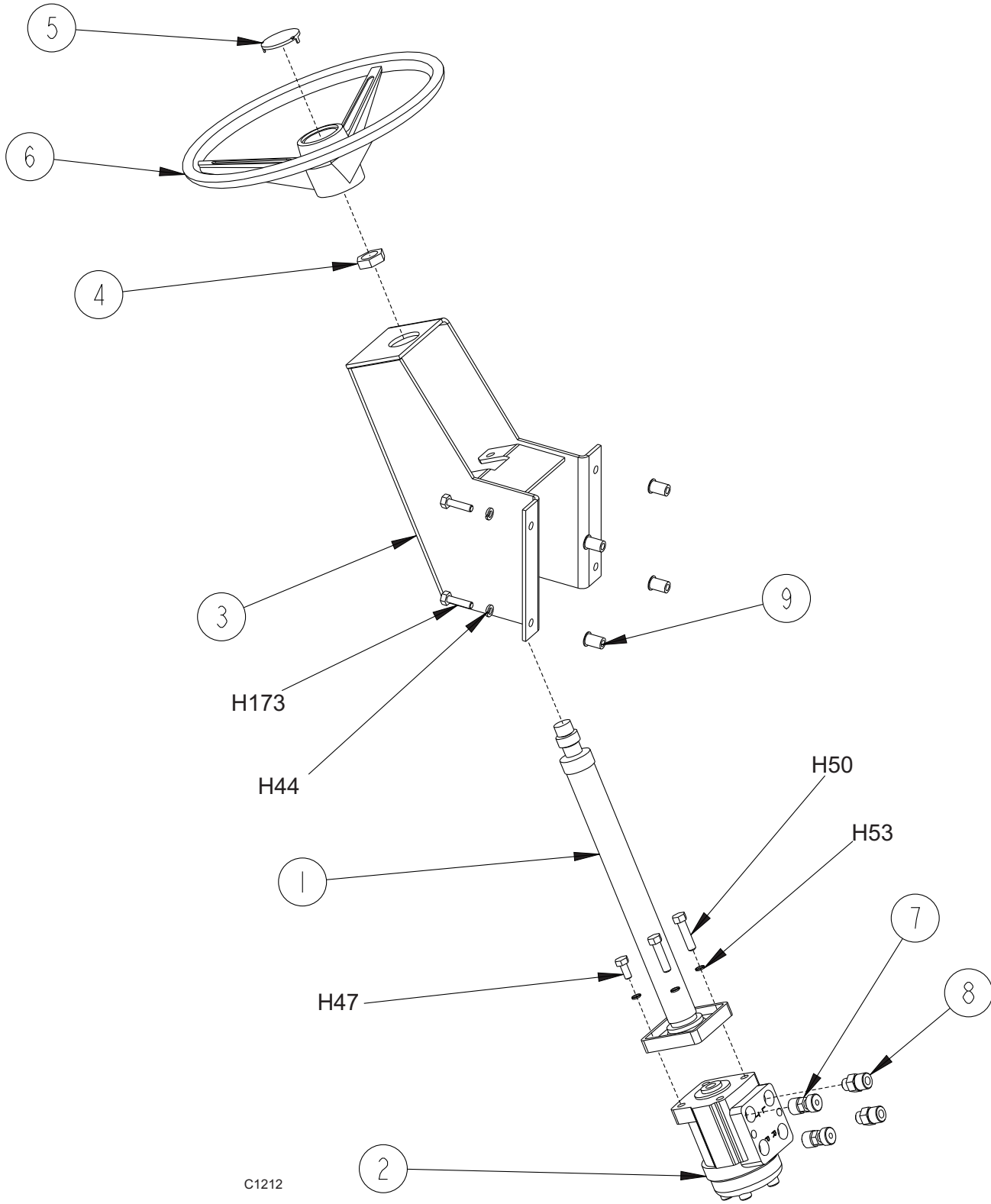
06-5	SEAT COMPARTMENT		
08-7	6150 Battery		29

Item	Ref. No.	Qty	Description
1	8-51-05019	1	Pan, Battery
2	8-25-06013	1	Flange, Battery Pan
3	8-52-00174	1	Panel- Seat, Rear
4	8-52-00175	1	Panel-Seat, Front
5			Intentionally Omitted
6	8-52-00178	1	Panel- Battery Access
7	8-52-00177	1	Panel-Seat Mounting
8	8-32-00044	2	Hinge
9	8-58-05782	1	Plate, Floor
10	8-41-00064	1	Stop, Seat Deck
11			Intentionally Omitted
12	8-69-00022	1	Seat
13#	56416517	1	Static Strap
14	2-95-04182	1	Fiber Nut
15	7-23-03048	1	Spring Washer
16#	2-00-04190	7	Bolt Carr. .25-20 x .63 GR2 ZN

HARDWARE USED:

H25	2-00-00594	1	Nut, Hex 1/4 - 20 x .437 x .218
H26	2-00-00641	8	Nut 1/4 - 20 Fiber Insert
H27#	2-00-03702	3	Washer, .625 x .281 x .063
H34	2-00-00208	4	Screw, 5/16 - 18 Fiber Insert
H43#	2-00-00409	6	Flat Washer, .687 x .344 x .062
H44	2-00-00530	4	Lock Washer, 5/16 HS Med.
H46	2-00-00644	15	Nut, 5/16 - 18 Fiber Insert
H48#			Deleted
H78#	2-00-05187	1	Carriage Bolt, 3/8-16 x 1.250
H80#			Deleted
H94	2-00-00410	1	Flat Washer, .875 x .375 x .060
H116	2-00-01951	1	Carriage Bolt 1/4 - 20 x 1.250
H120	2-00-03829	1	Lock Washer, 3/8 Bolt
H131#	2-00-03855	1	Carriage Bolt, 3/8-16 x 1.000
H153#	2-00-03266	1	Washer
H173#	2-00-02709	1	Screw, 5/16 - 18 x 1.500
H178#	2-00-00206	14	Screw, 5/16 - 18 x 1.000 HHC

= Revised or new since last update

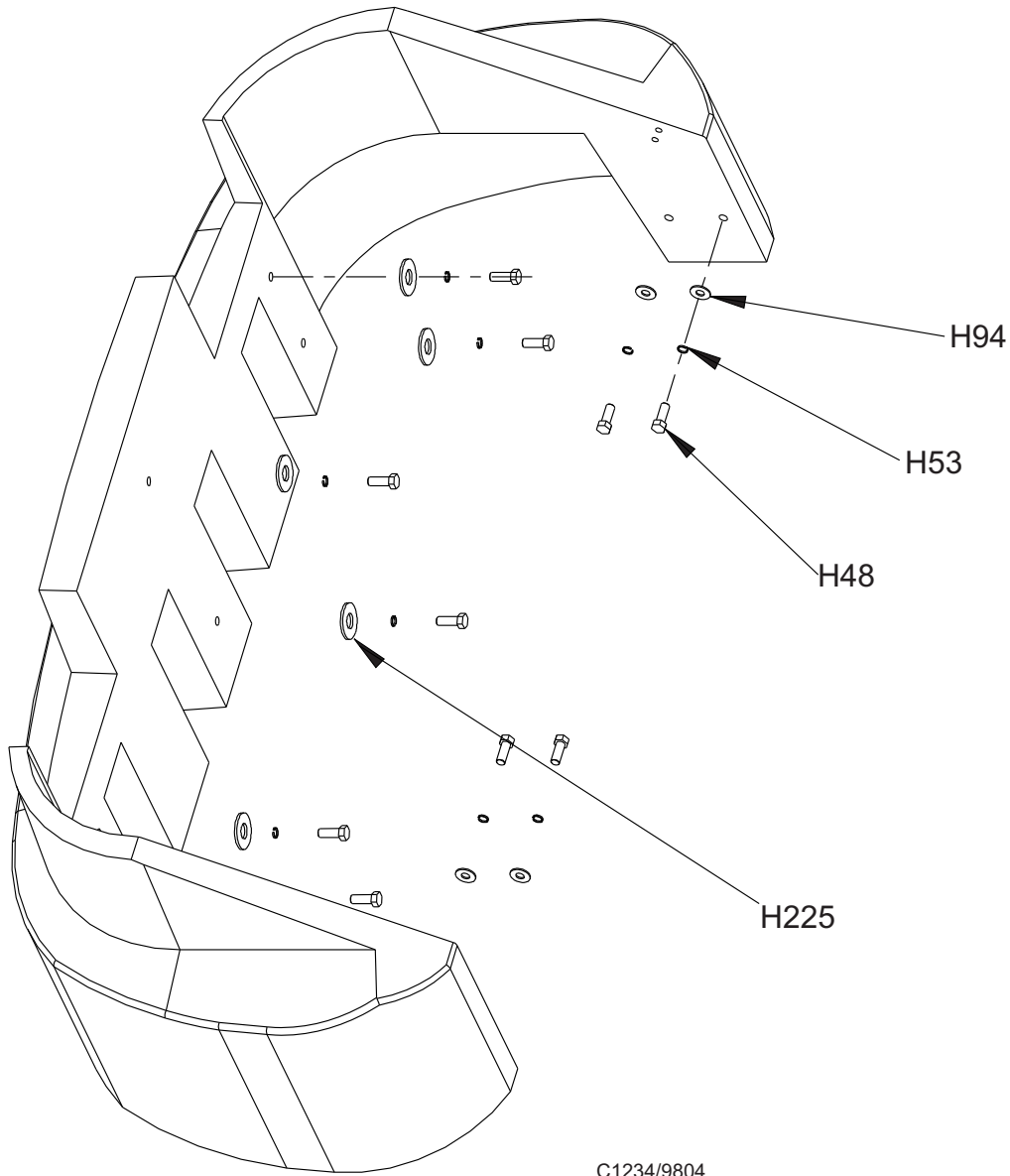


Item	Ref. No.	Qty	Description
1	8-70-05303	1	Steering Column
2	8-60-05026	1	Steering Column Unit
3	8-33-05127	1	Steering, Housing
4	8-23-03072	1	Nut, Special
5	8-11-00052	1	Steering Wheel Cap
6	8-89-08074	1	Steering Wheel
7	2-00-04970	2	Fitting, Connector
8	2-00-05264	2	Fitting
9	2-00-05330	4	Threaded Insert, 5/16-18

HARDWARE USED:

H44	2-00-00530	4	Lock Washer, 5/16 HS Med.
H47	2-00-00232	2	Screw, 3/8-16 x .750 HHC
H50	2-00-00234	2	Screw, 3/8-16 x 1.500 HHC
H53	2-00-02310	4	Lock Washer, Helical Spring 3/8 Med.
H173	2-00-02709	4	Screw, 5/16-18 x 1.500

C-1212



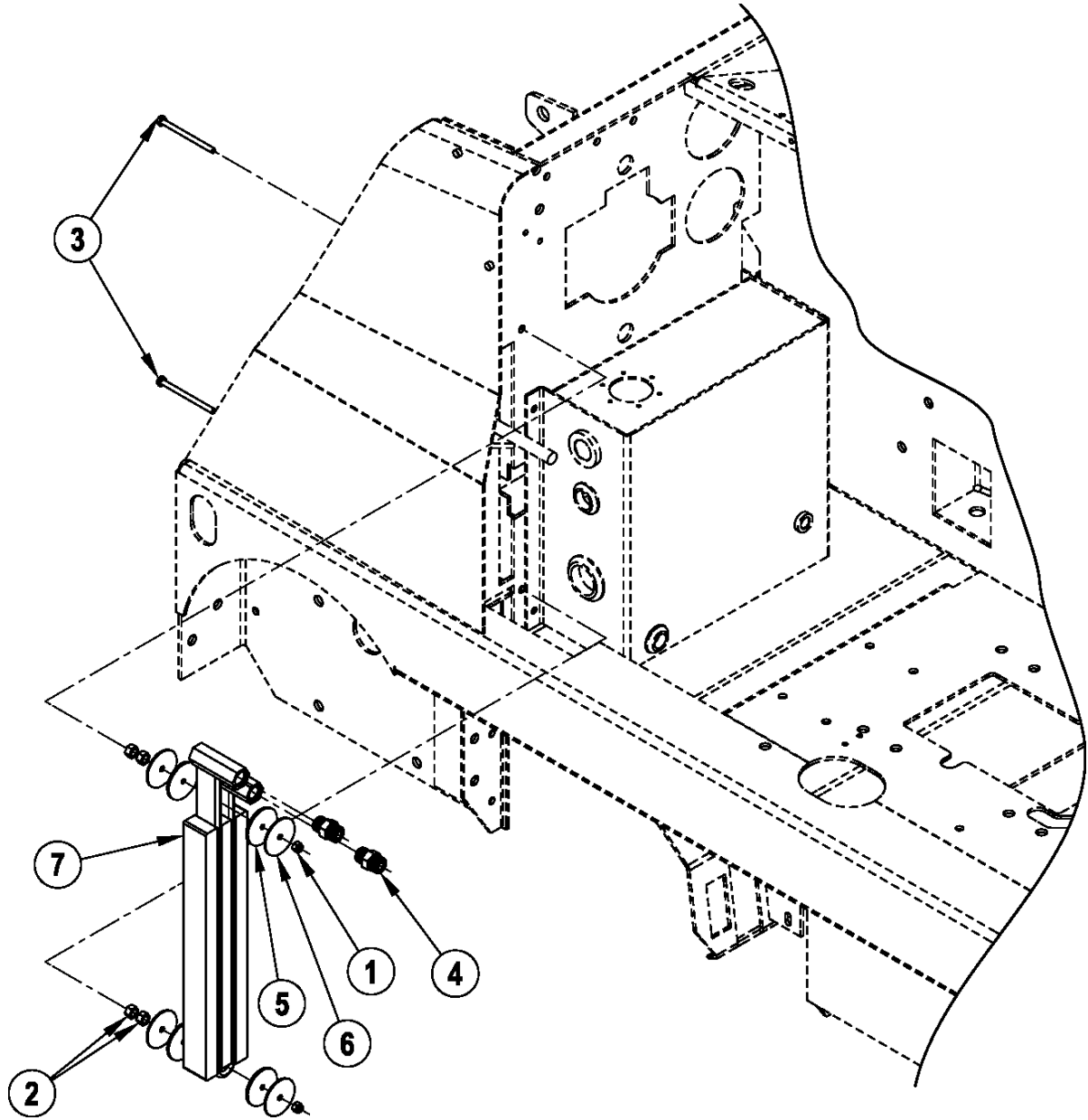
C1234/9804

Item	Ref. No.	Qty	Description
1	8-08-05057	1	Front Bumper

HARDWARE USED:

H48	2-00-00232	10	Screw, 3/8-16 x .750 HHC
H53	2-00-02310	10	Lock Washer, Helical Spring 3/8 Med.
H94	2-00-00410	4	Flat Washer, .875 x .375 x .060
H225	2-00-04851	6	Washer, Engine Mount

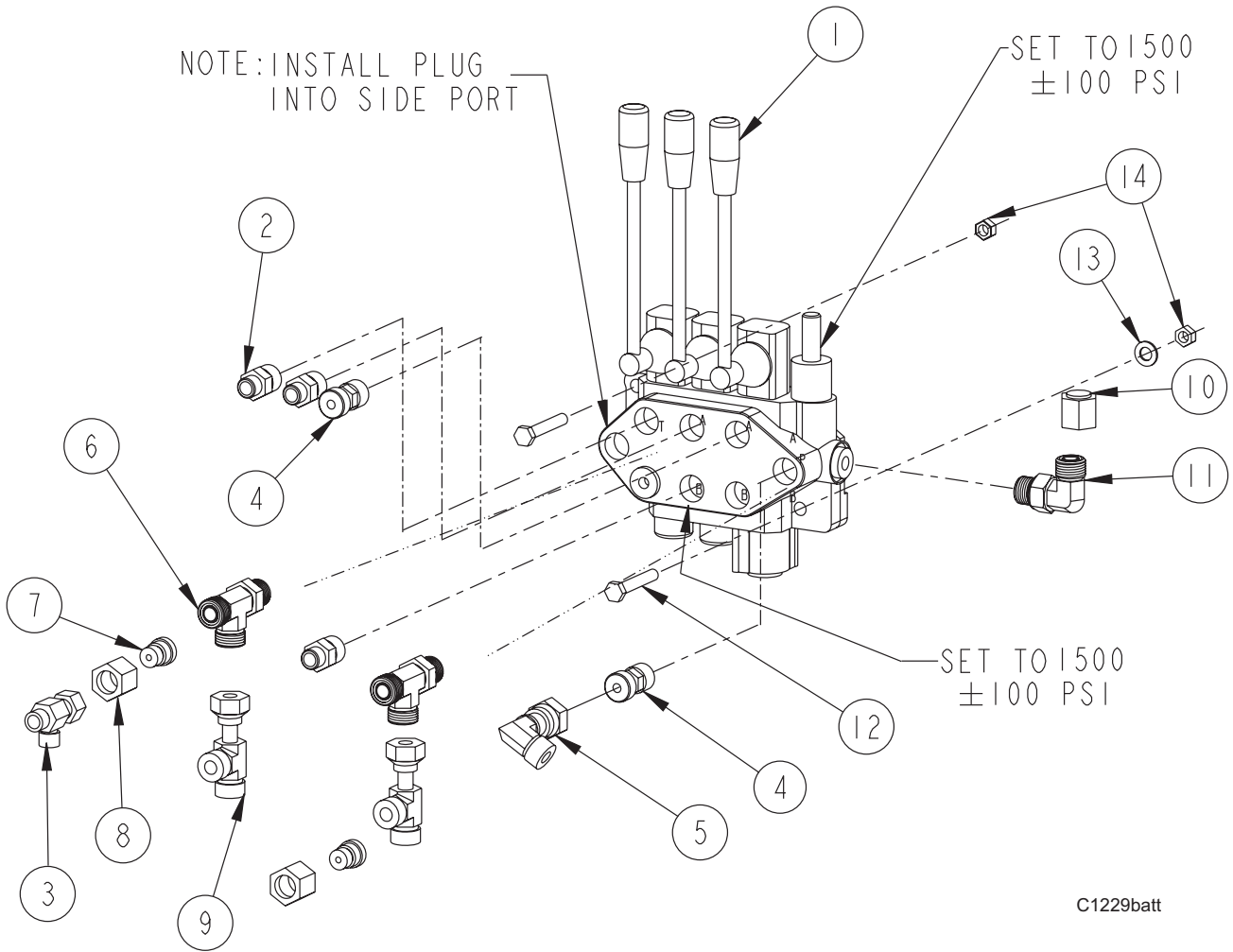
C-1234/9804



Item	Ref. No.	Qty	Description
1#	2-00-00641	2	Nut, Fiber Insert 1/4-20
2#	2-00-02360	4	Nut, Hex, 3/8-16
3#	2-00-04596	2	Screw, 1/4-20 X 3.50", Hex Head
4#	2-00-04970	2	Fitting, Str. -8 ORS x -8 SAE
5#	2-00-05028	4	Washer-Flat 2.00 OD X .281 X .125
6#	2-00-05236	4	Washer-Flat 2.00 OD X .28 X .08
7#	8-62-01018	1	Oil Cooler NOTE

= Revised or new since last update

NOTE: If replacing hydraulic oil cooler number 8-62-01010 with the new oil cooler 8-62-01018 you will also need to order two of the fittings 2-00-04970, because the cooler 8-62-01010 had fittings built in.

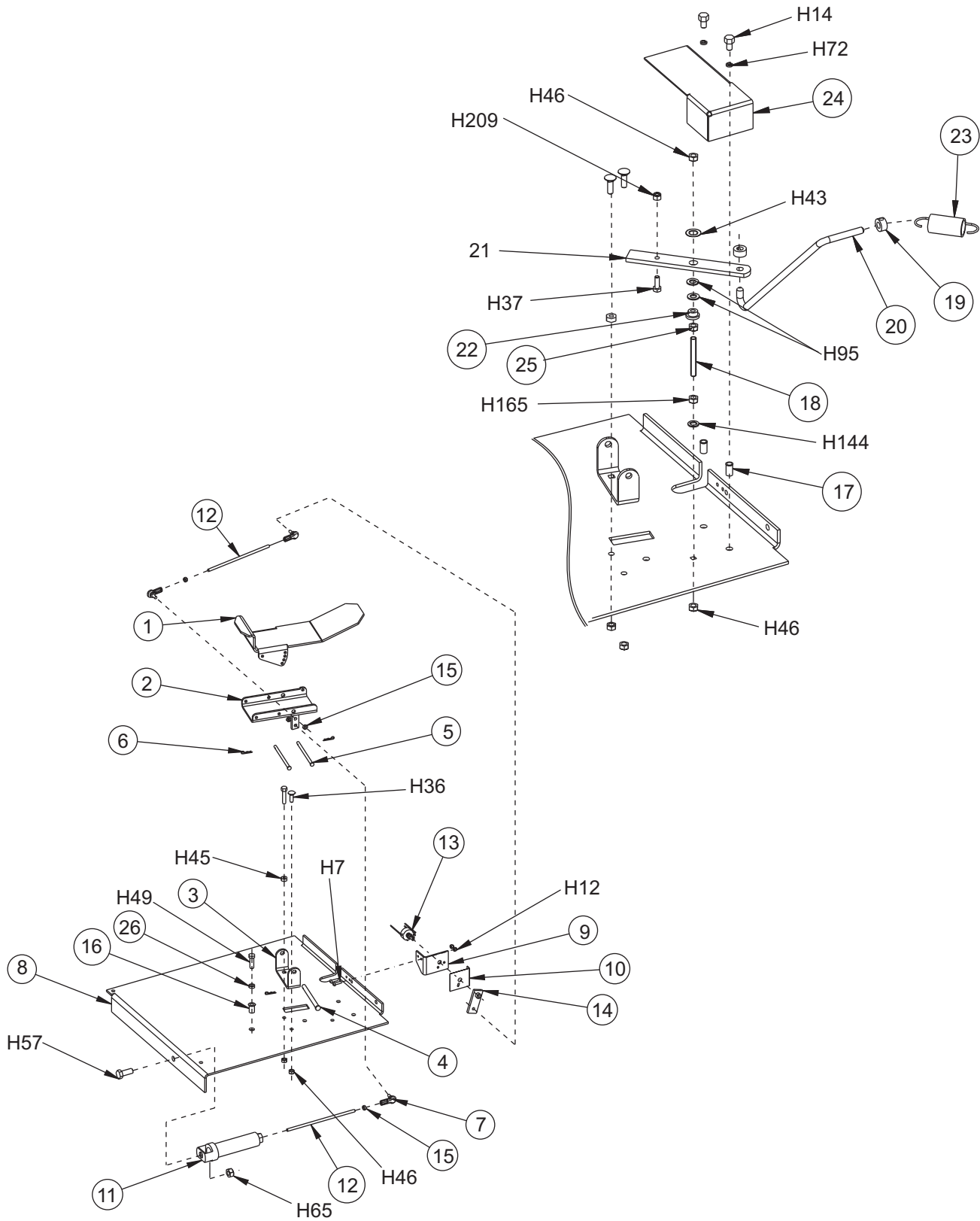


C1229batt

Item	Ref. No.	Qty	Description
1	8-88-00060	1	Control Valve
[]	7-88-00068	A/R	Relief Valve (2500) (replacement part for 8-88-00060)
[]	7-70-00095	A/R	Seal Kit (replacement part for 8-88-00060)
[]	56109168	A/R	Knob (replacement part for 8-88-00060)
[]	56504492	A/R	Boot, Neoprene (replacement part for 8-88-00060)
[]	56504493	A/R	Handle, M10 x 180 (replacement part for 8-88-00060)
2	2-00-05264	3	Fitting
3	2-00-05162	1	Fitting - Tee
4	2-00-04970	2	Fitting, Connector
5	2-00-05046	1	Fitting, -8 ORS Swivel 90° Elbow
6	2-00-04924	2	Fitting, Run Tee
7	2-00-04929	2	Fitting, Reducer
8	2-00-04939	2	Fitting, Nut for Reducer
9	2-00-04928	1	Fitting, Tee
10	2-00-04957	1	Fitting, 8 ORS Cap
11	2-00-04885	1	Fitting, 90° Elbow (O-Ring)
12	2-00-00218	2	Screw, 5/16-18 x 2.000 HHC
13	2-00-00409	1	Flat Washer, .687 x .344 x .062
14	2-00-00644	2	Nut, 5/16-18, Insert Fiber

[] = Not Shown

C1229batt/2-04



C1216/9706

06-5

FW/REV CONTROL

08-7

6150 Battery

37

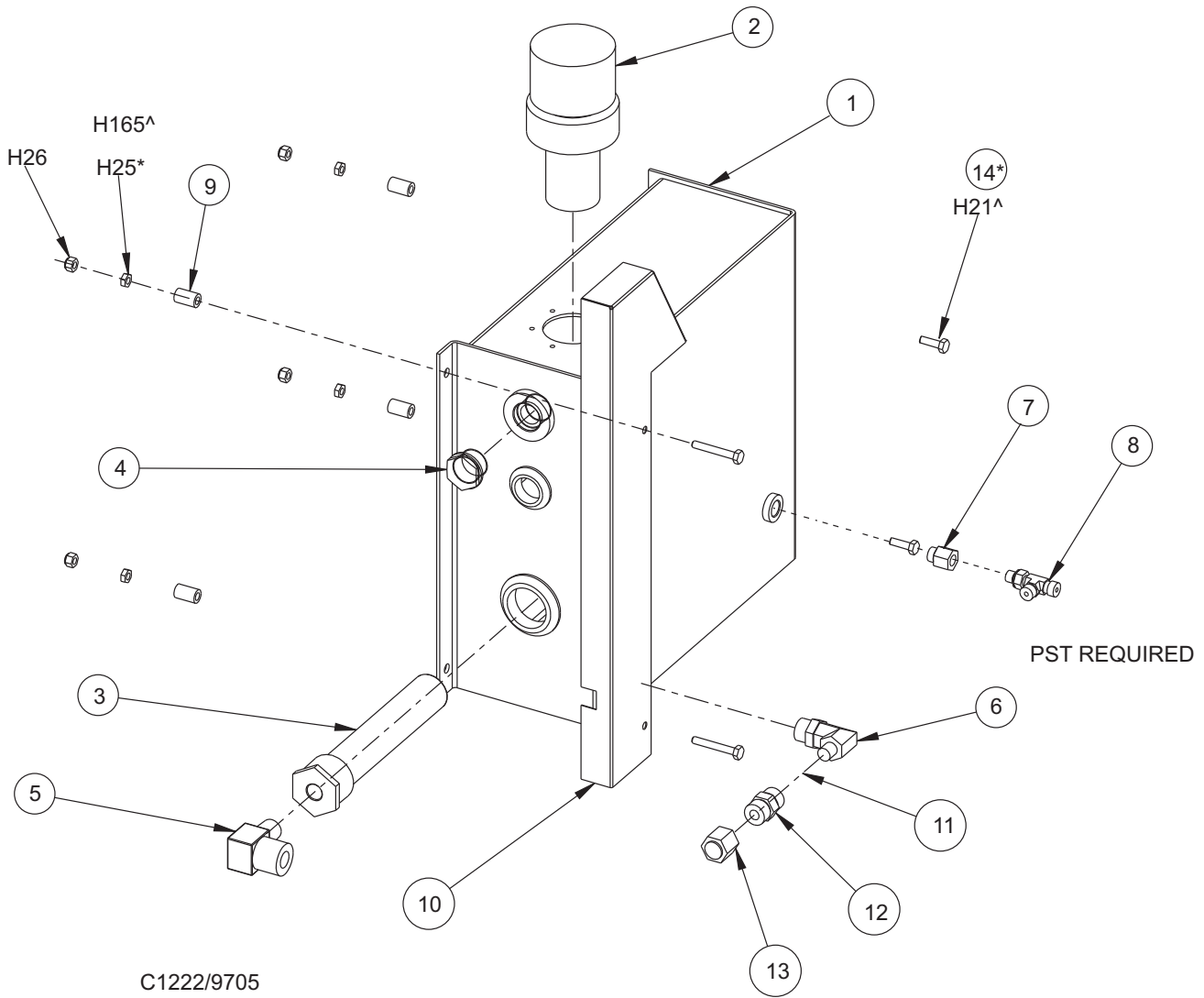
Item	Ref. No.	Qty	Description
1	8-55-00034	1	Adjustable Foot Pedal
2	8-55-00036	1	Pedal Base
3	8-08-00782	1	Bracket
4	2-00-05246	1	Pin
5	2-00-05247	2	Pin
6	2-00-05249	3	Cotter Pin
7	7-25-02050	3	Rod End
8	8-58-05782	1	Floor Plate
9	8-08-00836	1	Bracket, Forward/Reverse Pivot
10	7-35-00018	1	Insulator
11	8-16-00025	1	Centering Control
12	8-66-00181	2	Rod, Potentiometer Control
13	0775-210	1	Potentiometer Assembly
14	7-03-04137	1	Arm, Potentiometer
15#	2-95-01999	4	Nut, Hex Jam 1/4-28
16	2-00-05347	1	3/8 - 16 THD Insert
17	2-00-05261	2	Threaded Insert, 1/4-20
18	8-66-00186	1	Rod, Speed Limiter
19	7-15-01022	2	Collar
20	8-42-05140	1	Link, Speed Limiter
21	8-03-04317	1	Arm, Speed Limiter
22	7-09-01057	1	Bushing
23	7-76-00051	1	Spring
24	8-16-07389	1	Cover
25	2-00-00646	1	Stop Nut, 5/16-18
26	2-00-02369	1	Nut, Hex Jam, .375 Coarse THD.

HARDWARE USED:

H7	2-00-00056	2	Screw, # 10-24 x .750 RHM
H12	2-00-01246	2	Nut, Hex Fiber Insert #10-24
H14	2-00-00219	2	Screw, 1/4-20 x .500 HHC
H36	2-00-00196	2	Carriage Bolt, 5/16-18 x 1.000
H37	2-00-00207	1	Screw, 5/16-18 x 1.250 HHC
H43	2-00-00409	1	Flat Washer, .687 x .344 x .062
H46	2-00-00644	4	Nut, 5/16-18 Insert Fiber
H49	2-00-00209	1	Screw, 3/8-16 x 1.250 HHC
H57	2-00-00240	1	Screw, 1/2-13 x 1.250 HHC
H65	2-00-04936	1	Nut, 1/2-13 Fibre Lock
H72	2-00-00518	2	Lock Washer, Helical Spring
H95	2-00-03382	2	Spring Washer, .875 x .500 x .015
H144	2-00-02303	1	Lock Washer, Int.
H165	2-00-00589	1	Nut, Hex Jam 1/4-20
H209	2-00-00586	1	Nut, Hex Jam 5/16 - 18 x .500 x .187

C-1216/9706

FORM NO. 56042481



Item	Ref. No.	Qty	Description
1	8-83-04040	1	Reservoir
2	8-11-00026	1	Filler Cap Assembly
3	8-24-04115	1	Strainer
4	8-48-05033	1	Sight Gauge
5^	2-00-03952	1	Fitting, 90° Straight Elbow
5*	2-00-05074	1	Fitting, Elbow
6	2-00-05204	1	Fitting, CStraight Elbow
7^	2-00-04917	1	Fitting, Reducer Tee
7*	2-00-04926	1	Fitting, Elbow
8^	2-00-04927	1	Fitting, Tee
9*	8-75-01199	4	Spacer
10*	8-20-06042	1	Duct, Reservoir Air
11	8-33-02193	Ref.	Hose
12	2-00-04987	1	Nipple
13	2-00-04957	1	Cap
14	2-00-01490	4	Screw, .25 - 20 x .875 HHC STL

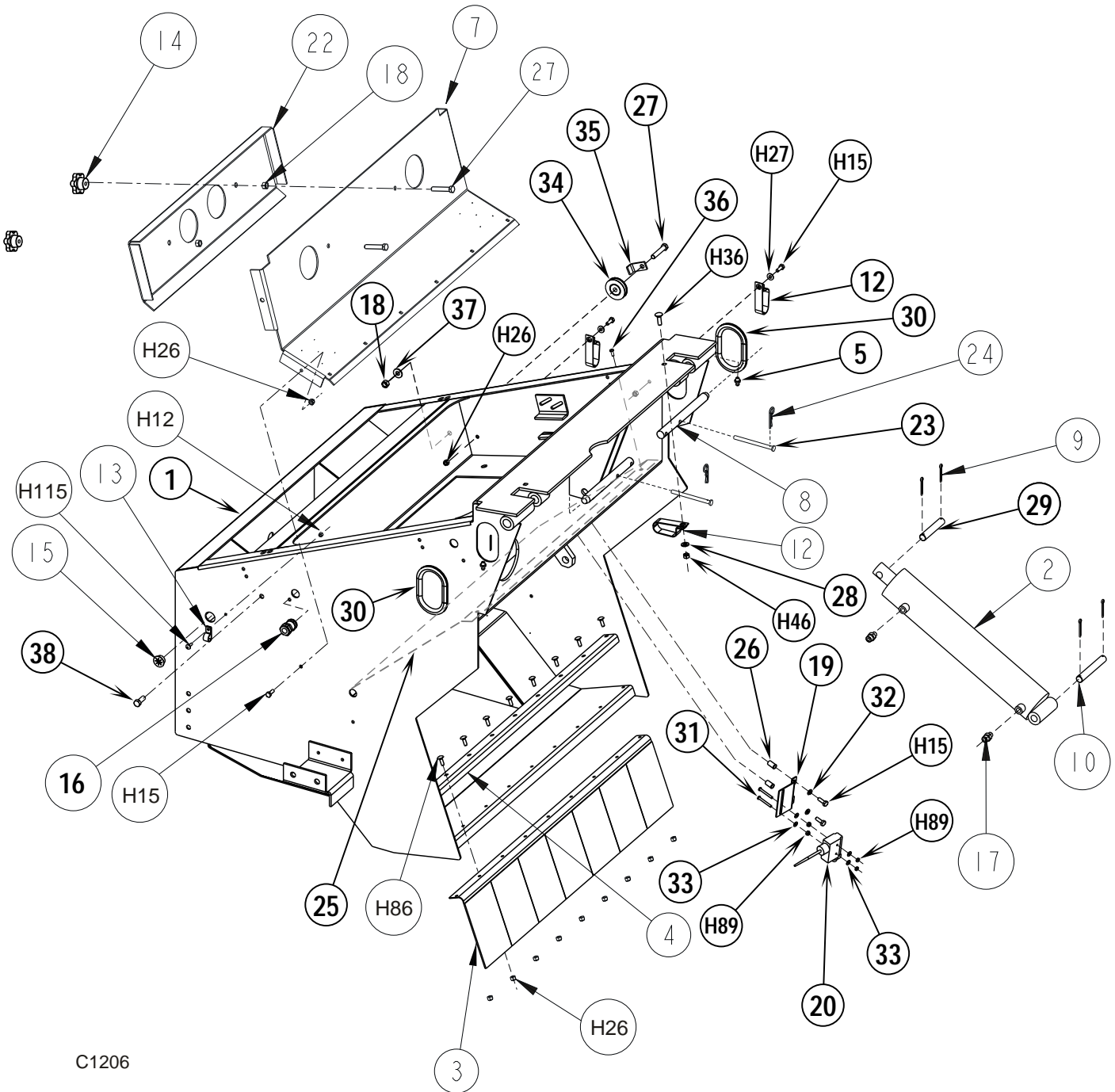
^ Used on Gas, Diesel, and LP

* Used on Battery

HARDWARE USED:

H21	2-00-01769	4	Screw, ¼ - 20 x 1.750 HHC
H25	2-00-00594	4	Nut, Hex ¼ - 20 x .437 x .218
H26	2-00-00641	4	Nut, 1/4-20 Insert Fiber
H165	2-00-00589	4	Nut, Hex Jam, .25 - 20

C-1222/9705



C1206

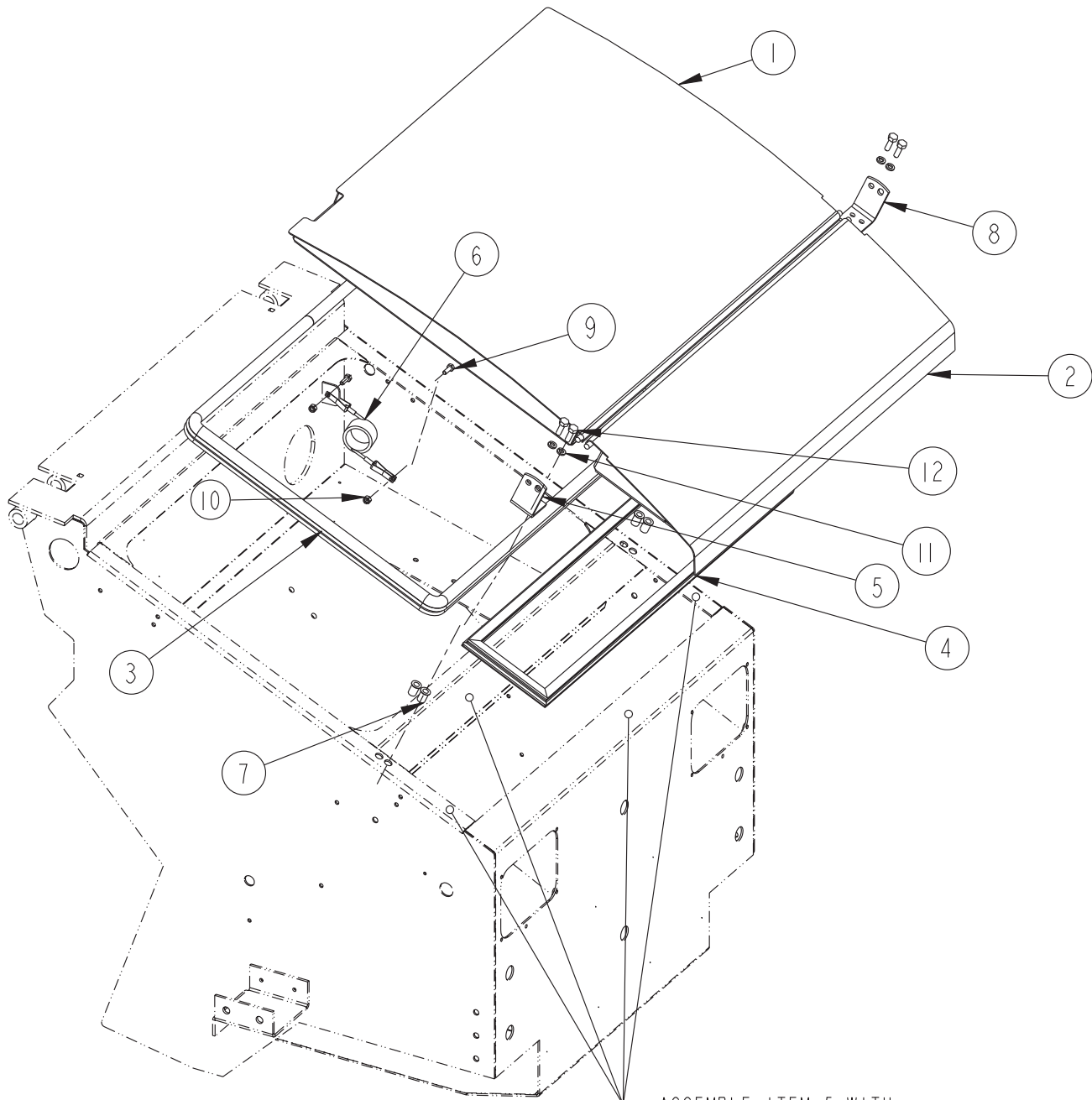
06-5	HOPPER ASSEMBLY		
08-7	6150 Battery		41

Item	Ref. No.	Qty	Description – HOPPER ASSY
1	8-32-06104	1	Hopper
2	8-17-05022	1	Lift Cylinder
3	8-25-08209	1	Hopper Flap
4	8-13-07138	1	Clamp, Hopper Flap
5	2-00-00566	2	Grease Zerk
6#			Intentionally Omitted
7	8-05-01003	1	Baffle, Hopper Air
8	8-55-08127	2	Pin, Hopper Pivot
9	2-00-00776	4	Cotter Pin
10	8-55-08112	1	Pin
12	2-00-05253	3	Clamp
13	2-00-04210	2	Clamp
14	25201A	2	Knob
15	8-09-01082	1	Bushing, Star
16	8-09-01083	2	Bushing, Liquid Tight
17	2-00-04895	2	Adapter, 7/16 ORB - 9/16 ORFS
18	2-95-04182	4	Nut, Fiber
19	8-08-00845	1	Bracket
20	8-82-00058	1	Switch
22	8-05-01002	1	Baffle, Hopper Air
23	2-00-05319	2	Pin, Clevis
24	2-00-05249	2	Hair Pin Cotter
25	8-52-00190	1	Panel, Hopper Seal
26	2-00-05261	2	Threaded Insert, 1/4-20
27	2-00-00216	3	Bolt, Hex Hd, 3/8-16 x 2"
28	2-00-00409	1	Flat Washer, .687 x .344 x .062
29	56109164	1	Pin
30	56109165	2	Edging
31	2-00-00090	2	Screw, #8-32 x 1.50 LG, RHM
32	2-00-00518	2	Washer, Lock, 1/4", Helical Spring
33	2-00-00466	4	Flat Washer - .625 x .203 x .031
34	7-60-00160	1	Pulley-Cable
35	7-13-07130	1	Clip, Cable
36	2-00-03940	2	Screw-T/C Hh #10-24 X .50 Lg
37	2-00-00410	1	Flat Washer - .875 X .375 X .060
38	2-00-00233	1	Bolt-Hex Head, Finished, 3/8-16 X 1.00

HARDWARE USED:

H12	2-00-01246	2	Nut, Hex Fiber Insert #10-24
H15	2-00-00221	4	Screw, 1/4-20 x .750 HHC
H26	2-00-00641	13	Nut, 1/4-20 Insert Fiber
H27	2-00-03702	2	Washer, .625 x .281 x .063
H36	2-00-00196	1	Carriage Bolt, 5/16-18 x 1.000
H46	2-00-00644	1	Nut, 5/16-18, Fiber Insert
H86	2-00-03575	9	Carriage Bolt, 1/4-20 x .750
H89	2-00-01372	4	Nut, #8-32 Steel Fiber Insert
H115	2-00-03062	2	Screw, #10-24 x 5/8 LG

= Revised or new since last update

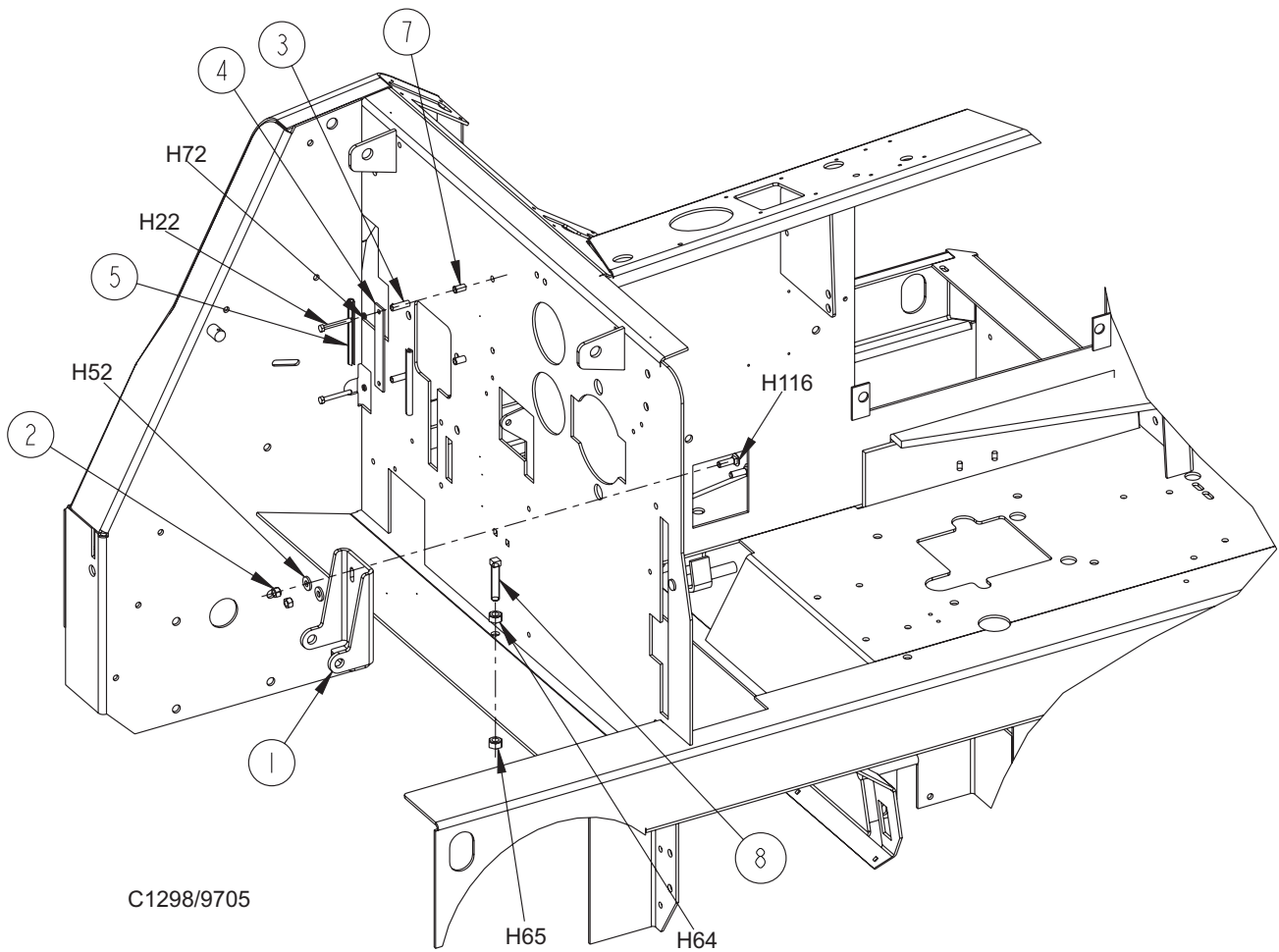


80806-2/2-05

ASSEMBLE ITEM 5 WITH
SCOTCH 4925 ADHESIVE
TAPE (3-73-00042, 6.5 FT)

Item	Ref. No.	Qty	Description
1	8-16-07373	1	Cover, Filter (welded)
2	8-16-07374	1	Cover, Debris (welded)
3	8-29-00290	1	Gasket
4	8-29-00254	1	Gasket
5	8-08-00847	1	Bracket, RH Cover Hinge
6	8-10-00027	1	Cable
7	2-00-05330	4	Insert, 5/16-18 Threaded
8	8-08-00875	1	Bracket, LH Cover Hinge
9	2-00-00221	2	Screw, 1/4-20 x .625 HHC
10	2-00-00641	2	Nut 1/4-20 Fiber Insert
11	2-00-00530	4	Lock Washer, 5/16 HS Med.
12	2-00-00206	4	Screw, 5/16-18 x 1.0 HHC

80806-2revH/2-05



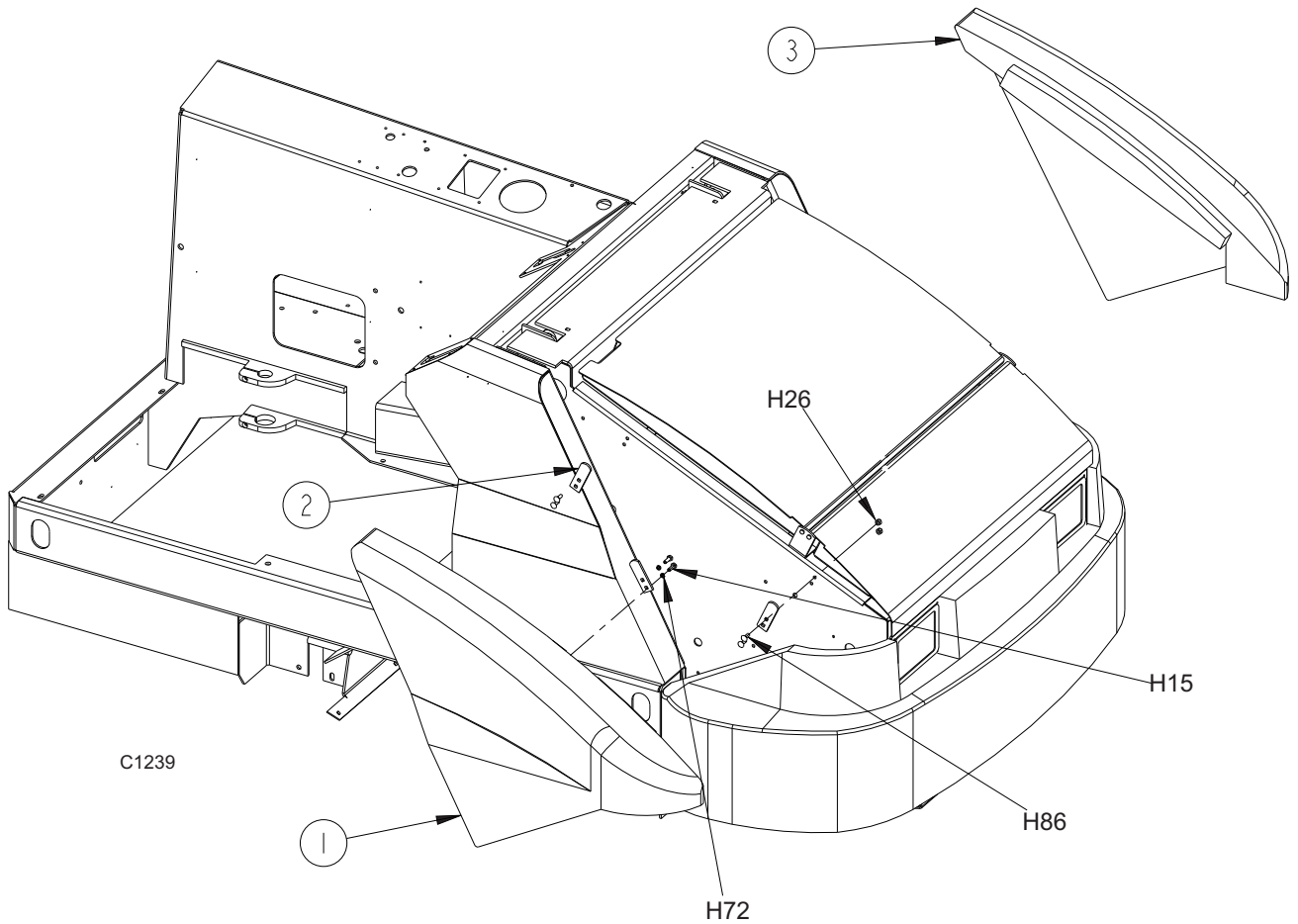
C1298/9705

Item	Ref. No.	Qty	Description
1	8-08-00832	1	Bracket, Lift Cylinder Mounting
2	2-95-04182	3	Fiber Nut
3	7-75-01063	2	Spacer
4	8-65-00024	1	Plate, Retainer Hyd. Hose
5	8-08-07045	2	Edging
6			
7	2-00-05261	2	1/4 - 20 THD Insert
8	2-00-02981	1	Screw, SHCP .50 - 13 x 2.50 Zinc

HARDWARE USED:

H22	2-00-02589	2	Screw, 1/4 - 20 x 2.000HHC
H64	2-00-00596	1	Nut, Hex 1/2 - 13 x .750 x .437
H65	2-00-04936	1	Nut 1/2 - 13 Fiber Lock
H72	2-00-00518	2	Lock Washer, Helical Spring
H78	2-00-05187	2	Carriage Bolt 3/8 - 16 x 1.250
H92	2-00-04801	2	Flat Washer, .875 x .375 x .125

C1298/9804

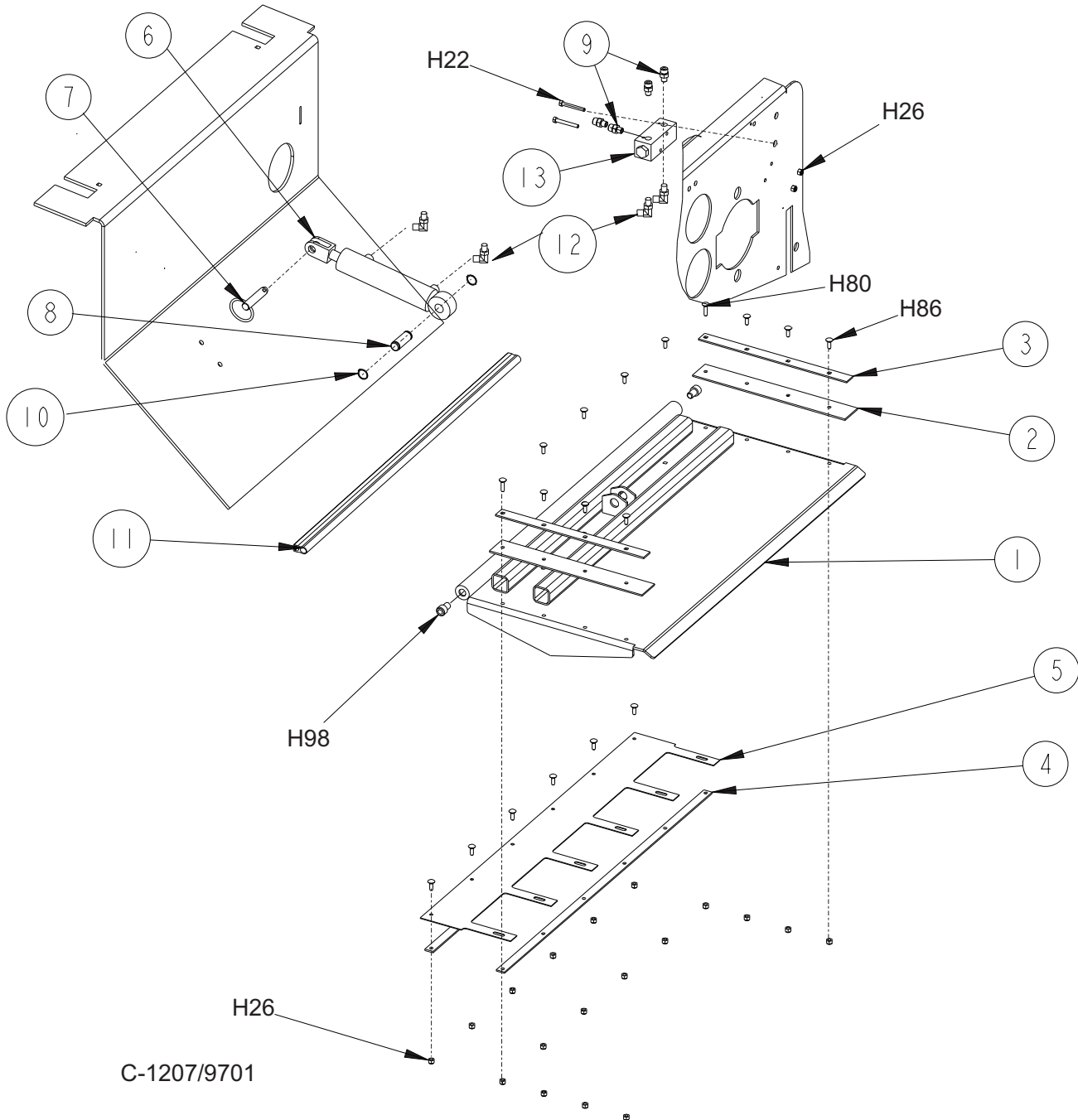


Item	Ref. No.	Qty	Description
1	8-16-07409	1	RH Side Cover
2	8-45-05010	6	Lug, Cover Detent
3	8-16-07410	1	LH Side Cover

HARDWARE USED:

H15	2-00-00221	4	Screw, 1/4-20 x .750 HHC
H26	2-00-00641	8	Nut, 1/4-20 Insert Fiber
H72	2-00-00518	4	Lock Washer Helical Spring
H86	2-00-03575	8	Carriage Bolt, 1/4-20 x .750

C1239/9804

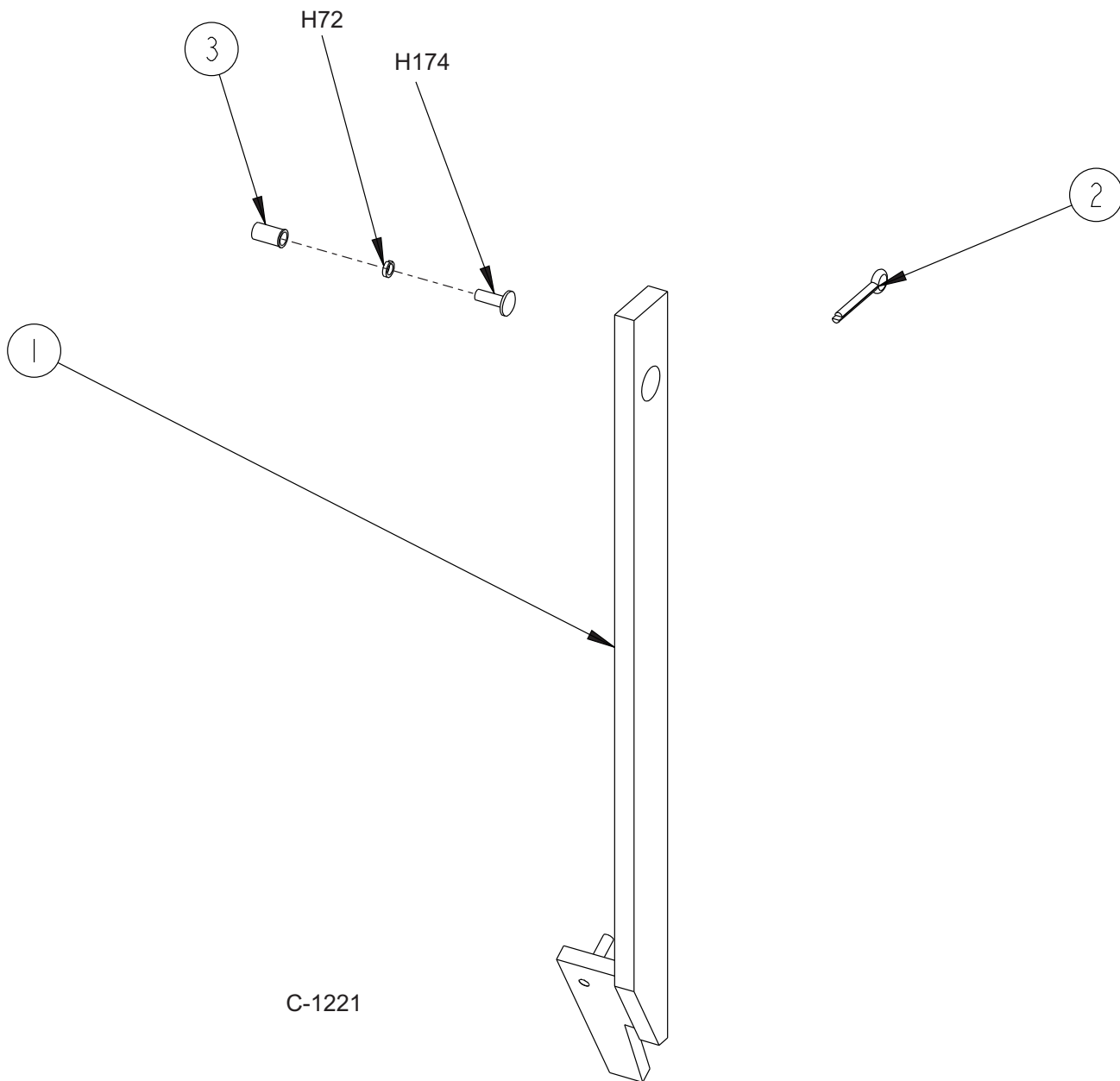


Item	Ref. No.	Qty	Description
1	8-19-08066	1	Hopper Door
2	8-68-05087	2	Seal, Dump Door
3	8-13-07140	2	Clamp, Door Seal
4	8-13-07141	2	Clamp, Door Vent Flap
5	8-25-08210	1	Flap, Dppr Vemt
6	7-17-05011	1	Cylinder
7	7-55-08121	1	Pin, Door Cylinder
8	8-55-08123	1	Pin, 3/4 Dia.
9	2-00-04462	1	Fitting, Street Tee
10	2-00-00540	2	Retaining Ring, 3/4 Dia.
11	8-29-00244	1	Gasket, Dump Door
12	2-00-04892	1	Fitting
13	8-88-00064	1	Valve

HARDWARE USED:

H22	2-00-02589	2	Screw, 1/4-20 x 2.000 HHC
H26	2-00-00641	20	Nut, 1/4-20 Insert Fiber
H80	2-00-02196	18	Carriage Bolt, 1/4-20 x 1.000 RHM
H86	2-00-03575	1	Carriage Bolt, 1/4-20 x .750
H98	2-00-05277		Screw, 1/2-13 x .750 HSHC

C-1207



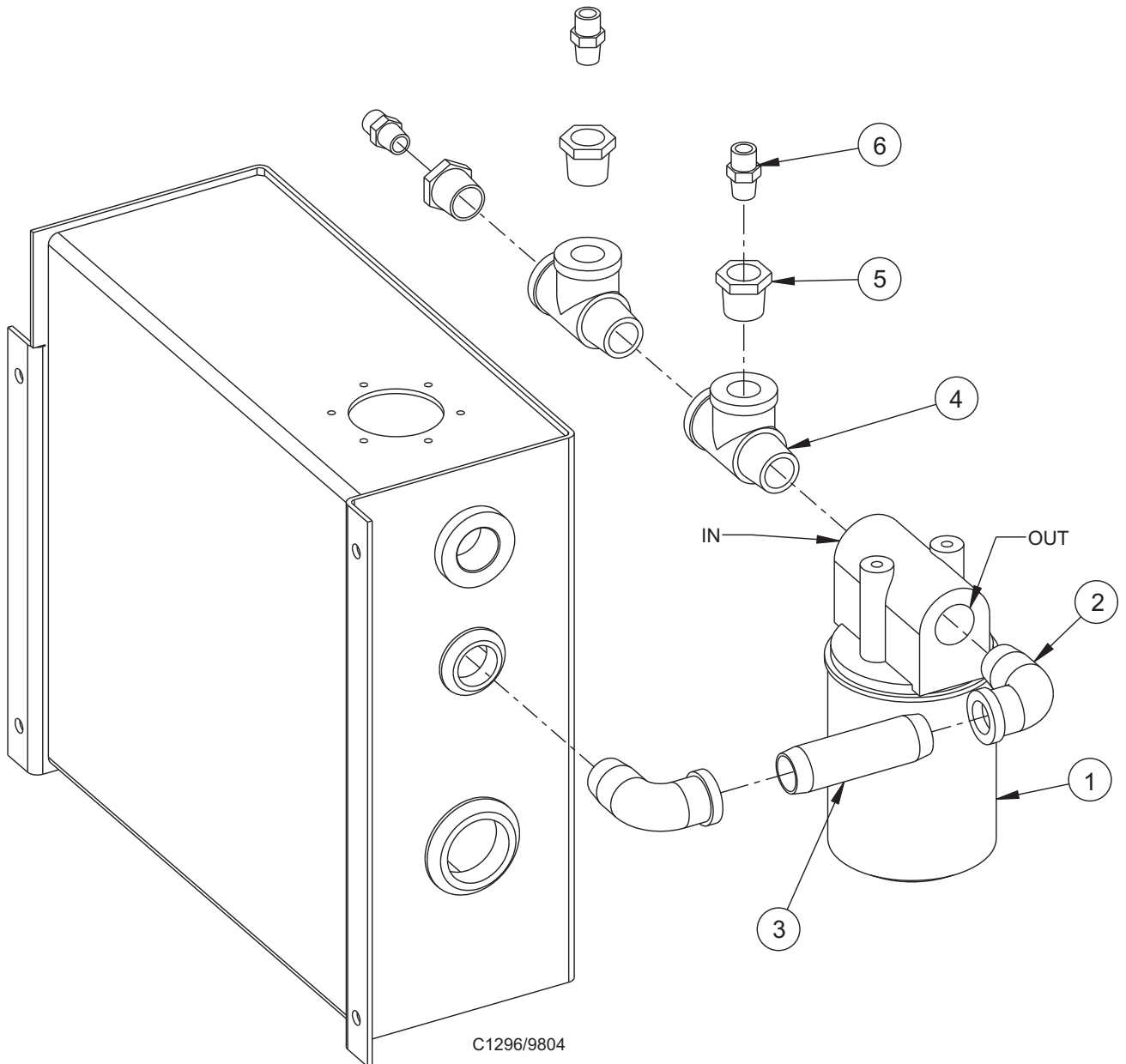
C-1221

Item	Ref. No.	Qty	Description
1	8-81-00179	1	Safety Arm Weld
2	2-00-02436	1	Cotter Pin
3	2-00-05261	1	Threaded Insert

HARDWARE USED:

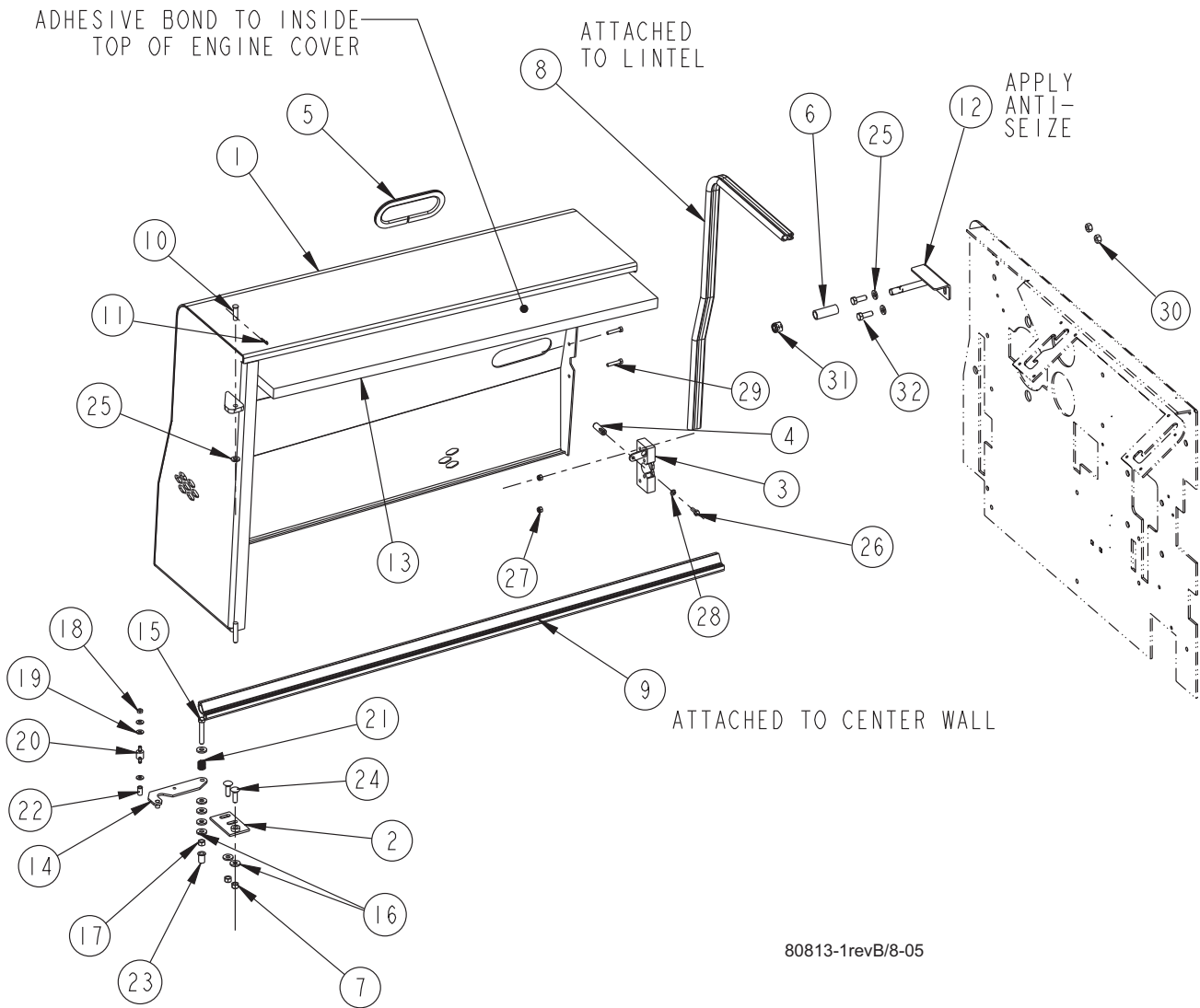
H174	2-00-00183	1	Screw, 1/4-20 x .750 THM
------	------------	---	--------------------------

C-1221
C1247



C1296/9804

Item	Ref. No.	Qty	Description
1	7-24-04013	1	Hydraulic Filter
	7-24-04014		Element ONLY: (for 7-24-04013)
2	2-00-03952	2	Elbow, Street 90° 3/4 NPT
3	2-00-03890	1	Nipple, Pipe 3/4 NPT x 3.5
4	2-00-04487	2	Fitting, Street Tee
5	2-00-04474	3	Fitting Reducer
6	2-00-05203	3	Fitting
7	2-00-03891	1	3/4 NPT x 6.00 Pipe Nipple
8	2-00-03639	1	90° Elbow, 3/4 NPT
9	8-33-02202	Ref	Hose, Hyd ORS 8 0-90 20"
10	7-33-02201	Ref	Hose, Hyd ORS 8 Str x Jic 8ST

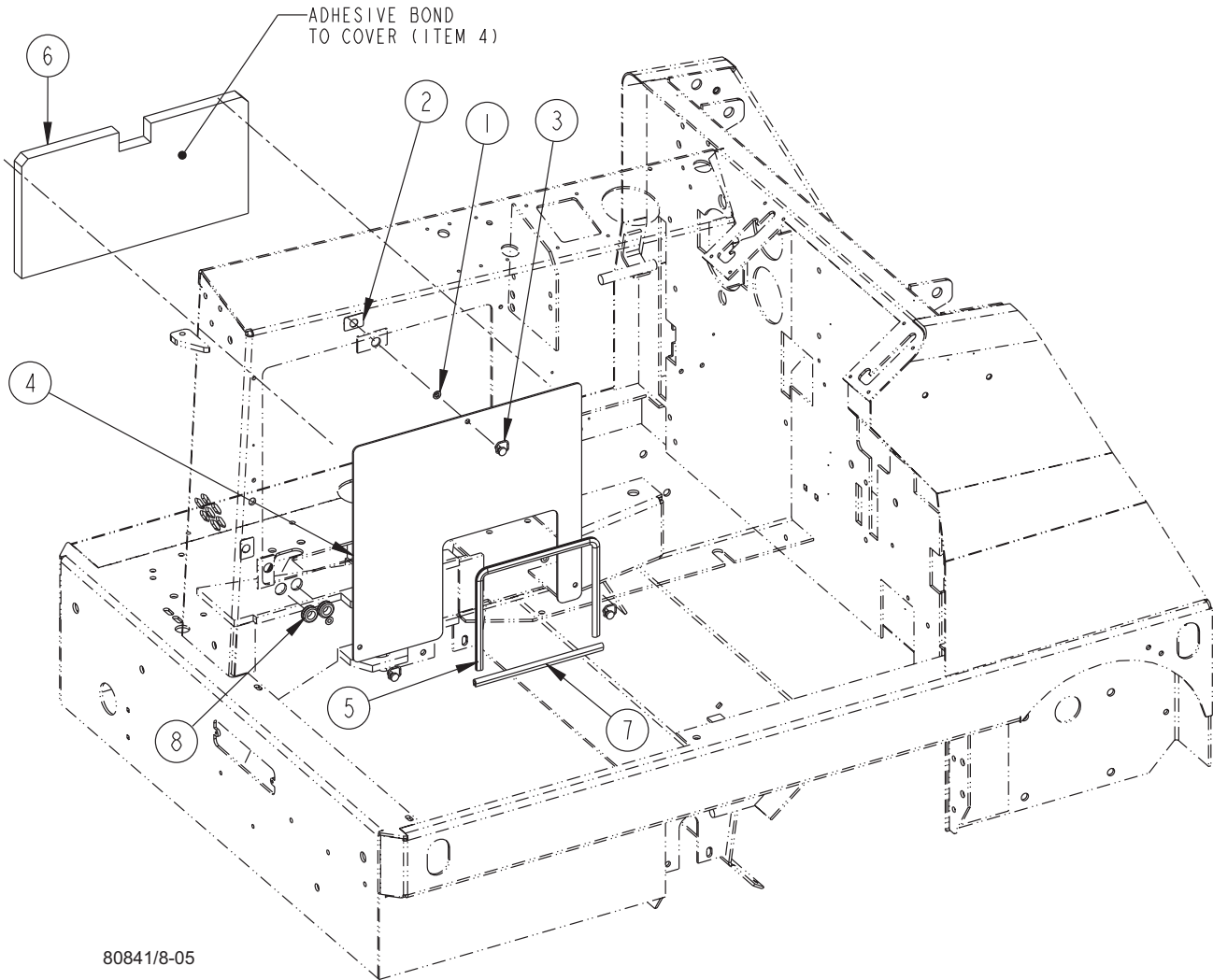


80813-1revB/8-05

Item	Ref. No.	Qty	Description
1	8-16-07367	1	Engine Cover
2	8-08-00844	1	Mounting Plate, Engine Cover
3	8-41-00051	1	Latch, Rotor
4	8-39-00014	1	Knob, Latch
5	7-21-03003	1	Edging
6	8-66-05012	1	Roller, Engine Cover Guide
7	2-95-04182	2	Nut, 3/8-16 Stop
8	8-29-00245	1	Gasket, Engine Cover
9	8-29-00246	1	Gasket, Engine Cover
10	2-00-05266	1	Clevis Pin
11	2-00-05249	1	Cotter Pin
12	8-08-00961	1	Bracket, Engine Cover Guide
13*	8-34-09030	1	Insulation, Cover
14	7-03-04275	1	Safety Arm, Engine Cover
15	2-00-02599	1	Screw, 3/8-16 x 2.25 HHCS
16	2-00-04801	6	Flat Washer, .875 x .375 x .125
17	2-00-02360	1	Nut, .38-16 Hex
18	2-00-00594	1	Nut, 1/4-20 Hex
19	2-00-03702	3	Flat Washer, .625 x .281 x .063
20	8-50-05053	1	Mount, Isolator
21	7-76-00121	1	Spring
22	2-00-05261	1	Insert, 1/4-20
23	2-00-05347	1	Insert, 3/8-16 Threaded
24	2-00-05187	2	Carriage Bolt, 3/8-16 x 1.25
25	2-00-00402	3	Flat Washer, .750 x .391 x .093
26	2-00-00221	1	Screw, 1/4-20 x .75 HHC
27	2-00-00641	2	Nut, 1/4-20 Insert Fiber
28	2-00-00518	1	Lock Washer, Helical Spring
29	2-00-00222	2	Screw, 1/4-20 x 1.25 HHM
30	2-95-04182	2	Lock Nut, 3/8-16
31	2-00-04936	1	Insert, 1/2-13 Fibre
32	2-00-00233	2	Screw, .375-16 x 1.00

* Gas, LP, Diesel Only

80813-1rev B/8-05

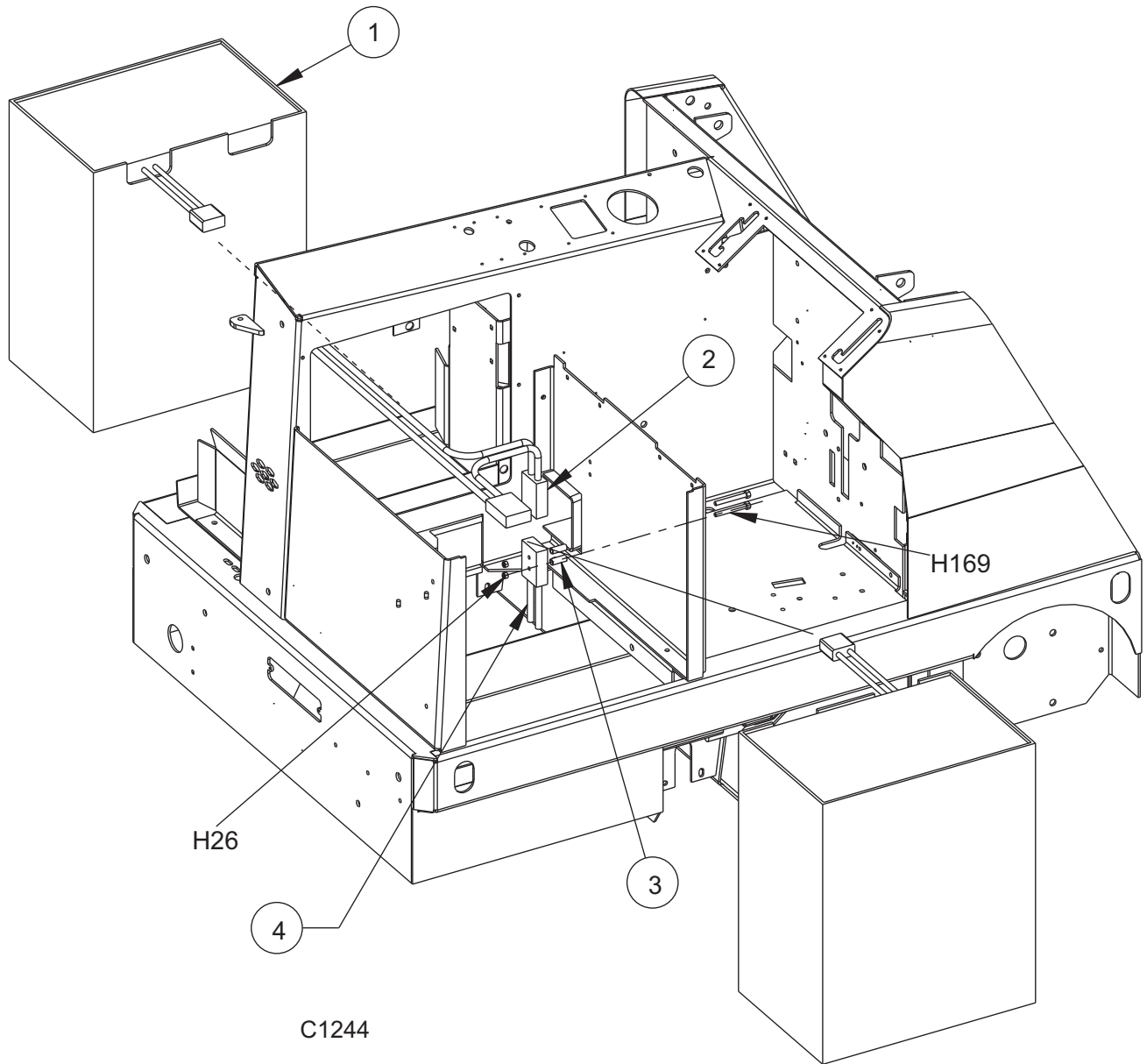


80841/8-05

Item	Ref. No.	Qty	Description
1	7-23-03106	3	Washer, Screw-Captivated
2	7-23-03108	3	U Clip, Screw-Captivated
3	7-23-03113	3	Fastener, 1/4 Turn
4	8-16-07395	1	Cover, Power Panel
5	8-21-04057	1	Edging
6*	8-34-09035	1	Insulation, Center Wall
7	7-21-04044	1	Edging
8	2-00-03878	2	Grommet

*Gas, LP, Diesel only

80841/8-05

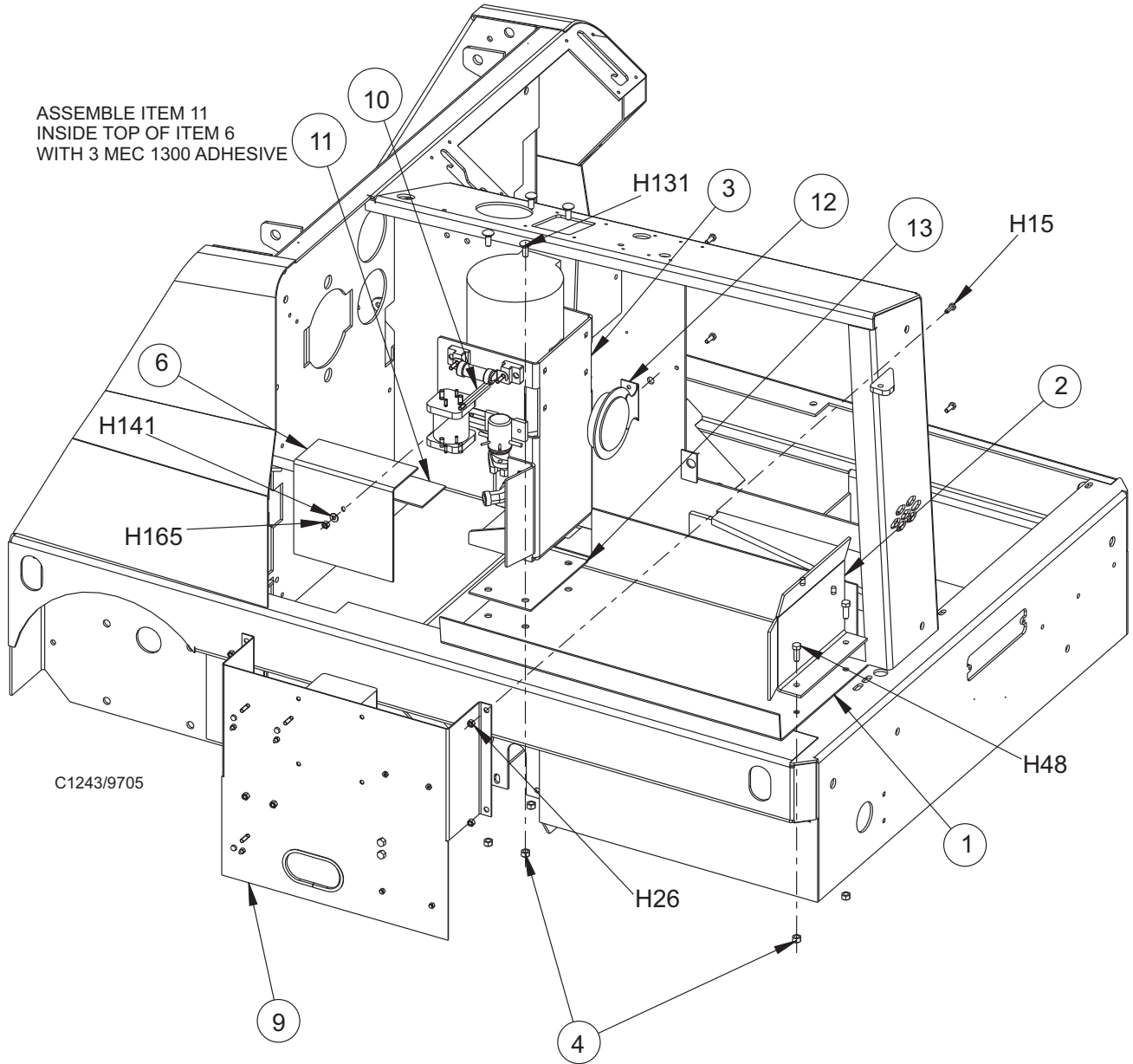


Item	Ref. No.	Qty	Description
1	0875-127	2	Battery
2	0875-128	1	Assy - Battery Connections
3	7-09-01046	2	Spacer
4	0875-129	1	Power Panel Connector Assy.

HARDWARE USED:

H26	2-00-00641	4	Nut 1/4 - 20 Fiber Insert
H169	2-00-02637	2	Screw, 1/4 - 20 x 2.750 HHC

C1244/9804



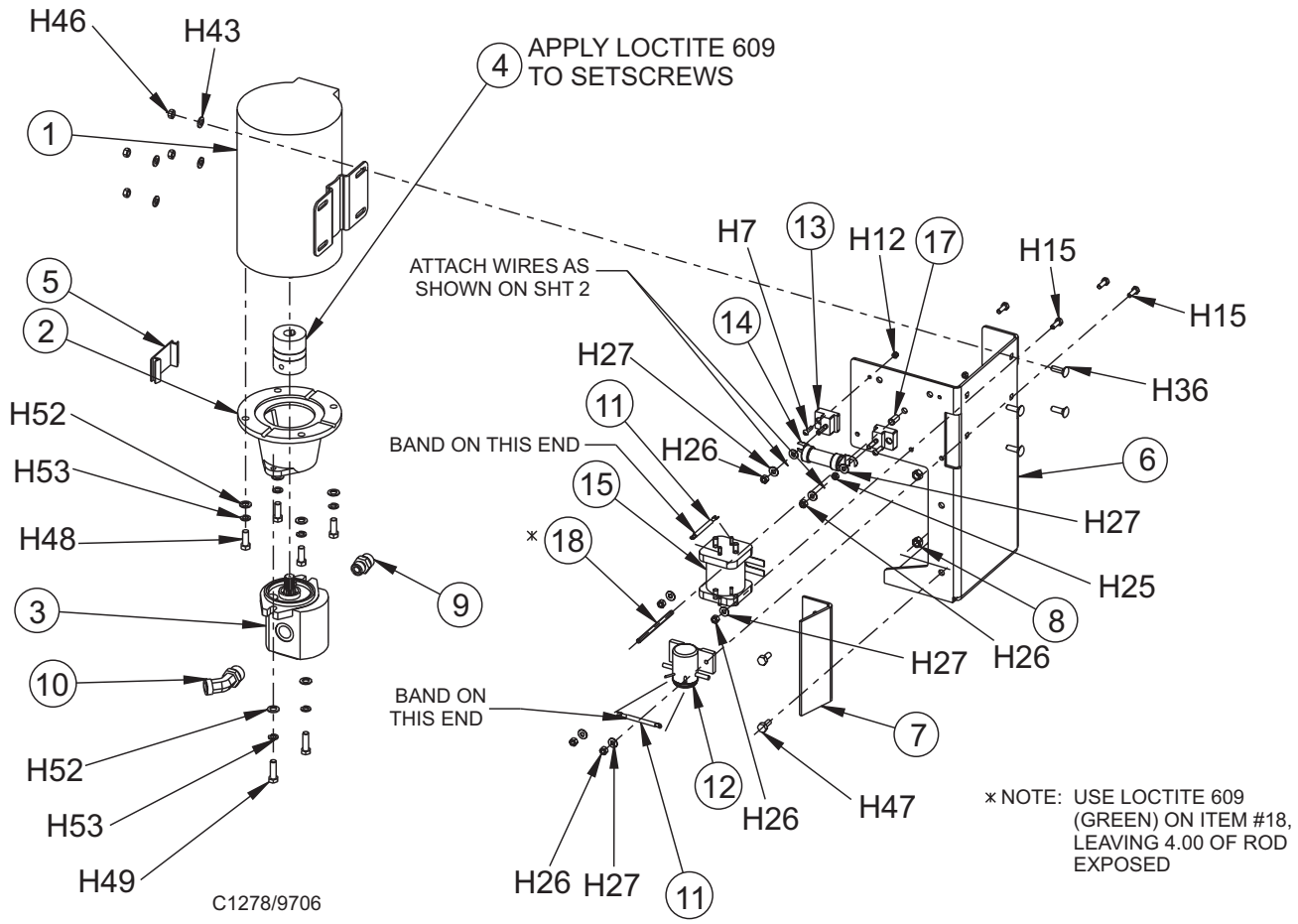
6150 Battery

Item	Ref. No.	Qty	Description
1	8-51-05020	1	Pan - LH Battery
2	8-30-08023	1	Guide - Battery (LS)
3	8-33-05131	Ref.	Housing, Motor
4	2-95-04182	8	Fiber Nut
5			
6	8-16-07384	1	Cover
7			
8			
9	8-52-00192	Ref.	Panel - Power
10	8-75-01213	1	Spacer
11	8-50-05062	1	Pad
12#	8-32-09008	1	Horn (36V)
13	8-34-09033	1	Insulation, Battery Pan

HARDWARE USED:

H15	2-00-00221	4	Screw, 1/4 - 20 x .750 HHC
H26	2-00-00641	4	Nut 1/4 - 20 Fiber Insert
H48	2-00-00233	2	Screw, 3/8 - 16 x 1.000 HHC
H131	2-00-03855	4	Carriage Bolt, 3/8 - 16 x 1.000
H141	2-00-00501	1	Lock Washer, Int.
H165	2-00-00589	1	Nut, Hex Jam .25-20

C1243/9804

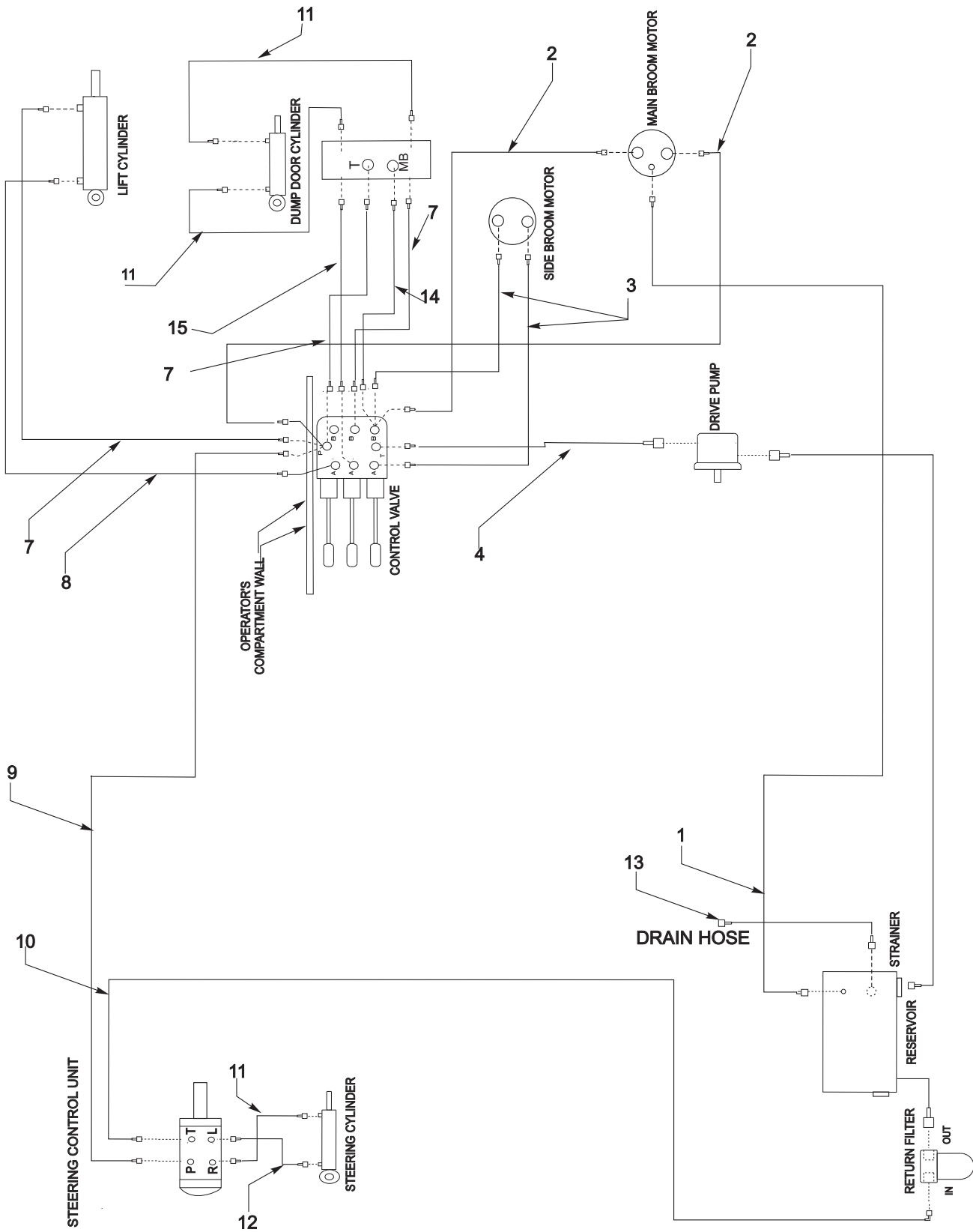


Item	Ref. No.	Qty	Description
1	0882-031	1	Motor, Electric - 36 Volt DC
2	8-33-05130	1	Housing - Pump to Motor
3	8-60-05037	1	Hydraulic Pump
4	8-16-05029	1	Coupling
5	8-16-07268	1	Cover
6	8-33-05131	1	Housing - Motor Mounting
7	8-30-08022	1	Guide - Battery (LS)
8	2-95-04182	4	Fiber Nut
9	2-00-04974	1	Fitting - Straight
10	2-00-04931	1	Fitting - 90°
11	0775-159	2	Diode Assembly
12	2-00-04825	1	Sol 3A
13	8-06-05004	2	Fuse Holder
14	8-28-05021	1	Fuse - 120 A
15	7-15-08005	1	Sol 4A
16	8-90-07447	1	Wire - 120 A Fuse - Sol 4A
17	2-00-05261	1	1/4-20 Threaded Insert
18	8-66-00184	1	Threaded Rod

HARDWARE USED:

H7	2-00-00056	2	Screw, #10-24 x .750 RHM
H12	2-00-01246	2	Nut, Hex Fiber Insert #10-24
H15	2-00-00221	4	Screw, 1/4-20 x .750 HHC
H25	2-00-00594	1	Nut, Hex 1/4-20 x .437 x .218
H26	2-00-00641	6	Nut, Hex Fiber Insert 1/4-20
H27	2-00-03702	8	Washer, .625 x .281 x .063
H36	2-00-00196	4	Carriage Bolt, 5/16-18 x 1.000
H43	2-00-00409	4	Flat Washer, .687 x .344 x .062
H46	2-00-00644	2	Nut, 5/16-18 Insert Fiber
H47	2-00-00232	2	Screw, 3/8-16 x .750 HHC
H48	2-00-00233	4	Screw, 3/8-16 x 1.000 HHC
H49	2-00-00209	2	Screw, 3/8-16 x 1.250 HHC
H52	2-00-00402	6	Flat Washer, .750 x .390 x .094
H53	2-00-02310	6	Lock Washer, Helical Spring 3/8 Med.

C1278/9809



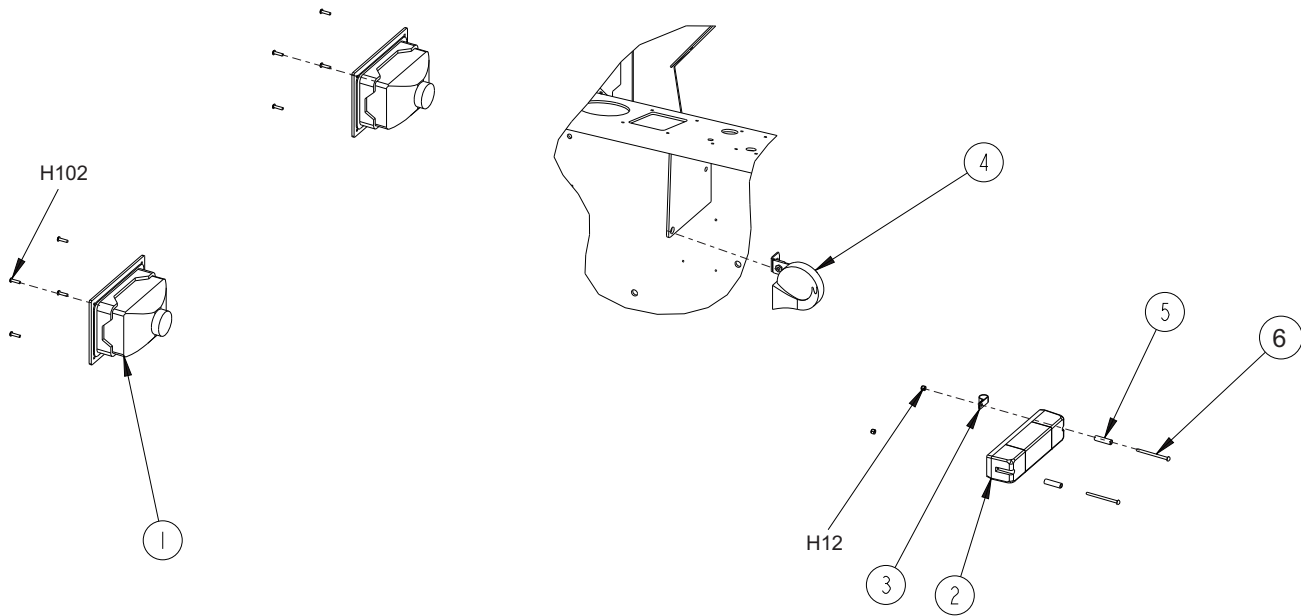
C-0791

Item	Ref. No.	Qty	Description
1	7-33-02193	1	#4 x 49.0" 0-90 ORS
2	8-33-02325	2	#8 x 65.0" 0-0-ORS
3	8-33-02213	2	#8 x 88.0" 0-0 ORS
4	8-33-02202	1	#8 x 20.0" 0-90 ORS
5	8-33-02353	1	#12 x 12.5" 0-45 ORS
6			
7	8-33-02199	3	#4 x 24.5" 0-90 ORS
8	7-33-02225	1	#4 x 38.0" 0-90 ORS
9	8-33-02326	1	#8 x 34.5" 0-0 ORS
10	7-33-02187	1	#8 x 42.0" 0-0 ORS
11	8-33-02184	3	#4 x 50.5" 0-0 ORS
12	8-33-02179	1	#4 x 46.0" 0-0 ORS
13	8-33-02193	1	#8 x 18.0" 0-0 ORS
14	8-33-02176	1	#4 x 21.0" 0-90 ORS
15	7-33-02189	1	#4 x 26.0" 0-90 ORS

C0791/9804

60

6150 Battery



C-1225

Item	Ref. No.	Qty	Description
1^	8-40-05051	2	Head Light
1*	8-40-05052	2	Head Light
2^	8-40-05044	1	Tail Light
2*	8-40-05053	1	Tail Light
3	2-00-04210	1	Clamp
4^	8-32-09013	1	Horn
4*	8-32-09008	1	Horn
5	8-75-01207	2	Spacer, Tail Light Mounting
6#	2-00-02933	2	Screw-PH PN HD #10-24 x 3.50 ZN

HARDWARE USED:

H12	2-00-01246	2	Nut, Hex Fiber Insert #10-24
H102	2-00-04795	8	Screw, #10-24 x .750 BHS
H175#			Deleted

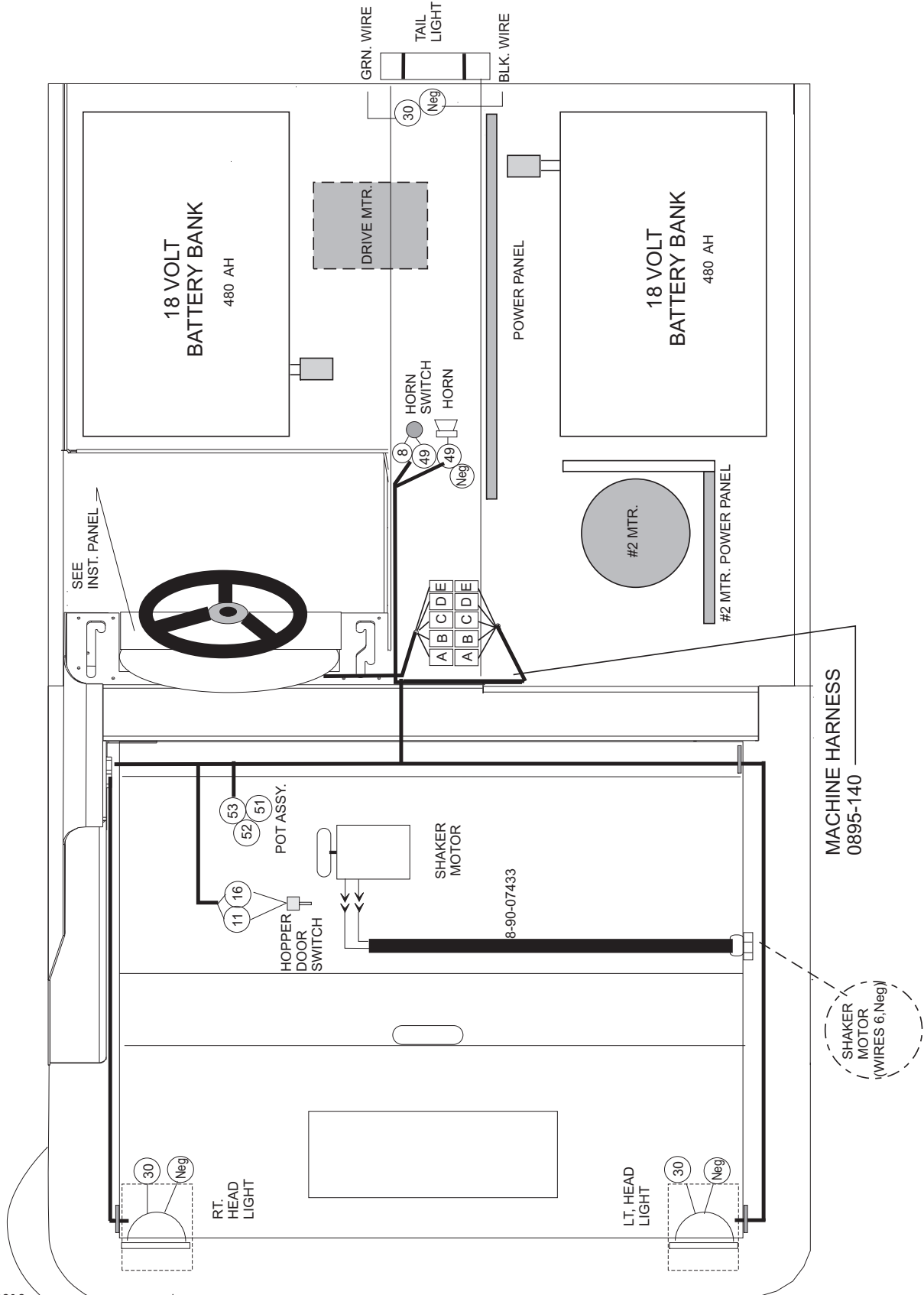
^ Use on Gas/LP & Diesel Machines Only

* Use on Battery Machines Only

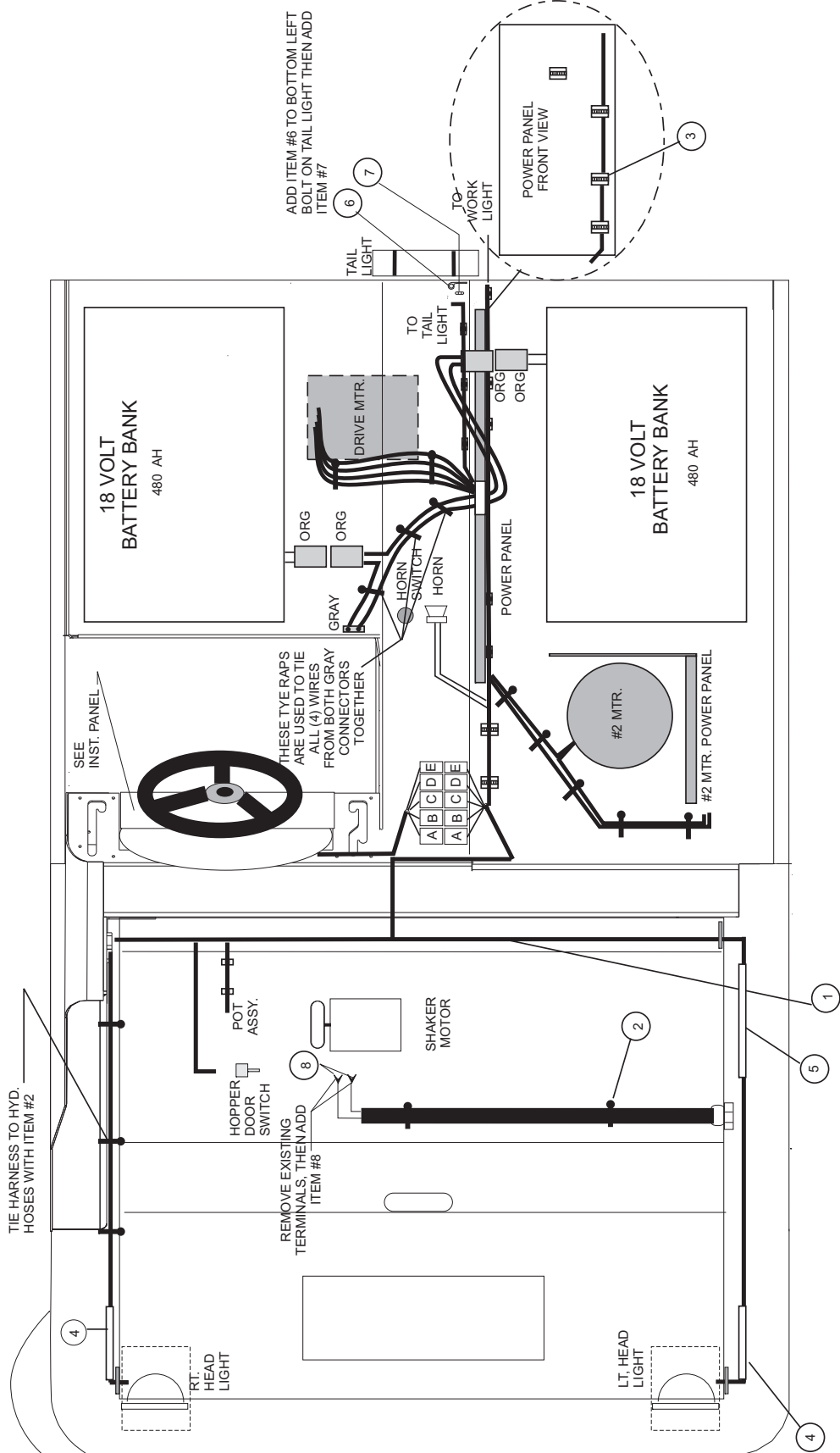
= Revised or new since last update

C-1225

6150 Battery



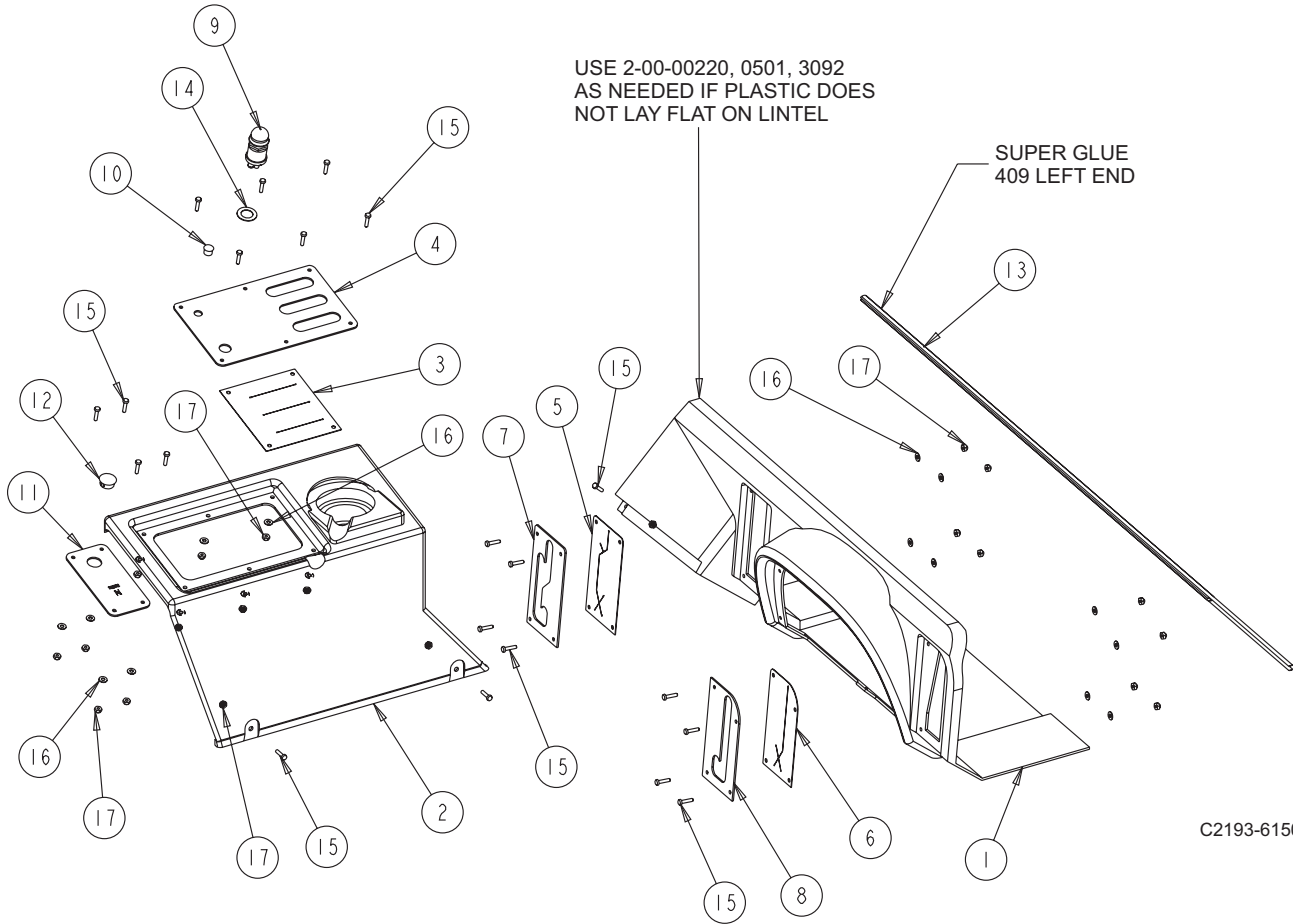
C2212



C-0780R

Item	Ref. No.	Qty	Description
1	0895-140	1	Harness, Machine
2	2-00-04345	16	Tye Rap
3	7-13-07096	15	Clamp
4	8-20-06039	2	Duct 4.0"
5	8-20-06036	1	Duct 12.0"
6	2-00-04210	1	Clamp
7	2-00-01246	1	Nut, 10-24 lock
8#	2-00-03418	2	Terminal

C0780R/5-04

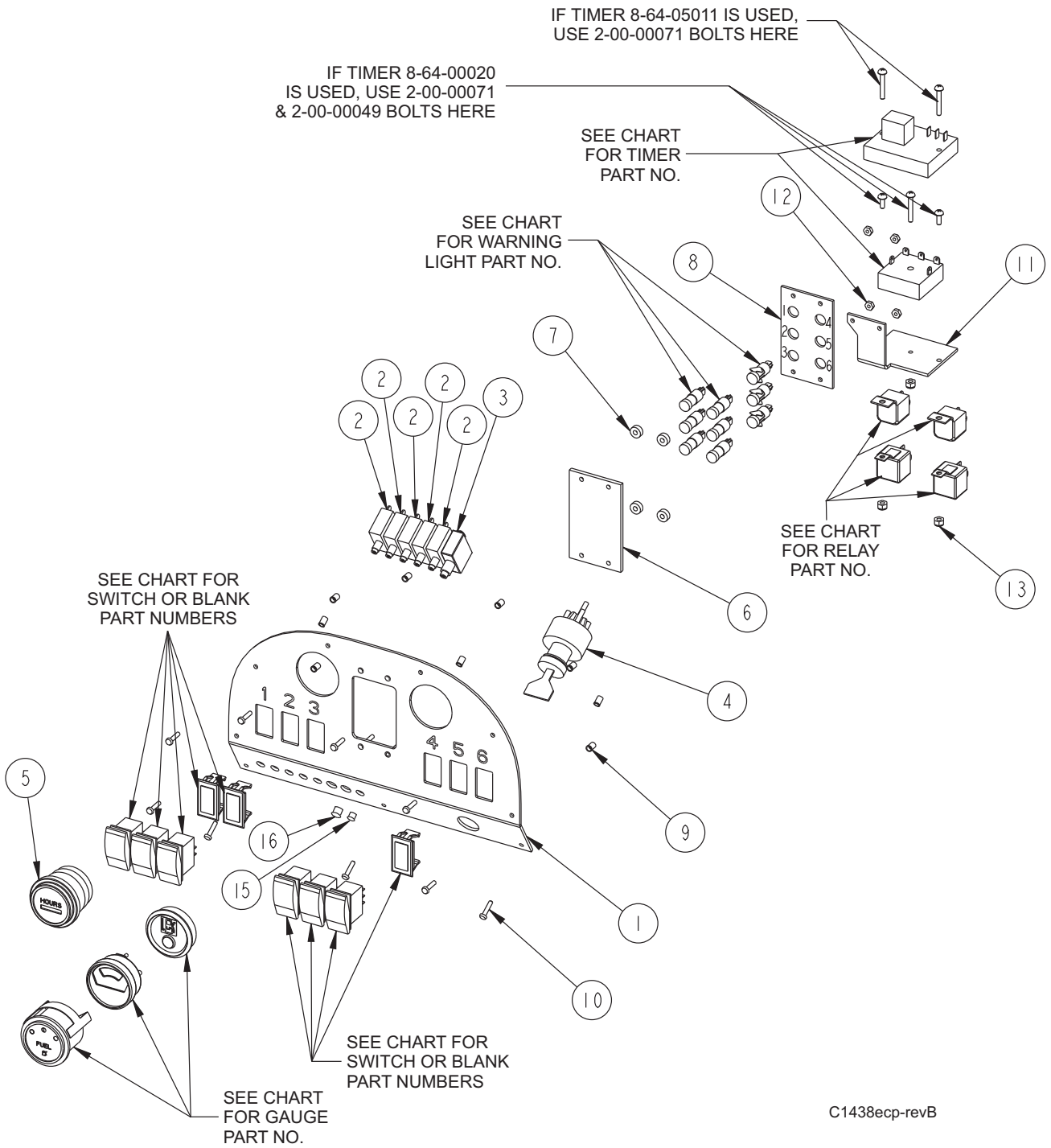


C2193-6150

Item	Ref. No.	Qty	Description
1*	8-33-05118	1	Housing, Instrument
2*	8-33-05119	1	Housing, Center Wall
3	8-16-07356	1	Cover, Valve Slot
4*	8-52-00196	1	Panel, Control Valve
5	8-16-07355	1	Cover, Main Broom Slot
6	8-16-07354	1	Cover, Side Broom Slot
7*	8-52-00194	1	Panel, Main Broom
8*	8-52-00195	1	Panel, Side Broom
9	8-82-00024	1	Horn, Push Button
10	2-00-05283	1	Plug Button
11	8-52-00189	1	Panel, Throttle (Gas, LP, Diesel)
12	2-00-04513	1	Plug (Battery Only)
13	8-68-05081	1	Seal, Trim
14	2-00-02293	1	Lock Washer, Int. Tooth, .63 dia.
15	2-00-05337	21	Screw, #8-32 x .75 BHS SS
16	2-00-00460	18	Flat Washer, .437 x .192 x .031
17	2-00-01372	21	Nut, #8-32 Fiber Insert Lock

*Part of 0860-630

C2193-6150/11-04



C1438ecp-revB

Item	Ref. No.	Qty	Description
1	8-52-00203	1	Panel, Instrument
2	8-64-00008	5	Circuit Breaker (15 amp)
3	7-64-00025	1	Circuit Breaker (25 amp)
4	7-82-00026	1	Switch, Anti-Restart Key
	2-60-02272		Ignition Key: (for 7-82-00026)
5#	56478363	1	Gauge, Hour Meter
6	8-41-03014	1	Lens, Warning Light
7	8-75-01223	4	Spacer, Panel
8	8-58-05292	1	Plate, Warning Light
9	2-00-05324	9	Insert, #8-32 Threaded
10	2-00-05337	9	Screw, #8-32 x .75 BHSC
11	8-08-00948	1	Bracket, Timer
12	2-00-01372	4	Nut, #8-32 Fiber Insert Lock
13	2-00-01246	3	Nut, #10-24 Elastic Stop
14	0895-142	1	Harness, Instrument Panel (not shown)
15	2-00-04757	1	Plug Button, .375 dia.
16	2-00-05283	1	Plug Button

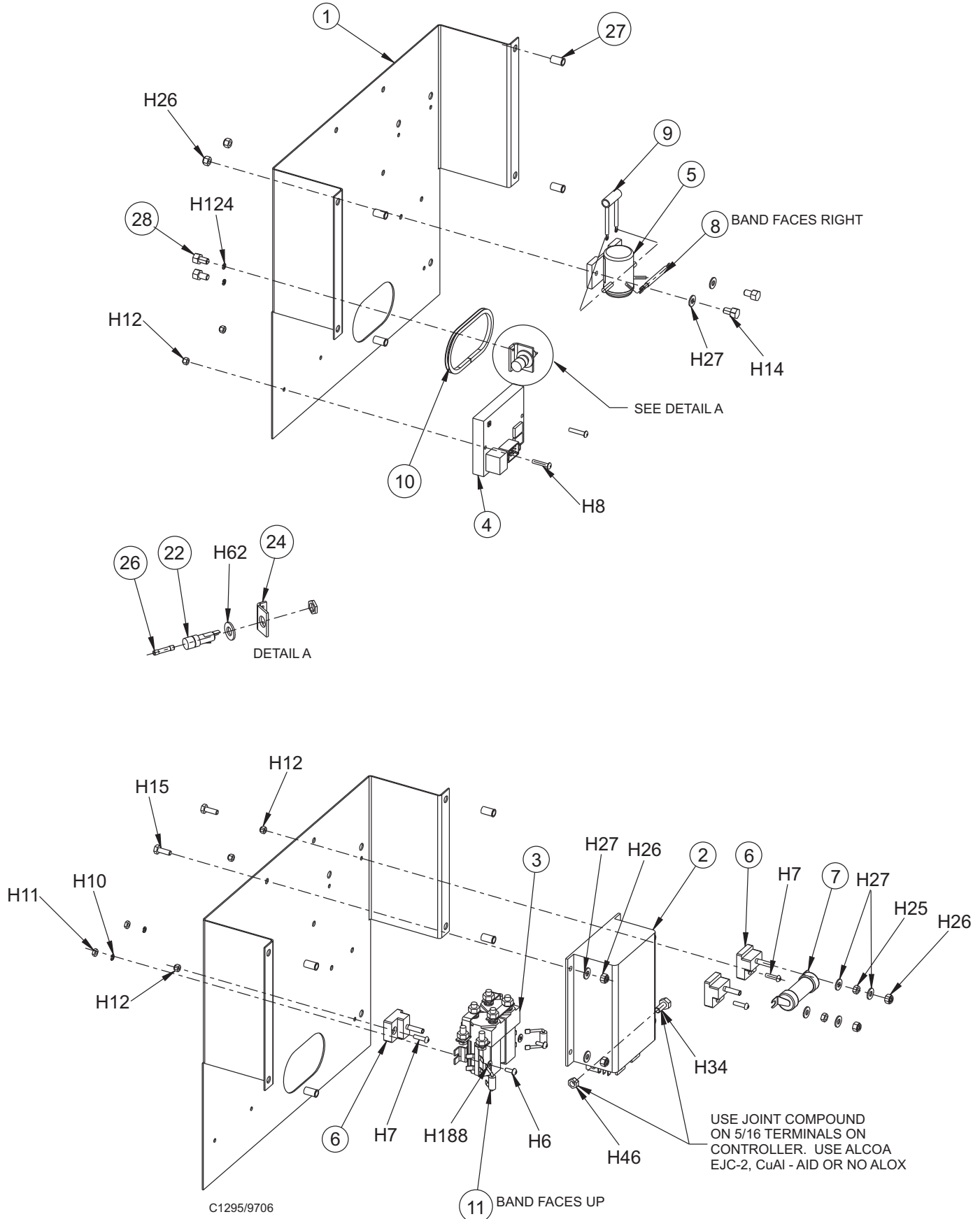
= Revised or new since last update

SWITCH POSITIONS						
	1	2	3	4	5	6
	HEAD LIGHTS	WORK LIGHT	GLOW PLUG	FILTER SHAKER	DUST CONTROL	THROTTLE
GAS	8-82-00072	2-00-05375	2-00-05375	8-82-00073	8-82-00072	2-00-05375
LP	8-82-00072	2-00-05375	2-00-05375	8-82-00073	8-82-00072	2-00-05375
DIESEL	8-82-00072	2-00-05375	8-82-00073	8-82-00073	8-82-00072	2-00-05375
BATT.	8-82-00072	2-00-05375	2-00-05375	8-82-00073	8-82-00072	2-00-05375

0880-646 REAR WORK LIGHT-GAS, LP, DIESEL- (POSITION 2): 8-82-00072

0880-678 REAR WORK LIGHT-BATTERY-(POSITION 2): 8-82-00072

	LIGHT POSITIONS		GAUGE	TIMER	RELAY (2 PER)
	1 - 3	4 - 6			
GAS	8-40-05057	8-40-05056	8-48-05032	8-64-05011	8-64-05009
LP	8-40-05057	8-40-05056	7-11-04035	8-64-05011	8-64-05009
DIESEL	8-40-05057	8-40-05056	8-48-05032	8-64-05011	8-64-05009
BATT.	NA	7-40-05038	7-48-05024	8-64-00020	8-64-00019



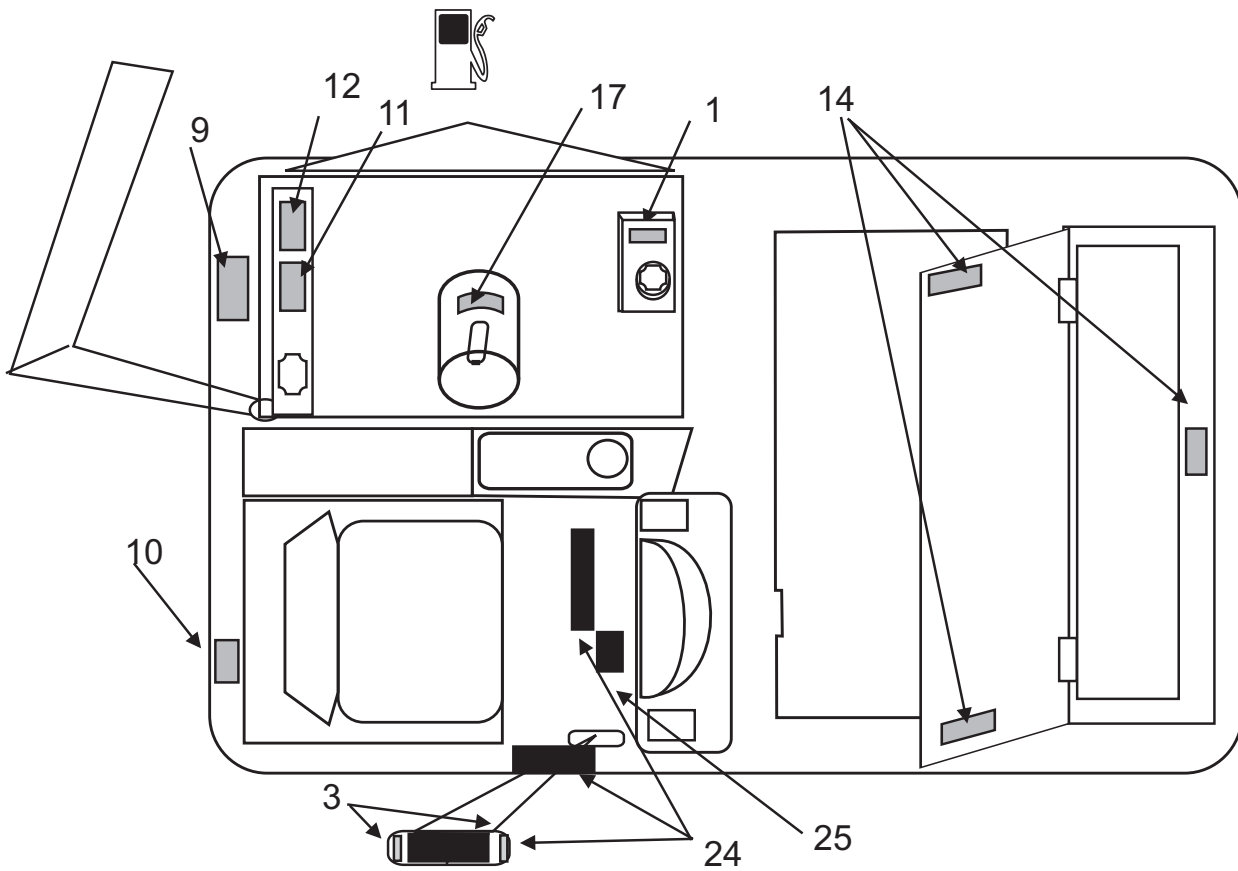
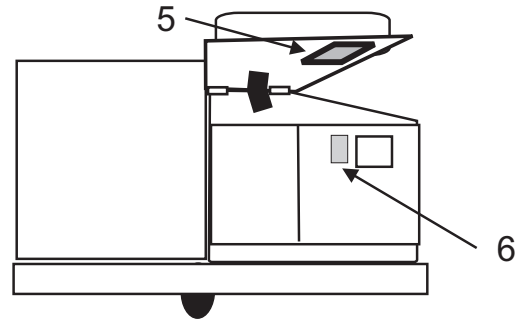
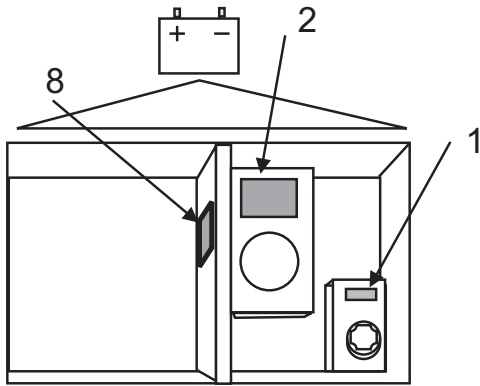
06-5	POWER PANEL			
08-7	6150 Battery			69

Item	Ref. No.	Qty	Description
1	8-52-00192	1	Power Panel
2	0775-163	1	Controller Assembly - Motor
3	8-74-00014	1	Solenoid - Power Panel
4	7-64-00029	1	Relay - Solid State Module
5	2-00-04825	1	Solenoid
6	8-06-05004	3	Fuse Holder
7	8-28-05019	1	Fuse - 70 Amp
8	0775-159	1	Diode Assembly
9	0875-132	1	Resistor Assembly
10	8-21-04055	1	Edging - Power Panel
11	0775-161	2	Diode Assembly
12	8-90-07453	1	Wire - Fuse #1 - Fuse #2
13	8-90-07448	1	Wire - 70A Fuse - Sol 1A
14	8-90-07450	1	Wire Sol 1A - Controller B+
15	8-90-07449	1	Wire Controller B - ISO Post
16	8-90-07452	1	Wire - Controller M-Sol 5+6
17	2-00-04345	6	Tye - Rap
18	8-90-07445	1	Wire - Drive Motor S1
19	8-90-07446	1	Wire - Drive Motor S2
20	8-90-07454	1	Wire - Drive Motor A2
21	8-90-07444	1	Wire - Drive Motor A1
22	7-32-03018	1	Fuse Holder
23	0875-129	1	Assembly - Power Panel Connector
24	8-08-00539	1	Bracket
25	8-90-07451	1	Wire - Controller A2-Sol 5+6
26	7-28-05013	1	Fuse - 2 Amp SB
27	2-00-05261	2	1/4-20 Threaded Insert
28	2-00-02848	2	Screw, #10-32 x .500 RHM
29#	2-00-00460	2	Flat, Washer, .437 x .192 x .031

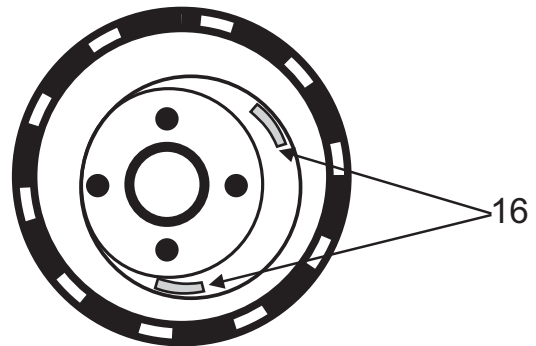
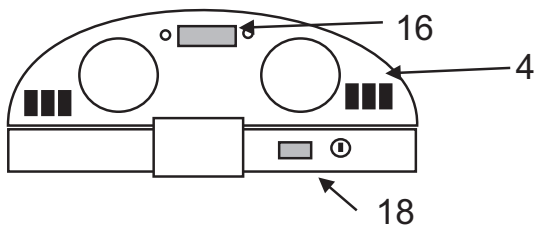
HARDWARE USED:

H6	2-00-00049	3	Screw, #10-24 x .500 RHM
H7	2-00-00056	2	Screw, #10-24 x .750 RHM
H8	2-00-00039	2	Screw, #10-24 x .675 FHM
H10	2-00-00519	2	Lock Washer, #10 Helical Spring Med.
H11	2-00-00605	2	Nut, Hex MS #10-24 x .375 x .125
H12	2-00-01246	5	Nut, Hex Fiber Insert #10-24
H14	2-00-00219	2	Screw, 1/4-20 x .500 HHC
H15	2-00-00221	4	Screw, 1/4-20 x .750 HHC
H25	2-00-00594	2	Nut, hex 1/4-20 x .437 x .218
H26	2-00-00641	8	Nut, 1/4-20 Insert Fiber
H27	2-00-03702	10	Washer, .625 x .281 x .063
H34	2-00-00208	4	Screw, 5/16-18 x .750 HHC
H46	2-00-00644	4	Nut, 5/16-18 Insert Fiber
H62	2-00-00405	1	Flat Washer, 1.063 x .531 x .094
H124	2-00-02296	2	Lock Washer, #10 Ext. Shakeproof

= Revised or new since last update



C0789e1/1003



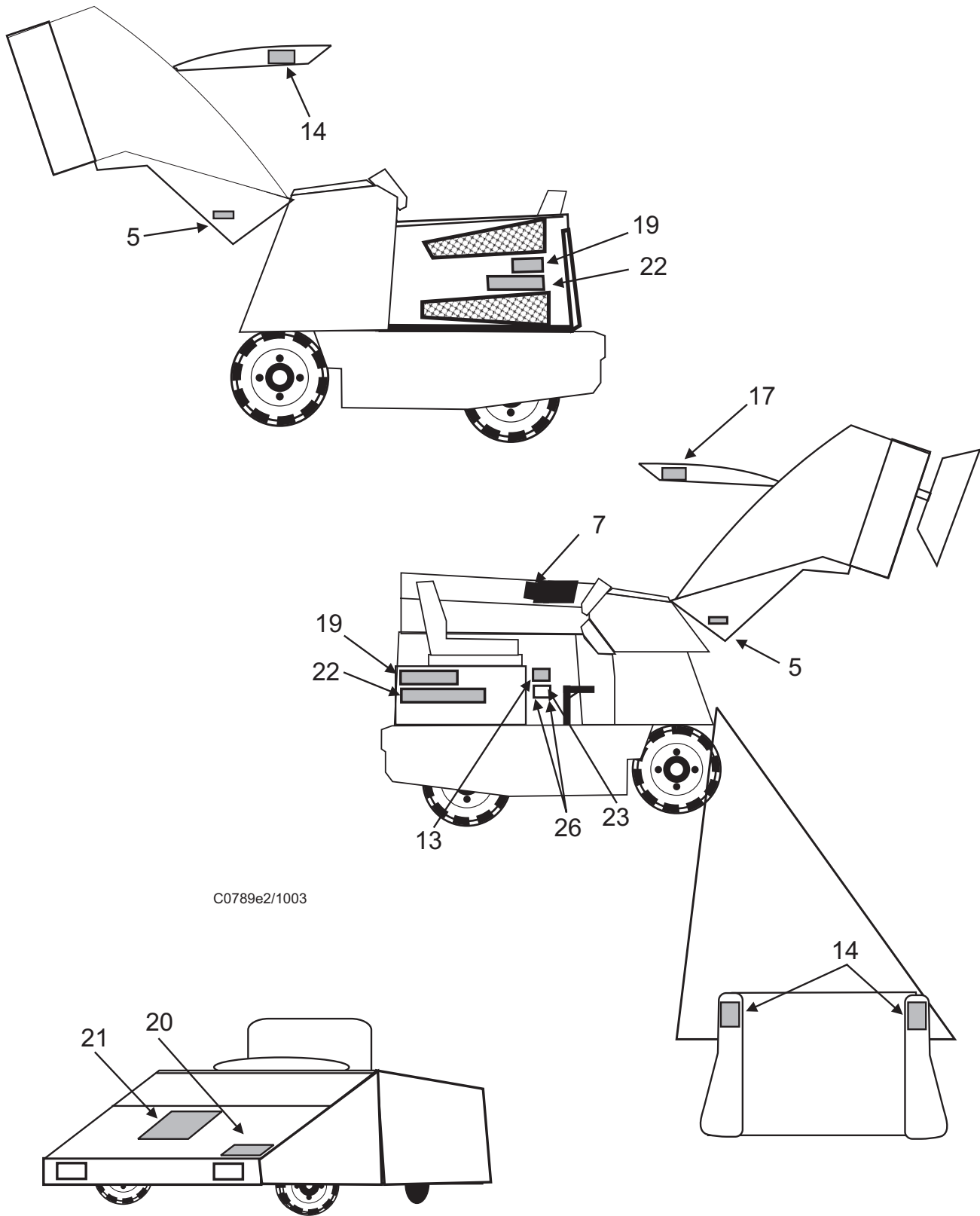
Item	Ref. No.	Qty	Description
1<*	REF	1	Hydraulic Fluid Only
2<*	REF	1	Battery Charging Warning
3	8-18-00490	1	Bi-Directional Pedal - Horizontal
4<~	8-18-00487	1	Blank Square - Option Covers
5<*	REF	3	Cover/Hopper Could Close
6<*	REF	1	Diesel Fuel Only (Diesel only)
6<*	REF	1	Gasoline Only (Gas only)
7<*	REF	1	Do Not Use with Flammables
8<*	REF	1	Electrical Hazard (Battery only)
9<*	REF	1	Exhaust Warning (Gas, LP, Diesel)
10<*	REF	1	Fire Hazard (Gas, Diesel)
11<*	REF	1	Moving Belts - Stay Clear (Gas, LP, Diesel)
12<*	REF	1	Moving Fan Blade - Stay Clear (Gas, LP, Diesel)
13<*	REF	1	Patent /Patents Pending
14<*	REF	7	Pinch Point - Stay Clear
15<*	REF	1	Read Operator's Manual
16<*	REF	3	Split Rim Pneumatic Tires
17<*	REF	1	Surface Hot - Stay Clear (Gas, LP, Diesel)
18<*	REF	1	Turn Off/Lock Wheel
19	8-18-00536	1	6150
20	8-18-00549	1	A-L Technology (small) - Export Only
21	8-18-00525	1	American-Lincoln Logo (medium)
	8-18-00528	1	Alto (large) - Export Only
22	8-18-00524	2	American-Lincoln Logo (small)
	8-18-00548	1	A-L Technology (large) - Export Only
23	REF	1	Serial Plate
24	7-50-05136	3	Non-Skid
25	8-50-05055	1	Non-Skid
26	2-00-04115	2	Rivets

~Can be ordered separately but is also included in 0760-855

<No-Text Warning Decals and English Text Decals contained in Kit 0760-855

*ALL WARNING/SAFETY DECALS WITH TEXT SOLD IN A KIT BY LANGUAGE:

DANISH	0760-850	ITALIAN	0760-851
DUTCH	0760-849	FRENCH	0760-847
NORWEGIAN	0760-852	SPANISH	0760-846
SWEDISH	0760-853	PORTUGUESE	0760-854
GERMAN	0760-848	ENGLISH	



C0789e2/1003

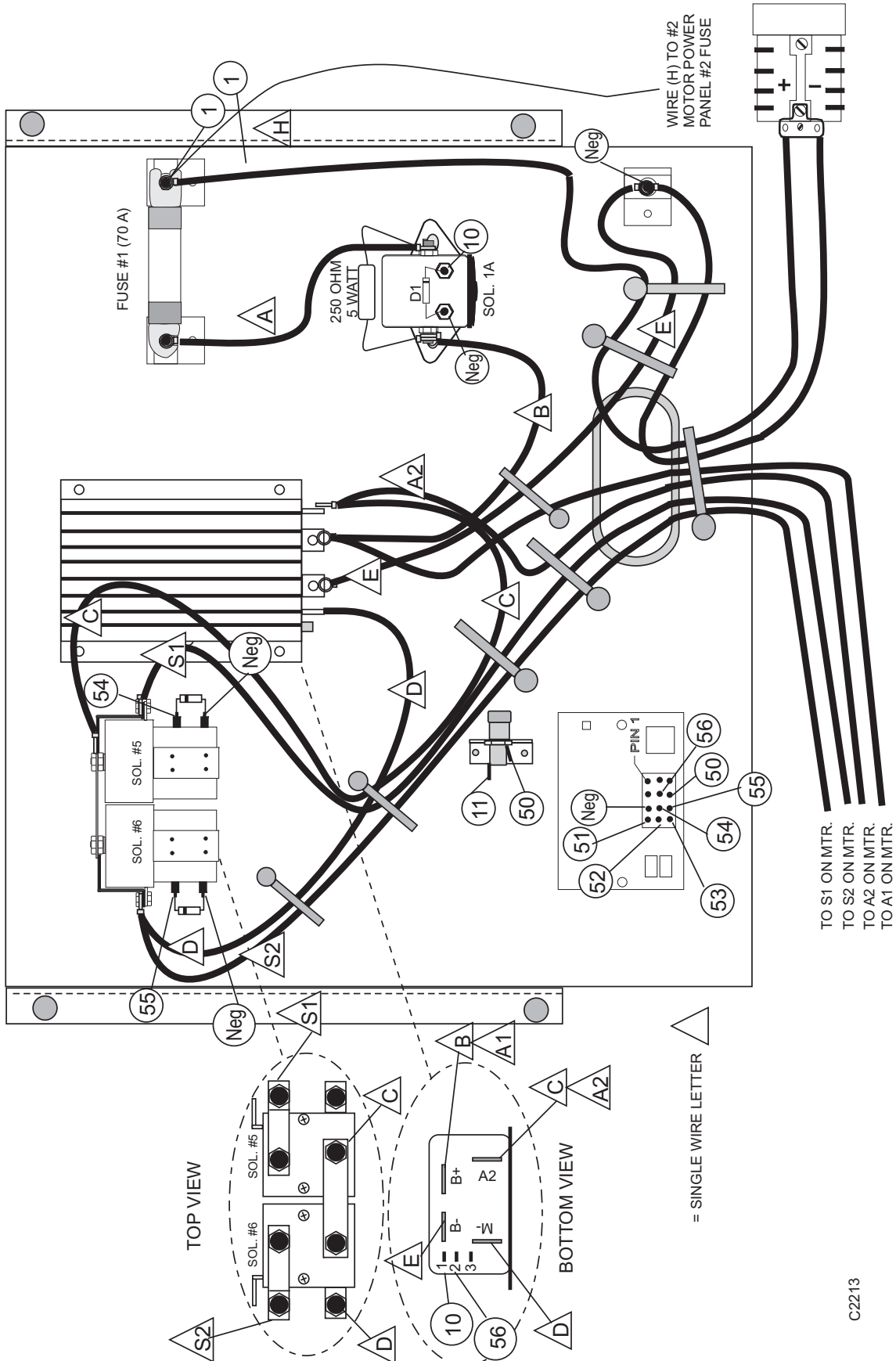
Item	Ref. No.	Qty	Description
1<*	REF	1	Hydraulic Fluid Only
2<*	REF	1	Battery Charging Warning
3	8-18-00490	1	Bi-Directional Pedal - Horizontal
4<~	8-18-00487	1	Blank Square - Option Covers
5<*	REF	3	Cover/Hopper Could Close
6<*	REF	1	Diesel Fuel Only (Diesel only)
6<*	REF	1	Gasoline Only (Gas only)
7<*	REF	1	Do Not Use with Flammables
8<*	REF	1	Electrical Hazard (Battery only)
9<*	REF	1	Exhaust Warning (Gas, LP, Diesel)
10<*	REF	1	Fire Hazard (Gas, Diesel)
11<*	REF	1	Moving Belts - Stay Clear (Gas, LP, Diesel)
12<*	REF	1	Moving Fan Blade - Stay Clear (Gas, LP, Diesel)
13<*	REF	1	Patent /Patents Pending
14<*	REF	7	Pinch Point - Stay Clear
15<*	REF	1	Read Operator's Manual
16<*	REF	3	Split Rim Pneumatic Tires
17<*	REF	1	Surface Hot - Stay Clear (Gas, LP, Diesel)
18<*	REF	1	Turn Off/Lock Wheel
19	8-18-00536	1	6150
20	8-18-00549	1	A-L Technology (small) - Export Only
21	8-18-00525	1	American-Lincoln Logo (medium)
	8-18-00528	1	Alto (large) - Export Only
22	8-18-00524	2	American-Lincoln Logo (small)
	8-18-00548	1	A-L Technology (large) - Export Only
23	REF	1	Serial Plate
24	7-50-05136	3	Non-Skid
25	8-50-05055	1	Non-Skid
26	2-00-04115	2	Rivets

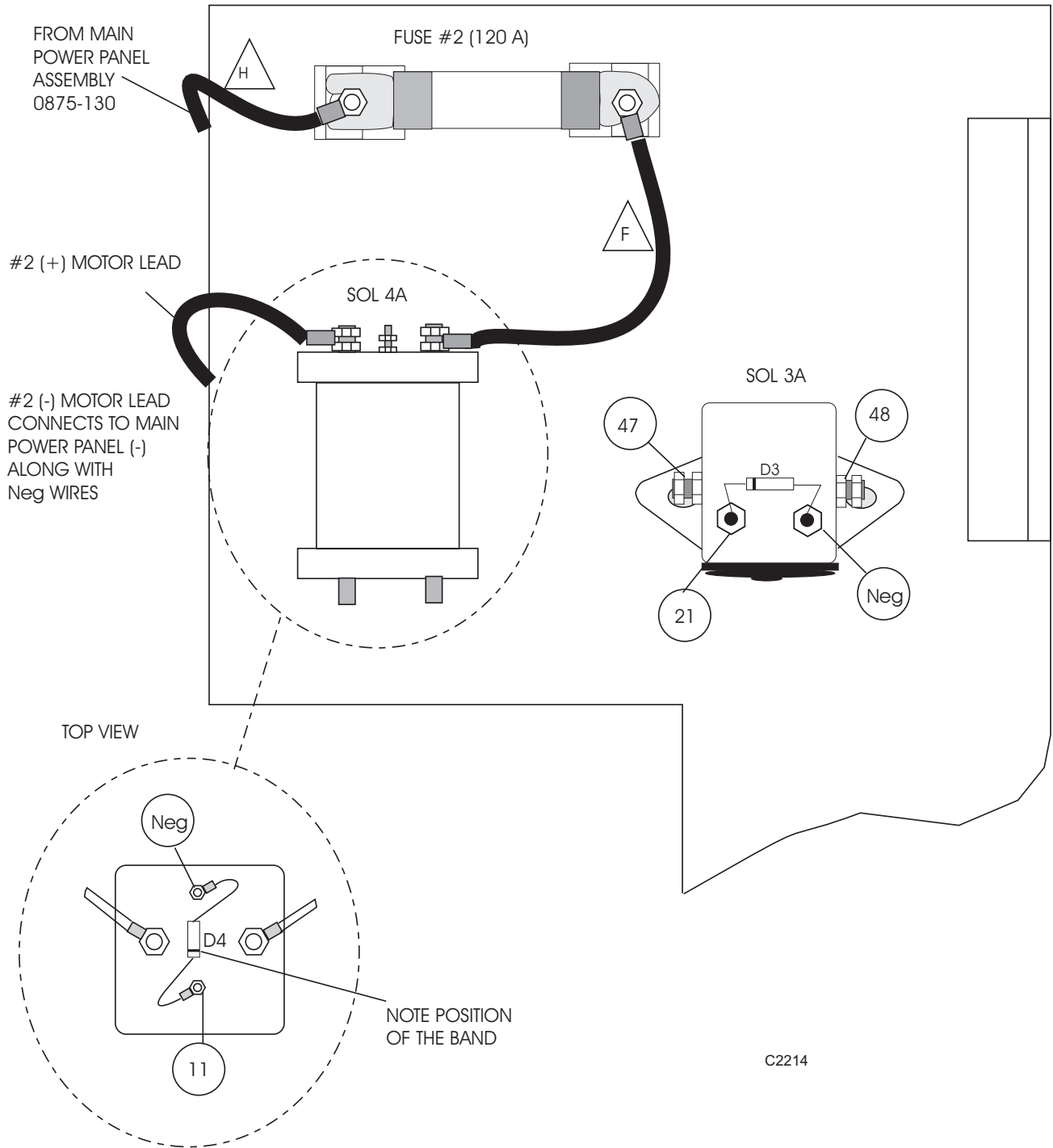
~Can be ordered separately but is also included in 0760-855

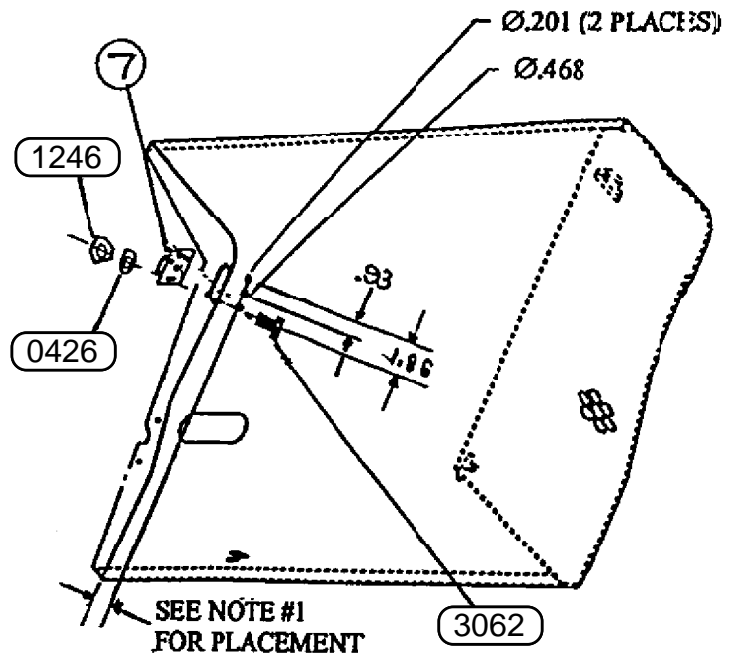
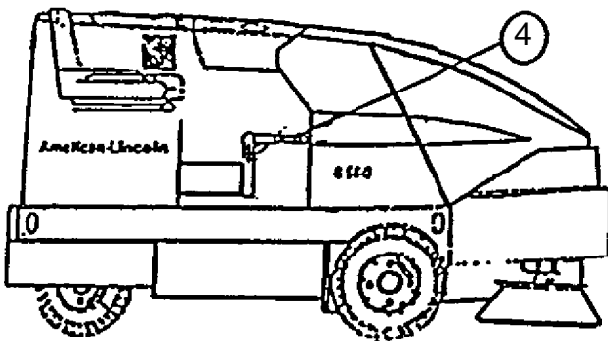
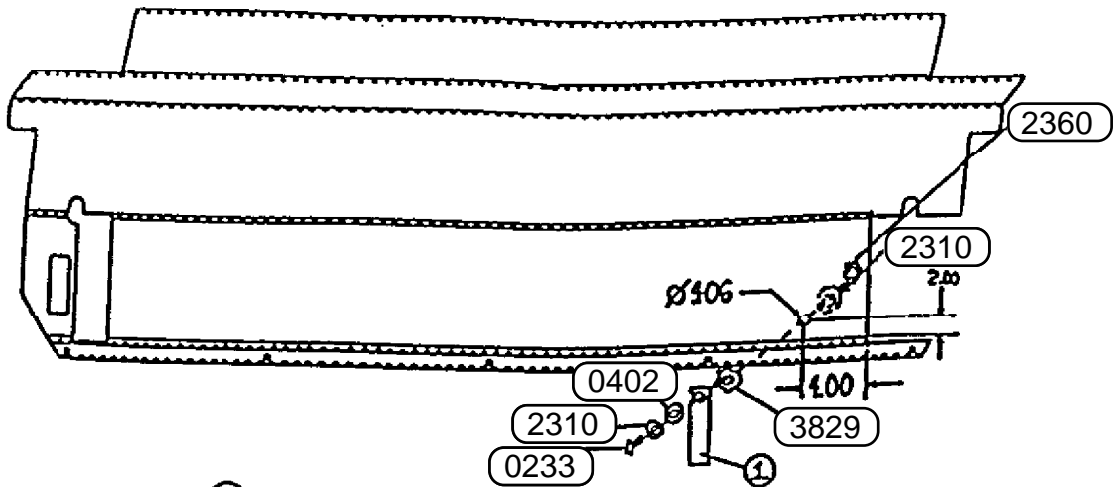
<No-Text Warning Decals and English Text Warning Decals contained in Kit 0760-855

*ALL WARNING/SAFETY DECALS WITH TEXT SOLD IN A KIT BY LANGUAGE:

DANISH	0760-850	ITALIAN	0760-851
DUTCH	0760-849	FRENCH	0760-847
NORWEGIAN	0760-852	SPANISH	0760-846
SWEDISH	0760-853	PORTUGUESE	0760-854
GERMAN	0760-848	ENGLISH	

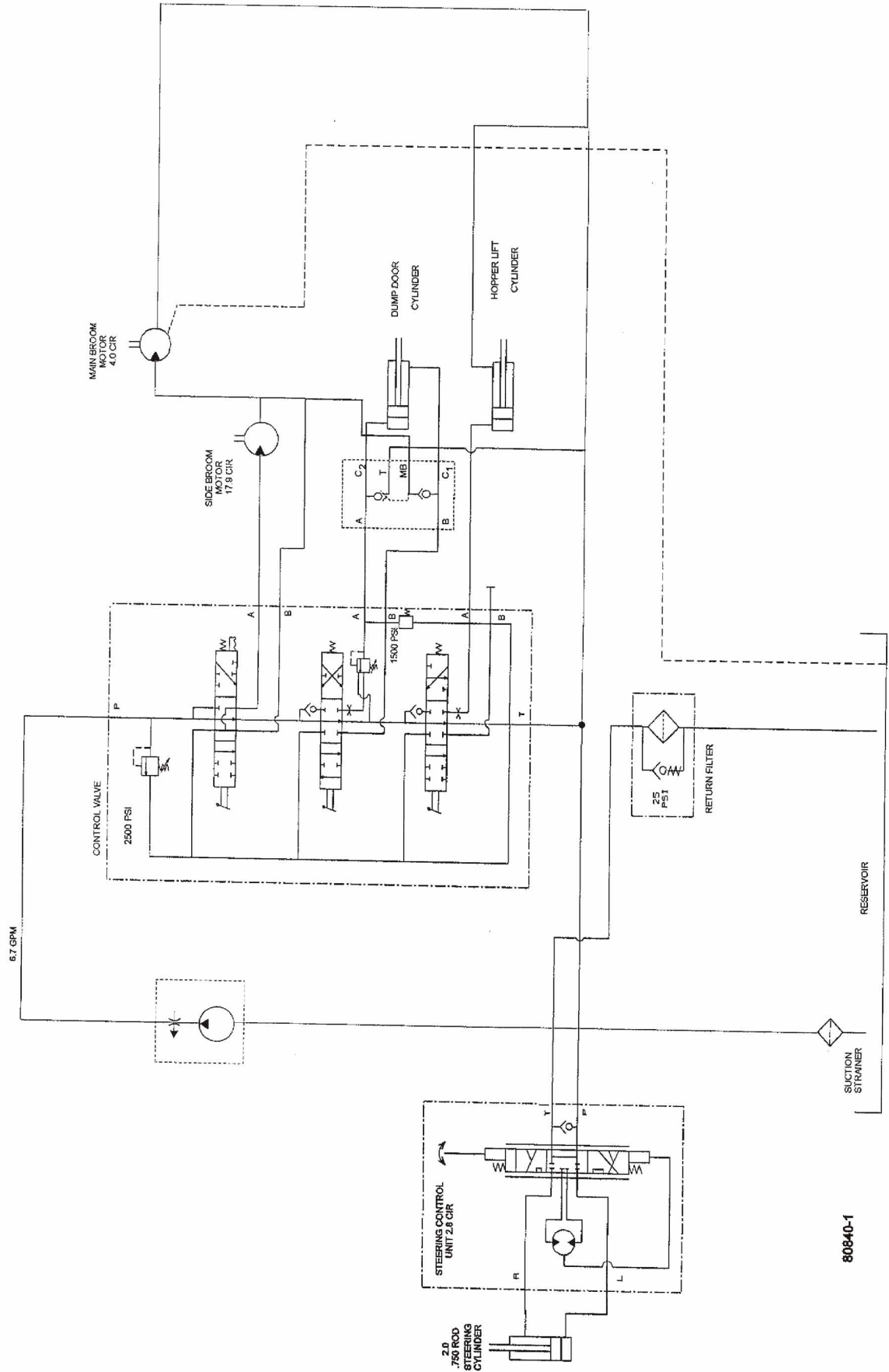




BROOM CHAMBER

NOTE#1: POSITION HOLES WHERE LATCH CATCHES AND HOLDS ON LENTEL BY AS MUCH AS POSSIBLE BUT NO LESS THAN 3/16"

Item	Ref. No.	Qty	Description
2	0880-650	1	Backup Alarm
3	8-41-05087	1	Latch (Placement Shown)
4	7-41-05099	1	Brake Handle
6	0880-684	1	Seat Switch
7	8-31-06090	2	Latch Key
HARDWARE USED:			
H9	2-00-00426	2	Flat Washer, .500 x .219 x .063
H12	2-00-01246	2	Nut, Hex Fiber Insert #10-24
H48	2-00-00233	1	Screw, 3/8-16 x 1.000 HHC
H52	2-00-00402	1	Flat Washer, .750 x .390 x .094
H53	2-00-02310	1	Lock Washer, Helical Spring 3/8 Med.
H54	2-00-02360	1	Nut, 3/8-16 Hex.
H100	2-00-03062	1	Screw, #10-24- x .625 THM
H120	2-00-03829	1	Lock Washer, 3/8 Bolt



80840-1

American-Lincoln®

14600 21st Avenue North
Plymouth, MN 55447-3408
www.americanlincoln.com
Phone: 800-331-7692
Fax: 877-877-2586
©2008 American-Lincoln