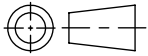
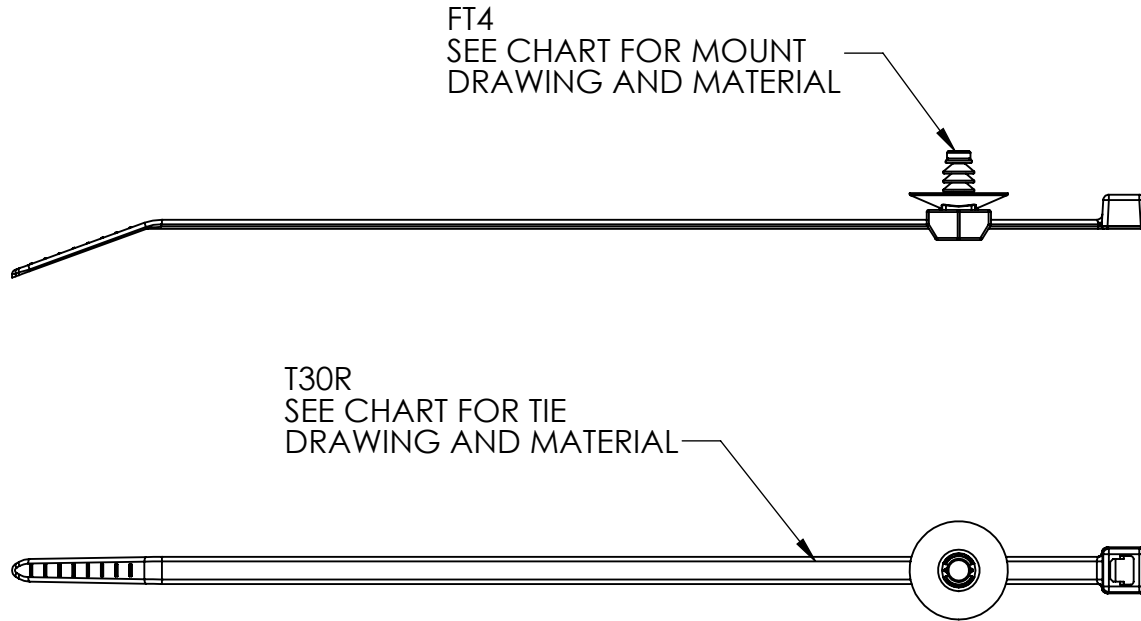


SW2010



Revision level		Revision Record	Changed	Date	Approved	Date
Drawing	Part					
00	-	SEE ECN# 011975	AAC	11/22/2011	AAC	11/22/2011



FT4
SEE CHART FOR MOUNT
DRAWING AND MATERIAL

T30R
SEE CHART FOR TIE
DRAWING AND MATERIAL

Material	SEE CHART
----------	-----------

TYPE	BUNDLE RANGE	CABLE TIES		MOUNT	
		DRAWING	MATERIAL	DRAWING	MATERIAL
T30RFT4	1.5 to 35	CT2030001CST	PA66HS	11-0752-001-CSU	PA66HIRHS

Units	millimeters
Dimension without tolerances details to:	.xxxx = ±.0025 .xxx = ±.013 .xx = ±.13 .x = ±.3 None = ±.8 ∠ = ±0.5°

The copyright of this drawing is reserved by HellermannTyton. It is issued on condition that it is not reproduced, copied, or disclosed to a third party, either wholly or in part, without the consent of HellermannTyton.

Drawn	AAC	11/22/2011
Approved	AAC	11/22/2011
North America Email: corp@htamericas.com Web: www.hellermann.tyton.com		

Article/Type-No	T30RFT4	Scale	1:2		
Title	T30RFT4 T30R STANDARD CABLE TIE WITH FT4 MOUNT		Project Number	PRP11-0748	
Drawing-No	11-0748-001-CSU		Production : Phase	Format	AH
			Sheet	1/1	