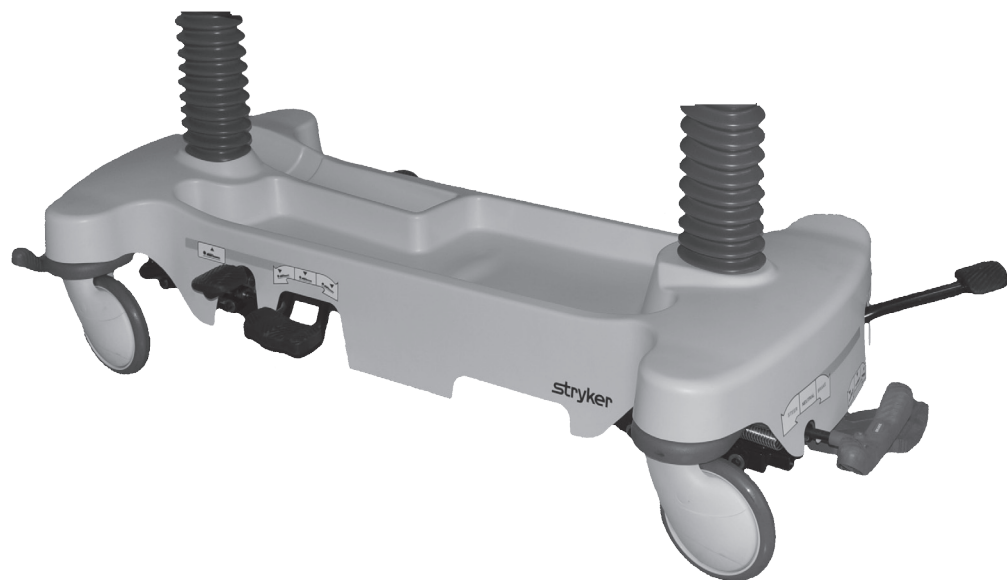


OEM Base

# stryker®

## Operations/Maintenance Manual



For parts or technical assistance call:  
USA: 1-800-327-0770



# Table of Contents

---

Symbols and Definitions . . . . .	<a href="#">5</a>
Symbols . . . . .	<a href="#">5</a>
Warning/Caution/Note Definition . . . . .	<a href="#">5</a>
Introduction . . . . .	<a href="#">6</a>
Product Description . . . . .	<a href="#">6</a>
Intended Use of Product. . . . .	<a href="#">6</a>
Specifications . . . . .	<a href="#">6</a>
Product Illustration . . . . .	<a href="#">7</a>
Contact Information . . . . .	<a href="#">8</a>
Serial Number Location . . . . .	<a href="#">8</a>
Summary of Safety Precautions . . . . .	<a href="#">9</a>
Setup Procedures. . . . .	<a href="#">10</a>
Operation Guide. . . . .	<a href="#">11</a>
Applying the Brake System. . . . .	<a href="#">11</a>
Operating the Base Controls - Side Control Hydraulics . . . . .	<a href="#">12</a>
Adjusting Trendelenburg/Reverse Trendelenburg Positions - Side Control Hydraulics . . . . .	<a href="#">13</a>
Operating the Fifth Wheel . . . . .	<a href="#">14</a>
Using the Base Hood for Storage . . . . .	<a href="#">15</a>
Cleaning. . . . .	<a href="#">16</a>
Stretcher Cleaning . . . . .	<a href="#">16</a>
Preventative Maintenance. . . . .	<a href="#">17</a>
Checklist . . . . .	<a href="#">17</a>
Quick Reference Replacement Parts List . . . . .	<a href="#">18</a>
Caster Assembly Replacement. . . . .	<a href="#">19</a>
Brake Swivel Lock Ring Replacement. . . . .	<a href="#">20</a>
Brake Timing Link Replacement, Head End or Foot End . . . . .	<a href="#">21</a>
Brake Cam Assembly Replacement . . . . .	<a href="#">22</a>
Brake Rod Replacement. . . . .	<a href="#">22</a>
Fifth Wheel Assembly Replacement . . . . .	<a href="#">23</a>
Jack Replacement, Head End. . . . .	<a href="#">24</a>
Jack Replacement, Foot End . . . . .	<a href="#">25</a>
Release Pedal Adjustment . . . . .	<a href="#">26</a>
Release Pedal Replacement, Foot End. . . . .	<a href="#">26</a>
Release Pedal Rod Replacement, Foot End . . . . .	<a href="#">26</a>
Side Pump Pedal Replacement . . . . .	<a href="#">27</a>
Removal of Excess Air From The Hydraulic System . . . . .	<a href="#">27</a>
Standard Brake Assembly. . . . .	<a href="#">28</a>
Standard Brake Assembly, Colored Components . . . . .	<a href="#">31</a>
Brake Rod Assembly. . . . .	<a href="#">32</a>
Bumper . . . . .	<a href="#">33</a>
Fifth Wheel Drive Link Assembly. . . . .	<a href="#">34</a>
8" Caster with Full Cover Assembly - 0853-503-020 . . . . .	<a href="#">35</a>
Retractable Fifth Wheel Assembly. . . . .	<a href="#">36</a>
Fifth Wheel Assembly - 1105-006-130 . . . . .	<a href="#">37</a>





# Table of Contents

---

Constant Descent Jack . . . . .	<a href="#">39</a>
Jack Base Assembly . . . . .	<a href="#">40</a>
Dual Sided Hydraulics Assembly . . . . .	<a href="#">41</a>
Lowering Pedal Assembly - 1105-004-201 . . . . .	<a href="#">43</a>
Pump Pedal Assembly, Head End - 1105-005-285 . . . . .	<a href="#">44</a>
Label Assembly, Variable Height Base Hood . . . . .	<a href="#">45</a>
Litter Support Package . . . . .	<a href="#">47</a>
Warranty . . . . .	<a href="#">48</a>
Limited Warranty . . . . .	<a href="#">48</a>
To Obtain Parts and Service . . . . .	<a href="#">48</a>
Service Contract Coverage . . . . .	<a href="#">48</a>
Service Contract Programs . . . . .	<a href="#">49</a>
Return Authorization. . . . .	<a href="#">49</a>
Damaged Merchandise . . . . .	<a href="#">49</a>
International Warranty Clause. . . . .	<a href="#">49</a>

# Symbols and Definitions

## SYMBOLS

	Warning/Caution: Consult accompanying documentation
	Safe Working Load indicates the sum of the patient, mattress, and accessory weight
	Manufacturer
	Do not store oxygen bottle

## WARNING/CAUTION/NOTE DEFINITION

The words **WARNING**, **CAUTION** and **NOTE** carry special meanings and should be carefully reviewed.

### **WARNING**

Alerts the reader about a situation which, if not avoided, could result in death or serious injury. It may also describe potential serious adverse reactions and safety hazards.

### **CAUTION**

Alerts the reader of a potentially hazardous situation which, if not avoided, may result in minor or moderate injury to the user or patient or damage to the equipment or other property. This includes special care necessary for the safe and effective use of the device and the care necessary to avoid damage to a device that may occur as a result of use or misuse.

### **NOTE**

Provides special information to make maintenance easier or important instructions clearer.

# Introduction

---

This manual is designed to assist you with the operation of The OEM Base. Read this manual thoroughly before using the equipment or beginning maintenance on it. To ensure safe operation of this equipment, it is recommended that methods and procedures be established for educating and training staff on the safe operation of this stretcher.

## PRODUCT DESCRIPTION

The OEM Base, with the retractable fifth wheel, optimizes traction and cornering to improve overall mobility.

## INTENDED USE OF PRODUCT

The OEM Base is a wheeled device which consists of a platform mounted on a wheeled frame that is designed to support patients in a horizontal position. The device has a fifth wheel that may be engaged to guide the stretcher along a straight line during transport and pivots the stretcher around corners.

## SPECIFICATIONS

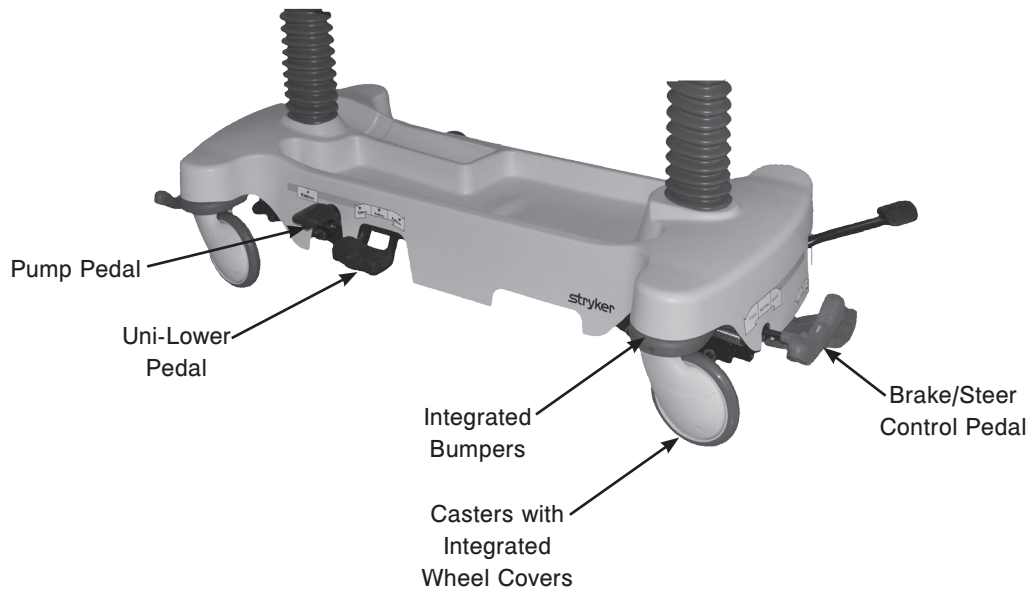
Overall Base Length \ Width	83" / 30"
Base Type	Hydraulic
Minimum \ Maximum Jack Height	21.5" / 36"
Trendelenburg \ Reverse Trendelenburg	+18° to -18°
Minimum Under Stretcher Clearance	6" (15 cm) nominal 1.75" (4.5 cm) under the hydraulic cylinders and Fifth Wheel

**Stryker reserves the right to change specifications without notice.**

# Introduction

---

## PRODUCT ILLUSTRATION



# Introduction

---

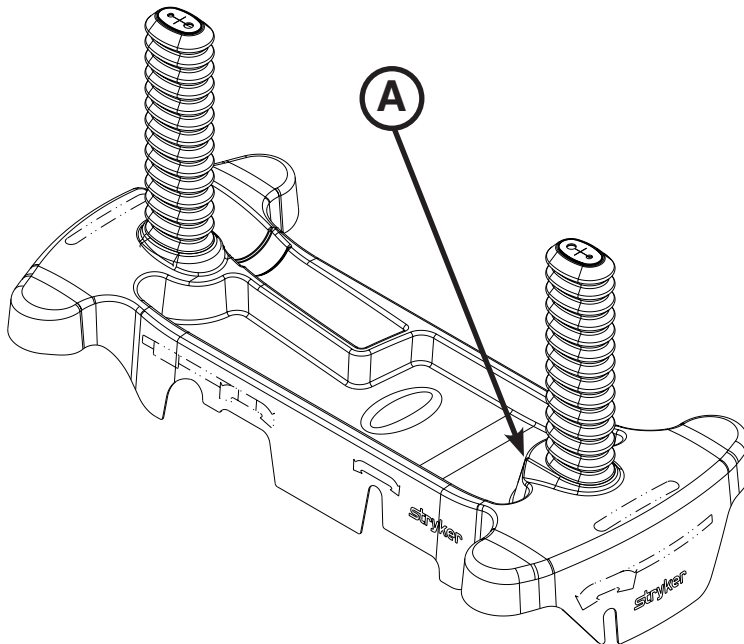
## CONTACT INFORMATION

Contact Stryker Customer Service or Technical Support at: (800) 327-0770 or (269) 324-6500.

Stryker Medical  
3800 E. Centre Avenue  
Portage, MI 49002  
USA

Please have the serial number (A) of your Stryker product available when calling Stryker Customer Service or Technical Support. Include the serial number in all written communication.

## SERIAL NUMBER LOCATION





# Summary of Safety Precautions

---

Carefully read and strictly follow the warnings and cautions listed on this page. Service only by qualified personnel.

---

## **WARNING**

- Always apply the caster brakes when a patient is getting on or off the stretcher. Push on the stretcher to ensure that the brakes are securely locked. Always engage the brakes unless the stretcher is being moved. Injury could result if the stretcher moves while a patient is getting on or off the stretcher.
  - Patients should be discouraged from sitting directly on the ends of the stretcher. Excessive weight could cause the litter surface to tip up, possibly causing patient injury.
  - Leave the stretcher height in the lowest position when the patient is left unattended. Leaving the stretcher height in a raised position could increase the chance of patient falls and injury.
  - Make sure that the brakes are completely released before attempting to move the unit. Attempting to move the unit with the brakes engaged could result in injury to the user and/or patient.
  - Do not steam clean the unit.
- 

## **CAUTION**

- To avoid damage, remove any equipment that may be in the way before raising or lowering the litter height.
  - Do not raise the unit (hydraulics on base) with a patient lift under the stretcher.
  - The weight capacity of the base hood is 60 lb. Do not sit or stand on the base hood. Injury or damage to the equipment could occur.
  - Do not step on the base hood.
  - Do not use the cutout for the oxygen bottle holder on the base hood for the storage of oxygen bottles or patient belongings.
  - Before returning the unit to service after cleaning, ensure that the unit is functioning properly by verifying that all labels are intact, raise/lower the stretcher height, brake/steer pedal locks properly in both positions, and check all components for proper lubrication.
  - Some cleaning products are corrosive in nature and may cause damage to the product if used improperly. If the products suggested above are used to clean Stryker patient handling equipment, measures must be taken to ensure that the stretcher is wiped with a damp cloth soaked in clean water and thoroughly dried following cleaning. Failure to properly rinse and dry the stretcher will leave a corrosive residue on the surface of the stretcher, possibly causing premature corrosion of critical components. Failure to follow the above directions when using these types of cleaners may void this product's warranty.
- 

## **NOTE**

- The bottom of the brake pads should be cleaned regularly to prevent wax or floor remnant buildup.
- Clean the base hood storage area regularly.

# Setup Procedures

---

Make sure that the unit is working properly before it is put into service. The following list will ensure that each part of the unit is checked.

Stretcher checklist:

1. Depress the pedal at either end of the stretcher fully to set the four wheel brakes and verify that all of the four casters are locked.
2. Raise and lower the hydraulic lift system.
3. Raise the unit completely and activate the Trendelenburg function. Ensure that the head end lowers to the full down position.
4. Raise the unit completely and activate the reverse Trendelenburg function. Ensure the foot end lowers to the full down position.
5. Run through the operation of the fifth wheel to ensure that it is operating properly.

# Operation Guide

## APPLYING THE BRAKE SYSTEM

For user convenience, a brake/steer control pedal is located on both ends of the stretcher as shown in Figure 1.

### WARNING

Always apply the brakes when a patient is getting on or off the stretcher. Push on the stretcher to ensure that the brakes are securely locked. Always engage the brakes unless the stretcher is being moved. Injury could result if the stretcher moves while a patient is getting on or off the stretcher.

**To engage the brakes on the foot end,** push down on the brake (red) side of pedal (A).

**To engage the brakes on the head end,** push down on the brake (red) side of pedal (B).

**To release the brakes on the foot end,** push down on the steer (green) side of pedal (A).

**To release the brakes on the head end,** push down on the steer (green) side of pedal (B).

**Note:** Your stretcher may be equipped with optional side control brake and steer functions (C) in addition to the standard head end (A) and foot end (B) controls. The side control brakes operate the same as the head end and foot end brakes.

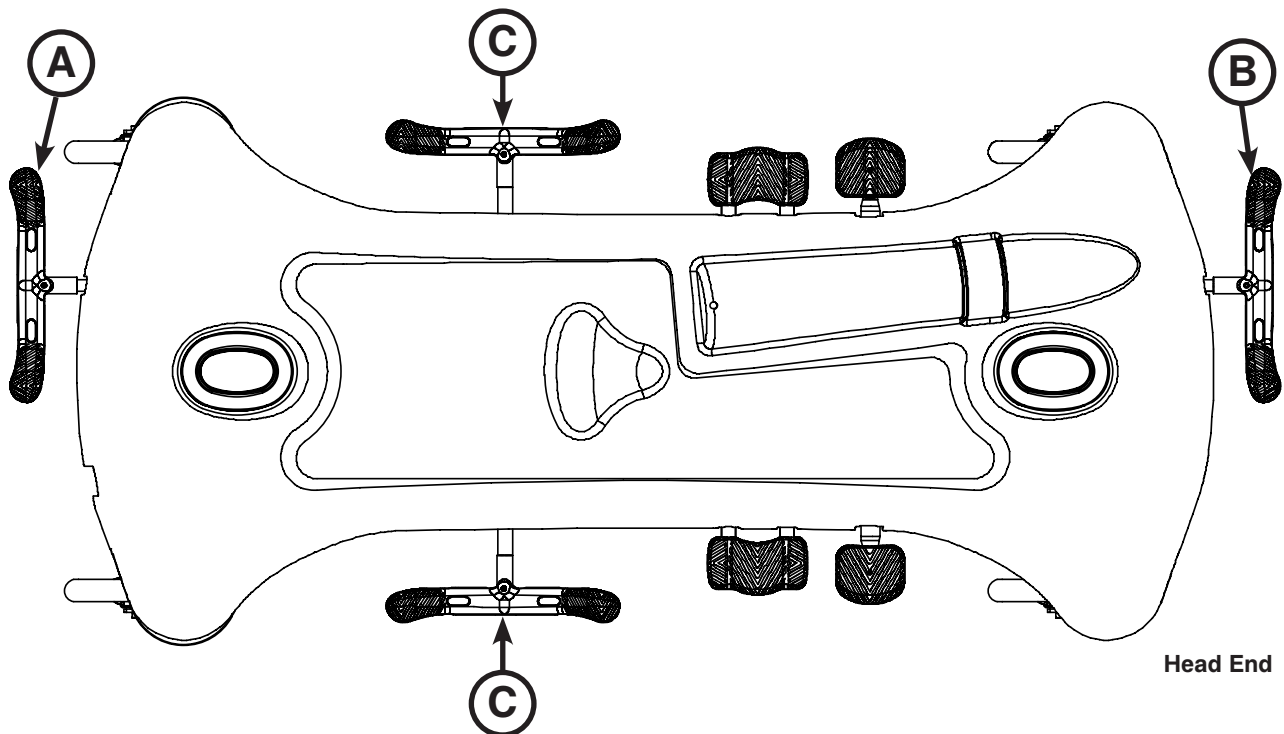
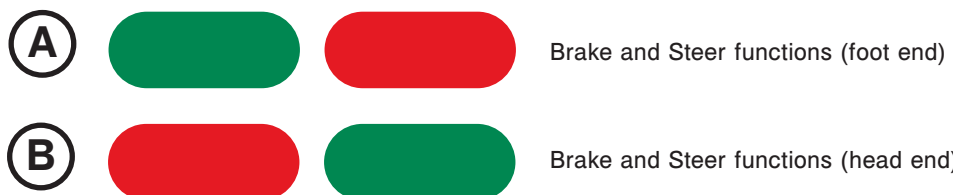


Figure 1: Brake System

**Note:** The bottom of the brake pads should be cleaned regularly to prevent wax or floor remnant buildup.



# Operation Guide

## OPERATING THE BASE CONTROLS - SIDE CONTROL HYDRAULICS

To operate the base controls, see Figure 2 to locate which pedals are used for what operation.

### CAUTION

- To avoid damage, remove any equipment that may be in the way before raising or lowering the litter height.
- Do not raise the unit (hydraulics on base) with a patient lift under the stretcher.

**To raise the litter height**, pump pedal (A) repeatedly until the desired height is achieved.

**To lower both ends of the litter together**, depress the center of pedal (B).

**To lower only the head end of the litter**, depress the side of pedal (B) closest to the head end.

**To lower only the foot end of the litter**, depress the side of pedal (B) closest to the foot end.

### WARNING

- Patients should be discouraged from sitting directly on the ends of the stretcher. Excessive weight could cause the litter surface to tip up, possibly causing patient injury.
- Leave the stretcher height in the lowest position when the patient is left unattended. Leaving the stretcher height in a raised position could increase the chance of patient falls and injury.

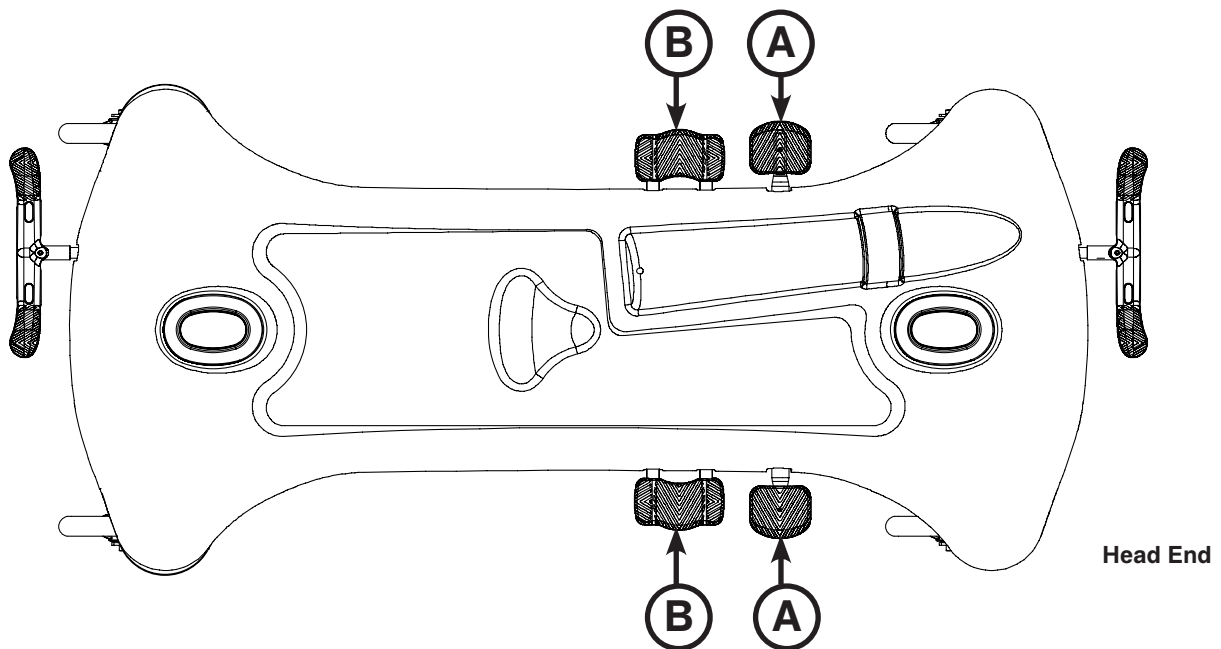
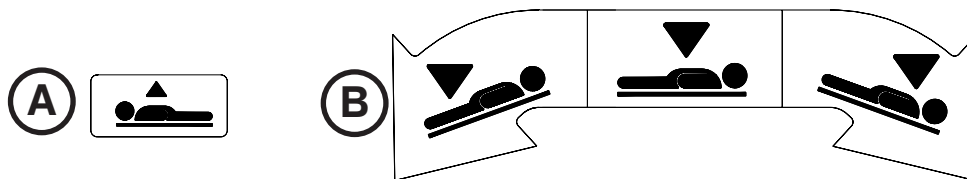


Figure 2: Stretcher Base Controls - Side Control



# Operation Guide

---

## ADJUSTING TRENDELENBURG/REVERSE TRENDELENBURG POSITIONS - SIDE CONTROL HYDRAULICS

Litter height must first be raised in order to achieve a Trendelenburg or reverse Trendelenburg position.

---

### CAUTION

- To avoid damage, remove any equipment that may be in the way before raising or lowering the litter height.
- Do not raise the unit (hydraulics on base) with a patient lift under the stretcher.

---

**For Trendelenburg positioning (head down)**, depress the side of pedal (B) closest to the head end (see Figure 2 on [page 12](#)).

**For reverse Trendelenburg positioning (foot down)**, depress the side of pedal (B) closest to the foot end (see Figure 2 on [page 12](#)).

**To lower the stretcher from reverse Trendelenburg position**, depress pedal (A) once to raise the foot end of the stretcher, and then depress pedal (B) (see Figure 2 on [page 12](#)).

**Note:** The higher the litter is before pedal (B) is activated, the greater the Trendelenburg or reverse Trendelenburg angle will be. (Maximum Trendelenburg angle is +17°. Maximum reverse Trendelenburg angle is -17°.)

# Operation Guide

---

## OPERATING THE FIFTH WHEEL

---

 **WARNING**

Make sure that the brakes are completely released before attempting to move the unit. Attempting to move the unit with the brakes engaged could result in injury to the user and/or patient.

---

The fifth wheel guides the stretcher along a straight line during transport and pivots the stretcher around corners.

**To operate the fifth wheel**, push the steer (green) side (A) of any brake/steer pedal to the lowest position.

**To disengage the fifth wheel**, push the brake (red) side (B) of any brake/steer pedal to the neutral position.

# Operation Guide

---

## USING THE BASE HOOD FOR STORAGE

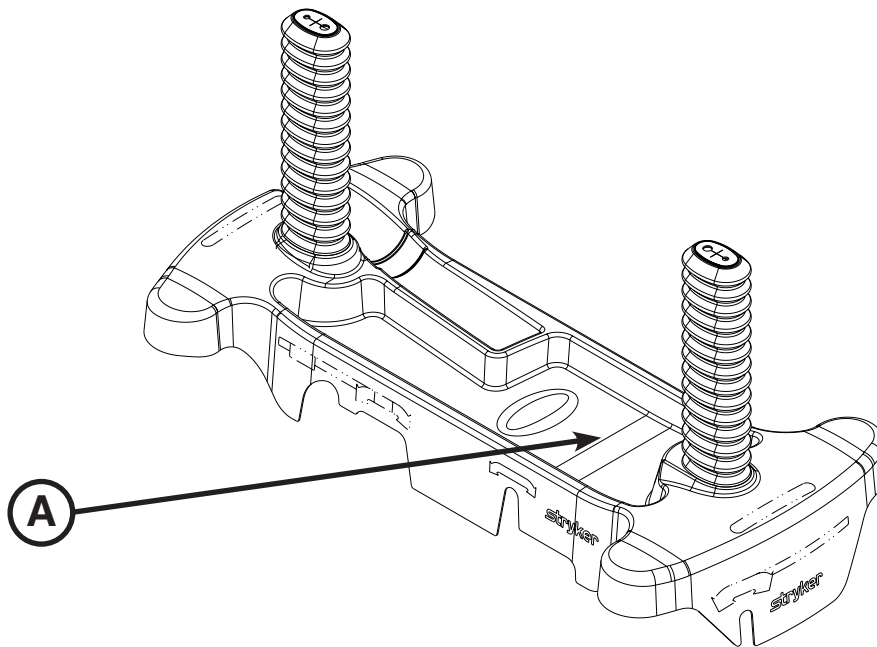
You can store items in the base hood (A) as shown in Figure 3.

---

### CAUTION

- The weight capacity of the base hood is 60 lb. Do not sit or stand on the base hood. Injury or damage to the equipment could occur.
  - Do not step on the base hood.
  - Do not use the cutout for the oxygen bottle holder on the base hood for the storage of oxygen bottles or patient belongings.
- 

**Note:** Clean the base hood storage area regularly.



**Figure 3: Base Hood Storage**

# Cleaning

---

## STRETCHER CLEANING

These instructions are intended to provide recommended cleaning methods for the OEM Base. Follow hospital protocol for cleaning procedures and frequency.

### RECOMMENDED CLEANING METHOD

**Note:** Follow the cleaning solution manufacturer's dilution recommendations exactly.

- Remove the mattress prior to washing the unit; do not wash the mattress with the stretcher.
- Wipe the unit with cleaning solution and water per manufacturer's recommended dilution.
- Dry thoroughly. Do not replace the mattress on the stretcher until the unit is completely dry.

---

### CAUTION

Before returning the unit to service after cleaning, ensure that the unit is functioning properly by verifying that all labels are intact, raise/lower the stretcher height, brake/steer pedal locks properly in both positions, latch/unlatch the siderails, raise/lower the fowler and gatch, and check all components for proper lubrication.

---

**DO NOT STEAM CLEAN, PRESSURE WASH, HOSE OFF OR ULTRASONICALLY CLEAN THE STRETCHER.**  
Using these methods of cleaning are not recommended and may void this product's warranty.

### RECOMMENDED CLEANERS

Suggested cleaners for stretcher surfaces:

Quaternary Cleaners (active ingredient - ammonium chloride).

Phenolic Cleaners (active ingredient - o-phenylphenol).

Chlorinated Bleach Solution (5.25% - less than 1 part bleach to 100 parts water).

Avoid over saturation and ensure that the product does not stay wet longer than the chemical manufacturer's guidelines for proper disinfecting.

---

### CAUTION

Some cleaning products are corrosive in nature and may cause damage to the product if used improperly. If the products suggested above are used to clean Stryker patient handling equipment, measures must be taken to ensure that the stretcher is wiped with a damp cloth soaked in clean water and thoroughly dried following cleaning. Failure to properly rinse and dry the stretcher will leave a corrosive residue on the surface of the stretcher, possibly causing premature corrosion of critical components. Failure to follow the above directions when using these types of cleaners may void this product's warranty.

---



# Preventative Maintenance

---

Preventative maintenance should be performed at a minimum of annually. A preventative maintenance program should be established for all Stryker Medical equipment. Preventative maintenance may need to be performed more frequently based on the usage level of the product.

## CHECKLIST

- \_\_\_\_\_ All fasteners are secure
- \_\_\_\_\_ All casters lock with brake pedal engaged
- \_\_\_\_\_ All casters secure and swivel properly
- \_\_\_\_\_ Inspect each caster and remove any wax or debris which may have collected on the caster or braking mechanism
- \_\_\_\_\_ Steer function working properly
- \_\_\_\_\_ Trendelenburg/reverse Trendelenburg operates properly
- \_\_\_\_\_ Ground chain intact
- \_\_\_\_\_ No leaks at hydraulic connections
- \_\_\_\_\_ Hydraulic jacks holding properly
- \_\_\_\_\_ Hydraulic oil level sufficient
- \_\_\_\_\_ Lubricate where required

Product Serial Number:		

Completed by: \_\_\_\_\_ Date: \_\_\_\_\_

## Quick Reference Replacement Parts List

---

The parts and accessories listed on this page are all currently available for purchase. Some of the parts identified on the assembly drawing parts in this manual may not be individually available for purchase. Please call Stryker Customer Service USA at 1-800-327-0770 for availability and pricing.

<b>Part Name</b>	<b>Part Number</b>
Caster with Full Cover Assembly	0853-503-020
Dampener	0059-218-000
Fifth Wheel Assembly	1105-006-130
Gas Spring	0360-031-077
Hydraulic Jack	0753-002-101
Paint, Touch-Up, Gloss Black, Bottle with Brush	7000-001-322
Paint, Touch-Up, Gloss Black, Spray Can	7000-001-319
Paint, Touch-Up, White, Bottle with Brush	7000-001-147
Paint, Touch-Up, White, Spray Can	7000-001-148

# Service Information

---

## CASTER ASSEMBLY REPLACEMENT

### Tools Required:

- 1/2" Socket
- 3/8" Drive Ratchet
- Needle Nose Pliers
- Bungee Cords
- Small Bottle Jack
- 3/8" Drive Torque Wrench (ft-lb)

### Procedure:

1. Pump the stretcher all the way up.
2. Using bungee cords, support the raised base hood.
3. Put the base brake/steer pedal in the neutral position.
4. Using a 1/2" socket, remove the two flange nuts (one on each side) that secure the timing link to the casters.
5. Using needle nose pliers, remove the rue clip and then the clevis pin from the brake rod activator.
6. Apply the brakes by moving the brake/steer pedal to the brake position.
7. Remove the brake timing link assembly by equally pulling outward on the timing link assembly. Save the brake timing link for reinstallation.
8. Using a small bottle jack, raise the stretcher up until the caster falls out of the frame socket. Discard the caster.
9. Install the new caster assembly by carefully and slowly lowering the jack down until the caster is secured in the base frame, and then remove the jack.

**Note:** Make sure that the arrow located at the top of the caster assembly fork stem points toward the foot end of the unit. If the arrow does not point toward the foot end, damage could occur to the caster assembly.

10. Reverse steps to reinstall. Torque the two flange nuts that secure the timing link assembly to the casters to 80 ± 20 ft-lb.

**Note:** When installing the new brake timing link assembly be sure to reinstall the bushing which may have fallen off during the removal of the old brake timing link assembly.

11. Verify proper operation of the unit before returning it to service.

# Service Information

---

## BRAKE SWIVEL LOCK RING REPLACEMENT

### Tools Required:

- 1/2" Socket
- 5/16" Socket
- 3/8" Drive Ratchet
- 1/4" Ratchet
- Needle Nose Pliers
- Bungee Cords
- Small Bottle Jack
- 3/8" Drive Torque Wrench (ft-lb)

### Procedure:

1. Pump the stretcher all the way up.
2. Using bungee cords, support the raised base hood.
3. Put the base brake/steer pedal in the neutral position.
4. Using a 1/2" socket, remove the two flange nuts (one on each side) that secure the timing link to the casters.
5. Using needle nose pliers, remove the rue clip, and then the clevis pin from the brake rod activator.
6. Apply the brakes by moving the brake/steer pedal to the brake position.
7. Remove the brake timing link assembly by equally pulling outward on the timing link assembly. Save the brake timing link for reinstallation.
8. Using a small bottle jack, raise the stretcher up until the caster falls out of the frame socket. Discard the caster.
9. Using a 5/16" socket, remove the two bolts that secure the brake swivel lock ring to the base frame and remove. Discard the brake swivel lock ring.
10. Using a 5/16" socket, install the new brake swivel lock ring.

**Note:** The brake swivel lock ring has two dowels that mate to the base frame when installing.

11. Install the new caster assembly by carefully and slowly lowering the jack down until the caster is secured in the base frame, and then remove the jack.

**Note:** Make sure that the arrow located at the top of the caster assembly fork stem points toward the foot end of the unit. If the arrow does not point toward the foot end, damage could occur to the caster assembly.

12. Reverse steps to reinstall. Torque the two flange nuts that secure the timing link assembly to the casters to  $80 \pm 20$  ft-lb. Torque the two bolts that secure the brake swivel lock ring to the base frame to  $50 \pm 4$  ft-lb.

**Note:** When installing the new brake timing link assembly be sure to reinstall the bushing which may have fallen off during the removal of the old brake timing link assembly.

13. Verify proper operation of the unit before returning it to service.

# Service Information

---

## BRAKE TIMING LINK REPLACEMENT, HEAD END OR FOOT END

### Tools Required:

- 1/2" Socket
- 3/8" Drive Ratchet
- Needle Nose Pliers
- Bungee Cords
- 3/8" Drive Torque Wrench (ft-lb)

### Procedure:

1. Pump the stretcher all the way up.
2. Using bungee cords, support the raised base hood.
3. Put the base brake/steer pedal in the neutral position.
4. Using a 1/2" socket, remove the two flange nuts (one on each side) that secure the timing link assembly to the casters.
5. Using needle nose pliers, remove the rue clip and then clevis pin from the brake rod activator.
6. Apply the brakes by moving the brake/steer pedal to the brake position.
7. Remove the brake timing link assembly by equally pulling outward on the timing link assembly. Discard the brake timing link.
8. Reverse steps to reinstall. Torque the two flange nuts that secure the timing link assembly to the casters to 80 ± 20 ft-lb.

**Note:** When installing the new brake timing link assembly be sure to reinstall the bushing which may have fallen off during the removal of the old brake timing link assembly.

9. Verify proper operation of the unit before returning it to service.

# Service Information

---

## BRAKE CAM ASSEMBLY REPLACEMENT

### Tools Required:

- Needle Nose Pliers
- Bungee Cords

### Procedure:

1. Pump the stretcher all the way up.
2. Using bungee cords, support the raised base hood.
3. Put the base brake/steer pedal in the neutral position.
4. Using needle nose pliers, remove the rue clip and clevis pin that secure the brake cam assembly to the brake rod. Save all parts for reinstallation.
5. Using needle nose pliers, remove the rue clip and washer from the top bearing pivot support. Save all parts for reinstallation.
6. Using needle nose pliers, remove the rue clip and plastic washer from the bottom support. Save the rue clip for reinstallation.
7. Raise the brake cam link off of the brake rod actuator and slowly pull outward on the brake cam assembly. Discard the brake cam assembly.
8. Reverse steps to reinstall.

**Note:** When installing the new brake cam assembly, install the bottom slightly first and then push downward and inward to install under the top bearing.

9. Verify proper operation of the unit before returning it to service.

## BRAKE ROD REPLACEMENT

### Tools Required:

- Hammer
- 7/32" #7 Roll Pin Punch
- Needle Nose Pliers
- Bungee Cords

### Procedure:

1. Pump the stretcher all the way up.
2. Using bungee cords, support the raised base hood.
3. Put the brake/steer pedal into the steer position.
4. Using a hammer and a 7/32" roll pin punch, remove the eight roll pins from pedal to pedal on the brake rod.
5. Using needle nose pliers, remove the rue clip and clevis pin that secure the brake link to the brake rod.
6. Using your hands, grasp the brake rod and remove each brake/steer pedal. Save the pedals for reinstallation.
7. Remove the brake rod from the base.
8. Install the new brake rod and then install the roll pin into the head end timing link arm first.
9. Reverse steps to reinstall.
10. Verify proper operation of the unit before returning it to service.

# Service Information

---

## FIFTH WHEEL ASSEMBLY REPLACEMENT

### Tools Required:

- 1/2" Socket
- 3/8" Drive Ratchet
- Needle Nose Pliers
- Bungee Cords
- 3/8" Drive Torque Wrench (ft-lb)

### Procedure:

1. Pump the stretcher all the way up.
2. Using bungee cords, support the raised base hood.
3. Using a 1/2" socket, remove the bolt that holds the fifth wheel cam drive link to the cam.
4. Using a 1/2" socket, remove the two bolts that secure the fifth wheel assembly to the base frame.
5. Using needle nose pliers, remove the pump pedal return spring from the fifth wheel bracket.
6. Using needle nose pliers, remove the foot end jack release rod from the release pedal.
7. Remove the release rod.
8. Working from the patients left side, rotate the fifth wheel assembly counter clockwise while lifting the fifth wheel assembly up and out.
9. Reverse steps to reinstall. Torque all bolts to  $13 \pm 2$  ft-lb.
10. Verify proper operation of the unit before returning it to service.

# Service Information

---

## JACK REPLACEMENT, HEAD END

### Tools Required:

- 1/2" Socket with Extension
- 3/8" Drive Ratchet
- 3/8" Drive Torque Wrench (ft-lb)

### Procedure:

1. Using a 1/2" socket with extension and a 3/8" drive ratchet, remove the two hex head screws that hold the jack base to the stretcher base frame. When reinstalling, torque the screws to  $11 \pm 5$  ft-lb.
2. Remove the two hex head screws that hold the jack reservoir clamp to the base frame and remove the clamps.
3. Lift straight up on the pump connecting rod and disconnect the pump piston from the connecting rod. When reinstalling, torque the screws to  $13 \pm 2$  ft-lb.
4. Disconnect the pump pedal swivel from the release pedal mounting plate.
5. Remove the head end release rod from the release valve assembly.
6. Using a 1/2" socket with extension, remove the two hex head screws that hold the jack base to the stretcher base frame. When reinstalling, torque the screws to  $13 \pm 2$  ft-lb.
7. Remove the jack assembly.
8. To reinstall the jack, install the bolts on the jack and reservoir clamp but do not tighten them fully.
9. Reinstall the pump connecting rod and release rod.
10. Depress the pump pedal fully (to the floor). This will properly locate the jack onto the base frame.
11. Tighten the bolts on the jack and reservoir clamp. Torque all bolts to  $13 \pm 2$  ft-lb.
12. With the assistance of another person, reinstall the litter top onto the jack shafts.
13. Torque the hex head screws on the support tube weldments to  $11 \pm 5$  ft-lb.
14. Pump up the litter and apply weight to verify the jacks hold and do not drift.
15. Verify proper operation of the unit before returning it to service.

**Note:** The jack descent rate is set at the factory and adjustment is not recommended.



# Service Information

---

## JACK REPLACEMENT, FOOT END

### Tools Required:

- 1/2" Socket with Extension
- 3/8" Drive Ratchet
- Pliers
- 3/8" Drive Torque Wrench (ft-lb)

### Procedure:

1. Lift the base hood off of the base frame.
2. Using a 1/2" socket with extension, remove the two hex washer head screws and washers that connect the pump pedal link to the foot end pump pedal assembly and pump connecting rod.
3. Remove the foot end release rod from the release valve on the jack assembly by disconnecting the release pedal swivel from the pins on the release pedal weldment.
4. Disconnect the jack pump piston from the pump connecting rod.
5. Using a 1/2" socket with extension, remove the two hex washer head screws that hold the reservoir clamp.
6. Remove the jack assembly.
7. To reinstall the jack, install the bolts on the jack and reservoir clamp but do not tighten them fully.
8. Reinstall the pump connecting rod and release rod.
9. Depress the pump pedal fully (to the floor). This will properly locate the jack onto the base frame.
10. Tighten the bolts on the jack and reservoir clamp. Torque all bolts to  $13 \pm 2$  ft-lb.
11. With the assistance of another person, reinstall the litter top onto the jack shafts.
12. Torque the hex head screws on the support tube weldments to  $11 \pm 5$  ft-lb.
13. Pump up the litter and apply weight to verify the jacks hold and do not drift.
14. Verify proper operation of the unit before returning it to service.

**Note:** The jack descent rate is set at the factory and adjustment is not recommended.

# Service Information

---

## RELEASE PEDAL ADJUSTMENT

### Tools Required:

- Needle Nose Pliers

### Procedure:

1. Using needle nose pliers, remove the rue ring cotter from the release pedal assembly.
2. Manually disengage the release pedal swivel from the release pedal assembly.
3. To increase the release rod engagement with the release valve, turn the release pedal swivel clockwise on the threaded release rod.
4. To decrease the release rod engagement with the release valve, turn the release pedal swivel counterclockwise on the threaded release rod.
5. Verify proper operation of the unit before returning it to service.

**Note:** If the pedal swivel assembly is threaded too far onto the release rod, the release valve will be partially activated and the jack will drift.

## RELEASE PEDAL REPLACEMENT, FOOT END

### Tools Required:

- Needle Nose Pliers

### Procedure:

1. Apply the stretcher brakes.
2. Disconnect the release pedal return springs from the foot end release pedals.
3. Remove the rue ring cotters and the clevis pins that connect the foot end release pedals to the mounting bracket.
4. Rotate the pedals upward.
5. Remove the rue ring cotters that connect the head end and foot end release rods to the foot end release pedals and remove the pedals.
6. Reverse steps to install the new pedals.
7. Verify proper operation of the unit before returning it to service.

## RELEASE PEDAL ROD REPLACEMENT, FOOT END

### Tools Required:

- Needle Nose Pliers

### Procedure:

1. Remove the foot end release pedal. See "Release Pedal Replacement, Foot End" on [page 26](#).
2. Remove the snap in Nyliners that hold the foot end pedal release rods into the pedal mounting bracket.
3. Unsnap the foot end pedal release rods from the white plastic release rod brackets.
4. Dislodge the side control release pedal swivels from the studs on the side control release pedal weldment.
5. Remove the foot end pedal release rods.
6. Reverse steps to reinstall the pedal rods.
7. Verify proper operation of the unit before returning it to service.

# Service Information

---

## SIDE PUMP PEDAL REPLACEMENT

### Tools Required:

- 1/2" Socket
- 3/8" Drive Ratchet
- Bungee Cords

### Procedure:

1. Pump the stretcher all the way up.
2. Using bungee cords, support the raised base hood.
3. Put the brake/steer pedal into the brake position.
4. Using a 1/2" socket, remove the bolt that secures the pump link to the pump pedal. Save all parts for reinstallation.
5. Remove the hair pin from the pump pedal pivot shaft. Save for reinstallation.
6. Remove the pump pedal return spring. Save for reinstallation.
7. Remove the pump pedal pivot shaft from the base frame and pedal pivots to remove the pedal assembly.

**Note:** The pump pedal assembly will be loose and may fall when the shaft is removed.

8. Reverse steps to reinstall.
9. Verify proper operation of the unit before returning it to service.

## REMOVAL OF EXCESS AIR FROM THE HYDRAULIC SYSTEM

### Tools Required:

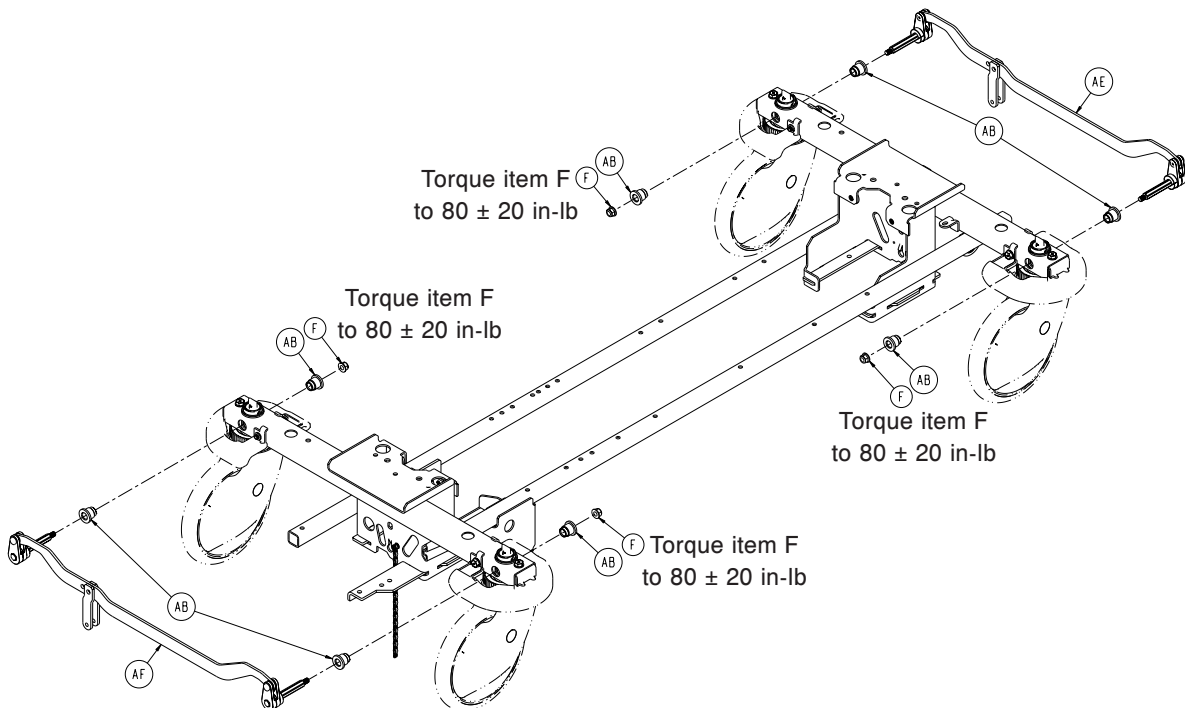
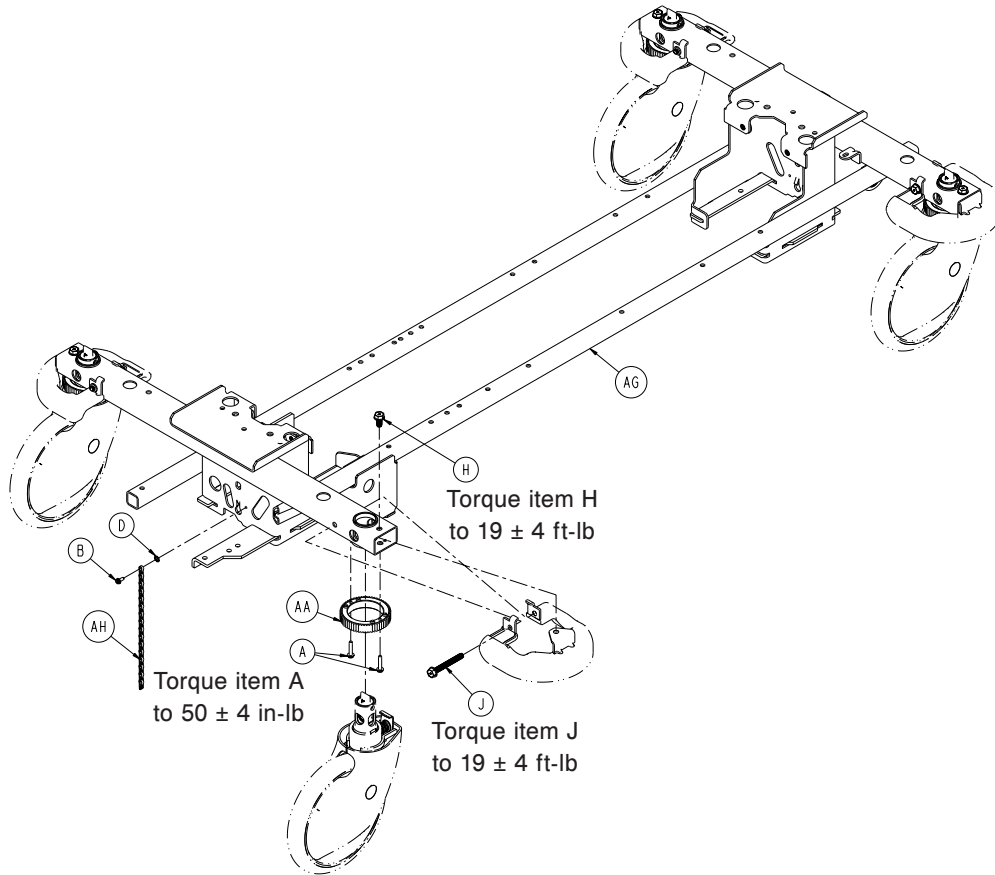
- None

### Procedure:

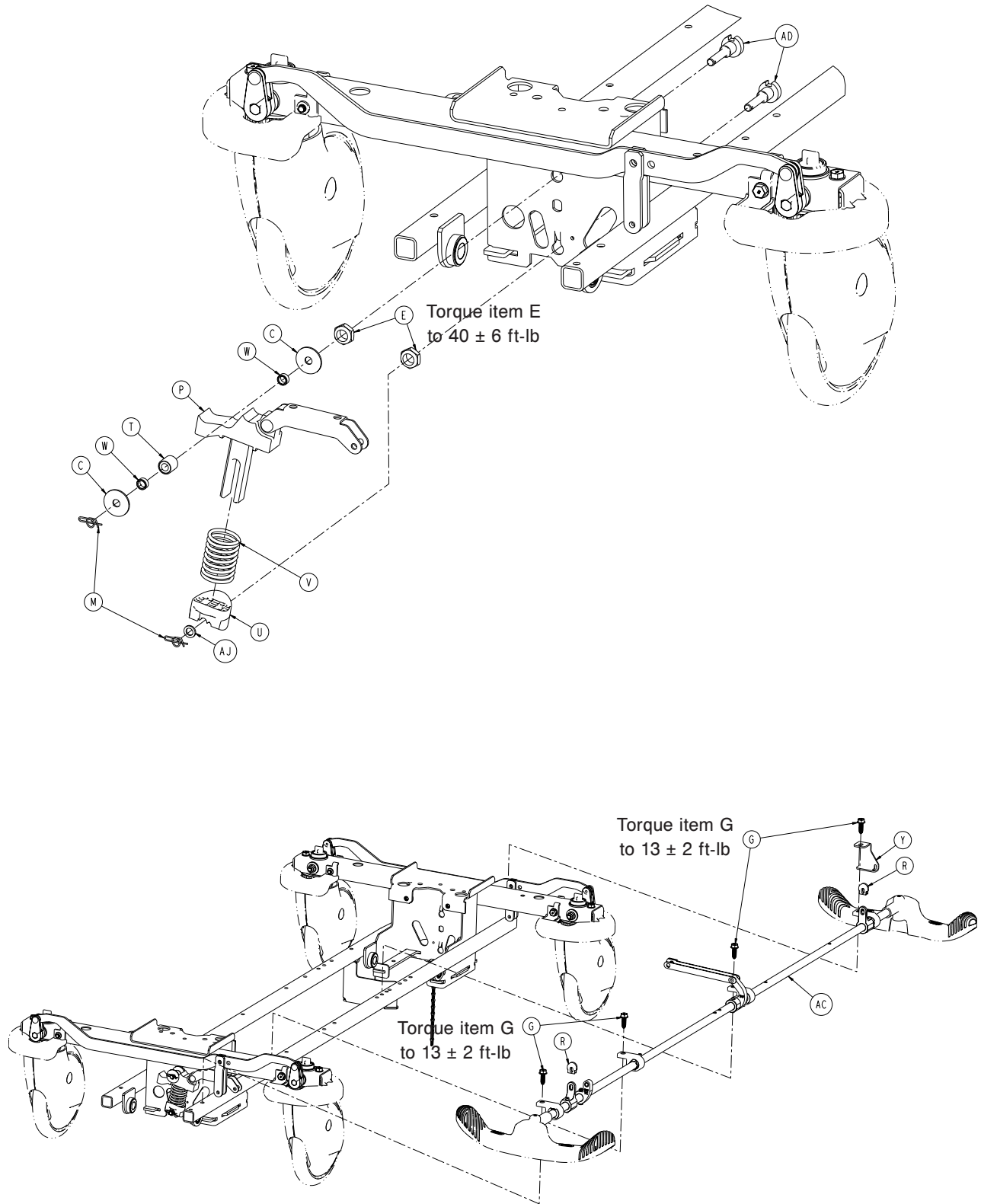
1. Verify that all hydraulic linkages are secure and operating properly.
2. Raise the litter to its highest height.
3. Continue to pump the pedal several times to force the air through the system.
4. Verify proper operation before returning the unit to service.

# Standard Brake Assembly

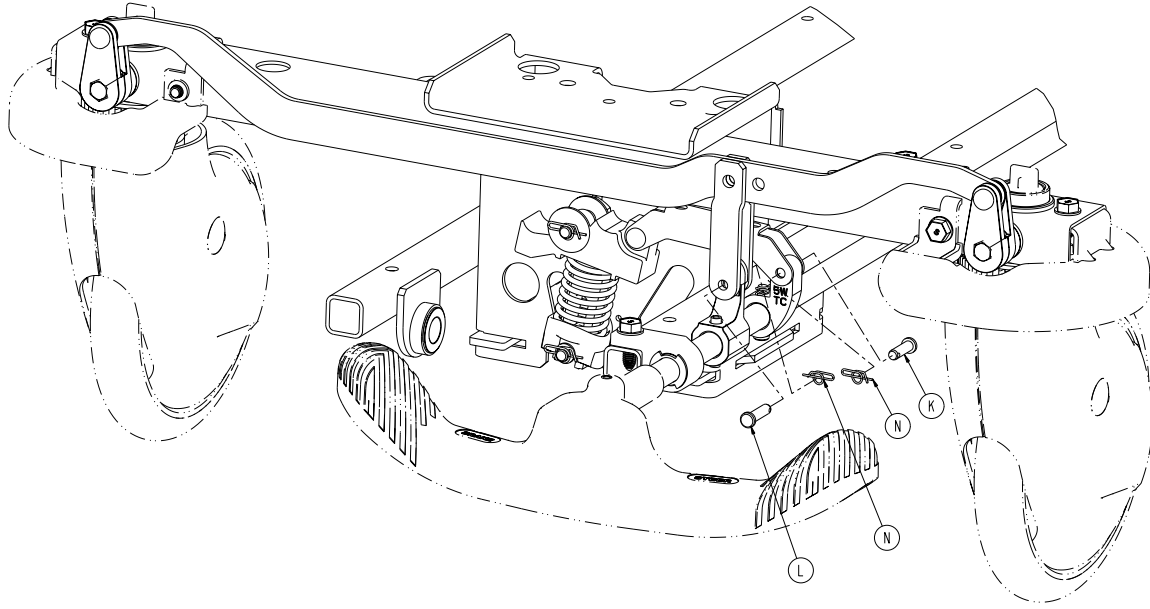
1105-003-205 Rev A (Reference Only)



# Standard Brake Assembly



# Standard Brake Assembly



Standard Brake Assembly - 1105-003-205 Rev A (Reference Only)

Item	Part No.	Part Name	Qty.
A	0003-147-000	Hex Washer Head Screw	8
B	0003-364-000	Hex Washer Head Truss Screw	1
C	0011-263-000	Washer	2
D	0013-018-000	External Tooth Lock Washer	1
E	0016-049-000	Nylock Hex Nut	2
F	0016-135-000	Nylock Flange Hex Nut	4
G	0023-288-000	Hex Washer Head Screw	4
H	0023-330-000	Hex Washer Head Screw	4
J	0023-331-000	Hex Washer Head Screw	4
K	0026-295-000	Clevis Pin	1
L	0026-393-000	Clevis Pin	2
M	0027-019-000	Rue Ring Cotter	2
N	0027-020-000	Rue Ring Cotter	3
P	0853-003-035	Brake Cam and Link Assembly	1
R	0853-003-064	Brake Rod Crank Cap	2
T	0853-003-075	Timing Cam Bearing Assembly	1
U	0853-003-103	Timing Cam Spring Retainer	1
V	0853-003-104	Fifth Wheel Timing Cam Spring	1
W	0853-003-131	Timing Cam Spacer	2
Y	1105-005-087	Return Spring Hook	1
AA	0853-102-003	Caster Steer Lock Gear	4
AB	0853-102-004	Stepped Flange Bearing	8
AC	0853-203-201	Brake Rod Assembly ( <a href="#">page 32</a> )	1
AD	0853-203-230	Bearing Pivot Support	2
AE	0853-303-010	Brake Link Assembly, Head End	1
AF	0853-303-020	Brake Link Assembly, Foot End	1
AG	0853-401-001	Base Weldment	1
AH	3001-200-052	Grounding Chain	1
AJ	0014-003-000	Washer	1

# Standard Brake Assembly, Colored Components

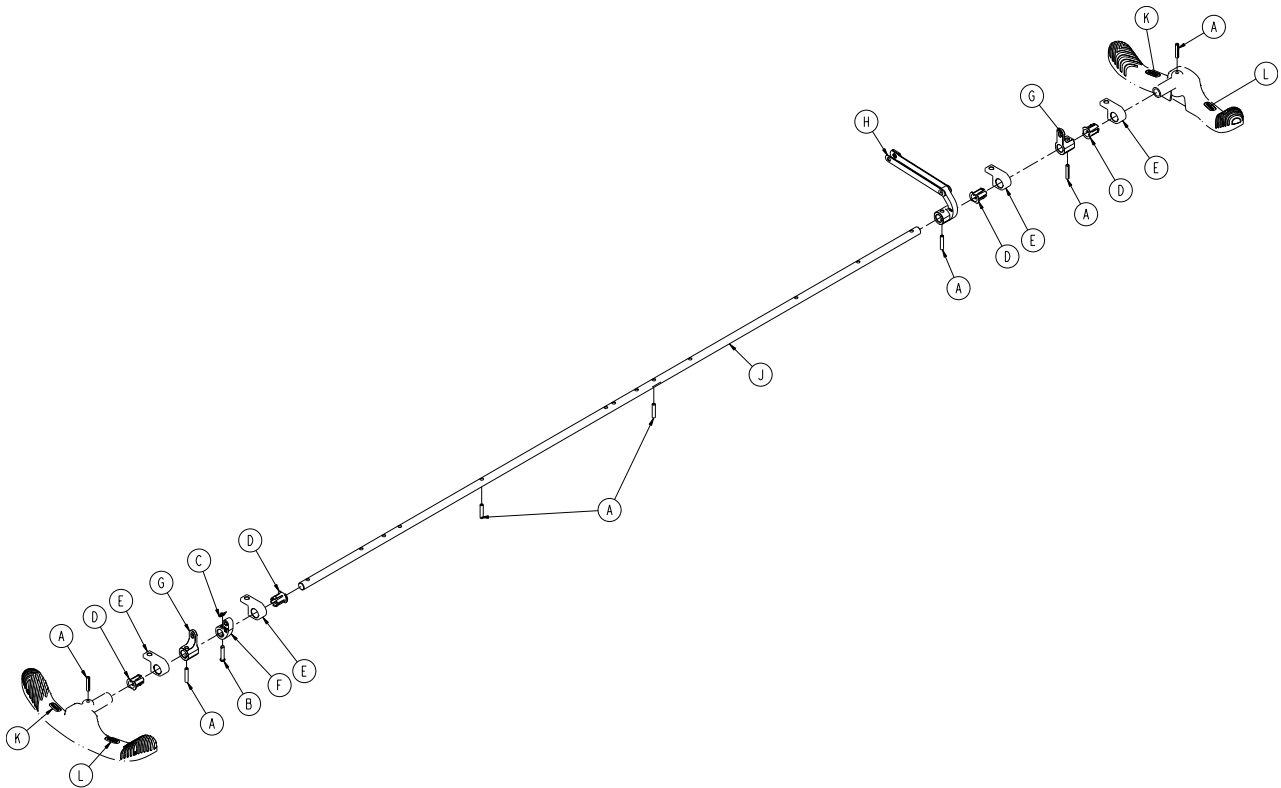
---

0853-103-620 Rev B (Reference Only)

Part Number	Part Description	Quantity
1105-201-126	Pump Pedal	2
1105-005-154	Butterfly "V" Pedal	2
1105-201-127	Short Uni-Pedal	2

# Brake Rod Assembly

0853-203-201 Rev B (Reference Only)

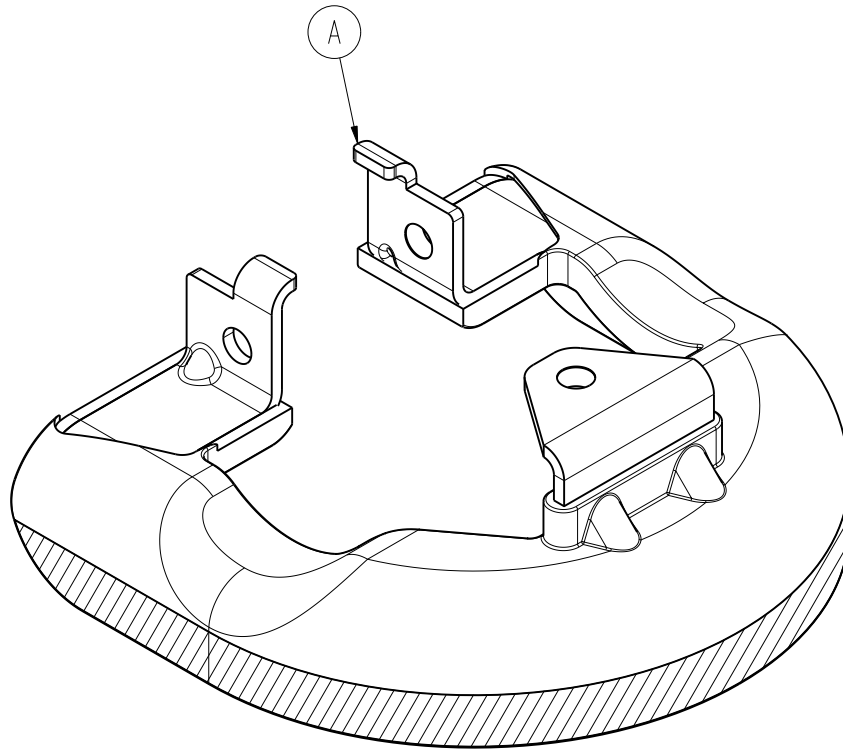


Item	Part No.	Part Name	Qty.
A	0026-014-000	Slotted Spring Pin	7
B	0026-251-000	Clevis Pin	1
C	0027-020-000	Rue Ring Cotter	1
D	0753-003-015	Brake Rod Nyliner	4
E	0853-003-004	Brake Rod Support	4
F	0853-003-055	Fifth Wheel Timing Cam Crank Assy	1
G	0853-203-011	Brake Activation Crank	2
H	0853-206-135	Fifth Wheel Drive Link Assy ( <a href="#">page 34</a> )	1
J	0853-303-014	Brake Rod	1
K	1105-001-335	Label, Red Brake	2
L	1105-001-336	Label, Green Steer	2



# Bumper

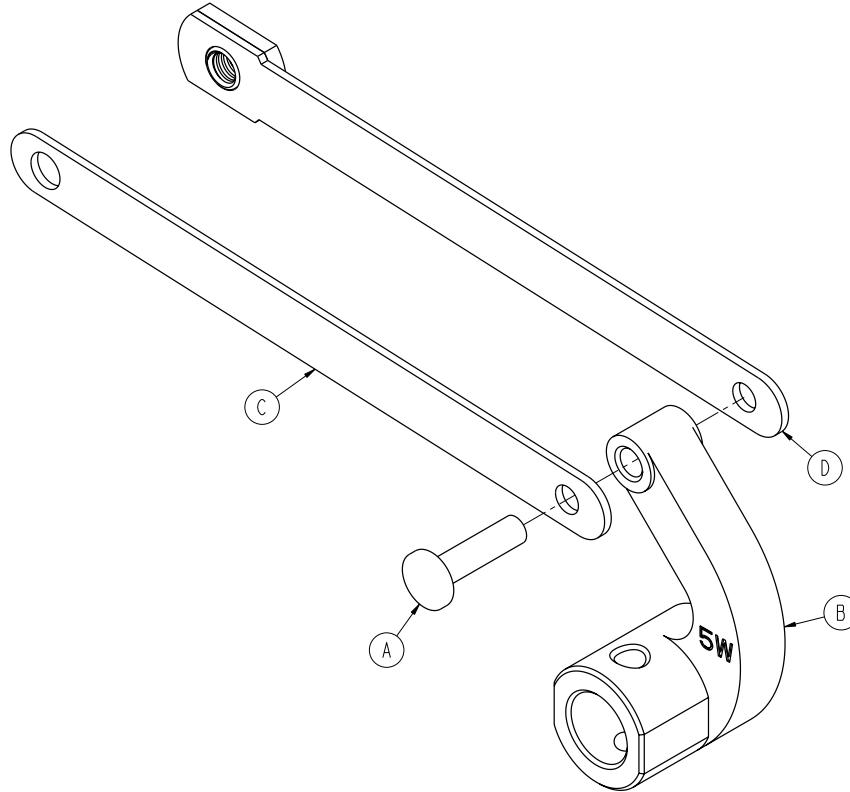
---



Item	Part No.	Part Name	Qty.
A	0853-003-552	Bumper	4

# Fifth Wheel Drive Link Assembly

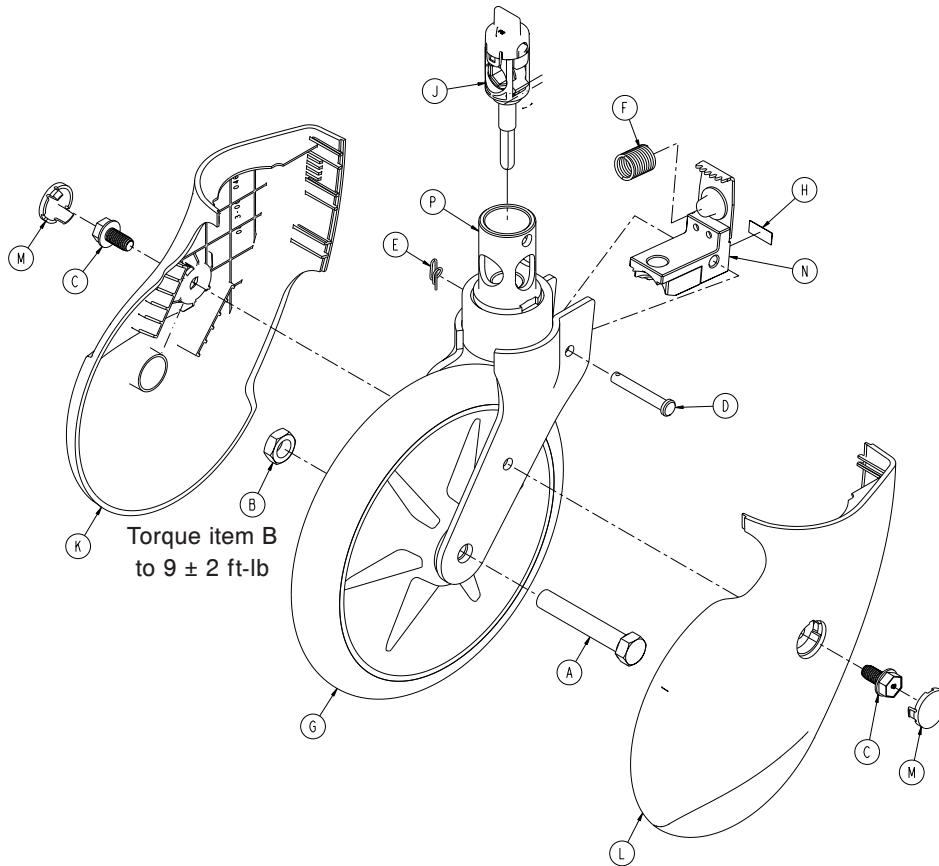
0853-206-135 Rev E (Reference Only)



Item	Part No.	Part Name	Qty.
A	0753-003-098	Rivet	1
B	0853-206-011	Brake Rod Drive Link	1
C	0853-206-022	Fifth Wheel Cam Drive Link	1
D	0853-206-047	Fifth Wheel Cam Drive Link	1

# 8" Caster with Full Cover Assembly - 0853-503-020

Rev B

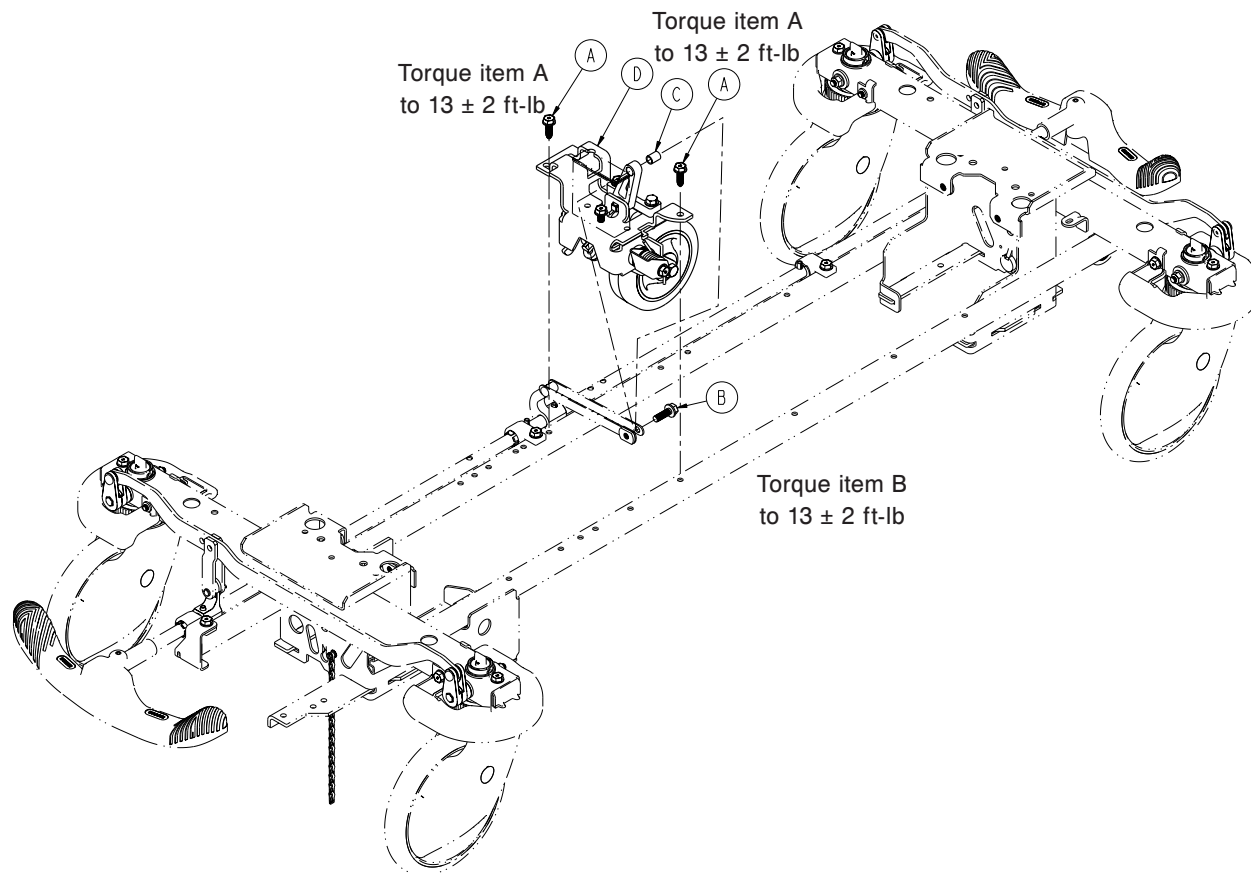


Item	Part No.	Part Name	Qty.
A	0003-099-000*	Hex Head Cap Screw	1
B	0016-060-000*	Toplock Hex Jam Nut	1
C	0023-330-000	Head Washer Head Screw	2
D	0026-377-000*	Clevis Pin	1
E	0027-020-000*	Rue Ring Cotter	1
F	0038-596-000*	Compression Wire	1
G	0753-103-215*	Molded Wheel Assembly	1
H	0853-003-032*	Caster Brake Pad Label	1
J	0853-003-040*	Cam Housing Assembly	1
K	0853-003-046	Caster Cover, Right	1
L	0853-003-047	Caster Cover, Left	1
M	0853-003-048	Caster Cover Plug	2
N	0853-203-030*	Brake Pad Assembly	1
P	0853-303-021*	Caster Horn Assembly	1

\* Shown for reference only. Individual part components are not available for sale.

# Retractable Fifth Wheel Assembly

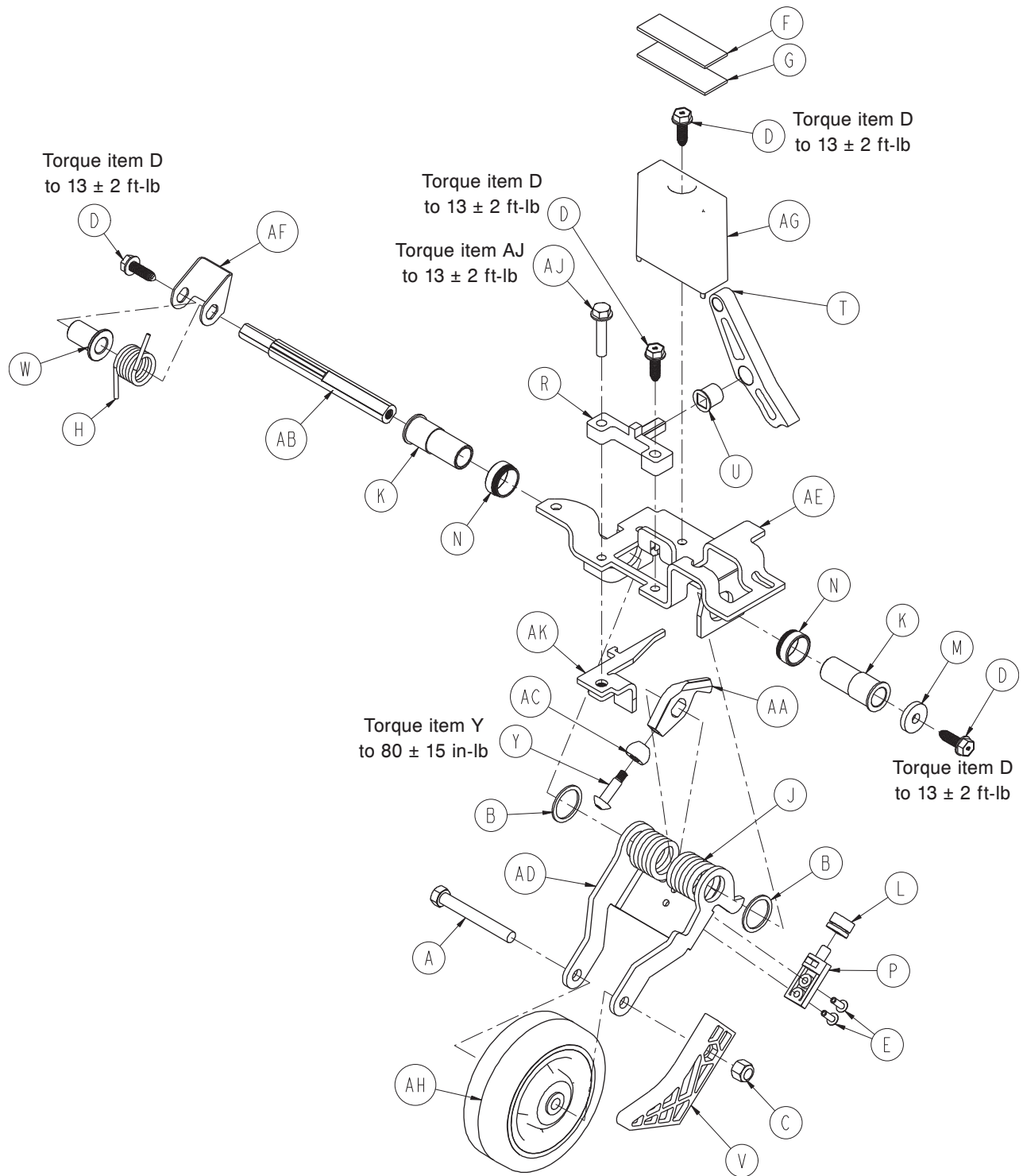
1105-006-110 Rev A (Reference Only)



Item	Part No.	Part Name	Qty.
A	0023-288-000	Hex Washer Head Screw	2
B	0023-305-000	Hex Washer Head Screw	1
C	0753-006-148	Cam Bearing	1
D	1105-006-130	Fifth Wheel Assembly ( <a href="#">page 37</a> )	1

# Fifth Wheel Assembly - 1105-006-130

Rev A



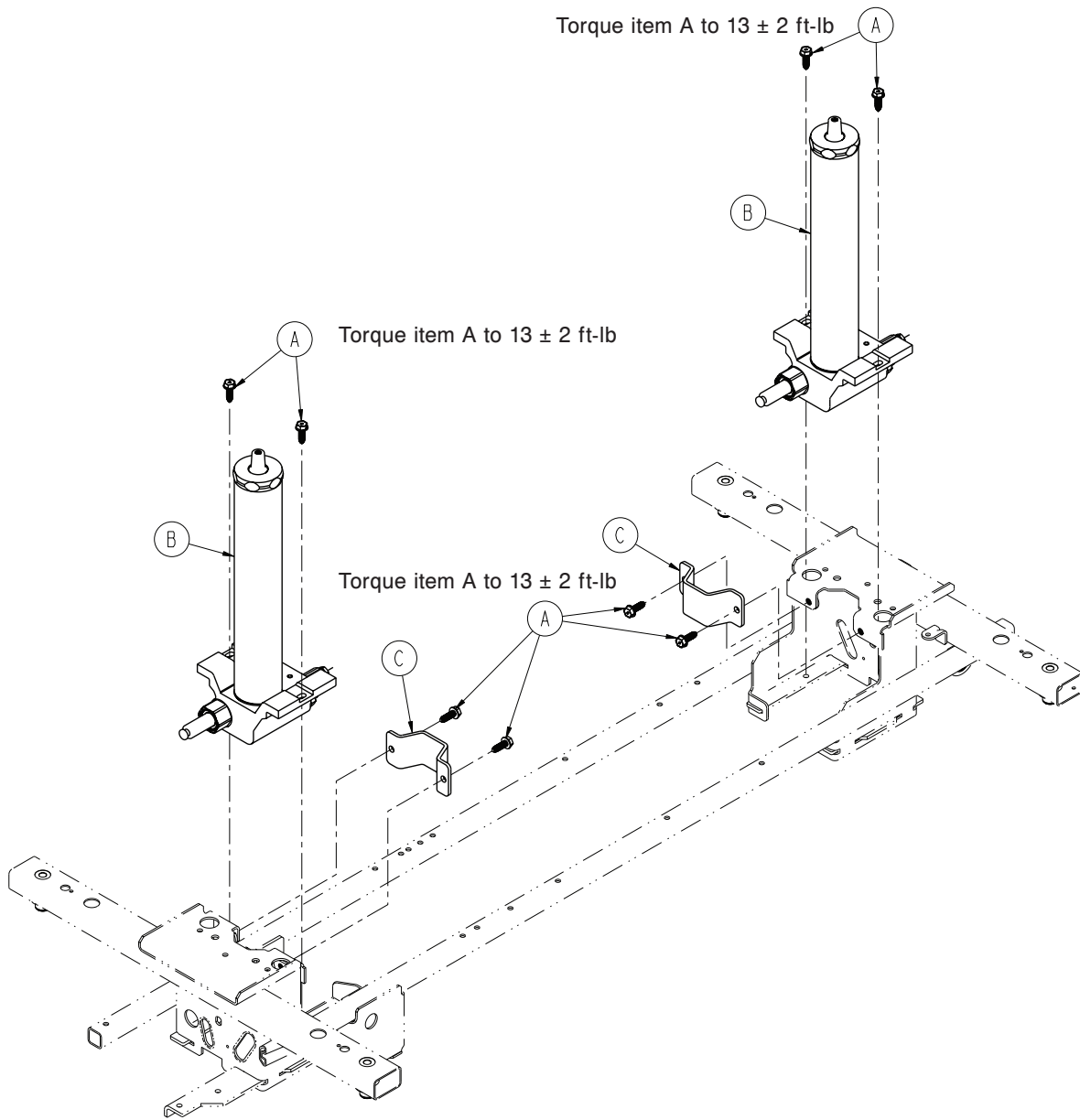
## Fifth Wheel Assembly - 1105-006-130

---

Item	Part No.	Part Name	Qty.
A	0003-083-000	Hex Head Cap Screw	1
B	0011-360-000	Washer	2
C	0016-035-000	Nylock Hex Nut	1
D	0023-288-000	Hex Washer Head Screw	4
E	0025-050-000	Dome Head Rivet	2
F	0029-007-000	Dual Lock	1
G	0029-009-000	Dual Lock	1
H	0753-006-074	Torsion Spring	1
J	0753-006-075	Torsion Spring	1
K	0753-006-097	Drive Shaft Bearing	2
L	0753-006-106	Dampener	1
M	0753-006-108	Thrust Washer	1
N	0753-006-115	Bearing Race	2
P	0753-006-120	Bumper Mounting Pin	1
R	0753-006-133	Cam Pivot Block	1
T	0753-006-142	Fifth Wheel Cam	1
U	0753-006-143	Cam Bearing	1
V	0753-006-149	Fifth Wheel Ramp	1
W	0753-006-152	Spring Spacer	1
Y	0753-006-153	Roller Stem	1
AA	0753-006-198	Drive Pin	1
AB	0753-006-223	Drive Shaft	1
AC	0753-006-277	Roller	1
AD	1105-006-126	Fifth Wheel Bracket	1
AE	1105-006-131	Fifth Wheel Weldment	1
AF	0853-006-227	Return Spring Hook	1
AG	0853-010-045	Hood Standoff	1
AH	1210-001-147	Wheel	1
AJ	0023-160-000	Hex Washer Head Screw	1
AK	0853-006-011	Link Stop Plate	1

# Constant Descent Jack

0853-102-025 Rev A (Reference Only)

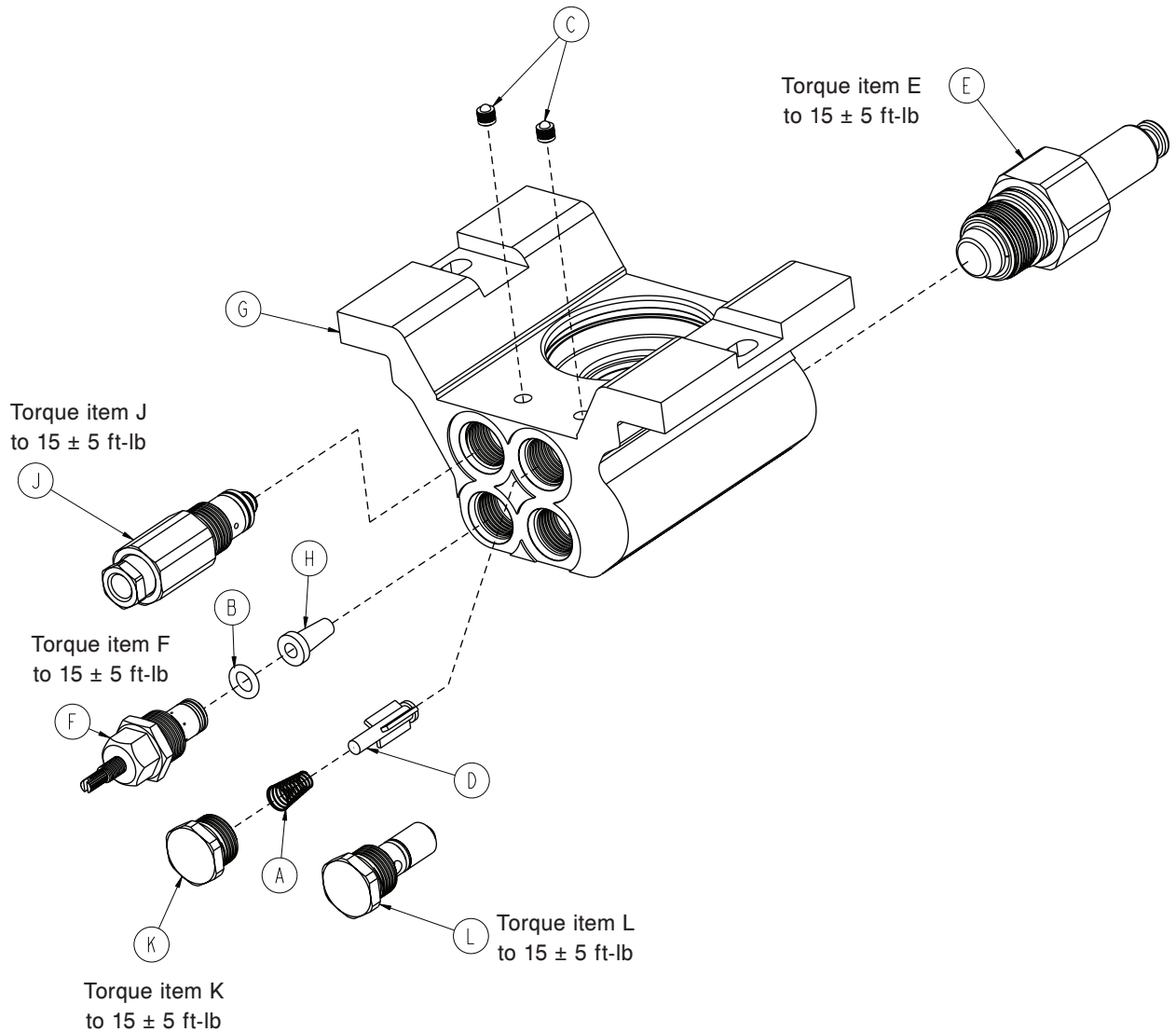


Item	Part No.	Part Name	Qty.
A	0023-288-000	Hex Washer Head Screw	8
B	0753-002-101	Constant Descent Jack Assembly	2
C	0853-010-007	Reservoir Clamp	2

[Return To Table of Contents](#)

# Jack Base Assembly

0753-002-002 Rev G (Reference Only)



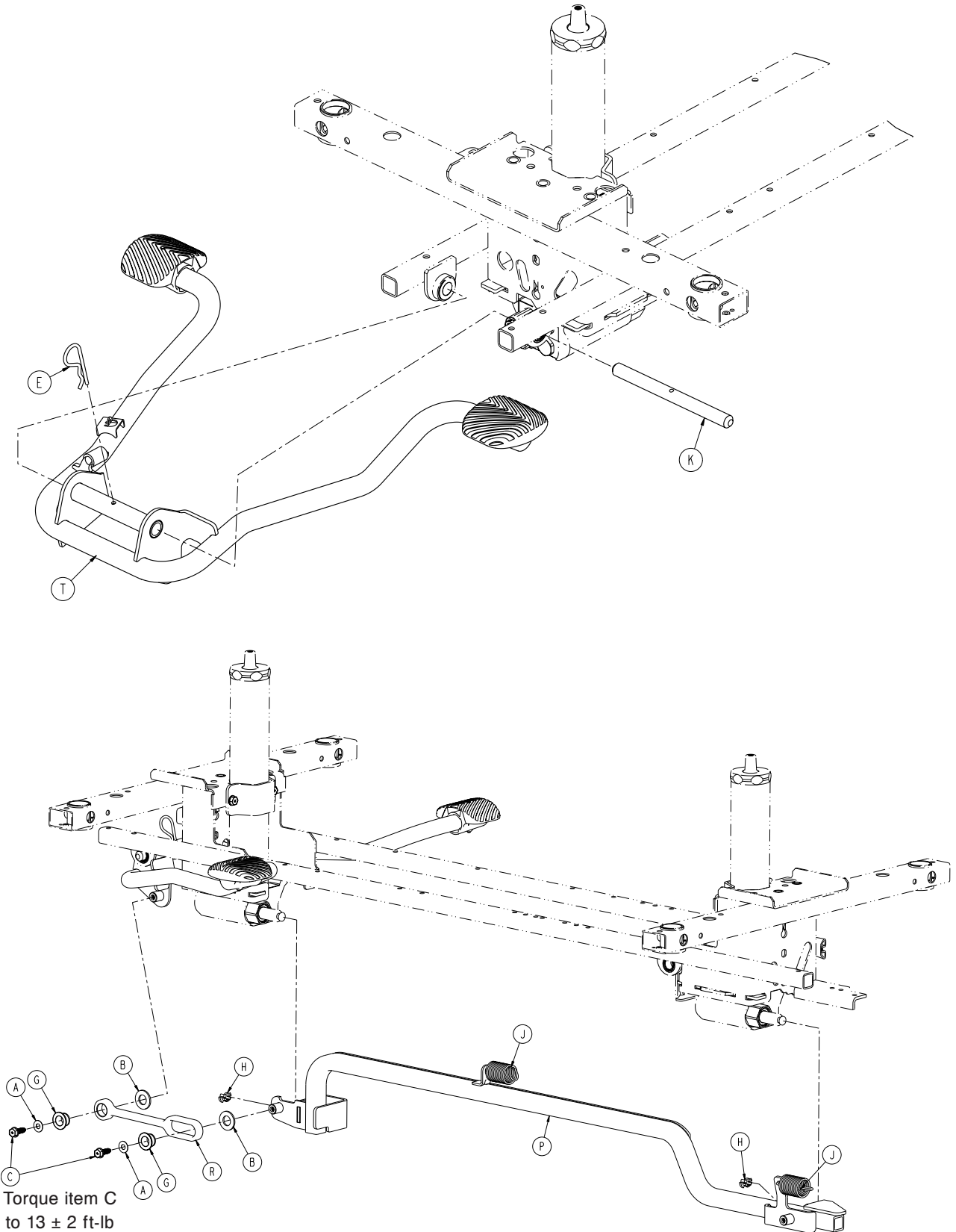
Item	Part No.	Part Name	Qty.
A	0390-002-134	Conical Compression Spring	1
B	0046-004-000	O-Ring	1
C	0048-021-000*	CV Plug	2
D	0715-001-341	Poppet	1
E	0753-002-003	Pump Ram Assembly	1
F	0753-002-058	Adjustable P.C. Valve Cartridge	1
G	0753-002-010*	Jack Base	1
H	0753-002-019	Constant Descent Valve Filter	1
J	0753-002-165	Release Valve Assembly	1
K	0753-002-051	Plug Assembly	1
L	0753-002-052	Check Valve Assembly	1

\* Shown for reference only. Individual part components are not available for sale.



# Dual Sided Hydraulics Assembly

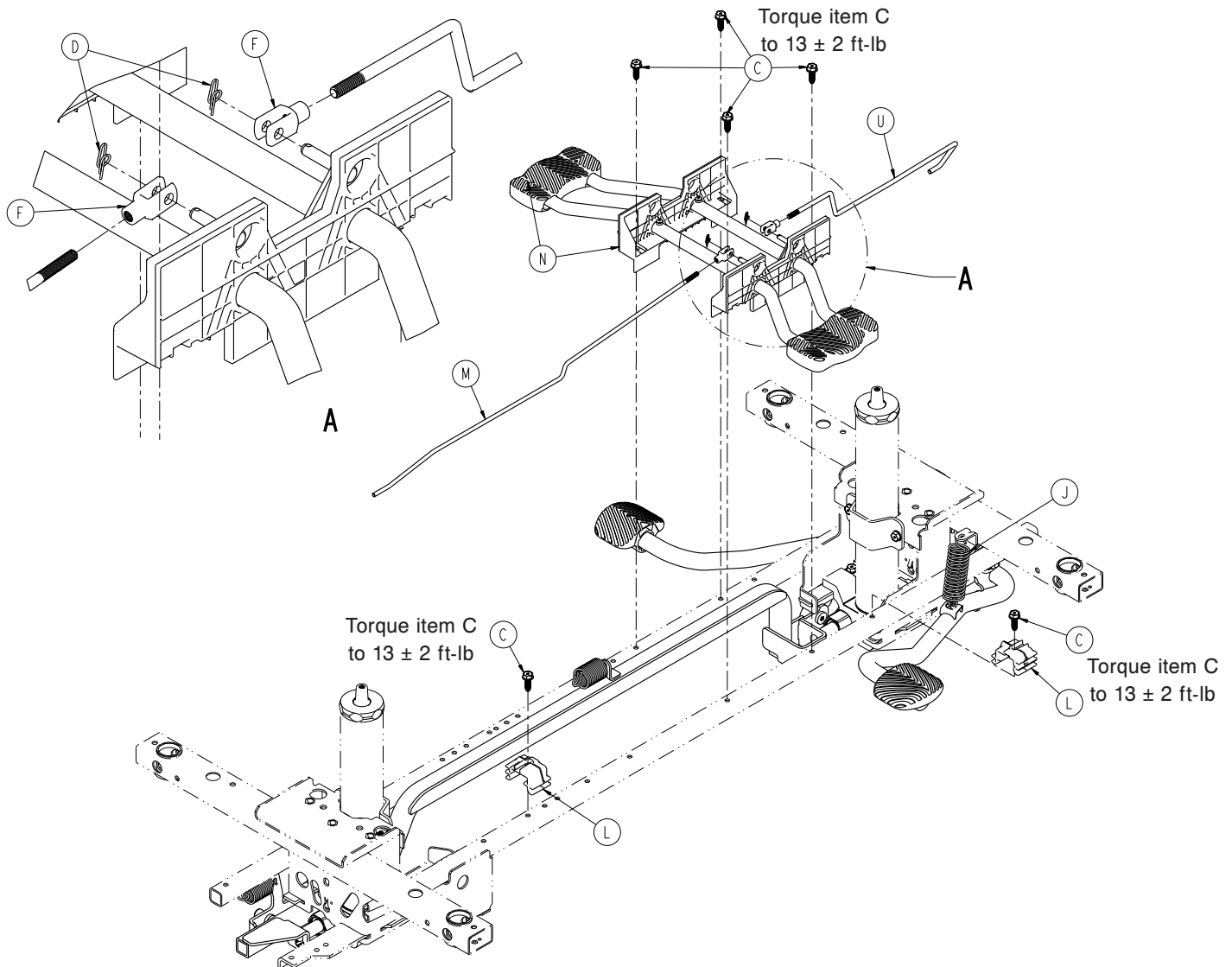
1105-005-500 Rev C (Reference Only)



Torque item C  
to  $13 \pm 2$  ft-lb

[Return To Table of Contents](#)

# Dual Sided Hydraulics Assembly

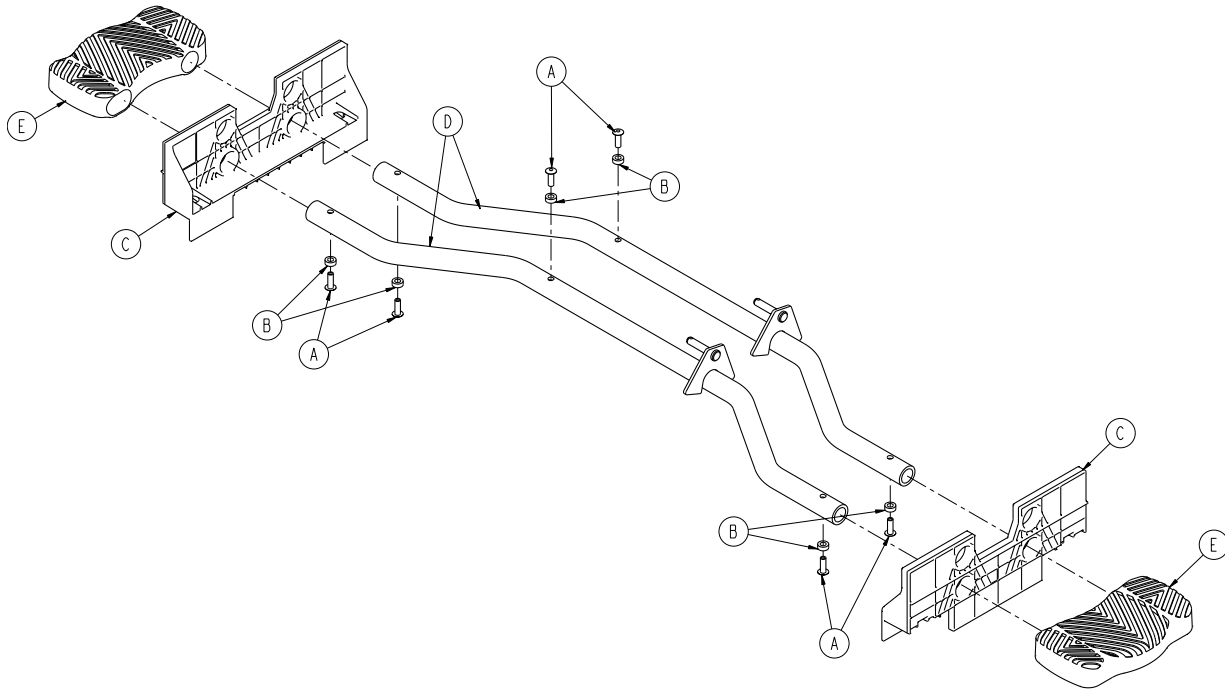


Dual Sided Hydraulics Assembly - 1105-005-500 Rev C (Reference Only)

Item	Part No.	Part Name	Qty.
A	0011-023-000	Washer	2
B	0014-071-000	Washer	2
C	0023-288-000	Hex Washer Head Screw	8
D	0027-020-000	Rue Ring Cotter	2
E	0027-031-000	Hair Pin Cotter	1
F	0052-909-000	Clevis Joint	2
G	0753-005-044	Pump Pedal Bushing	2
H	0753-005-089	Pump Ram Plug	2
J	0853-005-009	Return Spring	3
K	0853-005-074	Pivot Pin	1
L	0853-010-215	Release Rod Bracket	2
M	1105-004-015	Release Rod, Foot End	1
N	1105-004-201	Lowering Pedal Assembly ( <a href="#">page 43</a> )	1
P	1105-005-035	Pump Connecting Tube Weldment	1
R	1105-005-075	Pump Pedal Link	1
T	1105-005-285	Pump Pedal Assy, Head End ( <a href="#">page 44</a> )	1
U	0853-204-014	Release Rod, Head End	1

# Lowering Pedal Assembly - 1105-004-201

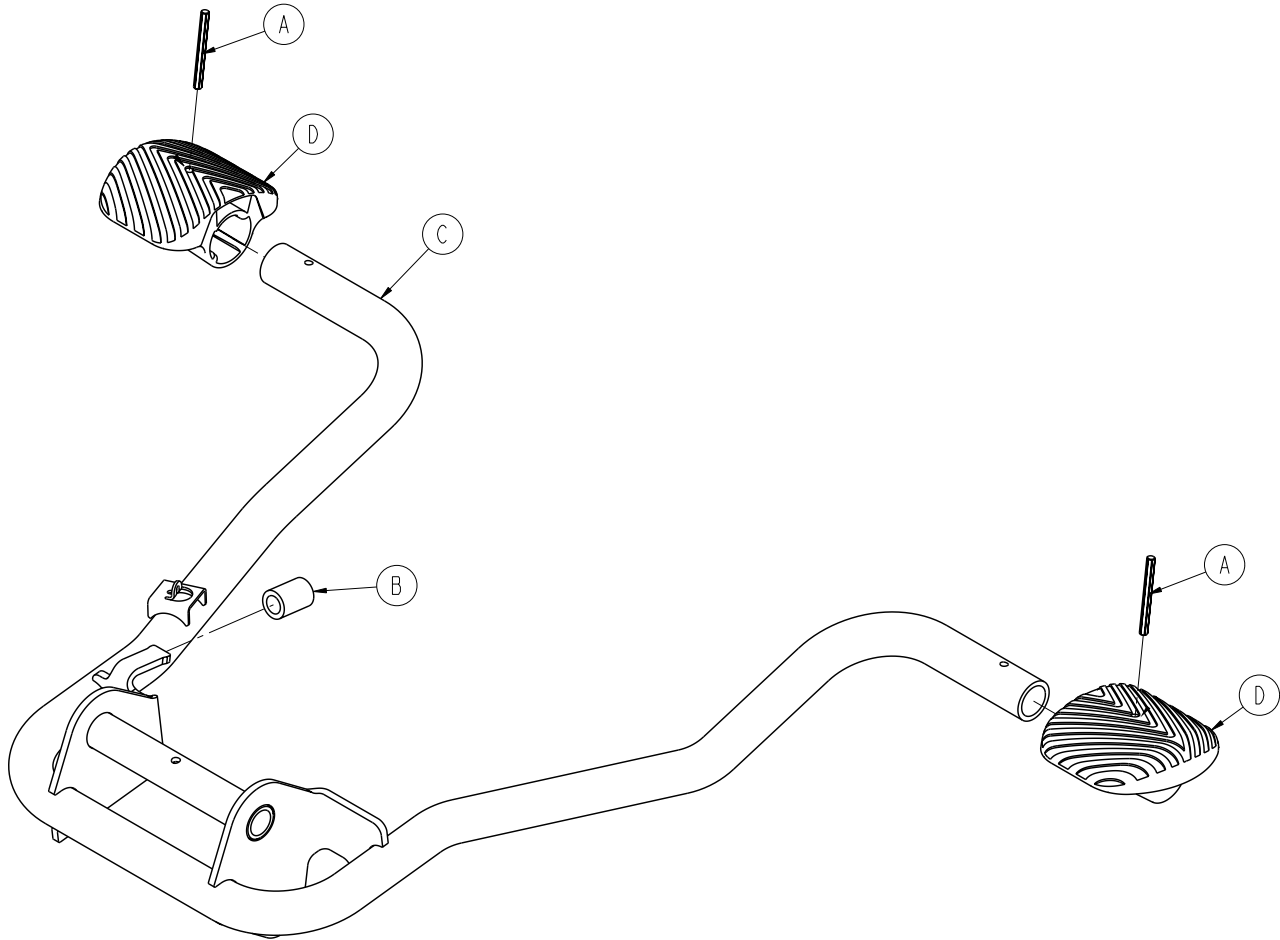
Rev A



Item	Part No.	Part Name	Qty.
A	0025-133-000	Dome Head Rivet	6
B	0753-004-029	Release Pedal Standoff	6
C	0853-004-320	Release Pedal Support	2
D	1105-004-004	Release Pedal Weldment	2
E	1105-201-127	Short Uni-Pedal	2

# Pump Pedal Assembly, Head End - 1105-005-285

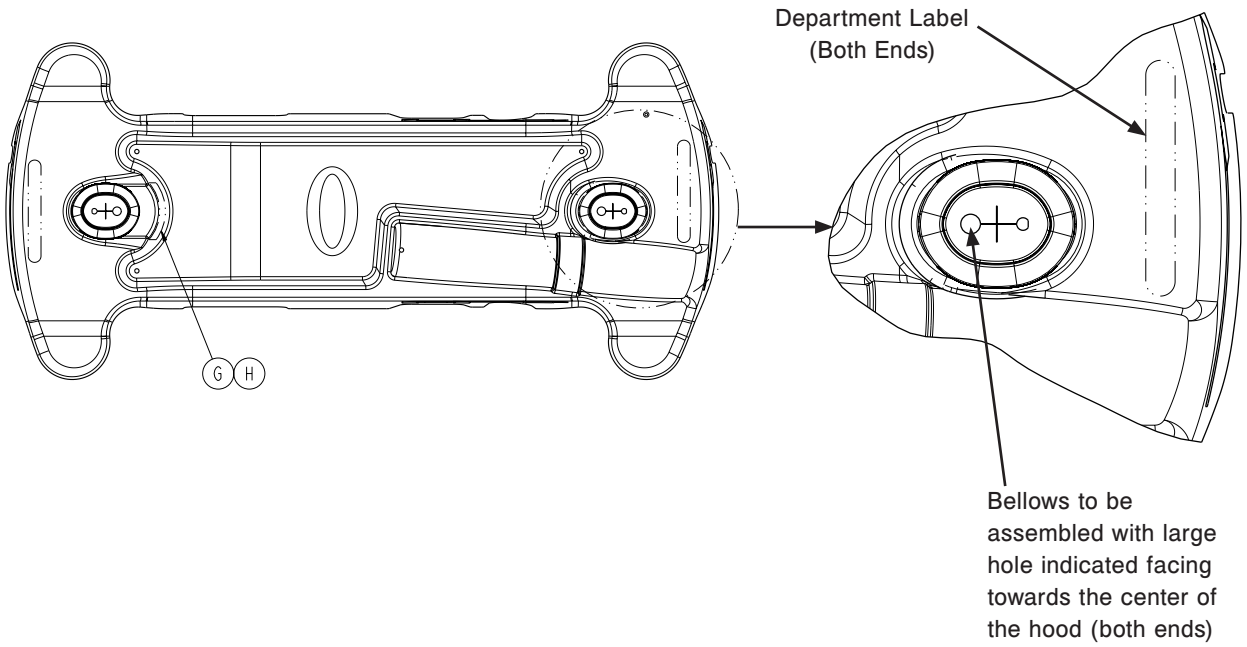
Rev B



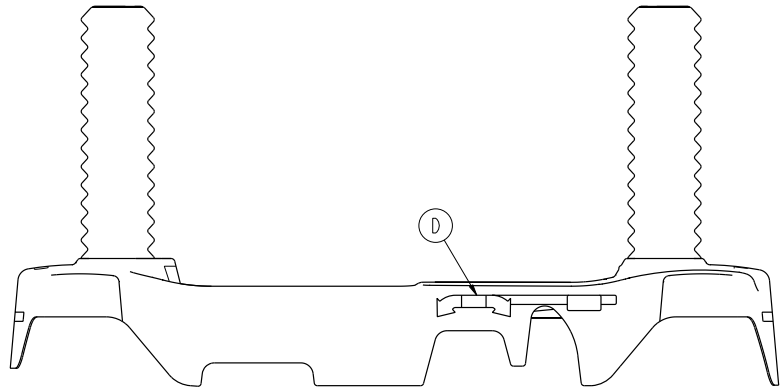
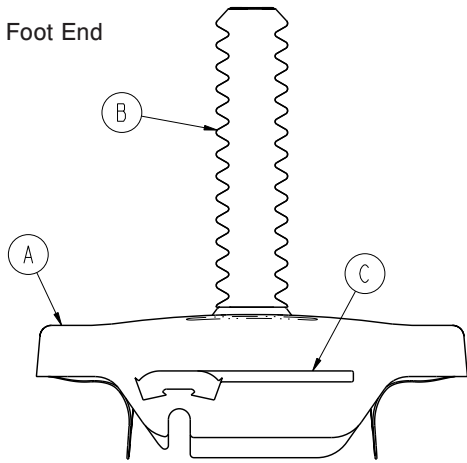
Item	Part No.	Part Name	Qty.
A	0026-343-000	Groove Pin	2
B	0715-001-140	Vinyl Tube	1
C	1105-105-180	Pump Pedal Weldment, Head End	1
D	1105-201-126	Pump Pedal	2

# Label Assembly, Variable Height Base Hood

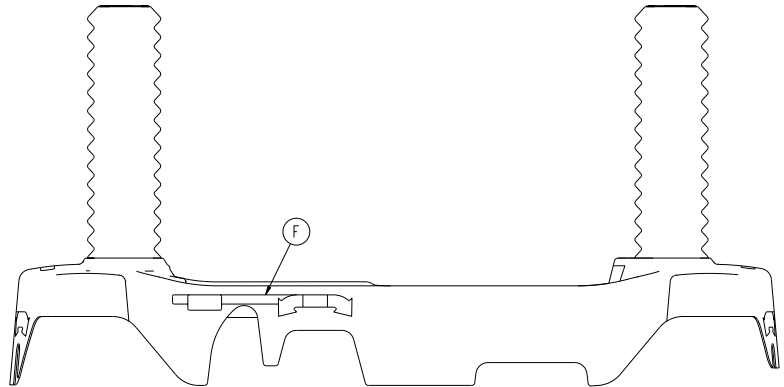
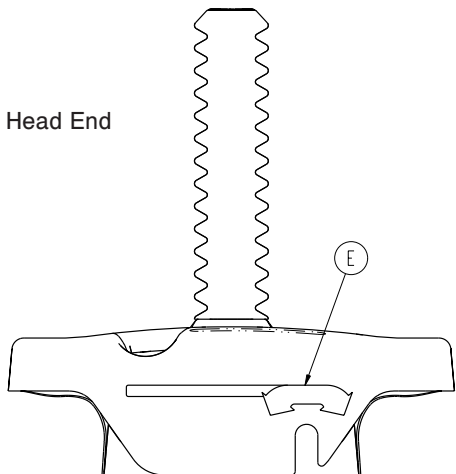
0742-900-100 Rev A (Reference Only)



Foot End



Head End



[Return To Table of Contents](#)

# Label Assembly, Variable Height Base Hood

## Label Assembly, Variable Height Base Hood - 0742-900-100 Rev A (Reference Only)

Item	Part No.	Part Name	Qty.
A	0747-001-035	Hood, Base	1
B	0747-010-134	Bellows	2
C	0753-010-351	Label, Brake/Steer, Foot End	1
D	0853-010-355	Label, Lift/Lower, Left	1
E	0753-010-370	Label, Brake/Steer, Head End	1
F	0853-010-354	Label, Lift/Lower, Right	1
G	0742-032-090	Label, Specification	1
H	0921-001-252	Serial Number Date Tag	1

Department Labels	Part Number	Qty.
Emergency	1105-023-004	2
PACU	1105-023-007	2
Transport	1105-023-005	2
Surgery	1105-023-006	2
Maternity	1105-023-013	2
Endoscopy	1105-023-008	2
Radiology	1105-023-009	2
Ambulatory Surgery	1105-023-011	2
G.I. Lab	1105-023-014	2
Cath. Lab	1105-023-010	2
Same Day Surgery	1105-023-012	2
Ultrasound	1105-023-015	2
Stryker Demo	1105-023-016	2

# Litter Support Package

---

0741-800-020 (Reference Only)

Part Number	Part Description	Quantity
0004-330-000	Socket Head Cap Screw	4
0011-360-000	Washer	2
0014-021-000	Washer	12
0016-117-000	Nylock Nut	4
0023-288-000	Hex Washer Head Screw	2
0025-040-000	Pop Rivet	20
1089-400-142	Round Bumper	4
0938-001-401	Collar	4
0742-010-026	Support Tube	1
0742-010-042	Support Tube	1
1001-001-037	Head End Jack Support	2
1001-201-029	Slide Insert	2
1001-401-030	Trens Support	2
1010-201-027	Bumper Extrusion	2
1010-700-075	Bumper Strip, Blue	2

# Warranty

---

## LIMITED WARRANTY

Stryker Medical Division, a division of Stryker Corporation, warrants to the original purchaser of the OEM Base to be free from defects in material and workmanship for a period of one (1) year after date of delivery. Stryker's obligation under this warranty is expressly limited to supplying replacement parts and labor for, or replacing, at its option, any product which is, in the sole discretion of Stryker, found to be defective. If requested by Stryker, products or parts for which a warranty claim is made shall be returned prepaid to the factory. Any improper use or any alteration or repair by others in such manner as in Stryker's judgment affects the product materially and adversely shall void this warranty. Any repair of Stryker products using parts not provided or authorized by Stryker shall void this warranty. No employee or representative of Stryker is authorized to change this warranty in any way.

Stryker Medical Stretcher products are designed for a 10 year expected service life under normal use, conditions, and with appropriate periodic maintenance as described in the maintenance manual for each device. Stryker warrants to the original purchaser that the welds on its Stretcher products will be free from structural defects for the expected 10 year life of the Stretcher product as long as the original purchaser owns the product.

This statement constitutes Stryker's entire warranty with respect to the aforesaid equipment. **Stryker makes no other warranty or representation, either expressed or implied, except as set forth herein. There is no warranty of merchantability and there are no warranties of fitness for any particular purpose. In no event shall Stryker be liable here under for incidental or consequential damages arising from or in any manner related to sales or use of any such equipment.**

Warranty does not include any disposable items, I.V. poles (except for Stryker permanently attached poles), mattresses, batteries, or damage resulting from abuse.

## TO OBTAIN PARTS AND SERVICE

Stryker products are supported by a nationwide network of dedicated Stryker Field Service Representatives. These representatives are factory trained, available locally, and carry a substantial spare parts inventory to minimize repair time. Simply call your local representative, or call Stryker Customer Service USA at 1-800-327-0770.

## SERVICE CONTRACT COVERAGE

Stryker has developed a comprehensive program of service contract options designed to keep your equipment operating at peak performance at the same time it eliminates unexpected costs. We recommend that these programs be activated before the expiration of the new product warranty to eliminate the potential of additional equipment upgrade charges.

### A Service Contract helps to:

- Ensure equipment reliability
- Stabilize maintenance budgets
- Diminish downtime
- Establish documentation for JCAHO
- Increase product life
- Enhance trade-in value
- Address risk management and safety



# Warranty

## SERVICE CONTRACT PROGRAMS

Stryker offers the following service contract programs:

Service Agreement Options	Premium	Complete	Standard *
Annually scheduled preventative maintenance	X		X
All parts**, labor, and travel	X	X	
Unlimited emergency service calls	X	X	
Priority one contact: two hour phone response	X	X	
Most repairs will be completed within 3 business days	X	X	
JCAHO documentation	X	X	X
On-site record of PM & emergency service	X		X
Factory-trained Stryker service technician	X	X	X
Stryker authorized parts used	X	X	X
Service during regular business hours (8-5)	X	X	X

\* Replacement parts and labor for products under PM contract will be discounted.

\*\* Does not include any disposable items, I.V. poles (except for Stryker permanently attached poles), mattresses, batteries, or damage resulting from abuse.

Stryker Medical also offers personalized service contracts.  
Pricing is determined by age, location, model and condition of product.

**For more information on our service contracts,  
please call your local representative.**

## RETURN AUTHORIZATION

Merchandise cannot be returned without approval from the Stryker Customer Service Department. An authorization number will be provided which must be printed on the returned merchandise. Stryker reserves the right to charge shipping and restocking fees on returned items. **Special, modified or discontinued items not subject to return.**

## DAMAGED MERCHANDISE

ICC Regulations require that claims for damaged merchandise must be made with the carrier within fifteen (15) days of receipt of merchandise. **Do not accept damaged shipments unless such damage is noted on the delivery receipt at the time of receipt.** Upon prompt notification, Stryker will file a freight claim with the appropriate carrier for damages incurred. Claim will be limited in amount to the actual replacement cost. In the event that this information is not received by Stryker within the fifteen (15) day period following the delivery of the merchandise, or the damage was not noted on the delivery receipt at the time of receipt, the customer will be responsible for payment of the original invoice in full. Claims for any short shipment must be made within thirty (30) days of invoice.

## INTERNATIONAL WARRANTY CLAUSE

This warranty reflects U.S. domestic policy. Warranty outside the U.S. may vary by country. Please contact your local Stryker Medical representative for additional information.

[Return To Table of Contents](#)





**United States**

Stryker Medical  
3800 E. Centre Ave.,  
Portage, Michigan USA  
49002



**stryker**<sup>®</sup>