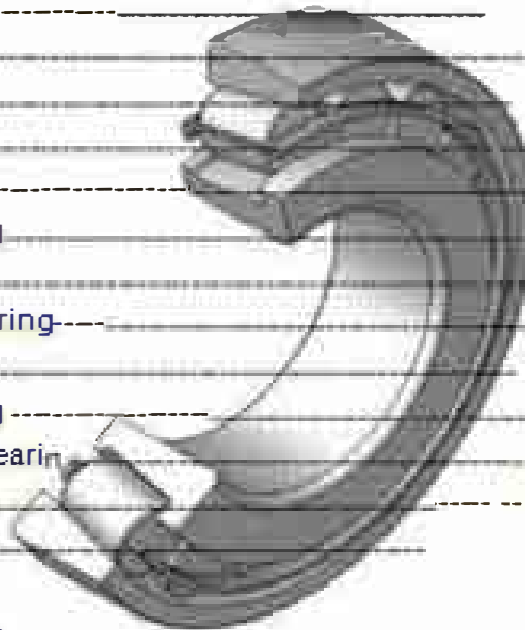




Chengdu RX Bearing Manufacturing Co.,Ltd

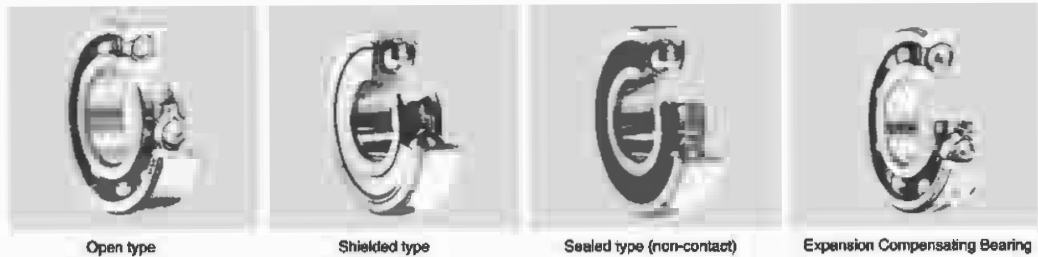
Chengdu RX Industrial Limited

■ Technic details-----	1
■ Ceramic Bearing-----	11
■ Industrial Bearing	
● Deep Groove Ball Bearing -----	22
● Insert Pillow Block Bearing-----	42
● Split Plummer Block Bearing-----	76
● Spherical plain Bearing-----	94
● Rod End-----	132
● Linear Ball Bearing -----	150
● Agricultural Bearing-----	154
● Forklift Bearing-----	160
● Tapered Roller Bearing-----	163
● Self-Aligning Ball Bearing -----	180
● Thrust Bearing-----	187
● Angular Contact Ball Bearing-----	192
● Spherical Roller Bearing-----	216
● Cylindrical Roller Bearing -----	240
● Thrust spherical Roller Bearing-----	278
● Needle Roller Bearing-----	283
■ Auto Bearing-----	337
● Wheel Bearing	
● Wheel Hub Units Bearing	
● Alternator Bearing	
● Aircondition Compressor Bearing	
● Tensioner&Idler Bearing	
● Motorcycle Bearing	
● Clutch Release Bearing	
● Water Pump Bearing	



Deep Groove Ball Bearings





1. Design features and special characteristics

Deep groove ball bearings are very widely used. A deep groove is formed on each inner and outer ring of the bearing enabling them to sustain radial and axial loads in either direction as well as the complex loads which result from the combination of these forces. Deep groove ball bearings are suitable for high speed applications.

In addition to unsealed bearings, deep groove ball bearings include ball bearings with greased sealed inside (sealed or shielded) and bearings with a snap ring that simplify structure around the bearing and design.

Table 1 shows the construction and special characteristics of various sealed deep groove ball bearings.

Table 1 Sealed ball bearings: construction and characteristics

Type, code no.	Shielded type		Sealed type	
	Non-contact type ZZ	Non-contact type LLB	Contact type LLU	Low torque type LLH
Construction				
	<ul style="list-style-type: none"> • Metal shield plate is affixed to outside ring; inner ring incorporates a V-groove and labyrinth clearance. 	<ul style="list-style-type: none"> • Outer ring incorporates synthetic rubber molded to a steel plate; seal edge is aligned with V-groove along inner ring surface with labyrinth clearance. 	<ul style="list-style-type: none"> • Outer ring incorporates synthetic rubber molded to a steel plate; seal edge contacts V-groove along inner ring surface. 	<ul style="list-style-type: none"> • Basic construction the same as LU type, but specially designed lip on edge of seal prevents penetration by foreign matter; low torque construction.
Torque	Low	Low	Rather high	Medium
Dust proofing	Very good	Better than ZZ-type	Excellent	Much better than LLB-type
Water proofing	Poor	Poor	Very good	Very good
High speed capacity	Same as open type	Same as open type	Limited by contact seals	Much better than LLU-type
Allowable temp.range	Depends on lubricant	-25°C ~ 120°C	-25°C ~ 110°C	-25°C ~ 120°C

●Please consult CMS Engineering about applications which exceed the allowable temperature range of products listed on this table.
 Note: This chart lists double shielded and double sealed bearings, but single shielded (Z) and single sealed (LB, LU, LH) are also available.
 Grease lubrication should be used with single shielded and single sealed bearings.

2. Standard cage types

As shown in Table 2, pressed cages are generally used in deep groove ball bearings. Machined cages are however used for large bearings and high-speed bearings.

Table 2 Standard cage for deep groove ball bearings

Bearing series	Pressed cages	Machined cages
68	6800 - 6834	6836 - 68/800
69	6900 - 6934	6936 - 69/500
160	16001 - 16052	16056 - 16072
60	6000 - 6052	6056 - 6084
62	6200 - 6244	—
63	6300 - 6344	—
64	6403 - 6416	—

3. Other bearing types

3.1 Bearings with snap rings

Some bearings accommodate a snap ring which is attached along the outer diameter of the outer ring. By using snap rings, positioning in the axial direction is possible and housing installation is simplified. In addition to open type, shielded and sealed types are also manufactured. Consult CMB Engineering.

3.2 Expansion compensating bearings (creep prevention bearings)

The boundary dimensions of expansion compensating deep groove ball bearings are the same as for standard bearings, but formed high polymer material with a high expansion rate is provided in the grooves on the outer circumference of the outer ring (see Diagram 1).

Due to the extremely small difference of thermal expansion attained between the fitted surfaces of the high polymer equipped outer ring and the light alloy bearing housing, a good interference fit can be achieved with stable performance across a wide temperature range. Another

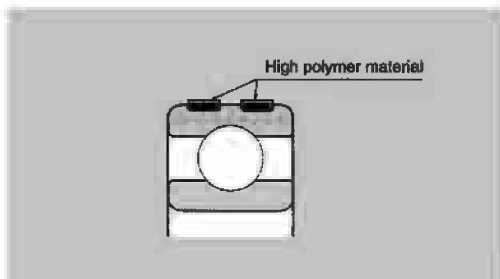


Diagram 1. Expansion compensating bearings

advantage is a large reduction in the occurrence of outer ring creeping.

(1) Allowable load

Maximum allowable load C_p (refer to the table of boundary dimensions) has been determined in accordance with outer ring strength; therefore, it is necessary to select a bearing with a maximum allowable load greater than the largest anticipated bearing load.

(2) Housing and bearing fit

Table 3 shows the recommended fits for bearings with light metal alloy housings.

In cases where the bearing is going to be interference fit with the housing, it is very important not to damage the high polymer material. Therefore it is essential that the lip of the housing diameter be given a $10^\circ-15^\circ$ chamfer as shown in Diagram 2.

Furthermore, as shown in Diagram 2, it is also advisable to apply the interference fit using a press in order not to force the bearing into the housing in a misaligned position. (Diagram 2)

(3) Radial internal clearance

Regulations for radial internal clearance are the same as those for standard deep groove ball bearings. For standard fit and application conditions, a C3 clearance is used with

Table 3 Recommended fits for outer ring and housing bore

Conditions Load type, etc.	Housing material	Suitable bearing	Housing bore tolerance class
Rotating outer ring load Rotating inner ring load: light load Direction indeterminate load: ordinary load	Al alloy Mg alloy Other light alloys	Deep groove ball bearing Cylindrical roller bearing	H6
Rotating inner ring load: heavy load Direction indeterminate load: shock load	Al alloy Mg alloy Other light alloys	Thick-walled type deep groove ball bearing	N6

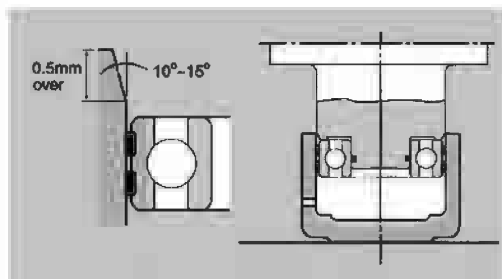


Diagram 2. Fitting method and housing inner diameter chamfer

this bearings.

For more detailed information concerning this bearing and the availability of roller bearings contact CMB Engineering.

(4) Allowable temperature range

-20~120°C

3.3 Long-life bearings (TMB/TAB bearings)

Boundary dimensions of long-life bearings are the same as those of standard deep groove ball bearings, but the bearings have undergone special heat treatment that considerably extends wear life.

These bearings are especially effective in countering reduced wear life due to the effects of infiltration by dust and other foreign matter.

Features are as follows:

- Rated load is the same as standard bearings, but shaft characteristics factor is $a_2=2.2$ for TMB bearings and $a_2=3.6$ for TAB.
- TMB 62 series bearings can be used in place of standard 63 series bearings enabling lighter weight, more compact designs
- Greater resistance to reduced wear life due to infiltration by dust and other foreign matter

Dimensions for these bearings are not provided in the dimensions table. For details, please contact the Engineering.

3.4 AC bearings (creep prevention bearings)

AC bearings have the same boundary dimensions as standard bearings with the addition of two O-rings imbedded

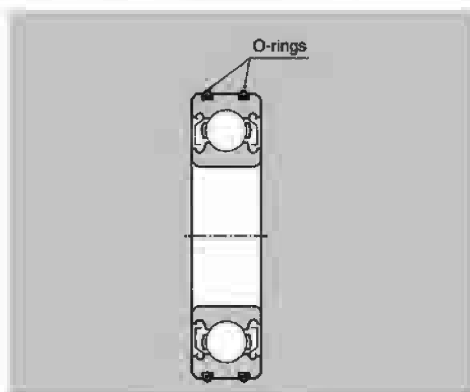


Diagram 3. AC bearing

in the outside circumference of the outer rings. (Diagram 3)

This bearing has a steel housing, can withstand rotating outer ring loads, and is suitable for applications where a "tight fit" is not possible but the fear of creeping exists. With its capacity for axial load displacement, an AC bearing can also be installed as a floating side bearing to accommodate shaft fluctuations. Before installing the bearing into the housing, high viscosity oil (base oil viscosity, 100 mm²/s or more) or grease should be applied to the space between the two O-rings. This lubricant forms a thin oil layer inside the bearing which prevents contact between the outer ring and housing, lowers the coefficient of friction, and is still able to prevent creeping by utilizing the friction force of the O-rings. Outer ring spin is prevented by friction force of the O-ring and housing.

For dimensional specifications, handling procedures, and other detailed information concerning AC bearings, contact Engineering.

(1) Allowable load

Because allowable load C_p that takes outer ring strength into account (see dimensions table) is established, selection must be made so that maximum load on the bearing does not exceed C_p .

(2) Fit with housing

Table 4 gives recommended fit with steel housing.

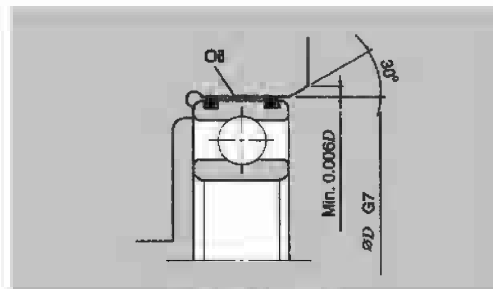


Diagram 4. Housing

Table 4 dimensions and shape

Housing bore tolerance	G7
Housing bore entrance chamfer	Max. 30°
Housing bore chamfer grinding insert cut	Min. 0.006D
Housing bore finish roughness	2.5 μm Ra
Housing bore roundness	1/2 bearing housing dimension tolerance

(3) Allowable temperature range

-25~120°C

Chengdu RX Bearing Manufacturing Co.,Ltd

The best material for rolling bearing is high carbon chromium bearing steel, which features desired hardness, strong fatigue resistance, wearing resistance and stable dimension. Its chemical composition is:

Chemical composition of bearing steel GCr15

Element(wt%)	C 0.95-1.05	Cr 1.40-1.65	Si 0.15-0.35	Mn 0.25-0.45	P <0.027	S <0.02
Element(wt%)	Ni <0.23	Cu <0.25	Mo <0.1	Sn <0.03	As <0.04	Ti <0.005
Element(wt%)	Sb <0.002	Pb <0.002	O <0.001	Al <0.05	Ca <0.01	

Corresponding designation equivalent GCr15

	ISO 683/XV II	USA 52100 (ASTM)	GERMANY 100Cr6 (DIN)	JAPAN SUJ2 (JIS)	SWEDEN SKF3
--	------------------	------------------------	----------------------------	------------------------	----------------

Stainless steel

	Chemical composition%						
	C	Si	Mn	P	S	Cr	Mo
	0.95-1.2	<1.0	<1.0	<0.04	<0.03	16-18	<0.75

According to related standard, the vibration noise (dB) of bearings their vibration under acceleration are divided into four groups: Z1, Z2, Z3 AND Z4. Also they can be divided into four groups in according to vibration speed (μ m/s): V1, V2, V3 and V4.

Normally, common bearings are delivered with Z1 group vibration baluc if no special requirement from customers while the bristings for export will be delivered with vibration Z2 group specification. However, please note your special requirement on vibration in your order.

Single bearing vibration noise under acceleration (dB) specification is shown on table.

Single bearing vibration speed (μ m/s) specification is shown on table.

Table1

Bore diameter (mm)	Deep groove ball bearing accelerating vibration (dB)														
	Diameter series(0)					Diameter series(2)					Diameter series(3)				
	Z	Z1	Z2	Z3	Z	Z1	Z2	Z3	Z4	Z	Z1	Z2	Z3	Z4	
3	35	34	32	28	36	35	32	30	-	37	36	33	31	-	
4	35	34	32	28	36	35	32	30	-	37	36	33	31	-	
5	37	36	34	30	38	37	34	32	-	39	38	35	33	-	
6	37	36	34	30	38	37	34	32	-	39	37	35	33	-	
7	39	38	35	31	40	39	36	34	-	-	-	-	-	-	
8	39	38	35	31	40	38	36	34	-	-	-	-	-	-	
9	41	40	36	32	42	40	37	35	-	-	-	-	-	-	
10	43	42	38	33	44	42	39	35	30	46	44	40	37	32	
12	44	43	39	34	45	43	39	35	30	47	45	40	37	32	
15	45	44	40	35	46	44	41	36	31	48	46	42	38	33	
17	46	44	40	35	47	45	41	36	31	49	47	42	38	33	
20	47	45	41	36	48	46	42	38	33	50	48	43	39	34	
22	47	45	41	36	48	46	42	38	33	50	48	43	39	34	
25	48	46	42	38	49	47	43	40	36	51	49	44	41	37	
28	49	47	43	39	50	48	44	41	37	52	50	45	42	38	
30	49	47	43	39	50	48	44	41	37	52	50	45	42	38	
32	50	48	44	40	51	49	45	41	38	53	51	46	43	39	
35	51	49	45	41	52	50	46	43	39	54	50	47	44	40	
40	51	49	45	41	52	50	46	43	39	54	50	47	44	40	
45	55	53	48	45	56	54	49	46	43	58	56	51	47	44	
50	57	54	49	47	58	55	51	48	45	60	57	53	49	46	
55	59	56	52	49	60	57	53	50	47	62	59	54	51	48	
60	61	58	54	51	62	59	54	51	48	64	61	56	53	50	

e2
22

Table2

Bore diameter (mm)	Deep groove ball bearing accelerating vibration(dB)											
	Diameter series(0)			Diameter series(2)				Diameter series(3)				
	Z	Z1	Z2	Z	Z1	Z2	Z3	Z	Z1	Z2	Z3	
65	49	48	46	50	49	47	42	51	50	48	43	
70	50	49	47	51	50	48	43	52	51	49	44	
75	51	50	48	51	51	49	44	53	52	50	45	
80	52	51	49	53	52	50	45	54	53	51	46	
85	53	52	50	54	53	51	46	56	55	52	47	
90	54	53	52	56	55	53	48	58	57	54	49	
95	56	55	54	58	57	55	50	60	59	56	51	
100	58	57	56	60	59	57	52	62	61	58	53	
105	60	59	58	62	61	59	54	64	63	60	55	
110	62	61	60	64	63	61	56	66	65	62	57	
115	64	63	62	66	65	63	58	68	67	64	59	

Bore diameter (mm)	Deep groove ball bearing accelerating vibration(μ m/s)											
	V1			V2			V3			V4		
	L	M	H	L	M	H	L	M	H	L	M	H
3	60	35	32	48	26	22	31	16	15	28	10	10
4	60	35	32	48	26	22	31	16	15	28	10	10
5	74	48	40	58	36	30	35	21	18	32	11	11
6	74	48	40	58	36	30	35	21	18	32	11	11
7	92	66	54	72	48	40	44	28	24	38	12	12
8	92	66	54	72	48	40	44	28	24	38	12	12
9	92	66	54	72	48	40	44	28	24	38	12	12
10	120	80	70	90	60	50	55	35	30	45	14	15
12	120	80	70	90	60	50	55	35	30	45	14	15
15	150	100	85	110	78	60	65	46	35	52	18	18
17	150	100	85	110	78	60	65	46	35	52	25	25
20	180	125	100	130	100	75	80	60	45	60	25	25
22	180	125	100	130	100	75	80	60	45	60	30	32
25	180	125	100	130	100	75	80	60	45	60	30	32
28	200	125	100	130	100	75	80	60	45	60	35	40
30	200	150	130	150	120	100	90	75	60	70	35	40
32	200	150	130	150	120	100	90	75	60	70	35	40
35	200	150	130	150	120	100	90	75	60	70	42	45
40	240	180	160	180	150	130	110	90	80	110	50	50
45	240	180	160	180	150	130	110	90	80	110	60	60
50	280	220	200	210	180	160	125	110	110	130	70	70
60	320	220	240	240	180	200	145	110	130	160	80	80
65	180	160	240	130	100	150	105	80	105	50	50	75
70	200	180	280	150	120	200	110	90	135	58	58	88
75	200	180	280	150	120	200	110	90	135	58	58	88
80	240	210	320	180	120	240	130	110	160	65	65	100
85	240	210	320	180	120	240	130	110	160	65	65	100
90	290	250	370	210	180	270	145	125	180	75	75	115
95	290	250	370	210	180	270	145	125	180	75	75	115
100	340	300	420	250	215	310	170	145	200	88	88	135
105	340	300	420	250	215	310	170	145	200	88	88	135
110	400	350	480	290	260	350	190	175	225	100	100	160

The radial clearance of bearings might be divided into five groups according to ISO 5753. The radial clearance without pre-load is shown on the table. Normally, the products are assembled as basic group clearance. Please note the special requirement in your order sheet if any customer needs bearing clearance rather than the value of basic group.

Bore diameter (mm)		Group2		Standard group		Group3		Group4		Group5	
Over	To	Min	Max	Min	Max	Min	Max	Min	Max	Min	Max
2.5	6	0	7	2	13	8	23	14	29	20	37
6	10	0	7	2	13	8	23	14	29	20	37
10	18	0	9	3	18	11	25	18	33	25	45
18	24	0	10	5	20	13	28	20	36	28	48
24	30	1	11	5	20	13	23	23	41	30	53
30	40	1	11	6	20	15	33	28	46	40	64
40	50	1	11	6	23	18	36	30	51	45	73
50	65	1	15	8	28	23	43	38	61	55	90
65	80	1	15	10	30	25	51	46	71	65	105
80	100	1	18	12	36	30	58	53	84	75	120
100	120	2	20	15	41	36	66	61	97	90	140

0 Grade Tolerance inner ring

d mm		Δd_{er}		V_{er}			V_{er}	K_{er}	Δd_{er}			V_{er}
Over	To	Up	Down	Diameter series					All	Normal	Correct	
				9	0.1	2.3.4	Max	Max	Up	Down	Max	
0.6	2.5	0	-8	10	8	6	6	10	0	-40	-	12
2.5	10	0	-8	10	8	6	6	10	0	-120	-250	15
10	18	0	-8	10	8	6	6	10	0	-120	-250	20
18	30	0	-10	13	10	8	8	13	0	-120	-250	20
30	50	0	-12	15	12	9	9	15	0	-120	-250	20
50	80	0	-15	19	19	11	11	20	0	-150	-380	25
80	120	0	-20	25	25	15	15	25	0	-200	-380	25

0 Grade Tolerance outer ring

D mm		ΔD_{er}		V_{er}				V_{er}	K_{er}	Δd_{er}		V_{er}
Over	To	Up	Down	Open		Shield				Up	Down	
				Diameter series				Max	Max	Max		
				9	0.1	2.3.4	2.3.4	Max	Max	Max		
2.5	6	0	-8	10	8	6	10	6	15			
6	18	0	-8	10	8	6	10	6	15			
18	30	0	-9	12	9	7	12	7	15			
30	50	0	-11	14	11	8	16	8	20	Same as the ΔB_s and $V B_s$ of same bearing's inner ring		
50	80	0	-13	16	13	10	20	10	25			
80	120	0	-15	19	19	11	26	11	35			
120	150	0	-18	23	23	14	30	14	40			
150	180	0	-25	31	31	18	38	19	45			

6 Grade Tolerance inner ring

d mm		Δd_w		V_w			V_{w0}	K_w	Δ_w			V_w		
				Diameter series					Max	Max	Up		Normal	Correct
				9	0,1	2,3,4								
Over	To	Up	Down	Max	Max	Max	Max	Up	Down	Max				
0.6'	2.5	0	-7	9	7	5	5	5	0	-40	-	12		
2.5	10	0	-7	9	7	5	5	6	0	-120	-250	15		
10	18	0	-7	9	7	5	5	7	0	-120	-250	20		
18	30	0	-8	10	8	6	6	8	0	-120	-250	20		
30	50	0	-10	13	10	8	8	10	0	-120	-250	20		
50	80	0	-12	15	15	9	9	10	0	-150	-380	25		
80	120	0	-15	19	19	11	11	13	0	-200	-380	25		

6 Grade Tolerance outer ring

D mm		ΔD_w		V_w				V_{w0}	K_w	Δ_w		V_w
				Open		Shield				Up	Down	
				Diameter series								
Over	To	Up	Down	9	0,1	2,3,4	2,3,4	Max	Max	Up	Down	Max
2.5'	6	0	-7	9	7	5	9	5	8	Same as the ΔB_s and $V B_s$ of same bearing's inner ring		
6	18	0	-7	9	7	5	9	6	9			
18	30	0	-8	10	8	6	10	6	9			
30	50	0	-9	11	9	7	13	7	10			
50	80	0	-11	14	11	8	16	8	13			
80	120	0	-13	16	16	10	20	10	18			
120	150	0	-15	19	19	11	25	11	20			
150	180	0	-18	23	23	14	30	14	23			

5 Grade Tolerance inner ring

d mm		Δd_w		V_w			V_{w0}	K_w	S_w	S_w	Δ_w			V_w	
				Diameter series							Max	Max	Max		Max
				9	0,1,2,3,4	Max									
Over	To	Up	Down	Max	Max	Max	Max	Max	Max	All Up	Normal	Correct	Max		
0.6'	2.5	0	-5	5	4	3	4	7	7	0	-40	-250	5		
2.5	10	0	-5	5	4	3	4	7	7	0	-40	-250	5		
10	18	0	-5	5	4	3	4	7	7	0	-80	-250	5		
18	30	0	-6	6	5	3	4	8	8	0	-120	-250	5		
30	50	0	-8	8	6	4	5	8	8	0	-120	-250	5		
50	80	0	-9	9	7	5	5	8	8	0	-150	-250	6		
80	120	0	-10	10	8	5	6	9	9	0	-200	-380	7		

5 Grade Tolerance outer ring

D mm		ΔD_w		V_w			V_{w0}	K_w	S_w	S_w	S_w	Δ_w		V_w		
				Diameter series								Max	Max		Max	Max
				9	0,1,2,3,4	Max										
Over	To	Up	Down	Max	Max	Max	Max	Max	Max	Max	Up	Down	Max			
2.5'	6	0	-5	5	4	3	5	8	8	11	Same as the ΔB_s and $V B_s$ of same bearing's inner ring					
6	18	0	-5	5	4	3	5	8	11							
18	30	0	-6	6	5	3	6	8	11							
30	50	0	-7	7	5	4	7	8	11							
50	80	0	-9	9	7	5	8	8	14							
80	120	0	-10	10	8	5	10	9	16							
120	150	0	-11	11	8	6	11	10	18							
150	180	0	-13	13	10	7	13	10	20							



4 Grade Tolerance inner ring

d mm	Δd_{ws}		Δd_s		V_{σ}		$V_{\sigma_{max}}$	K_{σ}	S_{σ}	$S_{\sigma_{max}}$	Δb_s			V_{b_s}	
											All	Homal	Correct		
															Up
Over	To	Up	Down	Up	Down	Max	Max	Max	Max	Max	Up	Down	Max		
0.6	2.5	0	-4	0	-4	4	3	2	2.5	3	3	0	-40	-250	2.5
2.5	10	0	-4	0	-4	4	3	2	2.5	3	3	0	-40	-250	2.5
10	18	0	-4	0	-4	4	3	2	2.5	3	3	0	-80	-250	2.5
18	30	0	-5	0	-5	5	4	2.5	3	4	4	0	-120	-250	2.5
30	50	0	-6	0	-6	6	5	3	4	4	4	0	-120	-250	3
50	80	0	-7	0	-7	7	5	3.5	4	5	5	0	-150	-250	4
80	120	0	-8	0	-8	8	5	4	5	5	5	0	-200	-380	4

4 Grade Tolerance outer ring

D mm	ΔD_{ws}		ΔD_s		V_{σ}		$V_{\sigma_{max}}$	K_{σ}	S_{σ}	$S_{\sigma_{max}}$	$S_{\sigma_{max}}$	Δc_s		V_{c_s}
												All	Down	
Over	To	Up	Down	Up	Down	Max	Max	Max	Max	Max	Max	Up	Down	Max
2.5 ⁰	6	0	-4	0	-4	4	3	2	3	4	5	7		2.5
6	18	0	-4	0	-4	4	3	2	3	4	5	7		2.5
18	30	0	-5	0	-5	5	4	2.5	3	4	5	7		2.5
30	50	0	-6	0	-6	6	5	3	4	4	5	7		2.5
50	80	0	-7	0	-7	7	5	3.5	4	5	5	7		3
80	120	0	-8	0	-8	8	5	4	5	5	6	8		4
120	150	0	-9	0	-9	9	7	5	7	7	7	10		5
150	180	0	-10	0	-10	10	8	6	8	5	8	11		5

Same as the ΔB_s and $V B_s$ of same bearing's inner ring

2 Grade Tolerance inner ring

d mm	Δd_{ws}		Δd_s		V_{σ}	$V_{\sigma_{max}}$	K_{σ}	S_{σ}	$S_{\sigma_{max}}$	Δb_s			V_{b_s}	
										All	Homal	Correct		
														Up
Over	To	Up	Down	Up	Down	Max	Max	Max	Max	Max	Up	Down	Max	
0.6	2.5	0	-2.5	0	-2.5	2.5	1.5	1.5	1.5	1.5	0	-40	-250	1.5
2.5	10	0	-2.5	0	-2.5	2.5	1.5	1.5	1.5	1.5	0	-40	-250	1.5
10	18	0	-2.5	0	-2.5	2.5	1.5	1.5	1.5	1.5	0	-80	-250	1.5
18	30	0	-2.5	0	-2.5	2.5	1.5	2.5	1.5	2.5	0	-120	-250	1.5
30	50	0	-2.5	0	-2.5	2.5	1.5	2.5	1.5	2.5	0	-120	-250	1.5
50	80	0	-4	0	-4	4	2	2.5	1.5	2.5	0	-150	-250	1.5
80	120	0	-5	0	-5	5	2.5	2.5	2.5	2.5	0	-200	-380	2.5

2 Grade Tolerance outer ring

D mm	ΔD_{ws}		ΔD_s		V_{σ}	$V_{\sigma_{max}}$	K_{σ}	S_{σ}	$S_{\sigma_{max}}$	$S_{\sigma_{max}}$	Δc_s		V_{c_s}	
											All	Down		
														Up
Over	To	Up	Down	Up	Down	Max	Max	Max	Max	Max	Max	Up	Down	Max
2.5 ⁰	6	0	-2.5	0	-2.5	2.5	1.5	1.5	1.5	1.5	3			1.5
6	18	0	-2.5	0	-2.5	2.5	1.5	1.5	1.5	1.5	3			1.5
18	30	0	-4	0	-4	4	2	2.5	1.5	2.5	4			1.5
30	50	0	-4	0	-4	4	2	2.5	1.5	2.5	4			1.5
50	80	0	-4	0	-4	4	2	4	1.5	4	6			1.5
80	120	0	-5	0	-5	5	2.5	5	2.5	5	7			2.5
120	150	0	-5	0	-5	5	3	5	3	5	7			2.5
150	180	0	-7	0	-7	7	3.5	5	3	5	7			2.5

Same as the ΔB_s and $V B_s$ of same bearing's inner ring

Chengdu RX Bearing Manufacturing Co.,Ltd

The structure of bearings consists of open and close, and the close type might be equipped with dustproof on single side or both sides. (ZZZ); with non-contact sealing ring on single side or both sides(RZ,2RZ), and with contact sealing ring on single side or both sides(RS,2RS). Before ex works, the product is filled properly with lubricant oil and grease. You may use it immediately after unpacking and cleaning is unnecessary. It is suitable for light to middle speed and working temperature -20°C to 110°C. For any special case, please note the usage and brand of grease on your order. The common brand and performance of grease is shown on table.

Manufacturer	Brand	Viscosity	Base oil	Drop point°C	Consistency	Temperature range°C	NMB
Esso	Beacon 325	Lithium	Diester	193	290	-60 ~ +120	LG20
	AC 205	Nathium	Mineral			-25 ~ +120	
	Andek B	Nathium	Mineral	260	280	-40 ~ +120	LG38
	Andek C	Nathium	Mineral	≥260	205	-20 ~ +120	LG39
	Andek 260	Nathium	Mineral	200	250	-30 ~ +150	LG71
	Andek RB300	Lithium/Calcium	Mineral	175	300	-30 ~ +100	
	NS Hulube	Lithium	Diester	190	255	-40 ~ +130	
	Multemp PS2	Lithium	Diester	189	280	-50 ~ +110	LY72
	Multemp SRI	Lithium	Ester	191	245	-40 ~ +150	LY 121
	Multemp SC-A	Urea		≥260	280	0 ~ +160	
	Multemp ET150	Urea	Mineral	≥260	280	-10 ~ +160	
	Deleuba	Lithium	Diester/Mineral	198	370	-10 ~ +110	
	Adrex	Lithium	Mineral	198	300	-10 ~ +120	
	Parmax		Mineral	180	300	-10 ~ +120	
	Emalbe 1130	Urea	Mineral	≥260	300	-10 ~ +130	
	Unilube DL1	Lithium	Mineral	185	332	-10 ~ +110	
	Alumix HD1		Mineral	247	335	0 ~ +120	
	Klober	Suburage NBU112	Barium	Mineral	220	270	-35 ~ +150
IsoluxNBU15		Barium	Diester/Mineral	220	280	-60 ~ +130	
AsonicGLY32		Lithium	Sythetic			-50 ~ +140	
AsonicGHY72		Polythamstoff	Ester/Mineral			-40 ~ +180	
Isolux super LDS18		Lithium	Diester	190	280	-60 ~ +130	
Isolux super TEL		Lithium	Ester/Mineral			-65 ~ +70	LY 218
Isolux LDS18 Spezial A		Lithium	Diester	190	280	-60 ~ +130	
Isolux PDB38 CX100		Lithium	Ester			-70 ~ +120	
Isolux Tapas NB52		Barium	Sythetic hydrocarbon	240	280	-60 ~ +170	
Baertera L552		Fluorotelomer	Fluorinated		280	-35 ~ +260	
Baertera EL		Fluorotelomer	Fluorinated		280	-50 ~ +180	
Baertera IM/V		Fluorotelomer	Fluorinated			-50 ~ +220	
Unsilikon TK44N2		Na-komplex	Silicone		280	-60 ~ +230	
Dow Corning		Molykote 33M	Lithium	Silicone	210		-70 ~ +180
	Molykote 44M	Lithium	Silicone	204		-40 ~ +200	LY13
	Molykote 55M	Lithium	Silicone		260	-55 ~ +165	LY52
	Molykote BR2 plus	Lithium	Mineral		260	-30 ~ +150	
	Molykote FS1292	Fluorotelomer	Phlorosilicone	≥232		-40 ~ +200	LY59
	Molykote FS3451	Fluorotelomer	Phlorosilicone	≥260	280	-40 ~ +230	
Shell	Alvania No.2	Lithium	Mineral	182	310	-25 ~ +120	LY83
	Alvania No.3	Lithium	Mineral	183	285	-20 ~ +135	LY84
	Alvania RA	Lithium	Mineral	183	272	-25 ~ +120	LY18
	Alvania EP2	Lithium	Mineral	185	233	-10 ~ +100	
	Sunlight 2	Lithium	Mineral	196	252	-20 ~ +120	
	Dolium R		Mineral	238	276	-20 ~ +140	LY119
	Aero shell NO.5	Microgel	Mineral	≥260	273	-10 ~ +130	LG35
	Aero shell NO.7	Microgel	Diester	≥260	281	-70 ~ +150	LG49
	Aero shell NO.15A	Fluorotelomer	Silicone	≥260	282	-70 ~ +260	
Mobil Oil	Mobilux2	Lithium	Mineral	190	288	-20 ~ +120	
	Mobilgrease 22	Lithium	Diester/Mineral	192	280	-50 ~ +140	
	Mobilgrease 28	Bencone	Synthetic hydrocarbon	≥260	280	-60 ~ +80	LY48
	Mobilplex 47		Mineral	≥260	274	-20 ~ +120	
Du Pont	Krytox 240AC	Fluorotelomer	Fluorinated		280	-35 ~ +280	LY101
	Krytox 283AC	Fluorotelomer	Fluorinated		280	-35 ~ +280	
	Krytox 143AC	Fluorotelomer	Fluorinated		282	-35 ~ +280	LY115
Toray Silicone	SH4M	Lithium	Silicone	210	229	-40 ~ +180	
	SH33L	Lithium	Silicone	210		-70 ~ +140	
	SH41	Lithium	Silicone		260	-10 ~ +200	
Caltex	Chevron SRI-2	Urea	Mineral		300	-30 ~ +175	LY75
	General Electric	Anderol SRI-2	Lithium		280	-60 ~ +150	
	Versilube G-300	Lithium	Silicone		293	-70 ~ +230	LY15
	Versilube F-50		Silicone			-70 ~ +230	LY5

Chengdu RX Bearing Manufacturing Co.,Ltd

Full ceramic bearings have perfect propriety such like suitable for low and high temperatures, high load capacity, corrosion resistance, magnetic insulation and self-lubrication. Thus it suits for the specific applications which are not available for bearing steel and hybrid construction ceramic ball bearing materials.

Ceramic Deep Groove Ball Bearing

Ceramic Self-Aligning Ball Bearing

Ceramic Thrust Ball Bearing

Ceramic Angular Contact Ball Bearing

Ceramic Insert Bering



Full Ceramic Bearing >> Ceramic Deep Groove Ball Bearing											
				Deep groove ball bearings mainly take radial load as well as take moderate axial load. With less coefficient of friction, high limiting speed, large size range and diversified shape variation.							
Bearing No.	Boundary dimensions(mm)				Other dimensions(mm)				Mass(kg)		
	d	D	B	r	da	da	Da	ra	ZrO2	Si3N4	
684CE	4	9	2.5	0.1	4.8	/	8.2	0.1	0.0005	0.0003	
694CE		11	4	0.15	5.2	/	9.8	0.15	0.0013	0.0007	
604CE		12	4	0.2	5.6	/	10.4	0.2	0.0017	0.0009	
624CE		13	5	0.2	5.6	/	11.4	0.2	0.0023	0.0013	
634CE		16	5	0.3	6	/	14	0.3	0.004	0.0022	
685CE		5	11	3	0.15	6.2	/	9.8	0.15	0.0009	0.0005
695CE			13	4	0.2	6.6	/	11.4	0.2	0.0019	0.001
605CE			14	5	0.2	6.6	/	12.4	0.2	0.0027	0.0015
625CE			16	5	0.3	7	/	14	0.3	0.0038	0.0021
635CE			19	6	0.3	7	/	17	0.3	0.0066	0.0036
686CE	6		13	3.5	0.15	7.2	/	11.8	0.15	0.0015	0.0008

Chengdu RX Bearing Manufacturing Co.,Ltd

696CE		15	5	0.2	7.6	/	13.4	0.2	0.003	0.0016
606CE		17	6	0.3	8	/	15	0.3	0.0046	0.0025
626CE		19	6	0.3	8	/	17	0.3	0.0063	0.0034
636CE		22	7	0.3	8	/	20	0.3	0.0108	0.0058
687CE		14	3.5	0.15	8.2	/	12.8	0.15	0.0017	0.0009
697CE		17	5	0.3	9	/	15	0.3	0.004	0.0022
607CE		19	6	0.3	9	/	17	0.3	0.0059	0.0032
627CE		22	7	0.3	9	/	20	0.3	0.0098	0.0053
637CE	7	26	9	0.3	9	/	24	0.3	0.0185	0.01
688CE		16	4	0.2	9.6	/	14.4	0.2	0.0025	0.0014
698CE		19	6	0.3	10	/	17	0.3	0.0056	0.003
608CE		22	7	0.3	10	/	20	0.3	0.0093	0.005
628CE		24	8	0.3	10	/	22	0.3	0.013	0.0072
638CE	8	28	9	0.3	10	/	26	0.3	0.022	0.012
689CE		17	4	0.2	10.6	/	15.4	0.2	0.0027	0.0015
699CE		20	6	0.3	11	/	18	0.3	0.0065	0.0035
609CE		24	7	0.3	11	/	22	0.3	0.011	0.006
629CE		26	8	0.3	11	/	24	0.3	0.015	0.0081
639CE	9	30	10	0.6	13	/	26	0.6	0.028	0.015
6800CE		19	5	0.3	12	12	17	0.3	0.004	0.0021
6900CE		22	6	0.3	12	12.5	20	0.3	0.007	0.0038
6000CE		26	8	0.3	12	13	24	0.3	0.014	0.0075
6200CE		30	9	0.6	14	16	26	0.6	0.025	0.013
6300CE	10	35	11	0.6	14	16.5	31	0.6	0.04	0.022
6801CE		21	5	0.3	14	14	19	0.3	0.005	0.0025
6901CE		24	6	0.3	14	14.5	22	0.3	0.008	0.0042
16001CE		28	7	0.3	14	/	26	0.3	0.015	0.0079
6001CE		28	8	0.3	14	15.5	26	0.3	0.017	0.0092
6201CE		32	10	0.6	16	17	28	0.6	0.028	0.015
6301CE	12	37	12	1	17	18	32	1	0.046	0.025
6802CE		24	5	0.3	17	17	22	0.3	0.005	0.0029
6902CE		28	7	0.3	17	17	26	0.3	0.012	0.0063
16002CE		32	8	0.3	17	/	30	0.3	0.021	0.011
6002CE		32	9	0.3	17	19	30	0.3	0.024	0.013
6202CE		35	11	0.6	19	20.5	31	0.3	0.035	0.019
6302CE	15	42	13	1	20	22.5	37	1	0.064	0.035
6803CE		26	5	0.3	19	19	24	0.3	0.005	0.0029
6903CE		30	7	0.3	19	19.5	28	0.3	0.013	0.0071
16003CE		35	8	0.3	19	/	33	0.3	0.025	0.014
6003CE		35	10	0.3	19	21.5	33	0.3	0.032	0.017
6203CE	17	40	12	0.6	21	23.5	36	0.6	0.052	0.028

Chengdu RX Bearing Manufacturing Co.,Ltd

6303CE		47	14	1	22	25.5	42	1	0.087	0.047
6403CE		62	17	1.1	23.5	/	55.5	1	0.21	0.11
6804CE		32	7	0.3	22	22.5	30	0.3	0.013	0.007
6904CE		37	9	0.3	22	24	35	0.3	0.028	0.015
16004CE		42	8	0.3	22	/	40	0.3	0.037	0.02
6004CE		42	12	0.6	24	25.5	38	0.6	0.052	0.028
6204CE		47	14	1	25	26.5	42	1	0.082	0.045
6304CE		52	15	1.1	26.5	28	45.5	1	0.11	0.06
6404CE	20	72	19	1.1	26.5	/	65.5	1	0.31	0.17
6805CE		37	7	0.3	27	27	35	0.3	0.016	0.009
6905CE		42	9	0.3	27	28.5	40	0.3	0.032	0.018
16005CE		47	8	0.3	27	/	45	0.3	0.045	0.025
6005CE		47	12	0.6	29	30	43	0.6	0.061	0.033
6205CE		52	15	1	30	32	47	1	0.099	0.054
6305CE		62	17	1.1	31.5	36	55.5	1	0.18	0.098
6405CE	25	80	21	1.5	33	/	72	1.5	0.41	0.22
6806CE		42	7	0.3	32	32	50	1	0.018	0.01
6906CE		47	9	0.3	32	34	57	1	0.04	0.022
16006CE		55	9	0.3	32	42.5	65.5	1	0.067	0.036
6006CE		55	13	1	35	36.5	53	1	0.089	0.048
6206CE		62	16	1	35	38.5	60	1	0.15	0.083
6306CE		72	19	1.1	36.5	42.5	68.5	1	0.27	0.14
6406CE	30	90	23	1.5	54	/	82	2	0.57	0.31
6807CE		47	7	0.3	37	37	45	0.3	0.021	0.011
6907CE		55	10	0.6	39	39	51	0.6	0.058	0.031
16007CE		62	9	0.3	37	/	60	0.3	0.082	0.045
6007CE		62	14	1	40	41.5	57	1	0.12	0.063
6207CE		72	17	1.1	41.5	44.5	65.5	1	0.22	0.12
6307CE		80	21	1.5	43	47	72	1.5	0.36	0.19
6407CE	35	100	25	1.5	43	/	92	1.5	0.73	0.4
6808CE		52	7	0.3	42	42	50	0.3	0.02	0.013
6908CE		62	12	0.6	44	46	58	0.6	0.09	0.05
16008CE		68	9	0.3	42	/	66	0.3	0.1	0.05
6008CE		68	15	1	45	47.5	63	1	0.15	0.08
6208CE		80	18	1.1	46.5	50.5	73.5	1	0.28	0.15
6308CE		90	23	1.5	48	53	80	1.5	0.49	0.27
6408CE	40	110	27	2	49	/	101	2	0.946	0.513
6809CE		58	7	0.3	47	47.5	56	0.3	0.029	0.016
6909CE		68	12	0.6	49	50	64	0.6	0.097	0.053
16009CE		75	10	0.6	49	/	71	0.6	0.13	0.07
6009CE	45	75	16	1	50	53.5	70	1	0.19	0.1

Chengdu RX Bearing Manufacturing Co.,Ltd

6209CE		85	19	1.1	51.5	55.5	78.5	1	0.32	0.175
6309CE		100	25	1.5	53	61.5	92	1.5	0.64	0.345
6409CE		120	29	2	54	/	111	2	1.18	0.64
6810CE		65	7	0.3	52	52.5	63	0.3	0.038	0.021
6910CE		72	12	0.6	54	55	68	0.6	0.1	0.06
16010CE		80	10	0.6	54	/	76	0.6	0.13	0.07
6010CE		80	16	1	55	58.5	75	1	0.2	0.11
6210CE		90	20	1.1	56.5	60	83.2	1	0.35	0.19
6310CE		110	27	2	59	68	101	2	0.82	0.44
6410CE	50	130	31	2.1	61	/	119	2	1.45	0.78
6811CE		72	9	0.3	57	59	70	0.3	0.06	0.03
6911CE		80	13	1	60	61.5	75	1	0.15	0.08
16011CE		90	11	0.6	59	/	86	0.6	0.2	0.11
6011CE		90	18	1.1	61.5	64	83.5	1	0.29	0.16
6211CE		100	21	1.5	63	66.5	92	1.5	0.48	0.26
6311CE		120	29	2	64	72.5	111	2	1.05	0.57
6411CE	55	140	33	2.1	66	/	129	2	1.76	0.95
6812CE		78	10	0.3	62	64	76	0.3	0.08	0.04
6912CE		85	13	1	65	66	80	1	0.15	0.08
16012CE		95	11	0.6	64	/	91	0.6	0.22	0.12
6012CE		95	18	1.1	66.5	69	88.5	1	0.32	0.17
6212CE		110	22	1.5	68	74.5	102	1.5	0.6	0.33
6312CE		130	31	2.1	71	79	119	2	1.32	0.72
6412CE	60	150	35	2.1	71		139	2	2.13	1.15
6813CE		85	10	0.6	69	69	81	0.6	0.1	0.05
6913CE		90	13	1	70	71.5	85	1	0.17	0.09
16013CE		100	11	0.6	69	/	96	0.6	0.23	0.13
6013CE		100	18	1.1	71.5	73	93.5	1	0.34	0.18
6213CE		120	23	1.5	73	80	112	1.5	0.77	0.42
6313CE	65	140	33	2.1	76	85.5	129	2	1.62	0.88
6814CE		90	10	0.6	74	74.5	86	0.6	0.1	0.056
6914CE		100	16	1	75	77.5	95	1	0.27	0.15
16014CE		110	13	0.6	74	/	106	0.6	0.34	0.18
6014CE		110	20	1.1	76.5	80.5	103.5	1	0.47	0.25
6214CE		125	24	1.5	78	84	117	1.5	0.84	0.45
6314CE	70	150	35	2.1	81	92	139	2	1.98	1.07
6815CE		95	10	0.6	79	79.5	91	0.6	0.11	0.06
6915CE		105	16	1	80	82	100	1	0.28	0.15
16015CE		115	13	0.6	79	/	111	0.6	0.36	0.19
6015CE		115	20	1.1	81.5	85.5	108.5	1	0.5	0.27
6215CE	75	130	25	1.5	83	90	122	1.5	0.92	0.5

Chengdu RX Bearing Manufacturing Co.,Ltd

6816CE	80	100	10	0.6	84	84.5	96	0.6	0.12	0.063	
6916CE		110	16	1	85	87.5	105	1	0.3	0.16	
16016CE		125	14	0.6	84	/	121	0.6	0.48	0.26	
6016CE		125	22	1.1	86.5	91	118.5	1	0.67	0.36	
6216CE		140	26	2	89	95.5	131	2	1.09	0.59	
6817CE	85	110	13	1	90	90.5	105	1	0.2	0.11	
6917CE		120	18	1.1	91.5	94.5	113.5	1	0.42	0.23	
16017CE		130	14	0.6	89	/	126	0.6	0.5	0.27	
6017CE		130	22	1.1	91.5	96	123.5	1	0.71	0.38	
6217CE		150	28	2	94	102	141	2	1.35	0.73	
6818CE	90	115	13	1	95	95.5	110	1	0.21	0.12	
6918CE		125	18	1.1	96.5	98.5	118.5	1	0.45	0.24	
16018CE		140	16	1	95	/	135	1	0.67	0.36	
6018CE		140	24	1.5	98	103	132	1.5	0.92	0.5	
6819CE		95	120	13	1	100	102	115	1	0.23	0.12
6919CE	130		18	1.1	101.5	104	123.5	1	0.46	0.25	
16019CE	145		16	1	100	/	140	1	0.7	0.38	
6019CE	145		24	1.5	103	109	137	1.5	0.95	0.51	
6820CE	100		125	13	1	105	106	120	1	0.24	0.13
6920CE		140	20	1.1	106.5	111	133.5	1	0.64	0.35	
16020CE		150	16	1	105	/	145	1	0.73	0.39	
6020CE		150	24	1.5	108	113	142	1.5	0.99	0.54	
6821CE		105	130	13	1	110	111	125	1	0.25	0.14
6921CE	145		20	1.1	111.5	116	138.5	1	0.66	0.36	
6822CE	110		140	16	1	115	117	135	1	0.38	0.21
6922CE			150	20	1.1	116.5	121	143.5	1	0.69	0.37
6824CE			120	150	16	1	125	127	145	1	0.41

Full Ceramic Bearing >> Ceramic Self-Aligning Ball Bearing

With two structures of bore cylindrical and conical, retainers made of steel sheet or synthetic resins, the bearings are characteristic of their spherically formed outer ring raceways allowing for misalignment within 3 degree between inner ring and outer ring, so as to compensate concentricity and deflection errors.

Chengdu RX Bearing Manufacturing Co.,Ltd

Bearing No.	Boundary dimensions(mm)				Other dimensions(mm)			Mass(kg)	
	d	D	B	r	da	Da	ra	ZrO2	Si3N4
135CE	5	19	6	0.3	7	17	0.3	0.007	0.004
126CE	6	19	6	0.3	8	17	0.3	0.007	0.004
127CE	7	22	7	0.3	9	20	0.3	0.011	0.006
108CE	8	22	7	0.3	10	20	0.3	0.011	0.006
129CE	9	26	8	0.6	13	22	0.6	0.017	0.009
1200CE	10	30	9	0.6	14	26	0.6	0.026	0.014
2200CE		30	14	0.6	14	26	0.6	0.036	0.019
1300CE		25	11	0.6	14	31	0.6	0.045	0.024
2300CE		25	17	0.6	14	31	0.6	0.065	0.035
1201CE	12	32	10	0.6	16	28	0.6	0.031	0.016
2201CE		32	14	0.6	16	28	0.6	0.041	0.022
1301CE		37	12	1	17	32	1	0.052	0.027
2301CE		37	17	1	17	32	1	0.073	0.039
1202CE	15	35	11	0.6	19	31	0.6	0.038	0.02
2202CE		35	14	0.6	19	31	0.6	0.046	0.025
1302CE		42	13	1	20	37	1	0.072	0.039
2302CE		42	17	1	20	37	1	0.088	0.047
1203CE	17	40	12	0.6	21	36	0.6	0.056	0.03
2203CE		40	16	0.6	21	36	0.6	0.068	0.036
1303CE		47	14	1	22	42	1	0.1	0.053
2303CE		47	19	1	22	42	1	0.12	0.065
1204CE	20	47	14	1	25	42	1	0.09	0.049
2204CE		47	18	1	25	42	1	0.11	0.057
1304CE		52	15	1.1	26.5	45.5	1	0.13	0.067
2304CE		52	21	1.1	26.5	45.5	1	0.16	0.086
1205CE	25	52	15	1	30	47	1	0.11	0.058
2205CE		52	18	1	30	47	1	0.13	0.067
1305CE		62	17	1.1	31.5	55.5	1	0.2	0.11
2305CE		62	24	1.1	31.5	55.5	1	0.26	0.14
1206CE	30	62	16	1	35	57	1	0.17	0.09
2206CE		62	20	1	35	57	1	0.2	0.11
1306CE		72	19	1.1	36.5	65.5	1	0.3	0.16
2306CE		72	27	1.1	36.5	65.5	1	0.38	0.21
1207CE	35	72	17	1.1	41.5	65.5	1	0.25	0.13
2207CE		72	23	1.1	41.5	65.5	1	0.31	0.17
1307CE		80	21	1.5	43	72	1.5	0.39	0.21
2307CE		80	31	1.5	43	72	1.5	0.52	0.28
1208CE	40	80	18	1.1	46.5	73.5	1	0.32	0.17

Chengdu RX Bearing Manufacturing Co.,Ltd

2208CE		80	23	1.1	46.5	73.5	1	0.39	0.21
1308CE		90	23	1.5	48	82	1.5	0.55	0.29
2308CE		90	33	1.5	48	82	1.5	0.71	0.38
1209CE	45	85	19	1.1	51.5	78.5	1	0.36	0.19
2209CE		85	23	1.1	51.5	78.5	1	0.42	0.22
1309CE		100	25	1.5	53	92	1.5	0.74	0.39
2309CE		100	36	1.5	53	92	1.5	0.95	0.5
1210CE	50	90	20	1.1	56.5	83.5	1	0.4	0.22
2210CE		90	23	1.1	56.5	83.5	1	0.45	0.24
1310CE		110	27	2	59	101	2	0.93	0.5
2310CE		110	40	2	59	101	2	1.26	0.67
1211CE	55	100	21	1.5	63	92	1.5	0.54	0.29
2211CE		100	25	1.5	63	92	1.5	0.62	0.33
1311CE		120	29	2	64	111	2	1.22	0.65
2311CE		120	43	2	64	111	2	1.62	0.86
1212CE	60	110	22	1.5	68	102	1.5	0.69	0.37
2212CE		110	28	1.5	68	102	1.5	0.84	0.45
1312CE		130	31	2.1	71	119	2	1.51	0.8
2312CE		130	46	2.1	71	119	2	2	1.07
1213CE	65	120	23	1.5	73	112	1.5	0.88	0.47
2213CE		120	31	1.5	73	112	1.5	1.12	0.6
1313CE		140	33	2.1	76	129	2	1.88	1.01
2313CE		140	48	2.1	76	129	2	2.48	1.33
1214CE	70	125	24	1.5	78	117	1.5	0.97	0.52
2214CE		125	31	1.5	78	117	1.5	1.17	0.62
1314CE		150	35	2.1	81	139	2	2.3	1.23
2314CE		150	51	2.1	81	139	2	3.25	1.74
1215CE	75	130	25	1.5	83	122	1.5	1.05	0.56
2215CE		130	31	1.5	83	122	1.5	1.25	0.66
1216CE	80	140	26	2	89	131	2	1.28	0.69
2216CE		140	33	2	89	131	2	1.55	0.82
1217CE	85	150	28	2	94	141	2	1.59	0.85
2217CE		150	36	2	94	141	2	1.94	1.03

Full Ceramic Bearing >> Ceramic Thrust Ball Bearing

This type of bearings is separable, which can only carry axial load, the single direction bearings of them can only carry axial load in one direction, while the double can carry alternating axial load in either directions. Before using they have to be

Chengdu RX Bearing Manufacturing Co.,Ltd

preloaded. The thrust ball bearings are used in lathe centers, automobile clutches, reducers etc, the double direction angular contact thrust ball bearings are suitable for machine tool spindles, while the single are used to support ball screws.

Bearing No.	Boundary dimensions(mm)				Other dimensions(mm)		Mass(kg)	
	d	D	T	r	d1	D1	ZrO2	Si3N4
51100CE	10	24	9	0.3	24	11	0.015	0.0078
51200CE		26	11	0.6	26	12	0.022	0.011
51101CE	12	26	9	0.3	26	13	0.016	0.009
51201CE		28	11	0.6	28	14	0.024	0.013
51102CE	15	28	9	0.3	28	16	0.018	0.0094
51202CE		32	12	0.6	32	17	0.033	0.018
51103CE	17	30	9	0.3	30	18	0.019	0.01
51203CE		35	12	0.6	35	19	0.038	0.021
51104CE	20	35	10	0.3	35	21	0.028	0.015
51204CE		40	14	0.6	40	22	0.059	0.032
51105CE	25	42	11	0.6	42	26	0.043	0.023
51205CE		47	15	0.6	47	27	0.085	0.046
51106CE	30	47	11	0.6	47	32	0.049	0.026
51206CE		52	16	0.6	52	32	0.11	0.056
51107CE	35	52	12	0.6	52	37	0.062	0.033
51207CE		62	18	1	62	37	0.16	0.086
51108CE	40	60	13	0.6	60	42	0.092	0.049
51208CE		68	19	1	68	42	0.21	0.11
51109CE	45	65	14	0.6	65	47	0.11	0.059
51209CE		73	20	1	73	47	0.24	0.13
51110CE	50	70	14	0.6	70	52	0.12	0.063
51210CE		78	22	1	78	52	0.29	0.16
51111CE	55	78	16	0.6	78	57	0.17	0.093
51211CE		90	25	1	90	57	0.46	0.25
51112CE	60	85	17	1	85	62	0.22	0.12
51212CE		95	26	1	95	62	0.52	0.28
51113CE	65	90	18	1	90	67	0.25	0.13
51213CE		100	27	1	100	67	0.58	0.31
51114CE	70	95	18	1	95	72	0.27	0.14
51214CE		105	27	1	105	72	0.61	0.33
51115CE	75	100	19	1	100	77	0.3	0.16
51215CE		110	27	1	110	77	0.65	0.35
51116CE	80	105	19	1	105	82	0.32	0.17

Chengdu RX Bearing Manufacturing Co.,Ltd

51216CE		115	28	1	115	82	0.72	0.38
51117CE		110	19	1	110	87	0.34	0.18
51217CE	85	125	31	1	125	88	0.94	0.5
51118CE		120	22	1	120	92	0.5	0.27
51218CE	90	135	35	1.1	135	93	1.3	0.69
51120CE		135	25	1	135	102	0.74	0.39
51220CE	100	150	38	1.1	150	103	1.73	0.92
51122CE	110	145	25	1	145	112	0.8	0.43
51124CE	120	155	25	1	155	122	0.86	0.46

Full Ceramic Bearing >> Ceramic Angular Contact Ball Bearing

Angular contact ball bearings are able to support radial load and axial load. As single row angular contact ball bearings can only support axial load in single direction, matched bearing mounting is often adopted to them. As matched pairs of bearings, preload for them is more convenient.

Bearing No.	Boundary Dimensions(mm)				Other dimensions(mm)				Mass(kg)	
	d	D	B	r	r1	da	Da	ra	ZrO2	Si3N4
7900CE	10	22	6	0.3	0.15	12.5	19.5	0.3	0.007	0.0038
7000CE		26	8	0.3	0.15	12.5	23.5	0.3	0.014	0.0075
7200CE		30	9	0.6	0.3	15	25	0.6	0.025	0.013
7300CE		35	11	0.6	0.3	15	30	0.6	0.04	0.022
7901CE	12	24	6	0.3	0.15	14.5	21.5	0.3	0.008	0.0042
7001CE		28	8	0.3	0.15	14.5	25.5	0.3	0.017	0.0092
7201CE		32	10	0.6	0.3	17	27	0.6	0.028	0.015
7301CE		37	12	1	0.6	18	31	1	0.046	0.025
7902CE	15	28	7	0.3	0.15	17.5	25.5	0.3	0.012	0.0063
7002CE		32	9	0.3	0.15	17.5	29.5	0.3	0.024	0.013
7202CE		35	11	0.6	0.3	20	30	0.3	0.035	0.019
7302CE		42	13	1	0.6	21	36	1	0.064	0.035
7903CE	17	30	7	0.3	0.15	19.5	27.5	0.3	0.013	0.0071
7003CE		35	10	0.3	0.15	19.5	32.5	0.3	0.032	0.017
7203CE		40	12	0.6	0.3	22	35	0.6	0.052	0.028
7303CE		47	14	1	0.6	23	41	1	0.087	0.047
7904CE	20	37	9	0.3	0.15	22.5	34.5	0.3	0.028	0.015
7004CE		42	12	0.6	0.3	25	37	0.6	0.052	0.028
7204CE		47	14	1	0.6	26	41	1	0.082	0.045

Chengdu RX Bearing Manufacturing Co.,Ltd

7304CE		52	15	1.1	0.6	27	45	1	0.11	0.06
7905CE	25	42	9	0.3	0.15	27.5	39.5	0.3	0.032	0.018
7005CE		47	12	0.6	0.3	30	42	0.6	0.061	0.033
7205CE		52	15	1	0.6	31	46	1	0.099	0.054
7305CE		62	17	1.1	0.6	32	55	1	0.18	0.098
7906CE	30	47	9	0.3	0.15	32.5	44.5	1	0.04	0.022
7006CE		55	13	1	0.6	36	49	1	0.089	0.048
7206CE		62	16	1	0.6	36	56	1	0.15	0.083
7306CE		72	19	1.1	0.6	37	65	1	0.27	0.14
7907CE	35	55	10	0.6	0.3	40	50	0.6	0.058	0.031
7007CE		62	14	1	0.6	41	56	1	0.12	0.063
7207CE		72	17	1.1	0.6	42	65	1	0.22	0.12
7307CE		80	21	1.5	1	44	71	1.5	0.36	0.19
7908CE	40	62	12	0.6	0.3	45	57	0.6	0.09	0.05
7008CE		68	15	1	0.6	46	62	1	0.15	0.08
7208CE		80	18	1.1	0.6	47	73	1	0.28	0.15
7308CE		90	23	1.5	1	49	81	1.5	0.49	0.27
7909CE	45	68	12	0.6	0.3	50	63	0.6	0.097	0.053
7009CE		75	16	1	0.6	51	69	1	0.19	0.1
7209CE		85	19	1.1	0.6	52	78	1	0.32	0.175
7309CE		100	25	1.5	1	54	91	1.5	0.64	0.345
7910CE	50	72	12	0.6	0.3	55	67	0.6	0.1	0.06
7010CE		80	16	1	0.6	56	74	1	0.2	0.11
7210CE		90	20	1.1	0.6	57	83	1	0.35	0.19
7310CE		110	27	2	1	60	100	2	0.82	0.44
7911CE	55	80	13	1	0.6	61	74	1	0.15	0.08
7011CE		90	18	1.1	0.6	62	83	1	0.29	0.16
7211CE		100	21	1.5	1	64	91	1.5	0.48	0.26
7311CE		120	29	2	1	65	110	2	1.05	0.57
7912CE	60	85	13	1	0.6	66	79	1	0.15	0.08
7012CE		95	18	1.1	0.6	67	88	1	0.32	0.17
7212CE		110	22	1.5	1	69	101	1.5	0.6	0.33
7312CE		130	31	2.1	1.1	72	118	2	1.32	0.72
7913CE	65	90	13	1	0.6	71	84	1	0.17	0.09
7013CE		100	18	1.1	0.6	72	93	1	0.34	0.18
7213CE		120	23	1.5	1	74	111	1.5	0.77	0.42
7313CE		140	33	2.1	1.1	77	128	2	1.62	0.88
7914CE	70	100	16	1	0.6	76	94	1	0.27	0.15
7014CE		110	20	1.1	0.6	77	103	1	0.47	0.25
7214CE		125	24	1.5	1	79	116	1.5	0.84	0.45
7314CE		150	35	2.1	1.1	82	138	2	1.98	1.07

Chengdu RX Bearing Manufacturing Co.,Ltd

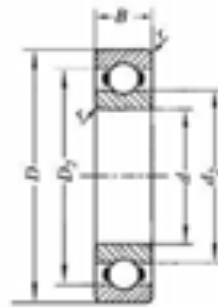
7915CE	75	105	16	1	0.6	81	99	1	0.28	0.15
7015CE		115	20	1.1	0.6	82	108	1	0.5	0.27
7215CE		130	25	1.5	1	84	121	1.5	0.92	0.5
7916CE	80	110	16	1	0.6	86	104	1	0.3	0.16
7016CE		125	22	1.1	0.6	87	118	1	0.67	0.36
7216CE		140	26	2	1	90	130	2	1.09	0.59
7017CE	85	130	22	1.1	0.6	92	123	1	0.71	0.38
7217CE		150	28	2	1	95	140	2	1.35	0.73
7918CE		125	18	1.1	0.6	97	118	1	0.45	0.24
7018CE	90	140	24	1.5	1	99	131	1.5	0.92	0.5
7919CE	95	130	18	1.1	0.6	102	123	1	0.46	0.25
7019CE		145	24	1.5	1	104	136	1.5	0.95	0.51
7920CE		140	20	1.1	0.6	107	133	1	0.64	0.35
7020CE	100	150	24	1.5	1	109	141	1.5	0.99	0.54
7921CE	105	145	20	1.1	0.6	112	138	1	0.66	0.36
7922CE	110	150	20	1.1	0.6	117	143	1	0.69	0.37

Full Ceramic Bearing >> Ceramic Insert Bering

Bearing No.	Boundary dimensions(mm)							
	d	D	B	S	C	r/min	G	ds
UC201CE	12	47	31	12.7	17	0.6	4.5	M6 x 1
UC202CE	15	47	31	12.7	17	0.6	4.5	M6 x 1
UC203CE	17	47	31	12.7	17	0.6	4.5	M6 x 1
UC204CE	20	47	31	12.7	17	1	4.5	M6 x 1
UC205CE	25	52	34.1	14.3	17V	1	5	M6 x 1
UC206CE	30	62	38.1	15.9	19	1	5	M6 x 1
UC207CE	35	72	42.9	17.5	20	1.1	6	M8 x 1
UC208CE	40	80	49.2	19	21	1.1	8	M8 x 1
UC209CE	45	85	49.2	19	22	1.1	8	M8 x 1
UC210CE	50	90	51.6	19	24	1.1	9	M10 x 1
UC211CE	55	100	55.6	22.2	25	1.5	9	M10 x 1
UC212CE	60	110	65.1	25.4	27	1.5	10	M10 x 1
UC213CE	65	120	65.1	25.4	27	1.5	10	M10 x 1
UC214CE	70	125	74.6	30.2	29	1.5	12	M12 x 1.25
UC215CE	75	130	77.8	33.3	30	1.5	12	M12 x 1.25
UC216CE	80	140	82.6	33.3	33	2	14	M12 x 1.25
UC217CE	85	150	85.7	34.1	36	2	14	M12 x 1.25
UC218CE	90	160	96	39.7	37	2	14	M12 x 1.25
UC220CE	100	180	108	42	41	2	14	M12 x 1.25

Chengdu RX Bearing Manufacturing Co.,Ltd

Deep Groove Ball Bearing >> 6000 Series



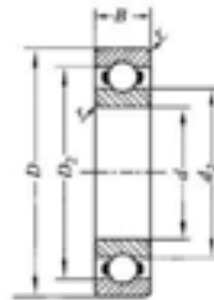
6000 Model

Bearing No.	Bore d		Outer Diameter D		Width B		Radius r		Basic Load Rating lbs.		Weight lbs.
	mm	in.	mm	in.	mm	in.	mm	in.	Dynamic C	Static C ₀	
6000	10	.3937	26	1.0236	8	.3150	0.5	.020	1030	440	.042
6001	12	.4724	28	1.1024	8	.3150	0.5	.020	1150	540	.049
6002	15	.5906	32	1.2598	9	.3543	0.5	.020	1260	635	.066
6003	17	.6693	35	1.3780	10	.3937	0.5	.020	1530	755	.086
6004	20	.7874	42	1.6535	12	.4724	1.0	.020	2110	1140	.152
6005	25	.9843	47	1.8504	12	.4724	1.0	.030	2260	1320	.176
6006	30	1.1811	55	2.1654	13	.5118	1.5	.030	2970	1860	.256
6007	35	1.3780	62	2.4489	14	.5512	1.5	.030	3600	2310	.342
6008	40	1.5748	68	2.6772	15	.5906	1.5	.030	3750	2590	.423
6009	45	1.7717	75	2.9528	16	.6299	1.5	.030	4700	3400	.540
6010	50	1.9685	80	3.1496	16	.6299	1.5	.030	4900	3750	.575
6011	55	2.1654	90	3.5433	18	.7087	1.5	.030	6350	4850	.849
6012	60	2.3622	95	3.7402	18	.7087	2.0	.070	6600	5200	.915
6013	65	2.5591	100	3.9370	18	.7087	2.0	.070	6850	5650	.959
6014	70	2.7559	110	4.3307	20	.7874	2.0	.070	8350	6950	1.33
6015	75	2.9528	115	4.5276	20	.7874	2.0	.070	8600	7550	1.41
6016	80	3.1496	125	4.9213	22	.8661	2.0	.070	10700	8950	1.87
6017	85	3.3465	130	5.1181	22	.8661	2.0	.070	11100	9700	1.96
6018	90	3.5433	140	5.5118	24	.9449	2.5	.098	13100	11200	2.56
6019	95	3.7402	145	5.7087	24	.9449	2.5	.098	13600	12100	2.67
6020	100	3.9370	150	5.9055	24	.9449	2.5	.098	13500	12200	2.76
6021	105	4.1339	160	6.2992	26	1.0236	3.0	.118	16300	14800	3.51
6022	110	4.3307	170	6.6929	28	1.1024	3.0	.118	18400	16400	4.32
6024	120	4.7244	180	7.0866	28	1.1024	3.0	.118	19100	17800	4.56
6026	130	5.1181	200	7.8740	33	1.2992	3.0	.118	23900	22700	6.97
6028	140	5.5118	210	8.2677	33	1.2992	3.0	.118	24700	24400	7.39
6030	150	5.9055	225	8.8584	35	1.3780	3.5	.138	28300	26300	8.99
6032	160	6.2992	240	9.4488	38	1.4961	3.5	.138	32000	32500	11.10
6034	170	6.6929	260	10.2362	42	1.6535	3.5	.138	36000	36500	17.50
6036	180	7.0866	280	11.0236	46	1.8110	3.5	.138	42500	44500	22.70
6038	190	7.4803	290	11.4173	46	1.8110	3.5	.138	44000	48500	23.80
6040	200	7.8740	310	12.2047	51	2.0009	3.5	.138	49000	54500	30.60

*Larger sizes available upon request.

Chengdu RX Bearing Manufacturing Co.,Ltd

Deep Groove Ball Bearing >> 6200 Series



60000 Model

Bearing No.	Bore d		Outer Diameter D		Width W		Radius r		Basic Load Rating lbs.		Weight lbs.
	mm	in.	mm	in.	mm	in.	mm	in.	Dynamic C	Static Ca	
6200	10	.3937	30	1.1811	9	.3543	1.0	.039	1130	540	.071
6201	12	.4724	32	1.2598	10	.3937	1.0	.039	1370	615	.082
6201-1/2	12.7	.5000	32	1.2598	10	.3937	1.0	.039	1370	615	.082
6201/1.1	13	.5118	32	1.2598	10	.3937	1.0	.039	1370	615	.082
6202	15	.5906	35	1.3780	11	.4331	1.0	.039	1740	805	.099
6202-1/2	12.7	.5000	35	1.3780	11	.4331	1.0	.039	1740	805	.110
6202-5/8	15.875	.6250	35	1.3780	11	.4331	1.0	.039	1740	805	.090
6202-14	16	.6299	35	1.3780	11	.4331	1.0	.039	1740	805	.090
6203	17	.6693	40	1.5748	12	.4724	1.0	.039	2160	1030	.143
6203-1/2	12.7	.5000	40	1.5748	12	.4724	1.0	.039	2160	1030	.134
6203-13	15	.5906	40	1.5748	12	.4724	1.0	.039	2160	1030	.148
6203-5/8	15.875	.6250	40	1.5748	12	.4724	1.0	.039	2160	1030	.130
6203-14	16	.6299	40	1.5748	12	.4724	1.0	.039	2160	1030	.130
6203-3/4	19.05	.7500	40	1.5748	12	.4724	1.0	.039	2160	1030	.145
6204	20	.7874	47	1.8504	14	.5512	1.5	.039	2890	1500	.214
6204-3/4	19.05	.7500	47	1.8504	14	.5512	1.5	.039	2890	1500	.216
6204-7/8	22.225	.8750	47	1.8504	14	.5512	1.5	.039	2890	1500	.230
6205	25	.9843	52	2.0472	15	.5906	1.5	.039	3150	1770	.282
6205-1	25.4	1.0000	52	2.0472	15	.5906	1.5	.039	3150	1770	.280
6206	30	1.1811	62	2.4409	16	.6299	1.5	.039	4400	2540	.435
6207	35	1.3780	72	2.8346	17	.6693	2.0	.039	5750	3450	.635
6208	40	1.5748	80	3.1496	18	.7087	2.0	.039	6550	4000	.807
6209	45	1.7717	85	3.3465	19	.7480	2.0	.039	7350	4600	.897
6210	50	1.9685	90	3.5433	20	.7874	2.0	.039	7900	5200	1.02
6211	55	2.1654	100	3.9370	21	.8268	2.5	.038	9750	6500	1.34
6212	60	2.3622	110	4.3307	22	.8661	2.5	.038	11800	8150	1.77
6213	65	2.5591	120	4.7244	23	.9055	2.5	.038	12900	9000	2.18
6214	70	2.7559	125	4.9213	24	.9449	2.5	.038	14000	9900	2.36
6215	75	2.9528	130	5.1181	25	.9843	2.5	.038	14900	11000	2.60
6216	80	3.1496	140	5.5118	26	1.0236	3.0	.118	16300	11900	3.09
6217	85	3.3465	150	5.9055	28	1.1024	3.0	.118	18700	14300	3.95
6218	90	3.5433	160	6.2992	30	1.1811	3.0	.118	21600	16800	4.74
6219	95	3.7402	170	6.6929	32	1.2598	3.5	.138	24500	18400	5.78
6220	100	3.9370	180	7.0866	34	1.3386	3.5	.138	27500	20900	6.90
6221	105	4.1339	190	7.4803	36	1.4173	3.5	.138	29900	23500	8.14
6222	110	4.3307	200	7.8740	38	1.4961	3.5	.138	32500	26300	9.61
6224	120	4.7244	215	8.4676	40	1.5748	3.5	.138	35000	29500	11.4
6226	130	5.1181	230	9.0613	40	1.5748	4.0	.138	37500	33000	12.8
6228	140	5.5118	250	9.8425	42	1.6535	4.0	.157	37500	33500	16.5
6230	150	5.9055	270	10.6299	45	1.7322	4.0	.157	39500	37500	20.7
6232	160	6.2992	290	11.4173	48	1.8109	4.0	.157	41500	43000	31.5
6234	170	6.6929	310	12.2047	52	2.0472	5.0	.197	47000	50000	38.6
6236	180	7.0866	320	12.5984	52	2.0472	5.0	.197	51000	54000	40.3
6238	190	7.4803	340	13.3858	55	2.1654	5.0	.197	57000	61000	50.7
6240	200	7.8740	360	14.1732	58	2.2835	5.0	.197	60500	70000	62.2

*Larger sizes available upon request.

Deep Groove Ball Bearing >> 6300 Series

Series

Features

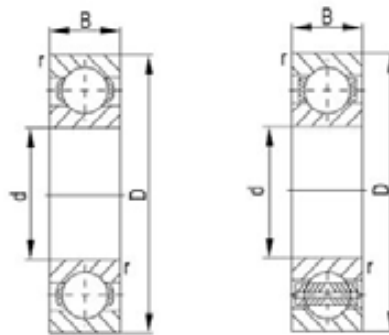
The bearings are the most typical rolling bearings with extensive applications. The raceways in both of the rings are in arc groove form, which can carry radial and axial load in double directions. They can be applied in situations where high-rotating speed and low noise and low vibration are required.

Applications

The bearings can be found in automobiles, machine tools, motors, instruments, construction machines, railway vehicles, agricultural machines and various other special machines.

Types

Basic type; With snap ring groove on the outer ring (-N); With one shield (-Z) on one side or two shields (-2Z) on both sides; With one seal (-RS) on one side or two seals (-2RS) on both sides.



Bearing No.	Boundary dimensions				Basic load ratings (kN)	
	mm				Dynamic	Static
	d	D	B	rs min	Cr	Cor
6300	10	35	11	0.6	7.65	3.48
6301	12	37	12	1	9.72	5.08
6302	15	42	13	1	11.5	5.42
6303	17	47	14	1	13.5	6.58
6304	20	52	15	1.1	15.8	7.88
6305	25	62	17	1.1	22.2	11.5
6306	30	72	19	1.1	27	15.2
6307	35	80	21	1.5	33.2	19.2
6308	40	90	23	1.5	40.8	24
6309	45	100	25	1.5	52.8	31.8
6310	50	110	27	2	62	38.3
6311	55	120	29	2	71.6	45
6312	60	130	31	2.1	81.9	52.2
6313	65	140	33	2.1	92.7	59.9
6314	70	150	35	2.1	104	68.2

Chengdu RX Bearing Manufacturing Co.,Ltd

6315	75	160	37	2.1	113	77.2
6316	80	170	39	2.1	123	86.7
6317	85	180	41	3	133	96.8
6318	90	190	43	3	143	107
6319	95	200	45	3	153	119
6320	100	215	47	3	173	141
6321	105	225	49	3	184	153
6322	110	240	50	3	205	180
6324	120	260	55	3	207	185
6326	130	280	58	4	229	214
6328	140	300	62	4	253	246
6330	150	320	65	4	274	284
6332	160	340	68	4	278	286
6334	170	360	72	4	325	355
6336	180	380	75	4	355	405
6338	190	400	78	5	355	415
6340	200	420	80	5	410	500
6344	220	460	88	5	410	520

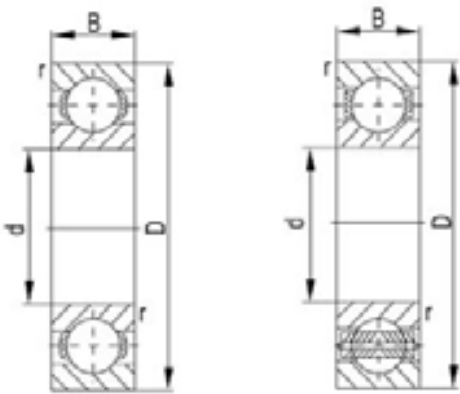
Chengdu RX Bearing Manufacturing Co.,Ltd

Deep Groove Ball Bearing >> 6700 Series

Features
 The bearings are the most typical rolling bearings with extensive applications. The raceways in both of the rings are in arc groove form, which can carry radial and axial load in double directions. They can be applied in situations where high-rotating speed and low noise and low vibration are required.

Applications
 The bearings can be found in automobiles, machine tools, motors, instruments, construction machines, railway vehicles, agricultural machines and various other special machines.

Types
 Basic type; With snap ring groove on the outer ring (-N); With one shield (-Z) on one side or two shields (-2Z) on both sides; With one seal (-RS) on one side or two seals (-2RS) on both sides.



Bearing No.	Boundary dimensions				Basic load ratings (kN)		Limiting speed	
	mm				Dynamic	Static	rpm	
	d	D	B	rs min	Cr	Cor	Grease	Oil
6700	10	15	3	0.1	0.8	0.39	36000	42000
6701	12	18	4	0.2	0.91	0.53	8300	9500
6702	15	21	4	0.2	0.85	0.49	6600	7600
6703	17	23	4	0.2	0.96	0.61	5000	6700
6704	20	27	4	0.2	1.03	0.72	5000	5700
6705	25	32	4	0.2	1.09	0.83	4000	4600
6706	30	37	4	0.2	1.17	0.98	3300	3800

Chengdu RX Bearing Manufacturing Co.,Ltd

Deep Groove Ball Bearing >> 6800 Series

Features

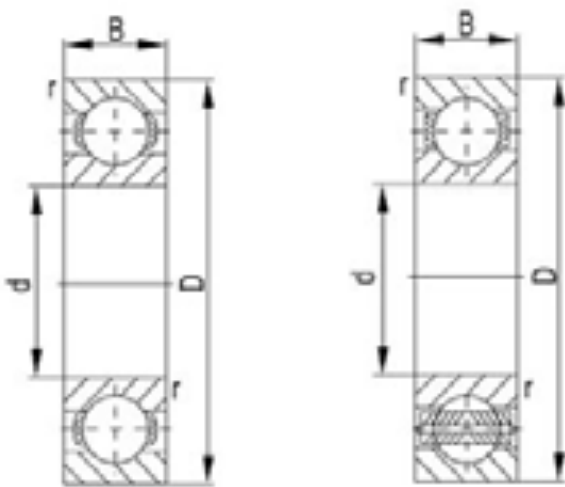
The bearings are the most typical rolling bearings with extensive applications. The raceways in both of the rings are in arc groove form, which can carry radial and axial load in double directions. They can be applied in situations where high-rotating speed and low noise and low vibration are required.

Applications

The bearings can be found in automobiles, machine tools, motors, instruments, construction machines, railway vehicles, agricultural machines and various other special machines.

Types

Basic type; With snap ring groove on the outer ring (-N); With one shield (-Z) on one side or two shields (-2Z) on both sides; With one seal (-RS) on one side or two seals (-2RS) on both sides.



Bearing No.	Boundary dimensions				Basic load ratings (kN)		Limiting speed	
	mm				Dynamic	Static	rpm	
	d	D	B	rs min	Cr	Cor	Grease	Oil
6800	10	19	5	0.3	1.83	0.925	32000	38000
6801	12	21	5	0.3	1.92	1.04	29000	35000
6802	15	24	5	0.3	2.08	1.26	26000	31000
6803	17	26	5	0.3	2.81	1.72	24000	28000
6804	20	32	7	0.3	4	2.47	21000	25000
6805	25	37	7	0.3	4.3	2.95	18000	21000
6806	30	42	7	0.3	4.7	3.65	15000	18000
6807	35	47	7	0.3	4.9	4.05	13000	16000
6808	40	52	7	0.3	4.95	4.2	12000	14000
6809	45	58	7	0.3	6.2	5.4	11000	12000
6810	50	65	7	0.3	6.6	6.1	9600	11000
6811	55	72	9	0.3	8.8	8.1	8700	10000
6812	60	78	10	0.3	11.5	10.6	8000	9400
6813	65	85	10	0.6	11.9	11.5	7400	8700

Chengdu RX Bearing Manufacturing Co.,Ltd

6814	70	90	10	0.6	12.1	11.9	6900	8100
6815	75	95	10	0.6	12.5	12.9	6400	7600
6816	80	100	10	0.6	12.7	13.3	6000	7100
6817	85	110	13	1	18.7	19	5700	6700
6818	90	115	13	1	19	19.7	5400	6300
6819	95	120	13	1	19.3	19.7	5000	5900
6820	100	125	13	1	19.6	21.2	4800	5600
6821	105	130	13	1	19.8	23.9	4600	5400
6822	110	140	16	1	28.1	30.7	4300	5100
6824	120	150	16	1	29	33	4000	4700
6826	130	165	18	1.1	36.9	41.2	3700	4300
6828	140	175	18	1.1	38.2	44.4	3400	4000
6830	150	190	20	1.1	47.8	54.9	3100	3700
6832	160	200	20	1.1	48.5	57	2900	3400
6834	170	215	22	1.1	60	70.5	2700	3200
6836	180	225	22	1.1	60.5	73	2600	3000
6838	190	240	24	1.5	73	88	2400	2900
6840	200	250	24	1.5	74	91.5	2300	2700

Chengdu RX Bearing Manufacturing Co.,Ltd

Deep Groove Ball Bearing >> 6900 Series

Features

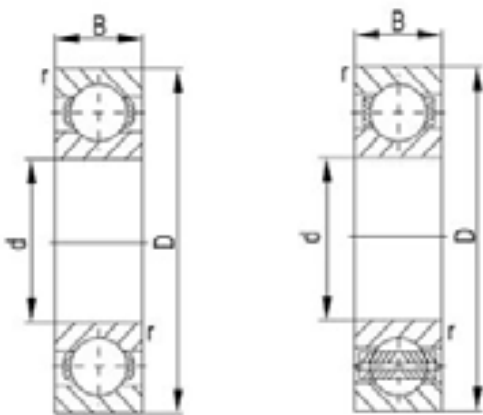
The bearings are the most typical rolling bearings with extensive applications. The raceways in both of the rings are in arc groove form, which can carry radial and axial load in double directions. They can be applied in situations where high-rotating speed and low noise and low vibration are required.

Applications

The bearings can be found in automobiles, machine tools, motors, instruments, construction machines, railway vehicles, agricultural machines and various other special machines.

Types

Basic type; With snap ring groove on the outer ring (-N); With one shield (-Z) on one side or two shields (-2Z) on both sides; With one seal (-RS) on one side or two seals (-2RS) on both sides.



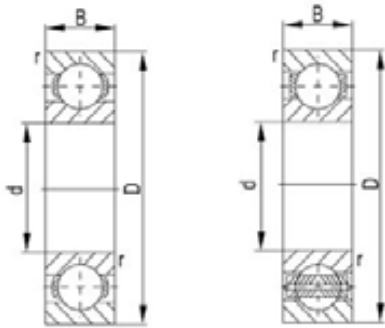
Bearing No.	Boundary dimensions				Basic load ratings (kN)		Limiting speed	
	mm				Dynamic	Static	rpm	
	d	D	B	rs min	Cr	Cor	Grease	Oil
6900	10	22	6	0.3	2.7	1.25	30000	36000
6901	12	24	6	0.3	2.9	1.45	27000	32000
6902	15	28	7	0.3	4.3	2.25	24000	28000
6903	17	30	7	0.3	4.6	2.55	22000	26000
6904	20	37	9	0.3	6.35	3.7	19000	23000
6905	25	42	9	0.3	7	4.55	16000	19000
6906	30	47	9	0.3	7.25	5	14000	17000
6907	35	55	10	0.6	10.9	7.75	12000	15000
6908	40	62	12	0.6	13.7	9.95	11000	13000
6909	45	68	12	0.6	14.1	10.9	9800	12000
6910	50	72	12	0.6	14.5	11.7	8900	11000
6911	55	80	13	1	16.6	14.1	8200	9600
6912	60	85	13	1	20.2	17.3	7600	8900
6913	65	90	13	1	17.4	16.1	7000	8200
6914	70	100	16	1	23.7	21.2	6500	7700
6915	75	105	16	1	24.4	22.6	6100	7200

Chengdu RX Bearing Manufacturing Co.,Ltd

6916	80	110	16	1	25	24	5700	6700	
6917	85	120	18	1.1	31.9	29.6	5400	6300	
6918	90	125	18	1.1	32.8	31.6	5100	6000	
6919	95	130	18	1.1	33.7	33.5	4800	5700	
6920	100	140	20	1.1	45	41.9	4500	5300	
6921	105	145	20	1.1	46.5	44.8	4300	5100	
6922	110	150	20	1.1	47.9	47.8	4100	4800	
6924	120	165	22	1.1	57.2	56.9	3800	4400	
6926	130	180	24	1.5	69.6	70	3500	4100	
6928	140	190	24	1.5	71.3	74.8	3200	3800	
6930	150	210	28	2	93.4	94.3	3000	3500	
6932	160	220	28	2	87	96	2800	3300	
6934	170	230	28	2	86	95.5	2600	3100	
6936	180	250	33	2	110	119	2400	2900	
6938	190	260	33	2	113	127	2300	2700	
6940	200	280	38	2.1	157	168	2200	2600	

Chengdu RX Bearing Manufacturing Co.,Ltd

Deep Groove Ball Bearing >> Miniature Series
<p>Features</p> <p>The bearings are the most typical rolling bearings with extensive applications. The raceways in both of the rings are in arc groove form, which can carry radial and axial load in double directions. They can be applied in situations where high-rotating speed and low noise and low vibration are required.</p> <p>Applications</p> <p>The bearings can be found in automobiles, machine tools, motors, instruments, construction machines, railway vehicles, agricultural machines and various other special machines.</p> <p>Types</p> <p>Basic type; With snap ring groove on the outer ring (-N); With one shield (-Z) on one side or two shields (-2Z) on both sides; With one seal (-RS) on one side or two seals (-2RS) on both sides.</p>



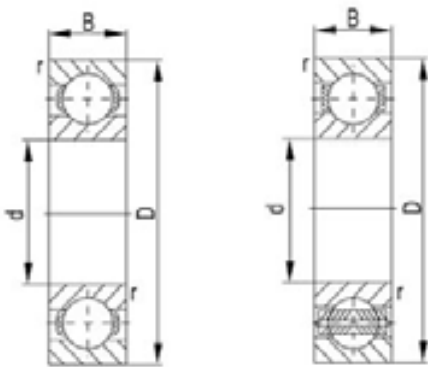
Bearing No.	Boundary dimensions				Basic load ratings (kN)		Limiting speed		Mass
	mm				Dynamic	Static	rpm		g
	d	D	B	rs min	Cr	Cor	Grease	Oil	
60/1.5	1.5	6	2.5	0.15	274	86	71,000	84,000	0.350
602	2	7	2.8	0.15	380	125	62,000	73,000	0.540
60/2.5	2.5	8	2.8	0.15	550	174	56,000	66,000	0.720
603	3	9	3	0.15	635	219	50,000	59,000	0.920
604	4	12	4	0.2	970	360	43,000	51,000	2.100
605	5	14	5	0.2	1,330	505	39,000	46,000	3.500
606	6	17	6	0.3	2,190	865	35,000	42,000	6.000
607	7	19	6	0.3	2,240	910	34,000	40,000	8.000
608	8	22	7	0.3	3,350	1,400	32,000	37,000	12.000
609	9	24	7	0.3	3,400	1,450	31,000	36,000	14.000
623	3	10	4	0.15	640	224	50,000	58,000	1.600
624	4	13	5	0.2	1,310	490	42,000	49,000	3.200
625	5	16	5	0.3	1,760	680	37,000	44,000	4.800
626	6	19	6	0.3	2,340	885	34,000	40,000	8.100

Chengdu RX Bearing Manufacturing Co.,Ltd

627	7	22	7	0.3	3,350	1,400	32,000	37,000	13.000
628	8	24	8	0.3	4,000	1,590	31,000	36,000	17.000
629	9	26	8	0.6	4,550	1,960	30,000	35,000	20.000
67/2.5	2.5	5	1.5	0.08	153	59	70,000	82,000	0.110
673	3	6	2	0.08	242	94	60,000	71,000	0.200
674	4	7	2	0.08	222	88	54,000	63,000	0.280
675	5	8	2	0.08	217	91	49,000	57,000	0.320
676	6	10	2.5	0.1	465	196	43,000	51,000	0.650
677	7	11	2.5	0.1	555	269	40,000	47,000	0.670
678	8	12	2.5	0.1	515	252	38,000	45,000	0.750
679	9	14	3	0.1	920	465	36,000	42,000	1.400
681	1	3	1	0.05	80	22	120,000	140,000	0.050
68/1.5	1.5	4	1.2	0.15	102	29	88,000	100,000	0.070
682	2	5	1.5	0.08	171	51	74,000	87,000	0.130
68/2.5	2.5	6	1.8	0.08	209	73	65,000	76,000	0.220
683	3	7	2	0.1	390	130	58,000	68,000	0.330
684	4	9	2.5	0.15	640	224	49,000	57,000	0.670
685	5	11	3	0.15	715	282	43,000	51,000	1.100
686	6	13	3.5	0.15	1,080	440	39,000	46,000	1.900
687	7	14	3.5	0.15	1,170	505	37,000	44,000	2.100
688	8	16	4	0.2	1,610	715	35,000	41,000	3.100
689	9	17	4	0.2	1,720	820	33,000	39,000	3.200
691	1	4	1.6	0.1	157	43	96,000	110,000	0.110
69/1.5	1.5	5	2	0.15	171	51	79,000	93,000	0.180
692	2	6	2.3	0.15	279	89	67,000	79,000	0.310
69/2.5	2.5	7	2.5	0.15	284	96	59,000	70,000	0.430
693	3	8	3	0.15	560	180	54,000	63,000	0.610
694	4	11	4	0.15	715	276	45,000	52,000	1.800
695	5	13	4	0.2	1,080	430	40,000	47,000	2.400
696	6	15	5	0.2	1,350	530	37,000	44,000	3.800
697	7	17	5	0.3	1,610	715	35,000	41,000	5.200
698	8	19	6	0.3	1,990	865	33,000	39,000	7.300
699	9	20	6	0.3	2,480	1,090	32,000	38,000	8.200

Chengdu RX Bearing Manufacturing Co.,Ltd

Deep Groove Ball Bearing >> Large Size Series
<p>Features</p> <p>The bearings are the most typical rolling bearings with extensive applications. The raceways in both of the rings are in arc groove form, which can carry radial and axial load in double directions. They can be applied in situations where high-rotating speed and low noise and low vibration are required.</p> <p>Applications</p> <p>The bearings can be found in automobiles, machine tools, motors, instruments, construction machines, railway vehicles, agricultural machines and various other special machines.</p> <p>Types</p> <p>Basic type; With snap ring groove on the outer ring (-N); With one shield (-Z) on one side or two shields (-2Z) on both sides; With one seal (-RS) on one side or two seals (-2RS) on both sides.</p>



Bearing No.	Boundary dimensions(mm)				Basic load ratings(kN)		Limiting Speed (rpm)	
	d	D	B	rs min	dyc(Cr)	stc(Cor)	Grease	Oil
16030M	150	225	24	1.1	70	98.5	2600	3200
6030	150	225	35	2.1	101	125	2600	3200
6030/C9	150	225	35	2.1	101	125	2600	3200
6030M	150	225	35	2.1	129	126	2600	3200
6230	150	270	45	3	156	198	2000	2600
6230M	150	270	45	3	135	169	2000	2600
6330	150	320	65	4	230	308	1800	2200
6330M	150	320	65	4	277	280	1800	2200
16032M	160	240	25	1.5	110	104	2400	3000
6032	160	240	38	2.1	110	138	2400	3000
6032/C9	160	240	38	2.1	110	138	2400	3000
6032M	160	240	38	2.1	136	135	2400	3000
6232	160	290	48	3	166	218	1900	2400
6232M	160	290	48	3	154	201	1900	2400
6332M	160	340	68	4	238	327	1800	2200
733	165	250.5	35	2.5	113	143	2200	2600
61834M	170	215	22	1.1	50	61	2600	3200
61934M	170	230	28	2	89	100	2400	3000

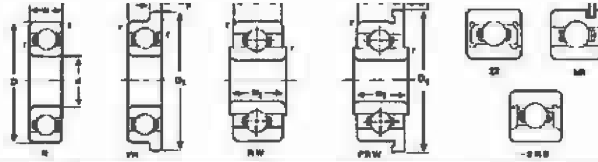
Chengdu RX Bearing Manufacturing Co.,Ltd

16034M	170	260	28	1.5	119	129	2200	2800
6034M	170	260	42	2.1	131	171	2200	2800
6034	170	260	42	2.1	131	171	2200	2800
6034Q	170	260	42	2.1	131	171	2200	2800
6234	170	310	52	4	186	256	1900	2400
6234M	170	310	52	4	175	240	1900	2400
6334	170	360	72	4	350	380	1700	2000
6334M	170	360	72	4	350	380	1700	2000
61936M	180	250	33	5	98	137	2200	2800
63936X1M	180	259.5	52	2	98	137	2200	2800
6036	180	280	46	2.1	150	202	2200	2600
6036M	180	280	46	2.1	173	180	2200	2600
6236	180	320	52	4	202	287	1800	2200
6236M	180	320	52	4	197	279	1800	2600
61838M	190	240	24	1.5	48.5	83.5	2200	2800
61938M	190	260	33	2	127	138	2200	2800
61938X1M	190	269.5	33	2	127	138	2200	2800
16038M	190	290	31	2	135	155	2000	2600
6038M	190	290	46	2.1	180	195	2000	2600
6038	190	290	46	2.1	149	204	2000	2600
6238	190	340	55	4	218	321	1700	2000
6238M	190	340	55	4	205	300	1700	2000
16040M	200	310	34	2	121	179	1900	2400
6040M	200	310	51	2.1	171	245	1900	2400
6040	200	310	51	2.1	171	245	1900	2400
6240	200	360	58	4	222	332	1700	2000
6240M	200	360	58	4	206	305	1700	2000
61944M	220	300	38	2.1	136	162	1900	2400
61944X1M	220	309.5	38	2.1	136	162	1900	2400
6044	220	340	56	3	245	293	1800	2200
6044M	220	340	56	3	245	293	1800	2200
6244	220	400	65	4	229	365	1500	1800
6646M	230	329.5	40	2.1	147	227	1600	2000
61948M	240	320	38	2.1	119	186	1800	2200
6048M	240	360	56	3	255	315	1700	2000
6048X1M	240	359.5	56	3	255	315	1700	2000
6248	240	440	72	4	277	470	1300	1600
61852M	260	320	28	2	94	128	1700	2000
61952M	260	360	46	2.1	163	269	1600	1900
752	260	370	46	2.1	163	269	1600	1900
62952X1M-1	260	369.5	60	2.1	175	288	1600	1900

Chengdu RX Bearing Manufacturing Co.,Ltd

6052M	260	400	65	4	294	375	1500	1800
61956M	280	380	46	2.1	165	282	1500	1800
61956X1M-1	280	390	46	4	165	282	1500	1800
6056	280	420	65	4	305	405	1400	1700
61960X1	300	419.5	56	3	205	370	1400	1700
61960	300	420	56	3	205	370	1300	1600
16060/HA	300	460	50	4	260	370	1200	1500
6060	300	460	74	4	257	476	1200	1500
6064	320	480	74	4	265	510	1100	1400
61864F3	320	400	38	2.1	121	220	1300	1600
864	320	412	38	2.5	164	292	1300	1600
61964	320	440	56	3	214	395	1300	1600
61968	340	460	56	3	282	420	1100	1400
61872	360	440	38	2.1	126	242	1100	1400
6072F1	360	540	82	5	310	620	1000	1300
61876F1	380	480	46	2.1	214	314	1000	1300
61976	380	520	65	4	266	550	1000	1300
61980F3	400	540	65	4	273	582	950	1200
6080F1	400	600	90	5	370	780	900	1100
61984F1/C9	420	560	65	4	247	395	900	1100
61984F1	420	560	65	4	247	395	900	1100
61988F3	440	600	74	4	292	648	900	1100
6088	440	650	94	6	390	880	850	100
61922F3	460	620	74	4	299	678	850	1000
619/500X3F1	500	660	75	5	304	716	750	900
60/500	500	720	100	6	415	1020	750	900
60/560N1MAS/C9	560	820	115	6	600	1500	630	750
160/800X2F1	800	1150	115	7.5	650	2080	500	550
618/850	850	1020	82	5	428	1303	450	530
618/1000F1	1000	1220	100	6	525	1720	340	400
618/1180F1	1180	1420	106	6	710	2580	320	360
618/1240X1	1240	1480	112	6	715	2660	300	340

Chengdu RX Bearing Manufacturing Co.,Ltd



Bearing No.	Bore		Outer Diameter D		Width				Flange Dimensions Open W _f	Radius r in.	Basic Load Rating lbs.		Weight lbs. (Open)	
	d		D		W		W _i				D _f	Dynamic C		Static C ₀
	Fraction	In.	Fraction	In.	Open	Shielded	Open	Shielded						
R09	1/25	.0400	1/8	.1250	.0469	-	-	-	.203	.013	0.004	22	6	*
R0	3/64	.0469	5/32	.1562	.0625	.0937	.0937	.0125	.234	.023	0.004	36	10	*
R1	-	.0550	3/16	.1875	.0781	.1094	.1095	.1406	.296	.023	0.004	42	13	*
R1-4	5/64	.0781	1/4	.2500	.0937	.1406	.1250	.1719	.422	.023	0.004	63	20	*
R133	3/32	.0937	3/16	.1875	.0625	.0937	.0937	.1250	.234	.018	0.004	28	9.5	*
R1-S	3/32	.0937	5/16	.3125	.1094	.1406	.1406	.1719	.359	.023	0.006	96	34	.001
R144	1/8	.1250	1/4	.2500	.0937	.1094	.1250	.1406	.296	.023	0.004	64	22	*
R2-5	1/8	.1250	5/16	.3125	.1094	.1406	.1406	.1719	.359	.023	0.004	126	40	.002
R2-6	1/8	.1250	3/8	.3750	.1094	.1406	.1406	.1719	.422	.023	0.006	144	50	.002
R2	1/8	.1250	3/8	.3750	.1562	.1562	.1875	.1875	.440	.030	0.012	144	50	.003
R2A	1/8	.1250	1/2	.5000	.1719	.1719	-	-	-	-	0.012	258	89	.007
R155	5/32	.1562	5/16	.3125	.1094	.1250	.1406	.1562	.359	.023	0.004	76	30	.001
R156	3/16	.1875	5/16	.3125	.1094	.1250	.1406	.1562	.359	.023	0.004	89	32	.001
R166	3/16	.1875	3/8	.3750	.1250	.1250	.1562	.1562	.422	.023	0.004	160	60	.002
R3	3/16	.1875	1/2	.5000	.1562	.1960	.2272	.2272	.565	.042	0.012	295	110	.005
R3A	3/16	.1875	1/2	.5000	.1960	.1960	-	-	-	-	0.012	295	110	.006
R168	1/4	.2500	3/8	.3750	.1250	.1250	.1562	.1562	.422	.023	0.004	60	31	.001
R188	1/4	.2500	1/2	.5000	.1250	.1875	.1562	.2188	.547	.023	0.006	186	84	.004
R4	1/4	.2500	5/8	.6250	.1960	.1960	.2272	.2272	.690	.042	0.012	335	139	.010
R4A	1/4	.2500	3/4	.7500	.2188	.2812	-	-	-	-	0.016	525	199	.017
R6	3/8	.3750	7/8	.8750	.2188	.2812	-	-	.969	.062	0.016	745	315	.024
R8	1/2	.5000	1-1/8	1.1250	.2500	.3125	-	-	1.225	.062	0.016	1148	535	.039
R10	5/8	.6250	1-3/8	1.3750	.2812	.3438	-	-	-	-	0.031	1347	734	.081
R12	3/4	.7500	1-5/8	1.3250	.3125	.4375	-	-	-	-	0.031	1770	1018	.024
R14	7/8	.8750	1-7/8	1.8750	.3750	.5000	-	-	-	-	0.031	2261	1316	.157
R16	1	1.0000	2	2.0000	.3750	.5000	-	-	-	-	0.031	2261	1316	.187
R18	1-1/8	1.1250	2-1/8	2.1250	.3750	.5000	-	-	-	-	0.031	2150	1407	.198
R20	1-1/4	1.2500	2-1/4	2.5000	.3750	.5000	-	-	-	-	0.031	2937	1858	.209
R22	1-3/8	1.3750	2-1/2	2.5000	.4375	.5625	-	-	-	-	0.031	2756	1910	.232
R24	1-1/2	1.5000	2-5/8	2.6250	.4375	.5625	-	-	-	-	0.031	2906	2084	.309

NOTES: Flange widths may be wider for shielded bearings.
 For flanged bearing add "F" prefix.
 Example: FR42Z
 For AISI 440C stainless steel add "S" prefix.
 Example: SFR42Z
 Most sizes available upon request.

*Weight is less than 0.001 lbs.

Bearing No.	Bore d		Outer Diameter D		Width W		Radius r	Basic Load Rating lbs.		Weight lbs.
	Fraction	In.	Fraction	In.	Fraction	In.		Dynamic C	Static C ₀	
1601	3/16	.1875	11/16	.6875	* 1/4	.2500	0.012	491	194	.015
1602	1/4	.2500	11/16	.6875	* 1/4	.2500	0.012	491	194	.013
1603	5/16	.3125	11/16	.6875	* 9/32	.2812	0.012	747	111	.024
1604	3/8	.3750	7/8	.8750	* 9/32	.2812	0.015	747	111	.032
1605	5/16	.3125	29/32	.9062	5/16	.3125	0.012	935	390	.026
1606	3/8	.3750	29/32	.9062	5/16	.3125	0.015	935	390	.030
1607	7/16	.4375	29/32	.9062	5/16	.3125	0.015	935	390	.035
1614	3/8	.3750	1-1/8	1.1250	3/8	.3750	0.025	1047	465	.077
1615	7/16	.4375	1-1/8	1.1250	3/8	.3750	0.025	1047	465	.071
1616	1/2	.5000	1-1/8	1.1250	3/8	.3750	0.025	1047	465	.066
1620	7/16	.4375	1-3/8	1.3750	7/16	.4375	0.025	1525	747	.110
1621	1/2	.5000	1-3/8	1.3750	7/16	.4375	0.025	1525	747	.106
1622	9/16	.5625	1-3/8	1.3750	7/16	.4375	0.025	1525	747	.101
1623	5/8	.6250	1-3/8	1.3750	7/16	.4375	0.025	1525	747	.088
1628	5/8	.6250	1-5/8	1.6250	1/2	.5000	0.025	2109	1150	.139
1630	3/4	.7500	1-5/8	1.6250	1/2	.5000	0.025	2109	1150	.143
1633	5/8	.6250	1-3/4	1.7500	1/2	.5000	0.025	2109	1150	.203
1635	3/4	.7500	1-3/4	1.7500	1/2	.5000	0.025	2109	1150	.187
1638	3/4	.7500	2	2.0000	9/16	.5625	0.035	3150	1785	.265
1640	7/8	.8750	2	2.0000	9/16	.5625	0.035	3150	1785	.247
1641	1	1.0000	2	2.0000	9/16	.5625	0.035	3150	1785	.221
1652	1-1/8	1.1250	2-1/2	2.5000	5/8	.6250	0.035	2880	1890	.463
1654	1-1/4	1.2500	2 1/2	2.5000	5/8	.6250	0.035	2880	1890	.419
1657	1-1/4	1.2500	2-9/16	2.5625	11/16	.6875	0.035	3369	2251	.474
1658	1-5/16	1.3125	2-9/16	2.5625	11/16	.6875	0.035	3369	2251	.441

*Width sealed = 5/16 in.
 *Width sealed = 11/32 in.

Bearing number	Bore(d) mm	OD(D) mm	Width(B) mm	Radius(r) mm	Basic Load Rating(KN)		Weight Kg
					Dynamic(Cr)	Static(Cor)	
16001	12	28	7	0.5	5.10	2.37	0.019
16002	15	32	8	0.5	5.60	2.83	0.027
16003	17	35	8	0.5	6.00	3.25	0.083
16004	20	42	8	0.5	7.90	4.45	0.048
16005	25	47	8	0.5	8.85	5.60	0.059
16006	30	55	9	0.5	11.20	7.35	0.087
16007	35	62	9	0.5	11.70	8.20	0.107
16008	40	68	9	0.5	12.60	9.65	0.130
16009	45	75	10	0.6	14.90	11.40	0.167
16010	50	80	10	0.6	15.40	12.40	0.175

Bearing number	Bore(d) mm	OD(D) mm	Width(B) mm	Radius(r) mm	Basic Load Rating(KN)		Weight Kg
					Dynamic(Cr)	Static(Cor)	
RLS4	12.700	33.338	9.525	0.5	5.250	3.050	0.038
RLS5	15.875	39.688	11.112	0.5	6.042	3.968	0.067
RLS6	19.050	47.625	14.288	0.5	9.880	6.200	0.120
RLS7	22.225	50.800	14.288	0.5	8.720	5.190	0.142
RLS8	25.400	57.150	15.875	0.5	10.780	6.980	0.190
RLS9	28.575	63.5	15.875	0.5	14.97	10.04	0.185
RLS10	31.75	69.85	17.463	0.5	27.00	15.19	0.274
RMS4	12.700	41.275	15.875	0.5	7.350	4.410	0.1076
RMS5	15.875	63.5	15.875	0.5	10.450	6.560	0.1172
RMS6	19.050	50.800	17.463	0.5	9.880	6.200	0.1606
RMS7	22.225	57.15	17.462	0.5	10.78	6.98	0.223
RMS8	25.400	63.5	19.08	0.5	17.22	11.39	0.259
RMS9	28.575	71.438	20.638	0.5	27.00	15.19	0.372
RMS10	31.75	79.375	22.225	0.5	27.00	15.19	0.542

Chengdu RX Bearing Manufacturing Co.,Ltd

Deep Groove Ball Bearing >> 6400 Series	
<p>Features</p> <p>The bearings are the most typical rolling bearings with extensive applications. The raceways in both of the rings are in arc groove form, which can carry radial and axial load in double directions. They can be applied in situations where high-rotating speed and low noise and low vibration are required.</p> <p>Applications</p> <p>The bearings can be found in automobiles, machine tools, motors, instruments, construction machines, railway vehicles, agricultural machines and various other special machines.</p> <p>Types</p> <p>Basic type; With snap ring groove on the outer ring (-N); With one shield (-Z) on one side or two shields (-2Z) on both sides; With one seal (-RS) on one side or two seals (-2RS) on both sides.</p>	

Bearing No.	Boundary dimensions				Basic load ratings (kN)	
	mm				Dynamic	Static
	d	D	B	rs min	Cr	Cor
6403	17	62	17	1	22.5	10.8
6404	20	72	19	1	31	15.2
6405	25	80	21	1.5	38.2	19.2
6406	30	90	23	1.5	56.8	24.5
6407	35	100	25	1.5	56.8	29.5
6408	40	110	27	2	63.7	36.6
6409	45	120	29	2	77.2	45.1
6410	50	130	31	2.1	83	49.5
6411	55	140	33	2.1	100	62.3
6412	60	150	35	2.1	110	70.8
6413	65	160	37	2.1	118	79.2
6414	70	180	42	3	144	104
6415	75	190	45	3	154	115
6416	80	200	48	3	164	125
6417	85	210	52	4	173	136

Chengdu RX Bearing Manufacturing Co.,Ltd

6418	90	225	54	4	184	149
------	----	-----	----	---	-----	-----

Deep Groove Ball Bearing >> 62200 Series	
<p>Features</p> <p>The bearings are the most typical rolling bearings with extensive applications. The raceways in both of the rings are in arc groove form, which can carry radial and axial load in double directions. They can be applied in situations where high-rotating speed and low noise and low vibration are required.</p> <p>Applications</p> <p>The bearings can be found in automobiles, machine tools, motors, instruments, construction machines, railway vehicles, agricultural machines and various other special machines.</p> <p>Types</p> <p>Basic type; With snap ring groove on the outer ring (-N); With one shield (-Z) on one side or two shields (-2Z) on both sides; With one seal (-RS) on one side or two seals (-2RS) on both sides.</p>	

Bearing No.	Boundary dimensions				Basic load ratings (kN)	
	mm				Dynamic	Static
	d	D	B	rs min	Cr	Cor
62201	12	32	14	1	6.82	3.06
62202	15	35	14	1	7.64	3.72
62203	17	40	16	1	9.57	4.79
62204	20	47	18	1.5	12.84	6.65
62205	25	52	18	1.5	14.02	7.88
62206	30	62	20	1.5	19.46	11.31
62207	35	72	23	2	25.67	15.3
62208	40	80	23	2	29.52	18.14
62209	45	85	23	2	31.67	20.68
62210	50	90	23	2	35.07	23.18

Deep Groove Ball Bearing >> 62300 Series
Features

Chengdu RX Bearing Manufacturing Co.,Ltd

The bearings are the most typical rolling bearings with extensive applications. The raceways and axial load in double directions. They can be applied in situations where high-rotating

Applications

The bearings can be found in automobiles, machine tools, motors, instruments, construction other special machines.

Types

Basic type; With snap ring groove on the outer ring (-N); With one shield (-Z) on one side two seals (-2RS) on both sides.

Bearing No.	Boundary dimensions				Dynamic Cr
	mm				
	d	D	B	rs min	
62301	12	37	17		
62302	15	42	17		
62303	17	47	19		
62304	20	52	21		
62305	25	62	24		
62306	30	72	27		
62307	35	80	31		
62308	40	90	33		
62309	45	100	36		
62310	50	110	40		

Groove Ball Bearing >> 63000 Series

es

arings are the most typical rolling bearings with extensive applications. The raceways in both of the rings are in arc groove and axial load in double directions. They can be applied in situations where high-rotating speed and low noise and low vibrations

arings can be found in automobiles, machine tools, motors, instruments, construction machines, railway vehicles, agricultural special machines.

ype; With snap ring groove on the outer ring (-N); With one shield (-Z) on one side or two shields (-2Z) on both sides; With seals (-2RS) on both sides.

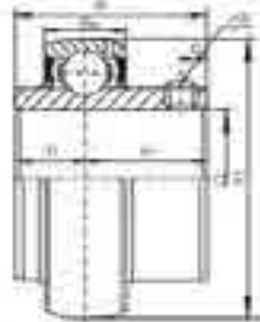
Chengdu RX Bearing Manufacturing Co.,Ltd

Bearing No.	Boundary dimensions				Basic load ratings (kN)	
	mm				Dynamic	Static
	d	D	B	rs min	Cr	Cor
63001	12	28	12			
63002	15	32	13			
63003	17	35	14			
63004	20	42	16			
63005	25	47	16			
63006	30	55	19			
63007	35	62	20			
63008	40	68	21			
63009	45	75	23			
63010	50	80	23			

BALL BEARINGS

带顶丝外球面球轴承
Ball Bearings
(with setscrews)

UC 200 (normal-duty)

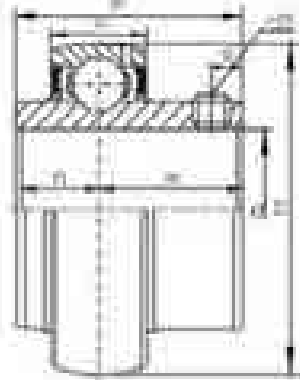


轴承代号 Bearing No.	球数 Ball No.	外形尺寸 (毫米) Dimensions (mm)							额定动载荷 Basic Dynamic Load Rating (kg)	额定静载荷 Basic Static Load Rating (kg)	重量 Weight (kg)
		D	B	B ₀	Ø	M	G	Ø1			
UC 201 201-4	12	47	31.0	17	12.7	18.0	1.0	1000	400	0.21	
UC 202 202-4	11	47	31.0	17	12.7	18.0	1.0	1000	380	0.19	
UC 203 203-11	17	47	31.0	17	12.7	18.0	1.0	1000	380	0.19	
UC 204 204-11	15	47	31.0	17	12.7	18.0	1.0	1000	380	0.19	
UC 205 205-11	14	47	31.0	17	12.7	18.0	1.0	1000	380	0.19	
UC 206 206-11	13	47	31.0	17	12.7	18.0	1.0	1000	380	0.19	
UC 207 207-11	12	47	31.0	17	12.7	18.0	1.0	1000	380	0.19	
UC 208 208-11	11	47	31.0	17	12.7	18.0	1.0	1000	380	0.19	
UC 209 209-11	10	47	31.0	17	12.7	18.0	1.0	1000	380	0.19	
UC 210 210-11	9	47	31.0	17	12.7	18.0	1.0	1000	380	0.19	
UC 211 211-11	8	47	31.0	17	12.7	18.0	1.0	1000	380	0.19	
UC 212 212-11	7	47	31.0	17	12.7	18.0	1.0	1000	380	0.19	
UC 213 213-11	6	47	31.0	17	12.7	18.0	1.0	1000	380	0.19	
UC 214 214-11	5	47	31.0	17	12.7	18.0	1.0	1000	380	0.19	
UC 215 215-11	4	47	31.0	17	12.7	18.0	1.0	1000	380	0.19	
UC 216 216-11	3	47	31.0	17	12.7	18.0	1.0	1000	380	0.19	
UC 217 217-11	2	47	31.0	17	12.7	18.0	1.0	1000	380	0.19	
UC 218 218-11	1	47	31.0	17	12.7	18.0	1.0	1000	380	0.19	
UC 219 219-11	1	47	31.0	17	12.7	18.0	1.0	1000	380	0.19	
UC 220 220-11	1	47	31.0	17	12.7	18.0	1.0	1000	380	0.19	
UC 221 221-11	1	47	31.0	17	12.7	18.0	1.0	1000	380	0.19	
UC 222 222-11	1	47	31.0	17	12.7	18.0	1.0	1000	380	0.19	
UC 223 223-11	1	47	31.0	17	12.7	18.0	1.0	1000	380	0.19	
UC 224 224-11	1	47	31.0	17	12.7	18.0	1.0	1000	380	0.19	
UC 225 225-11	1	47	31.0	17	12.7	18.0	1.0	1000	380	0.19	
UC 226 226-11	1	47	31.0	17	12.7	18.0	1.0	1000	380	0.19	
UC 227 227-11	1	47	31.0	17	12.7	18.0	1.0	1000	380	0.19	
UC 228 228-11	1	47	31.0	17	12.7	18.0	1.0	1000	380	0.19	
UC 229 229-11	1	47	31.0	17	12.7	18.0	1.0	1000	380	0.19	
UC 230 230-11	1	47	31.0	17	12.7	18.0	1.0	1000	380	0.19	
UC 231 231-11	1	47	31.0	17	12.7	18.0	1.0	1000	380	0.19	
UC 232 232-11	1	47	31.0	17	12.7	18.0	1.0	1000	380	0.19	
UC 233 233-11	1	47	31.0	17	12.7	18.0	1.0	1000	380	0.19	
UC 234 234-11	1	47	31.0	17	12.7	18.0	1.0	1000	380	0.19	
UC 235 235-11	1	47	31.0	17	12.7	18.0	1.0	1000	380	0.19	
UC 236 236-11	1	47	31.0	17	12.7	18.0	1.0	1000	380	0.19	
UC 237 237-11	1	47	31.0	17	12.7	18.0	1.0	1000	380	0.19	
UC 238 238-11	1	47	31.0	17	12.7	18.0	1.0	1000	380	0.19	
UC 239 239-11	1	47	31.0	17	12.7	18.0	1.0	1000	380	0.19	
UC 240 240-11	1	47	31.0	17	12.7	18.0	1.0	1000	380	0.19	
UC 241 241-11	1	47	31.0	17	12.7	18.0	1.0	1000	380	0.19	
UC 242 242-11	1	47	31.0	17	12.7	18.0	1.0	1000	380	0.19	
UC 243 243-11	1	47	31.0	17	12.7	18.0	1.0	1000	380	0.19	
UC 244 244-11	1	47	31.0	17	12.7	18.0	1.0	1000	380	0.19	
UC 245 245-11	1	47	31.0	17	12.7	18.0	1.0	1000	380	0.19	
UC 246 246-11	1	47	31.0	17	12.7	18.0	1.0	1000	380	0.19	
UC 247 247-11	1	47	31.0	17	12.7	18.0	1.0	1000	380	0.19	
UC 248 248-11	1	47	31.0	17	12.7	18.0	1.0	1000	380	0.19	
UC 249 249-11	1	47	31.0	17	12.7	18.0	1.0	1000	380	0.19	
UC 250 250-11	1	47	31.0	17	12.7	18.0	1.0	1000	380	0.19	

BALL BEARINGS

帶頂絲外球面球軸承
Ball Bearings
(with setscrews)

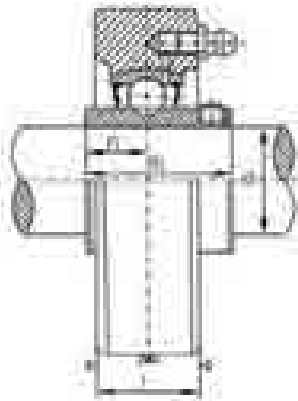
UC 300 (heavy-duty)



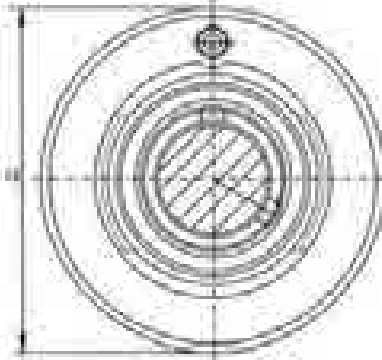
軸承代號 Bearing No.	基本尺寸 Basic Size		外形尺寸 (毫米) Dimensions (mm)						鋼球直徑 Ball Diameter φg	鋼球數量 Ball Qty	重量 Weight kg	
	d	D ₀	D	B	B ₀	r1	r2	G				d1
UC 200 UC 200-18	1	22	38	28	31	11	11	23	8	1700	1100	0.49 0.44
UC 250-18 UC 250-20	1.5	26	42	32	35	12	12	26	8	2100	1400	0.58 0.54
UC 300-20 UC 300-22	2	30	48	38	41	13	13	30	8	2600	1800	0.71 0.67
UC 350-24 UC 350	2.5	36	56	46	49	14	14	36	10	3200	2200	1.00 1.00
UC 400-28 UC 400	3	42	66	56	59	15	15	42	11	4100	2900	1.53 1.53
UC 450-32 UC 450-33	3.5	50	78	68	71	16	16	50	12	5100	3600	1.93 1.93
UC 500-36 UC 500	4	60	92	82	85	17	17	60	13	6300	4500	2.52 2.52
UC 550-40 UC 550-41	4.5	70	108	98	101	18	18	70	14	7600	5400	3.40 3.40
UC 600-44 UC 600-45	5	82	128	118	121	19	19	82	15	9300	6600	4.53 4.53
UC 650-48 UC 650-49	5.5	96	150	140	143	20	20	96	16	11200	7900	6.03 6.03
UC 700-52 UC 700-53	6	110	176	166	169	21	21	110	17	13400	9500	8.03 8.03
UC 750-56 UC 750-57	6.5	126	206	196	199	22	22	126	18	15900	11500	10.53 10.53
UC 800-60 UC 800-61	7	144	240	230	233	23	23	144	19	18700	13900	14.03 14.03
UC 850-64 UC 850-65	7.5	164	280	270	273	24	24	164	20	21900	16000	18.53 18.53

BALL BEARINGS

Cartridge Units



UCC200(normal-duty)



SR typical

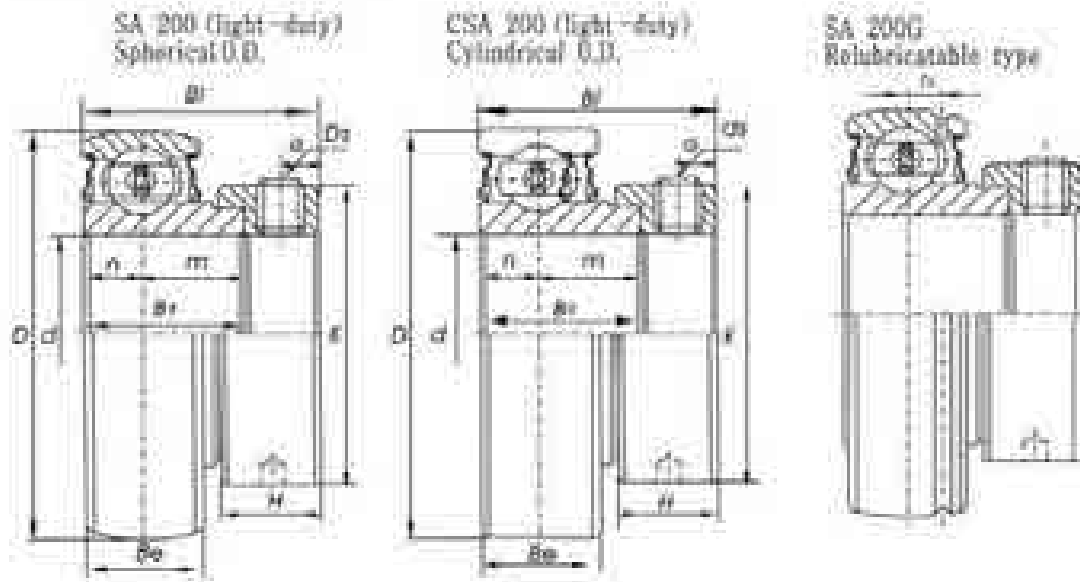


TR typical

轴承代号 Bearing code	球数 Balls		尺寸系列 Dimensions				滚动圈 Pitch dia.	密封圈 Seal dia.	重量 Weight
	内径 ID	外径 OD	d	f	D	n			
UCC 200-10 UCC 200-10	10	18	10	14	18.5	10.5	100-100-10	C 200	0.55
UCC 200-12 UCC 200-12	12	20	12	16	20.5	11.5	100-120-12	C 200	0.65
UCC 200-15 UCC 200-15	15	24	15	19	24.5	12.5	100-150-15	C 200	0.85
UCC 200-17 UCC 200-17 UCC 200-17	17	26	17	21	26.5	13.5	100-170-17	C 200	0.95
UCC 200-19 UCC 200-19 UCC 200-19	19	28	19	23	28.5	14.5	100-190-19	C 200	1.05
UCC 200-22 UCC 200-22 UCC 200-22	22	32	22	26	32.5	16.5	100-220-22	C 200	1.35
UCC 200-25 UCC 200-25 UCC 200-25	25	36	25	29	36.5	18.5	100-250-25	C 200	1.75
UCC 200-28 UCC 200-28 UCC 200-28	28	40	28	32	40.5	20.5	100-280-28	C 200	2.25
UCC 210-10 UCC 210-10 UCC 210-10	10	18	10	14	18.5	10.5	110-110-10	C 210	0.9
UCC 210-12 UCC 210-12 UCC 210-12	12	20	12	16	20.5	11.5	110-130-12	C 210	1.0
UCC 210-15 UCC 210-15 UCC 210-15	15	24	15	19	24.5	12.5	110-150-15	C 210	1.3
UCC 210-17 UCC 210-17 UCC 210-17	17	26	17	21	26.5	13.5	110-170-17	C 210	1.5
UCC 210-19 UCC 210-19 UCC 210-19	19	28	19	23	28.5	14.5	110-190-19	C 210	1.7
UCC 210-22 UCC 210-22 UCC 210-22	22	32	22	26	32.5	16.5	110-220-22	C 210	2.1

BALL BEARINGS

带偏心的球轴承
Ball Bearings
(with eccentric collar)

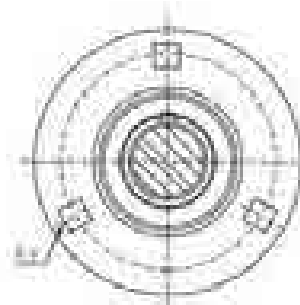
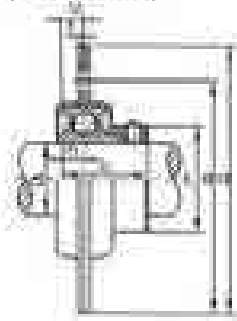


轴承代号 Bearing No.	外径 D ₂		外形尺寸 (毫米) Dimensions										额定动载荷 Basic Dynamic Load Rating kgf	额定静载荷 Basic Static Load Rating kgf	重量 Weight kgf	
	mm	mm	D	d ₂	B ₂	B	M	A	K	H	G	F ₂				CR
SA 200 111-8	8	11	44	22	12	6.0	11	25.0	25.0	12.0	3.0	3.0	SA-200P ISO6181	400	400	0.11
SA 200 111-10	10	13	45	22	12	6.0	11	25.0	25.0	12.0	3.0	3.0	SA-200P ISO6181	400	400	0.11
SA 200 111-11	11	14	46	22	12	6.0	11	25.0	25.0	12.0	3.0	3.0	SA-200P ISO6181	400	400	0.11
SA 200-12 111-12	12	15	47	22	12	6.0	11	25.0	25.0	12.0	3.0	3.0	SA-200P ISO6181	400	400	0.11
SA 200-14 111-14	14	17	48	22	12	6.0	11	25.0	25.0	12.0	3.0	3.0	SA-200P ISO6181	400	400	0.11
SA 200-16 111-16	16	19	49	22	12	6.0	11	25.0	25.0	12.0	3.0	3.0	SA-200P ISO6181	400	400	0.11
SA 200-18 111-18	18	21	50	22	12	6.0	11	25.0	25.0	12.0	3.0	3.0	SA-200P ISO6181	400	400	0.11
SA 200-20 111-20	20	23	51	22	12	6.0	11	25.0	25.0	12.0	3.0	3.0	SA-200P ISO6181	400	400	0.11
SA 200-22 111-22	22	25	52	22	12	6.0	11	25.0	25.0	12.0	3.0	3.0	SA-200P ISO6181	400	400	0.11
SA 200-24 111-24	24	27	53	22	12	6.0	11	25.0	25.0	12.0	3.0	3.0	SA-200P ISO6181	400	400	0.11
SA 200-26 111-26	26	29	54	22	12	6.0	11	25.0	25.0	12.0	3.0	3.0	SA-200P ISO6181	400	400	0.11
SA 200-28 111-28	28	31	55	22	12	6.0	11	25.0	25.0	12.0	3.0	3.0	SA-200P ISO6181	400	400	0.11
SA 200-30 111-30	30	33	56	22	12	6.0	11	25.0	25.0	12.0	3.0	3.0	SA-200P ISO6181	400	400	0.11
SA 200-32 111-32	32	35	57	22	12	6.0	11	25.0	25.0	12.0	3.0	3.0	SA-200P ISO6181	400	400	0.11
SA 200-34 111-34	34	37	58	22	12	6.0	11	25.0	25.0	12.0	3.0	3.0	SA-200P ISO6181	400	400	0.11
SA 200-36 111-36	36	39	59	22	12	6.0	11	25.0	25.0	12.0	3.0	3.0	SA-200P ISO6181	400	400	0.11
SA 200-38 111-38	38	41	60	22	12	6.0	11	25.0	25.0	12.0	3.0	3.0	SA-200P ISO6181	400	400	0.11
SA 200-40 111-40	40	43	61	22	12	6.0	11	25.0	25.0	12.0	3.0	3.0	SA-200P ISO6181	400	400	0.11
SA 200-42 111-42	42	45	62	22	12	6.0	11	25.0	25.0	12.0	3.0	3.0	SA-200P ISO6181	400	400	0.11
SA 200-44 111-44	44	47	63	22	12	6.0	11	25.0	25.0	12.0	3.0	3.0	SA-200P ISO6181	400	400	0.11
SA 200-46 111-46	46	49	64	22	12	6.0	11	25.0	25.0	12.0	3.0	3.0	SA-200P ISO6181	400	400	0.11
SA 200-48 111-48	48	51	65	22	12	6.0	11	25.0	25.0	12.0	3.0	3.0	SA-200P ISO6181	400	400	0.11
SA 200-50 111-50	50	53	66	22	12	6.0	11	25.0	25.0	12.0	3.0	3.0	SA-200P ISO6181	400	400	0.11
SA 200-52 111-52	52	55	67	22	12	6.0	11	25.0	25.0	12.0	3.0	3.0	SA-200P ISO6181	400	400	0.11
SA 200-54 111-54	54	57	68	22	12	6.0	11	25.0	25.0	12.0	3.0	3.0	SA-200P ISO6181	400	400	0.11
SA 200-56 111-56	56	59	69	22	12	6.0	11	25.0	25.0	12.0	3.0	3.0	SA-200P ISO6181	400	400	0.11
SA 200-58 111-58	58	61	70	22	12	6.0	11	25.0	25.0	12.0	3.0	3.0	SA-200P ISO6181	400	400	0.11
SA 200-60 111-60	60	63	71	22	12	6.0	11	25.0	25.0	12.0	3.0	3.0	SA-200P ISO6181	400	400	0.11
SA 200-62 111-62	62	65	72	22	12	6.0	11	25.0	25.0	12.0	3.0	3.0	SA-200P ISO6181	400	400	0.11
SA 200-64 111-64	64	67	73	22	12	6.0	11	25.0	25.0	12.0	3.0	3.0	SA-200P ISO6181	400	400	0.11
SA 200-66 111-66	66	69	74	22	12	6.0	11	25.0	25.0	12.0	3.0	3.0	SA-200P ISO6181	400	400	0.11
SA 200-68 111-68	68	71	75	22	12	6.0	11	25.0	25.0	12.0	3.0	3.0	SA-200P ISO6181	400	400	0.11
SA 200-70 111-70	70	73	76	22	12	6.0	11	25.0	25.0	12.0	3.0	3.0	SA-200P ISO6181	400	400	0.11
SA 200-72 111-72	72	75	77	22	12	6.0	11	25.0	25.0	12.0	3.0	3.0	SA-200P ISO6181	400	400	0.11
SA 200-74 111-74	74	77	78	22	12	6.0	11	25.0	25.0	12.0	3.0	3.0	SA-200P ISO6181	400	400	0.11
SA 200-76 111-76	76	79	79	22	12	6.0	11	25.0	25.0	12.0	3.0	3.0	SA-200P ISO6181	400	400	0.11
SA 200-78 111-78	78	81	80	22	12	6.0	11	25.0	25.0	12.0	3.0	3.0	SA-200P ISO6181	400	400	0.11
SA 200-80 111-80	80	83	81	22	12	6.0	11	25.0	25.0	12.0	3.0	3.0	SA-200P ISO6181	400	400	0.11
SA 200-82 111-82	82	85	82	22	12	6.0	11	25.0	25.0	12.0	3.0	3.0	SA-200P ISO6181	400	400	0.11
SA 200-84 111-84	84	87	83	22	12	6.0	11	25.0	25.0	12.0	3.0	3.0	SA-200P ISO6181	400	400	0.11
SA 200-86 111-86	86	89	84	22	12	6.0	11	25.0	25.0	12.0	3.0	3.0	SA-200P ISO6181	400	400	0.11
SA 200-88 111-88	88	91	85	22	12	6.0	11	25.0	25.0	12.0	3.0	3.0	SA-200P ISO6181	400	400	0.11
SA 200-90 111-90	90	93	86	22	12	6.0	11	25.0	25.0	12.0	3.0	3.0	SA-200P ISO6181	400	400	0.11
SA 200-92 111-92	92	95	87	22	12	6.0	11	25.0	25.0	12.0	3.0	3.0	SA-200P ISO6181	400	400	0.11
SA 200-94 111-94	94	97	88	22	12	6.0	11	25.0	25.0	12.0	3.0	3.0	SA-200P ISO6181	400	400	0.11
SA 200-96 111-96	96	99	89	22	12	6.0	11	25.0	25.0	12.0	3.0	3.0	SA-200P ISO6181	400	400	0.11
SA 200-98 111-98	98	101	90	22	12	6.0	11	25.0	25.0	12.0	3.0	3.0	SA-200P ISO6181	400	400	0.11
SA 200-100 111-100	100	103	91	22	12	6.0	11	25.0	25.0	12.0	3.0	3.0	SA-200P ISO6181	400	400	0.11

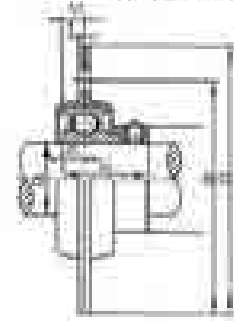
SA 200-100 111-100 100 103 91 22 12 6.0 11 25.0 25.0 12.0 3.0 3.0 SA-200P ISO6181 400 400 0.11

BALL BEARINGS

Pressed Housing Flange Units
(light-duty)
SAPF 200
(SA2-fitted)



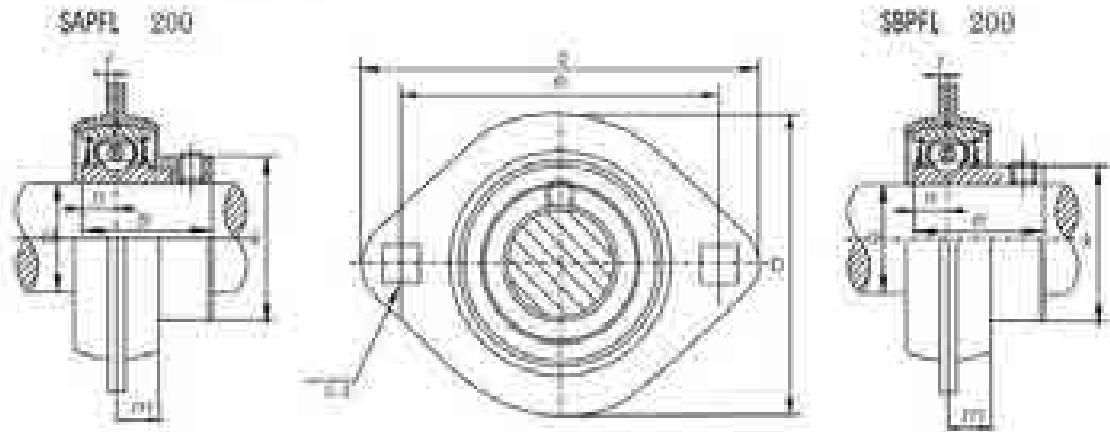
SBPF 200
(SB2-fitted)



SAPF/SBPF Bearing Unit No.	SB SB2 No.	SB SB2 No.	SBPF (SB2)							SAPF					SBPF			SBPF No.
			G	H	M	F	E	H	B ₁	B ₂	SBPF No.	SB SB2 No.	B ₁	Bearing No.	SB SB2 No.	Bearing No.		
SAPF SBPF 201 201-8	12	12	21	43.8	1.0	2	1.1	8.0	1/2	28.6	28.6	SA201 201-8	0.30	23.0	SB 201 201-8	0.07	SB 201	
SAPF SBPF 202 202-10	15	15	21	45.0	1.0	2	1.1	8.0	1/2	28.6	28.6	SA202 202-10	0.30	23.0	SB 202 202-10	0.07	SB 202	
SAPF SBPF 203 203-11	17	17	21	45.8	1.0	2	1.1	8.0	1/2	28.6	28.6	SA203 203-11	0.30	23.0	SB 203 203-11	0.07	SB 203	
SAPF SBPF 204-12 204	20	20	60	41.8	8	2	8.0	12.0	1/2	38.0	33.3	SA204-12 204	0.33	26.0	SB 204-12 204	0.20	SB 204	
SAPF SBPF 205-14 205 205-16	25	25	25	41	8	2	8.0	12.0	1/2	38.0	38.1	SA205-14 205 205-16	0.33	27.0	SB 205-14 205 205-16	0.20	SB 205	
SAPF SBPF 206-18 206 206-19 206-20	30	30	113	48.8	8.8	2.8	11	12	1/2	38.0	48.5	SA 206-18 206 206-19 206-20	0.35	30.0	SB 206-18 206 206-19 206-20	0.10	SB 206	
SAPF SBPF 207-22 207-22 207 207-23	35	35	122	50.0	1	2.8	11	8.5	1/2	38.0	50.0	SA 207-22 207-22 207 207-23	0.35	32.0	SB 207-22 207-22 207 207-23	0.10	SB 207	

BALL BEARINGS

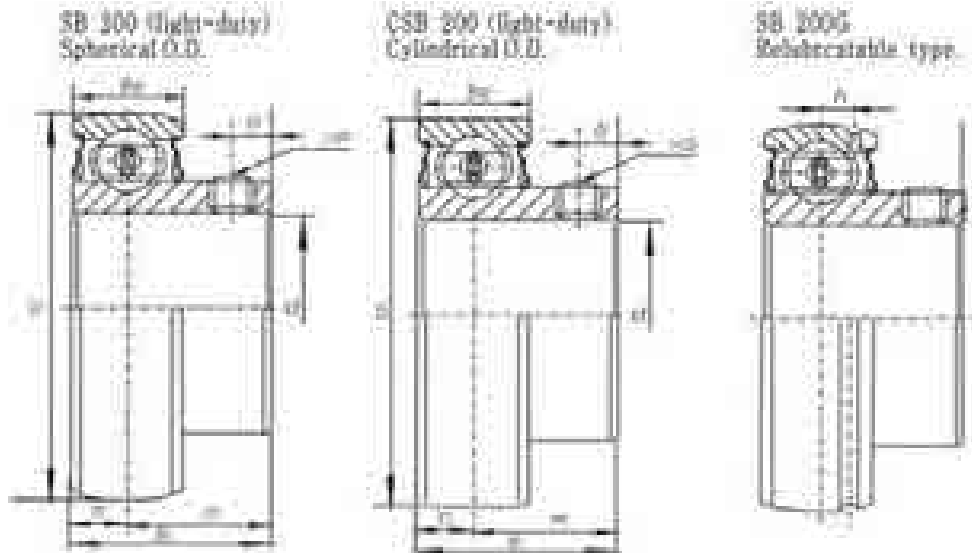
冲压菱形座
Pressed Housing Flange Units
(light-duty)



轴承系列 Bearing Unit No.	轴径 Shaft Dia. mm	外形尺寸 (毫米) Dimensions (mm)							球数 Ball Count	SAPFL				SBPFL				轴承号 Bearing No.
		d	d ₁	d ₂	D	F	E	r		B ₁	K	Bearing No.	重量 Weight (kg)	B ₂	Bearing No.	重量 Weight (kg)		
SAPFL 200 SBPFL 200	12	61	63.2	7.0	38	2.0	7.1	6.0	60	28.8	28.8	200-8	0.20	22	200-8	0.18	RL 200	
	16	61	63.2	7.0	38	2.0	7.1	6.0	60	28.8	28.8	200-10	0.22	22	200-10	0.19	RL 200	
SAPFL 200 SBPFL 200	18	61	63.2	7.0	38	2.0	7.1	6.0	60	28.8	28.8	200-11	0.23	22	200-11	0.19	RL 200	
	20	61	63.2	7.0	38	2.0	7.1	6.0	60	28.8	28.8	200-12	0.24	22	200-12	0.20	RL 200	
SAPFL 200 SBPFL 200	25	66	68.8	8	41	2.0	8.0	7.0	65	32.0	32.0	204	0.24	25	204	0.21	RL 204	
	30	66	68.8	8	41	2.0	8.0	7.0	65	32.0	32.0	204	0.25	25	204	0.22	RL 204	
SAPFL 200 SBPFL 200	35	71	73.8	8	41	2.0	8.0	7.0	65	32.0	32.0	204	0.25	25	204	0.22	RL 204	
	40	71	73.8	8	41	2.0	8.0	7.0	65	32.0	32.0	204	0.25	25	204	0.22	RL 204	
SAPFL 200 SBPFL 200	45	76	78.8	10	44	2.0	8.0	7.0	70	36.0	36.0	208	0.28	28	208	0.25	RL 208	
	50	76	78.8	10	44	2.0	8.0	7.0	70	36.0	36.0	208	0.28	28	208	0.25	RL 208	
SAPFL 200 SBPFL 200	55	81	83.8	10	44	2.0	8.0	7.0	70	36.0	36.0	208	0.28	28	208	0.25	RL 208	
	60	81	83.8	10	44	2.0	8.0	7.0	70	36.0	36.0	208	0.28	28	208	0.25	RL 208	

BALL BEARINGS

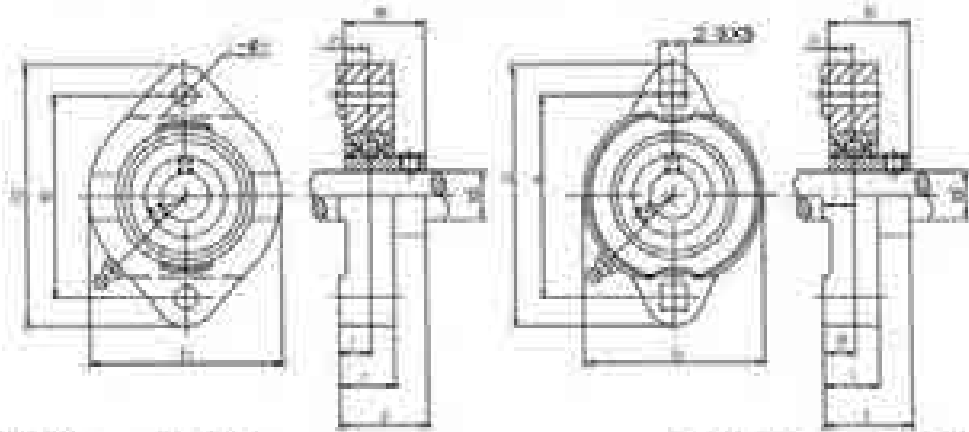
带顶丝球轴承
Ball Bearings
(with tapered bore)



轴承代号 Bearing No.	直径 D _o		外形尺寸 (毫米) Dimensions							球数 Ball Count	额定动载荷 Basic Load	额定静载荷 Basic Load	重量 Weight
	mm	inch	D	d _o	d _i	n	m	G	h				
SB 200 200-08	8	0.31	20	11	22	8.8	18	1.1	1.8	10-UMC SUJ2	140	140	0.10
SB 200 200-09	9	0.35	20	11	22	9.2	18	1.2	2.0	10-UMC SUJ2	150	150	0.10
SB 200 200-11	11	0.43	20	11	22	9.5	18	1.2	1.8	10-UMC SUJ2	140	140	0.10
SB 200-12 200-12	12	0.47	20	11	22	9.8	18	1	2.2	10-UMC SUJ2	140	140	0.10
SB 200-14 200-14	14	0.55	20	11	22	10.2	18	1	2.2	10-UMC SUJ2	140	140	0.10
SB 200-16 200-16	16	0.63	20	11	22	10.5	18	1	2.2	10-UMC SUJ2	140	140	0.10
SB 200-18 200-18	18	0.71	20	11	22	10.8	18	1	2.2	10-UMC SUJ2	140	140	0.10
SB 200-20 200-20	20	0.79	20	11	22	11.2	18	1	2.2	10-UMC SUJ2	140	140	0.10
SB 200-24 200-24	24	0.94	20	11	22	11.8	18	1	2.2	10-UMC SUJ2	140	140	0.10
SB 200-28 200-28	28	1.10	20	11	22	12.5	18	1	2.2	10-UMC SUJ2	140	140	0.10
SB 210 210-08	8	0.31	25	14	28	9.8	20	1.2	2.0	10-UMC SUJ2	160	160	0.12
SB 210 210-10	10	0.39	25	14	28	10.2	20	1.2	2.0	10-UMC SUJ2	160	160	0.12
SB 210 210-12	12	0.47	25	14	28	10.5	20	1.2	2.0	10-UMC SUJ2	160	160	0.12
SB 210 210-14	14	0.55	25	14	28	10.8	20	1.2	2.0	10-UMC SUJ2	160	160	0.12
SB 210 210-16	16	0.63	25	14	28	11.2	20	1.2	2.0	10-UMC SUJ2	160	160	0.12
SB 210 210-18	18	0.71	25	14	28	11.5	20	1.2	2.0	10-UMC SUJ2	160	160	0.12
SB 210 210-20	20	0.79	25	14	28	11.8	20	1.2	2.0	10-UMC SUJ2	160	160	0.12
SB 210 210-24	24	0.94	25	14	28	12.5	20	1.2	2.0	10-UMC SUJ2	160	160	0.12

BALL BEARINGS

TWO-BOLT FLANGE UNITS



SBFW200 SERIES

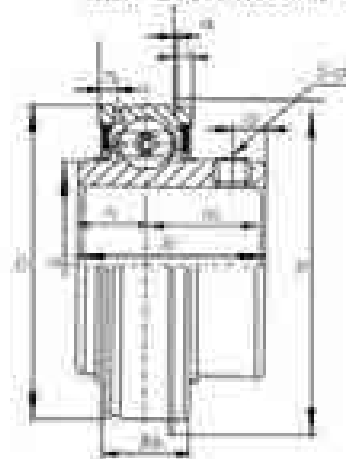
SBFX200 SERIES

Bearing unit No.	Shaft Dia		Dimension (mm)										Ball Used		Bearing No.	Bearing Fl. (mm)	
	mm	in	d	D	B	T	S	E	F	G	H	T	mm	in			Fl. No.
SBFW200-8 200-8 200-10 200-11 SBFW200-802 802	20	0.7874	81	44.5	8.5	18	8	9.5	66	22.5	22	8	M4	1/4	80201-8 200-8 200-10 200-11 80201-802 802	FW208	0.8
SBFW200-12 200	20	0.7874	96	51.4	8.5	17	8	14.8	27.5	22	8	M4	1/4	80201-12 200	FW208	0.25	
SBFW200-14 200-14 200-15 200-16 SBFW200-802 802	20	0.7874	97	54.8	8.5	17.5	8	15	27	22	8	M4	1/4	80201-14 200-14 200-15 200-16 80201-802 802	FW208	0.8	
SBFW200-17 200-14 200-15 200-20 SBFW200-802 802	20	0.7874	112.5	60.5	11.5	20.5	11.5	24	33.5	22	8	M10	3/4	80201-17 200-14 200-15 200-20 80201-802 802	FW208	0.8	
SBFW200-24 200-21 200-22 200-23 SBFW200-802 802	20	0.7874	126	100	12.5	22	12.5	26	36	22	8.5	M10	3/4	80201-24 200-21 200-22 200-23 80201-802 802	FW208	0.8	
SBFW200-24 200-24 SBFW200-802 802	20	0.7874	148	119	14.5	22	13.5	30.4	39.5	24	8	M12	1/2	80201-24 200-24 80201-802 802	FW208	0.8	
SBFX200-8 201-8 201-10 201-11 SBFX200-802 802	25	0.9843	81	42.8	8.8	18	8	9.8	66	22.5	22	8	M4	1/4	80201-8 201-8 201-10 201-11 80201-802 802	FX208	0.3
SBFX200-12 200	25	0.9843	96	51.4	11	20	10	11	27	24.5	8	M4	1/4	80201-12 200	FX204	0.2	
SBFX200-14 200-14 200-15 200-16 SBFX200-802 802	25	0.9843	98	54	11	20	10	11	24	24.5	21	8.5	M4	1/4	80201-14 200-14 200-15 200-16 80201-802 802	FX208	0.2
SBFX200-17 200-14 200-15 200-19 200-20 SBFX200-802 802	25	0.9843	112	60.8	12	22.8	12	12	26	24	8	M4	1/4	80201-17 200-14 200-15 200-19 200-20 80201-802 802	FX204	0.2	
SBFX200-20 201-21 201-22 201-23 SBFX200-802 802	25	0.9843	123	100	13	24	13	13	26	24.5	22	8.5	M4	1/4	80201-20 201-21 201-22 201-23 80201-802 802	FX208	0.8

BALL BEARINGS

带止动环深沟球轴承
Ball Bearings
(with locating snap ring)

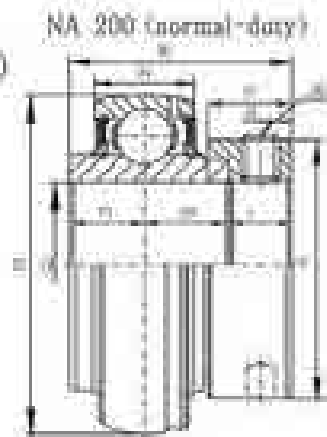
SRB 200 (normal-duty)



轴承代号 Bearing No.	轴径 Shaft Dia.		外形尺寸(毫米) Dimensions(mm)											额定动载荷 Basic Dynamic Load Rating (kg)	额定静载荷 Basic Static Load Rating (kg)	重量 Weight (kg)
	11.5	mm	D	B	Bv	r	M	D	h	J	P	G	OS			
SRB 200-10 200-11	10	12	42	31.0	16	10.7	18.2	1.02	0.2	0.9	32.2	4.2	SRB 200-10 SRB 200-11	1000	600	0.12
SRB 200-12 200-13	12	14	47	31.0	18	12.3	18.3	1.07	0.8	0.9	32.3	4.8	SRB 200-12 SRB 200-13	1100	650	0.15
SRB 200-15 200-16	15	17	51	31.0	18	12.2	18.3	1.02	0.8	1.0	32.3	4.8	SRB 200-15 SRB 200-16	1100	650	0.15
SRB 200-17 200-18	17	19	57	31.0	20	14.7	18.3	1.07	0.8	1.0	32.3	4.8	SRB 200-17 SRB 200-18	1200	700	0.21
SRB 200-20 200-21 200-22 200-23	20	22	62	34	20	14.3	18.1	1.05	0.8	1.4	32.1	5	SRB 200-20 SRB 200-21 SRB 200-22 SRB 200-23	1200	700	0.21
SRB 200-25 200-26 200-27 200-28	25	28	67	34.3	20	15.9	18.2	1.10	0.8	1.2	32.1	5	SRB 200-25 SRB 200-26 SRB 200-27 SRB 200-28	1300	750	0.25
SRB 200-30 200-31 200-32 200-33	30	33	72	34.7	21	17.5	18.1	1.15	0.8	1.2	32.1	6	SRB 200-30 SRB 200-31 SRB 200-32 SRB 200-33	1400	800	0.31
SRB 200-35 200-36 200-37 200-38	35	38	77	35.2	20	18	18.2	1.15	0.8	1.2	32.1	6.5	SRB 200-35 SRB 200-36 SRB 200-37 SRB 200-38	1500	850	0.37
SRB 200-40 200-41 200-42 200-43	40	43	82	35.7	20	18	18.1	1.15	0.8	1.2	32.1	6.5	SRB 200-40 SRB 200-41 SRB 200-42 SRB 200-43	1600	900	0.43
SRB 200-45 200-46 200-47 200-48	45	48	87	36.2	20	18	18.2	1.15	0.8	1.2	32.1	6.5	SRB 200-45 SRB 200-46 SRB 200-47 SRB 200-48	1700	950	0.49
SRB 200-50 200-51 200-52 200-53	50	53	92	36.7	21	18.5	18.1	1.15	0.8	1.2	32.1	6.5	SRB 200-50 SRB 200-51 SRB 200-52 SRB 200-53	1800	1000	0.55
SRB 200-55 200-56 200-57 200-58	55	58	97	37.2	21	18.5	18.2	1.15	0.8	1.2	32.1	6.5	SRB 200-55 SRB 200-56 SRB 200-57 SRB 200-58	1900	1050	0.61
SRB 200-60 200-61 200-62 200-63	60	63	102	37.7	21	18.5	18.3	1.15	0.8	1.2	32.1	6.5	SRB 200-60 SRB 200-61 SRB 200-62 SRB 200-63	2000	1100	0.67
SRB 200-65 200-66 200-67 200-68	65	68	107	38.2	21	18.5	18.4	1.15	0.8	1.2	32.1	6.5	SRB 200-65 SRB 200-66 SRB 200-67 SRB 200-68	2100	1150	0.73
SRB 200-70 200-71 200-72 200-73	70	73	112	38.7	21	18.5	18.4	1.15	0.8	1.2	32.1	6.5	SRB 200-70 SRB 200-71 SRB 200-72 SRB 200-73	2200	1200	0.79
SRB 200-75 200-76 200-77 200-78	75	78	117	39.2	21	18.5	18.4	1.15	0.8	1.2	32.1	6.5	SRB 200-75 SRB 200-76 SRB 200-77 SRB 200-78	2300	1250	0.85
SRB 200-80 200-81 200-82 200-83	80	83	122	39.7	21	18.5	18.4	1.15	0.8	1.2	32.1	6.5	SRB 200-80 SRB 200-81 SRB 200-82 SRB 200-83	2400	1300	0.91
SRB 200-85 200-86 200-87 200-88	85	88	127	40.2	21	18.5	18.4	1.15	0.8	1.2	32.1	6.5	SRB 200-85 SRB 200-86 SRB 200-87 SRB 200-88	2500	1350	0.97

BALL BEARINGS

带偏心套外球面球轴承
Ball Bearings
(with eccentric locking collar)

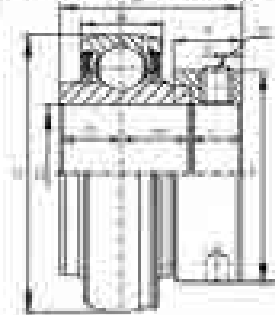


型号代号 Bearing No.	游隙 Pref. Cl.	外形尺寸(毫米) Dimensions(mm)										额定动载荷 Basic Dynamic Load Rating (kgf)	额定静载荷 Basic Static Load Rating (kgf)	重量 Weight (kgf)	
		D	d	B	b	r	r ₁	r ₂	r ₃	r ₄	r ₅				
NA 200 200-11	2	17	47	13.5	17	17	17	3.5	21.5	13.5	1.0	C-2000P M0017	300	310	0.28
NA 204-12 204	2	17	47	13.5	17	17	17	3.5	21.5	13.5	1.0	C-2000P M0017	1010	600	0.28 0.22
NA 200-14 200-15 200	2	25	52	14.5	20	17.4	17.4	4.5	19.2	13.8	1.0	C-2000P M0017	1100	710	0.28 0.22 0.22 0.22
NA 204-14 204	2	30	62	14.5	19	14.5	19.2	11.8	44.5	19.8	1.0	C-2000P M0017	1300	1000	0.48 0.41 0.44 0.29
NA 200-20 200-21 200-22 200	2	35	72	15.5	20	18.8	18.8	12.5	32.8	17.5	1.1	C-2000P M0017	1220	1200	0.58 0.51 0.51 0.41
NA 200-21 200	2	40	80	16.5	21	21.4	21.4	12.5	40.8	19.2	1.1	C-2000P M0017	2280	1800	0.88 0.78 0.78
NA 200-24 200-25 200-26 200	2	44	90	16.5	22	22.4	22.4	12.5	42.8	19.2	1.1	C-2000P M0017	2570	1920	0.99 0.91 0.91 0.81
NA 200-31 200	2	50	99	17.7	23	24.8	24.8	12.5	49.8	19.2	1.1	C-2000P M0017	2770	2040	1.04 1.01
NA 211-31 211	2	55	109	17.4	24	27.2	27.2	14	52.2	20.8	1.1	C-2000P M0017	3400	2500	1.48 1.38 1.38
NA 212-31 212-32 212	2	60	119	17.2	25	29.8	29.8	14	54.2	22.2	1.1	C-2000P M0017	4120	3100	1.60 1.51 1.51
NA 212-40 212	2	65	129	16.7	27	34.2	34.2	17.5	66	23.8	1.1	C-2000P M0017	4900	3470	2.11
NA 214 214-44	2	70	139	16.7	29	38.2	38.2	17.1	69	25.8	1.1	C-2000P M0017	5780	3820	2.47
NA 214-47 214	2	75	149	16.1	30	37.2	37.2	12.2	68	22.8	1.1	C-2000P M0017	5200	4200	2.47
NA 216 216-50	2	80	159	16.2	32	37.2	37.2	10.5	110	27	1.1	C-2000P M0017	5810	4600	2.77

BALL BEARINGS

带偏心套外球面球轴承

Ball Bearings (with eccentric locking collar) NA 300 (heavy-duty)

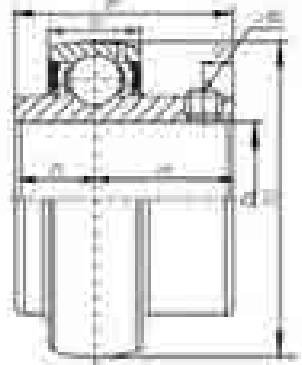


轴承代号 Bearing No.	轴径 Shaft Dia. d	外形尺寸(毫米) Dimensions (mm)										额定动载荷 Basic Dynamic Load Rating C ₁₀	额定静载荷 Basic Static Load Rating C ₀	重量 Weight W	
		D	B	B ₁	D ₁	d ₁	r	r ₁	r ₂	r ₃	r ₄				
NA 300-14 300-15 300-16 300-18	14	32	32	48.8	31	18.7	18.2	11.0	41.9	13.9	0	2000000	1170	1170	0.41 0.49 0.52 0.47
NA 300-18 300-19 300-20 300-22	18	36	36	50	33	19.3	18	11.5	44	17.3	0.7	2100000	1250	1250	0.73 0.88 0.93 0.88
NA 307-20 307-21 307-22 307-24	20	36	31.8	52	34.1	19.8	18.8	11.5	44	17.3	0.7	2000000	1150	1150	0.88 0.88 0.87 0.89 0.78
NA 309-24 309-25 309-26	24	40	36	57.1	37	20.8	21.2	12.8	53.4	20.4	0	2200000	1370	1370	1.18 1.13 1.09
NA 310-26 310-27 310-28 310-30	26	44	39	58.7	38	19.8	21.1	13.4	53	20.4	0	2100000	1300	1300	1.07 1.04 1.41 1.05
NA 310-30 310-31 310-32	30	48	34	60.8	38	24.4	24.8	13.4	56.8	21.3	0.7	2000000	1240	1240	1.08 1.08 1.40
NA 313-32 313-34 313-36	32	48	38	71	44	27.4	27.8	17.4	61	24.1	0	2100000	1280	1280	2.10 2.08 2.08 2.11
NA 315-36 315-38 315-40	36	52	38	74.3	44	29.5	29.5	17.5	66	23.8	0	2100000	1410	1410	2.09 2.09 2.49 2.49
NA 315-40 315-42	40	56	44	85.7	50	32.1	32.5	20.5	67	27	11.5	2200000	1570	1570	2.91 3.08
NA 315-44 315-46	44	60	44	88.1	50	34.1	34.5	22.8	68	28.2	12	2100000	1600	1600	4.40 4.60
NA 315-48 315-50	48	64	44	90	50	37.3	37.3	25.4	115	31.4	13	2100000	1770	1770	5.38
NA 319	48	68	44	100.4	50	40.3	40.3	25.4	119	31.4	14	2000000	1940	1900	6.7
NA 319-50 319-52	50	72	44	103.3	50	42	42.3	25.4	127	31.4	15	2100000	2000	2000	8.99 7.98
NA 319-54 319-56	54	76	44	115.9	50	47.45	47.45	25.4	135	34.3	14.5	2100000	1940	1900	9.35
NA 319-60	60	80	44	127.3	50	48.4	48.4	25.4	144	34.3	14.5	2100000	1900	1900	11.1
NA 320 320-34	48	100	44	134.4	50	50	50	28.4	146	34.3	14.5	2100000	1900	1900	12.9

BALL BEARINGS

带顶丝外球面球轴承
Ball Bearings
(with setscrews)

11C-X00 (medium-duty)



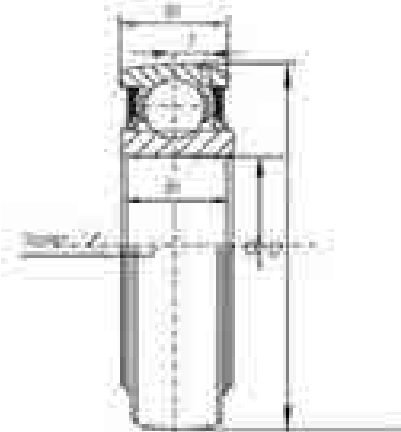
轴承代号 Bearing No.	轴径 Shaft Dia.	外形尺寸 (毫米) Dimensions (mm)							基本额定动载荷 Basic Dynamic Load Rating kgf	基本额定静载荷 Basic Static Load Rating kgf	重量 Weight kgf
		D	B	A	R	r1	r2	W			
11C-X00-14 11C-X00 11C-X00-16	14	48	16.1	19	14.4	27.2	5.0	K-steel S45C/S55C	1400	2000	0.34 0.38
11C-X04 11C-X04-18 11C-X04-20	18	72	22.0	27	17.3	33.4	6.0	K-steel S45C	2500	3500	0.58 0.64 0.68
11C-X07-22 11C-X07-24 11C-X07-26	22	96	28.2	34	23.0	40.0	6.5	K-steel S45C	3500	4800	0.75 0.78 0.82
11C-X08-24 11C-X08	24	100	29.5	35	23.0	40.5	6.0	K-steel S45C	3500	4800	0.97 0.98
11C-X09-26 11C-X09-27 11C-X09-28 11C-X09	26	108	31.0	37	23.0	42.0	6.0	K-steel S45C/S55C	3700	5000	1.01 1.03 1.05
11C-X10-30 11C-X10-31 11C-X10 11C-X10-32	30	120	33.0	39	23.2	43.4	6.0	K-steel S45C/S55C	4000	5500	1.22 1.26 1.28
11C-X11 11C-X11-34 11C-X11-35 11C-X11-36	34	130	35.1	41	23.4	45.7	6.0	K-steel S45C/S55C	4100	5700	1.46 1.50 1.55
11C-X12 11C-X12-38 11C-X12-39	38	140	37.1	43	23.4	48.7	7.0	K-steel S45C/S55C	4400	6000	2.00 2.03
11C-X13-40 11C-X13	40	150	39.0	45	23.2	49.4	6.0	K-steel S45C	4870	6600	2.61 2.63
11C-X14-42 11C-X14 11C-X14-44	42	160	40.8	47	23.2	49.5	6.0	K-steel S45C	5180	7000	2.74 2.74
11C-X15 11C-X15-46 11C-X15-48	46	170	42.8	49	23.2	49.9	6.0	K-steel S45C	5700	7500	3.21 3.22
11C-X16 11C-X16-50 11C-X16-52	50	180	44.7	51	23.1	51.0	6.0	K-steel S45C	6000	8200	3.67
11C-X17 11C-X17-54 11C-X17-56	54	190	46.0	53	23.2	51.5	6.0	K-steel S45C	7300	9700	4.00
11C-X18 11C-X18-60 11C-X18-62	60	210	49.0	57	23.2	52.1	6.0	K-steel S45C	10000	13700	5.12 5.26
11C-X20-68 11C-X20	68	230	51.5	61	23.2	53.5	6.0	K-steel S45C	13000	18000	6.43

BALL BEARINGS

帶圓錐孔外球面球軸承

UK Ball Bearings
(with tapered bore)

UK 200 (normal-duty)

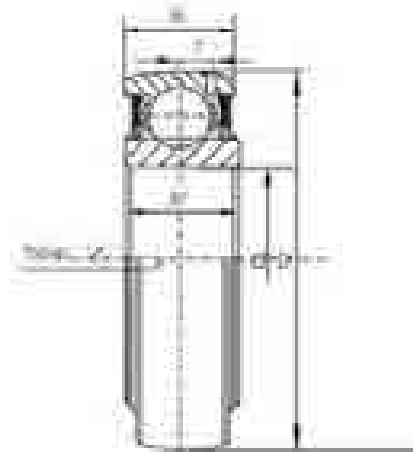


軸承代號 Bearing No.	標 准 ISO/GB mm	外形尺寸(毫米) Dimensions				額定動負荷 Basic Dynamic Load Rating kgf	額定靜負荷 Basic Static Load Rating kgf	重 量 Weight kgf
		D	B	B ₁	T			
UK 200	20	22	25	17	4.2	1300	710	0.18
UK 204	24	26	29	18	5.1	1540	1020	0.28
UK 207	28	31	34	20	6.0	2030	1400	0.37
UK 208	28	31	34	21	6.2	2000	1380	0.47
UK 210	30	33	36	22	6.5	2210	1520	0.52
UK 212	30	33	36	23	6.8	2160	1500	0.58
UK 215	35	39	42	24	7.3	2400	1650	0.69
UK 217	35	39	42	25	7.7	2350	1630	0.75
UK 220	40	44	47	27	8.1	2600	1800	0.84
UK 224	45	49	52	28	8.7	2850	1950	0.99
UK 228	45	49	52	29	9.0	2800	1930	1.06
UK 232	50	54	57	30	9.5	3100	2100	1.14
UK 236	55	59	62	31	10.0	3350	2250	1.24
UK 240	60	64	67	32	10.5	3600	2400	1.34
UK 244	65	69	72	33	11.0	3850	2550	1.44
UK 248	70	74	77	34	11.5	4100	2700	1.54
UK 252	75	79	82	35	12.0	4350	2850	1.64

BALL BEARINGS

带圆锥孔外球面球轴承
UK Ball Bearings
(with tapered bore)

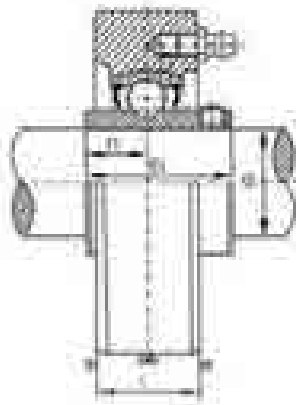
UK 300 (heavy-duty)



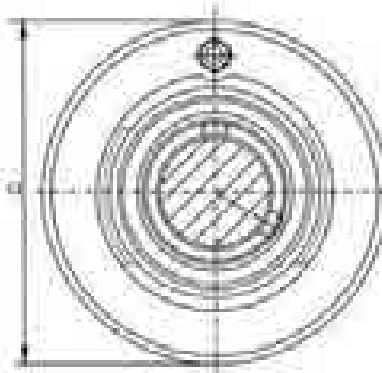
轴承代号 Bearing No.	外径 OD		外形尺寸 (毫米) Dimension (mm)			额定动载荷 Din Load Rating (kg)	额定静载荷 Dro Load Rating (kg)	重 量 Weight (kg)
	d	D	B	d ₁	r			
UK 200	25	42	11	27	4.1	2100	3000	0.40
UK 204	28	45	12	30	4.7	2300	3100	0.47
UK 207	35	55	15	33	5.4	2800	3600	0.66
UK 208	40	60	17	34	7.2	4000	5000	0.80
UK 209	45	65	18	37	7	4400	5500	1.09
UK 210	50	70	19	40	10	5000	6000	1.28
UK 211	55	75	19	42	10.5	5100	6200	1.38
UK 212	60	80	20	45	11.5	5500	6500	1.48
UK 213	65	85	20	48	12.2	5800	6700	1.58
UK 214	70	90	21	50	12.8	6000	7000	1.68
UK 215	75	95	21	52	13.2	6200	7200	1.78
UK 216	80	100	22	55	14.2	6500	7500	1.88
UK 217	85	105	22	58	15	6800	7800	1.98
UK 218	90	110	23	60	15.5	7000	8000	2.08
UK 219	95	115	23	63	16.2	7200	8200	2.18
UK 220	100	120	24	65	16.8	7500	8500	2.28
UK 221	105	125	24	68	17.5	7800	8800	2.38
UK 222	110	130	25	70	18	8000	9000	2.48
UK 223	115	135	25	73	18.5	8200	9200	2.58
UK 224	120	140	26	75	19	8500	9500	2.68
UK 225	125	145	26	78	19.5	8800	9800	2.78
UK 226	130	150	27	80	20	9000	10000	2.88
UK 227	135	155	27	83	20.5	9200	10200	2.98
UK 228	140	160	28	85	21	9500	10500	3.08

BALL BEARINGS

Cartridge Units



UCC200(normal-duty)



轴承代号 Bearing No. mm	密封形式 Seal Type		基本尺寸 Basic Size (mm)				密封号 Seal No.	密封号 Seal No.	重量 Weight kg
	SR	TRL	d	D	B	R			
600 200-04 600 200-04	SR	TRL	20	40	16.0	0.3	600 200-04	C 204	0.32
600 200-06 600 200-06	SR	TRL	25	50	19.0	0.3	600 200-06	C 206	0.50
600 200-08 600 200-08	SR	TRL	30	60	22.0	0.3	600 200-08	C 208	0.68
600 200-10 600 200-10	SR	TRL	35	70	25.0	0.3	600 200-10	C 210	0.92
600 200-12 600 200-12 600 200-12	SR	TRL	40	80	28.0	0.3	600 200-12	C 212	1.18
600 200-15 600 200-15 600 200-15	SR	TRL	45	90	33.0	0.3	600 200-15	C 215	1.61
600 200-18 600 200-18 600 200-18	SR	TRL	50	100	38.0	0.3	600 200-18	C 218	2.04
600 200-20 600 200-20 600 200-20	SR	TRL	55	110	43.0	0.3	600 200-20	C 220	2.57
600 200-25 600 200-25 600 200-25	SR	TRL	60	120	49.0	0.3	600 200-25	C 225	3.30
600 210-04 600 210-04 600 210-04	SR	TRL	20	42	16.0	0.3	600 210-04	C 210	0.39
600 210-06 600 210-06 600 210-06	SR	TRL	25	52	19.0	0.3	600 210-06	C 211	0.53
600 210-08 600 210-08 600 210-08	SR	TRL	30	62	22.0	0.3	600 210-08	C 212	0.69
600 210-10 600 210-10 600 210-10	SR	TRL	35	72	25.0	0.3	600 210-10	C 213	0.90

Chengdu RX Bearing Manufacturing Co.,Ltd

Pillow Block Bearing >> UCF Series

The insert bearings are the deep groove ball bearings with wide inner rings. It inserts in housing working as a unit bearing. The housing is mainly casting or pressed steel. The bearing unit is compact in design with perfect sealing devices. They can align with easiness during operation and can be conveniently mounted or dismounted.

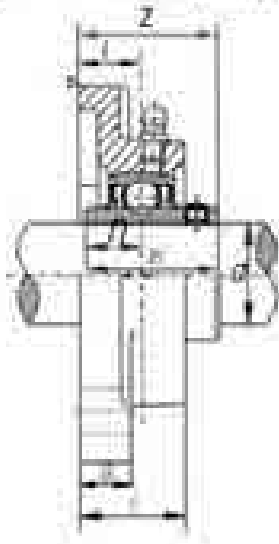
Unit No.	Bearing No.	Housing No.	Shaft Dia		Boundary Dimensions(mm)								
			in.	mm	a	e	i	g	l	s	z	Bi	n
UCF201-8	UC201-8	F204	1/2		86	63.5	15	11	25.4	12	33.3	31	12.7
UCF202-10	UC202-10	F204	5/8		86	63.5	15	11	25.4	12	33.3	31	12.7
UCF204	UC204	F204		20	86	63.5	15	11	25.4	12	33.3	31	12.7
UCF204-12	UC204-12	F204	3/4		86	63.5	15	11	25.4	12	33.3	31	12.7
UCF205	UC205	F205		25	95	70	16	13	27	12	35.7	34	14.3
UCF205-14	UC205-14	F205	7/8		95	70	16	13	27	12	35.7	34	14.3
UCF205-15	UC205-15	F205	15/16		95	70	16	13	27	12	35.7	34	14.3
UCF205-16	UC205-16	F205	1		95	70	16	13	27	12	35.7	34	14.3
UCF206	UC206	F206		30	108	83	18	13	31	12	40.2	38.1	15.9
UCF206-17	UC206-17	F206	1-1/16		108	83	18	13	31	12	40.2	38.1	15.9
UCF206-18	UC206-18	F206	1-1/8		108	83	18	13	31	12	40.2	38.1	15.9
UCF206-19	UC206-19	F206	1-3/16		108	83	18	13	31	12	40.2	38.1	15.9
UCF206-20	UC206-20	F206	1-1/4		108	83	18	13	31	12	40.2	38.1	15.9
UCF207	UC207	F207		35	117	92	19	15	34	14	44.4	42.9	17.5
UCF207-20	UC207-20	F207	1-1/4		117	92	19	15	34	14	44.4	42.9	17.5
UCF207-21	UC207-21	F207	1-5/16		117	92	19	15	34	14	44.4	42.9	17.5
UCF207-22	UC207-22	F207	1-3/8		117	92	19	15	34	14	44.4	42.9	17.5
UCF207-23	UC207-23	F207	1-7/16		117	92	19	15	34	14	44.4	42.9	17.5
UCF208	UC208	F208		40	130	102	21	15	36	16	51.2	49.2	19
UCF208-24	UC208-24	F208	1-1/2		130	102	21	15	36	16	51.2	49.2	19
UCF208-25	UC208-25	F208	1-9/16		130	102	21	15	36	16	51.2	49.2	19
UCF209	UC209	F209		45	137	105	22	16	38	16	52.2	49.2	19
UCF209-26	UC209-26	F209	1-5/8		137	105	22	16	38	16	52.2	49.2	19
UCF209-27	UC209-27	F209	1-11/16		137	105	22	16	38	16	52.2	49.2	19
UCF209-28	UC209-28	F209	1-3/4		137	105	22	16	38	16	52.2	49.2	19
UCF210	UC210	F210		50	143	111	22	16	40	16	54.6	51.6	19

Chengdu RX Bearing Manufacturing Co.,Ltd

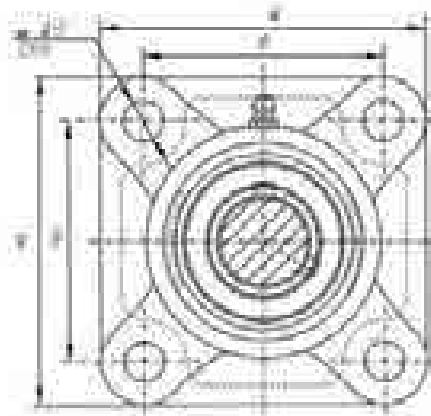
UCF210-30	UC210-30	F210	1-7/8		143	111	22	16	40	16	54.6	51.6	19
UCF210-31	UC210-31	F210	1-15/16		143	111	22	16	40	16	54.6	51.6	19
UCF210-32	UC210-32	F210	2		143	111	22	16	40	16	54.6	51.6	19
UCF211	UC211	F211		55	162	130	25	18	43	19	58.4	55.6	22.2
UCF211-32	UC211-32	F211	2		162	130	25	18	43	19	58.4	55.6	22.2
UCF211-34	UC211-34	F211	2-1/8		162	130	25	18	43	19	58.4	55.6	22.2
UCF211-35	UC211-35	F211	2-3/16		162	130	25	18	43	19	58.4	55.6	22.2
UCF212	UC212	F212		60	175	143	29	18	48	19	68.7	65.1	25.4
UCF212-36	UC212-36	F212	2-1/4		175	143	29	18	48	19	68.7	65.1	25.4
UCF212-38	UC212-38	F212	2-3/8		175	143	29	18	48	19	68.7	65.1	25.4
UCF212-39	UC212-39	F212	2-7/16		175	143	29	18	48	19	68.7	65.1	25.4
UCF213	UC213	F213		65	187	149	30	22	50	19	69.7	65.1	25.4
UCF213-40	UC213-40	F213	2-1/2		187	149	30	22	50	19	69.7	65.1	25.4
UCF214	UC214	F214		70	193	152	31	22	54	19	75.4	74.6	30.2
UCF214-43	UC214-43	F214	2-11/16		193	152	31	22	54	19	75.4	74.6	30.2
UCF214-44	UC214-44	F214	2-3/4		193	152	31	22	54	19	75.4	74.6	30.2
UCF215	UC215	F215		75	200	159	34	22	56	19	78.5	77.8	33.3
UCF215-47	UC215-47	F215	2-15/16		200	159	34	22	56	19	78.5	77.8	33.3
UCF215-48	UC215-48	F215	3		200	159	34	22	56	19	78.5	77.8	33.3

BALL BEARINGS

Flange Units(Square)



UCF X00 (medium duty)



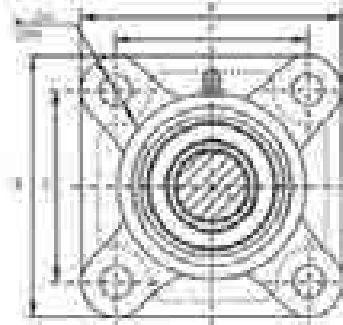
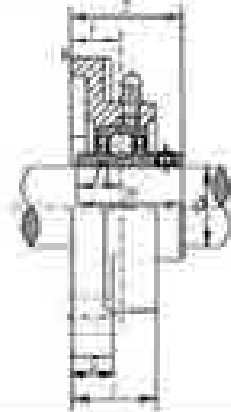
SKF 型号 Bearing No.	SKF 尺寸 Size (mm)	SKF 尺寸 (mm) Bearing Size (mm)										SKF 球数 Ball Count	SKF 重量 Weight (kg)	SKF 转速 Speed (rpm)	SKF 寿命 Life (h)
		d	D	B	Z	d ₁	d ₂	d ₃	d ₄	d ₅	d ₆				
UCF 200 200-04	20	26	35	14	16	16	17	18.5	18.1	18.9	10	10	100-10	F 200	1.7
UCF 210 200-05 200-20	25 25 25	32	42	15	18	18	19	21.5	21.1	22.1	11	11	100-10 100-15 100-20	F 210	1.4
UCF 220 200-06 200-10 200-15 200-20	30 30 30 30 30	38	48	16	20	20	21	23.5	23.1	24.1	12	12	100-10 100-15 100-20 100-25	F 220	2.0
UCF 230 200-08 200-12 200-18 200-25	35 35 35 35	44	54	17	22	22	23	25.5	25.1	26.1	13	13	100-10 100-15 100-20 100-25	F 230	2.7
UCF 240 210-08 210-12 210-18 210-25	40 40 40 40	50	60	18	24	24	25	27.5	27.1	28.1	14	14	100-10 100-15 100-20 100-25	F 240	3.4
UCF 250 210-10 210-15 210-20 210-25	45 45 45 45	56	66	19	26	26	27	29.5	29.1	30.1	15	15	100-10 100-15 100-20 100-25	F 250	4.1
UCF 260 210-12 210-18 210-25	50 50 50	62	72	20	28	28	29	31.5	31.1	32.1	16	16	100-10 100-15 100-20	F 260	4.8
UCF 270 210-15 210-20 210-25	55 55 55	68	78	21	30	30	31	33.5	33.1	34.1	17	17	100-10 100-15 100-20	F 270	5.5
UCF 280 210-18 210-25	60 60	74	84	22	32	32	33	35.5	35.1	36.1	18	18	100-10 100-15	F 280	6.2
UCF 290 210-20 210-25	65 65	80	90	23	34	34	35	37.5	37.1	38.1	19	19	100-10 100-15	F 290	6.9
UCF 300 210-25 210-30	70 70	86	96	24	36	36	37	39.5	39.1	40.1	20	20	100-10 100-15	F 300	7.6
UCF 310 210-30 210-35	75 75	92	102	25	38	38	39	41.5	41.1	42.1	21	21	100-10 100-15	F 310	8.3
UCF 320 210-35 210-40	80 80	98	108	26	40	40	41	43.5	43.1	44.1	22	22	100-10 100-15	F 320	9.0
UCF 330 210-40 210-45	85 85	104	114	27	42	42	43	45.5	45.1	46.1	23	23	100-10 100-15	F 330	9.7
UCF 340 210-45 210-50	90 90	110	120	28	44	44	45	47.5	47.1	48.1	24	24	100-10 100-15	F 340	10.4
UCF 350 210-50 210-55	95 95	116	126	29	46	46	47	49.5	49.1	50.1	25	25	100-10 100-15	F 350	11.1
UCF 360 210-55 210-60	100 100	122	132	30	48	48	49	51.5	51.1	52.1	26	26	100-10 100-15	F 360	11.8

BALL BEARINGS

Flange

Units(Square)

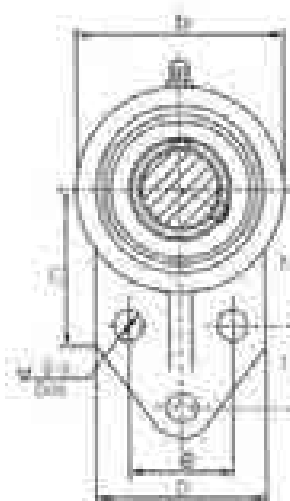
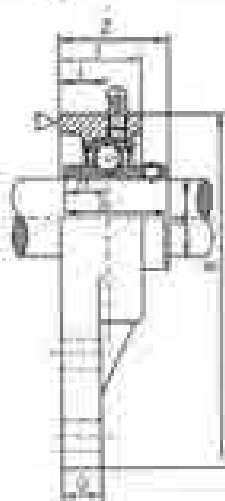
UCF 300 (heavy-duty)



滚动轴承 Bearing No.	密封 Seal	公差 Tol.	尺寸/mm Dimensions								球数 Balls	密封 Seal	重量 Weight	
			d	D	B	d ₁	D ₁	r	r ₁	W				
UCF 300-18		H7/k6	110	110	18	110	110	18	18	18	18	SR	0.00	1.2
UCF 300-18	SR	H7/k6	110	110	18	110	110	18	18	18	18	SR	0.00	1.6
UCF 300-20		H7/k6	120	120	20	120	120	20	20	20	20	SR	0.00	1.5
UCF 300-20	SR	H7/k6	120	120	20	120	120	20	20	20	20	SR	0.00	1.9
UCF 300-22		H7/k6	130	130	22	130	130	22	22	22	22	SR	0.00	1.7
UCF 300-22	SR	H7/k6	130	130	22	130	130	22	22	22	22	SR	0.00	2.2
UCF 300-24		H7/k6	140	140	24	140	140	24	24	24	24	SR	0.00	1.9
UCF 300-24	SR	H7/k6	140	140	24	140	140	24	24	24	24	SR	0.00	2.5
UCF 300-26		H7/k6	150	150	26	150	150	26	26	26	26	SR	0.00	2.2
UCF 300-26	SR	H7/k6	150	150	26	150	150	26	26	26	26	SR	0.00	2.8
UCF 300-28		H7/k6	160	160	28	160	160	28	28	28	28	SR	0.00	2.4
UCF 300-28	SR	H7/k6	160	160	28	160	160	28	28	28	28	SR	0.00	3.0
UCF 300-30		H7/k6	170	170	30	170	170	30	30	30	30	SR	0.00	2.6
UCF 300-30	SR	H7/k6	170	170	30	170	170	30	30	30	30	SR	0.00	3.2
UCF 300-32		H7/k6	180	180	32	180	180	32	32	32	32	SR	0.00	2.8
UCF 300-32	SR	H7/k6	180	180	32	180	180	32	32	32	32	SR	0.00	3.5
UCF 300-34		H7/k6	190	190	34	190	190	34	34	34	34	SR	0.00	3.0
UCF 300-34	SR	H7/k6	190	190	34	190	190	34	34	34	34	SR	0.00	3.7
UCF 300-36		H7/k6	200	200	36	200	200	36	36	36	36	SR	0.00	3.2
UCF 300-36	SR	H7/k6	200	200	36	200	200	36	36	36	36	SR	0.00	3.9
UCF 300-38		H7/k6	210	210	38	210	210	38	38	38	38	SR	0.00	3.4
UCF 300-38	SR	H7/k6	210	210	38	210	210	38	38	38	38	SR	0.00	4.1
UCF 300-40		H7/k6	220	220	40	220	220	40	40	40	40	SR	0.00	3.6
UCF 300-40	SR	H7/k6	220	220	40	220	220	40	40	40	40	SR	0.00	4.3
UCF 300-42		H7/k6	230	230	42	230	230	42	42	42	42	SR	0.00	3.8
UCF 300-42	SR	H7/k6	230	230	42	230	230	42	42	42	42	SR	0.00	4.5
UCF 300-44		H7/k6	240	240	44	240	240	44	44	44	44	SR	0.00	4.0
UCF 300-44	SR	H7/k6	240	240	44	240	240	44	44	44	44	SR	0.00	4.7
UCF 300-46		H7/k6	250	250	46	250	250	46	46	46	46	SR	0.00	4.2
UCF 300-46	SR	H7/k6	250	250	46	250	250	46	46	46	46	SR	0.00	4.9
UCF 300-48		H7/k6	260	260	48	260	260	48	48	48	48	SR	0.00	4.4
UCF 300-48	SR	H7/k6	260	260	48	260	260	48	48	48	48	SR	0.00	5.1

BALL BEARINGS

Flange Bracket Units UCFB 200 (normal - duty)



SR type seal

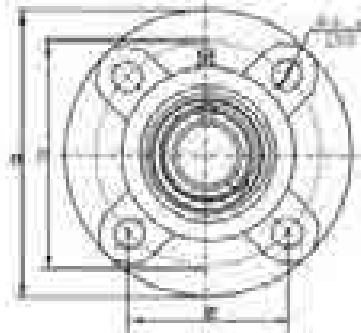
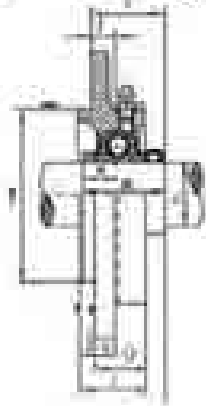


TRL type seal

轴承型号 Bearing Model	轴孔直径 Shaft Dia		轴承尺寸 Bearing Dimension														密封 Seal		重量 Weight	精度 Accuracy	
	mm	in	W	b	C	D	J	S	Q	B	I	θ	Z	W	T	mm	in				
UCFB200-201-B	1/2	12	110	48	52	52	20.8	10	18	42	27	52	18	21.8	21.0	12.7	W	1/8	UC-201-201-B	FR 204	0.64
UCFB200-201-B	1/2	18	110	50	55	55	20.8	10	18	42	27	52	18	21.8	21.0	12.7	W	1/8	UC-201-201-B	FR 204	0.62
UCFB200-204-B	1/2	24	110	52	57	57	20.8	10	18	42	27	52	18	21.8	21.0	12.7	W	1/8	UC-201-204-B	FR 204	0.61
UCFB200-15-204	1/2	20	110	50	55	55	20.8	10	18	42	27	52	18	21.8	21.0	12.7	W	1/8	UC-104-15-204	FR 204	0.59
UCFB200-14-204-15-204-204-14	1/2	20	114	58	62	62	27	10	18	48	29	54	18	24.7	24	14.0	W	1/8	UC-204-14-204-15-204-204-14	FR 204	0.65
UCFB200-14-204-204-15-204-204	1/2	20	120	60	65	65	27	10	18	50	29	60	18	24.2	24.1	13.9	W	1/8	UC-204-14-204-204-15-204-204	FR 204	0.72
UCFB200-24-204-24-204-204-204-204-204	1/2	24	144	60	65	65	24	10	18	50	30	60	18	24.2	24.2	13.9	W	1/8	UC-104-24-204-24-204-204-204-204-204	FR 204	1.1
UCFB200-24-204-24-204-204	1/2	24	162	100	75	75	24	12	18	60	31	60	21	31.2	30.2	19.0	W	1/8	UC-104-24-204-24-204-204	FR 204	1.8
UCFB200-24-204-24-204-204-204	1/2	24	174	100	75	75	24	12	18	60	31	60	21	31.2	30.2	19.0	W	1/8	UC-104-24-204-24-204-204-204	FR 204	2.0
UCFB200-24-210-210-210-210	1/2	24	184	112	80	80	24	12	18	60	31	60	21	31.2	30.2	19.0	W	1/8	UC-110-24-210-210-210-210	FR 210	2.3

BALL BEARINGS

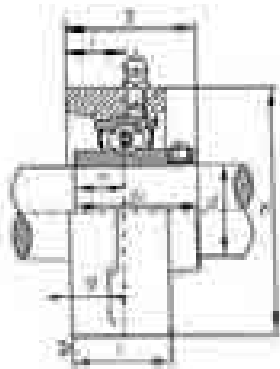
Flange Cartridge Units UCFC 200(normal-duty)



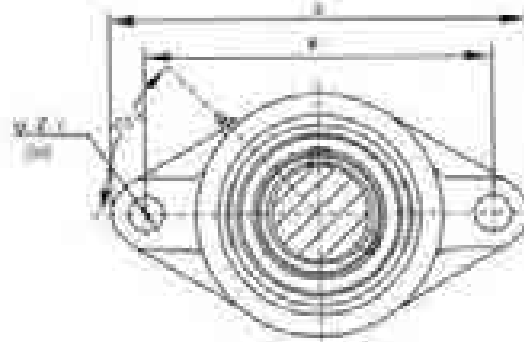
型号 Bearing No.	系列 Series	尺寸 (mm) Dimensions														球数 Ball Count	游隙 Clearance	重量 Weight
		d	D	B	d ₁	D ₁	d ₂	D ₂	d ₃	D ₃	d ₄	D ₄	d ₅	D ₅				
UCFC200-10 UCFC200-10	10	100	100	66.5	66	66.5	72	6	7	66.5	67	20.5	21.5	22.5	110	5	0.05	0.18
UCFC200-12 UCFC200-12	12	100	100	66.5	66	66.5	72	6	7	66.5	67	20.5	21.5	22.5	110	5	0.05	0.20
UCFC200-15 UCFC200-15	15	100	100	66.5	66	66.5	72	6	7	66.5	67	20.5	21.5	22.5	110	5	0.05	0.24
UCFC200-17 UCFC200-17	17	100	100	66.5	66	66.5	72	6	7	66.5	67	20.5	21.5	22.5	110	5	0.05	0.28
UCFC200-20 UCFC200-20	20	100	100	66.5	66	66.5	72	6	7	66.5	67	20.5	21.5	22.5	110	5	0.05	0.34
UCFC200-25 UCFC200-25	25	100	100	66.5	66	66.5	72	6	7	66.5	67	20.5	21.5	22.5	110	5	0.05	0.44
UCFC200-30 UCFC200-30	30	100	100	66.5	66	66.5	72	6	7	66.5	67	20.5	21.5	22.5	110	5	0.05	0.54
UCFC200-35 UCFC200-35	35	100	100	66.5	66	66.5	72	6	7	66.5	67	20.5	21.5	22.5	110	5	0.05	0.64
UCFC200-40 UCFC200-40	40	100	100	66.5	66	66.5	72	6	7	66.5	67	20.5	21.5	22.5	110	5	0.05	0.74
UCFC200-45 UCFC200-45	45	100	100	66.5	66	66.5	72	6	7	66.5	67	20.5	21.5	22.5	110	5	0.05	0.84
UCFC200-50 UCFC200-50	50	100	100	66.5	66	66.5	72	6	7	66.5	67	20.5	21.5	22.5	110	5	0.05	0.94
UCFC200-55 UCFC200-55	55	100	100	66.5	66	66.5	72	6	7	66.5	67	20.5	21.5	22.5	110	5	0.05	1.04
UCFC200-60 UCFC200-60	60	100	100	66.5	66	66.5	72	6	7	66.5	67	20.5	21.5	22.5	110	5	0.05	1.14
UCFC200-65 UCFC200-65	65	100	100	66.5	66	66.5	72	6	7	66.5	67	20.5	21.5	22.5	110	5	0.05	1.24
UCFC200-70 UCFC200-70	70	100	100	66.5	66	66.5	72	6	7	66.5	67	20.5	21.5	22.5	110	5	0.05	1.34
UCFC200-75 UCFC200-75	75	100	100	66.5	66	66.5	72	6	7	66.5	67	20.5	21.5	22.5	110	5	0.05	1.44
UCFC200-80 UCFC200-80	80	100	100	66.5	66	66.5	72	6	7	66.5	67	20.5	21.5	22.5	110	5	0.05	1.54
UCFC200-85 UCFC200-85	85	100	100	66.5	66	66.5	72	6	7	66.5	67	20.5	21.5	22.5	110	5	0.05	1.64
UCFC200-90 UCFC200-90	90	100	100	66.5	66	66.5	72	6	7	66.5	67	20.5	21.5	22.5	110	5	0.05	1.74
UCFC200-95 UCFC200-95	95	100	100	66.5	66	66.5	72	6	7	66.5	67	20.5	21.5	22.5	110	5	0.05	1.84
UCFC200-100 UCFC200-100	100	100	100	66.5	66	66.5	72	6	7	66.5	67	20.5	21.5	22.5	110	5	0.05	1.94

BALL BEARINGS

Flange Units (Oval)



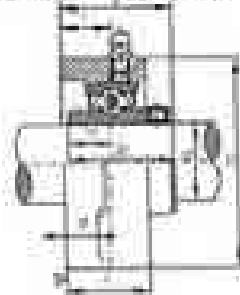
UCFL 200(normal-duty)



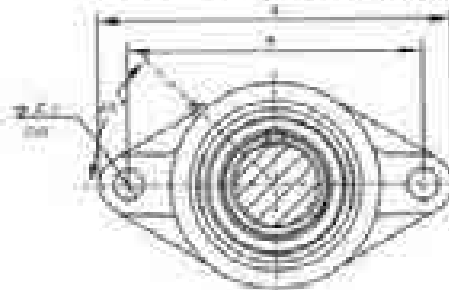
轴承代号 Bearing code No.	轴径 Shaft Dia mm	内径 ID mm	尺寸(GB) Dimensions(mm)									公差 Tol. - word		轴承号 Bearing No.	重量 Weight kg	
			d	D	B	Q	r	r ₁	r ₂	r ₃	r ₄	mm	mm			
UCFL200-25-14 200-25-14	25	200	112	80	16	11	22.5	11	20	11.5	11.5	11.5	H7/k6	SR 200-25-14	FL 200	0.70
UCFL200-30-16 200-30-16	30	200	110	80	16	11	22.5	11	20	11.5	11.5	11.5	H7/k6	SR 200-30-16	FL 200	0.80
UCFL200-35-17 200-35-17	35	200	110	80	16	11	22.5	11	20	11.5	11.5	11.5	H7/k6	SR 200-35-17	FL 200	0.87
UCFL200-40-18 200-40-18	40	200	110	80	16	11	22.5	11	20	11.5	11.5	11.5	H7/k6	SR 200-40-18	FL 200	0.95
UCFL200-45-19 200-45-19	45	200	106	80	16	11	22	10	19	11.5	11.5	11.5	H7/k6	SR 200-45-19	FL 200	0.98
UCFL200-50-20 200-50-20	50	200	106	80	16	11	22	10	19	11.5	11.5	11.5	H7/k6	SR 200-50-20	FL 200	0.99
UCFL200-55-21 200-55-21	55	200	101	80	16	11	20	10	19	11.5	11.5	11.5	H7/k6	SR 200-55-21	FL 200	1.0
UCFL200-60-22 200-60-22	60	200	101	80	16	11	20	10	19	11.5	11.5	11.5	H7/k6	SR 200-60-22	FL 200	1.0
UCFL200-65-23 200-65-23	65	200	101	80	16	11	20	10	19	11.5	11.5	11.5	H7/k6	SR 200-65-23	FL 200	1.0
UCFL200-70-24 200-70-24	70	200	101	80	16	11	20	10	19	11.5	11.5	11.5	H7/k6	SR 200-70-24	FL 200	1.0
UCFL200-75-25 200-75-25	75	200	101	80	16	11	20	10	19	11.5	11.5	11.5	H7/k6	SR 200-75-25	FL 200	1.0
UCFL200-80-26 200-80-26	80	200	101	80	16	11	20	10	19	11.5	11.5	11.5	H7/k6	SR 200-80-26	FL 200	1.0
UCFL200-85-27 200-85-27	85	200	101	80	16	11	20	10	19	11.5	11.5	11.5	H7/k6	SR 200-85-27	FL 200	1.0
UCFL200-90-28 200-90-28	90	200	101	80	16	11	20	10	19	11.5	11.5	11.5	H7/k6	SR 200-90-28	FL 200	1.0
UCFL200-95-29 200-95-29	95	200	101	80	16	11	20	10	19	11.5	11.5	11.5	H7/k6	SR 200-95-29	FL 200	1.0
UCFL200-100-30 200-100-30	100	200	101	80	16	11	20	10	19	11.5	11.5	11.5	H7/k6	SR 200-100-30	FL 200	1.0
UCFL200-110-32 200-110-32	110	200	101	80	16	11	20	10	19	11.5	11.5	11.5	H7/k6	SR 200-110-32	FL 200	1.0
UCFL200-120-34 200-120-34	120	200	101	80	16	11	20	10	19	11.5	11.5	11.5	H7/k6	SR 200-120-34	FL 200	1.0
UCFL200-130-36 200-130-36	130	200	101	80	16	11	20	10	19	11.5	11.5	11.5	H7/k6	SR 200-130-36	FL 200	1.0
UCFL200-140-38 200-140-38	140	200	101	80	16	11	20	10	19	11.5	11.5	11.5	H7/k6	SR 200-140-38	FL 200	1.0
UCFL200-150-40 200-150-40	150	200	101	80	16	11	20	10	19	11.5	11.5	11.5	H7/k6	SR 200-150-40	FL 200	1.0
UCFL200-160-42 200-160-42	160	200	101	80	16	11	20	10	19	11.5	11.5	11.5	H7/k6	SR 200-160-42	FL 200	1.0
UCFL200-170-44 200-170-44	170	200	101	80	16	11	20	10	19	11.5	11.5	11.5	H7/k6	SR 200-170-44	FL 200	1.0
UCFL200-180-46 200-180-46	180	200	101	80	16	11	20	10	19	11.5	11.5	11.5	H7/k6	SR 200-180-46	FL 200	1.0
UCFL200-190-48 200-190-48	190	200	101	80	16	11	20	10	19	11.5	11.5	11.5	H7/k6	SR 200-190-48	FL 200	1.0

BALL BEARINGS

Flange Units (Oval)



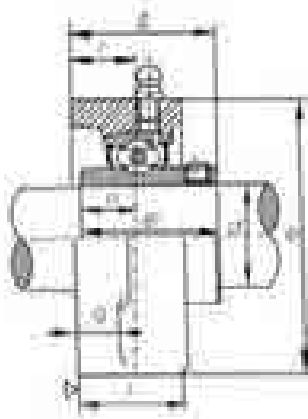
UCFL 300(heavy-duty)



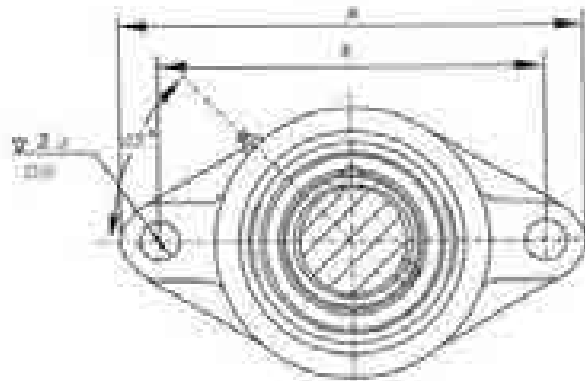
轴承代号 Bearing No.	尺寸 Size		基本尺寸/mm Basic Dimensions										游隙 Ball-lead		游隙 No.	游隙 No.	重量 Weight (kg)
	mm	mm	d	D	B	da	r	r1	r2	ra	rb	rc	rd	ra			
UCFL300 300-30	3	30	30	112	30	27	30	18	40	20	35	12	0.02	0.04	OC 300-30	FC 300	1.1
UCFL300-10 300-10 300-20	0.5 1.5 2.5	30	30	112	30	27	30	18	40	20	35	12	0.02	0.04	OC 300-10 300-20 300-30	FC 300	1.5
UCFL300-20 300-20 300-25 300-30	0.5 1.5 2.5	30	30	112	30	27	30	18	40	20	35	12	0.02	0.04	OC 300-20 300-25 300-30	FC 300	1.8
UCFL300-25 300-25	0.5	30	30	112	30	27	30	18	40	20	35	12	0.02	0.04	OC 300-25	FC 300	2.4
UCFL300-30 300-30	0.5	30	30	112	30	27	30	18	40	20	35	12	0.02	0.04	OC 300-30	FC 300	3.4
UCFL310-10 310-10 310-20	0.5 1.5	30	30	117	30	27	30	18	40	20	35	12	0.02	0.04	OC 310-10 310-20	FC 310	4.0
UCFL310-20 310-20 310-25	0.5 1.5	30	30	117	30	27	30	18	40	20	35	12	0.02	0.04	OC 310-20 310-25	FC 310	5.2
UCFL310 310-30 310-35	0.5 1.5	30	30	117	30	27	30	18	40	20	35	12	0.02	0.04	OC 310-30 310-35	FC 310	6.8
UCFL310-35 310-35	0.5	30	30	117	30	27	30	18	40	20	35	12	0.02	0.04	OC 310-35	FC 310	7.9
UCFL314-10 314-10	0.5	30	30	124	30	27	30	18	40	20	35	12	0.02	0.04	OC 314-10	FC 314	9.0
UCFL314 314-20 314-25	0.5 1.5	30	30	124	30	27	30	18	40	20	35	12	0.02	0.04	OC 314-20 314-25	FC 314	10.0
UCFL314-25 314-25	0.5	30	30	124	30	27	30	18	40	20	35	12	0.02	0.04	OC 314-25	FC 314	10.0
UCFL314 314-30 314-35	0.5 1.5	30	30	124	30	27	30	18	40	20	35	12	0.02	0.04	OC 314-30 314-35	FC 314	10.0
UCFL314-35 314-35	0.5	30	30	124	30	27	30	18	40	20	35	12	0.02	0.04	OC 314-35	FC 314	10.0
UCFL318 318-20 318-25	0.5 1.5	30	30	130	30	27	30	18	40	20	35	12	0.02	0.04	OC 318-20 318-25	FC 318	10.0
UCFL318-25 318-25	0.5	30	30	130	30	27	30	18	40	20	35	12	0.02	0.04	OC 318-25	FC 318	10.0
UCFL318 318-30 318-35	0.5 1.5	30	30	130	30	27	30	18	40	20	35	12	0.02	0.04	OC 318-30 318-35	FC 318	10.0
UCFL318-35 318-35	0.5	30	30	130	30	27	30	18	40	20	35	12	0.02	0.04	OC 318-35	FC 318	10.0
UCFL320 320-20 320-25	0.5 1.5	30	30	136	30	27	30	18	40	20	35	12	0.02	0.04	OC 320-20 320-25	FC 320	10.0
UCFL320-25 320-25	0.5	30	30	136	30	27	30	18	40	20	35	12	0.02	0.04	OC 320-25	FC 320	10.0
UCFL320 320-30 320-35	0.5 1.5	30	30	136	30	27	30	18	40	20	35	12	0.02	0.04	OC 320-30 320-35	FC 320	10.0
UCFL320-35 320-35	0.5	30	30	136	30	27	30	18	40	20	35	12	0.02	0.04	OC 320-35	FC 320	10.0
UCFL324 324-20 324-25	0.5 1.5	30	30	142	30	27	30	18	40	20	35	12	0.02	0.04	OC 324-20 324-25	FC 324	10.0
UCFL324-25 324-25	0.5	30	30	142	30	27	30	18	40	20	35	12	0.02	0.04	OC 324-25	FC 324	10.0
UCFL324 324-30 324-35	0.5 1.5	30	30	142	30	27	30	18	40	20	35	12	0.02	0.04	OC 324-30 324-35	FC 324	10.0
UCFL324-35 324-35	0.5	30	30	142	30	27	30	18	40	20	35	12	0.02	0.04	OC 324-35	FC 324	10.0

BALL BEARINGS

Flange Units (Oval)



UCFL X00 (medium-duty)



SR typical



TRL typical

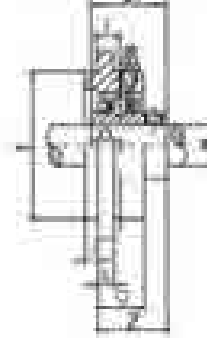
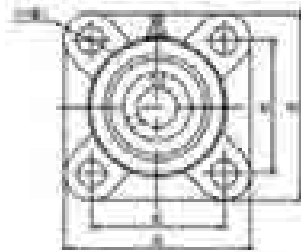
型号/代号 Bearing No.	密封 Seal	尺寸 Dimensions	尺寸/代号 Dimensions										密封 Seal	密封 No.	密封 No.	重量 Weight	
			d	Φ	f	Φ	r	β	Δ	r	r ₁	r ₂					Φ
UCFL X00 X00-14 X00-18	SR SR SR	SR	100	117	14	14	20	13	34	40.0	46.7	14.0	810	SR	X00-14 X00-18	FL X00	0.9
UCFL X00 X00-18 X00-22 X00-28	SR SR SR SR	SR	100	120	18	14	24	14	38	44.0	52.7	17.0	814	SR	X00-18 X00-22 X00-28	FL X00	1.4
UCFL X00 X00-22 X00-28 X00-32	SR SR SR SR	SR	110	144	22	14	26	14	50	55.0	65.0	19.0	817	SR	X00-22 X00-28 X00-32	FL X00	1.9
UCFL X00 X00-28 X00-32	SR SR SR	SR	110	148	22	14	26	14	51	57.0	67.0	19.0	817	SR	X00-28 X00-32	FL X00	2.0
UCFL X00 X00-32 X00-36 X00-40	SR SR SR SR	SR	120	157	22	14	26	14	58	64.0	75.0	19.0	818	SR	X00-32 X00-36 X00-40	FL X00	2.4
UCFL X00 X00-36 X00-40	SR SR SR	SR	120	168	24	20	28	14	64	70.0	82.0	20.0	818	SR	X00-36 X00-40	FL X00	2.7

BALL BEARINGS

Flange Cartridge

Units(Square)

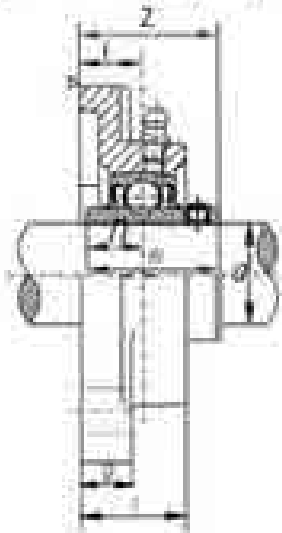
UCFS 300 (heavy-duty)



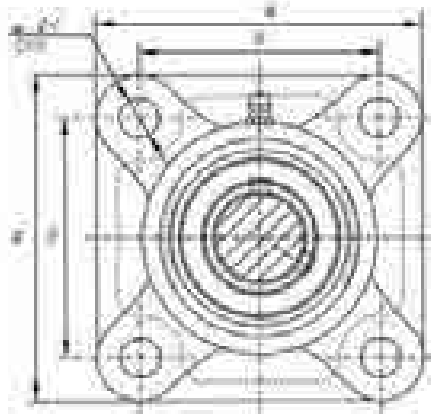
型号规格代号 Bearing Model No.	轴径 Shaft Dia.		外形尺寸/偏差 Dimension (mm)										公差 Tol.	材料 Material	额定动载荷 Basic Load No.	额定静载荷 Bearing No.	重量 Weight (kg)		
	φ	公差	φ	B	T	r	r	h	W	L	Z	φ						IT	
UCFS300-14 995-14 999-14 997-14	14	h7	38	40	8	0.04	0.04	0.04	0.04	0.04	0.04	0.04	0.04	0.04	0.04	0.04	14	FS 300	0.43
UCFS300-15 995-15 999-15 997-15	15	h7	40	42	8	0.04	0.04	0.04	0.04	0.04	0.04	0.04	0.04	0.04	0.04	0.04	15	FS 300	0.48
UCFS300-16 995-16 999-16 997-16	16	h7	42	44	8	0.04	0.04	0.04	0.04	0.04	0.04	0.04	0.04	0.04	0.04	0.04	16	FS 300	0.53
UCFS300-17 995-17 999-17 997-17	17	h7	44	46	8	0.04	0.04	0.04	0.04	0.04	0.04	0.04	0.04	0.04	0.04	0.04	17	FS 300	0.58
UCFS300-18 995-18 999-18 997-18	18	h7	46	48	8	0.04	0.04	0.04	0.04	0.04	0.04	0.04	0.04	0.04	0.04	0.04	18	FS 300	0.63
UCFS300-19 995-19 999-19 997-19	19	h7	48	50	8	0.04	0.04	0.04	0.04	0.04	0.04	0.04	0.04	0.04	0.04	0.04	19	FS 300	0.68
UCFS300-20 995-20 999-20 997-20	20	h7	50	52	8	0.04	0.04	0.04	0.04	0.04	0.04	0.04	0.04	0.04	0.04	0.04	20	FS 300	0.73
UCFS300-22 995-22 999-22 997-22	22	h7	54	56	8	0.04	0.04	0.04	0.04	0.04	0.04	0.04	0.04	0.04	0.04	0.04	22	FS 300	0.83
UCFS300-24 995-24 999-24 997-24	24	h7	58	60	8	0.04	0.04	0.04	0.04	0.04	0.04	0.04	0.04	0.04	0.04	0.04	24	FS 300	0.93
UCFS300-26 995-26 999-26 997-26	26	h7	62	64	8	0.04	0.04	0.04	0.04	0.04	0.04	0.04	0.04	0.04	0.04	0.04	26	FS 300	1.03
UCFS300-28 995-28 999-28 997-28	28	h7	66	68	8	0.04	0.04	0.04	0.04	0.04	0.04	0.04	0.04	0.04	0.04	0.04	28	FS 300	1.13
UCFS300-30 995-30 999-30 997-30	30	h7	70	72	8	0.04	0.04	0.04	0.04	0.04	0.04	0.04	0.04	0.04	0.04	0.04	30	FS 300	1.23
UCFS300-32 995-32 999-32 997-32	32	h7	74	76	8	0.04	0.04	0.04	0.04	0.04	0.04	0.04	0.04	0.04	0.04	0.04	32	FS 300	1.33
UCFS300-34 995-34 999-34 997-34	34	h7	78	80	8	0.04	0.04	0.04	0.04	0.04	0.04	0.04	0.04	0.04	0.04	0.04	34	FS 300	1.43
UCFS300-36 995-36 999-36 997-36	36	h7	82	84	8	0.04	0.04	0.04	0.04	0.04	0.04	0.04	0.04	0.04	0.04	0.04	36	FS 300	1.53
UCFS300-38 995-38 999-38 997-38	38	h7	86	88	8	0.04	0.04	0.04	0.04	0.04	0.04	0.04	0.04	0.04	0.04	0.04	38	FS 300	1.63
UCFS300-40 995-40 999-40 997-40	40	h7	90	92	8	0.04	0.04	0.04	0.04	0.04	0.04	0.04	0.04	0.04	0.04	0.04	40	FS 300	1.73
UCFS300-42 995-42 999-42 997-42	42	h7	94	96	8	0.04	0.04	0.04	0.04	0.04	0.04	0.04	0.04	0.04	0.04	0.04	42	FS 300	1.83
UCFS300-44 995-44 999-44 997-44	44	h7	98	100	8	0.04	0.04	0.04	0.04	0.04	0.04	0.04	0.04	0.04	0.04	0.04	44	FS 300	1.93
UCFS300-46 995-46 999-46 997-46	46	h7	102	104	8	0.04	0.04	0.04	0.04	0.04	0.04	0.04	0.04	0.04	0.04	0.04	46	FS 300	2.03
UCFS300-48 995-48 999-48 997-48	48	h7	106	108	8	0.04	0.04	0.04	0.04	0.04	0.04	0.04	0.04	0.04	0.04	0.04	48	FS 300	2.13
UCFS300-50 995-50 999-50 997-50	50	h7	110	112	8	0.04	0.04	0.04	0.04	0.04	0.04	0.04	0.04	0.04	0.04	0.04	50	FS 300	2.23
UCFS300-52 995-52 999-52 997-52	52	h7	114	116	8	0.04	0.04	0.04	0.04	0.04	0.04	0.04	0.04	0.04	0.04	0.04	52	FS 300	2.33
UCFS300-54 995-54 999-54 997-54	54	h7	118	120	8	0.04	0.04	0.04	0.04	0.04	0.04	0.04	0.04	0.04	0.04	0.04	54	FS 300	2.43
UCFS300-56 995-56 999-56 997-56	56	h7	122	124	8	0.04	0.04	0.04	0.04	0.04	0.04	0.04	0.04	0.04	0.04	0.04	56	FS 300	2.53
UCFS300-58 995-58 999-58 997-58	58	h7	126	128	8	0.04	0.04	0.04	0.04	0.04	0.04	0.04	0.04	0.04	0.04	0.04	58	FS 300	2.63
UCFS300-60 995-60 999-60 997-60	60	h7	130	132	8	0.04	0.04	0.04	0.04	0.04	0.04	0.04	0.04	0.04	0.04	0.04	60	FS 300	2.73

BALL BEARINGS

Flange Units(Square)



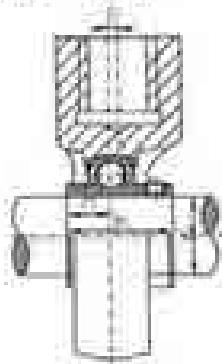
UCF X00 (medium duty)



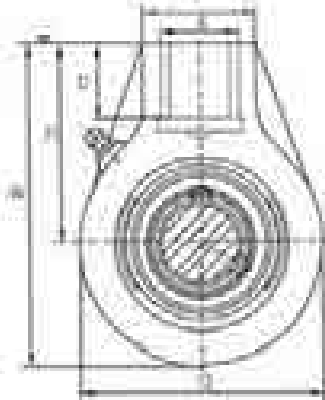
轴承型号 Bearing No.	轴径 Shaft Dia.	轴承尺寸(毫米) Bearing Size(mm)									游隙 Ball clear.	密封号 Sealing No.	重量 Weight (kg)	
		d	D	L	B	L ₁	L ₂	L ₃	d ₁	r				
UCF 208 188-28	25	70	80	18	32	30	22	46.2	45.1	18.8	0.015	UC 208-28 188-28	1.1	
UCF 208 208-28 208-28	25 25 25	70	80	18	32	30	22	46.2	45.1	18.8	0.015	UC 208-28 208-28 208-28	F 208	1.4
UCF 212 200-32 200-32 200-32	30 30 30	75	85	21	34	30	23	48.2	47.2	19.3	0.015	UC 212-32 200-32 200-32	F 212	1.5
UCF 212 212-32	30	75	85	21	34	30	23	48.2	47.2	19.3	0.015	UC 212-32 212-32	F 212	2.1
UCF 216 200-36 200-36 200-36	35 35 35	80	90	23	36	32	25	50.2	49.2	19.8	0.015	UC 216-36 200-36 200-36	F 216	2.3
UCF 216 216-36	35	80	90	23	36	32	25	50.2	49.2	19.8	0.015	UC 216-36 216-36	F 216	2.8
UCF 220 210-40 210-40 210-40	40 40 40	85	95	25	38	34	27	52.2	51.2	20.3	0.015	UC 220-40 210-40 210-40	F 220	2.7
UCF 220 220-40	40	85	95	25	38	34	27	52.2	51.2	20.3	0.015	UC 220-40 220-40	F 220	3.5
UCF 224 215-44 215-44	45 45 45	90	100	27	40	36	29	54.2	53.2	20.8	0.015	UC 224-44 215-44 215-44	F 224	3.9
UCF 224 224-44	45	90	100	27	40	36	29	54.2	53.2	20.8	0.015	UC 224-44 224-44	F 224	4.8
UCF 228 215-48 215-48	50 50 50	95	105	29	42	38	31	56.2	55.2	21.3	0.015	UC 228-48 215-48 215-48	F 228	4.4
UCF 228 228-48	50	95	105	29	42	38	31	56.2	55.2	21.3	0.015	UC 228-48 228-48	F 228	5.5
UCF 232 215-52 215-52	55 55 55	100	110	31	44	40	33	58.2	57.2	21.8	0.015	UC 232-52 215-52 215-52	F 232	5.5
UCF 232 232-52	55	100	110	31	44	40	33	58.2	57.2	21.8	0.015	UC 232-52 232-52	F 232	7.2
UCF 236 215-56 215-56	60 60 60	105	115	33	46	42	35	60.2	59.2	22.3	0.015	UC 236-56 215-56 215-56	F 236	11.2
UCF 236 236-56	60	105	115	33	46	42	35	60.2	59.2	22.3	0.015	UC 236-56 236-56	F 236	21.00

BALL BEARINGS

Screw Conveyor Hanger Units



UCLA 200 (normal-duty)

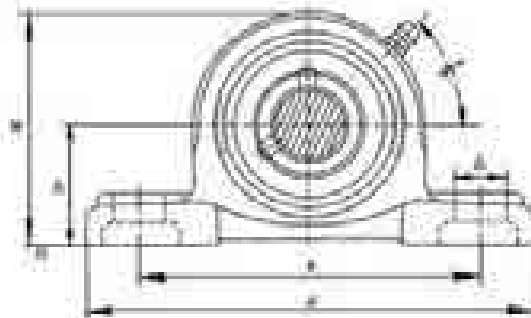
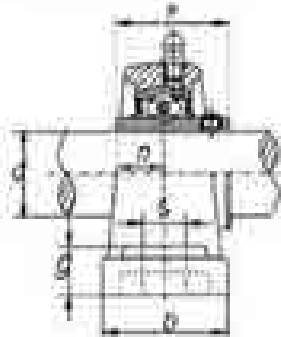


型号名称 Bearing No.	密封 Seal Size		尺寸(mm) Dimensions (mm)										密封号 Seal No.	重量 Weight (kg)	
	1mm	mm	D	W	C	B	J	D	L	B1	B2				
UC200-1 200-1A	15	15	64	66	0	64	40	19		0%	66.6	11.1	UC 200-1 200-1A	HA 200	0.11
UC200-1B 200-1B	15	15	64	66	0	64	40	19		0%	66.6	11.1	UC 200-1B 200-1B	HA 200	0.11
UC200-1C 200-1C	15	15	64	66	0	64	40	19		0%	66.6	11.1	UC 200-1C 200-1C	HA 200	0.11
UC200-1D 200-1D	15	15	64	66	0	64	40	19		0%	66.6	11.1	UC 200-1D 200-1D	HA 200	0.11
UC200-1E 200-1E	15	15	64	66	0	64	40	19		0%	66.6	11.1	UC 200-1E 200-1E	HA 200	0.11
UC200-1F 200-1F	15	15	64	66	0	64	40	19		0%	66.6	11.1	UC 200-1F 200-1F	HA 200	0.11
UC200-1G 200-1G	15	15	64	66	0	64	40	19		0%	66.6	11.1	UC 200-1G 200-1G	HA 200	0.11
UC200-1H 200-1H	15	15	64	66	0	64	40	19		0%	66.6	11.1	UC 200-1H 200-1H	HA 200	0.11
UC200-1I 200-1I	15	15	64	66	0	64	40	19		0%	66.6	11.1	UC 200-1I 200-1I	HA 200	0.11
UC200-1J 200-1J	15	15	64	66	0	64	40	19		0%	66.6	11.1	UC 200-1J 200-1J	HA 200	0.11
UC200-1K 200-1K	15	15	64	66	0	64	40	19		0%	66.6	11.1	UC 200-1K 200-1K	HA 200	0.11
UC200-1L 200-1L	15	15	64	66	0	64	40	19		0%	66.6	11.1	UC 200-1L 200-1L	HA 200	0.11
UC200-1M 200-1M	15	15	64	66	0	64	40	19		0%	66.6	11.1	UC 200-1M 200-1M	HA 200	0.11
UC200-1N 200-1N	15	15	64	66	0	64	40	19		0%	66.6	11.1	UC 200-1N 200-1N	HA 200	0.11
UC200-1O 200-1O	15	15	64	66	0	64	40	19		0%	66.6	11.1	UC 200-1O 200-1O	HA 200	0.11
UC200-1P 200-1P	15	15	64	66	0	64	40	19		0%	66.6	11.1	UC 200-1P 200-1P	HA 200	0.11
UC200-1Q 200-1Q	15	15	64	66	0	64	40	19		0%	66.6	11.1	UC 200-1Q 200-1Q	HA 200	0.11
UC200-1R 200-1R	15	15	64	66	0	64	40	19		0%	66.6	11.1	UC 200-1R 200-1R	HA 200	0.11
UC200-1S 200-1S	15	15	64	66	0	64	40	19		0%	66.6	11.1	UC 200-1S 200-1S	HA 200	0.11
UC200-1T 200-1T	15	15	64	66	0	64	40	19		0%	66.6	11.1	UC 200-1T 200-1T	HA 200	0.11
UC200-1U 200-1U	15	15	64	66	0	64	40	19		0%	66.6	11.1	UC 200-1U 200-1U	HA 200	0.11
UC200-1V 200-1V	15	15	64	66	0	64	40	19		0%	66.6	11.1	UC 200-1V 200-1V	HA 200	0.11
UC200-1W 200-1W	15	15	64	66	0	64	40	19		0%	66.6	11.1	UC 200-1W 200-1W	HA 200	0.11
UC200-1X 200-1X	15	15	64	66	0	64	40	19		0%	66.6	11.1	UC 200-1X 200-1X	HA 200	0.11
UC200-1Y 200-1Y	15	15	64	66	0	64	40	19		0%	66.6	11.1	UC 200-1Y 200-1Y	HA 200	0.11
UC200-1Z 200-1Z	15	15	64	66	0	64	40	19		0%	66.6	11.1	UC 200-1Z 200-1Z	HA 200	0.11

BALL BEARINGS

Pillow Blocks

OCP 300 (normal-duty)

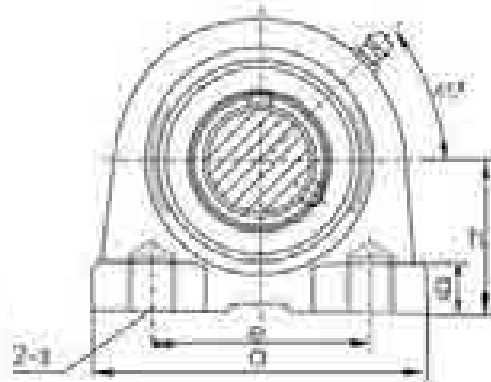
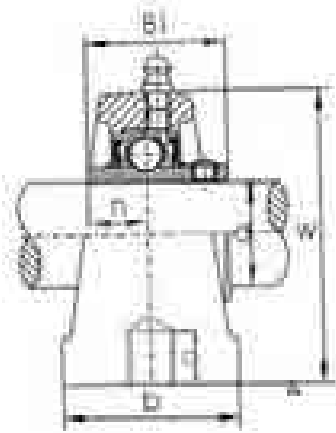


轴承型号 Bearing No.	尺寸 SIZE		尺寸 (毫米) Dimensions										游隙 Ball clear		Bearing No.	Bearing No.	重量 Weight (kg)
	mm	inch	H	a	F	B	b	f	G	W	β	β'	mm	in			
OCP 201-14 201-14	7/8	19	54.0	127	50	14	14	13	48	41	14.2	10.0	0.04	0.0015	PC 201-14 201-14	P-201	0.43
OCP 202-14 202-14	1 1/8	28	54.0	127	50	20	14	13	48	42	14.0	10.0	0.04	0.0015	PC 202-14 202-14	P-201	0.61
OCP 203-14 203-14	1 1/2	38	54.0	127	50	26	14	13	48	44	14.0	10.0	0.04	0.0015	PC 203-14 203-14	P-203	0.80
OCP 204-15 204-15	7/8	20	55.0	127	49	16	14	13	48	45	14.0	11.7	0.04	0.0015	PC 204-15 204-15	P-204	0.65
OCP 205-14 205-14 205-14 205-14	1 1/8	28	55.0	127	49	14	14	13	48	44	14.0	11.0	0.04	0.0015	PC 205-14 205-14 205-14 205-14	P-204	0.79
OCP 206-14 206-14 206-14 206-14	1 1/2	38	55.0	127	49	14	14	13	48	45	14.0	11.0	0.04	0.0015	PC 206-14 206-14 206-14 206-14	P-204	1.34
OCP 207-14 207-14 207-14 207-14	1 3/4	42	55.0	127	49	14	14	13	48	46	14.0	11.0	0.04	0.0015	PC 207-14 207-14 207-14 207-14	P-207	1.60
OCP 208-14 208-14 208-14 208-14	1 7/8	48	55.0	127	49	14	14	13	48	47	14.0	11.0	0.04	0.0015	PC 208-14 208-14 208-14 208-14	P-208	2.04
OCP 209-14 209-14 209-14 209-14	2	50	55.0	127	49	14	14	13	48	48	14.0	11.0	0.04	0.0015	PC 209-14 209-14 209-14 209-14	P-209	2.20
OCP 210-14 210-14 210-14 210-14	2 1/8	54	55.0	127	49	14	14	13	48	49	14.0	11.0	0.04	0.0015	PC 210-14 210-14 210-14 210-14	P-210	2.50
OCP 211-14 211-14 211-14 211-14	2 1/4	57	55.0	127	49	14	14	13	48	50	14.0	11.0	0.04	0.0015	PC 211-14 211-14 211-14 211-14	P-211	3.40
OCP 212-14 212-14 212-14 212-14	2 3/8	60	55.0	127	49	14	14	13	48	51	14.0	11.0	0.04	0.0015	PC 212-14 212-14 212-14 212-14	P-212	4.80
OCP 213-14 213-14 213-14 213-14	2 1/2	63	55.0	127	49	14	14	13	48	52	14.0	11.0	0.04	0.0015	PC 213-14 213-14 213-14 213-14	P-213	5.70
OCP 214-14 214-14 214-14 214-14	2 7/8	73	55.0	127	49	14	14	13	48	53	14.0	11.0	0.04	0.0015	PC 214-14 214-14 214-14 214-14	P-214	7.00
OCP 215-14 215-14 215-14 215-14	3	76	55.0	127	49	14	14	13	48	54	14.0	11.0	0.04	0.0015	PC 215-14 215-14 215-14 215-14	P-215	7.90
OCP 216-14 216-14 216-14 216-14	3 1/8	80	55.0	127	49	14	14	13	48	55	14.0	11.0	0.04	0.0015	PC 216-14 216-14 216-14 216-14	P-216	10.00
OCP 217-14 217-14 217-14 217-14	3 1/4	83	55.0	127	49	14	14	13	48	56	14.0	11.0	0.04	0.0015	PC 217-14 217-14 217-14 217-14	P-217	11.20
OCP 218-14 218-14 218-14 218-14	3 3/8	86	55.0	127	49	14	14	13	48	57	14.0	11.0	0.04	0.0015	PC 218-14 218-14 218-14 218-14	P-218	14.30

BALL BEARINGS

Tapped-base Pillow Blocks

UCPA 200 (normal-duty)

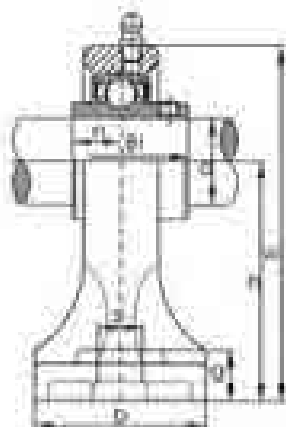


轴承代号 Bearing code	密封 Seal type	尺寸(毫米) Dimensions (mm)										球数 balls	密封号 Seal No.	密封号 Seal No.	球高 Ball height	
		d	n	g	B	b	S	g	w	D	B1					n
UCPA 200-200-18	SR	18	30.0	14	42	40	11	12	12	12	31.0	12.7	810	UC 200-200-18	PA 200	0.64
UCPA 200-200-19	SR	19	30.0	14	42	40	11	12	12	31.0	12.7	810	UC 200-200-19	PA 200	0.62	
UCPA 200-200-11	TIL	11	30.0	14	42	40	11	12	12	31.0	12.7	810	UC 200-200-11	PA 200	0.61	
UCPA 204-12-204	SR	12	30.0	14	42	40	11	12	12	31.0	12.7	810	UC 204-12-204	PA 200	0.69	
UCPA 200-14-200-13-200-14	TIL	13	34.0	14	46	44	13	12	12	34.0	14.0	810	UC 200-14-200-13-200-14	PA 200	0.63	
UCPA 200-14-200-19-200-20	TIL	19	42.0	14	46	44	13	12	12	38.0	16.0	811	UC 200-14-200-19-200-20	PA 200	1.0	
UCPA 200-20-200-21-200-22-200-23	TIL	21	41.0	14	46	44	14	12	12	42.0	17.5	811	UC 200-20-200-21-200-22-200-23	PA 200	1.7	
UCPA 204-04-200-05-200	SR	5	49.2	14	54	52	14	12	12	49.2	19.0	814	UC 204-04-200-05-200	PA 200	2.0	
UCPA 204-04-200-07-200-08-200	SR	7	49.2	14	54	52	14	12	12	49.2	19.0	814	UC 204-04-200-07-200-08-200	PA 200	2.2	
UCPA 210-00-210-01-210-02-210-03	SR	3	54.0	18	60	58	14	12	12	54.0	19.0	816	UC 210-00-210-01-210-02-210-03	PA 210	2.8	

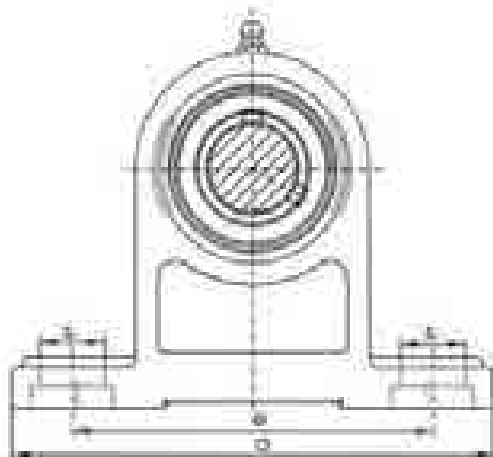
57.0 130 44 46 14 16 18 20 18.0

BALL BEARINGS

Pillow Blocks
(High center height)



UCPH 200 (normal-duty)



SR type 60-01

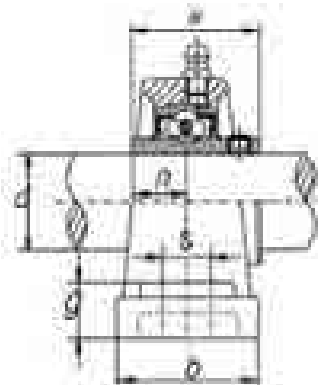


TR type 60-01

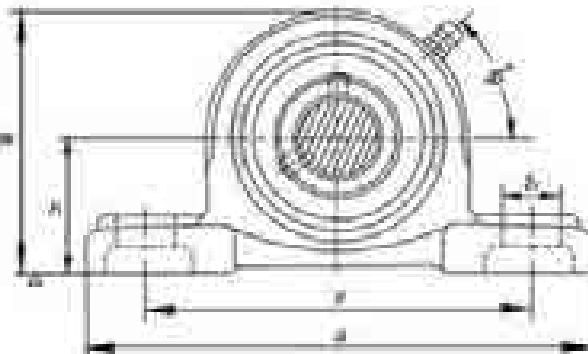
型号代号 Bearing Code	轴径 \$d\$ Shaft Dia.		外形尺寸 Dimensions										游隙 Clearance		轴承号 Bearing No.	轴号 Shaft No.	重量 Weight
	mm	inch	\$D\$	\$D_1\$	\$B\$	\$S_1\$	\$S_2\$	\$D_2\$	\$r\$	\$B_1\$	\$r_1\$	mm	inch				
UCPH 204 204-8	70	2.75	127	98	40	59	7.8	18	101	31.0	12.7	0.02	0.8	UC 204 204-8	PH 204	0.95	
UCPH 200 200-10	70	2.75	127	95	45	59	7.5	15	103	31.0	12.7	0.02	0.8	UC 200 200-10	PH 204	0.94	
UCPH 200 200-11	70	2.75	127	98	40	59	7.2	15	101	31.0	12.7	0.02	0.8	UC 200 200-11	PH 204	0.93	
UCPH 204-12 204	70	2.75	127	98	40	59	7.8	15	101	31.0	12.7	0.02	0.8	UC 204-12 204	PH 204	0.91	
UCPH 200-14 200-18 200-19 200-20	60	2.36	140	105	50	59	7.8	18	114	34.1	14.3	0.02	0.8	UC 200-14 200-18 200-19 200-20	PH 206	1.0	
UCPH 200-18 200-19 200-20	60	2.36	144	101	50	51	7.7	18	110	34.1	14.3	0.02	0.8	UC 200-18 200-19 200-20	PH 204	1.0	
UCPH 200-21 200-21 200-22 200-23	90	3.54	160	122	60	51	7.7	18	140	42.0	17.0	0.02	0.8	UC 200-21 200-21 200-22 200-23	PH 207	1.0	
UCPH 200-24 200-25 200	100	3.94	184	137	70	51	7.7	20	150	49.0	19.0	0.02	0.8	UC 200-24 200-25 200	PH 208	1.7	
UCPH 200-26 200-27 200-28 200	105	4.13	188	145	70	51	7.7	20	158	49.0	19.0	0.02	0.8	UC 200-26 200-27 200-28 200	PH 209	1.8	
UCPH 210-30 210-31 210 210-32	110	4.33	204	158	70	52	20	22	168	51.0	19.0	0.02	0.8	UC 210-30 210-31 210 210-32	PH 210	2.3	

BALL BEARINGS

立式座
Pillow Blocks



DCP X00 (medium-duty)



SR typical

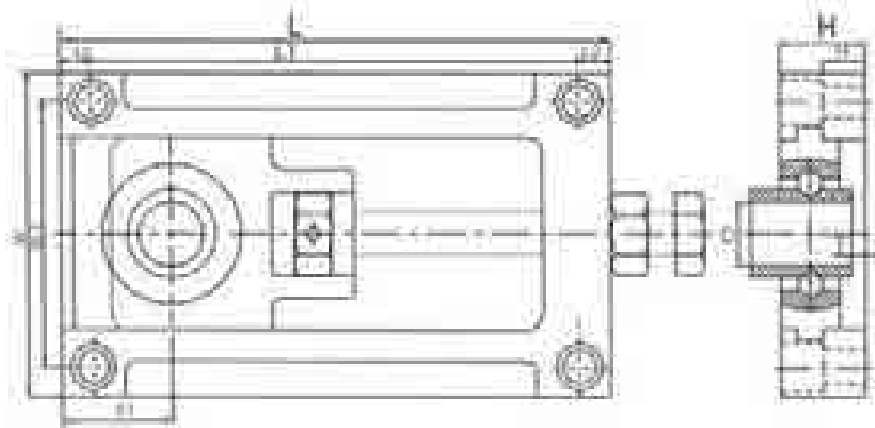


IRL typical

型号代号 Model No.	密封 Seal	公差 Tolerance	主要尺寸(毫米) Main Dimensions (mm)										球数 Ball Count		结构号 Structure No.	订货号 Order No.	重量 Weight (kg)
			a	a	B	b ₁	S ₁	S ₂	D	W	df	Q	每套 Per Set	每套 Per Set			
DCP 406 406-14 406-16	SR IRL	H7/g6	41.3	106	116	41	25	21	48	31	35.1	35.7	811	14	DC 406 406-14 406-16	P 406	1.50
DCP 106 106-18 106-21 106-23	SR IRL	H7/g6	41.3	138	137	41	25	21	48	34	41.7	37.1	811	14	DC 106 106-18 106-21 106-23	P 406	2.00
DCP 107-20 107-22 107-24	SR IRL	H7/g6	41.3	146	144	41	25	21	48	34	41.7	37.1	811	14	DC 107-20 107-22 107-24	P 407	2.20
DCP 108-24 108	SR IRL	H7/g6	41.3	152	150	41	25	21	48	34	41.7	37.1	811	14	DC 108-24 108	P 408	2.50
DCP 109-26 109-27 109-28 109	SR IRL	H7/g6	41.3	157	149	41	25	21	48	34	41.7	37.1	811	14	DC 109-26 109-27 109-28 109	P 409	2.60
DCP 110-31 110	SR IRL	H7/g6	41.3	161	151	41	25	21	48	34	41.7	37.1	811	14	DCP 110-31 110	P 410	2.80
DCP 111 111-32 111-33 111-36	SR IRL	H7/g6	41.3	166	156	41	25	21	48	34	41.7	37.1	811	14	DC 111 111-32 111-33 111-36	P 411	2.90
DCP 112 112-38 112-39 112-39	SR IRL	H7/g6	41.3	166	160	41	25	21	48	34	41.7	37.1	811	14	DC 112 112-38 112-39 112-39	P 412	2.80
DCP 113-40 113	SR IRL	H7/g6	41.3	166	160	41	25	21	48	34	41.7	37.1	811	14	DC 113-40 113	P 413	2.70
DCP 114-44 114	SR IRL	H7/g6	41.3	168	159	41	25	21	48	34	41.7	37.1	811	14	DC 114-44 114	P 414	3.40
DCP 115 115-46 115	SR IRL	H7/g6	41.3	168	159	41	25	21	48	34	41.7	37.1	811	14	DC 115 115-46 115	P 415	3.10
DCP 116 116-50	SR IRL	H7/g6	41.3	164	160	40	25	21	48	34	41.7	37.1	811	14	DC 116 116-50	P 416	3.20
DCP 117 117-50	SR IRL	H7/g6	41.3	161	161	40	25	21	48	34	41.7	37.1	811	14	DC 117 117-50	P 417	3.30
DCP 118-56 118	SR IRL	H7/g6	41.3	161	160	41	25	21	48	34	41.7	37.1	811	14	DC 118-56 118	P 418	3.30
DCP 120 120-61	SR IRL	H7/g6	41.3	157	157	40	25	21	48	34	41.7	37.1	811	14	DC 120 120-61	P 420	3.40

BALL BEARINGS

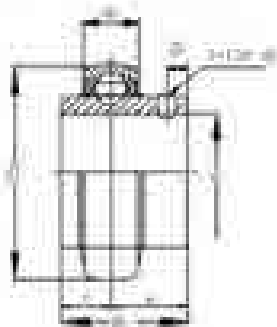
UCTH200



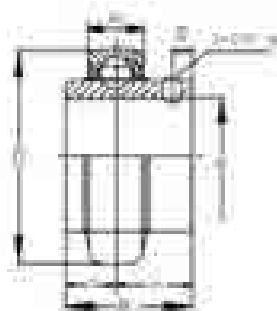
Bearing model	L1	L2	L3	L4	W	H1	H2	H3	H4	D	Tmax	T1	RODR	Ball size	QNT
UCTH 200A	170	180	10		108	82	25	17	20	4.5	38	85	M4	4.50	
UCTH 205A	178	188	10		102	88	26	17	25	2.5	38	85	M4	4.50	
UCTH 205A	200	110	10	30	120	100	28	17	30	2.0	50	110	M4	4.50	
UCTH 207A	210	120	12	37	120	100	28	16	35	1	60	140	M12	4.50	
UCTH 208 A	250	180	12	37	148	120	34	21	40	3	60	170	M20	4.50	
UCTH 209A	420	170	18	60	144	138	38	22	48	2.5	70	210	M24	4.50	
UCTH 210A	400	178	18	65	148	144	38	23	50	4.0	75	210	M24	4.50	
UCTH 211A	640	160	18	60	190	161	40	24	65	3.5	80	300	M21	4.50	
UCTH 213A	640	188	18	60	190	160	40	25	60	3.5	70	300	M21	4.50	
UCTH 204B	200	118	10		102	88	26	17	20	4.5	38	100	M14	4.50	
UCTH 205B	200	118	10		102	88	26	17	20	2.5	38	110	M14	4.50	
UCTH 206B	270	130	10	30	122	100	28	17	30	2.5	50	140	M18	4.50	
UCTH 207B	310	140	12	30	130	100	30	16	30	1	60	170	M18	4.50	
UCTH 208B	450	180	12.5	70.5	148	130	34	21	45	3	60	240	M20	4.50	
UCTH 210B	550	170	18	65	188	154	38	23	48	2.5	70	270	M24	4.50	
UCTH 210B	600	170	18	65	188	154	38	23	60	2.5	70	270	M24	4.50	

BALL BEARINGS

UCW 200 (normal-duty)



UR 200 (normal-duty)



轴承代号 Bearing No.	轴径 d		外形尺寸(毫米) Dimensions							额定动载荷 Basic Dynamic Load Rating (kg)	额定静载荷 Basic Static Load Rating (kg)	重量 Weight (kg)
	mm	inch	d	B	B ₁	D	r	Q				
UCW 200 202-08	8	1/2	47	28	17	17	17	0	M500 P 12-32M5	500	600	0.14
UCW 200 202-10	10	3/8	47	28	18	18	18	0	M500 A 12-32M5	500	600	0.12
UCW 200 202-11	11	7/16	47	28	19	19	19	0	M500 P 12-32M5	500	600	0.12

轴承代号 Bearing No.	轴径 d		外形尺寸(毫米) Dimensions							额定动载荷 Basic Dynamic Load Rating (kg)	额定静载荷 Basic Static Load Rating (kg)	重量 Weight (kg)
	mm	inch	d	B	B ₁	D	r	Q				
UR 200 202-08	8	1/2	47	31	17	17.7	18.3	0.5	2000 M500 T1	500	600	0.20 0.17
UR 200 202-10	10	3/8	47	31	17	18.7	18.8	0.5	2000 M500 T1	1000	600	0.18 0.15
UR 200 202-11	11	7/16	47	31	17	18.7	18.9	0.5	2000 M500 T1	500	600	0.14
UR 200 204-12	12	1/2	47	31	18	19.7	19.8	0.5	2000 M500 T1	1000	600	0.20 0.18
UR 200-14 205-14	14	1/2	47	34	17	19.2	19.8	0	2000 M500 T1	1100	710	0.22 0.20
UR 200-18 206	18	3/4	47	42	18	19.8	20.2	0	2000 M500 T1	1000	600	0.24 0.22
UR 200-20 207-20 207	20	3/4	47	42.8	18	21.2	21.4	0	2000 M500 T1	1000	1000	0.24 0.22 0.22
UR 200-18 208	18	3/4	48	38	18	19	20.2	0	2000 M500 T1	1000	1010	0.22 0.24

Chengdu RX Bearing Manufacturing Co.,Ltd

Split plummer block housing is generally used for self-aligning ball bearings, barrel roller bearings and spherical roller bearings. With the advantage of tight-construction, easy assembly and disassembly and wide range of self-alignment, it is widely used for agricultural equipment, food processing and conveyer system.

SN500 (SSN500) Series	SN600 (SSN600) Series	SN200 Series	SN300 Series
SNU500 Series	S3000K Series	SD3000 Series	SD3100 Series
SD500 Series	SD600 Series	SN3000 (SSN3000) Series	SN3100 (SSN3100) Series
1500 series	1200 Series	SAF500 Series	SAF600 Series



Plummer Block >> SN500 (SSN500) Series

Housing No.	Shaft Dia		Dimensions(mm)													Bearing No.	Adapter Sleeve		
	d ₁		D	a	b	c	g		h		L	L1	W	n	m			s	u
	mm	in					H8	H12	h12										
SN505	20		52	165	46	22	25	40	67	70	75	25	130	M12	15	1205K 2205K	22205K	H205 H305	
SN506	25	1	62	185	52	22	30	50	77	80	90	25	150	M12	15	1206K 2206K	22206K	H206 H306	
SN507	30	1-1/8	72	185	52	22	33	50	82	85	95	25	150	M12	15	1207K 2207K	22207K	H207 H307	
SN508	35	1-1/4	80	205	60	25	33	60	85	90	110	30	170	M12	15	1208K 2208K	22208K	H208 H308	
SN509	40	1-1/2	85	205	60	25	31	60	85	90	112	30	170	M12	15	1209K	22209K	H209	
SSN509																2209K			H309
SN510	45	1-3/4	90	205	60	25	33	60	90	95	115	30	170	M12	15	1210K	22210K	H210	
SSN510																2210K			H310
SN511	50	2	100	255	70	28	33	70	95	100	130	35	210	M16	18	1211K	22211K	H211	
SSN511																2211K			H311
SN512	55	2-1/8	110	255	70	30	38	70	105	110	135	35	210	M16	18	1212K	22212K	H212	

Chengdu RX Bearing Manufacturing Co.,Ltd

SSN512																	2212K		H312
SN513	60	2-1/4	120	275	80	30	43	80	110	115	150	40	230	M16	18		1213K	22213K	H213
SSN513																	2213K		H313
SN515	65	2-1/2	130	280	80	30	41	80	115	120	155	40	230	M16	18		1215K	22215K	H215
SSN516																	2215K		H315
SN516	70	2-3/4	140	315	90	32	43	95	120	125	175	50	260	M20	22		1216K	22216K	H216
SSN516																	2216K		H316
SN517	75	3	150	320	90	32	46	95	125	130	185	50	260	M20	22		1217K	22217K	H217
SSN517																	2217K		H317
SN518	80	3-1/4	160	345	100	35	62	100	145	150	195	50	290	M20	22		1218K	22218K	H218
SSN518																	2218K		H318
SN519	85		170	345	100	35	53	112	140	145	210	50	290	M20	22		1219K	22219K	H219
SSN519																	2219K		H319
SN520	90	3-1/2	180	380	110	40	70	112	160	165	218	60	320	M24	26		2220K	22220K	H320
SSN520																	23220K		H2320
SN522	100	4	200	410	120	45	80	125	175	180	240	70	350	M24	26		2222K	22222K	H322
SSN522																	23222K		H2322
SN524	110	4-1/4	215	410	120	45	86	140	185	190	270	70	350	M24	26		2224K	23224K	H3124
SSN524																	23224K		H2324
SN526	115	4-1/2	230	445	130	50	90	150	190	195	290	70	380	M24	28		2226K	23226K	H3126
SSN526																	23226K		H2326
SN528	125	5	250	500	150	50	98	150	205	210	305	80	420	M30	33		2228K	23228K	H3128
SSN528																	23228K		H2328
SN530	135	5-1/4	270	530	160	60	106	160	220	225	325	90	450	M30	33		2230K	23230K	H3130
SSN530																	23230K		H2330
SN532	140	5-1/2	290	550	160	60	114	170	235	240	345	90	470	M30	33		2232K	23232K	H3132
SSN532																	23232K		H2332

Chengdu RX Bearing Manufacturing Co.,Ltd

SSN620														H2320	HE2320
SN622	100	4	240	460	90	150	M24	22322K						H322	HE322
SSN622														H2322	HE2322
SN624	110	4-1/4	260	540	96	160	M30	22324K						H2324	HE2324
SSN624															
SN626	115	4-1/2	280	560	103	170	M30	22326K						H2326	HE2326
SSN626															
SN628	125	5	300	630	112	180	M30	22328K						H2328	HE2328
SSN628															
SN630	135	5-1/4	320	680	118	190	M30	22330K						H2330	HE2330
SSN630															
SN632	140	5-1/2	340	710	124	200	M36	22332K						H2332	HE2332
SSN632															

Housing No.	Shaft dia		Locating Ring											f1	
	(mm)													H12	
	d	d1	D	a	b	c	g	h	m	u	v				
			H8				H12	h12							
SN205	25	30	52	165	46	22	25	40	130	15	20	4	SR52x5		
													SR52x7		
SN206	30	35	62	185	52	22	30	50	150	15	20	4	SR62x7		
													SR62x10		
SN207	35	45	72	185	52	22	33	50	150	15	20	4	SR72x8		
													SR72x10		
SN208	40	50	80	205	60	25	33	60	170	15	20	5	SR80x7.5		
													SR80x10		
SN209	45	55	85	205	60	25	31	60	170	15	20	5	SR85x6		
													SR85x8		
SN210	50	60	90	205	60	25	33	60	170	15	20	5	SR90x6.5		
													SR90x10		
SN211	55	65	100	255	70	28	33	70	210	18	23	5	SR100x6		
													SR100x8		
SN212	60	70	110	255	70	30	38	70	210	18	23	6	SR110x8		
													SR110x10		

Chengdu RX Bearing Manufacturing Co.,Ltd

SN213	65	75	120	275	80	30	43	80	230	18	23	6	SR120x10
													SR120x12
SN214	70	80	125	275	80	30	44	80	230	18	23	6	SR125x10
													SR125x13
SN215	75	85	130	280	80	30	41	80	230	18	23	6	SR130x8
													SR130x10
SN216	80	90	140	315	90	32	43	95	260	22	27	7	SR140x8.5
													SR140x10
SN217	85	95	150	320	90	32	46	95	260	22	27	7	SR150x9
													SR150x10
SN218	90	100	160	345	##	35	62	100	290	22	27	8	SR160x16.2
													SR160x11.2
													SR160x10
SN219	95	110	170	345	##	35	53	112	290	22	27	8	SR170x10.5
													SR170x10
SN220	100	115	180	380	##	40	70	112	320	26	32	8	SR180x18.1
													SR180x12.1
													SR180x10
SN222	110	125	200	410	##	45	80	125	350	26	32	9	SR200x21
													SR200x13.5
													SR200x10
SN224	120	135	215	410	##	45	86	140	350	26	32	9	SR215x14
													SR215x10
SN226	130	145	230	445	##	50	90	150	380	28	36	10	SR230x13
													SR230x10
SN228	140	155	250	500	##	50	98	150	420	33	42	10	SR250x15

Chengdu RX Bearing Manufacturing Co.,Ltd

SNU507-606	30	50	185	150	52	13	20	22	82	46.5	55		7.5	2.4	1207K	H207	SR72x8.5
															22207K	H307	SR72x5.5
SNU508-607	35	60	205	170	60	15	20	25	85	51.5	60		7.5	3.2	1208K	H208	SR80x10.5
															22208K	H308	SR80x8
SNU509	40	60	205	170	60	15	20	25	85	56.5	65		8.5	3.5	1209K	H209	SR85x5.5
															22209K	H309	SR85x7
SNU510-608	45	60	205	170	60	15	20	25	90	62	71		8.5	3.85	1210K	H210	SR90x10.5
															22210K	H310	SR90x9
SNU511-609	50	70	255	210	70	18	23	28	95	67	76	35	8.5	5.2	1211K	H211	SR100x11.5
															22211K	H311	SR100x9.5
SNU512-610	55	70	255	210	70	18	23	30	105	72	81	35	8.5	6.7	1212K	H212	SR110x13
															22212K	H312	SR110x10
SNU513-611	60	80	275	230	80	18	24	30	110	77	86	35	8.5	7.9	1213K	H213	SR120x14
															22213K	H313	SR120x10
SNU515-612	65	80	280	230	80	18	26	30	115	87	96	40	8.5	7.7	1215K	H215	SR130x15.5
															22215K	H315	SR130x12.5
SNU516-613	70	95	315	260	90	22	29	32	120	92.5	101	40	11	11	1216K	H216	SR140x16
															22216K	H316	SR140x12.5
SNU517	75	95	320	260	90	22	30	32	125	97.5	106	50	11	12.7	1217K	H217	SR150x16.5
															22217K	H317	SR150x12.5
SNU518-615	80	100	345	290	##	22	27	35	140	103	111	50	11	14.8	1218K	H218	SR160x17.5
															22218K	H318	SR160x12.5
															23218K	H2318	SR160x12.5
SNU519-616	85	112	345	290	##	22	27	35	145	131	141	50	12	15.5	1219K	H219	SR170x18
															22219K	H319	SR170x12.5
SNU520-617	90	112	380	320	##	26	32	40	160	138	148	60	12	18.4	1220K	H220	SR180x18
															22220K	H320	SR180x12
															23220K	H2320	SR180x9.7
SNU522-619	100	125	410	350	##	26	32	45	175	148	158	70	12	24.8	1222K	H222	SR200x21
															22222K	H322	SR200x13.5
															23222K	H2322	SR200x10.2
SNU524-620	110	140	410	350	##	26	32	45	185	158	168	70	12	32.2	22224K	H3124	SR215x14
															23224K	H2324	SR215x10
SNU526	115	150	445	380	##	28	35	50	190	168	178	70	13	39.8	22226K	H3126	SR230x13
															23226K	H2326	SR230x10
SNU528	125	150	500	420	##	35	42	50	205	178	188	80	13	48.8	22228K	H3128	SR250x15
															23228K	H2328	SR250x10
SNU530	135	160	530	450	##	35	42	60	220	193	203	90	14	56.5	22230K	H3130	SR270x16.5
															23230K	H2330	SR270x10
SNU532	140	170	550	470	##	35	42	60	23	203	213	90	14	63.5	22232K	H3132	SR290x17

Chengdu RX Bearing Manufacturing Co.,Ltd

											5				23232K	H2332	SR290x10
Housing No.	Shat dia	Locating Ring															
		d1 (mm)	h	W	L	a	b	c	f1	f2	d2	d3					
		h12							H12			H12	H12				
S3024K	110	112	215	150	390	110	40	8	10.7	113	135						
S3026K	115	125	239	160	420	120	45	8	10.7	118	140						
S3028K	125	140	259	170	420	120	45	9	12.2	128	154						
S3030K	135	150	278	175	460	130	45	9	12.2	138	164						
S3032K	140	150	288	190	470	130	50	10	13.7	143	173						
S3034K	150	160	320	200	540	160	55	10	13.7	153	183						
S3036K	160	170	340	210	560	160	55	10	13.7	163	193						
S3038K	170	170	353	210	560	160	55	10	13.7	173	203						
S3040K	180	180	373	235	615	170	60	10	13.7	183	213						
S3044K	200	200	408	255	690	190	70	11	15.5	203	240						
S3048K	220	210	433	265	720	200	75	11	15.5	223	260						
S3052K	240	240	485	285	820	220	80	12	17.3	243	286						
S3056K	260	250	505	295	860	230	80	12	17.3	263	306						

Plummer Block >> SD3000 Series

Housing No.	Shaft dia	Housing	Bearing		Adapter Sleeve																		
	d ₁	g	No.		Sleeve												kg						
	(mm)	D	a	b	c	g	L	m	n	u	v	s	d3	f1	f2	kg							
		H8					H12											H12	H13				
SD3034	150	260	540	200	50	77	230	450	110	36	52	M30	183	10	14	62	23034K	H3034					
SD3036	160	280	560	220	50	84	250	470	120	36	52	M30	193	10	14	78	23036K	H3036					
SD3038	170	290	560	220	50	85	250	470	120	36	52	M30	203	10	14	82	23038K	H3038					

Chengdu RX Bearing Manufacturing Co.,Ltd

SD3172	340	600	###	390	130	212	390	498	720	890	255	22	145	M50	560	23172K	H3172	
SD3176	360	620	###	400	135	214	405	520	750	980	255	22	145	M55	780	23176K	H3176	
SD3180	380	650	###	420	140	220	405	552	790	1050	270	22	150	M60	885	23180K	H3180	

Plummer Block >> SD500 Series

Housing No.	Shaft dia	Housing		Bearing No.			Adapter Sleeve																		
	d ₁ (mm)	g	weight	a	b	c	g	L	W	m	n	u	v	s	d ₂	d ₃	f ₁	f ₂	kg						
	H8						H12								H12	H12	H13								
SD534	150	310	620	230	60	106	270	360	510	140	36	52	M30	153	183	10	14	92	22234K	H3134					
SD536	160	320	650	240	60	106	280	380	540	150	36	52	M30	163	193	10	14	105	22236K	H3136					
SD538	170	340	700	260	65	112	290	400	570	160	36	55	M30	173	203	10	14	125	22238K	H3138					
SD540	180	360	740	270	65	118	300	420	610	170	36	55	M30	183	213	10	14	140	22240K	H3140					
SD544	200	400	820	300	70	128	330	475	680	190	43	62	M36	203	240	11	16	200	22244K	H3144					
SD548	220	440	880	310	85	140	340	515	740	200	43	62	M36	223	260	11	16	230	22248K	H3148					
SD552	240	480	940	340	85	150	370	560	790	210	43	62	M36	243	286	12	17	300	22252K	H3152					
SD556	260	500	990	370	100	150	390	590	830	230	50	70	M42	263	306	12	17	350	22256K	H3156					
SD560	280	540	###	390	100	160	410	640	890	250	50	70	M42	283	332	13	19	450	22260K	H3160					
SD564	300	580	###	420	110	170	440	690	930	270	58	77	M48	303	352	13	19	550	22264K	H3164					
Plummer Block >> SD600 Series																									

Housing No.	Shaft dia	Weight		Bearing No.			Adapter																		
	d ₁	D		a	b	c	g	L	W	m	n	u	v	s	d ₂	d ₃	f ₁	f ₂	kg		Sleeve				
	H8						H12								H12	H12	H13								
SD634	150	360	740	270	65	130	300	420	610	170	36	55	M30	153	183	10	14	140	22334K	H2334					
SD636	160	380	780	290	70	136	320	450	640	180	43	62	M36	163	193	10	14	170	22336K	H2336					

Chengdu RX Bearing Manufacturing Co.,Ltd

SD638	170	400	820	30 0	70	142	330	475	680	190	43	62	M36	173	203	10	14	200	22338K	H2338
SD640	180	420	860	32 0	85	148	350	500	710	200	43	62	M36	183	213	10	14	230	22340K	H2340
SD644	200	460	920	33 0	85	155	360	550	770	210	43	62	M36	203	240	11	16	290	22344K	H2344
SD648	220	500	990	37 0	100	165	390	590	830	230	50	70	M42	223	260	11	16	350	22348K	H2348
SD652	240	540	###	39 0	100	175	410	640	890	250	50	70	M42	243	286	12	17	450	22352K	H2352
SD656	260	580	###	42 0	110	185	440	690	930	270	58	77	M48	263	306	12	17	550	22356K	H2356

Plummer Block >> SN3000 (SSN3000) Series

Housing No.		Shaf t																	Bearing No..	Adapter Sleeve
		Dimensions(mm)																		
		dia	D	a	b	c	g	h	L	W	m	n	u	v	f ₁	f ₂	S			
		d ₁	H8				H12	h12							H13		-2	-4		
SN3024	SSN3024	110	180	380	110	40	56	112	160	218	320	60	26	32	8	10.7	M24	M16	23024K	H3024
SN3026	SSN3026	115	200	410	120	45	62	125	175	240	350	70	26	32	8	10.7	M24	M16	23026K	H3026
SN3028	SSN3028	125	210	410	120	45	63	140	185	270	350	70	26	32	9	12.2	M24	M16	23028K	H3028
SN3030	SSN3030	135	225	445	130	50	66	150	175	283	380	70	28	36	9	12.2	M24	M20	23030K	H3030
SN3032	SSN3032	140	240	460	130	40	70	150	190	300	390	70	28	38	10	13.7	M24	M20	23032K	H3032
SN3034	SSN3034	150	260	540	160	50	77	160	205	325	450	90	33	42	10	13.7	M30	M20	23034K	H3034
SN3036	SSN3036	160	280	550	160	50	84	170	215	345	470	90	33	42	10	13.7	M30	M20	23036K	H3036
SN3038	SSN3038	170	290	550	160	60	85	170	235	345	470	90	33	42	10	13.7	M30	M24	23038K	H3038

Plummer Block >> SN3100 (SSN3100) Series

Housing No.		Shaf t															Bearing No.	Adapter Sleeve
		Dimensions(mm)																
		dia	D	a	b	c	g	h	L	W	m	n	u	v	f ₁	f ₂		
d ₁	H8				H12	h12							H13					
SN3122	SSN3122	100	180	380	110	40	66	112	160	218	320	60	26	32	8	10.8	23122K	H3122
SN3124	SSN3124	110	200	410	120	45	72	125	175	240	350	70	26	32	8	10.7	23124K	H3124
SN3126	SSN3126	115	210	410	120	45	74	140	185	270	350	70	26	32	8	10.7	23126K	H3126

Chengdu RX Bearing Manufacturing Co.,Ltd

SN3128	SSN3128	125	225	445	130	50	78	150	175	285	380	70	28	36	9	12.2	23128K	H3128
SN3130	SSN3130	135	250	500	150	50	90	150	205	305	420	80	33	42	9	12.2	23130K	H3130
SN3132	SSN3132	140	270	530	160	60	96	160	220	325	450	90	33	42	10	13.7	23132K	H3132

Plummer Block >> 1500 Series

Housing No.	Shaft d1	Bearing No.			Adapter Sleeve				f2	d2	d3				
		a	m	h	c	L	b	f1							
				h12				H12							
1504	17	128	98	31	14	50	34	2.5	3.2	19	28	1204K	2204K	H204	H304
1505	20	134	104	34	15	57	37	2.5	3.5	22	31	1205K	2205K	H205	H305
1506	25	150	118	39	15	60	40	2.8	3.5	27	38	1206K	2206K	H206	H306
1507	30	177	140	45	17	69	44	3.2	4	32	43	1207K	2207K	H207	H307
1508	35	190	150	48	18	75	53	3.2	4	37	48	1208K	2208K	H208	H308
1509	40	195	157	52	19	77	53	3.5	4	42	53	1209K	2209K	H209	H309
1510	45	206	165	54	21	83	56	3.5	4	47	58	1210K	2210K	H210	H310
1511	50	229	183	62	22	90	67	3.5	4	52	67	1211K	2211K	H211	H311
1512	55	249	205	69	22	92	69	3.5	4	57	72	1212K	2212K	H212	H312
1513	60	266	217	73	26	94	73	4.5	5	62	77	1213K	2213K	H213	H313
1515	65	280	225	78	26	95	75	4.5	5	67	82	1215K	2215K	H215	H315
1516	70	300	240	86	26	110	78	5	6	72	89	1216K	2216K	H216	H316
1517	75	320	260	92	28	125	88	6	6.5	77	94	1217K	2217K	H217	H317
1518	80	360	290	100	30	130	90	6	6.5	82	99	1218K	2218K	H218	H318

Plummer Block >> 1200 Series

Housing No.	Shaft Dia (mm)	Bearing No.			c	b	g	f1	f2			
		d1	a	h								
				h12								H12
1205	25	30	134	104	34	15	57	18	4	5.4	1205	2205

Chengdu RX Bearing Manufacturing Co.,Ltd

1206	30	35	150	118	39	15	60	20	4	5.4	1206	2206
1207	35	45	177	140	45	17	69	23	4	5.4	1207	2207
1208	40	50	190	150	48	18	75	23	5	6.9	1208	2208
1209	45	55	195	157	52	19	77	23	5	6.9	1209	2209
1210	50	60	206	165	54	21	83	23	5	6.8	1210	2210
1211	55	65	229	183	62	22	90	25	5	6.8	1211	2211
1212	60	70	249	205	69	22	92	28	6	8.1	1212	2212
1213	65	75	266	217	73	26	94	31	6	8.1	1213	2213
1214	70	80	270	220	75	26	95	31	6	8.1	1214	2214
1215	75	85	280	225	78	26	95	31	6	8.1	1215	2215
1216	80	90	300	240	86	26	##	33	7	8.1	1216	2216
1217	85	95	320	260	92	28	##	36	7	9.3	1217	2217
1218	90	100	360	290	100	30	##	40	8	11	1218	2218
Plummer Block >> Saf500 Series												

Housing No.	Shaft dia d ₁	Bearing No.		Adapter Sleeve			e max	e min	n	S		
		h h12	w	L	L ₁							
SAF505	3/4	38	75	70	73	140	118			M12	1205K	HA205
										-2	2205K	HA305
SAF506	15/16	45	86	78	83	156	133			M12	1206K	HA206
										-2	2206K	HA306
SAF507	1-3/16	51	97	81	83	156	143			M12	1207K	HA207
										-2	2207K	HA307
SAF509	1-7/16	57	111	87	92	178	159			M12	1209K	HA209
										-2	2209K	HA309
											22209K	HA309
SAF510	1-11/16	64	121	87	99	178	165			M12	1210K	HA210
										-2	2210K	HA310
											22210K	HA310
SAF511	1-15/16	70	133	95	114	200	188			M16	1211K	HA211
										-2	2211K	HA311
											22211K	HA311

Chengdu RX Bearing Manufacturing Co.,Ltd

SAF513	2-3/16	76	151	108	114	241	206		M16	1213K	HA213
									-2	2213K	HA313
										22213K	HA313
FSAF513	2-3/16	76	151	108	114	241	206	50.8	M12	1213K	HA213
									-4	2213K	HA313
										22213K	HA313
SAF515	2-7/16	83	162	118	121	245	219		M16	1215K	HA215
									-2	2215K	HA315
										22215K	HA315
FSAF515	2-7/16	83	162	118	121	245	219	47.7	M12	1215K	HA215
									-4	2215K	HA315
										22215K	HA315
SAF516	2-11/16	89	175	121	124	279	245		M20	1216K	HA216
									-2	2216K	HA316
										22216K	HA316
FSAF516	2-11/16	89	175	121	124	279	245	54.1	M16	1216K	HA216
									-4	2216K	HA316
										22216K	HA316
SAF517	2-15/16	95	186	122	127	279	251		M20	1217K	HA217
									-2	2217K	HA317
										22217K	HA317
FSAF517	2-15/16	95	186	122	127	279	251	54.1	M16	1217K	HA217
									-4	2217K	HA317
										22217K	HA317
SAF518	3-3/16	102	197	140	146	295	264		M20	1218K	HA218
									-2	2218K	HA318
										22218K	HA318
FSAF518	3-3/16	102	197	140	146	295	264	54.1	M16	1218K	HA218
									-4	2218K	HA318
										22218K	HA318
SAF520	3-7/16	114	222	148	152	333	295		M24	1220K	HA220
									-2	2220K	HA320
										22220K	HA320

Chengdu RX Bearing Manufacturing Co.,Ltd

FSAF520	3-7/16	114	222	148	152	333	295	60.5	M20	1220K	HA220
									-4	2220K	HA320
										22220K	HA320
SAF522	3-15/16	125	245	164	165	368	321	69.9	M20	1222K	HA222
									-4	2222K	HA322
										22222K	HA322
SAF524	4-3/16	133	260	181	188	368	337	69.9	M20	22224K	HA3124
									-4		
SAF526	4-7/16	152	292	197	203	406	372	82.6	M24	22226K	HA3126
									-4		
SAF528	4-15/16	152	298	187	194	435	406	85.9	M24	22228K	HA3128
									-4		
SAF530	5-3/16	160	318	207	213	464	432	95.3	M24	22230K	HA3130
									-4		
SAF532	5-7/16	170	338	216	222	489	442	95.3	M24	22232K	HA3132
									-4		
SAF534	5-15/16	179	360	235	245	549	492	108	M24	22234K	HA3134
									-4		
SAF536	6-7/16	191	378	245	254	600	530	118	M24	22236K	HA3136
									-4		
SAF538	6-15/16	200	398	267	273	619	549	114	M30	22238K	HA3138
									-4		
SAF540	7-3/16	210	419	279	286	635	572	127	M30	22240K	HA3140
									-4		
SAF544	7-15/16	241	473	298	305	708	629	133	M30	22244K	HA3144
Plummer Block >> SAF600 Series											
Housing	Shaft dia	Bearing No.		Adapter Sleeve							
No.	d1	D	g	h	w	b	c	e	e	n	S

Chengdu RX Bearing Manufacturing Co.,Ltd

	(in)	H8	H12	h12				max	min					
SAF609	1-7/16	100	46	70	135	70	25	200	188			M16	1309K	HA309
												-2	2309K	HA2309
													21309K	HA309
													22309K	HA2309
SAF610	1-11/16	110	51	76	148	70	29	229	197			M16	1310K	HA310
												-2	2310K	HA2310
													21310K	HA310
													22310K	HA2310
SAF611	1-15/16	120	53	83	157	80	30	241	207			M16	1311K	HA311
												-2	2311K	HA2311
													21311K	HA311
													22311K	HA2311
FSAF611	1-15/16	120	53	83	157	80	30	241	207	51		M12	1311K	HA311
												-4	2311K	HA2311
													21311K	HA311
													22311K	HA2311
SAF613	2-3/16	140	58	89	176	90	32	279	245			M20	1313K	HA313
												-2	2313K	HA2313
													21313K	HA313
													22313K	HA2313
FSAF613	2-3/16	140	58	89	176	90	32	279	245	54		M16	1313K	HA313
												-4	2313K	HA2313
													21313K	HA313
													22313K	HA2313
SAF615	2-7/16	160	65	102	197	100	33	295	264			M20	1315K	HA315
												-2	2315K	HA2315
													21315K	HA315
													22315K	HA2315
FSAF615	2-7/16	160	65	102	197	100	33	295	264	54		M16	1315K	HA315
												-4	2315K	HA2315
													21315K	HA315
													22315K	HA2315
SAF616	2-11/16	170	68	108	210	100	33	321	270			M20	1316K	HA316
												-2	2316K	HA2316
													21316K	HA316
													22316K	HA2316
FSAF616	2-11/16	170	68	108	210	100	33	321	270	54		M16	1316K	HA316
												-4	2316K	HA2316
													21316K	HA316

Chengdu RX Bearing Manufacturing Co.,Ltd

												22316K	HA2316
SAF617	2-15/16	180	70	114	222	111	45	334	295		M24	1317K	HA317
											-2	2317K	HA2317
												21317K	HA317
												22317K	HA2317
FSAF617	2-15/16	180	70	114	222	111	45	334	295	61	M20	1317K	HA317
											-4	2317K	HA2317
												21317K	HA317
												22317K	HA2317
SAF618	3-3/16	190	74	121	233	111	51	343	305	57	M20	1318K	HA318
											-4	2318K	HA2318
												21318K	HA318
												20318K	HA318
SAF620	3-7/16	215	83	133	260	121	54	368	337	70	M20	1320K	HA320
											-4	2320K	HA2320
												20320K	HA320
												21320K	HA320
SAF622	3-15/16	240	90	152	292	130	61	406	372	83	M20	1322K	HA322
											-4	20322K	HA322
												21322K	HA322
												22322K	HA2322
SAF624	4-3/16	260	96	160	318	160	64	464	432	95	M24	20324K	HA3124
											-4	22324K	HA2324
SAF626	4-7/16	280	103	170	338	160	67	489	442	95	M24	20326K	HA3126
											-4	22326K	HA2326
SAF628	4-15/16	300	112	179	360	172	70	549	492	108	M24	20328K	HA3128
											-4	22328K	HA2328
SAF630	5-3/16	320	118	191	378	181	76	600	530	117.6	M24	20330K	HA3130
											-4	22330K	HA2330
SAF632	5-7/16	340	124	200	398	191	80	619	549	114.3	M30	20332K	HA3132
											-4	22332K	HA2332
SAF634	5-15/16	360	130	210	419	203	86	635	572	127	M30	22334K	HA2334
											-4		
SAF636	6-7/16	380	136	225	451	210	89	676	610	133	M30	22336K	HA2336
											-4		
SAF638	6-15/16	400	142	241	473	222	95	708	629	133.4	M30	22338K	HA2338
											-4		
SAF640	7-3/16	420	148	251	508	229	102	749	667	140	M30	22340K	HA2340



Spherical plain bearings have an inner ring with a spherical convex outside surface and an outer ring with a correspondingly spherical outer concave inside surface. The design makes them particularly suitable for bearing arrangements where alignment movements between shaft and housing have to be accommodated, or where oscillating or recurrent tilting or slewing movements must be permitted or relatively slow sliding speeds.



GE...E Series

GE...ES Series

GE...ES 2RS Series

GEG...E Series

GEG...ES Series

GEG...ES 2RS Series

GEEW...ES Series

GEEM...ES 2RS Series

GEF...ES Series

GE...XS/K Series

GEZ...ES Series

GEZ...ES 2RS Series

GEWZ...ES Series

GEWZ...ES 2RS Series

GEGZ...ES Series

GEGZ...ES 2RS Series

GEC...XS Series

GEBK...S Series

GEFZ...S Series

GE...C Series

Chengdu RX Bearing Manufacturing Co.,Ltd

GEG...C Series

GEFZ...C Series

GE...ET 2RS Series

GE...XT 2RS Series

GEG...ET 2RS Series

GEG...XT 2RS Series

GEZ...ET 2RS Series

GEH...XT Series

GEH...XT 2RS Series

GEC...XT Series

GEH...HC Series

GEH...HT Series

GAC...S Series

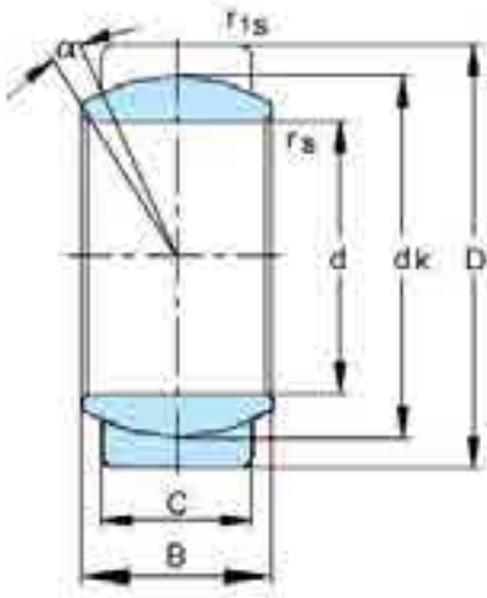
GAC...T Series

GACZ...S series

GX...S Series

GX...T Series

Spherical Plain Bearing >> GE...E Series



Bearing No.	Boundary dimensions(mm)								Mass
	d	D	B	C	dk	rs	r1s		Kg
GE4E	4	12	5	3	8	0.3	0.3	16	0.003

Chengdu RX Bearing Manufacturing Co.,Ltd

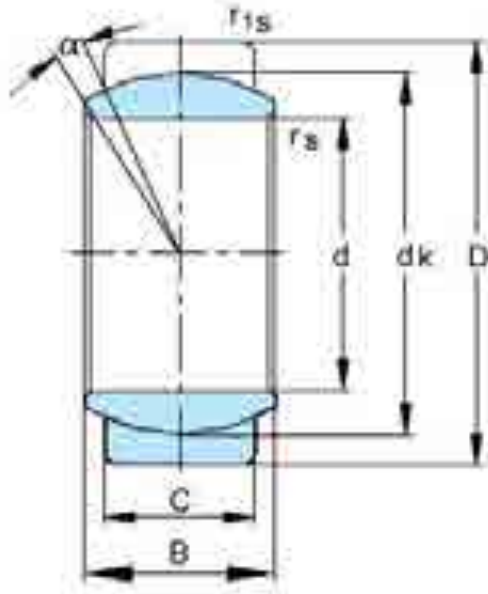
GE5E	5	14	6	4	10	0.3	0.3	13	0.005
GE6E	6	14	6	4	10	0.3	0.3	13	0.004
GE8E	8	16	8	5	13	0.3	0.3	15	0.008
GE10E	10	19	9	6	16	0.3	0.3	12	0.011
GE12E	12	22	10	7	18	0.3	0.3	10	0.015

Spherical Plain Bearing >> GE...ES Series

Bearing No.	Boundary dimensions(mm)								Mass
	d	D	B	C	dk	rs	r1s		Kg
						min	min		
GE15ES	15	26	12	9	22	0.3	0.3	8	0.027
GE17ES	17	30	14	10	25	0.3	0.3	10	0.041
GE20ES	20	35	16	12	29	0.3	0.3	9	0.066
GE25ES	25	42	20	16	35.5	0.6	0.6	7	0.119
GE30ES	30	47	22	18	40.7	0.6	0.6	6	0.153
GE35ES	35	55	25	20	47	0.6	1	6	0.233
GE40ES	40	62	28	22	53	0.6	1	7	0.306
GE45ES	45	68	32	25	60	0.6	1	7	0.427
GE50ES	50	75	35	28	66	0.6	1	6	0.546
GE55ES	55	85	40	32	74	0.6	1	7	0.939
GE60ES	60	90	44	36	80	1	1	6	1.04
GE70ES	70	105	49	40	92	1	1	6	1.55
GE80ES	80	120	55	45	105	1	1	6	2.31
GE90ES	90	130	60	50	115	1	1	5	2.75
GE100ES	100	150	70	55	130	1	1	7	4.45
GE110ES	110	160	70	55	140	1	1	6	4.82
GE120ES	120	180	85	70	160	1	1	6	8.05
GE140ES	140	210	90	70	180	1	1	7	11.02
GE160ES	160	230	105	80	200	1	1	8	14.01
GE180ES	180	260	105	80	225	1.1	1.1	6	18.65
GE200ES	200	290	130	100	250	1.1	1.1	7	28.03
GE220ES	220	320	135	100	275	1.1	1.1	8	35.51
GE240ES	240	340	140	100	300	1.1	1.1	8	39.91
GE260ES	260	370	150	110	325	1.1	1.1	7	51.54
GE280ES	280	400	155	120	350	1.1	1.1	6	65.06
GE300ES	300	430	165	120	375	1.1	1.1	7	78.07

Spherical Plain Bearing >> GE...ES 2RS Series

Chengdu RX Bearing Manufacturing Co.,Ltd

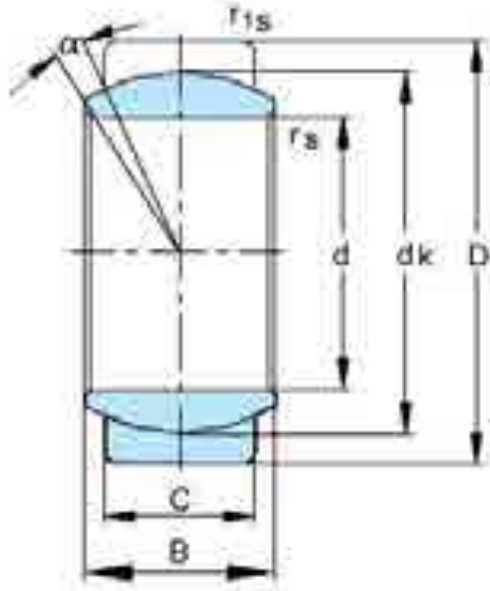


Bearing No.	Boundary dimensions(mm)								Mass
	d	D	B	C	dk	rs	r1s		Kg
						min	min		
GE15ES-2RS	15	26	12	9	22	0.3	0.3	8	0.027
GE17ES-2RS	17	30	14	10	25	0.3	0.3	10	0.041
GE20ES-2RS	20	35	16	12	29	0.3	0.3	9	0.066
GE25ES-2RS	25	42	20	16	35.5	0.6	0.6	7	0.119
GE30ES-2RS	30	47	22	18	40.7	0.6	0.6	6	0.153
GE35ES-2RS	35	55	25	20	47	0.6	1	6	0.233
GE40ES-2RS	40	62	28	22	53	0.6	1	7	0.306
GE45ES-2RS	45	68	32	25	60	0.6	1	7	0.427
GE50ES-2RS	50	75	35	28	66	0.6	1	6	0.546
GE55ES-2RS	55	85	40	32	74	0.6	1	7	0.939
GE60ES-2RS	60	90	44	36	80	1	1	6	1.04
GE70ES-2RS	70	105	49	40	92	1	1	6	1.55
GE80ES-2RS	80	120	55	45	105	1	1	6	2.31
GE90ES-2RS	90	130	60	50	115	1	1	5	2.75
GE100ES-2RS	100	150	70	55	130	1	1	7	4.45
GE110ES-2RS	110	160	70	55	140	1	1	6	4.82
GE120ES-2RS	120	180	85	70	160	1	1	6	8.05
GE140ES-2RS	140	210	90	70	180	1	1	7	11.02
GE160ES-2RS	160	230	105	80	200	1	1	8	14.01
GE180ES-2RS	180	260	105	80	225	1.1	1.1	6	18.65
GE200ES-2RS	200	290	130	100	250	1.1	1.1	7	28.03
GE220ES-2RS	220	320	135	100	275	1.1	1.1	8	35.51

Chengdu RX Bearing Manufacturing Co.,Ltd

GE240ES-2RS	240	340	140	100	300	1.1	1.1	8	39.91
GE260ES-2RS	260	370	150	110	325	1.1	1.1	7	51.54
GE280ES-2RS	280	400	155	120	350	1.1	1.1	6	65.06
GE300ES-2RS	300	430	165	120	375	1.1	1.1	7	78.07

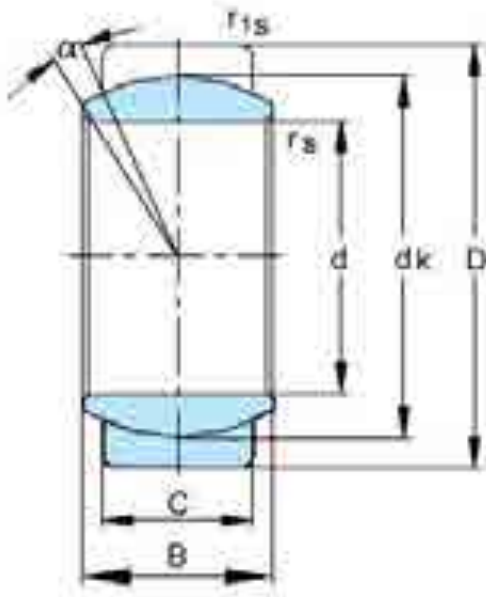
Spherical Plain Bearing >> GEG...E Series



Bearing No.	Boundary dimensions(mm)								Mass
	d	D	B	C	dk	rs	r1s		Kg
						min	min		
GEG4E	4	14	7	4	10	0.3	0.3	20	0.005
GEG5E	5	16	9	5	13	0.3	0.3	21	0.008
GEG6E	6	16	9	5	13	0.3	0.3	21	0.006
GEG8E	8	19	11	6	16	0.3	0.3	21	0.014
GEG10E	10	22	12	7	18	0.3	0.3	18	0.021
GEG12E	12	26	15	9	22	0.3	0.3	18	0.033

Chengdu RX Bearing Manufacturing Co.,Ltd

Spherical Plain Bearing >> GEG...ES Series

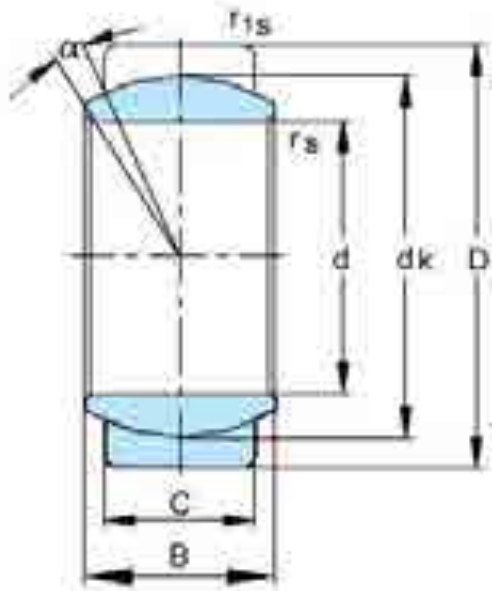


Bearing No.	Boundary dimensions(mm)								Mass
	d	D	B	C	dk	rs	r1s		Kg
						min	min		
GEG15ES	15	30	16	10	25	0.3	0.3	16	0.049
GEG17ES	17	35	20	12	29	0.3	0.3	19	0.083
GEG20ES	20	42	25	16	35.5	0.3	0.6	17	0.153
GEG25ES	25	47	28	18	40.7	0.6	0.6	17	0.203
GEG30ES	30	55	32	20	47	0.6	1	17	0.304
GEG35ES	35	62	35	22	53	0.6	1	16	0.408
GEG40ES	40	68	40	25	60	0.6	1	17	0.542
GEG45ES	45	75	43	28	66	0.6	1	15	0.713
GEG50ES	50	90	56	36	80	0.6	1	17	1.14
GEG60ES	60	105	63	40	92	1	1	17	2.05
GEG70ES	70	120	70	45	105	1	1	16	3.01
GEG80ES	80	130	75	50	115	1	1	14	3.64
GEG90ES	90	150	85	55	130	1	1	15	5.22
GEG100ES	100	160	85	55	140	1	1	14	6.05
GEG110ES	110	180	100	70	160	1	1	12	9.68
GEG120ES	120	210	115	70	180	1	1	16	14.01
GEG140ES	140	230	130	80	200	1	1	16	19.01
GEG160ES	160	260	135	80	225	1.1	1.1	16	20.02
GEG180ES	180	290	155	100	250	1.1	1.1	14	32.21
GEG200ES	200	320	165	100	275	1.1	1.1	15	45.28
GEG220ES	220	340	175	100	300	1.1	1.1	16	51.12

Chengdu RX Bearing Manufacturing Co.,Ltd

GEG240ES	240	370	190	110	325	1.1	1.1	15	65.12
GEG260ES	260	400	205	120	350	1.1	1.1	15	82.44
GEG280ES	280	430	210	120	375	1.1	1.1	15	97.21

Spherical Plain Bearing >> GEG...ES 2RS Series

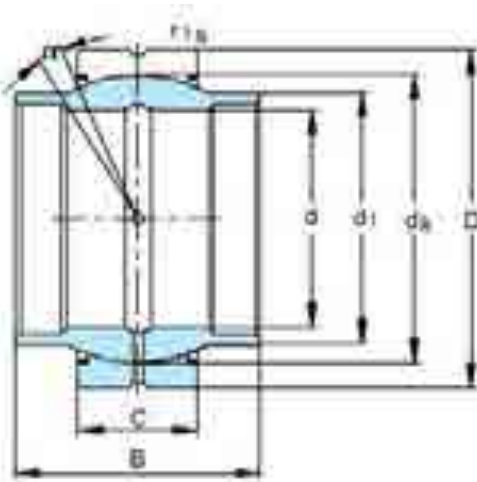


Bearing No.	Boundary dimensions(mm)								Mass Kg
	d	D	B	C	dk	rs min	r1s min		
GEG15ES-2RS	15	30	16	10	25	0.3	0.3	16	0.049
GEG17ES-2RS	17	35	20	12	29	0.3	0.3	19	0.083
GEG20ES-2RS	20	42	25	16	35.5	0.3	0.6	17	0.153
GEG25ES-2RS	25	47	28	18	40.7	0.6	0.6	17	0.203
GEG30ES-2RS	30	55	32	20	47	0.6	1	17	0.304
GEG35ES-2RS	35	62	35	22	53	0.6	1	16	0.408
GEG40ES-2RS	40	68	40	25	60	0.6	1	17	0.542
GEG45ES-2RS	45	75	43	28	66	0.6	1	15	0.713
GEG50ES-2RS	50	90	56	36	80	0.6	1	17	1.14
GEG60ES-2RS	60	105	63	40	92	1	1	17	2.05
GEG70ES-2RS	70	120	70	45	105	1	1	16	3.01
GEG80ES-2RS	80	130	75	50	115	1	1	14	3.64
GEG90ES-2RS	90	150	85	55	130	1	1	15	5.22
GEG100ES-2RS	100	160	85	55	140	1	1	14	6.05
GEG110ES-2RS	110	180	100	70	160	1	1	12	9.68
GEG120ES-2RS	120	210	115	70	180	1	1	16	14.01
GEG140ES-2RS	140	230	130	80	200	1	1	16	19.01
GEG160ES-2RS	160	260	135	80	225	1.1	1.1	16	20.02
GEG180ES-2RS	180	290	155	100	250	1.1	1.1	14	32.21

Chengdu RX Bearing Manufacturing Co.,Ltd

GEG200ES-2RS	200	320	165	100	275	1.1	1.1	15	45.28
GEG220ES-2RS	220	340	175	100	300	1.1	1.1	16	51.12
GEG240ES-2RS	240	370	190	110	325	1.1	1.1	15	65.12
GEG260ES-2RS	260	400	205	120	350	1.1	1.1	15	82.44
GEG280ES-2RS	280	430	210	120	375	1.1	1.1	15	97.21

Spherical Plain Bearing >> GEEW...ES Series

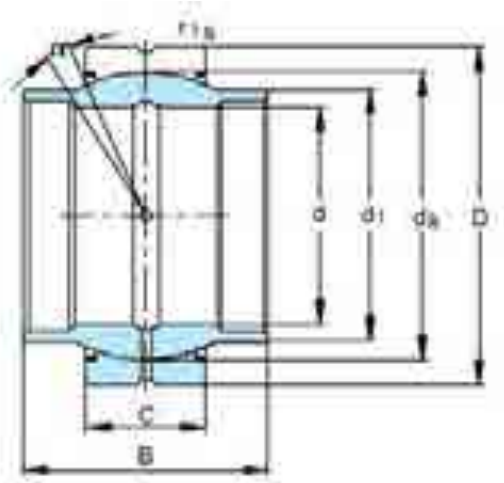


Bearing No.	Boundary dimensions(mm)									Mass Kg
	d	D	B	C	d1	dk	rs	r1s		
					max		min	min		
GEEW12ES	12	22	12	7	15.5	18	0.3	0.3	4	0.022
GEEW15ES	15	26	15	9	18.5	22	0.3	0.3	5	0.031
GEEW16ES	16	28	16	9	20	23	0.3	0.3	4	0.035
GEEW17ES	17	30	17	10	21	25	0.3	0.3	7	0.044
GEEW20ES	20	35	20	12	25	29	0.3	0.3	4	0.071
GEEW25ES	25	42	25	16	30.5	35.5	0.6	0.6	4	0.131
GEEW30ES	30	47	30	18	34	40.7	0.6	0.6	4	0.168
GEEW32ES	32	52	32	18	37	44	0.6	1	4	0.182
GEEW35ES	35	55	35	20	40	47	0.6	1	4	0.253
GEEW40ES	40	62	40	22	46	53	0.6	1	4	0.338
GEEW45ES	45	68	45	25	52	60	0.6	1	4	0.481
GEEW50ES	50	75	50	28	57	66	0.6	1	4	0.558
GEEW60ES	60	90	60	36	68	80	1	1	4	1.15
GEEW63ES	63	95	63	36	71.5	83	1	1	4	1.25
GEEW70ES	70	105	70	40	78	92	1	1	4	1.71
GEEW80ES	80	120	80	45	91	105	1	1	4	2.39
GEEW90ES	90	130	90	50	99	115	1	1	4	3.21
GEEW100ES	100	150	100	55	113	130	1	1	4	4.79
GEEW110ES	110	160	110	55	124	140	1	1	4	5.78

Chengdu RX Bearing Manufacturing Co.,Ltd

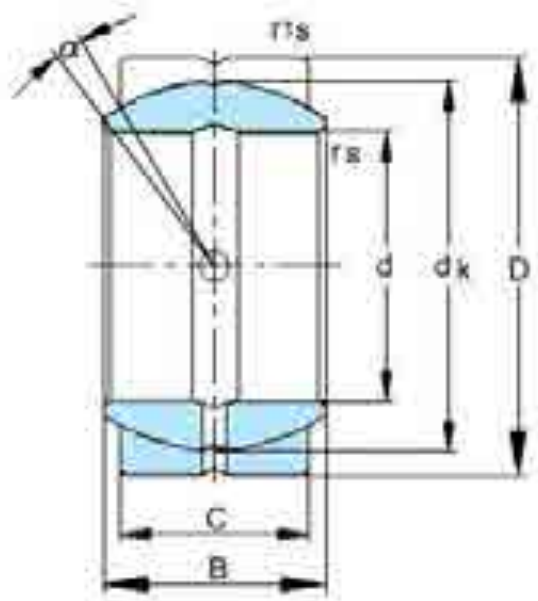
GEEW125ES	125	180	125	70	138	160	1	1	4	8.49
GEEW160ES	160	230	160	80	177	200	1	1	4	16.5
GEEW200ES	200	290	200	100	221	250	1.1	1.1	4	32.1
GEEW250ES	250	400	250	120	317	350	1.1	1.1	4	99.1
GEEW320ES	320	520	320	160	405	450	1.1	1.1	4	225

Spherical Plain Bearing >> GEEM...ES 2RS Series



Bearing No.	Boundary dimensions(mm)									Mass Kg
	d	D	B	C	d1	dk	rs	r1s		
					max		min	min		
GEEM20ES-2RS	20	35	24	12	24	29	0.3	0.3	6	0.073
GEEM25ES-2RS	25	42	29	16	29	35.5	0.3	0.6	4	0.13
GEEM30ES-2RS	30	47	30	18	34	40.7	0.3	0.6	4	0.17
GEEM35ES-2RS	35	55	35	20	40	47	0.6	1	4	0.25
GEEM40ES-2RS	40	62	38	22	45	53	0.6	1	4	0.35
GEEM45ES-2RS	45	68	40	25	52	60	0.6	1	4	0.49
GEEM50ES-2RS	50	75	43	28	57	66	0.6	1	4	0.6
GEEM60ES-2RS	60	90	54	36	68	80	0.6	1	3	1.15
GEEM70ES-2RS	70	105	65	40	78	92	0.6	1	4	1.65
GEEM80ES-2RS	80	120	74	45	90	105	0.6	1	4	2.5

Spherical Plain Bearing >> GEF...ES Series

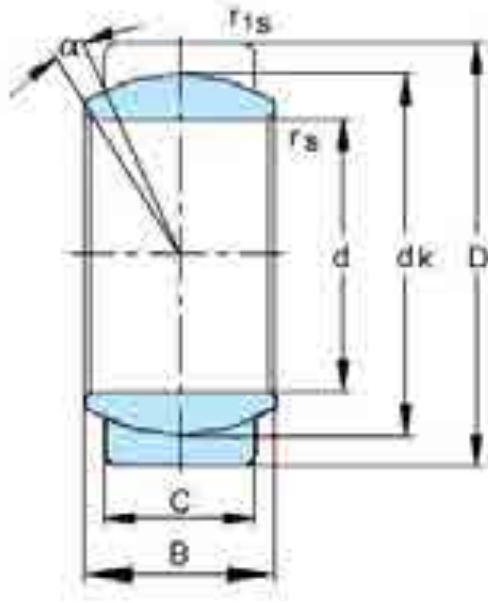


Bearing No.	Boundary dimensions(mm)								Mass
	d	D	B	C	dk	rs	r1s		Kg
						min	min		
GEF12ES	12	22	11	9	18	0.5	0.5	7	0.019
GEF15ES	15	26	13	11	22	0.5	0.5	6	0.028
GEF20ES	20	32	16	14	28	0.5	0.5	4	0.053
GEF22ES	22	37	19	16	32	0.5	0.5	6	0.085
GEF25ES	25	42	21	18	36	0.5	0.5	5	0.116
GEF30ES	30	50	27	23	45	1	1	6	0.225
GEF35ES	35	55	30	26	50	1	1	5	0.302
GEF40ES	40	62	33	28	55	1	1	6	0.375
GEF45ES	45	72	36	31	62	1	1	5	0.598
GEF50ES	50	80	42	36	72	1	1	5	0.869
GEF55ES	55	90	47	40	80	1	1	6	1.26
GEF60ES	60	100	53	45	90	1	1	6	1.72
GEF65ES	65	105	55	47	94	1	1	5	2.05
GEF70ES	70	110	58	50	100	1	1	5	2.23
GEF75ES	75	120	64	55	110	1	1	5	3.01
GEF80ES	80	130	70	60	120	1	1	5	3.98
GEF85ES	85	135	74	63	125	1	1	6	4.31
GEF90ES	90	140	76	65	130	1	1	5	4.72
GEF95ES	95	150	82	70	140	1	1	5	6.05
GEF100ES	100	160	88	75	150	1.5	1.5	5	7.43
GEF110ES	110	170	93	80	160	1.5	1.5	5	8.54
GEF115ES	115	180	98	85	165	1.5	1.5	5	10.3
GEF120ES	120	190	105	90	175	1.5	1.5	6	12.4

Chengdu RX Bearing Manufacturing Co.,Ltd

GEF130ES	130	200	110	95	185	1.5	1.5	5	13.8
GEF150ES	150	220	120	105	205	1.5	1.5	5	17.1

Spherical Plain Bearing >> GE...XS/K Series

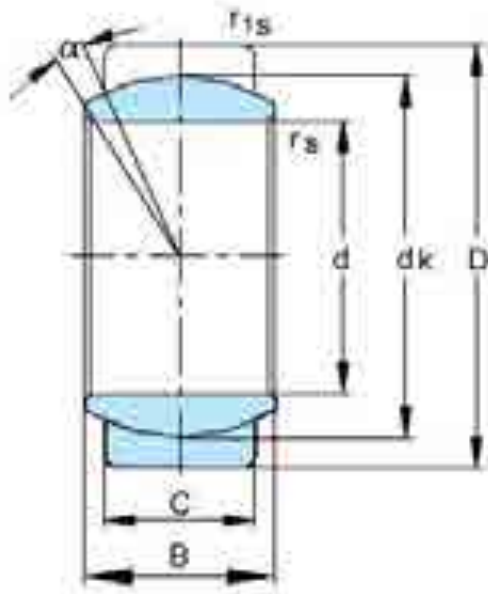


Bearing No.	Boundary dimensions(mm)								Mass
	d	D	B	C	dk	rs	r1s		Kg
						min	min		
GE12XS/K	12	22	11	9	18	0.5	0.5	7	0.019
GE15XS/K	15	26	13	11	22	0.5	0.5	6	0.028
GE20XS/K	20	32	16	14	28	0.5	0.5	4	0.053
GE22XS/K	22	37	19	16	32	0.5	0.5	6	0.085
GE25XS/K	25	42	21	18	36	0.5	0.5	5	0.116
GE30XS/K	30	50	27	23	45	1	1	6	0.225
GE35XS/K	35	55	30	26	50	1	1	5	0.302
GE40XS/K	40	62	33	28	55	1	1	6	0.375
GE45XS/K	45	72	36	31	62	1	1	5	0.598
GE50XS/K	50	80	42	36	72	1	1	5	0.869
GE55XS/K	55	90	47	40	80	1	1	6	1.26
GE60XS/K	60	100	53	45	90	1	1	6	1.72
GE65XS/K	65	105	55	47	94	1	1	5	2.05
GE70XS/K	70	110	58	50	100	1	1	5	2.23
GE75XS/K	75	120	64	55	110	1	1	5	3.01
GE80XS/K	80	130	70	60	120	1	1	5	3.98
GE85XS/K	85	135	74	63	125	1	1	6	4.31
GE90XS/K	90	140	76	65	130	1	1	5	4.72

Chengdu RX Bearing Manufacturing Co.,Ltd

GE95XS/K	95	150	82	70	140	1	1	5	6.05
GE100XS/K	100	160	88	75	150	1.5	1.5	5	7.43
GE110XS/K	110	170	93	80	160	1.5	1.5	5	8.54
GE115XS/K	115	180	98	85	165	1.5	1.5	5	10.3
GE120XS/K	120	190	105	90	175	1.5	1.5	6	12.4
GE130XS/K	130	200	110	95	185	1.5	1.5	5	13.8
GE150XS/K	150	220	120	105	205	1.5	1.5	5	17.1

Spherical Plain Bearing >> GEZ...ES Series



Bearing No.	Boundary dimensions(mm)								Mass Kg
	d	D	B	C	dk	rs min	r1s min		
GEZ12ES	12.7	22.225	11.1	9.525	18	0.15	0.6	6	0.022
GEZ15ES	15.875	26.988	13.894	11.913	23	0.15	0.6	6	0.036
GEZ19ES	19.05	31.75	16.662	14.275	27.5	0.3	0.6	6	0.053
GEZ22ES	22.225	36.513	19.431	16.662	32	0.3	0.6	6	0.085
GEZ25ES	25.4	41.275	22.225	19.05	36.5	0.3	0.6	6	0.121
GEZ31ES	31.75	50.8	27.762	23.8	45.5	0.6	0.6	6	0.23
GEZ34ES	34.925	55.563	30.15	26.187	49	0.6	1	6	0.35
GEZ38ES	38.1	61.913	33.325	28.575	54.7	0.6	1	6	0.42
GEZ44ES	44.45	71.438	38.887	33.325	63.9	0.6	1	6	0.64
GEZ50ES	50.8	80.963	44.45	38.1	73	0.6	1	6	0.93
GEZ57ES	57.15	90.488	50.013	42.85	82	0.6	1	6	1.3
GEZ63ES	63.5	100.013	55.55	47.625	92	1	1	6	1.85
GEZ69ES	69.85	111.125	61.112	52.375	100	1	1	6	2.4
GEZ76ES	76.2	120.65	66.675	57.15	109.5	1	1	6	3.1
GEZ82ES	82.55	130.175	72.238	61.9	119	1	1	6	3.8

Chengdu RX Bearing Manufacturing Co.,Ltd

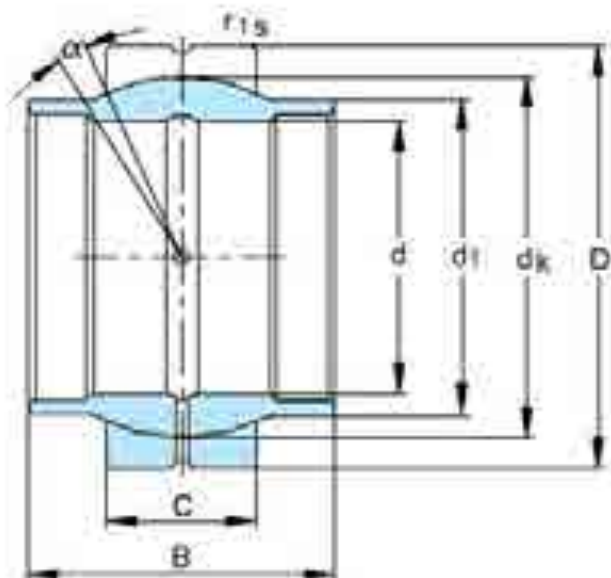
GEZ88ES	88.9	139.7	77.775	66.675	128	1	1	6	4.8
GEZ95ES	95.25	149.225	83.337	71.425	137	1	1	6	5.8
GEZ101ES	101.6	158.75	88.9	76.2	146	1	1	6	7
GEZ107ES	107.95	168.275	94.463	80.95	155	1	1	6	8.41
GEZ114ES	114.3	177.8	100.013	85.725	164.5	1	1	6	9.8
GEZ120ES	120.65	187.325	105.562	90.475	173.5	1	1	6	11.5
GEZ127ES	127	196.85	111.125	95.25	183	1	1	6	13.5
GEZ152ES	152.4	222.25	120.65	104.775	207	1	1	5	17.5

Spherical Plain Bearing >> GEZ...ES 2RS Series

Bearing No.	Boundary dimensions(mm)								Mass
	d	D	B	C	dk	rs	r1s		Kg
						min	min		
GEZ19ES-2RS	19.05	31.75	16.662	14.275	27.5	0.3	0.6	6	0.053
GEZ22ES-2RS	22.225	36.513	19.431	16.662	32	0.3	0.6	6	0.085
GEZ25ES-2RS	25.4	41.275	22.225	19.05	36.5	0.3	0.6	6	0.121
GEZ31ES-2RS	31.75	50.8	27.762	23.8	45.5	0.6	0.6	6	0.23
GEZ34ES-2RS	34.925	55.563	30.15	26.187	49	0.6	1	6	0.35
GEZ38ES-2RS	38.1	61.913	33.325	28.575	54.7	0.6	1	6	0.42
GEZ44ES-2RS	44.45	71.438	38.887	33.325	63.9	0.6	1	6	0.64
GEZ50ES-2RS	50.8	80.963	44.45	38.1	73	0.6	1	6	0.93
GEZ57ES-2RS	57.15	90.488	50.013	42.85	82	0.6	1	6	1.3
GEZ63ES-2RS	63.5	100.013	55.55	47.625	92	1	1	6	1.85
GEZ69ES-2RS	69.85	111.125	61.112	52.375	100	1	1	6	2.4
GEZ76ES-2RS	76.2	120.65	66.675	57.15	109.5	1	1	6	3.1
GEZ82ES-2RS	82.55	130.175	72.238	61.9	119	1	1	6	3.8
GEZ88ES-2RS	88.9	139.7	77.775	66.675	128	1	1	6	4.8
GEZ95ES-2RS	95.25	149.225	83.337	71.425	137	1	1	6	5.8
GEZ101ES-2RS	101.6	158.75	88.9	76.2	146	1	1	6	7
GEZ107ES-2RS	107.95	168.275	94.463	80.95	155	1	1	6	8.41
GEZ114ES-2RS	114.3	177.8	100.013	85.725	164.5	1	1	6	9.8
GEZ120ES-2RS	120.65	187.325	105.562	90.475	173.5	1	1	6	11.5
GEZ127ES-2RS	127	196.85	111.125	95.25	183	1	1	6	13.5
GEZ152ES-2RS	152.4	222.25	120.65	104.775	207	1	1	5	17.5

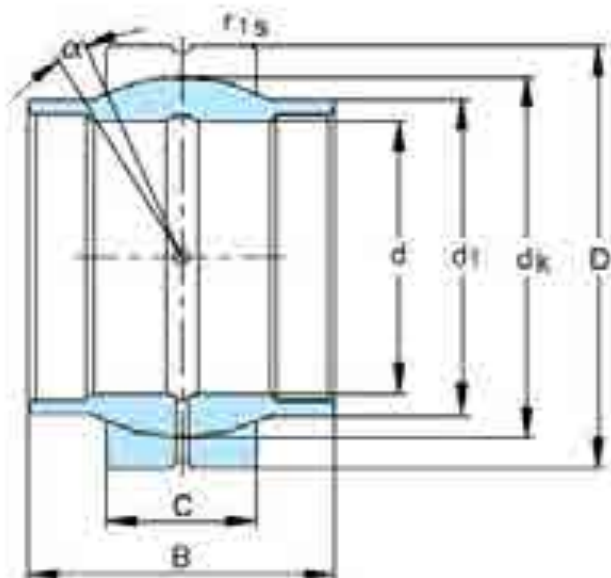
Spherical Plain Bearing >> GEWZ...ES Series

Chengdu RX Bearing Manufacturing Co.,Ltd



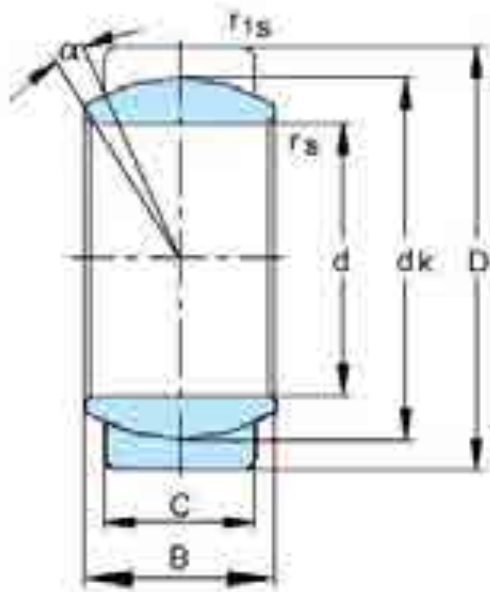
Bearing No.	Boundary dimensions(mm)									Mass
	d	D	B	C	d1 max	dk	rs min	r1s min		Kg
GEWZ12ES	12.7	22.225	19.05	9.525	15.875	18	0.15	0.6	5	0.024
GEWZ15ES	15.875	26.988	23.8	11.913	19.812	23	0.15	0.6	5	0.038
GEWZ19ES	19.05	31.75	28.575	14.275	23.368	27.5	0.3	0.6	5	0.064
GEWZ22ES	22.225	36.513	33.325	16.662	27.178	32	0.3	0.6	5	0.098
GEWZ25ES	25.4	41.275	38.1	19.05	30.988	36.5	0.3	0.6	5	0.142
GEWZ31ES	31.75	50.8	47.625	23.8	38.735	45.5	0.6	0.6	5	0.271
GEWZ34ES	34.925	55.563	52.375	26.187	42.418	49	0.6	1	5	0.373
GEWZ38ES	38.1	61.913	57.15	28.575	46.99	54.7	0.6	1	5	0.494
GEWZ44ES	44.45	71.438	66.675	33.325	54.991	63.9	0.6	1	5	0.762
GEWZ50ES	50.8	80.963	76.2	38.1	62.484	73	0.6	1	5	1.11
GEWZ57ES	57.15	90.488	85.725	42.85	70.104	82	0.6	1	5	1.57
GEWZ63ES	63.5	100.013	95.25	47.625	77.724	92	1	1	5	2.15
GEWZ69ES	69.85	111.125	104.775	52.375	85.852	100	1	1	5	2.9
GEWZ76ES	76.2	120.65	114.3	57.15	93.345	109.5	1	1	5	3.59
GEWZ82ES	82.55	130.175	123.825	61.9	101.219	119	1	1	5	4.69
GEWZ88ES	88.9	139.7	133.35	66.675	109.22	128	1	1	5	5.86
GEWZ95ES	95.25	149.225	142.875	71.425	116.586	137	1	1	5	7.11
GEWZ101ES	101.6	158.75	152.4	76.2	124.587	146	1	1	5	8.56
GEWZ114ES	114.3	177.8	171.45	85.725	140.335	164.5	1	1	5	12.24
GEWZ127ES	127	196.85	190.5	95.25	155.705	183	1	1	5	16.63
GEWZ152ES	152.4	222.25	209.55	104.775	178.308	207	1	1	5	20.7

Spherical Plain Bearing >> GEWZ...ES 2RS Series



Bearing No.	Boundary dimensions(mm)									Mass
	d	D	B	C	d1	dk	rs	r1s		Kg
					max		min	min		
GEWZ19ES-2RS	19.05	31.75	28.575	14.275	23.368	27.5	0.3	0.6	5	0.064
GEWZ22ES-2RS	22.225	36.513	33.325	16.662	27.178	32	0.3	0.6	5	0.098
GEWZ25ES-2RS	25.4	41.275	38.1	19.05	30.988	36.5	0.3	0.6	5	0.142
GEWZ31ES-2RS	31.75	50.8	47.625	23.8	38.735	45.5	0.6	0.6	5	0.271
GEWZ34ES-2RS	34.925	55.563	52.375	26.187	42.418	49	0.6	1	5	0.373
GEWZ38ES-2RS	38.1	61.913	57.15	28.575	46.99	54.7	0.6	1	5	0.494
GEWZ44ES-2RS	44.45	71.438	66.675	33.325	54.991	63.9	0.6	1	5	0.762
GEWZ50ES-2RS	50.8	80.963	76.2	38.1	62.484	73	0.6	1	5	1.11
GEWZ57ES-2RS	57.15	90.488	85.725	42.85	70.104	82	0.6	1	5	1.57
GEWZ63ES-2RS	63.5	100.013	95.25	47.625	77.724	92	1	1	5	2.15
GEWZ69ES-2RS	69.85	111.125	104.775	52.375	85.852	100	1	1	5	2.9
GEWZ76ES-2RS	76.2	120.65	114.3	57.15	93.345	109.5	1	1	5	3.59
GEWZ82ES-2RS	82.55	130.175	123.825	61.9	101.219	119	1	1	5	4.69
GEWZ88ES-2RS	88.9	139.7	133.35	66.675	109.22	128	1	1	5	5.86
GEWZ95ES-2RS	95.25	149.225	142.875	71.425	116.586	137	1	1	5	7.11
GEWZ101ES-2RS	101.6	158.75	152.4	76.2	124.587	146	1	1	5	8.56
GEWZ114ES-2RS	114.3	177.8	171.45	85.725	140.335	164.5	1	1	5	12.24
GEWZ127ES-2RS	127	196.85	190.5	95.25	155.705	183	1	1	5	16.63
GEWZ152ES-2RS	152.4	222.25	209.55	104.775	178.308	207	1	1	5	20.7

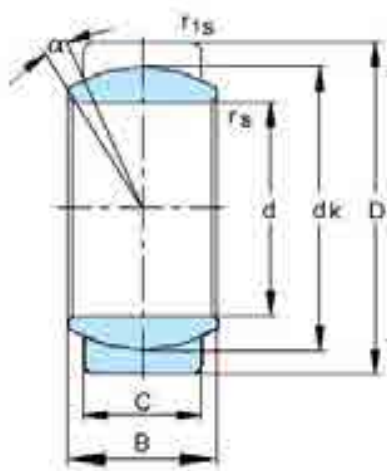
Spherical Plain Bearing >> GEGZ...ES Series



Bearing No.	Boundary dimensions(mm)								Mass
	d	D	B	C	dk	rs	r1s		Kg
						min	min		
GEGZ31ES	31.75	61.913	35.306	28.575	54.7	0.6	1	15	0.454
GEGZ38ES	38.1	71.438	40.132	33.325	63.9	0.6	1	14	0.726
GEGZ44ES	44.45	80.963	46.228	38.1	73	0.6	1	14	1.14
GEGZ50ES	50.8	90.488	52.578	42.85	82	0.6	1	14	1.68
GEGZ57ES	57.15	100.013	58.877	47.625	92	0.6	1	14	2.01
GEGZ63ES	63.5	111.125	64.643	52.375	100	1	1	14	2.95
GEGZ69ES	69.85	120.65	70.866	57.15	109.5	1	1	14	3.63
GEGZ76ES	76.2	130.175	76.759	61.9	119	1	1	14	4.36
GEGZ82ES	82.55	139.7	82.931	66.675	128	1	1	14	5.31
GEGZ88ES	88.9	149.225	90.424	71.425	137	1	1	14	6.81
GEGZ95ES	95.25	158.75	94.945	76.2	146	1	1	14	8.85
GEGZ101ES	101.6	177.8	107.315	85.725	164.5	1	1	10	10.2
GEGZ114ES	114.3	196.85	119.126	95.25	183	1	1	10	13.6
GEGZ139ES	139.7	222.25	125.73	104.775	207	1	1	9	20.4

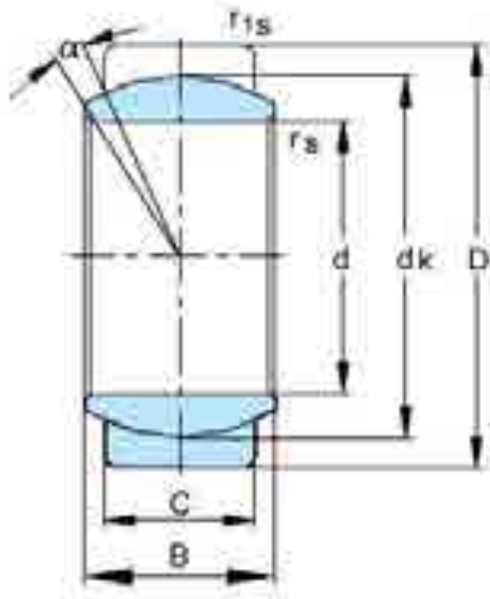
Chengdu RX Bearing Manufacturing Co.,Ltd

Spherical Plain Bearing >> GEGZ...ES 2RS Series



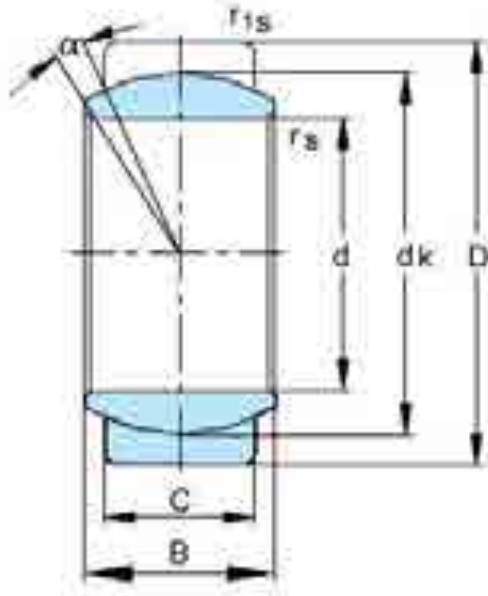
Bearing No.	Boundary dimensions(mm)								Mass
	d	D	B	C	dk	rs	r1s		Kg
						min	min		
GEGZ31ES-2RS	31.75	61.913	35.306	28.575	54.7	0.6	1	15	0.454
GEGZ38ES-2RS	38.1	71.438	40.132	33.325	63.9	0.6	1	14	0.726
GEGZ44ES-2RS	44.45	80.963	46.228	38.1	73	0.6	1	14	1.14
GEGZ50ES-2RS	50.8	90.488	52.578	42.85	82	0.6	1	14	1.68
GEGZ57ES-2RS	57.15	100.013	58.877	47.625	92	0.6	1	14	2.01
GEGZ63ES-2RS	63.5	111.125	64.643	52.375	100	1	1	14	2.95
GEGZ69ES-2RS	69.85	120.65	70.866	57.15	109.5	1	1	14	3.63
GEGZ76ES-2RS	76.2	130.175	76.759	61.9	119	1	1	14	4.36
GEGZ82ES-2RS	82.55	139.7	82.931	66.675	128	1	1	14	5.31
GEGZ88ES-2RS	88.9	149.225	90.424	71.425	137	1	1	14	6.81
GEGZ95ES-2RS	95.25	158.75	94.945	76.2	146	1	1	14	8.85
GEGZ101ES-2RS	101.6	177.8	107.315	85.725	164.5	1	1	10	10.2
GEGZ114ES-2RS	114.3	196.85	119.126	95.25	183	1	1	10	13.6
GEGZ139ES-2RS	139.7	222.25	125.73	104.775	207	1	1	9	20.4

Spherical Plain Bearing >> GEC...XS Series



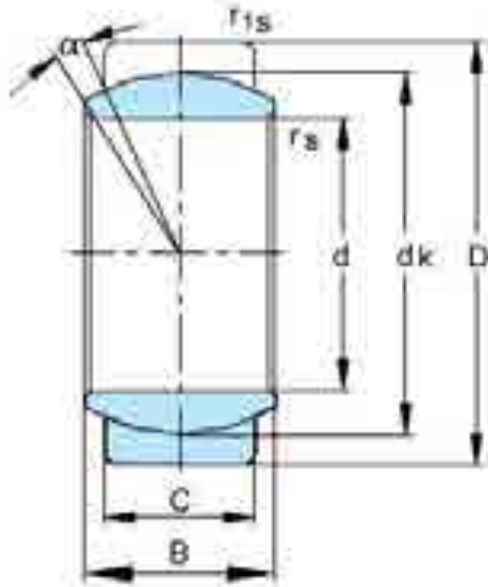
Bearing No.	Boundary dimensions(mm)								Mass
	d	D	B	C	dk	rs	r1s		Kg
						min	min		
GEC320XS	320	440	160	135	380	1.1	3	4	77
GEC340XS	340	460	160	135	400	1.1	3	3	82
GEC360XS	360	480	160	135	420	1.1	3	3	88
GEC380XS	380	520	190	160	450	1.5	4	4	127
GEC400XS	400	540	190	160	470	1.5	4	3	132
GEC420XS	420	560	190	160	490	1.5	4	3	145
GEC440XS	440	600	218	185	520	1.5	4	3	190

Spherical Plain Bearing >> GEBK...S Series



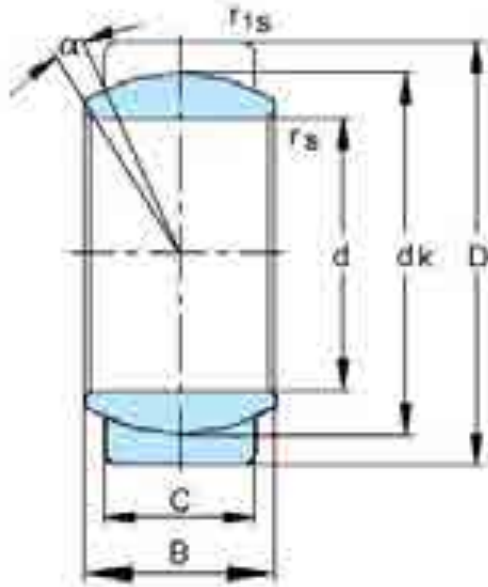
Bearing No.	Boundary dimensions(mm)								Mass
	d	D	B	C	dk	rs	r1s		Kg
						min	min		
GEBK5S	5	16	8	6	11.112	0.3	0.3	13	0.009
GEBK6S	6	18	9	6.75	12.7	0.3	0.3	13	0.013
GEBK8S	8	22	12	9	15.88	0.3	0.3	14	0.024
GEBK10S	10	26	14	10.5	19.05	0.3	0.6	14	0.039
GEBK12S	12	30	16	12	22.23	0.3	0.6	13	0.058
GEBK14S	14	34	19	13.5	25.4	0.3	0.6	16	0.084
GEBK16S	16	38	21	15	28.58	0.3	0.6	15	0.111
GEBK18S	18	42	23	16.5	31.75	0.3	0.6	15	0.16
GEBK20S	20	46	25	18	34.93	0.3	0.6	15	0.21
GEBK22S	22	50	28	20	38.1	0.3	0.6	15	0.26
GEBK25S	25	56	31	22	42.86	0.6	0.6	15	0.39
GEBK28S	28	62	35	25	47.63	0.6	0.6	15	0.53
GEBK30S	30	66	37	25	50.8	0.6	0.6	17	0.61

Spherical Plain Bearing >> GEFZ...S Series



Bearing No.	Boundary dimensions(mm)								Mass
	d	D	B	C	dk	rs min	r1s min		Kg
GEFZ4S	4.83	14.29	7.14	5.54	10.31	0.3	0.38	11	0.006
GEFZ6S	6.35	16.67	8.71	6.35	12.7	0.3	0.56	13.5	0.01
GEFZ7S	7.94	19.05	9.53	7.14	14.27	0.3	0.81	12	0.014
GEFZ9S	9.53	20.64	10.31	7.92	16.66	0.3	0.81	10	0.017
GEFZ11S	11.11	23.02	11.1	8.71	17.45	0.3	0.81	8	0.021
GEFZ12S	12.7	25.4	12.7	9.91	20.65	0.3	0.81	9.5	0.029
GEFZ14S	14.29	27.78	14.27	11.1	23.01	0.3	0.81	9.5	0.039
GEFZ15S	15.88	30.16	15.88	12.7	25.4	3	0.81	9.5	0.05
GEFZ19S	19.05	36.51	19.05	15.06	30.15	3	1.12	9	0.093
GEFZ22S	22.23	39.69	22.23	17.86	33.32	0.6	1.12	9.5	0.119
GEFZ25S	25.4	44.45	25.4	20.24	38.1	0.6	1.12	10	0.175

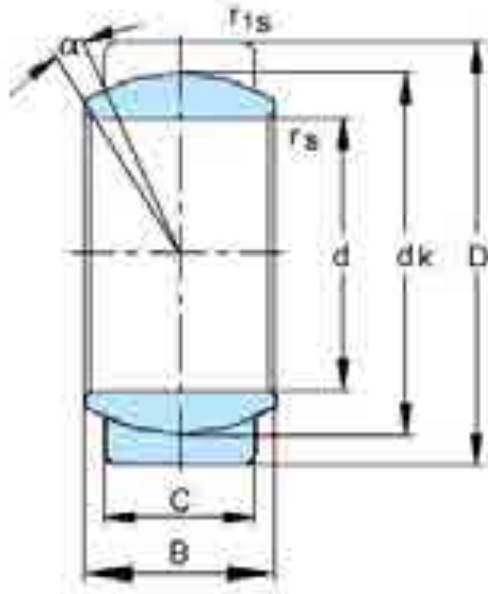
Spherical Plain Bearing >> GE...C Series



Bearing No.	Boundary dimensions(mm)								Mass
	d	D	B	C	dk	rs	r1s		Kg
						min	min		
GE4C	4	12	5	3	8	0.3	0.3	16	0.003
GE5C	5	14	6	4	10	0.3	0.3	13	0.005
GE6C	6	14	6	4	10	0.3	0.3	13	0.004
GE8C	8	16	8	5	13	0.3	0.3	15	0.008
GE10C	10	19	9	6	16	0.3	0.3	12	0.011
GE12C	12	22	10	7	18	0.3	0.3	10	0.015
GE15C	15	26	12	9	22	0.3	0.3	8	0.027
GE17C	17	30	14	10	25	0.3	0.3	10	0.041
GE20C	20	35	16	12	29	0.3	0.3	9	0.066
GE25C	25	42	20	16	35.5	0.6	0.6	7	0.119
GE30C	30	47	22	18	40.7	0.6	0.6	6	0.163

Spherical Plain Bearing >> GEG...C Series

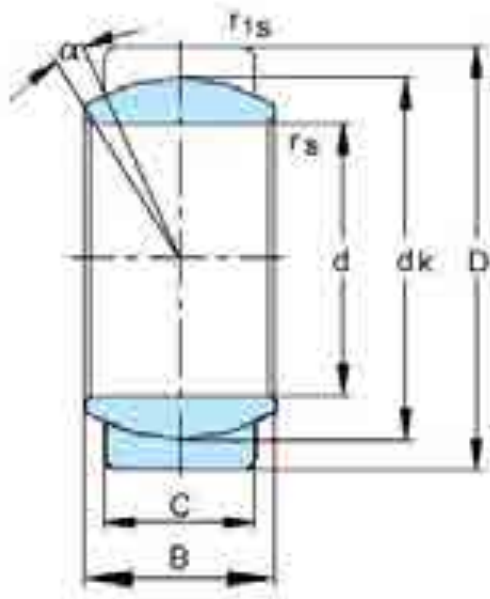
Chengdu RX Bearing Manufacturing Co.,Ltd



Bearing No.	Boundary dimensions(mm)								Mass
	d	D	B	C	dk	rs	r1s		Kg
						min	min		
GEG4C	4	14	7	4	10	0.3	0.3	20	0.005
GEG5C	5	16	9	5	10	0.3	0.3	21	0.008
GEG6C	6	16	9	5	13	0.3	0.3	21	0.006
GEG8C	8	19	11	6	16	0.3	0.3	21	0.014
GEG10C	10	22	12	7	18	0.3	0.3	18	0.021
GEG12C	12	26	15	9	22	0.3	0.3	18	0.033
GEG15C	15	30	16	10	25	0.3	0.3	16	0.049
GEG17C	17	35	20	12	29	0.3	0.3	19	0.083
GEG20C	20	42	25	16	35.5	0.3	0.3	17	0.153
GEG25C	25	47	28	18	40.7	0.6	0.6	17	0.203
GEG30C	30	55	32	20	47	0.6	0.6	17	0.304

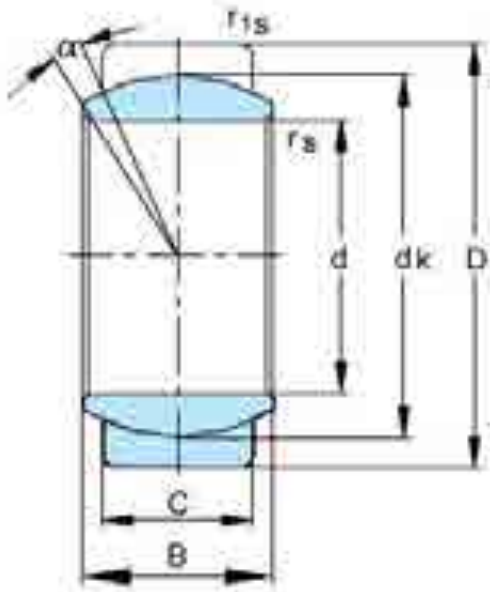
Chengdu RX Bearing Manufacturing Co.,Ltd

Spherical Plain Bearing >> GEFZ...C Series



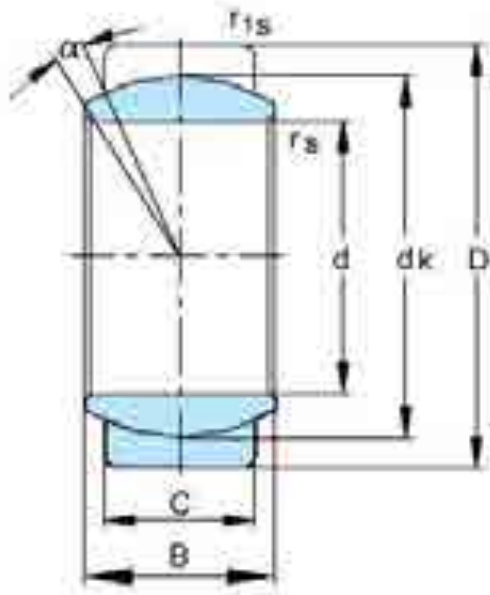
Bearing No.	Boundary dimensions(mm)								Mass
	d	D	B	C	dk	rs	r1s		Kg
						min	min		
GEFZ4C	4.83	14.29	7.14	5.54	10.31	0.3	0.38	11	0.006
GEFZ6C	6.35	16.67	8.71	6.35	12.7	0.3	0.56	13.5	0.01
GEFZ7C	7.94	19.05	9.53	7.14	14.27	0.3	0.81	12	0.014
GEFZ9C	9.53	20.64	10.31	7.92	16.66	0.3	0.81	10	0.017
GEFZ11C	11.11	23.02	11.1	8.71	17.45	0.3	0.81	8	0.021
GEFZ12C	12.7	25.4	12.7	9.91	20.65	0.3	0.81	9.5	0.029
GEFZ14C	14.29	27.78	14.27	11.1	23.01	0.3	0.81	9.5	0.039
GEFZ15C	15.88	30.16	15.88	12.7	25.4	0.3	0.81	9.5	0.05
GEFZ19C	19.05	36.51	19.05	15.06	30.15	0.3	1.12	9	0.093
GEFZ22C	22.23	39.69	22.23	17.86	33.32	0.6	1.12	9.5	0.119
GEFZ25C	25.4	44.45	25.4	20.24	38.1	0.6	1.12	10	0.175

Spherical Plain Bearing >> GE...ET 2RS Series



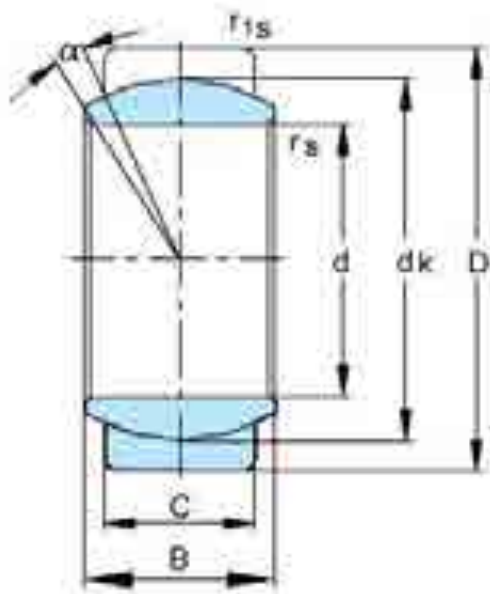
Bearing No.	Boundary dimensions(mm)								Mass
	d	D	B	C	dk	rs	r1s		Kg
						min	min		
GE15ET-2RS	15	26	12	9	22	0.3	0.3	8	0.027
GE17ET-2RS	17	30	14	10	25	0.3	0.3	10	0.041
GE20ET-2RS	20	35	16	12	29	0.3	0.3	9	0.066
GE25ET-2RS	25	42	20	16	35.5	0.6	0.6	7	0.119
GE30ET-2RS	30	47	22	18	40.7	0.6	0.6	6	0.153
GE35ET-2RS	35	55	25	20	47	0.6	1	6	0.233
GE40ET-2RS	40	62	28	22	53	0.6	1	7	0.306
GE45ET-2RS	45	68	32	25	60	0.6	1	7	0.427
GE50ET-2RS	50	75	35	28	66	0.6	1	6	0.546
GE55ET-2RS	55	85	40	32	74	0.6	1	7	0.939
GE60ET-2RS	60	90	44	36	80	1	1	6	1.04
GE70ET-2RS	70	105	49	40	92	1	1	6	1.55
GE80ET-2RS	80	120	55	45	105	1	1	6	2.31
GE90ET-2RS	90	130	60	50	115	1	1	5	2.75
GE100ET-2RS	100	150	70	55	130	1	1	7	4.45
GE110ET-2RS	110	160	70	55	140	1	1	6	4.82
GE120ET-2RS	120	180	85	70	160	1	1	6	8.05

Spherical Plain Bearing >> GE...XT 2RS Series



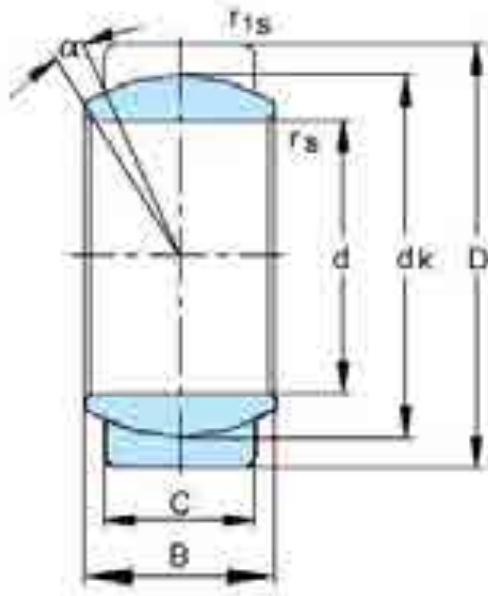
Bearing No.	Boundary dimensions(mm)								Mass
	d	D	B	C	dk	rs	r1s		Kg
						min	min		
GE140XT-2RS	140	210	90	70	180	1	1	7	11.02
GE160XT-2RS	160	230	105	80	200	1	1	8	14.01
GE180XT-2RS	180	260	105	80	225	1.1	1.1	6	18.65
GE200XT-2RS	200	290	130	100	250	1.1	1.1	7	28.03
GE220XT-2RS	220	320	135	100	275	1.1	1.1	8	35.51
GE240XT-2RS	240	340	140	100	300	1.1	1.1	8	39.91
GE260XT-2RS	260	370	150	110	325	1.1	1.1	7	51.54
GE280XT-2RS	280	400	155	120	350	1.1	1.1	6	65.06
GE300XT-2RS	300	430	165	120	375	1.1	1.1	7	78.07

Spherical Plain Bearing >> GEG...ET 2RS Series



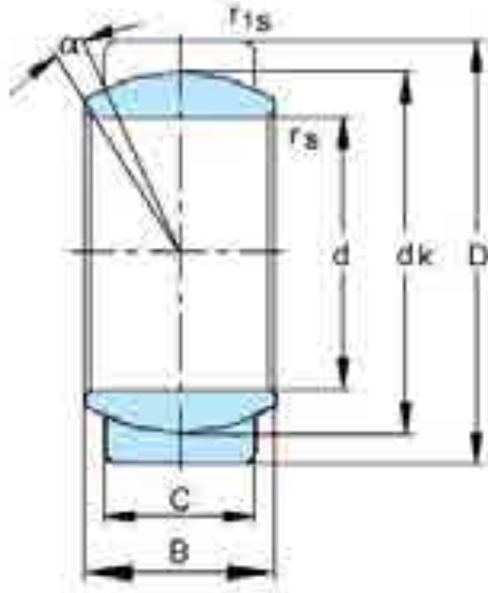
Bearing No.	Boundary dimensions(mm)								Mass
	d	D	B	C	dk	rs	r1s		Kg
						min	min		
GEG15ET-2RS	15	30	16	10	25	0.3	0.3	16	0.049
GEG17ET-2RS	17	35	20	12	29	0.3	0.3	19	0.083
GEG20ET-2RS	20	42	25	16	35.5	0.3	0.6	17	0.153
GEG25ET-2RS	25	47	28	18	40.7	0.6	0.6	17	0.203
GEG30ET-2RS	30	55	32	20	47	0.6	1	17	0.304
GEG35ET-2RS	35	62	35	22	53	0.6	1	16	0.408
GEG40ET-2RS	40	68	40	25	60	0.6	1	17	0.542
GEG45ET-2RS	45	75	43	28	66	0.6	1	15	0.713
GEG50ET-2RS	50	90	56	36	80	0.6	1	17	1.14
GEG60ET-2RS	60	105	63	40	92	1	1	17	2.05
GEG70ET-2RS	70	120	70	45	105	1	1	16	3.01
GEG80ET-2RS	80	130	75	50	115	1	1	14	3.64
GEG90ET-2RS	90	150	85	55	130	1	1	15	5.22
GEG100ET-2RS	100	160	85	55	140	1	1	14	6.05
GEG110ET-2RS	110	180	100	70	160	1	1	12	9.68

Spherical Plain Bearing >> GE...XT 2RS Series



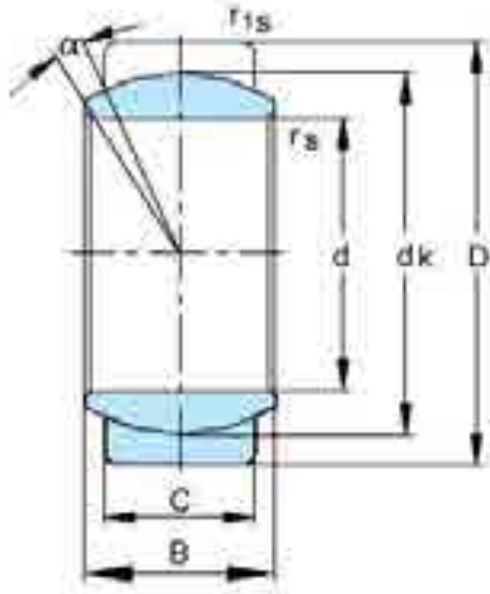
Bearing No.	Boundary dimensions(mm)								Mass Kg
	d	D	B	C	dk	rs	r1s		
						min	min		
GE140XT-2RS	140	210	90	70	180	1	1	7	11.02
GE160XT-2RS	160	230	105	80	200	1	1	8	14.01
GE180XT-2RS	180	260	105	80	225	1.1	1.1	6	18.65
GE200XT-2RS	200	290	130	100	250	1.1	1.1	7	28.03
GE220XT-2RS	220	320	135	100	275	1.1	1.1	8	35.51
GE240XT-2RS	240	340	140	100	300	1.1	1.1	8	39.91
GE260XT-2RS	260	370	150	110	325	1.1	1.1	7	51.54
GE280XT-2RS	280	400	155	120	350	1.1	1.1	6	65.06
GE300XT-2RS	300	430	165	120	375	1.1	1.1	7	78.07

Spherical Plain Bearing >> GEG...ET 2RS Series



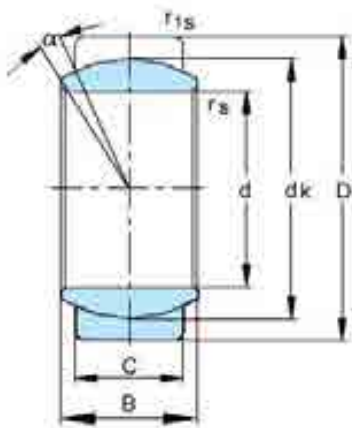
Bearing No.	Boundary dimensions(mm)								Mass Kg
	d	D	B	C	dk	rs min	r1s min		
GEG15ET-2RS	15	30	16	10	25	0.3	0.3	16	0.049
GEG17ET-2RS	17	35	20	12	29	0.3	0.3	19	0.083
GEG20ET-2RS	20	42	25	16	35.5	0.3	0.6	17	0.153
GEG25ET-2RS	25	47	28	18	40.7	0.6	0.6	17	0.203
GEG30ET-2RS	30	55	32	20	47	0.6	1	17	0.304
GEG35ET-2RS	35	62	35	22	53	0.6	1	16	0.408
GEG40ET-2RS	40	68	40	25	60	0.6	1	17	0.542
GEG45ET-2RS	45	75	43	28	66	0.6	1	15	0.713
GEG50ET-2RS	50	90	56	36	80	0.6	1	17	1.14
GEG60ET-2RS	60	105	63	40	92	1	1	17	2.05
GEG70ET-2RS	70	120	70	45	105	1	1	16	3.01
GEG80ET-2RS	80	130	75	50	115	1	1	14	3.64
GEG90ET-2RS	90	150	85	55	130	1	1	15	5.22
GEG100ET-2RS	100	160	85	55	140	1	1	14	6.05
GEG110ET-2RS	110	180	100	70	160	1	1	12	9.68

Spherical Plain Bearing >> GEG...XT 2RS Series



Bearing No.	Boundary dimensions(mm)								Mass
	d	D	B	C	dk	rs	r1s		Kg
						min	min		
GEG120XT-2RS	120	210	115	70	180	1	1	16	14.01
GEG140XT-2RS	140	230	130	80	200	1	1	16	19.01
GEG160XT-2RS	160	260	135	80	225	1.1	1.1	16	20.02
GEG180XT-2RS	180	290	155	100	250	1.1	1.1	14	32.21
GEG200XT-2RS	200	320	165	100	275	1.1	1.1	15	45.28
GEG220XT-2RS	220	340	175	100	300	1.1	1.1	16	51.12
GEG240XT-2RS	240	370	190	110	325	1.1	1.1	15	65.12
GEG260XT-2RS	260	400	205	120	350	1.1	1.1	15	82.44
GEG280XT-2RS	280	430	210	120	375	1.1	1.1	15	97.21

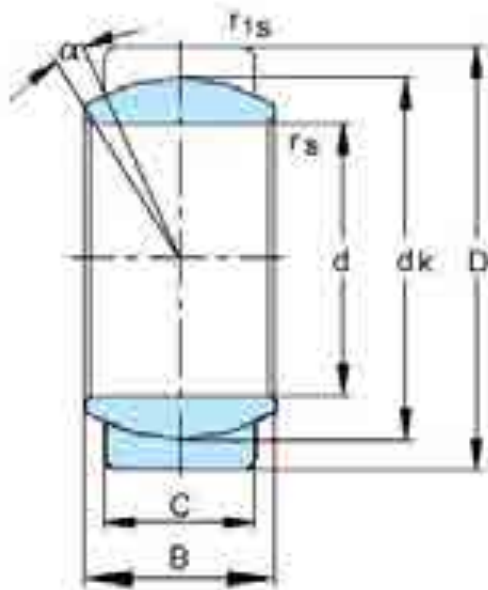
Spherical Plain Bearing >> GEZ...ET 2RS Series



Chengdu RX Bearing Manufacturing Co.,Ltd

Bearing No.	Boundary dimensions(mm)								Mass
	d	D	B	C	dk	rs	r1s		Kg
						min	min		
GEZ19ET-2RS	19.05	31.75	16.662	14.275	27.5	0.3	0.6	6	0.053
GEZ22ET-2RS	22.225	36.513	19.431	16.662	32	0.3	0.6	6	0.085
GEZ25ET-2RS	25.4	41.275	22.225	19.05	36.5	0.3	0.6	6	0.121
GEZ31ET-2RS	31.75	50.8	27.762	23.8	45.5	0.6	0.6	6	0.23
GEZ34ET-2RS	34.925	55.563	30.15	26.187	49	0.6	1	6	0.35
GEZ38ET-2RS	38.1	61.913	33.325	28.575	54.7	0.6	1	6	0.42
GEZ44ET-2RS	44.45	71.438	38.887	33.325	63.9	0.6	1	6	0.64
GEZ50ET-2RS	50.8	80.963	44.45	38.1	73	0.6	1	6	0.93
GEZ57ET-2RS	57.15	90.488	50.013	42.85	82	0.6	1	6	1.3
GEZ63ET-2RS	63.5	100.013	55.55	47.625	92	1	1	6	1.85
GEZ69ET-2RS	69.85	111.125	61.112	52.375	100	1	1	6	2.4
GEZ76ET-2RS	76.2	120.65	66.675	57.15	109.5	1	1	6	3.1
GEZ82ET-2RS	82.55	130.175	72.238	61.9	119	1	1	6	3.8
GEZ88ET-2RS	88.9	139.7	77.775	66.675	128	1	1	6	4.8
GEZ95ET-2RS	95.25	149.225	83.337	71.425	137	1	1	6	5.8
GEZ101ET-2RS	101.6	158.75	88.9	76.2	146	1	1	6	7
GEZ107ET-2RS	107.95	168.275	94.463	80.95	155	1	1	6	8.41
GEZ114ET-2RS	114.3	177.8	100.013	85.725	164.5	1	1	6	9.8
GEZ120ET-2RS	120.65	187.325	105.562	90.475	173.5	1	1	6	11.5
GEZ127ET-2RS	127	196.85	111.125	95.25	183	1	1	6	13.5
GEZ152ET-2RS	152.4	222.25	120.65	104.775	207	1	1	6	17.5

Spherical Plain Bearing >> GEH...XT Series

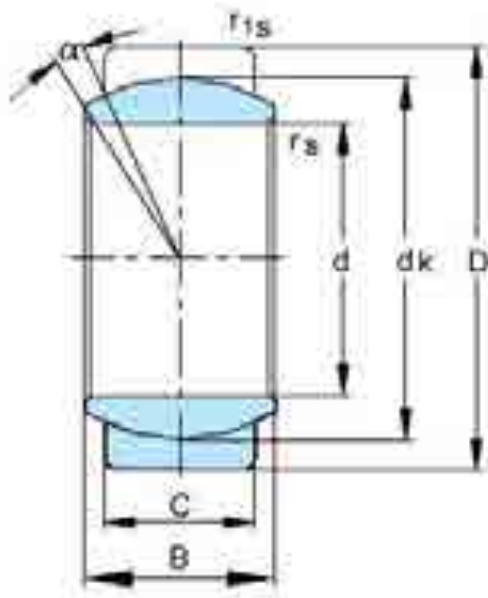


Bearing No.	Boundary dimensions(mm)	Mass
-------------	-------------------------	------

Chengdu RX Bearing Manufacturing Co.,Ltd

	d	D	B	C	dk	rs	r1s		Kg
						min	min		
GEH100XT	100	150	71	67	135	1	1	2	4.51
GEH110XT	110	160	78	74	145	1	1	2	5.35
GEH120XT	120	180	85	80	160	1	1	2	7.96
GEH140XT	140	210	100	95	185	1	1	2	13
GEH160XT	160	230	115	109	210	1	1	2	16.6
GEH180XT	180	260	128	122	240	1.1	1.1	2	24.4
GEH200XT	200	290	140	134	260	1.1	1.1	2	33.5
GEH220XT	220	320	155	148	290	1.1	1.1	2	45.8
GEH240XT	240	340	170	162	310	1.1	1.1	2	53.7
GEH260XT	260	370	185	175	340	1.1	1.1	2	69.5
GEH280XT	280	400	200	190	370	1.1	1.1	2	89.5
GEH300XT	300	430	212	200	390	1.1	1.1	2	110
GEH320XT	320	460	230	218	414	1.1	3	2	135
GEH340XT	340	480	243	230	434	1.1	3	2	150
GEH360XT	360	520	258	243	474	1.1	4	2	200
GEH380XT	380	540	272	258	494	1.5	4	2	220
GEH400XT	400	580	280	265	514	1.5	4	2	275
GEH420XT	420	600	300	280	534	1.5	4	2	300

Spherical Plain Bearing >> GEH...XT 2RS Series

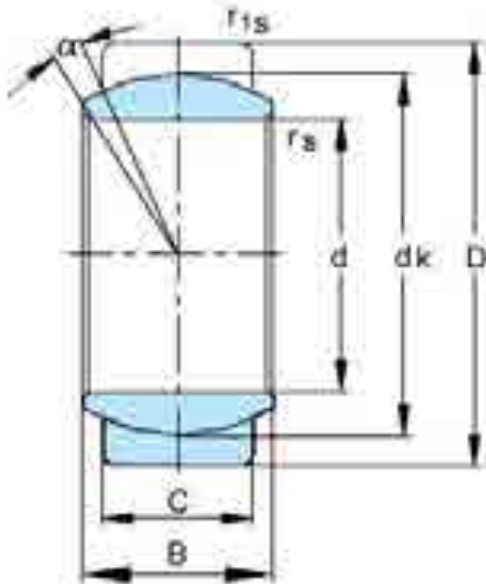


Bearing No.	Boundary dimensions(mm)								Mass
	d	D	B	C	dk	rs	r1s		Kg
						min	min		

Chengdu RX Bearing Manufacturing Co.,Ltd

GEH100XT-2RS	100	150	71	67	135	1	1	2	4.51
GEH110XT-2RS	110	160	78	74	145	1	1	2	5.35
GEH120XT-2RS	120	180	85	80	160	1	1	2	7.96
GEH140XT-2RS	140	210	100	95	185	1	1	2	13
GEH160XT-2RS	160	230	115	109	210	1	1	2	16.6
GEH180XT-2RS	180	260	128	122	240	1.1	1.1	2	24.4
GEH200XT-2RS	200	290	140	134	260	1.1	1.1	2	33.5
GEH220XT-2RS	220	320	155	148	290	1.1	1.1	2	45.8
GEH240XT-2RS	240	340	170	162	310	1.1	1.1	2	53.7
GEH260XT-2RS	260	370	185	175	340	1.1	1.1	2	69.5
GEH280XT-2RS	280	400	200	190	370	1.1	1.1	2	89.5
GEH300XT-2RS	300	430	212	200	390	1.1	1.1	2	110
GEH320XT-2RS	320	460	230	218	414	1.1	3	2	135
GEH340XT-2RS	340	480	243	230	434	1.1	3	2	150
GEH360XT-2RS	360	520	258	243	474	1.1	4	2	200
GEH380XT-2RS	380	540	272	258	494	1.5	4	2	220
GEH400XT-2RS	400	580	280	265	514	1.5	4	2	275
GEH420XT-2RS	420	600	300	280	534	1.5	4	2	300

Spherical Plain Bearing >> GEC...XT Series

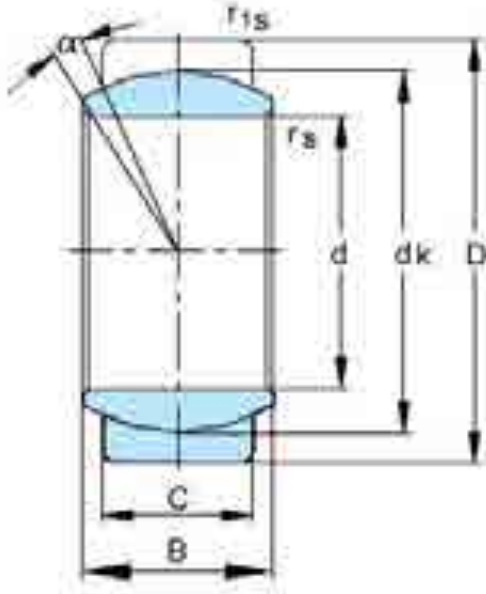


Bearing No.	Boundary dimensions(mm)								Mass
	d	D	B	C	dk	rs	r1s		Kg
						min	min		
GEC320XT	320	440	160	135	380	1.1	3	3	76
GEC340XT	340	460	160	135	400	1.1	3	3	80
GEC360XT	360	480	160	135	420	1.1	4	3	86

Chengdu RX Bearing Manufacturing Co.,Ltd

GEC380XT	380	520	190	160	450	1.5	4	4	125
GEC400XT	400	540	190	160	470	1.5	4	4	130
GEC420XT	420	560	190	160	490	1.5	4	4	145
GEC440XT	440	600	218	185	520	1.5	4	3	190

Spherical Plain Bearing >> GEH...HC Series

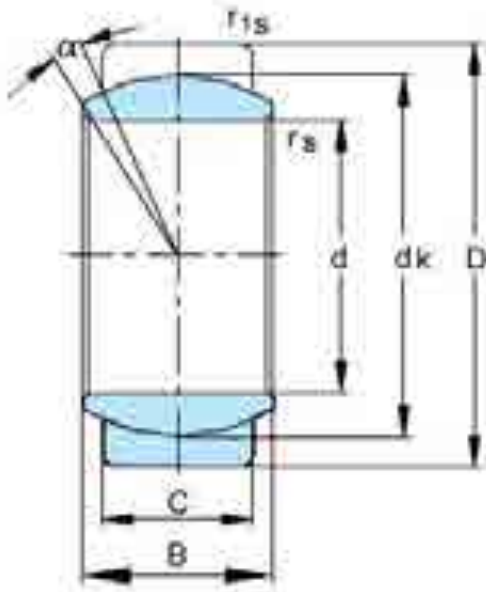


Bearing No.	Boundary dimensions(mm)								Mass
	d	D	B	C	dk	rs min	r1s min		Kg
GEH100HC	100	150	71	67	135	1	1	2	4.51
GEH110HC	110	160	78	74	145	1	1	2	5.35
GEH120HC	120	180	85	80	160	1	1	2	7.96
GEH140HC	140	210	100	95	185	1	1	2	13
GEH160HC	160	230	115	109	210	1	1	2	16.6
GEH180HC	180	260	128	122	240	1.1	1.1	2	24.4
GEH200HC	200	290	140	134	260	1.1	1.1	2	33.5
GEH220HC	220	320	155	148	290	1.1	1.1	2	45.8
GEH240HC	240	340	170	162	310	1.1	1.1	2	53.7
GEH260HC	260	370	185	175	340	1.1	1.1	2	69.5
GEH280HC	280	400	200	190	370	1.1	1.1	2	89.5
GEH300HC	300	430	212	200	390	1.1	1.1	2	110
GEH320HC	320	460	230	218	414	1.1	3	2	135
GEH340HC	340	480	243	230	434	1.1	3	2	150
GEH360HC	360	520	258	243	474	1.1	4	2	200
GEH380HC	380	540	272	258	494	1.5	4	2	220
GEH400HC	400	580	280	265	514	1.5	4	2	275
GEH420HC	420	600	300	280	534	1.5	4	2	300

Chengdu RX Bearing Manufacturing Co.,Ltd

GEH440HC	440	630	315	300	574	1.5	4	2	360
GEH460HC	460	650	325	308	593	1.5	4	2	380
GEH480HC	480	680	340	320	623	2	5	2	435
GEH500HC	500	710	355	335	643	2	5	2	500
GEH530HC	530	750	375	355	673	2	5	2	585
GEH560HC	560	800	400	380	723	2	5	2	730
GEH600HC	600	850	425	400	773	2	6	2	860
GEH630HC	630	900	450	425	813	2	6	2	1040

Spherical Plain Bearing >> GEH...HT Series

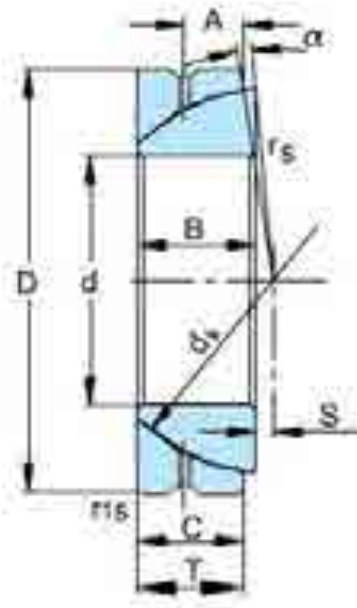


Bearing No.	Boundary dimensions(mm)								Mass Kg
	d	D	B	C	dk	rs min	r1s min		
GEH100HT	100	150	71	67	135	1	1	2	4.51
GEH110HT	110	160	78	74	145	1	1	2	5.35
GEH120HT	120	180	85	80	160	1	1	2	7.96
GEH140HT	140	210	100	95	185	1	1	2	13
GEH160HT	160	230	115	109	210	1	1	2	16.6
GEH180HT	180	260	128	122	240	1.1	1.1	2	24.4
GEH200HT	200	290	140	134	260	1.1	1.1	2	33.5
GEH220HT	220	320	155	148	290	1.1	1.1	2	45.8
GEH240HT	240	340	170	162	310	1.1	1.1	2	53.7
GEH260HT	260	370	185	175	340	1.1	1.1	2	69.5
GEH280HT	280	400	200	190	370	1.1	1.1	2	89.5
GEH300HT	300	430	212	200	390	1.1	1.1	2	110
GEH320HT	320	460	230	218	414	1.1	3	2	135

Chengdu RX Bearing Manufacturing Co.,Ltd

GEH340HT	340	480	243	230	434	1.1	3	2	150
GEH360HT	360	520	258	243	474	1.1	4	2	200
GEH380HT	380	540	272	258	494	1.5	4	2	220
GEH400HT	400	580	280	265	514	1.5	4	2	275
GEH420HT	420	600	300	280	534	1.5	4	2	300
GEH440HT	440	630	315	300	574	1.5	4	2	360
GEH460HT	460	650	325	308	593	1.5	4	2	380
GEH480HT	480	680	340	320	623	2	5	2	435
GEH500HT	500	710	355	335	643	2	5	2	500
GEH530HT	530	750	375	355	673	2	5	2	585
GEH560HT	560	800	400	380	723	2	5	2	730
GEH600HT	600	850	425	400	773	2	6	2	860
GEH630HT	630	900	450	425	813	2	6	2	1040

Spherical Plain Bearing >> GAC...S Series

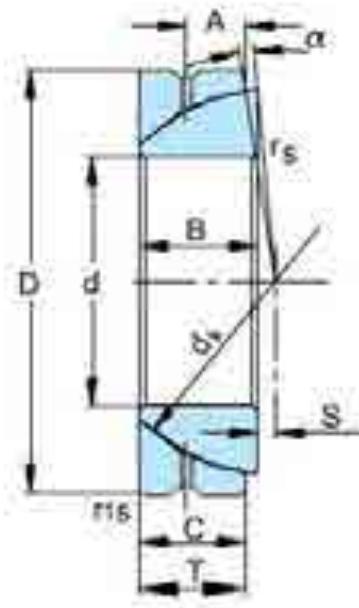


Bearing No.	Boundary dimensions(mm)										Mass
	d	D	B	C	T	dk	S	A	rs,r1s min		Kg
GAC25S	25	47	15	14	15	42	0.6	7.5	1	2.5	0.148
GAC28S	28	52	16	15	16	47	1	8	1	2	0.186
GAC30S	30	55	17	15	17	49.5	1.3	8.5	1	4.5	0.208
GAC32S	32	58	17	16	17	52	2	8.5	1	2	0.241
GAC35S	35	62	18	16	18	55.5	2.1	9	1	4	0.268

Chengdu RX Bearing Manufacturing Co.,Ltd

GAC40S	40	68	19	17	19	62	2.8	9.5	1	3.5	0.327
GAC45S	45	75	20	18	20	68.5	3.5	10	1	3	0.416
GAC50S	50	80	20	19	20	74	4.3	10	1	1.5	0.455
GAC55S	55	90	23	20	23	82	5	11.5	1.1	4	0.645
GAC60S	60	95	23	21	23	88.5	5.7	11.5	1.1	2.5	0.714
GAC65S	65	100	23	22	23	93.5	6.5	11.5	1.1	1	0.759
GAC70S	70	110	25	23	25	102	7.2	12.5	1.1	2	1.04
GAC75S	75	115	25	24	25	107	7.9	12.5	1.1	1	1.12
GAC80S	80	125	29	25.5	29	115	8.6	14.5	1.1	3.5	1.54
GAC85S	85	130	29	26.5	29	122	9.4	14.5	1.1	2	1.61
GAC90S	90	140	32	28	32	128.5	10.1	16	1.5	3.5	2.09
GAC95S	95	145	32	29.5	32	135	10.8	16	1.5	2	2.22
GAC100S	100	150	32	31	32	141	11.6	16	1.5	0.5	2.34
GAC105S	105	160	35	32.5	35	148	12.3	17.5	2	2	2.93
GAC110S	110	170	38	34	38	155	13	19	2	3	3.68
GAC120S	120	180	38	37	38	168	14.5	19	2	0.5	3.97
GAC130S	130	200	45	43	45	188	18	19	2.5	1	5.92
GAC140S	140	210	45	43	45	198	19	19	2.5	1	6.33
GAC150S	150	225	48	46	48	211	20	20.5	3	1	8.01
GAC160S	160	240	51	49	51	225	20	22	3	1	9.42
GAC170S	170	260	57	55	57	246	21	27	3	1	12.3
GAC180S	180	280	64	61	64	260	21	28	3	1	17.4
GAC190S	190	290	64	62	64	275	26	30	3	0.5	18.2
GAC200S	200	310	70	66	70	290	26	30	3	1.5	22.5

Spherical Plain Bearing >> GAC...T Series

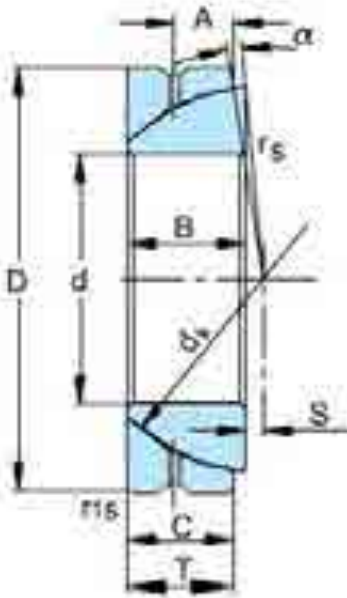


Bearing No.	Boundary dimensions(mm)									Mass
	d	D	B	C	T	dk	S	rs,r1s		Kg
GAC25T	25	47	15	14	15	42	0.6	1	2.5	0.148
GAC28T	28	52	16	15	16	47	1	1	2	0.186
GAC30T	30	55	17	15	17	49.5	1.3	1	4.5	0.208
GAC32T	32	58	17	16	17	52	2	1	2	0.241
GAC35T	35	62	18	16	18	55.5	2.1	1	4	0.268
GAC40T	40	68	19	17	19	62	2.8	1	3.5	0.327
GAC45T	45	75	20	18	20	68.5	3.5	1	3	0.416
GAC50T	50	80	20	19	20	74	4.3	1	1.5	0.455
GAC55T	55	90	23	20	23	82	5	1.1	4	0.645
GAC60T	60	95	23	21	23	88.5	5.7	1.1	2.5	0.714
GAC65T	65	100	23	22	23	93.5	6.5	1.1	1	0.759
GAC70T	70	110	25	23	25	102	7.2	1.1	2	1.04
GAC75T	75	115	25	24	25	107	7.9	1.1	1	1.12
GAC80T	80	125	29	25.5	29	115	8.6	1.1	3.5	1.54
GAC85T	85	130	29	26.5	29	122	9.4	1.1	2	1.61
GAC90T	90	140	32	28	32	128.5	10.1	1.5	3.5	2.09
GAC95T	95	145	32	29.5	32	135	10.8	1.5	2	2.22
GAC100T	100	150	32	31	32	141	11.6	1.5	0.5	2.34
GAC105T	105	160	35	32.5	35	148	12.3	2	2	2.93
GAC110T	110	170	38	34	38	155	13	2	3	3.68

Chengdu RX Bearing Manufacturing Co.,Ltd

GAC120T	120	180	38	37	38	168	14.5	2	0.5	3.97
GAC130T	130	200	45	43	45	188	18	2.5	1	5.92
GAC140T	140	210	45	43	45	198	19	2.5	1	6.33
GAC150T	150	225	48	46	48	211	20	3	1	8.01
GAC160T	160	240	51	49	51	225	20	3	1	9.42
GAC170T	170	260	57	55	57	246	21	3	1	12.3
GAC180T	180	280	64	61	64	260	21	3	1	17.4
GAC190T	190	290	64	62	64	275	26	3	0.5	18.2
GAC200T	200	310	70	66	70	290	26	3	1.5	22.5

Spherical Plain Bearing >> GACZ...S series

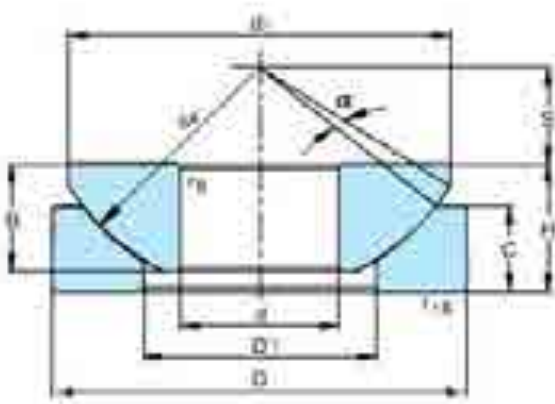


Bearing No.	Boundary dimensions(mm)										Mass Kg
	d	D	B	C	T	dk	S	A	rs,r1s min		
GACZ12S	12.7	22.225	6.86	4.83	7.62	18.26	1.3	2.39	0.51	7	0.013
GACZ15S	15.875	26.988	8.64	6.35	9.4	22.83	1.48	2.77	0.76	6	0.025
GACZ19S	19.05	31.75	10.41	7.87	11.18	27.43	1.79	3.18	1	6	0.038
GACZ22S	22.225	36.512	12.19	9.65	13.21	31.95	2.02	4.37	2	5.5	0.049
GACZ25S	25.4	41.275	13.97	11.18	15.24	36.5	2.54	5.16	2	6	0.085
GACZ31S	31.75	50.8	17.78	13.97	18.8	45.59	3.36	5.94	2	6	0.159
GACZ34S	34.925	55.562	19.56	15.24	21.34	49.2	3.69	7.14	2.54	4	0.213
GACZ38S	38.1	61.912	21.34	16.76	23.11	54.74	3.93	7.92	2.54	5.5	0.301
GACZ44S	44.45	71.438	24.89	20.07	27.18	63.88	4.72	8.33	2.54	6	0.458
GACZ50S	50.8	80.962	28.7	23.37	31.24	73.02	5.51	9.52	3.56	5.5	0.671
GACZ57S	57.15	90.488	32.26	26.67	35.31	82.17	6.18	11.51	3.56	5.5	0.948

Chengdu RX Bearing Manufacturing Co.,Ltd

GACZ63S	63.5	100.013	36.07	29.97	39.12	91.19	6.79	12.7	3.56	5	1.13
GACZ69S	69.85	111.125	39.62	32.38	43.18	100.33	7.46	13.08	4.6	5	1.75
GACZ76S	76.2	120.65	43.43	35.69	47.24	109.52	8.17	14.68	4.6	5	2.28
GACZ82S	82.55	130.175	47.24	39.24	51.56	118.74	9.04	16.66	4.6	5	2.89
GACZ88S	88.9	139.7	50.8	42.54	55.37	128.02	9.51	17.86	4.6	5	3.57
GACZ95S	95.25	149.225	54.61	45.85	59.44	136.91	10.1	19.43	4.6	4.5	4.35
GACZ101S	101.6	158.75	58.42	49.15	63.5	146.05	10.4	19.84	4.6	4.5	5.26
GACZ114S	114.3	177.7	65.79	55.75	71.12	164.46	12.4	22.22	4.6	4.5	7.76
GACZ127S	127	196.85	73.15	62.36	79.5	182.63	13.9	25.4	4.6	4.5	11.07
GACZ152S	152.4	222.25	78.74	66.42	85.72	207.16	16.1	34.8	4.6	4.5	17.37

Spherical Plain Bearing >> GX...S Series

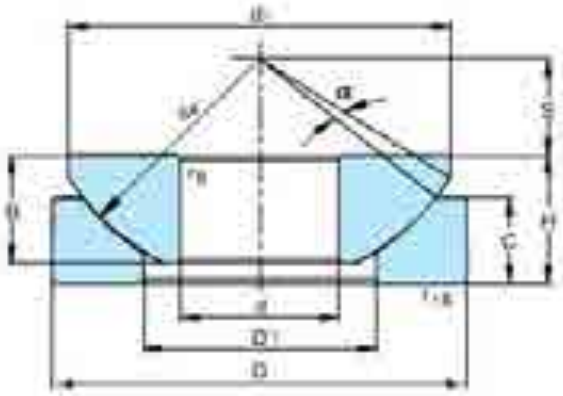


Bearing No.	Boundary dimensions(mm)												Mass Kg
	d	D	B	C	H	dk	S	d1	D1	A	rs,r1s		
								max	min		min		
GX10S	10	30	7.5	7	9.5	32	7	27.5	15.5	3	0.6	5	0.036
GX12S	12	35	9.5	9.3	13	38	8	32	18	4	0.6	5	0.072
GX15S	15	42	11	10.8	15	46	10	39	22.5	5	0.6	6	0.108
GX17S	17	47	11.8	11.2	16	52	11	43.5	27	5	0.6	4	0.137
GX20S	20	55	14.5	13.8	20	60	12.5	50	31	6	1	5	0.246
GX25S	25	62	16.5	16.7	22.5	68	14	58.5	34.5	6	1	5	0.415
GX30S	30	75	19	19	26	82	17.5	70	42	8	1	5	0.614
GX35S	35	90	22	20.7	28	98	22	84	50.5	8	1	5	0.973
GX40S	40	105	27	21.5	32	114	24.5	97	59	9	1	6	1.59
GX45S	45	120	31	25.5	36.5	128	27.5	110	67	11	1	6	2.24
GX50S	50	130	33	30.5	42.5	139	30	120	70	10	1	6	3.14
GX60S	60	150	37	34	45	160	35	140	84	12.5	1	6	4.63
GX70S	70	160	42	36.5	50	176	35	153	94.5	13.5	1	3	5.37
GX80S	80	180	43.5	38	50	197	42.5	172	107.5	14.5	1	4	6.91
GX100S	100	210	51	46	59	222	45	198	127	15	1.1	4	10.9
GX120S	120	230	53.5	50	64	250	52.5	220	145	16.5	1.1	3	13.9

Chengdu RX Bearing Manufacturing Co.,Ltd

GX140S	140	260	61	54	72	274	52.5	243	177	23	1.5	3	18.1
GX160S	160	290	66	58	77	313	65	271	200	23	1.5	2	23.2
GX180S	180	320	74	62	86	340	67.5	299	225	26	1.5	4	30.9
GX200S	200	340	80	66	87	365	70	320	247	27	1.5	1	34.2

Spherical Plain Bearing >> GX...T Series



Bearing No.	Boundary dimensions(mm)											Mass Kg
	d	D	B	C	H	dk	S	d1	D1	rs,r1s		
								max	min	min		
GX10T	10	30	7.5	7	9.5	32	7	27.5	15.5	0.6	5	0.036
GX12T	12	35	9.5	9.3	13	38	8	32	18	0.6	5	0.072
GX15T	15	42	11	10.8	15	46	10	39	22.5	0.6	6	0.108
GX17T	17	47	11.8	11.2	16	52	11	43.5	27	0.6	4	0.137
GX20T	20	55	14.5	13.8	20	60	12.5	50	31	1	5	0.246
GX25T	25	62	16.5	16.7	22.5	68	14	58.5	34.5	1	5	0.415
GX30T	30	75	19	19	26	82	17.5	70	42	1	5	0.614
GX35T	35	90	22	20.7	28	98	22	84	50.5	1	5	0.973
GX40T	40	105	27	21.5	32	114	24.5	97	59	1	6	1.59
GX45T	45	120	31	25.5	36.5	128	27.5	110	67	1	6	2.24
GX50T	50	130	33	30.5	42.5	139	30	120	70	1	6	3.14
GX60T	60	150	37	34	45	160	35	140	84	1	6	4.63
GX70T	70	160	42	36.5	50	176	35	153	94.5	1	3	5.37
GX80T	80	180	43.5	38	50	197	42.5	172	107.5	1	4	6.91
GX100T	100	210	51	46	59	222	45	198	127	1.1	4	10.9
GX120T	120	230	53.5	50	64	250	52.5	220	145	1.1	3	13.9
GX140T	140	260	61	54	72	274	52.5	243	177	1.5	3	18.1
GX160T	160	290	66	58	77	313	65	271	200	1.5	2	23.2
GX180T	180	320	74	62	86	340	67.5	299	225	1.5	4	30.9
GX200T	200	340	80	66	87	365	70	320	247	1.5	1	34.2

Chengdu RX Bearing Manufacturing Co.,Ltd

Rod ends consist of an eye-shaped head with integral shank which forms a housing for a standard spherical plain bearing. As a rule, rod ends are available with left or right-hand female (internal) or male (external) threads to ISO 965/1:1980. Where rod ends are needed for specific applications - primarily those where a rod end is attached to the end of a piston rod or at the base of a hydraulic cylinder - rod ends are available with slotted shank and compressible threaded section or with a "welding shank" i.e. a shank suitable for welding to another component. TIK rod ends which require maintenance are available as standard with the sliding contact surface combinations steel-on-steel and steel-on-bronze. Both types of rod end require regular relubrication. Steel-on-steel rod ends have sliding contact surfaces which are hardened, phosphated and treated with a running-in lubricant. They are very resistant to wear and therefore particularly suitable for applications where heavy loads of alternating direction have to be accommodated. Steel-on-bronze rod ends have a hardened and chromium plated inner ring and a bronze outer ring. Their performance under conditions of lubricant starvation is therefore very good. TIK maintenance-free rod ends have special sliding layers of modern dry sliding materials characterised by low friction. They find application above all where long service lives are required without maintenance. Primarily, however, they are intended for applications where the load acts in a constant direction.



Rod End >> PHS Series

Rod body with right or left-hand female thread.

Outer race lined with bronze liner.

Surface of rod body zinc plated, rod body with a lubricating hole or grease nipple.

Bearing No.	Boundary dimensions mm																Load ratings kN	
	d	B	d _k	C ₁	d ₂	G	h ₁	l ₃	l ₄	l ₅	l ₇	W	d ₃	d ₄	r _s	°	Dynamic	Static
				max		6H		min							min			
PHS 5	5	8	11	6	16	M5	27	14	35	4	8	9	9	11	0.3	13	3.3	4.1
PHS 6	6	9	13	6.8	18	M6	30	14	39	5	9	11	10	13	0.3	13	4.3	5.3
PHS 8	8	12	16	9	22	M8	36	17	47	5	11	14	12.5	16	0.3	14	6.8	8.5
PHS 10	10	14	19	11	26	M10	43	21	56	6.5	13	17	15	19	0.3	14	10	11
PHS 12	12	16	22	12	30	M12	50	24	65	6.5	15	19	17.5	22	0.3	13	13	14
PHS 14	14	19	25	14	34	M14	57	27	74	8	16	22	20	25	0.3	16	17	20
PHS 16	16	21	29	15	38	M16	64	33	83	8	17.5	22	22	27	0.3	15	21	25
PHS 18	18	23	32	17	42	M18	1.5 71	36	92	10	19.5	27	25	31	0.6	15	26	30

Chengdu RX Bearing Manufacturing Co.,Ltd

PHS 20	20	25	35	18	46	M20	1.5	77	40	100	10	21.5	30	27.5	34	0.6	15	31	35
PHS 22	22	28	38	20	50	M22	1.5	84	43	109	12	23	32	30	37	0.6	15	38	43
PHS 25	25	31	43	22	60	M24	2	94	48	124	12	29.5	36	33.5	42	0.6	15	47	65
PHS 28	28	35	48	25	66	M27	2	##	53	136	12	32.5	41	37	46	0.6	15	59	77
PHS 30	30	37	51	25	70	M30	2	##	56	145	15	34	41	40	50	0.6	17	63	86

Rod End >> POS Series

Rod body with right or left-hand female thread.

Outer race lined with bronze liner.

Surface of rod body zinc plated, rod body with a lubricating hole or grease nipple.

Bearing No.	Boundary dimensions mm											Load ratings kN		Mass		
	d	B	d _k	C ₁	d ₂	G	h	l ₁	l ₂	l ₇	r _s	°	Dynamic	Static	Kg	
				max		6g		min			min					
POS 5	5	8	11	6	16	M5	33	20	41		0.3	13	3.3	3.9	0.016	
POS 6	6	9	13	6.8	18	M6	36	22	45		0.3	13	4.3	5.3	0.026	
POS 8	8	12	16	9	22	M8	42	25	53		0.3	14	6.8	8.5	0.044	
POS 10	10	14	19	11	26	M10	48	29	61		0.3	14	10	11	0.072	
POS 12	12	16	22	12	30	M12	54	33	69		0.3	13	13	14	0.108	
POS 14	14	19	25	14	34	M14	60	36	77		0.3	16	17	20	0.161	
POS 16	16	21	29	15	38	M16	66	40	85		0.3	15	21	25	0.225	
POS 18	18	23	32	17	42	M18	1.5	72	44	93	23	0.6	15	26	30	0.295
POS 20	20	25	35	18	46	M20	1.5	78	47	101	25	0.6	15	31	35	0.382
POS 22	22	28	38	20	50	M22	1.5	84	51	109	27	0.6	15	38	43	0.488

Chengdu RX Bearing Manufacturing Co.,Ltd

POS 25	31	22	60	M24	2	94	57	124	29	0.6	15	65	0.749
	25	43									47		
POS 28	35	25	66	M27	2	##	62	136	33	0.6	15	77	0.949
	28	48									59		
POS 30	37	25	70	M30	2	##	66	145	39	0.6	17	86	1.13
	30	51									63		

Rod End >> SI...E Series

Rod body with right or left-hand female thread.

It is made up of a radial spherical plain bearing GE..E(S) or GE..ES 2RS and rod body.

Surface of rod body zinc plated, housing of SI..ES with a lubricating hole or grease nipple.

Bearing No.	Boundary dimensions(mm)														Mass	
	d	B	dk	C1	d2	G	h1	I3	I4	I5	W	d3	d4	rs		Kg
				max	max	6H		min	max	max		max	max	min		
SI5E	5	6	10	4.5	21	M5	30	11	40.5	5	10	10	13	0.3	13	0.016
SI6E	6	6	10	4.5	21	M6	30	11	40.5	5	11	11	13	0.3	13	0.017
SI8E	8	8	13	6.5	24	M8	36	15	48	5	13	13	16	0.3	15	0.035
SI10E	10	9	16	7.5	29	M10	43	15	57.5	6.5	16	16	19	0.3	12	0.061
SI12E	12	10	18	8.5	34	M12	50	18	67	7	18	19	22	0.3	10	0.096

Rod End >> SI...ES Series

Rod body with right or left-hand female thread.

It is made up of a radial spherical plain bearing GE...E(S) or GE...ES 2RS and rod body.

Surface of rod body zinc plated, housing of SI...ES with a lubricating hole or grease nipple.

Bearing No.	Boundary dimensions(mm)														Mass	
	d	B	dk	C1	d2	G	h1	I3	I4	I5	W	d3	d4	rs		Kg
				max	max	6H		min	max	max		max	max	min		
SI15ES	15	12	22	11	40	M14	61	21	81	8	21	21	26	0.3	8	0.162
SI17ES	17	14	25	12	46	M16	67	24	90	10	27	25	29	0.3	10	0.233
SI20ES	20	16	29	14	53	M20	1.5 77	30	104	10	30	28	34	0.3	9	0.324
SI25ES	25	20	36	18	64	M24	2 94	36	126	12	36	35	42	0.6	7	0.625
SI30ES	30	22	41	20	73	M30	2 ##	45	147	15	46	42	50	0.6	6	0.976

Chengdu RX Bearing Manufacturing Co.,Ltd

SI35ES	35	25	47	22	82	M36	3	##	60	166	15	55	48	58	0.6	6	1.52
SI40ES	40	28	53	24	92	M39	3	##	65	188	18	60	52	65	0.6	7	2.06
SI45ES	45	32	60	28	102	M42	3	##	65	196	20	65	58	70	0.6	7	2.72
SI50ES	50	35	66	31	112	M45	3	##	68	216	20	70	62	75	0.6	6	3.57
SI60ES	60	44	80	39	135	M52	3	##	70	243	20	80	70	88	1	6	5.63
SI70ES	70	49	92	43	160	M56	4	##	80	280	20	85	80	98	1	6	8.33
SI80ES	80	55	105	48	180	M64	4	##	85	320	25	95	95	110	1	6	13.04

Rod End >> SA...E Series

Rod body with right or left-hand female thread.

It is made up of a radial spherical plain bearing GE...E(S) or GE...ES 2RS and rod body.

Surface of rod body zinc plated, housing of SI...ES with a lubricating hole or grease nipple.

Bearing No.	Boundary dimensions(mm)											Mass
	d	B	dk	C1	d2	G	h	l1	l2	rs		Kg
				max	max	6g		min	max	min		
SA5E	5	6	10	4.5	21	M5	36	16	46.5	0.3	13	0
SA6E	6	6	10	4.5	21	M6	36	16	46.5	0.3	13	0
SA8E	8	8	13	6.5	24	M8	42	21	54	0.3	15	0
SA10E	10	9	16	7.5	29	M10	48	26	62.5	0.3	12	0
SA12E	12	10	18	8.5	34	M12	54	28	71	0.3	10	0.1

Chengdu RX Bearing Manufacturing Co.,Ltd

Rod End >> SA...ES Series

Rod body with right or left-hand female thread.

It is made up of a radial spherical plain bearing GE...E(S) or GE...ES 2RS and rod body.

Surface of rod body zinc plated, housing of SI...ES with a lubricating hole or grease nipple.

Bearing No.	Boundary dimensions(mm)											Mass
	d	B	dk	C1	d2	G	h	l1	l2	rs		Kg
				max	max	6g		min	max	min		
SA15ES	15	12	22	11	40	M14	63	34	83	0.3	8	0.1
SA17ES	17	14	25	12	46	M16	69	36	92	0.3	10	0.2
SA20ES	20	16	29	14	53	M20	1.5 78	43	105	0.3	9	0.3
SA25ES	25	20	36	18	64	M24	2 94	53	126	0.6	7	0.5
SA30ES	30	22	41	20	73	M30	2 ##	65	147	0.6	6	0.8
SA35ES	35	25	47	22	82	M36	3 ##	82	181	0.6	6	1.4
SA40ES	40	28	53	24	92	M39	3 ##	86	196	0.6	7	1.9
SA45ES	45	32	60	28	102	M42	3 ##	92	214	0.6	7	2.6
SA50ES	50	35	66	31	112	M45	3 ##	104	241	0.6	6	3.6
SA60ES	60	44	80	39	135	M52	3 ##	115	278	1	6	5.7
SA70ES	70	49	92	43	160	M56	4 ##	125	315	1	6	7.9
SA80ES	80	55	105	48	180	M64	4 ##	140	360	1	6	12

Rod End >> SIBP...S Series

Chengdu RX Bearing Manufacturing Co.,Ltd

Bearing No.	Boundary dimensions(mm)															Mass	
	d	B	dk	C1		d2	G	h1	l3	l4	l5	W	d3	d4	rs		Kg
				max	max												
SIBP5S	5	8	11	6	16	M5	27	14	35	4	9	9	11	0.3	13	0.016	
SIBP6S	6	9	13	6.8	18	M6	30	14	39	5	11	10	13	0.3	13	0.026	
SIBP8S	8	12	16	9	22	M8	36	17	47	5	14	13	16	0.3	14	0.044	
SIBP10S	10	14	19	11	26	M10	43	21	56	6.5	17	15	19	0.6	14	0.072	
SIBP12S	12	16	22	12	30	M12	50	24	65	6.5	19	18	22	0.6	13	0.108	
SIBP14S	14	19	25	14	34	M14	57	27	74	8	22	20	25	0.6	16	0.161	
SIBP16S	16	21	29	15	38	M16	64	33	83	8	22	22	27	0.6	15	0.225	
SIBP18S	18	23	32	17	42	M18	1.5 71	36	92	10	27	25	31	0.6	15	0.295	
SIBP20S	20	25	35	18	46	M20	1.5 77	40	100	10	30	28	34	0.6	15	0.382	
SIBP22S	22	28	38	20	50	M22	1.5 84	43	109	12	32	30	37	0.6	15	0.488	
SIBP25S	25	31	43	22	60	M24	2 94	48	124	12	36	34	42	0.6	15	0.749	
SIBP28S	28	35	48	25	66	M27	2 ##	53	136	12	41	37	46	0.6	15	0.949	
SIBP30S	30	37	51	25	70	M30	2 ##	56	145	15	41	40	50	0.6	17	1.13	

Rod End >> SABP...S Series

Chengdu RX Bearing Manufacturing Co.,Ltd

Bearing No.	Boundary dimensions(mm)											Mass
	d	B	dk	C1	d2	G	h	l1	l2	rs		Kg
				max	max	6g		min	max	min		
SABP5S	5	8	11	6	16	M5	33	20	41	0.3	13	0
SABP6S	6	9	13	6.8	18	M6	36	22	45	0.3	13	0
SABP8S	8	12	16	9	22	M8	42	25	53	0.3	14	0
SABP10S	10	14	19	11	26	M10	48	29	61	0.6	14	0.1
SABP12S	12	16	22	12	30	M12	54	33	69	0.6	13	0.1
SABP14S	14	19	25	14	34	M14	60	36	77	0.6	16	0.2
SABP16S	16	21	29	15	38	M16	66	40	85	0.6	15	0.2
SABP18S	18	23	32	17	42	M18	1.5 72	44	93	0.6	15	0.3
SABP20S	20	25	35	18	46	M20	1.5 78	47	101	0.6	15	0.4
SABP22S	22	28	38	20	50	M22	1.5 84	51	109	0.6	15	0.5
SABP25S	25	31	43	22	60	M24	2 94	57	124	0.6	15	0.7
SABP28S	28	35	48	25	66	M27	2 ##	62	136	0.6	15	0.9
SABP30S	30	37	51	25	70	M30	2 ##	66	145	0.6	17	1.1

Rod End >> SIZP...S Series

Rod body with right or left-hand male thread.

Outer race lined with bronze liner.

Surface of rod body zinc plated.

In inch dimension series.

Chengdu RX Bearing Manufacturing Co.,Ltd

Bearing No.	Boundary dimensions(mm)														Mass	
	d	B	dk	C1	d2	G	h1	I3	I4	I5	W	d3	d4	rs	Kg	
				max	max	(inch)		min	max	max		max	max	min		
SIZP4S	4.83	7.9	11	6.4	15.9	10-32	27	14	34.9	4.8	7.92	7.5	10.31	0.3	10	0.015
SIZP6S	6.35	9.5	13	7.1	19.1	###	33	19	42.9	4.8	9.53	9.2	11.91	0.3	13	0.025
SIZP7S	7.94	11	16	8.7	22.2	5/16-24	35	19	46	4.8	11.1	11	12.7	0.3	10	0.036
SIZP9S	9.53	13	18	10	25.4	###	41	24	54	6.4	14.3	14	17.45	0.6	9	0.061
SIZP11S	11.11	14	21	11	28.6	7/16-20	46	27	60.3	6.4	15.9	15	19.05	0.6	11	0.081
SIZP12S	12.7	16	24	13	33.3	###	54	30	70.6	6.4	19.1	19	22.23	0.6	9	0.133
SIZP15S	15.88	19	29	14	38.1	###	64	38	82.6	7.9	22.2	22	25.4	0.6	11	0.19
SIZP19S	19.05	22	33	17	44.5	###	73	44	95.3	7.9	25.4	25	28.58	0.6	10	0.285
SIZP25S	25.4	35	48	25	69.9	###	##	54	140	11	38.1	38	44.45	0.6	14	1

Rod End >> SAZP...S Series

Rod body with right or left-hand male thread.

Outer race lined with bronze liner.

Surface of rod body zinc plated.

In inch dimension series.

Bearing No.	Boundary dimensions(mm)											Mass
	d	B	dk	C1	d2	G	h	I1	I2	rs	Kg	
				max	max	(inch)		min	max	min		
SAZP4S	4.83	7.9	11	6.4	15.9	10-32	32	19	39.7	0.3	10	0
SAZP6S	6.35	9.5	13	7.1	19.1	###	40	25	49.2	0.3	13	0
SAZP7S	7.94	11	16	8.7	22.2	5/16-24	48	32	58.7	0.3	10	0
SAZP9S	9.53	13	18	10	25.4	###	49	32	61.9	0.6	9	0.1

Chengdu RX Bearing Manufacturing Co.,Ltd

SAZP11S	11.11	14	21	11	28.6	7/16-20	54	35	68.3	0.6	11	0.1
SAZP12S	12.7	16	24	13	33.3	###	62	38	78.6	0.6	9	0
SAZP15S	15.88	19	29	14	38.1	###	67	41	85.7	0.6	11	0.2
SAZP19S	19.05	22	33	17	44.5	###	73	44	95.3	0.6	10	0.3
SAZP25S	25.4	35	48	25	69.9	###	##	54	140	0.6	14	1.1

Rod End >> SIZJ Series

Rod body with right or left-hand male thread.

Rod body pressed around inner ring.

Surface of rod body zinc plated.

In inch dimension series.

Bearing No.	Boundary dimensions(mm)															Mass
	d	B	dk	C1	d2	G	h1	I3	I4	I5	W	d3	d4	rs		Kg
				max	max	(inch)		min	max	max		max	max	max		min
SIZJ4	4.83	7.9	11	5.9	15.9	10-32	27	13	34.9	4.8	7.92	7.5	10.31	0.3	10	0.018
SIZJ6	6.35	9.5	13	6.4	19.1	###	33	16	42.9	4.8	9.53	9.2	11.91	0.3	13.5	0.023
SIZJ7	7.94	11	16	7.9	22.2	5/16-24	35	16	46	4.8	11.1	11	12.7	0.3	11	0.036
SIZJ9	9.53	13	18	9.1	25.4	###	41	19	54	6.4	14.3	14	17.45	0.6	11	0.059
SIZJ11	11.11	14	21	10	28.6	7/16-20	46	22	60.3	6.4	15.9	15	19.05	0.6	10.5	0.082
SIZJ12	12.7	16	24	12	33.3	###	54	25	70.6	6.4	19.1	19	22.23	0.6	10	0.132
SIZJ15	15.88	19	29	12	38.1	###	64	32	82.6	7.9	22.2	22	25.4	0.6	13	0.195
SIZJ19	19.05	22	33	15	44.5	###	73	35	95.3	7.9	25.4	25	28.58	0.6	12	0.295

Rod End >> SAZJ Series

Rod body with right or left-hand male thread.

Outer race lined with bronze liner.

Surface of rod body zinc plated.

In inch dimension series.

Bearing No.	Boundary dimensions(mm)	Mass
-------------	-------------------------	------

Chengdu RX Bearing Manufacturing Co.,Ltd

	d	B	dk	C1	d2	G	h	l1	l2	rs		Kg
				max	max	(inch)		min	max	min		
SAZJ4	4.83	7.9	11	5.9	15.9	10-32	32	19	39.7	0.3	10	0
SAZJ6	6.35	9.5	13	6.4	19.1	###	40	25	49.2	0.3	13.5	0
SAZJ7	7.94	11	16	7.9	22.2	5/16-24	48	32	58.7	0.3	11	0
SAZJ9	9.53	13	18	9.1	25.4	###	49	32	61.9	0.6	11	0.1
SAZJ11	11.11	14	21	10	28.6	7/16-20	54	35	68.3	0.6	10.5	0.1
SAZJ12	12.7	16	24	11	33.3	###	62	38	78.6	0.6	10	0.1
SAZJ15	15.88	19	29	12	38.1	###	67	41	85.7	0.6	13	0.2
SAZJ19	19.05	22	33	15	44.5	###	73	44	95.3	0.6	12	0.3

Rod End >> SI...C Series

Bearing No.	Boundary dimensions(mm)														Mass	
	d	B	dk	C1	d2	G	h1	l3	l4	l5	W	d3	d4	rs	α?o:p>	Kg
				max	max	6H		min	max	max		max	max	max	min	
SI5C	5	6	10	4.5	21	M5	30	11	40.5	5	10	10	13	0.3	13	0.016
SI6C	6	6	10	4.5	21	M6	30	11	40.5	5	11	11	13	0.3	13	0.017
SI8C	8	8	13	6.5	24	M8	36	15	48	5	13	13	16	0.3	15	0.035
SI10C	10	9	16	7.5	29	M10	43	15	57.5	6.5	16	16	19	0.3	12	0.061
SI12C	12	10	18	8.5	34	M12	50	18	67	7	18	19	22	0.3	10	0.096
SI15C	15	12	22	11	40	M14	61	21	81	8	21	21	26	0.3	8	0.16
SI17C	17	14	25	12	46	M16	67	24	90	10	27	25	29	0.3	10	0.23
SI20C	20	16	29	14	53	M20?.5	77	30	104	10	30	28	34	0.3	9	0.32
SI25C	25	20	36	18	64	M24?	94	36	126	12	36	35	42	0.6	7	0.62
SI30C	30	22	41	20	73	M30?	###	45	147	15	46	42	50	0.6	6	0.97

Rod End >> SI...ET 2RS Series

Bearing No.	Boundary dimensions(mm)														Mass
	d	B	dk	C1	d2	G	h1	l3	l4	l5	W	d3	d4	rs	

Chengdu RX Bearing Manufacturing Co.,Ltd

				max	max	6H		min	max	max		max	max	min			
SI35ET-2RS	35	25	47	22	82	M36	3	##	60	166	15	55	48	58	0.6	6	1.5
SI40ET-2RS	40	28	53	24	92	M39	3	##	65	188	18	60	52	65	0.6	7	2.1
SI45ET-2RS	45	32	60	28	102	M42	3	##	65	196	20	65	58	70	0.6	7	2.7
SI50ET-2RS	50	35	66	31	112	M45	3	##	68	216	20	70	62	75	0.6	6	3.5
SI60ET-2RS	60	44	80	39	135	M52	3	##	70	243	20	80	70	88	1	6	5.6
SI70ET-2RS	70	49	92	43	160	M56	4	##	80	280	20	85	80	98	1	6	8.3
SI80ET-2RS	80	55	105	48	180	M64	4	##	85	320	25	95	95	110	1	6	13

Rod End >> SA...C Series

Bearing No.	Boundary dimensions(mm)											Mass
	d	B	dk	C1	d2	G	h	l1	l2	rs		Kg
				max	max	6g		min	max	min		
SA5C	5	6	10	4.5	21	M5	36	16	46.5	0.3	13	0
SA6C	6	6	10	4.5	21	M6	36	16	46.5	0.3	13	0
SA8C	8	8	13	6.5	24	M8	42	21	54	0.3	15	0
SA10C	10	9	16	7.5	29	M10	48	26	62.5	0.3	12	0
SA12C	12	10	18	8.5	34	M12	54	28	71	0.3	10	0.1
SA15C	15	12	22	11	40	M14	63	34	83	0.3	8	0.1
SA17C	17	14	25	12	46	M16	69	36	92	0.3	10	0.2
SA20C	20	16	29	14	53	M20	1.5 78	43	105	0.3	9	0.3
SA25C	25	20	36	18	64	M24	2 94	53	126	0.6	7	0.5

Chengdu RX Bearing Manufacturing Co.,Ltd

SA30C	30	22	41	20	73	M30	2	##	65	147	0.6	6	0.8
Rod End >> SA...ET 2RS Series													
Bearing No.	Boundary dimensions(mm)												Mass
	d	B	dk	C1	d2	G	h	l1	l2	rs			Kg
				max	max	6g							
SA35ET-2RS	35	25	47	22	82	M36	3	##	82	181	0.6	6	1.4
SA40ET-2RS	40	28	53	24	92	M39	3	##	86	196	0.6	7	1.8
SA45ET-2RS	45	32	60	28	102	M42	3	##	92	214	0.6	7	2.5
SA50ET-2RS	50	35	66	31	112	M45	3	##	104	241	0.6	6	3.6
SA60ET-2RS	60	44	80	39	135	M52	3	##	115	278	1	6	5.7
SA70ET-2RS	70	49	92	43	160	M56	4	##	125	315	1	6	7.9
SA80ET-2RS	80	55	105	48	180	M64	4	##	140	360	1	6	12

Rod End >> SIJK...C Series

Bearing No.	Boundary dimensions(mm)															
	d	B	dk	C1	d2	G	h1	l3	l4	l5	W	d3	d4	rs		
				max	max	6H										min
SIJK5C	5	8	11.11	7.5	18	M5	27	8	36	4	10	9	12	0.3	4	
SIJK6C	6	9	12.7	7.5	20	M6	30	9	40	5	10	10	13	0.3	9	
SIJK8C	8	12	15.8 8	9.5	24	M8	36	12	48	5	13	12.5	16	0.3	12	

Chengdu RX Bearing Manufacturing Co.,Ltd

SIJK10C	10	14	19.0 5	11.5	30	M10	43	15	58	6.5	16	15	19	0.6	10	
SIJK12C	12	16	22.2 3	12.5	34	M12	50	18	67	6.5	18	17.5	22	0.6	12	
SIJK14C	14	19	25.4	14.5	38	M14	57	21	76	8	21	20	25	0.6	14	
SIJK16C	16	21	28.5 8	15.5	42	M16	64	24	85	8	24	22	27	0.6	14	
SIJK18C	18	23	31.7 5	17.5	46	M18	1.5	71	27	94	10	27	25	31	0.6	13
SIJK20C	20	25	34.9 3	18.5	50	M20	1.5	77	30	102	10	30	27.5	34	0.6	14
SIJK22C	22	28	38.1	21	56	M22	1.5	84	33	112	12	34	30	37	0.6	14
SIJK25C	25	31	42.8 6	23	60	M24	2	94	36	124	12	36	33.5	42	0.6	14
SIJK28C	28	35	47.6 3	26	66	M27	2	103	41	136	14	41	37	46	0.6	14
SIJK30C	30	37	50.8	27	70	M30	2	110	45	145	15	46	40	50	0.6	15

Rod End >> SAJK...C Series

Bearing No.	Boundary dimensions(mm)											Mass	
	d	B	dk	C1	d2	G	h	l1	l2	rs		Kg	
				max	max	6g		min	max	min			
SAJK5C	5	8	11.11	7.5	18	M5	33	19	42	0.3	4	0.013	
SAJK6C	6	9	12.7	7.5	20	M6	36	21	46	0.3	9	0.015	
SAJK8C	8	12	15.8 8	9.5	24	M8	42	25	54	0.3	12	0.034	
SAJK10C	10	14	19.0 5	11.5	30	M10	48	28	63	0.6	10	0.071	
SAJK12C	12	16	22.2 3	12.5	34	M12	54	32	71	0.6	12	0.11	
SAJK14C	14	19	25.4	14.5	38	M14	60	36	79	0.6	14	0.13	
SAJK16C	16	21	28.5 8	15.5	42	M16	66	37	87	0.6	14	0.22	
SAJK18C	18	23	31.7 5	17.5	46	M18	1.5	72	41	95	0.6	13	0.29
SAJK20C	20	25	34.9 3	18.5	50	M20	1.5	78	45	103	0.6	14	0.36

Chengdu RX Bearing Manufacturing Co.,Ltd

SAJK22C	22	28	38.1	21	56	M22	1.5	84	48	112	0.6	14	0.49
SAJK25C	25	31	42.8 6	23	60	M24	2	94	55	124	0.6	14	0.65
SAJK28C	28	35	47.6 3	26	66	M27	2	103	62	136	0.6	14	0.87
SAJK30C	30	37	50.8	27	70	M30	2	110	66	145	0.6	15	1.1

Rod End >> SK...E Series

Bearing No.	Boundary dimensions(mm)												Mass		
	d	B	dk	C1		d2	h	l2		d5	d6	e	rs		Kg
				max	max			max	max				min		
SK10E	10	9	16	7	29	24	38.5	15	3	2	0.3	12	0.041		
SK12E	12	10	18	8	34	27	44	18	3	2	0.3	10	0.066		

Rod End >> SK...ES Series

Bearing No.	Boundary dimensions(mm)												Mass		
	d	B	dk	C1		d2	h	l2		d5	d6	e	rs		Kg
				max	max			max	max				min		
SK15ES	15	12	22	10	40	31	51	21	4	2.5	0.3	8	0.12		
SK17ES	17	14	25	11	46	35	58	24	4	2.5	0.3	10	0.19		
SK20ES	20	16	29	13	53	38	64.5	28	4	2.5	0.3	9	0.23		
SK25ES	25	20	35.5	17	64	45	77	34	4	3	0.6	7	0.43		
SK30ES	30	22	40.7	19	73	51	87.5	40	4	3	0.6	6	0.64		
SK35ES	35	25	47	21	82	61	102	47	4	3	0.6	6	0.96		
SK40ES	40	28	53	23	92	69	115	52	4	4	0.6	7	1.3		
SK45ES	45	32	60	27	102	77	128	58	6	5	0.6	7	1.8		
SK50ES	50	35	66	30	112	88	144	62	6	5	0.6	6	2.5		
SK60ES	60	44	80	38	135	100	168	70	6	5	1	6	3.9		
SK70ES	70	49	92	42	160	115	195	80	6	6	1	6	6.6		
SK80ES	80	55	105	47	180	141	231	95	6	6	1	6	8.7		

Chengdu RX Bearing Manufacturing Co.,Ltd

Rod End >> SF...ES Series

Bearing No.	Boundary dimensions(mm)									Mass	
	d	B	dk	C1		d2	h	l2	rs		Kg
				max	max						
SF20ES	20	16	29	19	50	38	63	0.3	9	0.35	
SF25ES	25	20	35.5	23	55	45	72.5	0.6	7	0.53	
SF30ES	30	22	40.7	28	65	51	83.5	0.6	6	0.87	
SF35ES	35	25	47	30	83	61	103	0.6	6	1.5	
SF40ES	40	28	53	35	100	69	119	0.6	7	2.4	
SF45ES	45	32	60	40	110	77	132	0.6	7	3.4	
SF50ES	50	35	66	40	123	88	150	0.6	6	4.4	
SF60ES	60	44	80	50	140	100	170	1	6	7.1	
SF70ES	70	49	92	55	164	115	197	1	6	10	
SF80ES	80	55	105	60	180	141	231	1	6	15	

Rod End >> SIR...ES Series

Bearing No.	Boundary dimensions(mm)														Mass	
	d	B	dk	C1		d2	G	h1	l3	l4	d4	d6	b	rs		Kg
				max	max											
SIR20ES	20	16	29	19	56	M16	1.5	50	17	78	25	36	17	0.3	9	0.37
SIR25ES	25	20	35.5	23	56	M16	1.5	50	17	78	25	36	21	0.6	7	0.43
SIR30ES	30	22	40.7	28	64	M22	1.5	60	23	92	32	40	26	0.6	6	0.7
SIR35ES	35	25	47	30	78	M28	1.5	70	29	109	40	50	28	0.6	6	1.1
SIR40ES	40	28	53	35	94	M35	1.5	85	36	132	49	60	33	0.6	7	2.1
SIR50ES	50	35	66	40	116	M45	1.5	105	46	163	61	72	37	0.6	6	3.3
SIR60ES	60	44	80	50	130	M58	1.5	130	59	195	75	90	46	1	6	5.5

Chengdu RX Bearing Manufacturing Co.,Ltd

SIR70ES	70	49	92	55	154	M65	1.5	150	66	227	86	100	51	1	6	8.6
SIR80ES	80	55	105	60	176	M80	2	170	81	258	102	125	55	1	6	12
SIR100ES	100	70	130	70	230	M110	2	235	111	350	138	166	65	1	7	28

Rod End >> SIGEW...ES Series

Bearing No.	Boundary dimensions(mm)														Mass	
	d	B	dk	C1	d2	G	h1	l3	l4	d4	d6	b	rs		Kg	
				max	max	6H		min	max	max	max		min			
SIGEW12ES	12	12	18	10.5	32	M12 5	1.2	38	17	54	16	32	12	0.3	4	0.11
SIGEW16ES	16	16	23	13	40	M14	1.5	44	19	64	21	40	12	0.3	4	0.21
SIGEW20ES	20	20	29	17	47	M16	1.5	52	23	75.5	25	47	14	0.3	4	0.4
SIGEW25ES	25	25	35.5	21	58	M20	1.5	65	29	94	30	54	17	0.6	4	0.66
SIGEW32ES	32	32	43	27	70	M27	2	80	37	115	38	66	22	0.6	4	1.2
SIGEW40ES	40	40	53	32	89	M33	2	97	46	142	47	80	26	0.6	4	2.1
SIGEW50ES	50	50	66	40	108	M42	2	120	57	174	58	96	32	0.6	4	4.5
SIGEW63ES	63	63	83	52	132	M48	2	140	64	206	70	114	38	1	4	7.6
SIGEW80ES	80	80	105	66	168	M64	3	180	86	264	90	148	48	1	4	14
SIGEW100ES	100	100	130	84	210	M80	3	210	96	315	110	178	62	1	4	28

Rod End >> SQ...RS Series

Ball joint housing with right or left-hand thread.

Ball joint housing made of zinc base alloy.

With rubber dust seal.

Bearing No.	Boundary dimensions(mm)											Mass
	d	d1	d2	l	l1	l2	L	L1	L2	D1	D2	Kg

Chengdu RX Bearing Manufacturing Co.,Ltd

			min	max	min		max		max	max	max			
SQ5-RS	5	M5	9	29	8	10	35	27	4	9	11	25	0.026	
SQ6-RS	6	M6	10	35.5	11	11	40	30	5	10	13	25	0.039	
SQ8-RS	8	M8	12	42.5	12	14	48	36	5	12.5	16	25	0.068	
SQ10-RS	10	M10 5	1.2 5	14	50.5	15	17	57	43	6.5	15	19	25	0.112
SQ12-RS	12	M12 5	1.2 5	17	57.5	17	19	66	50	6.5	17.5	22	25	0.164
SQ14-RS	14	M14	1.5	19	73.5	22	21.5	75	57	8	20	25	25	0.254
SQ16-RS	16	M16	1.5	22	79.5	23	23.5	84	64	8	22	27	20	0.336
SQ18-RS	18	M18	1.5	23	90	25	26.5	93	71	10	25	31	20	0.464
SQ20-RS	20	M20	1.5	27	90	25	27	99	77	10	27.5	34	20	0.535
SQ22-RS	22	M22	1.5	27	95	26	28	109	84	12	30	37	16	0.713

Rod End >> SQZ...RS Series

Ball joint housing with right or left-hand thread.

Ball joint housing made of zinc base alloy.

With rubber dust seal.

Bearing No.	Boundary dimensions(mm)												Mass Kg	
	d	d1	d2	l1	l2	L	L1	L2	L3	D1	D2			
			min	min		max		max		min	max			max
SQZ5-RS	5	M5	9	8	11	46	24	4	12	9	11	15	0.025	
SQZ6-RS	6	M6	10	11	12.2	55.2	28	5	15	10	13	15	0.041	
SQZ8-RS	8	M8	12	12	16	65	32	5	16	12.5	16	15	0.075	
SQZ10-RS	10	M10 5	1.2 5	14	15	19.5	74.5	35	6.5	18	15	19	15	0.12
SQZ12-RS	12	M12 5	1.2 5	17	17	21	84	40	6.5	20	17.5	22	15	0.18
SQZ14-RS	14	M14	1.5	19	22	23.5	103	45	8	25	20	25	11	0.27

Chengdu RX Bearing Manufacturing Co.,Ltd

SQZ16-RS	16	M16	1.5	22	23	25.5	112	50	8	27	22	27	11	0.36
SQZ18-RS	18	M18	1.5	23	25	31	131	58	10	32	25	31	11	0.54
SQZ20-RS	20	M20	1.5	27	25	29	133	63	10	38	27.5	34	7.5	0.57
SQZ22-RS	22	M22	1.5	27	26	33	145	70	12	43	30	37	7.5	0.76

Rod End >> SQD Series

Ball joint housing is an outer ring of radial spherical plain bearing, made of zinc base alloy.

Bearing No.	Boundary dimensions(mm)												Mass	
	d	d1	d2	l1	l2	l3	L	S1	C	D	rs		Kg	
				min		max	max				min			
SQD5	5	M5	9	8	8	19	27.5	7	6	16	0.3	25	0.014	
SQD6	6	M6	10	11	8.8	23.8	33.5	8	6.75	18	0.3	25	0.021	
SQD8	8	M8	12	12	11.6	28.6	41	10	9	22	0.3	25	0.042	
SQD10	10	M10 5	1.2 14	15	14.2	34.2	49	11	10.5	26	0.3	25	0.067	
SQD12	12	M12 5	1.2 17	17	15.1	38.1	55.1	15	12	30	0.5	25	0.108	
SQD14	14	M14	1.5	19	22	16.8	51.3	70.7	17	13.5	34	0.5	20	0.167
SQD16	16	M16	1.5	22	23	18	54.5	76.3	19	15	38	0.5	20	0.238

linear ball bearing is consisted of an outer race, retainer, balls and end rings. The retainer is incorporated inside the outer race, and has three or more rows of elliptical ball tracks that allow unlimited ball circulation and the balls circulate very smoothly in those ball tracks. The retainer is held by two end rings at both ends of the outer race. One side of the paralleled straight portions of the elliptical ball track is cut off open, and the balls there are in contact with the shaft surface to circulate to and fro unlimitedly in the ball track according to the rectilinear reciprocation of the shaft. Thus the retainer forms rolling tracks, and at the same time keeps the balls from falling out when the bearing is removed from the shaft.

LM Series

LME Series

KH Series



Linear Ball Bearing >> LM Series

Features

The linear ball bearing has the outer race that is processed by cold press forming to shape the ball tracks. This gives features to its appearance, too.

The cold press forming has enabled lightweight structure of the bearing. This eventually provides compact and lightweight machine design.

The balls circulate endlessly. This structure provides unlimited stroke with minimal frictional resistance that ensures long service life and energy saving.

The frictional resistance remains almost unchanged, even when the load increases. Therefore, heavy load is acceptable depending on application conditions.

Because of the cold press forming for the outer race, an early failure caused by moment load and excessive pre-load can be prevented.

The linear ball bearing is heat treated in such a method as to suit to the outer race that is cold pressed formed.

The linear ball bearing with steel retainer is resistant against high temperature and applicable up to 150 C when it is without seals. Please consult RX on use outside the recommended temperature range.

The linear ball bearing is interchangeable. The eccentricity is small and centering is easy. It can operate with simple lubrication or without any lubrication, depending on applications. Thus maintenance is almost free.

Seal Type	Ball	Open Type	Ball	Adjustable type	Ball	dr	D	L	B	W	D1	h	h1	⊖
	Circuit		Circuit		Circuit	mm	mm	mm	mm	mm	mm	mm	mm	
LM4UU	4			LM4UUAJ	4	4	8	12				1		
LM5UU	4			LM5UUAJ	4	5	10	15	10.2	1.1	9.6	1		
LM6UU	4			LM6UUAJ	4	6	12	19	13.5	1.1	11.5	1		
LM8SUU	4			LM8SUUAJ	4	8	15	17	11.5	1.1	14.3	1		
LM8UU	4			LM8UUAJ	4	8	16	24	17.5	1.1	14.3	1		
LM10UU	4			LM10UUAJ	4	10	19	29	22	1.3	18	1	6.8	80o
LM12UU	4			LM12UUAJ	4	12	21	30	23	1.3	20	1.5	8	80o
LM13UU	4			LM13UUAJ	4	13	23	32	23	1.3	22	1.5	9	80o
LM16UU	5	LM16UUOP	4	LM16UUAJ	5	16	28	37	26.5	1.6	27	1.5	11	60o
LM20UU	6	LM20UUOP	4	LM20UUAJ	5	20	32	42	30.5	1.6	30.5	1.5	11	50o
LM25UU	6	LM25UUOP	5	LM25UUAJ	6	25	40	59	41	1.85	38	2	12.5	50o

Chengdu RX Bearing Manufacturing Co.,Ltd

LM30UU	6	LM30UUOP	5	LM30UUAJ	6	30	45	64	44.5	1.85	43	2.5	15	50o
LM35UU	6	LM35UUOP	5	LM35UUAJ	6	35	52	70	49.5	2.1	49	2.5	17	50o
LM40UU	6	LM40UUOP	5	LM40UUAJ	6	40	60	80	60.5	2.1	57	3	20	50o
LM50UU	6	LM50UUOP	5	LM50UUAJ	6	50	80	100	74	2.6	76.5	3	25	50o
LM60UU	6	LM60UUOP	5	LM60UUAJ	6	60	90	110	81	3.15	86.5	3	30	50o

Other available types: LMF/LMEF, LMH, LMK/LMEK, SC-L, SH, SHL, SC, SMH, PL, SMY, SHA, SMEL, SHF, SME Series

Linear Ball Bearing >> LME Series

Features

The linear ball bearing has the outer race that is processed by cold press forming to shape the ball tracks. This gives features to its appearance, too.

The cold press forming has enabled lightweight structure of the bearing. This eventually provides compact and lightweight machine design.

The balls circulate endlessly. This structure provides unlimited stroke with minimal frictional resistance that ensures long service life and energy saving.

The frictional resistance remains almost unchanged, even when the load increases. Therefore, heavy load is acceptable depending on application conditions.

Because of the cold press forming for the outer race, an early failure caused by moment load and excessive pre-load can be prevented.

The linear ball bearing is heat treated in such a method as to suit to the outer race that is cold pressed formed.

The linear ball bearing with steel retainer is resistant against high temperature and applicable up to 150 C when it is without seals. Please consult TIK on use outside the recommended temperature range.

The linear ball bearing is interchangeable. The eccentricity is small and centering is easy. It can operate with simple lubrication or without any lubrication, depending on applications. Thus maintenance is almost free.

Seal Type	Ball	Open Type	Ball	Adjustable type	Ball	dr	D	L	B	W	D1	h	h1	ϕ
	Circuit		Circuit		Circuit	mm	mm	mm	mm	mm	mm	mm	mm	
LME5UU	4			LME5UUAJ	4	5	12	22	14.5	1.1	11.5	1		
LME8UU	4			LME8UUAJ	4	8	16	25	16.5	1.1	15.2	1		
LME12UU	4			LME12UUAJ	4	12	22	32	22	1.3	21	1.5	7.5	78o
LME16UU	5	LME16UUOP	4	LME16UUAJ	5	16	26	36	24.9	1.3	24.9	1.5	10	78o
LME20UU	6	LME20UUOP	4	LME20UUAJ	5	20	32	45	31.5	1.6	30.3	2	10	60o
LME25UU	6	LME25UUOP	5	LME25UUAJ	6	25	40	58	44.1	1.85	37.5	2	12.5	60o
LME30UU	6	LME30UUOP	5	LME30UUAJ	6	30	47	68	52.1	1.85	44.5	2	12.5	50o
LME40UU	6	LME40UUOP	5	LME40UUAJ	6	40	62	80	60.6	2.15	59	3	16.8	50o
LME50UU	6	LME50UUOP	5	LME50UUAJ	6	50	75	100	77.6	2.65	72	3	21	50o
LME60UU	6	LME60UUOP	5	LME60UUAJ	6	60	90	125	102	3.15	86.5	3	27.2	54o

Chengdu RX Bearing Manufacturing Co.,Ltd

Linear Ball Bearing >> KH Series

Features

The linear ball bearing has the outer race that is processed by cold press forming to shape the ball tracks. This gives features to its appearance, too.

The cold press forming has enabled lightweight structure of the bearing. This eventually provides compact and lightweight machine design.

The balls circulate endlessly. This structure provides unlimited stroke with minimal frictional resistance that ensures long service life and energy saving.

The frictional resistance remains almost unchanged, even when the load increases. Therefore, heavy load is acceptable depending on application conditions.

Because of the cold press forming for the outer race, an early failure caused by moment load and excessive pre-load can be prevented.

The linear ball bearing is heat treated in such a method as to suit to the outer race that is cold pressed formed.

The linear ball bearing with steel retainer is resistant against high temperature and applicable up to 150 C when it is without seals. Please consult on use outside the recommended temperature range.

The linear ball bearing is interchangeable. The eccentricity is small and centering is easy. It can operate with simple lubrication or without any lubrication, depending on applications. Thus maintenance is almost free.

Bearing No.	Dimensions (mm)			Load Capacity (N)		Mass g
	d	D	B	Dyn.	Stat.	
KH 0622	6	12	22	400	239	7
KH 0824	8	15	24	435	280	12
KH 1026	10	17	26	500	370	14.5
KH 1228	12	19	28	620	510	18.5
KH 1428	14	21	28	620	520	20.5

Chengdu RX Bearing Manufacturing Co.,Ltd

KH 1630	16	24	30	800	620	27.5
KH 2030	20	28	30	950	790	32.5
KH 2540	25	35	40	1990	1670	66
KH 3050	30	40	50	2800	2700	95
KH 4060	40	52	60	4400	4450	182
KH 5070	50	62	70	5500	6300	252

Agriculture bearing

Bearing NO.	Dimensions(mm)				Weight(kg)				
	d	D	B	C					
88506	30	62	24	16	0.23				
88507	35	72	25	17	0.32				
88128	38.894	80	27.5	21	0.47				
88508	40	80	27	21	0.45				

Chengdu RX Bearing Manufacturing Co.,Ltd

88509	45	85	27	21	0.49					
88510	50	90	30	22	0.54					
88511	55	100	31	23	0.66					
88512	60	110	36	22	0.99					
6306	6306N	6306RS	6306Z	30	72	19	0.34			
6307	6307N	6307RS	6307Z	35	80	21	0.425			
6308	6308N	6308RS	6308Z	40	90	23	0.636			
6309	6309N	6309RS	6309Z	45	100	25	0.825			
6310	6301N	6310RS	6310Z	50	110	27	1.05			
6311	6311N	6311RS	6311Z	55	120	29	1.369			
6312	6312N	6312RS	6312Z	60	130	31	1.67			
6313	6313N	6313RS	6313Z	65	140	33	2.08			
6314	6314N	6314RS	6314Z	70	150	35	2.55			
6315	6315N	6315RS	6315Z	75	160	37	3.02			
Bearing NO.	Dimensions(mm)									
	D	SΦ	A	C	F	J	K	H	D	
FD209RB	38.7	13.5	42.86	127	127	41.7	6.75			
ST491	44.83	13.5	42.8	127	127	41.7	6.75			
ST491A	45	13.5	42.7	127	127	41.7	6.75			
DHU1-3/4" R-211	45	13.5	54	139.7	139.7	46	8			
FD211RJA	49.21	13.5	49	139.7	139.7	46	8			
FD211RJ	49.21	13.5	49	139.7	139.7	46	8			
FD211RB	55.57	13.5	55.6	139.7	139.7	46	8			
ST740	55.57	13.5	55.6	141.3	141.3	45	7			
ST491B	38.7		42.86	127	127	41.7	6.75		16.7	
FD209RM DHU1-1/8" S-209			42.86	127	127	41.7	6.75	2 9 . 9 7	16.7	
Bearing NO.		TYPE	Dimensions(mm)						Weight(kg)	
MRC	BCA		d	D	C	B	R	E		
	MG305TL F	2	25	74	25	17	3		0.53	
305SZZ-6	MG305DD	3	25.4	74.6	25.4	17	8.38	4.2	0.54	

Chengdu RX Bearing Manufacturing Co.,Ltd

	A									
306SZZ-5	MG306DD	3	30	88.9	25.4	19	9.525	3.302	0.85	
307SZZ-9	MG307FF K	3	35	94.615	25.4	21	9.78	3.43	0.81	
307SZZ-10		3	35	101.346	28.575	21	9.525	4.55	1.16	
307MZZ-4	MG307FF A	3	35	101.6	28.575	21	9.779	4.8	1.18	
307SZZ-4	MG607FF 4	3	35	101.6	30.16	21	9.525	4.55	1.2	
308SZZ-5	MG307FF M	5	35	101.346	28.575	21	6	4.55	0.93	
308SZZ-6	MG307FF P	5	35	101.333	28.45	21	7	4.55	0.93	
	MG308FF A	3	40	113.944	31.75	23	9.78	5.3	1.6	
	MG308FF E	3	40	114.2	28.194	23	6.5	1.6	1.6	
	MG308FF H	3	40	101.6	28.575	23	6.6	2	0.86	
	MG308FF AD	2	40	110.7	31	23	6	5	1.52	
	MG308FF AB	5	40	108.6	31	23	6	5	1.51	
	MB308TLF	5	40	115	30	24	7		1.67	
	MG308TIS P3	3	40	101.346	28.575	21	9.525	3.81	1.6	
	MG308TIS P4	3	40	101.981	28.575	21	9.525	3.8	1.7	
309SZZ-4	MG309DD A	3	45	127.063	31.75	25	7.938	3.38	2.08	
	MG309DD	5	45	128.22	31.75	25	7.938	3.38	2.06	
	MG309DD B	5	45	127.063	31.75	25	7.938	3.38	2.02	
	MG311FF A	3	55	159.892	38.1	29	11.11 3	4.5	3.26	
Bearing NO.		TYPE	Dimensions(mm)						Weight(kg)	
MRC	BCA		d	D	C	B	R	E		
	MG206FF A	8	30	81.28	25.4	19.59	3	2.9	0.61	
	MG206FF	3	30	81	29	16.59	6		0.75	

Chengdu RX Bearing Manufacturing Co.,Ltd

	U								
	MG206FF UB	3	30	82	29	16.59	6		0.77
	MG206FF P	3	30	88	29	16.59	6		0.82
	MG206FF UA	3	30	81.5	29	22	6		0.76
LR007-2RS			30	70	22	17		2	0.35
207MZZ-1	MG207FF A	2	35	81.864	27.1	17	3	4.9 8	0.56
	MG207FF B	2	35	88.392	31.877	19.59	3	5	0.64
	MG208FF A	8	40	100.838	25.4	21	3	2.5 4	1
	MG208FF H	3	40	95	28.58	21	7.9	5	1.03
	MG208FF K	3	40	101.346	28.575	19	10.03	4	1.03
	MG209TL F	9	40	123	36	23			1.65
	MG209TL F/2	3	40	109	30	19	7		0.88
	MG209TL F/3	9	40	108	36	19			0.9
209MZZ-1	MG209DD	2	45	100.965	28.473	19	3	4.7 5	0.96
305SZZ-3	MG305DD	3	25	76.2	25.4	17	8.382	4.1 91	0.57
Bearing NO.	Dimensions(mm)				Weight(kg)				
	D	SΦ	B	C					
205PPB7	23.813	52	34.92	15	0.2				
RAE25-00NPPB	25	52	15	15	0.19				
W208PPB4	30.175	80	30.18	30.18	0.72				
W208PPOB7	30.175	80	30.18	18	0.52				
W208PPB2	38.113	80	42.86	18	0.63				
W208PPB10	38.113	80	42.86	21	0.68				
2AC08-1 1/2D1	38.113	80	42.86	30.18	0.65				
6208-2RSNPPB	40	80	18	18	0.34				

Chengdu RX Bearing Manufacturing Co.,Ltd

W209PPB4	39	85	30.18	30.18	0.64					
W209PPB2	45	85	30.18	30.18	0.58					
W209PPB11	45.24	85	36.53	22	0.58					
GW210PPB5	45.34	90	30.18	30.18	0.83					
GW210PPB2/3AC1	49.23	90	30.18	23	0.75					
W210PPB9	49.4	90	36.53	25	0.83					
GW211PPB13	45.34	100	33.34	25	0.98					
GW211PPB9	55.75	100	39.69	25	0.72					
W211PPB2/PDNF1 55-2	55.58	110	33.34	33.34	0.81					
GW214PPB2	70	125	39.69	39.69	1.52					
GW214PPB3	49.228	125	39.69	39.69	1.84					
Bearing NO.	Dimensions(mm)				Weight(kg)					
	D	SΦ	B	C						
205GP	16	53	19.5	18.2	0.22					
205RVA	19.05	52	21	15	0.19					
205KR3	19.05	52	16.26	17.78	0.17					
206KRR18	32	62	24	16	0.21					
W208PP4	30.175	80	30.18	30.18	0.72					
W208PP10	38.113	80	42.86	21	0.63					
GW210PP3	35.73	90	30.18	30.18	0.75					
W210PP8	38.86	90	30.18	30.18	0.79					
W210PP2	49.23	90	30.18	30.18	0.8					
GW210PP2	49.23	90	30.18	30.18	0.77					
GW211PP2	55.58	100	33.34	33.34	1.08					
WIR212-39	61.942	1110	61.912	22	1.31					
GW214PP2	70	125	39.69	39.69	1.55					
PDF11003	55	100	56	33.34	1.15					
Bearing NO.	Dimensions(mm)					Weight(kg)				
	H	D	SΦ	B	C					
W208PPB5	29.97	80		36.53	18	0.59				
W208PP6	26.13	80		36.53	18	0.59				
W208PP8	29.97	80		36.53	30.18	0.7				
W208PP9	26.13	80		36.53	30.18	0.76				
W208PPB11	22.97	85.738	87.3	35.53	30.18	0.98				
W208PPB12	29.97	85.738	87.3	36.53	30.18	0.93				
W209PP5	32.77	85		36.53	30.18	0.8				

Chengdu RX Bearing Manufacturing Co.,Ltd

W210PP4	29.97	90.9		30.18	30.18	0.92			
W211PP3	38.89	100		33.34	33.34	1.15			
W211PP5	38.89	101.6		44.45	36.53	1.641			
W211PPB6	38.89	103.56	104.9	44.45	36.53	1.52			
GW211PP17	38.89	100		44.45	33.34	1.34			
ST627 RBT1211-203	55.562	100	100.5	55.562	33.34	1.08			
W208PPB5	29.97		80	36.53	18	0.59			
GW208PPB5	29.97		80	36.53	24	0.63			
W208PPB6	26.13		80	36.53	18	0.66			
GW208PPB6	26.13		80	36.53		0.66			
GW208PPB8	26.13		80	36.53	30.18	0.66			
W208PPB9	26.13		80	36.53	30.18	0.73			
W208PPB13	22.97		80	36.53	18	0.78			
GW208PPB17	29.97		85.738	36.53	30.18	0.89			
GW209PPB5	32.44		85	36.53	30.18	0.71			
GW208PPB8	32.77		85	36.53	22	0.67			
GW210PPB4	29.97		90	30.18	30.18	0.86			
W210PPB6	29.97		90	36.53	30.18	0.93			
W211PPB3	38.89		100	33.34	33.34	1.04			
GW211PPB17	38.89		100	44.45	33.34	1.28			
PDNF240/8Y	26.13		80	36.53	30.18	0.73			
PDNF245/9AY	30.85		85	36.51	30.16	0.95			
PDNF155/12AY	41		100	33.34	33.34	0.98			
Bearing NO.	Dimensions(mm)					Weight(kg)			
	A	D	B	C	SΦ				
205KRR2	22.22	52	25.4	15		0.21			
206KRR6	25.43	62	24	16		0.27			
207KRR9	28.6	72	37.7	17		0.48			
209KRR2	38.125	85	30	19		0.61			
SB207-18HEX	28.6	72	32	17		0.43			
205KRRB2	22.25		25.4	15	52	0.18			
SA205-7/8HEXNC	22.28		21.5	15	52	0.15			
206KRRB6	25.43		24	18	62	0.27			
207KRRB9	28.6		37.7	17	72	0.46			
W208PPB16	31.77		36.53	18	80	0.65			
209KRRB22	38.125		30	19	85	0.61			

Chengdu RX Bearing Manufacturing Co.,Ltd

205NPPBAH02	22.22		25.4	15	52	0.16			
F110968	25.55		36.5	18	62	0.32			

Forklift bearing

Chengdu RX Bearing Manufacturing Co.,Ltd

Bearing No		Type	Dimensions						游隙	R
d	D	C	B	R1	R2	游隙	R			
30211	T20211	A	55	112	34	21	5	5		
30211K	J20211	A	55	110	34	21	5	5		
30211K1	J30211	K	55	111.8	34	21	5	8		2°30'
30711H	80711K	A	55	110	31.34	21	3	3		
30711K1	80711Y	K	55	112.2	31.34	21	3	3		2°52'
30711K1-C	80711Y2	K	55	111.2	31.34	21	2	5		
30711K1-G	80711Y1	K	55	116	31.34	21	2	5		2°52'
30511	80511K	K	55	116	34	25	5	5		2°52'
30511K	80511K1	A	55	117	34	25	5	5		2°52'
30711	80511K2	A	55	120	34	25	5	5		
30511K1	80511Y1	A	55	121.5	34	25	5	5		
30511K1-C	80511Y2	K	55	121	34	25	5	8		
30511K1-G	80511Y	K	55	120	34	25	5	5		2°52'
30811K1		K	55	121.4	36	25	5	8	7.0	2°52'
10311		M	55	151.5	45	29	8	8		2°52'
30311		A	55	151	45	33	4	4		2°52'
30411	80611K	A	55	161	42	33	5	5		R575
30611H	80611K2	A	55	151	45	33	5	5		
130611H	80611K1	B	55	151	45	33	2	5	1.2	
30512	80512K	A	60	150	45	35	6.5	6.5		
30313K	80611K3	K	65	161	45	33	5	5		2°52'
10313		M	65	163.5	45	33	8	8		2°47'

Chengdu RX Bearing Manufacturing Co.,Ltd

Bearing No.		Dimensions								Other No.
No.	Type	d	D	C	B	R1	R2	e	R e	
130304	L20304	B	20	60	16	15	2	2	1.0	
30505	80505K1	A	25	70	27	15	2.5	2.5		
130205	80505K2	B	25	70	17	15	2.5	2.5	2.0	L20205
30705		A	25	70	28	15	2.5	2.5		W120205
30805	80505K	A	25	80	22	16	3	3		
30805K	180705K	A	30	80	22	17	3	3		
30306		A	30	76	20	19	3	5		
130306	80606K	B	30	78	23	19	3.5	3.5	4.0	
110306F		M	30	77	23	19	3	5	4.0	R200 L10306
110306H		M	30	78	23	19	3	5	4.0	R200 L10306
110306L		M	30	79	23	19	3	5	4.0	R200 L10306
130708	180708K	B	30	91.5	24	19	2	5	5.0	
130706K		B	30	91.5	24	20	2	5	4.0	
30806		A	30	90	22	17	3	3		
30307		A	35	80	25	21	3	3		
130307		B	35	102	25.5	21	2	5	4.5	
30507	80507K	A	35	100	26	18	2	2		
130607	80607K	B	35	102	25.4	20	3.5	3.5	5.4	
30807	80307K	A	35	90	31.34	21	3	3		
30208	80508K	A	40	116	24.5	18	3	3 or 8		L20208
30208K	80508K1	A	40	110	29	18	3	3 or 8		
30208K1	80508Y1	K	40	112.3	29	18	3	3 or 8		

Bearing No.		Dimensions								Other No.
No.	Type	d	D	C	B	R1	R2	e	R e	
110308S		M	40	103	27	23	3	5.5	4.0	R200 L40308
110308M		M	40	104	27	23	3	5.5	4.0	R200 L40308
110308L		M	40	105	27	23	3	5.5	4.0	R200 L40308
10308S		M	40	99	30	23	3	7		R200 7803
10308M		M	40	100	30	23	3	7		R200 780308
10308L		M	40	101	30	23	3	7		R200 780308
30308M		A	40	112	30	23	3	10		
30308L		A	40	113	30	23	3	10		
130308	80608K	B	40	104	27	23	3.5	3.5	4.0	
130308K		K	40	109.7	28	23	7	5	3.5	3*29'
30708	180708K	A	40	109.7	32	23	3	7		80708K
30309		A	45	119	30	25	3	3		
130309K		K	45	118.5	26	25	5	5	1.0	3*29'
130709	80709K	B	45	119	29	25	3.5	3.5	4.0	
10709S		M	45	114	35	25	3	8		R200 960709S
10709M		M	45	115	35	25	3	8		R200 960769M
10709L		M	45	116	35	25	3	8		R200 960709L
10309S		M	45	117	40	25	5	8		R200
10309M		M	45	118	40	25	5	8		R200
10309L		M	45	119	40	25	5	8		R200
30710	80710K	A	50	115.3	34	25	3	3		
30810K1	30810K	K	50	117.5	34	25	5	5	w	3*29'
30508K	80508Y	A	40	112.3	24.5	18	3	3 or 8		
30308	920308	A	40	115	32	23	6	6		
30308S		A	40	111	30	23	3	10		

Dimensions

Other No.

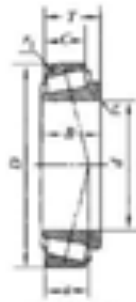
TJ No	d	D	D1	C	C1	B	Other No.
780306	30	96	80	24	16	19	L60306
780606K	30	87	75	34	22	26	L60606K
780506	30	134	115	32	22	28	780506K
780308	40	120	110	40	30	23	F60308
780308K	40	140	120	34	27	23	
780708	40	118	100	32	26	23	
780708K	40	118	100	34	27	23	
78070K1	40	113	95	32	21	23	
780408	45	134	115	39	29	27	L80408
780309	45	138	125	58	34	25	S60609
780309K	45	126	110	36	25	25	
780309K1	45	126	110	47	37	25	
780309K2	45	126	110	30	25	25	

	d	D	B	C	C1	D1	d1	C	Co	Mass	Reference ndex
	mm	mm	mm	mm	mm	mm	mm	KN	KN	kg	
MRS 1240	40	75	26	28	19	85	50	25	32	0,45	CL3208KTN-2RS
MRS 1239	40	80	28	26	19	90	50	25	32	0,7	CL3208K1TN-2RS
MRS 1238	40	85	38	36	28	98	50	37	45	1,1	CL3208K2TN-2RS
MRS 1237	40	80	43	41	33	98	50	37	45	1,1	CL3208K3TN-2RS
MRS 1236	50	100	42	40	33	115	60	52,8	58,5	1,5	CL3210KTN-2RS
MRS 1235	55	110	58	56	45	135	65	57,2	67	1,5	CL3211KTN-2RS
MRS 1234	55	130	67	65	55	158	65	72,1	85	3,1	CL3211K1TN-2RS

MRS

Taper roller Bearing

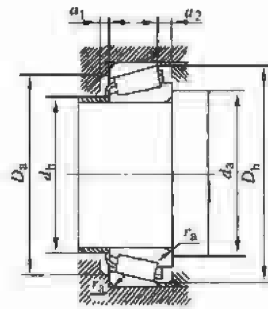
METRIC SERIES



d 32 - 45mm

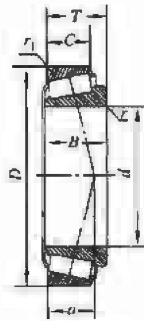
3000 Model

Boundary dimensions mm				Basic load ratings kN			Limiting speeds r/min		Mass kg				3000 Model	ISO95
d	D	T	B	C	C ₀	C _r	grease	oil	W ₀	e	T	T _r		
32	52	14	14	10	23.8	32.5	6300	8000	0.106	0.32	1.9	1	329/32	1BD
58	17	17	13	13	36.3	49.2	6000	7500	0.187	0.43	1.3	0.7	320/32	4CC
65	26	26	20.5	16.8	64.8	82.2	5000	7000	0.385	0.35	1.7	1	315/32	10E
35	55	14	14	11.5	25.8	34.8	6000	7500	0.114	0.29	2.1	1.1	329/32	1BD
62	18	17	15	13.8	47.2	59.0	5000	7000	0.21	0.29	2.1	1.1	320/32 X2	—
62	18	18	14	13.2	59.2	59.0	5000	7000	0.224	0.44	1.4	0.8	320/32	4CC
62	21	21	17	16.8	46.8	63.2	5000	7000	0.254	0.31	2	1.1	330/32	2CE
72	18.25	17	15	14.2	54.2	63.5	5300	6700	0.331	0.37	1.6	0.9	302/32	10B
72	24.25	23	19	18.5	70.5	89.5	5300	6700	0.445	0.37	1.6	0.9	312/32	10C
72	28	28	22	22.5	82.5	102	5300	6700	0.515	0.35	1.7	0.9	312/32	10E
80	22.75	21	18	17.2	75.2	82.5	5000	6300	0.515	0.31	1.9	1.1	307/32	10F
80	22.75	21	15	15.8	76.8	50.0	5000	6300	0.514	0.83	0.7	0.4	318/32	7FB
80	32.75	31	25	24.0	99.0	118	5000	6300	0.763	0.31	1.9	1.1	312/32	10E
40	62	15	14	12	21.2	28.2	5000	7000	0.14	0.28	2.1	1.2	329/32 X2	—
62	15	15	12	11.5	46.0	50.0	5000	7000	0.155	0.29	2.1	1.1	329/32	10C
68	19	18	16	15.8	39.8	55.2	5300	6700	0.27	0.3	2	1.1	320/32 X2	—
68	19	19	14.5	14.8	51.8	71.0	5300	6700	0.267	0.38	1.6	0.9	320/32	10D
68	22	22	18	18.2	69.2	79.5	5300	6700	0.306	0.28	2.1	1.2	330/32	10E
75	26	26	20.5	18.8	84.8	110	5000	6300	0.496	0.36	1.7	0.9	310/32	10E
80	19.75	18	16	15.0	63.0	74.0	5000	6300	0.422	0.37	1.6	0.9	302/32	10B
80	24.75	23	19	18.8	77.8	97.2	5000	6300	0.532	0.37	1.6	0.9	312/32	10C
80	32	32	25	24.0	105	115	5000	6300	0.715	0.36	1.7	0.9	312/32	10E
90	25.25	23	20	19.8	93.8	108	4500	5600	0.747	0.35	1.7	1	303/32	10F
90	25.25	23	17	16.5	96.5	45.0	4500	5600	0.727	0.83	0.7	0.4	313/32	7FB
90	35.25	33	27	27	115	148	4500	5600	1.04	0.35	1.7	1	313/32	10F
45	68	15	14	12	22.2	32.8	5300	6700		0.31	1.9	1.1	329/32 X2	—
68	15	15	12	12.0	48.5	53.0	5300	6700	0.180	0.32	1.9	1	329/32	10C
75	20	19	16	15.5	44.5	67.5	7000	6300	0.32	0.3	2	1.1	320/32 X2	—
75	20	20	15.5	15.5	58.5	81.5	5000	6300	0.337	0.39	1.5	0.8	320/32	10C
75	24	24	19	19.2	72.5	100	5000	6300	0.398	0.32	1.9	1	330/32	10E
80	26	26	20.5	19.8	87.0	118	4500	5600	0.535	0.38	1.6	1	310/32	10E
85	20.75	19	16	15.8	67.8	83.5	4500	5600	0.474	0.4	1.5	0.8	302/32	10B
85	24.75	23	19	18.8	80.8	105	4500	5600	0.573	0.4	1.5	0.8	312/32	10C
85	32	32	25	24.0	110	145	4500	5600	0.771	0.39	1.5	0.9	312/32	10E
100	27.25	25	22	21.8	108	130	4000	5000	0.684	0.35	1.7	1	303/32	10F



d	a	r_a	r_{fa}	d_s	d_b	D_i	D_o	D_b	α_1	α_2	r_{fa}	r_{fb}	
mm	mm	min	min	min	max	min	max	min	min	min	max	max	
32	10.2	0.6	0.6	37	37	46	47	49	3	4	0.6	0.6	20079/32 E
	14.0	1	1	38	38	50	52	55	3	4	1	1	20071/32 E
	16.6	1	1	38	38	55	59	62	5	5.5	1	1	30072/32 E
35	10.1	0.6	0.6	40	40	49	50	52	3	2.5	0.6	0.6	2007907 E
	14.0	1	1	—	—	—	—	—	3	5	1	1	2007107 E
	15.1	1	1	41	40	54	56	59	4	4	1	1	2007107 E
40	13.5	1	1	41	41	54	56	59	3	4	1	1	2007107 E
	15.3	1.5	1.5	42	44	62	65	67	3	3.5	1.5	1.5	7207 E
	17.9	1.5	1.5	42	42	61	65	68	3	5.5	1.5	1.5	7507 E
45	18.2	1.5	1.5	42	42	70	65	68	5	6	1.5	1.5	3007207 E
	16.8	2	1.5	44	45	62	71	74	3	5	2	1.5	7307 E
	25.8	2	1.5	44	42	66	71	76	4	8	2	1.5	27307 E
50	20.4	2	1.5	44	43	66	71	74	4	8.5	2	1.5	7407 E
	12.0	0.6	0.6	—	—	—	—	—	3	5	0.6	0.6	2007908
	11.1	0.6	0.6	45	45	55	57	59	3	3	0.6	0.6	2007908 E
55	15.0	1	1	—	—	—	—	—	3	5	1	1	2007108
	14.9	1	1	46	46	60	62	65	4	4.5	1	1	2007108 E
	14.1	1	1	46	46	60	62	64	3	4	1	1	3007108 E
60	18.0	1.5	1.5	47	47	65	68	71	4	5.5	1.5	1.5	3007708 E
	16.9	1.5	1.5	47	49	69	73	75	3	4	1.5	1.5	7208 E
	18.9	1.5	1.5	47	48	68	73	75	3	6	1.5	1.5	7508 E
65	20.8	1.5	1.5	47	47	67	73	76	5	7	1.5	1.5	3007208 E
	19.5	2	1.5	49	52	77	81	84	3	5.5	2	1.5	7308 E
	29.0	2	1.5	49	48	71	81	87	4	8.5	2	1.5	27308 E
70	21.1	2	1.5	49	49	73	81	83	4	8.5	2	1.5	7608 E
	13.0	0.6	0.6	—	—	—	—	—	3	5	0.6	0.6	2007909
	12.2	0.6	0.6	50	50	61	63	65	3	3	0.6	0.6	2007909 E
75	16.0	1	1	—	—	—	—	—	4	6	1	1	2007109
	16.5	1	1	51	51	67	69	72	4	4.5	1	1	2007109 E
	15.9	1	1	51	51	67	69	72	4	5	1	1	3007109 E
80	19.1	1.5	1.5	52	52	69	73	77	4	5.5	1.5	1.5	3007709 E
	18.6	1.5	1.5	52	53	74	78	80	3	5	1.5	1.5	7209 E
	20.1	1.5	1.5	52	53	73	78	81	3	6	1.5	1.5	7509 E
85	21.9	1.5	1.5	52	52	72	78	81	5	7	1.5	1.5	3007209 E
	21.3	2	1.5	54	59	86	91	94	3	5.5	2	1.5	7309 E

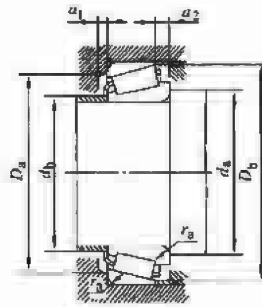
METRIC SERIES



30000 Model

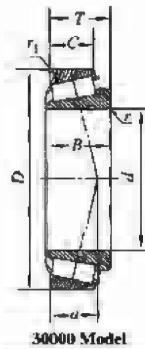
d 45 ~ 60mm

d	Boundary dimensions mm				Basic load ratings kN		Limiting speeds (r/min)		Mass kg					30000 Model	ISO355
	D	T	B	C	C _r	C _w	grease	oil	W ₂	e	Y	Y ₀			
45	100	27.25	25	18	95.5	115	4000	5000	0.941	0.83	0.7	0.4	31309	7FB	
	100	38.25	36	30	145	188	4000	5000	1.40	0.35	1.7	1	32309	2FD	
50	72	15	14	12	22.2	32.8	5000	6300	0.7	0.35	1.7	0.9	32910 X2	—	
	72	15	15	12	36.8	56.0	5000	6300	0.181	0.34	1.8	1	32910	2BC	
80	20	19	16	16	45.8	66.2	4500	5600	0.31	0.32	1.9	1	32010 X2	—	
80	20	20	15.5	15.5	61.0	89.0	4500	5600	0.366	0.42	1.4	0.8	32010	3CC	
80	24	24	19	19	76.8	110	4500	5600	0.433	0.32	1.9	1	33010	2CE	
85	26	26	20	20	89.2	125	4300	5300	0.572	0.41	1.5	0.8	33110	3CE	
90	21.75	20	17	17	73.2	92.0	4300	5300	0.529	0.42	1.4	0.8	30210	3DB	
90	24.75	23	19	19	82.8	108	4300	5300	0.626	0.42	1.4	0.8	32210	3DC	
90	32	32	24.5	24.5	112	155	4300	5300	0.825	0.41	1.5	0.8	33210	3DE	
110	29.25	27	23	23	130	158	3800	4800	1.28	0.35	1.7	1	30310	2FB	
110	29.25	27	19	19	108	128	3800	4800	1.21	0.83	0.7	0.4	31310	7FB	
110	42.25	40	33	33	178	235	3800	4800	1.89	0.35	1.7	1	32310	2FD	
55	80	17	17	14	41.5	66.8	4800	6000	0.262	0.31	1.9	1.1	32911	2BC	
	90	23	22	19	63.8	93.2	4000	5000	0.53	0.31	1.9	1.1	32011 X2	—	
90	23	23	17.5	17.5	80.2	118	4000	5000	0.551	0.41	1.5	0.8	32011	3CC	
90	27	27	21	21	94.8	145	4000	5000	0.651	0.31	1.9	1.1	33011	2CE	
95	30	30	23	23	115	165	3800	4800	0.843	0.37	1.6	0.9	33111	3CE	
100	22.75	21	18	18	90.8	115	3800	4800	0.713	0.4	1.5	0.8	30211	3DB	
100	26.75	25	21	21	108	142	3800	4800	0.853	0.4	1.5	0.8	32211	3DC	
100	35	35	27	27	142	198	3800	4800	1.15	0.4	1.5	0.8	33211	3DE	
120	31.5	29	25	25	152	188	3400	4300	1.63	0.35	1.7	1	30311	2FB	
120	31.5	29	21	21	130	158	3400	4300	1.56	0.83	0.7	0.4	31311	7FB	
120	45.5	43	35	35	202	270	3400	4300	2.37	0.35	1.7	1	32311	2FD	
60	85	17	16	14	34.5	56.5	4000	5000	0.24	0.38	1.6	0.9	32912X2	—	
	85	17	17	14	46.0	73.0	4000	5000	0.279	0.33	1.8	1	32912	2BC	
95	23	22	19	19	64.8	98.0	3800	4800	0.56	0.33	1.8	1	32012X2	—	
95	23	23	17.5	17.5	81.8	122	3800	4800	0.584	0.43	1.4	0.8	33012	4CC	
95	27	27	21	21	96.8	150	3800	4800	0.691	0.33	1.8	1	33012	2CE	
100	30	30	23	23	118	172	3600	4500	0.895	0.4	1.5	0.8	33112	3CE	
110	23.75	22	19	19	102	130	3600	4500	0.904	0.4	1.5	0.8	30212	3EB	
110	29.75	28	24	24	132	180	3600	4500	1.17	0.4	1.5	0.8	32212	3EC	
110	38	38	29	29	165	230	3600	4500	1.51	0.4	1.5	0.8	33212	3EE	
110	31.5	29	25	25	152	188	3400	4300	1.63	0.35	1.7	1	30312	2FB	



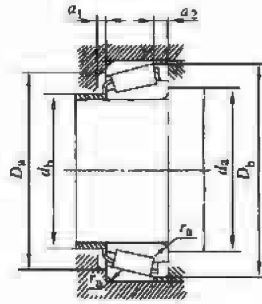
d	a	r_a	r_b	d_a	d_b	D_a	D_b	a_1	a_2	r_m	r_n		
	\approx	min	min	min	max	min	max	min	min	max	max		
45	31.7	2	1.5	54	54	79	91	96	4	9.5	2.0	1.5	27309 E
	25.6	2	1.5	54	56	82	91	93	4	8.5	2.0	1.5	7689 E
50	15.0	0.6	0.6	—	—	—	—	—	3	5	0.6	0.6	2007910
	13.0	0.6	0.6	55	55	64	67	69	3	3	0.6	0.6	2007910 E
	17.0	1	1	—	—	—	—	—	4	6	1	1	2007110
	17.8	1	1	56	56	72	74	77	4	4.5	1	1	2007110 E
	17.0	1	1	56	56	72	74	76	4	5	1	1	3007110 E
	20.4	1.5	1.5	57	56	74	78	82	4	6	1.5	1.5	3007710 E
	20.0	1.5	1.5	57	58	79	83	86	3	5	1.5	1.5	7210 E
	21.0	1.5	1.5	57	57	78	83	86	3	6	1.5	1.5	7510 E
55	23.2	1.5	1.5	57	57	77	83	87	5	7.5	1.5	1.5	3007210 E
	23.0	2.5	2	60	65	95	100	103	4	6.5	2	2	7310 E
	34.8	2.5	2	60	58	87	100	105	4	10.5	2	2	27310 E
	28.2	2.5	2	60	61	90	100	102	5	9.5	2	2	7610 E
	14.3	1	1	61	60	71	74	77	3	3	1	1	2007911 E
	19.0	1.5	1.5	—	—	—	—	—	4	6	1.5	1.5	2007111
	19.8	1.5	1.5	62	63	81	83	86	4	5.5	1.5	1.5	2007111 E
	19.0	1.5	1.5	62	63	81	83	86	5	6	1.5	1.5	3007111 E
60	21.9	1.5	1.5	62	62	83	88	91	5	7	1.5	1.5	3007711 E
	21.0	2	1.5	64	64	88	91	95	4	5	2	1.5	7211 E
	22.8	2	1.5	64	62	87	91	96	4	6	2	1.5	7511 E
	25.1	2	1.5	64	62	85	91	96	6	8	2	1.5	3007211 E
	24.9	2.5	2	65	70	104	110	112	4	6.5	2.5	2	7311 E
	37.5	2.5	2	65	63	94	110	114	4	10.5	2.5	2	27311 E
	30.4	2.5	2	65	66	99	110	111	5	10	2.5	2	7611 E
	18.0	1	1	—	—	—	—	—	3	5	1	1	2007912
60	15.1	1	1	66	65	75	79	82	3	3	1	1	2007912 E
	20.0	1.5	1.5	—	—	—	—	—	4	6	1.5	1.5	2007112
	20.9	1.5	1.5	67	67	85	88	91	4	5.5	1.5	1.5	2007112 E
	19.8	1.5	1.5	67	67	85	88	90	5	6	1.5	1.5	3007212 E
	23.1	1.5	1.5	67	67	88	93	96	5	7	1.5	1.5	3007712 E
	22.3	2	1.5	69	69	96	101	103	4	5	2	1.5	7212 E
	25.0	2	1.5	69	68	95	101	105	4	6	2	1.5	7512 E
	27.5	2	1.5	69	69	93	101	105	6	9	2	1.5	3007212 E
	26.6	3	2.5	72	76	112	118	121	5	7.5	2.5	2.1	7312 E

METRIC SERIES



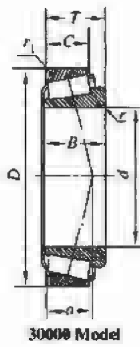
d 60 ~ 75mm

d	Boundary dimensions mm			Basic load ratings kN			Limiting speeds (r/min)		Mass kg				ISO355	
	D	T	B	C	C _r	C _{0r}	grease	oil	W _{ms}	e	F	Y ₀		
60	130	33.5	31	22	145	178	3200	4000	1.90	0.83	0.7	0.4	31312	7FB
	130	48.5	46	37	228	302	3200	4000	2.90	0.35	1.7	1	32312	2FD
65	90	17	17	14	45.5	73.2	3800	4800	0.295	0.35	1.7	0.9	32913	2BC
	100	23	22	19	67.0	102	3600	4500	0.63	0.35	1.7	0.9	32013 X2	—
100	23	23	17.5	17.5	82.8	128	3600	4500	0.620	0.46	1.3	0.7	32013	4CC
100	27	27	21	21	98.0	158	3600	4500	0.732	0.35	1.7	1	33013	2CE
110	34	34	26.5	26.5	142	220	3400	4300	1.30	0.39	1.6	0.9	33113	3DE
120	24.75	23	20	20	120	152	3200	4000	1.13	0.4	1.5	0.8	34013	3EB
120	32.75	31	27	27	160	222	3200	4000	1.55	0.4	1.5	0.8	32213	3EC
120	41	41	32	32	202	282	3200	4000	1.99	0.39	1.5	0.9	33213	3EE
140	36	33	28	28	195	242	2800	3600	2.44	0.35	1.7	1	30313	2GB
140	36	33	23	23	165	202	2800	3600	2.37	0.83	0.7	0.4	31313	7GB
140	51	48	39	39	260	350	2800	3600	3.51	0.35	1.7	1	32313	2GD
70	100	20	19	16	53.2	85.5	3600	4500	0.33	1.8	1	1	32914 X2	—
	100	20	20	16	70.8	115	3600	4500	0.471	0.32	1.9	1	32914	2BC
110	25	24	20	20	83.8	128	3400	4300	0.85	0.34	1.8	1	32014 X2	—
110	25	25	19	19	105	160	3400	4300	0.839	0.43	1.4	0.8	32014	4CC
110	31	31	25.5	25.5	135	220	3400	4300	1.07	0.28	2	1	33014	2CE
120	37	37	29	29	172	268	3200	4000	1.70	0.39	1.5	1.2	33114	3DE
125	26.25	24	21	21	132	175	3000	3800	1.26	0.42	1.4	0.8	30214	3EB
125	33.25	31	27	27	168	238	3000	3800	1.64	0.42	1.4	0.8	32214	3EC
125	41	41	32	32	208	298	3000	3800	2.10	0.41	1.5	0.8	33214	3EE
125	38	35	30	30	218	272	2600	3400	2.98	0.35	1.7	1	30314	2GB
150	38	35	25	25	188	230	2600	3400	2.86	0.83	0.7	0.4	31314	7GB
150	54	51	42	42	298	408	2600	3400	4.34	0.35	1.7	1	32314	2GD
75	105	20	20	16	78.2	125	3400	4300	0.490	0.33	1.8	1	32915	2BC
	115	25	24	20	85.2	135	3200	4000	0.88	0.35	1.7	0.9	32015 X2	—
115	25	25	19	19	102	160	3200	4000	0.875	0.46	1.3	0.7	32015	4CC
115	31	31	25.5	25.5	132	220	3200	4000	1.12	0.3	2	1	33015	2CE
125	37	37	29	29	175	280	3000	3800	1.78	0.4	1.5	0.8	33115	3DE
130	27.25	25	22	22	138	185	2800	3600	1.36	0.44	1.4	0.8	30215	4DB
130	33.25	31	27	27	170	242	2800	3600	1.74	0.44	1.4	0.8	32215	4DC
130	41	41	31	31	208	300	2800	3600	2.17	0.43	1.4	0.8	33215	3EE
160	40	37	31	31	252	318	2400	3200	3.57	0.35	1.7	1	30315	2GB
160	40	37	26	26	208	258	2400	3200	3.38	0.83	0.7	0.4	31315	7GB



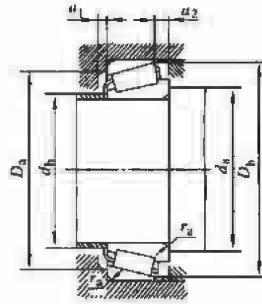
<i>d</i>	<i>a</i>	<i>r</i> ₁	<i>r</i> ₂	<i>d</i> ₁	<i>d</i> ₂	<i>D</i> ₁	<i>D</i>	<i>D</i> ₂	<i>a</i> ₁	<i>a</i> ₂	<i>r</i> ₃	<i>r</i> ₄	
	≈	min	min	min	max	min	max	min	min	min	max	max	
60	40.4	3	2.5	72	69	103	118	124	5	11.5	2.5	2.1	273012 E
	32.0	3	2.5	72	72	107	118	122	6	11.5	2.5	2.1	7612 E
65	16.2	1	1	71	70	80	84	87	3	3	1	1	2007913 E
	21.0	1.5	1.5	—	—	—	—	—	4	6	1.5	1.5	2007113
	22.4	1.5	1.5	72	72	90	93	97	4	5.5	1.5	1.5	2007113 E
	20.9	1.5	1.5	72	72	89	93	96	5	6	1.5	1.5	3007113 E
	26.0	1.5	1.5	72	73	96	103	106	6	7.5	1.5	1.5	3007713 E
	23.8	2	1.5	74	77	106	111	114	4	5	2	1.5	7213 E
	27.3	2	1.5	74	75	104	111	115	4	6	2	1.5	7513 E
	29.5	2	1.5	74	74	102	111	115	7	9	2	1.5	3007213 E
	28.7	3	2.5	77	83	122	128	131	5	8	2.5	2.1	7313 E
	44.2	3	2.5	77	75	111	128	134	5	13	2.5	2.1	27313 E
70	34.3	3	2.5	77	79	117	128	131	6	12	2.5	2.1	7613 E
	19.0	1	1	—	—	—	—	—	4	6	1	1	2007914
	17.6	1	1	76	76	90	94	96	4	4	1	1	2007914 E
	23.0	1.5	1.5	—	—	—	—	—	5	7	1.5	1.5	2007114
	23.8	1.5	1.5	77	78	98	103	105	5	6	1.5	1.5	2007114 E
	22.0	1.5	1.5	77	79	99	103	105	5	5.5	1.5	1.5	3007114 E
	28.2	2	1.5	79	79	104	111	115	6	8	2	1.5	3007714 E
	25.8	2	1.5	79	81	110	116	119	4	5.5	2	1.5	7214 E
	28.8	2	1.5	79	79	108	116	120	4	6.5	2	1.5	7514 E
	30.7	2	1.5	79	79	107	116	120	7	9	2	1.5	3007214 E
75	30.7	3	2.5	82	89	130	138	141	5	8	2.5	2.1	7314 E
	46.8	3	2.5	82	80	118	138	143	5	13	2.5	2.1	27314 E
	36.5	3	2.5	82	84	125	138	141	6	12	2.5	2.1	7614 E
	18.5	1	1	81	81	94	99	102	4	4	1	1	2007915 E
	24.0	1.5	1.5	—	—	—	—	—	5	7	1.5	1.5	2007115
	25.2	1.5	1.5	82	83	103	108	110	5	6	1.5	1.5	2007115 E
	22.8	1.5	1.5	82	83	103	108	110	6	5.5	1.5	1.5	3007115 E
	29.4	2	1.5	84	84	109	116	120	6	8	2	1.5	3007715 E
	27.4	2	1.5	84	85	115	121	125	4	5.5	2	1.5	7215 E
	30.3	2	1.5	84	84	115	121	126	4	6.5	2	1.5	7515 E
75	31.9	2	1.5	84	83	111	121	125	7	10	2	1.5	3007215 E
	32.0	3	2.5	87	95	139	148	150	5	9	2.5	2.1	7315 E
	49.7	3	2.5	87	86	127	148	153	6	14	2.5	2.1	27315 E

METRIC SERIES



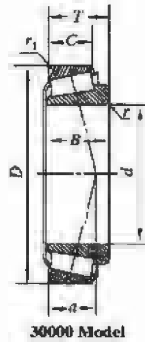
d 75 - 90mm

Boundary dimensions mm				Basic load ratings /kN			Limiting speeds (r/min)		Mass /kg					30000 Model	ISO355
d	D	T	B	C	C _r	C _{0r}	grease	oil	W _{cor}	ε	Y	Y ₀			
75	160	58	55	45	348	482	2400	3200	5.37	0.35	1.7	1	32315	2GD	
80	110	20	20	16	79.2	128	3200	4000	0.514	.035	1.7	0.9	32916	2BC	
125	29	27	23	102	162	3000	3800	1.18	.034	1.8	1	32016 X2	—		
125	29	29	22	140	220	3000	3800	1.27	0.42	1.4	0.8	32016	3CC		
125	36	36	29.5	182	305	3000	3800	1.63	0.28	2.2	1.2	33016	2CE		
130	37	37	29	180	292	2800	3600	1.87	0.42	1.4	0.8	33116	3DE		
140	28.25	26	22	160	212	2600	3400	1.67	0.42	1.4	0.8	30216	3EB		
140	35.25	33	28	198	278	2600	3400	2.13	0.42	1.4	0.8	32216	3EC		
140	46	46	35	245	362	2600	3400	2.83	0.43	1.4	0.8	33216	3EE		
170	42.5	39	33	278	352	2200	3000	4.27	0.35	1.7	1	30316	2GB		
170	42.5	39	27	230	288	2200	3000	4.05	0.83	0.7	0.4	31316	7GB		
170	61.5	58	48	388	542	2200	3000	6.38	0.35	1.7	1	32316	2GD		
85	120	23	22	29	74.2	125	3400	3800	0.73	0.26	2.3	1.3	32917 X2	—	
120	23	23	18	96.8	165	3400	3800	0.767	0.33	1.8	1	32917	2BC		
130	29	27	23	105	170	2800	3600	1.25	0.35	1.7	0.9	32017 X2	—		
130	29	29	22	140	220	2800	3600	1.32	0.44	1.4	0.8	32017	4CC		
130	36	36	29.5	180	305	2800	3600	1.69	0.29	2.1	1.1	33017	2CE		
140	41	41	32	215	355	2600	3400	2.43	0.41	1.5	0.8	33117	3DE		
150	30.5	28	24	178	238	2400	3200	2.06	0.42	1.4	0.8	30217	3EB		
150	38.5	36	30	228	325	2400	3200	2.68	0.42	1.4	0.8	32217	3EC		
150	49	49	37	282	415	2400	3200	3.52	0.42	1.4	0.8	33217	3EE		
180	44.5	41	34	305	388	2000	2800	4.96	0.35	1.7	1	30317	3GB		
180	44.5	41	28	255	318	2000	2800	4.96	0.83	0.7	0.4	31317	7GB		
180	63.5	60	49	422	592	2000	2800	7.31	0.35	1.7	1	32317	2GD		
90	125	23	22	19	77.8	140	3200	3600	—	0.38	1.6	0.9	32918 X2	—	
125	23	23	18	95.8	165	3200	3600	0.796	0.34	1.8	1	32918	2BC		
140	32	30	26	122	192	2600	3400	1.7	0.34	1.8	1	32018 X2	—		
140	32	32	24	170	270	2600	3400	1.72	0.42	1.4	0.8	32018	3CC		
140	39	39	32.5	232	388	2600	3400	2.20	0.27	2.2	1.2	33018	2CE		
150	45	45	35	252	415	2400	3200	3.13	0.4	1.5	0.8	33118	3DE		
160	32.5	30	26	200	270	2200	3000	2.54	0.42	1.4	0.8	30218	3FB		
160	42.5	40	34	270	395	2200	3000	3.44	0.42	1.4	0.8	32218	3FC		
160	55	55	42	330	500	2200	3000	4.55	0.4	1.5	0.8	33218	3FE		
190	46.5	43	36	342	440	1900	2600	5.80	0.35	1.7	1	30318	2GB		
190	46.5	43	30	282	358	1900	2600	5.46	0.83	0.7	0.4	31318	7GB		



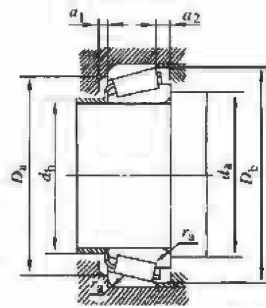
d	a	r_a	r_{ba}	d_a	d_b	D_1	D_2	D_3	a_1	a_2	r_a	r_{ba}	
	\approx	min	min	min	max	min	max	min	min	min	max	max	
75	39.4	3	2.5	87	91	133	148	150	7	13	2.5	2.1	7615 E
80	19.6	1	1	86	85	99	104	107	4	4	1	1	2007916 E
	26.0	1.5	1.5	—	—	—	—	—	5	8	1.5	1.5	2007116
	26.8	1.5	1.5	87	89	112	117	120	6	7	1.5	1.5	7007116 E
	25.2	1.5	1.5	87	80	112	117	119	6	7	1.5	1.5	3007116 E
	30.7	2	1.5	89	89	114	121	126	6	8	2	1.5	3007716 E
	28.1	2.5	2	90	90	124	130	133	4	6	2.1	2	7216 R
	31.4	2.5	2	90	89	122	130	135	5	7.5	2.1	2	7516 E
	35.1	2.5	2	90	89	119	130	135	7	11	2.1	2	3007216 E
	34.4	3	2.5	92	102	148	158	160	5	9.5	2.5	2.1	7316 E
	52.8	3	2.5	92	91	134	158	161	6	15.5	2.5	2.1	27316 E
42.1	3	2.5	92	97	142	158	160	7	13.5	2.5	2.1	7616 E	
85	21.0	1.5	1.5	—	—	—	—	—	4	6	1.5	1.5	2007917
	21.1	1.5	1.5	92	92	111	113	115	4	5	1.5	1.5	2007917 E
	27.0	1.5	1.5	—	—	—	—	—	5	8	1.5	1.5	2007117
	28.1	1.5	1.5	92	94	117	122	125	6	7	1.5	1.5	2007117 E
	26.2	1.5	1.5	92	94	118	122	125	6	6.5	1.5	1.5	3007117 E
	33.1	2.5	2	95	95	122	130	135	7	9	2.1	2	3007717 E
	30.3	2.5	2	95	96	132	140	142	5	6.5	2.1	2	7217 E
	33.9	2.5	2	95	95	130	140	143	5	8.5	2.1	2	7517 E
	36.9	2.5	2	95	95	128	140	144	7	12	2.1	2	3007217 E
	35.9	4	3	99	107	156	166	168	6	10.5	3	2.5	7317 E
	55.6	4	3	99	96	143	166	171	6	16.5	3	2.5	27317 E
	43.5	4	3	99	102	150	166	168	8	14.5	3	2.5	7617 E
	90	25.0	1.5	1.5	—	—	—	—	—	4	6	1.5	1.5
22.2		1.5	1.5	97	96	113	117	121	4	5	1.5	1.5	2007918 E
29.0		2	1.5	—	—	—	—	—	5	8	2	1.5	2007118
30.0		2	1.5	99	100	125	131	134	6	8	2	1.5	2007118 E
27.2		2	1.5	99	100	127	131	135	7	6.5	2	1.5	3007118 E
34.9		2.5	2	100	100	130	140	144	7	10	2.1	2	3007718 E
32.3		2.5	2	100	102	140	150	151	5	6.5	2.1	2	7218 E
36.8		2.5	2	100	101	138	150	153	5	8.5	2.1	2	7518 E
40.8		2.5	2	100	100	134	150	154	8	13	2.1	2	3007218 E
37.5		4	3	104	113	163	176	178	6	10.5	3	2.5	7318 E
58.5	4	3	104	102	151	176	181	6	16.5	3	2.5	27318 E	

METRIC SERIES



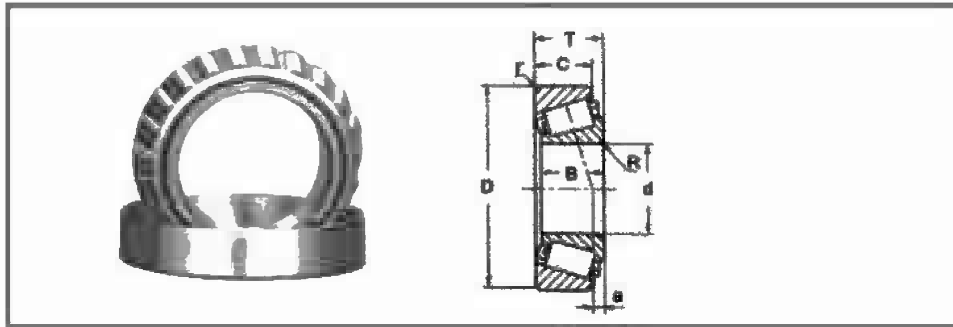
d 90 ~ 105mm

Boundary dimensions mm	Basic load ratings kN						Limiting speeds (r/min)		Mass kg				30000 Model	ISO355
	d	D	T	B	C	C _r	C _{or}	grease	oil	W _{or}	e	Y		
90	180	67.5	64	53	478	682	1900	2600	8.81	0.35	1.7	1	32318	2GD
95	130	23	23	18	97.2	170	2600	3400	0.831	0.36	1.7	0.9	32919	2BC
	145	32	30	26	122	192	2400	3200	1.7	0.36	1.7	0.9	32019X2	—
	145	32	32	24	175	280	2400	3200	1.79	0.44	1.4	0.8	32109	4CC
	145	39	39	32.5	230	390	2400	3200	2.26	0.28	2.2	1.2	33019	2CE
	160	49	49	38	298	498	2200	3000	3.94	0.39	1.5	0.8	33119	3FE
	170	34.5	32	27	228	308	2000	2800	3.04	0.42	1.4	0.8	30219	3FB
	170	45.5	43	37	302	448	2000	2800	4.24	0.42	1.4	0.8	32219	3FC
	170	58	58	44	378	568	2000	2800	5.48	0.41	1.5	0.8	33219	3FE
	200	49.5	45	38	370	478	1800	2400	6.80	0.35	1.7	1	30319	2GB
	200	49.5	45	32	310	400	1800	2400	6.46	0.83	0.7	0.4	31319	7GB
	200	71.5	67	55	515	738	1800	2400	10.1	0.35	1.7	1	32319	2GD
100	140	25	25	20	128	218	2400	3200	1.12	0.33	1.8	1	32920	2CC
	150	32	30	26	125	205	2200	3000	1.79	0.37	1.6	0.9	31020X2	—
	150	32	32	24	172	282	2200	3000	1.85	0.46	1.3	0.7	32020	4CC
	150	39	39	32.5	230	390	2200	3000	2.33	0.29	2.1	1.2	33020	2CB
	165	52	52	40	308	528	2000	2800	4.31	0.41	1.5	0.8	33120	3FE
	180	37	34	29	255	350	1900	2600	3.72	0.42	1.4	0.8	30220	3FB
	180	49	46	39	340	512	1900	2600	5.10	0.42	1.4	0.8	32220	3FC
	180	63	63	48	438	665	1900	2600	6.71	0.4	1.5	0.8	33220	3FE
	215	51.5	47	39	405	525	1600	2000	8.22	0.35	1.7	1	30320	2GB
	215	56.5	51	35	372	488	1600	2000	8.59	0.83	0.7	0.4	31320	7GB
	215	77.5	73	60	600	872	1600	2000	13.0	0.35	1.7	1	32320	2GD
105	145	25	25	20	128	225	2200	3000	1.16	0.34	1.8	1	32921	2CC
	160	35	33	28	162	270	2000	2800	2.5	0.36	1.7	0.9	32021X2	—
	160	35	35	26	205	335	2000	2800	2.40	0.44	1.4	0.7	32021	4DC
	160	43	43	34	258	438	2000	2800	2.97	0.28	2.1	1.2	33021	2DE
	175	56	56	44	352	608	1900	2600	5.29	0.4	1.5	0.8	33121	3FE
	190	39	36	30	285	398	1800	2400	4.38	0.42	1.4	0.8	30221	3FB
	190	53	50	43	380	578	1800	2400	6.26	0.42	1.4	0.8	32221	3FC
	190	68	68	52	498	770	1800	2400	8.12	0.4	1.5	0.8	33221	3FE
	225	53.5	49	41	432	562	1500	1900	9.38	0.35	1.7	1	30321	2GB
	225	58	53	36	398	525	1500	1900	9.58	0.83	0.7	0.4	31321	7GB
	225	81.5	77	63	648	945	1500	1900	14.8	0.35	1.7	1	32321	2GD



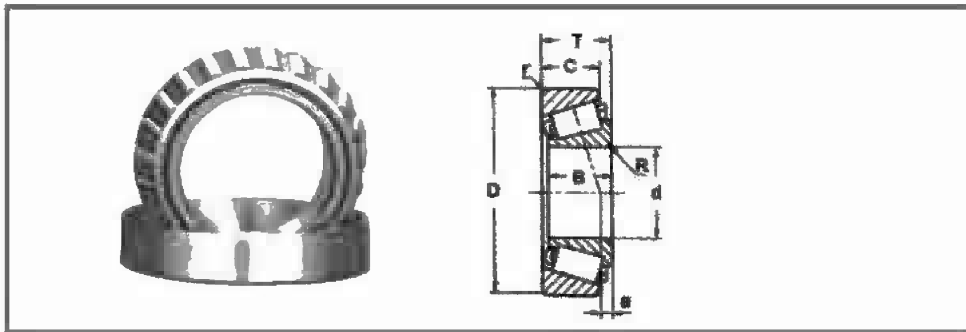
d	a	r_1	r_2	d_a	d_b	D_a	D_b	D	a_1	a_2	r_{a0}	r_{b0}	
90	46.2	4	3	104	107	157	176	178	8	14.5	3	2.5	7618 E
95	23.4	1.5	1.5	102	101	117	122	126	4	5	1.5	1.5	2007919 E
	30.0	2	1.5	—	—	—	—	—	5	8	2	1.5	2007119
	31.4	2	1.5	104	105	130	136	140	6	8	2	1.5	2007119 E
	28.4	2	1.5	104	104	131	136	139	7	6.5	2	1.5	3007119 E
	37.3	2.5	2	105	105	138	150	154	7	11	2.1	2	3007719 E
	34.2	3	2.5	107	108	149	158	160	5	7.5	2.5	2.1	7219 E
	39.2	3	2.5	107	106	145	158	163	5	8.5	2.5	2.1	7519 E
	42.7	3	2.5	107	105	144	158	163	9	14	2.5	2.1	3007219 E
	40.1	4	3	109	118	172	186	185	6	11.5	3	2.5	7319 E
	61.2	4	3	109	107	157	186	189	6	17.5	3	2.5	27319 E
	49.0	4	3	109	114	166	186	187	8	16.5	3	2.5	7619 E
100	24.3	1.5	1.5	107	108	128	132	136	4	5	1.5	1.5	2007920 E
	32.0	2	1.5	—	—	—	—	—	5	8	2	1.5	2007120
	32.8	2	1.5	109	109	134	141	144	6	8	2	1.5	2007120 E
	29.1	2	1.5	109	108	135	141	143	7	6.5	2	1.5	3007120 E
	40.3	2.5	2	110	110	142	155	159	8	12	2.1	2	3007720 E
	36.4	3	2.5	112	114	157	168	169	5	8	2.5	2.1	7220 E
	41.9	3	2.5	112	113	154	168	172	5	10	2.5	2.1	7520 E
	45.5	3	2.5	112	112	151	168	172	10	15	2.5	2.1	3007220 E
	42.2	4	3	114	127	184	201	199	6	12.5	3	2.5	7320 E
	68.4	4	3	114	115	168	201	204	7	21.5	3	2.5	27320 E
	52.9	4	3	114	122	177	201	201	8	17.5	3	2.5	7620 E
105	25.4	1.5	1.5	112	112	132	137	141	5	5	1.5	1.5	2007921 E
	33.0	2.5	2	—	—	—	—	—	6	9	2.1	2	2007121
	34.6	2.5	2	115	116	142	150	154	6	9	2.1	2	2007121 E
	30.8	2.5	2	115	116	145	150	153	7	9	2.1	2	3007121 E
	42.9	2.5	2	115	115	149	169	170	8	12	2.1	2	3007721 E
	38.5	3	2.5	117	121	165	178	178	6	9	2.5	2.1	7221 E
	45.0	3	2.5	117	118	161	178	182	5	10	2.5	2.1	7521 E
	48.6	3	2.5	117	117	159	178	182	12	16	2.5	2.1	3007221 E
	43.6	4	3	119	133	193	211	208	7	12.5	3	2.5	7321 E
	70.0	4	3	119	121	176	211	213	7	22	3	2.5	27321 E
	55.1	4	3	119	128	185	211	210	8	18.5	3	2.5	7621 E

Tapered Roller Bearing Inch Size



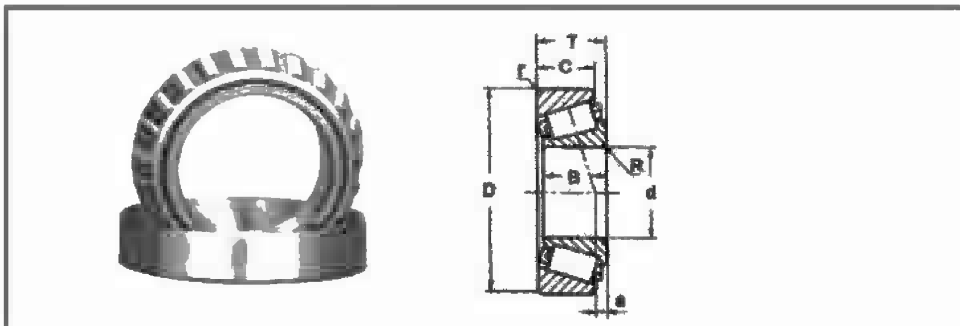
Bearing No.		Boundary dimensions(mm)							Mass (Kg)	Assembly No.
Cone	Cup	d	D	T	B	C	R _{min}	r _{min}		
LM11749	LM11710	17.462	39.878	13.843	14.605	10.688	1.3	1.3	0.083	SET1
LM11949	LM11910	19.050	45.237	15.494	16.637	12.065	1.3	1.3	0.124	SET2
M12649	M12610	21.430	50.005	17.526	18.288	13.97	1	1.3	0.169	SET3
L44649	L44610	26.998	50.292	14.244	14.732	10.688	3.5	1.3	0.115	SET4
LM48548	LM48510	34.925	65.086	18.034	18.288	13.97	Spec	1.3	0.246	SET5
LM67048	LM67010	31.750	59.131	15.875	16.764	11.811	Spec	1.3	0.18	SET6
M201047	LM201011	39.668	73.025	25.640	22.098	21.336	0.8	2.3	0.435	SET7
LM12749	LM12710	21.986	45.237	15.494	16.637	12.065	1.3	1.3	0.123	SET12
L68149	L68110	34.988	59.131	15.875	16.764	11.938	Spec	1.3	0.167	SET13
L44643	L11640	25.460	50.292	14.244	14.732	10.688	1.3	1.3	0.13	SET14
L45449	L45410	29.000	50.292	14.244	14.732	10.688	3.5	1.3	0.11	SET8
LM12749	LM12711	21.968	45.974	15.494	16.637	12.065	1.3	1.3	0.121	SET16
L68149	L68111	34.988	59.974	15.875	16.764	11.938	Spec	1.3	0.174	SET17
JL69349	JL69310	38.000	63.000	17.000	17	13.5	Spec	1.3	0.294	SET11
07100	07196	25.400	50.005	13.495	14.26	9.525	1	1	0.115	SET15
1988	1922	28.575	57.150	19.845	19.355	15.875	3.5	1.5	0.213	SET21
JLM506848E(2)	JLM506810(2)	55.000	90.000	23.000	26	18.5	3.5	0.5	0.576	SET25
LM104910(2)	LM104910(2)	50.800	82.550	61.765	51.761	41.605	3.5	1.3	0.1	SET23
LM67045	LM67010	31.750	59.131	15.875	18.57	11.811	Spec	1.3	0.18	SET22
JL68145	JL68112	35.000	60.000	15.875	18.46	11.99	2	1.3	0.183	SET24
320/28X	320/28X	28.000	52.000	16	16	12	1	1	0.146	
320/32DX	320/32DX	32.000	58.000	17	17	13	3.3	1.5	0.181	
LM12748	LM12710	21.430	45.237	15.494	16.637	12.065	1.3	1.3	0.121	SET34
LM501349	LM501310	41.275	73.431	19.588	19.812	14.732	3.5	0.8	0.327	SET45
LM603049	LM603012	45.242	77.788	21.43	19.842	16.667	3.5	0.8	0.381	SET36
LM603049	LM603011	45.242	77.788	19.842	19.842	15.08	3.5	0.8	0.363	SET37
LM104946	LM104911	50.800	82.550	21.59	22.225	16.51	3.5	1.3	0.419	SET38
JL26749	JL26710	32.000	53.000	14.5	15	11.5	3.5	1.3	0.12	SET46
JLM104949	JLM104910Z	50.000	82.000	21.5	21.5	17	3	0.5	0.44	SET26
57410S	LM29710S	38.100	65.088	18.034	21.138	13.97	Spec	1.3	0.24	
JLM506849A	JLM506811	55.000	90.000	23	23	18.5	1.5	0.5	0.576	SET42
LM102949	LM102910	45.242	73.431	19.568	19.812	15.748	3.5	0.8	0.303	SET47
LM29748	LM29710	38.100	65.088	18.034	18.288	13.97	Spec	1.3	0.233	SET56
U298	U261L	35.000	66.000	18.1	20.6	17	2.3	1.3	0.38	SET9
U399	U360L	39.688	73.025	19.395	22.1	18.5	1	1.3	0.5	SET10
U399A	U365L	39.688	79.967	19.395	22.1	20.1	2.3	1.3	0.74	SET20

Tapered Roller Bearing Inch Size



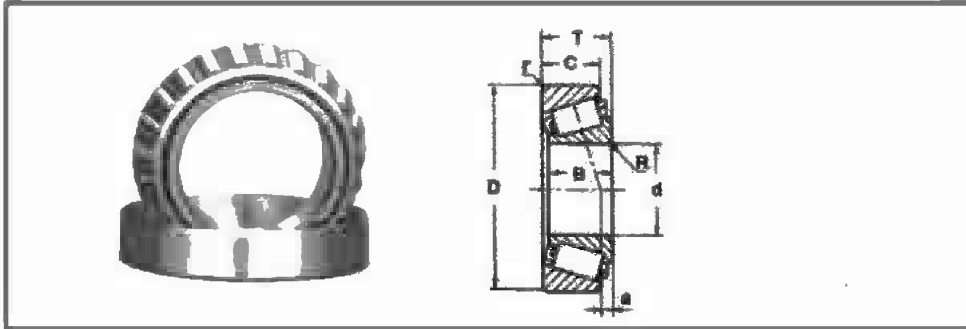
Bearing No.		Boundary dimensions(mm)							Mass (kg)	Assembly No.
Cone	Cup	d	D	T	B	C	Rmin	rmin		
CBK-171		26.000	52.000	15	14.26	12.7	3.5	1	0.139	
320/32C		32.000	58.000	17	17	13	3.5	1	0.182	
32005X/VB015		25.000	47.000	15	15	11.5	2.5	1		
JL69345	JL69310Z	38.000	63.000	17	19	13.5	Spec	1.3	0.198	
JLM67042	LM67010	28	57.15	17.462	17.462	13.495	3.5	1.5	0.27	SET30
L44600LB-90005	L44610	25.4	50.292	14.244	14.732	10.668	1.3	1.3	0.21	SET44
02872	02820	28.575	73.025	22.225	22.225	17.462	0.8	3.3	0.48	SET50
15106	15245	26.988	62	19.05	20.638	14.288	1.3	0.8	0.291	SET51
25580	25520	44.45	82.931	23.812	25.4	19.05	3.5	0.8	0.561	SET52
25580	25523	44.5	82.931	26.988	25.4	22.225	3.5	2.3	0.603	SET53
25590	25520	45.618	82.931	23.812	25.4	19.05	3.5	0.8	0.544	SET54
25590	25523	45.618	82.931	26.988	25.4	22.225	3.5	2.3	0.588	SET55
31594	31520	34.92	76.2	23.812	28.575	23.812	3.3	1.5	0.627	SET57
LM48548A	LM48510	34.925	65.088	18.034	18.288	13.97	1.3	1.5	0.252	SET58
LM48548A	LM48511A	34.925	65.088	29.37	21.082	17.016	0.8	1.5	0.28	
LM48548	LM48511A	34.925	65.088	18.288	21.082	17.018	Spec	1.5	0.29	SET60
11590	11520	15.875	42.862	14.288	14.288	9.525	1.5	1.5	0.1	SET61
17887	17831	45.23	79.985	19.842	20.638	15.08	2.0	1.3	0.4	SET62
M88048	M88010	33.338	68.262	22.225	22.225	17.462	0.8	1.5	0.379	SET63
HM903249	HM903210	44.540	95.25	30.95	28.575	22.225	3.5	0.8	1.0	SET64
M86647	M86610	28.575	64.292	21.433	21.433	16.67	1.5	0.8	0.348	SET65
3685	362A	51.592	88.9	20.638	22.225	16.513	2.0	1.3	0.607	SET66
HM88649	HM88610	34.925	72.233	25.4	25.4	19.842	2.3	2.3	0.489	SET67
497	493	85.725	136.525	30.162	29.769	22.225	3.5	3.3	1.55	SET68
LM501349	LM501314	41.275	73.431	21.43	19.812	16.604	3.5	0.8	0.35	SET69
LM29749	LM29710		65.088	18.034	18.288	13.97	2.3	1.3	0.235	SET70
15101	15245	38.1	62	19.050	20.638	14.288	0.8	1.3	0.3	SET73
387A	382A	25.4	96.838	21.000	21.946	15.875	3.5	0.8	0.581	SET74
387A	382S	57.15	96.838	25.400	21.946	20.274	3.5	2.3	0.65	SET75
387AS	382A	57.15	96.838	21.000	21.946	15.875	5	0.8	0.576	SET76
388A	382	57.15	96.838	21.000	21.946	17.826	3.5	2.3	0.61	SET77
55200C	55437	67.531	111.125	30.162	26.909	20.638	3.5	3.3	1.08	SET78
56425	56650	50.8	165.1	36.512	36.512	26.988	3.5	3.3	2.69	SET79
HM88642	HM88510	107.95	73.025	29.370	27.783	23.02	1.3	3.3	0.622	SET81
LM104949	JLM104910	31.75	82	21.500	22.225	17	3.5	3.3	0.429	SET82
HM803149	HM803110	50.8	88.9	30.162	29.37	23.02	3.5	3.3	0.849	SET83

Tapered Roller Bearing Inch Size



Bearing No.		Boundary dimensions(mm)							Mass (Kg)
Cone	Cup	d	D	T	B	C	R _{min}	r _{mir}	
09067	09195	18.034	49.225	19.05	19.05	14.288	1.3	1.3	0.179
14125A	14276	31.75	69.102	19.845	19.583	15.875	3.5	1.3	0.36
15103S	15243	26.162	61.912	19.05	19.393	14.288	0.8	2	0.28
15123	15245	31.75	62	18.161	19.05	14.288	Spec	1.3	0.244
17887	17831	45.23	79.985	20.638	20.638	15.08	2	1.3	0.42
18590	18520	41.275	73.025	16.667	17.462	12.7	3.5	1.5	0.281
18790	18720	50.8	85	17.462	17.462	13.495	3.5	1.5	0.374
24780	24720	41.275	76.2	22.225	23.02	17.462	3.5	0.8	0.432
25877	25821	34.925	73.025	23.812	24.508	19.05	1.5	0.8	0.471
27687	27620	82.55	125.412	25.4	25.4	19.845	3.5	1.5	1.07
28584	28521	52.388	92.075	24.608	25.4	19.845	3.5	0.8	0.677
26882	26822	41.275	79.375	23.812	25.4	19.05	3.5	0.8	0.53
28985	28920	60.325	101.6	25.4	25.4	19.845	3.5	3.3	0.811
29590	29520	66.675	107.95	25.400	25.4	19.05	3.5	3.3	0.86
33275	33462	69.85	117.475	30.162	30.162	23.812	3.5	3.3	1.28
39581	39520	57.15	112.712	30.162	30.162	23.812	8	3.3	1.36
39590	39520	66.675	112.712	30.162	30.162	23.812	3.5	3.3	1.19
42687	42620	76.2	127	30.162	31	22.225	3.5	3.3	1.46
LM78349	LM78310A	35	62	16.700	17	13.599	Spec	1.5	0.222
M84249	M84210	25.4	59.53	23.368	23.114	18.266	0.8	1.5	0.33
M86649	M86610	30.162	64.292	21.433	21.433	16.67	1.5	1.5	0.336
M88048	M88101	33.338	68.262	22.225	22.225	17.462	0.8	1.5	0.379
HM88649	HM88610	34.925	72.233	25.400	25.4	19.842	2.3	2.3	0.485
LM102949	LM102910	45.242	73.431	19.558	19.812	15.748	3.5	0.8	0.307
JLM104948	JLM104910	50	82	21.500	21.5	17	3	0.5	0.42
JM205149	JM205110	50	90	28.000	28	23	3	2.5	0.752
JM207049	JM207010	55	95	29.000	29	23.5	1.5	2.5	0.82
LM300849	LM300811	40.988	67.975	17.500	18	13.5	spec	1.5	0.234
HM803145	HM80310	41.275	88.9	30.162	29.37	23.02	0.8	3.3	0.892
HM803146	HM803110	41.275	88.9	30.160	29.37	23.02	3.5	3.3	0.892

Tapered Roller Bearing Inch Size

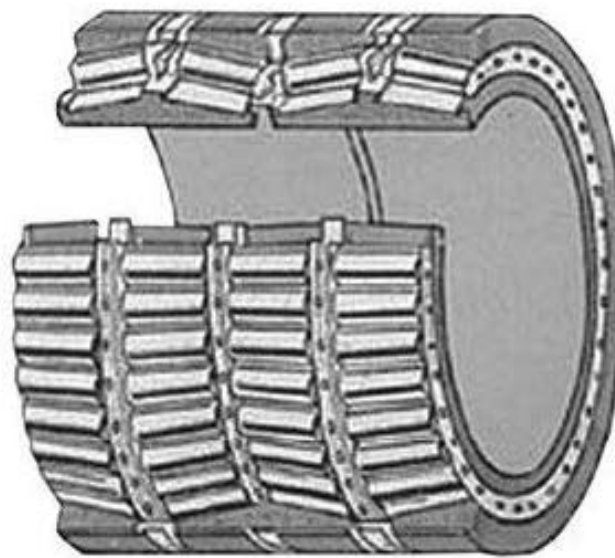


Bearing No.		Boundary dimensions(mm)							Load center	Mass
Cone	Cup	d	D	T	B	C	R _{min}	f _{min}	(mm)a	(Kg)
643	632	69.85	136.525	41.275	41.275	31.75	3.5	3.3	11.4	2.63
665	653	85.725	146.05	41.275	41.275	31.75	3.5	3.3	8	2.65
663	653	82.55	146.05	41.275	41.275	31.75	3.5	3.3	7.85	2.74
694A	592A	95.25	152.4	39.688	36.322	30.162	5	3.3	2.6	2.51
580	572	82.55	139.992	36.512	36.089	28.575	3.5	3.3	5.5	2.2
740	742	80.962	150.089	44.45	46.672	36.512	6	3.3	12	3.43
749	742	85.026	150.089	44.45	46.672	36.512	3.5	3.3	12	3.25
769	752	88.9	161.925	47.625	48.26	38.1	3.5	3.3	12	4.09
JH211749	JH211710	65	120	39	38.5	32	3	2.5	10.9	1.874
HM212049	HM212011	66.676	122.238	38.1	38.354	29.718	3.5	3.3	11.1	1.85
HM218248	HM218210	89.974	146.975	40	40	32.5	7	3.5	8.6	2.55
HM220149	HM220118	100	167	42	42	34	8	3.5	2	2.82
HM518445	HMS18410	88.9	152.4	39.688	39.688	30.163	3.5	3.3	2.6	2.84
JM515649	HMS15610	80	130	35	34	28.5	3	2.5	4.9	1.73
JM718149A	JM718110	90	145	35	34	27	6	2.5	2	2.13
32216		80	140	35.25	33	26	2.5	2	4.25	2.18
32218		90	160	42.6	40	34	2.5	2	6.6	3.49
33116		80	130	37	37	29	2.5	0.8	7	1.93
33118		90	150	45	45	35	3	1	10	3.13
33213		65	120	41	41	32	2	1.5	7.5	2.02
33215		75	130	41	41	31	2	1.5	9	2.2
33217		85	150	49	49	37	2.5	2	11.5	3.58
H212749	H212710	66	124	41.5	41.5	34	7	3.5	12.5	2.2
HM215249	HM215210	76	132	39	39	32	7	3.5	10	2.09

Tapered Roller Bearing With Single Seals

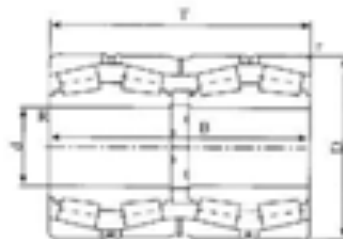
Bearing No.	Boundary dimensions(mm)							Load center (mm)a	Mass (Kg)
	d	D	T	B	C	R _{min}	f _{min}		
L44643RS/10	25.4	50.292	14.224	14.732	16.3	1.3	1.3	3.3	0.14
LM67048RS/10	31.75	59.131	15.764	16.764	11.811	Spec	1.3	5.9	0.44
LM11949RS/10	19.05	45.237	16.637	16.637	12.065	1.3	1.3	5.6	0.13

Four Row Roller Bearing



Four Row Taper Roller Bearing

Four Row Taper Roller Bearings



Bearing Number			Dimensions(mm)				Basic Load Ratings (kN)		Mass (kg)
New standard	Old standard	Conversion Number	d	D	T	B	Dynamic Cr	Static Cor	
3806/293.2	77941E	FAG524331	293.2	317.5	266.7	266.7	2130	5150	81
3806/244.475	77949E	FAG522847	244.475	381	304.8	304.8	3200	7540	130
382952	2877932E		260	360	265	265	2490	6810	82
382052	2877152		260	400	345	345	3750	7950	153
381052 X2	77752E		260	400	255	255	2770	5945	109
M257348DW M257210 M257210D		SKF330758A	304.902	412.648	266.7	266.7	2900	7640	105
382960	2877960		300	420	300	300	2260	7210	130
381860	1877760		300	500	370	370	3660	8710	285
L34761649D L34761610 L34761610D	77969E	SKF330661C	343.052	437.098	254	254	2850	8130	113
380072	77172		360	540	325	325	3160	8840	248
3806/377.09	377969E		377.09	519.842	336	439.7	4100	13870	286
381076	77176E		380	540	325	325	4990	12605	271
380679	77779		395	545	288.7	288.7	3670	9200	185
380080	77180		400	600	356	356	4160	10400	317
380680	77880E		400	540	280	280	4125	10500	173
380688	77888E		440	620	454	454	7440	21900	441
381088 X2	77788E		440	650	355	355	6650	15200	380
L770847D L770810 L770810D	77991E	SKF331169	457.2	596.9	276.225	279.4	3910	11350	198
38092		SKF331977	460	610	360	360	5160	16900	292
381992	1077992E		460	650	310	310	4800	13125	270
380692/C2	2077892		460	650	474	474	7865	23060	489
381096	77196E		480	700	420	420	6870	18570	542
3806/482.6-C2	20187997E	KOYO41D976243C/W1C/P	482.6	615.95	425	425	5480	18100	292
3806/488.95-C2	20779998E	KOYO41T9823M/W1C/P	488.95	622.3	365.325	365.325	4840	16500	263
3811530	10777530		530	870	590	590	10040	26100	1422
3811600	10777600		600	980	650	650	16800	39700	1918
E649241D 649310 649310D	779609.65E	SKF331175A	609.6	787.4	361.95	361.95	6950	21400	450
3811630	10777630E		630	1030	670	670	14410	45400	2200
3806650	777650	SKFB74E332827.91A4	650	1030	560	560	14930	37000	1780
3806/744.068		293TQ0K316AA1847H9	744.068	1035.85	727.075	812.8	19584	64245	2148
3811750	10777750E		750	1220	840	840	24600	67900	3809
3810800	771800		800	1150	655	655			
3810850	771850		850	1220	700	700			
3811850	10777850		850	1360	900	900	29900	84300	5168
3810900	771900		900	1280	750	750			
3820950	28771950		950	1360	880	880	23300	83600	4087

Chengdu RX Bearing Manufacturing Co.,Ltd

Double row taper roller bearing



Bearing No.	基本尺寸(mm)							Limited speed		Rated load		coefficient		Weight
	d	D	T	B	C	R	r	(r/min)		(N)		e	Y	Kg
								脂	油	动载 Cr	静载 Cor			
JRM3939/3972XD	39	72		18.5	37	3.5	1.1	3900	5000	63000	94000	0.47	2.14	0.665
JRM3838/3870XD	38	70		19	38	3.5	1	4000	5100	63000	94000	0.47	2.14	0.63
JRM4040/4072XD	40	72		18.5	37	3.5	1.1	3800	4200	63000	94000	0.47	2.14	0.63
JRM2525/2552XD	25	52		18.5	37	3.5	0.8	5500	7000	48000	69000	0.3	3.34	0.37
JRM2828/2858XD	28	58		21	42	2.3	1.5	4800	6500	57000	72000	0.3	3.35	0.5
JRM4242/4282XD	42	82		18	36	2.5	1	3400	3600	81000	110000	0.42	2.38	0.84
350210X2	50		49	20	39	2.5	0.8	2800	3000	92000	117000	0.28	2.39	1.15
A-48674	42	76		19.5	37	3.5	1	3400	3600	95000	121000	0.46	2.19	0.73
E-21003203	30	60.03		18.5	37	2.5	0.7	4600	6000	52000	76000	0.4	2.5	0.41
E-21003212	35	65		17.5	35	2	0.7	4200	5600	68200	95700	0.42	2.41	0.5
E-21003213	49	84		24	48	3	0.8	3200	4200	111000	193000	0.43	2.34	1.05
E-21003325	55	90		30	60	3.5	1	3000	3800	151000	232000	0.46	2.19	1.2
CRI-0569	27	52		22.5	43	2	1	5300	6700	41000	67000	0.36	2.73	0.423
331335/820	35		35	16.4	39.5	2		3400	3600	63000	91000	0.55	1.84	0.93
690502	45	88		27.5	55									
44158/363D	39.688	92.075	55.93	23.698	39.688									
M03S356	30	60.04	37.4	16.5	14.3									
JRM3057	30	57	41	20.5	32									
801023AB	29	53	37	18.5	37									
32009 ASSY 90215	45	75	44.56	20	15.5									
BTH1011AB	55	90		30	60									
BTH1024	40	73		27.5	55									
JXC25469CA	49	84		21.5	43									

Chengdu RX Bearing Manufacturing Co.,Ltd

JRM4068XD	40	68		21	42															
-----------	----	----	--	----	----	--	--	--	--	--	--	--	--	--	--	--	--	--	--	--

Double row self-aligning ball bearings have a sphere raceway in the outer ring and a double raceway in the inner ring. This feature gives the bearings their self-aligning property, permitting angular misalignment of the shaft relative to the housing. They are therefore particularly suitable for applications where misalignment can arise from errors in mounting or from shaft deflection. Double row self-aligning ball bearings are mainly used to carry radial loads and light axial loads, but can't carry pure axial loads. RX can provide both cylindrical and tapered bore (bearing no. with suffix K) types.



1200 Series

1300 Series

2200 Series

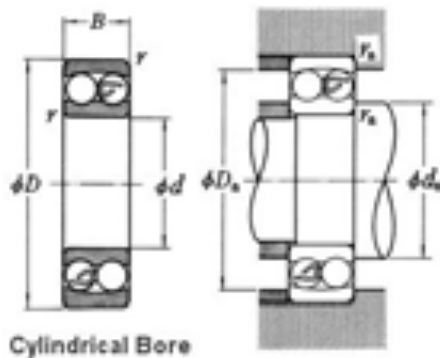
2300 Series

Self-Aligning Ball Bearing >> 1200 Series

Features

The inner ring has two raceways and the outer ring has a single spherical raceway with its center of curvature coincident with the bearing axis; therefore, the axis of the inner ring, balls, and cage can deflect to some extent around the bearing center. Consequently, minor angular misalignment of the shaft and housing caused by machining or mounting error is automatically corrected.

This type of bearing often has a tapered bore for mounting using an adapter sleeve.



Cylindrical Bore

Bearing No.	Boundary dimensions				Basic load ratings(kN)		Limiting speed		Mass kg
	mm				Dynamic	Static	rpm		
	d	D	B	r _{min}	Cr	Cor	Grease	Oil	
1200	10	30	9	0.6	5.5	1.19	21,000	24,000	0.033
1201	12	32	10	0.6	5.6	1.27	18,000	22,000	0.040
1202	15	35	11	0.6	7.45	1.75	16,000	19,000	0.049

Chengdu RX Bearing Manufacturing Co.,Ltd

1203	17	40	12	0.6	7.9	2.01	14,000	17,000	0.072
1204	20	47	14	1	9.9	2.61	13,000	15,000	0.116
1204K	20	47	14	1	9.9	2.61	13,000	15,000	0.114
1205	25	52	15	1	12.1	3.3	11,000	13,000	0.138
1205K	25	52	15	1	12.1	3.3	11,000	13,000	0.135
1206	30	62	16	1	15.6	4.65	9,200	11,000	0.217
1206K	30	62	16	1	15.6	4.65	9,200	11,000	0.213
1207	35	72	17	1.1	15.8	5.1	8,000	9,400	0.317
1207K	35	72	17	1.1	15.8	5.1	8,000	9,400	0.312
1208	40	80	18	1.1	19.3	6.55	7,100	8,400	0.414
1208K	40	80	18	1.1	19.3	6.55	7,100	8,400	0.407
1209	45	85	19	1.1	21.9	7.35	6,400	7,500	0.457
1209K	45	85	19	1.1	21.9	7.35	6,400	7,500	0.448
1210	50	90	20	1.1	22.7	8.1	5,800	6,800	0.515
1210K	50	90	20	1.1	22.7	8.1	5,800	6,800	0.504
1211	55	100	21	1.5	26.8	10	5,300	6,200	0.692
1211K	55	100	21	1.5	26.8	10	5,300	6,200	0.679
1212	60	110	22	1.5	30	11.5	4,900	5,800	0.879
1212K	60	110	22	1.5	30	11.5	4,900	5,800	0.864
1213	65	120	23	1.5	31	12.5	4,500	5,300	1.130
1213K	65	120	23	1.5	31	12.5	4,500	5,300	1.110
1214	70	125	24	1.5	34.5	13.8	4,200	4,900	1.240
1215	75	130	25	1.5	39	15.7	3,900	4,600	1.330
1215K	75	130	25	1.5	39	15.7	3,900	4,600	1.310
1216	80	140	26	2	40	17	3,700	4,300	1.650
1216K	80	140	26	2	40	17	3,700	4,300	1.620
1217	85	150	28	2	49	20.8	3,500	4,100	2.060
1217K	85	150	28	2	49	20.8	3,500	4,100	2.030
1218	90	160	30	2	57	23.5	3,300	3,800	2.510
1218K	90	160	30	2	57	23.5	3,300	3,800	2.470
1219	95	170	32	2.1	64	27.1	3,100	3,600	3.100
1219K	95	170	32	2.1	64	27.1	3,100	3,600	3.050
1220	100	180	34	2.1	69	29.7	2,900	3,400	3.700
1220K	100	180	34	2.1	69	29.7	2,900	3,400	3.640
1221	105	190	36	2.1	74.5	32.5	2,800	3,300	4.340
1222	110	200	38	2.1	80.5	35.5	2,600	3,100	5.150
1222K	110	200	38	2.1	80.5	35.5	2,600	3,100	5.070

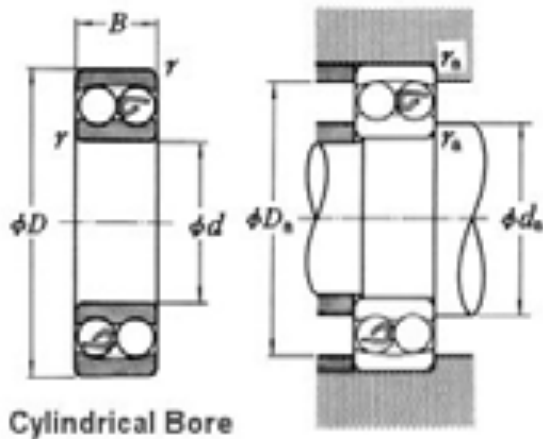
Self-Aligning Ball Bearing >> 1300 Series

Chengdu RX Bearing Manufacturing Co.,Ltd

Features

The inner ring has two raceways and the outer ring has a single spherical raceway with its center of curvature coincident with the bearing axis; therefore, the axis of the inner ring, balls, and cage can deflect to some extent around the bearing center. Consequently, minor angular misalignment of the shaft and housing caused by machining or mounting error is automatically corrected.

This type of bearing often has a tapered bore for mounting using an adapter sleeve.



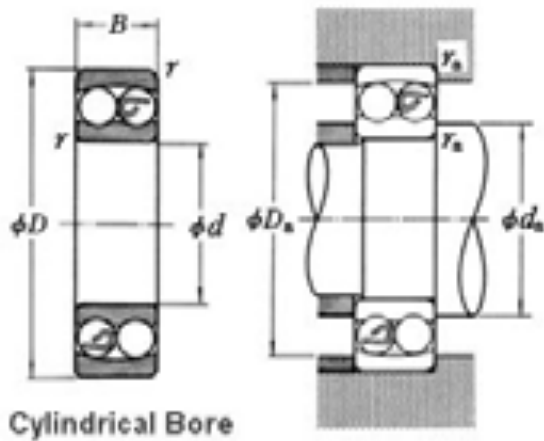
Bearing No.	Boundary dimensions				Basic load ratings(kN)		Limiting speed		Mass
	mm				Dynamic	Static	rpm		kg
	d	D	B	r _{min}	Cr	Cor	Grease	Oil	
1300	10	35	11	0.6	7.25	1.62	18,000	21,000	0.058
1301	12	37	12	1	9.45	2.16	16,000	18,000	0.066
1302	15	42	13	1	9.55	2.3	13,000	16,000	0.092
1303	17	47	14	1	12.5	3.2	12,000	14,000	0.128
1304	20	52	15	1.1	12.4	3.35	11,000	13,000	0.160
1304K	20	52	15	1.1	12.4	3.35	11,000	13,000	0.158
1305	25	62	17	1.1	18	5	9,100	11,000	0.255
1305K	25	62	17	1.1	18	5	9,100	11,000	0.251
1306	30	72	19	1.1	21.3	6.3	7,700	9,100	0.383
1306K	30	72	19	1.1	21.3	6.3	7,700	9,100	0.377
1307	35	80	21	1.5	25.1	7.85	6,800	8,000	0.500
1307K	35	80	21	1.5	25.1	7.85	6,800	8,000	0.492
1308	40	90	23	1.5	29.6	9.7	6,000	7,000	0.709
1308K	40	90	23	1.5	29.6	9.7	6,000	7,000	0.698
1309	45	100	25	1.5	38	12.7	5,400	6,300	0.953
1309K	45	100	25	1.5	38	12.7	5,400	6,300	0.938

Chengdu RX Bearing Manufacturing Co.,Ltd

1310	50	110	27	2	43.5	14.1	4,900	5,800	1.200
1310K	50	110	27	2	43.5	14.1	4,900	5,800	1.180
1311	55	120	29	2	51.5	17.9	4,500	5,200	1.580
1311K	55	120	29	2	51.5	17.9	4,500	5,200	1.560
1312	60	130	31	2.1	57	20.8	4,100	4,800	1.960
1312K	60	130	31	2.1	57	20.8	4,100	4,800	1.930
1313	65	140	33	2.1	62	22.9	3,800	4,500	2.420
1313K	65	140	33	2.1	62	22.9	3,800	4,500	2.380
1314	70	150	35	2.1	74.5	27.7	3,500	4,200	2.990
1315	75	160	37	2.1	79.5	30	3,300	3,900	3.550
1315K	75	160	37	2.1	79.5	30	3,300	3,900	3.500
1316	80	170	39	2.1	88.5	33	3,100	3,600	4.170
1316K	80	170	39	2.1	88.5	33	3,100	3,600	4.110
1317	85	180	41	3	97.5	38	2,900	3,400	4.960
1317K	85	180	41	3	97.5	38	2,900	3,400	4.890
1318	90	190	43	3	116	44.5	2,700	3,200	5.780
1318K	90	190	43	3	116	44.5	2,700	3,200	5.690
1319	95	200	45	3	132	51	2,600	3,000	6.690
1319K	95	200	45	3	132	51	2,600	3,000	6.590
1320	100	215	47	3	143	57.5	2,400	2,900	8.300
1320K	100	215	47	3	143	57.5	2,400	2,900	8.190
1321	105	225	49	3	156	64.5	2,300	2,700	10.000
1322	110	240	50	3	164	71.5	2,200	2,600	11.800
1322K	110	240	50	3	164	71.5	2,200	2,600	11.700

Self-Aligning Ball Bearing >> 2200 Series

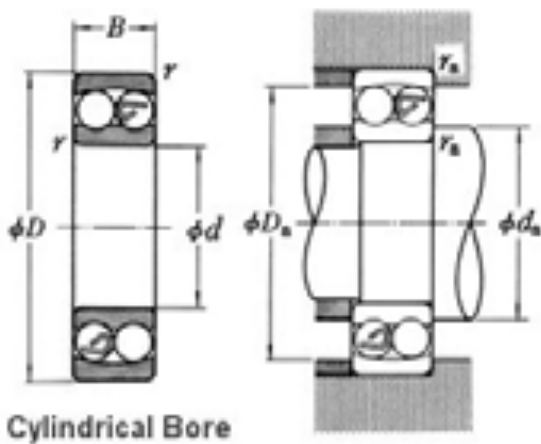
Chengdu RX Bearing Manufacturing Co.,Ltd



Bearing No.	Boundary Dimensions				Basic Load Ratings(kN)		Limiting Speeds		Mass
	mm				Dynami c	Static	rpm		kg
	d	D	B	r _{min}	Cr	Cor	Grease	Oil	
2200	10	30	14	0.6	7.3	1.59	19,000	23,000	0.047
2201	12	32	14	0.6	7.6	1.73	17,000	20,000	0.051
2202	15	35	14	0.6	7.7	1.85	15,000	18,000	0.060
2203	17	40	16	0.6	9.8	2.41	13,000	16,000	0.088
2204	20	47	18	1	12.6	3.3	12,000	14,000	0.140
2204K	20	47	18	1	12.6	3.3	12,000	14,000	0.137
2205	25	52	18	1	12.3	3.45	10,000	12,000	0.157
2205K	25	52	18	1	12.3	3.45	10,000	12,000	0.153
2206	30	62	20	1	15.2	4.5	8,600	10,000	0.256
2206K	30	62	20	1	15.2	4.5	8,600	10,000	0.250
2207	35	72	23	1.1	21.5	6.6	7,500	8,800	0.392
2207K	35	72	23	1.1	21.5	6.6	7,500	8,800	0.382
2208	40	80	23	1.1	22.3	7.35	6,700	7,900	0.493
2208K	40	80	23	1.1	22.3	7.35	6,700	7,900	0.482
2209	45	85	23	1.1	23.2	8.15	6,000	7,100	0.540
2209K	45	85	23	1.1	23.2	8.15	6,000	7,100	0.528
2210	50	90	23	1.1	23.2	8.45	5,500	6,400	0.583
2210K	50	90	23	1.1	23.2	8.45	5,500	6,400	0.569
2211	55	100	25	1.5	26.5	9.9	5,000	5,800	0.787
2211K	55	100	25	1.5	26.5	9.9	5,000	5,800	0.769
2212	60	110	28	1.5	34	12.6	4,600	5,400	1.080
2212K	60	110	28	1.5	34	12.6	4,600	5,400	1.060
2213	65	120	31	1.5	43.5	16.4	4,200	5,000	1.440
2213K	65	120	31	1.5	43.5	16.4	4,200	5,000	1.410

Chengdu RX Bearing Manufacturing Co.,Ltd

2214	70	125	31	1.5	44	17.1	3,900	4,600	1.520
2215	75	130	31	1.5	44.5	17.8	3,700	4,300	1.580
2215K	75	130	31	1.5	44.5	17.8	3,700	4,300	1.540
2216	80	140	33	2	48.5	19.9	3,400	4,000	1.990
2216K	80	140	33	2	48.5	19.9	3,400	4,000	1.950
2217	85	150	36	2	58	23.6	3,200	3,800	2.540
2217K	85	150	36	2	58	23.6	3,200	3,800	2.490
2218	90	160	40	2	70	28.7	3,100	3,600	3.190
2218K	90	160	40	2	70	28.7	3,100	3,600	3.120
2219	95	170	43	2.1	83.5	34.5	2,900	3,400	3.890
2219K	95	170	43	2.1	83.5	34.5	2,900	3,400	3.800
2220	100	180	46	2.1	94	38.5	2,700	3,200	4.650
2220K	100	180	46	2.1	94	38.5	2,700	3,200	4.540
2221	105	190	50	2.1	109	45	2,600	3,100	6.070
2222	110	200	53	2.1	124	51.5	2,500	2,900	7.100
2222K	110	200	53	2.1	124	51.5	2,500	2,900	6.940



Self-Aligning Ball Bearing >> 2300 Series

Bearing No.	Boundary Dimensions				Basic Load Ratings(kN)		Limiting Speeds		Mass
	mm				Dynami c	Static	rpm		kg
	d	D	B	r _{smin}	Cr	Cor	Grease	Oil	
2300	10	35	17	0.6	10.1	2.15	17,000	20,000	0.083
2301	12	37	17	1	11.8	2.71	15,000	17,000	0.091
2302	15	42	17	1	12	2.9	13,000	15,000	0.114
2303	17	47	19	1	14.4	3.55	11,000	14,000	0.156
2304	20	52	21	1.1	18.1	4.7	10,000	12,000	0.206
2304K	20	52	21	1.1	18.1	4.7	10,000	12,000	0.201
2305	25	62	24	1.1	24.4	6.6	8,500	10,000	0.334
2305K	25	62	24	1.1	24.4	6.6	8,500	10,000	0.326

Chengdu RX Bearing Manufacturing Co.,Ltd

2306	30	72	27	1.1	31.5	8.75	7,200	8,500	0.496
2306K	30	72	27	1.1	31.5	8.75	7,200	8,500	0.485
2307	35	80	31	1.5	39.5	11.3	6,300	7,400	0.671
2307K	35	80	31	1.5	39.5	11.3	6,300	7,400	0.653
2308	40	90	33	1.5	45	13.5	5,600	6,600	0.918
2308K	40	90	33	1.5	45	13.5	5,600	6,600	0.895
2309	45	100	36	1.5	54	16.7	5,000	5,900	1.230
2309K	45	100	36	1.5	54	16.7	5,000	5,900	1.200
2310	50	110	40	2	64.5	20.2	4,600	5,400	1.630
2310K	50	110	40	2	64.5	20.2	4,600	5,400	1.590
2311	55	120	43	2	75.5	24	4,200	4,900	2.100
2311K	55	120	43	2	75.5	24	4,200	4,900	2.050
2312	60	130	46	2.1	87	28.2	3,800	4,500	2.590
2312K	60	130	46	2.1	87	28.2	3,800	4,500	2.520
2313	65	140	48	2.1	96	32.5	3,600	4,200	3.200
2313K	65	140	48	2.1	96	32.5	3,600	4,200	3.120
2314	70	150	51	2.1	109	37.5	3,300	3,900	3.920
2315	75	160	55	2.1	123	43	3,100	3,600	4.780
2315K	75	160	55	2.1	123	43	3,100	3,600	4.660
2316	80	170	58	2.1	128	45	2,900	3,400	5.650
2316K	80	170	58	2.1	128	45	2,900	3,400	5.510
2317	85	180	60	3	140	51.5	2,700	3,200	6.550
2317K	85	180	60	3	140	51.5	2,700	3,200	6.390
2318	90	190	64	3	152	57.5	2,600	3,000	7.750
2318K	90	190	64	3	152	57.5	2,600	3,000	7.560
2319	95	200	67	3	165	64.5	2,400	2,800	9.050
2319K	95	200	67	3	165	64.5	2,400	2,800	8.830
2320	100	215	73	3	192	79	2,300	2,700	11.500
2320K	100	215	73	3	192	79	2,300	2,700	11.200
2321	105	225	77	3	205	87	2,200	2,600	13.200
2322	110	240	80	3	217	94.5	2,100	2,400	15.800
2322K	110	240	80	3	217	94.5	2,100	2,400	15.400

Chengdu RX Bearing Manufacturing Co.,Ltd

Thrust Ball Bearings of this type consist of the washers with raceway and the assembly of ball and cage. The washer that contacts the shaft is called shaft washer, and the one attached to the housing is called housing washer. Thrust bearings in double directions have a central washer connected to the shaft. Single-direction bearings can carry axial load in one direction, and double-direction bearings can carry axial load in two directions. The bearings with housing washer which has spherical mounting surface is self-alignable, which can reduce the effects of mounting error. Applications of these bearings can be found in steering mechanism of automobiles and machine tool spindles.

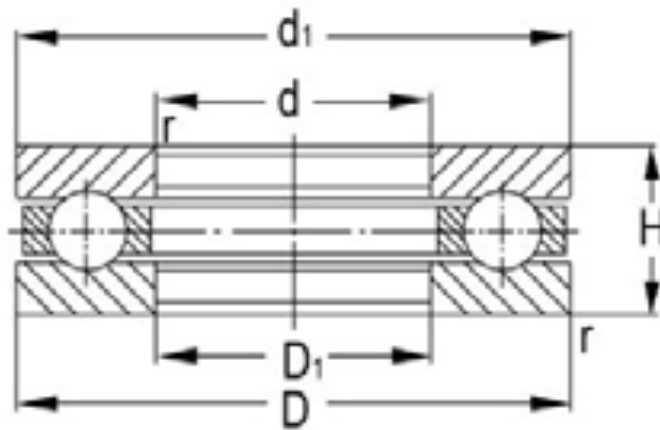
51100 Series

51200 Series

51300 Series

51400 Series

Thrust Ball Bearing >> 51100 Series



Bearing No.	Boundary dimensions			Basic load ratings(kN)		Limiting speed		Mass
	mm			Dynamic	Static	rpm		Kg
	d	D	T	Cr	Cor	Grease	Oil	
51103	17	30	9	10.8	18.2	5,300	7,500	0.024
51104	20	35	10	14.2	24.5	4,800	6,700	0.036
51105	25	42	11	15.2	30.2	4,300	6,000	0.055
51106	30	47	11	16	34.2	4,000	5,600	0.062
51107	35	52	12	18.2	41.5	3,800	5,300	0.077
51108	40	60	13	26.8	62.8	3,400	4,800	0.110
51109	45	65	14	27	66	3,200	4,500	0.140
51110	50	70	14	27.2	69.2	3,000	4,300	0.150
51111	55	78	16	33.8	89.2	2,800	4,000	0.220
51112	60	85	17	40.2	108	2,600	3,800	0.270
51113	65	90	18	40.5	112	2,400	3,600	0.310
51114	70	95	18	40.8	115	2,200	3,400	0.330
51115	75	100	19	48.2	140	2,000	3,200	0.380
51116	80	105	19	48.5	145	1,900	3,000	0.400

Thrust Ball Bearing >> 51200 Series

Thrust ball bearings are separable which makes the assembling quite simple. The design of thrust ball bearing makes it only possible to carry axial load. It can not carry any radial load.

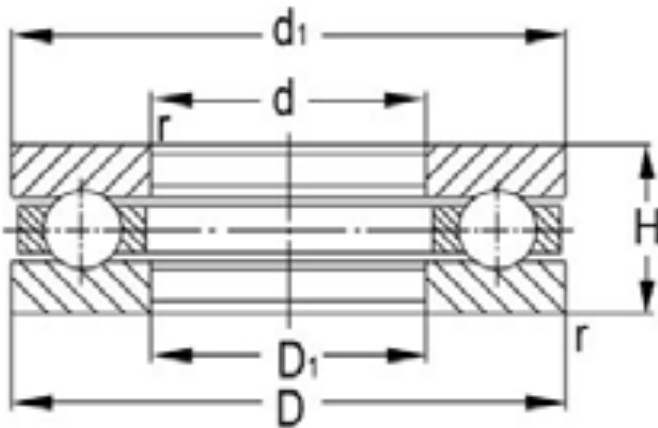
Single-direction thrust ball bearings are composed of washer-like bearing rings with raceway grooves.

The ring attached to the shaft is called the shaft washer (or inner ring) while that attached to the housing is called the housing washer (or outer ring).

In double-direction thrust ball bearings, there are three rings with the middle one (center ring) being fixed to the shaft.

There are also thrust ball bearings with an aligning seat washer beneath the housing washer in order to compensate for shaft misalignment or mounting error.

Pressed steel cages are usually used in the smaller bearings and machined cages in the larger ones.



Bearing No.	Boundary dimensions			Basic load ratings(kN)		Limiting speed		Mass
	mm			Dynamic	Static	rpm		Kg
	d	D	T	Cr	Cor	Grease	Oil	
51203	17	35	12	17	27.2	4,500	6,300	0.048
51204	20	40	14	22.2	37.5	3,800	5,300	0.075
51205	25	47	15	27.8	50.5	3,400	4,800	0.110
51206	30	52	16	28	54.2	3,200	4,500	0.130
51207	35	62	18	39.2	78.2	2,800	4,000	0.210
51208	40	68	19	47	98.2	2,400	3,600	0.260
51209	45	73	20	47.8	105	2,200	3,400	0.300
51210	50	78	22	48.5	112	2,000	3,200	0.370
51211	55	90	25	67.5	158	1,900	3,000	0.580
51212	60	95	26	73.5	178	1,800	2,800	0.660
51213	65	100	27	74.8	188	1,700	2,600	0.720

Chengdu RX Bearing Manufacturing Co.,Ltd

51214	70	105	27	73.5	188	1,600	2,400	0.750
51215	75	110	27	74.8	198	1,500	2,200	0.820
51216	80	115	28	83.8	222	1,400	2,000	0.900
51217	85	125	31	102	280	1,300	1,900	1.210
51218	90	135	35	115	315	1,200	1,800	1.650
51220	100	150	38	132	375	1,100	1,700	2.210
51222	110	160	38	138	412	1,000	1,600	2.390

Thrust Ball Bearing >> 51300 Series

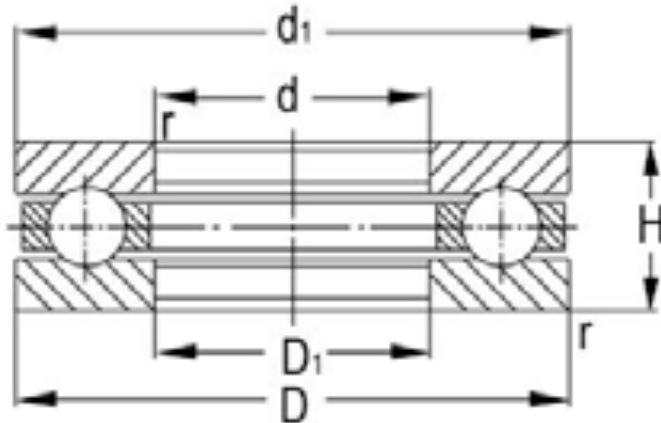
Thrust ball bearings are separable which makes the assembling quite simple. The design of thrust ball bearing makes it only possible to carry axial load. It can not carry any radial load.

Single-direction thrust ball bearings are composed of washer-like bearing rings with raceway grooves. The ring attached to the shaft is called the shaft washer (or inner ring) while that attached to the housing is called the housing washer (or outer ring).

In double-direction thrust ball bearings, there are three rings with the middle one (center ring) being fixed to the shaft.

There are also thrust ball bearings with an aligning seat washer beneath the housing washer in order to compensate for shaft misalignment or mounting error.

Pressed steel cages are usually used in the smaller bearings and machined cages in the larger ones.



Bearing No.	Boundary dimensions			Basic load ratings(kN)		Limiting speed		Mass
	mm			Dynamic	Static	rpm		Kg
	d	D	T	Cr	Cor	Grease	Oil	
51305	25	52	18	35.5	61.5	3,000	4,300	0.170
51306	30	60	21	42.8	78.5	2,400	3,600	0.260
51307	35	68	24	55.2	105	2,000	3,200	0.370
51308	40	78	26	69.2	135	1,900	3,000	0.530
51309	45	85	28	75.8	150	1,700	2,600	0.660
51310	50	95	31	96.5	202	1,600	2,400	0.920
51311	55	105	35	115	242	1,500	2,200	1.280

Chengdu RX Bearing Manufacturing Co.,Ltd

51312	60	110	35	118	262	1,400	2,000	1.370
51313	65	115	36	115	262	1,300	1,900	1.480
51314	70	125	40	148	340	1,200	1,800	1.980
51315	75	135	44	162	380	1,100	1,700	2.580
51316	80	140	44	160	380	1,000	1,600	2.690
51317	85	150	49	208	495	950	1,500	3.470
51318	90	155	50	205	495	900	1,400	3.690
51320	100	170	55	235	595	800	1,200	4.860

Thrust Ball Bearing >> 51400 Series

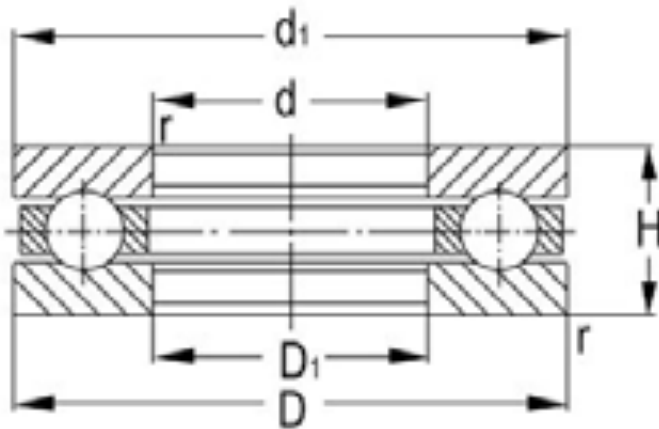
Thrust ball bearings are separable which makes the assembling quite simple. The design of thrust ball bearing makes it only possible to carry axial load. It can not carry any radial load.

Single-direction thrust ball bearings are composed of washer-like bearing rings with raceway grooves. The ring attached to the shaft is called the shaft washer (or inner ring) while that attached to the housing is called the housing washer (or outer ring).

In double-direction thrust ball bearings, there are three rings with the middle one (center ring) being fixed to the shaft.

There are also thrust ball bearings with an aligning seat washer beneath the housing washer in order to compensate for shaft misalignment or mounting error.

Pressed steel cages are usually used in the smaller bearings and machined cages in the larger ones.



Bearing No.	Boundary dimensions			Basic load ratings(kN)		Limiting speed		Mass
	mm			Dynamic	Static	rpm		Kg
	d	D	T	Cr	Cor	Grease	Oil	
51405	25	60	24	55.5	89.2	2,200	3,400	0.310
51406	30	70	28	72.5	125	1,900	3,000	0.510
51407	35	80	32	86.8	155	1,700	2,600	0.760
51408	40	90	36	112	205	1,500	2,200	1.060
51409	45	100	39	140	262	1,400	2,000	1.410
51410	50	110	43	160	302	1,300	1,900	1.860

Chengdu RX Bearing Manufacturing Co.,Ltd

51411	55	120	48	182	355	1,100	1,700	2.510
51412	60	130	51	200	395	1,000	1,600	3.080
51413	65	140	56	215	448	900	1,400	3.910
51414	70	150	60	255	560	850	1,300	4.850
51415	75	160	65	268	615	800	1,200	6.080
51416	80	170	68	292	692	750	1,100	7.120
51417	85	180	72	318	782	700	1,000	8.280

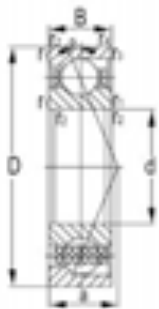
Chengdu RX Bearing Manufacturing Co.,Ltd

Angular contact ball bearings are particularly suitable for carrying combined (axial and radial) loads. Sometimes, they also can carry pure axial load and operate in higher speed. Under radial load, axial component force will be produced which must be counteracted. So the bearings are normally adjustable against a second bearing. Single row angular contact ball bearings can carry axial load acting in one direction only. In many applications, angular contact ball bearings in pairs or multi-arrangement should be used. The axial load carrying capacity of angular contact ball bearings increases with the increase of contact angle.



7000C Series	7000AC Series	7200C Series	7200AC Series
7200B Series	7300C Series	7300AC Series	7300B Series
7400C Series	7400AC Series	7400B Series	7900C Series
7900AC Series	3200 Series	3300 Series	4200 Series
4300 Series	5200 Series	5300 Series	

Chengdu RX Bearing Manufacturing Co.,Ltd



Bearing No.	Boundary dimensions			Basic load ratings(kN)		Limiting speed	
	mm			Dynamic	Static	rpm	
	d	D	B	Cr	Cor	Grease	Oil
7000C	10	26	8	4.9	2.1	24,000	32,000
7001C	12	28	8	5.4	2.6	22,000	28,000
7002C	15	32	9	6.2	3.3	19,000	25,000
7003C	17	35	10	6.6	3.6	16,000	22,000
7004C	20	42	12	10.4	6	14,000	19,000
7005C	25	47	12	11.6	7.4	12,000	17,000
7006C	30	55	13	15.1	10.2	9,500	14,000
7007C	35	62	14	18.2	12.7	8,500	12,000
7008C	40	68	15	19.7	14.9	8,000	11,000
7009C	45	75	16	25.9	20.2	7,500	10,000
7010C	50	80	16	26.6	21.8	6,700	9,000
7011C	55	90	18	38.9	29.5	6,000	8,000
7012C	60	95	18	40.9	33.1	5,600	7,500
7013C	65	100	18	40.1	35.3	5,300	7,000
7014C	70	110	20	48.3	43.1	5,000	6,700
7015C	75	115	20	49.6	45.9	4,800	6,300
7016C	80	125	22	58.9	54.7	4,500	6,000
7017C	85	130	22	58.1	55.9	4,300	5,600
7018C	90	140	24	71.7	68.7	4,000	5,300
7019C	95	145	24	73.5	73.1	3,800	5,000
7020C	100	150	24	74.4	72.5	3,800	5,000
7021C	105	160	26	80.6	81.1	3,600	4,800
7022C	110	170	28	101.4	100.3	3,400	4,600
7024C	120	180	28	108.6	110.7	2,800	3,800
7026C	130	200	33	129.4	134.7	2,600	3,400
7028C	140	210	33	153.4	160.5	2,400	3,200
7030C	150	225	35	183.9	194.2	2,200	3,000
7032C	160	240	38	200.1	219.4	2,000	2,800

Chengdu RX Bearing Manufacturing Co.,Ltd

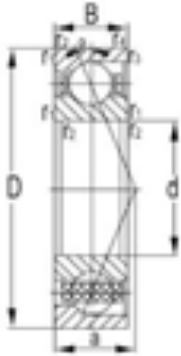
Angular Contact Ball Bearing >> 7000AC Series

Features

Individual bearings of this type are capable of taking radial loads and also axial loads in one direction. Four contact angles of 15, 25, 30, and 40 are available. The larger the contact angle, the higher the axial load capacity. For high-speed operation, however, the smaller contact angles are preferred. Usually, two bearings are used in duplex pairs, and the clearance between them must be adjusted properly. Pressed steel cages are commonly used, however, for high precision bearings with a contact angle less than 30, polyamide resin cages are often used.

Applications

These bearings are mainly applied in the machine tool spindles, high-frequency motors, gas turbines, oil pumps, air compressors, printing machines and other installations.



Bearing No.	Boundary dimensions			Basic load ratings(kN)		Limiting speed		Mass
	mm			Dynami c	Static	rpm		kg
	d	D	B	Cr	Cor	Grease	Oil	
7000AC	10	26	8	4.7	2.1	24,000	32,000	0.019
7001AC	12	28	8	5.1	2.4	22,000	28,000	0.021
7002AC	15	32	9	5.9	3.2	19,000	25,000	0.030
7003AC	17	35	10	6.3	3.6	16,000	22,000	0.040
7004AC	20	42	12	10	5.7	14,000	19,000	0.064
7005AC	25	47	12	11.1	7	12,000	17,000	0.074
7006AC	30	55	13	14.4	9.8	9,500	14,000	0.110
7007AC	35	62	14	17.3	12.1	8,500	12,000	0.150
7008AC	40	68	15	18.7	14.1	8,000	11,000	0.180
7009AC	45	75	16	24.7	19.1	7,500	10,000	0.230
7010AC	50	80	16	25.3	20.5	6,700	9,000	0.250
7011AC	55	90	18	35.5	26.5	6,000	8,000	0.380

Chengdu RX Bearing Manufacturing Co.,Ltd

7012AC	60	95	18	37	31.3	5,600	7,500	0.400
7013AC	65	100	18	38	33.6	5,300	7,000	0.430
7014AC	70	110	20	45.8	40.9	5,000	6,700	0.600
7015AC	75	115	20	47.5	43.3	4,800	6,300	0.630
7016AC	80	125	22	57.5	51	4,500	6,000	0.850
7017AC	85	130	22	55	52.8	4,300	5,600	0.890
7018AC	90	140	24	71.7	68.7	4,000	5,300	1.150
7019AC	95	145	24	69.8	69.1	3,800	5,000	1.200
7020AC	100	150	24	69	69.7	3,800	5,000	1.250
7021AC	105	160	26	80.9	72.2	3,600	4,800	1.600
7022AC	110	170	28	98.5	93.9	3,400	4,600	1.950
7024AC	120	180	28	103.5	104.5	2,800	3,800	2.100
7026AC	130	200	33	122.4	127.8	2,600	3,400	3.330
7028AC	140	210	33	145.3	152.8	2,400	3,200	3.460
7030AC	150	225	35	174.2	184.9	2,200	3,000	4.800
7032AC	160	240	38	189.6	209	2,000	2,800	5.260

Angular Contact Ball Bearing >> 7200C Series

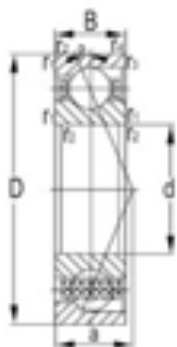
Features

Individual bearings of this type are capable of taking radial loads and also axial loads in one direction. Four contact angles of 15, 25, 30, and 40 are available. The larger the contact angle, the higher the axial load capacity. For high-speed operation, however, the smaller contact angles are preferred. Usually, two bearings are used in duplex pairs, and the clearance between them must be adjusted properly.

Pressed steel cages are commonly used, however, for high precision bearings with a contact angle less than 30, polyamide resin cages are often used.

Applications

These bearings are mainly applied in the machine tool spindles, high-frequency motors, gas turbines, oil pumps, air compressors, printing machines and other installations.



Chengdu RX Bearing Manufacturing Co.,Ltd

Bearing No.	Boundary dimensions			Basic load ratings(kN)		Limiting speed		Mass
	mm			Dynamic	Static	rpm		kg
	d	D	B	Cr	Cor	Grease	Oil	
7200C	10	30	9	5.5	2.8	22,000	28,000	0.032
7201C	12	32	10	7.9	3.8	20,000	25,000	0.037
7202C	15	35	11	9.2	4.9	17,000	22,000	0.045
7203C	17	40	12	10.8	5.8	15,000	20,000	0.062
7204C	20	47	14	14.5	8.1	13,000	18,000	0.1
7205C	25	52	15	16.5	10	11,000	16,000	0.12
7206C	30	62	16	23	14.7	9,000	13,000	0.19
7207C	35	72	17	30.3	20	8,000	11,000	0.28
7208C	40	80	18	38.4	26.3	7,500	10,000	0.37
7209C	45	85	19	40.4	29.3	6,700	9,000	0.41
7210C	50	90	20	42.8	31.3	6,300	8,500	0.46
7211C	55	100	21	53.2	39.9	5,600	7,000	0.61
7212C	60	110	22	61	48.2	5,300	7,000	0.8
7213C	65	120	23	69.8	54.4	4,800	6,300	1
7214C	70	125	24	72.8	59.7	4,500	5,800	1.1
7215C	75	130	25	79.2	65.6	4,300	5,600	1.2
7216C	80	140	26	92.5	66.2	4,000	5,300	1.45
7217C	85	150	28	99.7	84.6	3,800	5,000	1.8
7218C	90	160	30	128	111.7	3,600	4,800	2.25
7219C	95	170	32	134.6	112.2	3,400	4,500	2.7
7220C	100	180	34	149.1	125.4	3,200	4,300	3.25
7221C	105	190	36	166.6	138.6	3,000	4,000	3.85
7222C	110	200	38	184.7	154.8	2,800	3,800	4.55
7224C	120	215	40	203.1	178.4	2,400	3,400	5.4
7226C	130	230	40	206.6	209.2	2,000	3,000	6.45

Angular Contact Ball Bearing >> 7200AC Series

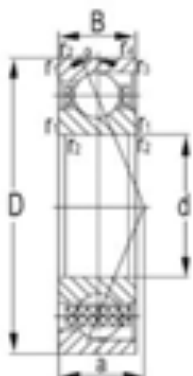
Features

Individual bearings of this type are capable of taking radial loads and also axial loads in one direction. Four contact angles of 15, 25, 30, and 40 are available. The larger the contact angle, the higher the axial load capacity. For high-speed operation, however, the smaller contact angles are preferred. Usually, two bearings are used in duplex pairs, and the clearance between them must be adjusted properly. Pressed steel cages are commonly used, however, for high precision bearings with a contact angle less than 30, polyamide resin cages are often used.

Applications

Chengdu RX Bearing Manufacturing Co.,Ltd

These bearings are mainly applied in the machine tool spindles, high-frequency motors, gas turbines, oil pumps, air compressors, printing machines and other installations.



Bearing No.	Boundary dimensions			Basic load ratings(kN)		Limiting speed		Mass
	mm			Dynamic	Static	rpm		kg
	d	D	B	Cr	Cor	Grease	Oil	
7200AC	10	30	9	5.5	2.8	22,000	28,000	0.032
7201AC	12	32	10	7.6	3.6	20,000	25,000	0.037
7202AC	15	35	11	8.9	4.8	17,000	22,000	0.045
7203AC	17	40	12	10.4	5.6	15,000	20,000	0.062
7204AC	20	47	14	14	7.8	13,000	18,000	0.1
7205AC	25	52	15	15.8	9.7	11,000	16,000	0.12
7206AC	30	62	16	22.1	13.5	9,000	13,000	0.19
7207AC	35	72	17	29.2	18	8,000	11,000	0.28
7208AC	40	80	18	36.8	25.4	7,500	10,000	0.37
7209AC	45	85	19	38.6	28.1	6,700	9,000	0.41
7210AC	50	90	20	40.8	30.1	6,300	8,500	0.46
7211AC	55	100	21	50.8	38.2	5,600	7,000	0.61
7212AC	60	110	22	58.1	46	5,300	7,000	0.8
7213AC	65	120	23	66.6	52.1	4,800	6,300	1
7214AC	70	125	24	69.4	57	4,500	5,800	1.1
7215AC	75	130	25	75.3	62.8	4,300	5,600	1.2
7216AC	80	140	26	91.3	65.1	4,000	5,300	1.45
7217AC	85	150	28	94.9	80.8	3,800	5,000	1.8
7218AC	90	160	30	122	106.5	3,600	4,800	2.25
7219AC	95	170	32	128.4	107.8	3,400	4,500	2.7
7220AC	100	180	34	142.3	120.6	3,200	4,300	3.25
7221AC	105	190	36	159	135.1	3,000	4,000	3.85
7222AC	110	200	38	176.3	151.2	2,800	3,800	4.55
7224AC	120	215	40	193.6	170.9	2,400	3,400	5.4

Chengdu RX Bearing Manufacturing Co.,Ltd

7226AC	130	230	40	196.4	200.1	2,000	3,000	6.45
---------------	-----	-----	----	-------	-------	-------	-------	------

Angular Contact Ball Bearing >> 7200B Series

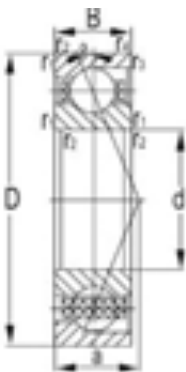
Features

Individual bearings of this type are capable of taking radial loads and also axial loads in one direction. Four contact angles of 15, 25, 30, and 40 are available. The larger the contact angle, the higher the axial load capacity. For high-speed operation, however, the smaller contact angles are preferred. Usually, two bearings are used in duplex pairs, and the clearance between them must be adjusted properly.

Pressed steel cages are commonly used, however, for high precision bearings with a contact angle less than 30, polyamide resin cages are often used.

Applications

These bearings are mainly applied in the machine tool spindles, high-frequency motors, gas turbines, oil pumps, air compressors, printing machines and other installations.



Bearing No.	Boundary dimensions			Basic load ratings(kN)		Limiting speed		Mass
	mm			Dynamic	Static	rpm		kg
	d	D	B	Cr	Cor	Grease	Oil	
7200B	10	30	9	5.3	2.7	19,000	27,000	0.03
7201B	12	32	10	6.9	3.2	18,000	24,000	0.036
7202B	15	35	11	7.9	4.2	16,000	22,000	0.045
7203B	17	40	12	9.9	5.5	14,000	19,000	0.065
7204B	20	47	14	13.4	7.6	12,000	16,000	0.11
7205B	25	52	15	14.8	9.3	10,000	14,000	0.13
7206B	30	62	16	20.5	13.5	8,500	12,000	0.2
7207B	35	72	17	28.3	14.8	7,500	10,000	0.28
7208B	40	80	18	34.5	23.8	6,700	9,000	0.42
7209B	45	85	19	34	24.6	6,300	8,500	0.42
7210B	50	90	20	40.4	25.6	5,600	8,000	0.47
7211B	55	100	21	46.3	36	5,300	7,000	0.62
7212B	60	110	22	56.1	44.3	4,800	6,300	0.8

Chengdu RX Bearing Manufacturing Co.,Ltd

7213B	65	120	23	65.7	50.2	4,300	6,000	1
7214B	70	125	24	70.4	56.3	4,000	5,600	1.1
7215B	75	130	25	68.6	58.2	3,800	5,300	1.2
7216B	80	140	26	78.7	65.7	4,000	5,300	1.45
7217B	85	150	28	83.2	74.1	3,600	5,000	1.85
7218B	90	160	30	107.6	92.4	3,200	4,300	2.3
7219B	95	170	32	121.4	106.7	3,000	4,000	2.7
7220B	100	180	34	140.7	102.5	2,800	3,800	3.3
7221B	105	190	36	143.3	128.5	2,800	3,800	3.55
7222B	110	200	38	153.8	144.3	2,400	3,400	4.35
7224B	120	215	40	165.4	161.4	2,200	3,200	5.2
7226B	130	230	40	170.8	174.2	1,800	2,800	6.05

Angular Contact Ball Bearing >> 7300C Series

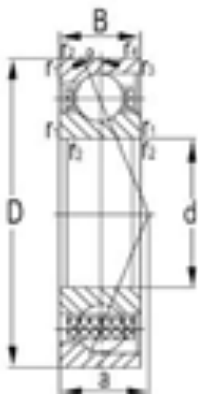
Features

Individual bearings of this type are capable of taking radial loads and also axial loads in one direction. Four contact angles of 15, 25, 30, and 40 are available. The larger the contact angle, the higher the axial load capacity. For high-speed operation, however, the smaller contact angles are preferred. Usually, two bearings are used in duplex pairs, and the clearance between them must be adjusted properly.

Pressed steel cages are commonly used, however, for high precision bearings with a contact angle less than 30, polyamide resin cages are often used.

Applications

These bearings are mainly applied in the machine tool spindles, high-frequency motors, gas turbines, oil pumps, air compressors, printing machines and other installations.



Bearing No.	Boundary dimensions			Basic load ratings(kN)		Limiting speed		Mass
	mm			Dynamic	Static	rpm		kg
	d	D	B	Cr	Cor	Grease	Oil	
7300C	10	35	11	9.8	4.6	18,000	26,000	0.053
7301C	12	37	12	11.8	5.6	17,000	24,000	0.06

Chengdu RX Bearing Manufacturing Co.,Ltd

7302C	15	42	13	13.2	6.7	15,000	21,000	0.084
7303C	17	47	14	15.7	8.2	13,000	19,000	0.16
7304C	20	52	15	18.4	9.8	12,000	17,000	0.15
7305C	25	62	17	27.8	15.9	9,500	14,000	0.23
7306C	30	72	19	33.2	21.2	8,500	12,000	0.35
7307C	35	80	21	40.3	25.8	7,500	10,000	0.47
7308C	40	90	23	49.3	32.3	6,700	9,000	0.66
7309C	45	100	25	63.1	42.9	6,000	8,000	0.86
7310C	50	110	27	74.9	50.9	5,600	7,500	1.08
7311C	55	120	29	86.4	59.5	5,000	6,700	1.42
7312C	60	130	31	98.6	68.5	4,800	6,300	1.71
7313C	65	140	33	113.1	79.6	4,300	5,600	2.23
7314C	70	150	35	126	91.6	4,000	5,300	2.67
7315C	75	160	37	140.7	103.9	3,800	5,000	3.1
7316C	80	170	39	156.1	112.2	3,600	4,800	3.6
7317C	85	180	41	160.7	130.5	3,400	4,500	4.38
7318C	90	190	43	184.9	159.9	3,200	4,300	5.6
7319C	95	200	45	201.1	179.8	3,200	4,200	6.6
7320C	100	215	47	222.1	206.7	3,000	4,000	7.58
7321C	105	225	49	235.8	225.6	2,800	3,800	8.85
7322C	110	240	50	263.2	261.9	2,600	3,600	10.5

Angular Contact Ball Bearing >> 7300AC Series

Features

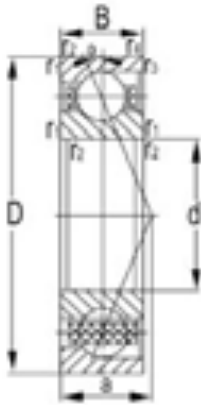
Individual bearings of this type are capable of taking radial loads and also axial loads in one direction. Four contact angles of 15, 25, 30, and 40 are available. The larger the contact angle, the higher the axial load capacity. For high-speed operation, however, the smaller contact angles are preferred. Usually, two bearings are used in duplex pairs, and the clearance between them must be adjusted properly.

Pressed steel cages are commonly used, however, for high precision bearings with a contact angle less than 30, polyamide resin cages are often used.

Applications

These bearings are mainly applied in the machine tool spindles, high-frequency motors, gas turbines, oil pumps, air compressors, printing machines and other installations.

Chengdu RX Bearing Manufacturing Co.,Ltd



Bearing No.	Boundary dimensions			Basic load ratings(kN)		Limiting speed		Mass
	mm			Dynamic	Static	rpm		kg
	d	D	B	Cr	Cor	Grease	Oil	
7300AC	10	35	11	9.5	4.4	18,000	26,000	0.053
7301AC	12	37	12	11.5	5.4	17,000	24,000	0.06
7302AC	15	42	13	12.5	6.2	15,000	21,000	0.084
7303AC	17	47	14	15	7.7	13,000	19,000	0.16
7304AC	20	52	15	17.9	9.6	12,000	17,000	0.15
7305AC	25	62	17	27	15.6	9,500	14,000	0.23
7306AC	30	72	19	32.8	20.4	8,500	12,000	0.35
7307AC	35	80	21	38.2	24.9	7,500	10,000	0.47
7308AC	40	90	23	47	31.1	6,700	9,000	0.66
7309AC	45	100	25	61.6	41.2	6,000	8,000	0.86
7310AC	50	110	27	71.9	48.5	5,600	7,500	1.08
7311AC	55	120	29	83.4	58	5,000	6,700	1.42
7312AC	60	130	31	95.2	67.2	4,800	6,300	1.71
7313AC	65	140	33	38	33.6	4,300	5,600	2.23
7314AC	70	150	35	118.8	88.2	4,000	5,300	2.67
7315AC	75	160	37	134.4	99.8	3,800	5,000	3.1
7316AC	80	170	39	149.5	107.7	3,600	4,800	3.6
7317AC	85	180	41	154.3	122.3	3,400	4,500	4.38
7318AC	90	190	43	177.6	153.5	3,200	4,300	5.6
7319AC	95	200	45	193.3	172.6	3,200	4,200	6.6
7320AC	100	215	47	213.5	198.6	3,000	4,000	7.58
7321AC	105	225	49	226.7	216.6	2,800	3,800	8.85
7322AC	110	240	50	253.2	252.4	2,600	3,600	10.5

Angular Contact Ball Bearing >> 7300B Series

Features

Individual bearings of this type are capable of taking radial loads and also axial

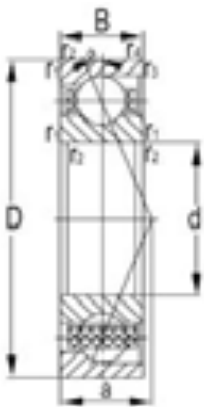
Chengdu RX Bearing Manufacturing Co.,Ltd

loads in one direction. Four contact angles of 15°, 25°, 30°, and 40° are available. The larger the contact angle, the higher the axial load capacity. For high-speed operation, however, the smaller contact angles are preferred. Usually, two bearings are used in duplex pairs, and the clearance between them must be adjusted properly.

Pressed steel cages are commonly used, however, for high precision bearings with a contact angle less than 30°, polyamide resin cages are often used.

Applications

These bearings are mainly applied in the machine tool spindles, high-frequency motors, gas turbines, oil pumps, air compressors, printing machines and other installations.



Bearing No.	Boundary dimensions			Basic load ratings(kN)		Limiting speed		Mass kg
	mm			Dynamic	Static	rpm		
	d	D	B	Cr	Cor	Grease	Oil	
7301B	12	37	12	10.5	4.9	16,000	22,000	0.06
7302B	15	42	13	12.4	6.5	14,000	19,000	0.08
7303B	17	47	14	14.1	8.1	13,000	17,000	0.16
7304B	20	52	15	17.3	9.6	11,000	15,000	0.14
7305B	25	62	17	24.3	14.1	9,000	13,000	0.23
7306B	30	72	19	29.3	18.1	8,000	11,000	0.34
7307B	35	80	21	38.3	24.4	7,000	9,500	0.45
7308B	40	90	23	46.5	29.5	6,300	8,500	0.63
7309B	45	100	25	59.6	39.6	5,600	7,500	0.85
7310B	50	110	27	68.1	48	5,000	6,700	1.1
7311B	55	120	29	82.2	56.2	4,500	6,300	1.4
7312B	60	130	31	91.5	65.4	4,300	5,600	1.75
7313B	65	140	33	102.3	75.3	3,800	5,300	2.15
7314B	70	150	35	114.6	85.9	3,600	5,000	2.65
7315B	75	160	37	127.7	95.4	3,400	4,800	3.2
7316B	80	170	39	141.4	107.9	3,200	4,800	3.8

Chengdu RX Bearing Manufacturing Co.,Ltd

7317B	85	180	41	155.8	120.9	3,000	4,000	4.45
7318B	90	190	43	157.9	136.9	3,000	4,000	5.3
7319B	95	200	45	172	154.1	2,800	4,000	6.4
7320B	100	215	47	190	177.3	2,600	3,800	7.29
7321B	105	225	49	201.7	193.3	2,400	3,600	8.55
7322B	110	240	50	225.8	225.3	2,200	3,400	9.84

Angular Contact Ball Bearing >> 7400C Series

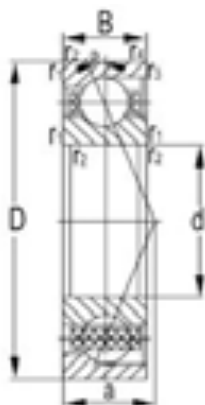
Features

Individual bearings of this type are capable of taking radial loads and also axial loads in one direction. Four contact angles of 15, 25, 30, and 40 are available. The larger the contact angle, the higher the axial load capacity. For high-speed operation, however, the smaller contact angles are preferred. Usually, two bearings are used in duplex pairs, and the clearance between them must be adjusted properly.

Pressed steel cages are commonly used, however, for high precision bearings with a contact angle less than 30, polyamide resin cages are often used.

Applications

These bearings are mainly applied in the machine tool spindles, high-frequency motors, gas turbines, oil pumps, air compressors, printing machines and other installations.



Bearing No.	Boundary dimensions			Basic load ratings(kN)		Limiting speed		Mass
	mm			Dynamic	Static	rpm		kg
	d	D	B	Cr	Cor	Grease	Oil	
7406C	30	90	23	57.5	33.8	6,500	8,500	0.96
7407C	35	100	25	66.8	41.2	5,500	8,000	1.14
7408C	40	110	27	80.2	53.3	5,200	7,000	1.4
7409C	45	120	29	93.1	60.8	5,000	6,500	1.8
7410C	50	130	31	119.3	81	4,500	6,000	2.25
7411C	55	140	33	125.3	87	4,200	5,600	2.75

Chengdu RX Bearing Manufacturing Co.,Ltd

7412C	60	150	35	136.3	98.2	3,800	5,200	3.4
7413C	65	160	37	147.4	110.2	3,400	4,800	4.2
7414C	70	180	42	160.4	126.6	3,200	4,500	5.8
7415C	75	190	45	171.4	138.9	3,000	4,200	7
7416C	80	200	48	183.2	152.9	2,800	4,000	8.4
7417C	85	210	52	195.1	167.6	2,600	3,700	9.6
7418C	90	225	54	208	184.2	2,400	3,400	11.2

Angular Contact Ball Bearing >> 7400AC Series

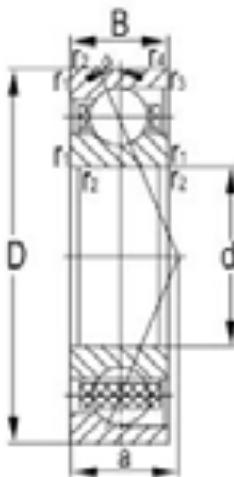
Features

Individual bearings of this type are capable of taking radial loads and also axial loads in one direction. Four contact angles of 15°, 25°, 30°, and 40° are available. The larger the contact angle, the higher the axial load capacity. For high-speed operation, however, the smaller contact angles are preferred. Usually, two bearings are used in duplex pairs, and the clearance between them must be adjusted properly.

Pressed steel cages are commonly used, however, for high precision bearings with a contact angle less than 30°, polyamide resin cages are often used.

Applications

These bearings are mainly applied in the machine tool spindles, high-frequency motors, gas turbines, oil pumps, air compressors, printing machines and other installations.



Bearing No.	Boundary dimensions			Basic load ratings(kN)		Limiting speed		Mass kg
	mm			Dynamic	Static	rpm		
	d	D	B	Cr	Cor	Grease	Oil	
7406AC	30	90	23	55.6	32.7	6,500	8,500	0.96
7407AC	35	100	25	66.4	41.9	5,500	8,000	1.14
7408AC	40	110	27	73.7	42.1	5,200	7,000	1.4
7409AC	45	120	29	84.5	55.1	5,000	6,500	1.8

Chengdu RX Bearing Manufacturing Co.,Ltd

7410AC	50	130	31	115.8	78.3	4,500	6,000	2.25
7411AC	55	140	33	121.4	84.5	4,200	5,600	2.75
7412AC	60	150	35	131.8	95.3	3,800	5,200	3.4
7413AC	65	160	37	142.5	106.7	3,400	4,800	4.2
7414AC	70	180	42	154.6	122	3,200	4,500	5.8
7415AC	75	190	45	165.2	133.5	3,000	4,200	7
7416AC	80	200	48	176.5	147.2	2,800	4,000	8.4
7417AC	85	210	52	188	161.5	2,600	3,700	9.6
7418AC	90	225	54	200.3	178.1	2,400	3,400	11.2

Angular Contact Ball Bearing >> 7400B Series

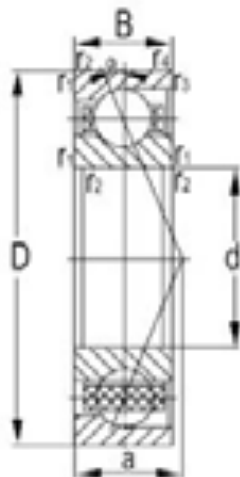
Features

Individual bearings of this type are capable of taking radial loads and also axial loads in one direction. Four contact angles of 15°, 25°, 30°, and 40° are available. The larger the contact angle, the higher the axial load capacity. For high-speed operation, however, the smaller contact angles are preferred. Usually, two bearings are used in duplex pairs, and the clearance between them must be adjusted properly.

Pressed steel cages are commonly used, however, for high precision bearings with a contact angle less than 30°, polyamide resin cages are often used.

Applications

These bearings are mainly applied in the machine tool spindles, high-frequency motors, gas turbines, oil pumps, air compressors, printing machines and other installations.



Bearing No.	Boundary dimensions			Basic load ratings(kN)		Limiting speed		Mass
	mm			Dynamic	Static	rpm		kg
	d	D	B	Cr	Cor	Grease	Oil	
7406B	30	90	23	51.4	30.1	6,000	8,000	0.9

Chengdu RX Bearing Manufacturing Co.,Ltd

7407B	35	100	25	60.2	37.9	5,000	7,500	1.1
7408B	40	110	27	70.1	49.1	5,000	6,500	1.35
7409B	45	120	29	80.7	44.1	4,500	6,000	1.75
7410B	50	130	31	105.3	71.2	4,000	5,500	2.1
7411B	55	140	33	110	76.3	3,800	5,200	2.55
7412B	60	150	35	119.3	86.1	3,500	4,700	3.2
7413B	65	160	37	128.7	96.4	3,200	4,500	4
7414B	70	180	42	138.7	109.6	3,000	4,200	5.55
7415B	75	190	45	148.4	120.4	2,800	4,000	6.8
7416B	80	200	48	158.4	132.4	2,600	3,700	8.18
7417B	85	210	52	168.6	145	2,400	3,400	9.3
7418B	90	225	54	179.1	159.2	2,300	3,200	10.8

Angular Contact Ball Bearing >> 7900C Series

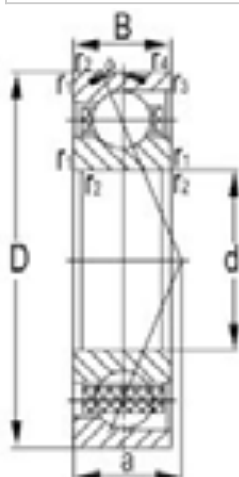
Features

Individual bearings of this type are capable of taking radial loads and also axial loads in one direction. Four contact angles of 15°, 25°, 30°, and 40° are available. The larger the contact angle, the higher the axial load capacity. For high-speed operation, however, the smaller contact angles are preferred. Usually, two bearings are used in duplex pairs, and the clearance between them must be adjusted properly.

Pressed steel cages are commonly used, however, for high precision bearings with a contact angle less than 30°, polyamide resin cages are often used.

Applications

These bearings are mainly applied in the machine tool spindles, high-frequency motors, gas turbines, oil pumps, air compressors, printing machines and other installations.



Chengdu RX Bearing Manufacturing Co.,Ltd

Bearing No.	Boundary dimensions			Basic load ratings(kN)		Limiting speed		Mass
	mm			Dynamic	Static	rpm		kg
	d	D	B	Cr	Cor	Grease	Oil	
7901C	12	24	6	3.3	1.8	28,000	36,000	0.011
7902C	15	28	7	4.7	2.6	24,000	32,000	0.015
7903C	17	30	7	5	2.8	22,000	30,000	0.017
7904C	20	37	9	6.8	4.2	20,000	28,000	0.035
7905C	25	42	9	7.8	5.4	18,000	26,000	0.042
7906C	30	47	9	8.2	6.2	16,000	24,000	0.048
7907C	35	55	10	12	9.1	14,000	22,000	0.075
7908C	40	62	12	14.5	10.6	12,000	20,000	0.11
7909C	45	68	12	16	12.6	10,000	18,000	0.13
7910C	50	72	12	16.5	15	8,000	16,000	0.14
7911C	55	80	13	19.1	17.8	7,500	15,000	0.183
7912C	60	85	13	19.5	18.5	7,000	14,000	0.198
7913C	65	90	13	20.3	20.5	6,500	13,000	0.212
7914C	70	100	16	28.1	27.5	6,300	12,000	0.342
7915C	75	105	16	28.6	29.2	6,000	10,000	0.36
7916C	80	116	16	29	30.5	5,500	10,000	0.381
7917C	85	120	18	39	40.5	5,000	9,000	0.542
7918C	90	125	18	41.2	46	5,000	8,500	0.56
7919C	95	130	18	42.5	48	4,500	8,500	0.604
7920C	100	140	20	48.5	52	4,300	8,200	0.808
7921C	105	145	20	51	57	4,000	8,000	0.83
7922C	110	150	20	52	58	3,800	7,500	0.88
7924C	120	165	22	72	80.1	3,600	7,200	1.15
7926C	130	180	24	77.5	90.1	3,400	7,000	1.54
7928C	140	190	24	79.5	95.5	3,200	6,800	1.64
7930C	150	210	28	102	122	3,000	6,500	2.97
7932C	160	220	28	145.6	167.4	2,800	6,300	3.12

Angular Contact Ball Bearing >> 7900AC Series

Features

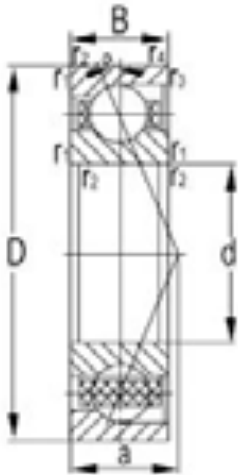
Individual bearings of this type are capable of taking radial loads and also axial loads in one direction. Four contact angles of 15°, 25°, 30°, and 40° are available. The larger the contact angle, the higher the axial load capacity. For high-speed operation, however, the smaller contact angles are preferred. Usually, two bearings are used in duplex pairs, and the clearance between them must be adjusted properly.

Chengdu RX Bearing Manufacturing Co.,Ltd

Pressed steel cages are commonly used, however, for high precision bearings with a contact angle less than 30°, polyamide resin cages are often used.

Applications

These bearings are mainly applied in the machine tool spindles, high-frequency motors, gas turbines, oil pumps, air compressors, printing machines and other installations.



Bearing No.	Boundary dimensions			Basic load ratings(kN)		Limiting speed		Mass
	mm			Dynamic	Static	rpm		kg
	d	D	B	Cr	Cor	Grease	Oil	
7901AC	12	24	6	3.2	1.7	28,000	36,000	0.011
7902AC	15	28	7	4.5	2.5	24,000	32,000	0.015
7903AC	17	30	7	4.8	2.7	22,000	30,000	0.017
7904AC	20	37	9	6.4	4	20,000	28,000	0.035
7905AC	25	42	9	7.5	5.2	18,000	26,000	0.042
7906AC	30	47	9	7.9	6	16,000	24,000	0.048
7907AC	35	55	10	11.7	8.8	14,000	22,000	0.075
7908AC	40	62	12	14.1	10.1	12,000	20,000	0.11
7909AC	45	68	12	15.4	12.2	10,000	18,000	0.13
7910AC	50	72	12	16.1	14.8	8,000	16,000	0.14
7911AC	55	80	13	18.7	17.5	7,500	15,000	0.183
7912AC	60	85	13	19	18	7,000	14,000	0.198
7913AC	65	90	13	19.4	20	6,500	13,000	0.212
7914AC	70	100	16	27.1	26.3	6,300	12,000	0.342
7915AC	75	105	16	27	27.7	6,000	10,000	0.36
7916AC	80	116	16	27.5	29	5,500	10,000	0.381
7917AC	85	120	18	38	39.1	5,000	9,000	0.542
7918AC	90	125	18	39.8	44.5	5,000	8,500	0.56

Chengdu RX Bearing Manufacturing Co.,Ltd

7919AC	95	130	18	40	45.5	4,500	8,500	0.604
7920AC	100	140	20	46.4	50	4,300	8,200	0.808
7921AC	105	145	20	47	55.2	4,000	8,000	0.83
7922AC	110	150	20	49.7	55.3	3,800	7,500	0.88
7924AC	120	165	22	68.4	77.6	3,600	7,200	1.15
7926AC	130	180	24	73.4	88.1	3,400	7,000	1.54
7928AC	140	190	24	74.5	90.2	3,200	6,800	1.64
7930AC	150	210	28	95.6	117.2	3,000	6,500	2.97
7932AC	160	220	28	135.4	158.6	2,800	6,300	3.12

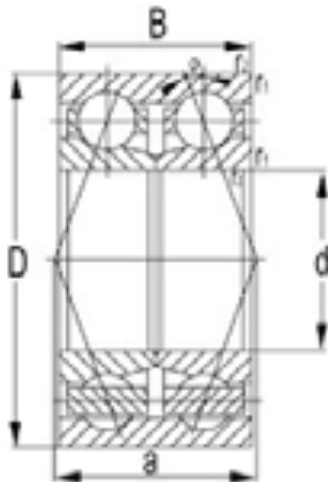
Angular Contact Ball Bearing >> 3200 Series

Features

Double-row angular contact ball bearings are basically two single-row angular contact ball bearings mounted back-to-back except that they have only one inner ring and one outer ring, each having raceways. They can take axial loads in either direction.

Applications

These bearings are mainly applied in the machine tool spindles, high-frequency motors, gas turbines, oil pumps, air compressors, printing machines and other installations.



Bearing No.	Boundary dimensions				Basic load ratings(kN)		Limiting speed		Mass
	mm				Dynamic	Static	rpm		kg
	d	D	B	r _{smin}	Cr	Cor	Grease	Oil	
3200	10	30	14.3	0.6	8.4	6.5	14000	19000	0.05l
3201	12	32	15.9	0.6	8.45	6.7	13000	17000	0.06
3202	15	35	15.9	0.6	11.1	9.05	11000	15000	0.069
3203	17	40	17.5	0.6	14.2	11.8	9900	13000	0.099
3204	20	47	20.6	1	17.5	15.2	8800	12000	0.166

Chengdu RX Bearing Manufacturing Co.,Ltd

3205	25	52	20.6	1	19.3	18.4	7300	9800	0.183
3206	30	62	23.8	1	27.7	27.4	6300	8400	0.303
3207	35	72	27	1.1	37.5	38	5500	7400	0.458
3208	40	80	30.2	1.1	40.5	45	4900	6600	0.627
3209	45	85	30.2	1.1	46.5	52	4400	5900	0.678
3210	50	90	30.2	1.5	52.5	60	4000	5300	0.698
3211	55	100	33.3	1.5	66	76.5	3600	4900	1.07
3212	60	110	36.5	1.5	70.5	88	3400	4500	1.34
3213	65	120	38.1	1.5	78	99	3100	4200	1.68
3214	70	125	39.7	1.5	86	110	2900	3900	1.84
3215	75	130	41.3	1.5	94	122	2700	3600	2
3216	80	140	44.4	2	104	131	2500	3400	2.71
3217	85	150	49.2	2	121	155	2400	3200	3.48
3218	90	160	52.4	2	135	170	2200	3000	4.24
3219	95	170	55.6	2.1	144	184	2100	2800	5.1
3220	100	180	60.3	2.1	189	234	2000	2700	5.88

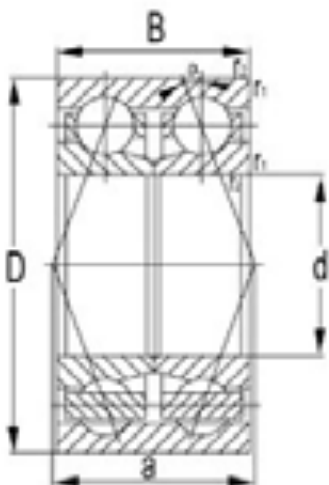
Angular Contact Ball Bearing >> 3300 Series

Features

Double-row angular contact ball bearings are basically two single-row angular contact ball bearings mounted back-to-back except that they have only one inner ring and one outer ring, each having raceways. They can take axial loads in either direction.

Applications

These bearings are mainly applied in the machine tool spindles, high-frequency motors, gas turbines, oil pumps, air compressors, printing machines and other installations.



Chengdu RX Bearing Manufacturing Co.,Ltd

Bearing No.	Boundary dimensions				Basic load ratings(kN)		Limiting speed		Mass
	mm				Dynamic	Static	rpm		kg
	d	D	B	r _{smin}	Cr	Cor	Grease	Oil	
3302	15	42	19	1	14.2	11.8	9900	13000	0.127
3303	17	47	22.2	1	17.5	15	9000	12000	0.185
3304	20	52	22.2	1.1	21.1	18.6	8000	11000	0.221
3305	25	62	25.4	1.1	29.4	26.8	6700	8900	0.354
3306	30	72	30.2	1.1	39	36.5	5700	7600	0.558
3307	35	80	34.9	1.5	49.5	47.5	5000	6600	0.756
3308	40	90	36.5	1.5	54.5	57.5	4400	5900	1.03
3309	45	100	39.7	1.5	67.5	72.5	4000	5300	1.37
3310	50	110	44.4	2	81.5	89.5	3600	4800	1.98
3311	55	120	49.2	2	96.5	108	3300	4400	2.42
3312	60	130	54	2.1	113	128	3000	4000	3.07
3313	65	140	58.7	2.1	131	150	2800	3700	3.9
3314	70	150	63.5	2.1	153	168	2600	3500	5.2
3315	75	160	68.3	2.1	172	191	2400	3200	6.3

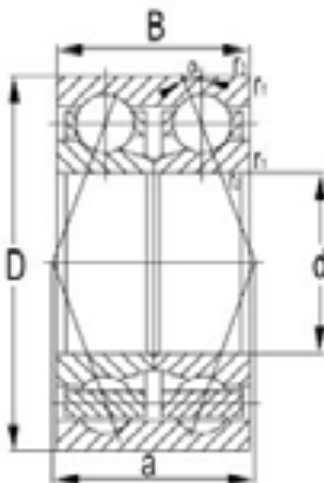
Angular Contact Ball Bearing >> 4200 Series

Features

Double-row angular contact ball bearings are basically two single-row angular contact ball bearings mounted back-to-back except that they have only one inner ring and one outer ring, each having raceways. They can take axial loads in either direction.

Applications

These bearings are mainly applied in the machine tool spindles, high-frequency motors, gas turbines, oil pumps, air compressors, printing machines and other installations.



Chengdu RX Bearing Manufacturing Co.,Ltd

Bearing No.	Boundary dimensions				Basic load ratings(kN)		Limiting speed		Mass
	mm				Dynamic	Static	rpm		kg
	d	D	B	r _{smin}	Cr	Cor	Grease	Oil	
4200	10	30	14	0.6	7.7	5.9	18000	22000	0.057
4201	12	32	14	0.6	7.75	6.15	17000	20000	0.062
4202	15	35	14	0.6	9.75	9	14000	17000	0.071
4203	17	40	16	0.6	11.7	10.4	12000	15000	0.106
4204	20	47	18	1	16.4	12.5	10000	13000	0.165
4205	25	52	18	1	19	14.6	9000	11000	0.189
4206	30	62	20	1	26	20.8	8000	9500	0.298
4207	35	72	23	1.1	35.1	28.5	6700	8000	0.46
4208	40	80	23	1.1	37.1	32.5	6000	7000	0.558
4209	45	85	23	1.1	39	36	5600	6700	0.605
4210	50	90	23	1.1	41	40	5000	6000	0.651
4211	55	100	25	1.5	44.9	44	4800	5600	0.882
4212	60	110	28	1.5	57.2	55	4500	5300	1.2
4213	65	120	31	1.5	67.6	67	4000	4800	1.45
4214	70	125	31	1.5	70.2	73.5	3600	4300	1.5
4215	75	130	31	1.5	72.8	80	3400	4000	1.6
4216	80	140	33	2	80.6	90	3200	3800	2
4217	85	150	36	2	93.6	102	3000	3600	2.55
4218	90	160	40	2	112	122	2800	3400	3.2
4220	100	180	46	2.1	14	15.6	2400	3000	4.7

Angular Contact Ball Bearing >> 4300 Series

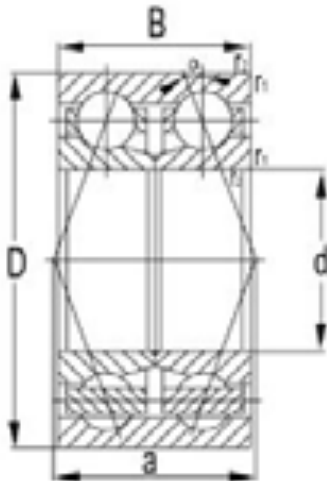
Features

Double-row angular contact ball bearings are basically two single-row angular contact ball bearings mounted back-to-back except that they have only one inner ring and one outer ring, each having raceways. They can take axial loads in either direction.

Applications

These bearings are mainly applied in the machine tool spindles, high-frequency motors, gas turbines, oil pumps, air compressors, printing machines and other installations.

Chengdu RX Bearing Manufacturing Co.,Ltd



Bearing No.	Boundary dimensions				Basic load ratings(kN)		Limiting speed		Mass
	mm				Dynamic	Static	rpm		kg
	d	D	B	r _{smin}	Cr	Cor	Grease	Oil	
4300	10	35	17	0.6	14.3	8.9	18600	17500	0.091
4301	12	37	17	1	13	7.8	15000	16500	0.092
4302	15	42	17	1	13.1	11.7	12000	15000	0.123
4303	17	47	19	1	16.5	15	10000	13000	0.171
4304	20	52	21	1.1	19.5	17	9500	12000	0.227
4305	25	62	24	1.1	26.3	25.7	8500	10000	0.365
4306	30	72	27	1.1	35.5	35.9	7000	8500	0.542
4307	35	80	31	1.5	40.6	41.8	6300	7500	0.752
4308	40	90	33	1.5	46	48.8	5600	6700	0.958
4309	45	100	36	1.5	57.6	62.4	5000	6000	1.35
4310	50	110	40	2	81.9	69.5	4500	5300	1.7
4311	55	120	43	2	97.5	83	4300	5000	2.15
4312	60	130	46	2.1	112	98	3800	4500	2.65
4313	65	140	48	2.1	121	106	3600	4300	3.25
4314	70	150	51	2.1	138	125	3200	3800	3.95
4315	75	160	55	2.1	156	143	3000	3600	4.8

Angular Contact Ball Bearing >> 5200 Series

Features

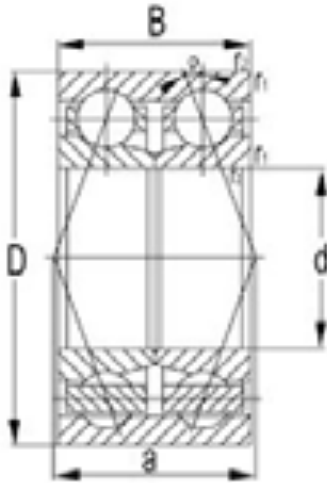
Double-row angular contact ball bearings are basically two single-row angular contact ball bearings mounted back-to-back except that they have only one inner ring and one outer ring, each having raceways. They can take axial loads in either direction.

Applications

These bearings are mainly applied in the machine tool spindles, high-frequency

Chengdu RX Bearing Manufacturing Co.,Ltd

motors, gas turbines, oil pumps, air compressors, printing machines and other installations.



Bearing No.	Boundary dimensions				Basic load ratings(kN)		Limiting speed		Mass
	mm				Dynamic	Static	rpm		kg
	d	D	B	r _{smin}	Cr	Cor	Grease	Oil	
5200	10	30	14.3	0.6	6.95	3.8	14000	19000	0.049
5201	12	32	15.9	0.6	9.15	5.05	13000	17000	0.057
5202	15	35	15.9	0.6	10	6.05	11000	15000	0.064
5203	17	40	17.5	0.6	12.8	7.9	9900	13000	0.096
5204	20	47	20.6	1	19	12.1	8800	12000	0.153
5205	25	52	20.6	1	20.6	14.3	7300	9800	0.175
5206	30	62	23.8	1	28.5	20.4	6300	8400	0.286
5207	35	72	27	1.1	38	27.8	5500	7400	0.436
5208	40	80	30.2	1.1	42.5	32.5	4900	6600	0.59
5209	45	85	30.2	1.1	48	37	4400	5900	0.64
5210	50	90	30.2	1.5	51	42	4000	5300	0.689
5211	55	100	33.3	1.5	63	53	3600	4900	0.986
5212	60	110	36.5	1.5	71.5	58.5	3400	4500	1.27
5213	65	120	38.1	1.5	83.5	72.5	3100	4200	1.57
5214	70	125	39.7	1.5	90.5	79.5	2900	3900	1.8
5215	75	130	41.3	1.5	90	80.5	2700	3600	1.9
5216	80	140	44.4	2	106	95.5	2500	3400	2.39
5217	85	150	49.2	2	112	106	2400	3200	3.06
5218	90	160	52.4	2	140	129	2200	3000	3.73

Angular Contact Ball Bearing >> 5300 Series

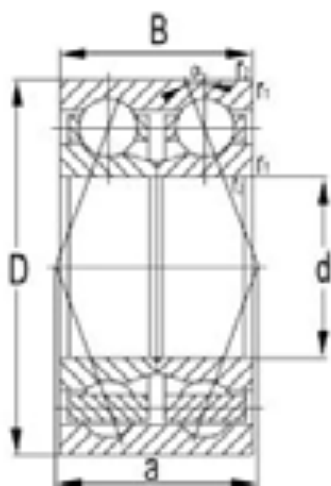
Chengdu RX Bearing Manufacturing Co.,Ltd

Features

Double-row angular contact ball bearings are basically two single-row angular contact ball bearings mounted back-to-back except that they have only one inner ring and one outer ring, each having raceways. They can take axial loads in either direction.

Applications

These bearings are mainly applied in the machine tool spindles, high-frequency motors, gas turbines, oil pumps, air compressors, printing machines and other installations.



Bearing No.	Boundary dimensions				Basic load ratings(kN)		Limiting speed		Mass
	mm				Dynamic	Static	rpm		kg
	d	D	B	r _{smin}	Cr	Cor	Grease	Oil	
5302	15	42	19	1	17.2	10.1	9900	13000	0.132
5303	17	47	22.2	1	20.4	12.1	9000	12000	0.181
5304	20	52	22.2	1.1	20.6	12.7	8000	11000	0.217
5305	25	62	25.4	1.1	30.5	20.5	6700	8900	0.362
5306	30	72	30.2	1.1	39.5	27.5	5700	7600	0.553
5307	35	80	34.9	1.5	49.5	35	5000	6600	0.766
5308	40	90	36.5	1.5	60.5	44	4400	5900	1.01
5309	45	100	39.7	1.5	72.5	54	4000	5300	1.34
5310	50	110	44.4	2	85.5	64.5	3600	4800	1.81
5311	55	120	49.2	2	106	82	3300	4400	2.32
5312	60	130	54	2.1	122	95.5	3000	4000	3.05
5313	65	140	58.7	2.1	138	109	2800	3700	3.96
5314	70	150	63.5	2.1	155	125	2600	3500	4.74
5315	75	160	68.3	2.1	168	141	2400	3200	5.65

Chengdu RX Bearing Manufacturing Co.,Ltd

Spherical roller bearings are principally provided with two rows of symmetrical spherical rollers and a common sphere raceway in outer ring. The two inner ring raceways are included at an angle to the bearing axial. The bearings have good self-aligning ability and can operate when the shaft deflection under load or the shaft misalignment in mounting, and their permissible aligning angle is 1 to 2.5 degree. This type of bearings has heavy load carrying capacity and anti-impact ability. In addition to radial loads, they also can carry axial loads in two directions. In general, bearings of this type permit a low limiting speed. TIK spherical roller bearing has cylindrical and tapered bore types available. The tapered bore angle for 240 & 241 series are 1:30 (bearing no. with suffix K30), while for others are 1:12 (bearing no. with suffix K). Brass or pressed steel cages can be provided upon request. Bearing with suffix "W33" indicates there are lubricating groove and 3 lubricating holes on the outer ring.



22200 Series

22300 Series

21300 Series

23000 Series

23100 Series

23200 Series

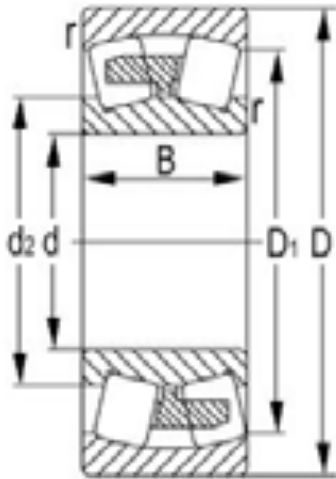
23900 Series

24000 Series

24100 Series

<p>Spherical Roller Bearing >> 22200 Series</p>	
<p>Features Spherical rollers are put between the spherical raceway on the outer ring and the two grooves on the inner ring for these bearings. Since the center of the arc raceway on the outer ring is the same as the center of the whole bearing arrangement, these bearings are self-aligned and automatically adjust the bending of the shaft and housing and the eccentricity. The bearings can carry radial load and axial load in double directions. The especial radial load carrying capability makes these bearings suitable for heavy load and shock load carrying.</p>	

Chengdu RX Bearing Manufacturing Co.,Ltd



Bearing No.	Boundary dimensions				Basic load ratings(kN)		Limiting speeds		Mass
	mm				Dynamic	Static	rpm		Kg
	d	D	B	r _{s min}	Cr	Cor	Grease	Oil	
22205	25	52	18	1	36.5	36	6,500	10,000	0.186
22205K	25	52	18	1	36.5	36	6,500	10,000	0.182
22205KW33C3	25	52	18	1	36.5	36	6,500	10,000	0.182
22205W33C3	25	52	18	1	36.5	36	6,500	10,000	0.186
22206	30	62	20	1	49	49	5,700	8,800	0.287
22206K	30	62	20	1	49	49	5,700	8,800	0.282
22206KW33C3	30	62	20	1	49	49	5,700	8,800	0.282
22206W33C3	30	62	20	1	49	49	5,700	8,800	0.287
22207	35	72	23	1.1	69.5	71	4,900	7,500	0.446
22207K	35	72	23	1.1	69.5	71	4,900	7,500	0.437
22207KW33C3	35	72	23	1.1	69.5	71	4,900	7,500	0.437
22207W33C3	35	72	23	1.1	69.5	71	4,900	7,500	0.446
22208	40	80	23	1.1	79	88.5	4,300	6,600	0.526
22208K	40	80	23	1.1	79	88.5	4,300	6,600	0.515
22208KW33C3	40	80	23	1.1	79	88.5	4,300	6,600	0.515
22208W33C3	40	80	23	1.1	79	88.5	4,300	6,600	0.526
22209	45	85	23	1.1	82.5	95	3,800	5,900	0.584
22209K	45	85	23	1.1	82.5	95	3,800	5,900	0.572
22209KW33C3	45	85	23	1.1	82.5	95	3,800	5,900	0.572

Chengdu RX Bearing Manufacturing Co.,Ltd

22209W33C3	45	85	23	1.1	82.5	95	3,800	5,900	0.584
22210	50	90	23	1.1	86	102	3,500	5,300	0.63
22210K	50	90	23	1.1	86	102	3,500	5,300	0.616
22210KW33C3	50	90	23	1.1	86	102	3,500	5,300	0.616
22210W33C3	50	90	23	1.1	86	102	3,500	5,300	0.63
22211	55	100	25	1.5	118	144	3,200	4,900	0.808
22211K	55	100	25	1.5	118	144	3,200	4,900	0.79
22211KW33C3	55	100	25	1.5	93.5	110	3,200	4,200	0.832
22211W33C3	55	100	25	1.5	118	144	3,200	4,900	0.808
22212	60	110	28	1.5	115	147	2,900	4,500	1.15
22212K	60	110	28	1.5	115	147	2,900	4,500	1.13
22212KW33C3	60	110	28	1.5	115	147	2,900	4,500	1.13
22212W33C3	60	110	28	1.5	115	147	2,900	4,500	1.15
22213	65	120	31	1.5	143	179	2,700	4,200	1.5
22213K	65	120	31	1.5	143	179	2,700	4,200	1.47
22213KW33C3	65	120	31	1.5	143	179	2,700	4,200	1.47
22213W33C3	65	120	31	1.5	143	179	2,700	4,200	1.5
22214	70	125	31	1.5	154	201	2,500	3,900	1.55
22214K	70	125	31	1.5	154	201	2,500	3,900	1.52
22214KW33C3	70	125	31	1.5	154	201	2,500	3,900	1.52
22214W33C3	70	125	31	1.5	154	201	2,500	3,900	1.55
22215	75	130	31	1.5	166	223	2,300	3,600	1.65
22215K	75	130	31	1.5	166	223	2,300	3,600	1.61
22215KW33C3	75	130	31	1.5	166	223	2,300	3,600	1.61
22215W33C3	75	130	31	1.5	166	223	2,300	3,600	1.65
22216	80	140	33	2	213	277	2,200	3,400	1.99
22216K	80	140	33	2	213	277	2,200	3,400	1.94
22216KW33C3	80	140	33	2	213	277	2,200	3,400	1.94
22216W33C3	80	140	33	2	213	277	2,200	3,400	1.99
22217	85	150	36	2	251	320	2,100	3,200	2.49
22217K	85	150	36	2	251	320	2,100	3,200	2.43

Chengdu RX Bearing Manufacturing Co.,Ltd

22217KW33C3	85	150	36	2	251	320	2,100	3,200	2.43
22217W33C3	85	150	36	2	251	320	2,100	3,200	2.49
22218	90	160	40	2	292	385	1,900	3,000	3.24
22218K	90	160	40	2	292	385	1,900	3,000	3.16
22218KW33C3	90	160	40	2	292	385	1,900	3,000	3.16
22218W33C3	90	160	40	2	292	385	1,900	3,000	3.24
22219	95	170	43	2.1	294	390	1,800	2,800	4.1
22219K	95	170	43	2.1	294	390	1,800	2,800	4.01
22219KW33C3	95	170	43	2.1	294	390	1,800	2,800	4.01
22219W33C3	95	170	43	2.1	294	390	1,800	2,800	4.1
22220	100	180	46	2.1	315	415	1,700	2,700	4.95
22220K	100	180	46	2.1	315	415	1,700	2,700	4.84
22220KW33C3	100	180	46	2.1	315	415	1,700	2,700	4.84
22220W33C3	100	180	46	2.1	315	415	1,700	2,700	4.95
22222	110	200	53	2.1	410	570	1,600	2,400	7.2
22222K	110	200	53	2.1	410	570	1,600	2,400	7.04
22222KW33C3	110	200	53	2.1	410	570	1,600	2,400	7.04
22222W33C3	110	200	53	2.1	410	570	1,600	2,400	7.2
22224	120	215	58	2.1	485	700	1,400	2,200	9.1
22224K	120	215	58	2.1	485	700	1,400	2,200	8.89
22224KW33C3	120	215	58	2.1	485	700	1,400	2,200	8.89
22224W33C3	120	215	58	2.1	485	700	1,400	2,200	9.1
22226	130	230	64	3	570	790	1,300	2,000	11.2
22226K	130	230	64	3	570	790	1,300	2,000	10.9
22226KW33C3	130	230	64	3	570	790	1,300	2,000	10.9
22226W33C3	130	230	64	3	570	790	1,300	2,000	11.2
22228	140	250	68	3	685	975	1,200	1,900	14
22228K	140	250	68	3	685	975	1,200	1,900	13.7
22228KW33C3	140	250	68	3	685	975	1,200	1,900	13.7
22228W33C3	140	250	68	3	685	975	1,200	1,900	14
22230	150	270	73	3	775	1,160	1,100	1,700	18.1

Chengdu RX Bearing Manufacturing Co.,Ltd

22230K	150	270	73	3	775	1,160	1,100	1,700	17.7
22230KW33C3	150	270	73	3	775	1,160	1,100	1,700	17.7
22230W33C3	150	270	73	3	775	1,160	1,100	1,700	18.1
22232	160	290	80	3	870	1,290	1,000	1,600	22.7
22232K	160	290	80	3	870	1,290	1,000	1,600	22.2
22232KW33C3	160	290	80	3	870	1,290	1,000	1,600	22.2
22232W33C3	160	290	80	3	870	1,290	1,000	1,600	22.7
22234	170	310	86	4	1,000	1,520	980	1,500	28
22234K	170	310	86	4	1,000	1,520	980	1,500	27.3
22234KW33C3	170	310	86	4	1,000	1,520	980	1,500	27.3
22234W33C3	170	310	86	4	1,000	1,520	980	1,500	28
22236	180	320	86	4	1,040	1,610	920	1,400	29.3
22236K	180	320	86	4	1,040	1,610	920	1,400	28.6
22236KW33C3	180	320	86	4	1,040	1,610	920	1,400	28.6
22236W33C3	180	320	86	4	1,040	1,610	920	1,400	29.3
22238	190	340	92	4	1,160	1,810	860	1,300	36.6
22238K	190	340	92	4	1,160	1,810	860	1,300	35.8
22238KW33C3	190	340	92	4	1,160	1,810	860	1,300	35.8
22238W33C3	190	340	92	4	1,160	1,810	860	1,300	36.6
22240	200	360	98	4	1,310	2,010	820	1,300	44
22240K	200	360	98	4	1,310	2,010	820	1,300	43
22240KW33C3	200	360	98	4	1,310	2,010	820	1,300	43
22240W33C3	200	360	98	4	1,310	2,010	820	1,300	44
22244	220	400	108	4	1,580	2,460	730	1,100	60.4
22244K	220	400	108	4	1,580	2,460	730	1,100	59.1
22244KW33C3	220	400	108	4	1,580	2,460	730	1,100	59.1
22244W33C3	220	400	108	4	1,580	2,460	730	1,100	60.4
22248	240	440	120	4	1,940	3,100	660	1,000	81.7
22248K	240	440	120	4	1,940	3,100	660	1,000	80
22248KW33C3	240	440	120	4	1,940	3,100	660	1,000	80
22248W33C3	240	440	120	4	1,940	3,100	660	1,000	81.7

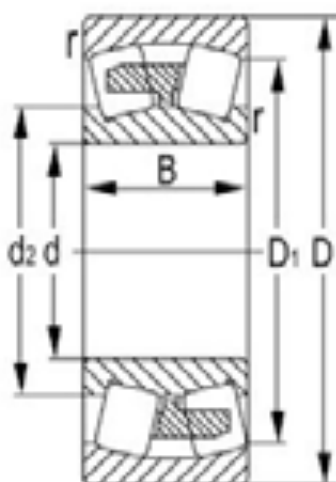
Chengdu RX Bearing Manufacturing Co.,Ltd

22252	260	480	130	5	2,230	3,600	610	930	106
22252K	260	480	130	5	2,230	3,600	610	930	104
22252KW33C3	260	480	130	5	2,230	3,600	610	930	104
22252W33C3	260	480	130	5	2,230	3,600	610	930	106
22256	280	500	130	5	2,310	3,800	560	860	112
22256K	280	500	130	5	2,310	3,800	560	860	110
22256KW33C3	280	500	130	5	2,310	3,800	560	860	110
22256W33C3	280	500	130	5	2,310	3,800	560	860	112
22260	300	540	140	5	2,670	4,350	510	790	141
22260K	300	540	140	5	2,670	4,350	510	790	138
22260KW33C3	300	540	140	5	2,670	4,350	510	790	138
22260W33C3	300	540	140	5	2,670	4,350	510	790	141

Spherical Roller Bearing >> 22300 Series

Features

Spherical rollers are put between the spherical raceway on the outer ring and the two grooves on the inner ring for these bearings. Since the center of the arc raceway on the outer ring is the same as the center of the whole bearing arrangement, these bearings are self-aligned and automatically adjust the bending of the shaft and housing and the eccentricity. The bearings can carry radial load and axial load in double directions. The especial radial load carrying capability makes these bearings suitable for heavy load and shock load carrying.



Chengdu RX Bearing Manufacturing Co.,Ltd

Bearing No.	Boundary dimensions				Basic load ratings(kN)		Limiting speeds		Mass
	mm				Dynamic	Static	rpm		Kg
	d	D	B	rs min	Cr	Cor	Grease	Oil	
22308	40	90	33	1.5	121	128	3,800	5,900	0.974
22308K	40	90	33	1.5	121	128	3,800	5,900	0.951
22308KW33C3	40	90	33	1.5	121	128	3,800	5,900	0.951
22308W33C3	40	90	33	1.5	121	128	3,800	5,900	0.974
22309	45	100	36	1.5	148	167	3,400	5,300	1.33
22309K	45	100	36	1.5	148	167	3,400	5,300	1.3
22309KW33C3	45	100	36	1.5	148	167	3,400	5,300	1.3
22309W33C3	45	100	36	1.5	148	167	3,400	5,300	1.33
22310	50	110	40	2	186	212	3,100	4,800	1.79
22310K	50	110	40	2	186	212	3,100	4,800	1.75
22310KW33C3	50	110	40	2	186	212	3,100	4,800	1.75
22310W33C3	50	110	40	2	186	212	3,100	4,800	1.79
22311	55	120	43	2	204	234	2,800	4,400	2.3
22311K	55	120	43	2	204	234	2,800	4,400	2.25
22311KW33C3	55	120	43	2	204	234	2,800	4,400	2.25
22311W33C3	55	120	43	2	204	234	2,800	4,400	2.3
22312	60	130	46	2.1	238	273	2,600	4,000	2.9
22312K	60	130	46	2.1	238	273	2,600	4,000	2.83
22312KW33C3	60	130	46	2.1	238	273	2,600	4,000	2.83
22312W33C3	60	130	46	2.1	238	273	2,600	4,000	2.9
22313	65	140	48	2.1	265	320	2,400	3,700	3.45
22313K	65	140	48	2.1	265	320	2,400	3,700	3.37
22313KW33C3	65	140	48	2.1	265	320	2,400	3,700	3.37
22313W33C3	65	140	48	2.1	265	320	2,400	3,700	3.45
22314	70	150	51	2.1	325	380	2,300	3,500	4.22
22314K	70	150	51	2.1	325	380	2,300	3,500	4.12
22314KW33C3	70	150	51	2.1	325	380	2,300	3,500	4.12
22314W33C3	70	150	51	2.1	325	380	2,300	3,500	4.22
22315	75	160	55	2.1	330	410	2,100	3,200	5.25
22315K	75	160	55	2.1	330	410	2,100	3,200	5.13
22315KW33C3	75	160	55	2.1	330	410	2,100	3,200	5.13
22315W33C3	75	160	55	2.1	330	410	2,100	3,200	5.25
22316	80	170	58	2.1	385	470	2,000	3,000	6.05
22316K	80	170	58	2.1	385	470	2,000	3,000	5.91
22316KW33C3	80	170	58	2.1	385	470	2,000	3,000	5.91
22316W33C3	80	170	58	2.1	385	470	2,000	3,000	6.05

Chengdu RX Bearing Manufacturing Co.,Ltd

22317	85	180	60	3	415	510	1,900	2,900	7.1
22317K	85	180	60	3	415	510	1,900	2,900	6.94
22317KW33C3	85	180	60	3	415	510	1,900	2,900	6.94
22317W33C3	85	180	60	3	415	510	1,900	2,900	7.1
22318	90	190	64	3	480	590	1,800	2,700	8.35
22318K	90	190	64	3	480	590	1,800	2,700	8.16
22318KW33C3	90	190	64	3	480	590	1,800	2,700	8.16
22318W33C3	90	190	64	3	480	590	1,800	2,700	8.35
22319	95	200	67	3	500	615	1,600	2,500	9.76
22319K	95	200	67	3	500	615	1,600	2,500	9.54
22319KW33C3	95	200	67	3	500	615	1,600	2,500	9.54
22319W33C3	95	200	67	3	500	615	1,600	2,500	9.76
22320	100	215	73	3	605	755	1,600	2,400	12.4
22320K	100	215	73	3	605	755	1,600	2,400	12.1
22320KW33C3	100	215	73	3	605	755	1,600	2,400	12.1
22320W33C3	100	215	73	3	605	755	1,600	2,400	12.4
22322	110	240	80	3	745	930	1,400	2,200	17.1
22322K	110	240	80	3	745	930	1,400	2,200	16.7
22322KW33C3	110	240	80	3	745	930	1,400	2,200	16.7
22322W33C3	110	240	80	3	745	930	1,400	2,200	17.1
22324	120	260	86	3	880	1,120	1,300	2,000	21.5
22324K	120	260	86	3	880	1,120	1,300	2,000	21
22324KW33C3	120	260	86	3	880	1,120	1,300	2,000	21
22324W33C3	120	260	86	3	880	1,120	1,300	2,000	21.5
22326	130	280	93	4	1,000	1,290	1,200	1,800	26.8
22326K	130	280	93	4	1,000	1,290	1,200	1,800	26.2
22326KW33C3	130	280	93	4	1,000	1,290	1,200	1,800	26.2
22326W33C3	130	280	93	4	1,000	1,290	1,200	1,800	26.8
22328	140	300	102	4	1,130	1,460	1,100	1,700	33.8
22328K	140	300	102	4	1,130	1,460	1,100	1,700	33
22328KW33C3	140	300	102	4	1,130	1,460	1,100	1,700	33
22328W33C3	140	300	102	4	1,130	1,460	1,100	1,700	33.8
22330	150	320	108	4	1,270	1,750	1,000	1,600	42.7
22330K	150	320	108	4	1,270	1,750	1,000	1,600	41.8
22330KW33C3	150	320	108	4	1,270	1,750	1,000	1,600	41.8
22330W33C3	150	320	108	4	1,270	1,750	1,000	1,600	42.7
22332	160	340	114	4	1,410	1,990	940	1,500	50.8
22332K	160	340	114	4	1,410	1,990	940	1,500	49.7
22332KW33C3	160	340	114	4	1,410	1,990	940	1,500	49.7
22332W33C3	160	340	114	4	1,410	1,990	940	1,500	50.8

Chengdu RX Bearing Manufacturing Co.,Ltd

22334	170	360	120	4	1,540	2,180	880	1,400	59.8
22334K	170	360	120	4	1,540	2,180	880	1,400	58.5
22334KW33C3	170	360	120	4	1,540	2,180	880	1,400	58.5
22334W33C3	170	360	120	4	1,540	2,180	880	1,400	59.8
22336	180	380	126	4	1,740	2,560	830	1,300	70
22336K	180	380	126	4	1,740	2,560	830	1,300	68.5
22336KW33C3	180	380	126	4	1,740	2,560	830	1,300	68.5
22336W33C3	180	380	126	4	1,740	2,560	830	1,300	70
22338	190	400	132	5	1,870	2,790	780	1,200	81
22338K	190	400	132	5	1,870	2,790	780	1,200	79.3
22338KW33C3	190	400	132	5	1,870	2,790	780	1,200	79.3
22338W33C3	190	400	132	5	1,870	2,790	780	1,200	81
22340	200	420	138	5	2,040	3,050	740	1,100	93.2
22340K	200	420	138	5	2,040	3,050	740	1,100	91.2
22340KW33C3	200	420	138	5	2,040	3,050	740	1,100	91.2
22340W33C3	200	420	138	5	2,040	3,050	740	1,100	93.2
22344	220	460	145	5	2,350	3,500	660	1,000	117
22344K	220	460	145	5	2,350	3,500	660	1,000	115
22344KW33C3	220	460	145	5	2,350	3,500	660	1,000	115
22344W33C3	220	460	145	5	2,350	3,500	660	1,000	117
22348	240	500	155	5	2,720	4,100	600	930	148
22348K	240	500	155	5	2,720	4,100	600	930	145
22348KW33C3	240	500	155	5	2,720	4,100	600	930	145
22348W33C3	240	500	155	5	2,720	4,100	600	930	148
22352	260	540	165	6	3,100	4,750	550	850	183
22352K	260	540	165	6	3,100	4,750	550	850	179
22352KW33C3	260	540	165	6	3,100	4,750	550	850	179
22352W33C3	260	540	165	6	3,100	4,750	550	850	183
22356	280	580	175	6	3,500	5,350	500	780	224
22356K	280	580	175	6	3,500	5,350	500	780	220
22356KW33C3	280	580	175	6	3,500	5,350	500	780	220
22356W33C3	280	580	175	6	3,500	5,350	500	780	224
22360	300	620	185	7.5	3,600	5,400	470	720	270
22360K	300	620	185	7.5	3,600	5,400	470	720	265
22360KW33C3	300	620	185	7.5	3,600	5,400	470	720	265
22360W33C3	300	620	185	7.5	3,600	5,400	470	720	270

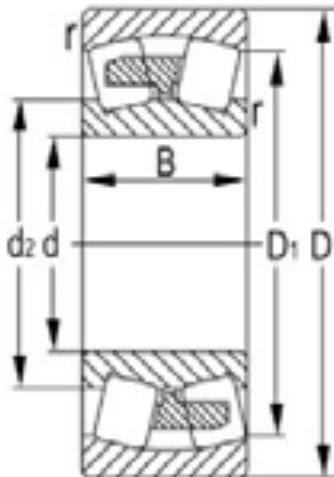
Spherical Roller Bearing >> 21300 Series

Features

Spherical rollers are put between the spherical raceway on the outer ring and the

Chengdu RX Bearing Manufacturing Co.,Ltd

two grooves on the inner ring for these bearings. Since the center of the arc raceway on the outer ring is the same as the center of the whole bearing arrangement, these bearings are self-aligned and automatically adjust the bending of the shaft and housing and the eccentricity. The bearings can carry radial load and axial load in double directions. The especial radial load carrying capability makes these bearings suitable for heavy load and shock load carrying.



Bearing No.	Boundary dimensions				Basic load ratings(kN)		Limiting speeds		Mass
	mm				Dynamic	Static	rpm		Kg
	d	D	B	rs min	Cr	Cor	Grease	Oil	
21308	40	90	23	1.5	88	90	3,200	4,900	0.705
21308K	40	90	23	1.5	88	90	3,200	4,900	0.694
21308KW33C3	40	90	23	1.5	88	90	3,200	4,900	0.694
21308W33C3	40	90	23	1.5	88	90	3,200	4,900	0.705
21309	45	100	25	1.5	102	106	2,900	4,400	0.927
21309K	45	100	25	1.5	102	106	2,900	4,400	0.912
21309KW33C3	45	100	25	1.5	102	106	2,900	4,400	0.912
21309W33C3	45	100	25	1.5	102	106	2,900	4,400	0.927
21310	50	110	27	2	118	127	2,600	4,000	1.21
21310K	50	110	27	2	118	127	2,600	4,000	1.19
21310KW33C3	50	110	27	2	118	127	2,600	4,000	1.19
21310W33C3	50	110	27	2	118	127	2,600	4,000	1.21
21311	55	120	29	2	145	163	2,400	3,700	1.71
21311K	55	120	29	2	145	163	2,400	3,700	1.69
21311KW33C3	55	120	29	2	145	163	2,400	3,700	1.69
21311W33C3	55	120	29	2	145	163	2,400	3,700	1.71
21312	60	130	31	2.1	167	191	2,200	3,400	2.1
21312K	60	130	31	2.1	167	191	2,200	3,400	2.07

Chengdu RX Bearing Manufacturing Co.,Ltd

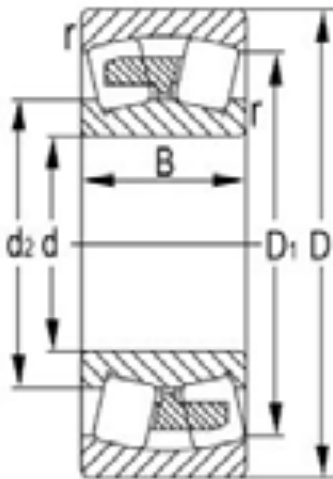
21312KW33C3	60	130	31	2.1	167	191	2,200	3,400	2.07
21312W33C3	60	130	31	2.1	167	191	2,200	3,400	2.1
21313	65	140	33	2.1	194	228	2,000	3,100	2.55
21313K	65	140	33	2.1	194	228	2,000	3,100	2.51
21313KW33C3	65	140	33	2.1	194	228	2,000	3,100	2.51
21313W33C3	65	140	33	2.1	194	228	2,000	3,100	2.55
21314	70	150	35	2.1	220	262	1,900	2,900	3.18
21314K	70	150	35	2.1	220	262	1,900	2,900	3.14
21314KW33C3	70	150	35	2.1	220	262	1,900	2,900	3.14
21314W33C3	70	150	35	2.1	220	262	1,900	2,900	3.18
21315	75	160	37	2.1	239	287	1,800	2,700	3.81
21315K	75	160	37	2.1	239	287	1,800	2,700	3.76
21315KW33C3	75	160	37	2.1	239	287	1,800	2,700	3.76
21315W33C3	75	160	37	2.1	239	287	1,800	2,700	3.81
21316	80	170	39	2.1	260	315	1,700	2,500	4.53
21316K	80	170	39	2.1	260	315	1,700	2,500	4.47
21316KW33C3	80	170	39	2.1	260	315	1,700	2,500	4.47
21316W33C3	80	170	39	2.1	260	315	1,700	2,500	4.53
21317	85	180	41	3	289	355	1,600	2,400	5.35
21317K	85	180	41	3	289	355	1,600	2,400	5.28
21317KW33C3	85	180	41	3	289	355	1,600	2,400	5.28
21317W33C3	85	180	41	3	289	355	1,600	2,400	5.35
21318	90	190	43	3	320	400	1,500	2,300	6.3
21318K	90	190	43	3	320	400	1,500	2,300	6.21
21318KW33C3	90	190	43	3	320	400	1,500	2,300	6.21
21318W33C3	90	190	43	3	320	400	1,500	2,300	6.3
21319	95	200	45	3	335	420	1,400	2,100	7.1
21319K	95	200	45	3	335	420	1,400	2,100	7
21319KW33C3	95	200	45	3	335	420	1,400	2,100	7
21319W33C3	95	200	45	3	335	420	1,400	2,100	7.1
21320	100	215	47	3	370	465	1,300	2,000	8.89
21320K	100	215	47	3	370	465	1,300	2,000	8.78
21320KW33C3	100	215	47	3	370	465	1,300	2,000	8.78
21320W33C3	100	215	47	3	370	465	1,300	2,000	8.89
21322	110	240	50	3	495	615	1,200	1,800	11.2
21322K	110	240	50	3	495	615	1,200	1,800	11.1
21322KW33C3	110	240	50	3	495	615	1,200	1,800	11.1
21322W33C3	110	240	50	3	495	615	1,200	1,800	11.2

Spherical Roller Bearing >> 23000 Series

Chengdu RX Bearing Manufacturing Co.,Ltd

Features

Spherical rollers are put between the spherical raceway on the outer ring and the two grooves on the inner ring for these bearings. Since the center of the arc raceway on the outer ring is the same as the center of the whole bearing arrangement, these bearings are self-aligned and automatically adjust the bending of the shaft and housing and the eccentricity. The bearings can carry radial load and axial load in double directions. The especial radial load carrying capability makes these bearings suitable for heavy load and shock load carrying.



Bearing No.	Boundary dimensions				Basic load ratings(kN)		Limiting speeds		Mass
	mm				Dynamic	Static	rpm		Kg
	d	D	B	$r_{s\ min}$	Cr	Cor	Grease	Oil	
23022	110	170	45	2	282	455	1,800	2,800	3.71
23022K	110	170	45	2	282	455	1,800	2,800	3.58
23022KW33C3	110	170	45	2	282	455	1,800	2,800	3.58
23022W33C3	110	170	45	2	282	455	1,800	2,800	3.71
23024	120	180	46	2	296	495	1,700	2,600	4.05
23024K	120	180	46	2	296	495	1,700	2,600	3.9
23024KW33C3	120	180	46	2	296	495	1,700	2,600	3.9
23024W33C3	120	180	46	2	296	495	1,700	2,600	4.05
23026	130	200	52	2	375	620	1,500	2,300	5.9
23026K	130	200	52	2	375	620	1,500	2,300	5.69
23026KW33C3	130	200	52	2	375	620	1,500	2,300	5.69
23026W33C3	130	200	52	2	375	620	1,500	2,300	5.9
23028	140	210	53	2	405	690	1,400	2,200	6.35
23028K	140	210	53	2	405	690	1,400	2,200	6.12
23028KW33C3	140	210	53	2	405	690	1,400	2,200	6.12
23028W33C3	140	210	53	2	405	690	1,400	2,200	6.35

Chengdu RX Bearing Manufacturing Co.,Ltd

23030	150	225	56	2.1	445	775	1,300	2,000	7.73
23030K	150	225	56	2.1	445	775	1,300	2,000	7.45
23030KW33C3	150	225	56	2.1	445	775	1,300	2,000	7.45
23030W33C3	150	225	56	2.1	445	775	1,300	2,000	7.73
23032	160	240	60	2.1	505	885	1,200	1,900	9.42
23032K	160	240	60	2.1	505	885	1,200	1,900	9.09
23032KW33C3	160	240	60	2.1	505	885	1,200	1,900	9.09
23032W33C3	160	240	60	2.1	505	885	1,200	1,900	9.42
23034	170	260	67	2.1	630	1,080	1,100	1,800	12.7
23034K	170	260	67	2.1	630	1,080	1,100	1,800	12.3
23034KW33C3	170	260	67	2.1	630	1,080	1,100	1,800	12.3
23034W33C3	170	260	67	2.1	630	1,080	1,100	1,800	12.7
23036	180	280	74	2.1	740	1,290	1,100	1,700	16.7
23036K	180	280	74	2.1	740	1,290	1,100	1,700	16.1
23036KW33C3	180	280	74	2.1	740	1,290	1,100	1,700	16.1
23036W33C3	180	280	74	2.1	740	1,290	1,100	1,700	16.7
23038	190	290	75	2.1	755	1,350	1,000	1,600	17.7
23038K	190	290	75	2.1	755	1,350	1,000	1,600	17.1
23038KW33C3	190	290	75	2.1	755	1,350	1,000	1,600	17.1
23038W33C3	190	290	75	2.1	755	1,350	1,000	1,600	17.7
23040	200	310	82	2.1	915	1,620	960	1,500	22.7
23040K	200	310	82	2.1	915	1,620	960	1,500	21.9
23040KW33C3	200	310	82	2.1	915	1,620	960	1,500	21.9
23040W33C3	200	310	82	2.1	915	1,620	960	1,500	22.7
23044	220	340	90	3	1,060	1,920	870	1,300	29.9
23044K	220	340	90	3	1,060	1,920	870	1,300	28.8
23044KW33C3	220	340	90	3	1,060	1,920	870	1,300	28.8
23044W33C3	220	340	90	3	1,060	1,920	870	1,300	29.9
23048	240	360	92	3	1,130	2,140	790	1,200	33.4
23048K	240	360	92	3	1,130	2,140	790	1,200	32.2
23048KW33C3	240	360	92	3	1,130	2,140	790	1,200	32.2
23048W33C3	240	360	92	3	1,130	2,140	790	1,200	33.4
23052	260	400	104	4	1,420	2,620	720	1,100	48.5
23052K	260	400	104	4	1,420	2,620	720	1,100	46.8
23052KW33C3	260	400	104	4	1,420	2,620	720	1,100	46.8
23052W33C3	260	400	104	4	1,420	2,620	720	1,100	48.5
23056	280	420	106	4	1,510	2,920	660	1,000	52.4
23056K	280	420	106	4	1,510	2,920	660	1,000	50.6
23056KW33C3	280	420	106	4	1,510	2,920	660	1,000	50.6
23056W33C3	280	420	106	4	1,510	2,920	660	1,000	52.4

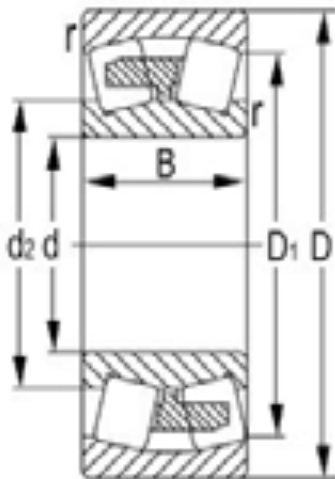
Chengdu RX Bearing Manufacturing Co.,Ltd

23060	300	460	118	4	1,890	3,550	610	940	72.4
23060K	300	460	118	4	1,890	3,550	610	940	70.2
23060KW33C3	300	460	118	4	1,890	3,550	610	940	70.2
23060W33C3	300	460	118	4	1,890	3,550	610	940	72.4

Spherical Roller Bearing >> 23100 Series

Features

Spherical rollers are put between the spherical raceway on the outer ring and the two grooves on the inner ring for these bearings. Since the center of the arc raceway on the outer ring is the same as the center of the whole bearing arrangement, these bearings are self-aligned and automatically adjust the bending of the shaft and housing and the eccentricity. The bearings can carry radial load and axial load in double directions. The especial radial load carrying capability makes these bearings suitable for heavy load and shock load carrying.



Bearing No.	Boundary dimensions				Basic load ratings(kN)		Limiting speeds		Mass
	mm				Dynamic	Static	rpm		Kg
	d	D	B	r _{s min}	Cr	Cor	Grease	Oil	
23120	100	165	52	2	310	470	1,700	2,600	4.3
23120K	100	165	52	2	310	470	1,700	2,600	4.16
23120KW33C3	100	165	52	2	310	470	1,700	2,600	4.16
23120W33C3	100	165	52	2	310	470	1,700	2,600	4.3
23122	110	180	56	2	370	580	1,500	2,400	5.4
23122K	110	180	56	2	370	580	1,500	2,400	5.22
23122KW33C3	110	180	56	2	370	580	1,500	2,400	5.22
23122W33C3	110	180	56	2	370	580	1,500	2,400	5.4
23124	120	200	62	2	455	705	1,400	2,100	7.7
23124K	120	200	62	2	455	705	1,400	2,100	7.46
23124KW33C3	120	200	62	2	455	705	1,400	2,100	7.46

Chengdu RX Bearing Manufacturing Co.,Ltd

23124W33C3	120	200	62	2	455	705	1,400	2,100	7.7
23126	130	210	64	2	495	795	1,300	2,000	8.47
23126K	130	210	64	2	495	795	1,300	2,000	8.2
23126KW33C3	130	210	64	2	495	795	1,300	2,000	8.2
23126W33C3	130	210	64	2	495	795	1,300	2,000	8.47
23128	140	225	68	2.1	540	895	1,200	1,800	10.2
23128K	140	225	68	2.1	540	895	1,200	1,800	9.86
23128KW33C3	140	225	68	2.1	540	895	1,200	1,800	9.86
23128W33C3	140	225	68	2.1	540	895	1,200	1,800	10.2
23130	150	250	80	2.1	730	1,190	1,100	1,700	15.6
23130K	150	250	80	2.1	730	1,190	1,100	1,700	15.1
23130KW33C3	150	250	80	2.1	730	1,190	1,100	1,700	15.1
23130W33C3	150	250	80	2.1	730	1,190	1,100	1,700	15.6
23132	160	270	86	2.1	840	1,370	1,000	1,600	19.8
23132K	160	270	86	2.1	840	1,370	1,000	1,600	19.2
23132KW33C3	160	270	86	2.1	840	1,370	1,000	1,600	19.2
23132W33C3	160	270	86	2.1	840	1,370	1,000	1,600	19.8
23134	170	280	88	2.1	885	1,490	960	1,500	21.5
23134K	170	280	88	2.1	885	1,490	960	1,500	20.8
23134KW33C3	170	280	88	2.1	885	1,490	960	1,500	20.8
23134W33C3	170	280	88	2.1	885	1,490	960	1,500	21.5
23136	180	300	96	3	1,030	1,730	900	1,400	25.1
23136K	180	300	96	3	1,030	1,730	900	1,400	24.2
23136KW33C3	180	300	96	3	1,030	1,730	900	1,400	24.2
23136W33C3	180	300	96	3	1,030	1,730	900	1,400	25.1
23138	190	320	104	3	1,190	2,020	850	1,300	35.3
23138K	190	320	104	3	1,190	2,020	850	1,300	34.2
23138KW33C3	190	320	104	3	1,190	2,020	850	1,300	34.2
23138W33C3	190	320	104	3	1,190	2,020	850	1,300	35.3
23140	200	340	112	3	1,350	2,270	800	1,200	43.3
23140K	200	340	112	3	1,350	2,270	800	1,200	42
23140KW33C3	200	340	112	3	1,350	2,270	800	1,200	42
23140W33C3	200	340	112	3	1,350	2,270	800	1,200	43.3
23144	220	370	120	4	1,540	2,670	720	1,100	53.3
23144K	220	370	120	4	1,540	2,670	720	1,100	51.6
23144KW33C3	220	370	120	4	1,540	2,670	720	1,100	51.6
23144W33C3	220	370	120	4	1,540	2,670	720	1,100	53.3
23148	240	400	128	4	1,730	3,050	650	1,000	65.8
23148K	240	400	128	4	1,730	3,050	650	1,000	63.8
23148KW33C3	240	400	128	4	1,730	3,050	650	1,000	63.8

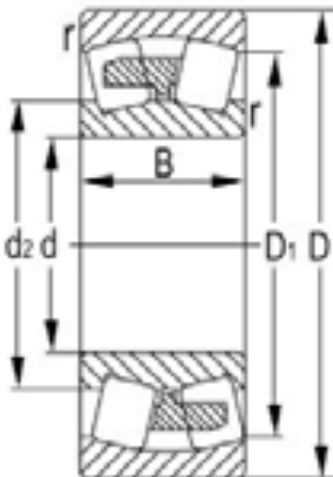
Chengdu RX Bearing Manufacturing Co.,Ltd

23148W33C3	240	400	128	4	1,730	3,050	650	1,000	65.8
23152	260	440	144	4	2,140	3,850	600	920	91.4
23152K	260	440	144	4	2,140	3,850	600	920	88.6
23152KW33C3	260	440	144	4	2,140	3,850	600	920	88.6
23152W33C3	260	440	144	4	2,140	3,850	600	920	91.4
23156	280	460	146	5	2,300	4,250	550	850	97.7
23156K	280	460	146	5	2,300	4,250	550	850	94.6
23156KW33C3	280	460	146	5	2,300	4,250	550	850	94.6
23156W33C3	280	460	146	5	2,300	4,250	550	850	97.7
23160	300	500	160	5	2,750	5,000	510	780	131
23160K	300	500	160	5	2,750	5,000	510	780	127
23160KW33C3	300	500	160	5	2,750	5,000	510	780	127
23160W33C3	300	500	160	5	2,750	5,000	510	780	131

Spherical Roller Bearing >> 23200 Series

Features

Spherical rollers are put between the spherical raceway on the outer ring and the two grooves on the inner ring for these bearings. Since the center of the arc raceway on the outer ring is the same as the center of the whole bearing arrangement, these bearings are self-aligned and automatically adjust the bending of the shaft and housing and the eccentricity. The bearings can carry radial load and axial load in double directions. The especial radial load carrying capability makes these bearings suitable for heavy load and shock load carrying.



Bearing No.	Boundary dimensions				Basic load ratings(kN)		Limiting speeds		Mass
	mm				Dynamic	Static	rpm		Kg
	d	D	B	$r_{s \min}$	Cr	Cor	Grease	Oil	
23218	90	160	52.4	2	315	455	1,800	2,800	4.45
23218K	90	160	52.4	2	315	455	1,800	2,800	4.32

Chengdu RX Bearing Manufacturing Co.,Ltd

23218KW33C3	90	160	52.4	2	315	455	1,800	2,800	4.32
23218W33C3	90	160	52.4	2	315	455	1,800	2,800	4.45
23220	100	180	60.3	2.1	405	580	1,600	2,500	6.47
23220K	100	180	60.3	2.1	405	580	1,600	2,500	6.28
23220KW33C3	100	180	60.3	2.1	405	580	1,600	2,500	6.28
23220W33C3	100	180	60.3	2.1	405	580	1,600	2,500	6.47
23222	110	200	69.8	2.1	515	760	1,400	2,200	9.71
23222K	110	200	69.8	2.1	515	760	1,400	2,200	9.43
23222KW33C3	110	200	69.8	2.1	515	760	1,400	2,200	9.43
23222W33C3	110	200	69.8	2.1	515	760	1,400	2,200	9.71
23224	120	215	76	2.1	585	880	1,300	2,000	12.1
23224K	120	215	76	2.1	585	880	1,300	2,000	11.7
23224KW33C3	120	215	76	2.1	585	880	1,300	2,000	11.7
23224W33C3	120	215	76	2.1	585	880	1,300	2,000	12.1
23226	130	230	80	3	685	1,060	1,200	1,900	14.3
23226K	130	230	80	3	685	1,060	1,200	1,900	13.9
23226KW33C3	130	230	80	3	685	1,060	1,200	1,900	13.9
23226W33C3	130	230	80	3	685	1,060	1,200	1,900	14.3
23228	140	250	88	3	805	1,270	1,100	1,700	18.8
23228K	140	250	88	3	805	1,270	1,100	1,700	18.2
23228KW33C3	140	250	88	3	805	1,270	1,100	1,700	18.2
23228W33C3	140	250	88	3	805	1,270	1,100	1,700	18.8
23230	150	270	96	3	935	1,460	1,000	1,600	24.1
23230K	150	270	96	3	935	1,460	1,000	1,600	23.4
23230KW33C3	150	270	96	3	935	1,460	1,000	1,600	23.4
23230W33C3	150	270	96	3	935	1,460	1,000	1,600	24.1
23232	160	290	104	3	1,050	1,660	960	1,500	30
23232K	160	290	104	3	1,050	1,660	960	1,500	29.1
23232KW33C3	160	290	104	3	1,050	1,660	960	1,500	29.1
23232W33C3	160	290	104	3	1,050	1,660	960	1,500	30
23234	170	310	110	4	1,180	1,960	910	1,400	36.8
23234K	170	310	110	4	1,180	1,960	910	1,400	35.7
23234KW33C3	170	310	110	4	1,180	1,960	910	1,400	35.7
23234W33C3	170	310	110	4	1,180	1,960	910	1,400	36.8
23236	180	320	112	4	1,230	2,000	850	1,300	39
23236K	180	320	112	4	1,230	2,000	850	1,300	37.8
23236KW33C3	180	320	112	4	1,230	2,000	850	1,300	37.8
23236W33C3	180	320	112	4	1,230	2,000	850	1,300	39
23238	190	340	120	4	1,400	2,330	790	1,200	47.6
23238K	190	340	120	4	1,400	2,330	790	1,200	46.2

Chengdu RX Bearing Manufacturing Co.,Ltd

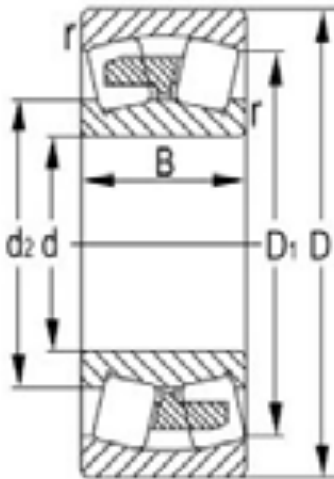
23238KW33C3	190	340	120	4	1,400	2,330	790	1,200	46.2
23238W33C3	190	340	120	4	1,400	2,330	790	1,200	47.6
23240	200	360	128	4	1,610	2,640	750	1,200	57.2
23240K	200	360	128	4	1,610	2,640	750	1,200	55.5
23240KW33C3	200	360	128	4	1,610	2,640	750	1,200	55.5
23240W33C3	200	360	128	4	1,610	2,640	750	1,200	57.2
23244	220	400	144	4	2,010	3,350	670	1,000	80
23244K	220	400	144	4	2,010	3,350	670	1,000	77.6
23244KW33C3	220	400	144	4	2,010	3,350	670	1,000	77.6
23244W33C3	220	400	144	4	2,010	3,350	670	1,000	80
23248	240	440	160	4	2,430	4,100	610	940	108
23248K	240	440	160	4	2,430	4,100	610	940	105
23248KW33C3	240	440	160	4	2,430	4,100	610	940	105
23248W33C3	240	440	160	4	2,430	4,100	610	940	108
23252	260	480	174	5	2,760	4,700	560	860	141
23252K	260	480	174	5	2,760	4,700	560	860	137
23252KW33C3	260	480	174	5	2,760	4,700	560	860	137
23252W33C3	260	480	174	5	2,760	4,700	560	860	141
23256	280	500	176	5	2,930	5,150	510	790	150
23256K	280	500	176	5	2,930	5,150	510	790	145
23256KW33C3	280	500	176	5	2,930	5,150	510	790	145
23256W33C3	280	500	176	5	2,930	5,150	510	790	150
23260	300	540	192	5	3,450	6,000	470	730	193
23260K	300	540	192	5	3,450	6,000	470	730	187
23260KW33C3	300	540	192	5	3,450	6,000	470	730	187
23260W33C3	300	540	192	5	3,450	6,000	470	730	193

Spherical Roller Bearing >> 23900 Series

Features

Spherical rollers are put between the spherical raceway on the outer ring and the two grooves on the inner ring for these bearings. Since the center of the arc raceway on the outer ring is the same as the center of the whole bearing arrangement, these bearings are self-aligned and automatically adjust the bending of the shaft and housing and the eccentricity. The bearings can carry radial load and axial load in double directions. The especial radial load carrying capability makes these bearings suitable for heavy load and shock load carrying.

Chengdu RX Bearing Manufacturing Co.,Ltd



Bearing No.	Boundary dimensions				Basic load ratings(kN)		Limiting speeds		Mass
	mm				Dynamic	Static	rpm		Kg
	d	D	B	r _{s min}	Cr	Cor	Grease	Oil	
23936	180	250	52	2	440	835	1,200	1,800	8.21
23936K	180	250	52	2	440	835	1,200	1,800	7.95
23936KW33C3	180	250	52	2	440	835	1,200	1,800	7.95
23936W33C3	180	250	52	2	440	835	1,200	1,800	8.21
23938	190	260	52	2	460	890	1,100	1,700	8.6
23938K	190	260	52	2	460	890	1,100	1,700	8.34
23938KW33C3	190	260	52	2	460	890	1,100	1,700	8.34
23938W33C3	190	260	52	2	460	890	1,100	1,700	8.6
23940	200	280	60	2.1	545	1,100	1,000	1,600	12.1
23940K	200	280	60	2.1	545	1,100	1,000	1,600	11.7
23940KW33C3	200	280	60	2.1	545	1,100	1,000	1,600	11.7
23940W33C3	200	280	60	2.1	545	1,100	1,000	1,600	12.1
23944	220	300	60	2.1	565	1,170	930	1,400	13.1
23944K	220	300	60	2.1	565	1,170	930	1,400	12.7
23944KW33C3	220	300	60	2.1	565	1,170	930	1,400	12.7
23944W33C3	220	300	60	2.1	565	1,170	930	1,400	13.1
23948	240	320	60	2.1	565	1,190	840	1,300	14
23948K	240	320	60	2.1	565	1,190	840	1,300	13.6
23948KW33C3	240	320	60	2.1	565	1,190	840	1,300	13.6
23948W33C3	240	320	60	2.1	565	1,190	840	1,300	14
23952	260	360	75	2.1	760	1,580	770	1,200	24
23952K	260	360	75	2.1	760	1,580	770	1,200	23.3
23952KW33C3	260	360	75	2.1	760	1,580	770	1,200	23.3
23952W33C3	260	360	75	2.1	760	1,580	770	1,200	24

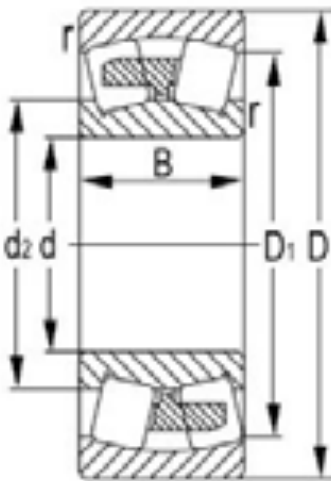
Chengdu RX Bearing Manufacturing Co.,Ltd

23956	280	380	75	2.1	830	1,750	710	1,100	26.4
23956K	280	380	75	2.1	830	1,750	710	1,100	25.6
23956KW33C3	280	380	75	2.1	830	1,750	710	1,100	25.6
23956W33C3	280	380	75	2.1	830	1,750	710	1,100	26.4
23960	300	420	90	3	1,110	2,320	650	1,000	40
23960K	300	420	90	3	1,110	2,320	650	1,000	38.7
23960KW33C3	300	420	90	3	1,110	2,320	650	1,000	38.7
23960W33C3	300	420	90	3	1,110	2,320	650	1,000	40

Spherical Roller Bearing >> 24000 Series

Features

Spherical rollers are put between the spherical raceway on the outer ring and the two grooves on the inner ring for these bearings. Since the center of the arc raceway on the outer ring is the same as the center of the whole bearing arrangement, these bearings are self-aligned and automatically adjust the bending of the shaft and housing and the eccentricity. The bearings can carry radial load and axial load in double directions. The especial radial load carrying capability makes these bearings suitable for heavy load and shock load carrying.



Bearing No.	Boundary dimensions				Basic load ratings(kN)		Limiting speeds		Mass
	mm				Dynamic	Static	rpm		Kg
	d	D	B	rs min	Cr	Cor	Grease	Oil	
24024	120	180	60	2	390	670	1,500	2,300	5.48
24024K30	120	180	60	2	390	670	1,500	2,300	5.39
24024K30W33C3	120	180	60	2	390	670	1,500	2,300	5.39
24024W33C3	120	180	60	2	390	670	1,500	2,300	5.48
24026	130	200	69	2	505	895	1,300	2,100	8.08
24026K30	130	200	69	2	505	895	1,300	2,100	7.95

Chengdu RX Bearing Manufacturing Co.,Ltd

24026K30W33C3	130	200	69	2	505	895	1,300	2,100	7.95
24026W33C3	130	200	69	2	505	895	1,300	2,100	8.08
24028	140	210	69	2	510	945	1,200	1,900	8.57
24028K30	140	210	69	2	510	945	1,200	1,900	8.43
24028K30W33C3	140	210	69	2	510	945	1,200	1,900	8.43
24028W33C3	140	210	69	2	510	945	1,200	1,900	8.57
24030	150	225	75	2.1	585	1,060	1,200	1,800	10.7
24030K30	150	225	75	2.1	585	1,060	1,200	1,800	10.5
24030K30W33C3	150	225	75	2.1	585	1,060	1,200	1,800	10.5
24030W33C3	150	225	75	2.1	585	1,060	1,200	1,800	10.7
24032	160	240	80	2.1	650	1,200	1,100	1,700	13
24032K30	160	240	80	2.1	650	1,200	1,100	1,700	12.8
24032K30W33C3	160	240	80	2.1	650	1,200	1,100	1,700	12.8
24032W33C3	160	240	80	2.1	650	1,200	1,100	1,700	13
24034	170	260	90	2.1	800	1,470	1,000	1,600	17.7
24034K30	170	260	90	2.1	800	1,470	1,000	1,600	17.4
24034K30W33C3	170	260	90	2.1	800	1,470	1,000	1,600	17.4
24034W33C3	170	260	90	2.1	800	1,470	1,000	1,600	17.7
24036	180	280	100	2.1	965	1,770	950	1,500	23.3
24036K30	180	280	100	2.1	965	1,770	950	1,500	22.9
24036K30W33C3	180	280	100	2.1	965	1,770	950	1,500	22.9
24036W33C3	180	280	100	2.1	965	1,770	950	1,500	23.3
24038	190	290	100	2.1	995	1,850	900	1,400	24.3
24038K30	190	290	100	2.1	995	1,850	900	1,400	23.9
24038K30W33C3	190	290	100	2.1	995	1,850	900	1,400	23.9
24038W33C3	190	290	100	2.1	995	1,850	900	1,400	24.3
24040	200	310	109	2.1	1,160	2,140	850	1,300	31
24040K30	200	310	109	2.1	1,160	2,140	850	1,300	30.5
24040K30W33C3	200	310	109	2.1	1,160	2,140	850	1,300	30.5
24040W33C3	200	310	109	2.1	1,160	2,140	850	1,300	31
24044	220	340	118	3	1,350	2,570	770	1,200	40.2
24044K30	220	340	118	3	1,350	2,570	770	1,200	39.6
24044K30W33C3	220	340	118	3	1,350	2,570	770	1,200	39.6
24044W33C3	220	340	118	3	1,350	2,570	770	1,200	40.2
24048	240	360	118	3	1,410	2,770	700	1,100	43

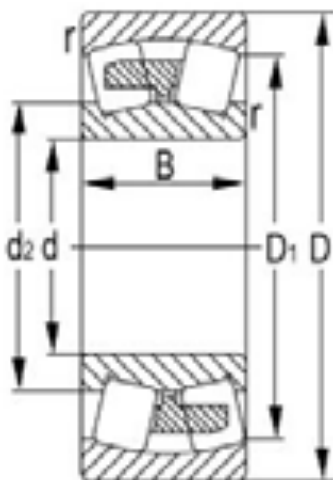
Chengdu RX Bearing Manufacturing Co.,Ltd

24048K30	240	360	118	3	1,410	2,770	700	1,100	42.3
24048K30W33C3	240	360	118	3	1,410	2,770	700	1,100	42.3
24048W33C3	240	360	118	3	1,410	2,770	700	1,100	43
24052	260	400	140	4	1,830	3,550	640	980	65.2
24052K30	260	400	140	4	1,830	3,550	640	980	64.1
24052K30W33C3	260	400	140	4	1,830	3,550	640	980	64.1
24052W33C3	260	400	140	4	1,830	3,550	640	980	65.2
24056	280	420	140	4	1,950	3,950	590	900	69
24056K30	280	420	140	4	1,950	3,950	590	900	67.9
24056K30W33C3	280	420	140	4	1,950	3,950	590	900	67.9
24056W33C3	280	420	140	4	1,950	3,950	590	900	69
24060	300	460	160	4	2,450	4,950	540	840	98
24060K30	300	460	160	4	2,450	4,950	540	840	96.4
24060K30W33C3	300	460	160	4	2,450	4,950	540	840	96.4
24060W33C3	300	460	160	4	2,450	4,950	540	840	98

Spherical Roller Bearing >> 24100 Series

Features

Spherical rollers are put between the spherical raceway on the outer ring and the two grooves on the inner ring for these bearings. Since the center of the arc raceway on the outer ring is the same as the center of the whole bearing arrangement, these bearings are self-aligned and automatically adjust the bending of the shaft and housing and the eccentricity. The bearings can carry radial load and axial load in double directions. The especial radial load carrying capability makes these bearings suitable for heavy load and shock load carrying.



Chengdu RX Bearing Manufacturing Co.,Ltd

Bearing No.	Boundary dimensions				Basic load ratings(kN)		Limiting speeds		Mass
	mm				Dynamic	Static	rpm		Kg
	d	D	B	r _{s min}	Cr	Cor	Grease	Oil	
24122	110	180	69	2	450	755	1,500	2,400	7.07
24122K30	110	180	69	2	450	755	1,500	2,400	6.96
24122K30W33C3	110	180	69	2	450	755	1,500	2,400	6.96
24122W33C3	110	180	69	2	450	755	1,500	2,400	7.07
24124	120	200	80	2	575	945	1,400	2,100	10.3
24124K30	120	200	80	2	575	945	1,400	2,100	10.1
24124K30W33C3	120	200	80	2	575	945	1,400	2,100	10.1
24124W33C3	120	200	80	2	575	945	1,400	2,100	10.3
24126	130	210	80	2	585	995	1,300	2,000	11
24126K30	130	210	80	2	585	995	1,300	2,000	10.8
24126K30W33C3	130	210	80	2	585	995	1,300	2,000	10.8
24126W33C3	130	210	80	2	585	995	1,300	2,000	11
24128	140	225	85	2.1	670	1,150	1,200	1,800	13.3
24128K30	140	225	85	2.1	670	1,150	1,200	1,800	13.1
24128K30W33C3	140	225	85	2.1	670	1,150	1,200	1,800	13.1
24128W33C3	140	225	85	2.1	670	1,150	1,200	1,800	13.3
24130	150	250	100	2.1	885	1,520	1,100	1,700	20.2
24130K30	150	250	100	2.1	885	1,520	1,100	1,700	20
24130K30W33C3	150	250	100	2.1	885	1,520	1,100	1,700	20
24130W33C3	150	250	100	2.1	885	1,520	1,100	1,700	20.2
24132	160	270	109	2.1	1,040	1,780	1,000	1,600	26
24132K30	160	270	109	2.1	1,040	1,780	1,000	1,600	25.6
24132K30W33C3	160	270	109	2.1	1,040	1,780	1,000	1,600	25.6
24132W33C3	160	270	109	2.1	1,040	1,780	1,000	1,600	26
24134	170	280	109	2.1	1,080	1,880	960	1,500	27.2
24134K30	170	280	109	2.1	1,080	1,880	960	1,500	26.8
24134K30W33C3	170	280	109	2.1	1,080	1,880	960	1,500	26.8
24134W33C3	170	280	109	2.1	1,080	1,880	960	1,500	27.2
24136	180	300	118	3	1,250	2,210	900	1,400	34.3
24136K30	180	300	118	3	1,250	2,210	900	1,400	33.8
24136K30W33C3	180	300	118	3	1,250	2,210	900	1,400	33.8
24136W33C3	180	300	118	3	1,250	2,210	900	1,400	34.3
24138	190	320	128	3	1,420	2,480	850	1,300	42.8
24138K30	190	320	128	3	1,420	2,480	850	1,300	42.2
24138K30W33C3	190	320	128	3	1,420	2,480	850	1,300	42.2
24138W33C3	190	320	128	3	1,420	2,480	850	1,300	42.8

Chengdu RX Bearing Manufacturing Co.,Ltd

24140	200	340	140	3	1,630	2,900	800	1,200	53.4
24140K30	200	340	140	3	1,630	2,900	800	1,200	52.6
24140K30W33C3	200	340	140	3	1,630	2,900	800	1,200	52.6
24140W33C3	200	340	140	3	1,630	2,900	800	1,200	53.4
24144	220	370	150	4	1,880	3,400	720	1,100	67
24144K30	220	370	150	4	1,880	3,400	720	1,100	66
24144K30W33C3	220	370	150	4	1,880	3,400	720	1,100	66
24144W33C3	220	370	150	4	1,880	3,400	720	1,100	67
24148	240	400	160	4	2,110	3,800	650	1,000	82.2
24148K30	240	400	160	4	2,110	3,800	650	1,000	80.9
24148K30W33C3	240	400	160	4	2,110	3,800	650	1,000	80.9
24148W33C3	240	400	160	4	2,110	3,800	650	1,000	82.2
24152	260	440	180	4	2,510	4,600	600	920	114
24152K30	260	440	180	4	2,510	4,600	600	920	112
24152K30W33C3	260	440	180	4	2,510	4,600	600	920	112
24152W33C3	260	440	180	4	2,510	4,600	600	920	114
24156	280	460	180	5	2,730	5,200	550	850	120
24156K30	280	460	180	5	2,730	5,200	550	850	118
24156K30W33C3	280	460	180	5	2,730	5,200	550	850	118
24156W33C3	280	460	180	5	2,730	5,200	550	850	120
24160	300	500	200	5	3,300	6,400	510	780	161
24160K30	300	500	200	5	3,300	6,400	510	780	159
24160K30W33C3	300	500	200	5	3,300	6,400	510	780	159
24160W33C3	300	500	200	5	3,300	6,400	510	780	161

Chengdu RX Bearing Manufacturing Co.,Ltd

Cylindrical roller bearings are commonly separable and easy to mount and dismount. They can be divided into single row, double row and multi-row cylindrical roller bearings. The widely used bearings are cylindrical roller bearings with cage. Pressed steel or machined brass cages are generally used, but sometimes molded polyamide cages are also used. There are single or double row bearings with a full complement of rollers and other bearing arrangements. Cylindrical roller bearings have high radial load carrying capacity and are also suitable for high speeds.

NU1000 Series	NU200 Series	NU2200 Series	NU300 Series
NU2300 Series	NJ1000 Series	NJ200 Series	NJ2200 Series
NJ300 Series	NJ2300 Series	NUP1000 Series	NUP200 Series
NUP2200 Series	NUP300 Series	NUP2300 Series	N1000 Series
N200 Series	N2200 Series	N300 Series	N2300 Series
NF200 Series	NF2200 Series	NF300 Series	RNU Series
RN Series			



Cylindrical Roller Bearing >> NU1000 Series

Features

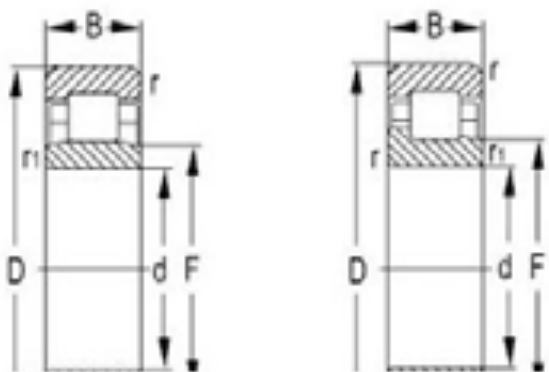
Cylindrical rollers have linear contact with the raceway, and the bearings can carry heavier radial load. Cylindrical bearing applications are found in situations characterized by heavy load and shock load and also high rotation speed. The N type and NU type bearings can be movable along the shaft. They can adapt to the position changes between the shaft and housing caused by the thermal expansion or the mounting error and are most suitable for free end shafts. NJ and NF types can accept certain axial load in one direction, and NH and NUP types can accept certain axial load in two directions. Inner ring and outer ring can be separable, so they are convenient to mount and dismount.

Applications

These bearings are mostly found in middle-sized and large-sized motors, electricity generators, internal combustion engines, gas turbines, machine tool spindles, deceleration devices, unloading and lifting

Chengdu RX Bearing Manufacturing Co.,Ltd

machines and other industrial machines.



Bearing No.	Boundary dimensions					Basic load rating(kN)		Limiting speeds		Mass
	mm					Dynamic	Static	rpm		Kg
	d	D	B	$r_{s \min}$	$r_{s1 \min}$	Cr	Cor	Grease	Oil	
NU1005	25	47	12	0.6	0.3	15.1	14.1	16,000	19,000	0.092
NU1006	30	55	13	1	0.6	19.7	19.6	14,000	16,000	0.13
NU1007	35	62	14	1	0.6	22.6	23.2	12,000	15,000	0.179
NU1008	40	68	15	1	0.6	27.3	29	11,000	13,000	0.22
NU1009	45	75	16	1	0.6	31	34	9,900	12,000	0.28
NU1010	50	80	16	1	0.6	32	36	8,900	11,000	0.295
NU1011	55	90	18	1.1	1	37.5	44	8,200	9,700	0.442
NU1012	60	95	18	1.1	1	40	48.5	7,500	8,800	0.474
NU1013	65	100	18	1.1	1	41	51	7,000	8,200	0.485
NU1014	70	110	20	1.1	1	58.5	70.5	6,500	7,600	0.699
NU1015	75	115	20	1.1	1	60	74.5	6,100	7,100	0.738
NU1016	80	125	22	1.1	1	72.5	90.5	5,700	6,700	0.98
NU1017	85	130	22	1.1	1	74.5	95.5	5,400	6,300	1.03
NU1018	90	140	24	1.5	1.1	88	114	5,100	5,900	1.33
NU1019	95	145	24	1.5	1.1	90.5	120	4,800	5,600	1.4
NU1020	100	150	24	1.5	1.1	93	126	4,600	5,400	1.45
NU1021	105	160	26	2	1.1	105	142	4,300	5,100	1.84
NU1022	110	170	28	2	1.1	131	174	4,100	4,800	2.33
NU1024	120	180	28	2	1.1	139	191	3,800	4,400	2.44
NU1026	130	200	33	2	1.1	172	238	3,400	4,000	3.69
NU1028	140	210	33	2	1.1	176	250	3,200	3,800	4.05
NU1030	150	225	35	2.1	1.5	202	294	3,000	3,500	4.77

Cylindrical Roller Bearing >> NU200 Series

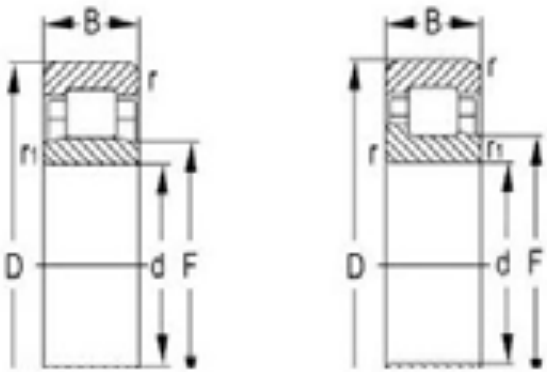
Chengdu RX Bearing Manufacturing Co.,Ltd

Features

Cylindrical rollers have linear contact with the raceway, and the bearings can carry heavier radial load. Cylindrical bearing applications are found in situations characterized by heavy load and shock load and also high rotation speed. The N type and NU type bearings can be movable along the shaft. They can adapt to the position changes between the shaft and housing caused by the thermal expansion or the mounting error and are most suitable for free end shafts. NJ and NF types can accept certain axial load in one direction, and NH and NUP types can accept certain axial load in two directions. Inner ring and outer ring can be separable, so they are convenient to mount and dismount.

Applications

These bearings are mostly found in middle-sized and large-sized motors, electricity generators, internal combustion engines, gas turbines, machine tool spindles, deceleration devices, unloading and lifting machines and other industrial machines.



Bearing No.	Boundary dimensions					Basic load rating(kN)		Limiting speeds		Mass
	mm					Dynamic	Static	rpm		Kg
	d	D	B	$r_{s \min}$	$r_{s1 \min}$	Cr	Cor	Grease	Oil	
NU204E	20	47	14	1	0.6	25.7	22.6	15,000	18,000	0.122
NU205E	25	52	15	1	0.6	29.3	27.7	13,000	15,000	0.151
NU206E	30	62	16	1	0.6	39	37.5	11,000	13,000	0.226
NU207E	35	72	17	1.1	0.6	50.5	50	9,500	11,000	0.327
NU208	40	80	18	1.1	1.1	43.5	43	9,400	11,000	0.378
NU208E	40	80	18	1.1	1.1	55.5	55.5	8,500	10,000	0.426
NU209	45	85	19	1.1	1.1	46	47	8,400	9,900	0.432
NU209E	45	85	19	1.1	1.1	63	66.5	7,600	9,000	0.495
NU210	50	90	20	1.1	1.1	48	51	7,600	9,000	0.47
NU210E	50	90	20	1.1	1.1	66	72	6,900	8,100	0.54
NU211	55	100	21	1.5	1.1	58	62.5	6,900	8,200	0.638
NU211E	55	100	21	1.5	1.1	82.5	93	6,300	7,400	0.718

Chengdu RX Bearing Manufacturing Co.,Ltd

NU212	60	110	22	1.5	1.5	68.5	75	6,400	7,600	0.818
NU212E	60	110	22	1.5	1.5	97.5	107	5,800	6,800	0.923
NU213	65	120	23	1.5	1.5	84	94.5	5,900	7,000	1.02
NU213E	65	120	23	1.5	1.5	108	119	5,400	6,300	1.21
NU214	70	125	24	1.5	1.5	83.5	95	5,500	6,500	1.12
NU214E	70	125	24	1.5	1.5	119	137	5,000	5,900	1.3
NU215	75	130	25	1.5	1.5	96.5	111	5,100	6,000	1.23
NU215E	75	130	25	1.5	1.5	130	156	4,700	5,500	1.41
NU216	80	140	26	2	2	106	122	4,800	5,700	1.5
NU216E	80	140	26	2	2	139	167	4,400	5,100	1.67
NU217	85	150	28	2	2	120	140	4,500	5,300	1.87
NU217E	85	150	28	2	2	167	199	4,100	4,800	2.11
NU218	90	160	30	2	2	152	178	4,300	5,000	2.3
NU218E	90	160	30	2	2	182	217	3,900	4,600	2.44
NU219	95	170	32	2.1	2.1	166	195	4,000	4,700	2.78
NU219E	95	170	32	2.1	2.1	220	265	3,600	4,300	3.02
NU220	100	180	34	2.1	2.1	183	217	3,800	4,500	3.33
NU220E	100	180	34	2.1	2.1	249	305	3,500	4,100	3.66
NU221	105	190	36	2.1	2.1	201	241	3,600	4,300	3.95
NU222	110	200	38	2.1	2.1	240	290	3,400	4,000	4.63
NU224	120	215	40	2.1	2.1	260	320	3,200	3,700	5.57
NU224E	120	215	40	2.1	2.1	335	420	2,900	3,400	5.97
NU226	130	230	40	3	3	270	340	2,900	3,400	6.3
NU226E	130	230	40	3	3	365	455	2,600	3,100	6.9
NU228	140	250	42	3	3	310	400	2,700	3,100	7.88
NU228E	140	250	42	3	3	395	515	2,400	2,800	8.73
NU230	150	270	45	3	3	345	435	2,500	2,900	9.92
NU230E	150	270	45	3	3	450	595	2,200	2,600	11

Cylindrical Roller Bearing >> NU2200 Series

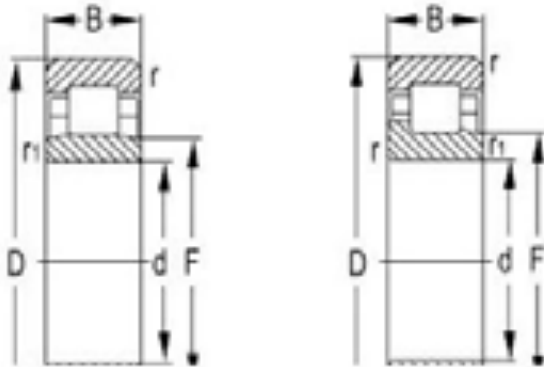
Features

Cylindrical rollers have linear contact with the raceway, and the bearings can carry heavier radial load. Cylindrical bearing applications are found in situations characterized by heavy load and shock load and also high rotation speed. The N type and NU type bearings can be movable along the shaft. They can adapt to the position changes between the shaft and housing caused by the thermal expansion or the mounting error and are most suitable for free end shafts. NJ and NF types can accept certain axial load in one direction, and NH and NUP types can accept certain axial load in two directions. Inner ring and outer ring can be separable, so they are convenient to mount and dismount.

Applications

Chengdu RX Bearing Manufacturing Co.,Ltd

These bearings are mostly found in middle-sized and large-sized motors, electricity generators, internal combustion engines, gas turbines, machine tool spindles, deceleration devices, unloading and lifting machines and other industrial machines.



Bearing No.	Boundary dimensions					Basic load rating(kN)		Limiting speeds		Mass
	mm					Dynamic	Static	rpm		Kg
	d	D	B	r _{s min}	r _{s1 min}	Cr	Cor	Grease	Oil	
NU2204E	20	47	18	1	0.6	30.5	28.3	14,000	16,000	0.158
NU2205E	25	52	18	1	0.6	35	34.5	11,000	13,000	0.186
NU2206E	30	62	20	1	0.6	49	50	9,700	11,000	0.297
NU2207E	35	72	23	1.1	0.6	61.5	65.5	8,500	10,000	0.455
NU2208	40	80	23	1.1	1.1	58	62	8,500	10,000	0.49
NU2208E	40	80	23	1.1	1.1	72.5	77.5	7,600	8,900	0.552
NU2209	45	85	23	1.1	1.1	61.5	68	7,600	9,000	0.53
NU2209E	45	85	23	1.1	1.1	76	84.5	6,800	8,000	0.6
NU2210	50	90	23	1.1	1.1	64	73.5	6,900	8,100	0.571
NU2210E	50	90	23	1.1	1.1	79.5	91.5	6,200	7,300	0.652
NU2211	55	100	25	1.5	1.1	75.5	87	6,300	7,400	0.773
NU2211E	55	100	25	1.5	1.1	97	114	5,600	6,600	0.968
NU2212	60	110	28	1.5	1.5	96	116	5,800	6,800	1.06
NU2212E	60	110	28	1.5	1.5	131	157	5,200	6,100	1.21
NU2213	65	120	31	1.5	1.5	120	149	5,400	6,300	1.4
NU2213E	65	120	31	1.5	1.5	149	181	4,800	5,600	1.6
NU2214	70	125	31	1.5	1.5	119	151	5,000	5,900	1.47
NU2214E	70	125	31	1.5	1.5	156	194	4,500	5,200	1.7
NU2215	75	130	31	1.5	1.5	130	162	4,700	5,500	1.55
NU2215E	75	130	31	1.5	1.5	162	207	4,200	4,900	1.79
NU2216	80	140	33	2	2	147	186	4,400	5,100	1.93
NU2216E	80	140	33	2	2	186	243	3,900	4,600	2.12
NU2217	85	150	36	2	2	170	218	4,100	4,800	2.44

Chengdu RX Bearing Manufacturing Co.,Ltd

NU2217E	85	150	36	2	2	217	279	3,700	4,300	2.68
NU2218	90	160	40	2	2	197	248	3,900	4,600	3.1
NU2218E	90	160	40	2	2	242	315	3,500	4,100	3.33
NU2219	95	170	43	2.1	2.1	230	298	3,600	4,300	3.79
NU2219E	95	170	43	2.1	2.1	286	370	3,300	3,800	4.14
NU2220	100	180	46	2.1	2.1	258	340	3,500	4,100	4.57
NU2220E	100	180	46	2.1	2.1	335	445	3,100	3,600	5.01
NU2222	110	200	53	2.1	2.1	320	415	3,100	3,700	6.56
NU2222E	110	200	53	2.1	2.1	385	515	2,800	3,300	7.4
NU2224	120	215	58	2.1	2.1	350	460	2,900	3,400	8.19
NU2224E	120	215	58	2.1	2.1	450	620	2,600	3,000	9.18
NU2226	130	230	64	3	3	380	530	2,600	3,100	10.2
NU2226E	130	230	64	3	3	530	735	2,300	2,700	11.8
NU2228	140	250	68	3	3	445	635	2,400	2,800	12.9
NU2228E	140	250	68	3	3	575	835	2,100	2,500	15.8
NU2230	150	270	73	3	3	500	710	2,200	2,600	16.3
NU2230E	150	270	73	3	3	660	980	2,000	2,400	19.7

Cylindrical Roller Bearing >> NU300 Series

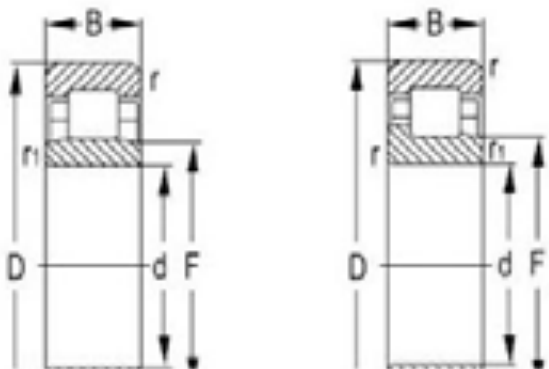
Features

Cylindrical rollers have linear contact with the raceway, and the bearings can carry heavier radial load. Cylindrical bearing applications are found in situations characterized by heavy load and shock load and also high rotation speed. The N type and NU type bearings can be movable along the shaft. They can adapt to the position changes between the shaft and housing caused by the thermal expansion or the mounting error and are most suitable for free end shafts. NJ and NF types can accept certain axial load in one direction, and NH and NUP types can accept certain axial load in two directions. Inner ring and outer ring can be separable, so they are convenient to mount and dismount.

Applications

These bearings are mostly found in middle-sized and large-sized motors, electricity generators, internal combustion engines, gas turbines, machine tool spindles, deceleration devices, unloading and lifting machines and other industrial machines.

Chengdu RX Bearing Manufacturing Co.,Ltd



Bearing No.	Boundary dimensions					Basic load rating(kN)		Limiting speeds		Mass
	mm					Dynamic	Static	rpm		Kg
	d	D	B	r _{s min}	r _{s1 min}	Cr	Cor	Grease	Oil	
NU304E	20	52	15	1.1	0.6	31.5	26.9	13,000	15,000	0.176
NU305E	25	62	17	1.1	1.1	41.5	37.5	11,000	13,000	0.275
NU306E	30	72	19	1.1	1.1	53	50	9,300	11,000	0.398
NU307E	35	80	21	1.5	1.1	71	71	8,100	9,600	0.545
NU308	40	90	23	1.5	1.5	58.5	57	8,000	9,400	0.658
NU308E	40	90	23	1.5	1.5	83	81.5	7,200	8,500	0.754
NU309	45	100	25	1.5	1.5	74	71	7,200	8,400	0.877
NU309E	45	100	25	1.5	1.5	97.5	98.5	6,500	7,600	0.996
NU310	50	110	27	2	2	87	86	6,500	7,700	1.14
NU310E	50	110	27	2	2	110	113	5,900	6,900	1.3
NU311	55	120	29	2	2	111	111	5,900	7,000	1.45
NU311E	55	120	29	2	2	137	143	5,300	6,300	1.65
NU312	60	130	31	2.1	2.1	124	126	5,500	6,500	1.8
NU312E	60	130	31	2.1	2.1	150	157	4,900	5,800	2.05
NU313	65	140	33	2.1	2.1	135	139	5,100	6,000	2.23
NU313E	65	140	33	2.1	2.1	181	191	4,600	5,400	2.54
NU314	70	150	35	2.1	2.1	158	168	4,700	5,500	2.71
NU314E	70	150	35	2.1	2.1	205	222	4,200	5,000	3.1
NU315	75	160	37	2.1	2.1	190	205	4,400	5,200	3.28
NU315E	75	160	37	2.1	2.1	240	263	4,000	4,700	3.74
NU316	80	170	39	2.1	2.1	190	207	4,100	4,800	3.86
NU316E	80	170	39	2.1	2.1	256	282	3,700	4,400	4.22
NU317	85	180	41	3	3	212	228	3,900	4,600	4.54
NU317E	85	180	41	3	3	291	330	3,500	4,100	4.81
NU318	90	190	43	3	3	240	265	3,700	4,300	5.3
NU318E	90	190	43	3	3	315	355	3,300	3,900	5.72
NU319	95	200	45	3	3	259	285	3,400	4,000	6.13

Chengdu RX Bearing Manufacturing Co.,Ltd

NU319E	95	200	45	3	3	335	385	3,100	3,600	6.62
NU320	100	215	47	3	3	299	335	3,300	3,800	7.49
NU320E	100	215	47	3	3	380	425	2,900	3,500	8.57
NU321	105	225	49	3	3	320	360	3,100	3,700	8.53
NU322	110	240	50	3	3	360	400	3,000	3,500	10
NU322E	110	240	50	3	3	450	525	2,700	3,100	11.1
NU324	120	260	55	3	3	450	510	2,700	3,200	12.8
NU324E	120	260	55	3	3	530	610	2,400	2,800	13.9
NU326	130	280	58	4	4	560	665	2,500	2,900	17.4
NU326E	130	280	58	4	4	615	735	2,200	2,600	19.4
NU328	140	300	62	4	4	615	745	2,300	2,700	21.2
NU328E	140	300	62	4	4	665	795	2,100	2,400	23.2
NU330	150	320	65	4	4	665	805	2,100	2,500	25.3
NU330E	150	320	65	4	4	760	920	1,900	2,300	28.4

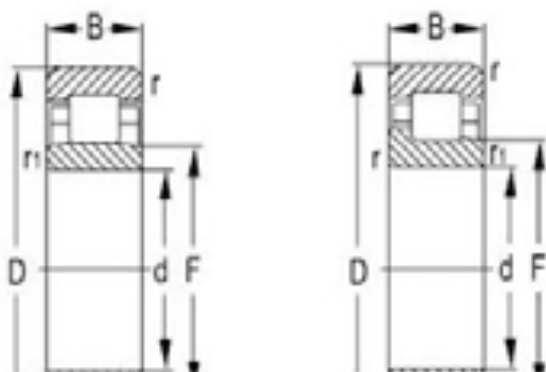
Cylindrical Roller Bearing >> NU2300 Series

Features

Cylindrical rollers have linear contact with the raceway, and the bearings can carry heavier radial load. Cylindrical bearing applications are found in situations characterized by heavy load and shock load and also high rotation speed. The N type and NU type bearings can be movable along the shaft. They can adapt to the position changes between the shaft and housing caused by the thermal expansion or the mounting error and are most suitable for free end shafts. NJ and NF types can accept certain axial load in one direction, and NH and NUP types can accept certain axial load in two directions. Inner ring and outer ring can be separable, so they are convenient to mount and dismount.

Applications

These bearings are mostly found in middle-sized and large-sized motors, electricity generators, internal combustion engines, gas turbines, machine tool spindles, deceleration devices, unloading and lifting machines and other industrial machines.



Bearing No.	Boundary dimensions	Basic load	Limiting speeds	Mass
-------------	---------------------	------------	-----------------	------

Chengdu RX Bearing Manufacturing Co.,Ltd

						rating(kN)				Kg
	mm					Dynamic	Static	rpm		
	d	D	B	r _{s min}	r _{s1 min}	Cr	Cor	Grease	Oil	
NU2304E	20	52	21	1.1	0.6	42	39	12,000	14,000	0.242
NU2305E	25	62	24	1.1	1.1	57	56	9,700	11,000	0.386
NU2306E	30	72	27	1.1	1.1	74.5	77.5	8,300	9,700	0.58
NU2307E	35	80	31	1.5	1.1	99	109	7,200	8,500	0.78
NU2308	40	90	33	1.5	1.5	82.5	88	7,000	8,200	0.951
NU2308E	40	90	33	1.5	1.5	114	122	6,400	7,500	1.06
NU2309	45	100	36	1.5	1.5	99	104	6,300	7,400	1.27
NU2309E	45	100	36	1.5	1.5	137	153	5,700	6,800	1.41
NU2310	50	110	40	2	2	121	131	5,700	6,700	1.7
NU2310E	50	110	40	2	2	163	187	5,200	6,100	1.9
NU2311	55	120	43	2	2	148	162	5,200	6,100	2.17
NU2311E	55	120	43	2	2	201	233	4,700	5,600	2.37
NU2312	60	130	46	2.1	2.1	169	188	4,800	5,700	2.71
NU2312E	60	130	46	2.1	2.1	222	262	4,400	5,200	2.96
NU2313	65	140	48	2.1	2.1	188	212	4,400	5,200	3.27
NU2313E	65	140	48	2.1	2.1	248	287	4,100	4,800	3.48
NU2314	70	150	51	2.1	2.1	223	262	4,100	4,800	3.98
NU2314E	70	150	51	2.1	2.1	274	325	3,800	4,400	4.25
NU2315	75	160	55	2.1	2.1	258	300	3,800	4,500	4.87
NU2315E	75	160	55	2.1	2.1	330	395	3,500	4,100	5.25
NU2316	80	170	58	2.1	2.1	274	330	3,600	4,200	5.79
NU2316E	80	170	58	2.1	2.1	355	430	3,300	3,900	6.25
NU2317	85	180	60	3	3	315	380	3,400	4,000	6.7
NU2317E	85	180	60	3	3	395	485	3,100	3,700	7.16
NU2318	90	190	64	3	3	325	395	3,200	3,800	7.95
NU2318E	90	190	64	3	3	435	535	2,900	3,400	8.56
NU2319	95	200	67	3	3	370	460	3,000	3,500	9.2
NU2319E	95	200	67	3	3	460	585	2,700	3,200	9.8
NU2320	100	215	73	3	3	410	505	2,900	3,400	11.7
NU2320E	100	215	73	3	3	570	715	2,600	3,100	12.8
NU2322	110	240	80	3	3	605	790	2,600	3,100	17.1
NU2322E	110	240	80	3	3	675	880	2,400	2,800	19.4
NU2324	120	260	86	3	3	710	920	2,400	2,800	21.5
NU2324E	120	260	86	3	3	795	1,030	2,200	2,500	26.1
NU2326	130	280	93	4	4	840	1,130	2,200	2,600	26.9
NU2326E	130	280	93	4	4	920	1,230	2,000	2,300	30.9
NU2328	140	300	102	4	4	920	1,250	2,000	2,300	33.8

Chengdu RX Bearing Manufacturing Co.,Ltd

NU2328E	140	300	102	4	4	1,020	1,380	1,800	2,100	38.7
NU2330	150	320	108	4	4	1,020	1,400	1,900	2,200	40.6
NU2330E	150	320	108	4	4	1,160	1,600	1,700	2,000	47.2

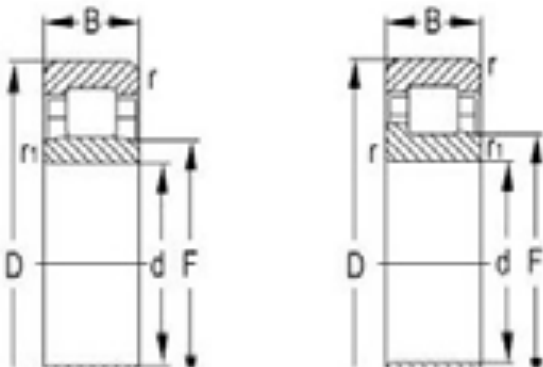
Cylindrical Roller Bearing >> NJ1000 Series

Features

Cylindrical rollers have linear contact with the raceway, and the bearings can carry heavier radial load. Cylindrical bearing applications are found in situations characterized by heavy load and shock load and also high rotation speed. The N type and NU type bearings can be movable along the shaft. They can adapt to the position changes between the shaft and housing caused by the thermal expansion or the mounting error and are most suitable for free end shafts. NJ and NF types can accept certain axial load in one direction, and NH and NUP types can accept certain axial load in two directions. Inner ring and outer ring can be separable, so they are convenient to mount and dismount.

Applications

These bearings are mostly found in middle-sized and large-sized motors, electricity generators, internal combustion engines, gas turbines, machine tool spindles, deceleration devices, unloading and lifting machines and other industrial machines.



Bearing No.	Boundary dimensions					Basic load rating(kN)		Limiting speeds		Mass
	mm					Dynamic	Static	rpm		Kg
	d	D	B	r _{s min}	r _{s1 min}	Cr	Cor	Grease	Oil	
NJ1005	25	47	12	0.6	0.3	15.1	14.1	16,000	19,000	0.092
NJ1006	30	55	13	1	0.6	19.7	19.6	14,000	16,000	0.13
NJ1007	35	62	14	1	0.6	22.6	23.2	12,000	15,000	0.179
NJ1008	40	68	15	1	0.6	27.3	29	11,000	13,000	0.22
NJ1009	45	75	16	1	0.6	31	34	9,900	12,000	0.28
NJ1010	50	80	16	1	0.6	32	36	8,900	11,000	0.295
NJ1011	55	90	18	1.1	1	37.5	44	8,200	9,700	0.442
NJ1012	60	95	18	1.1	1	40	48.5	7,500	8,800	0.474

Chengdu RX Bearing Manufacturing Co.,Ltd

NJ1013	65	100	18	1.1	1	41	51	7,000	8,200	0.485
NJ1014	70	110	20	1.1	1	58.5	70.5	6,500	7,600	0.699
NJ1015	75	115	20	1.1	1	60	74.5	6,100	7,100	0.738
NJ1016	80	125	22	1.1	1	72.5	90.5	5,700	6,700	0.98
NJ1017	85	130	22	1.1	1	74.5	95.5	5,400	6,300	1.03
NJ1018	90	140	24	1.5	1.1	88	114	5,100	5,900	1.33
NJ1019	95	145	24	1.5	1.1	90.5	120	4,800	5,600	1.4
NJ1020	100	150	24	1.5	1.1	93	126	4,600	5,400	1.45
NJ1021	105	160	26	2	1.1	105	142	4,300	5,100	1.84
NJ1022	110	170	28	2	1.1	131	174	4,100	4,800	2.33
NJ1024	120	180	28	2	1.1	139	191	3,800	4,400	2.44
NJ1026	130	200	33	2	1.1	172	238	3,400	4,000	3.69
NJ1028	140	210	33	2	1.1	176	250	3,200	3,800	4.05
NJ1030	150	225	35	2.1	1.5	202	294	3,000	3,500	4.77

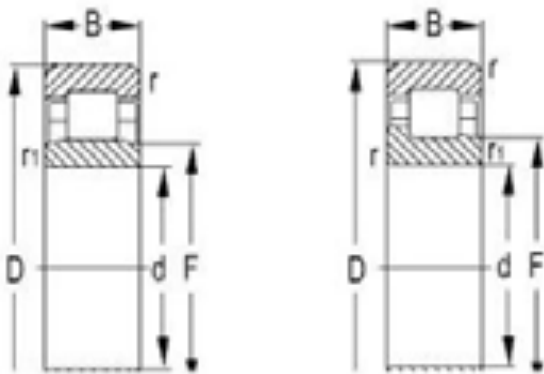
Cylindrical Roller Bearing >> NJ200 Series

Features

Cylindrical rollers have linear contact with the raceway, and the bearings can carry heavier radial load. Cylindrical bearing applications are found in situations characterized by heavy load and shock load and also high rotation speed. The N type and NU type bearings can be movable along the shaft. They can adapt to the position changes between the shaft and housing caused by the thermal expansion or the mounting error and are most suitable for free end shafts. NJ and NF types can accept certain axial load in one direction, and NH and NUP types can accept certain axial load in two directions. Inner ring and outer ring can be separable, so they are convenient to mount and dismount.

Applications

These bearings are mostly found in middle-sized and large-sized motors, electricity generators, internal combustion engines, gas turbines, machine tool spindles, deceleration devices, unloading and lifting machines and other industrial machines.



Chengdu RX Bearing Manufacturing Co.,Ltd

Bearing No.	Boundary dimensions					Basic load rating(kN)		Limiting speeds		Mass
	mm					Dynamic	Static	rpm		Kg
	d	D	B	r _{s min}	r _{s1 min}	Cr	Cor	Grease	Oil	
NJ204E	20	47	14	1	0.6	25.7	22.6	15,000	18,000	0.122
NJ205E	25	52	15	1	0.6	29.3	27.7	13,000	15,000	0.151
NJ206E	30	62	16	1	0.6	39	37.5	11,000	13,000	0.226
NJ207E	35	72	17	1.1	0.6	50.5	50	9,500	11,000	0.327
NJ208	40	80	18	1.1	1.1	43.5	43	9,400	11,000	0.378
NJ208E	40	80	18	1.1	1.1	55.5	55.5	8,500	10,000	0.426
NJ209	45	85	19	1.1	1.1	46	47	8,400	9,900	0.432
NJ209E	45	85	19	1.1	1.1	63	66.5	7,600	9,000	0.495
NJ210	50	90	20	1.1	1.1	48	51	7,600	9,000	0.47
NJ210E	50	90	20	1.1	1.1	66	72	6,900	8,100	0.54
NJ211	55	100	21	1.5	1.1	58	62.5	6,900	8,200	0.638
NJ211E	55	100	21	1.5	1.1	82.5	93	6,300	7,400	0.718
NJ212	60	110	22	1.5	1.5	68.5	75	6,400	7,600	0.818
NJ212E	60	110	22	1.5	1.5	97.5	107	5,800	6,800	0.923
NJ213	65	120	23	1.5	1.5	84	94.5	5,900	7,000	1.02
NJ213E	65	120	23	1.5	1.5	108	119	5,400	6,300	1.21
NJ214	70	125	24	1.5	1.5	83.5	95	5,500	6,500	1.12
NJ214E	70	125	24	1.5	1.5	119	137	5,000	5,900	1.3
NJ215	75	130	25	1.5	1.5	96.5	111	5,100	6,000	1.23
NJ215E	75	130	25	1.5	1.5	130	156	4,700	5,500	1.41
NJ216	80	140	26	2	2	106	122	4,800	5,700	1.5
NJ216E	80	140	26	2	2	139	167	4,400	5,100	1.67
NJ217	85	150	28	2	2	120	140	4,500	5,300	1.87
NJ217E	85	150	28	2	2	167	199	4,100	4,800	2.11
NJ218	90	160	30	2	2	152	178	4,300	5,000	2.3
NJ218E	90	160	30	2	2	182	217	3,900	4,600	2.44
NJ219	95	170	32	2.1	2.1	166	195	4,000	4,700	2.78
NJ219E	95	170	32	2.1	2.1	220	265	3,600	4,300	3.02
NJ220	100	180	34	2.1	2.1	183	217	3,800	4,500	3.33
NJ221	105	190	36	2.1	2.1	201	241	3,600	4,300	3.95
NJ222	110	200	38	2.1	2.1	240	290	3,400	4,000	4.63
NJ224	120	215	40	2.1	2.1	260	320	3,200	3,700	5.57
NJ226	130	230	40	3	3	270	340	2,900	3,400	6.3
NJ226E	130	230	40	3	3	365	455	2,600	3,100	6.9
NJ228	140	250	42	3	3	310	400	2,700	3,100	7.88
NJ228E	140	250	42	3	3	395	515	2,400	2,800	8.73

Chengdu RX Bearing Manufacturing Co.,Ltd

NJ230	150	270	45	3	3	345	435	2,500	2,900	9.92
NJ230E	150	270	45	3	3	450	595	2,200	2,600	11

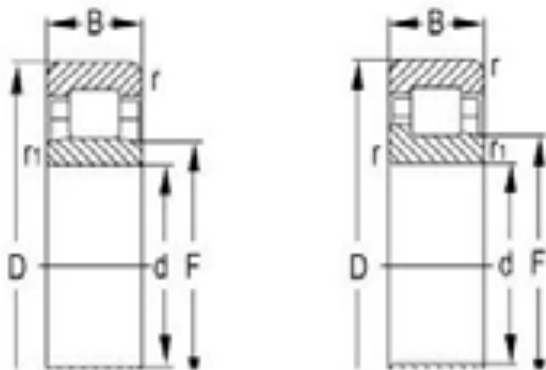
Cylindrical Roller Bearing >> NJ2200 Series

Features

Cylindrical rollers have linear contact with the raceway, and the bearings can carry heavier radial load. Cylindrical bearing applications are found in situations characterized by heavy load and shock load and also high rotation speed. The N type and NU type bearings can be movable along the shaft. They can adapt to the position changes between the shaft and housing caused by the thermal expansion or the mounting error and are most suitable for free end shafts. NJ and NF types can accept certain axial load in one direction, and NH and NUP types can accept certain axial load in two directions. Inner ring and outer ring can be separable, so they are convenient to mount and dismount.

Applications

These bearings are mostly found in middle-sized and large-sized motors, electricity generators, internal combustion engines, gas turbines, machine tool spindles, deceleration devices, unloading and lifting machines and other industrial machines.



Bearing No.	Boundary dimensions					Basic load rating(kN)		Limiting speeds		Mass
	mm					Dynamic	Static	rpm		Kg
	d	D	B	r _{s min}	r _{s1 min}	Cr	Cor	Grease	Oil	
NJ2204E	20	47	18	1	0.6	30.5	28.3	14,000	16,000	0.158
NJ2205E	25	52	18	1	0.6	35	34.5	11,000	13,000	0.186
NJ2206E	30	62	20	1	0.6	49	50	9,700	11,000	0.297
NJ2207E	35	72	23	1.1	0.6	61.5	65.5	8,500	10,000	0.455
NJ2208	40	80	23	1.1	1.1	58	62	8,500	10,000	0.49
NJ2208E	40	80	23	1.1	1.1	72.5	77.5	7,600	8,900	0.552
NJ2209	45	85	23	1.1	1.1	61.5	68	7,600	9,000	0.53
NJ2209E	45	85	23	1.1	1.1	76	84.5	6,800	8,000	0.6
NJ2210	50	90	23	1.1	1.1	64	73.5	6,900	8,100	0.571

Chengdu RX Bearing Manufacturing Co.,Ltd

NJ2210E	50	90	23	1.1	1.1	79.5	91.5	6,200	7,300	0.652
NJ2211	55	100	25	1.5	1.1	75.5	87	6,300	7,400	0.773
NJ2211E	55	100	25	1.5	1.1	97	114	5,600	6,600	0.968
NJ2212	60	110	28	1.5	1.5	96	116	5,800	6,800	1.06
NJ2212E	60	110	28	1.5	1.5	131	157	5,200	6,100	1.21
NJ2213	65	120	31	1.5	1.5	120	149	5,400	6,300	1.4
NJ2213E	65	120	31	1.5	1.5	149	181	4,800	5,600	1.6
NJ2214	70	125	31	1.5	1.5	119	151	5,000	5,900	1.47
NJ2214E	70	125	31	1.5	1.5	156	194	4,500	5,200	1.7
NJ2215	75	130	31	1.5	1.5	130	162	4,700	5,500	1.55
NJ2215E	75	130	31	1.5	1.5	162	207	4,200	4,900	1.79
NJ2216	80	140	33	2	2	147	186	4,400	5,100	1.93
NJ2216E	80	140	33	2	2	186	243	3,900	4,600	2.12
NJ2217	85	150	36	2	2	170	218	4,100	4,800	2.44
NJ2217E	85	150	36	2	2	217	279	3,700	4,300	2.68
NJ2218	90	160	40	2	2	197	248	3,900	4,600	3.1
NJ2218E	90	160	40	2	2	242	315	3,500	4,100	3.33
NJ2219	95	170	43	2.1	2.1	230	298	3,600	4,300	3.79
NJ2219E	95	170	43	2.1	2.1	286	370	3,300	3,800	4.14
NJ2220	100	180	46	2.1	2.1	258	340	3,500	4,100	4.57
NJ2220E	100	180	46	2.1	2.1	335	445	3,100	3,600	5.01
NJ2222	110	200	53	2.1	2.1	320	415	3,100	3,700	6.56
NJ2222E	110	200	53	2.1	2.1	385	515	2,800	3,300	7.4
NJ2224	120	215	58	2.1	2.1	350	460	2,900	3,400	8.19
NJ2224E	120	215	58	2.1	2.1	450	620	2,600	3,000	9.18
NJ2226	130	230	64	3	3	380	530	2,600	3,100	10.2
NJ2226E	130	230	64	3	3	530	735	2,300	2,700	11.8
NJ2228	140	250	68	3	3	445	635	2,400	2,800	12.9
NJ2228E	140	250	68	3	3	575	835	2,100	2,500	15.8
NJ2230	150	270	73	3	3	500	710	2,200	2,600	16.3
NJ2230E	150	270	73	3	3	660	980	2,000	2,400	19.7

Cylindrical Roller Bearing >> NJ300 Series

Features

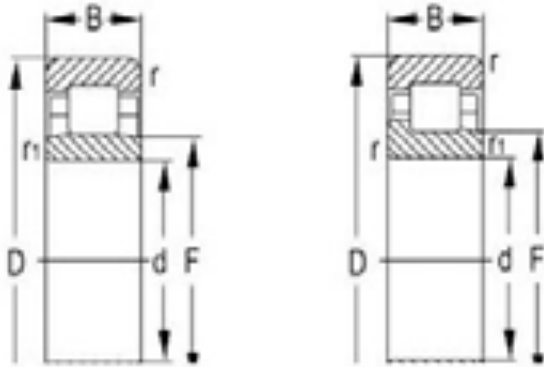
Cylindrical rollers have linear contact with the raceway, and the bearings can carry heavier radial load. Cylindrical bearing applications are found in situations characterized by heavy load and shock load and also high rotation speed. The N type and NU type bearings can be movable along the shaft. They can adapt to the position changes between the shaft and housing caused by the thermal expansion or the mounting error and are most suitable for free end shafts. NJ and NF types

Chengdu RX Bearing Manufacturing Co.,Ltd

can accept certain axial load in one direction, and NH and NUP types can accept certain axial load in two directions. Inner ring and outer ring can be separable, so they are convenient to mount and dismount.

Applications

These bearings are mostly found in middle-sized and large-sized motors, electricity generators, internal combustion engines, gas turbines, machine tool spindles, deceleration devices, unloading and lifting machines and other industrial machines.



Bearing No.	Boundary dimensions					Basic load rating(kN)		Limiting speeds		Mass
	mm					Dynamic	Static	rpm		Kg
	d	D	B	r _s min	r _{s1} min	Cr	Cor	Grease	Oil	
NJ304E	20	52	15	1.1	0.6	31.5	26.9	13,000	15,000	0.176
NJ305E	25	62	17	1.1	1.1	41.5	37.5	11,000	13,000	0.275
NJ306E	30	72	19	1.1	1.1	53	50	9,300	11,000	0.398
NJ307E	35	80	21	1.5	1.1	71	71	8,100	9,600	0.545
NJ308	40	90	23	1.5	1.5	58.5	57	8,000	9,400	0.658
NJ308E	40	90	23	1.5	1.5	83	81.5	7,200	8,500	0.754
NJ309	45	100	25	1.5	1.5	74	71	7,200	8,400	0.877
NJ309E	45	100	25	1.5	1.5	97.5	98.5	6,500	7,600	0.996
NJ310	50	110	27	2	2	87	86	6,500	7,700	1.14
NJ310E	50	110	27	2	2	110	113	5,900	6,900	1.3
NJ311	55	120	29	2	2	111	111	5,900	7,000	1.45
NJ311E	55	120	29	2	2	137	143	5,300	6,300	1.65
NJ312	60	130	31	2.1	2.1	124	126	5,500	6,500	1.8
NJ312E	60	130	31	2.1	2.1	150	157	4,900	5,800	2.05
NJ313	65	140	33	2.1	2.1	135	139	5,100	6,000	2.23
NJ313E	65	140	33	2.1	2.1	181	191	4,600	5,400	2.54
NJ314	70	150	35	2.1	2.1	158	168	4,700	5,500	2.71
NJ314E	70	150	35	2.1	2.1	205	222	4,200	5,000	3.1
NJ315	75	160	37	2.1	2.1	190	205	4,400	5,200	3.28

Chengdu RX Bearing Manufacturing Co.,Ltd

NJ315E	75	160	37	2.1	2.1	240	263	4,000	4,700	3.74
NJ316	80	170	39	2.1	2.1	190	207	4,100	4,800	3.86
NJ316E	80	170	39	2.1	2.1	256	282	3,700	4,400	4.22
NJ317	85	180	41	3	3	212	228	3,900	4,600	4.54
NJ317E	85	180	41	3	3	291	330	3,500	4,100	4.81
NJ318	90	190	43	3	3	240	265	3,700	4,300	5.3
NJ318E	90	190	43	3	3	315	355	3,300	3,900	5.72
NJ319	95	200	45	3	3	259	285	3,400	4,000	6.13
NJ319E	95	200	45	3	3	335	385	3,100	3,600	6.62
NJ320	100	215	47	3	3	299	335	3,300	3,800	7.49
NJ320E	100	215	47	3	3	380	425	2,900	3,500	8.57
NJ321	105	225	49	3	3	320	360	3,100	3,700	8.53
NJ322	110	240	50	3	3	360	400	3,000	3,500	10
NJ322E	110	240	50	3	3	450	525	2,700	3,100	11.1
NJ324	120	260	55	3	3	450	510	2,700	3,200	12.8
NJ324E	120	260	55	3	3	530	610	2,400	2,800	13.9
NJ326	130	280	58	4	4	560	665	2,500	2,900	17.4
NJ326E	130	280	58	4	4	615	735	2,200	2,600	19.4
NJ328	140	300	62	4	4	615	745	2,300	2,700	21.2
NJ328E	140	300	62	4	4	665	795	2,100	2,400	23.2
NJ330	150	320	65	4	4	665	805	2,100	2,500	25.3
NJ330E	150	320	65	4	4	760	920	1,900	2,300	28.4

Cylindrical Roller Bearing >> NJ2300 Series

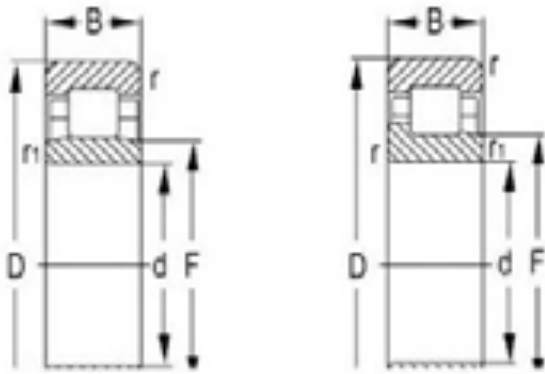
Features

Cylindrical rollers have linear contact with the raceway, and the bearings can carry heavier radial load. Cylindrical bearing applications are found in situations characterized by heavy load and shock load and also high rotation speed. The N type and NU type bearings can be movable along the shaft. They can adapt to the position changes between the shaft and housing caused by the thermal expansion or the mounting error and are most suitable for free end shafts. NJ and NF types can accept certain axial load in one direction, and NH and NUP types can accept certain axial load in two directions. Inner ring and outer ring can be separable, so they are convenient to mount and dismount.

Applications

These bearings are mostly found in middle-sized and large-sized motors, electricity generators, internal combustion engines, gas turbines, machine tool spindles, deceleration devices, unloading and lifting machines and other industrial machines.

Chengdu RX Bearing Manufacturing Co.,Ltd



Bearing No.	Boundary dimensions					Basic load rating(kN)		Limiting speeds		Mass
	mm					Dynamic	Static	rpm		Kg
	d	D	B	r _{s min}	r _{s1 min}	Cr	Cor	Grease	Oil	
NJ2304E	20	52	21	1.1	0.6	42	39	12,000	14,000	0.242
NJ2305E	25	62	24	1.1	1.1	57	56	9,700	11,000	0.386
NJ2306E	30	72	27	1.1	1.1	74.5	77.5	8,300	9,700	0.58
NJ2307E	35	80	31	1.5	1.1	99	109	7,200	8,500	0.78
NJ2308	40	90	33	1.5	1.5	82.5	88	7,000	8,200	0.951
NJ2308E	40	90	33	1.5	1.5	114	122	6,400	7,500	1.06
NJ2309	45	100	36	1.5	1.5	99	104	6,300	7,400	1.27
NJ2309E	45	100	36	1.5	1.5	137	153	5,700	6,800	1.41
NJ2310	50	110	40	2	2	121	131	5,700	6,700	1.7
NJ2310E	50	110	40	2	2	163	187	5,200	6,100	1.9
NJ2311	55	120	43	2	2	148	162	5,200	6,100	2.17
NJ2311E	55	120	43	2	2	201	233	4,700	5,600	2.37
NJ2312	60	130	46	2.1	2.1	169	188	4,800	5,700	2.71
NJ2312E	60	130	46	2.1	2.1	222	262	4,400	5,200	2.96
NJ2313	65	140	48	2.1	2.1	188	212	4,400	5,200	3.27
NJ2313E	65	140	48	2.1	2.1	248	287	4,100	4,800	3.48
NJ2314	70	150	51	2.1	2.1	223	262	4,100	4,800	3.98
NJ2314E	70	150	51	2.1	2.1	274	325	3,800	4,400	4.25
NJ2315	75	160	55	2.1	2.1	258	300	3,800	4,500	4.87
NJ2315E	75	160	55	2.1	2.1	330	395	3,500	4,100	5.25
NJ2316	80	170	58	2.1	2.1	274	330	3,600	4,200	5.79
NJ2316E	80	170	58	2.1	2.1	355	430	3,300	3,900	6.25
NJ2317	85	180	60	3	3	315	380	3,400	4,000	6.7
NJ2317E	85	180	60	3	3	395	485	3,100	3,700	7.16
NJ2318	90	190	64	3	3	325	395	3,200	3,800	7.95
NJ2318E	90	190	64	3	3	435	535	2,900	3,400	8.56
NJ2319	95	200	67	3	3	370	460	3,000	3,500	9.2

Chengdu RX Bearing Manufacturing Co.,Ltd

NJ2319E	95	200	67	3	3	460	585	2,700	3,200	9.8
NJ2320	100	215	73	3	3	410	505	2,900	3,400	11.7
NJ2320E	100	215	73	3	3	570	715	2,600	3,100	12.8
NJ2322	110	240	80	3	3	605	790	2,600	3,100	17.1
NJ2322E	110	240	80	3	3	675	880	2,400	2,800	19.4
NJ2324	120	260	86	3	3	710	920	2,400	2,800	21.5
NJ2324E	120	260	86	3	3	795	1,030	2,200	2,500	26.1
NJ2326	130	280	93	4	4	840	1,130	2,200	2,600	26.9
NJ2326E	130	280	93	4	4	920	1,230	2,000	2,300	30.9
NJ2328	140	300	102	4	4	920	1,250	2,000	2,300	33.8
NJ2328E	140	300	102	4	4	1,020	1,380	1,800	2,100	38.7

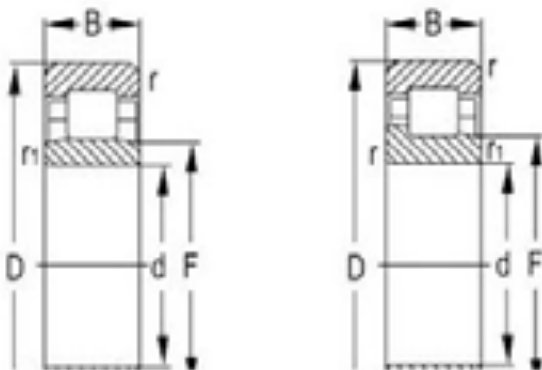
Cylindrical Roller Bearing >> NUP1000 Series

Features

Cylindrical rollers have linear contact with the raceway, and the bearings can carry heavier radial load. Cylindrical bearing applications are found in situations characterized by heavy load and shock load and also high rotation speed. The N type and NU type bearings can be movable along the shaft. They can adapt to the position changes between the shaft and housing caused by the thermal expansion or the mounting error and are most suitable for free end shafts. NJ and NF types can accept certain axial load in one direction, and NH and NUP types can accept certain axial load in two directions. Inner ring and outer ring can be separable, so they are convenient to mount and dismount.

Applications

These bearings are mostly found in middle-sized and large-sized motors, electricity generators, internal combustion engines, gas turbines, machine tool spindles, deceleration devices, unloading and lifting machines and other industrial machines.



Bearing No.	Boundary dimensions					Basic load rating(kN)		Limiting speeds		Mass
	mm					Dynamic	Static	rpm		Kg
	d	D	B	r _{s min}	r _{s1 min}	Cr	Cor	Grease	Oil	
NUP1005	25	47	12	0.6	0.3	15.1	14.1	16,000	19,000	0.092

Chengdu RX Bearing Manufacturing Co.,Ltd

NUP1006	30	55	13	1	0.6	19.7	19.6	14,000	16,000	0.13
NUP1007	35	62	14	1	0.6	22.6	23.2	12,000	15,000	0.179
NUP1008	40	68	15	1	0.6	27.3	29	11,000	13,000	0.22
NUP1009	45	75	16	1	0.6	31	34	9,900	12,000	0.28
NUP1010	50	80	16	1	0.6	32	36	8,900	11,000	0.295
NUP1011	55	90	18	1.1	1	37.5	44	8,200	9,700	0.442
NUP1012	60	95	18	1.1	1	40	48.5	7,500	8,800	0.474
NUP1013	65	100	18	1.1	1	41	51	7,000	8,200	0.485
NUP1014	70	110	20	1.1	1	58.5	70.5	6,500	7,600	0.699
NUP1015	75	115	20	1.1	1	60	74.5	6,100	7,100	0.738
NUP1016	80	125	22	1.1	1	72.5	90.5	5,700	6,700	0.98
NUP1017	85	130	22	1.1	1	74.5	95.5	5,400	6,300	1.03
NUP1018	90	140	24	1.5	1.1	88	114	5,100	5,900	1.33
NUP1019	95	145	24	1.5	1.1	90.5	120	4,800	5,600	1.4
NUP1020	100	150	24	1.5	1.1	93	126	4,600	5,400	1.45
NUP1021	105	160	26	2	1.1	105	142	4,300	5,100	1.84
NUP1022	110	170	28	2	1.1	131	174	4,100	4,800	2.33
NUP1024	120	180	28	2	1.1	139	191	3,800	4,400	2.44
NUP1026	130	200	33	2	1.1	172	238	3,400	4,000	3.69
NUP1028	140	210	33	2	1.1	176	250	3,200	3,800	4.05
NUP1030	150	225	35	2.1	1.5	202	294	3,000	3,500	4.77

Cylindrical Roller Bearing >> NUP200 Series

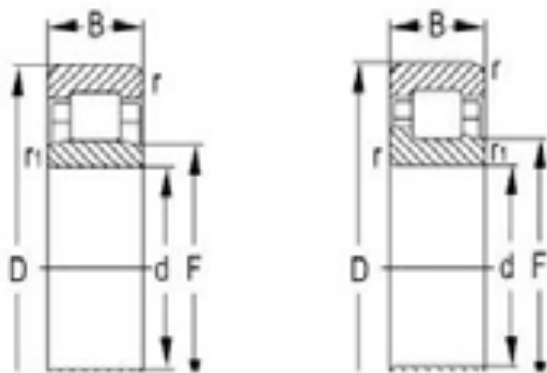
Features

Cylindrical rollers have linear contact with the raceway, and the bearings can carry heavier radial load. Cylindrical bearing applications are found in situations characterized by heavy load and shock load and also high rotation speed. The N type and NU type bearings can be movable along the shaft. They can adapt to the position changes between the shaft and housing caused by the thermal expansion or the mounting error and are most suitable for free end shafts. NJ and NF types can accept certain axial load in one direction, and NH and NUP types can accept certain axial load in two directions. Inner ring and outer ring can be separable, so they are convenient to mount and dismount.

Applications

These bearings are mostly found in middle-sized and large-sized motors, electricity generators, internal combustion engines, gas turbines, machine tool spindles, deceleration devices, unloading and lifting machines and other industrial machines.

Chengdu RX Bearing Manufacturing Co.,Ltd



Bearing No.	Boundary dimensions					Basic load rating(kN)		Limiting speeds		Mass
	mm					Dynamic	Static	rpm		Kg
	d	D	B	r _{s min}	r _{s1 min}	Cr	Cor	Grease	Oil	
NUP204E	20	47	14	1	0.6	25.7	22.6	15,000	18,000	0.122
NUP205E	25	52	15	1	0.6	29.3	27.7	13,000	15,000	0.151
NUP206E	30	62	16	1	0.6	39	37.5	11,000	13,000	0.226
NUP207E	35	72	17	1.1	0.6	50.5	50	9,500	11,000	0.327
NUP208	40	80	18	1.1	1.1	43.5	43	9,400	11,000	0.378
NUP208E	40	80	18	1.1	1.1	55.5	55.5	8,500	10,000	0.426
NUP209	45	85	19	1.1	1.1	46	47	8,400	9,900	0.432
NUP209E	45	85	19	1.1	1.1	63	66.5	7,600	9,000	0.495
NUP210	50	90	20	1.1	1.1	48	51	7,600	9,000	0.47
NUP210E	50	90	20	1.1	1.1	66	72	6,900	8,100	0.54
NUP211	55	100	21	1.5	1.1	58	62.5	6,900	8,200	0.638
NUP211E	55	100	21	1.5	1.1	82.5	93	6,300	7,400	0.718
NUP212	60	110	22	1.5	1.5	68.5	75	6,400	7,600	0.818
NUP212E	60	110	22	1.5	1.5	97.5	107	5,800	6,800	0.923
NUP213	65	120	23	1.5	1.5	84	94.5	5,900	7,000	1.02
NUP213E	65	120	23	1.5	1.5	108	119	5,400	6,300	1.21
NUP214	70	125	24	1.5	1.5	83.5	95	5,500	6,500	1.12
NUP214E	70	125	24	1.5	1.5	119	137	5,000	5,900	1.3
NUP215	75	130	25	1.5	1.5	96.5	111	5,100	6,000	1.23
NUP215E	75	130	25	1.5	1.5	130	156	4,700	5,500	1.41
NUP216	80	140	26	2	2	106	122	4,800	5,700	1.5
NUP216E	80	140	26	2	2	139	167	4,400	5,100	1.67
NUP217	85	150	28	2	2	120	140	4,500	5,300	1.87
NUP217E	85	150	28	2	2	167	199	4,100	4,800	2.11
NUP218	90	160	30	2	2	152	178	4,300	5,000	2.3
NUP218E	90	160	30	2	2	182	217	3,900	4,600	2.44

Chengdu RX Bearing Manufacturing Co.,Ltd

NUP219	95	170	32	2.1	2.1	166	195	4,000	4,700	2.78
NUP219E	95	170	32	2.1	2.1	220	265	3,600	4,300	3.02
NUP220	100	180	34	2.1	2.1	183	217	3,800	4,500	3.33
NUP220E	100	180	34	2.1	2.1	249	305	3,500	4,100	3.66
NUP221	105	190	36	2.1	2.1	201	241	3,600	4,300	3.95
NUP222	110	200	38	2.1	2.1	240	290	3,400	4,000	4.63
NUP222E	110	200	38	2.1	2.1	293	365	3,100	3,700	4.27
NUP224	120	215	40	2.1	2.1	260	320	3,200	3,700	5.57
NUP224E	120	215	40	2.1	2.1	335	420	2,900	3,400	5.97
NUP226	130	230	40	3	3	270	340	2,900	3,400	6.3
NUP226E	130	230	40	3	3	365	455	2,600	3,100	6.9
NUP228	140	250	42	3	3	310	400	2,700	3,100	7.88
NUP228E	140	250	42	3	3	395	515	2,400	2,800	8.73
NUP230	150	270	45	3	3	345	435	2,500	2,900	9.92
NUP230E	150	270	45	3	3	450	595	2,200	2,600	11

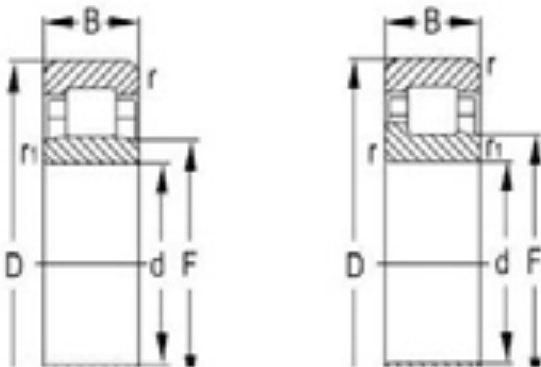
Cylindrical Roller Bearing >> NUP2200 Series

Features

Cylindrical rollers have linear contact with the raceway, and the bearings can carry heavier radial load. Cylindrical bearing applications are found in situations characterized by heavy load and shock load and also high rotation speed. The N type and NU type bearings can be movable along the shaft. They can adapt to the position changes between the shaft and housing caused by the thermal expansion or the mounting error and are most suitable for free end shafts. NJ and NF types can accept certain axial load in one direction, and NH and NUP types can accept certain axial load in two directions. Inner ring and outer ring can be separable, so they are convenient to mount and dismount.

Applications

These bearings are mostly found in middle-sized and large-sized motors, electricity generators, internal combustion engines, gas turbines, machine tool spindles, deceleration devices, unloading and lifting machines and other industrial machines.



Chengdu RX Bearing Manufacturing Co.,Ltd

Bearing No.	Boundary dimensions					Basic load rating(kN)		Limiting speeds		Mass
	mm					Dynamic	Static	rpm		Kg
	d	D	B	r _{s min}	r _{s1 min}	Cr	Cor	Grease	Oil	
NUP2204E	20	47	18	1	0.6	30.5	28.3	14,000	16,000	0.158
NUP2205E	25	52	18	1	0.6	35	34.5	11,000	13,000	0.186
NUP2206E	30	62	20	1	0.6	49	50	9,700	11,000	0.297
NUP2207E	35	72	23	1.1	0.6	61.5	65.5	8,500	10,000	0.455
NUP2208	40	80	23	1.1	1.1	58	62	8,500	10,000	0.49
NUP2208E	40	80	23	1.1	1.1	72.5	77.5	7,600	8,900	0.552
NUP2209	45	85	23	1.1	1.1	61.5	68	7,600	9,000	0.53
NUP2209E	45	85	23	1.1	1.1	76	84.5	6,800	8,000	0.6
NUP2210	50	90	23	1.1	1.1	64	73.5	6,900	8,100	0.571
NUP2210E	50	90	23	1.1	1.1	79.5	91.5	6,200	7,300	0.652
NUP2211	55	100	25	1.5	1.1	75.5	87	6,300	7,400	0.773
NUP2211E	55	100	25	1.5	1.1	97	114	5,600	6,600	0.968
NUP2212	60	110	28	1.5	1.5	96	116	5,800	6,800	1.06
NUP2212E	60	110	28	1.5	1.5	131	157	5,200	6,100	1.21
NUP2213	65	120	31	1.5	1.5	120	149	5,400	6,300	1.4
NUP2213E	65	120	31	1.5	1.5	149	181	4,800	5,600	1.6
NUP2214	70	125	31	1.5	1.5	119	151	5,000	5,900	1.47
NUP2214E	70	125	31	1.5	1.5	156	194	4,500	5,200	1.7
NUP2215	75	130	31	1.5	1.5	130	162	4,700	5,500	1.55
NUP2215E	75	130	31	1.5	1.5	162	207	4,200	4,900	1.79
NUP2216	80	140	33	2	2	147	186	4,400	5,100	1.93
NUP2216E	80	140	33	2	2	186	243	3,900	4,600	2.12
NUP2217	85	150	36	2	2	170	218	4,100	4,800	2.44
NUP2217E	85	150	36	2	2	217	279	3,700	4,300	2.68
NUP2218	90	160	40	2	2	197	248	3,900	4,600	3.1
NUP2218E	90	160	40	2	2	242	315	3,500	4,100	3.33
NUP2219	95	170	43	2.1	2.1	230	298	3,600	4,300	3.79
NUP2219E	95	170	43	2.1	2.1	286	370	3,300	3,800	4.14
NUP2220	100	180	46	2.1	2.1	258	340	3,500	4,100	4.57
NUP2220E	100	180	46	2.1	2.1	335	445	3,100	3,600	5.01
NUP2222	110	200	53	2.1	2.1	320	415	3,100	3,700	6.56
NUP2222E	110	200	53	2.1	2.1	385	515	2,800	3,300	7.4
NUP2224	120	215	58	2.1	2.1	350	460	2,900	3,400	8.19
NUP2224E	120	215	58	2.1	2.1	450	620	2,600	3,000	9.18
NUP2226	130	230	64	3	3	380	530	2,600	3,100	10.2
NUP2226E	130	230	64	3	3	530	735	2,300	2,700	11.8

Chengdu RX Bearing Manufacturing Co.,Ltd

NUP2228	140	250	68	3	3	445	635	2,400	2,800	12.9
NUP2228E	140	250	68	3	3	575	835	2,100	2,500	15.8
NUP2230	150	270	73	3	3	500	710	2,200	2,600	16.3
NUP2230E	150	270	73	3	3	660	980	2,000	2,400	19.7

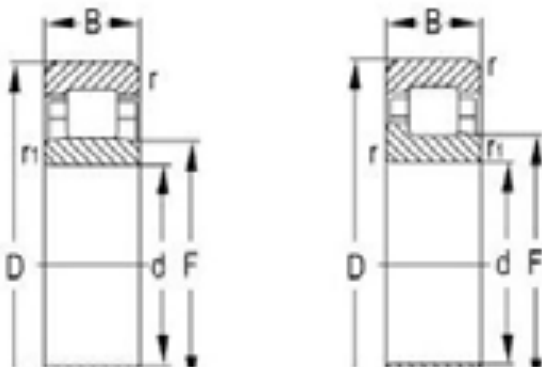
Cylindrical Roller Bearing >> NUP300 Series

Features

Cylindrical rollers have linear contact with the raceway, and the bearings can carry heavier radial load. Cylindrical bearing applications are found in situations characterized by heavy load and shock load and also high rotation speed. The N type and NU type bearings can be movable along the shaft. They can adapt to the position changes between the shaft and housing caused by the thermal expansion or the mounting error and are most suitable for free end shafts. NJ and NF types can accept certain axial load in one direction, and NH and NUP types can accept certain axial load in two directions. Inner ring and outer ring can be separable, so they are convenient to mount and dismount.

Applications

These bearings are mostly found in middle-sized and large-sized motors, electricity generators, internal combustion engines, gas turbines, machine tool spindles, deceleration devices, unloading and lifting machines and other industrial machines.



Bearing No.	Boundary dimensions					Basic load rating(kN)		Limiting speeds		Mass
	mm					Dynamic	Static	rpm		Kg
	d	D	B	r _{s min}	r _{s1 min}	Cr	Cor	Grease	Oil	
NUP304E	20	52	15	1.1	0.6	31.5	26.9	13,000	15,000	0.176
NUP305E	25	62	17	1.1	1.1	41.5	37.5	11,000	13,000	0.275
NUP306E	30	72	19	1.1	1.1	53	50	9,300	11,000	0.398
NUP307E	35	80	21	1.5	1.1	71	71	8,100	9,600	0.545
NUP308	40	90	23	1.5	1.5	58.5	57	8,000	9,400	0.658
NUP308E	40	90	23	1.5	1.5	83	81.5	7,200	8,500	0.754
NUP309	45	100	25	1.5	1.5	74	71	7,200	8,400	0.877

Chengdu RX Bearing Manufacturing Co.,Ltd

NUP309E	45	100	25	1.5	1.5	97.5	98.5	6,500	7,600	0.996
NUP310	50	110	27	2	2	87	86	6,500	7,700	1.14
NUP310E	50	110	27	2	2	110	113	5,900	6,900	1.3
NUP311	55	120	29	2	2	111	111	5,900	7,000	1.45
NUP311E	55	120	29	2	2	137	143	5,300	6,300	1.65
NUP312	60	130	31	2.1	2.1	124	126	5,500	6,500	1.8
NUP312E	60	130	31	2.1	2.1	150	157	4,900	5,800	2.05
NUP313	65	140	33	2.1	2.1	135	139	5,100	6,000	2.23
NUP313E	65	140	33	2.1	2.1	181	191	4,600	5,400	2.54
NUP314	70	150	35	2.1	2.1	158	168	4,700	5,500	2.71
NUP314E	70	150	35	2.1	2.1	205	222	4,200	5,000	3.1
NUP315	75	160	37	2.1	2.1	190	205	4,400	5,200	3.28
NUP315E	75	160	37	2.1	2.1	240	263	4,000	4,700	3.74
NUP316	80	170	39	2.1	2.1	190	207	4,100	4,800	3.86
NUP316E	80	170	39	2.1	2.1	256	282	3,700	4,400	4.22
NUP317	85	180	41	3	3	212	228	3,900	4,600	4.54
NUP317E	85	180	41	3	3	291	330	3,500	4,100	4.81
NUP318	90	190	43	3	3	240	265	3,700	4,300	5.3
NUP318E	90	190	43	3	3	315	355	3,300	3,900	5.72
NUP319	95	200	45	3	3	259	285	3,400	4,000	6.13
NUP319E	95	200	45	3	3	335	385	3,100	3,600	6.62
NUP320	100	215	47	3	3	299	335	3,300	3,800	7.49
NUP320E	100	215	47	3	3	380	425	2,900	3,500	8.57
NUP321	105	225	49	3	3	320	360	3,100	3,700	8.53
NUP322	110	240	50	3	3	360	400	3,000	3,500	10
NUP322E	110	240	50	3	3	450	525	2,700	3,100	11.1
NUP324	120	260	55	3	3	450	510	2,700	3,200	12.8
NUP324E	120	260	55	3	3	530	610	2,400	2,800	13.9
NUP326	130	280	58	4	4	560	665	2,500	2,900	17.4
NUP326E	130	280	58	4	4	615	735	2,200	2,600	19.4
NUP328	140	300	62	4	4	615	745	2,300	2,700	21.2
NUP328E	140	300	62	4	4	665	795	2,100	2,400	23.2
NUP330	150	320	65	4	4	665	805	2,100	2,500	25.3
NUP330E	150	320	65	4	4	760	920	1,900	2,300	28.4

Cylindrical Roller Bearing >> NUP2300 Series

Features

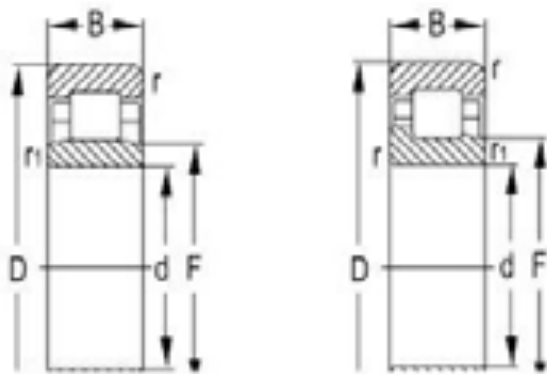
Cylindrical rollers have linear contact with the raceway, and the bearings can carry heavier radial load. Cylindrical bearing applications are found in situations characterized by heavy load and shock load and also high rotation speed. The N

Chengdu RX Bearing Manufacturing Co.,Ltd

type and NU type bearings can be movable along the shaft. They can adapt to the position changes between the shaft and housing caused by the thermal expansion or the mounting error and are most suitable for free end shafts. NJ and NF types can accept certain axial load in one direction, and NH and NUP types can accept certain axial load in two directions. Inner ring and outer ring can be separable, so they are convenient to mount and dismount.

Applications

These bearings are mostly found in middle-sized and large-sized motors, electricity generators, internal combustion engines, gas turbines, machine tool spindles, deceleration devices, unloading and lifting machines and other industrial machines.



Bearing No.	Boundary dimensions					Basic load rating(kN)		Limiting speeds		Mass
	mm					Dynamic	Static	rpm		Kg
	d	D	B	r _{s min}	r _{s1 min}	Cr	Cor	Grease	Oil	
NUP2304E	20	52	21	1.1	0.6	42	39	12,000	14,000	0.242
NUP2305E	25	62	24	1.1	1.1	57	56	9,700	11,000	0.386
NUP2306E	30	72	27	1.1	1.1	74.5	77.5	8,300	9,700	0.58
NUP2307E	35	80	31	1.5	1.1	99	109	7,200	8,500	0.78
NUP2308	40	90	33	1.5	1.5	82.5	88	7,000	8,200	0.951
NUP2308E	40	90	33	1.5	1.5	114	122	6,400	7,500	1.06
NUP2309	45	100	36	1.5	1.5	99	104	6,300	7,400	1.27
NUP2309E	45	100	36	1.5	1.5	137	153	5,700	6,800	1.41
NUP2310	50	110	40	2	2	121	131	5,700	6,700	1.7
NUP2310E	50	110	40	2	2	163	187	5,200	6,100	1.9
NUP2311	55	120	43	2	2	148	162	5,200	6,100	2.17
NUP2311E	55	120	43	2	2	201	233	4,700	5,600	2.37
NUP2312	60	130	46	2.1	2.1	169	188	4,800	5,700	2.71
NUP2312E	60	130	46	2.1	2.1	222	262	4,400	5,200	2.96
NUP2313	65	140	48	2.1	2.1	188	212	4,400	5,200	3.27
NUP2313E	65	140	48	2.1	2.1	248	287	4,100	4,800	3.48

Chengdu RX Bearing Manufacturing Co.,Ltd

NUP2314	70	150	51	2.1	2.1	223	262	4,100	4,800	3.98
NUP2314E	70	150	51	2.1	2.1	274	325	3,800	4,400	4.25
NUP2315	75	160	55	2.1	2.1	258	300	3,800	4,500	4.87
NUP2315E	75	160	55	2.1	2.1	330	395	3,500	4,100	5.25
NUP2316	80	170	58	2.1	2.1	274	330	3,600	4,200	5.79
NUP2316E	80	170	58	2.1	2.1	355	430	3,300	3,900	6.25
NUP2317	85	180	60	3	3	315	380	3,400	4,000	6.7
NUP2317E	85	180	60	3	3	395	485	3,100	3,700	7.16
NUP2318	90	190	64	3	3	325	395	3,200	3,800	7.95
NUP2318E	90	190	64	3	3	435	535	2,900	3,400	8.56
NUP2319	95	200	67	3	3	370	460	3,000	3,500	9.2
NUP2319E	95	200	67	3	3	460	585	2,700	3,200	9.8
NUP2320	100	215	73	3	3	410	505	2,900	3,400	11.7
NUP2320E	100	215	73	3	3	570	715	2,600	3,100	12.8
NUP2322	110	240	80	3	3	605	790	2,600	3,100	17.1
NUP2322E	110	240	80	3	3	675	880	2,400	2,800	19.4
NUP2324	120	260	86	3	3	710	920	2,400	2,800	21.5
NUP2324E	120	260	86	3	3	795	1,030	2,200	2,500	26.1
NUP2326	130	280	93	4	4	840	1,130	2,200	2,600	26.9
NUP2326E	130	280	93	4	4	920	1,230	2,000	2,300	30.9
NUP2328	140	300	102	4	4	920	1,250	2,000	2,300	33.8
NUP2328E	140	300	102	4	4	1,020	1,380	1,800	2,100	38.7
NUP2330	150	320	108	4	4	1,020	1,400	1,900	2,200	40.6
NUP2330E	150	320	108	4	4	1,160	1,600	1,700	2,000	47.2

Cylindrical Roller Bearing >> N1000 Series

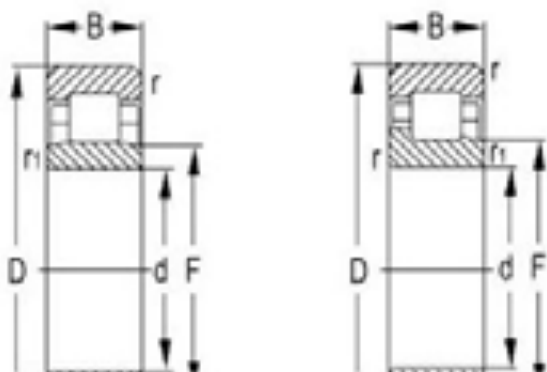
Features

Cylindrical rollers have linear contact with the raceway, and the bearings can carry heavier radial load. Cylindrical bearing applications are found in situations characterized by heavy load and shock load and also high rotation speed. The N type and NU type bearings can be movable along the shaft. They can adapt to the position changes between the shaft and housing caused by the thermal expansion or the mounting error and are most suitable for free end shafts. NJ and NF types can accept certain axial load in one direction, and NH and NUP types can accept certain axial load in two directions. Inner ring and outer ring can be separable, so they are convenient to mount and dismount.

Applications

These bearings are mostly found in middle-sized and large-sized motors, electricity generators, internal combustion engines, gas turbines, machine tool spindles, deceleration devices, unloading and lifting machines and other industrial machines.

Chengdu RX Bearing Manufacturing Co.,Ltd



Bearing No.	Boundary dimensions					Basic load rating(kN)		Limiting speeds		Mass
	mm					Dynamic	Static	rpm		Kg
	d	D	B	r _{s min}	r _{s1 min}	Cr	Cor	Grease	Oil	
N1005	25	47	12	0.6	0.3	15.1	14.1	16,000	19,000	0.091
N1006	30	55	13	1	0.6	19.7	19.6	14,000	16,000	0.128
N1007	35	62	14	1	0.6	22.6	23.2	12,000	15,000	0.176
N1008	40	68	15	1	0.6	27.3	29	11,000	13,000	0.217
N1009	45	75	16	1	0.6	31	34	9,900	12,000	0.276
N1010	50	80	16	1	0.6	32	36	8,900	11,000	0.291
N1011	55	90	18	1.1	1	37.5	44	8,200	9,700	0.435
N1012	60	95	18	1.1	1	40	48.5	7,500	8,800	0.467
N1013	65	100	18	1.1	1	41	51	7,000	8,200	0.477
N1014	70	110	20	1.1	1	58.5	70.5	6,500	7,600	0.689
N1015	75	115	20	1.1	1	60	74.5	6,100	7,100	0.727
N1016	80	125	22	1.1	1	72.5	90.5	5,700	6,700	0.965
N1017	85	130	22	1.1	1	74.5	95.5	5,400	6,300	1.01
N1018	90	140	24	1.5	1.1	88	114	5,100	5,900	1.31
N1019	95	145	24	1.5	1.1	90.5	120	4,800	5,600	1.38
N1020	100	150	24	1.5	1.1	93	126	4,600	5,400	1.43
N1021	105	160	26	2	1.1	105	142	4,300	5,100	1.81
N1022	110	170	28	2	1.1	131	174	4,100	4,800	2.3
N1024	120	180	28	2	1.1	139	191	3,800	4,400	2.4
N1026	130	200	33	2	1.1	172	238	3,400	4,000	3.63
N1028	140	210	33	2	1.1	176	250	3,200	3,800	3.98
N1030	150	225	35	2.1	1.5	202	294	3,000	3,500	4.7

Cylindrical Roller Bearing >> N200 Series

Features

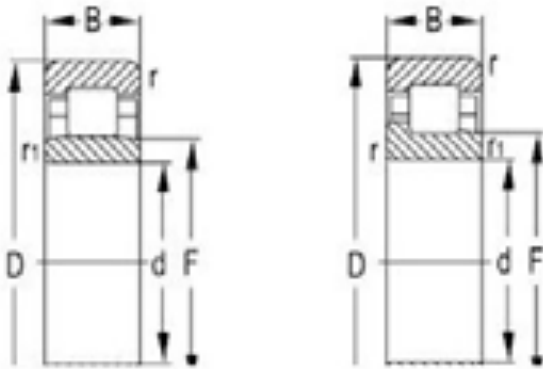
Cylindrical rollers have linear contact with the raceway, and the bearings can carry

Chengdu RX Bearing Manufacturing Co.,Ltd

heavier radial load. Cylindrical bearing applications are found in situations characterized by heavy load and shock load and also high rotation speed. The N type and NU type bearings can be movable along the shaft. They can adapt to the position changes between the shaft and housing caused by the thermal expansion or the mounting error and are most suitable for free end shafts. NJ and NF types can accept certain axial load in one direction, and NH and NUP types can accept certain axial load in two directions. Inner ring and outer ring can be separable, so they are convenient to mount and dismount.

Applications

These bearings are mostly found in middle-sized and large-sized motors, electricity generators, internal combustion engines, gas turbines, machine tool spindles, deceleration devices, unloading and lifting machines and other industrial machines.



Bearing No.	Boundary dimensions					Basic load rating(kN)		Limiting speeds		Mass
	mm					Dynamic	Static	rpm		Kg
	d	D	B	$r_{s \text{ min}}$	$r_{s1 \text{ min}}$	Cr	Cor	Grease	Oil	
N208	40	80	18	1.1	1.1	43.5	43	9,400	11,000	0.37
N209	45	85	19	1.1	1.1	46	47	8,400	9,900	0.423
N210	50	90	20	1.1	1.1	48	51	7,600	9,000	0.46
N211	55	100	21	1.5	1.1	58	62.5	6,900	8,200	0.626
N212	60	110	22	1.5	1.5	68.5	75	6,400	7,600	0.802
N213	65	120	23	1.5	1.5	84	94.5	5,900	7,000	1
N214	70	125	24	1.5	1.5	83.5	95	5,500	6,500	1.1
N215	75	130	25	1.5	1.5	96.5	111	5,100	6,000	1.21
N216	80	140	26	2	2	106	122	4,800	5,700	1.47
N217	85	150	28	2	2	120	140	4,500	5,300	1.83
N218	90	160	30	2	2	152	178	4,300	5,000	2.25
N219	95	170	32	2.1	2.1	166	195	4,000	4,700	2.72
N220	100	180	34	2.1	2.1	183	217	3,800	4,500	3.26
N221	105	190	36	2.1	2.1	201	241	3,600	4,300	3.87

Chengdu RX Bearing Manufacturing Co.,Ltd

N222	110	200	38	2.1	2.1	240	290	3,400	4,000	4.54
N224	120	215	40	2.1	2.1	260	320	3,200	3,700	5.46
N226	130	230	40	3	3	270	340	2,900	3,400	6.17
N228	140	250	42	3	3	310	400	2,700	3,100	7.72
N230	150	270	45	3	3	345	435	2,500	2,900	9.72

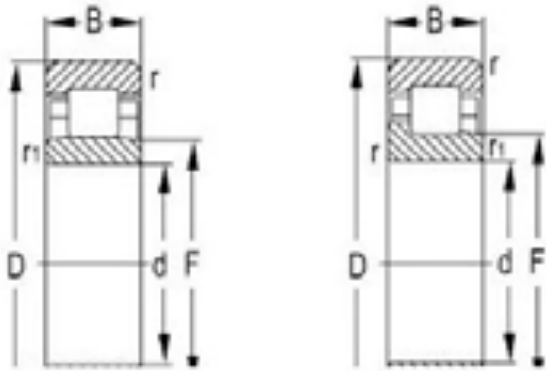
Cylindrical Roller Bearing >> N2200 Series

Features

Cylindrical rollers have linear contact with the raceway, and the bearings can carry heavier radial load. Cylindrical bearing applications are found in situations characterized by heavy load and shock load and also high rotation speed. The N type and NU type bearings can be movable along the shaft. They can adapt to the position changes between the shaft and housing caused by the thermal expansion or the mounting error and are most suitable for free end shafts. NJ and NF types can accept certain axial load in one direction, and NH and NUP types can accept certain axial load in two directions. Inner ring and outer ring can be separable, so they are convenient to mount and dismount.

Applications

These bearings are mostly found in middle-sized and large-sized motors, electricity generators, internal combustion engines, gas turbines, machine tool spindles, deceleration devices, unloading and lifting machines and other industrial machines.



Bearing No.	Boundary dimensions					Basic load rating(kN)		Limiting speeds		Mass
	mm					Dynamic	Static	rpm		Kg
	d	D	B	$r_{s \min}$	$r_{s1 \min}$	Cr	Cor	Grease	Oil	
N2208	40	80	23	1.1	1.1	58	62	8,500	10,000	0.48
N2209	45	85	23	1.1	1.1	61.5	68	7,600	9,000	0.52
N2210	50	90	23	1.1	1.1	64	73.5	6,900	8,100	0.56
N2211	55	100	25	1.5	1.1	75.5	87	6,300	7,400	0.758
N2212	60	110	28	1.5	1.5	96	116	5,800	6,800	1.04
N2213	65	120	31	1.5	1.5	120	149	5,400	6,300	1.37

Chengdu RX Bearing Manufacturing Co.,Ltd

N2214	70	125	31	1.5	1.5	119	151	5,000	5,900	1.44
N2215	75	130	31	1.5	1.5	130	162	4,700	5,500	1.52
N2216	80	140	33	2	2	147	186	4,400	5,100	1.89
N2217	85	150	36	2	2	170	218	4,100	4,800	2.39
N2218	90	160	40	2	2	197	248	3,900	4,600	3.04
N2219	95	170	43	2.1	2.1	230	298	3,600	4,300	3.71
N2220	100	180	46	2.1	2.1	258	340	3,500	4,100	4.48
N2222	110	200	53	2.1	2.1	320	415	3,100	3,700	6.43
N2224	120	215	58	2.1	2.1	350	460	2,900	3,400	8.03
N2226	130	230	64	3	3	380	530	2,600	3,100	10
N2228	140	250	68	3	3	445	635	2,400	2,800	12.6
N2230	150	270	73	3	3	500	710	2,200	2,600	16

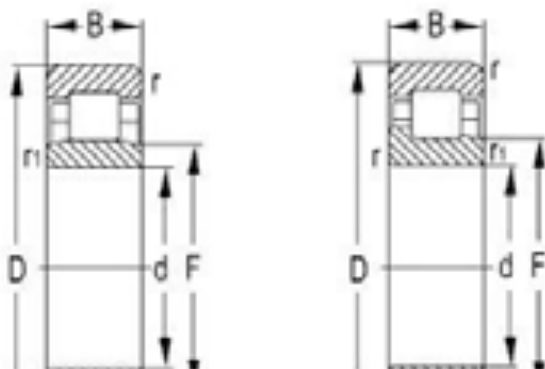
Cylindrical Roller Bearing >> N300 Series

Features

Cylindrical rollers have linear contact with the raceway, and the bearings can carry heavier radial load. Cylindrical bearing applications are found in situations characterized by heavy load and shock load and also high rotation speed. The N type and NU type bearings can be movable along the shaft. They can adapt to the position changes between the shaft and housing caused by the thermal expansion or the mounting error and are most suitable for free end shafts. NJ and NF types can accept certain axial load in one direction, and NH and NUP types can accept certain axial load in two directions. Inner ring and outer ring can be separable, so they are convenient to mount and dismount.

Applications

These bearings are mostly found in middle-sized and large-sized motors, electricity generators, internal combustion engines, gas turbines, machine tool spindles, deceleration devices, unloading and lifting machines and other industrial machines.



Bearing No.	Boundary dimensions		Basic load rating(kN)		Limiting speeds	Mass
	mm		Dynamic	Static	rpm	Kg

Chengdu RX Bearing Manufacturing Co.,Ltd

	d	D	B	r _{s min}	r _{s1 min}	Cr	Cor	Grease	Oil	
N308	40	90	23	1.5	1.5	58.5	57	8,000	9,400	0.643
N309	45	100	25	1.5	1.5	74	71	7,200	8,400	0.857
N310	50	110	27	2	2	87	86	6,500	7,700	1.11
N311	55	120	29	2	2	111	111	5,900	7,000	1.42
N312	60	130	31	2.1	2.1	124	126	5,500	6,500	1.76
N313	65	140	33	2.1	2.1	135	139	5,100	6,000	2.18
N314	70	150	35	2.1	2.1	158	168	4,700	5,500	2.65
N315	75	160	37	2.1	2.1	190	205	4,400	5,200	3.21
N316	80	170	39	2.1	2.1	190	207	4,100	4,800	3.77
N317	85	180	41	3	3	212	228	3,900	4,600	4.44
N318	90	190	43	3	3	240	265	3,700	4,300	5.18
N319	95	200	45	3	3	259	285	3,400	4,000	5.99
N320	100	215	47	3	3	299	335	3,300	3,800	7.32
N321	105	225	49	3	3	320	360	3,100	3,700	8.33
N322	110	240	50	3	3	360	400	3,000	3,500	9.77
N324	120	260	55	3	3	450	510	2,700	3,200	12.5
N326	130	280	58	4	4	560	665	2,500	2,900	17
N328	140	300	62	4	4	615	745	2,300	2,700	20.7
N330	150	320	65	4	4	665	805	2,100	2,500	24.7

Cylindrical Roller Bearing >> N2300 Series

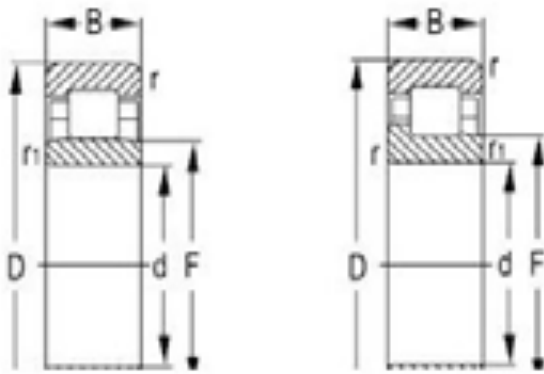
Features

Cylindrical rollers have linear contact with the raceway, and the bearings can carry heavier radial load. Cylindrical bearing applications are found in situations characterized by heavy load and shock load and also high rotation speed. The N type and NU type bearings can be movable along the shaft. They can adapt to the position changes between the shaft and housing caused by the thermal expansion or the mounting error and are most suitable for free end shafts. NJ and NF types can accept certain axial load in one direction, and NH and NUP types can accept certain axial load in two directions. Inner ring and outer ring can be separable, so they are convenient to mount and dismount.

Applications

These bearings are mostly found in middle-sized and large-sized motors, electricity generators, internal combustion engines, gas turbines, machine tool spindles, deceleration devices, unloading and lifting machines and other industrial machines.

Chengdu RX Bearing Manufacturing Co.,Ltd



Bearing No.	Boundary dimensions					Basic load rating(kN)		Limiting speeds		Mass
	mm					Dynamic	Static	rpm		Kg
	d	D	B	r _{s min}	r _{s1 min}	Cr	Cor	Grease	Oil	
N2308	40	90	33	1.5	1.5	82.5	88	7,000	8,200	0.932
N2309	45	100	36	1.5	1.5	99	104	6,300	7,400	1.24
N2310	50	110	40	2	2	121	131	5,700	6,700	1.67
N2311	55	120	43	2	2	148	162	5,200	6,100	2.13
N2312	60	130	46	2.1	2.1	169	188	4,800	5,700	2.66
N2313	65	140	48	2.1	2.1	188	212	4,400	5,200	3.2
N2314	70	150	51	2.1	2.1	223	262	4,100	4,800	3.9
N2315	75	160	55	2.1	2.1	258	300	3,800	4,500	4.77
N2316	80	170	58	2.1	2.1	274	330	3,600	4,200	5.67
N2317	85	180	60	3	3	315	380	3,400	4,000	6.57
N2318	90	190	64	3	3	325	395	3,200	3,800	7.79
N2319	95	200	67	3	3	370	460	3,000	3,500	9.02
N2320	100	215	73	3	3	410	505	2,900	3,400	11.5
N2322	110	240	80	3	3	605	790	2,600	3,100	16.8
N2324	120	260	86	3	3	710	920	2,400	2,800	21.1
N2326	130	280	93	4	4	840	1,130	2,200	2,600	26.4
N2328	140	300	102	4	4	920	1,250	2,000	2,300	33.1
N2330	150	320	108	4	4	1,020	1,400	1,900	2,200	39.8

Cylindrical Roller Bearing >> NF200 Series

Features

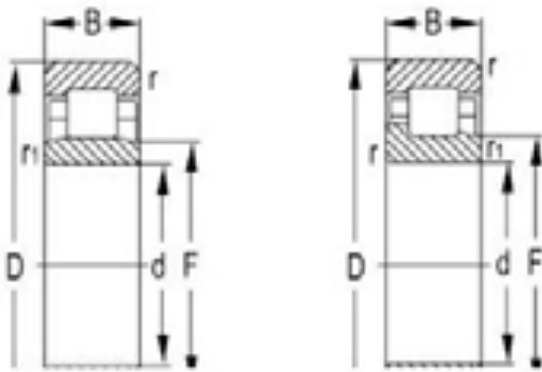
Cylindrical rollers have linear contact with the raceway, and the bearings can carry heavier radial load. Cylindrical bearing applications are found in situations characterized by heavy load and shock load and also high rotation speed. The N type and NU type bearings can be movable along the shaft. They can adapt to the position changes between the shaft and housing caused by the thermal expansion

Chengdu RX Bearing Manufacturing Co.,Ltd

or the mounting error and are most suitable for free end shafts. NJ and NF types can accept certain axial load in one direction, and NH and NUP types can accept certain axial load in two directions. Inner ring and outer ring can be separable, so they are convenient to mount and dismount.

Applications

These bearings are mostly found in middle-sized and large-sized motors, electricity generators, internal combustion engines, gas turbines, machine tool spindles, deceleration devices, unloading and lifting machines and other industrial machines.



Bearing No.	Boundary dimensions					Basic load rating(kN)		Limiting speeds		Mass
	mm					Dynamic	Static	rpm		Kg
	d	D	B	r _{s min}	r _{s1 min}	Cr	Cor	Grease	Oil	
NF204E	20	47	14	1	0.6	17	14	17,000	20,000	0.109
NF205E	25	52	15	1	0.6	28	27	11,000	14,000	0.148
NF206E	30	62	16	1	0.6	36	36	8,500	11,000	0.22
NF207E	35	72	17	1.1	0.6	47	48	7,500	9,500	0.344
NF208E	40	80	18	1.1	1.1	52	53	7,000	9,000	0.39
NF209E	45	85	19	1.1	1.1	59	64	6,300	8,000	0.52
NF210E	50	90	20	1.1	1.1	61	69	6,000	7,500	0.56
NF211E	55	100	21	1.5	1.1	80	96	5,300	6,700	0.62
NF212E	60	110	22	1.5	1.5	90	102	5,000	6,300	0.84
NF213E	65	120	23	1.5	1.5	102	118	4,500	5,600	1.05
NF214E	70	125	24	1.5	1.5	112	135	4,300	5,300	1.29
NF215E	75	130	25	1.5	1.5	125	155	4,000	5,000	1.45
NF216E	80	140	26	2	2	132	165	3,800	4,800	1.74
NF217E	85	150	28	2	2	158	192	3,600	4,500	2.08
NF218E	90	160	30	2	2	170	203	3,400	4,300	2.5
NF219E	95	170	32	2.1	2.1	192	214	3,200	4,000	2.8
NF220E	100	180	34	2.1	2.1	208	226	3,000	3,800	3.14
NF221E	105	190	36	2.1	2.1	224	238	2,800	3,600	4
NF222E	110	200	38	2.1	2.1	239	342	2,600	3,400	5.11
NF224E	120	215	40	2.1	2.1	247	249	2,200	3,000	6.32

Chengdu RX Bearing Manufacturing Co.,Ltd

NF226E	130	230	40	2.1	2.1	358	372	2,000	2,800	7.38
NF228E	140	250	42	2.4	2.4	302	415	1,800	2,400	9.01

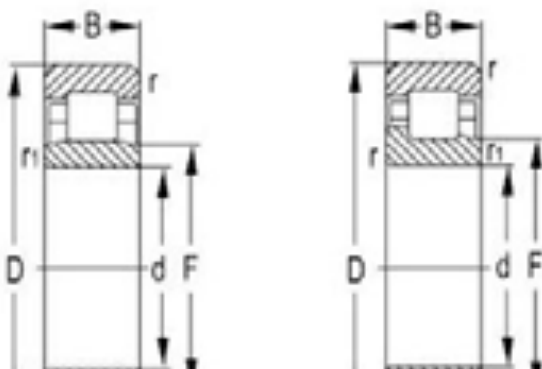
Cylindrical Roller Bearing >> NF2200 Series

Features

Cylindrical rollers have linear contact with the raceway, and the bearings can carry heavier radial load. Cylindrical bearing applications are found in situations characterized by heavy load and shock load and also high rotation speed. The N type and NU type bearings can be movable along the shaft. They can adapt to the position changes between the shaft and housing caused by the thermal expansion or the mounting error and are most suitable for free end shafts. NJ and NF types can accept certain axial load in one direction, and NH and NUP types can accept certain axial load in two directions. Inner ring and outer ring can be separable, so they are convenient to mount and dismount.

Applications

These bearings are mostly found in middle-sized and large-sized motors, electricity generators, internal combustion engines, gas turbines, machine tool spindles, deceleration devices, unloading and lifting machines and other industrial machines.



Bearing No.	Boundary dimensions					Basic load rating(kN)		Limiting speeds		Mass
	mm					Dynamic	Static	rpm		Kg
	d	D	B	r _{s min}	r _{s1 min}	Cr	Cor	Grease	Oil	
NF2203EM	17	40	16	0.6	0.3	24	22	16000	18000	0.095
NF2204EM	20	47	18	1	0.6	22.2	20.3	15000	18000	0.141
NF2205EM	25	52	18	1	0.6	23.7	22.8	10000	14000	0.168
NF2206EM	30	62	20	1	0.6	23.9	33.1	7500	11000	0.3
NF2207EM	35	72	23	1.1	0.6	49	51.2	6500	9500	0.45
NF2208EM	40	80	23	1.1	1.1	58.3	62	6000	9000	0.49
NF2209EM	45	85	23	1.1	1.1	61.4	67.8	5300	8000	0.54
NF2210EM	50	90	23	1.1	1.1	64.2	73.6	5000	7500	0.65
NF2211EM	55	100	25	1.5	1.1	75.3	87.2	4300	6700	0.77
NF2212EM	60	110	28	1.5	1.5	101	123	4000	6300	1.09

Chengdu RX Bearing Manufacturing Co.,Ltd

NF2213EM	65	120	31	1.5	1.5	120	149	3500	5600	1.55
NF2214EM	70	125	31	1.5	1.5	119	151	3300	5300	1.7
NF2215EM	75	130	31	1.5	1.5	135	172	3000	5000	1.8
NF2216EM	80	140	33	2	2.0	148	186	2800	4800	2.2
NF2217EM	85	150	36	2	2.0	169	218	2600	4500	2.8
NF2218EM	90	160	40	2	2.0	207	265	2400	4300	3.6
NF2219EM	95	170	43	2.1	2.1	230	298	2200	4000	4.3
NF2220EM	100	180	46	2.1	2.1	259	338	2000	3800	5.99
NF2222EM	110	200	53	2.1	2.1	334	442	1600	3400	8.7
NF2224EM	120	215	58	2.1	2.1	367	492	1200	3000	9.55
NF2226EM	130	230	64	3	3.0	395	560	1000	2800	11.9

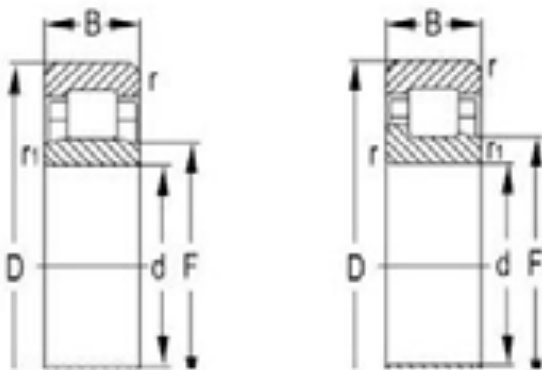
Cylindrical Roller Bearing >> NF300 Series

Features

Cylindrical rollers have linear contact with the raceway, and the bearings can carry heavier radial load. Cylindrical bearing applications are found in situations characterized by heavy load and shock load and also high rotation speed. The N type and NU type bearings can be movable along the shaft. They can adapt to the position changes between the shaft and housing caused by the thermal expansion or the mounting error and are most suitable for free end shafts. NJ and NF types can accept certain axial load in one direction, and NH and NUP types can accept certain axial load in two directions. Inner ring and outer ring can be separable, so they are convenient to mount and dismount.

Applications

These bearings are mostly found in middle-sized and large-sized motors, electricity generators, internal combustion engines, gas turbines, machine tool spindles, deceleration devices, unloading and lifting machines and other industrial machines.



Bearing No.	Boundary dimensions					Basic load rating(kN)		Limiting speeds		Mass
	mm					Dynamic	Static	rpm		Kg
	d	D	B	r _{s min}	r _{s1 min}	Cr	Cor	Grease	Oil	

Chengdu RX Bearing Manufacturing Co.,Ltd

NF303E	17	47	14	1	0.6	24.65	21.16	13000	15000	0.139
NF304E	20	52	15	1.1	0.6	23.1	19.2	14000	17000	0.149
NF305E	25	62	17	1.1	1.1	38.5	35.8	9000	12000	0.24
NF306E	30	72	19	1.1	1.1	49.2	48.2	8000	10000	0.38
NF307E	35	80	21	1.5	1.1	62	63.2	7000	9000	0.54
NF308E	40	90	23	1.5	1.5	76.8	77.8	6300	8000	0.65
NF309E	45	100	25	1.5	1.5	93	98	5600	7000	0.95
NF310E	50	110	27	2	2	105	112	5300	6700	1.2
NF311E	55	120	29	2	2	128	138	4800	6000	1.61
NF312E	60	130	31	2.1	2.1	142	155	4500	5600	1.94
NF313E	65	140	33	2.1	2.1	170	188	4000	5000	2.42
NF314E	70	150	35	2.1	2.1	195	220	3800	4800	2.9
NF315E	75	160	37	2.1	2.1	228	260	3600	4500	3.59
NF316E	80	170	39	2.1	2.1	245	270	3400	4300	3.9
NF317E	85	180	41	3	3	265	280	3200	4000	5.2
NF318E	90	190	43	3	3	290	320	3000	3800	6.17
NF319E	95	200	45	3	3	320	350	2800	3600	6.92
NF320E	100	215	47	3	3	355	380	2600	3200	8.24
NF321E	105	225	49	3	3	390	420	2200	3000	9.9
NF322E	110	240	50	3	3	415	470	2000	2800	11.2
NF324E	120	260	55	3	3	440	552	1900	2600	14.1

Cylindrical Roller Bearing >> RNU Series

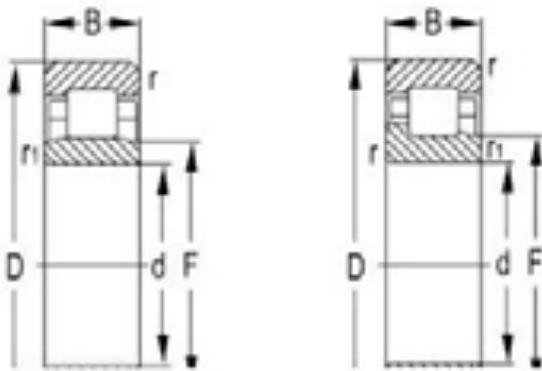
Features

Cylindrical rollers have linear contact with the raceway, and the bearings can carry heavier radial load. Cylindrical bearing applications are found in situations characterized by heavy load and shock load and also high rotation speed. The N type and NU type bearings can be movable along the shaft. They can adapt to the position changes between the shaft and housing caused by the thermal expansion or the mounting error and are most suitable for free end shafts. NJ and NF types can accept certain axial load in one direction, and NH and NUP types can accept certain axial load in two directions. Inner ring and outer ring can be separable, so they are convenient to mount and dismount.

Applications

These bearings are mostly found in middle-sized and large-sized motors, electricity generators, internal combustion engines, gas turbines, machine tool spindles, deceleration devices, unloading and lifting machines and other industrial machines.

Chengdu RX Bearing Manufacturing Co.,Ltd



Bearing No.	Boundary dimensions			Basic load rating(kN)		Limiting speeds		Mass
	mm			Dynamic	Static	rpm		Kg
	Fw	D	B	Cr	Cor	Grease	Oil	
RNU208E	50	80	18	51.5	53	7,000	9,000	0.25
RNU209E	55	85	19	58.5	63.8	6,300	8,000	0.41
RNU210E	60.4	90	20	61.2	68.2	6,000	7,500	0.43
RNU212E	73	110	22	89.8	102	5,000	6,300	0.78
RNU214E	84.5	125	24	112	135	4,300	5,300	0.89
RNU218E	107	160	30	172	215	3,400	4,300	2.07
RNU305E	35	62	17	38.5	35.8	9,000	12,000	0.2
RNU306E	42	72	19	49.2	48.2	8,000	10,000	0.32
RNU307E	46.2	80	21	62	63.2	7,000	9,000	0.4
RNU308E	53.5	90	23	76.8	77.8	6,300	8,000	0.48
RNU309E	58.5	100	25	93	98	5,600	7,000	0.79
RNU310E	65	110	27	105	112	5,300	6,700	1.01
RNU311E	70.5	120	29	128	138	4,800	6,000	1.5

Cylindrical Roller Bearing >> RN Series

Features

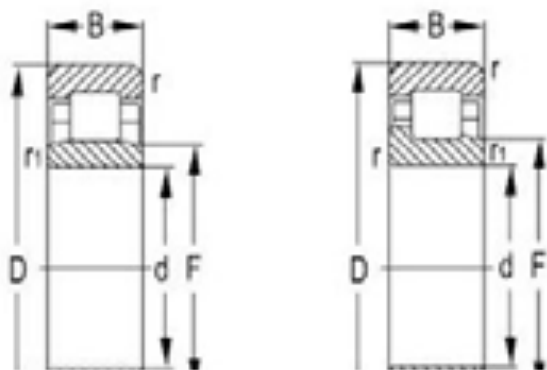
Cylindrical rollers have linear contact with the raceway, and the bearings can carry heavier radial load. Cylindrical bearing applications are found in situations characterized by heavy load and shock load and also high rotation speed. The N type and NU type bearings can be movable along the shaft. They can adapt to the position changes between the shaft and housing caused by the thermal expansion or the mounting error and are most suitable for free end shafts. NJ and NF types can accept certain axial load in one direction, and NH and NUP types can accept certain axial load in two directions. Inner ring and outer ring can be separable, so they are convenient to mount and dismount.

Applications

These bearings are mostly found in middle-sized and large-sized motors, electricity

Chengdu RX Bearing Manufacturing Co.,Ltd

generators, internal combustion engines, gas turbines, machine tool spindles, deceleration devices, unloading and lifting machines and other industrial machines.



Bearing No.	Boundary dimensions			Basic load rating(kN)		Limiting speeds		Mass
	mm			Dynamic	Static	rpm		Kg
	d	Ew	B	Cr	Cor	Grease	Oil	
RN203EM	17	40	12	19.3	17	10,000	11,000	0.08
RN204EM	17	40	14	25.8	24	12,000	16,000	0.08
RN205EM	25	45	15	27.5	26.8	11,000	14,000	0.09
RN206EM	30	53.5	16	36	35.5	8,500	11,000	0.11
RN207EM	35	61.8	17	46.5	48	7,500	9,500	0.2
RN208EM	40	70	18	51.5	53	7,000	9,000	0.27
RN219EM	95	151.5	32	208	262	3,200	4,000	2.18
RN220EM	100	160	34	235	302	3,000	3,800	2.65
RN222EM	110	178.5	38	278	360	2,600	3,400	3.3
RN228EM	140	221	42	302	415	1,800	2,400	5.95
RN307EM	35	68.2	21	62	63.2	7,000	9,000	0.32
RN308EM	40	77.5	23	81	87	6,300	8,000	0.41
RN309EM	45	86.5	25	93	98	5,600	7,000	0.61
RN310EM	50	95	27	105	112	5,300	6,700	0.79
RN312EM	60	113	31	142	155	4,500	5,600	1.11
RN313EM	65	121.5	33	170	188	4,000	5,000	1.57
RN328EM	140	260	62	545	690	1,600	2,000	13.2

Chengdu RX Bearing Manufacturing Co.,Ltd

Spherical roller thrust bearings have a spherical raceway in the housing washer and barrel-shaped rollers obliquely arranged around it. Since the raceway in the housing washer is spherical, these bearings are self-aligning. They have a very high axial load capacity and are capable of taking moderate radial loads when an axial load is applied. Their main use is in applications where the load carrying capacity of thrust ball bearing is inadequate.

29200 Series

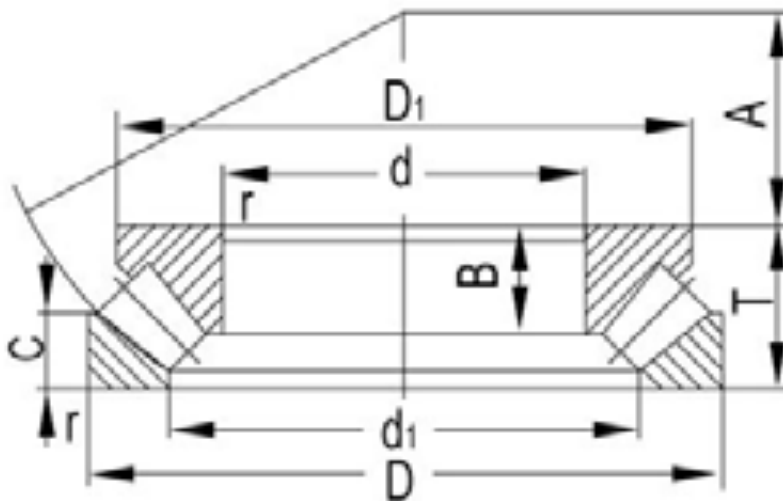
29300 Series

29400 Series

Large Size Series



Spherical Roller Thrust Bearing >> 29200 Series
<p>Features</p> <p>The rollers of these bearings are of spherical shape, and the spherical raceway surface of the housing washer is self-aligned. These bearings are featured by the extremely big axial load carrying capacity and meanwhile they can also carry certain radial load.</p> <p>Cages</p> <p>Pressed steel cages or machined brass cages are usually used.</p>



Bearing No.	Boundary dimensions				Basic load ratings(kN)		Limiting speed	Mass
	mm				Dynamic	Static	rpm	kg
	d	D	B	r _{smin}	Cr	Cor	Oil	
29230	150	215	39	1.5	340	1,340	1,800	4.56
29232	160	225	39	1.5	360	1,460	1,700	4.88
29234	170	240	42	1.5	425	1,770	1,600	6.02
29236	180	250	42	1.5	450	1,920	1,600	6.27
29238	190	270	48	2	530	2,230	1,400	8.8
29240	200	280	48	2	535	2,300	1,400	9.14

Chengdu RX Bearing Manufacturing Co.,Ltd

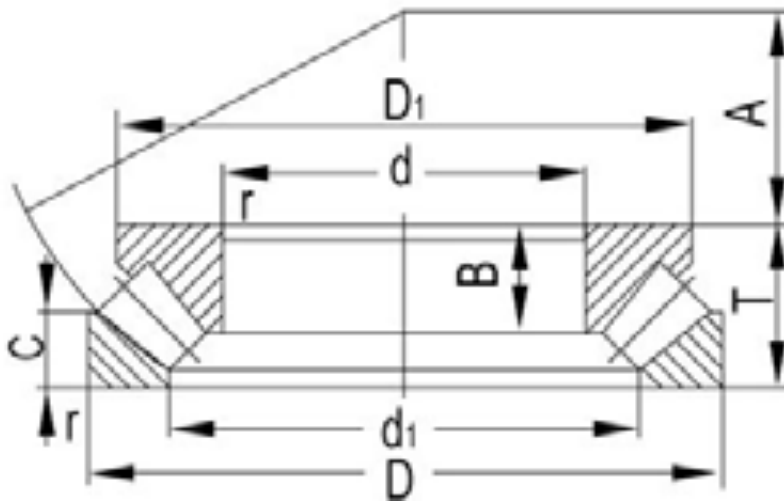
Spherical Roller Thrust Bearing >> 29300 Series

Features

The rollers of these bearings are of spherical shape, and the spherical raceway surface of the housing washer is self-aligned. These bearings are featured by the extremely big axial load carrying capacity and meanwhile they can also carry certain radial load.

Cages

Pressed steel cages or machined brass cages are usually used.



Bearing No.	Boundary dimensions				Basic load ratings(kN)		Limiting speed	Mass
	mm				Dynamic	Static	rpm	kg
	d	D	B	r _{min}	Cr	Cor	Oil	
29317	85	150	39	1.5	265	820	2,300	2.94
29318	90	155	39	1.5	285	915	2,300	3.08
29320	100	170	42	1.5	345	1,160	2,100	3.94
29322	110	190	48	2	445	1,500	1,800	5.78
29324	120	210	54	2.1	535	1,770	1,600	7.92
29326	130	225	58	2.1	615	2,100	1,500	9.76
29328	140	240	60	2.1	685	2,360	1,400	11.4
29330	150	250	60	2.1	675	2,390	1,400	12
29332	160	270	67	3	820	2,860	1,300	15.9
29334	170	280	67	3	855	3,050	1,200	16.6
29336	180	300	73	3	995	3,600	1,100	21.2
29338	190	320	78	4	1,150	4,250	1,100	26
29340	200	340	85	4	1,280	4,600	980	31.9

Spherical Roller Thrust Bearing >> 29400 Series

Features

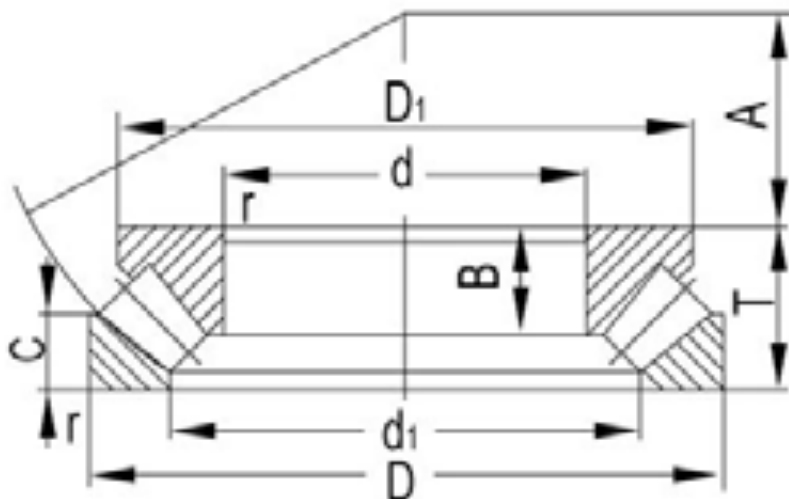
The rollers of these bearings are of spherical shape, and the spherical raceway

Chengdu RX Bearing Manufacturing Co.,Ltd

surface of the housing washer in self-aligned. These bearings are featured by the extremely big axial load carrying capacity and meanwhile they can also carry certain radial load.

Cages

Pressed steel cages or machined brass cages are usually used.



Bearing No.	Boundary dimensions				Basic load ratings(kN)		Limiting speed	Mass
	mm				Dynamic	Static	rpm	kg
	d	D	B	r _{min}	Cr	Cor	Oil	
29412	60	130	42	1.5	283	805	2,600	2.78
29413	65	140	45	2	330	945	2,400	3.44
29414	70	150	48	2	365	1,040	2,200	4.19
29415	75	160	51	2	415	1,190	2,100	5.07
29416	80	170	54	2.1	460	1,380	1,900	6.09
29417	85	180	58	2.1	490	1,480	1,800	7.2
29418	90	190	60	2.1	545	1,680	1,700	8.38
29420	100	210	67	3	685	2,130	1,500	11.5
29422	110	230	73	3	845	2,620	1,400	15
29424	120	250	78	4	975	3,050	1,300	18.6
29426	130	270	85	4	1,080	3,550	1,200	23.7
29428	140	280	85	4	1,110	3,750	1,200	25.2
29430	150	300	90	4	1,280	4,350	1,100	30.5
29432	160	320	95	5	1,500	5,150	1,000	37
29434	170	340	103	5	1,660	5,750	940	45
29436	180	360	109	5	1,840	6,200	890	52.9
29438	190	380	115	5	2,010	6,800	840	62
29440	200	400	122	5	2,230	7,650	790	73.3

Spherical Roller Thrust Bearing >> Large Size Series

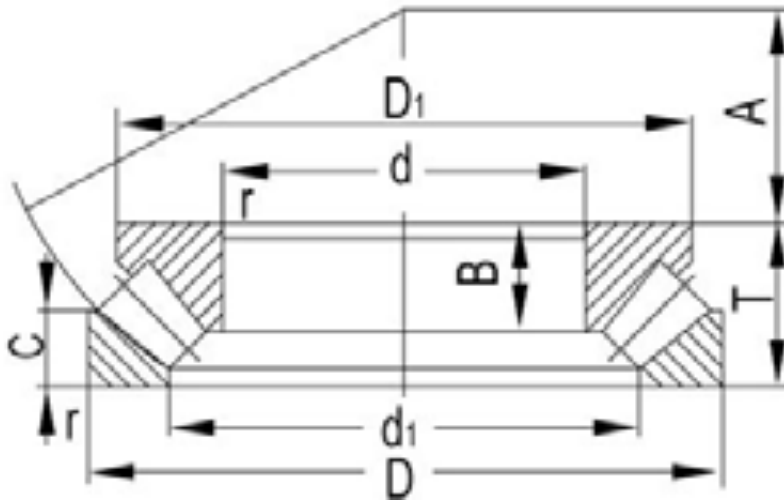
Chengdu RX Bearing Manufacturing Co.,Ltd

Features

The rollers of these bearings are of spherical shape, and the spherical raceway surface of the housing washer is self-aligned. These bearings are featured by the extremely big axial load carrying capacity and meanwhile they can also carry certain radial load.

Cages

Pressed steel cages or machined brass cages are usually used.



Bearing No.	Boundary dimensions(mm)			Other dimensions						Basic load ratings(kN)		Limiting ratings (rpm)		Mass(kg)
	d	D	T	d1	D1	B	C	A	r min	dyc(Cr)	stc(Cor)	Grease	Oil	
29340	200	340	85	261	318	29	41	116	4	1200	2330	700	950	34
29340K	200	340	85	261	318	54.5	41	116	4	1200	2330	700	950	34
29440	200	400	122	267.5	360	44	56.7	122	5	2270	4300	600	800	83.5
29344	220	360	85	277.5	330	29	40.7	125	4	1390	2800	670	900	28.6
29348	240	380	85	298.5	360	29	1.7	135	4	1610	6100	600	800	35.4
29448	240	440	122	316	400	43	60	142	6	2920	10100	530	750	96.1
29256	280	380	60	322.5	364	19	29.5	150	2.1	895	2130	700	1000	21.7
29468	340	620	170	449.5	560	61	80	201	7.5	4550	9750	500	700	218
29376	380	600	132	475	561	44	61.4	216	6	3280	15200	450	650	129
29280	400	540	85	460	510	27	42	212	4	1720	4700	500	700	64.6
29380	400	620	132	489	582	44	64.7	225	6	3500	16800	440	620	153
29384	420	650	140	514.5	610	48	6.8	235	6	3800	17900	420	600	175
29292	460	620	95	525.5	590	30	49.4	245	5	2280	12900	400	580	74.7
292/500	500	670	103	572	640	33	50.5	268	5	2550	14600	380	540	117
294/500	500	870	224	648	790	81	106	290	9.5	8550	39500	320	460	589
292/530	530	710	109	640	680	35	54	288	5	2830	1660	350	500	118
292/560	560	750	115	640	715	40	56.8	302	5	3100	8600	360	480	131
292/800	800	1060	155	907.5	1010	50	80	426	7.5	5650	36000	240	340	343

Chengdu RX Bearing Manufacturing Co.,Ltd

292/1060	1060	1400	206	1208	1335	66	100	566	9.5	9600	62000	180	260	767
9069430	150	300	90	220	270	60	48	69	4.7	995	1710	630	900	27.3
9069432	160	320	95	234	275	61	53	74	4.7	1000	1720	560	800	33.3
9069434	170	340	103	242	310	71	48	104	3	1210	2130	530	750	40.7
9069336	180	300	73C	230	276	50	35	103	4.7	885	3000	630	900	19.4
9069436	180	360	109	265	308	67	58	82	2	1210	2130	750	750	42.3
9069244	220	300	48	260	286	31	24	117	6	440	910	850	1300	7.92
9069448	240	440	122	330	400	78	59	142	3.7	1920	3550	75	750	74.5
9069252	260	360	60	302	335	38	30	139	2.1	725	1550	530	750	15.7
9069356	280	440	95	348	413	64	46	158	5	1450	6060	530	750	49.1
9069268	340	460	73	388	438	48	36	204	3	1140	2440	530	750	31.4
9069284	420	580	95	489	548	62	46	251	4.7	1870	4150		560	78.9
90692/630	630	850	132	728	800	86	65	338	6	3250	8350		300	231
90692710	710	950	145	805	895	92	75	380	6	3600	12000		240	279
90694/750	750	1280	315	972	1152	160	158	448	15	13500	3100		100	1340

Chengdu RX Bearing Manufacturing Co.,Ltd

Needle roller bearings contain many slender rollers with a length 3 to 10 times their diameter. Therefore, the ratio of the bearing outside diameter to the inscribed circle diameter is small, and they have a rather high radial load capacity. There are numerous types available, and many have no inner rings. The drawn-cup type has a pressed steel outer ring and the solid type has a machined outer ring. There are also cage-and-roller assemblies without rings. Most bearings have pressed steel cages, but some are without cages.



Needle Roller Bearing >> HK Series

Features

Needle roller bearings have a high load carrying capacity in addition to their low cross-section and stiffness. They are especially suitable for bearing arrangements where radial space is limited because needle roller bearings only carry pure radial load and can not limit the axial displacement of shaft relative to the housing. It is important to ensure that inner ring axis and outer ring axis must be aligned during mounting the bearings.

Bearing No.	Boundary dimensions(mm)			Basic load ratings(N)		Limiting speeds(rpm)	Mass(g)
	Fw	D	C	Cr	Cor	Oil	
HK0408TN	4	8	8	1540	1070	4000	1.60
HK0509	5	9	9	2200	1790	36000	2.00
HK05X09X08	5	9	8	2200	1790	36000	1.90
HK0607	6	10	7	1600	1400	30000	1.80
HK0608	6	10	8	1830	1550	32000	2.10
HK0609	6	10	9	2650	2400	3000	2.20
HK0611	6	10	11	1700	1500	29000	2.30
HK06X12X08	6	12	8	2230	2010	33000	2.50
HK0708	7	11	8	2800	2150	27000	2.20
HK0709	7	11	9	2800	2150	27000	2.30
HK07X12X08	7	12	8	3300	3220	37000	2.20
HK07X12X09	7	12	9	3400	3150	37000	2.40
HK0808	8	12	8	2550	2400	21000	2.70
HK0810	8	12	10	3700	3450	21000	3.00
HK08X14X10	8	14	10	3800	3950	25000	5.35
HK08X14X12	8	14	12	4100	4320	25000	6.60
HK0908	9	13	8	3650	4050	25000	3.00

Chengdu RX Bearing Manufacturing Co.,Ltd

HK0910	9	13	10	4050	4250	25000	4.00
HK0911	9	13	11	4300	4700	25000	4.10
HK0912	9	13	12	5000	6000	25000	4.60
HK09X15X10	9	15	10	5300	6300	25000	5.60
HK1010	10	14	10	3900	4800	19000	4.10
HK1012	10	14	12	5000	6300	19000	4.80
HK1015	10	14	15	6700	7800	19000	6.00
HK10X13X08	10	13	8	4100	4800	20000	3.50
HK10X15X15	10	15	15	6800	8800	18000	6.50
HK10X16X10	10	16	10	6800	8800	18000	6.50
HK10X16X12	10	16	12	6800	8800	18000	7.50
HK10X16X15	10	16	15	6800	8800	19000	11.00
HK10X17X15	10	17	15	7200	8000	19000	11.50
HK10X18X12	10	18	12	7200	8000	19000	8.50
HK1208	12	16	8	7200	8000	19000	3.30
HK1210	12	16	10	4150	5800	19000	4.60
HK1212	12	16	12	3800	5100	15000	5.60
HK12X17X12	12	17	12	5100	7000	15000	7.50
HK12X17X15	12	17	15	5100	7000	15000	9.50
HK12X17X18	12	17	18	5100	7000	15000	11.00
HK12X18X12	12	18	12	5500	6300	17000	9.10
HK12X18X14	12	18	14	6500	6300	15000	10.60
HK12X19X12	12	19	12	6800	7400	15000	10.00
HK1311	13	19	11	6300	6300	14000	8.50
HK1312	13	19	12	6200	7100	17000	8.90
HK13.5X20X12	13.5	20	12	6250	7590	16000	10.80
HK1410	14	20	10	6700	7000	16000	8.30
HK1412	14	20	12	6800	7500	16000	10.50
HK1416	14	20	16	7300	9000	14000	13.90
HK1512	15	21	12	7000	8400	14000	11.10
HK1514	15	21	14	8500	10400	13000	12.70
HK1515	15	21	15	9100	11400	13000	14.20
HK1516	15	21	16	9800	11400	14000	15.00
HK1522	15	21	22	10400	16500	14000	20.40
HK15X20X12	15	20	12	5800	6000	14000	8.40
HK15X20X16	15	20	16	6000	6200	14000	11.40
HK15X20X20	15	20	20	6100	6400	14000	13.80
HK15X22X12	15	22	12	14300	18400	13000	12.50
HK15X22X12.5	15	22	12.5	14300	18400	13000	13.50
HK1612	16	22	12	7100	9200	14000	11.70
HK1614	16	22	14	8800	9900	12000	14.40

Chengdu RX Bearing Manufacturing Co.,Ltd

HK1616	16	22	16	10100	14300	14000	15.80
HK1617	16	22	17	12900	17200	12000	18.00
HK1622	16	22	22	11100	17400	14000	21.70
HK16X21X06	16	21	6	4200	5300	12000	5.50
HK16X21X09	16	21	9	4400	5600	12000	7.50
HK1712	17	23	12	6900	9300	13000	12.20
HK1714	17	23	14	6800	10200	10000	14.00
HK1716	17	23	16	8500	12500	10000	15.90
HK1718	17	23	18	9500	10600	10000	19.00
HK17X21.5X15	17	21.5	15	6300	8600	11000	10.00
HK17X24X15	17	24	15	11200	12800	10000	17.00
HK17X25X14	17	25	14	13100	14700	10000	17.70
HK17X25X15.5	17	25	15.5	9320	10400	10000	20.00
HK17X25X18	17	25	18	9500	10600	11000	23.50
HK17X25X18-RS	17	25	18	10500	12600	13000	23.50
HK1812	18	24	12	7100	9900	12000	13.10
HK1816	18	24	16	106500	15300	12000	17.50
HK19X27X16	19	27	16	8100	9500	10500	23.00
HK2010	20	26	10	5900	7200	10000	11.80
HK2011	20	26	11	7500	9200	9000	12.00
HK2012	20	26	12	7600	10100	10000	14.10
HK2014	20	26	14	9700	18100	9000	15.70
HK2016	20	26	16	11700	29100	10000	19.30
HK2018	20	26	18	7900	12800	9000	23.30
HK2020	20	26	20	13700	24000	10000	24.10
HK2025	20	26	25	9100	14800	9900	28.00
HK2030	20	26	30	21800	40000	10100	34.70
HK20X27X18	20	27	18	26000	47200	9900	78.00
HK20X27X20	20	27	20	26300	47800	9900	82.00
HK20X27X30	20	27	30	28500	48800	9900	94.00
HK20X28X16	20	28	16	29600	49800	9900	28.50
HK20X29X18	20	29	18	30900	54600	9900	41.00
HK2210	22	28	10	7200	9500	10010	12.30
HK2212	22	28	12	8100	10400	10010	15.00
HK2216	22	28	16	11400	18100	10010	20.90
HK2220	22	28	20	14500	25000	10010	26.20
HK2230	22	28	30	17500	30400	9000	32.00
HK22X28X7.5TN	22	28	7.5	5200	7000	10010	8.80
HK22X29X25	22	29	25	18100	31500	9000	37.00
HK22X29X30	22	29	30	19400	33100	9000	43.00
HK22X30X14	22	30	14	19800	34000	9000	21.90

Chengdu RX Bearing Manufacturing Co.,Ltd

HK24X30X7.5TN	24	30	7.5	5800	7200	10000	10.60
HK2512	25	32	12	10000	14200	9000	20.00
HK2514	25	32	14	13600	18700	9000	21.90
HK2516	25	32	16	13600	20000	9000	27.30
HK2518	25	32	18	17500	25800	9000	28.20
HK2520	25	32	20	17900	30000	9000	34.10
HK2525	25	32	25	22200	36700	9000	40.00
HK2526	25	32	26	22500	42000	9000	44.80
HK2538	25	32	38	30000	58000	9000	64.70
HK25X33X10	25	33	10	34800	69600	9000	17.00
HK25X33X15	25	33	15	35700	70000	9000	27.40
HK25X35X20	25	35	20	36100	78650	9000	44.90
HK2816	28	35	16	15400	22500	8700	30.10
HK2818	28	35	18	18500	29300	8700	31.70
HK2820	28	35	20	18900	32000	8700	37.60
HK3012	30	37	12	10100	16200	8100	24.00
HK3016	30	37	16	15200	27000	8100	32.00
HK3018	30	37	18	19200	31500	8100	33.60
HK3020	30	37	20	19700	33500	8100	40.10
HK3026	30	37	26	24000	50000	8100	52.90
HK3038	30	37	38	32500	74000	8100	76.10
HK30X38X12	30	38	12	38100	80000	8100	28.00
HK30X38X16	30	38	16	39000	82000	8100	32.70
HK30X38X24	30	38	24	39910	88800	8100	49.00
HK30X38X32	30	38	32	38890	88700	8100	69.00
HK3224	32	38	24	25500	52000	7300	50.70
HK3232	32	39	32	22600	54300	7100	66.40
HK32X38X11	32	38	11	19700	43200	7800	17.00
HK32X40X32	32	39	32	27990	59890	7100	72.70
HK3512	35	40	12	12100	19300	7100	27.70
HK3516	35	42	16	15700	27500	7100	36.90
HK3520	35	42	20	20800	41000	7100	46.10
HK35X43X16	35	42	16	24200	47100	7100	37.00
HK35X43X25	35	42	25	24440	48200	6200	60.50
HK35X43X32	35	43	32	24870	48880	6200	80.00
HK35X45X12	35	45	12	24870	48880	6200	31.00
HK36X42X12	36	42	12	15000	21000	6200	23.00
HK38X48X30	38	48	30	16100	24100	6000	102.00
HK4012	40	47	12	14000	24300	6300	31.10
HK4016	40	47	16	20000	38500	6300	41.40
HK4020	40	47	20	25500	52000	6300	51.80

Chengdu RX Bearing Manufacturing Co.,Ltd

HK40X50X32	40	50	32	23000	42000	6000	114.30
HK40X50X38	40	50	38	24100	43000	6000	130.80
HK4512	45	52	12	12900	22500	5800	34.80
HK4516	45	52	16	19300	3800	5800	46.20
HK4520	45	52	20	22000	51000	5800	56.00
HK45X55X38	45	55	38	27600	61000	5300	135.00
HK5012	50	58	12	23600	57200	5300	44.20
HK5020	50	58	20	28000	60000	5300	72.00
HK5025	50	58	25	34500	80000	5300	90.10
HK50X57X16	50	57	16	15200	32500	5300	51.20
HK50X60X38	50	60	38	27770	63100	4600	140.00
HK5520	55	63	20	29500	59900	4600	78.00
HK5525	55	63	25	33200	69980	4600	109.00
HK5528	55	63	28	39090	98000	4600	111.00
HK6012	60	68	12	12400	29000	4100	49.20
HK6020	60	68	20	30500	72000	4100	86.00
HK6032	60	68	32	50000	131000	4100	136.00

Needle Roller Bearing >> BK Series

Features

Needle roller bearings have a high load carrying capacity in addition to their low cross-section and stiffness. They are especially suitable for bearing arrangements where radial space is limited because needle roller bearings only carry pure radial load and can not limit the axial displacement of shaft relative to the housing. It is important to ensure that inner ring axis and outer ring axis must be aligned during mounting the bearings.

Bearing No.	Boundary dimensions(mm)			Basic load ratings(N)		Limiting speeds(rpm)
	Fw	D	C	Cr	Cor	Oil
BK0408TN	4	8	8	1540	1070	40000
BK0509	5	9	9	2200	1790	36000
BK0608	6	10	8	1830	1550	32000
BK0609	6	10	9	2650	2400	3000
BK0709	7	11	9	2800	2150	27000
BK0808	8	12	8	2550	2400	21000
BK0810	8	12	10	3700	3450	21000
BK08X14X10	8	14	10	3800	3950	25000
BK0908	9	13	8	3650	4050	25000
BK0910	9	13	10	4050	4250	25000

Chengdu RX Bearing Manufacturing Co.,Ltd

BK0912	9	13	12	5000	6000	25000
BK1010	10	14	10	3900	4800	19000
BK1012	10	14	12	5000	6300	19000
BK1015	10	14	15	6700	7800	19000
BK10X16X10	10	16	10	6800	8800	18000
BK1210	12	16	10	4150	5800	19000
BK1212	12	16	12	3800	5100	15000
BK12X18X12	12	18	12	5500	6300	17000
BK1312	13	19	12	6200	7100	17000
BK1410	14	20	10	6700	7000	16000
BK1512	15	21	12	7000	8400	14000
BK1515	15	21	15	9800	11400	14000
BK1516	15	21	16	9800	11400	14000
BK1522	15	21	22	10400	16500	14000
BK1612	16	22	12	7100	9200	14000
BK1616	16	22	16	10100	14300	14000
BK1622	16	22	22	11100	17400	14000
BK1712	17	23	12	6900	9300	136000
BK1812	18	24	12	7100	9900	12000
BK1816	18	24	16	10600	15300	12000
BK2010	20	26	10	5900	7200	10000
BK2012	20	26	12	7600	10100	10000
BK2016	20	26	16	11700	29100	10000
BK2020	20	26	20	13700	24000	10000
BK2030	20	26	30	21800	40000	10100

Chengdu RX Bearing Manufacturing Co.,Ltd

BK2212	22	28	12	8100	10400	10010
BK2216	22	28	16	11400	18100	10010
BK2220	22	28	20	14500	25000	10010
BK2512	25	32	12	10000	14200	9000
BK2516	25	32	16	13600	50000	9000
BK2520	25	32	20	17900	30000	9000
BK2526	25	32	26	22500	42000	9000
BK2538	25	32	38	30000	58000	9000
BK2816	28	35	16	15400	22500	8700
BK2820	28	35	20	18900	32000	8700
BK3012	30	37	12	10100	16200	8100
BK3016	30	37	16	15200	27000	8100
BK3020	30	37	20	19700	33500	8100
BK3026	30	37	26	24000	50000	8100
BK3038	30	37	38	32500	74000	8100
BK3512	35	42	12	12100	19300	7100
BK3516	35	42	16	15700	27500	7100
BK3520	35	42	20	20800	41000	7100
BK4012	40	47	12	14000	24300	6300
BK4016	40	47	16	20000	38500	6300
BK4020	40	47	20	25500	52000	6300

Chengdu RX Bearing Manufacturing Co.,Ltd

BK4512	45	52	12	12900	22500	5800
BK4516	45	52	16	19300	38000	5800
BK4520	45	52	20	22000	51000	5800
BK5020	50	58	20	28000	60000	5300
BK5025	50	58	25	34500	80000	5300
BK5520	55	63	20	29500	59900	4600
BK5528	55	63	28	39090	98000	4600
BK6012	60	68	12	12400	29000	4100
BK6020	60	68	20	30500	72000	4100
BK6032	60	68	32	50000	131000	4100

Needle Roller Bearing >> HK...RS Series

Features

Needle roller bearings have a high load carrying capacity in addition to their low cross-section and stiffness. They are especially suitable for bearing arrangements where radial space is limited because needle roller bearings only carry pure radial load and can not limit the axial displacement of shaft relative to the housing. It is important to ensure that inner ring axis and outer ring axis must be aligned during mounting the bearings.

Bearing No.	Boundary dimensions(mm)			Basic load ratings(N)		Limiting speeds(rpm)
	Fw	D	C	Cr	Cor	Oil
HK0810-RS	8	12	10	2250	2100	19000
HK09X13X12-RS	8	13	12	3800	4300	19000
HK1012-RS	10	14	12	4100	5000	19000
HK1214-RS	12	18	14	6100	7000	15000
HK13X19X12-RS	13	19	12	6800	7580	12000

Chengdu RX Bearing Manufacturing Co.,Ltd

HK1414-RS	14	20	14	6100	7500	13000
HK1514-RS	15	21	14	6800	8800	11000
HK1518-RS	15	21	18	9500	11400	10000
HK1614-RS	16	22	14	7200	9200	10000
HK17X25X14-RS	17	25	14	8000	9800	10000
HK17X25X15.5-RS	17	25	15.5	9320	10400	13000
HK17X25X20-RS	17	25	20	11600	13200	13000
HK1814-RS	18	24	14	7800	9900	13000
HK2012-RS	20	26	12	9500	11900	9200
HK2018-RS	20	26	18	12700	20100	8200
HK20X29X18-RS	20	29	18	8700	9980	7800
HK2212-RS	22	28	12	8310	10000	9000
HK2214-RS	22	28	14	9000	12400	7800
HK2218-RS	22	28	18	10400	20100	7800
HK2518-RS	25	32	18	13600	20000	6900
HK3018-RS	30	37	18	16200	26000	5300
HK3518-RS	35	42	18	16700	30500	4900
HK4018-RS	40	47	18	19000	30500	4200
HK4518-RS	45	52	18	20300	41000	3800
HK5022-RS	50	58	24	30000	61000	3200

Needle Roller Bearing >> BK...RS Series

Features

Needle roller bearings have a high load carrying capacity in addition to their low cross-section and stiffness. They are especially suitable for bearing arrangements where radial space is limited because needle roller bearings only carry pure radial load and can not limit the axial displacement of shaft relative to the housing. It is important to ensure that inner ring axis and outer ring axis must be aligned during mounting the bearings.

Bearing No.	Boundary dimensions(mm)			Basic load ratings(N)		Limiting speeds(rpm)
	Fw	D	C	Cr	Cor	Oil
BK1414-RS	14	20	14	6100	7500	11000
BK1514-RS	15	21	14	6800	8800	10000
BK1614-RS	16	22	14	7200	9200	10000
BK2018-RS	20	26	18	12700	20100	7800
BK2518-RS	25	32	18	13600	20000	6900

Chengdu RX Bearing Manufacturing Co.,Ltd

Needle Roller Bearing >> F Series

Features

Needle roller bearings have a high load carrying capacity in addition to their low cross-section and stiffness. They are especially suitable for bearing arrangements where radial space is limited because needle roller bearings only carry pure radial load and can not limit the axial displacement of shaft relative to the housing. It is important to ensure that inner ring axis and outer ring axis must be aligned during mounting the bearings.

Bearing No.	Boundary dimensions(mm)			Basic load ratings(N)		Limiting speeds(rpm)
	Fw	D	C	Cr	Cor	Oil
F0608	6	10	8	3080	5800	12000
F6.35X11.11X11.13	6.35	11.11	11.13	3500	6050	12000
F0810	8	12	10	4050	7150	13000
F0910	9	13	10	4900	8050	12000
F9.52X14.29X12.7	9.52	14.29	12.7	9000	13300	7100
F1010	10	14	10	5700	9350	11000
F10X16X15	10	16	15	6890	11500	7100
F1212	12	16	12	6380	10900	7100
F12X17X12	12	17	12	8400	11900	7100
F12X17X15	12	17	15	9000	12500	7100
F12X17X18	12	17	18	9800	13500	7100
F1512	15	21	12	9700	15900	8100
F15X20X12	15	20	12	8400	11900	7100
F15X20X16	15	20	16	9500	12800	7100
F15X20X20	15	20	20	10500	16000	7100
F1616	16	22	16	14100	25900	7700
F1712	17	23	12	10600	21600	7300
F1714	17	23	14	12500	22500	7300
F1718	17	23	18	13800	24800	7300
F1816	18	24	16	15000	29100	6900
F2014	20	26	14	15800	40500	6900
F2020	20	26	20	18800	42500	6900
F20X26X25	20	26	25	20500	35500	6300
F2516	25	32	16	18700	37900	5100
F2522	25	32	22	11000	16500	5100
F25X32X25	25	32	25	11500	18500	5100
F25X33X08	25	33	8	12200	16800	4300

Chengdu RX Bearing Manufacturing Co.,Ltd

F2820	28	35	20	25700	58300	4600
F3020	30	37	20	26800	62500	4300
F30X38X16	30	38	16	25500	57500	4600
F30X38X24	30	38	24	28800	64500	4300
F30X38X32	30	38	32	34500	78900	4300
F3216	32	39	16	25800	61500	4300
F3520	35	42	20	24000	69100	3700
F35X43X16	35	43	16	23500	68000	3700
F35X43X25	35	43	25	38700	86200	3200
F35X43X32	35	43	32	40500	97800	3200
F4020	40	47	20	30300	82600	3300
F4520	45	52	20	30400	90100	2900
F5020	50	58	20	35800	98000	2600
F60X68X40	60	68	40	50200	145000	2600

Needle Roller Bearing >> FH Series

Features

Needle roller bearings have a high load carrying capacity in addition to their low cross-section and stiffness. They are especially suitable for bearing arrangements where radial space is limited because needle roller bearings only carry pure radial load and can not limit the axial displacement of shaft relative to the housing. It is important to ensure that inner ring axis and outer ring axis must be aligned during mounting the bearings.

Bearing No.	Boundary dimensions(mm)			Basic load ratings(N)		Limiting speeds(rpm)
	Fw	D	C	Cr	Cor	Oil
FH0810	8	14	10	5200	7150	7400
FH0812	8	14	12	4550	7150	7400
FH0910	9	15	10	8000	11500	7100
FH9X15X13	9	15	13	8560	12800	7100
FH1010	10	16	10	6350	10800	11000
FH4032	40	50	32	42500	108000	2600
FH40X50X38	40	50	38	44800	118500	2600
FH45X55X38	45	55	38	45800	12800	2900
FH50X60X38	50	60	38	50500	145800	2600

Needle Roller Bearing >> MF Series

Chengdu RX Bearing Manufacturing Co.,Ltd

Features

Needle roller bearings have a high load carrying capacity in addition to their low cross-section and stiffness. They are especially suitable for bearing arrangements where radial space is limited because needle roller bearings only carry pure radial load and can not limit the axial displacement of shaft relative to the housing. It is important to ensure that inner ring axis and outer ring axis must be aligned during mounting the bearings.

Bearing No.	Boundary dimensions(mm)			Basic load ratings(N)		Limiting speeds(rpm)
	Fw	D	C	Cr	Cor	Oil
MF6.35X11.11X11.13	6.35	11.11	11.13	3500	6050	12000
MF3020	30	37	20	26800	62500	4300

Needle Roller Bearing >> MFH Series

Features

Needle roller bearings have a high load carrying capacity in addition to their low cross-section and stiffness. They are especially suitable for bearing arrangements where radial space is limited because needle roller bearings only carry pure radial load and can not limit the axial displacement of shaft relative to the housing. It is important to ensure that inner ring axis and outer ring axis must be aligned during mounting the bearings.

Bearing No.	Boundary dimensions(mm)			Basic load ratings(N)		Limiting speeds(rpm)	Mass(g)
	Fw	D	C	Cr	Cor	Oil	
MFH4032	40	50	32	42500	108000	2600	95

Needle Roller Bearing >> FY Series

Features

Needle roller bearings have a high load carrying capacity in addition to their low cross-section and stiffness. They are especially suitable for bearing arrangements where radial space is limited because needle roller bearings only carry pure radial load and can not limit the axial displacement of shaft relative to the housing. It is important to ensure that inner ring axis and outer ring axis must be aligned during mounting the bearings.

Chengdu RX Bearing Manufacturing Co.,Ltd

Bearing No.	Boundary dimensions(mm)			Basic load ratings(N)		Limiting speeds(rpm)	Mass(g)
	Fw	D	C	Cr	Cor	Oil	
FY15X20X20	15	20	20	10500	16000	7100	20

Needle Roller Bearing >> HF Series

Features

Needle roller bearings have a high load carrying capacity in addition to their low cross-section and stiffness. They are especially suitable for bearing arrangements where radial space is limited because needle roller bearings only carry pure radial load and can not limit the axial displacement of shaft relative to the housing. It is important to ensure that inner ring axis and outer ring axis must be aligned during mounting the bearings.

Bearing No.	Boundary dimensions(mm)			Moment(Nm)	Basic load ratings(N)		Mass(g)
	Fw	D	C	Md	Cr	Cor	
HF0409	4	8	6	0.34	34000	14000	1.00
HF0612	6	10	12	1.76	23000	13000	3.00
HF0812	8	12	12	3.15	17000	11000	3.50
HF1012	10	14	12	5.3	14000	11000	4.00
HF1216	12	18	16	12.2	10000	7000	10.50
HF1416	14	20	16	17.3	9500	8000	13.00
HF1616	16	22	16	20.5	8500	7500	14.00
HF1816	18	24	16	24.1	7500	7500	15.50
HF2016	20	26	16	28.5	7000	6500	17.00
HF2520	25	32	20	66	5500	5500	30.90
HF3020	30	37	20	90	4500	4500	36.00
HF3520	35	42	20	121	3900	3900	40.00
HF3530	35	42	30	121	3900	3900	58.00

Needle Roller Bearing >> HFL Series

Features

Needle roller bearings have a high load carrying capacity in addition to their low cross-section and stiffness. They are especially suitable for bearing arrangements where radial space is limited because needle roller bearings only carry pure radial load and can not limit the axial displacement of shaft relative

Chengdu RX Bearing Manufacturing Co.,Ltd

to the housing. It is important to ensure that inner ring axis and outer ring axis must be aligned during mounting the bearings.

Bearing No.	Boundary dimensions(mm)			Moment(Nm)	Basic load ratings(N)		Mass(g)
	Fw	D	C	Md	Cr	Cor	
HFL0822	8	12	22	3.15	17000	12000	6.3
HFL1226	12	18	26	12.2	10000	7000	18
HFL1426	14	20	26	17.3	9500	8000	20.3
HFL1624	16	22	24	20.5	8500	7500	19
HFL1624.5	16	22	24.5	20.5	8500	7500	20
HFL1626	16	22	26	20.5	8500	7500	22
HFL1826	18	24	26	24.1	7500	7500	24.4
HFL2016	20	26	26	28.5	7000	6500	27
HFL2530	25	32	30	66	5500	5500	44
HFL3030	30	37	30	90	4500	4500	51

Needle Roller Bearing >> K Series

Features

Needle roller bearings have a high load carrying capacity in addition to their low cross-section and stiffness. They are especially suitable for bearing arrangements where radial space is limited because needle roller bearings only carry pure radial load and can not limit the axial displacement of shaft relative to the housing. It is important to ensure that inner ring axis and outer ring axis must be aligned during mounting the bearings.

Bearing No.	Boundary dimensions(mm)			Basic load ratings(N)		Limiting speeds(rpm)	Mass(g)
	Fw	Ew	Bc	Cr	Cor	Oil	
K5X8X10TN	5	8	10	2800	2450	37000	0.90
K5X8X8TN	5	8	8	2300	1880	37000	0.70
K6X10X13TN	6	10	13	3500	2800	33000	1.30
K6X9X10TN	6	9	10	3300	3100	35000	1.00
K6X9X8TN	6	9	8	25600	2240	35000	0.80
K7X10X10TN	7	10	10	3350	3400	32000	1.10
K7X10X8TN	7	10	8	2750	2550	32000	0.90
K8X11X10TN	8	11	10	3830	3950	30000	1.70
K8X11X13TN	8	11	13	5000	5700	30000	1.80

Chengdu RX Bearing Manufacturing Co.,Ltd

K8X11X8TN	8	11	8	3000	2900	30000	1.10
K8X12X10TN	8	12	10	4900	4600	30000	1.30
K9X12X10TN	9	12	10	4200	4700	30000	1.50
K9X12X13TN	9	12	13	5500	6700	30000	1.90
K10X13X10TN	10	13	10	4500	5250	27000	1.60
K10X13X13TN	10	13	13	6000	7600	27000	2.10
K10X13X16TN	10	13	16	6300	7800	27000	2.20
K10X14X10TN	10	14	10	7000	7900	27000	2.90
K10X14X13TN	10	14	13	8000	9100	26000	4.30
K10X16X12TN	10	16	12	7000	9300	27000	3.70
K12X15X10TN	12	15	10	4320	5730	25000	1.90
K12X15X13TN	12	15	13	6000	8100	25000	2.40
K12X15X20TN	12	15	20	8200	12000	25000	3.80
K12X15X9TN	12	15	9	4120	5210	25000	2.70
K12X16X10TN	12	16	10	6000	6900	25000	3.40
K12X16X13TN	12	16	13	7900	9200	25000	3.80
K12X16X8TN	12	16	8	4200	4700	25000	2.90
K12X17X13TN	12	17	13	9300	10000	24000	4.40
K12X18X12TN	12	18	12	9800	8000	24000	5.00
K14X17X10	14	17	10	5100	6800	23000	4.00
K14X17X17	14	17	17	9300	14000	23000	6.80
K14X18X10	14	18	10	6800	8300	23000	4.80
K14X18X13	14	18	13	8100	9800	23000	6.30
K14X18X14	14	18	14	9200	12000	23000	6.80
K14X18X15	14	18	15	10000	13000	23000	7.30
K14X18X17	14	18	17	10500	13900	23000	8.10
K14X20X12	14	20	12	9900	10500	22000	8.60
K15X18X14	15	18	14	7500	11000	23000	5.30
K15X18X17	15	18	17	9600	15900	23000	6.40
K15X19X10	15	19	10	7200	9000	22000	5.10
K15X19X13	15	19	13	8300	9800	22000	7.00
K15X19X17	15	19	17	10300	15000	22000	8.80
K15X20X13	15	20	13	9700	11000	22000	8.90
K15X21X12	15	21	12	10000	13000	22000	10.00
K15X21X15	15	21	15	13800	16000	22000	13.00
K15X21X21	15	21	21	18000	24000	22000	18.20
K16X20X10	16	20	10	7600	9700	22000	5.70
K16X20X13	16	20	13	8700	11300	22000	7.10
K16X20X17	16	20	17	11200	16300	22000	9.20
K16X21X10	16	21	10	9000	12000	22000	3.70

Chengdu RX Bearing Manufacturing Co.,Ltd

K16X22X12	16	22	12	11000	12000	21000	10.40
K16X22X13	16	22	13	12000	13400	21000	11.90
K16X22X16	16	22	16	14300	17000	21000	13.70
K16X22X20	16	22	20	18000	22300	21000	16.70
K16X23X14	16	23	14	19000	21000	19000	20.00
K16X24X20	16	24	20	21100	23000	20000	24.90
K17X21X10	17	21	10	7900	10100	21000	5.60
K17X21X13	17	21	13	10000	14100	21000	7.50
K17X21X17	17	21	17	12000	17400	21000	9.50
K17X23X14	17	23	14	11000	15000	21000	11.50
K18X22X10	18	22	10	8200	9900	20000	6.10
K18X22X13	18	22	10	9000	12100	20000	7.70
K18X22X17	18	22	17	11900	17600	20000	10.80
K18X24X12	18	24	12	11200	12900	20000	11.60
K18X24X13	18	24	13	12900	14900	20000	12.60
K18X24X13.5	18	24	13.5	12900	14900	20000	13.00
K18X24X20	18	24	20	20000	26500	20000	19.00
K18X25X14	18	25	14	16500	18800	20000	14.90
K18X25X22	18	25	22	22900	28400	20000	24.30
K18X26X14	18	26	14	18000	20000	18000	19.00
K18X28X16	18	28	16	19000	18400	19000	24.00
K19X23X13	19	23	13	9300	13000	20000	8.20
K19X23X17	19	23	17	12000	18600	20000	11.10
K20X24X10	20	24	10	8700	12100	19000	6.50
K20X24X12	20	24	12	9600	13800	19000	8.00
K20X24X13	20	24	13	9600	13800	19000	8.90
K20X24X17	20	24	17	12400	20000	19000	11.20
K20X26X12	20	26	12	13100	15700	19000	13.20
K20X26X16	20	26	16	18000	25000	18500	17.50
K20X26X17	20	26	17	18700	25500	19000	18.20
K20X26X20	20	26	20	20600	28500	19000	22.00
K20X28X20	20	28	20	23400	28000	18000	26.80
K20X28X25	20	28	25	30000	28500	18000	36.20
K20X30X30	20	30	30	35000	41000	18000	56.00
K21X25X13	21	25	13	9600	14500	19000	9.00
K21X25X17	21	25	17	12800	21000	19000	12.00
K22X26X10	22	26	10	8700	12900	18000	7.10
K22X26X13	22	26	13	10000	15400	18000	9.40
K22X26X17	22	26	17	13100	22100	18000	12.10
K22X27X13	22	27	13	14000	23000	18000	10.80

Chengdu RX Bearing Manufacturing Co.,Ltd

K22X28X17	22	28	17	19000	26500	18000	19.70
K22X28X23	22	28	23	20000	27000	19000	26.00
K22X29X16	22	29	16	19500	25000	17000	22.20
K22X30X15TN	22	30	15	19600	22900	17000	14.40
K22X30X20	22	30	20	21000	23500	18900	28.00
K22X32X24	22	32	24	33500	39500	16000	43.40
K23X35X16TN	23	35	16	24000	23400	15000	30.00
K24X28X10	24	28	10	9400	14300	17000	8.10
K24X28X13	24	28	13	10500	17000	17000	10.10
K24X28X17	24	28	17	14000	24500	17000	13.20
K24X29X13	24	29	13	13100	19100	16000	13.50
K24X30X17	24	30	17	19000	27000	16000	21.50
K24X30X31	24	30	31	27000	43000	16000	39.10
K25X29X10	25	29	10	9700	14900	16000	8.30
K25X29X13	25	29	13	10800	17900	16000	10.40
K25X29X17	25	29	17	14500	25500	16000	13.70
K25X30X13	25	30	13	14100	21300	16000	12.90
K25X30X20	25	30	20	21100	28000	16000	20.50
K25X30X25	25	30	25	21700	40400	15000	21.00
K25X30X26	25	30	26	20100	26500	15000	21.60
K25X31X17	25	31	17	19000	28000	16000	21.80
K25X31X21	25	31	21	24100	37500	16000	26.20
K25X32X16	25	32	16	20500	27500	15000	24.50
K25X33X20	25	33	20	28000	37500	15000	32.00
K25X33X24	25	33	24	33900	46500	15000	38.70
K25X34X18	25	34	18	48000	67000	15000	32.00
K25X35X30	25	35	30	46500	61500	14000	65.50
K26X30X10	26	30	10	9500	15500	16000	9.00
K26X30X13	26	30	13	11100	18700	16000	11.40
K26X30X17	26	30	17	14700	27000	16000	15.00
K26X30X22	26	30	22	15200	28000	16000	12.30
K26X31X13	26	31	13	12400	18400	15000	9.90
K27X32X17	27	32	27	16000	34000	17000	29.00
K28X32X16.5	28	32	16.5	15000	32400	14000	16.00
K28X32X17	28	32	17	15000	32400	14000	18.20
K28X33X13	28	33	13	14800	23600	14000	15.20
K28X33X17	28	33	17	19100	33000	14000	19.50
K28X33X27TN	28	33	27	22800	40500	14000	19.00
K28X34X17	28	34	17	21300	35000	14000	24.20
K28X35X16	28	35	16	21000	29000	14000	26.00

Chengdu RX Bearing Manufacturing Co.,Ltd

K28X35X18	28	35	18	23500	33500	14000	31.00
K28X35X20	28	35	20	24000	34000	14000	35.00
K28X35X27	28	35	27	34500	54500	14000	47.00
K28X36X16	28	36	16	34000	47000	11000	40.00
K28X40X18	28	40	18	33000	36500	12000	50.00
K28X40X25	28	40	25	45000	54500	12000	71.00
K30X34X13	30	34	13	11800	21200	13000	14.60
K30X35X13	30	35	13	15100	25000	13000	16.30
K30X35X17	30	35	17	19100	33500	13000	21.30
K30X35X26	30	35	26	23500	43500	12000	32.00
K30X35X27	30	35	27	30000	58500	13000	33.30
K30X37X16	30	37	16	22500	33000	13000	26.40
K30X38X25	30	38	25	16000	39000	13000	43.00
K30X40X18	30	40	18	31500	39500	13000	44.00
K30X40X30	30	40	30	48500	68500	13000	78.00
K32X37X13	32	37	13	15000	25000	12000	18.30
K32X37X17	32	37	17	19400	35000	12000	22.40
K32X37X27	32	37	27	29500	59500	12000	36.70
K32X37X28TN	32	37	28	23100	43000	12000	22.30
K32X38X16	32	38	16	21000	34000	12000	25.00
K32X38X20	32	38	20	26000	44500	12000	31.00
K32X38X26TN	32	38	26	27000	46500	12000	25.20
K32X39X16	32	39	16	23500	35000	12000	36.70
K32X39X18	32	39	18	26000	40500	12000	37.20
K32X40X20	32	40	20	37000	40500	12000	48.00
K32X40X36	32	40	36	53500	91500	12000	73.00
K32X40X42TN	32	40	42	49500	83500	12000	77.10
K32X46X32	32	46	32	65500	82500	11000	119.00
K35X40X13	35	40	13	15800	27500	11000	18.80
K35X40X17	35	40	17	20300	38000	11000	25.30
K35X40X25	35	40	25	29000	59500	11000	31.00
K35X40X27	35	40	27	27800	62100	11000	28.00
K35X40X27TN	35	40	27	24500	48000	11000	23.40
K35X40X30	35	40	30	25000	49500	11000	43.00
K35X42X16	35	42	16	23900	37000	11000	34.00
K35X42X18	35	42	18	27000	42500	11000	39.20
K35X42X30	35	42	30	38500	67500	11000	62.40
K35X43X18	35	43	18	28000	41500	11000	38.00
K35X45X20	35	45	20	36500	49500	10000	55.50
K35X45X30	35	45	30	52500	78500	10000	80.00

Chengdu RX Bearing Manufacturing Co.,Ltd

K35X45X49	35	45	49	81500	13400	10000	120.00
K36X41X30	36	41	30	23000	43000	11000	52.00
K36X42X16	36	42	16	24000	42000	11000	50.00
K37X42X17	37	42	17	21900	42500	10000	25.80
K37X42X27	37	42	27	31500	67500	10000	40.70
K37X45X26	37	45	26	43500	73500	10000	60.50
K38X43X17	38	43	17	20000	38000	10000	26.90
K38X43X27	38	43	27	31000	67500	10000	43.20
K38X46X20	38	46	20	35000	56500	10000	46.00
K38X46X32	38	46	32	54500	98500	10000	72.70
K39X44X24	39	44	24	28000	58500	10000	38.00
K40X44X13	40	44	13	13500	28000	10000	20.00
K40X45X13	40	45	13	17100	32000	10000	21.50
K40X45X17	40	45	17	20900	41000	10000	27.40
K40X45X21	40	45	21	24400	49500	10000	36.50
K40X45X27	40	45	27	32500	72500	10000	46.00
K40X46X17	40	46	17	24500	44500	9000	30.00
K40X47X18	40	47	18	29000	49500	9000	45.20
K40X47X20	40	47	20	32000	56500	9000	42.00
K40X48X20	40	48	20	35500	58500	9000	57.70
K42X47X13	42	47	13	17300	33000	9000	22.50
K42X47X17	42	47	17	21100	42500	9000	31.10
K42X47X25TN	42	47	25	27000	57500	9000	25.40
K42X47X27	42	47	27	33000	74500	9000	46.60
K42X48X35	42	48	35	35000	76000	9000	60.00
K42X50X18	42	50	18	31000	49500	9000	53.00
K42X50X20	42	50	20	34500	56500	9000	54.00
K43X48X17	43	48	17	21000	42500	9000	29.30
K43X48X27	43	48	27	33000	74500	9000	45.70
K43X50X18	43	50	18	30500	53500	9000	48.50
K45X49X19	45	49	19	17500	40000	8000	27.00
K45X50X17	45	50	17	22000	45000	8000	25.50
K45X50X27	45	50	27	34000	79500	8000	50.00
K45X50X32TN	45	50	32	38000	90500	8000	45.00
K45X52X18	45	52	18	31000	56500	8000	51.00
K45X52X21TN	45	52	21	39500	57500	8000	32.90
K45X53X20	45	53	20	38500	66500	8000	62.20
K45X53X21	45	53	21	38000	66500	8000	65.00
K45X53X22	45	53	22	42000	66500	8000	68.40
K45X53X28	45	53	28	51500	97500	8000	78.00

Chengdu RX Bearing Manufacturing Co.,Ltd

K45X59X18TN	45	59	18	43500	53500	7000	60.50
K45X59X32	45	59	32	72500	101500	7000	145.50
K45X59X36	45	59	36	75500	108500	7000	195.00
K47X52X17	47	52	17	22800	48500	8000	32.00
K47X52X27	47	52	27	34500	82500	8000	50.70
K47X53X25	47	53	25	38000	81500	8000	53.00
K47X55X28	47	55	28	52500	99500	7500	62.40
K48X54X19	48	54	19	30000	60500	7500	44.00
K48X54X25	48	54	25	31000	91000	7500	55.00
K50X55X13.5	50	55	13.5	17500	36000	7500	31.00
K50X55X17	50	55	17	21400	46500	7500	35.00
K50X55X20	50	55	20	26000	59500	7500	39.40
K50X55X30	50	55	30	38500	96500	7500	59.40
K50X57X18	50	57	18	33000	62500	7000	53.40
K50X58X20	50	58	20	35000	61500	7000	64.90
K50X58X25	50	58	25	43500	80500	7000	81.00
K52X57X12	52	57	12	17500	36000	7000	24.00
K55X60X20	55	60	20	28000	65500	6500	43.40
K55X60X27	55	60	27	37500	96500	6500	60.50
K55X60X30	55	60	30	40500	10300	6500	68.60
K55X61X20	55	61	20	41000	11000	6500	56.00
K55X62X18	55	62	18	35000	69500	6500	58.40
K55X63X15	55	63	15	24500	40500	6500	53.00
K55X63X20	55	63	20	39500	73500	6500	73.30
K55X63X25	55	63	25	49500	99500	6500	88.00
K55X63X32	55	63	32	61500	129500	6500	117.00
K56X61X20	56	61	20	27000	64500	6500	45.00
K58X63X17	58	63	17	21500	63500	6000	42.00
K58X64X19	58	64	19	24500	77500	6000	53.00
K58X65X18	58	65	18	34500	69500	6000	52.00
K60X65X20	60	65	20	29000	71500	6000	50.50
K60X65X30	60	65	30	42000	115500	6000	71.20
K60X68X20	60	68	20	43000	84500	5500	79.00
K60X68X23	60	68	23	49000	100500	5500	94.00
K60X68X25	60	68	25	52500	110500	5500	97.00
K60X68X27	60	68	27	59000	120500	6000	98.00
K60X75X42	60	75	42	11300	19200	5500	240.00
K63X70X21	63	70	21	45000	100500	5500	75.00
K64X70X16	64	70	16	27500	59500	5500	53.00
K65X70X20	65	70	20	30000	76500	5500	49.00

Chengdu RX Bearing Manufacturing Co.,Ltd

K65X70X30	65	70	30	43500	123500	5500	83.00
K65X73X23	65	73	23	45500	93500	5000	100.00
K65X73X30	65	73	30	56500	122500	5000	126.00
K68X74X20	68	74	20	35000	83500	5000	65.00
K68X74X30	68	74	30	46000	117500	5000	97.00
K68X75X20	68	75	32	53500	127500	4500	120.00
K70X76X20	70	76	20	35500	85500	4500	70.00
K70X76X30	70	76	30	51500	138500	4500	100.00
K70X78X25	70	78	25	51500	111500	4500	115.00
K70X78X30	70	78	30	59500	134500	4500	136.00
K70X80X30	70	80	30	72500	147500	4500	150.00
K72X80X20	72	80	20	41000	84500	4500	94.00
K73X79X20	73	79	20	36500	99500	4500	69.00
K75X81X20	75	81	20	37000	93500	4500	72.00
K75X81X30	75	81	30	51500	142000	4500	106.00
K75X83X23	75	83	23	49500	108000	4000	113.00
K75X83X30	75	83	30	61500	142000	4000	147.00
K80X86X20	80	86	20	38000	97500	4000	76.00
K80X86X30	80	86	30	55500	158500	4000	114.00
K80X88X30	80	88	30	71500	178500	4000	141.00
K85X92X20	85	92	20	44000	107500	3500	96.00
K90X97X20	90	97	20	44500	112500	3000	103.00
K90X98X27	90	98	27	60500	149500	3000	150.00
K90X98X30	90	98	30	67500	171500	3000	172.00
K95X102X20	95	102	20	45500	122500	2900	110.00
K95X103X30	95	103	30	68500	179500	2900	177.00
K100X107X21	100	107	21	47500	126500	2700	120.00
K100X108X27	100	108	27	56500	142500	2700	176.00
K100X108X30	100	108	30	70500	187500	2700	190.00
K105X112X21	105	112	21	47000	126500	2500	123.00
K105X113X30	105	113	30	71500	196500	2500	198.00
K110X117X24	110	117	24	55500	157500	2300	146.00
K110X118X30	110	118	30	77500	218500	2300	217.00

Needle Roller Bearing >> K...ZW Series

Features

Needle roller bearings have a high load carrying capacity in addition to their low cross-section and stiffness. They are especially suitable for bearing arrangements where radial space is limited because needle roller bearings only carry pure radial load and can not limit the axial displacement of shaft relative

Chengdu RX Bearing Manufacturing Co.,Ltd

to the housing. It is important to ensure that inner ring axis and outer ring axis must be aligned during mounting the bearings.

Bearing No.	Boundary dimensions(mm)			Basic load ratings(N)		Limiting speeds(rp m)	Mass(g)
	Fw	Ew	Bc	Cr	Cor	Oil	
K15X19X24ZW	15	19	24	12800	20100	22000	10.5
K25X30X26ZW	25	30	26	21000	35000	14000	27
K35X40X30ZW	35	40	30	31500	65500	11000	48
K35X42X20ZW	35	42	20	29500	48500	11000	41
K39X44X26ZW	39	44	26	27000	55500	10000	29.5
K40X45X30ZW	40	45	30	26000	53500	9000	48
K42X47X30ZW	42	47	30	31000	75500	9000	54
K45X51X36ZW	45	51	36	44500	98500	7000	85
K55X60X40ZW	55	60	40	48000	132000	6500	96.5
K58X65X38ZW	58	65	38	48500	106500	6000	106
K60X66X33ZW	60	66	33	45500	111500	6000	104
K60X66X40ZW	60	66	40	57500	150500	5500	116
K60X68X30ZW	60	68	30	44000	87500	5500	136
K60X68X34ZW	60	68	34	47500	95500	5500	140
K62X70X40ZW	62	70	40	65500	145500	5500	147.5
K68X74X35ZW	68	74	35	48000	124500	5000	116
K70X78X46ZW	70	78	46	77500	18800	4500	230
K75X83X35ZW	75	83	35	62500	146500	4000	165
K75X83X40ZW	75	83	40	72500	176500	4000	190
K80X88X40ZW	80	88	40	75500	191500	4000	204
K80X88X46ZW	80	88	46	87500	23000	4000	235
K95X103X40ZW	95	103	40	82500	227500	2900	250

Needle Roller Bearing >> KZK Series

Features

Needle roller bearings have a high load carrying capacity in addition to their low cross-section and stiffness. They are especially suitable for bearing arrangements where radial space is limited because needle roller bearings only carry pure radial load and can not limit the axial displacement of shaft relative to the housing. It is important to ensure that inner ring axis and outer ring axis must be aligned during mounting the bearings.

Chengdu RX Bearing Manufacturing Co.,Ltd

Bearing No.	Boundary dimensions(mm)			Basic load ratings(N)		Mass(g)
	Fw	Ew	Bc	Cr	Cor	
KZK8X12X8	8	12	8	4700	4580	1.90
K2K10X14X10	10	14	10	5000	5160	3.30
KZK12X15X13	12	15	13	5300	7400	3.60
KZK12X16X10	12	16	10	6100	6900	3.50
KZK12X16X11	12	16	11	6200	7100	3.70
KZK12X17X10	12	17	10	7020	7020	5.00
KZK12X18X10	12	18	10	7400	7200	7.80
KZK14X18X10	14	18	10	7100	8500	4.00
KZK14X19X10	14	19	12	7460	7950	7.50
KZK14.4X20.4X10	14.4	20.4	10	8100	7800	6.50
KZK15X19X10	15	19	10	7200	8400	6.00
KZK15X19X9	15	19	9	6800	7100	5.00
KZK15X20X10	15	20	10	7800	9100	7.50
KZK15X21X10	15	21	10	8400	10500	8.50
KZK15X21X11	15	21	11	8500	10700	9.50
KZK15.2X22.2X12	15.2	22.2	12	8600	11100	11.50
KZK16X10X24	16	20	24	8700	9400	6.30
KZK16X20X10	16	20	10	8200	9200	5.80
KZK16X21X10	16	21	10	8800	9800	5.80
KZK16X22X12	16	22	12	11000	11900	9.50
KZK16X22X14	16	22	14	13200	13930	11.00
KZK17X21X10	17	21	10	7600	9000	6.70
KZK17X23X11	17	23	11	8100	11300	9.50
KZK18X22X10	18	22	10	7600	9800	6.90
KZK18X22X24	18	22	24	10100	17200	7.20
KZK18X24X11.6	18	24	11.6	11600	13100	10.00
KZK18X24X12	18	24	12	11600	13100	10.00
KZK18X24X13.3	18	24	13.3	9000	10700	12.40
KZK18X24X13.5	18	24	13.5	9000	10700	12.40
KZK18X24X15	18	24	15	13200	15500	14.00
KZK19X25X16	19	25	16	12100	15500	13.90
KZK19X28X14	19	28	14	12100	15000	20.00
KZK20X25X16	20	25	16	9900	12300	12.00
KZK20X26X12	20	26	12	10100	12500	9.60
KZK20X26X14	20	26	14	12600	16700	12.00
KZK20X26X17	20	26	17	12700	17600	17.00
KZK22X28X13	22	28	13	11900	16500	15.00

Chengdu RX Bearing Manufacturing Co.,Ltd

KZK22X28X14	22	28	14	12600	16800	16.00
KZK22X28X15	22	28	15	13500	18500	16.70
KZK22X28X16	22	28	16	14400	20100	18.00
KZK22X29X15	22	29	15	17800	21800	15.20
KZK22X29X16	22	29	16	17800	21800	19.00
KZK22X30X16	22	30	16	18700	22300	25.70
KZK23X29X13	23	29	13	10000	11300	12.00
KZK23X30X14	23	30	14	9350	10100	19.40
KZK23X30X16	23	30	16	9780	11800	22.00
KZK23.1X28.1X14	23.1	28.1	14	10600	15800	12.90
KZK24X30X15	24	30	15	11200	13700	17.00
KZK24X30X16	24	30	16	11200	13700	18.00
KZK25X30X28	25	30	28	13300	15200	24.00
KZK25X31X12	25	31	12	8700	8800	16.00
KZK25X31X17	25	31	17	9200	9750	23.00
KZK25X31X20	25	31	20	9700	10600	26.00
KZK25X32X16	25	32	16	18200	23100	22.70
KZK25.1X30.1X14	25.1	30.1	14	13700	19000	14.10
KZK26X34X16	26	34	16	11700	17500	25.00
KZK28X33X14	28	33	14	13200	21900	15.70
KZK28X34X14	28	34	14	16500	20700	20.00
KZK28X35X15	28	35	15	18000	22000	25.00
KZK28X35X16	28	35	16	18900	23000	27.00
KZK28X36X16	28	36	16	19500	27000	29.10
KZK28X38X13.6	28	38	13.6	17300	20300	40.00
KZK30X36X16	30	36	16	18900	22800	28.50
KZK30X37X16	30	37	16	21500	30500	29.00
KZK30X38X16	30	38	16	22700	32600	34.40
KZK30X38X18	30	38	18	26200	39600	38.80
KZK32X40X22	32	40	22	27800	39300	50.00
KZK32X42X20	32	42	20	29000	41000	54.00
KZK35X42X20	35	42	20	26000	40200	10.00
KZK38X46X20	38	46	20	31100	43000	50.00
KZK40X48X17	40	48	17	29000	39000	50.00
KZK40X48X20	40	48	20	32500	51000	54.00

Needle Roller Bearing >> KBK Series

Features

Needle roller bearings have a high load carrying capacity in addition to their low cross-section and stiffness. They are especially suitable for bearing

Chengdu RX Bearing Manufacturing Co.,Ltd

arrangements where radial space is limited because needle roller bearings only carry pure radial load and can not limit the axial displacement of shaft relative to the housing. It is important to ensure that inner ring axis and outer ring axis must be aligned during mounting the bearings.

Bearing No.	Boundary dimensions(mm)			Basic load ratings(N)		Mass(g)
	Fw	Ew	Bc	Cr	Cor	
KBK8X11X10	8	11	10	3500	4000	1.85
KBK8X12X10	8	12	10	3700	4100	2.00
KBK9X12X11.5	9	12	11.5	4200	4800	2.40
KBK9X12X13	9	12	13	4600	5800	2.75
KBK9X12X14	9	12	14	4700	5900	3.50
KBK9X13X12	9	13	12	5300	5700	4.10
KBK9X13X12.5	9	13	12.5	5300	5700	4.90
KBK9X13X13	9	13	13	5350	5600	5.10
KBK10X13X10	10	13	10	4200	5200	2.40
KBK10X13X14.5	10	13	14.5	5400	6600	5.10
KBK10X13X16	10	13	16	6800	7700	5.70
KBK10X13X8	10	13	8	4000	5000	2.00
KBK10X14X10	10	14	10	4400	4600	3.40
KBK10X14X11	10	14	11	5200	5700	4.00
KBK10X14X12	10	14	12	5400	6000	4.50
KBK10X14X12.5	10	14	12.5	5600	6200	4.85
KBK10X14X13	10	14	13	5600	6200	5.40
KBK11X15X17	11	15	17	5200	7000	5.00
KBK12X15X13	12	15	13	5500	7300	4.60
KBK12X15X14.3	12	15	14.3	5800	7700	5.40
KBK12X15X15	12	15	15	5900	7800	5.60
KBK12X15X16.5	12	15	16.5	6800	9900	6.20
KBK12X15X17	12	15	17	7000	10000	6.30
KBK12X15X17.5	12	15	17.5	7000	10000	6.50
KBK12X16X13	12	16	13	6300	7600	6.70
KBK12X16X15	12	16	15	7500	9000	7.90
KBK12X16X15.5	12	16	15.5	7600	10000	8.30
KBK12X16X16	12	16	16	7800	9300	8.50
KBK12X16X17	12	16	17	7900	9400	9.20
KBK12X17X14	12	17	14	8000	9500	8.00
KBK12X17X14.3	12	17	14.3	8000	9500	8.40
KBK12X17X14.8	12	17	14.8	8300	9800	8.80

Chengdu RX Bearing Manufacturing Co.,Ltd

KBK13X17X14.5	13	17	14.5	8300	10200	7.10
KBK13X17X17.5	13	17	17.5	9500	12100	8.60
KBK14X18X10	14	18	10	6260	7400	4.60
KBK14X18X12	14	18	12	6380	7570	6.60
KBK14X18X13	14	18	13	7300	8700	7.60
KBK14X18X14	14	18	14	7400	8800	6.33
KBK14X18X14.5	14	18	14.5	7400	8800	8.00
KBK14X18X15	14	18	15	7600	8990	8.30
KBK14X18X16.5	14	18	16.5	8800	9700	9.60
KBK14X18X17	14	18	17	8900	9800	10.10
KBK14X18X20	14	18	20	9000	10100	12.00
KBK14X18X21	14	18	21	10500	12400	13.00
KBK14X18X22	14	18	22	11100	13100	14.00
KBK14X19X17	14	19	17	11100	13100	10.30
KBK15X19X10	15	19	10	6500	8600	5.00
KBK15X19X18	15	19	18	9900	11300	11.00
KBK15X19X19	15	19	19	10100	12800	12.00
KBK15X19X20	15	19	20	11300	15500	12.90
KBK15X20X24	15	20	24	14100	20000	18.60
KBK16X20X19	16	20	19	11700	16800	12.00
KBK16X20X20	16	20	20	12900	17600	13.40
KBK16X20X21	16	20	21	12900	17600	14.00
KBK16X20X22	16	20	22	13000	18700	15.00
KBK16X21X19	16	21	19	13000	18700	16.00
KBK17.5X22X16	17.5	22	16	11000	16300	9.30
KBK18X22X22	18	22	22	11500	17700	16.90
KBK18X22X23.5	18	22	23.5	11900	19000	18.00
KBK18X22X24	18	22	24	12000	20000	18.40
KBK18X22X25	18	22	25	12700	20100	19.10
KBK18X23X21	18	23	21	9900	10100	18.00
KBK18X23X23	18	23	23	10500	12000	20.00
KBK18X24X20	18	24	20	20000	25000	20.00
KBK20X24X30	20	24	30	14900	25500	22.10
KBK20X25X22	20	25	22	15200	22300	19.50
KBK20X25X25	20	25	25	17100	24000	23.00

Needle Roller Bearing >> NK Series

Features

Needle roller bearings have a high load carrying capacity in addition to their low cross-section and stiffness. They are especially suitable for bearing

Chengdu RX Bearing Manufacturing Co.,Ltd

arrangements where radial space is limited because needle roller bearings only carry pure radial load and can not limit the axial displacement of shaft relative to the housing. It is important to ensure that inner ring axis and outer ring axis must be aligned during mounting the bearings.

Bearing No.	Boundary dimensions(mm)			Basic load ratings(N)		Limiting speeds(rpm)
	Fw	D	C	Cr	Cor	Oil
NK5/10TN	5	10	10	2100	1400	36780
NK8/12TN	8	15	12	3050	3650	29112
NK10/12TN	10	17	12	4750	5350	23500
NK12/12	12	19	12	6050	6400	21640
NK12/16	12	19	16	8200	9800	21640
NK14/16	14	22	16	8260	9600	18322
NK15/12	15	23	12	8600	10070	21004
NK16/16	16	24	16	9030	11900	15522
NK16/20	16	24	20	10400	16800	15522
NK17/16	17	25	16	9000	13500	14163
NK18/20	18	26	20	10500	13800	13628
NK20/16	20	28	16	11500	13400	12716
NK20/20	20	28	20	12400	21800	12716
NK202616	20	26	16	9600	10800	9125
NK202620	20	26	20	10500	11900	9125
NK203312SX	20	33	12	13000	17500	11124
NK22/16	22	30	16	13500	18000	11527
NK25/16	25	33	16	12900	20400	15000
NK25/20	26	34	20	17000	30000	16300
NK26/16	26	34	16	15000	23000	16300
NK30/20	30	40	20	20600	32000	12066
NK30/30	30	40	30	31500	50000	14500
NK32/20	32	42	20	17500	33500	12066
NK35/20	35	45	20	13851	26900	12000
NK40/20	40	50	20	19600	43000	8881
NK40/30	40	50	30	22200	513500	8881
NK42/20	42	52	20	23900	45000	10000
NK42/30	42	52	30	27000	49000	10000
NK43/20	43	63	20	25700	75000	10000
NK43/30	43	53	30	39000	75000	10000
NK45/20	45	55	20	19800	46500	7650

Chengdu RX Bearing Manufacturing Co.,Ltd

NK50/25	50	62	25	28000	67000	8140
NK50/35	50	62	35	32000	70100	8140
NK55/25	55	68	25	30600	60800	7625
NK60/25	60	72	25	39000	86000	7000

Needle Roller Bearing >> NKS Series

Features

Needle roller bearings have a high load carrying capacity in addition to their low cross-section and stiffness. They are especially suitable for bearing arrangements where radial space is limited because needle roller bearings only carry pure radial load and can not limit the axial displacement of shaft relative to the housing. It is important to ensure that inner ring axis and outer ring axis must be aligned during mounting the bearings.

Bearing No.	Boundary dimensions(mm)			Basic load ratings(N)		Limiting speeds(rpm)
	Fw	D	C	Cr	Cor	Oil
NKS14	14	25	16	10400	10800	17652
NKS16	16	28	16	14900	15000	20000
NKS20	20	32	20	20000	22000	18000
NKS22	22	35	20	21500	25000	17000
NKS25	25	38	20	25800	31000	16300
NKS28	28	42	20	25900	33500	14600
NKS32	32	47	22	31000	40000	12100

Needle Roller Bearing >> RNA49 Series

Features

Needle roller bearings have a high load carrying capacity in addition to their low cross-section and stiffness. They are especially suitable for bearing arrangements where radial space is limited because needle roller bearings only carry pure radial load and can not limit the axial displacement of shaft relative to the housing. It is important to ensure that inner ring axis and outer ring axis must be aligned during mounting the bearings.

Bearing No.	Boundary dimensions(mm)			Basic load ratings(N)		Limiting speeds(rpm)
	Fw	D	C	Cr	Cor	Oil

Chengdu RX Bearing Manufacturing Co.,Ltd

RNA4900	14	22	13	8060	9000	18322
RNA4901	16	24	13	6400	8900	15522
RNA4902	20	28	13	10800	12800	12716
RNA4903	22	30	13	12000	16800	16300
RNA4904	25	37	17	11912	16594	14060
RNA4905	30	42	17	13452	20475	12066
RNA49/28	32	45	17	17400	30050	12000
RNA4906	35	47	17	17000	30500	12000
RNA4907	42	55	20	19800	41500	8710
RNA4908	48	62	22	31036	63873	8120
RNA4909	52	68	22	37000	69500	7625
RNA4910	58	72	40	68000	135000	7500
RNA4911	63	80	25	50600	96580	6340
RNA4912	68	85	25	52800	91050	6100
RNA4913	72	90	25	57500	110500	6100
RNA4914	80	100	30	79000	154000	5130
RNA4915	85	105	30	82000	158000	5130
RNA4916	90	110	30	81000	170500	4927
RNA4917	100	120	35	98000	207000	4600
RNA4918	105	125	35	98500	239000	4000
RNA4919	110	130	35	112000	245000	3870
RNA4920	115	140	40	120000	264000	3710
RNA4922	125	150	40	124000	270000	3350
RNA4924	135	165	45	174000	386000	2920
RNA4928	160	190	50	200000	460000	2900

Needle Roller Bearing >> NA69 Series

Features

Needle roller bearings have a high load carrying capacity in addition to their low cross-section and stiffness. They are especially suitable for bearing arrangements where radial space is limited because needle roller bearings only carry pure radial load and can not limit the axial displacement of shaft relative to the housing. It is important to ensure that inner ring axis and outer ring axis must be aligned during mounting the bearings.

Bearing No.	Boundary dimensions(mm)				Basic load ratings(N)	
	d	Fw	D	B	Cr	Cor
NA6900	10	14	22	22	8281	11612
NA6901	12	16	24	22	11647	17052
NA6902	15	20	28	23	13100	20900
NA6903	17	22	30	23	14400	24900
NA69/22	22	28	39	30	21375	35750

Chengdu RX Bearing Manufacturing Co.,Ltd

NA6905	25	30	42	30	19300	31750
NA69/28	28	32	45	30	22400	36850
NA69/32	32	40	52	36	25500	68500
NA6907	35	42	55	36	26000	60500
NA6908	40	48	62	40	64000	112000
NA6909	45	50	68	40	61500	123500
NA6910	50	58	72	40	68000	135000
NA6911	55	63	80	45	82560	172000
NA6912	60	68	85	45	88500	186000
NA6913	65	72	90	45	87600	194500
NA6914	70	80	100	54	121000	263000
NA6915	75	85	105	54	128000	272000
NA6916	80	90	110	54	130500	280600
NA6917	85	100	120	63	166000	400000
NA6918	90	105	125	63	172000	425000
NA6919	95	110	130	63	174000	440000

Needle Roller Bearing >> NKI Series

Features

Needle roller bearings have a high load carrying capacity in addition to their low cross-section and stiffness. They are especially suitable for bearing arrangements where radial space is limited because needle roller bearings only carry pure radial load and can not limit the axial displacement of shaft relative to the housing. It is important to ensure that inner ring axis and outer ring axis must be aligned during mounting the bearings.

Bearing No.	Boundary dimensions(mm)				Basic load ratings(N)		Limiting speeds(rpm)	Mass(g)
	d	Fw	D	B	Cr	Cor	Oil	
NKI8	8	14	25	16	12400	11300	21500	46
NKI9/12	9	12	19	12	6200	7002	21700	14.6
NKI10/16	10	14	22	16	9808	10500	19650	27.3
NKI12/20	12	16	24	20	14000	18400	21000	39
NKI15/16	15	19	27	16	8847	12853	19100	38
NKI15/20	15	19	27	20	12347	19053	19100	45.7
NKI17/16	17	21	29	16	13000	18200	20000	41.4
NKI20/16	20	24	32	16	10800	17000	16700	48.5
NKI22/16	22	25	34	16	8721	15340	16200	50
NKI25/30	25	29	38	30	31500	56000	14000	115
NKI35/30	35	40	50	30	22200	51350	11134	165
NKI40/20	40	45	55	20	22000	48000	10127	124

Chengdu RX Bearing Manufacturing Co.,Ltd

NKI40/30	40	45	55	30	35000	86000	10127	184
NKI42/20	42	47	57	20	26000	52500	9500	138
NKI45/25	45	50	62	25	36000	70000	8567	218
NKI45/35	45	50	62	35	41500	102000	8567	289
NKI50/25	50	55	68	25	32000	78000	7890	262
NKI55/35	55	60	72	35	48000	126800	7256	357
NKI60/25	60	68	82	25	35500	85000	7156	388

Needle Roller Bearing >> NKIS Series

Features

Needle roller bearings have a high load carrying capacity in addition to their low cross-section and stiffness. They are especially suitable for bearing arrangements where radial space is limited because needle roller bearings only carry pure radial load and can not limit the axial displacement of shaft relative to the housing. It is important to ensure that inner ring axis and outer ring axis must be aligned during mounting the bearings.

Bearing No.	Boundary dimensions(mm)				Basic load ratings(N)		Limiting speeds(rpm)	Mass(g)
	d	Fw	D	B	Cr	Cor	Oil	
NKIS12	12	18	30	16	16000	17000	20000	58
NKIS15	15	22	35	20	23500	24000	17000	90
NKIS20	20	28	42	20	16500	35500	14000	119
NKIS25	25	32	47	22	32000	55000	12500	160
NKIS35	35	43	58	22	33000	56000	9500	210
NKIS45	45	55	72	22	43000	71000	7500	306
NKIS50	50	60	80	28	60000	95000	7200	510
NKIS60	60	70	90	28	65000	1E+05	6300	550

Needle Roller Bearing >> NA49 Series

Features

Needle roller bearings have a high load carrying capacity in addition to their low cross-section and stiffness. They are especially suitable for bearing arrangements where radial space is limited because needle roller bearings only carry pure radial load and can not limit the axial displacement of shaft relative to the housing. It is important to ensure that inner ring axis and outer ring axis must be aligned during mounting the bearings.

Bearing No.	Boundary dimensions(mm)				Basic load ratings(N)		Limiting speeds(rpm)
	d	Fw	D	B	Cr	Cor	Oil
NA4900	10	14	22	13	8006	9000	23700
NA4901	12	16	24	13	5047	6352	20000
NA4902	15	20	28	13	6447	9053	18800

Chengdu RX Bearing Manufacturing Co.,Ltd

NA4903	17	22	30	13	7010	10010	17000
NA4904	20	25	37	17	11912	16594	16200
NA49/22	22	28	39	17	12996	19175	14360
NA4905	25	30	42	17	13452	20475	13832
NA49/28	28	32	45	17	13900	20100	13832
NA49/32	32	40	52	20	19000	32600	11134
NA4907	35	42	55	20	19800	41500	11134
NA4908	40	48	62	22	31036	63873	8567
NA4909	45	50	68	22	37000	96500	8052
NA4910	50	58	72	22	41000	72000	7526
NA4911	55	63	80	25	50600	96580	7156
NA4912	60	68	85	25	52800	110500	6022
NA4913	65	72	90	25	57500	110500	6022
NA4914	70	80	100	30	79000	154000	5111
NA4915	75	85	105	30	82000	158000	5111
NA4916	80	90	110	30	81000	170500	5111
NA4917	85	100	120	35	111000	237000	4600
NA4918	90	105	125	35	114000	250000	4400
NA4919	95	110	130	35	116000	260000	4200
NA4920	100	115	140	40	120000	2740000	4000
NA4922	110	125	150	40	132000	290000	3700
NA4924	120	135	165	45	181000	890000	3400
NA4926	130	150	180	50	223000	470000	3100
NA4928	140	160	190	50	209000	500000	2900

Needle Roller Bearing >> NA69 Series

Features

Needle roller bearings have a high load carrying capacity in addition to their low cross-section and stiffness. They are especially suitable for bearing arrangements where radial space is limited because needle roller bearings only carry pure radial load and can not limit the axial displacement of shaft relative to the housing. It is important to ensure that inner ring axis and outer ring axis must be aligned during mounting the bearings.

Bearing No.	Boundary dimensions(mm)				Basic load ratings(N)		Limiting speeds(rpr)
	d	Fw	D	B	Cr	Cor	Oil
NA6900	10	14	22	22	8281	11612	23700
NA6901	12	16	24	22	11647	17052	20000
NA6902	15	20	28	23	13100	20900	18800
NA6903	17	22	30	23	14400	24900	17000
NA69/22	22	28	39	30	21375	35750	14360
NA6905	25	30	42	30	19300	31750	13832

Chengdu RX Bearing Manufacturing Co.,Ltd

NA69/28	28	32	45	30	22400	36850	13832
NA69/32	32	40	52	36	25500	68500	11134
NA6907	35	42	55	36	26000	60500	11134
NA6908	40	48	62	40	64000	112000	8567
NA6909	45	50	68	40	61500	123500	8052
NA6910	50	58	72	40	68000	135000	7526
NA6911	55	63	80	45	82560	172000	7156
NA6912	60	68	85	45	88500	186000	6022
NA6913	65	72	90	45	87600	194500	6022
NA6914	70	80	100	54	121000	263000	5111
NA6915	75	85	105	54	128000	272000	5111
NA6916	80	90	110	54	130500	280600	5000
NA6917	85	100	120	63	166000	400000	4600
NA6918	90	105	125	63	172000	425000	4400
NA6919	95	110	130	63	174000	440000	4200

Needle Roller Bearing >> NA48 Series

Features

Needle roller bearings have a high load carrying capacity in addition to their low cross-section and stiffness. They are especially suitable for bearing arrangements where radial space is limited because needle roller bearings only carry pure radial load and can not limit the axial displacement of shaft relative to the housing. It is important to ensure that inner ring axis and outer ring axis must be aligned during mounting the bearings.

Bearing No.	Boundary dimensions(mm)				Basic load ratings(N)		Limit speed
	d	Fw	D	B	Cr	Cor	
NA4822	110	120	140	30	94000	216000	3900
NA4824	120	130	150	30	99000	239000	3600
NA4826	130	145	165	35	118000	310000	3200
NA4828	140	155	175	35	120000	325000	3000

Needle Roller Bearing >> NAO Series

Features

Needle roller bearings have a high load carrying capacity in addition to their low cross-section and stiffness. They are especially suitable for bearing arrangements where radial space is limited because needle roller bearings only carry pure radial load and can not limit the axial displacement of shaft relative to the housing. It is important to ensure that inner ring axis and outer ring axis must be aligned during mounting the bearings.

Chengdu RX Bearing Manufacturing Co.,Ltd

Bearing No.	Boundary dimensions(mm)					Basic load ratings(N)		Limiting speeds(rp m)	Mass(g)
	d	D	B	F	E	Cr	Cor	Oil	
NAO6X17X10TN	6	17	10	10	13	3950	5000	17080	13
NAO9X22X12TN	9	22	12	12	18	8800	7900	12090	22
NAO12X24X13	12	24	13	16	20	8000	16000	15020	29
NAO12X24X20	12	24	20	16	20	10300	16800	20000	43
NAO12X28X12	12	28	12	16	22	9850	10500	19000	38.6
NAO15X28X13	15	28	13	20	24	7800	10300	20600	27.8
NAO15X32X12	15	32	12	20	26	10400	14020	20000	48.1
NAO17X30X13	17	30	13	22	26	9860	15000	20000	39
NAO17X35X16	17	35	16	22	29	16800	20050	10090	70
NAO20X35X17	20	35	17	25	29	12600	20200	16000	72
NAO20X37X16	20	37	16	25	32	10000	18000	12700	81
NAO25X40X17	25	40	17	30	35	10600	24000	10500	78.9
NAO25X42X16	25	42	16	30	37	13100	23500	10500	83
NAO25X42X32	25	42	32	30	37	26500	47000	10500	189
NAO30X45X13	30	45	13	35	40	11200	25000	11207	73
NAO30X45X17	30	45	17	35	40	12800	28500	11207	100
NAO30X45X26	30	45	26	35	40	17500	32900	11207	150
NAO30X47X16	30	47	16	35	42	14400	17500	11207	99.8
NAO30X47X18	30	47	18	35	42	20000	33000	11207	109
NAO30X52X18	30	52	18	37	44	18000	25500	10900	172
NAO35X50X17	35	50	17	40	45	20800	40506	10900	103
NAO35X55X20	35	55	20	40	47	28500	41000	10000	175
NAO35X57X20.5	35	57	20.5	42	50	26000	49000	10000	206

Chengdu RX Bearing Manufacturing Co.,Ltd

NAO40X55X17	40	55	17	45	50	12500	36000	9000	118
NAO40X65X20	40	65	20	50	58	35000	61200	8000	269
NAO50X68X20	50	68	20	55	60	24500	62000	7500	219
NAO50X78X20	50	78	20	60	68	33500	65000	6500	400
NAO70X100X30	70	100	30	80	88	52600	129000	4000	829
NAO75X105X25	75	105	25	85	93	42000	106000	3900	676
NAO80X110X30	80	110	30	90	98	49020	112000	4200	892
NAO90X120X30	90	120	30	100	108	51000	128000	3900	1004

Needle Roller Bearing >> RNAO Series

Features

Needle roller bearings have a high load carrying capacity in addition to their low cross-section and stiffness. They are especially suitable for bearing arrangements where radial space is limited because needle roller bearings only carry pure radial load and can not limit the axial displacement of shaft relative to the housing. It is important to ensure that inner ring axis and outer ring axis must be aligned during mounting the bearings.

Bearing No.	Boundary dimensions(mm)				Basic load ratings(N)		Limiting speeds(rpm)
	Fw	D	C	E	Cr	Cor	Oil
RNAO5X10X8	5	10	8	8	2050	1720	27800
RNAO6X13X8TN	6	13	8	9	2300	1880	30000
RNAO7X14X8TN	7	14	8	10	2250	1950	31000
RNAO8X15X10TN	8	15	10	11	3050	3920	28000
RNAO10X17X10TN	10	17	10	13	3960	4500	20000
RNAO12X19X13.5TN	12	19	13.5	15	5400	7500	22000
RNAO12X22X12TN	12	22	12	18	8950	8000	23000
RNAO15X23X13	15	23	13	19	6500	8900	21100
RNAO16X24X13	16	24	13	20	6200	8400	21100
RNAO16X24X20	16	24	20	20	10200	14800	21100
RNAO16X28X12	16	28	12	22	9500	10500	18000
RNAO17X25X13	17	25	13	21	9400	11600	18000
RNAO18X30X24	18	30	24	24	12100	16500	17600
RNAO20X28X13	20	28	13	24	7800	9600	16000
RNAO20X28X26	20	28	26	24	10080	20500	16000
RNAO20X32X12	20	32	13	26	10100	14100	16000
RNAO22X35X13	22	30	13	26	9200	12000	14000
RNAO22X35X16	22	35	16	29	10000	15500	16000
RNAO25X35X17	25	35	17	29	10900	22000	15020

Chengdu RX Bearing Manufacturing Co.,Ltd

RNAO25X35X26	25	35	26	29	12400	25000	15020
RNAO25X37X16	25	37	16	32	15000	20900	12000
RNAO25X37X32	25	37	32	32	25000	38900	12000
RNAO26X39X13	26	39	13	30	87600	10200	15020
RNAO30X40X17	30	40	17	35	12600	24000	10050
RNAO30X40X26	30	40	26	35	16000	32000	10050
RNAO30X42X16	30	42	16	37	13000	23200	10050
RNAO30X42X32	30	42	32	37	29500	47000	10050
RNAO35X45X13	35	45	13	40	10200	22000	10000
RNAO35X45X17	35	45	17	40	17800	24500	10000
RNAO35X45X26	35	45	26	40	20500	40000	10000
RNAO35X47X16	35	47	16	42	20400	31500	10000
RNAO35X47X18	35	47	18	42	22500	35000	10000
RNAO35X47X32	35	47	32	42	32000	55000	10000
RNAO37X52X18	37	52	18	44	118900	35500	8800
RNAO40X50X17	40	50	17	45	15400	29880	8800
RNAO40X50X34	40	50	34	45	25186	57200	11000
RNAO40X55X20	40	55	20	47	26300	46100	10000
RNAO40X55X40	40	55	40	48	54700	87000	10000
RNAO42X57X20	42	57	20	50	26720	43700	10000
RNAO45X55X17	45	55	17	50	18000	36000	9000
RNAO45X62X40	45	62	40	53	42200	85050	9000
RNAO50X62X20	50	62	20	55	20690	46860	7500
RNAO50X65X20	50	65	20	58	23200	40540	7000
RNAO50X65X40	50	65	40	58	39040	80600	7000
RNAO55X68X20	55	68	20	60	22480	52074	6500
RNAO60X78X20	60	78	20	68	28500	65300	5550
RNAO60X78X40	60	78	40	68	45000	99000	5550
RNAO65X85X30	65	85	30	73	37000	90900	4900
RNAO70X90X30	70	90	30	78	40010	105000	5100
RNAO80X100X30	80	100	30	88	52000	139000	4890
RNAO85X105X25	85	105	25	93	48600	106000	4900
RNAO90X105X26	90	105	26	98	42519	129000	4900
RNAO90X110X30	90	110	30	98	58100	152000	4900
RNAO100X120X30	100	120	30	108	50000	158000	3100

Needle Roller Bearing >> RNA49...RS Series

Features

Chengdu RX Bearing Manufacturing Co.,Ltd

Needle roller bearings have a high load carrying capacity in addition to their low cross-section and stiffness. They are especially suitable for bearing arrangements where radial space is limited because needle roller bearings only carry pure radial load and can not limit the axial displacement of shaft relative to the housing. It is important to ensure that inner ring axis and outer ring axis must be aligned during mounting the bearings.

Bearing No.	Boundary dimensions(mm)			Basic load ratings(N)		Limitin g speed s(rpm)	Mass(g)
	Fw(F)	D	C	Cr	Cor	Oil	
RNA4900-RS	14	22	13	4560	4660	13000	16
RNA4901-RS	16	24	13	4950	5800	12000	18
RNA4902-RS	20	28	13	5980	9500	10000	21.5
RNA4903-RS	22	30	13	6050	10100	9000	23
RNA4904-RS	25	37	17	14900	17500	7500	56
RNA4905-RS	30	42	17	16300	21500	6500	60
RNA4906-RS	35	47	17	20020	24900	5500	69
RNA4907-RS	42	55	20	22500	37000	4800	107
RNA4908-RS	48	62	22	33050	50900	4200	154
RNA4909-RS	52	68	22	34800	56800	3900	157
RNA4910-RS	58	72	22	37800	61500	3500	160

Needle Roller Bearing >> RNA49...2RS Series

Features

Needle roller bearings have a high load carrying capacity in addition to their low cross-section and stiffness. They are especially suitable for bearing arrangements where radial space is limited because needle roller bearings only carry pure radial load and can not limit the axial displacement of shaft relative to the housing. It is important to ensure that inner ring axis and outer ring axis must be aligned during mounting the bearings.

Bearing No.	Boundary dimensions(mm)			Basic load ratings(N)		Limitin g speed s(rpm)	Mass(g)
	Fw(F)	D	C	Cr	Cor	Oil	

Chengdu RX Bearing Manufacturing Co.,Ltd

RNA4900-2RS	14	22	13	4560	4660	13000	16
RNA4901-2RS	16	24	13	4950	5800	12000	18
RNA4902-2RS	20	28	13	5980	9500	10000	21.5
RNA4903-2RS	22	30	13	6050	10100	9000	23
RNA4904-2RS	25	37	17	14900	17500	7500	56
RNA4905-2RS	30	42	17	16300	21500	6500	60
RNA4906-2RS	35	47	17	20020	24900	5500	69
RNA4907-2RS	42	55	20	22500	37000	4800	107
RNA4908-2RS	48	62	22	33050	50900	4200	154
RNA4909-2RS	52	68	22	34800	56800	3900	157
RNA4910-2RS	58	72	22	37800	61500	3500	160

Needle Roller Bearing >> NA49...RS Series

Features

Needle roller bearings have a high load carrying capacity in addition to their low cross-section and stiffness. They are especially suitable for bearing arrangements where radial space is limited because needle roller bearings only carry pure radial load and can not limit the axial displacement of shaft relative to the housing. It is important to ensure that inner ring axis and outer ring axis must be aligned during mounting the bearings.

Bearing No.	Boundary dimensions(mm)					Basic load ratings(N)		Limiting speeds(rpm)	Mass(g)
	d	Fw(F)	D	C	B	Cr	Cor	Oil	
NA4900-RS	10	14	22	13	14	4560	4660	13000	24.5
NA4901-RS	12	16	24	13	14	5980	9500	12000	27.5
NA4902-RS	15	20	28	13	14	5980	9500	10000	37
NA4903-RS	17	22	30	13	14	6050	10100	9000	40
NA4904-RS	20	25	37	17	18	14900	17500	7500	80
NA4905-RS	25	30	42	17	18	16300	21500	6500	89.5
NA4906-RS	30	35	47	17	18	20050	24900	5500	104
NA4907-RS	35	42	55	20	21	22500	37000	4800	175
NA4908-RS	40	48	62	22	23	33050	50900	4200	252
NA4909-RS	45	52	68	22	23	34800	56800	3900	290
NA4910-RS	50	58	72	22	23	37800	61500	3500	295

Chengdu RX Bearing Manufacturing Co.,Ltd

Needle Roller Bearing >> NA49...2RS Series

Features

Needle roller bearings have a high load carrying capacity in addition to their low cross-section and stiffness. They are especially suitable for bearing arrangements where radial space is limited because needle roller bearings only carry pure radial load and can not limit the axial displacement of shaft relative to the housing. It is important to ensure that inner ring axis and outer ring axis must be aligned during mounting the bearings.

Bearing No.	Boundary dimensions(mm)					Basic load ratings(N)		Limiting speeds(rpm)	Mass(g)
	d	Fw(F)	D	C	B	Cr	Cor	Oil	
NA4900-2RS	10	14	22	13	14	4560	4660	13000	24.5
NA4901-2RS	12	16	24	13	14	5980	9500	12000	27.5
NA4902-2RS	15	20	28	13	14	5980	9500	10000	37
NA4903-2RS	17	22	30	13	14	6050	10100	9000	40
NA4904-2RS	20	25	37	17	18	14900	17500	7500	80
NA4905-2RS	25	30	42	17	18	16300	21500	6500	89.5
NA4906-2RS	30	35	47	17	18	20050	24900	5500	104
NA4907-2RS	35	42	55	20	21	22500	37000	4800	175
NA4908-2RS	40	48	62	22	23	33050	50900	4200	252
NA4909-2RS	45	52	68	22	23	34800	56800	3900	290
NA4910-2RS	50	58	72	22	23	37800	61500	3500	295

Needle Roller Bearing >> RNAV Series

Features

Needle roller bearings have a high load carrying capacity in addition to their low cross-section and stiffness. They are especially suitable for bearing arrangements where radial space is limited because needle roller bearings only carry pure radial load and can not limit the axial displacement of shaft relative to the housing. It is important to ensure that inner ring axis and outer ring axis must be aligned during mounting the bearings.

Bearing No.	Boundary dimensions(mm)			Basic load ratings(N)		Limiting speeds(rpm)	Mass(g)
	Fw	D	C	Cr	Cor	Oil	
RNAV4002	21.87	32	17	10800	29800	4500	45
RNAV4003	24.3	35	18	17900	37900	4300	62
RNAV4004	28.7	42	22	28150	60900	3900	114
RNAV4005	33.5	47	22	33800	70800	3700	129
RNAV4006	40.1	55	25	49900	96500	3500	193

Chengdu RX Bearing Manufacturing Co.,Ltd

RNAV4007	45.9	62	27	47600	122800	3100	259
RNAV4008	51.6	68	28	49900	137900	2700	304
RNAV4009	57.4	75	30	52500	153500	2600	390
RNAV4010	62.1	80	30	55700	166000	2500	426
RNAV4011	69.8	90	35	68500	225800	2300	645
RNAV4012	74.6	95	35	75400	239000	2100	677
RNAV4013	80.3	100	35	79500	256900	1900	692
RNAV4014	88	110	40	98800	354900	1700	950
RNAV4015	92.7	115	45	101800	372900	1600	1000
RNAV4016	100.3	125	45	102900	373500	1500	1400
RNAV4017	104.8	130	45	103800	374800	1400	1540

Needle Roller Bearing >> NAV Series

Features

Needle roller bearings have a high load carrying capacity in addition to their low cross-section and stiffness. They are especially suitable for bearing arrangements where radial space is limited because needle roller bearings only carry pure radial load and can not limit the axial displacement of shaft relative to the housing. It is important to ensure that inner ring axis and outer ring axis must be aligned during mounting the bearings.

Bearing No.	Boundary dimensions(mm)			Basic load ratings(N)		Limiting speeds(rpm)	Mass(g)
	Fw	D	C	Cr	Cor	Oil	
NAV4002	15	32	17	10800	29800	4500	76
NAV4003	17	35	18	1700	37900	4300	94
NAV4004	20	42	22	28150	60900	3900	170
NAV4005	25	47	22	33800	70800	3700	195
NAV4006	30	55	25	49900	96500	3500	299
NAV4007	35	62	27	47600	122800	3100	402
NAV4008	40	68	28	49900	137900	2700	482
NAV4009	45	75	30	52500	153500	2600	617
NAV4010	50	80	30	55700	166000	2500	669
NAV4011	55	90	35	68500	225800	2300	55
NAV4012	60	95	35	75400	239000	2100	1087
NAV4013	65	100	35	79500	256900	1900	1156
NAV4014	70	110	40	98800	354900	1700	1666
NAV4015	75	115	45	101800	372900	1600	1762
NAV4016	80	125	45	102900	373500	1500	2450
NAV4017	85	130	45	103800	374800	1400	2500

Needle Roller Bearing >> RPNA Series

Features

Chengdu RX Bearing Manufacturing Co.,Ltd

Needle roller bearings have a high load carrying capacity in addition to their low cross-section and stiffness. They are especially suitable for bearing arrangements where radial space is limited because needle roller bearings only carry pure radial load and can not limit the axial displacement of shaft relative to the housing. It is important to ensure that inner ring axis and outer ring axis must be aligned during mounting the bearings.

Bearing No.	Boundary dimensions(mm)				Basic load ratings(N)		Limiting speeds(rpm)	Mass(g)
	Fw(F)	D	B(C)	D1	Cr	Cor	Oil	
RPNA15/28	15	28	12	24.5	4660	5700	24000	32
RPNA18/32	18	32	16	27	9800	14000	22000	52
RPNA20/35	20	35	16	30.5	10500	15500	21000	62
RPNA25/42	25	42	20	36.5	14900	27800	18000	109
RPNA28/32	28	44	20	38.5	20500	31900	16000	112
RPNA30/47	30	47	20	42	20980	33500	15000	125
RPNA35/52	35	52	20	47.5	21500	39600	13000	131
RPNA40/55	40	55	20	50.5	24000	44700	11000	141
RPNA45/62	45	62	20	58	24800	50900	10000	176

Needle Roller Bearing >> PNA Series

Features

Needle roller bearings have a high load carrying capacity in addition to their low cross-section and stiffness. They are especially suitable for bearing arrangements where radial space is limited because needle roller bearings only carry pure radial load and can not limit the axial displacement of shaft relative to the housing. It is important to ensure that inner ring axis and outer ring axis must be aligned during mounting the bearings.

Bearing No.	Boundary dimensions(mm)						Basic load ratings(N)		Limiting speeds(rpm)	Mass(g)
	d	Fw(F)	D	B(C)	D1	S1	Cr	Cor	Oil	
PNA12/28	12	15	28	12	24.5	0.5	4660	5700	24000	37
PNA15/32	15	18	32	16	27	0.5	9800	14000	22000	62
PNA17/35	17	20	35	16	30.5	0.5	10500	15500	21000	73
PNA20/42	20	25	42	20	36.5	0.5	14900	27800	18000	136
PNA22/44	22	28	44	20	38.5	0.5	20500	31900	16000	145
PNA25/47	25	30	47	20	42	0.5	20980	33500	15000	157
PNA30/52	30	35	52	20	47.5	0.5	21500	39600	13000	181
PNA35/55	35	40	55	20	50.5	0.5	24000	44700	11000	177

Chengdu RX Bearing Manufacturing Co.,Ltd

PNA40/62	40	45	62	20	58	0.5	24800	50900	10000	227
----------	----	----	----	----	----	-----	-------	-------	-------	-----

Needle Roller Bearing >> IR Series

Features

Needle roller bearings have a high load carrying capacity in addition to their low cross-section and stiffness. They are especially suitable for bearing arrangements where radial space is limited because needle roller bearings only carry pure radial load and can not limit the axial displacement of shaft relative to the housing. It is important to ensure that inner ring axis and outer ring axis must be aligned during mounting the bearings.

Bearing No.	Boundary dimensions(mm)			Mass(g)
	d	F	B	
IR5X8X12	5	8	12	2.79
IR5X8X16	5	8	16	3.75
IR6X10X10	6	10	10	3.70
IR6X10X12	6	10	12	4.60
IR6X9X12	6	9	12	3.17
IR6X9X16	6	9	16	4.30
IR7X10X10.5	7	10	10.5	3.09
IR7X10X12	7	10	12	3.61
IR7X10X16	7	10	16	4.90
IR06X12X10.5C	7.8	12.2	10.7	5.20
IR8X12X10	8	12	10	4.80
IR8X12X10.5	8	12	10.5	5.00
IR8X12X12	8	12	12	5.70
IR8X12X12.5	8	12	12.5	5.90
IR9X12X12	9	12	12	4.50
IR9X12X16	9	12	16	6.10
IR10X13X12.5	10	13	12.5	5.20
IR10X14X12	10	14	12	7.30
IR10X14X13	10	14	13	7.40
IR10X14X14	10	14	14	8.00
IR10X14X16	10	14	16	9.20
IR10X14X20	10	14	20	11.60
IR12X14X15.5	12	17	15.5	8.40
IR12X15X12	12	15	12	5.80
IR12X15X12.5	12	15	12.5	6.10
IR12X15X16	12	15	16	8.00

Chengdu RX Bearing Manufacturing Co.,Ltd

IR12X15X16.5	12	15	16.5	8.10
IR12X15X22.5	12	15	22.5	10.90
IR12X16X12	12	16	12	7.90
IR12X16X13	12	16	13	8.70
IR12X16X14	12	16	14	9.50
IR12X16X16	12	16	16	10.90
IR12X16X20	12	16	20	13.50
IR12X16X22	12	16	22	14.90
IR12X16X22.5	12	16	22.5	15.20
IR12X17X22.5	12	17	22.5	10.20
IR15X18X16	15	18	16	9.60
IR15X18X16.5	15	18	16.5	9.90
IR15X19X16	15	19	16	12.80
IR15X19X20	15	19	20	16.40
IR15X20X12	15	20	12	12.10
IR15X20X13	15	20	13	13.50
IR15X20X14	15	20	14	14.70
IR15X20X23	15	20	23	24.40
IR17X20X16	17	20	16	10.70
IR17X20X16.5	17	20	16.5	11.10
IR17X20X20	17	20	20	13.50
IR17X20X20.5	17	20	20.5	13.80
IR17X20X30.5	17	20	30.5	20.60
IR17X21X16	17	21	16	14.30
IR17X22X13	17	22	13	14.90
IR17X22X14	17	22	14	16.40
IR17X22X16	17	22	16	18.70
IR17X22X23	17	22	23	27.10
IR17X24X20	17	24	20	33.60
IR20X24X16	20	24	16	16.50
IR20X24X20	20	24	20	21.30
IR20X25X12.5	20	25	12.5	16.30
IR20X25X17	20	25	17	22.40
IR20X25X18	20	25	18	24.30
IR20X25X20	20	25	20	27.50
IR20X25X20.5	20	25	20.5	28.20
IR20X25X26.5	20	25	26.5	36.10
IR20X25X30	20	25	30	40.90
IR20X25X38.5	20	25	38.5	52.50
IR20X28X20	20	28	20	45.20

Chengdu RX Bearing Manufacturing Co.,Ltd

IR22X26X16	22	26	16	17.50
IR22X26X20	22	26	20	23.20
IR22X28X17	22	28	17	29.80
IR22X28X20	22	28	20	35.00
IR22X28X20.5	22	28	20.5	36.00
IR22X28X30	22	28	30	26.70
IR25X29X20	25	29	20	25.50
IR25X29X30	25	29	30	39.30
IR25X30X16	25	30	16	26.00
IR25X30X17	25	30	17	27.50
IR25X30X18	25	30	18	29.80
IR25X30X20	25	30	20	32.60
IR25X30X20.5	25	30	20.5	33.50
IR25X30X26.5	25	30	26.5	43.30
IR25X30X30	25	30	30	50.10
IR25X30X32	25	30	32	53.00
IR25X30X38.5	25	30	38.5	63.80
IR25X32X22	25	32	22	51.70
IR28X32X17	28	32	17	24.50
IR28X32X20	28	32	20	28.40
IR28X32X30	28	32	30	43.80
IR29X32X13	29	32	13	14.80
IR30X35X13	30	35	13	25.00
IR30X35X16	30	35	16	30.80
IR30X35X17	30	35	17	32.30
IR30X35X18	30	35	18	35.30
IR30X35X20	30	35	20	40.00
IR30X35X20.5	30	35	20.5	40.70
IR30X35X26	30	35	26	50.30
IR30X35X30	30	35	30	58.90
IR30X37X18	30	37	18	50.00
IR30X37X22	30	37	22	60.80
IR30X38X20	30	38	20	64.80
IR32X37X20	32	37	20	42.00
IR32X37X30	32	37	30	62.70
IR32X40X20	32	40	20	68.00
IR32X40X36	32	40	36	124.00
IR33X37X13	33	37	13	21.90
IR34X42X20	34	42	20	29.00
IR35X40X17	35	40	17	38.30

Chengdu RX Bearing Manufacturing Co.,Ltd

IR35X40X20	35	40	20	44.40
IR35X40X20.5	35	40	20.5	46.10
IR35X40X30	35	40	30	67.90
IR35X42X20	35	42	20	63.90
IR35X42X20.5	35	42	20.5	66.00
IR35X42X21	35	42	21	67.70
IR35X42X23	35	42	23	74.00
IR35X42X36	35	42	36	117.00
IR35X43X22	35	43	22	82.00
IR38X43X20	38	43	20	48.10
IR38X43X30	38	43	30	73.60
IR40X45X17	40	45	17	42.50
IR40X45X20	40	45	20	50.50
IR40X45X20.5	40	45	20.5	52.50
IR40X45X22.5	40	45	22.5	
IR40X45X30	40	45	30	77.10
IR40X48X22	40	48	22	92.30
IR40X48X23	40	48	23	97.30
IR40X48X40	40	48	40	170.00
IR40X50X20	40	50	20	106.00
IR40X50X22	40	50	22	118.00
IR42X47X20	42	47	20	53.50
IR42X47X30	42	47	30	81.00
IR45X50X20	45	50	20	58.00
IR45X50X25	45	50	25	71.10
IR45X50X25.5	45	50	25.5	73.70
IR45X50X26	45	50	26	75.00
IR45X50X35	45	50	35	101.00
IR45X50X40	45	50	40	120.00
IR45X52X22	45	52	22	89.00
IR45X52X23	45	52	23	93.00
IR45X52X40	45	52	40	164.00
IR45X55X20	45	55	20	117.00
IR45X55X22	45	55	22	130.00
IR45.2X58X36	45.2	58	36	126.00
IR47X60X35	47	60	35	130.00
IR50X55X20	50	55	20	62.60
IR50X55X35	50	55	35	112.00
IR50X58X22	50	58	22	115.00
IR50X58X23	50	58	23	119.00

Chengdu RX Bearing Manufacturing Co.,Ltd

IR50X58X40	50	58	40	209.00
IR50X60X20	50	60	20	129.00
IR50X60X25	50	60	25	163.00
IR50X60X28	50	60	28	183.00
IR55X60X25	55	60	25	86.00
IR55X60X35	55	60	35	121.00
IR55X63X25	55	63	25	141.00
IR55X63X45	55	63	45	256.00
IR55X65X28	55	65	28	198.00
IR60X65X41	60	65	41	214.00
IR60X68X25	60	68	25	152.00
IR60X68X35	60	68	35	213.00
IR60X68X45	60	68	45	275.00
IR60X70X25	60	70	25	195.00
IR60X70X28	60	70	28	216.00
IR65X72X25	65	72	25	142.00
IR65X72X45	65	72	45	259.00
IR65X73X25	65	73	25	164.00
IR65X73X35	65	73	35	232.00
IR65X75X28	65	75	28	230.00
IR70X80X25	70	80	25	224.00
IR70X80X30	70	80	30	267.00
IR70X80X35	70	80	35	313.00
IR70X80X54	70	80	54	487.00
IR70X80X56	70	80	56	506.00
IR75X85X25	75	85	25	238.00
IR75X85X30	75	85	30	287.00
IR75X85X35	75	85	35	336.00
IR75X85X54	75	85	54	520.00
IR80X90X25	80	90	25	254.00
IR80X90X30	80	90	30	304.00
IR80X90X35	80	90	35	355.00
IR80X90X54	80	90	54	550.00
IR85X100X35	85	100	35	580.00
IR85X100X63	85	100	63	1050.00
IR85X95X26	85	95	26	280.00
IR85X95X36	85	95	36	390.00
IR88X100X30	85	100	30	480.00
IR90X100X26	90	100	26	294.00
IR90X100X30	90	100	30	340.00

Chengdu RX Bearing Manufacturing Co.,Ltd

IR90X100X36	90	100	36	406.00
IR90X105X35	90	105	35	610.00
IR90X105X63	90	105	63	1110.00
IR95X105X26	95	105	26	313.00
IR95X105X36	95	105	36	430.00
IR95X110X35	95	110	35	643.00
IR95X110X63	95	110	63	1170.00
IR100X110X30	100	110	30	370.00
IR100X110X40	100	110	40	505.00
IR100X115X40	100	115	40	775.00
IR110X120X30	110	120	30	409.00
IR110X125X40	110	125	40	840.00
IR120X130X30	120	130	30	442.00
IR130X145X35	130	145	35	855.00
IR130X150X50	130	150	50	1690.00
IR140X155X35	140	155	35	917.00
IR140X160X50	140	160	50	1800.00
IR150X165X40	150	165	40	1120.00
IR160X175X40	160	175	40	1200.00

Needle Roller Bearing >> LR Series

Features

Needle roller bearings have a high load carrying capacity in addition to their low cross-section and stiffness. They are especially suitable for bearing arrangements where radial space is limited because needle roller bearings only carry pure radial load and can not limit the axial displacement of shaft relative to the housing. It is important to ensure that inner ring axis and outer ring axis must be aligned during mounting the bearings.

Bearing No.	Boundary dimensions(mm)			Mass(g)
	d	F	B	
LR7X10X10.5	7	10	10.5	3.09
LR8X12X10.5	8	12	10.5	5.00
LR8X12X12.5	8	12	12.5	5.90
LR10X13X12.5	10	13	12.5	5.20
LR12X15X12.5	12	15	12.5	6.10
LR12X15X16.5	12	15	16.5	8.10
LR12X15X22.5	12	15	22.5	10.90

Chengdu RX Bearing Manufacturing Co.,Ltd

LR15X18X12.5	15	18	12.5	7.20
IR17X21X20	17	21	20	18.00
LR17X20X16.5	17	20	16.5	11.10
LR17X20X20.5	17	20	20.5	13.80
LR17X20X30.5	17	20	30.5	20.60
LR20X25X16	20	25	16	21.10
LR20X25X16.5	20	25	16.5	21.70
LR20X25X20.5	20	25	20.5	28.20
LR20X25X26.5	20	25	26.5	36.10
LR20X25X38.5	20	25	38.5	52.50
LR22X28X20.5	22	28	20.5	36.00
LR25X30X12.5	25	30	12.5	20.00
LR25X30X16.5	25	30	16.5	26.70
LR25X30X20.5	25	30	20.5	33.50
LR25X30X26.5	25	30	26.5	43.30
LR25X30X38.5	25	30	38.5	63.80
LR30X35X12.5	30	35	12.5	23.30
LR30X35X16.5	30	35	16.5	31.40
LR30X35X20.5	30	35	20.5	40.70
LR35X40X12.5	35	40	12.5	27.20
LR35X40X16.5	35	40	16.5	37.40
LR35X40X20.5	35	40	20.5	46.10
LR40X45X16.5	40	45	16.5	41.40
LR40X45X20.5	40	45	20.5	52.50
LR45X50X20.5	45	50	20.5	58.80
LR45X50X25.5	45	50	25.5	73.70
LR50X55X20.5	50	55	20.5	64.10
LR50X55X25	50	55	25	77.80
LR120X135X45	120	135	45	1000.00

Needle Roller Bearing >> AXK Series

Features

Needle roller bearings have a high load carrying capacity in addition to their low cross-section and stiffness. They are especially suitable for bearing arrangements where radial space is limited because needle roller bearings only carry pure radial load and can not limit the axial displacement of shaft relative to the housing. It is important to ensure that inner ring axis and outer ring axis must be aligned during mounting the bearings.

Bearing No.	Boundary dimensions(mm)			Basic load ratings(N)		Limiting speeds(rpm)	Mass(g)
	Dc1	Dc	Dw	Cr	Cor	Oil	
AXK0414TN	4	14	2	4380	7500	18000	0.7

Chengdu RX Bearing Manufacturing Co.,Ltd

AXK0515TN	5	15	2	4680	9100	17000	0.8
AXK0619TN	6	19	2	6740	15400	16000	1
AXK0821TN	8	21	2	7750	19000	15000	2
AXK1024	10	24	2	9150	24500	14000	3
AXK1226	12	26	2	9860	28600	13000	3
AXK1528	15	28	2	11200	35500	11000	4
AXK1730	17	30	2	11800	38600	10000	4
AXK2035	20	35	2	12900	45600	8500	5
AXK2542	25	42	2	13800	57800	7000	7
AXK3047	30	47	2	15600	69500	6000	8
AXK3552	35	52	2	16900	80100	5500	10
AXK4060	40	60	3	27500	113500	4700	16
AXK4565	45	65	3	29050	127600	4200	18
AXK5070	50	70	3	31500	13800	3900	20
AXK5578	55	78	3	37400	185000	3500	28
AXK6085	60	85	3	43900	232500	3200	33
AXK6590	65	90	3	45800	254600	3000	35
AXK7095	70	95	4	53600	254400	2900	60
AXK75100	75	100	4	54500	264600	2700	61
AXK80105	80	105	4	55600	278500	2600	63
AXK85110	85	110	4	57500	28800	2400	67
AXK90120	90	120	4	72500	401000	2300	86
AXK100135	100	135	4	90500	559500	2000	104
AXK110145	110	145	4	96500	617500	1900	122
AXK120155	120	155	4	101500	679600	1700	131
AXK130170	130	170	5	132400	838900	1600	205
AXK140180	140	180	5	137200	899600	1500	219
AXK150190	150	190	5	142800	959000	1400	232
AXK160200	160	200	5	147600	1015000	1300	246

Needle Roller Bearing >> AXW Series

Features

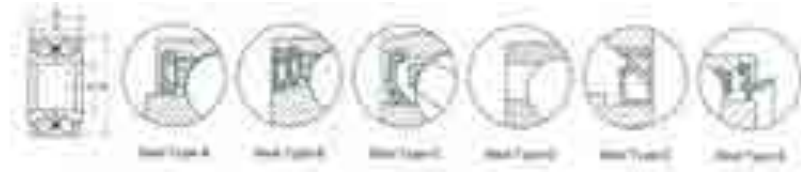
Needle roller bearings have a high load carrying capacity in addition to their low cross-section and stiffness. They are especially suitable for bearing arrangements where radial space is limited because needle roller bearings only carry pure radial load and can not limit the axial displacement of shaft relative to the housing. It is important to ensure that inner ring axis and outer ring axis must be aligned during mounting the bearings.

Bearing No.	Boundary dimensions(mm)					Basic load ratings(N)		Limiting speeds(rpm)	Mass(g)
	Dc1	D1	D	B	B1	Cr	Cor	Oil	

Chengdu RX Bearing Manufacturing Co.,Ltd

AXW10	10	14	27	3.2	3	9100	24000	14000	8.3
AXW12	12	16	29	3.2	3	8900	27800	13000	9.1
AXW15	15	21	31	3.2	3.5	10500	35000	11000	10.1
AXW17	17	23	33	3.2	3.5	10900	38800	10000	11
AXW20	20	26	38	3.2	3.5	12700	45600	8500	14
AXW25	25	32	45	3.2	4	13900	57500	7000	19.5
AXW30	30	37	50	3.2	4	15900	69500	6000	22
AXW35	35	42	55	3.2	4	17000	80100	5500	26.6
AXW40	40	47	63	4.2	4	27800	109000	4700	39.2
AXW45	45	52	68	4.2	4	29500	119900	4300	43.4
AXW50	50	58	73	4.2	4.5	31800	140900	3900	49.2

Auto Bearing



Chengdu RX Bearing Manufacturing Co.,Ltd



Bearing No.	Boundary dimensions(mm)			Mass(Kg)				
	SKF	FAG	Other Co.		d	D	B	C
DAC255200206	617546A			25	52	20.6	20.6	0.19
DAC25520037	445539A		566030	25	52	37	37	0.31
DAC27600050			513071 IR-8653	27	60	50	50	0.56
DAC30500020			DE0678CS12	30	50	20	20	
DAC30540024			DE0681CS16	30	54	24	24	
DAC30550030/25			ATV-BB-2	30	55	30	25	
DAC30600337	633313C	529891AB 545312	B-81	30	60.03	37	37	0.42
DAC30640042				30	64	42	42	0.49
DAC34620037	309724B 311316B	531910 561447	IR-8051	34	62	37	37	0.41
DAC34640037	309726	532066DE 540466B	B-35	34	64	37	37	0.43
DAC34660037	636114A	580400CA	IR-8622	34	66	37	37	0.5
DAC35640037			510014	35	64	37	37	0.41
DAC35650035	443952EA	546238A	IR-8042	35	65	35	35	0.4
DAC35660032	445980BA		IR-8091	35	66	32	32	0.42
DAC35660033	633676		IR-8089	35	66	33	33	0.43
DAC35660037	311309	546238 544307	IR-8065	35	66	37	37	0.48
DAC35680037	633295 633528 633967	567918B 541153A	B-33	35	68	37	37	0.52
DAC35680233/30			DAC3568W-6	35	68.02	33	30	0.47
DAC35720028	441832AB		IR-8028	35	72	28	28	0.48
DAC35720033	446762 445535	548083	IR-8055	35	72	33	33	0.58
DAC35720034			B36	35	72	34	34	0.58
DAC35720233/31			DAC357233B-1W	35	72.02	33	31	0.56

Auto Bearing >> 2nd Generation Hub Unit



Auto Bearing >> 2nd Generation Hub Unit														
Chengdu RX Bearing Manufacturing Co., Ltd. (Ping Cheng, Ltd.)												Outer ring flange		Automobile type
Unit No.	d	F	B	E1	E2	M	G	K	I	H	J	Bolt(hole) size	Flange shape	
DACF1083CR	30	117	37	57.9	58.9	47	98	-	44.8	16.9	12	4 x M12 x 1.25	B	Fiat
BAFB633807D	30	117	37	57.9	58.9	51.8	98	66.8	44.8	16.9	12	4 x M12 x 1.25	B	Fiat
DACF1083CR-1	30	117	37	57.9	58.9	46.9	98	-	44.8	16.9	11	4 x M12 x 1.25	B	Fiat
633622-1	30	116	37	58	59	47	98	-	47	16.8	12	4 x M12 x 1.25	A	Fiat
633622	30	117	37	57.9	58.9	51.9	98	-	44.8	16.9	10.5	4 x M12 x 1.25	A	Fiat
633622-2	30	116	37	58	59	46.8	98	-	45	19.5	11.2	4 x M12 x 1.25	A	Fiat
633622-3	30	116	37	58	59	46.8	98	-	45	19.5	11.2	4 x M12 x 1.25	A	Fiat
TGB12095	25	133	43	60	65.9	54	100	-	55.6	19.5	12.5	4 x M12 x 1.5	A	Renault
TGB12095S49	25	133	43	60	65.9	54	100	75.5	61.8	19.5	12.5	4 x M12 x 1.5	A	Renault
IR 8688	32	129	38	65	71	60	108	-	43.6	17	12	4 x M12 x 1.25	A	Peugeot, Citroen
800179D	30	120	37	57	65	52	100	69.5	44.7	19	11.3	5 x M14 x 1.5	A	Volkswagen
801191E	28	120	39	57	65	51.9	100	66.3	41.5	20	10.6	5 x M14 x 1.5	A	Volkswagen
35016	28	120	40	60	-	47	100	63	49.5	6	9	4 x M12 x 1.25	B	
DACF1050B	28	126	48	56	64	49.7	100	67.3	56.5	14	10	4 x M12 x 1.5	A	Mitsubishi
28BWK08g	28	126	48	56	64	49.7	100	67.3	56.5	14	10	4 x M12 x 1.5	A	Mitsubishi
57210-25000	28	140	38	54	62.5	47.7	100	70	50.5	14	10	4 x M12 x 1.5	B	Hyundai
57210-25100	28	140	38	54	62.5	47.7	100	70	50.5	14	10	4 x M12 x 1.5	B	Hyundai
52710-2D000	32	139	45	67	76	57.6	114.3	74	50.5	14	9	4 x M12 x 1.5	B	Hyundai
52710-2D115	32	139	45	67	76	57.6	114.3	74	50.5	14	9	4 x M12 x 1.5	B	Hyundai
52710-29XXX	28	139	38	66.9	76	57.7	114.3	66.95	50.5	14	9	4 x M12 x 1.5	B	Hyundai
52710-29450	28	139	38	66.9	76	57.7	114.3	66.95	50.5	14	9	4 x M12 x 1.5	B	Hyundai
52710-22400	28	139	38	66.9	90	57.7	114.3	70	50.5	14	9	4 x M12 x 1.5	B	Hyundai
52710-29400	28	139	38	66.9	76	57.7	114.3	70	50.5	14	9	4 x M12 x 1.5	B	Hyundai
DACF310203	31	-	47	65.9	-	59	100	73	44	14	10	4 x M10 x 1.25	D	Hyundai
513202	37	152	52	71.6	70.46	64	114.3	78	54.5	21	13	5 x 1/2'-20 UNF	A	Ford
578413	37	139	45	72.5	79	66	120	81.6	45	19	11.3	5 x M12 x 1.5	B	BMW
580494	45	-	41	90	-	-	106	88	37.2	3.8	10.5	4 x M10 x 1.0	D	BMW
3502950	30	123	50	56	64	50	100	65	56.5	14	10	4 x M12 x 1.5	A	
BAF0006D	30	122	46	56	57	47.9	100	67	56	14	10	4 x M12 x 1.5	A	
BAF0013E	30	117	37	58	59	52	98	70	44	16.8	10	4 x M12 x 1.5	A	Fiat
DACF20023	37	151	52	70.5	71.6	64	114.3	78	52	21	10	5 x 1/2'-20 UNF	A	Ford
BAF-4104E	30	120	37	57	65	52	100	69.5	44.5	19	10.5	4 x M14 x 1.5	A	Volkswagen
BAF-0095B	30	120	37	56.9	64.9	52	100	69.6	42.5	19	10.8	4 x M12 x 1.5	A	Volkswagen
DACF1005C	31	120	40	57	66	50.5	100	72.6	42	19	12	4 x M12 x 1.5	A	BMW
DACF1005CABS	31	120	40	57	66	50.5	100	72.6	42	19	12	4 x M12 x 1.5	A	BMW
DACF1018L	35	137	45	65	70	57	110	76	49	25	12	5 x M12 x 1.5	B	Opel
DACF1033K	37	139	45	72.5	79	65.9	120	79	45	19	11	5 x M12 x 1.5	C	BMW
DACF1033K-1	37	139	45	72.5	79	65.9	120	79	45	19	11	5 x M12 x 1.5	C	BMW
DACF1033K-2	37	139	45	72.5	79	65.9	120	79	45	19	11	5 x M12 x 1.5	B	BMW
DACF1091	30	-	50	66	-	58.3	90	68	44	10	10	4 x M10 x .25	D	338
DACF1092	40	-	43	84	-	-	106	-	26.6	16.4	10	4 x M12 x 1.25	D	
DACF1097	30	-	42	-	-	63	99	72	51.8	-	7.7	4 x Ø10.5	D	Toyota
28BWK12	28	-	42	-	-	60.9	97	66	51.9	-	7.7	4 x Ø10.5	D	Tovota



Auto Bearing >> 3rd Generation Hub Unit

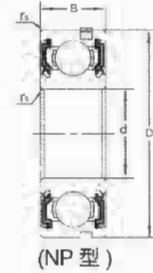
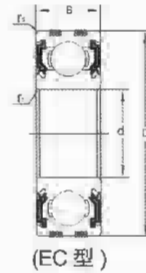
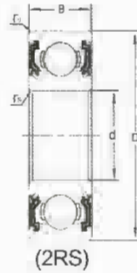
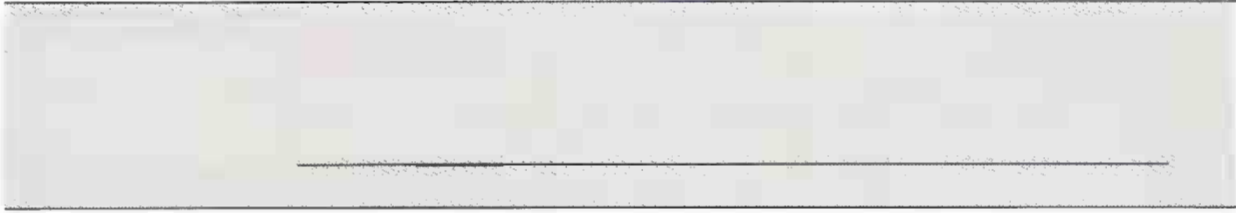
Unit No.	Dimensions (mm)							Inner flange		Outer flange bolt	No. of	U	Outer
	A	B	C	D	E	F	G	Bolt hole size (Q'ty)	Bolt size (Q'ty)	hole size & hole Dia.	Splines	M o d e l	shap e
								H					
100104	116.8	98	58.9	57.9	-	52	85	4xM12x1.25	-	4 x Ø10 x .25	20	X	II
513017K	125.4	100	58.32	57.02	73.4	44.3	98.5	-	5 x M12 x 1.5	3 x Ø12.7	33	X	I
513016K	146	115	70.63	70.15	89.95	41.78	116	-	5 x M12 x 1.5	3 x Ø12.7	27	X	I
513084	154	114.3	72	71.4	100	54	120.65	-	5 x 1/2-20UN F	3 x M12 x 1.75	27	X	I
52730-38102	148	114.3	75.9	66.9	65.9	59	100	-	4 x M12 x 1.5	4 x M10 x 1.25	-	Y	V
513074	139	114.3	72.8	71.2	86.8	37.7	112	-	5 x M12 x 1.5	4 x M10 x 1.5	26	X	II
513075	126	100	60.7	56.7	87	37.3	112	-	5 x M12 x 1.5	4 x M10 x 1.5	26	X	II
513011K	125.4	100	57.73	57.03	70.99	41.96	102	-	5 x M12 x 1.5	3 x Ø13	33	X	I

Chengdu RX Bearing Manufacturing Co.,Ltd

574566B	135. 5	108	68	65	83.5	43	103	4 x M12 x 1.75	-	4 x M12 x 1.75	26	Z	III
574566C	135. 5	108	68	65	83.5	43	103	5 x M12 x 1.75	-	4 x M12 x 1.75	26	Z	III
BARB243823 AD	130. 5	108	68	65	81	37	103	4 x M14 x 1.5	-	4 x M12 x 1.5	26	Z	V
633293	116. 8	98	58.9	57.9	-	52	85	4 x M12 x 1.25	-	4 x Ø10 x 1.25	-	X	II
801143D	-	-	-	-	-	-	-	-	-	-	-	Y	V
513100	139	108	70.9 2	63.1	85.4 4	36.2	112	-	5 x M12 x 1.5	3 x M12 x 1.75	26	X	I
513087	145. 5	115	70.6 1	70.1	-	42	116	-	5 x M12 x 1.5	3 x Ø14	33	X	I
513138	128	100	60.9	56.9	87	37.6	112	-	5 x M12 x 1.5	3 x M12 x 1.75	26	X	I
513121	145. 8	115	70.6	70.1	-	41.9	116	-	5 x M12 x 1.5	3 x M12 x 1.75	33	X	I
513044	144. 5	115	70.6 1	70.1	91.0 6	44.8 5	146.0 5	-	5 x M12 x 1.5	4 x M12 x1.5	33	X	V
513089	146	114. 3	73.3	71.4	91.3	42.1	116	-	5 x M12 x 1.5	3 x M12 x 1.75	33	X	I
513061	144. 5	120. 7	70.6 3	71.1 4	91.9 5	47.2 4	120.6 5	-	5 x M12 x 1.5	3 x M12 x 1.75	27	Z	I
30BWK16	151. 8	114. 3	62	60	-	75	99	5 x M12 x 1.5	-	4 x Ø10.5	-	Y	V
3NDF026	135	100	54.9 5	53.9 2	73.9	54.5	-	-	4 x M12 x 1.5	4 x M10 x 1.25	-	Z	V
801106	139	120	79	74	90	61.1	106	5 x M12 x 1.5	-	4 x M12 x 1.5	-	Y	VI
801344D	131	112	68	57	-	70.1	95	5 x M14 x	-	5 x	-	Z	V

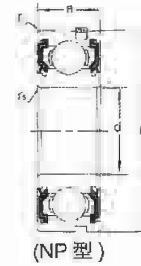
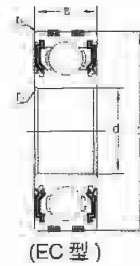
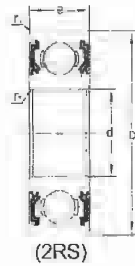
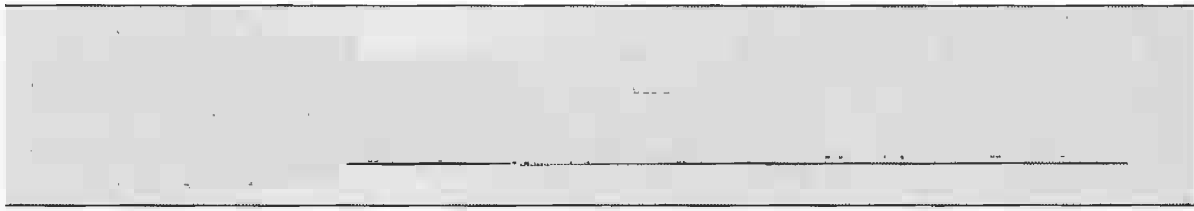
Chengdu RX Bearing Manufacturing Co.,Ltd

						5		1.5		Ø10.8			
512001ABS	138	-	56.8	57.3	60.9	65	-	-	5 x M12 x 1.5	4 x Ø10.8	-	X	VII
513156	139	-	63.1	70.8	89.5	41.1	-	-	5 x M12 x 1.5	3 x M12 x 1.75	26	X	I
515001ABS	182. 5	140	77.6	78.3	99.3	56.7	-	-	6 x M14 x 1.5	3 x Ø14.5	33	X	I
515006	172	-	77.6	78	99.3	-	50.8	-	5 x 1/2-20UN F	3 x M14 x 1.5	33	X	I



★ 深沟球轴承 (汽车发电机轴承)
Deep Groove Ball Bearings (Automobile Alternator Bearings)

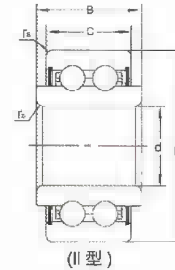
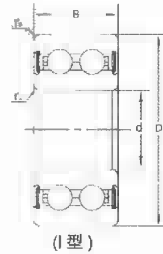
外形尺寸 (mm) Boundary dimensions				额定负荷 (N) Load rating		极限转速 (rpm) Limiting speeds			轴承型号 Bearing numbers		适用机型 sued.ON
d	D	B	r smin	Cr	Cor	Grease		Oil	Beep Groove Ball Bearings		
						Noncontact	contact	Ref.ON			
8	22	11	0.3	3350	1370	32000	28000	37000	B8-74D	NPB8-74D-2RS	发电机型 Alternators
	23	14	0.3	3910	1530	34000	30000	40000	B8-85D	B8-85D-2RS	
	23	14	0.3	3910	1530	34000	30000	40000	B8-85D	NPB8-85D-2RS	
	23	14	0.3	3910	1530	34000	30000	40000	B8-23D	ECB8-23D-2RS	
	23	11	0.3	3910	1530	34000	30000	40000	B8-79D	B8-79D-2RS	
	23	11	0.3	3910	1530	34000	30000	40000	B8-79D	ECB8-79D-2RS	
10	23	11	0.3	2700	1270	33000	23000	38000	B10-46D	B10-46D-2RS	发电机型 Alternators
	26	8	0.3	4570	1970	30000	22000	36000	6000TT	EC6000-2RS	
	26	10	0.3	4570	1970	30000	22000	36000	62000-2RS	62000-2RS	
	27	11	0.3	4570	1970	30000	22000	36000	B10-50D	B10-50D-2RS	
	27	11	0.3	4570	1970	30000	22000	36000	B10-51D	B10-51D-2RS	
	27	11	0.3	4570	1970	30000	22000	36000	B10-50D	ECB10-50D-2RS	
12	32	10	0.6	6106	2770	22000	17000	28000	6201-2RS	6201-2RS	发电机型 Alternators
	35	18	0.6	7750	3570	20000	14000	24000	214	214-2RS	
	37	12	1.0	9700	4200	20000	15000	24000	6301-2RS	6301-2RS	
	40	12	1.0	9700	4200	20000	15000	24000	B12-40D	B12-40D-2RS	
	40	10	0.6	7690	3830	20000	14000	24000	B12-53D	B12-53D-2RS	
15	32	11	0.3	5600	2840	23000	14000	28000	366	366-2RS	发电机型 Alternators
	35	11	0.6	7750	3570	20000	14000	24000	6202-2RS	6202-2RS	
	35	11	0.6	7750	3570	20000	14000	24000	6202TT	EC6202-2RS	
	35	13	0.6	7750	3750	20000	14000	24000	279	279-2RS	
	35	13	0.6	7750	3750	20000	14000	24000	B15-69	B15-69-2RS	
	35	13	0.6	7750	3750	20000	14000	24000	B15-69	NPB15-69-2RS	



★ 深沟球轴承 (汽车发电机轴承)
Deep Groove Ball Bearings (Automobile Alternator Bearings)

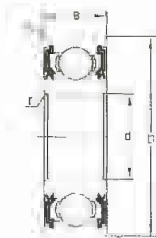
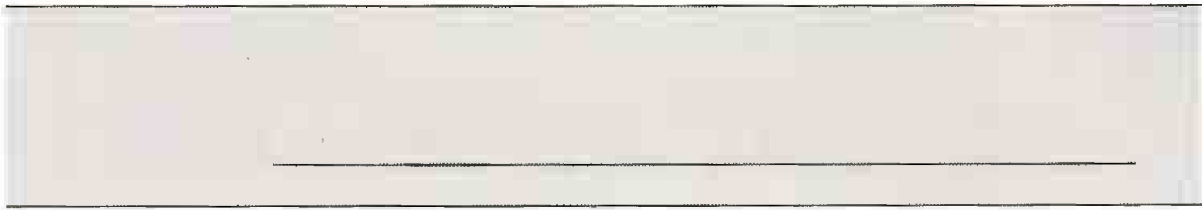
外形尺寸 (mm) Boundary dimensions				额定负荷 (N) Load rating		极限转速 (rpm) Limiting speeds			轴承型号 Bearing numbers		适用机型 sued.ON
d	D	B	r sm/n	Cr	Cor	Grease		Oil	Deep Groove Ball Bearings		
						Noncontact	contact		Ref.ON		
15	38	12	0.6	7750	3750	20000	14000	24000	SC0299ZLU	SC0299ZLU	发电机型 Alternators
	38	19	0.6	7750	3750	20000	14000	24000	348	348-2RS	
	40	14	0.6	9550	4800	17000	12000	20000	B15-85D	B15-85D-2RS	
	43	13	1.0	11400	5450	17000	13000	20000	319	319-2RS	
	45	14	1.0	13580	6590	15000	11000	18000	B15-45D	B15-45D-2RS	
	46	14	1.0	13580	6590	15000	11000	18000	336	336-2RS	
	46	14	1.0	13580	6590	15000	11000	18000	336	NP336-2RS	
	47	14	1.0	13580	6590	15000	11000	18000	B15-86D	B15-86D-2RS	
	47	18	1.0	13580	6590	15000	11000	18000	B15-83D	B15-83D-2RS	
	42	13	1.0	11400	5450	17000	13000	20000	6302-2RS	6302-2RS	
	42	13	1.0	11400	5450	17000	13000	20000	EC6302-2RS	EC6302-2RS	
52	16	1.0	15930	7875	14000	10000	17000	382-2RS	382-2RS		
17	40	12	0.6	9550	4800	17000	12000	20000	6203-2RS	6203-2RS	发电机型 Alternators
	40	12	0.6	9550	4800	17000	12000	20000	6203TT	EC6203-2RS	
	47	14	1.0	13580	6590	15000	11000	18000	6303-2RS	6303-2RS	
	47	18	1.0	13580	6590	15000	11000	18000	B17-107D	B17-107D-2RS	
	47	24	1.0	13580	6590	15000	11000	18000	303WPP	6303/24-2RS	
	52	15	1.1	15930	7875	14000	10000	17000	B17-52D	B17-52D-2RS	
	52	16	1.1	15930	7875	14000	10000	17000	333	333-2RS	
	52	17	1.1	15930	7875	14000	10000	17000	B17-99D	B17-99D-2RS	
52	18	1.1	15930	7875	14000	10000	17000	B17-116D	B17-116D-2RS		

注：无前置代号表示轴承外径表面为常规光滑表面，无防止外围蠕动的止动结构。如：B8-85D
前置代号 EC 表示轴承外径表面带有两道膨胀补偿型尼龙环结构。如：ECB8-85D
前置代号 NP 表示轴承外径表面带有一道偏心止动槽和偏心止动环。如：NPB8-85D

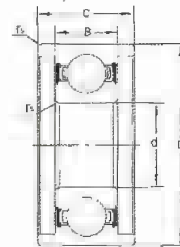


汽车空调压缩机轴承
Automobile Air-condition Compressor Bearings

轴承型号 Bearing NO				外形尺寸 (mm) Boundary dimensions				应用车型 Application Car make
NACHI	NSK	KOYO	d	D	B	C		
30BD461816	336-2001		30	46	18	16		
30BD4718	30BG04S8G-2DS	83A693	30	47	18		SUZUKI,DAIHATSU	
30BD472118		83A693A	30	47	21	18	TOYOTA	
30BD4722	30BG4S13-2DST2		30	47	22			
30BD5220	30BGS10G-2DST(101.007)		30	52	20			
30BD5222	30BGS10G-2DST2	30BD5222DU 30BD5222DUUM6	DAC3052-32RD	30	52	22		FORD,TOYOTA,HONDA
30BD5523	30BG05S5G-2DS 5006-2NSL 30BG05S2DS	30BD40DU 30BD219V		30	55	23		FORD
30BD5526	30BGS1-2NSL	DAC3055CRK		30	55	26		
30BD6227	30BG05S1-2NSL	▲5206		30	62	27		
32BD4718	32BG04S3G	32BD4718DUK		32	47	18		ALTO
32BD522015	320-2001		2TS2-DF0676LH	32	52	20	15	BENZ
32BD5523	32BG05S1-2NSL	32BD45DJ		32	55	23		MAZDA,XIALI
35BD5020	35BG05S7G-2DST	35BD5020DU	DAC355500020	35	50	20		MITSUBISHI
35BD5220	35BD5220DF(101.011)			35	52	20		
35BD5222	35BD5222DFX7(101.006)	35BD522DFX7	DAC35520022	35	52	22		
35BD5223	35BG05S6G			35	52	23		
35BD5520	35BG05S10G-2DST2	35BD219DUK	DAC35550020	35	55	20		GM,HONDA,NISSAN
35BD6221	35BG06G-2DS			35	62	21		
35BD6224	DF0789(101.008)	35BD6224DV		35	62	24		
35BD62277		35BD210DDU	BD30-11A	35	62	27.7		CHRYSLER WHITE
38BD5417	38BG05S2G-2DS			38	54	17		SUZUKI,DAIHATSU
38BD6224	101.008			38	62	24		
40BD5524	40BGS40G			40	55	24		
40BD5724	40BG05S1DS 40BG05S2G-2DS 712019-NBR-2	40BD45T12DDU 907257A		40	57	24		MITSUBISHI
40BD572420	40BGS05S1G-2DS			40	57	24	20	EUROPE,SANTANA,AUDI
40BD62206	65S7684/6559496	40BD49V/90527	83A5518	40	62	20.625		GM(90527)
40BD6224206	40BGS12G-2DS	40BD49AWT12DDU		40	62	24	20.625	FORD,CHRYSLER,TOYOTA
40BD6224	40BGS11G-2DS	40BD219T12DDU	83A551B4	40	62	24		FORD,CHRYSLER
40BD6624	40BGS39G	2TS2-DF08A06		40	66	24		
40BD6830		40BD6830DUK		40	68	30		
45BD6420		DF0957		45	64	20		
45BD6820		DF0954		45	68	20		
45BD7532	45BG07S5G-2DST			45	75	32		



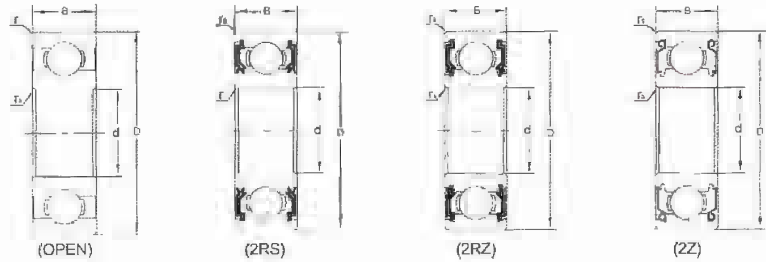
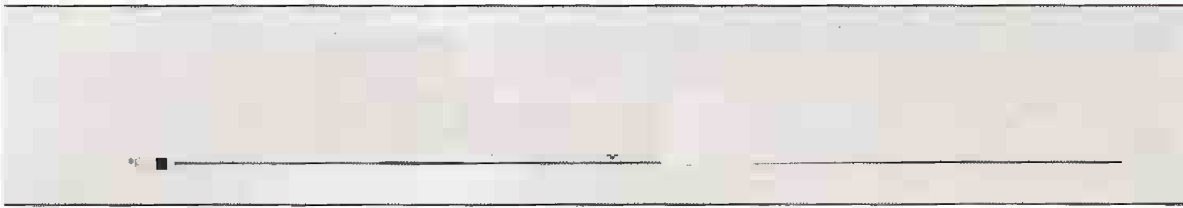
(I 型)



(II 型)

☆ 深沟球轴承 (汽车涨紧轮轴承)
Deep Groove Ball Bearings (Automobile Tensioner&Idler Bearings)

外形尺寸 (mm) Boundary dimensions					额定负荷 (N) Load rating		极限转速 (rpm) Limiting speeds	轴承型号 Bearing numbers		适用机型 sued.ON
								Deep Groove Ball Bearings		
d	D	B	C	r smin	Cr	Cor	Grease contact	Ref.ON		
8.3	40	12	12	0.6	9400	5000	11000		DG834412-2RS	
12	40	12	12	0.6	9800	4250	14000		DG124012-2RS	
17	47	14	30	0.6	9550	4800	12000		DG174730-2RS	
25	52	15	26	1.0	14000	7900	8500		DG2552RDIH-2RS	
28	52	13	28.5	1.0	12500	7400	8400		DG285228.513-2RS	
30	57	13	24	1.0	13200	8300	8000		630632-2RS	
30	57.5	16	26	1.0	13200	8300	8000		DG305726-2RS	
30	59	13	19	1.0	13200	8300	8000		A5919-2RS	
30	59	13	22	1.0	13200	8300	8000		A5922-2RS	
30	59	13	26	1.0	13200	8300	8000		A5926-2RS	



深沟球轴承 (摩托车轴承)
Deep Groove Ball Bearings (Motor Cycle Bearings)

外形尺寸 (mm) Boundary dimensions				额定负荷 (N) Load rating		极限转速 (rpm) Limiting speeds			轴承型号 Bearing numbers	
d	D	B	r smin	Cr	Cor	Grease		Oil	Open	Closed
						Noncontact	contact			
12	28	8	0.3	5100	2370	28000	18000	32000	6001	
12	32	10	0.6	6800	3050	22000	17000	28000	6201	
12	37	12	1.0	9700	4200	20000	16000	24000	6301	
15	32	8	0.3	5600	2840	24000	15000	28000	16002/P6	
15	32	9	0.3	5600	2840	24000	15000	28000	6002	6002-RS/P5
15	35	11	0.6	7650	3750	20000	14000	24000	6202	6202-RS/P6 6202-ZZ/P6
15	42	13	1.0	11400	5450	17000	13000	20000	6302/P5	
17	35	8	0.3	6000	3250	22000	13000	26000	16003	
17	35	10	0.3	6000	3250	22000	13000	26000	6003	
17	40	12	0.6	9550	4800	17000	12000	20000	6203	
17	52	12	1.1	15900	7900	13000	9500	16000	6304-17W12	
17	47	14	1.0	13600	6650	15000	11000	18000	6303	
20	42	12	0.6	9400	5000	18000	11000	20000	6004	
20	43	12	0.6	9400	5000	18000	11000	21000	6004D43	
20	47	12	1.0	12800	6600	14000	10000	18000	6204W12	
20	48	14	1.0	12800	6600	14000	10000	18000	6204D48	
20	52	12	0.6	10100	5850	12000	8500	16000	DG205212-3	
20	52	12	1.0	12800	6650	13000	9500	16000	6304B12	
20	52	12	1.1	15900	7900	13000	9500	16000	6304W12	
22	44	12	0.6	9400	5050	10000	17000	20000		60/22-2RS
22	50	14	1.0	13900	6950	9000	13000	17000	60/22	
23	56	15	1.1	20790	10520	12000	9000	15000		66/23
25	52	13	1.0	14000	7900	12000	8500	16000		6205EX2
25	62	12	0.6	22200	11500	12000	8500	16000		529371
25.5	58	16	1.0	20560	11120	12000	8500	16000		66/25.5-2RS
28	58	16	1.0	17915	9798	12000	8000	14000	62/28	
28	68	18	1.1	26700	14000	10000	7500	13000	63/28	63/28-RS
30	55	13	1.0	16000	10300	11000	6700	13000	6006	
35	62	9	0.5	11700	5200	11000	6700	13000		16007

Chengdu RX Bearing Manufacturing Co.,Ltd

Automotive Clutch Release Bearing



SKF	NSK	NACHI	BCA	INA	OEM
VKC3503	TK33-1	BC7S1SB	1296	F-218286.2	90363-33057
VKC3504	TK33-1U3	BC7S4SB	TO-1711	F-217376	90363-33004
VKC3509	33TKD03	BC7S1W2SB	613001	F-230456	90363-33077
VKC3522	TK33Z-1	33TRBC10SB	613005	F-201769	90363-33002
VKC3506	35TRK-1	33TRBC4SB	613006	F-209345	90363-33030
VKC3520	35TMK29C1	35TRK-1	TO-1710	F-42225	90363-33080
VKC3505	35TMK29E2U3	35TRK39	614000	F-203222.5	90363-33003
VKC3543	35TMK29B2U3	35TRBC07-5SB	1496	F-210152	90363-33004
VKC3502	TK35-2RS	35TRBC07-10SB	TR-1715	F-202994	90363-33023
VKC3501	TK40-14AU3	35TRBC07-5SB	TR-1716	F-208841.2	31230-87202
VKC3521	40TKD01U3	40TRK39-4SB	1505	F-45458.1/XC1057	31230-87204
VKC3612	40TMK29B1U3	40TRK39-1SB	613010	F-206071.6	30502-KA001
VKC3500	24TK308B2U3	BC12S	614086	F-87806.1	90043-63002-000
VKC3519	24TK308E1U3	BC12S4	613002	F-229422.1	99140-23313-200
VKC3513	40TKD07U3	BC12S4SB	1576	F-210305	31230-87202
VKC3511	40TKD03U3	BC12S	1573	F-59810.2	90363-40045
VKC3537	40TKD05U3	40TRBC07	1625	F-210129.1	90363-40081
VKC3523	TK40-16AU3	40TRBC07-7SB	1625T	F-202572.1	90363-40003
VKC3545	TK40-1B2	40TRBC07-24SB	2065	FC 68518.3	90363-40010
VKC3548	TK40-1B2AK2	40TRBC07-27SB	613008	P9104	90363-40061
VKC3538	TK40-4A	40TRK30W1SB	613009	F-113021	90363-40063
VKC3539	40TMK20B	40TSK-2	613017		90043-67004

Chengdu RX Bearing Manufacturing Co.,Ltd

VKC3575	40TMK20B1U3	40TRK-1	613004		90363-38069
VKC3514	TK45-4	40TNK20-1	613016		90363-38084
VKC3540	TK45-4U3	45TMK804K	614082		09269-38001
VKC3546	TK45-2	45TNK804	614050		09269-38002
VKC3661	45TKD02	45TMK-1	614145		09269-38009/19
VKC3699	TK45-4BU3	45TRBC07-13SB	614110		90363-38013
VKC3527	TK45-4EU3	45TNK20	614150		90363-40002
VKC3541	TK45-15U3	45TRBC07-12SB	614128		90363-40005
VKC3512	45TKD07U3	45TRB07-13	614127		90363-40006
VKC2623	45TNK20	BC11S2	614033		90363-40009
VKC3567	45TNK20/XG	BC11S3	614069		90363-40013
VKC3588	45TNK20AAK2	BC11S4	614007		90363-40001
VKC3578	45TKD10U3	BC11S4	614066		90363-40008
VKC3562	TK52Z-1B	55TMK09	614092		30502-14601
VKC3668	TK52Z-1BU3	55TRK30A	614031		30502-14602
VKC3551	TK52Z-1C	55TRK29/2E	614077		20502-V6200
VKC3602	TK52Z-1CU3	55TRK30W1	614122		30502-21000
VKC3542	52TKD01	55TNK-1	614126		30502-21PR0
VKC3609	TK55-1A	55TNK29/2E	614099		30502-86401
VKC2520	TK55B	60TNK20	VKD22667		86104-53500
VKC2241	TK55-1BU3	60TNK29	614053		90043-67015
445269	TK55-1BU3	65TNK20	614016		30502-13200
VKC3508	60TNK20	62012NKC4	614044		30502-86401
VKC3617	60TNK20U3	70TNK-1	614108		A-3524
VKC3654	60TMK20-1	80TNK20-1	614054		90363-45079
VKC3515	65TNK20	44SCRN28P-8	614036		9-00095-038-1
VKC3666	TK70-1A1U3	47SCRN34K-6	614022		0603-16-222
VKC3579	TK70-9	47SCRN034K-6	614047		MD800241
VKC3592	70TNK803	47SCRN35P-6	614048		90363-45079
VKC3552	TK80-1A	47SCRN031-2	614049		90043-67014
VKC3553	44TKB2805	47TRBC07-24SB	614059		0222-16-222

Chengdu RX Bearing Manufacturing Co.,Ltd

VKC3560	44TKA2803	55TMK3102	614056		5-09803-005-0
VKC3561	44TKB2805	47SCRN40P	614026		5-09803-004-0
VKC3555	44TKB2805R	48SCRN32K	614152		MD702241
VKC3598	44TKB2803	50SCRN40K	614167		MD800241
VKC3641	44TKB2803U3	50SCRN31P	614063		5-09800-072-0
VKC3651	44TKB2806A	50SCRN028-1	614129		90363-45001
VKC3581	38TKA2801	50SCRN28P-5	613000		90363-45002
VKC3582	38TKA2801U3	50SCRN31PA	614015		44002-57100
VKC3610	47TKB2901	50SCRN028-1	614060SC		ME600198
VKC3611	47TKA2901	50SCRN31P-1	614060		ME6500000
VKC3564	61TKB3001	50SCRN31P-4	614021		30502-61000
VKC3568	47TKB3001	50SCRN44P-2	614088		90363-45009
VKC3569	55TKA3102	50SCRN40P-4	614086		90363-45013
VKC3556	55TKA3102A	50SCRN40P-8-P	614147		60Z50
VKC3622	47TKB3101	50SCRN34P-10	614091		30502-90006
VKC3607	47TKB3102	50SCRN35P-4	614167		30502-55100
VKC2051	47TKB3102A	50SCRN37P-4	614147		90363-52018
VKC2051	48TKA3201U3	60SCRN31P-6	614084		90363-52014
VKC2169	48TKA3202R	60SCRN033-3	614076		90363-52001
VKC5169	55TKA3201	60SCRN31A	614018		90363-52086
VKC2195	48TKA3210	68SCRN443A	DC1705C		30502-Z5000
VKC2220	48TKA3210U3	55SCRN41P	614083		03452-69000
VKC2091	48TKA3203	58SCRN37P-6	614037		ME620330/1
VKC2144	48TKA3211B	54SCRN042P	614104		0727-16-512A
VKC3616	48TKA3211AU3	60SCRN62P	614068		0727-16-510
VKC5007	48TKA3211	60SCRN58P	614072		30502-90004
VKC5045	48TKB3204	68SCRN53P-4	614072		ME624278

Chengdu RX Bearing Manufacturing Co.,Ltd

VKC3615	68TKB3201C	68SCRN46P/48P-2	614067		ME623018
VKC3628	62TKA3301		614079		ME623600
VKC3625	62TKA3301A		614038		ME632039
VKC3516	62TKA3304		614093		ME627580
VKC3584	62TKA3309		614014		30502-90004
VKC3643	62TKA3310		614013SC		30502-90011
VKC3524	62TKA3310		614047		30502-90004
VKC2240	48TKA3301		614169		30502-90005
VKC5052	48TKA3301A		614061		30502-5Z5008
VKC3696	48TKB3301		614040		30242-1060
VKC2215	48TKB3301A		614062		30502-90007
VKC3605	48TKB3302A		614070		41420-92100
VKC3577	48TKB3304		614114		9-00095-044-1
VKC3507	62TKA3311		DC2065-C		03452-23001
VKC3600	62TKA3310		614078		03452-23002
VKC3559	62TKB3303		613015		03452-23083
VKC2238	62TKA3314		613012		03452-23084
VKC2213	50TKB3304		613014		41421-02000
VKC3557	50TKE3301				23265-78B00
VKC3627	48TKB3302				09269-28004
VKC3649	54TKE3601				96564141
VKC2185	50TKA3305RU3				09269-28006
VKC3587	50TKB3301				23265-65G00
414292B	50TKZ3301DR				09269-28004
VKC3554	50TKB3504BR				09269-28005
VKC3558	50TKB3505BR				31230-87501
VKC3565	50TKB3501BR				31230-87504
VKC3606	60TKB3500				31230-87505
VKC3574	60TKB3506BR				31230-87703
VKC3631	60TKB3502AR				31230-87702
VKC3630	60TKA3502U3				31230-87704
	60TKB3502R				31230-87705
	68TKB3506AR				MD710335

Chengdu RX Bearing Manufacturing Co.,Ltd

TK34Z-2				MD712800
55TKB3502				MD714903
55TKB3502A				MD721203
54TKE3602				30508-KA001
54TKE3602A				31230-87200
58TKA3703				31230-87280
58TKA3702U3				30502-01B00
58TKA3703B				B315-16-510
58TKZ3703				B301-16-510
50TKA3805				B301-16-510A
50TKA3803				22810-PL6-003
60TKT3901				22810-PE6-921
78TKL4001AR				22810-PE6-003
48TKA3214				22810-PE8-003
54TKA3501				MB301-16-510A
62TKC4001				K203-16-510
60TKC4202				KKY01-16-460
78TKL5401				23265-84300
75TKC5401				2141-1601180
48TKC4202				02A 141 165G
				22810-PC8-923
				22810-PC8-921
				22810-PB6-921/3
				22810-PL3-003
				22810-PL3-005
				22810-P20-003
				22810-P20-005
				41421-21000
				41421-21300
				41421-21400
				41421-11000
				41421-26000
				41421-36000
				41421-28000
				41411-28002
				MD719469
				MR195689
				41421-43010
				41421-43020

Chengdu RX Bearing Manufacturing Co.,Ltd

				41421-43030
				MD703270
				MD710634
				MR195689
				MD700257
				MD702241
				8-94133-417-0
				8-94133-417-1
				8-97209-197-0
				MR145619
				8-94377-417-1
				CC-01186-CA
				30502-M8000
				30502-M8005
				30502-81N00
				30502-8060
				30502-M7993
				30502-M8060
				30502-52A00
				30502-54A00
				30502-52A60
				30502-53J00
				30502-53J01
				30502-D3522
				30502-B15G8
				30502-56A00
				30502-65J00
				30502-28E16
				30502-28E17
				30502-03E20
				30502-28E20
				30502-28E21
				30502-AA000
				30502-AA001
				30502-28E24
				30502-03E24
				02F 141 671B
				30502-3560
				30502-3561
				30502-3522
				30502-AE122

Chengdu RX Bearing Manufacturing Co.,Ltd

				23265-78B00
				09269-33001
				09269-33002
				09269-33003
				09269-33004
				30230-70C00
				23265-84C00
				30502-53J01
				E301-16-510
				8531-16-510
				31230-12100
				31230-12110
				31230-12130
				31230-12140
				31230-16060
				31230-12170
				31230-52020
				31230-05010
				E301-16-510A
				2041.43
				2041.14
				2041.17
				2041.27
				020-141-165G
				085-141-165E
				085-141-165H
				084-141-165
				113 141 165B
				113 141 165D
				01E 141 165E
				088 141 165B
				83BB7548AA
				75BB7548AA
				88BB7548AA
				FC-01338-C
				31230-35101
				31230-35102
				31230-35090
				52259659
				31230-22081
				31230-22090

Chengdu RX Bearing Manufacturing Co.,Ltd

				31230-35060
				31230-35050
				31230-35070
				31230-35080
				31230-35030
				31230-35050
				31230-35060
				31230-22080
				31230-22081
				31230-22090
				31230-32060
				31230-20190
				31230-20170
				31230-32020
				31230-32040
				31230-32010
				31230-32011
				31230-32030
				31230-20160
				31230-20170
				31230-36150
				31230-36140
				31230-36149
				31230-60040
				31230-87604
				31230-87309
				CT1086H-1
				909422
				06 68 653
				22810-PS1-000
				22810-PS1-005
				22810-PS1-008
				22810-PS1-015
				22810-PX5-003
				22810-PX5-004
				22810-P21-003
				22810-PX5-J02
				31230-60160
				H606-16-510
				H606-16-510A
				8540-16-510B

Chengdu RX Bearing Manufacturing Co.,Ltd

				8540-16-510
				FE84-16-510
				F201-16-510
				F853-16-510
				G560-16-510B
				FE602-16-510
				SE03-16-510
				FE62-16-510A
				FE61-16-510
				SE03-16-510A
				SF03-16-510
				N309-16-510
				SRB02
				K201-16-510
				D7TZ-7548B
				ME600576
				ME600340
				ME600341
				ME500507
				ME605584
				ME602710
				90250663
				DBZYJ9004A
				90251210
				96514141
				8902-51-2100
				96181631
				90278884
				90279331
				8-90129-095
				31230-60120
				31230-60130
				31230-36200
				31230-60150
				31230-60151
				24-1601180-02
				02F 141 671B
				8-97089-652-0
				FOTZ7548A
				ME624678
				ME609370

Chengdu RX Bearing Manufacturing Co.,Ltd

					ME615140
					8-94101-243-0
					5-31314-001-0
					5-31314-011-0
					8-94158-408
					30502-69F10
					30502-30P00
					30502-40P00
					30502-W1700
					30502-W1701
					30502-45P00
					8-94379-499-0
					8-94453-348-0
					8-94385-416-0
					8-94109-658-0
					8-94389-416-0
					8-97023-074-0
					1-31320-034-0
					1-09820-078-0
					1-09812-001-0
					1-09920-018-0
					1-09820-078-0
					8-94453-346-0

Auto Bearing>>**Automotive Water Pump Bearing**



W Series (Ball-ball Type)... W-S Series (Ball-ball Type)... WN Series (Ball-roller Type)... WS Series (Ball-ball Type)...

WNS Series (Ball-roller Type)... WK Series (Ball-ball Type)... WKN Series (Ball-roller Type)...

W Series (Ball-ball Type).

	NSK	FAG	DIMENSION (inch)			
			A	B	C	D
WIB163073	885154	W2289	2.89	0.16	1.2	0.6267
WIB163083	885165	W2325	3.25	0.16	1.56	0.6267
WIB163090		W2355-3	3.55	0.67	1.35	0.6267

Chengdu RX Bearing Manufacturing Co.,Ltd

WIB163093	885330	W2366	3.66	0.73	1.4	0.6267
WIB163094		W2371	3.71	0.69	1.5	0.6267
WIB163096		W2375-3	3.76	0.56	1.67	0.6267
WIB163098	885307	W2385	3.86	0.67	1.66	0.6267
WIB1630102	885321	W2401-3	4.02	0.67	1.82	0.6267
WIB1630103	885140	W2406-1	4.06	0.92	1.61	0.6267
WIB1630105	885329	W2415-1	4.15	0.8	1.82	0.6267
WIB1630106	885097	W2417-2	4.17	0.81	1.83	0.6267
WIB1630109	885107B	W2431	4.31	0.58	2.2	0.6267
WIB1630110	885332	W2434	4.35	0.84	1.97	0.6267
WIB1630110A	885332	W2434-1	4.35	0.84	1.97	0.6267
WIB1630111	885528	W2435	4.36	0.77	2.06	0.6267
WIB1630112	885167	W2439	4.39	0.94	1.92	0.6267
WIB1630112A	885167D	W2440-4	4.4	1.15	1.72	0.6267
WIB1630112B		W2441-1	4.41	1.06	1.82	0.6267
WIB1630114A	885156	W2446	4.47	1.08	1.86	0.6267
WIB1630116	885337A	W2454	4.55	0.81	2.21	0.6267
WIB1630116A	885162	W2456	4.56	1.1	1.93	0.6267
WIB1630116B		W2456-1	4.57	1.07	1.97	0.6267
WIB1630119	885118	W2468	4.69	1.47	1.69	0.6267
WIB1630119A		W2468-1	4.69	1.47	1.69	0.6267
WIB1630120	885221	W2472	4.72	1.44	1.75	0.6267
WIB1630121	885222	W2475	4.75	1.5	1.72	0.6267
WIB1630121A	885105	W2476-2	4.76	1.16	2.07	0.6267
WIB1630122D	885476	W2481	4.81	1.34	1.94	0.6267
WIB1630122B	885168C-1	W2481-1	4.81	1.13	2.16	0.6267
WIB1630123		W2485	4.85	0.77	2.56	0.6267
WIB1630124	885100B	W2486-2	4.87	1.25	2.09	0.6267
WIB1630128	885141	W2503	5.03	1.02	2.48	0.6267
WIB1630128A	885151B	W2503-6	5.03	1.75	1.75	0.6267
WIB1630129	885169-1	W2507	5.08	1.25	2.3	0.6267
WIB1630135A	885437	W2532	5.33	2	1.79	0.6267
WIB1630136A	885158P	W2537	5.37	1.54	2.3	0.6267
WIB1630139		W2547	5.47	0.91	3.03	0.6267
WIB1630139A	885603	W2548-1	5.49	1.38	2.58	0.6267
WIB1630143	885144	W2562	5.63	1.58	2.52	0.6267
WIB1630146		W2575	5.76	2.51	1.71	0.6267
WIB1630146A	885694	W2575-2	5.75	2.43	1.79	0.6267
WIB1630162	885117	W2637	6.37	2.3	2.55	0.6267
WIB1630102	885321	W3399	4	0.69	1.78	0.6275

Chengdu RX Bearing Manufacturing Co.,Ltd

WIB1630122	885168AA	W3481-5	4.81	1.58	1.7	0.6275
WIB1630122A	885168AA	W3481-6	4.81	1.58	1.7	0.6275
WIB1630132	885521	W3520-2	5.2	1.58	2.09	0.6275
WIB1630132A	885521	W3520-3	5.2	1.58	2.09	0.6275
WIB1630133	885611	W3522-1	5.22	1.17	2.52	0.6275
WIB1630154	885613	W3607	6.07	1.17	3.37	0.6275
WIB1630154A	885613	W3607-1	6.07	1.17	3.37	0.6275
WIB163093OS	885330OS	W6366	3.66	0.73	1.4	0.629
WIB163098OS	885307OS	W6385	3.86	0.67	1.66	0.629
WIB1630102OS	885321OS	W6401-3	4.02	0.67	1.82	0.629
WIB1630103OS	885140OS2	W6406-1	4.06	0.92	1.61	0.629
WIB1630105OS	885329OS	W6415-1	4.15	0.8	1.82	0.629
WIB1630109OS	885111DOS2	W6428-1	4.28	1.08	1.67	0.629
WIB1630110COS	885524SOS2	W6433-2	4.33	1.14	1.66	0.629
WIB1630110OS	885332OS	W6434	4.36	0.77	2.06	0.629
WIB1630112OS	885167OS2	W6439	4.39	0.94	1.92	0.629
WIB1630112AOS	885167DOS2	W6440-4	4.4	1.15	1.72	0.629
WIB1630113OS	885155OS	W6445	4.45	1.25	1.67	0.629
WIB1630113AOS	885156OS	W6446	4.47	1.08	1.86	0.629
WIB1630114OS	885697OS2	W6450-2	4.5	1.26	1.71	0.629
WIB1630116OS	885337AOS	W6454	4.55	0.81	2.21	0.629
WIB1630116AOS	885162OS	W6456	4.56	1.1	1.93	0.629
WIB1630119OS	885118OS2	W6468	4.69	1.47	1.69	0.629
WIB1630119BOS	885118OS	W6468-1	4.69	1.47	1.69	0.629
WIB1630119AOS	885135SOS2	W6470	4.7	1.28	1.89	0.629
WIB1630121OS	885105OS2	W6476	4.76	1.16	2.07	0.629
WIB1630122OS		W6478-1	4.79	1.24	2.02	0.629
WIB1630122DOS	885476OS2	W6481	4.81	1.33	1.95	0.629
WIB1630122BOS	885168COS2	W6481-1	4.81	1.13	2.16	0.629
WIB1630123OS		W6484	4.84	1.45	1.86	0.629
WIB1630124OS	885100BOS2	W6486-2	4.87	1.25	2.09	0.629
WIB1630128OS	885141OS2	W6503	5.03	1.02	2.48	0.629
WIB1630129OS	885169OS2	W6507	5.08	1.25	2.3	0.629
WIB1630134OS	885113BOS2	W6527	5.27	1.68	2.06	0.629
WIB1630136OS	885093SOS2	W6534-1	5.34	2.06	1.75	0.629
WIB1630136AOS	885158POS2	W6537	5.37	1.54	2.3	0.629
WIB1630138OS	885158OS2	W6543	5.44	1.61	2.3	0.629
WIB1630139OS	885603OS2	W6548-1	5.49	1.38	2.58	0.629
WIB1630141OS	885248OS2	W6555	5.55	1.93	2.09	0.629
WIB1630141AOS		W6556	5.56	1.53	2.5	0.629

Chengdu RX Bearing Manufacturing Co.,Ltd

WIB1630143AOS	885144OS2	W6562	5.62	1.58	2.52	0.629
WIB1630143OS	885144OS2	W6562-1	5.62	1.58	2.52	0.629
WIB1630146OS	885694SOS2	W6575-1	5.75	2.43	1.79	0.629
WIB1630150OS	885116COS2	W6590-2	5.9	1.38	2.99	0.629
WIB1630162OS	885117OS	W6637	6.37	2.3	2.55	0.629
WIB1630102OS	885321OS2	W7399-1	4	0.69	1.78	0.6295
WIB1630122BOS	885168HOS2	W7481-1	4.81	1.13	2.16	0.6295
WIB1630122OS	885168AAOS	W7481-6	4.81	1.58	1.7	0.6295
WIB1630132OS	885521OS2	W7520-2	5.2	1.58	2.09	0.6295
WIB1630133OS	885611OS	W7522-1	5.22	1.17	2.52	0.6295
WIB1630154OS	885613OS	W7607-1	6.07	1.17	3.37	0.6295

W-S Series Dimensions (Ball-ball Type)

	NSK	FAG	Dimension (inch)					
			A	B	C	D	D2	S2
WIB163085	885122	W2334S	3.35	0.51	1.30	0.6267	0.474	1.18
WIB163088		W2346-1S	3.47	0.49	1.45	0.6267	0.4739	1.33
WIB163088A		W2346-2S	3.47	0.56	1.38	0.6267	0.4739	1.28
WIB163090		W2355S	3.55	0.61	1.41	0.6267	0.4739	1.33
WIB163092		W2364-5S	3.64	0.65	1.46	0.6267	0.4739	1.36
WIB163092A	885477	W2364S	3.64	0.99	1.12	0.6267	0.4739	1.02
WIB163093		W2366-1S	3.66	0.65	1.49	0.6267	0.4739	1.33
WIB163099	885474	W2387S	3.88	0.89	1.46	0.6267	0.4739	1.32
WIB1630100A		W2394S	3.95	0.84	1.58	0.6267	0.4739	1.44
WIB1630101		W2397S	3.98	0.98	1.46	0.6267	0.4739	1.36
WIB1630102A	885147	W2404S	4.04	0.88	1.63	0.6267	0.4739	1.50
WIB1630103		W2405-1S	4.05	0.65	1.87	0.6267	0.4739	1.69
WIB1630105C	BWF30-15-A-RR6	W2415-1S	4.15	0.93	1.70	0.6267	0.4739	1.56
WIB1630106		W2417S	4.17	1.18	1.46	0.6267	0.4739	1.32
WIB1630106A		W2418-3S	4.18	0.73	1.92	0.6267	0.4739	1.61
WIB1630107		W2420-1S	4.20	0.81	1.87	0.6267	0.4739	1.69
WIB1630109		W2431-2S	4.31	0.99	1.79	0.6267	0.4739	1.66
WIB1630115		W2453-1S	4.54	0.65	2.35	0.6267	0.4739	1.44
WIB1630124B	885326	W2488S	4.88	1.65	1.70	0.6267	0.4739	1.56
WIB1630102		W3399-2S	4.00	0.69	1.78	0.6275	0.4739	1.70
WIB1630850S	885122OS2	W6334S	3.35	1.30	0.51	0.6290	0.4744	1.18
WIB163092OS	885477OS	W6364-1S	3.64	0.99	1.12	0.6290	0.4744	1.08
WIB163099OS	885474OS2	W6387S	3.88	0.89	1.46	0.6290	0.4744	1.33
WIB1630101OS		W6397-2S	3.98	0.95	1.50	0.6290	0.4744	1.38
WIB1630101OS		W6397-3S	3.98	0.98	1.46	0.6290	0.4744	1.36
WIB1630104OS		W6407-2S	4.08	0.77	1.77	0.6290	0.4744	1.65

Chengdu RX Bearing Manufacturing Co.,Ltd

WIB1630105BOS		W6415-1S	4.15	0.93	1.70	0.6290	0.4744	1.57
WIB1630106BOS	885439OS2	W6418S	4.18	0.99	1.66	0.6290	0.4744	1.53
WIB1630112OS	885327OS2	W6440-5S	4.41	1.18	1.70	0.6290	0.4744	1.56
WIB1630124OS	885326OS2	W6488S	4.88	1.65	1.70	0.6290	0.4744	1.56
WIB1630102OS		W7399-2S	4.00	0.69	1.78	0.6295	0.4759	1.70

WN Series Dimensions (Ball-roller Type)

	NSK	FAG	Dimension (inch)					
			A	B	C	D	D2	S2
WIR163068		WN2269	2.69	0.99	0.18	0.6267		
WIR163093		WN2366-4	3.66	0.73	1.4	0.6267		
WIR163096	665343	WN2375-3	3.76	0.56	1.67	0.6267		
WIR1630102		WN2401-5	4.02	0.67	1.82	0.6267		
WIR1630104		WN2410	4.1	1.03	1.54	0.6267		
WIR1630105	665329	WN2415-1	4.15	0.8	1.82	0.6267		
WIR1630110		WN2434	4.35	0.84	1.97	0.6267		
WIR1630114		WN2447	4.48	1.42	1.52	0.6267		
WIR1630114A		WN2448-1	4.49	0.75	2.21	0.6267		
WIR1630114B		WN2450-2	4.5	1.26	1.71	0.6267		
WIR1630116	665337A	WN2454	4.55	0.81	2.21	0.6267		
WIR1630116A		WN2456-1	4.56	1.1	1.93	0.6267		
WIR1630117	665430S	WN2462-1	4.62	1.34	1.75	0.6267		
WIR1630119	665333	WN2468-2	4.69	0.71	2.44	0.6267		
WIR1630121		WN2475	4.75	1.1	2.12	0.6267		
WIR1630121A		WN2476	4.76	1.16	2.07	0.6267		
WIR1630126		WN2497	4.97	1.45	1.99	0.6267		
WIR1630139B		WN2547	5.47	0.91	3.03	0.6267		
WIR1630139A	665603	WN2546	5.49	1.63	2.33	0.6267		
WIR1630139	665413	WN2548-1	5.49	1.63	2.33	0.6267		
WIR1630102A		WN3399	4	0.69	1.78	0.6275		
WIR1630132		WN3520-2	5.2	1.58	2.09	0.6275		
WIR1630154		WN3607	6.07	1.17	3.37	0.6275		
WIR1630154OS	665613	WN3607-1	6.07	1.17	3.37	0.6275		
WIR16301105AOS	665329ATLOS	WN6415-1	4.15	0.8	1.82	0.629		
WIR1630116AOS	665337AOS2	WN6454	4.55	0.81	2.21	0.629		
WIR16301160S	665325OS	WN6456	4.56	1.1	1.93	0.629		
WIR1630139OS	665693OS2	WN6548	5.49	1.38	2.58	0.629		
WIR1630154OS		WN7606-1	6.07	1.17	3.37	0.6295		
WIR163091		WN2358-1S	3.59	0.53	1.53	0.6267	0.4739	1.44
WIR163092		WN2364-7S	3.64	0.59	1.52	0.6267	0.4739	1.43
WIR163096		WN2375-4S	3.76	0.56	1.67	0.6267	0.4739	1.59

Chengdu RX Bearing Manufacturing Co.,Ltd

WIR163099		WN2388-2S	3.89	0.73	1.63	0.6267	0.4739	1.55
WIR1630101	665331	WN2397S	3.98	0.98	1.46	0.6267	0.4739	1.36
WIR1630103		WN2405S	4.06	0.65	1.88	0.6267	0.4739	1.79
WIR1630105		WN2413-2S	4.13	1.21	1.39	0.6267	0.4739	1.26
WIR1630106		WN2419S	4.19	0.87	1.8	0.6267	0.4739	1.72
WIR1630110		WN2434-4S	4.35	0.84	1.97	0.6267	0.4739	1.9
WIR1630117		WN2461-1S	4.62	0.72	2.37	0.6267	0.4739	2.29
WIR1630122		WN2479S	4.8	1.24	2.03	0.6267	0.4739	1.95
WIR1630102		WN3399-2S	4	0.69	1.78	0.6275	0.4739	1.7
WIR16301010S		WN6397S	3.98	0.98	1.46	0.629	0.4744	1.36

WS Series Dimensions (Ball-ball Type)

	NSK	FAG	Dimension (inch)											
			A	B	C	D	E	K	L	D1	S1	D2	S2	D22
WIB163067		WS2262	2.62	0.33	1.23	0.6267		1.18	1.06	0.513	0.26	0.4739	1.19	
WIB163066		WS2263	2.59	0.98	0.08	0.6267		1.18	1.53					
WIB163071		WS2279	2.8	0.37	1.36	0.6267		1.18	1.06			0.4739	1.28	
WIB122478		WS2307	3.07	0.53	1.48	0.4739		0.94	1.06					
WIB163079		WS2311	3.11	0.54	1.52	0.6267	0.188	1.18	1.06					
WIB132480		WS2315-1	3.15	0.56	1.28	0.5		0.94	1.31					
WIB163080		WS2315-2	3.15	0.62	1.47	0.6267		1.18	1.06					
WIB122483		WS2325	3.26	0.63	1.31	0.4739		0.94	1.31					
WIB163085	885342	WS2332-1	3.33	0.68	1.59	0.6267	0.188	1.18	1.06					
WIB163085B		WS2333	3.33	0.68	1.59	0.6267		1.18	1.06			0.4739	1.49	
WIB163085B		WS2334-6	3.35	0.67	1.61	0.6267		1.18	1.06	0.5906	0.56	0.4739	1.38	
WIB163087		WS2340-2	3.41	0.53	1.34	0.6267		1.18	1.53			0.4739	1.25	
WIB153087		WS2344-1	3.44	0.53	1.5	0.5906	0.188	1.18	1.42					
WIB153087A		WS2344-4	3.44	0.53	1.5	0.5906		1.18	1.42			0.4739	1.35	
WIB163087A		WS2344-6	3.44	0.53	1.5	0.6267		1.18	1.42			0.4739	1.35	
WIB163088		WS2345	3.46	0.7	1.69	0.6267		1.18	1.06					
WIB163089		WS2349	3.49	0.76	1.32	0.6267		1.18	1.42					
WIB163089A		WS2351	3.51	0.82	1.63	0.6267		1.18	1.06			0.4739	1.5	
WIB173691		WS2357-2	3.57	0.55	1.49	0.6693		1.42	1.53			0.5906	1.34	
WIB163091		WS2358-1	3.58	0.67	1.5	0.6267		1.18	1.41	0.5906	0.57	0.4739	1.35	
WIB122692	BWF26-36A	WS2362	3.62	0.67	1.38	0.4739		1.02	1.57					
WIB122694	BWF26-14RUJ	WS2372	3.72	0.85	1.34	0.4739		1.02	1.53					
WIB203696		WS2377-2	3.78	0.67	1.65	0.7874		1.42	1.46	0.6267	0.67	0.6267	1.64	
WIB153098		WS2383	3.84	0.9	1.41	0.5906		1.18	1.53					
WIB163098		WS2385-7	3.86	0.67	1.66	0.6267		1.18	1.53					
WIB163098		WS2385-8	3.86	0.71	1.62	0.6267	0.188	1.18	1.53					
WIB1226102		WS2401	4.02	1.06	1.38	0.4739		1.02	1.57					

Chengdu RX Bearing Manufacturing Co.,Ltd

WIB1938102	885881	WS2401-3	4.02	0.55	1.84			1.5	1.63			0.6267	1.76	0.5138
WIB2047111		WS2436	4.36	0.6	1.9	0.7874		1.85	1.87			0.6267	1.88	
WIB1938113		WS2443	4.44	1.13	1.68			1.5	1.63	0.6267	1	0.6267	1.56	
WIB1938117A		WS2460	4.61	0.96	2.02			1.5	1.63			0.627	1.7	
WIB1938119	885786	WS2468-2	4.69	1.05	2.01			1.5	1.63			0.6267	1.89	
WIB1630123		WS2485	4.85	1	1.6	0.6267		1.18	2.25					
WIB1630128		WS2503	5.04	0.91	1.88	0.6267		1.18	2.25					
WIB1938130		WS2509	5.1	1.3	1.68			1.5	2.13	0.6692	1.2	0.6692	1.58	
WIB3055130		WS2511	5.12	1.26	1.99	1.181		2.17	1.86			0.5906	1.88	
WIB163098		WS3385-7	3.86	0.67	1.66	0.6267	0.188	1.18	1.53					
WIB122480		WS6315-1	3.15	0.56	1.28	0.5		0.94	1.31					
WIB163080		WS6315-2	3.15	0.62	1.47	0.6267	0.188	1.18	1.06					
WIB122485		WS6332	3.33	0.81	1.46	0.4759	0.188	0.94	1.06					
WIB163085		WS6332-1	3.33	0.68	1.59	0.6267	0.188	1.18	1.06					
WIB122690OS		WS6354	3.54	1.47	0.54	0.4744		1.02	1.54					
WIB122692OS		WS6364-4	3.64	1.47	0.64	0.4744		1.02	1.54					
WIB1226940S		WS6372	3.72	0.85	1.34	0.4744		1.02	1.53					
WIB11938102OS	8858810S	WS6401-3	4.02	0.55	1.84	0.7485		1.5	1.63			0.6267	1.76	0.5138
WIB1938113OS	8858410S2	WS6443	4.44	1.13	1.68	0.7485		1.5	1.63	0.6287	1	0.6287	1.56	
WIB11938119OS		WS6468-2	4.69	1.05	2.01	0.7485		1.5	1.63			0.629	1.89	
WIB11938121OS		WS6475B	4.75	1.32	1.81	0.7485		1.5	1.63	0.6267	0.63	0.629	1.71	

Chengdu RX Bearing Manufacturing Co.,Ltd

WNS Series Dimensions (Ball-roller Type)													
	NSK	FAG	Dimension (inch)										
			A	B	C	D	E	K	L	D1	S1	D2	
WIR163067		WNS2299-2	2.99	0.64	1.29	0.6267		1.18	1.06			0.4739	
WIR163083		WNS2325-1	3.25	0.72	1.47	0.6267		1.18	1.06				
	66410												
WIR122485	1	WNS2332	3.33	0.81	1.46	0.4733		0.94	1.06				
WIR163085		WNS2335	3.35	0.56	1.73	0.6267		1.18	1.06			0.4739	
WIR163086		WNS2337-1	3.38	0.57	1.63	0.6267		1.18	1.18			0.4739	
WIR163087		WNS2340	3.41	0.53	1.34	0.6267		1.18	1.53			0.4739	
WIR163088		WNS2344-2	3.44	0.65	1.38	0.5906		1.18	1.42				
WIR163090		WNS2344-6	3.44	0.53	1.5	0.6267		1.18	1.42			0.4739	
WIR153090		WNS2348-5	3.48	0.76	1.66	0.6267		1.18	1.06			0.4739	
WIR163091		WNS2353	3.53	0.65	1.64	0.6267		1.18	1.24			0.4739	
WIR1530104		WNS2354-2	3.54	0.71	1.3	0.5906		1.18	1.53			0.4739	
WIR1530106		WNS2360-1	3.6	0.52	1.35	0.6267		1.18	1.73			0.4739	
WIR1630108		WNS2411	4.11	1.03	1.56	0.5906		1.18	1.53			0.4739	
WIR1530109		WNS2417	4.17	1.09	1.56	0.5906		1.18	1.53			0.4739	
WIR1530119		WNS2426	4.26	0.73	2.01	0.6267		1.18	1.53			0.4739	
WIR2036122		WNS2430-2	4.3	0.7	1.56	0.5906	0.188	1.18	2.05				
WIR1530125		WNS2466	4.67	1.06	1.56	0.5906		1.18	2.05			0.4739	
										0.590			
WIR2555127		WNS2482	4.82	1.14	1.63	0.7874		1.42	2.05	6	1.13	0.4739	
WIR2555127A		WNS2493	4.93	0.7	2.19	0.5906	0.188	1.18	2.05				
WIR2036131		WNS2500	5	0.98	1.65	1		2.17	2.36			0.6267	
WIR2547136		WNS2500-1	5	0.98	1.65	1		2.17	2.36			0.5906	
										0.590			
WIR2555157		WNS2514	5.15	1.3	1.8	0.7874		1.42	2.05	6	1.29	0.5906	
										0.746			
WIR163076		WNS2535-1	5.36	0.93	2.31	1		1.88	2.13	5	0.82	0.6267	
										0.746			
WIR163105		WNS2616-6	6.17	1.39	2.41	1		2.17	2.36	5	0.5	0.6267	
WIR163106		WNS6299-2	2.99	0.64	1.29	0.6267		1.18	1.06			0.4759	

WK Series Dimensions (Ball-ball Type)											
	NSK	FAG	Dimension (inch)								
			A	B	C	D	D1	S1	D2	S2	
WIB1938117		WK2461	4.62	0.53	1.96	0.7465			0.6267	1.86	
WIB1938120		WK2474-2	4.74	1.02	1.6	0.7465			0.6267	1.5	
WIB1938123		WK2484-1	4.85	1.22	1.5	0.7465	0.627	0.55	0.6267	1.3	

Chengdu RX Bearing Manufacturing Co.,Ltd

WIB1938125		WK2493	4.93	1	1.8	0.7465			0.6267	1.65
WIB1938126		WK2494-1	4.94	1.04	1.78	0.7465	0.627	0.9	0.6267	1.6
WIB1938126A	885832	WK2495	4.95	1.21	1.61	0.7465	0.627	1.08	0.6267	1.47
WIB1938127		WK2500-2	5	1.23	1.64	0.7465			0.6267	1.5
WIB1938127A	885875SC	WK2500A	5	1.05	1.83	0.7465	0.627	0.35	0.6267	1.72
WIB1938127B		WK2501	5.01	1.15	1.74	0.7465			0.6267	1.58
WIB1938128	885869	WK2501-3	5.02	1.22	1.67	0.7465	0.627	0.54	0.6267	1.55
WIB1938132	885852	WK2520	5.2	1.17	1.9	0.7465	0.627	0.47	0.6267	1.7
WIB1938134B		WK2528-2	5.28	1.19	1.96	0.7465			0.6267	1.86
WIB1938135	885781	WK2531	5.31	1.47	1.71	0.7465			0.6267	1.61
WIB1938135A		WK2531-2	5.31	1.47	1.72	0.7465	0.627	0.67	0.6267	1.62
WIB1938136	885735	WK2534	5.34	1.25	1.96	0.7465			0.6267	1.86
WIB1938137	885737	WK2537-1	5.37	1.43	1.82	0.7465	0.627	0.49	0.6267	1.71
WIB1938137A	885870	WK2538-2	5.38	1.59	1.67	0.7465	0.627	0.56	0.6267	1.55
WIB1938140	885821	WK2550	5.5	1.4	1.97	0.7465	0.627	0.61	0.6267	1.88
WIB1938140A	885771	WK2553	5.53	1.29	2.11	0.7465	0.627	0.54	0.6267	1.99
WIB1938142		WK2559-2	5.59	1.25	2.21	0.7465			0.6267	2.04
WIB1938142A	885851	WK2560	5.61	1.55	1.93	0.7465	0.627	1.41	0.6267	1.79
WIB1938144	885862B	WK2564-6	5.65	1.21	2.31	0.7465	0.627	0.48	0.6267	1.99
WIB1938146A	885802B	WK2575	5.75	1.75	1.88	0.7465			0.6267	1.73
WIB1938146B	885747	WK2575-1	5.75	1.43	2.19	0.7465	0.627	0.54	0.6267	1.99
WIB1938146	885760	WK2575-4	5.75	1.43	2.19	0.7465	0.627	1.2	0.6267	2.02
WIB1938149A	885740	WK2586	5.86	1.62	2.12	0.7465	0.627	1.39	0.6267	1.95
WIB1938149B	885801	WK2587	5.87	2.1	1.64	0.7465			0.6267	1.5
WIB1938149		WK2587-1	5.87	2.1	1.64	0.7465			0.6267	1.5
WIB1938151	885764	WK2592	5.93	1.38	2.42	0.7465			0.6267	2.3
WIB1938151A		WK2596	5.96	1.21	2.62	0.7465	0.627	0.48	0.6267	2.11
WIB1938151B		WK2596-1	5.96	1.22	2.61	0.7465	0.627	0.48	0.6267	2.18
WIB1938152	885844	WK2600	6	1.4	2.47	0.7465	0.627	0.6	0.6267	2.38
WIB1938153C	885865A	WK2602-2	6.02	1.82	2.07	0.7465	0.627	1.12	0.6267	1.7
WIB1938153	885807C	WK2604	6.04	1.8	2.11	0.7465			0.6267	1.97
WIB1938154	885795SC	WK2607A	6.07	1.17	2.78	0.7465	0.627	0.35	0.6267	2.25
WIB1938157	885746	WK2616-2	6.17	1.56	2.48	0.7465			0.6267	2.35
WIB1938158		WK2623	6.23	1.7	2.4	0.7465	0.627	0.56	0.6267	2.23
WIB1938161		WK2634-1	6.34	1.84	2.37	0.7465	0.627	1.31	0.6267	2.2
WIB1938162	885858	WK2637	6.38	1.4	2.85	0.7465	0.627	0.6	0.6287	2.76
WIB19381200S		WK6474-2	4.74	1.02	1.6	0.7485			0.629	1.54
WIB1938120A0S		WK6474-2D	4.74	1.02	1.6	0.7485			0.629	1.54
WIB19381230S		WK6484-1	4.85	1.22	1.5	0.7485	0.629	0.55	0.629	1.3
WIB19381250S		WK6493	4.93	1	1.8	0.7485			0.629	1.65

Chengdu RX Bearing Manufacturing Co.,Ltd

WIB1938126A0S	8858320S2	WK6495	4.95	1.22	1.61	0.7485	0.629	1.08	0.6287	1.47
WIB19381270S	8858110S2	WK6500-2	5	1.24	1.64	0.7485			0.6287	1.5
WIB1938127A0S	885775SC0S	WK6500B	5	1.05	1.83	0.7485	0.628	0.35	0.6295	1.72
WIB19381280S	8858690S	WK6501-3B	5.02	1.22	1.67	0.7485	0.627	0.54	0.6287	1.55
WIB19381320S	8858520S2	WK6520B	5.2	1.17	1.9	0.7485	0.627	0.47	0.6287	1.7
WIB1938135B0S		WK6530B	5.3	1.25	1.93	0.7485	0.629	0.28	0.629	1.74
WIB19381350S	8857810S2	WK6531	5.31	1.47	1.71	0.7485			0.6287	1.61
WIB1938135A0S		WK6531-3	5.31	1.18	2	0.7485			0.629	1.9
WIB19381360S	8857350S2	WK6534	5.34	1.26	1.96	0.7485			0.6287	1.86
WIB19381370S	8857370S	WK6537-1B	5.37	1.43	1.82	0.7485	0.627	0.49	0.6287	1.71
WIB1938137A0S	8858100S2	WK6538	5.38	1.45	1.81	0.7485	0.629	1.3	0.6287	1.67
WIB1938137B0S	8858700S	WK6538-2B	5.38	1.59	1.67	0.7485	0.627	0.56	0.6287	1.55
WIB19381400S	8858210S	WK6550B	5.5	1.4	1.97	0.7485	0.627	0.61	0.6287	1.88
WIB19381410S	8857200S2	WK6553-2	5.54	1.56	1.85	0.7485			0.6287	1.72
WIB19381420S	8857190S2	WK6558	5.58	1.73	1.72	0.7485			0.6287	1.61
WIB1938142A0S	8858150S2	WK6559-2	5.59	1.25	2.21	0.7485			0.6287	2.04
WIB1938142B0S	8858510S2	WK6560	5.61	1.55	1.93	0.7485	0.627	1.41	0.6287	1.79
WIB1938142C0S		WK6560-2B	5.61	1.32	2.16	0.7485	0.627	0.6	0.629	1.99
WIB19381430S	885815A0S	WK6564	5.64	1.4	2.11	0.7485			0.6287	1.94
WIB19381440S		WK6564-6B	5.65	1.21	2.31	0.7485	0.627	0.48	0.629	1.99
WIB1938146A0S	8858180S2	WK6574-2	5.74	1.76	1.86	0.7485			0.6287	1.69
WIB1938146B0S	8857470S	WK6575-1B	5.75	1.43	2.19	0.7485	0.627	0.54	0.6287	2.02
WIB19381460S	8857600S	WK6575-4	5.86	1.43	2.19	0.7485	0.629	1.25	0.6287	2.02
WIB1938149A0S		WK6586	5.87	1.61	2.12	0.7485	0.629	1.39	0.629	1.95
WIB19381490S	8858010S2	WK6587	5.93	2.1	1.64	0.7485			0.6287	1.5
WIB1938151A0S	8857640S2	WK6592	5.96	1.38	2.42	0.7485			0.6287	2.3
WIB19381510S		WK6596-1B	6	1.21	2.62	0.7485	0.627	0.48	0.629	2.54
WIB19381520S	885775SC0S	WK6600B	6.02	1.4	2.47	0.7485	0.627	0.6	0.6287	2.38
WIB1938153C0S	8855865A0S	WK6602-2B	6.02	1.83	2.07	0.7485	0.627	1.12	0.6287	1.69
WIB1938153B0S	8858570S	WK6602B	6.04	2.11	1.78	0.7485	0.627	1.12	0.6287	1.64
WIB19381530S	885807C0S2	WK6604	6.07	1.8	2.11	0.7485			0.6287	1.97
WIB19381540S		WK6607B	6.16	1.17	2.78	0.7485	0.627	0.46	0.629	2.25
WIB19381560S	8857460S2	WK6616-2	6.22	1.56	2.48	0.7485			0.6287	2.36
WIB1938158A0S		WK6622B	6.22	1.84	2.25	0.7485	0.627	0.58	0.629	2.08
WIB19381580S		WK6623B	6.23	1.7	2.4	0.7485	0.627	0.56	0.629	2.23
WIB19381610S	8857960S	WK6634-1	6.34	1.84	2.37	0.7485	0.629	1.31	0.6287	2.2
WIB19381620S	8858580S	WK6637B	6.38	1.4	2.85	0.7485	0.627	0.6	0.6287	2.76
WIB19381750S		WK6688	6.88	2.07	2.69	0.7485	0.629	0.56	0.629	2.57

WKN Series Dimensions (Ball-roller Type)

Chengdu RX Bearing Manufacturing Co.,Ltd

	NSK	FAG	Dimension (inch)							
			A	B	C	D	D1	S1	D2	S2
WIR193891	665803	WKN2357	3.58	1.31	0.14	0.7465				
WIR1938115		WKN2452-1	4.52	1.37	1.02	0.7465				
WIR1938115A	665853	WKN2454D	4.54	0.92	1.49	0.7465			0.4739	1.41
WIR1938117B	665853	WKN2460D	4.6	1.06	1.41	0.7464	0.627	0.35	0.4739	1.33
WIR1938120	665757	WKN2474-2	4.74	1.02	1.6	0.7465			0.6267	1.54
WIR1938122		WKN2480	4.8	0.94	1.74	0.7465			0.6267	1.58
WIR1938125	665729	WKN2493	4.94	1.14	1.67	0.7465			0.6267	1.54
WIR1938127		WKN2501	5.01	1.15	1.74	0.7465			0.6267	1.58
WIR1938128		WKN2502	5.02	1.1	1.79	0.7465			0.6267	1.69
WIR1938133		WKN2524	5.25	1.28	1.84	0.7465			0.6267	1.73
WIR1938133A		WKN2524D	5.25	1.28	1.84	0.7465			0.6267	1.73
WIR1938135		WKN2530	5.3	1.25	1.93	0.7465	0.627	0.28	0.6267	1.76
WIR1938135A	665781	WKN2531	5.31	1.47	1.71	0.7465			0.6267	1.61
WIR1938135B	665879	WKN2531-3	5.31	1.18	2	0.7465			0.6267	1.9
WIR1938135C		WKN2531-8D	5.31	1.19	2	0.7465			0.4739	1.9
WIR1938135D		WKN2531-9D	5.31	1.47	1.71	0.7465			0.4739	1.61
WIR1938136	665735B	WKN2534	5.34	1.26	1.96	0.7465			0.6267	1.86
WIR1938137	665816	WKN2541-1	5.41	1.21	1.56	0.7465	0.627	0.48	0.6267	1.56
WIR1938138		WKN2544-2	5.44	1.41	1.91	0.7465			0.6267	1.45
WIR1938142	665705	WKN2558-2	5.58	1.45	2.01	0.7465			0.6267	1.84
WIR1938144		WKN2564-6	5.65	1.21	2.31	0.7465	0.627	0.48	0.6267	1.99
WIR1938146		WKN2575-1	5.75	1.43	2.19	0.7465	0.627	0.54	0.6267	2.02
WIR1938146A	665760	WKN2575-4	5.75	1.43	2.19	0.7465	0.627	1.2	0.6267	2.02
WIR1938149		WKN2588	5.88	1.45	2.3	0.7465			0.6267	2.14
WIR1938151		WKN2592	5.93	1.38	2.42	0.7465			0.6267	2.42
WIR1938151A	665714	WKN2592-2	5.93	1.38	2.42	0.7465	0.627	0.51	0.6267	2.3
WIR1938151B	665877A	WKN2596-1	5.96	1.22	2.61	0.7465	0.627	0.48	0.6267	2.18
WIR1938153		WKN2602-2	6.02	1.82	2.07	0.7465	0.627	1.14	0.6267	1.7
WIR1938153A	665807	WKN2604	6.04	1.8	2.11	0.7465			0.6267	1.98
WIR1938156B	665746	WKN2616	6.16	1.56	2.48	0.7465			0.6267	2.36
WIR1938158	665812	WKN2622	6.22	1.84	2.25	0.7465	0.627	0.58	0.6267	2.08
WIR1938158A		WKN2622-1D	6.22	1.84	2.26	0.7465	0.627	0.58	0.6267	2.08
WIR1938158B	665707	WKN2623	6.23	1.7	2.4	0.7465	0.627	0.56	0.6267	2.23
WIR1938159A		WKN2624	6.25	1.38	2.74	0.7465	0.627	0.51	0.6267	2.44
WIR1938161	665761	WKN2631	6.32	1.75	2.44	0.7465			0.6267	2.32
WIR1938161A	665796	WKN2634-1	6.34	1.84	2.37	0.7465	0.627	1.31	0.6267	2.2
WIR1938175	665813	WKN2688	6.88	2.11	2.65	0.7465	0.627	0.56	0.6267	2.51
WIR1938175A	665824	WKN2688-1	6.88	1.38	3.38	0.7465	0.627	0.56	0.6267	3.2

Chengdu RX Bearing Manufacturing Co.,Ltd

WIR1938175B		WKN2688-3D	6.88	1.38	3.38	0.7465	0.627	0.56	0.4739	2.36
WIR1938175C		WKN2688-7D	6.88	2.07	2.69	0.7465			0.4739	1.69
WIR1938115OS		WKN6454D	4.54	0.92	1.49	0.7485			0.4759	1.41
WIR1938120OS		WKN6474-2	4.74	1.02	1.6	0.7485			0.629	1.54
WIR1938136OS		WKN6534	5.34	1.26	1.96	0.7485			0.629	1.86
WIR1938142OS		WKN6560-2B	5.61	1.32	2.16	0.7485	0.627	0.6	0.6267	1.99
WIR1938146OS		WKN6575-1B	5.75	1.43	2.19	0.7485	0.627	0.54	0.629	2.02
WIR1938151OS		WKN6592-2B	5.93	1.38	2.42	0.7485	0.627	0.51	0.629	2.3
WIR19381151AOS		WKN6596B	5.96	1.21	2.62	0.7485	0.627	0.48	0.629	2.11
WIR1938158OS		WKN6623B	6.23	1.7	2.4	0.7485	0.627	0.56	0.629	2.23
WIR1938161OS		WKN6634-1	6.34	1.84	2.37	0.7485	0.629	0.32	0.629	2.2