
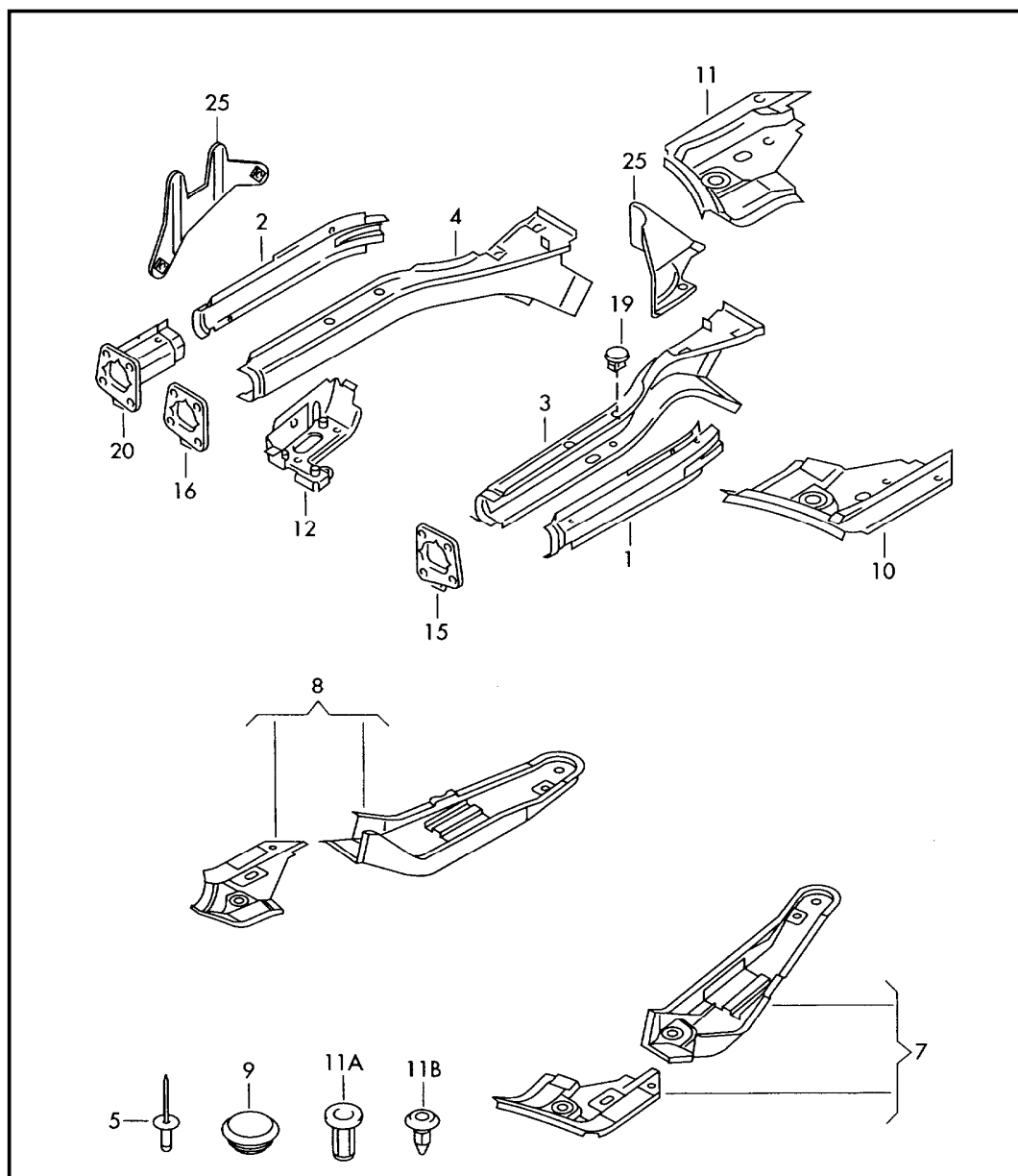




Model	Year	MG	SG	Illustration	Restrictions	UPD	18:11	11.12.2006		ETKA
PA	2000	8	03	803-10		597	USA			

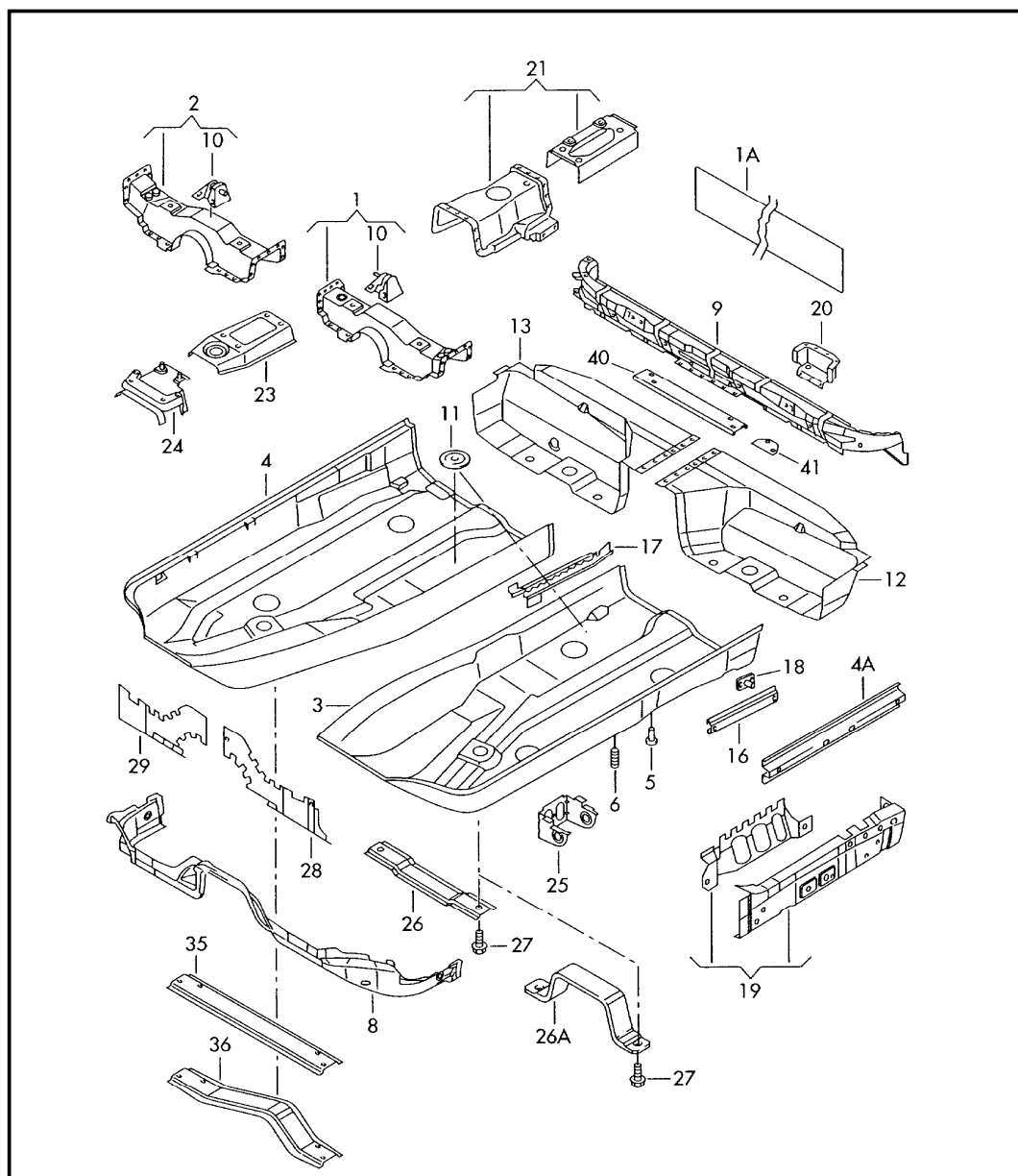


Pos	Part Number	Name	Remarks	Qty	Model
		side member	front		
-	000 800 981	sheet metal plate	200X1500X0,8	1	
-	000 800 981 A	sheet metal plate	300X1500X0,8	1	
-	000 800 981 B	sheet metal plate	500X1500X0,8	1	
-	000 800 981 C	sheet metal plate	800X1500X0,8	1	
1	8D0 802 157 A	filler plate for side member	left front	1	
2	8D0 802 158 A	filler plate for side member	right front	1	
3	8D0 803 103	side member	left front	1	
4	8D0 803 104	side member	right front	1	
5 +	N 905 344 03	pop-rivet	A4,8X9	X	
7	8D0 803 109 A	side member	front left rear	1	
8	8D0 803 110 A	side member	front right rear	1	
9	893 803 593	drain tube grommet	19,8	2	
11	8D0 802 172 C	mounting plate	right	1	
11A +	N 906 481 01	riveted cap nut	M6/0,7-3B	1	
11B +	N 908 214 01	expanding nut	D4,8	2	
(12)	8D0 803 117	reinforcement for side member	left	1	
-	811 803 593	plug	46X30	2	
12	8D0 803 118 A	reinforcement for side member	right	1	
		also use:	7M0 804 198	1	
-	7M0 804 198	weld nut	M8	1	
-	811 803 593	plug	46X30	2	
15	8D0 805 747	buffer mounting	left	1	
16	8D0 805 748	buffer mounting	right	1	
19	893 803 593 A	plug	20	X	
(20)	8D0 803 103 A	sectional part-side member	left front	1	


Model	Year	MG	SG	Illustration	Restrictions	UPD	18:11	11.12.2006		ETKA
PA	2000	8	03	803-10		597	USA			

Pos	Part Number	Name	Remarks	Qty	Model	Pos	Part Number	Name	Remarks	Qty	Model
20	8D0 803 104 A	sectional part-side member	right front	1							


Model	Year	MG	SG	Illustration	Restrictions	UPD	18:11	11.12.2006		ETKA
PA	2000	8	03	803-30		597	USA			

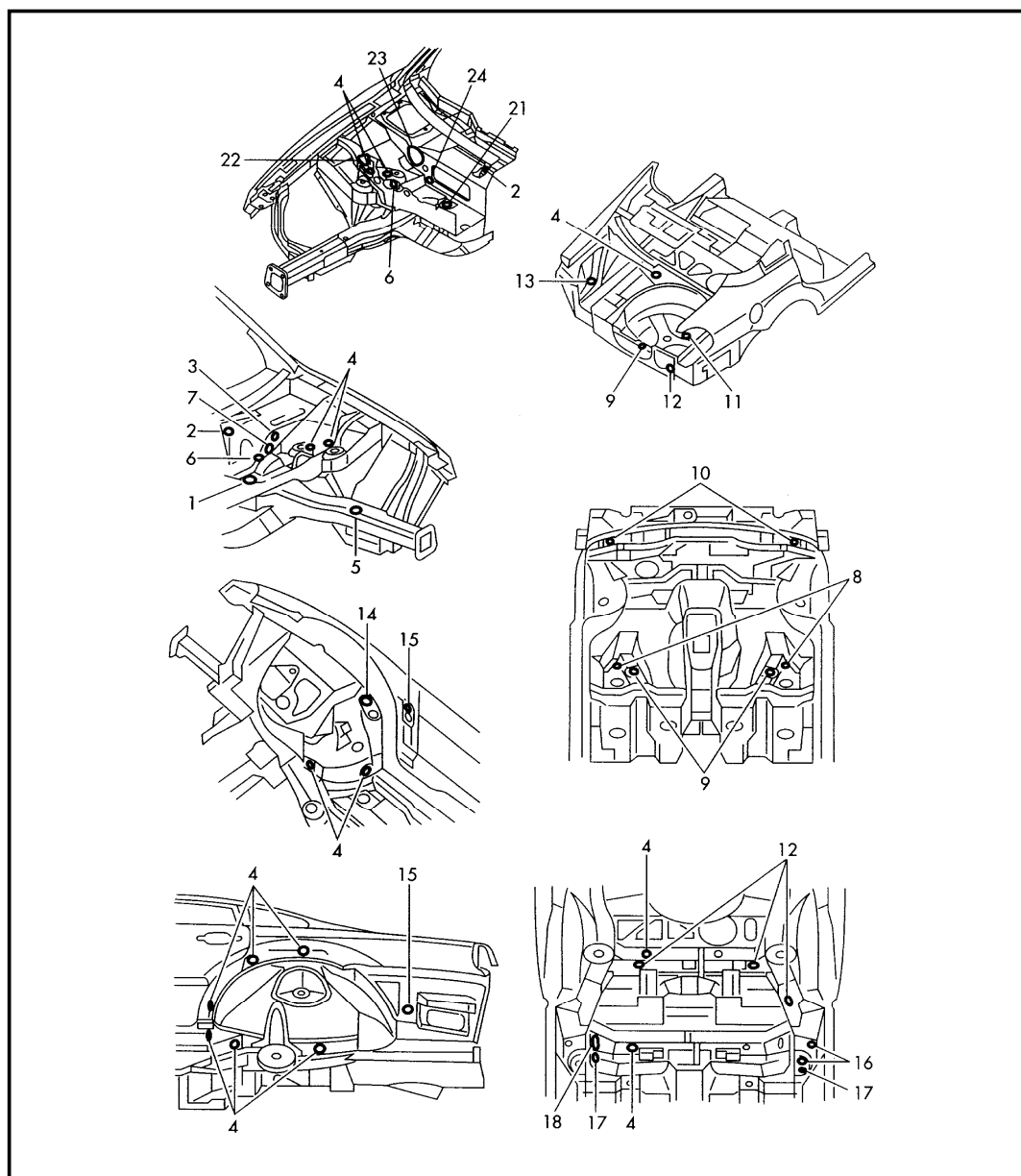


Pos	Part Number	Name	Remarks	Qty	Model
		floor assembly	front		
1A	000 800 981	sheet metal plate	200X1500X0,8	1	
1A	000 800 981 A	sheet metal plate	300X1500X0,8	1	
1A	000 800 981 B	sheet metal plate	500X1500X0,8	1	
1A	000 800 981 C	sheet metal plate	800X1500X0,8	1	
1	8E0 803 173	seat support	left	1	
(1)	8D0 803 173 G	seat support for vehicles with electric operated seats	left	1	
2	8E0 803 174	seat support	right	1	
(2)	8E0 803 174	seat support for vehicles with electric operated seats	right	1	
3	8E0 803 205	floor pan	left front	1	
4	8E0 803 206	floor pan	right front	1	
4A	3B0 804 243	reinforcement for side member		2	
5	N 901 495 02	t-bolt	5X10	1	
6	N 902 316 01	welded pin 'order qty. 100'	FD-5X25	*	
12	3B0 802 085 D	rear apron	left	1	sedan
(12)	3B0 802 085 E	rear apron	left	1	WAGON
13	3B0 802 086 D	rear apron	right	1	sedan
(13)	3B0 802 086 E	rear apron	right	1	WAGON
(16)	1J0 803 253 B	channel F	left outer >> 3B-W-145 000*	1	
(16)	1J0 802 259	channel F 3B-W-145 001>>*	left outer	1	
(16)	1J0 803 254 B	channel F	right outer >> 3B-W-145 000*	1	
16	1J0 802 260	channel F 3B-W-145 001>>*	right outer	1	
16	443 803 253	channel for vehicles with electric operated seats	outer	2 1	


Model	Year	MG	SG	Illustration	Restrictions	UPD	18:11	11.12.2006		ETKA
PA	2000	8	03	803-30		597	USA			

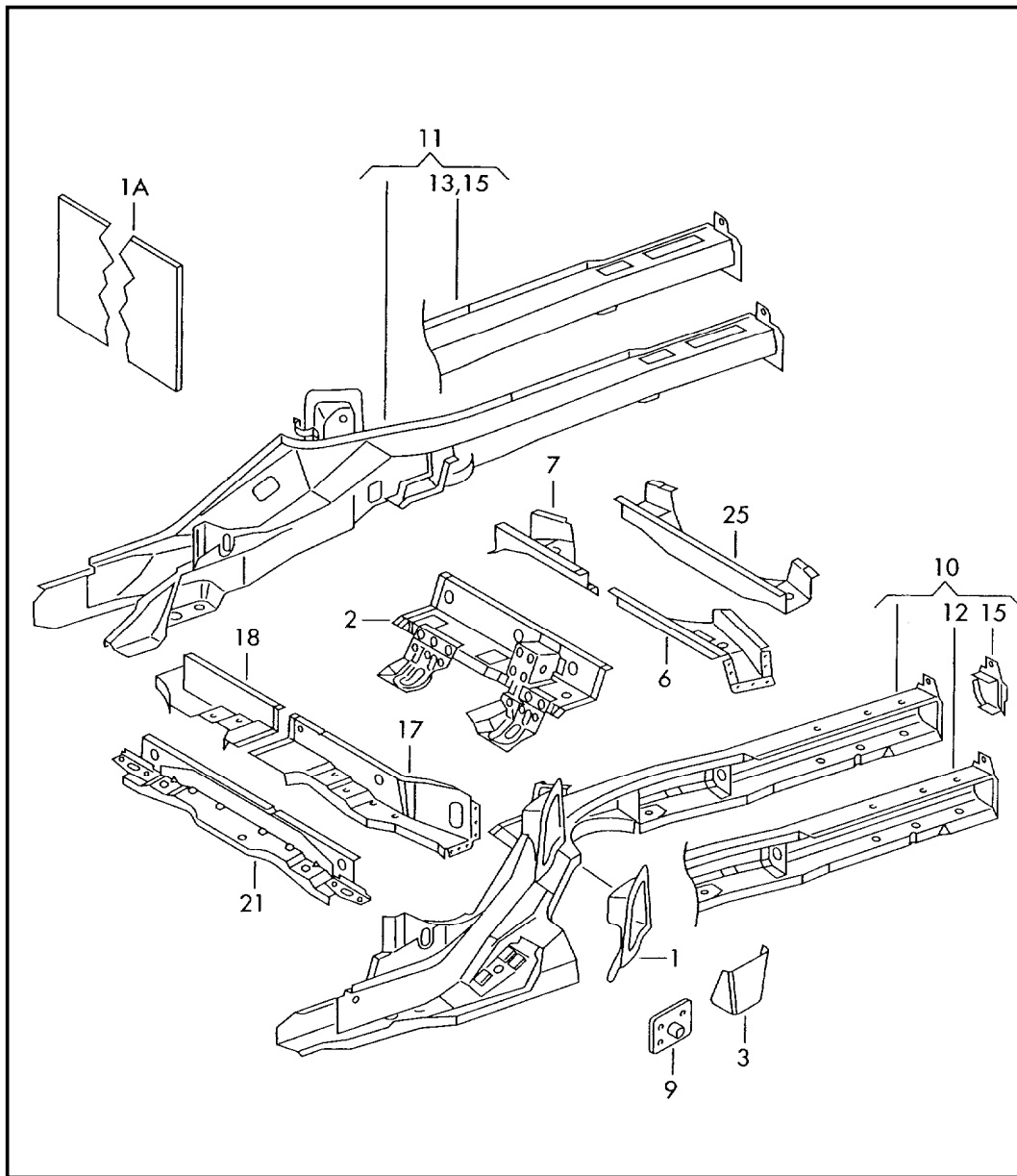
Pos	Part Number	Name	Remarks	Qty	Model	Pos	Part Number	Name	Remarks	Qty	Model
(17)	8E0 803 251	channel F >> 3B-W-145 000*	left inner	1							
17	3B0 803 251	channel F 3B-W-145 001>>*	left inner	1							
(17)	8E0 803 252	channel F >> 3B-W-145 000*	right inner	1							
(17)	3B0 803 252	channel F 3B-W-145 001>>*	right inner	1							
(26)	8D0 804 813 J	reinforcement for tunnel		1							
26	8D0 804 813 E	reinforcement for tunnel	lower	1							
(27)	N 104 605 01	screw, hex. hd.	M10X18	2							
27 +	N 010 238 20	screw, hex. hd.	M8X15	2							
28	8D0 805 501	filler plate	left	1							
29	8D0 805 502 A	filler plate for vehicles with air condit.	right lhd	1							

Model	Year	MG	SG	Illustration	Restrictions	UPD	18:12	11.12.2006		ETKA
PA	2000	8	03	803-35		597	USA			




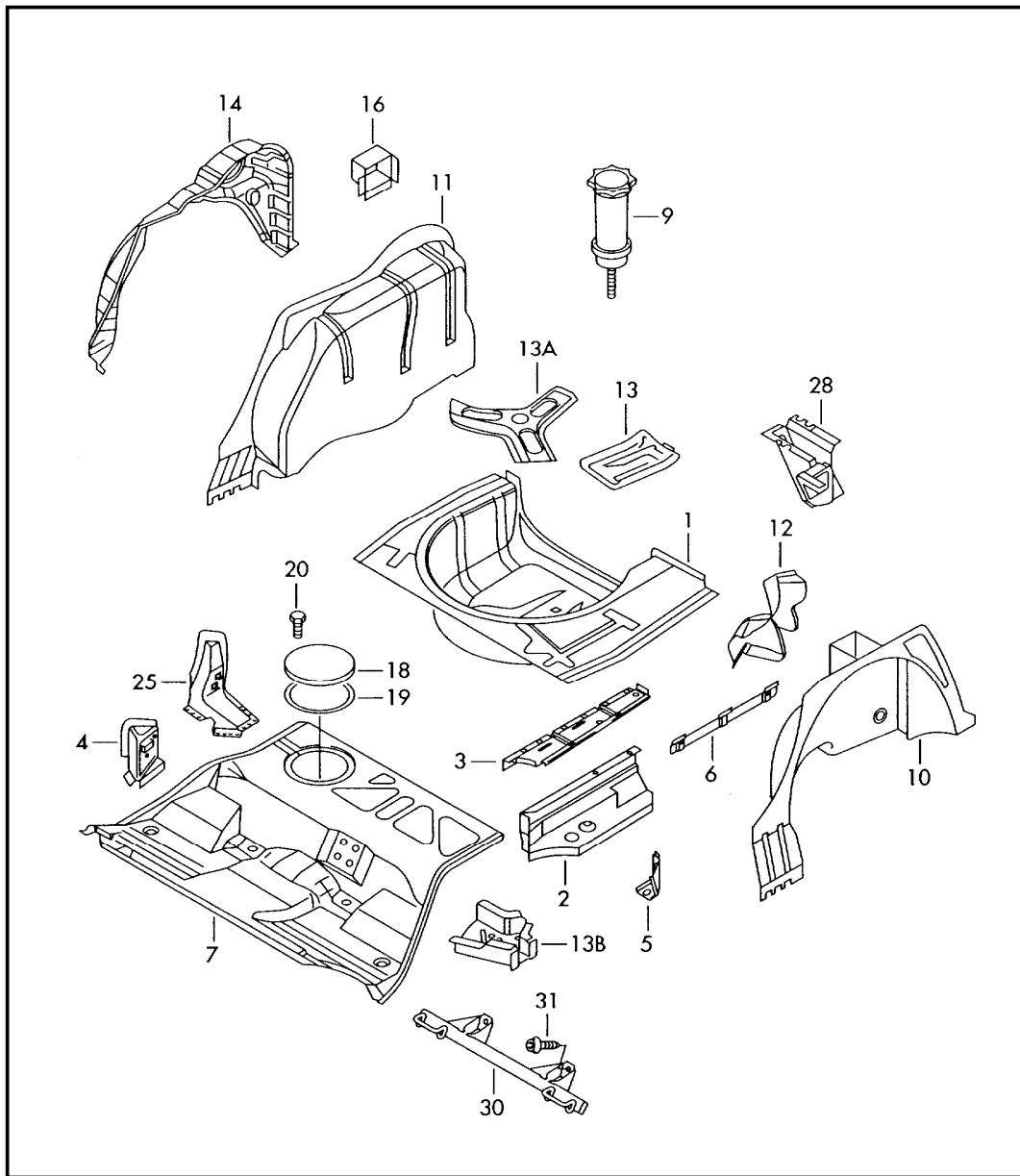
Pos	Part Number	Name	Remarks	Qty	Model
		plug body shell			
1	8D0 819 419 A	water drain valve		1	
-	3B0 819 500	plug		1	
-	N 020 025 1	plug side member	A12X1 upper	1	
2	8D0 803 583 D	plug cross panel	1.9ltr.	1	
3	8D0 721 495 B	grommet		1	
4	N 102 265 01	plug	A30	X	
5	893 803 593 A	plug	20	X	
6	893 971 863 C	grommet	31	1	
7	8D0 804 297	plug	25	1	
8	N 906 571 01	plug	40	X	
9	3B0 803 583 B	drain tube grommet		1	
10	N 102 267 01	plug	A20	X	
11	811 803 583 D	rubber valve for vehicles with evaporative emission canister	29,6	4	
12	893 803 593	drain tube grommet	19,8	X	
13	803 803 583 B	plug	40	X	
14	357 971 908 A	plug	49,5	2	
15	N 101 041 01	plug	A41	2	
16	811 803 593	plug		4	
17	443 803 583 M	drain valve	14,5	X	
18	8A0 803 583 H	plug	76X46	X	
21	8D0 819 419	water drain valve		1	
23	8D0 820 992	plug	96X85,4	1	

Model	Year	MG	SG	Illustration	Restrictions	UPD	18:12	11.12.2006		ETKA
PA	2000	8	03	803-40		597	USA			




Pos	Part Number	Name	Remarks	Qty	Model
		frame	rear		
1A	000 800 981	sheet metal plate	200X1500X0,8	1	
(1A)	000 800 981 A	sheet metal plate	300X1500X0,8	1	
(1A)	000 800 981 B	sheet metal plate	500X1500X0,8	1	
(1A)	000 800 981 C	sheet metal plate	800X1500X0,8	1	
1	8E0 802 225	mounting for hinged backrest	left	1	
(1)	8E0 802 226	mounting for hinged backrest	right	1	
2	8E0 802 299 A	cross member		1	
6	8E0 803 345	cross member for spare wheel well	left	1	
7	8E0 803 348	cross member for spare wheel well	right	1	
9	443 803 377 B	reinforcement plate for seat belt mounting		2	
10	3B0 803 401 J	side member with reinforcement and welded nut F >> 3B-X-600 000*	left rear	1	
(10)	3B0 803 401 S	side member with reinforcement and welded nut F 3B-Y-000 001>>	left rear	1	
11	3B0 803 402 J	side member with reinforcement and welded nut F >> 3B-X-600 000*	right rear	1	
(11)	3B0 803 402 S	side member with reinforcement and welded nut F 3B-Y-000 001>>	right rear	1	
(12)	8E0 803 403 B	side member can be used as a section part	left rear		
(13)	8E0 803 404 B	side member can be used as a section part	right rear		
15	8D0 803 499	bracket	left rear	1	
(15)	8D0 803 500	bracket	right rear	1	
17	8E0 803 531 B	cross member	left	1	
18	8E0 803 532	cross member	right	1	


Model	Year	MG	SG	Illustration	Restrictions	UPD	18:12	11.12.2006		ETKA
PA	2000	8	03	803-50		597	USA			

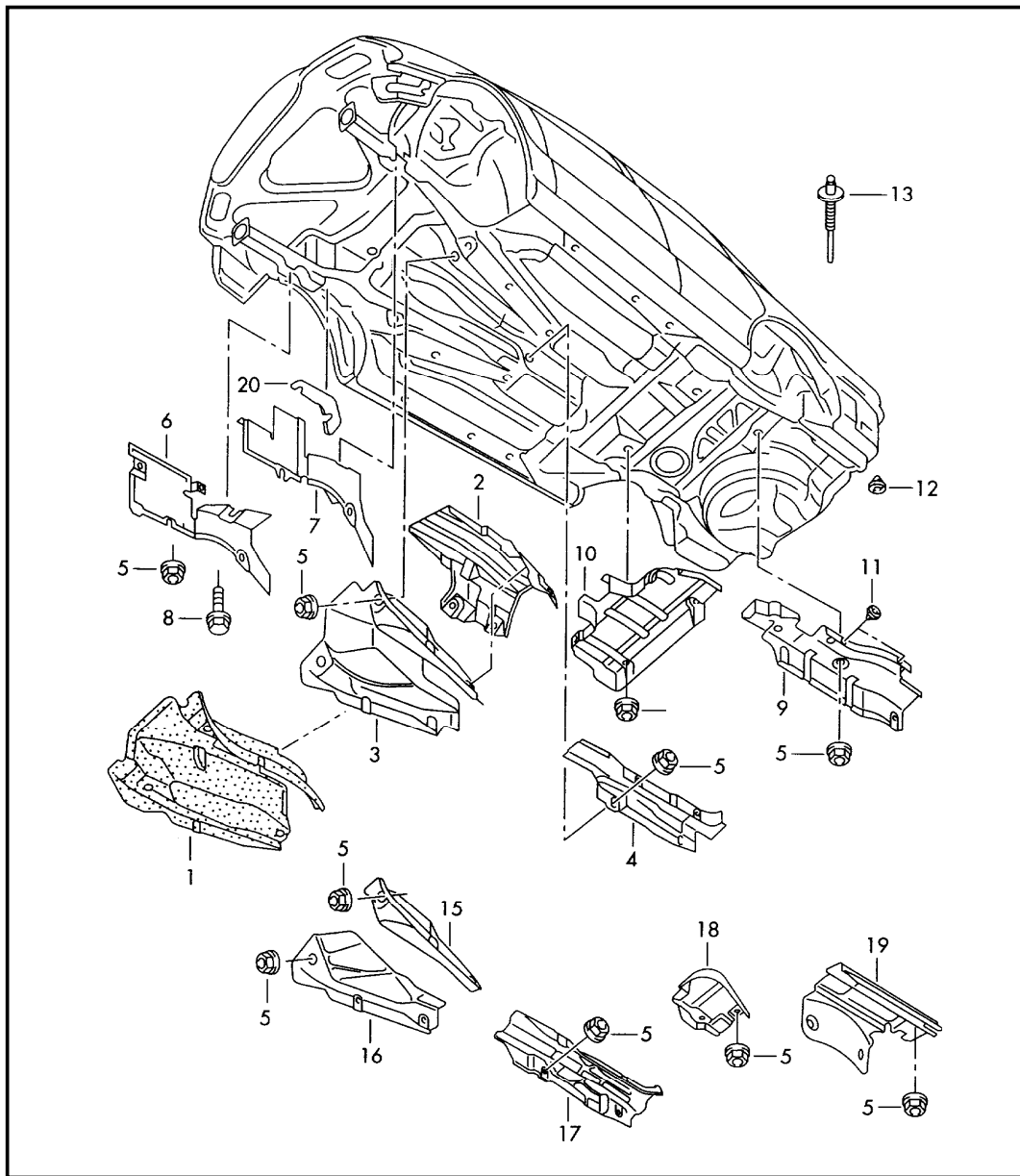


Pos	Part Number	Name	Remarks	Qty	Model
		luggage compartment floor wheelhouse protector	rear		
-	000 800 981	sheet metal plate	200X1500X0,8	1	
-	000 800 981 A	sheet metal plate	300X1500X0,8	1	
-	000 800 981 B	sheet metal plate	500X1500X0,8	1	
-	000 800 981 C	sheet metal plate	800X1500X0,8	1	
(1)	8E0 802 088 D	floor pan for vehicles with evaporative emission canister	rear rear	1	
-	8E0 802 763	bracket exhaust silencer, rear	left	1	
-		towing eye contained in key:	1		
2	8E0 802 091	floor pan	left rear	1	
(2)	8E0 802 092	floor pan	right rear	1	
(4)	8E0 802 225	mounting for hinged backrest	left	1	
4	8E0 802 226	mounting for hinged backrest	right	1	
5	3B0 802 369	retaining clamp	left rear	1	
(5)	3B0 802 370	retaining clamp	right rear	1	
7	3B0 803 093 E	floor pan	center	1	
9	8D0 803 899	bolt for spare wheel mounting for spare wheel with normal tire	M8X80	1	
(9)	8D0 803 899 F	bolt for spare wheel mounting for temporary spare wheel for vehicles with evaporative emission canister	M8X50	1	
(9)	3B5 803 899 C	bolt for spare wheel mounting for vehicles with alum. wheels	M8X30 7JX15	1	


Model	Year	MG	SG	Illustration	Restrictions	UPD	18:12	11.12.2006		ETKA
PA	2000	8	03	803-50		597	USA			

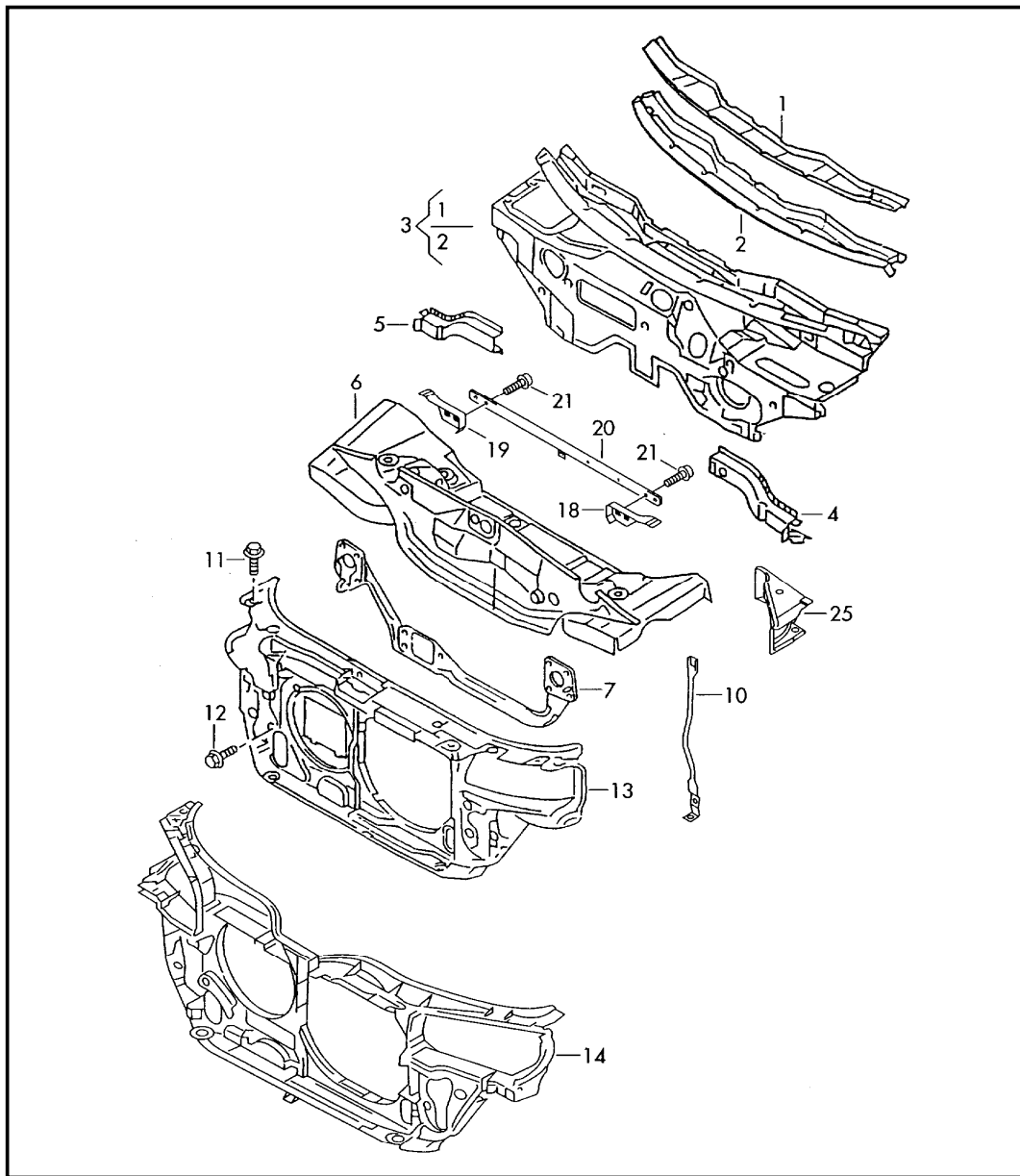
Pos	Part Number	Name	Remarks	Qty	Model	Pos	Part Number	Name	Remarks	Qty	Model
(9)	4A0 803 899 L	bolt for spare wheel mounting for vehicles with evaporative emission canister to fit use workshop material	M8X110	1							
10	3B5 803 423	wheelhouse protector	left rear inner	1							
11	3B5 803 424	wheelhouse protector	right rear inner	1							
(14)	3B5 803 435 A	wheelhouse protector	left rear outer	1	sedan						
(14)	3B9 803 435 A	wheelhouse protector	left rear outer	1	WAGON						
14	3B5 803 436 A	wheelhouse protector	right rear outer	1	sedan						
(14)	3B9 803 436 A	wheelhouse protector	right rear outer	1	WAGON						
-	3B0 810 931 A	bracket f.throttle contr.elem.	right	1							
18	321 803 958	cover for sender unit		1							
19	321 803 963	sealing washer		1							
20	+ N 013 965 5	tapping screw, fill. hd.	B4,2X9,5	3							
(25)	3B0 804 479 B	reinforcem. for wheel housing	left rear	1	sedan						
25	3B0 804 480 B	reinforcem. for wheel housing	right rear	1	sedan						
28	3B5 809 301	bracket for wheel housing	left rear	1	sedan						
(28)	3B9 809 301 F	bracket for wheel housing	left rear	1	WAGON						
(28)	3B5 809 302	bracket for wheel housing	right rear	1	sedan						
(28)	3B9 809 302 F	bracket for wheel housing	right rear	1	WAGON						
30	4B0 813 545 A	bracket for child seat F 3B-XE156 031>>	-latch-	2							
31	8L0 837 453	innensechsrund-zyl-bundschr.	M8X27-H-V	4							
-	8L0 887 233	fitting sleeve - child seat	-latch-	4							

Model	Year	MG	SG	Illustration	Restrictions	UPD	18:12	11.12.2006		ETKA
PA	2000	8	04	804-10		597	USA			




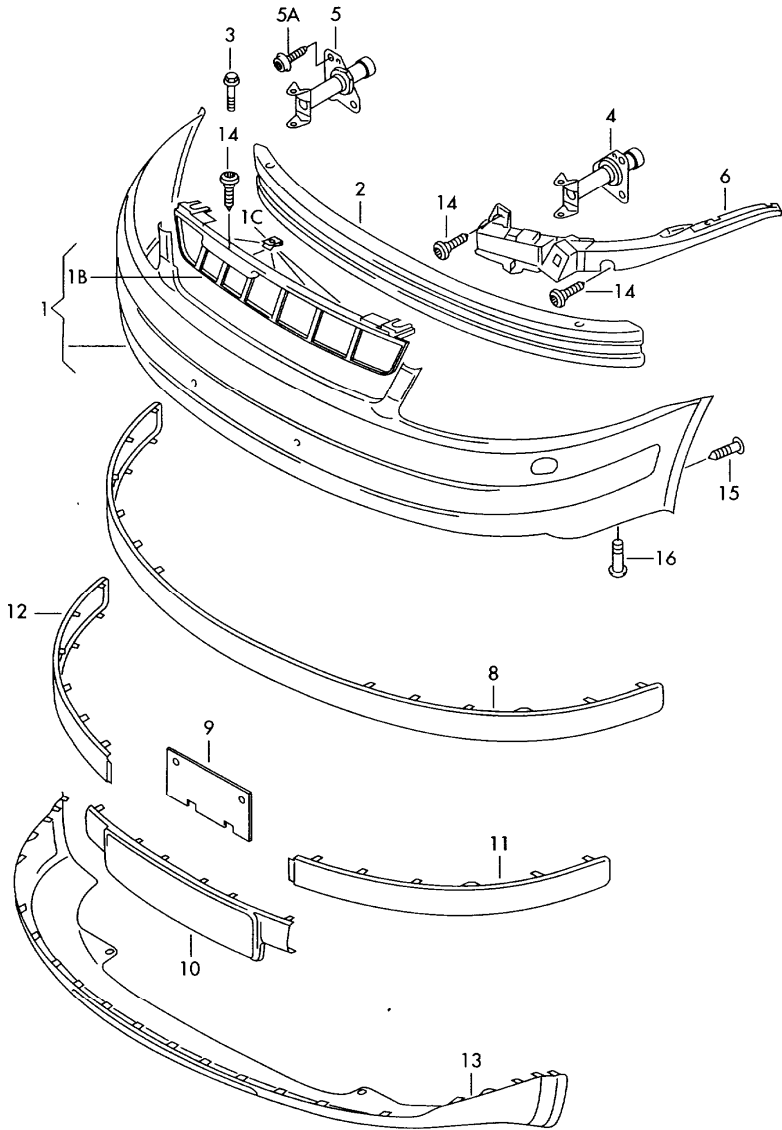
Pos	Part Number	Name	Remarks	Qty	Model
		cover plates			
1	8D0 803 979 Q	sound dampening pan		1	
2	8D0 804 159 J	heat shield for tunnel	center	1	
(3)	8D0 804 159 M	heat shield for tunnel	front	1	
4	3B0 804 159 A	heat shield for tunnel	rear	1	
5 +	N 907 088 01	speed nut	AM5	X	
7	8D0 804 161 F	heat shield for side member	left	1	
(6+7)	8D0 803 979 P	heat shield for tunnel F 3B-X-590 001>>*	front	1	gas engine: automatic
8	N 090 148 3	bolt, hex. hd. (combi.)	M6X15Z2	1	
9	8E0 804 171 E	heat shield for exhaust muffler, rear	rear	1	
10	8E0 804 173 B	heat shield for middle exhaust muffler		1	4 cylinder
(10)	8E0 804 173 C	heat shield for middle exhaust muffler		1	5-cylinder, 6 cylinder
11	431 253 149 B	buffer		2	
12	N 020 025 1	plug	A12X1	2	
13	N 907 161 01	pop-rivet with sealing washer	A4, 8X6, 5X22	X	
17	3B0 804 117	heat shield for exhaust muffler, rear		1	5 cylinder

Model	Year	MG	SG	Illustration	Restrictions	UPD	18:12	11.12.2006		ETKA
PA	2000	8	05	805-00		597	USA			




Pos	Part Number	Name	Remarks	Qty	Model
		body front section cross panel			
1	3B0 805 321	filler plate for cross member		1	
2	3B0 805 310 C	cross member		1	
3	3B1 805 431 A	cross panel		1	
(4)	8D0 806 355 B	cross member	left	1	
(5)	8D0 806 356 B	cross member	right	1	
-	N 905 088 01	sealing cap	B25X45	X	
(6)	3B1 806 603 F	cross member suspension strut mounting	lhd	1	
7	8D0 805 851 F	cross member towing eye		1	5-,6-cyl.
(7)		cross tube	see illustration: 199-20		4 cylinder
10	3B0 805 489 D	radius rod		1	
-	N 904 369 03	hex. nut, self-locking with washer	M6-Z2	1	
11	+ N 905 330 02	bolt, hex. hd. (combi.)	M6X20	2	
11	N 906 833 01	halbrundschaube (kombi) mit innensechsrund	M6X20-L-SP	2	
12	+ N 906 832 01	innensechsrund-zylinderbundschraube (kombi)	M8X45-S23-SV	7	
14	3B0 805 594 M	lock carrier		1	4 cylinder
(14)	3B0 805 594 K	lock carrier		1	6 cylinder
-	N 907 710 01	riveted cap nut	only for: M6/2,4-4,5-AR	X	
18	8D0 803 357 A	retainer	left	1	
19	8D0 803 358 A	retainer	right	1	
20	8D0 805 645 A	cross support	front	1	
21	N 902 218 03	bolt, with hex. socket hd. (combi.)	M8X20	4	


Model	Year	MG	SG	Illustration	Restrictions	UPD	18:12	11.12.2006		ETKA
PA	2000	8	07	807-00		597	USA			

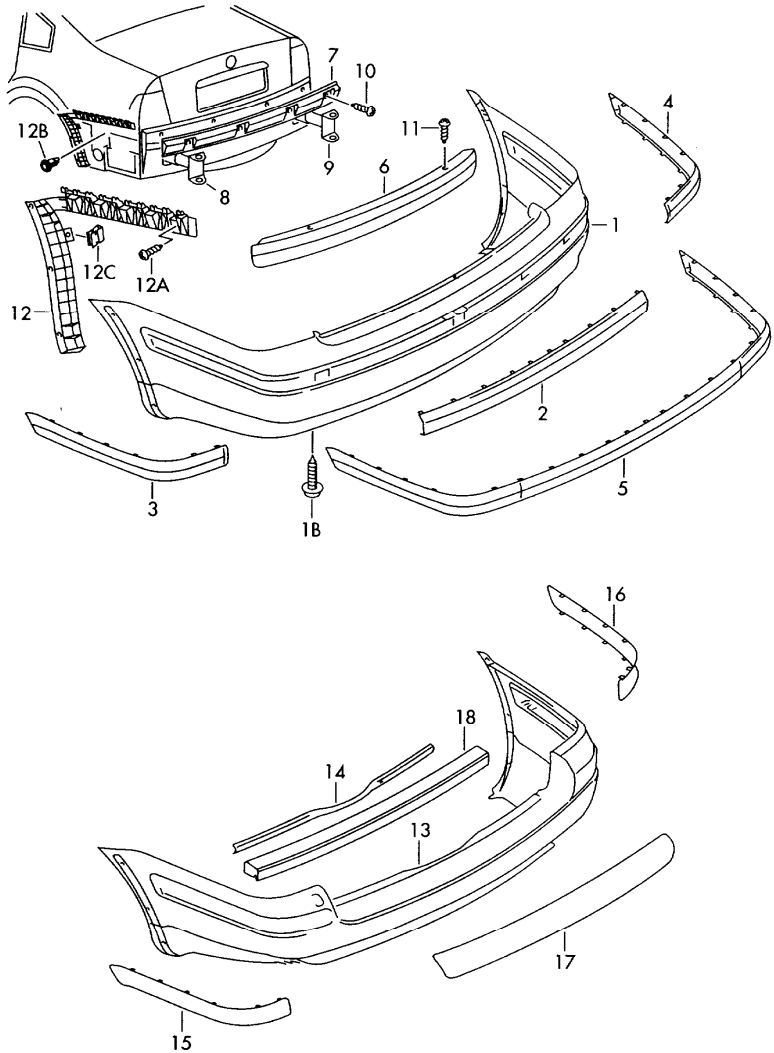


Pos	Part Number	Name	Remarks	Qty	Model
1	3B0 807 217	bumper spoiler cover	front	1	
		as required use:	N 015 439 1		
	11/96-08/00GRU	primed			
(1)	3B0 807 217 P	cover for vehicles with chromed mouldings		1	
	04/00-08/00GRU	primed			
1B		not a spare part			
1C	+ N 015 439 1	speed nut	ST4, 8X16, 5X13	4	
2	3B0 807 113 A	bumper bracket		1	
3	N 907 071 01	bolt, hex. hd. (combi.)		2	
(4)	3B0 807 271	buffer F	left front >> 3B-YP104 222*	1	
(4)	3B0 807 271 A	buffer F 3B-YP104 222>>*	left front	1	
(5)	3B0 807 272 A	buffer	right front	1	
5A	+ N 906 832 01	innensechsrund-zylinderbund-schraube (kombi)	M8X45-S23-SV	X	
6	3B0 807 049 C	guide piece bumper	left front	1	
(6)	3B0 807 050 C	guide piece bumper	right front	1	
8	3B0 807 720	decorative molding		1	
	10/96-08/00GRU	primed			
9	3B0 807 287	license plate bracket		1	
	09/97-08/00B41	satin black			
13	3B0 805 903 A	spoiler		1	
	09/97-08/00B41	satin black			
14	N 907 009 01	innensechsrund-blechschaube	ST5, 5X19-C	X	
15	+ N 907 750 01	innensechsrund-blechschaube	4, 8X16	8	
16	+ 8D0 805 121 B	dowel pin	6X20MM black	3	


Model	Year	MG	SG	Illustration	Restrictions	UPD	18:12	11.12.2006		ETKA
PA	2000	8	07	807-00		597	USA			

Pos	Part Number	Name	Remarks	Qty	Model	Pos	Part Number	Name	Remarks	Qty	Model
(16)	N 101 924 02	bolt, hex. hd. (combi.)	M6X20-Z2	2							


Model	Year	MG	SG	Illustration	Restrictions	UPD	18:12	11.12.2006		ETKA
PA	2000	8	07	807-50		597	USA			

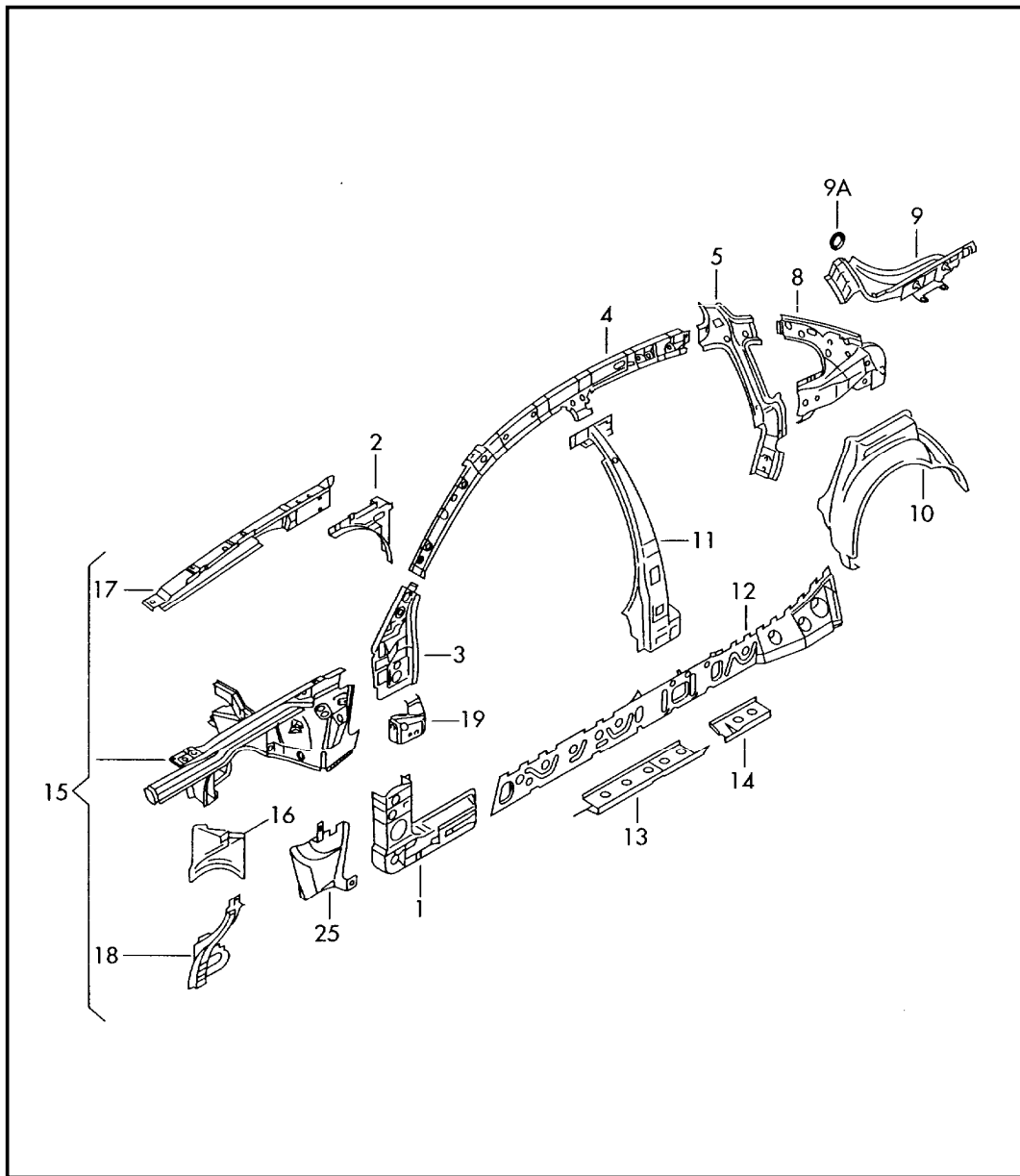


Pos	Part Number	Name	Remarks	Qty	Model
1	3B5 807 417	bumper cover	rear	1	sedan
	10/96-08/00GRU	primed			
1B	+ 6N0 807 199	innensechsrund-zyl.schraube	M6X27	5	
5	3B5 807 423 A	molding for bumper		1	sedan
	10/96-08/00GRU	primed			
6	3B0 807 311 A	bumper bracket		1	
7	3B5 807 863	attachment strip	rear	1	sedan
(8)	3B0 807 335 A	buffer	left	1	sedan
		also use:	N 907 721 01	2	
			N 907 075 01	1	
(8)	3B9 807 335	buffer	left	1	WAGON
(9)	3B0 807 336 A	buffer	right	1	sedan
		also use:	N 907 721 01	2	
			N 907 075 01	1	
(9)	3B9 807 336	buffer	right	1	WAGON
10	+ N 907 750 01	innensechsrund-blechschaube	4,8X16	5	
-	+ N 908 214 01	expanding nut	4,8X21,3	5	
11	N 907 465 01	bolt, hex. hd. (combi.)	M8X100X40	1	
-	N 907 721 01	bolt, hex. hd. (combi.)	BM10X105	X	
(12)	3B5 807 393 A	guide piece	left	1	sedan
(12)	3B5 807 394 A	guide piece	right	1	sedan
(12)	3B9 807 393	guide piece	left	1	WAGON
(12)	3B9 807 394	guide piece	right	1	WAGON
12A	+ N 907 750 01	innensechsrund-blechschaube	4,8X16	X	
12B	+ N 908 214 01	expanding nut	D4,8	6	
12C	N 905 319 01	clamp	A13X13X3	2	
13	3B9 807 417	cover		1	WAGON
	05/97-08/00GRU	primed			
14	3B9 807 863	attachment strip	rear	1	WAGON
-	+ N 908 214 01	expanding nut	D4,8	5	


Model	Year	MG	SG	Illustration	Restrictions	UPD	18:12	11.12.2006		ETKA
PA	2000	8	07	807-50		597	USA			

Pos	Part Number	Name	Remarks	Qty	Model	Pos	Part Number	Name	Remarks	Qty	Model
-	+ N 907 750 01	innensechsrund-blechschraube	4,8X16	5							
-	+ 6N0 807 199	innensechsrund-zyl.schraube	M6X27	4							
(15)	3B9 807 791 A	molding for bumper	left	1	WAGON						
	05/97-08/00GRU	primed									
(16)	3B9 807 792 A	molding for bumper	right	1	WAGON						
	05/97-08/00GRU	primed									
17	3B9 807 602 A	protective foil		1	WAGON						
18	3B9 807 251	plastic foam	rear	1							
(18)	3B9 807 251 A	plastic foam for vehicles with trailers	rear	1	WAGON						


Model	Year	MG	SG	Illustration	Restrictions	UPD	18:12	11.12.2006		ETKA
PA	2000	8	09	809-30		597	USA			

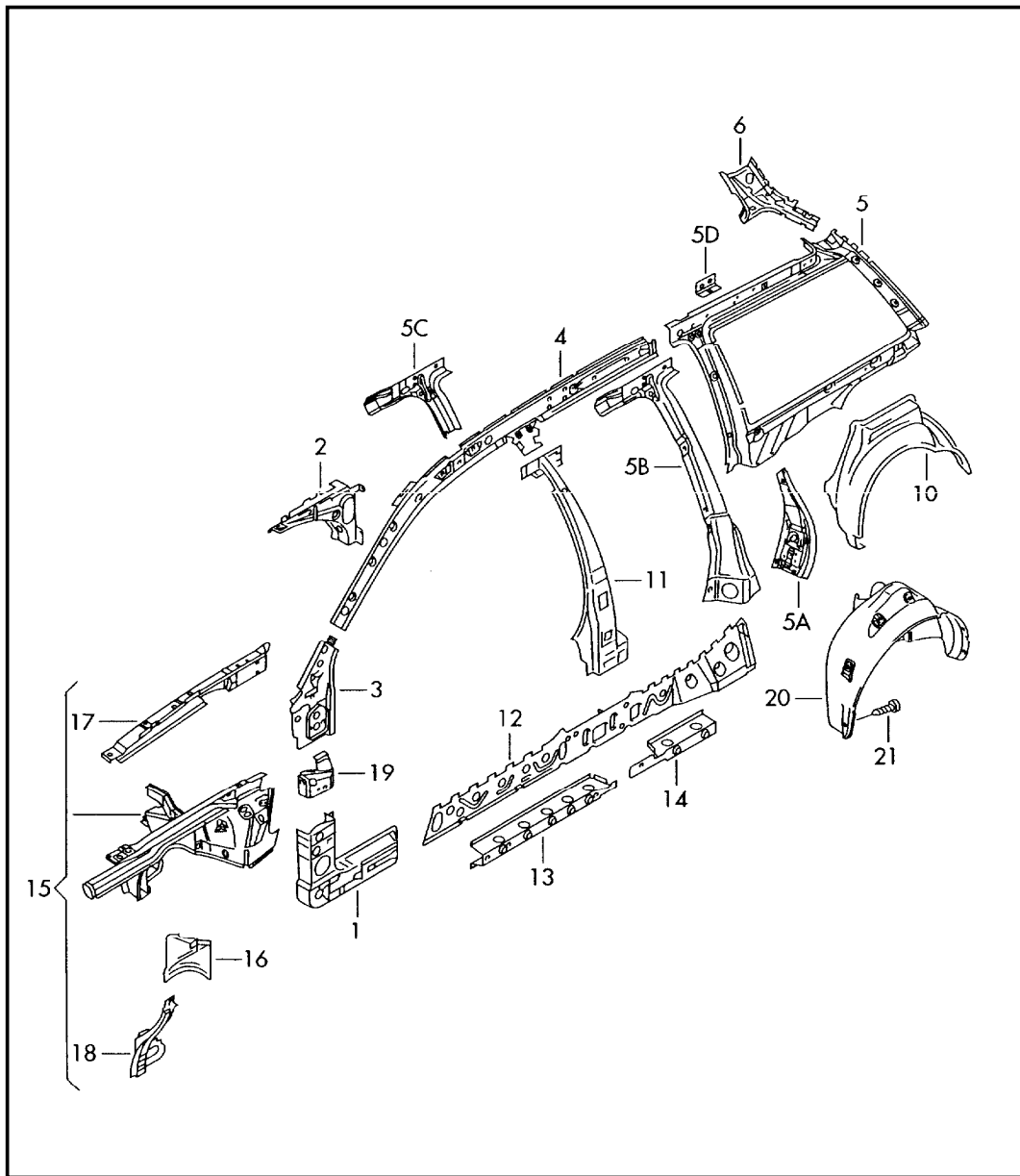


Pos	Part Number	Name	Remarks	Qty	Model
		side panel wheel housing with side member	inner front		sedan
1	3B0 809 203 B	reinforcement for pillar a	left lower	1	
(1)	3B0 809 204 B	reinforcement for pillar a	right lower	1	
2	3B0 810 231 A	outrigger-pillar a	left	1	
(2)	3B0 810 232 A	outrigger-pillar a	right	1	
(3)	3B0 810 179 C	pillar a inner	left	1	
(3)	3B0 810 180 C	pillar a inner	right	1	
(4)	3B5 809 429 E	side panel, inner	left upper	1	
(4)	3B5 809 430 E	side panel, inner	right upper	1	
(5)	3B5 809 261 C	reinforcement for pillar c	left inner	1	
-	3B0 809 237	threaded plate		1	
(5)	3B5 809 262 C	reinforcement for pillar c	right inner	1	
-	3B0 809 237	threaded plate		1	
8	3B5 809 405 A	side panel, inner F >> 3B-X-300 000*	left rear	1	
(8)	3B5 809 405 C	side panel, inner F 3B-X-300 001>>*	left rear	1	
(8)	3B5 809 406 A	side panel, inner F >> 3B-X-300 000*	right rear	1	
(8)	3B5 809 406 C	side panel, inner F 3B-X-300 001>>*	right rear	1	
9	3B5 809 641 A	water drain channel	left rear	1	
(9)	3B5 809 642 A	water drain channel	right rear as required use: 191 807 196	1	
-	191 807 196	plug	15	2	
10		see illustration:	803-50		
11	3B4 809 219 A	pillar b inner	left	1	
(11)	3B4 809 220 A	pillar b inner	right	1	
-	3B0 809 237	threaded plate locking catch		1	
11A	3B4 809 219 A	pillar b inner	left	1	


Model	Year	MG	SG	Illustration	Restrictions	UPD	18:12	11.12.2006		ETKA
PA	2000	8	09	809-30		597	USA			

Pos	Part Number	Name	Remarks	Qty	Model	Pos	Part Number	Name	Remarks	Qty	Model
(11A)	3B4 809 338	reinforcement for pillar b	right	1							
12	3B4 810 599 B	rip plate	left inner	1							
(12)	3B4 810 600 B	rip plate	right inner	1							
13	3B4 810 607 A	reinforcement for side member	left	1							
(13)	3B4 810 608 A	reinforcement for side member	right	1							
14	3B4 810 595	reinforcement for side member	left rear	1							
(14)	3B4 810 596	reinforcement for side member	right rear	1							
15	3B0 809 101 D	wheel housing with side member	left	1							
-	8D0 809 153 B	wheel housing rear part	left front	1							
(15)	3B0 809 102 E	wheel housing with side member	right	1							
		also use:	7M0 804 198	1							
-	8D0 809 154 A	wheel housing rear part	right front	1							
16	8D0 809 119	mounting bracket for suspension strut mounting	left	1							
(16)	8D0 809 120	mounting bracket for suspension strut mounting	right	1							
17	3B0 805 307	filler plate	left	1							
(17)	3B0 805 308	filler plate	right	1							
-	N 907 057 01	rivetted cap nut	M6/0,7-3-A	2							
-	7M0 804 198	weld nut	M8	1							
18	8D0 805 869 C	support	left	1							
(18)	8D0 805 870 D	support	right	1							
19	3B0 809 621 A	reinforcement for pillar a	left upper	1							
(19)	3B0 809 622 A	reinforcement for pillar a	right upper	1							


Model	Year	MG	SG	Illustration	Restrictions	UPD	18:13	11.12.2006		ETKA
PA	2000	8	09	809-50		597	USA			

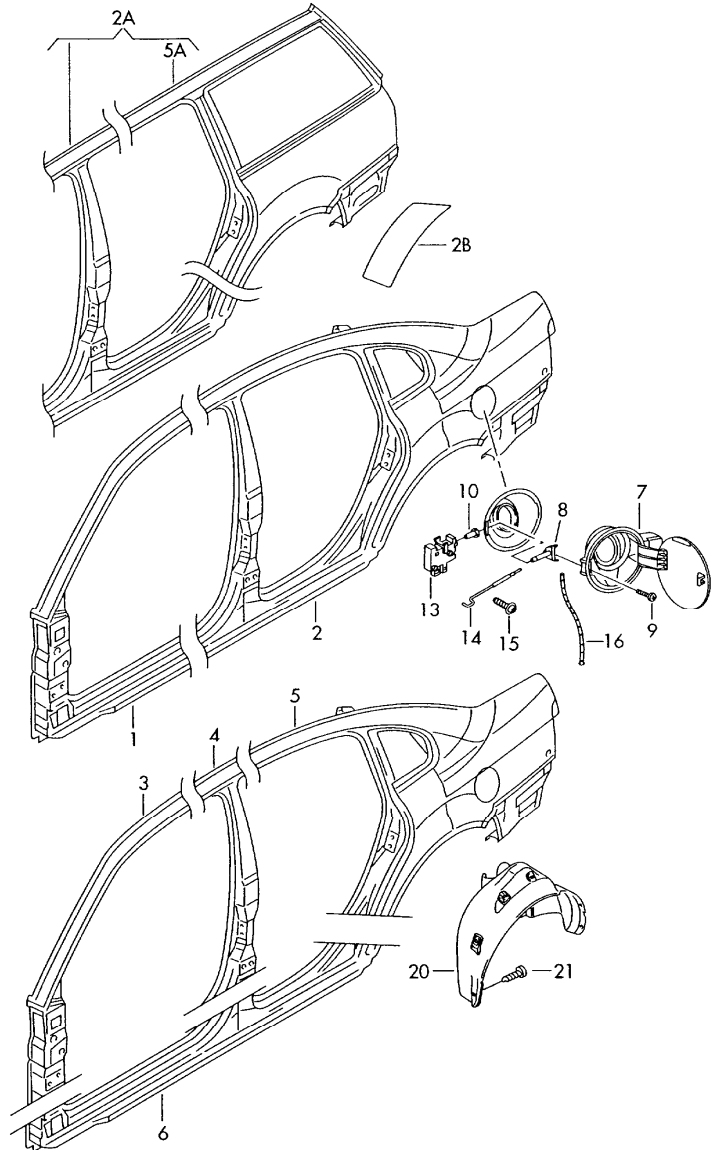


Pos	Part Number	Name	Remarks	Qty	Model
		side panel	inner		WAGON
1	3B0 809 203 B	reinforcement for pillar a	left lower	1	
(1)	3B0 809 204 B	reinforcement for pillar a	right lower	1	
2	3B0 810 231 A	outrigger-pillar a	left	1	
(2)	3B0 810 232 A	outrigger-pillar a	right	1	
3	3B0 810 179 C	pillar a inner	left	1	
(3)	3B0 810 180 C	pillar a inner	right	1	
4	3B9 809 427 A	side panel, inner F >> 3B-X-300 000*	left upper	1	
(4)	3B9 809 427 C	side panel, inner F 3B-X-300 001>>*	left upper	1	
(4)	3B9 809 428 A	side panel, inner F >> 3B-X-300 000*	right upper	1	
(4)	3B9 809 428 C	side panel, inner F 3B-X-300 001>>*	right upper	1	
(5)	3B9 809 405 F	side panel	left inner	1	
(5)	3B9 809 406 F	side panel	right inner	1	
5A	3B9 809 611 A	reinforcement for pillar c	left	1	
-	3B0 809 237	threaded plate		1	
(5A)	3B9 809 612 A	reinforcement for pillar c	right	1	
-	3B0 809 237	threaded plate		1	
5B	3B9 809 261	reinforcement for pillar c F 3B-W-175 001>> 3B-X-300 000*	left	1	
(5B)	3B9 809 261 A	reinforcement for pillar c F 3B-X-300 001>>*	left	1	
-	3B0 809 237	threaded plate		1	
(5B)	3B9 809 262 A	reinforcement for pillar c F 3B-W-175 001>>*	right	1	
-	3B0 809 237	threaded plate		1	
5C	3B9 810 541 A	reinforcement for vehicles with roof rails	left front	1	
(5C)	3B9 810 542 A	reinforcement for vehicles with roof rails	right front	1	


Model	Year	MG	SG	Illustration	Restrictions	UPD	18:13	11.12.2006		ETKA
PA	2000	8	09	809-50		597	USA			

Pos	Part Number	Name	Remarks	Qty	Model	Pos	Part Number	Name	Remarks	Qty	Model
5D	3B9 810 543 A	reinforcement for vehicles with roof rails	rear	2			06/98-08/0001C	satin black			
6	3B9 810 263 D	reinforcement for side panel	left inner	1							
(6)	3B9 810 264 D	reinforcement for side panel	right inner	1							
10		see illustration:	803-50								
(11)	3B4 809 219 A	pillar b inner S.SZ	left	1							
(11)	3B4 809 220 A	pillar b inner	right	1							
-	3B0 809 237	threaded plate locking catch		1							
12	3B4 810 599 B	rip plate	left inner	1							
(12)	3B4 810 600 B	rip plate	right inner	1							
13	3B4 810 607 A	reinforcement for side member	left	1							
(13)	3B4 810 608 A	reinforcement for side member	right	1							
14	3B4 810 595	reinforcement for side member	left rear	1							
(14)	3B4 810 596	reinforcement for side member	right rear	1							
15	3B0 809 101 D	wheel housing with side member	left	1							
(15)	3B0 809 102 E	wheel housing with side member also use:	right	1							
			7M0 804 198	1							
16	8D0 809 119	mounting bracket for suspension strut mounting	left	1							
(16)	8D0 809 120	mounting bracket for suspension strut mounting	right	1							
17	3B0 805 307	filler plate	left	1							
(17)	3B0 805 308	filler plate	right	1							
18	8D0 805 869 C	support	left	1							
(18)	8D0 805 870 D	support	right	1							
19	3B0 809 621 A	reinforcement for pillar a	left upper	1							
(19)	3B0 809 622 A	reinforcement for pillar a	right upper	1							
20	3B0 810 971 B	wheelhouse liner	left	1							
	06/98-08/0001C	satin black									
(20)	3B0 810 972 C	wheelhouse liner	right	1							


Model	Year	MG	SG	Illustration	Restrictions	UPD	18:13	11.12.2006		ETKA
PA	2000	8	09	809-70		597	USA			

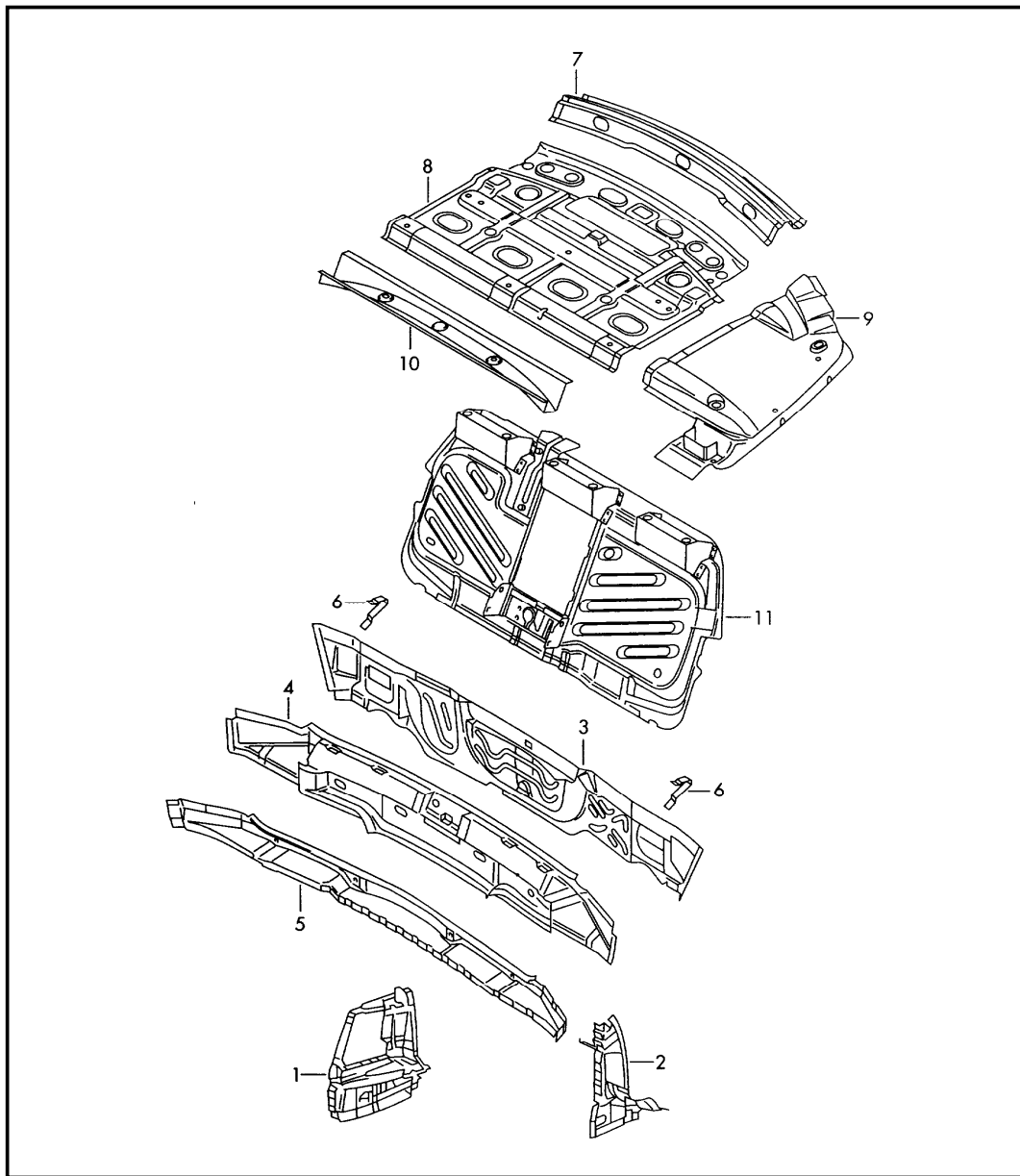


Pos	Part Number	Name	Remarks	Qty	Model
		sectionl parts - side panel frame flap for fuel filler			
-	000 800 981	sheet metal plate	200X1500X0,8	1	
-	000 800 981 A	sheet metal plate	300X1500X0,8	1	
-	000 800 981 B	sheet metal plate	500X1500X0,8	1	
-	000 800 981 C	sheet metal plate	800X1500X0,8	1	
(1)	3B5 809 835 A	sectional part-pillar a with side member	left	1	
(1)	3B5 809 836 A	sectional part-pillar a with side member	right	1	
2	3B5 809 837 A	sectional part side panel with 'b' pillar	left	1	sedan
(2)	3B5 809 838 A	sectional part side panel with 'b' pillar	right	1	sedan
2A	3B9 809 837 B	sectional part side panel with 'b' pillar	left	1	WAGON
(2A)	3B9 809 838 B	sectional part side panel with 'b' pillar	right	1	WAGON
-	3B9 809 665	mounting for gas-filled strut		1	WAGON
-	3B9 809 666	mounting for gas-filled strut		1	WAGON
2B	3B0 807 905 A	protective foil	left	1	
(2B)	3B0 807 906 A	protective foil	right	1	
(3)	3B5 809 839 A	sectionl parts - side panel frame pillar a	left	1	
(3)	3B5 809 840 A	sectionl parts - side panel frame pillar a	right	1	
(4)	3B5 809 841 A	sectionl parts - side panel frame pillar b	left	1	
(4)	3B5 809 842 A	sectionl parts - side panel frame pillar b	right	1	


Model	Year	MG	SG	Illustration	Restrictions	UPD	18:13	11.12.2006		ETKA
PA	2000	8	09	809-70		597	USA			

Pos	Part Number	Name	Remarks	Qty	Model	Pos	Part Number	Name	Remarks	Qty	Model
(5)	3B5 809 843 A	sectionl parts - side panel frame side panel	left rear	1	sedan	14	3B0 959 789	release rod		1	
(5A)	3B9 809 843 B	sectionl parts - side panel frame side panel	left	1	WAGON	15	N 905 942 01	tapping screw, fill.hd. (combi.)	E4X16	2	
(5)	3B5 809 844 A	sectionl parts - side panel frame side panel	right rear	1		16	893 809 937	hose		1	
(5A)	3B9 809 844 B	sectionl parts - side panel frame side panel	right	1	WAGON	20	3B0 810 971 B	wheelhouse liner	left rear	1	
(5)	3B5 809 844 A	sectionl parts - side panel frame side panel	right rear	1			06/98-08/0001C	satin black			
(5A)	3B9 809 844 B	sectionl parts - side panel frame side panel	right	1	WAGON	(20)	3B0 810 972 C	wheelhouse liner	right rear	1	
(6)	3B5 809 847 A	sectionl parts - side panel frame side member	left	1			06/98-08/0001C	satin black			
(6)	3B5 809 848 A	sectionl parts - side panel frame side member	right	1		21 +	N 907 750 01	innensechsrund-blechschaube	4,8X16	X	
7	3B0 809 857 D	flap for fuel filler F	>> 3B-Y-150 000* also use:	1							
			*>>3B-W-800000 3B0 810 899	1							
	04/98-08/99GRU	primed									
(7)	3B0 809 857 E	flap for fuel filler F 3B-Y-150 001>>*		1							
	09/99-08/00GRU	primed									
8	3B0 810 899	guide sleeve F 3B-W-425 001>>*		1							
(8)	3B0 810 901 A	guide sleeve F	>> 3B-W-425 000*	1							
-	3B0 809 931	spring flap for fuel filler		1							
9	N 907 321 01	innensechsrund-blechschaube	4X16-Q	1							
10	3B0 810 911 A	sealing washer		1							
13	3B0 959 782	motor for adjustment for central locking system flap for fuel filler		1							


Model	Year	MG	SG	Illustration	Restrictions	UPD	18:13	11.12.2006		ETKA
PA	2000	8	13	813-00		597	USA			

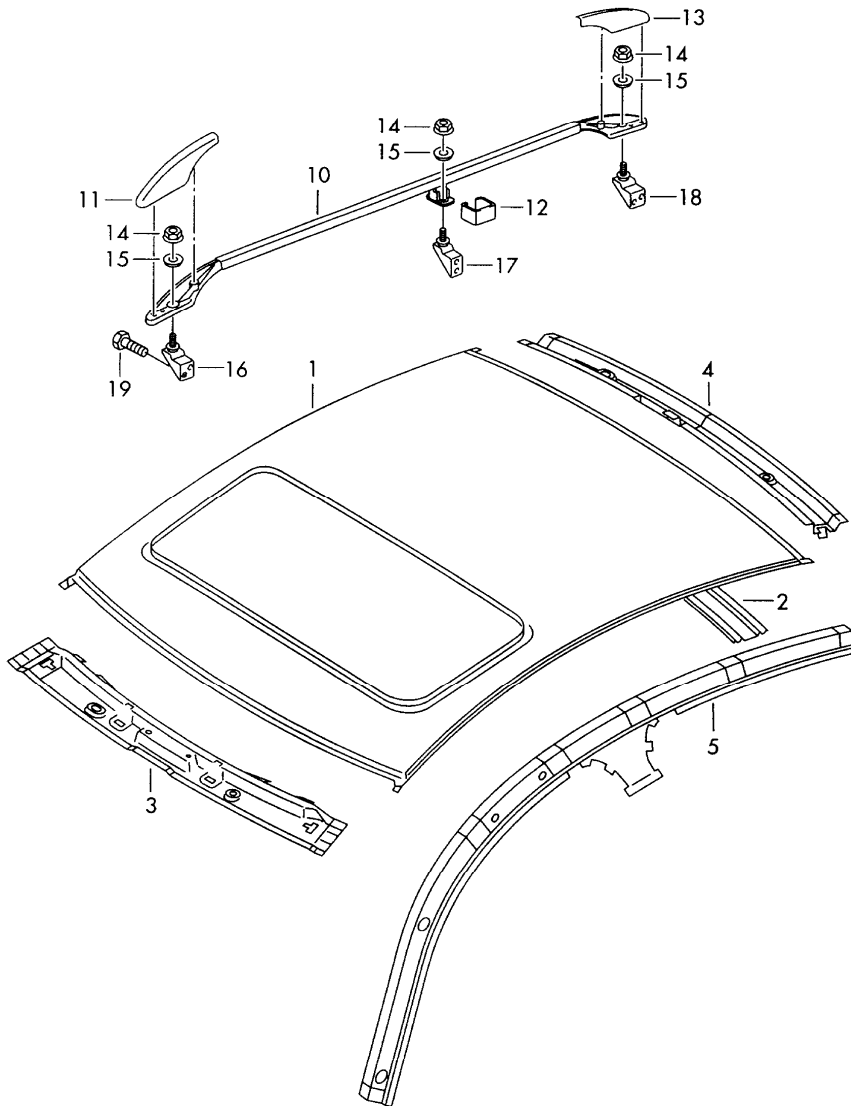


Pos	Part Number	Name	Remarks	Qty	Model
		luggage compartment floor rear apron			
-	000 800 981	sheet metal plate	200X1500X0,8	1	
-	000 800 981 A	sheet metal plate	300X1500X0,8	1	
-	000 800 981 B	sheet metal plate	500X1500X0,8	1	
-	000 800 981 C	sheet metal plate	800X1500X0,8	1	
1	3B5 813 319	mounting for taillight	left	1	sedan
(1)	3B9 813 319 B	mounting for taillight	left	1	WAGON
(1)	3B5 813 320	mounting for taillight	right	1	sedan
(1)	3B9 813 320 B	mounting for taillight	right	1	WAGON
2	3B5 813 331	reinforcement	left	1	sedan
(2)	3B9 813 331 B	reinforcement	left	1	WAGON
(2)	3B5 813 332	reinforcement	right	1	
(2)	3B9 813 332 B	reinforcement	right	1	WAGON
3	3B0 813 341 F	reinforcement for apron		1	
		as required use:	N 102 265 01	2	
4	3B5 813 301 A	end plate		1	sedan
(4)	3B9 813 301 C	end plate F	>> 3B-W-175 000*	1	WAGON
(4)	3B9 813 301 D	end plate F 3B-W-175 001>>*	upper	1	WAGON
5	3B9 813 309 B	end plate F	lower	1	WAGON
		>> 3B-W-175 000*		2	
		as required use:	N 020 024 1		
(5)	3B9 813 309 D	end plate F 3B-W-175 001>>*	lower	1	WAGON
		as required use:	N 020 024 1	2	
6	3B5 813 893	bracket for bumper		1	
(6)	3B5 813 894	bracket for bumper		1	
7	3B5 813 525 A	cross support		1	sedan
8	3B5 813 514	rear panel upper part		1	sedan
9	3B5 813 561	filler plate rear panel upper part	left	1	sedan


Model	Year	MG	SG	Illustration	Restrictions	UPD	18:13	11.12.2006		ETKA
PA	2000	8	13	813-00		597	USA			

Pos	Part Number	Name	Remarks	Qty	Model	Pos	Part Number	Name	Remarks	Qty	Model
(9)	3B5 813 562	filler plate rear panel upper part	right	1	sedan						
10	3B5 813 528	cross member	rear	1							
11	3B5 813 501 B	rear panel		1	sedan						


Model	Year	MG	SG	Illustration	Restrictions	UPD	18:13	11.12.2006		ETKA
PA	2000	8	17	817-10		597	USA			

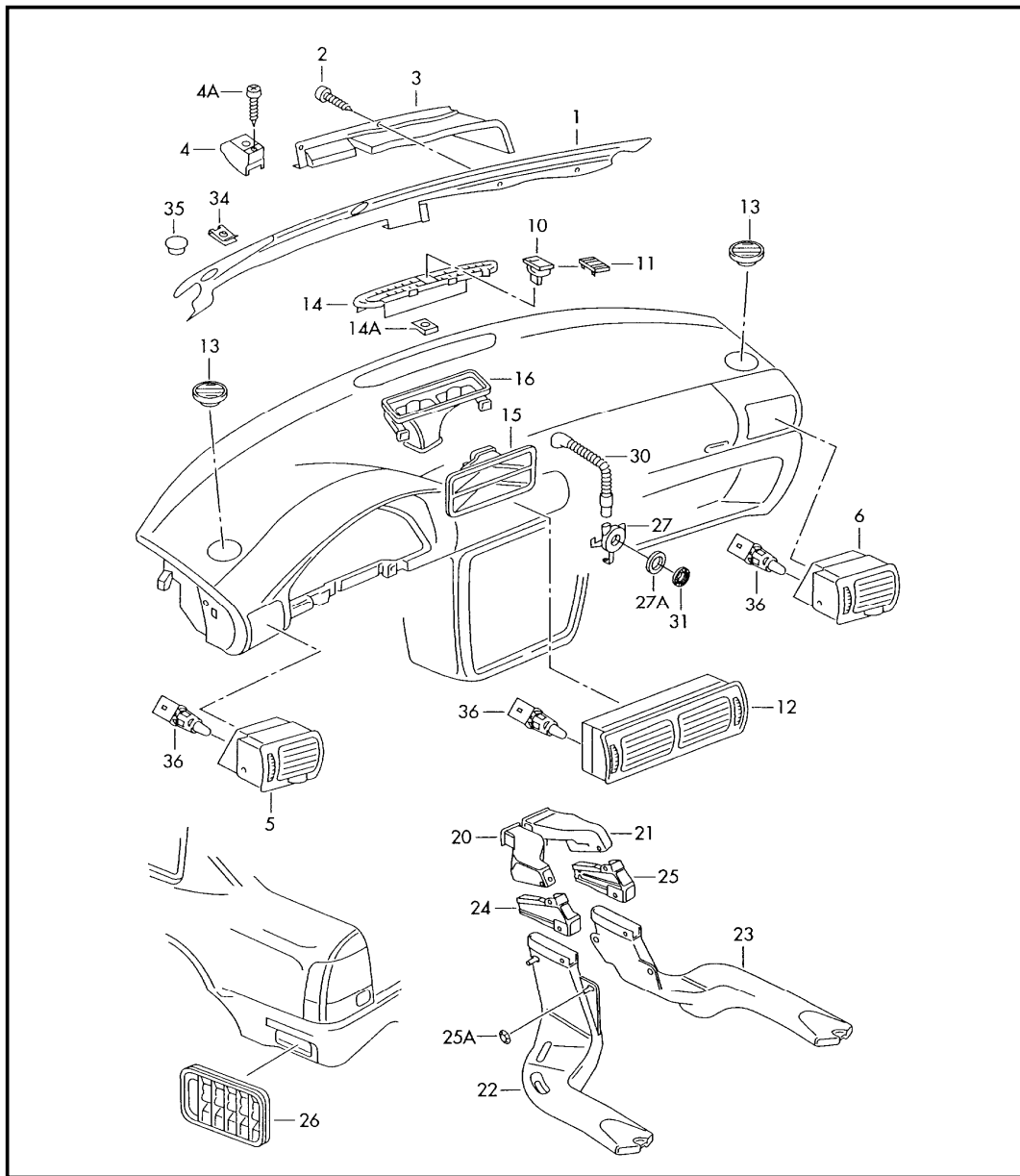


Pos	Part Number	Name	Remarks	Qty	Model
1	3B5 817 101 A	roof		1	sedan
(1)	3B9 817 101 F	roof for vehicles with sliding roof		1	WAGON
(1)	3B5 817 111 B	roof		1	sedan
(1)	3B9 817 111 M	roof for vehicles with sliding roof		1	WAGON
2	3B9 817 120	roof reinforcement		5	WAGON
(2)	3B9 817 120	roof reinforcement for vehicles with sliding roof		3	WAGON
3	3B0 817 121 A	roof cross member	front		sedan
(3)	3B0 817 121 A	roof cross member to fit use workshop material	front *>>3B-X-131400 *>>3B-XE126300	1	WAGON
		bracket for interior light bracket for sun visor as required use:	front center 3B-X-131401>>*> 3B-XE126301>>*		sedan
4	3B5 817 164	roof cross member	rear	1	sedan
(4)	3B9 817 161 C	roof cross member	rear	1	WAGON
5		roof frame	side see illustration: 809-30		sedan
(5)		roof frame	side see illustration: 809-50		WAGON
		roof rail			WAGON
10	3B9 860 025 A	roof rail	left also use: *>>3B-X-060000 3B9 860 145 B (B41) 3B9 860 149 B (B41)	1 1 1	
	05/97-08/0003C	rally black			
(10)	3B9 860 026 A	roof rail	right also use: *>>3B-X-060000 3B9 860 146 B (B41) 3B9 860 150 B (B41)	1 1 1	


Model	Year	MG	SG	Illustration	Restrictions	UPD	18:13	11.12.2006		ETKA
PA	2000	8	17	817-10		597	USA			

Pos	Part Number	Name	Remarks	Qty	Model	Pos	Part Number	Name	Remarks	Qty	Model
	05/97-08/0003C	rally black				16	3B9 860 197	retaining clamp	left/right front	2	
11	3B9 860 145 A	cover roof rail	left front	1		17	3B9 860 199 A	retaining clamp	left/right	2	
	05/97-06/98B41	satin black				(18)	3B9 860 201	retaining clamp	left rear	1	
(11)	3B9 860 145 B	cover roof rail	left front	1		18	3B9 860 202	retaining clamp	right rear	1	
	07/98-08/00B41	satin black				19	N 100 493 03	bolt, hex. hd. (combi.)	M8X20	12	
(11)	3B9 860 146 A	cover roof rail	right front	1		-	3B9 860 151	set of gaskets for roof rail		1	
	05/97-06/98B41	satin black				-		carrier bar ** see accessories catalog **			
11	3B9 860 146 B	cover roof rail	right front	1							
	07/98-08/00B41	satin black									
(12)	3B9 860 147 A	cover roof rail	left, center	1							
	05/97-08/00B41	satin black									
12	3B9 860 148 A	cover roof rail	right, center	1							
	05/97-08/00B41	satin black									
13	3B9 860 149 A	cover roof rail	left rear	1							
	05/97-06/98B41	satin black									
(13)	3B9 860 149 B	cover roof rail	left rear	1							
	07/98-08/00B41	satin black									
(13)	3B9 860 150 A	cover roof rail	right rear	1							
	05/97-06/98B41	satin black									
13	3B9 860 150 B	cover roof rail	right rear	1							
	07/98-08/00B41	satin black									
(14)	+ N 023 003 8	shouldered hex. nut, self-locking	AM8	6							
15	N 023 732 1	retaining washer	C10,5	6							


Model	Year	MG	SG	Illustration	Restrictions	UPD	18:13	11.12.2006		ETKA
PA	2000	8	19	819-30		597	USA			

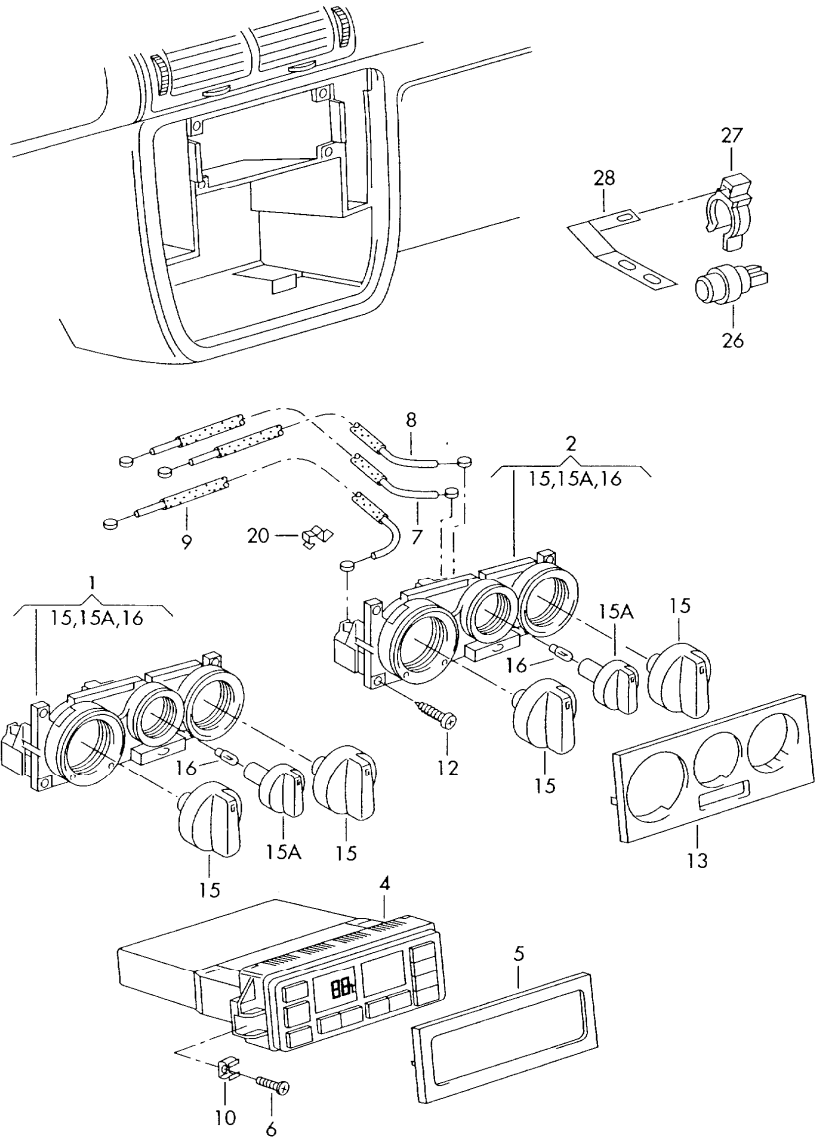


Pos	Part Number	Name	Remarks	Qty	Model
		air and footwell heater ducts, air hoses and vents water deflector			
1	3B1 819 415 C	water deflector	lhd	1	
	10/96-08/00B41	satin black			
2	N 907 393 01	fill. hd. screw (combi.)	4,8X75	1	
3	3B1 819 537 C	inspection cover for vehicles with dust and pollen filter	lhd	1	
	10/96-08/00B41	satin black			
4	3B0 815 947 B	bracket inspection cover dust and pollen filter		1	
	10/96-08/00B41	satin black			
-	AKD 497 010 04	sealing cord in coils of 10m 'order qty. 1'		*	
	10/96-08/00R10	sealing cord	10X2MM		
5	3B0 819 703 A	air vent	lighting: left green	1	
	10/96-05/972AQ	black			
	10/96-05/974ET	platinum			
(5)	3B0 819 703 D	air vent	lighting: left red	1	
	05/97-08/004ET	platinum			
(5)	3B0 819 703 D	air vent	lighting: left red	1	
	05/97-08/002AQ	black			
6	3B0 819 704 A	air vent	lighting: right green	1	
	10/96-05/974ET	platinum			
6	3B0 819 704 C	air vent	lighting: right green	1	
	10/96-05/972AQ	black			
(6)	3B0 819 704 B	air vent	lighting: right red	1	


Model	Year	MG	SG	Illustration	Restrictions	UPD	18:13	11.12.2006		ETKA
PA	2000	8	19	819-30		597	USA			

Pos	Part Number	Name	Remarks	Qty	Model	Pos	Part Number	Name	Remarks	Qty	Model
	05/97-08/004ET	platinum				-	4B0 820 539	temperature sensor		1	
(6)	3B0 819 704 D	air vent	lighting: right red	1		16	3B1 819 081 C	intermediate piece	lhd	1	
	05/97-08/002AQ	black				20	3B0 819 503	air duct for rear footwell heating	left front	1	
10		see illustration:	941-50			21	3B0 819 504	air duct for rear footwell heating	right front	1	
11	3B0 819 681	cover		1		24	3B0 819 513 A	air duct	left lower	1	
	10/96-08/002AQ	black				25	3B0 819 514 A	air duct	right lower	1	
	10/96-08/004ET	platinum				25A+	N 903 350 04	clamping washer	5X30	4	
12	3B0 819 728 A	air vent	lighting: center green	1		26	4A0 819 181	vent trim		2	
	10/96-05/972AQ	black				27	3B1 820 701	fresh air outlet glove box	lhd	1	air condit.
	10/96-05/974ET	platinum				27A	3B0 820 702	gasket fresh air outlet glove box		1	air condit.
(12)	3B0 819 728 D	air vent	lighting: center red	1		-	N 904 130 04	screw, hex. hd.	6X19	2	
	05/97-08/002AQ	black				30	3B1 816 311	air hose	lhd	1	air condit.
13	3B1 819 705 A	air vent for door window		1		31	3B0 816 355	valve		1	air condit.
	10/96-08/002AQ	black					10/96-08/0001C	satin black			
	10/96-08/004ET	platinum				34	3B0 819 145	clamp		2	
(13)	3B0 819 706	air vent for door window	right	1		36	3B0 919 243 A	bulb holder with bulb air vent		3	
	10/96-08/002AQ	black									
	10/96-08/004ET	platinum									
(14)	3B1 819 635	air vent	center	1							
	10/96-08/002AQ	black									
	10/96-08/004ET	platinum									
-	N 013 950 2	tapping screw, fill. hd.	B3,5X19	3							
14A	411 853 731	speed nut		3							
15	3B1 816 363 F	intermediate plate for air distribution housing		1							
		also use:	8D0 819 598	1							


Model	Year	MG	SG	Illustration	Restrictions	UPD	18:13	11.12.2006		ETKA
PA	2000	8	19	819-40		597	USA			

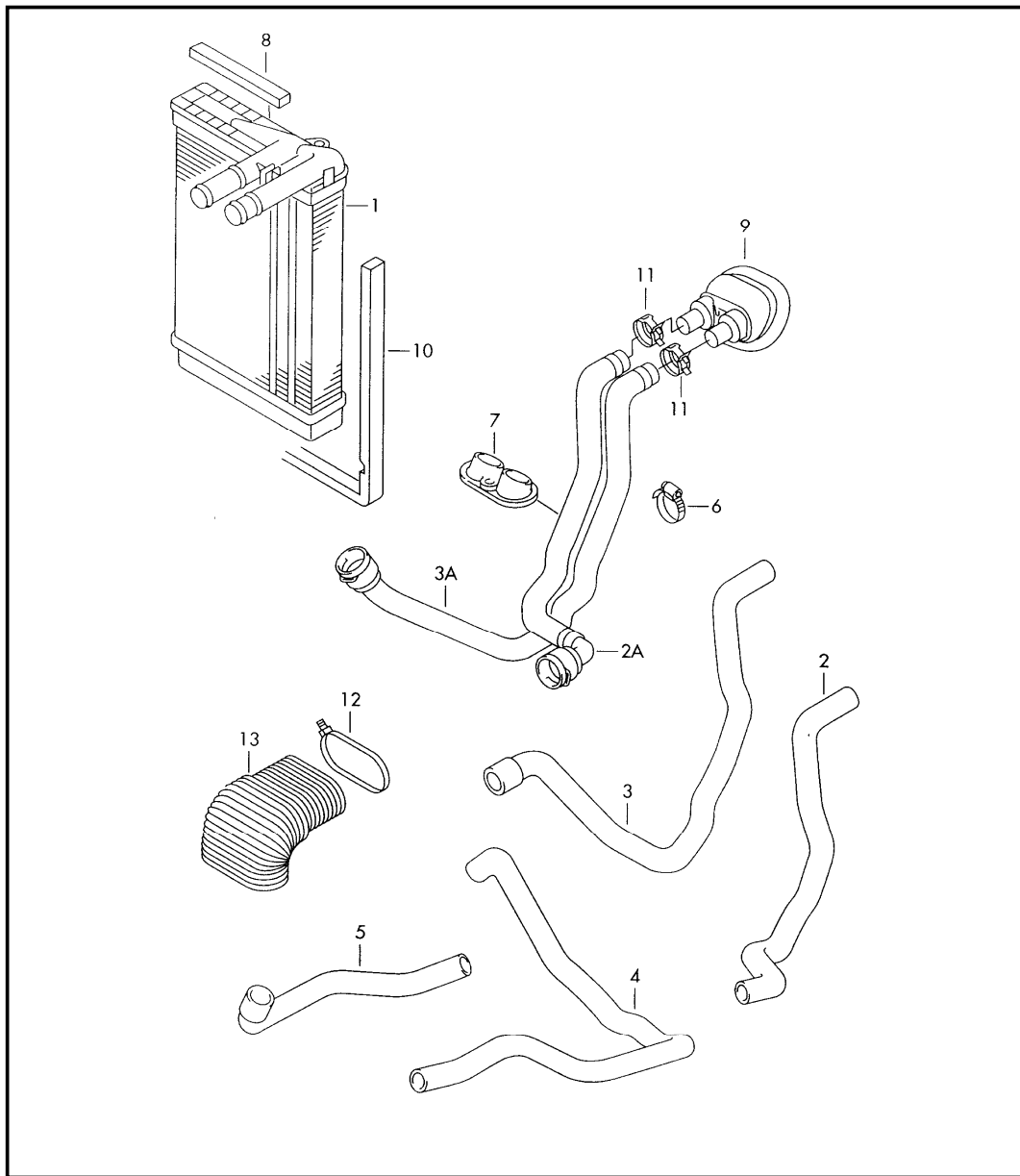


Pos	Part Number	Name	Remarks	Qty	Model
2	1J0 820 045 E	fresh air and heater controls		1	
(2)	1J0 820 045 G	fresh air and heater controls for vehicles with manually regulated air conditioner lighting: green	green	1	
(4)	1U1 907 044 A	display and operating unit with control unit for electr. regulation air conditioner lighting: green	green	1	
(4)	3B1 907 044 C	display and operating unit with control unit for electr. regulation air conditioner lighting: red/blue	lhd	1	
5		see illustration:	941-50		
(7)	8D1 819 831 A	cable for control flap	654MM black	1	
(8)	3B1 819 835	cable for defroster flap	548MM white	1	
(9)	8D1 819 837 A	cable for temp. control flap	572MM red	1	
11	N 902 825 01	speed nut	3,1X13X11,5	4	
(12)	N 902 412 03	fillister hd. screw	M4X20	X	
(13)	3B0 819 075 C	trim for fresh air and heater controls and/or for vehicles with manually regulated air conditioner		1	
	10/96-08/0001C	satin black		1	
(13)	3B0 819 075 D	trim for fresh air and heater controls and/or for vehicles with manually regulated air conditioner		1	
	10/96-08/002WE	burr walnut		1	


Model	Year	MG	SG	Illustration	Restrictions	UPD	18:13	11.12.2006		ETKA
PA	2000	8	19	819-40		597	USA			

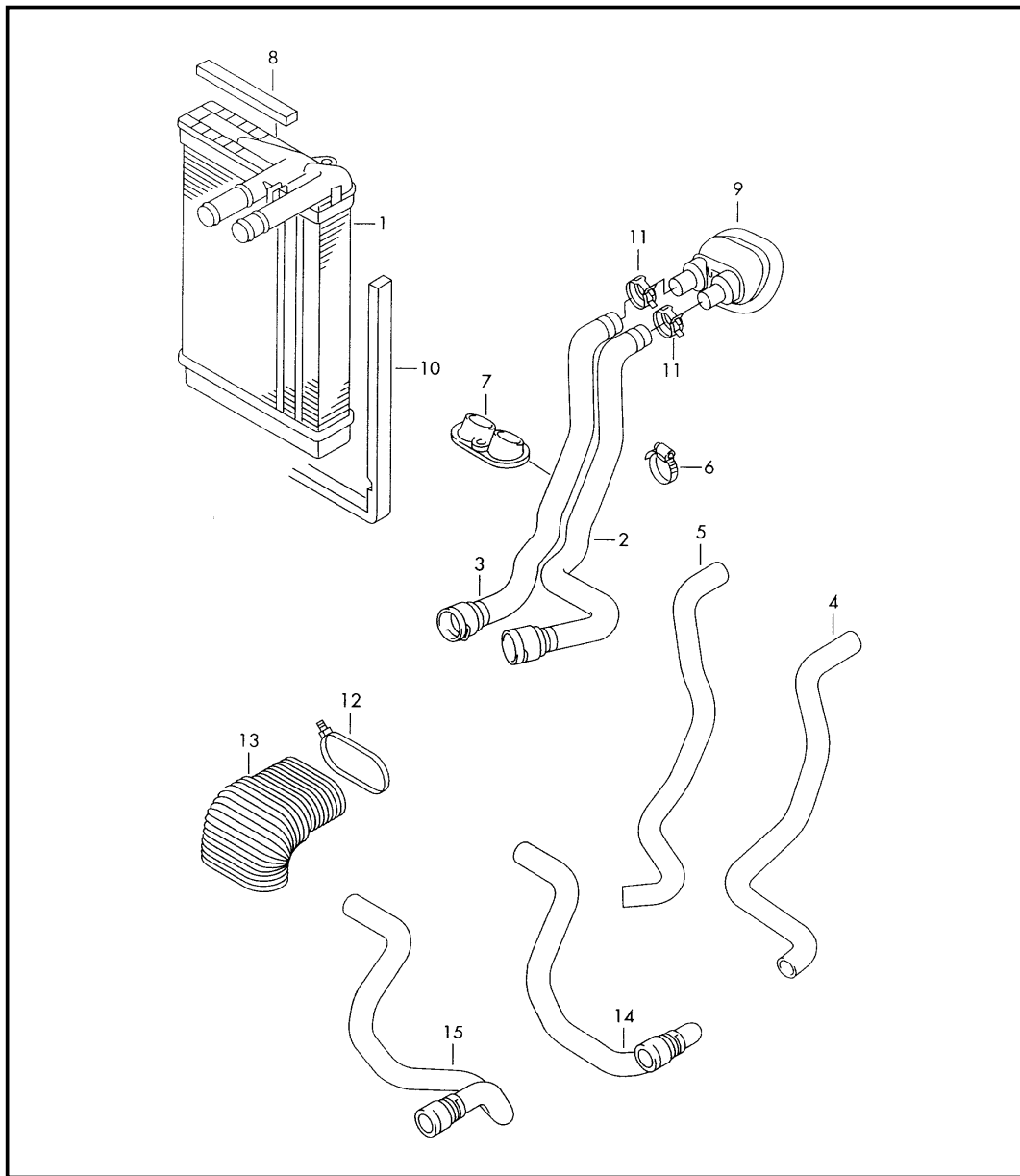
Pos	Part Number	Name	Remarks	Qty	Model	Pos	Part Number	Name	Remarks	Qty	Model
(13)	3B0 819 075 E	trim for fresh air and heater controls and/or for vehicles with manually regulated air conditioner		1							
	10/96-08/002ZS	black/brown-netoptic		1							
(13)	1J0 819 157 C	trim for fresh air and heater controls for vehicles with navigation system		1							
	09/97-02/0001C	satin black		1							
(13)	1J0 819 157 A	trim for fresh air and heater controls		1							
	10/97-08/002WE	burr walnut									
(15)	1J0 819 129	button		2							
	10/96-08/0001C	satin black		1							
15A	1J0 819 129 A	button		1							
	10/96-08/0001C	satin black		1							
19	4A0 820 323	spring clip for vehicles with electronically regulated air condit.		2							
23	N 014 119 1	fillister hd. screw	M4X20	2							
24	433 862 195	screw, cheese hd.	4,2X16	4							
26	1H0 959 625	temperature switch for vehicles with manually regulated air conditioner	outer	1							
16 +	N 017 751 2	bulb illumination for fresh air controls	W5/1,2W12V1,2W front center	1							

Model	Year	MG	SG	Illustration	Restrictions	UPD	18:13	11.12.2006		ETKA
PA	2000	8	19	819-50		597	USA			




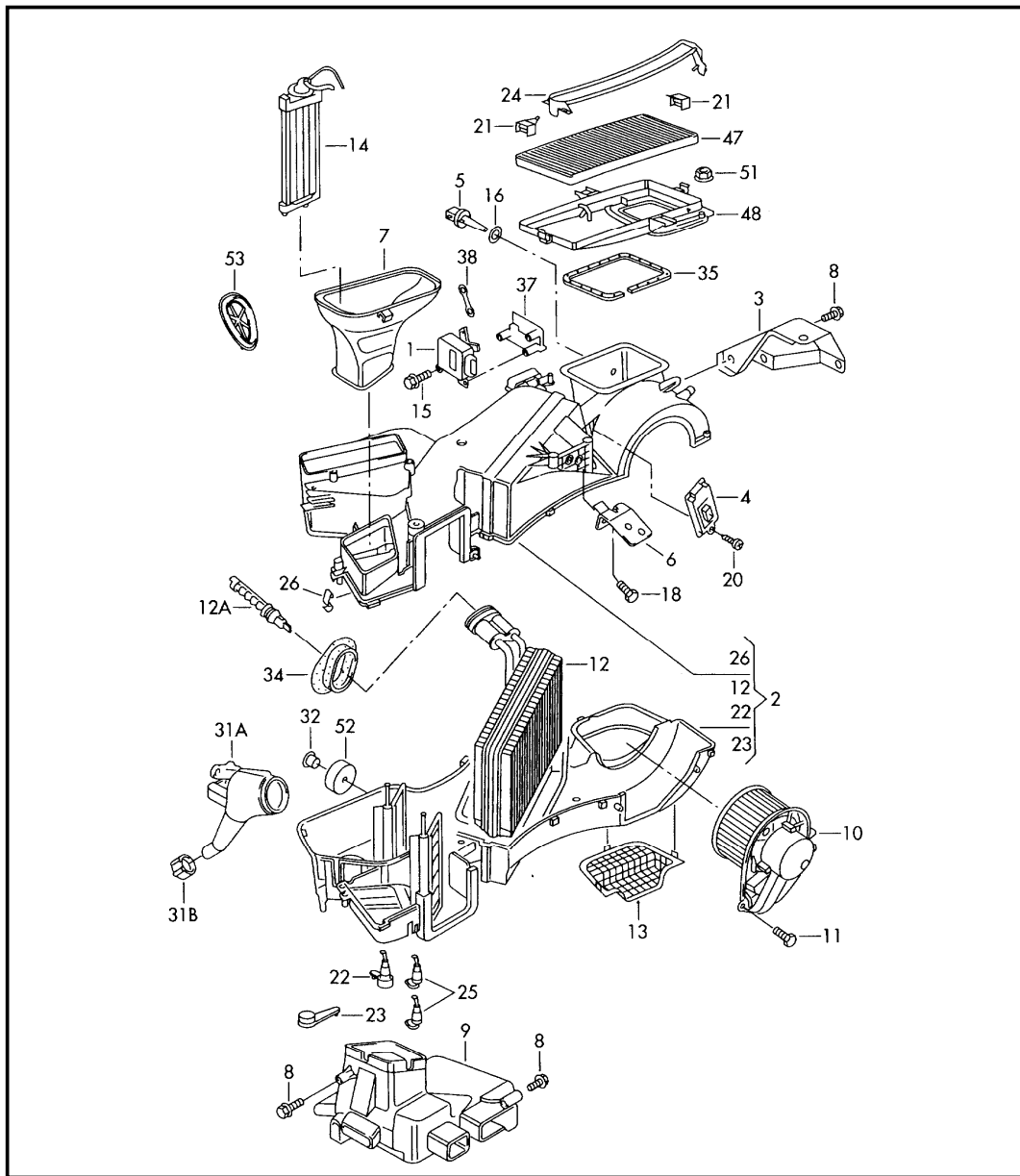
Pos	Part Number	Name	Remarks	Qty	Model
		heat exchanger water hoses	heater air condit.		4 cylinder: AEB, ATW, AUG
(1)	8D1 819 030 B	heat exchanger	lhd	1	
2	8D0 819 373 E	water hose (heat exchanger > water pipe) F	return	lhd	1
2A	8D0 819 373 N	water hose (heat exchanger > water pipe) F 3B-V-090 001>>*	return	lhd	1
3A	8D0 819 371 H	water hose (flange > heat exchanger)	feed	lhd	1
6 +	N 905 618 01	clamp	AL16-28	4	
7	8D0 819 699	double grommet water hose		1	
8	321 819 017	gasket	680X8X10	1	
9	8D0 819 699 A	double grommet heat exchanger adapter		1	
10	7D0 819 069	gasket	810X25X6	1	
11	N 906 556 01	spring clip	27X12	1	
12 +	N 020 902 2	tie wrap	6X246	X	
13	8D0 819 387	protective pipe		1	

Model	Year	MG	SG	Illustration	Restrictions	UPD	18:13	11.12.2006		ETKA
PA	2000	8	19	819-60		597	USA			




Pos	Part Number	Name	Remarks	Qty	Model
		heat exchanger water hoses	heater air condit.		6 cylinder: AHA,ATQ
1	8D1 819 030 B	heat exchanger	lhd	1	
(2)	8D0 819 371 AF	water hose (flange > heat exchanger)	feed	lhd	1
(3)	8D0 819 373 R	water hose (heat exchanger > water pipe)	return	lhd	1
6	+ N 905 618 01	clamp	AL16-28	4	
7	8D0 819 699	double grommet		1	
8	321 819 017	gasket	680X8X10	1	
9	8D0 819 699 A	double grommet		1	
10	7D0 819 069	gasket	810X25X6	1	
11	N 906 556 01	spring clip	27X12	1	
12	+ N 906 661 01	tie wrap	5X6,5	X	
13	8D0 819 387	protective pipe		1	


Model	Year	MG	SG	Illustration	Restrictions	UPD	18:14	11.12.2006		ETKA
PA	2000	8	20	820-10		597	USA			

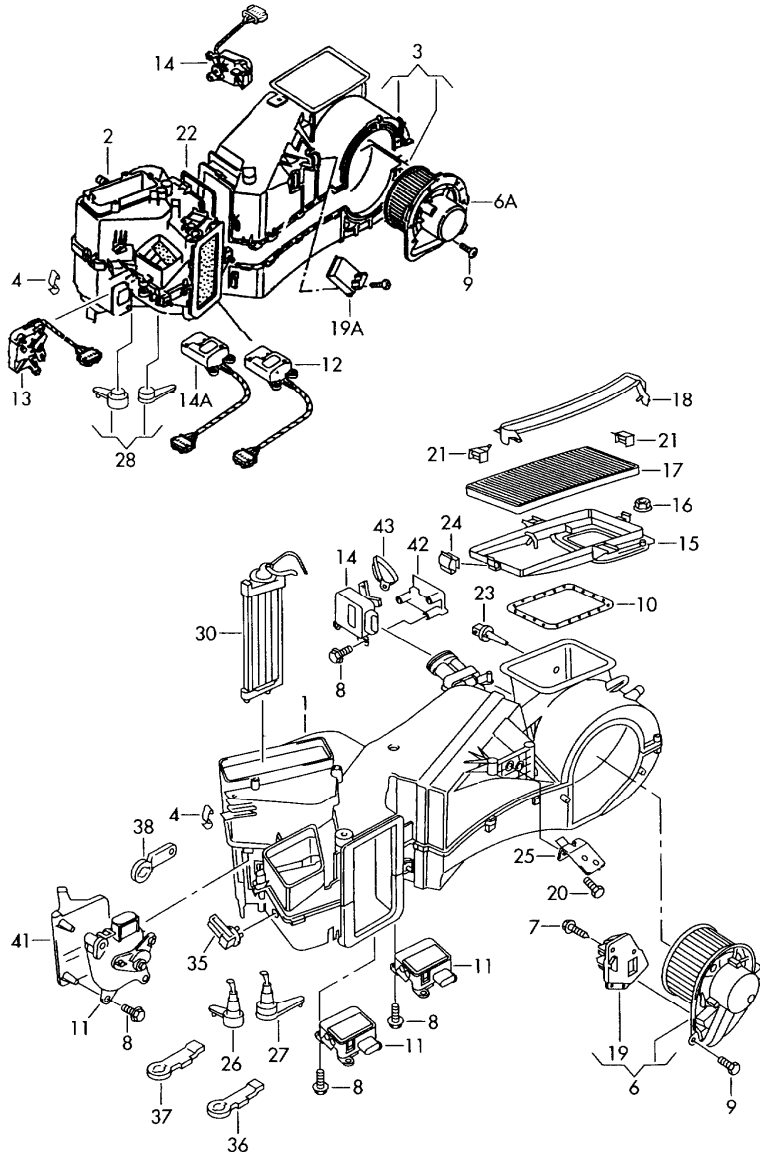


Pos	Part Number	Name	Remarks	Qty	Model
		air distribution housing evaporator housing evaporator fan			air condit.
1	1J0 907 511	control motor for recirculated air operation possibility		1	
(2)	3B1 820 024	evaporator housing for vehicles with manually regulated air conditioner	lhd	1	
(3)	8D1 819 079 A	retainer heater fan	lhd	1	
4	8D0 959 263	series resistor	lhd	1	
5	1H0 959 625	temperature switch	10/1,7C 20MM	1	
6		not a spare part			
7	3B1 819 081 C	intermediate piece	lhd	1	
8	N 904 130 04	screw, hex. hd.	6X19	2	
9	3B1 819 151 A	footwell vent	lhd	1	
10	8D1 820 021 A	fan	lhd	1	
11	N 014 098 6	tapping screw, csk.	B4,8X16	3	
(12)	8D1 820 103 D	evaporator	lhd	1	
12A	4B0 820 177	restrictor		1	
13	8D0 820 585	grill	LLKG	1	
15	N 104 241 01	tapping screw, hex. hd.	4X16H	1	
(16)	1H0 959 671 A	bracket for thermostat switch for vehicles with manually regulated air conditioner		1	
17	N 015 458 1	speed nut	B4, 8X19X16	4	
18	N 014 098 6	tapping screw, csk.	B4,8X16	4	
21	3B0 819 817	lug dust and pollen filter		2	
22	3B1 819 125	lever for temperature regulating flap for vehicles with manually regulated air conditioner	red lhd	1	


Model	Year	MG	SG	Illustration	Restrictions	UPD	18:14	11.12.2006		ETKA
PA	2000	8	20	820-10		597	USA			

Pos	Part Number	Name	Remarks	Qty	Model	Pos	Part Number	Name	Remarks	Qty	Model
23	3B1 820 333	lever for air distribution for vehicles with manually regulated air conditioner	blue	lhd	1						
25	3B1 820 279	intermediate lever for vehicles with manually regulated air conditioner	blue	lhd	1						
26	8D1 820 245	clamp		lhd	X						
27	191 819 370	gasket			1						
30	+ N 013 965 5	tapping screw, fill. hd.	B4,2X9,5		2						
31A	8D1 260 113 B	water drain pipe		lhd	1						
31B	1H0 820 119	water drain valve			1						
32	8D0 260 155	drain tube grommet			1						
(34)	8D0 820 119 A	double grommet			1						
35	8D0 819 165 B	gasket intake manifold	14X20X560		1						
36	3B0 819 211	sealing cord			1						
37	3B1 820 515	bracket f.throttle contr.elem.		lhd	1						
41	N 903 425 03	speed nut	M6X19,5X18		2						
(47)	8A0 819 439 A	dust and pollen filterelement			1						
(48)	8D0 819 441 E	frame filter element			1						
(49)	8D0 819 449	clamp frame			1						
51	N 023 002 6	hex. nut, self-locking	AM6		3						
52	8D0 260 115	gasket			1						


Model	Year	MG	SG	Illustration	Restrictions	UPD	18:14	11.12.2006		ETKA
PA	2000	8	20	820-20		597	USA			

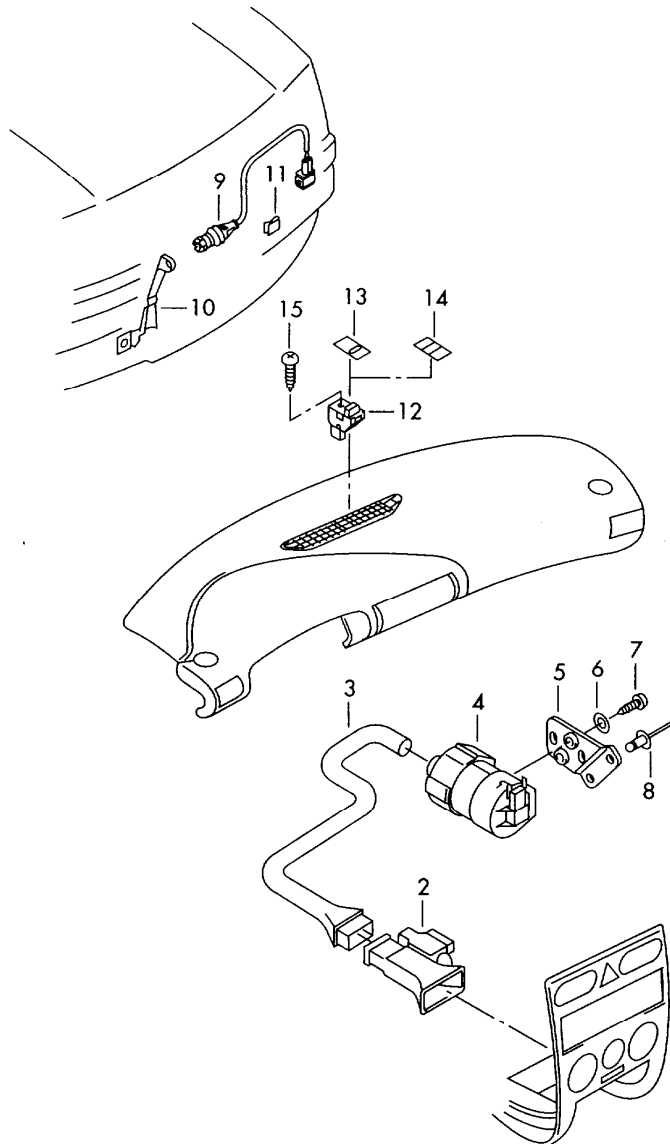


Pos	Part Number	Name	Remarks	Qty	Model
(1)	8D1 820 024 B	air conditioner with electronic regulation		1	
4	321 819 059	evaporator housing	lhd	1	
(4)	8D1 820 245	clamp		X	
5	191 819 370	clamp	lhd	X	
6	8D1 820 021	gasket		1	
8	N 104 241 01	fan	lhd	1	
9	N 014 098 6	tapping screw, hex. hd.	4X16H	1	
(10)	8D0 819 165 B	tapping screw, csk.	B4, 8X16	4	
(11)	8D1 820 511 B	gasket intake manifold	14X20X560	1	
(14)	8D1 820 511 B	motor for adjustment defroster flap	natural	1	
15	8D1 820 511 E	temperature regulating flap	lhd	1	
16	8D1 820 511 E	control motor for recirculated air operation possibility		1	
17	8D0 819 441 E	frame filter element		1	
19	N 023 002 6	hex. nut, self-locking	AM6	1	
20	8A0 819 439 A	dust and pollen filterelement		1	
21	8D1 907 521	blower control	lhd	1	
23	N 010 217 10	screw, hex. hd.	M6X20	1	
24	3B0 819 817	lug dust and pollen filter		2	
26	4A0 820 539	temperature sensor		1	
27	8D0 819 449	clamp for dust-pollen filter		1	
28	8D1 820 358	lever for air distribution for vehicles with electronically regulated air condit.	lhd	1	
29	8D1 820 358	lever for air distribution for vehicles with electronically regulated air condit.	lhd	1	
30		not a spare part			
31	8D1 820 553	lever for defroster flap	red	1	
32	N 903 425 03	speed nut	M6X19, 5X18	2	


Model	Year	MG	SG	Illustration	Restrictions	UPD	18:14	11.12.2006		ETKA
PA	2000	8	20	820-20		597	USA			

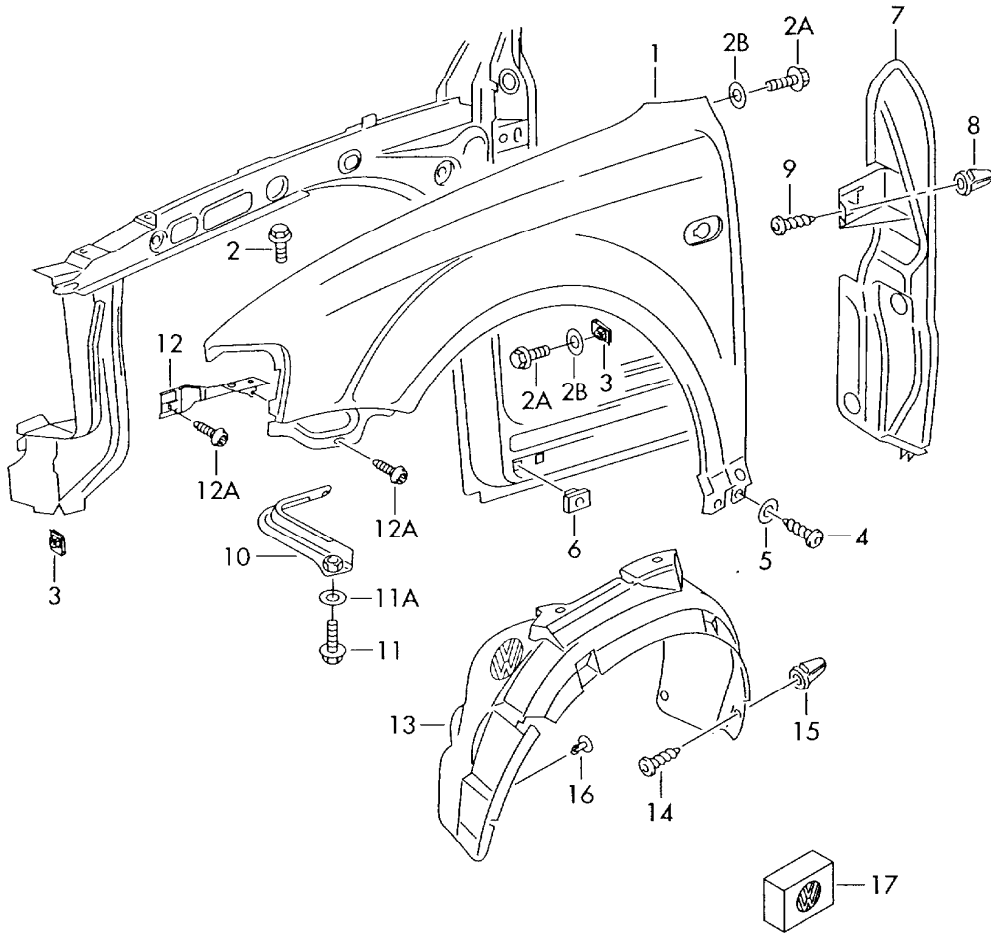
Pos	Part Number	Name	Remarks	Qty	Model	Pos	Part Number	Name	Remarks	Qty	Model
35	1H0 907 543 A	temperature sensor		1							
36	8D1 820 277	connecting rod	blue	1							
37	8D1 820 277 A	connecting rod	red	1							
38	8D1 820 657 B	connecting rod	natural	1							
			lhd								
41	3B1 820 514	bracket f.throttle contr.elem.		1							
			lhd								
42	3B1 820 515	bracket f.throttle contr.elem.		1							
			lhd								

Model	Year	MG	SG	Illustration	Restrictions	UPD	18:14	11.12.2006		ETKA
PA	2000	8	20	820-31		597	USA			




Pos	Part Number	Name	Remarks	Qty	Model
		fan temperature sensor for vehicles with electronically regulated air condit.			
9	8D0 820 535	outside temperature sensor		1	
10	8D0 820 536 C	bracket temperature sensor	outer	1	
-	N 906 539 01	retaining clip	C16X7,6	4	
15	N 013 950 2	tapping screw, fill. hd.	B3,5X19	3	
12	8D0 907 539	sun sensor		1	
13	8D0 819 681	cover	center	1	
	08/97-08/00BE5	anthracite			
(13)	3B0 819 681	cover		1	
	10/96-08/002AQ	black			
	10/96-08/004ET	platinum			
14	8D0 819 681 B	cover for vehicles with electronically regulated air condit.		1	
	08/97-10/98BE5	anthracite			


Model	Year	MG	SG	Illustration	Restrictions	UPD	18:14	11.12.2006		ETKA
PA	2000	8	21	821-10		597	USA			

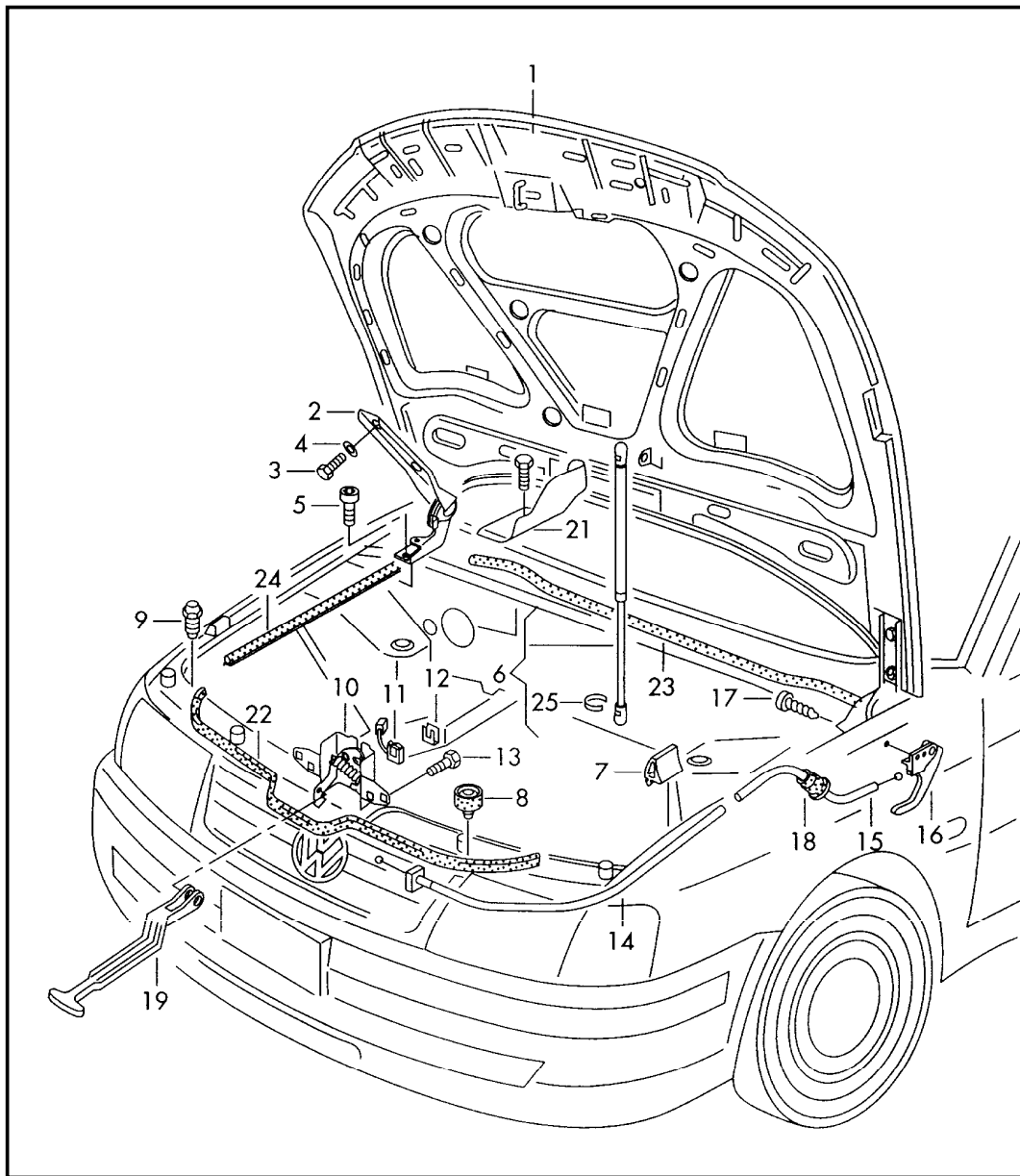


Pos	Part Number	Name	Remarks	Qty	Model
		fender wheelhouse protector	front		
1	3B0 821 105 C	fender to fit use workshop material	left >>3B-VB005449 >>3B-VE020316	1	
		as required use:	3B0 821 135 A	1	
(1)	3B0 821 106 C	fender to fit use workshop material	right >>3B-VB005449 >>3B-VE020316	1	
		as required use:	3B0 821 136 A	1	
2	+ N 100 091 04	bolt, hex. hd. (combi.)	M6X12	8	
2A	+ N 013 968 19	tapping screw, fill. hd.	ST4, 8X13-C	4	
		also use:	N 011 692 9	4	
2B	N 011 692 9	washer	5,1X15X1	4	
3	N 907 159 01	speed nut	B4, 8X24X12	4	
(3)	N 906 584 01	speed nut	M6X24X14	X	
4	+ N 015 945 1	tapping screw, hex. hd.	A6, 5X16	4	
5	+ N 011 666 15	washer	6,4X18X1,6	4	
6	+ N 103 055 02	speed nut	B6, 3	4	
7	3B0 821 111 A	end plate	left	1	
(7)	3B0 821 112 A	end plate	right	1	
8	+ N 908 214 01	expanding nut	D4, 8 lower	2	
9	+ N 907 750 01	innensechsrund-blechschraube	4, 8X16 center	2	
(9)	N 908 131 01	pop-rivet	A6X8 lower	2	
10	3B0 821 135 A	cross support	left	1	
(10)	3B0 821 136 A	cross support	right	1	
11	+ N 010 215 27	screw, hex. hd.	M6X15	4	
11A	+ N 011 524 23	washer	A6, 4X12, 5X1, 6	4	
12	3B0 821 237	support plate	left	1	
(12)	3B0 821 238	support plate	right	1	
12A	N 906 833 01	halbrundschrabe (kombi) mit innensechsrund	M6X20-L-SP	4	


Model	Year	MG	SG	Illustration	Restrictions	UPD	18:14	11.12.2006		ETKA
PA	2000	8	21	821-10		597	USA			

Pos	Part Number	Name	Remarks	Qty	Model	Pos	Part Number	Name	Remarks	Qty	Model
13	3B0 809 961 D	wheelhouse protector to fit use workshop material	left front	1							
	10/96-08/0001C	satin black									
(13)	3B0 809 962 C	wheelhouse protector	right front	1							
	10/96-08/0001C	satin black									
14	+ N 907 750 01	innensechsrund-blechschraube	4,8X16	20							
15	+ N 908 214 01	expanding nut	D4,8	14							
16	+ 4A0 805 121 A	dowel pin		4							
17	3B0 898 051	attachment parts for one fender		1							


Model	Year	MG	SG	Illustration	Restrictions	UPD	18:14	11.12.2006		ETKA
PA	2000	8	23	823-10		597	USA			

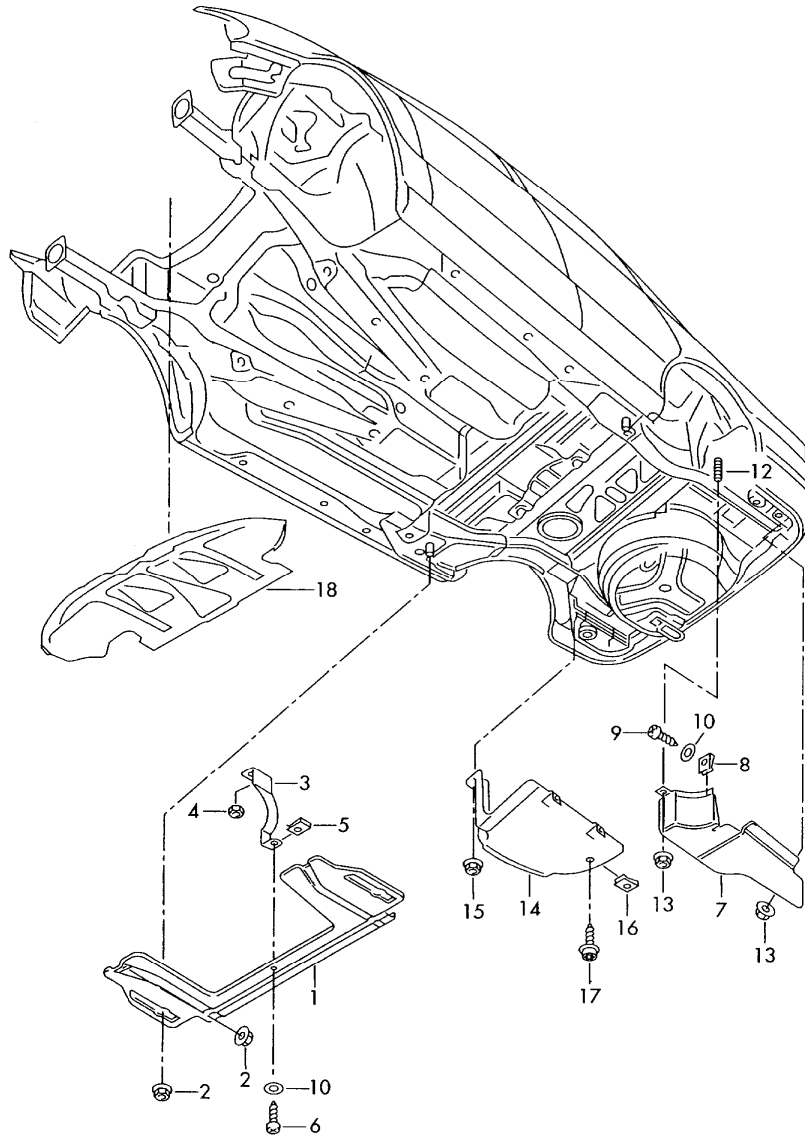


Pos	Part Number	Name	Remarks	Qty	Model
		front hood			
1	3B0 823 031 E	front hood	also use: *>>3B-VB008000 *>>3B-VE033000 895 827 439 B as required use: >>3B-Y-232370 3B0 863 835 H	1	
			DAEMFUNG BIS 11/99 ANPASSEN!		
(2)	3B0 823 301	hinge - hood F	>> 3B-X-250 000*	1	left
(2)	3B0 823 301 A	hinge - hood F 3B-X-250 001>>*		1	left
(2)	3B0 823 302	hinge - hood F	>> 3B-X-250 000*	1	right
2	3B0 823 302 A	hinge - hood F 3B-X-250 001>>*		1	right
3	+ N 010 239 11	screw, hex. hd.	alternatively: N 101 559.01	4	M8X18
3	+ N 101 559 01	bolt, hex. hd. with shoulder		4	M8X20
4	N 011 533 2	washer		4	A7,4X14,5X1,6
5	N 903 042 02	bolt, with hex. socket hd. (combi.)		4	M8X24-Z1
6	3B0 823 359 B	gas-filled strut		1	
-	895 827 439 B	ball pin front hood		1	
-	3B0 823 401 B	mounting for gas-filled strut		1	left lower
7	3B0 823 493	guide piece		2	
8	3B0 823 499	buffer		2	13,5X28
(8)	3B0 823 433	buffer		1	left
(8)	3B0 823 434	buffer		1	right
-	+ N 013 974 1	tapping screw, fill. hd.		2	B5,5X19
9	1H0 823 500 B	buffer, adjustable		2	
10	3B0 823 509 M	hood - lock	as required use: 3B0 953 236 C	1	
11	3B0 953 236 C	micro switch		1	
12	3B0 953 248	clamp		1	


Model	Year	MG	SG	Illustration	Restrictions	UPD	18:14	11.12.2006		ETKA
PA	2000	8	23	823-10		597	USA			

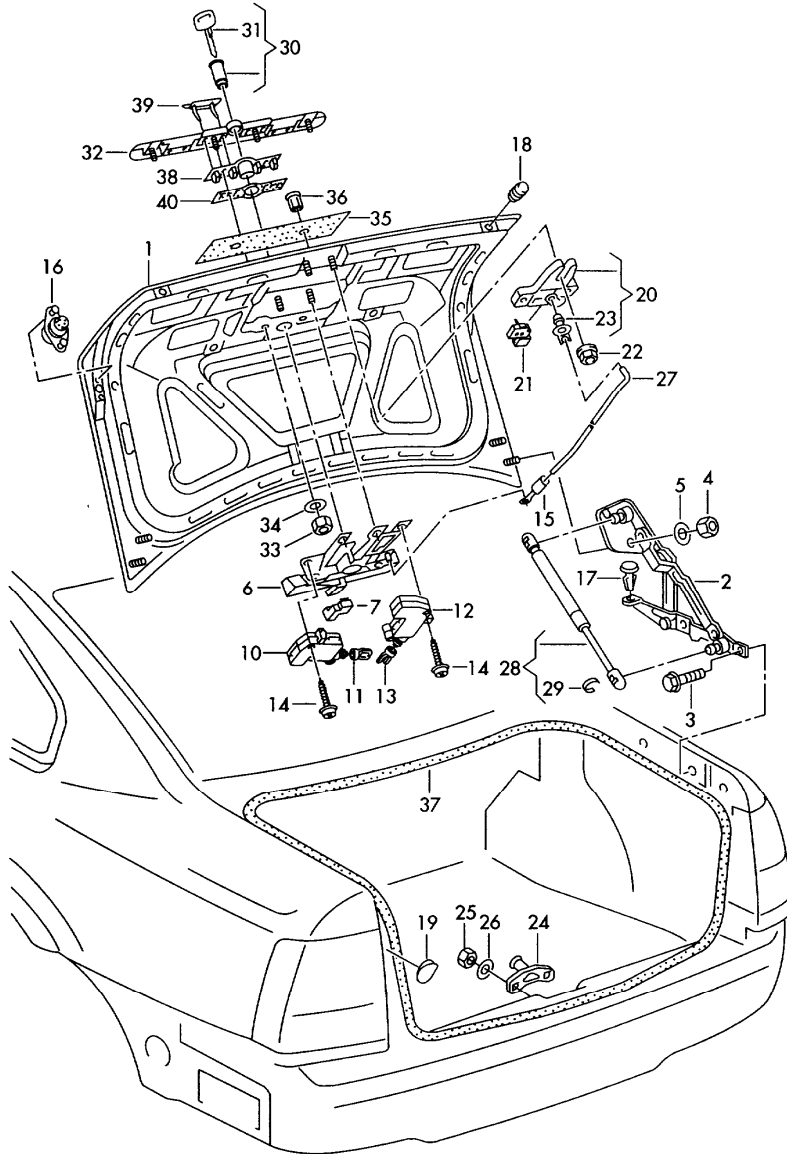
Pos	Part Number	Name	Remarks	Qty	Model	Pos	Part Number	Name	Remarks	Qty	Model
13	N 908 204 01	bolt, hex. hd. (combi.) self-locking	M6X16	2							
14	3B1 823 531 C	cable - hood lock	front	lhd	1						
(15)	3B1 823 535 D	cable - hood lock	rear	lhd	1						
16	3A1 823 533	handle for hood lock cable		lhd	1						
	10/96-06/9701C	satin black		lhd	1						
16	3B1 823 533	handle for hood lock cable		lhd	1						
	07/97-08/0001C	satin black									
17	N 905 488 01	tapping screw	4,8X19	X							
18	8D0 823 591 A	grommet	26,5/4MM	1							
19	3B0 823 593 C	release rod		1							
	10/96-08/0001C	satin black									
-	3B0 823 603	cap for trunk lock	satin black	1							
	10/96-08/00B41	satin black									
(21)	3B0 823 629 A	hinge cover	left	1							
	10/96-08/00B41	satin black									
21	3B0 823 630 A	hinge cover	right	1							
	10/96-08/00B41	satin black									
- +	N 905 988 04	innensechsrund-linsenschraube	M6X12-H	2							
22	3B0 823 707 A	gasket for flap	front	1							
23	3B0 823 723	gasket		1							
24	3B0 823 725 A	gasket		2							
25	443 823 397	clamp		2							
-	3B0 971 908	plug	9,5X8,5	3							

Model	Year	MG	SG	Illustration	Restrictions	UPD	18:14	11.12.2006		ETKA
PA	2000	8	25	825-10		597	USA			




Pos	Part Number	Name	Remarks	Qty	Model
		lining floor pan	rear, lower		
1	8E0 825 215 A	lining	centre/rear	1	
2	+ N 902 867 03	hex. nut, self-locking with washer	M6	4	
3	8E0 802 417	bracket		1	
4	+ N 902 867 03	hex. nut, self-locking with washer	M6	1	
5	N 015 436 1	speed nut	ST4,8X15X16,2	1	
6	+ N 013 969 4	tapping screw, fill. hd.	B4,8X16	1	
7	3B0 825 217 B	lining	left rear	1	
(7)	3B0 825 201 D	lining	left rear	1	5 cylinder
8	N 015 436 1	speed nut	ST4,8X15X16,2	1	
9	+ N 013 969 4	tapping screw, fill. hd.	B4,8X16	1	
10	N 011 692 9	washer	5,1X15X1	1	
12	N 906 547 01	threaded pin	FD-M6X18	2	
13	+ N 902 867 03	hex. nut, self-locking with washer	M6	2	
(14)	3B0 825 218 B	lining	right rear	1	
15	+ N 902 867 03	hex. nut, self-locking with washer	M6	2	
16	+ N 015 439 1	speed nut	ST4,8X16,5X13	1	
17	+ N 907 750 01	innensechsrund-blechschrabe	4,8X16	1	
18		damping pan see illustration:	front 863-25		


Model	Year	MG	SG	Illustration	Restrictions	UPD	18:14	11.12.2006		ETKA
PA	2000	8	27	827-10		597	USA			




Pos	Part Number	Name	Remarks	Qty	Model
		hood, rear hood - lock			sedan
(1)	3B5 827 025 D	hood, rear		1	
2	3B5 827 301 A	hinge - hood	also use:	1	
			*->3B-WE325247 >>3B-WP318398 3B5 827 302 A	1	
(2)	3B5 827 302 A	hinge - hood	also use:	1	
			right *->3B-WE325247 >>3B-WP318398 3B5 827 301 A	1	
-		wiring conduit hinge - hood	see illustration:		
			972-82		
3	N 903 042 02	bolt, with hex. socket hd. (combi.)	M8X24-Z1	4	
			alternatively:		
	N 101 559 01	bolt, hex. hd. with shoulder	M8X20	4	
3 +	N 011 008 30	hex. nut	M8	4	
(4)	N 906 500 01	cap	17X13 black	4	
5	N 900 641 01	lock washer	8,2X22,25X1,4	4	
6	3B0 827 297 AB	bracket lock cylinder F	for: >> 3B-X-517 104 as required use:	1	
			->3B-W-080000 1J0 962 103 3B-W-080001>>	1	
			1J0 962 103 A	1	
6	3B0 827 297 AC	bracket lock cylinder F 3B-X-517 105>>	for: as required use:	1	PR-4E2
			1J0 962 103 A	1	
(7)	1J0 962 103 A	micro switch for central locking system		1	
10	3B0 959 781 B	motor for adjustment for central locking system		1	
11	3B0 862 247	connecting piece for central locking system		1	

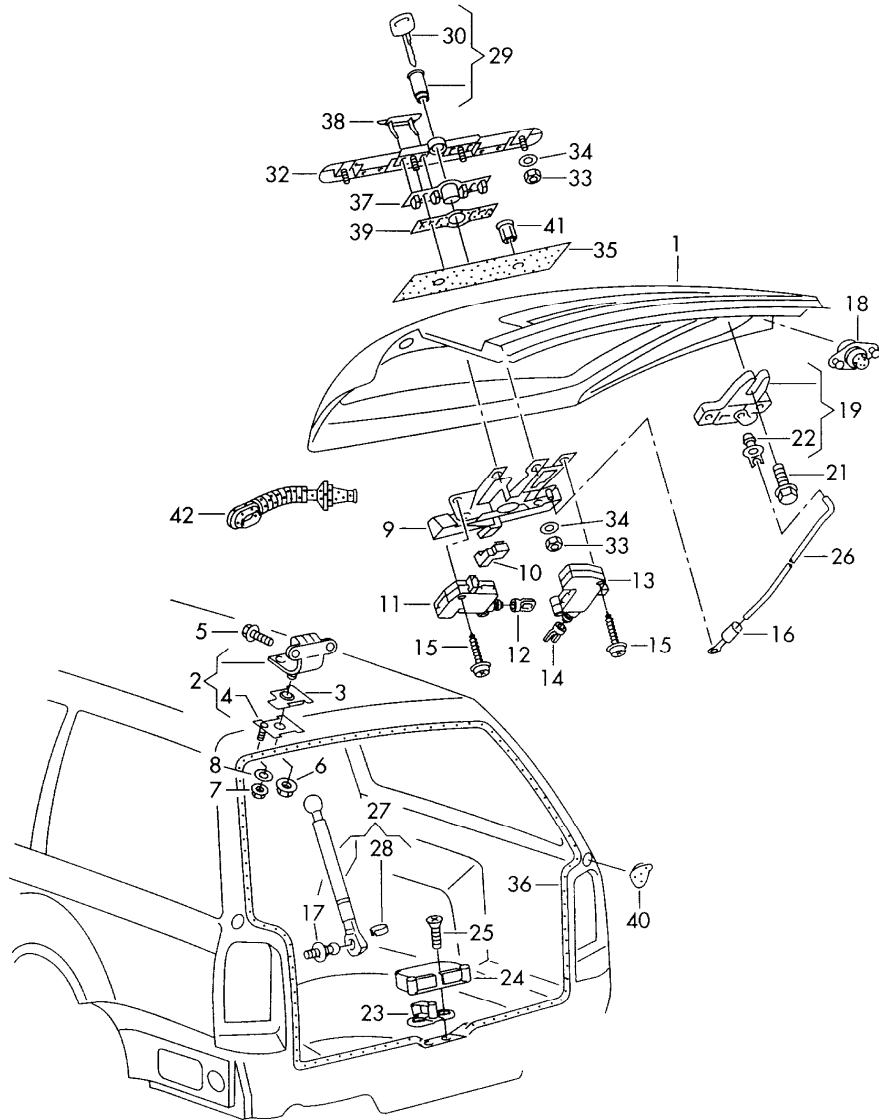
Model	Year	MG	SG	Illustration	Restrictions	UPD	18:14	11.12.2006		ETKA
PA	2000	8	27	827-10		597	USA			

Pos	Part Number	Name	Remarks	Qty	Model	Pos	Part Number	Name	Remarks	Qty	Model
12	3B0 959 781 C	motor for adjustment remote control	for: also use: N 014 123 3 N 012 097 3	1 2 2		(30) f	107 827 573 JA	lock cylinder without key * to retain the one key * system the key code * number and/or vehicle * ident.number (vin) must * be quoted when ordering F >> 3B-X-600 000*	HUF		
13	3B0 862 247 A	connecting piece remote control	for:	1							
14	N 905 942 01	tapping screw,fill.hd.(combi.)	E4X16	4		(30)	3B0 827 573 B	lock cylinder with keys and housing * cannot be used to restore * the one key locking * system !! F 3B-Y-000 001>>		1	PR-4E2
15	3B0 827 637	clip		1							
16	6N0 827 499	buffer	satin black	2							
17	8D5 827 499	stop		2							
18	867 827 500 A	buffer	30X22/12	1		(30) f	107 827 573 JB	lock cylinder without key * to retain the one key * system the key code * number and/or vehicle * ident.number (vin) must * be quoted when ordering F 3B-Y-000 001>>	WITTE		PR-4E2
19		protective foil	make up from: AKL 448 030 05	2							
-	AKL 448 030 05	protective foil	0,03X5M transparent	1						1	
20	3B5 827 505 F	hood - lock	rear as required use: 8D5 959 489	1 1		-	7M0 837 227	sealing washer		1	
21	8D5 959 489	switch		1		(32)	3B0 827 577 E	grip molding		1	
22	N 023 002 8	hex. nut, self-locking	AM6	2			12/98-07/99GRU	primed		1	
23	+ 191 837 199	clip		1		(32)	3B0 827 577 D	grip molding		1	PR-4E2
24	8D5 827 507	striker plate		1			08/99-08/00GRU	primed		1	
25	+ N 011 006 24	hex. nut	M6	2		-	3B0 827 471	1 set protective foil 'order qty. 5'		*	
26	N 900 662 01	washer	6,4X22X2,75	2		33	+ N 011 006 24	hex. nut	M6	4	
27	3B5 827 515 A	operating rod		1		(33)	+ N 014 133 5	fillister hd. screw	also use: M5X12 D 185 400 A2	2 X	
(28)	8D5 827 552 F	gas-filled strut	490N	2		-	D 185 400 A2	liquid sealant		1	
28	3B5 827 550 A	gas-filled strut for vehicles with bracket for warning triangle	520N	2		34	N 900 662 01	washer	6,4X22X2,75	6	
29	443 823 397	clamp		4		35	3B0 827 633 C	packing		1	
30	3B0 827 573 A	lock cylinder with keys and housing * cannot be used to restore * the one key locking * system !! F >> 3B-X-600 000*		1		(36)	+ N 906 261 02	rivetted cap nut	BM5/0,75-1	X	
						36	+ N 907 667 01	rivetted cap nut	M6X18,2	4	
						(36)	+ N 904 792 01	rivetted cap nut	M5/0,5-3-B	2	
						37	3B5 827 705 C	gasket	2980MM	1	


Model	Year	MG	SG	Illustration	Restrictions	UPD	18:14	11.12.2006		ETKA
PA	2000	8	27	827-10		597	USA			

Pos	Part Number	Name	Remarks	Qty	Model	Pos	Part Number	Name	Remarks	Qty	Model
38	3B0 827 757	handle plate F	>> 3B-X-600 000*	1							
(38)	3B0 827 565 B	handle F 3B-Y-000 001>>		1	PR-4E2						
	08/99-08/00B41	satin black									
39	3B0 827 777	operating mechanism	left	1							
	10/96-07/99B41	satin black									
(39)	3B0 827 778	operating mechanism	right	1							
	10/96-07/99B41	satin black									
40	3B0 827 965	gasket F	>> 3B-X-600 000*	1							
-	861 877 399	grommet	9	2							
-	8D5 827 713 A	plug	12X4MM	2							
-	G 052 778 A2	lock cylinder lubricant spray	50ML	1							


Model	Year	MG	SG	Illustration	Restrictions	UPD	18:15	11.12.2006		ETKA
PA	2000	8	27	827-20		597	USA			

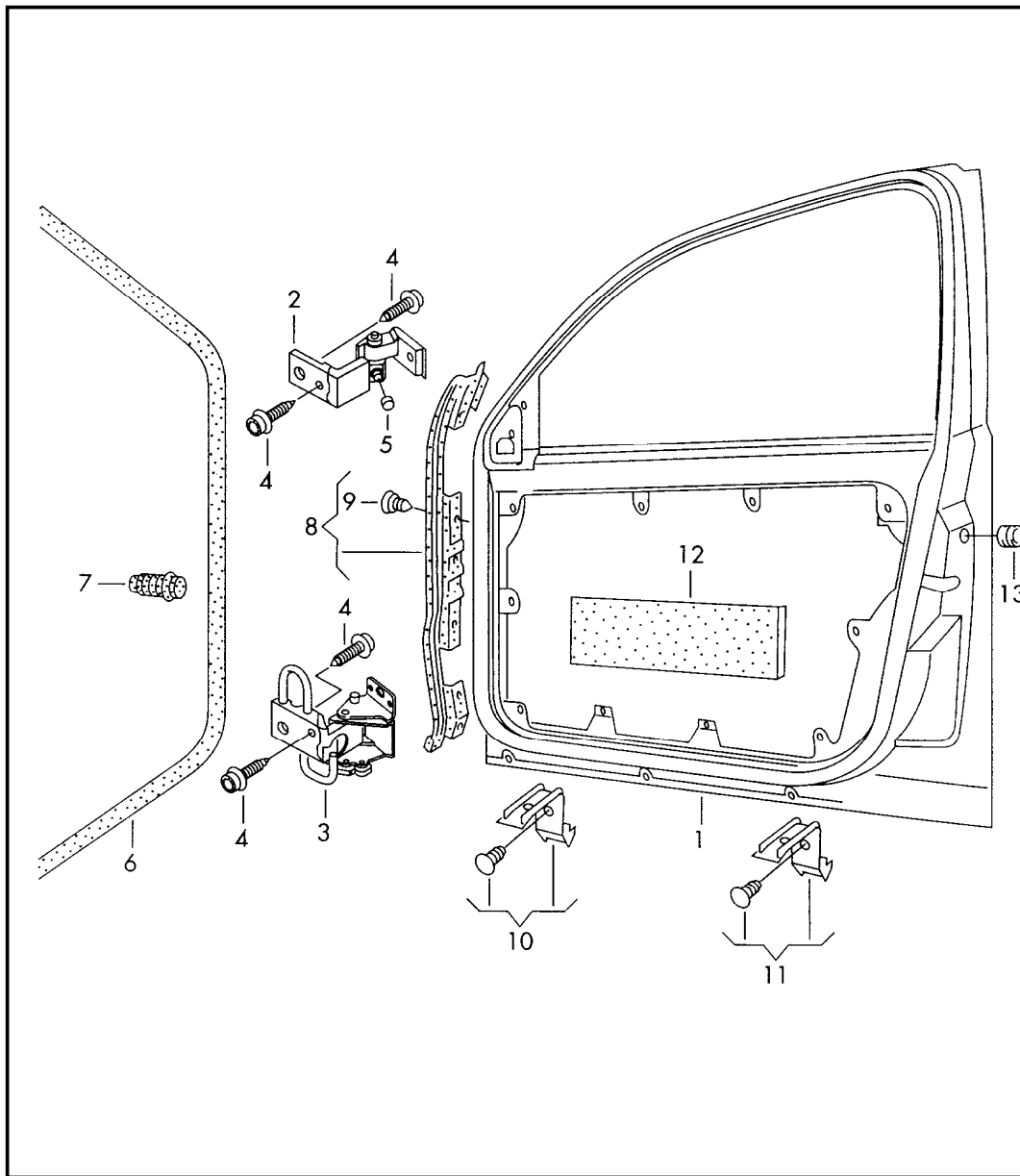


Pos	Part Number	Name	Remarks	Qty	Model
		hood, rear hood - lock			WAGON
(1)	3B9 827 025 L	hood, rear		1	
2	3B9 827 301 D	hinge - hood	as required use: 3B9 827 157 A	2 1	
3	3B9 827 157 A	gasket		2	
5	N 907 322 01	12-point socket shoulder screw	M6X18-V	4	
6	N 906 299 01	shouldered hex. nut	M8	2	
7 +	N 022 148 11	hex. nut, self-locking	VM6	2	
8 +	N 011 547 6	washer	A6,5X14X1,6	2	
9	3B0 827 297 AB	bracket lock cylinder	for: as required use: *>>3B-W-080000 1J0 962 103 3B-W-080001>>*	1 1 1	
10	1J0 962 103	micro switch F	>> 3B-W-080 000*	1	
10	1J0 962 103 A	micro switch F 3B-W-080 001>>*		1	
11	3B0 959 781 B	motor for adjustment for central locking system		1	
12	3B0 862 247	connecting piece for central locking system		1	
13	3B0 959 781 C	motor for adjustment remote control	also use: N 014 123 3 N 012 097 3	1 2 2	
14	3B0 862 247 A	connecting piece remote control	FUER	1	
15	N 905 942 01	tapping screw, fill.hd. (combi.)	E4X16	2	
16	3B0 827 637	clip		1	
17	895 827 439 B	ball pin		4	
18	1H9 827 499	buffer	satin black	2	
19	3B9 827 505 C	hood - lock micro switch	inner with:	1	


Model	Year	MG	SG	Illustration	Restrictions	UPD	18:15	11.12.2006		ETKA
PA	2000	8	27	827-20		597	USA			

Pos	Part Number	Name	Remarks	Qty	Model	Pos	Part Number	Name	Remarks	Qty	Model
	05/97-08/00B41	satin black				37	3B0 827 757	handle plate		1	
21	N 906 748 01	innensechsrundschraube	M8X20	2		38	3B0 827 777	operating mechanism	left	1	
22	+ 191 837 199	clip		1			05/97-08/00B41	satin black			
23	333 827 511 C	striker plate		1		(38)	3B0 827 778	operating mechanism	right	1	
24	3B9 864 301	cap		1			05/97-08/00B41	satin black			
	05/97-08/0001C	satin black				39	3B0 827 965	gasket		1	
25	N 907 448 03	screw, csk. hd. with polygon socket hd.	M8X20ASP	2		40		protective foil	make up from: AKL 448 030 05	2	
26	3B9 827 515 A	operating rod		1		-	AKL 448 030 05	protective foil	0,03X5M transparent	1	
27	1J6 827 550	gas-filled strut		2		41	+ N 907 667 01	rivetted cap nut	M6X18,2	4	
28	443 823 397	clamp		2		(41)	+ N 904 792 01	rivetted cap nut	M5/0,5-3-B	2	
(28)	1H5 827 905	safety clamp		2		42	3B9 971 840	grommet hood, rear		2	
29	3B0 827 573 A	lock cylinder with keys and housing * cannot be used to restore * the one key locking * system !!		1		-	8D5 827 713 A	plug	12X4MM	2	
(29)	f 107 827 573 JA	lock cylinder without key * to retain the one key * system the key code * number and/or vehicle * ident.number (vin) must * be quoted when ordering	HUF	1							
-	7M0 837 227	sealing washer		2							
(32)	3B0 827 577 E	grip molding		1							
	09/97-08/00GRU	primed		1							
33	+ N 011 006 24	hex. nut	M6	4							
(33)	+ N 014 133 5	fillister hd. screw	M5X12 D 185 400 A2	2 X							
-	D 185 400 A2	liquid sealant	10ML	1							
34	N 900 662 01	washer	6,4X22X2,75	6							
35	3B0 827 633 C	packing		1							
36	3B9 827 705 C	gasket	3942MM	1							


Model	Year	MG	SG	Illustration	Restrictions	UPD	18:15	11.12.2006		ETKA
PA	2000	8	31	831-10		597	USA			




Pos	Part Number	Name	Remarks	Qty	Model
		doors door hinge door seal	front		
(1)	3B4 831 051 BE	door	left also use: >>3B-Y-600000 3B0 837 477 C (B41) 3B0 837 901 F (041) as required use: N 908 005 01 N 011 008 30	1 1 1 1 1	
(1)	3B4 831 051 BF	door for vehicles with additional seal	left also use: 3B0 837 477 C (B41) 3B0 837 901 F (041) as required use: N 908 005 01 N 011 008 30	1 1 1 1	PR-6U1
(1)	3B4 831 052 BE	door	right also use: >>3B-Y-600000 3B0 837 478 C (B41) 3B0 837 902 F (041) as required use: N 908 005 01 N 011 008 30	1 1 1 1	
(1)	3B4 831 052 BF	door for vehicles with additional seal	right also use: 3B0 837 478 C (B41) 3B0 837 902 F (041) as required use: N 908 005 01 N 011 008 30	1 1 1 1	PR-6U1
-	3B0 837 477 A	window slot seal	left outer	1	
	10/96-08/00B41	satin black			
-	3B0 837 477 C	window slot seal	left outer	1	
	10/96-08/00B41	satin black			
-	3B0 837 478 A	window slot seal	right outer	1	
	10/96-08/00B41	satin black			
-	3B0 837 901 D	trim for door window frame	left front	1	
	12/96-08/00041	black			

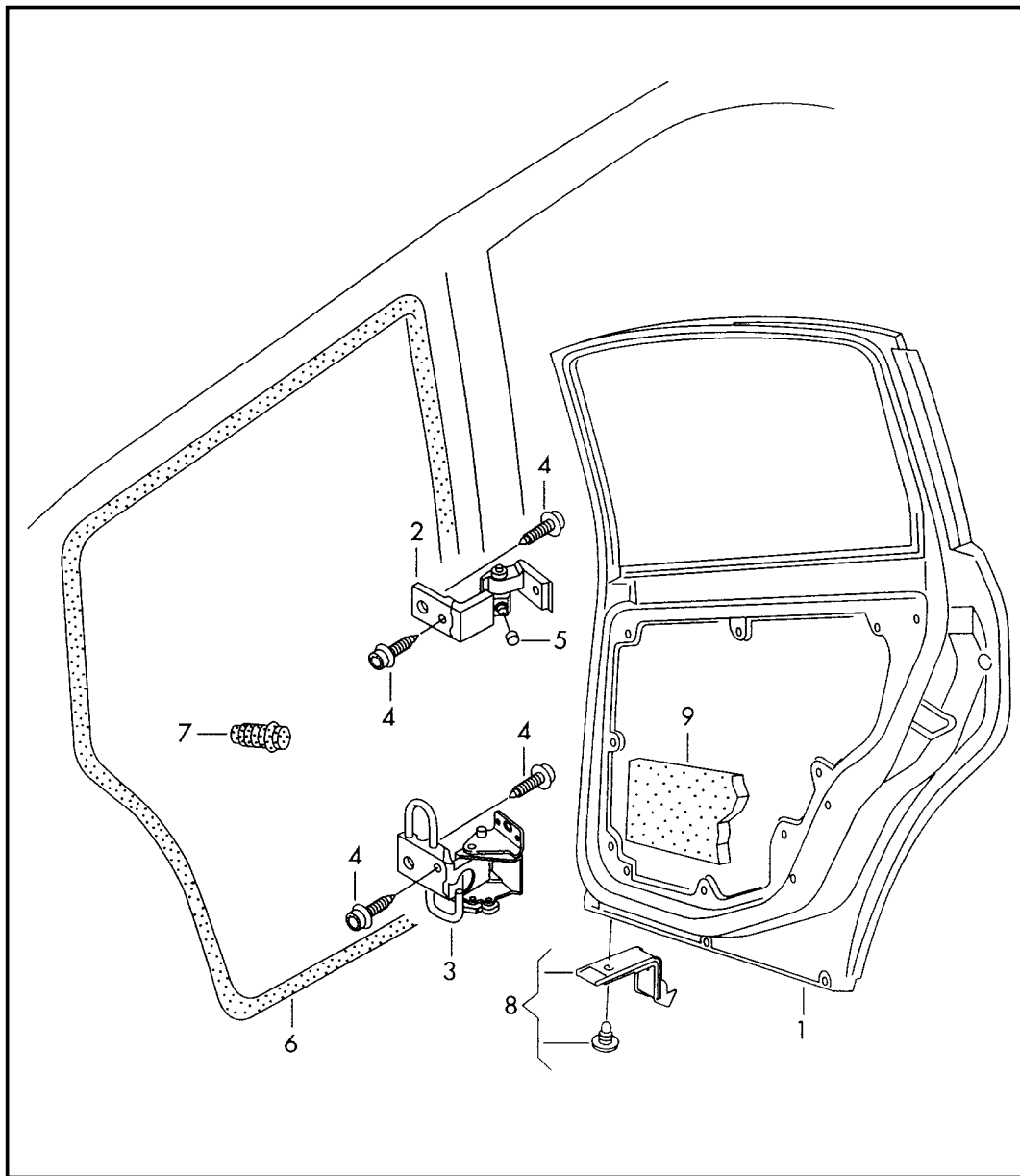
Model	Year	MG	SG	Illustration	Restrictions	UPD	18:15	11.12.2006		ETKA
PA	2000	8	31	831-10		597	USA			

Pos	Part Number	Name	Remarks	Qty	Model	Pos	Part Number	Name	Remarks	Qty	Model
-	3B0 837 901 F	trim for door window frame	left	1		(4)	N 908 233 01	bolt, with polygon socket hd. (combi.)	M8X22		
	10/96-08/00041	black						pillar a inner	upper	2	
-	3B0 837 902 D	trim for door window frame	right front	1				F 3B-W-280 001>>*			
	12/96-08/00041	black				(5)	N 903 555 03	see workshop manual			
-	3B0 837 902 F	trim for door window frame		1		(5)	1J0 831 700	threaded pin	M8X12	2	
	10/96-08/00041	black				(5)	1J0 831 700	bolt, hex. hd. with shoulder only for:	M6X10,3 1J0 831 401 A 1J0 831 402 A	2	
- +	N 908 005 01	innensechsrund-linsenschraube (kombi), selbstsichernd	M8X14-S13	2		(5)	6X0 831 700	shouldered hex. nut only for:	M8X1/SW6 6E0 831 401 B 6E0 831 402 B	2	
- +	N 011 008 30	hex. nut	M8	2		5	1H0 837 947	cap	black	2	
-	3B0 831 741	buffer	100X30X4	2		(6)	3B0 867 365 F	door seal, inner	left	1	
(2)	6E0 831 401 B	door hinge foil	left upper remove alternatively: 1J0 831 401 A	1 X			10/96-08/00FKL	satin black/pearl grey			
(2)	1J0 831 401 A	door hinge	left upper	X			10/96-08/00FKM	satin black/light beige			
2	6E0 831 402 B	door hinge foil	right upper remove alternatively: 1J0 831 402 B	1 X		(6)	3B0 867 366 F	door seal, inner	right	1	
(2)	1J0 831 402 A	door hinge	right upper	X			10/96-08/00FKL	satin black/pearl grey			
(3)	4B0 831 411 B	door hinge	left lower	1		7		boot see illustration:	959-00		
(3)	4B0 831 412 B	door hinge	right lower	1		(8)	3B0 837 725	door seal, outer for vehicles with additional seal	left front	1	PR-6U1
4	N 908 234 01	bolt, with polygon socket hd. door see workshop manual	M8X24-H-TM upper/lower	6		8	3B0 837 726	door seal, outer for vehicles with additional seal	right front	1	PR-6U1
(4) +	N 907 869 02	socket hd. screw with polygon socket pillar a outer F >> 3B-W-280 000*	M8X28-H-TM lower	6		10	3B0 837 733 B	gasket	front, lower	2	
(4)	N 908 232 01	bolt, with polygon socket hd. pillar a outer F 3B-W-280 001>>*	M8X28-H-TM lower	6		11	3B0 837 733 C	gasket	front	2	
		see workshop manual					10/96-08/00B41	satin black			
(4)	N 907 870 01	bolt, with polygon socket hd. (combi.) pillar a inner F >> 3B-W-280 000*	M8X22 upper	2		-	357 837 719	clip	5,5	X	
						-	AKL 448 300 04	protective foil to fit use workshop material	290X210MM	1	
						12	323 863 950	sound absorber (adhesive) 'order qty. 6'	550X250X2	X	


Model	Year	MG	SG	Illustration	Restrictions	UPD	18:15	11.12.2006		ETKA
PA	2000	8	31	831-10		597	USA			

Pos	Part Number	Name	Remarks	Qty	Model	Pos	Part Number	Name	Remarks	Qty	Model
(12)	3B0 868 699	impact padding	left outer	1							
(12)	3B0 868 700	impact padding	right outer	1							
-	3B0 868 772	retaining clip		2							
(12)	3B5 868 697	impact padding	left inner	1							
(12)	3B5 868 698	impact padding	right inner	1							
13	3B0 837 111	plug	16	2							
	10/96-08/00B41	satin black									
(13)	N 104 581 01	buffer (self-adhesive)	12,7X3,5	2							
-		beading impact beam									
		make up from:	321 877 209 A	X							
-	321 877 209 A	gasket	2460X3,2MM	1							
-		fluorescent strip see illustration:	947-00								


Model	Year	MG	SG	Illustration	Restrictions	UPD	18:15	11.12.2006		ETKA
PA	2000	8	33	833-10		597	USA			

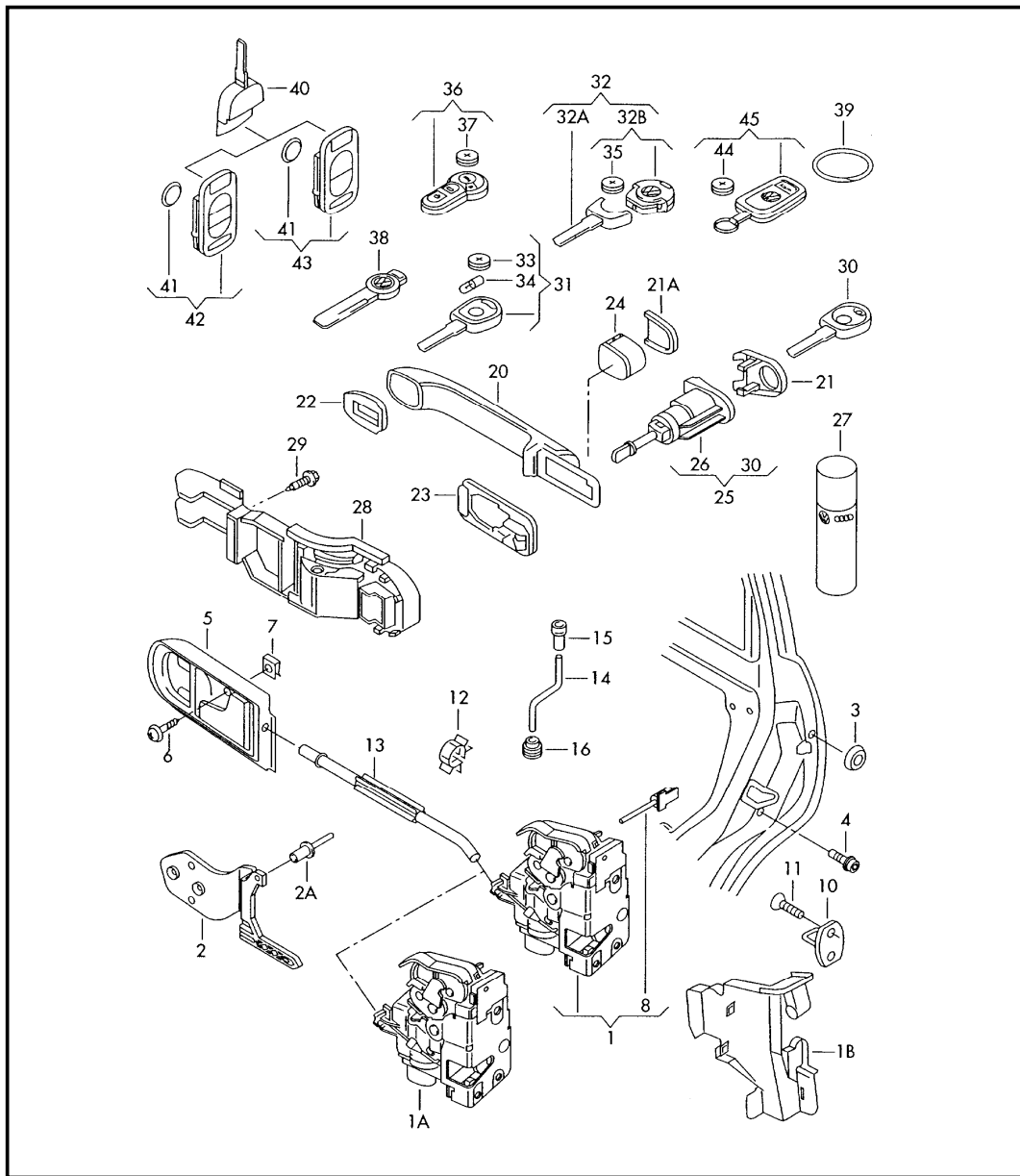


Pos	Part Number	Name	Remarks	Qty	Model
		doors door hinge door seal	rear		
(1)	3B5 833 051 R	door	left also use: 3B4 839 477 (B41) 3B0 839 901 H (041) 3B5 839 901 (041)	1 1 1 1	sedan
(1)	3B9 833 051 S	door	left also use: 3B4 839 477 (B41) 3B0 839 901 H (041) 3B9 839 901 (041)	1 1 1 1	WAGON
(1)	3B5 833 052 R	door	right also use: 3B4 839 478 (B41) 3B0 839 902 H (041) 3B5 839 902 (041)	1 1 1 1	sedan
(1) c	3B9 833 052 S	door	right also use: 3B4 839 478 (B41) 3B0 839 902 H (041) 3B9 839 902 (041)	1 1 1 1	WAGON
-	3B4 839 477 10/96-08/00B41	window slot seal satin black	left outer	1	
-	3B4 839 478 10/96-08/00B41	window slot seal satin black	right outer	1	
-	3B0 839 901 H 10/96-08/00041	trim for door window frame black		1	
-	3B0 839 902 H 10/96-08/00041	trim for door window frame black		1	
-	3B5 839 901 10/96-08/00041	trim for door window frame black		1	sedan
-	3B5 839 902	trim for door window frame		1	sedan


Model	Year	MG	SG	Illustration	Restrictions	UPD	18:15	11.12.2006		ETKA
PA	2000	8	33	833-10		597	USA			

Pos	Part Number	Name	Remarks	Qty	Model	Pos	Part Number	Name	Remarks	Qty	Model
	10/96-08/00041	black					10/96-08/00FKM	satin black/light beige			
-	3B9 839 901	trim for door window frame		1	WAGON	(6)	3B9 867 367 F	door seal, inner	left rear	1	WAGON
	10/96-08/00041	black					05/97-08/00FKL	satin black/pearl grey			
-	3B9 839 902	trim for door window frame		1	WAGON		05/97-08/00FKM	satin black/light beige			
	10/96-08/00041	black				6	3B5 867 368 F	door seal, inner	right rear	1	sedan
(2)	3B4 833 401 C	door hinge	left rear upper	1			10/96-08/00FKL	satin black/pearl grey			
2	3B4 833 402 C	door hinge	right rear upper	1		(6)	3B9 867 368 D	door seal, inner	right rear	1	WAGON
(3)	3B4 833 411 C	door hinge to fit use workshop material	left lower >>3B-V-075000	1			05/97-07/98FKL	satin black/pearl grey			
3	3B4 833 412 C	door hinge to fit use workshop material	right lower >>3B-V-075000	1			05/97-07/98FKM	satin black/light beige discontinued / replacement:	3B9 867 368 F (FKM)		
4	N 908 234 01	bolt, with polygon socket hd. door see workshop manual	M8X24-H-TM upper/lower	6		(6)	3B9 867 368 F	door seal, inner	right rear	1	WAGON
(4)	N 907 870 01	bolt, with polygon socket hd. (combi.) pillar b inner F >> 3B-W-280 000*	M8X22 upper	2		7	08/98-08/00FKL	satin black/pearl grey boot see illustration:	959-00		
(4)	N 908 233 01	bolt, with polygon socket hd. (combi.) pillar b inner F 3B-W-280 001>>* see workshop manual	M8X22 upper	2		8	3B0 839 733 A	gasket	rear	2	
(4)+	N 907 869 02	socket hd. screw with polygon socket pillar b outer F >> 3B-W-280 000*	M8X28-H-TM lower	6		-	10/96-08/00B41	satin black			
(4)	N 908 232 01	bolt, with polygon socket hd. pillar b outer F 3B-W-280 001>>* see workshop manual	M8X28-H-TM lower	6		-	357 837 719	clip		X	
5	1H0 837 947	cap	black	2		-	AKL 448 300 04	protective foil to fit use workshop material	290X210MM	1	
-	N 903 555 03	threaded pin	M8X12	2		9	323 863 950	sound absorber (adhesive) 'order qty. 6'	550X250X2	X	
(6)	3B5 867 367 F	door seal, inner	left rear	1	sedan						
	10/96-08/00FKL	satin black/pearl grey									


Model	Year	MG	SG	Illustration	Restrictions	UPD	18:15	11.12.2006		ETKA
PA	2000	8	37	837-00		597	USA			




Pos	Part Number	Name	Remarks	Qty	Model
		door lock	front		
(1A)	>3B1 837 015 E	door lock	left	1	
			also use: 3B0 837 069 B	1	
		F	>> 3B-X-090 000*		
(1A)	3B1 837 015 J	door lock	left	1	
			also use: 3B0 837 069 B	1	
		F 3B-X-090 001>>*			
1A	3B1 837 016 D	door lock	right	1	
			also use: 3B0 837 070 B	1	
		F	>> 3B-X-275 034*		
(1A)	3B1 837 016 R	door lock	right	1	
			also use: 3B0 837 070 B	1	
		F 3B-X-275 035>>*			
(2)	1J0 837 867	retaining bracket door lock	left	1	
2	1J0 837 868	retaining bracket door lock	right	1	
2A	+ N 906 349 01	pop-rivet	A4X14	2	
3	3B0 837 111	plug	16	2	
		10/96-08/00B41	satin black		
4	+ N 908 005 01	innensechsrund-linsenschraube (kombi), selbstsichernd	M8X14-S13	4	
		interior operation	front		
(5)	3B1 837 113 H	interior operation	left	lhd	1
		10/96-04/982AQ	black		
		10/96-04/984ET	platinum		
(5)	3B1 837 113 K	interior operation	left	lhd	1
		05/98-03/004ET	platinum		
(5)	3B1 837 113 L	interior operation	left	lhd	1
		04/00-08/002AQ	black		
		04/00-08/004ET	platinum		
(5)	3B1 837 114 R	interior operation	right	lhd	1
		09/97-03/002AQ	black		

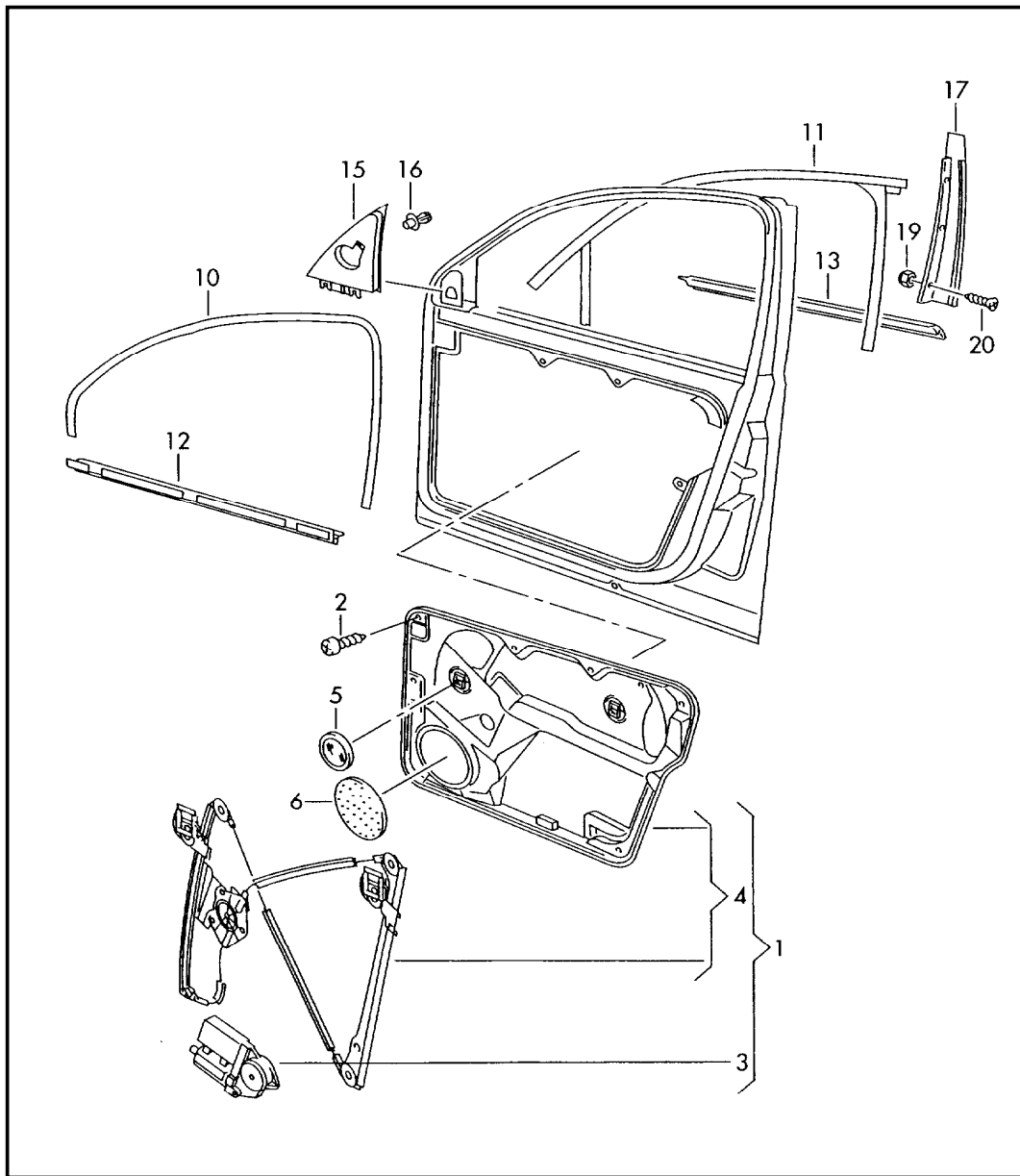
Model	Year	MG	SG	Illustration	Restrictions	UPD	18:15	11.12.2006		ETKA
PA	2000	8	37	837-00		597	USA			

Pos	Part Number	Name	Remarks	Qty	Model	Pos	Part Number	Name	Remarks	Qty	Model
	09/97-03/004ET	platinum				-	3B5 800 375 BG	1 lock cylinder set for door handle, rear flap, ignition starter switch, glove box lid and backrest for change code transponder for vehicles with radio contr. central locking system		1	sedan: 4-,5-cyl.
(5)	3B1 837 114 AA	interior operation	right lhd	1							
	04/00-08/002AQ	black									
	04/00-08/004ET	platinum									
6	+ N 013 966 26	tapping screw, fill. hd.	4,2X13STC	2		f	05/98-08/0001C	satin black			
7	+ N 015 448 1	speed nut	ST4,2X16,3X11	2		-	3B9 800 375 AG	1 lock cylinder set for door handle, rear flap, ignition starter switch, glove box lid for change code transponder for vehicles with radio contr. central locking system			WAGON
(8)	3B0 837 069 B	bowden cable with clip	left	1							
8	3B0 837 070 B	bowden cable with clip	right	1							
10	3B0 837 033 T	striker		1							
11	N 103 311 01	screw, csk. hd. with polygon socket hd.	M8X16SP	4		f	07/97-08/0001C	satin black		1	
		F >> 3B-WE035 692									
		F >> 3B-WP029 862									
(11)	N 907 985 02	screw, csk. hd. with polygon socket hd.	M8X16,5-SP	4		(20)	3B0 837 207 C	door handle, outer		2	
		F 3B-WE035 693>>					10/96-08/00GRU	primed			
		F 3B-WP029 863>>				(21)	3B0 837 879	cap		2	
(13)	3B0 837 085 E	bowden cable		2			10/96-08/003FZ	satin black			
(14)	3B0 837 183 B	locking rod	left	1		21	3B0 837 879 A	cap with surface	smooth	X	
14	3B0 837 184 A	locking rod	right	1			10/96-08/00GRU	primed			
(15)	3B0 837 187 A	knob for locking rod		2		21A	3B4 839 879 A	cap		X	
	09/97-08/0001C	satin black					10/96-08/00GRU	primed			
16	3B0 837 861 A	boot	2 doors	2			10/96-08/00041	black			
(16)	1J0 837 861	boot	4-door	2		22	3B0 837 209 A	packing	front	1	
		door handle, outer	front				10/96-08/0001C	satin black			
-	3B5 800 375 BG	1 lock cylinder set for door handle, rear flap, ignition starter switch, glove box lid and backrest for change code transponder for vehicles with radio contr. central locking system		1	sedan: 6 cylinder	23	3B0 837 211	packing	rear	1	
							10/96-08/0001C	satin black			
						24	3B4 839 167	housing		X	
	f 05/98-08/0001C	satin black				(25)	3B0 837 167	lock cylinder with keys and housing * cannot be used to restore * the one key locking * system !!	left	1	


Model	Year	MG	SG	Illustration	Restrictions	UPD	18:15	11.12.2006		ETKA
PA	2000	8	37	837-00		597	USA			

Pos	Part Number	Name	Remarks	Qty	Model	Pos	Part Number	Name	Remarks	Qty	Model
25	3B0 837 168	lock cylinder with keys and housing * cannot be used to restore * the one key locking * system !!	right	1		f 09/97-08/00INB		inner profile			
(26)	f 107 837 167 JA	lock cylinder with housing * to retain the one key * system the key code * number and/or vehicle * ident.number (vin) must * be quoted when ordering	left	1		33 + N 902 624 01		micro-cell battery	1,5V	1	
						34 + N 903 145 01		bulb	1,5V/0,09A	1	
						35 + N 103 221 01		micro-cell battery F >> 3B-W-500 000*	3,0V	2	
						36 3B0 953 252		transmitter for radio locking system		1	
26	f 107 837 168 JA	lock cylinder with housing * to retain the one key * system the key code * number and/or vehicle * ident.number (vin) must * be quoted when ordering	right	1		37 + N 103 221 01		micro-cell battery	3,0V	2	
						(38) 3B0 837 216 A		emergency key with change code transponder * key code number and/or * vin number must be * quoted when ordering		1	
27	G 052 778 A2	lock cylinder lubricant spray	50ML	1		f 09/97-08/00INB		inner profile			
28	3B0 837 885 D	bow	left	1		40 1J0 837 246 D		main key with change code transponder for radio control central locking system (folding key shaft for oval key pad) *indicate vin number when *ordering		1	
(28)	3B0 837 886 D	bow	right	1		f 05/98-08/00INB		inner profile			
29	N 908 976 01	innensechsrund-linsenschraube	M5X9,7	2		41 + N 104 372 01		micro-cell battery	3V/70MAH	2	
30	3B0 837 219 E	main key with fixed code transponder *indicate vin number when *ordering		1		42 1J0 959 753 F		remote controll transmitter - radio control central locking system (oval key pad)	3 buttons 315MHZ	1	PR-5D2
	f 09/97-08/00INB	inner profile				43 1J0 959 753 E		remote controll transmitter - radio control central locking system (oval key pad)	2 buttons 315MHZ		PR-5D2
(30)	3B0 837 219 AK	secondary key with change code transponder *indicate vin number when *ordering		1		- 4D0 905 835		key ring		1	
	f 09/97-08/00INB	inner profile									
(31)	3B0 837 219 S	main key with light and fixed code transponder *indicate vin number when *ordering *** NEUSILBER ***		1							
	f 10/96-04/97INB	inner profile									
(31)	3B0 837 219 AM	main key with light and change code transponder *indicate vin number when *ordering *** NEUSILBER ***	blue/white	1							


Model	Year	MG	SG	Illustration	Restrictions	UPD	18:16	11.12.2006		ETKA
PA	2000	8	37	837-60		597	USA			

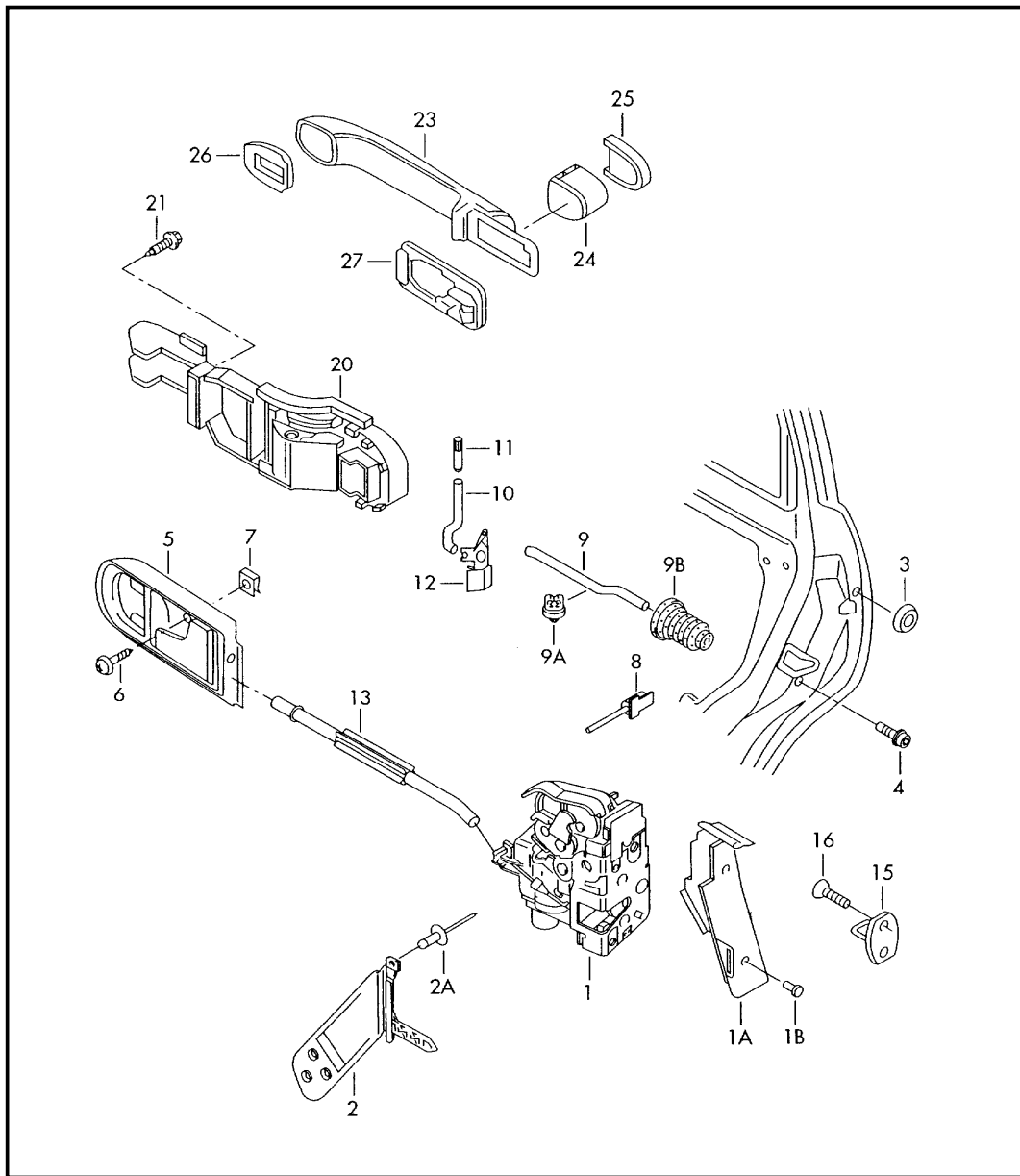


Pos	Part Number	Name	Remarks	Qty	Model
		window lifter F >> 3B-W-500 000*	front		PR-SR6
		see illustration:	959-10/959-10		
(2) +	N 100 091 04	bolt, hex. hd. (combi.)	M6X12	X	
3		see illustration:	959-10/959-11		
(4)	3B1 837 461	window lifter without motor	left lhd	1	
4	3B1 837 462	window lifter without motor	right lhd	1	
5	357 971 908	plug	60	4	
6	3B0 837 903	cover	173MM	2	
		window lifter F 3B-X-000 001>>*	front		
(2) +	N 100 091 04	bolt, hex. hd. (combi.)	M6X12	X	
3		see illustration:	959-11		
(4)	3B1 837 461	window lifter without motor	left lhd	1	
4	3B1 837 462	window lifter without motor	right lhd	1	
5	357 971 908	plug	60	4	
6	3B0 837 903	cover	173MM	2	
		window guide	front		
(10)	3B0 837 439 E	window guide	left inner	1	
	10/96-08/00B41	satin black			
(10)	3B0 837 440 E	window guide	right inner	1	
	10/96-08/00B41	satin black			
(11)	3B0 837 431 C	window guide	left outer	1	
	10/96-08/00B41	satin black			
11	3B0 837 432 C	window guide	right outer	1	
	10/96-08/00B41	satin black			
		window slot seal	front		


Model	Year	MG	SG	Illustration	Restrictions	UPD	18:16	11.12.2006		ETKA
PA	2000	8	37	837-60		597	USA			

Pos	Part Number	Name	Remarks	Qty	Model	Pos	Part Number	Name	Remarks	Qty	Model
(12)	3B0 837 471 A	window slot seal	left inner	1		20	+ N 013 998 1	tapp. screw, csk.hd.	ST4, 2X16-C	6	
	10/96-08/00B41	satin black									
12	3B0 837 472 A	window slot seal	right inner	1							
	10/96-08/00B41	satin black									
(13)	3B0 837 477 A	window slot seal	left outer	1							
		also use:	*>>3B-VE073000								
			*>>3B-VP087000								
			3B0 837 901 D	1							
			(041)								
	10/96-08/00B41	satin black									
13	3B0 837 478 A	window slot seal	right outer	1							
		also use:	*>>3B-VE073000								
			*>>3B-VP087000								
			3B0 837 902 D	1							
			(041)								
	10/96-08/00B41	satin black									
		trim for door	front								
(15)	3B0 837 993 A	cover	left inner	1							
			front								
	10/96-07/992AQ	black									
15	3B0 837 994 A	cover	right inner	1							
			front								
	10/96-07/992AQ	black									
16	+ 3B0 837 732	clip		6							
(17)	3B0 837 901 D	trim for door window frame	left front	1							
		also use:	*>>3B-VE073000								
			*>>3B-VP087000								
			3B0 837 477 A	1							
			(B41)								
	12/96-08/00041	black									
17	3B0 837 902 D	trim for door window frame	right front	1							
		also use:	*>>3B-VE073000								
			*>>3B-VP087000								
			3B0 837 478 A	1							
			(B41)								
	12/96-08/00041	black									
19	+ N 902 577 01	speed nut	ST4, 2	6							


Model	Year	MG	SG	Illustration	Restrictions	UPD	18:16	11.12.2006		ETKA
PA	2000	8	39	839-00		597	USA			




Pos	Part Number	Name	Remarks	Qty	Model
		door lock	rear		
(1)	3B4 839 015 B	door lock F	left >> 3B-Y-005 000*	1	
(1)	3B4 839 015 H	door lock F 3B-Y-005 001>>*	left	1	
1	3B4 839 016 B	door lock F	right >> 3B-Y-005 000*	1	
(1)	3B4 839 016 H	door lock F 3B-Y-005 001>>*	right	1	
1A	3B4 839 349	door lock cover	left rear	1	
(1A)	3B4 839 350	door lock cover	right rear	1	
1B	+ N 908 005 01	innensechsrund-linsenschraube (kombi), selbstsichernd	M8X14-S13	4	
(2)	1J0 837 867	retaining bracket door lock	left	1	
2	1J0 837 868	retaining bracket door lock	right	1	
2A	+ N 906 349 01	pop-rivet	A4X14	2	
4	+ N 908 005 01	innensechsrund-linsenschraube (kombi), selbstsichernd	M8X14-S13	4	
		interior operation	rear		
(5)	3B0 839 113 AL	interior operation	left	1	
	10/96-02/004ET	platinum			
(5)	3B0 839 113 BC	interior operation	left	1	
	10/96-08/002AQ	black			
	03/00-08/004ET	platinum			
(5)	3B0 839 113 AM	door inner release lever with loudspeaker	left	1	
	10/96-02/002AQ	black			
	10/96-02/004ET	platinum			
(5)	3B0 839 113 BD	door inner release lever with loudspeaker	left	1	
	03/00-08/002AQ	black			

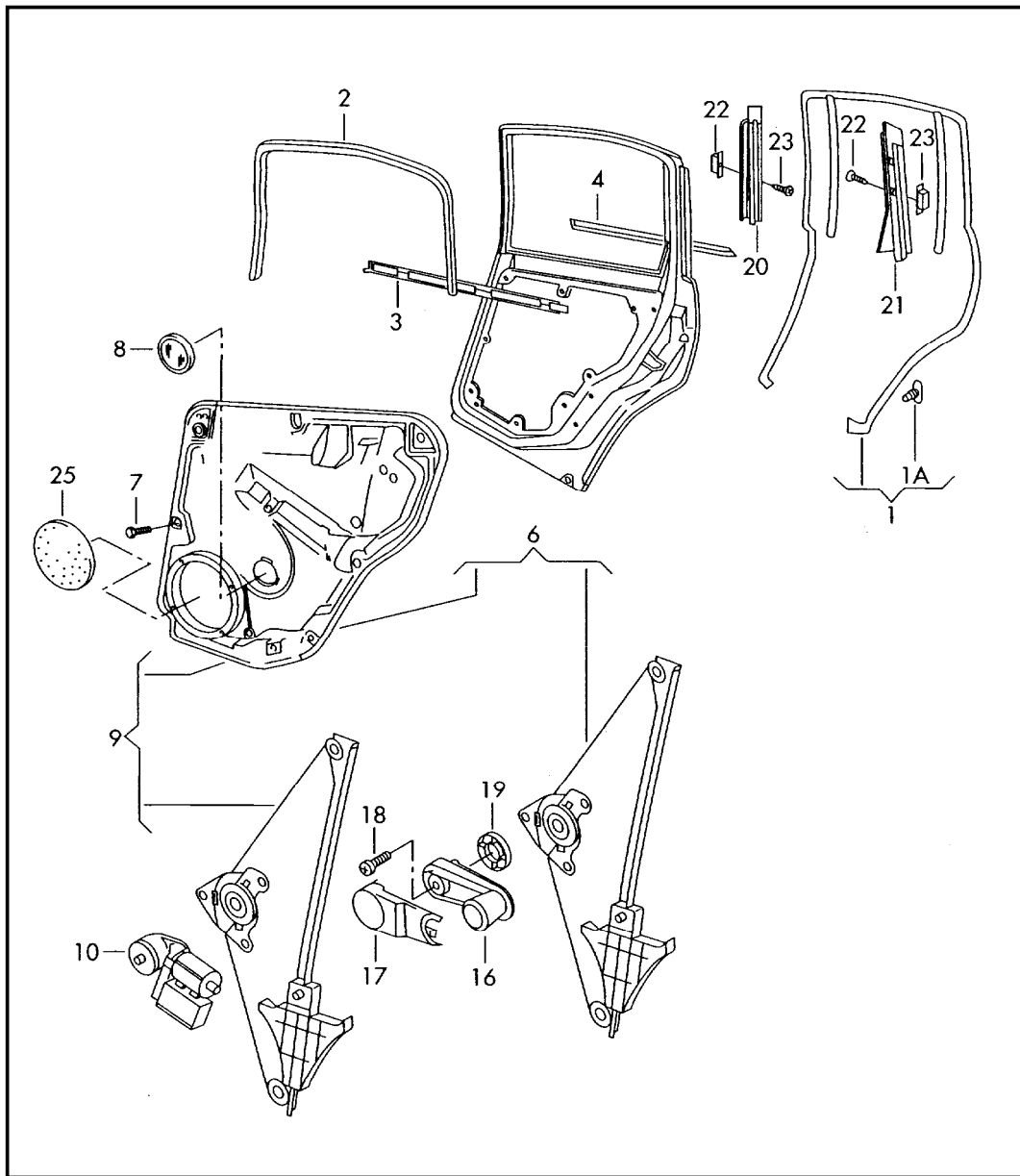
Model	Year	MG	SG	Illustration	Restrictions	UPD	18:16	11.12.2006		ETKA
PA	2000	8	39	839-00		597	USA			

Pos	Part Number	Name	Remarks	Qty	Model	Pos	Part Number	Name	Remarks	Qty	Model
	03/00-08/004ET	platinum					08/99-02/004ET	platinum			
(5)	3B0 839 113 BA	door inner release lever with loudspeaker for vehicles with sound system	left	1	PR-9VG	(5)	3B0 839 113 BJ	door inner release lever with loudspeaker for vehicles with electrically operated windows for vehicles with sound system	left	1	PR-9VG
	08/99-02/002AQ	black					03/00-08/002AQ	black			
	08/99-02/004ET	platinum					03/00-08/004ET	platinum			
(5)	3B0 839 113 BK	door inner release lever with loudspeaker for vehicles with sound system	left	1	PR-9VG	(5)	3B0 839 113 BA	door inner release lever with loudspeaker	left	1	PR-9VG
	03/00-08/002AQ	black					06/99-08/002AQ	black			
	03/00-08/004ET	platinum					08/99-08/004ET	platinum			
(5)	3B0 839 113 AG	interior operation for vehicles with electrically operated windows	left	1		(5)	3B0 839 113 BB	door inner release lever with loudspeaker for vehicles with electrically operated windows	left	1	PR-9VG
	10/96-02/002AQ	black					08/99-08/002AQ	black			
(5)	3B0 839 113 BE	interior operation for vehicles with electrically operated windows	left	1			08/99-08/004ET	platinum			
	03/00-08/002AQ	black				(5)	3B0 839 114 AL	interior operation	right	1	
	10/96-08/004ET	platinum					10/96-02/002AQ	black			
(5)	3B0 839 113 AQ	door inner release lever with loudspeaker for vehicles with electrically operated windows	left	1			10/96-02/004ET	platinum			
	10/96-02/002AQ	black				(5)	3B0 839 114 BC	interior operation	right	1	
	10/96-02/004ET	platinum					03/00-08/002AQ	black			
(5)	3B0 839 113 BF	door inner release lever with loudspeaker for vehicles with electrically operated windows	left	1		(5)	3B0 839 114 AM	door inner release lever with loudspeaker	right	1	
	03/00-08/002AQ	black					10/96-02/002AQ	black			
	03/00-08/004ET	platinum					10/96-02/004ET	platinum			
(5)	3B0 839 113 BB	door inner release lever with loudspeaker for vehicles with electrically operated windows for vehicles with sound system	left	1	PR-9VG	(5)	3B0 839 114 BD	door inner release lever with loudspeaker	right	1	
	08/99-02/002AQ	black					03/00-08/002AQ	black			
							03/00-08/004ET	platinum			
						(5)	3B0 839 114 BK	door inner release lever with loudspeaker for vehicles with sound system	right	1	PR-9VG


Model	Year	MG	SG	Illustration	Restrictions	UPD	18:16	11.12.2006		ETKA
PA	2000	8	39	839-00		597	USA			

Pos	Part Number	Name	Remarks	Qty	Model	Pos	Part Number	Name	Remarks	Qty	Model
	08/99-08/002AQ	black				(8)	3B9 839 060 A	bowden cable with clip	right	1	WAGON
	08/99-08/004ET	platinum				(9)	3B0 839 811 A	locking rod	left	1	
(5)	3B0 839 114 AP	interior operation for vehicles with electrically operated windows	right	1		9	3B0 839 812 A	locking rod	right	1	
	10/96-02/004ET	platinum				(10)	3B0 839 183 A	locking rod	left	1	
(5)	3B0 839 114 BE	interior operation for vehicles with electrically operated windows	right	1		10	3B0 839 184 A	locking rod	right	1	
	10/96-08/002AQ	black				(11)	3B0 837 187 A	knob for locking rod		2	
	03/00-08/004ET	platinum					09/97-07/9901C	satin black			
(5)	3B0 839 114 BF	door inner release lever with loudspeaker for vehicles with electrically operated windows	right	1		11	3B0 837 187 B	knob for locking rod		2	
	10/96-08/002AQ	black					10/96-08/0001C	satin black			
	10/96-08/004ET	platinum				12	3B0 839 833 D	relay lever		2	
	3B0 839 114 BB	door inner release lever with loudspeaker for vehicles with electrically operated windows for vehicles with sound system	right	1	PR-9VG	13	3B0 839 085 F	bowden cable		2	
	08/99-02/002AQ	black				15	3B0 837 033 T	striker		2	
	08/99-02/004ET	platinum				16	N 907 985 02	screw, csk. hd. with polygon socket hd.	M8X16,5-SP	4	
(5)	3B0 839 114 BJ	door inner release lever with loudspeaker for vehicles with electrically operated windows for vehicles with sound system	right	1	PR-9VG			door handle, outer	rear		
	03/00-08/002AQ	black				(20)	3B0 837 885 D	bow	left	1	
	03/00-08/004ET	platinum				20	3B0 837 886 D	bow	right	1	
	N 013 966 26	tapping screw, fill. hd.	4,2X13STC	2		21	N 908 976 01	innensechsrund-linsenschraube	M5X9,7	2	
	N 015 448 1	speed nut	ST4,2X16,3X11	2		(23)	3B0 837 207 C	door handle, outer		2	
(8)	3B5 839 059 A	bowden cable with clip	left	1	sedan		10/96-08/00GRU	primed			
(8)	3B9 839 059 A	bowden cable with clip	left	1	WAGON	24	3B4 839 167	housing		2	
8	3B4 839 060	bowden cable with clip	right	1		25	3B4 839 879 A	cap		2	
							10/96-08/00GRU	primed			
							10/96-08/00041	black			
						26	3B0 837 209 A	packing	front	1	
							10/96-08/0001C	satin black			
						27	3B0 837 211	packing	rear	1	
							10/96-08/0001C	satin black			

Model	Year	MG	SG	Illustration	Restrictions	UPD	18:16	11.12.2006		ETKA
PA	2000	8	39	839-60		597	USA			




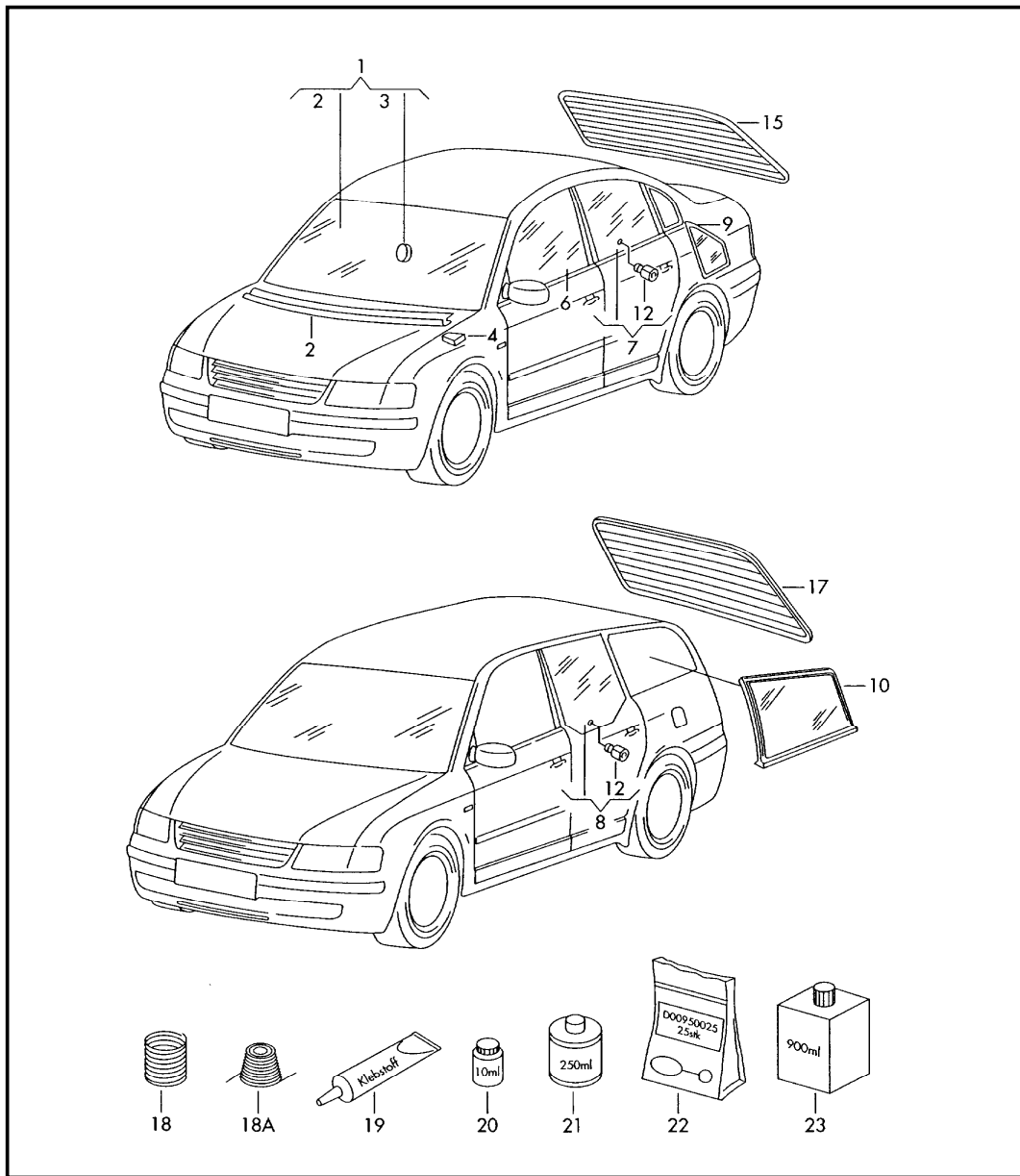
Pos	Part Number	Name	Remarks	Qty	Model
		window guide			
(1)	3B5 839 431 AB	window guide	left outer	1	sedan: PR-6U0
	10/96-08/00B41	satin black			
(1)	3B5 839 431 AC	window guide for vehicles with additional seal	left outer	1	sedan: PR-6U1
	10/96-08/00B41	satin black			
(1)	3B9 839 431 T	window guide	left outer	1	WAGON: PR-6U0
	05/97-08/00B41	satin black			
(1)	3B9 839 431 AA	window guide for vehicles with additional seal	left outer	1	WAGON: PR-6U1
	05/97-08/00B41	satin black			
(1)	3B5 839 432 AB	window guide	right outer	1	sedan: PR-6U0
	10/96-08/00B41	satin black			
1	3B5 839 432 AC	window guide for vehicles with additional seal	right outer	1	sedan: PR-6U1
	10/96-08/00B41	satin black			
(1)	3B9 839 432 T	window guide	right outer	1	WAGON: PR-6U0
	05/97-08/00B41	satin black			
(1)	3B9 839 432 AA	window guide for vehicles with additional seal	right outer	1	
	05/97-08/00B41	satin black			
1A	+ 3B0 839 723	clip		30	sedan
(1A)	+ 3B0 839 723	clip		32	WAGON
(2)	3B5 839 439 G	window guide	left inner	1	sedan
	10/96-08/00B41	satin black			
(2)	3B9 839 439 E	window guide	left inner	1	WAGON
	05/97-08/00B41	satin black			

Model	Year	MG	SG	Illustration	Restrictions	UPD	18:16	11.12.2006		ETKA
PA	2000	8	39	839-60		597	USA			


Pos	Part Number	Name	Remarks	Qty	Model	Pos	Part Number	Name	Remarks	Qty	Model
2	3B5 839 440 G	window guide	right inner	1	sedan	(20)	3B0 839 901 F	trim for door window frame	left front	1	
	10/96-08/00B41	satin black					10/96-08/00041	black			
(2)	3B9 839 440 E	window guide	right inner	1	WAGON	20	3B0 839 902 F	trim for door window frame	right front	1	
	05/97-08/00B41	satin black					10/96-08/00041	black			
		window slot seal				(21)	3B5 839 903 F	trim for door window frame	left rear	1	sedan
		-----					10/96-08/00DPE	satin black			
(3)	3B0 839 471 B	window slot seal	left inner	1		(21)	3B9 839 903 F	trim for door window frame	left rear	1	WAGON
	10/96-08/00B41	satin black					05/97-08/00DPE	satin black			
3	3B0 839 472 C	window slot seal	right inner	1		21	3B5 839 904 F	trim for door window frame	right rear	1	sedan
	10/96-08/00B41	satin black					10/96-08/00DPE	satin black			
(4)	3B5 839 477 B	window slot seal	left outer	1	sedan	(21)	3B9 839 904 F	trim for door window frame	right rear	1	WAGON
	10/96-08/00B41	satin black					05/97-08/00DPE	satin black			
(4)	3B9 839 477 C	window slot seal	left outer	1	WAGON	22 +	N 902 577 01	speed nut	ST4,2	X	
	05/97-08/00B41	satin black				23	N 013 997 2	tapp. screw, csk. hd.	ST4,2X13-C	X	
4	3B5 839 478 B	window slot seal	right outer	1	sedan	25	3B0 837 903	cover	173MM	2	
	10/96-08/00B41	satin black									
(4)	3B9 839 478 C	window slot seal	right outer	1	WAGON						
	05/97-08/00B41	satin black									
		window lifter									

7 +	N 100 091 04	bolt, hex. hd. (combi.)	M6X12	X							
8	357 971 908	plug	60	2							
(9)	3B5 839 461 A	window lifter without motor	left	1	sedan						
9	3B5 839 462 A	window lifter without motor	right	1	sedan						
(9)	3B9 839 461	window lifter without motor	left	1	WAGON						
(9)	3B9 839 462	window lifter without motor	right	1	WAGON						
		trim for door									


Model	Year	MG	SG	Illustration	Restrictions	UPD	18:16	11.12.2006		ETKA
PA	2000	8	45	845-00		597	USA			

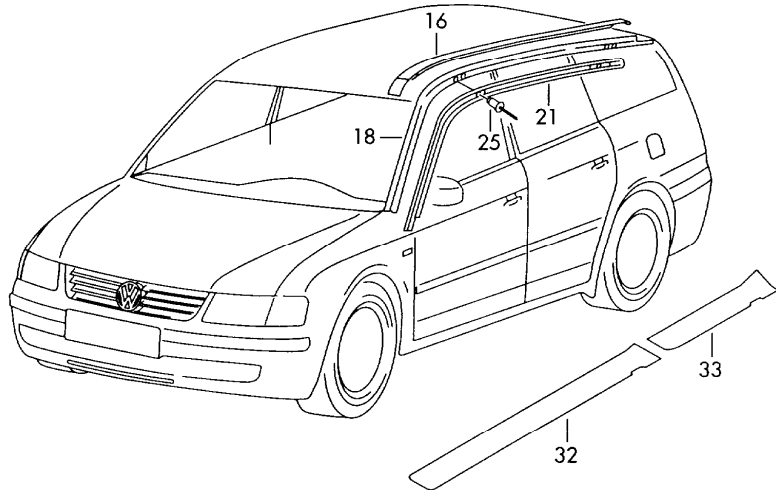
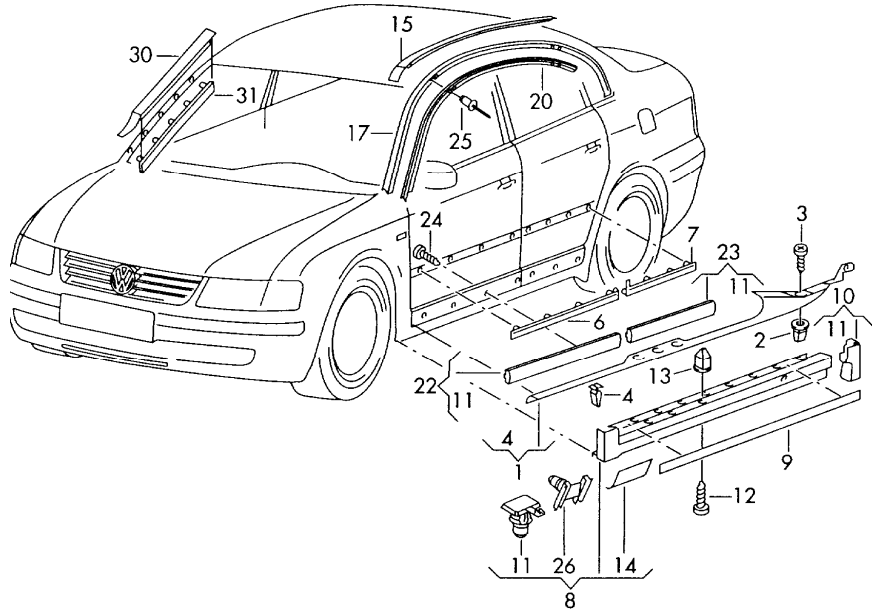


Pos	Part Number	Name	Remarks	Qty	Model
		window glasses			
(1)	3B0 845 011	windshield glass (laminated) (with molding) F >> 3B-W-113 180	green	1	
(1)	3B0 845 011 B	windshield glass (laminated) with tinted zone (with molding) F 3B-W-113 181>>	green	1	
(1)	3B0 845 011 E	windshield glass (laminated) with tinted zone (with molding) for vehicles with rain sensor F 3B-X-150 000>>*	green	1	
		rain sensor also use: see illustration:	972-31		
2	3B0 853 306	moulding frame	lower	1	
3	6N0 845 543	retaining plate for rear view mirror, inner		1	
(3)	3B0 845 543 A	retaining plate for rear view mirror, inner for vehicles with rain sensor		1	
4	443 845 631 A	spacer	19X12X55	2	
6	3B4 845 201	door window	left front green	1	
(6)	3B4 845 202	door window	right front green	1	
7	3B5 845 025	door window	left rear green	1	sedan
(7)	3B5 845 026	door window	right rear green	1	sedan
8	3B9 845 025	door window	left rear green	1	WAGON
(8)	3B9 845 026	door window	right rear green	1	WAGON
9	3B5 845 297 J	side window	left green	1	sedan
	10/96-08/00B41	satin black			
(9)	3B5 845 297 E	side window	left green	1	


Model	Year	MG	SG	Illustration	Restrictions	UPD	18:16	11.12.2006		ETKA
PA	2000	8	45	845-00		597	USA			

Pos	Part Number	Name	Remarks	Qty	Model	Pos	Part Number	Name	Remarks	Qty	Model
	05/99-08/00B41	satin black									
(9)	3B5 845 298 J	side window	right green	1	sedan						
	10/96-08/00B41	satin black									
(9)	3B5 845 298 E	side window	right green	1							
	05/99-08/00B41	satin black									
(10)	3B9 845 297 J	side window	left green	1	WAGON						
	05/97-08/00B41	satin black									
(10)	3B9 845 298 J	side window	right green	1	WAGON						
	05/97-08/00B41	satin black									
12	6N0 839 511	pin		2							
15	3B5 845 051	rear window glass heated	green	1	sedan						
17	3B9 845 051 A	rear window glass heated	green	1	WAGON						
18	357 845 955	cutting wire for removing windows	0,6X0,6X50000	X							
18A	357 853 999	cutting cord for removing windows	1,25X5000	X							
19	DH 009 100	1k window adhesive	300ML	X							
(19)	DH 009 100 03	1k window adhesive	110ML	X							
(19)	DA 004 600 A2	2k-glass glue application set	400ML	X							
20	D 181 801 A1	activator for precoated windows	10ML	X							
(20)	D 009 200 02	primer for glass and paint	10ML	X							
21	D 009 401 04	all purpose cleaner	250ML	X							
22	D 009 500 25	applicator 'order qty. 25'		X							
23	D 002 000 10	adhesive remover	900ML	X							


Model	Year	MG	SG	Illustration	Restrictions	UPD	18:16	11.12.2006		ETKA
PA	2000	8	53	853-20		597	USA			




Pos	Part Number	Name	Remarks	Qty	Model
		scuff plate - sill panel			
(1)	3B0 853 369 D	scuff plate - sill panel	left	1	
	10/96-08/00B41	satin black			
	10/96-08/00Q70	light beige			
	10/96-08/00U71	flannel grey			
(1)	3B0 853 370 C	scuff plate - sill panel	right	1	
	10/96-06/98U71	flannel grey			
(1)	3B0 853 370 D	scuff plate - sill panel	right	1	
	10/96-08/00B41	satin black			
	10/96-08/00Q70	light beige			
	07/98-08/00U71	flannel grey			
2 +	4A0 857 610	expanding nut		4	
3	N 907 321 01	innensechsrund-blechschraube	4X16-Q	4	
4 +	4B0 867 276 A	clamp		20	
		rubbing strips			
(6)	3B0 853 515 A	protection strip for door	left front	1	
	10/96-08/00GRU	primed			
(6)	3B0 853 516 A	protection strip for door	right front	1	
	10/96-08/00GRU	primed			
(7)	3B0 853 753 A	protection strip for door	left rear	1	
	10/96-08/00GRU	primed			
(7)	3B0 853 754 A	protection strip for door	right rear	1	
	10/96-08/00GRU	primed			
		side member extension			
8	3B0 853 855 C	side member extension	left front	1	
	10/96-07/00B41	satin black			
(8)	3B0 853 855 D	side member extension	left front	1	

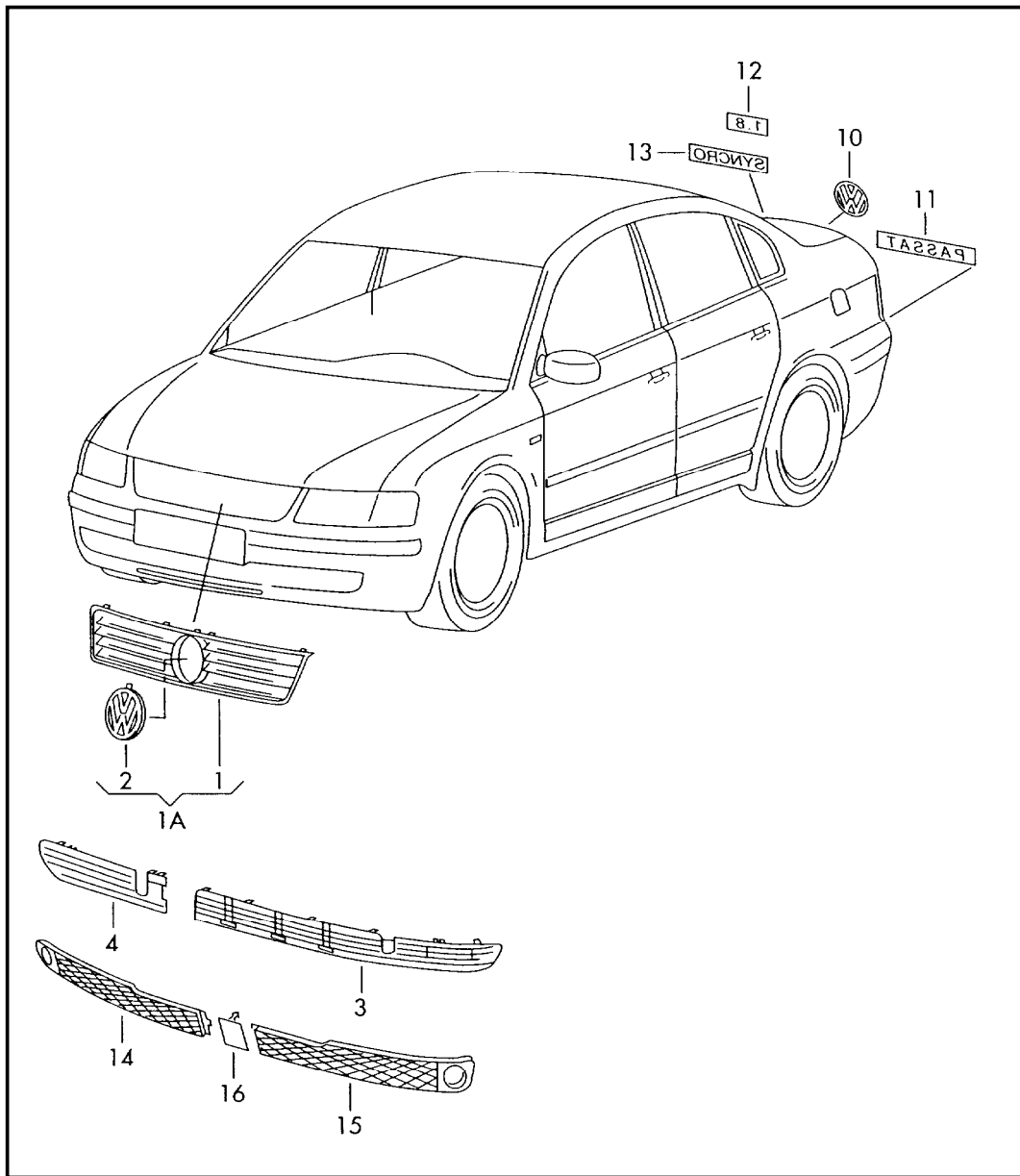
Model	Year	MG	SG	Illustration	Restrictions	UPD	18:16	11.12.2006		ETKA
PA	2000	8	53	853-20		597	USA			

Pos	Part Number	Name	Remarks	Qty	Model	Pos	Part Number	Name	Remarks	Qty	Model
	08/00-08/00B41	satin black				(17)	3B5 854 702	surround molding	right	1	sedan
(8)	3B0 853 856 D	side member extension	right front	1			10/96-08/00B41	satin black			
	10/96-08/00B41	satin black				18	3B9 854 701	surround molding	left	1	wagon
9	3B0 853 985	cover strip		2			05/97-08/00B41	satin black			
	10/96-08/00B41	satin black				(18)	3B9 854 702	surround molding	right	1	wagon
10	3B0 853 897 A	side member extension	left rear	1			05/97-08/00B41	satin black			
	10/96-08/00B41	satin black				(20)	3B5 853 709 A	cover strip	left	1	sedan
(10)	3B0 853 898 A	side member extension	right rear	1			10/96-08/00B41	satin black			
	10/96-08/00B41	satin black				(20)	3B5 853 710 A	cover strip	right	1	sedan
11 +	3B0 853 575	clip		X			10/96-08/00B41	satin black			
12 +	N 907 750 01	innensechsrund-blechschraube	4,8X16	X		21	3B9 853 709 A	cover strip	left	1	WAGON
13 +	N 908 214 01	expanding nut	D4,8	X			05/97-08/00B41	satin black			
14	3B0 853 917	flap for jack-socket	left front	1		(21)	3B9 853 710 A	cover strip	right	1	WAGON
	10/96-08/00B41	satin black					05/97-08/00B41	satin black			
(14)	3B0 853 918	flap for jack-socket	right front	1				cover for door			
	10/96-08/00B41	satin black				22	3B0 854 939 B	cover for door	left front	1	
		molding - roof					10/96-08/00B41	satin black			
15	3B5 853 701 B	roof channel	left	1	sedan	(22)	3B0 854 940 B	cover for door	right front	1	
	10/96-08/00GRU	primed					10/96-08/00B41	satin black			
(15)	3B5 853 702 B	roof channel	right	1	sedan	23	3B0 854 949 B	cover for door	left rear	1	
	10/96-08/00GRU	primed					10/96-08/00B41	satin black			
16	3B9 853 701 C	roof channel	left	1	WAGON	(23)	3B0 854 950 B	cover for door	right rear	1	
	05/97-08/00GRU	primed					10/96-08/00B41	satin black			
(16)	3B9 853 702 C	roof channel	right	1	WAGON	24 +	N 103 546 01	innensechsrund-blechschraube	5X16Z2	X	
	05/97-08/00GRU	primed				25 +	N 907 878 02	rivet	AK3,2X6,5	X	
17	3B5 854 701	surround molding	left	1	sedan	26 +	3B0 853 576	clip		X	
	10/96-08/00B41	satin black									


Model	Year	MG	SG	Illustration	Restrictions	UPD	18:16	11.12.2006		ETKA
PA	2000	8	53	853-20		597	USA			

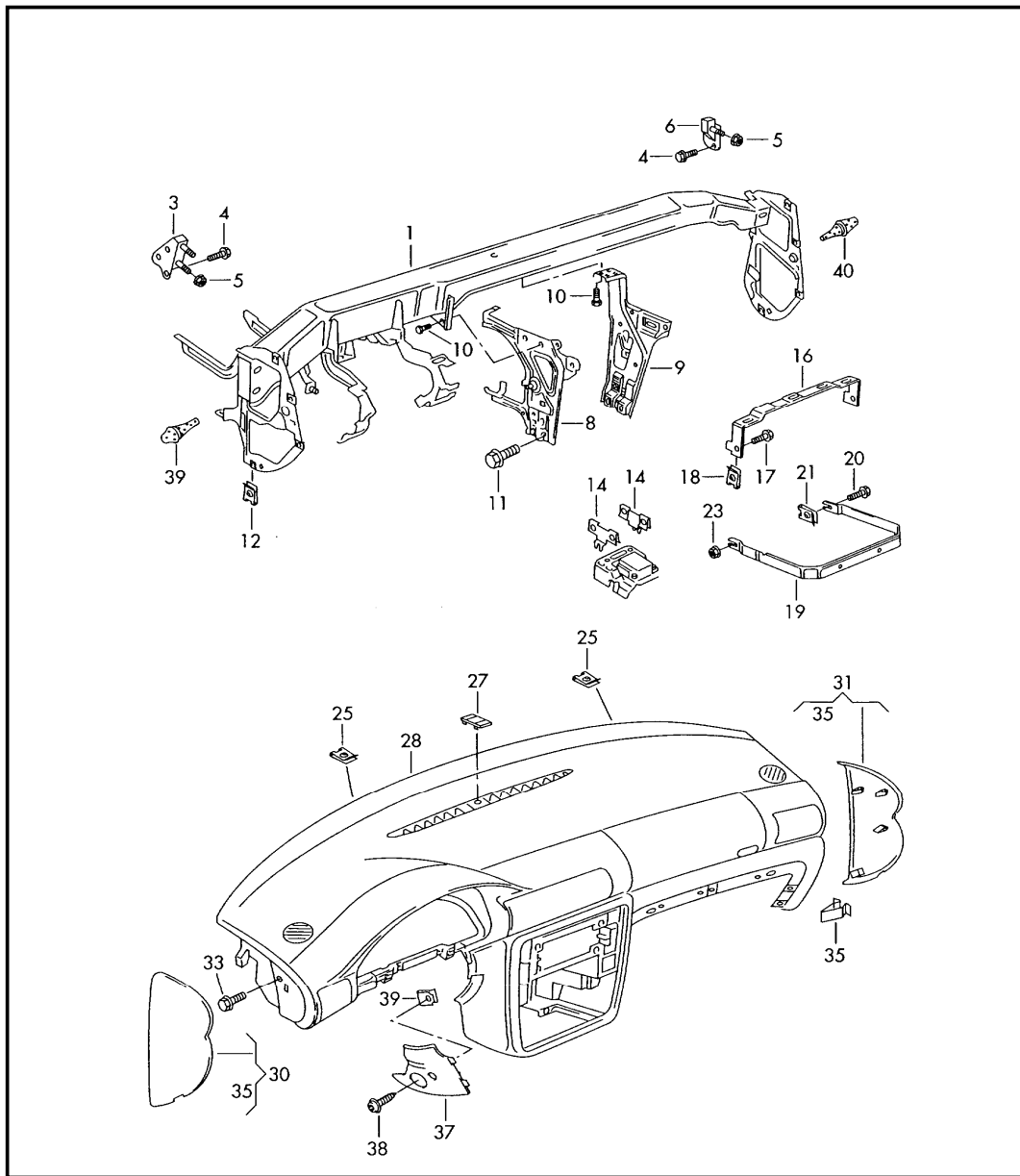
Pos	Part Number	Name	Remarks	Qty	Model	Pos	Part Number	Name	Remarks	Qty	Model
		connecting strip pillar a									
(30)	3B0 854 327 C	connecting strip	left	1							
	10/96-08/00B41	satin black									
30	3B0 854 328 C	connecting strip	right	1							
	10/96-08/00B41	satin black									
31	3B0 854 541 A	retaining strip		2							
	10/96-07/00B41	satin black									
(31)	3B0 854 541 B	retaining strip	left	1							
	08/00-08/00B41	satin black									
(31)	3B0 854 542	retaining strip	right	1							
		as required use:	D 438 515 A1								
	08/00-08/00B41	satin black									
32	3B0 853 803	protect. foil for side member	front	2							
	10/96-08/00B41	satin black									
33	3B0 853 805	protect. foil for side member	left rear	1							
	10/96-08/00B41	satin black									
(33)	3B0 853 806	protect. foil for side member	right rear	1							
	10/96-08/00B41	satin black									
		protective foil side panel frame see illustration:	rear 809-70								

Model	Year	MG	SG	Illustration	Restrictions	UPD	18:16	11.12.2006		ETKA
PA	2000	8	53	853-40		597	USA			




Pos	Part Number	Name	Remarks	Qty	Model
1	3B0 853 653 F	radiator grille		1	
		radiator grille to fit use workshop material			
	10/96-08/00B41	satin black			
2	3B0 853 601	vw sign	front	1	
		for vehicles with closed company logo mounting			
	10/96-08/00FDY	chrome			
3	3B0 853 677 B	cooling air grill	left	1	
	10/96-08/00B41	satin black			
4	3B0 853 678 B	cooling air grill	right	1	
		inscriptions			
10	3B0 853 630	vw sign	rear	1	
	10/96-08/00FCS	chrome			
11	3B0 853 687	inscription	'PASSAT'	1	
	10/96-08/00739	chrome			
(12)	3B0 853 675 A	inscription	'1.8T'	1	
	10/96-08/00739	chrome			
(12)	3B0 853 675 C	inscription	'V6'	1	
	10/96-08/00739	chrome			
(12)	3B0 853 675 H	inscription	'GLS'	1	
	09/97-08/00739	chrome			
(12)	3B0 853 675 J	inscription	'GLX'	1	
	09/97-08/00739	chrome			


Model	Year	MG	SG	Illustration	Restrictions	UPD	18:16	11.12.2006		ETKA
PA	2000	8	57	857-00		597	USA			

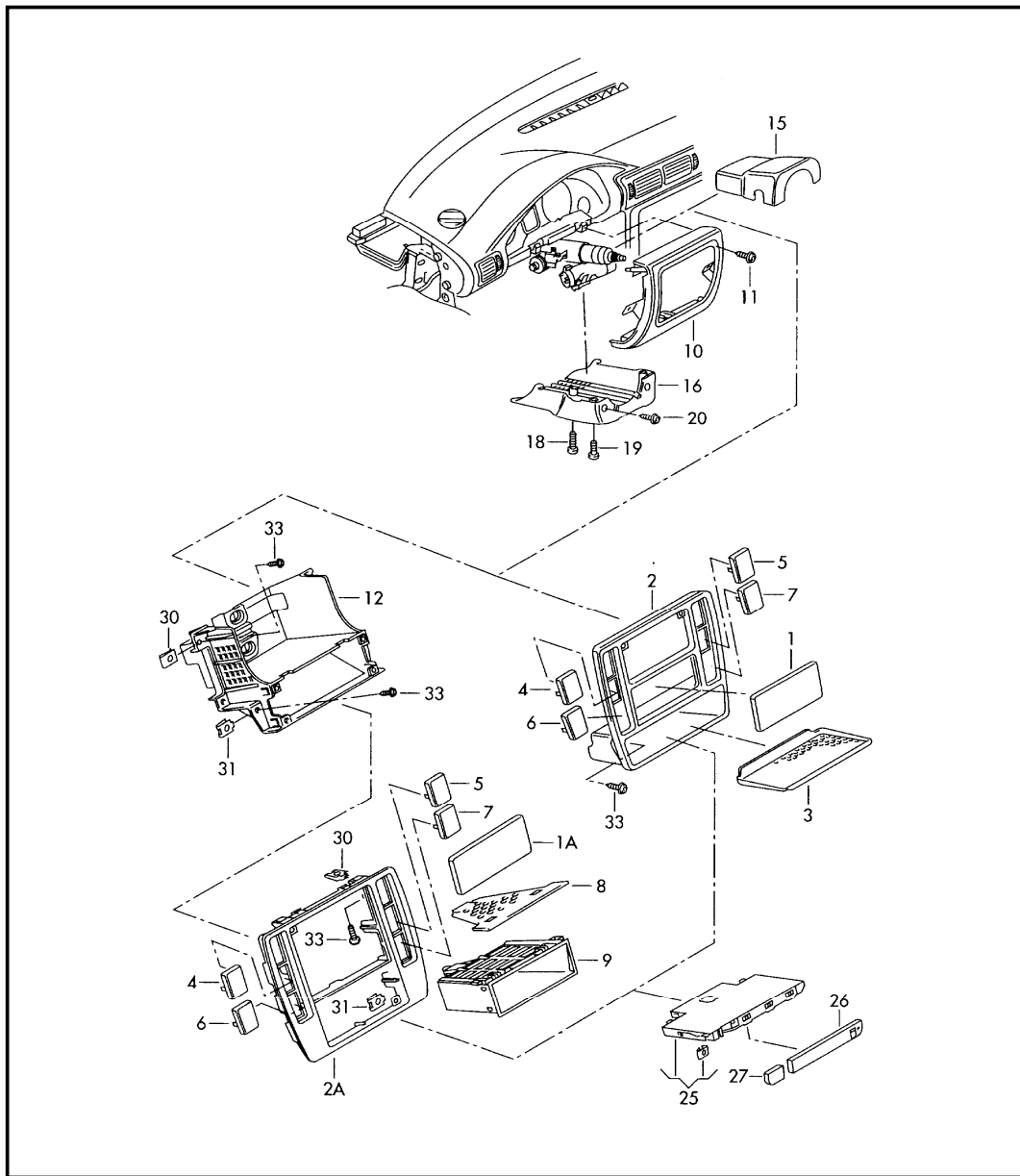


Pos	Part Number	Name	Remarks	Qty	Model
		dashboard dashboard installation parts			
1	8D1 857 025 H	cross member for dashbord F >> 3B-WD070 000* F >> 3B-WE099 000* F >> 3B-WP083 000*	lhd	1	
(1)	8D1 857 025 Q	cross member for dashbord	lhd	1	
3	8D1 857 087 C	retaining clamp cross member	left	lhd	1
4	443 845 643 C	screw, hex. hd.	M8X28	5	
5	N 907 684 01	hex. nut	M10	3	
6	8D1 857 088 B	retaining clamp cross member	right	lhd	1
(8)	8D1 857 319 F	support	left	lhd	1
9	8D1 857 320 E	support	right	lhd	1
10	N 906 546 01	bolt, hex. hd. with pin (combi)	M6X18,25-TO	4	
11	N 010 213 9	bolt, hex. hd., self-locking	M5X15	4	
12	+ N 903 562 03	speed nut	M5X17X17	4	
(12)	+ N 901 686 02	speed nut	M6X16X24	1	
14	8D0 867 199	speed nut	M5	2	
16	3B0 857 056 C	retaining plate	center upper	1	
(16)	3B1 857 056 A	retaining plate for vehicles with navigation- system and integrated auto radio	lhd center upper	1	
17	N 907 290 01	shouldered bolt	M5X16-SP	5	
18	+ N 903 562 03	speed nut	M5X17X17	5	
19	3B0 858 385 A	retaining plate	center lower	1	
20	N 904 388 01	bolt, hex. hd. (combi.)	M5X15-LD	1	
21	N 904 759 02	speed nut	M5X13,6X11,5	1	
23	N 904 349 01	hex. nut with washer		1	
25	3B0 857 117	clamp		2	


Model	Year	MG	SG	Illustration	Restrictions	UPD	18:16	11.12.2006		ETKA
PA	2000	8	57	857-00		597	USA			

Pos	Part Number	Name	Remarks	Qty	Model	Pos	Part Number	Name	Remarks	Qty	Model
27		see illustration:	820-31								
(28)	3B1 857 002 AD	dashboard	lhd	1	PR-7Q0/7Q1, 7A0/7A2						
	09/97-08/00FMD	black/satin black									
	09/97-08/00FME	platinum/light beige									
	09/97-08/00FMF	platinum/flannel grey									
(28)	3B1 857 002 AE	dashboard for vehicles with navigation- system and integrated auto radio	lhd	1	PR-7Q2						
	09/97-08/00FMD	black/satin black									
	09/97-08/00FME	platinum/light beige									
	09/97-08/00FMF	platinum/flannel grey									
(28)	3B1 857 002 AE	dashboard for vehicles with cd-player or cd-player prepared	lhd	1	PR-7A1						
	09/97-08/00FMD	black/satin black									
	09/97-08/00FME	platinum/light beige									
	09/97-08/00FMF	platinum/flannel grey									
30	3B0 858 035 A	cap	left	1							
	10/96-08/002AQ	black									
	10/96-08/004ET	platinum									
31	3B0 858 036 A	cap	right	1							
	10/96-08/002AQ	black									
	10/96-08/004ET	platinum									
33	N 907 290 01	shouldered bolt	M5X16-SP	8							
35 +	4B0 867 276 A	clamp		1							
(35)	4D0 867 276 D	clamp		2							
37-38		see illustration:	BT-863-50 POS.1A								
39	4B0 858 967	buffer (drivers side)		1							
40	4B0 858 968	buffer (passenger side)		1							


Model	Year	MG	SG	Illustration	Restrictions	UPD	18:17	11.12.2006		ETKA
PA	2000	8	57	857-10		597	USA			

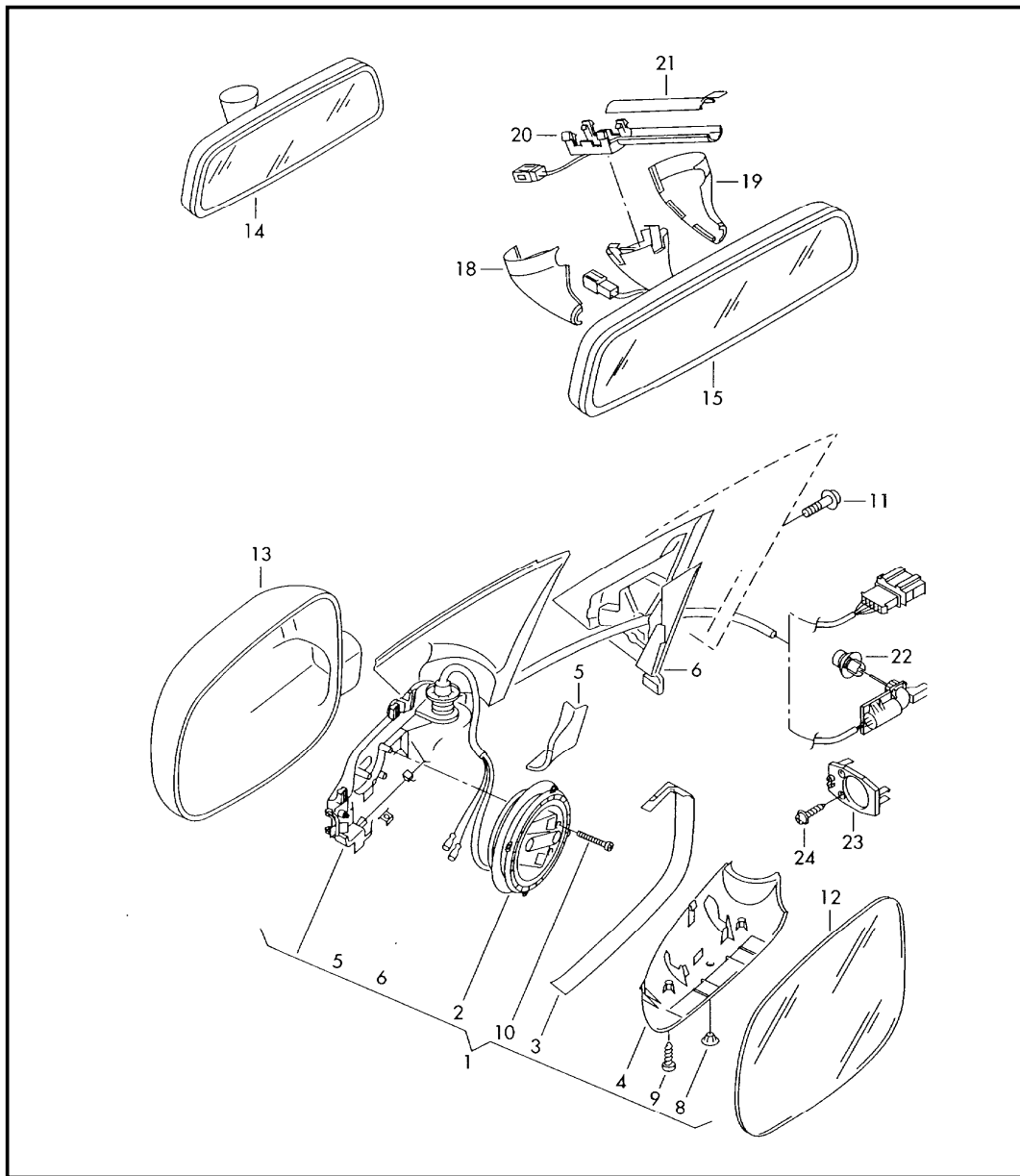


Pos	Part Number	Name	Remarks	Qty	Model
		dashboard installation parts			
1	1H0 857 231 A	trim for radio opening		1	
	10/96-08/0001C	satin black			
1A	1J0 857 231	trim for radio opening		1	
	03/98-08/0001C	satin black			
(2)	3B0 858 069 BT	trim	center	1	PR-7Q0,5MG
		rework if necessary			
	10/96-08/002WE	burr walnut			
(2)	3B0 858 069 BR	trim	center	1	PR-7Q0,5MA
		rework if necessary			
	10/96-08/002AQ	black			
(2A)	3B0 858 069 AS	trim	center	1	PR-4UB,5MG
		for vehicles with cd-player or cd-player prepared			
	01/00-08/002WE	burr walnut			
(2A)	3B0 858 069 BA	trim	center	1	PR-4UB,5MD
		for vehicles with cd-player or cd-player prepared			
	03/00-08/002ZS	black/brown-netoptic			
(2A)	3B0 858 069 AT	trim	center	1	PR-7Q2/7Q6/7Q5/7A3,5MA
		for vehicles with navigation-system and integrated auto radio			
	06/99-08/002AQ	black			
(2A)	3B0 858 069 AT	trim	center	1	PR-4UB,5MA
		for vehicles with cd-player or cd-player prepared			
	06/99-08/002AQ	black			
3	3B0 858 169	insert for stowage compartment		1	
	10/96-06/0001C	satin black			
(3)	3B0 858 169 B	insert for stowage compartment		1	
	07/00-08/0001C	satin black			
4	3B0 858 179	blind cover	left, center	1	
	10/96-08/002AQ	black			


Model	Year	MG	SG	Illustration	Restrictions	UPD	18:17	11.12.2006		ETKA
PA	2000	8	57	857-10		597	USA			

Pos	Part Number	Name	Remarks	Qty	Model	Pos	Part Number	Name	Remarks	Qty	Model
5	3B0 858 179 A	blind cover	right, center	1			10/96-08/002AQ	black			
	10/96-08/002AQ	black				(27)	3B1 858 607 A	trim	lhd	1	
6	3B0 858 180	blind cover	left lower	1			10/96-08/002WE	burr walnut			
	09/99-08/002AQ	black									
7	3B0 858 180 A	blind cover	right lower	1							
	10/96-08/002AQ	black									
(8)	1J0 857 725 B	intermediate piece		1							
9	3B0 857 058	shelf	center	1							
	08/99-08/002AQ	black									
(10)	3B1 858 345 C	cover for steering column	lhd	1							
	10/96-08/002AQ	black									
11	N 907 357 01	innensechsrund-linsenbundschr.	M4X15-H	4							
- +	N 904 190 02	speed nut	M4X15X17,5	2							
12	3B0 858 757	retaining frame	center	1	PR-7Q2/7Q5/ 7Q6						
15	3B1 858 565 A	trim, upper part steering col. combi switch	lhd	1							
	10/96-08/002AQ	black									
16	3B1 858 559	trim, lower part steering col. combi switch	lhd	1							
	10/96-08/002AQ	black									
18	N 904 556 03	bolt, with hex. socket hd.	M5X15	1							
19	N 043 951 3	tapping screw, fill. hd.	BZ2,9X25	2							
20	N 102 853 01	fillister hd. screw	M3X12	2							
25	3B1 858 601 A	cup holder	lhd	1							
26	3B1 858 608	trim	lhd	1							
	10/96-08/002AQ	black									
(26)	3B1 858 608 A	trim	lhd	1							
	10/96-08/002WE	burr walnut									
27	3B1 858 607	trim	lhd	1							


Model	Year	MG	SG	Illustration	Restrictions	UPD	18:17	11.12.2006		ETKA
PA	2000	8	57	857-40		597	USA			




Pos	Part Number	Name	Remarks	Qty	Model
		rear view mirror			
1	3B1 857 507	rear view mirror housing for vehicles with rear view mirror electrically operated and heated	left	lhd	1
	10/96-08/9701C	satin black			
(1)	3B1 857 507 C	rear view mirror housing for vehicles with rear view mirror electrically operated and heated	left	lhd	1
	09/97-08/0001C	satin black			
(1)	3B1 857 507 D	rear view mirror housing for vehicles with rear view mirror electrically operated, folding and heated	left	lhd	1
	09/97-08/0001C	satin black			
(1)	3B1 857 507 E	rear view mirror housing for vehicles with electrically operated folding rear mirror, heated and electric memory seat and backrest adjustment	left	lhd	1
	09/97-08/0001C	satin black			
(1)	3B1 857 508 C	rear view mirror housing for vehicles with rear view mirror electrically operated and heated	right	lhd	1
	02/97-08/9701C	satin black			
(1)	3B1 857 508 F	rear view mirror housing for vehicles with rear view mirror electrically operated and heated	right	lhd	1
	09/97-08/9801C	satin black			
(1)	3B1 857 508 J	rear view mirror housing for vehicles with rear view mirror electrically operated and heated F 3B-X-182 986>>	right	lhd	1
	09/98-08/0001C	satin black			

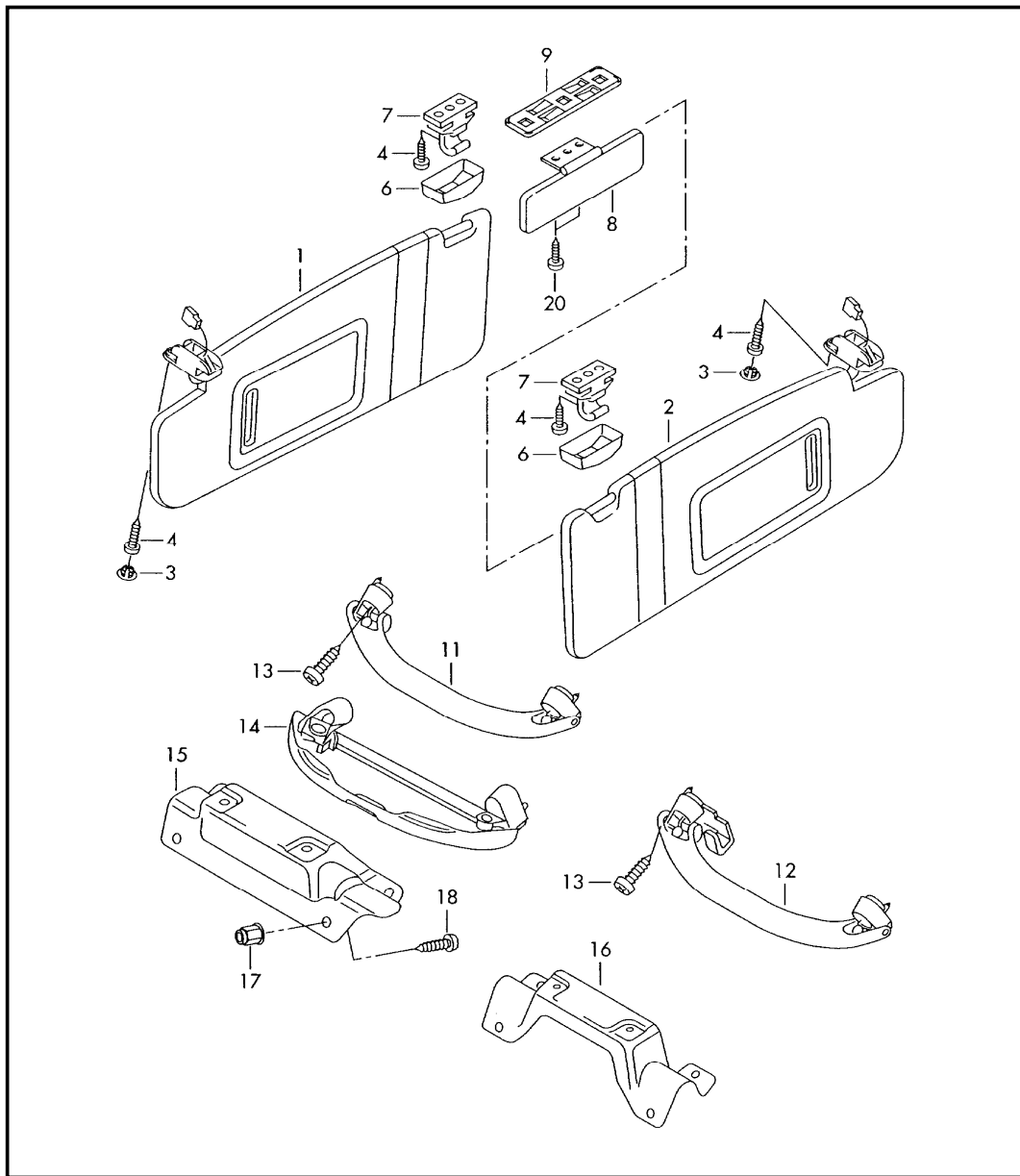
Model	Year	MG	SG	Illustration	Restrictions	UPD	18:17	11.12.2006		ETKA
PA	2000	8	57	857-40		597	USA			

Pos	Part Number	Name	Remarks	Qty	Model	Pos	Part Number	Name	Remarks	Qty	Model
(1)	3B1 857 508 G	rear view mirror housing for vehicles with rear view mirror electrically operated, folding and heated	right lhd	1		5	3B0 857 599	trim	left	1	
	09/97-08/9801C	satin black					10/96-08/0001C	satin black			
(1)	3B1 857 508 K	rear view mirror housing for vehicles with rear view mirror electrically operated, folding and heated F 3B-X-182 986>>	right lhd	1		(5)	3B0 857 600	trim	right	1	
	09/98-08/0001C	satin black					10/96-08/0001C	satin black			
(1)	3B1 857 508 H	rear view mirror housing for vehicles with electrically operated folding rear mirror, heated and electric memory seat and backrest adjustment	right lhd	1		6	3B0 857 933	sound absorber	left	1	
	09/97-08/9801C	satin black				(6)	3B0 857 934	sound absorber	right	1	
(1)	3B1 857 508 L	rear view mirror housing for vehicles with electrically operated folding rear mirror, heated and electric memory seat and backrest adjustment F 3B-X-182 986>>	right lhd	1		8	6X0 839 939	plug		2	
	09/98-08/0001C	satin black				9	N 102 853 01	fillister hd. screw	M3X12	X	
						11	N 903 042 02	bolt, with hex. socket hd. (combi.)	M8X24-Z1	2	
						12	3B1 857 521 A	mirror glass (flat) heated with plate	left lhd 175X100MM	1	
						(12)	3B1 857 522 D	mirror glass (convex) with plate F >> 3B-X-182 985	right lhd 125X100MM	1	
						(12)	3B1 857 522 A	mirror glass (convex) heated with carrier plate F 3B-X-182 986>>	right lhd 175X100MM	1	
						13	3B0 857 537 B	cap for rear view mirror	left	1	
							10/96-08/00GRU	primed if necessary paint in color of vehicle			
3	3B0 857 601	trim	left inner	1		(13)	3B1 857 538 B	cap for rear view mirror	right lhd	1	
	10/96-08/0001C	satin black					09/97-08/98GRU	primed if necessary paint in color of vehicle			
(3)	3B1 857 602	trim	right inner	1		(13)	3B0 857 538 B	cap for rear view mirror	right lhd	1	
	09/97-08/9801C	satin black					09/98-08/00GRU	primed if necessary paint in color of vehicle			
(3)	3B0 857 602	trim	right inner	1							
	09/98-08/0001C	satin black									
4	3B0 857 603	trim	left lower	1							
	10/96-08/0001C	satin black									
(4)	3B1 857 604	trim	right lower	1		14	3B0 857 511 A	rear view mirror, inner anti-dazzle		1	
	09/97-08/9801C	satin black					10/96-12/9801C	satin black			
(4)	3B0 857 604	trim	right lower	1							
	09/98-08/0001C	satin black									


Model	Year	MG	SG	Illustration	Restrictions	UPD	18:17	11.12.2006		ETKA
PA	2000	8	57	857-40		597	USA			

Pos	Part Number	Name	Remarks	Qty	Model	Pos	Part Number	Name	Remarks	Qty	Model
(14)	3B0 857 511 G	rear view mirror, inner anti-dazzle		1		21	3B0 857 594	wiring conduit, upper part for vehicles with rain sensor		1	
	01/99-08/00Y20	pearl grey					07/98-01/0001C	satin black			
	01/99-08/008YS	light beige				(21)	3B0 857 594 A	wiring conduit, upper part for vehicles with rain sensor		1	
15	3B0 857 511 C	interior rear view mirror, automatic anti-dazzle for vehicles with rain sensor		1			02/00-08/00Y20	pearl grey			
	07/98-01/0001C	satin black					02/00-08/008YS	light beige			
(15)	3B0 857 511 H	interior rear view mirror, automatic anti-dazzle for vehicles with rain sensor		1							
	02/00-08/00Y20	pearl grey									
	02/00-08/008YS	light beige									
18	3B0 858 547	cap for vehicles with rain sensor	left	1							
	07/98-01/0001C	satin black									
(18)	3B0 858 547 A	cap for vehicles with rain sensor	left	1							
	02/00-08/00Y20	pearl grey									
	02/00-08/008YS	light beige									
19	3B0 858 548	cap for vehicles with rain sensor	right	1							
	07/98-01/0001C	satin black									
(19)	3B0 858 548 A	cap for vehicles with rain sensor	right	1							
	02/00-08/00Y20	pearl grey									
	02/00-08/008YS	light beige									
20	3B0 857 591	wiring conduit, lower part for vehicles with rain sensor		1							
	07/98-01/0001C	satin black									
(20)	3B0 857 591 A	wiring conduit, lower part for vehicles with rain sensor		1							
	02/00-08/00Y20	pearl grey									
	02/00-08/008YS	light beige									


Model	Year	MG	SG	Illustration	Restrictions	UPD	18:17	11.12.2006		ETKA
PA	2000	8	57	857-50		597	USA			




Pos	Part Number	Name	Remarks	Qty	Model
(1)	3B0 857 551 G	sun vizors grab handle	left	1	"USA"
	09/97-05/99X14	pearl grey			
	09/97-05/993PS	light beige			
	- 7D0 010 229 R	sticker		1	
(1)	3B0 857 551 N	sun vizor with mirror and cover	left	1	"USA"
	06/99-08/003PS	light beige			
(1)	3B0 857 551 S	sun vizor with mirror and cover	left	1	"USA"
	06/99-08/002F4	pearl grey			
(1)	3B0 857 551 L	sun vizor with mirror and cover	left	1	"CDN"
	03/99-05/993PS	light beige			
(1)	3B0 857 551 P	sun vizor with mirror and cover	left	1	"CDN"
	06/99-06/00X14	pearl grey			
	06/99-08/003PS	light beige			
(1)	3B0 898 551 L	1 set of sun vizors with mirrors and covers		1	"CDN"
	03/99-05/99X14	pearl grey			
(2)	3B0 857 552 E	sun vizor with mirror and cover	right	1	
	09/97-02/99X14	pearl grey			
	09/97-02/993PS	light beige			
(2)	3B0 857 552 G	sun vizor with mirror and cover	right	1	"USA"
	03/99-05/993PS	light beige			
(2)	3B0 898 551 G	1 set of sun vizors with mirrors and covers		1	"USA"
	03/99-08/00X14	pearl grey			

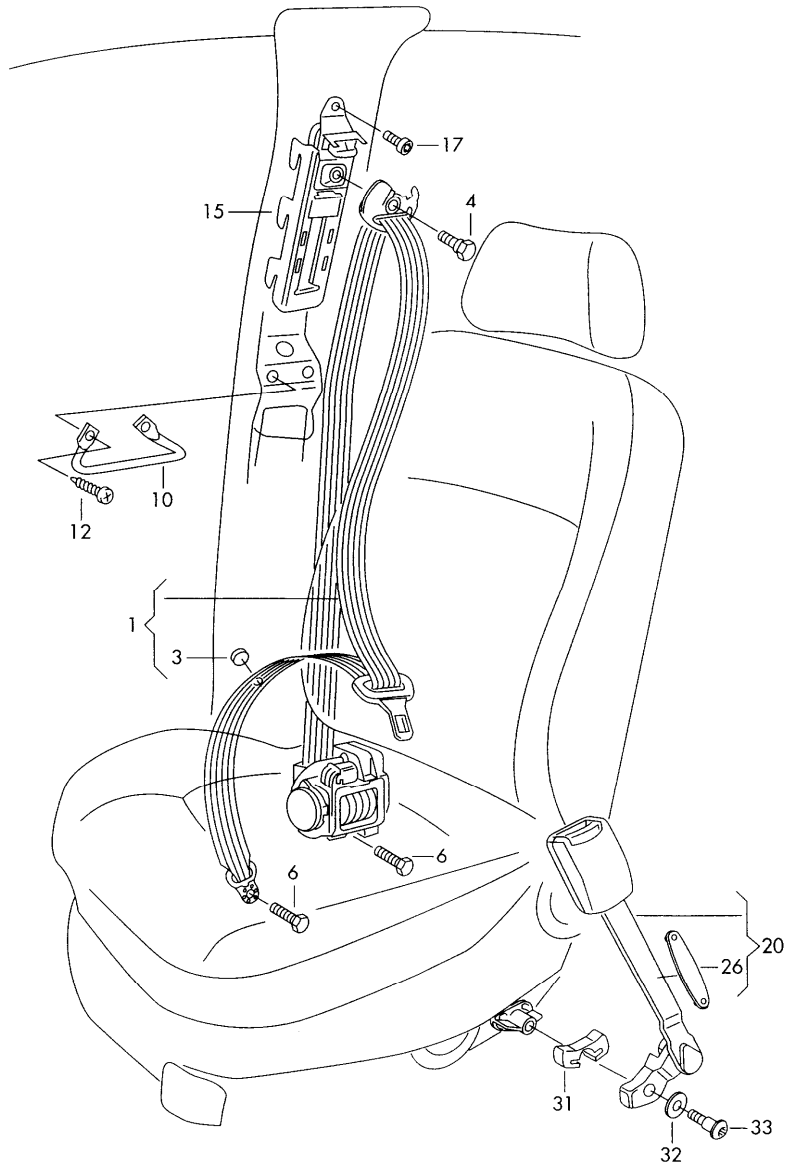
Model	Year	MG	SG	Illustration	Restrictions	UPD	18:17	11.12.2006		ETKA
PA	2000	8	57	857-50		597	USA			

Pos	Part Number	Name	Remarks	Qty	Model	Pos	Part Number	Name	Remarks	Qty	Model
(2)	3B0 857 552 N	sun vizor with mirror and cover	right	1	"USA"		10/96-06/98Y20	pearl grey	-BH, FC, FD, GP, GQ, HX, HZ, JJ, JL, NN, YY, ZA		
	06/99-06/00X14	pearl grey					10/96-06/988YS	light beige	-GS, JN, NP, YZ, ZB		
	06/99-08/003PS	light beige									
(2)	3B0 857 552 L	sun vizor with mirror and cover	right	1	"CDN"	(8)	3B9 858 555	sun vizor	center	1	WAGON
	03/99-05/993PS	light beige					05/97-06/98Y20	pearl grey	-BH, FC, FD, GP, GQ, HX, HZ, JJ, JL, NN, YY, ZA		
(2)	3B0 857 552 P	sun vizor with mirror and cover	right	1	"CDN"		05/97-06/988YS	light beige	-GS, JN, NP, YZ, ZB		
	06/99-06/00X14	pearl grey									
	06/99-08/003PS	light beige				(8)	3B0 858 555 D	sun vizor	center	1	
3	895 857 621	cap		4			07/98-08/00Y20	pearl grey			
	10/96-08/00Y20	pearl grey					07/98-08/008YS	light beige			
	10/96-08/008YS	light beige				9	3B0 858 593	bracket for sun visor		1	
4	+ N 013 964 9	tapping screw, fill. hd.	ST4,2X16-C	6		-	+ N 013 964 9	tapping screw, fill. hd.	ST4,2X16-C	1	
(6)	443 857 563 A	cap bracket for sun visor		2		-	N 906 987 01	speed nut	ST4,2X16X12	1	
	10/96-12/97Y20	pearl grey				11	3B0 857 607	grab handle, folding	front	2	
	10/96-12/978YS	light beige					01/97-08/00Y20	pearl grey			
6	3B0 857 563	cap bracket for sun visor		2			01/97-08/008YS	light beige			
	01/98-08/00Y20	pearl grey				(12)	3B0 857 607 A	grab handle, folding with coat hook	left rear	1	
	01/98-08/008YS	light beige					01/97-08/00Y20	pearl grey			
(7)	3B0 857 561	bracket for sun visor		2			01/97-08/008YS	light beige			
	12/96-12/97Y20	pearl grey				(12)	3B0 857 607 B	grab handle, folding for vehicles with head airbag	left rear	1	
7	3B0 857 561 A	bracket for sun visor		2			02/99-08/00Y20	pearl grey			
	01/98-11/998YS	light beige					02/99-08/008YS	light beige			
(7)	3B0 857 561 B	bracket for sun visor		2		12	3B0 857 608	grab handle, folding with coat hook	right rear	1	
	01/98-08/00Y20	pearl grey					01/97-08/00Y20	pearl grey			
	12/96-08/008YS	light beige					01/97-08/008YS	light beige			
8	3B0 858 555	sun vizor	center	1	sedan	(12)	3B0 857 608 A	grab handle, folding for vehicles with head airbag	right rear	1	


Model	Year	MG	SG	Illustration	Restrictions	UPD	18:17	11.12.2006		ETKA
PA	2000	8	57	857-50		597	USA			

Pos	Part Number	Name	Remarks	Qty	Model	Pos	Part Number	Name	Remarks	Qty	Model
	02/99-08/00Y20	pearl grey									
	02/99-08/008YS	light beige									
13	+ N 013 972 9	tapping screw, fill. hd.	ST4,8X25-C	8							


Model	Year	MG	SG	Illustration	Restrictions	UPD	18:17	11.12.2006		ETKA
PA	2000	8	57	857-60		597	USA			

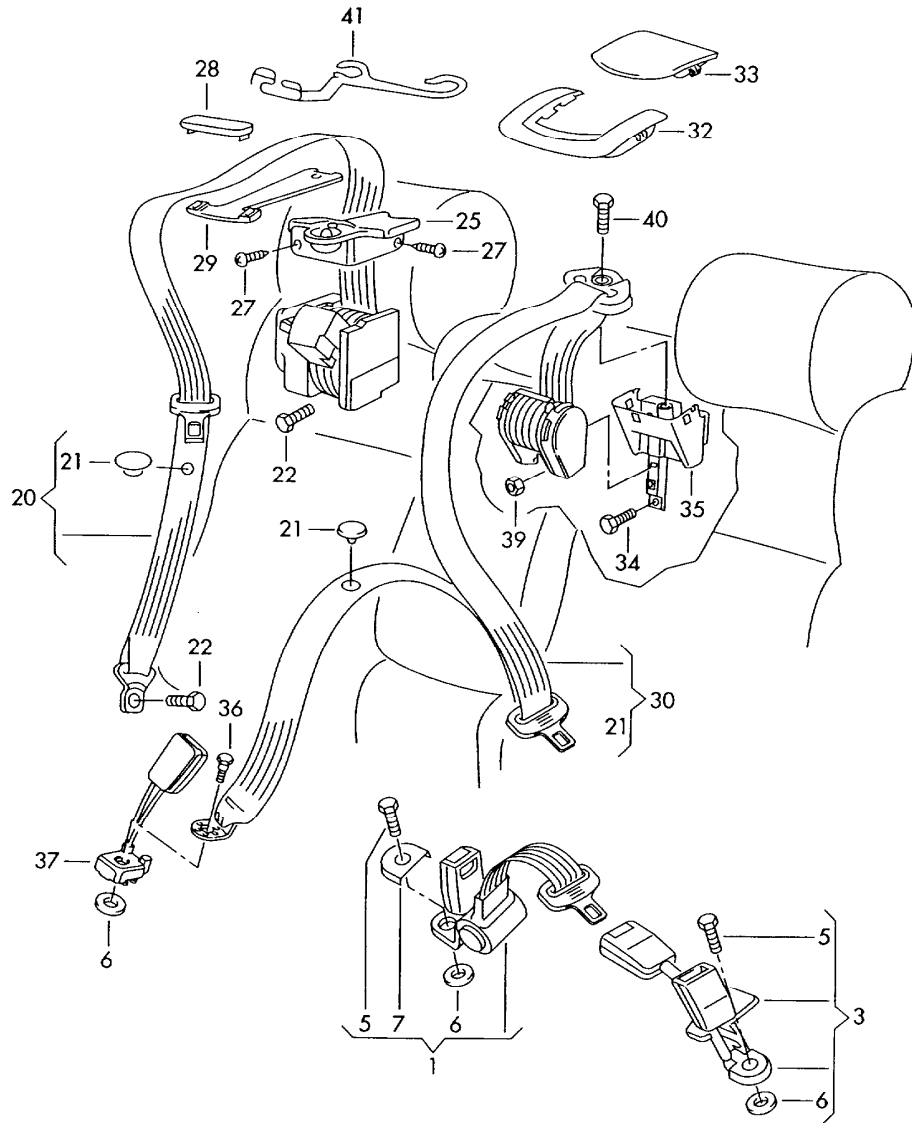


Pos	Part Number	Name	Remarks	Qty	Model
		three-point seat belt	front		
-	1J0 857 722	seat belt extension		1	
	01/99-08/00FCN	satin black/fire red			
(1)	3B1 857 705 C	three-point inertia reel seat belt with belt tensioner and belt pressure limiter ** caution dangerous cargo **	left	lhd	1
	09/97-09/99E66	flannel grey	-GQ		
	09/97-09/99Q44	ecru (beige)	-GS, YW, YZ		
	09/97-09/99041	black	-GP, YV, YY		
(1)	3B1 857 705 C	three-point inertia reel seat belt with belt tensioner and belt pressure limiter ** caution dangerous cargo **	left	lhd	1
	10/99-08/00HCP	black	-GP, YV, YY		
	10/99-08/00HCQ	flannel grey	-GQ, YX,		
	10/99-08/00HCR	ecru (beige)	-GS, YW, YZ		
(1)	3B1 857 706 C	three-point inertia reel seat belt with belt tensioner and belt pressure limiter ** caution dangerous cargo **	right	lhd	1
	09/97-09/99E66	flannel grey	-GQ		
	09/97-09/99Q44	ecru (beige)	-GS, YW, YZ		
	09/97-09/99041	black	-GP, YV, YY		
(1)	3B1 857 706 C	three-point inertia reel seat belt with belt tensioner and belt pressure limiter ** caution dangerous cargo **	right	lhd	1
	10/99-08/00HCP	black	-GP, YV, YY		
	10/99-08/00HCQ	flannel grey	-GQ, YX		
	10/99-08/00HCR	ecru (beige)	-GS, YW, YZ		
3	443 857 847 B	button		X	
	06/97-08/004PK	sabre (black)			
4	3B0 857 846	fitted bolt	7/16"	2	


Model	Year	MG	SG	Illustration	Restrictions	UPD	18:17	11.12.2006		ETKA
PA	2000	8	57	857-60		597	USA			

Pos	Part Number	Name	Remarks	Qty	Model	Pos	Part Number	Name	Remarks	Qty	Model
6	111 857 799 A	screw, hex. hd.	7/16"-20UNFX20 lower	4							
10	1H0 857 817 A	belt guide		2							
12	+ N 013 968 1	tapping screw, fill. hd.	ST4,8X13-C	4							
15	3B0 857 819 C	adjusting mechanism		2							
17	+ N 014 739 2	bolt, with hex. socket hd.	M8X16	2							
(20)	3B0 858 471 D	press button buckle	left lhd	1							
	10/96-08/00FCN	satin black/fire red	-BH,FC,FF,GP, HX,JJ,JL,NC, ND,NN,YV,YY, ZA,ZG,15,30								
	06/99-08/00FCP	flannel grey/fire red	-FD,GQ,HZ,YX, 14								
	06/99-08/00FCR	light beige/fire red	-GS,JN,NP,YW, YZ,ZB,ZK								
20	3B0 858 472 D	press button buckle	right lhd	1							
	10/96-08/00FCN	satin black/fire red	-BH,FC,FF,GP, HX,JJ,JL,NC, ND,NN,YV,YY, ZA,ZG,15,30								
	06/99-08/00FCP	flannel grey/fire red	-FD,GQ,HZ,YX, 14								
	06/99-08/00FCR	light beige/fire red	-GS,JN,NP,YW, YZ,ZB,ZK								
(20)	3B1 858 471	press button buckle with warning contact	left lhd	1							
	10/96-05/99FCN	satin black/fire red									
(20)	3B1 858 471 B	press button buckle with warning contact	left lhd	1							
	06/99-08/00FCN	satin black/fire red									
	06/99-08/00FCP	flannel grey/fire red									
	06/99-08/00FCR	light beige/fire red									
26	3B0 858 475	guide piece		2							
33		see illustration:	881-00	2							


Model	Year	MG	SG	Illustration	Restrictions	UPD	18:17	11.12.2006		ETKA
PA	2000	8	57	857-70		597	USA			




Pos	Part Number	Name	Remarks	Qty	Model			
1	3B0 857 703 B	three-point seat belt lap belt	rear	1				
		lap belt with inertia reel and press button buckle	center					
	10/96-09/99E66	flannel grey	-FD,GQ,HZ,YX					
	03/97-09/99Q44	ecru (beige)	-GS,JN,NP,YW, YZ,ZB,ZK					
	03/97-09/99041	black	-BH,FC,FF,GP, HX,JJ,JL,NC, ND,NN,YV,YY, ZA,ZG,30					
	10/99-08/00HCP	black	-BH,FC,FF,GP, HX,JJ,JL,NC, ND,NN,YV,YY, ZA,ZG,15,30					
	10/99-08/00HCQ	flannel grey	-FD,GQ,HZ,YX, 14					
	10/99-08/00HCR	ecru (beige)	-GS,JN,NP,YW, YZ,ZB,ZK					
	(3)	3B0 857 739 A	double press button buckle				1	
		10/96-08/00FCN	satin black/fire red			-BH,FC,FF,GP, HX,JJ,JL,NC, ND,NN,YV,YY ZA,ZG,15,30		
10/96-08/00FCP		flannel grey/fire red	-FD,GQ,HZ,YX, 14					
10/96-08/00FCR		light beige/fire red	-GS,JN,NP,YW, YZ,ZB,ZK					
5	803 019 837	screw, hex. hd.	7/16"X35	2				
6	803 019 813	sealing washer		2				
(20)	3B5 857 805	three-point inertia reel seat belt with belt tensioner and belt pressure limiter ** caution dangerous cargo **	left	1	sedan			
	10/96-10/99E66	flannel grey	-FD,GQ,HZ,YX					
	10/96-10/99Q44	ecru (beige)	-GS,JN,NP,YW, YZ,ZB,ZK					

Model	Year	MG	SG	Illustration	Restrictions	UPD	18:17	11.12.2006		ETKA
PA	2000	8	57	857-70		597	USA			


Pos	Part Number	Name	Remarks	Qty	Model	Pos	Part Number	Name	Remarks	Qty	Model
	10/96-10/99041	black	-BH, FC, FF, GP, HX, JJ, JL, NC, ND, NN, YV, YY, ZA, ZG, 30				05/97-10/99E66	flannel grey	-FD, GQ, HZ, YX		
(20)	3B5 857 805 D	three-point inertia reel seat belt with belt tensioner and belt pressure limiter ** caution dangerous cargo **	left	1	sedan		05/97-10/99Q44	ecru (beige)	-GS, JN, NP, YW, YZ, ZB, ZK		
	11/99-08/00HCP	black	-BH, FC, FF, GP, HX, JJ, JL, NC, ND, NN, YV, YY, ZA, ZG, 15, 30			(20)	3B9 857 805 D	three-point inertia reel seat belt with belt tensioner and belt pressure limiter ** caution dangerous cargo **	left	1	WAGON
	11/99-08/00HCQ	flannel grey	-FD, GQ, HZ, YX, 13, 14				11/99-08/00HCP	black	-BH, FC, FF, GP, HX, JJ, JL, NC, ND, NN, YV, YY, ZA, ZG, 15, 30		
	11/99-08/00HCR	ecru (beige)	-GS, JN, NP, YW, YZ, ZB, ZK				11/99-08/00HCQ	flannel grey	-FD, GQ, HZ, YX, 13, 14		
20	3B5 857 806	three-point inertia reel seat belt with belt tensioner and belt pressure limiter ** caution dangerous cargo **	right	1	sedan		11/99-08/00HCR	ecru (beige)	-GS, JN, NP, YW, YZ, ZB, ZK		
	10/96-10/99E66	flannel grey	-FD, GQ, HZ, YX			(20)	3B9 857 806	three-point inertia reel seat belt with belt tensioner and belt pressure limiter ** caution dangerous cargo **	right	1	WAGON
	10/96-10/99Q44	ecru (beige)	-GS, JN, NP, YW, YZ, ZB, ZK				05/97-10/99E66	flannel grey	-FD, GQ, HZ, YX		
	10/96-10/99041	black	-BH, FC, FF, GP, HX, JJ, JL, NC, ND, NN, YV, YY, ZA, ZG, 30				05/97-10/99Q44	ecru (beige)	-GS, JN, NP, YW, YZ, ZB, ZK		
(20)	3B5 857 806 D	three-point inertia reel seat belt with belt tensioner and belt pressure limiter ** caution dangerous cargo **	right	1	sedan		05/97-10/99041	black	-BH, FC, FF, GP, HX, JJ, JL, NC, ND, NN, YV, YY, ZA, ZG, 30		
	11/99-08/00HCP	black	-BH, FC, FF, GP, HX, JJ, JL, NC, ND, NN, YV, YY, ZA, ZG, 15, 30			(20)	3B9 857 806 D	three-point inertia reel seat belt with belt tensioner and belt pressure limiter ** caution dangerous cargo **	right	1	WAGON
	11/99-08/00HCQ	flannel grey	-FD, GQ, HZ, YX, 13, 14				11/99-08/00HCP	black	-BH, FC, FF, GP, HX, JJ, JL, NC, ND, NN, YV, YY, ZA, ZG, 15, 30		
	11/99-08/00HCR	ecru (beige)	-GS, JN, NP, YW, YZ, ZB, ZK				11/99-08/00HCQ	flannel grey	-FD, GQ, HZ, YX, 13, 14		
(20)	3B9 857 805	three-point inertia reel seat belt with belt tensioner and belt pressure limiter ** caution dangerous cargo **	left	1	WAGON		11/99-08/00HCR	ecru (beige)	-GS, JN, NP, YW, YZ, ZB, ZK		

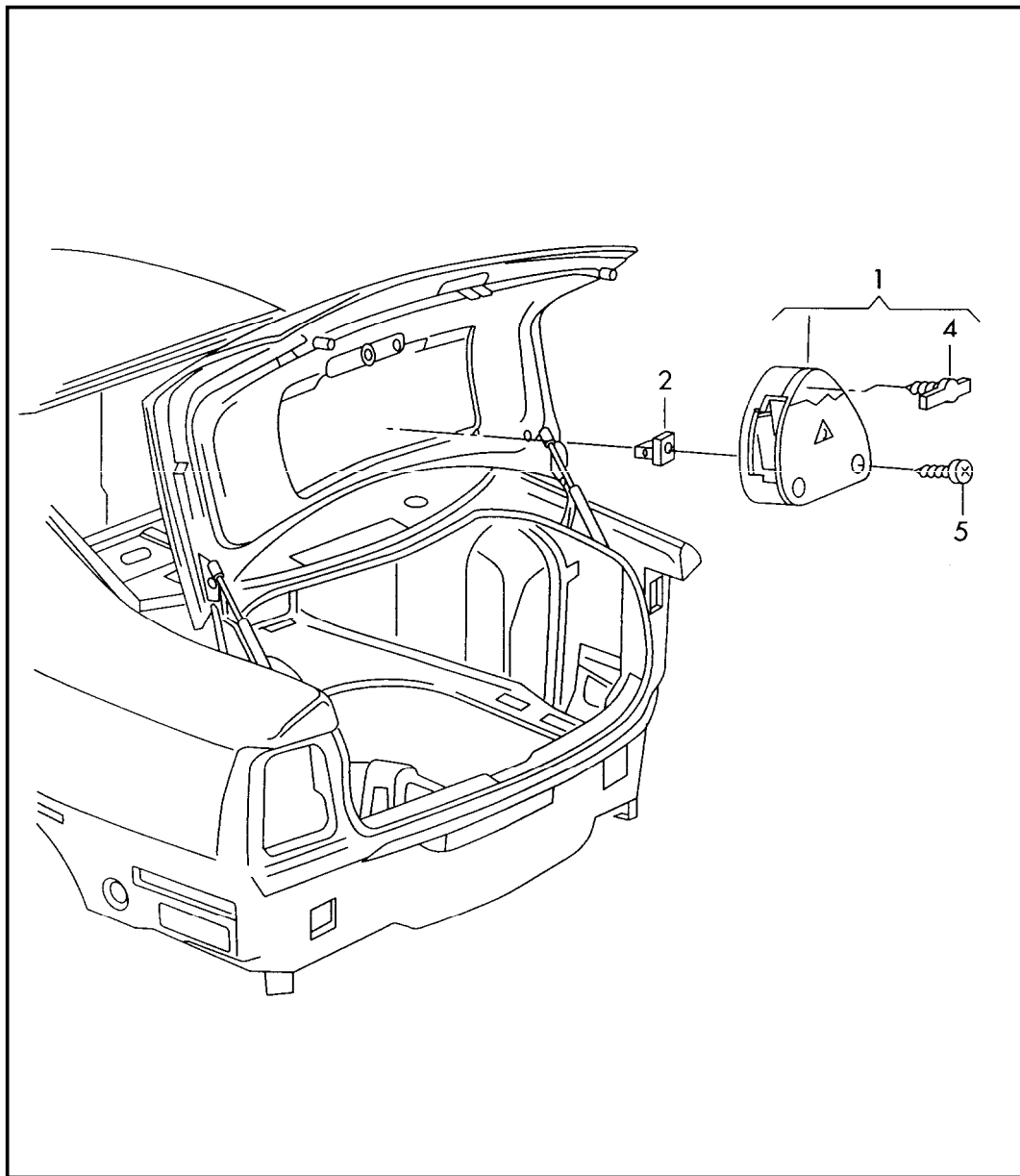
Model	Year	MG	SG	Illustration	Restrictions	UPD	18:17	11.12.2006		ETKA
PA	2000	8	57	857-70		597	USA			

Pos	Part Number	Name	Remarks	Qty	Model	Pos	Part Number	Name	Remarks	Qty	Model
21	443 857 847 B	button		X			08/97-10/99Q44	ecru (beige)	-GS, JN, NP, YW, YZ, ZB, ZK		
	10/96-08/004PK	sabre (black)					08/97-10/99041	black	-BH, FC, FF, GP, HX, JJ, JL, NC, ND, NN, YV, YY, ZA, ZG, 30		
22	111 857 799 A	screw, hex. hd.	7/16"-20UNFX20	X							
(25)	3B0 857 761	belt guide F >> 3B-ZP147 199 F >> 3B-XP147 614	left	1		30	3B0 857 807 A	three-point seat belt	center	1	
25	3B0 857 762	belt guide F >> 3B-XP147 199 F >> 3B-XP147 614	right	1			11/99-08/00HCP	black	-BH, FC, FF, GP, HX, JJ, JL, NC, ND, NN, YV, YY, ZA, ZG, 15, 30		
(25)	3B0 857 761 A	belt guide F 3B-XP147 200>> F 3B-XP147 615>>	left	1			11/99-08/00HCQ	flannel grey	-FD, GQ, HZ, YX, 14		
(25)	3B0 857 762 A	belt guide F 3B-XP147 200>> F 3B-XP147 615>>	right	1			11/99-08/00HCR	ecru (beige)	-GS, JN, NP, YW, YZ, ZB, ZK		
27	+ N 013 968 1	tapping screw, fill. hd.	ST4,8X13-C	4		(32)	3B0 857 781 B	trim		1	
28	3B0 857 763	cover outrigger		2			08/97-08/00B41	satin black	-BH, FC, FF, GP, HX, JJ, JL, NC, NN, YV, YY, ZA, ZG, 15, 30		
	10/96-08/00B41	satin black	-BH, FC, FF, GP, HX, JJ, JL, NC, ND, NN, YV, YY, ZA, ZG, 15, 30				08/97-08/00Q70	light beige	-GS, JN, ND, NP, YW, YZ, ZB, ZK		
	10/96-08/00Q70	light beige	-GS, JN, NP, YW, YZ, ZB, ZK				08/97-08/00U71	flannel grey	-FD, GQ, HZ, YX, 14		
	10/96-08/00U71	flannel grey	-FD, GQ, HZ, YX, 13, 14			(33)	3B0 857 785 A	cover plate		1	
29	3B0 857 765	outrigger belt guide		2			08/97-08/00B41	satin black	-BH, FC, FF, GP, HX, JJ, JL, NC, NN, YV, YY, ZA, ZG, 15, 30		
	10/96-08/00B41	satin black	-BH, FC, FF, GP, HX, JJ, JL, NC, ND, NN, YV, YY, ZA, ZG, 15, 30				08/97-08/00Q70	light beige	-GS, JN, ND, NP, YW, YZ, ZB, ZK		
	10/96-08/00Q70	light beige	-GS, JN, NP, YW, YZ, ZB, ZK				08/97-08/00U71	flannel grey	-FD, GQ, HZ, YX, 14		
	10/96-08/00U71	flannel grey	-FD, GQ, HZ, YX, 13, 14			34	111 857 799 A	screw, hex. hd.	7/16"-20UNFX20	3	
30	3B0 857 807 A	three-point seat belt	center	1		35	3B0 857 863 A	mounting		1	
	08/97-10/99E66	flannel grey	-FD, GQ, HZ, YX			36	N 989 097 01	screw, hex. hd.	7/16"-20UNFX40	1	
						37	3B0 857 740 A	press button buckle	right	1	


Model	Year	MG	SG	Illustration	Restrictions	UPD	18:17	11.12.2006		ETKA
PA	2000	8	57	857-70		597	USA			

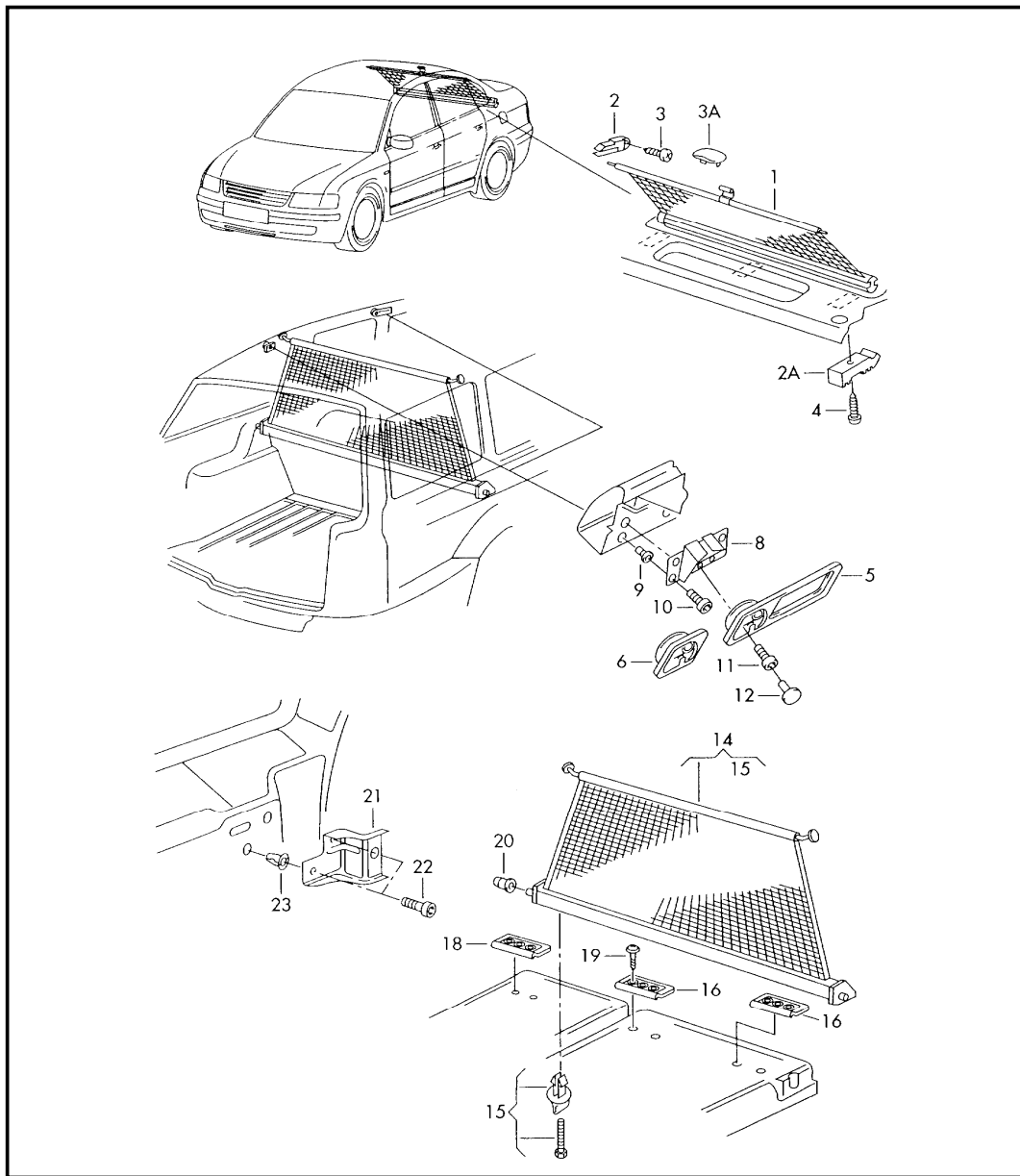
Pos	Part Number	Name	Remarks	Qty	Model	Pos	Part Number	Name	Remarks	Qty	Model
	08/97-08/00FCN	satin black/fire red	-BH, FC, FF, GP, HX, JJ, JL, NC, ND, NN, YV, YY, ZA, ZG, 15, 30								
	09/98-08/00FCP	flannel grey/fire red	-FD, GQ, HZ, YX, 14								
	09/98-08/00FCR	light beige/fire red	-GS, JN, NP, YW, YZ, ZB, ZK								
39	481 857 732	hex. nut		1							
40	N 989 103 01	fitted bolt	7/16"-20UNFX	2							

Model	Year	MG	SG	Illustration	Restrictions	UPD	18:17	11.12.2006		ETKA
PA	2000	8	60	860-00		597	USA			




Pos	Part Number	Name	Remarks	Qty	Model
		bracket for warning triangle			
(1)	3B5 860 285 B	mounting		1	
	08/98-08/00B41	satin black			
			only for: 4B5 860 251 B		
			as required use: N 907 397.01	2	
-	4B5 860 251 B	warning triangle		1	
2	+ 811 807 577 C	speed nut		2	
4	4A5 860 333	wing screw		1	
5	+ N 013 941 3	tapping screw, fill. hd.	B4, 8X32	2	
(5)	N 907 397 01	tapping screw	only for: 5X22-Q 3B5 860 285 B	2	
		bag for carrier bars, limiting bars ** see accessories catalog **			wagon


Model	Year	MG	SG	Illustration	Restrictions	UPD	18:17	11.12.2006		ETKA
PA	2000	8	61	861-00		597	USA			




Pos	Part Number	Name	Remarks	Qty	Model
1	8D5 861 325	roller blind		1	
	05/97-12/99EXU	satin black/black			
(1)	8D5 861 325 A	roller blind for rear window		1	
	01/99-03/00EXU	satin black/black			
(1)	3B5 861 325 A	roller blind for rear window		1	
	04/00-08/00ADA	satin black	-BH, FC, FF, GP, HX, JJ, JL, NC, ND, NN, YV, YY, ZA, ZG, 15, 30		
	04/00-08/00FDW	flannel grey	-FD, GQ, HZ, YX, 14		
	04/00-08/00FDX	light beige	-GS, JN, NP, YW, YZ, ZB, ZK		
(2)	3B5 861 327 A	hook	left	1	
	10/96-05/00Y20	pearl grey			
	10/96-05/008YS	light beige			
(2)	3B5 861 301 B	hook	left	1	
	06/00-08/00Y20	pearl grey			
	06/00-08/008YS	light beige			
2	3B5 861 328 A	hook	right	1	
	10/96-05/00Y20	pearl grey			
	10/96-05/008YS	light beige			
(2)	3B5 861 302 B	hook	right	1	
	06/00-08/00Y20	pearl grey			
	06/00-08/008YS	light beige			
3	+ N 013 964 9	tapping screw, fill. hd.	ST4,2X16-C	2	
(3A)	358 863 499	cap		2	
	05/97-08/008YS	light beige			
3A	3B5 863 499	cap		2	

Model	Year	MG	SG	Illustration	Restrictions	UPD	18:17	11.12.2006		ETKA
PA	2000	8	61	861-00		597	USA			


Pos	Part Number	Name	Remarks	Qty	Model	Pos	Part Number	Name	Remarks	Qty	Model
	05/97-08/00Y20	pearl grey					05/97-08/00Y20	pearl grey			
		net partition			wagon "CDN"	(5)	05/97-08/008YS	light beige			
5	3B9 861 705 F	lifting bracket	left front	1			3B9 861 706 S	lifting bracket for vehicles with glass sliding roof for vehicles with head airbag	right front	1	PR-4X3/4X4, 3FE
	05/97-03/99Y20	pearl grey					02/99-08/00Y20	pearl grey			
(5)	3B9 861 705 M	lifting bracket	left front	1	PR-4X0/4X1		02/99-08/008YS	light beige			
	04/99-08/00Y20	pearl grey				6	3B9 861 705 G	lifting bracket	left rear	1	
	05/97-08/008YS	light beige					05/97-03/99Y20	pearl grey			
(5)	3B9 861 705 Q	lifting bracket for vehicles with head airbag	left front	1	PR-4X3/4X4	(6)	3B9 861 705 N	lifting bracket	left rear	1	PR-4X0/4X1
	02/99-08/00Y20	pearl grey					04/99-08/00Y20	pearl grey			
	02/99-08/008YS	light beige				(6)	3B9 861 705 R	lifting bracket for vehicles with head airbag	left rear	1	PR-4X3/4X4
(5)	3B9 861 706 M	lifting bracket	right front	1	PR-4X0/4X1		02/99-08/00Y20	pearl grey			
	04/99-08/00Y20	pearl grey					02/99-08/008YS	light beige			
(5)	3B9 861 706 Q	lifting bracket for vehicles with head airbag	right front	1	PR-4X3/4X4	(6)	3B9 861 706 G	lifting bracket	right rear	1	
	02/99-08/00Y20	pearl grey					05/97-03/99Y20	pearl grey			
	02/99-08/008YS	light beige				(6)	3B9 861 706 N	lifting bracket	right rear	1	PR-4X0/4X1
(5)	3B9 861 705 P	lifting bracket for vehicles with glass sliding roof	left front	1	PR-4X0/4X1, 3FE		04/99-08/00Y20	pearl grey			
	05/97-08/00Y20	pearl grey				(6)	3B9 861 706 R	lifting bracket for vehicles with head airbag	right rear	1	PR-4X3/4X4
	05/97-08/008YS	light beige					02/99-08/00Y20	pearl grey			
(5)	3B9 861 705 S	lifting bracket for vehicles with glass sliding roof for vehicles with head airbag	left front	1	PR-4X3/4X4, 3FE	8	3B9 861 821 J	bracket F >> 3B-XE340 810	left front	1	
	02/99-08/00Y20	pearl grey				(8)	3B9 861 821 Q	bracket F 3B-XE340 811>> 3B-YE483 162*	left front	1	PR-4X0,4X1
	02/99-08/008YS	light beige				(8)	3B9 861 821 AE	bracket F 3B-YE483 163>>*	left front	1	
(5)	3B9 861 706 P	lifting bracket for vehicles with glass sliding roof	right front	1	PR-4X0/4X1, 3FE						

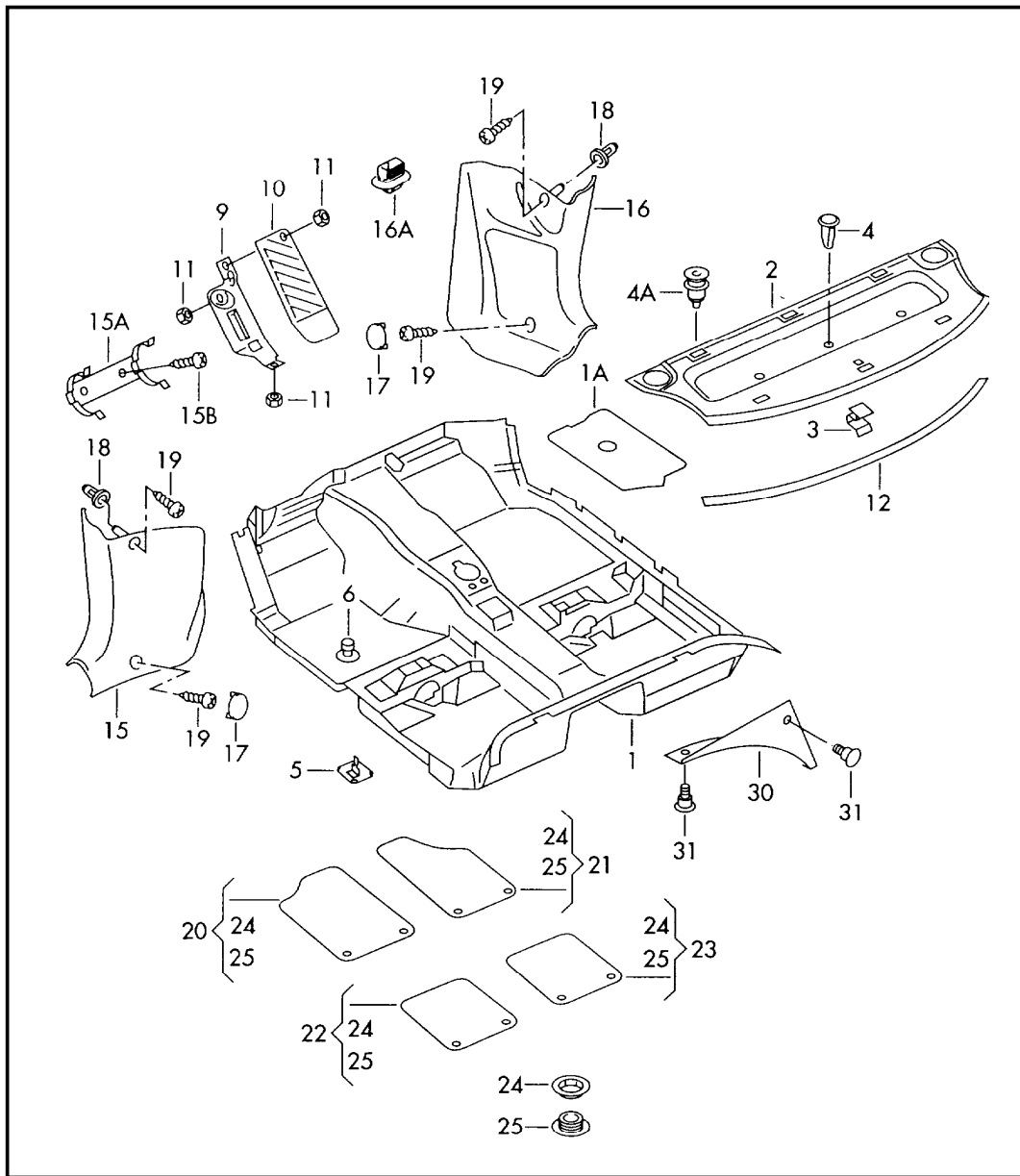
Model	Year	MG	SG	Illustration	Restrictions	UPD	18:17	11.12.2006		ETKA
PA	2000	8	61	861-00		597	USA			

Pos	Part Number	Name	Remarks	Qty	Model	Pos	Part Number	Name	Remarks	Qty	Model
(8)	3B9 861 821 AC	bracket for vehicles with head airbag F >> 3B-YE483 162*	left front	1	PR-4X3/4X4	(8)	3B9 861 822 S	bracket for vehicles with glass sliding roof F 3B-XE340 811>> 3B-YE483 162*	right front	1	PR-4X0,4X1
(8)	3B9 861 821 AJ	bracket for vehicles with head airbag F 3B-YE483 163>>*	left front	1	PR-4X3/4X4	(8)	3B9 861 822 AG	bracket for vehicles with glass sliding roof F 3B-YE483 163>>*	right front	1	
(8)	3B9 861 822 J	bracket F >> 3B-XE340 810	right front	1		(8)	3B9 861 822 AB	bracket for vehicles with glass sliding roof for vehicles with head airbag F >> 3B-YE483 162*	right front	1	PR-4X3/4X4
(8)	3B9 861 822 Q	bracket F 3B-XE340 811>> 3B-YE483 162*	right front	1	PR-4X0,4X1	(8)	3B9 861 822 AH	bracket for vehicles with glass sliding roof for vehicles with head airbag F 3B-YE483 163>>*	right front	1	
(8)	3B9 861 822 AE	bracket F 3B-YE483 163>>*	right front	1		(8)	3B9 861 821 K	bracket F >> 3B-XE340 810	left rear	1	
(8)	3B9 861 822 AC	bracket for vehicles with head airbag F >> 3B-YE483 163*	right front	1	PR-4X3/4X4	(8)	3B9 861 821 R	bracket F 3B-XE340 811>> 3B-YE483 162*	left rear	1	PR-4X0,4X1
(8)	3B9 861 822 AJ	bracket for vehicles with head airbag F 3B-YE483 163>>*	right front	1	PR-4X3/4X4	(8)	3B9 861 821 AF	bracket F 3B-YE483 163>>*	left rear	1	
(8)	3B9 861 821 L	bracket for vehicles with glass sliding roof F >> 3B-XE340 810	left front	1		(8)	3B9 861 821 AD	bracket for vehicles with head airbag F >> 3B-YE483 162*	left rear	1	PR-4X3/4X4
(8)	3B9 861 821 S	bracket for vehicles with glass sliding roof F 3B-XE340 811>> 3B-YE483 162*	left front	1	PR-4X0,4X1	(8)	3B9 861 821 AK	bracket for vehicles with head airbag F 3B-YE483 163>>*	left rear	1	
(8)	3B9 861 821 AG	bracket for vehicles with glass sliding roof F 3B-YE483 163>>*	left front	1		(8)	3B9 861 822 K	bracket F >> 3B-XE340 810	right rear	1	
(8)	3B9 861 821 AB	bracket for vehicles with glass sliding roof for vehicles with head airbag F >> 3B-YE483 163*	left front	1	PR-4X3/4X4	(8)	3B9 861 822 R	bracket F 3B-XE340 811>> 3B-YE483 162*	right rear	1	PR-4X0,4X1
(8)	3B9 861 821 AH	bracket for vehicles with glass sliding roof for vehicles with head airbag F 3B-YE483 163>>*	left front	1		(8)	3B9 861 822 AF	bracket F 3B-YE483 163>>*	right rear	1	
(8)	3B9 861 822 L	bracket for vehicles with glass sliding roof F >> 3B-XE340 810	right front	1		(8)	3B9 861 822 AD	bracket for vehicles with head airbag F >> 3B-YE483 162*	right rear	1	PR-4X3/4X4
(8)						(8)	3B9 861 822 AK	bracket for vehicles with head airbag F 3B-YE483 163>>*	right rear	1	


Model	Year	MG	SG	Illustration	Restrictions	UPD	18:17	11.12.2006		ETKA
PA	2000	8	61	861-00		597	USA			

Pos	Part Number	Name	Remarks	Qty	Model	Pos	Part Number	Name	Remarks	Qty	Model
9	N 907 779 01	rivetted cap nut F >> 3B-XE340 810	M8/0,5-3-A front	8			05/97-04/00Q70	light beige			
(9)	N 907 868 01	rivetted cap nut F >> 3B-XE340 810	M8X9 rear	8		(16)	05/97-04/00U71	flannel grey			
10	N 102 684 01	fillister hd. screw with hex. socket hd. F >> 3B-XE340 810	M8X20	20			3B9 861 703 C	retaining strip		2	
(10)	N 105 287 01	bolt, with hex. socket hd. F 3B-XE340 811>>	M10X25-V	8			05/97-08/00B41	black			
11	N 102 684 01	fillister hd. screw with hex. socket hd.	M8X20	4			05/00-08/00Q70	light beige			
12	3B9 858 869	cap	18MM	4			05/00-08/00U71	flannel grey			
	05/97-03/99Y20	pearl grey				18	3B9 861 704	retaining strip F >> 3B-XE180 042		1	
	05/97-03/998YS	light beige					05/97-08/98B41	satin black			
12	3B9 858 869 A	cap	19,2MM	4			05/97-08/98Q70	light beige			
	04/99-08/00Y20	pearl grey					05/97-08/98U71	flannel grey			
	04/99-08/008YS	light beige				19	N 104 329 01	innensechsrund-linsenschraube F >> 3B-X-145 413* F >> 3B-XE173 715*	M6X30/T30	X X	
(14)	3B9 861 691 AN	net partition, removeable for vehicles with head airbag		1	PR-4X3,4X4	19 +	N 013 946 1	tapping screw, fill. hd. F 3B-X-145 414>>* F 3B-XE173 716>>*	B6,3X32	X X	
	02/99-08/0003C	rally black				20	3B9 861 587	escutcheon		1	
(14)	3B9 861 691 P	net partition, removeable F >> 3B-XE180 042		1	"CDN"	20	05/97-04/00Q70	light beige			
	05/97-09/9803C	rally black					05/97-08/00B41	satin black			
(14)	3B9 861 691 T	net partition, removeable F 3B-XE180 043>>		1	"CDN" PR-4X0,4X1		05/00-08/00Q70	light beige			
	10/98-08/0003C	rally black					05/97-08/00U71	flannel grey			
(14)	3B9 861 691 AD	net partition, removeable for vehicles with head airbag		1	"CDN"						
	03/99-08/0003C	rally black									
15	3B9 861 698	catch net partition		1							
	05/97-08/0001C	satin black									
(16)	3B9 861 703 B	retaining strip		2							


Model	Year	MG	SG	Illustration	Restrictions	UPD	18:18	11.12.2006		ETKA
PA	2000	8	63	863-00		597	USA			




Pos	Part Number	Name	Remarks	Qty	Model
(1)	3B1 863 367 AF	floor covering foot support interior trim floor cover	lhd as required use: *>>3B-Y-350000 3D0 898 501 (B41) as required use: 3B0 863 496	1	manual transmission
(1)	10/96-08/006EX	flannel grey	-FD,GQ,HZ,YX, 14		
(1)	3B1 863 367 AK	floor cover MATERIAL: IBOLOURS	lhd as required use: *>>3B-Y-350000 3D0 898 501 (B41) as required use: 3B0 863 496	1	manual transmission
(1)	06/97-08/008ER	black	-BH,BJ,FC,FF, FP,GA,GP,HX, JJ,JL,NC,ND, NG,NN,RW,VA, XR,YV,YY,ZA, ZG,ZR,30		
	06/97-08/009PF	light beige	-GS,JN,NP,YW, YZ,ZB,ZK		
	12/99-08/006EX	flannel grey	-FQ,GB,JC,RN, VB,ZH,FD,GQ, HZ,YX,14		
(1A)	3B0 863 496	insert for floor		1	
(2)	3B5 863 413	trim for parcel shelf, rear		1	sedan
	10/96-03/00E72	flannel grey			
(2)	3B5 863 413 H	trim for parcel shelf, rear		1	sedan
	10/96-03/005YV	black			
	10/96-03/009PL	light beige			
(2)	3B5 863 413 R	trim for parcel shelf, rear		1	sedan
	04/00-08/0016L	light beige			
(2)	3B5 863 413 M	trim for parcel shelf, rear		1	sedan

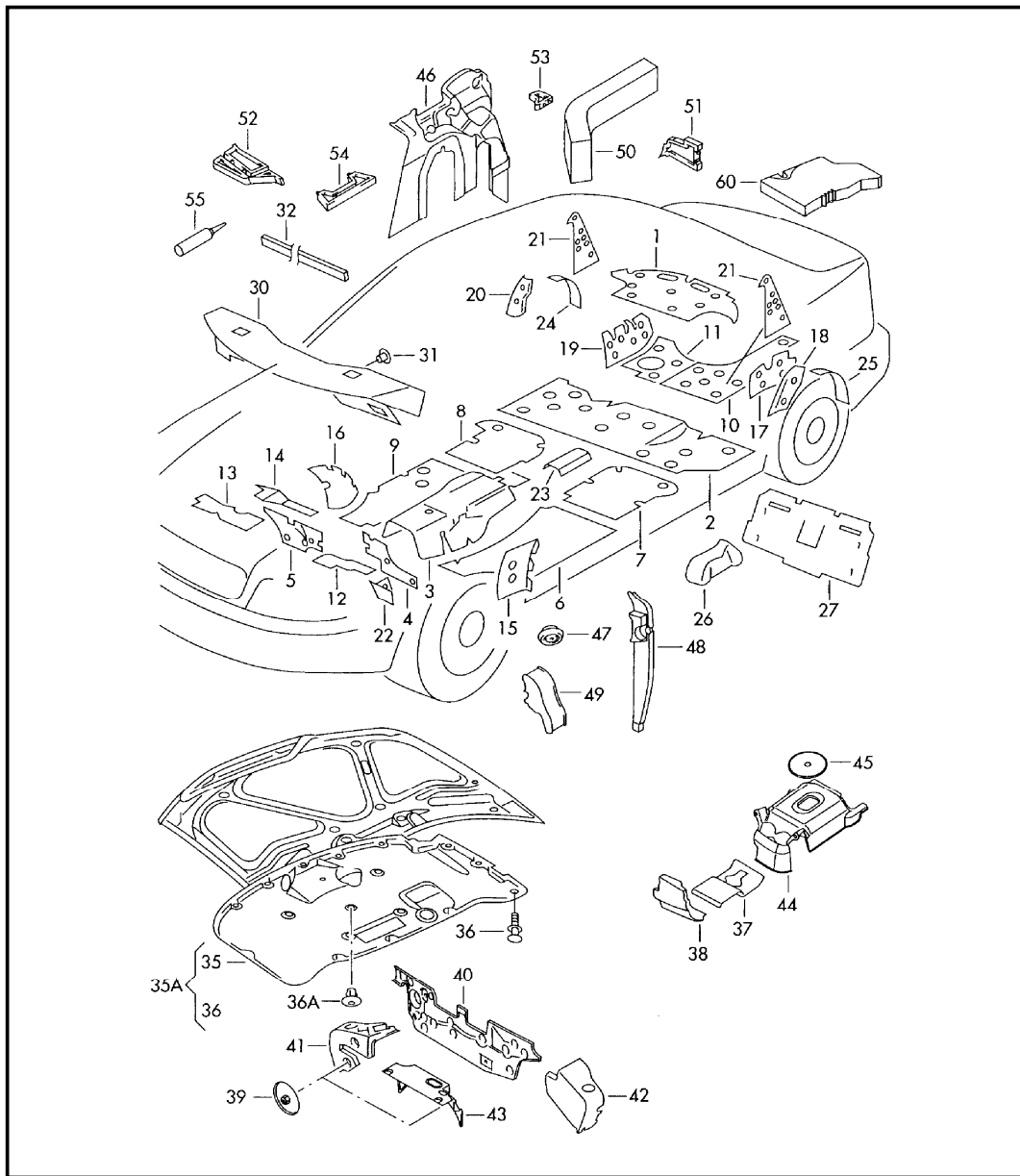
Model	Year	MG	SG	Illustration	Restrictions	UPD	18:18	11.12.2006		ETKA
PA	2000	8	63	863-00		597	USA			

Pos	Part Number	Name	Remarks	Qty	Model	Pos	Part Number	Name	Remarks	Qty	Model
	04/00-08/0014F	black				(2)	3B5 863 413 L	trim for parcel shelf, rear		1	sedan
	04/00-08/0015K	flannel grey						for vehicles with roller blind			
(2)	3B5 863 413 K	trim for parcel shelf, rear for vehicles with head airbag		1	sedan			for vehicles with head airbag			
	01/99-08/0015K	flannel grey					01/99-08/0015K	flannel grey	-FD, GQ, HZ, YX, 14		
(2)	3B5 863 413 P	trim for parcel shelf, rear OHNE SONNENROLLO for vehicles with head airbag		1		(2)	01/99-08/0016L	light beige	-GS, JN, NP, YZ, ZB, YW, ZK		
	01/99-08/0014F	black					3B5 863 413 Q	trim for parcel shelf, rear for vehicles with roller blind for vehicles with head airbag		1	
(2)	3B5 863 413 A	trim for parcel shelf, rear for vehicles with roller blind		1	sedan		01/99-08/0014F	black	-BH, FC, GP, HX, JJ, JL, NN, YY, ZA, NC, ND, YV, ZG, 30		
	10/96-03/00E72	flannel grey				3	8D5 863 429	clamp		3	sedan
(2)	3B5 863 413 J	trim for parcel shelf, rear for vehicles with roller blind		1	sedan	4	8A0 863 987	clip		3	sedan
	10/96-03/005YV	black				4A	3B9 863 689	clip		3	sedan
	10/96-03/009PL	light beige				(5)	3B0 864 227	bracket	front, lower	4	
(2)	3B5 863 413 S	trim for parcel shelf, rear for vehicles with roller blind		1	sedan		10/96-11/9901C	black			
	04/00-08/0015K	flannel grey				(5)	3D0 864 227	bracket	front, lower	4	
	04/00-08/0016L	light beige					12/99-08/00B41	satin black			
(2)	3B5 863 413 N	trim for parcel shelf, rear for vehicles with roller blind		1	sedan	(6)	3B0 864 229 A	cap	front, upper	4	
	04/00-08/0014F	black					10/96-11/9901C	satin black			
							10/96-11/99Q70	light beige			
							10/96-11/99U71	flannel grey			
						(6)	3D0 864 229	cap	front, upper	4	
							12/99-08/00B41	satin black			
							12/99-08/00Q70	light beige			
							12/99-08/00U71	flannel grey			
						(6)	3B0 864 812 A	knob for floor cover	rear	4	
							10/96-11/9901C	black			


Model	Year	MG	SG	Illustration	Restrictions	UPD	18:18	11.12.2006		ETKA
PA	2000	8	63	863-00		597	USA			

Pos	Part Number	Name	Remarks	Qty	Model	Pos	Part Number	Name	Remarks	Qty	Model
(6)	3D0 864 812	knob for floor cover	rear	4			08/98-08/00B41	satin black			
	12/99-08/00B41	satin black					06/97-08/00Q70	light beige			
	12/99-08/00Q70	light beige					08/98-08/00U71	flannel grey			
	12/99-08/00U71	flannel grey				- +	6N0 867 276	clip		1	
(6)	3D0 864 812 A	knob for floor cover	rear	4		17	3B0 864 509 A	cap		2	
	10/96-08/00B41	satin black					10/96-08/00B41	satin black			
	10/96-08/00Q70	light beige					10/96-08/00Q70	light beige			
	10/96-08/00U71	flannel grey					10/96-08/00U71	flannel grey			
9	8D1 864 775	bracket for foot support	lhd	1		18 +	4A0 857 610	expanding nut		2	
10	8D1 864 777	base for foot support	lhd	1		19	N 907 321 01	innensechsrund-blechschrabe	4X16-Q	2	
	10/96-08/00B41	satin black				20-23		floor mat			
	10/96-08/00Q70	light beige						see illustration:	035-91		
	10/96-08/00U71	flannel grey				24/25	--- --- ---	no longer available			
11 +	N 901 752 03	shouldered hex. nut	M6	3		(30)	3B5 868 435 A	lining for vehicules with long load possibility (ski sack)	left upper	1	sedan: 5-,6-cyl.
(11) +	N 013 972 9	tapping screw, fill. hd.	ST4,8X25-C	2			10/96-08/008JS	off-black			
12	3B5 863 433 A	lining		1	sedan	30	3B5 868 436 A	lining for vehicules with long load possibility (ski sack)	right upper	1	sedan: 5-,6-cyl.
	10/96-08/006VD	anthracite					10/96-08/008JS	off-black			
(15)	3B1 863 483 J	lining, pillar a	left lower	1		31	191 867 199	plug	20/8,5	2	sedan: 5-,6-cyl.
	10/96-08/00B41	satin black					+ 10/96-08/0001C	satin black			
	10/96-08/00Q70	light beige									
	10/96-08/00U71	flannel grey									
(15)	3B1 863 483 Q	lining, pillar a	left lower lhd	1							
	10/96-08/00Q70	light beige									
(16)	3B1 863 484 G	lining, pillar a	right lower	1							
	10/96-09/98B41	satin black									
	10/96-09/98U71	flannel grey									
	10/96-09/98Q70	light beige									
(16)	3B1 863 484 J	lining, pillar a	right lower	1							


Model	Year	MG	SG	Illustration	Restrictions	UPD	18:18	11.12.2006		ETKA
PA	2000	8	63	863-20		597	USA			

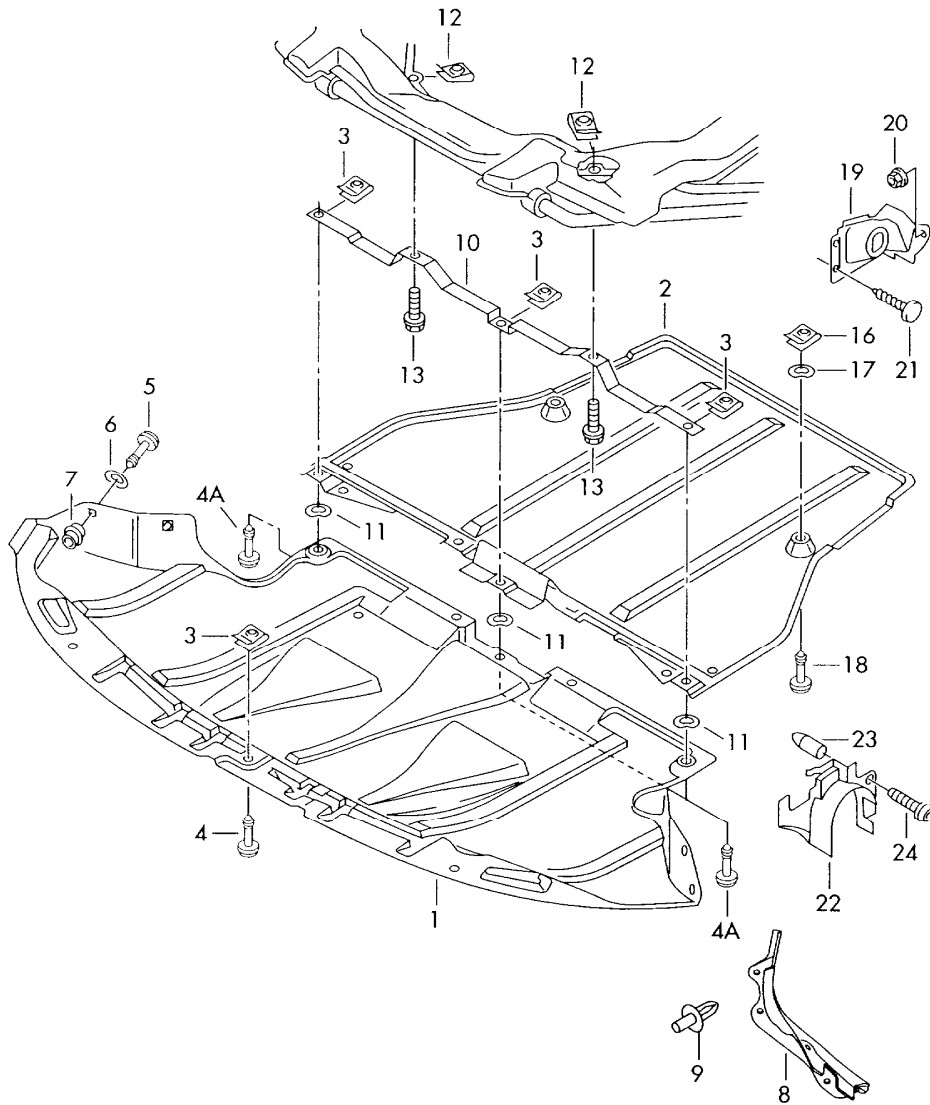


Pos	Part Number	Name	Remarks	Qty	Model
1-25		sound absorber for floor sound absorber for cross panel sound absorber for tunnel sound absorber for flap			
		make up from:	323 863 950		
-	323 863 950	sound absorber (adhesive) 'order qty. 6'	550X250X2	X	
30	8D1 863 947 H	sound absorber cross member f.steering column		1	lhd
31	4A5 853 909	speed nut		8	
	10/96-08/0001C	satin black			
32	4B0 863 949	damping strip (self-adhesive)	1440X35X15	1	
(35)	3B0 863 835 G	sound absorber for flap F >> 3B-Y-350 000*	front	1	
(35)	3B0 863 835 H	sound absorber for flap F 3B-Y-350 001>>*	front	1	
36	1H5 863 849	retaining clip		14	
	10/97-08/0001C	satin black			
		sound absorbers plastic foam			
50	3B5 864 711	sound absorber plastic foam	530X90X70 left	1	sedan
(50)	3B5 864 712	sound absorber plastic foam	420X80X60 right	1	sedan
(51)	3B0 864 621 A	sound absorb.for wheel housing as required use:	rear AKD 497 010 04 (R10)	2 1	
52	3B0 864 627	sound absorber-pillar a as required use:	AKD 497 010 04 (R10)	2 1	
53	3B5 864 629	sound absorber-pillar c as required use:	AKD 497 010 04 (R10)	2 1	sedan
54	3B0 864 733	sound absorber pillar b	lower	2	


Model	Year	MG	SG	Illustration	Restrictions	UPD	18:18	11.12.2006		ETKA
PA	2000	8	63	863-20		597	USA			

Pos	Part Number	Name	Remarks	Qty	Model	Pos	Part Number	Name	Remarks	Qty	Model
55	AKD 497 010 04	sealing cord in coils of 10m 'order qty. 1' adhesives and sealing compound		1							
	10/96-08/00R10	sealing cord	10X2MM	10							


Model	Year	MG	SG	Illustration	Restrictions	UPD	18:18	11.12.2006		ETKA
PA	2000	8	63	863-25		597	USA			

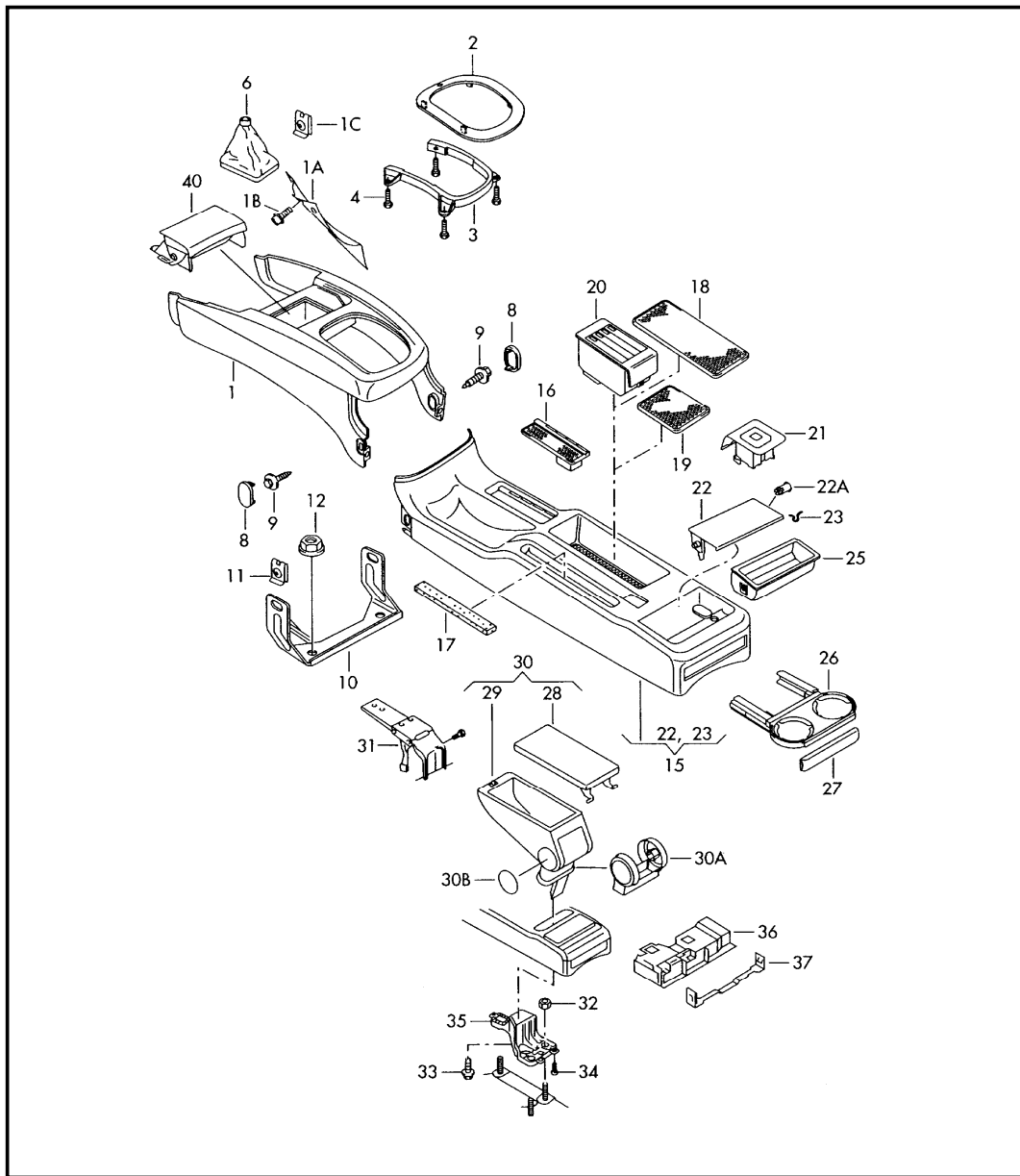


Pos	Part Number	Name	Remarks	Qty	Model
		sound dampening pan cover for joint shaft cover for engine compartment			
1	8D0 863 821 S	sound dampening pan		1	gas engine
1	8D0 863 821 Q	sound dampening pan		1	diesel eng.
1	8D0 863 821 Q	sound dampening pan to fit use workshop material	6 cylinder	1	gas engine: 6 cylinder
-	8D0 863 821 D	sound dampening pan for vehicles with engine protection grille F >> 3B-V-090 220	left	1	
-	8D0 863 821 E	sound dampening pan for vehicles with engine protection grille F >> 3B-V-090 220	right	1	
(1)	8D0 863 821 P	sound dampening pan for vehicles with engine protection grille F 3B-W-000 001>>	heavy-duty PR-1SB,1SE	1	
-	N 020 024 1	plug	A10X1	4	
-	N 905 706 01	bolt, with hex. socket hd. (combi.)	M10X24Z1	2	
2	8D0 863 822	sound dampening pan F >> 3B-X-090 000*	rear	1	diesel eng.
2	8D0 863 822	sound dampening pan F 3B-X-090 001>>*	rear	1	diesel eng.: 4 cylinder manual transmission
(2)	4B0 863 822 G	sound dampening pan F 3B-X-090 001>>*	rear	1	diesel eng.: 4 cylinder automatic
(2)	4B0 863 822 F	sound dampening pan F 3B-X-080 000>>*	rear	1	diesel eng.: 6 cylinder, manual transmission
(2)	4B0 863 822 H	sound dampening pan F 3B-X-080 000>>*	rear	1	diesel eng.: 6 cylinder automatic
3	+ 8D0 805 960	speed nut		3	
4	+ 8D0 805 121	dowel pin	6X18MM silver	3	


Model	Year	MG	SG	Illustration	Restrictions	UPD	18:18	11.12.2006		ETKA
PA	2000	8	63	863-25		597	USA			

Pos	Part Number	Name	Remarks	Qty	Model	Pos	Part Number	Name	Remarks	Qty	Model
4A	+ 8D0 805 121	dowel pin	6X18MM silver	3							
(4A)	+ 8D0 805 121 B	dowel pin	6X20MM black	3	diesel eng.						
5	+ 4A0 805 121 A	dowel pin		4							
7	+ 4A0 805 163	clip		4							
10	8D0 863 843	bracket		1							
11	+ 4A0 805 137	rubber washer	25MM	3							
12	+ N 901 686 02	speed nut	M6X16X24	2							
13	N 090 148 3	bolt, hex. hd. (combi.)	M6X15Z2	2							
16	+ 8D0 805 960	speed nut		2							
17	+ 4A0 805 137	rubber washer	25MM	2							
18	+ 8D0 805 121	dowel pin	6X18MM	2							
19	8D1 864 309	cover for engine compartment	left	lhd	1						
(19)	8D1 864 310	cover for engine compartment	right	lhd	1						
20	+ 171 201 969	shouldered hex. nut	5	1							
21	823 863 203	clip		2							
	+ 10/96-08/0001C	satin black									
22	8D0 863 187 B	cover for joint shaft F >> 3B-X-090 000	left	1	4-,6-cyl.						
22	8D0 863 187 B	cover for joint shaft F 3B-X-090 001>>*	left	1	4 cylinder						
(22)	4B0 863 187 B	cover for joint shaft F 3B-X-090 001>>*	left	1	6 cylinder						
(22)	8D0 863 188 B	cover for joint shaft F >> 3B-X-090 000*	right	1							
(22)	8D0 863 188 B	cover for joint shaft F 3B-X-090 001>>*3B-Y-350 499*	right	1	4 cylinder						
(22)	4B0 863 188 D	cover for joint shaft F 3B-X-090 001>>*	right	1	6 cylinder						
23	+ N 908 214 01	expanding nut	D4,8	2							
24	+ N 907 750 01	innensechsrund-blechschaube	4,8X16	2							


Model	Year	MG	SG	Illustration	Restrictions	UPD	18:18	11.12.2006		ETKA
PA	2000	8	63	863-50		597	USA			




Pos	Part Number	Name	Remarks	Qty	Model
(1)	3B1 863 243	center console armrest	front and rear front		
	10/96-02/00A94	satin black			
	10/96-02/00R48	light beige			
	10/96-02/007DE	flannel grey			
(1)	3B1 863 243 A	center console	front lhd	1	
	02/00-08/00A94	satin black			
	02/00-08/00R48	light beige			
	02/00-08/007DE	flannel grey			
(1A)	3B1 858 207 B	cover for center console	left front lhd	1	
	10/96-08/00A94	satin black			
	10/96-08/00R48	light beige			
	10/96-08/007DE	flannel grey			
1A	3B1 858 208 B	cover for center console	right front lhd	1	
	10/96-08/00A94	satin black			
	10/96-08/00R48	light beige			
	10/96-08/007DE	flannel grey			
1B	N 906 986 01	innensechsrund-blechschaube	ST4, 2X16	1	
1C	N 015 448 1	speed nut	ST4, 2X16, 3X11	X	
2	8D0 863 269	cover		1	automatic
	10/96-08/00B41	satin black			
	10/96-08/00Q70	light beige			
	10/96-08/00U71	flannel grey			
3	3B0 863 287	mounting		1	automatic
4	N 901 308 01	fillister hd. screw	E4, 2X16	4	

Model	Year	MG	SG	Illustration	Restrictions	UPD	18:18	11.12.2006		ETKA
PA	2000	8	63	863-50		597	USA			


Pos	Part Number	Name	Remarks	Qty	Model	Pos	Part Number	Name	Remarks	Qty	Model
6		boot for gearshift see illustration:	711-30/40			(15)	3B0 863 319 JM	center console but without: button for electrically operated flap for fuel filler	rear	1	
8	3B0 863 276	cover		1							
	10/96-08/00A94	satin black							as required use:	3B0 857 352 G (2WE)	1
	10/96-08/00R48	light beige								3B0 858 478 (B41)	2
	10/96-08/007DE	flannel grey								or 3B0 857 352 H (2ZS)	1
9	N 903 422 01	bolt, hex. hd. (combi.)	M5X15Z	1							
10	8D0 863 531 A	bracket for console		1			10/96-06/00B41	satin black			
11	+ N 903 562 03	speed nut	M5X17X17	2		(15)	3B0 863 323 D	center console but without: button for electrically operated flap for fuel filler	rear	1	
12	+ N 902 867 03	hex. nut, self-locking with washer	M6	2							
(15)	3B0 863 319 CK	center console	rear	1							
		as required use:	3B0 857 352 G (2WE)	1			06/00-08/00A94	satin black			
			3B0 858 478 (B41)	2			10/96-08/00R48	light beige			
			or 3B0 857 352 H (2ZS)	1			10/96-08/007DE	flannel grey			
	10/96-07/98FNM	light beige				16	3B0 863 274 A	cover for diagnosis plug		1	
(15)	3B0 863 319 EN	center console	rear	1			09/97-11/9901C	satin black	-GP, YV		
		as required use:	3B0 857 352 G (2WE)	1			09/97-11/994EW	flannel grey	-GQ, YX		
			3B0 858 478 (B41)	2			09/97-11/995PT	light beige	-GP, YW		
			or 3B0 857 352 H (2ZS)	1		(16)	3B0 863 274 B	cover		1	
	08/98-06/00FNM	light beige					12/99-08/0001C	satin black	-GP, YV, YY		
(15)	3B0 863 323 B	center console	rear	1			12/99-08/004EW	flannel grey	-GQ, YX		
	10/96-08/00A94	satin black					12/99-08/005PT	light beige	-GS, YW, YZ		
	06/00-08/00R48	light beige				17	3B0 863 301 B	insert for stowage compartment	192X23	1	
	10/96-08/007DE	flannel grey					10/96-08/0001C	satin black			
							10/96-08/004EW	flannel grey			
							10/96-08/005PT	light beige			
						18	3B0 863 301	insert for stowage compartment	185X72	1	
							10/96-08/0001C	satin black			
							10/96-08/004EW	flannel grey			

Model	Year	MG	SG	Illustration	Restrictions	UPD	18:18	11.12.2006		ETKA
PA	2000	8	63	863-50		597	USA			


Pos	Part Number	Name	Remarks	Qty	Model	Pos	Part Number	Name	Remarks	Qty	Model
	10/96-08/005PT	light beige					03/98-08/00B41	satin black			
19		make up from:	3B0 863 301	1		23	3B0 862 545	spring	left	1	
20		cassette holder	VOTEX			(23)	3B0 862 546	spring	right	1	
		** see accessories catalog **				-	3B0 858 581	locking segment		1	
21		** see accessories catalog **				25	3B0 857 962 A	insert for ashtray	rear	1	
(21)		button for electrically operated flap - lock	rear				10/96-08/0001C	satin black			
		see illustration:	919-70			26	3B0 862 533 A	cup holder	rear	1	
22	3B0 857 352 C	cover for ashtray	rear	1	PR-5MA		10/96-08/00B41	satin black			
	10/96-02/98A94	satin black				27	3B0 862 567	cap		1	
	10/96-02/987DE	flannel grey					10/96-08/00A94	satin black	-BH, FC, GP, HX, JJ, JL, NN, YY, ZA, YV, FF, NC, ND, ZG, 15, 30		
(22)	3B0 857 352 F	cover for ashtray	rear	1	PR-5MA		10/96-08/00R48	light beige	-GS, JN, NP, YZ, ZB, YW, ZK		
		as required use:	3B0 858 478 (B41)	2			10/96-08/007DE	flannel grey	-FD, GQ, HZ, YX, 14		
	03/98-08/00A94	satin black				-	3B0 868 445	button armrest (upper part) for vehicles with reservoir		1	
	10/96-08/00R48	light beige					10/97-08/00B41	satin black			
	03/98-08/007DE	flannel grey				(28)	3B0 867 173	armrest (upper part)		1	
	08/00-08/0092Y	sunshine beige	-GC, NH, VC				10/96-08/00FDZ	black/black	-GP		
(22)	3B0 857 352 G	cover for ashtray for vehicles with wood inlay	rear	1	PR-5MG		10/96-08/00FEA	flannel grey	-GQ		
		also use:	*>>3B-W-316000				10/96-08/00FHD	light beige	-GS		
			3B0 857 352 G (2WE)	1			10/96-08/00FHE	black/black	-BH, FC, HX, FF, 15		
			3B0 858 478 (B41)	2			10/96-08/00FHG	flannel grey	-FD, HZ, 14		
	10/96-08/002WE	burr walnut					10/96-08/00FHH	satin black for leather trim	-JJ, JL, YY, ZA		
(22)	3B0 857 352 H	cover for ashtray for vehicles with alu decorative inlay	rear	1	PR-5MD		10/96-08/00FHJ	light beige for leather trim	-JN, YZ, ZB		
		as required use:	3B0 858 478 (B41)								
	10/96-08/002ZS	black/brown-netoptic	-HX, HZ, JJ, JL, JN, ZA, ZB, ZG, ZK								
	02/00-08/002B9	black/anthracite net optic	-14, 15								
22A	3B0 858 478	lock pin 'order qty. 2'	left/right	2							

Model	Year	MG	SG	Illustration	Restrictions	UPD	18:18	11.12.2006		ETKA
PA	2000	8	63	863-50		597	USA			


Pos	Part Number	Name	Remarks	Qty	Model	Pos	Part Number	Name	Remarks	Qty	Model
(28)	10/96-08/00FLL	satin black/black for leather trim	-NN,NC,QD	1		(29)	10/96-08/00Q70	light beige		1	PR-N5U,N7X
	10/96-08/00HCN	light beige for leather trim	-NP,ND				10/96-08/00U71	flannel grey			
	10/96-08/00KWH	black/black for leather trim	-YV,ZG				3B0 867 174 A	armrest (lower part) for vehicles with telephone			
	10/96-08/00KWJ	light beige for leather trim	-YW,ZK				08/98-08/00B41	satin black			
	10/96-08/00KWK	flannel grey for leather trim	-YX				08/98-08/00Q70	light beige			
	10/99-04/00GTU	satin black/black					08/98-08/00U71	flannel grey			
	3B0 867 173 A	armrest (upper part) for vehicles with telephone or telephone preparation					(30) 3B0 864 209 S	armrest with storage bin			
	08/98-08/00FDZ	black/black	-GP				c 10/96-08/00FHJ	light beige for leather trim	-JN,YZ,ZB		
	08/98-08/00FEA	flannel grey	-GQ				10/99-08/00KWH	black/black for leather trim	-YV,ZG		
	08/98-08/00FHD	light beige	-GS				(30) 8D0 864 207 A	armrest for vehicles with telephone (for service installation)			
	08/98-08/00FHE	black/black	-BH,FC,HX,FF,15				c 10/96-07/98FDZ	black/black	-GP		
	08/98-08/00FHG	flannel grey	-FD,HZ,14				10/96-07/98FEA	flannel grey	-GQ		
	08/98-08/00FHH	satin black for leather trim	-JJ,JL,YY,ZA				c 10/96-07/98FHD	light beige	-GS		
	08/98-08/00FHJ	light beige for leather trim	-JN,YZ,ZB				c 10/96-07/98FHE	black/black	-BH,FC,HX		
	08/98-08/00FLL	satin black/black for leather trim	-NN,NC				c 10/96-07/98FHG	flannel grey	-FD,HZ		
	08/98-08/00HCN	light beige for leather trim	-NP,ND				10/96-07/98FHH	satin black for leather trim	-JJ,JL,YY,ZA,NN		
	08/98-08/00KWH	black/black for leather trim	-YV,ZG				10/96-07/98FHJ	light beige for leather trim	-JN,YZ,ZB,NP		
	08/98-08/00KWJ	light beige for leather trim	-YW,ZK				(30) 3B0 864 209 M	armrest for vehicles with telephone			
	08/98-08/00KWK	flannel grey for leather trim	-YX				08/98-08/00FDZ	black/black	-GP		
	(29) 3B0 867 174	armrest (lower part)					08/98-08/00FEA	flannel grey	-GQ		
10/96-08/00B41	satin black	-	08/98-08/00FHE	black/black	-BH,FC,HX						
			08/98-08/00FHH	satin black for leather trim	-JJ,JL,YY,ZA						
			08/98-08/00FLL	satin black/black for leatherette trim	-EH,NN,QC,QD						

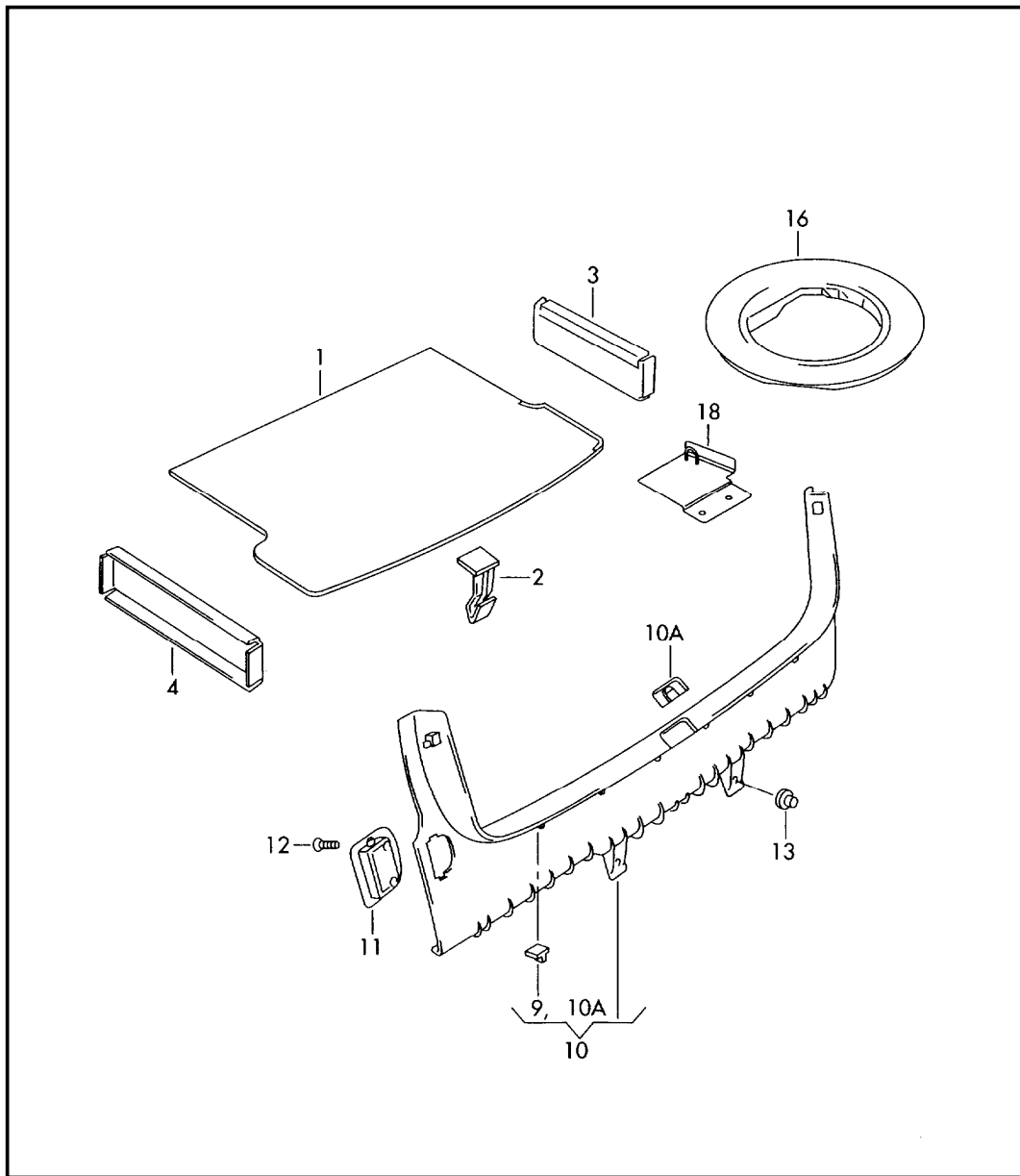
Model	Year	MG	SG	Illustration	Restrictions	UPD	18:18	11.12.2006		ETKA
PA	2000	8	63	863-50		597	USA			

Pos	Part Number	Name	Remarks	Qty	Model	Pos	Part Number	Name	Remarks	Qty	Model
	c 02/99-08/00KWH	black/black for leather trim	-YV,ZG			33	+ N 102 056 01	bolt, hex. hd. (combi.)	M6X32-U-S1	1	
30A	3B0 864 277	cover bracket		1		34	N 901 308 01	fillister hd. screw	E4,2X16	3	
		only for:	3B0 864 209 .. 3B0 867 174 .. 3B0 867 174A..			35	3B0 864 273 A	bracket armrest		1	
	10/96-08/00A94	satin black				35	3B0 864 273 A	bracket armrest for vehicles with telephone F 3B-X-090 000>>*		1	
	10/96-08/00R48	light beige				36	3B0 863 271	retaining clamp		1	
	10/96-08/007DE	flannel grey				(36)	3B0 863 271 B	retaining clamp		1	
(30A)	8D0 898 277	repair kit for armrest armrest (lower part) lining		1		37	3B0 863 389	retaining clip		1	
		only for:	8D0 864 207 ..								
	08/97-08/00A94	satin black	-GP,BH,FC,HX, JJ,JL,YY,ZA					ashtray lighting: F >> 3B-W-015 000*	front green		
	10/96-08/007DE	flannel grey	-GQ,FD,HZ			40	3B0 857 961	ashtray and cover for ashtray	front	1	PR-5MA
	10/96-08/00R48	light beige	-GS,JN,YZ,ZB				10/96-05/977DE	flannel grey			
30A	3B0 864 277	cover bracket for vehicles with telephone		1		(40)	3B0 857 961 C	ashtray and cover for ashtray	front	1	PR-5MA
		only for:	3B0 864 209 .. 3B0 867 174 .. 3B0 867 174A..				10/96-05/97A94	satin black			
	08/98-08/00A94	satin black					10/96-05/97R48	light beige			
	08/98-08/00R48	light beige				(40)	3B0 857 961 D	ashtray and cover for ashtray for vehicles with wood inlay	front	1	PR-5MG
	08/98-08/007DE	flannel grey					10/96-05/972WE	burr walnut			
30B	8D0 864 137	cap armrest for vehicles with telephone	left/right 71MM	2		(40)	3B0 857 989	insert for ashtray		1	
	08/97-07/98A94	satin black	-GP,BH,FC,HX, JJ,JL,YY,ZA					ashtray lighting: F 3B-W-015 001>>*	front red		
	08/97-07/987DE	flannel grey	-GQ,FD,HZ								
	08/97-07/98R48	light beige	-GS,JN,YZ,ZB								
31		mounting for telephone ** see accessories catalog **	VOTEX								
32	+ N 909 083 01	shouldered hex. nut, self-locking	M8	3							


Model	Year	MG	SG	Illustration	Restrictions	UPD	18:18	11.12.2006		ETKA
PA	2000	8	63	863-50		597	USA			

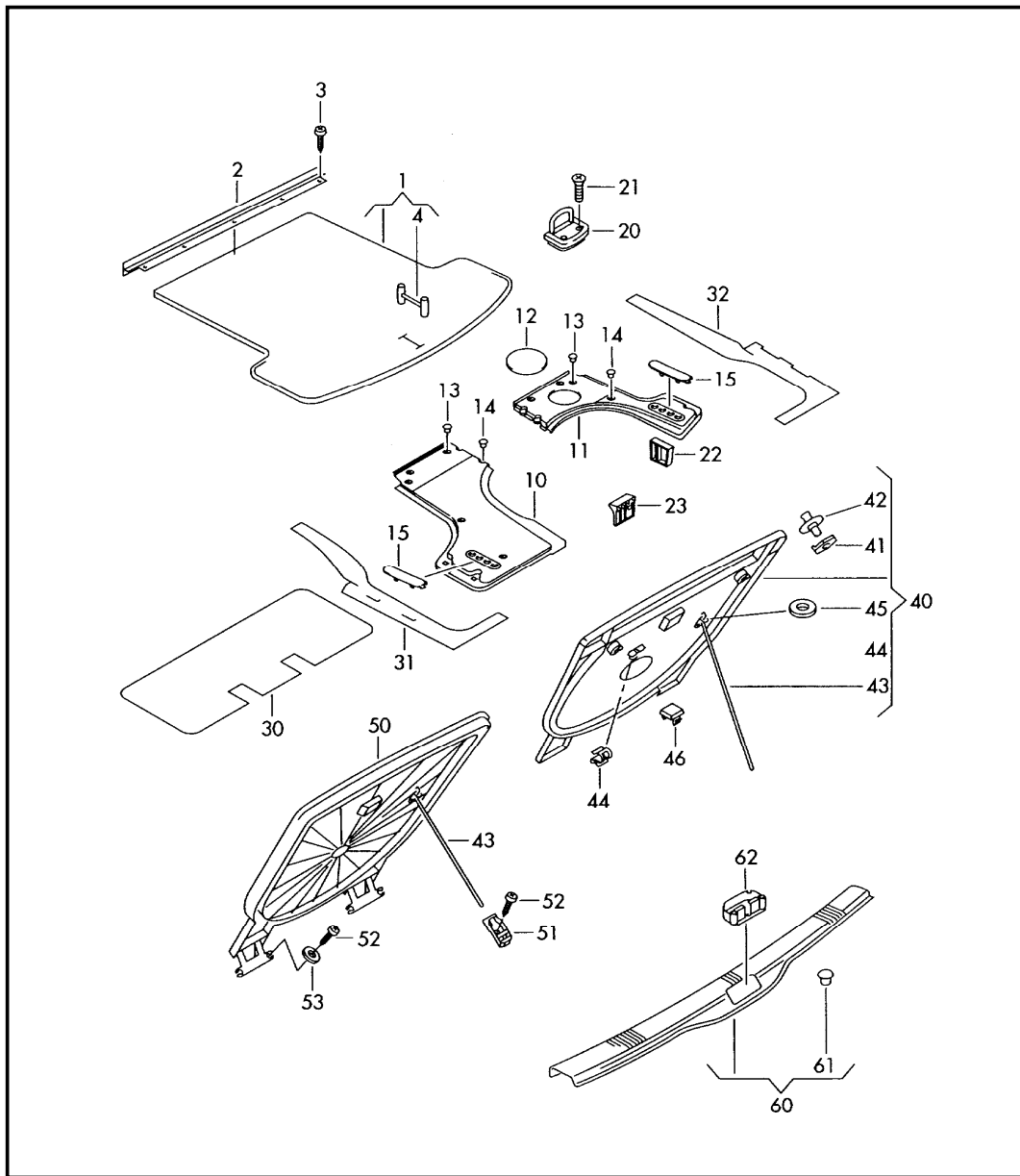
Pos	Part Number	Name	Remarks	Qty	Model	Pos	Part Number	Name	Remarks	Qty	Model
(40)	3B0 857 961 F	ashtray and cover for ashtray to be used for: retaining sleeve for cigarette lighter	front 191 919 305 B DIN	1	PR-5MA						
	05/97-12/98A94	satin black									
	05/97-12/98R48	light beige									
	05/97-12/987DE	flannel grey									
(40)	3B0 857 961 AC	ashtray	front	1	PR-5MA						
	02/00-08/00R48	light beige	-GS, NP, YW, YZ								
	05/97-08/00A94	satin black	-BH, FC, FF, GP, NC, ND, NN, YV, YY, 30								
	05/97-08/007DE	flannel grey	-FD, GQ, YX, 14								
(40)	3B0 857 961 T	ashtray for vehicles with wood inlay burr walnut	front	1	PR-5MG						
	05/97-08/002WE	burr walnut									
(40)	3B0 857 989 A	insert for ashtray to be used for:	3B0 857 961 F 3B0 857 961 G 3B0 857 961 H 3B0 857 961 J 3B0 857 961 K 3B0 857 961 L	1							
-		cigarette lighter see illustration:	919-71								

Model	Year	MG	SG	Illustration	Restrictions	UPD	18:18	11.12.2006		ETKA
PA	2000	8	63	863-80		597	USA			




Pos	Part Number	Name	Remarks	Qty	Model
		trunk lining cover for lock carrier			sedan
1	3B5 863 463 F	trunk lining		1	4-,5-cyl.
	10/96-08/001BS	anthracite			
(2)	3B5 863 468 A	handle		1	
	10/96-08/0001C	satin black			
3	3B5 863 512	boot lining side member	right	1	
	10/96-08/00E94	dark grey			
4	8D5 863 511	boot lining side member	left	1	
	10/96-08/00E94	dark grey			
9 +	357 867 646	clip		8	
10	3B5 863 459 D	cover for lock carrier		1	
	10/96-08/00B41	satin black			
10A	3B5 863 655	cover - lock lock pin	(plastic)	1	
(11)	8D9 864 203	tie-down eye F	>> 3B-V-109 387*	X	
	10/96-07/986DP	onyx			
11	1J0 864 203 B	tie-down eye chrome plated F 3B-V-109 388>>*	left/right	4	
	08/98-08/00B41	satin black			
12 +	N 101 126 03	screw, csk. hd.	M6X15SP	8	
13 c	253 260 130	pushbutton		4	
	10/96-08/0001C	satin black			
16	8D0 863 327	insert for temporary spare wheel		1	fr.wheel drv


Model	Year	MG	SG	Illustration	Restrictions	UPD	18:22	11.12.2006		ETKA
PA	2000	8	63	863-90		597	USA			

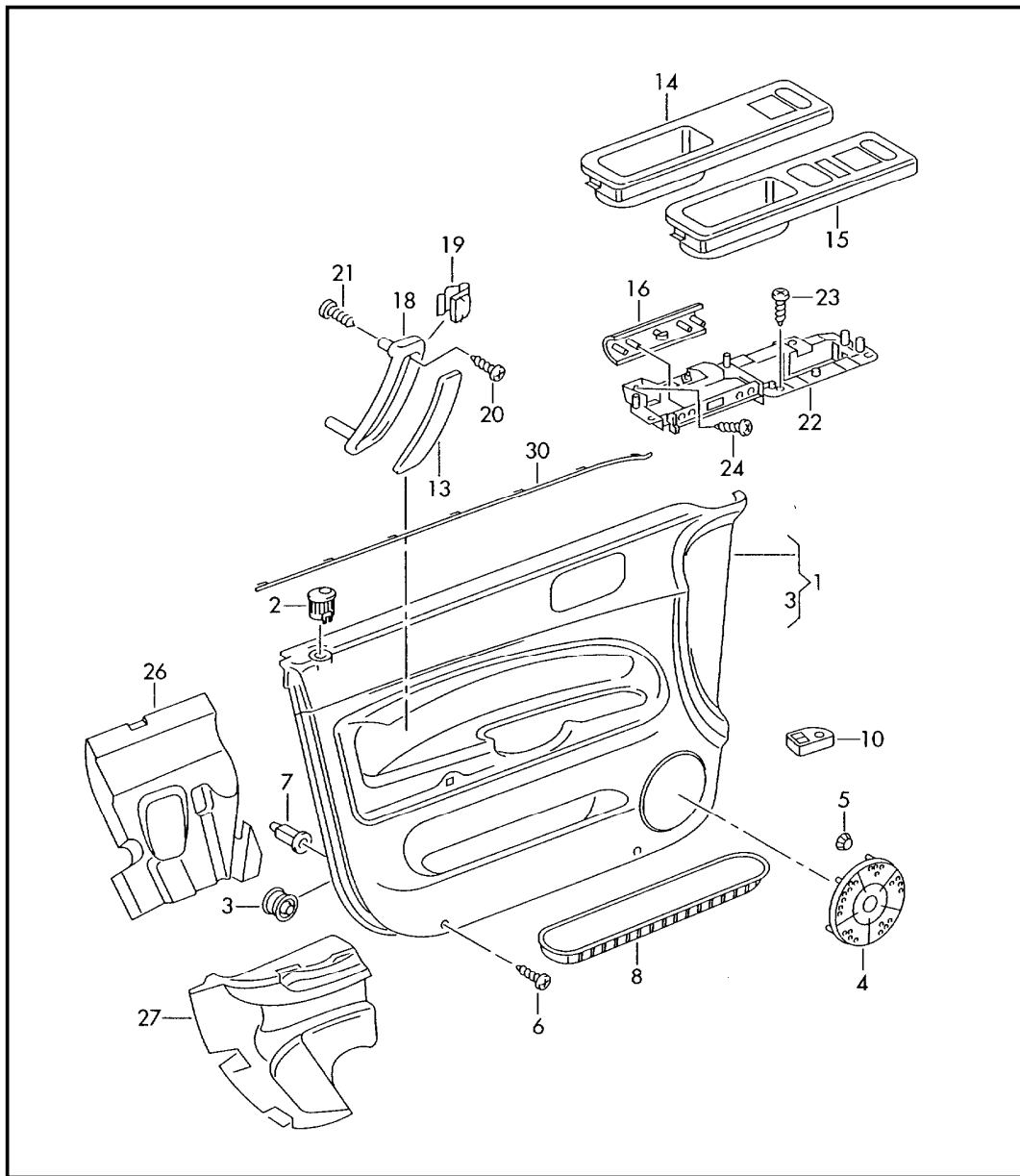


Pos	Part Number	Name	Remarks	Qty	Model
		trunk lining cover for lock carrier			WAGON
1	3B9 863 463 Q	trunk lining		1	
	05/97-08/004ES	black			
	05/97-08/005EY	flannel grey			
	05/97-08/009PL	light beige			
10	3B9 864 511 D	insert for floor	left	1	
	05/97-08/00B41	satin black			
11	3B9 864 512 D	insert for floor	right	1	
	05/97-08/00B41	satin black			
12		cover luggage compartment floor discontinued / replacement:	POS. 11	1	
13	N 908 315 01	pushbutton	9,5X6X31	2	
	+ 05/97-08/0001C	satin black			
14	441 863 987 A	pushbutton	9,5X12X30	X	
	05/97-08/00B41	satin black			
15	3B9 863 988	plug	52X45X12,5	6	
	05/97-08/00B41	satin black			
20	8D9 864 203	tie-down eye		4	
	05/97-07/986DP	onyx			
(20)	1J0 864 203 B	tie-down eye chrome plated		4	
	08/98-08/00B41	satin black			
	08/98-08/00Q70	light beige			
	08/98-08/00U71	flannel grey			
21	+ N 101 126 03	screw, csk. hd.	M6X15SP	8	
	3B9 864 517 A	support		2	
(22)	3B9 864 517 B	support		2	
23	3B9 863 479 D	support	center	1	
	05/97-08/00B41	satin black			


Model	Year	MG	SG	Illustration	Restrictions	UPD	18:22	11.12.2006		ETKA
PA	2000	8	63	863-90		597	USA			

Pos	Part Number	Name	Remarks	Qty	Model	Pos	Part Number	Name	Remarks	Qty	Model
30	3B9 863 767	cover rear seat		1							
	05/97-08/001BS	anthracite									
40	3B9 863 546 E	cover for spare wheel well		1							
	05/97-08/00B41	satin black									
41	3B9 867 468	locking tongue		2							
42	3B9 867 467 A	rotary knob		2							
43	3B9 827 779 A	stay - hood cover for spare wheel well		1							
44	N 908 107 01	clamp	E8X16X15	1							
45	171 823 395	rubber mounting stay - hood	16/6,2	1							
46	3B9 864 519	plug		2							
	05/97-08/00B41	satin black									
60	3B9 863 459 J	cover for lock carrier as required use:	3B9 863 479 D (B41)	1 X							
61	3B9 863 689	clip		4							
62	3B9 864 301	cap		1							
	05/97-08/0001C	see illustration: satin black	827-20								


Model	Year	MG	SG	Illustration	Restrictions	UPD	18:23	11.12.2006		ETKA
PA	2000	8	67	867-00		597	USA			




Pos	Part Number	Name	Remarks	Qty	Model
		door trim panel	front as required use:		
			3B0 868 645	1	
			3B0 868 149	1	
			N 900 151 01	6	
			3B0 947 415	1	
(1)	3B1 867 011 AH	door trim panel (cloth)	left	lhd	1
	10/96-08/00EWL	black/black	-GP		
	10/96-08/00EWM	flannel grey	-GQ		
	10/96-08/00EWP	platinum beige	-GS		
(1)	3B1 867 011 CE	door trim panel (cloth) bracket flap-lock, electrically operated	left	lhd	1
	08/99-08/00EWL	black/black	-GP		
	08/99-08/00EWM	flannel grey	-GQ		
	08/99-08/00EWP	platinum	-GS		
(1)	3B0 867 012 AL	door trim panel (cloth)	right	lhd	1
	09/97-08/00EWL	black/black	-GP		
	09/97-08/00EWM	flannel grey	-GQ		
	09/97-08/00EWP	platinum beige	-GS		
(1)	3B1 867 011 AK	door trim panel (leather/leatherette)	left	lhd	1
	10/96-04/00EVY	black/anthracite	-JJ, JL, YY, ZA YV, ZG		
	10/96-04/00EVZ	light beige/platinum	-JN, YZ, ZB, YW, ZK		
	09/97-04/00JTQ	platinum gray - dark	-YX		
(1)	3B1 867 011 CF	door trim panel (leather/leatherette) bracket flap-lock, electrically operated	left	lhd	1
	08/99-04/00EVY	black/anthracite	-JJ, JL, YY, ZA, ZG, YV		
	08/99-04/00EVZ	light beige/platinum	-JN, YZ, ZB, YW, ZK		

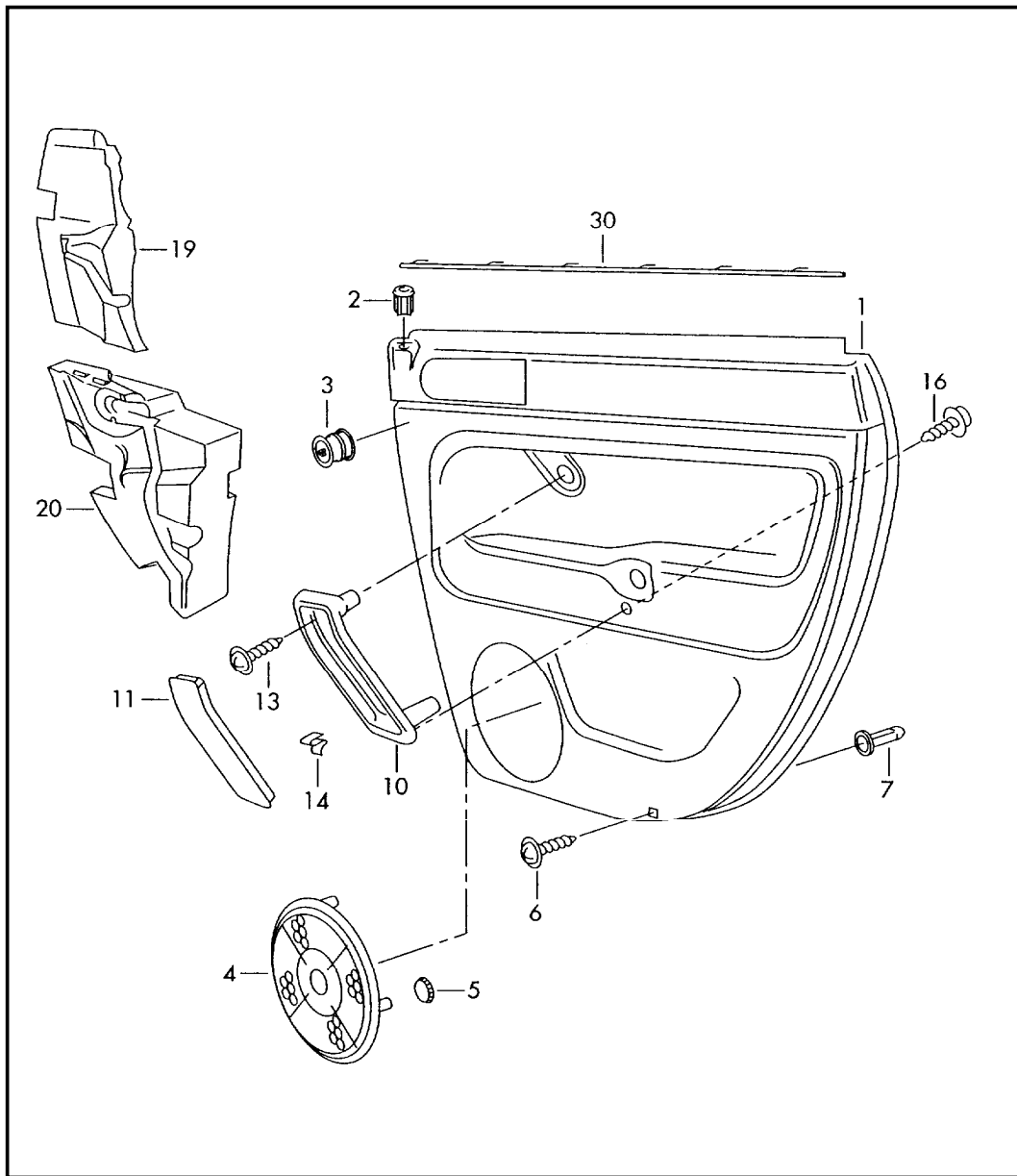
Model	Year	MG	SG	Illustration	Restrictions	UPD	18:23	11.12.2006		ETKA
PA	2000	8	67	867-00		597	USA			

Pos	Part Number	Name	Remarks	Qty	Model	Pos	Part Number	Name	Remarks	Qty	Model
	01/00-04/00JTQ	platinum gray - dark	-YX				10/96-08/00B41	satin black			
(1)	3B0 867 012 AN	door trim panel (leather/leatherette)	right lhd	1			10/96-08/00Q70	light beige			
	09/97-04/00EVY	black/anthracite	-JJ, JL, YY, ZA YV, ZG			5 +	N 900 151 01	clamping washer	B-5X11,4	12	
	09/97-04/00EVZ	light beige/platinum	-JN, YZ, ZB, YW, ZK			-	3B0 035 217	loudspeaker frame sealing frame		X	
	01/00-04/00JTQ	platinum gray - dark	-YX			6	N 907 397 01	tapping screw	5X22-Q	4	
(1)	3B1 867 011 CN	door trim panel (leather/leatherette)	left lhd	1		7 +	N 105 168 01	expanding nut	F5	2	
	05/00-08/00JLS	black/black	-JJ, JL, YY, ZA			8	3B0 868 133	insert for stowage box	left front	1	PR-4E0
	05/00-08/00MGR	platinum/light beige	-JN, YZ, ZB, YW, ZK				10/96-08/0001C	satin black			
	05/00-08/00MGS	platinum/flannel grey	-YX				10/96-08/004EW	flannel grey			
(1)	3B1 867 011 CP	door trim panel (leather/leatherette) bracket flap-lock, electrically operated	left lhd	1		(8)	3B0 868 133 B	insert for stowage box	left front	1	PR-4E2
	05/00-08/00JLS	black/black	-JJ, JL, YY, ZA YV, ZG				08/99-08/0001C	satin black			
	05/00-08/00MGR	platinum/light beige	-JN, YZ, ZB, YW, ZK			(8)	3B0 868 134	insert for stowage box	right front	1	
	05/00-08/00MGS	platinum/flannel grey	-YX				10/96-08/0001C	satin black			
(1)	3B0 867 012 CH	door trim panel (leather/leatherette)	right lhd	1			10/96-08/004EW	flannel grey			
	05/00-08/00JLS	black/black	-JJ, JL, YY, ZA YV, ZG			10	10/96-08/005PT	light beige			
	05/00-08/00MGR	platinum/light beige	-JN, YZ, ZB, YW, ZK			(13)	3B0 867 172	cover	right lhd	1	
	05/00-08/00MGS	platinum/flannel grey	-YX				10/96-08/00A94	satin black			
(2)	3B0 867 109	escutcheon (passenger side)		1			10/96-08/00R48	light beige			
	10/96-08/0001C	satin black				(13)	3B0 867 172 A	cover for vehicles with wood inlay	right lhd	1	
3 +	3B0 868 243	clip		12			10/96-08/007DE	flannel grey			
(4)	3B0 868 149	loudspeaker grille		2			10/96-08/002WE	burr walnut	bright		


Model	Year	MG	SG	Illustration	Restrictions	UPD	18:23	11.12.2006		ETKA
PA	2000	8	67	867-00		597	USA			

Pos	Part Number	Name	Remarks	Qty	Model	Pos	Part Number	Name	Remarks	Qty	Model
(14)	3B1 867 171 D	cover for vehicles with electrically operated windows (drivers side)	left lhd front	1		19	N 907 468 01	clamp	E3, 2X12, 5X12, 7	4	
	10/96-08/00A94	satin black				20	N 102 434 01	fillister hd. screw	M6, 0X20	4	
	10/96-08/00R48	light beige				21	N 905 942 01	tapping screw, fill.hd. (combi.)	E4X16	4	
	10/96-08/007DE	flannel grey				(22)	3B1 867 179 B	grab handle (drivers side)	left lhd	1	
							10/96-08/00B41	satin black			
(15)	3B1 867 171 E	cover for vehicles with electrically operated windows (drivers side)	left lhd front and rear	1		23	N 905 942 01	tapping screw, fill.hd. (combi.)	E4X16	5	
	10/96-08/00A94	satin black				24	N 102 434 01	fillister hd. screw	M6, 0X20	3	
	10/96-08/00R48	light beige				-	3B0 867 190	spring clip		10	
	10/96-08/007DE	flannel grey				26	--- --- ---	no longer available			
(15)	3B1 867 171 F	cover for vehicles with electrically operated windows for vehicles with wood inlay (drivers side)	left lhd front and rear bright	1		(27)	3B1 868 101	impact padding	left lower	lhd	1
	10/96-08/00FEQ	satin black/nut				(27)	3B1 868 102	impact padding	right lower	lhd	1
	10/96-08/00FER	light beige/nut				-	8L0 857 113 A	lock cylinder with keys			1
	10/96-08/00FRK	flannel grey/nut brown				- f	107 857 113 JB	lock cylinder without key * to retain the one key * system the key code * number and/or vehicle * ident.number (vin) must * be quoted when ordering	HUF		1
16	3B0 867 175	cover		1							
	10/96-08/00A94	satin black									
	10/96-08/00R48	light beige									
	10/96-08/007DE	flannel grey									
(16)	3B0 867 175 A	cover for vehicles with wood inlay	bright	1							
	10/96-08/002WE	burr walnut									
(18)	3B0 867 180 A	grab handle (passenger side)	right lhd	1							
	10/96-08/00A94	satin black									
	10/96-08/00R48	light beige									
	10/96-08/007DE	flannel grey									


Model	Year	MG	SG	Illustration	Restrictions	UPD	18:23	11.12.2006		ETKA
PA	2000	8	67	867-40		597	USA			




Pos	Part Number	Name	Remarks	Qty	Model
		door trim panels	rear as required use: 3B0 868 645 3B0 868 149 N 900 151 01 also use: 3B-W-045001>>* 3B0 947 415 see illustration: 947-00		
		----- modify in workshop: for vehicles with manually operated windows -----			
(1)	3B5 867 211 AB	door trim panel (cloth)	left	1	sedan
	10/96-08/00EWL	black/black	-GP		
	10/96-08/00EWM	flannel grey	-GQ		
	10/96-08/00EWP	platinum beige	-GS		
(1)	3B5 867 212 AB	door trim panel (cloth)	right	1	sedan
	10/96-08/00EWL	black/black	-GP		
	10/96-08/00EWM	flannel grey	-GQ		
	10/96-08/00EWP	platinum beige	-GS		
(1)	3B5 867 211 AE	door trim panel (leather/leatherette)	left	1	sedan: PR-4AT
	10/96-04/00EVY	black/anthracite	-JJ, JL, YY, ZA, YV, ZG		
	10/96-04/00EVZ	light beige/platinum	-JN, YZ, ZB, YW, ZK		
	09/97-04/00JTQ	platinum gray - dark	-YX		
(1)	3B5 867 211 BM	door trim panel (leather/leatherette)	left	1	
	05/00-08/00JLS	black/black	-JJ, JL, YY, ZA, YV, ZG		
	05/00-08/00MGR	platinum/light beige	-JN, YZ, ZB, YW, ZK		
	05/00-08/00MGS	platinum/flannel grey	-YX		
(1)	3B5 867 212 AE	door trim panel (leather/leatherette)	right	1	sedan

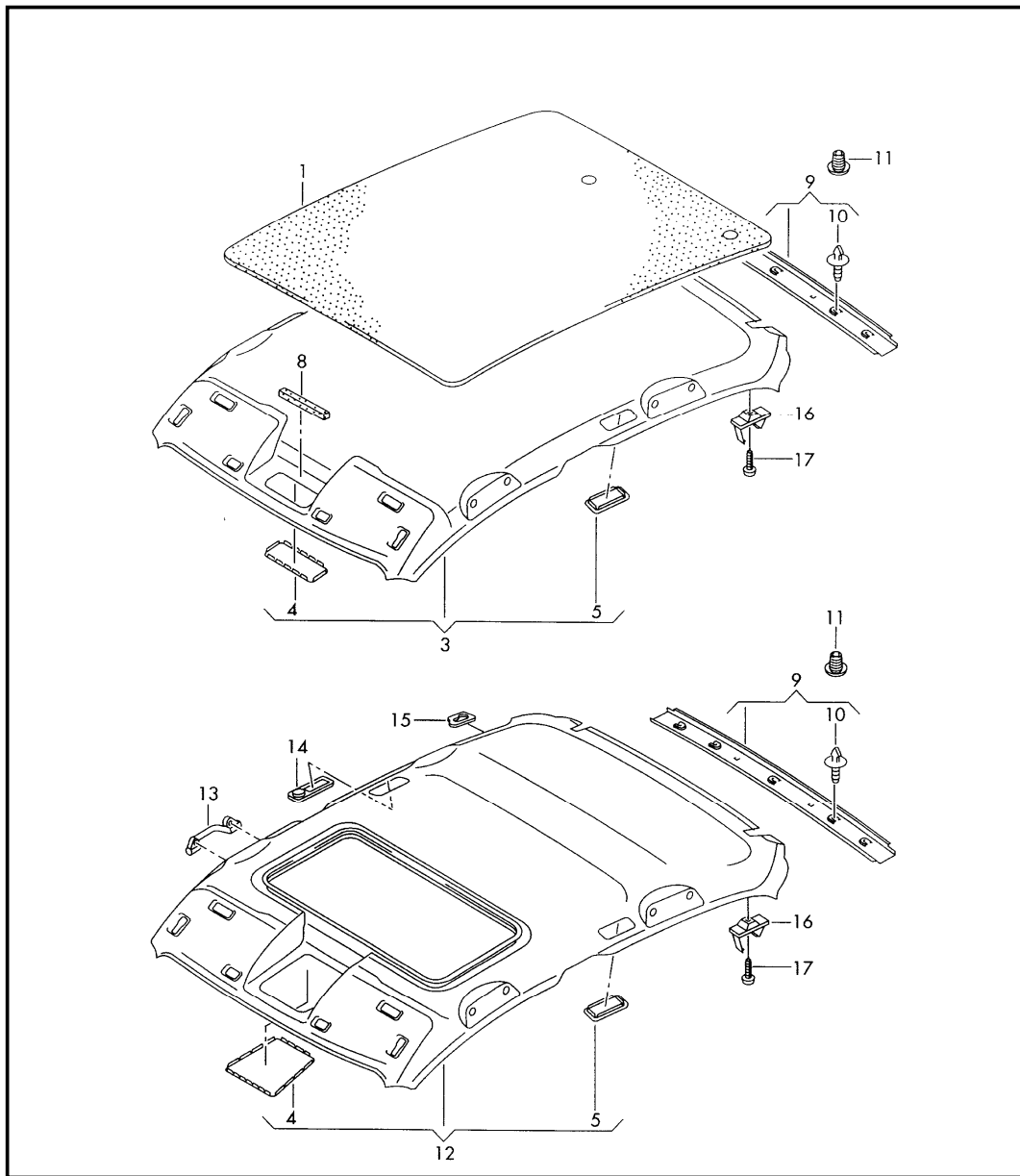
Model	Year	MG	SG	Illustration	Restrictions	UPD	18:23	11.12.2006		ETKA
PA	2000	8	67	867-40		597	USA			

Pos	Part Number	Name	Remarks	Qty	Model	Pos	Part Number	Name	Remarks	Qty	Model
	10/96-04/00EVY	black/anthracite	-JJ, JL, YY, ZA, YV, ZG				05/00-08/00MGS	platinum/flannel grey	-YX		
	10/96-04/00EVZ	light beige/platinum	-JN, YZ, ZB, YW, ZK			(1)	3B9 867 212 AE	door trim panel (leather/leatherette)	right	1	wagon
	09/97-04/00JTQ	platinum gray - dark	-YX				10/96-04/00EVY	black/anthracite	-JJ, JL, YY, ZA, YV, ZG		
(1)	3B5 867 212 BM	door trim panel (leather/leatherette)	right	1			10/96-04/00EVZ	light beige/platinum	-JN, YZ, ZB, YW, ZK		
	05/00-08/00JLS	black/black	-JJ, JL, YY, ZA, YV, ZG				10/97-04/00JTQ	platinum gray - dark	-YX		
	05/00-08/00MGR	platinum/light beige	-JN, YZ, ZB, YW, ZK			(1)	3B9 867 212 BM	door trim panel (leather/leatherette)	right	1	
	05/00-08/00MGS	platinum/flannel grey	-YX				05/00-08/00JLS	black/black	-JJ, JL, YY, ZA, YV, ZG		
(1)	3B9 867 211 AB	door trim panel (cloth)	left	1	wagon		05/00-08/00MGR	platinum/light beige	-JN, YZ, ZB, YW, ZK		
	10/96-08/00EWL	black/black	-GP				05/00-08/00MGS	platinum/flannel grey	-YX		
	10/96-08/00EWM	flannel grey	-GQ			2	3B4 867 109	escutcheon		2	
	10/96-08/00EWP	platinum beige	-GS				10/96-08/0001C	satin black			
(1)	3B9 867 212 AB	door trim panel (cloth)	right	1	wagon	3 +	3B0 868 243	clip		12	
	10/96-08/00EWL	black/black	-GP			4	3B0 868 149	loudspeaker grille		2	
	10/96-08/00EWM	flannel grey	-GQ				10/96-08/00B41	satin black			
	10/96-08/00EWP	platinum beige	-GS				10/96-08/00Q70	light beige			
(1)	3B9 867 211 AE	door trim panel (leather/leatherette)	left	1	wagon	(4)	10/96-08/00U71	flannel grey			
	10/96-04/00EVY	black/anthracite	-JJ, JL, YY, ZA, YV, ZG				3B0 868 645	loudspeaker grille-dummy		2	
	10/96-04/00EVZ	light beige/platinum	-JN, YZ, ZB, YW, ZK				10/96-07/97B41	satin black			
	10/97-04/00JTQ	platinum gray - dark	-YX				10/96-07/97C81	off-black			
(1)	3B9 867 211 BM	door trim panel (leather/leatherette)	left	1		5 +	N 900 151 01	clamping washer	B-5X11,4	12	
	05/00-08/00JLS	black/black	-JJ, JL, YY, ZA, YV, ZG			-	3B0 035 217	loudspeaker frame		X	
	05/00-08/00MGR	platinum/light beige	-JN, YZ, ZB, YW, ZK			6	N 907 397 01	tapping screw	5X22-Q	4	
						(10)	3B4 867 179 A	grab handle	left	1	
							06/97-08/00A94	satin black			
							10/96-08/00R48	light beige			


Model	Year	MG	SG	Illustration	Restrictions	UPD	18:23	11.12.2006		ETKA
PA	2000	8	67	867-40		597	USA			

Pos	Part Number	Name	Remarks	Qty	Model	Pos	Part Number	Name	Remarks	Qty	Model
	10/96-08/007DE	flannel grey									
10	3B4 867 180 A	grab handle	right	1							
	10/96-08/00A94	satin black									
	10/96-08/00R48	light beige									
	10/96-08/007DE	flannel grey									
(11)	3B4 867 371	cover	left	1	PR-5MA						
	10/96-08/00A94	satin black									
	10/96-08/00R48	light beige									
	10/96-08/007DE	flannel grey									
(11)	3B4 867 371 A	cover	left	1	PR-5MG						
	10/96-08/002WE	burr walnut									
11	3B4 867 372	cover	right	1	PR-5MA						
	10/96-08/00A94	satin black									
	10/96-08/00R48	light beige									
	10/96-08/007DE	flannel grey									
(11)	3B4 867 372 A	cover	right	1	PR-5MG						
	10/96-08/002WE	burr walnut									
13	N 102 434 01	fillister hd. screw	M6,0X20	4							
14	N 907 468 01	clamp	E3,2X12,5X12,7	4							
16	N 905 942 01	tapping screw,fill.hd.(combi.)	E4X16	4							
(19)	3B0 868 473 A	impact padding	left upper	1							
19	3B0 868 474 A	impact padding	right upper	1							
(20)	3B0 868 301	impact padding	left lower	1							
20	3B0 868 302	impact padding	right lower	1							


Model	Year	MG	SG	Illustration	Restrictions	UPD	18:23	11.12.2006		ETKA
PA	2000	8	67	867-55		597	USA			




Pos	Part Number	Name	Remarks	Qty	Model
1	3B5 867 811 C	headlining sound absorber for roof to fit use workshop material		1	sedan
(1)	3B9 867 805	sound absorber for roof to fit use workshop material		X	wagon
3	3B5 867 501 M	moulded headlining		1	sedan
	10/96-06/982PK	light beige	-GS, JN, YZ, ZB		
	10/96-06/982XP	pearl grey	-BH, FC, FD, FE, GP, GQ, GR, HX, HZ, JJ, JL, NN, YY, ZA		
(3)	3B5 867 501 R	moulded headlining		1	sedan
	07/98-08/002PK	light beige	-FF, GS, JN, NC, ND, NP, YW, YZ, ZB, ZK		
	07/98-08/002XP	pearl grey	-BH, FC, FD, GP, GQ, HX, HZ, JJ, JL, NN, YV, YX, YY, ZA, ZG, 13, 14, 30, 15		
(3)	3B5 867 501 BM	moulded headlining for vehicles with head airbag		1	sedan
	02/99-08/002PK	light beige	-FF, GS, JN, NC, ND, NP, YW, YZ, ZB, ZK		
	02/99-08/002XP	pearl grey	-BH, FC, FD, GP, GQ, HX, HZ, JJ, JL, NN, YV, YX, YY, ZA, ZG, 13, 14, 30, 15		
(3)	3B9 867 501 R	moulded headlining		1	wagon
	05/97-06/982PK	light beige	-GS, JN, YZ, ZB		
	05/97-06/982XP	pearl grey	-BH, FC, FD, FE, GP, GQ, GR, HX, HZ, JJ, JL, NN, YY, ZA		
(3)	3B9 867 501 AB	moulded headlining		1	wagon
	07/98-08/002PK	light beige	-FF, GS, JN, NC, ND, NP, YW, YZ, ZB, ZK		

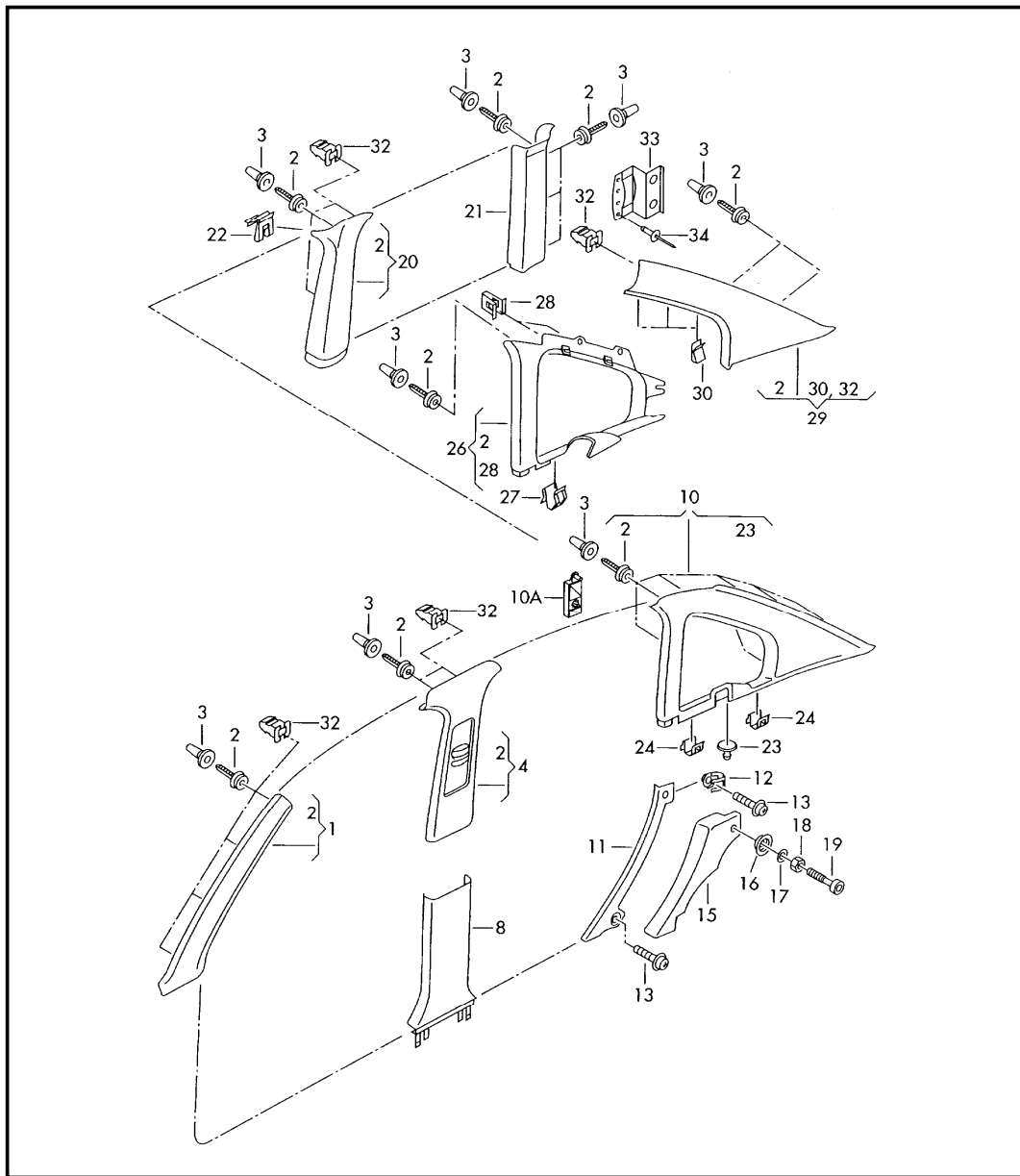
Model	Year	MG	SG	Illustration	Restrictions	UPD	18:23	11.12.2006		ETKA
PA	2000	8	67	867-55		597	USA			

Pos	Part Number	Name	Remarks	Qty	Model	Pos	Part Number	Name	Remarks	Qty	Model
	07/98-08/002XP	pearl grey	-BH, FC, FD, GP, GQ, HX, HZ, JJ, JL, NN, YV, YX, YY, ZA, ZG, 13, 14, 30, 15			(4)	3B9 867 599	reinforcement interior light for vehicles with glass sliding and tilting roof	front	1	wagon
(3)	3B9 867 501 AD	moulded headlining for vehicles with net partition		1	wagon	5	3B0 867 600	reinforcement for reading light	side	1	
	07/98-08/002PK	light beige	-FF, GS, JN, NC, ND, NP, YW, YZ, ZB, ZK			8	3B0 867 596	spacer		1	
	07/98-08/002PK	light beige				9	3B9 867 617 B	connecting strip		1	wagon
	07/98-08/002XP	pearl grey	-BH, FC, FD, GP, GQ, HX, HZ, JJ, JL, NN, YV, YX, YY, ZA, ZG, 13, 14, 30, 15				05/97-08/002PK	light beige	-FF, GS, JN, NC, ND, NP, YW, YZ, ZB, ZK		
(3)	3B9 867 501 AT	moulded headlining for vehicles with head airbag		1	wagon		05/97-08/002XP	pearl grey	-BH, FC, FD, FE, GP, GQ, GR, HX, HZ, JJ, JL, NN, YV, YX, YY, ZA, ZG, 13, 14, 30		
	02/99-08/002PK	light beige	-FF, GS, JN, NC, ND, NP, YW, YZ, ZB, ZK			10	3B0 867 333	clip	15	5	
	02/99-08/002XP	pearl grey	-BH, FC, FD, GP, GQ, HX, HZ, JJ, JL, NN, YV, YX, YY, ZA, ZG, 13, 14, 30, 15			11	3B0 867 334	grommet		5	
	02/99-08/002XP	pearl grey	-BH, FC, FD, GP, GQ, HX, HZ, JJ, JL, NN, YV, YX, YY, ZA, ZG, 13, 14, 30, 15			12	3B5 867 501 N	moulded headlining for vehicles with glass sliding and tilting roof		1	sedan
(3)	3B9 867 501 BB	moulded headlining for vehicles with head airbag for vehicles with net partition		1	wagon		10/96-06/982PK	light beige	-GS, JN, YZ, ZB		
	02/99-08/002PK	light beige	-FF, GS, JN, NC, ND, NP, YW, YZ, ZB, ZK				10/96-06/982XP	pearl grey	-BH, FC, FD, FE, GP, GQ, GR, HX, HZ, JJ, JL, NN, YY, ZA		
	02/99-08/002XP	pearl grey	-BH, FC, FD, GP, GQ, HX, HZ, JJ, JL, NN, YV, YX, YY, ZA, ZG, 13, 14, 30, 15			(12)	3B5 867 501 S	moulded headlining for vehicles with glass sliding and tilting roof	also use: >>3B-VE042335 >>3B-VP048563	1	sedan
	02/99-08/002XP	pearl grey	-BH, FC, FD, GP, GQ, HX, HZ, JJ, JL, NN, YV, YX, YY, ZA, ZG, 13, 14, 30, 15						3B0 857 607 3B0 857 607 A 3B0 857 608 in corresponding color	2 1 1	
4	3B0 867 599 A	reinforcement interior light		1			07/98-08/002PK	light beige	-GS, JN, YZ, ZB		
(4)	3B0 867 599	reinforcement interior light for vehicles with glass sliding and tilting roof		1	sedan		07/98-08/002XP	pearl grey	-BH, FC, FD, FE, GP, GQ, GR, HX, HZ, JJ, JL, NN, YY, ZA		


Model	Year	MG	SG	Illustration	Restrictions	UPD	18:23	11.12.2006		ETKA
PA	2000	8	67	867-55		597	USA			

Pos	Part Number	Name	Remarks	Qty	Model	Pos	Part Number	Name	Remarks	Qty	Model
(12)	3B5 867 501 CB	moulded headlining for vehicles with glass sliding and tilting roof		1	sedan	(12)	3B9 867 501 AA	moulded headlining for vehicles with glass sliding and tilting roof for vehicles with net partition		1	wagon
			>>3B-VE042335 >>3B-VP048563 3B0 857 607 3B0 857 607 A 3B0 857 608 in corresponding color	2 1 1			05/97-08/002PK	light beige	-FF,GS,JN,NC,ND,NP,YW,YZ,ZB,ZK		
	07/98-08/002XP	pearl grey	-BH,FC,FD,GP,GQ,HX,HZ,JJ,JL,NN,YV,YX,YY,ZA,ZG,13,14,30,15				05/97-08/002XP	pearl grey	-BH,FC,FD,GP,GQ,HX,HZ,JJ,JL,NN,YV,YX,YY,ZA,ZG,13,14,30,15		
(12)	3B5 867 501 BR	moulded headlining for vehicles with glass sliding and tilting roof for vehicles with head airbag		1	sedan	(12)	3B9 867 501 BD	moulded headlining for vehicles with glass sliding and tilting roof for vehicles with head airbag		1	wagon
	02/99-08/002PK	light beige	-FF,GS,JN,NC,ND,NP,YW,YZ,ZB,ZK				02/99-08/002PK	light beige	-FF,GS,JN,NC,ND,NP,YW,YZ,ZB,ZK		
	02/99-08/002XP	pearl grey	-BH,FC,FD,GP,GQ,HX,HZ,JJ,JL,NN,YV,YX,YY,ZA,ZG,13,14,30,15				02/99-08/002XP	pearl grey	-BH,FC,FD,GP,GQ,HX,HZ,JJ,JL,NN,YV,YX,YY,ZA,ZG,13,14,30,15		
(12)	3B9 867 501 S	moulded headlining for vehicles with glass sliding and tilting roof		1	wagon	(12)	3B9 867 501 BF	moulded headlining for vehicles with glass sliding and tilting roof for vehicles with head airbag for vehicles with net partition		1	wagon
	05/97-06/982PK	light beige	-GS,JN,YZ,ZB				02/99-08/002PK	light beige	-FF,GS,JN,NC,ND,NP,YW,YZ,ZB,ZK		
	05/97-06/982XP	pearl grey	-BH,FC,FD,FE,GP,GQ,GR,HX,HZ,JJ,JL,NN,YY,ZA				02/99-08/002XP	pearl grey	-BH,FC,FD,GP,GQ,HX,HZ,JJ,JL,NN,YV,YX,YY,ZA,ZG,13,14,30,15		
(12)	3B9 867 501 BM	moulded headlining for vehicles with glass sliding and tilting roof		1	wagon						
	07/98-08/002PK	light beige	-FF,GS,JN,NC,ND,NP,YW,YZ,ZB,ZK			13		see illustration:	857-50	X	
	07/98-08/002XP	pearl grey	-BH,FC,FD,GP,GQ,HX,HZ,JJ,JL,NN,YV,YX,YY,ZA,ZG,13,14,30,15			14-17		see illustration:	861-00	X	


Model	Year	MG	SG	Illustration	Restrictions	UPD	18:23	11.12.2006		ETKA
PA	2000	8	67	867-65		597	USA			




Pos	Part Number	Name	Remarks	Qty	Model
(1)	3B0 867 233	pillar linings			
	10/96-08/002PK	lining, pillar a	left upper	1	
		light beige	-FF, GS, JN, NC, ND, NP, YW, YZ, ZB, ZK		
	10/96-08/002XP	pearl grey	-BH, FC, FD, GP, GQ, HX, HZ, JJ, JL, NN, YV, YX, YY, ZA, ZG, 13, 14, 30		
(1)	3B0 867 351 C	lining, pillar a	left upper	1	
		for vehicles with head airbag	contains additional positions:		
			32		
	02/99-08/002PK	light beige			
	02/99-08/002XP	pearl grey			
1	3B0 867 234	lining, pillar a	right upper	1	
	10/96-08/002PK	light beige	-FF, GS, JN, NC, ND, NP, YW, YZ, ZB, ZK		
	10/96-08/002XP	pearl grey	-BH, FC, FD, GP, GQ, HX, HZ, JJ, JL, NN, YV, YX, YY, ZA, ZG, 13, 14, 30		
(1)	3B0 867 352 C	lining, pillar a	right upper	1	
		for vehicles with head airbag	contains additional positions:		
			32		
	02/99-08/002PK	light beige			
	02/99-08/002XP	pearl grey			
2 +	3B0 867 333	clip		X	
3	3B0 867 334	grommet		X	
(4)	3B0 867 243 D	lining, pillar b	left upper	1	
	10/96-08/002PK	light beige			
	10/96-08/002XP	pearl grey			
(4)	3B0 868 417 D	lining, pillar b	left upper	1	
		for vehicles with head airbag	contains additional positions:		
			32		
	02/99-08/002PK	light beige			

Model	Year	MG	SG	Illustration	Restrictions	UPD	18:23	11.12.2006		ETKA
PA	2000	8	67	867-65		597	USA			


Pos	Part Number	Name	Remarks	Qty	Model	Pos	Part Number	Name	Remarks	Qty	Model
	02/99-08/002XP	pearl grey					10/96-02/00FCL	light beige	-FF,GS,JN,NC, ND,NP,YW,YZ, ZB,ZK		
4	3B0 867 244 D	lining, pillar b	right upper	1		(10)	3B5 868 201 C	lining, pillar c/d,	left upper	1	
	12/96-08/002PK	light beige					03/00-08/00KTC	pearl grey/black	-BH,FC,GP,HX, JJ,JL,NN,YV, YY,ZA,ZG,30		
(4)	10/96-08/002XP	pearl grey					03/00-08/00KTD	pearl grey/flannel grey	-FD,GQ,HZ,YX, 13,14		
	3B0 868 418 D	lining, pillar b for vehicles with head airbag contains additional positions:	right upper 32	1			03/00-08/00KTE	light beige	-FF,GS,JN,NC, ND,NP,YW,YZ, ZB,ZK		
	02/99-08/002PK	light beige									
	02/99-08/002XP	pearl grey									
(8)	3B0 867 297	lining, pillar b	left lower	1	PR-9V3	10	3B5 868 202 B	lining, pillar c/d,	right upper >>	1	sedan
	10/96-08/00B41	satin black	-BH,FC,GP,HX, JL,NN,YY,ZA, JJ				10/96-02/00FCH	pearl grey/black	-BH,FC,GP,HX, JJ,JL,NN,YV, YY,ZA,ZG,30		
	10/96-08/00Q70	light beige	-GS,JN,YZ,ZB,				10/96-02/00FCJ	pearl grey/flannel grey	-FD,GQ,HZ,YX, 13,14		
	10/96-08/00U71	flannel grey	-FD,GQ,HZ				10/96-02/00FCL	light beige	-FF,GS,JN,NC, ND,NP,YW,YZ, ZB,ZK		
(8)	3B0 867 297 A	lining, pillar b	left lower	1	PR-7AF	(10)	3B5 868 202 C	lining, pillar c/d,	right upper	1	
	01/99-08/00B41	satin black					03/00-08/00KTC	pearl grey/black	-BH,FC,GP,HX, JJ,JL,NN,YV, YY,ZA,ZG,30		
	01/99-08/00Q70	light beige					03/00-08/00KTD	pearl grey/flannel grey	-FD,GQ,HZ,YX, 13,14		
	01/99-08/00U71	flannel grey					03/00-08/00KTE	light beige	-FF,GS,JN,NC, ND,NP,YW,YZ, ZB,ZK		
8	3B0 867 298	lining, pillar b	right lower	1	PR-9V3						
	10/96-08/00B41	satin black	-BH,FC,GP,HX, JL,NN,YY,ZA, JJ								
	10/96-08/00Q70	light beige	-GS,JN,YZ,ZB,								
	10/96-08/00U71	flannel grey	-FD,GQ,HZ								
(10)	3B5 868 201 B	lining, pillar c/d, also use:	left upper >>3B-X-145413 3B0 857 762A	1	sedan	(11)	3B0 867 767	lining, pillar c	left lower	1	
	10/96-02/00FCH	pearl grey/black	-BH,FC,GP,HX, JJ,JL,NN,YV, YY,ZA,ZG,30	1			10/96-08/00B41	satin black	-BH,FC,GP,HX, JL,NN,YY,ZA, JJ		
	10/96-02/00FCJ	pearl grey/flannel grey	-FD,GQ,HZ,YX, 13,14				10/96-08/00Q70	light beige	-GS,JN,YZ,ZB		
							10/96-08/00U71	flannel grey	-FD,GQ,HZ		
						11	3B0 867 768	lining, pillar c	right lower	1	

Model	Year	MG	SG	Illustration	Restrictions	UPD	18:23	11.12.2006		ETKA
PA	2000	8	67	867-65		597	USA			


Pos	Part Number	Name	Remarks	Qty	Model	Pos	Part Number	Name	Remarks	Qty	Model
	10/96-08/00B41	satin black	-BH, FC, FF, GP, HX, JJ, JL, NC, ND, NN, YV, YY, ZA, ZG, 30			(15)	3B0 868 249 AG	padding	left	1	PR-N0M/N0P
	10/96-08/00Q70	light beige	-GS, JN, NP, YW, YZ, ZB, ZK				08/98-08/99C29	black	-FC, HX		
	10/96-08/00U71	flannel grey	-FD, GQ, HZ, YX, 13, 14			(15)	10/96-08/993EU	flannel grey	-FD, HZ		
12	3B0 867 947 A	clamp		2			3B0 868 249 AH	padding	left	1	PR-N4M/N5U/ N7J/N7K/N7X
13	N 014 117 9	fillister hd. screw	M4X15	4			10/96-08/99ETU	light beige	-JN, YZ, ZB		
- +	N 011 673 5	washer	B5, 5X18X1, 6	4			05/97-08/99FAT	black	-JJ, JL, YY, ZA		
(15)	3B0 868 249 AB	padding	left	1	sedan	(15)	02/99-08/99KNX	black	-YV, ZG		
	10/96-07/986EL	black	-GP				02/99-08/99KNY	light beige	-YW, ZK		
(15)	3B0 868 249 AC	padding	left	1	sedan		3B0 868 249 AJ	padding	left	1	PR-N0M/N1S
	10/96-07/98C29	black	-FC, HX			(15)	10/96-08/999EU	black	-BH, NN		
(15)	3B0 868 249 AD	padding	left	1	sedan		07/97-08/995PE	light beige	-NP		
	10/96-07/98FAT	black	-JJ, JL, YY, ZA			(15)	3B0 868 250 AF	padding	right	1	PR-N0U
15	3B0 868 250 AB	padding	right	1	sedan		05/97-08/99X49	flannel grey	-GQ		
	10/96-07/98X49	flannel grey	-GQ				05/97-08/994PM	light beige	-GS		
	10/96-07/986EL	black	-GP			(15)	05/97-08/996EL	black	-GP		
(15)	3B0 868 250 AC	padding	right	1	sedan		3B0 868 250 AG	padding	right	1	PR-N0M/N0P
	10/96-07/98C29	black	-FC, HX				05/97-08/99C29	black	-FC, HX		
	10/96-07/983EU	flannel grey	-FD, HZ			(15)	05/97-08/993EU	flannel grey	-FD, HZ		
(15)	3B0 868 250 AD	padding	right	1	sedan		3B0 868 250 AH	padding	right	1	PR-N4M/N5U/ N7J/N7K/N7X
	10/96-07/98FAT	black	-JJ, JL, YY, ZA				10/96-08/99ETU	light beige	-JN, YZ, ZB		
(15)	3B9 868 249 A	padding	left	1	wagon		05/97-08/99FAT	black	-JJ, JL, YY, ZA		
	05/97-07/98C29	black	-FC, HX			(15)	02/99-08/99KNX	black	-YV, ZG		
(15)	3B0 868 249 AF	padding	left	1	PR-N0U		02/99-08/99KNY	light beige	-YW, ZK		
	10/96-08/99X49	flannel grey	-GQ				3B0 868 250 AJ	padding	right	1	PR-N0M/N1S
	10/96-08/994PM	light beige	-GS				10/96-08/999EU	black	-BH, NN		
	08/98-08/996EL	black	-GP			(15)	07/97-08/995PE	light beige	-NP		
							3B0 868 249 AK	padding	left	1	PR-N0U
							09/99-08/00X49	flannel grey	-GQ		

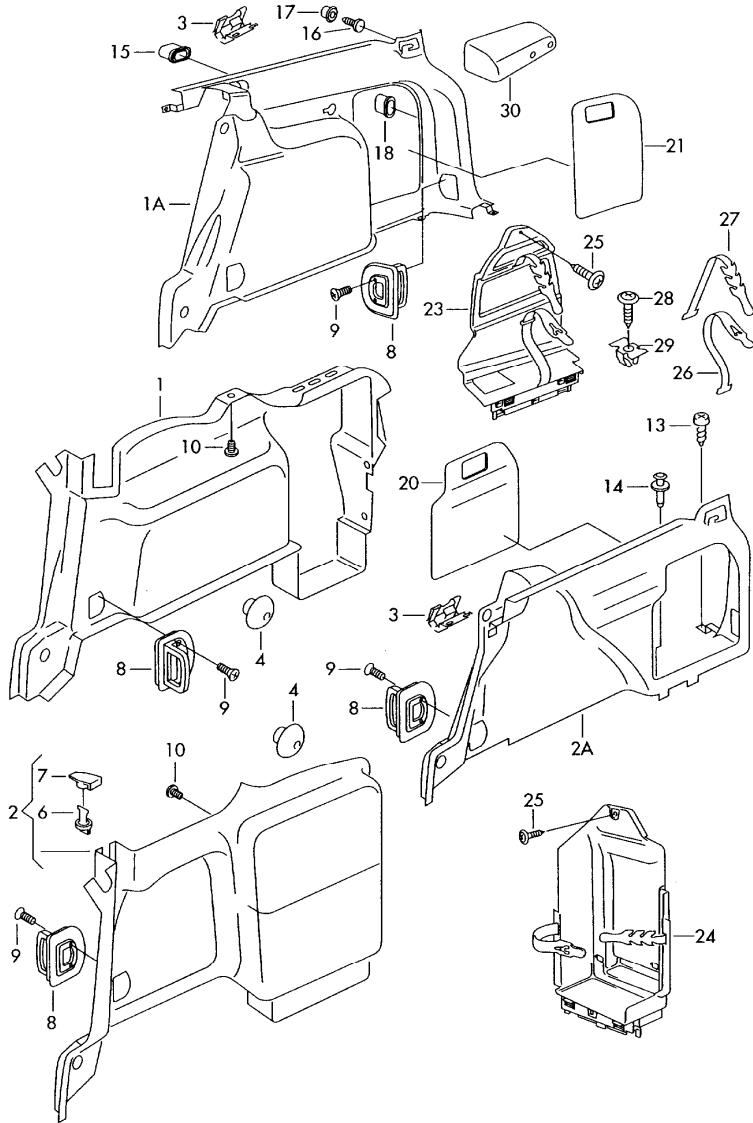
Model	Year	MG	SG	Illustration	Restrictions	UPD	18:23	11.12.2006		ETKA
PA	2000	8	67	867-65		597	USA			

Pos	Part Number	Name	Remarks	Qty	Model	Pos	Part Number	Name	Remarks	Qty	Model
(15)	09/99-08/004PM	light beige	-GS	1	PR-N0N/N0P/ N2Z	16-19	3B0 868 250 AN	padding	right	1	PR-N0M/N1S
	09/99-08/006EL	black	-GP				09/99-08/005PE	light beige	-NP		
	3B0 868 249 AL	padding	left				09/99-08/009EU	black	-BH,NN		
(15)	09/99-08/00C29	black	-FC, HX, FF, 15	1	PR-N4M/N5U/ N7J/N7K/N7X	(20)	see illustration:		885-70	1	wagon
	09/99-08/003EU	flannel grey	-FD, HZ, 14				3B9 867 287 B	lining, pillar c	left upper		
	3B0 868 249 AM	padding	left				05/97-08/002PK	light beige	-FF, GS, JN, NC, ND, NP, YW, YZ, ZB, ZK		
(15)	09/99-08/00ETU	light beige	-JN, YZ, ZB	1	PR-N0U	20	05/97-08/002XP	pearl grey	-BH, FC, FD, GP, GQ, HX, HZ, JJ, JL, NN, YV, YX, YY, ZA, ZG, 13, 14, 30	1	wagon
	09/99-08/00FAT	black	-JJ, JL, YY, ZA				3B9 867 288 B	lining, pillar c	right upper		
	09/99-08/00KNX	black	-YV, ZG				05/97-08/002PK	light beige	-FF, GS, JN, NC, ND, NP, YW, YZ, ZB, ZK		
(15)	09/99-08/00KNY	light beige	-YW, ZK	1	PR-N0M/N1S	(20)	05/97-08/002XP	pearl grey	-BH, FC, FD, GP, GQ, HX, HZ, JJ, JL, NN, YV, YX, YY, ZA, ZG, 13, 14, 30	1	wagon
	09/99-08/00KNZ	flannel grey	-YX				3B9 867 241 B	lining, pillar c for vehicles with head airbag contains additional positions:	left		
	3B0 868 249 AN	padding	left				02/99-08/002PK	light beige	-FF, GS, JN, NC, ND, NP, YW, YZ, ZB, ZK		
(15)	09/99-08/005PE	light beige	-NP	1	PR-N0N/N0P/ N2Z	(20)	02/99-08/002XP	pearl grey	-BH, FC, FD, GP, GQ, HX, HZ, JJ, JL, NN, YV, YX, YY, ZA, ZG, 13, 14, 30	1	wagon
	09/99-08/009EU	black	-BH, NN				3B9 867 242 B	lining, pillar c for vehicles with head airbag contains additional positions:	right		
	3B0 868 250 AK	padding	right				02/99-08/002PK	light beige	-FF, GS, JN, NC, ND, NP, YW, YZ, ZB, ZK		
(15)	09/99-08/00X49	flannel grey	-GQ	1	PR-N4M/N5U/ N7J/N7K/N7X	(20)	see illustration:		32	1	wagon
	09/99-08/004PM	light beige	-GS				3B9 867 242 B	lining, pillar c for vehicles with head airbag contains additional positions:	right		
	09/99-08/006EL	black	-GP				02/99-08/002PK	light beige	-FF, GS, JN, NC, ND, NP, YW, YZ, ZB, ZK		
(15)	3B0 868 250 AL	padding	right	1	PR-N0N/N0P/ N2Z	(20)	02/99-08/002XP	pearl grey	-BH, FC, FD, GP, GQ, HX, HZ, JJ, JL, NN, YV, YX, YY, ZA, ZG, 13, 14, 30	1	wagon
	09/99-08/00C29	black	-FC, HX, FF, 15				3B9 867 242 B	lining, pillar c for vehicles with head airbag contains additional positions:	right		
	09/99-08/003EU	flannel grey	-FD, HZ, 14				02/99-08/002PK	light beige	-FF, GS, JN, NC, ND, NP, YW, YZ, ZB, ZK		
(15)	3B0 868 250 AM	padding	right	1	PR-N4M/N5U/ N7J/N7K/N7X	(20)	see illustration:		32	1	wagon
	09/99-08/00ETU	light beige	-JN, YZ, ZB				3B9 867 242 B	lining, pillar c for vehicles with head airbag contains additional positions:	right		
	09/99-08/00FAT	black	-JJ, JL, YY, ZA				02/99-08/002PK	light beige	-FF, GS, JN, NC, ND, NP, YW, YZ, ZB, ZK		
(15)	09/99-08/00KNX	black	-YV, ZG	1	PR-N0N/N0P/ N2Z	(20)	see illustration:		32	1	wagon
	09/99-08/00KNY	light beige	-YW, ZK				3B9 867 242 B	lining, pillar c for vehicles with head airbag contains additional positions:	right		
	09/99-08/00KNZ	flannel grey	-YX				02/99-08/002PK	light beige	-FF, GS, JN, NC, ND, NP, YW, YZ, ZB, ZK		


Model	Year	MG	SG	Illustration	Restrictions	UPD	18:23	11.12.2006		ETKA
PA	2000	8	67	867-65		597	USA			

Pos	Part Number	Name	Remarks	Qty	Model	Pos	Part Number	Name	Remarks	Qty	Model
	02/99-08/002XP	pearl grey	-BH, FC, FD, GP, GQ, HX, HZ, JJ, JL, NN, YV, YX, YY, ZA, ZG, 13, 14, 30			(29)	3B5 868 581 B	lining, pillar d for vehicles with head airbag	left	1	sedan
(21)	3B9 867 245 A	lining, pillar d	left upper	1	wagon		02/99-04/002PK	light beige	-FF, GS, JN, NC, ND, NP, YW, YZ, ZB, ZK		
	05/97-08/002PK	light beige					02/99-04/002XP	pearl grey	-BH, FC, FD, GP, GQ, HX, HZ, JJ, JL, NN, YV, YX, YY, ZA, ZG, 13, 14, 30		
	05/97-08/002XP	pearl grey									
21	3B9 867 246 A	lining, pillar d	right upper	1	wagon	(29)	3B5 868 581 D	lining, pillar d for vehicles with head airbag	left	1	sedan
	05/97-08/002PK	light beige					05/00-08/002PK	light beige			
	05/97-08/002XP	pearl grey					05/00-08/002XP	pearl grey			
22	3B9 867 208	clamp		2							
23	3B5 868 449	clip		2		29	3B5 868 582 B	lining, pillar d for vehicles with head airbag	right	1	sedan
24	333 867 299	clamp		4			02/99-04/002PK	light beige	-FF, GS, JN, NC, ND, NP, YW, YZ, ZB, ZK		
(26)	3B5 868 593 C	lining, pillar c for vehicles with head airbag	left upper	1	sedan		02/99-04/002XP	pearl grey	-BH, FC, FD, GP, GQ, HX, HZ, JJ, JL, NN, YV, YX, YY, ZA, ZG, 13, 14, 30		
	02/99-08/00KTC	pearl grey/black	-BH, FC, GP, HX, JJ, JL, NN, YV, YY, ZA, ZG, 30								
	02/99-08/00KTD	pearl grey/flannel grey	-FD, GQ, HZ, YX, 13, 14			(29)	3B5 868 582 D	lining, pillar d for vehicles with head airbag	right	1	sedan
	02/99-08/00KTE	light beige	-FF, GS, JN, NC, ND, NP, YW, YZ, ZB, ZK				05/00-08/002PK	light beige			
26	3B5 868 594 C	lining, pillar c for vehicles with head airbag	right upper	1	sedan		05/00-08/002XP	pearl grey			
	02/99-08/00KTC	pearl grey/black	-BH, FC, GP, HX, JJ, JL, NN, YV, YY, ZA, ZG, 30			30	3B0 880 288 A	clamp		6	sedan
	02/99-08/00KTD	pearl grey/flannel grey	-FD, GQ, HZ, YK, 13, 14			32		not a spare part			PR-4X3, 4X8
	02/99-08/00KTE	light beige	-FF, GS, JN, NC, ND, NP, YW, YZ, ZB, ZK			(33)	3B5 880 313 A	retaining bracket	left	1	sedan
						33	3B5 880 314 A	retaining bracket	right	1	sedan
						34	N 104 076 01	pop-rivet	A3X6	8	
27	3B0 867 200	retaining clip		4							
28	3B5 867 208 A	retaining clip		6							


Model	Year	MG	SG	Illustration	Restrictions	UPD	18:23	11.12.2006		ETKA
PA	2000	8	67	867-80		597	USA			




Pos	Part Number	Name	Remarks	Qty	Model
1	3B5 867 430 H	trunk linings boot lining	right	1	sedan
	10/96-08/991BS	anthracite			
(1)	3B5 867 430 AJ	boot lining	right	1	sedan
	09/99-08/001BS	anthracite			
(1)	3B5 867 430 AF	boot lining for vehicle with fold-down seat backrest	right dilours	1	sedan: 6 cylinder
	10/96-08/998JS	off-black			
(1)	3B5 867 430 AL	boot lining for vehicle with fold-down seat backrest	right dilours	1	sedan: 6 cylinder
	09/99-08/008JS	off-black			
1A	3B9 867 430 K	boot lining	right	1	WAGON
	05/97-02/98B41	satin black			
	05/97-02/98Q70	light beige			
	05/97-02/98U71	flannel grey			
(1A)	3B9 867 430 M	boot lining	right	1	WAGON
	03/98-08/00B41	satin black			
	03/98-08/00Q70	light beige			
	03/98-08/00U71	flannel grey			
(2)	3B5 867 429 L	boot lining cd-changer and/or for vehicles with naviga- tion system rework if necessary	left	1	sedan
	10/96-08/991BS	anthracite			
(2)	3B5 867 429 BH	boot lining cd-changer and/or for vehicles with naviga- tion system rework if necessary	left	1	sedan
	09/99-08/001BS	anthracite			

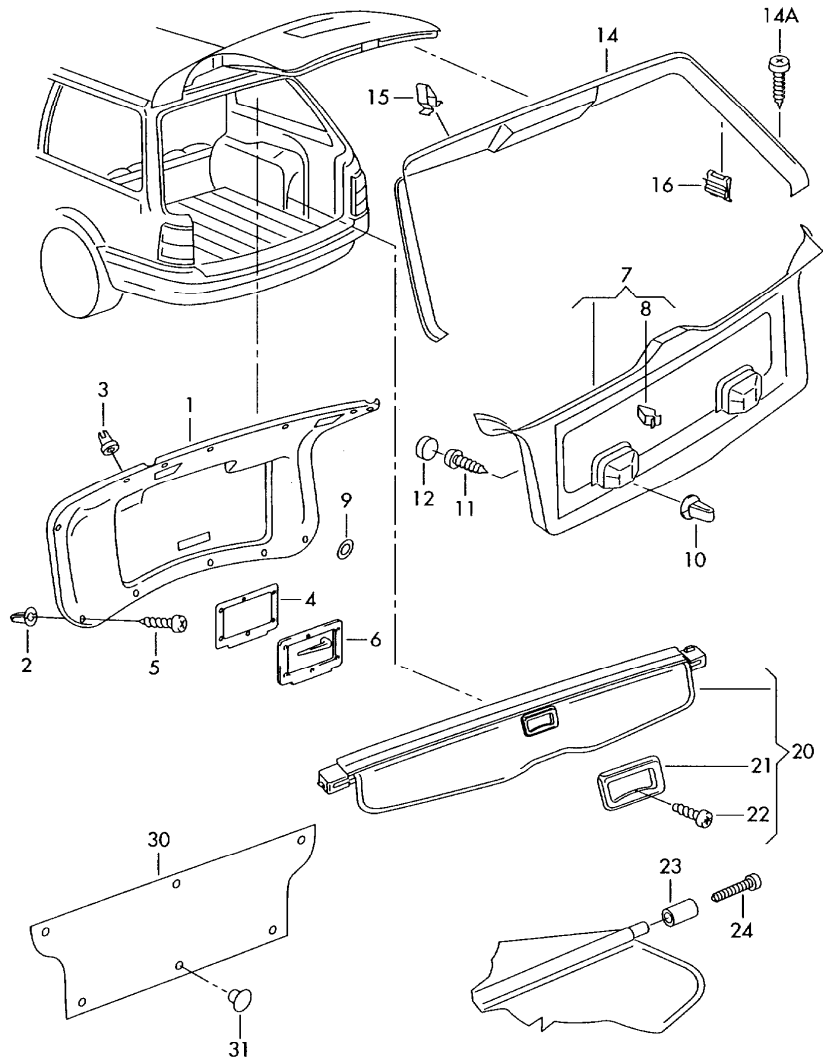
Model	Year	MG	SG	Illustration	Restrictions	UPD	18:23	11.12.2006		ETKA
PA	2000	8	67	867-80		597	USA			

Pos	Part Number	Name	Remarks	Qty	Model	Pos	Part Number	Name	Remarks	Qty	Model
(2)	3B5 867 429 BE	boot lining for vehicle with fold-down seat backrest	left	1	sedan: 6 cylinder	6	3B5 867 468	locking tongue		2	sedan
	05/98-08/998JS	off-black					10/96-08/0001C	satin black			
						7	3B5 867 467	rotary knob		2	sedan
(2)	3B5 867 429 BJ	boot lining for vehicle with fold-down seat backrest	left	1	sedan: 6 cylinder		10/96-08/0001C	satin black			
	09/99-08/008JS	off-black				(8)	8D9 864 203	tie-down eye F	>> 3B-V-109 387*	4	
							10/96-08/006DP	onyx			-BH, BJ, BN, BR, JM
(2)	3B5 867 429 BF	boot lining for vehicle with fold-down seat backrest cd-changer and/or for vehicles with naviga- tion system	left rear	1	sedan: 6 cylinder	8	1J0 864 203 B	tie-down eye F 3B-V-109 388>>*		4	
	07/98-08/998JS	off-black					04/97-08/00B41	satin black			
							06/98-08/00Q70	light beige			
							06/98-08/00U71	flannel grey			
(2)	3B5 867 429 BK	boot lining for vehicle with fold-down seat backrest cd-changer and/or for vehicles with naviga- tion system	left	1	sedan: 6 cylinder	9	+ N 101 126 03	screw, csk. hd.	M6X15SP	8	
	09/99-08/008JS	off-black				10	191 867 199	plug	20/8,5	X	sedan
							+ 10/96-08/0001C	satin black			
						13	N 904 468 01	tapping screw	4X15	4	WAGON
2A	3B9 867 429 K	boot lining	left	1	WAGON	14	1H0 867 199 A	clip		4	WAGON
	05/97-02/98B41	satin black					05/97-08/00Q70	light beige			
	05/97-02/98Q70	light beige					05/97-08/00U71	flannel grey			
	05/97-02/98U71	flannel grey					05/97-08/0001C	satin black			
(2A)	3B9 867 429 M	boot lining	left	1	WAGON	-		escutcheon net partition	left		WAGON
	03/98-08/00B41	satin black						see illustration:	861-00, POS 20		
	03/98-08/00Q70	light beige				16	+ 3B0 867 333	clip		X	WAGON
	03/98-08/00U71	flannel grey				17	3B0 867 334	grommet		X	WAGON
3	3B0 867 200	retaining clip		8	WAGON	18	3B0 867 981	grommet F	>> 3B-W-055 000*	4	WAGON
(3)	3B9 868 491 A	bracket boot lining	83X40X40MM left	1	WAGON	(18)	3B0 867 981 A	grommet F 3B-W-055 001>>*		4	WAGON
4	N 908 618 01	pushbutton	9,5X8X24	2	sedan	20	3B9 867 461 C	plug cover	left	1	WAGON
	10/96-08/0001C	satin black					05/97-08/00FEE	satin black			


Model	Year	MG	SG	Illustration	Restrictions	UPD	18:23	11.12.2006		ETKA
PA	2000	8	67	867-80		597	USA			

Pos	Part Number	Name	Remarks	Qty	Model	Pos	Part Number	Name	Remarks	Qty	Model
	05/97-08/00FEF	flannel grey									
	05/97-08/00FEH	light beige									
21	3B9 867 462 B	plug cover	right	1	WAGON						
	05/97-08/00FEE	satin black									
	05/97-08/00FEF	flannel grey									
	05/97-08/00FEH	light beige									
23	3B9 867 705 B	storage unit	left	1	WAGON						
	05/97-12/97B41	satin black									
23	3B9 867 705 F	storage unit	left	1	WAGON						
	10/96-08/00B41	satin black									
(23)	3B9 035 112 B	bracket for cd-changer and/or telematic-control unit and/or navigation unit FUER CD-ROM-LAUFWERK for vehicles with navigation system		1	WAGON						
24	3B9 867 706 B	storage unit	right	1	WAGON						
	05/97-08/00B41	satin black									
25	N 906 986 01	innensechsrund-blechschraube	ST4,2X16	X	WAGON						
26	3B9 860 273	retaining strap		1	WAGON						
27	6N0 860 273 D	retaining strap warning triangle		1	WAGON						


Model	Year	MG	SG	Illustration	Restrictions	UPD	18:23	11.12.2006		ETKA
PA	2000	8	68	868-00		597	USA			

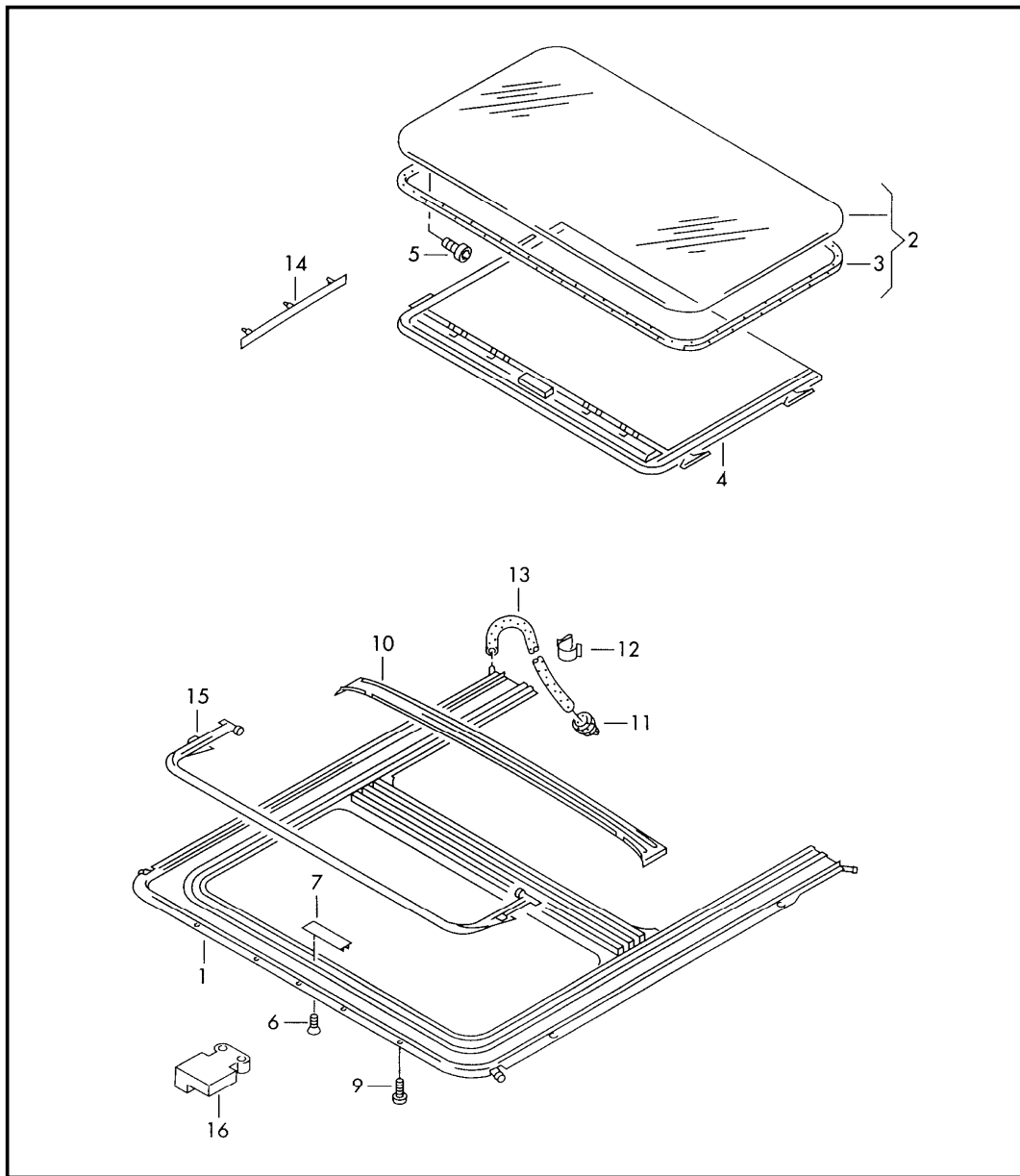


Pos	Part Number	Name	Remarks	Qty	Model
		trim panel for hatch gate			
		trim panel for rear panel			
		blind for luggage compartment			
(1)	3B5 867 605 G	trim panel for hatch gate		1	
	10/96-08/008JS	off-black			
(1)	3B5 867 605 E	trim panel for hatch gate		1	sedan
	10/96-08/008JS	off-black			6 cylinder
2	+ 4A0 857 610	expanding nut		11	sedan
3	N 907 503 01	expanding nut	4,2	2	
5	N 902 776 02	tapping screw	4.2X17	13	
	10/96-08/0002S	off-black	flocked		
7	3B9 867 601 E	trim panel for hatch gate	lower	1	WAGON
	05/97-08/00FEE	satin black	-BH, FC, FF, GP, HX, JJ, JL, NC, ND, NN, YV, YY, ZA, ZG, 15, 30		
	05/97-08/00FEF	flannel grey	-FD, GQ, HZ, YX, 14		
	05/97-08/00FEH	light beige	-GS, JN, NP, YZ, ZB, YW, ZK		
8	3B9 867 289	retaining clip		12	WAGON
10	+ 4A0 857 610	expanding nut		2	WAGON
11	+ N 901 575 01	tapping screw	B4, 2X25	2	WAGON
12	3B9 867 169	cap		2	WAGON
	05/97-08/00B41	satin black			
	05/97-08/00Q70	light beige			
	05/97-08/00U71	flannel grey			
14	3B9 867 975 C	trim panel for hatch gate	upper	1	WAGON
	05/97-08/00X30	pearl grey	-BH, FC, FD, GP, GQ, HX, HZ, JJ, JL, NN, YY, ZA, YV, YX, ZG, 14, 30, 15		


Model	Year	MG	SG	Illustration	Restrictions	UPD	18:23	11.12.2006		ETKA
PA	2000	8	68	868-00		597	USA			

Pos	Part Number	Name	Remarks	Qty	Model	Pos	Part Number	Name	Remarks	Qty	Model
	05/97-08/00Y50	light beige	-GS, JN, YZ, ZB, FF, NC, ND, NP, YW, ZK				03/98-08/00Q70	light beige			
14A	N 908 380 01	fillister hd. screw contents of package:	4X16-E 20	2	WAGON	22	3B0 867 648	innensechsrundschrabe tapping screw	2,5X8MM	2	WAGON
	05/97-08/00B41	satin black				23		not a spare part			
	05/97-08/00Q70	light beige				24		not a spare part			
	05/97-08/00U71	flannel grey				30	3B5 867 714 D	trim panel for rear panel		1	sedan
15	+ 4B0 867 276 A	clamp		4	WAGON		10/96-08/001BS	anthracite			
16	3B9 867 276	retaining clip		4	WAGON	31	191 867 199	plug	20/8,5	6	sedan
(20)	3B9 867 871 AA	blind for luggage compartment		1	WAGON	+ 10/96-08/0001C		satin black			
	05/97-08/006PD	light beige									
(20)	3B9 867 871 AC	blind for luggage compartment		1	variant						
	05/97-08/008LE	flannel grey									
	05/97-08/009ET	black									
(20)	3B9 867 871 T	blind for luggage compartment for vehicles with net partition		1	WAGON						
	05/97-08/006PD	light beige									
(20)	3B9 867 871 AB	blind for luggage compartment for vehicles with net partition		1	WAGON						
	05/97-08/008LE	flannel grey									
	05/97-08/009ET	black									
21	3B9 867 799 A	grip molding		1	WAGON						
	05/97-02/98B41	satin black									
	05/97-02/98Q70	light beige									
	05/97-02/98U71	flannel grey									
(21)	3B9 867 799 B	grip molding		1	WAGON						
	03/98-08/00B41	satin black									


Model	Year	MG	SG	Illustration	Restrictions	UPD	18:24	11.12.2006		ETKA
PA	2000	8	77	877-00		597	USA			

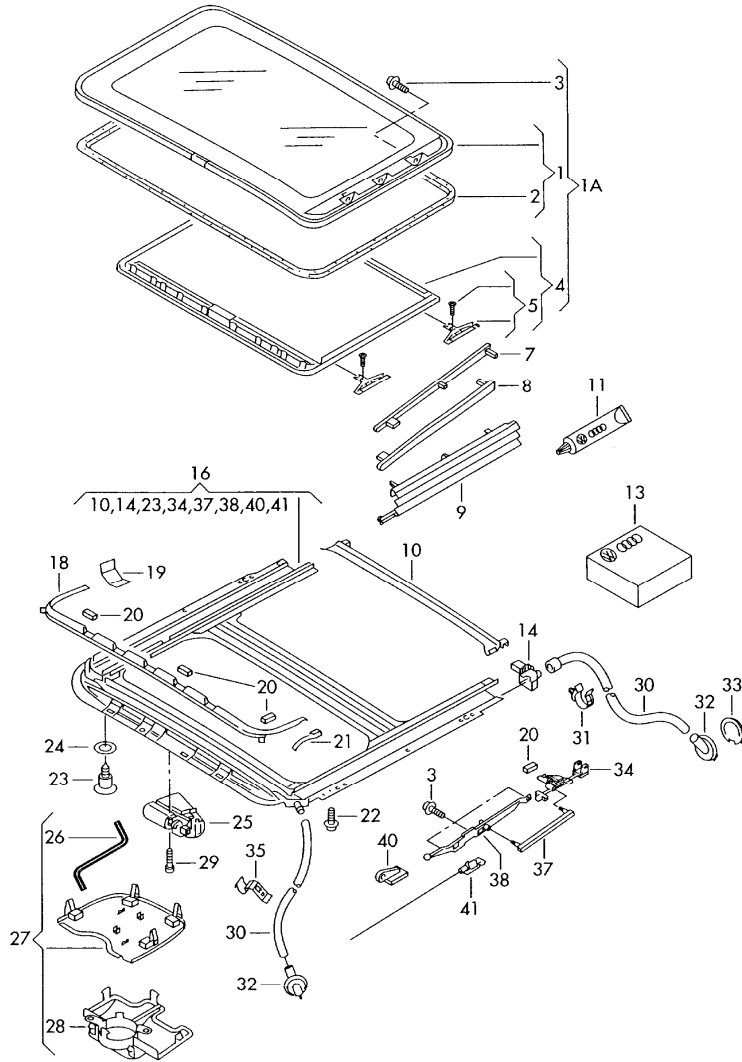


Pos	Part Number	Name	Remarks	Qty	Model
-	895 877 849	glass sliding roof F >> 3B-X-126 500*	ROCKWELL-GOLDE		
1	3B0 877 011 A	crank for winding gear		1	
1	3B0 877 011 A	frame with operating mechanism for vehicles with glass sliding roof panel		1	
2	3B0 877 071	glass sliding roof panel		1	
3	8D0 877 297 A	gasket	2425MM	1	
4	8D0 877 255 C	frame for sliding roof opening with cover		1	
	10/96-08/00EUY	pearl grey			
(4)	8D0 877 255 D	frame for sliding roof opening with cover		1	
	10/96-08/002PK	light beige			
5	8D0 877 721	bolt, with hex. socket hd. (combi.)	M5X8	6	
6	N 103 063 01	screw, csk. hd.	M5X40	2	
7	8D0 877 381	cover		1	
9	+ N 905 988 04	innensechsrund-linsenschraube	M6X12-H	10	
10	8D0 877 633	rain channel		1	
11	8D0 877 242	drain tube grommet		X	
12	8D0 877 237	clip		X	
(13)	3B5 877 233	water drain hose shorten if necessary	1605MM	X	
(14)	3B0 877 791	trim	left upper	1	
	10/96-08/0001C	satin black			
14	3B0 877 792	trim	right upper	1	
	10/96-08/0001C	satin black			
(14)	3B0 877 793 A	trim	left lower	1	
	10/96-08/0001C	satin black			
(14)	3B0 877 794 A	trim	right lower	1	


Model	Year	MG	SG	Illustration	Restrictions	UPD	18:24	11.12.2006		ETKA
PA	2000	8	77	877-00		597	USA			

Pos	Part Number	Name	Remarks	Qty	Model	Pos	Part Number	Name	Remarks	Qty	Model
	10/96-08/0001C	satin black									
15	3B0 877 651 A	wind deflector		1							
	10/96-08/0003C	rally black									
16		sliding roof motor		1							
		see illustration:	959-15								
-	3B0 877 829 B	cover		1							
		sliding roof motor									
	10/96-08/002PK	light beige									
	10/96-08/002XP	pearl grey									
-	3B9 877 829 B	cover		1							
		sliding roof motor									
	05/97-08/002PK	light beige									
	05/97-08/002XP	pearl grey									


Model	Year	MG	SG	Illustration	Restrictions	UPD	18:24	11.12.2006		ETKA
PA	2000	8	77	877-10		597	USA			

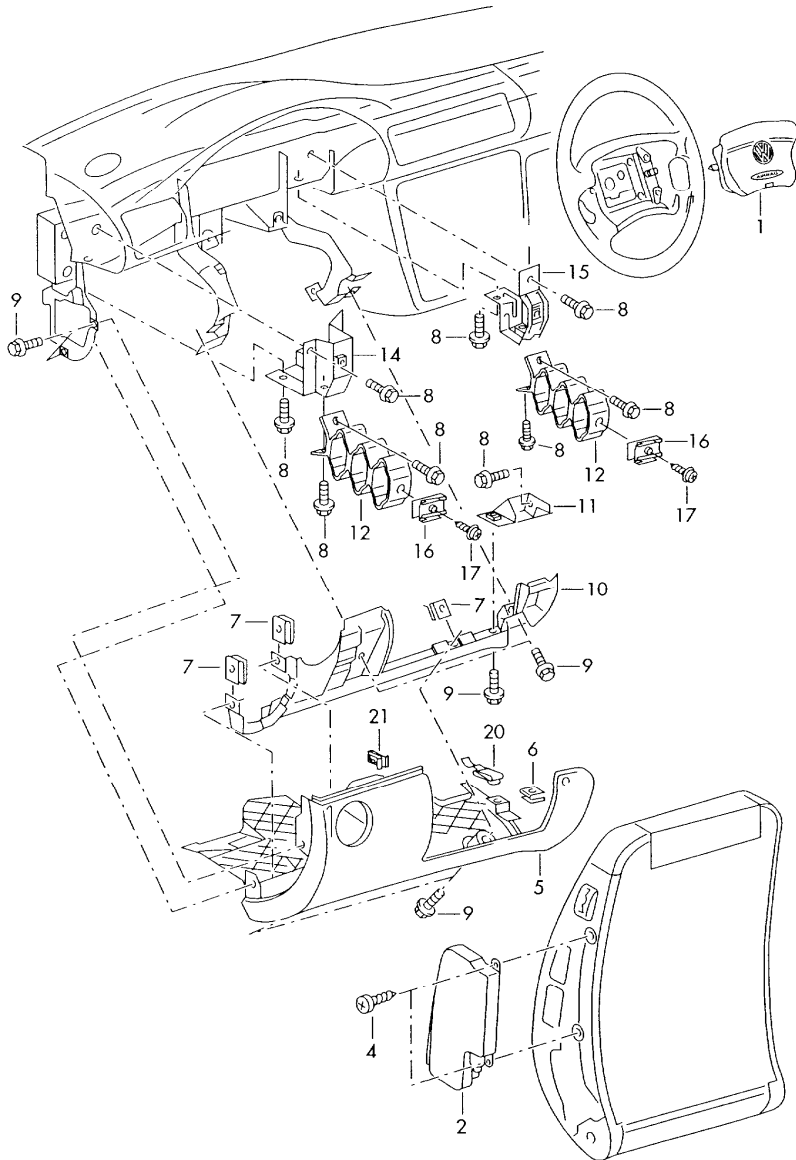


Pos	Part Number	Name	Remarks	Qty	Model
		glass sliding roof F 3B-X-126 501>>*	ROCKWELL-GOLDE MERITOR		
1	4B0 877 071 G	glass sliding roof panel		1	
2	8D0 877 297 D	gasket	2425MM	1	
3	8D0 877 721 A	bolt, with hex. socket hd. (combi.) F. BEFESTIGUNG GLASDECKEL	M5X16	6	
4	8D0 877 255 B	frame for sliding roof opening with cover		1	
	08/98-08/00X09	pearl grey			
	08/98-08/005PL	light beige			
5	8D5 877 165 A	guide piece with screw, csk. hd. 'order qty. 4'		4	
7	4B0 877 791	trim	left upper	1	
	08/98-08/0001C	satin black			
(7)	4B0 877 792	trim	right upper	1	
	08/98-08/0001C	satin black			
8	4B0 877 793	trim	left lower	1	
	08/98-08/0001C	satin black			
(8)	4B0 877 794	trim	right lower	1	
	08/98-08/0001C	satin black			
10	8D0 877 633 B	rain channel		1	
11	G 000 450 02	grease	90G	X	
13	AKL 450 005 05	butyl adhesive / sealing cord adhesives and sealing compound	5X5000	X	
14	8D5 898 200	1 set of ball end piece comprising:	left/right rear	1	
16	4B5 877 049 B	frame with operating mechanism for vehicles with glass sliding roof		1	
18	8D5 877 655	wind deflector		1	
19	8D5 898 671	1 set of mounting - wind defl.	left/right	1	
20	8D5 898 652 A	1 set of rubber stop		1	


Model	Year	MG	SG	Illustration	Restrictions	UPD	18:24	11.12.2006		ETKA
PA	2000	8	77	877-10		597	USA			

Pos	Part Number	Name	Remarks	Qty	Model	Pos	Part Number	Name	Remarks	Qty	Model
21	8D5 877 975	flat spring wind deflector		2		(40)	8D5 877 484	guide	right front	1	
22	N 907 498 01	innensechsrund-linsenschraube	M6X12	X		41	8D5 898 015	guide with cable comprising:	left/right rear	1	
23	8D5 877 721	innensechsrund-zyl.schraube		4							
24	8D5 877 479	washer		4							
25		sliding roof motor see illustration:	959-15								
26	895 877 849	crank for winding gear		1							
27	3B0 877 829 C	cover sliding roof motor		1							
	08/98-10/992PK	light beige									
(27)	3B0 877 829 D	cover sliding roof motor		1							
	11/99-08/002PK	light beige									
	08/98-08/002XP	pearl grey									
29	N 908 848 01	innensechsrund-linsenschraube	M5X18	3							
30	1J0 877 231	water drain hose	front	2							
(30)	1J6 877 233	water drain hose	left rear	1							
(30)	1J6 877 234	water drain hose	right rear	1							
(31)	1J0 877 244	clip water drain hose		4							
32	8D0 877 242	drain tube grommet	front	2							
(32)	4A0 877 241 B	grommet	29,8 rear	2							
34	4B0 877 385	guide locking segment	left	1							
(34)	4B0 877 386	guide locking segment	right	1							
37	8D5 877 421	spacer		2							
38	8D5 877 151	guide	left	1							
(38)	8D5 877 152	guide	right	1							
40	8D5 877 483	guide	left front	1							


Model	Year	MG	SG	Illustration	Restrictions	UPD	18:24	11.12.2006		ETKA
PA	2000	8	80	880-00		597	USA			

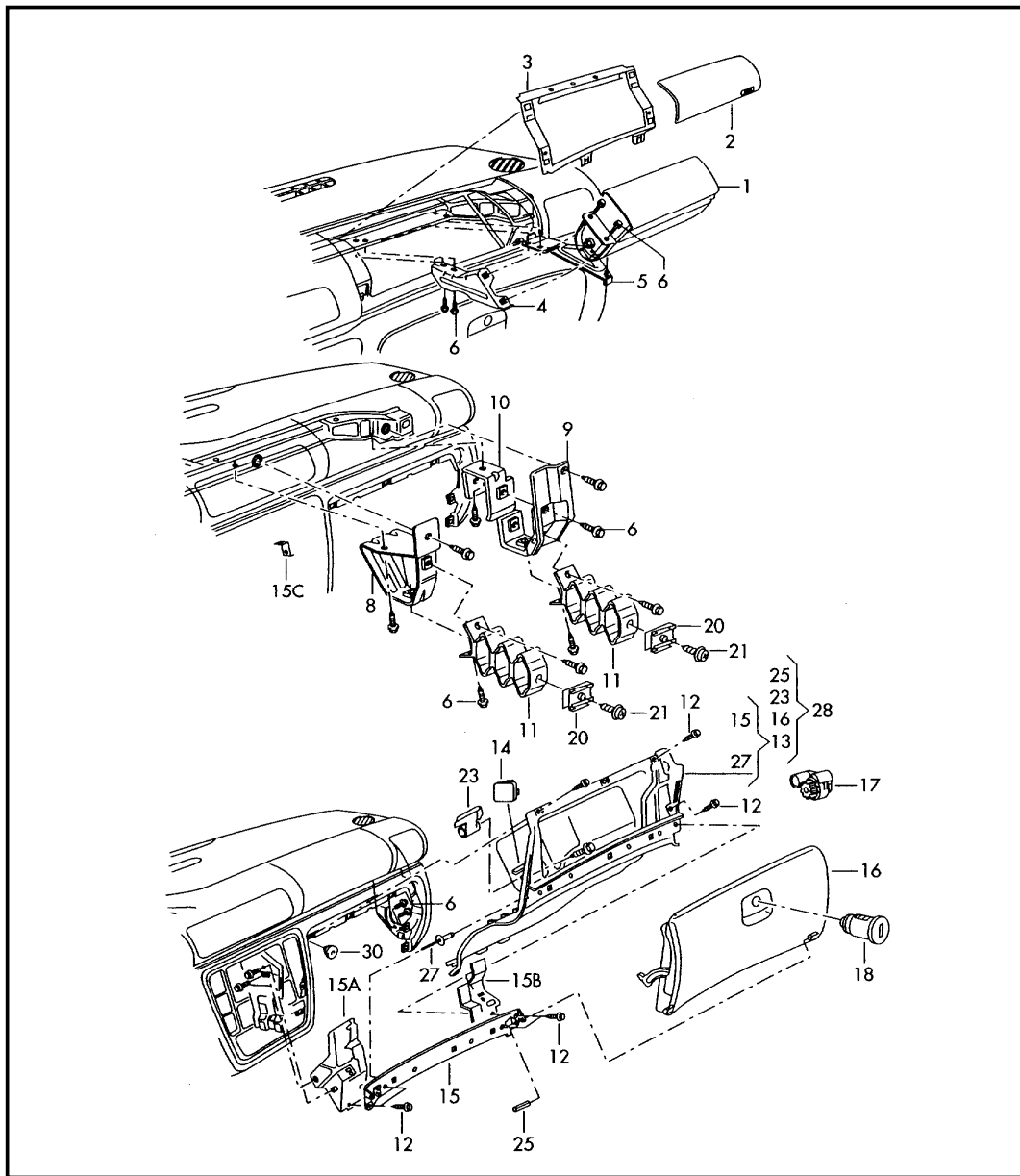


Pos	Part Number	Name	Remarks	Qty	Model
		airbag knee bar (drivers side) ** caution dangerous cargo ** see workshop manual -----			
-	000 010 227 C	registration card for airbag		1	
(1)	3B0 898 203	install.kit for airbag (drivers side) ** only order for ** ** immediate installation ** comprising:		1	
		also use:	000 010 227 C	1	
f	10/96-08/974EC	black			
(1)	3B0 898 203 A	install.kit for airbag (drivers side) steering wheel (leather) ** only order for ** ** immediate installation ** comprising:		1	
		also use:	000 010 227 C	1	
f	10/96-08/974EC	black			
(1)	3B0 880 201 AS	airbag unit for steering wheel ** only order for ** ** immediate installation ** also use:	TRW	1	PR-1MR/2PQ
		also use:	000 010 227 C	1	
f	09/97-08/004EC	black			
(1)	3B0 880 201 AL	airbag unit for sport steering wheel ** only order for ** ** immediate installation ** also use:	PETRI	1	PR-2PX/2ZT/ 2PA
		also use:	000 010 227 C	1	
f	10/96-08/004EC	black			
(1)	3B0 880 201 AL	airbag unit for sport steering wheel ** only order for ** ** immediate installation ** also use:	wood/leather PETRI	1	
		also use:	000 010 227 C	1	
f	01/00-08/004EC	black			
(1)	1J0 880 201 C	airbag unit for steering wheel for vehicles with multifunc- tion steering wheel ** only order for ** ** immediate installation **	TRW	1	PR-4UE/4UB, 4LL/4LF/4LB, 2ZB


Model	Year	MG	SG	Illustration	Restrictions	UPD	18:24	11.12.2006		ETKA
PA	2000	8	80	880-00		597	USA			

Pos	Part Number	Name	Remarks	Qty	Model	Pos	Part Number	Name	Remarks	Qty	Model
	f 11/99-08/004EC	black									
2		see illustration:	880-20								
4		see illustration:	880-20								
(5)	3B1 880 509 B	cover	also use:	1							
			*->3B-W-182658								
			3B1 880 501 B	1							
	09/97-08/00A94	satin black									
	09/97-08/00R48	light beige									
	09/97-08/007DE	flannel grey									
6	893 857 119 A	clamp		1							
7	+ N 903 562 03	speed nut	M5X17X17	3							
8	N 906 546 01	bolt, hex. hd. with pin (combi)	M6X18,25-TO	1							
9	N 904 388 01	bolt, hex. hd. (combi.)	M5X15-LD	8							
(10)	3B1 880 501 B	mounting plate	also use:	1							
			*->3B-W-182658								
			3B1 880 509 B	1							
11	3B1 880 505	retaining plate		1							
12	3B1 880 687	support		2							
14	3B1 880 603	mounting	left	1							
15	3B1 880 604	mounting	right	1							
16	N 904 205 02	speed nut	M5X30X17	2							
17	N 907 290 01	shouldered bolt	M5X16-SP	2							
20	8D0 857 119	spring clip		1							
21	3B0 858 137	spring clip		2							


Model	Year	MG	SG	Illustration	Restrictions	UPD	18:25	11.12.2006		ETKA
PA	2000	8	80	880-10		597	USA			

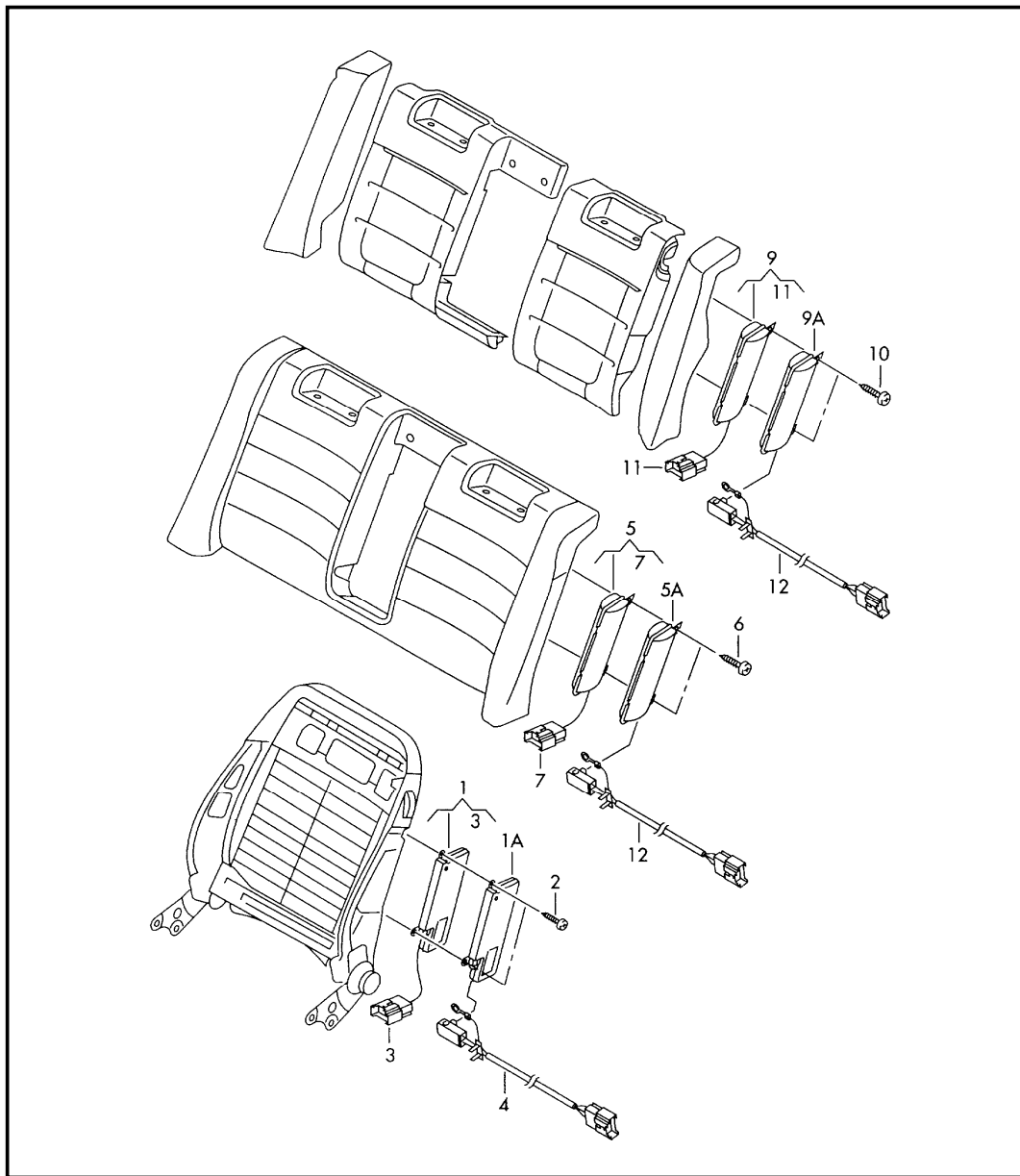


Pos	Part Number	Name	Remarks	Qty	Model
		airbag (passenger side) knee bar ** caution dangerous cargo ** see workshop manual -----			
1	f 3B0 880 204 A	airbag unit (passenger side) ** only order for ** ** immediate installation **		1	
(2)	3B1 880 261 B	cover for vehicles with airbag	lhd	1	
	10/96-08/004EC	black			
	10/96-08/005ER	platinum			
3	3B1 880 216	retaining frame	lhd	1	
4	3B1 880 263	retaining plate	left	lhd	1
5	3B1 880 264 A	retaining plate	right	lhd	1
6	N 906 546 01	bolt, hex. hd. with pin (combi)	M6X18,25-TO	20	
8	3B1 880 601	retaining plate	left	1	
11	3B1 880 687	support		1	
12	N 906 986 01	innensechsrund-blechsraube	ST4,2X16	X	
13	3B1 880 300 A	glove box		1	
	09/97-01/00A94	satin black			
	09/97-01/00R48	light beige			
	09/97-01/007DE	flannel grey			
(13)	3B1 857 101 H	glove box	as required use:	1	
			3B1 857 122 B (FKZ)	1	
	02/00-08/00A94	satin black			
	02/00-08/00R48	light beige			
	02/00-08/007DE	flannel grey			
-	N 905 814 01	plug buffer	A7X2	2	
14	3A0 864 138	cap		1	wagon


Model	Year	MG	SG	Illustration	Restrictions	UPD	18:25	11.12.2006		ETKA
PA	2000	8	80	880-10		597	USA			

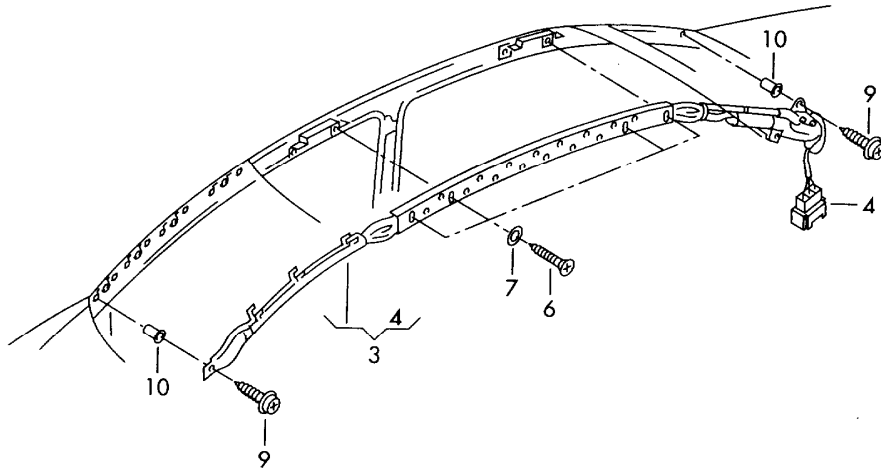
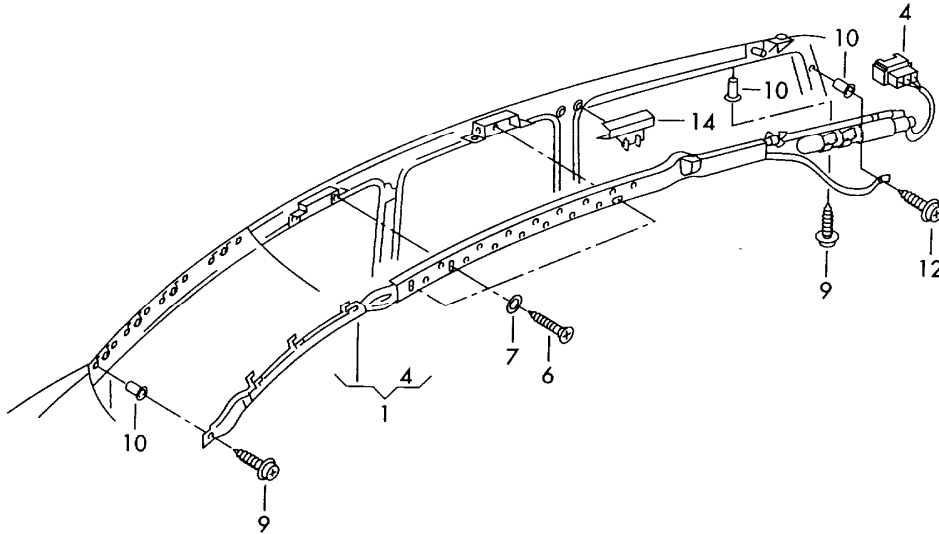
Pos	Part Number	Name	Remarks	Qty	Model	Pos	Part Number	Name	Remarks	Qty	Model
	09/97-08/004FB	black				28	3B0 880 247	glove box		1	PR-4UB
15	3B1 880 812	retaining frame		1			09/97-08/00A94	satin black			
	09/97-08/0001C	satin black					09/97-08/00R48	light beige			
15A	3B1 880 821	retaining bracket	left	1			09/97-08/007DE	flannel grey			
15B	3B1 880 822	retaining bracket	right	1		30	N 905 814 01	plug	A7X2	X	
15C	3B1 880 272	retaining bracket retaining frame		1							
-	N 907 290 01	shouldered bolt	M5X16-SP	2							
16	3B1 880 882	glove box lid		1							
		as required use:	POS.25								
	09/97-01/00A94	satin black									
	09/97-01/00R48	light beige									
	09/97-01/007DE	flannel grey									
(16)	3B1 857 122 B	glove box lid		1							
		as required use:	3B1 857 101 H (FKZ)	1							
	02/00-08/00A94	satin black		1							
	02/00-08/00R48	light beige									
	02/00-08/007DE	flannel grey									
17	3B1 858 309 B	brake element		1							
18	f 107 857 113 JB	lock cylinder without key * to retain the one key * system the key code * number and/or vehicle * ident.number (vin) must * be quoted when ordering		1							
20	N 904 205 02	speed nut	M5X30X17	1							
21	N 907 290 01	shouldered bolt	M5X16-SP	1							
23	3B1 858 157	relay lever glove box light		1							
(25)	3B1 880 801	pin - hinge	6X30	2							
25	3B1 880 801 A	pin - hinge	6,5X30	2							
27	3B0 880 243	pop-rivet 'order qty. 10'	A4X9X8X2,25	1							

Model	Year	MG	SG	Illustration	Restrictions	UPD	18:25	11.12.2006		ETKA
PA	2000	8	80	880-20		597	USA			




Pos	Part Number	Name	Remarks	Qty	Model
		side air bag unit ** caution dangerous cargo ** see workshop manual	front		
(1A) f	1H0 880 241 C	side air bag unit ** only order for ** ** immediate installation ** F >> 3B-W-034 679 also use:	left	1	
			BT:972-25 POS.20		
1A f	3B0 880 241 E	side air bag unit ** only order for ** ** immediate installation ** F 3B-W-034 680>>	left	1	
			BT:972-25 POS.20		
(1A) f	1H0 880 242 C	side air bag unit ** only order for ** ** immediate installation ** F >> 3B-W-034 679 also use:	right	1	
			BT 972-25 POS.20		
(1A) f	3B0 880 242 E	side air bag unit ** only order for ** ** immediate installation ** F 3B-W-034 680>>*	right	1	
			BT:972-25 POS.20		
2	N 013 973 4	tapping screw, fill. hd.	BZ5,5X13	4	
(2) +	N 010 205 6	screw, hex. hd.	M5X10	4	
(2)	N 022 154 1	hex. nut, self-locking	M5	4	
4		see illustration:	BT 972-25		
-		retrofit kit to immobilize the side airbag			


Model	Year	MG	SG	Illustration	Restrictions	UPD	18:25	11.12.2006		ETKA
PA	2000	8	80	880-30		597	USA			

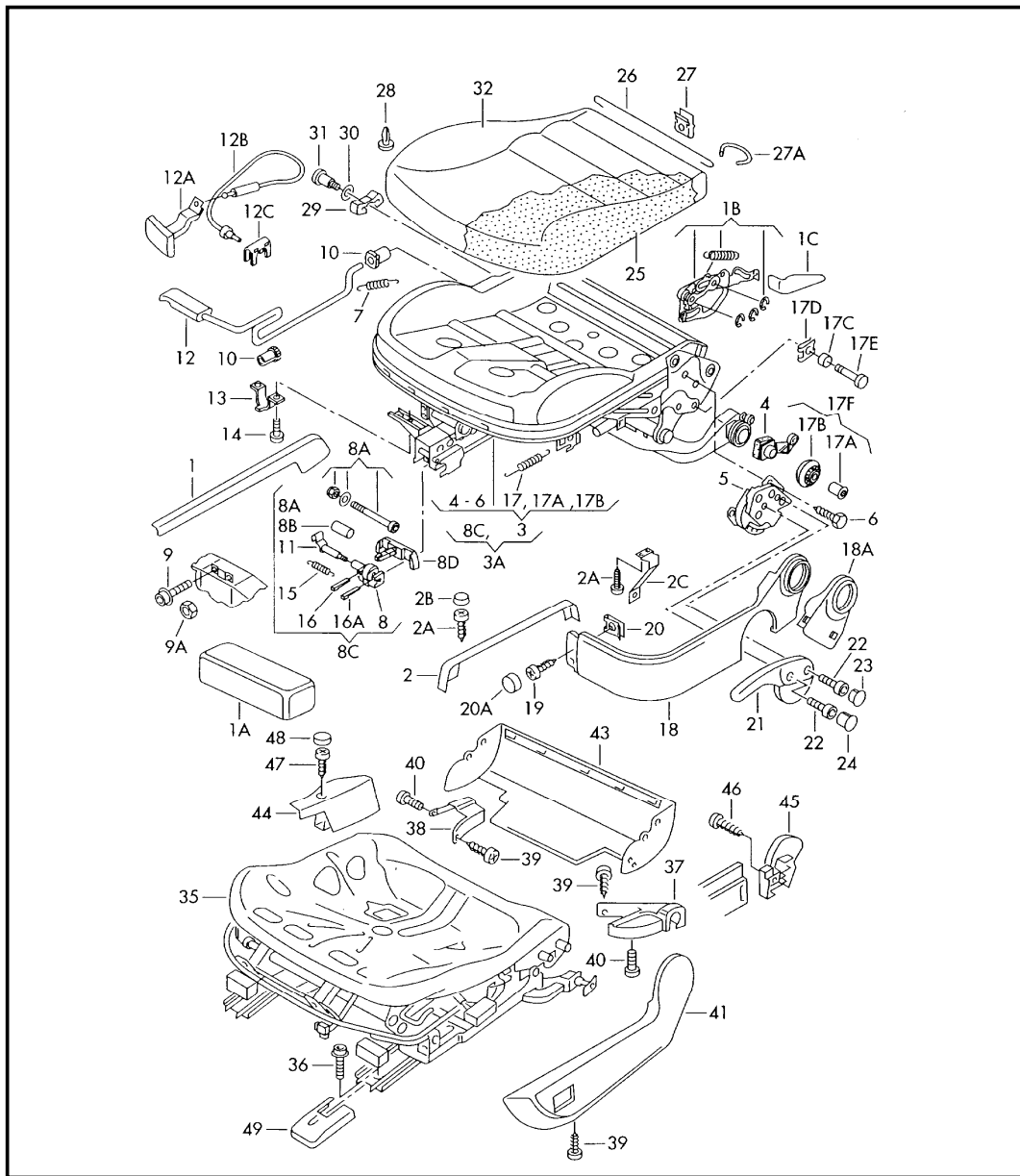


Pos	Part Number	Name	Remarks	Qty	Model
		head airbag unit ** caution dangerous cargo ** see workshop manual			wagon
(1) f	3B9 880 741 E	head airbag unit ** only order for ** ** immediate installation ** also use:	left	1	
			000 010 227 C	1	
(1) f	3B9 880 741 B	head airbag unit F 3B-Y-376 995>>*	left	1	
		** only order for ** ** immediate installation ** also use:	000 010 227 C	1	
1 f	3B9 880 742	head airbag unit F >> 3B-Y-376 994*	right	1	PR-K8D,4X3, 4X4
		** only order for ** ** immediate installation ** also use:	000 010 227 C	1	
(1) f	3B9 880 742 E	head airbag unit F 3B-Y-376 995>>*	right	1	wagon PR-K8D,4X3, 4X4
		** only order for ** ** immediate installation ** also use:	000 010 227 C	1	
4	6X0 972 783	flat contact housing airbag for single wiring:	3 pin yellow 000 979 132 A	1 X	
6	N 104 728 01	innensechsrund-blechschaube	ST4,8X38	6	
7 +	N 011 665 3	washer	5,3X15X1,6	6	
9	N 104 829 01	shouldered bolt	M5X25-PF	6	
10	N 908 146 01	rivetted cap nut	M5/0,5-3-E	6	
12	N 907 290 01	shouldered bolt	M5X16-SP	2	
(14)	3B9 880 755	guide piece for vehicles with head airbag	left	1	
14	3B9 880 756	guide piece for vehicles with head airbag	right	1	
-	333 867 633	rivet		2	
+ 02/99-08/004FB		black			
		head airbag unit ** caution dangerous cargo ** see workshop manual			sedan


Model	Year	MG	SG	Illustration	Restrictions	UPD	18:25	11.12.2006		ETKA
PA	2000	8	80	880-30		597	USA			

Pos	Part Number	Name	Remarks	Qty	Model	Pos	Part Number	Name	Remarks	Qty	Model
(3)	f 3B5 880 741	head airbag unit F >> 3B-Y-273 289* ** only order for ** ** immediate installation ** also use:	left	1	PR-K8B,4X3, 4X4						
			000 010 227 C	1							
(3)	f 3B5 880 741 E	head airbag unit F 3B-Y-273 290>>* ** only order for ** ** immediate installation ** also use:	left	1	PR-K8B,4X3, 4X4						
			000 010 227 C	1							
3	f 3B5 880 742 E	head airbag unit ** only order for ** ** immediate installation ** also use:	right	1	PR-K8B,4X3, 4X4						
			000 010 227 C	1							
4	6X0 972 783	flat contact housing airbag for single wiring:	3 pin yellow 000 979 132 A	1							
				X							
6	N 104 728 01	innensechsrund-blechschraube	ST4,8X38	8							
7	+ N 011 665 3	washer	5,3X15X1,6	8							
9	N 104 829 01	shouldered bolt	M5X25-PF	6							
10	N 908 146 01	rivetted cap nut	M5/0,5-3-E	6							


Model	Year	MG	SG	Illustration	Restrictions	UPD	18:25	11.12.2006		ETKA
PA	2000	8	81	881-00		597	USA			




Pos	Part Number	Name	Remarks	Qty	Model
		seat	front		
1	3B0 881 087 B	cover for channel	left inner	1	
	10/96-08/97B41	satin black			
	10/96-08/97Q70	light beige			
	10/96-08/97U71	flannel grey			
(1)	3B0 881 087 D	cover for channel	left inner	1	
	09/97-08/00B41	satin black			
	09/97-08/00Q70	light beige			
	09/97-08/00U71	flannel grey			
(1)	1J0 881 088 D	cover for channel	right inner	1	
	10/96-08/00B41	satin black			
	10/96-08/00Q70	light beige			
	10/96-08/00U71	flannel grey			
1A	4B0 881 097	cap motor for seat adjustment for longitudinal adjustment		1	
	10/97-08/0001C	satin black			
	10/97-08/00Q70	light beige			
	10/97-08/00U71	flannel grey			
(1A)	4B0 881 098	cap motor for seat adjustment for longitudinal adjustment		1	
	10/97-08/0001C	satin black			
	10/97-08/00Q70	light beige			
	10/97-08/00U71	flannel grey			
2	1J0 881 347 B	cover for channel	left outer	1	
	10/96-08/97B41	satin black			
	10/96-08/97Q70	light beige			
	10/96-08/97U71	flannel grey			

Model	Year	MG	SG	Illustration	Restrictions	UPD	18:25	11.12.2006		ETKA
PA	2000	8	81	881-00		597	USA			


Pos	Part Number	Name	Remarks	Qty	Model	Pos	Part Number	Name	Remarks	Qty	Model
(2)	1J0 881 347 D	cover for channel	left outer	1		(3)	3B0 881 105 N	seat frame with hight adjustment F >> 3B-X-150 000 with:	left POS. 7,10,12, 13,14	1	PR-Q1A/Q2J/ Q4H
	09/97-08/00B41	satin black									
	09/97-08/00Q70	light beige									
	09/97-08/00U71	flannel grey				(3)	3B0 881 105 AD	seat frame with hight adjustment F 3B-X-150 001>> 3B-Y-800 000* with:	left POS. 12A,B,C	1	PR-Q1A/Q2J/ Q4H
(2)	1J0 881 348 B	cover for channel	right outer	1		(3)	3B0 881 105 BA	seat frame with hight adjustment F 3B-Y-800 001>> with: as required use:	left POS. 12A,B,C POS. 25 BT 963-00	1	PR-Q1A/Q2J/ Q4H
	10/96-08/97B41	satin black									
	10/96-08/97Q70	light beige									
	10/96-08/97U71	flannel grey				(3)	3B0 881 107	seat frame (electrically adjustable) for vehicles with electric memory seat and backrest adjustment F 3B-W-210 001>> as required use:	left POS. 4,8,11 BT 959-21	1	PR-Q1A/Q2J/ Q4H
(2)	1J0 881 348 F	cover for channel	right outer	1		(3)	3B0 881 106 N	seat frame with hight adjustment F >> 3B-X-150 000 with:	right POS. 7,10,12, 13,14	1	PR-Q1A/Q2J/ Q4H
	09/97-08/00B41	satin black									
	09/97-08/00Q70	light beige									
	09/97-08/00U71	flannel grey				(3)	3B0 881 106 AD	seat frame with hight adjustment F 3B-X-150 001>> 3B-Y-800 000* with:	right POS. 12A,B,C	1	PR-Q1A/Q2J/ Q4H
(2)	1J0 881 348 G	cover for channel	right outer	1		(3)	3B0 881 106 BA	seat frame with hight adjustment F 3B-Y-800 001>>* with: as required use:	right POS. 12A,B,C POS. 25 BT 963-00	1	PR-Q1A/Q2J/ Q4H
	08/98-08/00B41	satin black									
	08/98-08/00Q70	light beige				(3)	8D0 881 026 E	seat frame with hight adjustment F >> 3B-W-210 000	right	1	PR-Q1A,3PB
2A +	N 013 965 5	tapping screw, fill. hd. F 3B-W-155 001>>*	B4,2X9,5	4		(3)	3B0 881 108	seat frame (electrically adjustable) F 3B-W-210 001>> as required use:	right POS. 4,8,11 BT 959-21	1	PR-Q1A/Q2J/ Q4H
2B	1J0 881 637 A	cap		4		-	1H0 881 287	spring F >> 3B-W-210 000	right	1	PR-3PB
	09/97-08/00B41	satin black									
	09/97-08/00Q70	light beige									
	08/98-08/00U71	flannel grey									
2C	1J0 881 567	retaining bracket for vehicles with electrically adjustable 8-way seats F 3B-W-210 001>>	left outer	1							
(2C)	1J0 881 568	retaining bracket for vehicles with electrically adjustable 8-way seats F 3B-W-210 001>>	right outer	1							

Model	Year	MG	SG	Illustration	Restrictions	UPD	18:25	11.12.2006		ETKA
PA	2000	8	81	881-00		597	USA			


Pos	Part Number	Name	Remarks	Qty	Model	Pos	Part Number	Name	Remarks	Qty	Model
-	435 881 203 A	guide piece F >> 3B-W-210 000	right front	1	PR-3PB	(8)	1J0 881 184	guide F >> 3B-X-300 000	right	1	
-	171 881 229 B	pin F >> 3B-W-210 000	right	1	PR-3PB	(8)	1J0 881 184 E	guide F 3B-X-300 001>>		1	
-	113 881 275 C	tension spring F >> 3B-W-210 000	right	1	PR-3PB			also use: N 023 003 8 1J0 881 249			
4	1J0 882 239 B	guide roller seat	left left	1		8A	1J0 881 277	locking lever for seat		2	
(4)	1J0 882 240 B	guide roller seat	right right	1		8B	1J0 881 277 A	sleeve		2	
(4)	1J0 882 241 B	guide roller seat	right left right	1		8C	1J0 881 613	bracket for seat with release mechanism F >> 3B-X-150 000	left	1	
(4)	1J0 882 242	guide roller seat F >> 3B-X-035 419	right left	1		(8C)	1J0 881 613 B	bracket for seat with release mechanism F 3B-X-150 001>>	left	1	
(4)	1J0 882 242 B	guide roller seat F 3B-X-035 420>>	right left	1		(8C)	1J0 881 614	bracket for seat with release mechanism F >> 3B-X-150 000	right	1	
5	1J0 881 053 B	adjuster (height adjustment) F >> 3B-X-035 419	left	1		(8C)	1J0 881 614 B	bracket for seat with release mechanism F 3B-X-150 001>>	right	1	
(5)	1J0 881 053 D	adjuster (height adjustment) F 3B-X-035 420>>	left	1		8D	1J0 881 249	stop guide F 3B-X-300 001>>		2	
(5)	1J0 881 054 B	adjuster (height adjustment) F >> 3B-X-035 419	right	1		9	N 903 659 07	innensechsrund-linsenschraube F >> 3B-X-300 000	M8X22-E-W	4	
(5)	1J0 881 054 D	adjuster (height adjustment) F 3B-X-035 420>>	right	1		(9)	N 019 502 7	bolt, hex. hd. with shoulder, self-locking F 3B-X-300 001>>	M8X25-MK	4	
6	N 013 890 5	tapping screw,hex.hd.	ST6,3X13-C	2		9A +	N 023 003 8	shouldered hex. nut, self-locking F 3B-X-300 001>>	AM8	4	
7	321 881 177	tension spring F >> 3B-X-150 000		2		10	893 881 167	bushing F >> 3B-X-150 000		4	
8	1J0 881 183	guide F >> 3B-X-300 000	left	1		11	1J0 881 229	pin F >> 3B-X-150 000		2	
(8)	1J0 881 183 E	guide F 3B-X-300 001>>	left	1		12	3B0 881 231 A	lever f. seat fore+aft adjust.	left	1	
		also use: N 023 003 8 1J0 881 249	left	1		(12)	10/96-07/98B41	satin black			
			left	1			3B0 881 232 A	lever f. seat fore+aft adjust.	right	1	
							10/96-07/98B41	satin black			

Model	Year	MG	SG	Illustration	Restrictions	UPD	18:25	11.12.2006		ETKA
PA	2000	8	81	881-00		597	USA			


Pos	Part Number	Name	Remarks	Qty	Model	Pos	Part Number	Name	Remarks	Qty	Model
12A	1J0 881 253 D	handle - seat longit.adjustm.	left	1		(17)	1J0 881 245 A	tension spring for height-adjustment	right		
	08/98-05/99B41	satin black						F >> 3B-W-240 001		2	
(12A)	1J0 881 253 E	handle - seat longit.adjustm.	left	1		17A	1J0 882 267	shouldered nut with multipoint socket head	outer	2	
	06/99-08/00B41	satin black									
(12A)	1J0 881 254 D	handle - seat longit.adjustm.	right	1		17B	1J0 882 260 A	roller	outer	2	
	08/98-05/99B41	satin black				(17F)	1J0 882 270 B	roller with shouldered nut	inner	2	
(12A)	1J0 881 254 E	handle - seat longit.adjustm.	right	1		(18)	1J4 881 317 G	trim panel for seat frame for seat frame with height adjustment	left outer	1	
	06/99-08/00B41	satin black									
12B	1J0 881 265 B	bowden cable	left/right	1			10/96-08/00B41	satin black			
		F 3B-X-150 001>> 3B-X-300 000					10/96-08/00Q70	light beige			
(12B)	1J0 881 265 C	bowden cable	left	1			10/96-08/00U71	flannel grey			
		F 3B-X-300 001>>*				(18)	1J4 881 317 B	trim panel for seat frame	left outer	1	
(12B)	1J0 881 266 C	bowden cable	right	1			10/96-09/97Q70	light beige			
		F 3B-X-300 001>>*				(18)	1J4 881 317 H	trim panel for seat frame	left outer	1	
12C	1J0 881 247 A	retaining spring		2			10/96-08/00B41	satin black			
		bowden cable					10/97-08/00Q70	light beige			
		F 3B-X-150 001>>					10/96-08/00U71	flannel grey			
13	321 881 240	clamp		2			10/96-08/00U71	flannel grey			
		F >> 3B-X-150 000				(18)	1J4 881 317 J	trim panel for seat frame seat frame (electrically adjustable)	left outer	1	
14 + N	013 958 7	tapping screw, fill. hd.	ST3,5X13-C	7			09/97-08/00B41	satin black			
		F >> 3B-X-150 000					09/97-08/00Q70	light beige			
15	113 881 275 C	tension spring		2			09/97-08/00U71	flannel grey			
		F >> 3B-X-150 000				(18)	1J4 881 318 F	trim panel for seat frame	right outer	1	
16	1J0 881 203	guide piece		2			10/96-07/98B41	satin black			
		F >> 3B-X-300 000				(18)	1J4 881 318 H	trim panel for seat frame	right outer	1	
(16)	1J0 881 203 A	guide piece		2			08/98-08/00B41	satin black			
		F 3B-X-300 001>>					10/96-08/00Q70	light beige			
16A	1J0 881 204	guide piece		2			10/96-08/00U71	flannel grey			
		F >> 3B-X-300 000				(17)	1J0 881 245 C	tension spring for height-adjustment	left	2	
(16A)	1J0 881 204 A	guide piece		2				F >> 3B-W-240 001			
		F 3B-X-300 001>>						F 3B-W-240 002>>*		2	
17	1J0 881 245	tension spring for height-adjustment	left	2							
		F >> 3B-W-240 001									
(17)	1J0 881 245 C	tension spring for height-adjustment	left	2							
		F 3B-W-240 002>>*									

Model	Year	MG	SG	Illustration	Restrictions	UPD	18:25	11.12.2006		ETKA
PA	2000	8	81	881-00		597	USA			


Pos	Part Number	Name	Remarks	Qty	Model	Pos	Part Number	Name	Remarks	Qty	Model
(18)	1J4 881 318 G	trim panel for seat frame for seat frame with height adjustment	right outer	1			10/96-08/00B41	satin black			
	10/96-08/00B41	satin black					10/96-08/00Q70	light beige			
	10/96-08/00Q70	light beige					10/96-08/00U71	flannel grey			
	10/96-08/00U71	flannel grey				19	N 904 229 01	tapping screw F >> 3B-YE277 206	4,2X13	2	
(18)	1J4 881 318 J	trim panel for seat frame seat frame (electrically adjustable)	right outer	1		(19)	N 908 555 01	tapping screw F 3B-YE277 207>>	4,2X11	2	
	09/97-08/00B41	satin black				20	N 900 579 02	speed nut	B4,2X12,5X11,5	2	
	09/97-08/00Q70	light beige				20A	357 867 169	cap		2	
	09/97-08/00U71	flannel grey					04/97-08/00B41	satin black			
	10/96-08/00Q70	light beige					10/96-08/00U71	flannel grey			
(18)	1J4 881 319	trim panel for seat frame seat	left inner right	1		21	1J0 882 251	handle - seat height adjustm.	left	1	
	10/96-08/00B41	satin black					10/96-08/00B41	satin black			
	10/96-08/00Q70	light beige					10/96-08/00Q70	light beige			
	10/96-08/00U71	flannel grey					10/96-08/00U71	flannel grey			
(18)	1J4 881 319 F	trim panel for seat frame for seat frame with height adjustment seat frame (electrically adjustable) seat	left inner right	1		(21)	1J0 882 252	handle - seat height adjustm.	right	1	
	10/96-08/00B41	satin black					10/96-08/00B41	satin black			
	10/96-08/00Q70	light beige					10/96-08/00Q70	light beige			
	10/96-08/00U71	flannel grey					10/96-08/00U71	flannel grey			
(18)	1J4 881 320 F	trim panel for seat frame for seat frame with height adjustment for vehicles with electric operated seats	right inner	1		22	N 908 049 01	innensechsrund-linsenschraube	M5GFX12	4	
	10/96-08/00B41	satin black				23	1J0 881 171 B	cap handle	left/right	2	
	06/97-08/00Q70	light beige					10/96-08/00B41	satin black			
	10/96-08/00U71	flannel grey					10/96-08/00Q70	light beige			
	10/96-08/00U71	flannel grey					10/96-08/00U71	flannel grey			
(18)	1J4 881 320 A	trim panel for seat frame seat	right inner left	1		24	1J0 881 171 C	cap handle	left/right	2	
	10/96-08/00B41	satin black					10/96-08/00B41	satin black			
	06/97-08/00Q70	light beige					10/96-08/00Q70	light beige			
	10/96-08/00U71	flannel grey					10/96-08/00U71	flannel grey			
	10/96-08/00U71	flannel grey					10/96-08/00Q70	light beige			
	10/96-08/00U71	flannel grey					10/96-08/00U71	flannel grey			

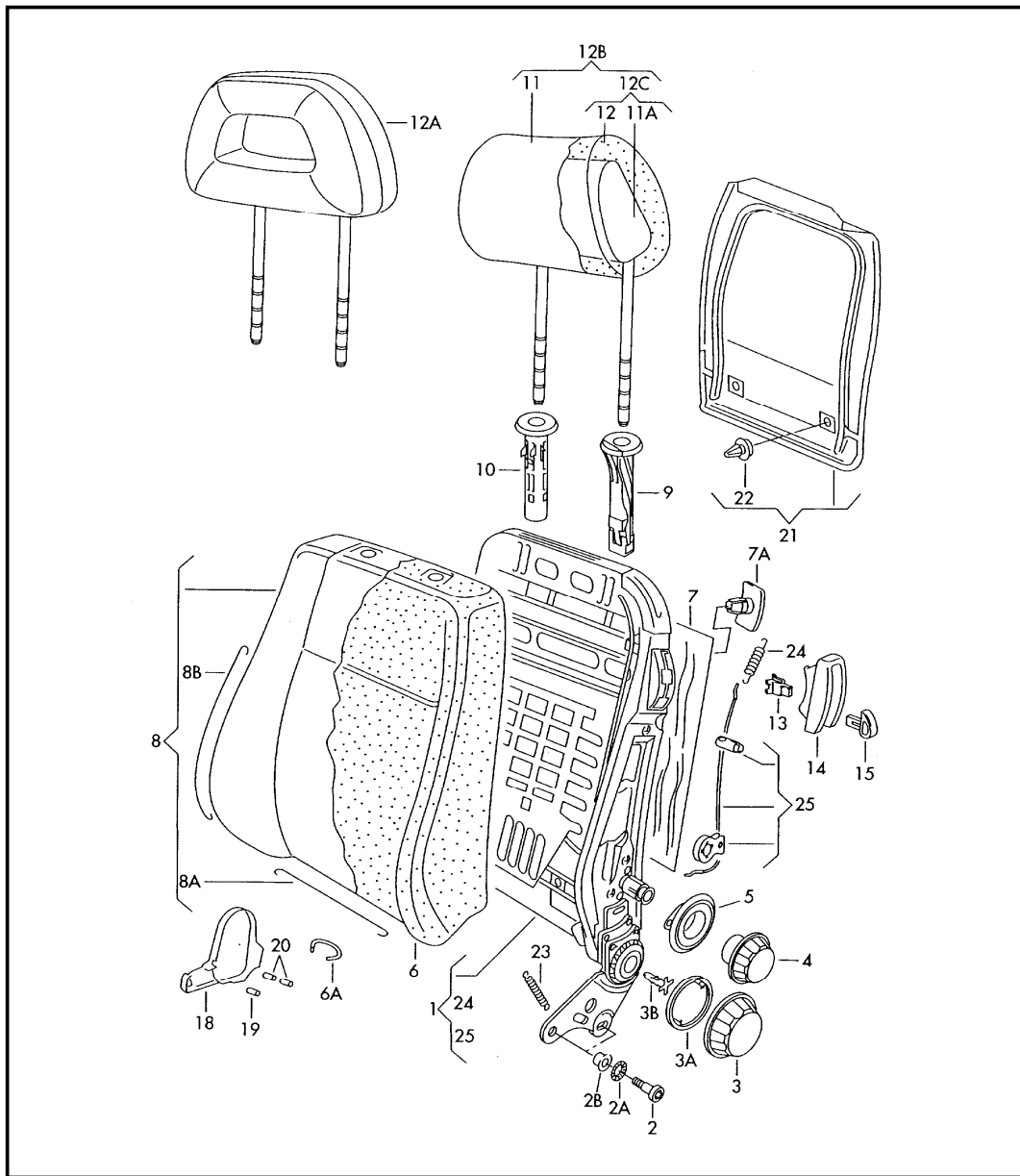
Model	Year	MG	SG	Illustration	Restrictions	UPD	18:25	11.12.2006		ETKA
PA	2000	8	81	881-00		597	USA			

Pos	Part Number	Name	Remarks	Qty	Model	Pos	Part Number	Name	Remarks	Qty	Model
25	3B0 881 375 D	padding for seat F >> 3B-W-082 499*		2	PR-Q1A		04/97-07/98EWH	flannel grey	-GQ		
(25)	3B0 881 375 F	padding for seat F 3B-W-082 500>> 3B-X-150 000*		2	PR-Q1A	(32)	04/97-07/98EWK	light beige	-GS		
(25)	3B0 881 375 H	padding for seat F 3B-X-150 001>>*		2	PR-Q1A		3B0 881 405 BH	seat cover (cloth) with heater element with horizontal seams:	3	2	PR-N0U, 4A0/ 4A3, Q2J
(25)	3B0 881 375 J	padding for seat F 3B-X-150 001>>*		2	PR-Q2J		08/98-08/00EWG	black	-GP		
(25)	3B0 881 375 E	padding for seat F >> 3B-W-082 499*	PR-04H	2	PR-Q4H		08/98-08/00EWH	flannel grey	-GQ		
(25)	3B0 881 375 G	padding for seat F 3B-W-082 500>> 3B-X-150 000*	PR-04H	2	PR-Q4H	(32)	08/98-08/00EWK	light beige	-GS		
(25)	3B0 881 375 K	padding for seat F 3B-X-150 001>>*		2	PR-Q4H		3B0 881 405 AP	seat cover (leather/leathe- rette) with heater element as required use:	3B0 881 375 G	2	"CDN": PR-N7J, 4A0/ 4A3, Q4H
(25)	3B0 881 375 M	padding for seat (heavy-duty) F 3B-W-082 500>> 3B-X-150 000		2	PR-Q2L		07/97-07/98FBF	black	-ZA		
(25)	3B0 881 375 L	padding for seat F 3B-X-150 001>>*		2	PR-Q2L	(32)	04/97-07/98FBG	light beige	-ZB		
(25)	8D0 881 361 E	padding for seat for cloth trim level F >> 3B-W-210 000		2	PR-Q1A, 3PB		3B0 881 405 BG	seat cover (leather/leathe- rette) with heater element		2	"CDN": PR-N7J, 4A0/ 4A3, Q4H
(25)	8D0 881 361 F	padding for seat for leather trim F >> 3B-W-210 000		2	PR-Q1A, 3PB	(32)	08/98-08/00FBF	black	-ZA		
26	N 901 626 06	upholstery wire	2,8X368	X			08/98-08/00FBG	light beige	-ZB		
27	4A0 881 449 A	clamp		X		(32)	3B0 881 405 R	seat cover (leather/leathe- rette) with heater element		2	PR-N4M, 4A0/ 4A3, Q1A
27A	N 015 261 1	clamp	20X1,8	X			04/97-06/97ETU	light beige	-YZ		
28	171 881 449 A	clip		X			3B0 881 405 AN	seat cover (leather/leathe- rette) with heater element also use:	3B0 881 375 F		
	10/96-08/0001C	satin black					07/97-07/98ETU	light beige	-YZ		
29	3B0 881 195	buffer		2		(32)	04/97-07/98FAT	black	-YY		
30	N 012 232 3	spring washer	B12X24X1,2	2			3B0 881 405 BB	seat cover (leather/leathe- rette) with heater element		2	PR-N4M, 4A0/ 4A3, Q2J
31	N 906 990 01	fitted bolt, self-locking	M8X24,5	2			08/98-08/00ETU	light beige	-YZ		
(32)	3B0 881 405 AG	seat cover (cloth) as required use: with horizontal seams:	3B0 881 375 F 2	2	PR-N0U, Q1A	(32)	08/98-08/00FAT	black	-YY		
	04/97-07/98EWG	black					3B0 881 405 BR	seat cover (leather/leathe- rette) with heater element		2	PR-N5U, 4A0/ 4A3, Q2J
							05/99-08/00KNX	black	-YV		
							05/99-08/00KNY	light beige	-YW		


Model	Year	MG	SG	Illustration	Restrictions	UPD	18:25	11.12.2006		ETKA
PA	2000	8	81	881-00		597	USA			

Pos	Part Number	Name	Remarks	Qty	Model	Pos	Part Number	Name	Remarks	Qty	Model
	05/99-08/00KNZ	flannel grey	-YX			(43)	8D0 881 472	trim panel for seat frame for seat frame with height adjustment F >> 3B-W-210 000	right rear	1	
(32)	3B0 881 405 AD	seat cover (cloth)		2	PR-N0U,3PB, Q1A						
	04/97-09/97EWG	black	-GP			44	3B0 881 087 A	cover for channel	left outer	1	
	04/97-09/97EWH	flannel grey	-GQ				10/96-09/97B41	satin black			
	04/97-09/97EWK	light beige	-GS				10/96-09/97Q70	light beige			
(35)	8D0 881 107 B	seat frame for vehicles with electric operated seats to fit use workshop material F >> 3B-W-210 000	left	1	PR-Q1A,3PB	(44)	3B0 881 088 A	cover for channel	right outer	1	
36	N 903 559 02	bolt, with hex. socket hd. (combi.) F >> 3B-W-210 000	M8X30	2			10/96-09/97B41	satin black			
37	8D0 881 445	cover for friction pad F >> 3B-W-210 000	left outer	1			10/96-09/97Q70	light beige			
38	8D0 881 446	cover for friction pad F >> 3B-W-210 000	left inner	1		45	4A0 881 087	cover for channel	left inner	1	
39	+ N 901 575 01	tapping screw F >> 3B-W-210 000	B4,2X25	X			10/96-09/97U71	flannel grey			
40	N 014 117 9	fillister hd. screw F >> 3B-W-210 000	M4X15	X		(45)	4A0 881 088	cover for channel	right inner	1	
41	8D0 881 325 A	trim panel for seat frame	left outer	1	PR-Q1A,3PB		10/96-09/97Q70	light beige			
	10/96-09/97Q70	light beige					10/96-09/97U71	flannel grey			
	10/96-09/97U71	flannel grey				47	N 013 973 4	tapping screw, fill. hd. F >> 3B-W-210 000	BZ5,5X13	4	
	10/96-09/9701C	satin black				48	8L0 864 437	cap		2	
(41)	8D0 881 326	trim panel for seat frame	right outer	1	PR-Q1A,3PB		10/96-09/97Q70	light beige			
	10/96-09/97U71	flannel grey					10/96-09/97U71	flannel grey			
	10/96-09/9701C	satin black					10/96-09/9701C	satin black			
	10/96-09/97Q70	light beige				49	4A0 881 347	cover for friction pad		2	
43	8D0 881 471 B	trim panel for seat frame for seat frame with height adjustment for vehicles with electric operated seats F >> 3B-W-210 000	left rear	1			10/96-09/9701C	satin black			
							10/96-09/97Q70	light beige			


Model	Year	MG	SG	Illustration	Restrictions	UPD	18:25	11.12.2006		ETKA
PA	2000	8	81	881-50		597	USA			




Pos	Part Number	Name	Remarks	Qty	Model
		backrest headrest, ajustable	front		
(1)	3B0 881 045	frame - backrest with lumbar support electrically adjustable seats F >> 3B-W-210 000	left	1	PR-Q1A, 3PB
(1)	1J4 881 045 FP	frame - backrest with lumbar support for vehicles with electric memory seat and backrest adjustment to fit use workshop material F 3B-W-210 001>>	left	1	PR-Q1A/Q2J/Q4H, 3L4/3L5/3L6, 7P4
(1)	1J4 881 045 FM	frame - backrest with lumbar support to fit use workshop material	left	1	PR-Q1A/Q2J/Q2L/Q4H, 3L1/3L2/3L3, 7P0/7P4/7P5
(1)	3B0 881 046	frame - backrest with lumbar support F >> 3B-W-210 000	right	1	PR-Q1A, 3PB
(1)	1J4 881 046 FE	frame - backrest with lumbar support for vehicles with electric memory seat and backrest adjustment F 3B-W-210 001>> 3B-Y-200 000*	right	1	PR-Q1A/Q2J/Q4H, 3L4/3L5/
(1)	1J4 881 046 FP	frame - backrest with lumbar support for vehicles with electric memory seat and backrest adjustment to fit use workshop material F 3B-Y-200 001>>	right	1	PR-Q1A/Q2J/Q4H, 3L4/3L5/3L6, 7P4
(1)	1J4 881 046 BB	frame - backrest with lumbar support F >> 3B-X-060 000	right	1	PR-Q1A/Q2J/Q4H/3L3/7P4
(1)	1J4 881 046 FM	frame - backrest with lumbar support to fit use workshop material	right	1	PR-Q1A/Q2J/Q2L/Q4H, 3L1/3L2/3L3, 7P0/7P4/7P5
-	1J0 881 705 N	wire mat		1	PR-7P0

Model	Year	MG	SG	Illustration	Restrictions	UPD	18:25	11.12.2006		ETKA
PA	2000	8	81	881-50		597	USA			


Pos	Part Number	Name	Remarks	Qty	Model	Pos	Part Number	Name	Remarks	Qty	Model
-	1J0 881 705 Q	lumbar support	left	1	PR-7P4/7P5	(4)	1J0 881 671 G	rotary knob for vehicle with adjustable lumbar support		2	
-	1J0 881 706 K	lumbar support	right	1	PR-7P4/7P5						
-	1J0 898 943	repair kit for wire mat		2	PR-7P0		10/97-08/00B41	satin black			
-	1J0 898 943 A	repair kit for lumbar support		2	PR-7P4/7P5		10/97-08/00Q70	light beige			
2	N 906 990 01	fitted bolt, self-locking		2			10/97-08/00U71	flannel grey			
(2)	N 908 959 01	fitted bolt, self-locking	M8X24,5	2		(4)	8D0 881 671 B	rotary knob for vehicle with adjustable lumbar support	right	1	PR-3PB
2A	N 015 376 1	lock washer F >> 3B-X-350 000	13	X			10/96-09/97B41	satin black			
3	1J0 881 671 B	rotary knob		2			10/96-09/97U71	flannel grey			
	10/96-09/97B41	satin black					10/96-09/97Q70	light beige			
	10/96-09/97Q70	light beige				5	1J0 881 680 A	trim		2	
	10/96-09/97U71	flannel grey					10/96-09/97B41	satin black			
(3)	1J0 881 671 F	rotary knob		2			10/96-09/97Q70	light beige			
	10/97-08/00B41	satin black					10/96-09/97U71	flannel grey			
	10/97-08/00Q70	light beige				(6)	3B0 881 775 AQ	padding for backrest for vehicles with side airbag for vehicles without side airbag to fit use workshop material F >> 3B-X-150 000*	left	1	PR-Q1A, 7P0/ 7P4
	10/97-08/00U71	flannel grey									
(3)	8D0 881 671	rotary knob	right	1	PR-3PB						
	10/96-09/97U71	flannel grey									
	10/96-09/97Q70	light beige									
	10/96-09/9701C	satin black				(6)	3B0 881 775 BK	padding for backrest for vehicles with side airbag F 3B-X-150 001>>*	left	1	PR-Q1A, Q2L 7P0/7P4/7P5
3A	1J0 881 493	spacer ring rotary knob		2							
3B	1J0 881 667	sleeve		X		(6)	3B0 881 775 BM	padding for backrest for vehicles with side airbag F 3B-X-150 001>>*	left	1	PR-Q2J, 7P4
4	1J0 881 671 C	rotary knob for vehicle with adjustable lumbar support		2							
	10/96-09/97B41	satin black				(6)	3B0 881 775 AT	padding for backrest for vehicles with side airbag F >> 3B-X-150 000*	left	1	PR-Q4H, 7P4
	10/96-09/97Q70	light beige									
	10/96-09/97U71	flannel grey				(6)	3B0 881 775 BP	padding for backrest for vehicles with side airbag F 3B-X-150 001>>*	left	1	PR-Q4H, 7P4

Model	Year	MG	SG	Illustration	Restrictions	UPD	18:25	11.12.2006		ETKA
PA	2000	8	81	881-50		597	USA			


Pos	Part Number	Name	Remarks	Qty	Model	Pos	Part Number	Name	Remarks	Qty	Model
(6)	3B0 881 775 Q	padding for backrest for vehicles with side airbag F >> 3B-W-051 999*	left	1	PR-Q1A,3PB	(8)	3B0 881 805 AH	backrest cover (cloth) for vehicle with adjustable lumbar support and side airbag	also use: 000 010 227 C	2	PR-N0U,Q1A
(6)	3B0 881 776 S	padding for backrest for vehicles with side airbag for vehicles without side airbag to fit use workshop material F >> 3B-X-150 000*	right	1	PR-Q1A,Q2L/7P0/7P4		10/96-03/97EWG	black	-GP		
							10/96-03/97EWH	flannel grey	-GQ		
							10/96-03/97EWK	light beige	-GS		
(6)	3B0 881 776 AE	padding for backrest for vehicles with side airbag F 3B-X-150 001>>*	right	1	PR-Q1A,Q2L/7P0/7P4	(8)	3B0 881 805 DA	backrest cover (cloth) for vehicle with adjustable lumbar support and side airbag	also use: 000 010 227 C	2	PR-N0U,Q1A
							04/97-07/98EWG	black	-GP		
(6)	3B0 881 776 AF	padding for backrest for vehicles with side airbag F 3B-X-150 001>>*	right	1	PR-Q2J,7P4		04/97-07/98EWH	flannel grey	-GQ		
							04/97-07/98EWK	light beige	-GS		
(6)	3B0 881 776 T	padding for backrest for vehicles with side airbag F >> 3B-X-150 000*	right	1	PR-Q4H,7P4	(8)	3B0 881 805 FF	backrest cover (cloth) with heater element for vehicle with adjustable lumbar support and side airbag	also use: 000 010 227 C	2	PR-N0U,Q2J,4A0/4A3,7P0/7P4,4U5
							08/98-08/00EWG	black	-GP		
(6)	3B0 881 776 AG	padding for backrest for vehicles with side airbag F 3B-X-150 001>>*	right	1	PR-Q4H,7P4		08/98-08/00EWH	flannel grey	-GQ		
							08/98-08/00EWK	light beige	-GS		
(6)	3B0 881 776 H	padding for backrest for vehicles with side airbag F >> 3B-W-051 999	right	1	PR-Q1A,3PB	(8)	3B0 881 805 AL	backrest cover (cloth) for vehicles with electric operated seats and side airbag	also use: 000 010 227 C	2	PR-N0U,3PB,Q1A
6A	N 015 261 1	clamp	20X1,8	X			10/96-03/97EWG	black	-GP		
7	1J0 881 795	protection plate frame - backrest		2			10/96-03/97EWH	flannel grey	-GQ		
(7)	1J0 881 745	protection plate for vehicle with adjustable lumbar support F 3B-X-150 001>> 3B-Y-250 000		2			10/96-03/97EWK	light beige	-GS		
(7)	1J0 881 745 A	protection plate for vehicle with adjustable lumbar support F 3B-Y-250 001>>		2		(8)	3B0 881 805 DF	backrest cover (cloth) for vehicles with electric operated seats and side airbag	also use: 000 010 227 C	2	PR-N0U,3PB,Q1A
7A	N 907 679 01	rivet	D7X12,5	X			04/97-09/97EWG	black	-GP		

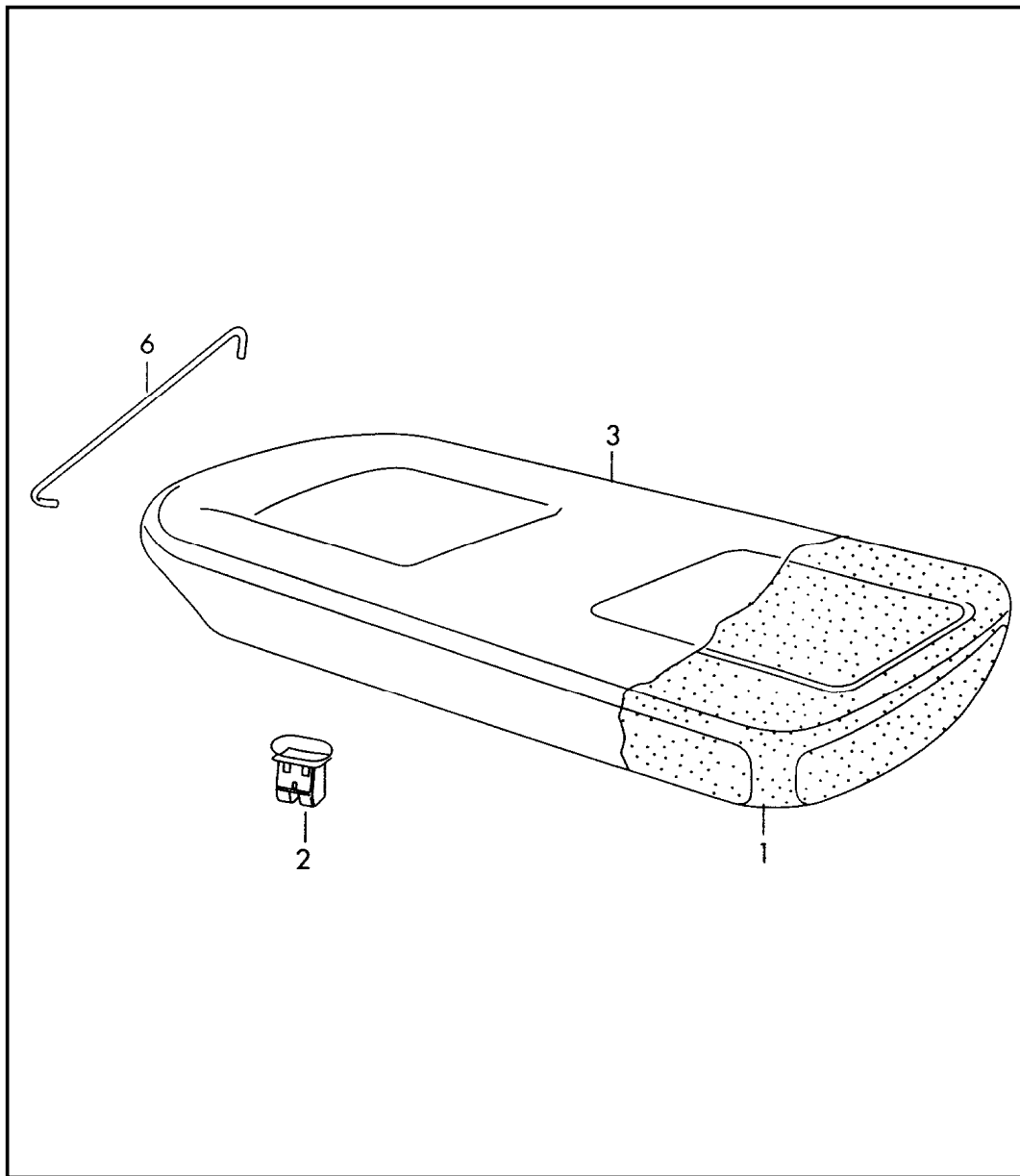
Model	Year	MG	SG	Illustration	Restrictions	UPD	18:25	11.12.2006		ETKA
PA	2000	8	81	881-50		597	USA			

Pos	Part Number	Name	Remarks	Qty	Model	Pos	Part Number	Name	Remarks	Qty	Model
(8)	04/97-09/97EWH	flannel grey	-GQ			(8)	3B0 881 805 FL	backrest cover (leather/leatherette) with heater element and backrest pocket for vehicle with adjustable lumbar support and side airbag	also use: 000 010 227 C	2	PR-N4M, Q1A, 4A0/4A3
	04/97-09/97EWK	light beige	-GS								
	3B0 881 805 DB	backrest cover (leather/leatherette) with heater element for vehicles with side airbag									
	05/97-07/98ETU	light beige	-YZ								
(8)	05/97-07/98FAT	black	-YY			8A	1J0 881 483 B	upholstery wire for horizontal seam	2,8X321	X	
	3B0 881 805 FB	backrest cover (leather/leatherette) with heater element for vehicles with side airbag									
	08/98-08/00ETU	light beige	-YZ								
	08/98-08/00FAT	black	-YY								
(8)	3B0 881 805 H	backrest cover (leather/leatherette) with heater element for vehicles with side airbag				(9)	1J0 881 920 A	guide with push button for head restraint, adjustable	2,8X321	X	
	10/96-04/97FBF	black	-ZA								
	10/96-04/97FBG	light beige	-ZB								
	3B0 881 805 DE	backrest cover (leather/leatherette) with heater element for vehicles with side airbag									
(8)	05/97-07/98FBF	black	-ZA			(9)	3B0 881 920 A	guide for headrest, detachable	1,25X483MM	X	
	05/97-07/98FBG	light beige	-ZB								
	3B0 881 805 FE	backrest cover (leather/leatherette) with heater element for vehicles with side airbag									
	08/98-08/00FBF	black	-ZA								
(8)	08/98-08/00FBG	light beige	-ZB			10	1J0 881 920 B	guide for headrest, detachable	2,8X321	X	
	09/97-02/98U71	flannel grey									
	09/97-02/98Q70	light beige									
	09/97-02/98U71	flannel grey									


Model	Year	MG	SG	Illustration	Restrictions	UPD	18:25	11.12.2006		ETKA
PA	2000	8	81	881-50		597	USA			

Pos	Part Number	Name	Remarks	Qty	Model	Pos	Part Number	Name	Remarks	Qty	Model
(10)	3B0 881 920	guide for headrest, detachable		2	PR-5ZH		03/98-08/004PM	light beige	-GS		
	03/98-08/00B41	satin black					03/98-08/006EL	black	-GP		
	03/98-08/00Q70	light beige					03/98-08/008EX	flannel grey	-GQ		
	03/98-08/00U71	flannel grey				(12B)	3B0 881 902 B	headrest with cover, detachable (leather)	right	1	PR-N4M/N7J/N7K, 5ZH
(11)	3B0 881 921 A	cover for headrest (cloth)		2	PR-N0U		03/98-08/00E74	black	-JJ, JL, YY, ZA		
	09/97-02/984PM	light beige	-GS				03/98-08/00R08	light beige	-JN, YZ, ZB		
	09/97-02/986EL	black	-GP			(12B)	3B0 881 902 C	headrest with cover, detachable (leather)	right	1	PR-N5U, 5ZH
	09/97-02/988EX	flannel grey	-GQ				05/99-08/0054M	black	-YV		
(11)	3B0 881 921 B	cover for headrest (leather)		2	PR-N4M/N7J/N7K		05/99-08/0063G	light beige (grained)	-YW		
	09/97-02/98E74	black	-YY, ZA, JJ, JL				05/99-08/0053N	flannel grey	-YX		
	09/97-02/98R08	light beige	-YZ, ZB, JN			18	8D0 881 463	cap seat	inner left	1	PR-3PB
12	1J0 881 905 B	headrest, detachable with padding	guide rod length: 225MM	2			10/96-09/9701C	satin black			
	1J0 881 931 B	padding for headrest		2			10/96-09/97U71	flannel grey			
(12B)	1J0 881 901 K	headrest with cover, ajustable (cloth)	left	1	PR-N0U, 5ZH		10/96-09/97Q70	light beige			
	03/98-08/004PM	light beige	-GS			(18)	8D0 881 464	cap seat	inner right	1	PR-3PB
	03/98-08/006EL	black	-GP				10/96-09/9701C	satin black			
	03/98-08/008EX	flannel grey	-GQ				10/96-09/97Q70	light beige			
	03/98-08/008EX	flannel grey					10/96-09/97U71	flannel grey			
(12B)	3B0 881 901 H	headrest with cover, detachable (leather)	left	1	PR-N4M/N7K/N7J, 5ZH		10/96-09/97U71	flannel grey			
	03/98-08/00E74	black	-JJ, JL, YY, ZA			19	8D0 881 500	dowel pin		2	PR-3PB
	03/98-08/00R08	light beige	-JN, YZ, ZB				10/96-09/9701C	satin black			
	03/98-08/00R08	light beige					10/96-09/97Q70	light beige			
(12B)	3B0 881 901 L	headrest with cover, detachable (leather)	left	1	PR-N5U, 5ZH		10/96-09/97U71	flannel grey			
	05/99-08/0054M	black	-YV			20	8D0 881 500 A	dowel pin		4	PR-3PB
	05/99-08/0063G	light beige (grained)	-YW				10/96-09/9701C	satin black			
	05/99-08/0053N	flannel grey	-YX				10/96-09/97Q70	light beige			
(12B)	1J0 881 902 A	headrest with cover, ajustable (cloth)	right	1	PR-N0U, 5ZH		10/96-09/97U71	flannel grey			


Model	Year	MG	SG	Illustration	Restrictions	UPD	18:25	11.12.2006		ETKA
PA	2000	8	85	885-20		597	USA			

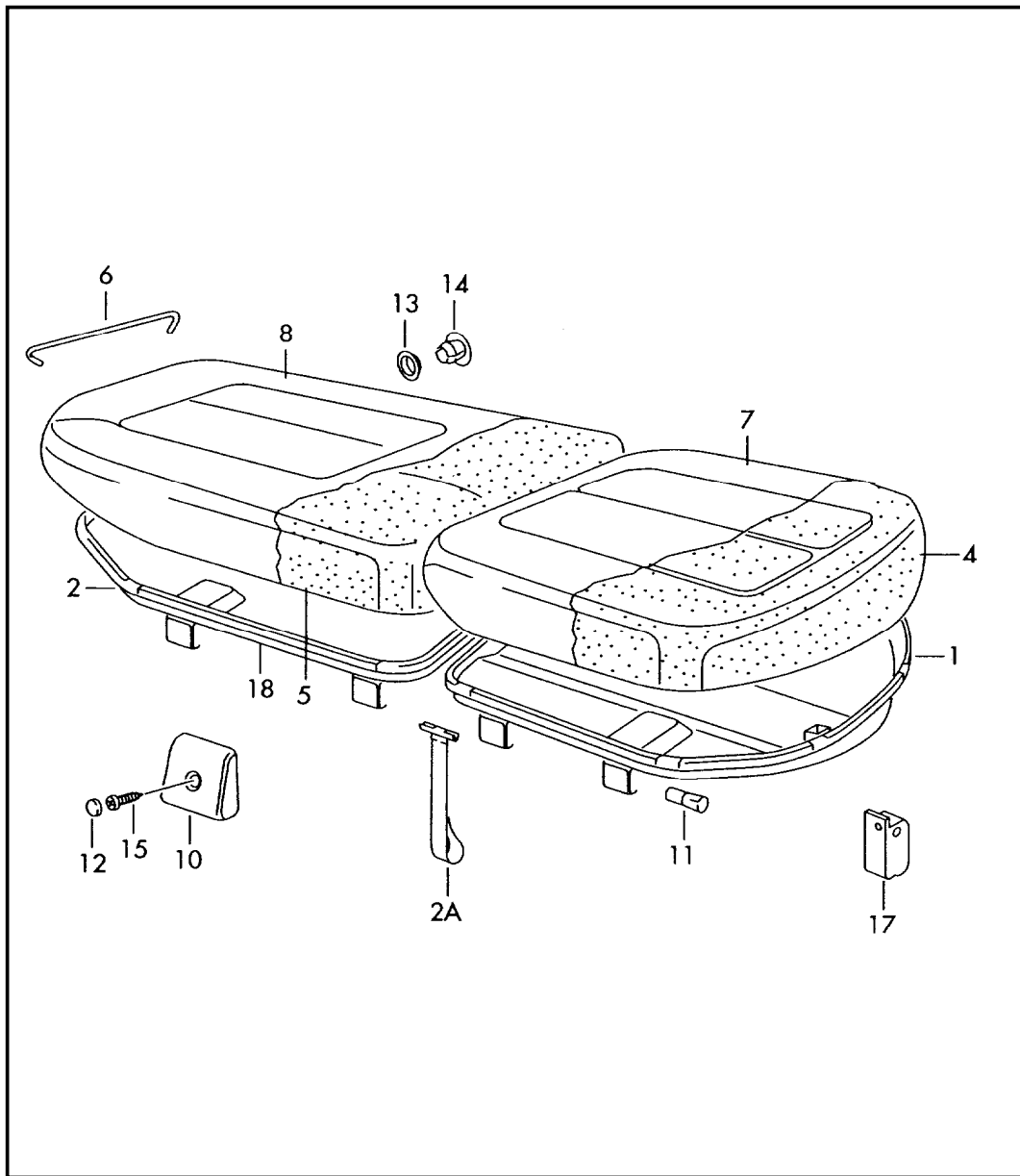


Pos	Part Number	Name	Remarks	Qty	Model
		seat	rear		sedan
1	3B0 885 319 E	padding for seat F >> 3B-X-150 000*		1	
(1)	3B5 885 319 R	padding for seat F 3B-X-150 001>>*		1	"CDN":PR-N7J
(1)	3B5 885 319 L	padding for seat F 3B-X-150 001>>*3B-X-600 000*		1	PR-N0U
(1)	3B5 885 319 S	padding for seat F 3B-Y-000 001>>*		1	PR-N0U
(1)	3B5 885 319 L	padding for seat F 3B-X-150 001>>*3B-Y-250 000*		1	PR-N4M/N5U
(1)	3B5 885 319 S	padding for seat F 3B-Y-250 001>>*		1	PR-N4M/N5U
2	3B5 886 373	grommet		2	
(3)	3B0 885 405 B	seat cover (cloth)		1	PR-N0U
	10/96-07/98EWG	black	-GP		
	10/96-07/98EWH	flannel grey	-GQ		
	10/96-07/98EWK	light beige	-GS		
(3)	3B0 885 405 AM	seat cover (cloth)		1	PR-N0U
	08/98-04/99EWG	black	-GP		
	08/98-04/99EWH	flannel grey	-GQ		
	08/98-04/99EWK	light beige	-GS		
(3)	3B0 885 405 CE	seat cover (cloth)		1	PR-N0U
	05/99-08/00EWG	black	-GP		
	05/99-08/00EWH	flannel grey	-GQ		
	05/99-08/00EWK	light beige	-GS		
(3)	3B0 885 405 D	seat cover (leather/leatherette)		1	PR-N4M
	10/96-07/98ETU	light beige	-YZ		
	10/96-07/98FAT	black	-YY		
(3)	3B0 885 405 AP	seat cover (leather/leatherette)		1	PR-N4M
	08/98-09/99ETU	light beige	-YZ		


Model	Year	MG	SG	Illustration	Restrictions	UPD	18:25	11.12.2006		ETKA
PA	2000	8	85	885-20		597	USA			

Pos	Part Number	Name	Remarks	Qty	Model	Pos	Part Number	Name	Remarks	Qty	Model
	08/98-09/99FAT	black	-YY								
(3)	3B0 885 405 CF	seat cover (leather/leatherette)		1	PR-N4M						
	10/99-08/00ETU	light beige	-YZ								
	10/99-08/00FAT	black	-YY								
(3)	3B0 885 405 K	seat cover (leather/leatherette)		1	"CDN":PR-N7J						
	10/96-07/98FBF	black	-ZA								
	10/96-07/98FBG	light beige	-ZB								
(3)	3B0 885 405 BB	seat cover (leather/leatherette)		1	"CDN":PR-N7J						
	08/98-09/99FBF	black	-ZA								
	08/98-09/99FBG	light beige	-ZB								
(3)	3B0 885 405 CK	seat cover (leather/leatherette)		1	"CDN":PR-N7J						
	10/99-08/00FBF	black	-ZA								
	10/99-08/00FBG	light beige	-ZB								
(3)	3B0 885 405 CA	seat cover (leather/leatherette)		1	PR-N5U						
	02/99-08/99KNX	black	-YV								
	02/99-08/99KNY	light beige	-YW								
(3)	3B0 885 405 CG	seat cover (leather/leatherette)		1	PR-N5U						
	09/99-08/00KNX	black	-YV								
	09/99-08/00KNY	light beige	-YW								
	10/99-08/00KNZ	flannel grey	-YX								
6	535 885 483 B	upholstery wire	2,8X520	X							
(6)	443 885 717	upholstery wire	2X480	X							
(6)	N 901 626 06	upholstery wire	2,8X368	X							


Model	Year	MG	SG	Illustration	Restrictions	UPD	18:25	11.12.2006		ETKA
PA	2000	8	85	885-40		597	USA			

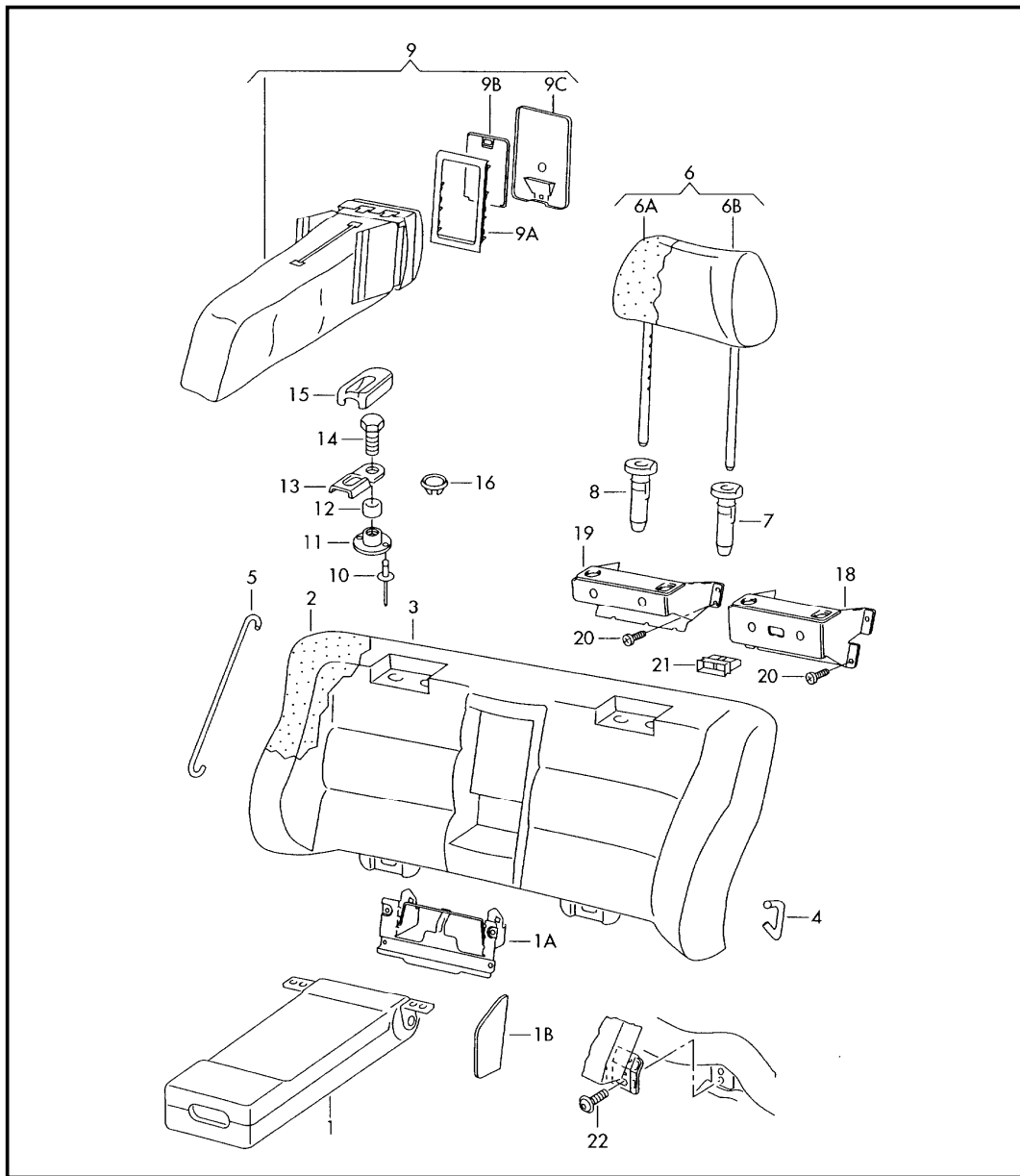


Pos	Part Number	Name	Remarks	Qty	Model
		seat, divided	rear		wagon
1	3B9 885 321 F	seat well F >> 3B-X-150 000*	left	1	
(1)	3B9 885 321 K	seat well F 3B-X-150 001>>*	left	1	
2	3B9 885 322 E	seat well F >> 3B-X-150 000*	right	1	
(2)	3B9 885 322 K	seat well F 3B-X-150 001>>*	right	1	
2A	3B9 885 093	strap seat well		2	
	05/97-07/98B41	satin black			
2A	3B9 885 093 B	loop		1	
	08/98-08/00B41	satin black			
4	3B0 885 375 C	padding for seat F >> 3B-X-150 000*	left	1	
(4)	3B9 885 375 R	padding for seat F 3B-X-150 001>>*	left	1	
5	3B0 885 376 C	padding for seat F >> 3B-X-150 000*	right	1	
(5)	3B9 885 376 R	padding for seat F 3B-X-150 001>>*	right	1	
6	535 885 483 B	upholstery wire	2,8X520	X	
(6)	443 885 717	upholstery wire	2X480	X	
(6)	N 901 626 06	upholstery wire	2,8X368	X	
(7)	3B0 885 405 C	seat cover (cloth)	left	1	PR-NOU
	05/97-07/98EWG	black	-GP		
	05/97-07/98EWH	flannel grey	-GQ		
	05/97-07/98EWK	light beige	-GS		
(7)	3B0 885 405 AN	seat cover (cloth)	left	1	PR-NOU
	08/98-08/00EWG	black	-GP		
	08/98-08/00EWH	flannel grey	-GQ		
	08/98-08/00EWK	light beige	-GS		


Model	Year	MG	SG	Illustration	Restrictions	UPD	18:25	11.12.2006		ETKA
PA	2000	8	85	885-40		597	USA			

Pos	Part Number	Name	Remarks	Qty	Model	Pos	Part Number	Name	Remarks	Qty	Model
(7)	3B0 885 405 E	seat cover (leather/leatherette)	left	1	PR-N4M		02/99-08/00KNY	light beige	-YW		
	05/97-07/98ETU	light beige	-YZ				05/99-08/00KNZ	flannel grey	-YX		
	05/97-07/98FAT	black	-YY			10	3B9 885 749 A	hinge cover		4	
(7)	3B0 885 405 AQ	seat cover (leather/leatherette)	left	1	PR-N4M		08/97-07/98B41	satin black			
	08/98-08/00ETU	light beige	-YZ				08/97-07/98Q70	light beige			
	08/98-08/00FAT	black	-YY			(10)	08/97-07/98U71	flannel grey			
(7)	3B0 885 405 CC	seat cover (leather/leatherette)	left	1	PR-N5U		3B9 885 749 D	hinge cover		3	
	02/99-08/00KNX	black	-YV				08/98-08/00B41	satin black			
	02/99-08/00KNY	light beige	-YW				08/98-08/00Q70	light beige			
	05/99-08/00KNZ	flannel grey	-YX			11	N 908 487 01	pin, grooved F >> 3B-X-150 000*	40X6	4	
(8)	3B0 885 406 A	seat cover (cloth)	right	1	PR-N0U	(11)	3B9 885 539	pin F 3B-X-150 001>>*	49X6	4	
	05/97-07/98EWG	black	-GP							4	
	05/97-07/98EWH	flannel grey	-GQ			12	357 867 169	cap		4	
	05/97-07/98EWK	light beige	-GS				08/98-08/00B41	satin black			
(8)	3B0 885 406 Q	seat cover (cloth)	right	1	PR-N0U		08/98-08/00Q70	light beige			
	08/98-08/00EWG	black	-GP				08/98-08/00U71	flannel grey			
	08/98-08/00EWH	flannel grey	-GQ			13	1J0 886 935	lock ring		6	
	08/98-08/00EWK	light beige	-GS			14	1J0 886 933	sleeve		6	
(8)	3B0 885 406 B	seat cover (leather/leatherette)	right	1	PR-N4M		10/97-08/00B41	satin black			
	05/97-07/98ETU	light beige	-YZ				10/97-08/00Q70	light beige			
	05/97-07/98FAT	black	-YY				10/97-08/00U71	flannel grey			
(8)	3B0 885 406 R	seat cover (leather/leatherette)	right	1	PR-N4M						
	08/98-08/00ETU	light beige	-YZ								
	08/98-08/00FAT	black	-YY								
(8)	3B0 885 406 AJ	seat cover (leather/leatherette)	right	1	PR-N5U						
	02/99-08/00KNX	black	-YV								


Model	Year	MG	SG	Illustration	Restrictions	UPD	18:26	11.12.2006		ETKA
PA	2000	8	85	885-60		597	USA			

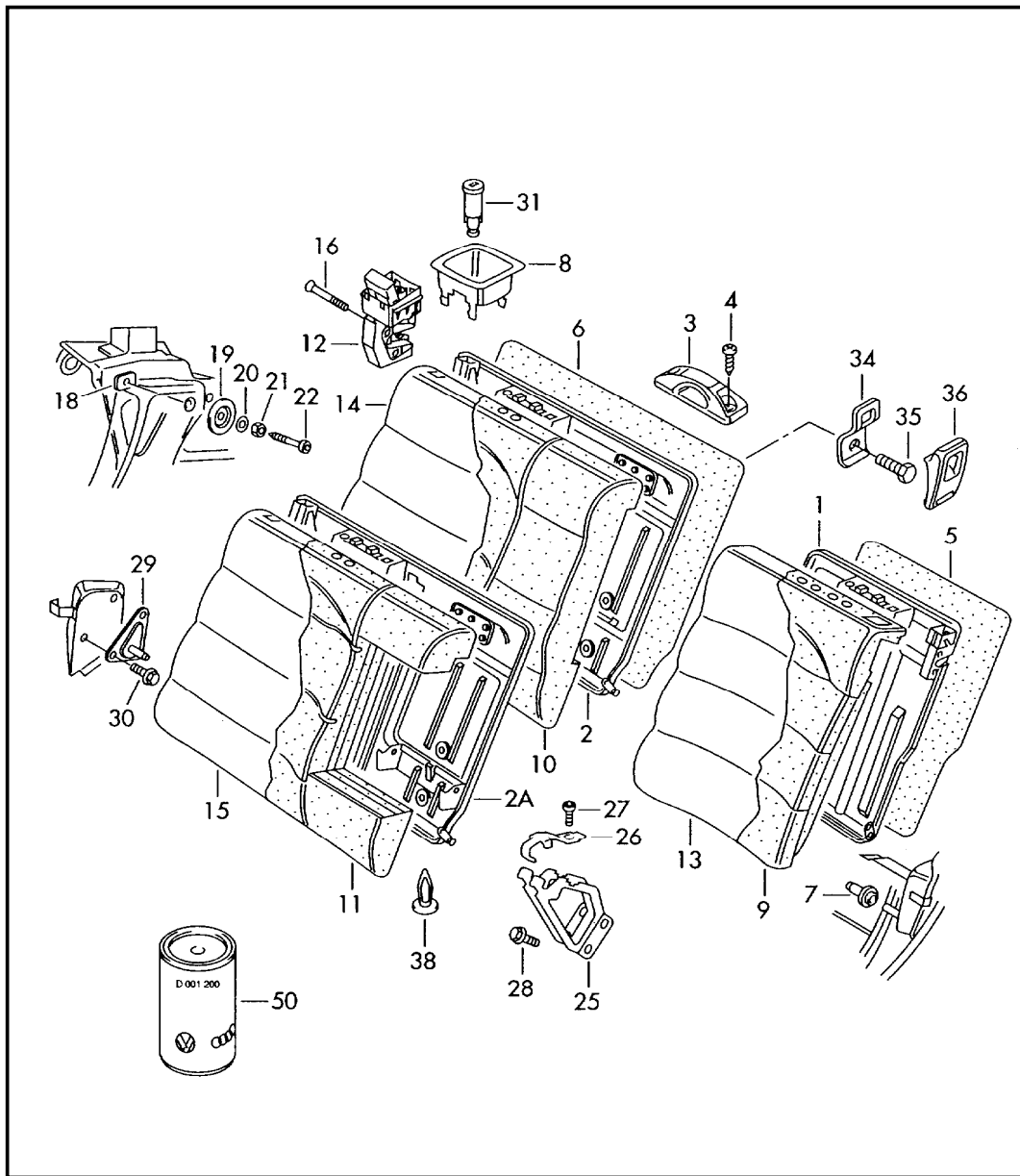


Pos	Part Number	Name	Remarks	Qty	Model
1		backrest	rear		sedan
		see illustration:	885-90		
1A	3B0 885 585 B	mounting for armrest F 3B-Y-060 840>>	center	1	
- +	N 904 786 01	pop-rivet	A4, 8X11X9,5	X	
-	3B0 885 663	cap		1	
2	3B0 885 775 E	padding for backrest F >> 3B-X-150 000*	PR-3C3	1	PR-3C3
(2)	3B5 885 775 B	padding for backrest F 3B-X-150 001>>*		1	PR-3C3
(2)	3B0 885 775 F	padding for backrest F >> 3B-X-150 000*		1	PR-3C7
(2)	3B5 885 775 C	padding for backrest F 3B-X-150 001>>*		1	PR-3C7
(3)	3B0 885 805 H	backrest cover (cloth)		1	PR-N0U
	10/96-07/98EWG	black	-GP		
	10/96-07/98EWH	flannel grey	-GQ		
	10/96-07/98EWK	light beige	-GS		
(3)	3B0 885 805 CK	backrest cover (cloth)		1	PR-N0U
	08/98-08/00EWG	black	-GP		
	08/98-08/00EWH	flannel grey	-GQ		
	08/98-08/00EWK	light beige	-GS		
(3)	3B0 885 805 J	backrest cover (leather/leatherette)		1	PR-N4M
	10/96-07/98ETU	light beige	-YZ		
	10/96-07/98FAT	black	-YY		
(3)	3B0 885 805 CL	backrest cover (leather/leatherette)		1	PR-N4M
	08/98-08/00ETU	light beige	-YZ		
	08/98-08/00FAT	black	-YY		
(3)	3B0 885 805 CE	backrest cover (leather/leatherette)		1	PR-N5U
	02/99-08/00KNX	black	-YV		


Model	Year	MG	SG	Illustration	Restrictions	UPD	18:26	11.12.2006		ETKA
PA	2000	8	85	885-60		597	USA			

Pos	Part Number	Name	Remarks	Qty	Model	Pos	Part Number	Name	Remarks	Qty	Model
	02/99-08/00KNY	light beige	-YW								
	05/99-08/00KNZ	flannel grey	-YX								
4	N 015 261 1	clamp	20X1,8	X							
5	535 885 483 B	upholstery wire	2,8X520	X							
(5)	443 885 717	upholstery wire	2X480	X							
(5)	N 901 626 06	upholstery wire	2,8X368	X							
6-9		see illustration:	885-90								
10	+ N 905 763 01	pop-rivet	A4X9X8X1,2	X							
11	N 989 514 01	speed nut	A5/16-18UNC	X							
12	1H5 858 846 A	spacer bushing		X							
13	1H0 858 849	retainer		X							
14	N 989 108 01	screw, hex. hd.	5/16"-18UNFX28	X							
15	1H0 887 301	cap		1							
	10/96-08/0001C	satin black									
	10/96-08/00Q70	light beige									
	10/96-08/00U71	flannel grey									
16	321 867 164	plug		1							
	10/96-08/0001C	satin black	20MM								
18	3B0 885 963 A	bracket for headrest	left/right	2							
19	3B0 886 261	bracket for headrest	center	1							
20	N 013 980 2	tapping screw, fill. hd.	ST4,8X6,5-F	X							
21	8D0 886 373	grommet		2							
22	N 903 659 07	innensechsrund-linsenschraube	M8X22-E-W	1							


Model	Year	MG	SG	Illustration	Restrictions	UPD	18:26	11.12.2006		ETKA
PA	2000	8	85	885-70		597	USA			




Pos	Part Number	Name	Remarks	Qty	Model
		backrest, divided	rear		
1	3B0 885 501 A	backrest frame	left also use: POS 5,12,16	1	sedan
(1)	3B9 885 501 A	backrest frame	left also use: POS,5,12,16	1	wagon
2	3B0 885 502 E	backrest frame	right also use: POS 6,12,16	1	sedan: PR-3C7
(2)	3B9 885 502 E	backrest frame	right also use: POS 6,12,16	1	wagon: PR-3C7
(2A)	3B0 885 502 C	backrest frame for vehicles with center armrest	right also use: F >> 3B-Y-060 840*	1	sedan: PR-3C3
(2A)	3B0 885 502 F	backrest frame for vehicles with center armrest	right also use: F 3B-Y-060 841>>*	1	sedan: PR-3C3
(2A)	3B0 885 502 D	backrest frame for vehicles with long load possibility (ski sack)	right also use: F >>*3B-Y-060 840*	1	sedan: PR-3C3
(2A)	3B0 885 502 G	backrest frame for vehicles with long load possibility (ski sack)	right also use: F 3B-Y-060 841>>*	1	sedan: PR-3C3
(2A)	3B9 885 502 C	backrest frame for vehicles with center armrest	right also use: F >>*3B-Y-060 840*	1	wagon: PR-3C3
(2A)	3B9 885 502 F	backrest frame for vehicles with center armrest	right also use: F 3B-Y-060 841>>*	1	wagon: PR-3C3

Model	Year	MG	SG	Illustration	Restrictions	UPD	18:26	11.12.2006		ETKA
PA	2000	8	85	885-70		597	USA			


Pos	Part Number	Name	Remarks	Qty	Model	Pos	Part Number	Name	Remarks	Qty	Model
(2A)	3B9 885 502 D	backrest frame for vehicules with long load possibility (ski sack) also use: F >>*3B-Y-060 840*	right POS 6,12,16	1	wagon: PR-3C3	(6)	05/97-02/989PL	light beige			
(2A)	3B9 885 502 G	backrest frame for vehicules with long load possibility (ski sack) also use: F 3B-Y-060 841>>*	right POS 6,12,16	1	wagon: PR-3C3	(6)	3B9 885 754 B	trim panel for rear panel	right	1	wagon
3	3B9 885 557	retainer		2	wagon		03/98-08/004ES	black			
	05/97-08/00B41	satin black					03/98-08/005EY	flannel grey			
	05/97-08/00Q70	light beige				7	03/98-08/009PL	light beige			
	05/97-08/00U71	flannel grey					4B0 885 678	grommet F >> 3B-W-278 206		2	
4 +	N 013 935 1	tapping screw, fill. hd.	B6,3X25	4	wagon	(7)	8D9 885 678	grommet F 3B-W-278 207>>		2	
5	3B5 885 753	trim panel for rear panel	left	1	sedan		01/98-08/0001C	satin black			
	10/96-08/001BS	anthracite				8	3B5 885 747 B	escutcheon		2	sedan
(5)	3B9 885 753 A	trim panel for rear panel	left	1	wagon		10/96-08/00B41	satin black			
	05/97-02/984ES	black					10/96-08/00Q70	light beige			
	05/97-02/985EY	flannel grey				(8)	10/96-08/00U71	flannel grey			
	05/97-02/989PL	light beige					3B9 885 747	escutcheon		2	wagon
(5)	3B9 885 753 B	trim panel for rear panel	left	1	wagon		05/97-08/97Q70	light beige			
	03/98-08/004ES	black				(8)	05/97-08/97U71	flannel grey			
	03/98-08/005EY	flannel grey					3B9 885 747 A	escutcheon		2	wagon
	03/98-08/009PL	light beige					09/97-05/98Q70	light beige			
6	3B5 885 754	trim panel for rear panel	right	1	sedan	(8)	3B9 885 747 B	escutcheon		2	wagon
	10/96-08/001BS	anthracite					09/97-08/00B41	satin black			
	10/96-08/008JS	off-black			sedan: 6 cylinder	(9)	3B0 885 775 B	padding for backrest F >> 3B-X-150 000*	left	1	
(6)	3B9 885 754 A	trim panel for rear panel	right	1	wagon		3B0 885 775 H	padding for backrest F 3B-X-150 001>>*3B-Y-060 000*	left	1	PR-NOU/N4M/ N5U
	05/97-02/984ES	black				(9)	3B0 885 775 M	padding for backrest F 3B-X-150 001>>*	left	1	
	05/97-02/985EY	flannel grey				10	3B0 885 776 C	padding for backrest F >> 3B-X-150 000*	right	1	PR-3C7

Model	Year	MG	SG	Illustration	Restrictions	UPD	18:26	11.12.2006		ETKA
PA	2000	8	85	885-70		597	USA			


Pos	Part Number	Name	Remarks	Qty	Model	Pos	Part Number	Name	Remarks	Qty	Model
(10)	3B0 885 776 AD	padding for backrest F 3B-X-150 001>> 3B-Y-060 000*	right	1	PR-N7J,3C7	(13)	3B0 885 805 B	backrest cover (leather/leatherette)	left	1	PR-N4M
(10)	3B0 885 776 AB	padding for backrest F 3B-X-150 001>> 3B-Y-060 000*	right	1	PR-N0U/N4M/ N5U,3C7		10/96-07/98ETU	light beige	-YZ		
(10)	3B0 885 776 AD	padding for backrest F 3B-Y-060 001>>*	right	1	PR-3C7	(13)	3B0 885 805 R	backrest cover (leather/leatherette)	left	1	PR-N4M
11	3B0 885 776 E	padding for backrest F >> 3B-X-150 000*	PR-3C3	1	PR-3C3		08/98-08/00ETU	light beige	-YZ		
(11)	3B0 885 776 AC	padding for backrest for vehicles with center armrest F 3B-X-150 001>>	PR-3C3	1	PR-3C3	(13)	3B0 885 805 E	backrest cover (leather/leatherette)	left	1	"CDN":PR-N7J
(12)	3B0 885 737	backrest lock	left	1			10/96-07/98FBF	black	-ZA		
	05/97-08/00Q70	light beige					10/96-07/98FBG	light beige	-ZB		
(12)	3B0 885 737 C	backrest lock	left	1		(13)	3B0 885 805 AA	backrest cover (leather/leatherette)	left	1	"CDN":PR-N7J
	05/97-08/00Q70	light beige					08/98-08/00FBF	black	-ZA		
	10/96-08/00B41	satin black					08/98-08/00FBG	light beige	-ZB		
	10/96-08/00U71	flannel grey				(13)	3B0 885 805 CC	backrest cover (leather/leatherette)	left	1	PR-N5U
12	3B0 885 738	backrest lock	right	1			02/99-08/00KNX	black	-YV		
	05/97-08/00Q70	light beige					02/99-08/00KNY	light beige	-YW		
(12)	3B0 885 738 C	backrest lock	right	1			05/99-08/00KNZ	flannel grey	-YX		
	05/97-08/00Q70	light beige									
	10/96-08/00B41	satin black				(14)	3B0 885 806 J	backrest cover (cloth)	right	1	PR-N0U
	10/96-08/00U71	flannel grey					10/96-07/98EWG	black	-GP		
13	3B0 885 805 A	backrest cover (cloth)	left	1	PR-N0U		10/96-07/98EWH	flannel grey	-GQ		
	09/97-07/98EWG	black	-GP				10/96-07/98EWH	light beige	-GS		
	09/97-07/98EWH	flannel grey	-GQ			(14)	3B0 885 806 R	backrest cover (cloth)	right	1	PR-N0U
	09/97-07/98EWH	light beige	-GS				08/98-08/00EWG	black	-GP		
(13)	3B0 885 805 Q	backrest cover (cloth)	left	1	PR-N0U		08/98-08/00EWH	flannel grey	-GQ		
	08/98-08/00EWG	black	-GP				08/98-08/00EWH	light beige	-GS		
	08/98-08/00EWH	flannel grey	-GQ			(14)	3B0 885 806 K	backrest cover (leather/leatherette)	right	1	PR-N4M
	08/98-08/00EWH	light beige	-GS				10/96-07/98ETU	light beige	-YZ		

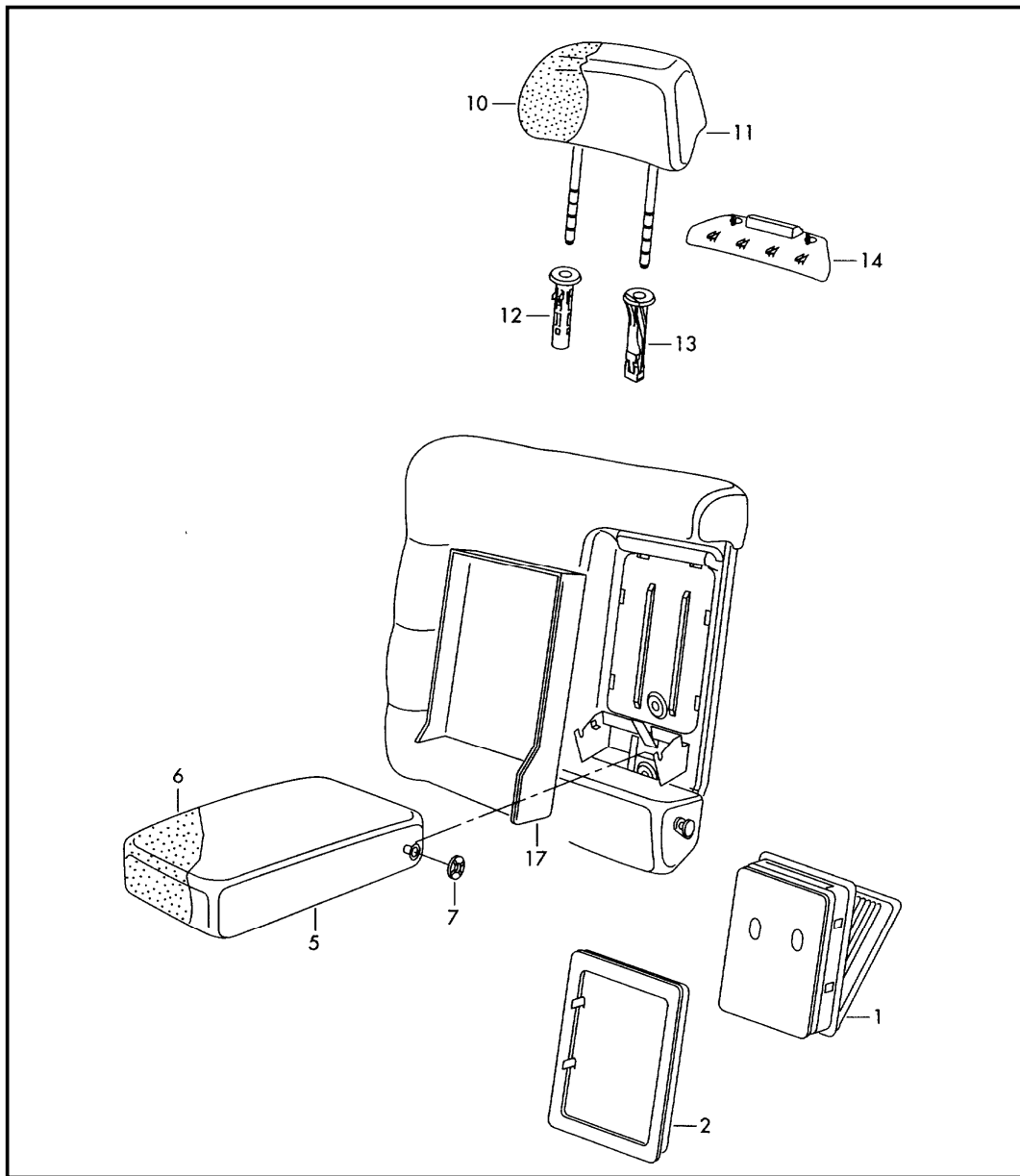
Model	Year	MG	SG	Illustration	Restrictions	UPD	18:26	11.12.2006		ETKA
PA	2000	8	85	885-70		597	USA			

Pos	Part Number	Name	Remarks	Qty	Model	Pos	Part Number	Name	Remarks	Qty	Model
	10/96-07/98FAT	black	-YY			(15)	3B0 885 806 AG	backrest cover (leather/leatherette)	right	1	"CDN":PR-N7J
(14)	3B0 885 806 T	backrest cover (leather/leatherette)	right	1	PR-N4M		08/98-08/00FBF	black	-ZA		
	08/98-08/00ETU	light beige	-YZ				08/98-08/00FBG	light beige	-ZB		
(14)	3B0 885 806 BD	backrest cover (leather/leatherette) for vehicles without center armrest	right	1	PR-N5U	(15)	3B0 885 806 BF	backrest cover (leather/leatherette)	right	1	PR-N5U
	02/99-08/00KNX	black	-YV				02/99-08/00KNX	black	-YV		
	02/99-08/00KNY	light beige	-YW			16 +	N 102 995 02	screw, csk.	M8X58	4	
	05/99-08/00KNZ	flannel grey	-YX			18	4A9 809 237	threaded plate		2	
15	3B0 885 806 B	backrest cover (cloth)	right	1	PR-N0U	19	3B0 885 967	concave washer		2	
	09/97-07/98EWG	black	-GP			20	N 907 771 01	washer	13X32X3	1	
	09/97-07/98EWH	flannel grey	-GQ			21	N 021 281 3	hex. nut	M12X1	2	
	09/97-07/98EWK	light beige	-GS			22	4B9 885 619 C	lock pin		2	
(15)	3B0 885 806 S	backrest cover (cloth)	right	1	PR-N0U	25	4B9 886 177	central mounting for split backrest		1	sedan
	08/98-08/00EWG	black	-GP			(25)	3B0 886 177	central mounting for split backrest		1	wagon
	08/98-08/00EWH	flannel grey	-GQ			26	3B0 886 193	cover		1	
(15)	3B0 885 806 C	backrest cover (leather/leatherette)	right	1	PR-N4M	27	N 103 122 01	innensechsrund-linsenbundschr.	M6X20-R-B	1	
	10/96-07/98ETU	light beige	-YZ			28	N 102 534 01	bolt, with hex. socket hd. (combi.)	M8X18	4	
	10/96-07/98FAT	black	-YY			29	4B9 886 817 A	fitting for bench seat	left	1	
(15)	3B0 885 806 AA	backrest cover (leather/leatherette)	right	1	PR-N4M	(29)	4B9 886 818 A	fitting for bench seat	right	1	
	08/98-08/00ETU	light beige	-YZ			30	N 100 052 04	bolt, hex. hd. (combi.)	M8X18	4	
	08/98-08/00FAT	black	-YY			31 f	107 857 113 JA	lock cylinder without key * to retain the one key * system the key code * number and/or vehicle * ident.number (vin) must * be quoted when ordering		1	
(15)	3B0 885 806 F	backrest cover (leather/leatherette)	right	1	"CDN":PR-N7J						
	10/96-07/98FBF	black	-ZA								
	10/96-07/98FBG	light beige	-ZB			34	443 887 269	bracket		3	wagon


Model	Year	MG	SG	Illustration	Restrictions	UPD	18:26	11.12.2006		ETKA
PA	2000	8	85	885-70		597	USA			

Pos	Part Number	Name	Remarks	Qty	Model	Pos	Part Number	Name	Remarks	Qty	Model
		see illustration:	885-60	3	sedan						
35	+ N 010 241 18	screw, hex. hd.	M8X22	3	wagon						
		see illustration:	885-60	3	sedan						
36	443 887 301 B	cap		3	wagon						
	10/96-08/0001C	satin black									
(36)	443 887 301 C	cap		3	wagon						
	10/96-08/00P21	ecru (beige)									
	10/96-08/002ET	slate (grey)									
		see illustration:	885-60	3							
38	171 881 449 A	clip for vehicules with long load possibility (ski sack)		4							
	10/96-08/0001C	satin black									
50	D 001 200	universal adhesive	600G	1							


Model	Year	MG	SG	Illustration	Restrictions	UPD	18:26	11.12.2006		ETKA
PA	2000	8	85	885-90		597	USA			




Pos	Part Number	Name	Remarks	Qty	Model
		armrest headrests long load aperture	rear		
1	3B5 885 215	ski bag (leatherette)		1	sedan
	10/96-08/00B41	satin black			
	10/96-08/00Q70	light beige			
	10/96-08/00U71	flannel grey			
(1)	3B5 885 215 B	ski bag (leatherette)		1	sedan: 6 cylinder
	10/96-08/00B41	satin black			
	10/96-08/00Q70	light beige			
	10/96-08/00U71	flannel grey			
(1)	3B9 885 215	ski bag (leatherette)		1	wagon
	05/97-08/00B41	satin black			
	05/97-08/00Q70	light beige			
	05/97-08/00U71	flannel grey			
2	3B0 885 217	frame		1	
	10/96-08/00B41	satin black			
	10/96-08/00Q70	light beige			
	10/96-08/00U71	flannel grey			
5	3B0 885 851 A	armrest cover (cloth)		1	PR-N0U
	09/97-06/994PM	light beige	-GS		
	09/97-06/996EL	black	-GP		
	09/97-06/998EX	flannel grey	-GQ		
(5)	3B0 885 851 N	armrest cover (cloth)		1	PR-N0U
	07/99-08/004PM	light beige	-GS		
	07/99-08/006EL	black	-GP		
	07/99-08/008EX	flannel grey	-GQ		
(5)	3B0 885 851 B	cover for armrest (leather)		1	PR-N4M/N7J
	10/96-06/99FAT	black	-JJ, JL, YY, ZA		

Model	Year	MG	SG	Illustration	Restrictions	UPD	18:26	11.12.2006		ETKA
PA	2000	8	85	885-90		597	USA			

Pos	Part Number	Name	Remarks	Qty	Model	Pos	Part Number	Name	Remarks	Qty	Model
	10/96-06/99ETU	light beige	-JN, YZ, ZB			(10)	3B0 885 905 G	headrest, detachable with padding F 3B-Y-000 001>>	left/right	2	sedan: PR-3ND, 3Q6
(5)	3B0 885 851 P	cover for armrest (leather)		1	PR-N4M/N7J						
	07/99-08/00ETU	light beige	-JN, YZ, ZB			(10)	3B0 885 905 A	headrest, detachable with padding F >> 3B-X-150 000*	center	1	sedan: PR-3ND
	07/99-08/00FAT	black	-JJ, JL, YY, ZA								
(5)	3B0 885 851 F	cover for armrest (leather)		1	PR-N5U						
	02/99-06/99KNX	black	-YV, ZG			(10)	3B0 885 905 B	headrest, detachable with padding F 3B-X-150 001>>*3B-X-600 000	center	1	sedan: PR-3ND
	02/99-06/99KNY	light beige	-YW, ZK								
(5)	3B0 885 851 Q	cover for armrest (leather)		1	PR-N5U						
	07/99-08/00KNX	black	-YV, ZG			(10)	3B0 885 905 F	headrest, detachable with padding F 3B-Y-000 001>>	center	1	sedan: PR-3ND
	07/99-08/00KNY	light beige	-YW, ZK								
	12/99-08/00KNZ	flannel grey	-YX			(10)	1J0 885 905 D	headrest, detachable with padding F >> 3B-X-150 000*	center	1	PR-3NC/3NN
6	3B0 885 875	packing for armrest F >> 3B-Y-060 840*		1							
(6)	3B0 885 875 B	packing for armrest F 3B-Y-060 841>>*		1		(10)	3B0 885 905 C	headrest, detachable with padding F 3B-X-150 001>>*	center	1	PR-3NC/3NN
-	3B0 885 663	cap		1		(11)	3B0 885 921 A	cover for headrest (cloth)		X	PR-N0U
7	1H0 886 985	stop washer		2			10/96-07/984PM	light beige	-GS		
10	1J0 885 905 D	headrest, detachable with padding F >> 3B-X-600 000*	left/right	2	PR-3NC/3NN/ 3NW/3NZ		10/96-07/986EL	black	-GP		
(10)	1J0 885 905 D	headrest, detachable with padding F 3B-Y-000 001>>	left/right	2	PR-3NW/3NZ, 3Q1	(11)	3B0 885 921 A	cover for headrest (cloth)	left/right	2	PR-N0U, 3Q1/ 3Q6
(10)	3B0 885 905 E	headrest, detachable with padding F 3B-Y-000 001>>	left/right	2	PR-3NC/3NN, 3Q6		08/98-04/994PM	light beige	-GS		
							08/98-04/996EL	black	-GP		
							08/98-04/998EX	flannel grey	-GQ		
(10)	3B0 885 905	headrest, detachable with padding F >> 3B-X-600 000	left a. right	2	sedan: PR-3ND, 3Q1/ 3Q6	(11)	3B0 885 921 A	cover for headrest (cloth)	left/right	2	PR-N0U, 3Q1
							05/99-08/004PM	light beige	-GS		
							05/99-08/006EL	black	-GP		
(10)	3B0 885 905	headrest, detachable with padding F 3B-Y-000 001>>	left a. right	2	sedan: PR-3ND, 3Q1	(11)	3B0 885 921 G	cover for headrest (cloth)	left/right	2	PR-N0U, 3Q6
							05/99-08/008EX	flannel grey	-GQ		
							05/99-08/004PM	light beige	-GS		

Model	Year	MG	SG	Illustration	Restrictions	UPD	18:26	11.12.2006		ETKA
PA	2000	8	85	885-90		597	USA			

Pos	Part Number	Name	Remarks	Qty	Model	Pos	Part Number	Name	Remarks	Qty	Model	
(11)	05/99-08/006EL	black	-GP		PR-N4M/ "CDN":N7J	12	1J0 886 920 B	guide for headrest, detachable	left/right	2		
	05/99-08/008EX	flannel grey	-GQ				10/96-08/00U71	flannel grey				
	3B0 885 921 B	cover for headrest (leather)		X			10/96-08/00B41	satin black				
	10/96-07/98E74	black	-YY, ZA, JJ, JL				10/96-08/00Q70	light beige				
	10/96-07/98R08	light beige	-YZ, ZB, JN				(12)	1J0 881 920 B	guide for headrest, detachable	center		1
(11)	3B0 885 921 P	cover for headrest (leather)	left/right	2	PR-N5U, 3Q1 3Q6							
(11)	02/99-04/9963G	light beige (grained)	-YW, ZK		PR-N5U, 3Q1	13	10/96-08/00B41	satin black				
	02/99-04/9954M	black	-YV, ZG				10/96-08/00Q70	light beige				
	3B0 885 921 P	cover for headrest (leather)	left/right	2			10/96-08/00U71	flannel grey				
(11)	05/99-08/0063G	light beige (grained)	-YW, ZK		PR-N5U, 3Q6	(13)	1J0 886 920 A	guide with push button for head restraint, adjustable	left/right	2		
	05/99-08/0054M	black	-YV, ZG				10/96-01/98Q70	light beige				
	05/99-08/0053N	flannel grey	-YX				1J0 886 920 C	guide with push button for head restraint, adjustable	left/right	2		
(11)	3B0 885 921 S	cover for headrest (leather)	left/right	2	PR-N5U, 3Q6	(13)	02/98-08/00Q70	light beige				
	05/99-08/0054M	black	-YV, ZG				1J0 881 920 C	guide with push button for head restraint, adjustable	center	1		
	05/99-08/0053N	flannel grey	-YX				06/97-08/00B41	satin black				
(11)	05/99-08/0063G	light beige (grained)	-YW, ZK		06/97-08/00Q70	light beige						
	3B0 885 921 G	cover for headrest (cloth)	center	1	PR-N0U							
	(11)	08/98-08/004PM	light beige	-GS		PR-N4M/N7J	14	3B0 885 719	cover strip for headrest		3	PR-3Q1/3Q6
08/98-08/006EL		black	-GP		10/96-07/98B41			satin black				
08/98-08/008EX		flannel grey	-GQ		10/96-07/98Q70			light beige				
(11)	3B0 885 921 H	cover for headrest (leather)	center	1	PR-N4M/N7J	(14)	10/96-07/98U71	flannel grey				
	08/98-08/00E74	black	-YY, ZA, JJ, JL				3B0 885 719	cover strip for headrest	left a. right	2		PR-3Q1/3Q6
	08/98-08/00R08	light beige	-JN, YZ, ZB				08/98-04/99B41	satin black				
(11)	3B0 885 921 S	cover for headrest (leather)	center	1	PR-N5U/N7X	(14)	08/98-04/99Q70	light beige				
	05/99-08/0053N	flannel grey	-YX				08/98-04/99U71	flannel grey				
	02/99-08/0054M	black	-YV, ZG				3B0 885 719	cover strip for headrest	left a. right	2		PR-3Q1
	02/99-08/0063G	light beige (grained)	-YW, ZK				05/99-08/00B41	satin black				
							05/99-08/00Q70	light beige				

Model	Year	MG	SG	Illustration	Restrictions	UPD	18:26	11.12.2006		ETKA
PA	2000	8	85	885-90		597	USA			

Pos	Part Number	Name	Remarks	Qty	Model	Pos	Part Number	Name	Remarks	Qty	Model
	05/99-08/00U71	flannel grey									
(14)	3B0 885 719 A	cover strip for headrest	left a. right	2	PR-3Q6						
	05/99-08/00B41	satin black									
	05/99-08/00Q70	light beige									
	05/99-08/00U71	flannel grey									
(14)	3B0 885 719 A	cover strip for headrest	center	1							
	08/98-08/00B41	satin black									
	08/98-08/00Q70	light beige									
	08/98-08/00U71	flannel grey									
(17)	3B0 885 943 E	trim for armrest		1							
	10/96-08/00B41	satin black									
	10/96-08/00Q70	light beige									
	10/96-08/00U71	flannel grey									



ETKA

Model	Year	MG	SG	Illustration	Restrictions	UPD	18:26	11.12.2006
PA	2000	8	98	898-00R		597	USA	

Pos	Part Number	Name	Remarks	Qty	Model
-	>>1J1 898 001	1 set of levers for air distribution housing comprising:	lhd	1	
-	>>8D5 898 015	guide with cable comprising:	left/right rear	1	
-	>>8D5 898 200	1 set of ball end piece comprising:	left/right rear	1	
-	>>3B0 898 203	install.kit for airbag (drivers side)		1	
		also use:	000 010 227 C	1	
	01/97-08/004EC	black comprising:			
-	>>3B0 898 203 A	install.kit for airbag (drivers side) steering wheel (leather)		1	
		also use:	000 010 227 C	1	
	01/97-08/004EC	black comprising:			
	>>3B5 898 373	1 set of mounting parts for child's seat comprising:		1	
	>>3D0 898 501	1 set of securing parts for floor mat		1	
	12/99-08/00B41	satin black comprising:			
-	>>8D5 898 652 A	1 set of rubber stop comprising:		1	
-	>>8D5 898 671	1 set of mounting - wind defl. comprising:	left/right	1	
-	>>3B9 898 749	1 set of mounting parts for child's seat		1	
	05/98-08/00B41	satin black comprising:			
-	>>3B9 898 749	1 set of mounting parts for child's seat comprising:		1	
	05/98-08/00Q70	light beige comprising:			
-	>>3B9 898 749	1 set of mounting parts for child's seat comprising:		1	
	05/98-08/00U71	flannel grey comprising:			



ETKA

Model	Year	MG	SG	Illustration	Restrictions	UPD	18:26	11.12.2006
PA	2000	8	98	898-00R		597	USA	

Pos	Part Number	Name	Remarks	Qty	Model
	>>1J0 898 943	repair kit for wire mat comprising:	left/right	2	
	>>1J0 898 943 A	repair kit for lumbar support comprising: comprising:	left/right	2	