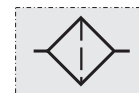




Fig. 1

Oil Filter

Series N377003



- Automatic and quick de-aeration
- For pressure lines
- Filtering element 3 [μm]
- Wall fixing
- Fitted to be combined to air-oil mixers

Application:

N377 filter has been designed to grant a complete and quick de-aeration of the filter body. Built with a special inside filter cartridge in order to make air bubbles- going out easier. Particularly fit for coupling of air+oil mixers with minimal metering. Fit for a compact plate fixing, it is also right for being used in centralized lubrication system. Suitable to mineral and synthetic oils. Made in aluminium, it is a light and compact solution in many different applications.

Technical data:

Operating pressure:	max 45 [bar]
Operating temperature:	-30 ÷ +80 [°C]
Thread connections:	G 1/8 gas cylindrical
Filtering element:	(UNI EN ISO 4406) 3 [μm]
Material filtering el.:	glass fibre
Beta ratio:	$\beta_3=200^*$
Max oil delivery:	250 [cm^3/min]
Head and bowl material:	anodized aluminum
Seals:	nitril gum (NBR)
Weight:	abt.. 0,6 [kg]
Assembling position:	vertical

The beta ratio is defined as the number of entering particles divided the number of particles going out of the filtering element; the index 3 means the dimensions of such particles.

Different filtering element are available on demand.

Order designation:

Filter Code	Description
N377003	Complete filter with fibre cartridge 3 [μm]

Spare cartridge	
N353503	Fibre cartridge 3 [μm]

Numerical references:

- 1 Inlet connection G 1/8
- 2 Filter cartridge
- 3 Holes for cap screws $\varnothing 5 \times 55$ mm.
- 4 Outlet connection G 1/8

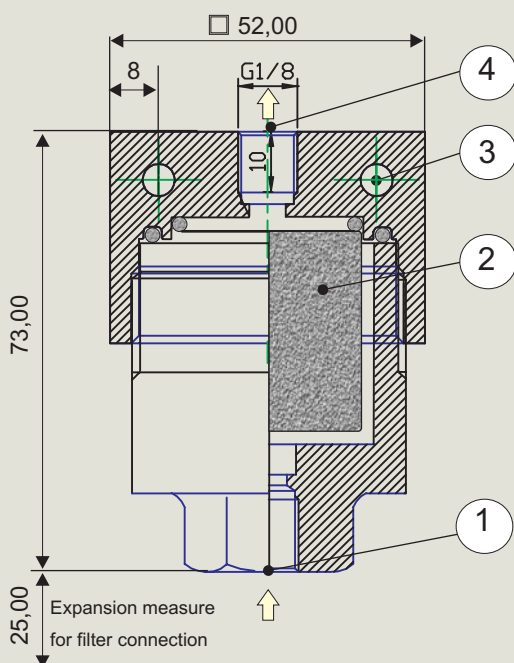


Fig. 2

- Subject to changes without notice -