

# Hub City Poweratio® 2000 Helical Worm Drives



Helical Worm Product Features . . . . .	L-1 to L-3
Selection Procedure . . . . .	L-4 to L-5
Descriptions . . . . .	L-6
Mounting Positions . . . . .	L-7
Model Selection Index . . . . .	L-8
Selection By Input H.P. . . . .	L-9 to L-21
Integral Gearmotor Dimensions . . . . .	L-22 to L-27
Ratings By Model . . . . .	L-28 to L-31
Reducer Dimensions . . . . .	L-32 to L-43
Accessories . . . . .	L-44 to L-45
Shipping Weights & Motor Compatibility. . . . .	L-46
Factory Options . . . . .	See Page J-40

**For Additional High Efficiency  
Right Angle Gear Drives**

See HERA®  
Section H

See Poweratio® 2000  
Helical Bevel Units  
Section K

# Hub City Poweratio® 2000 Helical Worm Drives

**Poweratio®**  
2000

Advanced design with competitive interchangeability.

## Basic Specifications

- Power Ratings from 1/4 to 18 hp
- Output Torque to 12,000 inch/lbs.
- Ratios from 7:1 through 3460:1
- Output Speeds 0.5 rpm to 244 rpm

## Standard Features

- Universal base, flange and hollow bore mounting with competitive interchangeability
- Precision crowned helical gearing
- Hardened and ground steel worm shaft, high capacity bronze alloy worm gear
- Double lip spring loaded seals with precision ground seal journals
- High capacity ball and tapered bearings with splash lubrication, factory filled
- Enhanced high tensile strength steel shafting with low notch sensitivity
- Optimum structural designed housings made of high strength alloy cast iron



## Integral Garmotors

- 4 Sizes available up to 5 hp
- Motors produced by Marathon for high efficiency, reliability and durability

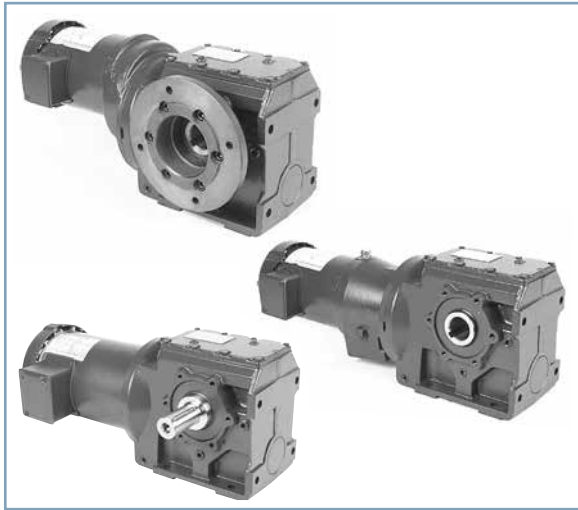
## Optional Features

- Modified standard and custom designs
- Hollow or solid output shafts in metric sizes
- Brake or inverter duty motors (50/60 hz)
- Washdown and BISSC configurations



Select hollow output bore models in this product line are now available with the HubLoc® Keyless Bushing System. Refer to pages i and ii at front of this catalog for features, available sizes, and ordering information.

# Hub City Poweratio® 2000 Helical Worm Drives



## Integral Gearmotors

Double Reduction  
Triple Reduction  
Quad Reduction  
Foot Mount  
Flange Mount  
Shaft Mount



## C-Face Reducers

Double Reduction  
Triple Reduction  
Quad Reduction  
NEMA C-Frame Quill Input  
Foot Mount  
Flange Mount  
Shaft Mount



## Shaft Input Reducers

Double Reduction  
Triple Reduction  
Quad Reduction  
Foot Mount  
Flange Mount  
Shaft Mount

CleanLine™ premium washdown duty units available, see page O-5 for features.  
Metric versions available. Consult Factory for availability, details and specifications.

# Hub City Poweratio® 2000 Helical Worm Drives

## Selection Procedure

HUB CITY provides two methods of selection for Reducers and Gearmotors.

On pages L-9 to L-21, the Selection Tables by Input H.P. can be used whenever the Input H.P. requirement is known. This method is commonly used for Gearmotors, but can also be used for Reducers.

On pages L-28 to L-31, the Input H.P. and Output Torque Ratings are provided for each model. These rating tables can be used for Reducers and Gearmotors.

### Selection by Input HP

For selection by Input H.P. determine the Input H.P., Output Speed and Service Factor requirements. (See pages L-5 and A-2 to A-4 for AGMA Service Factors.) Then refer to Selection Tables by Input H.P., locate the required H.P. and Output Speed, and read across to the required foot or flange mount unit.

These tables also list the Service Factor for the unit indicated. In many cases, more than one unit is listed, to provide different service factors. Select the unit with a service factor that meets or exceeds the requirement of the application.

Check the Output Overhung Load or Output Thrust rating and Output Torque to verify they meet the requirements. (The Output Torque listed is the actual torque obtained with the motor H.P. listed, not the rated torque.) Then refer to the dimension tables to check the unit dimensions.

If a Reducer with C-Frame input is desired, the available frame sizes for each Reducer model are shown in the dimension tables, and also on page L-46. Specify the description as shown on page L-6.

If a Motorized Reducer is desired, make the motor selection with compatible C-Frame size, from the motors listed in Section E. Specify either the catalog number or the complete description of the motor, in addition to the Reducer description.

The selection tables indicate which units are available as Integral Gearmotors. If an Integral Gearmotor is desired, refer to the dimension tables on pages L-22 to L-27 for dimensions with all available motor sizes. Specify the motor H.P. in addition to the Reducer description.

Reducers may be ordered with other C-Frame sizes. The available frame sizes for each reducer model are shown in the dimension tables, and also on page L-46.

### Selection From Unit Rating Tables by Input HP or Output Torque

Determine the actual Input H.P. or Output Torque required, Output Speed, and required Service Factor. Multiply the actual H.P. or torque by the required service factor to obtain the required rating of the Reducer. Refer to the Unit Rating Tables by Model and Output Speed, until you locate the model that meets or exceeds the required H.P. or Torque rating.

The actual service factor can be determined by dividing the unit rating by the actual H.P. or Torque.

Check the Input and Output overhung load ratings, and thrust rating to verify they meet the requirement. Then refer to the dimension tables to check the unit dimensions.

Available motor C-Frame sizes for each reducer model are shown in the dimension tables, and also on page L-46.

### Efficiency

The efficiency of Helical Worm drives is determined by the ratio and speed of the worm gear output stage. HUB CITY uses the highest practical ratios in the helical gear input stages to optimize efficiency and torque capacity. Helical Worm efficiencies are generally higher than worm gear drives. Triple and quad reduction drives provide maximum efficiency for higher ratios.

To obtain maximum efficiency, Helical Worm drives should be run-in properly, use the correct worm gear lubricant, and operate within rated torque capacity.

### Overhung Loads and Thrust Loads

Overhung load and Thrust ratings are listed in the Selection and Rating Tables. Note that OHL and Thrust Ratings cannot be applied simultaneously. Consult HUB CITY for applications with combined OHL and thrust load.

### Brakemotors

Braking torque must not exceed the rated capacity of the unit.

# Hub City Poweratio® 2000 Helical Worm Drives

## Service Factors

Service Factors are designated for Gearmotors and Reducers and also consider other power sources (such as Internal Combustion Engines), as well as the type of load and duration of service.

Table 1 lists approximate Service Factors for general use.

AGMA Service Factors tables on pages A-3 to A-4 provide approximate service factors for various types of machinery. The service factors are based on uniform power source (i.e. electric motor). Use the service factor conversion table on page A-2 to obtain service factors for internal combustion engines.

All the Class Number and Service Factor charts are to be used as general guidelines for assistance in determining the required service factor. Rely on past experience as well. Consult the factory for severe applications, when there are safety considerations, or a need for extra high reliability.

Refer to page A-2 for further information and Cautions on the selection of proper service factors.

Occasional starting loads up to 200% of catalog rating are permissible.

TABLE 1 — SERVICE FACTORS

PRIME MOVER	DURATION OF SERVICE PER DAY (1)	DRIVEN MACHINE LOAD CLASSIFICATION		
		UNIFORM	MEDIUM SHOCK	HEAVY SHOCK
Electric Motor	Occasional 1/2 hr.	*	*	1.00
	Intermittent 3 hrs.	*	1.00	1.25
	3 - 10 hours	1.00	1.25	1.50
	Over 10 hours	1.25	1.50	1.75
Electric Motor With Frequent Starts and Stops (2)	Occasional 1/2 hr.	*	1.00	1.25
	Intermittent 3 hrs.	1.00	1.25	1.50
	3 - 10 hours	1.25	1.50	1.75
	Over 10 hours	1.50	1.75	2.00
Multi-Cylinder Internal Combustion Engine	Occasional 1/2 hr.	*	1.00	1.25
	Intermittent 3 hrs.	1.00	1.25	1.50
	3 - 10 hours	1.25	1.50	1.75
	Over 10 hours	1.50	1.75	2.00
Single Cylinder Internal Combustion Engine	Occasional 1/2 hr.	1.00	1.25	1.50
	Intermittent 3 hrs.	1.25	1.50	1.75
	3 - 10 hours	1.50	1.75	2.00
	Over 10 hours	1.75	2.00	2.25
Reversing Service Application		Consult Factory		

\* UNSPECIFIED SERVICE FACTORS SHOULD BE 1.0 OR AS AGREED UPON BY USER AND MANUFACTURER.

### Explanatory Notes

1. Time specified for intermittent and occasional service refers to total operating time per day.
2. Term "frequent starts and stops" refers to more than 10 starts per hour.

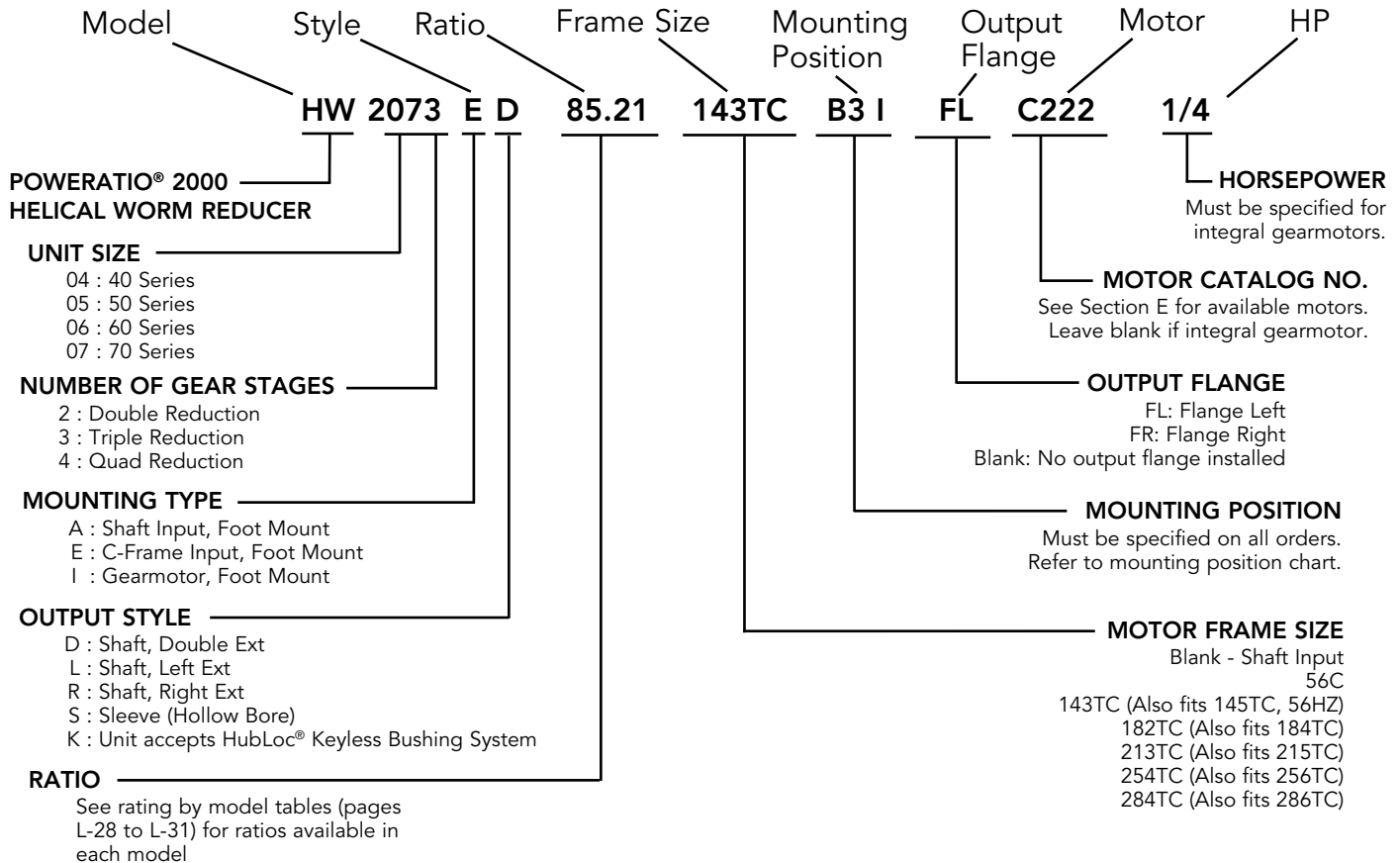
# Hub City Poweratio® 2000 Helical Worm Drives

## Descriptions

### Descriptions for Ordering Reducers and Gearmotors

The Mounting position must be specified on all orders, and included in the reducer description. To order Motorized Reducers, simply specify the reducer, indicate the motor description or catalog number and specify "Motorized Assembly". To order Integral Gearmotors,

simply specify the reducer, motor horsepower and "Integral Gearmotor". Integral Gearmotors in this catalog are supplied with 3 phase 230/460v totally enclosed, fan cooled (TEFC) 1750 rpm general purpose motors.



### Motor Descriptions

Available motors and motor data are listed on pages in Section E. Either specify the catalog number or the complete description: HP, RPM, VOLTS, SINGLE OR THREE PHASE, C-FRAME SIZE, ENCLOSURE GENERAL PURPOSE OR OPTIONAL TYPES: WASHDOWN DUTY, INVERTER DUTY, BRAKEMOTOR.

totally enclosed, fan cooled (TEFC) 1750 rpm general purpose motors. Special integral gearmotors are available. Consult the factory for details.

### Motorized Reducers & Gearmotors

The Reducer and Motor are assembled at the factory, and filled with the proper quantity of lubricant based on your specified mounting position. Integral Gearmotors in this catalog are supplied with 3 phase 230/460v

Standard Integral Gearmotors and Motorized Reducers are assembled at the factory with the conduit box and the conduit opening at the position illustrated in the dimensional section of this catalog. The user may rotate the body of the motor to reposition the conduit box (in 90° increments from original position). The conduit opening may also be repositioned at 90° increments from the original position. Both operations may be performed without disassembling the drive.



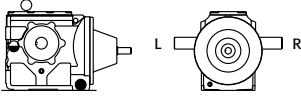
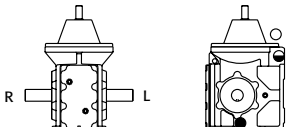
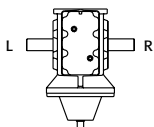
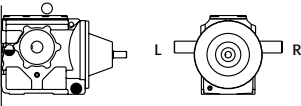
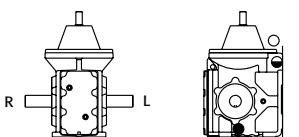
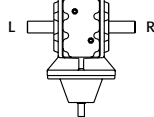
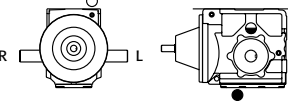
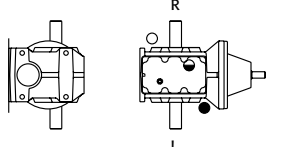
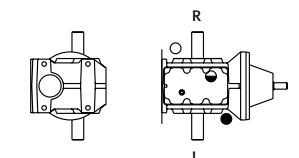
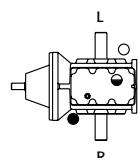
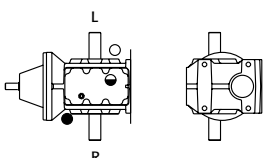
Select hollow output bore models in this product line are now available with the HubLoc® Keyless Bushing System. Refer to pages i and ii at front of this catalog for features, available sizes, and ordering information.

# Hub City Poweratio® 2000 Helical Worm Drives

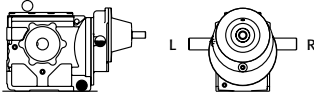
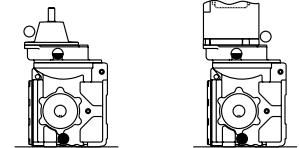
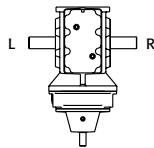
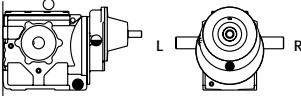
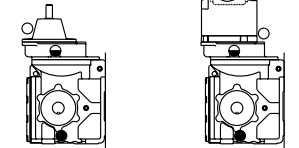
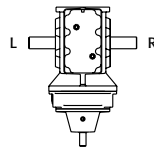
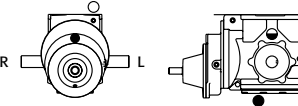
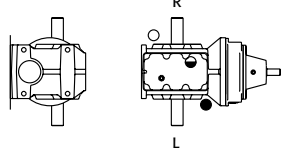
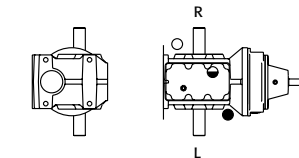
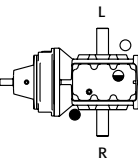
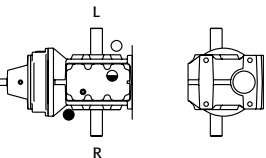
## Mounting Positions

Mounting position must be specified on all orders, and included in the reducer description, so the correct amount of oil is installed at the factory. (Refer Section S for lubrication information.)

### Double Reduction Mounting Positions

 <p style="text-align: center;"><b>B3</b></p>	 <p style="text-align: center;"><b>B3 I</b></p>	<p style="text-align: center;">NOT RECOMMENDED</p>	 <p style="text-align: center;"><b>B6</b></p>	<ul style="list-style-type: none"> <li>○ VENT LOCATION</li> <li>● OIL LEVEL</li> <li>● DRAIN PLUG</li> </ul>
 <p style="text-align: center;"><b>B6 I</b></p>	 <p style="text-align: center;"><b>B6 II</b></p>	<p style="text-align: center;">NOT RECOMMENDED</p>	 <p style="text-align: center;"><b>B8 I</b></p>	 <p style="text-align: center;"><b>B8</b></p>
 <p style="text-align: center;"><b>V5</b></p>	 <p style="text-align: center;"><b>V5 I</b></p>	 <p style="text-align: center;"><b>V6</b></p>	 <p style="text-align: center;"><b>V6 I</b></p>	

### Triple Reduction Mounting Positions

 <p style="text-align: center;"><b>B3</b></p>	 <p style="text-align: center;"><b>B3 I</b></p> <p style="text-align: center;">(SHAFT &amp; QUILL INPUT UNITS)      (GEARMOTORS)</p>	<p style="text-align: center;">NOT RECOMMENDED</p>	 <p style="text-align: center;"><b>B6</b></p>	<ul style="list-style-type: none"> <li>○ VENT LOCATION</li> <li>● OIL LEVEL</li> <li>● DRAIN PLUG</li> </ul>
 <p style="text-align: center;"><b>B6 I</b></p>	 <p style="text-align: center;"><b>B6 II</b></p> <p style="text-align: center;">(SHAFT &amp; QUILL INPUT UNITS)      (GEARMOTORS)</p>	<p style="text-align: center;">NOT RECOMMENDED</p>	 <p style="text-align: center;"><b>B8 I</b></p>	 <p style="text-align: center;"><b>B8</b></p>
 <p style="text-align: center;"><b>V5</b></p>	 <p style="text-align: center;"><b>V5 I</b></p>	 <p style="text-align: center;"><b>V6</b></p>	 <p style="text-align: center;"><b>V6 I</b></p>	

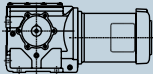
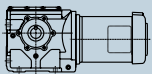
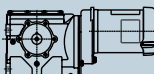
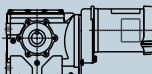
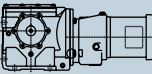
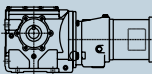
### Quad Reduction Mounting Positions

For mounting position refer to double reduction chart above. For lubrication of primary unit, refer to Section S.

# Hub City Poweratio® 2000 Helical Worm Drives

## Model Index

### Integral Gearmotors

DOUBLE REDUCTION DIMENSIONS		TRIPLE REDUCTION DIMENSIONS		QUAD REDUCTION DIMENSIONS		RATINGS
						
Page L-22 Shaft Output	Page L-23 Shaft Mount	Page L-24 Shaft Output	Page L-25 Shaft Mount	Page L-26 Shaft Output	Page L-27 Shaft Mount	

### C-Frame Quill Input Reducers

SERIES	DOUBLE REDUCTION DIMENSIONS		TRIPLE REDUCTION DIMENSIONS		QUAD REDUCTION DIMENSIONS		RATINGS		
	SHAFT OUTPUT	SHAFT MOUNT	SHAFT OUTPUT	SHAFT MOUNT	SHAFT OUTPUT	SHAFT MOUNT	DOUBLE REDUCTION	TRIPLE REDUCTION	QUAD REDUCTION
40	HW2042E* Page L-32	HW2042ES Page L-33	HW2043E* Page L-36	HW2043ES Page L-37	NA	NA	Page L-28	Page L-28	NA
50	HW2052E* Page L-32	HW2052ES Page L-33	HW2053E* Page L-36	HW2053ES Page L-37	NA	NA	Page L-29	Page L-29	NA
60	HW2062E* Page L-32	HW2062ES Page L-33	HW2063E* Page L-36	HW2063ES Page L-37	HW2064E* Page L-40	HW2064ES Page L-41	Page L-30	Page L-31	Page L-31
70	HW2072E* Page L-32	HW2072ES Page L-33	HW2073E* Page L-36	HW2073ES Page L-37	HW2074E* Page L-40	HW2074ES Page L-41	Page L-32	Page L-33	Page L-33

MOTORIZED MODELS ARE SAME AS C-FRAME QUILL MODELS. SIMPLY ORDER THE DESIRED C-FRAME REDUCER, SPECIFY THE MOTOR, AND SPECIFY "MOTORIZED ASSEMBLY".

### Shaft Input Reducers

SERIES	DOUBLE REDUCTION DIMENSIONS		TRIPLE REDUCTION DIMENSIONS		QUAD REDUCTION DIMENSIONS		RATINGS		
	SHAFT OUTPUT	SHAFT MOUNT	SHAFT OUTPUT	SHAFT MOUNT	SHAFT OUTPUT	SHAFT MOUNT	DOUBLE REDUCTION	TRIPLE REDUCTION	QUAD REDUCTION
40	HW2042A* Page L-34	HW2042AS Page L-35	HW2043A* Page L-38	HW2043AS Page L-39	NA	NA	Page L-28	Page L-28	NA
50	HW2052A* Page L-34	HW2052AS Page L-35	HW2053A* Page L-38	HW2053AS Page L-39	NA	NA	Page L-29	Page L-29	NA
60	HW2062A* Page L-34	HW2062AS Page L-35	HW2063A* Page L-38	HW2063AS Page L-39	HW2064A* Page L-42	HW2064AS Page L-43	Page L-30	Page L-31	Page L-31
70	HW2072A* Page L-34	HW2072AS Page L-35	HW2073A* Page L-38	HW2073AS Page L-39	HW2074A* Page L-42	HW2074AS Page L-43	Page L-32	Page L-33	Page L-33

\* SHAFT OUTPUT STYLES D (DOUBLE), L (LEFT), R (RIGHT)

### Accessories

Flange Mount Kit Page L-44 to L-45 & Torque Arm Kit Page L-45



# Hub City Poweratio® 2000 Helical Worm Drives

## Quick Start Guide To Selection Tables

HP	OUTPUT SPEED	OUTPUT TORQUE	RATIO	SERVICE FACTOR	EFFICIENCY (%)	OUTPUT OHL	INPUT OHL	OUTPUT THRUST	GEAR STAGES	MODEL*	INTEGRAL GEARMOTOR
	244	479	7.17	4.79	92.5	2100	275	2400	2	HW2062	Available
	233	496	7.50	2.68	91.6	1750	350	2000	2	HW2052	Available
	233				91.0	1350	350	1800	2	HW2042	Available
	208				91.3	1750	350	2000	2	HW2052	Available
	208				90.7	1350	350	1800	2	HW2042	Available
	186				90.9	1750	350	2000	2	HW2052	Available
	186				90.4	1350	350	1800	2	HW2042	Available
	165				90.7	1750	350	2000	2	HW2052	Available
	165	685	10.62	1.27	90.0	1350	350	1800	2	HW2042	Available
	161	714	10.88	4.09	91.3	2100	275	2400	2	HW2062	Available
	146	779	12.00	2.11	90.3	1750	350	2000	2	HW2052	Available
	146	776	12.00	1.17	89.6	1350	350	1800	2	HW2042	Available
	139	827	12.62	3.79	90.9	2100	275	2400	2	HW2062	Available
					90.9	1750	350	2000	2	HW2052	Available
					89.6	1350	350	1800	2	HW2042	Available
	112	1006	15.60	1.79	89.4	1750	350	2000	2	HW2052	Available
	112	970	15.60	1.00	88.7	1350	350	1800	2	HW2042	Available
	106	1070	16.50	3.24	90.1	2100	275	2400	2	HW2062	Available
	105	1076	16.74	1.70	89.2	1750	350	2000	2	HW2052	Available
	98	1127	17.93	2.76	87.4	2100	350	2400	2	HW2062	Available
	93	1134						2000	2	HW2052	Available
	89	1273						2400	2	HW2062	Available
	83	1227						2000	2	HW2052	Available
	83	1353						2400	2	HW2062	Available
	74	1424						2000	2	HW2052	Available
	73	1528						2400	2	HW2062	Available
	68	1643						2400	2	HW2062	Available
	66	1592	26.54	1.28	83.3	1750	350	2000	2	HW2052	Available
	64	1677	27.19	2.32	85.5	2100	350	2400	2	HW2062	Available
	58	1789	30.00	1.19	82.6	1750	350	2000	2	HW2052	Available
					89.5	3050	525	3100	2	HW2072	Available
					82.09	2100	275	2000	2	HW2052	Available
					87.9	2100	275	2400	2	HW2062	Available
					87.5	3050	525	3100	2	HW2072	Available
					85.4	3050	525	2400	2	HW2062	Available
					81.9	1750	350	2000	2	HW2052	Available
	51	2009	34.09	1.10	81.9	1750	350	2000	2	HW2052	Available
	49	2051	35.85	1.58	79.3	2100	350	2400	2	HW2062	Available
	45	2361	38.1						2	HW2052	Available
	42	2474	41.2						2	HW2062	Available
	42	2320	41.8						2	HW2052	Available

1. Determine Input Horsepower, Output Speed and Load Classification (see Section A).

3. Locate Desired Output speed

4. Locate Required Service Factor (see page L-5)

5. Check the Output OHL, output thrust, and Output torque ratings to verify they meet your requirements (Output torque listed is the actual torque obtained by the motor HP listed, not the rated torque).

2. Find appropriate Selection by Input HP page (Beginning on Page L-10)

6. Read across to select model number. Refer to Page L-6 for Mounting type and Ordering information.

**IN THIS CATALOG:**  
 HP = Horsepower  
 Output torque is displayed in inch pounds (in. lbs.)  
 OHL = Over hung load (measured at centerline of output shaft)  
 Service Factor is based on maximum rated torque of gear drive

\* FOR INTEGRAL GEARMOTORS SPECIFY MOUNTING TYPE I AND MOTOR HORSEPOWER (SEE PAGE L-6). CONSULT FACTORY FOR AVAILABILITY  
 \* FOR MOTORIZED REDUCERS SPECIFY MOUNTING TYPE E AND MOTOR PART NUMBER (SEE SECTION E)  
 ALL TORQUE VALUES LISTED IN INCH-POUNDS, ALL OVERHUNG LOAD AND THRUST LOAD VALUES LISTED IN POUNDS.  
 THE POINT OF APPLICATION OF OHL IS CONSIDERED TO BE APPLIED AT THE MIDPOINT OF SHAFT EXTENSION. INPUT OHL APPLIES ONLY TO SHAFT INPUT MODELS.  
 OHL & THRUST RATINGS CANNOT BE APPLIED SIMULTANEOUSLY. CONSULT THE FACTORY FOR APPLICATIONS WITH COMBINED OHL & THRUST LOAD.  
 AT SPEEDS ABOVE 1750 RPM, UNITS MAY BECOME THERMALLY LIMITED. FOR EXTENDED OPERATION, LIMIT HP TO 1750 RPM RATING.



# Hub City Poweratio® 2000 Helical Worm Drives

## Selection By Input H.P. @ 1750 RPM

HP	OUTPUT SPEED	OUTPUT TORQUE	RATIO	SERVICE FACTOR	EFFICIENCY (%)	OUTPUT OHL	INPUT OHL	OUTPUT THRUST	GEAR STAGES	MODEL*	INTEGRAL GEARMOTOR
1/4	233	62	7.50	12.35	91.0	1350	350	1800	2	HW2042	Available
	208	67	8.40	12.00	90.7	1350	350	1800	2	HW2042	Available
	186	77	9.43	10.92	90.4	1350	350	1800	2	HW2042	Available
	165	86	10.62	10.16	90.0	1350	350	1800	2	HW2042	Available
	146	97	12.00	9.39	89.6	1350	350	1800	2	HW2042	Available
	128	109	13.64	8.60	89.2	1350	350	1800	2	HW2042	Available
	112	121	15.60	8.00	88.7	1350	350	1800	2	HW2042	Available
	105	134	16.74	7.41	88.5	1350	350	1800	2	HW2042	Available
	93	142	18.75	7.12	84.2	1350	350	1800	2	HW2042	Available
	86	162	20.40	6.37	87.8	1350	350	1800	2	HW2042	Available
	74	177	23.57	6.29	82.9	1350	350	1800	2	HW2042	Available
	69	199	25.43	5.33	87.1	1350	350	1800	2	HW2042	Available
	66	199	26.54	10.20	83.3	1750	350	2000	2	HW2052	Available
	58	220	30.00	5.41	81.5	1350	350	1800	2	HW2042	Available
	51	248	34.09	4.96	80.9	1350	350	1800	2	HW2042	Available
	45	281	39.00	4.51	80.1	1350	350	1800	2	HW2042	Available
	42	301	41.84	4.29	79.7	1350	350	1800	2	HW2042	Available
	37	308	47.14	3.70	72.3	1350	350	1800	2	HW2042	Available
	33	340	53.08	3.47	71.3	1350	350	1800	2	HW2042	Available
	29	379	60.00	3.22	70.4	1350	350	1800	2	HW2042	Available
	28	445	63.57	3.10	77.4	1350	350	1800	2	HW2042	Available
	26	420	68.18	3.00	69.3	1350	350	1800	2	HW2042	Available
	22	488	78.00	4.80	69.7	1750	350	2000	2	HW2052	Available
	22	479	78.00	2.71	68.2	1350	350	1800	2	HW2042	Available
	21	520	83.68	4.60	69.1	1750	350	2000	2	HW2052	Available
	21	510	83.68	2.59	67.6	1350	350	1800	2	HW2042	Available
	19.3	535	90.91	4.24	65.4	1750	350	2000	2	HW2052	Available
	19.3	527	90.91	2.35	64.5	1350	350	1800	2	HW2042	Available
	17.2	619	102.00	4.04	67.5	1750	350	2000	2	HW2052	Available
	17.2	610	102.00	2.25	66.2	1350	350	1800	2	HW2042	Available
	15.7	642	111.58	3.72	63.6	1750	350	2000	2	HW2052	Available
	15.7	633	111.58	2.06	62.8	1350	350	1800	2	HW2042	Available
	13.8	753	127.14	3.44	65.9	1750	350	2000	2	HW2052	Available
	13.8	705	127.14	2.00	64.6	1350	350	1800	2	HW2042	Available
	12.9	762	136.00	3.28	61.8	1750	350	2000	2	HW2052	Available
	12.9	748	136.00	1.79	61.2	1350	350	1800	2	HW2042	Available
	11.7	921	150.00	5.68	68.4	2100	350	2400	2	HW2062	Available
	10.7	996	162.86	5.32	67.8	2100	350	2400	2	HW2062	Available
	10.3	925	169.52	2.80	60.1	1750	350	2000	2	HW2052	Available
	10.3	907	169.52	1.52	59.5	1350	350	1800	2	HW2042	Available
	9.5	958	183.74	2.74	57.9	1750	125	2000	3	HW2053	Available
	9.5	950	183.74	1.46	57.4	1350	125	1800	3	HW2043	Available
	8.8	1124	200.00	4.60	62.3	2100	350	2400	2	HW2062	Available
	8.4	1133	209.40	2.44	60.1	1750	125	2000	3	HW2053	Available
	8.4	1115	209.40	1.33	59.1	1350	125	1800	3	HW2043	Available
	8.1	1200	217.14	4.36	61.6	2100	350	2400	2	HW2062	Available
	7.6	1233	230.09	2.25	59.5	1750	125	2000	3	HW2053	Available
	7.6	1211	230.09	1.23	58.5	1350	125	1800	3	HW2043	Available
	6.9	1670	254.28	3.41	73.0	2100	350	2400	3	HW2063	Available
	6.8	1470	256.00	7.26	63.8	3050	525	3100	2	HW2072	Available
6.5	1410	267.38	1.99	58.6	1750	125	2000	3	HW2053	Available	
6.5	1387	267.38	1.08	57.6	1350	125	1800	3	HW2043	Available	
6.0	1531	292.85	1.85	58.1	1750	125	2000	3	HW2053	Available	
6.0	1509	292.85	1.00	57.2	1350	125	1800	3	HW2043	Available	
5.9	1900	298.66	3.00	70.3	2100	350	2400	4	HW2064	Available	
5.7	1983	306.66	2.87	71.8	2100	350	2400	3	HW2063	Available	
5.0	1804	349.64	1.59	57.3	1750	125	2000	3	HW2053	Available	
5.0	2245	352.50	2.54	70.8	2100	350	2400	3	HW2063	Available	
4.9	2227	357.96	2.56	69.3	2100	350	2400	4	HW2064	Available	

\* FOR INTEGRAL GEARMOTORS SPECIFY MOUNTING TYPE I AND MOTOR HORSEPOWER (SEE PAGE L-6). CONSULT FACTORY FOR AVAILABILITY

\* FOR MOTORIZED REDUCERS SPECIFY MOUNTING TYPE E AND MOTOR PART NUMBER (SEE SECTION E)

ALL TORQUE VALUES LISTED IN INCH-POUNDS, ALL OVERHUNG LOAD AND THRUST LOAD VALUES LISTED IN POUNDS.

THE POINT OF APPLICATION OF OHL IS CONSIDERED TO BE APPLIED AT THE MIDPOINT OF SHAFT EXTENSION. INPUT OHL APPLIES ONLY TO SHAFT INPUT MODELS.

OHL & THRUST RATINGS CANNOT BE APPLIED SIMULTANEOUSLY. CONSULT THE FACTORY FOR APPLICATIONS WITH COMBINED OHL & THRUST LOAD. AT SPEEDS ABOVE 1750 RPM, UNITS MAY BECOME THERMALLY LIMITED. FOR EXTENDED OPERATION, LIMIT HP TO 1750 RPM RATING.

# Hub City Poweratio® 2000 Helical Worm Drives

## Selection By Input H.P. @ 1750 RPM

HP	OUTPUT SPEED	OUTPUT TORQUE	RATIO	SERVICE FACTOR	EFFICIENCY (%)	OUTPUT OHL	INPUT OHL	OUTPUT THRUST	GEAR STAGES	MODEL*	INTEGRAL GEARMOTOR
1/4	4.5	1833	390.46	1.54	52.1	1750	125	2000	3	HW2053	Available
	4.3	2222	408.00	2.62	60.5	2100	350	2400	3	HW2063	Available
	3.9	2206	446.24	2.55	54.9	2100	350	2400	3	HW2063	Available
	4.6	2381	380.77	4.88	69.5	3050	350	3100	4	HW2074	Available
	3.9	2740	452.94	2.08	67.9	2100	350	2400	4	HW2064	Available
	3.8	2156	466.18	1.32	51.4	1750	125	2000	3	HW2053	Available
	3.8	2793	454.95	4.16	68.3	3050	350	3100	4	HW2074	Available
	3.4	2730	508.56	2.14	59.6	2100	350	2400	3	HW2063	Available
	3.6	3026	492.77	3.84	67.9	3050	350	3100	4	HW2074	Available
	3.3	3167	525.65	1.80	67.3	2100	350	2400	4	HW2064	Available
	3.2	2643	544.00	2.15	54.0	2100	350	2400	3	HW2063	Available
	3.0	2955	576.43	3.92	56.9	3050	350	3100	3	HW2073	Available
	2.9	3586	594.49	3.24	67.2	3050	350	3100	4	HW2074	Available
	2.9	2692	593.32	1.07	50.4	1750	125	2000	3	HW2053	Available
	2.9	3101	597.32	1.88	57.0	2100	350	2400	4	HW2064	Available
	2.8	3162	615.72	3.76	57.2	3050	350	3100	4	HW2074	Available
	2.7	3441	656.93	3.46	58.2	3050	350	3100	3	HW2073	Available
	2.6	3235	678.08	1.78	53.0	2100	350	2400	3	HW2063	Available
	2.5	4071	687.23	1.40	66.4	2100	350	2400	4	HW2064	Available
	2.5	3553	702.71	3.29	56.2	3050	350	3100	3	HW2073	Available
	2.5	3614	705.00	1.61	56.9	2100	350	2400	3	HW2063	Available
	2.3	3811	761.54	3.12	55.9	3050	350	3100	4	HW2074	Available
	2.1	4914	821.10	1.16	65.9	2100	350	2400	4	HW2064	Available
	2.2	4201	792.26	2.83	58.9	3050	350	3100	3	HW2073	Available
	2.1	3796	817.76	1.52	51.6	2100	350	2400	3	HW2063	Available
	2.1	5009	849.26	2.32	66.0	3050	350	3100	4	HW2074	Available
	1.9	4565	910.68	2.60	55.7	3050	350	3100	3	HW2073	Available
	1.9	4257	940.00	1.35	50.3	2100	350	2400	3	HW2063	Available
	1.9	4555	905.89	1.28	54.1	2100	350	2400	4	HW2064	Available
	1.8	4794	985.55	2.48	54.1	3050	350	3100	4	HW2074	Available
	1.7	4976	1056	2.35	52.3	3050	350	3100	3	HW2073	Available
	1.5	5716	1189	2.08	52.9	3050	350	3100	4	HW2074	Available
1.4	5625	1214	2.08	51.5	3050	350	3100	3	HW2073	Available	
1.2	6913	1459	1.72	52.1	3050	350	3100	4	HW2074	Available	
1.0	8257	1787	1.44	51.4	3050	350	3100	4	HW2074	Available	
0.8	9908	2175	1.20	50.9	3050	350	3100	4	HW2074	Available	
0.7	11433	2546	1.04	50.7	3050	350	3100	4	HW2074	Available	
1/3	233	81	7.50	9.35	91.0	1350	350	1800	2	HW2042	Available
	208	88	8.40	9.09	90.7	1350	350	1800	2	HW2042	Available
	186	102	9.43	8.27	90.4	1350	350	1800	2	HW2042	Available
	165	113	10.62	7.70	90.0	1350	350	1800	2	HW2042	Available
	146	128	12.00	7.11	89.6	1350	350	1800	2	HW2042	Available
	128	144	13.64	6.51	89.2	1350	350	1800	2	HW2042	Available
	112	160	15.60	6.06	88.7	1350	350	1800	2	HW2042	Available
	105	176	16.74	5.62	88.5	1350	350	1800	2	HW2042	Available
	93	187	18.75	5.40	84.2	1350	350	1800	2	HW2042	Available
	86	214	20.40	4.82	87.8	1350	350	1800	2	HW2042	Available
	74	233	23.57	4.76	82.9	1350	350	1800	2	HW2042	Available
	69	263	25.43	4.04	87.1	1350	350	1800	2	HW2042	Available
	66	263	26.54	7.73	83.3	1750	350	2000	2	HW2052	Available
	58	290	30.00	4.10	81.5	1350	350	1800	2	HW2042	Available
	51	327	34.09	3.76	80.9	1350	350	1800	2	HW2042	Available
	45	371	39.00	3.42	80.1	1350	350	1800	2	HW2042	Available
	42	397	41.84	3.25	79.7	1350	350	1800	2	HW2042	Available
	37	406	47.14	2.81	72.3	1350	350	1800	2	HW2042	Available
	33	458	53.08	4.55	72.9	1750	350	2000	2	HW2052	Available

\* FOR INTEGRAL GEARMOTORS SPECIFY MOUNTING TYPE I AND MOTOR HORSEPOWER (SEE PAGE L-6). CONSULT FACTORY FOR AVAILABILITY

\* FOR MOTORIZED REDUCERS SPECIFY MOUNTING TYPE E AND MOTOR PART NUMBER (SEE SECTION E)

ALL TORQUE VALUES LISTED IN INCH-POUNDS, ALL OVERHUNG LOAD AND THRUST LOAD VALUES LISTED IN POUNDS.

THE POINT OF APPLICATION OF OHL IS CONSIDERED TO BE APPLIED AT THE MIDPOINT OF SHAFT EXTENSION. INPUT OHL APPLIES ONLY TO SHAFT INPUT MODELS.

OHL & THRUST RATINGS CANNOT BE APPLIED SIMULTANEOUSLY. CONSULT THE FACTORY FOR APPLICATIONS WITH COMBINED OHL & THRUST LOAD. AT SPEEDS ABOVE 1750 RPM, UNITS MAY BECOME THERMALLY LIMITED. FOR EXTENDED OPERATION, LIMIT HP TO 1750 RPM RATING.

# Hub City Poweratio® 2000 Helical Worm Drives

## Selection By Input H.P. @ 1750 RPM

HP	OUTPUT SPEED	OUTPUT TORQUE	RATIO	SERVICE FACTOR	EFFICIENCY (%)	OUTPUT OHL	INPUT OHL	OUTPUT THRUST	GEAR STAGES	MODEL*	INTEGRAL GEARMOTOR
1/3	33	449	53.08	2.63	71.3	1350	350	1800	2	HW2042	Available
	29	512	60.00	4.24	71.8	1750	350	2000	2	HW2052	Available
	29	501	60.00	2.44	70.4	1350	350	1800	2	HW2042	Available
	28	592	63.57	4.27	78.4	1750	350	2000	2	HW2052	Available
	28	587	63.57	2.35	77.4	1350	350	1800	2	HW2042	Available
	26	574	68.18	3.94	70.9	1750	350	2000	2	HW2052	Available
	26	554	68.18	2.27	69.3	1350	350	1800	2	HW2042	Available
	22	644	78.00	3.64	69.7	1750	350	2000	2	HW2052	Available
	22	632	78.00	2.06	68.2	1350	350	1800	2	HW2042	Available
	21	686	83.68	3.48	69.1	1750	350	2000	2	HW2052	Available
	21	673	83.68	1.96	67.6	1350	350	1800	2	HW2042	Available
	19.3	707	90.91	3.21	65.4	1750	350	2000	2	HW2052	Available
	19.3	696	90.91	1.78	64.5	1350	350	1800	2	HW2042	Available
	17.2	817	102.00	3.06	67.5	1750	350	2000	2	HW2052	Available
	17.2	805	102.00	1.70	66.2	1350	350	1800	2	HW2042	Available
	15.7	848	111.58	2.82	63.6	1750	350	2000	2	HW2052	Available
	15.7	835	111.58	1.56	62.8	1350	350	1800	2	HW2042	Available
	13.8	994	127.14	2.61	65.9	1750	350	2000	2	HW2052	Available
	13.8	931	127.14	1.52	64.6	1350	350	1800	2	HW2042	Available
	12.9	1006	136.00	2.48	61.8	1750	350	2000	2	HW2052	Available
	12.9	988	136.00	1.36	61.2	1350	350	1800	2	HW2042	Available
	11.7	1215	150.00	4.30	68.4	2100	350	2400	2	HW2062	Available
	10.3	1221	169.52	2.12	60.1	1750	350	2000	2	HW2052	Available
	10.3	1198	169.52	1.15	59.5	1350	350	1800	2	HW2042	Available
	10.2	1299	171.76	3.88	63.5	2100	350	2400	2	HW2062	Available
	9.5	1264	183.74	2.07	57.9	1750	125	2000	3	HW2053	Available
	9.5	1254	183.74	1.11	57.4	1350	125	1800	3	HW2043	Available
	8.8	1484	200.00	3.48	62.3	2100	350	2400	2	HW2062	Available
	8.4	1496	209.40	1.85	60.1	1750	125	2000	3	HW2053	Available
	8.4	1472	209.40	1.01	59.1	1350	125	1800	3	HW2043	Available
	8.1	1583	217.14	3.30	61.6	2100	350	2400	2	HW2062	Available
	7.6	1628	230.09	1.71	59.5	1750	125	2000	3	HW2053	Available
	6.9	2205	254.28	2.59	73.0	2100	350	2400	3	HW2063	Available
	6.5	1861	267.38	1.51	58.6	1750	125	2000	3	HW2053	Available
	6.0	2021	292.85	1.40	58.1	1750	125	2000	3	HW2053	Available
	5.9	2531	298.66	2.25	70.3	2100	350	2400	4	HW2064	Available
	5.7	2615	307.86	4.44	70.7	3050	350	3100	4	HW2074	Available
	5.7	2617	306.66	2.18	71.8	2100	350	2400	3	HW2063	Available
	5.0	2381	349.64	1.20	57.3	1750	125	2000	3	HW2053	Available
	5.0	2964	352.50	1.92	70.8	2100	350	2400	3	HW2063	Available
	4.9	2966	357.96	1.92	69.3	2100	350	2400	4	HW2064	Available
	4.6	3172	380.77	3.66	69.5	3050	350	3100	4	HW2074	Available
	4.5	2419	390.46	1.17	52.1	1750	125	2000	3	HW2053	Available
	4.3	2933	408.00	1.99	60.5	2100	350	2400	3	HW2063	Available
	3.9	2912	446.24	1.93	54.9	2100	350	2400	3	HW2063	Available
	3.9	3650	452.94	1.56	67.9	2100	350	2400	4	HW2064	Available
	3.8	3721	454.95	3.12	68.3	3050	350	3100	4	HW2074	Available
	3.8	2846	466.18	1.00	51.4	1750	125	2000	3	HW2053	Available
	3.6	4031	492.77	2.88	67.9	3050	350	3100	4	HW2074	Available
	3.7	3232	469.78	3.53	57.9	3050	350	3100	3	HW2073	Available
3.4	3603	508.56	1.62	59.6	2100	350	2400	3	HW2063	Available	
3.3	3776	527.03	3.15	60.3	3050	350	3100	3	HW2073	Available	
3.3	4218	525.65	1.35	67.3	2100	350	2400	4	HW2064	Available	
3.2	3488	544.00	1.63	54.0	2100	350	2400	3	HW2063	Available	
3.0	3900	576.43	2.97	56.9	3050	350	3100	3	HW2073	Available	
2.9	4777	594.49	2.43	67.2	3050	350	3100	4	HW2074	Available	
2.9	4131	597.32	1.41	57.0	2100	350	2400	4	HW2064	Available	
2.9	4241	613.32	1.37	58.2	2100	350	2400	3	HW2063	Available	
2.8	4212	615.72	2.82	57.2	3050	350	3100	4	HW2074	Available	

\* FOR INTEGRAL GEARMOTORS SPECIFY MOUNTING TYPE I AND MOTOR HORSEPOWER (SEE PAGE L-6). CONSULT FACTORY FOR AVAILABILITY

\* FOR MOTORIZED REDUCERS SPECIFY MOUNTING TYPE E AND MOTOR PART NUMBER (SEE SECTION E)

ALL TORQUE VALUES LISTED IN INCH-POUNDS, ALL OVERHUNG LOAD AND THRUST LOAD VALUES LISTED IN POUNDS.

THE POINT OF APPLICATION OF OHL IS CONSIDERED TO BE APPLIED AT THE MIDPOINT OF SHAFT EXTENSION. INPUT OHL APPLIES ONLY TO SHAFT INPUT MODELS.

OHL & THRUST RATINGS CANNOT BE APPLIED SIMULTANEOUSLY. CONSULT THE FACTORY FOR APPLICATIONS WITH COMBINED OHL & THRUST LOAD. AT SPEEDS ABOVE 1750 RPM, UNITS MAY BECOME THERMALLY LIMITED. FOR EXTENDED OPERATION, LIMIT HP TO 1750 RPM RATING.

# Hub City Poweratio® 2000 Helical Worm Drives

## Selection By Input H.P. @ 1750 RPM

HP	OUTPUT SPEED	OUTPUT TORQUE	RATIO	SERVICE FACTOR	EFFICIENCY (%)	OUTPUT OHL	INPUT OHL	OUTPUT THRUST	GEAR STAGES	MODEL*	INTEGRAL GEARMOTOR
1/3	2.7	4542	656.93	2.62	58.2	3050	350	3100	3	HW2073	Available
	2.6	4271	678.08	1.35	53.0	2100	350	2400	3	HW2063	Available
	2.5	4690	702.71	2.49	56.2	3050	350	3100	3	HW2073	Available
	2.5	4770	705.00	1.22	56.9	2100	350	2400	3	HW2063	Available
	2.5	5423	687.23	1.05	66.4	2100	350	2400	4	HW2064	Available
	2.3	5076	761.54	2.34	55.9	3050	350	3100	4	HW2074	Available
	2.2	5546	792.26	2.14	58.9	3050	350	3100	3	HW2073	Available
	2.1	6671	849.26	1.74	66.0	3050	350	3100	4	HW2074	Available
	2.1	5010	817.76	1.15	51.6	2100	350	2400	3	HW2063	Available
	1.9	6026	910.68	1.97	55.7	3050	350	3100	3	HW2073	Available
	1.9	5620	940.00	1.02	50.3	2100	350	2400	3	HW2063	Available
	1.8	6386	985.55	1.86	54.1	3050	350	3100	4	HW2074	Available
	1.7	6568	1056	1.78	52.3	3050	350	3100	3	HW2073	Available
	1.5	7614	1189	1.56	52.9	3050	350	3100	4	HW2074	Available
	1.4	7426	1214	1.58	51.5	3050	350	3100	3	HW2073	Available
	1.2	9208	1459	1.29	52.1	3050	350	3100	4	HW2074	Available
	1.0	10998	1787	1.08	51.4	3050	350	3100	4	HW2074	Available
	1/2	233	123	7.50	6.17	91.0	1350	350	1800	2	HW2042
208		133	8.40	6.00	90.7	1350	350	1800	2	HW2042	Available
186		154	9.43	5.46	90.4	1350	350	1800	2	HW2042	Available
165		171	10.62	5.08	90.0	1350	350	1800	2	HW2042	Available
146		194	12.00	4.69	89.6	1350	350	1800	2	HW2042	Available
128		219	13.64	4.30	89.2	1350	350	1800	2	HW2042	Available
112		243	15.60	4.00	88.7	1350	350	1800	2	HW2042	Available
105		267	16.74	3.71	88.5	1350	350	1800	2	HW2042	Available
93		284	18.75	3.56	84.2	1350	350	1800	2	HW2042	Available
86		324	20.40	3.18	87.8	1350	350	1800	2	HW2042	Available
74		353	23.57	3.14	82.9	1350	350	1800	2	HW2042	Available
69		398	25.43	2.66	87.1	1350	350	1800	2	HW2042	Available
66		398	26.54	5.10	83.3	1750	350	2000	2	HW2052	Available
58		440	30.00	2.71	81.5	1350	350	1800	2	HW2042	Available
51		502	34.09	4.38	81.9	1750	350	2000	2	HW2052	Available
51		496	34.09	2.48	80.9	1350	350	1800	2	HW2042	Available
45		559	39.00	4.10	81.1	1750	350	2000	2	HW2052	Available
45		563	39.00	2.26	80.1	1350	350	1800	2	HW2042	Available
42		580	41.84	4.00	80.8	1750	350	2000	2	HW2052	Available
42		602	41.84	2.14	79.7	1350	350	1800	2	HW2042	Available
37		630	47.14	3.16	73.9	1750	350	2000	2	HW2052	Available
37		616	47.14	1.85	72.3	1350	350	1800	2	HW2042	Available
33		693	53.08	3.00	72.9	1750	350	2000	2	HW2052	Available
33		681	53.08	1.73	71.3	1350	350	1800	2	HW2042	Available
29		775	60.00	2.80	71.8	1750	350	2000	2	HW2052	Available
29		758	60.00	1.61	70.4	1350	350	1800	2	HW2042	Available
28		897	63.57	2.82	78.4	1750	350	2000	2	HW2052	Available
28		889	63.57	1.55	77.4	1350	350	1800	2	HW2042	Available
26		869	68.18	2.60	70.9	1750	350	2000	2	HW2052	Available
26		840	68.18	1.50	69.3	1350	350	1800	2	HW2042	Available
22		975	78.00	2.40	69.7	1750	350	2000	2	HW2052	Available
22		958	78.00	1.36	68.2	1350	350	1800	2	HW2042	Available
22		1167	81.43	4.42	79.8	2100	350	2400	2	HW2062	Available
21		1039	83.68	2.30	69.1	1750	350	2000	2	HW2052	Available
21		1019	83.68	1.29	67.6	1350	350	1800	2	HW2042	Available
19.3		1071	90.91	2.12	65.4	1750	350	2000	2	HW2052	Available
19.3		1054	90.91	1.18	64.5	1350	350	1800	2	HW2042	Available
17.8		1271	98.57	3.80	71.5	2100	350	2400	2	HW2062	Available
17.2		1238	102.00	2.02	67.5	1750	350	2000	2	HW2052	Available
17.2		1219	102.00	1.12	66.2	1350	350	1800	2	HW2042	Available
16.7		1343	105.00	3.64	71.1	2100	350	2400	2	HW2062	Available
15.7		1285	111.58	1.86	63.6	1750	350	2000	2	HW2052	Available

\* FOR INTEGRAL GEARMOTORS SPECIFY MOUNTING TYPE I AND MOTOR HORSEPOWER (SEE PAGE L-6). CONSULT FACTORY FOR AVAILABILITY  
 \* FOR MOTORIZED REDUCERS SPECIFY MOUNTING TYPE E AND MOTOR PART NUMBER (SEE SECTION E)  
 ALL TORQUE VALUES LISTED IN INCH-POUNDS, ALL OVERHUNG LOAD AND THRUST LOAD VALUES LISTED IN POUNDS.  
 THE POINT OF APPLICATION OF OHL IS CONSIDERED TO BE APPLIED AT THE MIDPOINT OF SHAFT EXTENSION. INPUT OHL APPLIES ONLY TO SHAFT INPUT MODELS.  
 OHL & THRUST RATINGS CANNOT BE APPLIED SIMULTANEOUSLY. CONSULT THE FACTORY FOR APPLICATIONS WITH COMBINED OHL & THRUST LOAD.  
 AT SPEEDS ABOVE 1750 RPM, UNITS MAY BECOME THERMALLY LIMITED. FOR EXTENDED OPERATION, LIMIT HP TO 1750 RPM RATING.

# Hub City Poweratio® 2000 Helical Worm Drives

## Selection By Input H.P. @ 1750 RPM

HP	OUTPUT SPEED	OUTPUT TORQUE	RATIO	SERVICE FACTOR	EFFICIENCY (%)	OUTPUT OHL	INPUT OHL	OUTPUT THRUST	GEAR STAGES	MODEL*	INTEGRAL GEARMOTOR
1/2	15.7	1265	111.58	1.03	62.8	1350	350	1800	2	HW2042	Available
	14.6	1515	120.00	3.32	70.1	2100	350	2400	2	HW2062	Available
	13.8	1506	127.14	1.72	65.9	1750	350	2000	2	HW2052	Available
	13.8	1410	127.14	1.00	64.6	1350	350	1800	2	HW2042	Available
	13.6	1614	128.82	3.16	69.6	2100	350	2400	2	HW2062	Available
	12.9	1524	136.00	1.64	61.8	1750	350	2000	2	HW2052	Available
	12.5	1613	140.00	3.00	65.2	2100	350	2400	2	HW2062	Available
	11.7	1842	150.00	2.84	68.4	2100	350	2400	2	HW2062	Available
	10.7	1992	162.86	2.66	67.8	2100	350	2400	2	HW2062	Available
	10.3	1850	169.52	1.40	60.1	1750	350	2000	2	HW2052	Available
	10.2	1969	171.76	2.56	63.5	2100	350	2400	2	HW2062	Available
	9.5	1915	183.74	1.37	57.9	1750	125	2000	3	HW2053	Available
	8.8	2248	200.00	2.30	62.3	2100	350	2400	2	HW2062	Available
	8.4	2266	209.40	1.22	60.1	1750	125	2000	3	HW2053	Available
	8.1	2399	217.14	2.18	61.6	2100	350	2400	2	HW2062	Available
	7.6	2466	230.09	1.13	59.5	1750	125	2000	3	HW2053	Available
	6.9	3341	254.28	1.71	73.0	2100	350	2400	3	HW2063	Available
	6.8	2940	256.00	3.63	63.8	3050	525	3100	2	HW2072	Available
	6.5	2819	267.38	1.00	58.6	1750	125	2000	3	HW2053	Available
	5.9	3800	298.66	1.50	70.3	2100	350	2400	4	HW2064	Available
	5.7	3926	307.86	2.96	70.7	3050	350	3100	4	HW2074	Available
	5.7	3965	306.66	1.44	71.8	2100	350	2400	3	HW2063	Available
	5.6	3510	310.02	3.26	62.9	3050	350	3100	3	HW2073	Available
	5.0	3941	352.34	2.94	62.1	3050	350	3100	3	HW2073	Available
	5.0	4491	352.50	1.27	70.8	2100	350	2400	3	HW2063	Available
	4.9	4453	357.96	1.28	69.3	2100	350	2400	4	HW2064	Available
	4.6	4762	380.77	2.44	69.5	3050	350	3100	4	HW2074	Available
	4.3	4452	403.03	2.63	61.3	3050	350	3100	3	HW2073	Available
	4.3	4443	408.00	1.31	60.5	2100	350	2400	3	HW2063	Available
	4.0	4753	432.32	2.47	61.1	3050	350	3100	3	HW2073	Available
	3.9	4412	446.24	1.27	54.9	2100	350	2400	3	HW2063	Available
	3.9	5481	452.94	1.04	67.9	2100	350	2400	4	HW2064	Available
	3.8	5587	454.95	2.08	68.3	3050	350	3100	4	HW2074	Available
	3.7	4897	469.78	2.33	57.9	3050	350	3100	3	HW2073	Available
	3.6	6052	492.77	1.92	67.9	3050	350	3100	4	HW2074	Available
	3.4	5459	508.56	1.07	59.6	2100	350	2400	3	HW2063	Available
	3.3	5722	527.03	2.08	60.3	3050	350	3100	3	HW2073	Available
	3.2	5285	544.00	1.08	54.0	2100	350	2400	3	HW2063	Available
	3.0	5909	576.43	1.96	56.9	3050	350	3100	3	HW2073	Available
	2.9	7173	594.49	1.62	67.2	3050	350	3100	4	HW2074	Available
	2.8	6324	615.72	1.88	57.2	3050	350	3100	4	HW2074	Available
	2.7	6882	656.93	1.73	58.2	3050	350	3100	3	HW2073	Available
	2.5	7106	702.71	1.65	56.2	3050	350	3100	3	HW2073	Available
	2.3	7622	761.54	1.56	55.9	3050	350	3100	4	HW2074	Available
	2.2	8403	792.26	1.41	58.9	3050	350	3100	3	HW2073	Available
2.1	10017	849.26	1.16	66.0	3050	350	3100	4	HW2074	Available	
1.9	9131	910.68	1.30	55.7	3050	350	3100	3	HW2073	Available	
1.8	9589	985.55	1.24	54.1	3050	350	3100	4	HW2074	Available	
1.7	9952	1056	1.18	52.3	3050	350	3100	3	HW2073	Available	
1.5	11433	1189	1.04	52.9	3050	350	3100	4	HW2074	Available	
1.4	11251	1214	1.04	51.5	3050	350	3100	3	HW2073	Available	
3/4	233	185	7.50	4.12	91.0	1350	350	1800	2	HW2042	Available
	208	200	8.40	4.00	90.7	1350	350	1800	2	HW2042	Available
	186	231	9.43	3.64	90.4	1350	350	1800	2	HW2042	Available
	165	257	10.62	3.39	90.0	1350	350	1800	2	HW2042	Available
	146	291	12.00	3.13	89.6	1350	350	1800	2	HW2042	Available
	128	328	13.64	2.87	89.2	1350	350	1800	2	HW2042	Available
	112	377	15.60	4.77	89.4	1750	350	2000	2	HW2052	Available

\* FOR INTEGRAL GEARMOTORS SPECIFY MOUNTING TYPE I AND MOTOR HORSEPOWER (SEE PAGE L-6). CONSULT FACTORY FOR AVAILABILITY

\* FOR MOTORIZED REDUCERS SPECIFY MOUNTING TYPE E AND MOTOR PART NUMBER (SEE SECTION E)

ALL TORQUE VALUES LISTED IN INCH-POUNDS, ALL OVERHUNG LOAD AND THRUST LOAD VALUES LISTED IN POUNDS.

THE POINT OF APPLICATION OF OHL IS CONSIDERED TO BE APPLIED AT THE MIDPOINT OF SHAFT EXTENSION. INPUT OHL APPLIES ONLY TO SHAFT INPUT MODELS.

OHL & THRUST RATINGS CANNOT BE APPLIED SIMULTANEOUSLY. CONSULT THE FACTORY FOR APPLICATIONS WITH COMBINED OHL & THRUST LOAD. AT SPEEDS ABOVE 1750 RPM, UNITS MAY BECOME THERMALLY LIMITED. FOR EXTENDED OPERATION, LIMIT HP TO 1750 RPM RATING.

# Hub City Poweratio® 2000 Helical Worm Drives

## Selection By Input H.P. @ 1750 RPM

HP	OUTPUT SPEED	OUTPUT TORQUE	RATIO	SERVICE FACTOR	EFFICIENCY (%)	OUTPUT OHL	INPUT OHL	OUTPUT THRUST	GEAR STAGES	MODEL*	INTEGRAL GEARMOTOR
3/4	112	364	15.60	2.67	88.7	1350	350	1800	2	HW2042	Available
	105	404	16.74	4.53	89.2	1750	350	2000	2	HW2052	Available
	105	401	16.74	2.47	88.5	1350	350	1800	2	HW2042	Available
	93	425	18.75	4.07	85.2	1750	350	2000	2	HW2052	Available
	93	425	18.75	2.37	84.2	1350	350	1800	2	HW2042	Available
	86	485	20.40	2.12	87.8	1350	350	1800	2	HW2042	Available
	83	460	21.00	4.00	84.6	1750	350	2000	2	HW2052	Available
	74	534	23.57	3.61	84.0	1750	350	2000	2	HW2052	Available
	74	530	23.57	2.10	82.9	1350	350	1800	2	HW2042	Available
	69	597	25.43	1.78	87.1	1350	350	1800	2	HW2042	Available
	66	597	26.54	3.40	83.3	1750	350	2000	2	HW2052	Available
	58	671	30.00	3.16	82.6	1750	350	2000	2	HW2052	Available
	58	660	30.00	1.80	81.5	1350	350	1800	2	HW2042	Available
	51	753	34.09	2.92	81.9	1750	350	2000	2	HW2052	Available
	51	744	34.09	1.65	80.9	1350	350	1800	2	HW2042	Available
	45	838	39.00	2.73	81.1	1750	350	2000	2	HW2052	Available
	45	844	39.00	1.50	80.1	1350	350	1800	2	HW2042	Available
	42	870	41.84	2.67	80.8	1750	350	2000	2	HW2052	Available
	42	903	41.84	1.43	79.7	1350	350	1800	2	HW2042	Available
	37	945	47.14	2.11	73.9	1750	350	2000	2	HW2052	Available
	37	924	47.14	1.23	72.3	1350	350	1800	2	HW2042	Available
	36	1095	49.29	4.29	82.3	2100	350	2400	2	HW2062	Available
	33	1040	53.08	2.00	72.9	1750	350	2000	2	HW2052	Available
	33	1021	53.08	1.16	71.3	1350	350	1800	2	HW2042	Available
	32	1119	54.38	3.57	76.1	2100	350	2400	2	HW2062	Available
	29	1163	60.00	1.87	71.8	1750	350	2000	2	HW2052	Available
	29	1138	60.00	1.07	70.4	1350	350	1800	2	HW2042	Available
	29	1320	60.00	3.72	81.3	2100	350	2400	2	HW2062	Available
	28	1346	63.57	1.88	78.4	1750	350	2000	2	HW2052	Available
	28	1334	63.57	1.03	77.4	1350	350	1800	2	HW2042	Available
	27	1407	64.41	3.53	80.9	2100	350	2400	2	HW2062	Available
	26	1304	68.18	1.73	70.9	1750	350	2000	2	HW2052	Available
	26	1260	68.18	1.00	69.3	1350	350	1800	2	HW2042	Available
	23	1624	75.00	3.15	80.2	2100	350	2400	2	HW2062	Available
	22	1463	78.00	1.60	69.7	1750	350	2000	2	HW2052	Available
	22	1751	81.43	2.95	79.8	2100	350	2400	2	HW2062	Available
	21	1559	83.68	1.53	69.1	1750	350	2000	2	HW2052	Available
	19.3	1606	90.91	1.41	65.4	1750	350	2000	2	HW2052	Available
	17.8	1907	98.57	2.53	71.5	2100	350	2400	2	HW2062	Available
	17.2	1856	102.00	1.35	67.5	1750	350	2000	2	HW2052	Available
	16.7	2015	105.00	2.43	71.1	2100	350	2400	2	HW2062	Available
	15.7	1927	111.58	1.24	63.6	1750	350	2000	2	HW2052	Available
	14.6	2273	120.00	2.21	70.1	2100	350	2400	2	HW2062	Available
	13.8	2259	127.14	1.15	65.9	1750	350	2000	2	HW2052	Available
	13.6	2483	128.57	4.00	71.1	3050	525	3100	2	HW2072	Available
	13.6	2421	128.82	2.11	69.6	2100	350	2400	2	HW2062	Available
	12.9	2287	136.00	1.09	61.8	1750	350	2000	2	HW2052	Available
	12.5	2420	140.00	2.00	65.2	2100	350	2400	2	HW2062	Available
	12.1	2678	145.00	3.57	68.4	3050	525	3100	2	HW2072	Available
	11.7	2762	150.00	1.89	68.4	2100	350	2400	2	HW2062	Available
11.3	2918	155.00	3.54	69.7	3050	525	3100	2	HW2072	Available	
10.7	2989	162.86	1.77	67.8	2100	350	2400	2	HW2062	Available	
10.2	3105	171.43	3.20	67.0	3050	525	3100	2	HW2072	Available	
10.2	2953	171.76	1.71	63.5	2100	350	2400	2	HW2062	Available	
9.1	3528	192.00	3.05	68.0	3050	525	3100	2	HW2072	Available	
8.8	3372	200.00	1.53	62.3	2100	350	2400	2	HW2062	Available	
8.5	3662	206.67	2.82	65.6	3050	525	3100	2	HW2072	Available	
8.1	3599	217.14	1.45	61.6	2100	350	2400	2	HW2062	Available	
6.9	5011	254.28	1.14	73.0	2100	350	2400	3	HW2063	Available	

\* FOR INTEGRAL GEARMOTORS SPECIFY MOUNTING TYPE I AND MOTOR HORSEPOWER (SEE PAGE L-6). CONSULT FACTORY FOR AVAILABILITY

\* FOR MOTORIZED REDUCERS SPECIFY MOUNTING TYPE E AND MOTOR PART NUMBER (SEE SECTION E)

ALL TORQUE VALUES LISTED IN INCH-POUNDS, ALL OVERHUNG LOAD AND THRUST LOAD VALUES LISTED IN POUNDS.

THE POINT OF APPLICATION OF OHL IS CONSIDERED TO BE APPLIED AT THE MIDPOINT OF SHAFT EXTENSION. INPUT OHL APPLIES ONLY TO SHAFT INPUT MODELS.

OHL & THRUST RATINGS CANNOT BE APPLIED SIMULTANEOUSLY. CONSULT THE FACTORY FOR APPLICATIONS WITH COMBINED OHL & THRUST LOAD. AT SPEEDS ABOVE 1750 RPM, UNITS MAY BECOME THERMALLY LIMITED. FOR EXTENDED OPERATION, LIMIT HP TO 1750 RPM RATING.

# Hub City Poweratio® 2000 Helical Worm Drives

## Selection By Input H.P. @ 1750 RPM

HP	OUTPUT SPEED	OUTPUT TORQUE	RATIO	SERVICE FACTOR	EFFICIENCY (%)	OUTPUT OHL	INPUT OHL	OUTPUT THRUST	GEAR STAGES	MODEL*	INTEGRAL GEARMOTOR
3/4	6.8	4410	256.00	2.42	63.8	3050	525	3100	2	HW2072	Available
	5.9	5700	298.66	1.00	70.3	2100	350	2400	4	HW2064	Available
	5.7	5889	307.86	1.97	70.7	3050	350	3100	4	HW2074	Available
	5.6	5265	310.02	2.17	62.9	3050	350	3100	3	HW2073	Available
	5.0	5911	352.34	1.96	62.1	3050	350	3100	3	HW2073	Available
	4.6	7143	380.77	1.63	69.5	3050	350	3100	4	HW2074	Available
	4.3	6678	403.03	1.75	61.3	3050	350	3100	3	HW2073	Available
	4.0	7130	432.32	1.65	61.1	3050	350	3100	3	HW2073	Available
	3.8	8380	454.95	1.39	68.3	3050	350	3100	4	HW2074	Available
	3.7	7346	469.78	1.55	57.9	3050	350	3100	3	HW2073	Available
	3.6	9078	492.77	1.28	67.9	3050	350	3100	4	HW2074	Available
	3.3	8582	527.03	1.39	60.3	3050	350	3100	3	HW2073	Available
	3.0	8864	576.43	1.31	56.9	3050	350	3100	3	HW2073	Available
	2.9	10759	594.49	1.08	67.2	3050	350	3100	4	HW2074	Available
	2.8	9487	615.72	1.25	57.2	3050	350	3100	4	HW2074	Available
	2.7	10323	656.93	1.15	58.2	3050	350	3100	3	HW2073	Available
	2.5	10660	702.71	1.10	56.2	3050	350	3100	3	HW2073	Available
2.3	11433	761.54	1.04	55.9	3050	350	3100	4	HW2074	Available	
1	233	246	7.50	3.09	91.0	1350	350	1800	2	HW2042	Available
	208	267	8.40	3.00	90.7	1350	350	1800	2	HW2042	Available
	186	308	9.43	2.73	90.4	1350	350	1800	2	HW2042	Available
	165	347	10.62	4.53	90.7	1750	350	2000	2	HW2052	Available
	165	343	10.62	2.54	90.0	1350	350	1800	2	HW2042	Available
	146	390	12.00	4.21	90.3	1750	350	2000	2	HW2052	Available
	146	388	12.00	2.35	89.6	1350	350	1800	2	HW2042	Available
	128	440	13.64	3.91	89.8	1750	350	2000	2	HW2052	Available
	128	437	13.64	2.15	89.2	1350	350	1800	2	HW2042	Available
	112	503	15.60	3.58	89.4	1750	350	2000	2	HW2052	Available
	112	485	15.60	2.00	88.7	1350	350	1800	2	HW2042	Available
	105	538	16.74	3.40	89.2	1750	350	2000	2	HW2052	Available
	105	534	16.74	1.85	88.5	1350	350	1800	2	HW2042	Available
	93	567	18.75	3.05	85.2	1750	350	2000	2	HW2052	Available
	93	567	18.75	1.78	84.2	1350	350	1800	2	HW2042	Available
	86	647	20.40	1.59	87.8	1350	350	1800	2	HW2042	Available
	83	613	21.00	3.00	84.6	1750	350	2000	2	HW2052	Available
	74	712	23.57	2.71	84.0	1750	350	2000	2	HW2052	Available
	74	706	23.57	1.57	82.9	1350	350	1800	2	HW2042	Available
	69	796	25.43	1.33	87.1	1350	350	1800	2	HW2042	Available
	68	822	25.76	4.71	88.7	2100	275	2400	2	HW2062	Available
	66	796	26.54	2.55	83.3	1750	350	2000	2	HW2052	Available
	58	895	30.00	2.37	82.6	1750	350	2000	2	HW2052	Available
	58	880	30.00	1.35	81.5	1350	350	1800	2	HW2042	Available
	58	955	30.00	4.18	88.2	2100	275	2400	2	HW2062	Available
	54	1031	32.57	3.93	87.9	2100	275	2400	2	HW2062	Available
	51	1005	34.09	2.19	81.9	1750	350	2000	2	HW2052	Available
	51	992	34.09	1.24	80.9	1350	350	1800	2	HW2042	Available
	49	1025	35.85	3.15	79.3	2100	350	2400	2	HW2062	Available
	45	1117	39.00	2.05	81.1	1750	350	2000	2	HW2052	Available
	45	1125	39.00	1.13	80.1	1350	350	1800	2	HW2042	Available
	42	1237	41.25	3.63	83.3	2100	350	2400	2	HW2062	Available
	42	1160	41.84	2.00	80.8	1750	350	2000	2	HW2052	Available
	42	1204	41.84	1.07	79.7	1350	350	1800	2	HW2042	Available
	37	1259	47.14	1.58	73.9	1750	350	2000	2	HW2052	Available
	36	1460	49.29	3.22	82.3	2100	350	2400	2	HW2062	Available
	33	1387	53.08	1.50	72.9	1750	350	2000	2	HW2052	Available
	32	1493	54.38	2.68	76.1	2100	350	2400	2	HW2062	Available
	29	1550	60.00	1.40	71.8	1750	350	2000	2	HW2052	Available
	29	1760	60.00	2.79	81.3	2100	350	2400	2	HW2062	Available

\* FOR INTEGRAL GEARMOTORS SPECIFY MOUNTING TYPE I AND MOTOR HORSEPOWER (SEE PAGE L-6). CONSULT FACTORY FOR AVAILABILITY

\* FOR MOTORIZED REDUCERS SPECIFY MOUNTING TYPE E AND MOTOR PART NUMBER (SEE SECTION E)

ALL TORQUE VALUES LISTED IN INCH-POUNDS, ALL OVERHUNG LOAD AND THRUST LOAD VALUES LISTED IN POUNDS.

THE POINT OF APPLICATION OF OHL IS CONSIDERED TO BE APPLIED AT THE MIDPOINT OF SHAFT EXTENSION. INPUT OHL APPLIES ONLY TO SHAFT INPUT MODELS.

OHL & THRUST RATINGS CANNOT BE APPLIED SIMULTANEOUSLY. CONSULT THE FACTORY FOR APPLICATIONS WITH COMBINED OHL & THRUST LOAD. AT SPEEDS ABOVE 1750 RPM, UNITS MAY BECOME THERMALLY LIMITED. FOR EXTENDED OPERATION, LIMIT HP TO 1750 RPM RATING.



# Hub City Poweratio® 2000 Helical Worm Drives

## Selection By Input H.P. @ 1750 RPM

HP	OUTPUT SPEED	OUTPUT TORQUE	RATIO	SERVICE FACTOR	EFFICIENCY (%)	OUTPUT OHL	INPUT OHL	OUTPUT THRUST	GEAR STAGES	MODEL*	INTEGRAL GEARMOTOR
1	28	1794	63.57	1.41	78.4	1750	350	2000	2	HW2052	Available
	27	1875	64.41	2.65	80.9	2100	350	2400	2	HW2062	Available
	26	1738	68.18	1.30	70.9	1750	350	2000	2	HW2052	Available
	23	2165	75.00	2.36	80.2	2100	350	2400	2	HW2062	Available
	23	2263	77.50	4.45	81.0	3050	525	3100	2	HW2072	Available
	22	1950	78.00	1.20	69.7	1750	350	2000	2	HW2052	Available
	22	2335	81.43	2.21	79.8	2100	350	2400	2	HW2062	Available
	21	2078	83.68	1.15	69.1	1750	350	2000	2	HW2052	Available
	19.3	2142	90.91	1.06	65.4	1750	350	2000	2	HW2052	Available
	18.2	2762	96.00	3.80	79.9	3050	525	3100	2	HW2072	Available
	17.8	2542	98.57	1.90	71.5	2100	350	2400	2	HW2062	Available
	17.2	2475	102.00	1.01	67.5	1750	350	2000	2	HW2052	Available
	16.7	2687	105.00	1.82	71.1	2100	350	2400	2	HW2062	Available
	16.1	2835	108.75	3.35	72.4	3050	525	3100	2	HW2072	Available
	14.6	3030	120.00	1.66	70.1	2100	350	2400	2	HW2062	Available
	13.6	3310	128.57	3.00	71.1	3050	525	3100	2	HW2072	Available
	13.6	3228	128.82	1.58	69.6	2100	350	2400	2	HW2062	Available
	12.5	3227	140.00	1.50	65.2	2100	350	2400	2	HW2062	Available
	12.1	3571	145.00	2.67	68.4	3050	525	3100	2	HW2072	Available
	11.7	3683	150.00	1.42	68.4	2100	350	2400	2	HW2062	Available
	11.3	3891	155.00	2.66	69.7	3050	525	3100	2	HW2072	Available
	10.7	3985	162.86	1.33	67.8	2100	350	2400	2	HW2062	Available
	10.2	4140	171.43	2.40	67.0	3050	525	3100	2	HW2072	Available
	10.2	3938	171.76	1.28	63.5	2100	350	2400	2	HW2062	Available
	9.1	4705	192.00	2.28	68.0	3050	525	3100	2	HW2072	Available
	8.8	4496	200.00	1.15	62.3	2100	350	2400	2	HW2062	Available
	8.5	4882	206.67	2.11	65.6	3050	525	3100	2	HW2072	Available
	8.1	4798	217.14	1.09	61.6	2100	350	2400	2	HW2062	Available
	6.8	5880	256.00	1.81	63.8	3050	525	3100	2	HW2072	Available
	5.7	7851	307.86	1.48	70.7	3050	350	3100	4	HW2074	Available
	5.6	7021	310.02	1.63	62.9	3050	350	3100	3	HW2073	Available
	5.0	7882	352.34	1.47	62.1	3050	350	3100	3	HW2073	Available
	4.6	9525	380.77	1.22	69.5	3050	350	3100	4	HW2074	Available
	4.3	8904	403.03	1.31	61.3	3050	350	3100	3	HW2073	Available
	4.0	9506	432.32	1.24	61.1	3050	350	3100	3	HW2073	Available
	3.8	11173	454.95	1.04	68.3	3050	350	3100	4	HW2074	Available
	3.7	9794	469.78	1.16	57.9	3050	350	3100	3	HW2073	Available
	3.3	11443	527.03	1.04	60.3	3050	350	3100	3	HW2073	Available
	3.0	11818	576.43	0.98	56.9	3050	350	3100	3	HW2073	Available
	1.5	244	359	7.17	6.38	92.5	2100	275	2400	2	HW2062
233		372	7.50	3.57	91.6	1750	350	2000	2	HW2052	Available
233		369	7.50	2.06	91.0	1350	350	1800	2	HW2042	Available
208		416	8.40	3.39	91.3	1750	350	2000	2	HW2052	Available
208		400	8.40	2.00	90.7	1350	350	1800	2	HW2042	Available
186		447	9.43	3.33	90.9	1750	350	2000	2	HW2052	Available
186		462	9.43	1.82	90.4	1350	350	1800	2	HW2042	Available
165		520	10.62	3.02	90.7	1750	350	2000	2	HW2052	Available
165		514	10.62	1.69	90.0	1350	350	1800	2	HW2042	Available
146		584	12.00	2.81	90.3	1750	350	2000	2	HW2052	Available
146		582	12.00	1.56	89.6	1350	350	1800	2	HW2042	Available
128		660	13.64	2.61	89.8	1750	350	2000	2	HW2052	Available
128		656	13.64	1.43	89.2	1350	350	1800	2	HW2042	Available
112		754	15.60	2.39	89.4	1750	350	2000	2	HW2052	Available
112		728	15.60	1.33	88.7	1350	350	1800	2	HW2042	Available
105		807	16.74	2.27	89.2	1750	350	2000	2	HW2052	Available
105		801	16.74	1.24	88.5	1350	350	1800	2	HW2042	Available

\* FOR INTEGRAL GEARMOTORS SPECIFY MOUNTING TYPE I AND MOTOR HORSEPOWER (SEE PAGE L-6). CONSULT FACTORY FOR AVAILABILITY  
 \* FOR MOTORIZED REDUCERS SPECIFY MOUNTING TYPE E AND MOTOR PART NUMBER (SEE SECTION E)  
 ALL TORQUE VALUES LISTED IN INCH-POUNDS, ALL OVERHUNG LOAD AND THRUST LOAD VALUES LISTED IN POUNDS.  
 THE POINT OF APPLICATION OF OHL IS CONSIDERED TO BE APPLIED AT THE MIDPOINT OF SHAFT EXTENSION. INPUT OHL APPLIES ONLY TO SHAFT INPUT MODELS.  
 OHL & THRUST RATINGS CANNOT BE APPLIED SIMULTANEOUSLY. CONSULT THE FACTORY FOR APPLICATIONS WITH COMBINED OHL & THRUST LOAD.  
 AT SPEEDS ABOVE 1750 RPM, UNITS MAY BECOME THERMALLY LIMITED. FOR EXTENDED OPERATION, LIMIT HP TO 1750 RPM RATING.

# Hub City Poweratio® 2000 Helical Worm Drives

## Selection By Input H.P. @ 1750 RPM

HP	OUTPUT SPEED	OUTPUT TORQUE	RATIO	SERVICE FACTOR	EFFICIENCY (%)	OUTPUT OHL	INPUT OHL	OUTPUT THRUST	GEAR STAGES	MODEL*	INTEGRAL GEARMOTOR
1.5	98	845	17.93	3.68	87.4	2100	350	2400	2	HW2062	Available
	93	851	18.75	2.03	85.2	1750	350	2000	2	HW2052	Available
	93	851	18.75	1.19	84.2	1350	350	1800	2	HW2042	Available
	89	955	19.71	3.81	89.6	2100	275	2400	2	HW2062	Available
	86	971	20.40	1.06	87.8	1350	350	1800	2	HW2042	Available
	83	920	21.00	2.00	84.6	1750	350	2000	2	HW2052	Available
	83	1015	21.00	3.65	89.4	2100	275	2400	2	HW2062	Available
	74	1068	23.57	1.81	84.0	1750	350	2000	2	HW2052	Available
	74	1059	23.57	1.05	82.9	1350	350	1800	2	HW2042	Available
	73	1146	24.00	3.33	88.9	2100	275	2400	2	HW2062	Available
	68	1232	25.76	3.14	88.7	2100	275	2400	2	HW2062	Available
	66	1194	26.54	1.70	83.3	1750	350	2000	2	HW2052	Available
	64	1258	27.19	3.09	85.5	2100	350	2400	2	HW2062	Available
	58	1342	30.00	1.58	82.6	1750	350	2000	2	HW2052	Available
	58	1432	30.00	2.79	88.2	2100	275	2400	2	HW2062	Available
	54	1546	32.57	2.62	87.9	2100	275	2400	2	HW2062	Available
	52	1558	33.97	5.00	85.4	3050	525	3100	2	HW2072	Available
	51	1507	34.09	1.46	81.9	1750	350	2000	2	HW2052	Available
	49	1538	35.85	2.10	79.3	2100	350	2400	2	HW2062	Available
	45	1771	38.71	4.65	84.7	3050	525	3100	2	HW2072	Available
	45	1676	39.00	1.37	81.1	1750	350	2000	2	HW2052	Available
	42	1855	41.25	2.42	83.3	2100	350	2400	2	HW2062	Available
	42	1740	41.84	1.33	80.8	1750	350	2000	2	HW2052	Available
	38	1932	45.68	3.33	79.1	3050	525	3100	2	HW2072	Available
	37	1889	47.14	1.05	73.9	1750	350	2000	2	HW2052	Available
	36	2189	49.29	2.15	82.3	2100	350	2400	2	HW2062	Available
	33	2080	53.08	1.00	72.9	1750	350	2000	2	HW2052	Available
	32	2437	54.38	3.80	82.9	3050	525	3100	2	HW2072	Available
	32	2239	54.38	1.79	76.1	2100	350	2400	2	HW2062	Available
	29	2640	60.00	1.86	81.3	2100	350	2400	2	HW2062	Available
	27	2850	64.29	3.40	82.0	3050	525	3100	2	HW2072	Available
	27	2813	64.41	1.77	80.9	2100	350	2400	2	HW2062	Available
	23	3248	75.00	1.57	80.2	2100	350	2400	2	HW2062	Available
	23	3394	77.50	2.97	81.0	3050	525	3100	2	HW2072	Available
	22	3502	81.43	1.47	79.8	2100	350	2400	2	HW2062	Available
	18.2	4143	96.00	2.53	79.9	3050	525	3100	2	HW2072	Available
	17.8	3813	98.57	1.27	71.5	2100	350	2400	2	HW2062	Available
	16.7	4030	105.00	1.21	71.1	2100	350	2400	2	HW2062	Available
	16.1	4253	108.75	2.23	72.4	3050	525	3100	2	HW2072	Available
	14.6	4545	120.00	1.11	70.1	2100	350	2400	2	HW2062	Available
	13.6	4965	128.57	2.00	71.1	3050	525	3100	2	HW2072	Available
	13.6	4842	128.82	1.05	69.6	2100	350	2400	2	HW2062	Available
	12.5	4840	140.00	1.00	65.2	2100	350	2400	2	HW2062	Available
	12.1	5356	145.00	1.78	68.4	3050	525	3100	2	HW2072	Available
	11.3	5837	155.00	1.77	69.7	3050	525	3100	2	HW2072	Available
	10.2	6210	171.43	1.60	67.0	3050	525	3100	2	HW2072	Available
	9.1	7057	192.00	1.52	68.0	3050	525	3100	2	HW2072	Available
	8.5	7323	206.67	1.41	65.6	3050	525	3100	2	HW2072	Available
	6.8	8820	256.00	1.21	63.8	3050	525	3100	2	HW2072	Available
	5.6	10531	310.02	1.09	62.9	3050	350	3100	3	HW2073	Available
5.0	11822	352.34	0.98	62.1	3050	350	3100	3	HW2073	Available	

\* FOR INTEGRAL GEARMOTORS SPECIFY MOUNTING TYPE I AND MOTOR HORSEPOWER (SEE PAGE L-6). CONSULT FACTORY FOR AVAILABILITY

\* FOR MOTORIZED REDUCERS SPECIFY MOUNTING TYPE E AND MOTOR PART NUMBER (SEE SECTION E)

ALL TORQUE VALUES LISTED IN INCH-POUNDS, ALL OVERHUNG LOAD AND THRUST LOAD VALUES LISTED IN POUNDS.

THE POINT OF APPLICATION OF OHL IS CONSIDERED TO BE APPLIED AT THE MIDPOINT OF SHAFT EXTENSION. INPUT OHL APPLIES ONLY TO SHAFT INPUT MODELS.

OHL & THRUST RATINGS CANNOT BE APPLIED SIMULTANEOUSLY. CONSULT THE FACTORY FOR APPLICATIONS WITH COMBINED OHL & THRUST LOAD.

AT SPEEDS ABOVE 1750 RPM, UNITS MAY BECOME THERMALLY LIMITED. FOR EXTENDED OPERATION, LIMIT HP TO 1750 RPM RATING.

# Hub City Poweratio® 2000 Helical Worm Drives

## Selection By Input H.P. @ 1750 RPM

HP	OUTPUT SPEED	OUTPUT TORQUE	RATIO	SERVICE FACTOR	EFFICIENCY (%)	OUTPUT OHL	INPUT OHL	OUTPUT THRUST	GEAR STAGES	MODEL*	INTEGRAL GEARMOTOR
2	244	479	7.17	4.79	92.5	2100	275	2400	2	HW2062	Available
	233	496	7.50	2.68	91.6	1750	350	2000	2	HW2052	Available
	233	492	7.50	1.54	91.0	1350	350	1800	2	HW2042	Available
	208	554	8.40	2.55	91.3	1750	350	2000	2	HW2052	Available
	208	533	8.40	1.50	90.7	1350	350	1800	2	HW2042	Available
	186	596	9.43	2.50	90.9	1750	350	2000	2	HW2052	Available
	186	616	9.43	1.36	90.4	1350	350	1800	2	HW2042	Available
	165	693	10.62	2.27	90.7	1750	350	2000	2	HW2052	Available
	165	685	10.62	1.27	90.0	1350	350	1800	2	HW2042	Available
	161	714	10.88	4.09	91.3	2100	275	2400	2	HW2062	Available
	146	779	12.00	2.11	90.3	1750	350	2000	2	HW2052	Available
	146	776	12.00	1.17	89.6	1350	350	1800	2	HW2042	Available
	139	827	12.62	3.79	90.9	2100	275	2400	2	HW2062	Available
	128	880	13.64	1.96	89.8	1750	350	2000	2	HW2052	Available
	128	875	13.64	1.07	89.2	1350	350	1800	2	HW2042	Available
	112	1006	15.60	1.79	89.4	1750	350	2000	2	HW2052	Available
	112	970	15.60	1.00	88.7	1350	350	1800	2	HW2042	Available
	106	1070	16.50	3.24	90.1	2100	275	2400	2	HW2062	Available
	105	1076	16.74	1.70	89.2	1750	350	2000	2	HW2052	Available
	98	1127	17.93	2.76	87.4	2100	350	2400	2	HW2062	Available
	93	1134	18.75	1.53	85.2	1750	350	2000	2	HW2052	Available
	89	1273	19.71	2.86	89.6	2100	275	2400	2	HW2062	Available
	83	1227	21.00	1.50	84.6	1750	350	2000	2	HW2052	Available
	83	1353	21.00	2.74	89.4	2100	275	2400	2	HW2062	Available
	74	1424	23.57	1.36	84.0	1750	350	2000	2	HW2052	Available
	73	1528	24.00	2.50	88.9	2100	275	2400	2	HW2062	Available
	68	1643	25.76	2.36	88.7	2100	275	2400	2	HW2062	Available
	66	1592	26.54	1.28	83.3	1750	350	2000	2	HW2052	Available
	64	1677	27.19	2.32	85.5	2100	350	2400	2	HW2062	Available
	58	1789	30.00	1.19	82.6	1750	350	2000	2	HW2052	Available
	58	1858	30.00	3.95	86.0	3050	525	3100	2	HW2072	Available
	58	1909	30.00	2.09	88.2	2100	275	2400	2	HW2062	Available
	54	2061	32.57	1.97	87.9	2100	275	2400	2	HW2062	Available
	52	2077	33.97	3.75	85.4	3050	525	3100	2	HW2072	Available
	51	2009	34.09	1.10	81.9	1750	350	2000	2	HW2052	Available
	49	2051	35.85	1.58	79.3	2100	350	2400	2	HW2062	Available
	45	2361	38.71	3.49	84.7	3050	525	3100	2	HW2072	Available
	45	2234	39.00	1.03	81.1	1750	350	2000	2	HW2052	Available
	42	2474	41.25	1.82	83.3	2100	350	2400	2	HW2062	Available
	42	2320	41.84	1.00	80.8	1750	350	2000	2	HW2052	Available
	38	2576	45.68	2.50	79.1	3050	525	3100	2	HW2072	Available
	36	2919	49.29	1.61	82.3	2100	350	2400	2	HW2062	Available
	32	3249	54.38	2.85	82.9	3050	525	3100	2	HW2072	Available
	32	2985	54.38	1.34	76.1	2100	350	2400	2	HW2062	Available
	29	3520	60.00	1.40	81.3	2100	350	2400	2	HW2062	Available
	27	3799	64.29	2.55	82.0	3050	525	3100	2	HW2072	Available
	27	3751	64.41	1.33	80.9	2100	350	2400	2	HW2062	Available
	23	4331	75.00	1.18	80.2	2100	350	2400	2	HW2062	Available
	23	4526	77.50	2.23	81.0	3050	525	3100	2	HW2072	Available
	22	4670	81.43	1.11	79.8	2100	350	2400	2	HW2062	Available
18.2	5524	96.00	1.90	79.9	3050	525	3100	2	HW2072	Available	
16.1	5671	108.75	1.68	72.4	3050	525	3100	2	HW2072	Available	
13.6	6620	128.57	1.50	71.1	3050	525	3100	2	HW2072	Available	
12.1	7142	145.00	1.34	68.4	3050	525	3100	2	HW2072	Available	
11.3	7782	155.00	1.33	69.7	3050	525	3100	2	HW2072	Available	
10.2	8281	171.43	1.20	67.0	3050	525	3100	2	HW2072	Available	
9.1	9409	192.00	1.14	68.0	3050	525	3100	2	HW2072	Available	
8.5	9764	206.67	1.06	65.6	3050	525	3100	2	HW2072	Available	

\* FOR INTEGRAL GEARMOTORS SPECIFY MOUNTING TYPE I AND MOTOR HORSEPOWER (SEE PAGE L-6). CONSULT FACTORY FOR AVAILABILITY

\* FOR MOTORIZED REDUCERS SPECIFY MOUNTING TYPE E AND MOTOR PART NUMBER (SEE SECTION E)

ALL TORQUE VALUES LISTED IN INCH-POUNDS, ALL OVERHUNG LOAD AND THRUST LOAD VALUES LISTED IN POUNDS.

THE POINT OF APPLICATION OF OHL IS CONSIDERED TO BE APPLIED AT THE MIDPOINT OF SHAFT EXTENSION. INPUT OHL APPLIES ONLY TO SHAFT INPUT MODELS.

OHL & THRUST RATINGS CANNOT BE APPLIED SIMULTANEOUSLY. CONSULT THE FACTORY FOR APPLICATIONS WITH COMBINED OHL & THRUST LOAD. AT SPEEDS ABOVE 1750 RPM, UNITS MAY BECOME THERMALLY LIMITED. FOR EXTENDED OPERATION, LIMIT HP TO 1750 RPM RATING.

# Hub City Poweratio® 2000 Helical Worm Drives

## Selection By Input H.P. @ 1750 RPM

HP	OUTPUT SPEED	OUTPUT TORQUE	RATIO	SERVICE FACTOR	EFFICIENCY (%)	OUTPUT OHL	INPUT OHL	OUTPUT THRUST	GEAR STAGES	MODEL*	INTEGRAL GEARMOTOR
3	244	718	7.17	3.19	92.5	2100	275	2400	2	HW2062	Available
	233	744	7.50	1.79	91.6	1750	350	2000	2	HW2052	Available
	233	739	7.50	1.03	91.0	1350	350	1800	2	HW2042△	Available
	214	820	8.17	5.60	92.8	3050	525	3100	2	HW2072	Available
	208	831	8.40	1.70	91.3	1750	350	2000	2	HW2052	Available
	208	800	8.40	1.00	90.7	1350	350	1800	2	HW2042△	Available
	204	853	8.59	3.01	92.0	2100	275	2400	2	HW2062	Available
	192	913	9.14	5.19	92.5	3050	525	3100	2	HW2072	Available
	186	894	9.43	1.67	90.9	1750	350	2000	2	HW2052	Available
	165	1040	10.62	1.51	90.7	1750	350	2000	2	HW2052	Available
	161	1071	10.88	2.73	91.3	2100	275	2400	2	HW2062	Available
	146	1169	12.00	1.40	90.3	1750	350	2000	2	HW2052	Available
	139	1240	12.62	2.52	90.9	2100	275	2400	2	HW2062	Available
	129	1342	13.59	4.52	91.4	3050	525	3100	2	HW2072	Available
	128	1320	13.64	1.30	89.8	1750	350	2000	2	HW2052	Available
	113	1523	15.48	4.24	91.0	3050	525	3100	2	HW2072	Available
	112	1508	15.60	1.19	89.4	1750	350	2000	2	HW2052	Available
	106	1604	16.50	2.16	90.1	2100	275	2400	2	HW2062	Available
	105	1615	16.74	1.13	89.2	1750	350	2000	2	HW2052	Available
	98	1690	17.93	1.84	87.4	2100	350	2400	2	HW2062	Available
	96	1674	18.30	3.33	88.3	3050	525	3100	2	HW2072	Available
	93	1702	18.75	1.02	85.2	1750	350	2000	2	HW2052	Available
	89	1909	19.71	1.91	89.6	2100	275	2400	2	HW2062	Available
	83	1840	21.00	1.00	84.6	1750	350	2000	2	HW2052	Available
	83	2029	21.00	1.82	89.4	2100	275	2400	2	HW2062	Available
	80	2116	21.75	3.46	90.1	3050	525	3100	2	HW2072	Available
	73	2292	24.00	1.67	88.9	2100	275	2400	2	HW2062	Available
	68	2487	25.71	3.10	89.5	3050	525	3100	2	HW2072	Available
	68	2465	25.76	1.57	88.7	2100	275	2400	2	HW2062	Available
	64	2515	27.19	1.55	85.5	2100	350	2400	2	HW2062	Available
	63	2586	27.69	2.71	86.4	3050	525	3100	2	HW2072	Available
	58	2787	30.00	2.63	86.0	3050	525	3100	2	HW2072	Available
	58	2864	30.00	1.39	88.2	2100	275	2400	2	HW2062	Available
	54	3092	32.57	1.31	87.9	2100	275	2400	2	HW2062	Available
	52	3116	33.97	2.50	85.4	3050	525	3100	2	HW2072	Available
	49	3076	35.85	1.05	79.3	2100	350	2400	2	HW2062	Available
	45	3542	38.71	2.33	84.7	3050	525	3100	2	HW2072	Available
	42	3711	41.25	1.21	83.3	2100	350	2400	2	HW2062	Available
	38	3864	45.68	1.67	79.1	3050	525	3100	2	HW2072	Available
	36	4379	49.29	1.07	82.3	2100	350	2400	2	HW2062	Available
	32	4873	54.38	1.90	82.9	3050	525	3100	2	HW2072	Available
	27	5699	64.29	1.70	82.0	3050	525	3100	2	HW2072	Available
23	6789	77.50	1.48	81.0	3050	525	3100	2	HW2072	Available	
18.2	8287	96.00	1.27	79.9	3050	525	3100	2	HW2072	Available	
16.1	8506	108.75	1.12	72.4	3050	525	3100	2	HW2072	Available	
13.6	9930	128.57	1.00	71.1	3050	525	3100	2	HW2072	Available	
5	244	1196	7.17	1.91	92.5	2100	275	2400	2	HW2062	Available
	239	1227	7.32	3.51	93.0	3050	525	3100	2	HW2072	Available
	233	1241	7.50	1.07	91.6	1750	350	2000	2	HW2052▲	Available
	214	1366	8.17	3.36	92.8	3050	525	3100	2	HW2072	Available
	208	1385	8.40	1.02	91.3	1750	350	2000	2	HW2052▲	Available
	204	1421	8.59	1.81	92.0	2100	275	2400	2	HW2062	Available
	192	1521	9.14	3.12	92.5	3050	525	3100	2	HW2072	Available
	186	1490	9.43	1.00	90.9	1750	350	2000	2	HW2052▲	Available
	161	1785	10.88	1.64	91.3	2100	275	2400	2	HW2062	Available

△ THERMAL RATINGS 2.1 HP MAXIMUM

▲ THERMAL RATINGS 3.8 HP MAXIMUM

\* FOR INTEGRAL GEARMOTORS SPECIFY MOUNTING TYPE I AND MOTOR HORSEPOWER (SEE PAGE L-6). CONSULT FACTORY FOR AVAILABILITY

\* FOR MOTORIZED REDUCERS SPECIFY MOUNTING TYPE E AND MOTOR PART NUMBER (SEE SECTION E)

ALL TORQUE VALUES LISTED IN INCH-POUNDS, ALL OVERHUNG LOAD AND THRUST LOAD VALUES LISTED IN POUNDS.

THE POINT OF APPLICATION OF OHL IS CONSIDERED TO BE APPLIED AT THE MIDPOINT OF SHAFT EXTENSION. INPUT OHL APPLIES ONLY TO SHAFT

INPUT MODELS. OHL & THRUST RATINGS CANNOT BE APPLIED SIMULTANEOUSLY. CONSULT THE FACTORY FOR APPLICATIONS WITH COMBINED OHL & THRUST LOAD. AT SPEEDS ABOVE 1750 RPM, UNITS MAY BECOME THERMALLY LIMITED. FOR EXTENDED OPERATION, LIMIT HP TO 1750 RPM RATING.

# Hub City Poweratio® 2000 Helical Worm Drives

## Selection By Input H.P. @ 1750 RPM

HP	OUTPUT SPEED	OUTPUT TORQUE	RATIO	SERVICE FACTOR	EFFICIENCY (%)	OUTPUT OHL	INPUT OHL	OUTPUT THRUST	GEAR STAGES	MODEL*	INTEGRAL GEARMOTOR
5	158	1803	11.08	3.00	92.0	3050	525	3100	2	HW2072	Available
	139	2067	12.62	1.51	90.9	2100	275	2400	2	HW2062	Available
	129	2236	13.59	2.71	91.4	3050	525	3100	2	HW2072	Available
	113	2539	15.48	2.54	91.0	3050	525	3100	2	HW2072	Available
	106	2674	16.50	1.29	90.1	2100	275	2400	2	HW2062	Available
	98	2817	17.93	1.10	87.4	2100	350	2400	2	HW2062	Available
	96	2790	18.30	2.00	88.3	3050	525	3100	2	HW2072	Available
	89	3182	19.71	1.14	89.6	2100	275	2400	2	HW2062	Available
	83	3382	21.00	1.09	89.4	2100	275	2400	2	HW2062	Available
	80	3526	21.75	2.08	90.1	3050	525	3100	2	HW2072	Available
	73	3820	24.00	1.00	88.9	2100	275	2400	2	HW2062	Available
	68	4145	25.71	1.86	89.5	3050	525	3100	2	HW2072	Available
	63	4310	27.69	1.63	86.4	3050	525	3100	2	HW2072	Available
	58	4645	30.00	1.58	86.0	3050	525	3100	2	HW2072	Available
	52	5193	33.97	1.50	85.4	3050	525	3100	2	HW2072	Available
	45	5903	38.71	1.40	84.7	3050	525	3100	2	HW2072	Available
	38	6440	45.68	1.00	79.1	3050	525	3100	2	HW2072	Available
	32	8122	54.38	1.14	82.9	3050	525	3100	2	HW2072	Available
27	9498	64.29	1.02	82.0	3050	525	3100	2	HW2072	Available	
7.5	244	1795	7.17	1.28	92.5	2100	275	2400	2	HW2062	
	239	1841	7.32	2.34	93.0	3050	525	3100	2	HW2072	
	214	2050	8.17	2.24	92.8	3050	525	3100	2	HW2072	
	204	2132	8.59	1.21	92.0	2100	275	2400	2	HW2062	
	192	2282	9.14	2.08	92.5	3050	525	3100	2	HW2072	
	161	2677	10.88	1.09	91.3	2100	275	2400	2	HW2062	
	158	2705	11.08	2.00	92.0	3050	525	3100	2	HW2072	
	139	3101	12.62	1.01	90.9	2100	275	2400	2	HW2062	
	129	3354	13.59	1.81	91.4	3050	525	3100	2	HW2072	
	113	3809	15.48	1.70	91.0	3050	525	3100	2	HW2072	
	96	4185	18.30	1.33	88.3	3050	525	3100	2	HW2072	
	80	5290	21.75	1.39	90.1	3050	525	3100	2	HW2072	
	68	6217	25.71	1.24	89.5	3050	525	3100	2	HW2072	
	63	6465	27.69	1.09	86.4	3050	525	3100	2	HW2072	
	58	6968	30.00	1.05	86.0	3050	525	3100	2	HW2072	
52	7790	33.97	1.00	85.4	3050	525	3100	2	HW2072		
10	239	2454	7.32	1.76	93.0	3050	525	3100	2	HW2072	
	214	2733	8.17	1.68	92.8	3050	525	3100	2	HW2072	
	192	3042	9.14	1.56	92.5	3050	525	3100	2	HW2072	
	158	3607	11.08	1.50	92.0	3050	525	3100	2	HW2072	
	129	4472	13.59	1.36	91.4	3050	525	3100	2	HW2072	
	113	5078	15.48	1.27	91.0	3050	525	3100	2	HW2072	
	80	7053	21.75	1.04	90.1	3050	525	3100	2	HW2072	
15	239	3681	7.32	1.17	93.0	3050	525	3100	2	HW2072 ■	
	214	4099	8.17	1.12	92.8	3050	525	3100	2	HW2072 ■	
	192	4564	9.14	1.04	92.5	3050	525	3100	2	HW2072 ■	
	158	5410	11.08	1.00	92.0	3050	525	3100	2	HW2072 ■	

■ THERMAL RATINGS ARE LIMITED TO 12 HP.

\* FOR INTEGRAL GEARMOTORS SPECIFY MOUNTING TYPE I AND MOTOR HORSEPOWER (SEE PAGE L-6). CONSULT FACTORY FOR AVAILABILITY

\* FOR MOTORIZED REDUCERS SPECIFY MOUNTING TYPE E AND MOTOR PART NUMBER (SEE SECTION E)

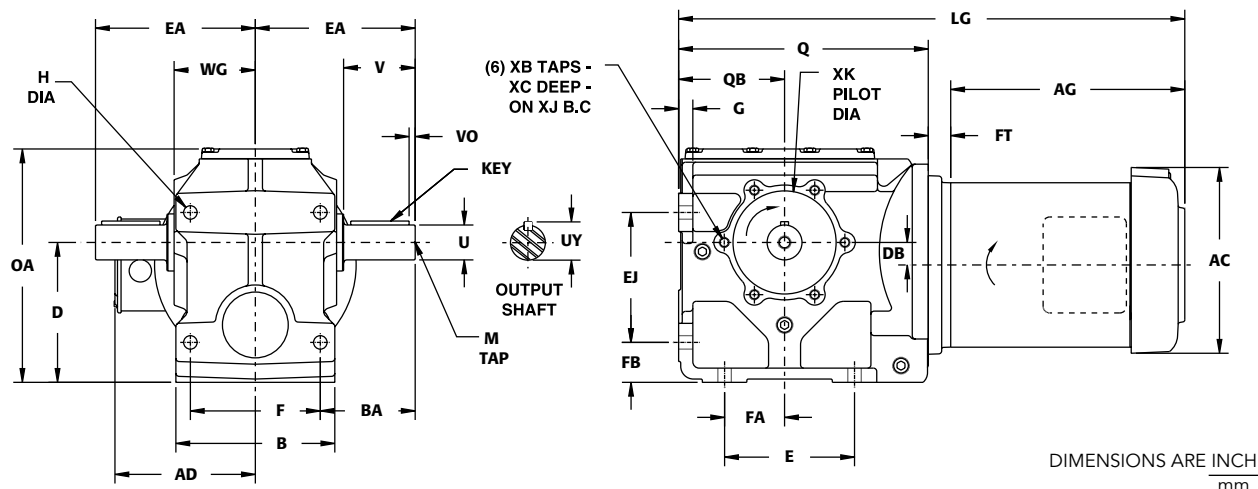
ALL TORQUE VALUES LISTED IN INCH-POUNDS, ALL OVERHUNG LOAD AND THRUST LOAD VALUES LISTED IN POUNDS.

THE POINT OF APPLICATION OF OHL IS CONSIDERED TO BE APPLIED AT THE MIDPOINT OF SHAFT EXTENSION. INPUT OHL APPLIES ONLY TO SHAFT INPUT MODELS.

OHL & THRUST RATINGS CANNOT BE APPLIED SIMULTANEOUSLY. CONSULT THE FACTORY FOR APPLICATIONS WITH COMBINED OHL & THRUST LOAD. AT SPEEDS ABOVE 1750 RPM, UNITS MAY BECOME THERMALLY LIMITED. FOR EXTENDED OPERATION, LIMIT HP TO 1750 RPM RATING.

# Hub City Poweratio® 2000 Helical Worm Drives

## Integral Double Reduction



DIMENSIONS ARE INCH  
mm

### GEARCASE

MODEL	B	BA	D	DB	E	EA	EJ	F	FA	FB	G	H	OA	Q
HW2042I±	4.72	2.56	3.94 <sup>+0.02</sup>	0.23	3.15	4.53	3.15	3.94	1.38	1.38	0.50	0.43	6.70	7.72
	120	65	100 <sup>+0.5</sup>	5.8	80	115	80	100	35	35	13	11.0	171	196
HW2052I±	5.34	3.15	4.41 <sup>+0.02</sup>	0.72	3.94	5.32	3.94	4.33	1.77	1.38	0.50	0.43	7.45	8.32
	136	80	112 <sup>+0.5</sup>	18.2	100	135	100	110	45	35	12.7	11.0	189	211
HW2062I±	6.26	3.74	5.51 <sup>+0.02</sup>	0.89	5.12	6.30	5.12	5.12	2.36	1.57	0.56	0.53	9.18	9.83
	159	95	140 <sup>+0.5</sup>	22.6	130	160	130	130	60	40	14	13.5	233	250
HW2072I±	7.28	4.73	7.09 <sup>+0.04</sup>	1.38	5.32	7.68	5.32	5.91	2.95	2.76	0.93	0.69	11.79	12.57
	185	120	180 <sup>+0.1</sup>	35.0	135	195	135	150	75	70	24	17.5	299	319

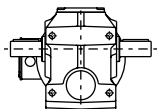
### GEARCASE

MODEL	QB	WG	XB	XC	XJ	XK
HW2042I±	2.95	2.30	-	0.63	3.56	2.952
	75	58.4	M8 X 1.25	16.0	90.4	74.98
HW2052I±	3.15	2.85	-	0.63	3.88	3.228
	80	72.4	M8 X 1.25	16.0	98.6	81.99
HW2062I±	4.17	3.20	-	0.66	4.75	4.002
	106	81.2	M10 X 1.5	16.7	120.7	101.7
HW2072I±	4.92	3.98	-	0.95	5.38	4.331
	125	101	M12 X 1.75	24.1	136.6	110.00

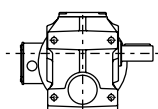
### OUTPUT SHAFT

MODEL	U	UY	V	VO	KEY	M
HW2042I±	1.000 <sup>+0.001</sup>	1.10	1.97	0.25	1/4 x 1/4 x 1-5/16	3/8-16 x .87
	-	-	50.0	6.4	-	-
HW2052I±	1.250 <sup>+0.001</sup>	1.36	2.36	0.29	1/4 x 1/4 x 1-11/16	1/2-13 x 1.13
	-	-	59.9	7.4	-	-
HW2062I±	1.375 <sup>+0.001</sup>	1.51	2.82	0.40	5/16 x 5/16 x 1-3/4	1/2-13 x 1.13
	-	-	71.6	10.2	-	-
HW2072I±	1.750 <sup>+0.001</sup>	1.91	3.54	0.43	3/8 x 3/8 x 2-1/4	5/8-11 x 1.38
	-	-	89.9	10.9	-	-

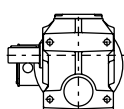
\* OUTPUT STYLES



D: DOUBLE EXT.



L: LEFT EXT.



R: RIGHT EXT.

CONSULT FACTORY FOR AVAILABILITY



FOR SAFETY AND TO COMPLY WITH LOCAL AND NATIONAL SAFETY CODES, THE PURCHASER OR USER MUST PROVIDE PROTECTIVE GUARDS OVER ALL SHAFT EXTENSIONS AND DEVICES MOUNTED THEREON.

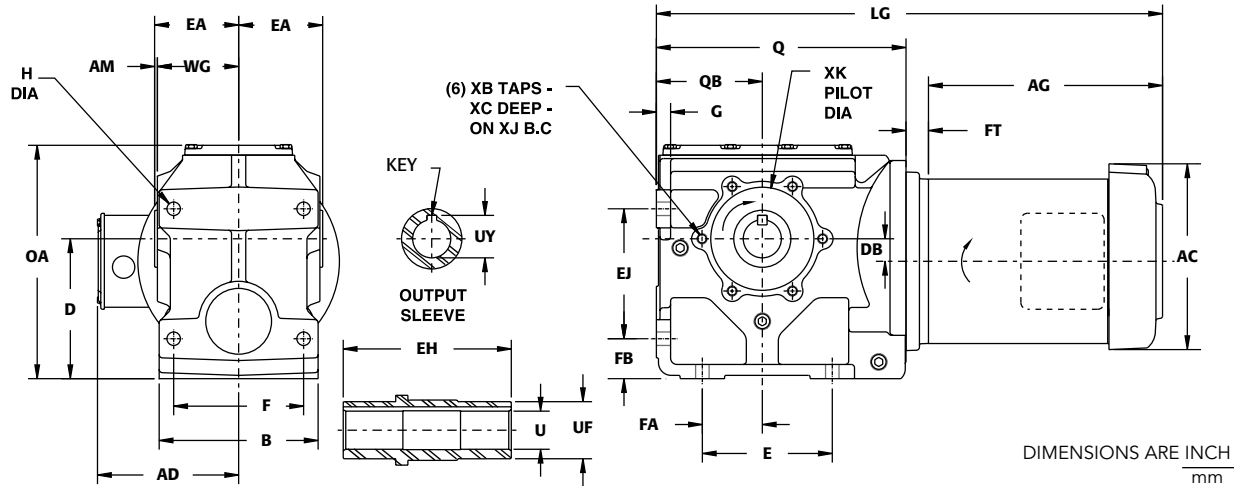
### MOTOR

MODEL	MOTOR HP	AC	AD	AG	FT	LG
HW2042I±	0.25	6.38	4.58	6.99	0.55	15.26
	0.33	6.38	4.58	7.24	0.55	15.51
	0.50	6.38	4.58	7.74	0.55	16.01
	0.75	6.38	4.58	8.24	0.55	16.51
	1.00	7.68	5.56	9.22	0.73	17.67
	1.50	7.68	5.56	9.22	0.73	17.67
	2.00	7.68	5.56	10.72	0.73	19.17
	3.00	9.78	7.19	10.07	1.78	19.57
HW2052I±	0.25	6.38	4.58	6.99	0.55	15.86
	0.33	6.38	4.58	7.24	0.55	16.11
	0.50	6.38	4.58	7.74	0.55	16.61
	0.75	6.38	4.58	8.24	0.55	17.11
	1.00	7.68	5.56	9.22	0.73	18.27
	1.50	7.68	5.56	9.22	0.73	18.27
	2.00	7.68	5.56	10.72	0.73	19.77
	3.00	9.78	7.19	10.07	1.78	20.17
HW2062I±	0.50	6.38	4.58	7.74	0.71	18.28
	0.75	6.38	4.58	8.24	0.71	18.78
	1.00	7.68	5.56	9.22	0.88	19.93
	1.50	7.68	5.56	9.22	0.88	19.93
	2.00	7.68	5.56	10.72	0.88	21.43
	3.00	9.78	7.19	10.07	1.94	21.84
	5.00	9.78	7.19	11.57	1.94	23.34
	HW2072I±	0.50	6.38	4.58	7.74	0.39
0.75		6.38	4.58	8.24	0.39	21.20
1.00		7.68	5.56	9.22	0.57	22.36
1.50		7.68	5.56	9.22	0.57	22.36
2.00		7.68	5.56	10.72	0.57	23.86
3.00		9.78	7.19	10.07	1.63	24.27
5.00		9.78	7.19	11.57	1.63	25.77

DIMENSIONS SHOWN ARE FOR REFERENCE ONLY.  
DOWNLOAD AVAILABLE CAD MODELS AT:  
WWW.HUBCITYINC.COM

# Hub City Poweratio® 2000 Helical Worm Drives

## Integral Double Reduction



DIMENSIONS ARE INCH  
mm

### GEARCASE

MODEL	AM	B	D	DB	E	EA	EJ	F	FA	FB	G	H	OA	Q
HW2042IS	0.07	4.72	3.94 $^{+0.02}_{-0}$	0.23	3.15	2.36	3.15	3.94	1.38	1.38	0.50	0.43	6.70	7.72
	1.8	120	100 $^{+0}_{-0.5}$	5.8	80	60	80	100	35	35	13	11.0	170	196
HW2052IS	0.10	5.34	4.41 $^{+0.02}_{-0}$	0.72	3.94	2.95	3.94	4.33	1.77	1.38	0.50	0.43	7.45	8.32
	2.5	136	112 $^{+0}_{-0.5}$	18.2	100	75	100	110	45	35	12.7	11.0	189	211
HW2062IS	0.11	6.26	5.51 $^{+0.02}_{-0}$	0.89	5.12	3.31	5.12	5.12	2.36	1.57	0.56	0.53	9.18	9.83
	2.8	159	140 $^{+0}_{-0.5}$	22.6	130	84	130	130	60	40	14	13.5	233	250
HW2072IS	0.16	7.28	7.09 $^{+0.04}_{-0}$	1.38	5.32	4.14	5.32	5.91	2.95	2.76	0.93	0.69	11.79	12.57
	4.1	185	180 $^{+0}_{-1}$	35.0	135	105	135	150	75	70	24	17.5	299	319

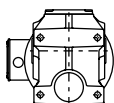
### GEARCASE

MODEL	QB	WG	XB	XC	XJ	XK
HW2042IS	2.95	2.30	-	0.63	3.56	2.952
	75	58.4	M8 X 1.25	16.0	90.4	74.98
HW2052IS	3.15	2.85	-	0.63	3.88	3.228
	80	72.4	M8 X 1.25	16.0	98.6	81.99
HW2062IS	4.17	3.20	-	0.66	4.75	4.002
	106	81.2	M10 X 1.5	16.7	120.7	101.7
HW2072IS	4.92	3.98	-	0.95	5.38	4.331
	125	101	M12 X 1.75	24.1	136.6	110.00

### OUTPUT SLEEVE

MODEL	EH	U	UF	UY	KEY
HW2042IS	4.72	1.250 $^{+0.0025}_{-0}$	1.77	1.37	(2) 1/4 x 1/4 x 1-5/16
	-	-	-	-	-
HW2052IS	5.91	1.375 $^{+0.0025}_{-0}$	1.97	1.52	(2) 5/16 x 5/16 x 1-3/4
	-	-	-	-	-
HW2062IS	6.62	1.500 $^{+0.0025}_{-0}$	2.25	1.67	(2) 3/8 x 3/8 x 2-1/4
	-	-	-	-	-
HW2072IS	8.27	2.000 $^{+0.0025}_{-0}$	2.75	2.22	(2) 1/2 x 1/2 x 2-5/8
	-	-	-	-	-

OUTPUT STYLE



S: SLEEVE

CONSULT FACTORY FOR AVAILABILITY



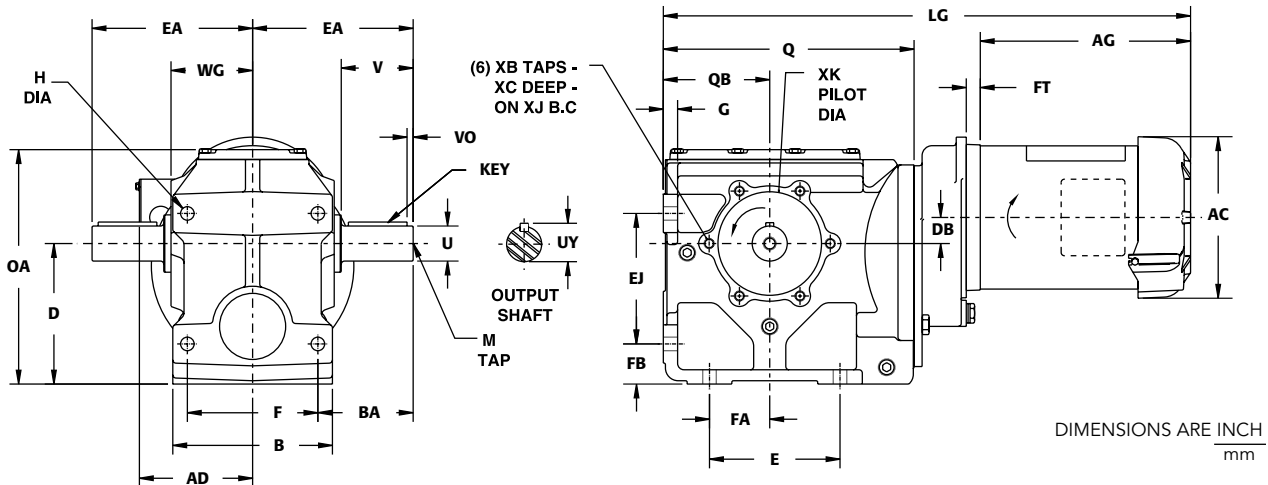
FOR SAFETY AND TO COMPLY WITH LOCAL AND NATIONAL SAFETY CODES, THE PURCHASER OR USER MUST PROVIDE PROTECTIVE GUARDS OVER ALL SHAFT EXTENSIONS AND DEVICES MOUNTED THEREON.

EMAIL: [hubsales@regalbeloit.com](mailto:hubsales@regalbeloit.com) • [www.hubcityinc.com](http://www.hubcityinc.com)



# Hub City Poweratio® 2000 Helical Worm Drives

## Integral Triple Reduction



DIMENSIONS ARE INCH  
mm

### GEARCASE

MODEL	B	BA	D	DB	E	EA	EJ	F	FA	FB	G	H	OA	Q
HW2043I <sup>±</sup>	4.72	2.56	3.94 <sup>+0</sup> <sub>-.02</sub>	1.27	3.15	4.53	3.15	3.94	1.38	1.38	0.50	0.43	6.70	7.72
	120	65	100 <sup>+0</sup> <sub>-.5</sub>	32.2	80	115	80	100	35	35	13	11.0	170	196
HW2053I <sup>±</sup>	5.34	3.15	4.41 <sup>+0</sup> <sub>-.02</sub>	0.78	3.94	5.32	3.94	4.33	1.77	1.38	0.50	0.43	7.45	8.32
	136	80	112 <sup>+0</sup> <sub>-.5</sub>	19.8	100	135	100	110	45	35	12.7	11.0	189	211
HW2063I <sup>±</sup>	6.26	3.74	5.51 <sup>+0</sup> <sub>-.02</sub>	1.02	5.12	6.30	5.12	5.12	2.36	1.57	0.56	0.53	9.18	9.83
	159	95	140 <sup>+0</sup> <sub>-.5</sub>	25.9	130	160	130	130	60	40	14	13.5	233	250
HW2073I <sup>±</sup>	7.28	4.73	7.09 <sup>+0</sup> <sub>-.04</sub>	.53	5.32	7.68	5.32	5.91	2.95	2.76	0.93	0.69	11.79	12.57
	185	120	180 <sup>+0</sup> <sub>-.1</sub>	13.5	135	195	135	150	75	70	24	17.5	299	319

### GEARCASE

MODEL	QB	WG	XB	XC	XJ	XK
HW2043I <sup>±</sup>	2.95	2.30	-	0.63	3.56	2.952
	75	58.4	M8 X 1.25	16.0	90.4	74.98
HW2053I <sup>±</sup>	3.15	2.85	-	0.63	3.88	3.228
	80	72.4	M8 X 1.25	16.0	98.6	81.99
HW2063I <sup>±</sup>	4.17	3.20	-	0.66	4.75	4.002
	106	81.2	M10 X 1.5	16.7	120.7	101.7
HW2073I <sup>±</sup>	4.92	3.98	-	0.95	5.38	4.331
	125	101	M12 X 1.75	24.1	136.6	110.00

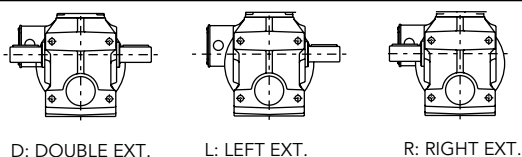
### MOTOR

MODEL	MOTOR HP	AC	AD	AG	FT	LG
HW2043I <sup>±</sup>	0.25	6.38	4.58	6.99	1.50	16.80
	0.33	6.38	4.58	7.24	1.50	17.05
HW2053I <sup>±</sup>	0.25	6.38	4.58	6.99	1.50	17.40
	0.33	6.38	4.58	7.24	1.50	17.65
	0.50	6.38	4.58	7.74	1.50	18.15
HW2063I <sup>±</sup>	0.25	6.38	4.58	6.99	0.55	19.42
	0.33	6.38	4.58	7.24	0.55	19.67
	0.50	6.38	4.58	7.74	0.55	20.17
	0.75	6.38	4.58	8.24	0.55	20.67
	1.00	7.68	5.56	9.22	0.73	21.51
	1.50	7.68	5.56	9.22	0.73	21.51
HW2073I <sup>±</sup>	2.00	7.68	5.56	10.72	0.73	23.01
	0.25	6.38	4.58	6.99	0.55	21.69
	0.33	6.38	4.58	7.24	0.55	21.94
	0.50	6.38	4.58	7.74	0.55	22.44
	0.75	6.38	4.58	8.24	0.55	22.94
	1.00	7.68	5.56	9.22	0.73	24.10

### OUTPUT SHAFT

MODEL	U	UY	V	VO	KEY	M
HW2043I <sup>±</sup>	1.000 <sup>+0</sup> <sub>-.001</sub>	1.10	1.97	0.25	1/4 x 1/4 x 1-5/16	3/8-16 x .87
	-	-	50.0	6.4	-	-
HW2053I <sup>±</sup>	1.250 <sup>+0</sup> <sub>-.001</sub>	1.36	2.36	0.29	1/4 x 1/4 x 1-11/16	1/2-13 x 1.13
	-	-	59.9	7.4	-	-
HW2063I <sup>±</sup>	1.375 <sup>+0</sup> <sub>-.001</sub>	1.51	2.82	0.40	5/16 x 5/16 x 1-3/4	1/2-13 x 1.13
	-	-	71.6	10.2	-	-
HW2073I <sup>±</sup>	1.750 <sup>+0</sup> <sub>-.001</sub>	1.91	3.54	0.43	3/8 x 3/8 x 2-1/4	5/8-11 x 1.38
	-	-	89.9	10.9	-	-

\* OUTPUT STYLES



D: DOUBLE EXT.

L: LEFT EXT.

R: RIGHT EXT.

CONSULT FACTORY FOR AVAILABILITY

DIMENSIONS SHOWN ARE FOR REFERENCE ONLY.

DOWNLOAD AVAILABLE CAD MODELS AT:  
[WWW.HUBCITYINC.COM](http://WWW.HUBCITYINC.COM)

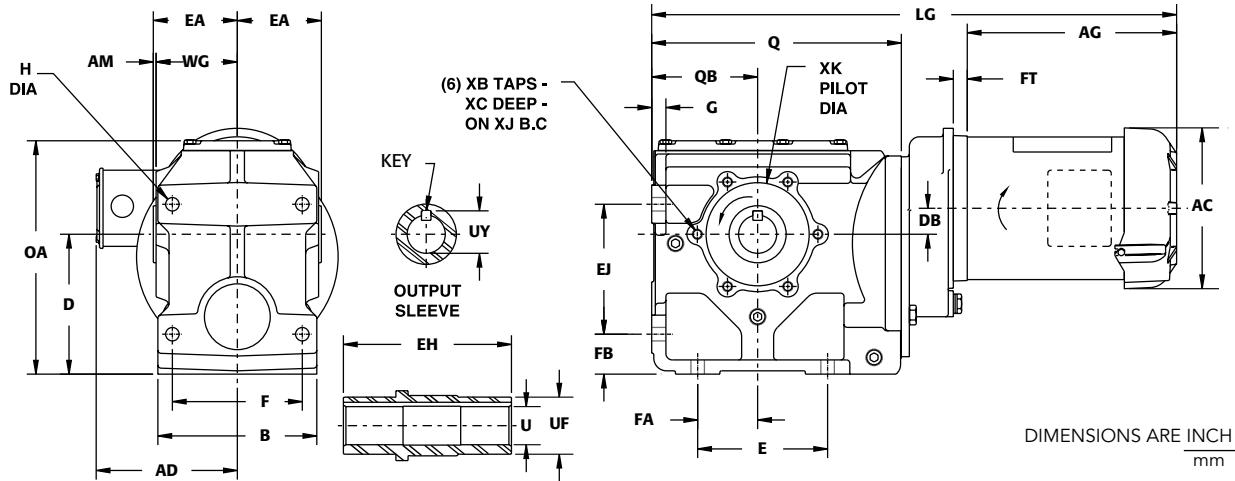


FOR SAFETY AND TO COMPLY WITH LOCAL AND NATIONAL SAFETY CODES, THE PURCHASER OR USER MUST PROVIDE PROTECTIVE GUARDS OVER ALL SHAFT EXTENSIONS AND DEVICES MOUNTED THEREON.



# Hub City Poweratio® 2000 Helical Worm Drives

## Integral Triple Reduction



DIMENSIONS ARE INCH  
mm

### GEARCASE

MODEL	AM	B	D	DB	E	EA	EJ	F	FA	FB	G	H	OA	Q
HW2043IS	0.07	4.72	3.94 <sup>+0</sup> / <sub>-.02</sub>	1.27	3.15	2.36	3.15	3.94	1.38	1.38	0.50	0.43	6.70	7.72
	1.8	120	100 <sup>+0</sup> / <sub>-.5</sub>	32.2	80	60	80	100	35	35	13	11.0	170	196
HW2053IS	0.10	5.34	4.41 <sup>+0</sup> / <sub>-.02</sub>	0.78	3.94	2.95	3.94	4.33	1.77	1.38	0.50	0.43	7.45	8.32
	2.5	136	112 <sup>+0</sup> / <sub>-.5</sub>	19.8	100	75	100	110	45	35	12.7	11.0	189	211
HW2063IS	0.11	6.26	5.51 <sup>+0</sup> / <sub>-.02</sub>	1.02	5.12	3.31	5.12	5.12	2.36	1.57	0.56	0.53	9.18	9.83
	2.8	159	140 <sup>+0</sup> / <sub>-.5</sub>	25.9	130	84	130	130	60	40	14	13.5	233	250
HW2073IS	0.16	7.28	7.09 <sup>+0</sup> / <sub>-.04</sub>	.53	5.32	4.14	5.32	5.91	2.95	2.76	0.93	0.69	11.79	12.57
	4.1	185	180 <sup>+0</sup> / <sub>-.1</sub>	13.5	135	105	135	150	75	70	24	17.5	299	319

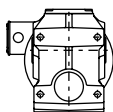
### GEARCASE

MODEL	QB	WG	XB	XC	XJ	XK
HW2043IS	2.95	2.30	-	0.63	3.56	2.952
	75	58.4	M8 X 1.25	16.0	90.4	74.98
HW2053IS	3.15	2.85	-	0.63	3.88	3.228
	80	72.4	M8 X 1.25	16.0	98.6	81.99
HW2063IS	4.17	3.20	-	0.66	4.75	4.002
	106	81.2	M10 X 1.5	16.7	120.7	101.7
HW2073IS	4.92	3.98	-	0.95	5.38	4.331
	125	101	M12 X 1.75	24.1	136.6	110.00

### OUTPUT SLEEVE

MODEL	EH	U	UF	UY	KEY
HW2043IS	4.72	1.250 <sup>+0.0025</sup> / <sub>-.0</sub>	1.77	1.37	(2) 1/4 x 1/4 x 1-5/16
	-	-	-	-	-
HW2053IS	5.91	1.375 <sup>+0.0025</sup> / <sub>-.0</sub>	1.97	1.52	(2) 5/16 x 5/16 x 1-3/4
	-	-	-	-	-
HW2063IS	6.62	1.500 <sup>+0.0025</sup> / <sub>-.0</sub>	2.25	1.67	(2) 3/8 x 3/8 x 2-1/4
	-	-	-	-	-
HW2073IS	8.27	2.000 <sup>+0.0025</sup> / <sub>-.0</sub>	2.75	2.22	(2) 1/2 x 1/2 x 2-5/8
	-	-	-	-	-

### OUTPUT STYLE



S: SLEEVE  
(HOLLOW BORE)

### MOTOR

MODEL	MOTOR HP	AC	AD	AG	FT	LG
HW2043IS	0.25	6.38	4.58	6.99	1.50	16.80
	0.33	6.38	4.58	7.24	1.50	17.05
HW2053IS	0.25	6.38	4.58	6.99	1.50	17.40
	0.33	6.38	4.58	7.24	1.50	17.65
	0.50	6.38	4.58	7.74	1.50	18.15
HW2063IS	0.25	6.38	4.58	6.99	0.55	19.42
	0.33	6.38	4.58	7.24	0.55	19.67
	0.50	6.38	4.58	7.74	0.55	20.17
	0.75	6.38	4.58	8.24	0.55	20.67
HW2073IS	0.25	6.38	4.58	6.99	0.55	21.69
	0.33	6.38	4.58	7.24	0.55	21.94
	0.50	6.38	4.58	7.74	0.55	22.44
	0.75	6.38	4.58	8.24	0.55	22.94
	1.00	7.68	5.56	9.22	0.73	24.10
1.50	7.68	5.56	9.22	0.73	24.10	

CONSULT FACTORY FOR AVAILABILITY

DIMENSIONS SHOWN ARE FOR REFERENCE ONLY.

DOWNLOAD AVAILABLE CAD MODELS AT:  
WWW.HUBCITYINC.COM



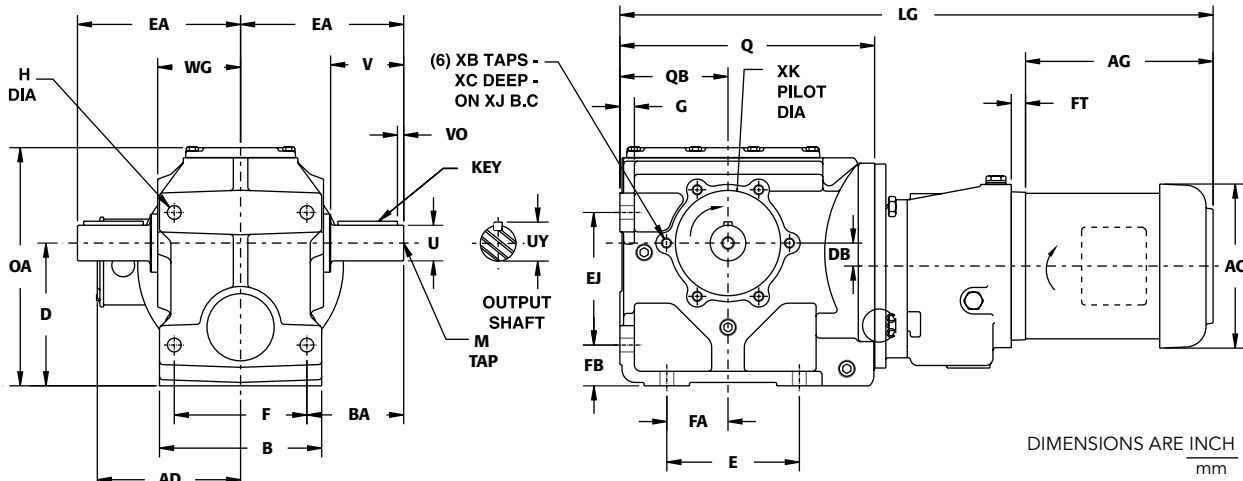
FOR SAFETY AND TO COMPLY WITH LOCAL AND NATIONAL SAFETY CODES, THE PURCHASER OR USER MUST PROVIDE PROTECTIVE GUARDS OVER ALL SHAFT EXTENSIONS AND DEVICES MOUNTED THEREON.

EMAIL: [hubsales@regalbeloit.com](mailto:hubsales@regalbeloit.com) • [www.hubcityinc.com](http://www.hubcityinc.com)



# Hub City Poweratio® 2000 Helical Worm Drives

## Integral Quad Reduction



### GEARCASE

MODEL	B	BA	D	DB	E	EA	EJ	F	FA	FB	G	H	OA	Q
HW2064I±	6.26	3.74	5.51 <sup>+0</sup> <sub>-.02</sub>	0.89	5.12	6.30	5.12	5.12	2.36	1.57	0.56	0.53	9.18	9.83
	159	95	140 <sup>+0</sup> <sub>-.5</sub>	22.6	130	160	130	130	60	40	14	13.5	233	250
HW2074I±	7.28	4.73	7.09 <sup>+0</sup> <sub>-.04</sub>	1.38	5.32	7.68	5.32	5.91	2.95	2.76	0.93	0.69	11.79	12.57
	185	120	180 <sup>+0</sup> <sub>-.1</sub>	35.0	135	195	135	150	75	70	24	17.5	299	319

### GEARCASE

MODEL	QB	WG	XB	XC	XJ	XK
HW2064I±	4.17	3.20	-	0.66	4.75	4.002
	106	81.2	M10 X 1.5	16.7	120.7	101.7
HW2074I±	4.92	3.98	-	0.95	5.38	4.331
	125	101	M12 X 1.75	24.1	136.6	110.00

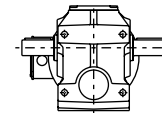
### OUTPUT SHAFT

MODEL	U	UY	V	VO	KEY	M
HW2064I±	1.375 <sup>+0</sup> <sub>-.001</sub>	1.51	2.82	0.40	5/16 x 5/16 x 1-3/4	1/2-13 x 1.13
	-	-	71.6	10.2	-	-
HW2074I±	1.750 <sup>+0</sup> <sub>-.001</sub>	1.91	3.54	0.43	3/8 x 3/8 x 2-1/4	5/8-11 x 1.38
	-	-	89.9	10.9	-	-

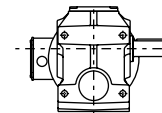
### MOTOR

MODEL	MOTOR HP	AC	AD	AG	FT	LG
HW2064I±	0.25	6.38	4.58	6.99	0.55	22.69
	0.33	6.38	4.58	7.24	0.55	22.94
	0.50	6.38	4.58	7.74	0.55	23.44
	0.75	6.38	4.58	8.24	0.55	23.94
HW2074I±	0.25	6.38	4.58	6.99	0.71	25.91
	0.33	6.38	4.58	7.24	0.71	26.16
	0.50	6.38	4.58	7.74	0.71	26.66
	0.75	6.38	4.58	8.24	0.71	27.16
	1.00	7.68	5.56	9.22	0.88	28.31

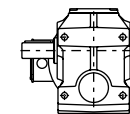
### OUTPUT STYLES



D: DOUBLE EXT.



L: LEFT EXT.



R: RIGHT EXT.

CONSULT FACTORY FOR AVAILABILITY

DIMENSIONS SHOWN ARE FOR REFERENCE ONLY.

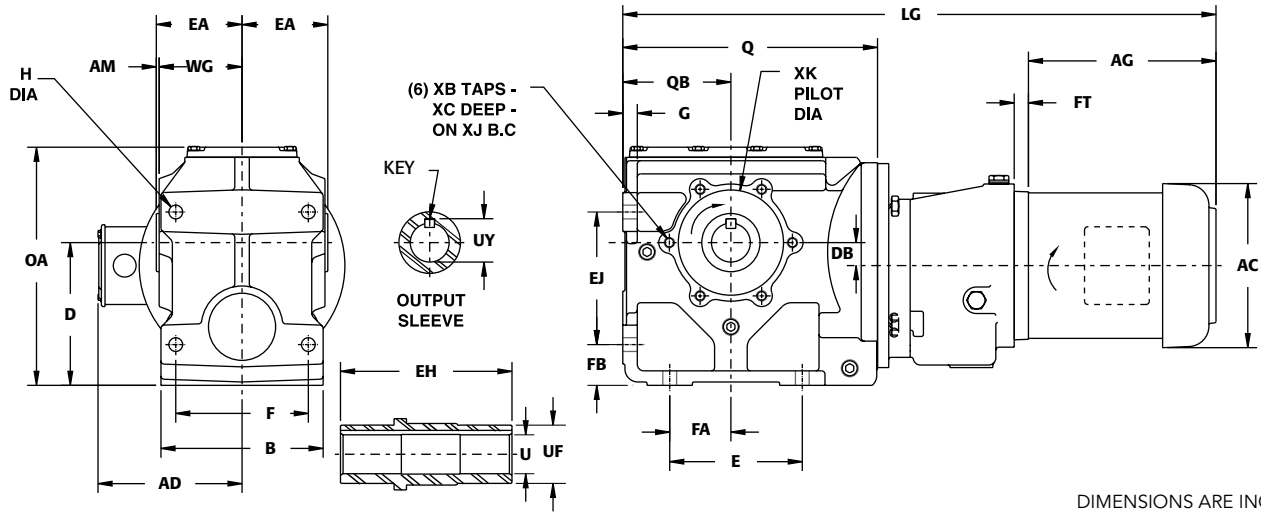
DOWNLOAD AVAILABLE CAD MODELS AT: [WWW.HUBCITYINC.COM](http://WWW.HUBCITYINC.COM)



FOR SAFETY AND TO COMPLY WITH LOCAL AND NATIONAL SAFETY CODES, THE PURCHASER OR USER MUST PROVIDE PROTECTIVE GUARDS OVER ALL SHAFT EXTENSIONS AND DEVICES MOUNTED THEREON.

# Hub City Poweratio® 2000 Helical Worm Drives

## Integral Quad Reduction



DIMENSIONS ARE INCH  
mm

### GEARCASE

MODEL	AM	B	D	DB	E	EA	EJ	F	FA	FB	G	H	OA	Q
HW2064IS	0.11	6.26	5.51 <sup>+0</sup> <sub>-0.02</sub>	0.89	5.12	3.31	5.12	5.12	2.36	1.57	0.56	0.53	9.18	9.83
	2.8	159	140 <sup>+0</sup> <sub>-5</sub>	22.6	130	84	130	130	60	40	14	13.5	233	250
HW2074IS	0.16	7.28	7.09 <sup>+0</sup> <sub>-0.04</sub>	1.38	5.32	4.14	5.32	5.91	2.95	2.76	0.93	0.69	11.79	12.57
	4.1	185	180 <sup>+0</sup> <sub>-1</sub>	35.0	135	105	135	150	75	70	24	17.5	299	319

### GEARCASE

MODEL	QB	WG	XB	XC	XJ	XK
HW2064IS	4.17	3.20	-	0.66	4.75	4.002
	106	81.2	M10 X 1.5	16.7	120.7	101.7
HW2074IS	4.92	3.98	-	0.95	5.38	4.331
	125	101	M12 X 1.75	24.1	136.6	110.00

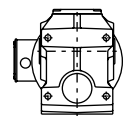
### OUTPUT SLEEVE

MODEL	EH	U	UF	UY	KEY
HW2064IS	6.62	1.500 <sup>+0.0025</sup> <sub>-0</sub>	2.25	1.67	(2) 3/8 x 3/8 x 2-1/4
	-	-	-	-	-
HW2074IS	8.27	2.000 <sup>+0.0025</sup> <sub>-0</sub>	2.75	2.22	(2) 1/2 x 1/2 x 2-5/8
	-	-	-	-	-

### MOTOR

MODEL	MOTOR HP	AC	AD	AG	FT	LG
HW2064IS	0.25	6.38	4.58	6.99	0.55	22.69
	0.33	6.38	4.58	7.24	0.55	22.94
	0.50	6.38	4.58	7.74	0.55	23.44
	0.75	6.38	4.58	8.24	0.55	23.94
HW2074IS	0.25	6.38	4.58	6.99	0.71	25.91
	0.33	6.38	4.58	7.24	0.71	26.16
	0.50	6.38	4.58	7.74	0.71	26.66
	0.75	6.38	4.58	8.24	0.71	27.16
	1.00	7.68	5.56	9.22	0.88	28.31

### OUTPUT STYLE



S: SLEEVE  
(HOLLOW BORE)

CONSULT FACTORY FOR AVAILABILITY

DIMENSIONS SHOWN ARE FOR REFERENCE ONLY.

DOWNLOAD AVAILABLE CAD MODELS AT: [WWW.HUBCITYINC.COM](http://WWW.HUBCITYINC.COM)



FOR SAFETY AND TO COMPLY WITH LOCAL AND NATIONAL SAFETY CODES, THE PURCHASER OR USER MUST PROVIDE PROTECTIVE GUARDS OVER ALL SHAFT EXTENSIONS AND DEVICES MOUNTED THEREON.

# Hub City Poweratio® 2000 Helical Worm Drives

## Ratings @ 1750 RPM Input 1.00 Service Factor

FOR MOTOR SELECTION REFER TO SECTION E

HW2042 (2.140 C.D.)								
WORM RATIO	RATIO	OUTPUT SPEED	INPUT H.P.	OUTPUT TORQUE	EFFICIENCY (%)	OUTPUT OHL	INPUT OHL	OUTPUT THRUST
6	7.50△	233	3.09	760	91.0	1350	350	1800
6	8.40△	208	3.00	800	90.7	1350	350	1800
6	9.43	186	2.73	840	90.4	1350	350	1800
6	10.62	165	2.54	870	90.0	1350	350	1800
6	12.00	146	2.35	910	89.6	1350	350	1800
6	13.64	128	2.15	940	89.2	1350	350	1800
6	15.60	112	2.00	970	88.7	1350	350	1800
6	16.74	105	1.85	990	88.5	1350	350	1800
15	18.75	93	1.78	1010	84.2	1350	350	1800
6	20.40	86	1.59	1030	87.8	1350	350	1800
15	23.57	74	1.57	1110	82.9	1350	350	1800
6	25.43	69	1.33	1060	87.1	1350	350	1800
15	30.00	58	1.35	1190	81.5	1350	350	1800
15	34.09	51	1.24	1230	80.9	1350	350	1800
15	39.00	45	1.13	1270	80.1	1350	350	1800
15	41.84	42	1.07	1290	79.7	1350	350	1800
30	47.14	37	0.93	1140	72.3	1350	350	1800
30	53.08	33	0.87	1180	71.3	1350	350	1800
30	60.00	29	0.80	1220	70.4	1350	350	1800
15	63.57	28	0.78	1380	77.4	1350	350	1800
30	68.18	26	0.75	1260	69.3	1350	350	1800
30	78.00	22	0.68	1300	68.2	1350	350	1800
30	83.68	21	0.65	1320	67.6	1350	350	1800
40	90.91	19.3	0.59	1240	64.5	1350	350	1800
30	102.00	17.2	0.56	1370	66.2	1350	350	1800
40	111.58	15.7	0.51	1300	62.8	1350	350	1800
30	127.14	13.8	0.50	1410	64.6	1350	350	1800
40	136.00	12.9	0.45	1340	61.2	1350	350	1800
40	169.52	10.3	0.38	1380	59.5	1350	350	1800
HW2043 (2.140 C.D.)								
	183.74	9.5	0.37	1390	57.4	1350	125	1800
	209.40	8.4	0.33	1480	59.1	1350	125	1800
	230.09	7.6	0.31	1490	58.5	1350	125	1800
	267.38	6.5	0.27	1500	57.6	1350	125	1800
	292.85	6.0	0.25	1510	57.2	1350	125	1800
	349.64	5.0	0.21	1530	56.5	1350	125	1800
	390.46	4.5	0.20	1480	52.1	1350	125	1800
	466.18	3.8	0.17	1490	51.4	1350	125	1800
	593.32	2.9	0.14	1510	50.5	1350	125	1800
HW2052 (2.625 C.D.)								
6	7.50▲	233	5.36	1330	91.6	1750	350	2000
6	8.40▲	208	5.09	1410	91.3	1750	350	2000
6	9.43▲	186	5.00	1490	90.9	1750	350	2000
6	10.62	165	4.53	1570	90.7	1750	350	2000
6	12.00	146	4.21	1640	90.3	1750	350	2000
6	13.64	128	3.91	1720	89.8	1750	350	2000
6	15.60	112	3.58	1800	89.4	1750	350	2000
6	16.74	105	3.40	1830	89.2	1750	350	2000
15	18.75	93	3.05	1730	85.2	1750	350	2000
15	21.00	83	3.00	1840	84.6	1750	350	2000

△ THERMAL RATINGS 2.1 HP MAXIMUM

▲ THERMAL RATINGS 3.8 HP MAXIMUM

ALL TORQUE VALUES LISTED IN INCH-POUNDS, ALL OVERHUNG LOAD AND THRUST LOAD VALUES LISTED IN POUNDS.

THE POINT OF APPLICATION OF OHL IS CONSIDERED TO BE APPLIED AT THE MIDPOINT OF SHAFT EXTENSION.

INPUT OHL APPLIES ONLY TO SHAFT INPUT MODELS.

OHL & THRUST RATINGS CANNOT BE APPLIED SIMULTANEOUSLY. CONSULT THE FACTORY FOR APPLICATIONS WITH COMBINED OHL & THRUST LOAD.

AT SPEEDS ABOVE 1750 RPM, UNITS MAY BECOME THERMALLY LIMITED. FOR EXTENDED OPERATION, LIMIT HP TO 1750 RPM RATING.

# Hub City Poweratio® 2000 Helical Worm Drives

## Ratings @ 1750 RPM Input 1.00 Service Factor

FOR MOTOR SELECTION REFER TO SECTION E

HW2052 CONT. (2.625 C.D.)								
WORM RATIO	RATIO	OUTPUT SPEED	INPUT H.P.	OUTPUT TORQUE	EFFICIENCY (%)	OUTPUT OHL	INPUT OHL	OUTPUT THRUST
15	23.57	74	2.71	1930	84.0	1750	350	2000
15	26.54	66	2.55	2030	83.3	1750	350	2000
15	30.00	58	2.37	2120	82.6	1750	350	2000
15	34.09	51	2.19	2200	81.9	1750	350	2000
15	39.00	45	2.05	2290	81.1	1750	350	2000
15	41.84	42	2.00	2320	80.8	1750	350	2000
30	47.14	37	1.58	1990	73.9	1750	350	2000
30	53.08	33	1.50	2080	72.9	1750	350	2000
30	60.00	29	1.40	2170	71.8	1750	350	2000
15	63.57	28	1.41	2530	78.4	1750	350	2000
30	68.18	26	1.30	2260	70.9	1750	350	2000
30	78.00	22	1.20	2340	69.7	1750	350	2000
30	83.68	21	1.15	2390	69.1	1750	350	2000
40	90.91	19.3	1.06	2270	65.4	1750	350	2000
30	102.00	17.2	1.01	2500	67.5	1750	350	2000
40	111.58	15.7	0.93	2390	63.6	1750	350	2000
30	127.14	13.8	0.86	2590	65.9	1750	350	2000
40	136.00	12.9	0.82	2500	61.8	1750	350	2000
40	169.52	10.3	0.70	2590	60.1	1750	350	2000
HW2053 (2.625 C.D.)								
	183.74	9.5	0.68	2620	57.9	1750	125	2000
	209.40	8.4	0.61	2760	60.1	1750	125	2000
	230.09	7.6	0.56	2780	59.5	1750	125	2000
	267.38	6.5	0.50	2810	58.6	1750	125	2000
	292.85	6.0	0.46	2830	58.1	1750	125	2000
	349.64	5.0	0.40	2860	57.3	1750	125	2000
	390.46	4.5	0.38	2820	52.1	1750	125	2000
	466.18	3.8	0.33	2850	51.4	1750	125	2000
	593.32	2.9	0.27	2880	50.4	1750	125	2000
HW2062 (3.250 C.D.)								
6	7.17 □	244	9.57	2290	92.5	2100	275	2400
6	8.59 □	204	9.04	2570	92.0	2100	275	2400
6	10.88 □	161	8.18	2920	91.3	2100	275	2400
6	12.62	139	7.57	3130	90.9	2100	275	2400
6	16.50	106	6.47	3460	90.1	2100	275	2400
15	17.93	98	5.52	3110	87.4	2100	350	2400
6	19.71	89	5.72	3640	89.6	2100	275	2400
6	21.00	83	5.47	3700	89.4	2100	275	2400
6	24.00	73	5.00	3820	88.9	2100	275	2400
6	25.76	68	4.71	3870	88.7	2100	275	2400
15	27.19	64	4.64	3890	85.5	2100	350	2400
6	30.00	58	4.18	3990	88.2	2100	275	2400
6	32.57	54	3.93	4050	87.9	2100	275	2400
30	35.85	49	3.15	3230	79.3	2100	350	2400
15	41.25	42	3.63	4490	83.3	2100	350	2400
15	49.29	36	3.22	4700	82.3	2100	350	2400
30	54.38	32	2.68	4000	76.1	2100	350	2400
15	60.00	29	2.79	4910	81.3	2100	350	2400
15	64.41	27	2.65	4970	80.9	2100	350	2400
15	75.00	23	2.36	5110	80.2	2100	350	2400

□ THERMAL RATINGS ARE LIMITED TO 7.5 H.P.

ALL TORQUE VALUES LISTED IN INCH-POUNDS, ALL OVERHUNG LOAD AND THRUST LOAD VALUES LISTED IN POUNDS.

THE POINT OF APPLICATION OF OHL IS CONSIDERED TO BE APPLIED AT THE MIDPOINT OF SHAFT EXTENSION.

INPUT OHL APPLIES ONLY TO SHAFT INPUT MODELS.

OHL & THRUST RATINGS CANNOT BE APPLIED SIMULTANEOUSLY. CONSULT THE FACTORY FOR APPLICATIONS WITH COMBINED OHL & THRUST LOAD.

AT SPEEDS ABOVE 1750 RPM, UNITS MAY BECOME THERMALLY LIMITED. FOR EXTENDED OPERATION, LIMIT HP TO 1750 RPM RATING.

# Hub City Poweratio® 2000 Helical Worm Drives

## Ratings @ 1750 RPM Input 1.00 Service Factor

FOR MOTOR SELECTION REFER TO SECTION E

HW2062 CONT. (3.250 C.D.)								
WORM RATIO	RATIO	OUTPUT SPEED	INPUT H.P.	OUTPUT TORQUE	EFFICIENCY (%)	OUTPUT OHL	INPUT OHL	OUTPUT THRUST
15	81.43	22	2.21	5160	79.8	2100	350	2400
30	98.57	17.8	1.90	4830	71.5	2100	350	2400
30	105.00	16.7	1.82	4890	71.1	2100	350	2400
30	120.00	14.6	1.66	5030	70.1	2100	350	2400
30	128.82	13.6	1.58	5100	69.6	2100	350	2400
40	140.00	12.5	1.50	4840	65.2	2100	350	2400
30	150.00	11.7	1.42	5230	68.4	2100	350	2400
30	162.86	10.7	1.33	5300	67.8	2100	350	2400
40	171.76	10.2	1.28	5040	63.5	2100	350	2400
40	200.00	8.8	1.15	5170	62.3	2100	350	2400
40	217.14	8.1	1.09	5230	61.6	2100	350	2400
HW2063 (3.250 C.D.)								
	254.28	6.9	0.85	5700	73.0	2100	350	2400
	306.66	5.7	0.72	5700	71.8	2100	350	2400
	352.50	5.0	0.63	5700	70.8	2100	350	2400
	408.00	4.3	0.66	5830	60.5	2100	350	2400
	446.24	3.9	0.64	5620	54.9	2100	350	2400
	508.56	3.4	0.53	5830	59.6	2100	350	2400
	544.00	3.2	0.54	5690	54.0	2100	350	2400
	613.32	2.9	0.45	5830	58.2	2100	350	2400
	678.08	2.6	0.45	5760	53.0	2100	350	2400
	705.00	2.5	0.40	5830	56.9	2100	350	2400
	817.76	2.1	0.38	5760	51.6	2100	350	2400
	940.00	1.9	0.34	5760	50.3	2100	350	2400
HW2064 (3.250 C.D.) HI2042 PRIMARY UNIT								
	298.66	5.9	0.75	5700	70.3	2100	350	2400
	357.96	4.9	0.64	5700	69.3	2100	350	2400
	452.94	3.9	0.52	5700	67.9	2100	350	2400
	525.65	3.3	0.45	5700	67.3	2100	350	2400
	597.32	2.9	0.47	5830	57.0	2100	350	2400
	687.23	2.5	0.35	5700	66.4	2100	350	2400
	821.10	2.1	0.29	5700	65.9	2100	350	2400
	905.89	1.9	0.32	5830	54.1	2100	350	2400
	999.60	1.8	0.24	5700	65.3	2100	350	2400
	1250	1.4	0.20	5700	65.0	2100	350	2400
	1374	1.3	0.22	5830	52.2	2100	350	2400
	1749	1.0	0.18	5830	51.3	2100	350	2400
	1999	0.9	0.16	5830	50.9	2100	350	2400
	2181	0.8	0.14	5830	50.7	2100	350	2400
	2675	0.7	0.12	5830	50.4	2100	350	2400
	3455	0.5	0.09	5830	49.8	2100	350	2400
HW2072 (4.250 C.D.)								
6	7.32 ■	239	17.6	4310	93.0	3050	525	3100
6	8.17 ■	214	16.8	4590	92.8	3050	525	3100
6	9.14 ■	192	15.6	4740	92.5	3050	525	3100
6	11.08 ■	158	15.0	5410	92.0	3050	525	3100
6	13.59 ■	129	13.6	6070	91.4	3050	525	3100

■ THERMAL RATINGS ARE LIMITED TO 12 H.P.

ALL TORQUE VALUES LISTED IN INCH-POUNDS, ALL OVERHUNG LOAD AND THRUST LOAD VALUES LISTED IN POUNDS.

THE POINT OF APPLICATION OF OHL IS CONSIDERED TO BE APPLIED AT THE MIDPOINT OF SHAFT EXTENSION.

INPUT OHL APPLIES ONLY TO SHAFT INPUT MODELS.

OHL & THRUST RATINGS CANNOT BE APPLIED SIMULTANEOUSLY. CONSULT THE FACTORY FOR APPLICATIONS WITH COMBINED OHL & THRUST LOAD.

AT SPEEDS ABOVE 1750 RPM, UNITS MAY BECOME THERMALLY LIMITED. FOR EXTENDED OPERATION, LIMIT HP TO 1750 RPM RATING.

# Hub City Poweratio® 2000 Helical Worm Drives

## Ratings @ 1750 RPM Input 1.00 Service Factor

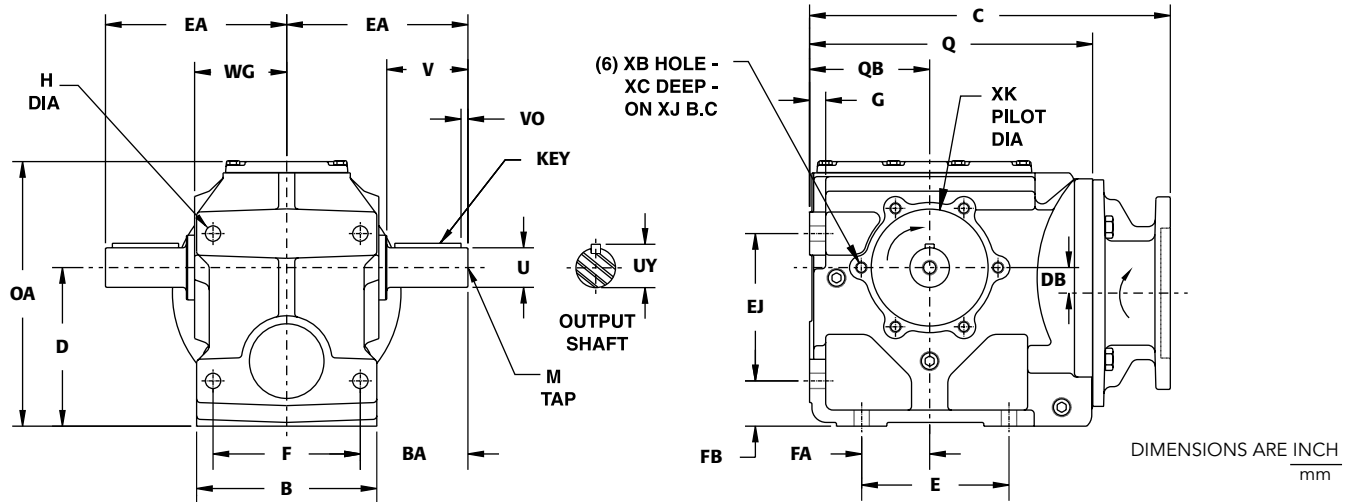
FOR MOTOR SELECTION REFER TO SECTION E

HW2072 CONT. (4.250 C.D.)								
WORM RATIO	RATIO	OUTPUT SPEED	INPUT H.P.	OUTPUT TORQUE	EFFICIENCY (%)	OUTPUT OHL	INPUT OHL	OUTPUT THRUST
6	15.48	113	12.7	6460	91.0	3050	525	3100
15	18.30	96	10.0	5580	88.3	3050	525	3100
6	21.75	80	10.4	7330	90.1	3050	525	3100
6	25.71	68	9.30	7710	89.5	3050	525	3100
15	27.69	63	8.14	7020	86.4	3050	525	3100
15	30.00	58	7.89	7330	86.0	3050	525	3100
15	33.97	52	7.50	7790	85.4	3050	525	3100
15	38.71	45	6.98	8240	84.7	3050	525	3100
30	45.68	38	5.00	6440	79.1	3050	525	3100
15	54.38	32	5.70	9260	82.9	3050	525	3100
15	64.29	27	5.10	9680	82.0	3050	525	3100
15	77.50	23	4.45	10080	81.0	3050	525	3100
15	96.00	18.2	3.80	10490	79.9	3050	525	3100
30	108.75	16.1	3.35	9500	72.4	3050	525	3100
30	128.57	13.6	3.00	9930	71.1	3050	525	3100
40	145.00	12.1	2.67	9550	68.4	3050	525	3100
30	155.00	11.3	2.66	10340	69.7	3050	525	3100
40	171.43	10.2	2.40	9950	67.0	3050	525	3100
30	192.00	9.1	2.28	10750	68.0	3050	525	3100
40	206.67	8.5	2.11	10320	65.6	3050	525	3100
40	256.00	6.8	1.81	10670	63.8	3050	525	3100
HW2073 (4.250 C.D.)								
	310.02	5.6	1.63	11430	62.9	3050	350	3100
	352.34	5.0	1.47	11570	62.1	3050	350	3100
	403.03	4.3	1.31	11700	61.3	3050	350	3100
	432.32	4.0	1.24	11750	61.1	3050	350	3100
	469.78	3.7	1.16	11410	57.9	3050	350	3100
	527.03	3.3	1.04	11890	60.3	3050	350	3100
	576.43	3.0	0.98	11580	56.9	3050	350	3100
	656.93	2.7	0.86	11890	58.2	3050	350	3100
	702.71	2.5	0.82	11700	56.2	3050	350	3100
	792.26	2.2	0.71	11890	58.9	3050	350	3100
	910.68	1.9	0.65	11890	55.7	3050	350	3100
	1056	1.7	0.59	11700	52.3	3050	350	3100
	1214	1.4	0.52	11700	51.5	3050	350	3100
HW2074 (4.250 C.D.) HI2062 PRIMARY UNIT								
	307.86	5.7	1.48	11620	70.7	3050	350	3100
	380.77	4.6	1.22	11620	69.5	3050	350	3100
	454.95	3.8	1.04	11620	68.3	3050	350	3100
	492.77	3.6	0.96	11620	67.9	3050	350	3100
	594.49	2.9	0.81	11620	67.2	3050	350	3100
	615.72	2.8	0.94	11890	57.2	3050	350	3100
	761.54	2.3	0.78	11890	55.9	3050	350	3100
	849.26	2.1	0.58	11620	66.0	3050	350	3100
	985.55	1.8	0.62	11890	54.1	3050	350	3100
	1189	1.5	0.52	11890	52.9	3050	350	3100
	1459	1.2	0.43	11890	52.1	3050	350	3100
	1787	1.0	0.36	11890	51.4	3050	350	3100
	2175	0.8	0.30	11890	50.9	3050	350	3100
	2546	0.7	0.26	11890	50.7	3050	350	3100
	2713	0.6	0.24	11890	50.5	3050	350	3100
	2952	0.6	0.22	11890	50.3	3050	350	3100
	3490	0.5	0.19	11890	49.9	3050	350	3100

ALL TORQUE VALUES LISTED IN INCH-POUNDS, ALL OVERHUNG LOAD AND THRUST LOAD VALUES LISTED IN POUNDS.  
 THE POINT OF APPLICATION OF OHL IS CONSIDERED TO BE APPLIED AT THE MIDPOINT OF SHAFT EXTENSION.  
 INPUT OHL APPLIES ONLY TO SHAFT INPUT MODELS.  
 OHL & THRUST RATINGS CANNOT BE APPLIED SIMULTANEOUSLY. CONSULT THE FACTORY FOR APPLICATIONS WITH COMBINED OHL & THRUST LOAD.  
 AT SPEEDS ABOVE 1750 RPM, UNITS MAY BECOME THERMALLY LIMITED. FOR EXTENDED OPERATION, LIMIT HP TO 1750 RPM RATING.

# Hub City Poweratio® 2000 Helical Worm Drives

## Double Reduction



### GEARCASE

MODEL	B	BA	D	DB	E	EA	EJ	F	FA	FB	G	H	OA	Q
HW2042E*	4.72	2.56	3.94 <sup>+0.02</sup> <sub>-0.02</sub>	0.23	3.15	4.53	3.15	3.94	1.38	1.38	0.50	0.43	6.72	7.72
	120	65	100 <sup>+0.5</sup> <sub>-0.5</sub>	5.8	80	115	80	100	35	35	13	11.0	171	196
HW2052E*	5.34	3.15	4.41 <sup>+0.02</sup> <sub>-0.02</sub>	0.72	3.94	5.31	3.94	4.33	1.77	1.38	0.50	0.43	7.45	8.32
	136	80	112 <sup>+0.5</sup> <sub>-0.5</sub>	18.2	100	135	100	110	45	35	12.7	11.0	189	211
HW2062E*	6.26	3.17	5.51 <sup>+0.02</sup> <sub>-0.02</sub>	0.89	5.12	6.30	5.12	5.12	2.36	1.57	0.56	0.53	9.18	9.83
	159	81	140 <sup>+0.5</sup> <sub>-0.5</sub>	22.6	130	160	130	130	60	40	14	13.5	233	250
HW2072E*	7.28	4.04	7.09 <sup>+0.04</sup> <sub>-0.04</sub>	1.38	5.32	7.68	5.32	5.91	2.95	2.76	0.93	0.69	11.79	12.57
	185	103	180 <sup>+0.1</sup> <sub>-0.1</sub>	35.0	135	195	135	150	75	70	24	17.5	299	319

### GEARCASE

MODEL	QB	WG	XB	XC	XJ	XK
HW2042E*	2.95	2.30	-	0.63	3.56	2.952
	75	58.4	M8 X 1.25	16.0	90.4	74.98
HW2052E*	3.15	2.85	-	0.63	3.88	3.228
	80	72.4	M8 X 1.25	16.0	98.6	81.99
HW2062E*	4.17	3.20	-	0.66	4.75	4.002
	106	81.2	M10 X 1.5	16.7	120.7	101.7
HW2072E*	4.92	3.98	-	0.95	5.38	4.331
	125	101	M12 X 1.75	24.1	136.6	110.00

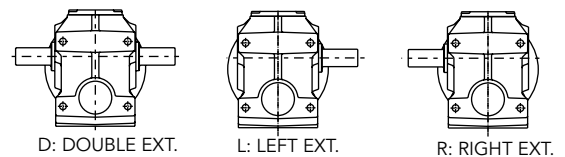
### OUTPUT SHAFT

U	UY	V	VO	KEY	M
1.000 <sup>+0.001</sup> <sub>-0.001</sub>	1.10	1.97	0.25	1/4 x 1/4 x 1-5/16	3/8 -16 x .87
-	-	50.0	6.4	-	-
1.250 <sup>+0.001</sup> <sub>-0.001</sub>	1.36	2.36	0.29	1/4 x 1/4 x 1-11/16	1/2 -13 x 1.13
-	-	59.9	7.4	-	-
1.375 <sup>+0.001</sup> <sub>-0.001</sub>	1.51	2.82	0.40	5/16 x 5/16 x 1-3/4	1/2 -13 x 1.13
-	-	7.16	10.2	-	-
1.750 <sup>+0.001</sup> <sub>-0.001</sub>	1.91	3.54	0.43	3/8 x 3/8 x 2-1/4	5/8 -11 x 1.38
-	-	89.9	10.9	-	-

### MOTOR COMPATIBILITY - NEMA

MODEL		NEMA			
		56C	143TC	182TC	213TC
HW2042E*	C	10.33	10.33	11.64	-
		262	262	296	-
HW2052E*	C	10.93	10.93	12.24	-
		278	278	311	-
HW2062E*	C	12.53	12.53	13.55	-
		318	318	344	-
HW2072E*	C	15.93	15.93	16.64	16.64
		405	405	423	423

### \* OUTPUT STYLES



DIMENSIONS SHOWN ARE FOR REFERENCE ONLY.

DOWNLOAD AVAILABLE CAD MODELS AT:  
WWW.HUBCITYINC.COM



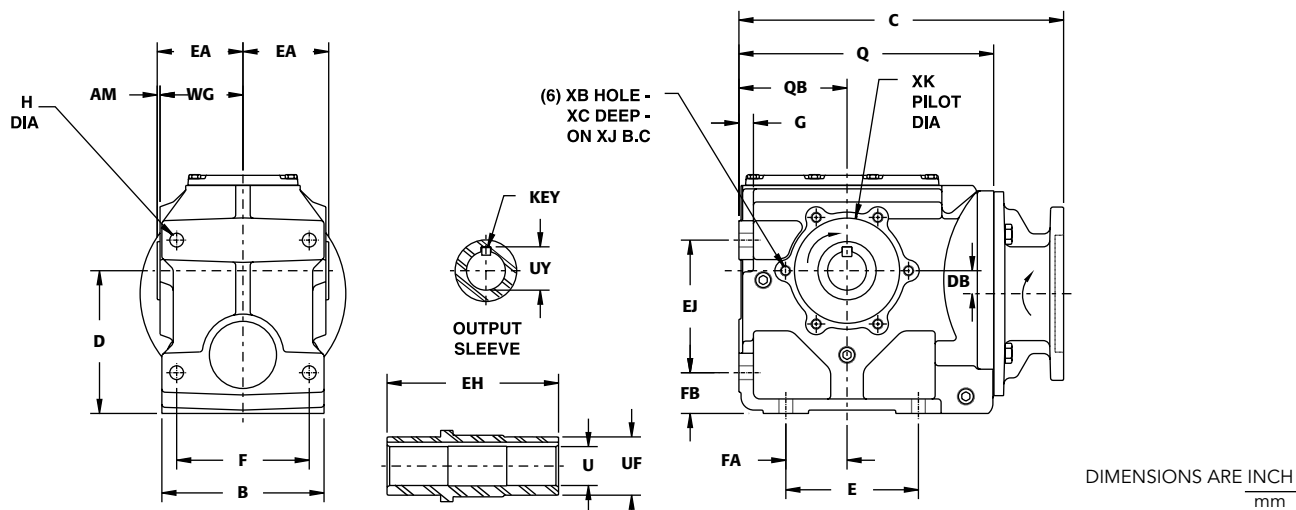
FOR SAFETY AND TO COMPLY WITH LOCAL AND NATIONAL SAFETY CODES, THE PURCHASER OR USER MUST PROVIDE PROTECTIVE GUARDS OVER ALL SHAFT EXTENSIONS AND DEVICES MOUNTED THEREON.



# Hub City Poweratio® 2000 Helical Worm Drives

## Double Reduction

Poweratio® 2000 Helical Worm Drives



DIMENSIONS ARE INCH  
mm

### GEARCASE

MODEL	AM	B	D	DB	E	EA	EJ	F	FA	FB	G	H	OA	Q
HW2042ES	0.07	4.72	3.94 <sup>+0</sup> <sub>-0.02</sub>	0.23	3.15	2.36	3.15	3.94	1.38	1.38	0.50	0.43	6.72	7.72
	1.8	120	100 <sup>+0</sup> <sub>-0.5</sub>	5.8	80	60	80	100	35	35	13	11.0	171	196
HW2052ES	0.10	5.34	4.41 <sup>+0</sup> <sub>-0.02</sub>	0.72	3.94	2.96	3.94	4.33	1.77	1.38	0.50	0.43	7.45	8.32
	2.5	136	112 <sup>+0</sup> <sub>-0.5</sub>	18.2	100	75	100	110	45	35	12.7	11.0	189	211
HW2062ES	0.11	6.26	5.51 <sup>+0</sup> <sub>-0.02</sub>	0.89	5.12	3.31	5.12	5.12	2.36	1.57	0.56	0.53	9.18	9.83
	2.8	159	140 <sup>+0</sup> <sub>-0.5</sub>	22.6	130	84	130	130	60	40	14	13.5	233	250
HW2072ES	0.16	7.28	7.09 <sup>+0</sup> <sub>-0.04</sub>	1.38	5.32	4.14	5.32	5.91	2.95	2.76	0.93	0.69	11.79	12.57
	4.1	185	180 <sup>+0</sup> <sub>-1</sub>	35.0	135	105	135	150	75	70	24	17.5	299	319

### GEARCASE

MODEL	QB	WG	XB	XC	XJ	XK
HW2042ES	2.95	2.30	-	0.63	3.56	2.952
	75	58.4	M8 X 1.25	16.0	90.4	74.98
HW2052ES	3.15	2.85	-	0.63	3.88	3.228
	80	72.4	M8 X 1.25	16.0	98.6	81.99
HW2062ES	4.17	3.20	-	0.66	4.75	4.002
	106	81.2	M10 X 1.5	16.7	120.7	101.7
HW2072ES	4.92	3.98	-	0.95	5.38	4.331
	125	101	M12 X 1.75	24.1	136.6	110.00

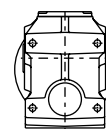
### OUTPUT SLEEVE

EH	U	UF	UY	KEY
4.72	1.250 <sup>+0.025</sup> <sub>-0</sub>	1.77	1.37	(2) 1/4 x 1/4 x 1-5/16
-	-	-	-	-
5.91	1.375 <sup>+0.025</sup> <sub>-0</sub>	1.97	1.52	(2) 5/16 x 5/16 x 1-3/4
-	-	-	-	-
6.62	1.500 <sup>+0.025</sup> <sub>-0</sub>	2.25	1.67	(2) 3/8 x 3/8 x 2-1/4
-	-	-	-	-
8.27	2.000 <sup>+0.025</sup> <sub>-0</sub>	2.75	2.22	(2) 1/2 x 1/2 x 2-5/8
-	-	-	-	-

### MOTOR COMPATIBILITY - NEMA

MODEL		NEMA				
		56C	143TC	182TC	213TC	215TC
HW2042ES	C	10.33	10.33	11.64	-	-
		262	262	296	-	-
HW2052ES	C	10.93	10.93	12.24	-	-
		278	278	311	-	-
HW2062ES	C	12.53	12.53	13.55	-	-
		318	318	344	-	-
HW2072ES	C	15.93	15.93	16.64	16.64	-
		405	405	423	423	-

### OUTPUT STYLE



S: SLEEVE  
(HOLLOW BORE)

DIMENSIONS SHOWN ARE FOR REFERENCE ONLY.

DOWNLOAD AVAILABLE CAD MODELS AT:  
WWW.HUBCITYINC.COM



Select hollow output bore models in this product line are now available with the HubLoc® Keyless Bushing System. Refer to pages i and ii at front of this catalog for features, available sizes, and ordering information.



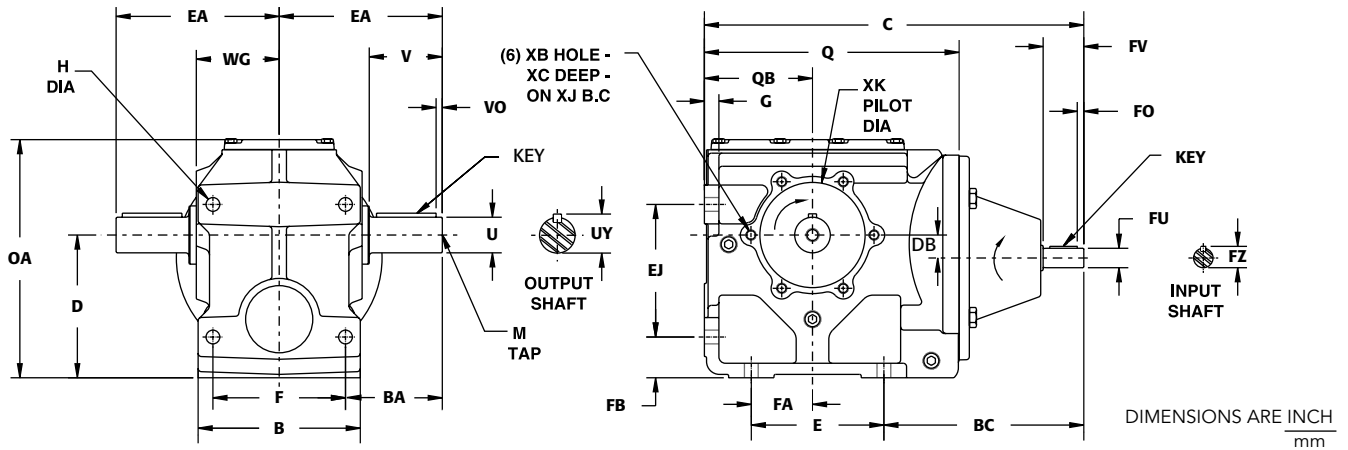
FOR SAFETY AND TO COMPLY WITH LOCAL AND NATIONAL SAFETY CODES, THE PURCHASER OR USER MUST PROVIDE PROTECTIVE GUARDS OVER ALL SHAFT EXTENSIONS AND DEVICES MOUNTED THEREON.

EMAIL: [hubsales@regalbeloit.com](mailto:hubsales@regalbeloit.com) • [www.hubcityinc.com](http://www.hubcityinc.com)



# Hub City Poweratio® 2000 Helical Worm Drives

## Double Reduction



### GEARCASE

MODEL	B	BA	D	DB	E	EA	EJ	F	FA	FB	G	H	OA	Q
HW2042A*	4.72	2.56	3.94 <sup>+0</sup> <sub>-.02</sub>	0.23	3.15	4.53	3.15	3.94	1.38	1.38	0.50	0.43	6.72	7.72
	120	65	100 <sup>+0</sup> <sub>-.5</sub>	5.8	80	115	80	100	35	35	13	11.0	171	196
HW2052A*	5.34	3.15	4.41 <sup>+0</sup> <sub>-.02</sub>	0.72	3.94	5.31	3.94	4.33	1.77	1.38	0.50	0.43	7.45	8.32
	136	80	112 <sup>+0</sup> <sub>-.5</sub>	18.2	100	135	100	110	45	35	12.7	11.0	189	211
HW2062A*	6.26	3.17	5.51 <sup>+0</sup> <sub>-.02</sub>	0.89	5.12	6.30	5.12	5.12	2.36	1.57	0.56	0.53	9.18	9.83
	159	81	140 <sup>+0</sup> <sub>-.5</sub>	22.6	130	160	130	130	60	40	14	13.5	233	250
HW2072A*	7.28	4.04	7.09 <sup>+0</sup> <sub>-.04</sub>	1.38	5.32	7.68	5.32	5.91	2.95	2.76	0.93	0.69	11.79	12.57
	185	103	180 <sup>+0</sup> <sub>-.1</sub>	35.0	135	195	135	150	75	70	24	17.5	299	319

### GEARCASE

MODEL	QB	WG	XB	XC	XJ	XK
HW2042A*	2.95	2.30	-	0.63	3.56	2.952
	75	58.4	M8 X 1.25	16.0	90.4	74.98
HW2052A*	3.15	2.85	-	0.63	3.88	3.228
	80	72.4	M8 X 1.25	16.0	98.6	81.99
HW2062A*	4.17	3.20	-	0.66	4.75	4.002
	106	81.2	M10 X 1.5	16.7	120.7	101.7
HW2072A*	4.92	3.98	-	0.95	5.38	4.331
	125	101	M12 X 1.75	24.1	136.6	110.00

### OUTPUT SHAFT

U	UY	V	VO	KEY	M
1.000 <sup>+0</sup> <sub>-.001</sub>	1.10	1.97	0.25	1/4 x 1/4 x 1-5/16	3/8 - 16 x .87
-	-	50.0	6.4	-	-
1.250 <sup>+0</sup> <sub>-.001</sub>	1.36	2.36	0.29	1/4 x 1/4 x 1-11/16	1/2 - 13 x 1.13
-	-	59.9	7.4	-	-
1.375 <sup>+0</sup> <sub>-.001</sub>	1.51	2.82	0.40	5/16 x 5/16 x 1-3/4	1/2 - 13 x 1.13
-	-	71.6	10.2	-	-
1.750 <sup>+0</sup> <sub>-.001</sub>	1.91	3.54	0.43	3/8 x 3/8 x 2-1/4	5/8 - 11 x 1.38
-	-	89.9	10.9	-	-

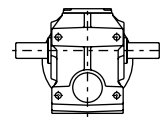
### INPUT SHAFT

MODEL	FU	FZ	FV	FO	KEY
HW2042A*	0.750 <sup>+0</sup> <sub>-.0005</sub>	0.82	1.57	0.25	3/16 x 3/16 x 1-1/16
	-	-	-	-	-
HW2052A*	0.750 <sup>+0</sup> <sub>-.0005</sub>	0.82	1.57	0.25	3/16 x 3/16 x 1-1/16
	-	-	-	-	-
HW2062A*	0.750 <sup>+0</sup> <sub>-.0005</sub>	0.82	1.57	0.25	3/16 x 3/16 x 1-1/16
	-	-	-	-	-
HW2072A*	0.875 <sup>+0</sup> <sub>-.0005</sub>	0.95	1.97	0.28	3/16 x 3/16 x 1-1/4
	-	-	-	-	-

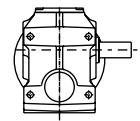
### INPUT/GEARCASE

BC	C
7.34	12.06
186	306
7.34	12.66
186	322
7.72	14.65
196	372
11.42	18.76
290	477

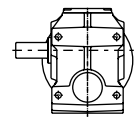
### \*OUTPUT STYLES



D: DOUBLE EXT.



L: LEFT EXT.



R: RIGHT EXT.

DIMENSIONS SHOWN ARE FOR REFERENCE ONLY.

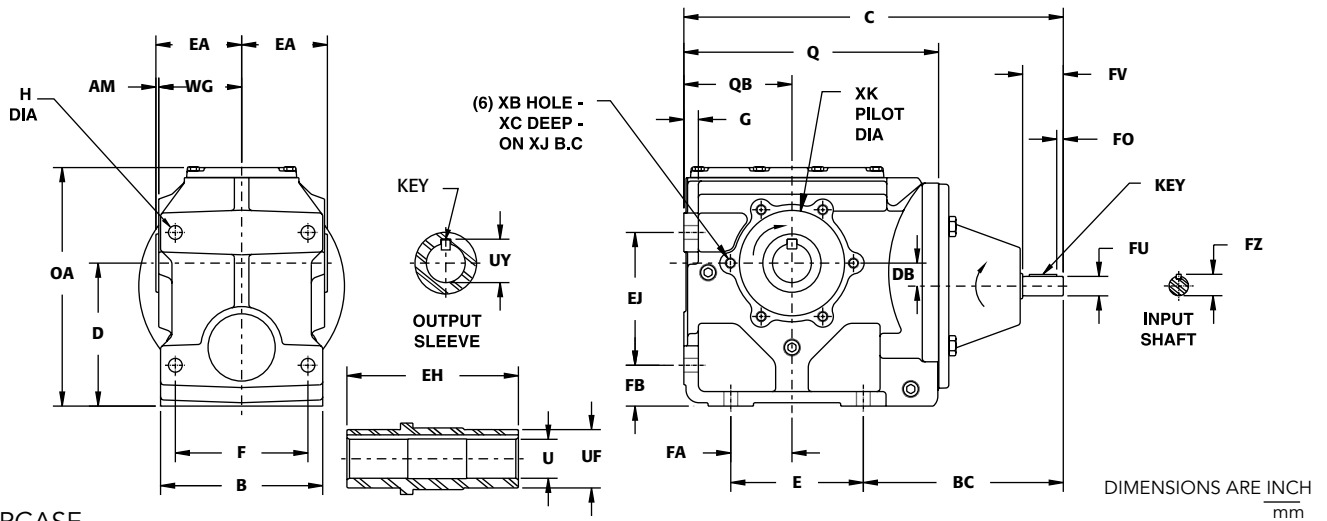
DOWNLOAD AVAILABLE CAD MODELS AT: [WWW.HUBCITYINC.COM](http://WWW.HUBCITYINC.COM)



FOR SAFETY AND TO COMPLY WITH LOCAL AND NATIONAL SAFETY CODES, THE PURCHASER OR USER MUST PROVIDE PROTECTIVE GUARDS OVER ALL SHAFT EXTENSIONS AND DEVICES MOUNTED THEREON.

# Hub City Poweratio® 2000 Helical Worm Drives

## Double Reduction



### GEARCASE

MODEL	AM	B	D	DB	E	EA	EJ	F	FA	FB	G	H	OA	Q
HW2042AS	0.07	4.72	3.94 <sup>+0</sup> <sub>-.02</sub>	0.23	3.15	2.36	3.15	3.94	1.38	1.38	0.50	0.43	6.72	7.72
	1.8	120	100 <sup>+0</sup> <sub>-.5</sub>	5.8	80	60	80	100	35	35	13	11.0	171	196
HW2052AS	0.10	5.34	4.41 <sup>+0</sup> <sub>-.02</sub>	0.72	3.94	2.96	3.94	4.33	1.77	1.38	0.50	0.43	7.45	8.32
	2.5	136	112 <sup>+0</sup> <sub>-.5</sub>	18.2	100	75	100	110	45	35	12.7	11.0	189	211
HW2062AS	0.11	6.26	5.51 <sup>+0</sup> <sub>-.02</sub>	0.89	5.12	3.31	5.12	5.12	2.36	1.57	0.56	0.53	9.18	9.83
	2.8	159	140 <sup>+0</sup> <sub>-.5</sub>	22.6	130	84	130	130	60	40	14	13.5	233	250
HW2072AS	0.16	7.28	7.09 <sup>+0</sup> <sub>-.04</sub>	1.38	5.32	4.14	5.32	5.91	2.95	2.76	0.93	0.69	11.79	12.57
	4.1	185	180 <sup>+0</sup> <sub>-.1</sub>	35.0	135	105	135	150	75	70	24	17.5	299	319

### GEARCASE

MODEL	QB	WG	XB	XC	XJ	XK
HW2042AS	2.95	2.30	-	0.63	3.56	2.952
	75	58.4	M8 X 1.25	16.0	90.4	74.98
HW2052AS	3.15	2.85	-	0.63	3.88	3.228
	80	72.4	M8 X 1.25	16.0	98.6	81.99
HW2062AS	4.17	3.20	-	0.66	4.75	4.002
	106	81.2	M10 X 1.5	16.7	120.7	101.7
HW2072AS	4.92	3.98	-	0.95	5.38	4.331
	125	101	M12 X 1.75	24.1	136.6	110.00

### OUTPUT SLEEVE

EH	U	UF	UY	KEY
4.72	1.250 <sup>+0.0025</sup> <sub>-.0</sub>	1.77	1.37	(2) 1/4 x 1/4 x 1-5/16
-	-	-	-	-
5.91	1.375 <sup>+0.0025</sup> <sub>-.0</sub>	1.97	1.52	(2) 5/16 x 5/16 x 1-3/4
-	-	-	-	-
6.62	1.500 <sup>+0.0025</sup> <sub>-.0</sub>	2.25	1.67	(2) 3/8 x 3/8 x 2-1/4
-	-	-	-	-
8.27	2.000 <sup>+0.0025</sup> <sub>-.0</sub>	2.75	2.22	(2) 1/2 x 1/2 x 2-5/8
-	-	-	-	-

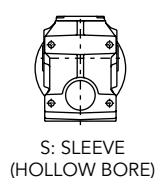
### INPUT SHAFT

MODEL	FU	FZ	FV	FO	KEY
HW2042AS	0.750 <sup>+0</sup> <sub>-.0005</sub>	0.82	1.57	0.25	3/16 x 3/16 x 1-1/16
	-	-	-	-	-
HW2052AS	0.750 <sup>+0</sup> <sub>-.0005</sub>	0.82	1.57	0.25	3/16 x 3/16 x 1-1/16
	-	-	-	-	-
HW2062AS	0.750 <sup>+0</sup> <sub>-.0005</sub>	0.82	1.57	0.25	3/16 x 3/16 x 1-1/16
	-	-	-	-	-
HW2072AS	0.875 <sup>+0</sup> <sub>-.0005</sub>	0.95	1.97	0.28	3/16 x 3/16 x 1-1/4
	-	-	-	-	-

### INPUT/GEARCASE

BC	C
7.34	12.06
186	306
7.34	12.66
186	322
7.72	14.65
196	372
11.42	18.76
290	477

### OUTPUT STYLE



DIMENSIONS SHOWN ARE FOR REFERENCE ONLY.  
 DOWNLOAD AVAILABLE CAD MODELS AT: [WWW.HUBCITYINC.COM](http://WWW.HUBCITYINC.COM)



Select hollow output bore models in this product line are now available with the HubLoc® Keyless Bushing System. Refer to pages i and ii at front of this catalog for features, available sizes, and ordering information.

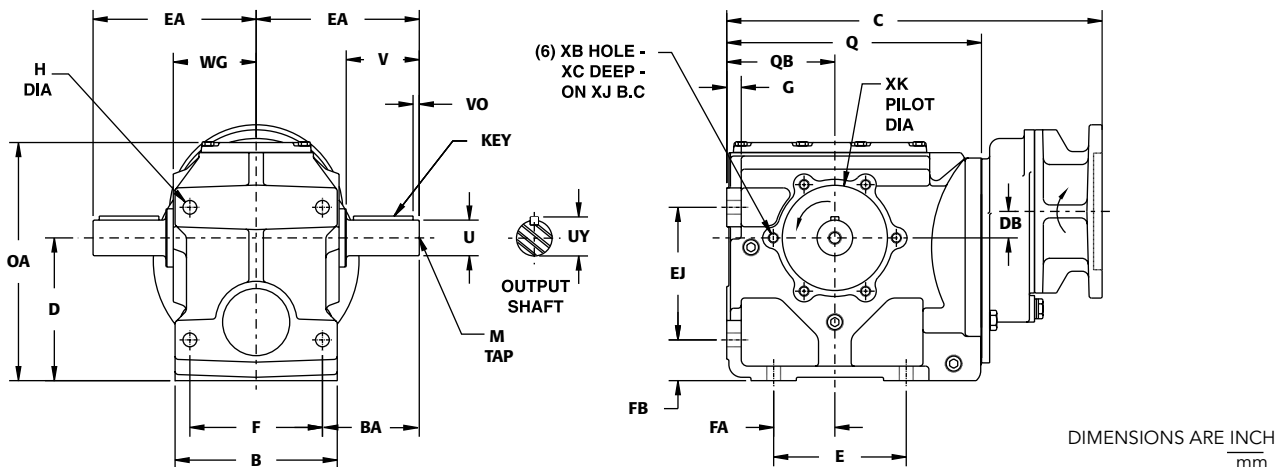
**WARNING** FOR SAFETY AND TO COMPLY WITH LOCAL AND NATIONAL SAFETY CODES, THE PURCHASER OR USER MUST PROVIDE PROTECTIVE GUARDS OVER ALL SHAFT EXTENSIONS AND DEVICES MOUNTED THEREON.

EMAIL: [hubsales@regalbeloit.com](mailto:hubsales@regalbeloit.com) • [www.hubcityinc.com](http://www.hubcityinc.com)



# Hub City Poweratio® 2000 Helical Worm Drives

## Triple Reduction



### GEARCASE

MODEL	B	BA	D	DB	E	EA	EJ	F	FA	FB	G	H	OA	Q
HW2043E <sub>±</sub>	4.72	2.56	3.94 <sup>+0</sup> <sub>-.02</sub>	1.27	3.15	4.53	3.15	3.94	1.38	1.38	0.50	0.43	6.72	7.72
	120	65	100 <sup>+0</sup> <sub>-.5</sub>	32.2	80	115	80	100	35	35	13	11.0	171	196
HW2053E <sub>±</sub>	5.34	3.15	4.41 <sup>+0</sup> <sub>-.02</sub>	0.78	3.94	5.31	3.94	4.33	1.77	1.38	0.50	0.43	7.45	8.32
	136	80	112 <sup>+0</sup> <sub>-.5</sub>	19.8	100	135	100	110	45	35	12.7	11.0	189	211
HW2063E <sub>±</sub>	6.26	3.17	5.51 <sup>+0</sup> <sub>-.02</sub>	1.02	5.12	6.30	5.12	5.12	2.36	1.57	0.56	0.53	9.18	9.83
	159	81	140 <sup>+0</sup> <sub>-.5</sub>	25.9	130	160	130	130	60	40	14	13.5	233	250
HW2073E <sub>±</sub>	7.28	4.04	7.09 <sup>+0</sup> <sub>-.04</sub>	.53	5.32	7.68	5.32	5.91	2.95	2.76	0.93	0.69	11.79	12.57
	185	103	180 <sup>+0</sup> <sub>-.1</sub>	13.5	135	195	135	150	75	70	24	17.5	299	319

### GEARCASE

MODEL	QB	WG	XB	XC	XJ	XK
HW2043E <sub>±</sub>	2.95	2.30	-	0.63	3.56	2.952
	75	58.4	M8 X 1.25	16.0	90.4	74.98
HW2053E <sub>±</sub>	3.15	2.85	-	0.63	3.88	3.228
	80	72.4	M8 X 1.25	16.0	98.6	81.99
HW2063E <sub>±</sub>	4.17	3.20	-	0.66	4.75	4.002
	106	81.2	M10 X 1.5	16.7	120.7	101.7
HW2073E <sub>±</sub>	4.92	3.98	-	0.95	5.38	4.331
	125	101	M12 X 1.75	24.1	136.6	110.00

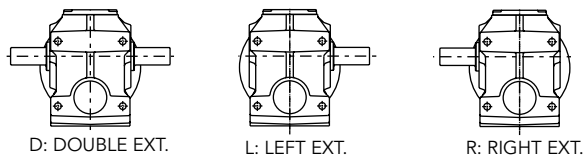
### OUTPUT SHAFT

U	UY	V	VO	KEY	M
1.000 <sup>+0</sup> <sub>-.001</sub>	1.10	1.97	0.25	1/4 x 1/4 x 1-5/16	3/8 -16 x .87
-	-	50.0	6.4	-	-
1.250 <sup>+0</sup> <sub>-.001</sub>	1.36	2.36	0.29	1/4 x 1/4 x 1-11/16	1/2 -13 x 1.13
-	-	59.9	7.4	-	-
1.375 <sup>+0</sup> <sub>-.001</sub>	1.51	2.82	0.40	5/16 x 5/16 x 1-3/4	1/2 -13 x 1.13
-	-	7.16	10.2	-	-
1.750 <sup>+0</sup> <sub>-.001</sub>	1.91	3.54	0.43	3/8 x 3/8 x 2-1/4	5/8 -11 x 1.38
-	-	89.9	10.9	-	-

### MOTOR COMPATIBILITY - NEMA

MODEL	NEMA	
	56C	143TC 145TC
HW2043E <sub>±</sub>	C	11.11 282
HW2053E <sub>±</sub>	C	11.71 297
HW2063E <sub>±</sub>	C	14.49 368
HW2073E <sub>±</sub>	C	16.75 425

### \*OUTPUT STYLES



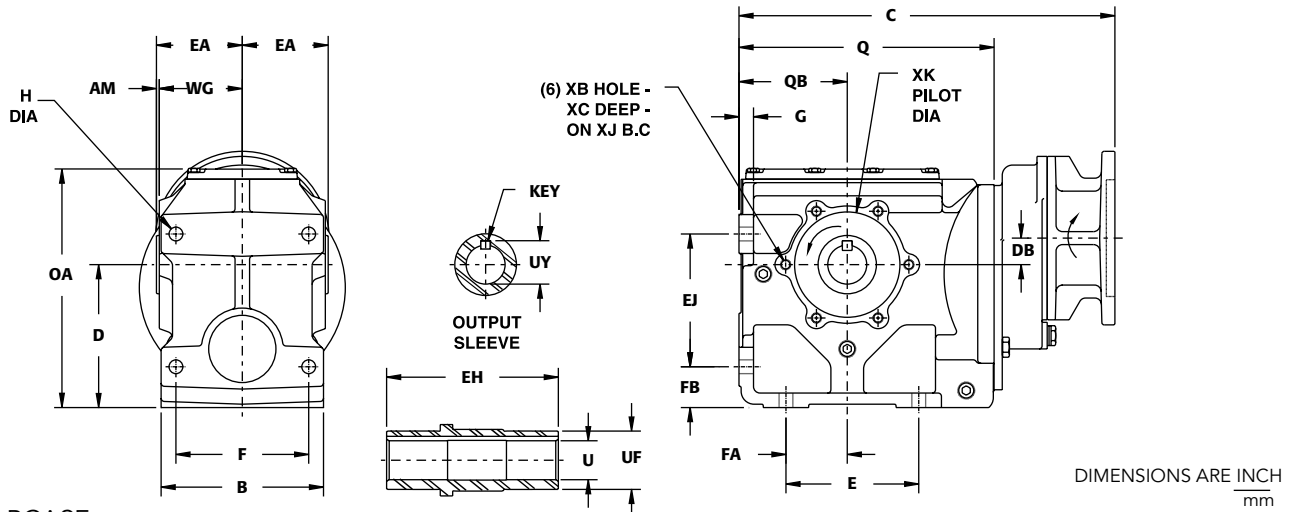
DIMENSIONS SHOWN ARE FOR REFERENCE ONLY.  
 DOWNLOAD AVAILABLE CAD MODELS AT: [WWW.HUBCITYINC.COM](http://WWW.HUBCITYINC.COM)



FOR SAFETY AND TO COMPLY WITH LOCAL AND NATIONAL SAFETY CODES, THE PURCHASER OR USER MUST PROVIDE PROTECTIVE GUARDS OVER ALL SHAFT EXTENSIONS AND DEVICES MOUNTED THEREON.

# Hub City Poweratio® 2000 Helical Worm Drives

## Triple Reduction



### GEARCASE

MODEL	AM	B	D	DB	E	EA	EJ	F	FA	FB	G	H	OA	Q
HW2043ES	0.07	4.72	3.94 <sup>+0</sup> <sub>-.02</sub>	1.27	3.15	2.36	3.15	3.94	1.38	1.38	0.50	0.43	6.72	7.72
	1.8	120	100 <sup>+0</sup> <sub>-.5</sub>	32.2	80	60	80	100	35	35	13	11.0	171	196
HW2053ES	0.10	5.34	4.41 <sup>+0</sup> <sub>-.02</sub>	0.78	3.94	2.96	3.94	4.33	1.77	1.38	0.50	0.43	7.45	8.32
	2.5	136	112 <sup>+0</sup> <sub>-.5</sub>	19.8	100	75	100	110	45	35	12.7	11.0	189	211
HW2063ES	0.11	6.26	5.51 <sup>+0</sup> <sub>-.02</sub>	1.02	5.12	3.31	5.12	5.12	2.36	1.57	0.56	0.53	9.18	9.83
	2.8	159	140 <sup>+0</sup> <sub>-.5</sub>	25.9	130	84	130	130	60	40	14	13.5	233	250
HW2073ES	0.16	7.28	7.09 <sup>+0</sup> <sub>-.04</sub>	.53	5.32	4.14	5.32	5.91	2.95	2.76	0.93	0.69	11.79	12.57
	4.1	185	180 <sup>+0</sup> <sub>-.1</sub>	13.5	135	105	135	150	75	70	24	17.5	299	319

### GEARCASE

MODEL	QB	WG	XB	XC	XJ	XK
HW2043ES	2.95	2.30	-	0.63	3.56	2.952
	75	58.4	M8 X 1.25	16.0	90.4	74.98
HW2053ES	3.15	2.85	-	0.63	3.88	3.228
	80	72.4	M8 X 1.25	16.0	98.6	81.99
HW2063ES	4.17	3.20	-	0.66	4.75	4.002
	106	81.2	M10 X 1.5	16.7	120.7	101.7
HW2073ES	4.92	3.98	-	0.95	5.38	4.331
	125	101	M12 X 1.75	24.1	136.6	110.00

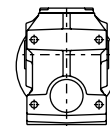
### OUTPUT SLEEVE

EH	U	UF	UY	KEY
4.72	1.250 <sup>+0.0025</sup> <sub>-.0</sub>	1.77	1.37	(2) 1/4 x 1/4 x 1-5/16
-	-	-	-	-
5.91	1.375 <sup>+0.0025</sup> <sub>-.0</sub>	1.97	1.52	(2) 5/16 x 5/16 x 1-3/4
-	-	-	-	-
6.62	1.500 <sup>+0.0025</sup> <sub>-.0</sub>	2.25	1.67	(2) 3/8 x 3/8 x 2-1/4
-	-	-	-	-
8.27	2.000 <sup>+0.0025</sup> <sub>-.0</sub>	2.75	2.22	(2) 1/2 x 1/2 x 2-5/8
-	-	-	-	-

### MOTOR COMPATIBILITY - NEMA

MODEL	NEMA		
	56C	143TC	145TC
HW2043ES	C	11.11	-
		282	-
HW2053ES	C	11.71	-
		297	-
HW2063ES	C	14.49	14.49
		368	368
HW2073ES	C	16.75	16.75
		425	425

### OUTPUT STYLE



S: SLEEVE  
(HOLLOW BORE)



Select hollow output bore models in this product line are now available with the HubLoc® Keyless Bushing System. Refer to pages i and ii at front of this catalog for features, available sizes, and ordering information.

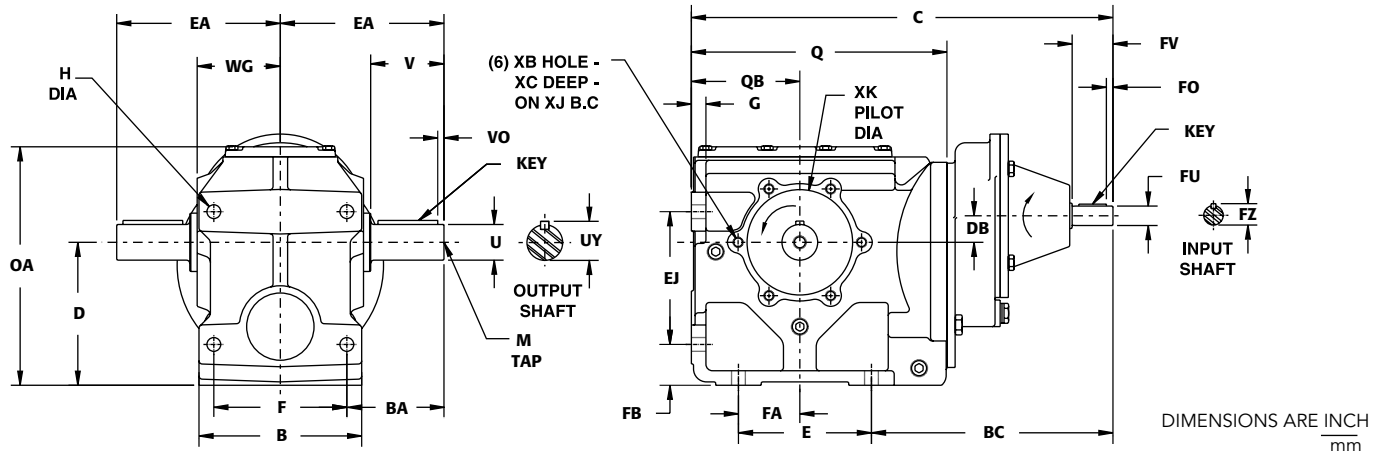
DIMENSIONS SHOWN ARE FOR REFERENCE ONLY.  
DOWNLOAD AVAILABLE CAD MODELS AT: WWW.HUBCITYINC.COM



FOR SAFETY AND TO COMPLY WITH LOCAL AND NATIONAL SAFETY CODES, THE PURCHASER OR USER MUST PROVIDE PROTECTIVE GUARDS OVER ALL SHAFT EXTENSIONS AND DEVICES MOUNTED THEREON.

# Hub City Poweratio® 2000 Helical Worm Drives

## Triple Reduction



### GEARCASE

MODEL	B	BA	D	DB	E	EA	EJ	F	FA	FB	G	H	OA	Q
HW2043A*	4.72	2.56	3.94 <sup>+0.02</sup>	1.27	3.15	4.53	3.15	3.94	1.38	1.38	0.50	0.43	6.72	7.72
	120	65	100 <sup>+0.5</sup>	32.2	80	115	80	100	35	35	13	11.0	171	196
HW2053A*	5.34	3.15	4.41 <sup>+0.02</sup>	0.78	3.94	5.31	3.94	4.33	1.77	1.38	0.50	0.43	7.45	8.32
	136	80	112 <sup>+0.5</sup>	19.8	100	135	100	110	45	35	12.7	11.0	189	211
HW2063A*	6.26	3.17	5.51 <sup>+0.02</sup>	1.02	5.12	6.30	5.12	5.12	2.36	1.57	0.56	0.53	9.18	9.83
	159	81	140 <sup>+0.5</sup>	25.9	130	160	130	130	60	40	14	13.5	233	250
HW2073A*	7.28	4.04	7.09 <sup>+0.04</sup>	.53	5.32	7.68	5.32	5.91	2.95	2.76	0.93	0.69	11.79	12.57
	185	103	180 <sup>+0.1</sup>	13.5	135	195	135	150	75	70	24	17.5	299	319

### GEARCASE

MODEL	QB	WG	XB	XC	XJ	XK
HW2043A*	2.95	2.30	-	0.63	3.56	2.952
	75	58.4	M8 X 1.25	16.0	90.4	74.98
HW2053A*	3.15	2.85	-	0.63	3.88	3.228
	80	72.4	M8 X 1.25	16.0	98.6	81.99
HW2063A*	4.17	3.20	-	0.66	4.75	4.002
	106	81.2	M10 X 1.5	16.7	120.7	101.7
HW2073A*	4.92	3.98	-	0.95	5.38	4.331
	125	101	M12 X 1.75	24.1	136.6	110.00

### OUTPUT SHAFT

U	UY	V	VO	KEY	M
1.000 <sup>+0.001</sup>	1.10	1.97	0.25	1/4 x 1/4 x 1-5/16	3/8 -16 x .87
-	-	50.0	6.4	-	-
1.250 <sup>+0.001</sup>	1.36	2.36	0.29	1/4 x 1/4 x 1-11/16	1/2 -13 x 1.13
-	-	59.9	7.4	-	-
1.375 <sup>+0.001</sup>	1.51	2.82	0.40	5/16 x 5/16 x 1-3/4	1/2 -13 x 1.13
-	-	71.6	10.2	-	-
1.750 <sup>+0.001</sup>	1.91	3.54	0.43	3/8 x 3/8 x 2-1/4	5/8 -11 x 1.38
-	-	89.9	10.9	-	-

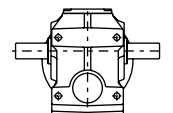
### INPUT SHAFT

MODEL	FU	FZ	FV	FO	KEY
HW2043A*	0.500 <sup>+0.0005</sup>	0.55	1.50	---	1/8 x 1/8 x 1-1/4
	-	-	-	-	-
HW2053A*	0.500 <sup>+0.0005</sup>	0.55	1.50	---	1/8 x 1/8 x 1-1/4
	-	-	-	-	-
HW2063A*	0.750 <sup>+0.0005</sup>	0.82	1.57	0.25	3/16 x 3/16 x 1-1/16
	-	-	-	-	-
HW2073A*	0.750 <sup>+0.0005</sup>	0.82	1.57	0.25	3/16 x 3/16 x 1-1/16
	-	-	-	-	-

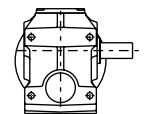
### INPUT/GEARCASE

BC	C
7.32	12.04
186	306
7.32	12.64
186	321
9.29	16.22
236	412
11.20	18.48
284	469

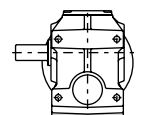
\*OUTPUT STYLES



D: DOUBLE EXT.



L: LEFT EXT.



R: RIGHT EXT.

DIMENSIONS SHOWN ARE FOR REFERENCE ONLY.

DOWNLOAD AVAILABLE CAD MODELS AT: [WWW.HUBCITYINC.COM](http://WWW.HUBCITYINC.COM)

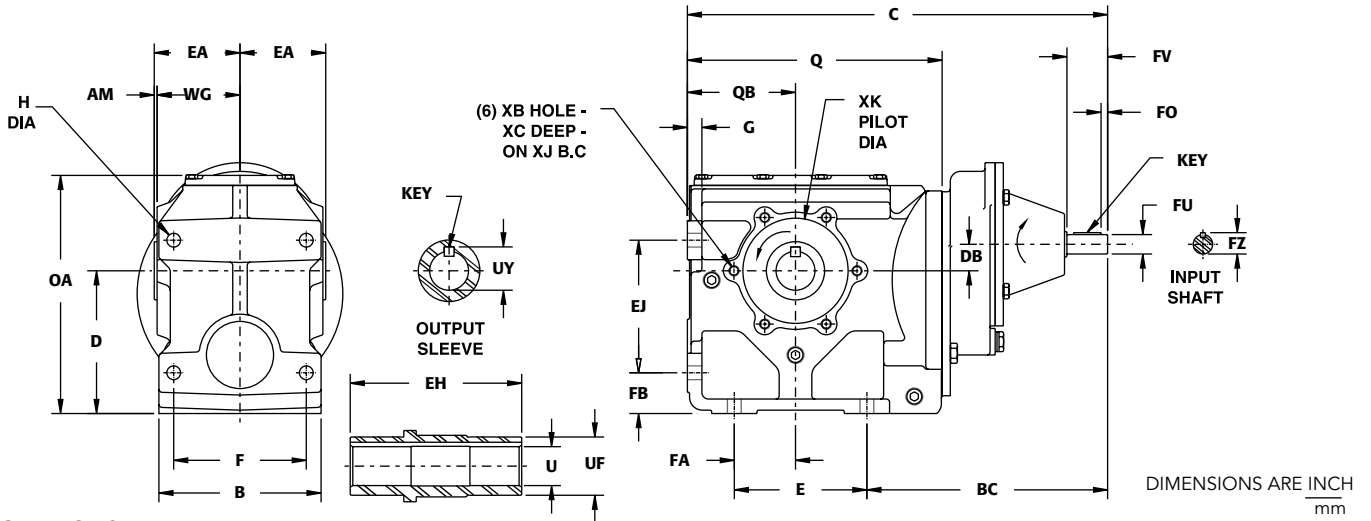


FOR SAFETY AND TO COMPLY WITH LOCAL AND NATIONAL SAFETY CODES, THE PURCHASER OR USER MUST PROVIDE PROTECTIVE GUARDS OVER ALL SHAFT EXTENSIONS AND DEVICES MOUNTED THEREON.

# Hub City Poweratio® 2000 Helical Worm Drives

## Triple Reduction

Poweratio® 2000 Helical Worm Drives



### GEARCASE

MODEL	AM	B	D	DB	E	EA	EJ	F	FA	FB	G	H	OA	Q
HW2043AS	0.07 1.8	4.72 120	3.94 <sup>+0</sup> <sub>-0.02</sub> 100 <sup>+0</sup> <sub>-0.5</sub>	1.27 32.2	3.15 80	2.36 60	3.15 80	3.94 100	1.38 35	1.38 35	0.50 13	0.43 11.0	6.72 171	7.72 196
HW2053AS	0.10 2.5	5.34 136	4.41 <sup>+0</sup> <sub>-0.02</sub> 112 <sup>+0</sup> <sub>-0.5</sub>	0.78 19.8	3.94 100	2.96 75	3.94 100	4.33 110	1.77 45	1.38 35	0.50 12.7	0.43 11.0	7.45 189	8.32 211
HW2063AS	0.11 2.8	6.26 159	5.51 <sup>+0</sup> <sub>-0.02</sub> 140 <sup>+0</sup> <sub>-0.5</sub>	1.02 25.9	5.12 130	3.31 84	5.12 130	5.12 130	2.36 60	1.57 40	0.56 14	0.53 13.5	9.18 233	9.83 250
HW2073AS	0.16 4.1	7.28 185	7.09 <sup>+0</sup> <sub>-0.04</sub> 180 <sup>+0</sup> <sub>-1</sub>	.53 13.5	5.32 135	4.14 105	5.32 135	5.91 150	2.95 75	2.76 70	0.93 24	0.69 17.5	11.79 299	12.57 319

### GEARCASE

MODEL	QB	WG	XB	XC	XJ	XK
HW2043AS	2.95 75	2.30 58.4	- M8 X 1.25	0.63 16.0	3.56 90.4	2.952 74.98
HW2053AS	3.15 80	2.85 72.4	- M8 X 1.25	0.63 16.0	3.88 98.6	3.228 81.99
HW2063AS	4.17 106	3.20 81.2	- M10 X 1.5	0.66 16.7	4.75 120.7	4.002 101.7
HW2073AS	4.92 125	3.98 101	- M12 X 1.75	0.95 24.1	5.38 136.6	4.331 110.00

### OUTPUT SLEEVE

MODEL	EH	U	UF	UY	KEY
HW2043AS	4.72 -	1.250 <sup>+0.0025</sup> <sub>-0</sub> -	1.77 -	1.37 -	(2) 1/4 x 1/4 x 1-5/16 -
HW2053AS	5.91 -	1.375 <sup>+0.0025</sup> <sub>-0</sub> -	1.97 -	1.52 -	(2) 5/16 x 5/16 x 1-3/4 -
HW2063AS	6.62 -	1.500 <sup>+0.0025</sup> <sub>-0</sub> -	2.25 -	1.67 -	(2) 3/8 x 3/8 x 2-1/4 -
HW2073AS	8.27 -	2.000 <sup>+0.0025</sup> <sub>-0</sub> -	2.75 -	2.22 -	(2) 1/2 x 1/2 x 2-5/8 -

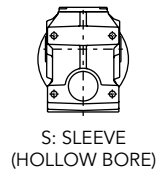
### INPUT SHAFT

MODEL	FU	FZ	FV	FO	KEY
HW2043AS	0.500 <sup>+0</sup> <sub>-0.0005</sub> -	0.55 -	1.50 -	--- -	1/8 x 1/8 x 1-1/4 -
HW2053AS	0.500 <sup>+0</sup> <sub>-0.0005</sub> -	0.55 -	1.50 -	--- -	1/8 x 1/8 x 1-1/4 -
HW2063AS	0.750 <sup>+0</sup> <sub>-0.0005</sub> -	0.82 -	1.57 -	0.25 -	3/16 x 3/16 x 11/16 -
HW2073AS	0.750 <sup>+0</sup> <sub>-0.0005</sub> -	0.82 -	1.57 -	0.25 -	3/16 x 3/16 x 1-1/16 -

### INPUT/GEARCASE

MODEL	BC	C
HW2043AS	7.32 186	12.04 306
HW2053AS	7.32 186	12.64 321
HW2063AS	9.29 236	16.22 412
HW2073AS	11.20 284	18.48 469

### OUTPUT STYLE



DIMENSIONS SHOWN ARE FOR REFERENCE ONLY.  
 DOWNLOAD AVAILABLE CAD MODELS AT: [WWW.HUBCITYINC.COM](http://WWW.HUBCITYINC.COM)



Select hollow output bore models in this product line are now available with the HubLoc® Keyless Bushing System. Refer to pages i and ii at front of this catalog for features, available sizes, and ordering information.



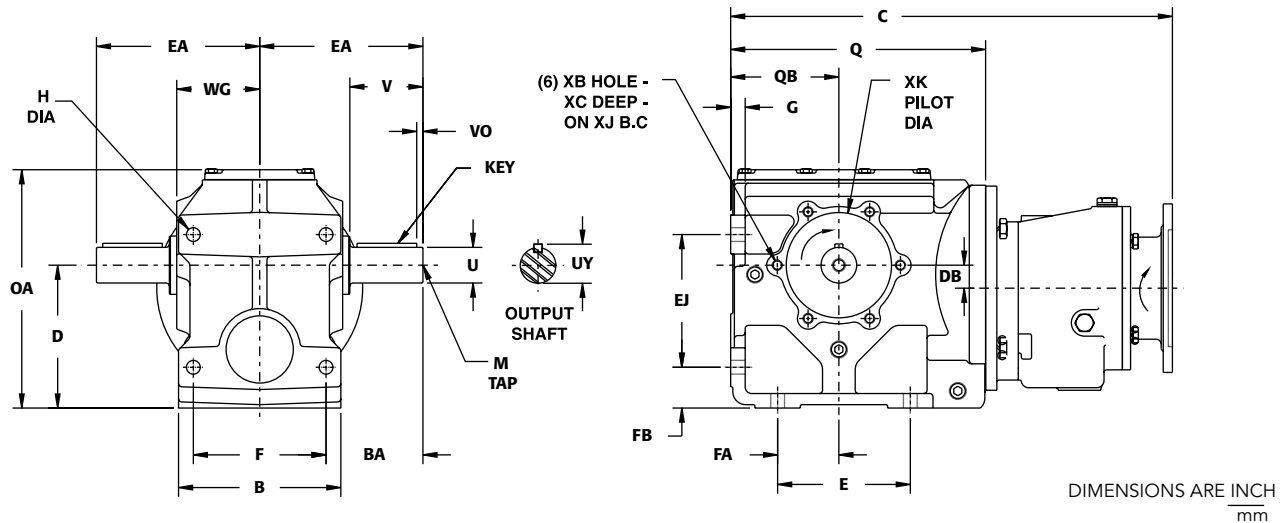
FOR SAFETY AND TO COMPLY WITH LOCAL AND NATIONAL SAFETY CODES, THE PURCHASER OR USER MUST PROVIDE PROTECTIVE GUARDS OVER ALL SHAFT EXTENSIONS AND DEVICES MOUNTED THEREON.

EMAIL: [hubsales@regalbeloit.com](mailto:hubsales@regalbeloit.com) • [www.hubcityinc.com](http://www.hubcityinc.com)



# Hub City Poweratio® 2000 Helical Worm Drives

## Quad Reduction



### GEARCASE

MODEL	B	BA	D	DB	E	EA	EJ	F	FA	FB	G	H	OA	Q
HW2064E_*	6.26	3.17	5.51 <sup>+0.02</sup>	0.89	5.12	6.30	5.12	5.12	2.36	1.57	0.56	0.53	9.18	9.83
	159	81	140 <sup>+0.5</sup>	22.6	130	160	130	130	60	40	14	13.5	233	250
HW2074E_*	7.28	4.04	7.09 <sup>+0.04</sup>	1.38	5.32	7.68	5.32	5.91	2.95	2.76	0.93	0.69	11.79	12.57
	185	103	180 <sup>+0.1</sup>	35.0	135	195	135	150	75	70	24	17.5	299	319

### GEARCASE

MODEL	QB	WG	XB	XC	XJ	XK
HW2064E_*	4.17	3.20	-	0.66	4.75	4.002
	106	81.2	M10 X 1.5	16.7	120.7	101.7
HW2074E_*	4.92	3.98	-	0.95	5.38	4.331
	125	101	M12 X 1.75	24.1	136.6	110.00

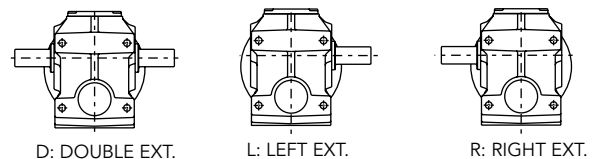
### OUTPUT SHAFT

U	UY	V	VO	KEY	M
1.375 <sup>+0.001</sup>	1.51	2.82	0.40	5/16 x 5/16 x 1-3/4	1/2-13 x 1.13
-	-	7.16	10.2	-	-
1.750 <sup>+0.001</sup>	1.91	3.54	0.43	3/8 x 3/8 x 2-1/4	5/8-11 x 1.38
-	-	89.9	10.9	-	-

### MOTOR COMPATIBILITY - NEMA

MODEL		NEMA	
		56C	143TC 145TC
HW2064E_*	C	17.77	17.77
		451	451
HW2074E_*	C	20.91	20.91
		531	531

### \*OUTPUT STYLES



DIMENSIONS SHOWN ARE FOR REFERENCE ONLY.

DOWNLOAD AVAILABLE CAD MODELS AT: [WWW.HUBCITYINC.COM](http://WWW.HUBCITYINC.COM)

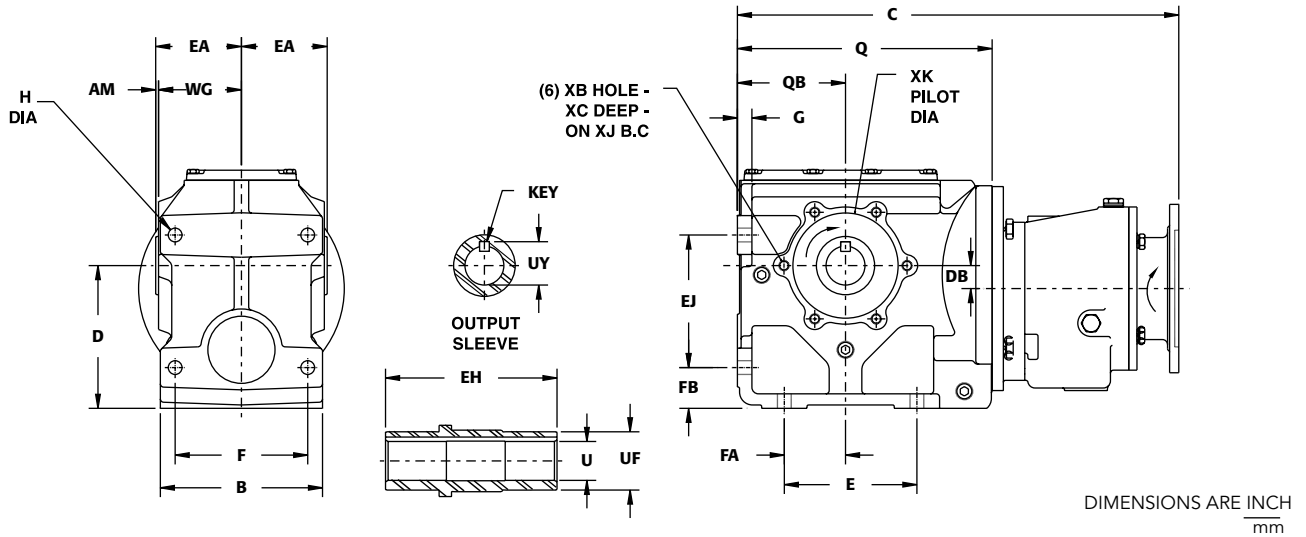


FOR SAFETY AND TO COMPLY WITH LOCAL AND NATIONAL SAFETY CODES, THE PURCHASER OR USER MUST PROVIDE PROTECTIVE GUARDS OVER ALL SHAFT EXTENSIONS AND DEVICES MOUNTED THEREON.



# Hub City Poweratio® 2000 Helical Worm Drives

## Quad Reduction



### GEARCASE

MODEL	AM	B	D	DB	E	EA	EJ	F	FA	FB	G	H	OA	Q
HW2064ES	0.11	6.26	5.51 <sup>+0.02</sup>	0.89	5.12	3.31	5.12	5.12	2.36	1.57	0.56	0.53	9.18	9.83
	2.8	159	140 <sup>+0.5</sup>	22.6	130	84	130	130	60	40	14	13.5	233	250
HW2074ES	0.16	7.28	7.09 <sup>+0.04</sup>	1.38	5.32	4.14	5.32	5.91	2.95	2.76	0.93	0.69	11.79	12.57
	4.1	185	180 <sup>+0.1</sup>	35.0	135	105	135	150	75	70	24	17.5	299	319

### GEARCASE

MODEL	QB	WG	XB	XC	XJ	XK
HW2064ES	4.17	3.20	-	0.66	4.75	4.002
	106	81.2	M10 X 1.5	16.7	120.7	101.7
HW2074ES	4.92	3.98	-	0.95	5.38	4.331
	125	101	M12 X 1.75	24.1	136.6	110.00

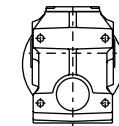
### OUTPUT SLEEVE

EH	U	UF	UY	KEY
6.62	1.500 <sup>+0.0025</sup>	2.25	1.67	(2) 3/8 x 3/8 x 2-1/4
-	-	-	-	-
8.27	2.000 <sup>+0.0025</sup>	2.75	2.22	(2) 1/2 x 1/2 x 2-5/8
-	-	-	-	-

### MOTOR COMPATIBILITY - NEMA

MODEL	NEMA	
	56C	143TC 145TC
HW2064ES	C	17.77
		451
HW2074ES	C	20.91
		531

\*OUTPUT STYLE



S: SLEEVE  
(HOLLOW BORE)

DIMENSIONS SHOWN ARE FOR REFERENCE ONLY.  
DOWNLOAD AVAILABLE CAD MODELS AT: [WWW.HUBCITYINC.COM](http://WWW.HUBCITYINC.COM)



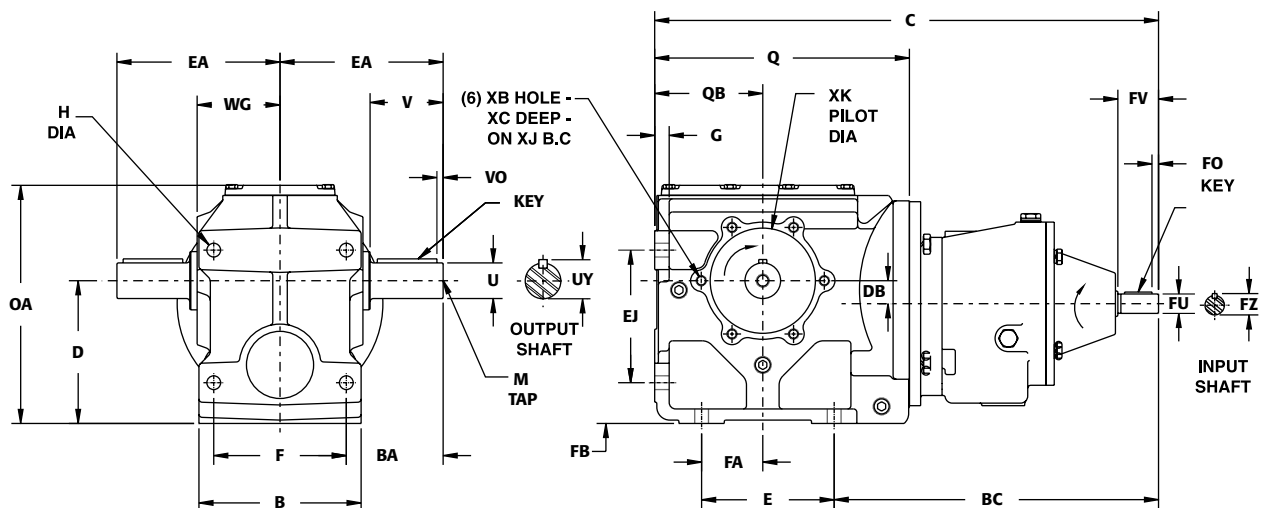
Select hollow output bore models in this product line are now available with the HubLoc® Keyless Bushing System. Refer to pages i and ii at front of this catalog for features, available sizes, and ordering information.



FOR SAFETY AND TO COMPLY WITH LOCAL AND NATIONAL SAFETY CODES, THE PURCHASER OR USER MUST PROVIDE PROTECTIVE GUARDS OVER ALL SHAFT EXTENSIONS AND DEVICES MOUNTED THEREON.

# Hub City Poweratio® 2000 Helical Worm Drives

## Quad Reduction



DIMENSIONS ARE INCH  
mm

### GEARCASE

MODEL	B	BA	D	DB	E	EA	EJ	F	FA	FB	G	H	OA	Q
HW2064A <sub>*</sub>	6.26	3.17	5.51 <sup>+0</sup> <sub>-.02</sub>	0.89	5.12	6.30	5.12	5.12	2.36	1.57	0.56	0.53	9.18	9.83
	159	81	140 <sup>+0</sup> <sub>-.5</sub>	22.6	130	160	130	130	60	40	14	13.5	233	250
HW2074A <sub>*</sub>	7.28	4.04	7.09 <sup>+0</sup> <sub>-.04</sub>	1.38	5.32	7.68	5.32	5.91	2.95	2.76	0.93	0.69	11.79	12.57
	185	103	180 <sup>+0</sup> <sub>-.1</sub>	35.0	135	195	135	150	75	70	24	17.5	299	319

### GEARCASE

MODEL	QB	WG	XB	XC	XJ	XK
HW2064A <sub>*</sub>	4.17	3.20	-	0.66	4.75	4.002
	106	81.2	M10 X 1.5	16.7	120.7	101.7
HW2074A <sub>*</sub>	4.92	3.98	-	0.95	5.38	4.331
	125	101	M12 X 1.75	24.1	136.6	110.00

### OUTPUT SHAFT

U	UY	V	VO	KEY	M
1.375 <sup>+0</sup> <sub>-.001</sub>	1.51	2.82	0.40	5/16 x 5/16 x 1-3/4	1/2-13 x 1.13
-	-	71.6	10.2	-	-
1.750 <sup>+0</sup> <sub>-.001</sub>	1.91	3.54	0.43	3/8 x 3/8 x 2-1/4	5/8-11 x 1.38
-	-	89.9	10.9	-	-

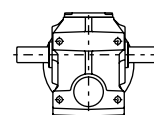
### INPUT SHAFT

MODEL	FU	FZ	FV	FO	KEY
HW2064A <sub>*</sub>	0.625 <sup>+0</sup> <sub>-.0005</sub>	NA	1.88	NA	3/16 x 3/16 x 1-1/16
HW2074A <sub>*</sub>	0.750 <sup>+0</sup> <sub>-.0005</sub>	0.82	1.57	0.25	3/16 x 3/16 x 1-1/16

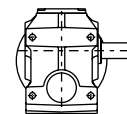
### INPUT/GEARCASE

BC	C
12.87	19.80
327	503
15.74	23.02
400	585

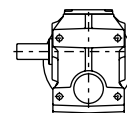
\*OUTPUT STYLES



D: DOUBLE EXT.



L: LEFT EXT.



R: RIGHT EXT.

DIMENSIONS SHOWN ARE FOR REFERENCE ONLY.

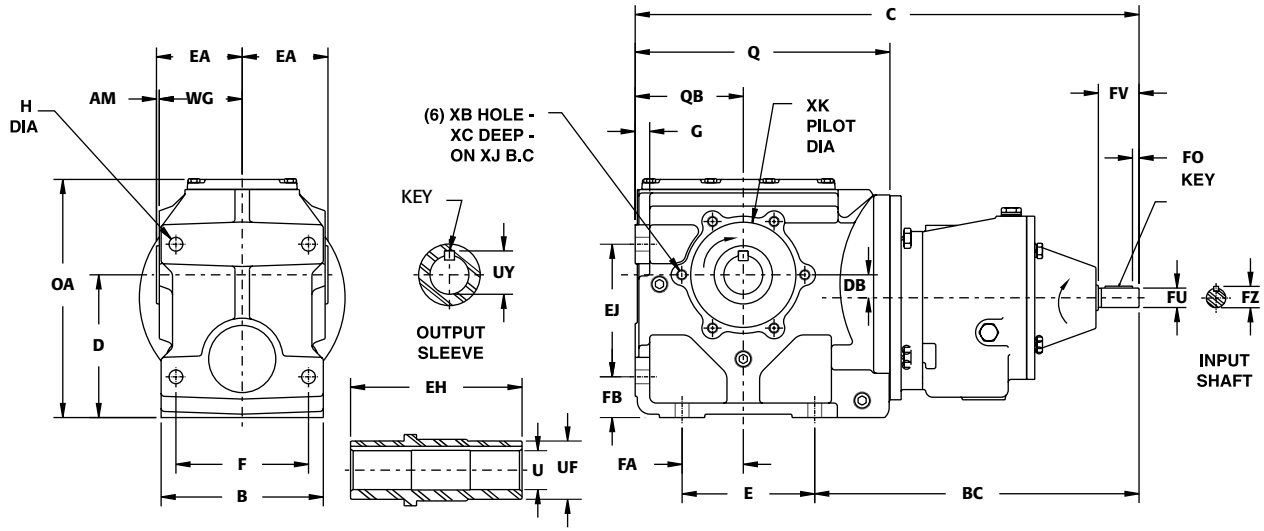
DOWNLOAD AVAILABLE CAD MODELS AT: [WWW.HUBCITYINC.COM](http://WWW.HUBCITYINC.COM)



FOR SAFETY AND TO COMPLY WITH LOCAL AND NATIONAL SAFETY CODES, THE PURCHASER OR USER MUST PROVIDE PROTECTIVE GUARDS OVER ALL SHAFT EXTENSIONS AND DEVICES MOUNTED THEREON.

# Hub City Poweratio® 2000 Helical Worm Drives

## Quad Reduction



DIMENSIONS ARE  $\frac{\text{INCH}}{\text{mm}}$

### GEARCASE

MODEL	AM	B	D	DB	E	EA	EJ	F	FA	FB	G	H	OA	Q
HW2064AS	0.11	6.26	5.51 <sup>+0</sup> <sub>-.02</sub>	0.89	5.12	3.31	5.12	5.12	2.36	1.57	0.56	0.53	9.18	9.83
	2.8	159	140 <sup>+0</sup> <sub>-.5</sub>	22.6	130	84	130	130	60	40	14	13.5	233	250
HW2074AS	0.16	7.28	7.09 <sup>+0</sup> <sub>-.04</sub>	1.38	5.32	4.14	5.32	5.91	2.95	2.76	0.93	0.69	11.79	12.57
	4.1	185	180 <sup>+0</sup> <sub>-.1</sub>	35.0	135	105	135	150	75	70	24	17.5	299	319

### GEARCASE

MODEL	QB	WG	XB	XC	XJ	XK
HW2064AS	4.17	3.20	-	0.66	4.75	4.002
	106	81.2	M10 X 1.5	16.7	120.7	101.7
HW2074AS	4.92	3.98	-	0.95	5.38	4.331
	125	101	M12 X 1.75	24.1	136.6	110.00

### OUTPUT SLEEVE

EH	U	UF	UY	KEY
6.62	1.500 <sup>+0.0025</sup> <sub>-.0</sub>	2.25	1.67	(2) 3/8 x 3/8 x 2-1/4
-	-	-	-	-
8.27	2.000 <sup>+0.0025</sup> <sub>-.0</sub>	2.75	2.22	(2) 1/2 x 1/2 x 2-5/8
-	-	-	-	-

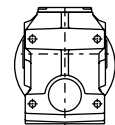
### INPUT SHAFT

MODEL	FU	FZ	FV	FO	KEY
HW2064AS	0.625 <sup>+0</sup> <sub>-.0005</sub>	NA	1.88	NA	3/16 x 3/16 x 1-1/16
	-	-	-	-	-
HW2074AS	0.750 <sup>+0</sup> <sub>-.0005</sub>	0.82	1.57	0.25	3/16 x 3/16 x 1-1/16
	-	-	-	-	-

### INPUT/GEARCASE

BC	C
12.87	19.80
327	503
15.74	23.02
400	585

### OUTPUT STYLE



S: SLEEVE (HOLLOW BORE)

DIMENSIONS SHOWN ARE FOR REFERENCE ONLY.

DOWNLOAD AVAILABLE CAD MODELS AT: [WWW.HUBCITYINC.COM](http://WWW.HUBCITYINC.COM)



Select hollow output bore models in this product line are now available with the HubLoc® Keyless Bushing System. Refer to pages i and ii at front of this catalog for features, available sizes, and ordering information.

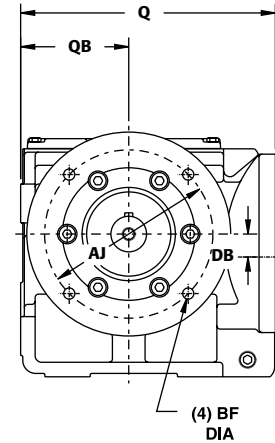
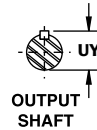
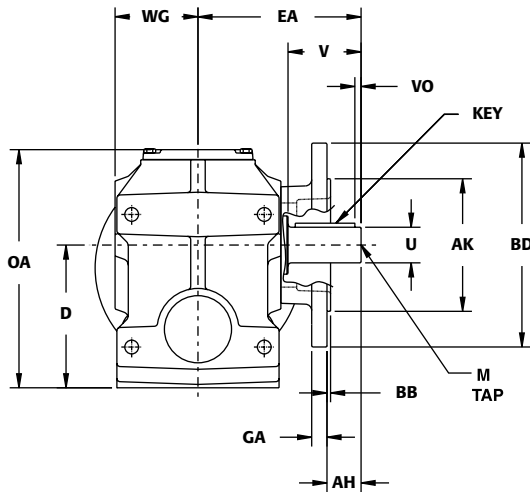


FOR SAFETY AND TO COMPLY WITH LOCAL AND NATIONAL SAFETY CODES, THE PURCHASER OR USER MUST PROVIDE PROTECTIVE GUARDS OVER ALL SHAFT EXTENSIONS AND DEVICES MOUNTED THEREON.

# Hub City Poweratio® 2000 Helical Worm Drives

## Accessory Kits

### Flange Mount Kit (Shown with Output Shaft)



DIMENSIONS ARE INCH  
mm

#### GEARCASE

SERIES	D	DB	EA	OA	Q	QB	WG
HW2040	3.94	0.23	4.53	6.72	7.72	2.95	2.30
	100	5.8	115	171	196	75	58.4
HW2050	4.41	0.72	5.31	7.45	8.32	3.15	2.85
	112	18.2	135	189	211	80	72.4
HW2060	5.51	0.89	6.30	9.18	9.83	4.17	3.20
	140	22.6	160	233	250	106	81.2
HW2070	7.09	1.38	7.68	11.79	12.57	4.92	3.98
	180	35.0	195	299	319	125	101

#### OUTPUT SHAFT

U	UY	V	VO	KEY	M
1.000 <sup>+0</sup> <sub>-.001</sub>	1.10	1.97	0.25	1/4 x 1/4 x 1-5/16	3/8-16 x .87
-	-	50.0	6.4	-	-
1.250 <sup>+0</sup> <sub>-.001</sub>	1.36	2.36	0.29	1/4 x 1/4 x 1-11/16	1/2-13 x 1.13
-	-	59.9	7.4	-	-
1.375 <sup>+0</sup> <sub>-.001</sub>	1.51	2.82	0.40	5/16 x 5/16 x 1-3/4	1/2-13 x 1.13
-	-	7.16	10.2	-	-
1.750 <sup>+0</sup> <sub>-.001</sub>	1.91	3.54	0.43	3/8 x 3/8 x 2-1/4	5/8-11 x 1.38
-	-	89.9	10.9	-	-

#### FLANGE

SERIES	AH	AJ	AK	BB	BD	BF	GA
HW2040	1.23	5.12	4.331 <sup>+0</sup> <sub>-.002</sub>	0.14	6.30	0.34	0.37
	31	130	110 <sup>-.003</sup> <sub>-.054</sub>	3.5	160	8.6	9.4
HW2050	1.38	6.50	5.118 <sup>+0</sup> <sub>-.002</sub>	0.14	7.87	0.43	0.47
	35	165	130 <sup>-.003</sup> <sub>-.054</sub>	3.5	200	11	12
HW2060	1.32	6.50	5.118 <sup>+0</sup> <sub>-.002</sub>	0.14	7.87	0.43	0.59
	34	165	130 <sup>-.003</sup> <sub>-.054</sub>	3.5	200	11	15
HW2070	1.76	8.46	7.087 <sup>+0</sup> <sub>-.002</sub>	0.16	9.84	0.53	0.59
	45	215	180 <sup>+.010</sup> <sub>-.041</sub>	4	250	13.5	15

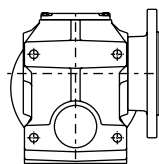
#### FLANGE MOUNT KIT

SERIES	KIT NUMBER	WEIGHT
HW2040	0259-00013	7 lbs.
HW2050	0259-00010	11 lbs.
HW2060	0259-00012	11 lbs.
HW2070	0259-00014	17 lbs.

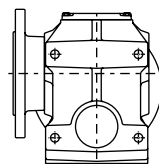
FLANGE MOUNT KITS ARE DESIGNED TO BE INSTALLED BY THE CUSTOMER.

CONSULT FACTORY IF FLANGE MOUNT KIT IS GOING TO BE INSTALLED ON NON-SHAFT EXTENSION SIDE.

IF FLANGE MOUNT KIT IS TO BE FACTORY ASSEMBLED TO UNIT A MOUNTING LOCATION MUST BE SPECIFIED AS SHOWN:



FL



FR

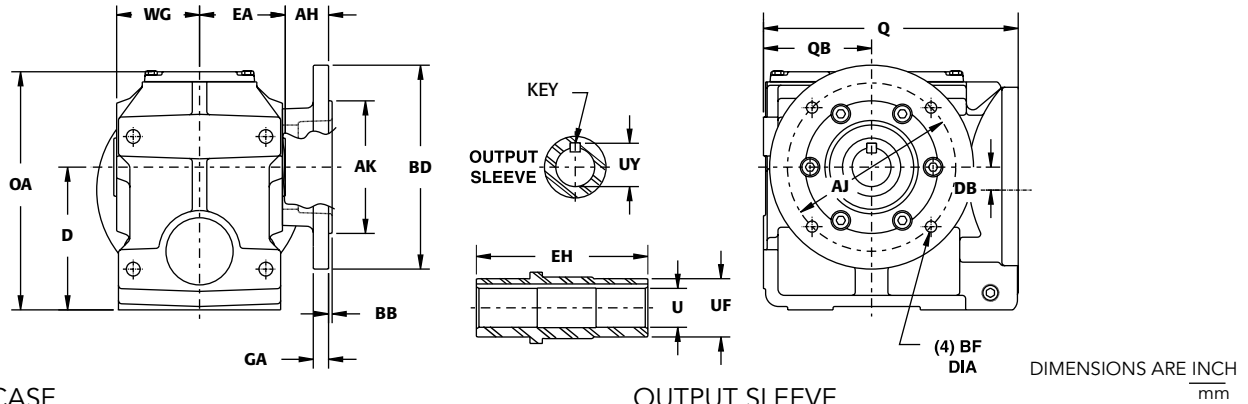


FOR SAFETY AND TO COMPLY WITH LOCAL AND NATIONAL SAFETY CODES, THE PURCHASER OR USER MUST PROVIDE PROTECTIVE GUARDS OVER ALL SHAFT EXTENSIONS AND DEVICES MOUNTED THEREON.

# Hub City Poweratio® 2000 Helical Worm Drives

## Accessory Kits

### Flange Mount Kit (Shown with Output Sleeve)



#### GEARCASE

SERIES	D	DB	EA	OA	Q	QB	WG
HW2040	3.94	0.23	2.36	6.72	7.72	2.95	2.30
	100	5.8	60	171	196	75	58.4
HW2050	4.41	0.72	2.96	7.45	8.32	3.15	2.85
	112	18.2	75	189	211	80	72.4
HW2060	5.51	0.89	3.31	9.18	9.83	4.17	3.20
	140	22.6	84	233	250	106	81.2
HW2070	7.09	1.38	4.14	11.79	12.57	4.92	3.98
	180	35.0	105	299	319	125	101

#### OUTPUT SLEEVE

EH	U	UF	UY	KEY
4.72	1.250 <sup>+0.025</sup> <sub>0</sub>	1.77	1.37	(2) 1/4 x 1/4 x 1-5/16
-	-	-	-	-
5.91	1.375 <sup>+0.025</sup> <sub>0</sub>	1.97	1.52	(2) 5/16 x 5/16 x 1-3/4
-	-	-	-	-
6.62	1.500 <sup>+0.025</sup> <sub>0</sub>	2.25	1.67	(2) 3/8 x 3/8 x 2-1/4
-	-	-	-	-
8.27	2.000 <sup>+0.025</sup> <sub>0</sub>	2.75	2.22	(2) 1/2 x 1/2 x 2-5/8
-	-	-	-	-

#### FLANGE

SERIES	AH	AJ	AK	BB	BD	BF	GA
HW2040	.94	5.12	4.331 <sup>+0</sup> <sub>-.002</sub>	0.14	6.30	0.34	0.37
	24	130	110 <sup>-.003</sup> <sub>-.054</sub>	3.5	160	8.6	9.4
HW2050	.97	6.50	5.118 <sup>+0</sup> <sub>-.002</sub>	0.14	7.87	0.43	0.47
	25	165	130 <sup>-.003</sup> <sub>-.054</sub>	3.5	200	11	12
HW2060	1.67	6.50	5.118 <sup>+0</sup> <sub>-.002</sub>	0.14	7.87	0.43	0.59
	42	165	130 <sup>-.003</sup> <sub>-.054</sub>	3.5	200	11	15
HW2070	1.78	8.46	7.087 <sup>+0</sup> <sub>-.002</sub>	0.16	9.84	0.53	0.59
	45	215	180 <sup>+0.10</sup> <sub>-.041</sub>	4	250	13.5	15

#### FLANGE MOUNT KIT

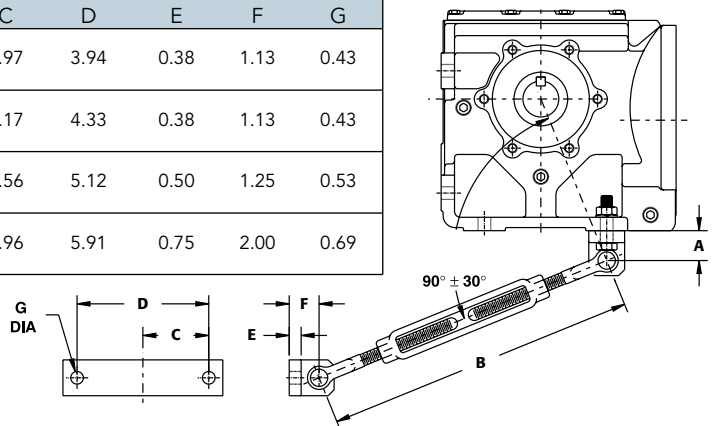
SERIES	KIT NO.	WEIGHT
HW2040	0259-00013	7 lbs.
HW2050	0259-00010	11 lbs.
HW2060	0259-00012	11 lbs.
HW2070	0259-00014	17 lbs.

FLANGE MOUNT KITS ARE DESIGNED TO BE INSTALLED BY THE CUSTOMER.

IF FLANGE MOUNT KIT IS TO BE FACTORY ASSEMBLED TO UNIT A MOUNTING LOCATION MUST BE SPECIFIED AS SHOWN ON PAGE L-44.

#### TORQUE ARM KIT

SERIES	KIT NUMBER	WEIGHT	A	B	C	D	E	F	G
HW2040	0259-00015	4 lbs.	1.13	12.50 MIN. 18.38 MAX.	1.97	3.94	0.38	1.13	0.43
HW2050	0259-00016	4 lbs.	1.13	12.50 MIN. 18.38 MAX.	2.17	4.33	0.38	1.13	0.43
HW2060	0259-00011	5.6 lbs.	1.25	12.50 MIN. 18.38 MAX.	2.56	5.12	0.50	1.25	0.53
HW2070	0259-00017	12.8 lbs.	2.00	14.88 MIN. 20.88 MAX.	2.96	5.91	0.75	2.00	0.69



**WARNING** FOR SAFETY AND TO COMPLY WITH LOCAL AND NATIONAL SAFETY CODES, THE PURCHASER OR USER MUST PROVIDE PROTECTIVE GUARDS OVER ALL SHAFT EXTENSIONS AND DEVICES MOUNTED THEREON.

# Hub City Poweratio® 2000 Helical Worm Drives

## Shipping Weights & Motor Compatibility

### \*\*Reducer Weights - Shaft Output Styles D, L, & R

MODEL	SOLID INPUT SHAFT (MOUNTING TYPE A)	C-FRAME QUILL INPUT (MOUNTING TYPE E)			
		56C	143TC 145TC	182TC 184TC	213TC 215TC
HW2042	45	47	47	52	--
HW2043	51	55	--	--	--
HW2052	51	53	53	58	--
HW2053	57	61	61	--	--
HW2062	84	87	87	93	--
HW2063	97	99	99	104	--
HW2064	103	105	105	--	--
HW2072	173	180	180	180	180
HW2073	192	194	194	200	--
HW2074	197	200	200	206	--

### \*\*Reducer Weights - Shaft Mount (Hollow Output Bore) Style S

MODEL	SOLID INPUT SHAFT (MOUNTING TYPE A)	C-FRAME QUILL INPUT (MOUNTING TYPE E)			
		56C	143TC 145TC	182TC 184TC	213TC 215TC
HW2042	43	45	45	50	--
HW2043	49	53	--	--	--
HW2052	48	50	50	55	--
HW2053	54	58	--	--	--
HW2062	81	84	84	90	--
HW2063	94	96	96	101	--
HW2064	100	102	102	--	--
HW2072	166	173	173	173	173
HW2073	185	187	187	192	--
HW2074	190	193	193	200	--

\*\* FOR MOTORIZED REDUCER WEIGHTS, ADD MOTOR WEIGHTS FROM ELECTRIC MOTOR CHARTS IN SECTION E TO REDUCER WEIGHTS SHOWN ON THIS PAGE.

\*\*FOR INTEGRAL GEARMOTOR WEIGHTS, FOLLOW INSTRUCTIONS ABOVE (WITH SIMILAR HP C-FACE MOTOR), AND MULTIPLY BY .95.

### Motor Compatibility - C-Frame Quill Reducers

MODEL	56C	143TC 145TC	182TC 184TC	213TC 215TC
HW2042	X	X	X	-
HW2043	X	-	-	-
HW2052	X	X	X	-
HW2053	X	-	-	-
HW2062	X	X	X	-
HW2063	X	X	X	-
HW2064	X	X	-	-
HW2072	X	X	X	X
HW2073	X	X	X	-
HW2074	X	X	X	-