



The world is in motion

- so are we



high quality technical rubber products

Ever since the Earth occupied its place in the universe our planet has been on a constant move. Nature and the human kind have been trying to establish and maintain a peaceful coexistence but Man himself, with his technical gadgets, creates the greatest obstacle to a harmonious symbiosis. Right from the invention of the wheel everything runs and moves, knocks and jolts, thumps and thuds, strikes and strucks, smashes and clashes, shakes and crashes, whangs and bangs, bumps and dumps, hits, wobbles, shocks and quavers – and above all: vibrates... under the surface and on the face of our beautiful and only Globe.

Man has obtained almost everything but had lost the precious treasure of the innocent times – silence...

We can help you to regain this invaluable asset as we can provide you the answer – the silent solution is at your reach: META-VULK.

The world is in motion – so are we.



Meta-Vulk, Hungary offers a vast variety of high quality technical rubber products - moulded rubber, rubber-to-metal bonded items and extruded sealing profiles: from vibration dampers to machine-feet, from cable lead-through to door stops, from pipe holders to truck bumpers. Automotive, household and heavy industry, building – and machine building industry, aerospace, military, naval, rail, road, mining industry are among our valued customers.

Make your choice from our standard program or honour us with your specific inquiry – we would be pleased to offer a solution from our product groups made of NR, SBR, NBR, EPDM, CR or SILICON with a hardness range of Sh 25 – 90.



The world of Meta-Vulk.

2015 / I.



International Certification

CERTIFICATE

The certifying location of Eupont Cert hereby certifies that it has audited the quality control system introduced by



Meta-Vulk Kft.
H-2038 Söskút, Ipari Park Hrsz. 3587/2

and operated in the area of

trading of technical rubber parts

and it has established that said system is compliant with the requirements of the EN ISO 9001:2008 Standard.



The certificate is valid until **30 April 2016**
The certificate remains valid subject to satisfactory surveillance audits.
Certificate registration No. **MR 464 13 EU**
Approved on **23 April 2013**



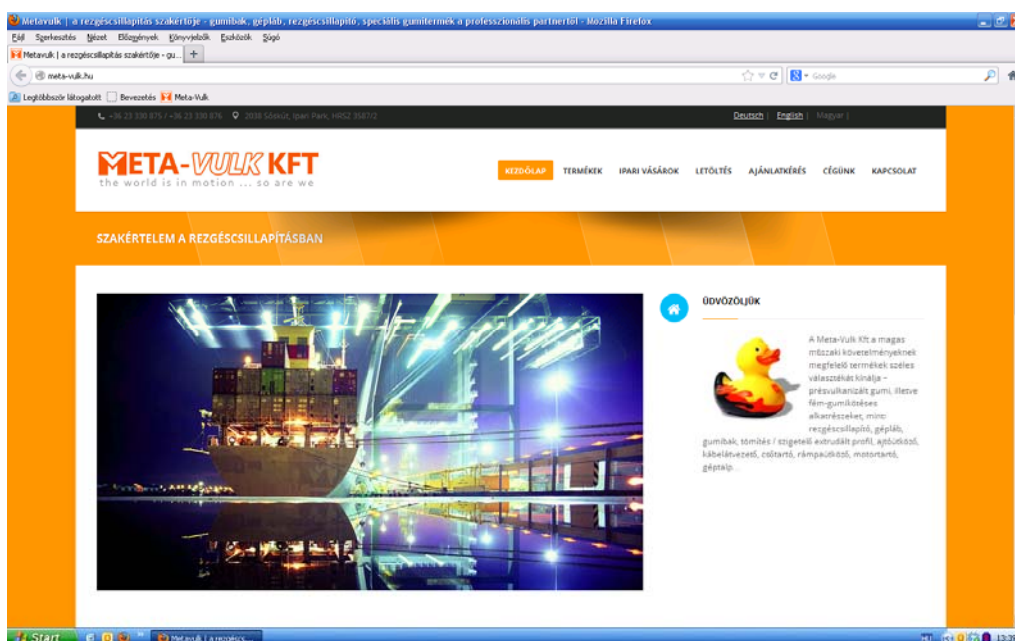
www.eupontcert.eu

General director



Visit our renewed website, so you can follow our daily updated catalogue and be informed of our events, exhibitions, novelties and daily offers.

www.meta-vulk



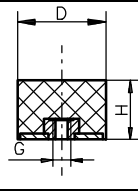
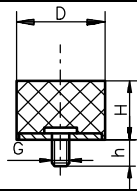
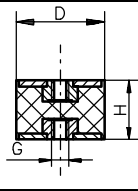
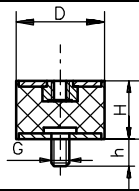
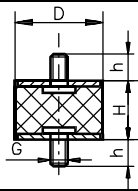
scan our QR code with your smartphone



STANDARD VIBRATION DAMPERS

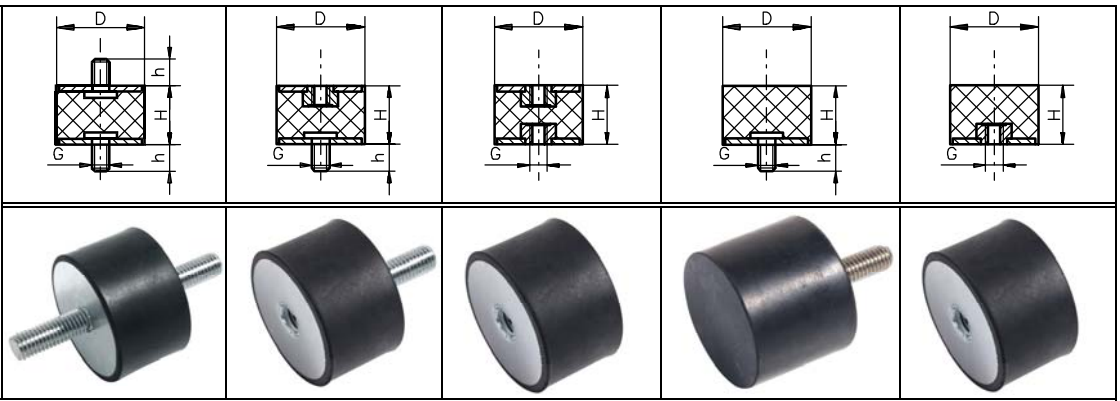
											
											
D	H	Type 1	Type 2	Type 3	Type 4	Type 5					
6	7	M3xh	M3xh/M3	M3	M3xh	M3					
8	5	M3xh	M3xh/M3	M3	M3xh	M3					
8	8										
8	10										
9	12	M3xh M4xh M5xh	M3xh/M3 M4xh/M4	M3 M4	M3xh M4xh M5xh	M3 M4 M5					
10	8	M3xh M4xh M5xh	M3xh/M3 M4xh/M4	M3	M3xh M4xh M5xh	M3 M4 M5					
10	10										
10	15										
10	17										
10	18										
10	30										
11	11	M3xh M4xh M5xh	M3xh/M3 M4xh/M4	M3 M4	M3xh M4xh M5xh	M3 M4 M5					
12	10	M3xh M4xh M5xh	M3xh/M3 M4xh/M4	M3	M3xh M4xh M5xh	M3 M4 M5					
13	26	M4xh M5xh	M4xh/M4 M5xh/M5 M6xh/M6	M3 M4 M5	M4xh M5xh M6xh	M3 M4					
15	4	M4xh M5xh	M4xh/M4 M5xh/M5	M3 M4 M5	M4xh	M3 M4 M5					
15	5										
15	6										
15	7										
15	8										
15	9										
15	10										
15	12										
15	13										
15	15										
15	20										
15	25										
15	30										
16	18				M4xh M5xh		M4xh/M4 M5xh/M5	M3 M4 M5	M4xh M5xh	M3 M4 M5	
20	5	M5xh M6xh M8xh	M5xh/M5 M6xh/M6	M5	M5xh	M5 M6					
20	8										
20	10										

G	h
M3	4,6,10
M4	6,8,10
M5	10,12,15
M6	6,8,10,12,15,18,20,23,28
M8	8,10,12,15,18,20,23,25,28,33



D	H	Type 1	Type 2	Type 3	Type 4	Type 5		
20	11	M5xh M6xh M8xh	M5xh/M5 M6xh/M6		M5xh/M5 M6xh/M6 M8h/M8	M5 M6 M8		
20	12							
20	13							
20	15		M5xh/M5 M6xh/M6 M8h/M8				M5	
20	17						M6	
20	20						M5	
20	23						M6	
20	25						M8	
20	30							
25	8	M6xh M6xh M8xh			M6xh M8xh	M6 M6 M8		
25	10							
25	12							
25	13							
25	14							
25	15						M6xh/M6 M8xh/M8	M6
25	17							M6 M8
25	18							
25	19							
25	20							
25	22							
25	25							
25	27							
25	28							
25	30							
26	22	M6xh M8xh	M6xh/M6 M8xh/M8	M6 M8	M6xh M8xh	M6 M8		
30	8	M6xh M8xh M10xh	M6xh/M6 M8xh/M8 M10xh/M10	M6 M6 M8 M8 M10	M6xh M8xh M10xh	M6 M6 M8 M10		
30	10							
30	12							
30	13							
30	15							
30	17							
30	18							
30	20							
30	22							
30	25							
30	30							
30	35							
30	45							
30	40							
40	10						M6xh M8xh M10xh	M6xh/M6 M8xh/M8 M10xh/M10
40	15							
40	20							
40	25							
40	27							
40	28							
40	30							

G	h
M5	10,12,15
M6	6,8,10,12,15,18,20,23,28
M8	8,10,12,15,18,20,23,25,28,33
M10	10,12,15,18,20,23,25,28,33,38,43



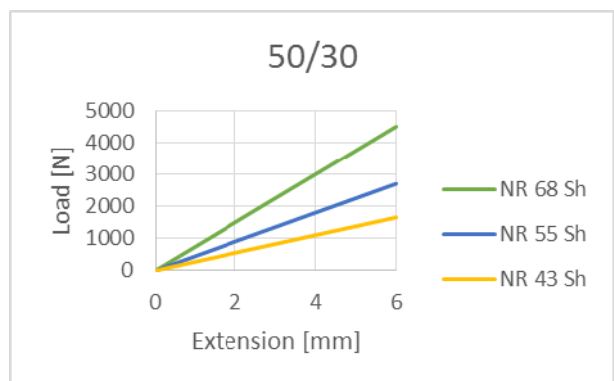
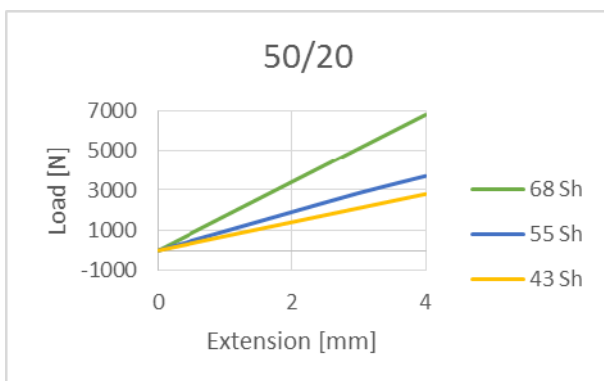
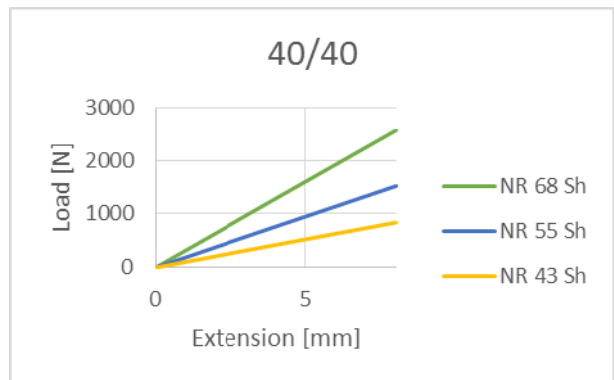
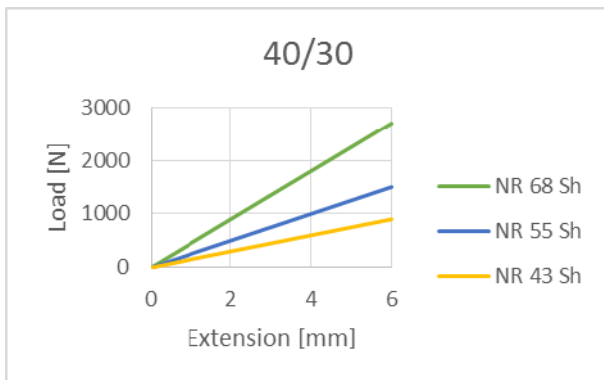
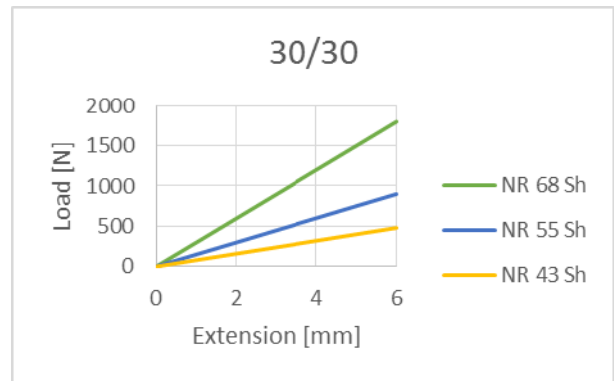
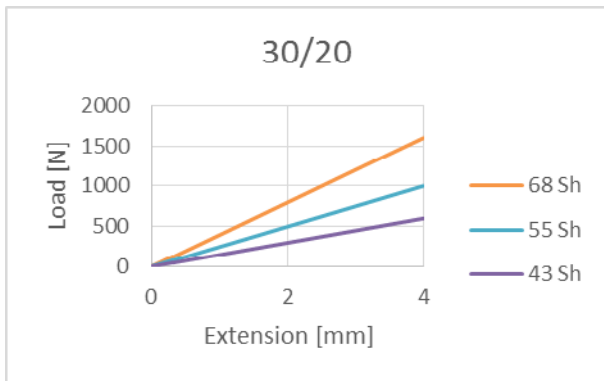
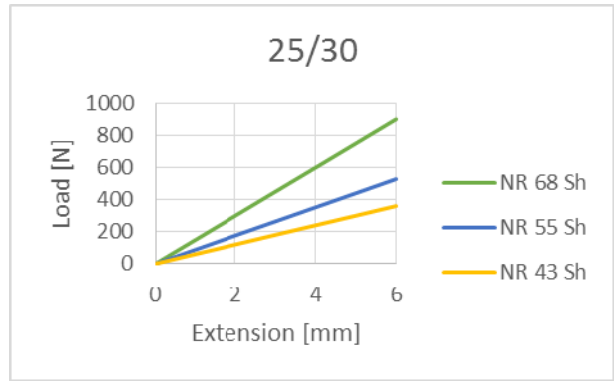
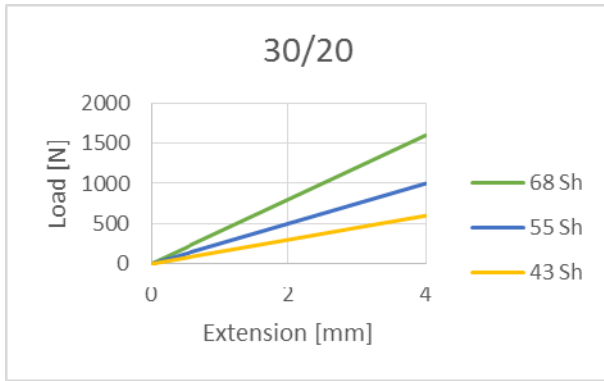
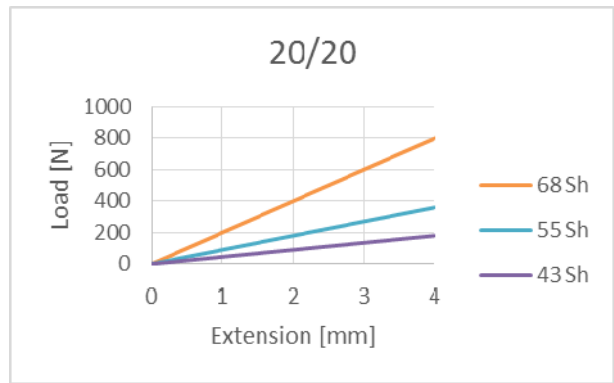
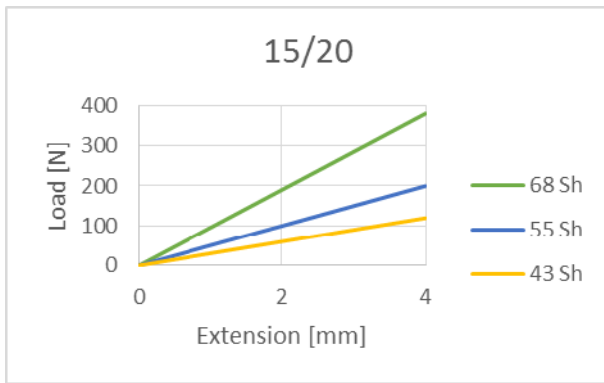
D	H	Type 1	Type 2	Type 3	Type 4	Type 5
40	35	M6xh	M6xh/M6	M6	M6xh	M6
40	38	M8xh	M8xh/M8	M8	M8xh	M8
40	40	M10xh	M10xh/M10	M10	M10xh	M10
40	45					
40	60					
50	7				M8xh	
50	9	M8xh			M10xh	
50	12				M8xh	M8
50	15	M8xh			M10xh	
50	17	M10xh			M12xh	M8
50	20	M12xh	M8xh/M8	M8		M10
50	21		M10xh/M10	M8		M12
50	25		M12xh/M12	M10		
50	27			M10		
50	28			M8		
50	30			M10		
50	35			M12		
50	37					
50	40					
50	42					
50	45					
50	50					
50	80					
60	15	M8xh			M8xh	M8
60	16	M10xh			M10xh	M10
60	20			M8	M12xh	M8
60	25	M8xh	M8xh/M8	M8		M10
		M10xh	M10xh/M10	M10		M12
60	30	M12xh	M8xh/M8	M8		
60	35		M10xh/M10	M10		
60	40		M12xh/M12	M12		
60	45					
60	50					
60	60					
65	35	M12xh	M12xh/M12	M12	M12xh	M12
70	20				M10xh	M10
70	25	M10xh		M10	M12xh	M12
70	30	M10xh	M10xh/M10	M10		
70	35	M12xh	M12xh/M12	M12		
70	40					
70	45					
70	50					
70	53					
70	55					
70	60					
70	70					

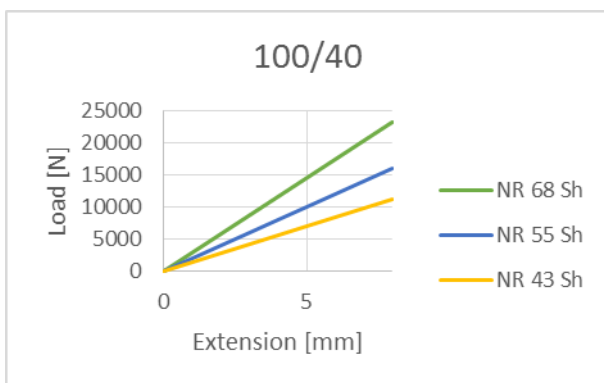
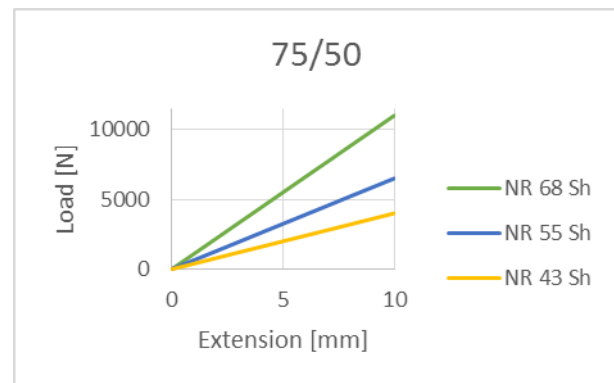
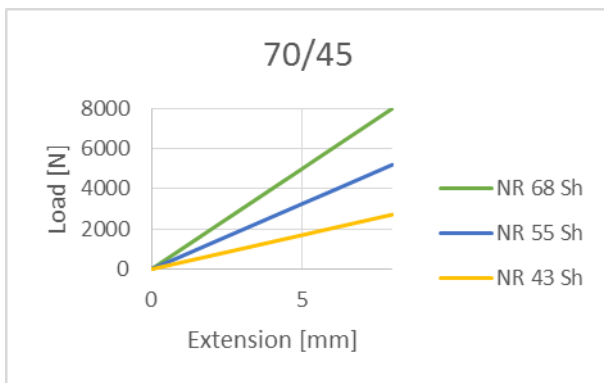
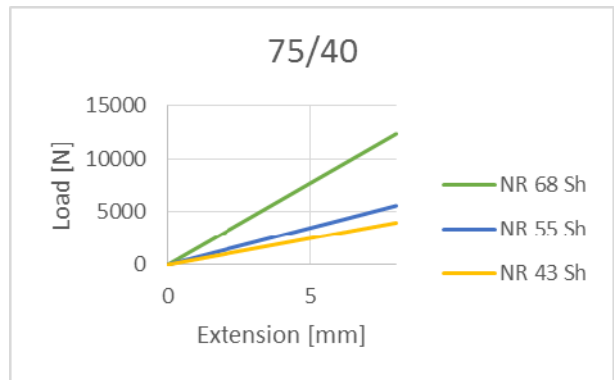
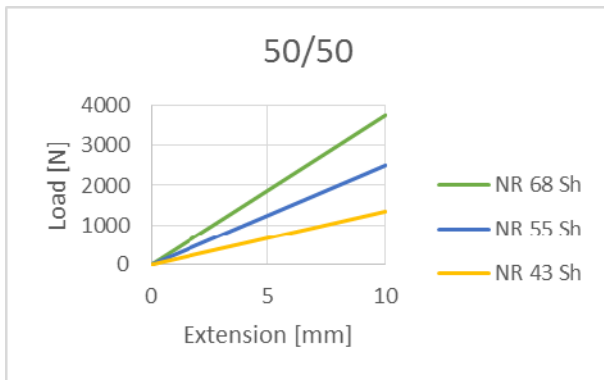
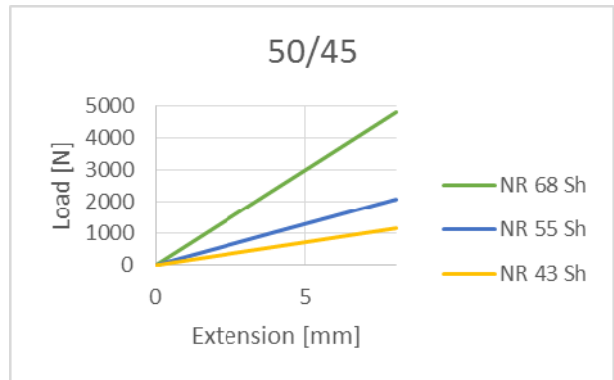
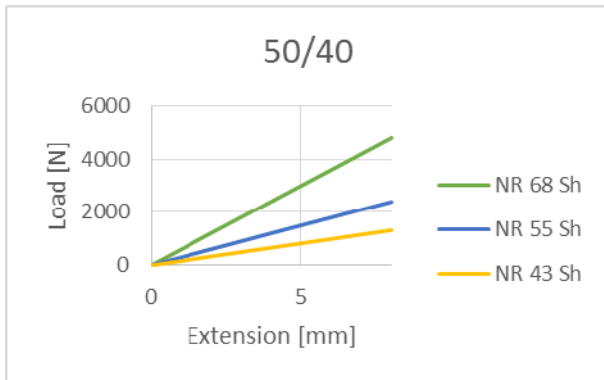
G	h
M6	6,8,10,12,15,18,20,23,28
M8	8,10,12,15,18,20,23,25,28,33
M10	10,12,15,18,20,23,25,28,33,38,43
M12	10,12,18,20,23,25,27,33,37,42

											
											
D	H	Type 1	Type 2	Type 3	Type 4	Type 5					
75	20				M10xh	M10					
75	25	M10xh	M10xh/M10	M10	M12xh	M12					
75	30	M12xh	M12xh/M12	M10							
75	35			M12							
75	40										
75	45										
75	50										
75	55										
75	60										
75	70										
75	100										
80	17	M10xh	M10xh/M10	M10	M10xh	M10					
80	18	M12xh	M12xh/M12	M12	M12xh	M12					
80	30	M14xh	M14xh/M16	M14	M14xh	M14					
80	40	M16xh	M14xh/M16	M16	M16xh	M16					
80	50										
80	55										
80	60										
80	65										
80	70										
80	75										
80	80										
90	60	M12xh	M12xh/M12	M12	M12xh	M12					
100	25	M12xh			M12xh						
100	30	M16xh			M16xh						
100	35			M12		M12					
100	40		M12xh/M12	M16		M16					
100	45		M16xh/M16								
100	50										
100	55										
100	60										
100	65										
100	70										
100	75										
100	80										
100	100										
150	50	M16xh		M16	M16xh	M16					
150	55	M20xh	M16xh/M16	M20	M20xh	M20					
150	60		M20xh/M20								
150	75										
200	100	M20xh	M20xh/M20	M20	M20xh	M20					

G	h
M10	10,12,15,18,20,23,25,28,33,38,43
M12	10,12,18,20,23,25,27,33,37,42
M16	26,36,41,46
M20	41,45

Bolt / nut sizes not indicated in the above chart might also be available





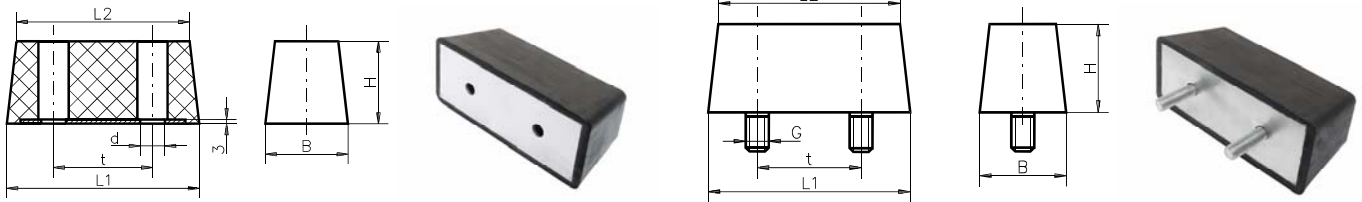
LOAD DATA

D	H	f [mm]	Fv [daN]		
			43Sh	57Sh	68Sh
8	8	0,4	0,7	1,6	4,5
		0,8	1,5	3,5	9
		1,2	2,5	5,5	14,5
10	10	0,6	1,2	2,5	7
		1,2	2,5	6	14,5
		1,6	3,5	8	20,5
15	8	0,4	3,5	7,5	21
		0,8	7,5	15,5	45
		1,2	12	25	74,5
15	15	0,8	2	4,5	12,5
		1,5	4	9,5	22,5
		2,5	7,5	17	40
20	15	1	5,5	13,5	28
		2	11,5	28,5	60
		2,5	15	37	77,5
20	20	1	3,5	8,5	18
		2,5	9	22,5	47,5
		3,5	13	32,5	70
25	15	1	9,5	23	48
		1,5	14,5	36	74,5
		2,5	26	64,5	134
25	20	1	5,5	14	29,5
		2,5	15	37	78
		3,5	22	54	114,5
30	15	1	16,5	29	89
		2	46	80	195
		2,5	61	104,5	256
30	20	1	10,5	21	49
		2,5	29	57	131,5
		3,5	43	84	194,5
30	30	1,5	8	17,5	39,5
		3	17	36,5	81,5
		5,3	31,5	67,5	152
40	30	1,5	16	33,5	74,5
		3	33	67	155,5
		5,3	62	130	291
40	40	2	13,5	30,5	67
		5	36	78	176,5
		7	53	116	256,5
50	20	1	44	89,5	183
		2	94,5	191	390
		3	153,5	308,5	627

D	H	f [mm]	Fv [daN]		
			43Sh	57Sh	68Sh
50	30	1,5	27,5	60	126
		3	58	125,5	263
		4,5	91,5	198	414,5
50	40	3	35	78,5	167
		6	74,5	167	354
		8	104,5	232,5	493
70	45	2	46	101	212,5
		5	122,5	210	563
		8	210,5	458	961
75	40	2	69	147,5	307,5
		4	145,5	247,5	646,5
		7	279,5	590,5	1227,5
75	55	1,5	29	64,5	137
		4,5	90,5	201,5	427,5
		7,5	158,5	352	743,5
100	40	2	176	358	734
		4	378,5	765	1560
		6	614	1233,5	2500
100	55	3	130	280	586,5
		6	276,5	591,5	1234
		9	442,5	942,5	1956
100	60	3	110	234	504,5
		6	231,5	502	1054
		10,5	440	949	1984,5
100	75	6	155	346	734
		12	333,5	741	1568
		16,5	487,5	1077,5	2279
150	55	3	414,5	915	1713,5
		6	892	1969,5	3659,5
		9	1452	3204,5	5902,5
150	60	3	336	745	1422,5
		7,5	925	2046,5	3771,5
		10,5	1391,5	3075	5775
150	75	4	282,5	634,5	1259,5
		10	771	1726	3401
		14	1152	2573,5	5042,5
200	100	6	540,5	1204	2504,5
		12	1150	2550	5302
		18	1846,5	4073,5	8467

RP-OG

RP-2G



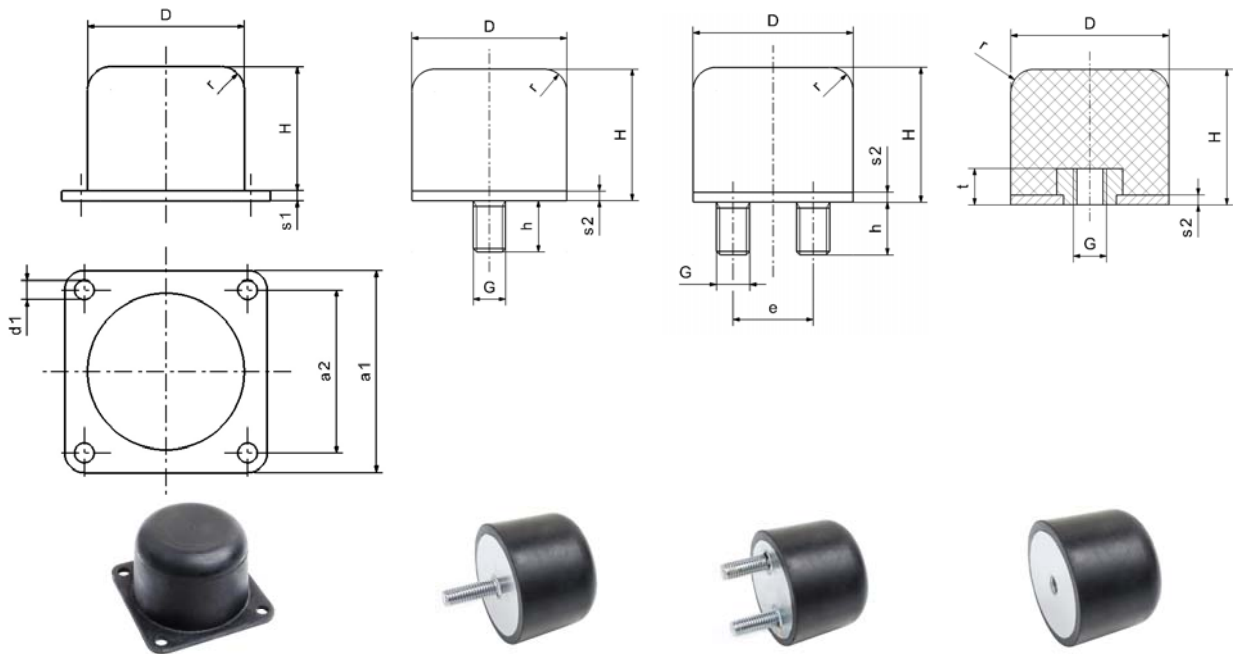
Type	L1	L2	B	H	t	G	d
150	150	136	60	60	70	M10x32	11
200	200	168	100	100	90	M12x36	13

GP-QP

GP-1G

GP-2G

GP-1I



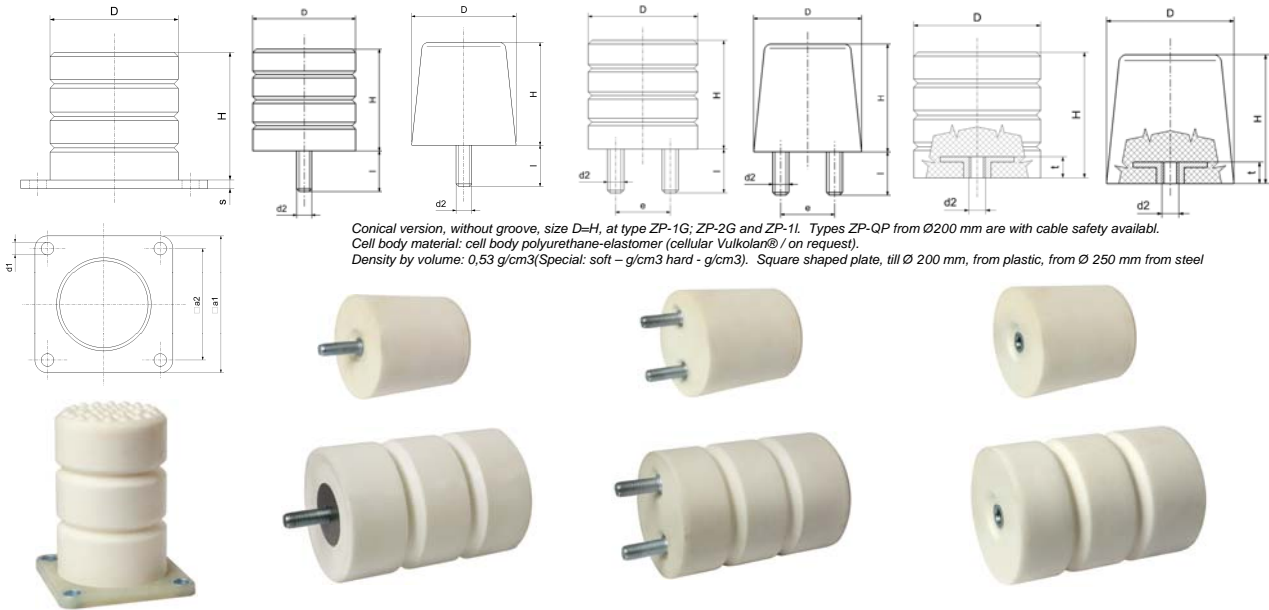
Type	D mm	H mm	Measurement										Load capacity		
			a1 mm	a2 mm	d mm	G mm	e mm	h mm	r mm	s1 mm	s2 mm	t mm	f mm	F kN	W J
40x32	40	32	50	40	5,5	M8	-	23	8	2	2	8	18	15	70
50x40	50	40	63	50	6,5	M10	-	28	10	3	2	10	22	24	140
63x50	63	50	80	63	6,5	M10	-	28	12,5	4	3	10	28	37,5	280
80x63	80	63	100	80	9	M12	-	37	18	5	3	12	35	60	560
100x80	100	80	125	100	9	M12	50	36	20	6	4	12	44	95	1120
125x100	125	100	160	125	11	M16	63	36	25	6	4	16	55	150	2240
160x125	160	125	200	160	11	M16	80	44	32	8	6	16	68	240	4400
200x160	200	160	250	200	13	M20	100	44	40	8	6	18	38	375	8800

ZP-QP

ZP-1G

ZP-2G

ZP-1I

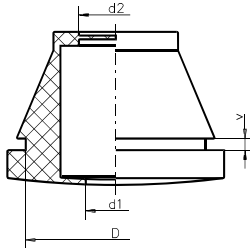


Type			Size									Load ¹		
Order id.	D mm	H mm	a1 mm	a2 mm	d1 mm	d2 mm	e mm	l mm	s mm	t mm	f mm	F kN	W J	
070x070	70	70	-	-	-	M12	-	35	-	-	52	30	330	
080x040	80	40	110	80	13	M12	-	35	10	12,5	30	40	200	
080x080 ²	80	80	110	80	13	M12	-	35	10	12,5	60	40	400	
080x120	80	120	100	80	13	M12	-	35	10	12,5	90	40	600	
100x050	100	50	125	100	13	M12	-	35	10	12,5	38	63	400	
100x100	100	100	125	100	13	M12	50	35	10	12,5	75	63	800	
100x150	100	150	125	100	13	M12	50	35	10	12,5	112	63	1200	
125x063	125	63	160	125	17	M12	-	35	12	12,5	47	100	750	
125x125 ²	125	125	160	125	17	M12	63	35	12	12,5	94	100	1500	
125x190	125	190	160	125	17	M12	63	35	12	12,5	142	100	3000	
160x080	160	80	200	160	17	M12	-	35	12	14	60	160	1600	
160x160 ²	160	160	200	160	17	M12	80	35	12	14	120	160	3200	
160x240	160	240	200	160	17	M12	80	35	12	14	180	160	4800	
200x100	200	100	250	200	21	M12	-	35	14	14	75	250	3150	
200x200 ²	200	200	250	200	21	M12	100	35	14	14	150	250	6300	
200x300	200	300	250	200	21	M12	100	35	14	14	225	250	9450	
250x125	250	125	315	250	21	M24	-	80	15	25	94	400	6000	
250x250	250	250	315	250	21	M24	125	80	15	25	188	400	12000	
250x375	250	375	315	250	21	M24	125	80	15	25	280	400	18000	
315x160	315	160	400	315	21	M24	-	80	15	25	120	630	12000	
315x315	315	315	400	315	21	M24	160	80	15	25	236	630	24000	
315x475	315	475	400	315	21	M24	160	80	15	25	356	630	36000	
400x200	400	200	500	400	25	M30	-	80	20	30	150	1000	24000	
400x400	400	400	500	400	25	M30	200	80	20	30	300	1000	48000	
400x600	400	600	500	400	25	M30	200	80	20	30	450	1000	72000	
500x250	500	250	600	500	25	-	-	-	20	-	188	1600	48000	
500x500	500	500	600	500	25	-	-	-	20	-	375	1600	96000	
500x750	500	750	600	500	25	-	-	-	20	-	563	1600	144000	
600x300	600	300	730	600	25	-	-	-	20	-	225	2000	63000	
600x600	600	600	730	600	25	-	-	-	20	-	450	2000	125000	
600x900	600	900	730	600	25	-	-	-	20	-	675	2000	188000	

1) Values for < 1 m/s and spring deflection f=0,75xH / load diagram on request.
 2) Types ZP-1G, ZP-2G and ZP-1I the shape is Conical.

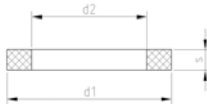
1J = 1Nm = 0,102 mkp

CABLE LEAD-THROUGH



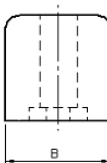
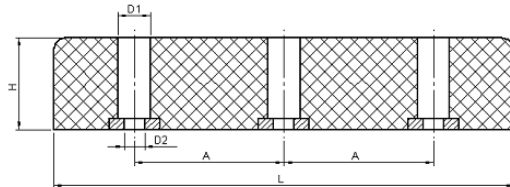
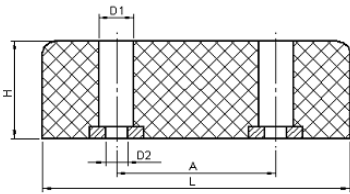
Type	d1	d2	D	v	H
5-7	4	4,5	16	1	18
7-10	6	7	18	2	20
10-14	8	9	23	2	24
14-20	13	14	28	2	26
20-26	16	19	38	3	24
26-35	21	25	48	3	28

BOLT-LOCK SEAL



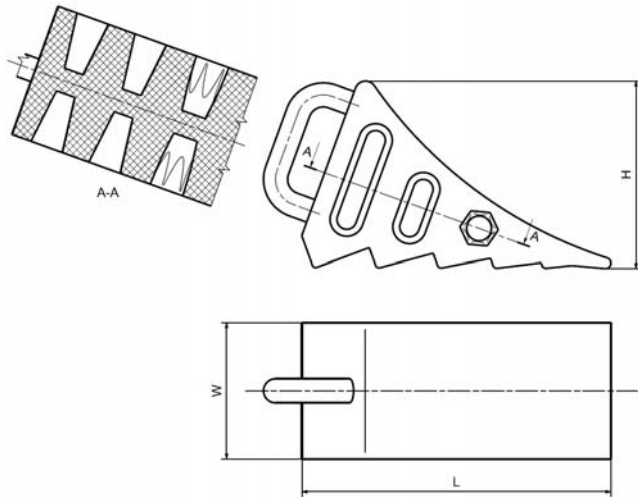
Type	d1	d2	S mm	DN(NA)
40/86	40	86	3	40
49/91,2	49	91,2	3	50
90/138	90	138	3	80
113/160	113	160	3	100
140/191	140	191	3	125
163/215	163	215	3	150
222/267	222	267	3	200
274/324	274	324	3	250
294/363	294	363	3	300
343/412	343	412	5,5	350
392/470	392	470	5,5	400
519/583	519	583	4	500
608/681	608	681	4,5	600

TAB



Type	H	L	B	Nr OF HOLES	A	D1	D2
TAB-1	15	125	40	2	60	19,7	8
TAB-2	40	125	40	2	60	19,8	8
TAB-3	50	125	43	2	60	20,3	8
TAB-4	70	125	43	2	60	19,8	8
TAB-5	60	200	52	2	120	26	10,5
TAB-6	80	200	52	2	120	26	10,5
TAB-7	60	300	52	3	115	26	10,5
TAB-8	80	300	52	3	115	26	10,5
TAB-9	60	400	52	3	165	26	10,5
TAB-10	80	400	52	3	165	26	10,5
TAB-11	60	315	35	3	125	21	10

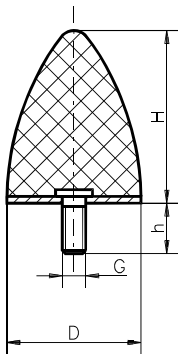
PEG



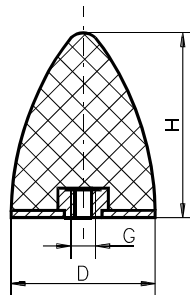
NK70 +/- 5 Shore

Type	W	H	L
PEG-S	100	105	165
PEG-B	100	145	228

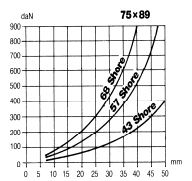
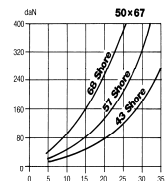
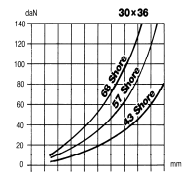
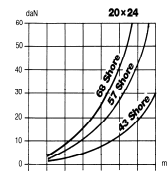
KP-D



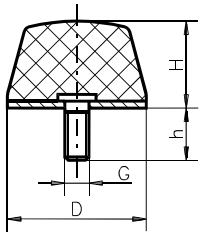
KP-E



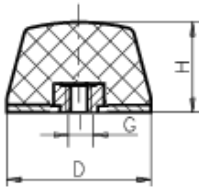
D/H	D	H	G	h
10/10	10	10	M5	12
15/22	15	22	M6	18
20/15	20	15	M6	10
20/24	20	24	M6	18
25/16	25	16	M6	18
25/20	25	20	M6	18
30/30	30	30	M8	20
30/36	30	36	M8	20
35/40	35	40	M8	23
50/50	50	50	M10	28
50/58	50	58	M10	28
50/61	50	61	M8	28
50/67	50	67	M8	33
50/68	50	68	M10	38
60/40	60	40	M10	28
70/58	70	58	M12	32
70/60	70	60	M12	37
75/89	75	89	M12	37
95/80	95	80	M16	41
115/136	115	136	M16	41
118/77	118	77	M16	41



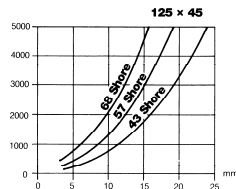
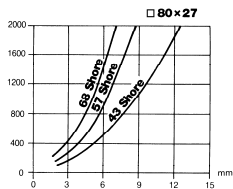
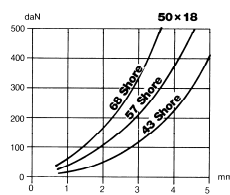
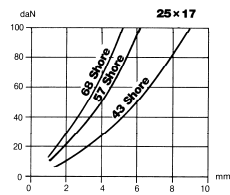
KD



KD-4

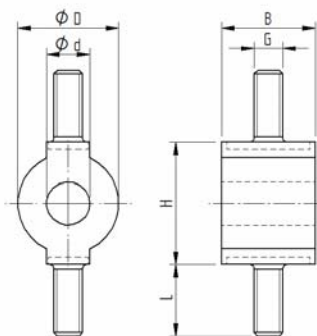


KD-5



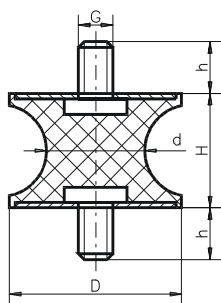
D/H	D	H	G	H
12/12	12	12	M4	10
14/6,3	14	6,3	M4	4
15/9	15	9	M5	12
15/12	15	12	M5	12
20/14	20	14	M6	18
20/16	20	16	M6	18
20/17	20	17	M6	18
22/8	22	8	M6	18
22/12	22	12	M6	18
25/12	25	12	M6	18
25/14	25	14	M4	10
25/17	25	17	M6	18
32/22	32	22	M8	23
35/40 Ballig	35	40	M8	23
38/35	38	35	M10	28
43/35	43	35	M10	28
43/50	43	50	M10	28
45/21	45	21	M8	46
50/18	50	18	M10	28
50/20	50	20	M10	28
□50/20	□50	20	M10	28
50/50	50	50	M10	28
60/40	60	40	M10	28
70/25	70	25	M12	37
□80/27	□80	27	M12	37
125/45	125	45	M16	45

O-BUFFER

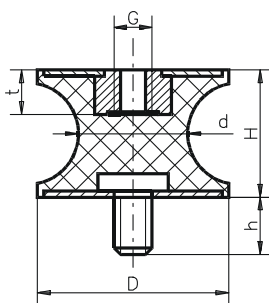


D/H	D	H	B	d	G	h	R
10,5/12,5	10,5	12,5	9,5	5,6	M4	10	5,25
14/17	14	17	13	6	M4	10	8,5
25/30	25	30	20	12	M5/5	14/6	12,5
36/40	36	40	26	17	M10	20	18

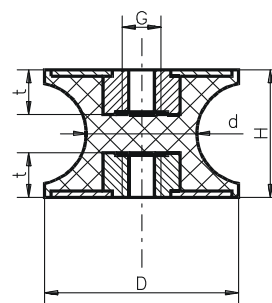
TP1



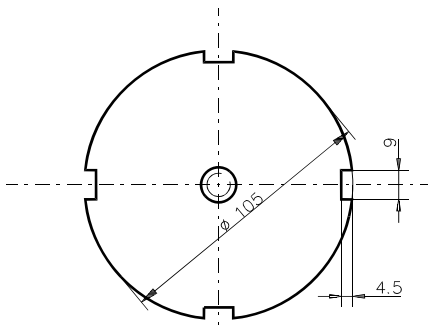
TP2



TP3

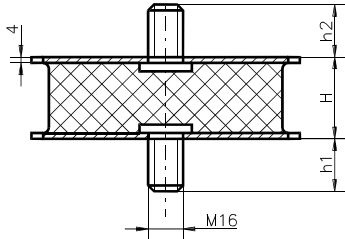


D/d-H	D	d	H	G	h	t
10/4,5-8	10	4,5	8	M3	6	3
10/8-10	10	8	10	M4	10	4
15/8,5-15	15	8,5	15	M4	10	4
15/12-15	15	12	15	M4	10	4
20/12-30	20	12	30	M6	18	6
20/14-15	20	14	15	M6	18	6
20/14-19	20	14	19	M4	10	4
20/14-30	20	14	30	M4	10	4
20/16-20	20	16	20	M6	18	6
21/16-22	21	16	22	M6	18	6
25/18-20	25	18	20	M8	23	8
25/20-20	25	20	20	M6	10	6
30/22-20	30	22	20	M8	23	8
30/25-20	30	25	20	M8	23	8
30/18-25	30	18	25	M8	20	6
30/19,5-41	30	19,5	41	M8	20	8
35/25-34	35	25	34	M8	20	8
35/31-15	35	31	15	M8	20	8
40/25-30	40	25	30	M8	23	8
40/33-30	40	33	30	M8	23	8
40/20-50	40	20	50	M8	23	8
40/33-30	40	33	30	M8	23	8
50/35-50	50	35	50	M10	28	10
50/42-30	50	42	30	M10	28	10
50/46-15	50	46	15	M10	28	10
55/44-45	55	44	45	M8	28	8
57/25-44	57	25	44	M10	28	10
57/44-45	57	44	45	M10	28	10
57/25-45	57	25	45	M8	20	8
60/49-60	60	49	60	M10	28	10
70/45-53	70	45	53	M12	28	12
72/64-53	72	64	53	M12	37	12
75/60-40	75	60	40	M12	37	12
95/80-75	95	80	75	M16	41	16
180/148-75	180	148	75	M20	34	20
180/150-75	180	150	75	M20	45	20

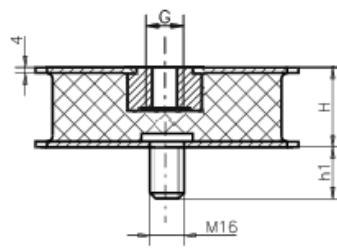


KR

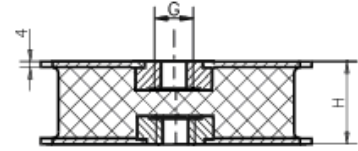
Type	D	H	h1	h2
KR-1	105	55	30	30
KR-2	105	40	30	25



KR-A

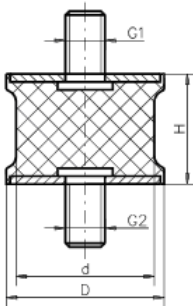


KR-B

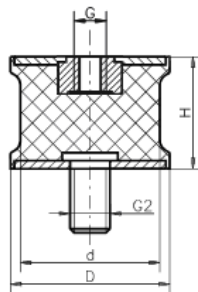


KR-C

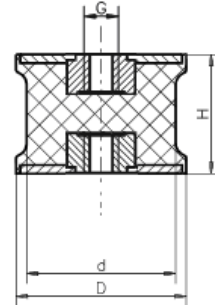
SP-1



SP-2

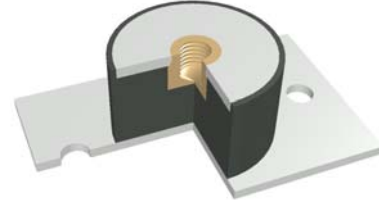
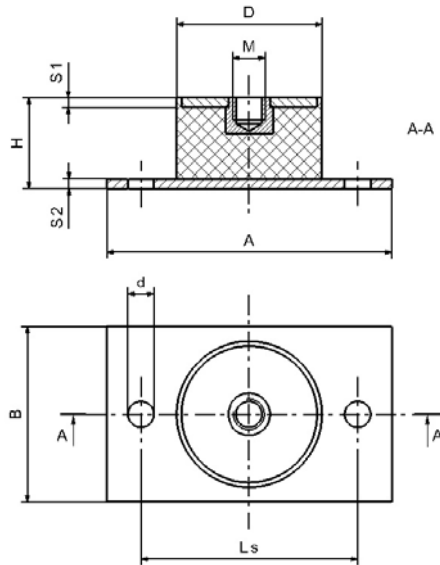


SP-3



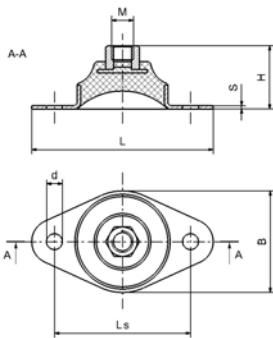
D/d-H	D	d	H	G1	G2
20/15-30	20	15	30	M6x18	M6x18
20/15-40	20	15	40	M6x18	M6x18
25/22-20	25	22	20	M8x10	M8x18
40/35-28	40	35	28	M8x23	M8x23
40/37-30	40	37	30	M8x23	M8x23
46/40-25	46	40	25	M10x28	M10x28
50/40-30	50	40	30	M10x28	M10x28
75/70-40	75	70	40	M12x37	M12x37
100/95-75	100	95	75	M16x45	M16x45

PLO

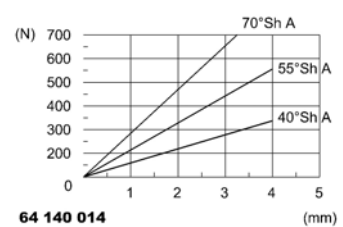
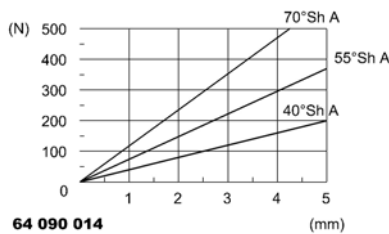
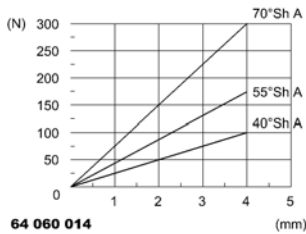


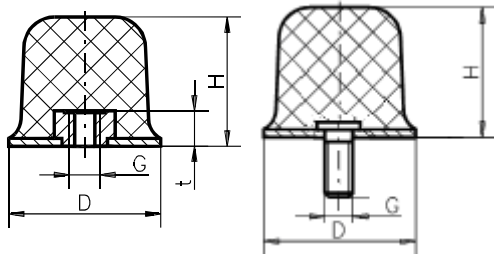
Type	A	B	Ls	H	D	d	S1/S2	M	Sh A	Load		
										S max (N)	F max (N)	C (N/mm)
PLO-1	80	30	60	33	25	9	3/1,5	M6	43	4	160	40
PLO-2	80	30	60	33	30	9	3/1,5	M8	55	4	450	112
PLO-3	100	60	75	33	50	9	3/3	M10	55	4	1150	387
PLO-4	130	80	105	44	75	11	4/5	M12	68	5,5	6100	1110
PLO-5	120	120	95/95	44	100	4x12,5	4/5	M16	55	5,5	8500	1545

HUT-ELEMENT



Type	B	H	L	M	S	Ls	d
64 060 014	35	20	60	M6	2	45	6
64 090 014	50	32	90	M10	2	70	9
64 140 014	80	50	140	M16	3	105	13



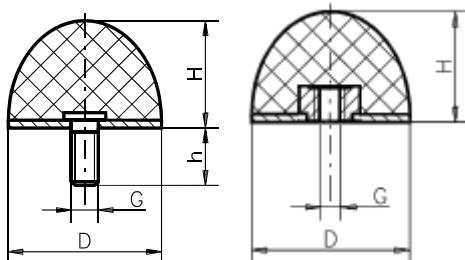


KE-5

KE-4

KE

Type	D	H	G	H / t
50/35	50	35	M10	10
80/60	80	60	M12	37
125/90	125	90	M16	41

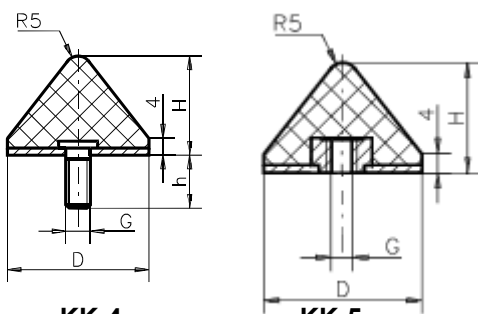


KG-4

KG-5

KG

D/H	D	H	G	h
25/13	25	13	M6	10
25/15	25	15	M6	18
30/26	30	26	M8	20
50/30	50	30	M8	28



KK-4

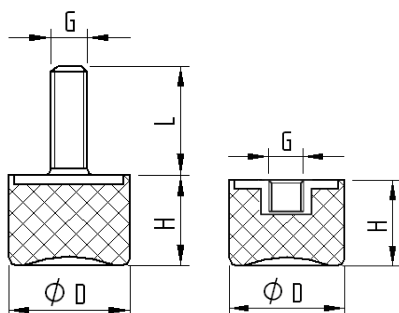
KK-5

KK

D/H	D	H	G	h
20/20	20	20	M6	18
24/17	24	17	M6	18
25/16	25	16	M8	25
25/18	25	18	M8	25
35/17	35	17	M8	25
40/24	40	24	M8	28
40/30	40	30	M8	28
50/28	50	28	M8	28
50/45	50	45	M10	35
60/45	60	45	M10	28
85/65	85	65	M12	37



DS

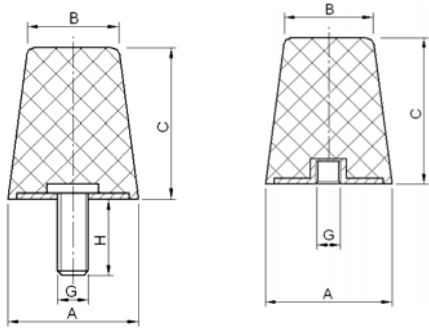


DS-4

DS-5

Type	D	H	G	h
15/14	15	14	M4	13
20/23,5	20	23,5	M6	18
25/18,5	25	18,5	M6	18
30/28,5	30	28,5	M8	20
40/28	40	28	M8	10
50/28	50	28	M10	33
70/43	70	43	M10	28
75/37	75	37	M12	37





KH-D

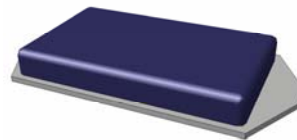
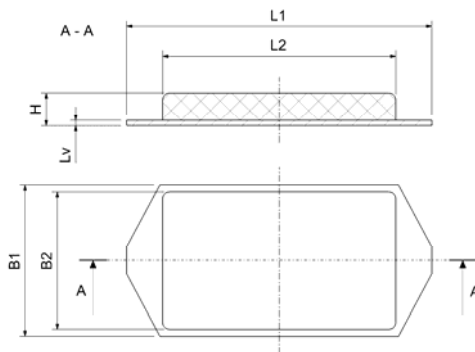
KH-E

KH

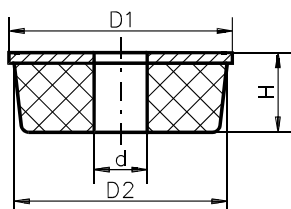
Type	A	B	C	M Gxh
KH-1	43	30	50	M10x25
KH-2	43	30	35	M10x27
KH-3	38	30	35	M10x27
KH-4	63	57,5	50	M 10x31



KN



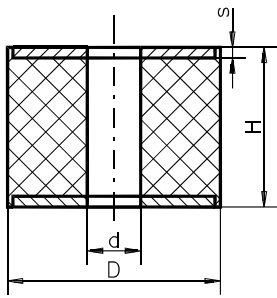
	L1	L2	B1	B2	H	Lv
KN-1	148	100	98	98	20	4
KN-2	208	160	98	98	20	4
KN-3	600	550	105	95	20	4



RB

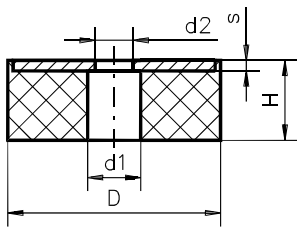
Type	D1	D2	d	H
1	42	40	18	23
2	62	60	21	33
3	72	70	21	33
4	82	80	25	40
5	102	100	32	54
6	122	120	38	46

GH



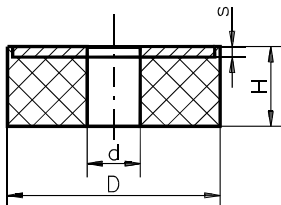
D/d-H	D	d	H	s
15/6-25	15	6	25	2
20/6-25	20	6	25	2
40/13-20	40	13	20	2
40/13-30	40	13	30	2
40/13-40	40	13	40	2
50/17-20	50	13	20	3
50/17-40	50	17	40	3
50/17-50	50	17	50	3
50/21-15	50	21	15	3
50/21-30	50	21	30	3
60/21-50	60	21	50	4
75/25-55	75	25	55	3
80/21-30	80	21	30	3
100/21-40	100	21	40	4
100/31-40	100	31	40	4
100/33-75	100	33	75	5
120/41-40	120	41	40	5
120/51-40	120	51	40	5
150/51-100	150	51	100	6
200/32-100	200	32	100	8
200/61-100	200	61	100	8

GK



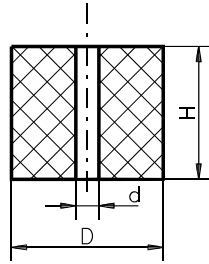
D/H	D	H	d1	d2	s
30/16	30	16	16	9	3
40/16	40	16	16	9	3
40/20	40	20	17	9	3
50/16	50	16	20	11	3
50/20	50	20	22	11	3
60/18	60	18	25	25	3
60/20	60	20	25	11	4
75/25	75	25	30	13	6
80/20	80	20	32	13	4
100/25	100	25	40	13	6
100/30	100	30	60	33	6
125/25	125	25	50	17	6

IS



D/d-H	D	d	H	s
40/10-10	40	10	10	2
62/14-6	62	14	6	3
80/21-30	80	21	30	2
100/21-30	100	21	30	4
100/21-40	100	21	40	4
100/25-40	100	25	40	4
100/56-19	100	56	19	3
100/60-30	100	60	30	4
120/21-30	120	21	30	4
120/25-40	120	25	40	4
150/32-40	150	32	40	4

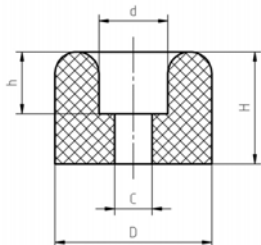
GP



D/d-H	D	d	H
8/3-3	8,5	3,2	3,5
13/6,5-12	13	6,5	12
17,5/9-16	17,5	9	16
19/13-19	19	13	19
20/8,5-15	20	8,5	15
25/8-25	25	8,5	25
25/10,5-15	25	10,5	15
25/10,5-25	25	10,5	25
28/10,5-50	28	10,5	50
28/8-16	28	8	16
30/16-40	30	16	40
32/13-32	32	13,5	32
40/0,9-30	40	0,9	30
40/12-25	40	12	25
40/12-35	40	12	35
40/12-65	40	12	65
40/13-30	40	13	30
40/13,5-32	40	13,5	32
40/13-40	40	13,5	40
40/13-50	40	13,5	50
40/13,5-40	40	13,5	40
40/17-30	40	17	30
47/20-50	47	20	50
48/17-100	48	17	100
50/17-25	50	17	25
50/17-40	50	17	40
50/10-45	50	10	45
50/14-80	50	14	80
50/17-32	50	17	32
50/17-50	50	17	50
50/17-63	50	17	63
50/17-80	50	17	80
58/17-100	58	17	100
50/20-38	50	20	38
50/24-50	50	24	50

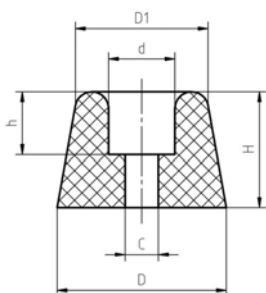
D/d-H	D	d	H
50/24,8-50	50	24,8	50
53/32,5-100	53	32,5	100
60/20-40	60	20	40
70/40-40	70	40	40
75/18-40	75	18	40
80/15-50	80	15	50
80/20-27	80	20	27
80/20-40	80	20	40
80/21-30	80	21	30
80/25-40	80	25	40
80/25-82	80	25	82
80/30-35	80	30	35
80/40-30	80	40	30
80/21-100	80	21	100
90/30-45	90	30	45
100/21-40	100	21	40
100/25-40	100	25	40
100/25-70	100	25	70
100/26-40	100	26	40
100/30-35	100	30	35
100/33-40	100	33	40
100/33-75	100	33	75
100/40-70	100	40	70
100/70-40	100	70	40
120/25-40	120	25	40
120/40-40	120	40	40
120/50-40	120	50	40
125/35-125	125	35	125
125/50-125	125	50	125
150/51-100	150	51	100
150/45-180	150	45	180
160/33-160	160	33	160
200/61-100	200	61	100
200/33-200	200	33	200
250/60-200	250	60	200

DBH



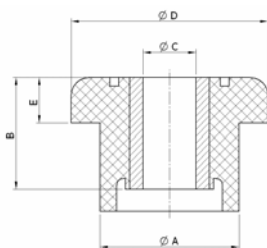
D/H	D	H	C	d	h
26/29	26	29	5	10	4
28/25	28	25	6	14	15
30/32	30	32	6	13	20
40/25	40	25	6	18	15
40/25	40	25	7	20	8
40/31	40	31	6	18	21
40/35	40	35	7	20	8
40/46	40	46	6	16	32

DBF

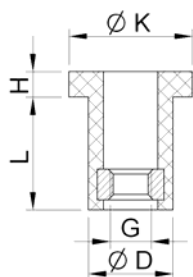


D/H	D	H	D1	C	d	h
20/10	20	10	16	5	8	6
25/10	25	10	20	4,5	7	6

T-BLOCK



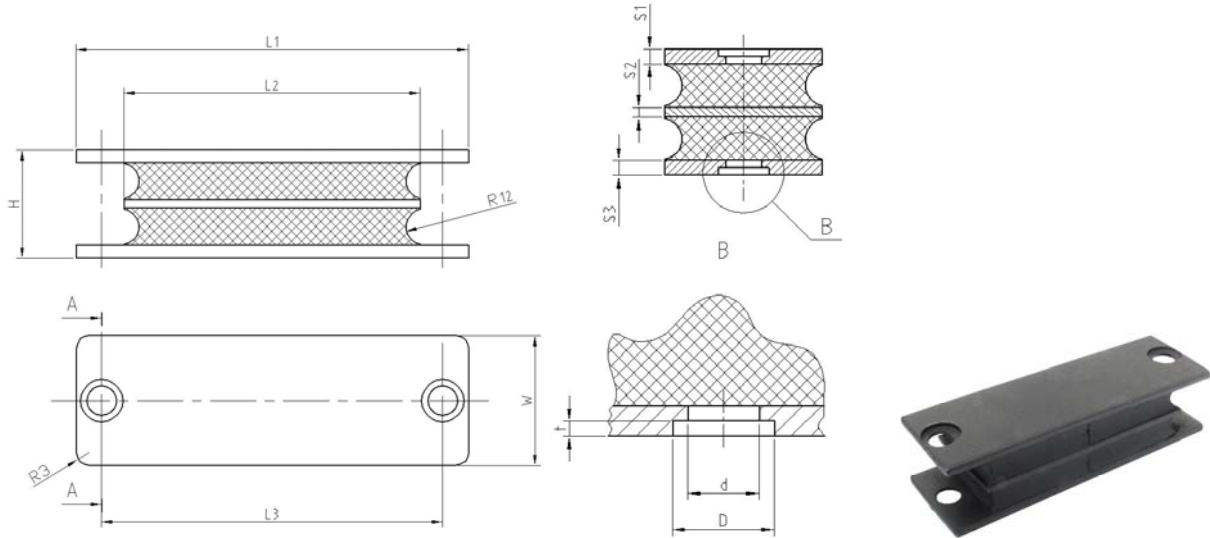
Type	A	B	C	D	E
TB-1	20,6	17,5	10	27,7	5,6
TB-2	31,5	25,4	13	44,5	10,4
TB-3	34,3	35	13	50,8	13,5
TB-4	41,1	44,5	16	63,5	15,7
TB-5	38	23	16	64	16
TB-6	56,6	50,8	20	95	25,4



T-FLEX

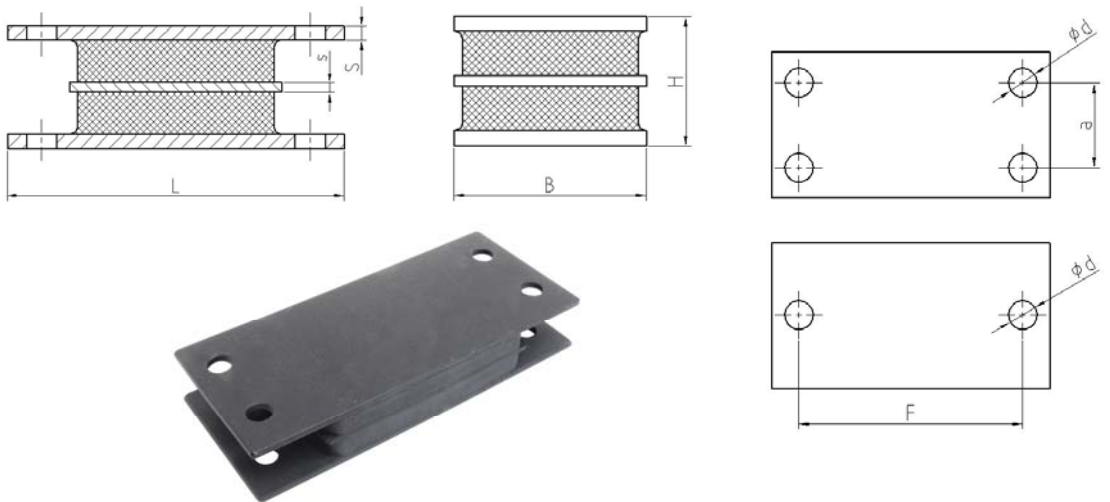
Type	D	K	L	H	G
TF-1	6,6	8,8	8,8	3	M3
TF-2	8,5	12	12	3,2	M4
TF-3	10,2	15	14,5	3,5	M5
TF-4	12	17,8	17	4,3	M6
TF-5	16	23,6	21,8	5,3	M8

GMR SANDWICH



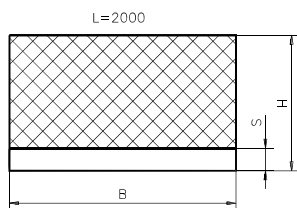
Type	L1	L2	L3	H	D	d	w
GMRS-1	108	63,5	89	43	20	13	57
GMRS-2	168	127	146	43	20	13	57

RMR SANDWICH

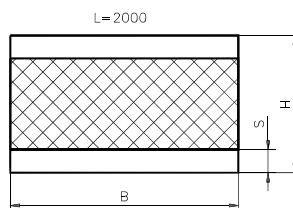


Type	H	B	L	a	F	d	S	S
R-100	43	57	108	-	89	11	5	3
R-600	43	108	251	51	210	13	5	3

GS-M1



GS-M2



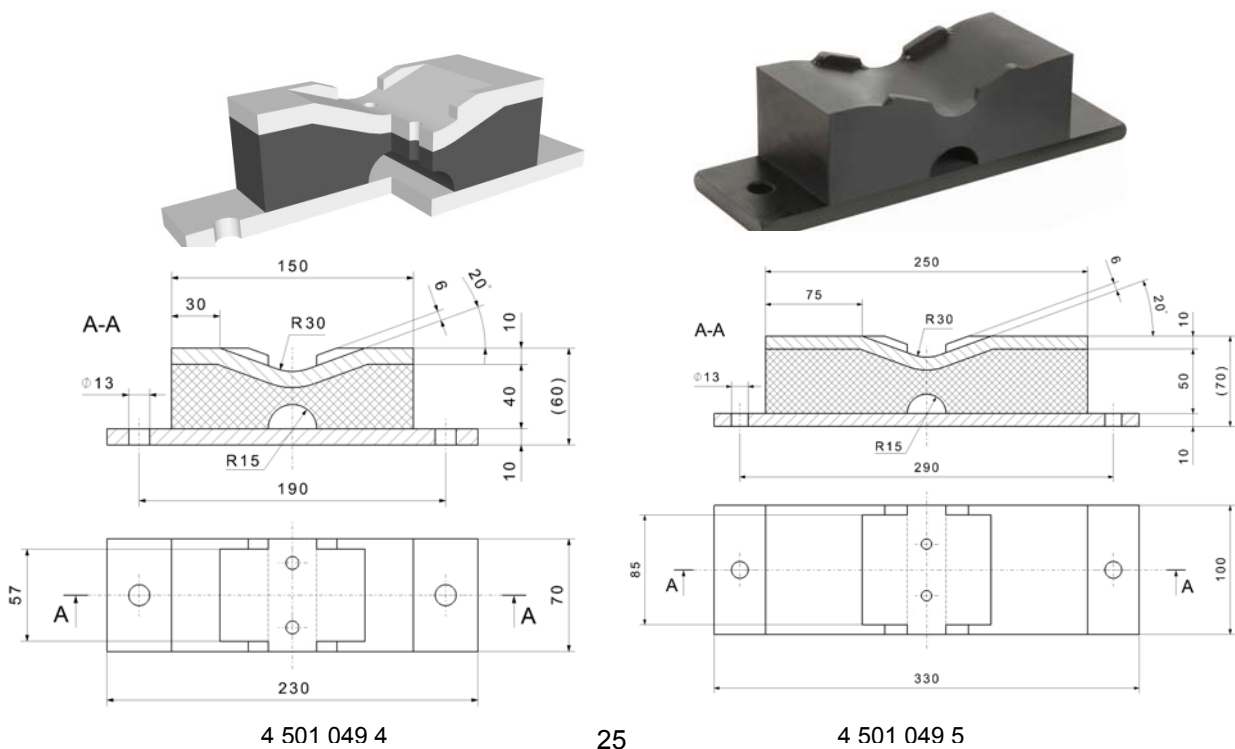
B/H	B	H	S		
			5	10	15
10/30	10	30	○	○	●
20/25	20	25	●	●	○
20/30	20	30	●	○	○
25/25	25	25	●	●	○
25/30	25	30	●	●	○
30/20	30	20	●	●	○
30/30	30	30	●	●	○
35/15	35	15	●	●	○
35/50	35	50	○	●	○
40/20	40	20	●	●	○
40/30	40	30	●	●	○
40/35	40	35	●	●	○
40/40	40	40	●	●	○
40/45	40	45	○	●	○
40/50	40	50	○	●	○
50/10	50	10	●	○	○
50/15	50	15	○	○	●
50/20	50	20	●	●	○
50/25	50	25	●	●	○
50/30	50	30	●	●	○
50/35	50	35	●	●	○
50/40	50	40	●	●	○
50/45	50	45	●	●	○
50/50	50	50	●	●	○
50/55	50	55	○	●	○
50/60	50	60	●	●	●
50/70	50	70	●	●	○
60/20	60	20	●	●	○
60/30	60	30	●	●	○
60/35	60	35	●	●	●
60/40	60	40	●	●	○
60/45	60	45	○	●	○
60/50	60	50	●	●	○
60/55	60	55	●	○	○
60/60	60	60	●	●	●
120/45	120	45	○	●	●
120/50	120	50	○	●	●
120/60	120	60	○	●	●
120/70	120	70	○	●	●
120/80	120	80	○	●	●
150/30	150	30	○	●	○
150/40	150	40	○	○	●
150/50	150	50	○	●	●
150/60	150	60	○	●	●
150/70	150	70	○	●	●

B/H	B	H	S		
			5	10	15
60/70	60	70	●	●	○
60/80	60	80	●	●	○
70/30	70	30	●	●	○
70/40	70	40	●	●	○
70/45	70	45	●	●	○
70/50	70	50	●	●	○
70/60	70	60	●	●	○
70/70	70	70	●	●	○
70/80	70	80	●	●	○
70/55	70	55	○	●	○
70/65	70	60	○	●	○
75/40	75	40	○	●	○
75/55	75	55	○	●	○
80/20	80	20	●	○	○
80/40	80	40	●	●	○
80/45	80	45	●	●	○
80/60	80	60	●	●	○
80/70	80	70	○	●	○
80/80	80	80	●	●	●
90/45	90	45	○	●	●
100/12	100	12	●	○	○
10/20	100	20	●	○	○
100/30	100	30	○	●	○
100/40	100	40	●	●	●
100/45	100	45	○	○	●
100/50	100	50	○	●	●
100*55	100	55	○	●	●
100/60	100	60	○	●	●
100/65	100	65	○	○	●
100/70	100	70	○	●	●
100/75	100	75	○	○	●
100/80	100	80	●	●	●
100/90	100	90	○	●	●
100/100	100	100	○	●	●
110/40	110	40	○	○	●
150/75	150	75	○	○	●
150/80	150	80	○	●	●
150/90	150	90	○	●	●
150/100	150	100	○	●	●
200/30	200	30	○	●	○
200/60	200	60	○	●	●
200/70	200	70	○	○	●
200/80	200	80	○	●	○
200/100	200	100	○	●	○

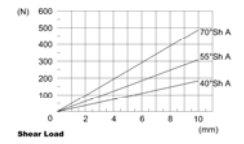
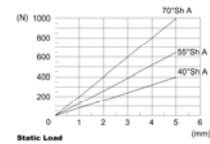
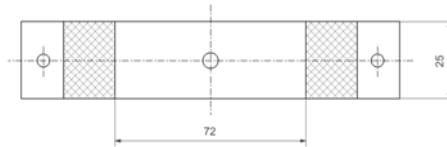
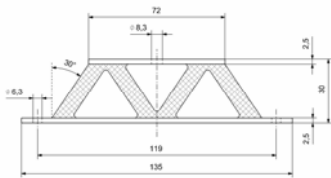
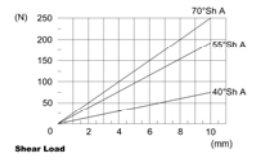
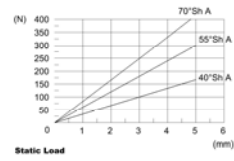
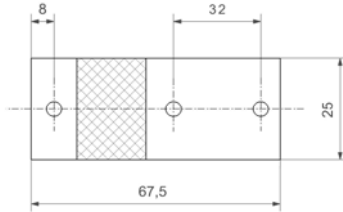
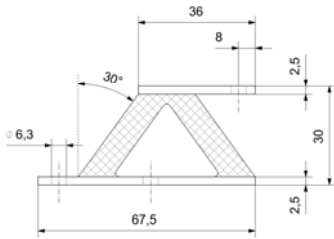
GS-M2								LOAD DATA							
B	H	L	s	f [mm]	Fv [daN]			B	H	L	s	f [mm]	Fv [daN]		
					43Sh	57Sh	68Sh						43Sh	57Sh	68Sh
25	25	2000	5	0,75	16	35	74	70	60	2000	10	2	130	278	592
				1,5	34	72	154					4	273	580	1 235
				2,25	53	113	241					6	430	912	1 938
25	30	200	5	1	14	30	66	80	45	2000	10	1,25	318	619	1 265
				2	28	63	136					2,5	678	1 315	2 680
				3	44	98	212					3,75	1 090	2 105	4 280
30	30	2000	5	1	22	47	101	80	60	2000	10	2	190	400	838
				2	45	98	210					4	400	830	1 750
				3	71	153	328					6	630	1 310	2 760
40	20	2000	5	0,5	109	207	415	80	80	2000	10	3	143	317	685
				1	234	441	885					6	298	628	1 420
				1,5	378	710	1 421					9	468	1 027	2 220
50	40	2000	5	1,5	64	138	295	100	60	2000	10	2	368	745	1 550
				3	134	287	614					4	780	1 570	3 262
				4,5	312	451	962					6	1 245	2 500	5 170
50	50	2000	5	2	54	121	262	100	80	2000	10	3	256	550	1 180
				4	113	250	543					6	536	1 150	2 455
				6	177	390	846					9	845	1 800	3 845
60	30	2000	10	0,5	479	867	1 705	120	45	2000	15	0,75	3 215	5 725	11 140
				1	1 032	1 866	3 665					1,5	6 950	12 360	24 040
				1,5	1 677	3 027	5 940					2,25	11 335	20 120	39 110
60	60	2000	10	2	86	188	405	120	60	2000	15	1,5	985	1 860	3 735
				4	180	390	840					3	2 110	3 970	7 962
				6	283	612	1 315					4,5	3 405	6 380	12 790
60	80	2000	10	3	72	163	356	120	80	2000	15	2,5	507	1 033	2 156
				6	148	336	735					5	1 075	2 175	4 535
				9	230	520	1 140					7,5	1 710	3 450	7 175
70	30	2000	10	0,5	857	1 536	3 005	150	60	2000	15	1,5	2 190	4 035	8 005
				1	1 850	3 313	6 470					3	4 710	8 655	17 150
				1,5	3 015	5 390	10 510					4,5	7 640	14 000	27 700
70	50	2000	10	1,5	168	345	717	200	100	2000	15	3,5	1 720	3 400	7 020
				3	355	720	1 510					7	3 655	7 210	14 825
				4,5	565	1 145	2 385					10,5	5 855	11 500	23 590

Rails can be delivered with length and metal thickness to your choice. With nut, screw, holes. Contact us.

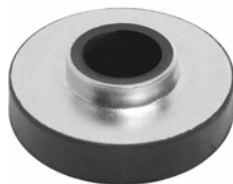
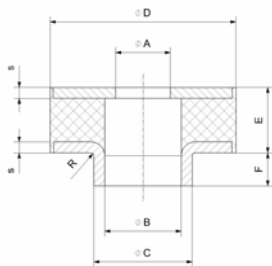
TRAFOLAGER



V-Element

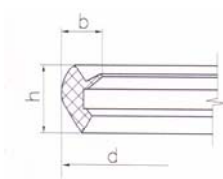


RINGELEMENT



	D	A	B	C	E	F	s
RING-1	36	16,6	18	20	8	3	1
RING-2	36	6	6	15	16	6	1
RING-3	36	8,5	12	18	10	4	1
RING-4	50	16,5	20	24	12	10	1,5
RING-5	50	16,5	22	24	12	12	1
RING-6	60	20,5	24	27	13	10	1,5

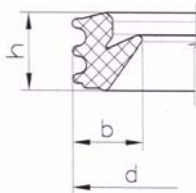
KG RING



Nominal Dimension	Ød		h		b	
	Dimension	Tolerance	Dimension	Tolerance	Dimension	Tolerance
250	269	± 1,3	18,4	± 0,4	12,3	± 0,4
300	337	± 1,6	24	± 0,5	14,6	± 0,8

Hardness: 52 ± 5 Sh° A

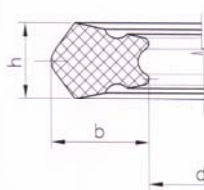
LIP RING



Nominal Dimension	Ød		h		b	
	Dimension	Tolerance	Dimension	Tolerance	Dimension	Tolerance
30	39,5	± 0,5	6,0	± 0,3	4,9	± 0,3
40	51,7	± 0,5	7,8	± 0,3	6,8	± 0,3
50	61,8	± 0,5	7,8	± 0,3	6,8	± 0,3
110	124,2	± 0,7	8,9	± 0,3	8,1	± 0,3
125	142,3	± 0,8	10,2	± 0,3	9,0	± 0,3
160	180,1	± 0,8	11,5	± 0,3	10,5	± 0,3
200	223,8	± 1,0	12,8	± 0,3	11,4	± 0,3
300	350,0	± 2,5	20,3	± 0,5	16,3	± 0,4
400	441,2	± 3,0	23,7	± 0,8	18,7	± 0,5
500	549,0	± 3,0	29,4	± 0,5	24,6	± 0,5

Hardness: 60 ± 5 Sh° A; Tensile strength: > 10 Mpa

UNICOR/KD-EXTRA/ RING



Nominal Dimension	Ød		h		b	
	Dimension	Tolerance	Dimension	Tolerance	Dimension	Tolerance
250	245	+1,5 / -2,5	8,9	± 0,5	11,5	± 0,5
315	295	+1,9 / -1,9	11,0	± 0,5	13,2	± 0,5
400	388	+1,5 / -3,5	13,8	± 0,7	17,9	± 0,7
500	490	+1,5 / -3,5	17,9	± 0,7	24,2	± 1,1

Hardness: 52 ± 5 Sh° A

KM RING



Nominal Dimension	Ød		h		b	
	Dimension	Tolerance	Dimension	Tolerance	Dimension	Tolerance
80	116	+0,5 / -1,1	12	± 0,4	21	± 0,5
100	139	+0,5 / -1,5	13	± 0,4	23	± 0,5
125	172	+0,5 / -1,5	14	± 0,4	25	± 0,5
150	195	+0,5 / -2,1	15	± 0,4	27	± 0,5
200	267	+0,5 / -2,7	17	± 0,4	32	± 0,8
250	330	+1,0 / -3,0	20	± 0,5	36	± 0,8

Hardness: 52 ± 5 Sh° A

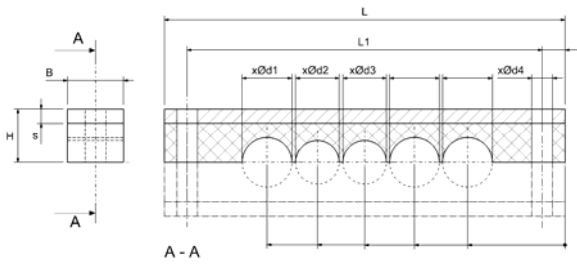
O RING



Nominal Dimension	Ød		b	
	Dimension	Tolerance	Dimension	Tolerance
80	116	+0,5 / -1,1	21	± 0,5
100	139	+0,5 / -1,5	23	± 0,5
125	172	+0,5 / -1,5	25	± 0,5
150	195	+0,5 / -2,1	27	± 0,5
200	267	+0,5 / -2,7	32	± 0,8
250	330	+1,0 / -3,0	36	± 0,8

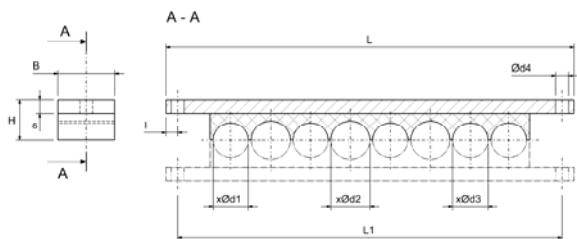
Hardness: 43 ± 5 Sh° A; Tensile strength: min 9,5 Mpa

PLT



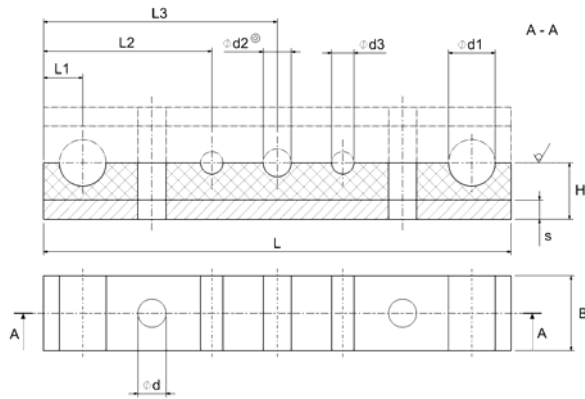
Type	L	L1	H	B	s	l	d1	d2	d3	d4
PLT01	224	99	30	30	8	12,5	2x25	3x28	-	12
PLT02	190	170	30	40	10	10	1x25	3x24	1x28	11
PLT03	140	120	40	40	10	10	1x54	1x45	-	11
PLT04	190	170	40	30	10	10	2x25	2x28	1x11	11
PLT05	190	170	40	30	10	10	3x25	1x28	1x11	11
PLT06	115	96	30	30	10	9,5	2x28	1x25	-	11
PLT07	115	88	30	30	10	13,5	3x25	-	-	11
PLT08	224	199	30	30	8	12,5	4x25	2x28	-	12
PLT09	224	199	30	30	8	12,5	2x25	3x28	-	12
PLT10	224	199	30	30	8	12,5	4x25	2x38	-	12
PLT11	125	105	30	40	10	10	2x38	-	-	11
PLT12	250	225	30	30	10	12,5	1x25	2x26	3x28	11
PLT13	320	300	30	40	10	10	4x32	2x22	-	11
PLT14	150	130	30	40	10	10	1x39	1x32	-	11
PLT15	130	110	30	40	10	10	2x32	-	-	11
PLT16	178	162	20	40	6	8	4x11	2x20	1x19	6
PLT17	175	159	20	40	6	8	5x15	2x19	1x11	6
PLT18	160	140	30	40	10	10	2x32	1x19	-	11
PLT19	160	140	30	30	10	10	5x20	-	-	11
PLT20	172	152	30	30	10	10	5x20	-	-	11
PLT21	140	120	30	30	10	10	4x20	-	-	13
PLT22	215	190	30	30	8	12,5	5x26	-	-	12
PLT23	125	105	30	30	8	10	2x21	2x19	-	13
PLT24	110	90	30	40	10	10	1x25	1x35	-	11
PLT25	125	105	30	30	8	10	1x21	3x19	-	13
PLT26	159	143	20	40	6	8	5x15	3x11	-	9

TLT



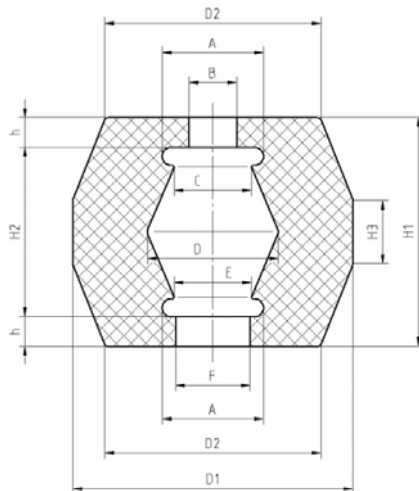
Type	L	L1	H	B	s	l	d1	d2	d3	d4
TLT01	229	278	30	40	10	8	5x25	3x28	-	9
TLT02	229	213	30	40	10	8	8x20	-	-	10
TLT03	290	274	30	40	10	8	2x2	2x25	4x28	11
TLT04	242	222	30	30	10	9	8x25,5	-	-	11

BLT



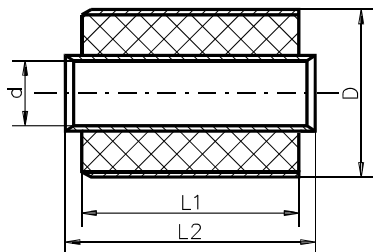
Type	L	L1	L2	L3	H	B	s	d	d1	d2	d3
BLT01	210	54	102	54	30	30	10	2x9	8x20	-	-
BLT02	165	63,5	38	6,35	20	30	10	2x11	2x26	2x19	-
BLT03	462	56	205	354	30	40	10	3x14	4x29	4x14	-
BLT04	144	41	52	51	30	40	10	2x11	1x22	2x32	-
BLT05	240	20	85	120	30	40	10	2x14	2x24	1x14	2x11
BLT06	120	45	-	-	30	40	10	1x11	2x38	-	-
BLT07	300	50	120	240	30	40	10	2x11	2x37	2x32	2x22
BLT08	350	20	65	116	30	40	10	3x14	2x34	2x11	2x19
BLT09	240	20	85	120	30	40	10	2x17	1x3	2x24	2x11
BLT10	280	20	75	115	30	40	10	3x14	2x24	3x11	-
BLT11	240	40	90	150	30	40	10	3x11	2x38	2x32	-

GF



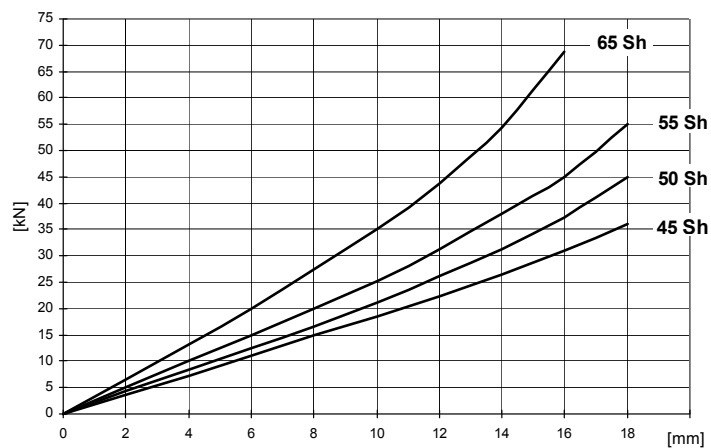
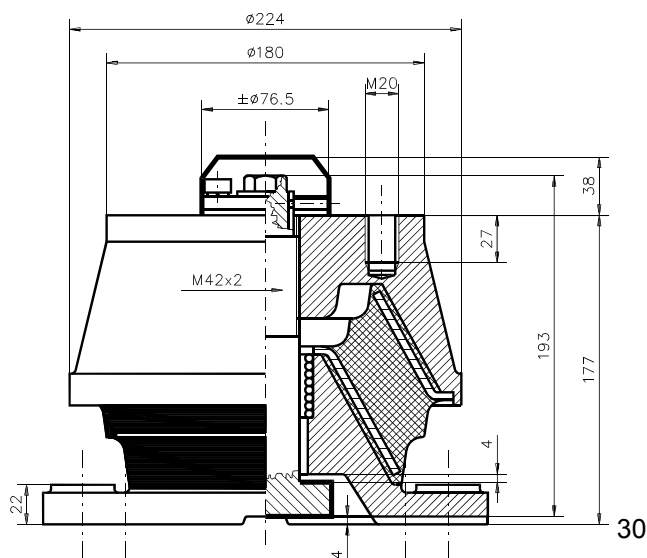
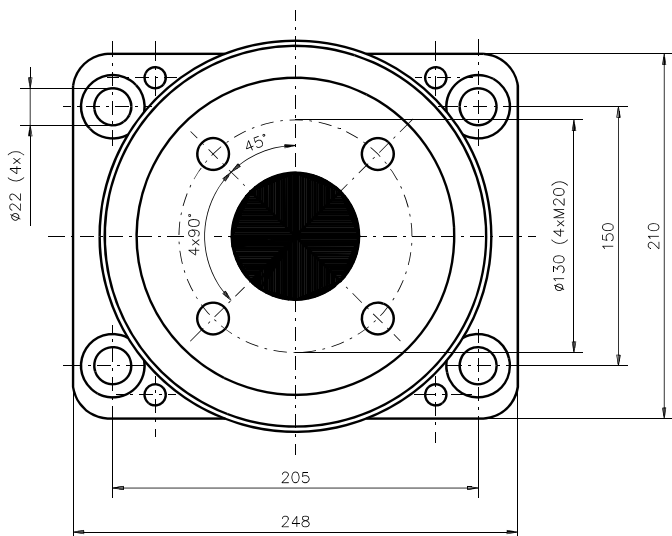
Type	D1	H1	D2	A	B	C	D	E	F	H2	H3	h
55/55	55	55	42	22	14	15	24	15	14	35	15	10
56/90	90	56	75	32	14		36		24	40	24	8
90/108	108	90	82	38	19	29	50	29	29	66	26	12
140/125	125	140	115	50	24	40	55	40	39	104	40	18
150/155	155	150	135	50	24	40	60	40	39	114	50	118
150/188	188	150	155	60	29	58	70	48	39	112	50	20
180/188	188	180	167	60	29	48	70	48	39	142	60	20

BUSHING

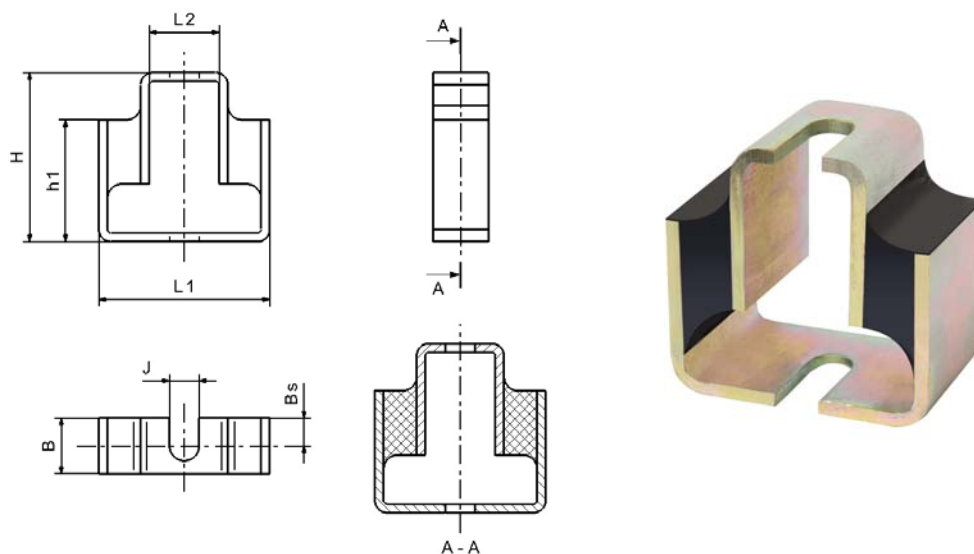


D	d	L1	L2
22	10	20	24
22	12	25	28
25	10	20	25
26	8,5	25	25
27	14	40	48
30	13	40	40
30	14	25	28
30	14	67	76
32	16	50	54
40	25	20	20
40	25	30	30
45	20	60	63
50	25	30	34
50	25	65	68
50	25	80	85
55	15,5	30	16
60	30	60	68
62	36	65	71
64	38	80	88

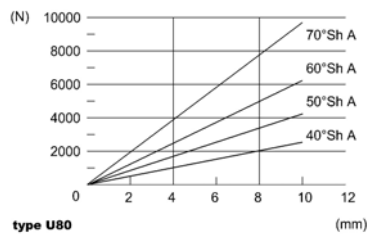
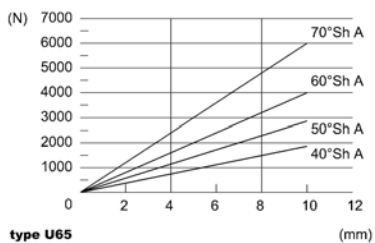
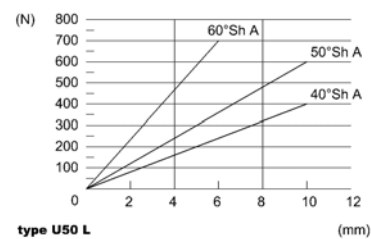
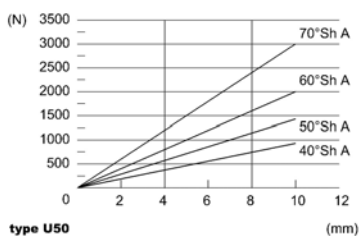
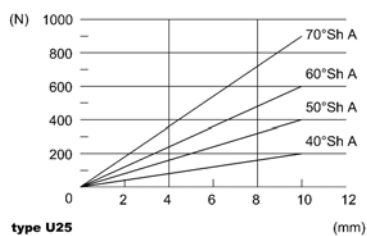
HEAVY DUTY VIBRATION DAMPER FOR STATIONARY AND MARINE APPLICATION



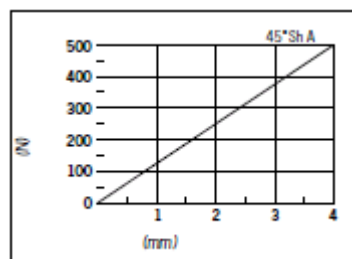
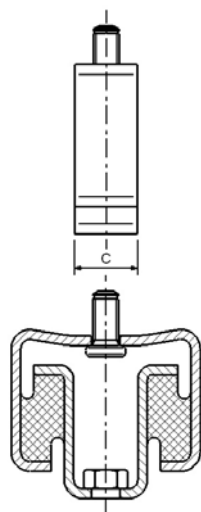
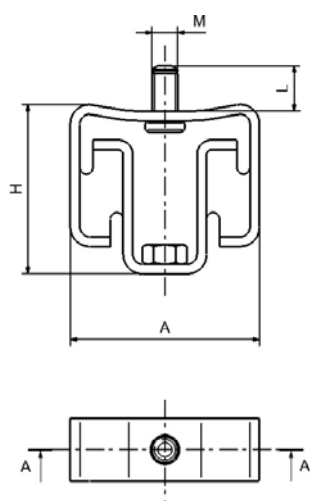
U-LAGER GM1



Type	B	L1	L2	H	h1	Bs	J
U25	25	71	26,4	62	43	12,5	11
U50	50	79	32,4	78	56	25	13,5
U50 L	50	60	20	41	30	25	Ø 11
U65	65	87	38,4	108	83	32,5	17,5
U80	80	100	48	130	100	40	17,5

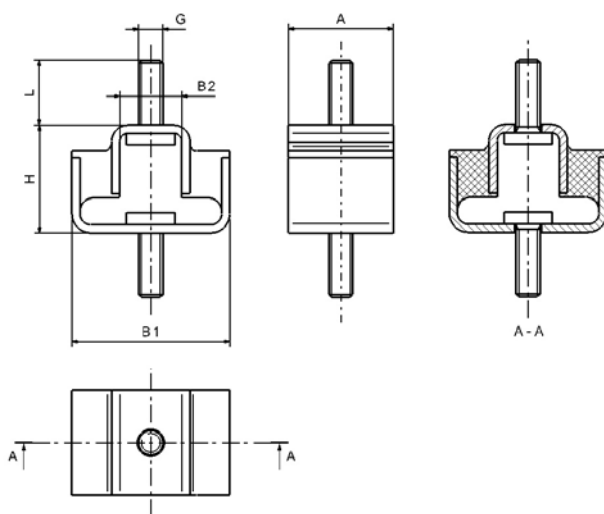


U-LAGER GM2



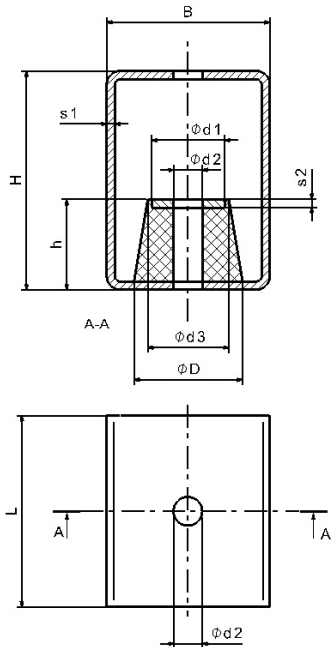
Type	Shore	H	C	A	M	L
535 611	NK45	47	30	55	M8	13
53561160	NK60	47	30	55	M8	13

U-LAGER RB



Type	B1	B2	A	H	L	G
L2000	52	20	35	36	21	M8
18301	54	22	50	40	22	M10

HNG-S



bolt, nut and washer are optional

Type	B	H	L	D	h	s1	s2	d1	d2	d3
HNG-S1	40	60	45	30	28	3	2	22,5	8,5	25
HNG-S2	60	80	55	40	33	3	3	27	10,5	30
HNG-S3	80	100	70	60	54	4	3	45	12,5	50

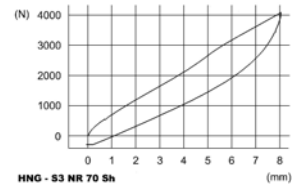
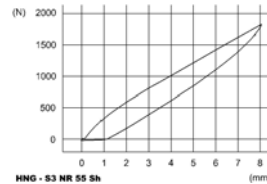
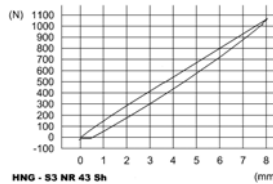
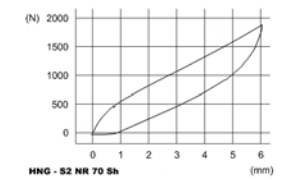
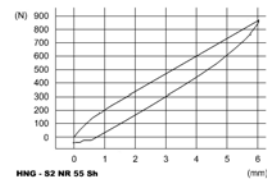
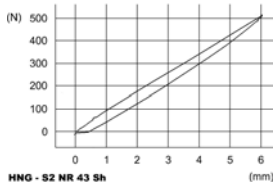
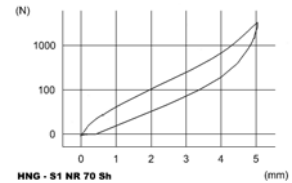
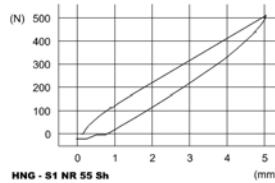
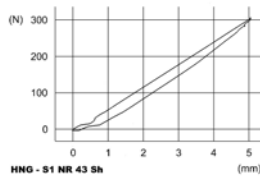
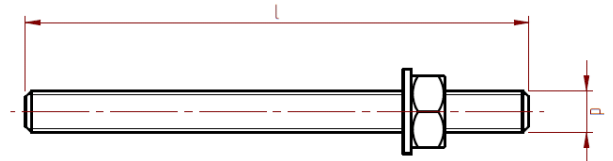
Screw set options:

M8 x Length: min 80 mm, 90 mm, 100, 110 mm, 120 mm, ... 200 mm.

from 200 mm – 1.000 mm: 200 mm, 300 mm, 400 mm, ... 1.000 mm.

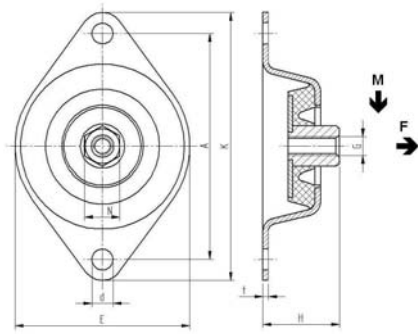
M10 & M12 x Length: min 100 mm, 110, mm, 120 mm, ... 200 mm.

from 200 mm – 1.000 mm: 200 mm, 300 mm, 400 mm, ... 1.000 mm.

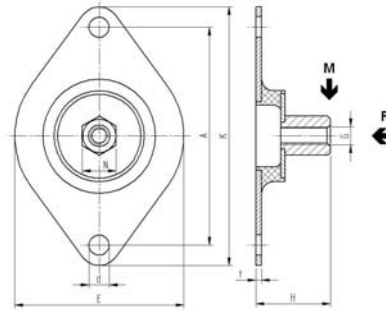


HNG

HNG-UPPER

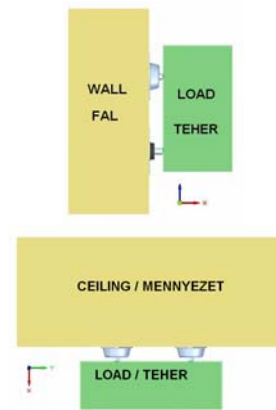


HNG-LOWER

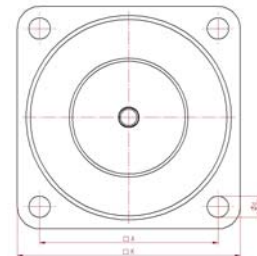
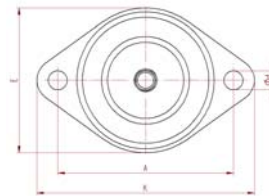
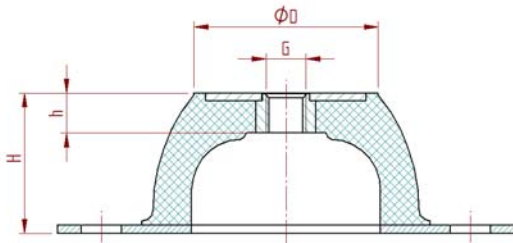


Type	E	K	A	H	d	N	t	G
HNG-upper	75	114	96	33	9	15	2,5	M8
HNG-lower	75	114	96	33	9	15	2,5	M8

Load/terhelés	M-Max (kg)		F-max (kg)	
	40° Sh	60° Sh	40° Sh	60° Sh
HNG-upper	14	25	30	70
HNG-lower	14	25	30	70



VIBR M



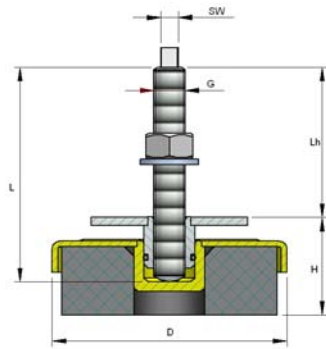
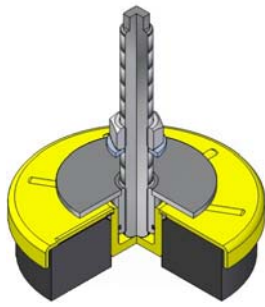
VIBR M0007
VIBR M0025
VIBR M0050
VIBR M0100
VIBR M0200

VIBR M0400
VIBR M0600
VIBR M1500

Type	D	E	A	K	H	h	d	G
VIBR M0007	18	43	50	64	20	7	7.0	M 6
VIBR M0025	33	56	66	85	25	11	8.0	M 8
VIBR M0050	45	76	92	114	35	14	10.0	M 10
VIBR M0100	53	96	110	136	40	15	11.5	M 10
VIBR M0200	58	101	124	151	45	13	11.5	M 10
VIBR M0400	78		120	150	63	18	14.5	M 12
VIBR M0600	100		160	200	85	25	14.5	M 16
VIBR M1500	186		250	310	160	43	18.0	M 24

MAX (Kg)	
40° Sh	60° Sh
3,5	9
20	50
40	80
70	150
130	220
280	500
380	750
1400	2500

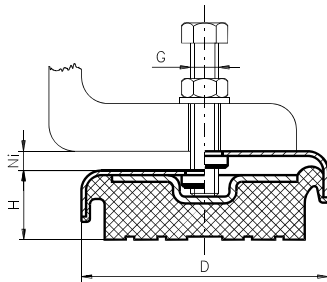
MFL



	D	H	G	L	Lh	SW
MFL-1	80	38-48	M12x1,5	100	75-65	8
MFL-2	120	43-55	M16x1,5	120	80-68	9
MFL-3	160	48-53	M20x1,5	170	125-110	12

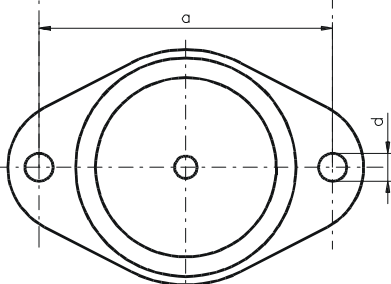
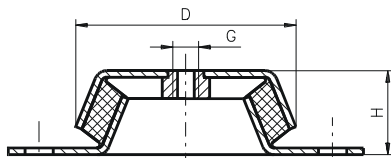
NR70 Shore	Static Load (N)	Dinamic Load (N)		
		200 cycle/min.	160 cycle/min.	<125 cycle/min.
MFL-1	6000	1200	1400	2000
MFL-2	15000	2500	3500	4000
MFL-3	30000	7000	10000	25000

KA



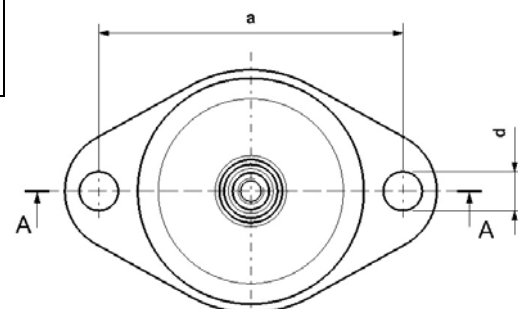
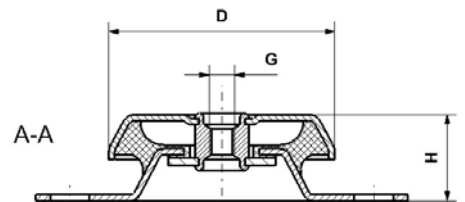
Type	D	H	Ni	G	Load (daN)
KA01	80	25	10	M10	150
KA02	150	40	12	M16	1000
KA03	200	45	15	M20	3000
KA015	120	35	12	M12	600
KA090	90	35	10	M12	400

GMF + GMF B.S.



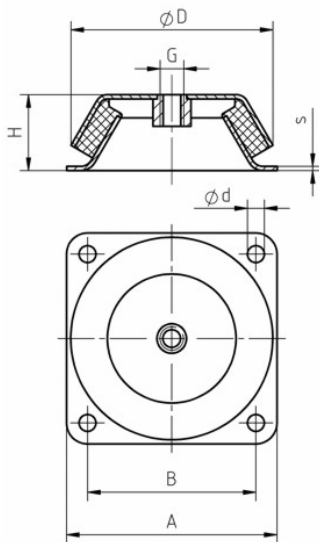
GMF

D/H	D	H	a	d	G	Load (daN)
48/23	48	23	68	6,2	M8	100
62/30	62	30	85	8,2	M10	200
92/45	92	45	110	10,2	M12	300
101/38	101	38	175	14	M12	400
106/38	106	38	140	12,4	M12	400
160/60	160	60	200	16,2	M16	1000



GMF B.S. – break safe

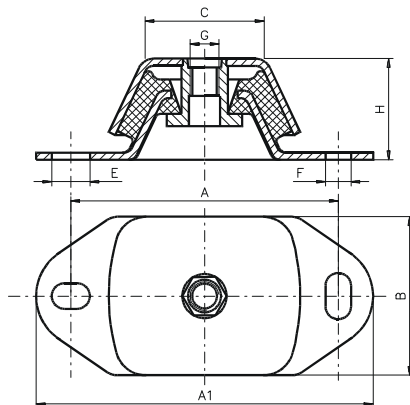
QMF



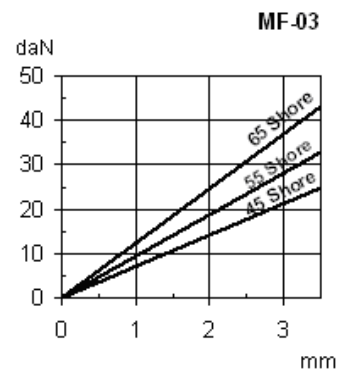
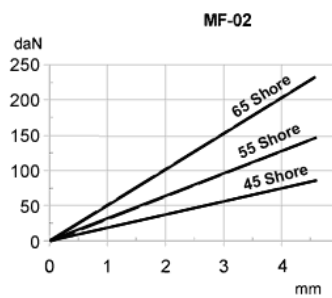
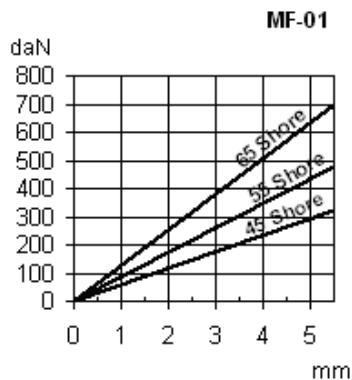
D/H	D	H	A	B	S	G	d	Load (daN)
160/60	160	60	175	145	3	M 16	12,5	800
177/63	177	63	180	150	3	M 20	13	1400



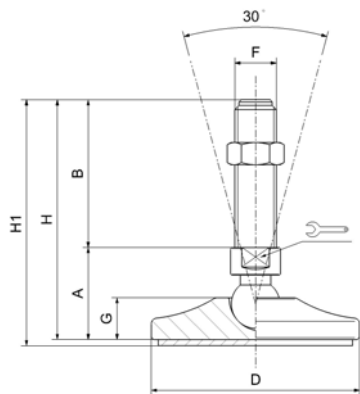
MF



Type	A	A1	B	C	E	F	G	H
01	182	230	112	80	25x18	18x33	M20	73
02	140	183	75	75	20x13	13x30	M16	50
03	100	120	60	60	11x14	11x14	M10	40



MAR – 35 INOX / STEEL





INOX




STEEL





I N O X								
Type	F x B	A	D		G	H	H1	Load N
10439	M8x25	25	40	12	14,5	50	53	10000
10441	M8x50	25	40	12	14,5	75	78	10000
10443	M8x75	25	40	12	14,5	100	103	10000
10447	M8x100	25	40	12	14,5	125	128	10000
10449	M10x25	25	40	12	14,5	50	53	10000
10451	M10x50	25	40	12	14,5	75	78	10000
10453	M10x75	25	40	12	14,5	100	103	10000
10455	M10x100	25	40	12	14,5	125	128	10000
10457	M10x125	25	40	12	14,5	150	153	10000


INOX Type	STEEL Type	F x B	A	D		G	H	H1	Load N
10459	10679	M10x25	28	50	14	16	53	56	15000
10461	10681	M10x50	28	50	14	16	78	81	15000
10463	10683	M10x75	28	50	14	16	103	106	15000
10465	10685	M10x100	28	50	14	16	128	131	15000
10467	10687	M10x125	28	50	14	16	153	156	15000
10469	10689	M12x25	28	50	14	16	53	56	15000
10471	10691	M12x50	28	50	14	16	78	81	15000
10473	10693	M12x75	28	50	14	16	103	106	15000
10475	10695	M12x100	28	50	14	16	128	131	15000
10477	10697	M12x125	28	50	14	16	153	156	15000
10479	10699	M14x25	28	50	14	16	53	56	15000
10481	10701	M14x50	28	50	14	16	78	81	15000
10483	10703	M14x75	28	50	14	16	103	106	15000
10485	10705	M14x100	28	50	14	16	128	131	15000
10487	10707	M14x125	28	50	14	16	153	156	15000

INOX Type	STEEL Type	F x B	A		D			G	H		H1		Load N
			INOX	STEEL		INOX	STEEL		INOX	STEEL	INOX	STEEL	
10489	10709	M14x50	30	30	65	14	16	17	80	80	83	83	20000
10491	10711	M14x75	30	30	65	14	16	17	105	105	108	108	20000
10493	10713	M14x100	30	30	65	14	16	17	130	130	133	133	20000
10495	10715	M14x125	30	30	65	14	16	17	155	155	158	158	20000
10497	10717	M14x150	30	30	65	14	16	17	180	180	183	183	20000
10501	10721	M16x50	34,5	30	65	13	16	17	84,5	80	89,5	83	20000
10503	10723	M16x75	34,5	30	65	13	16	17	109,5	105	112,5	108	20000
10505	10725	M16x100	34,5	30	65	13	16	17	134,5	130	137,5	133	20000
10507	10727	M16x125	34,5	30	65	13	16	17	159,5	155	162,5	158	20000
10509	10729	M16x150	34,5	30	65	13	16	17	184,5	180	187,5	183	20000
10511	10731	M16x175	34,5	30	65	13	16	17	209,5	205	212,5	208	20000


The above indicated load values refer to load measured at half length of the screw. In case of high vibration or by dynamic load these values should be reduced. Please consult your supplier.

INOX Type	STEEL Type	F x B	A INOX	A STEEL	D			G	H INOX	H STEEL	H1 INOX	H1 STEEL	Load N
						INOX	STEEL						
10515	10735	M16x50	36	33	80	13	16	19,5	86	83	89	86	30000
10517	10737	M16x75	36	33	80	13	16	19,5	111	108	114	111	30000
10519	10739	M16x100	36	33	80	13	16	19,5	136	133	139	136	30000
10521	10741	M16x125	36	33	80	13	16	19,5	159	158	163	161	30000
10523	10743	M16x150	36	33	80	13	16	19,5	186	183	189	186	30000
10525	10745	M16x175	36	33	80	13	16	19,5	211	208	214	211	30000
10527	10747	M16x200	36	33	80	13	16	19,5	236	233	239	236	30000
10529	10749	M20x75	36	36	80	17	17	19,5	111	111	114	114	30000
10531	10751	M20x100	36	36	80	17	17	19,5	136	136	139	139	30000
10533	10753	M20x125	36	36	80	17	17	19,5	161	161	164	164	30000
10535	10755	M20x150	36	36	80	17	17	19,5	186	186	189	189	30000
10537	10757	M20x175	36	36	80	17	17	19,5	211	211	214	214	30000
10539	10759	M20x200	36	36	80	17	17	19,5	236	236	239	239	30000
10541	10761	M20x225	36	36	80	17	17	19,5	261	261	264	264	30000

INOX Type	STEEL Type	F x B	A	D			G	H	H1	Load N
					INOX	STEEL				
10543	10763	M16x50	43	100	20	20	93	96	35000	
10545	10765	M16x75	43	100	20	20	118	121	35000	
10547	10767	M16x100	43	100	20	20	143	146	35000	
10549	10769	M16x125	43	100	20	20	168	171	35000	
10551	10771	M16x150	43	100	20	20	193	196	35000	
10553	10773	M16x175	43	100	20	20	218	221	35000	
10555	10775	M16x200	43	100	20	20	243	246	35000	
10561	10781	M20x75	43	100	20	20	118	121	45000	
10563	10783	M20x100	43	100	20	20	143	146	45000	
10565	10785	M20x125	43	100	20	20	168	171	45000	
10567	10787	M20x150	43	100	20	20	193	196	45000	
10569	10789	M20x175	43	100	20	20	218	221	45000	
10571	10791	M20x200	43	100	20	20	243	246	45000	
10573	10793	M20x225	43	100	20	20	268	271	45000	
10575	10795	M20x250	43	100	20	20	293	296	45000	
10579	10799	M24x75	44	100	20	20	119	122	55000	
10581	10801	M24x100	44	100	20	20	144	147	55000	
10583	10803	M24x125	44	100	20	20	169	172	55000	
10585	10805	M24x150	44	100	20	20	199	202	55000	
10587	10807	M24x175	44	100	20	20	219	222	55000	
10589	10809	M24x200	44	100	20	20	244	247	55000	
10591	10811	M24x225	44	100	20	20	269	272	55000	
10593	10813	M24x250	44	100	20	20	294	297	55000	

INOX Type	STEEL Type	F x B	A	D			G	H	H1	Load N
					INOX	STEEL				
10595	10815	M16x50	46	120	20	23	96	99	35000	
10597	10817	M16x75	46	120	20	23	121	124	35000	
10599	10819	M16x100	46	120	20	23	146	149	35000	
10601	10821	M16x125	46	120	20	23	171	174	35000	
10603	10823	M16x150	46	120	20	23	196	199	35000	
10605	10825	M16x175	46	120	20	23	221	224	35000	
10607	10827	M16x200	46	120	20	23	246	249	35000	
10613	10833	M20x75	46	120	20	23	121	124	45000	
10615	10835	M20x100	46	120	20	23	146	149	45000	
10617	10837	M20x125	46	120	20	23	171	174	45000	
10619	10839	M20x150	46	120	20	23	196	199	45000	

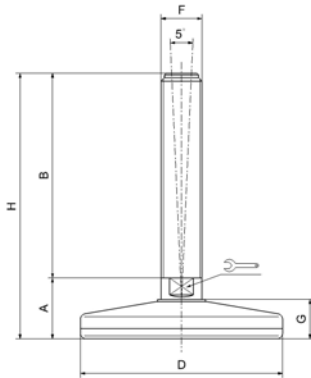
10621	10841	M20x175	46	120	20	23	221	224	45000
10623	10843	M20x200	46	120	20	23	246	249	45000
10625	10845	M20x225	46	120	20	23	271	274	45000
10627	10847	M20x250	46	120	20	23	296	299	45000
10631	10851	M24x75	47	120	20	23	122	125	55000
10633	10853	M24x100	47	120	20	23	147	150	55000
10635	10855	M24x125	47	120	20	23	172	175	55000
10637	10857	M24x150	47	120	20	23	197	200	55000
10639	10859	M24x175	47	120	20	23	222	225	55000
10641	10861	M24x200	47	120	20	23	247	250	55000
10643	10863	M24x225	47	120	20	23	272	275	55000
10645	10865	M24x250	47	120	20	23	297	300	55000
10647	10867	M30x100	47	120	26	23	147	150	65000
10649	10869	M30x125	47	120	26	23	172	175	65000
10651	10871	M30x150	47	120	26	23	197	200	65000
10653	10873	M30x175	47	120	26	23	222	225	65000
10655	10875	M30x200	47	120	26	23	247	250	65000
10657	10877	M30x225	47	120	26	23	272	275	65000
10659	10879	M30x250	47	120	26	23	297	300	65000

I N O X								
Type	F x B	A	D		G	H	H1	Load N
10885	M20x75	49	140	20	26	124	127	50000
10887	M20x100	49	140	20	26	149	152	50000
10889	M20x125	49	140	20	26	174	177	50000
10891	M20x150	49	140	20	26	199	202	50000
10893	M20x175	49	140	20	26	224	227	50000
10895	M20x200	49	140	20	26	249	252	50000
10905	M24x75	49	140	20	26	124	127	60000
10907	M24x100	49	140	20	26	149	152	60000
10909	M24x125	49	140	20	26	174	177	60000
10911	M24x150	49	140	20	26	199	202	60000
10913	M24x175	49	140	20	26	224	227	60000
10915	M24x200	49	140	20	26	249	252	60000
10921	M30x100	49	140	26	26	149	152	70000
10923	M30x125	49	140	26	26	174	177	70000
10925	M30x150	49	140	26	26	199	202	70000
10927	M30x175	49	140	26	26	224	227	70000
10929	M30x200	49	140	26	26	249	252	70000
10931	M30x225	49	140	26	26	274	277	70000
10933	M30x250	49	140	26	26	299	302	70000


The above indicated load values refer to load measured at half length of the screw. In case of high vibration or by dynamic load these values should be reduced. Please consult your supplier.




MAR – 39 INOX





INOX

I N O X							
Type	F x B	A	D		G	H	Load N
15023	M16x50	32,5	75	13	20	82,5	20000
15024	M16x75	32,5	75	13	20	107,5	20000
15025	M16x100	32,5	75	13	20	132,5	20000
15026	M16x125	32,5	75	13	20	157,5	20000
15027	M16x150	32,5	75	13	20	182,5	20000
15028	M16x175	32,5	75	13	20	207,5	20000
15029	M20x50	32,5	75	17	20	82,5	20000
15030	M20x75	32,5	75	17	20	107,5	20000
15031	M20x100	32,5	75	17	20	132,5	20000
15032	M20x125	32,5	75	17	20	157,5	20000
15033	M20x150	32,5	75	17	20	182,5	20000
15034	M20x175	32,5	75	17	20	207,5	20000
15035	M20x200	32,5	75	17	20	232,5	20000
15036	M20x225	32,5	75	17	20	257,5	20000

Type	F x B	A	D		G	H	Load N
15037	M16x50	37	100	17	25	87	30000
15038	M16x75	37	100	17	25	112	30000
15039	M16x100	37	100	17	25	137	30000
15040	M16x125	37	100	17	25	162	30000
15041	M16x150	37	100	17	25	187	30000
15042	M16x175	37	100	17	25	212	30000
15043	M16x200	37	100	17	25	237	30000
15045	M20x50	37	100	17	25	87	30000
15046	M20x75	37	100	17	25	112	30000
15047	M20x100	37	100	17	25	137	30000
15048	M20x125	37	100	17	25	162	30000
15049	M20x150	37	100	17	25	187	30000
15050	M20x175	37	100	17	25	212	30000
15051	M20x200	37	100	17	25	237	30000
15052	M20x225	37	100	17	25	262	30000
15053	M20x250	37	100	17	25	287	30000
15054	M24x75	37	100	17	25	113	30000
15055	M24x100	38	100	20	25	138	30000
15056	M24x125	38	100	20	25	163	30000
15057	M24x150	38	100	20	25	188	30000
15058	M24x175	38	100	20	25	213	30000
15059	M24x200	38	100	20	25	238	30000
15060	M24x225	38	100	20	25	263	30000
15061	M24x250	38	100	20	25	288	30000

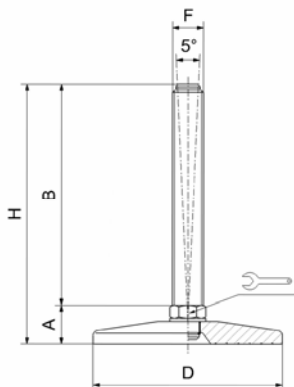
The above indicated load values refer to load measured at half length of the screw. In case of high vibration or by dynamic load these values should be reduced. Please consult your supplier.

Type	F x B	A	D		G	H	Load N
15062	M16x50	36,5	120	17	24	86,5	40000
15063	M16x75	36,5	120	17	24	111,5	40000
15064	M16x100	36,5	120	17	24	136,5	40000
15065	M16x125	36,5	120	17	24	161,5	40000
15066	M16x150	36,5	120	17	24	186,5	40000
15067	M16x175	36,5	120	17	24	211,5	40000
15068	M16x200	36,5	120	17	24	236,5	40000
15069	M16x225	36,5	120	17	24	261,5	40000
15070	M20x75	36,5	120	17	24	111,5	40000
15071	M20x100	36,5	120	17	24	136,5	40000
15072	M20x125	36,5	120	17	24	161,5	40000
15073	M20x150	36,5	120	17	24	186,5	40000
15074	M20x175	36,5	120	17	24	211,5	40000
15075	M20x200	36,5	120	17	24	236,5	40000
15076	M20x225	36,5	120	17	24	261,5	40000
15077	M20x250	36,5	120	17	24	286,5	40000
15078	M24x75	37,5	120	20	24	112,5	40000
15079	M24x100	37,5	120	20	24	137,5	40000
15080	M24x125	37,5	120	20	24	162,5	40000
15081	M24x150	37,5	120	20	24	187,5	40000
15082	M24x175	37,5	120	20	24	212,5	40000
15083	M24x200	37,5	120	20	24	237,5	40000
15084	M24x225	37,5	120	20	24	262,5	40000
15085	M24x250	37,5	120	20	24	287,5	40000
15086	M30x75	37,5	120	26	24	112,5	40000
15087	M30x100	37,5	120	26	24	137,5	40000
15088	M30x125	37,5	120	26	24	162,5	40000
15089	M30x150	37,5	120	26	24	187,5	40000
15090	M30x175	37,5	120	26	24	212,5	40000
15091	M30x200	37,5	120	26	24	237,5	40000
15092	M30x225	37,5	120	26	24	262,5	40000
15093	M30x250	37,5	120	26	24	287,5	40000


Type	F x B	A	D		G	H	Load N
15094	M20x75	39	150	17	26,5	114	50000
15095	M20x100	39	150	17	26,5	139	50000
15096	M20x125	39	150	17	26,5	164	50000
15097	M20x150	39	150	17	26,5	189	50000
15098	M20x175	39	150	17	26,5	214	50000
15099	M20x200	39	150	17	26,5	239	50000
15100	M20x225	39	150	17	26,5	264	50000
15101	M20x250	39	150	17	26,5	289	50000
15102	M24x100	40	150	20	26,5	140	50000
15103	M24x125	40	150	20	26,5	165	50000
15104	M24x150	40	150	20	26,5	190	50000
15105	M24x175	40	150	20	26,5	215	50000
15106	M24x200	40	150	20	26,5	240	50000
15107	M24x225	40	150	20	26,5	265	50000
15108	M24x250	40	150	20	26,5	290	50000
15109	M30x100	40	150	26	26,5	140	50000
15110	M30x125	40	150	26	26,5	165	50000
15111	M30x150	40	150	26	26,5	190	50000
15112	M30x175	40	150	26	26,5	215	50000
15113	M30x200	40	150	26	26,5	240	50000
15114	M30x225	40	150	26	26,5	265	50000
15115	M30x250	40	150	26	26,5	290	50000


The above indicated load values refer to load measured at half length of the screw. In case of high vibration or by dynamic load these values should be reduced. Please consult your supplier.


MAR – 66 STEEL




STEEL


Type	F x B	A	D		G	H	Load N
15400/G	M10x50	19	50	14	11,5	69	15000
15401/G	M10x100	19	50	14	11,5	119	15000
15402/G	M12x50	19	50	14	11,5	69	15000
15403/G	M12x100	19	50	14	11,5	119	15000
15404/G	M12x125	19	50	14	11,5	144	15000
15402/14/G	M14x50	19	50	14	11,5	69	15000
15403/14/G	M14x100	19	50	14	11,5	119	15000
15404/14/G	M14x125	19	50	14	11,5	144	15000

Type	F x B	A	D		G	H	Load N
15405/G	M10x50	19	63	14	11,5	69	18000
15406/G	M10x100	19	63	14	11,5	119	18000
15407/G	M12x50	19	63	14	11,5	69	18000
15408/G	M12x100	19	63	14	11,5	119	18000
15409/G	M12x125	19	63	14	11,5	144	18000
15410/G	M14x50	19	63	14	11,5	69	18000
15411/G	M14x100	19	63	14	11,5	119	18000
15412/G	M14x125	19	63	14	11,5	169	18000
15410/16/G	M16x50	19	63	14	11,5	69	18000
15411/16/G	M16x100	19	63	14	11,5	119	18000
15412/16/G	M16x125	19	63	14	11,5	169	18000

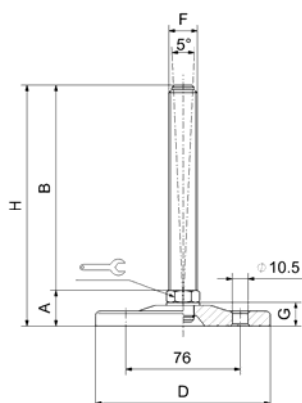
Type	F x B	A	D		G	H	Load N
15413/10/G	M10x50	19	80	14	11,5	69	20000
15414/10/G	M10x100	19	80	14	11,5	119	20000
15413/12/G	M12x50	19	80	14	11,5	69	20000
15415/12/G	M12x100	19	80	14	11,5	119	20000
15413/G	M14x50	19	80	14	11,5	69	20000
15414/G	M14x100	19	80	14	11,5	119	20000
15415/G	M14x150	19	80	14	11,5	169	20000
15416/G	M16x75	19	80	16	11,5	94	20000
15417/G	M16x100	19	80	16	11,5	119	20000
15418/G	M16x150	19	80	16	11,5	169	20000
15419/G	M20x75	19	80	20	11,5	94	20000
15420/G	M20x125	19	80	20	11,5	144	20000
15421/G	M20x175	19	80	20	11,5	194	20000


The above indicated load values refer to load measured at half length of the screw. In case of high vibration or by dynamic load these values should be reduced. Please consult your supplier.


Type	F x B	A	D		G	H	Load N
15422/G	M16x75	25	100	20	16	100	30000
15423/G	M16x100	25	100	20	16	125	30000
15424/G	M16x150	25	100	20	16	175	30000
15425/G	M20x75	25	100	20	16	100	30000
15426/G	M20x125	25	100	20	16	150	30000
15427/G	M20x175	25	100	20	16	200	30000
15428/G	M24x100	25	100	24	16	125	35000
15429/G	M24x150	25	100	24	16	175	35000
15430/G	M24x200	25	100	24	16	225	35000
15431/G	M30x125	26	100	30	16	151	35000
15432/G	M30x175	26	100	30	16	201	35000
15433/G	M30x225	26	100	30	16	251	35000


Type	F x B	A	D		G	H	Load N
15434/G	M16x75	25	120	20	16	100	35000
15435/G	M16x100	25	120	20	16	125	35000
15436/G	M16x150	25	120	20	16	175	35000
15437/G	M20x75	25	120	20	16	100	40000
15438/G	M20x125	25	120	20	16	150	40000
15439/G	M20x175	25	120	20	16	200	40000
15440/G	M24x100	25	120	24	16	125	45000
15441/G	M24x150	25	120	24	16	175	45000
15442/G	M24x200	25	120	24	16	225	45000
15443/G	M30x125	26	120	30	16	151	45000
15444/G	M30x175	26	120	30	16	201	45000
15445/G	M30x225	26	120	30	16	251	45000


MAR – 72 INOX / STEEL




S T E E L							
Type	F x B	A	D		G	H	Load N
15480/G	M10x50	19	63	14	11,5	69	18000
15481/G	M10x100	19	63	14	11,5	119	18000
15482/G	M12x50	19	63	14	11,5	69	18000
15483/G	M12x100	19	63	14	11,5	119	18000
15484/G	M12x125	19	63	14	11,5	144	18000
15485/G	M14x50	19	63	14	11,5	69	18000
15486/G	M14x100	19	63	14	11,5	119	18000
15487/G	M14x125	19	63	14	11,5	169	18000
15488/G	M16x50	19	63	16	11,5	69	18000
15489/G	M16x100	19	63	16	11,5	119	18000
15490/G	M16x125	19	63	16	11,5	169	18000

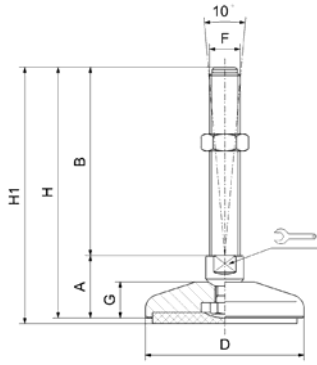
INOX Type	STEEL Type	F x B	A INOX	A STEEL	D			G	H INOX	H STEEL	Load N
						INOX	STEEL				
-	15500/10/G	M10X50	-	20	80	-	14	11,5	-	70	20000
-	15501/10/G	M10X100	-	20	80	-	14	11,5	-	120	20000
-	15500/12/G	M12X50	-	20	80	-	14	11,5	-	70	20000
-	15501/12/G	M12x100	-	20	80	-	14	11,5	-	120	20000
15200/G	15500/G	M14x50	20	20	80	14	14	11,5	70	70	20000
15201/G	15501/G	M14x100	20	20	80	14	14	11,5	120	120	20000
15202/G	15502/G	M14x150	20	20	80	14	14	11,5	170	170	20000
15203/G	15503/G	M16x75	20	20	80	13	16	11,5	95	70	20000
15204/G	15504/G	M16x100	20	20	80	13	16	11,5	120	120	20000
15205/G	15505/G	M16x150	20	20	80	13	16	11,5	170	170	20000
15206/G	15506/G	M20x75	24	20	80	17	20	11,5	99	95	25000
15207/G	15507/G	M20x125	24	20	80	17	20	11,5	149	145	25000
15208/G	15508/G	M20x175	24	20	80	17	20	11,5	199	195	25000

INOX Type	STEEL Type	F x B	A INOX	A STEEL	D			G INOX	G STEEL	H INOX	H STEEL	Load N
						INOX	STEEL					
15209/G	15509/G	M16x75	29	25	100	17	20	16,5	16	104	100	30000
15210/G	15510/G	M16x100	29	25	100	17	20	16,5	16	129	125	30000
15211/G	15511/G	M16x150	29	25	100	17	20	16,5	16	179	175	30000
15212/G	15512/G	M20x75	29	25	100	17	20	16,5	16	104	100	30000
15213/G	15513/G	M20x125	29	25	100	17	20	16,5	16	154	150	30000
15214/G	15514/G	M20x175	29	25	100	17	20	16,5	16	204	200	30000
15215/G	15515/G	M24x100	30	25	100	20	24	16,5	16	130	125	35000
15216/G	15516/G	M24x150	30	25	100	20	24	16,5	16	180	175	35000
15217/G	15517/G	M24x200	30	25	100	20	24	16,5	16	230	225	35000
15218/G	15518/G	M30x125	30	26	100	26	30	16,5	16	155	151	35000
15219/G	15519/G	M30x175	30	26	100	26	30	16,5	16	205	201	35000
15220/G	15520/G	M30x225	30	26	100	26	30	16,5	16	255	251	35000

INOX Type	STEEL Type	F x B	A INOX	A STEEL	D			G INOX	G STEEL	H INOX	H STEEL	Load N
						INOX	STEEL					
15221/G	15521/G	M16x75	29	25	120	17	20	16,5	16	104	100	35000
15222/G	15522/G	M16x100	29	25	120	17	20	16,5	16	129	125	35000
15223/G	15523/G	M16x150	29	25	120	17	20	16,5	16	179	175	35000
15224/G	15524/G	M20x75	29	25	120	17	20	16,5	16	104	100	40000
15225/G	15525/G	M20x125	29	25	120	17	20	16,5	16	154	150	40000
15226/G	15526/G	M20x175	29	25	120	17	20	16,5	16	204	200	40000
15227/G	15527/G	M24x100	30	25	120	20	24	16,5	16	130	125	45000
15228/G	15528/G	M24x150	30	25	120	20	24	16,5	16	180	175	45000
15229/G	15529/G	M24x200	30	25	120	20	24	16,5	16	230	225	45000
15230/G	15530/G	M30x125	30	26	120	26	30	16,5	16	155	151	45000
15231/G	15531/G	M30x175	30	26	120	26	30	16,5	16	205	201	45000
15232/G	15532/G	M30x225	30	26	120	26	30	16,5	16	255	251	45000

I N O X								
Type	F x B	A	D			G	H	Load N
15233/G	M20x75	29	150	17	20	16,5	104	50000
15234/G	M20x125	29	150	17	20	16,5	154	50000
15235/G	M20x175	29	150	17	20	16,5	204	50000
15236/G	M24x100	30	150	20	24	16,5	130	55000
15237/G	M24x150	30	150	20	24	16,5	180	55000
15238/G	M24x200	30	150	20	24	16,5	230	55000
15239/G	M30x125	30	150	26	30	16,5	155	55000
15240/G	M30x175	30	150	26	30	16,5	205	55000
15241/G	M30x225	30	150	26	30	16,5	255	55000

MAR – 50 INOX / STEEL



INOX



STEEL



INOX Type	STEEL Type	F x B	A	D	Wrench		G	H	H1	Load N
					INOX	STEEL				
11335	11299	M16X100	33	80	20	24	19	133	136	30000
11339	11303	M16X150	33	80	20	24	19	183	186	30000
11343	11307	M16X200	33	80	20	24	19	233	236	30000
11335/20	11299/20	M20X100	33	80	20	24	19	133	136	35000
11339/20	11303/20	M20X150	33	80	20	24	19	183	186	35000
11343/20	11307/20	M20X200	33	80	20	24	19	233	236	35000
11345/20	11309/20	M20X225	33	80	20	24	19	258	261	35000
11335/24	11299/24	M24X100	33	80	20	24	19	133	136	40000
11339/24	11303/24	M24X150	33	80	20	24	19	183	186	40000
11343/24	11307/24	M24X200	33	80	20	24	19	233	236	40000
11345/24	11309/24	M24X225	33	80	20	24	19	258	261	40000

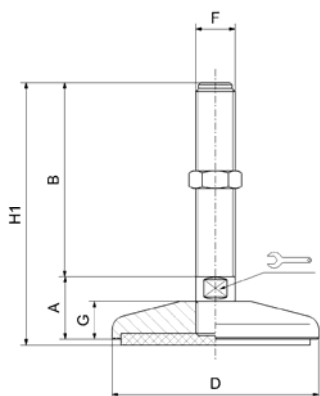
INOX Type	STEEL Type	F x B	A	D	Wrench		G	H	H1	Load N
					INOX	STEEL				
11383	11347	M20X100	34	100	20	24	20	134	137	40000
11387	11351	M20X150	34	100	20	24	20	184	187	40000
11391	11355	M20X200	34	100	20	24	20	234	237	40000
11393	11357	M20X225	34	100	20	24	20	259	262	40000
11383/24	11347/24	M24X100	34	100	20	24	20	134	137	45000
11387/24	11351/24	M24X150	34	100	20	24	20	184	187	45000
11391/24	11355/24	M24X200	34	100	20	24	20	234	237	45000
11393/24	11357/24	M24X225	34	100	26	30	20	259	262	45000
11383/30	11347/30	M30X100	34	100	26	30	20	134	137	50000
11387/30	11351/30	M30X150	34	100	26	30	20	184	187	50000
11391/30	11355/30	M30X200	34	100	26	30	20	234	237	50000

INOX Type	STEEL Type	F x B	A		D	Wrench		G	H		H1		Load N
			INOX	STEEL		INOX	STEEL		INOX	STEEL			
11431	11395	M20X100	36	36	120	20	24	22	136	136	139	139	45000
11435	11399	M20X150	36	36	120	20	24	22	186	186	189	189	45000
11439	11403	M20X200	36	36	120	20	24	22	236	236	239	239	45000
11441	11405	M20X225	36	36	120	20	24	22	261	261	264	264	45000
11431/24	11395/24	M24X100	36	36	120	20	24	22	136	136	139	139	50000
11435/24	11399/24	M24X150	36	36	120	20	24	22	186	186	189	189	50000
11439/24	11403/24	M24X200	36	36	120	20	24	22	236	236	239	239	50000
11441/24	11405/24	M24X225	36	36	120	20	24	22	261	261	264	264	50000
11431/30	11395/30	M30X100	36	36	120	20	24	22	142	138	141	145	60000
11435/30	11399/30	M30X150	42	38	120	26	30	22	192	188	191	195	60000
11439/30	11403/30	M30X200	42	38	120	26	30	22	242	238	241	275	60000
11441/30	11405/30	M30X225	42	38	120	26	30	22	267	263	266	270	60000

The above indicated load values refer to load measured at half length of the screw. In case of high vibration or by dynamic load these values should be reduced. Please consult your supplier.

INOX Type	STEEL Type	F x B	A		D	Wrench		G	H		H1		Load N
			INOX	STEEL		INOX	STEEL		INOX	STEEL	INOX	STEEL	
11479	11443	M20X100	37	36	159	20	24	23	137	136	140	139	50000
11483	11447	M20X150	37	36	159	20	24	23	187	186	190	189	50000
11487	11451	M20X200	37	36	159	20	24	23	237	236	240	239	50000
11489	11453	M20X225	37	36	159	20	24	23	262	261	265	264	50000
11479/24	11443/24	M24X100	38	36	159	20	24	23	138	136	141	139	60000
11483/24	11447/24	M24X150	38	36	159	20	24	23	188	186	191	189	60000
11487/24	11451/24	M24X200	38	36	159	20	24	23	238	236	241	239	60000
11489/24	11453/24	M24X225	38	36	159	20	24	23	263	261	266	264	60000
11479/30	11443/30	M30X100	42	38	159	26	30	23	142	138	145	141	70000
11483/30	11447/30	M30X150	42	38	159	26	30	23	192	188	195	191	70000
11487/30	11451/30	M30X200	42	38	159	26	30	23	242	238	245	241	70000
11489/30	11453/30	M30X225	42	38	159	26	30	23	267	263	270	266	70000

MAR – 54 INOX / STEEL



INOX



STEEL



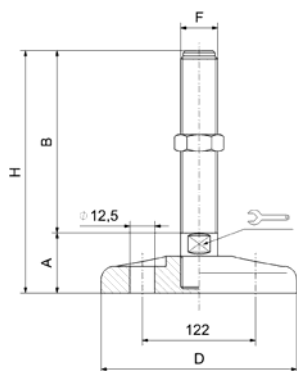
INOX Type	STEEL Type	F x B	A		D	Wrench		G	H1		Load N
			INOX	STEEL		INOX	STEEL		INOX	STEEL	
11527	11491	M16X100	34,5	31	80	17	20	22	137,5	134	30000
11531	11495	M16X150	34,5	31	80	17	20	22	187,5	184	30000
11535	11499	M16X200	34,5	31	80	17	20	22	237,5	234	30000
11575	11539	M20X100	34,5	31	80	20	24	22	137,5	134	35000
11579	11543	M20X150	34,5	31	80	20	24	22	187,5	184	35000
11583	11547	M20X200	34,5	31	80	20	24	22	237,5	234	35000
11585	11549	M20X225	34,5	31	80	20	24	22	262,5	260	35000
11575/24	11539/24	M24X100	36	31	80	20	24	22	139	134	40000
11579/24	11543/24	M24X150	36	31	80	20	24	22	189	184	40000
11583/24	11547/24	M24X200	36	31	80	20	24	22	239	234	40000
11585/24	11549/24	M24X225	36	31	80	20	24	22	264	260	40000

INOX Type	STEEL Type	F x B	A		D	Wrench		G	H1		Load N
			INOX	STEEL		INOX	STEEL		INOX	STEEL	
11629	11587	M16X100	36	33	100	20	24	23	139	136	35000
11633	11591	M16X150	36	33	100	20	24	23	189	186	35000
11637	11595	M16X200	36	33	100	20	24	23	239	236	35000
11685	11643	M20X100	36	33	100	20	24	23	139	136	40000
11689	11647	M20X150	36	33	100	20	24	23	189	186	40000
11693	11651	M20X200	36	33	100	20	24	23	239	236	40000
11697	11655	M20X250	36	33	100	20	24	23	289	286	40000
11741	11699	M24X100	37	33	100	20	24	23	139	136	45000
11745	11703	M24X150	37	33	100	20	24	23	189	186	45000
11749	11707	M24X200	37	33	100	20	24	23	240	236	45000
11753	11711	M24X250	37	33	100	20	24	23	290	286	45000

INOX Type	STEEL Type	F x B	A INOX	A STEEL	D	Wrench		G	H1 INOX	H1 STEEL	Load N
						INOX	STEEL				
11797	11755	M20X100	36	33	120	20	24	23	139	136	45000
11801	11759	M20X150	36	33	120	20	24	23	189	186	45000
11805	11763	M20X200	36	33	120	20	24	23	239	236	45000
11809	11767	M20X250	36	33	120	20	24	23	289	286	45000
11853	11811	M24X100	36	33	120	20	24	23	139	136	50000
11857	11815	M24X150	36	33	120	20	24	23	189	186	50000
11861	11819	M24X200	36	33	120	20	24	23	239	236	50000
11865	11823	M24X250	37	33	120	26	30	23	289	286	50000
11909	11867	M30X100	37	33	120	26	30	23	140	136	60000
11913	11871	M30X150	37	33	120	26	30	23	190	186	60000
11917	11875	M30X200	37	33	120	26	30	23	240	236	60000

INOX Type	STEEL Type	F x B	A INOX	A STEEL	D	Wrench		G	H1 INOX	H1 STEEL	Load N
						INOX	STEEL				
11965	11923	M20X100	39	36	159	20	24	26	142	139	50000
11969	11927	M20X150	39	36	159	20	24	26	192	189	50000
11973	11931	M20X200	39	36	159	20	24	26	242	239	50000
11977	11935	M20X250	39	36	159	20	24	26	292	289	50000
12021	11979	M24X100	39	36	159	20	24	26	142	139	60000
12025	11983	M24X150	39	36	159	20	24	26	192	189	60000
12029	11987	M24X200	39	36	159	20	24	26	242	239	60000
12033	11991	M24X250	39	36	159	20	24	26	292	289	60000
12077	12035	M30X100	40	36	159	26	30	26	143	139	70000
12081	12039	M30X150	40	36	159	26	30	26	193	189	70000
12085	12043	M30X200	40	36	159	26	30	26	243	239	70000
12089	12047	M30x250	40	36	159	26	30	26	293	289	70000

MAR – 57 INOX / STEEL



INOX

STEEL

INOX Type	STEEL Type	F x B	A INOX	A STEEL	D	Wrench		G	H INOX	H STEEL	Load N
						INOX	STEEL				
12132/G	12090/G	M16X100	33	29	100	20	24	20	133	129	35000
12136/G	12094/G	M16X150	33	29	100	20	24	20	183	179	35000
12140/G	12098/G	M16X200	33	29	100	20	24	20	233	229	35000
12188/G	12146/G	M20X100	33	29	100	20	24	20	133	129	40000
12192/G	12150/G	M20X150	33	29	100	20	24	20	183	179	40000
12196/G	12154/G	M20X200	33	29	100	20	24	20	233	229	40000
12200/G	12158/G	M20X250	33	29	100	20	24	20	283	279	40000
12244/G	12202/G	M24X100	33	29	100	20	24	20	134	129	45000
12248/G	12206/G	M24X150	34	29	100	20	24	20	184	179	45000

12252/G	12210/G	M24X200	34	29	100	20	24	20	234	229	45000
12256/G	12214/G	M24X250	34	29	100	20	24	20	284	279	45000
12132/G	12090/G	M16X100	34	29	100	20	24	20	133	129	35000

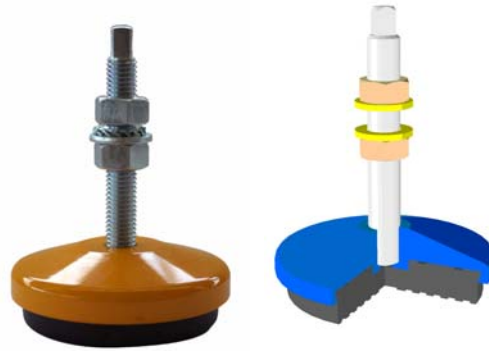
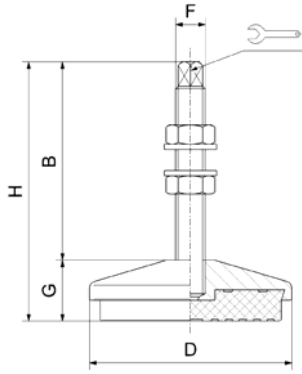
INOX Type	STEEL Type	F x B	A INOX	A STEEL	D	Wrench		G	H INOX	H STEEL	Load N
						INOX	STEEL				
12356/G	12314/G	M20X100	35	31	120	20	24	22	135	131	45000
12360/G	12318/G	M20X150	35	31	120	20	24	22	185	181	45000
12364/G	12322/G	M20X200	35	31	120	20	24	22	235	231	45000
12368/G	12326/G	M20X250	35	31	120	20	24	22	285	281	45000
12412/G	12370/G	M24X100	36	31	120	20	24	22	136	131	50000
12416/G	12374/G	M24X150	36	31	120	20	24	22	186	181	50000
12420/G	12378/G	M24X200	36	31	120	20	24	22	231	231	50000
12424/G	12382/G	M24X250	36	31	120	20	24	22	281	281	50000
12412/30/G	12370/30/G	M30X100	36	31	120	26	30	22	136	131	60000
12416/30/G	12374/30/G	M30X150	36	31	120	26	30	22	186	181	60000
12420/30/G	12378/30/G	M30X200	36	31	120	26	30	22	236	231	60000
12424/30/G	12382/30/G	M30X250	36	31	120	26	30	22	286	281	60000

INOX Type	STEEL Type	F x B	A INOX	A STEEL	D	Wrench		G	H INOX	H STEEL	Load N
						INOX	STEEL				
12468/G	12426/G	M20X100	36	32	159	20	24	23	136	132	50000
12472/G	12430/G	M20X150	36	32	159	20	24	23	186	182	50000
12476/G	12434/G	M20X200	36	32	159	20	24	23	236	232	50000
12480/G	12438/G	M20X250	36	32	159	20	24	23	286	282	50000
12524/G	12482/G	M24X100	37	32	159	20	24	23	137	132	60000
12528/G	12486/G	M24X150	37	32	159	20	24	23	187	182	60000
12532/G	12490/G	M24X200	37	32	159	20	24	23	237	232	60000
12536/G	12494/G	M24X250	37	32	159	20	24	23	287	282	60000
12580/G	12538/G	M30X100	37	32	159	26	30	23	137	132	70000
12584/G	12542/G	M30X150	37	32	159	26	30	23	187	182	70000
12588/G	12546/G	M30X200	37	32	159	26	30	23	237	232	70000
12592/G	12550/G	M30X250	37	32	159	26	30	23	287	282	70000


The above indicated load values refer to load measured at half length of the screw. In case of high vibration or by dynamic load these values should be reduced. Please consult your supplier.



MAR – 115 INOX / STEEL / YELLOW



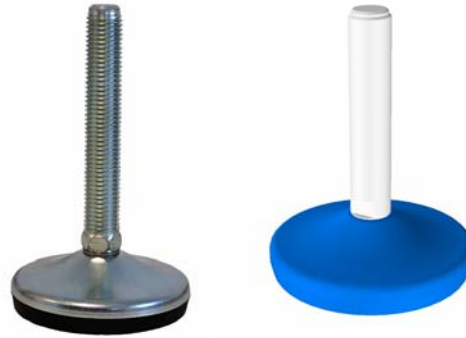
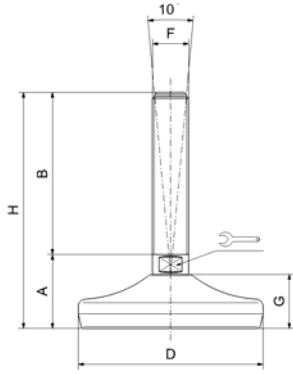
INOX/STEEL/YELLOW

Type	F x B	D		G	H	Load N DINAMIC	Load N STATIC
13180V	M12x83	84	8	30	113	3000	6000
13190V	M14x121	104	9	34	155	6000	11000
13200V	M16x125	120	10	37	162	7000	13000
13210V	M16x128	140	10	45	173	8000	16000
13220V	M20x135	160	13	45	180	12000	25000
13230V	M20x135	180	13	45	180	17000	35000
13232V	M24x135	230	16	55	190	25000	50000
13240Z	M12x83	84	8	30	113	3000	6000
13250Z	M14x121	104	9	34	155	6000	11000
13260Z	M16x125	120	10	37	162	7000	13000
13270Z	M16x128	140	10	45	173	8000	16000
13280Z	M20x135	160	13	45	180	12000	25000
13290Z	M20x135	180	13	45	180	17000	35000
13292Z	M24x135	230	16	55	190	25000	50000
13300I	M12x83	84	8	30	113	3000	6000
13310I	M14x121	104	9	34	155	6000	11000
13320I	M16x125	120	10	37	162	7000	13000
13330I	M16x128	140	10	45	173	8000	16000
13340I	M20x135	160	13	45	180	12000	25000
13350I	M20x135	180	13	45	180	17000	35000

V=yellow painted / gelb / sárga festés Z=galvanized steel / Kromatiert / galvanózott I = inox / A2 / rozsdamentes



MAR – 129 INOX / STEEL




INOX/STEEL

INOX Type	STEEL Type	F x B	A	D	🔧		G	H INOX	H STEEL	Load N
					INOX	STEEL				
24500	25800	M10x50	29	50	14	14	19	79	79	4000
24502	-	M10x75	29	50	14	-	19	104	-	4000
24504	25802	M10x100	29	50	14	14	19	129	129	4000
24506	-	M10x125	29	50	14	-	19	154	-	4000
24600	25810	M12x50	29	50	14	14	19	79	79	4000
24602	-	M12x75	29	50	14	-	19	104	-	4000
24604	25812	M12x100	29	50	14	14	19	129	129	4000
24606	-	M12x125	29	50	14	-	19	154	-	4000
-	25814	M12x150	29	50	-	14	19	-	179	4000
-	25820	M14x50	29	50	-	14	19	-	104	4000
24700	-	M14x75	29	50	14	-	19	129	-	4000
24702	25822	M14x100	29	50	14	14	19	154	129	4000
24704	-	M14x125	29	50	14	-	19	79	-	4000
24706	25824	M14x150	29	50	14	14	19	104	179	4000
24800	25830	M16x75	34	50	13	16	19	129	104	4000
24802	25832	M16x100	34	50	13	16	19	154	129	4000
24804	-	M16x125	34	50	13	-	19	79	-	4000
24806	25834	M16x150	34	50	13	16	19	104	179	4000
24500	-	M10x50	29	50	14	-	19	129	-	4000
24502	-	M10x75	29	50	14	-	19	154	-	4000
24504	-	M10x100	29	50	14	-	19	79	-	4000
24506	-	M10x125	29	50	14	-	19	104	-	4000
24600	-	M12x50	29	50	14	-	19	129	-	4000
24602	-	M12x75	29	50	14	-	19	154	-	4000
24604	-	M12x100	29	50	14	-	19	79	-	4000
24606	-	M12x125	29	50	14	-	19	104	-	4000

INOX Type	STEEL Type	F x B	A	D	🔧		G	H INOX	H STEEL	Load N
					INOX	STEEL				
24900/10	26000	M10x50	35	80	14	14	25	85	85	10000
25000/10	-	M10x75	35	80	14	-	25	110	-	10000
25002/10	26004	M10x100	35	80	14	14	25	135	135	10000
25004/10	-	M10x125	35	80	14	-	25	160	-	10000
24900/12	26010	M12x50	35	80	14	14	25	85	85	10000
25000/12	-	M12x75	35	80	14	-	25	110	-	10000
25002/12	26014	M12x100	35	80	14	14	25	135	135	10000
25004/12	-	M12x125	35	80	14	-	25	160	-	10000
25006/12	26018	M12x150	35	80	14	14	25	185	185	10000
-	26022	14x50	35	80	-	14	25	-	110	10000
25000	-	M14x75	35	80	14	-	25	110	-	10000
25002	26024	M14x100	35	80	14	14	25	135	135	10000
25004	-	M14x125	35	80	14	-	25	160	-	10000

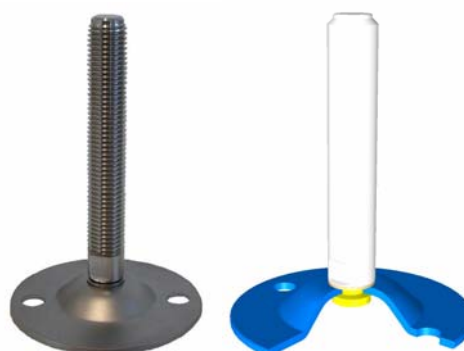
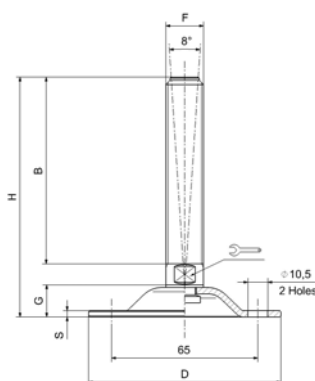
25006	26028	M14x150	35	80	14	14	25	185	185	10000
25008	-	M14x175	35	80	14	-	25	210	-	10000
25020	26034	M16x75	35	80	13	16	25	110	110	10000
25022	26036	M16x100	35	80	13	16	25	135	135	10000
25024	-	M16x125	35	80	13	-	25	160	-	10000
25026	26040	M16x150	35	80	13	16	25	185	185	10000
25028	-	M16x175	35	80	13	-	25	210	-	10000
25040	26050	M20x75	38	80	17	20	25	113	111	10000
25042	26052	M20x100	38	80	17	20	25	138	136	10000
25044	-	M20x125	38	80	17	-	25	163	-	10000
25046	26054	M20x150	38	80	17	20	25	188	186	10000
25048	-	M20x175	38	80	17	-	25	213	-	10000
25050	26058	M20x200	38	80	17	20	25	238	236	10000
25052	-	M20x225	38	80	17	-	25	260	-	10000
25070	26070	M24x75	40	80	20	24	25	115	111	10000
25072	26072	M24x100	40	80	20	24	25	140	136	10000
25074	-	M24x125	40	80	20	-	25	165	-	10000
25076	26076	M24x150	40	80	20	24	25	190	186	10000
25078	-	M24x175	40	80	20	-	25	215	-	10000
25080	26080	M24x200	40	80	20	24	25	240	236	10000
25082	-	M24x225	40	80	20	-	25	265	-	10000

INOX Type	STEEL Type	F x B	A	D			G	H INOX	H STEEL	Load N
					INOX	STEEL				
25100	26090	M16X75	39,5	100	13	16	30	114,5	112,5	15000
25102	26092	M16X100	39,5	100	13	16	30	139,5	137,5	15000
25104	-	M16X125	39,5	100	13	-	30	164,5	-	15000
25106	26096	M16X150	39,5	100	13	16	30	189,5	187,5	15000
25108	-	M16X175	39,5	100	13	-	30	214,5	-	15000
25110	26100	M16X200	39,5	100	13	16	30	239,5	237,5	15000
25120	26110	M20X75	43	100	17	20	30	118	113,5	15000
25122	26112	M20X100	43	100	17	20	30	143	138,5	15000
25124	-	M20X125	43	100	17	-	30	168	-	15000
25126	26116	M20X150	43	100	17	20	30	193	188,5	15000
25128	-	M20X175	43	100	17	-	30	218	-	15000
25130	26120	M20X200	43	100	17	20	30	243	238,5	15000
25132	-	M20X225	43	100	17	-	30	268	-	15000
25134	26124	M20X250	43	100	17	20	30	293	288,5	15000
25150	26130	M24X100	44	100	20	24	30	144	138,5	15000
25152	-	M24X125	44	100	20	-	30	169	-	15000
25154	26134	M24X150	44	100	20	24	30	194	188,5	15000
25156	-	M24X175	44	100	20	-	30	219	-	15000
25158	26140	M24X200	44	100	20	24	30	244	238,5	15000
25160	-	M24X225	44	100	20	-	30	269	-	15000
25162	26144	M24X250	44	100	20	24	30	294	288,5	15000
25180	26150	M30X100	44	100	26	30	30	144	139,5	15000
25182	-	M30X125	44	100	26	-	30	169	-	15000
25184	26154	M30X150	44	100	26	30	30	194	189,5	15000
25186	-	M30X175	44	100	26	-	30	219	-	15000
25188	26158	M30X200	44	100	26	30	30	244	239,5	15000
25200	-	M30X225	44	100	26	-	30	269	-	15000
25202	26162	M30X250	44	100	26	30	30	294	289,5	15000

The above indicated load values refer to load measured at half length of the screw. In case of high vibration or by dynamic load these values should be reduced. Please consult your supplier.

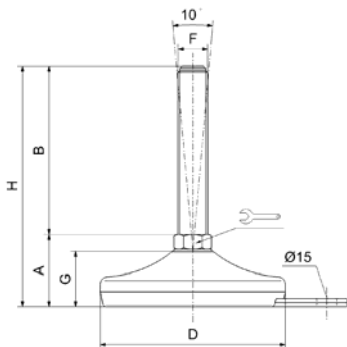
INOX Type	STEEL Type	F x B	A	D	Wrench		G	H INOX	H STEEL	Load N
					INOX	STEEL				
25250	26200	M16x75	47	120	13	16	32	122	116,5	30000
25252	26202	M16x100	47	120	13	16	32	147	141,5	30000
25254	-	M16x125	47	120	13	-	32	172	-	30000
25256	26204	M16x150	47	120	13	16	32	197	191,5	30000
25258	-	M16x175	47	120	13	-	32	222	-	30000
25260	26206	M16x200	47	120	13	16	32	247	241,5	30000
25262	26210	M20x75	47	120	17	20	32	122	117,5	30000
25264	26212	M20x100	47	120	17	20	32	147	142,5	30000
25266	-	M20x125	47	120	17	-	32	172	-	30000
25268	26214	M20x150	47	120	17	20	32	197	192,5	30000
25270	-	M20x175	47	120	17	-	32	222	-	30000
25272	26216	M20x200	47	120	17	20	32	247	242,5	30000
25274	-	M20x225	47	120	17	-	32	272	-	30000
25276	26218	M20x250	47	120	17	20	32	297	292,5	30000
25278	26220	M24x100	47	120	20	24	32	147	142,5	30000
25280	-	M24x125	47	120	20	-	32	172	-	30000
25282	26222	M24x150	47	120	20	24	32	197	192,5	30000
25284	-	M24x175	47	120	20	-	32	222	-	30000
25286	26224	M24x200	47	120	20	24	32	247	242,5	30000
25288	-	M24x225	47	120	20	-	32	272	-	30000
25290	26226	M24x250	47	120	20	24	32	297	292,5	30000
25292	26230	M30x100	49	120	26	30	32	149	143,5	30000
25294	-	M30x125	49	120	26	-	32	174	-	30000
25296	26232	M30x150	49	120	26	30	32	199	193,5	30000
25298	-	M30x175	49	120	26	-	32	224	-	30000
25300	26234	M30x200	49	120	26	30	32	249	243,5	30000
25302	-	M30x225	49	120	26	-	32	274	-	30000
25304	26236	M30x250	49	120	26	30	32	299	293,5	30000

MAR – 85 INOX



INOX Type	F x B	S	D	Wrench		G	H	Load N
				INOX	STEEL			
15688	M16x100	3	85	13	13	121	12000	
15690	M16x150	3	85	13	13	171	12000	
15692	M16x175	3	85	13	13	196	12000	
15694	M20x100	3	85	17	13	136	12000	
15696	M20x150	3	85	17	13	180	12000	
15698	M20x200	3	85	17	13	237	12000	

MAR – 130 INOX / STEEL



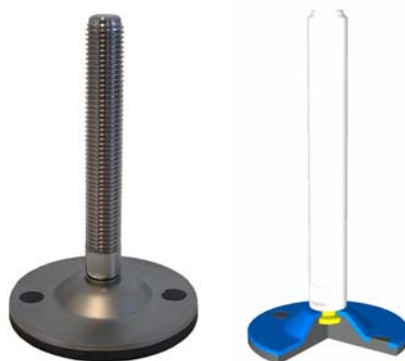
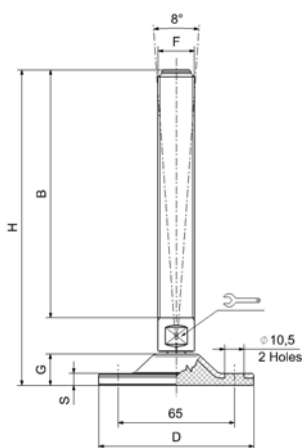
INOX / STEEL

INOX Type	STEEL Type	F x B	A	D	Wrench		G	H		I	Load N
					INOX	STEEL		INOX	STEEL		
24900/10/F	26000/F	M10x50	35	80	14	14	25	85	85	54	10000
25000/10/F	-	M10x75	35	80	14	-	25	110	-	54	10000
25002/10/F	26004/F	M10x100	35	80	14	14	25	135	135	54	10000
25004/10/F	-	M10x125	35	80	14	-	25	160	-	54	10000
24900/12/F	26010/F	M12x50	35	80	14	14	25	85	85	54	10000
25000/12/F	-	M12x75	35	80	14	-	25	110	-	54	10000
25002/12/F	26014/F	M12x100	35	80	14	14	25	135	135	54	10000
25004/12/F	-	M12x125	35	80	14	-	25	160	-	54	10000
25006/12/F	26018/F	M12x150	35	80	14	14	25	185	185	54	10000
-	26022/F	M14x50	35	80	-	14	25	-	85	54	10000
25000/F	-	M14x75	35	80	14	-	25	110	-	54	10000
25002/F	26024/F	M14x100	35	80	14	14	25	135	135	54	10000
25004/F	-	M14x125	35	80	14	-	25	160	-	54	10000
25006/F	26028/F	M14x150	35	80	14	14	25	185	185	54	10000
25008/F	-	M14x175	35	80	14	-	25	210	-	54	10000

INOX Type	STEEL Type	F x B	A	D	Wrench		G	H		I	Load N
					INOX	STEEL		INOX	STEEL		
-	26034/F	M16x50	35	80	-	16	25	-	85	54	10000
25020/F	-	M16x75	35	80	13	-	25	110	-	54	10000
25022/F	26036/F	M16x100	35	80	13	16	25	135	135	54	10000
25024/F	-	M16x125	35	80	13	-	25	160	-	54	10000
25026/F	26040/F	M16x150	35	80	13	16	25	185	185	54	10000
25028/F	-	M16x175	35	80	13	-	25	210	-	54	10000
25040/F	26050/F	M20x75	38	80	17	20	25	113	111	54	10000
25042/F	26052/F	M20x100	38	80	17	20	25	138	136	54	10000
25044/F	-	M20x125	38	80	17	-	25	163	-	54	10000
25046/F	26054/F	M20x150	38	80	17	20	25	188	186	54	10000
25048/F	-	M20x175	38	80	17	-	25	213	-	54	10000
25050/F	26058/F	M20x200	38	80	17	20	25	238	236	54	10000
25052/F	-	M20x225	38	80	17	-	25	260	-	54	10000
25070/F	26070/F	M24x75	40	80	20	24	25	115	111	54	10000
25072/F	26072/F	M24x100	40	80	20	24	25	140	136	54	10000
25074/F	-	M24x125	40	80	20	-	25	165	-	54	10000
25076/F	26076/F	M24x150	40	80	20	24	25	190	186	54	10000
25078/F	-	M24x175	40	80	20	-	25	215	-	54	10000
25080/F	26080/F	M24x200	40	80	20	24	25	240	236	54	10000
25082/F	-	M24x225	40	80	20	-	25	265	-	54	10000

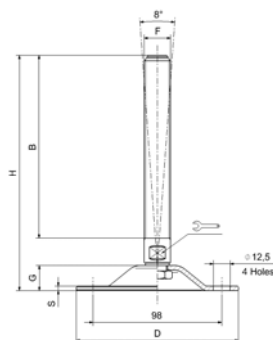
INOX Type	STEEL Type	F x B	A	D	Wrench		G	H INOX	H STEEL	I	Load N
					INOX	STEEL					
25100/F	26090/F	M16X75	39,5	100	13	16	30	114,5	112,5	69	15000
25102/F	26092/F	M16X100	39,5	100	13	16	30	139,5	137,5	69	15000
25104/F	-	M16X125	39,5	100	13	-	30	164,5	-	69	15000
25106/F	26096/F	M16X150	39,5	100	13	16	30	189,5	187,5	69	15000
25108/F	-	M16X175	39,5	100	13	-	30	214,5	-	69	15000
25110/F	26100/F	M16X200	39,5	100	13	16	30	239,5	237,5	69	15000
25120/F	26110/F	M20X75	43	100	17	20	30	118	113,5	69	15000
25122/F	26112/F	M20X100	43	100	17	20	30	143	138,5	69	15000
25124/F	-	M20X125	43	100	17	-	30	168	-	69	15000
25126/F	26116/F	M20X150	43	100	17	20	30	193	188,5	69	15000
25128/F	-	M20X175	43	100	17	-	30	218	-	69	15000
25130/F	26120/F	M20X200	43	100	17	20	30	243	238,5	69	15000
25132/F	-	M20X225	43	100	17	-	30	268	-	69	15000
25134/F	26124/F	M20X250	43	100	17	20	30	293	288,5	69	15000
25150/F	26130/F	M24X100	44	100	20	24	30	144	138,5	69	15000
25152/F	-	M24X125	44	100	20	-	30	169	-	69	15000
25154/F	26134/F	M24X150	44	100	20	24	30	194	188,5	69	15000
25156/F	-	M24X175	44	100	20	-	30	219	-	69	15000
25158/F	26140/F	M24X200	44	100	20	24	30	244	238,5	69	15000
25160/F	-	M24X225	44	100	20	-	30	269	-	69	15000
25162/F	26144/F	M24X250	44	100	20	24	30	294	288,5	69	15000
25180/F	26150/F	M30X100	44	100	26	30	30	144	139,5	69	15000
25182/F	-	M30X125	44	100	26	-	30	169	-	69	15000
25184/F	26154/F	M30X150	44	100	26	30	30	194	189,5	69	15000
25186/F	-	M30X175	44	100	26	-	30	219	-	69	15000
25188/F	26158/F	M30X200	44	100	26	30	30	244	239,5	69	15000
25200/F	-	M30X225	44	100	26	-	30	269	-	69	15000
25202/F	26162/F	M30X250	44	100	26	30	30	294	289,5	69	15000

MAR – 85 INOX / ANTISLIP



INOX+RUBBER Type	F x B	S	D	Wrench		G	H	Load N
				INOX	STEEL			
15688/V	M16x100	7	85	13	16	130	12000	
15690/V	M16x150	7	85	13	16	180	12000	
15962/V	M16x175	7	85	13	16	205	12000	
15694/V	M20x100	7	85	17	16	130	12000	
15696/V	M20x150	7	85	17	16	180	12000	
15696/V	M20x200	7	85	17	16	230	12000	

MAR – 123 INOX / STEEL



INOX

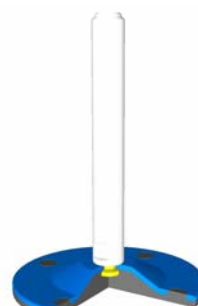
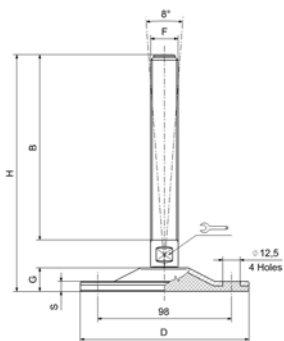


STEEL



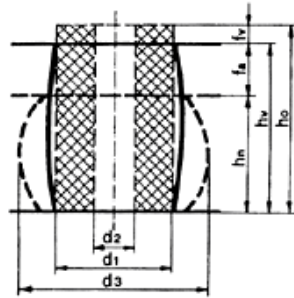
INOX Type	STEEL Type	F x B	S		D		🔧	G	H	Load N
			INOX	STEEL	INOX	STEEL				
15700	15600Z	M16x100	3	4	123	124	17	20,5	134	20000
15702	15604Z	M16x150	3	4	123	124	17	20,5	184	20000
15704	15608Z	M16x175	3	4	123	124	17	20,5	209	20000
15706	15612Z	M20x100	3	4	123	124	17	20,5	134	25000
15708	15615Z	M20x150	3	4	123	124	17	20,5	184	25000
-	15620Z	M20x175	-	4	-	124	17	20,5	209	25000
15710	15624Z	M20x200	3	4	123	124	17	20,5	234	25000
15712	15628Z	M24x100	3	4	123	124	17	20,5	134	30000
15714	15632Z	M24x150	3	4	123	124	17	20,5	184	30000
15716	15636Z	M24x200	3	4	123	124	17	20,5	234	30000
15718	15640Z	M30x150	3	4	123	124	17	20,5	185	35000
15720	15644Z	M30x200	3	4	123	124	17	20,5	235	35000
15722	15648Z	M30x250	3	4	123	124	17	20,5	285	35000

MAR – 123 INOX / STEEL + ANTISLIP



INOX Type	STEEL Type	F x B	S		D		🔧		G	H		Load N
			INOX	STEEL	INOX	STEEL	INOX	STEEL		INOX	STEEL	
15700/V	15600Z/V	M16x100	7	8	123	124	13	16	23,5	137	132	20000
15702/V	15604Z/V	M16x150	7	8	123	124	13	16	23,5	187	182	20000
15704/V	15608Z/V	M16x175	7	8	123	124	13	16	23,5	212	207	20000
15706/V	15612Z/V	M20x100	7	8	123	124	17	20	23,5	137	132	20000
15708/V	15616Z/V	M20x150	7	8	123	124	17	20	23,5	187	182	20000
-	15620Z/V	M20x175	-	8	-	124	-	20	23,5	-	207	20000
15710/V	15624Z/V	M20x200	7	8	123	124	17	20	23,5	137	232	20000
15712/V	15628Z/V	M24x100	7	8	123	124	20	24	23,5	138	132	20000
15714/V	15632Z/V	M24x150	7	8	123	124	20	24	23,5	188	182	20000
15716/V	15636Z/V	M24x200	7	8	123	124	20	24	23,5	238	232	20000
15718/V	15640Z/V	M30x150	7	8	123	124	26	30	23,5	188	183	20000
15720/V	15644Z/V	M30x200	7	8	123	124	26	30	23,5	238	233	20000
15722/V	15648Z/V	M30x250	7	8	123	124	26	30	23,5	288	283	20000

POLYURETHANE BUFFERS / POLIURETÁN RUGÓK



PU 80 Shore Couleure/Farbe/Szín/Couleure
Red/Rot/Piros/Rouge

d ₁ mm	d ₂ mm	h ₀ mm	h _v mm	f _a mm	Nyomás kp	d ₃ mm			
16	6,5	12,5	11	3	115	~21			
		16	14,5	4	110				
		20	18	5	106				
		25	22,5	6	104				
20	8,5	16	14,5	4	175	~28			
		20	18	5	170				
		25	22,5	6	165				
		32	28,5	7,5	162				
25	8,5	20	18	5	280	~35			
		25	22,5	6	275				
		32	28,5	7,5	270				
32	13,5	40	36	10	268	~42			
		32	28,5	7,5	440				
		40	36	10	430				
		50	45	12,5	425				
32	13,5	63	56	15	420	~52			
		32	28,5	7,5	745				
		40	36	10	735				
40	13,5	50	45	12,5	730	~52			
		63	56	15	725				
		80	72	20	720				
		32	28,5	7,5	1200		~66		
50	17	40	36	10	1170				
		50	45	12,5	1150				
		63	56	15	1130				
		80	72	20	1120				
50	17	100	90	25	1110	~66			
		63	17	32	28,5		7,5	2200	~80
				40	36		10	1200	
				50	45		12,5	2000	
				63	56		15	1930	
				80	72		20	1890	
100	90			25	1850				
63	17	125	112	30	1820	~80			
		80	21	32	28,5		7,5	3600	~105
				40	36		10	3450	
				50	45		12,5	3280	
				63	56		15	3150	
				80	72		20	3100	
100	90			25	3040				
80	21	125	112	30	2980	~105			
		100	21	32	28,5		7,5	6000	~127
				40	36		10	5750	
				50	45		12,5	5520	
				63	56		15	5320	
				80	72		20	5120	
100	90			25	4980				
100	21	125	112	30	4850	~127			
		125	27	32	28,5		7,5	10000	~155
				40	36		10	9580	
				50	45		12,5	8800	
				63	56		15	8520	
				80	72		20	8060	
100	90			25	7800				
125	27	125	112	30	7700	~155			
		160	144	40	7580				

PU 90 Shore Couleure/Farbe/Szín/Couleure
Blue/Blau/Kék/Bleu

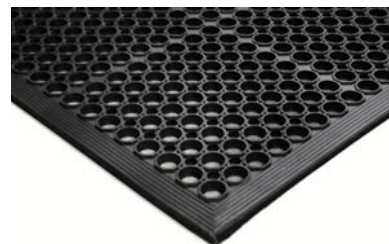
h ₀ mm	h _v mm	f _a mm	Nyomás kp	d ₃ mm					
12,5	11,5	2	158	~20					
		3	153						
		4	150						
		5	148						
16	14,5	3	235	~27					
		4	230						
		5	228						
		6	226						
20	18	4	398	~32					
		5	390						
		6	386						
		8	382						
25	22,5	6	595	~39					
		8	585						
		10	580						
		12	575						
32	28,5	6	1020	~49					
		8	1000						
		10	995						
		12	990						
40	36	8	985	~62					
		16	985						
		32	28,5		6	1600	~79		
		50	45		8	1575			
10	1550								
12	1530								
16	1515								
50	45	20	1500	~79					
		32	28,5		6	2800			
		40	36		8	2720			
		50	45		10	2650			
		63	56		12	2600			
		80	72		16	2550			
63	45	20	2500	~102					
		100	90		20	2500			
		125	112		24	2450			
		80	21		32	28,5	6	4970	~125
					40	36	8	4660	
					50	45	10	4520	
63	56			12	4340				
80	72			16	4200				
100	90			20	4130				
80	21	125	112	24	4050	~125			
		100	21	32	28,5		6	8050	~150
				40	36		8	7740	
				50	45		10	7420	
				63	56		12	7140	
				80	72		16	6900	
100	90			20	6700				
100	21	125	112	24	6520	~150			
		125	27	32	28,5		6	12450	~105
				40	36		8	12000	
				50	45		10	11550	
				63	56		12	11150	
				80	72		16	10700	
100	90			20	10300				
125	27	125	112	24	10050	~105			
		160	144	32	9850				

PU 95 Shore Couleure/Farbe/Szín/Couleure
Green/Grün/Zöld/Vert

h ₀ mm	h _v mm	f _a mm	Nyomás kp	d ₃ mm					
12,5	11	1,5	192	~19,5					
		2	188						
		3	185						
		4	182						
16	14,5	2	290	~25					
		3	285						
		4	282						
		4,5	280						
20	18	3	490	~30					
		4	480						
		4,5	475						
		6	470						
25	22,5	4	730	~38					
		6	718						
		7,5	708						
		9	700						
32	28,5	4,5	1250	~46					
		6	1230						
		7,5	1225						
		9	1215						
40	36	6	1200	~59					
		12	1200						
		32	28,5		4,5	2010	~75		
		50	45		6	1960			
7,5	1920								
9	1900								
12	1880								
50	45	15	1860	~75					
		32	28,5		4,5	3450			
		40	36		6	3360			
		50	45		7,5	3280			
		63	56		9	3200			
		80	72		12	3150			
63	45	15	3110	~98					
		100	90		15	3110			
		125	112		18	3070			
		80	21		32	28,5	4,5	6000	~121
					40	36	6	5750	
					50	45	7,5	5540	
63	56			9	5360				
80	72			12	5200				
100	90			15	5130				
80	21	125	112	18	5060	~121			
		100	21	32	28,5		4,5	10200	~105
				40	36		6	9700	
				50	45		7,5	9220	
				63	56		9	8820	
				80	72		12	8570	
100	90			15	8300				
100	21	125	112	18	8100	~105			
		125	27	32	28,5		4,5	17200	~105
				40	36		6	16200	
				50	45		7,5	15100	
				63	56		9	14300	
				80	72		12	13600	
100	90			15	13000				
125	27	125	112	18	12900	~105			
		160	144	24	12800				

ERGONOMIC ANTI-FATIGUE MATS

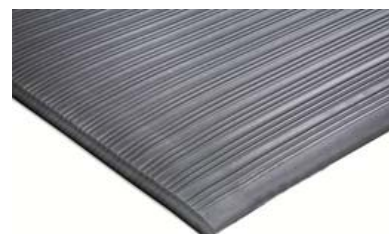
Keeps the dirt next to the machines (e.g. chips)
Material: NR / SBR, oil resistant, rounded edges
Thickness: 13mm
Complies with EN 13552 Category R10
Dimensions: 900x1.500mm.
In the interest of extensibility is also available with a serrated edge.



Ergonomic Anti-Fatigue Mat
It protects against the cold of the floor and the vibration.
The diamond pattern helps to stable traffic on the mat
Material: 100% closed-cell PVC with a rounded yellow edge
It fits perfectly to the floor.
Thickness: 9mm
Complies with EN 51130 and the norm DIN 54332 (B2)
part of fire protection standard DIN 4102 (fire regulations).
Size: 600x900mm, 900x1.500mm, 900x3.000mm, 900x6.000 mm available



Ergonomic Anti-Fatigue Mat
It protects against the cold of the floor and the vibration.
The ribbed pattern helps in stable movement.
Material: 100% closed-cell vinyl foam gray
Thickness: 9mm
Complies with EN 51130 and DIN 54332 (B2)
part of fire protection standard DIN 4102
Size: 600x900mm, 900x1.500mm, 900x18.300m



Ergonomic anti-fatigue mat
Protects against the cold of the floor and the vibration
The pattern helps with stable traffic on the mat.
Material: 100% closed-cell PVC with rounded yellow edge
It fits perfectly to the floor.
Thickness: 9mm
Conforms to DIN 51130 part of the fire safety standard
DIN 4102 (fire protection standard)
Size: 600x900mm, 900x1.500mm, 900x2.000mm, 900x18.300mm



Utensils of mats and anti-fatigue mats



HORSE STABEL MATS

The floor of the stalls for different animals (boxes, gears, animal washes) must be found not only because they are exposed to a significant mechanical and chemical stress, but they also need to ensure the comfort and hygiene and safety of the horses. Unlike with a traditional floor covering that consists of concrete or asphalt, the special floor coverings - such as rubber – have to be slip-free, elastic, sound and thermally insulated.

It is an important argument for the use of rubber mats in the boxes, that we can reduce an amount of bedding, thereby also the amount of waste to be destroyed and this makes the animal husbandry more cost-effective. The special feature of the rubber flooring is in addition to its high mechanical stability and slip resistance, its waterproofness and its convenient and easy cleanability, so it can be used even in animal transportation vehicles. The roll width of even 2 meters, the quick and easy adjustment and thereby the cost-effective apportionment.

Raw material	SBR
Hardness (Sh°A)	65 ÷ 74
Density (g/cm ³)	1,39
Elongation at rupture (%)	170
Tensile strength (N/mm (Mpa))	5
Pattern	H5 (Lenticulated bulge)
Lower surface	textile printing / impression
Cartridge design	possible
Colour	black
Version thickness	6mm, 8mm, 10mm and 18mm
Version width	1.000mm, 1.250mm, 1.650mm, 1.800mm and 2.000mm



RAMP MATS

The ramp mat with its special ribbing ensures secure, slip-free bustle of animals on steep slopes and ramps of trailers and horse transport trucks. The variety of tooth pattern and distinctive square cross ribs makes the pattern. It is sold in several versions (length / width).

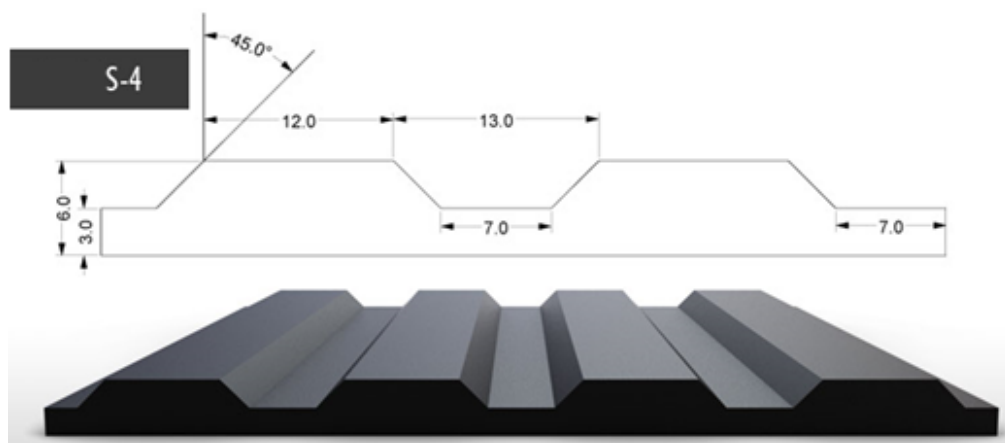
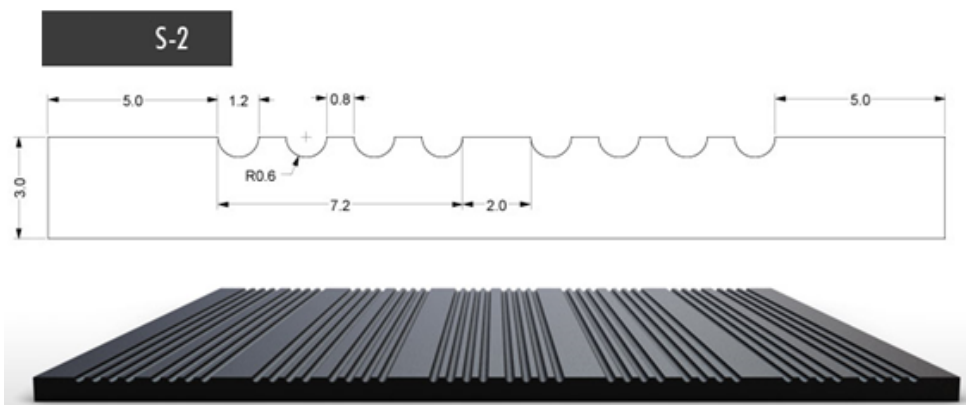
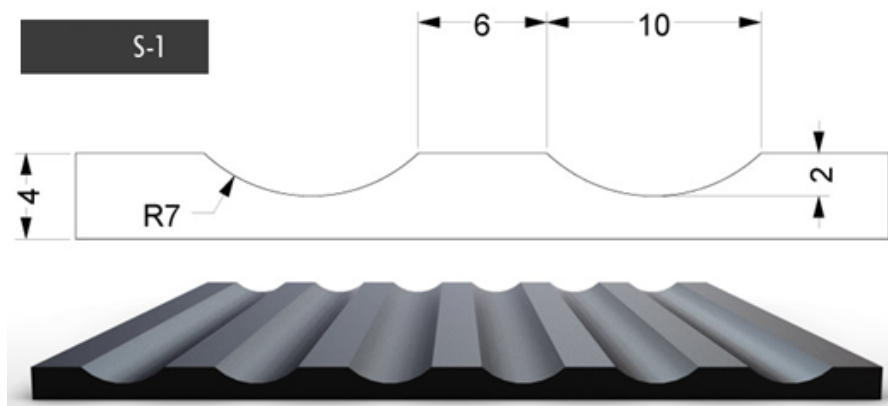
Raw material	SBR
Hardness (Sh°A)	65 ÷ 74
Density (g/cm ³)	1,39
Elongation at rupture (%)	170
Tensile strength N/mm (Mpa)	5
Pattern	alternation of the finer main part pattern and the distinctive, square cross ribs
Lower surface	plain
Cartridge design	none
Colour	black
Version thickness	(rig length) 1.250mm, 1.400mm, 1.800mm, 1.900mm, 2.150mm és 2.400mm
Version width	1.200mm, 2.000mm

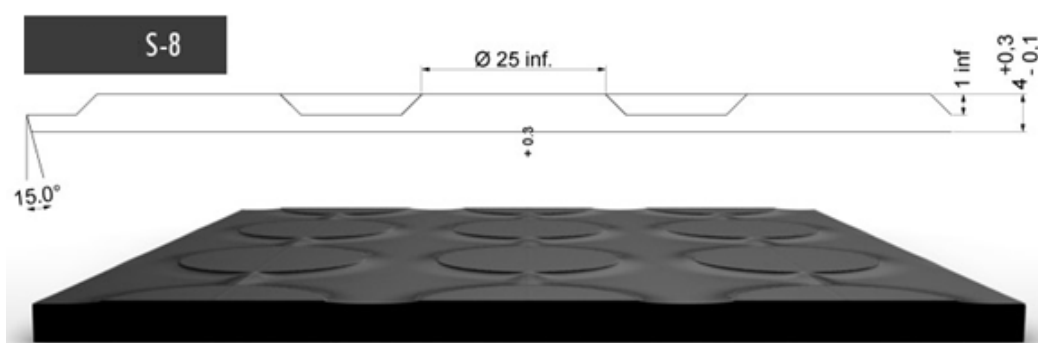
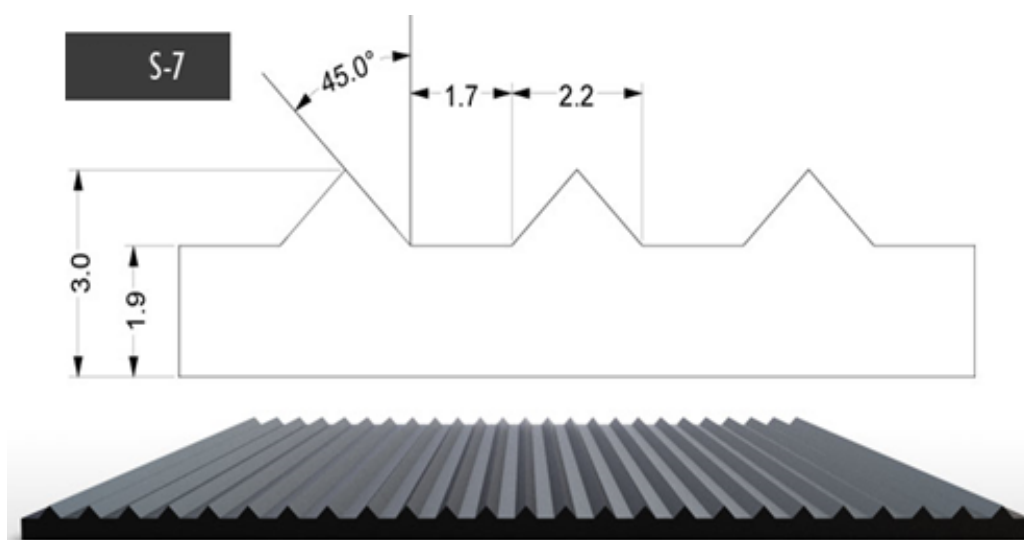
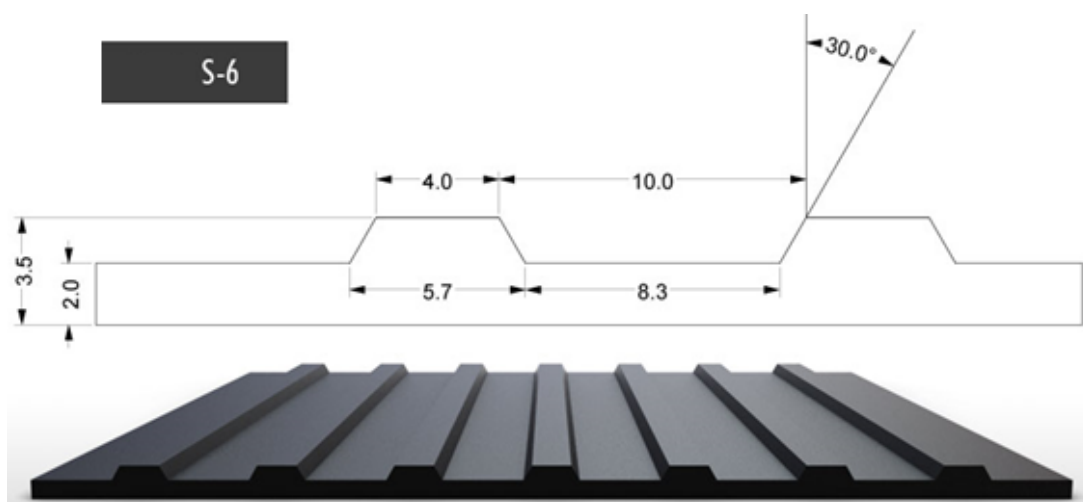
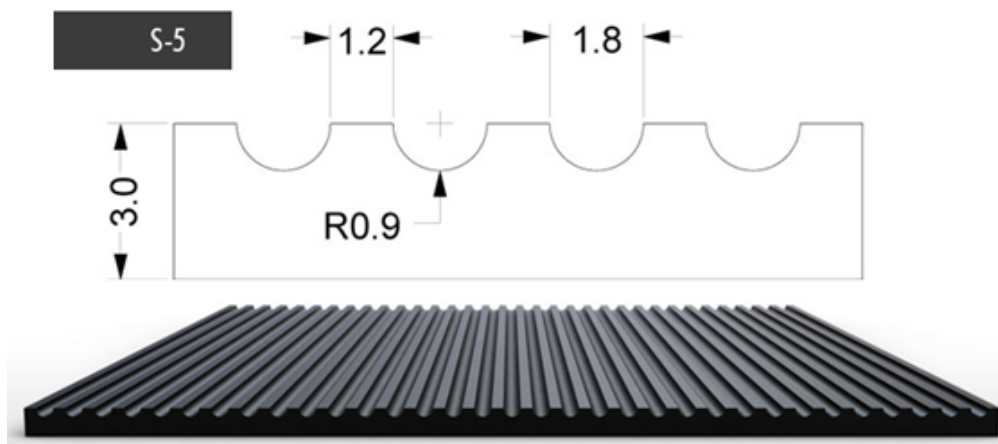


ANTI-SLIP RUBBER MATS

	S-1	S-2	S-4	S-5	S-6	S-7	S-8
Thickness (mm)	4,0 (+/-0,3)	3,0 (+/-0,3)	6,0 (+/-0,4)	3,0 (+/-0,3)	3,5 (+/-0,3)	3,0 (+/-0,3)	4,0 (+/-0,3)
Roll width (mm)	1.200	1.200	1.200	1.200	1.200	1.200/1.400	1.230

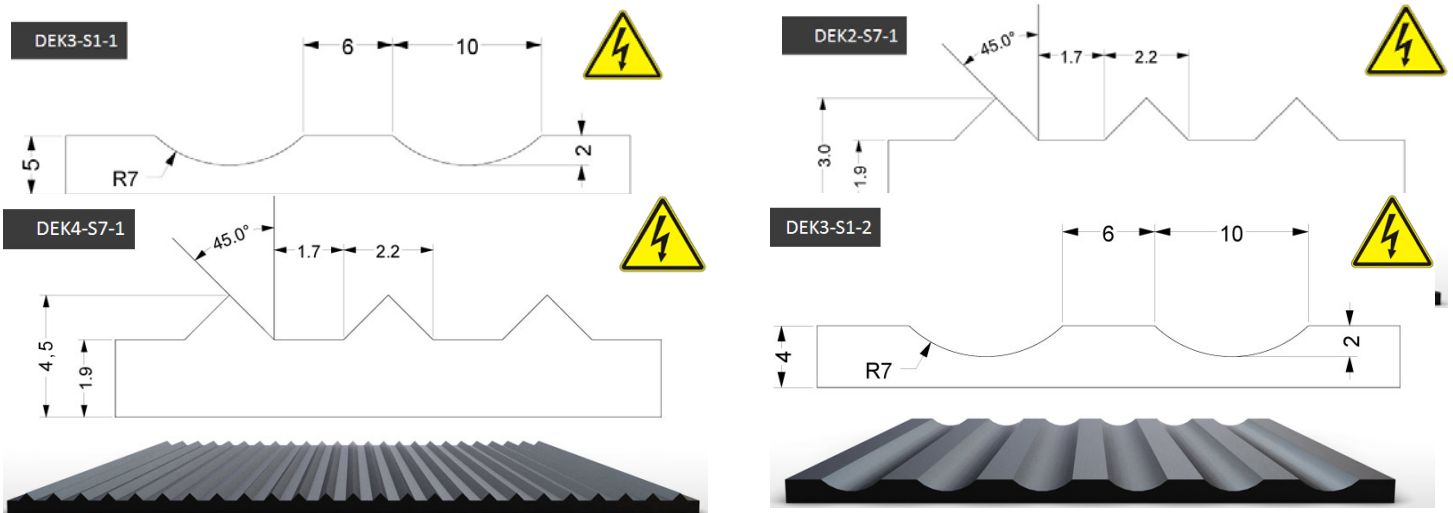
Raw material: SBR 80 +/- 5 Sh^oA – black
Density: 1,45 g/cm³
Elongation at rupture: 250 %
Tensile strength (Mpa): 4 N/mm
Operating temperature: -25°C - +80°C





ELECTRICITY INSULATING MATS

	DEK3-S1-1	DEK2-S7-1	DEK4-S7-1	DEK3-S1-2
Raw material / Sh°A	SBR / 80+/-5	NK-SBR/ 65+/-5	NK-SBR/ 65+/-5	SBR / 80+/-5
Colour	grey	grey	grey	black
Thickness (mm)	5,0 (+1,0/-0,1)	3,0 (+1,0/-0,1)	4,5 (+0,5/-0,1)	5,0 (+1,0/-0,1)
Rolls width (mm)	1.200	1.200	1.200	1.300
Max. operating voltage (V)	26.500	17.000	36.000	26.500
Test voltage (V)	30.000	20.000	40.000	30.000
Max. load voltage (V)	40.000	30.000	50.000	40.000
Density (g/cm³)	1,75	1,53	1,53	1,75
Elongation at rupture (%)	100	250	250	100
Tensile strength (N/mm (Mpa))	4	4	4	4
Operating temperature (°C)	-25 ÷ +70	-25 ÷ +70	-25 ÷ +70	-25 ÷ +70



TECHNICAL RUBBER PLATES

	Mixture	Type	Colour	Hardness Sh°A	Density g/cm³	Tensile strength (N/mm Mpa)	Elongation at rupture %	Operating temperature °C
General determination	SBR	7993	black	65 +/- 5	1,47	4,0	250	-25 - + 80
General determination	SBR	9035	white	60 +/- 5	1,50	5,0	300	-25 - + 80
Oil resistant	NBR / SBR	7645	black	65 +/- 5	1,65	3,0	200	-25 - + 80
gasoline- and oil-resistant	NBR / SBR	7672	black	70 +/- 5	1,30	8,0	250	-25 - + 80
heat-resistant, weather-resistant, acid and alkali resistant	EPDM	7815	black	60 +/- 5	1,22	10,0	400	-40 - +125
Para	NR	7689	grey	40 +/- 5	1,00	12,0	600	-25 - + 80
Wear-resistant	NR / SBR	7750	black	60 +/- 5	1,15	17,0	400	-25 - + 80

We basically have mats available without inlay, other than the type 7993, from which also models with 1 or 2 inlays can be obtained.

All types are also produced with insert, but in this case there is a minimum order requirement.

Typical thickness: 1; 2; 3; 4; 5; 6; 8 and 10mm (with a tolerance acc. to DIN 7715 P2), thinner / thicker plates can be produced.

Normal roll length: 10m +/- 2%, and roles in customized lengths can be produced

Roll width: 1,200mm und 1.400mm +/- 1%, when required, smaller plates can be made for an additional charge, if the minimum order quantity is reached.

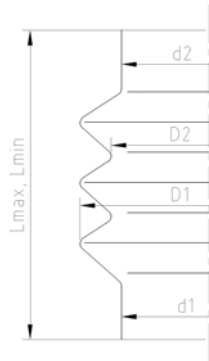
From the roll length can be cut (minimum 0.5m.), from the roll width - except Type 7750 - will not be cut!

The plate divorce can be solved (strips, rectangles), in this case, the total width of the plates must be considered in the calculation.

For individual needs not listed here, we can provide a production deal.



BELLOWS



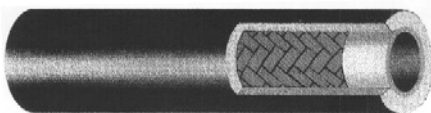
According to customer's specification (sample and/or drawing)

PROFILE



For existing standard profiles visit: www.meta-vulk.hu

COMPRESSED AIR HOSE



Belső Ø ID (mm)	Külső Ø OD (mm)	Max üzemnyomás Max. Working Pressure (Mpa)	Biztonsági tényező Safety Factor	Minimális hajlítási sugár Min. Bend. Radius (mm)	Max. Hossz Length (m)
8	17	1,6	4	64	20
8	17	2,5	4	56	20
10	18	1,0	4	80	20
10	18	1,6	4	80	20
10	19	2,5	4	70	20
13	21	1,0	4	100	20
13	21	1,6	4	100	20
13	22	2,5	4	85	20
16	26	1,0	4	130	20
16	26	1,6	4	120	20
16	26	2,5	4	110	20
19	29	1,0	4	150	20
19	29	1,6	4	150	20
19	30	2,5	4	130	20
25	36	1,0	4	200	20
25	36	1,6	4	200	20
25	37	2,5	4	175	20

LEVEGŐTÖMLŐ

Application:

Recommended for compressors, machines and tools for convey compressed air containing small quantities of oil under heavy working conditions.

Working temperature: -25°C to +80°C

Hose construction:

Tube: Black SBR based rubber, moderately oil-resistant NBR-PVC/SBR

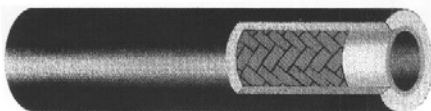
Reinforcement: Synthetic textile

Cover: Black abrasion and weather resistant NR/SBR based rubber SBR/NR

Alkalmazás: Olajnyomatokat is tartalmazó sűrített levegő vezetésére kompresszorokhoz.

Üzemi hőmérséklet: -25 °C — +80 °C

STEAM HOSE



Belső Ø ID (mm)	Külső Ø OD (mm)	Max üzemnyomás Max. Working Pressure (Mpa)	Biztonsági tényező Safety Factor	Minimális hajlítási sugár Min. Bend. Radius (mm)	Max. Hossz Length (m)
13	23	0,63	10	80	20
* 13	23	0,63	10	80	20
16	27	0,63	10	95	20
* 16	27	0,63	10	95	20
19	31	0,63	10	110	20
* 19	31	0,63	10	110	20
25	37	0,63	10	150	20
* 25	37	0,63	10	150	20

* Galvanized steel wire braiding, outer diameter including braiding

* Horganyozott acélhuzal beszövással, külső átmérő páncélozással együtt

GŐZTÖMLŐ

Application:

Conveying saturated and unsaturated steam and hot water at a max. temperature of +164 °C.

Max. working pressure when used for water: 1,2 MPA.

Hose construction:

Tube: black heat resistant EPM based rubber.

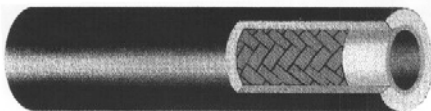
Reinforcement: synthetic textile

Cover: black heat resistant EPM based rubber

Alkalmazás: Telített és telítetlen vízgőz, valamint forró víz szállítása max. + 164 °C hőmérsékleten.

Forró víz esetén a megengedett max. üzemi nyomás: 1,2 MPa

WATER HOSE



Belső Ø ID (mm)	Külső Ø OD (mm)	Max üzemnyomás Max. Working Pressure (Mpa)	Biztonsági tényező Safety Factor	Minimális hajlítási sugár Min. Bend. Radius (mm)	Max. Hossz Length (m)
13	19	0,63	3,15	-	20
13	20	1,00	3,15	90	20
13	21	2,50	4	80	20
16	23	0,63	3,15	-	20
16	24	1,00	3,15	110	20
16	24,5	2,50	4	100	20
19	26	0,63	3,15	-	20
19	27,5	1,00	3,15	130	20
19	29	2,50	4	110	20
25	32	0,63	3,15	-	20
25	34	1,00	3,15	180	20
25	35	2,50	4	150	20

VÍZTÖMLŐ

Applicaton:

Conveying industrial water, max. 5% aqueous solution of inorganic acid (except for nitric acid) and alkali.

Not suitable for potable water!

Max. working temperature: +60 °C.

Hose construction:

Tube: black, moderately chemical resistant SBT/NR based rubber

Reinforcement: synthetic textile

Cover: black, abrasion and weather resistant SBR/NR based rubber

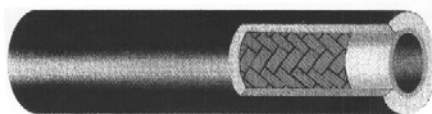
Alkalmazás:

Ipari víz, szervesetlen savak (kivéve salétromsav) és lúgok max. 5%-os vizes oldatának szállítására.

Ivóvíz szállítására nem alkalmas!

Max. üzemi hőmérséklet: + 60 °C

OIL HOSE



Belső Ø ID (mm)	Külső Ø OD (mm)	Max üzemnyomás Max. Working Pressure (Mpa)	Biztonsági tényező Safety Factor	Minimális hajlítási sugár Min. Bend. Radius (mm)	Max. Hossz Length (m)
6	14/15	1,0	3,15	38	20
6	15//15	2,0	3,15	38	20
8	16/17	1,0	3,15	48	20
8	16/17	2,0	3,15	48	20
10	16/17	0,63	3,15	-	20
10	17/18	1,0	3,15	60	20
10	17/18	2,0	3,15	60	20
13	20/21	0,63	3,15	-	20
13	21/22	1,0	3,15	75	20
13	21/22	2,0	3,15	75	20
16	23/25	0,63	3,15	-	20
16	25/26	1,0	3,15	95	20
16	25/26	2,0	3,15	95	20
19	27/28	0,63	3,15	-	20
19	29/30	1,0	3,15	110	20
19	29/30	2,0	3,15	110	20
25	33	0,63	3,15	-	20
25	36	1,0	3,15	150	20
25	36	2,0	3,15	150	20

OLAJTÖMLŐ

Application:

Conveying crude oil and oil derivatives under pressure. Not recommended for conveying PB-gas, high aromatic content and polar solvents.

Max. aromatic content: 30%

Working temperature: -25 °C — + 70 °C.

Hose construction:

Tube: black, oil resistant NBR/CR

Reinforcement: synthetic textile cover

Cover: black oil, abrasion and weather resistant NBR-PVC/BR or CR/BR based rubber

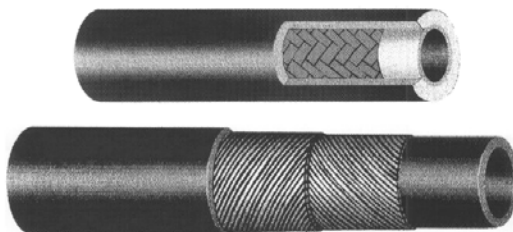
Alkalmazás:

Kőolaj és kőolajszármazékok nyomás alatti vezetésére. PB-gáz, magas aromás tartalmú és poláros oldószerek vezetésére nem alkalmas.

Max aromástartalom: 30%.

Üzemi hőmérséklet: -25 °C — + 70 °C.

AIR BREAK HOSE



Belső Ø ID (mm)	Külső Ø OD (mm)	Max üzemnyomás Max. Working Pressure (Mpa)	Biztonsági tényező Safety Factor	Minimális hajlítási sugár Min. Bend. Radius (mm)	Max. Hossz Length (m)
9	16	1,2	3,15	65	20
* 9	17	1,2	3,15	65	20
13	25	1,2	3,15	100	20
* 13	26	1,2	3,15	100	20

* Galvanized steel wire braiding, outer diameter including braiding

* Horganyozott acélhuzal beszövésével, külső átmérő páncélozással együtt

LÉGFÉKTÖMLŐ

Application:

Flexible connection for the airbrakes, trailers and other pneumatic systems of vehicles.

Fulfills the specifications of DIN 74 310.

Working temperature: -40 °C to + 70 °C

Hose construction:

Tube: black, moderately oil-resistant NBR-PVC/SBR based rubber

Reinforcement: synthetic textile cover

Cover: black, oil, abrasion and weather resistant NBR-PVC/BR based rubber

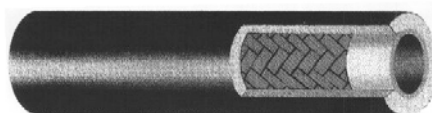
Alkalmazás:

Járművek légfékeinek, pótkocsijainak, valamint más, sűrített levegővel működő berendezések flexibilis csatlakoztatásához.

Kielégíti a DIN 74 310 szabványt

Üzemi hőmérséklet: -40 °C — + 70 °C

RADIATOR HOSE



Belső Ø ID (mm)	Külső Ø OD (mm)	Max üzemnyomás Max. Working Pressure (Mpa)	Biztonsági tényező Safety Factor	Max. Hossz Length (m)
8	14	0,16	7,5	20
10	15,5	0,16	7,5	20
13	19	0,16	7,5	20
16	23	0,16	7,5	20
19	26	0,16	7,5	20
22	29	0,16	7,5	20
25	33	0,16	7,5	20

Application:

Flexible connecting line for the cooling system of motor vehicles.

Working temperature: -40 °C to + 100 °C.

Hose construction:

Tube: black, SBR/BR based rubber, resistant to glycol

Reinforcement: synthetic textile cover

Cover: black, oil, abrasion, ozone and weather resistant NBR-PVC/BR based rubber

Alkalmazás:

Gépjárművek hűtőrendszerének hajlékony összekötő vezetékékként

Üzemi hőmérséklet: -40 °C — + 70 °C

HŰTŐTÖMLŐ

FUEL HOSE



Belső Ø ID (mm)	Külső Ø OD (mm)	Minimális hajlítási sugár Min. Bend. Radius (mm)	Max. Hossz Length (m)
5	10	110	20
6	11	120	20
7	12	140	20
8	13	160	20
10	15	180	20
13	17	200	20

Application:

Flexible fuel hose for vehicles

Working temperature: -25 °C to + 100 °C

Hose construction:

Tube: black, petrol and diesel oil resistant NBR based rubber

Cover: galvanized steel wire braiding

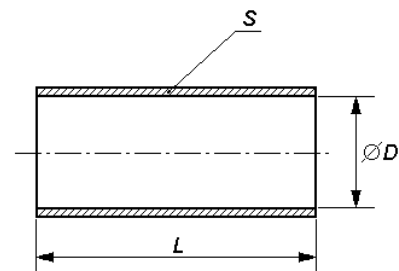
Alkalmazás:

Gépjárművek hajlékony vezetékékként, üzemanyag vezetésére szolgál.

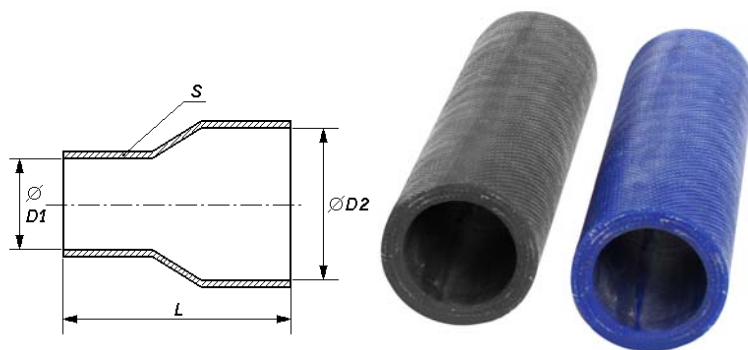
Üzemi hőmérséklet: : -25 °C — + 100 °C

ÜZEMANYAGTÖMLŐ

Attribute Tulajdonság	Type of limite value Határérték típusa	Requirement Követelmény	Measure Mértékegység
Hardness / Keménység	-	65 ±5	Sh° A
Tensile strength Szakítószilárdság	Minimum	5	Mpa
Tear stretching Szakadási nyúlás	Minimum	300	%
Továbbhasadási ellenállás	Minimum	12	N/m
Aging resistance / Öregedésállóság			
- Hardness alteration - Keménység változás	Maximum	6	Sh° A
- Tensile strength alteration - Szak.szil. változás	Maximum	5	%
- Tear stretching alteration - Szak.nyúl. változás	Maximum	20	%
Liquid resistance / Folyadékállóság			
- Cubic capacity - Térfogatváltozás	Maximum	10	%



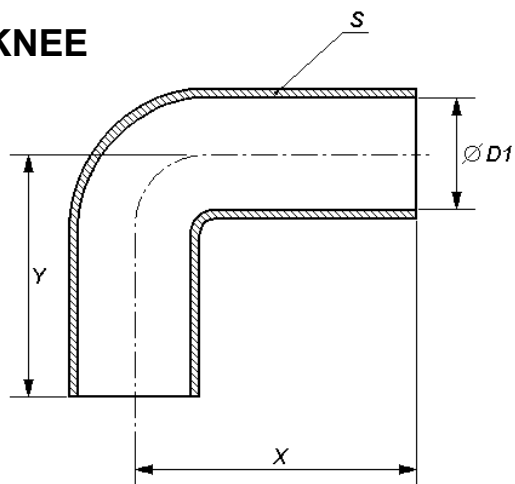
D (mm)	D tolerance (mm)	L (mm)	S (mm)
10	+0 / -1	10(00)	4 +1/-0
15	+0 / -1	1000	4 +1/-0
16	+0 / -1	1000	4 +1/-0
18	+0 / -1	1000	4 +1/-0
19	+0 / -1	1000	4 +1/-0
20	+0 / -1	1000	4 +1/-0
22	+0 / -1	1000	4 +1/-0
25	+0 / -1	1000	4 +1/-0
28	+0 / -1	1000	4 +1/-0
30	+0 / -1	1000	4 +1/-0
30,2	+0 / -1	1000	4 +1/-0
35	+0 / -1	1000	4 +1/-0
38	+0 / -1	1000	4 +1/-0
45	+0 / -1	1000	4 +1/-0
50,8	+0 / -1	1000	5 +1/-0
55	+0 / -1	1000	5 +1/-0
60	+0 / -1	1000	5 +1/-0
80	+0 / -1	1000	5 +1/-0
127	+0 / -1	1000	5 +1/-0
15	+0 / -1	100	4 +1/-0
15	+0 / -1	120	4 +1/-0
35	+0 / -1	100	4 +1/-0
35	+0 / -1	120	4 +1/-0
127	+0 / -1	85	5 +1/-0
127	+0 / -1	100	5 +1/-0
127	+0 / -1	120	5 +1/-0
129	+0 / -1	60	5 +1/-0
129	+0 / -1	85	5 +1/-0
129	+0 / -1	100	5 +1/-0
150	+0 / -1	100	5 +1/-0



D1/D2	D tolerance (mm)	L (mm)	S (mm)
20/30	+0/-1	FREE CHOICE / TETSZŐLEGES	4+1/-0
35/38	+0/-1		4+1/-0
40/70	+0/-1		4+1/-0
50/55	+0/-1		4+1/-0
50/60	+0/-1		4+1/-0
50/70	+0/-1		4+1/-0
50/90	+0/-1		4+1/-0
60/70	+0/-1		4+1/-0
60/75	+0/-1		4+1/-0

DIN 53 505-2000

RUBBER KNEE

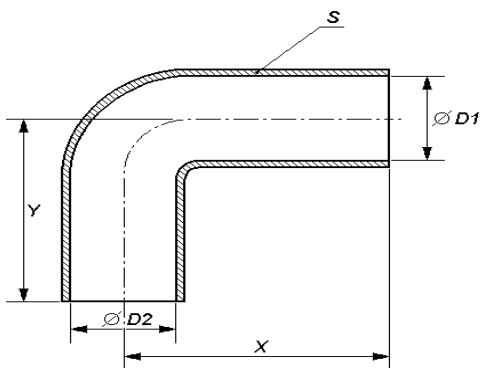


KÖNYÖKÖK

D1 / D2 [mm]	D1,2 tolerance [mm]	α [°]	X [mm]	Y [mm]	S [mm]
15	+0 / -1	90	46	46	4 +1/-0
15	+0 / -1	90	100	100	4 +1/-0
16	+0 / -1	90	60	60	4 +1/-0
16	+0 / -1	90	100	100	4 +1/-0
22	+0 / -1	90	56	56	4 +1/-0
22	+0 / -1	90	100	100	4 +1/-0
28	+0 / -1	90	65	65	4 +1/-0
28	+0 / -1	90	100	100	4 +1/-0
28,6	+0 / -1	90	66	66	4 +1/-0
35	+0 / -1	90	76	76	4 +1/-0
35	+0 / -1	90	100	100	4 +1/-0
44,5	+0 / -1	90	90	90	4 +1/-0
50	+0 / -1	90	100	100	4 +1/-0
50,8	+0 / -1	90	100	100	4 +1/-0
50,8	+0 / -1	105	100	100	4 +1/-0
60,4	+0 / -1	90	100	100	5 +1/-0
63,6	+0 / -1	90	123	123	5 +1/-0
127	+0 / -1	90	178	178	5 +1/-0
22 / 31,8	+0 / -1	90	100	100	4 +1/-0
38 / 28	+0 / -1	90	100	100	4 +1/-0
38 / 31,5	+0 / -1	90	100	100	4 +1/-0
38 / 35	+0 / -1	90	100	100	4 +1/-0
60 / 50	+0 / -1	90	76	76	5 +1/-0
60 / 50	+0 / -1	90	100	100	5 +1/-0
60 / 50,8	+0 / -1	110	100	100	5 +1/-0
60 / 52	+0 / -1	90	100	100	5 +1/-0
60 / 52	+0 / -1	90	102	102	5 +1/-0
70 / 60	+0 / -1	90	220	250	5 +1/-0

DIN 53 505-2000

Attribute Tulajdonság	Type of limite value Határérték típusa	Requirement Követelmény	Measure Mértékegység
Hardness / Keménység	-	65 ±5	Sh° A
Tensile strength Szakítószilárdság	Minimum	5	Mpa
Tear stretching Szakadási nyúlás	Minimum	300	%
Továbbhasadási ellenállás	Minimum	12	N/m
Aging resistance / Öregedésállóság			
- Hardness alteration - Keménység változás	Maximum	6	Sh° A
- Tensile strength alteration - Szak.szil. változás	Maximum	5	%
- Tear stretching alteration - Szak.nyúl. változás	Maximum	20	%
Liquid resistance / Folyadékállóság			
- Cubic capacity - Térfogatváltozás	Maximum	10	%



Ellenállóképesség	Mechanikai tulajdonságok szobahőmérsékleten	Termikus viselkedés	Keménységtartomány, Shore	Nemzetközi rövidítés	Natural Rubber	Styrene-Butadiene Rubber	Ethylene-Propylene-Diene Monomer	Silicone Elastomer	Chloroprene Rubber	Nitrile-Butadiene Rubber	International abbreviation	Shore hardness	Mechanical Characteristics at room temperature	Thermal charact.	Resistance		Permeability to gases																																																																																																																								
															Magas hőm.	Alacsony hőm.		Cold resistance	Heat resistance																																																																																																																						
Gázáteresztő képesség	Szakítószilárdság	Hőállólag	30-90	NBR	●	●	●	◎	●	●	●	25-90	Tensile strength	Cold resistance	Fuel/Petrol	Mineral oil (100 C°)	UV																																																																																																																								
																		Szakadási nyúlás	35-95	SBR	●	●	●	◎	●	●	●	●	30-85	Tear stretching	Heat resistance	Acid (25%-os H ₂ SO ₄ , 50C°)																																																																																																									
																																	Visszapattanási rugalmasság	30-90	EPDM	●	●	●	◎	●	●	●	●	30-85	Reboundance elasticity	Fuel/Petrol	Alkali (25%-os NaOH, 50C°)																																																																																										
																																																Továbbszakító szilárdság	30-85	VMQ	◎	◎	◎	○	●	●	●	●	30-85	Persisting tensile strength	Weather and Ozon	Water (100 Co-on)																																																																											
																																																															Hőmérséklettartomány	25-90	CR	●	●	●	◎	●	●	●	●	25-90	Temperature interval	Weather and Ozon	Water (100 Co-on)																																																												
																																																																														Kopásállóság	30-95	NBR	●	●	●	◎	●	●	●	●	30-95	Attrition resistance	Weather and Ozon	Water (100 Co-on)																																													
																																																																																													Maradandó deformáció	30-95	NBR	●	●	●	◎	●	●	●	●	30-95	Durable Deformation	Weather and Ozon	Water (100 Co-on)																														
																																																																																																												Magas hőm.	30-95	NBR	●	●	●	◎	●	●	●	●	30-95	High temperature	Weather and Ozon	Water (100 Co-on)															
																																																																																																																											Alacsony hőm.	30-95	NBR	●	●	●	◎	●	●	●	●	30-95	Low temperature.	Weather and Ozon	Water (100 Co-on)
Benzin	30-95	NBR	●	●	●	◎	●	●	●	●	30-95	Heat resistance	Weather and Ozon	Water (100 Co-on)																																																																																																																											
															Asványolaj (100 C°)	30-95	NBR	●	●	●	◎	●	●	●	●	30-95	Fuel/Petrol	Weather and Ozon	Water (100 Co-on)																																																																																																												
																														Savak (25%-os H ₂ SO ₄ , 50C°)	30-95	NBR	●	●	●	◎	●	●	●	●	30-95	Mineral oil (100 C°)	Weather and Ozon	Water (100 Co-on)																																																																																													
																																													Lugok (25%-os NaOH, 50C°)	30-95	NBR	●	●	●	◎	●	●	●	●	30-95	Acid (25%-os H ₂ SO ₄ , 50C°)	Weather and Ozon	Water (100 Co-on)																																																																														
																																																												Víz (100 Co-on)	30-95	NBR	●	●	●	◎	●	●	●	●	30-95	Alkali (25%-os NaOH, 50C°)	Weather and Ozon	Water (100 Co-on)																																																															
																																																																											Időjárás és ózon	30-95	NBR	●	●	●	◎	●	●	●	●	30-95	Weather and Ozon	Water (100 Co-on)																																																	
																																																																																									Fény	30-95	NBR	●	●	●	◎	●	●	●	●	30-95	UV	Water (100 Co-on)																																			

- = Excelent
- = Good
- ◎ = Satisfactory
- ◎ = Sufficient
- ◎ = Adverse
- = Complately inadequate

DIN 7715 TOLERANCE FOR COMPRESSED MOULDED PRODUCTS

Nominal measurement		class M1		class M2		class M3		class M4			
		F	C	F	C	F	C	F	C		
		±	±	±	±	±	±	±	±		
		Tolerance in mm									
	to 2,5	0,08	0,08	0,1	0,15	0,25	0,4	0,5	0,5		
over	2,5 to 4	0,08	0,1	0,1	0,15	0,25	0,4	0,5	0,5		
over	4 to 6,3	0,1	0,1	0,15	0,2	0,25	0,4	0,5	0,5		
over	6,3 to 10	0,1	0,15	0,2	0,2	0,3	0,5	0,7	0,7		
over	10 to 16	0,15	0,20	0,2	0,25	0,4	0,6	0,8	0,8		
over	16 to 25	0,2	0,20	0,25	0,35	0,5	0,8	1,0	1,0		
over	25 to 40	0,2	0,25	0,35	0,4	0,6	1,0	1,3	1,3		
over	40 to 63	0,25	0,35	0,4	0,5	0,8	1,3	1,6	1,6		
over	63 to 100	0,35	0,4	0,5	0,7	1,0	1,6	2,0	2,0		
over	100 to 160	0,4	0,5	0,7	0,8	1,3	2,0	2,5	2,5		
		Tolerance in %									
over	160	0,3	0,4	0,5	0,7	0,80	1,3	1,5	1,5		

DIN 7715 TOLERANCE FOR EXTRUDED RUBBER PROFILES

Nominal measurement		Tolerance ±
	to 2,5	0,5
over	2,5 to 4,0	0,7
over	4,0 to 6,3	0,8
over	6,3 to 10,0	1,0
over	10,0 to 16,0	1,3
over	16,0 to 25,0	1,6
over	25,0 to 40,0	2,0
over	40,0 to 63,0	2,5
over	63,0 to 100,0	3,2

Nominal measurement		Measurement without tolerance
		Accuracy „ROUGH”
		Tolerance in mm
	to 3	±0,4
over	3 to 6	±0,5
over	6 to 10	±0,6
over	10 to 18	±0,8
over	18 to 30	±1
over	30 to 50	±1,5
over	50 to 80	±2
over	80 to 120	±2,5
over	120 to 180	±3
over	180 to 250	±4
over	250 to 315	±5
over	315 to 400	±6
over	400 to 500	±7
		Tolerance in %
over	500	±1,5

Important notice!

The static load data may have a tolerance of ±20% (due to manufacturing or Sh° hardness differences)



Address: 2038 Sósút, Ipari Park
HRSZ 3587/2
Hungary

Phone: 36-23-330-875, 36-23-330-876

Fax: 36-23-330-877

Web: www.meta-vulk.hu