

PRIMERGY RX2530 M1  
1U Rack Server



4x 3.5"



4x 2.5" (exp. to 8x2.5")



10x 2.5"



Chapter	Folder	Content
	Cover	List of content, Instructions for usage of this configurator, abbreviations
	Description	System Description for easier understanding
1	Base	describes base unit of TX2560 M1 and RX2560 M1
2		describes rack mount kits and services
3	CPU	Order code and Infos of E5-2600v3 series processors
4	RAM	DDR4 System memory (RAM) and memory modes
5	GFX	Graphics-, Grid-cards, GPU and Xeon Co processors and other graphics options
6	HD cage	n.a. - not required for PRIMERGY RX2530
7	RAID	SAS / RAID Controller and components
8	ODD	optical disk drives (DVD, DVD-rw, Blu ray)
9	Backup	LTO drives & RDX drive
10	HD SSD	Storage drives - PCIe SSD - SAS/SATA SSD & HDD
11		LAN Components
12	LAN_FC_IB	Fibre Channel Controller
13		Infiniband Controller
14	PSU	Power supply units, power cables, country specific op
15	USB devices	Keyboards, Mice, USB devices
16	others	System Management, ATD, RS232 port, TPM module

# Instructions

This document contains basic product and configuration information supporting you in more complicated configurations.

In any case we recommend to use the PC-/SystemArchitect to make sure, that you configure a valid system.

This System configurator is divided into several chapters. They are identical to the current price list and PC-/SystemArchitect.

Please follow this document step by step from the top to the bottom.

## Chapter xx - description of chapter

Text fields with grey color offer extra information for related topics (e.g prerequisites, technical back ground, configuration rules, limitations, ...)

<b>S26361-F4610-E2</b>
<b>S26361-F4610-L3</b>
PLAN 2x1Gb Ethern. Controller
i350-T2 chip (based on Intel Powerville) offers 2x1Gb RJ45 connectors
PCIe Gen2 x4 full height card
max. 6x per system

<-- order code E-part (bold) --

<-- order code L-part (bold)

<-- "name" of this part

<--description of this part, in some cases as well description of content

<--requires a free PCIe slot --> means total amount of PCIe slots reduced

<--indicates how often this part can be configured in the related Server

### For further information see:

Link to datasheet:

[http:// xxx](http://xxx)

[http://ts.fujitsu.com/products/standard\\_servers/index.html](http://ts.fujitsu.com/products/standard_servers/index.html)

(internet)

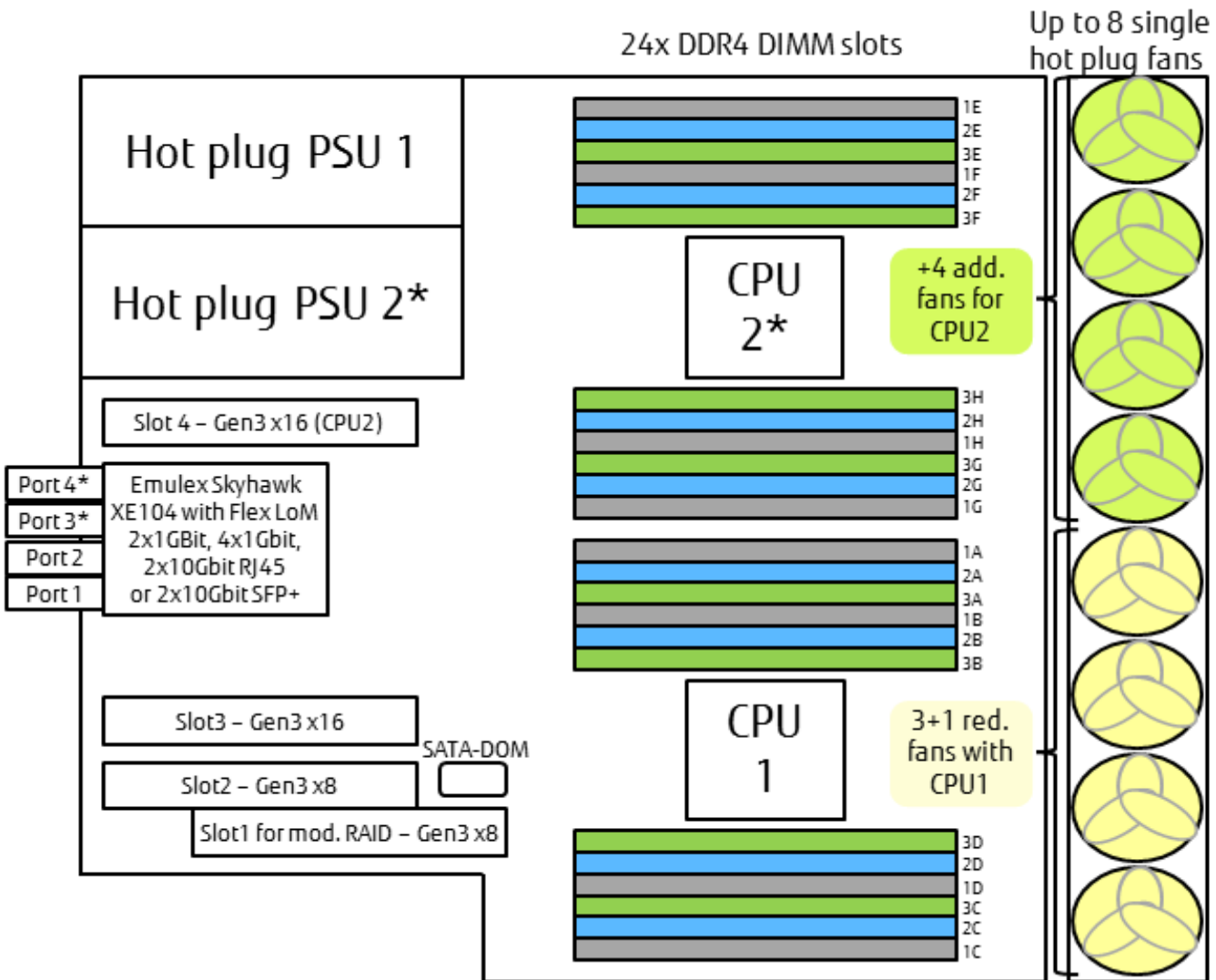
[https://partners.ts.fujitsu.com/com/order-supply/configurators/primergy\\_config/Pages/default.aspx](https://partners.ts.fujitsu.com/com/order-supply/configurators/primergy_config/Pages/default.aspx)

(extranet)

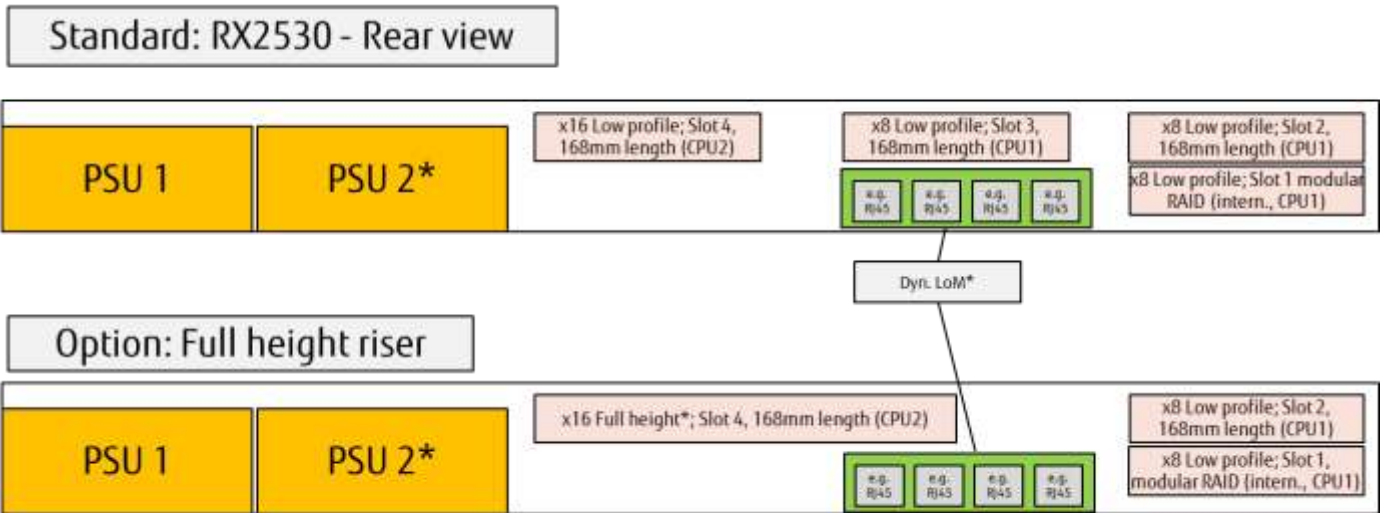
Fujitsu is providing the content of this document with very high accuracy. In case you identify a mistake, we would kindly encourage you to inform us. We kindly ask for understanding, that errors still may occur and that Fujitsu may change this document without notice



**PRIMERGY RX2530 M1 schematics of the System board and fans**



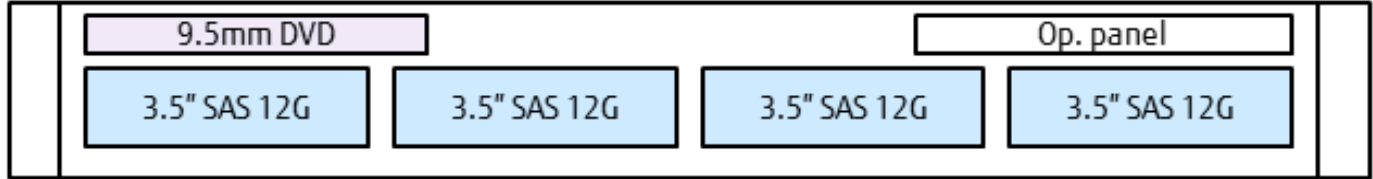
**PRIMERGY RX2530 M1 rear view with PSU, PCIe slots and dynamic LoM**



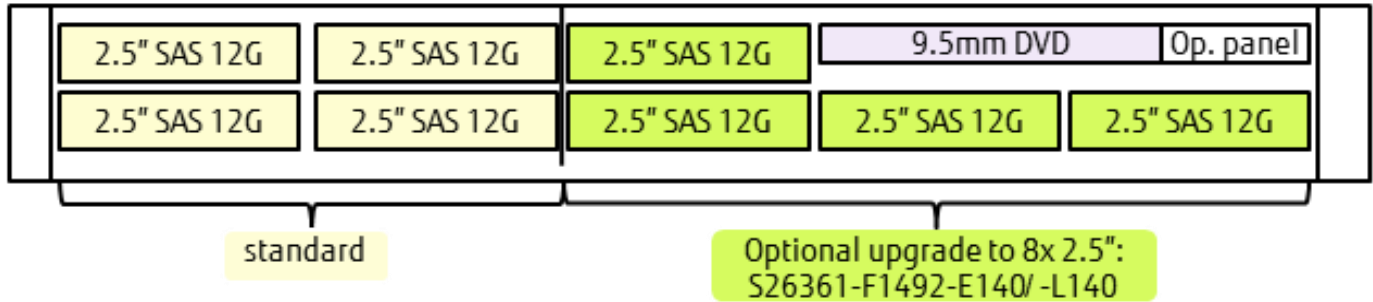
\* = option

**PRIMERGY RX2530 M1 front view with drives and operation panel**

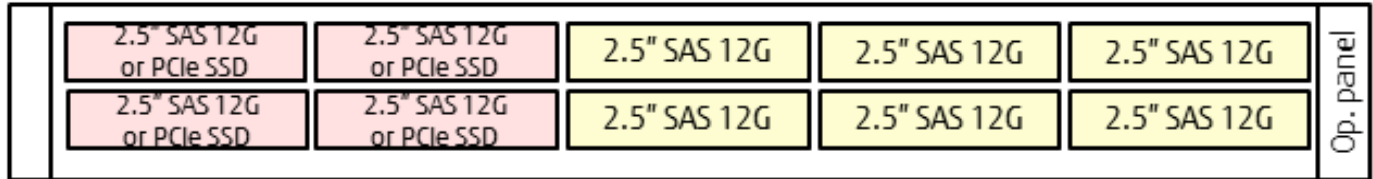
**RX2530 4x3.5" - Front view**



**RX2530 4x2.5" - Front view**



**RX2530 10x2.5" - Front view**



recommended components for RX2530 M1	#
Independant Mode installation	1x
PLAN EM 4x1Gb T interface card	1x
Region kit APAC/EMEA/India	1x
iRMC S4 advanced pack	1x
Cool safe Advanced Thermal design	1x
Modular PSU 450W platinum hot plug	2x

**Chapter 1 - base unit**

**Start**

**Power supply units & cooling**

The PRIMERGY RX2530 M1 offer bays for 1x or 2x direct attached hot plug (opt. redundant) power supply units of 450W or 800W with up to 96% efficiency. The PRIMERGY RX2530 M1 are equipped with ultimate performance processor heat pipes and 3+1 (1CPU) or 7+1 (2 CPU) high performance single hot plug fans (3+1 or 7+1 redundant).

**Server Management**

iRMC S4 (integrated Remote Management Controller) on-board with dedicated (or shared) 10/100/1000 Service LAN-port and integrated graphics controller. With the integrated onboard indicators and controls You can highlight easily failed components via LEDs. The LEDs can be displayed during service even without mains connection by simply pressing the "indicate CSS" button.

**Platform**

Fujitsu Systemboard D3279 "made in Germany" based on Chipset Intel® C612

> 2 serial QPI links (Quick Path Interconnect)

> Up to two Xeon E5-2600 v3 series CPUs

**Slots:** as standard 4 PCIe slots are on Board - please see schematics in "description"

> 3 PCIe slots low profile, 167mm length @ first CPU:

Slot 1 **PCIe-Gen3 x8** - supports modular RAID functions

Slot 2 **PCIe-Gen3 x8**

Slot 3 **PCIe-Gen3 x16**

> 1 PCIe slot low profile, 167mm length @ second CPU:

Slot 4 **PCIe-Gen3 x8**

The required riser cards for the above configuration are part of the standard delivery.

Slot 4 can also be upgraded to PCIe Gen3 x16 full height, 167mm length (!Slot 3 and it's riser is not available in this case!)

**Onboard RAID 0/1 6Gbit/s**

available for up to 4x 3.5" SATA drives (up to 8x 2.5" SATA drives starting Febr. 2015)

**System RAM up to DDR4-2133 MHz**

2x12 memory slots for max. 1.5TB\* DDR4 RAM available (12 slots per CPU). Memory speed depends on CPU and configuration, please see folder "CPU" and "RAM" for further details.

\* Chipset supports with future models up to 3TB - implementation in PRIMERGY RX2530 M1 pending.

**LAN**

LAN on Motherboard based on the high performance Chip Emulex XE104 with flexible LAN connections - options for 2x1Gbit/s (RJ45), 4x1Gbit/s (RJ45), 2x10Gbit/s (RJ45), 2x10Gbit/s (SFP+) available.

**Software**

\* ServerView Suite Software incl. ServerStart, ServerBooks, Management Software and Updates

**Connectivity**

**Interfaces at rear side**

- 1 service LAN RJ45 (1 Gbit)

- 1x VGA (15 pins)

- 2x USB 3.0 & 1x USB2.0

Flex LoM with 1 of these options:

RJ45: 2x1Gbit, 4x1Gbit or 2x10Gbit

SFP+: 2x10Gbit ... or Dummy module (i.e. no LAN connector)

**Interfaces at front**

for base units with up to 8 HDD: 2x USB 3.0

for base units with 10HDD: 1x USB2.0 (on "ear")

**Interfaces internal**

- 1x USB 3.0, 1x UFM

- 1x SATA DOM

- 2x 4\* SATA 6G

**S26361-K1492-V101**

RX2530 M1 4x 3.5" Rack Server  
base unit for up to 4x 3.5" drives.  
D3279 systemboard

**S26361-K1492-V301**

RX2530 M1 4x 2.5" Rack Server  
base unit for 4x 2.5" drives.  
Upgrade option for 8x 2.5"  
available - D3279 systemboard

**S26361-K1492-V302**

RX2530 M1 4x2.5 LLC Rack Ser.  
long life cycle base unit for 4x  
2.5" drv., upgr. opt. for 8x 2.5"  
available - D3279 systemboard

**S26361-K1492-V501**

RX2530 M1 10x2.5" Rack Server  
base unit for up to 10x 2.5"  
drives; D3279 systemboard

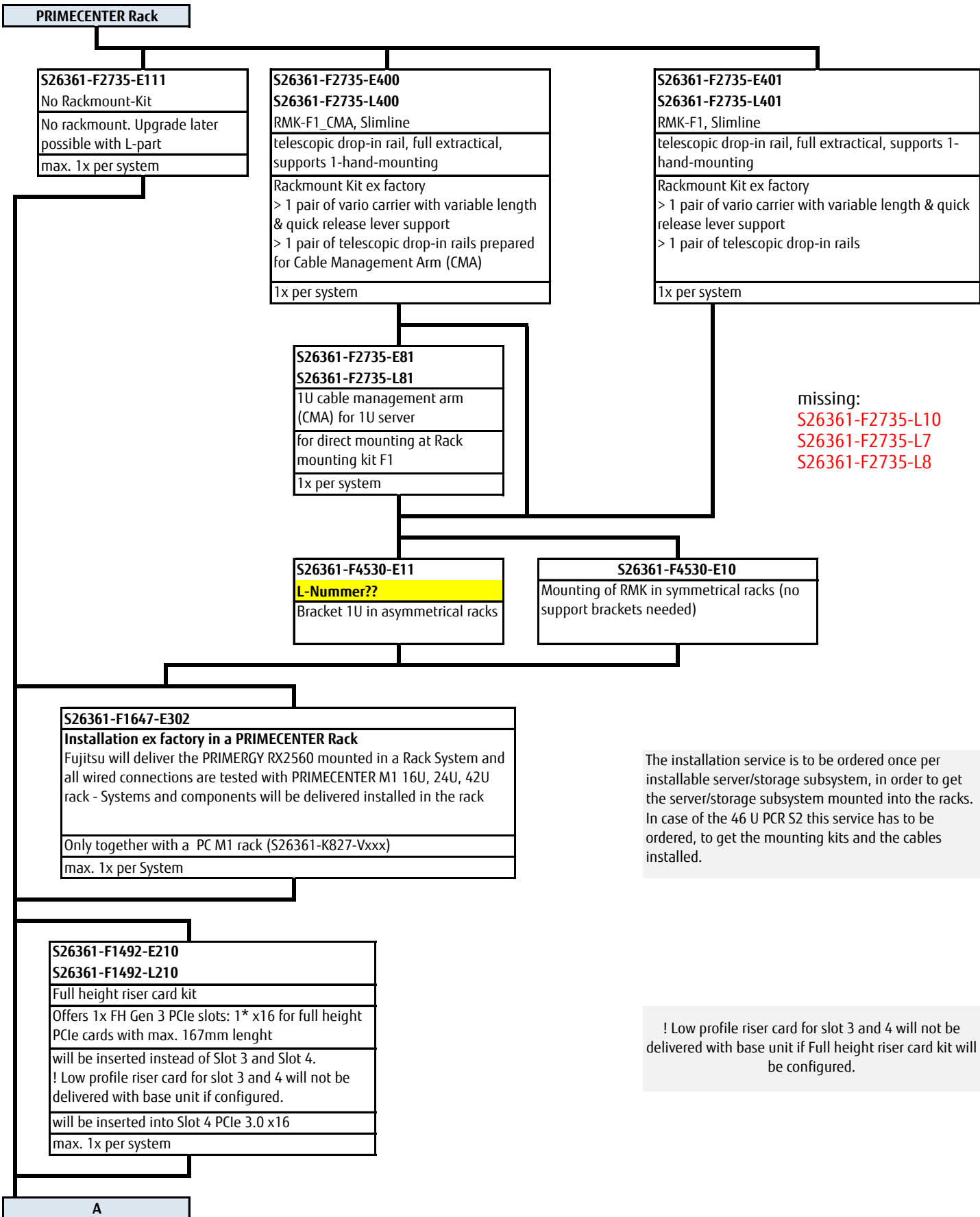
**S26361-F1492-E140**

**S26361-F1492-L140**

Upgrade Kit 4x 2.5" to 8x 2.5"  
Including HDD cage, backplane  
and SAS 3.0 cables

**PRIMECENTER Rack**

**Chapter 2 - Rack architecture**



missing:  
 S26361-F2735-L10  
 S26361-F2735-L7  
 S26361-F2735-L8

The installation service is to be ordered once per installable server/storage subsystem, in order to get the server/storage subsystem mounted into the racks. In case of the 46 U PCR S2 this service has to be ordered, to get the mounting kits and the cables installed.

! Low profile riser card for slot 3 and 4 will not be delivered with base unit if Full height riser card kit will be configured.

**Chapter 3 - CPU**

A

There are 2 processor sockets available. Please configure minimum 1 Processor, maximum 2 processors.  
 >> In case of Dual processor operation, processor 2 must be the same as processor 1.  
 >> for the processors on the left side (marked with blue headers) you may choose 1x or 2x CPUs  
 >> for the processors on the right side (marked with orange headers) you must choose 2x CPUs ("Dual processor only")

**CPUs for 1 or 2-socket configuration**

<b>Xeon E5-26xx v3 series (R) Basic</b>		
64-bit Intel Xeon processor supporting DDR4 @ 1.600MHz & QPI Bus @ 6.4 GT/s		
Xeon E5-2603v3 6C/6T 1.60GHz 15MB 6.4GT/s 1600MHz 85W	S26361-F3849-E103	S26361-F3849-L303
Xeon E5-2609v3 6C/6T 1.90GHz 15MB 6.4GT/s 1600MHz 85W	S26361-F3849-E109	S26361-F3849-L309
<b>Xeon E5-26xx v3 series (R) Standard</b>		
64-bit Intel Xeon processor supporting HT*, DDR4 @ 1866 MHz & QPI Bus 8.0 GT/s		
Xeon E5-2620v3 6C/12T 2.40GHz 15MB 8.0GT/s 1866MHz 85W	S26361-F3849-E120	S26361-F3849-L320
Xeon E5-2630v3 8C/16T 2.40GHz 20MB 8.0GT/s 1866MHz 85W	S26361-F3849-E130	S26361-F3849-L330
Xeon E5-2640v3 8C/16T 2.60GHz 20MB 8.0GT/s 1866MHz 90W	S26361-F3849-E140	S26361-F3849-L340
<b>Xeon E5-26xx v3 series (R) Advanced</b>		
64-bit Intel Xeon processor supporting HT*, DDR4 @ 2133 MHz & QPI Bus @ 9.6 GT/s		
Xeon E5-2650v3 10C/20T 2.30GHz 25MB 9.6GT/s 2133MHz 105W	S26361-F3849-E150	S26361-F3849-L350
<b>Xeon E5-26xx v3 series (R) Frequency optimized</b>		
64-bit Intel Xeon processor supporting HT*, DDR4 @ 1866 MHz & QPI Bus @ 8.0 GT/s		
Xeon E5-2623v3 4C/8T 3.00GHz 10MB 8.0GT/s 1866MHz 105W	S26361-F3849-E123	S26361-F3849-L323

**CPUs for 2-socket only configuration**

\* HT = Hyper Threading

<b>Xeon E5-26xx v3 series (R) Advanced -- Dual processor only</b>		
64-bit Intel Xeon processor supporting HT*, DDR4 @ 2133 MHz & QPI Bus @ 9.6 GT/s		
Xeon E5-2660v3 10C/20T 2.60GHz 25MB 9.6GT/s 2133MHz 105W	S26361-F3849-E160	
Xeon E5-2670v3 12C/24T 2.30GHz 30MB 9.6GT/s 2133MHz 120W	S26361-F3849-E170	
Xeon E5-2680v3 12C/24T 2.50GHz 30MB 9.6GT/s 2133MHz 120W	S26361-F3849-E180	
Xeon E5-2690v3 12C/24T 2.60GHz 30MB 9.6GT/s 2133MHz 135W	S26361-F3849-E190	
<b>Xeon E5-26xx v3 series (R) Frequency optimized -- Dual processor only</b>		
64-bit Intel Xeon processor supporting HT*, DDR4 @ 2133 MHz & QPI Bus @ 9.6 GT/s		
Xeon E5-2637v3 4C/8T 3.50GHz 15MB 9.6GT/s 2133MHz 135W	S26361-F3849-E137	
Xeon E5-2643v3 6C/12T 3.40GHz 20MB 9.6GT/s 2133MHz 135W	S26361-F3849-E143	
Xeon E5-2667v3 8C/16T 3.20GHz 20MB 9.6GT/s 2133MHz 135W	S26361-F3849-E167	
<b>Xeon E5-2600v3 (R) High Core Count -- Dual processor only</b>		
64-bit Intel Xeon processor supporting HT*, DDR4 @ 2133 MHz & QPI Bus @ 9.6 GT/s		
Xeon E5-2683v3 14C/28T 2.00GHz 35MB 9.6GT/s 2133MHz 120W	S26361-F3849-E183	
Xeon E5-2695v3 14C/28T 2.30GHz 35MB 9.6GT/s 2133MHz 120W	S26361-F3849-E195	
Xeon E5-2697v3 14C/28T 2.60GHz 35MB 9.6GT/s 2133MHz 145W	S26361-F3849-E197	
Xeon E5-2698v3 16C/32T 2.30GHz 40MB 9.6GT/s 2133MHz 135W	S26361-F3849-E198	
Xeon E5-2699v3 18C/36T 2.30GHz 45MB 9.6GT/s 2133MHz 145W	S26361-F3849-E199	
<b>Xeon E5-2600v3 (R) Low Power -- Dual processor only</b>		
64-bit Intel Xeon processor supporting HT*		
Xeon E5-2630Lv3 8C/16T 1.80GHz 20MB 8.0GT/s 1866MHz 55W	S26361-F3849-E131	
Xeon E5-2650Lv3 12C/24T 1.80GHz 30MB 9.6GT/s 2133MHz 65W	S26361-F3849-E151	

S26361-F3849-E100  
Cooling Kit 2nd CPU

Contains 4x fans and cooling equipment to support the 2nd CPU in RX2530 .

B1

B2



B1	B2
<b>Xeon E5-26xx v3 series (R) Basic</b>	
64-bit Intel Xeon processor supporting DDR4 @ 1.600MHz & QPI Bus @ 6.4 GT/s	
Xeon E5-2603v3 6C/6T 1.60GHz 15MB 6.4GT/s 1600MHz 85W	S26361-F3849-E103
Xeon E5-2609v3 6C/6T 1.90GHz 15MB 6.4GT/s 1600MHz 85W	S26361-F3849-E109
<b>Xeon E5-26xx v3 series (R) Standard</b>	
64-bit Intel Xeon processor supporting HT*, DDR4 @ 1866 MHz & QPI Bus 8.0 GT/s	
Xeon E5-2620v3 6C/12T 2.40GHz 15MB 8.0GT/s 1866MHz 85W	S26361-F3849-E120
Xeon E5-2630v3 8C/16T 2.40GHz 20MB 8.0GT/s 1866MHz 85W	S26361-F3849-E130
Xeon E5-2640v3 8C/16T 2.60GHz 20MB 8.0GT/s 1866MHz 90W	S26361-F3849-E140
<b>Xeon E5-26xx v3 series (R) Advanced</b>	
64-bit Intel Xeon processor supporting HT*, DDR4 @ 2133 MHz & QPI Bus @ 9.6 GT/s	
Xeon E5-2650v3 10C/20T 2.30GHz 25MB 9.6GT/s 2133MHz 105W	S26361-F3849-E150
<b>Xeon E5-26xx v3 series (R) Frequency optimized</b>	
64-bit Intel Xeon processor supporting HT*, DDR4 @ 1866 MHz & QPI Bus @ 8.0 GT/s	
Xeon E5-2623v3 4C/8T 3.00GHz 10MB 8.0GT/s 1866MHz 105W	S26361-F3849-E123
<b>Xeon E5-26xx v3 series (R) Advanced -- Dual processor only</b>	
64-bit Intel Xeon processor supporting HT*, DDR4 @ 2133 MHz & QPI Bus @ 9.6 GT/s	
Xeon E5-2660v3 10C/20T 2.60GHz 25MB 9.6GT/s 2133MHz 105W	S26361-F3849-E160
Xeon E5-2670v3 12C/24T 2.30GHz 30MB 9.6GT/s 2133MHz 120W	S26361-F3849-E170
Xeon E5-2680v3 12C/24T 2.50GHz 30MB 9.6GT/s 2133MHz 120W	S26361-F3849-E180
Xeon E5-2690v3 12C/24T 2.60GHz 30MB 9.6GT/s 2133MHz 135W	S26361-F3849-E190
<b>Xeon E5-26xx v3 series (R) Frequency optimized -- Dual processor only</b>	
64-bit Intel Xeon processor supporting HT*, DDR4 @ 2133 MHz & QPI Bus @ 9.6 GT/s	
Xeon E5-2637v3 4C/8T 3.50GHz 15MB 9.6GT/s 2133MHz 135W	S26361-F3849-E137
Xeon E5-2643v3 6C/12T 3.40GHz 20MB 9.6GT/s 2133MHz 135W	S26361-F3849-E143
Xeon E5-2667v3 8C/16T 3.20GHz 20MB 9.6GT/s 2133MHz 135W	S26361-F3849-E167
<b>Xeon E5-2600v3 (R) High Core Count -- Dual processor only</b>	
64-bit Intel Xeon processor supporting HT*, DDR4 @ 2133 MHz & QPI Bus @ 9.6 GT/s	
Xeon E5-2683v3 14C/28T 2.00GHz 35MB 9.6GT/s 2133MHz 120W	S26361-F3849-E183
Xeon E5-2695v3 14C/28T 2.30GHz 35MB 9.6GT/s 2133MHz 120W	S26361-F3849-E195
Xeon E5-2697v3 14C/28T 2.60GHz 35MB 9.6GT/s 2133MHz 145W	S26361-F3849-E197
Xeon E5-2698v3 16C/32T 2.30GHz 40MB 9.6GT/s 2133MHz 135W	S26361-F3849-E198
Xeon E5-2699v3 18C/36T 2.30GHz 45MB 9.6GT/s 2133MHz 145W	S26361-F3849-E199
<b>Xeon E5-2600v3 (R) Low Power -- Dual processor only</b>	
64-bit Intel Xeon processor supporting HT*, DDR4 1866/2133 MHz, QPI @ 8.0, 9.6 GT/s	
Xeon E5-2630Lv3 8C/16T 1.80GHz 20MB 8.0GT/s 1866MHz 55W	S26361-F3849-E131
Xeon E5-2650Lv3 12C/24T 1.80GHz 30MB 9.6GT/s 2133MHz 65W	S26361-F3849-E151
C	

**Chapter 4 - DDR4 System memory**

C

The Systemboard of TX/RX2560 M1, D3289, offers 24 DDR4 slots with up to 2.133MHz.  
 768GB DDR4 LRDIMM (12x 64GB 4R per CPU)  
 384GB DDR4 RDIMM (12x 32GB 2R per CPU)  
 The memory area is divided into 4 channels per CPU with 3 slots each  
 up to 2.133 MHz with 1DPC R-DIMM (depending on CPU\*)  
 up to 2.133 MHz with 2DPC LR-DIMM (depending on CPU\*)  
 up to 1.866 MHz with 2DPC (depending on CPU\*)  
 1.600 MHz with 3DPC  
 DDR4 memory is operated at 1.2V  
 Registered and load reduced DIMM cannot be operated together in one Server.  
 \* = means: some CPU types support less than 2.133MHz, please check the details in the chapter "CPU"

<b>S26361-F3694-E10</b>	<b>Independent Memory Mode</b>
Independent Channel Mode allows all channels to be populated in any order. All channels must run at the same interface frequency. But each channel may run at different DIMM timings (RAS latency, CAS latency, and so forth). The slowest memory module defines to bus speed.	
Configuration: minimum 1 memory module per CPU, maximum 12 memory modules per CPU	
<b>S26361-F3694-E1</b>	<b>Rank sparing mode</b>
BIOS preconfiguration for rank sparing. Spare of other ranks on the same channel. Spare Rank is not shown in System Memory.	
Configuration: minimum 2x 1R/2R or 1x 4R memory modul(es) per CPU, maximum 12 memory modules per CPU	
<b>S26361-F3694-E2</b>	<b>Performance Memory Mode</b>
BIOS preconfiguration for maximum Performance. Four identical memory modules will be equipped in each slot of each channel to achieve highest memory performance. Always a multiple of 4 identical modules must be configured per CPU. All four modules are active and full capacity can be used.	
Configuration: minimum 4 memory module or 8 memory module or 12 memory modules per CPU	
<b>S26361-F3694-E3</b>	<b>Mirror Channel Mode</b>
BIOS preconfiguration for Mirror mode. Four identical memory modules are always equipped in one memory bank to use the mirrored channel mode. Only two modules contain active data, the remain two modules contain mirrored data.	
Configuration: minimum 4 memory module or 8 memory module or 12 memory modules per CPU	



Resulting memory capacity / Rank Sparing Mode, 1 Channel populated										
	RDIMM					LRDIMM				
	8GB	1R	16GB	2R	32GB	2R	32GB	4R	64GB	4R
1DPC								24GB		48GB
2DPC	8GB		24GB		48GB			56GB		112GB
3DPC	16GB		40GB		80GB			88GB		176GB

Registered Memory (RDIMM) with SDDC (chipkill) and ECC support			
8GB (1x8GB) 1Rx4 DDR4-2133 R ECC	single rank	S26361-F3843-E514	S26361-F3843-L514
16GB (1x16GB) 2Rx4 DDR4-2133 R ECC	Dual rank	S26361-F3843-E516	S26361-F3843-L516
32GB (1x32GB) 2Rx4 DDR4-2133 R ECC	Dual rank	S26361-F3843-E517*	S26361-F3843-L517*
Registered Memory (RDIMM) without SDDC and ECC support			
8GB (1x8GB) 2Rx8 DDR4-2133 R ECC	Dual rank	S26361-F3843-E515	S26361-F3843-L515
Load Reduced Memory (LRDIMM) with SDDC (chipkill) and ECC support			
32GB (1x32GB) 4Rx4 DDR4-2133 LR ECC	Quad rank	S26361-F3844-E517	S26361-F3844-L517
64GB (1x64GB) 4Rx4 DDR4-2133 LR ECC	Quad rank	S26361-F3844-E518*	S26361-F3844-L518*

\*available later

D

Detailed information

Mode	Configuration	RDIMM	RDIMM	Use case, advantage
			LRDIMM	
		x8	x4	
SDDC (chipkill) support	any	no	yes	supports detecting multi-bit errors
Independant channel mode	1, 2 or 3 Modules per Bank	yes	yes	offers max. flexibility, upgradeability, capacity
Mirrored channel mode *)	4 identical Modules / Bank	no	yes	offers maximum security
Performance mode	4 identical Modules / Bank	yes	yes	offers maximum performance and capacity
Rank sparing mode *)	min. 2 Ranks / Channel	no	yes	balances performance and capacity

\*) For the delivery ex factory the system will be prepared with dedicated BIOS setting.

Capacity	Configuration	RDIMM	LRDIMM	Notes
Min. Memory per CPU	1 Module / CPU	1x8GB	1x32GB	with one CPU
Max. Memory per CPU	12 Modules / CPU	12x32GB	12x64GB	with one CPU
Max. Memory per System	24 Modules / System	768GB	1536GB	if second CPU is configured

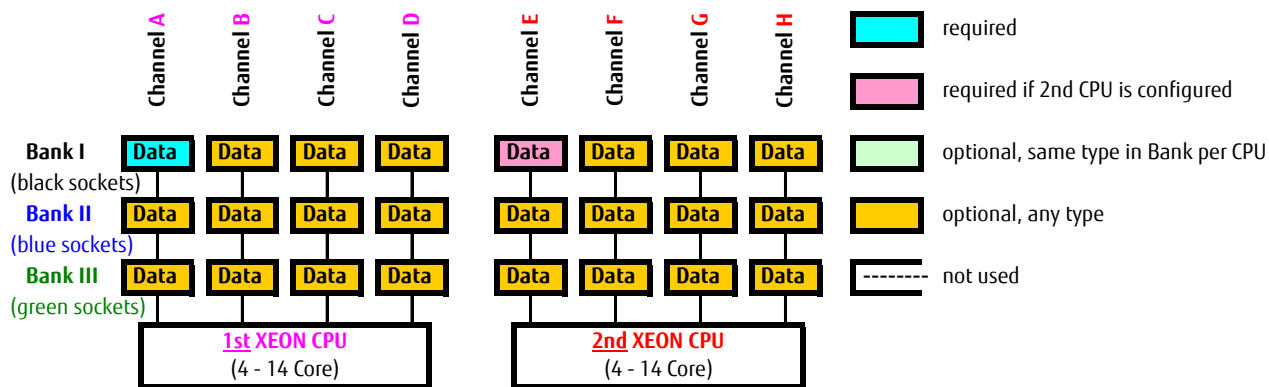
Max. DDR4 memory speed depends on the memory configuration (DIMM per channel) and the type of CPU. The memory channel with the lowest speed defines the speed of all CPU channels in the system

Mem. Speed provided by CPU	Maximum memory-bus speed [MHz]					
	RDIMM 2133MHz			LRDIMM 2133MHz		
Type of Memory	1.2V					
Voltage setting (BIOS)	1.2V					
CPU type \ Dimm per channel	1 DPC*	2 DPC	3 DPC	1 DPC	2 DPC	3 DPC
CPU with 2133MHz DDR4 Bus	2.133	2.133	1.600	2.133	2.133	1.600
CPU with 1866MHz DDR4 Bus	1.866	1.866	1.600	1.866	1.866	1.600
CPU with 1600MHz DDR4 Bus	1.600	1.600	1.600	1.600	1.600	1.600

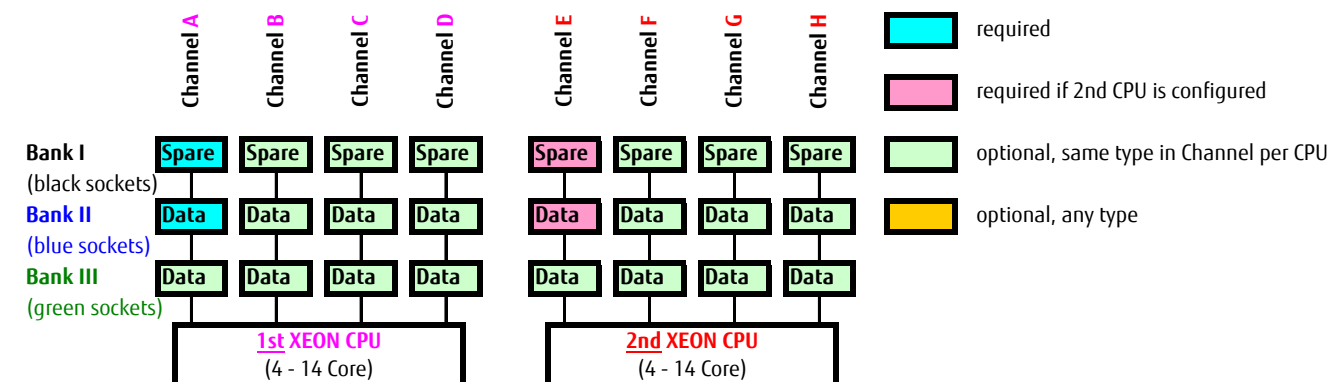
The memory sockets on the Systemboards are color coded

<b>Bank I</b>	black sockets	<b>Bank II</b>	blue sockets	<b>Bank III</b>	green sockets
---------------	---------------	----------------	--------------	-----------------	---------------

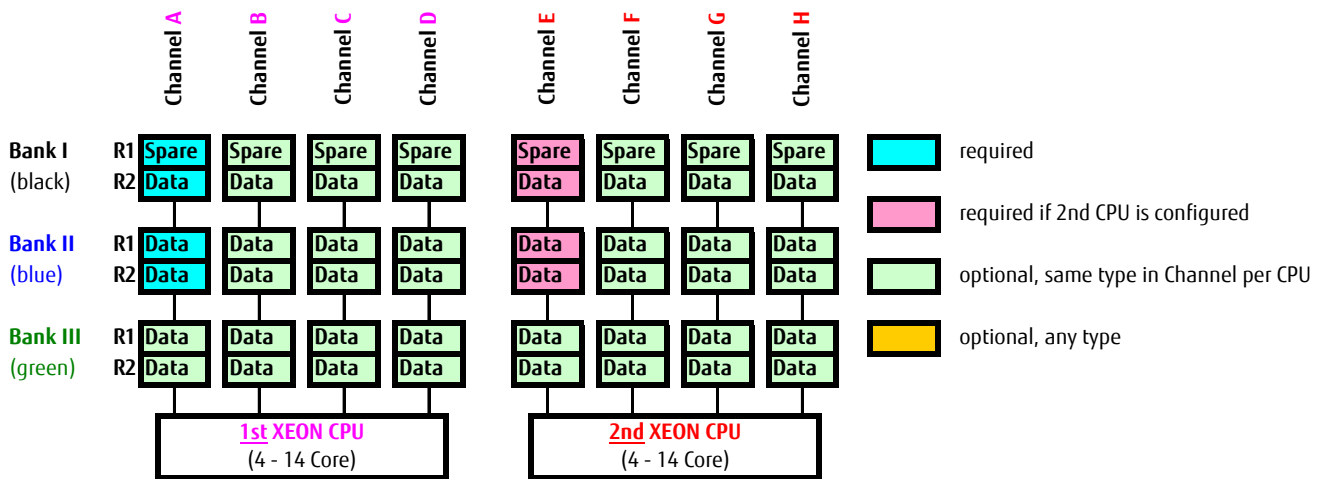
Independant channel mode



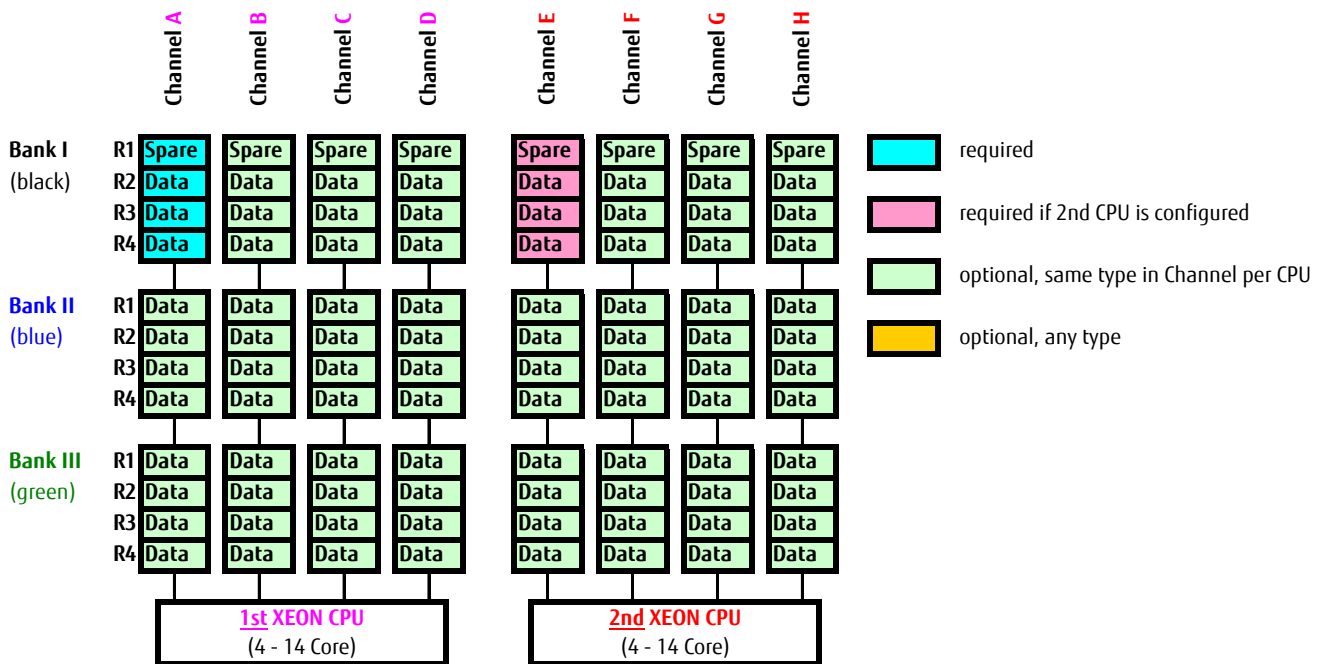
Rank sparing mode --- 1-Rank Memory modules (R-DIMM)



Rank sparing mode --- 2-Rank Memory modules (R-DIMM)

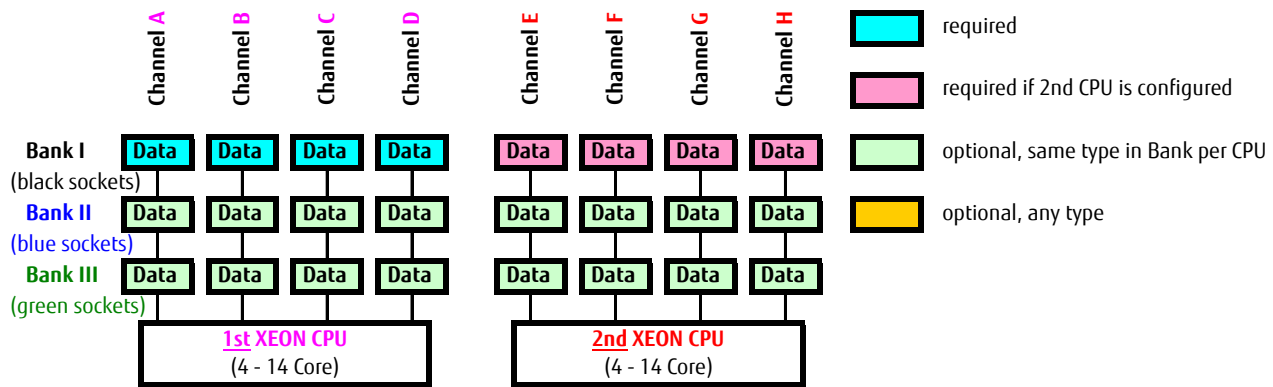


Rank sparing mode --- 4-Rank Memory modules (LR-DIMM)

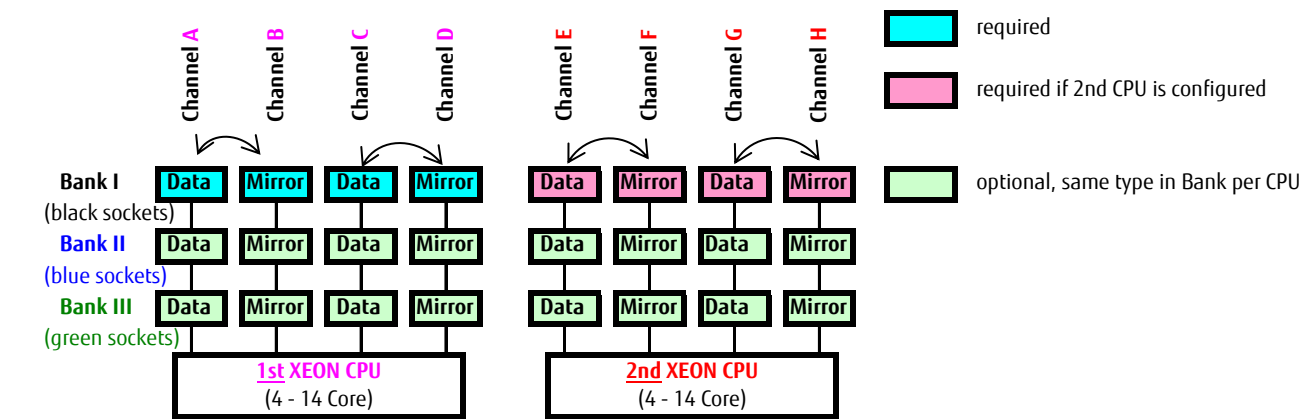


Rank Sparing Mode requires identical modules (same capacity and technology) within the same channel. The available memory for applications will vary depending on configuration. Please refer to the spreadsheet above "Effective Memory capacity with active Rank Sparing Mode". Population rule for Rank sparing mode is to achieve max. available memory, e.g. 6 DIMMs will be spread across two channels, each with 3DPC

Performance Channel Mode

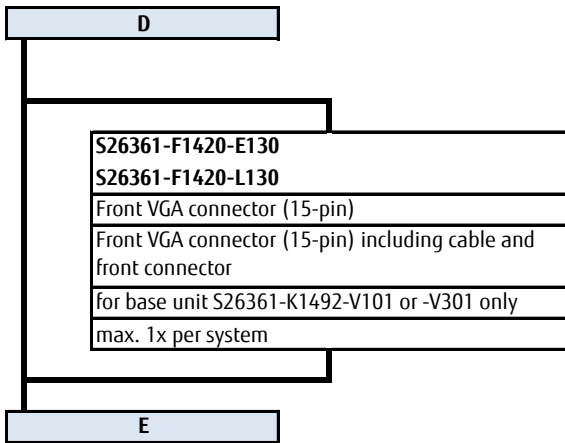


Mirror Channel Mode



Mirrored Channel Mode requires identical modules on channel A,B, C, D (1st CPU) or channel E, F, G and H (2nd CPU) 50% of the capacity is used for the mirror => the available memory for applications is only half of the installed memory. If this mode is used, a multiple of 4 identical modules has to be ordered.

**Chapter 5 - Graphics options**



**Chapter 7 - SAS / RAID Controller**

F

PRIMERGY RX2530 M1 provides onboard a SATA 6G Controller (Wellsburg) for up to 8 SATA drives. Therefore the onboard SATA RAID controller can only be used with base units with up to 8x HDD (S26361-K1492-V101 or -V301).

<b>S26361-F3842-E2</b> <b>S26361-F3842-L502</b>
PSAS CP400i RAID Contr.
based on LSI SAS3008
supports up to 8x 3G, 6G & 12G SAS/SATA HDD/ SSD
No Cache
RAID 0, 1
requires 1x LP PCIe 3.0 x8
max. 1x per system

<b>S26361-F3842-E1</b> <b>S26361-F3842-L501</b>
PRAID CP400i RAID Contr.
based on LSI SAS3008
supports up to 8x 3G, 6G & 12G SAS/SATA HDD/ SSD
No Cache
RAID 0, 1, 1E & 5
requires 1x LP PCIe 3.0 x8
max. 1x per system

<b>S26361-F5243-E1</b> <b>S26361-F5243-L1</b>
PRAID EP400i RAID Contr.
based on LSI SAS3108
supports up to 8x 3G, 6G & 12G SAS/SATA HDD/ SSD
1GB Cache (ECC), opt. FBU
RAID 0, 1, 1E, 5, 50, 6 & 60
requires 1x LP PCIe 3.0 x8
max. 1x per system

<b>S26361-F5243-E2</b> <b>S26361-F5243-L2</b>
PRAID EP420i RAID Contr.
based on LSI SAS3108
supports up to 8x 3G, 6G & 12G SAS/SATA HDD/ SSD
2GB Cache (ECC), opt. FBU
RAID 0, 1, 1E, 5, 50, 6 & 60
requires 1x LP PCIe 3.0 x8
max. 1x per system

<b>S26361-F5243-E100</b> <b>S26361-F5243-L100</b>
TFM module for 1GB Cache
NV-RAM & FBU control logic
max. 1x per controller

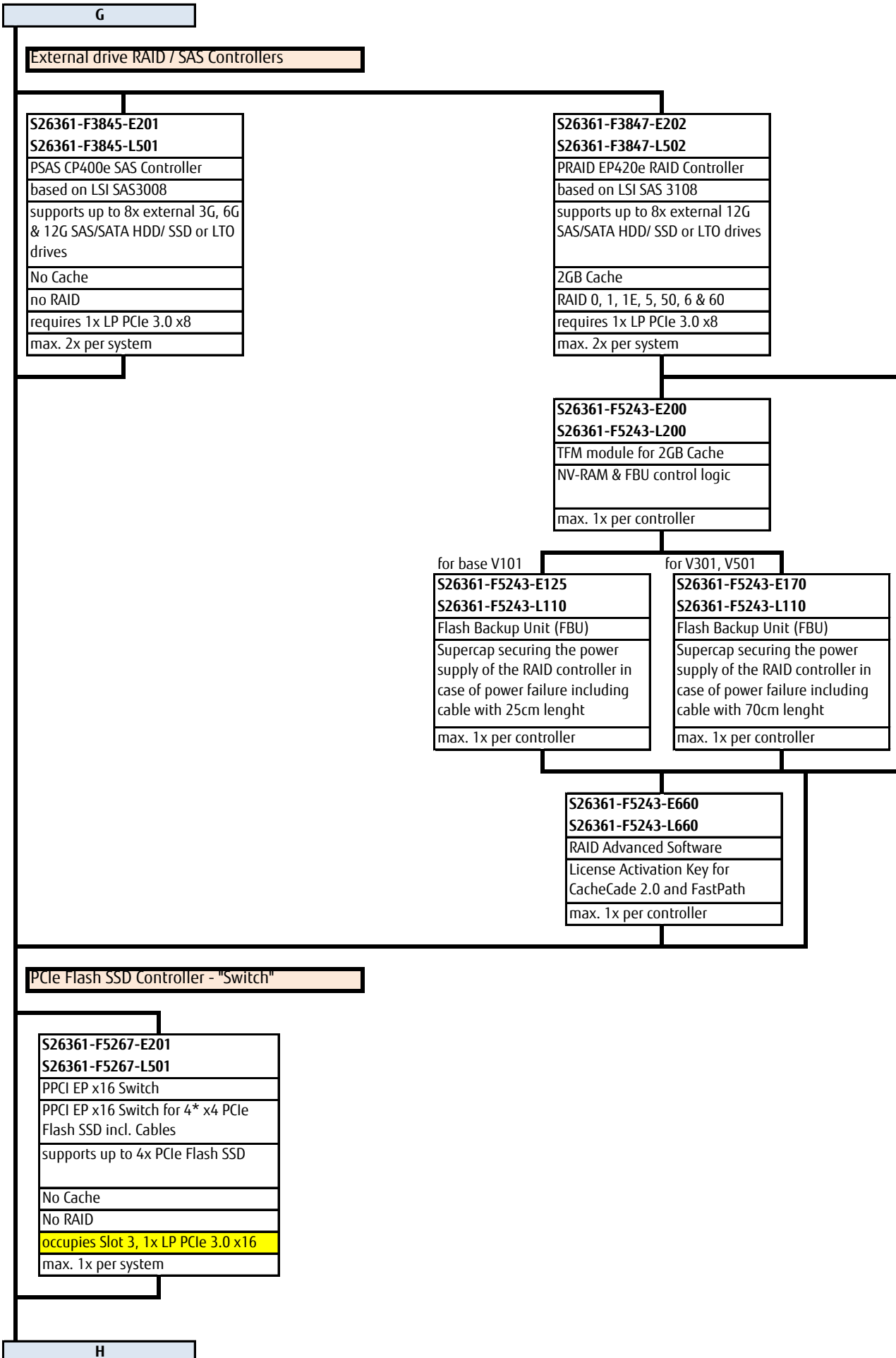
<b>S26361-F5243-E200</b> <b>S26361-F5243-L200</b>
TFM module for 2GB Cache
NV-RAM & FBU control logic
max. 1x per controller

<b>S26361-F5243-E125</b> <b>S26361-F5243-L110</b>
Flash Backup Unit (FBU)
Supercap securing the power supply of the RAID controller in case of power failure including cable with 25cm lenght
for 3.5" base V101
max. 1x per controller

<b>S26361-F5243-E170</b> <b>S26361-F5243-L110</b>
Flash Backup Unit (FBU)
Supercap securing the power supply of the RAID controller in case of power failure including cable with 70cm lenght
for 2.5" base V301, V501
max. 1x per controller

<b>S26361-F5243-E660</b> <b>S26361-F5243-L660</b>
RAID Advanced Software
License Activation Key for CacheCade 2.0 and FastPath
max. 1x per controller

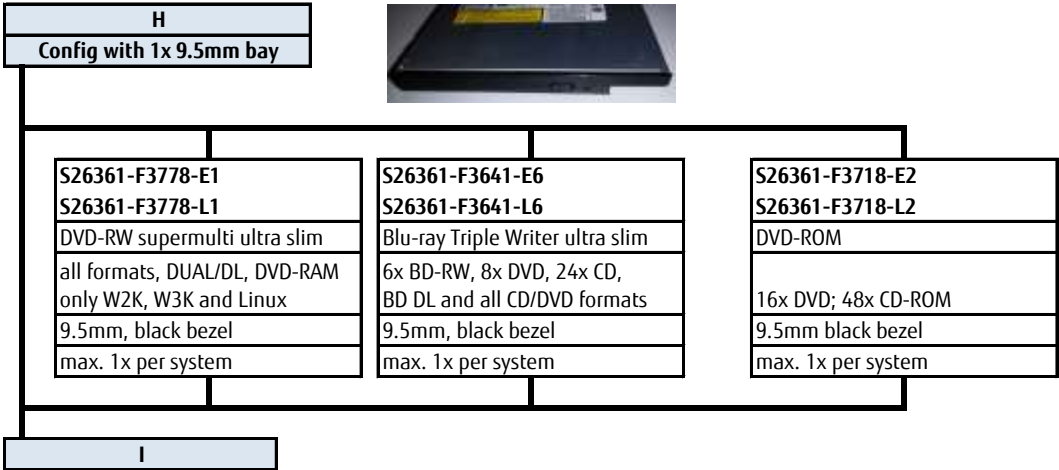
G





**Chapter 8 - ODD optical disk drives**

The base units with up to 8x HDD offer 1x 9.5mm optical drive bay



**Chapter 10 - storage drives**

I

SAS drives and SATA drives can be mixed, but cannot be used in one logical RAID volume. SATA drives can be connected to the onboard Controller (max. 8x), SAS drives require a dedicated SAS / RAID Controller

**SSD and SSD Flash Devices**

PCIe Flash SSD require the PCIe switch S26361-F5267-E201/L502

**PCIe-SSD 2.5" (SFF) with hot plug/hot replace tray**

capacity	Formfactor	Interface	read	write	latency	Endurance	dwpd	order code E-part	order code L-part
800GB	2.5" (SFF)	Gen 3 x4			20µs	mainstream	10	S26361-F5534-E800	S26361-F5534-L800
1.6TB	2.5" (SFF)	Gen 3 x4			20µs	mainstream	10	S26361-F5534-E161	S26361-F5534-L161
2.0TB	2.5" (SFF)	Gen 3 x4			20µs	mainstream	10	S26361-F5534-E201	S26361-F5534-L201

only possible in RX2530 M1 with "up to 10x HDD/SSD", S26361-K1492-V501; max. 4x PCIe SSD per system.

**SSD SAS 2.5" (SFF) Enterprise performance with hot plug/hot replace tray**

capacity	Formfactor	Interface	read	write	latency	Endurance	dwpd (5y)	order code E-part	order code L-part
200GB	2.5" (SFF)	12GBit/s				mainstream	10	S26361-F5298-E200	S26361-F5298-L200
400GB	2.5" (SFF)	12GBit/s				mainstream	10	S26361-F5298-E400	S26361-F5298-L400
800GB	2.5" (SFF)	12GBit/s				mainstream	10	S26361-F5298-E800	S26361-F5298-L800
1.6TB	2.5" (SFF)	12GBit/s				mainstream	10	S26361-F5298-E160	S26361-F5298-L160

max. 10x - depending on base unit & configuration

**SSD SATA 2.5" (SFF) Enterprise performance with hot plug/hot replace tray**

capacity	Formfactor	Interface	read	write	latency	Endurance	dwpd (5y)	order code E-part	order code L-part
100GB	2.5" (SFF)	6GBit/s				mainstream	10	S26361-F3821-E100	S26361-F3821-L100
200GB	2.5" (SFF)	6GBit/s				mainstream	10	S26361-F3821-E200	S26361-F3821-L200
400GB	2.5" (SFF)	6GBit/s				mainstream	10	S26361-F3821-E400	S26361-F3821-L400
800GB	2.5" (SFF)	6GBit/s				mainstream	10	S26361-F3821-E800	S26361-F3821-L800

max. 10x - depending on base unit & configuration

**SSD SATA 2.5" (SFF) Enterprise performance with hot plug/hot replace tray**

capacity	Formfactor	Interface	read	write	latency	Endurance	dwpd (5y)	order code E-part	order code L-part
120GB	2.5" (SFF)	6GBit/s				read intensive	0.3	S26361-F5525-E120	S26361-F5525-L120
240GB	2.5" (SFF)	6GBit/s				read intensive	0.3	S26361-F5525-E240	S26361-F5525-L240
480GB	2.5" (SFF)	6GBit/s				read intensive	0.3	S26361-F5525-E480	S26361-F5525-L480
800GB	2.5" (SFF)	6GBit/s				read intensive	0.3	S26361-F5525-E800	S26361-F5525-L800

max. 10x - depending on base unit & configuration

**SATA DOM Non volatile storage drive for booting**

capacity	RPM	Interface	Cache	sector	read	write	access	Endurance	order code E-part	order code L-part
32GB		6GBit/s					xx ms		S26361-F5522-E32	S26361-F5522-L32
64GB		6GBit/s					xx ms		S26361-F5522-E64	S26361-F5522-L64
128GB		6GBit/s					xx ms		S26361-F5522-E128	S26361-F5522-L128

max. 1x per Server; connector located on Motherboard (please see folder "description")

J

J

2.5" (SFF) Hard drives

<b>HDD SAS 2.5" 7.2K</b> (SFF) Business critical with hot plug/hot replace tray										
capacity	RPM	Interface	Cache	sector	read	write	access	Endurance	order code E-part	order code L-part
500GB	7.200	6GBit/s		512n				mainstream	S26361-F3817-E500	S26361-F3817-L500
1.0TB	7.200	6GBit/s		512n				mainstream	S26361-F3817-E100	S26361-F3817-L100

max. 10x - depending on base unit & configuration

<b>HDD SAS 2.5" 10K</b> (SFF) Enterprise performance with hot plug/hot replace tray										
capacity	RPM	Interface	Cache	sector	read	write	access	Endurance	order code E-part	order code L-part
300GB	10.000	6GBit/s	64MB	512n					S26361-F3818-E130	S26361-F3818-L130
600GB	10.000	6GBit/s	64MB	512n					S26361-F3818-E160	S26361-F3818-L160
900GB	10.000	6GBit/s	64MB	512n					S26361-F3818-E190	S26361-F3818-L190
1.2TB	10.000	6GBit/s	64MB	512n					S26361-F3818-E112	S26361-F3818-L112
450GB	10.000	12GBit/s	128MB	512e					S26361-F5543-E145	S26361-F5543-L145
600GB	10.000	12GBit/s	128MB	512e					S26361-F5543-E160	S26361-F5543-L160
900GB	10.000	12GBit/s	128MB	512e					S26361-F5543-E190	S26361-F5543-L190
1.2TB	10.000	12GBit/s	128MB	512e					S26361-F5543-E112	S26361-F5543-L112
1.8TB	10.000	12GBit/s	128MB	512e					S26361-F5543-E118	S26361-F5543-L118

max. 10x - depending on base unit & configuration

<b>HDD SAS 2.5" 15K</b> (SFF) Enterprise performance with hot plug/hot replace tray										
capacity	RPM	Interface	Cache	sector	read	write	access		order code E-part	order code L-part
146GB	15.000	6GBit/s	32MB	512n					S26361-F3818-E514	S26361-F3818-L514
300GB	15.000	12GBit/s	128MB	512n					S26361-F5531-E530	S26361-F5531-L530
450GB	15.000	12GBit/s	128MB	512n					S26361-F5531-E545	S26361-F5531-L545
600GB	15.000	12GBit/s	128MB	512n					S26361-F5531-E560	S26361-F5531-L560

max. 10x - depending on base unit & configuration

<b>HDD SATA 2.5" 7.2K</b> (SFF) Business critical with hot plug/hot replace tray										
capacity	RPM	Interface	Cache	sector	read	write	access	Endurance	order code E-part	order code L-part
250GB	7.200	6GBit/s		512n				mainstream	S26361-F3816-E250	S26361-F3816-L250
500GB	7.200	6GBit/s		512n				mainstream	S26361-F3816-E500	S26361-F3816-L500
1.0TB	7.200	6GBit/s		512n				mainstream	S26361-F3816-E100	S26361-F3816-L100

max. 10x - depending on base unit & configuration

K

K

3.5" (LFF) Hard drives

**SSD SAS 3.5" (LFF) Enterprise performance with hot plug/hot replace tray**

capacity	Formfactor	SAS 12G	read	write	latency	Endurance	dwpd (5y)	order code E-part	order code L-part
200GB	3.5" (LFF)	SAS 3.0				mainstream	10	S26361-F5320-E200	S26361-F5320-L200
400GB	3.5" (LFF)	SAS 3.0				mainstream	10	S26361-F5320-E400	S26361-F5320-L400
800GB	3.5" (LFF)	SAS 3.0				mainstream	10	S26361-F5320-E800	S26361-F5320-L800
1.6TB	3.5" (LFF)	SAS 3.0				mainstream	10	S26361-F5320-E160	S26361-F5320-L160

only possible in RX2530 M1 base unit with up to 4x3.5" HDD (S26361-K1492-V101) max. 4x HDD

**SSD SATA 3.5" (LFF) Enterprise performance with hot plug/hot replace tray**

capacity	Formfactor	SATA 6G	read	write	latency	Endurance	dwpd (5y)	order code E-part	order code L-part
100GB	3.5" (LFF)	6GBit/s				mainstream	10	S26361-F5289-E100	S26361-F5289-L100
200GB	3.5" (LFF)	6GBit/s				mainstream	10	S26361-F5289-E200	S26361-F5289-L200
400GB	3.5" (LFF)	6GBit/s				mainstream	10	S26361-F5289-E400	S26361-F5289-L400
800GB	3.5" (LFF)	6GBit/s				mainstream	10	S26361-F5289-E800	S26361-F5289-L800

only possible in RX2530 M1 base unit with up to 4x3.5" HDD (S26361-K1492-V101) max. 4x HDD

**SSD SATA 3.5" (LFF) Enterprise with hot plug/hot replace tray**

capacity	Formfactor	SATA 6G	read	write	latency	Endurance	dwpd (5y)	order code E-part	order code L-part
120GB	3.5" (LFF)	6GBit/s				read intensive	0.3	S26361-F5530-E120	S26361-F5530-L120
240GB	3.5" (LFF)	6GBit/s				read intensive	0.3	S26361-F5530-E240	S26361-F5530-L240
480GB	3.5" (LFF)	6GBit/s				read intensive	0.3	S26361-F5530-E480	S26361-F5530-L480
800GB	3.5" (LFF)	6GBit/s				read intensive	0.3	S26361-F5530-E800	S26361-F5530-L800

only possible in RX2530 M1 base unit with up to 4x3.5" HDD (S26361-K1492-V101) max. 4x HDD

**HDD SAS 3.5" 15K (LFF) Enterprise performance with hot plug/hot replace tray**

capacity	RPM	SAS	Cache	sector	read	write	access		order code E-part	order code L-part
300GB	15.000	12GBit/s	128MB	512n					S26361-F5532-E530	S26361-F5532-L530
450GB	15.000	12GBit/s	128MB	512n					S26361-F5532-E545	S26361-F5532-L545
600GB	15.000	12GBit/s	128MB	512n					S26361-F5532-E560	S26361-F5532-L560

only possible in RX2530 M1 base unit with up to 4x3.5" HDD (S26361-K1492-V101) max. 4x HDD

**HDD SAS 3.5" 7.2K (LFF) business critical with hot plug/hot replace tray**

capacity	RPM	SAS 6G	Cache	sector	read	write	access	Endurance	order code E-part	order code L-part
1TB	7.200	6GBit/s		512n					S26361-F3820-E100	S26361-F3820-L100
2TB	7.200	6GBit/s		512n					S26361-F3820-E200	S26361-F3820-L200
3TB	7.200	6GBit/s		512n					S26361-F3820-E300	S26361-F3820-L300
4TB	7.200	6GBit/s		512n					S26361-F3820-E400	S26361-F3820-L400

only possible in RX2530 M1 base unit with up to 4x3.5" HDD (S26361-K1492-V101) max. 4x HDD

**HDD SATA 3.5" 7.2K (LFF) business critical with hot plug/hot replace tray**

capacity	RPM	S-ATA	Cache	sector	read	write	access	Endurance	order code E-part	order code L-part
1TB	7.200	6GBit/s		512n					S26361-F3815-E100	S26361-F3815-L100
2TB	7.200	6GBit/s		512n					S26361-F3815-E200	S26361-F3815-L200
3TB	7.200	6GBit/s		512n					S26361-F3815-E300	S26361-F3815-L300
4TB	7.200	6GBit/s		512n					S26361-F3815-E400	S26361-F3815-L400
2TB	7.200	6GBit/s		512e					S26361-Fxxxx-E200	S26361-Fxxxx-L200
4TB	7.200	6GBit/s		512e					S26361-Fxxxx-E400	S26361-Fxxxx-L400
6TB	7.200	6GBit/s		512e					S26361-Fxxxx-E600	S26361-Fxxxx-L600

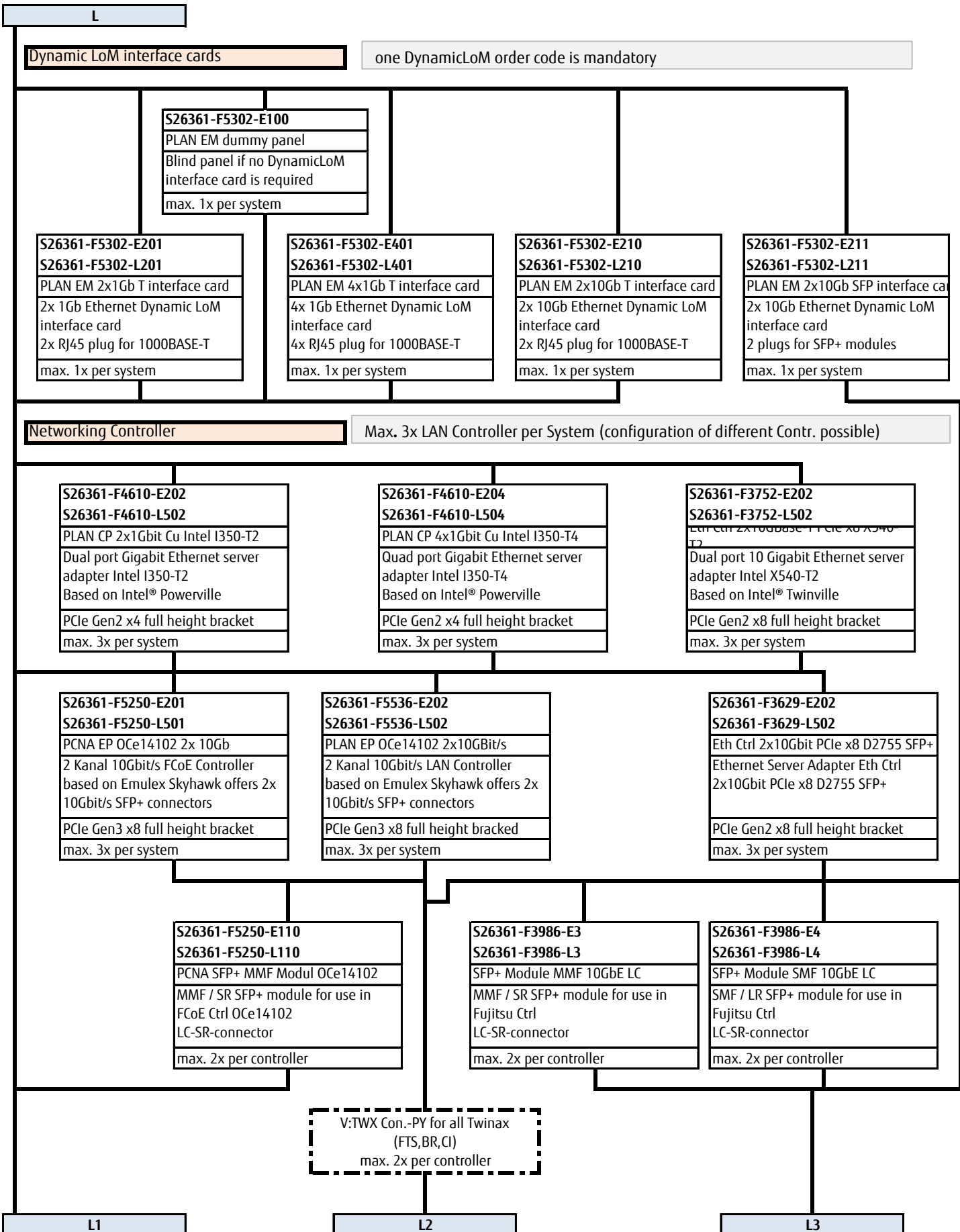
only possible in RX2530 M1 base unit with up to 4x3.5" HDD (S26361-K1492-V101) max. 4x HDD

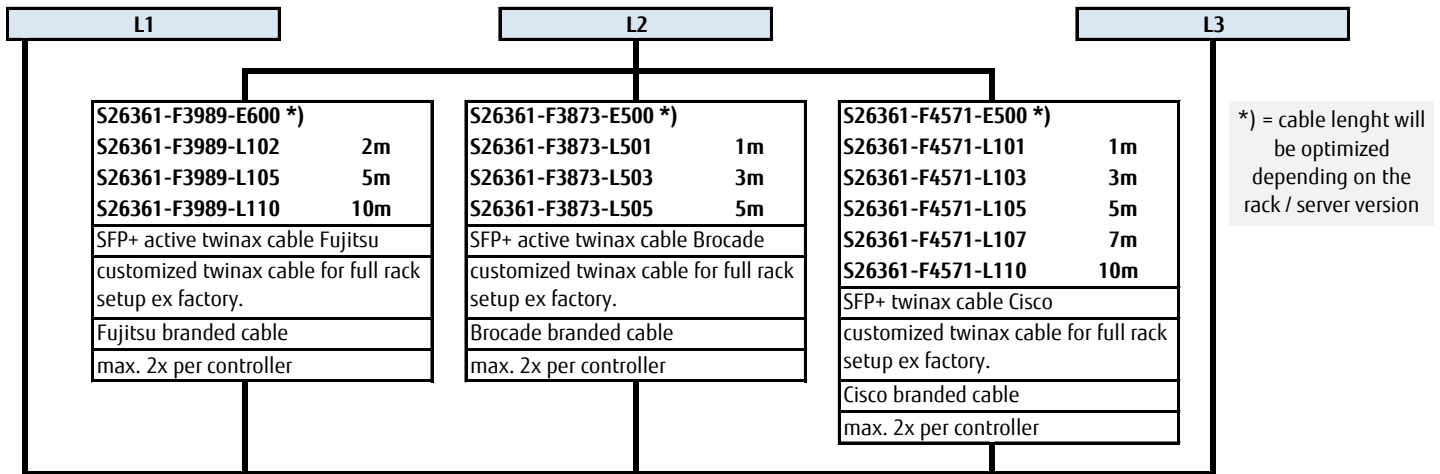
512e HDDs:  
as soon as available

HDD 512e  
512e drives are not supported with the current versions of vSphere and VSAN

L

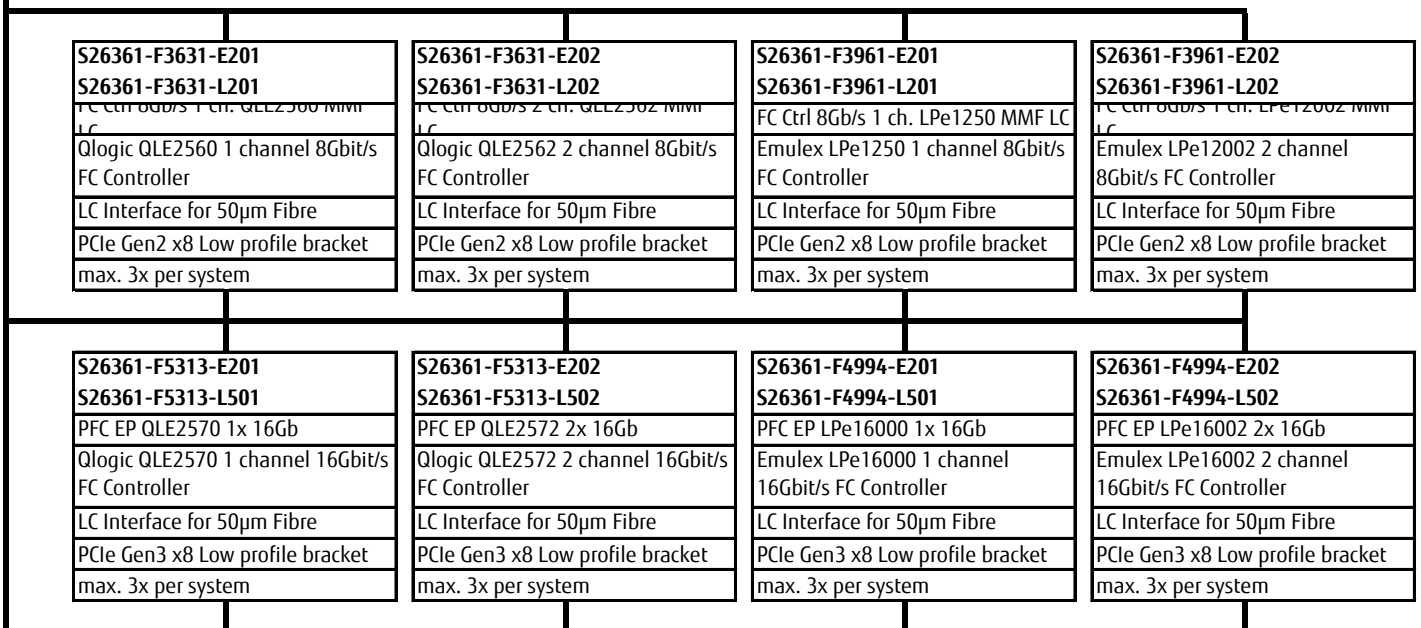
**Chapter 11 - LAN Components**



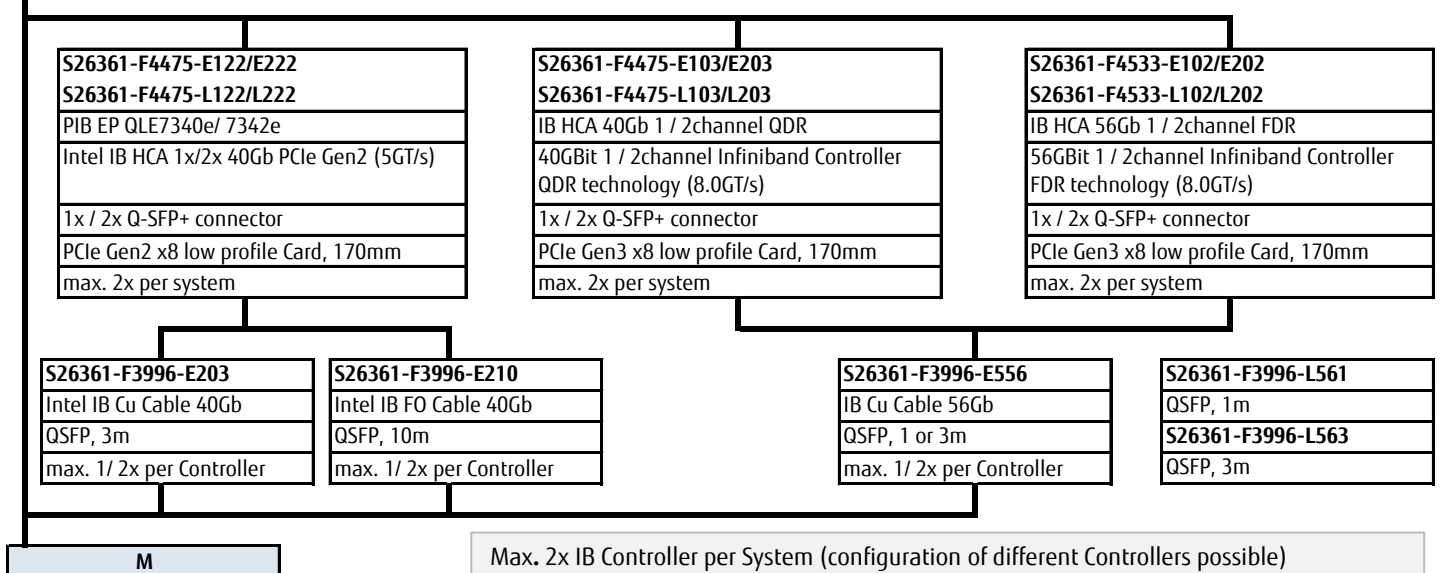


### Chapter 12 - Fibre Channel Controller

Max. 3x FC Controller per System (configuration of different Controllers possible)



### Chapter 13 - Infiniband Controllers



**Chapter 14 - Power supply unit, power cable, country specific options**

M

<b>S26113-F575-E13</b> <b>S26113-F575-L13</b> 450W platinum power supply unit 450W PSU module platinum 1st or 2nd PSU for redundancy. 94% efficiency	<b>S26113-F574-E13</b> <b>S26113-F574-L13</b> 800W platinum power supply unit 800W PSU module platinum 1st or 2nd PSU for redundancy. 94% efficiency	<b>S26113-F615-E10</b> <b>S26113-F615-L10</b> 800W titanium power supply unit 800W PSU module titanium 1st or 2nd PSU for redundancy. 96% efficiency <b>110V</b> range not supported	<b>S26113-F574-E99</b> Dummy module instead PSU Dummy module for closing the 2nd PSU hole, in case only 1 PSU is equipped
100-240V, 50-60Hz	100-240V, 50-60Hz	220-240V only, 50Hz	
occupies hot plug PSU slot	occupies hot plug PSU slot	occupies hot plug PSU slot	closes hot plug PSU slot
min. 1 / max. 2x per system	min. 1 / max. 2x per system	min. 1 / max. 2x per system	max. 1x per system

**Power cord option for Rack Server, 4m, grey (1x per PSU)**

<b>T26139-Y1968-E100</b>	Powercord for rack, IEC 320 C14 connector
<b>T26139-Y1742-E10</b>	USA, Canada, 1.8m, grey
<b>T26139-Y3850-E10</b>	no power cord

<b>S26361-F3301-E123</b> Certification for India ! Only with "no powercord option" max. 1x per system	<b>S26361-F3301-E120</b> Certification for China (CCC) ! Only with "no powercord option" max. 1x per system
--	--

<b>S26361-F1452-E100</b> Region Kit EMEA / Asia / Pacific max. 1x per system	<b>S26361-F1452-E130</b> Region Kit Amerika max. 1x per system
--	--

N

**Chapter 15 - Accessories**

N

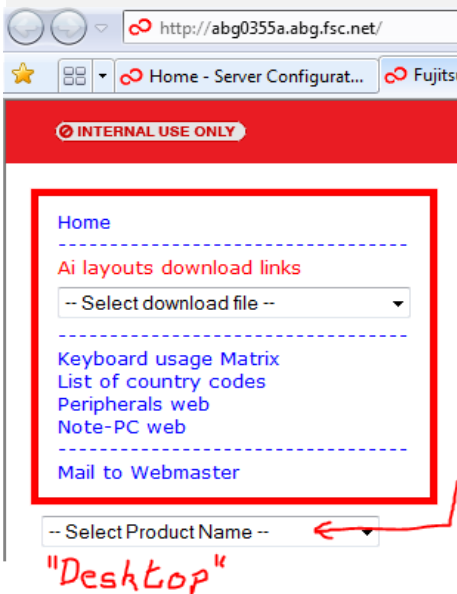
<http://www.fujitsu.com/de/products/computing/peripheral/accessories/>

USB Keyboards for Tower Servers for following countries:		
USB professional Keyboard KBPC PX ECO	Country version	FUJITSU Keyboard KB521 USB (grey)
	US/ int 105 keys (UK keyboard + US int. Layout)	S26381-K521-E102
S26381-K341-E104	Czech/Slovak	S26381-K521-E104
S26381-K341-E110	US 104 keys (US keyboard + US layout)	S26381-K521-E110
S26381-K341-E120	Germany	S26381-K521-E120
S26381-K341-E122	Germany / Int	S26381-K521-E122
S26381-K341-E140	France	S26381-K521-E140
S26381-K341-E154	Sweden / Finland	S26381-K521-E154
S26381-K341-E165	United Kingdom	S26381-K521-E165
S26381-K341-E170	Switzerland	S26381-K521-E170
S26381-K341-E180	Spain	S26381-K521-E180
S26381-K341-E185	Italy	S26381-K521-E185

USB Mouse:		
Mouse M510 Grey	S26381-K457-E101	S26381-K457-L101
Laser Mouse USB/PS2 Combo	S26381-K430-E100	S26381-K430-L100
USB sticks (FOR PROJECTS ONLY) - no standard release		
ADATA USB 3.0 Flash Stick UE700 - 32GB		S26391-F6048-L332
ADATA USB 3.0 Flash Stick UE700 - 64GB		S26391-F6048-L364
external optical drives: very low request --> no standard offer		

0

Please find the layout of all Fujitsu keyboards here: <http://abg0355a.abg.fsc.net/>  
 Please choose @ "select Product Name" --> "Desktop layouts"





**Chapter 16 - others**

0

**S26361-F1790-E243**  
**S26361-F1790-L244**  
 iRMC S4 advanced pack  
 integrated remote Management controller activation key for  
 graphical console redirection and remote media redirection  
 max. 1x per system

**S26113-F3776-E101**  
 Cool-safe<sup>®</sup> Advanced Thermal design  
 enables the PRIMERGY Server to cope with temperatures from 5-  
 40° in operating mode due to extended Fan settings  
 this setting can be activated ex factory only  
 max. 1x per system

**S26361-F3552-E6**  
**S26361-F3552-L6**  
 TPM Module  
 TPM module  
 max. 1x per system

**S26361-F3120-E3**  
**S26361-F3120-L3**  
 serial port (RS232)  
 serial port (RS232) mounted on a low profile PCIe slot  
 occupies slot 2 (if vacant)  
 max. 1x per system

*You would like to add some customer specific solutions?*

--> Please contact our made4you team (<mailto:customer.projects@ts.fujitsu.com>) for more customer specific solutions.  
 E.g. Lifecycle Management, Customer specific Logos, component or BIOS fixes, ....  
 --> CUZ fragen, was sie hier gerne reinschreiben würden

**Your Server is ready**

Date of change [dd.mm.yyyy]	Folder / order code / description	Name	What has been changed / comment
07.01.2015	First Release		