**ebm-papst St. Georgen GmbH & Co. KG**

Hermann-Papst-Str. 1  
D-78112 St. Georgen  
Phone +49 (0) 7724 81-0  
Fax +49 (0) 7724 81-1309  
info2@de.ebmpapst.com  
www.ebmpapst.com

**Nominal data**

Type	VD-3-35.06 B01	
Nominal voltage	VDC	24
Speed (rpm)	min <sup>-1</sup>	7500
Power output	W	16
Current draw	A	1.25
Rated torque	Ncm	2
Min. ambient temperature	°C	0
Max. ambient temperature	°C	40

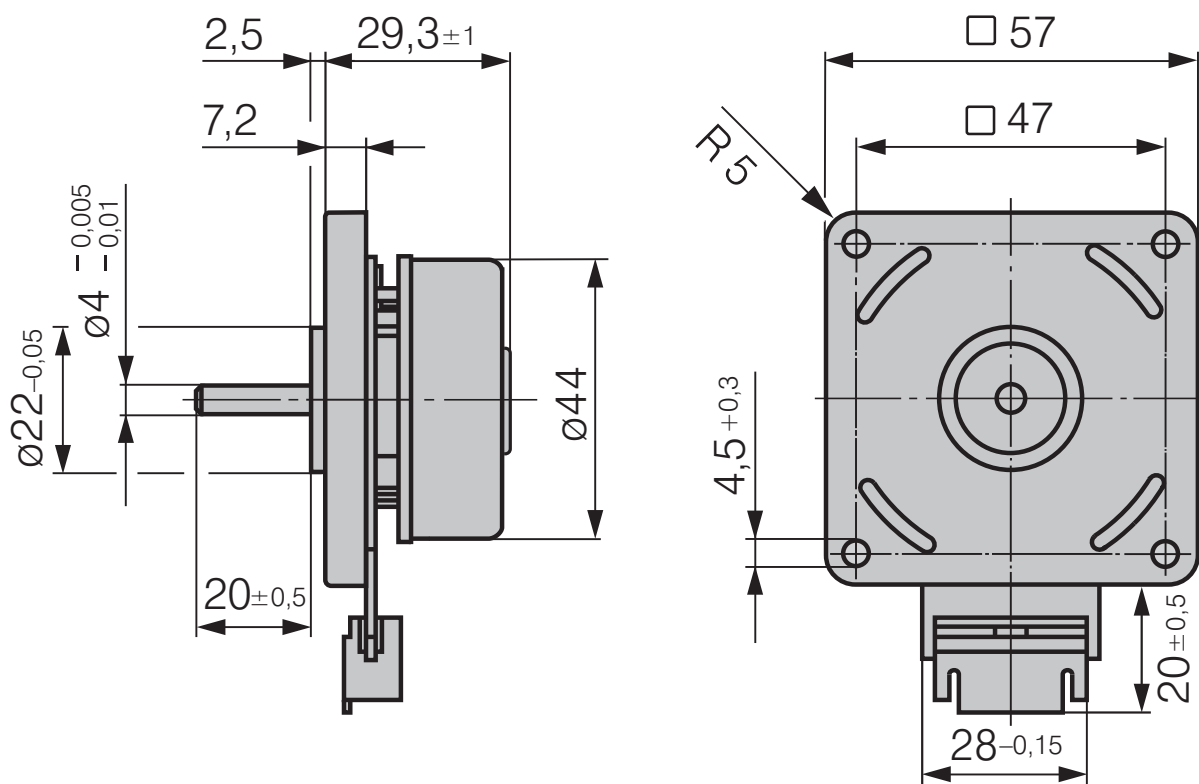
ml = Max. load · me = Max. efficiency · fa = Free air · cs = Customer specification · ce = Customer equipment  
Subject to change

**Technical description**

<b>Length</b>	29.3 mm
<b>Weight</b>	0.120 kg
<b>Diameter</b>	44 mm
<b>Part no.</b>	937 3506 000
<b>Degree of protection</b>	IP00
<b>Service life L10 at 40 °C</b>	20000 h



Product drawing



Curves

