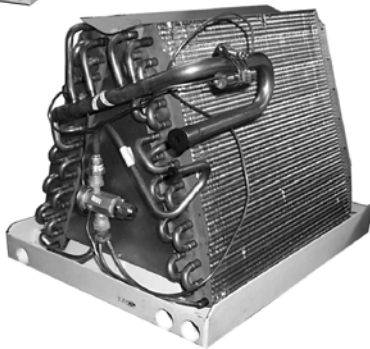


Models
EEA, EED, EPA, EPD,
EPM, EPP, EXA, EXD,
EHP, EXM, & HSC

AIRQUEST®



Representative photo only, some models may vary in appearance.



Rated in accordance with ARI Standard 210. Certification applies only when used with proper components as listed with ARI.



1½ THRU 5 TON COILS

FEATURES

- Copper Tube/ Lanced Aluminum Fin Coil
- Three Primary Condensate Drain Connections
- Field Selectable Secondary Drain Location
- Polymer Thermoset Drain Pan (Except 5 Ton EXM/EPM Horizontal Pan)
- Sweat Connect
- Dry Air Holding Charge

UNCASED Models "A" Coils

- Upflow/Downflow Applications
- EEA, EPA Coils Feature Orifice Pin Refrigerant Metering
- EXA Coils Have Thermostatic Expansion Valves
- Thermostatic Expansion Valve Kit Available for Orifice Pin Coils
- Designed To Match EF Electric Furnaces
- EPP has Extra Length Refrigerant Tubing Stubs
- EPP Designed To fit inside Gas Furnace plenum flanges of 19-1/2" or wider furnace for Upflow Applications.

ORIFICE PIN Models "Cased Coils"

- EED - Entry Level Upflow / Downflow
- EPD - Upflow / Downflow
- EPM - Upflow / Downflow / Horizontal
- Orifice Pin Refrigerant Metering
- Upflow Cabinet Widths and Horizontal Cabinet Depths are Matched to 40" & 48" Gas Furnaces
- Cabinet Contains an "Uncased" Type Coil for Rating Purposes
- Internally Lined with Glass Fiber Insulation
- Painted Steel Cabinet
- Removable Front Access Panel

EXPANSION VALVE Models "Cased Coils"

- EXD - Upflow / Downflow
- EXM - Upflow / Downflow / Horizontal
- Thermostatic Expansion Valve Refrigerant Metering
- Upflow Cabinet Widths and Horizontal Cabinet Depths are Matched to 40" & 48" Gas Furnaces
- Cabinet Contains an "Uncased" Type Coil for Rating Purposes
- Internally Lined with Glass Fiber Insulation
- Prepainted Steel Cabinet
- Removable Front Access Panel

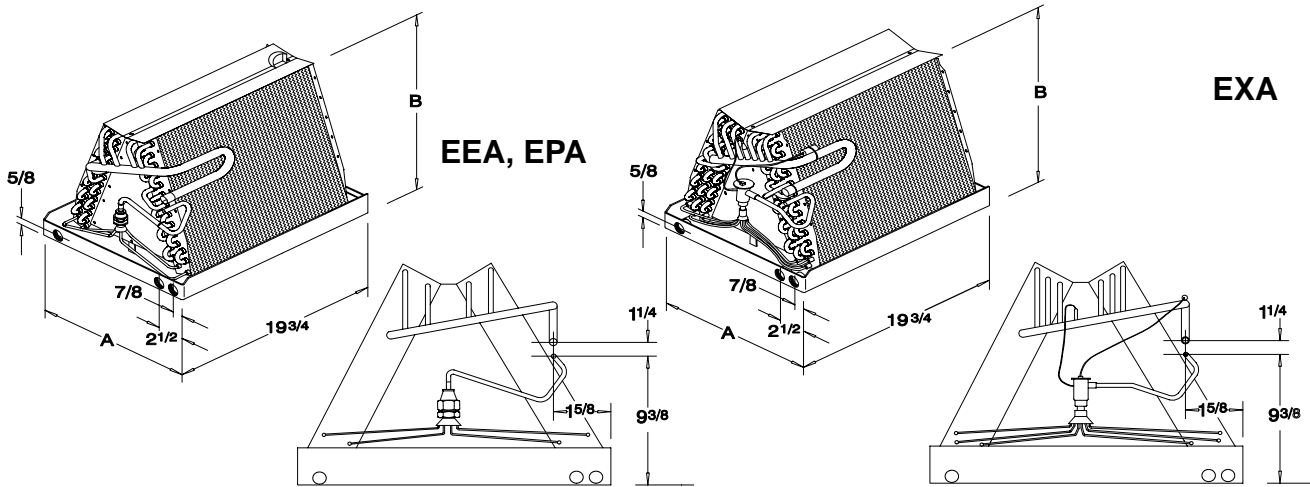
Slab Coils

- Horizontal Bi-Directional Airflow Applications
- Refrigerant Flow Control Device
- Galvanized G-90 Steel Cabinet
- Cabinet Internally Lined with Glass Fiber Insulation
- Coated One Piece Galvanized Steel Drain Pan

International Comfort Products Corporation, LLC
651 Heil-Quaker Ave.
Lewisburg, Tennessee 37091

RESIDENTIAL AND COMMERCIAL SYSTEMS • SPLIT SYSTEMS • PACKAGED AIR CONDITIONERS • COMBINATION GAS / ELECTRIC UNITS • HEAT PUMPS • AIR HANDLERS • MANUFACTURED HOME AIR CONDITIONERS • GAS, OIL AND ELECTRIC FURNACES

DIMENSIONS - "A" COILS



"A" COILS, EEA, EPA & EXA

| Model No. | Dimensions (inches) | | Weights | | Refrigerant Control | Connection Sweat | |
|---------------|---------------------|---------------------|---------|-------|---------------------|------------------|------|
| | A | B | Net | Shpg. | | Liq. | Suc. |
| EEA24B15A (1) | 14-3/4 | 10-1/2 (13-1/2) (1) | 14 | 18 | .055 | 3/8 | 3/4 |
| EEA30B15A | 14-3/4 | 14-1/2 | 17 | 21 | .063 | 3/8 | 3/4 |
| EEA36B15A | 14-3/4 | 16-1/2 | 19 | 23 | .067 | 3/8 | 3/4 |
| EEA36F19A | 18-1/8 | 16-1/8 | 22 | 26 | .067 | 3/8 | 3/4 |
| EEA42F19A | 18-1/8 | 18-5/8 | 26 | 30 | .078 | 3/8 | 3/4 |
| EEA48F19A | 18-1/8 | 18-1/2 | 30 | 34 | .079 | 3/8 | 1/8 |
| EEA60J22A | 21-7/8 | 21-7/8 | 40 | 48 | .090 | 3/8 | 1/8 |
| EPA18B15A (1) | 14-3/4 | 10-1/2 (13-1/2) (1) | 14 | 18 | .051 | 3/8 | 3/4 |
| EPA24B15A | 14-3/4 | 14-1/2 | 17 | 21 | .057 | 3/8 | 3/4 |
| EPA24F19A | 18-1/8 | 14-1/2 | 26 | 30 | .057 | 3/8 | 3/4 |
| EXA24B15A | 14-3/4 | 14-1/2 | 20 | 25 | TXV | 3/8 | 3/4 |
| EXA24F19A | 18-1/8 | 14-1/2 | 26 | 30 | TXV | 3/8 | 3/4 |
| EPA30B15A | 14-3/4 | 16-1/2 | 19 | 23 | .065 | 3/8 | 3/4 |
| EPA30F19A | 18-1/8 | 16-1/8 | 22 | 26 | .065 | 3/8 | 3/4 |
| EPA36B15A | 14-3/4 | 18-5/8 | 23 | 27 | .073 | 3/8 | 3/4 |
| EPA36F19A | 18-1/8 | 18-5/8 | 26 | 30 | .073 | 3/8 | 3/4 |
| EPA36J22A | 21-7/8 | 18 | 30 | 34 | .073 | 3/8 | 3/4 |
| EXA36B15A | 14-3/4 | 18-7/8 | 28 | 32 | TXV | 3/8 | 3/4 |
| EXA36F19A | 18-1/8 | 18-1/2 | 31 | 35 | TXV | 3/8 | 3/4 |
| EXA36J22A | 21-7/8 | 17-1/2 | 32 | 37 | TXV | 3/8 | 3/4 |
| EPA42F19A | 18-1/8 | 18-1/2 | 30 | 34 | .078 | 3/8 | 1/8 |
| EPA42J22A | 21-7/8 | 18 | 35 | 40 | .078 | 3/8 | 1/8 |
| EXA42F19A | 18-1/8 | 22-1/2 | 31 | 35 | TXV | 3/8 | 1/8 |
| EXA42J22A | 21-7/8 | 22-1/4 | 38 | 44 | TXV | 3/8 | 1/8 |
| EPA48F19A | 18-1/8 | 20-1/2 | 33 | 39 | .079 | 3/8 | 1/8 |
| EPA48J22A | 21-7/8 | 21-7/8 | 40 | 48 | .079 | 3/8 | 1/8 |
| EPA48N26A | 25-1/2 | 21-7/8 | 46 | 53 | .079 | 3/8 | 1/8 |
| EPA48L24A | 23-1/2 | 22-1/4 | 46 | 53 | .079 | 3/8 | 1/8 |
| EXA48J22A | 21-7/8 | 26-1/4 | 39 | 45 | TXV | 3/8 | 1/8 |
| EXA48N26A | 25-1/2 | 26 | 48 | 55 | TXV | 3/8 | 1/8 |
| EXA48L24A | 23-1/2 | 26-3/8 | 48 | 55 | TXV | 3/8 | 1/8 |
| EPA60J22A | 21-7/8 | 26-1/4 | 43 | 50 | .092 | 3/8 | 1/8 |
| EPA60N26A | 25-1/2 | 26 | 43 | 50 | .092 | 3/8 | 1/8 |
| EPA60L24A | 23-1/2 | 26-1/2 | 43 | 50 | .092 | 3/8 | 1/8 |
| EXA60N26A | 25-1/2 | 26 | 59 | 68 | TXV | 3/8 | 1/8 |
| EXA60L24A | 23-1/2 | 26-1/2 | 59 | 68 | TXV | 3/8 | 1/8 |

NOTE: (1) EPA18B15A, EEA24B15A have a manifold height of 13 1/2 and they will not fit EF Series electric furnaces.

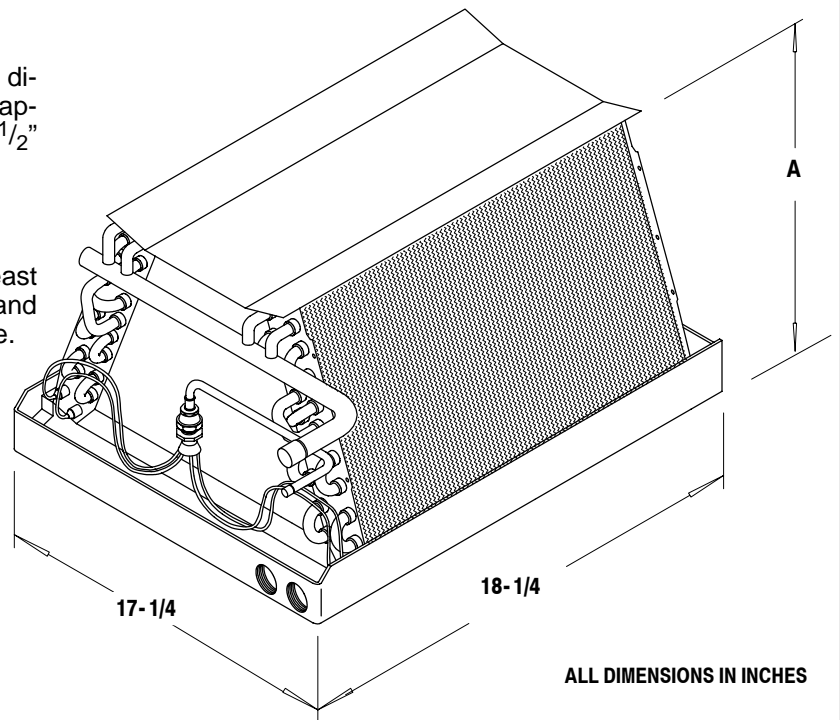
DIMENSIONS - EPP "A" COILS

Application Notes:

The plenum coils are designed to be installed directly into the furnace plenum on an upflow application **ONLY**. Minimum plenum size is 18^{-1/2}" deep by 17^{-5/8}" wide.

Minimum Clearances

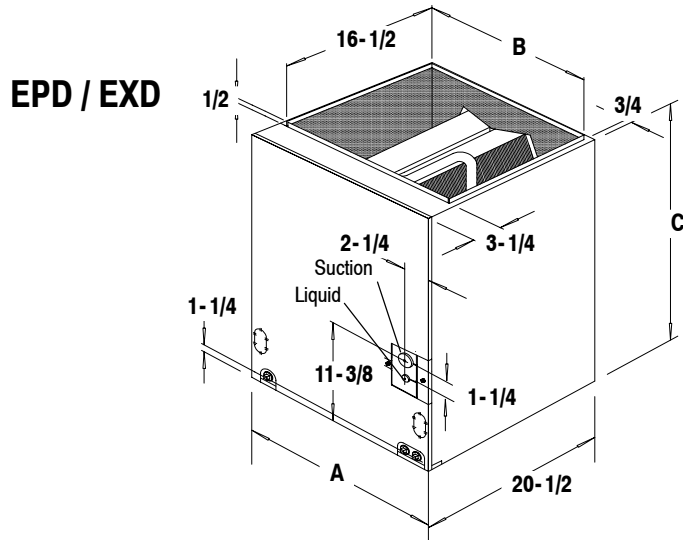
Coils must be installed so the drain pan is at least 2" above the heat exchanger on a gas furnace and 5" above the heat exchanger for an oil furnace.



"A" COILS, EPP

| Model No. | Dimensions (inches) | Weights | | Refrigerant Control | Connection Sweat | |
|------------|---------------------|---------|-------|---------------------|------------------|------|
| | A | Net | Shpg. | | Liq. | Suc. |
| EPP024D17A | 10-3/4 | 15 | 19 | .059 | 3/8 | 3/4 |
| EPP030D17A | 14-1/4 | 22 | 26 | .065 | 3/8 | 3/4 |
| EPP036D17A | 16-1/4 | 26 | 30 | .072 | 3/8 | 3/4 |

DIMENSIONS - DUAL PURPOSE UPFLOW / DOWNFLOW "EPD / EXD" COILS



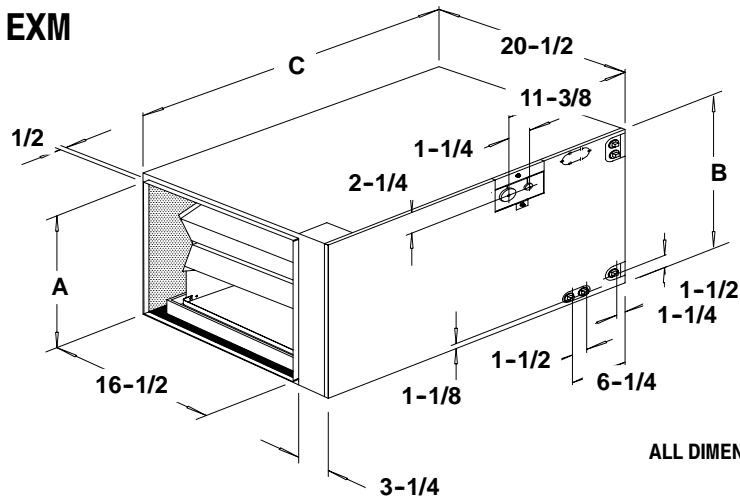
ALL DIMENSIONS IN INCHES

| Model No. | Dimensions (Inches) | | | Weights | | Refrigerant Control | Connection | |
|-----------|---------------------|--------|--------|---------|-------|---------------------|------------|-----------|
| | A | B | C | Net | Shpg. | | Liq. O.D. | Suc. O.D. |
| EPD18B15C | 15-1/2 | 14 | 15 | 19 | 23 | .051 | 3/8 | 3/4 |
| EPD24B15C | 15-1/2 | 14 | 18 | 27 | 31 | .057 | 3/8 | 3/4 |
| EXD24B15C | 15-1/2 | 14 | 18 | 33 | 37 | TXV | 3/8 | 3/4 |
| EXD24F19C | 19-1/8 | 17-5/8 | 18 | 35 | 39 | TXV | 3/8 | 3/4 |
| EPD24F19C | 19-1/8 | 17-5/8 | 18 | 34 | 38 | .057 | 3/8 | 3/4 |
| EPD30B15C | 15-1/2 | 14 | 18 | 29 | 33 | .065 | 3/8 | 3/4 |
| EPD30F19C | 19-1/8 | 17-5/8 | 18 | 34 | 38 | .065 | 3/8 | 3/4 |
| EPD36B15C | 15-1/2 | 14 | 20 | 33 | 37 | .073 | 3/8 | 3/4 |
| EPD36F19C | 19-1/8 | 17-5/8 | 20 | 39 | 43 | .073 | 3/8 | 3/4 |
| EPD36J22C | 22-3/4 | 21-1/4 | 24 | 44 | 48 | .073 | 3/8 | 3/4 |
| EXD36B15C | 15-1/2 | 14 | 20 | 35 | 39 | TXV | 3/8 | 3/4 |
| EXD36F19C | 19-1/8 | 17-5/8 | 20 | 38 | 42 | TXV | 3/8 | 3/4 |
| EPD42F19C | 19-1/8 | 17-5/8 | 20 | 45 | 49 | .078 | 3/8 | 7/8 |
| EPD42J22C | 22-3/4 | 21-1/4 | 24 | 50 | 54 | .078 | 3/8 | 7/8 |
| EXD42F19C | 19-1/8 | 17-5/8 | 30 | 40 | 45 | TXV | 3/8 | 7/8 |
| EXD42J22C | 22-3/4 | 21-1/4 | 24 | 43 | 48 | TXV | 3/8 | 7/8 |
| EPD48F19C | 19-1/8 | 17-5/8 | 20 | 47 | 52 | .079 | 3/8 | 7/8 |
| EPD48J22C | 22-3/4 | 21-1/4 | 24 | 56 | 62 | .079 | 3/8 | 7/8 |
| EPD48L24C | 24-1/2 | 22-7/8 | 24 | 56 | 62 | .079 | 3/8 | 7/8 |
| EPD48N26C | 26 3/8 | 24-7/8 | 24 | 56 | 62 | .079 | 3/8 | 7/8 |
| EXD48J22C | 22-3/4 | 21-1/4 | 29-3/4 | 50 | 58 | TXV | 3/8 | 7/8 |
| EXD48L24C | 24-1/2 | 22-7/8 | 28 | 60 | 67 | TXV | 3/8 | 7/8 |
| EXD48N26C | 26 3/8 | 24-7/8 | 28 | 78 | 85 | TXV | 3/8 | 7/8 |
| EPD60J22C | 22-3/4 | 21-1/4 | 30 | 63 | 70 | .092 | 3/8 | 7/8 |
| EPD60N26C | 26 3/8 | 24-7/8 | 28 | 78 | 85 | .092 | 3/8 | 7/8 |
| EPD60L24C | 24-1/2 | 22-7/8 | 28 | 80 | 89 | .092 | 3/8 | 7/8 |
| EXD60N26C | 26 3/8 | 24-7/8 | 30 | 82 | 91 | TXV | 3/8 | 7/8 |
| EXD60L24C | 24-1/2 | 22-7/8 | 30 | 80 | 89 | TXV | 3/8 | 7/8 |

(1) Orifice Pin shown is installed at the time of manufacture.

DIMENSIONS - CASED HORIZONTAL COILS - EPM / EXM

EPM / EXM



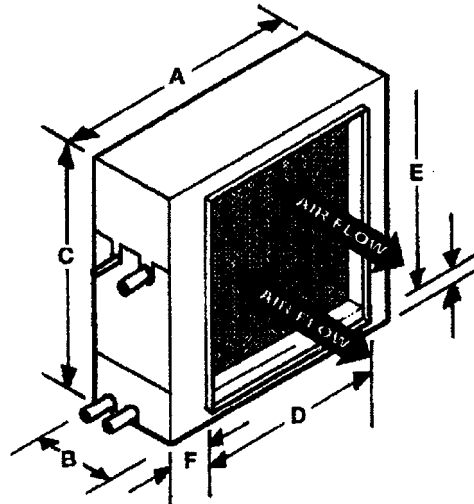
ALL DIMENSIONS IN INCHES

| Model No. | Dimensions (Inches) | | | Weights | | Refrigerant Control | Connection | |
|-----------|---------------------|--------|----|---------|-------|---------------------|------------|------|
| | A | B | C | Net | Shpg. | | Sweat | |
| | | | | | | | Liq. | Suc. |
| EPM24B15C | 14 | 15-1/2 | 22 | 27 | 31 | .057 | 3/8 | 3/4 |
| EXM24B15C | 14 | 15-1/2 | 22 | 33 | 37 | TXV | 3/8 | 3/4 |
| EXM24F19C | 17-5/8 | 19-1/8 | 22 | 33 | 37 | TXV | 3/8 | 3/4 |
| EPM30B15C | 14 | 15-1/2 | 22 | 29 | 33 | .065 | 3/8 | 3/4 |
| EPM30F19C | 17-5/8 | 19-1/8 | 22 | 33 | 37 | .065 | 3/8 | 3/4 |
| EPM36B15C | 14 | 15-1/2 | 22 | 33 | 37 | .073 | 3/8 | 3/4 |
| EPM36F19C | 17-5/8 | 19-1/8 | 22 | 39 | 43 | .073 | 3/8 | 3/4 |
| EPM36J22C | 21-1/4 | 22-3/4 | 22 | 38 | 42 | .073 | 3/8 | 3/4 |
| EXM36F19C | 17-5/8 | 19-1/8 | 22 | 38 | 42 | TXV | 3/8 | 3/4 |
| EXM36J22C | 21-1/4 | 22-3/4 | 24 | 39 | 43 | TXV | 3/8 | 3/4 |
| EXM36B15C | 14 | 15-1/2 | 22 | 40 | 44 | TXV | 3/8 | 3/4 |
| EPM42F19C | 17-5/8 | 19-1/8 | 22 | 45 | 49 | .078 | 3/8 | 7/8 |
| EPM42J22C | 21-1/4 | 22-3/4 | 24 | 50 | 54 | .078 | 3/8 | 7/8 |
| EXM42F19C | 17-5/8 | 19-1/8 | 30 | 41 | 45 | TXV | 3/8 | 7/8 |
| EXM42J22C | 21-1/4 | 22-3/4 | 30 | 43 | 48 | TXV | 3/8 | 7/8 |
| EPM48F19C | 17-5/8 | 19-1/8 | 30 | 47 | 52 | .079 | 3/8 | 7/8 |
| EPM48J22C | 21-1/4 | 22-3/4 | 30 | 56 | 62 | .079 | 3/8 | 7/8 |
| EPM48L24C | 22-7/8 | 24-1/2 | 30 | 65 | 71 | .079 | 3/8 | 7/8 |
| EPM48N26C | 24-7/8 | 26-1/2 | 30 | 59 | 65 | .079 | 3/8 | 7/8 |
| EXM48J22C | 21-1/4 | 22-3/4 | 30 | 47 | 52 | TXV | 3/8 | 7/8 |
| EXM48L24C | 22-7/8 | 24-1/2 | 30 | 65 | 71 | TXV | 3/8 | 7/8 |
| EXM48N26C | 24-7/8 | 26-1/2 | 30 | 78 | 85 | TXV | 3/8 | 7/8 |
| EPM60J22C | 21-1/4 | 22-3/4 | 33 | 63 | 70 | .092 | 3/8 | 7/8 |
| EPM60L24C | 22-7/8 | 24-1/2 | 33 | 72 | 79 | .092 | 3/8 | 7/8 |
| EPM60N26C | 24-7/8 | 26-1/2 | 33 | 78 | 85 | .092 | 3/8 | 7/8 |
| EXM60L24C | 22-7/8 | 24-1/2 | 33 | 83 | 92 | TXV | 3/8 | 7/8 |
| EXM60N26C | 24-7/8 | 26-1/2 | 33 | 87 | 96 | TXV | 3/8 | 7/8 |

DIMENSIONS - HORIZONTAL SLAB COIL

HSC Series

Manufactured by:
Freedom Air
Ft. Worth, Texas

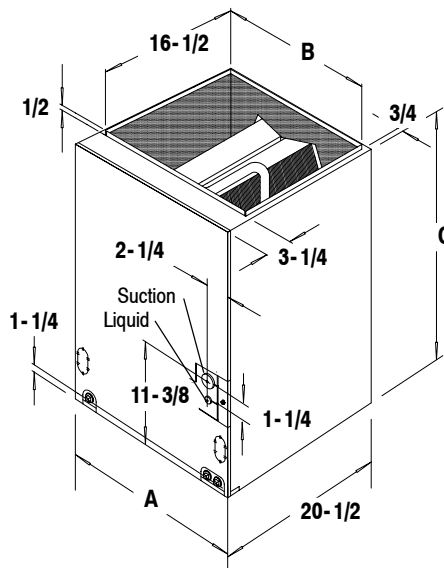


ALL DIMENSIONS IN INCHES

| Model No. | Dimensions | | | | | Weights | | Refrigerant Control | Connections "S" | |
|-----------|------------|-------|--------|--------|----|---------|-------|---------------------|-----------------|------|
| | A | B | C | D | E | Net | Shpg. | | Liq. | Suc. |
| | Depth | Width | Height | | | | | | | |
| HSC2400A1 | 25-1/4 | 7 | 23-1/2 | 18-3/8 | 21 | 35 | 40 | TXV | 3/8" | 3/4" |
| HSC3600A1 | 28-1/4 | 7 | 23-1/2 | 21-3/8 | 21 | 46 | 51 | TXV | 3/8" | 3/4" |
| HSC4800A1 | 35 | 7 | 23-1/2 | 28-1/8 | 21 | 54 | 59 | TXV | 3/8" | 7/8" |
| HSC6000A1 | 37-1/4 | 7 | 23-1/2 | 30-3/8 | 21 | 57 | 62 | TXV | 3/8" | 7/8" |

DIMENSIONS - ENTRY LEVEL CASED COIL

EED Series



| Model No. | Dimensions (Inches) | | | Weights | | Refrigerant Control | Connection | |
|-----------|---------------------|--------|----|---------|------|---------------------|------------|-------|
| | A | B | C | Net | Shpg | | Liq. | Suc . |
| EED24B15C | 15-1/2 | 14 | 15 | 19 | 23 | .055 | 3/8 | 3/4 |
| EED30B15C | 15-1/2 | 14 | 18 | 27 | 31 | .063 | 3/8 | 3/4 |
| EED36B15C | 15-1/2 | 14 | 18 | 29 | 33 | .067 | 3/8 | 3/4 |
| EED36F19C | 19-1/8 | 17-5/8 | 18 | 34 | 38 | .067 | 3/8 | 3/4 |
| EED42F19C | 19-1/8 | 17-5/8 | 20 | 39 | 43 | .078 | 3/8 | 3/4 |
| EED48F19C | 19-1/8 | 17-5/8 | 20 | 45 | 49 | .079 | 3/8 | 7/8 |
| EED60J22C | 22-3/4 | 21-1/4 | 24 | 56 | 62 | .090 | 3/8 | 7/8 |

PERFORMANCE DATA (CFM vs DRY/WET STATIC @ INCHES WATER COLUMN)

| Model No. | 400 | | 500 | | 600 | | 700 | | 800 | | 900 | | 1000 | | 1100 | | 1200 | | 1300 | | 1400 | |
|----------------|-----|-----|-----|-----|-----|-----|-----|-----|-----|-----|-----|-----|------|-----|------|-----|------|-----|------|-----|------|-----|
| | Dry | Wet | Dry | Wet | Dry | Wet | Dry | Wet | Dry | Wet | Dry | Wet | Dry | Wet | Dry | Wet | Dry | Wet | Dry | Wet | Dry | Wet |
| EP(A,D)18B | .06 | .08 | .09 | .12 | .13 | .16 | .18 | .20 | .23 | .26 | | | | | | | | | | | | |
| EP(A,D)24B,F | | | | | .11 | .12 | .14 | .15 | .18 | .19 | .23 | .23 | .27 | .29 | | | | | | | | |
| EPM24B | | | | | .12 | .13 | .17 | .18 | .20 | .22 | .25 | .28 | .30 | .34 | | | | | | | | |
| EPP24D | | | .14 | .17 | .18 | .21 | .23 | .25 | .28 | .31 | .33 | .37 | | | | | | | | | | |
| EX(A,D)24B,F | | | | | .13 | .16 | .17 | .20 | .22 | .26 | .28 | .33 | .34 | .40 | | | | | | | | |
| EXM24B,F | | | | | .15 | .18 | .20 | .23 | .26 | .30 | .32 | .37 | .38 | .44 | | | | | | | | |
| EEA,EED24B15 | | | .09 | .12 | .13 | .16 | .18 | .20 | .23 | .26 | .28 | .32 | | | | | | | | | | |
| EAH5024 / 5524 | | | .06 | .13 | .10 | .17 | .13 | .20 | .17 | .24 | .21 | .28 | .25 | .32 | | | | | | | | |
| EHP2400A1 | | | | | .12 | .18 | .15 | .23 | .19 | .28 | .23 | .34 | | | | | | | | | | |
| EP(A,D)30B | | | | | | | | | .18 | .22 | .22 | .27 | .28 | .33 | .33 | .39 | .39 | .46 | | | | |
| EPM30B | | | | | | | | | .20 | .23 | .26 | .29 | .30 | .35 | .36 | .43 | .42 | .50 | | | | |
| EP(A,D)30F | | | | | | | | | .13 | .17 | .16 | .20 | .19 | .24 | .22 | .28 | .26 | .33 | | | | |
| EPM30F | | | | | | | | | .14 | .19 | .17 | .23 | .20 | .27 | .24 | .31 | .28 | .36 | | | | |
| EEA,EED30B15 | | | | | .11 | .12 | .14 | .15 | .18 | .19 | .23 | .23 | .27 | .29 | .32 | .35 | | | | | | |
| EPP030D | | | | | .12 | .13 | .15 | .16 | .19 | .20 | .24 | .24 | .28 | .30 | | | | | | | | |
| EP(A,D)36B | | | | | | | | | .18 | .20 | .22 | .24 | .27 | .30 | .32 | .37 | .37 | .44 | .43 | .50 | .50 | .59 |
| EPM36B | | | | | | | | | .19 | .22 | .24 | .29 | .29 | .34 | .35 | .40 | .42 | .47 | .48 | .55 | .55 | .63 |
| EP(A,D)36F,J | | | | | | | | | | | | | .19 | .21 | .21 | .24 | .25 | .28 | .29 | .33 | .33 | .37 |
| EPM36F,J | | | | | | | | | | | | | .19 | .23 | .22 | .27 | .25 | .31 | .29 | .35 | .34 | .40 |
| EPP036D | | | | | | | | | .19 | .23 | .23 | .28 | .29 | .34 | .34 | .40 | .40 | .47 | | | | |
| EX(A,D)36B | | | | | | | | | | | .22 | .24 | .27 | .30 | .32 | .37 | .37 | .44 | .43 | .50 | | |
| EXM36B | | | | | | | | | | | .20 | .23 | .24 | .28 | .29 | .33 | .34 | .39 | .39 | .44 | | |
| EX(A,D)36F | | | | | | | | | | | .18 | .21 | .21 | .26 | .25 | .30 | .29 | .36 | .34 | .41 | | |
| EXM36F | | | | | | | | | | | .19 | .22 | .23 | .27 | .28 | .32 | .32 | .37 | .37 | .42 | | |
| EX(A,D)36J | | | | | | | | | | | | | .14 | .20 | .16 | .23 | .18 | .26 | .21 | .30 | .21 | .33 |
| EXM36J | | | | | | | | | | | | | .16 | .23 | .19 | .27 | .22 | .31 | .25 | .36 | .29 | .41 |
| EEA,EED36B15 | | | | | | | | | .18 | .22 | .22 | .27 | .28 | .33 | .33 | .39 | .39 | .46 | | | | |
| EEA,EED36F19 | | | | | | | | | .13 | .17 | .16 | .20 | .19 | .24 | .22 | .28 | .26 | .33 | | | | |
| EAH5036 / 5536 | | | | | | | | | | | .12 | .16 | .15 | .19 | .18 | .22 | .21 | .25 | .24 | .28 | .27 | .31 |
| EHP3600A1 | | | | | | | | | | | .13 | .19 | .14 | .22 | .17 | .25 | .19 | .30 | .22 | .33 | | |
| EEA,EED42F | | | | | | | | | | | | | .19 | .21 | .21 | .24 | .25 | .28 | .29 | .33 | .33 | .37 |
| EP(A,D)42F | | | | | | | | | | | | | .21 | .27 | .25 | .32 | .29 | .37 | .33 | .43 | .33 | .49 |
| EPM42F | | | | | | | | | | | | | .22 | .27 | .26 | .33 | .30 | .38 | .35 | .44 | .40 | .50 |
| EP(A,D)42J | | | | | | | | | | | | | .18 | .23 | .21 | .27 | .24 | .31 | .26 | .35 | | |
| EPM42J | | | | | | | | | | | | | .18 | .24 | .20 | .28 | .24 | .33 | .26 | .36 | | |
| EX(A,D)42F | | | | | | | | | | | | | .20 | .24 | .23 | .28 | .27 | .33 | .32 | .37 | .36 | .42 |
| EXM42F | | | | | | | | | | | | | .19 | .24 | .22 | .29 | .26 | .33 | .30 | .38 | .35 | .43 |
| EX(A,D)42J | | | | | | | | | | | | | .19 | .23 | .22 | .27 | .26 | .31 | .30 | .35 | .34 | .40 |
| EXM42J | | | | | | | | | | | | | .18 | .23 | .21 | .27 | .24 | .31 | .28 | .36 | .33 | .41 |

PERFORMANCE DATA (CFM vs DRY/WET STATIC @ INCHES WATER COLUMN)

| Model No. | 1000 | | 1100 | | 1200 | | 1300 | | 1400 | | 1500 | | 1600 | | 1700 | | 1800 | | 1900 | | 2000 | |
|----------------|------|-----|------|-----|------|-----|------|-----|------|-----|------|-----|------|-----|------|-----|------|-----|------|-----|------|-----|
| | Dry | Wet | Dry | Wet | Dry | Wet | Dry | Wet | Dry | Wet | Dry | Wet | Dry | Wet | Dry | Wet | Dry | Wet | Dry | Wet | Dry | Wet |
| EP(A,D)48F | | | .20 | .25 | .23 | .29 | .27 | .35 | .32 | .40 | .36 | .46 | .41 | .52 | .47 | .58 | | | | | | |
| EPM48F | | | .20 | .25 | .25 | .30 | .28 | .36 | .34 | .41 | .38 | .49 | .43 | .53 | .50 | .60 | | | | | | |
| EP(A,D)48J | | | | | .21 | .25 | .24 | .28 | .28 | .33 | .31 | .37 | .35 | .42 | .38 | .46 | | | | | | |
| EPM48J | | | | | .22 | .27 | .25 | .32 | .29 | .36 | .33 | .40 | .37 | .45 | .41 | .51 | | | | | | |
| EP(A,D)48L | | | | | .18 | .23 | .20 | .27 | .23 | .30 | .26 | .34 | .29 | .40 | .32 | .43 | | | | | | |
| EPM48L | | | | | .18 | .23 | .21 | .28 | .24 | .31 | .27 | .35 | .30 | .39 | .33 | .44 | | | | | | |
| EP(A,D)48N | | | | | .17 | .23 | .20 | .27 | .23 | .30 | .26 | .34 | .28 | .40 | .32 | .42 | | | | | | |
| EPM48N | | | | | .18 | .23 | .21 | .28 | .24 | .31 | .27 | .35 | .30 | .39 | .33 | .44 | | | | | | |
| EX(A,D)48J | | | | | .19 | .25 | .24 | .29 | .26 | .34 | .31 | .37 | .33 | .40 | | | | | | | | |
| EXM48J | | | | | .24 | .27 | .27 | .30 | .31 | .35 | .34 | .39 | .37 | .44 | | | | | | | | |
| EX(A,D)48L | | | | | .18 | .24 | .23 | .27 | .24 | .31 | .29 | .34 | .30 | .37 | | | | | | | | |
| EXM48L | | | | | .23 | .26 | .26 | .29 | .29 | .33 | .32 | .37 | .35 | .41 | | | | | | | | |
| EX(A,D)48N | | | | | .17 | .22 | .20 | .25 | .22 | .28 | .25 | .31 | .27 | .34 | | | | | | | | |
| EXM48N | | | | | .23 | .26 | .26 | .29 | .29 | .33 | .32 | .37 | .35 | .41 | | | | | | | | |
| EEA,EED48F19 | .21 | .27 | .25 | .32 | .29 | .37 | .33 | .43 | .33 | .49 | | | | | | | | | | | | |
| EAH5048 / 5548 | | | | | .11 | .14 | .12 | .15 | .14 | .17 | .15 | .18 | .17 | .20 | .19 | .22 | .21 | .24 | .22 | .25 | .24 | .27 |
| EHP4800A1 | | | | | .15 | .22 | .18 | .25 | .20 | .28 | .22 | .30 | .24 | .34 | | | | | | | | |
| EP(A,D)60J | | | | | | | | | .16 | .19 | .18 | .21 | .21 | .26 | .28 | .29 | .26 | .34 | .30 | .38 | .34 | .43 |
| EPM60J | | | | | | | | | .21 | .25 | .24 | .29 | .27 | .33 | .30 | .37 | .33 | .41 | .37 | .46 | .40 | .51 |
| EP(A,D)60L | | | | | | | | | | | .20 | .24 | .23 | .28 | .25 | .31 | .28 | .35 | .31 | .38 | .35 | .43 |
| EPM60L | | | | | | | | | | | .22 | .26 | .24 | .30 | .27 | .33 | .30 | .37 | .34 | .41 | .37 | .46 |
| EP(A,D)60N | | | | | | | | | | | .20 | .24 | .23 | .28 | .25 | .31 | .28 | .35 | .31 | .38 | .35 | .43 |
| EPM60N | | | | | | | | | | | .20 | .24 | .22 | .28 | .25 | .31 | .28 | .35 | .31 | .38 | .34 | .42 |
| EX(A,D)60L | | | | | | | | | .18 | .23 | .21 | .26 | .24 | .30 | .27 | .34 | .31 | .38 | .35 | .43 | .39 | .48 |
| EXM60L | | | | | | | | | .19 | .24 | .22 | .27 | .25 | .31 | .28 | .35 | .32 | .39 | .36 | .44 | .40 | .49 |
| EX(A,D)60N | | | | | | | | | .18 | .22 | .21 | .25 | .24 | .29 | .27 | .34 | .30 | .38 | .34 | .42 | .37 | .47 |
| EXM60N | | | | | | | | | .19 | .24 | .22 | .27 | .25 | .31 | .28 | .35 | .32 | .39 | .36 | .44 | .40 | .49 |
| EEA,EED60J22 | | | | | .21 | .25 | .24 | .28 | .28 | .33 | .31 | .37 | .35 | .42 | .38 | .46 | | | | | | |
| EAH5060 / 5560 | | | | | | | | | | | | | .12 | .16 | .14 | .18 | .16 | .20 | .17 | .21 | .20 | .24 |
| EHP6000A1 | | | | | | | | | | | | | .14 | .22 | .16 | .24 | .17 | .26 | .19 | .28 | .21 | .33 |

MODEL NUMBER IDENTIFICATION GUIDE - A COILS

| | | | | | | | |
|--|----------|----------|----------|-----------|------------|----------|---|
| EVAPORATOR | E | P | A | 36 | B15 | A | Revision Code |
| | | | | | | | Cabinet / Drain Pan Width |
| E = Entry Level Orifice Pin P = Orifice Pin X = TXV A = Loose Coil, No Cabinet D = Dual Purpose, Upflow / Downflow M = Multi Purpose, Upflow / Downflow / Horizontal P = Plenum Coil | | | | | | | B15 = 15 1/2" Cabinet / 14 3/4" Drain Pan F19 = 19 1/8" Cabinet / 18 1/8" Drain Pan J22 = 22 3/4" Cabinet / 21 7/8" Drain Pan L24 = 24 1/2" Cabinet / 14 1/2" Drain Pan N26 = 26 3/8" Cabinet / 25 1/2" Drain Pan |
| | | | | | | | Nominal Capacity |
| | | | | | | | 18 = 1 1/2 Ton, 24 = 2 Ton, 30 = 3 1/2 Ton 36 = 3 Ton, 42 = 3 1/2 Ton, 48 = 4 Ton, 60 = 5 Ton |

MODEL NUMBER IDENTIFICATION GUIDE - SLAB COILS

| | | | | | | | | |
|-----------------------|----------|----------|----------|-----------|-----------|----------|----------|-------------------------|
| MODEL NUMBER | E | A | H | 55 | 36 | S | A | REVISION CODE |
| PRODUCT FAMILY | | | | | | | | CONNECTIONS |
| E = Evaporator Coil | | | | | | | | S = Sweat |
| PRODUCT TYPE | | | | | | | | CAPACITY - BTU |
| A = A Slab Coil | | | | | | | | 036 = 36,000 |
| COIL TYPE | | | | | | | | Series 55 = 5500 |
| H = Horizontal | | | | | | | | |

MODEL NUMBER IDENTIFICATION GUIDE - EHP SERIES

| | | | | | |
|----------------------------|-----------|----------|-------------|----------|-----------------------------|
| MODEL NUMBER | EH | P | 2400 | A | 1 = ENGINEERING CODE |
| EH = Evaporator Horizontal | | | | | |
| METERING DEVICE | | | | | |
| P = Piston | | | | | |
| | | | | | CAPACITY MBTUH |
| | | | | | 24 = 24,000 |
| | | | | | 36 = 36,000 |
| | | | | | 48 = 48,000 |
| | | | | | 60 = 60,000 |