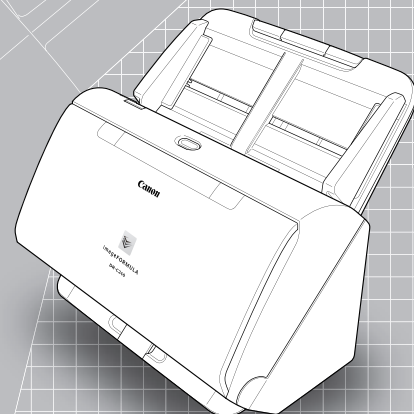


Canon

 **imageFORMULA**
DR-C240
DR-C230

User Manual

- Please read this manual before operating this scanner.
- After you finish reading this manual, store it in a safe place for future reference.



FCC REGULATIONS (For 120 V model)

Document Scanner, Model M111251 / 6130010

This device complies with Part 15 of the FCC Rules. Operation is subject to the following two conditions: (1) This device may not cause harmful interference, and (2) this device must accept any interference received, including interference that may cause undesired operation.

Note: This equipment has been tested and found to comply with the limits for a Class B digital device, pursuant to Part 15 of the FCC Rules. These limits are designed to provide reasonable protection against harmful interference in a residential installation. This equipment generates, uses, and can radiate radio frequency energy and, if not installed and used in accordance with the instructions, may cause harmful interference to radio communications. However, there is no guarantee that interference will not occur in a particular installation. If this equipment does cause harmful interference to radio or television reception, which can be determined by turning the equipment OFF and ON, the user is encouraged to try to correct the interference by one or more of the following measures:

- Reorient or relocate the receiving antenna.
 - Increase the separation between the equipment and receiver.
 - Connect the equipment into an outlet on a circuit different from that to which the receiver is connected.
 - Consult the dealer or an experienced radio/TV technician for help.
- Use of shielded cable is required to comply with Class B limits in Subpart B of Part 15 of FCC Rules.

Do not make any changes or modifications to the equipment unless otherwise specified in the manual. If such changes or modifications should be made, you could be required to stop operation of the equipment.

Canon U.S.A. Inc.

ONE CANON PARK, MELVILLE, NY 11747, U.S.A.

Tel. No. (800)652-2666

RADIO INTERFERENCE REGULATIONS (For 120 V models)

This digital apparatus does not exceed the Class B limits for radio noise emissions from digital apparatus as set out in the interference-causing equipment standard entitled "Digital Apparatus", ICES-003 of the Industry Canada.

RÈGLEMENT SUR LE BROUILLAGE RADIOÉLECTRIQUE (For 120 V models)

Cet appareil numérique respecte les limites de bruits radioélectriques applicables aux appareils numériques de Classe B prescrites dans la norme sur le matériel brouilleur: "Appareils Numériques", NMB-003 édictée par l'Industrie Canada.

ENERGY STAR® Office Equipment Program



This program is for U.S.A and Canada.

As an ENERGY STAR® Partner, CANON ELECTRONICS INC. has determined that this machine meets the ENERGY STAR® Program guidelines for energy efficiency.

The ENERGY STAR® Office Equipment Program is an international program that promotes energy saving through the use of computers and other office equipment. The program backs the development and dissemination of products with functions that effectively reduce energy consumption. It is an open system in which business proprietors can participate voluntarily. The targeted products are office equipment, such as computers, monitors, printers, fax, machine, copiers, and scanners. The standards and logos are uniform among participating nations.

This model doesn't provide setting options for power management.

European Union (and EEA) only.



This symbol indicates that this product is not to be disposed of with your household waste, according to the WEEE Directive (2002/96/EC) and your national law. This product should be handed over to a designated collection point, e.g., on an authorized one-for-one basis when you buy a new similar product or to an authorized collection site for recycling waste electrical and electronic equipment (EEE). Improper handling of this type of waste could have a possible negative impact on the environment and human health due to potentially hazardous substances that are generally associated with EEE. At the same time, your cooperation in the correct disposal of this product will contribute to the effective usage of natural resources. For more information about where you can drop off your waste equipment for recycling, please contact your local city office, waste authority, approved WEEE scheme or your household waste disposal service. For more information regarding return and recycling of WEEE products, please visit www.canon-europe.com/environment. (EEA: Norway, Iceland and Liechtenstein)

Für EMVG

Dieses Produkt ist zum Gebrauch im Wohnbereich, Geschäfts- und Gewerbebereich sowie in Kleinbetrieben vorgesehen.

Model Names

The following name may be provided for the safety regulations in each sales region of the Document Scanner.

DR-C240: Model M111251

DR-C230: Model 6130010

Reproduction Warning

This device is designed to be used in a legal manner, in accordance with all applicable laws, including, but not limited to, counterfeit and copyright laws, as well as laws pertaining to national security.

Any person(s) found to have reproduced any of the following materials (regardless of whether such reproduction was intentional or not) for the purpose of misrepresenting such material as the original may be prosecuted in accordance with the applicable laws and regulations.

- Paper money or bank notes (domestic and foreign)
- Postage stamps, revenue stamps, or other similar stamps
- Stock certificates, bond certificates, promissory notes, cheques, or other valuable certificates
- Passports, licenses, or other certificates or documents issued by government officials or agencies

This is not an exhaustive list.

Canon is not responsible for how this scanner is used by an individual. Please note that certain intellectual property is protected by copyright law, and copyrighted items may not be reproduced without the express permission of the copyright holder except for personal or household use under limited circumstances.

Trademarks

- Canon and the Canon logo are registered trademarks, of Canon Inc. in the United States and may also be trademarks or registered trademarks in other countries.
- imageFORMULA is a trademark of CANON ELECTRONICS INC.
- Microsoft, Windows, PowerPoint, and SharePoint are registered trademarks or trademarks of Microsoft Corporation in the United States and other countries.
- Microsoft product screen shot(s) reprinted with permission from Microsoft Corporation.
- OS X and macOS are the trademarks of Apple Inc., registered in the U.S. and other countries.
- ENERGY STAR® is a registered trademark of the United States Environmental Protection Agency.
- ISIS is a registered trademark of Open Text in the United States.
- Adobe, the Adobe logo, Acrobat, the Adobe PDF logo, and Adobe Reader are either registered trademarks or trademarks of Adobe Systems Incorporated in the United States and/or other countries.



Powered by
ADOBE® PDF LIBRARY

- Other product and company names herein may be the trademarks of their respective owners. However, the ™ and ® symbols are not used in this document.

Copyright

Copyright 2017 by CANON ELECTRONICS INC. All rights reserved. No part of this publication may be reproduced or transmitted in any form or by any means, electronic or mechanical, including photocopying and recording, or by any information storage or retrieval system without the prior written permission of CANON ELECTRONICS INC.

Disclaimers

The information in this document is subject to change without notice.

CANON ELECTRONICS INC. MAKES NO WARRANTY OF ANY KIND WITH REGARD TO THIS MATERIAL, EITHER EXPRESS OR IMPLIED, EXCEPT AS PROVIDED HEREIN, INCLUDING WITHOUT LIMITATION, THEREOF, WARRANTIES AS TO MARKETABILITY, MERCHANTABILITY, FITNESS FOR A PARTICULAR PURPOSE OF USE OR NON-INFRINGEMENT. CANON ELECTRONICS INC. SHALL NOT BE LIABLE FOR ANY DIRECT, INCIDENTAL, OR CONSEQUENTIAL DAMAGES OF ANY NATURE, OR LOSSES OR EXPENSES RESULTING FROM THE USE OF THIS MATERIAL.

CANON ELECTRONICS INC. IS NOT LIABLE FOR THE STORAGE AND HANDLING OF DOCUMENTS SCANNED WITH THIS PRODUCT, OR THE STORAGE AND HANDLING OF RESULTING SCANNED IMAGE DATA.

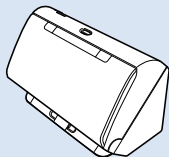
IF YOU INTEND TO DISCARD THE ORIGINALS OF SCANNED DOCUMENTS, YOU THE CUSTOMER ARE RESPONSIBLE FOR INSPECTING THE SCANNED IMAGES AND VERIFYING THAT DATA IS INTACT.

THE MAXIMUM LIABILITY OF CANON ELECTRONICS INC. UNDER THIS WARRANTY IS LIMITED TO THE PURCHASE PRICE OF THE PRODUCT COVERED BY THE WARRANTY.

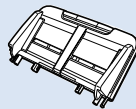
STEP 1

Checking the Accessories

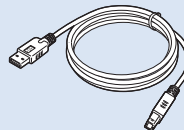
If any of the items listed below are missing or damaged, contact your local authorized Canon dealer or service representative.



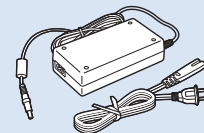
Scanner



Feed Tray



USB Cable
Type A/Type B



AC Adapter/Power Cord



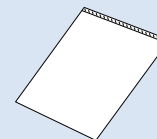
Setup Guide



Setup Disc



Warranty Card
(U.S.A. and Canada only)



Carrier sheet (for passports)
(Included only in particular models)

- Items included in this manual are subject to change without notice.
- You must keep the machine's packaging and packing materials for storing or transporting the machine.
- For Europe, a print version of *Reference Guide* is supplied in English.
The content of the *Reference Guide* can be found in other languages in the *User Manual* on the Setup Disc.
- The shape of the power plug varies by country and region.

Setup Disc Contents

Install the following software necessary for using the scanner from the supplied Setup Disc.

- **CaptureOnTouch**

This is a dedicated scanning application for this product.

- **CapturePerfect 3.1 (Windows only)**

This is a scanning application for the DR series scanner.

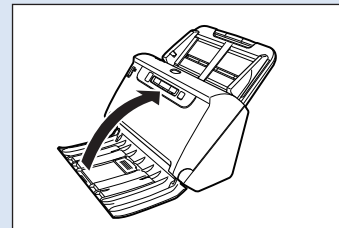
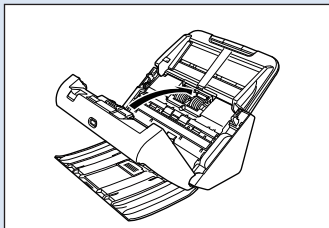
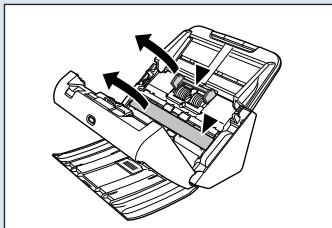
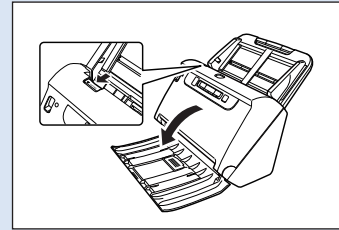
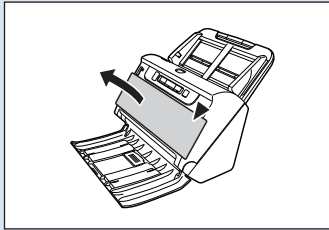
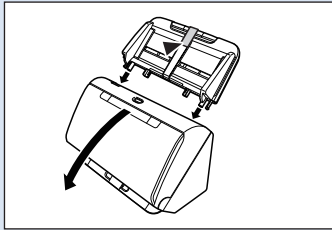
- **Scanner Driver**

This is the scanner driver for this product.

! IMPORTANT

When scanning with third-party software, use the scanner driver of this scanner to configure scanning conditions. For details on how to open the scanner driver, refer to the manuals supplied with each software application.

After taking the scanner out of the box, install the feed tray and remove the protective sheets (▼).



STEP 2

Installing the Software

System requirements

To use the scanner, your computer must satisfy the following system requirements.

Computer

CPU:	Intel Core 2 Duo 1.66GHz or faster Windows
Memory:	Intel Core i7 2.3GHz or faster Mac 1 GB or more Windows 8 GB or more Mac
Hard disk:	3 GB or more available space required for installation of all software
USB interface:	Hi-Speed USB2.0
Monitor:	Resolution of 1024 × 768 (XGA) or better recommended. Windows
Optical drive:	Drive capable of reading CDs/DVDs. Windows

Operating system

- Microsoft Windows 7 Service Pack 1 or later (32-bit and 64-bit editions)
- Microsoft Windows 8.1 (32-bit and 64-bit editions)
- Microsoft Windows 10 (32-bit and 64-bit editions)
- Microsoft Windows Server 2008 R2 Service Pack 1 or later
- Microsoft Windows Server 2012 R2
- Microsoft Windows Server 2016
- Microsoft Windows Server 2019
- macOS 10.12
- macOS 10.13
- macOS 10.14

This is the environment as of December 2018.

For the latest software support information, go to the Products page on the Canon website.

Other requirements

- An ISIS-compatible application (Windows only) or a TWAIN-compatible application that is compatible with the above operating systems.
- .NET Framework 4.0 or later (Windows only)

! IMPORTANT

- Use the USB interface provided as standard with your computer. However, normal operation is not guaranteed with all USB interfaces, even if present as standard equipment on the computer. For details, consult your local authorized Canon dealer.
- Scanning speeds are lower if your computer's standard USB interface is USB Full-Speed (equal to USB 1.1.)
- The USB cable you are using should be the one originally included with the scanner.
- If the CPU, memory, interface card, and other specifications do not satisfy the installation requirements, the scanning speed may be greatly reduced and transmission may take a long time.
- Even if the computer satisfies the system requirements, the scanning speed may vary, depending on the specification of the computer and the environment.
- The scanner drivers provided with the scanner do not necessarily operate on all ISIS or TWAIN-compatible applications. For details, contact your application software retailer.
- In Windows 10 tablet mode, the software may disrupt the display.
- The Desktop Experience feature must be enabled for Windows Server 2008 R2 and Windows Server 2012 R2.

Precautions for Use in 64-bit Operating Systems (Windows only)

- The ISIS/TWAIN driver supplied with this product supports scanning with 32bit applications only.
- Even with 32-bit applications, not all ISIS/TWAIN compliant applications are guaranteed to operate.
- Scanning speed may vary depending on the specifications of your computer.

Software Installation

→ Windows

→ Mac

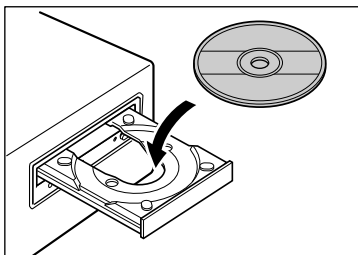
Windows

! IMPORTANT

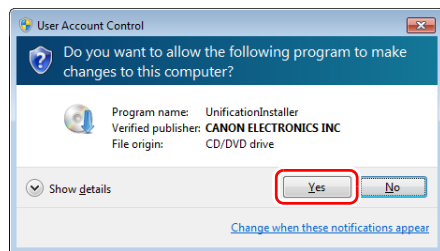
- Install the software before connecting the scanner to the computer.
- Log on to Windows as an Administrator.
- Close all other applications before installing the software.

1 Insert the Setup Disc into the disk drive of the computer.

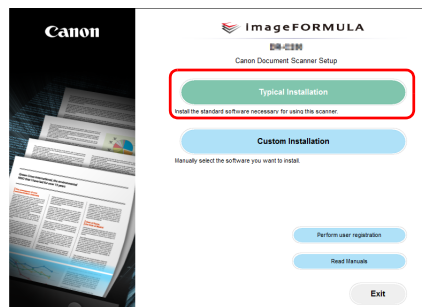
The setup menu automatically starts up when you insert the disc into the drive. (If the menu does not start up, execute setup.exe from the disc.)



If the following screen appears, click [Yes] or [Permissions].



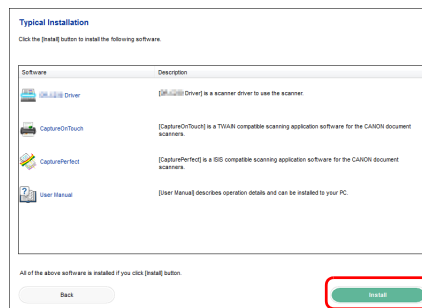
2 Click [Typical Installation].



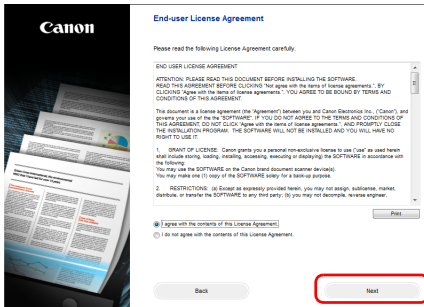
💡 Hint

If you want to reinstall only specific software that you have previously uninstalled, select [Custom Installation] and specify the software.

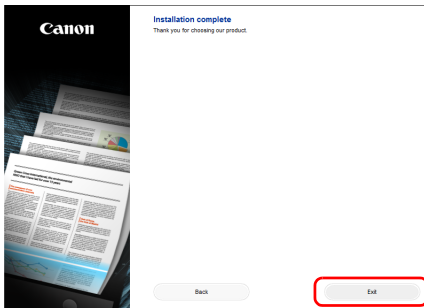
3 Click [Install].



4 Follow the instructions on the screen to complete installation.



5 Click [Exit] to finish installing the software.



* Download the latest software for Windows from the Canon website. (See the sheet included with the scanner for the URL.)

Mac

! IMPORTANT

- Install the software before connecting the scanner to the computer.
- Close all other applications before installing the software.

1 Download the software installer (dmg file) from the website. The scanner driver and CaptureOnTouch have different installers. (See the sheet included with the scanner for the URL.)

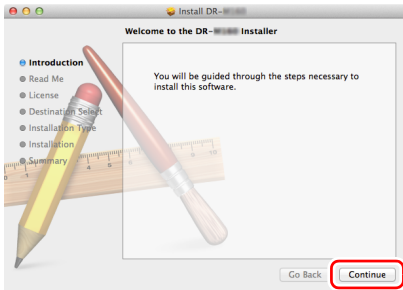
2 Double-click the downloaded dmg file to start the installer.

3 For the scanner driver, click [DR-C240 Installer.pkg]/[DR-C230 Installer.pkg].

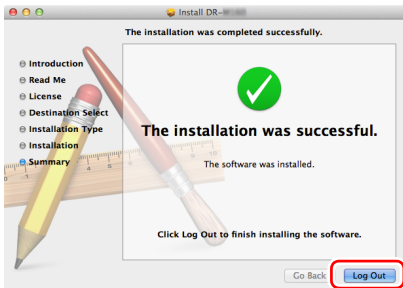
* For CaptureOnTouch, click [CaptureOnTouch Installer.pkg].



4 Follow the instructions on the screen to complete installation.



5 When the installation is complete, click [Log out].



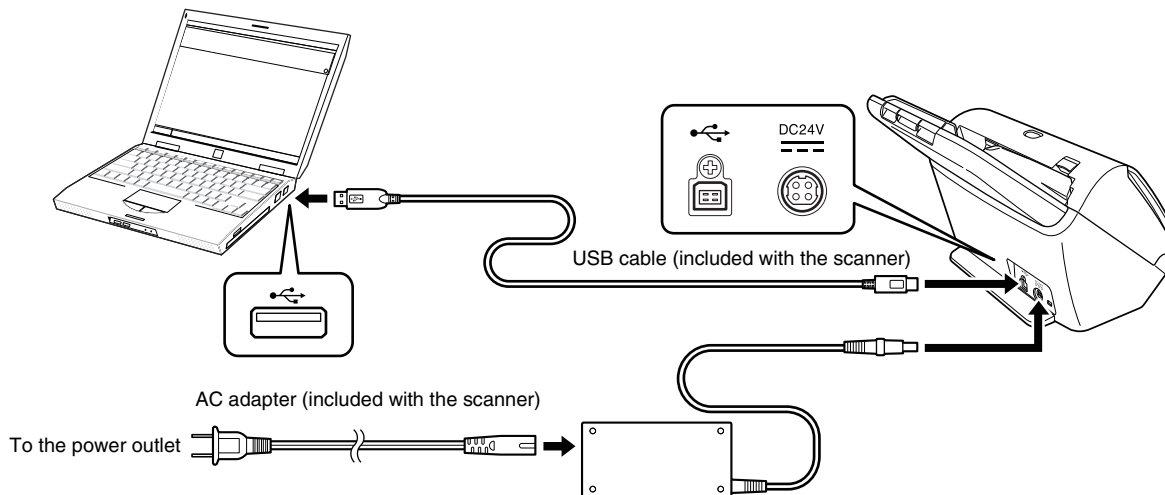
STEP 3

Connecting to a Computer

Connect the scanner to the computer and the power supply.

! IMPORTANT

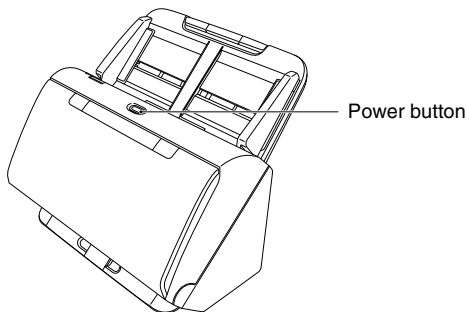
- Do not connect the scanner to the computer before installing the software.
- Before connecting the scanner to the computer, verify that the power of the scanner is OFF.
If the power is ON, turn it OFF.



STEP 4 Turning the Power ON

The power of the scanner can be turned ON and OFF with the power button on the front of the scanner.

- 1 Make sure that the scanner and computer are connected properly.
- 2 Press the power button.

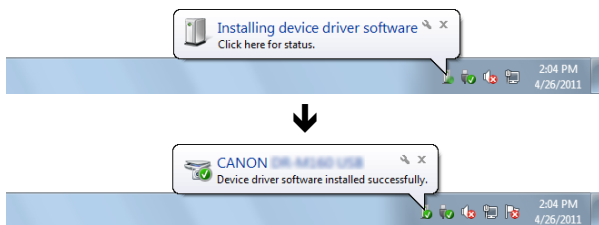


The power button lights blue when the power turns ON.

Windows

Hint


A balloon message such as shown below appears on the task bar. If you wait a while, automatic scanner recognition will end and the scanner will become ready to use.



This completes setup.

When the scanner is properly connected to the computer, the (CaptureOnTouch) icon appears on the taskbar as follows.




If the taskbar icon appears as , the scanner is not properly connected to the computer. Check the status of the power switch and USB cable.

Mac

When the scanner is properly connected to the computer, the (CaptureOnTouch) icon appears on the taskbar as follows.



If the taskbar icon appears as , the scanner is not properly connected to the computer. Check the status of the power switch and USB cable.

Turning Off the Power

Press and hold the power button until the indicator goes out.

! IMPORTANT

- After turning the scanner off, wait at least 10 seconds before turning it back on.
- If you will not be using the scanner for an extended period, you should disconnect the power cord from the AC outlet for safety.

Hint

The scanner's auto power off setting is enabled by default, and the scanner will turn off automatically if it is not operated for 4 hours. For details on how to disable this setting, see "Auto Power Off Setting" on p. 77.

Introduction

Thank you for purchasing the Canon imageFORMULA Document Scanner.

Please read the following manuals carefully and familiarize yourself with the functions of the scanner before use to ensure you sufficiently understand the functions and make the most of the scanner's capabilities. After reading the manuals, store them in a safe place for future reference.

Manuals for the Scanner

Documentation for this scanner consists of the following manuals.

● Setup Guide

This describes setup procedures for the scanner. Read this manual when you first use the scanner.

● User Manual (this manual)

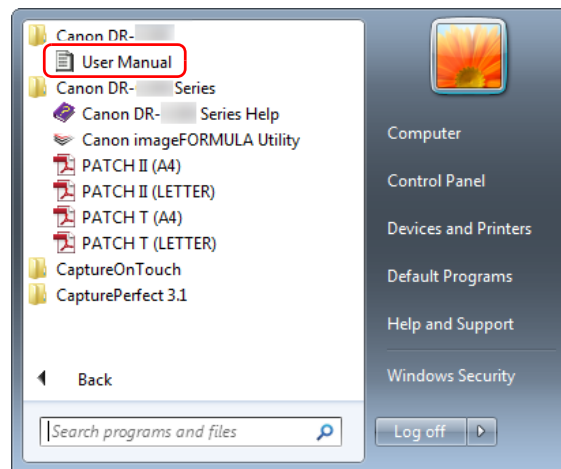
This manual contains the operating procedures of the scanner. (PDF electronic manual only)

Hint

- The manual (User Manual) for this scanner is stored on the Setup Disc as an electronic manual in PDF format.

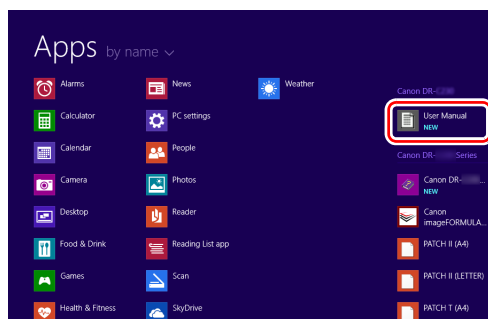
Windows

- If you are using Windows, the User Manual (electronic manual) will be registered to the following location when the software is installed.



Hint

In Windows 8.1, it is registered at the following location.



Symbols Used in This Manual

The following symbols are used in this manual to explain procedures, restrictions, handling precautions, and instructions that should be observed for safety.



WARNING

Indicates a warning concerning operations that may lead to death or injury to persons if not performed correctly. To use the scanner safely, always pay attention to these warnings.



CAUTION

Indicates a caution concerning operations that may lead to injury to persons, or damage to property if not performed correctly. To use the scanner safely, always pay attention to these cautions.



IMPORTANT

Indicates operational requirements and restrictions. Be sure to read these items carefully to operate the scanner correctly, and avoid damaging the scanner.



Hint

Indicates a clarification of an operation, or contains additional explanations for a procedure. Reading these notes is highly recommended.

Table of Contents

Setup Guide	5	Batch separation using patch code sheets.....	63
Turning Off the Power	12	Maintenance	67
Introduction	13	Daily Maintenance	67
Symbols Used in This Manual.....	14	Cleaning the Scanner.....	67
Before Using the Scanner.....	16	Cleaning the Inside of the Scanner.....	67
Important Safety Instructions	16	Cleaning the Sensor Glass and the Rollers	67
Installation Location	16	Adjusting the Reduction Ratio.....	70
AC Adapter.....	16	Replacing Consumable Parts.....	72
Moving the Scanner	17	Auto Power Off Setting.....	77
Handling	17	Removing the Document Feed Tray	78
Disposal	18	Troubleshooting	79
When sending the scanner for repairs	18	Common Problems and Solutions.....	79
Features of the Scanner	19	Software Troubleshooting.....	82
Names and Functions of Parts	21	Useful tips.....	83
Basic Operation	24	Clearing a Paper Jam.....	85
Documents	24	Uninstalling the Software	87
How to Place Documents	26	Appendix	88
Scanning multiple documents	26	Specifications	88
When scanning a document one page at a time		Replacement parts	89
(non separation mode).....	28	Option.....	89
Loading passports.....	28	About the Flatbed Scanner Unit.....	89
Placing Cards.....	29	Dimensions.....	90
Placing Folded Documents	30	Index	91
Scanning with Carrier Sheets.....	32		
Setting the Long Document Mode.....	34		
Detecting a document double feed	36		
Scanning methods	40		
Scanning with CaptureOnTouch	40		
What is CaptureOnTouch?.....	40		
Scanning with CapturePerfect	41		
Scanning with CapturePerfect.....	41		
Setting the Scanner Driver.....	43		
Configuration and Functions of the Scanner Driver	43		
Setting Basic Scanning Conditions	46		
More Advanced Scanning Methods			
(Batch Separation).....	63		
Batch Separation (Insert blank page).....	63		

Before Using the Scanner

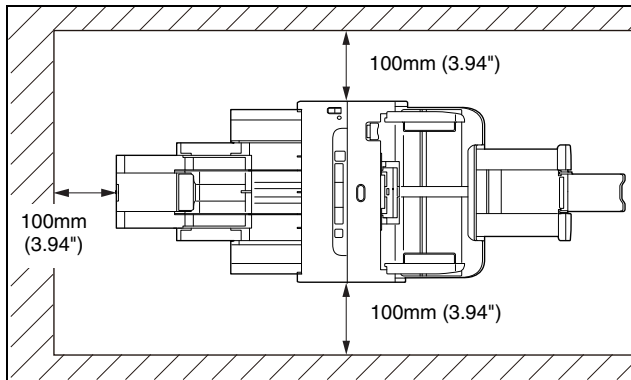
Important Safety Instructions

To ensure the safe operation of this scanner, be sure to read the safety warnings and precautions described below.

Installation Location

The performance of this scanner is affected by the environment in which it is installed. Make sure that the location where the scanner is installed meets the following environmental requirements.

- Provide adequate space around the scanner for operation, maintenance, and ventilation.



- Provide adequate space in front of the scanner for documents output after being scanned.
- Avoid installing the machine in direct sunlight. If this is unavoidable, use curtains to shade the scanner.
- Avoid locations where a considerable amount of dust accumulates as dust may adversely affect the inside of the scanner.
- Avoid warm or humid locations, such as in the vicinity of a water faucet, water heater, or humidifier. Avoid locations where ammonia gas is emitted. Avoid locations near volatile or flammable materials, such as alcohol or paint thinner.
- Avoid locations that are subject to vibration.

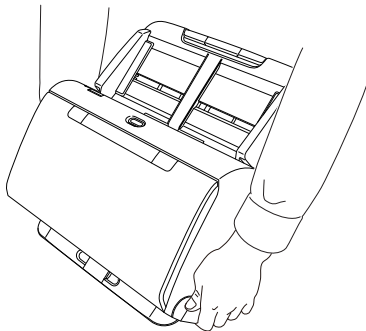
- Avoid exposing the scanner to rapid changes in temperature. If the room in which the scanner is installed is cold but rapidly heated, water droplets (condensation) may form inside the scanner. This may result in a noticeable degradation in scanning quality. The following conditions are recommended for optimal scanning quality:
Room temperature: 10 °C to 32.5 °C (50 °F to 90.5 °F)
Humidity: 20% to 80% RH
- Avoid installing the scanner near equipment that generates a magnetic field (e.g. speakers, televisions, or radios.)

AC Adapter

- Connect only to a power outlet of the rated voltage and power supply frequency (120 V, 60 Hz or 220-240 V, 50/60 Hz depending on your region).
- Do not connect other electrical equipment to the same power outlet to which the scanner is connected. Also, when using an extension cord, make sure that the extension cord is rated for the current requirements of the scanner.
- Never try to take the AC adapter apart or modify it in any way, as this is dangerous.
- The power cord may become damaged if it is often stepped on or if heavy objects are placed on it.
- Do not use the power cord while it is coiled.
- Do not pull directly on the power cord. When disconnecting the power cord, grasp the plug and remove it from the outlet.
- Keep the area around the power cord clear of objects so that the power cord can be disconnected easily in an emergency.
- Do not use an AC adapter other than the one provided with the scanner. Do not use the AC adapter provided with the scanner with other products.
- If you have any questions regarding the power supply, contact your local authorized Canon dealer or service representative for further information.

Moving the Scanner

- When moving the scanner, always hold it with both hands to avoid dropping it.
- Make sure to disconnect the interface cable and AC adapter before moving the scanner. If the scanner is transported with these items connected, the plugs and connectors may be damaged.



Handling

WARNING

Note the following precautions whenever using the scanner. Failure to do so may result in a fire or electric shock.

- Never use alcohol, benzene, paint thinner, aerosol sprays, or any other highly flammable substance near the scanner.
- Do not cut, damage, or modify the power cord. Do not place heavy objects on the power cord, and do not pull or excessively bend the power cord.
- Never connect the power cord when your hands are wet.
- Do not connect the scanner to a multi plug power strip.
- Do not knot or coil the power cord as this may result in a fire or electric shock. When connecting the power cord, make sure that the power plug is securely and completely inserted into the power outlet.

- The supplied power cord set is intended for use with this scanner only. Do not use it with other electronic equipment. In addition, do not use power cord sets other than the one supplied with the scanner. Doing so may result in fire or electric shock.
- Do not take the scanner apart or modify it.
- Never try to take the AC adapter apart or modify it in any way, as this is dangerous.
- Do not use flammable spray near the scanner.
- When cleaning the scanner, push the power button to turn it OFF and disconnect the power cord from the power supply.
- Clean the scanner using a slightly dampened cloth which has been well wrung out. Never use alcohol, benzene, paint thinner, or any other flammable substances.
- If the scanner makes strange noises, or gives off smoke, heat, or strange odors, or the scanner does not function or other abnormalities occur when you use the machine, immediately push the power button to turn it off, and disconnect the power plug from the power outlet. Then, contact your local authorized Canon dealer or service representative to have the unit serviced.
- Do not drop the scanner, or subject it to impact or strong shock. Should the scanner ever become damaged, immediately push the power button to turn it OFF, and disconnect the power plug from the power outlet. Then, contact your local authorized Canon dealer or service representative to have the unit serviced.
- Before moving the scanner, be sure to push the power button to turn it OFF, and disconnect the power plug from the power outlet

CAUTION

- Do not install the scanner on a surface that is unstable or tilted, or in an area subject to excessive vibrations, as this may cause the scanner to fall, resulting in personal injury or damage to the scanner.
- Never place small metal objects such as staples, paper clips, or jewelry on the scanner. These items may fall into the scanner, and cause a fire or electric shock. Should such objects ever fall inside the scanner, immediately push the power button to turn it OFF, and disconnect the power plug from the power outlet. Then, contact your local authorized Canon dealer or service representative to have the unit serviced.
- Do not install the scanner in a humid or dusty location. Doing so might cause a fire or electric shock.

-
- Do not place objects on top of the scanner. Such objects may tip or fall over, resulting in personal injury.
 - Connect only to a power outlet of the rated voltage and power supply frequency (120 V, 60 Hz or 220-240 V, 50/60 Hz depending on your region). Doing so might cause a fire or electric shock.
 - When unplugging the power cord, grasp it firmly by its plug. Do not pull directly on the power cord, as this may damage or expose the cord's internal wiring, resulting in a fire or electric shock.
 - Leave sufficient space around the power plug so that it can be unplugged easily. If objects are placed around the power plug, you will be unable to unplug it in an emergency.
 - Do not allow water or flammable substances (alcohol, paint thinner, benzene, etc.) to spill into the scanner, as this may result in a fire or electric shock. Doing so might cause a fire or electric shock.
 - Push the power button to turn the scanner OFF for safety when not using the scanner for a long period of time, such as overnight. Also, push the power switch to turn it OFF, and disconnect the power cord from the power outlet for safety when the machine will not be used for an extended period of time, such as during consecutive holidays.
 - Do not wear loose clothing or jewelry that may get caught in the scanner while you are using it, as this may result in personal injury. Be extra careful of neckties and long hair. If anything becomes caught in the scanner, immediately disconnect the power cord to stop the scanner.
 - Be careful when loading paper into the scanner and when removing jammed paper, as it is possible to cut your hand on the edge of a sheet of paper.

Disposal

When disposing of this scanner, be sure to follow all local ordinances and laws or consult with the retailer who sold you the scanner.

When sending the scanner for repairs

When a request is made for repairs, the scanner needs to be sent to the specified address. When sending the scanner, use the packing box in which it came. Firmly secure the scanner with packaging material when you place it in the packing box.

Features of the Scanner

The main features of the scanner are described below.

- **Compact Design**

The scanner has a compact size of 291 mm (11.46") (W) × 253 mm (9.96") (D) × 231 mm (9.09") (H).

- **Fast Document Feeding**

Documents can be scanned at a speed of up to 45 pages (DR-C240) / 30 pages (DR-C230) per minute (A4 size, 200dpi).

- **High Image Quality**

The 600 dpi optical resolution sensor incorporated in the scanner enables documents to be scanned with high image quality.

- **USB 2.0 Interface**

The scanner supports Hi-Speed USB 2.0.

- **Color/Grayscale Support**

Documents can be scanned in 24-bit color or 256-level grayscale.

- **Supports a Variety of Scanning Modes**

The scanner supports the following scanning modes, depending on the document type:

- Single-sided or double-sided scanning (with Skip Blank Page function)
- Continuous or single sheet feed

- **Card Scan**

You can scan business or ID cards.

- **Paper Size Detection**

The scanner automatically detects the size of a scanned document and eliminates any unnecessary space around the edges of the image when storing the image, even when storing a document of irregular size.

- **Auto Color Detection**

The scanner detects whether the scanned document is in color, grayscale, or black and white, and saves the image accordingly.

- **Full Auto Mode**

A Full Auto Mode is provided in CaptureOnTouch and the scanner driver to allow scanning under automatically determined conditions. Scanning conditions such as the color mode and page size are set automatically based on the document being scanned.

- **Auto Resolution Detection**

When enabled in the CaptureOnTouch or scanner driver settings, this function detects the content of documents and determines the scanning resolution automatically.

- **Folio Scan**

You can scan folded documents. The scanner will scan both sides and combine the scanned images into a single image.

- **Deskew**

The scanner is equipped with a deskew function that straightens images before saving them when documents are scanned askew. The scanned images are straightened, as opposed to the actual document sheets.

- **Ultrasonic Double Feed Detection**

Ultrasonic waves are used to detect pages that are fed at the same time as well as the space between pages. Scanning stops if a double feed is detected.

- **Double Feed Detection Ignore**

When a double feed is detected, the DFR button on the operation panel is lit. You can continue scanning by pressing the DFR button.

- **Text Enhancement Modes**

The scanner is equipped with an Advanced Text Enhancement Mode to enhance the text of documents with dark or uneven backgrounds, and an Advanced Text Enhancement II mode to enhance the text when both the text and background are light. These modes may not work, depending on the type of document.

- **Color Drop-out**

The scanner is equipped with a Color Drop-out function that enables you to specify a color for the scanner to omit from the scanned image during black and white or grayscale scanning.

- **Skip Blank Page Function**

The scanner is equipped with a Skip Blank Page function that enables you to scan a document without storing images of blank pages, regardless of whether each page of the document is two-sided or one-sided. Both sides are scanned, but saving the image is skipped for scan images judged to be from a blank page.

- **Prescan Function**

The scanner is equipped with a Prescan function that allows you to adjust the contrast and brightness of a prescanned image and then send the adjusted image to the application software, without needing to scan the document again.

- **Character/Line Emphasis Function**

If characters and lines in scanned images are not clearly visible, you can use this function to adjust their thickness during scanning.

- **Start Scanning from the Operating Panel**

You can start scanning by launching CaptureOnTouch with the operating panel buttons. By default, Job No.1 is assigned to Scanning Shortcut, which allows you to easily scan a document by just following the instructions on the screen.

- **Auto Start**

The scanner is equipped with an auto start function, which enables scanning to be automatically started when a document placed in the feeder is detected.

- **Sleep Mode**

The scanner is designed to save energy by automatically entering the sleep mode if 10 minutes elapse without scanning or another operation being performed.

- **Passport Scan**

Scans passports using the separately sold carrier sheet (for passports)

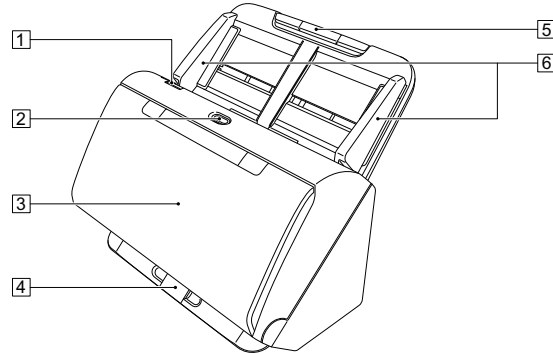


Hint

Some functions may not be available depending on the software you are using.

Names and Functions of Parts

Front View (With the Eject Tray Closed)



1 OPEN Lever

Pull this toward you to open the front unit.

2 Power button

Press this to turn on the scanner. When pressed, the power indicator is lit.

Press this button again to turn off the power.

The power button lights or flashes as follows depending on the scanner status.

Power Button Indication	Description
Lit	Power is on
Flashing (slowly)	Sleep mode
Flashing (quickly)	An error (paper jam, front unit is open, double feed, etc.) has occurred

3 Document Eject Tray

Open this for scanning. Scanned documents are output here.

4 Eject Tray Support

Open this when scanning multiple documents of varying sizes at one time. Scanned documents are arranged in the tray by supporting and lifting up the document eject tray from the bottom.

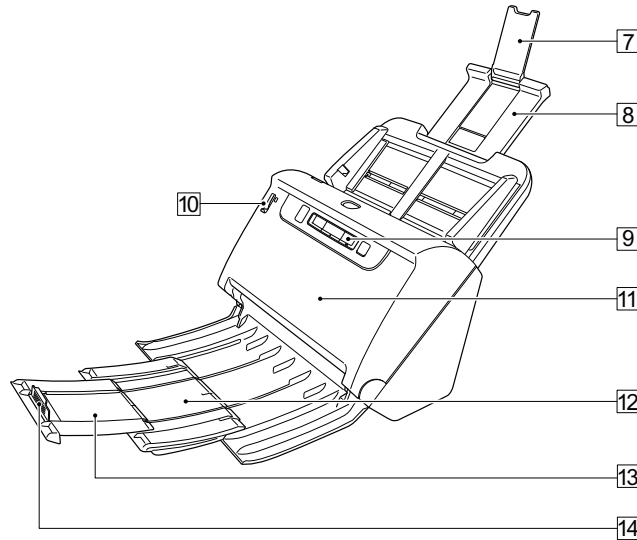
5 Document Feed Tray

Place the document.

6 Document Guides

Align the document guides with both edges of the document to ensure that the document feeds straightly.

Front View (With the Eject Tray Open)



7 Feed Extension Support

Open this when placing long paper in the scanner.

8 Feed Support

Pull this out to support loaded documents.

9 Operating Panel

A range of scanning operations can be performed with this, such as starting and stopping scans, executing registered jobs, and cancelling double feed detection. (See p. 23)

10 Feed Selection Lever

Use this lever to change the way documents are fed.
Push it down to feed scan documents one at a time (Normal mode).
(See p. 26)

Push it up to feed scan documents that are fastened together, such as invoices, without separating them (Bypass mode). (See p. 28)

11 Front Unit

Open this when cleaning the inside of the scanner or replacing rollers.

12 Eject Support

Open this when loading long documents.

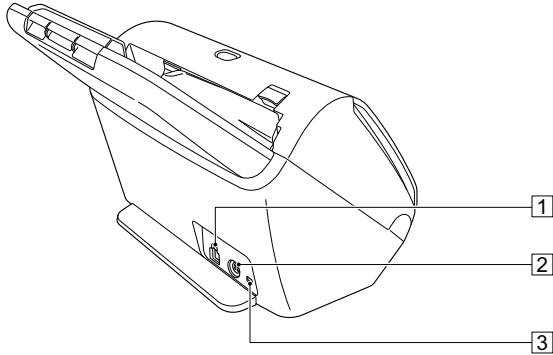
13 Document Eject Extension Support

If required, pull this out to match the length of loaded documents.

14 Document Eject Stopper

This prevents the document coming out of the document eject tray and aligns the leading edges of the ejected document. It can be moved to any position on the document eject extension support to match the length of the document.

Back View



1 USB Connector

Connect the supplied USB cable to this connector.

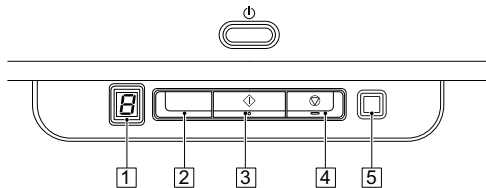
2 Power Connector

Connect the supplied AC adapter to this connector.

3 Theft Prevention Hole (Security Slot)

Connect an anti-theft key chain or the like.

Operating Panel



1 Job No. Indicator

Displays the number of the job selected with the operating panel.

2 Job Select Button

This selects registered jobs. Every time the button is pressed, the Job No. displayed in the Job No. Indicator changes.

3 Start Button

This executes the job displayed in the Job No. Indicator.

4 Stop Button

This stops active jobs.

5 DFR (Double Feed Release) Button

This is lit when a document double feed is detected. Pressing this button cancels the double feed detection function, allowing you to continue scanning.

Displayed Error Codes

When a scanning error occurs, the following error codes are displayed in the Job No. Indicator.



: displayed when the front unit is open.



: displayed when a paper jam is detected.



: displayed when a double feed is detected while scanning.



: displayed for other errors.

Documents

The scanner can scan documents ranging in size from business cards to LTR/A4. The document sizes that this scanner can scan are shown below.

Plain Paper

Size

Width: 50.8 mm to 216 mm (2" to 8.5")

Length: 54 mm to 356 mm (2.1" to 14") (You can scan documents up to 3,000 mm (118.1") long by setting the scanner to the Long Document mode.)

Paper thickness

Normal feed: 27 to 209 g/m² (7 to 56 lb bond) 0.04 mm to 0.25 mm (0.00157" to 0.00984")

Non separation feed: 27 to 255 g/m² (7 to 68 lb bond) 0.04 mm to 0.3 mm (0.00157" to 0.0118")

Loading capacity

A4 size or smaller: 60 sheets (80g/m² (22 lb bond))

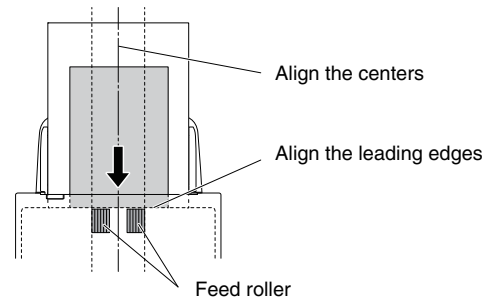
Larger than A4 size: 40 sheets (80g/m² (22 lb bond))

Make sure stacks do not exceed 6 mm in height for either of the above.

! IMPORTANT

The documents to be scanned must satisfy certain criteria. Read the following items carefully.

- When scanning multiple documents of different sizes, place the documents so that they cover the entire span of the feed rollers by aligning the centers and leading edges of the documents.



- It is recommended that documents exceeding 356 mm (14") size are fed one sheet at a time.
- Scanning documents before the ink is dry can cause problems with the scanner. Always make sure that the ink on a document is dry before scanning it.
- Scanning documents that are written in pencil or similar material may make the rollers and scanning glass dirty, which can lead to smudges on the scanned image and transfer the dirt to subsequent documents. Always clean the internal parts of the scanner after scanning such documents.
- When scanning a two-sided document that is printed on thin paper, the image on the opposite side of each page may show through. In this case, adjust the scanning intensity in the application software before scanning the document.
- Laminated documents may not be scanned correctly, depending on the document.

- Scanning the following types of documents can cause a paper jam or malfunction. To scan such a document, make a photocopy of the document and then scan the photocopy.



There are creases or fold lines.



Carbon paper



There are curls.



The surface is coated.



There are tears.



Extremely thin document such as semi-transparent thin paper.



There are clips or staples.



Documents with excessive paper dust particles.

Business Card

Size: 50.8 mm x 85 mm (2" x 3.35") or larger
Paper thickness: 380 g/m² (80 lb bond) 0.45 mm (0.0177") or larger

IMPORTANT

If a stack of business cards cannot be fed properly, reduce the number of cards in the stack.

Card (plastic)

Size: 54 mm x 86 mm (2.12" x 3.37") (ISO standard)
Card thickness: 1.4 mm (0.055") or smaller
Orientation: Horizontal feeding only
Embossed cards can be scanned.
Loading capacity: 3 cards (non-embossed), 1 card (embossed)

CAUTION

- When scanning cards, place them to be fed horizontally. If you place cards to be fed vertically, they may not be ejected properly, and cards that get jammed may be damaged when you remove them.
- Embossed cards may not be able to be scanned correctly, depending on the type of embossment.
- When scanning cards, clear the [Detect by Ultrasonic] check box in the [Feeding] tab on the scanner driver settings screen. ([See p. 36](#))

Passport

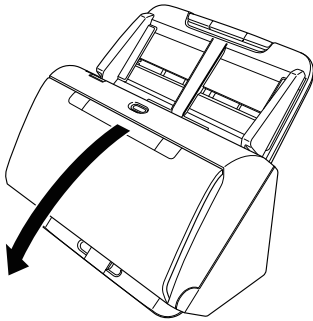
Size: 88 mm x 125 mm (3.464" x 4.921") (ISO standard)
Insert the passport into an optional carrier sheet (passport type) in an opened state.
Thickness: 4 mm (0.157") or less (including carrier sheet)

How to Place Documents

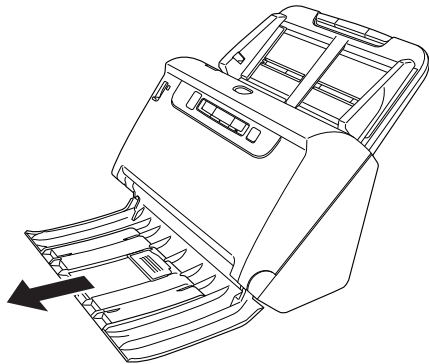
Scanning multiple documents

Standard paper feeding should be used when scanning multiple documents of a standard size at one time. Standard paper feeding enables multiple documents to be fed while separating each page.

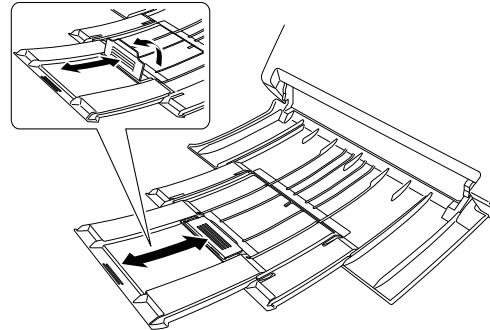
- 1 **Open the document eject tray.**



- 2 **Pull out the eject support.**



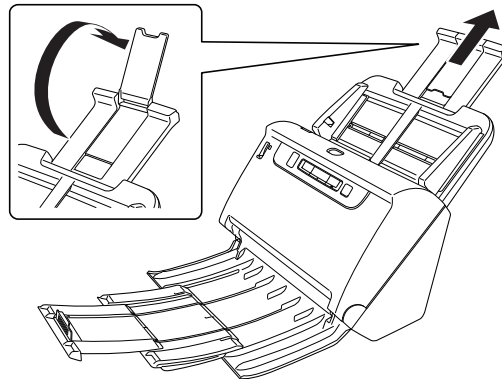
When placing long documents, pull out the document eject extension support to match the length of those documents. Also, stand the eject stopper at the end of the eject support if necessary.



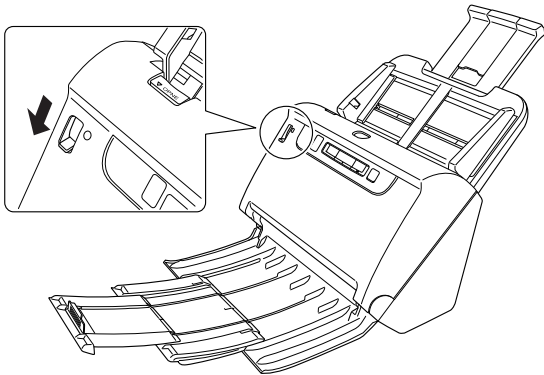
! IMPORTANT

Pull out the eject support and document eject extension support.

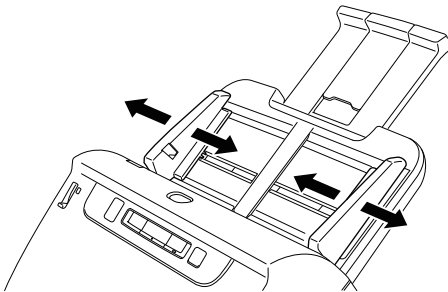
- 3 **Pull out the feed support.**
Open the feed extension support when placing long documents.



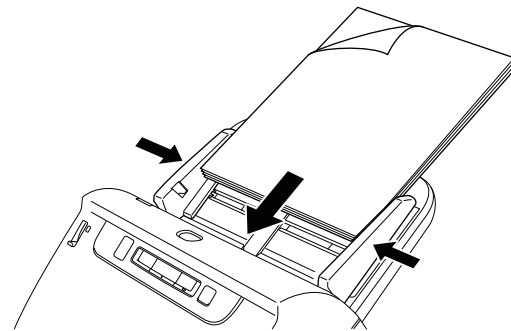
4 Set the feed selection lever to Normal mode.



5 Adjust the document guides to fit the width of the document to be scanned.



6 Place the document.



After placing the document, align the document guides with both edges of the document.

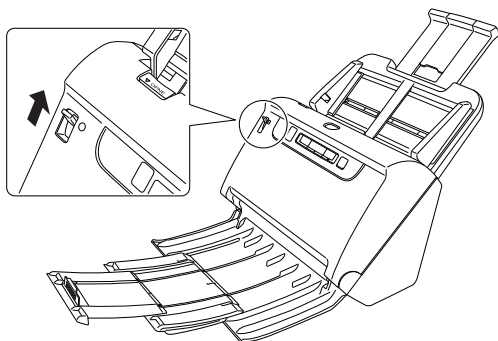
! **IMPORTANT**

- When placing documents into the feed tray, take care not to cut your hand on the edges of the paper.
- Before you place a document, check to make sure it does not contain paper clips, staples, or other small metal objects. These items may cause a fire or electrical shock, damage the document, or cause a paper jam or scanner malfunction.
- Do not wear loose clothing or jewelry that may get caught in the scanner while you are using it, as this may result in personal injury. Be extra careful of neckties and long hair. If anything gets caught in the scanner, immediately turn OFF the power switch, and disconnect the power cord from the power outlet to stop scanning.
- Always smooth out any folds or curls in your documents before placing them into the feeder. If the leading edge of a document is curled, it may cause a paper jam.
- If feeding stops due to a system error or paper jam while the scanner is scanning, resolve the problem, make sure that the scanned image of the last page that was successfully fed has been stored, and then resume scanning the remaining document pages.
- After you finish scanning, close the document eject tray to prevent damage to the scanner while it is not being used.

When scanning a document one page at a time (non separation mode)

When scanning a thick document one page at a time or scanning a document that has multiple pages fastened together, set the feed selection lever to Bypass mode. This enables the placed document to be scanned without the pages being separated, regardless of the number of pages.

1 Set the feed selection lever to Bypass mode.



2 Place the document as described in the “Scanning multiple documents” procedure on p. 26.

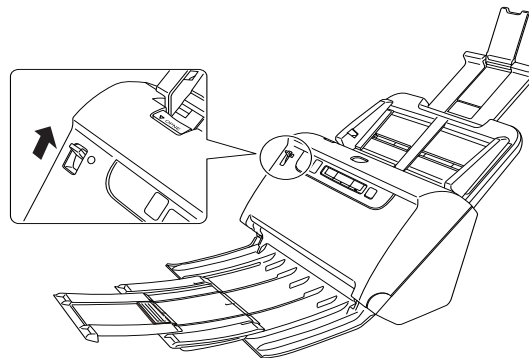
! IMPORTANT

- When scanning multiple page documents that are fastened together, such as invoices, place the documents so that the edge that is fastened together is facing down.
- If double-feeding occurs, press the scanner's DFR button to continue the scan, or clear the [Detect by Ultrasonic] check box in the [Feeding] tab on the scanner driver settings screen. (See p. 36)

Loading passports

To scan a passport, insert the passport into the separately sold carrier sheet (for passports) and then place it onto the scanner.

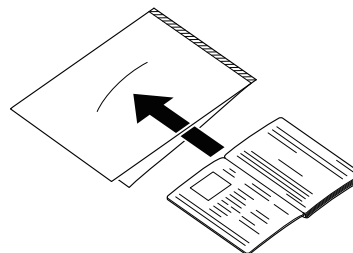
1 Set the Feed Selection Lever to Bypass Mode.



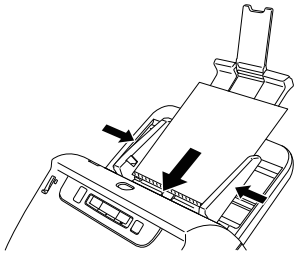
! CAUTION

When scanning passports, make sure to set the Feed Selection Lever to Bypass Mode.

2 Open the page of the passport that you want to scan. Insert the passport into the carrier sheet so that the thicker side is positioned as close as possible to the sealed end.



-
- 3 Load the document with the sealed end of the carrier sheet as the leading edge and the page you want to scan facing down.**



After placing the document, align the document guides with both edges of the document.

⚠ CAUTION

- If the carrier sheet or passport is not loaded properly, you may get a document jam or not get a scan image as intended.
- When scanning passports, clear the [Detect by Ultrasonic] check box in the [Feeding] tab on the scanner driver settings screen. (See p. 36)

! IMPORTANT

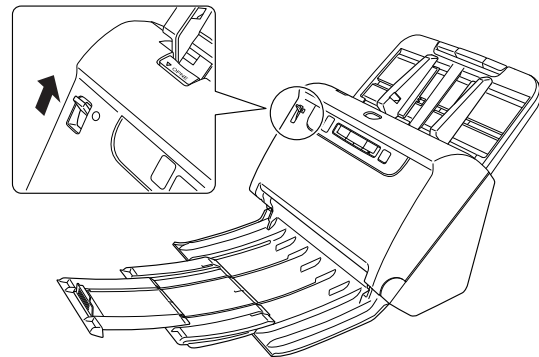
- Depending on the condition of the carrier sheet or passport, the image may not be scanned completely or the scanner's image correction may not function properly. If this is the case, set [Page Size] to a larger paper size (A4, for example) on the scanner driver settings screen, and then scan again. (See p. 47)
- If the size of the passport differs greatly from the size of the carrier sheet, a document jam may occur or the scanner's image correction may not function properly.
- When scanning passports, set [Dots per inch] to 300 dpi or less on the scanner driver settings screen. (See p. 47)
- The maximum thickness that can be scanned is 4 mm with the passport inserted inside the carrier sheet. If the thickness exceeds 4 mm, the scanner may break down due to problems such as paper jam.

- Documents other than passports should not be inserted into the carrier sheet and scanned. This may cause the scanner to break down.
- Carrier sheet is a consumable item. Replace it with a new one when necessary, if there are clear damages or smudges.

Placing Cards

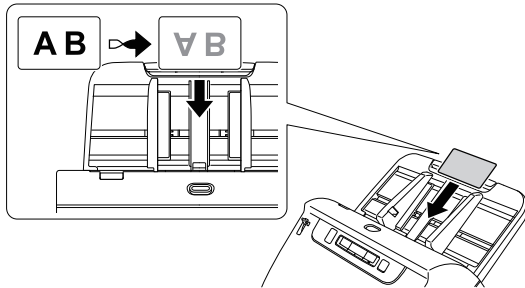
When scanning cards, set the feed selection lever to Bypass mode and then place one card at a time horizontally.

-
- 1 Set the feed selection lever to Bypass mode**



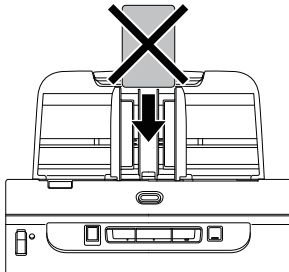
-
- 2 Adjust the document guides to fit the width of the card to be scanned.**

- 3** Place the card horizontally, with the reverse side facing you, and the top of the card facing down.



! CAUTION

- Place the cards one at a time.
- When scanning cards, place them to be fed horizontally. If you place cards to be fed vertically, they may not be ejected properly, and cards that get jammed may be damaged when you remove them.



- When scanning cards, clear the [Detect by Ultrasonic] check box in the [Feeding] tab on the scanner driver settings screen. (See p. 36)

💡 Hint

In such a case, set the feed selection lever to Normal mode before scanning.

Placing Folded Documents

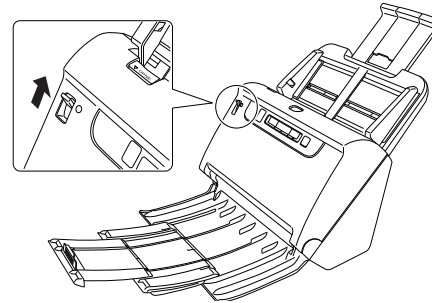
Folio Scan enables you to scan documents that are larger than LTR/A4 and therefore do not fit in the feeder. To use the function, fold the document in half lengthwise and place it into the feeder. The scanner will scan both sides and combine the scanned images into a single image.

- 1** Sets the scanning conditions.

→ **Windows**

→ **Mac**

- 2** Set the feed selection lever to Bypass mode.



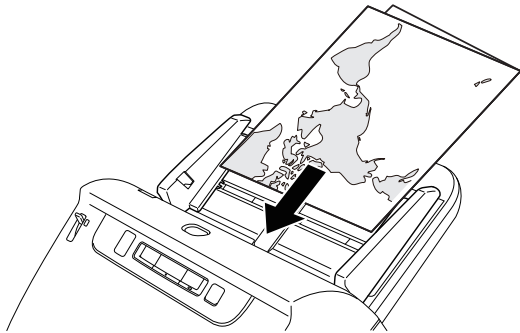
- 3** Fold the document in half.

Crease the document firmly down its center to fold the document in half. Fold the document so that its edges are neatly aligned. If the document is not folded properly, paper jams may occur or distortions may appear in the combined scanned image.

! IMPORTANT

A portion of the scanned image will be missing at the fold line.

-
- 4** Place the document with the folded edge facing right and the top edge facing downward.



! IMPORTANT

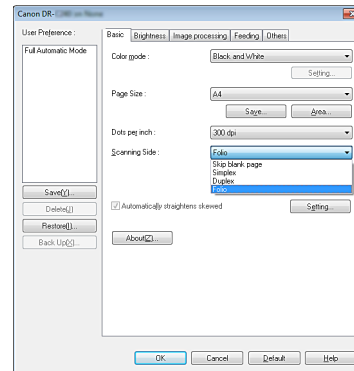
Adjust the document guides to fit the width of the document. Otherwise, the image may scan as skewed or shifted.

💡 Hint

- The side of the folded document facing you will become the right side of the combined image.
- The maximum size for the combined image is A2. Use this method to scan A2-sized documents. When scanning a folded document of a size other than the standard formats, set [Page Size] on the scanner driver settings screen to [Match original size]. (See p. 46)


Windows

-
- 1** Opens the scanner driver's Detail Settings screen. (See p. 43)
-
- 2** Set [Page Size] on the [Basic] tab to a size that is half that of the paper to be actually scanned, and set [Scanning Side] to [Folio]. For example, when scanning a document of A3 size folded, set [Page Size] to [A4].



-
- 3** Clear the [Detect by Ultrasonic] check box in the [Feeding] tab. (See p. 36)
-
- 4** Click the [OK] button to close the settings screen.

Mac

- 1 Opens the scanner driver's Detail Settings screen. (See p. 45)
- 2 Set the [Page Size] to half the size of the document (or [Detect automatically] when scanning nonstandard document).
- 3 Set [Scanning Side] to [Folio].
- 4 Click  to close the dialog box.

Scanning with Carrier Sheets

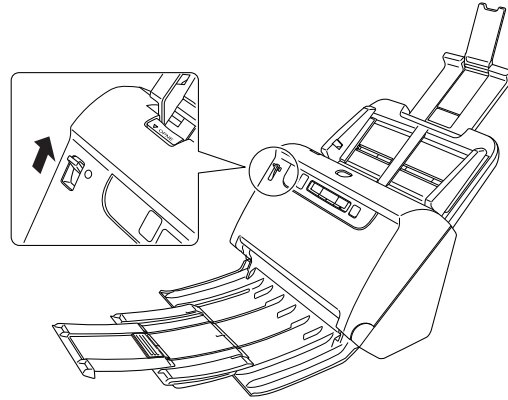
To prevent damage to a document while scanning it, insert it into an optional carrier sheet before loading it in the scanner.

- 1 Sets the scanning conditions.

→ Windows

→ Mac

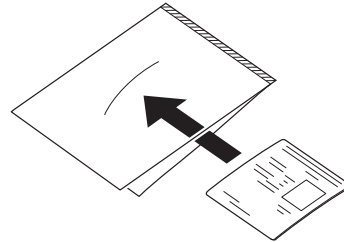
- 2 Set the Feed Selection Lever to Bypass Mode.



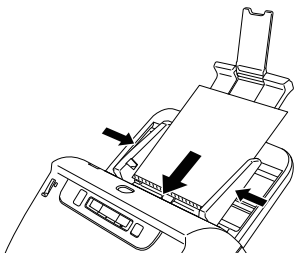
CAUTION

When scanning with a carrier sheet, make sure to set the Feed Selection Lever to Bypass Mode.

- 3 Insert the document into the carrier sheet.



4 Load the document with the sealed end of the carrier sheet as the leading edge.



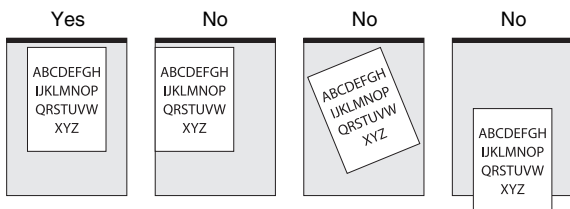
After placing the document, align the document guides with both edges of the document.

CAUTION

If the document is not placed properly inside the carrier sheet, you may get a document jam or not get a scan image as intended.

IMPORTANT

- Insert documents straight into the center of the carrier sheet. Proper scanning will not be possible if the document is too close to either side, tilted, or protruding from the carrier sheet.

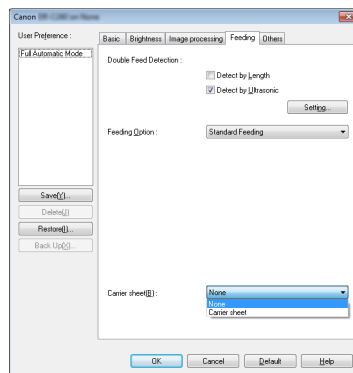


- The maximum thickness that can be scanned is 127g/m². If the thickness exceeds 127g/m², the scanner may break down due to problems such as paper jam.
- As a rough guide, replace the carrier sheet after 1,000 scanning operations with a single 80g/m² (22 lb bond) sheet inserted. Carrier sheet is a consumable item. Replace it with a new one when necessary, if there is visible damage or smudging.

- When using carrier sheet for legal sized document, the scanner must be set to long document mode. (See p. 34)

Windows

- 1 Opens the scanner driver's Detail Settings screen. (See p. 43)
- 2 Open the [Feeding] tab, and set [Carrier sheet] to [Carrier sheet].

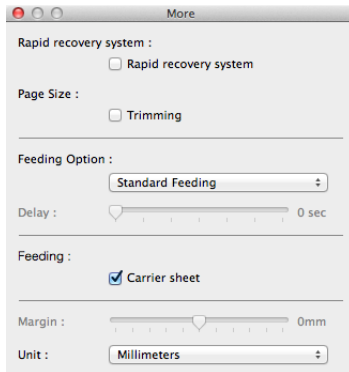


- 3 Click the [OK] button to close the settings screen.

Mac

- 1 Opens the scanner driver's Detail Settings screen. (See p. 45)
- 2 Click the [More] button.
The scanner driver's Detail Settings screen opens.

3 Select the [Carrier sheet] check box.



4 Click to close the dialog box.

Setting the Long Document Mode

The length of documents that can be scanned with the scanner is normally 356 mm (14"), but you can scan documents up to 3,000 mm (118.1") long by setting the scanner to the Long Document mode.

IMPORTANT

By selecting the Long Document mode and setting the [Page Size] on the scanner driver settings screen to Auto-detection, documents of up to 3,000 mm (118.1") in length can be scanned. Note the following when using the Long Document mode:

- When scanning in the Long Document mode, if the document is placed on the scanner in a skewed position, it may hit the edges of the feeding area and be damaged. Be careful to place the document so that it is not skewed.
- When scanning with the Long Document mode, paper jam detection may react slowly, resulting in damage to the document. Be careful to avoid paper jams.
- When scanning long documents, make sure to set the feed selection lever to Bypass mode, and scan the documents one at a time.

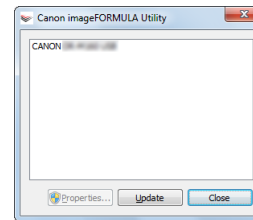
- When scanning large-sized documents with the Long Document mode, scanning may be slower. Errors also occur due to memory shortage, and scanning may be disabled.

Windows

IMPORTANT

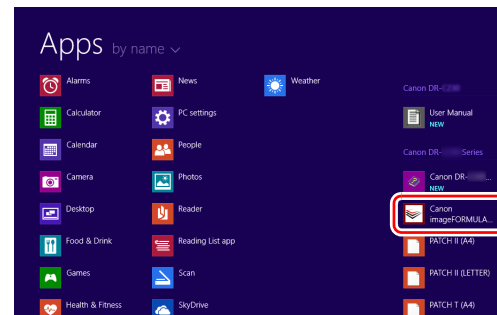
Log on to Windows as an Administrator.

- 1 Click the Start button, and then click [All Programs], [Canon DR-C240] / [Canon DR-C230], and [Canon imageFORMULA Utility].
imageFORMULA Utility starts.



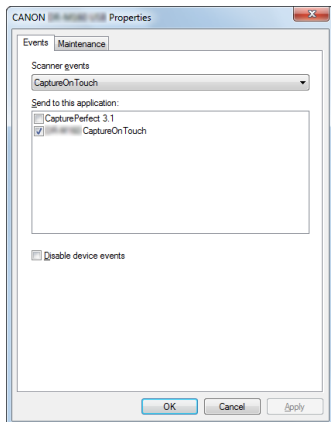
Hint

In Windows 8.1, it is registered at the following location.



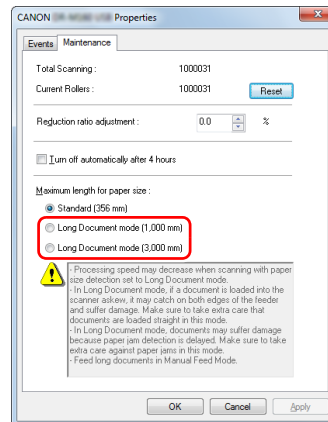
2 Click [CANON DR-C240 USB] / [CANON DR-C230 USB] and click [Properties].

Scanner properties are displayed.



3 Click the [Maintenance] tab, and then select a Long Document mode.

Select [Long Document Mode (1000 mm)] or [Long Document Mode (3000 mm)] depending on the length of the document.

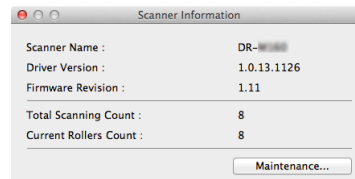


4 Click [OK].

Mac

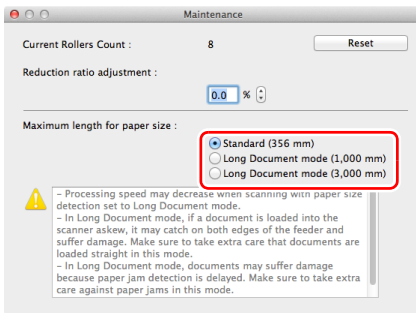
1 Opens the scanner driver's Detail Settings screen. (See p. 45)


2 Click ⓘ to display the [Scanner Information] dialog box. The [Scanner Information] dialog box appears.



3 Click [Maintenance].
The [Maintenance] dialog box appears.

4 Select [Long Document mode (1,000 mm)] or [Long Document mode (3,000 mm)] depending on the length of the document.



5 Click  to close the dialog box.

Detecting a document double feed

This scanner includes a function to detect document double feeds. By using this function, the scanner will automatically stop when it detects that multiple documents have been fed at the same time. You can also specify whether to save the scanned image after scanning has finished and continue scanning the document (double feed detection ignore function).

To use the double feed detection function, you must first open the scanner driver settings screen and enable double feed detection. It is also necessary to set [Rapid recovery system] to use the double feed detection ignore function.

Setting procedure

1 Sets the scanning conditions.

→ 

→ 

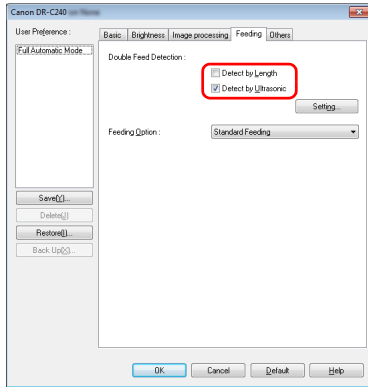
2 Place the document as described in the “[Scanning multiple documents](#)” procedure on p. 26.

Windows

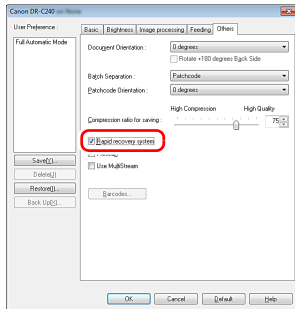
1 Opens the scanner driver's Detail Settings screen. (See p. 43)

2 Click the [Feeding] tab.

- 3** Select either the [Detect by Length] or the [Detect by Ultrasonic] check box (or both).



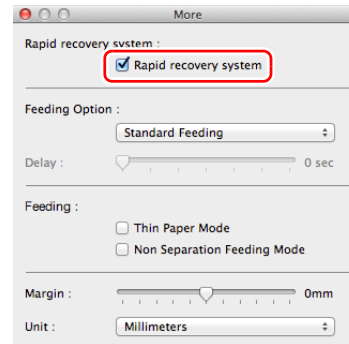
- 4** To use the double feed detection ignore function, open the [Others] tab and select the [Rapid recovery system] check box.




- 5** Click the [OK] button and close the settings screen.

Mac

- 1** Opens the scanner driver's Detail Settings screen. (See p. 45)
- 2** Select the [Double Feed Detection] check box, and then select any one of [Detect by Ultrasonic], [Detect by Length], and [Detect by Ultrasonic and Length].
- 3** Click the [More] button when the Double Feed Detection Ignore function is also used.
The scanner driver's Detail Settings screen opens.
- 4** Select the [Rapid recovery system] check box.

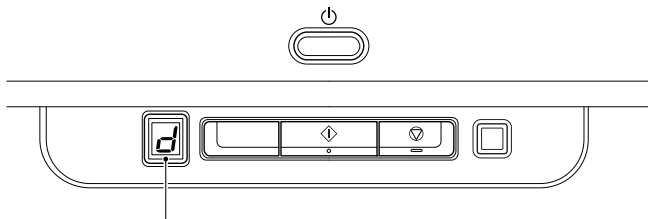


- 5** Click  to close the dialog box.

What to do when a double feed is detected

When not using the double feed detection ignore function

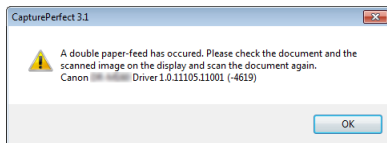
If a document double feed is detected during scanning, document feeding stops when the double fed documents are ejected. When this happens, the following error code is displayed in the Job No. Indicator of the operating panel.



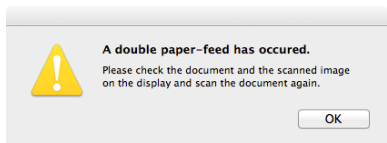
Double feed detection error code

Also, a message screen is displayed to notify you that a double feed has been detected.

Windows



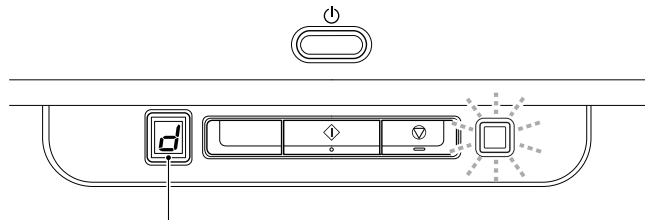
Mac



When this happens, stop the scanning in the application and then scan the documents again.

When using the double feed detection ignore function

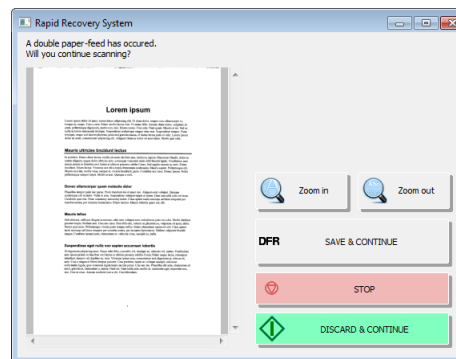
If a document double feed is detected during scanning, document feeding stops when the double fed documents are ejected. The following error code is displayed in the Job No. Indicator of the operating panel, and the DFR button lights.

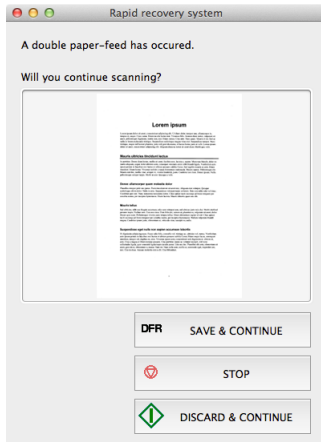


Double feed detection error code

Also, the [Rapid Recovery System] screen appears to enable you to specify whether to continue scanning.

Windows



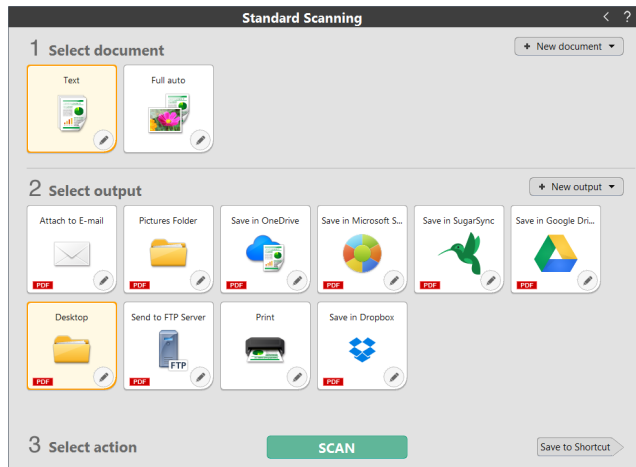


Buttons of [Rapid Recovery System] Screen	Buttons of Operating Panel	Description
[SAVE & CONTINUE]	DFR button	Saves the preview image as a scanned image and scans the rest of the document.
[STOP]	Stop button	Discards the preview image and stops scanning.
[DISCARD & CONTINUE]	Start button	Discards the preview image and continues scanning. Place the double fed document again before clicking this button.

Scanning with CaptureOnTouch

What is CaptureOnTouch?

CaptureOnTouch is a scanning application that enables you to scan a document with a simple operation merely by selecting the screen panel.



For details about the operations and functions, see the help of CaptureOnTouch.

Scanning with CapturePerfect **Windows**

Scanning with CapturePerfect

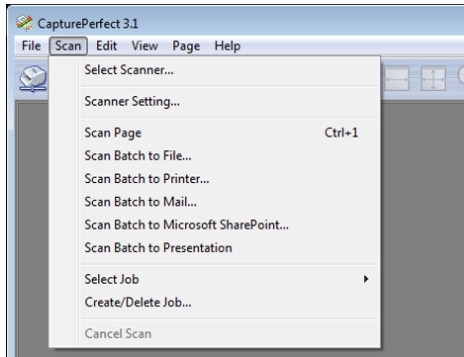
This section describes procedures from launching CapturePerfect to selecting a scanner, as well as procedures for scanning with the [Scan batch to file] function.

See the “CapturePerfect Operating Guide” or help for details.

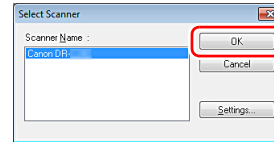
1 From the Windows task bar, click [Start] and then select [All Programs].

Then click [CapturePerfect 3.1] followed by [CapturePerfect 3.1].

2 Click [Select Scanner] in the [Scan] menu.



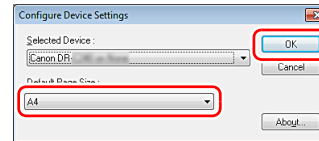
3 Select the scanner you are using and click [OK].



Hint

If the scanner you are using does not appear, reinstall the scanner driver. (See p. 8)

4 Set the default paper size and click [OK].

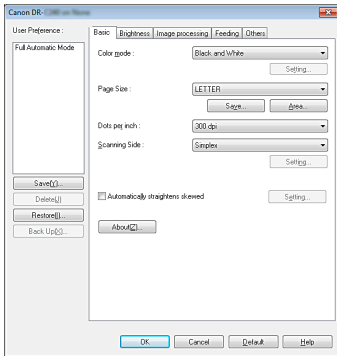


Hint

- The [Configure Device Settings] dialog box appears when selecting the scanner and clicking [OK] for the first time in the [Select Scanner] dialog box, and when [Settings] is clicked in the [Select Scanner] dialog box.
- These settings will apply when [Default] is clicked in the ISIS driver dialog box.

5 Click [Scanner Setting] in the [Scan] menu.

6 Configure the scanning conditions. (See p. 43)



7 Place the document. (See p. 26)

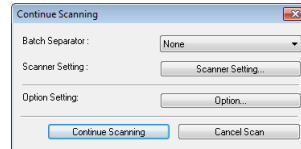
8 Click [Scan Batch to File] in the [Scan] menu.

9 Configure the save destination, the name of the file to be saved and the file format, and then click [Save] to start scanning.

! IMPORTANT

If you configure scanning conditions that consume a large amount of the computer's memory, scanning may stop because of insufficient memory. If an error message appears due to insufficient memory while scanning is in progress, exit the application and try scanning again using different scanning condition settings.

10 If the placed document is removed, the scan will be interrupted and the [Continue Scanning] dialog box appears. To continue scanning, add a document and click [Continue Scanning] To stop scanning, click [Stop Scanning].



11 When scanning is finished, click [Exit] in the [File] menu.

Setting the Scanner Driver

When you load the driver for the first time, the selected scanner and a dialog for selecting the default paper size are displayed.

Windows



Hint

- These settings will apply when [Default] is clicked in the ISIS driver dialog box.
- For the TWAIN driver, the default size will be set to A4 and this cannot be modified.

When you scan a document in an ISIS compatible (CapturePerfect, etc.) or TWAIN compatible application, open the scanner driver and configure the scanning conditions and other settings.

This section describes the configuration and functions of the scanner driver.

Configuration and Functions of the Scanner Driver

Windows

Mac

Windows

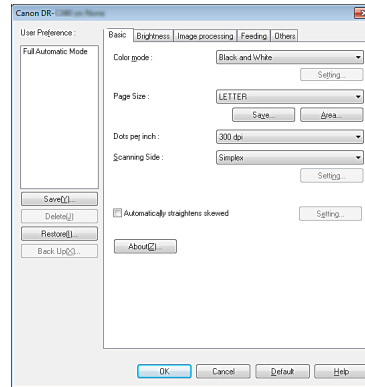
The scanner driver consists of the following tabs.



Hint

For details on the setting screen, see the Help of the scanner driver. Click the [Help] button of the driver to display help related to the corresponding tab or dialog box.

[Basic] tab

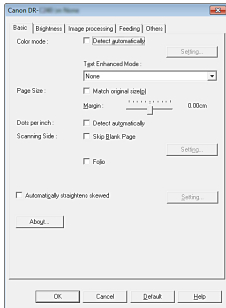


Configure basic scanning conditions such as the mode, page size, resolution, and scanning side. In addition, you can click the [Area] button and specify the area to be scanned.

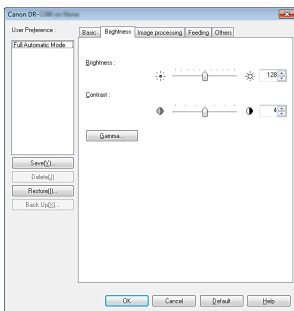


Hint

Depending on the ISIS compatible application, the application may have its own screen for setting scanning conditions. If the scanner driver is opened in such an application, setting items related to the functions provided by the scanner driver other than scanning conditions will be displayed on the [Basic] tab.

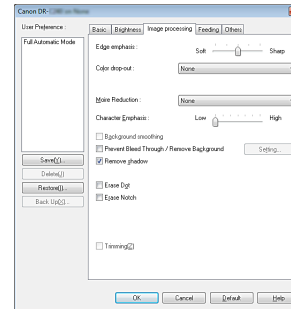


[Brightness] tab



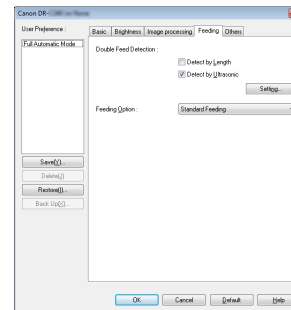
Adjust the brightness and contrast of scanned images. In addition, you can also click [Gamma] and set the gamma correction value for scanned images.

[Image processing] tab



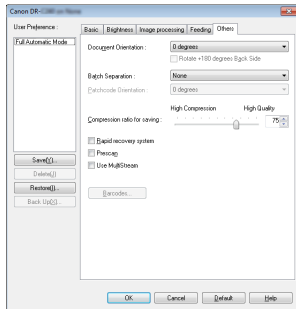
Set the processing method for scanned images.

[Feeding] tab



Specify scanner operations related to document feeding.

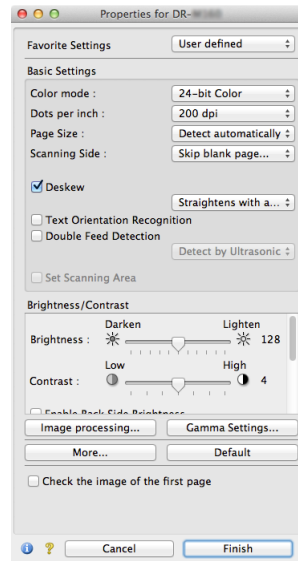
[Others] tab



Configure special scan method and image processing settings.



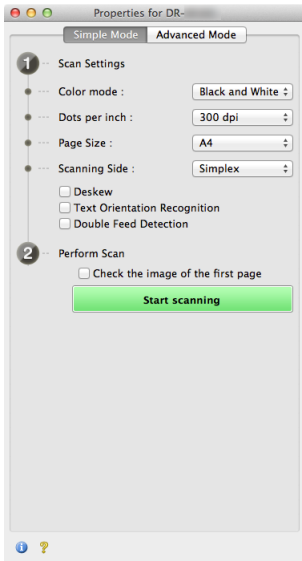
When the scanner driver is opened from CaptureOnTouch, the following settings screen of the scanner driver appears.



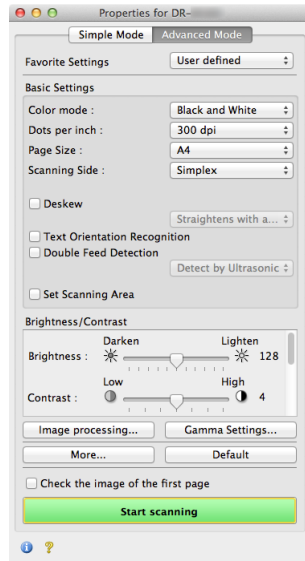
Hint

When the Advanced Settings screen is called from some applications, the Advanced Settings screen may have the Simple mode and Advanced mode.

Simple Mode



Advanced Mode



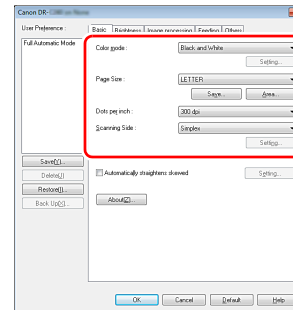
Setting Basic Scanning Conditions

This section provides an overview of the basic setting items that are the minimum requirements when configuring the scanner settings.



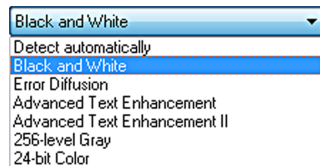
Confirming Basic Conditions for Scanning

When you scan a document, make sure you confirm the [Color mode], [Page Size], [Dots per inch], and [Scanning Side] basic conditions in the Basic settings dialog box.



Color mode

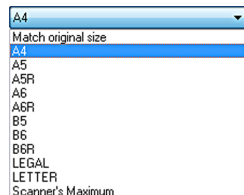
Select the scanning mode.



- [Advanced Text Enhancement] and [Advanced Text Enhancement II] remove or process the background color and background surrounding text to enhance the text for easy reading. When [Advanced Text Enhancement II] is selected, you can make the text in scanned images easier to read by adjusting the contrast on the [Brightness] tab.
- [Detect automatically] detects whether the document is in color, grayscale, or black and white. You can configure advanced settings related to the detection method by clicking [Setting]. For details, see the Help.

Page Size

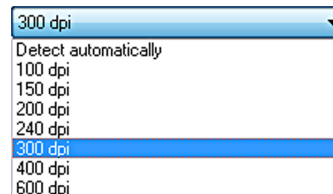
Select the page size that matches the document to be scanned.



If [Match original size] is selected, the edges of the document are detected and images that match the size of the document are saved.

Dots per inch

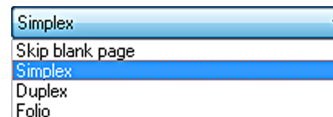
Select the scanning resolution.



- Higher resolutions provide clearer images but result in larger file sizes and slower scanning.
- When [Detect automatically] is specified, the resolution is detected automatically from the content printed in the document.

Scanning Side

Select which of the sides of the document to scan.

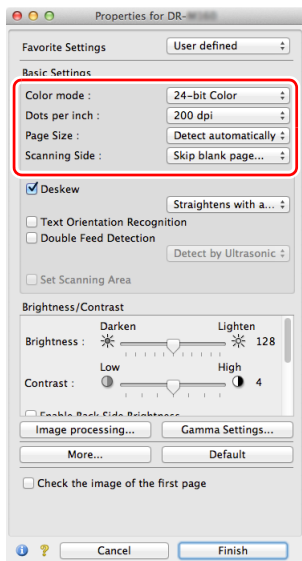


If the scanning side is set to [Skip blank page], the images of blank pages are deleted when images are saved.



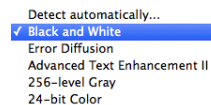
Confirming Basic Conditions for Scanning

When you scan a document, make sure you confirm the [Color mode], [Dots per inch], [Page Size], and [Scanning Side] basic conditions in the settings screen of the scanner driver.



Color mode

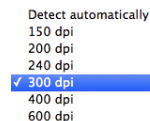
Select the scanning mode.



- [Advanced Text Enhancement II] removes or processes the background color and background surrounding text to enhance the text for easy reading.
- [Detect automatically] detects whether a document is color, grayscale, or black and white based on its content. When this is selected, you can configure detailed settings for the detection method. Refer to the Help for details.

Dots per inch

Select the scanning resolution.



- Higher resolutions provide clearer images but result in larger file sizes and slower scanning.
- When [Detect automatically] is specified, the resolution is detected automatically from the content printed in the document.

Page Size

Select the page size that matches the document to be scanned.

Detect automatically
 A4
 A5
 A5R
 A6
 A6R
 B5
 B6
 B6R
 LEGAL
 LETTER
 Scanner's Maximum

Add/Delete...

If [Detect automatically] is selected, the edges of the document are detected and images that match the size of the document are saved.

Scanning Side

Select which of the sides of the document to scan.

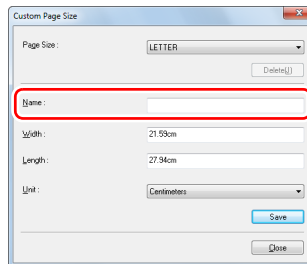
Simplex
 Duplex
 Skip blank page...
 Folio

If the scanning side is set to [Skip blank page], the images of blank pages are deleted when images are saved.

Scanning Documents of Unregistered Page Sizes

Windows

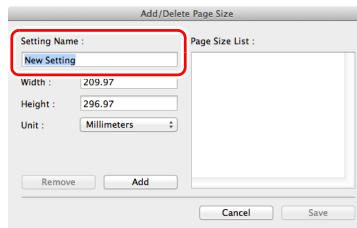
You can register a non-standard page size that has not been registered as a page size by naming and registering it as a custom page size in the Custom Paper Size dialog box, which is opened from the [Save] button on the [Basic] tab.



Mac

Configuring the following settings allows you to scan a document of an unregistered page size.

When scanning a document of a non-standard page size, select [Add/Delete] for [Page Size] to display the [Add/Delete Page Size] dialog box. Name and register the unregistered page size in [Page Size].



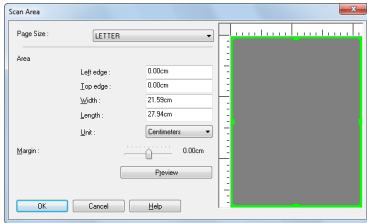
Specifying the Scan Area

Configure the following settings when you want to specify the area of the document to be scanned.

Specifying an area

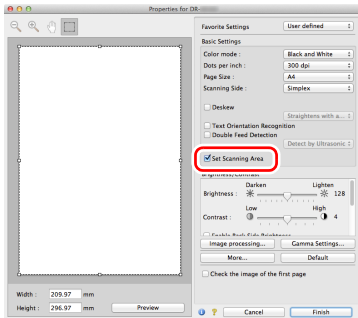
Windows

Specify the area of the document to be scanned in the Scan Area dialog box, which is opened from the [Area] button on the [Basic] tab.



Mac

Select the [Set Scanning Area] check box and then specify the area of the document to be scanned.



Also, if you scan the document when [Check the image of the first page] is selected, only one page of the document is scanned and the corresponding scanned image is displayed in the preview window.

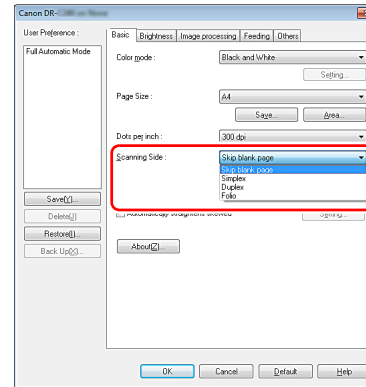
Configuring Scanner Settings According to Purpose

Set the scanning conditions according to the scanning purpose.

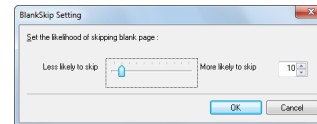
When you want to delete the images of the blank pages in two-sided documents

Windows

Set the scanning side setting to [Skip Blank Page] on the [Basic] tab to delete the images of the blank pages in the document.

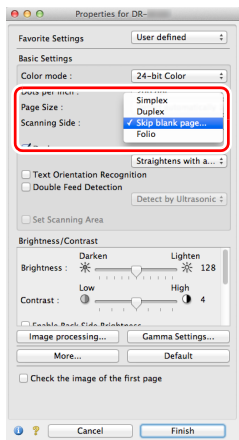


If [Skip Blank Page] is selected, the [Setting] button is enabled, and you can adjust the level for judging whether pages are blank.

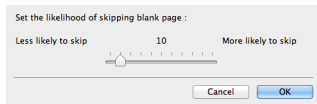


Mac

Set the scanning side setting to [Skip blank page] to delete the images of the blank pages in the document.



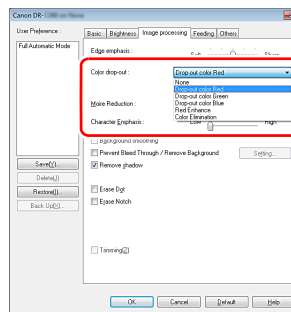
If [Skip blank page] is selected, you can adjust the level for judging whether pages are blank.



When you do not want to scan colored lines and text

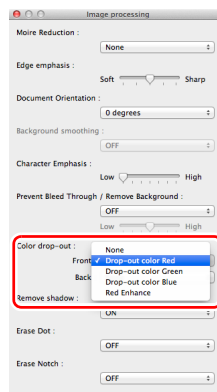
Windows

Specify the color (red, green, blue, all colors) to be ignored (dropped out) in the color drop-out settings on the [Image processing] tab, and that color will be removed from the scanned image.



Mac

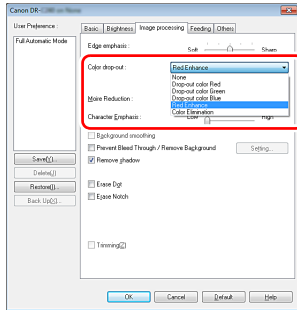
Click [Image processing], and when a dialog box opens, specify the color (red, blue, or green) to be ignored (dropped out) in [Color dropout], and that color will not be scanned.



When you want to enhance red

Windows

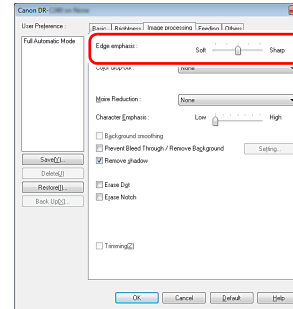
Specify [Red Enhance] in the color dropout settings on the [Image processing] tab, and red will be enhanced in the scanned image.



When you want to enhance contours in images

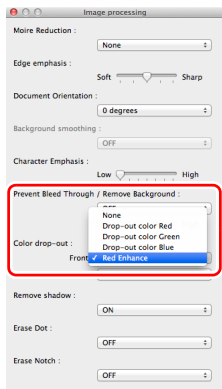
Windows

Adjust the edge emphasis setting on the [Image processing] tab.



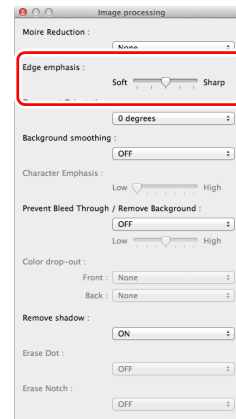
Mac

Click [Image processing], and when a dialog box opens, specify [Red Enhance] for [Color drop-out]. This will enhance the red-color part of the document.



Mac

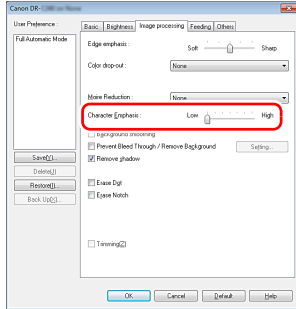
Click [Image processing] and adjust the edge emphasis settings in the dialog box which appears.



When you want to make lines and text in scanned images thicker or thinner

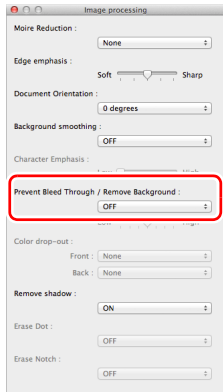
Windows

Drag the [Character Emphasis] slider in the [Image processing] tab to make lines and text in the scanned images thicker or thinner.



Mac

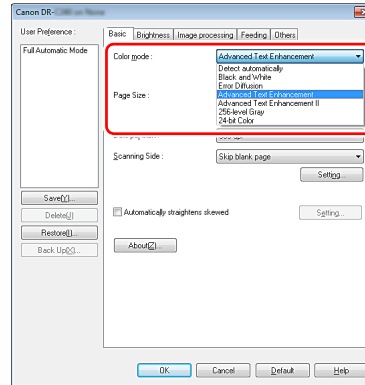
Click [Image processing], and in the dialog box that appears adjust letter and line thickness settings.



When you want to enhance text that is difficult to read because of factors such as the background of the scanned document

Windows

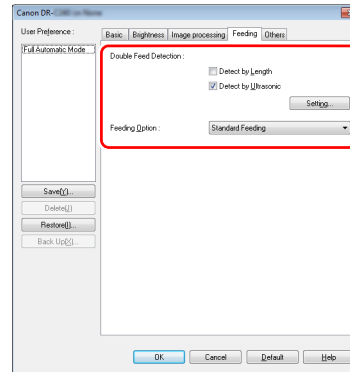
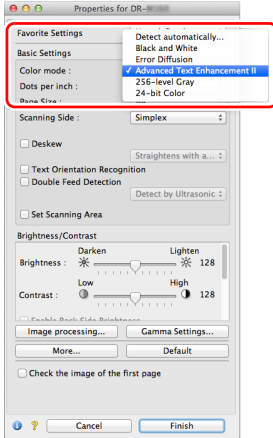
Select [Advanced Text Enhancement] or [Advanced Text Enhancement II] in the mode setting on the [Basic] tab. The background behind the text is removed or processed so that the text is emphasized for better readability.



- Advanced Text Enhancement is suitable for a document with a light background color or a document with a non-uniform background (such as a pattern). If the background is uniform, it is removed where it surrounds the text, and if the background is non-uniform, it is processed to enhance text readability.
- Advanced Text Enhancement II is suitable for scanning a document with a uniform background color and light text and background. If the background is non-uniform, such as a pattern, the background may not be able to be completely removed and the text may become difficult to read. If necessary, you can make the text in scanned images easier to read by adjusting the contrast on the [Brightness] tab.

Mac

Select [Advanced Text Enhancement II] in the [Color mode] setting. The background behind the text is removed or processed so that the text is emphasized for better readability.



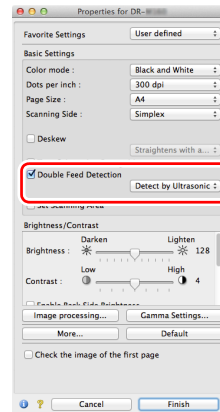
Mac

Select the [Double Feed Detection] check box.

When you want to detect multiple pages fed at the same time

Windows

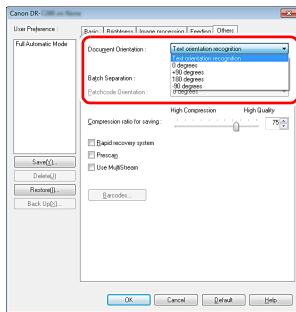
Select the [Double Feed Detection] check box on the [Feeding] tab. You can enable either one or both of [Detect by Ultrasonic] and [Detect by Length].



When you want to match the orientation of images to the text when scanning a mixture of pages with different text orientations

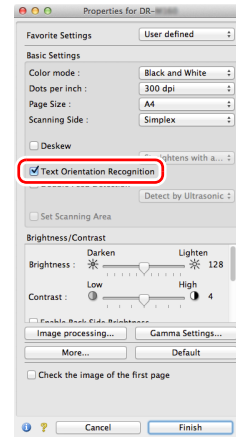
Windows

Select [Text orientation recognition] in [Document Orientation] on the [Others] tab. The text orientation on each page is detected, and the scanned image is rotated in 90-degree increments to correct the orientation.



Mac

Select the [Text Orientation Recognition] check box. The text orientation on each page is detected, and the scanned image is rotated in 90-degree increments to correct the orientation.



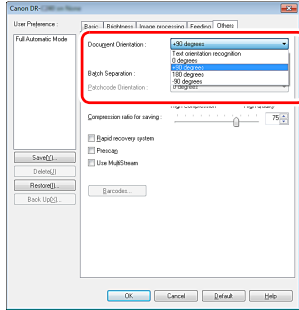
Hint

When the [Text Orientation Recognition] check box is selected, [Document Orientation] is unavailable.

When you want to rotate the images of a document placed horizontally to correct the orientation

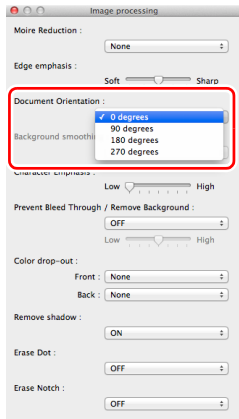
Windows

Specify the rotation angle in [Document Orientation] on the [Others] tab.



Mac

Click [Image processing] and specify the rotation angle in [Document Orientation] in the dialog box that appears.

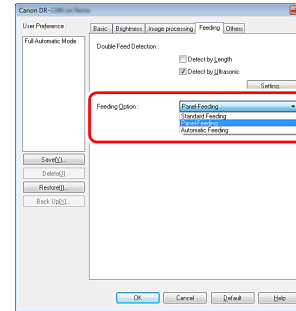


When you want to use batch separation for scanning

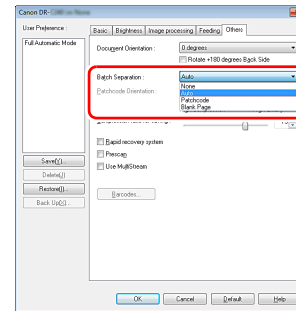
Windows

When you want to divide and scan a document, you can separate a batch at the timing with which each next document is placed and scanned. (Only enabled for applications that support batch separation.) In this case, set the scanner driver as follows.

- Set [Feeding Option] on the [Feeding] tab to [Panel-Feeding] or [Automatic Feeding].



- Set [Batch Separation] on the [Others] tab to [Auto].



When [Batch Separation] is set to [Auto], the batch is separated after the next document is placed and scanning is continued.

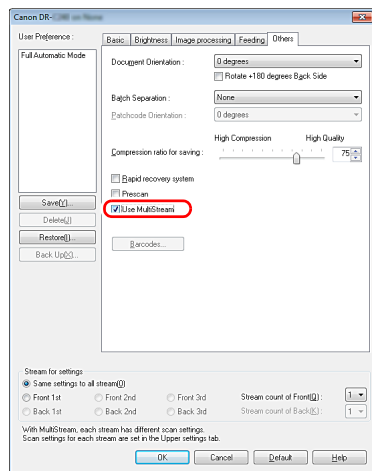
For more details about [Blank Page] and [Patchcode], see ["Batch separation using patch code sheets"](#) on p. 63

When you want to use multistream settings for scanning

Windows

Multi-stream allows you to output multiple different scanned images with a single scan operation, and output scanned images with different scanning conditions for each of the front and back pages (multistream settings).

When you want to use the multistream settings for scanning, select the [Use MultiStream] checkbox on the [Others] tab to display the setting items related to multistream, and then configure the setting items in the following order.



- ① When you want to specify different scanning conditions for the front and back pages of a document, select [Both] for [Scanning Side] on the [Basic] tab in advance.
- ② Specify the number of scanning conditions to apply in [Stream count of Front]. Up to three can be specified.
- ③ Select [Front 1st], and then open the other tabs and set the scanning conditions. Depending on the value specified for [Stream count of Front], configure the remaining [Front 2nd] and [Front 3rd] in the same way.
- ④ When specifying the scanning conditions of the back, configure the settings in the same way as described in ② to ③. In this case, specify [Stream count of Back], and then set the scanning conditions for each of [Back 1st] to [Back 3rd].

Hint

The following shows the setting conditions that can be set in the multistream settings.

Tab	Items that can be set
[Basic] tab	[Color mode] and [Dots per inch] (excluding [Auto-detection] for both)
[Brightness] tab	[Brightness] and [Contrast]
[Image processing] tab	[Edge emphasis], [Color dropout], and [Character Emphasis]
[Feeding] Tab	None (all disabled)
[Others] Tab	None (only [Use MultiStream] is enabled)

To scan barcodes

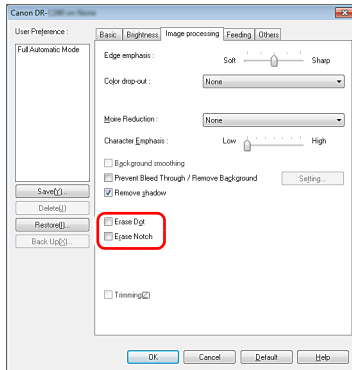
Windows

Installing a barcode module (optional) allows you to scan barcodes in the document. Click the [Barcode] button on the [Others] tab to configure barcode scanning conditions. See Help for details about settings.

When you want to remove dots and notches that appear in documents

Windows

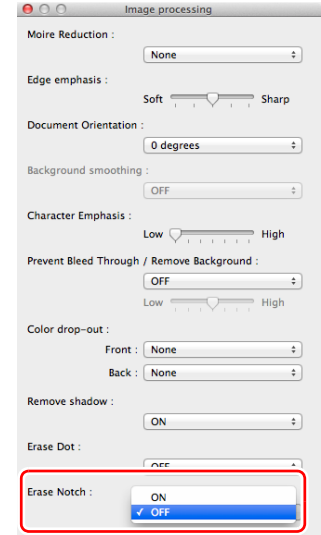
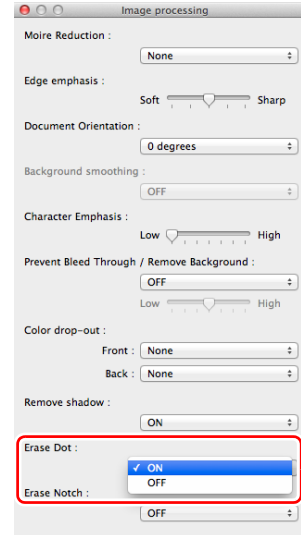
You can remove dots and notches protruding from object outlines that appear in documents from scanned images.



- Select the [Erase Dot] check box to automatically remove isolated black dots (3 x 3 dot size) from white backgrounds (or white dots from black backgrounds).
- Select the [Erase Notch] check box to remove notches that protrude from object outlines in scanned images.

Mac

Click [Image processing] and select [ON] for [Erase Dot] or [Erase Notch] in the dialog box that appears.

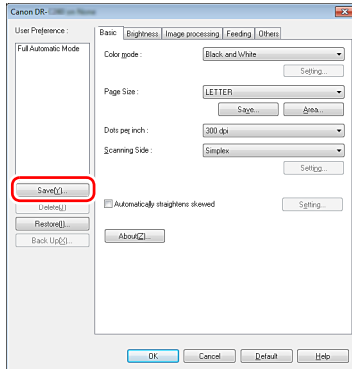


- When [ON] is selected for [Erase Dot], the isolated 3x3 black dots on white backgrounds (or isolated 3x3 white dots on black backgrounds) are erased automatically.
- When [ON] is selected for [Erase Notch], the portions (notches) protruding outside the contours are erased from the scanned images.

When you want to save a scanner driver setting

Windows

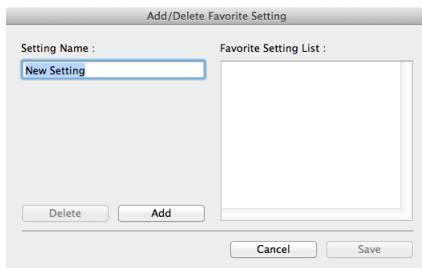
When you finish configuring a setting, click the [Save] button of [User Preference] to save the setting.



The saved setting is registered to the list. You can delete a setting from the list with the [Delete] button, and save or load a configuration file with the [Back Up] or [Restore] button.

Mac

When you finish configuring a setting, select [Add/Delete] of [Favorite Settings] to save the setting.



Clicking the [Add] button registers the current setting to [Favorite Setting List]. Use the [Delete] button to delete a setting from the list.

Function Restrictions Depending on Color Mode Setting

→ Windows ←

→ Mac ←

Windows

Some of the setting items in each of the driver tabs are disabled as follows depending on the setting for [Color Mode] on the [Basic] tab.

[Brightness] tab

Setting value	Contrast
Detect Automatically	○
Black and White	○
Error Diffusion	○
Advanced Text Enhancement	X
Advanced Text Enhancement II	○
256-level Gray	○
24-bit Color	○

(O: Available for setting, X: Not available for setting)

[Others] Tab

Setting value	Prescan
Detect Automatically	X
Black and White	○
Error Diffusion	○
Advanced Text Enhancement	○
Advanced Text Enhancement II	○
256-level Gray	○
24-bit Color	○

(O: Available for setting, X: Not available for setting)

[Image processing] tab

Setting value	Edge emphasis	Color drop-out	Background smoothing	Prevent Bleed Through / Remove Background	Erase Dot	Erase Notch	Character Emphasis
Detect Automatically	○	X	○	○ ¹⁾	○ ²⁾	○ ³⁾	○ ³⁾
Black and White	○	○	X	○	○	○	○
Error Diffusion	○	○	X	○	X	○	○
Advanced Text Enhancement	○	○	X	X	○	○	○
Advanced Text Enhancement II	X	○	X	X	○	○	○
256-level Gray	○	○	○	○	X	X	X
24-bit Color	○	X	○	○	X	X	X

(O: Available for setting, X: Not available for setting)

¹⁾Not available for setting if all of the following conditions in the [Auto Image Type Detection Settings] dialog box are met.

- [Detection mode] is not set to [Color or Gray]
- [Mode in case of binary] in the [Settings for in case of binary] tab is set to [Advanced Text Enhancement] or [Advanced Text Enhancement II]

²⁾Not available for setting if either one of the following two conditions are met.

- [Detection mode] in the [Auto Image Type Detection Settings] dialog box is set to [Color or Gray]
- [Mode in case of binary] in the [Settings for in case of binary] tab is set to [Error Diffusion]

³⁾Not available for setting if [Detection mode] is set to [Color or Gray] in the [Auto Image Type Detection Settings] dialog box.



Some of the setting items are disabled as follows depending on the setting for [Color Mode] in the settings screen of the scanner driver.

Simple Mode

Setting value	Check the image of the first page
Detect automatically	X
Black and White	O
Error Diffusion	O
Advanced Text Enhancement II	O
256-level Gray	O
24-bit Color	O

O: Available for setting X: Not available for setting

Advanced Mode

Setting value	Enable Back Side Brightness	Enable Back Side Contrast	Check the image of the first page
Detect automatically	O	O	X
Black and White	O	O	O
Error Diffusion	O	O	O
Advanced Text Enhancement II	X	X	O
256-level Gray	O	O	O
24-bit Color	O	O	O

O: Available for setting X: Not available for setting

Advanced mode (Image processing dialog)

Setting value	Edge emphasis	Background smoothing	Character Emphasis	Prevent Bleed Through / Remove Background	Color drop-out	Erase Dot	Erase Notch
Detect automatically	O	O ¹⁾	X	X	X	X	X
Black and White	O	X	O	O	O	O	O
Error Diffusion	O	X	O	O	O	O	O
Advanced Text Enhancement II	X	X	O	X	O	O	O
256-level Gray	O	O	X	O	O	X	X
24-bit Color	O	O	X	O	O	X	X

O: Available for setting X: Not available for setting

1) Cannot be set if the [Detect automatically] setting matches the conditions below

- [Detection Mode] is not set to [Color or Gray]

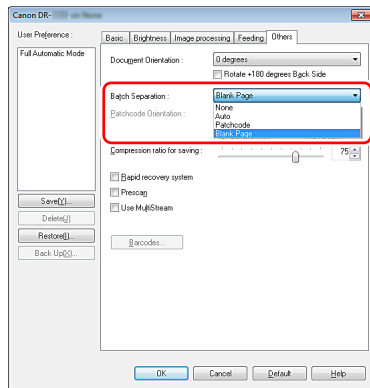
More Advanced Scanning Methods (Batch Separation)

Windows

Batch Separation (Insert blank page)

Recognizes blank pages as batch separators and performs batch separation (automatic file separation) when documents containing blank pages are scanned.

On the [Others] tab of the ISIS driver properties, select [Blank Page] from the Batch Separation dropdown list.



! IMPORTANT

- When [Simplex] is selected in [Scanning Side], blank pages on the scanned side will be recognized as separators. When [Duplex], [Skip blank page], or [Folio] is selected in [Scanning Side], document pages will be recognized as separators when both sides of a page are blank.
- Images of pages recognized as separators will not be saved.

Batch separation using patch code sheets



This scanner supports batch separation (automatic file separation) functions by using patchcodes.

By tucking patchcode sheets supplied with this scanner into a document and scanning it, the scanner can automatically separate files by images of documents containing patchcode sheets (or documents after the patchcode sheet).

💡 Hint

- This function can be used with the supplied CapturePerfect software. Other applications that support this function include ISIS-compatible applications. It is not supported by TWAIN-compatible applications.
- Patchcodes are included with this product in PDF format. Applications that can read PDF files such as the supplied CapturePerfect are required to use this function.

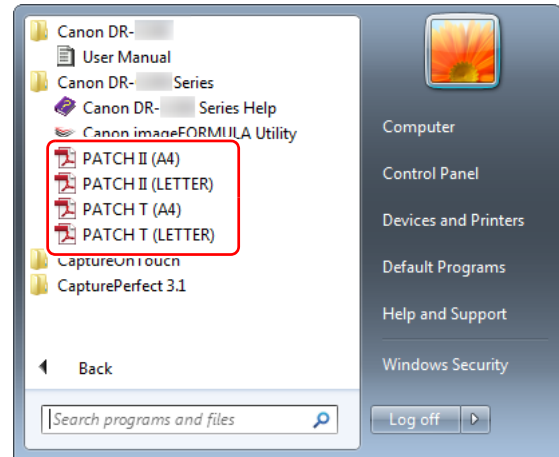
The following patchcodes are installed together with the scanner driver as PDF files.

Type of Patchcode	Pattern	Description
PATCH T (FILE A)		Files are separated from the page after the page printed with this patchcode. You specify in the application whether to include the page printed with the patchcode in the scanned image.
PATCH II (FILE B)		Files are separated from the page printed with this patchcode. The page with the printed patchcode is always included in the scanned image.

The following operations are performed when using patchcodes for scanning.

1 Print patchcode with a printer.

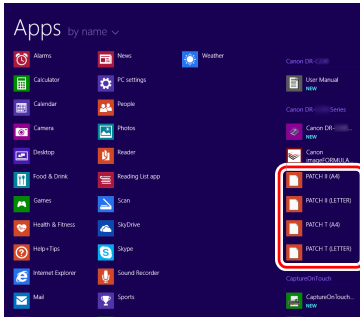
Click [Start] – [All Programs] – [Canon DR-C240] / [Canon DR-C230] and then select [Patchcode] from the menu. Patchcodes can be printed in A4 and letter (LTR) sizes. Open the application and print a patchcode that is the same size as the document to be scanned.





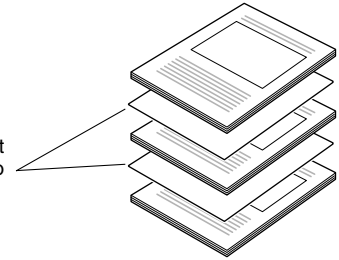
Hint

In Windows 8.1, it is registered at the following location.



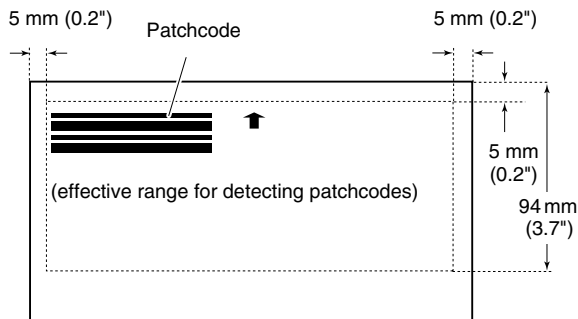
- 2 Place the documents in the scanner after inserting the patchcode sheet in front of the page that separates the files.

Insert the patchcode sheets at the beginning of documents to change file separation.



! IMPORTANT

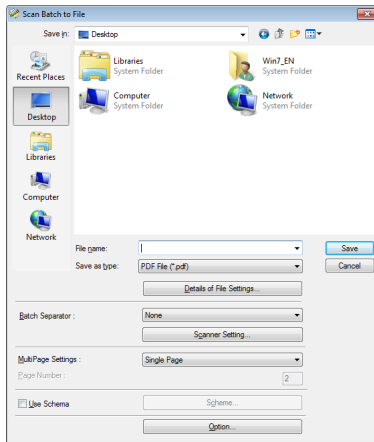
- Patchcodes must be printed in their normal size. If patchcodes are enlarged or reduced, they may not be recognized correctly.
- When copying provided patchcodes to create different sized patchcodes, ensure that the patchcode fits inside the effective range shown in the following diagram. Also, when copying patchcodes, ensure that they are the same size and shade as the original.



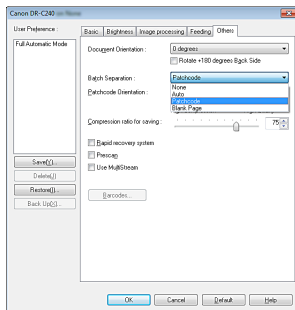
- Keep the patchcode sheet clean. Take particular care to keep the patchcode detection range area clean. Also, do not bend, fold or crease the sheet.

3 In an application, specify a patchcode as a type of batch separation.

When using CapturePerfect, select [Patchcode] in the [Batch Separator] settings.



When using other ISIS-compatible applications, open the scanner driver settings screen and select [Patchcode] in [Batch Separation] on the [Others] tab.



Daily Maintenance

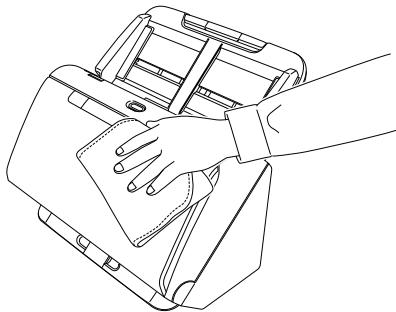
Clean the scanner on a regular basis, as described below, to maintain peak scanning quality.

CAUTION

- When cleaning the scanner and the inside of the scanner, turn OFF the power switch and disconnect the power cord from the power outlet.
- Do not use spray cleaners to clean the scanner. Precision mechanisms, such as the light source, may get wet, and cause a malfunction.
- Never use paint thinner, alcohol, or other organic solvents to clean the scanner. The exterior of the scanner may become deformed, discolored, or melted. It may also cause a fire or electric shock.

Cleaning the Scanner

To clean the outside of the scanner, wipe off any dirt with a cloth that has been dampened with water and thoroughly wrung out, and then wipe the scanner dry with a clean dry cloth.



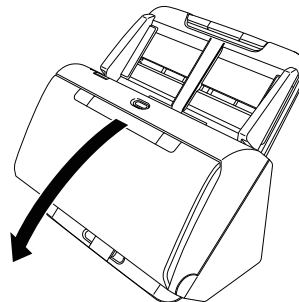
Cleaning the Inside of the Scanner

Dust or paper particles inside the scanner may cause lines or smudges to appear on scanned images. Use compressed air to periodically clean dust and paper particles from the document feed opening and the inside of the scanner. After finishing a large scanning job, turn OFF the scanner and then clean out any paper particles remaining inside the scanner.

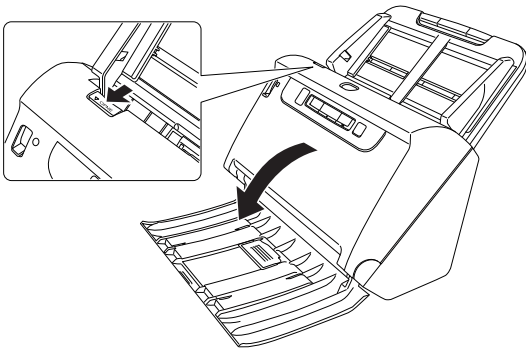
Cleaning the Sensor Glass and the Rollers

If scanned images contain streaks, or if the scanned documents become dirty, the sensor glass or rollers inside the scanner may be dirty. Clean them periodically.

- 1 Open the document eject tray.



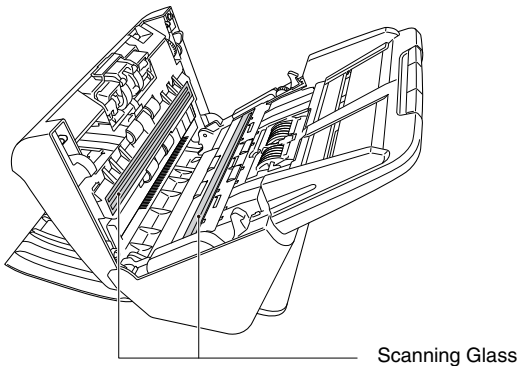
-
- 2** Pull the OPEN lever and pull open the front unit toward you.



-
- 3** Use compressed air to remove dust and paper particles from the inside of the scanner.

-
- 4** Wipe any dirt off the scanning glass.

Wipe any dirt off the scanning glass with a cloth that has been dampened with water and thoroughly wrung out, and then wipe the glass dry with a clean, dry and soft cloth.

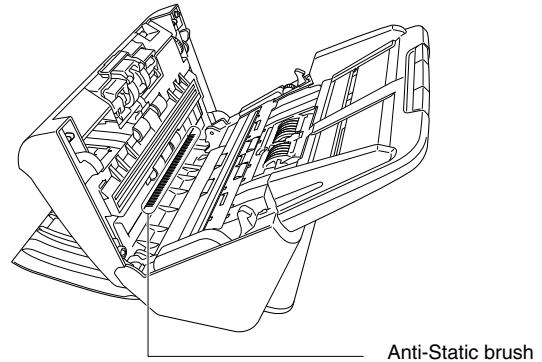


⚠ CAUTION

Do not spray water or neutral detergent directly on the scanner. Precision mechanisms, such as the light source, may get wet, and cause a malfunction.

! IMPORTANT

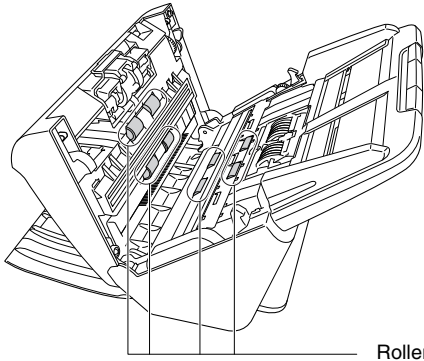
- Scratches on the sensor glass may cause marks on the images, as well as feeding errors. If there are scratches on the sensor glass, contact your local authorized Canon dealer or service representative.
- Take care to ensure the anti-static brush in the front unit does not become deformed.



5 Clean the rollers.

Clean the rollers while turning them.

Wipe the rollers with a cloth that has been dampened with water and thoroughly wrung out, and then use a clean, dry and soft cloth to wipe away any moisture.

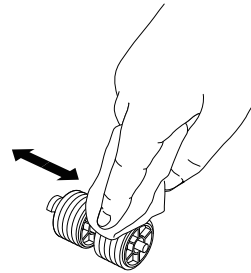


6 Remove the retard roller and feed roller. (See p. 73, p. 74)

! IMPORTANT

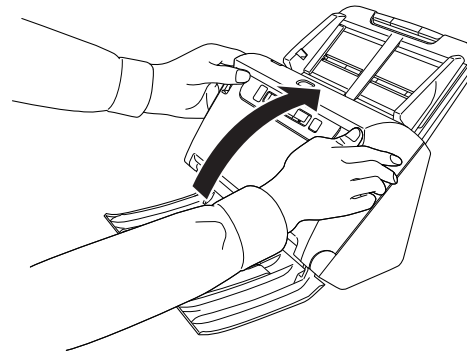
Remove the retard roller and feed roller from the scanner to clean them, and be sure to reattach them to the scanner when cleaning is finished.

7 Wipe the removed rollers with a cloth that has been dampened with water and thoroughly wrung out.

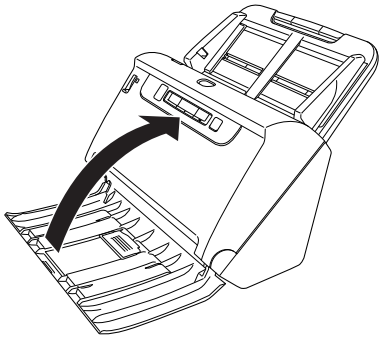


8 Reattach the retard roller and feeding roller. (See p. 73, p. 74)

9 Close the front unit by gently pushing it up on both sides until it clicks into place. Make sure that the front unit is completely closed by pushing until you hear a click.



10 Close the document eject tray.



Adjusting the Reduction Ratio

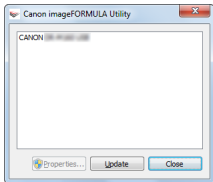
As the rollers installed in the scanner wear out, scanned images may become stretched in the vertical direction. If this happens, you can reduce the amount of stretching of the image by adjusting the reduction ratio.

Windows

! IMPORTANT

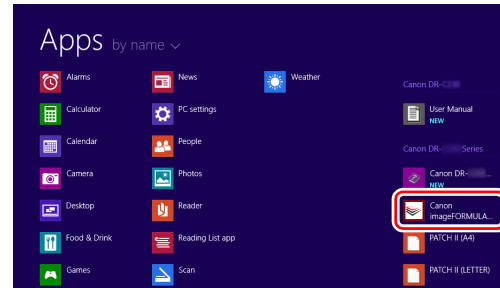
Log on to Windows as an Administrator.

- 1 Click the Start button, and then click [All Programs], [Canon DR-C240] / [Canon DR-C230], and [Canon imageFORMULA Utility].
imageFORMULA Utility starts.



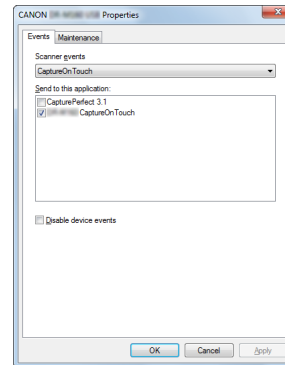
💡 Hint

In Windows 8.1, it is registered at the following location.



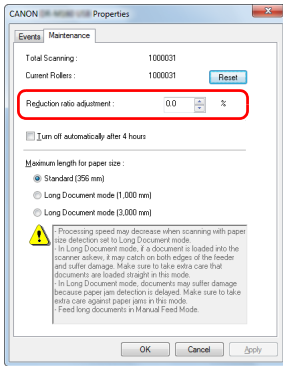
- 2 Click [Canon DR-C240 USB] / [Canon DR-C230 USB] and click [Properties].

Scanner properties are displayed.




- 3 Click the [Maintenance] tab and then change the value of [Reduction ratio adjustment].

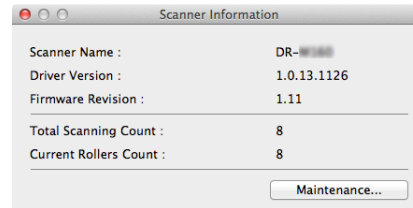
The adjustment value can be set within the range from -3.0% to 3.0%.



4 Click [OK] to close the scanner properties.

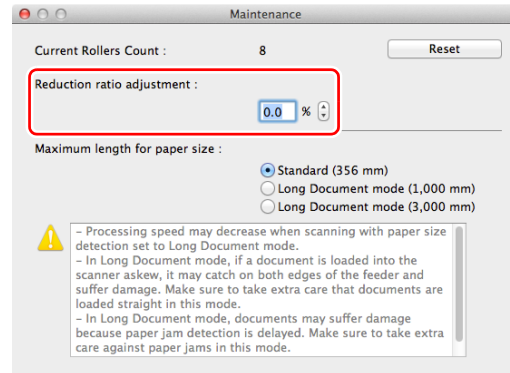
Mac


- 1** Open the scanner driver's Detail Settings screen. (See p. 45)
- 2** Click  to display the [Scanner Information] dialog box.



- 3** Click [Maintenance] to display the [Maintenance] dialog box.
- 4** Change the value of [Reduction ratio adjustment].

The adjustment value can be set within the range from -3.0% to 3.0%.

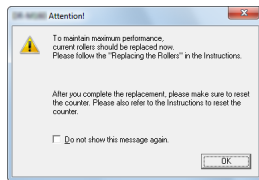


- 5** Click  to close the dialog box.

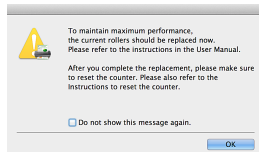
Replacing Consumable Parts

The two rollers (feed roller and retard roller) installed in the scanner are consumable parts. The feed roller and retard roller wear with scanning. If the feed roller and retard roller are worn, documents may not feed correctly and paper jams and double feeds may occur. When more than 200,000 pages have been fed (total number of pages fed by the scanner), a message prompting you to replace the rollers is displayed when the computer is started.

Windows



Mac



If this message begins to be displayed at startup, purchase an exchange roller kit and replace the worn parts with the consumable parts included in the kit (feed roller and retard roller). See p. 89 for details about the exchange roller kit.

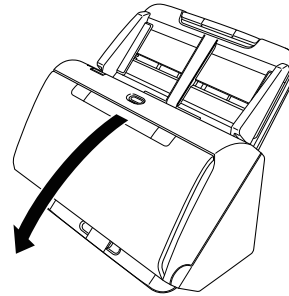
Furthermore, the counter in the scanner that records the number of pages fed also needs to be reset when you replace the rollers. (See p. 75)

Hint

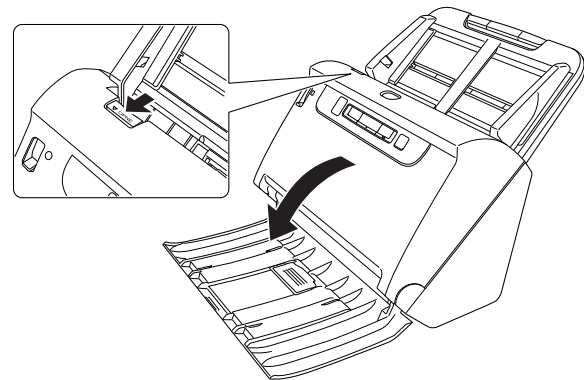
Even before it becomes time to replace the rollers, scanned images may become stretched in the vertical direction due to wear of the rollers. If this happens, adjust the reduction ratio. (See p. 70)

Opening and Closing the Front Unit

- 1 Open the document eject tray.



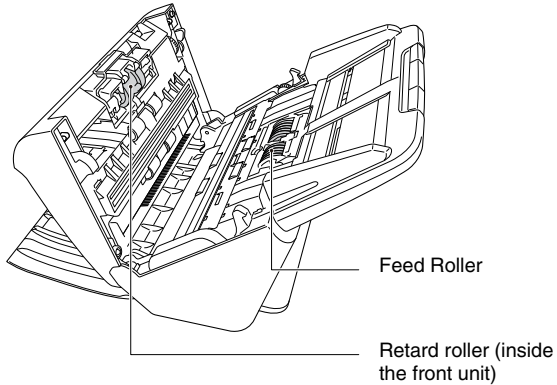
- 2 Pull the OPEN lever and pull open the front unit toward you.



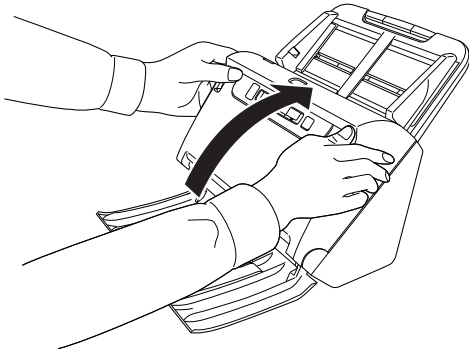


Hint

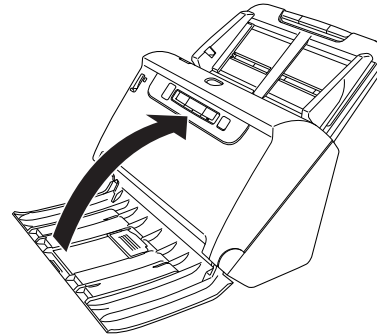
The location of each of the consumable parts is shown below.



- 3** When closing the front unit, make sure that it is completely closed by gently pressing the left and right until you hear a click.

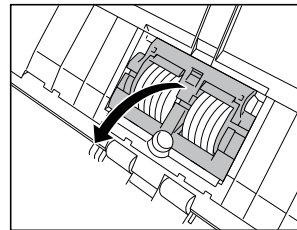


- 4** Close the document eject tray.

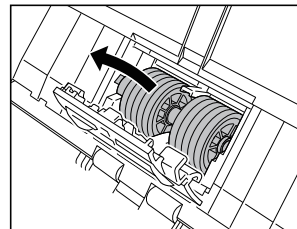


Replacing the Feed Roller

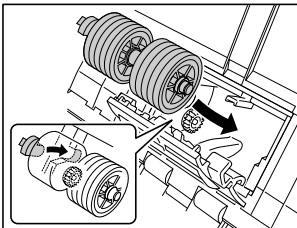
- 1** Open the roller cover.



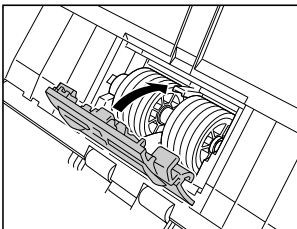
- 2** Remove the feed roller.



3 Install the new feed roller.

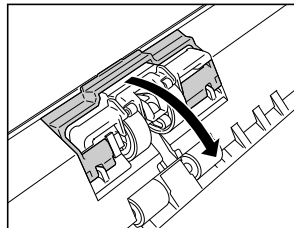


4 Close the roller cover.

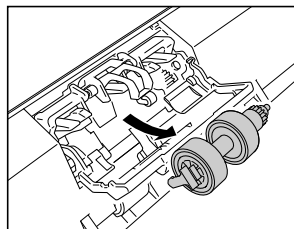
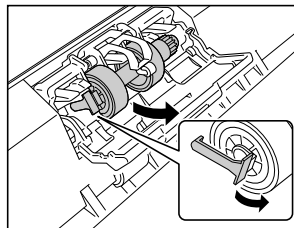


Replacing the Retard Roller

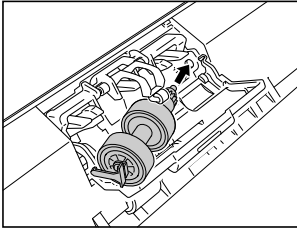
1 Open the roller cover.



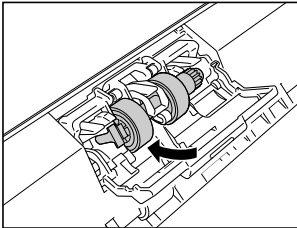
2 Pull the left lever that secures the retard roller to the scanner, and remove the roller.



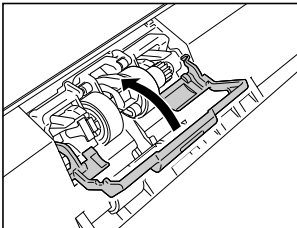
- 3** Install the new retard roller by inserting the right side first.



- 4** Push the left side of the retard roller to secure it to the scanner.



- 5** Close the roller cover.



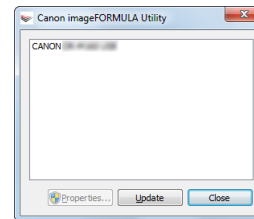
Resetting the counter

Windows

! IMPORTANT

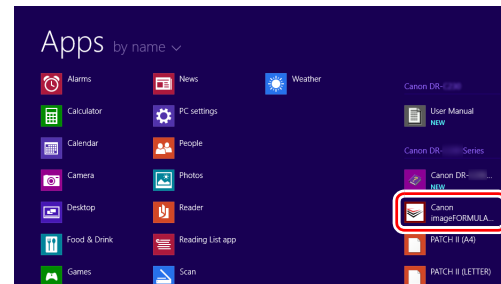
Log on to Windows as an Administrator.

- 1** Click the Start button, and then click [All Programs], [Canon DR-C240] / [Canon DR-C230], and [Canon imageFORMULA Utility].
imageFORMULA Utility starts.



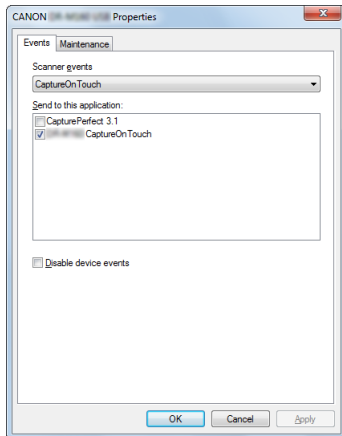
💡 Hint

In Windows 8.1, it is registered at the following location.

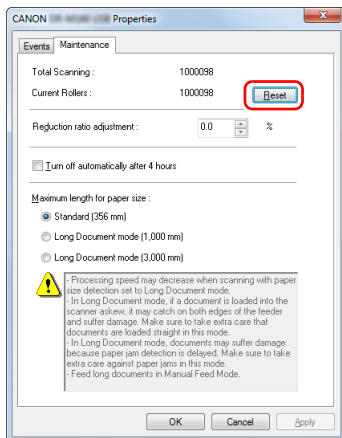


2 Click [Canon DR-C240 USB] / [Canon DR-C230 USB] and click [Properties].

Scanner properties are displayed.



3 Click the [Maintenance] tab and then select [Reset].



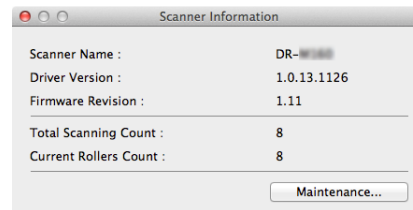
The counter for [Current Rollers] resets.

4 Click [OK] to close the scanner properties.

Mac

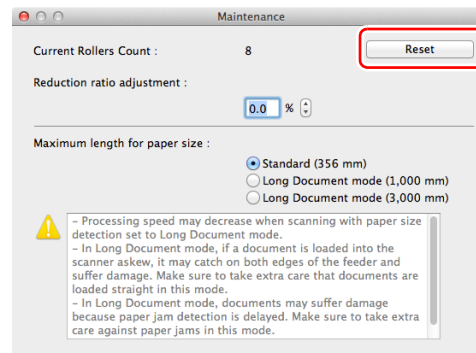
1 Opens the scanner driver's Detail Settings screen. (See p. 45)


2 Click to display the [Scanner Information] dialog box.



3 Click [Maintenance] to display the [Maintenance] dialog box.

4 Click [Reset].



5 Click  to close the dialog box.

Auto Power Off Setting

The scanner automatically turns off if 4 hours elapse without scanning or another operation being performed.

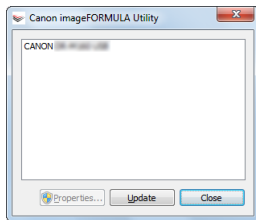
To disable this setting, follow the procedure below.

Windows

! IMPORTANT

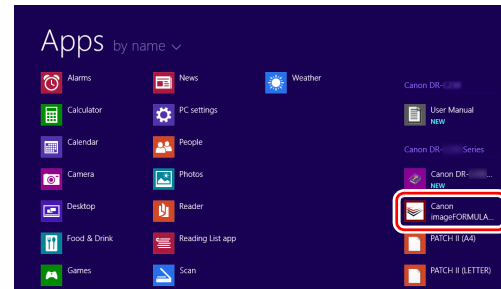
Log on to Windows as an Administrator.

1 Click the Start button, and then click [All Programs], [Canon DR-C240] / [Canon DR-C230], and [Canon imageFORMULA Utility].
imageFORMULA Utility starts.



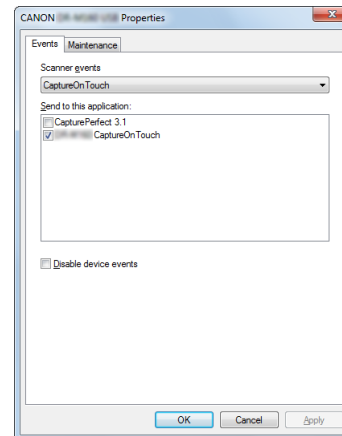
💡 Hint

In Windows 8.1, it is registered at the following location.

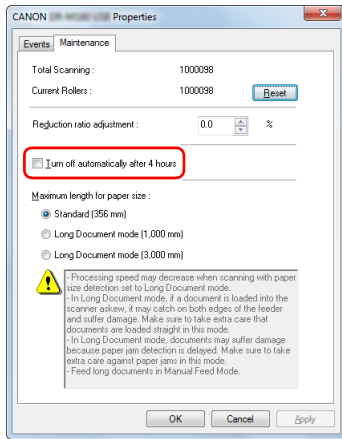


2 Click [Canon DR-C240 USB] / [Canon DR-C230 USB] and click [Properties].

Scanner properties are displayed.



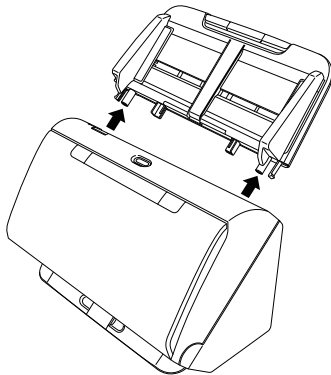
3 Click the [Maintenance] tab and then clear the [Turn off automatically after 4 hours] check box.



4 Click [OK] to close the scanner properties.

Removing the Document Feed Tray

When you will store or otherwise not use the scanner for a long period of time, remove the document feed tray.



Common Problems and Solutions

This section provides recommended solutions to common problems. If you have a problem that is not solved by the following, contact your local authorized Canon dealer.

Problem 1 The scanner will not turn on.

Solutions Confirm that the AC adapter is plugged firmly into a power outlet.

Problem 2 The scanner is not recognized.

Solutions

- (1) Confirm that the scanner is properly connected to the computer with a USB cable.
- (2) Confirm that the scanner is turned on. See the previous problem (1) if the scanner does not turn on.
- (3) The computer's USB interface may not support the scanner. The scanner cannot be guaranteed to work with all USB interfaces.
- (4) Confirm that the supplied USB cable is used to connect the scanner to the computer. The scanner cannot be guaranteed to work with all available USB cables.
- (5) If the scanner is connected to the computer via a USB hub, try removing the hub and connecting directly to the computer.

Problem 3 Documents feed askew (scanned images are slanted).

Solutions

- (1) Align the document guides to fit the documents as closely as possible, and load the documents so that they feed straightly.
- (2) Open the document feed extension support and place the document.
- (3) Enable [Automatically straightens skewed] in the scanner driver settings.
- (4) If many pages have been scanned since roller cleaning, clean the rollers. If documents still feed askew, roller replacement or other maintenance may be needed. See "Maintenance" on p. 67 for roller replacement procedures.

Problem 4 Documents are not scanned according to the settings configured in the scanner driver.

Solutions When you scan using [Select document] panel registered with CaptureOnTouch, the CaptureOnTouch settings have priority over the scanner driver settings. Edit settings in the [Select document] panel, or create a new [Select document] panel using the desired scanning conditions.

Problem 5 If white lines or streaks appear in scanned images.

Solutions Clean both sides of the scanner glass, and the rollers. If a sticky substance such as glue or correction fluid is found, carefully wipe with just enough pressure to clean the area where the lines appear. If the problem cannot be solved by cleaning, the internal glass may be scratched. Contact your local authorized Canon dealer.

Problem 6 Pages are missing.

Solutions When the scanner driver's [Scanning Side] setting is [Skip Blank Page], documents with very little black may be unintentionally skipped. Decrease the Set the likelihood of skipping blank page value ("[When you want to delete the images of the blank pages in two-sided documents](#)" on p. 50) or set the [Scanning Side] to another mode, such as simplex or duplex. If pages are skipped due to the document double feeding, see "Problem 7 Documents jam (or double-feed)."

Problem 7 Documents jam (or double-feed).


- Solutions
- (1) If the roller has been installed correctly, clean it if necessary.
 - (2) Proper scanning may not be possible when document pages stick together due to static electricity. Fan the documents before you load them.
 - (3) Set the feed selection lever to Bypass mode, and manually feed the scanner one page at a time.

Problem 8 Scanned images are saved in TIFF instead of JPEG format.

Solutions When documents are scanned with CapturePerfect while [Color Mode] is set to [Detect automatically] in the scanner driver, documents detected as black and white are automatically saved in TIFF format, even if the file type is specified as JPEG format. This occurs because JPEG format does not support black and white binary format images. If you want to save all images in JPEG format, change the scanning [Color Mode] to either [24-bit Color] or [256-level Gray].

Problem 9 Multiple pages of scanned images cannot be saved to a single file.

- Solutions
- Depending on the file format, multiple scanned image pages cannot be saved as a single file with CaptureOnTouch.

File type	Processing for multiple pages
BMP, JPEG	Scanned images are always saved one page per file.
PPTX	Multi-page images are always saved to a single file.
TIFF, PDF	You can save multiple pages to a single file by clicking  and selecting [Save all pages as one file] in the displayed dialog box.

- When you select [Scan Batch to File] from the [Scan] menu in CapturePerfect, a dialog box appears with a [Multi Page Settings] pull-down that allows you to select [Single Page]. If you select [Single Page] here, each page of a multi-page document is saved as a separate image file. To save multiple pages to a single image file, select [Multi Page (All Pages)].

Problem 10 All of the placed documents have been scanned, but the scanned image does not appear on the application.

Solutions When [Panel-Feeding] or [Automatic Feeding] is selected as the feeding method on the scanner driver's Detail Settings screen, a scanning operation will not continue after all of the documents are fed, as the scanner awaits additional documents to be fed. You can finish the operation and send the scanned images to the application by pressing the Stop button on the operating panel.

Problem 11 Memory becomes insufficient and scanning stops.

Solutions If you configure scanning conditions that use a large amount of the computer's memory, scanning may stop because of insufficient memory. Although this depends on the computer's memory size, the possibility of insufficient memory increases if any of the following scanning conditions overlap.

- [Color Mode] is set to [24-bit Color]
- A large page size (e.g. Legal) is specified as the [Page Size]. Alternatively, the page size is set to [Scanner's Maximum].
- A high resolution (600dpi etc.) is specified for [Dots per inch].

If an error message appears due to insufficient memory while scanning is in progress, exit the application, change the scanning conditions (e.g. reduce the resolution or page size) and then try scanning again. In addition, the amount of memory used can be contained by turning off [Moire Reduction] and [Prevent Bleed Through/Remove Background] if they are set to on.

Problem 12 Double-feeding occurs when scanning a document with multiple pages.

Solutions Press the scanner's DFR button to continue the scan, or clear the [Detect by Ultrasonic] check box on the scanner driver settings screen. ([See p. 36](#))

Problem 13 Passport cannot be scanned as intended

Solutions Depending on the condition of the carrier sheet or passport, the image may not be scanned completely or the scanner's image correction may not function properly.

Configure the settings as shown below.

- (1) Set [Page Size] to a larger paper size (A4, for example) on the scanner driver settings screen, and then scan again. ([See p. 47](#))
- (2) Set [Dots per inch] to 300 dpi or less on the scanner driver settings screen. ([See p. 47](#))

Problem 14 The size detection and deskew functions fail.

Solutions When [Carrier sheet] is set to [Carrier sheet] in the [Feeding] tab of the scanner driver settings screen and you scan a document with black edges without inserting it in a carrier sheet, the size detection and deskew functions may fail. In such cases, disable the size detection and deskew functions, or set [Carrier sheet] to [None] in the [Feeding] tab.

Software Troubleshooting

This section describes troubleshooting problems and solutions for operating the supplied software (CaptureOnTouch and CapturePerfect).

If scanning is too slow

- (1) Close other running programs, if any.
- (2) Scanning can be slowed down by memory shortage caused by memory-resident applications such as anti-virus programs. Close such memory-resident programs if necessary to free up memory space.
- (3) When insufficient hard disk space is available, the scanner may be unable to create the necessary temporary files for scanned data. Delete unneeded data on the hard disk to free up more space.
- (4) Scanning is slow if the computer's USB port is not Hi-Speed USB 2.0 compliant.
- (5) If using a common USB cable that is not Hi-Speed USB 2.0 compliant, replace the cable with the supplied compliant cable.
- (6) When the scanner is connected to the computer via a USB hub that is not Hi-Speed USB 2.0 compliant, remove the hub and connect the scanner directly to the computer.

If scanned image files cannot be opened in an application

- (1) Scanned images saved as multi-page TIFF files can be opened only by programs that support this file format.
- (2) Images saved as compressed TIFF files (single- as well as multi-page) can only be opened by programs that support the compressed format. This can occur with programs that are not compatible with CaptureOnTouch or CapturePerfect. In this case, select "None" as the image file compression format before scanning.

There is a display glitch on the UI screen of CaptureOnTouch.

Depending on the computer that you are using, a display glitch may occur on the UI screen when there are too many Scan mode panels, Select output panels, or Scanning Shortcut panels. Delete any panel that you will not use.

Useful tips

Here are some useful tips for scanning documents.

Where are scanned images saved? Can the save destination be changed?

Images are saved to the following locations, according to program settings. All destination locations can be changed to other folders.

CaptureOnTouch


Both Standard Scanning and Scanning Shortcut save the output to the destination set in the [Select output] panel.

CapturePerfect

- During normal scanning operations such as single-page scanning, the image file save destination can be specified each time scanning is performed.
- When scanning using a registered job, files are saved to the folder specified by the job settings.

How are the scan settings configured?

CaptureOnTouch

By clicking the Edit button ([]) in the [Select document] panel, you can edit the scan settings when the [Select document edit screen] opens.

CapturePerfect

- For normal scanning, click [Scanner Setting] from the [Scan] menu to open the scanner driver setting screen, and make settings there.
- Scan job settings are made for each job.

How do I save multiple pages in one file, or save one file per page?

When scanned images are saved in BMP (PICT) or JPEG format, each image is always saved in a separate file.

When scanned images are saved in PDF or TIFF format, you can specify multi- or single-page files. See also “Problem 9” in “Common Problems and Solutions”.

Can I copy or back up scanner setting configurations?

CaptureOnTouch


The setting configurations can be backed up and restored using [Back Up/Restore] on the [Basic settings] tab on the [Environmental settings] dialog box

CapturePerfect

Scanner setting configurations cannot be copied or backed up in CapturePerfect.

What rules apply to scanned image file names?

CaptureOnTouch

For both Standard Scanning and Scanning Shortcut, the file names of scanned images are set based on the settings in the [Select output] panel. This screen opens when you click the Edit button ([]) in the [Select output] panel.

Click the [Detail Settings] button on this screen. You can set the file names of scanned images by setting all or some of the three items shown below.

Setting	Description
File name	Any specified text string to be included in the file name.
Add date and time	Appends the date and time to file names. Select the date format from the list box. YYYY = year, MM = month, and DD = day of month. The time is appended after the date.
Add counter to file name	Append serial numbers in the order of scanned image saving. Specify the number of digits and starting number.

A sample file name is displayed as the [File name] in the [File name settings] dialog box.

CapturePerfect

The rules for the file names of scanned images and the folder in which scanned images are saved can be set and then applied during scanning. For details, see the “Operating Guide” or help of CapturePerfect.

How do I scan half-folded documents (folio scanning)?

Fold the document in half, and set it in the scanner with the fold at the right. Specify half-size document (the size after folding) and then scan. For details, [see p. 30](#).

How can I skip blank pages, and scan only non-blank pages?

Specify [Skip Blank Page] on the scanner driver setting screen, then scan.

How do I scan cards?

Set a card in landscape orientation in the scanner. Specify the same size as the card (or [Match original size]), then scan. For details, [see p. 29](#).

Is it possible to add or insert images in a scanned image file?

CapturePerfect includes a function to add or insert pages in scanned image files. Refer to the CapturePerfect Operation Guide for details.

How do I paste OCR results from CapturePerfect into Excel or Word?

After scanning with OCR recognition enabled in CapturePerfect, click [Modify Barcode/OCR] in the [Edit] menu to open the [Modify Barcode/OCR] dialog box, where you can copy the text in the [OCR Characters] box. Alternatively, PDF files that were scanned with OCR enabled can be opened with an application, where the desired text can be copied.

How do I load and scan documents with mixed sizes?

Set [Page Size] to [Match original size] on the scanner driver setting screen, then scan. For details, [see p. 47](#).

What is the best way to scan business cards or photos?

Set [Page Size] to [Match original size] on the scanner driver setting screen, then scan. Alternatively, register the size of the cards or photos to be scanned. For details, [see p. 46](#).

How do I print scanned data?

CaptureOnTouch

- For both Standard Scanning and Scanning Shortcut, select [Print] in the [Select output] panel.
- To use this function, you need to install a plug-in.
- The plug-in can be installed by selecting its checkbox when installing CaptureOnTouch.

CapturePerfect

Scan using the [Scan Batch to Printer] function. Alternatively, register a job with a printer selected as the output destination.

I want to save to other folders

CaptureOnTouch

- In CaptureOnTouch, destinations other than [Save to folder] are provided as a plug-in.
- By installing the plug-in, the scanned image can be printed, attached in an e-mail, or shared using various cloud services.
- The plug-in can be installed by selecting its checkbox when installing CaptureOnTouch.
- The available output destinations vary depending on the installed plug-in.

CapturePerfect

Scan using the [Scan Batch to File] (or [Scan Page]) function. Alternatively, register a job with the output destination as a file, and set the save destination to the shared folder.

How can I attach scanned data to an e-mail (or send it as e-mail)?

CaptureOnTouch

- For both Standard Scanning and Scanning Shortcut, select [Attach to E-mail] in the [Select output] panel.
- To use this function, you need to install a plug-in.
- The plug-in can be installed by selecting its checkbox when installing CaptureOnTouch.

CapturePerfect


Scan using the [Scan Batch to Mail] function. Alternatively, register a job with the output destination as e-mail.

When I set [Page Size] to [Match original size] on the scanner driver setting screen and scan, there is blank space around the scanned image. How can I scan with no blank space?

On the scanner driver setting screen, select the [Trimming] check box in the [Image processing] tab and then scan. Alternatively, set [Page Size] to any settings other than [Match original size] in the settings screen of the scanner driver.

Clearing a Paper Jam

When paper jams are detected during scanning, the following error codes are displayed in the scanner's display panel and scanning is interrupted.

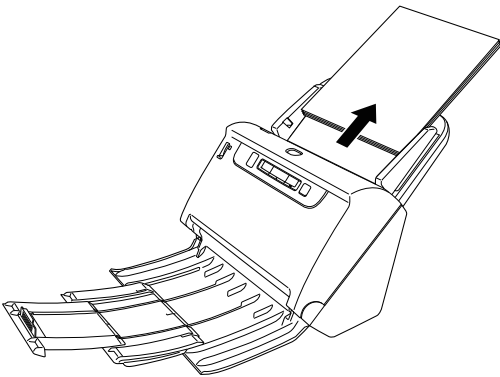
 Paper jam error code

When a paper jam or double feed occurs during scanning, use the following procedures to clear them.

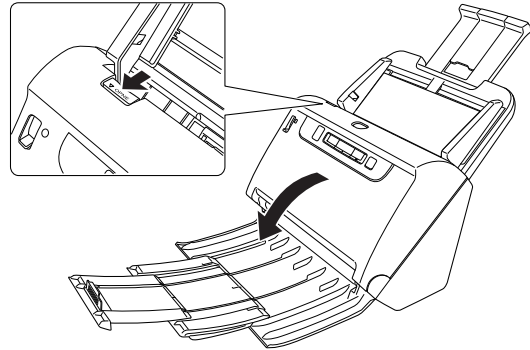
 **CAUTION**

Be careful when removing jammed paper. Take care not to cut your hand on the edges of the paper.

-
- 1 Remove any documents that have been left in the feed Tray.**



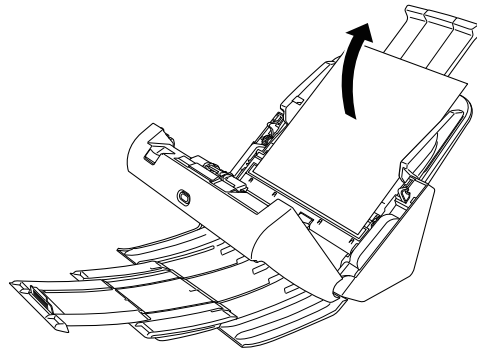
- 2 Pull the OPEN lever and pull open the front unit toward you.**



 **Hint**

The "C" error code appears in the operating panel when the front unit is open.

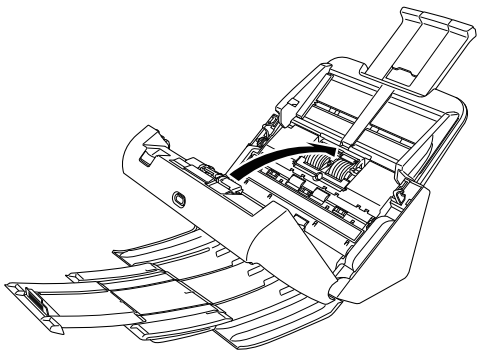
-
- 3 Remove the jammed document.**



! **IMPORTANT**

Make sure to pull the document out carefully, without applying too much force. If the jammed paper tears while you are pulling it out, make sure to remove any remaining pieces from inside the scanner.

- 4** **Close the front unit by gently pushing it up on both sides until it clicks into place. Make sure that the front unit is completely closed by pushing until you hear a click.**



After removing the jammed paper, check to see if the last page was scanned correctly, and then continue scanning.

💡 Hint

When the [Rapid recovery system] check box is enabled in the scanner driver settings screen, you can resume a scanning operation even if it is interrupted by a paper jam by removing the document and resuming from the document that was being fed when the interruption occurred.

As the image of the document that was being fed at the time of the interruption may not be saved in such cases, be sure to verify the last scanned image before resuming the operation.

Uninstalling the Software

If the ISIS/TWAIN driver, CaptureOnTouch or CapturePerfect is not operating normally, follow the procedure below to uninstall them. Then, re-install the software from the Setup disc. (See p. 8)

Windows

! IMPORTANT

Log on to Windows as an Administrator.

- 1 From the Windows task bar, click the [Start] button and then [Control Panel].**
- 2 Click [Uninstall a program].**
The [Uninstall or change a program] dialog box appears.
- 3 From the Programs list, select the software you want to remove and then click [Remove].**
The delete confirmation screen appears.
- 4 Click [Yes].**
Uninstallation of the software is now complete.

Mac

No uninstaller is provided for OS X drivers. To uninstall, use Finder to delete the following files.

/Library/Image Capture/TWAIN Data Sources/DRC240

or

/Library/Image Capture/TWAIN Data Sources/DRC230

/Applications/CaptureOnTouch

Specifications

Main Unit

Type	Desktop sheetfed scanner
Scanning Document Size	Plain Paper
Size:	Width: 50.8mm to 216 mm (2" to 8.5") Length: 54 mm to 356 mm (2.1" to 14") (You can scan documents up to 3,000 mm (118.1") long by setting the scanner to the Long Document mode.)
Paper weight:	Page separation: 27 to 209 g/m ² (7 to 56 lb bond) 0.04 mm to 0.25 mm (0.00157" to 0.00984") Non separation: 27 to 255 g/m ² (7 to 68 lb bond) 0.04 mm to 0.3 mm (0.00157" to 0.0118")
Loading capacity:	A4 size or smaller: 60 sheets (80g/m ² (22 lb bond)) Larger than A4 size: 40 sheets (80g/m ² (22 lb bond)) Make sure stacks do not exceed 6 mm in height for either of the above.
Business Card	
Size:	50.8 mm x 85 mm (2" x 3.35") or larger
Paper thickness:	380 g/m ² (80 lb bond) 0.45 mm (0.0177") or smaller
Card	
Size:	54 mm x 86 mm (2.12" x 3.37") (ISO standard)
Card thickness:	1.4 mm (0.055") or smaller
Orientation:	Horizontal feeding only
	Embossed cards can be scanned.
Loading capacity:	3 cards (non-embossed), 1 card (embossed)
Passport	
Size:	88 mm x 125 mm (3.464" x 4.921") (ISO standard) When scanning the passport, open the passport and insert it in the optional carrier sheet before feeding.
Thickness:	4 mm (0.157") or less (including carrier sheet)
Scanning Sensor	Contact image sensor

Light source	LED
Scanning Side	Simplex/duplex
Scanning modes	Black and White, Error Diffusion, 256-level Grayscale, Advanced Text Enhancement, Advanced Text Enhancement II, 24-bit Color
Scanning resolution (Primary Scan Lines x Secondary Scan Lines)	100 x 100dpi/150 x 150dpi/200 x 200dpi/240x240dpi/300 x 300dpi/400 x 400dpi/600 x 600dpi
Scanning Speed (Conditions: Core i7 2.8GHz CPU, 4 GB memory, A4 document size)	
DR-C240	
Grayscale	Simplex 200dpi 45 pages/min 300dpi 45 pages/min Duplex 200dpi 90 images/min 300dpi 90 images/min
24-bit Color	Simplex 200dpi 30 pages/min 300dpi 20 pages/min Duplex 200dpi 60 images/min 300dpi 40 images/min
DR-C230	
Grayscale	Simplex 200dpi 30 pages/min 300dpi 30 pages/min Duplex 200dpi 60 images/min 300dpi 60 images/min
24-bit Color	Simplex 200dpi 30 pages/min 300dpi 20 pages/min Duplex 200dpi 60 images/min 300dpi 40 images/min
Interface	Hi-Speed USB 2.0
Other functions	Folio scanning, double feed detection ignore

External Dimensions

291 mm (11.46")(W) x 253 mm (9.96")(D) x 231 mm (9.09")(H) (With the feed tray attached and the document eject tray closed)
291 mm (11.46")(W) x 603 mm (23.74")(D) x 363 mm (14.29")(H) (With the feed tray attached and the document eject tray open)

Weight (without AC adapter)

Approximately 2.8 kg (6.17 lb)

Power Supply (using AC adapter)

DC24V 1.0A

Power Consumption

Scanning: Maximum 19W or less
In the Sleep mode: Maximum 1.4W or less
With power switch OFF: Maximum 0.1W or less

Noise

Not more than 48 dB

Operating Environment

Temperature: 10°C to 32.5°C (50°F to 90.5°F)
Humidity: 20% to 80% RH

AC Adapter (100 to 240 V type)

Model Number MG1-5039 (24V)
Input AC100 to 240V, 50/60 Hz, 1.06 to 0.6 A
Output DC24V 2.0A
Weight Approximately 0.3kg (0.66 lb)

Specifications are subject to change without notice due to product improvements.

Replacement parts

Exchange roller kit (product code: 0697C003)

Kit to replace the rollers (feed roller, retard roller).

- For the replacement procedure, see “Replacing Consumable Parts” on p. 72.
- Contact your local authorized Canon dealer or service representative for detailed information about the replacement parts.

Option

Barcode module (product code: 1922B001)

2D code module (product code: 1922B003)

Add-on module to recognize barcodes printed on documents during scanning.

Carrier sheet (for passports) (Product code: 0697C002)

This is a carrier sheet for scanning passports.

Carrier sheet (product code: 0697C001)

Flatbed scanner unit102 (product code: 2152Cxxx)

Flatbed scanner unit that can be connected to and used with a DR scanner. Connecting the unit to this scanner enables you to use this scanner as a flatbed scanner with an automatic document feeder.

Flatbed scanner unit201 (product code: 6240Bxxx)

A flatbed scanner unit that can be used by connecting to a DR scanner and supports A3 size paper. Connecting the unit to this scanner enables you to use this scanner as a flatbed scanner with an automatic document feeder.

Network adapter NA10 (product code: 2998Cxxx)

This is an optional adapter for connecting the scanner to the network via wired LAN.

Network adapter WA10 (product code: 2999Cxxx)

This is an optional adapter for connecting the scanner to the network via wired LAN or wireless LAN.

About the Flatbed Scanner Unit

Windows

The optional Flatbed Scanner Unit can be connected to and used with this scanner.

System requirements

The computer must comply with the necessary system requirements of Flatbed Scanner Unit.

The scanner driver of Flatbed Scanner Unit needs to be installed to use the unit.

About Use with CaptureOnTouch

About Assigning Function to Start Button

When you connect Flatbed Scanner Unit, you can assign Scanning Shortcut of CaptureOnTouch to the start button of Flatbed Scanner Unit.

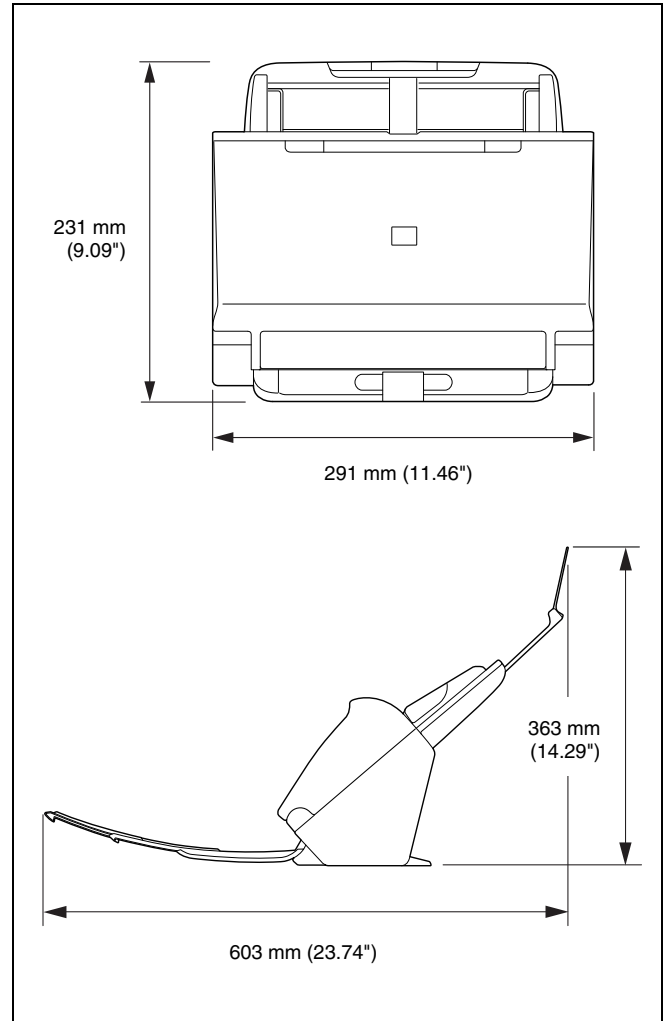
Limitation of Restarting with Start Button

When CaptureOnTouch is set not to be resident in memory, CaptureOnTouch cannot be restarted by pressing the start button on Flatbed Scanner Unit after you end CaptureOnTouch.

About Setting up the Scanner Driver

When functions of this scanner cannot be selected with the Flatbed Scanner Unit settings dialog box, click [Option] in the dialog box to open the scanner driver and make the required settings.

Dimensions



Index

A		
Adjusting the Reduction Ratio	70	
Advanced Mode(Mac)	46	
Auto Power Off	77	
B		
Barcode module	89	
Batch separation	56, 63	
Bypass mode	28	
C		
CaptureOnTouch	40	
CapturePerfect	41	
Card		
Loading method	29	
Care and cleaning	67	
Carrier sheet	32, 89	
Connect	11	
Counter	75	
Custom paper size	49	
D		
DFR button	23	
Document	24	
Card	29	
Folio	30	
Loading method	26	
Double Feed Detection	36	
F		
Feed roller	72, 73	
Flatbed scanner unit 102	89	
Flatbed scanner unit 201	89	
Folio	30	
Front unit	72	
I		
Install	8	
J		
Job No. display	23	
Job Select button	23	
L		
Long Document Mode	34	
M		
Multi-stream setting	57	
N		
Network adapter NA10	89	
Network adapter WA10	89	
O		
Operating environment	7	
Operating Panel	23	
P		
Paper jam	85	
Power supply	12	
R		
Resetting the counter	75	
Retard roller	72, 74	
Roller	69	
Cleaning	67	
Replace	72	
S		
Scale factor adjustment	70	
Scan area	50	
Scanner driver	43	
Basic settings	46	
Settings suitable for intended use	50	
Scanning glass	68	
Cleaning	67	
Setup	5	
Start Button	23	
Stop Button	23	

U

Uninstall 87

Safety-related markings on the machine

Marquages de sécurité sur la machine

Marcatore di sicurezza sulla macchina

Sicherheitshinweise auf der Maschine

Marcas de la máquina relacionadas con la seguridad

Veiligheidsmarkeringen op de machine

Makine üzerindeki güvenlik işaretleri



[English]	Switch (On)	Power on
[Français]	Commutateur (Marche)	Sous tension
[Italiano]	Interruttore (On)	Alimentazione presente
[Deutsch]	Schalter (Ein)	Eingeschaltet
[Español]	Interruptor (encendido)	Máquina encendida
[Nederlands]	Schakelaar (On)	Aan
[Türkçe]	Anahtar (Açık)	Güç açık



[English]	Switch (Off)	Power off (no standby current)
[Français]	Commutateur (Arrêt)	Hors tension (pas de courant de veille)
[Italiano]	Interruttore (Off)	Alimentazione assente (nessuna corrente di standby)
[Deutsch]	Schalter (Aus)	Ausgeschaltet (ohne Ruhestromaufnahme)
[Español]	Interruptor (apagado)	Máquina apagada (sin corriente en espera)
[Nederlands]	Schakelaar (Off)	Uit (geen stand-byverbruik)
[Türkçe]	Anahtar (Kapalı)	Güç kapalı (bekleme akımı yok)



[English]	Switch (Standby)	Power on/off (standby current on)
[Français]	Commutateur (Veille)	Sous/hors tension (courant de veille activé)
[Italiano]	Interruttore (Standby)	Alimentazione on/off (corrente di standby presente)
[Deutsch]	Schalter (Standby)	Ein- und Ausschalten (mit Ruhestromaufnahme)
[Español]	Interruptor (en espera)	Máquina apagada/encendida (con corriente en espera)
[Nederlands]	Schakelaar (Standby)	Aan-uit (stand-byverbruik aan)
[Türkçe]	Anahtar (Bekleme)	Güç açık/kapalı (bekleme akımı açık)



[English]	Switch (Push-On/Push-Off)	Power on/off (no standby current)
[Français]	Commutateur (Appuyer pour mettre en marche/Appuyer pour arrêter)	Sous/hors tension (pas de courant de veille)
[Italiano]	Interruttore a pulsante bistabile (On/Off)	Alimentazione on/off (nessuna corrente di standby)
[Deutsch]	Schalter (Ein- und Ausschalten durch Drücken)	Ein- und Ausschalten (ohne Ruhestromaufnahme)
[Español]	Interruptor (pulsado para encendido/apagado)	Encendido/apagado (sin corriente en espera)
[Nederlands]	Schakelaar (Push-On/Push-Off)	Aan-uit (geen stand-byverbruik)
[Türkçe]	Anahtar (Bas-Aç/Bas-Kapa)	Güç açık/kapalı (bekleme akımı yok)



[English]	Heat hazard	Heat hazard
[Français]	Danger de chaleur	Danger de chaleur
[Italiano]	Pericolo: temperature elevate	Pericolo: temperature elevate
[Deutsch]	Überhitzungsgefahr	Überhitzungsgefahr
[Español]	Peligro de calentamiento	Peligro de calentamiento
[Nederlands]	Verbrandingsgevaar	Verbrandingsgevaar
[Türkçe]	Isı tehlikesi	Isı tehlikesi



[English]	Class II equipment	Indicates this is Class II equipment
[Français]	Équipement de classe II	Indique qu'il s'agit d'un équipement de classe II
[Italiano]	Apparecchio classe II	Indica che questo è un apparecchio di classe II
[Deutsch]	Gerät der Schutzklasse II	Gibt an, dass das Gerät der Schutzklasse II entspricht
[Español]	Equipo de clase II	Indica que se trata de un equipo de clase II
[Nederlands]	Klassell-apparatuur	Geeft aan dat deze apparatuur in Klasse II hoort
[Türkçe]	Sınıf II ekipman	Bunun Sınıf II ekipman olduğunu gösterir



[English]	DC symbol	Indicates direct current
[Français]	Symbole CC	Indique qu'il s'agit de courant continu
[Italiano]	Simbolo corrente continua (C.C.)	Indica la corrente continua
[Deutsch]	Gleichstrom-Symbol	Kennzeichnet Gleichstrom
[Español]	Símbolo CC	Indica corriente continua
[Nederlands]	DC-pictogram	Geeft gelijkstroom aan
[Türkçe]	DC sembolü	Düz akımı gösterir



[English]	DC polarity	Indicates the power plug polarity
[Français]	Polarité CC	Indique la polarité de la fiche d'alimentation
[Italiano]	Polarità C.C.	Indica la polarità dello spinotto di alimentazione
[Deutsch]	Gleichstrompolarität	Gibt die Polarität des Netzsteckers an
[Español]	Polaridad de CC	Indica la polaridad del conector de alimentación
[Nederlands]	DC-polariteit	Geeft de polariteit van de stekker aan
[Türkçe]	DC polaritesi	Fiş polaritesini gösterir



[English]	Electrostatic precaution	Avoid applying static electricity to the machine
[Français]	Précaution électrostatique	Évitez de soumettre cette machine à de l'électricité statique
[Italiano]	Protezione dalle cariche elettrostatiche	Evitare di applicare cariche elettrostatiche alla macchina
[Deutsch]	Warnung vor elektrostatischer Aufladung	Elektrostatische Aufladung der Maschine vermeiden
[Español]	Precaución electroestática	No aplique electricidad electroestática
[Nederlands]	Elektrostatische voorzorgen	Voorkom statische elektriciteit op de machine
[Türkçe]	Elektrostatik önlemleri	Makineye statik elektrik vermeyin



CANON ELECTRONICS INC.

3-5-10 SHIBAKOEN, MINATO-KU, TOKYO 105-0011, JAPAN

CANON U.S.A. INC.

ONE CANON PARK, MELVILLE, NY 11747, U.S.A.

CANON CANADA INC.

8000 Mississauga Road Brampton, Ontario L6Y 5Z7, CANADA

CANON EUROPA N.V.

BOVENKERKERWEG 59, 1185 XB AMSTELVEEN, THE NETHERLANDS

CANON AUSTRALIA PTY. LTD.

BUILDING A, THE PARK ESTATE, 5 TALAVERA ROAD, MACQUARIE PARK, NSW 2113, AUSTRALIA

CANON SINGAPORE PTE. LTD.

1 FUSIONOPOLIS PLACE, #15-10, GALAXIS, SINGAPORE 138522

CANON KOREA BUSINESS SOLUTIONS INC.

BS TOWER, 607 TEHERAN-RO, GANGNAM-GU, SEOUL, KOREA

CANON INDIA PVT. LTD

7TH FLOOR, TOWER B DLF CYBER TERRACES DLF PHASE III GURGAON - 122002 HARYANA, INDIA