

HP ProCurve 5 dBi

indoor / outdoor omnidirectional antenna

J8441A



SPECIFICATIONS

Model J8441A

Frequency, MHz	2400-2500
Gain, dBi (with specified cable)	4.4
Wind Surface Area ft. ² (m ²)	0.08 (0.007)
Wind Survivability, mph (kph)	125 (200)
Weight, lb. (kg)	0.30 (0.14)
Height, in. (cm)	9 (22.9)
Nominal Impedance, Ohms	50
VSWR	1.5:1 nominal
Power Handling, Watts	50
Radiating Element	Plated copper laminate
Enclosure	Polycarbonate
RF Connector	Reverse Polarity SMA (male)
Coaxial Cable	33" Plenum (cmp)

HP WARRANTY INFORMATION

See the Customer Support/Warranty booklet included with this product. A copy of the specific warranty terms applicable to your Hewlett-Packard products and replacement parts can be obtained from your HP Sales and Service Office or authorized dealer.

SUPPORT

Hewlett-Packard offers support 24 hours a day, seven days a week through the use of a number of automated electronic services. See the Customer Support/Warranty booklet that came with your product for information on how to use these services to get technical support. The HP ProCurve web site, <http://www.hp.com/go/hpprocurve> also provides up-to-date support information under "Technical support".

Additionally, your HP-authorized network reseller can provide you with assistance, both with services that they offer and with services offered by HP.

© Copyright 2004 Hewlett-Packard Company, LP.
The information contained herein is subject to change without notice.

SAFETY

The J8441A and all associated equipment should be installed in accordance with applicable local and national electrical code guidelines to ensure safe operation.

LOCATION

For best results, mount the J8441A at ceiling or roof level near the center of the coverage area. A line-of-sight path between the antenna and active floor location generally works best. Although 2.4 GHz signals penetrate cubical dividers and interior partitions with little attenuation, reinforced block walls, banks of metal cabinets, or steel shelving may attenuate signals or cause multipath—a condition where reflected signals interfere with the primary signal. Avoid mounting next to a column or vertical support that could create a shadow zone of reduced coverage to one portion of the room. Each antenna comes with a ceiling-tile support-runner mount and a U-bolt style pole mount.

APPLICATIONS

The J8441A is a high-performance omnidirectional collinear antenna used for 2.4 GHz RF-distribution systems. Its flattened radiation pattern focuses energy along the horizontal plane to provide extended coverage in large rooms or vaulted areas (see Figure-1). The J8441A may also be pole-mounted for use in exterior locations.



invent

Part Number : 5990-6062

To install the antenna using the ceiling bracket:

1. Find the antenna bracket (77). Also, find two #6 phillips head screws (90) and two #6 lock washers (89). Use the #6 hardware to secure the antenna bracket to the antenna base (see Figure-1).
2. Find the tile runner bracket (HK). Remove the 1/4" - 20 hex nut and flat washer from the bracket's carriage bolt in preparation for mounting. Discard the flat washer—this will not be used.
3. Find the 1/4" lock washer (16). Insert the antenna bracket onto the threaded end of the tile-bracket bolt (Figure-1). Install the 1/4" lock washer and nut loosely—the halves of the tile bracket must slide freely for final installation.
4. Clamp the ceiling bracket onto the support runner and tighten the 1/4" mounting nut using a 7/16" wrench or adjustable wrench. Secure the coaxial cable along the support runner using tape or cable ties.
5. If installing one antenna, attach the connector to the AP unit's Primary antenna connection. If installing a diversity system, attach the leads from the two antennas to the AP unit's *Primary* and *Secondary* jacks.

To install the antenna using the I-beam bracket:

1. For I-beam installations, first install bracket plate (77) as described in Step-1. Next, referring to Figure-1A, install I-beam clamp (80) to the bracket plate using flat washer (04), lock washer (84), and short 1/4"-20 bolt (55). Tighten the clamp bolt to secure antenna in place on beam.

To install the antenna using the pole mount bracket:

1. Find the U-bolt (05), mast clamp (26), plus two 5/16" nuts (18) lock washers (19) and (02) flat washers.
2. At the top of the pipe, using a 1/2" wrench or adjustable wrench, secure the U-bolt to the clamp using the hardware provided (see Figure-2).
3. Find two more 5/16" nuts (18). Install these nuts by turning them down against the nuts securing the U-bolt to the mast.
4. Find two antenna clamps (48), plus two 5/16" lock washers (19) and the two remaining 5/16" nuts (18).
5. Sandwich the antenna between the two clamps at its base and slide this assembly onto the U-bolt (Figure-2). Secure in place using hardware provided.
6. Secure the coaxial cable along the mast or pole using tape or cable ties.
7. If installing one antenna, attach the connector to the AP unit's Primary antenna connection. If installing a diversity system, attach the leads from the two antennas to the AP unit's *Primary* and *Secondary* jacks.

FIGURE 1

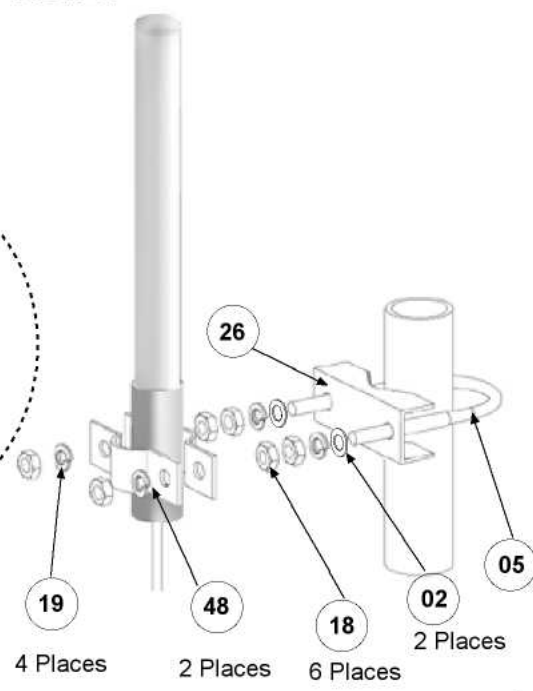
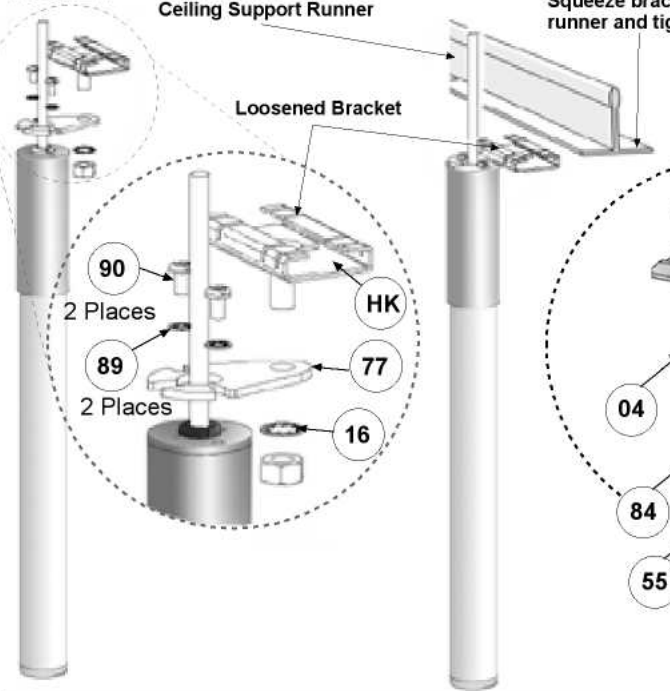
Ceiling Support Runner

Squeeze bracket onto runner and tighten nut.

Loosened Bracket

FIGURE 1A

FIGURE 2



CONTENTS

CONTENTS

Hardware for suspended ceiling mounting

Hardware for pole/mast mounting

KEY	DISPLAY	DESC	SIZE	QTY
HK		GRID BRACKET	-	1
16		INT. TOOTH LOCK WASHER	1/4" (00.0)	1
77		BRACKET PLATE	-	1
89		INT. TOOTH LOCK WASHER	#6	2
90		SS MACHINE PHILLIPS SCREW	#6-32 x 1/4"	2
80		I-BEAM CLAMP	-	1
04		FLAT WASHER	1/4"	1
84		SPLIT LOCK WASHER	1/4"	1
55		HEX HEAD BOLT	1/4 X 20 X 1/2	1

KEY	DISPLAY	DESC	SIZE	QTY
18		SS HEX NUT	5/16" x 18 (00.0)	6
19		SS LOCK WASHER	5/16" x (00.0)	4
05		U-BOLT	-	1
26		V-BRACKET	-	1
48		BASE BRACKET	-	2
02		FLAT WASHER	5/16	2

Important Notice: Please read all instructions carefully before attempting to install and use this product.

Before connecting your external antenna to an HP Wireless Access Point, please read the instructions for using an external antenna with the access point. These instructions explain how to set the access point's power levels to meet regulatory requirements in your area. For the latest instructions, see the 'Product manuals' page for your access point under 'Technical support' at <http://www.hp.com/go/hpprocurve>

