



DESIGNING THE CUTTING EDGE

2016 Diodes Shortform Catalog

	<u>Page</u>
Frontier Introduction	ii
Part Number Index	iii
Low VF Schottky Barrier Rectifiers	1 - 3
Schottky Barrier Rectifiers	4 - 11
Low Leakage Schottky Barrier Rectifiers	11
High Voltage Rectifiers	12 - 13
General Purpose Rectifiers	14 - 16
Half Bridge Rectifiers	17
Fast Recovery Rectifiers	18 - 21
Ultra Fast (Hi-Efficient) Rectifiers	22 - 23
Efficient Fast Rectifiers	24 - 25
Super Fast Recovery Rectifiers	26 - 27
Transient Voltage Suppressor For ESD Protection	28 - 29
Transient Voltage Suppressors	30 - 44
Zener Diodes & Rectifiers	45 - 51
Hyper Fast Rectifiers	52
Low Leakage and Switching Diodes	52
Suggested Thermal Profile for Soldering Processes	53
Package Outline Drawings & Suggested Pad Layout	54 - 60





Frontier Electronics is a leading global manufacturer and supplier of electronic components.

- Competitive pricing and product innovations
- Continuous improvement programs
- On-time delivery backed by over 30 years of manufacturing and logistics support teams
- Extensive technical support with an emphasis on design support

Frontier Electronics, Corp.
 Classified by the US Dept. of Labor as a Disadvantaged Minority Women Business Enterprise.
 Geographically diversified manufacturing locations (U.S., China, Taiwan)
 ISO 9001:2008 and ISO TS 16949 certification

Frontier Electronics, Corp. is headquartered at:

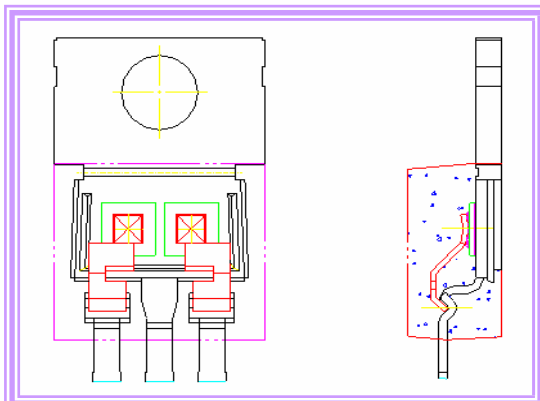
Frontier Electronics, Corporation
 667 East Cochran Street
 Simi Valley, CA 93065

Frontier's website:

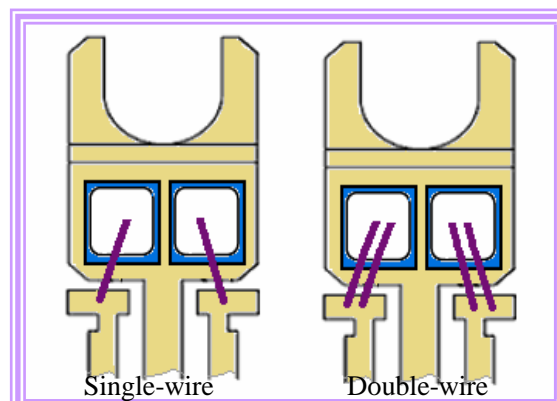
www.frontierusa.com

General email:

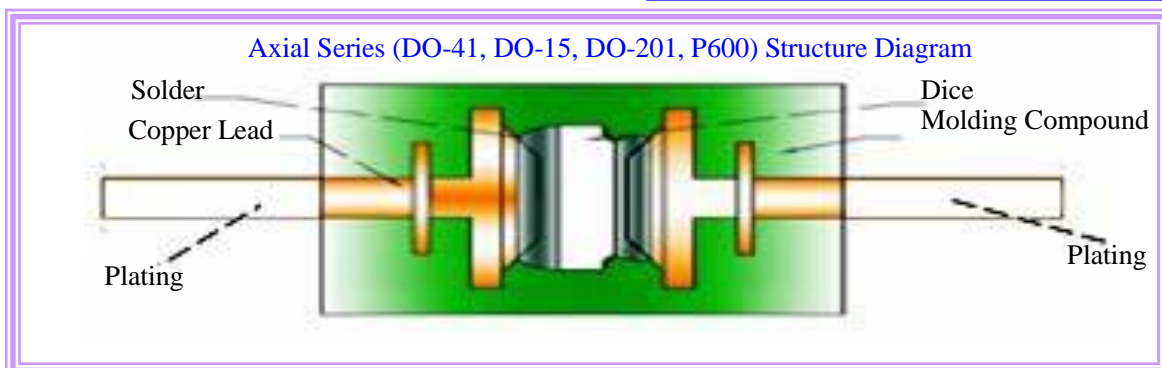
frontiersales@frontierusa.com



TO&ITO Clip (Cu) Structure Diagram
 TO MAX. DIE SIZE: 134mil (x2)



TO&ITO Wire (AL) Structure Diagram
 ITO MAX. DIE SIZE: 118mil (x2)

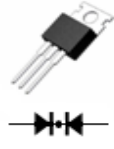
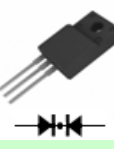

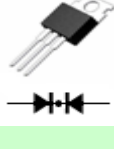
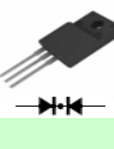

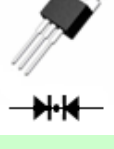
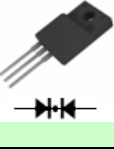



PART NUMBER INDEX

<u>Part Number</u>	<u>Page Number</u>	<u>Part Number</u>	<u>Page Number</u>	<u>Part Number</u>	<u>Page Number</u>	<u>Part Number</u>	<u>Page Number</u>
1.5KExxA	41	FM2xxx-S	9	MBRxxx200FCT	2	SMASxxxA	32
1.5KExxCA	41	FM3xxx-AS	9	MBRxxx300CT	3	SMASxxxCA	32
15KPAxxA	43, 44	FM4xx-S	16	MBRxxx300FCT	3	SMBJxxxA	34
15KPAxxCA	43, 44	FM5xxx	10	MBRxxx45CT	1	SMBJxxxCA	34
1N400xG	14	FM5xxx-BS	10	MBRxxx45FCT	1	SMBSxxxA	35
1N493xG	18	FR02-xx	13	MBRxxx60CT	1	SMBSxxxCA	35
1N539xG	14	FR05-xx	13	MBRxxx60FCT	1	SMCJxxxA	36
1N540xG	14	FR10Axx	19	MBR5U60	2	SMCJxxxCA	36
1N58xx	6	FR10AxxF	20	MBR5U60F	2	SMFxxxA	30
3.0SMCJxxA	37	F10Sxx	11	MUR16xxCT	23	SMFxxxCA	30
3.0SMCJxxCA	37	F15Sxx	11	MUR16xxFCT	23	SR1xxx	6
30KPAxxA	44	F20Sxx	11	MUR4xx	23	SR10xxx	6
30KPAxxCA	44	FR10xG	18	MUR8xx	23	SR15xxx	6
3KPxxA	42	FR10xxCT	20	NxxxAT23	28	SR20xxx	6
3KPxxCA	42	FR10xxFCT	20	P4KExxA	39	SR2xxx	6
5KPxxA	42, 43	FR12xxCT	20	P4KExxCA	39	SR3xxx	6
5KPxxCA	42, 43	FR12xxFCT	20	P6KExxA	40, 41	SR5xxx	6
5.0SMCJxxxA	38	FR15xG	19	P6KExxCA	40, 41	SB60xxCT	5
5.0SMCJxxxCA	38	FR16xxCT	20	PFC5LA60x	52	SR8xxx	6
BAS70xxW	11	FR16xxFCT	20	PFC8A60x	52	SRxxx045	1
BAV199DW	52	FR20xG	19	PFC10A60x	52	SRxxx06	1
BAV99S	52	FR20xxCT	21	RL20xG	14	SRxxx10	1
BAV70DW	52	FR20xxFCT	21	RS1x	18	SRxxx12	2
BAV756DW	52	FR30xG	19	RS2x	18	SRxxx15	2
BAV99BRW	52	FR60xG	19	RS3x	18	SRxxx20	2
BAV99DW	52	FR8Axx	19	S1x	16	SS1xxx	8
BAW56DW	52	FR8AxxF	19	S2x	16	SS2xxx	9
BAW567DW	52	FV5M-xx	13	S3x	16	SS2xxxA	9
BCT8-xx	17	GH60-xx	15	S5x	16	SS3xxx	10
EF10Axx	25	GH60-xxG	15	S10x	16	SS3xxxA	10
EF10xxCT	25	GP02-xx	12	SAXxA	39, 40	SS3xxxB	10
EF10xxFCT	25	GP05-xx	12	SAXxCA	39, 40	SS5xxx	10
EF10AxxF	25	GP100-xx	15	SB10xxx	6	SS5xxxB	10
EF16xxCT	25	GP50-xx	14	SB10xxCT	4	SS6xxx	11
EF16xxFCT	25	GP60-xx	14	SB10xxFCT	4	SS6xxxB	11
EF20xxCT	25	GP80-xx	15	SB20xxCT	4	SS8xx	11
EF20xxFCT	25	HER15xG	22	SB20xxFCT	4	SV5xxx	7
EF5Axx	24	HER20xG	23	SB30xxCT	5	SV10xxx	7
EF5AxxF	24	HER30xG	23	SB30xxFCT	5	SV15xxx	7
EF8Axx	24	HER50xG	23	SB40xxCT	5	SV20xxx	7
EF8AxxF	24	HFM10x-S	22	SB40xxFCT	5	SV860L	7
EGFM10x-S	24	HV6Xxxx	12	SF10Axx	26	UF60-xx	23
ES1x	24	HV03-xx	12	SF10AxxF	26	US1x	22
ES2x	24	HV05-xx	12	SF10xxCT	26	US2x	22
ES3x	24	HV07-xx	12	SF10xxFCT	26	US3x	22
ES3xA	24	KLFM07540-U	11	SF15Axx	27	US5x	22
ES3xB	24	KLFM3xx-AS	11	SF15AxxF	27	U054BT2510	29
ESDAxx	29	LL054BTxx	29	SF16xxCT	27	Z10-xxxB	50
ESDxFNxx	28, 29	MBR10xxx	4	SF16xxFCT	27	Z20-xxxB	50, 51
ESDxZxx	28, 29	MBR10xxCT	4	SF20xxCT	27	Z30-xxxB	51
FE8A60	52	MBR10xxFCT	4	SF20xxFCT	27	ZGFM20xxB	46, 47
FFM05-xx	18	MBR20xxCT	4	SF5Axx	26	ZGFM30xxxB	47
FFM10x-05-xx	18	MBR20xxFCT	4	SF5AxxF	26	ZGFM53xxB	48
FFM20x-05-xx	18	MBR30xxCT	5	SF8Axx	26	ZGFM59xxB	46
FHM10x-S	13	MBR30xxFCT	5	SF8AxxF	26	ZS1xxB	45
FHV03-xx	13	MBR40xxCT	5	SFM1x-S	26	ZS2xxB	45, 46
FM0240-V	11	MBR40xxFCT	5	SFF100-xxCT	26	ZS3xxB	46
FM1xxx-MH1	8	MBRxxx100CT	1	SL1x-A	8	ZS47xxA	45
FM1xxx-MS	8	MBRxxx100FCT	1	SL1x-MS	8	ZUL10-xxxB	49
FM1xxx-NS	8	MBRxxx120CT	2	SL1x-S	8		
FM1xxx-S	8	MBRxxx120FCT	2	SL3xxA	9		
FM2xxx-MH1	8	MBRxxx150CT	2	SMA6SxxA	33		
FM2xxx-MHT	8	MBRxxx150FCT	2	SMAJxxA	31		
FM2xxx-MS	9	MBRxxx200CT	2	SMAJxxCA	31		


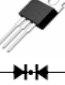
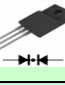





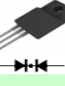



Low VF Schottky Barrier Rectifiers

Package	Part No.	Absolute Max. Rating @25°C				Electrical Characteristics@25°C				Electrical Characteristics@125°C				Circuit Figure
		V _{RRM} (V)	V _R (V)	I _o (A)	I _{FSM} (A)	V _F (V) Max.		I _r (mA) Max.		V _F (V) Max.		I _r (mA) Max.		
						I _F (A)	V _R (V)	I _F (A)	V _R (V)	I _F (A)	V _R (V)			
45V Low VF Trench MOS Schottky Barrier Rectifiers														
TO-220AB	MBR10L45CT	45	45	10.0	125	0.48	5.0	0.500	45	0.46	5.0	15	45	
	MBR10U45CT	45	45	10.0	125	0.45	5.0	0.500	45	0.40	5.0	15	45	
	MBR20L45CT	45	45	20.0	150	0.48	10.0	0.500	45	0.45	10.0	15	45	
	MBR20U45CT	45	45	20.0	150	0.45	10.0	0.500	45	0.40	10.0	15	45	
	MBR30L45CT	45	45	30.0	200	0.52	15.0	0.500	45	0.45	15.0	20	45	
	MBR30U45CT	45	45	30.0	200	0.46	15.0	0.500	45	0.42	15.0	15	45	
ITO-220AB	MBR10L45FCT	45	45	10.0	125	0.48	5.0	0.500	45	0.45	5.0	15	45	
	MBR10U45FCT	45	45	10.0	125	0.45	5.0	0.500	45	0.40	5.0	15	45	
	MBR20L45FCT	45	45	20.0	150	0.48	10.0	0.500	45	0.45	10.0	15	45	
	MBR20U45FCT	45	45	20.0	150	0.45	10.0	0.500	45	0.40	10.0	15	45	
	MBR30L45FCT	45	45	30.0	200	0.48	15.0	0.500	45	0.45	15.0	15	45	
	MBR30U45FCT	45	45	30.0	200	0.45	15.0	0.500	45	0.42	15.0	15	45	
DO-201AD	SR5L045	45	45	5.0	125	0.48	5.0	0.500	45	0.45	5.0	15	45	
	SR5U045	45	45	5.0	125	0.45	5.0	0.500	45	0.40	5.0	15	45	
	SR10L045	45	45	10.0	150	0.48	10.0	0.500	45	0.45	10.0	15	45	
	SR10U045	45	45	10.0	150	0.45	10.0	0.500	45	0.40	10.0	15	45	
	SR15L045	45	45	15.0	200	0.48	15.0	0.500	45	0.45	15.0	20	45	
	SR15U045	45	45	15.0	200	0.46	15.0	0.500	45	0.42	15.0	15	45	
60V Low VF Trench MOS Schottky Barrier Rectifiers														
TO-220AB	MBR10L60CT	60	60	10.0	125	0.55	5.0	0.300	60	0.53	5.0	25	60	
	MBR10U60CT	60	60	10.0	150	0.50	5.0	0.300	60	0.46	5.0	25	60	
	MBR20L60CT	60	60	20.0	150	0.55	10.0	0.300	60	0.53	10.0	25	60	
	MBR20U60CT	60	60	20.0	200	0.52	10.0	0.300	60	0.47	10.0	25	60	
	MBR30L60CT	60	60	30.0	200	0.55	15.0	0.300	60	0.53	15.0	25	60	
	MBR30U60CT	60	60	30.0	200	0.52	15.0	0.300	60	0.50	15.0	25	60	
ITO-220AB	MBR10L60FCT	60	60	10.0	125	0.55	5.0	0.300	60	0.53	5.0	25	60	
	MBR10U60FCT	60	60	10.0	150	0.50	5.0	0.300	60	0.46	5.0	25	60	
	MBR20L60FCT	60	60	20.0	150	0.55	10.0	0.300	60	0.53	10.0	25	60	
	MBR20U60FCT	60	60	20.0	200	0.52	10.0	0.300	60	0.47	10.0	25	60	
	MBR30L60FCT	60	60	30.0	200	0.55	15.0	0.300	60	0.53	15.0	25	60	
	MBR30U60FCT	60	60	30.0	200	0.52	15.0	0.300	60	0.50	15.0	25	60	
DO-201AD	SR5L06	60	60	5.0	125	0.55	5.0	0.300	60	0.53	5.0	25	60	
	SR5U06	60	60	5.0	150	0.50	5.0	0.300	60	0.46	5.0	25	60	
	SR10L06	60	60	10.0	150	0.55	10.0	0.300	60	0.53	10.0	25	60	
	SR10U06	60	60	10.0	200	0.52	10.0	0.300	60	0.47	10.0	25	60	
	SR15L06	60	60	15.0	200	0.55	15.0	0.300	60	0.53	15.0	25	60	
	SR15U06	60	60	15.0	200	0.52	15.0	0.300	60	0.50	15.0	25	60	
100V Low VF Trench MOS Schottky Barrier Rectifiers														
TO-220AB	MBR10L100CT	100	100	10.0	125	0.70	5.0	0.050	100	0.65	5.0	10	100	
	MBR10U100CT	100	100	10.0	150	0.60	5.0	0.050	100	0.55	5.0	15	100	
	MBR20L100CT	100	100	20.0	150	0.75	10.0	0.050	100	0.68	10.0	10	100	
	MBR20U100CT	100	100	20.0	200	0.68	10.0	0.050	100	0.65	10.0	10	100	
	MBR30L100CT	100	100	30.0	200	0.78	15.0	0.050	100	0.70	15.0	10	100	
	MBR30U100CT	100	100	30.0	200	0.70	15.0	0.150	100	0.65	15.0	25	100	
ITO-220AB	MBR10L100FCT	100	100	10.0	125	0.70	5.0	0.020	100	0.65	5.0	10	100	
	MBR10U100FCT	100	100	10.0	150	0.60	5.0	0.050	100	0.55	5.0	15	100	
	MBR20L100FCT	100	100	20.0	150	0.75	10.0	0.050	100	0.68	10.0	10	100	
	MBR20U100FCT	100	100	20.0	200	0.68	10.0	0.050	100	0.65	10.0	10	100	
	MBR30L100FCT	100	100	30.0	200	0.78	15.0	0.050	100	0.70	15.0	10	100	
	MBR30U100FCT	100	100	30.0	200	0.70	15.0	0.150	100	0.65	15.0	25	100	
DO-201AD	SR5L10	100	100	5.0	125	0.70	5.0	0.050	100	0.65	5.0	10	100	
	SR5U10	100	100	5.0	150	0.60	5.0	0.050	100	0.55	5.0	15	100	
	SR10L10	100	100	10.0	150	0.75	10.0	0.050	100	0.68	10.0	10	100	
	SR10U10	100	100	10.0	200	0.68	10.0	0.050	100	0.65	10.0	10	100	
	SR15L10	100	100	15.0	200	0.78	15.0	0.050	100	0.70	15.0	10	100	
	SR15U10	100	100	15.0	200	0.70	15.0	0.150	100	0.65	15.0	25	100	
SR20U10	100	100	20.0	300	0.75	20.0	0.200	100	0.65	20.0	45	100		

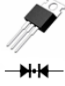
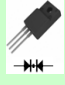


Low VF Schottky Barrier Rectifiers

Package	Part No.	Absolute Max. Rating @25°C				Electrical Characteristics@25°C				Electrical Characteristics @125°C				Circuit Figure	
		V _{RRM} (V)	V _r (V)	I _o (A)	I _{FSM} (A)	V _F (V) Max.		I _r (mA) Max.		V _F (V) Max.		I _r (mA) Max.			
						I _F (A)	V _r (V)	I _F (A)	V _r (V)	I _F (A)	V _r (V)				
60V Low VF Trench MOS Schottky Barrier Rectifiers															
TO-220AB	MBR5U60	60	60	5.0	150	0.50	5.0	0.1	60	0.72	5.0	15	60		
ITO-220AB	MBR5U60F	60	60	5.0	150	0.60	10.0	0.1	60	0.70	10.0	15	60		
120V Low VF Trench MOS Schottky Barrier Rectifiers															
TO-220AB	MBR10L120CT	120	120	10.0	125	0.94	5.0	0.05	120	0.72	5.0	20	120		
	MBR20L120CT	120	120	20.0	150	0.85	10.0	0.02	120	0.70	10.0	10	120		
	MBR30L120CT	120	120	30.0	300	0.88	15.0	0.02	120	0.70	15.0	10	120		
	MBR30U120CT	120	120	30.0	300	0.80	15.0	0.10	120	0.65	15.0	20	120		
	MBR40U120CT	120	120	40.0	300	0.85	20.0	0.05	120	0.70	20.0	50	120		
ITO-220AB	MBR10L120FCT	120	120	10.0	125	0.94	5.0	0.05	120	0.72	5.0	20	120		
	MBR20L120FCT	120	120	20.0	150	0.82	10.0	0.02	120	0.70	10.0	10	120		
	MBR30L120FCT	120	120	30.0	300	0.88	15.0	0.02	120	0.70	15.0	10	120		
DO-201AD	SR5L12	120	120	5.0	125	0.94	5.0	0.05	120	0.72	5.0	20	120		
	SR10L12	120	120	10.0	150	0.85	10.0	0.02	120	0.70	10.0	10	120		
	SR15L12	120	120	15.0	300	0.88	15.0	0.02	120	0.70	15.0	10	120		
DO-201AD	SR20U12	120	120	20.0	300	0.85	20.0	0.05	120	0.70	20.0	50	120		
	150V Low VF Trench MOS Schottky Barrier Rectifiers														
	TO-220AB	MBR10L150CT	150	150	10.0	125	0.82	5.0	0.01	150	0.70	5.0	10	150	
MBR10U150CT		150	150	10.0	125	0.80	5.0	0.03	150	0.64	5.0	10	150		
MBR20L150CT		150	150	20.0	150	0.85	10.0	0.01	150	0.70	10.0	10	150		
MBR20U150CT		150	150	20.0	150	0.80	10.0	0.01	150	0.68	10.0	10	150		
MBR30L150CT		150	150	30.0	250	0.85	15.0	0.01	150	0.75	15.0	10	150		
MBR30U150CT		150	150	30.0	250	0.90	15.0	0.01	150	0.70	15.0	10	150		
MBR40L150CT		150	150	40.0	250	1.00	20.0	0.05	150	0.80	20.0	20	150		
MBR40U150CT		150	150	40.0	250	0.90	20.0	0.05	150	0.70	20.0	20	150		
MBR60L150CT		150	150	60.0	300	1.15	30.0	0.05	150	0.75	30.0	25	150		
ITO-220AB	MBR10L150FCT	150	150	10.0	125	0.82	5.0	0.03	150	0.70	5.0	10	150		
	MBR10U150FCT	150	150	10.0	125	0.80	5.0	0.03	150	0.64	5.0	10	150		
	MBR20L150FCT	150	150	20.0	150	0.85	10.0	0.01	150	0.70	10.0	10	150		
	MBR20U150FCT	150	150	20.0	150	0.80	10.0	0.01	150	0.68	10.0	10	150		
	MBR30L150FCT	150	150	30.0	250	0.85	15.0	0.01	150	0.75	15.0	10	150		
	MBR30U150FCT	150	150	30.0	250	0.90	15.0	0.01	150	0.70	15.0	10	150		
DO-201AD	MBR40L150FCT	150	150	40.0	250	1.00	20.0	0.05	150	0.80	20.0	20	150		
	SR5L15	150	150	5.0	125	0.82	5.0	0.01	150	0.70	5.0	10	150		
	SR5U15	150	150	5.0	125	0.80	5.0	0.03	150	0.64	5.0	10	150		
	SR10L15	150	150	10.0	150	0.85	10.0	0.01	150	0.70	10.0	10	150		
	SR10U15	150	150	10.0	150	0.80	10.0	0.01	150	0.68	10.0	10	150		
	SR15L15	150	150	15.0	250	0.85	15.0	0.01	150	0.75	15.0	10	150		
	SR15U15	150	150	15.0	250	0.90	15.0	0.01	150	0.70	15.0	10	150		
	SR20L15	150	150	20.0	250	1.00	20.0	0.05	150	0.80	20.0	20	150		
	SR20U15	150	150	20.0	300	0.90	20.0	0.05	150	0.70	20.0	20	150		
SR30L15	150	150	30.0	300	1.15	30.0	0.05	150	0.75	30.0	25	150			
200V Low VF Trench MOS Schottky Barrier Rectifiers															
TO-220AB	MBR10L200CT	200	200	10.0	125	0.85	5.0	0.01	200	0.72	5.0	10	200		
	MBR10U200CT	200	200	10.0	125	0.81	5.0	0.01	200	0.61	5.0	10	200		
	MBR20L200CT	200	200	20.0	200	0.89	10.0	0.01	200	0.77	10.0	10	200		
	MBR20U200CT	200	200	20.0	200	0.85	10.0	0.01	200	0.73	10.0	10	200		
	MBR30L200CT	200	200	30.0	300	0.92	15.0	0.01	200	0.80	15.0	10	200		
	MBR30U200CT	200	200	30.0	300	0.90	15.0	0.05	200	0.72	15.0	25	200		
ITO-220AB	MBR10L200FCT	200	200	10.0	125	0.85	5.0	0.01	200	0.72	5.0	10	200		
	MBR10U200FCT	200	200	10.0	125	0.81	5.0	0.01	200	0.61	5.0	10	200		
	MBR20L200FCT	200	200	20.0	200	0.89	10.0	0.01	200	0.77	10.0	10	200		
	MBR20U200FCT	200	200	20.0	200	0.85	10.0	0.01	200	0.73	10.0	10	200		
DO-201AD	MBR30L200FCT	200	200	30.0	300	0.92	15.0	0.01	200	0.80	15.0	10	200		
	SR5L20	200	200	5.0	125	0.85	5.0	0.01	200	0.72	5.0	10	200		
	SR5U20	200	200	5.0	125	0.81	5.0	0.01	200	0.61	5.0	10	200		
	SR10L20	200	200	10.0	200	0.88	10.0	0.01	200	0.77	10.0	10	200		
	SR15L20	200	200	15.0	300	0.92	15.0	0.01	200	0.80	15.0	10	200		
DO-201AD	SR15U20	200	200	15.0	300	0.90	15.0	0.05	200	0.72	15.0	25	200		



Low VF Schottky Barrier Rectifiers

Package	Part No.	Absolute Max. Rating @25°C				Electrical Characteristics@25°C				Electrical Characteristics @125°C				Circuit Figure
		V _{RRM} (V)	V _R (V)	I _o (A)	I _{FSM} (A)	V _F (V) Max.		I _R (mA) Max.		V _F (V) Max.		I _R (mA) Max.		
300V Low VF Trench MOS Schottky Barrier Rectifiers														
						I _F (A)	V _R (V)	I _F (A)	V _R (V)					
TO-220AB	MBR10L300CT	300	300	10.0	125	0.95	5.0	0.01	300	0.80	5.0	10	300	
	MBR20L300CT	300	300	20.0	200	0.95	10.0	0.01	300	0.78	10.0	10	300	
	MBR30L300CT	300	300	30.0	200	0.95	15.0	0.01	300	0.80	15.0	10	300	
	MBR40L300CT	300	300	40.0	250	0.98	20.0	0.01	300	0.80	20.0	10	300	
ITO-220AB	MBR10L300FCT	300	300	10.0	125	0.95	5.0	0.01	300	0.80	5.0	10	300	
	MBR20L300FCT	300	300	20.0	200	0.95	10.0	0.01	300	0.78	10.0	10	300	
	MBR30L300FCT	300	300	30.0	200	0.95	15.0	0.01	300	0.80	15.0	10	300	
	MBR40L300FCT	300	300	40.0	250	0.98	20.0	0.01	300	0.80	20.0	10	300	



Power Schottky Barrier Rectifier

Package	Part No.	Absolute Max. Rating @25°C				Electrical Characteristics @25°C				Circuit Figure
		V _{RRM} (V)	V _R (V)	I _o (A)	I _{FSM} (A)	V _F (V) Max.		I _r (mA) Max.		
						I _F (A)		I _r (mA)	V _r (V)	
10.0A Schottky Rectifiers (Epitaxial Planar)										
TO-220AC	MBR1040	40	40	10.0	150	0.65	10.0	0.050	40	
	MBR1045	45	45	10.0	150	0.65	10.0	0.050	45	
	MBR1060	60	60	10.0	150	0.75	10.0	0.010	60	
	MBR10100	100	100	10.0	150	0.85	10.0	0.010	100	
	MBR10150	150	150	10.0	150	0.92	10.0	0.010	150	
	MBR10200	200	200	10.0	150	0.92	10.0	0.010	200	
10.0A Schottky Rectifiers (Epitaxial Planar) --- Common Cathode										
TO-220AB	SB1040CT	40	40	10.0	125	0.55	5.0	0.500	40	
	SB1045CT	45	45	10.0	125	0.55	5.0	0.500	45	
	SB1060CT	60	60	10.0	125	0.65	5.0	0.500	60	
	SB1065CT	65	65	10.0	125	0.65	5.0	0.500	65	
	MBR1040CT	40	40	10.0	125	0.65	5.0	0.050	40	
	MBR1045CT	45	45	10.0	125	0.65	5.0	0.050	45	
	MBR1060CT	60	60	10.0	125	0.75	5.0	0.050	60	
	MBR10100CT	100	100	10.0	125	0.85	5.0	0.010	100	
	MBR10150CT	150	150	10.0	125	0.92	5.0	0.010	150	
	MBR10200CT	200	200	10.0	125	0.92	5.0	0.010	200	
ITO-220AB	SB1040FCT	40	40	10.0	125	0.55	5.0	0.500	40	
	SB1045FCT	45	45	10.0	125	0.55	5.0	0.500	45	
	SB1060FCT	60	60	10.0	125	0.65	5.0	0.500	60	
	SB1065FCT	65	65	10.0	125	0.65	5.0	0.500	65	
	MBR1040FCT	40	40	10.0	125	0.65	5.0	0.050	40	
	MBR1045FCT	45	45	10.0	125	0.65	5.0	0.050	45	
	MBR1060FCT	60	60	10.0	125	0.75	5.0	0.050	60	
	MBR10100FCT	100	100	10.0	125	0.85	5.0	0.010	100	
	MBR10150FCT	150	150	10.0	125	0.92	5.0	0.010	150	
	MBR10200FCT	200	200	10.0	125	0.92	5.0	0.010	200	
20.0A Schottky Rectifiers (Epitaxial Planar) --- Common Cathode										
TO-220AB	SB2040CT	40	40	20.0	150	0.55	10.0	0.500	40	
	SB2045CT	45	45	20.0	150	0.55	10.0	0.500	45	
	SB2060CT	60	60	20.0	150	0.65	10.0	0.500	60	
	SB2065CT	65	65	20.0	150	0.50	10.0	0.500	65	
	MBR2040CT	40	40	20.0	150	0.65	10.0	0.050	40	
	MBR2045CT	45	45	20.0	150	0.65	10.0	0.050	45	
	MBR2060CT	60	60	20.0	150	0.75	10.0	0.050	60	
	MBR20100CT	100	100	20.0	150	0.85	10.0	0.010	100	
	MBR20150CT	150	150	20.0	150	0.92	10.0	0.010	150	
MBR20200CT	200	200	20.0	150	0.92	10.0	0.010	200		
ITO-220AB	SB2040FCT	40	40	20.0	150	0.55	10.0	0.500	40	
	SB2045FCT	45	45	20.0	150	0.55	10.0	0.500	45	
	SB2060FCT	60	60	20.0	150	0.65	10.0	0.500	60	
	SB2065FCT	65	65	20.0	150	0.50	10.0	0.500	65	
	MBR2040FCT	40	40	20.0	150	0.65	10.0	0.050	40	
	MBR2045FCT	45	45	20.0	150	0.65	10.0	0.050	45	
	MBR2060FCT	60	60	20.0	150	0.75	10.0	0.050	60	
	MBR20100FCT	100	100	20.0	150	0.85	10.0	0.010	100	
	MBR20150FCT	150	150	20.0	150	0.92	10.0	0.010	150	
MBR20200FCT	200	200	20.0	150	0.92	10.0	0.010	200		



Power Schottky Barrier Rectifier

Package	Part No.	Absolute Max Rating @25°C				Electrical Characteristics @25°C				Circuit Figure
		V _{RRM} (V)	V _R (V)	I _o (A)	I _{FSM} (A)	V _F (V) Max.		I _R (mA) Max.		
						I _F (A)		V _R (V)		
30.0A Schottky Rectifiers (Epitaxial Planar) --- Common Cathode										
TO-220AB	SB3040CT	40	40	30.0	200	0.55	15.0	0.500	40	
	SB3045CT	45	45	30.0	200	0.55	15.0	0.500	45	
	SB3060CT	60	60	30.0	200	0.65	15.0	0.500	60	
	SB3065CT	65	65	30.0	200	0.65	15.0	0.500	65	
	MBR3040CT	40	40	30.0	200	0.65	15.0	0.050	40	
	MBR3045CT	45	45	30.0	200	0.65	15.0	0.050	45	
	MBR3060CT	60	60	30.0	200	0.75	15.0	0.050	60	
	MBR30100CT	100	100	30.0	200	0.85	15.0	0.010	100	
	MBR30150CT	150	150	30.0	200	0.95	15.0	0.010	150	
	MBR30200CT	200	200	30.0	200	0.95	15.0	0.010	200	
ITO-220AB	SB3040FCT	40	40	30.0	200	0.55	15.0	0.500	40	
	SB3045FCT	45	45	30.0	200	0.55	15.0	0.500	45	
	SB3060FCT	60	60	30.0	200	0.65	15.0	0.500	60	
	SB3065FCT	65	65	30.0	200	0.65	15.0	0.500	65	
	MBR3040FCT	40	40	30.0	200	0.65	15.0	0.050	40	
	MBR3045FCT	45	45	30.0	200	0.65	15.0	0.050	45	
	MBR3060FCT	60	60	30.0	200	0.75	15.0	0.050	60	
	MBR30100FCT	100	100	30.0	200	0.85	15.0	0.010	100	
	MBR30150FCT	150	150	30.0	200	0.95	15.0	0.010	150	
	MBR30200FCT	200	200	30.0	200	0.95	15.0	0.010	200	
40.0A Schottky Rectifiers (Epitaxial Planar) --- Common Cathode										
TO-220AB	SB4040CT	40	40	40.0	250	0.55	20.0	0.500	40	
	SB4045CT	45	45	40.0	250	0.55	20.0	0.500	45	
	SB4060CT	60	60	40.0	250	0.65	20.0	0.500	60	
	SB4065CT	65	65	40.0	250	0.65	20.0	0.500	65	
	MBR4040CT	40	40	40.0	250	0.65	20.0	0.100	40	
	MBR4045CT	45	45	40.0	250	0.65	20.0	0.100	45	
	MBR4060CT	60	60	40.0	250	0.75	20.0	0.100	60	
	MBR40100CT	100	100	40.0	250	0.85	20.0	0.010	100	
	MBR40150CT	150	150	40.0	250	0.95	20.0	0.010	150	
	MBR40200CT	200	200	40.0	250	0.95	20.0	0.010	200	
ITO-220AB	MBR4040FCT	40	40	40.0	250	0.65	20.0	0.100	40	
	MBR4045FCT	45	45	40.0	250	0.65	20.0	0.100	45	
	MBR4060FCT	60	60	40.0	250	0.75	20.0	0.100	60	
	MBR40100FCT	100	100	40.0	250	0.85	20.0	0.010	100	
	MBR40150FCT	150	150	40.0	250	0.95	20.0	0.010	150	
	MBR40200FCT	200	200	40.0	250	0.95	20.0	0.010	200	
60.0A Schottky Rectifiers (Epitaxial Planar) --- Common Cathode										
TO-220AB	SB6040CT	40	40	60.0	300	0.55	30.0	0.500	40	
	SB6045CT	45	45	60.0	300	0.55	30.0	0.500	45	
	SB6060CT	60	60	60.0	300	0.65	30.0	0.500	60	
	SB6065CT	65	65	60.0	300	0.65	30.0	0.500	65	



Schottky Barrier Rectifiers

Package	Part No.	Absolute Maximum Rating (TA=25°C)				Electrical Characteristics (TA=25°C)			
		VRRM (V)	VR (V)	Io (A)	IFSM (A)	VF(V) Max.		IR(mA) Max.	
						IF(A)		VR(V)	
1.0A Schottky Barrier Rectifiers (Epitaxial Planar)									
DO-41	SR140	40	40	1.0	30	0.55	1.0	0.5	40
	SR160	60	60	1.0	30	0.70	1.0	0.5	60
	SR1100	100	100	1.0	30	0.85	1.0	0.5	100
	SR1150	150	150	1.0	30	0.90	1.0	0.5	150
	SR1200	200	200	1.0	30	0.92	1.0	0.5	200
DO-41	1N5817	20	20	1.0	25	0.45	1.0	0.5	20
	1N5818	30	30	1.0	25	0.55	1.0	0.5	30
	1N5819	40	40	1.0	25	0.60	1.0	0.5	40
2.0A Schottky Barrier Rectifiers (Epitaxial Planar)									
DO-41	SR240	40	40	2.0	50	0.55	2.0	0.5	40
	SR260	60	60	2.0	50	0.70	2.0	0.5	60
	SR2100	100	100	2.0	50	0.85	2.0	0.5	100
DO-15	SB240	40	40	2.0	50	0.55	2.0	0.5	40
	SB260	60	60	2.0	50	0.70	2.0	0.5	60
	SB2100	100	100	2.0	50	0.85	2.0	0.5	100
	SB2150	150	150	2.0	50	0.90	2.0	0.5	150
	SB2200	200	200	2.0	50	0.92	2.0	0.5	200
3.0A Schottky Barrier Rectifiers (Epitaxial Planar)									
DO-201AD	SR340	40	40	3.0	80	0.55	3.0	0.5	40
	SR360	60	60	3.0	80	0.70	3.0	0.5	60
	SR3100	100	100	3.0	80	0.85	3.0	0.5	100
	SR3150	150	150	3.0	80	0.90	3.0	0.5	150
	SR3200	200	200	3.0	80	0.92	3.0	0.5	200
DO-201AD	1N5820	20	20	3.0	80	0.475	3.0	0.5	20
	1N5821	30	30	3.0	80	0.50	3.0	0.5	30
	1N5822	40	40	3.0	80	0.525	3.0	0.5	40
5.0A Schottky Barrier Rectifiers (Epitaxial Planar)									
DO-201AD	SR540	40	40	5.0	150	0.55	5.0	0.5	40
	SR560	60	60	5.0	150	0.70	5.0	0.5	60
	SR5100	100	100	5.0	150	0.85	5.0	0.5	100
	SR5150	150	150	5.0	150	0.90	5.0	0.5	150
	SR5200	200	200	5.0	150	0.92	5.0	0.5	200
8.0A Schottky Barrier Rectifiers (Epitaxial Planar)									
DO-201AD	SR840	40	40	8.0	150	0.55	8.0	0.5	40
	SR860	60	60	8.0	150	0.70	8.0	0.5	60
	SR8100	100	100	8.0	150	0.85	8.0	0.5	100
	SR8150	150	150	8.0	150	0.90	8.0	0.5	150
	SR8200	200	200	8.0	150	0.92	8.0	0.5	200
10.0A Schottky Barrier Rectifiers (Epitaxial Planar)									
DO-201AD	SR1040	40	40	10.0	180	0.55	10.0	0.5	40
	SR1060	60	60	10.0	180	0.70	10.0	0.5	60
	SR10100	100	100	10.0	180	0.85	10.0	0.5	100
	SR10150	150	150	10.0	180	0.90	10.0	0.5	150
	SR10200	200	200	10.0	180	0.92	10.0	0.5	200
10.0A Schottky Barrier Rectifiers (Epitaxial Planar)									
P600 (R6)	SB1040	40	40	10.0	180	0.55	10.0	0.5	40
	SB1060	60	60	10.0	180	0.70	10.0	0.5	60
	SB10100	100	100	10.0	180	0.85	10.0	0.5	100
	SB10150	150	150	10.0	180	0.90	10.0	0.5	150
	SB10200	200	200	10.0	180	0.92	10.0	0.5	200
15.0A Schottky Barrier Rectifiers (Bypass Diodes for Solar Modules)									
P600 (R6)	SR1540	40	40	15.0	275	0.55	15.0	0.5	40
	SR1560	60	60	15.0	275	0.70	15.0	0.5	60
20.0A Schottky Barrier Rectifiers (Bypass Diodes for Solar Modules)									
P600 (R6)	SR2040	40	40	20.0	310	0.55	20.0	0.5	40
	SR2060	60	60	20.0	310	0.70	20.0	0.5	60



Surface Mount Schottky Barrier Rectifiers

Package	Part No.	Absolute Max. Rating@25°C				Electrical Characteristics @25°C				Electrical Characteristics @125°C				Circuit Figure
		V _{RRM} (V)	V _R (V)	I _o (A)	I _{FSM} (A)	V _F (V) Max.		I _R (mA) Max.		V _F (V) Max.		V _F (V) Typ.		
5.0A Low Forward Voltage & High T _j Surface Mount Schottky Barrier Rectifiers														New
TO-277B	SV545L	45	45	5.0	125	0.50	5.0	0.5	45	0.46	5.0	0.30	2.0	
	SV545U	45	45	5.0	150	0.45	5.0	0.5	45	0.40	5.0	0.28	2.0	
	SV560L	60	60	5.0	125	0.55	5.0	0.5	60	0.53	5.0	0.36	2.0	
	SV560U	60	60	5.0	150	0.50	5.0	0.5	60	0.46	5.0	0.31	2.0	
	SV5100L	100	100	5.0	125	0.70	5.0	0.5	100	0.65	5.0	0.45	2.0	
SV5100U	100	100	5.0	150	0.60	5.0	0.5	100	0.55	5.0	0.37	2.0		
8.0A Low Forward Voltage & High T _j Surface Mount Schottky Barrier Rectifiers														New
TO-277B	SV860L	60	42	8.0	180	0.52	8.0	0.2	60	0.48	8.0	0.28	2.0	
10.0A Low Forward Voltage & High T _j Surface Mount Schottky Barrier Rectifiers														New
TO-277B	SV1045	45	45	10.0	150	0.50	10.0	0.5	45	0.45	10.0	0.25	2.0	
	SV10545	45	45	10.0	150	0.48	10.0	0.5	45	0.43	10.0	0.24	2.0	
	SV1045L	45	45	10.0	300	0.45	10.0	0.5	45	0.43	10.0	0.23	2.0	
	SV1060	60	60	10.0	150	0.60	10.0	0.5	60	0.58	10.0	0.31	2.0	
	SV1060L	60	60	10.0	200	0.55	10.0	0.5	60	0.53	10.0	0.28	2.0	
	SV10100L	100	100	10.0	150	0.75	10.0	0.1	100	0.68	10.0	0.37	2.0	
SV10100U	100	100	10.0	200	0.68	10.0	0.1	100	0.65	10.0	0.35	2.0		
15.0A Low Forward Voltage & High T _j Surface Mount Schottky Barrier Rectifiers														New
TO-277B	SV1545L	45	45	15.0	300	0.46	15.0	0.5	45	0.42	15.0	0.22	2.0	
	SV1550L	50	50	15.0	300	0.46	15.0	0.5	50	0.42	15.0	0.22	2.0	
	SV1560L	60	60	15.0	300	0.55	15.0	0.5	60	0.50	15.0	0.27	2.0	
	SV1560U	60	60	15.0	300	0.52	15.0	0.5	60	0.48	15.0	0.26	2.0	
	SV15100L	100	100	15.0	300	0.70	15.0	0.2	100	0.65	15.0	0.33	2.0	
20.0A Low Forward Voltage & High T _j Surface Mount Schottky Barrier Rectifiers														New
TO-277B	SV2045L	45	45	20.0	350	0.52	20.0	0.5	45	0.50	20.0	0.21	2.0	
	SV2060L	60	60	20.0	350	0.55	20.0	0.5	60	0.53	20.0	0.25	2.0	
	SV20100L	100	100	20.0	350	0.72	20.0	0.5	100	0.68	20.0	0.28	2.0	



Surface Mount Schottky Barrier Rectifiers

Package	Part No.	Absolute Maximum Rating @25°C				Electrical Characteristics @25°C			
		V _{RRM} (V)	V _R (V)	I _O (A)	I _{FSM} (A)	V _F (V) Max.		I _R (mA) Max.	
						I _F (A)	V _R (V)	I _R (mA)	V _R (V)
1.0A Surface Mount Schottky Barrier Rectifiers (Epitaxial Planar)									
SOD-123H1	FM140-MH1	40	40	1.0	30	0.50	1.0	0.5	40
	FM160-MH1	60	60	1.0	30	0.70	1.0	0.5	60
	FM1100-MH1	100	100	1.0	30	0.85	1.0	0.5	100
	FM1150-MH1	150	150	1.0	30	0.90	1.0	0.5	150
	FM1200-MH1	200	200	1.0	30	0.92	1.0	0.5	200
SOD-123S	FM120-MS	20	20	1.0	30	0.50	1.0	0.5	20
	FM130-MS	30	30	1.0	30	0.50	1.0	0.5	30
	FM140-MS	40	40	1.0	30	0.50	1.0	0.5	40
	FM150-MS	50	50	1.0	30	0.70	1.0	0.5	50
	FM160-MS	60	60	1.0	30	0.70	1.0	0.5	60
	FM180-MS	80	70	1.0	30	0.85	1.0	0.5	80
	FM1100-MS	100	80	1.0	30	0.85	1.0	0.5	100
	FM1150-MS	150	90	1.0	30	0.90	1.0	0.5	150
SOD-323S	FM120-NS	20	20	1.0	25	0.55	1.0	0.5	20
	FM130-NS	30	30	1.0	25	0.55	1.0	0.5	30
	FM140-NS	40	40	1.0	25	0.55	1.0	0.5	40
SMA-S	FM120-S	20	20	1.0	30	0.50	1.0	0.5	20
	FM130-S	30	30	1.0	30	0.50	1.0	0.5	30
	FM140-S	40	40	1.0	30	0.50	1.0	0.5	40
	FM150-S	50	50	1.0	30	0.70	1.0	0.5	50
	FM160-S	60	60	1.0	30	0.70	1.0	0.5	60
	FM180-S	80	70	1.0	30	0.85	1.0	0.5	80
	FM1100-S	100	80	1.0	30	0.85	1.0	0.5	100
	FM1150-S	150	90	1.0	30	0.90	1.0	0.5	150
SMA (DO-214AC)	SS12	20	20	1.0	30	0.50	1.0	0.5	20
	SS13	30	30	1.0	30	0.50	1.0	0.5	30
	SS14	40	40	1.0	30	0.50	1.0	0.5	40
	SS15	50	50	1.0	30	0.70	1.0	0.5	50
	SS16	60	60	1.0	30	0.70	1.0	0.5	60
	SS17	70	70	1.0	30	0.85	1.0	0.5	70
	SS18	80	80	1.0	30	0.85	1.0	0.5	80
	SS19	90	90	1.0	30	0.85	1.0	0.5	90
	SS110	100	100	1.0	30	0.85	1.0	0.5	100
	SS115	150	150	1.0	30	0.90	1.0	0.5	150
SS120	200	200	1.0	30	0.92	1.0	0.5	200	
1.0A Low Forward Voltage Surface Mount Schottky Barrier Rectifiers (Epitaxial Planar)									
SOD-123S	SL12-MS	20	20	1.0	30	0.38	1.0	1.0	20
	SL14-MS	40	40	1.0	30	0.40	1.0	1.0	40
SMA-S	SL12-S	20	20	1.0	30	0.38	1.0	1.0	20
	SL13-S	30	30	1.0	30	0.40	1.0	1.0	30
	SL14-S	40	40	1.0	30	0.40	1.0	1.0	40
2.0A Surface Mount Schottky Barrier Rectifiers (Epitaxial Planar)									
SOD-123H1	FM240-MH1	40	40	2.0	50	0.50	2.0	0.5	40
	FM260-MH1	60	60	2.0	50	0.70	2.0	0.5	60
	FM2100-MH1	100	100	2.0	50	0.85	2.0	0.5	100
	FM2150-MH1	150	150	2.0	50	0.90	2.0	0.5	150
	FM2200-MH1	200	200	2.0	50	0.92	2.0	0.5	200
SOD-123HT	FM220-MHT	20	20	2.0	50	0.50	2.0	0.2	20
	FM230-MHT	30	30	2.0	50	0.50	2.0	0.2	30
	FM240-MHT	40	40	2.0	50	0.50	2.0	0.2	40
	FM250-MHT	50	50	2.0	50	0.70	2.0	0.2	50
	FM260-MHT	60	60	2.0	50	0.70	2.0	0.2	60
	FM280-MHT	80	70	2.0	50	0.85	2.0	0.2	80
	FM2100-MHT	100	80	2.0	50	0.85	2.0	0.2	100
	FM2150-MHT	150	90	2.0	50	0.90	2.0	0.2	150
FM2200-MHT	200	100	2.0	50	0.92	2.0	0.2	200	



Surface Mount Schottky Barrier Rectifiers

Package	Part No.	Absolute Maximum Rating @25°C				Electrical Characteristics @25°C			
		V _{RRM}	V _R	I _O	I _{FSM}	V _F (V) Max.		I _R (mA) Max.	
		(V)	(V)	(A)	(A)	I _F (A)		I _R (mA)	V _R (V)
2.0A Surface Mount Schottky Barrier Rectifiers (Epitaxial Planar)									
SOD-123S	FM220-MS	20	20	2.0	50	0.50	2.0	0.5	20
	FM230-MS	30	30	2.0	50	0.50	2.0	0.5	30
	FM240-MS	40	40	2.0	50	0.50	2.0	0.5	40
	FM250-MS	50	50	2.0	50	0.70	2.0	0.5	50
	FM260-MS	60	60	2.0	50	0.70	2.0	0.5	60
	FM280-MS	80	80	2.0	50	0.85	2.0	0.5	80
	FM2100-MS	100	100	2.0	50	0.85	2.0	0.5	100
	FM2150-MS	150	150	2.0	50	0.90	2.0	0.5	150
	FM2200-MS	200	200	2.0	50	0.92	2.0	0.5	200
SMA-S	FM220-S	20	20	2.0	50	0.50	2.0	0.5	20
	FM230-S	30	30	2.0	50	0.50	2.0	0.5	30
	FM240-S	40	40	2.0	50	0.50	2.0	0.5	40
	FM250-S	50	50	2.0	50	0.70	2.0	0.5	50
	FM260-S	60	60	2.0	50	0.70	2.0	0.5	60
	FM280-S	80	70	2.0	50	0.85	2.0	0.5	80
	FM2100-S	100	80	2.0	50	0.85	2.0	0.5	100
	FM2150-S	150	90	2.0	50	0.90	2.0	0.5	150
	FM2200-S	200	100	2.0	50	0.92	2.0	0.5	200
SMB A1 (DO-214AA)	SS22	20	20	2.0	50	0.50	2.0	0.5	20
	SS23	30	30	2.0	50	0.50	2.0	0.5	30
	SS24	40	40	2.0	50	0.50	2.0	0.5	40
	SS25	50	50	2.0	50	0.70	2.0	0.5	50
	SS26	60	60	2.0	50	0.70	2.0	0.5	60
	SS28	80	80	2.0	50	0.85	2.0	0.5	80
	SS210	100	100	2.0	50	0.85	2.0	0.5	100
	SS215	150	150	2.0	50	0.92	2.0	0.5	150
	SS220	200	200	2.0	50	0.95	2.0	0.5	200
	SMA (DO-214AC)	SS22A	20	20	2.0	50	0.50	2.0	0.5
SS23A		30	30	2.0	50	0.50	2.0	0.5	30
SS24A		40	40	2.0	50	0.50	2.0	0.5	40
SS25A		50	50	2.0	50	0.70	2.0	0.5	50
SS26A		60	60	2.0	50	0.70	2.0	0.5	60
SS28A		80	80	2.0	50	0.85	2.0	0.5	80
SS210A		100	100	2.0	50	0.85	2.0	0.5	100
SS215A		150	150	2.0	50	0.90	2.0	0.5	150
SS220A		200	200	2.0	50	0.92	2.0	0.5	200
3.0A Low Forward Voltage Surface Mount Schottky Barrier Rectifiers (Epitaxial Planar)									
SMC (DO-214AB)	SL32	20	20	3.0	80	0.38	3.0	1.0	20
	SL33	30	30	3.0	80	0.40	3.0	1.0	30
	SL34	40	40	3.0	80	0.40	3.0	1.0	40
SMA (DO-214AC)	SL32A	20	20	3.0	80	0.38	3.0	1.0	20
	SL33A	30	30	3.0	80	0.40	3.0	1.0	30
	SL34A	40	40	3.0	80	0.40	3.0	1.0	40
3.0A Surface Mount Schottky Barrier Rectifiers (Epitaxial Planar)									
SMA-S	FM320-AS	20	20	3.0	80	0.50	3.0	0.5	20
	FM330-AS	30	30	3.0	80	0.50	3.0	0.5	30
	FM340-AS	40	40	3.0	80	0.50	3.0	0.5	40
	FM345-AS	45	45	3.0	80	0.50	3.0	0.5	45
	FM350-AS	50	50	3.0	80	0.70	3.0	0.5	50
	FM360-AS	60	60	3.0	80	0.70	3.0	0.5	60
	FM380-AS	80	80	3.0	80	0.85	3.0	0.5	80
	FM3100-AS	100	100	3.0	80	0.85	3.0	0.5	100
	FM3150-AS	150	150	3.0	80	0.90	3.0	0.5	150
	FM3200-AS	200	200	3.0	80	0.92	3.0	0.5	200



Surface Mount Schottky Barrier Rectifiers

Package	Part No.	Absolute Maximum Rating @25°C				Electrical Characteristics @25°C			
		V _{RRM}	V _R	I _o	I _{FSM}	V _F (V) Max.		I _r (mA) Max.	
		(V)	(V)	(A)	(A)	I _F (A)		V _R (V)	
3.0A Surface Mount Schottky Barrier Rectifiers (Epitaxial Planar)									
SMC (DO-214AB)	SS32	20	20	3.0	80	0.50	3.0	0.5	20
	SS33	30	30	3.0	80	0.50	3.0	0.5	30
	SS34	40	40	3.0	80	0.50	3.0	0.5	40
	SS35	50	50	3.0	80	0.70	3.0	0.5	50
	SS36	60	60	3.0	80	0.70	3.0	0.5	60
	SS38	80	80	3.0	80	0.85	3.0	0.5	80
	SS310	100	100	3.0	100	0.85	3.0	0.5	100
	SS315	150	150	3.0	100	0.90	3.0	0.5	150
	SS320	200	200	3.0	100	0.92	3.0	0.5	200
SMA (DO-214AC)	SS32A	20	20	3.0	80	0.50	3.0	0.5	20
	SS33A	30	30	3.0	80	0.50	3.0	0.5	30
	SS34A	40	40	3.0	80	0.50	3.0	0.5	40
	SS35A	50	50	3.0	80	0.70	3.0	0.5	50
	SS36A	60	60	3.0	80	0.70	3.0	0.5	60
	SS38A	80	80	3.0	80	0.85	3.0	0.5	80
	SS310A	100	100	3.0	80	0.85	3.0	0.5	100
	SS315A	150	150	3.0	80	0.90	3.0	0.5	150
	SS320A	200	200	3.0	80	0.92	3.0	0.5	200
SMB (DO-214AA)	SS32B	20	20	3.0	80	0.50	3.0	0.5	20
	SS33B	30	30	3.0	80	0.50	3.0	0.5	30
	SS34B	40	40	3.0	80	0.50	3.0	0.5	40
	SS35B	50	50	3.0	80	0.70	3.0	0.5	50
	SS36B	60	60	3.0	80	0.70	3.0	0.5	60
	SS38B	80	80	3.0	80	0.85	3.0	0.5	80
	SS310B	100	100	3.0	80	0.85	3.0	0.5	100
	SS315B	150	150	3.0	80	0.90	3.0	0.5	150
	SS320B	200	200	3.0	80	0.92	3.0	0.5	200
5.0A Surface Mount Schottky Barrier Rectifiers (Epitaxial Planar)									
SMC (DO-214AB)	FM520	20	20	5.0	150	0.55	5.0	0.5	20
	FM530	30	30	5.0	150	0.55	5.0	0.5	30
	FM540	40	40	5.0	150	0.55	5.0	0.5	40
	FM550	50	50	5.0	150	0.70	5.0	0.5	50
	FM560	60	60	5.0	150	0.70	5.0	0.5	60
	FM580	80	80	5.0	150	0.85	5.0	0.5	80
	FM5100	100	100	5.0	150	0.85	5.0	0.5	100
	FM5150	150	150	5.0	150	0.90	5.0	0.5	150
	FM5200	200	200	5.0	150	0.92	5.0	0.5	200
SMB-S	FM520-BS	20	20	5.0	150	0.55	5.0	0.5	20
	FM530-BS	30	30	5.0	150	0.55	5.0	0.5	30
	FM540-BS	40	40	5.0	150	0.55	5.0	0.5	40
	FM550-BS	50	50	5.0	150	0.70	5.0	0.5	50
	FM560-BS	60	60	5.0	150	0.70	5.0	0.5	60
	FM580-BS	80	80	5.0	150	0.85	5.0	0.5	80
	FM5100-BS	100	100	5.0	150	0.85	5.0	0.5	100
	FM5150-BS	150	150	5.0	150	0.90	5.0	0.5	150
	FM5200-BS	200	200	5.0	150	0.92	5.0	0.5	200
SMC (DO-214AB)	SS52	20	20	5.0	150	0.55	5.0	0.5	20
	SS53	30	30	5.0	150	0.55	5.0	0.5	30
	SS54	40	40	5.0	150	0.55	5.0	0.5	40
	SS55	50	50	5.0	150	0.70	5.0	0.5	50
	SS56	60	60	5.0	150	0.70	5.0	0.5	60
	SS58	80	80	5.0	150	0.85	5.0	0.5	80
	SS510	100	100	5.0	150	0.85	5.0	0.5	100
	SS515	150	150	5.0	150	0.90	5.0	0.5	150
	SS520	200	200	5.0	150	0.92	5.0	0.5	200
SMB (DO-214AA)	SS52B	20	20	5.0	150	0.55	5.0	0.5	20
	SS53B	30	30	5.0	150	0.55	5.0	0.5	30
	SS54B	40	40	5.0	150	0.55	5.0	0.5	40
	SS55B	50	50	5.0	150	0.70	5.0	0.5	50
	SS56B	60	60	5.0	150	0.70	5.0	0.5	60
	SS58B	80	80	5.0	150	0.85	5.0	0.5	80
	SS510B	100	100	5.0	150	0.85	5.0	0.5	100
	SS515B	150	150	5.0	150	0.90	5.0	0.5	150
	SS520B	200	200	5.0	150	0.92	5.0	0.5	200



Surface Mount Schottky Barrier Rectifiers

Package	Part No.	Absolute Maximum Rating @25°C				Electrical Characteristics @25°C			
		V _{RRM} (V)	V _R (V)	I _o (A)	I _{FSM} (A)	V _F (V) Max.		I _R (mA) Max.	
						I _F (A)		V _R (V)	
6.0A Surface Mount Schottky Barrier Rectifiers (Epitaxial Planar)									
SMC (DO-214AB)	SS62	20	20	6.0	150	0.55	6.0	0.5	20
	SS63	30	30	6.0	150	0.55	6.0	0.5	30
	SS64	40	40	6.0	150	0.55	6.0	0.5	40
	SS65	50	50	6.0	150	0.70	6.0	0.5	50
	SS66	60	60	6.0	150	0.70	6.0	0.5	60
	SS68	80	80	6.0	150	0.85	6.0	0.5	80
	SS610	100	100	6.0	150	0.85	6.0	0.5	100
SMB (DO-214AA)	SS62B	20	20	6.0	150	0.55	6.0	0.5	20
	SS63B	30	30	6.0	150	0.55	6.0	0.5	30
	SS64B	40	40	6.0	150	0.55	6.0	0.5	40
	SS65B	50	50	6.0	150	0.70	6.0	0.5	50
	SS66B	60	60	6.0	150	0.70	6.0	0.5	60
	SS68B	80	80	6.0	150	0.85	6.0	0.5	80
	SS610B	100	100	6.0	150	0.85	6.0	0.5	100
8.0A Surface Mount Schottky Barrier Rectifiers (Epitaxial Planar)									
SMC (DO-214AB)	SS82	20	20	8.0	150	0.55	8.0	0.5	20
	SS83	30	30	8.0	150	0.55	8.0	0.5	30
	SS84	40	40	8.0	150	0.55	8.0	0.5	40
	SS85	50	50	8.0	150	0.70	8.0	0.5	50
	SS86	60	60	8.0	150	0.70	8.0	0.5	60
	10A Surface Mount Schottky Barrier Rectifiers								
TO-277B	F10S45	45	45	10.0	180	0.44	10.0	0.5	45
	F10S50	50	50	10.0	180	0.44	10.0	0.5	50
15A Surface Mount Schottky Barrier Rectifiers									
TO-277B	F15S45	45	45	15.0	240	0.49	15.0	0.5	45
	F15S50	50	50	15.0	240	0.49	15.0	0.5	50
20A Surface Mount Schottky Barrier Rectifiers									
TO-277B	F20S45	45	45	20.0	240	0.45	20.0	0.5	45
	F20S50	50	50	20.0	240	0.45	20.0	0.5	50

Surface Mount Low Leakage Schottky Barrier Rectifiers

Package	Part No.	Absolute Maximum Rating @25°C				Electrical Characteristics @25°C			
		V _{RRM} (V)	V _R (V)	I _o (A)	I _{FSM} (A)	V _F (V) Max.		I _R (μA) Max.	
						I _F (A)		V _R (V)	
0.2A Surface Mount Low Leakage Schottky Barrier Rectifiers (Epitaxial Planar)									
0402	FM0240-V	40	40	0.2	1	0.60	0.2	5	40
0.75A Surface Mount Low Leakage Schottky Barrier Rectifiers (Epitaxial Planar)									
0603	KLFM07540-U	40	40	0.75	3	0.55	0.75	10	40
3A Surface Mount Low Leakage Schottky Barrier Rectifiers (Epitaxial Planar)									
SMA-S	KLFM320-AS	20	20	3.0	80	0.55	3.0	50	20
	KLFM330-AS	30	30	3.0	80	0.55	3.0	50	30
	KLFM340-AS	40	40	3.0	80	0.55	3.0	50	40

Surface Mount Schottky Barrier Diode Array

Package	Part No.	Absolute Maximum Rating @25°C				Electrical Characteristics @25°C			
		V _{RRM} (V)	V _R (V)	I _o (mA)	I _{FSM} (mA)	V _F (V) Max.		I _R (μA) Max.	
						I _F (mA)		V _R (V)	
200mW Surface Mount Low V_F Schottky Barrier Rectifiers									
SOT-363	BAS70BRW	70	70	70	100	1.0	15	0.1	50
	BAS70DW-04	70	70	70	100	1.0	15	0.1	50
	BAS70DW-05	70	70	70	100	1.0	15	0.1	50
	BAS70DW-06	70	70	70	100	1.0	15	0.1	50
	BAS70TW	70	70	70	100	1.0	15	0.1	50



High Voltage Rectifiers

Package	Part No.	Absolute Maximum Rating (TA=25°C)				Electrical Characteristics (TA=25°C)			
		V _{RRM} (V)	V _R (V)	I _o (A)	I _{FSM} (A)	V _F (V) Max.		I _R (μA) Max.	
0.2A High Voltage Rectifiers									
DO-41	GP02-25	2500	2500	0.2	25	3	0.20	5.0	2500
	GP02-30	3000	3000	0.2	25	3	0.20	5.0	3000
DO-15	GP02-35	3500	3500	0.2	25	5	0.20	5.0	3500
	GP02-40	4000	4000	0.2	25	5	0.20	5.0	4000
	GP02-50	5000	5000	0.2	20	7	0.20	5.0	5000
	GP02-60	6000	6000	0.2	20	7	0.20	5.0	6000
0.35A High Voltage Microwave Oven Rectifiers									
HV03	HV03-08	8000	8000	0.35	30	10	0.35	5.0	8000
	HV03-09	9000	9000	0.35	30	10	0.35	5.0	9000
	HV03-10	10000	10000	0.35	30	10	0.35	5.0	10000
	HV03-12	12000	12000	0.35	30	12	0.35	5.0	12000
	HV03-14	14000	14000	0.35	30	15	0.35	5.0	14000
	HV03-15	15000	15000	0.35	30	15	0.35	5.0	15000
	HV03-16	16000	16000	0.35	30	15	0.35	5.0	16000
0.5A High Voltage Rectifiers									
DO-41	GP05-10	1000	1000	0.5	30	2	0.50	5.0	1000
	GP05-15	1500	1500	0.5	30	2	0.50	5.0	1500
	GP05-18	1800	1800	0.5	30	2	0.50	5.0	1800
	GP05-20	2000	2000	0.5	30	2	0.50	5.0	2000
0.55A High Voltage Microwave Oven Rectifiers									
HV03	HV05-08	8000	8000	0.55	30	10	0.55	5.0	8000
	HV05-09	9000	9000	0.55	30	10	0.55	5.0	9000
	HV05-10	10000	10000	0.55	30	12	0.55	5.0	10000
	HV05-12	12000	12000	0.55	30	12	0.55	5.0	12000
	HV05-14	14000	14000	0.55	30	15	0.55	5.0	14000
	HV05-15	15000	15000	0.55	30	15	0.55	5.0	15000
	HV05-16	16000	16000	0.55	30	15	0.55	5.0	16000
0.75A High Voltage Microwave Oven Rectifiers									
HV07	HV07-08	8000	8000	0.75	50	10	0.75	5.0	8000
	HV07-09	9000	9000	0.75	50	10	0.75	5.0	9000
	HV07-10	10000	10000	0.75	50	10	0.75	5.0	10000
	HV07-12	12000	12000	0.75	50	14	0.75	5.0	12000
	HV07-14	14000	14000	0.75	50	14	0.75	5.0	14000
	HV07-15	15000	15000	0.75	50	14	0.75	5.0	15000
	HV07-16	16000	16000	0.75	50	16	0.75	5.0	16000
HV07-20	20000	20000	0.75	50	16	0.75	5.0	20000	

Short Protector Diode For Microwave Oven Rectifiers

Package	Part No.	Absolute Maximum Rating (TA=25°C)				Electrical Characteristics (TA=25°C)			
		V _{RRM} (V)	V _R (V)	I _o (A)	I _{FSM} (A)	V _Z (V)		I _R (μA) Max.	
HV03	HV6X2P1	D1: 6KV	D1: 6KV	-	-	D1: 7KV Min.	100.0	10.0	D1: 6KV
		D2: 1.5KV	D2: 1.5KV	-	-	D2: 2.1~2.8KV	100.0	10.0	D2: 1.5KV
HV03	HV6X1P8	D1: 6KV	D1: 6KV	-	-	D1: 7KV Min.	100.0	10.0	D1: 6KV
		D2: 1.7KV	D2: 1.7KV	-	-	D2: 1.8~2.4KV	100.0	10.0	D2: 1.7KV



Fast Recovery High Voltage Rectifiers

Package	Part No.	Absolute Maximum Rating (TA=25°C)				Electrical Characteristics (TA=25°C)							
		VRRM (V)	VR (V)	Io (mA)	IFSM (A)	VF(V) Max.		IR(μA) Max.		trr(ns) Max.			
						IF(mA)		VR(V)		IF(mA)	IR(mA)		
5mA Fast Recovery High Voltage Rectifiers													
FV5M-1	FV5M-04	4000	4000	5.0	0.5	12	10	5.0	4000	100	2	4.0	
	FV5M-06	6000	6000	5.0	0.5	20	10	5.0	6000	100	2	4.0	
	FV5M-08	8000	8000	5.0	0.5	25	10	5.0	8000	100	2	4.0	
	FV5M-10	10000	10000	5.0	0.5	30	10	5.0	10000	100	2	4.0	
	FV5M-12	12000	12000	5.0	0.5	37.5	10	5.0	12000	100	2	4.0	
FV5M-2	FV5M-10S	10000	10000	5.0	0.5	36	10	5.0	10000	100	2	4.0	
	FV5M-12S	12000	12000	5.0	0.5	45	10	5.0	12000	100	2	4.0	
FV5M	FV5M-14	14000	14000	5.0	0.5	51	10	5.0	14000	100	2	4.0	
	FV5M-16	16000	16000	5.0	0.5	60	10	5.0	16000	100	2	4.0	
	FV5M-18	18000	18000	5.0	0.5	66	10	5.0	18000	100	2	4.0	
	FV5M-20	20000	20000	5.0	0.5	75	10	5.0	20000	100	2	4.0	
	FV5M-22	22000	22000	5.0	0.5	80	10	5.0	22000	100	2	4.0	
	FV5M-24	24000	24000	5.0	0.5	85	10	5.0	24000	100	2	4.0	
10mA Fast Recovery High Voltage Rectifiers													
FH	FH10M-08	8000	8000	10	0.5	30	10	5.0	8000	100	2	4.0	
	FH10M-10	10000	10000	10	0.5	36	10	5.0	10000	100	2	4.0	
	FH10M-12	12000	12000	10	0.5	45	10	5.0	12000	100	2	4.0	
	FH10M-16	16000	16000	10	0.5	60	10	5.0	16000	100	2	4.0	
	FH10M-20	20000	20000	10	0.5	75	10	5.0	20000	100	2	4.0	
	FH10M-24	24000	24000	10	0.5	85	10	5.0	24000	100	2	4.0	
200mA Fast Recovery High Voltage Rectifiers													
DO-41	FR02-25	2500	2500	200	25	6	200	5.0	2500	500	500	1000	
	FR02-30	3000	3000	200	25	6	200	5.0	3000	500	500	1000	
DO-15	FR02-35	3500	3500	200	20	8	200	5.0	3500	500	500	1000	
	FR02-40	4000	4000	200	20	8	200	5.0	4000	500	500	1000	
	FR02-45	4500	4500	200	20	12	200	5.0	4500	500	500	1000	
	FR02-50	5000	5000	200	20	12	200	5.0	5000	500	500	1000	
	FR02-60	6000	6000	200	20	12	200	5.0	6000	500	500	1000	
350mA Fast Recovery High Voltage Micro Wave Oven Rectifiers													
HV03	FHV03-08	7500	7500	350	15	13.5	350	5.0	7500	150	100	100	
	FHV03-09	8500	8500	350	15	14	350	5.0	8500	150	100	100	
500mA Fast Recovery High Voltage Rectifiers													
DO-41	FR05-10	1000	1000	500	30	2	500	5.0	1000	500	500	1000	
	FR05-15	1500	1500	500	30	2	500	5.0	1500	500	500	1000	
	FR05-18	1800	1800	500	30	2	500	5.0	1800	500	500	1000	
	FR05-20	2000	2000	500	30	3	500	5.0	2000	500	500	1000	
	FR05-31	3100	3100	500	25	6	500	5.0	3100	300	500	1000	



General Purpose Rectifiers

Package	Part No.	Absolute Maximum Rating (TA=25°C)				Electrical Characteristics (TA=25°C)			
		V _{RRM} (V)	V _R (V)	I _o (A)	I _{FSM} (A)	V _F (V) Max.		I _R (μA) Max.	
							I _F (A)		V _R (V)
1.0A General Purpose Rectifiers (Glass Passivation Junction)									
DO-41	1N4001G	50	50	1.0	30	1.1	1.0	5.0	50
	1N4002G	100	100	1.0	30	1.1	1.0	5.0	100
	1N4003G	200	200	1.0	30	1.1	1.0	5.0	200
	1N4004G	400	400	1.0	30	1.1	1.0	5.0	400
	1N4005G	600	600	1.0	30	1.1	1.0	5.0	600
	1N4006G	800	800	1.0	30	1.1	1.0	5.0	800
	1N4007G	1000	1000	1.0	30	1.1	1.0	5.0	1000
1.5A General Purpose Rectifiers (Glass Passivation Junction)									
DO-15	1N5391G	50	50	1.5	50	1.1	1.5	5.0	50
	1N5392G	100	100	1.5	50	1.1	1.5	5.0	100
	1N5393G	200	200	1.5	50	1.1	1.5	5.0	200
	1N5395G	400	400	1.5	50	1.1	1.5	5.0	400
	1N5397G	600	600	1.5	50	1.1	1.5	5.0	600
	1N5398G	800	800	1.5	50	1.1	1.5	5.0	800
	1N5399G	1000	1000	1.5	50	1.1	1.5	5.0	1000
2.0A General Purpose Rectifiers (Glass Passivation Junction)									
DO-15	RL201G	50	50	2.0	70	1.1	2.0	5.0	50
	RL202G	100	100	2.0	70	1.1	2.0	5.0	100
	RL203G	200	200	2.0	70	1.1	2.0	5.0	200
	RL204G	400	400	2.0	70	1.1	2.0	5.0	400
	RL205G	600	600	2.0	70	1.1	2.0	5.0	600
	RL206G	800	800	2.0	70	1.1	2.0	5.0	800
	RL207G	1000	1000	2.0	70	1.1	2.0	5.0	1000
3.0A General Purpose Rectifiers (Glass Passivation Junction)									
DO-201AD	1N5400G	50	50	3.0	125	1.1	3.0	5.0	50
	1N5401G	100	100	3.0	125	1.1	3.0	5.0	100
	1N5402G	200	200	3.0	125	1.1	3.0	5.0	200
	1N5404G	400	400	3.0	125	1.1	3.0	5.0	400
	1N5406G	600	600	3.0	125	1.1	3.0	5.0	600
	1N5407G	800	800	3.0	125	1.1	3.0	5.0	800
	1N5408G	1000	1000	3.0	125	1.1	3.0	5.0	1000
5.0A General Purpose Rectifiers (Glass Passivation Junction)									
DO-201AD	GP50-005	50	50	5.0	200	1.1	5.0	5.0	50
	GP50-01	100	100	5.0	200	1.1	5.0	5.0	100
	GP50-02	200	200	5.0	200	1.1	5.0	5.0	200
	GP50-04	400	400	5.0	200	1.1	5.0	5.0	400
	GP50-06	600	600	5.0	200	1.1	5.0	5.0	600
	GP50-08	800	800	5.0	200	1.1	5.0	5.0	800
	GP50-10	1000	1000	5.0	200	1.1	5.0	5.0	1000
6.0A General Purpose Rectifiers (Glass Passivation Junction)									
P600 (R6)	GP60-005	50	50	6.0	400	1.0	6.0	5.0	50
	GP60-01	100	100	6.0	400	1.0	6.0	5.0	100
	GP60-02	200	200	6.0	400	1.0	6.0	5.0	200
	GP60-04	400	400	6.0	400	1.0	6.0	5.0	400
	GP60-06	600	600	6.0	400	1.0	6.0	5.0	600
	GP60-08	800	800	6.0	400	1.0	6.0	5.0	800
	GP60-10	1000	1000	6.0	400	1.0	6.0	5.0	1000
6.0A General Purpose Rectifiers (Diffused Junction)									
GH	GH60-005	50	50	6.0	400	1.0	6.0	5.0	50
	GH60-01	100	100	6.0	400	1.0	6.0	5.0	100
	GH60-02	200	200	6.0	400	1.0	6.0	5.0	200
	GH60-04	400	400	6.0	400	1.0	6.0	5.0	400
	GH60-06	600	600	6.0	400	1.0	6.0	5.0	600
	GH60-10	1000	1000	6.0	400	1.0	6.0	5.0	1000



General Purpose Rectifiers

Package	Part No.	Absolute Maximum Rating (T _A =25°C)				Electrical Characteristics (T _A =25°C)			
		V _{RRM} (V)	V _R (V)	I _O (A)	I _{FSM} (A)	V _F (V) Max.		I _R (μA) Max.	
						I _F (A)	V _R (V)		
6.0A General Purpose Rectifiers (Glass Passivation Junction)									
GH	GH60-005G	50	50	6.0	400	1.0	6.0	5.0	50
	GH60-01G	100	100	6.0	400	1.0	6.0	5.0	100
	GH60-02G	200	200	6.0	400	1.0	6.0	5.0	200
	GH60-04G	400	400	6.0	400	1.0	6.0	5.0	400
	GH60-06G	600	600	6.0	400	1.0	6.0	5.0	600
	GH60-10G	1000	1000	6.0	400	1.0	6.0	5.0	1000
8.0A General Purpose Rectifiers (Glass Passivation Junction)									
P600 (R6)	GP80-005	50	50	8.0	400	1.0	8.0	5.0	50
	GP80-01	100	100	8.0	400	1.0	8.0	5.0	100
	GP80-02	200	200	8.0	400	1.0	8.0	5.0	200
	GP80-04	400	400	8.0	400	1.0	8.0	5.0	400
	GP80-06	600	600	8.0	400	1.0	8.0	5.0	600
	GP80-08	800	800	8.0	400	1.0	8.0	5.0	800
	GP80-10	1000	1000	8.0	400	1.0	8.0	5.0	1000
	10.0A General Purpose Rectifiers (Glass Passivation Junction)								
P600 (R6)	GP100-005	50	50	10.0	400	1.0	10.0	5.0	50
	GP100-01	100	100	10.0	400	1.0	10.0	5.0	100
	GP100-02	200	200	10.0	400	1.0	10.0	5.0	200
	GP100-04	400	400	10.0	400	1.0	10.0	5.0	400
	GP100-06	600	600	10.0	400	1.0	10.0	5.0	600
	GP100-08	800	800	10.0	400	1.0	10.0	5.0	800
	GP100-10	1000	1000	10.0	400	1.0	10.0	5.0	1000



General Purpose Surface Mount Rectifiers

Package	Part No.	Absolute Maximum Rating (TA=25°C)				Electrical Characteristics (TA=25°C)			
		VRRM	VR	Io	IFSM	VF(V) Max.		IR(μA) Max.	
		(V)	(V)	(A)	(A)		IF(A)		VR(V)
1.0A General Purpose Rectifiers (Glass Passivation Junction)									
SMA-S	FM4001-S	50	50	1.0	30	1.1	1.0	5.0	50
	FM4002-S	100	100	1.0	30	1.1	1.0	5.0	100
	FM4003-S	200	200	1.0	30	1.1	1.0	5.0	200
	FM4004-S	400	400	1.0	30	1.1	1.0	5.0	400
	FM4005-S	600	600	1.0	30	1.1	1.0	5.0	600
	FM4006-S	800	800	1.0	30	1.1	1.0	5.0	800
	FM4007-S	1000	1000	1.0	30	1.1	1.0	5.0	1000
SOD-123S	FM4001-MS	50	50	1.0	30	1.1	1.0	5.0	50
	FM4002-MS	100	100	1.0	30	1.1	1.0	5.0	100
	FM4003-MS	200	200	1.0	30	1.1	1.0	5.0	200
	FM4004-MS	400	400	1.0	30	1.1	1.0	5.0	400
	FM4005-MS	600	600	1.0	30	1.1	1.0	5.0	600
	FM4006-MS	800	800	1.0	30	1.1	1.0	5.0	800
	FM4007-MS	1000	1000	1.0	30	1.1	1.0	5.0	1000
SMA (DO-214AC)	S1A	50	50	1.0	30	1.1	1.0	5.0	50
	S1B	100	100	1.0	30	1.1	1.0	5.0	100
	S1D	200	200	1.0	30	1.1	1.0	5.0	200
	S1G	400	400	1.0	30	1.1	1.0	5.0	400
	S1J	600	600	1.0	30	1.1	1.0	5.0	600
	S1K	800	800	1.0	30	1.1	1.0	5.0	800
	S1M	1000	1000	1.0	30	1.1	1.0	5.0	1000
2.0A General Purpose Rectifiers (Glass Passivation Junction)									
SMB (DO-214AA)	S2A	50	50	2.0	70	1.1	2.0	5.0	50
	S2B	100	100	2.0	70	1.1	2.0	5.0	100
	S2D	200	200	2.0	70	1.1	2.0	5.0	200
	S2G	400	400	2.0	70	1.1	2.0	5.0	400
	S2J	600	600	2.0	70	1.1	2.0	5.0	600
	S2K	800	800	2.0	70	1.1	2.0	5.0	800
	S2M	1000	1000	2.0	70	1.1	2.0	5.0	1000
3.0A General Purpose Rectifiers (Glass Passivation Junction)									
SMC (DO-214AB)	S3A	50	50	3.0	125	1.1	3.0	5.0	50
	S3B	100	100	3.0	125	1.1	3.0	5.0	100
	S3D	200	200	3.0	125	1.1	3.0	5.0	200
	S3G	400	400	3.0	125	1.1	3.0	5.0	400
	S3J	600	600	3.0	125	1.1	3.0	5.0	600
	S3K	800	800	3.0	125	1.1	3.0	5.0	800
	S3M	1000	1000	3.0	125	1.1	3.0	5.0	1000
5.0A General Purpose Rectifiers (Glass Passivation Junction)									
SMC (DO-214AB)	S5A	50	50	5.0	100	1.15	5.0	10.0	50
	S5B	100	100	5.0	100	1.15	5.0	10.0	100
	S5D	200	200	5.0	100	1.15	5.0	10.0	200
	S5G	400	400	5.0	100	1.15	5.0	10.0	400
	S5J	600	600	5.0	100	1.15	5.0	10.0	600
	S5K	800	800	5.0	100	1.15	5.0	10.0	800
	S5M	1000	1000	5.0	100	1.15	5.0	10.0	1000
10.0A General Purpose Rectifiers (Glass Passivation Junction)									
SMC (DO-214AB)	S10A	50	50	5.0	180	1.20	10.0	10.0	50
	S10B	100	100	5.0	180	1.20	10.0	10.0	100
	S10D	200	200	5.0	180	1.20	10.0	10.0	200
	S10G	400	400	5.0	180	1.20	10.0	10.0	400
	S10J	600	600	5.0	180	1.20	10.0	10.0	600
	S10K	800	800	5.0	180	1.20	10.0	10.0	800
	S10M	1000	1000	5.0	180	1.20	10.0	10.0	1000



Half Bridge Rectifiers

Package	Part No.	Absolute Maximum Rating (TA=25°C)				Electrical Characteristics (TA=25°C)			
		V _{RRM} (V)	V _R (V)	I _o (A)	I _{FSM} (A)	V _F (V) Max.	I _R (A)	I _R (μA) Max.	V _R (V)
8.0A General Purpose Rectifiers (Glass Passivation Junction)									
BCT	BCT8-005	50	50	8.0	150	1.0	10.0	10.0	50
	BCT8-01	100	100	8.0	150	1.0	10.0	10.0	100
	BCT8-02	200	200	8.0	150	1.0	10.0	10.0	200
	BCT8-04	400	400	8.0	150	1.0	10.0	10.0	400
	BCT8-06	600	600	8.0	150	1.0	10.0	10.0	600
	BCT8-08	800	800	8.0	150	1.0	10.0	10.0	800
	BCT8-10	1000	1000	8.0	150	1.0	10.0	10.0	1000



Fast Recovery Surface Mount Rectifiers

Package	Part No.	Absolute Maximum Rating (TA=25°C)				Electrical Characteristics (TA=25°C)						
		VRRM (V)	VR (V)	Io (A)	IFSM (A)	VF(V) Max.		Ir(μA) Max.		trr(ns) Max. @RG1		
						Ir(A)		Vr(V)		Ir(A)	Ir(A)	
0.5A Fast Recovery Photo Flash Rectifiers (Glass Passivation Junction)												
SMA (DO-214AC)	FFM05-15	1500	1500	0.5	20	1.5	0.5	5.0	1500	500	0.5	1.0
	FFM05-20	2000	2000	0.5	20	1.5	0.5	5.0	2000	500	0.5	1.0
1.0A Fast Recovery Rectifiers (Glass Passivation Junction)												
SMA-S	FFM101-S	50	50	1.0	30	1.3	1.0	5.0	50	150	0.5	1.0
	FFM102-S	100	100	1.0	30	1.3	1.0	5.0	100	150	0.5	1.0
	FFM103-S	200	200	1.0	30	1.3	1.0	5.0	200	150	0.5	1.0
	FFM104-S	400	400	1.0	30	1.3	1.0	5.0	400	150	0.5	1.0
	FFM105-S	600	600	1.0	30	1.3	1.0	5.0	600	250	0.5	1.0
	FFM106-S	800	800	1.0	30	1.3	1.0	5.0	800	500	0.5	1.0
	FFM107-S	1000	1000	1.0	30	1.3	1.0	5.0	1000	500	0.5	1.0
SMA (DO-214AC)	RS1A	50	50	1.0	30	1.3	1.0	5.0	50	150	0.5	1.0
	RS1B	100	100	1.0	30	1.3	1.0	5.0	100	150	0.5	1.0
	RS1D	200	200	1.0	30	1.3	1.0	5.0	200	150	0.5	1.0
	RS1G	400	400	1.0	30	1.3	1.0	5.0	400	150	0.5	1.0
	RS1J	600	600	1.0	30	1.3	1.0	5.0	600	250	0.5	1.0
	RS1K	800	800	1.0	30	1.3	1.0	5.0	800	500	0.5	1.0
	RS1M	1000	1000	1.0	30	1.3	1.0	5.0	1000	500	0.5	1.0
2.0A Fast Recovery Rectifiers (Glass Passivation Junction)												
SMA-S	FFM201-S	50	50	2.0	50	1.3	2.0	5.0	50	150	0.5	1.0
	FFM202-S	100	100	2.0	50	1.3	2.0	5.0	100	150	0.5	1.0
	FFM203-S	200	200	2.0	50	1.3	2.0	5.0	200	150	0.5	1.0
	FFM204-S	400	400	2.0	50	1.3	2.0	5.0	400	150	0.5	1.0
	FFM205-S	600	600	2.0	50	1.3	2.0	5.0	600	250	0.5	1.0
	FFM206-S	800	800	2.0	50	1.3	2.0	5.0	800	500	0.5	1.0
	FFM207-S	1000	1000	2.0	50	1.3	2.0	5.0	1000	500	0.5	1.0
SMB (DO-214AA)	RS2A	50	50	2.0	70	1.3	2.0	5.0	50	150	0.5	1.0
	RS2B	100	100	2.0	70	1.3	2.0	5.0	100	150	0.5	1.0
	RS2D	200	200	2.0	70	1.3	2.0	5.0	200	150	0.5	1.0
	RS2G	400	400	2.0	70	1.3	2.0	5.0	400	150	0.5	1.0
	RS2J	600	600	2.0	70	1.3	2.0	5.0	600	250	0.5	1.0
	RS2K	800	800	2.0	70	1.3	2.0	5.0	800	500	0.5	1.0
	RS2M	1000	1000	2.0	70	1.3	2.0	5.0	1000	500	0.5	1.0
3.0A Fast Recovery Rectifiers (Glass Passivation Junction)												
SMC (DO-214AB)	RS3A	50	50	3.0	125	1.3	3.0	5.0	50	150	0.5	1.0
	RS3B	100	100	3.0	125	1.3	3.0	5.0	100	150	0.5	1.0
	RS3D	200	200	3.0	125	1.3	3.0	5.0	200	150	0.5	1.0
	RS3G	400	400	3.0	125	1.3	3.0	5.0	400	150	0.5	1.0
	RS3J	600	600	3.0	125	1.3	3.0	5.0	600	250	0.5	1.0
	RS3K	800	800	3.0	125	1.3	3.0	5.0	800	500	0.5	1.0
	RS3M	1000	1000	3.0	125	1.3	3.0	5.0	1000	500	0.5	1.0

Fast Recovery Rectifiers

Package	Part No.	Absolute Maximum Rating (TA=25°C)				Electrical Characteristics (TA=25°C)						
		VRRM (V)	VR (V)	Io (A)	IFSM (A)	VF(V) Max.		Ir(μA) Max.		trr(ns) Max. @RG1		
						Ir(A)		Vr(V)		Ir(A)	Ir(A)	
1.0A Fast Recovery Rectifiers (Glass Passivation Junction)												
DO-41	FR101G	50	50	1.0	30	1.3	1.0	5.0	50	150	0.5	1.0
	FR102G	100	100	1.0	30	1.3	1.0	5.0	100	150	0.5	1.0
	FR103G	200	200	1.0	30	1.3	1.0	5.0	200	150	0.5	1.0
	FR104G	400	400	1.0	30	1.3	1.0	5.0	400	150	0.5	1.0
	FR105G	600	600	1.0	30	1.3	1.0	5.0	600	250	0.5	1.0
	FR106G	800	800	1.0	30	1.3	1.0	5.0	800	500	0.5	1.0
	FR107G	1000	1000	1.0	30	1.3	1.0	5.0	1000	500	0.5	1.0
DO-41	1N4933G	50	50	1.0	30	1.2	1.0	5.0	50	120	0.5	1.0
	1N4934G	100	100	1.0	30	1.2	1.0	5.0	100	120	0.5	1.0
	1N4935G	200	200	1.0	30	1.2	1.0	5.0	200	120	0.5	1.0
	1N4936G	400	400	1.0	30	1.2	1.0	5.0	400	120	0.5	1.0
	1N4937G	600	600	1.0	30	1.2	1.0	5.0	600	120	0.5	1.0

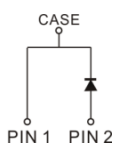
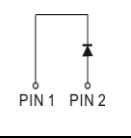
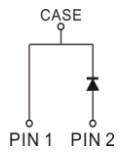


Fast Recovery Rectifiers

Package	Part No.	Absolute Maximum Rating (TA=25°C)				Electrical Characteristics (TA=25°C)							
		VRRM (V)	VR (V)	Io (A)	IFSM (A)	VF(V) Max.		IR(μA) Max.		trr(ns) Max. @RG1			
						IF(A)	VR(V)	IF(A)	IR(A)				
1.5A Fast Recovery Rectifiers (Glass Passivation Junction)													
DO-15	FR151G	50	50	1.5	50	1.3	1.5	5.0	50	150	0.5	1.0	
	FR152G	100	100	1.5	50	1.3	1.5	5.0	100	150	0.5	1.0	
	FR153G	200	200	1.5	50	1.3	1.5	5.0	200	150	0.5	1.0	
	FR154G	400	400	1.5	50	1.3	1.5	5.0	400	150	0.5	1.0	
	FR155G	600	600	1.5	50	1.3	1.5	5.0	600	250	0.5	1.0	
	FR156G	800	800	1.5	50	1.3	1.5	5.0	800	500	0.5	1.0	
	FR157G	1000	1000	1.5	50	1.3	1.5	5.0	1000	500	0.5	1.0	
2.0A Fast Recovery Rectifiers (Glass Passivation Junction)													
DO-15	FR201G	50	50	2.0	70	1.3	2.0	5.0	50	150	0.5	1.0	
	FR202G	100	100	2.0	70	1.3	2.0	5.0	100	150	0.5	1.0	
	FR203G	200	200	2.0	70	1.3	2.0	5.0	200	150	0.5	1.0	
	FR204G	400	400	2.0	70	1.3	2.0	5.0	400	150	0.5	1.0	
	FR205G	600	600	2.0	70	1.3	2.0	5.0	600	250	0.5	1.0	
	FR206G	800	800	2.0	70	1.3	2.0	5.0	800	500	0.5	1.0	
	FR207G	1000	1000	2.0	70	1.3	2.0	5.0	1000	500	0.5	1.0	
3.0A Fast Recovery Rectifiers (Glass Passivation Junction)													
DO-201AD	FR301G	50	50	3.0	125	1.3	3.0	5.0	50	150	0.5	1.0	
	FR302G	100	100	3.0	125	1.3	3.0	5.0	100	150	0.5	1.0	
	FR303G	200	200	3.0	125	1.3	3.0	5.0	200	150	0.5	1.0	
	FR304G	400	400	3.0	125	1.3	3.0	5.0	400	150	0.5	1.0	
	FR305G	600	600	3.0	125	1.3	3.0	5.0	600	250	0.5	1.0	
	FR306G	800	800	3.0	125	1.3	3.0	5.0	800	500	0.5	1.0	
	FR307G	1000	1000	3.0	125	1.3	3.0	5.0	1000	500	0.5	1.0	

Fast Recovery Power Rectifiers

Package	Part No.	Absolute Maximum Rating (TA=25°C)				Electrical Characteristics (TA=25°C)							Circuit Figure
		VRRM (V)	VR (V)	Io (A)	IFSM (A)	VF(V) Max.		IR(μA) Max.		trr(ns) Max. @RG1			
						IF(A)	VR(V)	IF(A)	IR(A)				
6.0A Fast Recovery Rectifiers (Plastic Passivation Junction)													
P600 (R6)	FR601G	50	50	6.0	250	1.3	6.0	5.0	50	150	0.5	1.0	
	FR602G	100	100	6.0	250	1.3	6.0	5.0	100	150	0.5	1.0	
	FR603G	200	200	6.0	250	1.3	6.0	5.0	200	150	0.5	1.0	
	FR604G	400	400	6.0	250	1.3	6.0	5.0	400	150	0.5	1.0	
	FR605G	600	600	6.0	250	1.3	6.0	5.0	600	250	0.5	1.0	
	FR606G	800	800	6.0	250	1.3	6.0	5.0	800	500	0.5	1.0	
	FR607G	1000	1000	6.0	250	1.3	6.0	5.0	1000	500	0.5	1.0	
8.0A Fast Rectifiers (Glass Passivation Junction)													
TO-220AC	FR8A05	50	50	8.0	150	1.30	8.0	10.0	50	150	0.5	1.0	
	FR8A10	100	100	8.0	150	1.30	8.0	10.0	100	150	0.5	1.0	
	FR8A20	200	200	8.0	150	1.30	8.0	10.0	200	150	0.5	1.0	
	FR8A40	400	400	8.0	150	1.30	8.0	10.0	400	150	0.5	1.0	
	FR8A60	600	600	8.0	150	1.30	8.0	10.0	600	250	0.5	1.0	
	FR8A80	800	800	8.0	150	1.30	8.0	10.0	800	500	0.5	1.0	
	FR8A100	1000	1000	8.0	150	1.30	8.0	10.0	1000	500	0.5	1.0	
ITO-220AC	FR8A05F	50	50	8.0	150	1.30	8.0	10.0	50	150	0.5	1.0	
	FR8A10F	100	100	8.0	150	1.30	8.0	10.0	100	150	0.5	1.0	
	FR8A20F	200	200	8.0	150	1.30	8.0	10.0	200	150	0.5	1.0	
	FR8A40F	400	400	8.0	150	1.30	8.0	10.0	400	150	0.5	1.0	
	FR8A60F	600	600	8.0	150	1.30	8.0	10.0	600	250	0.5	1.0	
	FR8A80F	800	800	8.0	150	1.30	8.0	10.0	800	500	0.5	1.0	
	FR8A100F	1000	1000	8.0	150	1.30	8.0	10.0	1000	500	0.5	1.0	
10.0A Fast Rectifiers (Glass Passivation Junction)													
TO-220AC	FR10A05	50	50	10.0	175	1.30	10.0	10.0	50	150	0.5	1.0	
	FR10A10	100	100	10.0	175	1.30	10.0	10.0	100	150	0.5	1.0	
	FR10A20	200	200	10.0	175	1.30	10.0	10.0	200	150	0.5	1.0	
	FR10A40	400	400	10.0	175	1.30	10.0	10.0	400	150	0.5	1.0	
	FR10A60	600	600	10.0	175	1.30	10.0	10.0	600	250	0.5	1.0	
	FR10A80	800	800	10.0	175	1.30	10.0	10.0	800	500	0.5	1.0	
	FR10A100	1000	1000	10.0	175	1.30	10.0	10.0	1000	500	0.5	1.0	



Fast Recovery Power Rectifiers

Package	Part No.	Absolute Maximum Rating (TA=25°C)				Electrical Characteristics (TA=25°C)							Circuit Figure
		VRRM (V)	VR (V)	Io (A)	IFSM (A)	VF(V) Max.		IR(μA) Max.		trr(ns) Max. @RG1			
						IF(A)		VR(V)		IF(A)	IR(A)		
10.0A Fast Rectifiers (Glass Passivation Junction)													
ITO-220AC	FR10A05F	50	50	10.0	175	1.30	10.0	10.0	50	150	0.5	1.0	
	FR10A10F	100	100	10.0	175	1.30	10.0	10.0	100	150	0.5	1.0	
	FR10A20F	200	200	10.0	175	1.30	10.0	10.0	200	150	0.5	1.0	
	FR10A40F	400	400	10.0	175	1.30	10.0	10.0	400	150	0.5	1.0	
	FR10A60F	600	600	10.0	175	1.30	10.0	10.0	600	250	0.5	1.0	
	FR10A80F	800	800	10.0	175	1.30	10.0	10.0	800	500	0.5	1.0	
	FR10A100F	1000	1000	10.0	175	1.30	10.0	10.0	1000	500	0.5	1.0	
TO-220AB	FR1005CT	50	50	10.0	100	1.30	5.0	10.0	50	150	0.5	1.0	
	FR1010CT	100	100	10.0	100	1.30	5.0	10.0	100	150	0.5	1.0	
	FR1020CT	200	200	10.0	100	1.30	5.0	10.0	200	150	0.5	1.0	
	FR1040CT	400	400	10.0	100	1.30	5.0	10.0	400	150	0.5	1.0	
	FR1060CT	600	600	10.0	100	1.30	5.0	10.0	600	250	0.5	1.0	
	FR1080CT	800	800	10.0	100	1.30	5.0	10.0	800	500	0.5	1.0	
	FR10100CT	1000	1000	10.0	100	1.30	5.0	10.0	1000	500	0.5	1.0	
ITO-220AB	FR1005FCT	50	50	10.0	100	1.30	5.0	10.0	50	150	0.5	1.0	
	FR1010FCT	100	100	10.0	100	1.30	5.0	10.0	100	150	0.5	1.0	
	FR1020FCT	200	200	10.0	100	1.30	5.0	10.0	200	150	0.5	1.0	
	FR1040FCT	400	400	10.0	100	1.30	5.0	10.0	400	150	0.5	1.0	
	FR1060FCT	600	600	10.0	100	1.30	5.0	10.0	600	250	0.5	1.0	
	FR1080FCT	800	800	10.0	100	1.30	5.0	10.0	800	500	0.5	1.0	
	FR10100FCT	1000	1000	10.0	100	1.30	5.0	10.0	1000	500	0.5	1.0	
12.0A Fast Rectifiers (Glass Passivation Junction)													
TO-220AB	FR1205CT	50	50	12.0	100	1.30	6.0	10.0	50	150	0.5	1.0	
	FR1210CT	100	100	12.0	100	1.30	6.0	10.0	100	150	0.5	1.0	
	FR1220CT	200	200	12.0	100	1.30	6.0	10.0	200	150	0.5	1.0	
	FR1240CT	400	400	12.0	100	1.30	6.0	10.0	400	150	0.5	1.0	
	FR1260CT	600	600	12.0	100	1.30	6.0	10.0	600	250	0.5	1.0	
	FR1280CT	800	800	12.0	100	1.30	6.0	10.0	800	500	0.5	1.0	
	FR12100CT	1000	1000	12.0	100	1.30	6.0	10.0	1000	500	0.5	1.0	
ITO-220AB	FR1205FCT	50	50	12.0	100	1.30	6.0	10.0	50	150	0.5	1.0	
	FR1210FCT	100	100	12.0	100	1.30	6.0	10.0	100	150	0.5	1.0	
	FR1220FCT	200	200	12.0	100	1.30	6.0	10.0	200	150	0.5	1.0	
	FR1240FCT	400	400	12.0	100	1.30	6.0	10.0	400	150	0.5	1.0	
	FR1260FCT	600	600	12.0	100	1.30	6.0	10.0	600	250	0.5	1.0	
	FR1280FCT	800	800	12.0	100	1.30	6.0	10.0	800	500	0.5	1.0	
	FR12100FCT	1000	1000	12.0	100	1.30	6.0	10.0	1000	500	0.5	1.0	
16.0A Fast Rectifiers (Glass Passivation Junction) --- Common Cathode													
TO-220AB	FR1605CT	50	50	8.0	150	1.30	8.0	10.0	50	150	0.5	1.0	
	FR1610CT	100	100	8.0	150	1.30	8.0	10.0	100	150	0.5	1.0	
	FR1620CT	200	200	8.0	150	1.30	8.0	10.0	200	150	0.5	1.0	
	FR1640CT	400	400	8.0	150	1.30	8.0	10.0	400	150	0.5	1.0	
	FR1660CT	600	600	8.0	150	1.30	8.0	10.0	600	250	0.5	1.0	
	FR1680CT	800	800	8.0	150	1.30	8.0	10.0	800	500	0.5	1.0	
	FR16100CT	1000	1000	8.0	150	1.30	8.0	10.0	1000	500	0.5	1.0	
ITO-220AB	FR1605FCT	50	50	8.0	150	1.30	8.0	10.0	50	150	0.5	1.0	
	FR1610FCT	100	100	8.0	150	1.30	8.0	10.0	100	150	0.5	1.0	
	FR1620FCT	200	200	8.0	150	1.30	8.0	10.0	200	150	0.5	1.0	
	FR1640FCT	400	400	8.0	150	1.30	8.0	10.0	400	150	0.5	1.0	
	FR1660FCT	600	600	8.0	150	1.30	8.0	10.0	600	250	0.5	1.0	
	FR1680FCT	800	800	8.0	150	1.30	8.0	10.0	800	500	0.5	1.0	
	FR16100FCT	1000	1000	8.0	150	1.30	8.0	10.0	1000	500	0.5	1.0	



Fast Recovery Power Rectifiers

Package	Part No.	Absolute Maximum Rating (TA=25°C)				Electrical Characteristics (TA=25°C)						Circuit Figure	
		VRRM (V)	VR (V)	Io (A)	IFSM (A)	VF(V) Max.		IR(μA) Max.		trr(ns) Max. @RG1			
						IF(A)	IF(A)	VR(V)	IF(A)	IR(A)			
20.0A Fast Rectifiers (Glass Passivation Junction) --- Common Cathode													
TO-220AB	FR2005CT	50	50	10.0	175	1.30	10.0	10.0	50	150	0.5	1.0	
	FR2010CT	100	100	10.0	175	1.30	10.0	10.0	100	150	0.5	1.0	
	FR2020CT	200	200	10.0	175	1.30	10.0	10.0	200	150	0.5	1.0	
	FR2040CT	400	400	10.0	175	1.30	10.0	10.0	400	150	0.5	1.0	
	FR2060CT	600	600	10.0	175	1.30	10.0	10.0	600	250	0.5	1.0	
	FR2080CT	800	800	10.0	175	1.30	10.0	10.0	800	500	0.5	1.0	
	FR20100CT	1000	1000	10.0	175	1.30	10.0	10.0	1000	500	0.5	1.0	
ITO-220AB	FR2005FCT	50	50	10.0	175	1.30	10.0	10.0	50	150	0.5	1.0	
	FR2010FCT	100	100	10.0	175	1.30	10.0	10.0	100	150	0.5	1.0	
	FR2020FCT	200	200	10.0	175	1.30	10.0	10.0	200	150	0.5	1.0	
	FR2040FCT	400	400	10.0	175	1.30	10.0	10.0	400	150	0.5	1.0	
	FR2060FCT	600	600	10.0	175	1.30	10.0	10.0	600	250	0.5	1.0	
	FR2080FCT	800	800	10.0	175	1.30	10.0	10.0	800	500	0.5	1.0	
	FR20100FCT	1000	1000	10.0	175	1.30	10.0	10.0	1000	500	0.5	1.0	



Ultra Fast (Hi-Efficient) Surface Mount Rectifiers

Package	Part No.	Absolute Maximum Rating (TA=25°C)				Electrical Characteristics (TA=25°C)						
		VRRM (V)	VR (V)	Io (A)	IFSM (A)	VF(V) Max.		IR(μA) Max.		trr(ns) Max. @RG1		
						IF(A)		VR(V)		IF(A)	IR(A)	
1.0A Ultra Fast Rectifiers (Glass Passivation Junction)												
SMA-S	HFM101-S	50	50	1.0	30	1.0	1.0	10.0	50	50	0.5	1.0
	HFM102-S	100	100	1.0	30	1.0	1.0	10.0	100	50	0.5	1.0
	HFM103-S	200	200	1.0	30	1.0	1.0	10.0	200	50	0.5	1.0
	HFM104-S	400	400	1.0	30	1.3	1.0	10.0	400	50	0.5	1.0
	HFM105-S	600	600	1.0	30	1.7	1.0	10.0	600	75	0.5	1.0
	HFM106-S	800	800	1.0	30	1.7	1.0	10.0	800	75	0.5	1.0
	HFM107-S	1000	1000	1.0	30	1.7	1.0	10.0	1000	75	0.5	1.0
SMA (DO-214AC)	US1A	50	50	1.0	30	1.0	1.0	10.0	50	50	0.5	1.0
	US1B	100	100	1.0	30	1.0	1.0	10.0	100	50	0.5	1.0
	US1D	200	200	1.0	30	1.0	1.0	10.0	200	50	0.5	1.0
	US1G	400	400	1.0	30	1.3	1.0	10.0	400	50	0.5	1.0
	US1J	600	600	1.0	30	1.7	1.0	10.0	600	75	0.5	1.0
	US1K	800	800	1.0	30	1.7	1.0	10.0	800	75	0.5	1.0
	US1M	1000	1000	1.0	30	1.7	1.0	10.0	1000	75	0.5	1.0
2.0A Ultra Fast Rectifiers (Glass Passivation Junction)												
SMB (DO-214AA)	US2A	50	50	2.0	50	1.0	2.0	10.0	50	50	0.5	1.0
	US2B	100	100	2.0	50	1.0	2.0	10.0	100	50	0.5	1.0
	US2D	200	200	2.0	50	1.0	2.0	10.0	200	50	0.5	1.0
	US2G	400	400	2.0	50	1.3	2.0	10.0	400	50	0.5	1.0
	US2J	600	600	2.0	50	1.7	2.0	10.0	600	75	0.5	1.0
	US2K	800	800	2.0	50	1.7	2.0	10.0	800	75	0.5	1.0
	US2M	1000	1000	2.0	50	1.7	2.0	10.0	1000	75	0.5	1.0
3.0A Ultra Fast Rectifiers (Glass Passivation Junction)												
SMC (DO-214AB)	US3A	50	50	3.0	100	1.0	3.0	10.0	50	50	0.5	1.0
	US3B	100	100	3.0	100	1.0	3.0	10.0	100	50	0.5	1.0
	US3D	200	200	3.0	100	1.0	3.0	10.0	200	50	0.5	1.0
	US3G	400	400	3.0	100	1.3	3.0	10.0	400	50	0.5	1.0
	US3J	600	600	3.0	100	1.7	3.0	10.0	600	75	0.5	1.0
	US3K	800	800	3.0	100	1.7	3.0	10.0	800	75	0.5	1.0
	US3M	1000	1000	3.0	100	1.7	3.0	10.0	1000	75	0.5	1.0
5.0A Ultra Fast Rectifiers (Glass Passivation Junction)												
SMC (DO-214AB)	US5A	50	50	5.0	100	1.0	5.0	5.0	50	100	0.5	1.0
	US5B	100	100	5.0	100	1.0	5.0	5.0	100	100	0.5	1.0
	US5D	200	200	5.0	100	1.0	5.0	5.0	200	100	0.5	1.0
	US5G	400	400	5.0	100	1.3	5.0	5.0	400	100	0.5	1.0
	US5J	600	600	5.0	100	1.7	5.0	5.0	600	100	0.5	1.0
	US5K	800	800	5.0	100	1.7	5.0	5.0	800	100	0.5	1.0
	US5M	1000	1000	5.0	100	1.7	5.0	5.0	1000	100	0.5	1.0

Ultra Fast (Hi-Efficient) Rectifiers

Package	Part No.	Absolute Maximum Rating (TA=25°C)				Electrical Characteristics (TA=25°C)						
		VRRM (V)	VR (V)	Io (A)	IFSM (A)	VF(V) Max.		IR(μA) Max.		trr(ns) Max. @RG1		
						IF(A)		VR(V)		IF(A)	IR(A)	
1.5A Ultra Fast Rectifiers (Glass Passivation Junction)												
DO-15	HER151G	50	50	1.5	50	1.0	1.5	5.0	50	50	0.5	1.0
	HER152G	100	100	1.5	50	1.0	1.5	5.0	100	50	0.5	1.0
	HER153G	200	200	1.5	50	1.0	1.5	5.0	200	50	0.5	1.0
	HER154G	300	300	1.5	50	1.3	1.5	5.0	300	50	0.5	1.0
	HER155G	400	400	1.5	50	1.3	1.5	5.0	500	50	0.5	1.0
	HER156G	600	600	1.5	50	1.85	1.5	5.0	600	75	0.5	1.0
	HER157G	800	800	1.5	50	1.85	1.5	5.0	800	75	0.5	1.0
	HER158G	1000	1000	1.5	50	1.85	1.5	5.0	1000	75	0.5	1.0



Ultra Fast (Hi-Efficient) Rectifiers

Package	Part No.	Absolute Maximum Rating (TA=25°C)				Electrical Characteristics (TA=25°C)						
		VRRM (V)	VR (V)	Io (A)	IFSM (A)	VF(V) Max.		IR(μA) Max.		trr(ns) Max. @RG1		
						IF(A)		VR(V)		IF(A)	IR(A)	
2.0A Ultra Fast Rectifiers (Glass Passivation Junction)												
DO-15	HER201G	50	50	2.0	60	1.0	2.0	5.0	50	50	0.5	1.0
	HER202G	100	100	2.0	60	1.0	2.0	5.0	100	50	0.5	1.0
	HER203G	200	200	2.0	60	1.0	2.0	5.0	200	50	0.5	1.0
	HER204G	300	300	2.0	60	1.3	2.0	5.0	300	50	0.5	1.0
	HER205G	400	400	2.0	60	1.3	2.0	5.0	400	50	0.5	1.0
	HER206G	600	600	2.0	60	1.85	2.0	5.0	600	75	0.5	1.0
	HER207G	800	800	2.0	60	1.85	2.0	5.0	800	75	0.5	1.0
	HER208G	1000	1000	2.0	60	1.85	2.0	5.0	1000	75	0.5	1.0
3.0A Ultra Fast Rectifiers (Glass Passivation Junction)												
DO-201AD	HER301G	50	50	3.0	150	1.0	3.0	5.0	50	50	0.5	1.0
	HER302G	100	100	3.0	150	1.0	3.0	5.0	100	50	0.5	1.0
	HER303G	200	200	3.0	150	1.0	3.0	5.0	200	50	0.5	1.0
	HER304G	300	300	3.0	150	1.3	3.0	5.0	300	50	0.5	1.0
	HER305G	400	400	3.0	150	1.3	3.0	5.0	500	50	0.5	1.0
	HER306G	600	600	3.0	150	1.85	3.0	5.0	600	75	0.5	1.0
	HER307G	800	800	3.0	150	1.85	3.0	5.0	800	75	0.5	1.0
	HER308G	1000	1000	3.0	150	1.85	3.0	5.0	1000	75	0.5	1.0
4.0A Ultra Fast Rectifiers (Glass Passivation Junction)												
DO-201AD	MUR405	50	50	4.0	150	0.92	4.0	10.0	50	50	0.5	1.0
	MUR410	100	100	4.0	150	0.92	4.0	10.0	100	50	0.5	1.0
	MUR415	150	150	4.0	150	0.92	4.0	10.0	150	50	0.5	1.0
	MUR420	200	200	4.0	150	0.92	4.0	10.0	200	50	0.5	1.0
	MUR440	400	400	4.0	150	1.25	4.0	10.0	400	50	0.5	1.0
	MUR460	600	600	4.0	150	1.25	4.0	10.0	600	50	0.5	1.0
	MUR480	800	800	4.0	150	1.85	4.0	10.0	800	75	0.5	1.0
	MUR4100	1000	1000	4.0	125	1.85	4.0	10.0	1000	75	0.5	1.0
5.0A Ultra Fast Rectifiers (Glass Passivation Junction)												
DO-201AD	HER501G	50	50	5.0	200	1.0	5.0	5.0	50	50	0.5	1.0
	HER502G	100	100	5.0	200	1.0	5.0	5.0	100	50	0.5	1.0
	HER503G	200	200	5.0	200	1.0	5.0	5.0	200	50	0.5	1.0
	HER504G	300	300	5.0	200	1.3	5.0	5.0	300	50	0.5	1.0
	HER505G	400	400	5.0	200	1.3	5.0	5.0	400	50	0.5	1.0
	HER506G	600	600	5.0	200	1.85	5.0	5.0	600	75	0.5	1.0
	HER507G	800	800	5.0	200	1.85	5.0	5.0	800	75	0.5	1.0
	HER508G	1000	1000	5.0	200	1.85	5.0	5.0	1000	75	0.5	1.0
6.0A Ultra Fast Rectifiers (Glass Passivation Junction)												
P600 (R6)	UF60-005	50	50	6.0	300	1.3	6.0	10.0	50	50	0.5	1.0
	UF60-01	100	100	6.0	300	1.3	6.0	10.0	100	50	0.5	1.0
	UF60-02	200	200	6.0	300	1.3	6.0	10.0	200	50	0.5	1.0
	UF60-04	400	400	6.0	300	1.4	6.0	10.0	400	50	0.5	1.0
	UF60-06	600	600	6.0	300	1.7	6.0	10.0	600	75	0.5	1.0
	UF60-08	800	800	6.0	300	2.0	6.0	10.0	800	75	0.5	1.0
	UF60-10	1000	1000	6.0	300	2.0	6.0	10.0	1000	75	0.5	1.0
	8.0A Ultra Fast Rectifiers (Glass Passivation Junction)											
TO-220AC	MUR840	400	400	8.0	125	1.30	8.0	10.0	400	50	0.5	1.0
	MUR860	600	600	8.0	125	1.50	8.0	10.0	600	75	0.5	1.0
	MUR880	800	800	8.0	125	1.70	8.0	10.0	800	75	0.5	1.0
	MUR8100	1000	600	8.0	125	1.70	8.0	10.0	1000	75	0.5	1.0
TO-220AB	MUR1640CT	400	400	8.0	125	1.30	8.0	10.0	400	50	0.5	1.0
	MUR1660CT	600	600	8.0	125	1.50	8.0	10.0	600	75	0.5	1.0
	MUR1680CT	800	800	8.0	125	1.70	8.0	10.0	800	75	0.5	1.0
	MUR16100CT	1000	600	8.0	125	1.70	8.0	10.0	1000	75	0.5	1.0
ITO-220AB	MUR1640FCT	400	400	8.0	125	1.30	8.0	10.0	400	50	0.5	1.0
	MUR1660FCT	600	600	8.0	125	1.50	8.0	10.0	600	75	0.5	1.0
	MUR1680FCT	800	800	8.0	125	1.70	8.0	10.0	800	75	0.5	1.0
	MUR16100FCT	1000	600	8.0	125	1.70	8.0	10.0	1000	75	0.5	1.0



Efficient Fast Recovery Rectifiers

Package	Part No.	Absolute Maximum Rating (TA=25°C)				Electrical Characteristics (TA=25°C)						Circuit Figure	
		VRRM (V)	VR (V)	Io (A)	IFSM (A)	VF(V) Max.		IR(μA) Max.		trr(ns) Max. @RG1			
						VF(A)	IR(V)	IF(A)	IR(A)				
1.0A Fast Efficient Rectifiers (Glass Passivation Junction)													
SMA-S	EGFM101-S	50	50	1.0	30	0.875	1.0	5.0	50	25	0.5	1.0	
	EGFM102-S	100	100	1.0	30	0.875	1.0	5.0	100	25	0.5	1.0	
	EGFM103-S	200	200	1.0	30	0.875	1.0	5.0	200	25	0.5	1.0	
	EGFM104-S	400	400	1.0	30	1.25	1.0	5.0	400	25	0.5	1.0	
	EGFM105-S	600	600	1.0	30	1.75	1.0	5.0	600	25	0.5	1.0	
SMA (DO-214AC)	ES1A	50	50	1.0	30	0.98	1.0	10.0	50	25	0.5	1.0	
	ES1B	100	100	1.0	30	0.98	1.0	10.0	100	25	0.5	1.0	
	ES1D	200	200	1.0	30	0.98	1.0	10.0	200	25	0.5	1.0	
	ES1E	300	300	1.0	30	1.30	1.0	10.0	300	25	0.5	1.0	
	ES1G	400	400	1.0	30	1.30	1.0	10.0	400	25	0.5	1.0	
	ES1J	600	600	1.0	30	1.75	1.0	10.0	600	25	0.5	1.0	
2.0A Fast Efficient Rectifiers (Glass Passivation Junction)													
SMB (DO-214AA)	ES2A	50	50	2.0	30	0.98	2.0	10.0	50	25	0.5	1.0	
	ES2B	100	100	2.0	30	0.98	2.0	10.0	100	25	0.5	1.0	
	ES2D	200	200	2.0	30	0.98	2.0	10.0	200	25	0.5	1.0	
	ES2E	300	300	2.0	30	1.30	2.0	10.0	300	25	0.5	1.0	
	ES2G	400	400	2.0	30	1.30	2.0	10.0	400	25	0.5	1.0	
	ES2J	600	600	2.0	30	1.75	2.0	10.0	600	25	0.5	1.0	
3.0A Fast Efficient Rectifiers (Glass Passivation Junction)													
SMA (DO-214AC)	ES3AA	50	50	3.0	30	0.98	3.0	10.0	50	25	0.5	1.0	
	ES3BA	100	100	3.0	30	0.98	3.0	10.0	100	25	0.5	1.0	
	ES3DA	200	200	3.0	30	0.98	3.0	10.0	200	25	0.5	1.0	
	ES3EA	300	300	3.0	30	1.30	3.0	10.0	300	25	0.5	1.0	
	ES3GA	400	400	3.0	30	1.30	3.0	10.0	400	25	0.5	1.0	
	ES3JA	600	600	3.0	30	1.75	3.0	10.0	600	25	0.5	1.0	
SMB (DO-214AA)	ES3AB	50	50	3.0	30	0.98	3.0	10.0	50	25	0.5	1.0	
	ES3BB	100	100	3.0	30	0.98	3.0	10.0	100	25	0.5	1.0	
	ES3DB	200	200	3.0	30	0.98	3.0	10.0	200	25	0.5	1.0	
	ES3EB	300	300	3.0	30	1.30	3.0	10.0	300	25	0.5	1.0	
	ES3GB	400	400	3.0	30	1.30	3.0	10.0	400	25	0.5	1.0	
	ES3JB	600	600	3.0	30	1.75	3.0	10.0	600	25	0.5	1.0	
SMC (DO-214AB)	ES3A	50	50	3.0	30	0.98	3.0	10.0	50	25	0.5	1.0	
	ES3B	100	100	3.0	30	0.98	3.0	10.0	100	25	0.5	1.0	
	ES3D	200	200	3.0	30	0.98	3.0	10.0	200	25	0.5	1.0	
	ES3E	300	300	3.0	30	1.30	3.0	10.0	300	25	0.5	1.0	
	ES3G	400	400	3.0	30	1.30	3.0	10.0	400	25	0.5	1.0	
	ES3J	600	600	3.0	30	1.75	3.0	10.0	600	25	0.5	1.0	
5.0A Efficient Fast Rectifiers (Glass Passivation Junction)													
TO-220AC	EF5A05	50	50	5.0	80	0.98	5.0	5.0	50	25	0.5	1.0	
	EF5A10	100	100	5.0	80	0.98	5.0	5.0	100	25	0.5	1.0	
	EF5A20	200	200	5.0	80	0.98	5.0	5.0	200	25	0.5	1.0	
	EF5A40	400	400	5.0	80	1.30	5.0	5.0	400	25	0.5	1.0	
	EF5A60	600	600	5.0	80	1.75	5.0	5.0	600	25	0.5	1.0	
	EF5A05F	50	50	5.0	80	0.98	5.0	5.0	50	25	0.5	1.0	
ITO-220AC	EF5A10F	100	100	5.0	80	0.98	5.0	5.0	100	25	0.5	1.0	
	EF5A20F	200	200	5.0	80	0.98	5.0	5.0	200	25	0.5	1.0	
	EF5A40F	400	400	5.0	80	1.30	5.0	5.0	400	25	0.5	1.0	
	EF5A60F	600	600	5.0	80	1.75	5.0	5.0	600	25	0.5	1.0	
8.0A Efficient Fast Rectifiers (Glass Passivation Junction)													
TO-220AC	EF8A05	50	50	8.0	100	0.98	8.0	5.0	50	25	0.5	1.0	
	EF8A10	100	100	8.0	100	0.98	8.0	5.0	100	25	0.5	1.0	
	EF8A20	200	200	8.0	100	0.98	8.0	5.0	200	25	0.5	1.0	
	EF8A40	400	400	8.0	100	1.30	8.0	5.0	400	25	0.5	1.0	
	EF8A60	600	600	8.0	100	1.75	8.0	5.0	600	25	0.5	1.0	
	EF8A05F	50	50	8.0	100	0.98	8.0	5.0	50	25	0.5	1.0	
ITO-220AC	EF8A10F	100	100	8.0	100	0.98	8.0	5.0	100	25	0.5	1.0	
	EF8A20F	200	200	8.0	100	0.98	8.0	5.0	200	25	0.5	1.0	
	EF8A40F	400	400	8.0	100	1.30	8.0	5.0	400	25	0.5	1.0	
	EF8A60F	600	600	8.0	100	1.75	8.0	5.0	600	25	0.5	1.0	



Efficient Fast Recovery Rectifiers

Package	Part No.	Absolute Maximum Rating (TA=25°C)				Electrical Characteristics (TA=25°C)							Circuit Figure
		VRRM (V)	VR (V)	Io (A)	IFSM (A)	VF(V) Max.		Ir(μA) Max.		trr(ns) Max. @RG1			
						IF(A)	IF(A)	VR(V)	IF(A)	IF(A)	IF(A)		
10.0A Efficient Fast Rectifiers (Glass Passivation Junction)													
TO-220AC	EF10A05	50	50	10.0	100	0.98	10.0	5.0	50	25	0.5	1.0	
	EF10A10	100	100	10.0	100	0.98	10.0	5.0	100	25	0.5	1.0	
	EF10A20	200	200	10.0	100	0.98	10.0	5.0	200	25	0.5	1.0	
	EF10A40	400	400	10.0	100	1.30	10.0	5.0	400	25	0.5	1.0	
	EF10A60	600	600	10.0	100	1.75	10.0	5.0	600	25	0.5	1.0	
ITO-220AC	EF10A05F	50	50	10.0	100	0.98	10.0	5.0	50	25	0.5	1.0	
	EF10A10F	100	100	10.0	100	0.98	10.0	5.0	100	25	0.5	1.0	
	EF10A20F	200	200	10.0	100	0.98	10.0	5.0	200	25	0.5	1.0	
	EF10A40F	400	400	10.0	100	1.30	10.0	5.0	400	25	0.5	1.0	
	EF10A60F	600	600	10.0	100	1.75	10.0	5.0	600	25	0.5	1.0	
10.0A Efficient Fast Rectifiers (Glass Passivation Junction) --- Common Cathode													
TO-220AB	EF1005CT	50	50	10.0	80	0.98	5.0	5.0	50	25	0.5	1.0	
	EF1010CT	100	100	10.0	80	0.98	5.0	5.0	100	25	0.5	1.0	
	EF1020CT	200	200	10.0	80	0.98	5.0	5.0	200	25	0.5	1.0	
	EF1040CT	400	400	10.0	80	1.30	5.0	5.0	400	25	0.5	1.0	
	EF1060CT	600	600	10.0	80	1.75	5.0	5.0	600	25	0.5	1.0	
ITO-220AB	EF1005FCT	50	50	10.0	80	0.98	5.0	5.0	50	25	0.5	1.0	
	EF1010FCT	100	100	10.0	80	0.98	5.0	5.0	100	25	0.5	1.0	
	EF1020FCT	200	200	10.0	80	0.98	5.0	5.0	200	25	0.5	1.0	
	EF1040FCT	400	400	10.0	80	1.30	5.0	5.0	400	25	0.5	1.0	
	EF1060FCT	600	600	10.0	80	1.75	5.0	5.0	600	25	0.5	1.0	
16.0A Efficient Fast Rectifiers (Glass Passivation Junction) --- Common Cathode													
TO-220AB	EF1605CT	50	50	16.0	100	0.98	8.0	5.0	50	25	0.5	1.0	
	EF1610CT	100	100	16.0	100	0.98	8.0	5.0	100	25	0.5	1.0	
	EF1620CT	200	200	16.0	100	0.98	8.0	5.0	200	25	0.5	1.0	
	EF1640CT	400	400	16.0	100	1.25	8.0	5.0	400	25	0.5	1.0	
	EF1660CT	600	600	16.0	100	1.75	8.0	5.0	600	25	0.5	1.0	
ITO-220AB	EF1605FCT	50	50	16.0	100	0.98	8.0	5.0	50	25	0.5	1.0	
	EF1610FCT	100	100	16.0	100	0.98	8.0	5.0	100	25	0.5	1.0	
	EF1620FCT	200	200	16.0	100	0.98	8.0	5.0	200	25	0.5	1.0	
	EF1640FCT	400	400	16.0	100	1.25	8.0	5.0	400	25	0.5	1.0	
	EF1660FCT	600	600	16.0	100	1.75	8.0	5.0	600	25	0.5	1.0	
20.0A Efficient Fast Rectifiers (Glass Passivation Junction) --- Common Cathode													
TO-220AB	EF2005CT	50	50	20.0	100	0.98	10.0	5.0	50	25	0.5	1.0	
	EF2010CT	100	100	20.0	100	0.98	10.0	5.0	100	25	0.5	1.0	
	EF2020CT	200	200	20.0	100	0.98	10.0	5.0	200	25	0.5	1.0	
	EF2040CT	400	400	20.0	100	1.25	10.0	5.0	400	25	0.5	1.0	
	EF2060CT	600	600	20.0	100	1.75	10.0	5.0	600	25	0.5	1.0	
ITO-220AB	EF2005FCT	50	50	20.0	100	0.98	10.0	5.0	50	25	0.5	1.0	
	EF2010FCT	100	100	20.0	100	0.98	10.0	5.0	100	25	0.5	1.0	
	EF2020FCT	200	200	20.0	100	0.98	10.0	5.0	200	25	0.5	1.0	
	EF2040FCT	400	400	20.0	100	1.25	10.0	5.0	400	25	0.5	1.0	
	EF2060FCT	600	600	20.0	100	1.75	10.0	5.0	600	25	0.5	1.0	



Super Fast Recovery Power Rectifiers

Package	Part No.	Absolute Maximum Rating (TA=25°C)				Electrical Characteristics (TA=25°C)							Circuit Figure
		VRRM	VR	Io	IFSM	VF(V) Max.		IR(μA) Max.		trr(ns) Max. @RG1			
		(V)	(V)	(A)	(A)	IF(A)	VR(V)	IF(A)	IR(A)	IF(A)	IR(A)		
1.0A Fast Efficient Rectifiers (Glass Passivation Junction)													
SMA-S	SFM11-S	50	50	1.0	30	0.95	1.0	5.0	50	35	0.5	1.0	
	SFM12-S	100	100	1.0	30	0.95	1.0	5.0	100	35	0.5	1.0	
	SFM13-S	150	200	1.0	30	0.95	1.0	5.0	200	35	0.5	1.0	
	SFM14-S	200	200	1.0	30	0.95	1.0	5.0	200	35	0.5	1.0	
	SFM15-S	300	200	1.0	30	1.25	1.0	5.0	200	35	0.5	1.0	
	SFM16-S	400	400	1.0	30	1.25	1.0	5.0	400	35	0.5	1.0	
	SFM17-S	500	400	1.0	30	1.75	1.0	5.0	400	35	0.5	1.0	
	SFM18-S	600	600	1.0	30	1.75	1.0	5.0	600	35	0.5	1.0	
5.0A Super Fast Rectifiers (Glass Passivation Junction)													
TO-220AC	SF5A05	50	50	5.0	100	0.975	5.0	5.0	50	35	0.5	1.0	
	SF5A10	100	100	5.0	100	0.975	5.0	5.0	100	35	0.5	1.0	
	SF5A20	200	200	5.0	100	0.975	5.0	5.0	200	35	0.5	1.0	
	SF5A40	400	400	5.0	100	1.300	5.0	5.0	400	35	0.5	1.0	
	SF5A60	600	600	5.0	100	1.850	5.0	5.0	600	35	0.5	1.0	
ITO-220AC	SF5A05F	50	50	5.0	100	0.950	5.0	5.0	50	35	0.5	1.0	
	SF5A10F	100	100	5.0	100	0.950	5.0	5.0	100	35	0.5	1.0	
	SF5A20F	200	200	5.0	100	0.950	5.0	5.0	200	35	0.5	1.0	
	SF5A40F	400	400	5.0	100	1.300	5.0	5.0	400	35	0.5	1.0	
	SF5A60F	600	600	5.0	100	1.850	5.0	5.0	600	35	0.5	1.0	
8.0A Super Fast Rectifiers (Glass Passivation Junction)													
TO-220AC	SF8A05	50	50	8.0	125	0.975	8.0	5.0	50	35	0.5	1.0	
	SF8A10	100	100	8.0	125	0.975	8.0	5.0	100	35	0.5	1.0	
	SF8A20	200	200	8.0	125	0.980	8.0	5.0	200	35	0.5	1.0	
	SF8A40	400	400	8.0	125	1.300	8.0	5.0	400	35	0.5	1.0	
	SF8A60	600	600	8.0	125	1.700	8.0	5.0	600	35	0.5	1.0	
ITO-220AC	SF8A05F	50	50	8.0	125	0.975	8.0	5.0	50	35	0.5	1.0	
	SF8A10F	100	100	8.0	125	0.975	8.0	5.0	100	35	0.5	1.0	
	SF8A20F	200	200	8.0	125	0.975	8.0	5.0	200	35	0.5	1.0	
	SF8A40F	400	400	8.0	125	1.300	8.0	5.0	400	35	0.5	1.0	
	SF8A60F	600	600	8.0	125	1.700	8.0	5.0	600	35	0.5	1.0	
10A Super Fast Rectifiers (Glass Passivation Junction)													
TO-220AC	SF10A05	50	50	10.0	125	0.975	10.0	5.0	50	35	0.5	1.0	
	SF10A10	100	100	10.0	125	0.975	10.0	5.0	100	35	0.5	1.0	
	SF10A20	200	200	10.0	125	0.975	10.0	5.0	200	35	0.5	1.0	
	SF10A40	400	400	10.0	125	1.300	10.0	5.0	400	35	0.5	1.0	
	SF10A60	600	600	10.0	125	1.700	10.0	5.0	600	35	0.5	1.0	
ITO-220AC	SF10A05F	50	50	10.0	125	0.975	10.0	5.0	50	35	0.5	1.0	
	SF10A10F	100	100	10.0	125	0.975	10.0	5.0	100	35	0.5	1.0	
	SF10A20F	200	200	10.0	125	0.975	10.0	5.0	200	35	0.5	1.0	
	SF10A40F	400	400	10.0	125	1.300	10.0	5.0	400	35	0.5	1.0	
	SF10A60F	600	600	10.0	125	1.700	10.0	5.0	600	35	0.5	1.0	
TO-220AB	SF1005CT	50	50	10.0	100	0.950	5.0	5.0	50	35	0.5	1.0	
	SF1010CT	100	100	10.0	100	0.950	5.0	5.0	100	35	0.5	1.0	
	SF1020CT	200	200	10.0	100	0.950	5.0	5.0	200	35	0.5	1.0	
	SF1040CT	400	400	10.0	100	1.300	5.0	5.0	400	35	0.5	1.0	
	SF1060CT	600	600	10.0	100	1.700	5.0	5.0	600	35	0.5	1.0	
ITO-220AB	SF1005FCT	50	50	10.0	100	0.975	5.0	5.0	50	35	0.5	1.0	
	SF1010FCT	100	100	10.0	100	0.975	5.0	5.0	100	35	0.5	1.0	
	SF1020FCT	200	200	10.0	100	0.975	5.0	5.0	200	35	0.5	1.0	
	SF1040FCT	400	400	10.0	100	1.300	5.0	5.0	400	35	0.5	1.0	
	SF1060FCT	600	600	10.0	100	1.700	5.0	5.0	600	35	0.5	1.0	
	SFF100-03CT	300	300	10.0	125	1.30	10.0	10.0	300	35	0.5	1.0	
	SFF100-04CT	400	400	10.0	125	1.30	10.0	10.0	400	35	0.5	1.0	
	SFF100-05CT	500	500	10.0	125	1.70	10.0	10.0	500	35	0.5	1.0	
SFF100-06CT	600	600	10.0	125	1.70	10.0	10.0	600	35	0.5	1.0		



Super Fast Recovery Power Rectifiers

Package	Part No.	Absolute Maximum Rating (T _A =25°C)				Electrical Characteristics (T _A =25°C)						Circuit Figure	
		V _{RRM}	V _R	I _o	I _{FSM}	V _F (V) Max.		I _R (μA) Max.		trr(ns) Max. @RG1			
		(V)	(V)	(A)	(A)	I _F (A)	V _R (V)	I _F (A)	I _R (A)				
15.0A Super Fast Rectifiers (Glass Passivation Junction)													
TO-220AC	SF15A05	50	50	15.0	200	0.975	15.0	5.0	50	35	0.5	1.0	
	SF15A10	100	100	15.0	200	0.975	15.0	5.0	100	35	0.5	1.0	
	SF15A20	200	200	15.0	200	0.975	15.0	5.0	200	35	0.5	1.0	
	SF15A40	400	400	15.0	200	1.300	15.0	5.0	400	35	0.5	1.0	
	SF15A60	600	600	15.0	200	1.700	15.0	5.0	600	35	0.5	1.0	
ITO-220AC	SF15A05F	50	50	15.0	200	0.975	15.0	5.0	50	35	0.5	1.0	
	SF15A10F	100	100	15.0	200	0.975	15.0	5.0	100	35	0.5	1.0	
	SF15A20F	200	200	15.0	200	0.975	15.0	5.0	200	35	0.5	1.0	
	SF15A40F	400	400	15.0	200	1.300	15.0	5.0	400	35	0.5	1.0	
	SF15A60F	600	600	15.0	200	1.700	15.0	5.0	600	35	0.5	1.0	
16.0A Super Fast Rectifiers (Glass Passivation Junction) --- Common Cathode													
TO-220AB	SF1605CT	50	50	16.0	125	0.975	8.0	5.0	50	35	0.5	1.0	
	SF1610CT	100	100	16.0	125	0.975	8.0	5.0	100	35	0.5	1.0	
	SF1620CT	200	200	16.0	125	0.975	8.0	5.0	200	35	0.5	1.0	
	SF1640CT	400	400	16.0	125	1.300	8.0	5.0	400	35	0.5	1.0	
	SF1660CT	600	600	16.0	125	1.700	8.0	5.0	600	35	0.5	1.0	
ITO-220AB	SF1605FCT	50	50	16.0	125	0.975	8.0	5.0	50	35	0.5	1.0	
	SF1610FCT	100	100	16.0	125	0.975	8.0	5.0	100	35	0.5	1.0	
	SF1620FCT	200	200	16.0	125	0.975	8.0	5.0	200	35	0.5	1.0	
	SF1640FCT	400	400	16.0	125	1.300	8.0	5.0	400	35	0.5	1.0	
	SF1660FCT	600	600	16.0	125	1.700	8.0	5.0	600	35	0.5	1.0	
20.0A Super Fast Rectifiers (Glass Passivation Junction) --- Common Cathode													
TO-220AB	SF2005CT	50	50	20.0	125	0.975	10.0	5.0	50	35	0.5	1.0	
	SF2010CT	100	100	20.0	125	0.975	10.0	5.0	100	35	0.5	1.0	
	SF2020CT	200	200	20.0	125	0.975	10.0	5.0	200	35	0.5	1.0	
	SF2040CT	400	400	20.0	125	1.300	10.0	5.0	400	35	0.5	1.0	
	SF2060CT	600	600	20.0	125	1.700	10.0	5.0	600	35	0.5	1.0	
ITO-220AB	SF2005FCT	50	50	20.0	125	0.975	10.0	5.0	50	35	0.5	1.0	
	SF2010FCT	100	100	20.0	125	0.975	10.0	5.0	100	35	0.5	1.0	
	SF2020FCT	200	200	20.0	125	0.975	10.0	5.0	200	35	0.5	1.0	
	SF2040FCT	400	400	20.0	125	1.300	10.0	5.0	400	35	0.5	1.0	
	SF2060FCT	600	600	20.0	125	1.700	10.0	5.0	600	35	0.5	1.0	



Surface Mount Transient Voltage Suppressors for ESD Protection

Package	Part No.		Electrical Characteristics @25°C									Marking Code	
			V _{RWM}	Max Reverse Leakage I _r @V _{RWM}	V _{BR} Min. @ I _r =1mA	V _{ESD} IEC61000-4-2 Air/Contact	Max. V _c @I _{pp} =1.0A	Max. V _c @I _{ppm} 5/20µs Pulse	P _{PK} Max.	C _j Max. @1MHz			
	Uni	Bi	(V)	(µA)	(V)	(KV)	(µA)	(V)	I _{pp} (A)	(W)	(pF)	Uni	Bi
≤200W Surface Mount Transient Voltage Suppressors for ESD Protection Diode													
0603	ESD5FN3.3	-	3.3	3	5	20/15	-	12	6	72	45	Z	-
	-	ESD5FN3.3C	3.3	2	3.8	15/8	-	12	5	60	15	-	Z
	ESD5FN5.0	-	5	2	6	20/15	-	15.5	13	200	120	T	-
	-	ESD5FN5.0C	5	2	6	16/8	-	15	5	75	20	-	H
	ESD5FN12	-	12	2	13.5	15/8	-	25	6	150	150	E	-
	-	ESD5FN12C	12	2	14	16/8	-	15	5	90	15	-	S
SOD-523FL	ESD5Z3.3	-	3.3	1	5	15/8	-	14.1	11.2	158	105	ZE	-
	-	ESD5Z3.3C	3.3	1	4	30/30	7	12	8	96	10	-	CT
	ESD5Z5.0	-	5	1	6.2	15/8	-	18.6	9.4	174	80	ZF	-
	-	ESD5Z5.0C	5	1	7.8	15/8	-	18.6	9.4	174	25	-	5C
	ESD5Z7.0	-	7	1	7.5	15/8	-	22.7	8.8	200	65	ZH	-
	-	ESD5Z24	24	1	26.7	15/8	30	32	5	160	25	KR	-
SOD-723FL	ESD7Z3.3	-	3.3	2.5	5	15/8	-	10.4	9.8	102	80	A	-
	-	ESD7Z5.0	5	1	6.2	15/8	-	12.3	8.7	107	85	F	-
0402	ESD9FN3.3	-	3.3	3	5	20/15	-	12	6	72	45	Z	-
	-	ESD9FN3.3C	3.3	2	3.8	15/8	7	12	5	60	15	-	Z
	ESD9FN5.0	-	5	2	6	20/15	-	15.5	13	200	120	T	-
	-	ESD9FN5.0C	5	2	6	16/8	-	15	5	75	20	-	H
	ESD9FN12-A0	-	12	2	15.8	16/8	-	20	3	60	30	E	-
	-	ESD9FN12C	12	2	14	16/8	22	30	3	90	15	-	S
SOD-923FL	ESD9FN24	-	24	1	25.5	16/8	-	43	2	86	35	X	-
	-	ESD9FN24C	24	1	25.5	16/8	22	43	1.5	65	18	-	X
	ESD9Z3.3	-	3.3	2.5	5	15/8	-	10.4	9.8	102	80	E	-
	-	ESD9Z5.0	5	1	6.2	15/8	-	12.3	8.7	107	65	G	-
	-	ESD9Z3.3C	3.3	1	7	15/8	-	14.1	11.2	158	25	-	B
	-	ESD9Z5.0C	5	1	8	15/8	-	18.6	9.4	174	15	-	C
>200W Surface Mount Transient Voltage Suppressors for ESD Protection Diode													
SOD-323F	ESD3Z3.3	-	3.3	40	4	15/8	7.5	10.5	20	210	450	03W	-
	-	ESD3Z5.0	5	10	6	15/8	9.8	18	17	306	300	05W	-
	ESD3Z12	-	12	1	13.4	15/8	19	32	11	352	130	12W	-
	-	ESD3Z15	15	1	16.7	15/8	24	38	10	380	120	15W	-
	ESD3Z24	-	24	1	26.7	15/8	43	52	7	364	80	24W	-
	-	ESD3Z36	36	1	40	15/8	60	75	5	375	30	36W	-
SOD-323F	-	ESD3Z3.3C	3.3	40	4	15/8	7.5	10.5	20	210	450	-	2A
	-	ESD3Z5.0C	5	10	6	15/8	9.8	18	17	306	200	-	2B
	-	ESD3Z12C	12	1	13.3	15/8	19	32	11	352	75	-	2D
	-	ESD3Z15C	15	1	16.7	15/8	24	38	10	380	68	-	2J
	-	ESD3Z18C	18	1	20	15/8	29	45	9	405	57	-	2K
	-	ESD3Z24C	24	1	26.7	15/8	43	52	7	364	50	-	2H
0603	ESD5FN24	-	24	2	27	15/8	45	60	4	240	60	F	-
SOD-523FL	ESD5Z12	-	12	1	13.5	15/8	-	25	9.6	240	55	ZM	-
	-	ESD5Z15	15	1	16.5	15/8	-	26	10	260	65	ZN	-
SOT-23	-	N032AT23	3.3	20	4	15/8	7.5	10	25	250	450	-	B03C
	-	N052AT23	5	5	6	15/8	9.8	12	20	240	350	-	B05C
	-	N122AT23	12	1	13.3	15/8	19	24	15	360	150	-	B12C
	-	N242AT23	24	1	26.7	15/8	43	47	10	470	88	-	B24C
	-	N362AT23	36	1	40	15/8	50	75	5	375	80	-	B36C



Surface Mount Transient Voltage Suppressors for ESD Protection

Package	Part No.		Electrical Characteristics @25°C									Marking Code	
			V _{RWM}	Max Reverse Leakage I _R @V _{RWM}	V _{BR} Min. @ I _T =1mA	V _{ESD} IEC61000-4-2 Air/Contact	Max. V _C @I _{PP} =1.0A	Max. V _C @I _{PPM} 5/20µs Pulse		P _{PK} Max.	C _J Max. @1MHz		
	Uni	Bi	(V)	(µA)	(V)	(KV)	(µA)	(V)	I _{PP} (A)	(W)	(pF)	Uni	Bi
Surface Mount Ultra Low Capacitance Transient Voltage Suppressors for ESD Protection Diode													
SOD-323F	-	ESDA3L03C	3.3	40	4	15/8	7.5	13.9	8	111	1	-	CC
	-	ESDA3L05C	5	5	6	15/8	9.8	18.3	8	146	1	-	AC
	-	ESDA3L08C	8	2	8.5	15/8	13.4	18.5	8	148	1	-	BC
	-	ESDA3L12C	12	1	13.3	15/8	19	28.6	6	172	1	-	DC
	-	ESDA3L15C	15	1	16.7	15/8	24	31.8	5	159	1	-	EC
	-	ESDA3L24C	24	1	26.7	15/8	43	56	3	168	1	-	HC
SOD-523FL	ESD5L5.0	-	5	1	5.4	15/10	-	9.8	1	40	0.9	5L	-
0603	ESD5LFN5.0	-	5	2	6	16/8	-	20	2	40	0.8	P	-
		ESD5LFN5.0C	5	2	6	15/8	-	15	1	15	0.4	-	N
0402	ESD9L5.0	-	5	1	8.5	15/10	-	9.8	1	50	0.9	D	-
	ESD9LFN5.0	-	5	2	6	16/8	-	20	2	40	0.8	P	-
		ESD9LFN5.0C	5	2	6	15/8	-	15	1	15	0.4	-	N
Surface Mount Ultra Low Capacitance Transient Voltage Suppressors for ESD Protection Diode Array													
TSOP-6	LL054BT6	-	5	1	6	15/8	-	12	1	150	0.9	C96	-
SOT-363	LL054BT36	-	5	1	6	15/8	-	12	1	150	0.9	C96	-
T2510P10	LL054BT2510	-	5	1	6	17/12	-	15	1	30	0.8	0524P	-
	U054BT2510	-	5	1	6	15/8	-	12	1	75	0.6	24B	-



Surface Mount Transient Voltage Suppressors

Package	Part No.		Absolute Maximum Rating (TA=25°C)				Electrical Characteristics (TA=25°C)			Marking Code	
			V _{RWM}	V _{BR Min}	V _{BR Max}	I _T	Max. V _c @I _{PPM}		Maximum Reverse Leakage Current		
	Uni	Bi	(V)	(V)	(V)	(mA)	(V)	I _{PP} (A)	I _R @V _{RWM} (µA)	Uni	Bi
200W Surface Mount Transient Voltage Suppressor (Glass Passivation Junction)											New
SOD-123S (MINI SMA)	SMF5.0A	SMF5.0CA	5	6.4	7	10	9.2	21.7	400	KE	AE
	SMF6.0A	SMF6.0CA	6	6.67	7.37	10	10.3	19.4	400	KG	AG
	SMF6.5A	SMF6.5CA	6.5	7.22	7.98	10	11.2	17.9	250	KK	AK
	SMF7.0A	SMF7.0CA	7	7.78	8.6	10	12	16.7	100	KM	AM
	SMF7.5A	SMF7.5CA	7.5	8.33	9.21	1	12.9	15.5	50	KP	AP
	SMF8.0A	SMF8.0CA	8	8.89	9.83	1	13.6	14.7	25	KR	AR
	SMF8.5A	SMF8.5CA	8.5	9.44	10.4	1	14.4	13.9	10	KT	AT
	SMF9.0A	SMF9.0CA	9	10	11.1	1	15.4	13	5	KV	AV
	SMF10A	SMF10CA	10	11.1	12.3	1	17	11.8	2.5	KX	AX
	SMF11A	SMF11CA	11	12.2	13.5	1	18.2	11	2.5	KZ	AZ
	SMF12A	SMF12CA	12	13.3	14.7	1	19.9	10.1	2.5	LE	BE
	SMF13A	SMF13CA	13	14.4	15.9	1	21.5	9.3	1	LG	BG
	SMF14A	SMF14CA	14	15.6	17.2	1	23.2	8.6	1	LK	BK
	SMF15A	SMF15CA	15	16.7	18.5	1	24.4	8.2	1	LM	BM
	SMF16A	SMF16CA	16	17.8	19.7	1	26	7.7	1	LP	BP
	SMF17A	SMF17CA	17	18.9	20.9	1	27.6	7.2	1	LR	BR
	SMF18A	SMF18CA	18	20	22.1	1	29.2	6.8	1	LT	BT
	SMF20A	SMF20CA	20	22.2	24.5	1	32.4	6.2	1	LV	BV
	SMF 22A	SMF 22CA	22	24.4	26.9	1	35.5	5.6	1	LX	BX
	SMF24A	SMF24CA	24	26.7	29.5	1	38.9	5.1	1	LZ	BZ
	SMF26A	SMF26CA	26	28.9	31.9	1	42.1	4.8	1	ME	CE
	SMF28A	SMF28CA	28	31.1	34.4	1	45.4	4.4	1	MG	CG
	SMF30A	SMF30CA	30	33.3	36.8	1	48.4	4.1	1	MK	CK
	SMF33A	SMF33CA	33	36.7	40.6	1	53.3	3.8	1	MM	CM
	SMF36A	SMF36CA	36	40	44.2	1	58.1	3.4	1	MP	CP
	SMF40A	SMF40CA	40	44.4	49.1	1	64.5	3.1	1	MR	CR
	SMF43A	SMF43CA	43	47.8	52.8	1	69.4	2.9	1	MT	CT
	SMF45A	SMF45CA	45	50	55.3	1	72.7	2.8	1	MV	CV
	SMF48A	SMF48CA	48	53.3	58.9	1	77.4	2.6	1	MX	CX
	SMF51A	SMF51CA	51	56.7	62.7	1	82.4	2.4	1	MZ	CZ
	SMF54A	SMF54CA	54	60	66.3	1	87.1	2.3	1	NE	DE
	SMF58A	SMF58CA	58	64.4	71.2	1	93.6	2.2	1	NG	DG
	SMF60A	SMF60CA	60	66.7	73.7	1	96.8	2.1	1	NK	DK
SMF64A	SMF64CA	64	71.1	78.6	1	103	2	1	NM	DM	
SMF70A	SMF70CA	70	77.8	86	1	113	1.8	1	NP	DP	
SMF75A	SMF75CA	75	83.3	92.1	1	121	1.7	1	NR	DR	
SMF78A	SMF78CA	78	86.7	95.8	1	126	1.6	1	NT	DT	
SMF85A	SMF85CA	85	94.4	104	1	137	1.5	1	NV	DV	
SMF90A	SMF90CA	90	100	111	1	146	1.4	1	NX	DX	
SMF100A	SMF100CA	100	111	123	1	162	1.3	1	NZ	DZ	
SMF110A	SMF110CA	110	122	135	1	177	1.2	1	PE	EE	
SMF120A	SMF120CA	120	133	147	1	193	1.1	1	PG	EG	
SMF130A	SMF130CA	130	144	159	1	209	1	1	PK	EK	
SMF150A	SMF150CA	150	167	185	1	243	0.8	1	PM	EM	
SMF160A	SMF160CA	160	178	197	1	259	0.8	1	PP	EP	
SMF170A	SMF170CA	170	189	209	1	275	0.8	1	PR	ER	



Surface Mount Transient Voltage Suppressors

Package	Part No.		Absolute Maximum Rating (TA=25°C)				Electrical Characteristics (TA=25°C)				Marking Code		
			V _{RWM}	V _{BR Min}	V _{BR Max}	I _T	Max. V _C @ I _{PPM}		I _R @ V _{RWM} (µA)		Uni	Bi	
	Uni	Bi	(V)	(V)	(V)	(mA)	(V)	I _{PP} (A)	Uni	Bi	Uni	Bi	
400W Surface Mount Transient Voltage Suppressor (Glass Passivation Junction)													New
SMA (DO-214AC)	SMAJ5.0A	SMAJ5.0CA	5.0	6.40	7.00	10	40	9.2	43.5	800	1600	AE	WE
	SMAJ6.0A	SMAJ6.0CA	6.0	6.67	7.37	10	40	10.3	38.0	800	1600	AG	WG
	SMAJ6.5A	SMAJ6.5CA	6.5	7.22	7.98	10	40	11.2	35.7	500	1000	AK	WK
	SMAJ7.0A	SMAJ7.0CA	7.0	7.78	8.60	10	40	12	33.3	200	400	AM	WM
	SMAJ7.5A	SMAJ7.5CA	7.5	8.33	9.21	1	40	12.9	31.0	100	200	AP	WP
	SMAJ8.0A	SMAJ8.0CA	8.0	8.89	9.83	1	40	13.6	29.4	50	100	AR	WR
	SMAJ8.5A	SMAJ8.5CA	8.5	9.44	10.40	1	40	14.4	27.7	20	40	AT	WT
	SMAJ9.0A	SMAJ9.0CA	9.0	10.00	11.10	1	40	15.4	26.0	10	20	AV	WV
	SMAJ10A	SMAJ10CA	10.0	11.10	12.30	1	40	17	23.5	5	10	AX	WX
	SMAJ11A	SMAJ11CA	11.0	12.20	13.50	1	40	18.2	22.0	5	5	AZ	WZ
	SMAJ12A	SMAJ12CA	12.0	13.30	14.70	1	40	19.9	20.1	5	5	BE	XE
	SMAJ13A	SMAJ13CA	13.0	14.40	15.90	1	40	21.5	18.6	5	5	BG	XG
	SMAJ14A	SMAJ14CA	14.0	15.60	17.20	1	40	23.2	17.2	5	5	BK	XK
	SMAJ15A	SMAJ15CA	15.0	16.70	18.50	1	40	24.4	16.4	5	5	BM	XM
	SMAJ16A	SMAJ16CA	16.0	17.80	19.70	1	40	26	15.4	5	5	BP	XP
	SMAJ17A	SMAJ17CA	17.0	18.90	20.90	1	40	27.6	14.5	5	5	BR	XR
	SMAJ18A	SMAJ18CA	18.0	20.00	22.10	1	40	29.2	13.7	5	5	BT	XT
	SMAJ20A	SMAJ20CA	20.0	22.20	24.50	1	40	32.4	12.3	5	5	BV	XV
	SMAJ22A	SMAJ22CA	22.0	24.40	26.90	1	40	35.5	11.2	5	5	BX	XX
	SMAJ24A	SMAJ24CA	24.0	26.70	29.50	1	40	38.9	10.3	5	5	BZ	XZ
	SMAJ26A	SMAJ26CA	26.0	28.90	31.90	1	40	42.1	9.5	5	5	CE	YE
	SMAJ28A	SMAJ28CA	28.0	31.10	34.40	1	40	45.4	8.8	5	5	CG	YG
	SMAJ30A	SMAJ30CA	30.0	33.30	36.80	1	40	48.4	8.3	5	5	CK	YK
	SMAJ33A	SMAJ33CA	33.0	36.70	40.60	1	40	53.3	7.5	5	5	CM	YM
	SMAJ36A	SMAJ36CA	36.0	40.00	44.20	1	40	58.1	6.9	5	5	CP	YP
	SMAJ40A	SMAJ40CA	40.0	44.40	49.10	1	40	64.5	6.2	5	5	CR	YR
	SMAJ43A	SMAJ43CA	43.0	47.80	52.80	1	40	69.4	5.8	5	5	CT	YT
	SMAJ45A	SMAJ45CA	45.0	50.00	55.30	1	40	72.7	5.5	5	5	CV	YV
	SMAJ48A	SMAJ48CA	48.0	53.30	58.90	1	40	77.4	5.2	5	5	CX	YX
	SMAJ51A	SMAJ51CA	51.0	56.70	62.70	1	40	82.4	4.9	5	5	CZ	YZ
	SMAJ54A	SMAJ54CA	54.0	60.00	66.30	1	40	87.1	4.6	5	5	RE	ZE
	SMAJ58A	SMAJ58CA	58.0	64.40	71.20	1	40	93.6	4.3	5	5	RG	ZG
	SMAJ60A	SMAJ60CA	60.0	66.70	73.70	1	40	96.8	4.1	5	5	RK	ZK
	SMAJ64A	SMAJ64CA	64.0	71.10	78.60	1	40	103	3.9	5	5	RM	ZM
	SMAJ70A	SMAJ70CA	70.0	77.80	86.00	1	40	113	3.5	5	5	RP	ZP
	SMAJ75A	SMAJ75CA	75.0	83.30	92.10	1	40	121	3.3	5	5	RR	ZR
	SMAJ78A	SMAJ78CA	78.0	86.70	95.80	1	40	126	3.2	5	5	RT	ZT
	SMAJ85A	SMAJ85CA	85.0	94.40	104.00	1	40	137	2.9	5	5	RV	ZV
	SMAJ90A	SMAJ90CA	90.0	100.00	111.00	1	40	146	2.7	5	5	RX	ZX
	SMAJ100A	SMAJ100CA	100.0	111.00	123.00	1	40	162	2.5	5	5	RZ	ZZ
SMAJ110A	SMAJ110CA	110.0	122.00	135.00	1	40	177	2.3	5	5	SE	VE	
SMAJ120A	SMAJ120CA	120.0	133.00	147.00	1	40	193	2.1	5	5	SG	VG	
SMAJ130A	SMAJ130CA	130.0	144.0	159.0	1.0	40	209.0	1.9	5.0	5.0	SK	VK	
SMAJ150A	SMAJ150CA	150.0	167.0	185.0	1.0	40	243.0	1.6	5.0	5.0	SM	VM	
SMAJ160A	SMAJ160CA	160.0	178.0	197.0	1.0	40	259.0	1.5	5.0	5.0	SP	VP	
SMAJ170A	SMAJ170CA	170.0	189.0	209.0	1.0	40	275.0	1.5	5.0	5.0	SR	VR	
SMAJ180A	SMAJ180CA	180.0	201.0	222.0	1.0	40	292.0	1.4	5.0	5.0	ST	VT	
SMAJ200A	SMAJ200CA	200.0	224.0	247.0	1.0	40	324.0	1.2	5.0	5.0	SV	VV	
SMAJ220A	SMAJ220CA	220.0	246.0	272.0	1.0	40	356.0	1.1	5.0	5.0	SX	VX	
SMAJ250A	SMAJ250CA	250.0	279.0	309.0	1.0	40	405.0	1.0	5.0	5.0	SZ	VZ	
SMAJ300A	SMAJ300CA	300.0	335.0	371.0	1.0	40	486.0	0.8	5.0	5.0	TE	UE	
SMAJ350A	SMAJ350CA	350.0	391.0	432.0	1.0	40	567.0	0.7	5.0	5.0	TG	UG	
SMAJ400A	SMAJ400CA	400.0	447.0	494.0	1.0	40	648.0	0.6	5.0	5.0	TK	UK	
SMAJ440A	SMAJ440CA	440.0	492.0	543.0	1.0	40	713.0	0.6	5.0	5.0	TM	UM	



Surface Mount Transient Voltage Suppressors

Package	Part No.		Absolute Maximum Rating (TA=25°C)				Electrical Characteristics (TA=25°C)			Marking Code	
			V _{RWM}	V _{BR Min}	V _{BR Max}	I _T	Max. V _C @ I _{PPM}		Maximum Reverse Leakage Current		
	Uni	Bi	(V)	(V)	(V)	(mA)	(V)	I _{PP} (A)	I _R @ V _{RWM} (µA)	Uni	Bi
400W Surface Mount Transient Voltage Suppressor (Glass Passivation Junction)											New
SMAS (DO-214AC)	SMAS5.0A	SMAS5.0CA	5	6.4	7	10	9.2	43.5	800	AE	WE
	SMAS6.0A	SMAS6.0CA	6	6.67	7.37	10	10.3	38.8	800	AG	WG
	SMAS6.5A	SMAS6.5CA	6.5	7.22	7.98	10	11.2	35.7	500	AK	WK
	SMAS7.0A	SMAS7.0CA	7	7.78	8.6	10	12	33.3	200	AM	WM
	SMAS7.5A	SMAS7.5CA	7.5	8.33	9.21	1	12.9	31	100	AP	WP
	SMAS8.0A	SMAS8.0CA	8	8.89	9.83	1	13.6	29.4	50	AR	WR
	SMAS8.5A	SMAS8.5CA	8.5	9.44	10.4	1	14.4	27.7	20	AT	WT
	SMAS9.0A	SMAS9.0CA	9	10	11.1	1	15.4	26	10	AV	WV
	SMAS10A	SMAS10CA	10	11.1	12.3	1	17	23.5	5	AX	WX
	SMAS11A	SMAS11CA	11	12.2	13.5	1	18.2	22	5	AZ	WZ
	SMAS12A	SMAS12CA	12	13.3	14.7	1	19.9	20.1	5	BE	XE
	SMAS13A	SMAS13CA	13	14.4	15.9	1	21.5	18.6	5	BG	XG
	SMAS14A	SMAS14CA	14	15.6	17.2	1	23.2	17.2	5	BK	XK
	SMAS15A	SMAS15CA	15	16.7	18.5	1	24.4	16.4	5	BM	XM
	SMAS16A	SMAS16CA	16	17.8	19.7	1	26	15.4	5	BP	XP
	SMAS17A	SMAS17CA	17	18.9	20.9	1	27.6	14.5	5	BR	XR
	SMAS18A	SMAS18CA	18	20	22.1	1	29.2	13.7	5	BT	XT
	SMAS20A	SMAS20CA	20	22.2	24.5	1	32.4	12.3	5	BV	XV
	SMAS22A	SMAS22CA	22	24.4	26.9	1	35.5	11.2	5	BX	XX
	SMAS24A	SMAS24CA	24	26.7	29.5	1	38.9	10.3	5	BZ	XZ
	SMAS26A	SMAS26CA	26	28.9	31.9	1	42.1	9.5	5	CE	YE
	SMAS28A	SMAS28CA	28	31.1	34.4	1	45.4	8.8	5	CG	YG
	SMAS30A	SMAS30CA	30	33.3	36.8	1	48.4	8.3	5	CK	YK
	SMAS33A	SMAS33CA	33	36.7	40.6	1	53.3	7.5	5	CM	YM
	SMAS36A	SMAS36CA	36	40	44.2	1	58.1	6.9	5	CP	YP
	SMAS40A	SMAS40CA	40	44.4	49.1	1	64.5	6.2	5	CR	YR
	SMAS43A	SMAS43CA	43	47.8	52.8	1	69.4	5.7	5	CT	YT
	SMAS45A	SMAS45CA	45	50	55.3	1	72.7	5.5	5	CV	YV
	SMAS48A	SMAS48CA	48	53.3	58.9	1	77.4	5.1	5	CX	YX
	SMAS51A	SMAS51CA	51	56.7	62.7	1	82.4	4.8	5	CZ	YZ
	SMAS54A	SMAS54CA	54	60	66.3	1	87.1	4.6	5	RE	ZE
	SMAS58A	SMAS58CA	58	64.4	71.2	1	93.6	4.3	5	RG	ZG
	SMAS60A	SMAS60CA	60	66.7	73.7	1	96.8	4.1	5	RK	ZK
	SMAS64A	SMAS64CA	64	71.1	78.6	1	103	3.8	5	RM	ZM
	SMAS70A	SMAS70CA	70	77.8	86	1	113	3.5	5	RP	ZP
	SMAS75A	SMAS75CA	75	83.3	92.1	1	121	3.3	5	RR	ZR
	SMAS78A	SMAS78CA	78	86.7	95.8	1	126	3.1	5	RT	ZT
	SMAS85A	SMAS85CA	85	94.4	104	1	137	2.9	5	RV	ZV
	SMAS90A	SMAS90CA	90	100	111	1	146	2.7	5	RX	ZX
	SMAS100A	SMAS100CA	100	111	123	1	162	2.4	5	RZ	ZZ
SMAS110A	SMAS110CA	110	122	135	1	177	2.2	5	SE	VE	
SMAS120A	SMAS120CA	120	133	147	1	193	2	5	SG	VG	
SMAS130A	SMAS130CA	130	144	159	1	209	1.9	5	SK	VK	
SMAS150A	SMAS150CA	150	167	185	1	243	1.6	5	SM	VM	
SMAS160A	SMAS160CA	160	178	197	1	259	1.5	5	SP	VP	
SMAS170A	SMAS170CA	170	189	209	1	275	1.4	5	SR	VR	
SMAS180A	SMAS180CA	180.0	201.0	222.0	1.0	292	1.3	5	ST	VT	
SMAS200A	SMAS200CA	200.0	224.0	247.0	1.0	324	1.2	5	SV	VV	
SMAS220A	SMAS220CA	220.0	246.0	272.0	1.0	356	1.1	5	SX	VX	
SMAS250A	SMAS250CA	250.0	279.0	309.0	1.0	405	0.9	5	SZ	VZ	
SMAS300A	SMAS300CA	300.0	335.0	371.0	1.0	486	0.8	5	TE	VE	
SMAS350A	SMAS350CA	350.0	391.0	432.0	1.0	567	0.7	5	TG	VG	
SMAS400A	SMAS400CA	400.0	447.0	494.0	1.0	648	0.6	5	TK	VK	
SMAS440A	SMAS440CA	440.0	492.0	543.0	1.0	713	0.5	5	TM	VM	



Surface Mount Transient Voltage Suppressors

Package	Part No.	Absolute Maximum Rating (TA=25°C)				Electrical Characteristics (TA=25°C)			Marking Code
		V _{RWM}	V _{BR Min}	V _{BR Max}	I _T	Max. V _c @ I _{PPM}		Maximum Reverse Leakage Current	
	Uni	(V)	(V)	(V)	(mA)	(V)	I _{PP} (A)	I _R @ V _{RWM} (µA)	Uni
600W Surface Mount Transient Voltage Suppressor (Glass Passivation Junction)									
SMAS (DO-214AC)	SMA6S5.0A	5	6.4	7	10	9.2	65.2	800	6AE
	SMA6S6.0A	6	6.67	7.37	10	10.3	58.2	800	6AG
	SMA6S6.5A	6.5	7.22	7.98	10	11.2	53.5	500	6AK
	SMA6S7.0A	7	7.78	8.6	10	12	50	200	6AM
	SMA6S7.5A	7.5	8.33	9.21	1	12.9	46.5	100	6AP
	SMA6S8.0A	8	8.89	9.83	1	13.6	44.1	50	6AR
	SMA6S8.5A	8.5	9.44	10.4	1	14.4	41.6	20	6AT
	SMA6S9.0A	9	10	11.1	1	15.4	38.9	10	6AV
	SMA6S10A	10	11.1	12.3	1	17	35.2	5	6AX
	SMA6S11A	11	12.2	13.5	1	18.2	32.9	5	6AZ
	SMA6S12A	12	13.3	14.7	1	19.9	30.1	5	6BE
	SMA6S13A	13	14.4	15.9	1	21.5	27.9	5	6BG
	SMA6S14A	14	15.6	17.2	1	23.2	25.8	5	6BK
	SMA6S15A	15	16.7	18.5	1	24.4	24.5	5	6BM
	SMA6S16A	16	17.8	19.7	1	26	23	5	6BP
	SMA6S17A	17	18.9	20.9	1	27.6	21.7	5	6BR
	SMA6S18A	18	20	22.1	1	29.2	20.5	5	6BT
	SMA6S20A	20	22.2	24.5	1	32.4	18.5	5	6BV
	SMA6S22A	22	24.4	26.9	1	35.5	16.9	5	6BX
	SMA6S24A	24	26.7	29.5	1	38.9	15.4	5	6BZ
	SMA6S26A	26	28.9	31.9	1	42.1	14.2	5	6CE
	SMA6S28A	28	31.1	34.4	1	45.4	13.2	5	6CG
	SMA6S30A	30	33.3	36.8	1	48.4	12.3	5	6CK
	SMA6S33A	33	36.7	40.6	1	53.3	11.2	5	6CM
	SMA6S36A	36	40	44.2	1	58.1	10.3	5	6CP
	SMA6S40A	40	44.4	49.1	1	64.5	9.3	5	6CR
	SMA6S43A	43	47.8	52.8	1	69.4	8.6	5	6CT
	SMA6S45A	45	50	55.3	1	72.7	8.2	5	6CV
	SMA6S48A	48	53.3	58.9	1	77.4	7.7	5	6CX
	SMA6S51A	51	56.7	62.7	1	82.4	7.2	5	6CZ
	SMA6S54A	54	60	66.3	1	87.1	6.8	5	6RE
	SMA6S58A	58	64.4	71.2	1	93.6	6.4	5	6RG
SMA6S60A	60	66.7	73.7	1	96.8	6.1	5	6RK	
SMA6S64A	64	71.1	78.6	1	103	5.8	5	6RM	
SMA6S70A	70	77.8	86	1	113	5.3	5	6RP	
SMA6S75A	75	83.3	92.1	1	121	4.9	5	6RR	
SMA6S78A	78	86.7	95.8	1	126	4.7	5	6RT	
SMA6S85A	85	94.4	104	1	137	4.3	5	6RV	
SMA6S90A	90	100	111	1	146	4.1	5	6RX	
SMA6S100A	100	111	123	1	162	3.7	5	6RZ	
SMA6S110A	110	122	135	1	177	3.3	5	6SE	
SMA6S120A	120	133	147	1	193	3.1	5	6SG	
SMA6S130A	130	144	159	1	209	2.8	5	6SK	
SMA6S150A	150	167	185	1	243	2.4	5	6SM	
SMA6S160A	160	178	197	1	259	2.3	5	6SP	
SMA6S170A	170	189	209	1	275	2.1	5	6SR	



Surface Mount Transient Voltage Suppressors

Package	Part No.		Absolute Maximum Rating (TA=25°C)					Electrical Characteristics				Marking Code		
			V _{RWM} (V)	V _{BR} Min (V)	V _{BR} Max (V)	I _T (mA)	I _{FSM} (A)	Max Vc (V)		I _R @V _{RWM} (µA)		Uni	Bi	
	Uni	Bi						I _{PP} (A)	Uni	Bi	Uni	Bi		
600W Surface Mount Transient Voltage Suppressor (Glass Passivation Junction)													New	
SMB (DO-214AA)	SMBJ5.0A	SMBJ5.0CA	5.0	6.4	7.0	10.0	100	9.2	65.2	800.0	1600.0	KE	AE	
	SMBJ6.0A	SMBJ6.0CA	6.0	6.7	7.4	10.0	100	10.3	58.3	800.0	1600.0	KG	AG	
	SMBJ6.5A	SMBJ6.5CA	6.5	7.2	8.0	10.0	100	11.2	53.6	500.0	1000.0	KK	AK	
	SMBJ7.0A	SMBJ7.0CA	7.0	7.8	8.6	10.0	100	12.0	50.0	200.0	400.0	KM	AM	
	SMBJ7.5A	SMBJ7.5CA	7.5	8.3	9.2	1.0	100	12.9	46.5	100.0	200.0	KP	AP	
	SMBJ8.0A	SMBJ8.0CA	8.0	8.9	9.8	1.0	100	13.6	44.1	50.0	100.0	KR	AR	
	SMBJ8.5A	SMBJ8.5CA	8.5	9.4	10.4	1.0	100	14.4	41.7	10.0	20.0	KT	AT	
	SMBJ9.0A	SMBJ9.0CA	9.0	10.0	11.1	1.0	100	15.4	39.0	5.0	10.0	KV	AV	
	SMBJ10A	SMBJ10CA	10.0	11.1	12.3	1.0	100	17.0	35.3	5.0	10.0	KX	AX	
	SMBJ11A	SMBJ11CA	11.0	12.2	13.5	1.0	100	18.2	33.0	5.0	5.0	KZ	AZ	
	SMBJ12A	SMBJ12CA	12.0	13.3	14.7	1.0	100	19.9	30.2	5.0	5.0	LE	BE	
	SMBJ13A	SMBJ13CA	13.0	14.4	15.9	1.0	100	21.5	27.9	5.0	5.0	LG	BG	
	SMBJ14A	SMBJ14CA	14.0	15.6	17.2	1.0	100	23.2	25.8	5.0	5.0	LK	BK	
	SMBJ15A	SMBJ15CA	15.0	16.7	18.5	1.0	100	24.4	24.0	5.0	5.0	LM	BM	
	SMBJ16A	SMBJ16CA	16.0	17.8	19.7	1.0	100	26.0	23.1	5.0	5.0	LP	BP	
	SMBJ17A	SMBJ17CA	17.0	18.9	20.9	1.0	100	27.6	21.7	5.0	5.0	LR	BR	
	SMBJ18A	SMBJ18CA	18.0	20.0	22.1	1.0	100	29.2	20.5	5.0	5.0	LT	BT	
	SMBJ20A	SMBJ20CA	20.0	22.2	24.5	1.0	100	32.4	18.5	5.0	5.0	LV	BV	
	SMBJ22A	SMBJ22CA	22.0	24.4	26.9	1.0	100	35.5	16.9	5.0	5.0	LX	BX	
	SMBJ24A	SMBJ24CA	24.0	26.7	29.5	1.0	100	38.9	15.4	5.0	5.0	LZ	BZ	
	SMBJ26A	SMBJ26CA	26.0	28.9	31.9	1.0	100	42.1	14.3	5.0	5.0	ME	CE	
	SMBJ28A	SMBJ28CA	28.0	31.1	34.4	1.0	100	45.4	13.2	5.0	5.0	MG	CG	
	SMBJ30A	SMBJ30CA	30.0	33.3	36.8	1.0	100	48.4	12.4	5.0	5.0	MK	CK	
	SMBJ33A	SMBJ33CA	33.0	36.7	40.6	1.0	100	53.3	11.3	5.0	5.0	MM	CM	
	SMBJ36A	SMBJ36CA	36.0	40.0	44.2	1.0	100	58.1	10.3	5.0	5.0	MP	CP	
	SMBJ40A	SMBJ40CA	40.0	44.4	49.1	1.0	100	64.5	9.3	5.0	5.0	MR	CR	
	SMBJ43A	SMBJ43CA	43.0	47.8	52.8	1.0	100	69.4	8.6	5.0	5.0	MT	CT	
	SMBJ45A	SMBJ45CA	45.0	50.0	55.3	1.0	100	72.7	8.3	5.0	5.0	MV	CV	
	SMBJ48A	SMBJ48CA	48.0	53.3	58.9	1.0	100	77.4	7.7	5.0	5.0	MX	CX	
	SMBJ51A	SMBJ51CA	51.0	56.7	62.7	1.0	100	82.4	7.3	5.0	5.0	MZ	CZ	
	SMBJ54A	SMBJ54CA	54.0	60.0	66.3	1.0	100	87.1	6.9	5.0	5.0	NE	DE	
	SMBJ58A	SMBJ58CA	58.0	64.4	71.2	1.0	100	93.6	6.4	5.0	5.0	NG	DG	
	SMBJ60A	SMBJ60CA	60.0	66.7	73.7	1.0	100	96.8	6.2	5.0	5.0	NK	DK	
	SMBJ64A	SMBJ64CA	64.0	71.1	78.6	1.0	100	103.0	5.8	5.0	5.0	NM	DM	
	SMBJ70A	SMBJ70CA	70.0	77.8	86.6	1.0	100	113.0	5.3	5.0	5.0	NP	DP	
	SMBJ75A	SMBJ75CA	75.0	83.3	92.1	1.0	100	121.0	5.0	5.0	5.0	NR	DR	
	SMBJ78A	SMBJ78CA	78.0	86.7	95.8	1.0	100	126.0	4.8	5.0	5.0	NT	DT	
	SMBJ85A	SMBJ85CA	85.0	94.4	104.0	1.0	100	137.0	4.4	5.0	5.0	NV	DV	
	SMBJ90A	SMBJ90CA	90.0	100.0	111.0	1.0	100	146.0	4.1	5.0	5.0	NX	DX	
	SMBJ100A	SMBJ100CA	100.0	111.0	123.0	1.0	100	162.0	3.7	5.0	5.0	NZ	DZ	
SMBJ110A	SMBJ110CA	110.0	122.0	135.0	1.0	100	177.0	3.4	5.0	5.0	PE	EE		
SMBJ120A	SMBJ120CA	120.0	133.0	147.0	1.0	100	193.0	3.1	5.0	5.0	PG	EG		
SMBJ130A	SMBJ130CA	130.0	144.0	159.0	1.0	100	209.0	2.9	5.0	5.0	PK	EK		
SMBJ150A	SMBJ150CA	150.0	167.0	185.0	1.0	100	243.0	2.5	5.0	5.0	PM	EM		
SMBJ160A	SMBJ160CA	160.0	178.0	197.0	1.0	100	259.0	2.3	5.0	5.0	PP	EP		
SMBJ170A	SMBJ170CA	170.0	189.0	209.0	1.0	100	275.0	2.2	5.0	5.0	PR	ER		
SMBJ180A	SMBJ180CA	180.0	201.0	222.0	1.0	100	292.0	2.1	5.0	5.0	PT	ET		
SMBJ200A	SMBJ200CA	200.0	224.0	247.0	1.0	100	324.0	1.9	5.0	5.0	PW	EW		
SMBJ220A	SMBJ220CA	220.0	246.0	272.0	1.0	100	356.0	1.7	5.0	5.0	PX	EX		
SMBJ250A	SMBJ250CA	250.0	279.0	309.0	1.0	100	405.0	1.5	5.0	5.0	PZ	EZ		
SMBJ300A	SMBJ300CA	300.0	335.0	371.0	1.0	100	486.0	1.3	5.0	5.0	QE	FE		
SMBJ350A	SMBJ350CA	350.0	391.0	432.0	1.0	100	567.0	1.1	5.0	5.0	QG	FG		
SMBJ400A	SMBJ400CA	400.0	447.0	494.0	1.0	100	648.0	0.9	5.0	5.0	QK	FK		
SMBJ440A	SMBJ440CA	440.0	492.0	543.0	1.0	100	713.0	0.9	5.0	5.0	QM	FM		



Surface Mount Transient Voltage Suppressors

Package	Part No.		Absolute Maximum Rating (TA=25°C)				Electrical Characteristics (TA=25°C)			Marking Code	
			V _{RWM}	V _{BR Min}	V _{BR Max}	I _T	Max. V _c @ I _{PPM}		Maximum Reverse Leakage Current		
	Uni	Bi	(V)	(V)	(V)	(mA)	(V)	I _{PP} (A)	I _R @ V _{RWM} (µA)	Uni	Bi
600W Surface Mount Transient Voltage Suppressor (Glass Passivation Junction)											New
SMB-S (DO-214AA)	SMBS5.0A	SMBS5.0CA	5	6.4	7	10	9.2	65.2	800	KE	AE
	SMBS6.0A	SMBS6.0CA	6	6.67	7.37	10	10.3	58.3	800	KG	AG
	SMBS6.5A	SMBS6.5CA	6.5	7.22	7.98	10	11.2	53.6	500	KK	AK
	SMBS7.0A	SMBS7.0CA	7	7.78	8.6	10	12	50	200	KM	AM
	SMBS7.5A	SMBS7.5CA	7.5	8.33	9.21	1	12.9	46.5	100	KP	AP
	SMBS8.0A	SMBS8.0CA	8	8.89	9.83	1	13.6	44.1	50	KR	AR
	SMBS8.5A	SMBS8.5CA	8.5	9.44	10.4	1	14.4	41.7	20	KT	AT
	SMBS9.0A	SMBS9.0CA	9	10	11.1	1	15.4	39	10	KV	AV
	SMBS10A	SMBS10CA	10	11.1	12.3	1	17	35.3	5	KX	AX
	SMBS11A	SMBS11CA	11	12.2	13.5	1	18.2	33	5	KZ	AZ
	SMBS12A	SMBS12CA	12	13.3	14.7	1	19.9	30.2	5	LE	BE
	SMBS13A	SMBS13CA	13	14.4	15.9	1	21.5	27.9	5	LG	BG
	SMBS14A	SMBS14CA	14	15.6	17.2	1	23.2	25.9	5	LK	BK
	SMBS15A	SMBS15CA	15	16.7	18.5	1	24.4	24.6	5	LM	BM
	SMBS16A	SMBS16CA	16	17.8	19.7	1	26	23	5	LP	BP
	SMBS17A	SMBS17CA	17	18.9	20.9	1	27.6	21.7	5	LR	BR
	SMBS18A	SMBS18CA	18	20	22.1	1	29.2	20.5	5	LT	BT
	SMBS20A	SMBS20CA	20	22.2	24.5	1	32.4	18.5	5	LV	BV
	SMBS22A	SMBS22CA	22	24.4	26.9	1	35.5	16.9	5	LX	BX
	SMBS24A	SMBS24CA	24	26.7	29.5	1	38.9	15.4	5	LZ	BZ
	SMBS26A	SMBS26CA	26	28.9	31.9	1	42.1	14.2	5	ME	CE
	SMBS28A	SMBS28CA	28	31.1	34.4	1	45.4	13.2	5	MG	CG
	SMBS30A	SMBS30CA	30	33.3	36.8	1	48.4	12.4	5	MK	CK
	SMBS33A	SMBS33CA	33	36.7	40.6	1	53.3	11.3	5	MM	CM
	SMBS36A	SMBS36CA	36	40	44.2	1	58.1	10.3	5	MP	CP
	SMBS40A	SMBS40CA	40	44.4	49.1	1	64.5	9.3	5	MR	CR
	SMBS43A	SMBS43CA	43	47.8	52.8	1	69.4	8.6	5	MT	CT
	SMBS45A	SMBS45CA	45	50	55.3	1	72.7	8.2	5	MV	CV
	SMBS48A	SMBS48CA	48	53.3	58.9	1	77.4	7.7	5	MX	CX
	SMBS51A	SMBS51CA	51	56.7	62.7	1	82.4	7.2	5	MZ	CZ
	SMBS54A	SMBS54CA	54	60	66.3	1	87.1	6.9	5	NE	DE
	SMBS58A	SMBS58CA	58	64.4	71.2	1	93.6	6.4	5	NG	DG
	SMBS60A	SMBS60CA	60	66.7	73.7	1	96.8	6.2	5	NK	DK
	SMBS64A	SMBS64CA	64	71.1	78.6	1	103	5.8	5	NM	DM
	SMBS70A	SMBS70CA	70	77.8	86	1	113	5.3	5	NP	DP
	SMBS75A	SMBS75CA	75	83.3	92.1	1	121	4.9	5	NR	DR
	SMBS78A	SMBS78CA	78	86.7	95.8	1	126	4.7	5	NT	DT
	SMBS85A	SMBS85CA	85	94.4	104	1	137	4.3	5	NV	DV
	SMBS90A	SMBS90CA	90	100	111	1	146	4.1	5	NX	DX
	SMBS100A	SMBS100CA	100	111	123	1	162	3.7	5	NZ	DZ
SMBS110A	SMBS110CA	110	122	135	1	177	3.3	5	PE	EE	
SMBS120A	SMBS120CA	120	133	147	1	193	3.1	5	PG	EG	
SMBS130A	SMBS130CA	130	144	159	1	209	2.8	5	PK	EK	
SMBS150A	SMBS150CA	150	167	185	1	243	2.4	5	PM	EM	
SMBS160A	SMBS160CA	160	178	197	1	259	2.3	5	PP	EP	
SMBS170A	SMBS170CA	170	189	209	1	275	2.1	5	PR	ER	
SMBS180A	SMBS180CA	180	201	222	1	292	2	5	PT	ET	
SMBS200A	SMBS200CA	200	224	247	1	324	1.9	5	PX	EX	
SMBS220A	SMBS220CA	220	246	272	1	356	1.6	5	PV	EV	
SMBS250A	SMBS250CA	250	279	309	1	405	1.4	5	PZ	EZ	
SMBS300A	SMBS300CA	300	335	371	1	486	1.2	5	QE	FE	
SMBS350A	SMBS350CA	350	391	432	1	567	1.1	5	QG	FG	
SMBS400A	SMBS400CA	400	447	494	1	648	0.9	5	QK	FK	
SMBS440A	SMBS440CA	440	492	543	1	713	0.8	5	QM	FM	



Surface Mount Transient Voltage Suppressors

Package	Part No.		Absolute Maximum Rating (TA=25°C)					Electrical Characteristics				Marking Code	
			V _{RWM}	V _{BR Min}	V _{BR Max}	I _r	I _{FSM}	Max Vc		I _r @V _{RWM} (µA)			
	Uni	Bi	(V)	(V)	(V)	(mA)	(A)	(V)	I _{PP} (A)	Uni	Bi	Uni	Bi
1500W Surface Mount Transient Voltage Suppressor (Glass Passivation Junction)													
SMC (DO-214AB)	SMCJ5.0A	SMCJ5.0CA	5.00	6.40	7.00	10	200	9.2	163.0	800	1600	GDE	BDE
	SMCJ6.0A	SMCJ6.0CA	6.00	6.67	7.37	10	200	10.3	145.6	800	1600	GDG	BDG
	SMCJ6.5A	SMCJ6.5CA	6.50	7.22	7.96	10	200	11.2	133.9	500	1000	GDK	BDK
	SMCJ7.0A	SMCJ7.0CA	7.00	7.78	8.60	10	200	12.0	125.0	200	400	GDM	BDM
	SMCJ7.5A	SMCJ7.5CA	7.50	8.33	9.21	1.0	200	12.9	116.3	100	200	GDP	BDP
	SMCJ8.0A	SMCJ8.0CA	8.00	8.89	9.83	1.0	200	13.6	110.3	50	100	GDR	BDR
	SMCJ8.5A	SMCJ8.5CA	8.50	9.44	10.40	1.0	200	14.4	104.2	10	20	GDT	BDT
	SMCJ9.0A	SMCJ9.0CA	9.00	10.00	11.10	1.0	200	15.4	97.4	5	10	GDV	BDV
	SMCJ10A	SMCJ10CA	10.00	11.10	12.30	1.0	200	17	88.2	5	10	GDV	BDX
	SMCJ11A	SMCJ11CA	11.00	12.20	13.50	1.0	200	18.2	82.4	5	5	GDZ	BDZ
	SMCJ12A	SMCJ12CA	12.00	13.30	14.70	1.0	200	19.9	75.3	5	5	GEE	BEE
	SMCJ13A	SMCJ13CA	13.00	14.40	15.90	1.0	200	21.5	69.7	5	5	GEG	BEG
	SMCJ14A	SMCJ14CA	14.00	15.60	17.20	1.0	200	23.2	64.7	5	5	GEK	BEK
	SMCJ15A	SMCJ15CA	15.00	16.70	18.50	1.0	200	24.4	61.5	5	5	GEM	BEM
	SMCJ16A	SMCJ16CA	16.00	17.80	19.70	1.0	200	26	57.7	5	5	GEP	BEP
	SMCJ17A	SMCJ17CA	17.00	18.90	20.90	1.0	200	27.6	53.3	5	5	GER	BER
	SMCJ18A	SMCJ18CA	18.00	20.00	22.10	1.0	200	29.2	51.4	5	5	GET	BET
	SMCJ20A	SMCJ20CA	20.00	22.20	24.50	1.0	200	32.4	46.3	5	5	GEV	BEV
	SMCJ22A	SMCJ22CA	22.00	24.40	26.90	1.0	200	35.5	42.2	5	5	GEX	BEX
	SMCJ24A	SMCJ24CA	24.00	26.70	29.50	1.0	200	38.9	38.6	5	5	GEZ	BEZ
	SMCJ26A	SMCJ26CA	26.00	28.90	31.90	1.0	200	42.1	35.6	5	5	GFE	BFE
	SMCJ28A	SMCJ28CA	28.00	31.10	34.40	1.0	200	45.4	33.0	5	5	GFG	BFG
	SMCJ30A	SMCJ30CA	30.00	33.30	36.80	1.0	200	48.4	31.0	5	5	GFK	BFK
	SMCJ33A	SMCJ33CA	33.00	36.70	40.60	1.0	200	53.3	28.1	5	5	GFM	BFM
	SMCJ36A	SMCJ36CA	36.00	40.00	44.20	1.0	200	58.1	25.8	5	5	GFP	BFP
	SMCJ40A	SMCJ40CA	40.00	44.40	49.10	1.0	200	64.5	23.2	5	5	GFR	BFR
	SMCJ43A	SMCJ43CA	43.00	47.80	52.80	1.0	200	69.4	21.6	5	5	GFT	BFT
	SMCJ45A	SMCJ45CA	45.00	50.00	55.30	1.0	200	72.7	20.6	5	5	GFV	BFV
	SMCJ48A	SMCJ48CA	48.00	53.30	58.90	1.0	200	77.4	19.4	5	5	GFX	BFX
	SMCJ51A	SMCJ51CA	51.00	56.70	62.70	1.0	200	82.4	18.2	5	5	GFZ	BFZ
	SMCJ54A	SMCJ54CA	54.00	60.00	66.30	1.0	200	87.1	17.2	5	5	GGE	BGE
	SMCJ58A	SMCJ58CA	58.00	64.40	71.20	1.0	200	93.6	16.0	5	5	GGG	BGG
	SMCJ60A	SMCJ60CA	60.00	66.70	73.70	1.0	200	96.8	15.5	5	5	GGK	BGK
	SMCJ64A	SMCJ64CA	64.00	71.10	78.60	1.0	200	103.0	14.6	5	5	GGM	BGM
	SMCJ70A	SMCJ70CA	70.00	77.80	86.60	1.0	200	113	13.3	5	5	GGP	BGP
	SMCJ75A	SMCJ75CA	75.00	83.30	92.10	1.0	200	121.0	12.4	5	5	GGR	BGR
	SMCJ78A	SMCJ78CA	78.00	86.70	95.80	1.0	200	126	11.4	5	5	GGT	BGT
	SMCJ85A	SMCJ85CA	85.00	94.40	104.00	1.0	200	137.0	10.4	5	5	GGV	BGV
	SMCJ90A	SMCJ90CA	90.00	100.00	111.00	1.0	200	146	10.3	5	5	GGX	BGX
	SMCJ100A	SMCJ100CA	100.00	111.00	123.00	1.0	200	162.0	9.3	5	5	GGZ	BGZ
SMCJ110A	SMCJ110CA	110.00	122.00	135.00	1.0	200	177	8.4	5	5	GHE	BHE	
SMCJ120A	SMCJ120CA	120.00	133.00	147.00	1.0	200	193.0	7.9	5	5	GHG	BHG	
SMCJ130A	SMCJ130CA	130.00	144.00	159.00	1.0	200	209	7.2	5	5	GHK	BHK	
SMCJ150A	SMCJ150CA	150.00	167.00	185.00	1.0	200	243.0	6.2	5	5	GHM	BHM	
SMCJ160A	SMCJ160CA	160.00	178.00	197.00	1.0	200	259	5.8	5	5	GHP	BHP	
SMCJ170A	SMCJ170CA	170.00	189.00	209.00	1.0	200	275.0	5.5	5	5	GHR	BHR	
SMCJ180A	SMCJ180CA	180.00	201.00	222.00	1.0	200	292	5.1	5	5	GHT	BHT	
SMCJ200A	SMCJ200CA	200.00	224.00	247.00	1.0	200	324.0	4.6	5	5	GHW	BHW	
SMCJ220A	SMCJ220CA	220.00	246.00	272.00	1.0	200	356	4.2	5	5	GHX	BHX	
SMCJ250A	SMCJ250CA	250.00	279.00	309.00	1.0	200	405.0	3.7	5	5	GHZ	BHZ	
SMCJ300A	SMCJ300CA	300.00	335.00	371.00	1.0	200	486	3.1	5	5	GJE	BJE	
SMCJ350A	SMCJ350CA	350.00	391.00	432.00	1.0	200	567.0	2.6	5	5	GJG	BJG	
SMCJ400A	SMCJ400CA	400.00	447.00	494.00	1.0	200	648	2.3	5	5	GJK	BJK	
SMCJ440A	SMCJ440CA	440.00	492.00	543.00	1.0	200	713.0	2.1	5	5	GJM	BJM	



Surface Mount Transient Voltage Suppressors

Package	Part No.		Absolute Maximum Rating (TA=25°C)					Electrical Characteristics				Marking Code	
			V _{RWM} (V)	V _{BR Min} (V)	V _{BR Max} (V)	I _T (mA)	I _{FSM} (A)	Max Vc (V)		I _{R@V_{RWM}} (µA)			
	Uni	Bi						I _{PP(A)}	Uni	Bi	Uni	Bi	
3000W Surface Mount Transient Voltage Suppressor (Glass Passivation Junction)											UL Approved		
SMC (DO-214AB)	3.0SMCJ5.0A	3.0SMCJ5.0CA	5.00	6.40	7.00	10.0	300	9.2	326.1	800	1600	RDE	DDE
	3.0SMCJ6.0A	3.0SMCJ6.0CA	6.00	6.67	7.37	10.0	300	10.3	291.3	800	1600	RDG	DDG
	3.0SMCJ6.5A	3.0SMCJ6.5CA	6.50	7.22	7.96	10.0	300	11.2	267.9	500	1000	RDK	DDK
	3.0SMCJ7.0A	3.0SMCJ7.0CA	7.00	7.78	8.60	10.0	300	12.0	250.0	200	400	PDM	DDM
	3.0SMCJ7.5A	3.0SMCJ7.5CA	7.50	8.33	9.21	1.0	300	12.9	232.6	100	200	PDP	DDP
	3.0SMCJ8.0A	3.0SMCJ8.0CA	8.00	8.89	9.83	1.0	300	13.6	220.6	50	100	PDR	DDR
	3.0SMCJ8.5A	3.0SMCJ8.5CA	8.50	9.44	10.40	1.0	300	14.4	208.4	10	20	PDT	DDT
	3.0SMCJ9.0A	3.0SMCJ9.0CA	9.0	10.00	11.1	1.0	300	15.4	194.8	5.0	10	PDV	DDV
	3.0SMCJ10A	3.0SMCJ10CA	10.0	11.10	12.3	1.0	300	17.0	176.5	5.0	10	PDX	DDX
	3.0SMCJ11A	3.0SMCJ11CA	11.0	12.20	13.5	1.0	300	18.2	164.8	5.0	5.0	PDZ	DDZ
	3.0SMCJ12A	3.0SMCJ12CA	12.0	13.30	14.7	1.0	300	19.9	150.6	5.0	5.0	PEE	DEE
	3.0SMCJ13A	3.0SMCJ13CA	13.0	14.40	15.9	1.0	300	21.5	139.4	5.0	5.0	PEG	DEG
	3.0SMCJ14A	3.0SMCJ14CA	14.0	15.60	17.2	1.0	300	23.2	129.4	5.0	5.0	PEK	DEK
	3.0SMCJ15A	3.0SMCJ15CA	15.0	16.70	18.5	1.0	300	24.4	123.0	5.0	5.0	PEM	DEM
	3.0SMCJ16A	3.0SMCJ16CA	16.0	17.80	19.7	1.0	300	26.0	115.4	5.0	5.0	PEP	DEP
	3.0SMCJ17A	3.0SMCJ17CA	17.0	18.90	20.9	1.0	300	27.6	108.7	5.0	5.0	PER	DER
	3.0SMCJ18A	3.0SMCJ18CA	18.0	20.00	22.1	1.0	300	29.2	102.8	5.0	5.0	PET	DET
	3.0SMCJ20A	3.0SMCJ20CA	20.0	22.20	24.5	1.0	300	32.4	92.6	5.0	5.0	PEV	DEV
	3.0SMCJ22A	3.0SMCJ22CA	22.0	24.40	26.9	1.0	300	35.5	84.5	5.0	5.0	PEX	DEX
	3.0SMCJ24A	3.0SMCJ24CA	24.0	26.70	29.5	1.0	300	38.9	77.1	5.0	5.0	PEZ	DEZ
	3.0SMCJ26A	3.0SMCJ26CA	26.0	28.90	31.9	1.0	300	42.1	71.3	5.0	5.0	PFE	DFE
	3.0SMCJ28A	3.0SMCJ28CA	28.0	31.10	34.4	1.0	300	45.4	66.1	5.0	5.0	PFG	DFG
	3.0SMCJ30A	3.0SMCJ30CA	30.0	33.30	36.8	1.0	300	48.4	62.0	5.0	5.0	PFK	DFK
	3.0SMCJ33A	3.0SMCJ33CA	33.0	36.70	40.6	1.0	300	53.3	56.3	5.0	5.0	PFM	DFM
	3.0SMCJ36A	3.0SMCJ36CA	36.0	40.00	44.2	1.0	300	58.1	51.6	5.0	5.0	PFP	DFP
	3.0SMCJ40A	3.0SMCJ40CA	40.0	44.40	49.1	1.0	300	64.5	46.5	5.0	5.0	PFR	DFR
	3.0SMCJ43A	3.0SMCJ43CA	43.0	47.80	52.8	1.0	300	69.4	43.2	5.0	5.0	PFT	DFT
	3.0SMCJ45A	3.0SMCJ45CA	45.0	50.00	55.3	1.0	300	72.7	41.3	5.0	5.0	PFV	DFV
3.0SMCJ48A	3.0SMCJ48CA	48.0	53.30	58.9	1.0	300	77.4	38.8	5.0	5.0	PFX	DFX	
3.0SMCJ51A	3.0SMCJ51CA	51.0	56.70	62.7	1.0	300	82.4	36.4	5.0	5.0	PFZ	DFZ	
3.0SMCJ54A	3.0SMCJ54CA	54.0	60.00	66.3	1.0	300	87.1	34.4	5.0	5.0	PGE	DGE	
3.0SMCJ58A	3.0SMCJ58CA	58.0	64.40	71.2	1.0	300	93.6	32.1	5.0	5.0	PGG	DGG	
3.0SMCJ60A	3.0SMCJ60CA	60.0	66.70	73.7	1.0	300	96.8	31.0	5.0	5.0	PGK	DGK	
3.0SMCJ64A	3.0SMCJ64CA	64.0	71.10	78.6	1.0	300	103	29.1	5.0	5.0	PGM	DGM	
3.0SMCJ70A	3.0SMCJ70CA	70.0	77.80	86.0	1.0	300	113	26.5	5.0	5.0	PGP	DGP	
3.0SMCJ75A	3.0SMCJ75CA	75.0	83.30	92.1	1.0	300	121	24.8	5.0	5.0	PGR	DGR	
3.0SMCJ78A	3.0SMCJ78CA	78.0	86.70	95.8	1.0	300	126	23.8	5.0	5.0	PGT	DGT	
3.0SMCJ85A	3.0SMCJ85CA	85.0	94.40	104.0	1.0	300	137	21.9	5.0	5.0	PGV	DGV	
3.0SMCJ90A	3.0SMCJ90CA	90.0	100.00	111.0	1.0	300	146	20.5	5.0	5.0	PGX	DGX	
3.0SMCJ100A	3.0SMCJ100CA	100.0	111.00	123.0	1.0	300	162	18.5	5.0	5.0	PGZ	DGZ	
3.0SMCJ110A	3.0SMCJ110CA	110.0	122.00	135.0	1.0	300	177	16.9	5.0	5.0	PHE	DHE	
3.0SMCJ120A	3.0SMCJ120CA	120.0	133.00	147.0	1.0	300	193	15.5	5.0	5.0	PHG	DHG	
3.0SMCJ130A	3.0SMCJ130CA	130.0	144.00	159.0	1.0	300	209	14.4	5.0	5.0	PHK	DHK	
3.0SMCJ150A	3.0SMCJ150CA	150.0	167.00	185.0	1.0	300	243	12.3	5.0	5.0	PHM	DHM	
3.0SMCJ160A	3.0SMCJ160CA	160.0	178.00	197.0	1.0	300	259	11.6	5.0	5.0	PHP	DHP	
3.0SMCJ170A	3.0SMCJ170CA	170.0	189.00	209.0	1.0	300	275	10.9	5.0	5.0	PHR	DHR	
3.0SMCJ180A	3.0SMCJ180CA	180.0	201.00	222.0	1.0	300	292	10.3	5.0	5.0	PHT	DHT	
3.0SMCJ200A	3.0SMCJ200CA	200.0	224.00	247.0	1.0	300	324	9.3	5.0	5.0	PHW	DHW	
3.0SMCJ220A	3.0SMCJ220CA	220.0	246.00	272.0	1.0	300	356	8.4	5.0	5.0	PHX	DHX	



Surface Mount Transient Voltage Suppressors

Package	Part No.		Absolute Maximum Rating (TA=25°C)				Electrical Characteristics			Marking Code	
			V _{RWM}	V _{BR Min}	V _{BR Max}	I _T	Max Vc		Max I _R		
	Uni	Bi	(V)	(V)	(V)	(mA)	(V)	I _{PP(A)}	μA	Uni	Bi
5000W Surface Mount Transient Voltage Suppressor (Glass Passivation Junction)											
SMC (DO-214AB)	5.0SMCJ11A	5.0SMCJ11CA	11	12.2	13.5	10	18.2	274.7	800	5PEN	5BEN
	5.0SMCJ12A	5.0SMCJ12CA	12	13.3	14.7	10	19.9	251.2	800	5PEP	5BEP
	5.0SMCJ13A	5.0SMCJ13CA	13	14.4	15.9	10	21.5	232.5	500	5PEQ	5BEQ
	5.0SMCJ14A	5.0SMCJ14CA	14	15.6	17.2	10	23.2	215.5	200	5PER	5BER
	5.0SMCJ15A	5.0SMCJ15CA	15	16.7	18.5	1	24.4	204.9	100	5PES	5BES
	5.0SMCJ16A	5.0SMCJ16CA	16	17.8	19.7	1	26	192.9	50	5PET	5BET
	5.0SMCJ17A	5.0SMCJ17CA	17	18.9	20.9	1	27.6	181	20	5PEU	5BEU
	5.0SMCJ18A	5.0SMCJ18CA	18	20	22.1	1	29.2	171.2	10	5PEV	5BEV
	5.0SMCJ20A	5.0SMCJ20CA	20	22.2	24.5	1	32.4	154.3	5	5PEW	5BEW
	5.0SMCJ22A	5.0SMCJ22CA	22	24.4	26.9	1	35.5	140.8	5	5PEX	5BEX
	5.0SMCJ24A	5.0SMCJ24CA	24	26.7	29.5	1	38.9	128.5	5	5PEZ	5BEZ
	5.0SMCJ26A	5.0SMCJ26CA	26	28.9	31.9	1	42.1	118.7	5	5PFE	5BFE
	5.0SMCJ28A	5.0SMCJ28CA	28	31.1	34.4	1	45.4	110	5	5PFG	5BFG
	5.0SMCJ30A	5.0SMCJ30CA	30	33.3	36.8	1	48.4	103	5	5PFK	5BFK
	5.0SMCJ33A	5.0SMCJ33CA	33	36.7	40.6	1	53.3	93.8	5	5PFM	5BFM
	5.0SMCJ36A	5.0SMCJ36CA	36	40	44.2	1	58.1	86	5	5PFP	5BFP
	5.0SMCJ40A	5.0SMCJ40CA	40	44.4	49.1	1	64.5	77.5	5	5PFR	5BFR
	5.0SMCJ43A	5.0SMCJ43CA	43	47.8	52.8	1	69.4	72	5	5PFT	5BFT
	5.0SMCJ45A	5.0SMCJ45CA	45	50	55.3	1	72.7	68.7	5	5PFV	5BFV
	5.0SMCJ48A	5.0SMCJ48CA	48	53.3	58.9	1	77.4	64.5	5	5PFX	5BFX
	5.0SMCJ51A	5.0SMCJ51CA	51	56.7	62.7	1	82.4	60.6	5	5PFZ	5BFZ
	5.0SMCJ54A	5.0SMCJ54CA	54	60	66.3	1	87.1	57.4	5	5PGE	5BGE
	5.0SMCJ58A	5.0SMCJ58CA	58	64.4	71.2	1	93.6	53.4	5	5PGG	5BGG
	5.0SMCJ60A	5.0SMCJ60CA	60	66.7	73.7	1	96.8	51.6	5	5PGK	5BGK
	5.0SMCJ64A	5.0SMCJ64CA	64	71.1	78.6	1	103	48.5	5	5PGM	5BGM
	5.0SMCJ70A	5.0SMCJ70CA	70	77.8	86.6	1	113	44.2	5	5PGP	5BGP
	5.0SMCJ75A	5.0SMCJ75CA	75	83.3	92.1	1	121	41.3	5	5PGR	5BGR
	5.0SMCJ78A	5.0SMCJ78CA	78	86.7	95.8	1	126	39.6	5	5PGT	5BGT
	5.0SMCJ85A	5.0SMCJ85CA	85	94.4	104	1	137	36.4	5	5PGV	5BGV
	5.0SMCJ90A	5.0SMCJ90CA	90	100	111	1	146	34.2	5	5PGX	5BGX
5.0SMCJ100A	5.0SMCJ100CA	100	111	123	1	162	30.8	5	5PGZ	5BGZ	
5.0SMCJ110A	5.0SMCJ110CA	110	122	135	1	177	28.2	5	5PHE	5BHE	
5.0SMCJ120A	5.0SMCJ120CA	120	133	147	1	193	25.9	5	5PHG	5BHG	
5.0SMCJ130A	5.0SMCJ130CA	130	144	159	1	209	23.9	5	5PHK	5BHK	
5.0SMCJ150A	5.0SMCJ150CA	150	167	185	1	243	20.5	5	5PHM	5BHM	
5.0SMCJ160A	5.0SMCJ160CA	160	178	197	1	259	19.3	5	5PHP	5BHP	
5.0SMCJ170A	5.0SMCJ170CA	170	189	209	1	275	18.1	5	5PHR	5BHR	



Transient Voltage Suppressors

Package	Part No.		Absolute Maximum Rating (TA=25°C)					Electrical Characteristics (TA=25°C)			
			V _{RWM}	V _{BR} Min	V _{BR} Max	I _T	I _{FSM} (A)	Max. Vc @ I _{PPM}		Max. I _R (μA) @ V _{RWM}	
	Uni	Bi	(V)	(V)	(V)	(mA)	@8.3mS	(V)	I _{PPM} (A)	Uni	Bi
400W Transient Voltage Suppressor (Glass Passivation Junction)							UL Approved				
DO-41	P4KE6.8A	P4KE6.8CA	5.80	6.45	7.14	10	40	10.5	40.0	1000	2000
	P4KE7.5A	P4KE7.5CA	6.40	7.13	7.88	10	40	11.3	37.0	500	1000
	P4KE8.2A	P4KE8.2CA	7.02	7.79	8.61	10	40	12.1	35.0	200	400
	P4KE9.1A	P4KE9.1CA	7.78	8.65	9.55	1.0	40	13.4	31.0	50	100
	P4KE10A	P4KE10CA	8.55	9.50	10.5	1.0	40	14.5	29.0	10	20
	P4KE11A	P4KE11CA	9.40	10.5	11.6	1.0	40	15.6	27.0	5.0	10
	P4KE12A	P4KE12CA	10.2	11.4	12.6	1.0	40	16.7	25.0	5.0	10
	P4KE13A	P4KE13CA	11.1	12.4	13.7	1.0	40	18.2	23.0	5.0	5.0
	P4KE15A	P4KE15CA	12.8	14.3	15.8	1.0	40	21.2	20.0	5.0	5.0
	P4KE16A	P4KE16CA	13.6	15.2	16.8	1.0	40	22.5	19.0	5.0	5.0
	P4KE18A	P4KE18CA	15.3	17.1	18.9	1.0	40	25.5	17.0	5.0	5.0
	P4KE20A	P4KE20CA	17.1	19.0	21.0	1.0	40	27.7	15.0	5.0	5.0
	P4KE22A	P4KE22CA	18.8	20.9	23.1	1.0	40	30.6	14.0	5.0	5.0
	P4KE24A	P4KE24CA	20.5	22.8	25.2	1.0	40	33.2	13.0	5.0	5.0
	P4KE27A	P4KE27CA	23.1	25.7	28.4	1.0	40	37.5	11.2	5.0	5.0
	P4KE30A	P4KE30CA	25.6	28.5	31.5	1.0	40	41.4	10.0	5.0	5.0
	P4KE33A	P4KE33CA	28.2	31.4	34.7	1.0	40	45.7	9.0	5.0	5.0
	P4KE36A	P4KE36CA	30.8	34.2	37.8	1.0	40	49.9	8.4	5.0	5.0
	P4KE39A	P4KE39CA	33.3	37.1	41.0	1.0	40	53.9	7.8	5.0	5.0
	P4KE43A	P4KE43CA	36.8	40.9	45.2	1.0	40	59.3	7.1	5.0	5.0
	P4KE47A	P4KE47CA	40.2	44.7	49.4	1.0	40	64.8	6.5	5.0	5.0
	P4KE51A	P4KE51CA	43.6	48.5	53.6	1.0	40	70.1	6.0	5.0	5.0
	P4KE56A	P4KE56CA	47.8	53.2	58.8	1.0	40	77.0	5.5	5.0	5.0
	P4KE62A	P4KE62CA	53.0	58.9	65.1	1.0	40	85.0	5.0	5.0	5.0
	P4KE68A	P4KE68CA	58.1	61.6	71.4	1.0	40	92.0	4.6	5.0	5.0
	P4KE75A	P4KE75CA	64.1	71.3	78.8	1.0	40	103.0	4.1	5.0	5.0
	P4KE82A	P4KE82CA	70.1	77.9	86.1	1.0	40	113.0	3.7	5.0	5.0
	P4KE91A	P4KE91CA	77.8	86.5	95.5	1.0	40	125.0	3.4	5.0	5.0
	P4KE100A	P4KE100CA	85.5	95.0	105.0	1.0	40	137.0	3.1	5.0	5.0
	P4KE110A	P4KE110CA	94.0	105.0	116.0	1.0	40	152.0	2.8	5.0	5.0
	P4KE120A	P4KE120CA	102.0	114.0	126.0	1.0	40	165.0	2.5	5.0	5.0
	P4KE130A	P4KE130CA	111.0	124.0	137.0	1.0	40	179.0	2.3	5.0	5.0
	P4KE150A	P4KE150CA	128.0	143.0	158.0	1.0	40	207.0	2.0	5.0	5.0
	P4KE160A	P4KE160CA	136.0	152.0	168.0	1.0	40	219.0	1.9	5.0	5.0
P4KE170A	P4KE170CA	145.0	162.0	179.0	1.0	40	234.0	1.8	5.0	5.0	
P4KE180A	P4KE180CA	154.0	171.0	189.0	1.0	40	246.0	1.7	5.0	5.0	
P4KE200A	P4KE200CA	171.0	190.0	210.0	1.0	40	274.0	1.53	5.0	5.0	
P4KE220A	P4KE220CA	185.0	209.0	231.0	1.0	40	328.0	1.22	5.0	5.0	
P4KE250A	P4KE250CA	214.0	237.0	263.0	1.0	40	344.0	1.16	5.0	5.0	
P4KE300A	P4KE300CA	256.0	285.0	315.0	1.0	40	414.0	0.97	5.0	5.0	
P4KE350A	P4KE350CA	300.0	332.0	368.0	1.0	40	482.0	0.83	5.0	5.0	
P4KE400A	P4KE400CA	342.0	380.0	420.0	1.0	40	548.0	0.73	5.0	5.0	
P4KE440A	P4KE440CA	378.0	418.0	462.0	1.0	40	600.0	0.67	5.0	5.0	
500W Transient Voltage Suppressor (Glass Passivation Junction)											
DO-15	SA5.0A	SA5.0CA	5.0	6.4	7.0	10.0	70	9.2	54.30	600	1200
	SA6.0A	SA6.0CA	6.0	6.7	7.4	10.0	70	10.3	48.50	600	1200
	SA6.5A	SA6.5CA	6.5	7.2	8.0	10.0	70	11.2	44.70	400	800
	SA7.0A	SA7.0CA	7.0	7.8	8.6	10.0	70	12.0	41.70	150	300
	SA7.5A	SA7.5CA	7.5	8.3	9.2	1.0	70	12.9	38.80	50	100
	SA8.0A	SA8.0CA	8.0	8.9	9.8	1.0	70	13.6	36.70	25	50
	SA8.5A	SA8.5CA	8.5	9.4	10.4	1.0	70	14.4	34.70	10	20
	SA9.0A	SA9.0CA	9.0	10.0	11.1	1.0	70	15.4	32.50	5.0	10
	SA10A	SA10CA	10	11.1	12.3	1.0	70	17.0	29.40	3.0	6.0
	SA11A	SA11CA	11	12.2	13.5	1.0	70	18.2	27.40	3.0	3.0
	SA12A	SA12CA	12	13.3	14.7	1.0	70	19.9	25.10	3.0	3.0
	SA13A	SA13CA	13	14.4	15.9	1.0	70	21.5	23.20	3.0	3.0
	SA14A	SA14CA	14	15.6	17.2	1.0	70	23.2	21.50	3.0	3.0
	SA15A	SA15CA	15	16.7	18.5	1.0	70	24.4	20.60	3.0	3.0
	SA16A	SA16CA	16	17.8	19.7	1.0	70	26.0	19.20	3.0	3.0
	SA17A	SA17CA	17	18.9	20.9	1.0	70	27.6	18.10	3.0	3.0
	SA18A	SA18CA	18	20.0	22.1	1.0	70	29.2	17.20	3.0	3.0



Transient Voltage Suppressors

Package	Part No.		Absolute Maximum Rating (TA=25°C)					Electrical Characteristics (TA=25°C)			
			V _{RWM}	V _{BR} Min	V _{BR} Max	I _T	I _{FSM} (A)	Max. Vc @ I _{PPM}		Max. I _R (μA) @ V _{RWM}	
	Uni	Bi	(V)	(V)	(V)	(mA)	@8.3mS	(V)	I _{PPM} (A)	Uni	Bi
500W Transient Voltage Suppressor (Glass Passivation Junction) --- Continued											
DO-15	SA20A	SA20CA	20	22.2	24.5	1.0	70	32.4	15.4	3.0	3.0
	SA22A	SA22CA	22	24.4	26.9	1.0	70	35.5	14.4	3.0	3.0
	SA24A	SA24CA	24	26.7	29.5	1.0	70	38.9	12.8	3.0	3.0
	SA26A	SA26CA	26	28.9	31.9	1.0	70	42.1	11.9	3.0	3.0
	SA28A	SA28CA	28	31.1	34.4	1.0	70	45.4	11.0	3.0	3.0
	SA30A	SA30CA	30	33.3	36.8	1.0	70	48.4	10.3	3.0	3.0
	SA33A	SA33CA	33	36.7	40.6	1.0	70	53.3	9.4	3.0	3.0
	SA36A	SA36CA	36	40.0	44.2	1.0	70	58.1	8.6	3.0	3.0
	SA40A	SA40CA	40	44.4	49.1	1.0	70	64.5	7.8	3.0	3.0
	SA43A	SA43CA	43	47.8	52.8	1.0	70	69.4	7.2	3.0	3.0
	SA45A	SA45CA	45	50.0	55.3	1.0	70	72.7	6.9	3.0	3.0
	SA48A	SA48CA	48	53.3	58.9	1.0	70	77.4	6.5	3.0	3.0
	SA51A	SA51CA	51	56.7	62.7	1.0	70	82.4	6.1	3.0	3.0
	SA54A	SA54CA	54	60.0	66.3	1.0	70	87.1	5.7	3.0	3.0
	SA58A	SA58CA	58	64.4	71.2	1.0	70	93.6	5.3	3.0	3.0
	SA60A	SA60CA	60	66.7	73.7	1.0	70	96.8	5.2	3.0	3.0
	SA64A	SA64CA	64	71.1	78.6	1.0	70	103.0	4.9	3.0	3.0
	SA70A	SA70CA	70	77.8	86.0	1.0	70	113.0	4.4	3.0	3.0
	SA75A	SA75CA	75	83.3	92.1	1.0	70	121.0	4.1	3.0	3.0
	SA78A	SA78CA	78	86.7	95.8	1.0	70	126.0	4.0	3.0	3.0
	SA85A	SA85CA	85	94.4	104	1.0	70	137.0	3.6	3.0	3.0
	SA90A	SA90CA	90	100	111	1.0	70	146.0	3.4	3.0	3.0
SA100A	SA100CA	100	111	123	1.0	70	162.0	3.1	3.0	3.0	
SA110A	SA110CA	110	122	135	1.0	70	177.0	2.8	3.0	3.0	
SA120A	SA120CA	120	133	147	1.0	70	193.0	2.0	3.0	3.0	
SA130A	SA130CA	130	144	159	1.0	70	209.0	2.4	3.0	3.0	
SA150A	SA150CA	150	167	185	1.0	70	243.0	2.1	3.0	3.0	
SA160A	SA160CA	160	178	197	1.0	70	259.0	1.9	3.0	3.0	
SA170A	SA170CA	170	189	209	1.0	70	275.0	1.8	3.0	3.0	
SA180A	SA180CA	180	198	230	1.0	70	292.0	1.7	3.0	3.0	
SA190A	SA190CA	190	209	243	1.0	70	308.0	1.6	3.0	3.0	
SA200A	SA200CA	200	220	256	1.0	70	324.0	1.5	3.0	3.0	
SA210A	SA210CA	210	231	268	1.0	70	340.0	1.5	3.0	3.0	
SA220A	SA220CA	220	242	281	1.0	70	356.0	1.4	3.0	3.0	
600W Transient Voltage Suppressor (Glass Passivation Junction) UL Approved											
DO-15	P6KE6.8A	P6KE6.8CA	5.80	6.45	7.14	10	100	10.5	57.0	1000	2000
	P6KE7.5A	P6KE7.5CA	6.40	7.13	7.88	10	100	11.3	53.0	500	1000
	P6KE8.2A	P6KE8.2CA	7.02	7.79	8.61	10	100	12.1	50.0	200	400
	P6KE9.1A	P6KE9.1CA	7.78	8.65	9.55	1.0	100	13.4	45.0	50	100
	P6KE10A	P6KE10CA	8.55	9.50	10.5	1.0	100	14.5	41.0	10	20
	P6KE11A	P6KE11CA	9.40	10.5	11.6	1.0	100	15.6	38.0	5.0	10
	P6KE12A	P6KE12CA	10.2	11.4	12.6	1.0	100	16.7	36.0	5.0	5.0
	P6KE13A	P6KE13CA	11.1	12.4	13.7	1.0	100	18.2	33.0	5.0	5.0
	P6KE15A	P6KE15CA	12.8	14.3	15.8	1.0	100	21.2	28.0	5.0	5.0
	P6KE16A	P6KE16CA	13.6	15.2	16.8	1.0	100	22.5	27.0	5.0	5.0
	P6KE18A	P6KE18CA	15.3	17.1	18.9	1.0	100	25.5	24.0	5.0	5.0
	P6KE20A	P6KE20CA	17.1	19.0	21.0	1.0	100	27.7	22.0	5.0	5.0
	P6KE22A	P6KE22CA	18.8	20.9	23.1	1.0	100	30.6	20.0	5.0	5.0
	P6KE24A	P6KE24CA	20.5	22.8	25.2	1.0	100	33.2	18.0	5.0	5.0
	P6KE27A	P6KE27CA	23.1	25.7	28.4	1.0	100	37.5	16.0	5.0	5.0
	P6KE30A	P6KE30CA	25.6	28.5	31.5	1.0	100	41.4	14.4	5.0	5.0
	P6KE33A	P6KE33CA	28.2	31.4	34.7	1.0	100	45.7	13.2	5.0	5.0
	P6KE36A	P6KE36CA	30.8	34.2	37.8	1.0	100	49.9	12.0	5.0	5.0
	P6KE39A	P6KE39CA	33.3	37.1	41.0	1.0	100	53.9	11.2	5.0	5.0
	P6KE43A	P6KE43CA	36.8	40.9	45.2	1.0	100	59.3	10.1	5.0	5.0
	P6KE47A	P6KE47CA	40.2	44.7	49.4	1.0	100	64.8	9.3	5.0	5.0
	P6KE51A	P6KE51CA	43.6	48.5	53.6	1.0	100	70.1	8.6	5.0	5.0
P6KE56A	P6KE56CA	47.8	53.2	58.8	1.0	100	77.0	7.8	5.0	5.0	
P6KE62A	P6KE62CA	53.0	58.9	65.1	1.0	100	85.0	7.1	5.0	5.0	
P6KE68A	P6KE68CA	58.1	64.6	71.4	1.0	100	92.0	6.5	5.0	5.0	
P6KE75A	P6KE75CA	64.1	71.3	78.8	1.0	100	103.0	5.8	5.0	5.0	



Transient Voltage Suppressors

Package	Part No.		Absolute Maximum Rating (TA=25°C)					Electrical Characteristics (TA=25°C)			
			V _{RWM}	V _{BR} Min	V _{BR} Max	I _T	I _{FSM} (A)	Max. Vc @ I _{PPM}		Max. I _R (μA) @ V _{RWM}	
	Uni	Bi	(V)	(V)	(V)	(mA)	@8.3mS	(V)	I _{PPM} (A)	Uni	Bi
600W Transient Voltage Suppressor (Glass Passivation Junction) --- Continued								UL Approved			
DO-15	P6KE82A	P6KE82CA	70.1	77.9	86.1	1.0	100	113.0	5.3	5.0	5.0
	P6KE91A	P6KE91CA	77.8	86.5	95.5	1.0	100	125.0	4.8	5.0	5.0
	P6KE100A	P6KE100CA	85.5	95.0	105.0	1.0	100	137.0	4.4	5.0	5.0
	P6KE110A	P6KE110CA	94.0	105.0	116.0	1.0	100	152.0	4.0	5.0	5.0
	P6KE120A	P6KE120CA	102.0	114.0	126.0	1.0	100	165.0	3.6	5.0	5.0
	P6KE130A	P6KE130CA	111.0	124.0	137.0	1.0	100	179.0	3.3	5.0	5.0
	P6KE150A	P6KE150CA	128.0	143.0	158.0	1.0	100	207.0	2.9	5.0	5.0
	P6KE160A	P6KE160CA	136.0	152.0	168.0	1.0	100	219.0	2.7	5.0	5.0
	P6KE170A	P6KE170CA	145.0	162.0	179.0	1.0	100	234.0	2.6	5.0	5.0
	P6KE180A	P6KE180CA	154.0	171.0	189.0	1.0	100	246.0	2.4	5.0	5.0
	P6KE200A	P6KE200CA	171.0	190.0	210.0	1.0	100	274.0	2.2	5.0	5.0
	P6KE220A	P6KE220CA	185.0	209.0	231.0	1.0	100	328.0	1.83	5.0	5.0
	P6KE250A	P6KE250CA	214.0	237.0	263.0	1.0	100	344.0	1.75	5.0	5.0
	P6KE300A	P6KE300CA	256.0	285.0	315.0	1.0	100	414.0	1.45	5.0	5.0
	P6KE350A	P6KE350CA	300.0	332.0	368.0	1.0	100	482.0	1.25	5.0	5.0
	P6KE400A	P6KE400CA	342.0	380.0	420.0	1.0	100	548.0	1.10	5.0	5.0
P6KE440A	P6KE440CA	376.0	418.0	462.0	1.0	100	602.0	1.00	5.0	5.0	
P6KE480A	P6KE480CA	408.0	456.0	504.0	1.0	100	658.0	0.90	5.0	5.0	
1500W Transient Voltage Suppressor (Glass Passivation Junction)								UL Approved			
DO-201AE	1.5KE6.8A	1.5KE6.8CA	5.8	6.5	7.1	10.0	200	10.8	139	1000	2000
	1.5KE7.5A	1.5KE7.5CA	6.4	7.1	7.9	10.0	200	11.3	132	500	1000
	1.5KE8.2A	1.5KE8.2CA	7.0	7.8	8.6	10.0	200	12.1	124	200	400
	1.5KE9.1A	1.5KE9.1CA	7.8	8.7	9.6	1.0	200	13.4	112	50	100
	1.5KE10A	1.5KE10CA	8.6	9.5	10.5	1.0	200	14.5	103	10	20
	1.5KE11A	1.5KE11CA	9.4	10.5	11.6	1.0	200	15.6	96	5.0	10
	1.5KE12A	1.5KE12CA	10.2	11.4	12.6	1.0	200	16.7	90	5.0	10
	1.5KE13A	1.5KE13CA	11.1	12.4	13.7	1.0	200	18.2	82	5.0	5.0
	1.5KE15A	1.5KE15CA	12.8	14.3	15.8	1.0	200	21.2	71	5.0	5.0
	1.5KE16A	1.5KE16CA	13.6	15.2	16.8	1.0	200	22.5	67	5.0	5.0
	1.5KE18A	1.5KE18CA	15.3	17.1	18.9	1.0	200	25.5	59.5	5.0	5.0
	1.5KE20A	1.5KE20CA	17.1	19.0	21.0	1.0	200	27.7	54.0	5.0	5.0
	1.5KE22A	1.5KE22CA	18.8	20.9	23.1	1.0	200	30.6	49.0	5.0	5.0
	1.5KE24A	1.5KE24CA	20.5	22.8	25.2	1.0	200	33.2	45.0	5.0	5.0
	1.5KE27A	1.5KE27CA	23.1	25.7	28.4	1.0	200	37.5	40.0	5.0	5.0
	1.5KE30A	1.5KE30CA	25.6	28.5	31.5	1.0	200	41.4	36.0	5.0	5.0
	1.5KE33A	1.5KE33CA	28.2	31.4	34.7	1.0	200	45.7	33.0	5.0	5.0
	1.5KE36A	1.5KE36CA	30.8	34.2	37.8	1.0	200	49.9	30.0	5.0	5.0
	1.5KE39A	1.5KE39CA	33.3	37.1	41.0	1.0	200	53.9	28.0	5.0	5.0
	1.5KE43A	1.5KE43CA	36.8	40.9	45.2	1.0	200	59.3	25.3	5.0	5.0
	1.5KE47A	1.5KE47CA	40.2	44.7	49.4	1.0	200	64.8	23.2	5.0	5.0
	1.5KE51A	1.5KE51CA	43.6	48.5	53.6	1.0	200	70.1	21.4	5.0	5.0
	1.5KE56A	1.5KE56CA	47.8	53.2	58.8	1.0	200	77.0	19.5	5.0	5.0
	1.5KE62A	1.5KE62CA	53.0	58.9	65.1	1.0	200	85.0	17.7	5.0	5.0
	1.5KE68A	1.5KE68CA	58.1	61.6	71.4	1.0	200	92.0	16.3	5.0	5.0
	1.5KE75A	1.5KE75CA	64.1	71.3	78.8	1.0	200	103.0	14.6	5.0	5.0
	1.5KE82A	1.5KE82CA	70.1	77.9	86.1	1.0	200	113.0	13.3	5.0	5.0
	1.5KE91A	1.5KE91CA	77.8	86.5	95.5	1.0	200	125.0	12.0	5.0	5.0
	1.5KE100A	1.5KE100CA	85.5	95.0	105.0	1.0	200	137.0	11.0	5.0	5.0
	1.5KE110A	1.5KE110CA	94.0	105.0	116.0	1.0	200	152.0	9.9	5.0	5.0
	1.5KE120A	1.5KE120CA	102.0	114.0	126.0	1.0	200	165.0	9.1	5.0	5.0
	1.5KE130A	1.5KE130CA	111.0	124.0	137.0	1.0	200	179.0	8.4	5.0	5.0
	1.5KE150A	1.5KE150CA	128.0	143.0	158.0	1.0	200	207.0	7.2	5.0	5.0
	1.5KE160A	1.5KE160CA	136.0	152.0	168.0	1.0	200	219.0	6.8	5.0	5.0
	1.5KE170A	1.5KE170CA	145.0	162.0	179.0	1.0	200	234.0	6.4	5.0	5.0
	1.5KE180A	1.5KE180CA	154.0	171.0	189.0	1.0	200	246.0	6.1	5.0	5.0
1.5KE200A	1.5KE200CA	171.0	190.0	210.0	1.0	200	274.0	5.5	5.0	5.0	
1.5KE220A	1.5KE220CA	185.0	209.0	231.0	1.0	200	328.0	4.6	5.0	5.0	
1.5KE250A	1.5KE250CA	214.0	237.0	263.0	1.0	200	344.0	4.4	5.0	5.0	
1.5KE300A	1.5KE300CA	256.0	285.0	315.0	1.0	200	414.0	3.6	5.0	5.0	
1.5KE350A	1.5KE350CA	300.0	332.0	368.0	1.0	200	482.0	3.1	5.0	5.0	
1.5KE400A	1.5KE400CA	342.0	380.0	420.0	1.0	200	548.0	2.7	5.0	5.0	
1.5KE440A	1.5KE440CA	376.0	418.0	462.0	1.0	200	600.0	2.5	5.0	5.0	



Transient Voltage Suppressors

Package	Part No.		Absolute Maximum Rating (TA=25°C)					Electrical Characteristics (TA=25°C)			
			V _{RWM}	V _{BR} Min	V _{BR} Max	I _T	I _{FSM} (A)	Max. Vc @I _{PPM}		Max. I _R (μA) @V _{RWM}	
	Uni	Bi	(V)	(V)	(V)	(mA)	@8.3mS	(V)	I _{PPM} (A)	Uni	Bi
3000W Transient Voltage Suppressor (Glass Passivation Junction)											
P600 (R6)	3KP5.0A	3KP5.0CA	5.0	6.40	7.00	50	300	9.2	326.0	5000	10000
	3KP6.0A	3KP6.0CA	6.0	6.67	7.37	50	300	10.3	291.3	5000	10000
	3KP6.5A	3KP6.5CA	6.5	7.22	7.98	50	300	11.2	267.9	2000	4000
	3KP7.0A	3KP7.0CA	7.0	7.78	8.60	50	300	12.0	250.0	1000	2000
	3KP7.5A	3KP7.5CA	7.5	8.33	9.21	5.0	300	12.9	232.6	250	500
	3KP8.0A	3KP8.0CA	8.0	8.89	9.83	5.0	300	13.6	220.6	150	300
	3KP8.5A	3KP8.5CA	8.5	9.44	10.4	5.0	300	14.4	206.4	50	100
	3KP9.0A	3KP9.0CA	9.0	10.0	11.1	5.0	300	15.4	194.8	20	40
	3KP10A	3KP10CA	10.0	11.1	12.3	5.0	300	17.0	176.4	10	20
	3KP11A	3KP11CA	11.0	12.2	13.5	5.0	300	18.2	184.8	10	10
	3KP12A	3KP12CA	12.0	13.3	14.7	5.0	300	19.9	150.6	10	10
	3KP13A	3KP13CA	13.0	14.4	15.9	5.0	300	21.5	139.4	10	10
	3KP14A	3KP14CA	14.0	15.6	17.2	5.0	300	23.2	129.4	10	10
	3KP15A	3KP15CA	15.0	16.7	18.5	5.0	300	24.4	123.0	10	10
	3KP16A	3KP16CA	16.0	17.8	19.7	5.0	300	26.0	115.4	10	10
	3KP17A	3KP17CA	17.0	18.9	20.9	5.0	300	27.6	106.6	10	10
	3KP18A	3KP18CA	18.0	20.0	22.1	5.0	300	29.2	102.8	10	10
	3KP20A	3KP20CA	20.0	22.2	24.5	5.0	300	32.4	92.6	10	10
	3KP22A	3KP22CA	22.0	24.4	26.9	5.0	300	35.5	84.4	10	10
	3KP24A	3KP24CA	24.0	26.7	29.5	5.0	300	38.9	77.2	10	10
	3KP26A	3KP26CA	26.0	28.9	31.9	5.0	300	42.1	71.2	10	10
	3KP28A	3KP28CA	28.0	31.1	34.4	5.0	300	45.4	66.0	10	10
	3KP30A	3KP30CA	30.0	33.3	36.8	5.0	300	48.4	62.0	10	10
	3KP33A	3KP33CA	33.0	36.7	40.6	5.0	300	53.3	56.2	10	10
	3KP36A	3KP36CA	36.0	40.0	44.2	5.0	300	58.1	51.6	10	10
	3KP40A	3KP40CA	40.0	44.4	49.1	5.0	300	64.5	46.4	10	10
	3KP43A	3KP43CA	43.0	47.8	52.8	5.0	300	69.4	43.2	10	10
	3KP45A	3KP45CA	45.0	50.0	55.3	5.0	300	72.7	41.3	10	10
	3KP48A	3KP48CA	48.0	53.3	58.9	5.0	300	77.4	38.8	10	10
	3KP51A	3KP51CA	51.0	56.7	62.7	5.0	300	82.4	36.4	10	10
	3KP54A	3KP54CA	54.0	60.0	66.3	5.0	300	87.1	34.4	10	10
	3KP58A	3KP58CA	58.0	64.4	71.2	5.0	300	93.6	32.1	10	10
	3KP60A	3KP60CA	60.0	66.7	73.7	5.0	300	96.8	31.0	10	10
3KP64A	3KP64CA	64.0	71.1	78.6	5.0	300	103.0	29.1	10	10	
3KP70A	3KP70CA	70.0	77.8	86.0	5.0	300	113.0	26.5	10	10	
3KP75A	3KP75CA	75.0	83.3	92.1	5.0	300	121.0	24.8	10	10	
3KP78A	3KP78CA	78.0	86.7	95.8	5.0	300	126.0	23.8	10	10	
3KP85A	3KP85CA	85.0	94.4	104.0	5.0	300	137.0	21.9	10	10	
3KP90A	3KP90CA	90	100	111	5.0	300	146	20.5	10	10	
3KP100A	3KP100CA	100	111	123	5.0	300	162	18.5	10	10	
3KP110A	3KP110CA	110	122	135	5.0	300	177	16.9	10	10	
3KP120A	3KP120CA	120	133	147	5.0	300	193	15.5	10	10	
3KP130A	3KP130CA	130	144	159	5.0	300	209	14.4	10	10	
3KP150A	3KP150CA	150	167	185	5.0	300	243	12.3	10	10	
3KP160A	3KP160CA	160	178	197	5.0	300	259	11.6	10	10	
3KP170A	3KP170CA	170	189	209	5.0	300	275	10.9	10	10	
3KP180A	3KP180CA	180	200	221	5.0	300	289	10.4	10	10	
3KP190A	3KP190CA	190	211	233	5.0	300	310	9.7	10	10	
3KP200A	3KP200CA	200	222	246	5.0	300	329	9.1	10	10	
3KP210A	3KP210CA	210	233	258	5.0	300	350	8.6	10	10	
3KP220A	3KP220CA	220	244	270	5.0	300	371	8.1	10	10	
5000W Transient Voltage Suppressor (Glass Passivation Junction)											
P600 (R6)	5KP5.0A	5KP5.0CA	5.0	6.40	7.00	50	400	9.2	543.0	5000	10000
	5KP6.0A	5KP6.0CA	6.0	6.67	7.37	50	400	10.3	485.0	5000	10000
	5KP6.5A	5KP6.5CA	6.5	7.22	7.98	50	400	11.2	447.0	2000	4000
	5KP7.0A	5KP7.0CA	7.0	7.78	8.60	50	400	12.0	417.0	1000	2000
	5KP7.5A	5KP7.5CA	7.5	8.33	9.21	5.0	400	12.9	388.0	250	500
	5KP8.0A	5KP8.0CA	8.0	8.89	9.83	5.0	400	13.6	367.0	150	300
	5KP8.5A	5KP8.5CA	8.5	9.44	10.4	5.0	400	14.4	347.0	50	100
	5KP9.0A	5KP9.0CA	9.0	10.0	11.1	5.0	400	15.4	325.0	20	40
	5KP10A	5KP10CA	10.0	11.1	12.3	5.0	400	17.0	294.0	10	20



Transient Voltage Suppressors

Package	Part No.		Absolute Maximum Rating (TA=25°C)					Electrical Characteristics (TA=25°C)			
			V _{RWM}	V _{BR} Min	V _{BR} Max	I _T	I _{FSM} (A)	Max. Vc @I _{PPM}		Max. I _R (μA) @V _{RWM}	
	Uni	Bi	(V)	(V)	(V)	(mA)	@8.3mS	(V)	I _{PPM} (A)	Uni	Bi
5000W Transient Voltage Suppressor (Glass Passivation Junction) --- Continued											
P600 (R6)	5KP11A	5KP11CA	11.0	12.2	13.5	5.0	400	18.2	274.0	10	10
	5KP12A	5KP12CA	12.0	13.3	14.7	5.0	400	19.9	251.0	10	10
	5KP13A	5KP13CA	13.0	14.4	15.9	5.0	400	21.5	232.0	10	10
	5KP14A	5KP14CA	14.0	15.6	17.2	5.0	400	23.2	215.0	10	10
	5KP15A	5KP15CA	15.0	16.7	18.5	5.0	400	24.4	206.0	10	10
	5KP16A	5KP16CA	16.0	17.8	19.7	5.0	400	26.0	192.0	10	10
	5KP17A	5KP17CA	17.0	18.9	20.9	5.0	400	27.6	181.0	10	10
	5KP18A	5KP18CA	18.0	20.0	22.1	5.0	400	29.2	172.0	10	10
	5KP20A	5KP20CA	20.0	22.2	24.5	5.0	400	32.4	154.0	10	10
	5KP22A	5KP22CA	22.0	24.4	26.9	5.0	400	35.5	144.0	10	10
	5KP24A	5KP24CA	24.0	26.7	29.5	5.0	400	38.9	128.0	10	10
	5KP26A	5KP26CA	26.0	28.9	31.9	5.0	400	42.1	119.0	10	10
	5KP28A	5KP28CA	28.0	31.1	34.4	5.0	400	45.4	110.0	10	10
	5KP30A	5KP30CA	30.0	33.3	36.8	5.0	400	48.4	103.0	10	10
	5KP33A	5KP33CA	33.0	36.7	40.6	5.0	400	53.3	94.0	10	10
	5KP36A	5KP36CA	36.0	40.0	44.2	5.0	400	58.1	86.0	10	10
	5KP40A	5KP40CA	40.0	44.4	49.1	5.0	400	64.5	78.0	10	10
	5KP43A	5KP43CA	43.0	47.8	52.8	5.0	400	69.4	72.0	10	10
	5KP45A	5KP45CA	45.0	50.0	55.3	5.0	400	72.7	69.0	10	10
	5KP48A	5KP48CA	48.0	53.3	58.9	5.0	400	77.4	65.0	10	10
	5KP51A	5KP51CA	51.0	56.7	62.7	5.0	400	82.4	61.0	10	10
	5KP54A	5KP54CA	54.0	60.0	66.3	5.0	400	87.1	57.0	10	10
	5KP58A	5KP58CA	58.0	64.4	71.2	5.0	400	93.6	53.0	10	10
	5KP60A	5KP60CA	60.0	66.7	73.7	5.0	400	96.8	52.0	10	10
	5KP64A	5KP64CA	64.0	71.1	78.6	5.0	400	103.0	49.0	10	10
	5KP70A	5KP70CA	70.0	77.8	86.0	5.0	400	113.0	44.0	10	10
	5KP75A	5KP75CA	75.0	83.3	92.1	5.0	400	121.0	41.0	10	10
	5KP78A	5KP78CA	78.0	86.7	95.8	5.0	400	126.0	40.0	10	10
	5KP85A	5KP85CA	85.0	94.4	104.0	5.0	400	137.0	36.0	10	10
	5KP90A	5KP90CA	90	100	111	5.0	400	146	34.0	10	10
5KP100A	5KP100CA	100	111	123	5.0	400	162	31.0	10	10	
5KP110A	5KP110CA	110	122	135	5.0	400	177	28.0	10	10	
5KP120A	5KP120CA	120	133	147	5.0	400	193	20.0	10	10	
5KP130A	5KP130CA	130	144	159	5.0	400	209	24.0	10	10	
5KP150A	5KP150CA	150	167	185	5.0	400	243	21.0	10	10	
5KP160A	5KP160CA	160	178	197	5.0	400	259	19.0	10	10	
5KP170A	5KP170CA	170	189	209	5.0	400	275	18.0	10	10	
5KP180A	5KP180CA	180	200	221	5.0	400	292	17.0	10	10	
5KP190A	5KP190CA	190	211	233	5.0	400	310	16.0	10	10	
5KP200A	5KP200CA	200	222	246	5.0	400	329	15.0	10	10	
5KP210A	5KP210CA	210	233	258	5.0	400	350	15.0	10	10	
5KP220A	5KP220CA	220	244	270	5.0	400	371	14.0	10	10	
15000W Transient Voltage Suppressor (Glass Passivation Junction)											<i>New</i>
P600 (R6)	15KPA17A	15KPA17CA	17.0	18.99	20.79	50	400	29.3	515.4	5000	10000
	15KPA18A	15KPA18CA	18.0	20.11	22.01	50	400	30.9	488.7	5000	10000
	15KPA20A	15KPA20CA	20.0	22.34	24.46	20	400	34.3	440.2	1500	3000
	15KPA22A	15KPA22CA	22.0	24.57	26.91	10	400	37.1	407.0	500	1000
	15KPA24A	15KPA24CA	24.0	26.81	29.35	5.0	400	40.7	371.0	150	300
	15KPA26A	15KPA26CA	26.0	29.04	31.80	5.0	400	44.0	343.2	50	100
	15KPA28A	15KPA28CA	28.0	31.28	34.24	5.0	400	47.5	317.9	25	50
	15KPA30A	15KPA30CA	30.0	33.5	36.70	5.0	400	50.7	297.8	15	30
	15KPA33A	15KPA33CA	33.0	36.9	40.40	5.0	400	54.7	276.1	2	2
	15KPA36A	15KPA36CA	36.0	40.2	44.00	5.0	400	59.8	252.5	2	2
	15KPA40A	15KPA40CA	40.0	44.7	48.90	5.0	400	65.8	229.5	2	2
	15KPA43A	15KPA43CA	43.0	48.0	52.60	5.0	400	69.8	216.3	2	2
	15KPA45A	15KPA45CA	45.0	50.3	55.00	5.0	400	72.8	207.4	2	2
	15KPA48A	15KPA48CA	48.0	53.6	58.70	5.0	400	77.7	194.3	2	2
	15KPA51A	15KPA51CA	51.0	57.0	62.40	5.0	400	82.9	182.1	2	2
	15KPA54A	15KPA54CA	54.0	60.3	66.00	5.0	400	87.7	172.2	2	2
	15KPA58A	15KPA58CA	58.0	64.8	70.90	5.0	400	93.8	161.0	2	2
	15KPA60A	15KPA60CA	60.0	67.0	73.40	5.0	400	97.4	155.0	2	2



Transient Voltage Suppressors

Package	Part No.		Absolute Maximum Rating (TA=25°C)					Electrical Characteristics (TA=25°C)			
			V _{RWM}	V _{BR Min}	V _{BR Max}	I _T	I _{FSM (A)}	Max. Vc @ I _{PPM}		Max. I _R (μA) @ V _{RWM}	
	Uni	Bi	(V)	(V)	(V)	(mA)	@8.3mS	(V)	I _{PPM(A)}	Uni	Bi
15000W Transient Voltage Suppressor (Glass Passivation Junction)											New
P600 (R6)	15KPA64A	15KPA64CA	64.0	71.5	78.30	5.0	400	104.2	144.9	2	2
	15KPA70A	15KPA70CA	70.0	78.2	85.60	5.0	400	113.6	132.9	2	2
	15KPA75A	15KPA75CA	75.0	83.8	91.70	5.0	400	122.0	123.8	2	2
	15KPA78A	15KPA78CA	78.0	87.1	95.40	5.0	400	126.1	119.7	2	2
	15KPA85A	15KPA85CA	85.0	94.9	104.00	5.0	400	137.6	109.7	2	2
	15KPA90A	15KPA90CA	90.0	100.5	110.10	5.0	400	145.6	103.7	2	2
	15KPA100A	15KPA100CA	100.0	111.7	122.30	5.0	400	161.3	93.6	2	2
	15KPA110A	15KPA110CA	110.0	122.9	134.50	5.0	400	178.6	84.5	2	2
	15KPA120A	15KPA120CA	120.0	134.0	146.80	5.0	400	192.3	78.5	2	2
	15KPA130A	15KPA130CA	130.0	145.2	159.00	5.0	400	208.3	72.5	2	2
	15KPA150A	15KPA150CA	150.0	167.6	183.50	5.0	400	241.9	62.4	2	2
	15KPA160A	15KPA160CA	160.0	178.7	195.70	5.0	400	258.6	58.4	2	2
	15KPA170A	15KPA170CA	170.0	189.9	207.90	5.0	400	272.7	55.4	2	2
	15KPA180A	15KPA180CA	180.0	201.1	220.10	5.0	400	288.5	52.3	2	2
	15KPA200A	15KPA200CA	200.0	223.4	244.60	5.0	400	319.1	47.3	2	2
	15KPA220A	15KPA220CA	220.0	245.7	269.10	5.0	400	428.6	39.3	2	2
	15KPA240A	15KPA240CA	240.0	268.1	293.50	5.0	400	384.6	36.2	2	2
	15KPA260A	15KPA260CA	260.0	290.4	318.00	5.0	400	416.7	35.2	2	2
15KPA280A	15KPA280CA	280.0	312.8	342.40	5.0	400	454.5	33.2	2	2	
30000W Transient Voltage Suppressor (Glass Passivation Junction)											New
P600 (R6)	30KPA28A	30KPA28CA	28.0	31.28	-	50	400	50.0	606.0	5000	10000
	30KPA30A	30KPA30CA	30.0	33.51	-	50	400	55.2	548.9	5000	10000
	30KPA33A	30KPA33CA	33.0	36.90	-	50	400	58.5	517.9	5000	10000
	30KPA36A	30KPA36CA	36.0	40.20	-	50	400	61.8	490.3	5000	10000
	30KPA39A	30KPA39CA	39.0	43.60	-	20	400	67.2	450.9	2000	4000
	30KPA42A	30KPA42CA	42.0	46.90	-	10	400	72.0	420.8	1000	2000
	30KPA43A	30KPA43CA	43.0	48.00	-	10	400	73.0	415.1	1000	2000
	30KPA45A	30KPA45CA	45.0	50.3	-	5.0	400	77.4	391.5	250	500
	30KPA48A	30KPA48CA	48.0	53.6	-	5.0	400	81.6	371.3	150	300
	30KPA51A	30KPA51CA	51.0	57.0	-	5.0	400	86.4	350.7	50	100
	30KPA54A	30KPA54CA	54.0	60.3	-	5.0	400	91.4	331.5	20	40
	30KPA58A	30KPA58CA	58.0	64.8	-	5.0	400	92.4	327.9	20	40
	30KPA60A	30KPA60CA	60.0	67.0	-	5.0	400	102.0	297.1	15	30
	30KPA64A	30KPA64CA	64.0	71.5	-	5.0	400	104.0	291.3	10	10
	30KPA66A	30KPA66CA	66.0	73.7	-	5.0	400	107.0	283.2	2	2
	30KPA70A	30KPA70CA	70.0	78.2	-	5.0	400	109.0	278.0	2	2
	30KPA71A	30KPA71CA	71.0	79.3	-	5.0	400	111.5	271.7	2	2
	30KPA72A	30KPA72CA	72.0	80.4	-	5.0	400	114.0	265.8	2	2
	30KPA75A	30KPA75CA	75.0	83.8	-	5.0	400	119.4	253.8	2	2
	30KPA78A	30KPA78CA	78.0	87.1	-	5.0	400	129.0	234.9	2	2
	30KPA84A	30KPA84CA	84.0	93.8	-	5.0	400	139.2	217.7	2	2
	30KPA90A	30KPA90CA	90.0	100.5	-	5.0	400	146.4	207.0	2	2
	30KPA96A	30KPA96CA	96.0	107.2	-	5.0	400	156.0	194.2	2	2
	30KPA102A	30KPA102CA	102.0	113.9	-	5.0	400	165.6	183.0	2	2
	30KPA108A	30KPA108CA	108.0	120.6	-	5.0	400	175.2	172.9	2	2
	30KPA120A	30KPA120CA	120.0	134.0	-	5.0	400	194.4	155.9	2	2
	30KPA132A	30KPA132CA	132.0	147.4	-	5.0	400	213.0	142.3	2	2
	30KPA144A	30KPA144CA	144.0	160.8	-	5.0	400	223.2	135.8	2	2
	30KPA150A	30KPA150CA	150.0	167.6	-	5.0	400	233.4	129.8	2	2
	30KPA156A	30KPA156CA	156.0	174.3	-	5.0	400	245.0	123.7	2	2
	30KPA160A	30KPA160CA	160.0	178.7	-	5.0	400	252.6	120.0	2	2
	30KPA168A	30KPA168CA	168.0	187.7	-	5.0	400	272.4	111.2	2	2
	30KPA170A	30KPA170CA	170.0	189.9	-	5.0	400	275.0	110.2	2	2
	30KPA180A	30KPA180CA	180.0	201.1	-	5.0	400	290.4	104.3	2	2
	30KPA198A	30KPA198CA	198.0	221.2	-	5.0	400	319.8	94.7	2	2
	30KPA216A	30KPA216CA	216.0	241.3	-	5.0	400	348.6	86.9	2	2
	30KPA240A	30KPA240CA	240.0	268.1	-	5.0	400	387.0	78.3	2	2
	30KPA258A	30KPA258CA	258.0	288.2	-	5.0	400	416.4	72.8	2	2
30KPA260A	30KPA260CA	260.0	290.4	-	5.0	400	416.0	72.8	2	2	
30KPA270A	30KPA270CA	270.0	301.6	-	5.0	400	436.2	69.5	2	2	
30KPA280A	30KPA280CA	280.0	312.8	-	5.0	400	464.0	65.3	2	2	
30KPA288A	30KPA288CA	288.0	321.7	-	5.0	400	469.9	64.5	2	2	



Surface Mount Zener Diodes

Package	Part No.	Electrical Characteristics (TA=25°C)								
		Vz (Volts) @IzT			IzT (mA)	ZzT (Ω)	ZzK (Ω)	IzK (mA)	Ir(μA) Max.	
		Min.	Nom.	Max.					Vr(V)	
1.0W Surface Mount Zener Diodes										
SMA (DO-214AC)	ZS4728A	3.1	3.3	3.5	76.0	10	400	1.00	100.0	1.0
	ZS4729A	3.4	3.6	3.8	69.0	10	400	1.00	100.0	1.0
	ZS4730A	3.7	3.9	4.1	64.0	8.0	400	1.00	50.0	1.0
	ZS4731A	4.1	4.3	4.5	58.0	9.0	400	1.00	10.0	1.0
	ZS4732A	4.5	4.7	4.9	53.0	8.0	500	1.00	10.0	1.0
	ZS4733A	4.8	5.1	5.4	49.0	7.0	550	1.00	10.0	1.0
	ZS4734A	5.3	5.6	5.9	45.0	5.0	600	1.00	10.0	2.0
	ZS4735A	5.9	6.2	6.5	41.0	2.0	700	1.00	10.0	3.0
	ZS4736A	6.5	6.8	7.1	37.0	3.5	700	1.00	10.0	4.0
	ZS4737A	7.1	7.5	7.9	34.0	4.0	700	0.50	10.0	5.0
	ZS4738A	7.8	8.2	8.6	31.0	4.5	700	0.50	10.0	6.0
	ZS4739A	8.6	9.1	9.6	28.0	5.0	700	0.50	10.0	7.0
	ZS4740A	9.5	10	10.5	25.0	7.0	700	0.25	10.0	7.6
	ZS4741A	10.5	11	11.6	23.0	8.0	700	0.25	5.0	8.4
	ZS4742A	11.4	12	12.6	21.0	9.0	700	0.25	5.0	9.1
	ZS4743A	12.4	13	13.7	19.0	10	700	0.25	5.0	9.9
	ZS4744A	14.3	15	15.8	17.0	14	700	0.25	5.0	11.4
	ZS4745A	15.2	16	16.8	15.5	16	700	0.25	5.0	12.2
	ZS4746A	17.1	18	18.9	14.0	20	750	0.25	5.0	13.7
	ZS4747A	19.0	20	21.0	12.5	22	750	0.25	5.0	15.2
	ZS4748A	20.9	22	23.1	11.5	23	750	0.25	5.0	16.7
	ZS4749A	22.8	24	25.2	10.5	25	750	0.25	5.0	18.2
	ZS4750A	25.7	27	28.4	9.5	35	750	0.25	5.0	20.6
	ZS4751A	28.5	30	31.5	8.5	40	1000	0.25	5.0	22.8
	ZS4752A	31.4	33	34.7	7.5	45	1000	0.25	5.0	25.4
	ZS4753A	34.2	36	37.8	7.0	50	1000	0.25	5.0	27.4
	ZS4754A	37.1	39	41.0	6.5	60	1000	0.25	5.0	29.7
	ZS4755A	40.9	43	45.2	6.0	70	1500	0.25	5.0	32.7
ZS4756A	44.7	47	49.4	5.5	80	1500	0.25	5.0	35.8	
ZS4757A	48.5	51	53.6	5.0	95	1500	0.25	5.0	38.8	
ZS4758A	53.2	56	58.8	4.5	110	2000	0.25	5.0	42.6	
ZS4759A	58.9	62	65.1	4.0	125	2000	0.25	5.0	47.1	
ZS4760A	64.6	68	71.4	3.7	150	2000	0.25	5.0	51.7	
ZS4761A	71.3	75	78.8	3.3	175	2000	0.25	5.0	56.0	
ZS4762A	77.9	82	86.1	3.0	200	3000	0.25	5.0	62.2	
ZS4763A	86.5	91	95.6	2.8	250	3000	0.25	5.0	69.2	
ZS4764A	95.0	100	105.0	2.5	350	3000	0.25	5.0	76.0	
1.0W Surface Mount Zener Diodes (Glass Passivation Junction)										
SMA (DO-214AC)	ZS100B	95.0	100	105.0	5.0	750	5000	0.25	0.5	75.0
	ZS105B	99.8	105	110.3	5.0	750	5000	0.25	0.5	77.0
	ZS110B	104.5	110	115.5	5.0	750	5000	0.25	0.5	80.0
	ZS115B	109.3	115	120.8	5.0	750	5000	0.25	0.5	85.0
	ZS120B	114.0	130	126.0	5.0	850	5000	0.25	0.5	90.0
	ZS130B	124.0	140	137.0	5.0	1000	5000	0.25	0.5	95.0
	ZS140B	133.0	140	147.0	5.0	1200	5000	0.25	0.5	105.0
	ZS150B	142.5	150	157.5	5.0	1300	5000	0.25	0.5	110.0
	ZS160B	152.0	160	168.0	5.0	1500	5000	0.25	0.5	120.0
	ZS170B	161.5	170	178.5	5.0	2200	5000	0.25	0.5	130.0
	ZS180B	171.0	180	189.0	5.0	2200	5000	0.25	0.5	140.0
	ZS190B	180.5	190	199.5	5.0	2500	5000	0.25	0.5	150.0
	ZS200B	190.0	200	210.0	5.0	2500	8000	0.25	0.5	160.0
	ZS210B	199.5	210	220.5	5.0	5000	9000	0.25	0.5	165.0
	ZS220B	209.0	220	231.0	5.0	5000	9000	0.25	0.5	170.0
	ZS230B	218.5	230	241.5	5.0	5000	9000	0.25	0.5	175.0
	ZS240B	228.0	240	252.0	5.0	5000	9000	0.25	0.5	170.0



Surface Mount Zener Diodes

Package	Part No.	Electrical Characteristics (TA=25°C)								
		Vz (Volts) @IzT			IzT (mA)	ZzT (Ω)	Zzk (Ω)	Izk (mA)	Ir(μA) Max.	
		Min.	Nom.	Max.					VR(V)	
1.0W Surface Mount Zener Diodes (Glass Passivation Junction)										
SMA (DO-214AC)	ZS250B	237.5	250	262.5	5.0	5000	9000	0.25	0.5	190.0
	ZS260B	247.0	260	273.0	5.0	5000	9000	0.25	0.5	195.0
	ZS270B	256.5	270	283.5	5.0	5000	9000	0.25	0.5	200.0
	ZS280B	266.0	280	294.0	5.0	5000	9000	0.25	0.5	210.0
	ZS290B	275.5	290	304.5	5.0	5000	9000	0.25	0.5	215.0
	ZS300B	285.0	300	315.0	5.0	5000	9000	0.25	0.5	220.0
	ZS310B	294.5	310	325.5	5.0	5000	9000	0.25	0.5	225.0
	ZS320B	304.0	320	336.0	5.0	5000	9000	0.25	0.5	230.0
	ZS330B	313.5	330	346.5	5.0	5000	9000	0.25	0.5	240
1.5W Surface Mount Zener Diodes (Glass Passivation Junction)										
SMA (DO-214AC)	ZGFM5921B	6.46	6.8	7.14	55.1	3.0	200	1.00	5.0	5.2
	ZGFM5922B	7.13	7.5	7.88	50.0	3.0	400	0.50	5.0	6.0
	ZGFM5923B	7.79	8.2	8.61	45.7	4.0	400	0.50	5.0	6.5
	ZGFM5924B	8.65	9.1	9.56	41.2	4.0	500	0.50	5.0	7.0
	ZGFM5925B	9.50	10	10.50	37.5	5.0	500	0.25	5.0	8.0
	ZGFM5926B	10.45	11	11.55	34.1	6.0	550	0.25	1.0	8.4
	ZGFM5927B	11.40	12	12.60	31.2	7.0	550	0.25	1.0	9.1
	ZGFM5928B	12.35	13	13.65	28.8	7.0	550	0.25	1.0	9.9
	ZGFM5929B	14.25	15	15.75	25.0	9.0	600	0.25	1.0	11.4
	ZGFM5930B	15.20	16	16.80	23.4	10	600	0.25	1.0	12.2
	ZGFM5931B	17.10	18	18.90	20.8	12	650	0.25	1.0	13.7
	ZGFM5932B	19.00	20	21.00	18.7	14	650	0.25	1.0	15.2
	ZGFM5933B	20.90	22	23.10	17.0	17.5	650	0.25	1.0	16.7
	ZGFM5934B	22.80	24	25.20	15.6	19	700	0.25	1.0	18.2
	ZGFM5935B	25.65	27	28.35	13.9	23	700	0.25	1.0	20.6
	ZGFM5936B	28.50	30	31.50	12.5	26	750	0.25	1.0	22.8
	ZGFM5937B	31.35	33	34.65	11.4	33	800	0.25	1.0	25.1
	ZGFM5938B	34.20	36	37.80	10.4	38	850	0.25	1.0	27.4
	ZGFM5939B	37.05	39	40.95	9.6	45	900	0.25	1.0	29.7
	ZGFM5940B	40.85	43	45.15	8.7	53	950	0.25	1.0	32.7
	ZGFM5941B	44.65	47	49.35	8.0	67	1000	0.25	1.0	35.8
	ZGFM5942B	48.45	51	53.55	7.3	70	1100	0.25	1.0	38.8
	ZGFM5943B	53.20	56	58.80	6.7	86	1300	0.25	1.0	42.6
	ZGFM5944B	58.90	62	65.10	6.0	100	1500	0.25	1.0	47.1
	ZGFM5945B	64.60	68	71.40	5.5	120	1700	0.25	1.0	51.7
	ZGFM5946B	71.25	75	78.75	5.0	140	2000	0.25	1.0	56.0
	ZGFM5947B	77.90	82	86.10	4.6	160	2500	0.25	1.0	62.2
	ZGFM5948B	86.45	91	95.55	4.1	200	3000	0.25	1.0	69.2
	ZGFM5949B	95.0	100	105.0	3.7	250	3100	0.25	1.0	76.0
	ZGFM5950B	104.5	110	115.5	3.4	300	4000	0.25	1.0	83.6
ZGFM5951B	114.0	120	126.0	3.1	380	4500	0.25	1.0	91.2	
ZGFM5952B	123.5	130	136.5	2.9	450	5000	0.25	1.0	98.8	
ZGFM5953B	142.5	150	157.5	2.5	600	6000	0.25	1.0	114.0	
ZGFM5954B	152.0	160	168.0	2.3	700	6500	0.25	1.0	121.6	
ZGFM5955B	171.0	180	189.0	2.1	900	7000	0.25	1.0	136.8	
ZGFM5956B	190.0	200	210.0	1.9	1200	8000	0.25	1.0	152.0	
2.0W Surface Mount Zener Diodes (Glass Passivation Junction)										
SMB (DO-214AA)	ZGFM206V8B	6.46	6.8	7.14	73.5	2.0	700	1.00	5.0	4.0
	ZGFM207V5B	7.13	7.5	7.88	66.5	2.0	700	0.50	5.0	5.0
	ZGFM208V2B	7.79	8.2	8.61	61.0	2.0	700	0.50	5.0	6.0
	ZGFM208V7B	8.27	8.7	9.14	58.0	2.0	700	0.50	4.0	6.6
	ZGFM209V1B	8.65	9.1	9.56	55.0	3.0	700	0.50	3.0	7.0
	ZGFM2010B	9.50	10	10.50	50.0	4.0	700	0.50	3.0	7.6
	ZGFM2011B	10.45	11	11.55	45.5	4.0	700	0.25	1.0	8.4
	ZGFM2012B	11.40	12	12.60	41.5	4.5	700	0.25	1.0	9.1
	ZGFM2013B	12.35	13	13.65	38.5	5.0	700	0.25	0.5	9.9
	ZGFM2015B	14.25	15	15.75	33.4	7.0	700	0.25	0.5	11.4
	ZGFM2016B	15.20	16	16.80	31.2	8.0	700	0.25	0.5	12.2
	ZGFM2018B	17.10	18	18.90	27.8	10	750	0.25	0.5	13.7
	ZGFM2020B	19.00	20	21.00	25.0	11	750	0.25	0.5	15.2
	ZGFM2022B	20.90	22	23.10	22.8	12	750	0.25	0.5	16.7



Surface Mount Zener Diodes

Package	Part No.	Electrical Characteristics (TA=25°C)								
		Vz (Volts) @IzT			IzT (mA)	ZzT (Ω)	ZzK (Ω)	Izk (mA)	Ir(μA) Max.	
		Min.	Nom.	Max.					Vr(V)	
2.0W Surface Mount Zener Diodes (Glass Passivation Junction)										
	ZGFM2024B	22.80	24	25.20	20.8	13	750	0.25	0.5	18.2
	ZGFM2027B	25.65	27	28.35	18.5	18	750	0.25	0.5	20.6
	ZGFM2030B	28.50	30	31.50	16.6	20	1000	0.25	0.5	22.5
	ZGFM2033B	31.35	33	34.65	15.1	23	1000	0.25	0.5	25.1
	ZGFM2036B	34.20	36	37.80	13.9	25	1000	0.25	0.5	27.4
	ZGFM2039B	37.05	39	40.95	12.8	30	1500	0.25	0.5	29.7
	ZGFM2043B	40.85	43	45.15	11.6	35	1500	0.25	0.5	32.7
	ZGFM2047B	44.65	47	49.35	10.6	40	1500	0.25	0.5	35.8
	ZGFM2051B	48.45	51	53.55	9.8	48	1500	0.25	0.5	38.8
	ZGFM2056B	53.20	56	58.80	9.0	55	2000	0.25	0.5	42.6
	ZGFM2062B	58.90	62	65.10	8.1	60	2000	0.25	0.5	47.1
	ZGFM2068B	64.60	68	71.40	7.4	75	2000	0.25	0.5	51.7
	ZGFM2075B	71.25	75	78.75	6.7	90	2000	0.25	0.5	56.0
	ZGFM2082B	77.90	82	86.10	6.1	100	3000	0.25	0.5	62.2
	ZGFM2091B	86.45	91	95.55	5.5	125	3000	0.25	0.5	69.2
	ZGFM20100B	95.0	100	105.0	5.0	175	3000	0.25	0.5	76.0
	ZGFM20110B	104.5	110	115.5	4.5	250	4000	0.25	0.5	83.6
	ZGFM20120B	114.0	120	126.0	4.2	325	4500	0.25	0.5	91.2
	ZGFM20130B	123.5	130	136.5	3.8	400	5000	0.25	0.5	98.8
	ZGFM20150B	142.5	150	157.5	3.3	575	6000	0.25	0.5	114.0
ZGFM20160B	152.0	160	168.0	3.1	650	6500	0.25	0.5	121.6	
ZGFM20180B	171.0	180	189.0	2.8	725	7000	0.25	0.5	136.8	
ZGFM20200B	190.0	200	210.0	2.5	900	8000	0.25	0.5	152.0	
3.0W Surface Mount Zener Diodes (Glass Passivation Junction)										
SMB (DO-214AA)	ZGFM306V8B	6.46	6.8	7.14	110	2.0	700	1.00	5.0	4.0
	ZGFM307V5B	7.13	7.5	7.88	100	2.0	700	0.50	5.0	5.0
	ZGFM308V2B	7.79	8.2	8.61	91	2.0	700	0.50	5.0	6.0
	ZGFM308V7B	8.27	8.7	9.14	85	2.0	700	0.50	4.0	6.6
	ZGFM309V1B	8.65	9.1	9.56	82	3.0	700	0.50	3.0	7.0
	ZGFM3010B	9.50	10	10.50	75	4.0	700	0.50	3.0	7.6
	ZGFM3011B	10.45	11	11.55	68	4.0	700	0.25	1.0	8.4
	ZGFM3012B	11.40	12	12.60	63	4.5	700	0.25	1.0	9.1
	ZGFM3013B	12.35	13	13.65	58	5.0	700	0.25	0.5	9.9
	ZGFM3015B	14.25	15	15.75	50	7.0	700	0.25	0.5	11.4
	ZGFM3016B	15.20	16	16.80	47	8.0	700	0.25	0.5	12.2
	ZGFM3018B	17.10	18	18.90	42	10	750	0.25	0.5	13.7
	ZGFM3020B	19.00	20	21.00	37	11	750	0.25	0.5	15.2
	ZGFM3022B	20.90	22	23.10	34	12	750	0.25	0.5	16.7
	ZGFM3024B	22.80	24	25.20	31	13	750	0.25	0.5	18.2
	ZGFM3027B	25.65	27	28.35	28	18	750	0.25	0.5	20.6
	ZGFM3030B	28.50	30	31.50	25	20	1000	0.25	0.5	22.5
	ZGFM3033B	31.35	33	34.65	23	23	1000	0.25	0.5	25.1
	ZGFM3036B	34.20	36	37.80	21	25	1000	0.25	0.5	27.4
	ZGFM3039B	37.05	39	40.95	19	30	1500	0.25	0.5	29.7
	ZGFM3043B	40.85	43	45.15	17	35	1500	0.25	0.5	32.7
	ZGFM3047B	44.65	47	49.35	16	40	1500	0.25	0.5	35.8
	ZGFM3051B	48.45	51	53.55	15	48	1500	0.25	0.5	38.8
	ZGFM3056B	53.20	56	58.80	13	55	2000	0.25	0.5	42.6
	ZGFM3062B	58.90	62	65.10	12	60	2000	0.25	0.5	47.1
	ZGFM3068B	64.60	68	71.40	11	75	2000	0.25	0.5	51.7
	ZGFM3075B	71.25	75	78.75	10	90	2000	0.25	0.5	56.0
	ZGFM3082B	77.90	82	86.10	9.1	100	3000	0.25	0.5	62.2
	ZGFM3091B	86.45	91	95.55	8.2	125	3000	0.25	0.5	69.2
	ZGFM30100B	95.00	100	105.00	7.5	175	3000	0.25	0.5	76.0
	ZGFM30110B	104.50	110	115.50	6.8	250	4000	0.25	0.5	83.6
	ZGFM30120B	114.00	120	126.00	6.3	325	4500	0.25	0.5	91.2
	ZGFM30130B	123.50	130	136.50	5.8	400	5000	0.25	0.5	98.8
	ZGFM30150B	142.50	150	157.50	5.0	575	6000	0.25	0.5	114.0
	ZGFM30160B	152.00	160	168.00	4.7	650	6500	0.25	0.5	121.6
	ZGFM30180B	171.00	180	189.00	4.2	725	7000	0.25	0.5	136.8
ZGFM30200B	190.00	200	210.00	3.7	900	8000	0.25	0.5	152.0	



Surface Mount Zener Diodes

Package	Part No.	Electrical Characteristics (TA=25°C)								
		Vz (Volts) @IzT			IzT (mA)	ZzT (Ω)	ZzK (Ω)	IzK (mA)	Ir(μA) Max.	
		Min.	Nom.	Max.						Vr(V)
5.0W Surface Mount Zener Diodes (Glass Passivation Junction)										
SMC (DO-214AB)	ZGFM5341B	5.89	6.2	6.51	200	1.0	200	1.0	10.0	3.0
	ZGFM5342B	6.46	6.8	7.14	175	1.0	200	1.0	10.0	5.2
	ZGFM5343B	7.13	7.5	7.88	175	1.5	200	1.0	10.0	5.7
	ZGFM5344B	7.79	8.2	8.61	150	1.5	200	1.0	10.0	6.2
	ZGFM5345B	8.27	8.7	9.14	150	2.0	200	1.0	10.0	6.6
	ZGFM5346B	8.65	9.1	9.56	150	2.0	150	1.0	7.5	6.9
	ZGFM5347B	9.50	10	10.50	125	2.0	125	1.0	5.0	7.6
	ZGFM5348B	10.45	11	11.56	125	2.5	125	1.0	5.0	8.4
	ZGFM5349B	11.40	12	12.60	125	2.5	125	1.0	2.0	9.1
	ZGFM5350B	12.35	13	13.65	100	2.5	100	1.0	1.0	9.9
	ZGFM5351B	13.30	14	14.70	75	2.5	75	1.0	1.0	10.6
	ZGFM5352B	14.25	15	15.75	75	2.5	75	1.0	1.0	11.5
	ZGFM5353B	15.20	16	16.80	75	2.5	75	1.0	1.0	12.2
	ZGFM5354B	16.15	17	17.85	70	2.5	75	1.0	0.5	12.9
	ZGFM5355B	17.10	18	18.90	65	2.5	75	1.0	0.5	13.7
	ZGFM5356B	18.05	19	19.95	65	3.0	75	1.0	0.5	14.4
	ZGFM5357B	19.00	20	21.00	65	3.0	75	1.0	0.5	15.2
	ZGFM5358B	20.90	22	23.10	50	3.5	75	1.0	0.5	16.7
	ZGFM5359B	22.80	24	25.20	50	3.5	100	1.0	0.5	18.2
	ZGFM5360B	23.75	25	26.25	50	4.0	110	1.0	0.5	19.0
	ZGFM5361B	25.65	27	28.35	50	5.0	120	1.0	0.5	20.6
	ZGFM5362B	26.60	28	29.40	50	6.0	130	1.0	0.5	21.2
	ZGFM5363B	28.50	30	31.50	40	8.0	140	1.0	0.5	22.8
	ZGFM5364B	31.35	33	34.65	40	10	150	1.0	0.5	25.1
	ZGFM5365B	34.20	36	37.80	30	11	160	1.0	0.5	27.4
	ZGFM5366B	37.05	39	40.95	30	14	170	1.0	0.5	29.7
	ZGFM5367B	40.85	43	45.15	30	20	190	1.0	0.5	32.7
	ZGFM5368B	44.65	47	49.35	25	25	210	1.0	0.5	35.8
	ZGFM5369B	48.45	51	53.55	25	27	230	1.0	0.5	38.8
	ZGFM5370B	53.20	56	58.80	20	35	280	1.0	0.5	42.6
ZGFM5371B	57.00	60	63.00	20	40	350	1.0	0.5	45.5	
ZGFM5372B	58.90	62	65.10	20	42	400	1.0	0.5	47.1	
ZGFM5373B	64.40	68	71.40	20	44	500	1.0	0.5	51.7	
ZGFM5374B	71.25	75	78.75	20	45	620	1.0	0.5	56.0	
ZGFM5375B	77.90	82	86.10	15	60	720	1.0	0.5	62.2	
ZGFM5376B	82.65	87	91.35	15	75	760	1.0	0.5	66.0	
ZGFM5377B	86.45	91	95.55	15	75	760	1.0	0.5	69.2	
ZGFM5378B	95.0	100	105.0	12	90	800	1.0	0.5	76.0	



Zener Diodes

Package	Part No.	Electrical Characteristics ($T_A=25^{\circ}\text{C}$)						
		V_z (Volts) @ I_{zT}			I_{zT} (mA)	Z_{zT} (Ω)	$I_R(\mu\text{A})$ Max.	
		Min.	Nom.	Max.				$V_R(\text{V})$
1.0W Zener Diodes (Glass Passivation Junction)								
DO-41	ZUL10-100B	95.0	100	105.0	50	2000	0.5	86
	ZUL10-110B	104.5	110	115.5	50	2000	0.5	94
	ZUL10-115B	109.25	115	120.75	50	2000	0.5	98
	ZUL10-120B	114.0	120	126.0	50	2000	0.5	103
	ZUL10-130B	123.5	130	136.5	50	2000	0.5	111
	ZUL10-140B	133.0	140	147.0	50	5000	0.5	120
	ZUL10-150B	142.5	150	157.5	50	5000	0.5	128
	ZUL10-160B	152.0	160	168.0	50	5000	0.5	137
	ZUL10-170B	161.5	170	178.5	50	5000	0.5	145
	ZUL10-180B	171.0	180	189.0	50	5000	0.5	154
	ZUL10-190B	180.5	190	199.5	50	5000	0.5	162
	ZUL10-200B	190.0	200	210.0	50	8000	0.5	171
	ZUL10-210B	199.5	210	220.5	50	9000	0.5	180
	ZUL10-220B	209.0	220	231.0	50	9000	0.5	188
	ZUL10-230B	218.5	230	241.5	50	9000	0.5	197
	ZUL10-240B	228.0	240	252.0	50	9000	0.5	205
	ZUL10-250B	237.5	250	262.5	50	9000	0.5	214
	ZUL10-260B	247.0	260	273.0	50	9000	0.5	222
	ZUL10-270B	256.5	270	283.5	50	9000	0.5	231
	ZUL10-280B	266.0	280	294.0	50	9000	0.5	239
	ZUL10-290B	275.5	290	304.5	50	9000	0.5	248
	ZUL10-300B	285.0	300	315.0	50	9000	0.5	257
	ZUL10-310B	294.5	310	325.5	50	9500	0.5	265
	ZUL10-320B	304.0	320	336.0	50	9500	0.5	274
ZUL10-330B	313.5	330	346.5	50	9500	0.5	282	
ZUL10-350B	332.5	350	367.5	50	9800	0.5	299	
ZUL10-400B	380.0	400	420.0	50	9800	0.5	342	
ZUL10-600B	570.0	600	630.0	50	9800	0.5	513	



Zener Diodes

Package	Part No.	Electrical Characteristics (TA=25°C)								
		Vz (Volts) @IzT			IzT (mA)	ZzT (Ω)	Zzk (Ω)	Izk (mA)	Ir(μA) Max.	Vr(V)
		Min.	Nom.	Max.						
1.0W Zener Diodes (Glass Passivation Junction)										
DO-41	Z10-100B	95.0	100	105.0	5.0	750	5000	0.25	0.5	75
	Z10-105B	99.8	105	110.3	5.0	750	5000	0.25	0.5	77
	Z10-110B	104.5	110	115.5	5.0	750	5000	0.25	0.5	80
	Z10-115B	109.25	115.00	120.75	5.0	750	5000	0.25	0.5	85
	Z10-120B	114.0	120	126.0	5.0	800	5000	0.25	0.5	90
	Z10-130B	123.5	130	136.5	5.0	1000	5000	0.25	0.5	95
	Z10-140B	133.0	140	147.0	5.0	1200	5000	0.25	0.5	105
	Z10-150B	142.5	150	157.5	5.0	1300	5000	0.25	0.5	110
	Z10-160B	152.0	160	168.0	5.0	1500	5000	0.25	0.5	120
	Z10-170B	161.5	170	178.5	5.0	2200	5000	0.25	0.5	130
	Z10-180B	171.0	180	189.0	5.0	2200	5000	0.25	0.5	140
	Z10-190B	180.5	190	199.5	5.0	2500	5000	0.25	0.5	150
	Z10-200B	190.0	200	210.0	5.0	2500	8000	0.25	0.5	165
	Z10-210B	199.5	210	220.5	5.0	5000	9000	0.25	0.5	165
	Z10-220B	209.0	220	231.0	5.0	5000	9000	0.25	0.5	170
	Z10-230B	218.5	230	241.5	5.0	5000	9000	0.25	0.5	175
	Z10-240B	228.0	240	252.0	5.0	5000	9000	0.25	0.5	180
	Z10-250B	237.5	250	262.5	5.0	5000	9000	0.25	0.5	190
	Z10-260B	247.0	260	273.0	5.0	5000	9000	0.25	0.5	195
	Z10-270B	256.5	270	283.5	5.0	5000	9000	0.25	0.5	200
Z10-280B	266.0	280	294.0	5.0	5000	9000	0.25	0.5	210	
Z10-290B	275.5	290	304.5	5.0	5000	9000	0.25	0.5	215	
Z10-300B	285.0	300	315.0	5.0	5000	9000	0.25	0.5	220	
Z10-310B	294.5	310	325.5	5.0	5000	9000	0.25	0.5	225	
Z10-320B	304.0	320	336.0	5.0	5000	9000	0.25	0.5	233	
Z10-330B	313.5	330	346.5	5.0	5000	9000	0.25	0.5	240	
2.0W Zener Diodes (Glass Passivation Junction)										
DO-41	Z20-11B	10.45	11	11.55	45.5	4.0	700	0.25	1.0	8.4
	Z20-12B	11.40	12	12.60	41.5	4.5	700	0.25	1.0	9.1
	Z20-13B	12.35	13	13.65	38.5	5.0	700	0.25	0.5	9.9
	Z20-14B	13.30	14	14.70	35.7	5.5	700	0.25	0.5	10.6
	Z20-15B	14.25	15	15.75	33.4	7.0	700	0.25	0.5	11.4
	Z20-16B	15.20	16	16.80	31.2	8.0	700	0.25	0.5	12.2
	Z20-17B	16.15	17	17.85	29.4	9	750	0.25	0.5	13.0
	Z20-18B	17.10	18	18.90	27.8	10	750	0.25	0.5	13.7
	Z20-19B	18.05	19	19.95	26.3	11	750	0.25	0.5	14.4
	Z20-20B	19.00	20	21.00	25.0	11	750	0.25	0.5	15.2
	Z20-22B	20.90	22	23.10	22.8	12	750	0.25	0.5	16.7
	Z20-24B	22.80	24	25.20	20.8	13	750	0.25	0.5	18.2
	Z20-27B	25.65	27	28.35	18.5	18	750	0.25	0.5	20.6
	Z20-28B	26.60	28	29.40	17.0	19	750	0.25	0.5	21.0
	Z20-30B	28.50	30	31.50	16.6	20	1000	0.25	0.5	22.5
	Z20-33B	31.35	33	34.65	15.1	23	1000	0.25	0.5	25.1
	Z20-36B	34.20	36	37.80	13.9	25	1000	0.25	0.5	27.4
	Z20-39B	37.05	39	40.95	12.8	30	1500	0.25	0.5	29.7
	Z20-43B	40.85	43	45.15	11.6	35	1500	0.25	0.5	32.7
	Z20-47B	44.65	47	49.35	10.6	40	1500	0.25	0.5	35.8
	Z20-51B	48.45	51	53.55	9.8	48	1500	0.25	0.5	38.8
	Z20-56B	53.20	56	58.80	9.0	55	2000	0.25	0.5	42.6
	Z20-62B	58.90	62	65.10	8.1	60	2000	0.25	0.5	47.1
	Z20-68B	64.60	68	71.40	7.4	75	2000	0.25	0.5	51.7
	Z20-75B	71.25	75	78.75	6.7	90	2000	0.25	0.5	56.0
	Z20-82B	77.90	82	86.10	6.1	100	3000	0.25	0.5	62.2
	Z20-91B	86.45	91	95.55	5.5	125	3000	0.25	0.5	69.2
	Z20-100B	95.00	100	105.00	5.0	750	5000	0.25	0.5	75.0
	Z20-110B	104.50	110	115.50	5.0	750	5000	0.25	0.5	80.0
	Z20-115B	109.25	115	120.75	5.0	750	5000	0.25	0.5	85.0
	Z20-120B	114.00	120	126.00	5.0	850	5000	0.25	0.5	90.0
	Z20-130B	123.50	130	136.50	5.0	1000	5000	0.25	0.5	95.0
	Z20-140B	133.00	140	147.00	5.0	1200	5000	0.25	0.5	105
Z20-150B	142.50	150	157.50	5.0	1300	5000	0.25	0.5	110	
Z20-160B	152.00	160	168.00	5.0	1500	5000	0.25	0.5	120	
Z20-170B	161.50	170	178.50	5.0	2200	5000	0.25	0.5	130	
Z20-180B	171.00	180	189.00	5.0	2200	5000	0.25	0.5	140	
Z20-190B	180.50	190	199.50	5.0	2500	5000	0.25	0.5	150	
Z20-200B	190.00	200	210.00	5.0	2500	8000	0.25	0.5	165	



Zener Diodes

Package	Part No.	Electrical Characteristics (TA=25°C)								
		Vz (Volts) @IzT			IzT (mA)	ZzT (Ω)	ZzK (Ω)	IzK (mA)	Ir(μA) Max.	
		Min.	Nom.	Max.					Vr(V)	
2.0W Zener Diodes (Glass Passivation Junction)										
	Z20-210B	199.50	210	220.50	5.0	5000	9000	0.25	0.5	165
	Z20-220B	209.00	220	231.00	5.0	5000	8000	0.25	0.5	170
	Z20-230B	218.50	230	241.50	5.0	5000	9000	0.25	0.5	175
	Z20-240B	228.00	240	252.00	5.0	5000	8000	0.25	0.5	180
	Z20-250B	237.50	250	262.50	5.0	5000	9000	0.25	0.5	190
	Z20-260B	247.00	260	273.00	5.0	5000	8000	0.25	0.5	195
	Z20-270B	256.50	270	283.50	5.0	5000	9000	0.25	0.5	200
	Z20-280B	266.00	280	294.00	5.0	5000	8000	0.25	0.5	210
	Z20-290B	275.50	290	304.50	5.0	5000	9000	0.25	0.5	215
	Z20-300B	285.00	300	315.00	5.0	5000	9000	0.25	0.5	220
	Z20-310B	294.50	310	325.50	5.0	5000	9500	0.25	0.5	225
Z20-320B	304.00	320	336.00	5.0	5000	9500	0.25	0.5	233	
Z20-330B	313.50	330	346.50	5.0	5000	9500	0.25	0.5	240	
3.0W Zener Diodes (Glass Passivation Junction)										
DO-41	Z30-11B	10.45	11	11.55	68.0	4.0	700	0.25	1.0	8.4
	Z30-12B	11.40	12	12.60	63.0	4.5	700	0.25	1.0	9.1
	Z30-13B	12.35	13	13.65	58.0	4.5	700	0.25	0.5	9.9
	Z30-15B	14.25	15	15.75	50.0	5.5	700	0.25	0.5	11.4
	Z30-16B	15.20	16	16.80	47.0	5.5	700	0.25	0.5	12.2
	Z30-18B	17.10	18	18.90	42.0	6.0	750	0.25	0.5	13.7
	Z30-20B	19.00	20	21.00	37.0	7.0	750	0.25	0.5	15.2
	Z30-22B	20.90	22	23.10	34.0	8.0	750	0.25	0.5	16.7
	Z30-24B	22.80	24	25.20	31.0	9.0	750	0.25	0.5	18.2
	Z30-27B	25.65	27	28.35	28.0	10	750	0.25	0.5	20.6
	Z30-30B	28.50	30	31.50	25.0	16	1000	0.25	0.5	22.5
	Z30-33B	31.35	33	34.65	23.0	20	1000	0.25	0.5	25.1
	Z30-36B	34.20	36	37.80	21.0	22	1000	0.25	0.5	27.4
	Z30-39B	37.05	39	40.95	19.0	28	1500	0.25	0.5	29.7
	Z30-43B	40.85	43	45.15	17.0	33	1500	0.25	0.5	32.7
	Z30-47B	44.65	47	49.35	16.0	38	1500	0.25	0.5	35.8
	Z30-51B	48.45	51	53.55	15.0	45	1500	0.25	0.5	38.8
	Z30-56B	53.20	56	58.80	13.0	50	2000	0.25	0.5	42.6
	Z30-62B	58.90	62	65.10	12.0	55	2000	0.25	0.5	47.1
	Z30-68B	64.60	68	71.40	11.0	70	2000	0.25	0.5	51.7
	Z30-75B	71.25	75	78.75	10.0	85	2000	0.25	0.5	56.0
	Z30-82B	77.90	82	86.10	9.1	95	3000	0.25	0.5	62.2
	Z30-91B	86.45	91	95.55	8.2	115	3000	0.25	0.5	69.2
	Z30-100B	95.00	100	105.00	5.0	750	5000	0.25	0.5	75.0
	Z30-110B	104.50	110	115.50	5.0	750	5000	0.25	0.5	80.0
	Z30-115B	109.25	115	120.75	5.0	750	5000	0.25	0.5	85.0
	Z30-120B	114.00	120	126.00	5.0	850	5000	0.25	0.5	90.0
	Z30-130B	123.50	130	136.50	5.0	1000	5000	0.25	0.5	95.0
	Z30-140B	133.00	140	147.00	5.0	1200	5000	0.25	0.5	105
	Z30-150B	142.50	150	157.50	5.0	1300	5000	0.25	0.5	110
	Z30-160B	152.00	160	168.00	5.0	1500	5000	0.25	0.5	120
	Z30-170B	161.50	170	178.50	5.0	2200	5000	0.25	0.5	130
	Z30-180B	171.00	180	189.00	5.0	2200	5000	0.25	0.5	140
Z30-190B	180.50	190	199.50	5.0	2500	5000	0.25	0.5	150	
Z30-200B	190.00	200	210.00	5.0	2500	8000	0.25	0.5	165	
Z30-210B	199.50	210	220.50	5.0	5000	9000	0.25	0.5	165	
Z30-220B	209.00	220	231.00	5.0	5000	9000	0.25	0.5	170	
Z30-230B	218.50	230	241.50	5.0	5000	9000	0.25	0.5	175	
Z30-240B	228.00	240	252.00	5.0	5000	9000	0.25	0.5	180	
Z30-250B	237.50	250	262.50	5.0	5000	9000	0.25	0.5	190	
Z30-260B	247.00	260	273.00	5.0	5000	9000	0.25	0.5	195	
Z30-270B	256.50	270	283.50	5.0	5000	9000	0.25	0.5	200	
Z30-280B	266.00	280	294.00	5.0	5000	9000	0.25	0.5	210	
Z30-290B	275.50	290	304.50	5.0	5000	9000	0.25	0.5	215	
Z30-300B	285.00	300	315.00	5.0	5000	9000	0.25	0.5	220	
Z30-310B	294.50	310	325.50	5.0	5000	9500	0.25	0.5	225	
Z30-320B	304.00	320	336.00	5.0	5000	9500	0.25	0.5	233	
Z30-330B	313.50	330	346.50	5.0	5000	9500	0.25	0.5	240	



Hyper Fast Rectifiers

Package	Part No.	Absolute Maximum Rating (TA=25°C)				Electrical Characteristics (TA=25°C)						
		V _{RRM} (V)	V _R (V)	I _o (A)	I _{FSM} (A)	V _F (V) Max.		I _R (μA) Max.		trr(ns) Max. @RG1		
8.0A Hyper Fast Rectifiers												
TO-220AC	FE8A60	600	600	8.0	100	2.10	8.0	5.0	600	20	0.5	1.0
TO-220AC	PFC5LA60	600	600	5.0	100	2.10	5.0	3.0	600	20	0.5	1.0
	PFC8A60	600	600	8.0	125	1.50	8.0	3.0	600	20	0.5	1.0
	PFC10A60	600	600	10.0	150	2.30	10.0	3.0	600	20	0.5	1.0
ITO-220AC	PFC5LA60F	600	600	5.0	100	2.10	5.0	3.0	600	20	0.5	1.0
	PFC8A60F	600	600	8.0	125	2.30	8.0	3.0	600	20	0.5	1.0
	PFC10A60F	600	600	10.0	150	2.30	10.0	3.0	600	20	0.5	1.0
TO-263/D2PAK	PFC5LA60D	600	600	5.0	100	2.10	5.0	3.0	600	20	0.5	1.0
	PFC8A60D	600	600	8.0	125	1.50	8.0	3.0	600	20	0.5	1.0
	PFC10A60D	600	600	10.0	150	2.30	10.0	3.0	600	20	0.5	1.0

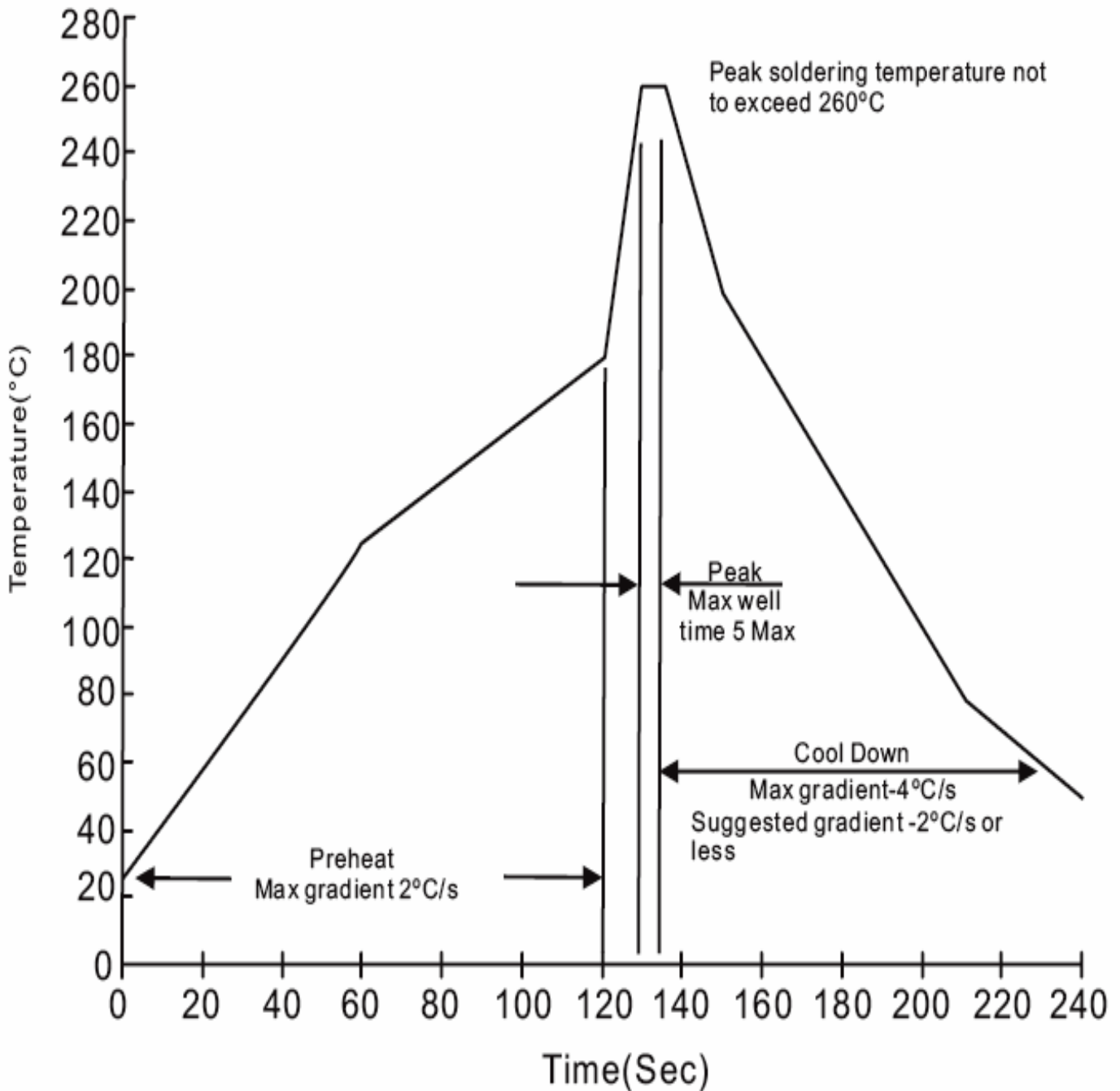
Switching Diodes

Package	Part No.	Absolute Maximum Rating (TA=25°C)				Electrical Characteristics (TA=25°C)						
		V _{RRM} (V)	V _{RM} (V)	I _o (mA)	I _{FSM} (A)	V _F (V) Max.		I _R (μA) Max.		trr(ns) Max. @RG1		
85V Quad Low Leakage Diode												
SOT-363	BAV199DW	85	85	160	1	1.25	150	0.005	75	3000	10	10
75V Switching Diode Array												
SOT-363	BAV99S	85	75	150	2.5	1.25	150	1.0	75	6	10	10
100V Switching Diode Array												
SOT-363	BAV70DW	75	100	150	2	1.25	150	2.5	75	4	10	10
	BAV756DW	75	100	150	2	1.25	150	3.0	75	4	10	10
	BAV99BRW	75	100	150	2	1.25	150	3.0	75	4	10	10
	BAV99DW	75	100	150	2	1.25	150	3.0	75	4	10	10
	BAW56DW	75	100	150	2	1.25	150	3.0	75	4	10	10
	BAW567DW	75	100	150	2	1.25	150	3.0	75	4	10	10

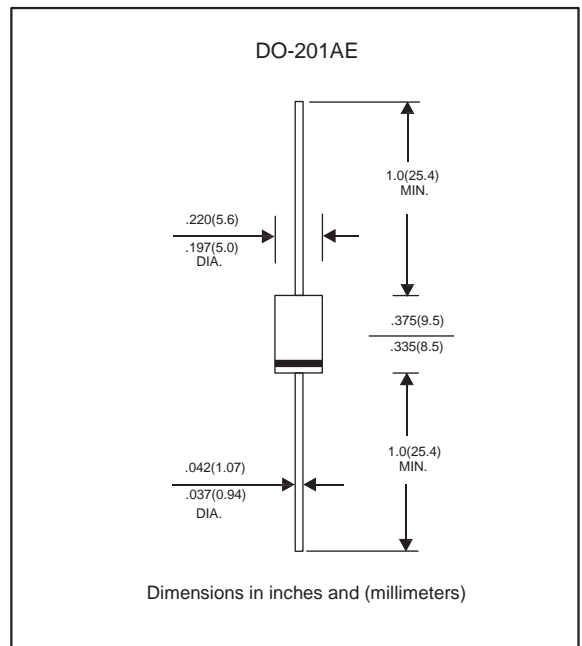
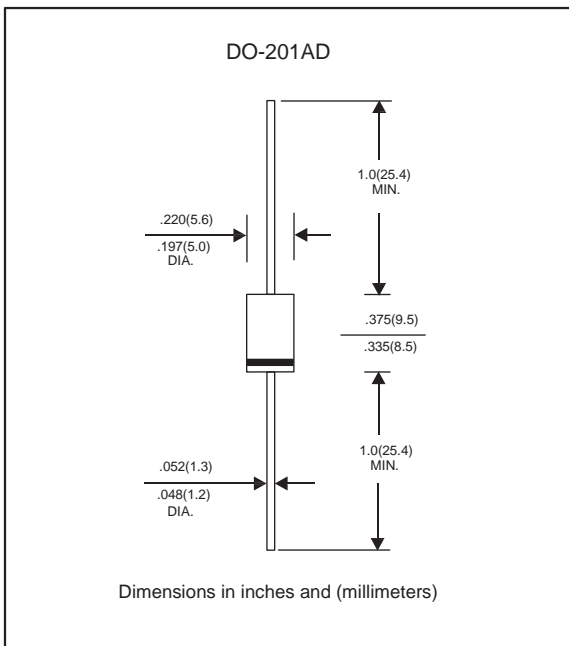
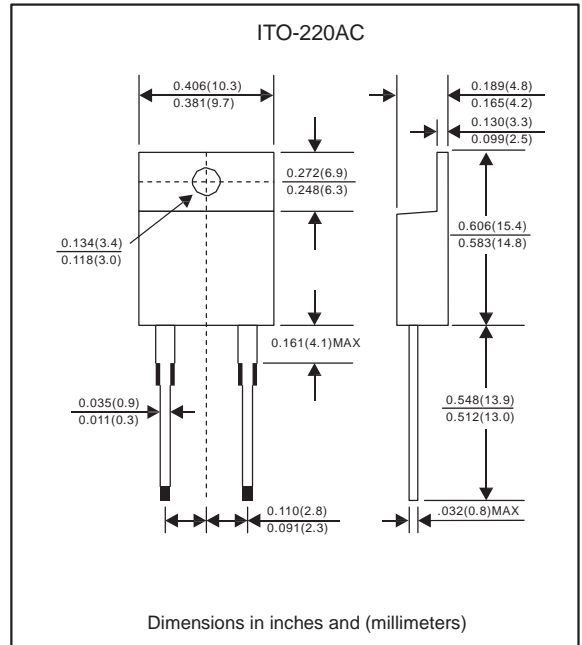
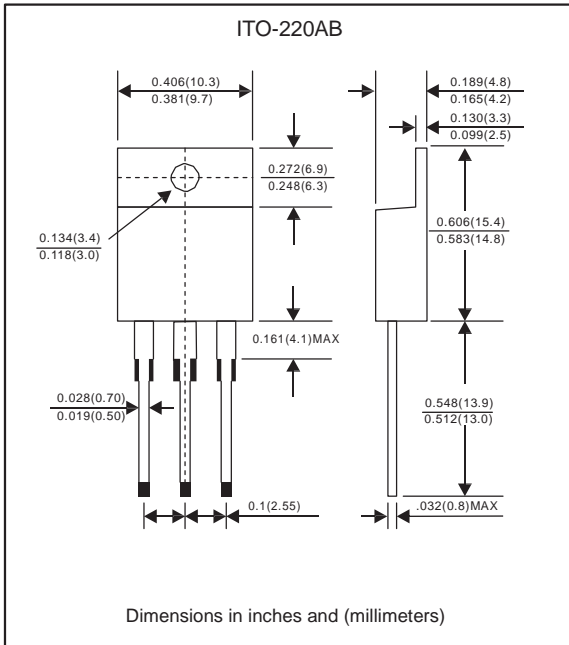
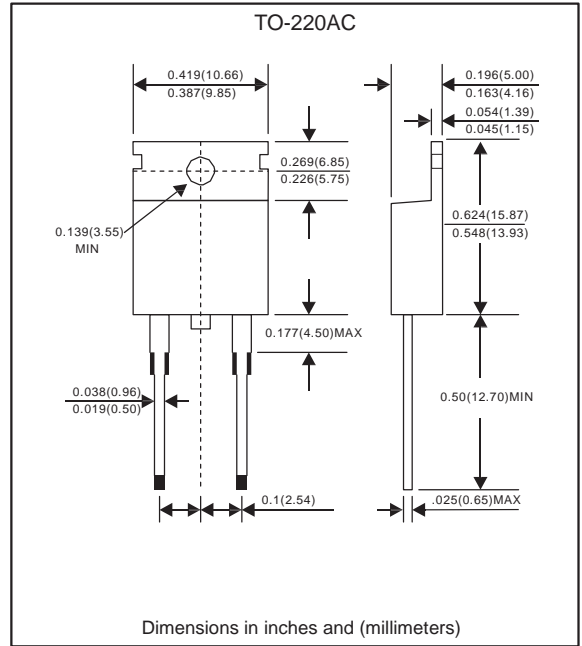
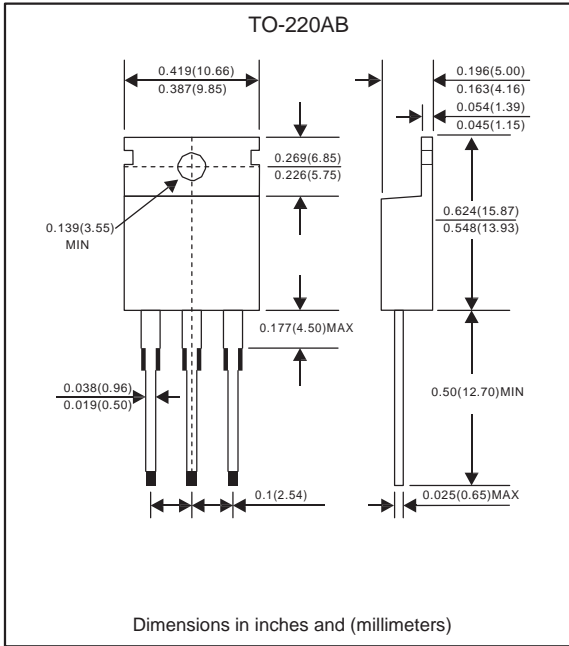


SUGGESTED THERMAL PROFILES FOR SOLDERING PROCESSES

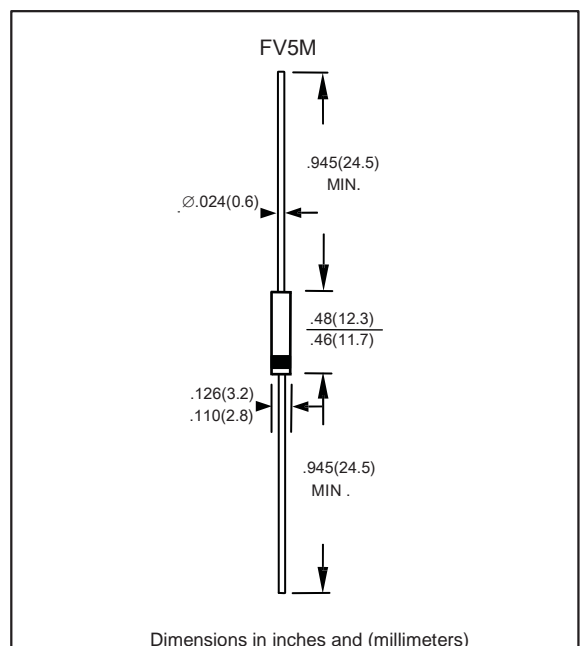
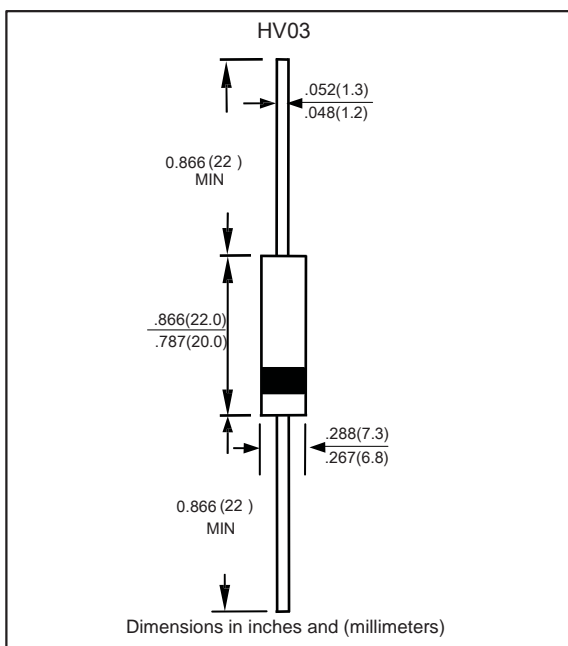
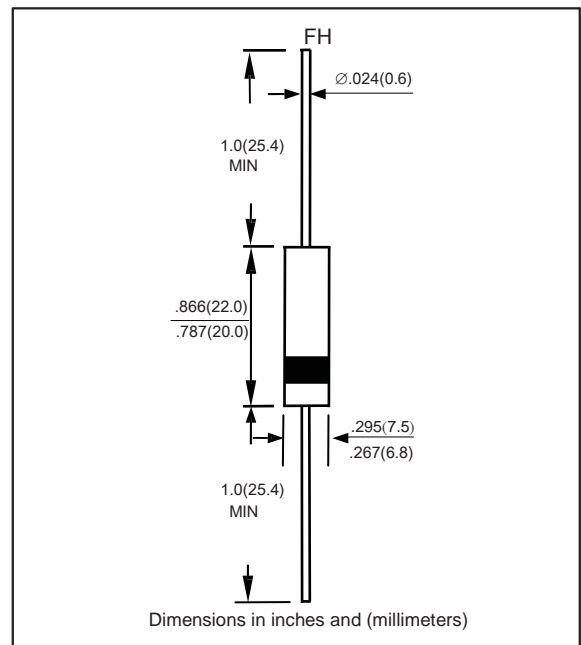
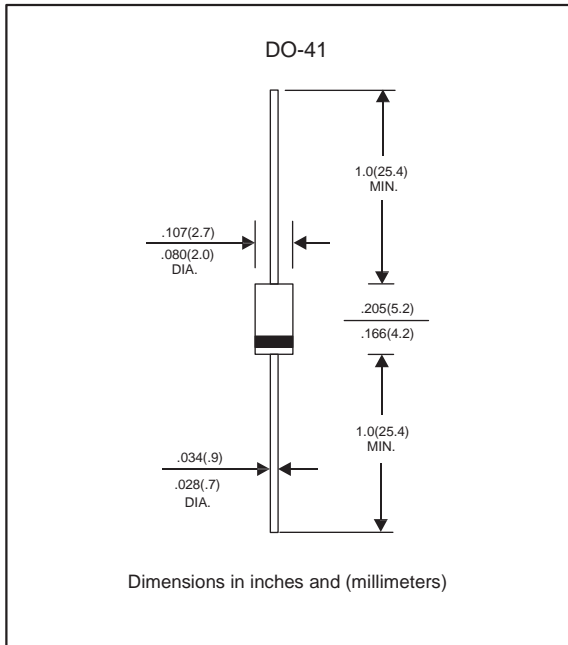
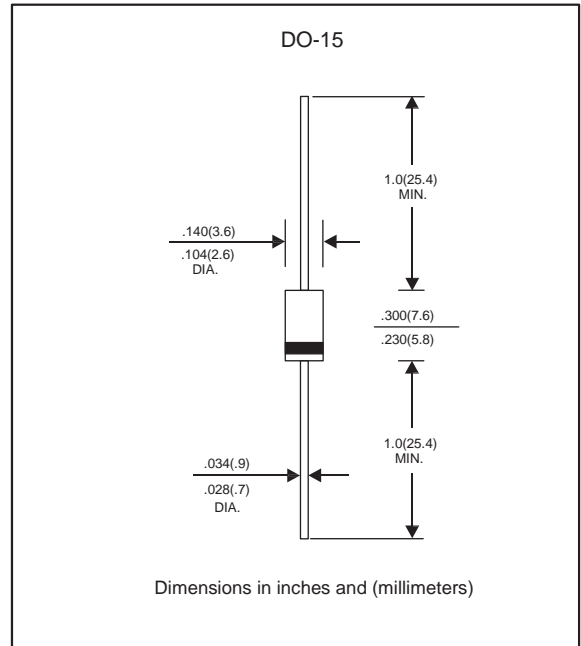
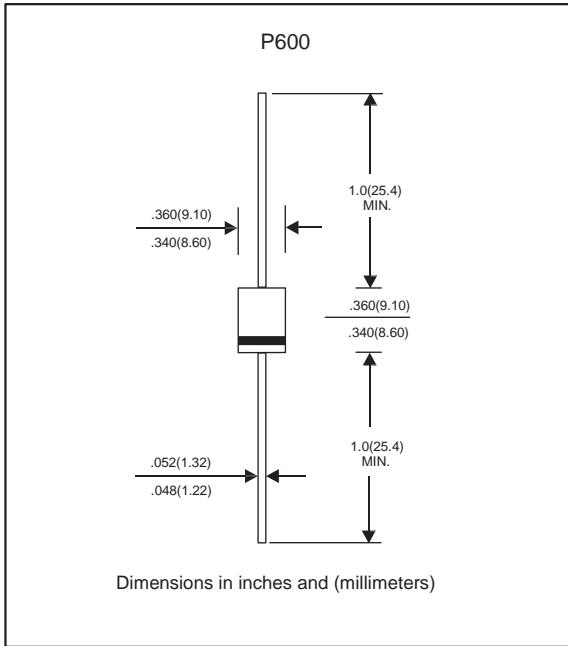
LEAD FREE TEMPERATURE PROFILE WAVE-SOLDERING



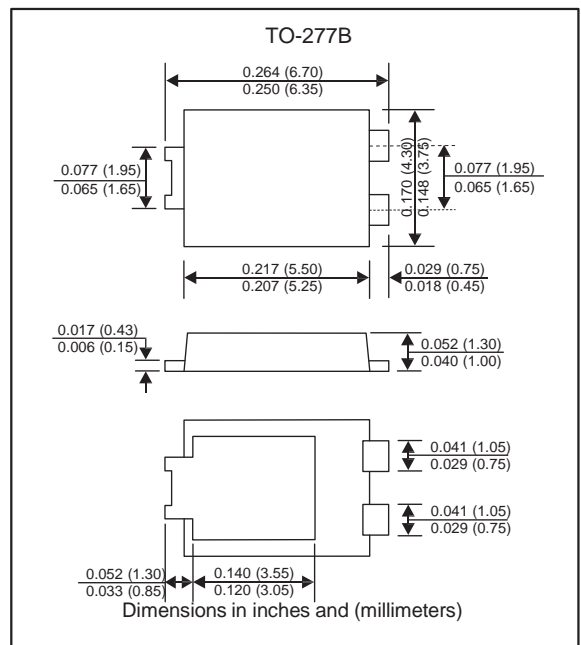
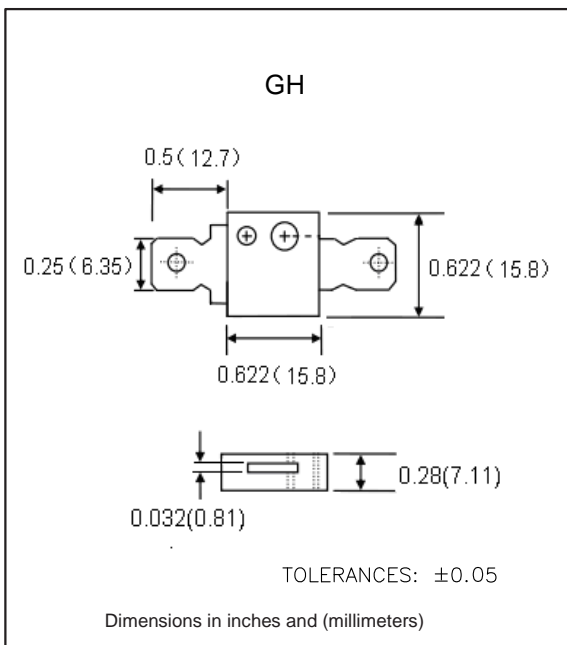
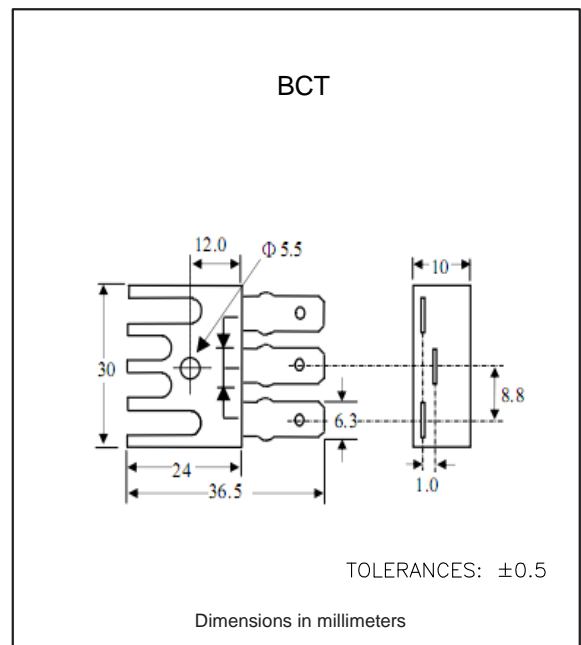
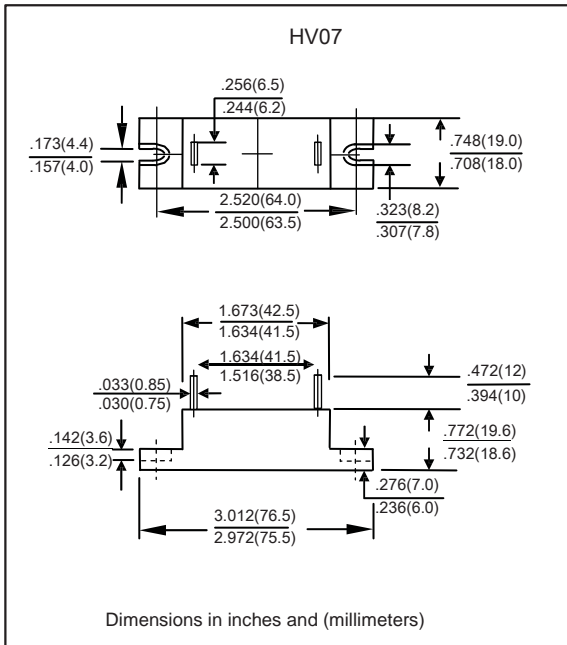
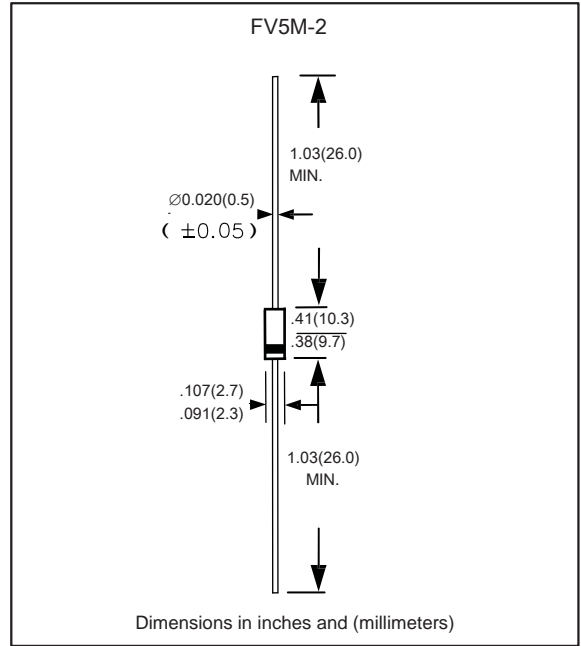
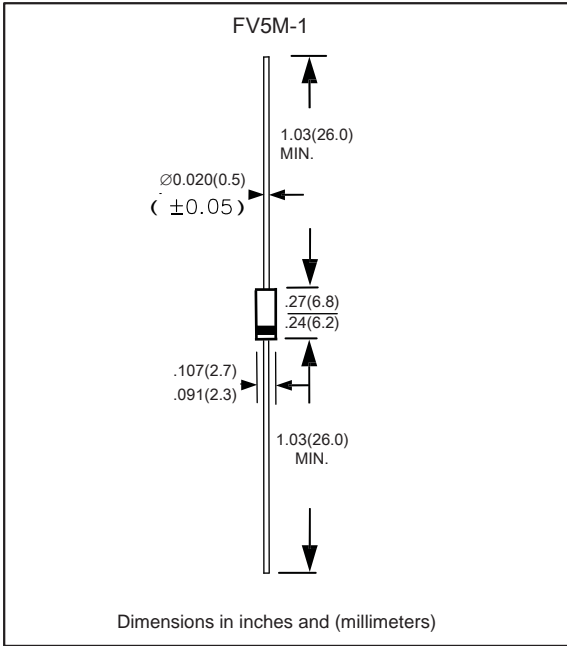
Package Outline Drawings



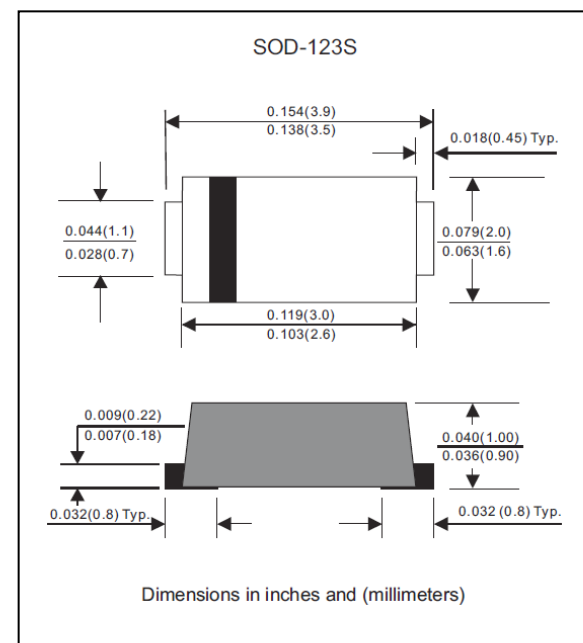
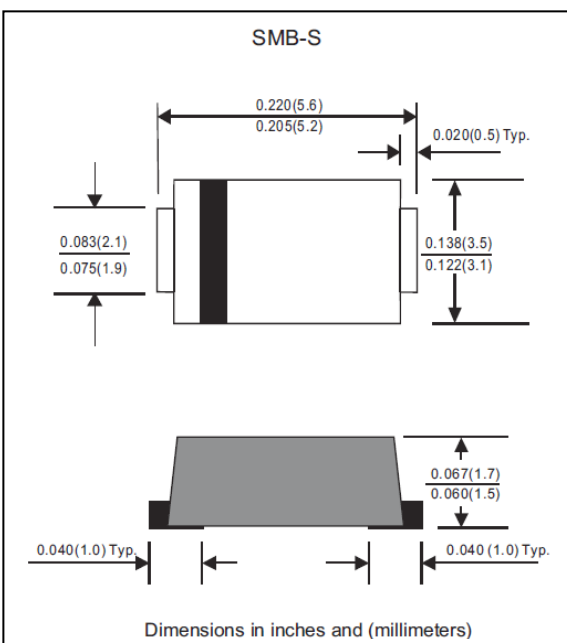
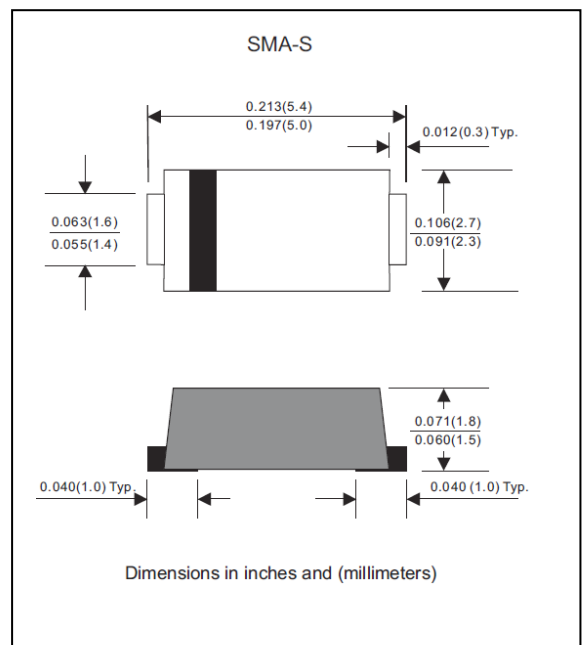
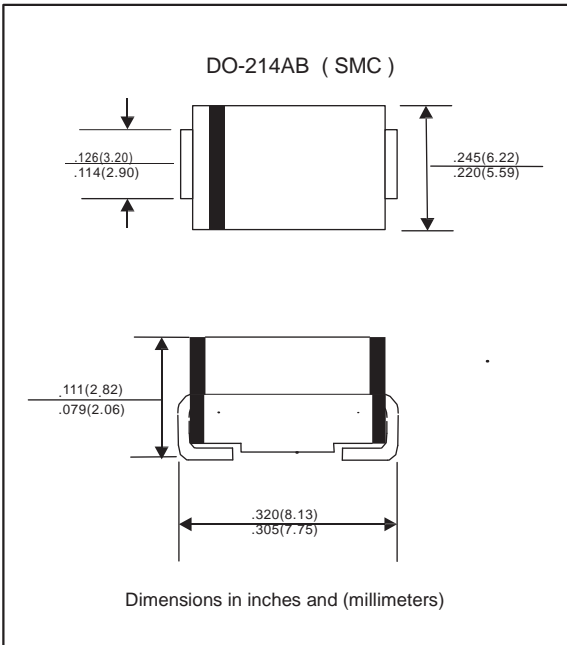
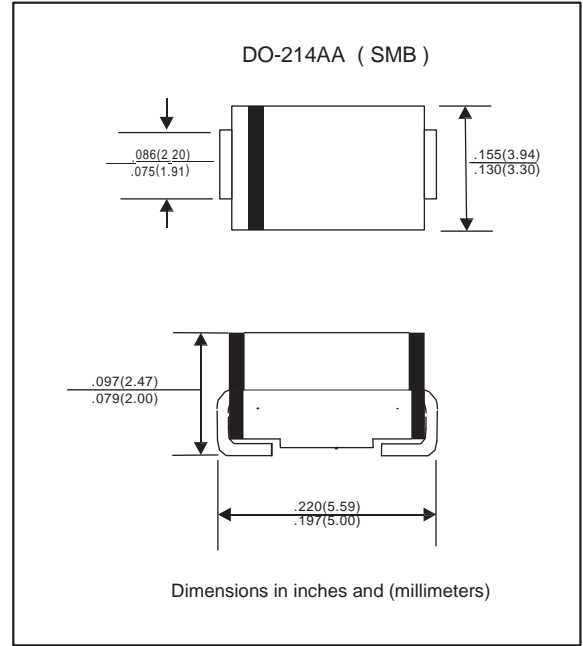
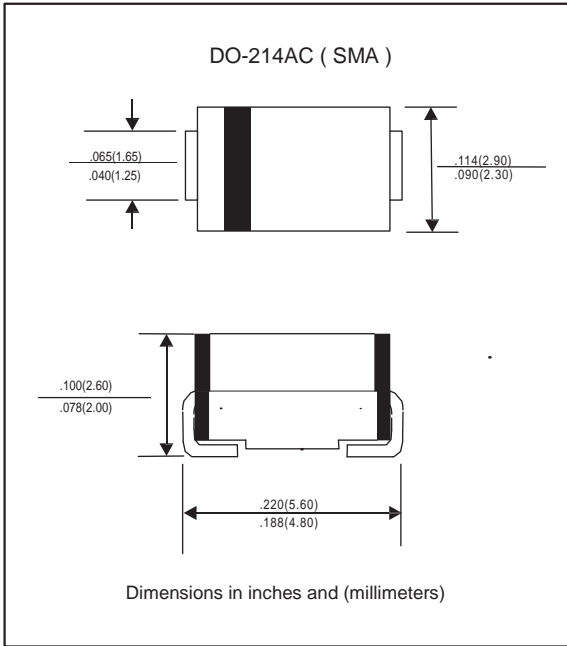
Package Outline Drawings



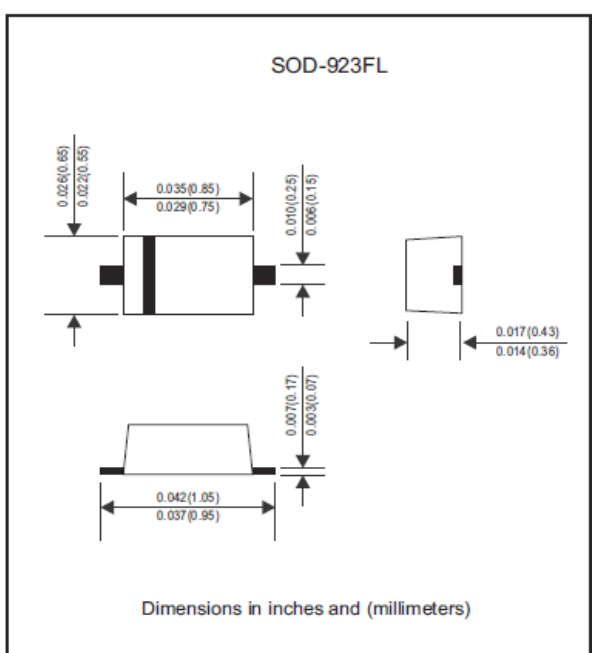
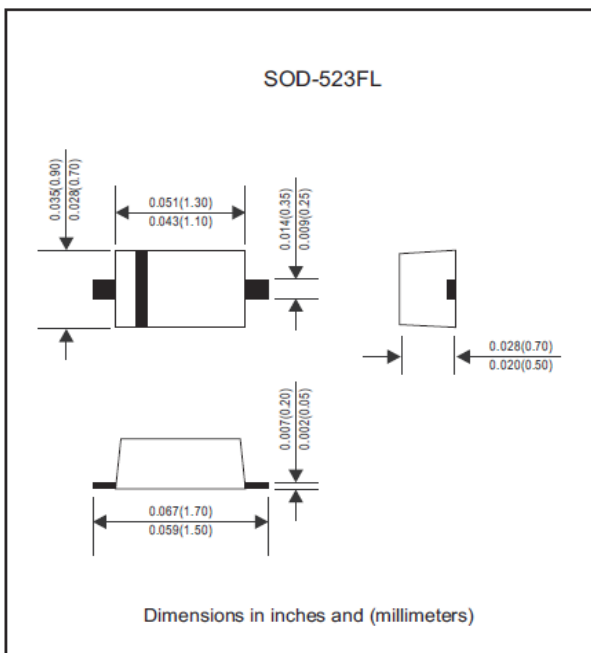
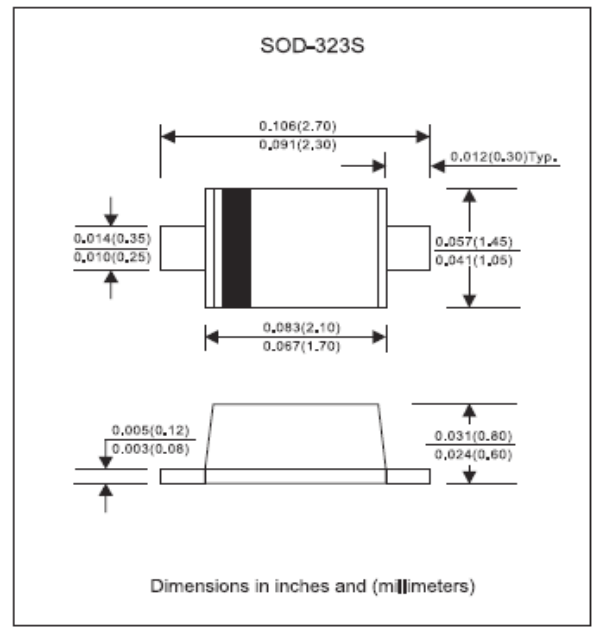
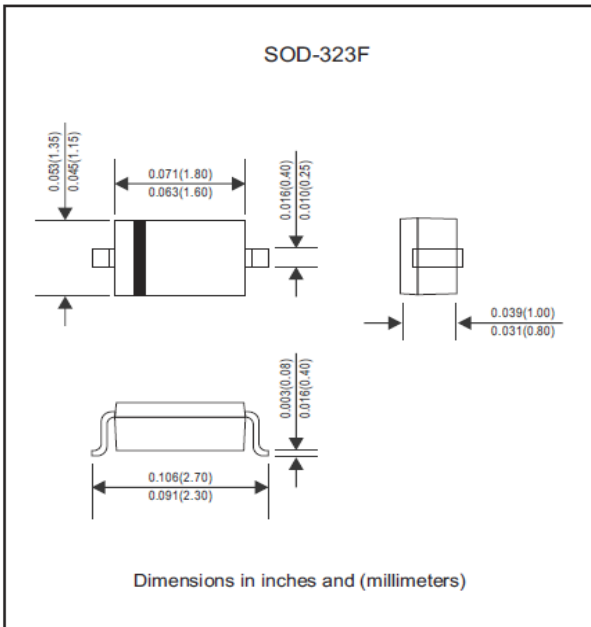
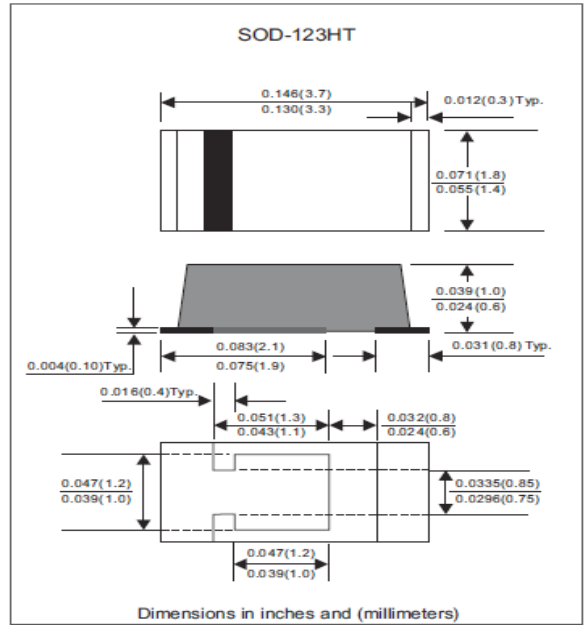
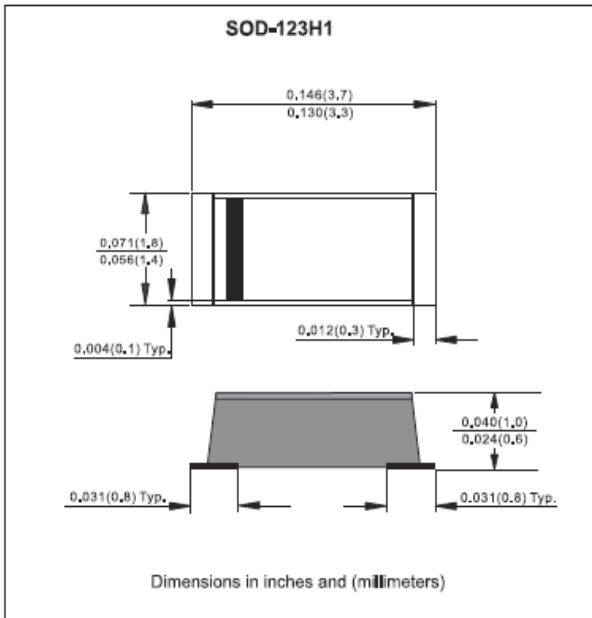
Package Outline Drawings



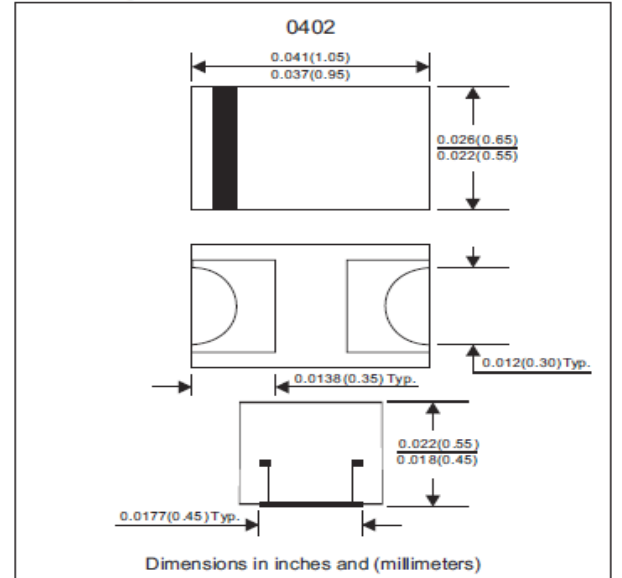
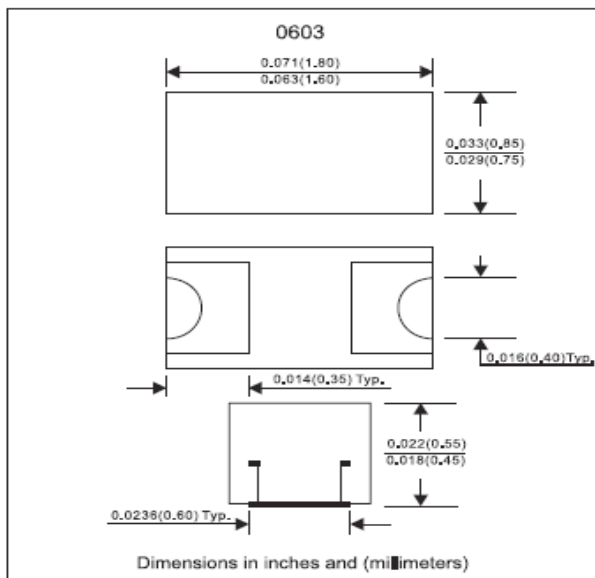
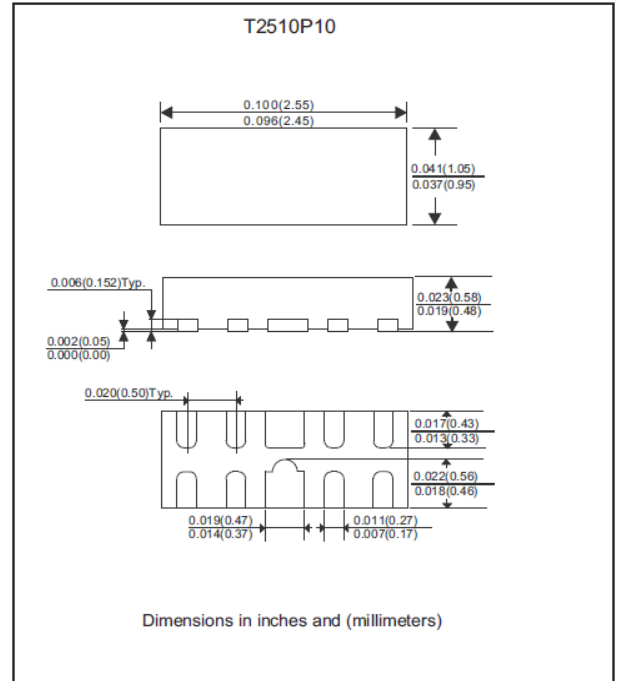
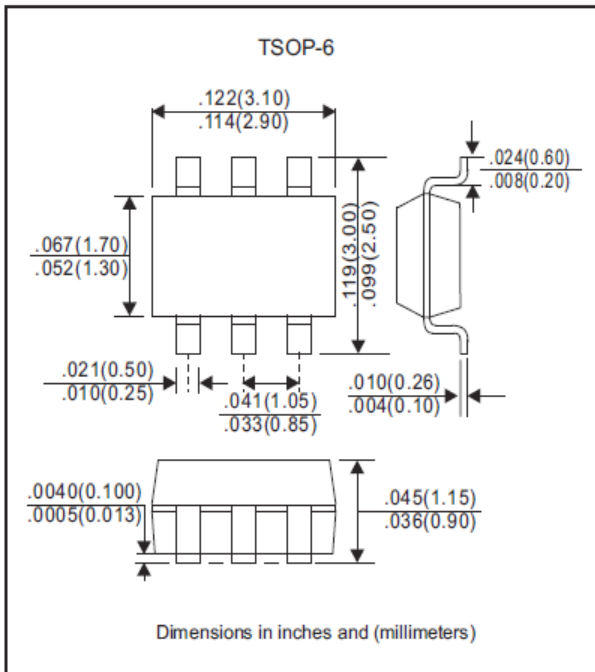
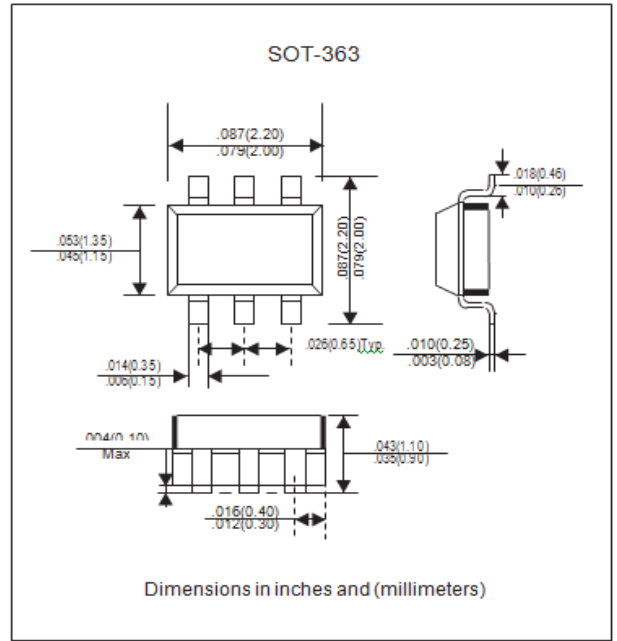
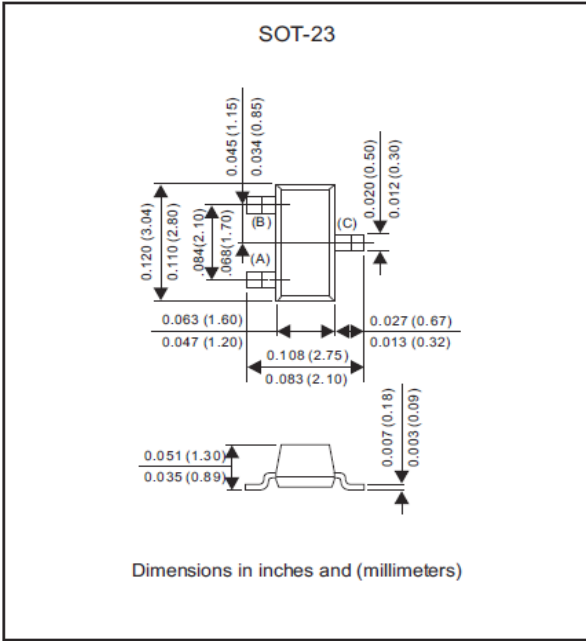
Package Outline Drawings



Package Outline Drawings



Package Outline Drawings



Package Outline Drawings

