

US91BE 8 Stops COPI Applied Qty [1]

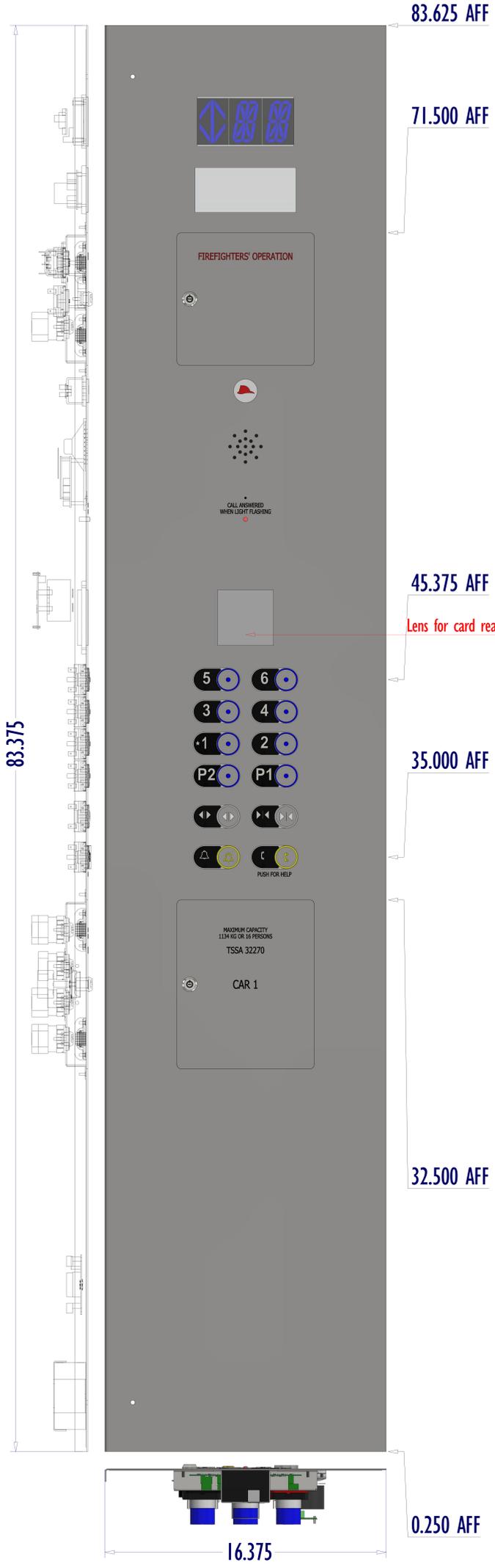
REQUIRED FROM Element Elevators Inc

Project Notes

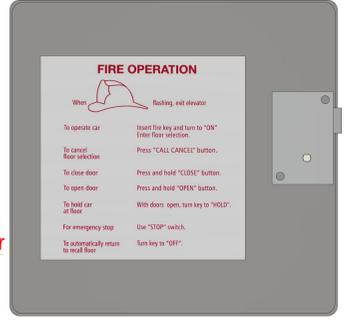
Old swings to be sent to Dupar

Old card reader to be transferred behind new lens

US91BE 8 Stops COPI Applied, Qty: 1	
Installation #	32270
Controller Information	
Controller Type	GAL G IV
Signal Format	
Signal Voltage	
Hinge Side	Right
Faceplate	14ga SS #4 Vertical Grain, c/w 24ga SS #4 Liner
Backbox	No Backbox Supplied
Position Indication	Details
	MH222E-BBG, FM: P2,P1,1-6
Emergency Lighting	Dupar LED Em Light System 120V
Emergency Communication	EmerCom-EMC-60
Keyswitches	Shape and Colour-Positions-Block-Key
PH2	US91 Red-2T-I-Round #FEOK1
Light	US91 Black-2-A-Round #4008
Fan (2 speed)	US91 Black-3-G-Round #4001
Independent Service	US91 Black-2-C-Round #4001
Access Enable (Off-On)	US91 Black-2-C-Round #4002
Run-Stop	US91 Red-2-C-Round #4002
Chime Voice	US91 Black-3-G-Round #4001
Emergency Light Test	US91 Black-1-AH-Round #4001
RUN STOP Toggle Switch	Red 2Position_Maintained-2NO2NC Vertical
UL91 Disappearing Indicator	'FiremansHat' Horizontal Red 24V
UL91 Disappearing Indicator	'FiremansHat' Vertical Red 24V
Custom Block	Gray 3.25x3.25 Lens, with space for a Device measuring: 3.25in. Wide, 3.25in. High and 0.25in. Deep
Call_Cancel_w, Open_w, Close_w	US91 B44 Push Button Brushed-SS Red B44 C3 2NO Non-Illuminated
Alarm	US91-Tag B44 Push Button Brushed-SS Opal B44 C3 2NO Amber 6V Single
Phone	US91-Tag 4MM Push Button Brushed-SS Opal B44 C3 2NO Amber 24V Single
Door_Open, Door_Close	US91-Tag B44 Push Button Brushed-SS Opal B44 C3 2NO Non-Illuminated
P2, P1, 1, 2, 3, 4, 5, 6	US91-Tag B44 Bulls Eye Push Button Brushed-SS Opal B44 C3 2NO Blue 24V Single
Alarm, Phone, Door_Open, Door_Close, P2, P1, *1, 2, 3, 4, 5, 6	US91-Tag Braille Tag, Black w/ Brushed_SS Marking
Voice Annunciator	VM3541-MMXLX, English, Female, ASCII
Chime	MPCB-I
Buzzer_4_Tone	24V
Volume Control	Voice Unit Volume Control
GFCI Outlet	GFCI Outlet 120V
LED Indicator	0.25 inch, Red 2V
Fixture Notes	



Fire Cabinet Detail



Service Cabinet Detail



Car Op. Panel

Pre Wire to GAL I/O Boards

Approved as noted Resubmit drawing

Revised as noted Release for fabrication

Approved By: Daniela

Approved Date: 8/12/2020

Designed By: Daniela

Drawing Number: D201194A

Revision: 2.0

Drawing Date: 8/12/2020

Sheet: 1 / 5

Element Elevators Inc

10 Peel Centre Drive

US91BE 8 Stops COP2 Applied Qty [1]

REQUIRED FROM Element Elevators Inc

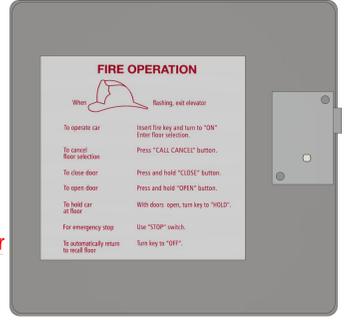
Project Notes

Old swings to be sent to Dupar

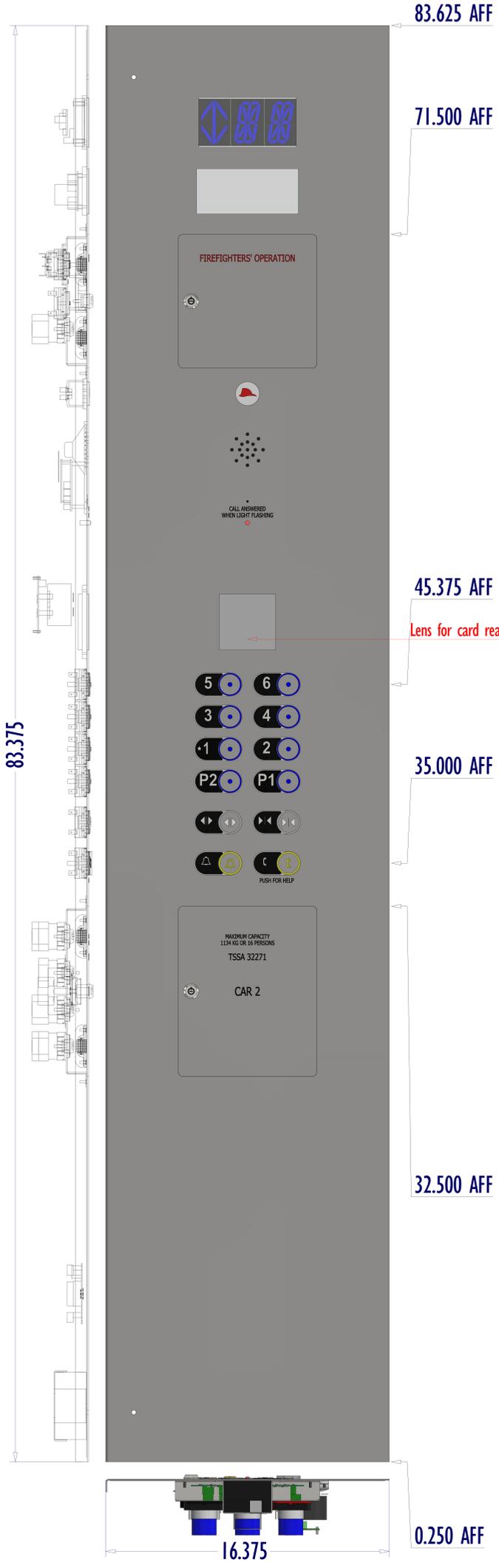
Old card reader to be transferred behind new lens

US91BE 8 Stops COP2 Applied, Qty: 1	
Installation #	32271
Controller Information	
Controller Type	GAL G IV
Signal Format	
Signal Voltage	
Hinge Side	Right
Faceplate	14ga SS #4 Vertical Grain, c/w 24ga SS #4 Liner
Backbox	No Backbox Supplied
Position Indication	Details
	MH222E-BBG, FM: P2,P1,1-6
Emergency Lighting	Dupar LED Em Light System 120V
Emergency Communication	EmerCom-EMC-60
Keyswitches	Shape and Colour-Positions-Block-Key
PH2	US91 Red-2T-I-Round #FEOK1
Light	US91 Black-2-A-Round #4008
Fan (2 speed)	US91 Black-3-G-Round #4001
Independent Service	US91 Black-2-C-Round #4001
Access Enable (Off-On)	US91 Black-2-C-Round #4002
Run-Stop	US91 Red-2-C-Round #4002
Chime Voice	US91 Black-3-G-Round #4001
Emergency Light Test	US91 Black-1-AH-Round #4001
RUN STOP Toggle Switch	Red 2Position_Maintained-2NO2NC Vertical
UL91 Disappearing Indicator	'FiremansHat' Horizontal Red 24V
UL91 Disappearing Indicator	'FiremansHat' Vertical Red 24V
Custom Block	Gray 3.25x3.25 Lens, with space for a Device measuring: 3.25in. Wide, 3.25in. High and 0.25in. Deep
Call_Cancel_w, Open_w, Close_w	US91 B44 Push Button Brushed-SS Red B44 C3 2NO Non-Illuminated
Alarm	US91-Tag B44 Push Button Brushed-SS Opal B44 C3 2NO Amber 6V Single
Phone	US91-Tag 4MM Push Button Brushed-SS Opal B44 C3 2NO Amber 24V Single
Door_Open, Door_Close	US91-Tag B44 Push Button Brushed-SS Opal B44 C3 2NO Non-Illuminated
P2, P1, 1, 2, 3, 4, 5, 6	US91-Tag B44 Bulls Eye Push Button Brushed-SS Opal B44 C3 2NO Blue 24V Single
Alarm, Phone, Door_Open, Door_Close, P2, P1, *1, 2, 3, 4, 5, 6	US91-Tag Braille Tag, Black w/ Brushed_SS Marking
Voice Annunciator	VM3541-MMXLX, English, Female, ASCII
Chime	MPCB-I
Buzzer_4_Tone	24V
Volume Control	Voice Unit Volume Control
GFCI Outlet	GFCI Outlet 120V
LED Indicator	0.25 inch, Red 2V
Fixture Notes	

Fire Cabinet Detail



Service Cabinet Detail



BUTTON
B44
ASME
2010

Car Op. Panel

Pre Wire

to GAL I/O Boards

Approved as noted
Resubmit drawing

Approved By

Revise as noted
Release for fabrication

Approved Date

dupar

Element Elevators Inc

10 Peel Centre Drive

Designed By
Daniela

Drawing Number
D201194A

Revision
2.0

Drawing Date
8/12/2020

Sheet
2 / 5

US91BE 8 Stops COP3 Applied Qty [1]

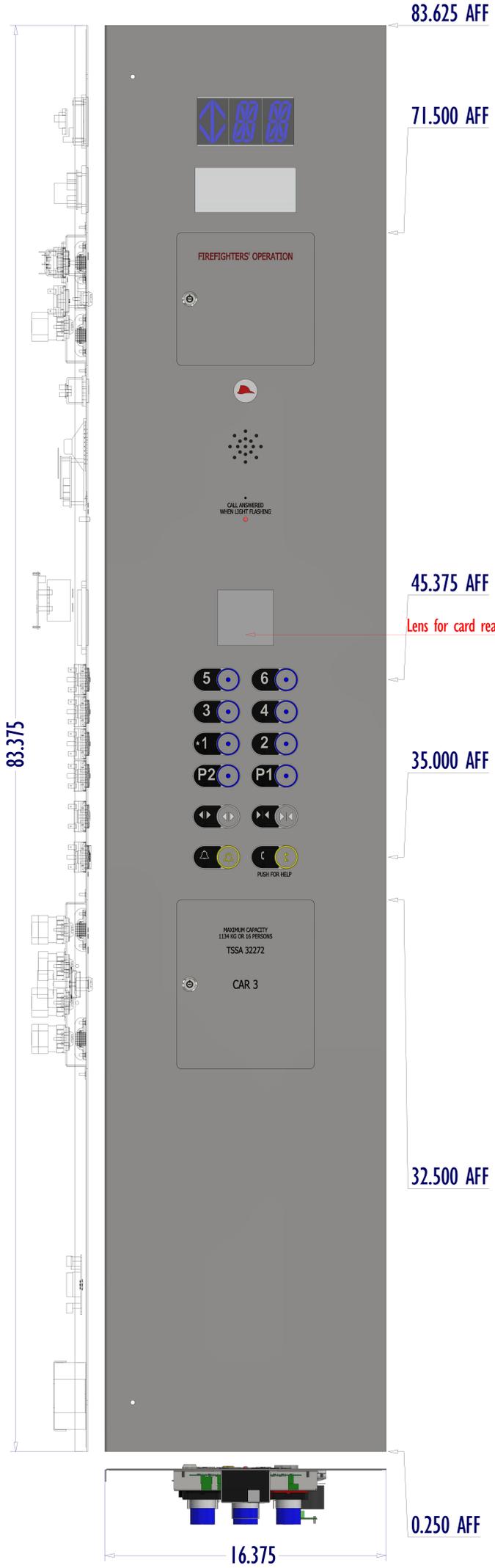
REQUIRED FROM Element Elevators Inc

Project Notes

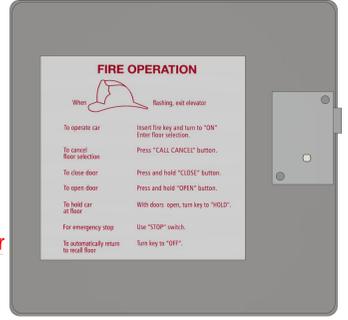
Old swings to be sent to Dupar

Old card reader to be transferred behind new lens

US91BE 8 Stops COP3 Applied, Qty: 1	
Installation #	32272
Controller Information	
Controller Type	GAL G IV
Signal Format	
Signal Voltage	
Hinge Side	Right
Faceplate	14ga SS #4 Vertical Grain, c/w 24ga SS #4 Liner
Backbox	No Backbox Supplied
Position Indication	Details
	MH222E-BBG, FM: P2,P1,1-6
Emergency Lighting	Dupar LED Em Light System 120V
Emergency Communication	EmerCom-EMC-60
Keyswitches	Shape and Colour-Positions-Block-Key
PH2	US91 Red-2T-I-Round #FEOK1
Light	US91 Black-2-A-Round #4008
Fan (2 speed)	US91 Black-3-G-Round #4001
Independent Service	US91 Black-2-C-Round #4001
Access Enable (Off-On)	US91 Black-2-C-Round #4002
Run-Stop	US91 Red-2-C-Round #4002
Chime Voice	US91 Black-3-G-Round #4001
Emergency Light Test	US91 Black-1-AH-Round #4001
RUN STOP Toggle Switch	Red 2Position_Maintained-2NO2NC Vertical
UL91 Disappearing Indicator	'FiremansHat' Horizontal Red 24V
UL91 Disappearing Indicator	'FiremansHat' Vertical Red 24V
Custom Block	Gray 3.25x3.25 Lens, with space for a Device measuring: 3.25in. Wide, 3.25in. High and 0.25in. Deep
Call_Cancel_w, Open_w, Close_w	US91 B44 Push Button Brushed-SS Red B44 C3 2NO Non-Illuminated
Alarm	US91-Tag B44 Push Button Brushed-SS Opal B44 C3 2NO Amber 6V Single
Phone	US91-Tag 4MM Push Button Brushed-SS Opal B44 C3 2NO Amber 24V Single
Door_Open, Door_Close	US91-Tag B44 Push Button Brushed-SS Opal B44 C3 2NO Non-Illuminated
P2, P1, 1, 2, 3, 4, 5, 6	US91-Tag B44 Bulls Eye Push Button Brushed-SS Opal B44 C3 2NO Blue 24V Single
Alarm, Phone, Door_Open, Door_Close, P2, P1, *1, 2, 3, 4, 5, 6	US91-Tag Braille Tag, Black w/ Brushed_SS Marking
Voice Annunciator	VM3541-MMXLX, English, Female, ASCII
Chime	MPCB-I
Buzzer_4_Tone	24V
Volume Control	Voice Unit Volume Control
GFCI Outlet	GFCI Outlet 120V
LED Indicator	0.25 inch, Red 2V
Fixture Notes	



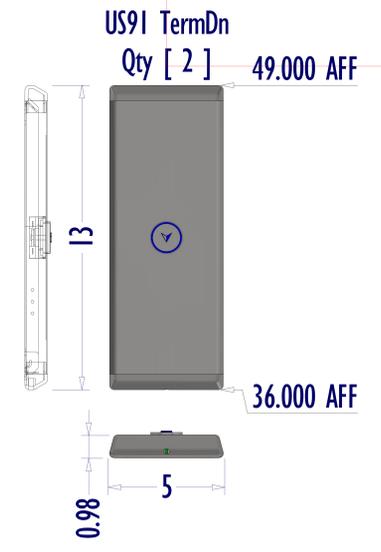
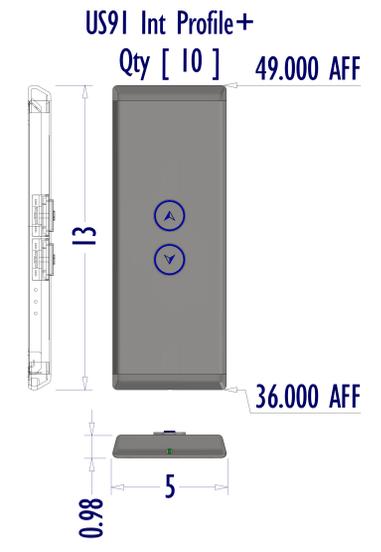
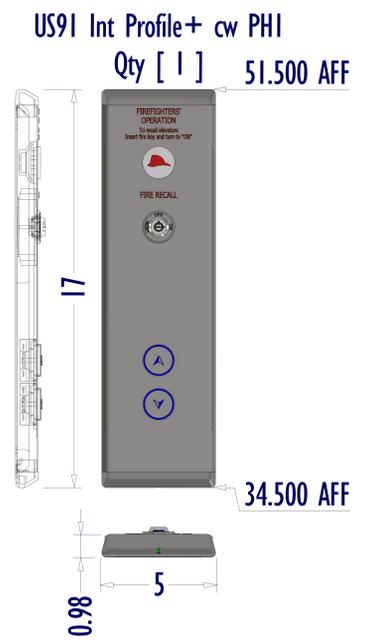
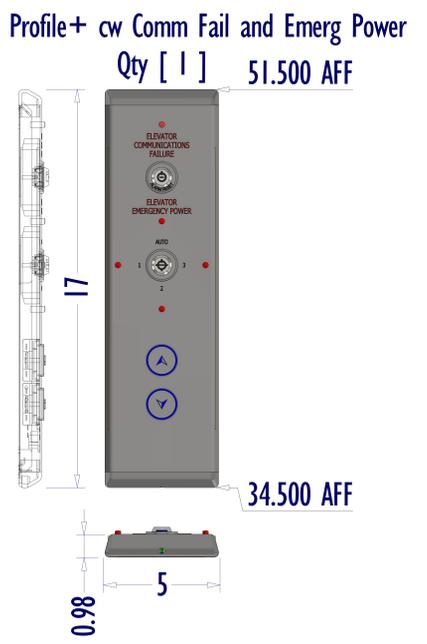
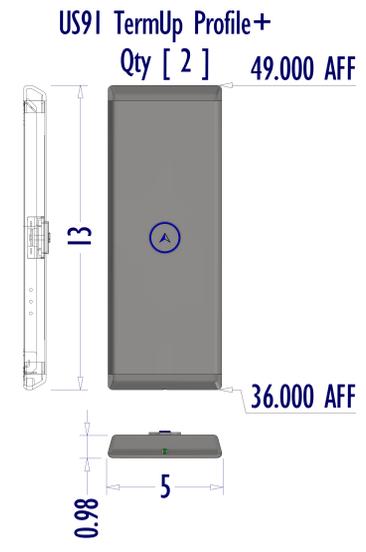
Fire Cabinet Detail



Service Cabinet Detail



	Car Op. Panel		
	Pre Wire to GAL I/O Boards		
Approved as noted Resubmit drawing		Revise as noted Release for fabrication	
Approved By	Approved Date		
	Element Elevators Inc		
	10 Peel Centre Drive		
Designed By Daniela	Drawing Number D201194A	Revision 2.0	Drawing Date 8/12/2020
		Sheet	3 / 5

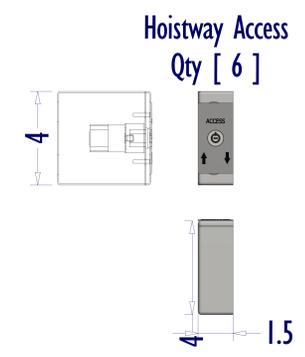
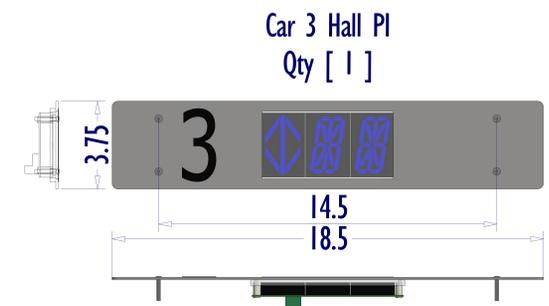
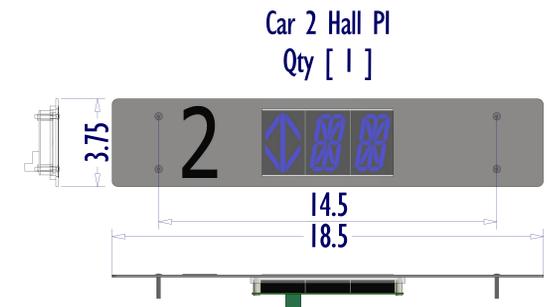
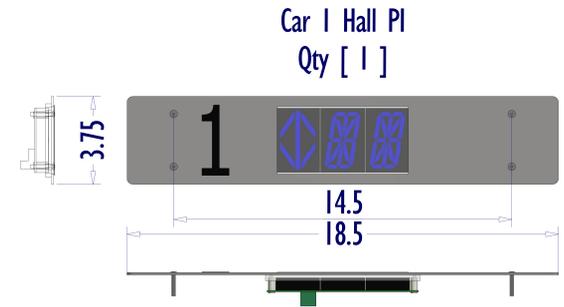
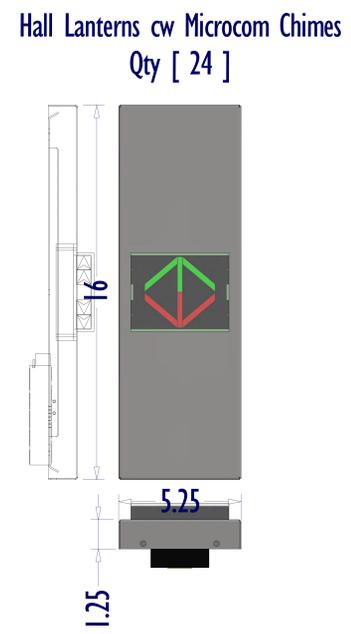


REQUIRED FROM Element Elevators Inc

Project Notes

Old swings to be sent to Dupar

Old card reader to be transferred behind new lens



US91 Int Profile+ cw PHI, Qty: 1	
Installation #	
Controller Information	
Controller Type	GAL G IV
Signal Format	
Signal Voltage	
Faceplate	18ga SS #4 Vertical Grain, c/w 24ga SS #4 Liner
Backbox	16ga Satin Coat Steel
Keyswitches	Shape and Colour-Positions-Block-Key
PHI (1 Block)	US91LP Chrome-2-I-Round #FEOK1
UL91 Disappearing Indicator	'FiremansHat' Horizontal Red 24V
Down, Up	US91 B44 Push Button Brushed-SS Opal B44 C3P 2N O Blue 24V Single
Fixture Notes	
US91 Int Profile+ cw Comm Fail and Emerg Power, Qty: 1	
Communications Failure Alarm	Emercom
Emergency Power (3 cars)	US91LP Chrome-4-W-Round #FEOK1
Alarm Reset	US91LP Chrome-1-Q-Round #4001
LED Indicator	0.25 inch, Red 120V
LED Indicator	0.25 inch, Red 24V
LED Indicator	0.25 inch, Red 2V
US91 TermUp Profile+, Qty: 2	
Up	US91 B44 Push Button Brushed-SS Opal B44 C3P 2N O Blue 24V Single
US91 Int Profile+, Qty: 10	
US91 TermDn, Qty: 2	
Down	US91 B44 Push Button Brushed-SS Opal B44 C3P 2N O Blue 24V Single
Hall Lanterns cw Microcom Chimes, Qty: 24	
Faceplate	18ga SS 2B Unfinished Vertical Grain
Position Indication	Details
Chime	ASB30-XMAG, FM: Arrow_Up
Microcomm	Microcomm
Car 1 Hall Pl, Qty: 1	
Faceplate	12ga SS #4 Horizontal Grain
Backbox	No Backbox Supplied
Position Indication	Details
	MH222E-BBG, FM: Arrow_Up
Car 2 Hall Pl, Qty: 1	
Faceplate	12ga SS #4 Horizontal Grain
Backbox	No Backbox Supplied
Position Indication	Details
	MH222E-BBG, FM: Arrow_Up
Car 3 Hall Pl, Qty: 1	
Faceplate	12ga SS #4 Horizontal Grain
Backbox	No Backbox Supplied
Position Indication	Details
	MH222E-BBG, FM: Arrow_Up
Hoistway Access, Qty: 6	
Faceplate	18ga SS #4 Vertical Grain
Backbox	18ga SS #4
Access	1 Removable Position, CD2508, Round #4002

0.06 in (1.5 mm)

Car Op. Panel

to GAL I/O Boards

Approved as noted
Resubmit drawing

Revise as noted
Release for fabrication

Approved By

Approved Date

Element Elevators Inc

10 Peel Centre Drive

Designed By
Daniela

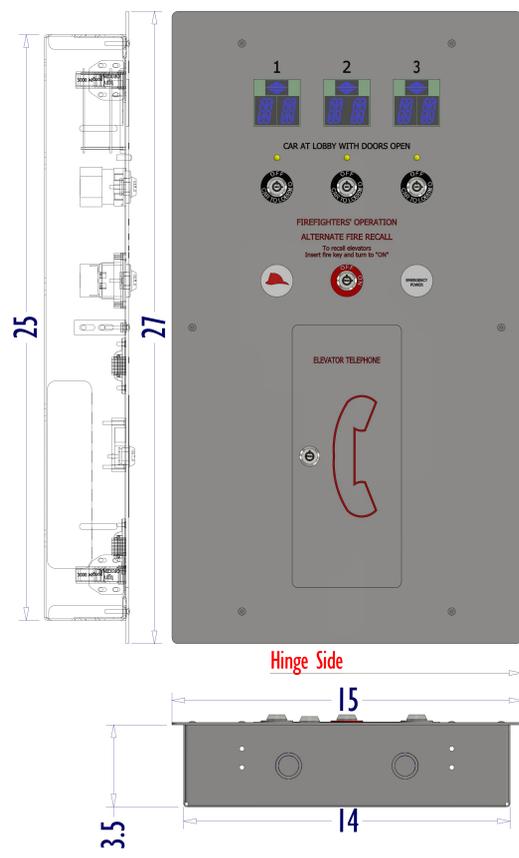
Drawing Number
D201194A

Revision
2.0

Drawing Date
8/12/2020

Sheet
4 / 5

Lobby Panel
Qty [1]



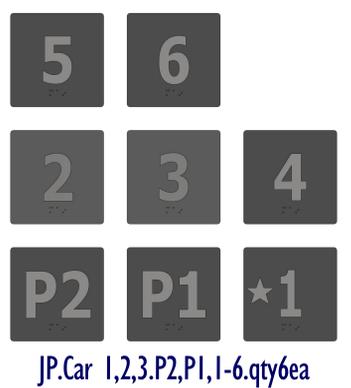
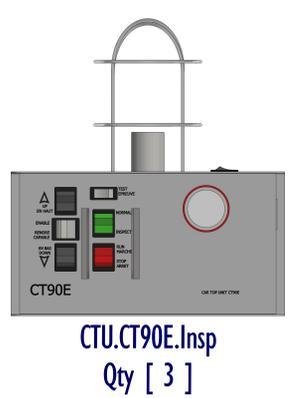
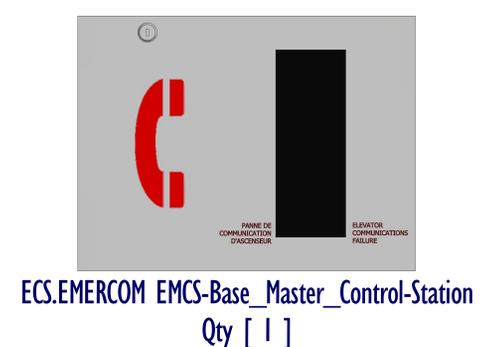
REQUIRED FROM Element Elevators Inc

Project Notes

Old swings to be sent to Dupar

Old card reader to be transferred behind new lens

Lobby Panel, Qty: 1	
Installation #	
Controller Information	
Controller Type	GAL G IV
Signal Format	
Signal Voltage	
Hinge Side	Right
Faceplate	12ga SS #4 Vertical Grain
Backbox	16ga Satin Coat Steel
Position Indication	Details
	MV210-BBG, FM: G
	MV210-BBG, FM: G
	MV210-BBG, FM: G
Keyswitches	Shape and Colour-Positions-Block-Key
Aux Fire Recall Bilingual	US91 Red-2-C-Round #FEOK1
Car to Lobby	US91 Black-2-C-Round #4001
Car to Lobby	US91 Black-2-C-Round #4001
Car to Lobby	US91 Black-2-C-Round #4001
UL91 Disappearing Indicator	'FiremansHat' Vertical Red 24V
UL91 Disappearing Indicator	'EMERGENCY POWER' Vertical Red 24V
EmComm System	EMERCOM EMC-MR-No-Enclosure None None None
LED Indicator	0.25 inch, Amber 24V
Fixture Notes	
JP.Car 1,2,3,P2,P1,1-6.qty6ea	
Jamb Plates	Jamb Plates for Car 1,2,3: P2,P1,1-6 in Brushed SS set of 6 each
ECS.EMERCOM EMC-MR-BX-W	
EmComm System	EMERCOM EMC-MR-BX-W Applied ST-ST BILINGUAL
ECS.EMERCOM EMCS-Base_Master_Control-Station	
EmComm System	EMERCOM EMCS-Base_Master_Control-Station Applied ST-ST ENGLISH
CTU.CT90E.Insp, Qty: 3	
Car Top Unit	CT90E Inspection Unit



	<p>Car Op.Panel</p> <p>Pre-Wire</p> <p>to GAL I/O Boards</p>	
<p>Approved as noted</p> <p>Resubmit drawing</p>	<p>Revise as noted</p> <p>Release for fabrication</p>	
<p>Approved By</p>	<p>Approved Date</p>	
	<p>Element Elevators Inc</p> <p>10 Peel Centre Drive</p>	
<p>Designed By Daniela</p>	<p>Drawing Number D201194A</p>	<p>Revision 2.0</p>
	<p>Drawing Date 8/12/2020</p>	<p>Sheet 5 / 5</p>