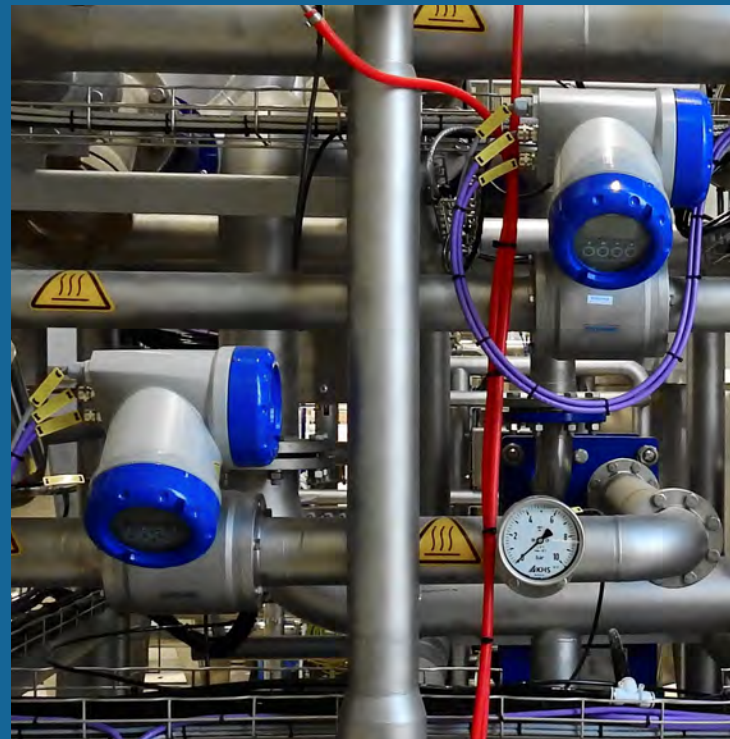


Industrial water treatment



- Brine Tanks
- Compressors
- Control Valves
- Controllers
- Disc & Screen Filters
- Flow Meters
- Grooved Couplings
- Other Valves & Elements
- Pneumatic Valves & Actuators
- Pressure Tanks
- Pumps
- PVC Systems
- UV Sterilizers
- Water Distributors

EKO-TRADING CO., LIMITED

Brine Tanks



BTR/BTS brine tanks

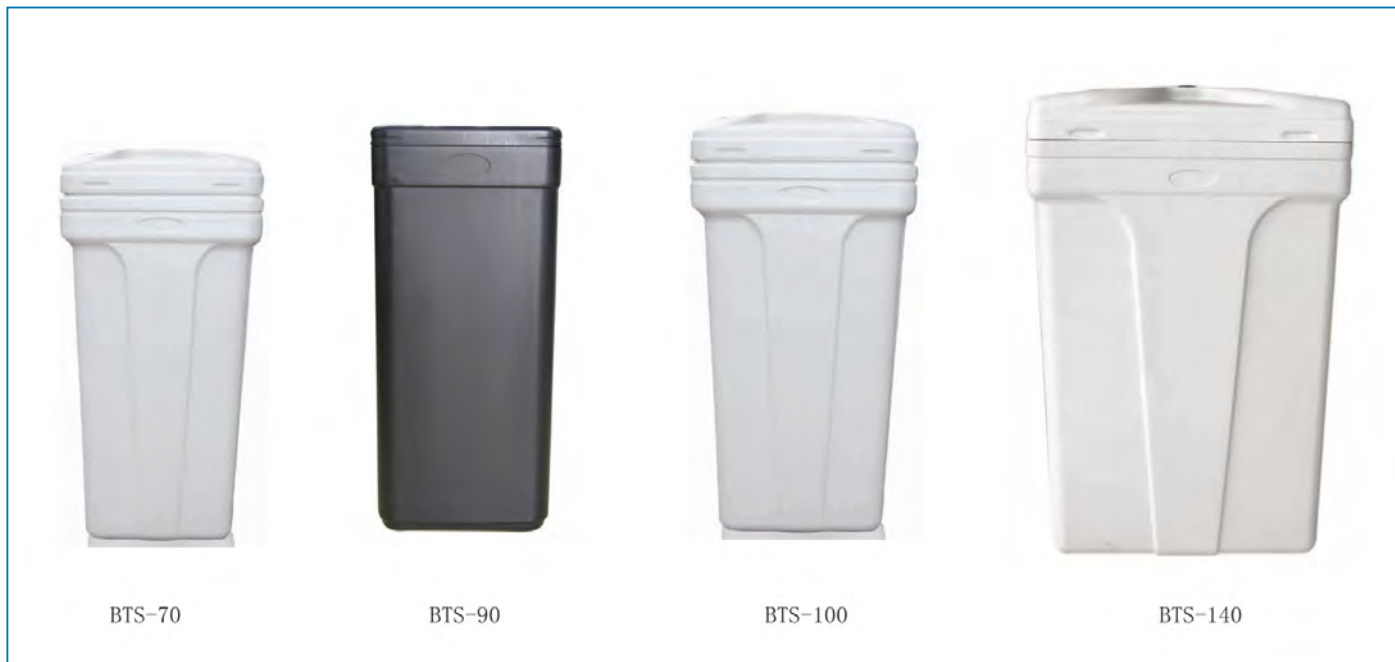


Model	BTR-25	BTR-70	BTR-100	BTR-145	BTR-200L
Volume	25L	70L	100L	145L	200L
Brine tank size (DxH)	Ø285x440 mm	Ø400x815 mm	Ø460x875 mm	Ø516x950 mm	Ø585x1040 mm
Plastic bag packing (WxDxH)	285x285x440 mm	405x405x1530 mm	460x460x1645 mm	535x535x1815 mm	615x615x2160 mm
Carton bag packing (WxDxH)	300x300x480 mm	425x425x1550 mm	480x480x1665 mm	555x555x1835 mm	615x615x2180 mm
Packing	1 pcs/pack	5pcs/pack	5pcs/pack	5pcs/pack	5pcs/pack
Standard specification	Brine well	Brine well, grid	Brine well, grid	Brine well, grid	Brine well, grid

Colour (optional)



BTR/BTS brine tanks



Model	BTS-70	BTS-90	BTS-100	BTS-140
Volume	70L	90L	100L	140L
Brine tank size (WxDxH)	332x332x880 mm	339x394x870 mm	382x382x880 mm	582x362x904 mm
Plastic bag packing (WxDxH)	345x345x1555 mm	339x394x870 mm	405x405x1530 mm	600x375x1150 mm
Carton bag packing (WxDxH)	365x365x1575 mm	355x410x890 mm	425x425x1550 mm	620x395x1170 mm
Packing	5pcs/pack	1 pcs/pack	5pcs/pack	5pcs/pack
Standard specification	Brine well, grid	Brine well	Brine well, grid	Brine well, grid

Colour (optional)



BTR/BTS brine tank accessories



Model	0213/0222/0235	0417/0426/0435/0444
Size	13"/22"/35"	17"/26"/35"/44"
Main material	ABS/PE	ABS/PE
Standard color	gray	gray

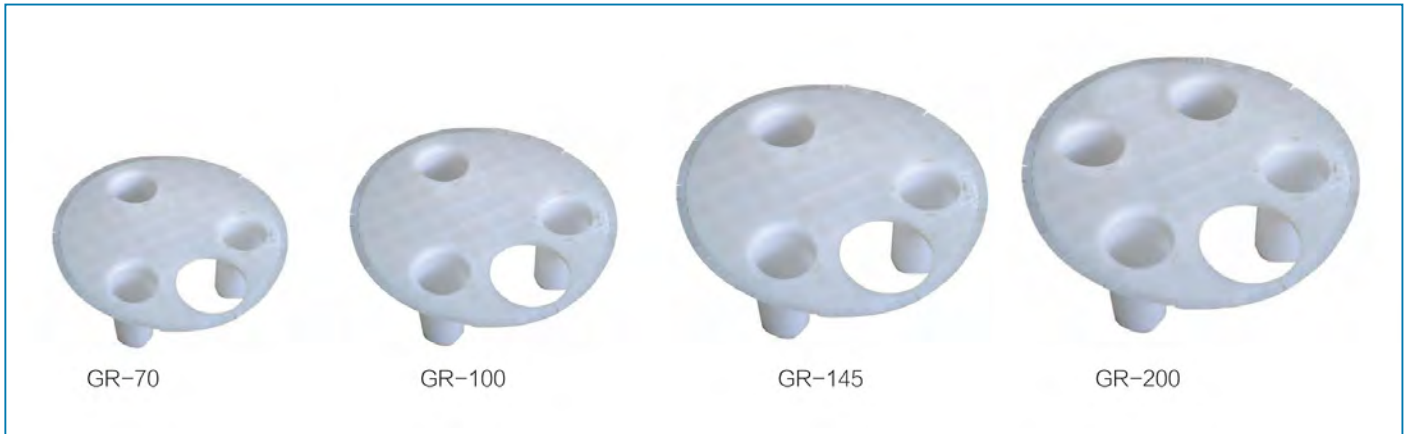


Model	0213/0235	0417/0435/0444
Size	13"/35"	17"/35"/44"
Main material	ABS/PE	ABS/PE
Standard color	gray	gray



Model	0213/0222/0235	0417/0426/0435/0444
Size	13"/22"/35"	17"/26"/35"/44"
Main material	ABS/PE	ABS/PE
Standard color	gray	gray

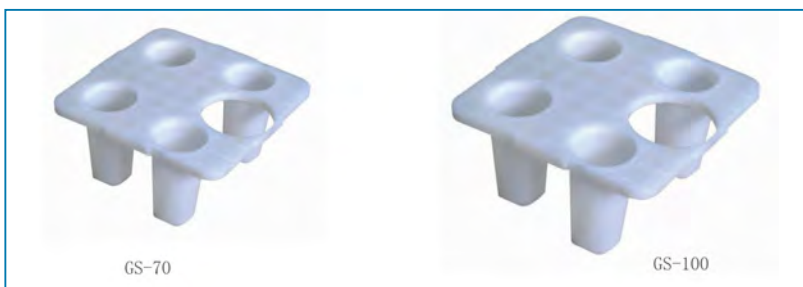
BTR/BTS brine tank accessories



Brine grids
● Unique design
● Brine grid legs can be taken off
● Easy to assemble and save transportation space



Model	GR-70	GR-100	GR-145	GR-200
Dimension	Ø320x120 mm	Ø350x120 mm	Ø400x120 mm	Ø540x160 mm
Main material	HDPE	HDPE	HDPE	HDPE
Standard color	gray	gray	gray	gray



Model	GS-70	GS-100
Dimension	290x290x120 mm	330x330x120 mm
Main material	HDPE	HDPE

EKO-TRADING CO., LIMITED

Compressors



TC mini compressors series



Model	TC-80
Power	1/5 HP
Speed/min	1450 (50 Hz), 1700 (60 Hz)
Auto stop	4 bar (57 psi)
Auto start	3 bar (43 psi)
Air flow	23...25 l/min
Adapter	1/4" BSP
N.w.	3,4 kg
Comp. Dim. (LxWxH)	21,5x13,5x17 cm
Cartoon dim. (LxWxH)	48x29x52 cm
Comp. per cartoon	6 pcs
Weight, N.w./G.w.	20,4/23,4 kg

Features:

- Piston type, oil free
- It can start with pressure, continuous working, powerful
- Much safer. Thermally protected. It will turn off automatically when the motor over heated
- Low noise, 47 db
- Auto stop function
- Pressure adjustable
- CE, GS, ETL, ROHS approved

TC mini compressors series



Model	TC-90
Power	1/3 HP
Speed/min	1450 (50 Hz), 1700 (60 Hz)
Auto stop	4 bar (57 psi)
Auto start	3 bar (43 psi)
Air flow	30...35 l/min
Max. pressure	6 bar (86 psi)
Adapter	1/8" BSP
N.w.	5,5 kg
Comp. Dim. (LxWxH)	32x13,5x20,5 cm
Cartoon dim. (LxWxH)	67x38,5x26 cm
Comp. per cartoon	4 pcs
Weight, N.w./G.w.	22/25 kg

Features:

- Twin cylinder, high air flow
- Piston type, oil free, none air polluted
- It can start with pressure, continuous working, powerful
- Air pressure gauge, air filter, pressure adjustable
- Double air pressure switch:
 - Switch 1: low pressure auto stop switch
 - Switch 2: high pressure none stop switch
- Much safer. Thermally protected. It will turn off automatically when the motor over heated
- Low noise, 47 db
- CE, GS, ETL, ROHS approved

.....

EKO-TRADING CO., LIMITED

Control Valves

.....



MANUAL FILTER valves

Structure Features

- Hermetic head faces structure.
- No hard water bypass and operating can happen on service.

- Manual regeneration. Handle could be rotated and assembled within 18°.

Applications

- Household Filter System (F52, F56A, F56B, F56C, F56E, F56F).
- A/C filter or sand filter system for RO pretreatment system.
- Swimming Pool Filter System (N56D, F77BS).
- N56D, F77BS can be used for iron/manganese removal system if side mount adapter is installed upside down.



New Model	Old Model	Inlet/Outlet	Drain	Base	Riser Pipe	W.T.C. (m³/h)	Tank Diameter Range	Remark
51101A	F52	1/2" Female	1/2" Female	M82x3	∅16.5	1	6"~10"	



New Model	Old Model	Inlet/Outlet	Drain	Base	Riser Pipe	W.T.C. (m³/h)	Tank Diameter Range	Remark
51101B	F56B	1/2" or 3/4" Female	1/2" or 3/4" Female	Tr95x6 ∅98 hackle whorl	1.05" OD	1	Match with 10" housing	



New Model	Old Model	Inlet/Outlet	Drain	Base	Riser Pipe	W.T.C. (m³/h)	Tank Diameter Range	Remark
51101C	F56C	1/2" or 3/4" Female	1/2" or 3/4" Female	Tr118x6 Tr110x6 ∅115 hackle whorl	1.05" OD	1	Match with 20" housing	



New Model	Old Model	Inlet/Outlet	Drain	Base	Riser Pipe	W.T.C. (m³/h)	Tank Diameter Range	Remark
51102	F56E	1/2" or 3/4" Female	1/2" or 3/4" Female	2.5"-8NPSM	1.05" OD	2	6"~10"	



New Model	Old Model	Inlet/Outlet	Drain	Base	Riser Pipe	W.T.C. (m³/h)	Tank Diameter Range	Remark
51202C	F56EC	1/2" or 3/4" Female	1/2" or 3/4" Female	2.5"-8NPSM	1.05" OD	2	6"~10"	Side control



New Model	Old Model	Inlet/Outlet	Drain	Base	Riser Pipe	W.T.C. (m³/h)	Tank Diameter Range	Remark
51104	F56A	1" Female	1" Female	2.5"-8NPSM	1.05" OD	4	6"~12"	



New Model	Old Model	Inlet/Outlet	Drain	Base	Riser Pipe	W.T.C. (m³/h)	Tank Diameter Range	Remark
51204C	F56AC	1" Female	1" Female	2.5"-8NPSM	1.05" OD	4	6"~12"	Side control



New Model	Old Model	Inlet/Outlet	Drain	Base	Riser Pipe	W.T.C. (m³/h)	Tank Diameter Range	Remark
51106	F56F	1" Female	1" Female	2.5"-8NPSM	1" D-GB	6	6"...14"	



New Model	Old Model	Inlet/Outlet	Drain	Base	Riser Pipe	W.T.C. (m³/h)	Tank Diameter Range	Remark
51110	N56D	2" Female	2" Female	4"-8UN	1.5" D-GB 1.9" OD	10	10"...24"	



New Model	Old Model	Inlet/Outlet	Drain	Base	Riser Pipe	W.T.C. (m³/h)	Tank Diameter Range	Remark
51215	F77BS	2" Male	2" Male	4"-8UN	1.5" D-GB 1.9" OD	15	14"...30"	



New Model	Old Model	Inlet/Outlet	Drain	Base	Riser Pipe	W.T.C. (m³/h)	Tank Diameter Range	Remark
51240	F112BS	2" Male	DN65	Side Mounted, DN80 Top and bottom strainer connector		40	24"...42"	

MANUAL SOFTENER valves

Structure Features

- Hermetic head faces structure.
- No hard water bypass and operating can happen on service.

Applications

- Start regeneration by manual, and handle can be rotated 360° cycle.
- F64BC, F64AC could be side operated.
- Residential Softener System (F64A, F64AC, F64B, F64BC, F64C).
- Softener system for RO.
- Boiler softener system; ion exchange units.



New Model	Old Model	Inlet/Outlet	Drain	Brine Line Connector	Base	Riser Pipe	W.T.C. (m³/h)	Tank Diameter Range	Remark
61202	F64B	3/4" Female	1/2" Male	3/8" Male	2.5"-8NPSM	1.05" OD	2	6"...12"	DF



New Model	Old Model	Inlet/Outlet	Drain	Brine Line Connector	Base	Riser Pipe	W.T.C. (m³/h)	Tank Diameter Range	Remark
71202	F64C	3/4" Female	1/2" Male	3/8" Male	2.5"-8NPSM	1.05" OD	2	6"...12"	UF



New Model	Old Model	Inlet/Outlet	Drain	Brine Line Connector	Base	Riser Pipe	W.T.C. (m³/h)	Tank Diameter Range	Remark
61104	F64A	1" Female	1/2" Male	3/8" Male	2.5"-8NPSM	1.05" OD	4	6"...18"	DF

MANUAL SOFTENER valves



New Model	Old Model	Inlet/Outlet	Drain	Brine Line Connector	Base	Riser Pipe	W.T.C. (m³/h)	Tank Diameter Range	Remark
61204C	F64AC	1" Female	1/2" Male	3/8" Male	2.5"-8NPSM	1.05" OD	4	6"...18"	Side control/DF



New Model	Old Model	Inlet/Outlet	Drain	Brine Line Connector	Base	Riser Pipe	W.T.C. (m³/h)	Tank Diameter Range	Remark
61206	F64F	1.5" Male	3/4" Male	1/2" Male	4"-8UN	1.25" D-GB	6	10"...24"	DF



New Model	Old Model	Inlet/Outlet	Drain	Brine Line Connector	Base	Riser Pipe	W.T.C. (m³/h)	Tank Diameter Range	Remark
61210	N64D	2" Male	1" Male	1/2" Male	4"-8UN	1.5" D-GB 1.9" OD	10	10"...30"	DF



New Model	Old Model	Inlet/Outlet	Drain	Brine Line Connector	Base	Riser Pipe	W.T.C. (m³/h)	Tank Diameter Range	Remark
61215	F77AS	2" Male	1.5" Male	3/4" Male	4"-8UN	1.5" D-GB 1.9" OD	15	24"...42"	DF



New Model	Old Model	Inlet/Outlet	Drain	Brine Line Connector	Base	Riser Pipe	W.T.C. (m³/h)	Tank Diameter Range	Remark
61240	F112AS	DN65	DN65	3/4" Male	Side Mounted, DN80 Top and bottom strainer connector		40	36"...63"	

AUTOMATIC FILTER valves (LED display)



New Model	Old Model	Inlet/Outlet	Drain	Base	Riser Pipe	W.T.C. (m³/h)	Tank Diameter Range	Remark
53502	F71B1	3/4" Male	3/4" Male	2.5"-8NPSM	1.05" OD	2	6"...10"	



New Model	Old Model	Inlet/Outlet	Drain	Base	Riser Pipe	W.T.C. (m³/h)	Tank Diameter Range	Remark
53502B	F71G1	3/4" Male	3/4" Male	2.5"-8NPSM	1.05" OD	2	6"...10"	

AUTOMATIC FILTER valves (LED display)



New Model	Old Model	Inlet/Outlet	Drain	Base	Riser Pipe	W.T.C. (m³/h)	Tank Diameter Range	Remark
53504	F67C1	1" Female	1" Female	2.5"-8NPSM	1.05" OD	4	6" ...12"	Meter type



New Model	Old Model	Inlet/Outlet	Drain	Base	Riser Pipe	W.T.C. (m³/h)	Tank Diameter Range	Remark
53604	F67C3	1" Female	1" Female	2.5"-8NPSM	1.05" OD	4	6" ...12"	Meter type



New Model	Old Model	Inlet/Outlet	Drain	Base	Riser Pipe	W.T.C. (m³/h)	Tank Diameter Range	Remark
53504B	F67G1	1" Female	1" Female	2.5"-8NPSM	1.05" OD	4	6" ...12"	New appearance



New Model	Old Model	Inlet/Outlet	Drain	Base	Riser Pipe	W.T.C. (m³/h)	Tank Diameter Range	Remark
53504S	F67B1	1" Female	1" Female	2.5"-8NPSM	1.05" OD	4	6" ...12"	



New Model	Old Model	Inlet/Outlet	Drain	Base	Riser Pipe	W.T.C. (m³/h)	Tank Diameter Range	Remark
53506S	F67B-A	1" Female	1" Female	2.5"-8NPSM	1" D-GB	6	6" ...14"	



New Model	Old Model	Inlet/Outlet	Drain	Base	Riser Pipe	W.T.C. (m³/h)	Tank Diameter Range	Remark
53510	N75A1	2" Male	2" Male	4"-8UN	1.5" D-GB 1.9" OD	10	10" ...24"	



New Model	Old Model	Inlet/Outlet	Drain	Base	Riser Pipe	W.T.C. (m³/h)	Tank Diameter Range	Remark
53610	N75A3	2" Male	2" Male	4"-8UN	1.5" D-GB 1.9" OD	10	10" ...24"	Meter type



New Model	Old Model	Inlet/Outlet	Drain	Base	Riser Pipe	W.T.C. (m³/h)	Tank Diameter Range	Remark
53510B	N75B1	2" Male	2" Male	4"-8UN	1.5" D-GB 1.9" OD	10	10" ...24"	

AUTOMATIC FILTER valves (LED display)



New Model	Old Model	Inlet/Outlet	Drain	Base	Riser Pipe	W.T.C. (m³/h)	Tank Diameter Range	Remark
53515	F99B1	2" Male	2" Male	4"-8UN	1.5" D-GB 1.9" OD	15	14"...30"	



New Model	Old Model	Inlet/Outlet	Drain	Base	Riser Pipe	W.T.C. (m³/h)	Tank Diameter Range	Remark
53518	N77B1	2" Male	2" Male	4"-8UN	1.5" D-GB 1.9" OD	18	16"...36"	



New Model	Old Model	Inlet/Outlet	Drain	Base	Riser Pipe	W.T.C. (m³/h)	Tank Diameter Range	Remark
53520	F95B1	2" Male	2" Male	4"-8UN	1.5" D-GB 1.9" OD	20	28"...40"	



New Model	Old Model	Inlet/Outlet	Drain	Base	Riser Pipe	W.T.C. (m³/h)	Tank Diameter Range	Remark
53620	F95B3	2" Male	2" Male	4"-8UN	1.5" D-GB 1.9" OD	20	28"...40"	



New Model	Old Model	Inlet/Outlet	Drain	Base	Riser Pipe	W.T.C. (m³/h)	Tank Diameter Range	Remark
53520T	F111B1	2" Male	2" Male	4"-8UN	2" D-GB	20	28"...40"	Top mounted



New Model	Old Model	Inlet/Outlet	Drain	Base	Riser Pipe	W.T.C. (m³/h)	Tank Diameter Range	Remark
53620T	F111B3	2" Male	2" Male	4"-8UN	2" D-GB	20	28"...40"	Top mounted



New Model	Old Model	Inlet/Outlet	Drain	Base	Riser Pipe	W.T.C. (m³/h)	Tank Diameter Range	Remark
53540	F112B1	DN65	DN65	Side Mounted, DN80 Top and bottom strainer connector		40	36"...40"	



New Model	Old Model	Inlet/Outlet	Drain	Base	Riser Pipe	W.T.C. (m³/h)	Tank Diameter Range	Remark
53640	F112B3	DN65	DN65	Side Mounted, DN80 Top and bottom strainer connector		40	36"...40"	

AUTOMATIC FILTER valves (LED display)



New Model	Old Model	Inlet/Outlet	Drain	Base	Riser Pipe	W.T.C. (m³/h)	Tank Diameter Range	Remark
53550	F96B1	DN80	DN80	Side Mounted, DN80 Top and bottom strainer connector		50	36"~48"	



New Model	Old Model	Inlet/Outlet	Drain	Base	Riser Pipe	W.T.C. (m³/h)	Tank Diameter Range	Remark
53650	F96B3	DN80	DN80	Side Mounted, DN80 Top and bottom strainer connector		50	36"~48"	

AUTOMATIC SOFTENER valves (LED display)

Structure Features

- Indication of long time power cut, data saved after power off (saved for three days).
- No hard water bypass in rising cycle.
- Signal output connector, remote handleng connector could receive passive signal.
- Interlock function for contemporary system and individual regeneration.
- F77, F95, F111 adopt ball valve for brine drawing and refill.
- Time clock regeneration option: by days or by hours.

- Meter valve regeneration option: Meter delayed (A-01), Meter immediate (A-02), Intelligent meter delayed (A-03), Intelligent meter immediate (A-04).
- Time available: 0-99 minutes per cycle.
- Meter range: F63, F65, F68, F69 (0-99.99m3), F74 (0-999.9m3).
- Up-flow valve interval backwash times setting F-00, service several times, but backwash one time.
- Meter type valve max interval regeneration days setting (0-40days).

- F77, F95, F111 have two valve cores, one is for controlling water in and brine drawing, the other is for out.
- The model with a "S" means the valve with manual operation.
- F77, F95, F111 brine refilled while service, brine refilling controlled by electronic ball valves.
- F63, F65, F68 and F69 have a variety of apperances optional.
- Controller for F74 can be top or side mounted.
- The products have time clock type, such as 63504 (F63C1).

Applications

- Residential Softener Systems (F63, F65, F68, F69).
- Softener for RO pretreatment System.
- Boiler Softening System, Ion-exchange system.



New Model	Old Model	Inlet/Outlet	Drain	Brine Line Connector	Base	Riser Pipe	W.T.C. (m³/h)	Tank Diameter Range	Remark
63602	F65B3	3/4" Male	1/2" Male	3/8" Male	2.5"-8NPSM	1.05" OD	2	6"~12"	DF



New Model	Old Model	Inlet/Outlet	Drain	Brine Line Connector	Base	Riser Pipe	W.T.C. (m³/h)	Tank Diameter Range	Remark
73602	F69A3	3/4" Male	1/2" Male	3/8" Male	2.5"-8NPSM	1.05" OD	2	6"~12"	UF



New Model	Old Model	Inlet/Outlet	Drain	Brine Line Connector	Base	Riser Pipe	W.T.C. (m³/h)	Tank Diameter Range	Remark
63602E	F117A3	3/4" Male	3/4" Male	3/8" Male	2.5"-8NPSM	1.05" OD	2		DF

AUTOMATIC SOFTENER valves (LED display)



New Model	Old Model	Inlet/Outlet	Drain	Brine Line Connector	Base	Riser Pipe	W.T.C. (m³/h)	Tank Diameter Range	Remark
63604S	F63B3	1" Male	1/2" Male	3/8" Male	2.5"-8NPSM	1.05" OD	4	6"...18"	DF



New Model	Old Model	Inlet/Outlet	Drain	Brine Line Connector	Base	Riser Pipe	W.T.C. (m³/h)	Tank Diameter Range	Remark
63604	F63C3	1" Male	1/2" Male	3/8" Male	2.5"-8NPSM	1.05" OD	4	6"...18"	DF



New Model	Old Model	Inlet/Outlet	Drain	Brine Line Connector	Base	Riser Pipe	W.T.C. (m³/h)	Tank Diameter Range	Remark
73604S	F68A3	1" Male	1/2" Male	3/8" Male	2.5"-8NPSM	1.05" OD	4	6"...18"	UF



New Model	Old Model	Inlet/Outlet	Drain	Brine Line Connector	Base	Riser Pipe	W.T.C. (m³/h)	Tank Diameter Range	Remark
73604	F68C3	1" Male	1/2" Male	3/8" Male	2.5"-8NPSM	1.05" OD	4	6"...18"	UF



New Model	Old Model	Inlet/Outlet	Drain	Brine Line Connector	Base	Riser Pipe	W.T.C. (m³/h)	Tank Diameter Range	Remark
63604E	F116A3	1" Male	3/4" Male	3/8" Male	2.5"-8NPSM	1.05" OD	4		DF



New Model	Old Model	Inlet/Outlet	Drain	Brine Line Connector	Base	Riser Pipe	W.T.C. (m³/h)	Tank Diameter Range	Remark
73605	F92A3	1" Male	NPT3/4"	1/2" Male	2.5"-8NPSM	1" D-GB	6	6"...24"	UF



New Model	Old Model	Inlet/Outlet	Drain	Brine Line Connector	Base	Riser Pipe	W.T.C. (m³/h)	Tank Diameter Range	Remark
63610	N74A3	2" Male	1" Male	3/4" Male	4"-8UN	1.5" D-GB 1.9" OD	10	10"...30"	DF



New Model	Old Model	Inlet/Outlet	Drain	Brine Line Connector	Base	Riser Pipe	W.T.C. (m³/h)	Tank Diameter Range	Remark
63615	F99A3	2" Male	1.5" Male	3/4" Male	4"-8UN	1.5" D-GB 1.9" OD	15	14"...36"	DF

AUTOMATIC SOFTENER valves (LED display)



New Model	Old Model	Inlet/Outlet	Drain	Brine Line Connector	Base	Riser Pipe	W.T.C. (m³/h)	Tank Diameter Range	Remark
63618	N77A3	2" Male	1.5" Male	3/4" Male	4"-8UN	1.5" D-GB 1.9" OD	18	14"...42"	DF



New Model	Old Model	Inlet/Outlet	Drain	Brine Line Connector	Base	Riser Pipe	W.T.C. (m³/h)	Tank Diameter Range	Remark
63620	F95A3	2" Male	1.5" Male	3/4" Male	2" Male Top and bottom strainer		20	24"...48"	Side mounted



New Model	Old Model	Inlet/Outlet	Drain	Brine Line Connector	Base	Riser Pipe	W.T.C. (m³/h)	Tank Diameter Range	Remark
73620	F95D3	2" Male	1.5" Male	3/4" Male	2" Male Top and bottom strainer		20	24"...36"	UF



New Model	Old Model	Inlet/Outlet	Drain	Brine Line Connector	Base	Riser Pipe	W.T.C. (m³/h)	Tank Diameter Range	Remark
63620T	F111A3	2" Male	1.5" Male	3/4" Male	4"-8UN	1.5" D-GB 1.9" OD	20	24"...48"	Top mounted



New Model	Old Model	Inlet/Outlet	Drain	Brine Line Connector	Base	Riser Pipe	W.T.C. (m³/h)	Tank Diameter Range	Remark
63640	F112A3	DN65	DN65	3/4" Male	DN80 Tap and bottom strainer		40	24"...60"	Improved



New Model	Old Model	Inlet/Outlet	Drain	Brine Line Connector	Base	Riser Pipe	W.T.C. (m³/h)	Tank Diameter Range	Remark
63650	F96A3	DN80	DN80	3/4" Male	DN100 Tap and bottom strainer		50	48"...63"	DF

DUPLEX TANKS valves

Structure Features

- Ceramic valve core, hermetic head faces structure.
- One valve on twin tanks, one is on service and the other is standby
- Regeneration tank standby after exchange, fast rinse before service.

- Regeneration start type: Meter type only.
- Two valve cores, one is for tanks switching, the other is for regeneration.

- It is side-mounted and uses soft water for regeneration, except F73.

Applications

- Continuous Soft Water Supplying.



New Model	Old Model	Inlet/Outlet	Drain	Brine Line Connector	Base	Riser Pipe	W.T.C. (m³/h)	Tank Diameter Range	Remark
17603	F73	1" Male	1/2" Male	3/8" Male	2.5"-8NPSM	1.05" OD	3.5	6"...14"	DF/UF



New Model	Old Model	Inlet/Outlet	Drain	Brine Line Connector	Base	Riser Pipe	W.T.C. (m³/h)	Tank Diameter Range	Remark
17606	F98A	1" Male	3/4" Male	1/2" Male	1" Male Tap and bottom strainer		6	20"...24"	Side mounted



New Model	Old Model	Inlet/Outlet	Drain	Brine Line Connector	Base	Riser Pipe	W.T.C. (m³/h)	Tank Diameter Range	Remark
17610	F88A	1.5" Male	1" Male	1/2" Male	1.5" Male Tap and bottom strainer		10	20"...30"	UF

THREE tanks valves

Structure Features

- One valve controls three tanks, two tanks supply with softened water in series, the other tank standby to achieve water supply continuously.
- When service finishes, the first grade in series turns to regenerate, the second grade turns to the first grade and supplies with softened water together with the standby tank as the second grade in series, which greatly im-

proves the resin efficiency, saves water and salt.

- Regeneration tank keeps standby after switch and starts fast rinse before service.
- Only need one brine tank.
- It adopts hermetic head faces structure with ceramic sealing, reliable and duration.
- Up-flow or down-flow regeneration is optional by program.
- Raw water or softened water

for regeneration is optional by changing the moving dis

- Remove one tank to make the system as one in service one standby system.
- There is always having two tanks in service in series which could treat the raw water with high hardness. It has backwash function, which could be used in high turbidity application which floating bed system can't be used.

Applications

- Continuous Soft Water Supplying.



New Model	Old Model	Inlet/Outlet	Drain	Brine Line Connector	Base	Riser Pipe	W.T.C. (m³/h)	Tank Diameter Range	Remark
18604A	F118A	G1"	NPT3/4"	G3/8"	3x2.5"-8NPSM	3x1.05" OD	4	10"...18"	Raw water



New Model	Old Model	Inlet/Outlet	Drain	Brine Line Connector	Base	Riser Pipe	W.T.C. (m³/h)	Tank Diameter Range	Remark
18604B	F118B	G1"	NPT3/4"	G3/8"	3x2.5"-8NPSM	3x1.05" OD	4	10"...18"	Soft water

AUTOMATIC FILTER valves (P series)

Structure Features

• More stable performance. F63P, F67P and F68P adopt the same locating board, while F65P, F69P and F71P use the same locating board. They all use the same main control board.

• Hermetic head faces structure, no hard water bypass when regeneration cycle.
• When electrical service reover, program run one cycle then locate at the previous position.

• Cheaper and simpler.
• Indicator display.

Applications

• Residential Softener of Filter system.
• Boiler Softener, Ion-Echange Equipment.



New Model	Old Model	Inlet/Outlet	Drain	Brine Line Connector	Base	Riser Pipe	W.T.C. (m³/h)	Tank Diameter Range	Remark
63502P	F71P1	3/4" Male	3/4" Male	/	2.5"-8NPSM	1.05" OD	2	6"...10"	Filter



New Model	Old Model	Inlet/Outlet	Drain	Brine Line Connector	Base	Riser Pipe	W.T.C. (m³/h)	Tank Diameter Range	Remark
63504P	F67P1	1" Female	1" Female	/	2.5"-8NPSM	1.05" OD	4	6"...12"	Filter



New Model	Old Model	Inlet/Outlet	Drain	Brine Line Connector	Base	Riser Pipe	W.T.C. (m³/h)	Tank Diameter Range	Remark
63602P	F65P3	3/4" Female	1/2" Male	3/8" Male	2.5"-8NPSM	1.05" OD	2	6"...12"	DF



New Model	Old Model	Inlet/Outlet	Drain	Brine Line Connector	Base	Riser Pipe	W.T.C. (m³/h)	Tank Diameter Range	Remark
63604P	F63P3	1" Male	1/2" Male	3/8" Male	2.5"-8NPSM	1.05" OD	4	6"...18"	DF



New Model	Old Model	Inlet/Outlet	Drain	Brine Line Connector	Base	Riser Pipe	W.T.C. (m³/h)	Tank Diameter Range	Remark
73602P	F69P3	3/4" Female	1/2" Male	3/8" Male	2.5"-8NPSM	1.05" OD	2	6"...12"	UF



New Model	Old Model	Inlet/Outlet	Drain	Brine Line Connector	Base	Riser Pipe	W.T.C. (m³/h)	Tank Diameter Range	Remark
73604P	F68P3	1" Male	1/2" Male	3/8" Male	2.5"-8NPSM	1.05" OD	4	6"...18"	UF

FLOATING BED valves

Structure Features

- Hermetic head faces structure (F112 has piston structure).
- One valve on twin tanks, one in service, the other standby (F88 and F98).

- F83, F77CS and F112CS are hard water for regeneration, others are soft water for regeneration.

- Adopt the technological process of up-flow service --brine draw--brine refill--fast rinse.

Applications

- Suitable for high hardness (less than 15 mmol/L) water treatment applications.



New Model	Old Model	Inlet/Outlet	Drain	Brine Line Connector	Base	Riser Pipe	W.T.C. (m³/h)	Tank Diameter Range	Remark
93604	F83A3	1" Male	1/2" Male	3/8" Male	2.5"-8NPSM	1.05" OD	4	6"...14"	Regeneration with hard water



New Model	Old Model	Inlet/Outlet	Drain	Brine Line Connector	Base	Riser Pipe	W.T.C. (m³/h)	Tank Diameter Range	Remark
93606	F98C	1" Male	3/4" Male	1/2" Male	1" Male Tap and bottom strainer		6	14"...18"	One valve on duplex tanks



New Model	Old Model	Inlet/Outlet	Drain	Brine Line Connector	Base	Riser Pipe	W.T.C. (m³/h)	Tank Diameter Range	Remark
93610	F88C	1.5" Male	1" Male	1/2" Male	1.5" Male Tap and bottom straine		10	18"...20"	One valve on duplex tanks



New Model	Old Model	Inlet/Outlet	Drain	Brine Line Connector	Base	Riser Pipe	W.T.C. (m³/h)	Tank Diameter Range	Remark
91215	F77CS	2" Male	1.5" Male	3/4" Male	4"-8UN	1.5" D-GB 1.9" OD	15	20"...30"	Regeneration with hard water



New Model	Old Model	Inlet/Outlet	Drain	Brine Line Connector	Base	Riser Pipe	W.T.C. (m³/h)	Tank Diameter Range	Remark
93620	F95C3	2" Male	1.5" Male	3/4" Male	2" Male Tap and bottom strainer		20	24"...36"	Regeneration with soft water



New Model	Old Model	Inlet/Outlet	Drain	Brine Line Connector	Base	Riser Pipe	W.T.C. (m³/h)	Tank Diameter Range	Remark
91240	F112CS	DN65	DN65	3/4" Male	DN80 Tap and bottom strainer		40	36"...48"	Regeneration with hard water



New Model	Old Model	Inlet/Outlet	Drain	Brine Line Connector	Base	Riser Pipe	W.T.C. (m³/h)	Tank Diameter Range	Remark
93640	F112C3	DN65	DN65	3/4" Male	DN80 Tap and bottom strainer		40	36"...48"	Regeneration with soft water

BYPASS valves

Structure Features

- 4 positions: Partly bypass, Bypass, Close, Service.
- Figure represents bypass volum

Applications

- If install flow meter inside it and connect with control valve, then it can revert it to a meter type valve.
- Raw water bypassing is required when the softener is on maintenance.
- Raw water bypassing is required when softener is on regeneration.
- It can mix raw water to system to supply not very soft water.



New Model	Old Model	Inlet/Outlet	Valve Size	Inlet Outlet Distance	Remark	Riser Pipe
41104	F70A	1" Male	1" Female	50 mm	Match with F63/F68	1.05" OD



New Model	Old Model	Inlet/Outlet	Valve Size	Inlet Outlet Distance	Remark	Riser Pipe
41102	F70B	3/4" Male	3/4" Male	65/70 mm	Match with F65/F69	1.05" OD



New Model	Old Model	Inlet/Outlet	Valve Size	Inlet Outlet Distance	Remark	Riser Pipe
41204	F70C	1" Male	1" Female	50 mm	Match with F63/F68/F82	1.05" OD



New Model	Old Model	Inlet/Outlet	Valve Size	Inlet Outlet Distance	Remark	Riser Pipe
41202	F70D	3/4" Male	3/4" Male	50 mm	Match with F79	1.05" OD



New Model	Old Model	Inlet/Outlet	Valve Size	Inlet Outlet Distance	Remark	Riser Pipe
41206	F70F	1" Male	NPT1" or 1" Male	50 mm	Match with F92/F82	1.05" OD



New Model	Old Model	Inlet/Outlet	Valve Size	Inlet Outlet Distance	Remark	Riser Pipe
41304	F70G	NPT3/4" Male or 1" Male NPT1" or Male	3/4" Male or 1" Male or NPT1" Male	50 mm	Match with F63/F68/F79/F82/F105	1.05" OD

F107 iron and manganese removal device

Structure Features

- Impeller stirring plus dropping create aeration process.
- Automatic air release valve constantly drain off the air and carbon dioxide in water.

Range of Application

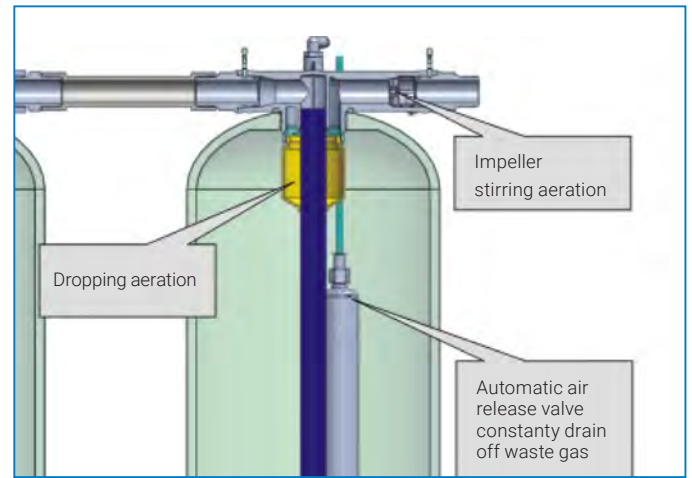
- Remove the iron or manganese from the water which has a big containing, as a pre-treatment device before industrial softening system or demineralization system.

- Outlet Water Quality: Iron Containing ≤ 0.3 mg/L
- Manganese Containing: ≤ 0.1 mg/L

- Outlet Water Turbidity: < 5 mg/L
- Inlet Water Quality: Iron Containing ≤ 3 mg/L



Model	Inlet Water Turbidity	Alkalinity	pH Value	Water Temperature	Water Capacity	Riser Pipe
F107	< 15 mg/L	≤ 2 mg/L	6.8...9	6...10°C	2 m ³ /h	1.05" OD
F107C	< 15 mg/L	≤ 2 mg/L	6.8...9	6...10°C	10 m ³ /h	1.05" OD



.....

EKO-TRADING CO., LIMITED

Controllers

.....



F109 ball valve controller

Structure Features

- It can be used together with Runxin electronic ball valve from DN20 to DN100.

- The matched ceramic ball valve has the advantage of small flow resistance, good corrosion resistance, good wear resistance and long lifetime.

- ILCD display.

Range of Application

- Ball valve controller is matched with Runxin two wires electronic ball valve to be filter & softener or mixed bed demineralized water treatment systems.



Model	Old Model	Transformer Input	Transformer Output	Environment Temperature	Application
46030	F109	AC100-240V 50-60Hz	DC24V, 1.5A	5...50°C	Filter & Softener
46040	F109B				Mixed Bed



Filter control system



Softener control system



Mixed bed control system

CREATE controllers

POP-8300A/B Integrated Free Chlorine/CLO2/pH Online Analyzer



FEATURES

- Wall mounted HCIO/CIO2 free chlorine online analysis system integration.
- Especially suitable for the detection of free HCIO and CIO2.
- With potentiostatic sensors, stable operation and long operational life.
- Embedded free chlorine, chlorine dioxide analysis software of two mathematical models.
- 3.5" LCD color display, bilingual Chinese/English, complete operation guided.
- Constant flow rate control with the patents, make sure the measurement accuracy, do not changed by the pipeline pressure.
- Anti-siphon design, the system automatically in the conservation of the state after the shutdown.
- Double channels isolated 4-20 mA, instrument/transmitter for selection.
- High/low limit setting relay (x2), photoelectric programmable, switching/pulse/PID regulating state.
- Protective plastic chassis, preset back cover, the independent panel.

APPLICATION

Widely used for online monitoring HCIO/CIO2 free chlorine in residential & drinking water of food industries. It is designed for constructing swimming pool, Spa online analysis and the sewage and waste water disinfection and drug dosing control. It is better than DPD method under the condition of large range.

TECHNICAL CHARACTERISTICS

	HCIO	CIO2	pH	Temp.
Measurement range	0,1...2 mg/L	0,1...2 mg/L	2...12	0...99,9 (temp. compensation Pt1000)
	0,1...20 mg/L	0,1...20 mg/L		
Resolution	0,01 mg/L	0,01 mg/L	0,01	0,1 °C
Accuracy	90% confidence interval ±10%		0,1 level	0,5 °C
Medium	HCIO measurement: pH=6...8 (free chlorine); CIO2 measurement: not controlled by pH; Temp.: 0...40 °C; not contain colloid impurities in water			
Analog Output	Double channels isolated 4...20 mA. Instrument/Transmitter for selection			
Control Output	Double channels relay (ON/OFF), load capacity: AC 220V/3A One channel photo-electronic relay, load capacity: 50 mA (max) AC/DC 30V Photo-electronic relay setting: switch/pulse/frequency division mode for selection			
Flow rate	250...350 mL/min			
Communication port	RS485, Modbus RTU protocol			
Power supply	AC 90...240V ±10%, 50/60 Hz AC 90...240V ±10%, 50/60 Hz			
Consumption	≤5,5W			
Working environment	Temp. 0...50 °C, relative humidity ≤85% RH (none condensation)			
Storage environment	Temp. 0...60 °C, relative humidity ≤85% RH (none condensation)			
Protection level	IP54 (plastic cabinet, integration system)			
Cabinet material	Engineer plastic			
Cabinet dimension	380 mm x 280 mm x 130 mm (H x W x D)			
Installation	Wall mounted (with the preset back cover)			

POZ-8300 Ozone Online Analyzer



FEATURES

- Wall mounted, integrated online ozone (O₃) analyzer.
- The 7-inch touch display, more convenient operation and more powerful system function.
- With the function of historical data retrieve and dynamic display of parametric curve.
- With the function of flow rate measurement display and no water alarm.
- Switch the screen style in the main interface according to preference, the function of data dynamic display.
- Constant flow rate is patented, and not subject to the pressure change from pipeline.
- Solidify the flow through sensor sensitive areas and the measurement is more stable.
- Protective sealed case, pre-set installation backplane, convenient onsite installation.

TECHNICAL CHARACTERISTICS

Measurement configuration	Ozone (O ₃) /pH/temperature	
Measurement	Ozone	0...2 mg/L (ppm); 0...20 mg/L (ppm)
	pH	2...12
	Temperature	0...99,9 °C
Accuracy	Ozone	10% FS
	pH	0,1 pH
	Temperature	±0,5 °C
Communication interface	RS485	MODBUS RTU communication protocol
4...20 mA output	Number of channels	Double channels
	Technical feature	Isolated reversible, completely adjustable, instrument/transmitter dual mode
	Channel configuration	Programmable point to ozone, Temperature, pH
	Loop resistance	400Ω max, DC 24V
	Transmission	±0,1 mA
Control output	Number of channels	Three channels
	Contact mode	The first for photo-electric switch, the second and third for relay
	Load capacity	Load current 50 mA max, AC/DC 30V
	Control point	Programmable function (ozone, temperature, pH, timing)
Power supply	Connected to electric supply AC 80...260V; 50/60 Hz, compatible with all international market power standards (110V, 220V, 260V, 50/60 Hz)	
Installation	Wall mounted (with the preset back cover)	
Cabinet dimension	570 mm x 380 mm x 130 mm (H x W x D), gross weight: ≤10 kg	

DCT-8600A Dissolved Oxygen Online Transmitting Controller



APPLICATION

Widely Used for online monitoring Dissolved oxygen in industrial boiler inlet water, seafood feeding industries.

ORDER DIRECTION

Basic order units:

DCT-8600A Dissolved Oxygen Online Transmitting Controller

D03135-23Z Membrane Covered DO Probe

D01150 Two-wire DO Transmitter

Sensor and accessories selection:

Flow cell: P33

Mounting bracket: P16-Z

Floating bed: P18

TECHNICAL CHARACTERISTICS

Measurement range	Dissolved Oxygen: 0...20 mg/L; Temperature: 0...40 °C
Resolution	Dissolved Oxygen: 0,01 mg/L, Temperature: 0,1 °C
Stability	Dissolved Oxygen: 0,1 mg/L; Temperature: 0,2 °C
Indication error	Zero point: ±0,1 mg/L, Consistency: ±0,50 mg/L; Temperature: ±0,5 °C
Salinity compensation error	±2%; Temperature compensation range 5...45 °C (Temp. compensation component: 21,9 KSI)
Analog output	Double channels 4...20 mA, instrument/transmitter mode for selection
Control output	Triple channels photo-electrical semiconductor relay load capacity: AC/DC 30V, 50 mA max
Communication	RS485, MODBUS RTU
Power supply	DC 24V ±15%
Power consumption	≤5,5
Working environment	Temp. 0...50 °C; Humidity ≤85% RH (none condensation)
Storage environment	Temp. 0...60 °C; Humidity ≤85% RH (none condensation)
Protection level	IP65 (with back cover)
Dimension	96 mm x 96 mm x 94 mm (H x W x D)
Hole size	91 mm x 91 mm (H x W)
Installation	Panel mounted, fast installation

MFC/MCC-1300 General Online single/ multi-channels Controller



APPLICATION

Widely used for sewage water treatment, environmental water quality monitoring, industrial site control, chemical process and so on.

FEATURES

- Display one parameter (MFC-1300) or 1...4 channels parameter (MCC-1300).
- Master-slave dual serial port, Modbus RTU communication protocol.
- Downward RS485 bus and 4...20 mA receiving port can accept one (MFC-1300) or less than four (MCC-1300) arbitrary measurement transmitter.
- Uplink serial port can connect any PLC, computer, and configuration of WIFI, Zigbee, 3G, GPRS wireless remote module.
- Store a variety of measurement unit, can be selected from the screen.
- Two channels transmitting output, each channel support 4...20mA output, metering mode and transmitting model for selection.
- Three channels control output which could make each parameter over limit alarm control and DI relation (one channel mechanical contact, two channels electronic contact).
- Panel mounted shell with full-sealed, IP65 protection level.

ORDER DIRECTION

Sensor description	Model
Digital inductive conductivity/concentration sensor	CID-2000
Digital conductivity/TDS/Temp sensor	CRD-2000
Digital pH/ORP sensor	pHD-2000
Digital optical dissolved oxygen sensor	DOD-2000
Digital flow sensor	FCD-2000
Digital high range turbidity/TSS sensor	TUR/TS S-2000
Digital low range turbidity sensor	TUR-2200

TECHNICAL CHARACTERISTICS

Communication	Master RS485 interface connect with DCS or server Slave RS485 interface connect with kinds of digital sensors/transmitter
4...20 mA receiving	Connect with two channels 4...20mA transmitter
4...20 mA output	Output two channels 4-20mA signals
DI input (dry contact)	Two channels DI input, pull on the potential, photo-electric isolating, receiving level, pressure, temp, leakage signals
Control output	Mechanical contact SPST One channel, AC 220V @3A max
	Electronic contact Semiconductor photoelectric switch, two channels, load capacity : 50 mA max, AD/DC 30V
Power supply	DC 24V ±4V
Working environment	Temp. 0...50 °C; Humidity ≤85% RH (none condensation)
Storage environment	Temp. 0...60 °C; Humidity ≤85% RH (none condensation)
Protection level	IP65
Dimension	144 mm x 144 mm x 142 mm (L x W x D)
Installation method	Panel mounted

DOD-2000 Digital Optical Dissolved Oxygen Online Analysis Sensor



APPLICATION

- Aquaculture, Water ecological Monitoring, Environmental Monitoring.
- Chemical deoxygenation, thermal deaeration supervising.
- Testing of aerobic and anaerobic tank in sewage water treatment factory.
- Online Dissolved oxygen monitoring of City Municipal water/Network.

FEATURES

- Measurement/Communication Integrated Optical Dissolved Oxygen sensor.
- Design the dissolved oxygen meter function inside the sensor directly.
- RS485 digital physical port (Modbus RTU protocol).
- Directly output the dissolved oxygen/temperature analysis data, without any need for analog-digital conversion.
- Setting K-factor, Address and the baud rate by PC software.
- Nanometer chips, high integrated design and high anti-interference ability.
- Can select general multi-functional controller to finish the local display and control.
- Can connect with computer, configuration system, PLC, wireless City Municipal water modules.
- Meet the demand of system completing in Internet Age.

TECHNICAL CHARACTERISTICS

Measuring Medium	Dissolved Oxygen in water solution
Measurement range	0...20 mg/L
Main Material	316L Stainless Steel
Installation Method	Submersible installation
Accuracy	±0,1 mg/L (<1 mg/L); ±0,2 mg/L (>1 mg/L)
Medium Temperature	0...50 V
Stand Pressure	max 0,2 MPa (25 °C)
Wire length	Standard length 10 m (or customize)
Storage Environment	Temp. 0...45 °C; Humidity <85%RH (none condensation)
Reply Time	<90 seconds (20°C water temperature)
Data communication	RS485 (Modbus RTU protocol)
Power Supply	DC24V ±15%

ORDER DIRECTION

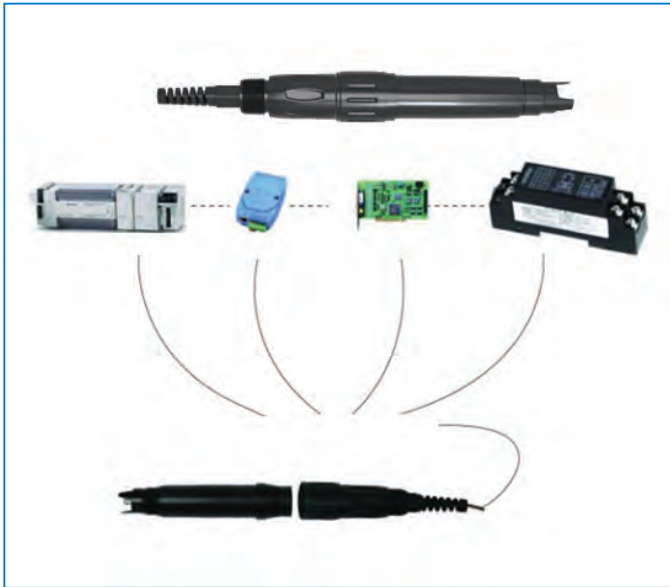
Basic order units:

Digital optical dissolved oxygen online analysis sensor
Host calibration & setting software

Selection Units:

MFC-2300 Multi function Controller
MCC-2300 Multi Channel Controller
Multi-Degrees of Freedom environmental sensor bracket
Automatically timing clean device
Installation accessories purchase separately
Special installation accessories can be customized
WIFI, ZIGBEE, CDMA, 3G, GPRS wireless module

PHD-2000/ORPD-2000 Digital pH/ORP Sensor



FEATURES

- PHD/ORPD-2000 sensor can connect with the PLC directly or the instruments for receiving 485 Signals.
- It is a detachable sensor. The chemical unit at the front end are changeable.
- Just need one time cable. Sensor cable can be extended for the use of ordinary two-core line.
- Use of a large area of PTFE-liquid junction, not easy to plug, easy maintenance.
- Pipeline installation of the patent-type flow of equipment, accurate measurement, stability, long life.
- Comply with the spirit of environmental protection, reduce the cost of supplies, cost-effective.

TECHNICAL CHARACTERISTICS

Model	PHD/ORPD-2000	
Measurement range	pH	0...14
	ORP	-2000 mV...+2000 mV
	Temperature	0,0...99,9 °C
Accuracy	pH	±0,05
	ORP	±3 mV
	Temperature	±0,5 °C
Liquid Temperature	0...50 °C	
Install thread	Up/end NPT 3/4"	
Pressure	0,6 Mpa (max)	
Cable length	10 m as standard (10...100 m are customized)	
Communication	RS485 (Modbus RTU)	
Power supply	DC12...32V (Consumption <1 W)	

ORDER DIRECTION

- PHD-2000 digital pH probe (RS485 communication)
- ORPD-2000 digital ORP probe (RS485 communication)
- PHT-2000 digital pH probe (4-20mA signal output)
- ORPT-2000 digital ORP probe (4...20mA signal output)

CRD-2000 Digital Conductivity Sensor



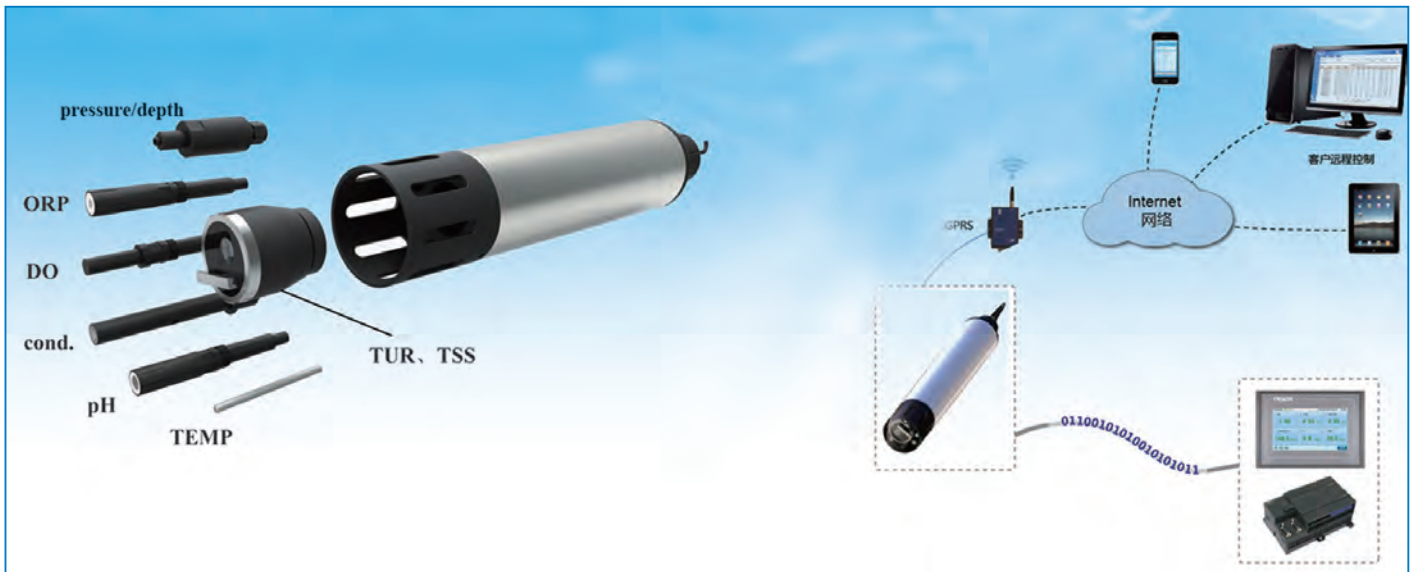
FEATURES

- Micro-encapsulation technology embeds the measurement unit in the sensor connector.
- Facing the needs of the Internet + era, to achieve no intermediate links on-line measurement.
- Sensor will complete the measurement conversion inside, and directly output measurement data (no need instrument).
- ModbusRTU communication, there is no conversion distortion.
- Can be connected with the computer, configuration system, wireless module, PLC directly.
- Visualize the host computer to set the software, address, baud rate settings.
- Can be composed with company general Multi-channel, Multi-function controller directly to realize Multi-parameter display and control.
- Unparalleled application convenience and cost-effective; equipped with the host computer calibration and the setting of software.

TECHNICAL CHARACTERISTICS

Model	PHD/ORPD-2000			
Cell No.	CRD-2226-13	CRD-2224-13	CRD-2223-13	CRD-2221-13
Constant	10,00 cm-1	1,000 cm-1	0,100 cm-1	0,010 cm-1
Measurement Range	0,5...20 mS/cm	1,0...2000 µS/cm	0,5...200 µS/cm	0,05...18,25 MΩ*cm
Parameter	Measurement range		Resolution	Accuracy
Conductivity	0,50 µS/cm...20,00 mS/cm		0,01 µS/cm	1,5 Level
Resistivity	0,05 MΩ*cm...18,25 MΩ*cm		0,01 MΩ*cm	2,0 Level
TDS	0,25 ppm...10,00 ppt		0,01 ppm	1,5 Level
Temperature	0...100 °C		0,1 °C	±0,5 °C
Temperature Compensation	PT1000			
Communication	Isolated RS485 communication			
Power supply	DC24 V ±4V (Consumption <1,5W)			
Storage Environment	Temp. -20...60 °C; Humidity ≤85% RH (none condensation)			
Working Environment	Temp. 0...50 °C; Humidity <85%RH (none condensation)			
Installation	Thread installation			

MPS-1400 Digital Multi-parameter integration sensor



FEATURES

- Integration with pH, ORP, DO, conductivity, Turb/TDS, temperature and depth.
- It has RS-485 output, in line with the Modbus protocol. It can be directly connected to industrial computer, PLC.
- Communication equipments in accordance with Modbus RTU format.
- Address and baud rate can be set freely.
- pH, ORP and DO sensors are equipped with quick transfer connector for easy replace.
- Turbidity sensor is equipped with auto clean device and manual maintenance is no needed.
- Completely sealed and st. st. body in IP68 protection level.
- Easy installation and it can be placed into the water. The mobile and rapid response can be achieved.

TECHNICAL CHARACTERISTICS

Parameter	Measurement range	Resolution		Accuracy
		range	resolution	
Turbidity	0,001...4000 NTU	0,001...10 NTU	0,001 NTU	0...100 NTU less than the reading data 5% 100...1000 NTU ±2.5%FS 1000...4000 NTU ±2.5%
		10...100 NTU	0,01 NTU	
		100...1000 NTU	0,1 NTU	
		1000...4000 NTU	1 NTU	
Suspended solid	0,50 g/L	0...1,0 g	0,0001 g	less than the reading data 5% (depend on Homogeneity of the city active sludge)
		1,0...10,0 g	0,001 g	
		10,0...50,0 g	0,01 g	
pH	2,00...12,00	0,01		±0,1
ORP	-2000 mV...+2000 mV	1 mV		±5 mV
DO	0...20 mg/L (ppm)	0,01 mg/L (ppm)		0,3 mg/L (ppm)
Conductivity	0...2000 µS/cm 0...20 mS/cm	0,1 µS/cm		1,5% (FS)
Temperature	0,0...99,9 °C	0,1 °C		±0,5 °C
Depth	0...40 m	0,1 m		±1%
Communication port	RS485, MODBUS RTU			
Power supply	DC 9...28V			
Working Environment	Temp. 0...50 °C; Humidity ≤85% RH (none condensation)			
Storage Environment	Temp. 0...60 °C; Humidity <85%RH (none condensation)			
Size	102 mm x 465 mm (D x L)			
Installation	Immersion			
Pressure	0,4 Mpa			

TUR/TSS-2000 Digital High range Turbidity/TSS online analyzer



APPLICATION

The online Turbidity monitoring for the source water quality of the environment environmental monitor station, for the industrial water treatment Recycling process, for the every water inlet and outlet in the sewage water treatment, and the TSS monitoring for the sludge treatment process. Widely used in the water supply factory, paper mill, coal washery and the like Turbidity online monitoring.

FEATURES

- Performance characteristics.
- High range TUR/TSS two in one Turbidity analyzer.
- RS485 Digital communication, Modbus RTU standard protocol.
- Combine arbitrarily with the HMI and the wireless module to the system integration.
- Build-in optical maintenance brush/wiper, cycling/presetting cleaning optical window.

TECHNICAL CHARACTERISTICS

Measurement range	Turbidity: 0,01...4000 NTU; TSS: 0,001...50 g/L
Light source	850 nm (infrared light)
Resolution	<10 NTU, 0,001 NTU
	<100 NTU, 0,01 NTU
	<1000 NTU, 0,1 NTU
	<4000 NTU, 1 NTU
Accuracy	Turbidity: 0...100 NTU ±3.0% FS
	100...1000 NTU ±1.0% FS
	1000...4000 NTU ±1.0% FS
	TSS: ±5% of reading
Repeatability	1%
Sample flow	<3 m/s
Cable length	Standard length 10 m (or customize)
Maintenance	Build-in brush, settable period
Power supply	DC24 V ±15%
Installation	Submersible installation
Communication port	RS485 (Modbus RTU protocol)
Pressure range	≤6 bar
Working environment	0...40 °C
Weight	1,5 kg
Consumption	<10 W

TUR-2200 Digital Low range Turbidity online analyzer



APPLICATION

The monitoring of each process site in water supply plant such as entry, filtration, precipitation, product water and water quality monitoring about the water supplied through pipeline network.

Water quality monitoring about industrial engineering water, monitoring about circulating cooling water, swimming pool water, and the water through filtration and membrane of water processing systems.

OPERATING PRINCIPLE

When a beam of parallel light passes through the water, under the irradiation of parallel beam the suspended particles in water samples scatters, and the scattered light which have 90 degrees angle with the incident light is detected by photocell, then by using the positive correlation between the scattered light intensity and the water turbidity, and through analysis of the microprocessor, the corresponding turbidity value could be obtained.

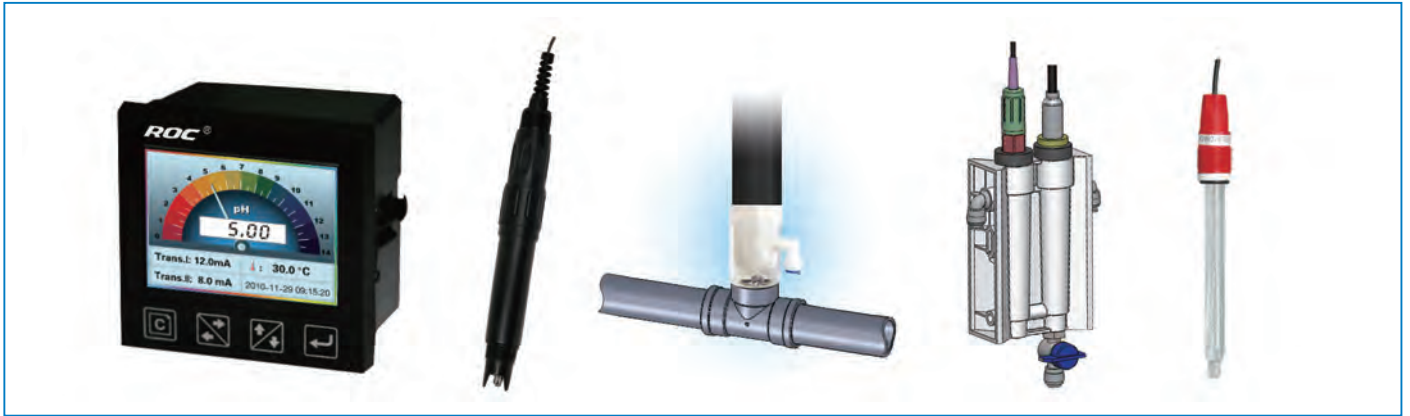
FEATURES

- Innovative defoaming system which passes through labyrinth.
- Flexible optical system maintenance and cleaning.
- Measures to stabilize the liquid level stable and flow rate, which are not affected by water sample pressure.
- Multiple calibration methods recommended, which can be comparable to imported products.
- Measuring range supporting 0...100 NTU turbidity.
- Complete electromagnetic compatibility design, easy against the industrial interference on site.
- Adopting wide spectrum of tungsten lamp as light source, which improve the sensitivity for small particles.
- Built-in defoaming system, which gives superior effect, convenient cleaning and improves the detection accuracy.

TECHNICAL CHARACTERISTICS

Test range	0...100 NTU
Resolution	<10 NTU 0,0001 NTU; >10 NTU 0,001 NTU
Degree of accuracy	<40 NTU ±2.5% FS; >40 NTU ±5% FS
Linearity	Better than 1% corresponding Formazin 0...40 NTU, perform accurate calibration for high turbidity
Repeatability	Better than the reading value ±1%, taking the maximum value within each measuring range
Signal average time	0, 6, 30, 60 and 90 sec, Users choose
Sample flow	200...700 mL/minute
Sample temperature range	0...50 °C
Working environment	Temp. 0...50 °C; Humidity 5...85% (none condensation)
Storage Temperature Range	-20...60 °C
Data output	RS485 (Modbus protocol)
Supply voltage	DC24 V ±4V
Power consumption	<12 W
Install environment	In-house

pH/ORP-8500A pH/ORP Online Meter



APPLICATION

Widely used for online pH/ORP measurement in chemical process, oil refining, metallurgy, pharmacy, chemical synthesis industrial/sewage water treatment, environment monitoring, agricultural technology, biological fermentation, industrial coating and soon.

FEATURES

- 3-5" 32Qx 240 TFT color screen, Multi-parameter display.
- It has pointers, numbers and colors with space-time concept and can display forms.
- Be compatible for six kinds of buffer solution which suitable for international standard.
- Touch key, Chinese/English to select, guided operation.
- RS485, Modbus RTU protocol.
- Double channels/Isolated 4...20 mA, instrument/transmitter mode for selection.
- Three channels photoelectric switch control, arbitrary combination for PH/ORP/temperature/timing.
- Switch control, frequency pulse, frequency pulse for option, fit for more.
- EMC design with better ability on anti-interference.
- Calendar function which can set timing and reserved timing.
- With the CE Certification.

TECHNICAL CHARACTERISTICS

	pH	ORP	Temp.
Measurement Parameter	Range: 0,00...14,00	Range: -1999...+1999 mV	Range: 0,0...100,0 °C
	Resolution: 0,01	Resolution: 1 mV	Resolution: 0,1 °C
	Accuracy: ±0,1	Accuracy: ±5 mV (indicator)	Accuracy: ±0,5 °C
Medium	0...80 °C		
Temperature components	Pt1000 temperature components		
Analog Output	Double channels isolated, transportable 4...20 mA, instruments/ transmitter mode		
Control Output	Triple channels semiconductor photoelectric switch, load current: AC/DC 30V, 50 mA (max)		
Communication port	RS485 , Modbus RTU protocol		
Power supply	DC 24V		
Consumption	<5,5 W		
Working Environment	Temp. 0...80 °C; Humidity ≤85% RH (none condensation)		
Storage Environment	Temp. -20...60 °C; Humidity ≤85% RH (none condensation)		
Protection Level	IP65 (with rear cover)		
Dimension	96 mm x 96 mm x 94 mm (H x W x D)		
Hole Size	91 mm x 91 mm (H x W)		
Installation	Panel Mounted , Fast installation		

pH/ORP-7500 pH/ORP Online Meter



APPLICATION

Widely used for online monitoring in environmental protection water treatment, water environment monitoring, the monitoring of plating solution, chemical process, the circulating cooling water, aquaculture, and acidity in the modern agricultural industry.

FEATURES

- Be compatible for six kinds of Buffer solution (10.00, 9.18, 7.00, 6.86, 4.00, 4.01).
- Single/Double resistance difference pre-amplification, compatible with more sensor.
- With the isolated outlay temperature sensor for medium voltage balance.
- Emerald back-light, big LCD interface, multi symbols.
- Isolated 4...20 mA output, dual mode Instrument/Transmitter.
- Double relay control (one for high limit, one for the low limit) and the time-delay control to control and adjust the pH/ORP.
- Split type, two composite electrode, do not need to replace the cable.
- Isolated Measurement/Transmitter / Controller; no mutual influence, runs steadily.
- Optimal electromagnetic compatibility design, good anti-jamming performance.
- With the sealed instrument housing, has the very good weathering resistance and salt fog protective.
- With the CE Certification.

TECHNICAL CHARACTERISTICS

	pH	ORP	Temp.
Measurement Range	0,00...14,00	-1999...+1999 mV	0,0...99,9 °C (Temp. compensation: NTC10K)
Resolution	0,01	1 mV	0,1 °C
Accuracy	±0,1	±5 mV (electronic unit)	±0,5 °C
Buffer Solution	10.00, 9.18, 7.00, 6.86, 4.00, 4.01		
Temp. Compensation	0...99 °C (with 25 °C as standard) manual/automatic Temp. compensation for selection		
Analog Output	Single channel Isolated 4...20 mA, Instrument/Transmitter for selection		
Control Output	Double channels relay output, Load capacity: AC 220V/AC 110V, 2A (max); DC 24V, 2A (max)		
Power supply	pH/ORP-7500 DC 24V	pH/ORP-7510 AC 110V	pH/ORP-7520 AC 110V
Consumption	≤4 W		
Working Environment	Temp. 0...50 °C; Humidity ≤85% RH (none condensation)		
Storage Environment	Temp. -20...60 °C; Humidity ≤85% RH (none condensation)		
Protection Level	IP65 (with rear cover)		
Dimension	96 mm x 96 mm x 105 mm (H x W x D)		
Hole Size	91 mm x 91 mm (H x W)		
Installation	Panel Mounted, Fast installation		

pH/ORP-5500 pH/ORP Online Meter



APPLICATION

Widely used in scientific experiments and flow detection of various pH solution. It is a panel seal type casing, cost-effective pH & ORP line analytical instruments.

FEATURES

- Be compatible for six kinds of Buffer solution, international standard.
- Sealed, cost-effective pH/ORP online controller.
- Outlay temperature sensor design, Universal pH electrode.
- White back-light, overhead multi symbols, simple to set up, easy to use.
- Isolated 4...20 mA output, dual mode Instrument/Transmitter.
- Double relay control (one for high limit, one for the low limit) and the time-delay control.
- Two composite electrode, do not need to replace the cable.
- Isolated measurement/Transmitter / Controller; no mutual influence.
- Optimal electromagnetic compatibility design, good anti-jamming performance.
- With the CE certification.

TECHNICAL CHARACTERISTICS

	pH	ORP	Temp.
Measurement Range	0,00...14,00	-2000...+2000 mV	0,0...99,9 °C (Temp. compensation: NTC10K)
Resolution	0,01	1 mV	0,1 °C
Accuracy	±0,1	±5 mV (electronic unit)	±0,5 °C
Buffer Solution	10.00, 9.18, 7.00, 6.86, 4.00, 4.01		
Temp. Compensation	0...50 °C (with 25 °C as standard) manual/automatic Temp. compensation for selection		
Analog Output	Isolated 4...20 mA, Instrument/Transmitter for selection		
Power supply	pH/ORP-5500 DC 24V	pH/ORP-5510 AC 110V	pH/ORP-5520 AC 220V
Control Output	Double relay output (ON/OFF); AC 240V/3A		
Power Consumption	≤3 W		
Working Environment	Temp. 0...50 °C; Humidity ≤85% RH (none condensation)		
Storage Environment	Temp. -20...60 °C; Humidity ≤85% RH (none condensation)		
Dimension	96 mm x 96 mm x 105 mm (H x W x D)		
Hole Size	91 mm x 91 mm (H x W)		
Protection Level	IP65 (with back cover)		
Installation	Panel Mounted, Fast installation		

pH/ORP-3500 pH/ORP Online Meter



APPLICATION

Widely used in scientific experiments and flow detection of various pH solution. It is a small, low-cost and high cost-effective on-line analysis instruments.

FEATURES

- One kind of popular and cost-effective online pH/ORP controller.
- Be compatible for six kinds of Buffer solution (10.00, 9.18, 7.00, 6.86, 4.00, 4.01).
- Outlay temperature sensor design, Universal pH electrode.
- White back-light , overhead multi symbols, simple to set up, easy to use.
- Isolated 4...20 mA output, dual mode Instrument/Transmitter.
- Double relay control (one for high limit, one for the low limit) and the time-delay control.
- Optimal electromagnetic compatibility design, good anti-jamming performance.
- Multi power supply, DC/AC power input, no polarity connection.
- Compact Quick installation with the Short cabinet.
- With the CE certification.

TECHNICAL CHARACTERISTICS

	pH	ORP	Temp.
Measurement Range	0,00...14,00	-2000...+2000 mV	0,0...99,9 °C (Temp. compensation: NTC10K)
Resolution	0,01	1 mV	0,1 °C
Accuracy	±0,1	±5 mV (electronic unit)	±0,5 °C
Buffer Solution	10.00, 9.18, 7.00, 6.86, 4.00, 4.01		
Medium Temp.	0...50 °C (with 25 °C as standard) manual/automatic Temp. compensation for selection		
Analog Output	Isolated one channel 4...20 mA, Instrument/Transmitter for selection		
Control Output	Double relay output (single contact ON/OFF)		
Power supply	pH/ORP-3500 DC 24V	pH/ORP-3510 AC 110V	pH/ORP-3520 AC 220V
Power Consumption	≤3 W		
Working Environment	Temp. 0...50 °C; Humidity ≤85% RH (none condensation)		
Storage Environment	Temp. -20...60 °C; Humidity ≤85% RH (none condensation)		
Dimension	48 mm x 96 mm x 80 mm (H x W x D)		
Hole Size	44 mm x 92 mm (H x W)		
Installation	Panel Mounted, Fast installation		

CIT-8800 Inductive Conductivity/Concentration Online Controller



APPLICATION

- Conductivity, TDS, Concentration Online Controller of Strong electrolyte aqueous solution.
- Acid and alkali regeneration process on-line concentration analysis of anionic, cationic exchange resin.
- Conductivity of low viscosity, multi-phase liquid online analysis.
- Chemical process, electroplating, coating, oil, metal processing and other industrial conductivity on-line analysis.
- CIP cleaning, sewage treatment and seawater desalination, circulating cooling water, environmental water quality monitoring.

FEATURES

- Conductivity/Concentration/TDS/Temperature integration.
- RS485 MODBUS-RTU protocol.
- Double channels/isolated 4...20 mA output, Instrument/Transmitter mode for selection.
- 3.5"320x240 TFT color screen, Chinese/English for optional.
- Touch keys, humanism operation interface, guided menu.

- Support conductivity measurement range 0,5...2000 mS/cm, Auto range.
- Application-oriented can be customized, designed accessory for a variety of use conditions.
- Built-in NaOH, HNO₃ concentration curve, other new solution can be calibrate.
- Sensor material for optional, for highly corrosive, health requirements.

- Electromagnetic compatibility, with strong ability of anti-interference.
- Calendar function which can set timing and reserved timing.
- Password protection function, strengthen system security.

TECHNICAL CHARACTERISTICS

Measurement Range	Conductivity: 500...2000000 μ S/cm
	Concentration: 1. NaOH: 0...15% or 25...50%
	2. HNO ₃ : 0...25% or 36...82%
	3. User defined concentration curves
	TDS: 250...1000000 ppm
Temp.: 0,0...120,0 °C	
Resolution	Conductivity: 0,01 μ S/cm; Concentration: 0,01%; TDS: 0,01 ppm; Temp.: 0,1 °C
Accuracy	Conductivity: 500...1000 μ S/cm \pm 10 μ S/cm
	1...2000 mS/cm \pm 1,0%
	TDS: 1,5 level
Temp.: \pm 0,5 °C	
Temp. compensation	range: 0,0...120,0 °C; element: Pt1000
Analog Output	Two channels isolated, transportable 4...20 mA, Instrument/Transmitter for selection
Control Output	Triple channels semiconductor photoelectric switch, Programmable Switch, pulse and frequency.
Power supply	AC/DC 30V, 50mA (max)
Data communication	RS485, Modbus RTU protocol
Power supply	DC 24V \pm 15%
Consumption	<5,5 W
Working Environment	Temp. 0...50 °C; Humidity \leq 85% RH (none condensation)
Storage Environment	Temp. -20...60 °C; Humidity \leq 85% RH (none condensation)
Protection Level	IP65 (with rear cover)
Outline dimension	96 mm x 96 mm x 94 mm (H x W x D)
Hole dimension	91 mm x 91 mm (H x W)
Installation	Panel Mounted, Fast installation

CCT-8301A Conductivity/Resistivity/TDS/TEMP Online Controller



APPLICATION

Multi-effect distilled water for medical systems, boiler bottom water, condensate, heat exchange systems, industrial thermal mechanical parts cleaning, industrial water recycling and conductivity online analysis at high temperature environments running water quality management and automated control over a wide temperature range.

FEATURES

- Integrates conductivity/resistivity/temperature.
- 3.5" 320x240 TFT color screen, multiple parameter display in same screen.
- With the Conductivity constant 0.01; 0.1; 1.0; 10.0 cm-1
- Automatic range switch, arbitrary setting for measurement unit.
- Double channel, Isolated 4...20 mA, Instrument/Transmitter for selection.
- Control, transmit, arbitrary combination for conductivity/resistivity/TDS/temperature.
- Triple channels Photo-electrical switch control, Choose to conductivity/resistivity/temperature/time.
- Switching logic can be set, Static logic or pulse logic for optional.
- Calendar function, time setting and making an appointment, provide time tags for recording data.
- Pt1000 temperature compensation, with the professionalization of temperature measurement/temperature control.
- Complete isolated channel for the Power, measurement, transmitter and control.
- RS485 communication port, Standard Modbus RTU protocol.
- Optimal electromagnetic compatibility design, good anti-jamming performance.
- DC24V power supply, conform to the safety standards of high humidity site (Port polarity internal automatic identification).
- Password protection function, strengthen system security, with the CE Certification.

TECHNICAL CHARACTERISTICS

Constant	10,00 cm-1	1,000 cm-1	0,100 cm-1	0,010 cm-1
Conductivity	500...100000 µS/cm	1,0...10000 µS/cm	0,5...200 µS/cm	0,05...18,25 MΩ*cm
TDS	250...50000 ppm	0,5...5000 ppm	0,25...100 ppm	-
Temp.	0...180 °C (Temp.Compensation: Pt1000)			
Resolution	Conductivity: 0,01 µS/cm, 0,01 mS/cm; Resistivity: 0,01 MΩ*cm; TDS: 0,01 ppm; Temp.: 0,1 °C			
Accuracy	Conductivity: 1,5% (FS); Resistivity: 2,0% (FS); TDS: 1,5% (FS); Temp.: 0,5 °C			
Temperature compensation	With 25°C as standard under normal medium; With 90°(as standard under high temp medium)			
Analog Output	Double channel 4...20 mA, Instrument/Transmitter for selection			
Control Output	Triple channels photo-electronic semiconductor relay switch, Load capacity: AC/DC 30V,50mA (max)			
Communication port	RS485 Modbus RTU protocol			
Power supply	DC 24V ±15%			
Protection Level	IP65 (with back cover)			
Working Environment	Temp. 0...50 °C; Humidity ≤85% RH (none condensation)			
Storage Environment	Temp. -20...60 °C; Humidity ≤85% RH (none condensation)			
Dimension	96 mm x 96 mm x 94 mm (H x W x D)			
Hole Size	91 mm x 91 mm (H x W)			
Installation	Panel Mounted, Fast installation			

CCT-7300 Conductivity/Resistivity Online Controller



APPLICATION

Widely used for chemical industry, pharmaceutical, food, beverage, paper making industry, industrial coating, municipal water, Environmental and so on.

FEATURES

- Automatic range, digital Temp. Compensation.
- High measurement range, wide range temperature, integration Conductivity/Resistivity parameter measurement.
- Support electrode constant 0.01; 0.10; 1.00; 10.00.
- Arbitrary selection of Conductivity, resistivity and TDS.
- Power supply, measuring, communication, control are completely isolated.
- Isolated, transportable 4...20 mA current loop, Instrument/Transmitter mode for selection.
- Double relay control, ON/OFF contact, high/low limit control.
- Electromagnetic compatibility, with strong ability of anti-interference.
- With the CE Certification.

TECHNICAL CHARACTERISTICS

Constant	10,00 cm-1	1,000 cm-1	0,100 cm-1	0,010 cm-1
Conductivity	0,5...40000 µS/cm	1,0...4000 µS/cm	0,5...200 µS/cm	0,05...18,25 MΩ*cm 0,05...18,25 MΩ*cm
TDS	250...20000 ppm	0,5...2000 ppm	0,25...100 ppm	-
Temp.	0...180 °C (Temp.Compensation: Pt1000)			
Temperature compensation	With 25°C as standard under normal medium; With 90°(as standard under high temp medium)			
Temperature compensation	Pt1000			
Cable length	30 m (max)			
Analog Output	Isolated, transportable 4...20 mA, Instrument/Transmitter for selection			
Control Output	Double relays, ON/OFF; Load capacity: AC 230V/2A (Max)			
Power supply	CCT-7300	CCT-7310	CCT-7320	
	DC 24V	AC 110V	AC 220V	
Working Environment	Temp. 0...50 °C; Humidity ≤80% RH			
Protection Level	IP65 (with back cover)			
Dimension	96 mm x 96 mm x 105 mm (H x W x D)			
Hole Size	91 mm x 91 mm (H x W)			
Installation	Panel Mounted, Fast installation			

CCT-5300E series Conductivity/Resistivity/TDS Online Controller



APPLICATION

High Cost-Effective, widely used for chemical industry, paper making industry, industrial coating, pharmaceutical, food, beverage, municipal water, environmental and so on.

FEATURES

- Integrated of Conductivity/Resistivity parameter measurement, support cell constant 0.01cm-1, 0.1 cm-1, 1.0 cm-1, 10.0 cm-1.
- Automatic range switch, Intelligent core.
- White Background LCD display, various of symbols to lead operation.
- Arbitrary selection of Conductivity, resistivity and TDS.
- Check the conductivity, temperature, mA current at any time.
- Isolated, transportable 4...20 mA output, Instrument/Transmitter mode for selection.
- DC 24V; AC 110V; AC 220V power supply for selection.
- Measuring, communication, control are completely isolated, more stable.
- With the CE Certification.

TECHNICAL CHARACTERISTICS

Constant	10,00 cm-1	1,000 cm-1	0,100 cm-1	0,010 cm-1
Conductivity	0,5...20000 µS/cm	0,5...2000 µS/cm	0,5...200 µS/cm	0,05...18,25 MΩ*cm
TDS	250...10000 ppm	0,5...1000 ppm	0,25...100 ppm	-
Medium Temp.	0...50 °C (Temp. compensation: NTC10K)			
Accuracy	Conductivity	Resistivity	TDS	Temp.
	1,5% (FS)	2,0% (FS)	1,5% (FS)	0,5 °C
Cable length	≤20 m (max)			
Temperature compensation	0...50 °C (with 25 °C as standard)			
Transmitting Output	Isolated, transportable 4...20 mA, Instrument/Transmitter for selection			
Control Output	Relay contact: ON/OFF; Load capacity: AC 230V/5A (Max)			
Power supply	CCT-5300E	CCT-5310E	CCT-5320E	
	DC 24V	AC 110V	AC 220V	
Working Environment	Temp. 0...50 °C; Humidity ≤85% RH (none condensation)			
Storage Environment	Temp. -20...60 °C; Humidity ≤85% RH (none condensation)			
Dimension	96 mm x 96 mm x 105 mm (H x W x D)			
Hole Size	91 mm x 91 mm (H x W)			
Installation	Panel Mounted, Fast installation			

CCT-3300 Series Conductivity Online Controller



APPLICATION

Widely used for chemical industry, pharmaceutical, food, beverage, industrial coating, municipal water, environmental, etc. conductivity/resistivity online measuring and control. It is a small-scale, industry leading and High Cost-Effective conductivity/resistivity integration online controller.

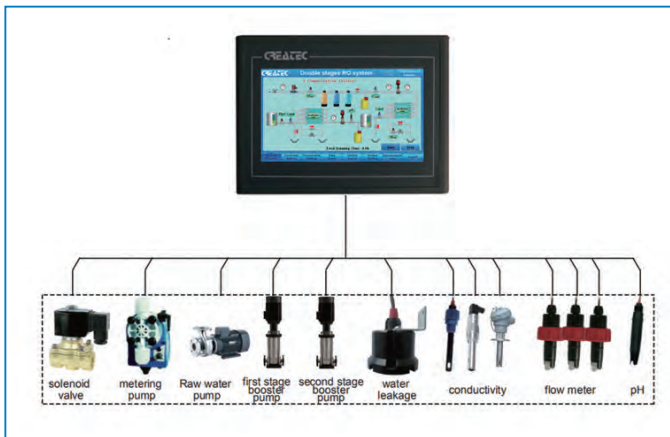
FEATURES

- Integrated of Conductivity/Resistivity parameter measurement, support cell constant 0.01cm-1, 0.1 cm-1, 1.0 cm-1, 10.0 cm-1.
- Intelligent automatic range, automatic conversion in full range.
- Arbitrary selection of Conductivity, Resistivity and TDS.
- Check the conductivity, temperature, 4...20 mA at any time.
- Single channel Isolated 4...20 mA output, instrument/transmitter mode for selection.
- DC 24V; AC 110V; AC 220V power supply for selection.
- Measuring, communication, control are completely isolated, more stable.
- With the CE Certification.

TECHNICAL CHARACTERISTICS

Constant	10,00 cm-1	1,000 cm-1	0,100 cm-1	0,010 cm-1
Conductivity	0,5...20 mS/cm	0,5...2000 µS/cm	0,5...200 µS/cm	0,05...18,25 MΩ*cm
TDS	250...10000 ppm	0,5...1000 ppm	0,25...100 ppm	-
Medium Temp.	0...50 °C			
Resolution	Conductivity	TDS		Temp.
	0,01 µS/cm	0,01 ppm		0,1 °C
Accuracy	Conductivity	Resistivity	TDS	Temp.
	1,5% (FS)	2,0% (FS)	1,5% (FS)	0,5 °C
Temperature compensation	0...50 °C (with 25 °C as standard)			
Cable length	≤5 m (max)≤5 m (max)			
mA Output	Isolated 4...20 mA, Instrument/Transmitter for selection			
Control Output	Relay contact: ON/OFF; Load capacity: AC 230V/5A (Max)			
Working Environment	Temp. 0...50 °C; Humidity ≤85% RH (none condensation)			
Storage Environment	Temp. -20...60 °C; Humidity ≤85% RH (none condensation)			
Power supply	CCT-3300	CCT-3310	CCT-3320	
	DC 24V	AC 110V	AC 220V	
Dimension	48 mm x 96 mm x 80 mm (H x W x D)			
Hole Size	44 mm x 92 mm (H x W)			
Installation	Panel Mounted, Fast installation			

ROC-7000 Reverse Osmosis Control Integrated System



APPLICATION

Applicable to all kinds of small and medium-sized single-stage, double-stage reverse osmosis control system. With simple operation, complete measurement and configuration, highly integrated system.

FEATURES

- Human-Computer Interface , 7 inch colour touch screen, dynamic process display.
- Conductivity test of raw water, primary and secondary conductivity detection, with ultra-limit alarm and discharge drive.
- Human-computer interaction, pop-up soft keyboard, can set or modify the operating parameters, feature-rich, easy to operate.
- Automatic control, with built-in measurement analysis and DI/DO in control system, embedding the process running software, to achieve highly integration.
- Consumables management, consumables pre-processing capacity, the remaining processing capacity forecast makes the user know the operation of the consumables in time.
- Flush mode, the system flush for boot and shutdown, wash time can be free set.
- pH adjustment and Real-time detection of pH, drive ph adjustment pump to balance pH (two-stage) at any time.
- Set the antiscaling metering pump control, and chain with the original pump control.
- Leakage detection, real-time detect the system leakage signal, immediately stop if leakage alarm, to prevent the expansion of the situation.
- Flow detection, record the instantaneous flow of raw water, producing water and concentrated water, to save the cumulative flow.
- Restricted function of concentrated water flow, to avoid illegal operation of membrane components premature fouling caused by the pursuit of high recovery rate.
- Data storage, operating data recalls in the form of historical curves and data queue, make the user easier to compare and record, and has a U disk export function, and for data backup.
- Remote communication, RS485 communication port can achieve remote transmission through GPRS/WIFI or Zigbee and other wireless modules, but also access to the Internet to achieve remote real-time monitoring and fault diagnosis and other functions.
- Extended redundancy, the manufacturer can extend on basis of this series for user needs.
- Panel installation, detection modules are all built-in, so that the external distribution lines are rare, with simple and beautiful installation.
- Good electromagnetic compatibility (EMC) design, calmly deal with complex industrial field electromagnetic environment.

continuation▶

ROC-7000 Reverse Osmosis Control Integrated System

TECHNICAL CHARACTERISTICS

Conductivity measurement parameters	Cell constant	0,1 cm-1	1,0 cm-1	10,0 cm-1
	Raw water conductivity		0...2000 µS/cm	0...20000 µS/cm
	Primary conductivity	0...200 µS/cm	0...2000 µS/cm	
	Secondary conductivity	0...200 µS/cm	0...2000 µS/cm	
	Temperature compensation	Automatic compensation on the basis of 25 °C, compensation range 0...50 °C		
	Accuracy	Matched precision: 1.5 level		
Flow measurement range	Instantaneous flow	0...999 m³/h		
	Accumulative flow	0..9999999 m³		
pH measurement parameters	Measurement range	2...12		
	Accuracy	±0.1 pH		
	Temperature compensation	Automatic compensation on the basis of 25 °C, compensation range 0...50 °C		
DI acquisition	Input signal	Low pressure switch of Tap water, high level of pure water tank, low level of pure water tank, low pressure switch before the pump, high pressure switch after the primary booster pump, high level of secondary pure water tank, low level of secondary pure water tank, high pressure switch after the secondary booster pump.		
	Signal Type	Passive switch contact		
DO Control	Control output	Inlet valve, primary flush valve, primary drain valve, antiscalant pump, raw water pump, primary booster pump, secondary booster pump, secondary flush valve, secondary drain valve, pH adjustment metering pump		
	Electrical contact	Relay (ON/OFF)		
	Load capacity	3A (AC 250V) - 3A (DC 30V)		
Display screen	Screen color: TFT; resolution: 800x480			
Working power	Working power	DC 24V ±4V		
	Power consumption	≤6,0 W		
Working environment	Temp. 0...50 °C; Humidity ≤85% RH (none condensation)			
Storage environment	Temp. -20...60 °C; Humidity ≤85% RH (none condensation)			
Installation	Panel mounted	Hole (Length x Width 192 mm x 137 mm)		

OPERATING PRINCIPLE

ROC-7100 Single Stage Reverse Osmosis Control Integrated System

ROC-7200 Double Stage Reverse Osmosis Control Integrated System

Conductivity probe	pH probe	Flow probe	Water leakage sensor
3pieces (max)	1 piece (max)	3pieces (max)	1 piece (max)

ROC-8221 Single Stage Double Channels RO Controller



APPLICATION

Single stage double channels integration RO controller used for conductivity monitoring and process program control.

ORDER DIRECTION

Basic order unit: ROC-8221 single stage RO controller
Conductivity cell selection:

Conductivity Cell Constant	Part No.	Remark
0.1 cm-1	CON3133-13	According to customer needs choose two pieces conductivity probe.
1.0 cm-1	CON1134-13	
1.0 cm-1	CON3134-14	
10.0 cm-1	CON2136-13	

TECHNICAL CHARACTERISTICS

Signal detection (seven channels)	Dry contact input	Raw water tank level: double channels	Low level
			High level
		Pure water tank level: double channels	Low level
			High level
		Low pressure protection	
High pressure protection			
Pretreatment backwash signal			
Control port (five channels)	Dry contact output	Raw water pump	SPST-NO Load capacity: AC 220V/3A Max; AC 110V/5A Max; DC 24V/3A Max
		Inlet valve	
		High pressure pump	
		Flush valve	
		Conductivity over-limit drainage valve	
Measure detection points	Raw water conductivity, product water conductivity, raw water Temp.		
	Raw water conductivity	Cell constant 10.0 cm-1	0...20000 µS/cm
		Cell constant 1.0 cm-1	0...2000 µS/cm
	Product water conductivity	Cell constant 1.0 cm-1	0...2000 µS/cm
		Cell constant 0.1 cm-1	0...200 µS/cm
Medium Temp.	0...50 °C		
Accuracy	1,5 % (FS)		
Communication	RS485 communication (Modbus protocol)		
Working environment	Temp. 0...50 °C; Humidity ≤85% RH (none condensation)		
Storage environment	Temp. -20...60 °C; Humidity ≤85% RH (none condensation)		
Power supply	DC 24V ±4V		
Protection level	IP65 (with back cover)		
Dimension	130 mm x 180 mm x 60 mm (H x W x D)		
Hole size	122 mm x 172 mm (H x W)		
Installation	Panel mounted, fast installation		

OPERATING PRINCIPLE

Basic order unit: ROC-8221 single stage RO controller		
Conductivity cell selection:		
Conductivity Cell Constant	Part No.	Remark
0.1 cm-1	CON3133-13	According to customer needs choose two pieces conductivity probe.
1.0 cm-1	CON1134-13	
1.0 cm-1	CON3134-14	
10.0 cm-1	CON2136-13	

ROC-2315 Single Stage Channel RO Controller



APPLICATION

Single stage RO controller used for conductivity monitoring and process program control.

ORDER DIRECTION

Basic order unit: ROC-2315 Single Stage RO Controller

Conductivity cell selection:

Conductivity Cell Constant	Part No.	Remark
0.1 cm-1	CON3133-13	Note: CON1134-13 can't be used for food, beverage, medical or sanitary industries.
1.0 cm-1	CON1134-13 (standard)	
10.0 cm-1	CON2136-13	

TECHNICAL CHARACTERISTICS

Signal detection (six channels)	Dry contact input	Raw water no water protection	
		Low pressure protection	
		High pressure protection	
		Pure water tank high level	
		External control mode signal	
		Running reset	
Control port (five channels)	Dry contact output	Raw water pump	Load capacity: AC 220V/3A Max; AC 110V/5A Max SPST-NO Load capacity:SPST-NO AC 220V/3A Max; AC 110V/5A Max
		Inlet valve	
		High pressure pump	
		Flush valve	
		Conductivity over-limit drainage valve	
Measurement detection point	Product water conductivity		
Measurement range	Product water conductivity: 0,1...200 μ S/cm, 1...2000 μ S/cm or 10...999 μ S/cm (with different sensor)		
	Product water Temp.: 0...50 °C		
Working environment	Temp. 0...50 °C; Humidity \leq 85% RH (none condensation)		
Storage environment	Temp. -20...60 °C; Humidity \leq 85% RH (none condensation)		
Power supply	AC 220V(\pm 10 %) 50/60Hz		
Dimension	96 mm x 96 mm x 130 mm (H x W x D)		
Hole size	91 mm x 91 mm (H x W)		
Installation	Panel mounted, fast installation		

UFC-8021 Ultrafiltration Controller



FEATURES

- Visuable flow process which can monitor the status of the original water pump, the status of the original water tank, the raw water pressure, the water pump, the water tank, the water pressure and so on.
- Display two flows (raw water and water production) simultaneously. Raw water flow range 0...999 m³/s, the cumulative flow can be manually cleared.
- Intelligent microprocessor chip for data processing.
- With 485 isolated digital interface, standard Modbus communication protocol (RTU).

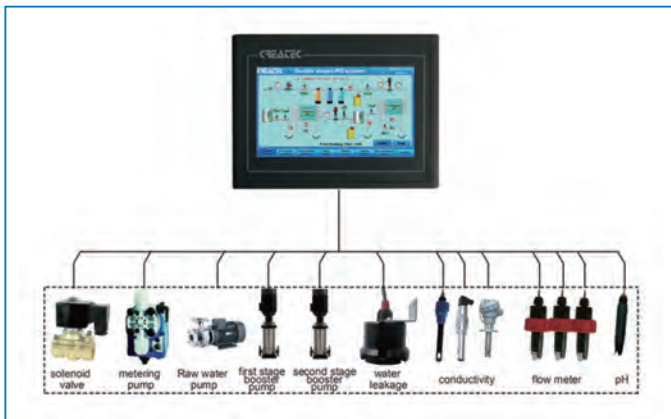
TECHNICAL CHARACTERISTICS

Flow measure range	Raw water: 0...999 m ³ /s Produced water: 0...999 m ³ /s
Accumulated flow	0...9999999 m ³
Accuracy	1.5 level
Display method	Backlit LCD 128 x 64 dot matrix; Chinese or English display settings menu and status prompts
Relay contact load capacity	3A/250V AC (Solenoid valve must be extended through the middle relay drive capability)
Power consumption	≤3 W
Supply voltage	DC24V ±4V
Use of environmental conditions	Temperature: 0... 50 °C; Humidity: 85% RH
Appearance size	96 x 96 x 80 mm (High x Width x Depth without back cover)
Install the hole size	96 x 96x 105 mm (High x Width x Depth with back cover)
	91 x 91 mm (High x Width)

ORDER DIRECTION

Name	Model	Number
Panel Meter	UFC-8021	1 pc
Flow Probe	FL-1400-13	Select 2 pcs at most
	FL-1500-13	
Leak Sensor	WLS-100	Select 1 pc at most

UFC-7000 Ultrafiltration Control Integration System



APPLICATION

Suitable for all kinds of small and medium-sized single-group, two-group ultrafiltration automatic application control integration system. Simple operation, complete measuring instruments, and high degree of system centralization.

FEATURES

- Human-machine interface, 7-inch color touch screen, dynamic flow display.
- Automatic control, built-in analysis instruments and DI/DO in the control system, embedded process running software, high integration.

- Water leakage detection, real-time detection of system water leakage signal, leakage alarm immediately stop, prevent the expansion of the situation.
- Flow detection, record the instantaneous flow of raw water, water production, backwash, save the cumulative flow.
- Data storage and U disk export function for data backup.

TECHNICAL CHARACTERISTICS

Flow measurement range	Instantaneous flow	0...999 m3/h
	Cumulative flow	0...9999999 m ³
DI	Input signal	Raw water low pressure
		Raw water pump outlet pressure is high
		Backwash pump outlet pressure is high
		Preprocess signal
		UF1 differential pressure signal
		UF2 differential pressure signal; (double-stage)
		Water tank high level
		Water tank low level
DO	Control output	Passive normally open contact
		Raw water pump
		Backwash pump
		UF1 inlet valve
		UF1 produced valve
		Output signal common ground
		UF1 backwash valve
		UF1 flush valve
		UF2 inlet valve/disinfection pump; double stage/single stage
		UF2 produced valve; double stage
		UF2 backwash valve; double stage
		UF2 flush valve; double stage
		Control output
Load capacity	3A (AC 250V) 3A (DC 30V)	
Power supply	Supply voltage	DC 24V ±4V (Power consumption 6,0 W)
Install method	Panel type	Open hole (Length x Width, 192 mm x 137 mm)

ORDER DIRECTION

Name	Model	Model
UFC-7000 Controller	UFC-7000	UFC-7000

.....

EKO-TRADING CO., LIMITED



Disc & Screen Filters

.....

GLA100 manual filters series



MATERIALS		
Type	Body	Cartridge
Disc	Polypropylen PP	Polypropylen PP
Screen	Polypropylen PP	Stainless steel 304

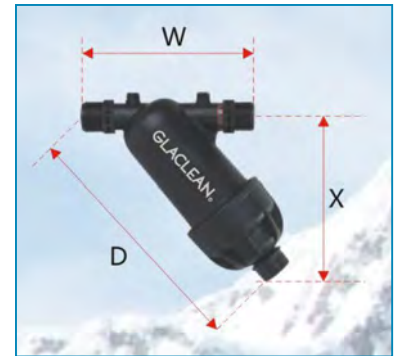
FILTERS BENEFIT

- The body made of high quality polypropylene, strong and durable
- Easy to install, with good compressive strenght, with a max. working pressure at 8 bar (116 psi)
- With cartridge in disc type & screen type
- Full range sizes: 3/4", 1", 1.5", 2"

The end of body with thread & cap, easy for wastes discharge or pressure reduction

- The design of pressure gauge connection, available in all sizes
- Disc filter cartridge is from polypropylen PP
- Screen filter cartridge is from stainless steel 304

DIMENSIONS						
Model	Connections		Sizes (mm)			Weight (g)
	A	B	W	X	D	
G100D20B130	3/4" BSP	3/4" BSP	172	110	189	276
G100D20N130	3/4" NPT	3/4" NPT				
G100D25B130	1" BSP	1" BSP	183	110	195	282
G100D25N130	1" NPT	1" NPT				
G100D40B130	1-1/2" BSP	1-1/2" BSP	211	122	232	392
G100D40N130	1-1/2" NPT	1-1/2" NPT				
G100D50B130	2" BSP	2" BSP	244	171	312	650
G100D50N130	2" NPT	2" NPT				
G100S20B130	3/4" BSP	3/4" BSP	172	110	189	196
G100S20N130	3/4" NPT	3/4" NPT				
G100S25B130	1" BSP	1" BSP	183	110	195	198
G100S25N130	1" NPT	1" NPT				
G100S40B130	1-1/2" BSP	1-1/2" BSP	211	122	232	312
G100S40N130	1-1/2" NPT	1-1/2" NPT				
G100S50B130	2" BSP	2" BSP	244	171	312	570
G100S50N130	2" NPT	2" NPT				

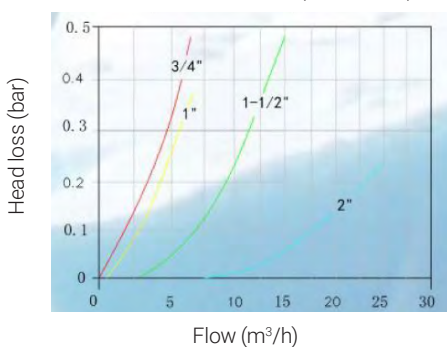


TECHNICAL CHARACTERISTICS					
Connection	Max. flow		Filtration surface		Max. pressure
	Discs	Screen	Discs	Screen	
	m³/h		cm²		kg/cm²
3/4"	4	5	152	126	8
1"	5	6	152	126	8
1 1/2"	12	14	206	180	8
2"	22	24	362	328	8

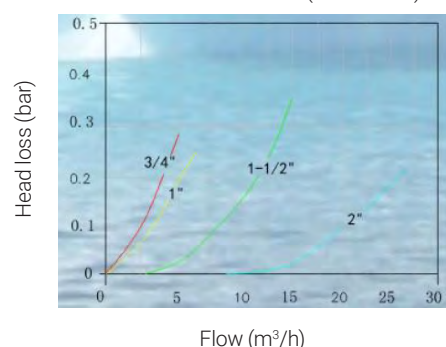


HEAD LOSS:

GLA100 disc head loss (130 micron)



GLA100 disc head loss (130 micron)



Disc or screen cartridge color	
	200 micron (75 mesh)
	100 micron (150 mesh)
	130 micron (120 mesh)
	50 micron (300 mesh)

GLA200 manual filters series



FILTERS BENEFIT

GLA200 is the range of manual filters manufactured in technical plastic. It is resistant to most of the products normally used in agriculture. The hydraulic design of filter minimizes the head loss, saving energy and optimizing its performance.

TECHNOLOGY

Modularity.

Versatility, compatibility and easy maintenance. The system permits a wide range of flow rates and configurations using a minimal number of components.

Maximum quality and safety in filtration.

Wide range of filtration grades in discs and screens.

The largest filtration area of its kind.

Robustness.

Base and lid manufactured in high quality thermo-plastic.

Easy installation, handling and maintenance.

No tools required for maintenance.

Threaded tightening nut.

Very resistant to variations of pressure and temperature.

Equipped with pressure gauges intakes.

3 mouth housing with different connection possibilities.

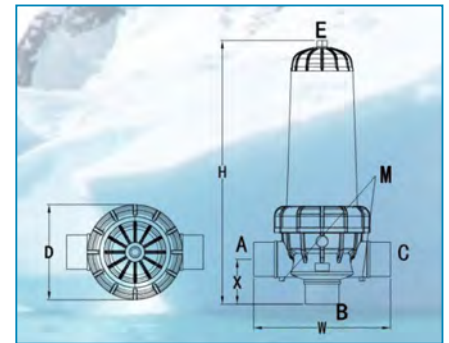
BSP, NPT or grooved connection. The filter can be installed in any position.

The lid incorporates an auxiliary 3/4" thread.

It permits the installation of a depressurization valve and emptying of the filter.

Water and energy saving.

DIMENSIONS										
Model	Connections					Sizes (mm)				Weight (g)
	A	B	C	E	M	H	W	X	D	
G200D50NB	2" BSP	2" BSP	2" BSP	3/4" BSP	1/4" BSP	426	286	76	235	3,92
G200D50NN	2" NPT	2" NPT	2" NPT							
G200D50NL	2" VIC	2" VIC	2" BSP	3/4" BSP	1/4" BSP	606	286	76	235	5,18
G200D50NM	2" VIC	2" BSP	2" VIC							
G200D50SB	2" BSP	2" BSP	2" BSP	3/4" BSP	1/4" BSP	502	336	112	235	4,16
G200D50SN	2" NPT	2" NPT	2" NPT							
G200D50SL	2" VIC	2" VIC	2" BSP	3/4" BSP	1/4" BSP	656	336	112	235	5,39
G200D50SM	2" VIC	2" BSP	2" VIC							
G200D80CB	3" BSP	3" BSP	3" BSP	3/4" BSP	1/4" BSP	502	336	112	235	4,16
G200D80CN	3" NPT	3" NPT	3" NPT							
G200D80CL	3" VIC	3" VIC	3" BSP	3/4" BSP	1/4" BSP	656	336	112	235	5,39
G200D80CM	3" VIC	3" BSP	3" VIC							
G200D80NB	3" BSP	3" BSP	3" BSP	3/4" BSP	1/4" BSP	502	336	112	235	4,16
G200D80NN	3" NPT	3" NPT	3" NPT							
G200D80NL	3" VIC	3" VIC	3" BSP	3/4" BSP	1/4" BSP	656	336	112	235	5,39
G200D80NM	3" VIC	3" BSP	3" VIC							



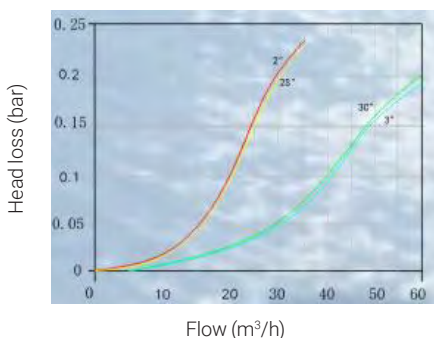
TECHNICAL CHARACTERISTICS				
Model	Max. flow, m³/h	Filtration surface		Max. pressure, kg/cm²
		Discs, cm²	Screen, cm²	
130 micron				
G200D50N	30	1060	660	10
G200D50S	30	1680	980	10
G200D80C	50	1060	660	10
G200D80N	50	1680	980	10

The flow rate given by filter, conditions the frequency of the flushings.

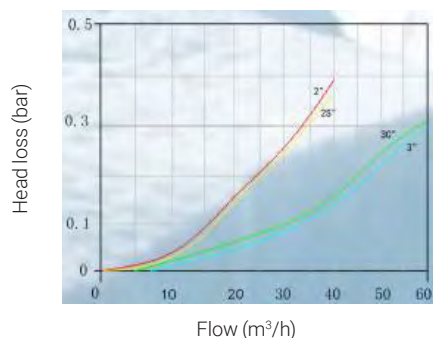
MATERIALS		
Type	Disc type	Screen type
Housing	Polypropylen PP	
Filtering element	Polypropylen PP	Stainless steel 304
Locking threads	Polyamide reinforced with fiberglass	
Sealing element	NBR	

HEAD LOSS:

GLA200 screen head loss (130 micron)



GLA200 discs head loss (130 micron)



Disc or screen cartridge color	
	200 micron (75 mesh)
	100 micron (150 mesh)
	130 micron (120 mesh)
	50 micron (300 mesh)

GLA300 manual filters series



FILTERS BENEFIT

Accurate filtration, highly stable water flow.

- Well designed disc filter & stainless steel screen filter, ensure to stop particulates to get a good filtration result.

Modular construction, seamless replacement, easy for installation.

- Victaulic connection, easy for install and change.
- Fiberglass reinforced nylon material for good pressure bearing capability and wear resistance.
- Molding products, with very little dimension difference.
- Different connection for fast assembling available, easy for installation and change.





Suitable for different working environment.

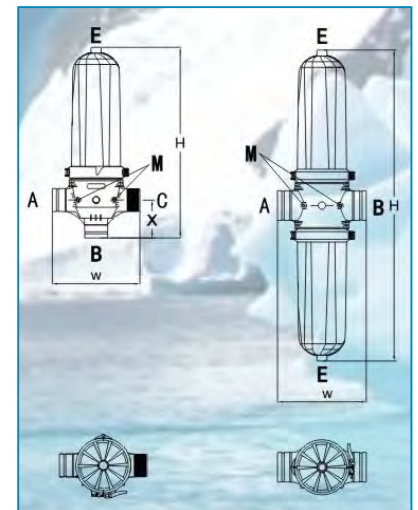
- No powder demand for filter, can be used without electricity.
- Multiple ways of installation & position, no need to be categorical vertical or horizontal during installation.
- Multiple precision of disc available, good for filtration of hard particulates.
- Pressure gauge connector and drainage connector on top, easy for use.
- Fully stainless steel safety clamp, easy to install & maintenance.

DIMENSIONS									
Model	Connections			Sizes (mm)					Weight (g)
	A	B	C	E	M	H	W	X	
G300D50NB	2" BSP	2" BSP	2" BSP	3/4" BSP	1/4" BSP	599	310	134	7,65
G300D50NN	2" NPT	2" NPT	2" NPT						
G300D50NL	2" VIC	2" VIC	2" BSP						
G300D50NM	2" VIC	2" BSP	2" VIC						
G300D50SB	2" BSP	2" BSP	2" BSP	3/4" BSP	1/4" BSP	723	310	134	9,1
G300D50SN	2" NPT	2" NPT	2" NPT						
G300D50SL	2" VIC	2" VIC	2" BSP						
G300D50SM	2" VIC	2" BSP	2" VIC						
G300D80CB	3" BSP	3" BSP	3" BSP	3/4" BSP	1/4" BSP	605	337	148	7,8
G300D80CN	3" NPT	3" NPT	3" NPT						
G300D80CL	3" VIC	3" VIC	3" BSP						
G300D80CM	3" VIC	3" BSP	3" VIC						
G300D80NB	3" BSP	3" BSP	3" BSP	3/4" BSP	1/4" BSP	729	337	148	9,3
G300D80NN	3" NPT	3" NPT	3" NPT						
G300D80NL	3" VIC	3" VIC	3" BSP						
G300D80NM	3" VIC	3" BSP	3" VIC						
G300D80SM	3" VIC	3" VIC		3/4" BSP	1/4" BSP	1200	341		21
G300D100NM	4" VIC	4" VIC							

TECHNICAL CHARACTERISTICS				
Model	Max. flow, m ³ /h	Filtration surface		Max. pressure, kg/cm ²
		Discs, cm ²	Screen, cm ²	
G300D50N	32	1220	920	10
G300D50S	32	1730	1160	10
G300D80C	55	1220	920	10
G300D80N	65	1730	1160	10
G300D80S	80	3460	2320	10
G300D100N	100	3460	2320	10

MATERIALS	
Body	Nylon with glass fiber
Disc	Polypropylene
Sealing	Stainless steel hoop with natural rubber
Bracket parts	Nylon with glass fiber
Screen	Stainless steel 304

Disc or screen cartridge color	
	200 micron (75 mesh)
	100 micron (150 mesh)
	130 micron (120 mesh)
	50 micron (300 mesh)



GLA600 automatic filters series



FILTERS BENEFIT

Automatic backflush filters

GLACLEAN automatic disc filter allows to obtain the maximum quality in filtration and minimum energy consumption. Our filter minimum the water lose, reduce system maintenance costs.

Better filtration reliability - disc type filtration.

Elaborate design of inner construction & disc cartridge, ensured the impurities that might plug the system to be stopped.

Better water saving and reduce system maintenance cost - centrifugal filtration.

The helix create centrifugal action, big impurities flow away cartridge, optimize the filtration performance and reduce back wash frequency and maintenance and water lose, get the best filtration result.

Better automatic self-cleaning result - accurate small nozzle design.

Numerous small nozzle in cartridge, create spiral high speed water stream, which

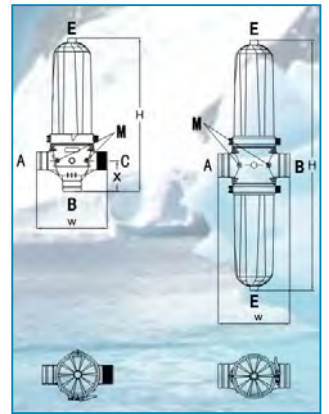
get efficient cleaning of discs. Low flow demanding, ensure the flow rate of whole system more stable, and get efficient self-cleaning.

Multiple precision of disc available - good for different working conditions.

Color coded disc precision in 200 micron, 130 micron, 100 micron, 50 micron.

Molding products, with very little dimension difference.

Different connection available for fast assembling, easy for installation and change.



Disc or screen cartridge color	
	200 micron (75 mesh)
	100 micron (150 mesh)
	130 micron (120 mesh)
	50 micron (300 mesh)

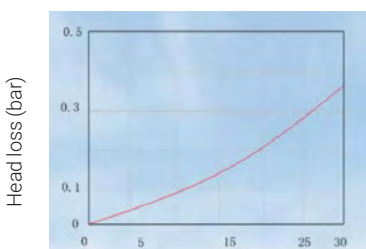
DIMENSIONS									
Model	Connections					Sizes (mm)			Weight (g)
	A	B	C	E	M	H	W	X	
G600D50SL	2" VIC	2" VIC	2" BSP	3/4" BSP	1/4" BSP	723	310	134	9,7
G600D50SM	2" VIC	2" BSP	2" VIC						
G600D80NL	3" VIC	3" VIC	3" BSP	3/4" BSP	1/4" BSP	729	337	148	9,9
G600D80NM	3" VIC	3" BSP	3" VIC						
G600D100NM	4" VIC	4" VIC		3/4" BSP	1/4" BSP	1200	341		23

TECHNICAL CHARACTERISTICS				
Model	Max. flow, m³/h	Filtration surface		Max. pressure, kg/cm²
		Discs, cm²	Screen, cm²	
G600D50S	26	1520	10	3
G600D80N	36	1520	10	3
G600100N	72	3040	10	6

Model	Connection	Description	Filter precision	
			Micron	Mesh
G600D50SL	90° interface/grooved	2" large overlapping filter unit	400	38
G600D50SM	180° interface/grooved	2" large overlapping filter unit	200	75
G600D80NL	90° interface/grooved	3" large overlapping filter unit	130	120
G600D80NM	180° interface/grooved	3" large overlapping filter unit	100	150
G600D100NM	180° interface/grooved	4" large overlapping filter unit	50	300
G600D100NM	180° interface/grooved	4" large overlapping filter unit	20	625

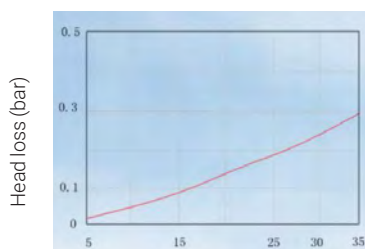
HEAD LOSS:

G50S head loss (130 micron)



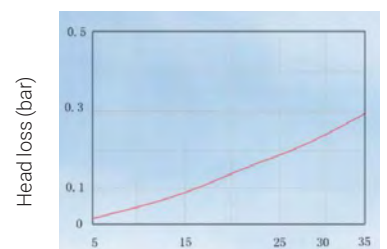
Flow (m³/h)

G80S head loss (130 micron)



Flow (m³/h)

G100N head loss (130 micron)



Flow (m³/h)



GLS2000 automatic filters series



FILTERS BENEFIT

Automatic filtration system advantages Centrifugal filtration.

Helix created centrifugal action optimizes the filtration performance and reduces backwash frequency and maintenance.

Disc filtration with maximum safety.

All the components are made of high quality materials. The unique design guarantee an extended life with high resistance.

Modular construction.

The versatility and compatibility of filter permits the system a wide range of flows and configurations, easy to install & change.

Low maintenance.

No tools demand for filter maintenance, easy and fast.

Exclusive piston system.

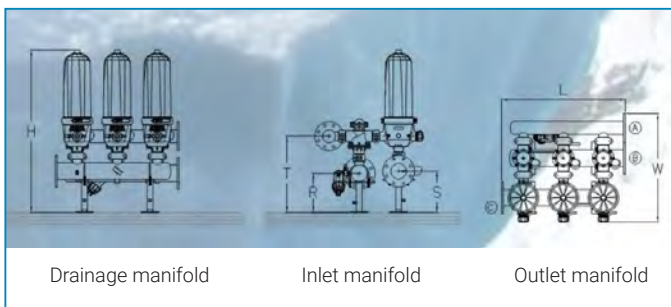
A piston system to compact the filter elements allows for easy decompression of the disc stack during backwash. Easy for handling and disc maintenance.

Water and energy saving.

High efficiency filtration system & backwashing system save the water and energy.

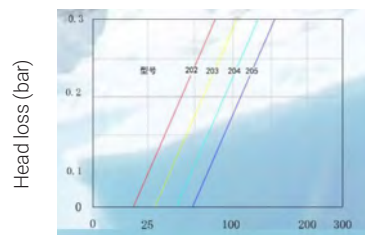
DIMENSIONS





Model	Specifications No of filters	Sizes, (mm)					
		L	W	H	R	T	S
GLS202X3F	2" x 2	575	745	1087	256	498	270
GLS202X4F	2" x 2	575	745	1112	269	523	284
GLS203X4F	2" x 3	850	745	1112	269	523	284
GLS204X4F	2" x 4	1125	745	1112	269	523	284
GLS205X6F	2" x 5	1400	773	1163	295	574	309



HEAD LOSS

GLS2000 head loss (130 micron)



Disc or screen cartridge color	
	200 micron (75 mesh)
	100 micron (150 mesh)
	130 micron (120 mesh)
	50 micron (300 mesh)

TECHNICAL CHARACTERISTICS

Model	Max. flow, m³/h	Filtration surface	Max. pressure	Min. flow Backflush, l/s
		Filtration		
		cm²	kg/cm²	
GLS202X3F	40	3040	10	3
GLS202X4F	52	3040	10	3
GLS203X4F	78	4560	10	3
GLS204X4F	104	6080	10	3
GLS205X6F	130	7600	10	3

MATERIALS

Body	Nylon with glass fiber
Disc	Polypropylene
Sealing	Stainless steel hoop with natural rubber
Bracket parts	Nylon with glass fiber
Compress the piston	Nylon with glass fiber with PTFE

GLS3000 automatic filters series



FILTERS BENEFIT

Automatic filtration system advantages Centrifugal filtration.

Helix created centrifugal action optimizes the filtration performance and reduces backwash frequency and maintenance.

Disc filtration with maximum safety.

All the components are made of high quality materials. The unique design guarantee an extended life with high resistance.

Modular construction.

The versatility and compatibility of filter permits the system a wide range of flows and configurations, easy to install & change.

Low maintenance.

No tools demand for filter maintenance, easy and fast.

Exclusive piston system.

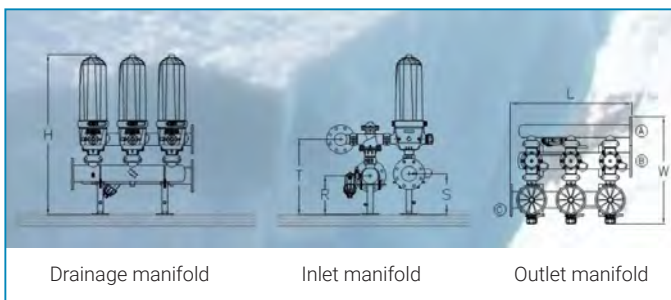
A piston system to compact the filter elements allows for easy decompression of the disc stack during backwash. Easy for handling and disc maintenance.

Water and energy saving.

High efficiency filtration system & backwashing system save the water and energy.

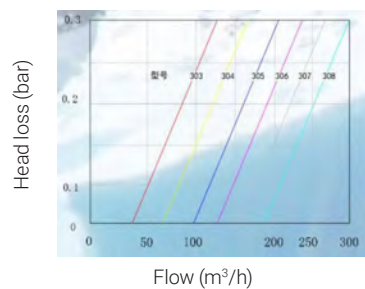
DIMENSIONS





Model	Specifications No of filters	Sizes, (mm)					
		L	W	H	R	T	S
GLS303X6F	3" x 3	850	830	1205	295	616	337
GLS304X6F	3" x 4	1125	830	1205	295	616	337
GLS305X6F	3" x 5	1400	830	1205	295	616	337
GLS306X8F	3" x 6	1675	840	1259	322	670	364
GLS307X8F	3" x 7	1950	840	1259	322	670	364
GLS308X8F	3" x 8	2225	840	1259	322	670	364



HEAD LOSS

GLS3000 head loss (130 micron)



Disc or screen cartridge color	
	200 micron (75 mesh)
	100 micron (150 mesh)
	130 micron (120 mesh)
	50 micron (300 mesh)

TECHNICAL CHARACTERISTICS

Model	Max. flow, m³/h	Filtration surface	Max. pressure	Min. flow Backflush, l/s
		Filtration		
		cm²	kg/cm²	
GLS303X6F	108	4560	10	3
GLS304X6F	144	6080	10	3
GLS305X6F	180	7600	10	3
GLS306X8F	216	9552	10	3
GLS307X8F	252	10640	10	3
GLS308X8F	288	12160	10	3

MATERIALS

Body	Nylon with glass fiber
Disc	Polypropylene
Sealing	Stainless steel hoop with natural rubber
Bracket parts	Nylon with glass fiber
Compress the piston	Nylon with glass fiber with PTFE

GLS4000 automatic filters series



FILTERS BENEFIT

Automatic filtration system advantages Centrifugal filtration.

Helix created centrifugal action optimizes the filtration performance and reduces backwash frequency and maintenance.

Disc filtration with maximum safety.

All the components are made of high quality materials. The unique design guarantee an extended life with high resistance.

Modular construction.

The versatility and compatibility of filter permits the system a wide range of flows and configurations, easy to install & change.

Low maintenance.

No tools demand for filter maintenance, easy and fast.

Exclusive piston system.

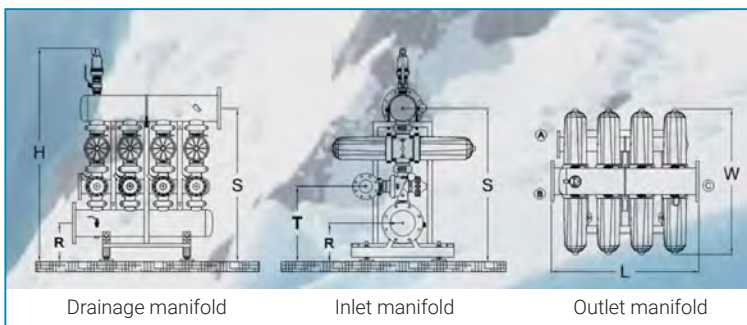
A piston system to compact the filter elements allows for easy decompression of the disc stack during backwash. Easy for handling and disc maintenance.

Water and energy saving.

High efficiency filtration system & backwashing system save the water and energy.

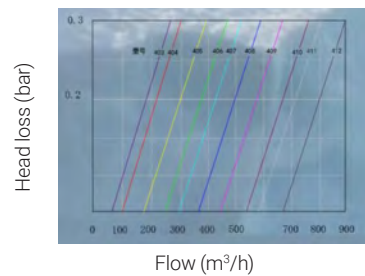
DIMENSIONS

Model	Specifications No of filters	Sizes, (mm)					
		L	W	H	R	T	S
GLS403X8F	4" x 3	950	1200	1765	320	623	1266
GLS404X8F	4" x 4	1225	1200	1765	320	623	1266
GLS405X10F	4" x 5	1500	1200	1875	350	680	1350
GLS406X10F	4" x 6	1775	1200	1875	350	680	1350
GLS407X12F	4" x 7	2050	1200	1990	390	754	1442
GLS408X12F	4" x 8	2325	1200	1990	390	754	1442
GLS409X14F	4" x 9	2725	1200	2110	440	826	1546
GLS410X14F	4" x 10	3000	1200	2110	440	826	1546
GLS411X14F	4" x 11	3275	1200	2110	440	826	1546
GLS412X16F	4" x 12	3550	1200	2230	495	889	1652



HEAD LOSS

GLS4000 head loss (130 micron)



Disc or screen cartridge color

■	200 micron (75 mesh)
■	100 micron (150 mesh)
■	130 micron (120 mesh)
■	50 micron (300 mesh)

TECHNICAL CHARACTERISTICS

Model	Max. flow, m³/h	Filtration surface	Max. pressure	Min. flow Backflush, l/s
		cm²	kg/cm²	
GLS403X8F	216	9120	10	6
GLS404X8F	288	12160	10	6
GLS405X10F	360	15200	10	6
GLS406X10F	432	18240	10	6
GLS407X12F	504	21280	10	6
GLS408X12F	576	24320	10	6
GLS409X14F	648	27360	10	6
GLS410X14F	720	30400	10	6
GLS411X14F	792	33440	10	6
GLS412X16F	864	36480	10	6

MATERIALS

Body	Nylon with glass fiber
Disc	Polypropylene
Sealing	Stainless steel hoop with natural rubber
Bracket parts	Nylon with glass fiber
Compress the piston	Nylon with glass fiber with PTFE

EKO-TRADING CO., LIMITED

Flow Meters



MAG electromagnetic flowmeters

MAG1000 Standard type



- Design for most application, flange connection type, high performance
- Diameter: DN10...DN2200 mm
- Lining: FEP (DN10...DN500), Chloroprene Rubber, PU (DN10...DN500)
- Accuracy: 0,5% of Reading
- Calibration flow range: 0,5...10 m/s, measured flow range: 0,2...10 m/s
- Flow sensor housing material: cast aluminium (DN10...DN100), carbon steel (DN125...DN2200)
- Temperature class: 80°C Class, 120°C Class, 180°C Class
- Protection class: IP65 (std.), IP68 (opt.), IP67 (opt.)
- Power supply: 85...240 VAC, 20...36 VDC, lithium battery

MAG2000 Wafer type



- Wafer connection type, suitable for different flange dimension
- Diameter: DN25...DN200 mm
- Lining: FEP
- Accuracy: 0,5% of Reading
- Flow sensor housing material: carbon steel
- Temperature class: 80°C Class
- Protection class: IP65
- Power supply: 85...240 VAC, 20...36 VDC

MAG3000 Sanitary type



- Design for food and beverage industry, made by stainless steel
- Diameter: DN3...DN150 mm
- Lining: FEP
- Connection: Tri-clamp, thread (DIN11851), customized
- Flow sensor housing material: SS304 (std.), SS316 (opt.)
- Temperature class: 80°C Class, 120°C Class, 180°C Class
- Power supply: 85...240 VAC, 20...36 VDC

MAG4000 Stainless steel type



- High performance, polished stainless steel, full welding
- Flow transmitter: MT200 (std.), MT200HD (opt.)
- Diameter: DN10...DN200 mm
- Lining: FEP
- Flow sensor housing material: SS304 (std.), SS316 (opt.)
- Temperature class: 80°C Class, 120°C Class, 180°C Class
- Protection class: IP65 (std.), IP68 (opt.), IP67 (opt.)
- Power supply: 85...240 VAC, 20...36 VDC, lithium battery

MAG5000 High pressure type



- Design for high pressure application, such as oil field water injection, offshore platform
- Diameter: DN10...DN200 mm
- Working pressure: PN6.4 MPa, PN10 MPa, PN20 MPa, PN32 MPa, PN42 MPa
- Lining: FEP, PU
- Temperature class: 80°C Class, 120°C Class, 180°C Class
- Protection class: IP65 (std.), IP68 (opt.), IP67 (opt.)
- Power supply: 85...240 VAC, 20...36 VDC, lithium battery

MAG8000 Water meter type



- Design for high pressure application, such as oil field water injection, offshore platform
- Diameter: DN10...DN200 mm
- Working pressure: PN6.4 MPa, PN10 MPa, PN20 MPa, PN32 MPa, PN42 MPa
- Lining: FEP, PU
- Temperature class: 80°C Class, 120°C Class, 180°C Class
- Protection class: IP65 (std.), IP68 (opt.), IP67 (opt.)
- Power supply: 85...240 VAC, 20...36 VDC, lithium battery

USF ultrasonic flowmeters

USF1000 Clamp-on type



- Low cost solution, no pipe cutting work
- Diameter: DN15...DN6000 mm
- Working temperature: -40°C...-90°C (std.), -40°C...+160°C (opt.)
- Accuracy: $\pm 1\%$
- Flow sensor protection: IP67 (std.), IP68 (opt.)

USF2000 Insertion type



- Installation and uninstal don't need stop working
- No maintenance cost for long term working
- Good solution for cement pipe, glass steel pip
- Diameter: DN80...DN6000 mm
- Working temperature: -40°C...+160°C (std.)
- Accuracy: $\pm 1\%$

USF3000 Clamp-on type



- Easy and fast installation
- Integral with installation ruller
- Diameter: DN15...DN700 mm
- Working temperature: -40°C...-90°C (std.), -40°C...+160°C (opt.)
- Accuracy: $\pm 1\%$

USF4000 Inline type



- Easy installation and flange connection
- No maintenance cost for long term workin
- Diameter: DN15...DN1000 mm
- Working temperature: -40°C...+160°C (std.)
- Accuracy: $\pm 1\%$

USF8000 Water meter type



- Double beam ultrasonic sensors
- Built-in lithium battery for 6 years life expectancy
- Protection class: IP68
- Diameter: DN15...DN300 mm
- Working temperature: -10°C...+45°C
- Communication: RS485/USART/Infrared

UT130 Hand held flow transmitter



- Built-in rechargeable battery and 90...260 VAC power supply
- The battery can work up to 12 hours after full charged
- LCD display total flow, instantaneous flow, flow velocity
- RS485 communication

LWG turbine flowmeters

LWGD



- Battery supply
- LCD display
- Accuracy: $\pm 1\%$, $\pm 0,5\%$ (opt.)
- Diameter: DN4...200 mm
- Tube material: SS304, SS316 (opt.)

LWGF



- LCD display
- Accuracy: $\pm 1\%$, $\pm 0,5\%$ (opt.)
- Diameter: DN4...200 mm
- Tube material: SS304, SS316 (opt.)
- Output signal: 4...20 mA, pulse output, RS485, Modbus

LWGP



- 12...24 VDC supply
- No display
- Accuracy: $\pm 1\%$, $\pm 0,5\%$ (opt.)
- Diameter: DN4...200 mm
- Tube material: SS304, SS316 (opt.)
- Output signal: pulse output

VTX vortex flowmeters

VTX1000



- Measuring for liquids, gas and steam
- LCD display, no signal output, low cost solution
- Diameter: DN15...300 mm
- Working temperature: -20°C...+350°C
- Power supply: 24 VDC, battery supply
- Protection class: IP65
- Accuracy: ±1% (liquids), ±1,5% (gas and steam)

VTX3000



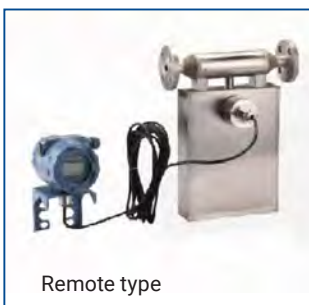
- With temperature and pressure compensation
- LCD display, 24 VDC power, 4...20 mA output
- Diameter: DN15...300 mm
- Accuracy: ±1% (liquids), ±1,5% (gas and steam)

CORIOLIS mass flowmeters



Integral type

- Measuring mass of liquids and gas
- Diameter: DN15...100 mm
- Accuracy: ±0,2% R (liquids), ±0,5% R (gas)
- Working temperature: max. +350°C
- Integral and remote type



Remote type

VA variable area flowmeters

VA50

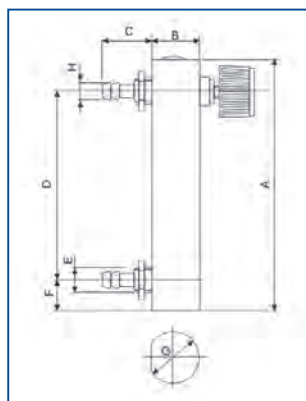


- Easy solution for measuring liquids, gas and steam
- Diameter: DN15...200 mm
- Various installation structure
- Power supply: 24 VDC 2-wire and 3-wire, 220 VAC, battery supply
- Analog display or LCD display
- 4...20 mA output, pulse output
- Working temperature: max. +100°C (std.), +120°C (PTFE), +450°C (opt.)
- Accuracy: ±1,5%

LZM acrylic tube rotameters

LZM serial flow meter, which is made of Acrylic, is used to measure the single-phase non-pulsating flux of liquid or gas. It is featured in beautiful look, low weight and durability.

LZM-6T O2



LZM-6T O2 Oxygen flow meter for concentrator. This flow meters is mainly used for measuring and controlling the flow of oxygen in oxygen concentrator.

TECHNICAL PARAMETERS

Model	No.	Range	Connection type	Accuracy	Size (mm)							
					A	B	C	D	E	F	G	H
LZM-6T O2	1	1-3	Tube	±5%	60	20	21 or 19	40	M10X1 or 9/16-18	8	22	8
	2	1-5			70	20		50		7	22	7
	3	0-5			93	20		70		10	22	8
		0-10										
	4	1-5			96	20		70		13	22	8
		0-6										
	5	0-5 1-5			106	20		80		13	22	8
		0,1-1										
		2-10										
		0,5-10										
		0,5-14										
	4-25											
	0-1000 cc/min											
	6	1-5			108	20		70		25	22	8
		0,5-10										
		2-10										
	7	0-5			115,5	20		90		13	22	8
		1-5										
2-10												
0,5-14												

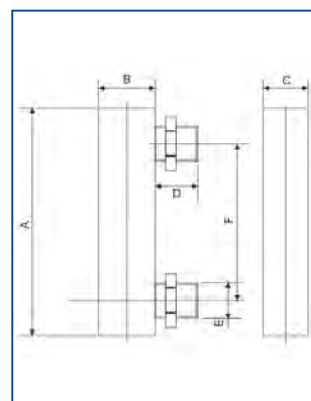
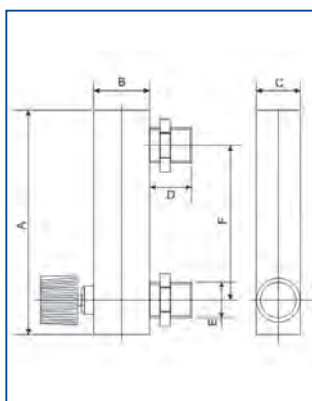
SPECIFICATION

With valve	Valve	Fitting	Float	O-ring
T - With	v 1. Brass	v 1. Brass	v 1. Agate ball	v 1. Fluorin rubber
O - No	2. SS	2. Brass cromeplate	2. SS ball	2. Butyl
		3. SS		
		4. POM plastic		

Note: mark v the material of the flow meter is the general configuration



LZM-4T, 6T, 8T



TECHNICAL PARAMETERS

Model	Range		Screw thread	Accuracy	Size (mm)					
	ml/min (liquid)	l/min (gas)				A	B	C	D	E
LZM-4T	6-60	0,05-0,5	Direct Ø6		94	27	21	14	14	70
	8-80	0,1-1								
	30-120	0,2-2								
	40-400	0,25-2,5								
		0,6-6								
		1-4								
		1-5								
		1-10								
LZM-6T	6-60	0,1-0,8	(F) 1/4" BSP	±4%	102	30	25	20	M18x1,5	77
	10-70 GPH	0,1-1								
	16-160	0,1-1,5								
	25-250	0,3-3								
	80-400	0,4-4								
	100-500	0,5-8								
	100-600	1-5								
	200-800	1-12								
	100-1000	2-10								
		2-20								
		3-15								
		3-30								
		4-20								
		5-25								
		6-30								
		10-60								
	10-70									
	10-100									
	0,05-0,25 m³/h									
	0,04-0,4 m³/h									
LZM-8T	2,5-25 LPH	0,16-1,6 m³/h			110	25	25	20	M18x1,5	80
	5-45 LPH	0,1-1 m³/h								
	6-60 LPH	0,2-2 m³/h								

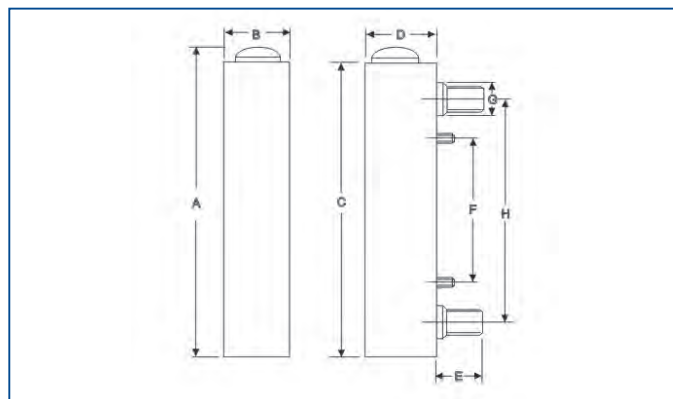
SPECIFICATION

With valve	Valve	Fitting	Float	O-ring
With valve	Valve	Fitting	Float	O-ring
T - With	v 1. Brass	1. ABS	v 1. SS	v 1. Silicon rubber
O - No	2. SS	2. PP	2. Acrylic	2. Fluorin rubber
		3. PVC	3. Agata ball	3. Butyl
		4. Brass	4. PTFE	
		v 5. Brass cromeplate		
		6. SS		

Note: mark v the material of the flow meter is the general configuration



LZM-Z



TECHNICAL PARAMETERS

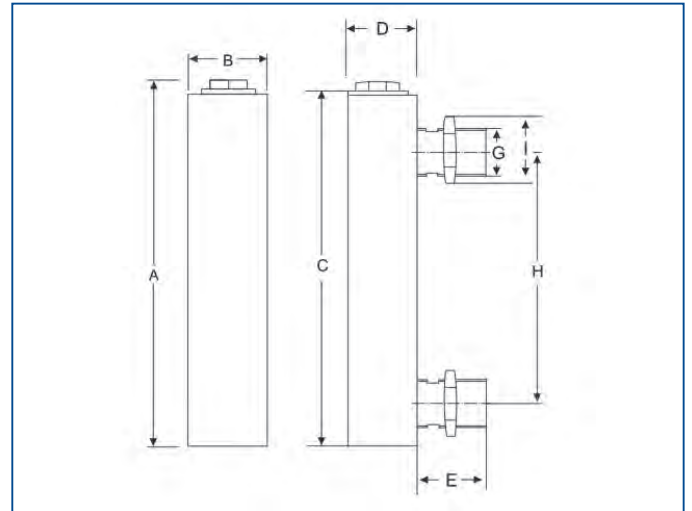
Model	Range		Screw thread	Accuracy	Size (mm)					
	ml/min (liquid)	l/min (gas)				A	B	C	D	E
LZM-4T	6-60	0,05-0,5	Direct Ø6		94	27	21	14	14	70
	8-80	0,1-1								
	30-120	0,2-2								
	40-400	0,25-2,5								
		0,6-6								
		1-4								
		1-5								
		1-10								
LZM-6T	6-60	0,1-0,8	(F) 1/4" BSP	±4%	102	30	25	20	M18x1,5	77
	10-70 GPH	0,1-1								
	16-160	0,1-1,5								
	25-250	0,3-3								
	80-400	0,4-4								
	100-500	0,5-8								
	100-600	1-5								
	200-800	1-12								
	100-1000	2-10								
		2-20								
		3-15								
		3-30								
		4-20								
		5-25								
		6-30								
		10-60								
	10-70									
	10-100									
	0,05-0,25 m³/h									
	0,04-0,4 m³/h									
LZM-8T	2,5-25 LPH	0,16-1,6 m³/h			110	25	25	20	M18x1,5	80
	5-45 LPH	0,1-1 m³/h								
	6-60 LPH	0,2-2 m³/h								

SPECIFICATION

Fitting	Float	O-ring
v 1. ABS	v 1. SS	v 1. Silicon rubber
2. PP		2. Fluorin rubber
3. PVC		3. Butyl
4. Brass		
5. Brass cromeplate		
6. SS		

Note: mark v the material of the flow meter is the general configuration

LZM-J



TECHNICAL PARAMETERS

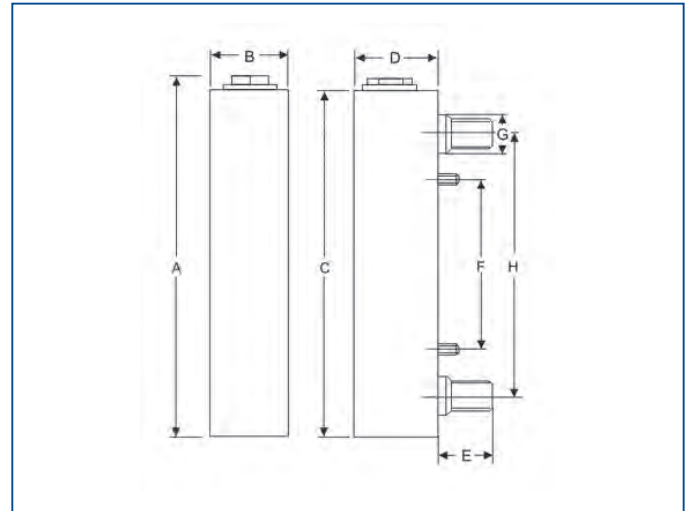
Model	Range			Screw thread	Accuracy	Size (mm)								
	GPM (liquid)	LPM (liquid)	Nm ³ /h (gas)			A	B	C	D	E	F	G	H	I
LZM-15J	0,1-1	0,5-4	1-10	(M) 1/2" NPT (M) 1/2" BSP	±4%	216	32	206	37	33	100	1/2"	165	30
	0,2-2	0,8-8	1,6-16											
	0,3-3	1-11	2,5-25											
	0,5-5	2-18	4-40											
	1-7	2-28												
LZM-20J	1,5-9	400-2000 LPH												
	2-10	8-40	2,5-25	(M) 3/4" NPT (M) 3/4" BSP		233	39	220	44	49	100	3/4"	165	32
	2-16	8-60	6-60											
2-20	8-80	16-80												
LZM-25J			16-160											
	1,5-15	6-60	20-200	(M) 1" NPT (M) 1" BSP		253	44	240	50	48	100	1"	175	40
	3-13	10-50	25-250											
	4-24	10-100												
	5-35	10-130												
5-45	20-170													

SPECIFICATION

Fitting	Float	O-ring
v 1. ABS	v 1. SS	v 1. Silicon rubber
2. PP	2. Agata ball	2. Fluorin rubber
3. PVC	3. PTFE	3. Butyl
4. Brass		
5. Brass cromeplate		
6. SS		

Note: mark v the material of the flow meter is the general configuration

LZM



TECHNICAL PARAMETERS

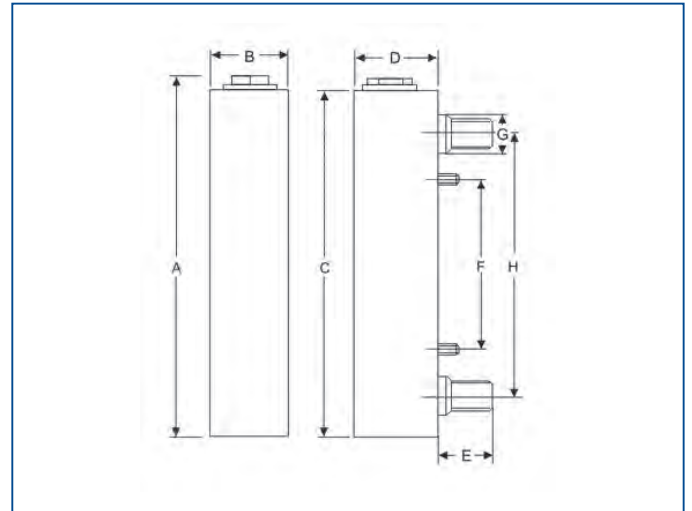
Model	Range			Screw thread	Accuracy	Size (mm)							
	GPM (liquid)	LPM (liquid)	Nm ³ /h (gas)			A	B	C	D	E	F	G	H
LZM-15	0,1-1	0,5-4	1-10	(M) 1/2" BSPT	±4%	216	32	206	37	33	100	26	165
	0,2-2	0,8-8	1,6-16										
	0,3-3	1-11	2,5-25										
	0,5-5	2-18	4-40										
	1-7	2-28											
LZM-20	1,5-9	400-2000 LPH		(M) 3/4" BSPT		233	39	220	44	42	100	37	165
	2-10	8-40	2,5-25										
	2-16	8-60	6-60										
LZM-25	2-20	8-80	16-80	(M) 1" BSPT		253	44	240	50	31	100	37	175
			16-160										
	1,5-15	6-60	20-200										
	3-13	10-50	25-250										
	4-24	10-100											
LZM-40	5-35	10-130		(M) 1 1/2" BSPT	265	62	250	62	33	100	52	170	
	5-45	20-170											
	10-45	40-170	—										
	15-50	60-200											
	20-70	80-260											
	20-80	80-300											

SPECIFICATION

Fitting	Float	O-ring
v 1. ABS	v 1. SS	v 1. Silicon rubber
2. PP	2. Agata ball	2. Fluorin rubber
3. PVC	3. PTFE	3. Butyl
4. Brass		
5. Brass cromeplate		
6. SS		

Note: mark v the material of the flow meter is the general configuration

LZM-ZT



TECHNICAL PARAMETERS

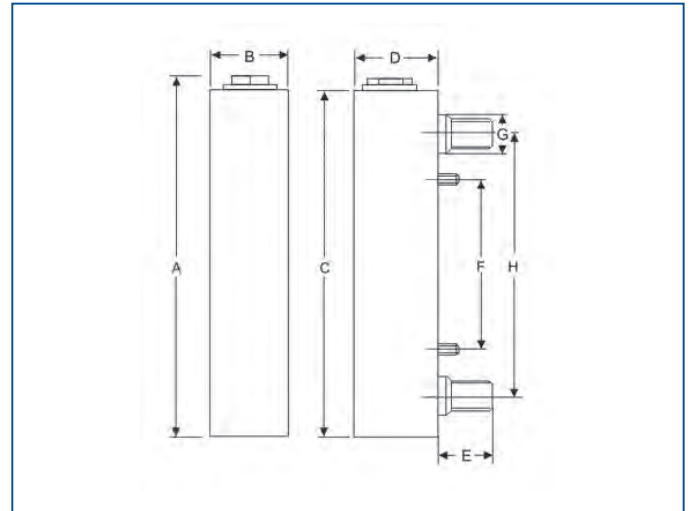
Model	Range			Screw thread	Accuracy	Size (mm)									
	GPM (liquid)	LPM (liquid)	Nm ³ /h (gas)			A	B	C	D	E	F	G	H		
LZM-15ZAT		15-150 LPH	0,1-1	(M) 1/2" BSPT (F) 1/4" BSPT	±4%	157	32	150	35	25	60	25	110		
			0,16-1,6												
			0,3-3												
			0,4-4												
LZM-15ZT	0,1-1	0,5-4	0,04-0,4			(M) 1/2" BSPT (F) 1/4" BSPT	±4%	175	32	168	35	25	76	25	127
	0,15-1,5	0,6-6	0,1-1												
	0,2-2	1-7	0,16-1,6												
	0,3-3	1-11	0,25-2,5												
	0,5-5	2-18	0,3-3												
			0,4-4												
			0,6-6												
			0,8-8												
			1-10												
			1,6-16												
LZM-25Z	2-10	5-35	20-100	(M) 1" BSPT	±4%	234	45	226	46	33	100	37	160		
	4-14	10-50	35-350												
	6-20	20-70	40-160												
	10-35	30-130	50-250												
	10-40	30-150													
	15-45	50-170													

SPECIFICATION

Fitting	Float	O-ring
Fitting	Float	O-ring
v 1. ABS	v 1. SS	v 1. Silicon rubber
2. PP		2. Fluorin rubber
3. PVC		3. Butyl
4. Brass		
5. Brass cromeplate		
6. SS		

Note: mark v the material of the flow meter is the general configuration

LZM-T



TECHNICAL PARAMETERS

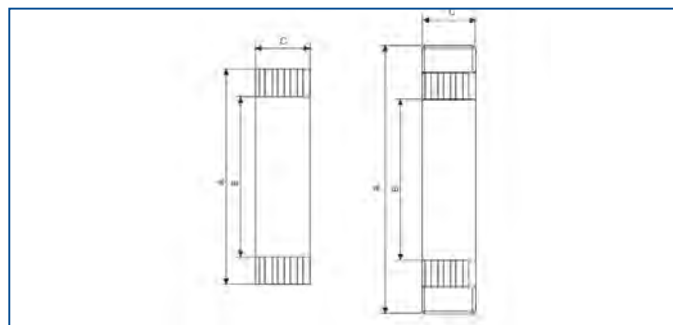
Model	Range			Screw thread	Accuracy	Size (mm)							
	GPM (liquid)	LPM (liquid)	Nm ³ /h (gas)			A	B	C	D	E	F	G	H
LZM-15T	0,1-1	0,5-4	1-10	(M) 1/2" BSPT	±4%	216	32	206	37	36	100	28	165
	0,2-2	0,8-8	1,6-16										
	0,3-3	1-11	2,5-25										
	0,5-5	2-18	4-40										
LZM-20T	2-10	8-40	2,5-25	(M) 3/4" BSPT		233	39	220	44	42	100	37	165
	2-16	8-60	6-60										
	2-20	8-80	16-80										
			16-160										
LZM-25T	3-13	10-50	-	(M) 1" BSPT		253	44	240	50	31	100	37	175
	6-24	20-100											
	10-35	30-130											
	10-45	30-170											

SPECIFICATION

Fitting	Float	O-ring
v 1. ABS	v 1. SS	v 1. Silicon rubber
2. PP		2. Fluorin rubber
3. PVC		
4. Brass		
5. Brass cromeplate		
6. SS		

Note: mark v the material of the flow meter is the general configuration

LZM-G



TECHNICAL PARAMETERS

Model	Range			Screw thread	Accuracy	Size (mm)		
	GPM (liquid)	LPM (liquid)	Nm ³ /h (gas)			A	B	C
LZM-10G	-	2,5-25 LPH	-	(M) 1/2" BSP (M) 1/2" NPT	±4%	187	130	22
		5-45 LPH						
		6-60 LPH						
		10-100 LPH						
		16-160 LPH						
LZM-15GD	-	4-40 LPH	0,3-3	(F) 1/2" BSP	±4%	180	150	32
		10-100 LPH						
LZM-15G LZM-15GF	0,1-1	0,5-4	0,8-8	(F) 3/4" BSP	±4%	210	180	32
	0,2-2	1-7	1-10					
	0,5-5	1,8-18	1,6-16					
	1,5-9	400-2000 LPH	2,5-25					
LZM-20G LZM-20GF	1-10	4-36	6-60	(F) 3/4" BSP	±4%	278	236	45
		100-1000 LPH						
LZM-25G LZM-25GF	1-10	4-36	6-30	(F) 1" BSP	±4%	265	235	51
	1-15	5-60	10-100					
	2-20	10-70	15-140					
	5-30	20-110	16-160					
	5-40	20-150	25-250					
	5-45	20-170	35-350					
LZM-40G LZM-40GF	1-10	4-36	6-30	(M) 1 1/2" BSP	±4%	306	235	51
	1-15	5-60	10-100					
	2-20	10-70	15-140					
	5-30	20-110	16-160					
	5-40	20-150	25-250					
	5-45	20-170	35-350					
LZM-40GB	4-40	15-150	-	(F) 1 1/2" BSP	±4%	380	270	75
	6-60	20-240						
	8-80	50-300						
	10-100	50-350						
LZM-50G LZM-50GF	20-80	80-300	100-500	(F/M) 2" BSP	±4%	380 (F) or 340 (M)	270	75
	20-100	80-360	120-600					
	40-120	150-450	300-850					
	50-150	190-560	400-1200					
	60-200	220-750	500-1400					
LZM-75GF	120-300	450-1100	-	(F) 3" BSP	±4%	392	298	110x110

Note: LZM-G - circular tube type flow meter, LZM-GF - quadrate tube type flow meter

SPECIFICATION

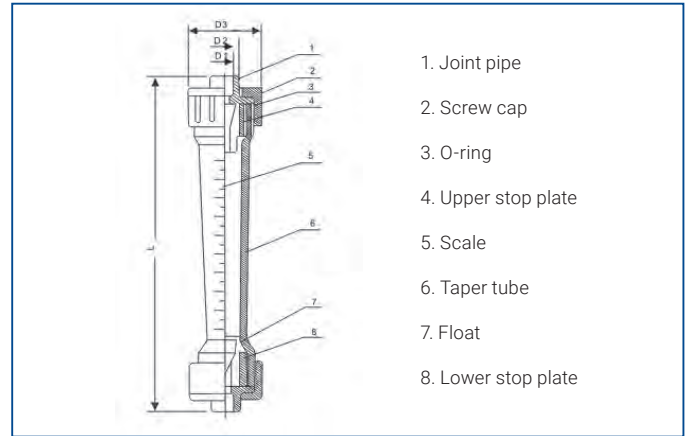
Fitting	Float	O-ring
v 1. ABS	v 1. SS	v 1. Silicon rubber
2. PP		2. Fluorin rubber
3. PVC		
4. Brass		
5. Brass cromeplate		
6. SS		

Note: mark v the material of the flow meter is the general configuration

LZS plastic tube rotameters

The LZS - durable plastic tube type rotameter is newly developed according the market need and gained the patent (ZL94208420.9).

LZS



TECHNICAL PARAMETERS

Model	DN (mm)	Range		Accuracy	Conditions		Size (mm) Long tube type (C)				Size (mm) Short tube type (D)			
		Long tube type (C)	Short tube type (D)		Temperature (°C)	Pressure (Mpa)	L	D1	D2	D3	L	D1	D2	D3
LZS-15	15	10-100 l/h	5-50 l/h	±4%	0-60	≤0,6≤0,6	280	20	26	45	202	20	26	45
		16-160 l/h	10-100 l/h											
		25-250 l/h	16-160 l/h											
		40-400 l/h	25-250 l/h											
		60-600 l/h	40-400 l/h											
			50-500 l/h											
LZS-20	20	-	60-600 l/h											
			100-1000 l/h											
LZS-25	25	100-1000 l/h	4-40 l/min											
		160-1600 l/h	100-1000 l/h											
		250-2500 l/h	160-1600 l/h											
LZS-32	32	-	0,4-4 m³/h											
			0,6-6 m³/h											
LZS-40	40	0,4-4 m³/h (with leader)	-											
		0,6-6 m³/h (with leader)												
		1-10 m³/h (with leader)												
LZS-50	50	0,4-4 m³/h	1-10 m³/h											
		0,6-6 m³/h	1,6-16 m³/h											
		1-10 m³/h												
LZS-65	65		2,5-16 m³/h											
			5-25 m³/h											
			8-40 m³/h											
			12-60 m³/h											

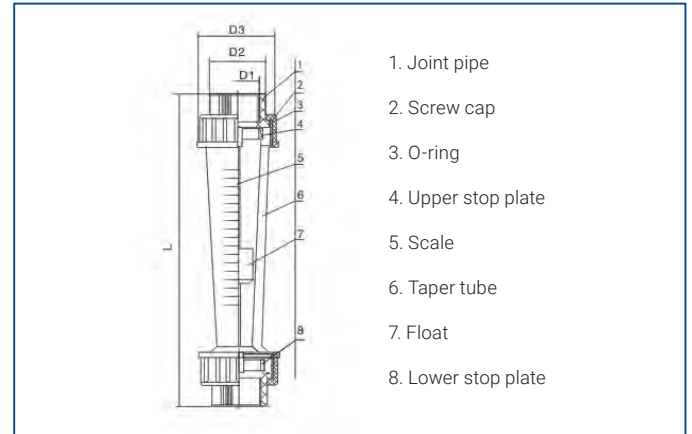
SPECIFICATION

Taper tube is AS. Pipe, screw cap, float is ABS
LZS-C: Long tube type, LZS-D: Short tube type

Note: Long tube type without leader, short tube type with leader



LZS



TECHNICAL PARAMETERS

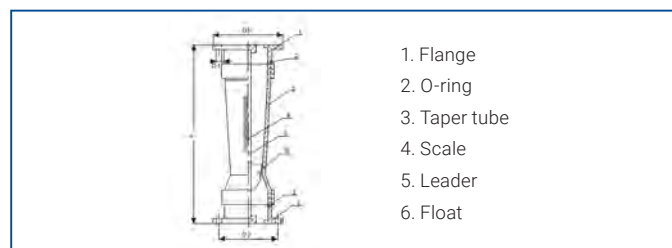
Model	DN (mm)	Range		Accuracy	Conditions		Size (mm)				Size (mm)			
		Long tube type (C)	Short tube type (D)		Temperature (°C)	Pressure (Mpa)	Long tube type (C)				Short tube type (D)			
							L	D1 (BSP)	D2	D3	L	D1 (BSP)	D2	D3
LZS-15	15	10-100 l/h	5-50 l/h	±4%	0-60	≤0,6	280	1/2"	26	45	202	1/2"	26	45
		16-160 l/h	10-100 l/h											
		25-250 l/h	16-160 l/h											
		40-400 l/h	25-250 l/h											
		60-600 l/h	40-400 l/h											
			50-500 l/h											
			60-600 l/h											
LZS-25	25	100-1000 l/h	100-1000 l/h											
		160-1600 l/h	160-1600 l/h											
		250-2500 l/h	250-2500 l/h											
LZS-32	32	-	0,4-4 m³/h											
			0,6-6 m³/h											
LZS-50	50	0,4-4 m³/h	1-10 m³/h											
		0,6-6 m³/h	1,6-16 m³/h											
		1-10 m³/h												
		1,6-16 m³/h (with leader)												
LZS-65	65		2,5-16 m³/h											
			5-25 m³/h											
			8-40 m³/h											
			12-60 m³/h											

SPECIFICATION

Taper tube is AS. Pipe, screw cap, float is ABS
 LZS-C: Long tube type, LZS-D: Short tube type

Note: Long tube type without leader, short tube type with leader

LZS



TECHNICAL PARAMETERS

Model	DN (mm)	Range		Accuracy	Conditions		Size (mm)				Size (mm)			
		Long tube type (C)	Short tube type (D)		Temp. (°C)	Pressure (Mpa)	Long tube type (C)				Short tube type (D)			
							L	D1	D2	D3	L	D1	D2	D3
LZS-15	15	16-160 l/h	10-100 l/h	±4%	0-60	≤0,6	320 or 470	14	65	95	241	14	65	95
		25-250 l/h	16-160 l/h											
		40-400 l/h	25-250 l/h											
		60-600 l/h	40-400 l/h											
		60-600 l/h	100-1000 l/h											
LZS-20	20	10-100 l/h	5-50 l/h				320 or 470	14	75	105	241	14	75	105
		16-160 l/h	10-100 l/h											
		25-250 l/h	16-160 l/h											
		40-400 l/h	25-250 l/h											
		60-600 l/h	40-400 l/h											
LZS-25	25	100-1000 l/h	100-1000 l/h				432 or 470	16	85	115	281	16	85	115
		160-1600 l/h	160-1600 l/h											
		250-2500 l/h	250-2500 l/h											
LZS-32	32	-	0,4-4 m³/h				-	-	-	-	355	17	100	140
			0,6-6 m³/h											
LZS-40	40	0,4-4 m³/h (with leader)	0,4-4 m³/h (with leader)	570	18	110	150	500	18	110	150			
		0,4-4 m³/h (with leader)	0,4-4 m³/h (with leader)											
		0,4-4 m³/h (with leader)	0,4-4 m³/h (with leader)											
		0,6-6 m³/h (with leader)	0,6-6 m³/h (with leader)											
		0,6-6 m³/h (with leader)	0,6-6 m³/h (with leader)											
		0,6-6 m³/h (with leader)	0,6-6 m³/h (with leader)											
LZS-50	50	1-10 m³/h (with leader)	1-10 m³/h (with leader)	520 or 570	18	125	165	430	18	125	165			
		1-10 m³/h (with leader)	1-10 m³/h (with leader)											
		1-10 m³/h (with leader)	1-10 m³/h (with leader)											
		1,6-16 m³/h	1,6-16 m³/h											
LZS-65	65	-	2,5-16 m³/h	-	-	-	-	530	18	145	185			
			5-25 m³/h											
			8-40 m³/h											
LZS-80	80	-	2,5-16 m³/h	-	-	-	-	540	18	160	200			
			5-25 m³/h											
			8-40 m³/h											
LZS-100	100	14-90 m³/h	14-90 m³/h	550	18	180	215	510 or 540	18	180	215			
		18-120 m³/h	18-120 m³/h											
		20-150 m³/h	20-150 m³/h											
		25-180 m³/h	25-180 m³/h											
		25-200 m³/h	25-200 m³/h											
LZS-125	125	14-90 m³/h	14-90 m³/h	550	18	210	250	510	18	210	250			
		18-120 m³/h	18-120 m³/h											
		20-150 m³/h	20-150 m³/h											
		25-200 m³/h	25-200 m³/h											
LZS-150	150	14-90 m³/h	14-90 m³/h	560	22	240	280	510	22	240	280			
		18-120 m³/h	18-120 m³/h											
		20-150 m³/h	20-150 m³/h											
		25-180 m³/h	25-180 m³/h											
		25-200 m³/h	25-200 m³/h											

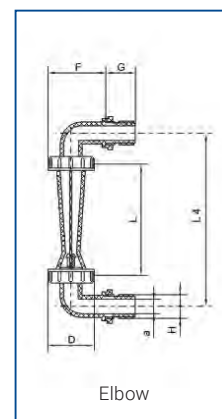
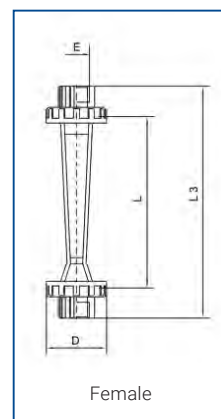
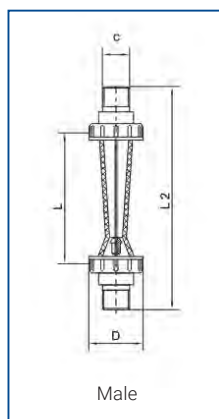
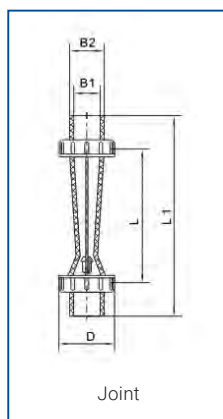
SPECIFICATION

Taper tube is AS. Pipe, screw cap, float is ABS
 LZS-C: Long tube type, LZS-D: Short tube type

Note: Long tube type without leader, short tube type with leader



LZS-E/G



TECHNICAL PARAMETERS

Model	DN (mm)	Range			Accuracy	Conditions	
		GPM	LPM	m ³ /h		Temp. (°C)	Pressure (Mpa)
LZS-15E or LZS-15G	15	0,1-1	0,5-4	10-100 l/h	±4%	0-60 (E) or 0-100 (G)	≤0,6
		0,2-2	1-7	16-160 l/h			
		0,5-5	1,8-18	25-250 l/h			
				40-400 l/h			
				50-500 l/h			
				60-600 l/h			
LZS-15EC or LZS-15GC	15	0,1-1	0,5-4	10-100 l/h			
		0,2-2	1-7	16-160 l/h			
		0,5-5	1,8-18	25-250 l/h			
				40-400 l/h			
				50-500 l/h			
				60-600 l/h			
LZS-25E or LZS-25G	25	0,8-8	3-30	0,1-1			
		1-10	4-40	0,16-1,6			
				0,25-2,5			
LZS-32E or LZS-32G	32	1,2-12	5-50	0,4-4			
		2-20	8-80	0,6-6			
		2,5-25	10-100				
LZS-50E or LZS-50G	50	2,5-25	10-100	0,4-4			
		5-45	20-180	0,6-6			
		7-70	25-250	1-10			
				1,6-16			
LZS-65E or LZS-65G	65	25-110	80-400	5-25			
		40-160	150-650	8-40			
		50-250	200-1000	12-60			

DIMENSIONS

Model	L	D	Joint			Male		Female		Elbow				
			L1	B1	B2	L2	C	L3	E	L4	F	G	A	H
LZS-15E or LZS-15G	100	Ø42	150	Ø20	Ø26	170	1/2" BSP or 1/2" NPT	/	/	155	52	27	Ø13	1/2" BSP or 1/2" NPT
LZS-15EC or LZS-15GC	160	Ø50	210	Ø20	Ø26	225	1/2" BSP or 1/2" NPT	210	1/2" BSP or 1/2" NPT	220	56	27	Ø13	1/2" BSP or 1/2" NPT
LZS-25E or LZS-25G	170	Ø59	230	Ø32	Ø39	250	3/4" NPT	225	3/4" BSP or 3/4" NPT	270	70,5	28	Ø20	3/4" BSP or 3/4" NPT
LZS-32E or LZS-32G	225	Ø72	290	Ø40	Ø49	310	1" NPT	290	1" BSP or 1" NPT	345	86	35	Ø26	1" BSP or 1" NPT
LZS-50E or LZS-50G	290	Ø98	375	Ø63	Ø73	400	2" NPT	370	2" NPT	440	109	40	Ø45	2" BSP or 2" NPT
LZS-65E or LZS-65G	325	Ø120	420	Ø75	Ø89	445	2 1/2" NPT	420	2 1/2" NPT	/	/	/	/	/

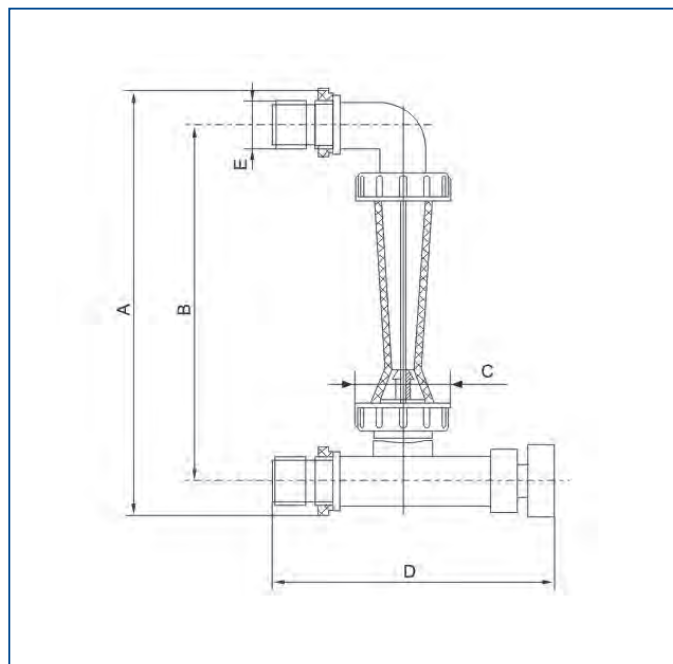
SPECIFICATION

Polysulfone (PSU) or Polycarbonate (PC) body, fittings made of PVC, ABS or SS floats capable of withstanding higher temperatures. Thread joint and panel-mounted fittings are easy to install, economical and durable. LZS-E - PC body. LZS-G - PSU body.

Model	Joint	Male	Female	Elbow	Float
LZS-15E or LZS-15G	PVC	PA6	/	PVC	316
LZS-15EC or LZS-15GC	PVC	PA6	PA66	PVC	316
LZS-25E or LZS-25G	PVC	PA6	PA66	PVC	ABS, 304
LZS-32E or LZS-32G	PVC	PA6	PA66	PVC	ABS, 304
LZS-50E or LZS-50G	PVC	PA6	PA66	PA6	ABS, 304
LZS-65E or LZS-65G	PVC	PA6	PA66	/	ABS



LZS-ET/GT



TECHNICAL PARAMETERS

Model	DN (mm)	Range		Accuracy	Conditions		Size (mm)					
		GPM	LPM		Temperature (°C)	Pressure (Mpa)	A	B	C	D	E	
LZS-15ET or LZS-15GT	15	0,1-1	0,5-4	±4%	0-60 (E) or 0-100 (G)	≤1,0	187	157	Ø42	125	1/2" BSP or 1/2" NPT	
		0,2-2	1-7									
		0,5-5	1,8-18									
LZS-15ECT or LZS-15GCT	15	0,1-1	0,5-4				250	220	Ø5	125		1/2" BSP or 1/2" NPT
		0,2-2	1-7									
		0,5-5	1,8-18									

SPECIFICATION

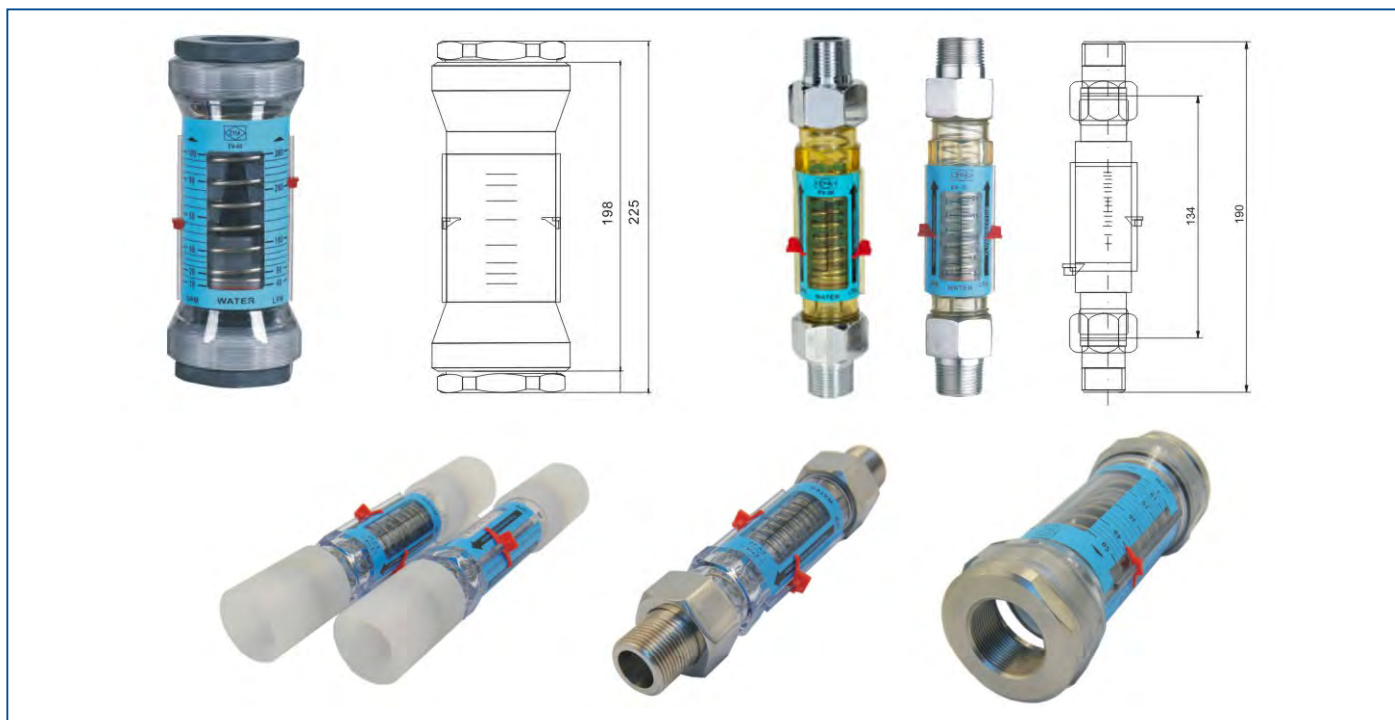
Corrosion resistant molded PSU or PC capable of withstanding higher temperatures. Value control fittings are easy to install, economical and durable.
LZS-E - PC body. LZS-G - PSU body.

Model	Joint	Male	Female	Elbow	Float
LZS-15ET or LZS-15GT	PVC	PA6	/	PVC	316
LZS-15ECT or LZS-15GCT	PVC	PA6	PA66	PVC	316

EV plastic tube rotameters

The flow meter construction is made of high strength engineering plastics (PC or PSU). Which is high temperature resistant and corrosion-proof allows multiple locations of installation. Working pressure: $\leq 1,0$ Mpa, temperature: 0...80°C (PC), 0...120 °C (PSU), accuracy: $\pm 6\%$.

EV



TECHNICAL PARAMETERS

Model	Range			
	GPM (water)	LPM (water)	GPM (air)	LPS (air)
EV-15, EV-20, EV-25	0,5-5	2-20	80-320	5-20
	1-7	4-26	160-480	10-30
	1-10	4-35	240-720	15-45
	1-16	5-60	320-1100	20-70
	3-18	15-65		
	4-28	20-100		
EV-40, EV-50	3-25	12-90	250-1500	15-95
	5-50	20-200	350-2200	20-140
	8-80	30-280	450-4500	25-275
	10-100	40-380		

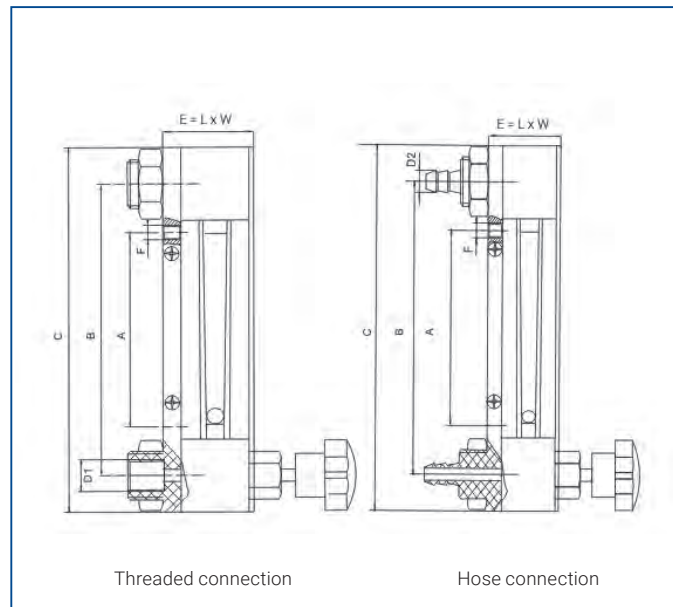
SPECIFICATION

Model	Thread	Material
EV-15	1/2" NPT, BSPT, BSP (M, F)	Brass, SS, PP, PVC
EV-20	3/4" NPT, BSPT, BSP (M, F)	
EV-25	1" NPT, BSPT, BSP (M, F)	
EV-40	1 1/2" NPT, BSPT, BSP (M, F)	
EV-50	2" NPT, BSPT, BSP (M, F)	

LZB glass tube rotameters

LZB-4/6/10 F4 all the anticorrosive glass rotameter flow meters existed in the former market were some kinds of replacer, which were made of stainless steel, and these flow meters couldn't perform the function of anticorrosive indeed. In order to flowmeter recently, whose main material is PTFE. At the same time, we succeeded in making the flow regulating valve by PTFE, which makes the glass rotameter with small diameter and also has the function of antiseptis.

LZB-4/6/10 F4



TECHNICAL PARAMETERS

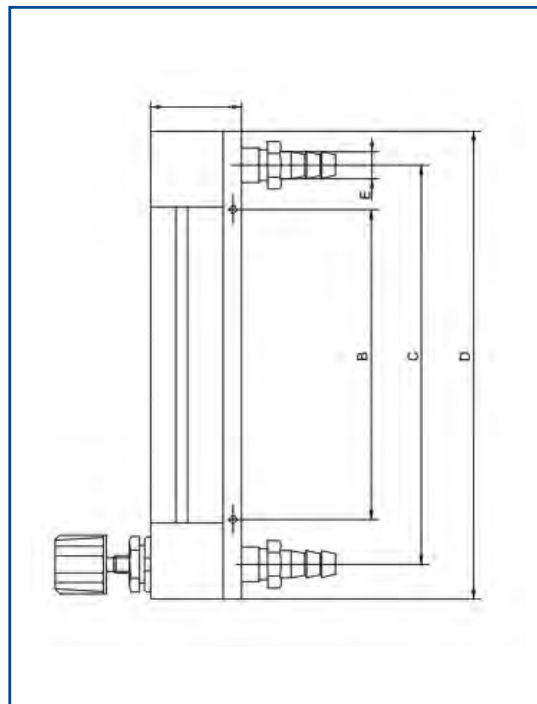
Model		LZB-4 F4	LZB-6 F4	LZB-10 F4
Diameter (mm)		Ø4	Ø6	Ø10
Range	Liquid l/h	1-10	2,5-25	6-60
		1,6-16	4-40	10-100
		2,5-25	6-60	16-160
	Gas m ³ /h	0,016-0,16	0,04-0,4	0,1-1
		0,025-0,25	0,06-0,6	0,16-1,6
		0,04-0,4	0,1-1	0,25-2,5
Accuracy		±4%	±4%	±4%
Pressure (MPa)		≤0,6	≤0,6	≤0,6

SPECIFICATION

Model	Size (mm)						
	A	B	C	D1	D2	E	F
LZB-4 F4	80	120	150	(F) 1/4" BSP	Ø9	37,5x34	2-M6
LZB-6 F4	80	120	150	(F) 1/4" BSP	Ø9	37,5x34	2-M6
LZB-10 F4	80	120	150	(F) 1/4" BSP	Ø9	37,5x34	2-M6

LZB-4WB/6WB/10WB

LZB-WB consists of three specifications including Ø6 and Ø10. Being small and cute, this flow meter is suitable for application in limited space e. g. analysis instruments and environmental protection equipment, medical apparatuses among other testing devices.



TECHNICAL PARAMETERS

Model	Range		Accuracy	Working pressure	Working temperature
	l/min (water)	l/min (air)			
LZB-4WB	16-160 ml/min	0,3-3	±4%	≤1,0 MPa	0-60 °C
	25-250 ml/min	0,6-6			
LZB-6WB	0,04-0,4	0,7-7	±2,5%	≤1,0 MPa	0-60 °C
	0,06-0,6	1-10			
	0,1-1	1,5-15			
LZB-10WB	0,1-1	3-30	±2,5%	≤1,0 MPa	0-60 °C
	0,16-1,6	5-45			

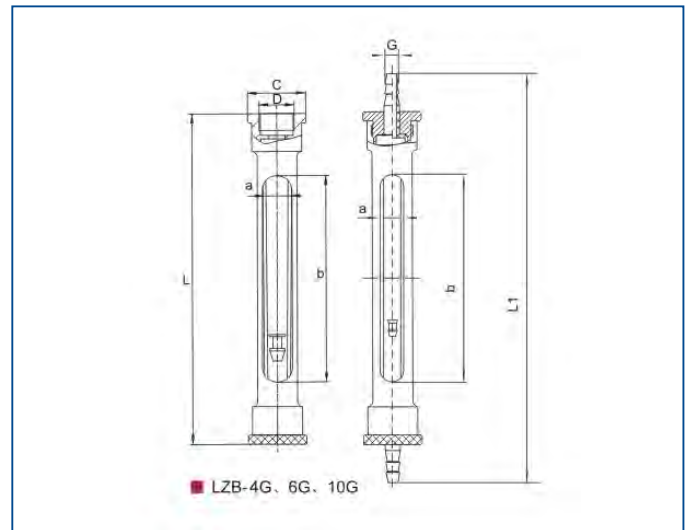
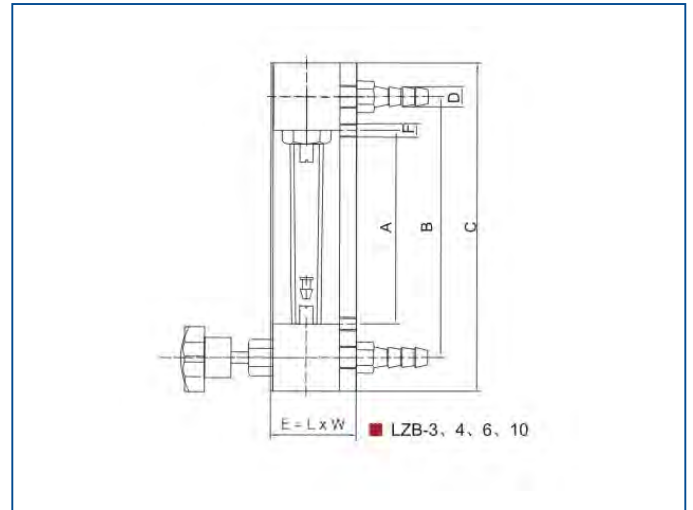
Note: WB - with regulator, W - without regulator

SPECIFICATION

Model	Size (mm)				
	A	B	C	D	E
LZB-4WB	26x25	90	116	136	Ø8
LZB-6WB	28x25	90	116	136	Ø11
LZB-10WB	28x25	90	140	160	Ø11

LZB-3/4/6/10

Glass rotameter is used to measure the instantaneous one-way nonpulsating Flux of liquid or gases in pipes fields such as chemical, petroleum, medicine, fertilizer, food, sugar refinery, paper marking, light industry, textile, printing and dyeing, environmental protection etc. PTFE, the high quality corrosion resistant material is used at the main contact parts of the corrosion resistant glass rotameter to contact the medium. It has a very good performance of corrosion resistance in measuring various kinds of acis flow (except for hydrofluoric acid), alkali, oxidant, strong oxidation acid, organic solvent and other erosive gases and liquids.



TECHNICAL PARAMETERS

Model	LZB-3	LZB-4	LZB-6	LZB-10	
Diameter (mm)	Ø3	Ø4	Ø6	Ø10	
Range	Liquid l/h	2,5-25 ml/min	1-10	* 1-10	6-60
		4-40 ml/min	1,6-16	* 100-800 ml/min	10-100
		6-60 ml/min	2,5-25	2,5-25	16-160
		* 10-80 ml/min	* 3,6-36	4-40	* 25-250
		10-100 ml/min		6-60	
		* 0,3-3 l/h			

Note: range with * represents customer tailored special range.

next



continuation▶

TECHNICAL PARAMETERS

Model		LZB-3	LZB-4	LZB-6	LZB-10
Diameter (mm)		Ø3	Ø4	Ø6	Ø10
Range	Gas Nm ³ /h	0,03-0,3 l/min	* 0,2-2,5 l/min	0,04-0,4	0,1-1
		0,06-0,6 l/min	0,016-0,16	0,06-0,6	0,16-1,6
		0,1-1 l/min	0,025-0,25	* 1-10 l/min	0,25-2,5
		0,15-1,5 l/min	0,04-0,4	0,1-1	* 5-50 l/min
		* 0-100 l/h			* 0,5-5
					* 0,6-6
Accuracy		±4%, ±6%	±2,5%, ±4%	±2,5%	±2,5%
Pressure (MPa)		≤0,6	≤1	≤1	≤1

Note: range with * represents customer tailored special range.

DIMENSIONS (LZB-3/4/6/10 (include model F, S, B))

Model	A	B	C	D	E	F
LZB-3		116	136	Ø8	26x25	
LZB-4	178	204	234	Ø9	39,5x34	2-M6
LZB-6	178	204	234	Ø9	39,5x34	2-M6
LZB-10	178	204	234	Ø12	39,5x34	2-M6
LZB-10WB	28x25	90	140	160	Ø11	

DIMENSIONS (LZB-4G/6G/10G)

Model	Threaded connection				Hose connection		
	L	a x b	C	D	L1	a x b	G
LZB-4G, LZB-6G	198	12 x 123	Ø35	1/4" BSP	240	12 x 123	Ø8
LZB-10G	198	14 x 123	Ø35	1/2" BSP	240	14 x 123	Ø11

LZB-B



LZB-B

TECHNICAL PARAMETERS

Model	LZB-15B	LZB-25B	LZB-40B	LZB-50B	LZB-80B	LZB-100B	LZB-100B	
Diameter (mm)	Ø15	Ø25	Ø40	Ø50	Ø80	Ø100	Ø100	
Range	Liquid l/h	* 6-60	40-400	160-1600	* 160-1600	1-10 m3/h	5-25 m3/h	* 20-90 m3/h
		* 8-80	60-600	* 180-1800	400-4000	1,6-16 m3/h	* 6-35 m3/h	* 20-100 m3/h
		16-160	100-1000	250-2500	600-6000	* 2-20 m3/h	8-40 m3/h	* 30-100 m3/h
		25-250	* 160-1600	* 300-3000	* 800-8000	* 3-25 m3/h	* 12-60 m3/h	* 50-120 m3/h
		40-400		* 400-4000	* 1-10 m3/h	* 8-40 m3/h	* 16-80 m3/h	
				* 1-5 m3/h	* 4-16 m3/h			
	Gas Nm ³ /h	0,25-2,5	* 0,8-8	4-40	* 6-60	50-250	* 60-200	* 300-1500
		0,4-4	1-10	* 5-50	10-100	80-400	* 80-400	* 300-1600
		0,6-6	1,6-16	6-60	16-160	* 750-7500 l/min	* 100-500	* 400-2000
		* 0,8-8	2,5-25	* 7-70	* 20-200	* 60-600	120-600	* 500-2500
		* 1-10	* 3-30	* 8-80	* 30-300		200-1000	
			* 4-40	* 10-100	* 50-250			
Accuracy	±2,5%	±1,5%	±1,5%	±1,5%	±1,5%	±1,5%	±1,5%	
Pressure (MPa)	≤0,6	≤0,6	≤0,6	≤0,6	≤0,4	≤0,4	≤0,4	

Note: range with * represents customer tailored special range.



LZB-BF

TECHNICAL PARAMETERS

Model	LZB-15BF	LZB-25BF	LZB-40BF	LZB-50BF	LZB-80BF	LZB-100BF	
Diameter (mm)	Ø15	Ø25	Ø40	Ø50	Ø80	Ø100	
Range	Liquid l/h	16-160	40-400	160-1600	400-4000	1-10 m3/h	5-25 m3/h
		25-250	60-600	250-2500	600-6000	1,6-16 m3/h	8-40 m3/h
		40-400	100-1000				
	Gas Nm ³ /h	0,25-2,5	1-10	4-40	10-100	50-250	120-600
		0,4-4	1,6-16	6-60	16-160	80-400	200-1000
		0,6-6	2,5-25				
Accuracy	±4%	±2,5%	±2,5%	±2,5%	±2,5%	±2,5%	
Pressure (MPa)	≤0,6	≤0,6	≤0,6	≤0,6	≤0,4	≤0,4	

LZB-B



TECHNICAL PARAMETERS

Model	LZB-15	LZB-25	LZB-40	LZB-50	LZB-80	LZB-100	LZB-100	
Diameter (mm)	Ø15	Ø25	Ø40	Ø50	Ø80	Ø100	Ø100	
Range	Liquid l/h	* 6-60	40-400	160-1600	* 160-1600	1-10 m ³ /h	5-25 m ³ /h	* 20-90 m ³ /h
		* 8-80	60-600	* 180-1800	400-4000	1,6-16 m ³ /h	* 6-35 m ³ /h	* 20-100 m ³ /h
		16-160	100-1000	250-2500	600-6000	* 2-20 m ³ /h	8-40 m ³ /h	* 30-100 m ³ /h
		25-250	* 160-1600	* 300-3000	* 800-8000	* 3-25 m ³ /h	* 12-60 m ³ /h	* 50-120 m ³ /h
		40-400		* 400-4000	* 1-10 m ³ /h	* 8-40 m ³ /h	* 16-80 m ³ /h	
				* 1-5 m ³ /h	* 4-16 m ³ /h			
	Gas Nm ³ /h	0,25-2,5	* 0,8-8	4-40	* 6-60	50-250	* 60-200	* 300-1500
		0,4-4	1-10	* 5-50	10-100	80-400	* 80-400	* 300-1600
		0,6-6	1,6-16	6-60	16-160	* 750-7500 l/min	* 100-500	* 400-2000
		* 0,8-8	2,5-25	* 7-70	* 20-200	* 60-600	120-600	* 500-2500
		* 1-10	* 3-30	* 8-80	* 30-300		200-1000	
			* 4-40	* 10-100	* 50-250			
Accuracy	±2,5%	±1,5%	±1,5%	±1,5%	±1,5%	±1,5%	±1,5%	
Pressure (MPa)	≤0,6	≤0,6	≤0,6	≤0,6	≤0,4	≤0,4	≤0,4	

Note: range with * represents customer tailored special range.

LZB-B



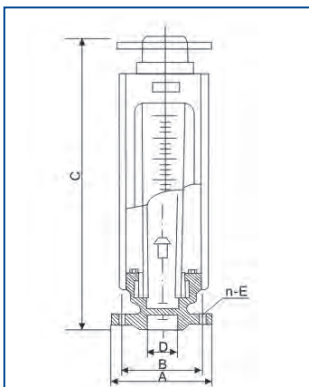
TECHNICAL PARAMETERS

Model	LZB-15F	LZB-25F	LZB-40F	LZB-50F	LZB-80F	LZB-100F	
Diameter (mm)	Ø15	Ø25	Ø40	Ø50	Ø80	Ø100	
Range	Liquid l/h	16-160	40-400	160-1600	400-4000	1-10 m ³ /h	5-25 m ³ /h
		25-250	60-600	250-2500	600-6000	1,6-16 m ³ /h	8-40 m ³ /h
		40-400	100-1000				
Range	Gas Nm ³ /h	0,25-2,5	1-10	4-40	10-100	50-250	120-600
		0,4-4	1,6-16	6-60	16-160	80-400	200-1000
		0,6-6	2,5-25				
Accuracy	±4%	±2,5%	±2,5%	±2,5%	±2,5%	±2,5%	
Pressure (MPa)	≤0,6	≤0,6	≤0,6	≤0,6	≤0,4	≤0,4	

TECHNICAL PARAMETERS

Model	LZB-10S	LZB-15S	LZB-25S	LZB-40S	LZB-50S	LZB-80S
Diameter (mm)	10	15	25	40	50	80
Liquid l/h	10-100	2-70	100-400	120-1500	450-7000	1,5-15 m ³ /h
		2-90	70-700	200-2000	450-8000	2-20 m ³ /h
		4-90	100-700	300-1750	700-7000	7-30 m ³ /h
		6-105				7-31,5 m ³ /h
Accuracy	±1,5%	±1,5%	±1,5%	±1,5%	±1,5%	±1,5%
Pressure (MPa)	≤1	≤0,6	≤0,6	≤0,6	≤0,6	≤0,4

DIMENSIONS (LZB-B/BF/F/S)

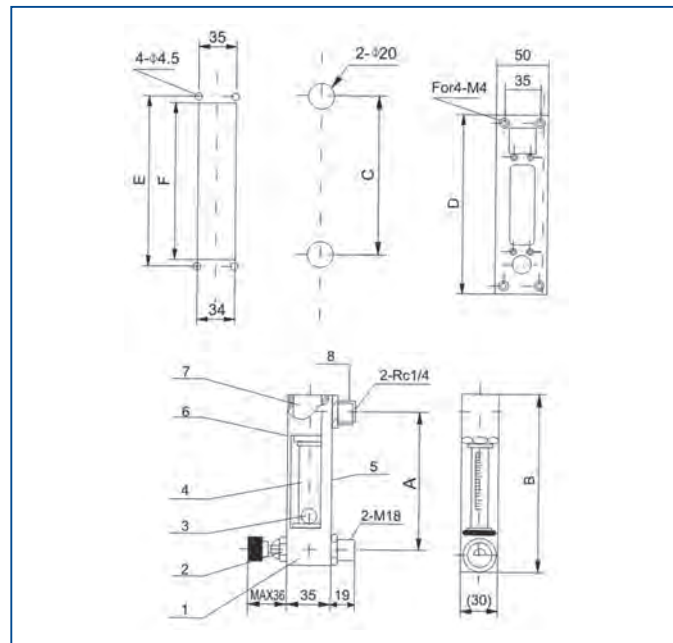


Model	A	B	C	D	n-E
LZB-15	Ø95	Ø65	470±2,5	Ø15	4-Ø14
LZB-25	Ø115	Ø85	470±2,5	Ø25	4-Ø14
LZB-40	Ø145	Ø110	570±3	Ø40	4-Ø18
LZB-50	Ø160	Ø125	570±3	Ø50	4-Ø18
LZB-80	Ø185	Ø150	660±3,5	Ø80	4-Ø18
LZB-100	Ø205	Ø170	660±3,5	Ø100	4-Ø18

Note: LZB-15 no leader

LZB-DK100/DK200

Fitting of this series is high precision flow meters made of SS304 or aluminium. It is applicable to integration of measuring equipment, and service of research department etc. The design with panel permits easy installation. Working pressure: $\leq 0,8$ MPa. Working temperature: 120 °C



TECHNICAL PARAMETERS

Water (l/min)	Air (NI/min)	Thread	Accuracy
20-200 ml/min	0,3-3	(F) 1/8" NPT	±2,5%
30-300 ml/min	0,5-5		
50-500 ml/min	1-10	(F) 1/4" NPT (F) 1/4" BSP	
0,1-1	2-20		
0,15-1,5	3-30		
0,2-2	5-50		

DIMENSIONS

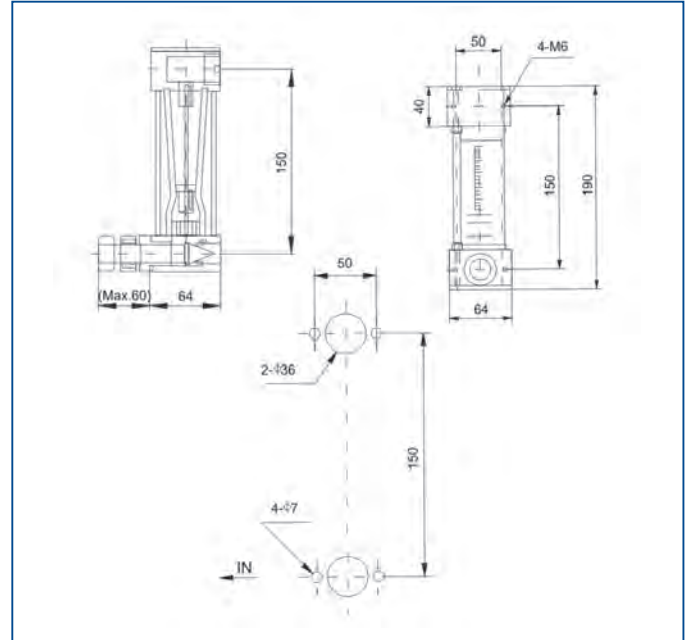
Size (mm)	LZB-DK100	LZB-DK200
A	115	200
B	140	225
C	115	200
D	175	255
E	160	283
F	145	227

SPECIFICATION

No	Part name	Material	Quantity
1	Needle valve	LY11	2
2	Base	SS304	1
3	Float	SS304 or Agat	1
4	Measure tube	Borosilicate glass	1
5	Backboard	LY11	1
6	Outer housing	Acrylic	1
7	Inserts	SS304	1
8	Fittings	SS304	2

LZB-DK300

DK300 series glass rotameter is consisted of a tapered glass tube, base plates on both ends and four holding studs. Easy installation, thread assembled and equipped with flow control valves. It is suitable for the small or large capacity flow measuring. Especially in semi-conductor chemical fluid etc. Working pressure: $\leq 0,6$ MPa. Working temperature: PVC (max 60 °C), PTFE (max 80 °C), SS304 (max 120 °C)



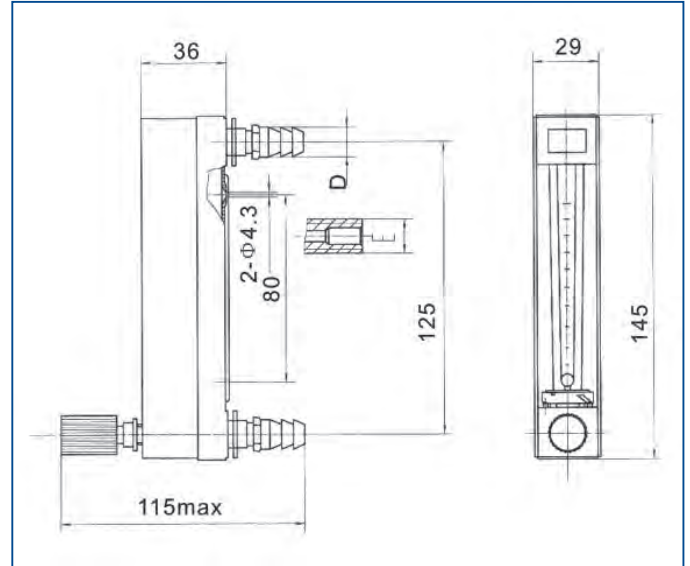
TECHNICAL PARAMETERS

Model	Range (l/min)		Thread	Accuracy
	Water	Air		
LZB-DK300 LZB-DK300T	1-10	40-400	1/2" BSP 1/2" NPT 3/4" BSP 3/4" NPT	±5%
	2-20	60-600		
	3-30	90-900		
	4-40	120-1200		
	5-50	150-1500	3/4" BSP 3/4" NPT	
	12-60	400-1800		

LZB-DK300	T	2	2	1
	Regulator - T	Float	Base plate	Thread (F)
As per the flow to confirm the material of float		1 - F4	1 - PVC	1 - 1/2" BSP
		2 - SS	2 - SS	2 - 1/2" NPT
			3 - PTFE	3 - 3/4" BSP
				4 - 3/4" NPT

LZB-DK800

DK800 series glass rotameter, the compacted flow meter is suitable for measuring and regulating small flowrate. Smart design permits convenient replacement of tube and float with the flow meter staying in the pipe run. It can be connected to either hoses or metal pipes.



TECHNICAL PARAMETERS

Model	DN (mm)	Range (l/h)		Accuracy	Conditions		Size (mm)		Outer diameter of metal pipe (mm)
		Water	Air		Temperature (°C)	Pressure (Mpa)	D	E	
LZB-DK800-4 LZB-DK800-4F	4	0,25-2,5	0,5-5	±2,5%	-20...+120 °C	≤1,0	Ø11	M10x1	Ø6
			0,8-8						
			1,6-16						
			4-40						
LZB-DK800-6 LZB-DK800-6F	6		6-60						
		0,5-5	10-100						
		1,2-12	25-250						
		2,5-25	50-500						
		4-40	80-800						
		6-60	100-1000						
		10-100	180-1800						
		16-160	240-2400						
	300-3000								
	350-3500								
	430-4300								

Note: model with "F" is corrosion resistant model

LZB-VA/WA/FA30S

This series of flow meter is made of SS304. There are female screw thread, flange and tri-clamp connection for choice. It is featured in nice looking and low weight.

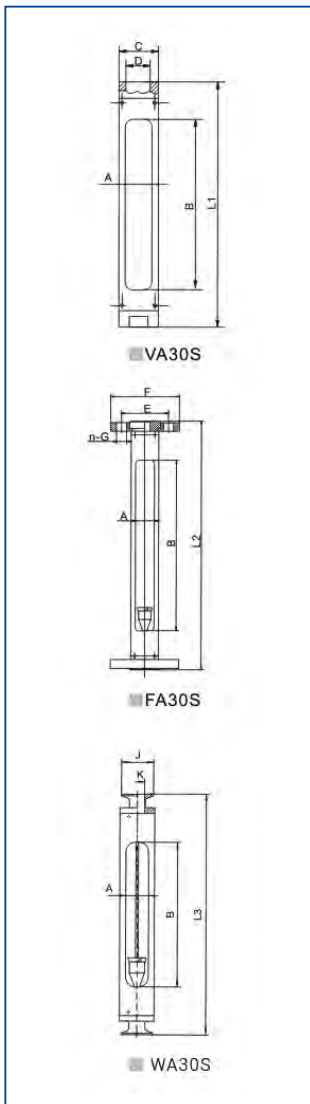


TECHNICAL PARAMETERS

Model	DN (mm)	Range (l/h)		Accuracy	Conditions	
		Water	Air		Temperature (°C)	Pressure (Mpa)
LZB-VA30S-15 LZB-FA30S-15 LZB-WA30S-15	15	4-40	0,12-1,2	±1,5%	-20...+120 °C	≤1,0
		6,3-63	0,2-2			
		10-100	0,3-3			
		12-120	0,4-4			
		16-160	0,5-5			
		20-200	0,6-6			
		25-250	0,8-8			
		30-300	0,9-9			
		36-360	1,2-12			
		40-400	2-20			
		46-460				
LZB-VA30S-25 LZB-FA30S-25 LZB-WA30S-25	25	40-400	1,6-16	±1,5%	-20...+120 °C	≤1,0
		50-500	2-20			
		63-630	2,5-25			
		80-800	3-30			
		100-1000	4-40			
		120-1200	5-50			
		160-1600	6-60			
		200-2000				
LZB-VA30S-40 LZB-FA30S-40 LZB-WA30S-40	40	160-1600	5-50	±1,5%	-20...+120 °C	≤0,9
		200-2000	6-60			
		250-2500	8-80			
		300-3000	9-90			
		400-4000	12-120			
LZB-VA30S-50 LZB-FA30S-50 LZB-WA30S-50	50	250-2500	10-100	±1,5%	-20...+120 °C	≤0,7
		300-3000	12-120			
		400-4000	16-160			
		500-5000	20-200			
		630-6300	30-300			
		800-8000				
		1000-10000				
		1500-15000				
4000-16000						

next▶

continuation▶

LZB-VA/WA/FA30S

DIMENSIONS (LZB-VA30S)

DN (mm)	Display window size (axb)	LZB-VA 30S threaded connection		
		L1	C	D
15	26 x 236	344	Ø38	1/2" BSP
25	34 x 226	348	Ø55	1" BSP
40	44 x 226	370	Ø70	1 1/2" BSP
50	60 x 216	380	Ø90	2" BSP

DIMENSIONS (LZB-FA30S)

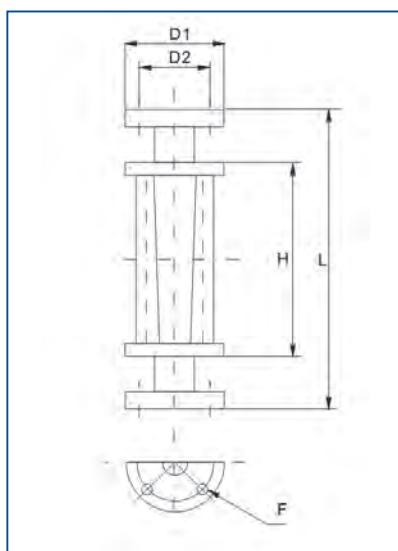
DN (mm)	Display window size (axb)	LZB-FA 30S flange connection			
		L2	E	F	n-G
15	26 x 236	348	Ø65	Ø95	4-Ø14
25	34 x 226	348	Ø85	Ø115	4-Ø14
40	44 x 226	370	Ø110	Ø145	4-Ø18
50	60 x 216	370	Ø125	Ø160	4-Ø18

DIMENSIONS (LZB-WA30S)

DN (mm)	Display window size (axb)	LZB-WA 30S tri-clamp connection		
		L3	J	K
15	26 x 236	376	50,5	3/4"
25	34 x 226	376	50,5	1"
40	44 x 226	376	50,5	1 1/2"
50	60 x 216	376	64	2"

LZB-FA100

LZB-FA100 glass rotator flow meter. This flow meter is highly sensitive and works in a wide range with low pressure loss, besides other advantages e. g. easy to operate etc. It is usually used for low pressure high temperature shear liquid or gases without suspending particles and has been widely employed in various industries e. g. petroleum, chemicals, electronics, environmental protection, power supply and medicine etc. Working temperature: ≤ 120 °C. Accuracy: $\pm 3\%$ F. S. Range rate: 10:1



TECHNICAL PARAMETERS

DN (mm)	Range		Working pressure (MPa)
	Water (l/h)	Air (NI/min)	
15	30-300	10-100	$\leq 0,8$
	60-600	20-200	
	80-800	25-250	
20	90-900	20-200	
	120-1200	30-300	
	180-1800	50-500	
25	180-1800	50-500	
	300-3000	100-1000	
	480-4800	150-1500	
32	480-4800	200-2000	
	600-6000	250-2500	
	720-7200	300-3000	
40	1-10 m ³ /h	18-180 Nm ³ /h	
	1,2-12 m ³ /h	20-200 Nm ³ /h	
	1,5-15 m ³ /h	25-250 Nm ³ /h	
50	1,2-12 m ³ /h	20-200 Nm ³ /h	
	1,5-15 m ³ /h	25-250 Nm ³ /h	
	1,8-18 m ³ /h	30-300 Nm ³ /h	
65	1,8-18 m ³ /h	25-250 Nm ³ /h	$\leq 0,4$
	3-30 m ³ /h	35-350 Nm ³ /h	
	4-40 m ³ /h	40-400 Nm ³ /h	
80	4-40 m ³ /h	40-400 Nm ³ /h	
	5-50 m ³ /h	50-500 Nm ³ /h	
	6-60 m ³ /h	60-600 Nm ³ /h	
100	6-60 m ³ /h	60-600 Nm ³ /h	
	7-70 m ³ /h	70-700 Nm ³ /h	
	10-100 m ³ /h	90-900 Nm ³ /h	

DIMENSIONS

Model	Sizes (mm)								
	LZB-FA100-15	LZB-FA100-20	LZB-FA100-25	LZB-FA100-32	LZB-FA100-40	LZB-FA100-50	LZB-FA100-65	LZB-FA100-80	LZB-FA100-100
L	260	340	340	340	340	340	390	390	410
H	150	200	200	200	200	200	250	250	250
D1	95	105	115	135	145	160	180	185	205
D2	65	75	85	100	110	125	145	150	170
F	4-Ø14	4-Ø14	4-Ø14	4-Ø18	4-Ø18	4-Ø18	4-Ø18	4-Ø18	4-Ø18

LZB-VA/SA/FA10

This is a highly accurate glass rotameter with diversified joints and various options of scalings from to percentage. VA10 is threaded connection. SA10 is hose connection. FA10 is movable flange connection.



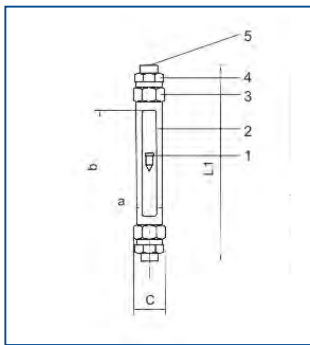
TECHNICAL PARAMETERS

Model	DN (mm)	Range (l/h)		Accuracy	Conditions	
		Water	Air		Temperature (°C)	Pressure (Mpa)
LZB-VA10-15 LZB-FA10-15 LZB-SA10-15	15	4-40	0,12-1,2	±1,5%		
		6,3-63	0,2-2			
		10-100	0,3-3			
		12-120	0,4-4			
		16-160	0,5-5			
		20-200	0,6-6			
		25-250	0,8-8			
		30-300	0,9-9			
		36-360	1,2-12			
		40-400	2-20			
		46-460				
		63-630				
65-650						
75-750						
LZB-VA10-25 LZB-FA10-25 LZB-SA10-25	25	40-400	1,6-16		-20...+60 °C or -20...+120 °C	
		50-500	2-20			
		63-630	2,5-25			
		80-800	3-30			
		100-1000	4-40			
		120-1200	5-50			
		160-1600	6-60			
		200-2000				
		250-2500				
300-3000						
LZB-VA10-40 LZB-FA10-40 LZB-SA10-40	40	160-1600	5-50			≤0,9
		200-2000	6-60			
		250-2500	8-80			
		300-3000	9-90			
		400-4000	12-120			
LZB-VA10-50 LZB-FA10-50 LZB-SA10-50	50	250-2500	10-100			≤0,7
		300-3000	12-120			
		400-4000	16-160			
		500-5000	20-200			
		630-6300	30-300			
		800-8000				
		1000-10000				
1500-15000						

Note: model with "F" is corrosion resistant model, e. g. LZB-VA10-15F

next ...

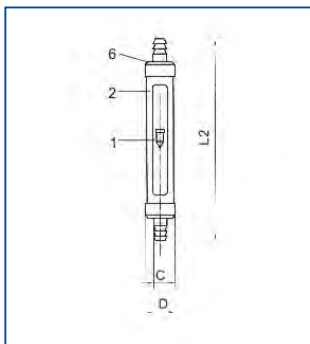
continuation▶

LZB-VA/SA/FA10


LZB-VA10

DIMENSIONS (LZB-VA10)

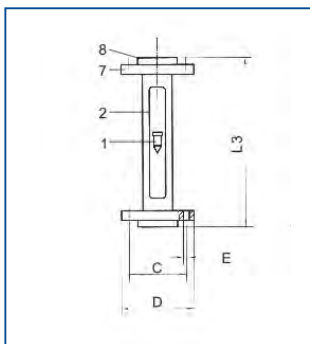
DN (mm)	Display window size (axb)	LZB-VA10 threaded connection		
		L1	C	Thread
15	26 x 230	408	53	1/2" BSP
25	26 x 230	414	75	1" BSP
40	40 x 230	428	92	1 1/2" BSP
50	50 x 230	431	116	2" BSP



LZB-SA10

DIMENSIONS (LZB-SA10)

DN (mm)	Display window size (axb)	LZB-SA10 hose connection		
		L2	C	D
15	26 x 230	400	Ø13,5	Ø44
25	26 x 230	450	Ø27	Ø65
40	40 x 230	450	Ø44	Ø80
50	50 x 230	450	Ø53	Ø103



LZB-FA10

DIMENSIONS (LZB-FA10)

DN (mm)	Display window size (axb)	LZB-FA10 flange connection			
		L3	C	D	E
15	26 x 230	320	Ø65	Ø95	4-Ø14
25	26 x 230	320	Ø85	Ø115	4-Ø14
40	40 x 230	320	Ø110	Ø145	4-Ø18
50	50 x 230	320	Ø125	Ø160	4-Ø18

SPECIFICATION

No	Material	No	Material
1	SS304 SS316	5	SS304, 45#
2	45#	6	SS304, AL
3	AL or SS304	7	SS304, 45#
4	45# or SS304	8	AL, SS304

LZB-VA/SA/FA20

This is a highly accurate glass rotameter with diversified joints and various options of scalings from to percentage. VA20 is threaded connetion. SA20 is hose connection. FA20 is movable flange connection.



TECHNICAL PARAMETERS

Model	DN (mm)	Range (l/h)		Accuracy	Conditions	
		Water	Air		Temperature (°C)	Pressure (Mpa)
LZB-VA20-15 LZB-FA20-15 LZB-SA20-15	15	4-40	0,12-1,2	±1,5%	-20...+60 °C or -20...+120 °C	≤1,0
		6,3-63	0,2-2			
		10-100	0,3-3			
		12-120	0,4-4			
		16-160	0,5-5			
		20-200	0,6-6			
		25-250	0,8-8			
		30-300	0,9-9			
		36-360	1,2-12			
		40-400	2-20			
		46-460				
		63-630				
65-650						
75-750						
LZB-VA20-25 LZB-FA20-25 LZB-SA20-25	25	40-400	1,6-16	±1,5%	-20...+60 °C or -20...+120 °C	≤1,0
		50-500	2-20			
		63-630	2,5-25			
		80-800	3-30			
		100-1000	4-40			
		120-1200	5-50			
		160-1600	6-60			
		200-2000				
250-2500						
300-3000						
LZB-VA20-40 LZB-FA20-40 LZB-SA20-40	40	160-1600	5-50	±1,5%	-20...+60 °C or -20...+120 °C	≤0,9
		200-2000	6-60			
		250-2500	8-80			
		300-3000	9-90			
		400-4000	12-120			
500-5000						
LZB-VA20-50 LZB-FA20-50 LZB-SA20-50	50	250-2500	10-100	±1,5%	-20...+60 °C or -20...+120 °C	≤0,7
		300-3000	12-120			
		400-4000	16-160			
		500-5000	20-200			
		630-6300	30-300			
		800-8000				
		1000-10000				
		1500-15000				
4000-16000						

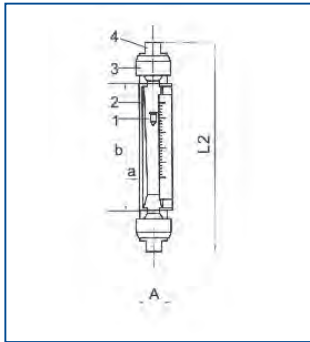
Note: model with "F" is corrosion resistant model, e. g. LZB-VA20-15F

next ...



continuation▶

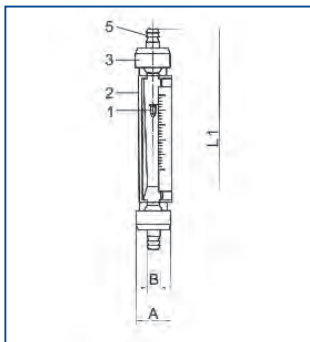
LZB-VA/SA/FA20



LZB-VA20

DIMENSIONS (LZB-VA20)

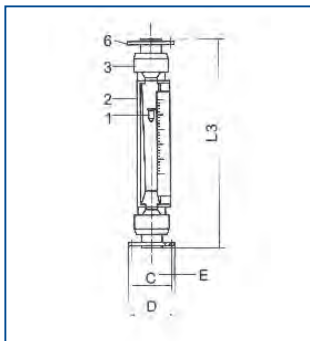
DN (mm)	Display window size (axb)	LZB-VA20 threaded connection		
		L2	A	Thread
15	33 x 235	375	58	1/2" BSP, NPT
25	50 x 240	375	74	1" BSP, NPT
40	65 x 235	375	92	1 1/2" BSP, NPT
50	85 x 230	375	112	2" BSP, NPT



LZB-SA20

DIMENSIONS (LZB-SA20)

DN (mm)	Display window size (axb)	LZB-SA20 hose connection		
		L1	A	B
15	33 x 235	400	58	17
25	50 x 240	450	74	30
40	65 x 235	450	92	44
50	85 x 230	450	112	54



LZB-FA20

DIMENSIONS (LZB-FA20)

DN (mm)	Display window size (axb)	LZB-FA20 flange connection			
		L3	C	D	E
15	33 x 235	320	Ø95	Ø65	4-Ø14
25	50 x 240	320	Ø115	Ø85	4-Ø14
40	65 x 235	320	Ø145	Ø110	4-Ø18
50	85 x 230	320	Ø160	Ø125	4-Ø18

SPECIFICATION

No	Material	No	Material
1	SS304 SS316	4	SS304, 45#
2	AL	5	SS304, AL
3	AL	6	SS304, 45#

LZB-GA24



This series flow meter is one type of glass rotameter, compared with the other products of the same type, it has advantages of high measuring precision, great interchangeability. We can provide mm graduation scale, percentage scale and dismountable scale, it is convenient for different users to use.

TECHNICAL PARAMETERS

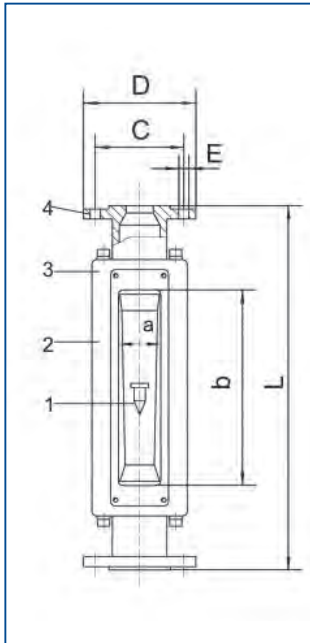
Model	DN (mm)	Range (l/h)		Accuracy	Conditions	
		Water	Air		Temperature (°C)	Pressure (Mpa)
LZB-GA24-15 LZB-GA24-15F	15	4-40	0,12-1,2	±1,5%	-20...+60 °C or -20...+120 °C	≤1,0
		6,3-63	0,2-2			
		10-100	0,3-3			
		12-120	0,4-4			
		16-160	0,5-5			
		20-200	0,6-6			
		25-250	0,8-8			
		30-300	0,9-9			
		36-360	1,2-12			
		40-400	2-20			
		46-460				
		63-630				
65-650						
75-750						
LZB-GA24-25 LZB-GA24-25F	25	40-400	1,6-16	±1,5%	-20...+60 °C or -20...+120 °C	≤1,0
		50-500	2-20			
		63-630	2,5-25			
		80-800	3-30			
		100-1000	4-40			
		120-1200	5-50			
		160-1600	6-60			
		200-2000				
		250-2500				
300-3000						
LZB-GA24-40 LZB-GA24-40F	40	160-1600	5-50	±1,5%	-20...+60 °C or -20...+120 °C	≤0,9
		200-2000	6-60			
		250-2500	8-80			
		300-3000	9-90			
		400-4000	12-120			
		500-5000				
LZB-GA24-50 LZB-GA24-50F	50	250-2500	10-100	±1,5%	-20...+60 °C or -20...+120 °C	≤0,7
		300-3000	12-120			
		400-4000	16-160			
		500-5000	20-200			
		630-6300	30-300			
		800-8000				
		1000-10000				
		1500-15000				
4000-16000						

Note: model with "F" is corrosion resistant model

next ...



continuation▶

LZB-GA24

DIMENSIONS

DN (mm)	Display window size (axb)	LZB-GA24 flange connection			
		L3	C	D	E
15	37 x 302	500	Ø65	Ø95	4-Ø14
25	52 x 294	500	Ø85	Ø115	4-Ø14
40	64 x 278	500	Ø110	Ø145	4-Ø18
50	94 x 266	500	Ø125	Ø160	4-Ø18

SPECIFICATION

No	Material
1	SS304 SS316
2	45#
3	Acrylic
4	45#, SS304

LZ rotameters with alarm limit switches

1. Philosophy

Switch on/off is actually magnetic float contact open/close after magnetron bistable exciting. Alarm sound and light are based on the switch position of on/off linked to relays among other parts and elements.

2. Functions and applications

BJ01: high alarm limit switch (HA)

BJ02: low alarm limit switch (LA)

Both the switches of BJ01 and BJ02 are able to send relevant signals at maximum, middle and minimum flow. The switches are mounted on certain selected position of rail and whenever magnetic float reaches or passes the switch level, signals will be sent out for internal contact actuation of either opening or closing.

3. Technical parameter

Rated voltage: max. DC24/AC24

Rated amperage: max. 0,3 A

Steady current at switches opening or closing: max. DC0,1A

Interruption capacity: ≤10 W

Insulation impedance: 10° Ω

Working temperature: 0...+55 °C

Protection grading: IP65

Displacement (position on or off): ≤4 mm

4. Precautions

- a) Keep off from ambient magnetic disturbance during mounting e. g. large motors etc.
- b) Flow media should be free from ferromagnetic foreign matters.
- c) Ensure pipes or tubes to be mounted with the flow meters free any potential vibration in case switch contact actuates accidentally.

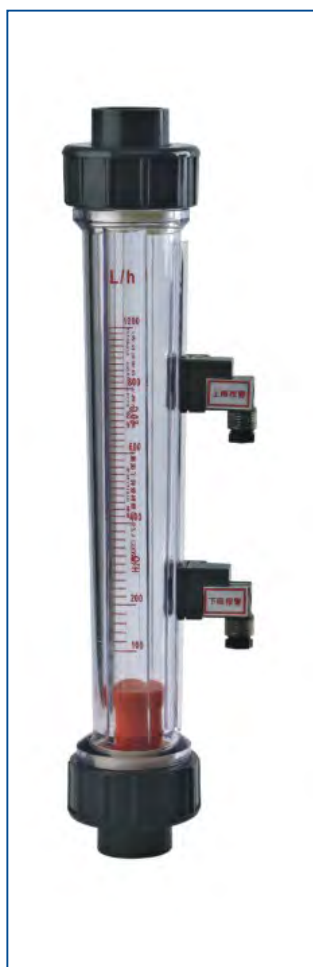
LZM series with alarm limit switches



TECHNICAL PARAMETERS

Model	Range		Screw thread	Accuracy
	GPM (liquid)	LPM (liquid)		
LZM-25Z	1-10	5-35	(M)1" BSPT	±4%
	1-15	5-50		
	2-14	10-50		
	2-20	10-70		
	5-35	10-130		
	5-40	10-150		
	5-45	10-170		
		0,2-2,1 m³/h		
LZM-25 LZM-25J	1,5-15	6-60	(M)1" BSPT	±4%
	3-13	10-50		
	4-24	10-100		
	5-35	10-130		
LZM-25G LZM-40G	1-15	5-60	25G (F)1" BSP 40G (M)1 1/2" BSP	±4%
	2-20	10-70		
	5-30	20-110		
	5-40	20-150		

LZM series with alarm limit switches

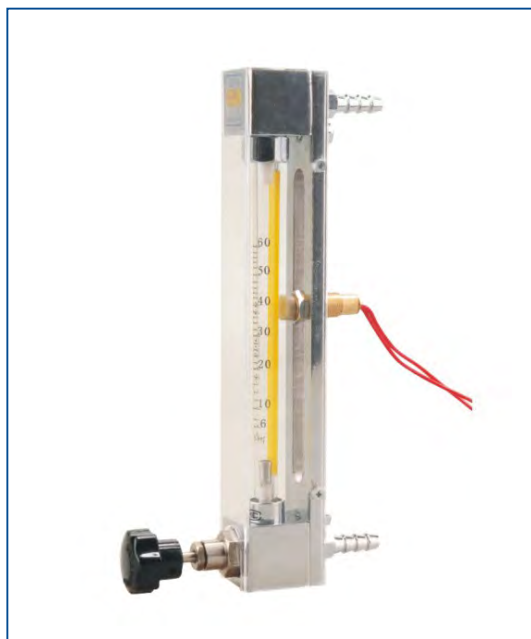


TECHNICAL PARAMETERS

Model	DN (mm)	Range		Accuracy	Conditions	
		Long tube type (C)	Short tube type (D)		Temperature (°C)	Pressure (Mpa)
LZS-15	15	10-100 l/h	5-50 l/h	±4%	0-60	≤0,6
		16-160 l/h	10-100 l/h			
		25-250 l/h	16-160 l/h			
		40-400 l/h	25-250 l/h			
		60-600 l/h	40-400 l/h			
			50-500 l/h			
			60-600 l/h			
	100-1000 l/h					
LZS-25	25	100-1000 l/h	4-40 l/min			
		160-1600 l/h	100-1000 l/h			
		250-2500 l/h	160-1600 l/h			
			250-2500 l/h			
LZS-32	32	-	0,4-4 m³/h			
			0,6-6 m³/h			
LZS-40	40	0,4-4 mm/h (with leader)	-			
		0,6-6 m³/h (with leader)	-			
		1-10 m³/h (with leader)	-			
LZS-50	50	0,4-4 m³/h	1-10 m³/h			
		0,6-6 m³/h	1,6-16 m³/h			
		1-10 m³/h				
		1,6-16 m³/h				
LZS-65	65		2,5-16 mm/h			
			5-25 m³/h			
			8-40 m³/h			
			12-60 m³/h			
LZS-100	100	14-90 m³/h	14-90 m³/h			
		18-120 m³/h	18-120 m³/h			
		20-150 m³/h	20-150 m³/h			
		25-180 m³/h	25-180 m³/h			
		25-200 m³/h	25-200 m³/h			
LZS-125	125	14-90 m³/h	14-90 m³/h			
		18-120 m³/h	18-120 m³/h			
		20-150 m³/h	20-150 m³/h			
		25-180 m³/h	25-180 m³/h			
		25-200 m³/h	25-200 m³/h			
LZS-150	150	14-90 m³/h	14-90 m³/h			
		18-120 m³/h	18-120 m³/h			
		20-150 m³/h	20-150 m³/h			
		25-180 m³/h	25-180 m³/h			

Note: if the flow meters of LZS-100, 125, 150 requires with alarm switch can be customized

LZB series with alarm limit switches



TECHNICAL PARAMETERS

Model		LZB-10 Ø10	LZB-15 Ø15	LZB-25 Ø25
Diameter (mm)				
Range	Liquid l/h	6-60	* 6-60	40-400
		10-100	* 8-80	60-600
		16-160	16-160	100-1000
			25-250	* 160-1600
			40-400	
	Gas N m³/h	0,1-1	0,25-2,5	* 0,8-8
			0,4-4	1-10
			0,6-6	1,6-16
			* 0,8-8	2,5-25
			* 1-10	* 3-30
				* 4-40
Accuracy		±2,5%	±2,5%	±1,5%
Pressure (MPa)		≤1,0	≤0,6	≤0,6

Note: range with * represents customer tailored special range.

LZB series with alarm limit switches

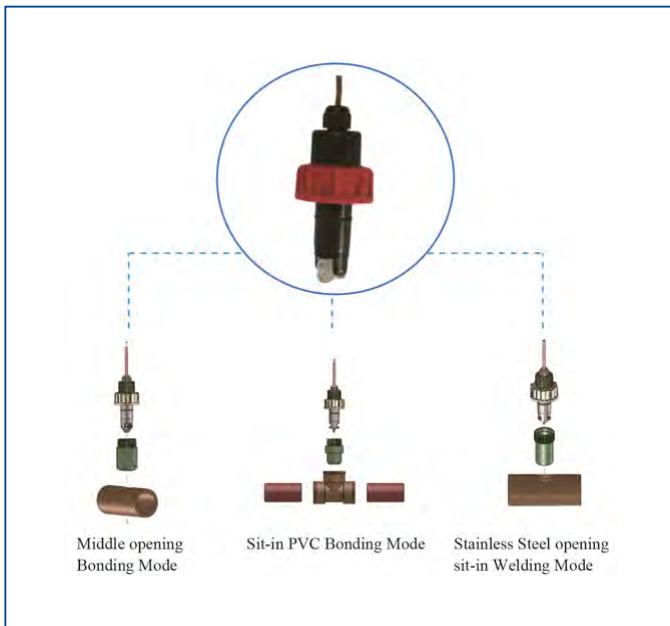


TECHNICAL PARAMETERS

Model		LZB-40 Ø40	LZB-50 Ø50	LZB-80 Ø80	LZB-100 Ø100	LZB-100 Ø100	
Diameter (mm)							
Range	Liquid l/h	160-1600	* 160-1600	1-10 m³/h	5-25 m³/h	* 20-90 m³/h	
		* 180-1800	400-4000	1,6-16 m³/h	* 6-35 m³/h	* 20-100 m³/h	
		250-2500	600-6000	* 2-20 m³/h	8-40 m³/h	* 30-100 m³/h	
		* 300-3000	* 800-8000	* 3-25 m³/h	* 12-60 m³/h	* 50-120 m³/h	
		* 400-4000	* 1-10 m³/h	* 8-40 m³/h	* 16-80 m³/h		
		* 1-5 m³/h	* 4-16 m³/h				
	Gas Nm³/h	* 1,5-6 m³/h					
		4-40	* 6-60	50-250	* 60-200	* 300-1500	
		* 5-50	10-100	80-400	* 80-400	* 300-1600	
		6-60	16-160	* 750-7500 l/min	* 100-500	* 400-2000	
		* 7-70	* 20-200	* 60-600	120-600	* 500-2500	
		* 8-80	* 30-300		200-1000		
	* 10-100	* 50-250					
		* 80-400					
Accuracy		±1,5%	±1,5%	±1,5%	±1,5%	±1,5%	
Pressure (MPa)		≤0,6	≤0,6	≤0,4	≤0,4	≤0,4	

Note: range with * represents customer tailored special range.

FCD-2000 Digital Paddle Wheel Flow Sensor



FEATURES

- Measurement/Communication Integrated Paddle Wheel flow sensor.
- Design the flow meter function inside the sensor directly.
- RS485 digital physical port (Modbus RTU protocol).
- Directly output the instantaneous and accumulated flow data, without any need for analog-digital conversion.
- Setting K-factor, Address and the baud rate by PC software.
- Pre-measuring unit, high integrated design and high anti-interference ability.
- Can connect with computer, configuration system, PLC, wireless modules.
- Meet the demand of system completing in Internet Age.

TECHNICAL CHARACTERISTICS

Data communication	RS485 (Modbus RTU protocol)
Main Material	Engineering plastic
Adapt diameter	DN25...DN350
Withstand Pressure	0,6 MPa
Measuring range	Instantaneous flow: 0...2000 m ³ /h
	Accumulated flow: 0...99999999 m ³
	Flow rate: 0...5 m/s
Power Supply	DC24V ±15%
Installation	Mounted vertically, tangential installation
Medium Temperature	0...60 °C
Wire length	10 meters as standard, but can be customized

ORDER DIRECTION

Basic order units:

FCD-2000 Digital FCD-2000 Digital Paddle Wheel Flow Sensor

FCD-2000 Host calibration & setting software

Selection Units:

MFC-2300 Multi-functional Controller

MCC-2300 Multi-Channel Controller

ESB-100 Three Degrees of Freedom environmental sensor bracket

WIFI, ZIGBEE, CDMA, 3G, GPRS wireless module.

FCT-8350 Flow Meter



APPLICATION

Widely used for online measurement of acid&alkali in low concentrations and the low viscosity single-phase fluid of non-trade settlement process.

FEATURES

- K coefficient and standard diameter/non-standard of a variety of settings way, flexible and convenient.
- Different kinds of the engineer working load could be chosen, can meet the measurement standards of different country and region.
- Instantaneous flow high/low limit alarm, instantaneous flow frequency, multiple alarm settings.
- The frequency pulse of instantaneous flow rate, direct sensor pulse integrating volume frequency division, integrating volume pulse and many kinds of control mode for selection.

- To start the polyline modification for the measurements to provide better precision correction.
- Compatible with tangential type/axial type pulse sensor.
- Small signal cutting and small signal correction function, to meet the operation compensation under low flow rate condition.
- 3.5 inch screen, multi-parameter display and Chinese/English for selection, heuristic operation.
- Semiconductor photoelectric relay (non contact), switch control/proportional pulse control.

- It can achieve the ratio of flow parameter pulse pharmacy dosing.
- Measurement/control/transmission each unit can complete electrical isolated, each other without any interference.
- Can program current transmitting between any two points in whole flow range.
- Isolated 4...20 mA current loop, Instrument/Transmitter for selection.
- EMC design with better ability on anti-interference.
- Meeting high humidity site safety power supply regulation, DC 24V with standard.

TECHNICAL CHARACTERISTICS

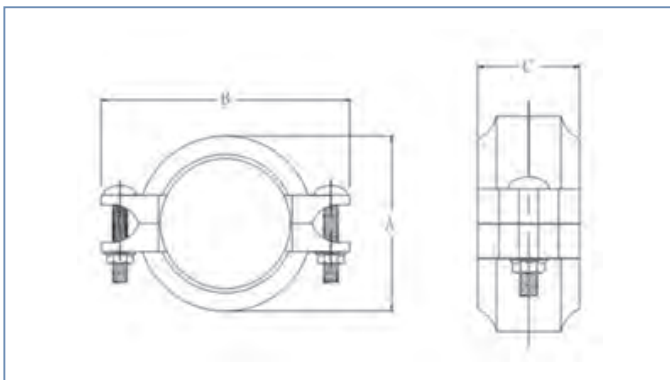
Measurement Range	Instantaneous flow: 0...2000 m ³ /h; Accumulated flow: 0...99999999 m ³
Flow Rate	0...5 m/s
Applicable Pipe Diameter	DN25...DN1000 for selection
Resolution	0.001 m ³ /h
Renew Interval	1 S
Accuracy	2.0 level
Repeatability	±0.5%
Probe Input	Range: 0.5Hz...2KHz; Power supply: DC 12V (instrument supply)
Analog output	4...20 mA, Instrument/Transmitter for selection
Control Output	Semi-conductor photo electronic relay, Load current: 50 mA (max) AC/DC 30V
Control Mode	Instantaneous flow high/low limit alarm, flow variable frequency conversion, probe pulse frequency division, integrating value pulse, control on/off function
Working Power	DC 24V
Power consumption	≤3.0W≤3.0W≤3.0W
Cable Length	5 m as standard or 1...500 m for selection
Working environment	Temp. 0...50 °C; Humidity ≤85% RH (none condensation)
Storage Environment	Temp. -20...60 °C; Humidity <85%RH (none condensation)
Protection level	IP65 (with back cover)
Dimension	96 mm x 96 mm x 94 mm (H x W x D)
Hole size	91 mm x 91 mm (H x W)
Installation	Panel mounted, fast installation

EKO-TRADING CO., LIMITED

Grooved Couplings



75L stainless steel low pressure couplings



The Model 75L is designed for low pressure MF/UF/RO systems. It is made of CF8 (304) or CF8M (316) with 304 or 316 bolts and nuts.

Sizes-Inches/DN:

3/4" to 12" (DN20 to DN300)

Rated working pressure:

350 psi (25 bar) Sch. 40S, cut groove only 75L

MODEL 75L MATERIAL SPECIFICATION

Housings:

- Type 304 Stainless steel to ASTM A351 CF8 or A743 Gr. CF8
- Type 316 to ASTM A743 CF8M
- Type 316L to ASTM A743 CF3M
- CE8MN to ASTM A890 Grade 2A
- Austenitic 904L (CN2MCuN) to A351
- Duplex 2205 (CD3MN) to ASTM A890 Grade 4A
- Super duplex 2507 (CE3MN) to ASTM A890 Grade 5A

Rubber Gaskets:

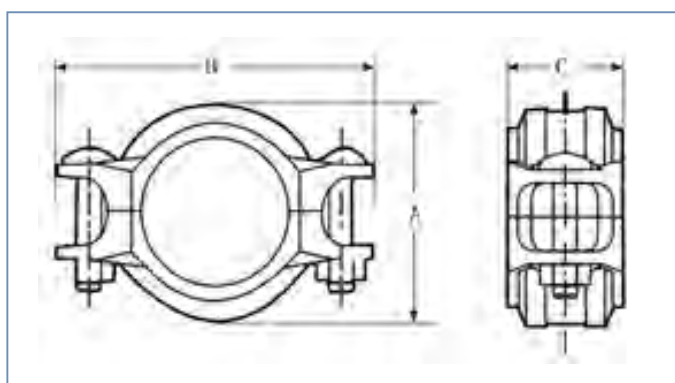
The gasket seals is C-shaped, made of standard gasket EPDM (ethylene propylene diene monomer) for cold water, hot water, rare acid, oil-free air and multiple chemical product (-50...150 °C). It is not suitable for medium like petroleum.

Bolts & Nuts:

- Type 304 stainless steel track bolts and nuts to ASTM F-593.
- Type 316 stainless steel track bolts and nuts to ASTM F-593.
- Type 316 stainless steel track bolts ASTM A193 B-8M with silicone bronze heavy duty nuts to ASTM B98 C65100 .

Nominal size mm in	Pipe OD mm in	Rated working pressures psi bar	Pipe end separation mm in	Dimensions			Weight kgs lbs
				B mm in	B mm in	C mm in	
20	26,900	350	0-1,6	47	83	42	0,27
0,75	1,059	24,13	0-0,06	1,85	3,268	1,654	0,59
25	32,000	350	0-1,6	54	89	42	0,31
-	1,260	24,13	0-0,06	2,126	3,504	1,654	0,67
25	33,700	350	0-1,6	54	89	42	0,31
1	1,327	24,13	0-0,06	2,126	3,504	1,654	0,67
32	38,000	350	0-1,6	58	95	42	0,35
-	1,496	24,13	0-0,06	2,283	3,74	1,654	0,77
32	42,400	350	0-1,6	63	100	43	0,37
1,25	1,669	24,13	0-0,06	2,48	3,937	1,693	0,80
40	48,300	350	0-1,6	69	105	44	0,42
1,5	1,900	24,13	0-0,06	2,717	4,134	1,732	0,93
50	57,000	350	0-1,6	76	116	44	0,46
-	2,244	24,13	0-0,06	2,992	4,567	1,732	1,02
50	60,300	350	0-1,6	79	117	44	0,47
2	2,375	24,13	0-0,06	3,11	4,606	1,732	1,03
65	73,000	350	0-1,6	94	133	44	0,55
2,5	2,875	24,13	0-0,06	3,701	5,236	1,732	1,21
65	76,100	350	0-1,6	99	137	44	0,59
-	3,000	24,13	0-0,06	3,896	5,394	1,732	1,29
80	88,900	350	0-1,6	111	151	44	0,73
3	3,500	24,13	0-0,06	4,37	5,945	1,732	1,61
100	108,000	350	0-3,2	131	180	48	1,14
-	4,250	24,13	0-0,13	5,157	7,087	1,89	2,50
100	114,300	350	0-3,2	141	189	48	1,20
4	4,500	24,13	0-0,13	5,551	7,441	1,89	2,63
125	133,000	350	0-3,2	158	206	49	1,33
-	5,250	24,13	0-0,13	6,22	8,11	1,929	2,94
125	139,700	350	0-3,2	166	215	49	1,52
-	5,500	24,13	0-0,13	6,535	8,465	1,929	3,34
125	141,300	350	0-3,2	166	215	49	2,90
5	5,563	24,13	0-0,13	6,535	8,465	1,929	6,38
150	159,000	350	0-3,2	189	239	50	1,83
-	6,259	24,13	0-0,13	7,441	9,409	1,969	4,02
150	168,300	350	0-3,2	197	246	50	1,88
6	6,625	24,13	0-0,13	7,756	9,685	1,969	4,14
200	219,100	350	0-3,2	255	315	60	3,58
8	8,525	24,13	0-0,13	10,039	12,401	2,362	7,87
250	273,000	350	0-3,2	317	386	60	4,80
10	10,748	24,13	0-0,13	12,48	15,197	2,362	10,57
300	323,900	350	0-3,2	408	441	65	6,68
12	12,752	24,13	0-0,13	16,063	17,362	2,559	14,73

76M stainless steel medium pressure couplings



The Model 76M is designed for medium pressure reverse osmosis systems. The Model 76M is supplied standard in CF8 (304) and CF8M (316) with 304 or 316 bolts and nuts.

Sizes-Inches/DN:

3/4" to 8" (DN20 to DN200)

Rated working pressure:

600 psi (42 bar) Sch. 40S, cut groove only

MODEL 75L MATERIAL SPECIFICATION

Housings:

Type 304 Stainless steel to ASTM A351 CF8 or A743 Gr. CF8
 Type 316 to ASTM A743 CF8M
 Type 316L to ASTM A743 CF3M
 CE8MN to ASTM A890 Grade 2
 Austenitic 904L (CN2MCuN) to A351
 Duplex 2205 (CD3MN) to ASTM A890 Grade 4A
 Super duplex 2507 (CE3MN) to ASTM A890 Grade 5
 Austenitic 254SMO (CK3MCuN) to A743

Rubber Gaskets:

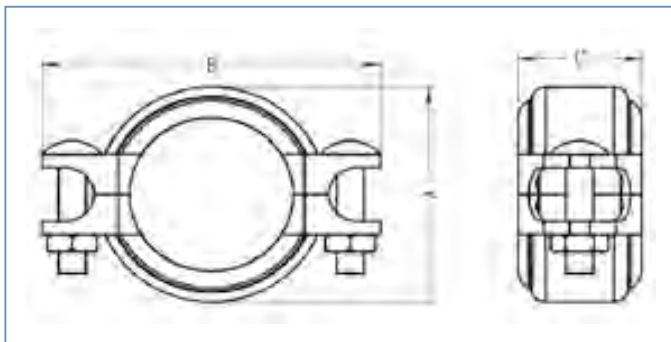
The gasket seals is C-shaped, made of standard gasket EPDM (ethylene propylene diene monomer) for cold water, hot water, rare acid, oil-free air and multiple chemical product (-50...150 °C). It is not suitable for medium like petroleum.

Bolts & Nuts:

Type 304 stainless steel track bolts and nuts to ASTM F-593.
 Type 316 stainless steel track bolts and nuts to ASTM F-593.
 Type 316 stainless steel track bolts ASTM A193 B-8M with silicone bronze heavy duty nuts to ASTM B98 C65100.

Nominal size mm in	Pipe OD mm in	Rated working pressures psi bar	Pipe end separation mm in	Dimensions			Weight kgs lbs
				B mm in	B mm in	C mm in	
20	26,900	600	0-1,6	48	81	42	0,30
0,75	1,059	41,34	0-0,06	1,89	3,189	1,654	0,65
25	32,000	600	0-1,6	55	89	42	0,31
-	1,260	41,34	0-0,06	2,165	3,504	1,654	0,68
25	33,700	600	0-1,6	55	89	42	0,34
1	1,327	41,34	0-0,06	2,165	3,504	1,654	0,75
32	38,000	600	0-1,6	59	97	42	0,32
-	1,496	41,34	0-0,06	2,323	3,819	1,654	0,70
32	42,400	600	0-1,6	64	99	43	0,44
1,25	1,669	41,34	0-0,06	2,52	3,898	1,693	0,97
40	48,300	600	0-1,6	71	109	44	0,57
1,5	1,900	41,34	0-0,06	2,795	4,291	1,732	1,26
50	57,000	600	0-1,6	80	121	44	0,62
-	2,244	41,34	0-0,06	3,15	4,764	1,732	1,36
50	60,300	600	0-1,6	83	121	44	0,65
2	2,375	41,34	0-0,06	3,268	4,764	1,732	1,42
65	73,000	600	0-1,6	95	130	45	0,80
2,5	2,875	41,34	0-0,06	3,74	5,118	1,772	1,76
65	76,100	600	0-1,6	100	135	45	0,84
-	3,000	41,34	0-0,06	3,937	5,315	1,772	1,84
80	88,900	600	0-1,6	112	155	45	1,05
3	3,500	41,34	0-0,06	4,409	6,102	1,772	2,30
100	108,000	600	0-3,2	135	186	48	1,46
-	4,250	41,34	0-0,13	5,315	7,323	1,89	3,20
100	114,300	600	0-3,2	145	185	48	1,56
4	4,500	41,34	0-0,13	5,709	7,283	1,89	3,43
125	133,000	600	0-3,2	161	201	52	1,67
-	5,250	41,34	0-0,13	6,339	7,913	2,047	3,66
125	139,700	600	0-3,2	170	217	52	1,52
-	5,500	41,34	0-0,13	6,693	8,543	2,047	3,34
125	141,300	600	0-3,2	170	220	52	1,83
5	5,563	41,34	0-0,13	6,693	8,661	2,047	4,03
150	159,000	600	0-3,2	193	244	52	2,16
-	6,259	41,34	0-0,13	7,598	9,606	2,047	4,75
150	168,300	600	0-3,2	202	267	52	2,53
6	6,625	41,34	0-0,13	7,953	10,512	2,047	5,57
200	219,100	600	0-3,2	264	319	60	4,59
8	8,525	41,34	0-0,13	10,394	12,559	2,362	10,09

77C stainless steel heavy duty couplings



The Model 77C is designed for high pressure applications including RO and desalination systems.

The 77C is available in strong and anti-corrosive alloys of 304, 316, 316L Stainless steel, Duplex CD3MN (2205), Super Duplex CE8MN, CE3MN (2507). The 77C features 304 or 316 bolts and silicone bronze heavy nuts to help prevent galling during repetitive use.

Sizes-Inches/DN:

3/4" to 12" (DN20 to DN300)

Rated working pressure:

1200 psi (83 bar) Sch. 40S, cut groove only

MODEL 75L MATERIAL SPECIFICATION

Housings:

Super duplex 2507 (CE3MN) to ASTM A890 Grade5A

CE8MN to ASTM A890 Grade 2A

Duplex 2205 (CD3MN) to ASTM A890 Grade4A

Austenitic 254SMO (CK3MCuN) to A743

Austenitic 904L (CN2MCuN) to A351

Type 316 to ASTM A743 CF8M

Type 316L to ASTM A743 CF3M

Rubber Gaskets:

The gasket seals is C-shaped, made of standard gasket EPDM (ethylene propylene diene monomer) for cold water, hot water, rare acid, oil-free air and multiple chemical product (-50...150 °C). It is not suitable for medium like petroleum.

Bolts:

Type 316 stainless steel track bolts ASTM A-193 B-8M.

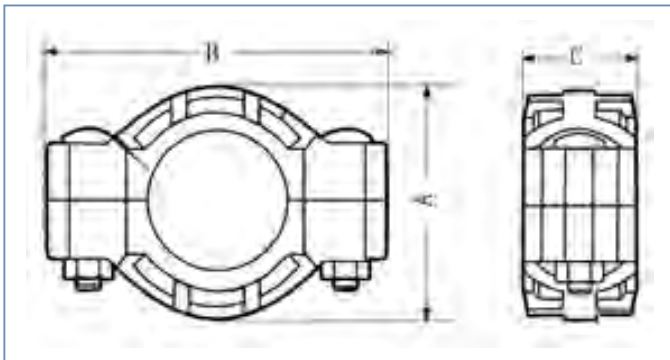
Nuts:

Type 316 stainless steel nuts ASTM A-193 B-8M.

Silicone bronze heavy duty nuts to ASTM B98 C65100 for option.

Nominal size mm in	Pipe OD mm in	Rated working pressures psi bar	Pipe end separation mm in	Dimensions			Weight kgs lbs
				B mm in	B mm in	C mm in	
20	26,900	1200	0-1,6	48	78	44	0,58
0,75	1,059	83	0-0,06	1,89	3,071	1,732	1,28
25	32,000	1200	0-1,6	55	87	44	0,60
-	1,260	83	0-0,06	2,165	3,425	1,732	1,32
25	33,700	1200	0-1,6	55	87	44	0,66
1	1,327	83	0-0,06	2,165	3,425	1,732	1,45
32	38,000	1200	0-1,6	63	98	44	0,62
-	1,496	83	0-0,06	2,48	3,858	1,732	1,36
32	42,400	1200	0-1,6	63	98	44	0,76
1,25	1,669	83	0-0,06	2,48	3,858	1,732	1,67
40	48,300	1200	0-1,6	72	102	44	1,16
1,5	1,900	83	0-0,06	2,835	4,016	1,732	2,55
50	57,000	1200	0-1,6	85	121	44	0,81
-	2,244	83	0-0,06	3,366	4,764	1,732	1,78
50	60,300	1200	0-1,6	85	121	44	1,33
2	2,375	83	0-0,06	3,366	4,764	1,732	2,93
65	73,000	1200	0-1,6	98	136	45	1,53
2,5	2,875	83	0-0,06	3,858	5,354	1,772	3,37
65	76,100	1200	0-1,6	102	140	45	1,62
-	3,000	83	0-0,06	4,016	5,512	1,772	3,56
80	88,900	1200	0-1,6	115	164	45	2,00
3	3,500	83	0-0,06	4,528	6,457	1,772	4,40
100	108,000	1200	0-3,2	138	190	52	3,33
-	4,250	83	0-0,13	5,433	7,48	2,047	7,33
100	114,300	1200	0-3,2	150	206	52	3,35
4	4,500	83	0-0,13	5,906	8,11	2,047	7,37
125	133,000	1200	0-3,2	165	220	52	4,19
-	5,250	83	0-0,13	6,496	8,661	2,047	9,22
125	139,700	1200	0-3,2	176	228	52	5,00
-	5,500	83	0-0,13	6,921	8,976	2,047	11,00
125	141,300	1200	0-3,2	177	228	52	5,25
5	5,563	83	0-0,13	6,969	8,976	2,047	11,55
150	159,000	1200	0-3,2	197	260	52	6,48
-	6,259	83	0-0,13	7,756	10,236	2,047	14,26
150	168,300	1200	0-3,2	205	273	52	7,50
6	6,625	83	0-0,13	8,071	10,748	2,047	16,50
200	219,100	1200	0-3,2	281	244	64	11,26
8	8,525	83	0-0,13	11,063	9,606	2,52	24,77
250	273,000	1200	0-3,2	342	400	65	16,20
10	10,748	83	0-0,13	13,465	15,748	2,559	35,64
300	323,900	1200	0-3,2	399	478	65	18,00
12	12,752	83	0-0,13	15,709	18,819	2,559	39,60

77A stainless steel heavy duty couplings



The Model 77A is designed for high pressure applications including RO and desalination systems.

The 77A is available in strong and anti-corrosive alloys of 304, 316, 316L Stainless steel, Duplex CD3MN(2205), Super Duplex CE8MN, CE3MN(2507). The 77A features 304 or 316 bolts and silicone bronze heavy nuts to help prevent galling during repetitive use.

Sizes-Inches/DN and rated working pressure:

3/4" to 8" (DN20 to DN200) 1500 psi (105 bar)
 10" to 12" (DN250 to DN300) 1200 psi (83 bar)
 Cut groove only

MODEL 75L MATERIAL SPECIFICATION

Housings:

Duplex 2205 (CD3MN) to ASTM A890 Grade4A
 Austenitic 254SMO (CK3MCuN) to A743
 Austenitic 904L (CN2MCuN) to A351
 Type 316 to ASTM A743 CF8M
 Type 316L to ASTM A743 CF3M

Rubber Gaskets:

The gasket seals is C-shaped, made of standard gasket EPDM (ethylene propylene diene monomer) for cold water, hot water, rare acid, oil-free air and multiple chemical product (-50...150 °C). It is not suitable for medium like petroleum.

Bolts:

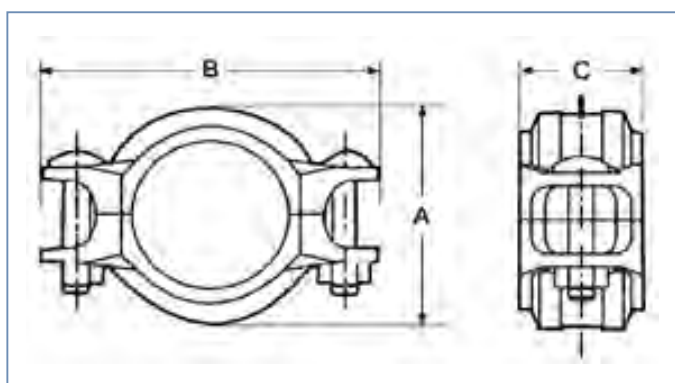
Type 316 stainless steel track bolts ASTM A-193 B-8M.

Nuts:

Type 316 stainless steel nuts ASTM A-193 B-8M.
 Silicone bronze heavy duty nuts to ASTM B98 C65100 for option.

Nominal size mm in	Pipe OD mm in	Rated working pressures psi bar	Pipe end separation mm in	Dimensions			Weight kgs lbs
				B mm in	B mm in	C mm in	
20	26,900	1500	0-1,6	53	86	44	0,58
0,75	1,059	105	0-0,06	2,087	3,386	1,732	1,28
25	32,000	1500	0-1,6	60	93	44	0,67
-	1,260	105	0-0,06	2,362	3,661	1,732	1,47
25	33,700	1500	0-1,6	60	93	44	0,67
1	1,327	105	0-0,06	2,362	3,661	1,732	1,47
32	38,000	1500	0-1,6	70	102	44	0,76
-	1,496	105	0-0,06	2,756	4,016	1,732	1,67
32	42,400	1500	0-1,6	72	102	44	0,76
1,25	1,669	105	0-0,06	2,835	4,016	1,732	1,67
40	48,300	1500	0-1,6	79	121	44	1,16
1,5	1,900	105	0-0,06	3,11	4,764	1,732	2,55
50	60,300	1500	0-1,6	91	135	45	1,33
2	2,375	105	0-0,06	3,583	5,315	1,772	2,93
65	73,000	1500	0-1,6	104	145	45	1,53
2,5	2,875	105	0-0,06	4,094	5,709	1,772	3,37
65	76,100	1500	0-1,6	109	152	45	1,62
-	3,000	105	0-0,06	4,291	5,984	1,772	3,56
80	88,900	1500	0-1,6	125	166	45	2,00
3	3,500	105	0-0,06	4,921	6,535	1,772	4,40
100	108,000	1500	0-3,2	154	197	52	3,33
-	4,250	105	0-0,13	6,063	7,756	2,047	7,33
100	114,300	1500	0-3,2	152	207	52	3,35
4	4,500	105	0-0,13	5,984	8,15	2,047	7,37
125	133,000	1500	0-3,2	178	231	52	4,19
-	5,250	105	0-0,13	7,008	9,094	2,047	9,22
125	139,700	1500	0-3,2	192	248	52	5,25
-	5,500	105	0-0,13	7,559	9,764	2,047	11,55
125	141,300	1500	0-3,2	192	248	52	5,25
5	5,563	105	0-0,13	7,559	9,764	2,047	11,55
150	159,000	1500	0-3,2	216	265	52	5,80
-	6,259	105	0-0,13	8,504	10,433	2,047	12,78
150	168,300	1500	0-3,2	227	282	52	6,80
6	6,625	105	0-0,13	8,937	11,102	2,047	14,99
200	219,100	1500	0-3,2	281	244	64	11,40
8	8,525	105	0-0,13	11,063	9,606	2,52	25,14
250	273,000	1200	0-3,2	342	400	65	16,00
10	10,748	83	0-0,13	13,465	15,748	2,559	35,20
300	323,900	1200	0-3,2	399	478	65	19,47
12	12,752	83	0-0,13	15,709	18,819	2,559	42,84

705 ductile iron low pressure couplings



The Model 705 is designed for connection of grooved low pressure pipe systems.

Sizes-Inches/DN and rated working pressure:

3/4" to 4" (DN20 to DN100) 600 psi (42 bar)
5" to 12" (DN125 to DN300) 300 psi (21 bar)
For Sch40S cut groove only

MODEL 75L MATERIAL SPECIFICATION

Housings:

Ductile Iron to ASTM A536

Surface Finish:

Antirust paint red or blue
Hot dip zinc galvanized
Epoxy power
Dacromet
Teflon (PTFE)
Rilsan PA11

Rubber Gaskets:

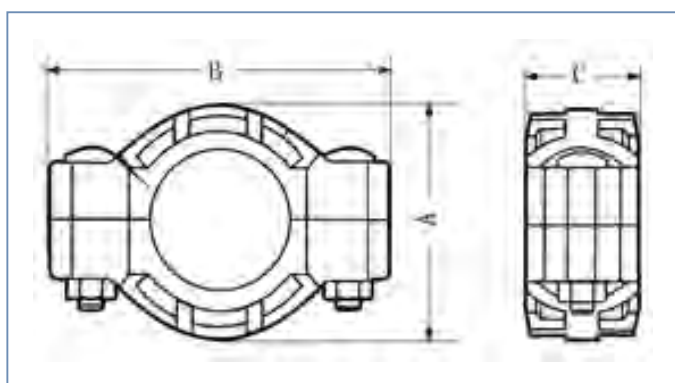
The gasket seals is C-shaped, made of standard gasket EPDM (ethylene propylene diene monomer) for cold water, hot water, rare acid, oil-free air and multiple chemical product (-50...150 °C). It is not suitable for medium like petroleum.

Bolts & Nuts:

Round-head, ellipsoid-neck, carriage bolts, type carbon iron covered with zinc or dacromet.
Type 316 stainless steel nuts ASTM A-193 B-8M
Silicone bronze heavy duty nuts to ASTM B98 C65100 for option.

Nominal size mm in	Pipe OD mm in	Rated working pressures psi bar	Pipe end separation mm in	Dimensions			Weight kgs lbs
				B mm in	B mm in	C mm in	
20	26,900	600	0-1,6	53	99	43	0,52
0,75	1,059	41,34	0-0,06	2,087	3,898	1,693	1,14
25	32,000	600	0-1,6	59	105	45	0,58
-	1,260	41,34	0-0,06	2,323	4,134	1,772	1,28
25	33,700	600	0-1,6	55	92	42	0,60
1	1,327	41,34	0-0,06	2,165	3,622	1,654	1,32
32	38,000	600	0-1,6	65	114	44	0,60
-	1,496	41,34	0-0,06	2,559	4,488	1,732	1,32
32	42,400	600	0-1,6	65	104	44	0,60
1,25	1,669	41,34	0-0,06	2,559	4,094	1,732	1,32
40	48,300	600	0-1,6	70	110	44	0,60
1,5	1,900	41,34	0-0,06	2,756	4,331	1,732	1,32
50	57,000	1200	0-1,6	85	130	44	0,78
-	2,244	83	0-0,06	3,346	5,118	1,732	1,72
50	60,300	600	0-1,6	83	124	44	0,80
2	2,375	41,34	0-0,06	3,268	4,882	1,732	1,76
65	73,000	600	0-1,6	96	143	45	0,90
2,5	2,875	41,34	0-0,06	3,78	5,63	1,772	3,41
65	76,100	600	0-1,6	100	145	45	0,90
-	3,000	41,34	0-0,06	3,937	5,709	1,772	1,98
80	88,900	600	0-1,6	115	160	45	1,30
3	3,500	41,34	0-0,06	4,528	6,299	1,772	2,86
100	108,000	600	0-3,2	138	190	50	1,70
-	4,250	41,34	0-0,13	5,433	7,48	1,969	3,74
100	114,300	600	0-3,2	145	198	50	1,90
4	4,500	41,34	0-0,13	5,709	7,795	1,969	4,18
125	133,000	450	0-3,2	162	225	51	2,70
-	5,250	31,01	0-0,13	6,378	8,858	2,008	5,94
125	139,700	450	0-3,2	169	230	52	2,70
-	5,500	31,01	0-0,13	6,654	9,055	2,047	5,94
125	141,300	450	0-3,2	170	232	51	2,60
5	5,563	31,01	0-0,13	6,693	9,134	2,008	5,72
150	159,000	450	0-3,2	190	254	52	3,10
-	6,259	31,01	0-0,13	7,48	10	2,047	6,82
150	168,300	450	0-3,2	200	265	52	3,20
6	6,625	31,01	0-0,13	7,874	10,433	2,047	7,04
200	219,100	450	0-3,2	258	350	60	5,60
8	8,525	31,01	0-0,13	10,157	13,78	2,362	12,32
250	273,000	300	0-3,2	337	406	65	13,20
10	10,748	21	0-0,13	13,268	15,984	2,559	29,04
300	323,900	300	0-3,2	372	460	65	13,90
12	12,752	21	0-0,13	14,646	18,11	2,559	30,58

707 ductile iron high pressure couplings



The Model 707 is designed for connection of grooved high pressure pipe systems.

Sizes-Inches/DN and rated working pressure:

3/4" to 6" (DN20 to DN150) 1000 psi (68,9 bar)
 8" to 12" (DN200 to DN300) 800 psi (55,12 bar)
 Cut groove only

MODEL 75L MATERIAL SPECIFICATION

Housings:

Ductile Iron to ASTM A536

Surface Finish:

Antirust paint red or blue
 Hot dip zinc galvanized
 Epoxy power
 Dacromet
 Teflon (PTFE)
 Rilsan PA11

Rubber Gaskets:

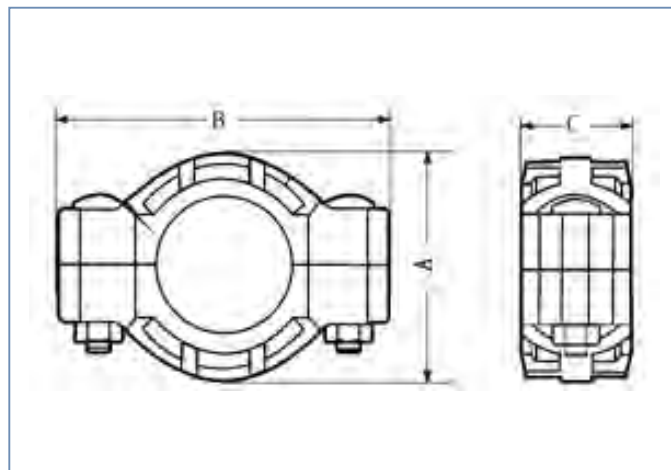
The gasket seals is C-shaped, made of standard gasket EPDM (ethylene propylene diene monomer) for cold water, hot water, rare acid, oil-free air and multiple chemical product (-50...150 °C). It is not suitable for medium like petroleum.

Bolts & Nuts:

Round-head, elliptoid-neck, carriage bolts, type carbon iron covered with zinc or dacromet.

Nominal size mm in	Pipe OD mm in	Rated working pressures psi bar	Pipe end separation mm in	Dimensions			Weight kgs lbs
				B mm in	B mm in	C mm in	
20	26,900	1200	0-1,6	54	102	44	0,50
0,75	1,059	82,68	0-0,06	2,126	4,016	1,732	1,10
25	33,700	1200	0-1,6	60	100	44	0,50
1	1,327	82,68	0-0,06	2,362	4,134	1,732	1,10
32	42,400	1200	0-1,6	69	112	48	0,90
1,25	1,669	82,68	0-0,06	2,717	4,409	1,89	1,98
40	48,300	1200	0-1,6	75	119	48	1,00
1,5	1,900	82,68	0-0,06	2,953	4,685	1,89	2,20
50	60,300	1200	0-1,6	86	132	48	1,20
2	2,375	82,68	0-0,06	3,386	5,197	1,89	2,64
65	73,000	1200	0-1,6	103	145	48	1,40
2,5	2,875	82,68	0-0,06	4,055	5,709	1,89	3,41
65	76,100	1200	0-1,6	106	149	48	1,50
-	3,000	82,68	0-0,06	4,173	5,866	1,89	3,30
80	88,900	1200	0-1,6	118	162	48	1,70
3	3,500	82,68	0-0,06	4,646	6,378	1,89	3,74
100	108,000	1000	0-3,2	144	202	54	5,00
-	4,250	68,9	0-0,13	5,669	7,953	2,126	11,00
100	114,300	1000	0-3,2	152	212	54	3,00
4	4,500	68,9	0-0,13	5,984	8,346	2,126	6,60
125	133,000	1000	0-3,2	173	246	54	4,50
-	5,250	68,9	0-0,13	6,811	9,685	2,126	9,90
125	139,700	1000	0-3,2	178	252	54	4,50
-	5,500	68,9	0-0,13	7,008	9,921	2,126	9,90
125	141,300	1000	0-3,2	180	255	54	4,80
5	5,563	68,9	0-0,13	7,087	10,039	2,126	10,56
150	159,000	1000	0-3,2	199	275	54	6,00
-	6,259	68,9	0-0,13	7,835	10,827	2,126	13,20
150	168,300	1000	0-3,2	211	290	54	5,40
6	6,625	68,9	0-0,13	8,307	11,417	2,126	11,88
200	219,100	800	0-3,2	263	346	64	9,40
8	8,525	55,12	0-0,13	10,354	13,622	2,52	20,68
250	273,000	800	0-3,2	327	422	67	14,10
10	10,748	55,12	0-0,13	12,874	16,614	2,638	31,02
300	323,900	800	0-3,2	380	474	67	17,60
12	12,752	55,12	0-0,13	14,961	18,661	2,638	38,72

75N plastic couplings



The Model 75N is designed on the purpose of solving the corrosion problems happened in low pressure piping systems. Our couplings are manufactured in good quality reinforced nylon injected through high temperature. Therefore our couplings have high strength and toughness, and very good corrosion resistance performance. They have been widely used in ultrafiltration (UF) membrane device in the system of water desalination.

The Model 75N is designed for connection of grooved low pressure pipe systems.

Sizes-Inches/DN:

1" to 8" (DN25 to DN200)

Rated working pressure:

300 psi (21 bar)

MODEL 5N MATERIAL SPECIFICATION

Housings:

Nylon

Rubber Gaskets:

The gasket seals is C-shaped, made of standard gasket EPDM (ethylene propylene diene monomer) for cold water, hot water, rare acid, oil-free air and multiple chemical product (-50...150°C). It is not suitable for medium like petroleum.

Bolts & Nuts:

Stainless steel track bolts and nuts, international standard models of carriage bolts.

Nominal size mm in	Pipe OD mm in	Rated working pressures psi bar	Pipe end separation mm in	Dimensions			Weight kgs lbs
				B mm in	B mm in	C mm in	
25	33,700	300	0-1,6	60	93	44	0,23
1	1,327	20,67	0-0,06	2,362	3,661	1,732	0,51
32	42,400	300	0-1,6	73	102	44	0,26
1,25	1,669	20,67	0-0,06	2,874	4,016	1,732	0,57
40	48,300	300	0-1,6	85	114	45	0,35
1,5	1,900	20,67	0-0,06	3,346	4,488	1,772	0,77
50	60,300	300	0-1,6	98	128	45	0,42
2	2,375	20,67	0-0,06	3,858	5,039	1,772	0,92
65	73,000	300	0-1,6	111	141	46	0,45
2,5	2,875	20,67	0-0,06	4,37	5,551	1,811	1,00
65	76,100	1200	0-1,6	108	148	46	0,50
-	3,000	82,68	0-0,06	4,252	5,827	1,811	1,10
80	88,900	300	0-1,6	128	160	47	0,53
3	3,500	20,67	0-0,06	5,039	6,299	1,85	1,17
100	114,300	300	0-3,2	164	181	52	0,60
4	4,500	20,67	0-0,13	6,457	7,126	2,047	1,32
125	141,300	200	0-3,2	192	248	52	1,15
5	5,563	13,78	0-0,13	7,559	9,764	2,047	2,53
150	168,300	200	0-3,2	209	241	54	1,61
6	6,625	13,78	0-0,13	8,228	9,488	2,126	3,54
200	219,100	150	0-3,2	287	329	62	2,56
8	8,525	10,33	0-0,13	11,299	12,953	2,441	5,64

.....

EKO-TRADING CO., LIMITED

Other Valves And Elements

.....



186 safety/back pressure valves series

DESCRIPTION

Safety valve.

The diaphragm and the core are pressed against the valve seat by the internal spring. When the pressure in the system pipeline exceeds the preset pressure, the diaphragm and the core are lifted up, the medium is discharged to the return pipe and the container, and the pressure can be adjusted in the field. The screw sets the pressure in the range of 0-1.0 MPa by means of the pressure gauge in the pipeline. The relief pressure is generally higher than the system pressure by 0.1-0.2 MPa, and the relief valve pressure is not allowed to exceed the maximum pressure of the pump. Installation is generally as close as possible to the outlet of the pump. There should be no valves between the pump and the safety valve to protect the safety of the pump and the normal operation of the system.

Back pressure valve.

Installed on the positive pressure discharge line of the metering pump or diaphragm to prevent the occurrence of siphoning, eliminate the change of dosage caused by the pressure fluctuation of the dosing point, thus ensure the accuracy of the pumping, and remove the protection on the adjusting screw at the site. Cap, rotate the adjusting screw, adjust the pressure to the required pressure by means of the pressure gauge in the pipeline, and set the back pressure in the range of 0-0,6 MPa by adjusting the screw. Used in conjunction with the pulsation damper to reduce the damage of the water hammer to the system, keep the water outlet of the pump to the back pressure and have a constant pressure to keep the system flow rate constant.

FEATURES

- Release line pressure to ensure system pressure stability.
- Protect pump safety and system operation.
- Used in conjunction with the pulsation damper to reduce the damage of the water hammer to the system and achieve superior low vibration regulation effect.
- Reduce the peak value of the flow rate fluctuation. Protect the piping system from pressure fluctuations.
- The diaphragm has advanced PTFE+rubber composite technology, which is suitable for almost all corrosive fluids, and the seal is reliable and leak-free.

TECHNICAL PARAMETERS

Material: UPVC, PP, CPVC, PVDF, SUS304, SUS316L

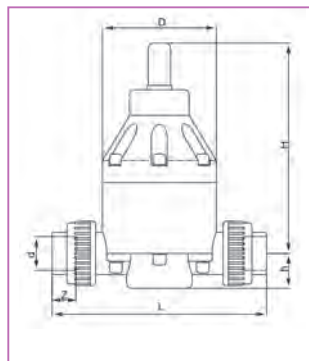
Working pressure: 0...1,0 MPa; 0,2...1,6 MPa

Diameter nominal: DN15, DN20, DN25, DN32, DN40, DN50, DN65

Connection: bonding, welding, thread, flange

Diaphragm material: PTFE + rubber compound

186 true union safety/back pressure valves. Materials: UPVC, PP, CPVC, PVDF



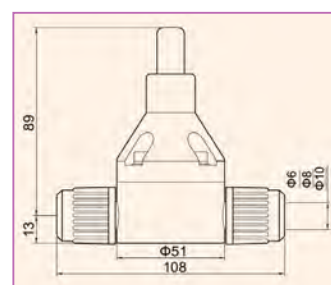
DIMENSIONS

Model	Size	L	H	D	d	z	h
18615	DN15	175	181	82	20	22	27
18620	DN20	174	181	82	25	19	29
18625	DN25	202	198	107	32	21	33
18632	DN32	251	198	107	40	31	35
18640	DN40	285	260	155	50	31	60
18650	DN50	355	260	155	63	39	60
18665	DN65	376	260	155	75	41	65

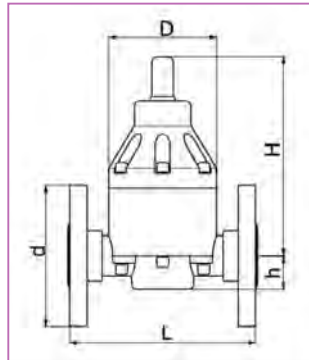
186 hose type safety/back pressure valves. Materials: UPVC, PP, CPVC, PVDF



DIMENSIONS



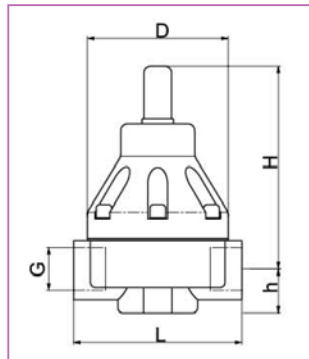
186 flange type safety/back pressure valves. Materials: UPVC, PP, CPVC, PVDF, SUS304, SUS316L



DIMENSIONS

Model	Size	L	H	D	h	d
18615-F	DN15	128	181	82	27	95
18620-F	DN20	130	181	82	29	105
18625-F	DN25	158	198	107	33	115
18632-F	DN32	180	198	107	35	140
18640-F	DN40	220	260	155	60	150
18650-F	DN50	225	260	155	60	165
18665-F	DN65	238	260	155	65	185

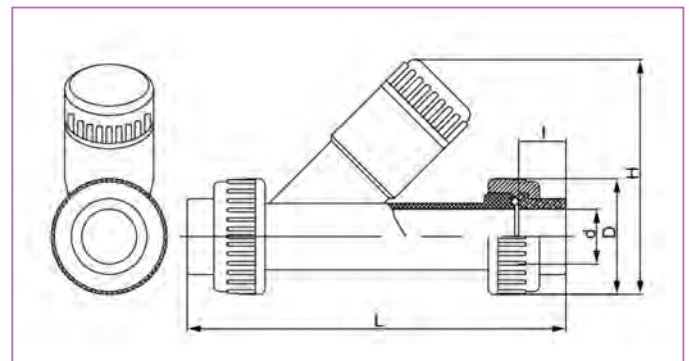
186 thread type safety/back pressure valves. Materials: SUS304, SUS316L



DIMENSIONS

Model	Size	L	H	D	h	G
18615-B	DN15	94	140	82	23	G1/2"
18620-B	DN20	95	140	82	23	G3/4"
18625-B	DN25	121	160	107	26	G1"
18632-B	DN32	121	160	107	26	G1 1/4"
18640-B	DN40	181	207	155	32	G1 1/2"
18650-B	DN50	181	207	155	32	G2"
18665-F	DN65	238	260	155	65	185

286 plastic Y-type filters



DESCRIPTION

Plastic Y-type filter is an indispensable device in the pipeline for conveying fluids. It is usually installed at the inlet of the water system and valves or other equipment. It is used to filter impurities in the fluid to protect the normal use of valves, pumps and equipment.

Material: UPVC, CPVC, PC

Filtration accuracy: 10, 20 and 40 meshes

FEATURES

- High chemical stability to meet the transportation of acid and alkali chemicals.
- Washing is convenient, when excessive impurities accumulate in the filter, the filter can be removed and cleaned.
- Transparent and visual, easy to observe.

DIMENSIONS

Model	Size	L	d	D	I	H
28615	DN15	190	20	53	22	106
28620	DN20	183	25	53	19	106
28625	DN25	199	32	61	21	125
28632	DN32	258	40	84	34	173
28640	DN40	258	50	84	31	173
28650	DN50	293	63	104	40	204
28665	DN65	420	75	122	41	251
28680	DN80	430	90	155	50	260

LGM pulse dampers series

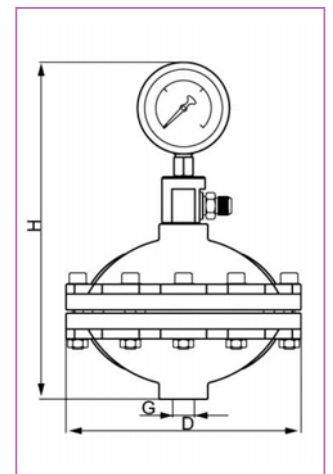
DESCRIPTION

Pulse damper, also known as pulse damper and pulse buffer, is a common component for eliminating pipeline pulsation and an accessory for metering pump. Pulsation damper can smooth the pipeline pulsation and water hammer phenomenon caused by volumetric pumps such as metering system and diaphragm pump. It isolates the gas from the liquid in the pipeline by a corrosion-resistant diaphragm, and smoothes the pipeline pulsation by changing the volume of the chamber.

FEATURES

- Reduce the harm of water clock to the system.
- Reduce the peak value of velocity fluctuation.
- Protect pipes, valves and joints from pressure fluctuations.
- Create a good working environment for metering pump and improve its performance.
- Allow the system to use smaller diameter, reduce costs.
- The pressure fluctuation of pipeline can be close to zero by the combination of green pressure and green pressure.
- Reduce the energy consumption of the system.

LGMZ diaphragm pulse dampers. Materials: PVC, PP, PVDF, SUS304, SUS316L



Volume Selection of diaphragm damper:

Pump flow per hour / 60 / pump stroke per minute x 15 = minimum volume required by damper. That is to say, by multiplying the metering capacity (ml) of metering pump (or diaphragm pump) by 15 per stroke, the minimum preferred product of damper needed to reduce 90% impulse can be obtained. Note: this calculation method is applicable to single-head pulse pump body, multihead system is proposed separately.

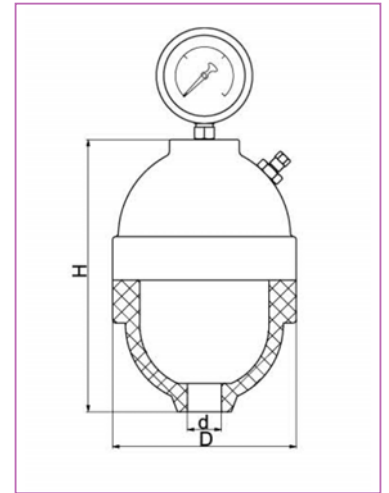
Working principle:

According to $P1V1 = P2V2$, the volume of gas is inversely proportional to the pressure of gas, and the pipeline pulsation is smoothed by changing the volume of gas. For the system with sinusoidal curvilinear velocity, the air-air volume is smaller at peak time. Pulse damper absorbs excess flow liquids and releases stored liquids when the volume of gas body is large in the trough. So as to achieve the effect of smoothing the pulse.

DIMENSIONS

Model	Volume (L)	H (mm)	D (mm)	Size (mm)	Pressure (Mpa)	Thread
LGMZ-0.35	0,35	235	142	DN15	1,6	1/2"
LGMZ-0.6	0,6	250	174	DN20	1,6	3/4"
LGMZ-1.0	1	310	210	DN25	1,6	1"
LGMZ-2.0	2	330	280	DN32	1,6	1 1/4"
LGMZ-4.0	4	370	306	DN40/ DN50	1,6	1 1/2", 2"

LGMQ air bag pulse dampers. Materials: UPVC, PP, PVDF, SUS316. Seals: FPM



DIMENSIONS

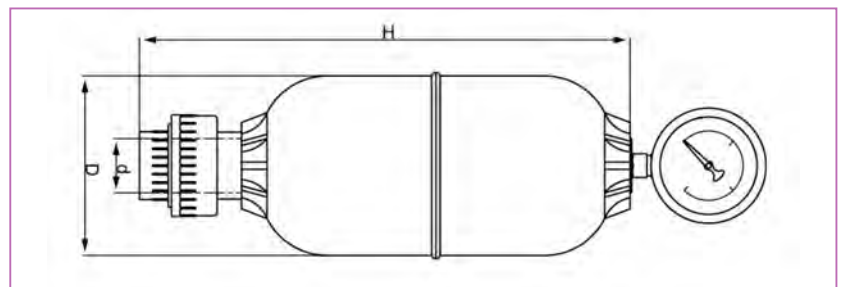
Model	Volume (L)	H (mm)	D (mm)	Size (mm)
LGMQ-0.35	0,35	152	98	DN15
LGMQ-0.6	0,6	150	108	DN20
LGMQ-1.0	1,0	210	130	DN25
LGMQ-1.5	1,5	230	156	DN25
LGMQ-2.0	2,0	260	156	DN32

Pressure level: 1,0 Mpa

Model selection of air bag damper:

The metering capacity (m) per stroke of the metering system (or under the diaphragm) is multiplied by 12 to obtain the minimum spring volume of the damper required to reduce the impulse by 90%.

LGMK-B air pulse dampers. Materials: SUS304, SUS316L



DIMENSIONS

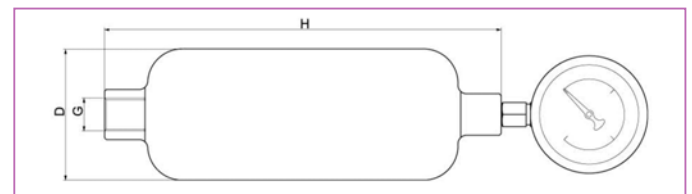
Model	Volume (L)	H (mm)	d (mm)	D (mm)	Size (mm)	Pressure (Mpa)
LGMK-0.6	0,6	201	20	85	DN15/DN20	1,0
LGMK-1.2	1,2	292	32	110	DN25	1,0
LGMK-2.2	2,2	316	40	130	DN32	1,0
LGMK-3.2	3,2	323	50	162	DN40	1,0
LGMK-5.0	5,0	446	50	162	DN40	1,0
LGMK-10	10	760	63	162	DN50	1,0

LGMK-B air pulse dampers. Materials: SUS304, SUS316L



DIMENSIONS

Model	Volume (L)	H (mm)	D (mm)	Thread	Pressure (Mpa)
LGMK-B-0.8	0,8	246	76	G 1/2"	1,6
LGMK-B-1.2	1,2	260	89	G 3/4"	1,6
LGMK-B-2.0	2	300	114	G 1"	1,6
LGMK-B-3.5	3,5	340	133	G 1 1/4"	1,6
LGMK-B-4.0	4,0	370	133	G 1 1/2"	1,6



LGBD flow calibration columns



DESCRIPTION

The flow calibration column is widely used in the flow calibration of metering pump and dosing device, which can accurately calibrate the flow output of metering pump. Flow calibration column is also called flow calibration tube.

Material: transparent UPVC, PVDF (translucent).

Connection: internal thread, external thread, flange.

DIMENSIONS

Model	Volume (L)	Diameter (mm)	Height (mm)	Thread (internal)
LGBD-100	100	32	280	1/2"
LGBD-200	200	40	320	1/2"
LGBD-300	300	50	320	1/2"
LGBD-400	400	50	400	1/2"
LGBD-500	500	63	350	1/2"
LGBD-1000	1000	63	455	1/2"
LGBD-2000	2000	75	805	3/4"
LGBD-3000	3000	110	640	1"
LGBD-4000	4000	110	760	1"
LGBD-6000	6000	110	1000	1 1/2"
LGBD-8000	8000	140	935	1 1/2"
LGBD-10000	10000	140	1110	2"

Selection of flow calibration column:

The selection of flow calibration column is based on the use of pump flow and calibration time requirements. For example, the pump flow is 60 L/h, the customer needs to calibrate the flow of 0,5..1 min, so the calculated flow per minute should be 60 L / 60=1 L, then the calibration column with a volume of 1 L can be used. Press 30 seconds for a volume of 0,5 L.

786 diaphragm pressure gauges



DESCRIPTION

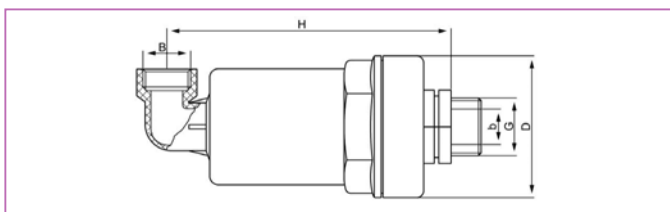
The diaphragm pressure gauge is a closed system by the diaphragm plus pressure gauge, filled with liquid seal. The diaphragm deforms when pressure is applied to it. The sealing fluid transfers the force to the elastic component in the pressure gauge head, which displays the pressure value. The force transfer of the diaphragm pressure gauge is accomplished by the liquid filled between the inside of the diaphragm body and the bourdon tube. The elastic element is still the bourdon tube. The diaphragm plate isolates the corrosive fluid from the pressure gauge so as to protect it from corrosion.

DIMENSIONS

Model	Body	Diaphragm	D (mm)	H (mm)	Connection
786-U	UPVC	FPM, PTFE	79	161	G1/2", G1/4", DN15, DN20 socket, M20x1,5 external thread
786-P	PP	FPM, PTFE	79	161	G1/2", G1/4", G3/8" internal thread, M20x1,5 external thread
786-V	PVDF	PTFE	79	161	G1/2", G1/4", G3/8" internal thread, M20x1,5 external thread

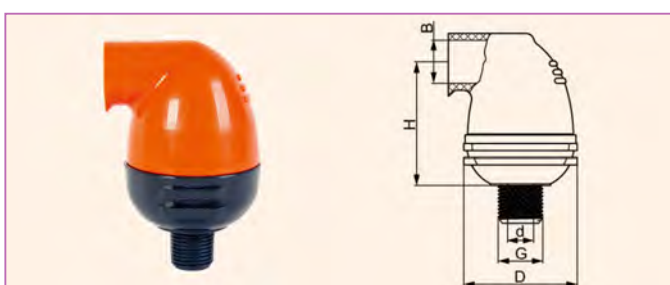
386/387 exhaust (inlet) valves

386 exhaust (inlet) valves



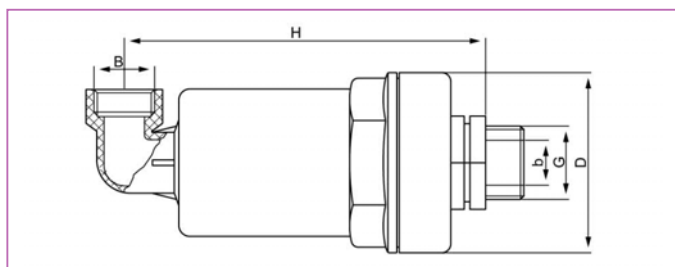
Model	Size	H (mm)	B	G	b (mm)	D (mm)
38615	DN15	145	G3/4"	G1/2"	11,5	80
38625	DN25	145	G3/4"	G1"	20	80
38632	DN32	145	G3/4"	G1 1/4"	20	80
38640	DN40	160	40	G1 1/2"	40	100
38650	DN50	160	40	G2"	45	100

386 exhaust (inlet) valves



Model	Size	H (mm)	B	G	b (mm)	D (mm)
38715	DN15	76	20	G1/2"	16,2	63
38720	DN25	76	25	G3/4"	18	63

486 vacuum break valves



DESCRIPTION

Vacuum damage valve can effectively solve the system damage caused by vacuum siphon phenomenon. When the vacuum in the system reaches a certain value, the valve will automatically open and introduce air to eliminate the vacuum in the system, thus protecting the equipment and the system. Valve is always intake and not exhaust state.

DIMENSIONS

Model	Size	H (mm)	B	G	b (mm)	D (mm)
48615	DN15	145	G3/4"	G1/2"	11,5	80
48625	DN25	145	G3/4"	G1"	20	80
48632	DN32	145	G3/4"	G1 1/4"	20	80
48640	DN40	160	40	G1 1/2"	40	100
48650	DN50	160	40	G2"	45	100

586 water ejectors (Venturi)



DESCRIPTION

Jet (venturi) also known as water jet, it is composed of nozzle, suction chamber, diffuser, one-way valve four parts. It is an automatic aeration and dosing device developed by using the principle of jet negative pressure. Unique mixing chamber design, forming strong water flow and gas (or liquid) mixing jet. Gas and drug addition balance, high efficiency, compact product structure, simple management, quick installation, reliable operation, can be started or stopped at any time, low energy consumption, will not produce secondary pollution to the environment. The jet is widely used in water treatment, agricultural irrigation, ozone generator, chlorine disinfection equipment, chemical industry, aquaculture and other industries.

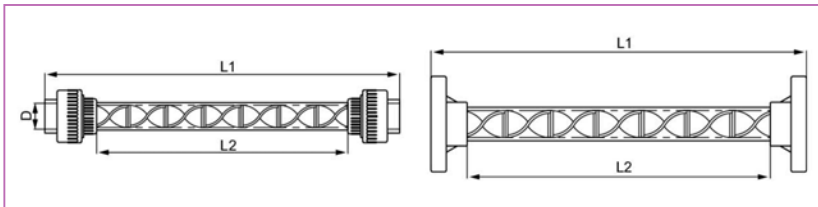
Material: UPVC, PP, PVDF.

DIMENSIONS

Model	G	L (mm)	L1 (mm)	h (mm)	H (mm)	g
58608	G1/4"	113	88	16	43	1/4" hose
58615	G1/2" or 20 mm	139	110	28	63	G1/4" external and 1/4" hose
58620	G3/4" or 25 mm	157	111	28	63	G1/4" external and 1/4" hose
58625	G1" or 32 mm	225	181	37	88	G1/2" external and 3/8" hose
58632	G1 1/4" or 40 mm	230	185	37	88	G1/2" external and 3/8" hose
58640	G1 1/2" or 50 mm	257	208	37	89	G1/2" external and 3/8" hose
58650	G2" or 63 mm	295	228	40	70	G1 1/4" external
58665	G2 1/2" or DN65 flange	410	310	36	80	G1 1/4" external or DN32 flange
58680	DN80 flange	492	430	100	160	G1 1/2" external or DN40 flange

The inner diameter of 1/4" hose is 8mm, the inner diameter of 3/8" hose is 12 mm.

SK686 pipeline mixers



DESCRIPTION

SK type pipeline mixer, also known as static mixer, is an ideal equipment for instantaneous mixing of water and various agents, and it can add various coagulants, ozone, liquid oxygen and acid-base neutralization, and gas-water mixing system, etc. It has very good effects.

The products are characterized by quick and efficient mixing, simple structure, energy saving and compact size. Under the condition of no external force, the water flows through 6-8 mixing units and intersects with each other. At the same time, the vortex rotates in the opposite direction and intersects with each other continuously, which can achieve a good mixing effect instantly. The mixing efficiency is as high as 90-95%.

Material: UPVC, PP, CPVC, PVDF, SUS304, SUS316L.

DIMENSIONS

Model	Size	D (mm)	L1 (mm)	L2 (mm)	Flow rate (m ³ /h)
SK-68615	DN15 1/2"	20	252	156	0,4...1
SK-68620	DN20 3/4"	25	330	225	0,6...1,8
SK-68625	DN25 1"	32	420	292	1...3,2
SK-68632	DN32 1 1/4"	40	495	336	1,4...6
SK-68640	DN40 1 1/2"	50	565	406	2,2...10
SK-68650	DN50 2"	63	695	497	3,5...20
SK-68665	DN65 2 1/2"	75	900	642	10...60
SK-68680	DN80 3"	90	880	770	15...80
SK-686100	DN100 4"	110	990	850	30...120

DESIGN REFERENCE

- The dosing position of various agents should be in the front end of the pipe mixer, and greater than 25 cm, and the use with the jet is better.
- The dosing pipe can be designed according to the water supply and drainage standards, the flow rate in the pipe should be greater than 0,9 m/s, and the pressure inside the pipe should be less than 1,6 MPa.
- The pipe mixer is designed according to the specific diameter and water volume. Once the flow decreases, the head loss will decrease greatly, thus obviously affecting the mixing effect.

.....

EKO-TRADING CO., LIMITED

Pneumatic Valves and Actuators

.....



RAT pneumatic actuators



RAT Series Pneumatic Actuator was designed and developed based on the advanced technology and new material.

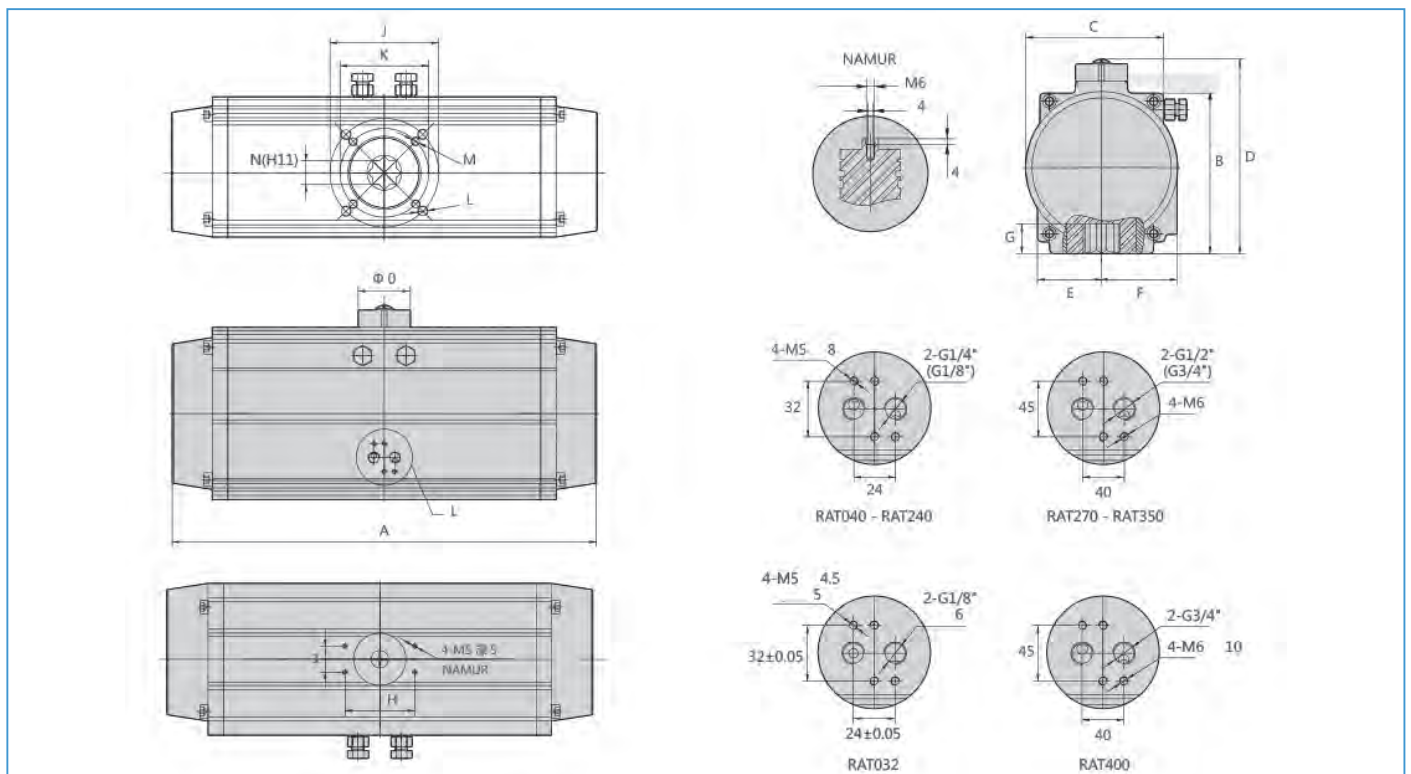
FEATURES

- Conform to the latest international standard: ISO5211, DIN3337, VD/VDE3845 and NAMUR.
- Excellent, compact and modernized design as well as complete specifications is good for your selection.
- All acting surfaces adopt high quality bearings, resulting in low friction, long cycle life and no noise.
- The two independent stroke adjusting devices can easily and precisely adjust at $\pm 5^\circ$ open or close.
- Double acting type and single acting type (spring return) are with the same external structure, which is easy to install the accessories.
- NAMUR standard multifunction position indicator indicates visually.
- Pre-compressed load spring is convenient for safe mounting and teardown procedures.
- Pistons and end caps are made from die-casting aluminum which has high intensity and light weight.
- Different seal materials are available for high or low temperature.
- We can offer Multi-travel rotations (e.g. 120° 135° 180°) and three position actuators.
- Solenoid valves can be easily mounted without connecting plank.

ORDER CODE

R	AT-040		SA-12	
RFS product	Actuator type	Size 032-400	SA - spring return type DA - air return type	Quantity of springs

DIMENSIONS



next



continuation▶

RAT pneumatic actuators

Model	A	B	C	D	E	F	G	H	I	J	K	L	M	N	O	air connection
RAT032-DA	112	45	51	71	22.5	28.5	12	50	25		F03/φ36		M5*8	9	φ40	G1/8"
RAT032-SA	142	45	51	71	22.5	28.5	12	50	25		F03/φ36		M5*8	9	φ40	G1/8"
RAT040-DA	124	59.5	83	86	36.4	24	14	50	30	F05/φ50	F03/φ36	M6*9	M5*8	11	φ40	G1/4"
RAT040-SA	146	59.5	83	86	36.4	24	14	50	30	F05/φ50	F03/φ36	M6*9	M5*8	11	φ40	G1/4"
RAT052	163.5	72	65	98	26	42	14	80	30	F05/φ50	F03/φ36	M6*9	M5*8	11	φ40	G1/4"
RAT063	181	87.6	71	113	33	47	18	80	30	F07/φ70	F05/φ50	M8*10	M6*9	14	φ40	G1/4"
RAT075	207	99.4	80.2	125	38.7	52.5	20	80	30	F07/φ70	F05/φ50	M8*12	M6*9	14	φ40	G1/4"
RAT083	213	108.9	91.6	134.5	40	56.5	21	80	30	F07/φ70	F05/φ50	M8*12	M6*9	17	φ40	G1/4"
RAT092	258	117	98.3	143	44	59	21	80	30	F07/φ70	F05/φ50	M8*12	M6*10	17	φ40	G1/4"
RAT105	287	133	109.5	158.5	52	64	43609	80	30	F10/φ102	F07/φ70	M10*15	M8*12	22	φ40	G1/4"
RAT125	342.5	154.4	127.2	180.5	59.7	74	29	80	30	F10/φ102	F07/φ70	M10*15	M8*12	22	φ50	G1/4"
RAT140	411	173.7	138	200	65	77	32	80	30	F12/φ125	F10/φ102	M12*20	M10*15	27	φ60	G1/4"
RAT160	488	198	158.3	224	73.8	86.7	34.5	80	30	F12/φ125	F10/φ102	M12*20	M10*15	27	φ60	G1/4"
RAT190	544	232.3	188.7	258	85.3	102.8	40	130	30	F14/φ140		M16*22		36	φ80	G1/4"
RAT210	580	257.6	210.5	284	96.5	113.2	41	130	30	F14/φ140		M16*24		36	φ80	G1/4"
RAT240	622	291	245	317	115	130	50	130	30	F16/φ165		M20*26		46	φ80	G3/8"
RAT270	766	330	273	356	126	147	50	130	30	F16/φ165		M20*26		46	φ80	G1/2"
RAT300	794	354	312	380	140	173	57	130	30	F16/φ165		M20*26		46	φ80	G1/2"
RAT350	880	410	362	436	164	195	60	130	30	F16/φ165		M20*26		46	φ80	G1/2"
RAT400	1067	466	450	493	145	145	60	130	30	F25/φ254		M20*26		55	φ80	G3/4"

OUTPUT TORQUE OF RAT SPRING RETURN ACTUATOR

Air pressure(bar)		3		4		5		6		7		Spring stroke(Nm)	
Model	spring qty	0° start	90° end	0° start	90° end	0° start	90° end	0° start	90° end	0° start	90° end	0° start	90° end
RAT032-SA	2					4.76	0.92	6.26	2.42	7.26	3.42	2.74	6.58
RAT040-SA	2					7.59	1.18	9.93	3.52	11.5	5.09	4.13	10.54
RAT052-SA	5	8.48	6.28	12.64	10.44							4	6.2
	6	7.68	4.98	11.84	9.14							4.8	7.5
	7	6.98	3.78	11.14	7.94							5.5	8.7
	8			10.34	6.74	14.5	10.9					6.3	9.9
	9			9.54	5.44	13.7	9.6					7.1	11.2
	10			8.74	4.24	12.9	8.4	17.06	12.56			7.9	12.4
	12					12.1	7.1	16.26	11.26	20.42	15.42	8.7	13.7
RAT63-SA	5	15	11.2	22.3	18.5	29.6	25.8					7	10.8
	6	13.5	9	20.8	16.3	28.1	23.7					8.5	12.95
	7	12	6.9	19.4	14.2	26.7	21.5					9.9	15.1
	8			18	12	25.3	19.3	32.6	26.6			11.3	17.3
	9			16.5	9.9	23.9	17.2	31.2	24.52			12.7	19.4
	10			15.3	7.7	22.6	15	29.9	22.3	37.2	29.6	14	21.6
	12			13.8	5.6	21.1	12.9	28.4	20.2	35.7	27.5	15.5	23.7
RAT075-SA	5	23.4	17.8	35.1	29.5							11.9	17.5
	6	21.1	14.3	32.8	26							14.2	21
	7	18.7	10.8	30.4	22.5							16.6	24.5
	8			28	19	39.8	30.8					19	28
	9			25.7	15.5	37.5	27.3					21.3	31.5
	10			23.3	12	35.1	23.8	46.8	35.5	58.6	47.3	23.7	35
	12					32.7	20.3	44.4	32	56.2	43.8	26.1	38.5
RAT083-SA	5	30.9	23.8	46.1	38.9							14.5	21.7
	6	28.1	19.5	43.3	34.6							17.39	26
	7	25.2	15.1	40.3	30.2							20.3	30.4
	8			37.4	25.9	52.6	41.1					23.2	34.7
	9			34.5	21.5	49.7	36.7					26.1	39.1
	10			31.6	17.2	46.8	32.4	62	47.6	77.1	62.7	29	43.4
	12					43.9	28.1	59.1	43.3	74.2	58.4	31.9	47.7
					41	23.7	56.2	38.8	71.3	54	34.78	52.08	

next▶



continuation▶

RAT pneumatic actuators

Air pressure(bar)		3		4		5		6		7		Spring stroke(Nm)	
Model	spring qty	0° start	90° end	0° start	90° end	0° start	90° end	0° start	90° end	0° start	90° end	0° start	90° end
RAT92-SA	5	45.7	34.7	68.6	57.6							22.5	33.5
	6	41.2	28	64.1	50.9							27	40.2
	7	36.7	21.4	59.6	44.3							31.5	46.8
	8			55.1	37.6	77.7	60.2					36	53.5
	9			50.6	30.8	73.2	53.4					40.5	60.3
	10			47.1	26.1	69.7	48.7	92.4	71.4	115.2	94.2	44	65
	11					64.2	40	86.9	62.7	109.7	85.5	49.5	73.7
	12					59.7	33.5	82.4	56.2	105.2	79	54	80.2
RAT105-SA	5	68.6	52	103.6	87							33.2	49.8
	6	61.9	42	96.9	77							39.9	59.8
	7	55.3	32.1	90.3	67.1							46.5	69.7
	8			83.7	57.1	116.6	90					53.1	79.7
	9			77	47.4	109.9	80.3					59.8	89.4
	10			70.4	37.2	103.3	70.1	137.3	104	171.2	138	66.4	99.6
	11					96.7	60.1	130.6	94	164.6	128	73	109.6
	12					90	50.2	123.9	64.1	157.9	118.1	79.7	119.5
RAT125-SA	5	115.5	88	173.8	146.3							59.4	86.9
	6	103.6	70.6	161.9	128.9							71.3	104.3
	7	91.8	53.5	150.1	111.6							83.1	121.6
	8			138.2	94.2	196.5	152.5					95	139
	9			126.3	76.8	184.6	135.1					106.9	156.4
	10			114.4	59.4	172.7	117.7	231	176			118.8	173.8
	11					160.9	100.4	219.2	158.7	277.5	217	130.6	191.1
	12					149	83	207.3	141.3	265.6	199.6	142.5	208.5
RAT140-SA	5	174.7	131.2	262.5	219							88.5	132
	6	157	104.8	244.8	192.6							106.2	158.4
	7	133.9	78.4	227.1	166.2							123.9	184.8
	8			209.4	139.8	297.1	227.5					141.6	211.2
	9			191.7	113.4	279.4	201.1					159.3	237.6
	10			174	87	261.7	174.7	349.4	262.4	437.8	350.1	177	264
	11					244	148.3	331.7	236	419.5	323.8	194.7	290.4
	12					226.3	121.9	314	209.6	401.8	297.4	212.4	316.8
RAT160-SA	5	264.6	197.1	398.3	330.8							136.5	204
	6	237.3	156.2	371	289.9							163.8	244.9
	7	210	115.4	343.7	249.1							191.1	285.7
	8	182.7	74.6	316.4	208.3	450.1	341.9					218.4	326.5
	9			289.1	167.5	422.8	301.2					245.7	367.3
	10			261.8	126.7	395.5	260.4	529.2	394.1			273	408.1
	11					368.2	219.6	501.9	353.3	635.6	487	300.3	448.9
	12					340.9	178.8	474.6	312.5	608.3	446.2	327.6	489.7
RAT190-SA	5	429	320.4	644.5	535.9							217.4	326
	6	385.5	255.5	601	470.7							260.9	391.2
	7	342	190	557.5	405.5							304.4	456.4
	8			514	340.3	729.5	555.8					347.9	521.6
	9			470.6	275.1	686.1	490.6					391.3	586.8
	10			427.1	209.9	642.6	425.4	858.1	640.9	1073.6	856.4	434.8	652
	11					599.1	360.2	814.6	575.7	1030.1	791.2	478.3	717.2
	12					555.6	295	771.1	510.5	986.6	726	521.8	782.4
RAT210-SA	5	589.6	440.6	885.7	736.7							298.8	447.8
	6	529.8	351.1	825.9	647.2							358.6	537.3
	7	470.1	261.5	766.2	557.6							418.3	626.9
	8			706.4	468.1	1002.5	764.2					478.1	716.4
	9			646.7	375.5	942.8	671.6					537.8	809
	10			586.9	289	883	585.1	1179.1	881.2	1475.2	1177.3	597.6	895.5
	11					823.2	495.5	1119.3	791.6	1415.4	1087.7	657.4	958.1
	12					763.5	406	1059.6	702.1	1355.7	998.2	717	1074.6

next▶



continuation▶

RAT pneumatic actuators

Air pressure(bar)		3		4		5		6		7		Spring stroke(Nm)	
Model	spring qty	0° start	90° end	0° start	90° end	0° start	90° end	0° start	90° end	0° start	90° end	0° start	90° end
RAT240-SA	5	924	690.5	1488.1	1154.6							468.5	702
	6	829.9	550.1	1294	1014.2							562.6	842.4
	7	736.7	409.7	1200.8	873.8							655.8	982.8
	8			1107.1	733.4	1571.3	1197.6					749.5	1123.2
	9			1013.4	593	1477.6	1057.2					843.2	1263.6
	10			919.7	452.6	1383.9	916.8	1848.1	1381	2312.2	1845.1	936.9	1404
	11					1290.2	776.4	1754.4	1240.6	2218.5	1704.7	1030.6	1544.4
	12					1196.5	636	1660.7	1100.2	2124.8	1564.3	1124.3	1684.8
RAT270-SA	5	1299.7	971.2	1952.4	1623.9							658.5	987
	6	1168	773.8	1820.7	1426.5							790.2	1184.4
	7	1036.3	576.4	1689	1229.1							921.9	1381.8
	8			1557.3	1031.7	2210	1684.4					1053.6	1579.2
	9			1425.6	834.3	2078.3	1487					1185.3	1776.6
	10			1293.9	636.9	1946.6	1289.6	2599.3	1942.3	3252	2595	1317	1974
	11					1814.9	1092.2	2467.6	1744.9	3120.3	2397.6	1448.7	2171.4
	12					1683.2	894.8	2335.9	1547.5	2988.6	2200.2	1580.4	2368.8
RAT3000-SA	5	1603	1183									800	1220
	6	1483	1066									920	1337
	7	1330	844	2132	1646							1073	1559
	8	1177	621	1979	1423	2780	2224					1226	1782
	9			1825	1201	2626	2002	3427	2803			1380	2004
	10			1652	977	2473	1778	3274	2579	4075	3380	1533	2228
	11					2320	1556	3121	2357	3922	3158	1686	2450
	12					2014	1077	2815	1878	3686	2679	1922	2929
RAT350-SA	5	2399	1739									1199	1859
	6	2120	1453									1478	2145
	7	1874	1096	3074	2296							1724	2502
	8	1627	738	2827	1938	4027	3138					1971	2860
	9			2580	1581	3780	2781	4979	3980			2218	3217
	10			2335	1223	3535	2423	4734	3622	5934	4822	2463	3575
	11					3288	2066	4487	3265	5687	4465	2710	3932
	12					3120	1537	4319	2736	5519	3936	2878	4461
RAT400-SA	5	3418	2479									1709	2648
	6	2922	1670									2205	3457
	7	2647	1239	4357	2949							2480	3888
	8	2372	806	4082	2516	5191	4225					2755	4321
	9			3806	2085	5515	3794	7224	5503			3031	4752
	10			3531	1652	5240	3361	6949	5070	8658	6779	3306	5185
	11					4963	2930	6672	4639	8381	6348	3583	5616
	12					4445	2190	6154	3899	8106	5608	4101	6356

OUTPUT TORQUE OF RAT DOUBLE ACTING ACTUATOR

Model	spring qty	0° start	90° end	0° start	90° end	0° start	90° end
1	2	3	4	5	6	7	8
RAT032-DA	2.78	4.20	6.00	7.50	9.00	10.00	11.50
RAT040-DA	4.44	6.56	9.83	11.72	14.06	15.63	17.97
RAT052-DA	8.32	12.48	16.64	20.8	24.96	29.12	33.28
RAT063-DA	14.64	21.96	29.28	36.6	43.92	51.24	58.56
RAT075-DA	23.5	35.3	47	58.8	70.5	82.3	94
RAT083-DA	29.7	44.5	59.4	74.2	89.1	103.9	118.8
RAT092-DA	45.5	68.2	91.1	113.7	136.4	159.2	181.9
RAT 105-DA	67.88	101.82	136.76	169.7	203.64	237.58	271.52
RAT 125-DA	116.6	174.9	233.2	291.5	349.8	408.1	466.4
RAT 140-DA	175.48	263.22	350.96	438.7	526.44	614.18	701.92
RAT 160-DA	267.4	401.1	534.8	668.5	802.2	935.9	1069.6
RAT 190-DA	430.96	646.44	861.9	1077.4	1292.9	1508.4	1723.8
RAT 210-DA	592.2	888.4	1184.5	1480.6	1776.7	2072.8	2369
RAT 240-DA	831.9	1220.8	1627.8	2030.7	2444.6	2848.6	3255.5
RAT 270-DA	1305.4	1958.2	2610.9	3263.6	3916.3	4569	5221.8
RAT 300-DA	1602	2403	3205	4006	4807	5608	6409
RAT 350-DA	2399	3598	4798	5998	7197	8397	9596
RAT400-DA	3418	5127	6837	8546	10255	11964	13673

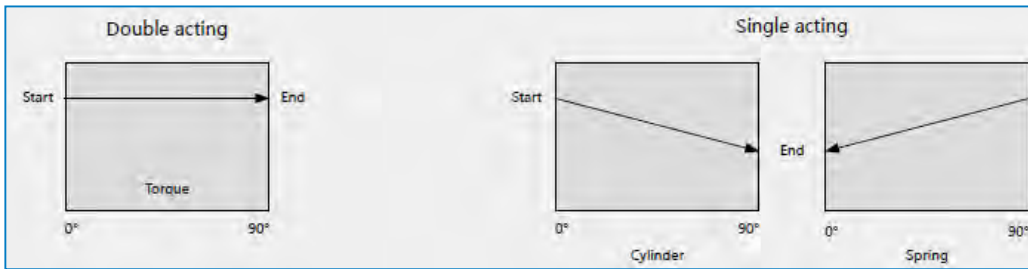
next▶



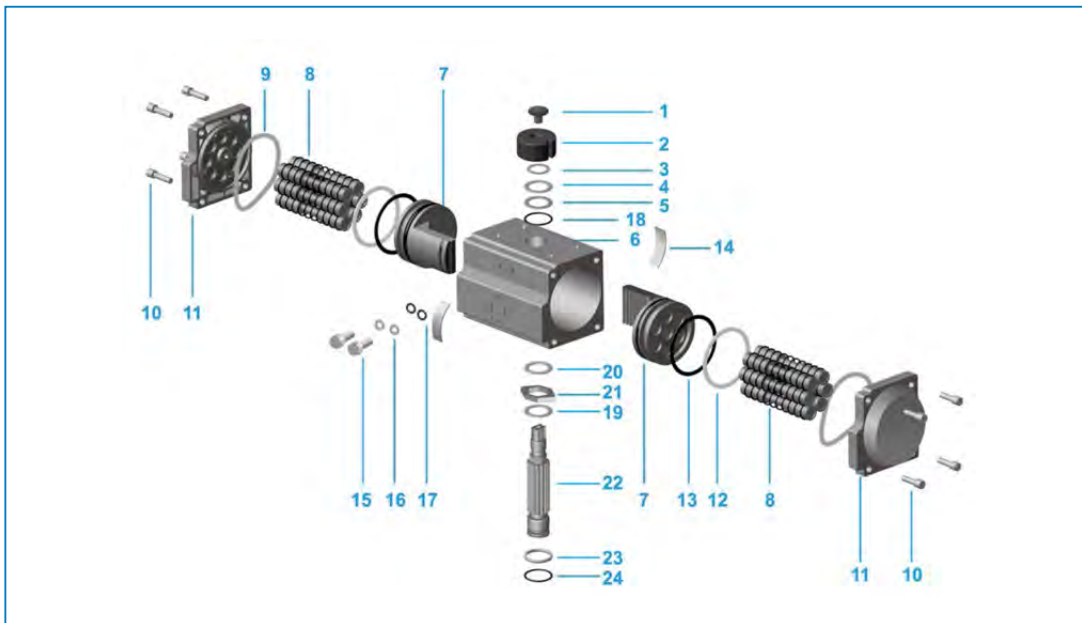
continuation▶

RAT pneumatic actuators

TORQUE DIAGRAM OF ACTUATOR



PARTS AND MATERIAL



No	Description	Qty	Material	Anit-corrode treatment	Optional material	Wearing parts
1	Indicator screw	1	PA66+SS			
2	Indicator	1	POM			
3	Spring clip	1	Circlip			
4	Washer	1	Stainless steel			
5	Outside washer	1	PTFE			
6	Body	1	Aluminum alloy	Hard anodized etc.		
7	Piston	2	cast aluminum	Hard anodized	Stainless steel	
8	Spring assembly	*	60Si2Mn2+PA66	Dip coating		
9	End cap o-ring	2	NBR/HNBR/FKM		Viton/silicone	X
10	cap screw	8	Stainless steel			
11	End cap	2	cast aluminum	Powder spraying etc/		
12	Bearing(piston)	2	PTFE			
13	o-ring(piston)	2	NBR/HNBR/FKM		Viton/silicone	X
14	Guide (piston)	2	POM		PTFE	
15	Adjusting bolt	2	Stainless steel			
16	adjusting screw nut	2	Stainless steel			
17	O-ring (adjusting nut)	2	NBR/HNBR/FKM		Viton/silicone	
18	O-ring (pinion top)	1	NBR/HNBR/FKM		Viton/silicone	X
19	Bearing(pinion top)	1	PTFE			X
20	Inside washer	1	PTFE			
21	Cam	1	stainless iron			
22	Pinion	1	alloy steel	Nickel plated	Stainless steel	
23	Bearing (pinion bottom)	1	PTFE			
24	o-ring (pinion bottom)	1	NBR/HNBR/FKM		Viton/silicone	X

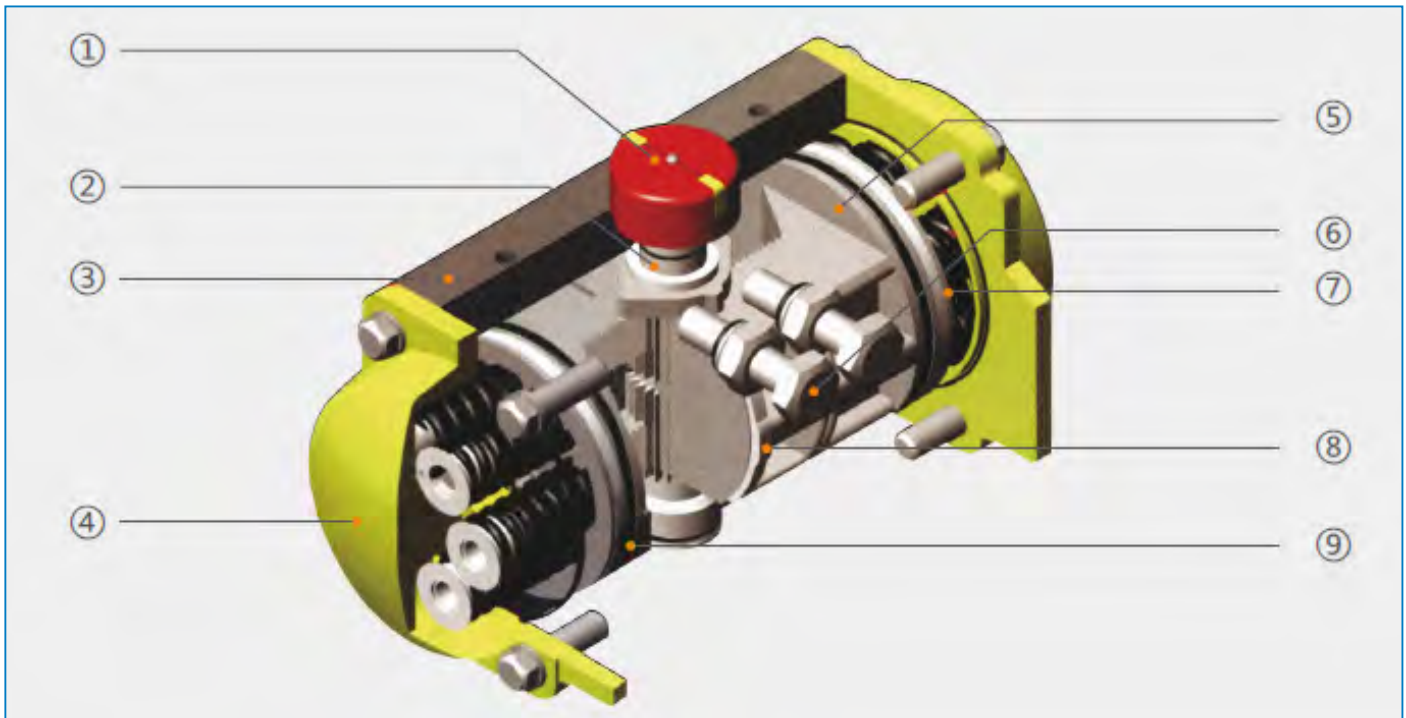
next▶



continuation▶

RAT pneumatic actuators

PARTS INTRODUCTION



1. Indicator

NAMUR standard indicator is convenient for mounting accessories such as Limit switch box, positioner and so on.

2. Actuator Shaft

Nickel plated alloy steel and high-precision shaft conforms to NAMUR, ISO5211 and DIN3337 standard. The dimensions and stainless steel one can be customized.

3. Actuator Body

According to the different requirements, the extruded aluminum alloy ASTM6005 body can be treated with hard anodized, powder polyester painted (different colors like blue, orange, yellow and so on are available), PTFE or Nickel plated.

4. End Caps

Die-casting aluminum powder polyester can be painted in different colors, PTFE coated or Nickel plated.

5. Pistons

The twin rack pistons are made from Die-casting aluminum treated with hard anodized or made from Cast steel with galvanization. Symmetric mounting position, long cycle life and fast operation, reversing rotation by simply inverting the pistons.

6. Stroke adjustment

The two independent external stroke adjustment bolts can adjust $\pm 5^\circ$ at both open and close directions easily and precisely

7. High performance springs

Preloaded coating springs are made from the high quality material for resistant to corrosion and long service life, which can be demounted safely and conveniently to satisfy different requirements of torque by changing quantity of springs.

8. Bearings and Guide

Made from low friction and long-life compound material which to avoid the direct contact between metals and also easy to be maintained.

9. O-rings

Normal: NBR

High temp. & low temp. : Viton or Silicone

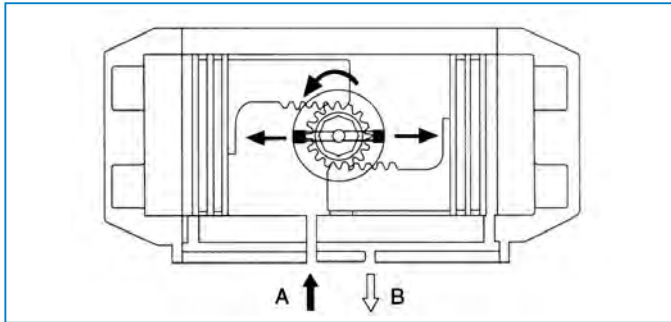
next▶

continuation▶

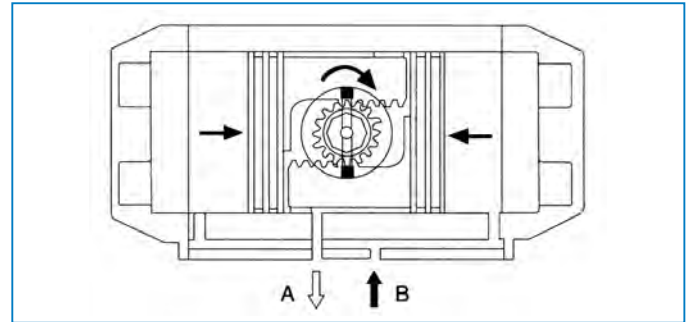
RAT pneumatic actuators

OPERATING PRINCIPLE

Double action

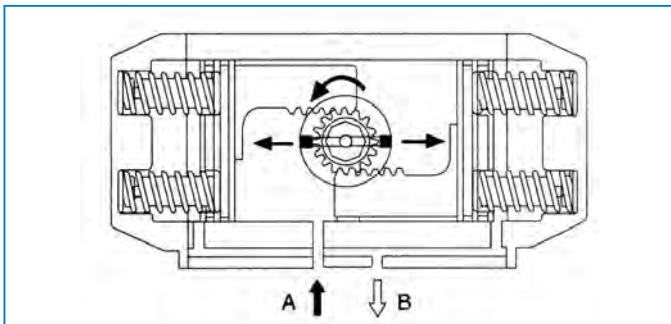


Input the air into **Port A** forces the pistons move outwards, the pinion turns counterclockwise and open the valve, then the air be exhausted from **Port B**.

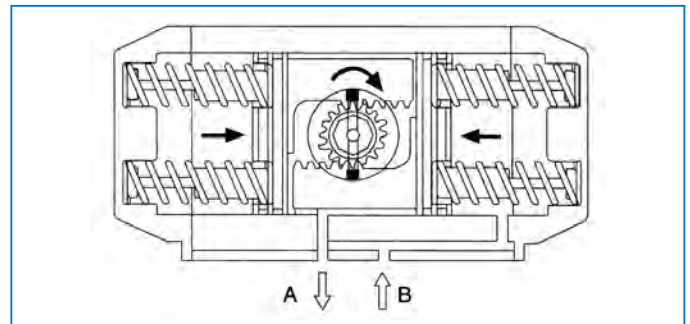


Input the air into **Port B** forces the pistons move inwards, the pinion turns clockwise and close the valve, then the air be exhausted from **Port A**.

Single action



Input the air into **Port A** forces the pistons move outwards, the pinion turns counterclockwise and open the valve, then the air be exhausted from **Port B**.



When loss air pressure or power, the stored energy in the springs forces the pistons inwards, causing the pinion turns clockwise while air be exhausted from **Port A**.

Note:

The standard rotation is clockwise for closing the valve and counterclockwise for opening. 2. If the direction of the piston is assembled reversely, then the standard rotation is counterclockwise for closing the valve and clockwise for opening.

FUNCTION AND USAGE OF ACTUATOR AND PARTS

- Double action actuator: open and close the valve
- Single action actuator (spring return): when the air is cut off, it will close (normal close type)
- Double control solenoid valve: the valve open when one solenoid coil power on and close when another coil power on, it has memory function. (Ex-proof type is available)
- Single control solenoid valve: the valve open or close when power on, and close or open when power off. (Ex-proof type is available).
- Limit switch box: transmit the signal of open or close of the valve remotely. (Ex-proof type is available)
- Pneumatic positioner: control the medium flow rate of the valve according to air pressure (0.2~1bar) (Ex-proof type is available)
- Electric positioner: control the medium flow rate of the valve according to electric current (4-20mA) (Ex-proof type is available)
- FRL: includes filter, regulation and lubrication which can clean and lubricate the connection parts
- Manual equipments: manual operate on the valve in case of the cut off or stoppage of the air or power.

HOW TO CHOOSE

Firstly, confirm the torque that will need during the open or close of the valve. Normally the safety factor is 15~20%. If the medium is steam or non-lubricated liquid, then set it to 25%. The safety factor for non-lubricated slurry liquid is 40% and for non-lubricated granule powder is 80%. Then check output torque table form of double action or single action, you can get a right model. On the output torque table of single action actuator, the torque on the line of spring stroke is the torque of closing the valve.

Example

- A ball valve need torque = 280N.m
- Medium: water
- Safety factor (20%) = 280 (1+20%) = 336N.m
- Air pressure= 4 bar
- According to the output torque table of double action actuator, the right model is RAT140DA, the output torque is 350.96N.m when the pressure is 4bar.

next▶

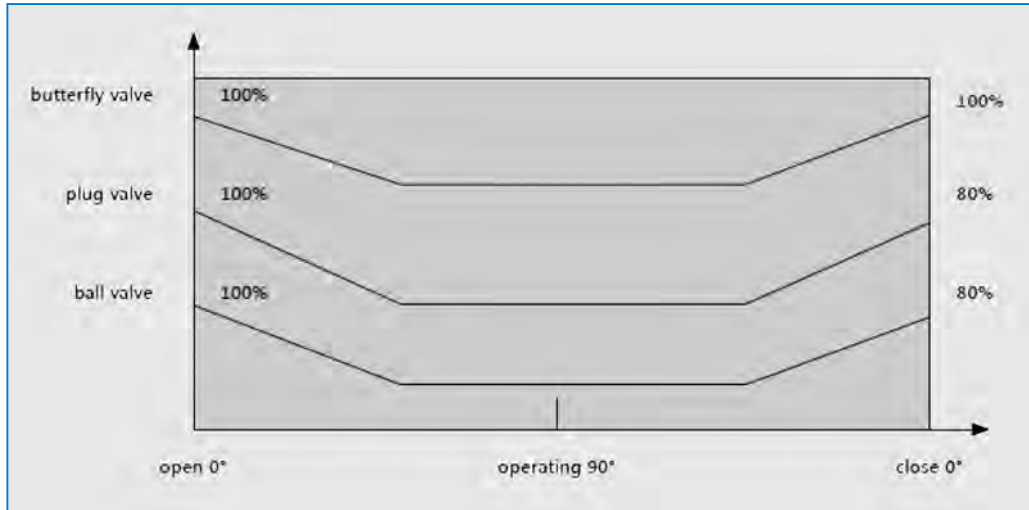


continuation▶

RAT pneumatic actuators

SAMPLE OF CHOOSING SINGLE ACTION ACTUATORS

During the selecting of the spring return actuators, we can choose a more reasonable and economical actuator if we know the different torque of valve on opening, operation and closing.



Example

A butterfly valve need torque = 80N.m

The max torque needed by the butterfly valve
 $80 (1+30\%) = 104\text{N.m}$

The torque after opened (operating) $104 \times 30\% = 32\text{N.m}$

Air supply = 4bar

We can select RAT125 SA K10

- Air stroke 0° = 14.4N.m >104N.m
- Air stroke 90° = 59.4N.m >32N.m
- Spring stroke 90° = 173.8N.m >32N.m
- Spring stroke 0° = 118.8N.m > 104N.m
- The above data shows the actuator's torque can satisfy the requirement of the butterfly valve.

Attention: During the restoration, the spring return actuator's torque will not be affected by inputting air from port B. On the contrary, it will help restoration of springs.

AIR CONSUMPTION

Air volume opening & closing					
Model	Air volume opening	Air volume closing	Model	Air volume opening	Air volume closing
RAT032	0.035 L	0.045 L	RAT140	1.7 L	2.4 L
RAT040	0.062 L	0.082 L	RAT160	2.6 L	3.7 L
RAT052	0.09 L	0.12 L	RAT190	4.2 L	5.9 L
RAT063	0.14 L	0.2 L	RAT210	5.7 L	8.2 L
RAT075	0.21 L	0.3 L	RAT240	9 L	12.8 L
RAT083	0.29 L	0.41 L	RAT270	12.6 L	17.9 L
RAT092	0.49 L	0.71 L	RAT300	21.4 L	30 L
RAT105	0.7 L	0.99 L	RAT350	31.2 L	43.7 L
RAT125	1.4 L	1.6 L	RAT400	47.9 L	67.1 L

Air consumption of double action actuator (L/min) = air volume (air volume opening + air volume closing) x (air supply (kpa) + 101.3) ÷ 101.3 x action cycle time (/min).

Air consumption of single action actuator (L/min) = air volume opening x (air supply (kpa) + 101.3) ÷ 101.3 x action cycle time (/min).

next▶



continuation▶

RAT pneumatic actuators

WEIGHT OF ACTUATOR

Model	Weight (kgs)	Spring weight (kgs)	Model	Weight (kgs)	Spring weight (kgs)
RAT032	0.65	0.016	RAT140	14.88	0.24
RAT040	1	0.0252	RAT160	22.98	0.37
RAT052	1.52	0.104	RAT190	40.5	0.5
RAT063	2.28	0.198	RAT210	43.5	0.5
RAT075	3.12	0.02	RAT240	65.5	1.3
RAT083	3.48	0.034	RAT270	91	1.6
RAT092	5	0.06	RAT300	114.5	2.25
RAT105	6.52	0.08	RAT350	160.5	4
RAT125	10.12	0.15	RAT400	283	5.12

OPERATING CONDITIONS

Working medium

Dry or lubricated air or inert gas, as long as the medium is compatible with the inside parts and lubricant of the actuator.

- The dew-point temperature of the operating media is -20°C . The dimension of the impurity particle cannot be larger than 30μ .
- If the positioner is needed, the dimension of impurity particle cannot be larger than 5μ .

Air pressure

- 3bar to 8bar

Working temperature

- Standard: $-5^{\circ}\text{C} \sim +80^{\circ}\text{C}$
- Low temperature type: $-40^{\circ}\text{C} \sim +80^{\circ}\text{C}$
- High temperature type: $-10^{\circ}\text{C} \sim +150^{\circ}\text{C}$

Lubrication

- Usually the standard types no need to use lubricant. In the low temperature or high temperature occasion, it will need special lubricant."

THREE POSITION ACTUATOR

Three position actuator provides an operation of 0° , 45° , 90° or the random travel of middle position. The middle position is achieved by the mechanical brake which is caused by the movement of the two auxiliary pistons. It is adjustable.

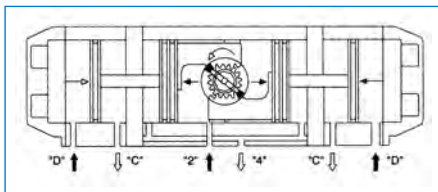


Chart 1: it is middle position, which is achieved when the air is supplied to **port 2** and **port D**, meantime **port 4** and **port C** are in a state of exhaust air. When the air is supplied to **port D**, it forces the auxiliary pistons move to the center, and make the inner pistons stopped at the setted position.

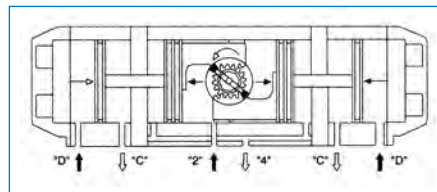


Chart 2: it is fully open position, which is achieved when the air is supplied to **port 2** and **port C** (air to port C is optional), meantime **port 4** and **port D** are in a state of exhaust air.

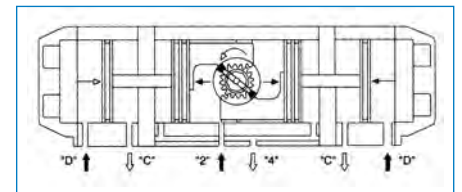


Chart 3: it is fully close position, which is achieved when the air is supplied to **port 4** and **port 2** is in a state of exhaust air. No need to operate port C and Port D.

next▶

continuation▶

RAT pneumatic actuators

How to order

- Pneumatic actuators: double acting or spring return type (normal close or normal open)
- Please note the working pressure of the valve, working medium, working temperature and the seals.
- Solenoid valve: please note whether you need double coil or single coil, voltage and Ex-proof or not.
- Signal feedback: mechanical or approachable switch, voltage, output current and ex-proof type.
- Positioner: pneumatic positioner, electric positioner, current signal, voltage, electrical converter, ex-proof type.
- FRL
- Manual device
- Special one can be customized

Quality Assurance

- Each actuator has a QC passed label.
- Each actuator is with the standard NUMAR connection and mounting size.
- Each actuator is packed by the carton.

COMMON PROBLEM AND SOLUTIONS

Common problems	Checking Item	Solution
Pneumatic valve does not work	1. Check if the solenoid valve works normally? Is the solenoid coil failure? If the armature of the solenoid valve is jammed by impurity?	Replace the solenoid valve or coil and remove the impurity.
	2. Test the pneumatic actuator with air supply to check if the o-ring and cylinder are broken.	Replace the broken o-ring and cylinder.
	3. Is impurity blocking the valve?	Clean out the impurity, replace the broken parts.
	4. Is the handle of the manual device at the manual state?	Put the handle to the pneumatic state.
Acting slowly	1. Is the air supply pressure insufficient?	Increase the air pressure (0.4~0.7Mpa)
	2. Is the output torque of pneumatic actuator not enough?	Select a bigger model of the pneumatic actuator
	3. Is the valve stem or other parts assembled too tight?	Re-assemble and adjust the valve
	4. Is the air supply pipe blocked making the air flow too small?	Clean out the block and replace the filter stem.
The feedback has no signal	1. Check if the power is short circuit or open circuit	Examine and repair the circuit
	2. Is the cam of the feedback in the incorrect position?	Adjust the cam to the correct position
	3. Is the micro switch broken?	Replace the micro switch

RBV pneumatic ball valves



Unique design and high platform structure. ISO5211 connection, easy to be installed.

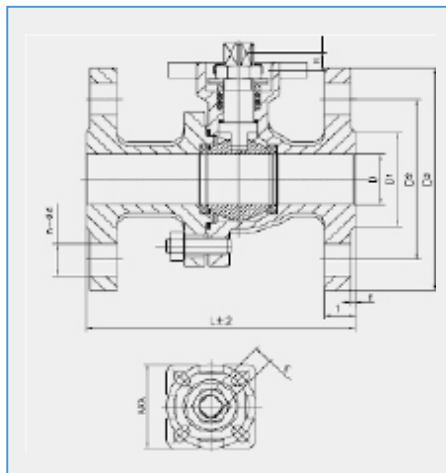
FEATURES

- Unique design and beautiful appearance.
- High platform structure and ISO5211 connection, makes the installation of electric or pneumatic actuator to be more professional.
- Valve body is overlaid with reinforced bar, which can be permanently used in corrosion medium, and keep away from the cracking and failure during the installation.
- Grinding process of the valve stem reduces the torque of electric or pneumatic valve during the installation.
- The valve body of carbon steel is phosphate coated, which won't be discolored and rusty. It is durable and beautiful.

ORDER CODE

R	BV	P	4	1-2-15			P
RFS product	Ball valve	Type	Connection	Structure	Tandem structure	Nominal diameter	Valve body material
		P - pneumatic	1 - female thread	1 - straight bore	1 - 1PCS type	08 - 1/4"	Z - cast iron
		L - lever	2 - male thread	2.Y - 3-way Y type	2 - 2PCS type	10 - 3/8"	Q - ductile iron
		E - electric	4 - flanged	4.L - 3-way L type	3 - 3PCS type	15 - 1/2"	P - stainless steel 304
			8 - clamp	5.T - 3-way T type	Blank - other	20 - 3/4"	R - stainless steel 316
						25 - 1"	C - carbon steel
						32 - 1 1/4"	
						40 - 1 1/2"	
						50 - 2"	
						65 - 2 1/2"	
						80 - 3"	
						100 - 4"	
						125 - 5"	
						150 - 6"	

PNEUMATIC DIN FLANGE BALL VALVE

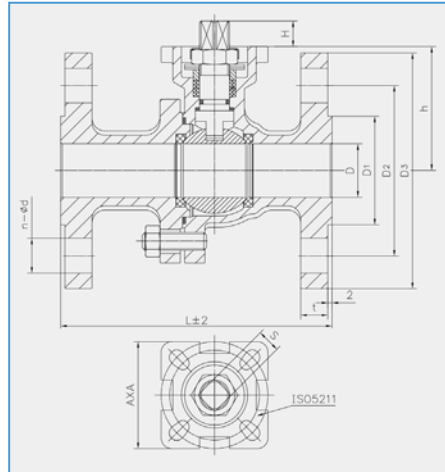


FEATURES

- Nominal pressure : PN1.6, 2.5MPa
- Strength test pressure: PT2.4/8MPa
- Seal test pressure (low pressure): 0.6MPa
- Suitable medium: water, oil, gas, nitric acid, acetic acid
- Suitable temperature: PTFE : -20°...+150°, PPL: -20°...+200°
- Material: WCB, CF8, CF8M, Ti, Ni

Model	Inch	DN	D	L	S	D1	D2	D3	t	f	n-φd	ISO5211	H	Actuator
RBVP41-2-15-GB	1/2"	15	15	130	9	45	65	95	14	2	4-φ14	F03/F04	10.5	RAT052DA
RBVP41-2-20-GB	3/4"	20	20	140	9	55	75	105	14	2	4-φ14	F03/F04	10.7	RAT052DA
RBVP41-2-25-GB	1"	25	25	150	11	65	85	115	14	2	4-φ14	F04/F05	11	RAT063DA
RBVP41-2-32-GB	1-1/4"	32	32	165	11	78	100	135	16	2	4-φ18	F04/F05	11.5	RAT063DA
RBVP41-2-40-GB	1-1/2"	40	38	180	14	85	110	145	16	2	4-φ18	F05/F07	17	RAT075DA
RBVP41-2-50-GB	2"	50	50	200	14	100	125	160	16	3	4-φ18	F05/F07	17	RAT083DA
RBVP41-2-65-GB	2-1/2"	65	65	220	17	120	145	180	18	3	4-φ18	F07/F10	20	RAT092DA
RBVP41-2-80-GB	3"	80	76	250	17	135	160	195	20	3	8-φ18	F07/F10	20	RAT105DA
RBVP41-2-100-GB	4"	100	100	280	19	155	180	215	20	3	8-φ18	F07/F10	22.5	RAT125DA

PNEUMATIC ANSI FLANGE BALL VALVE

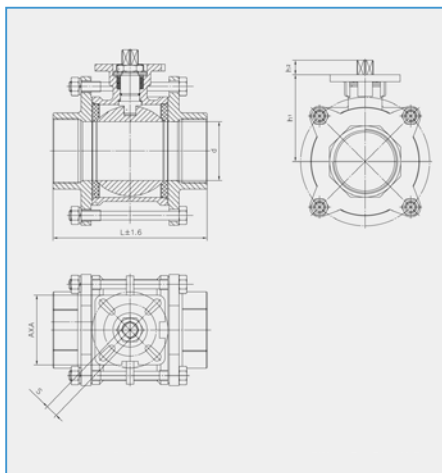


FEATURES

- Nominal pressure : PN1.6, 2.5MPa
- Strength test pressure: PT2.4/8MPa
- Seal test pressure (low pressure): 0.6MPa
- Suitable medium: water, oil, gas, nitric acid, acetic acid
- Suitable temperature: PTFE : -20°...+150°, PPL: -20°...+200°
- Material: WCB, CF8, CF8M, Ti, Ni

Model	Inch	DN	D	L	S	D1	D2	D3	t	f	n-φd	ISO5211	H	Actuator
RBVP41-3-15-ANSI	1/2"	15	15	108	48	43	34.9	60.3	90	2	4-φ14	F03/F04	10.5	RAT052DA
RBVP41-3-20-ANSI	3/4"	20	20	117	53	43	42.9	69.9	100	2	4-φ14	F03/F04	10.7	RAT052DA
RBVP41-3-25-ANSI	1"	25	25	127	58	50	50.8	79.4	110	2	4-φ14	F04/F05	11	RAT063DA
RBVP41-3-32-ANSI	1-1/4"	32	32	140	62	50	63.5	88.9	115	2	4-φ18	F04/F05	11.5	RAT063DA
RBVP41-3-40-ANSI	1-1/2"	40	38	165	75	68	73	98.4	125	2	4-φ18	F05/F07	17	RAT075DA
RBVP41-3-50-ANSI	2"	50	50	178	85	68	92.1	120.7	150	3	4-φ18	F05/F07	17	RAT083DA
RBVP41-3-65-ANSI	2-1/2"	65	65	190	104	96	104.8	139.7	180	3	4-φ18	F07/F10	20	RAT092DA
RBVP41-3-80-ANSI	3"	80	78	203	114	96	127	152.4	190	3	8-φ18	F07/F10	20	RAT105DA
RBVP41-3-100-ANSI	4"	100	95	229	135	96	157.2	190.5	230	3	8-φ18	F07/F10	22.5	RAT125DA

PNEUMATIC FEMALE THREAD 3-PART BALL VALVE

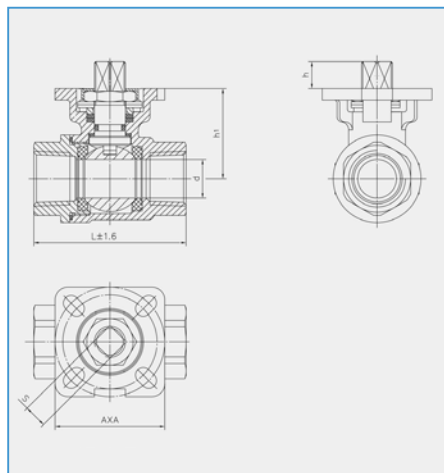


FEATURES

- Screw type: NPT, BSPT, BSP, ISO-228 Class A Thread
- Suitable temperature: PTFE : -20°...+150°, PPL: -20°...+200°
- Suitable medium: water, oil, gas, nitric acid, acetic acid
- Nominal pressure : 1000PSI (PN63) For 1/2" to 4"
- Blowout proof stem
- Locking device
- Material: WCB, CF8, CF8M, Ti, Ni

Model	Inch	DN	d	L	h1	h2	ISO5211	A	S	Actuator	n-φd	ISO5211	H	Actuator
RBVP11-3-15	1/2"	15	15	75	39	10.5	F03/F04	42	9	RAT-052DA	4-φ14	F03/F04	10.5	RAT-052DA
RBVP11-3-20	3/4"	20	20	80	44	10.5	F03/F04	42	9	RAT-052DA	4-φ14	F03/F04	10.7	RAT-052DA
RBVP11-3-25	1"	25	25	90	52	11	F04/F05	50	11	RAT-052DA	4-φ14	F04/F05	11	RAT-063DA
RBVP11-3-32	1-1/4"	32	32	110	56	11.5	F04/F05	50	11	RAT-063DA	4-φ18	F04/F05	11.5	RAT-063DA
RBVP11-3-40	1-1/2"	40	38	120	65	17	F05/F07	70	14	RAT-075DA	4-φ18	F05/F07	17	RAT-075DA
RBVP11-3-50	2"	50	49	140	75	17	F05/F07	70	14	RAT-083DA	4-φ18	F05/F07	17	RAT-083DA
RBVP11-3-65	2-1/2"	65	64	177	105.5	19.5	F07/F10	95	17	RAT-092DA	4-φ18	F07/F10	20	RAT-092DA
RBVP11-3-80	3"	80	80	209	118	19.5	F07/F10	95	17	RAT-105DA	8-φ18	F07/F10	20	RAT-105DA
RBVP11-3-100	4"	100	100	267	141	20	F07/F10	96	19	RAT-125DA	8-φ18	F07/F10	22.5	RAT-125DA

PNEUMATIC FEMALE THREAD 2-PART BALL VALVE

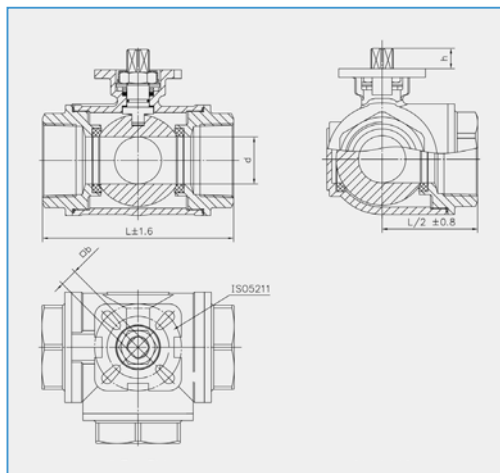


FEATURES

- Screw type: NPT, BSPT, BSP, ISO-228 Class A Thread
- Suitable temperature: PTFE : -20°...+150°, PPL: -20°...+200°
- Suitable medium: water, oil, air and some corrosive liquid
- Nominal pressure : PN16, PN25, PN40, 1000PSI (PN63) for 1/2"-4"
- Anti roll stem
- Locking device
- Material: WCB, CF8, CF8M, Ti, Ni

Model	Inch	DN	d	L	h	h1	E	d1	d2	R1	R2	A	S	Actuator
RBVP11-2-15	1/2"	15	15	59	10.5	35	125	36.5	42.5	3	3	42	9	RAT-052DA
RBVP11-2-20	3/4"	20	20	66	10.7	39	125	36.5	42.5	3	3	42	9	RAT-052DA
RBVP11-2-25	1"	25	25	80	11	46	135	42.5	50.5	3	3.5	50	11	RAT-052DA
RBVP11-2-32	1-1/4"	32	32	90	11.5	52	150	42.5	50.5	3	3.5	50	11	RAT-063DA
RBVP11-2-40	1-1/2"	40	38	103	17	63	160	50	70	3.5	4.5	70	14	RAT-075DA
RBVP11-2-50	2"	50	49	117	17	73.5	180	50	70	3.5	4.5	70	14	RAT-083DA
RBVP11-2-65	2-1/2"	65	64	147	20	94.5	260	70	102	4.5	5.5	96	17	RAT-092DA
RBVP11-2-80	3"	80	76	169	20	103.5	260	70	102	4.5	5.5	96	17	RAT-105DA
RBVP11-2-100	4"	100	98	204	22.5	122	300	70	102	4.5	5.5	96	19	RAT-125DA

PNEUMATIC 3-WAY BALL VALVE

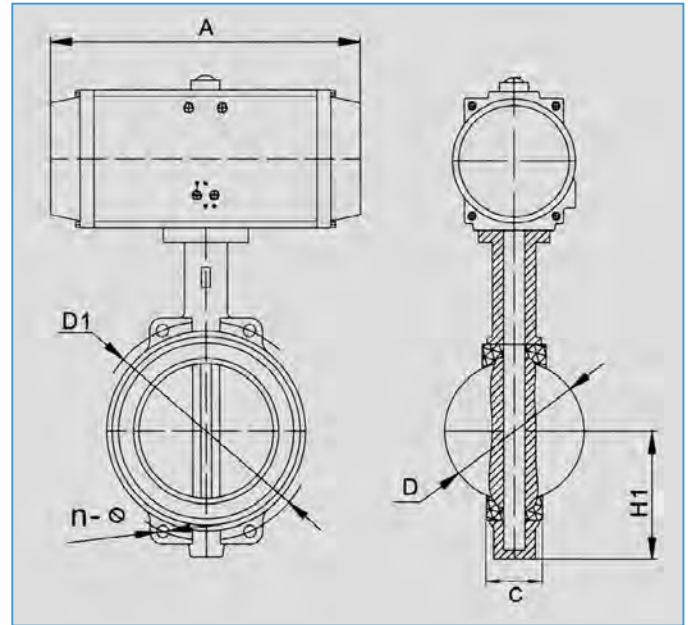


FEATURES

- Nominal pressure : PN1.6, 2.5, 4.0, 6.4MPa
- Strength test pressure: PT 2.4, 3.8, 6.0, 9.6MPa
- Sealed test pressure (low pressure): 0.6MPa
- Seal test pressure (pressure): 1.8, 2.8, 4.4, 7.1MPa
- Suitable medium: water, oil, gas, nitric acid, acetic acid
- Suitable temperature: PTFE : -20°...+150°, PPL: -20°...+200°
- Material: WCB, CF8, CF8M, Ti, Ni

Model	Inch	DN	d	L	h	b	ISO5211	Actuator
RBVP14-15	1/2"	15	12	72	8.5	9	F03/F04	RAT052DA
RBVP14-20	3/4"	20	15	82	9.5	9	F03/F04	RAT052DA
RBVP14-25	1"	25	18	90	11	11	F04/F05	RAT052DA
RBVP14-32	1-1/4"	32	25	128	12	11	F04/F05	RAT063DA
RBVP14-40	1-1/2"	40	32	137	16.5	14	F05/F07	RAT075DA
RBVP14-50	2"	50	38	154	16.5	14	F05/F07	RAT083DA
RBVP14-65	2-1/2"	65	48	185	20	17	F07/F10	RAT092DA
RBVP14-80	3"	80	55	212	20	17	F07/F10	RAT105DA
RBVP14-100	4"	100	74	254	22.5	19	F07/F10	RAT125DA

RDV pneumatic butterfly valves



Specialized manufacturer, specialized service, RFS valve devote to satisfy users expectation, improving service quality continuously keeping improving.

FEATURES

- Small and light, easy for installation and repair, and can be installed in any position.
- Simple structure, compact, prompt 90 degree turn round, open and close. Small operating torque
- Flow rate characteristic tend to straight, well regulate.
- Open and close test over 10,000 times, long life.
- Complete seal, no leakage during air testing.
- Choose different material as parts, fit for kinds of medium.

ORDER CODE

R	DV	P	7	Z	B3-3-100		
RFS product	Butterfly valve	Type	Connection	Body material	Disc material	Seal material	Orifice
		P - pneumatic	4 - flange type	Z - cast iron	B1 - plated DI	M - stainless steel	50-1000
		L - lever	7 - wafer type	Q - ductile iron	B2 - aluminium bronze	1 - natural rubber	
		W - wheel		P - stainless steel 304	B3 - stainless steel 304	2 - hypalon seal	
		E - electric		R - stainless steel 316	B4 - titanium steel	3 - EPDM	
				C - carbon steel	B5 - stainless steel 316	5 - neoprene	
				T - aluminium bronze	B6 - carbon steel	6 - NBR	
						7 - abrasion resistant rubber	
						8 - viton	
						9 - heat-resistant EPDM	
						F4 - PTFE	
						100 - 4"	
						125 - 5"	
						150 - 6"	

continuation▶

DIMENSIONS

R	DV	P	7	Z	B3	3	3	100
Model	Inch	D	D1	H1	A	C	n-Φd	Actuator
RDVP7PB3-7-50	2	52.9	125	80	181	42	4-18	RAT063DA
RDVP7PB3-7-65	2.5	64.5	145	89	207	44.7	4-18	RAT075DA
RDVP7PB3-7-80	3	78.8	160	95	213	45.2	8-18	RAT083DA
RDVP7PB3-7-100	4	104	180	114	258	52.1	8-18	RAT092DA
RDVP7PB3-7-125	5	123.3	210	127	287	54.4	8-18	RAT105DA
RDVP7PB3-7-150	6	155.6	240	139	342.5	55.8	8-23	RAT125DA
RDVP7PB3-7-200	8	202.5	295	175	342.5	60.6	8-23/12-23	RAT125DA
RDVP7PB3-7-250	10	250.5	350	203	411	65.6	12-23/12-26	RAT140DA
RDVP7PB3-7-300	12	301.6	400	242	488	76.9	12-23/12-26	RAT160DA
RDVP7PB3-7-350	14	333.3	460	267	488	76.5	16-23/12-16	RAT160DA
RDVP7PB3-7-400	16	389.6	515	309	544	85.7	16-26/16-30	RAT190DA
RDVP7PB3-7-450	18	440.51	565	328	580	105.6	20-26/20-30	RAT210DA
RDVP7PB3-7-500	20	491.5	620	361	622	130.3	20-26/20-33	RAT240DA
RDVP7PB3-7-600	24	592.5	725	459	766	151.4	20-30/20-36	RAT270DA
RDVP7PB3-7-700	28	695	840	520	766	163	24-30/24-36	RAT270DA
RDVP7PB3-7-800	32	794.7	950	591	794	188	24-33/24-39	RAT300DA
RDVP7PB3-7-900	36	864.7	1050	656	880	203	28-33/28-39	RAT350DA
RDVP7PB3-7-1000	40	965	1160	721	1067	213	28-36/28-42	RAT400DA

PARTS AND MATERIAL

Valve body		Disc		Rotating shaft	Liner bushing	Seal material		
Material item	Code	Material item	Code	Material item	Material item	Material item	Code	Suitable temperature
Cast Iron	Z	Plated Ductile Iron	B1	Stainless Steel	Lubrication bronze	Natural rubber	1	-20...+185°C
Ductile Iron	Q	Aluminium bronze	B2	Carbon Steel	PTFE	Hypalon seal	2	-18...+135°C (short time up to 149°C)
Aluminium bronze	T	Stainless Steel 304	B3			EPDM	3	-45...+135°C (short time -50...+150°C)
Stainless Steel 304	P	Titanium Steel	B4			Neoprene	5	-7...+93°C (short time up to 107°C)
Stainless Steel 316	R	Stainless Steel 316	B5			NBR	6	-12...+82°C (short time up to 93°C)
Carbon Steel	Code	Carbon Steel	B6			Abrasion resistant rubber	7	-10...+50°C
						Viton	8	-23...+150°C
				Heat-resistant EPDM	9	-20...+150°C		
				PTFE	F4	-10...+150vC		

next▶



REP positioners



The positioner is used for operation of pneumatic rotary valve actuators by means of electrical controller or control systems with a similar output signal of 4 to 20mA or split ranges.

FEATURES

- Small and light, easy for installation and repair, and can be installed in any position.
- Simple structure, compact, prompt 90 degree turn round, open and close. Small operating torque
- Flow rate characteristic tend to straight, well regulate.
- Open and close test over 10,000 times, long life.
- Complete seal, no leakage during air testing.
- Choose different material as parts, fit for kinds of medium.

ORDER CODE

R	EP-1000R	D	n	1	3	1	S	1
RFS product	Item number	Action type	Ex-proof rate	Feedback pole	Throttle pole	Connection type	Environment temperature	1 +PTM (internal)
	EP-1000R (rotary type)	S - single acting	m - Exd mIIBT5	1 - M6x40L	1 - Ø1	1 - 1PT	S -20...+60°C	2 +PTM (external)
	EP-1000L (linear type)	D - double acting	n - non ex-proof	2 - M6x63L	2 - Ø2	2 - 2NPT	H -20...+120°C	3 +L/S (internal)
				3 - M8x40L	3 - none			L -40...+70°C
				4 - M8x63L			5 +PTM +L/S (internal)	
				5 - NAMUR				

CHARACTERISTICS

Input Signal	4-20mA DC
Impedance	250±15 Ohm
Supply Pressure	1.4-7 kgf/cm ² (20-100 psi)
Stroke	0 ... 90°
Air Connection	PT(NPT)1/4"
Gauge Connection	PT(NPT)1/8"
Conduit	PF1/2"(G1/2")
Explosion Proof	ExialIC T6 Ga, ExdIIB T6
Protection	IP66
Ambient Temp	Operating -20°...70° Explosion -20°...60°
Linearity	±1%F.S. (single acting) ±2%F.S. (double acting)
Hysteresis	±1%F.S.
Sensitivity	±0.2%F.S. (single acting) ±0.5%F.S. (double acting)
Repeatability	±0.5%F.S.
Air Consumption	3LPM (Sup=1.4 kgf/cm ² , 20 psi)
Flow Capacity	80LPM (Sup=1.4 kgf/cm ² , 20 psi)
Material	Aluminum Diecasting
Weight	2.8 kg(6.2 lb)

RFS limit switch boxes



Limit switch box is designed based on advanced technology which are solid beautiful, high-level quality.

FEATURES

- Visual position indicator and waterproof type.
- Easy to set without tool based on spring loaded plined cam
- There are many connection terminal and 8pcs of points, easy to connect and safety.
- Standard dual cable connections.
- No worry to loose bolts while cover opens.
- Namur standard stainless steel shaft and bracket.

ORDER CODE

RFS-2		10	N-EX	
Model	Size	Machinery jiggle switch	Shell is fixed by screw	Ex-proof
	2			
	3			
	4			

CHARACTERISTICS

Protection Rating	IP65
Explosion Proof	ExdII BT4 (for RFS-410N-EX)
Ambient Temp	-25...+85°C
Cable Entry	G1/2" G3/4"
Terminal Stripe	8
Position Indicator	0...90°
Switches	Mechanical Type
Potentiometer	1 KΩ
Current	4...20mA

ORDER CODE



RFS-210N	RFS-310N	RFS-410N-EX

RSD clutch handwheel



The pneumatic butterfly valve and ball valve with handle mechanism, as long as by the simple switching, then can achieve the handle operation of valve. Handle mechanism installed between pneumatic actuator and valve, quite convenience for operation.

STRUCTURE CHARACTER AND USING METHOD

Transmission type	Stem and wheel transmit	
Stroke	90° ±5°	
Special design	The bearing of the stem are two pcs of eccentric body, using the connection stem for turning into integrative, at the same time, also can run 180 degree for combine and disconnection between stem and wheel, combine condition is by handle, disconnection condition is by pneumatic.	
Installation	Upper end	The standard size hole is connecting with pneumatic actuator. The square body is in the middle which hold out extracorporeal, connecting with the inner eight-square of pneumatic actuator directly.
	Lower end	The standard screw hole on the shell is connecting with the valve or bracket. The middle output shaft is a standard inner eight-square.
Usage	Handle 	Pulling the side round handle, then can turn spanner. When the spanner is at the appointed place, the round handle reset fastness eccentric bearing. Warning: It can not be operated by pneumatic when at the handle position, otherwise the parts will be damaged.
	Pneumatic 	

CHARACTERISTICS

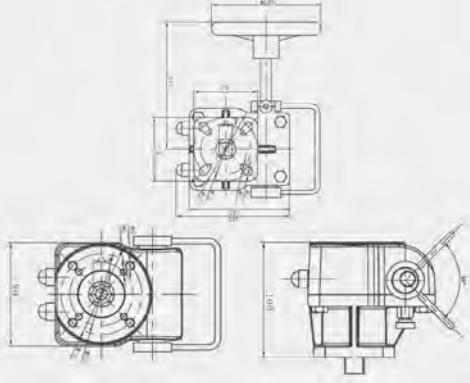
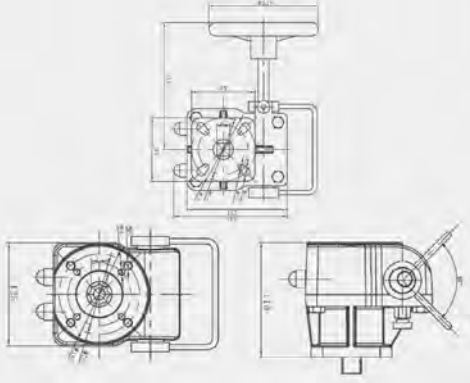
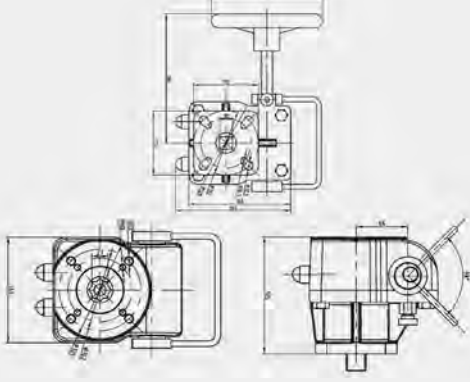
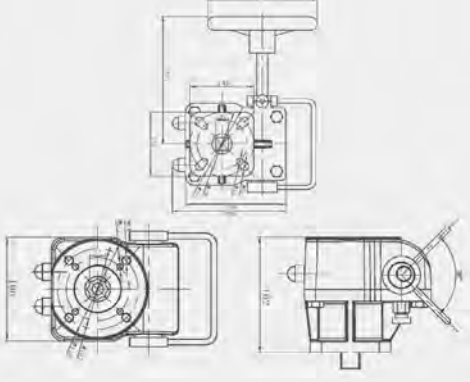
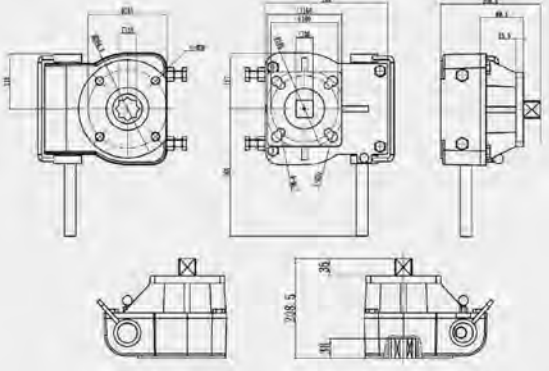
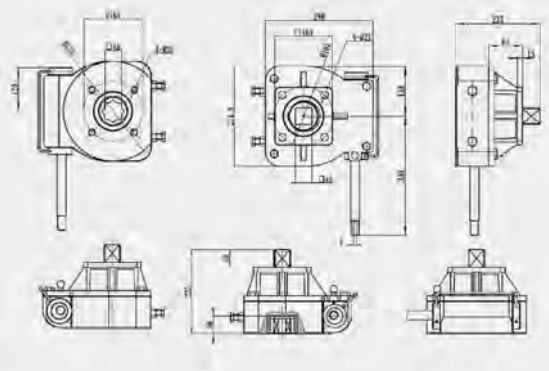
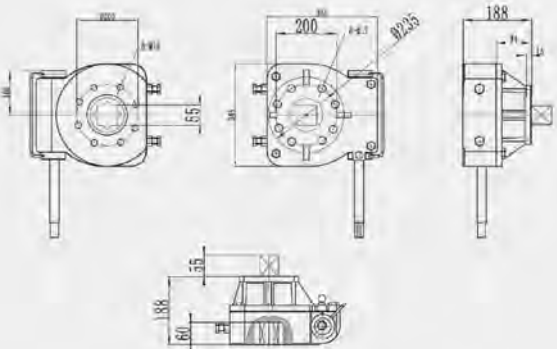
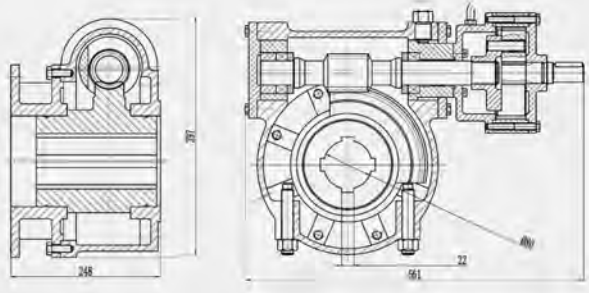
Model	Handwheel model	Shaft square mm	Speed ratio	Diameter mm	Input torque Nm	Output torque Nm	Model	Handwheel model
DA							SR	
RAT052DA	RSD-1	11x11	26:1	200	60	150	RAT052SA	RSD-1
RAT063DA	RSD-1	14x14	26:1	200	60	150	RAT063SA	RSD-1
RAT075DA	RSD-1	14x14	26:1	200	60	150	RAT075SA	RSD-1
RAT083DA	RSD-2	17x17	28:1	200	60	300	RAT083SA	RSD-2
RAT092DA	RSD-2	17x17	28:1	220	60	300	RAT092SA	RSD-2
RAT105DA	RSD-3	22x22	38:1	280	60	600	RAT105SA	RSD-3
RAT125DA	RSD-3	22x22	38:1	280	60	600	RAT125SA	RSD-3
RAT140DA	RSD-4	27x27	54:1	350	90	1000	RAT140SA	RSD-4
RAT160DA	RSD-4	27x27	54:1	350	90	1000	RAT160SA	RSD-4
RAT190DA	RSD-5	36x36	80:1	500	110	2000	RAT190SA	RSD-5
RAT210DA	RSD-5	36x36	80:1	500	140	2000	RAT210SA	RSD-5
RAT240DA	RSD-6	46x46	78:1	500	140	3500	RAT240SA	RSD-6
RAT270DA	RSD-6	46x46	78:1	500	200	3500	RAT270SA	RSD-6
RAT300DA	RSD-6	46x46	78:1	500	200	3500	RAT300SA	RSD-7
RAT350DA	RSD-6	46x46	78:1	500	200	3500	RAT350SA	RSD-7
RAT400DA	RSD-7	55x55	98:1	600	200	4500	RAT400SA	RSD-8

next▶



continuation ●●●●●▶

DIMENSIONS

RSD-1	RSD-2
	
RSD-3	RSD-4
	
RSD-5	RSD-6
	
RSD-7	RSD-8
	

RJQ22 angle seat valves



There is automatic adjustable seal gland bush between overflow outlet and slide block. The bevel structure have big flow rate, no water hammer, no noise and credible seal performance.

FEATURES

- Can see the position indication.
- Easy to install.
- Actuator adopt low abrasion piston structure, big capacity and low wastage.
- There is lubricative for inner parts, no need maintenance.
- The actuator material have stainless steel and aluminium.
- Long life for the piston pole, PTFE seal, avoid the reif come in.
- No water hammer effect, when the liquid flowed from valve underside, the water hammer will be absorbed.

ORDER CODE

R	JQ	22	S	50-25		HW	S
RFS product	Angle seat valve code	Two way/two position	Actuator material	Actuator size	Connection size	H - welded type	S - single acting type
			S - stainless steel	Ø40	10	W - waterhammer	D - double acting type
			P - plastic	Ø50	15	F - flange	K - normally open type *
			Blank - aluminium	Ø63	20		
				Ø80	25		
				Ø100	32		
					40		
					50		
					65		
					80		
					100		

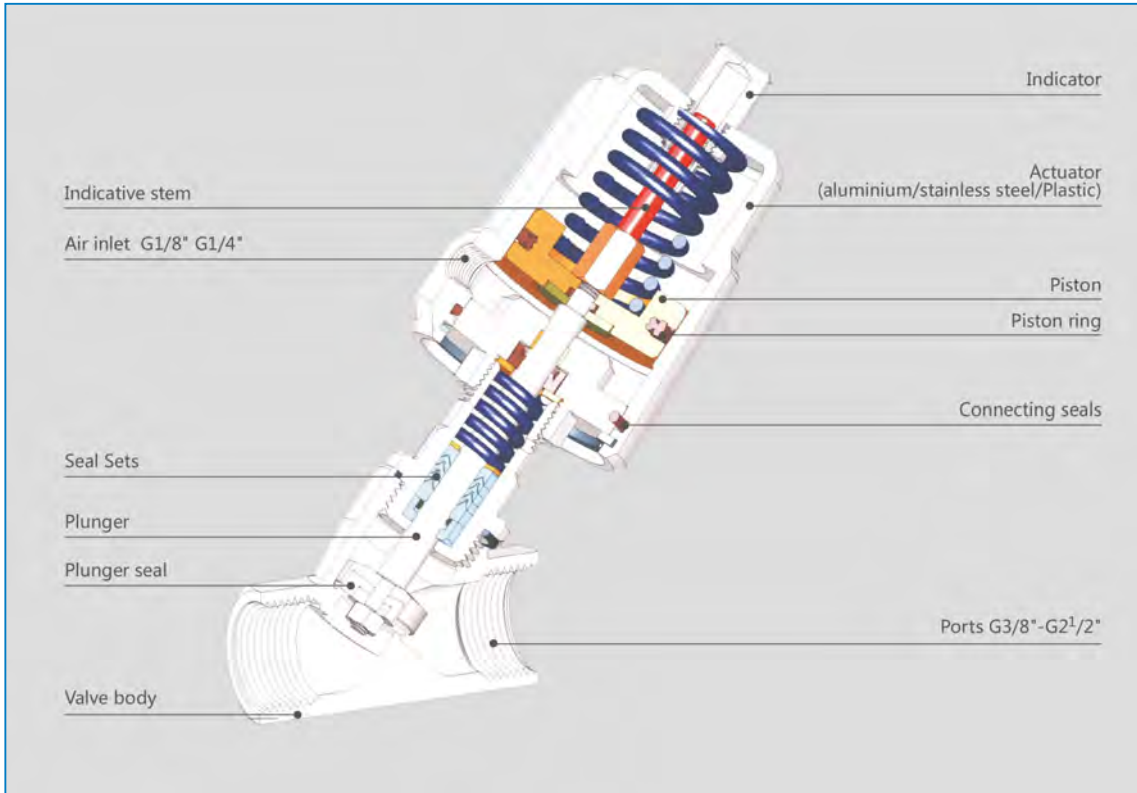
*Remark * - Normally open: flow comes under piston seal, against arrow on body.*

CHARACTERISTICS

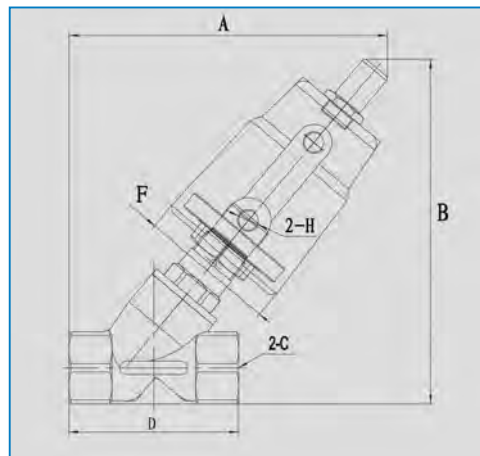
Orifice: DN15-DN65
Thread: G1/8"-G2 1/2"
Valve material: stainless steel 316
Actuator material: aluminium, stainless steel, plastic
Valve core seal: PTFE
Valve stem seal: PTFE / FKM
Applicable medium: water, liquid, neutral gas, oil, water steam, weak acid or weak alkalis solution.
Medium temperature: -10...180°C
Environment temperature: -10...60°C
Viscosity: max. 600 mm²/S
Installation: any position
Controlling medium: air or neutral gas
Controlling pressure range: 0.3...1 MPa

continuation

SPECIFICATION



DIMENSIONS



CHARACTERISTICS

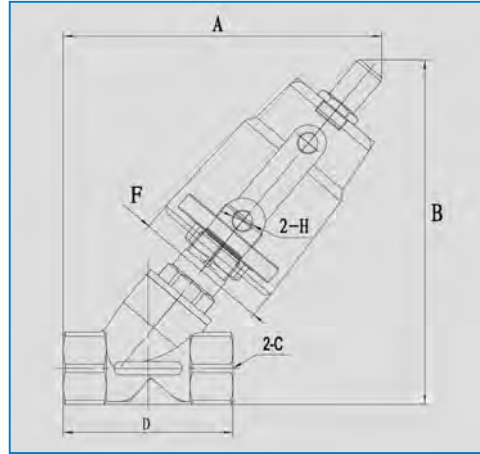
Model	Actuator size	A	B	C	D	E	F	H
RJQ22S40-10	40	127.5	136	G3/8	69	27	50	G1/8
RJQ22S40-15	40	127.5	136	G1/2	69	27	50	G1/8
RJQ22S50-10	50	140	150	G3/8	69	27	60.5	G1/8
RJQ22S50-15	50	140	150	G1/2	69	27	60.5	G1/8
RJQ22S50-20	50	143	155	G3/4	75.5	32	60.5	G1/8
RJQ22S50-25	50	163.5	176	G1	90	39	60.5	G1/8
RJQ22S63-25	63	174.5	189.5	G1	90	39	77	G1/8
RJQ22S63-32	63	190.5	207.5	G1-1/4	117	50	77	G1/8
RJQ22S63-40	63	190.5	207.5	G1-1/2	117	55	77	G1/8
RJQ22S63-50	63	219.5	232.5	G2	137	70	77	G1/8
RJQ22S80-50	80	233	253	G2	137	70	98	G1/4
RJQ22S80-65	80	273	290	G2-1/2	170	85	116	G1/4
RJQ22S100-65	100	270	290.5	G2-1/2	170	85	116	G1/4

next



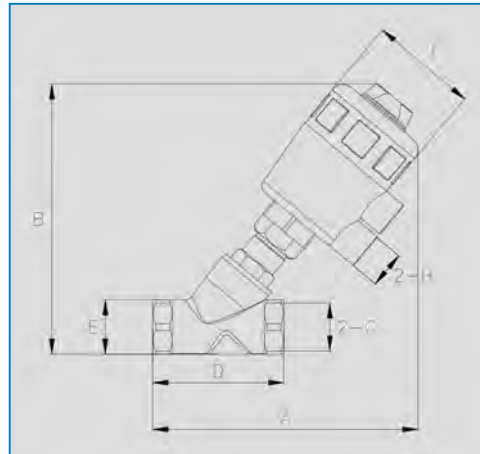
continuation▶

DIMENSIONS



CHARACTERISTICS

Model	Actuator size	A	B	C	D	E	F	H
RJQ2250-10	50	140	150	G3/8	69	27	60.5	G1/8
RJQ2250-15	50	140	150	G1/2	69	27	60.5	G1/8
RJQ2250-20	50	143	155	G3/4	75.5	32	60.5	G1/8
RJQ2250-25	50	163.5	176	G1	90	39	60.5	G1/8
RJQ2263-25	63	174.5	189.5	G1	90	39	77	G1/8
RJQ2263-32	63	190.5	207.5	G1-1/4	117	50	77	G1/8
RJQ2263-40	63	190.5	207.5	G1-1/2	117	55	77	G1/8
RJQ2263-50	63	219.5	232.5	G2	137	70	77	G1/8
RJQ2280-50	80	233	253	G2	137	70	98	G1/4
RJQ22100-65	100	270	290.5	G2-1/2	170	85	116	G1/4



CHARACTERISTICS

Model	Actuator size	A	B	C	D	E	F	H
RJQ22P50-10	50	148	158	G3/8	69	27	63	G1/4
RJQ22P50-15	50	148	158	G1/2	69	27	63	G1/4
RJQ22P50-20	50	151	162	G3/4	75	32	63	G1/4
RJQ22P50-25	50	173	184	G1	90	39	63	G1/4
RJQ22P63-25	63	198	210	G1	90	39	79	G1/4
RJQ22P63-32	63	215	229	G1 1/4	117	55	79	G1/4
RJQ22P63-40	63	215	229	G1 1/2	117	55	79	G1/4
RJQ22P63-50	63	238	251	G2	137	70	79	G1/4
RJQ22P80-50	80	255	263	G2	137	70	100	G1/4

RQ22HD pneumatic valves



FEATURES

- Classical design, durable.
- Air control design, energy saving and environmental protection.
- Big flow rate, safety and precision.
- Can work at low pressure, smartness for on
- There are many types of structure single acting and double acting control, etc structure single acting type and double acting type.
- Application: food, medicine, industry, abstersion, landification, printing, etc.

ORDER CODE

R	Q	22	HD-25-S-H			
RFS product	Pneumatic valve code	Two way/two position	Air control liquid valve	Connection size	S - single acting type	Material
				15 - 1/2"	D - double acting type	H - high temperature type
				20 - 3/4"	K - normally open type *	Blank - normal type
				25 - 1"		
				40 - 1 1/2"		
				50 - 2"		

*Remark * - Normally open: flow comes under piston seal, against arrow on body.*

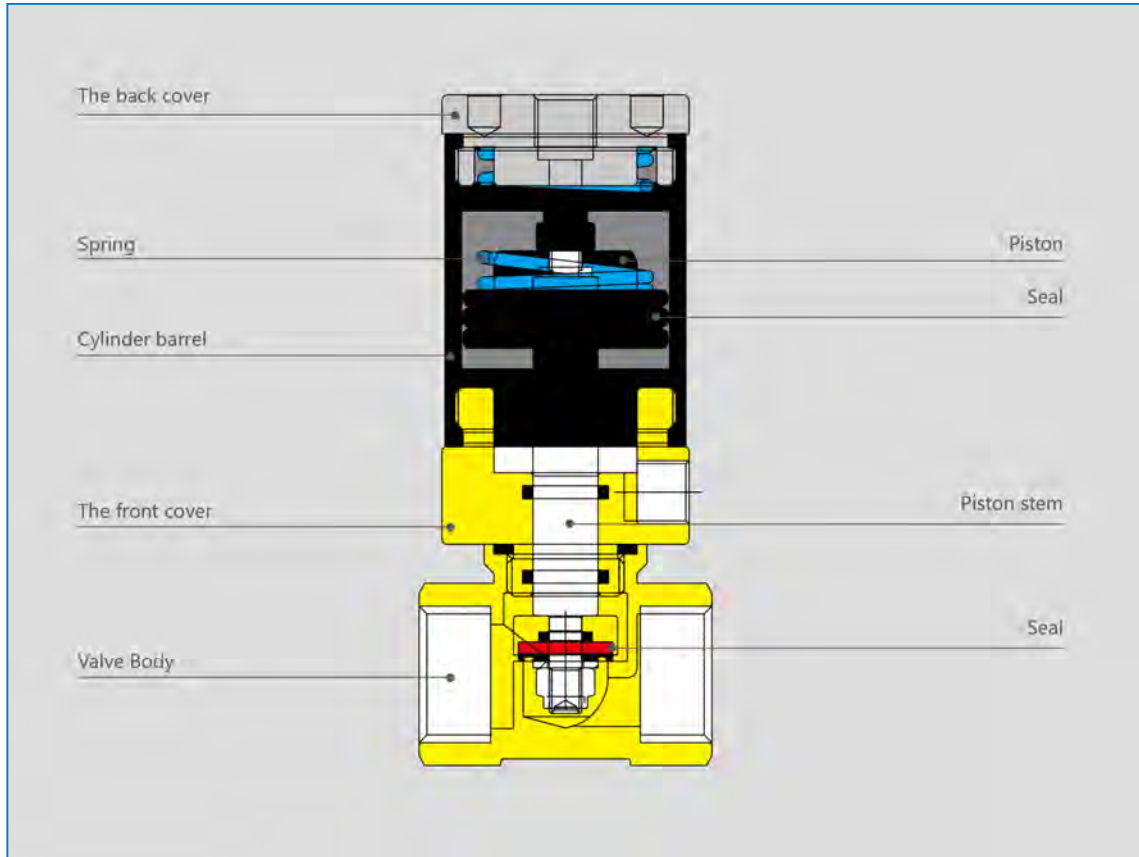
CHARACTERISTICS

Model	Orifice	Media	Working pressure	Control pressure	Temp range	Kv value (m3/h)
RQ22HD-15	13 mm	Compress air	0...0,8 Mpa	0,4...0,8 Mpa	-5...80°C	4
RQ22HD-50	16 mm	Water			-20...+150°C (high temp)	5
RQ22HD-25	22 mm	Oil				10
RQ22HD-20	35 mm					25
RQ22HD-40	45 mm					40

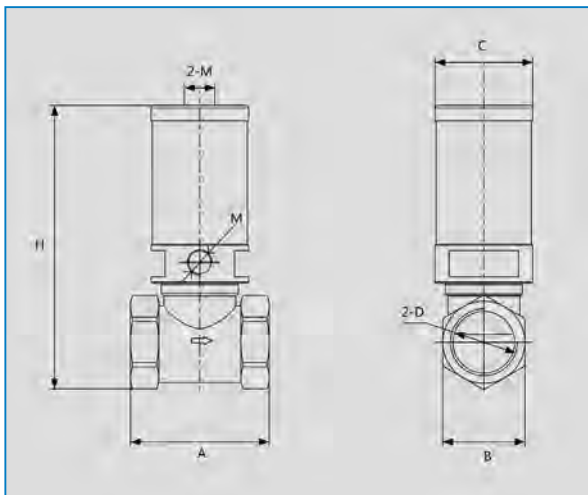
continuation▶

RQ22HD pneumatic valves

SPECIFICATION



DIMENSIONS



Model	A	B	C	2-D	H	M
RQ22HD-15	45	25	37	G1/2"	89.5	G1/8"
RQ22HD-50	50	31	37	G3/4"	109	G1/8"
RQ22HD-25	64.5	38	37	G1"	118	G1/8"
RQ22HD-20	80	53	55	G1-1/2"	162	G1/8"
RQ22HD-40	99.5	65	78	G2"	179	G1/4"

300 pneumatic solenoid valves



Low power consumption, exhaust for the pilot and main valve, small size, large flow, good appearance, flexible, can be integrated installation, high wear resistance and long life.

ORDER CODE

4V	3	10-8		B	AC220V	W
Type	Series code	Coil and position	Joint pipe bore	Connection type	Standard voltage	Terminal
4V - 5/2 or 5/3 way solenoid valve	300 - series	10 - single-coil 2-position	08 - 1/4"	Blank - threaded type	DC12V	Blank - black connector
3V - 5/2 or 5/3 way solenoid valve		20 - double-coil 2-position	10 - 3/8"	B - Namur	DC24V	LD - brown connector with LED
		30C - double-coil 3-position center close			AC24V 50/60Hz	LD1 - white connector with LED
		30E - double-coil 3-position center exhaust			AC110V 50/60Hz	W - lead wire type
		30P - double-coil 3-position center pressure			AC220V 50/60Hz	
					AC380V 50/60Hz	

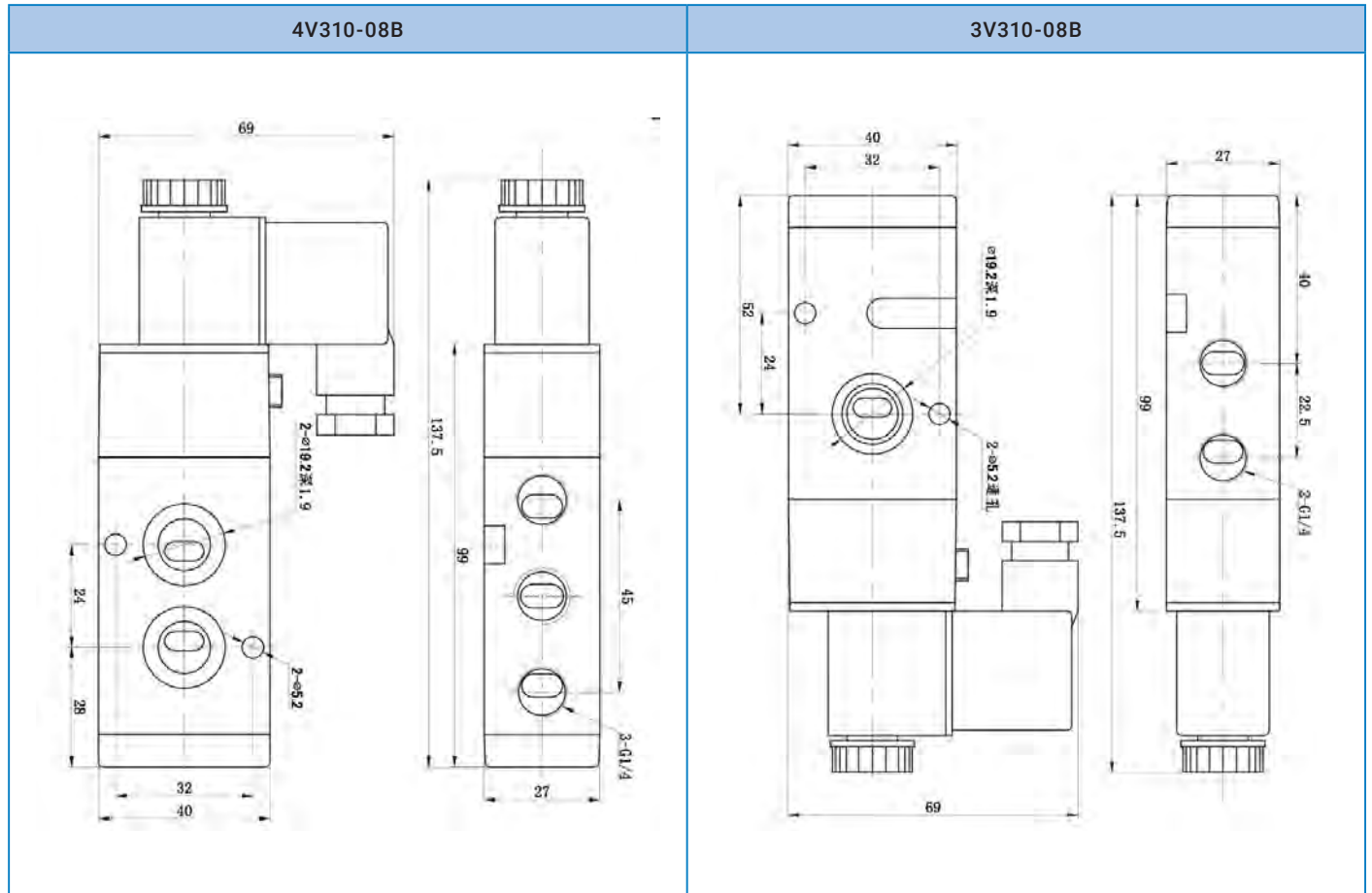
CHARACTERISTICS

Model	Orifice	Media
Model	4V310-08B	3V310-08B
Type	5/2	3/2
Flow rate	25MM2(Cv=1.40)	25MM2(Cv=1.40)
Connection ports	Inlet=outlet= exhaust=G1/4"	Inlet=outlet= exhaust=G1/4"
Media	Clean air	
Working type	pilot	
Working pressure	0.15 ~ 0.8 Mpa	
Max.pressure	1.2 Mpa	
Ambient temp.	- 5° ~ 50°	
Voltage tolerance	± 10%	
Power	AC 4.5V DC 3W	
Insulation class	Class F	
protection class	IP65	
Terminal	flying lead or DIN 43650B PIN	
Frequency	5 cycles/s	
Response time	0.05s	

continuation▶

300 pneumatic solenoid valves

DIMENSIONS



.....

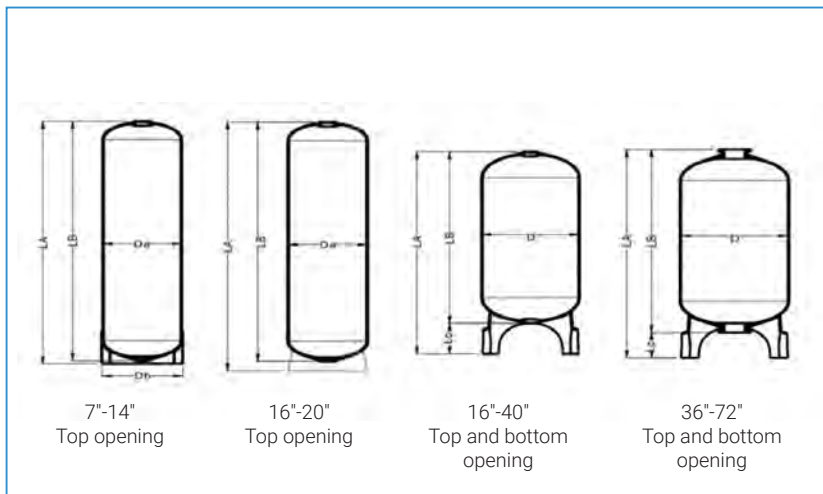
EKO-TRADING CO., LIMITED

Pressure Tanks

.....



HY FRP pressure tanks



CHARACTERS

- Fully rustproof and corrosion resistant
- High strength light weight
- Easy transport and installation

APPLICATION

Water & waste water treatment use media tank such as media filter and softener

STRUCTURE & MATERIALS

- Liner material: rotation molding or blowing one-piece seamless PE
- Outer winding: high performance resin with fiber glass three-dimensional winding
- Opening: 2,5" and 4" reinforced plastic thread, 6" alloy flange
- Bass materials: FRP or reinforced PP

APPLICATION CONDITIONS

- Working pressure: 150 psi (10,5 bar)
- Working temperature: 1...49 °C (34...121 °F)
- Max. vacuum: 127 mm Hg
- Lowest environmental temperature: -27 °C

DESIGN PARAMETER

- Burst pressure: 42 bar (4 times)
- Fatigue cycle: 100000

HY-S tank

Model	Vessel size		Volume l	Opening		Dimension, mm				Base
	inch	mm		Top	Bottom	LA	LB	LC	D	
0713/2.5T	7 × 13	181 × 335	6.3	2.5" NPSM	/	335	330	/	181	PP
0717/2.5T	7 × 17	181 × 440	8.5	2.5" NPSM	/	440	435	/	181	PP
0735/2.5T	7 × 35	181 × 895	19.1	2.5" NPSM	/	895	890	/	181	PP
0744/2.5T	7 × 44	181 × 1125	24.3	2.5" NPSM	/	1125	1120	/	181	PP
0813/2.5T	8 × 13	205 × 335	7.4	2.5" NPSM	/	335	330	/	205	PP
0817/2.5T	8 × 17	205 × 440	10.5	2.5" NPSM	/	440	433	/	205	PP
0835/2.5T	8 × 35	205 × 895	23.6	2.5" NPSM	/	895	888	/	205	PP
0844/2.5T	8 × 44	205 × 1125	31.3	2.5" NPSM	/	1125	1118	/	205	PP
0917/2.5T	9 × 17	232 × 440	13.2	2.5" NPSM	/	440	435	/	232	PP
0935/2.5T	9 × 35	232 × 898	31.6	2.5" NPSM	/	898	890	/	232	PP
0942/2.5T	9 × 42	232 × 1074	38.5	2.5" NPSM	/	1074	1067	/	232	PP
0948/2.5T	9 × 48	232 × 1228	44.6	2.5" NPSM	/	1228	1221	/	232	PP
1017/2.5T	10 × 17	257 × 450	16.5	2.5" NPSM	/	450	430	/	257	PP
1035/2.5T	10 × 35	257 × 910	38.3	2.5" NPSM	/	910	890	/	257	PP
1044/2.5T	10 × 44	257 × 1130	49.5	2.5" NPSM	/	1130	1114	/	257	PP
1054/2.5T	10 × 54	257 × 1388	61.9	2.5" NPSM	/	1388	1370	/	257	PP
1248/2.5T	12 × 48	307 × 1220	77.3	2.5" NPSM	/	1220	1214	/	307	PP
1252/2.5T	12 × 52	307 × 1335	84.8	2.5" NPSM	/	1335	1328	/	307	PP
1265/2.5T	12 × 65	307 × 1650	106.3	2.5" NPSM	/	1650	1640	/	307	PP
1344/2.5T	13 × 44	334 × 1135	82.9	2.5" NPSM	/	1135	1127	/	334	PP
1354/2.5T	13 × 54	334 × 1400	103.6	2.5" NPSM	/	1400	1392	/	334	PP
1465/2.5T	14 × 65	360 × 1662	145.6	2.5" NPSM	/	1662	1654	/	360	PP
1465/4T	14 × 65	360 × 1662	145.6	4" 8UN	/	1662	1654	/	360	PP



HY FRP pressure tanks

HY tank

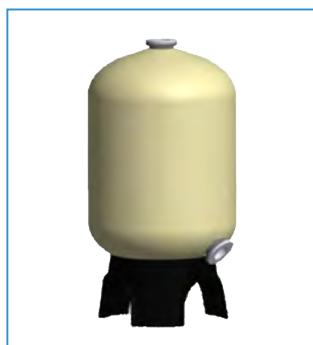
Model	Vessel size		Volume l	Opening		Dimension, mm				Base
	inch	mm		Top	Bottom	LA	LB	LC	D	
1665/2.5T	16 × 65	410 × 1670	187.7	2.5"NPSM	/	1670	1662	/	410	PP
1665/4T	16 × 65	410 × 1670	187.7	4" 8UN	/	1670	1662	/	410	PP
1665/4T4B	16 × 65	410 × 1830	187.7	4" 8UN	4" 8UN	1830	1650	180	410	FRP Tripod
1865/4T	18 × 65	465 × 1675	249	4" 8UN	/	1670	1660	/	465	FRP Round
1865/4T4B	18 × 65	465 × 1825	249	4" 8UN	4" 8UN	1830	1650	180	465	FRP Tripod
2165/4T	21 × 65	550 × 1640	322	4" 8UN	/	1640	1590	/	550	FRP Round
2169/4T	21 × 69	550 × 1750	322	4" 8UN	/	1760	1590	/	550	FRP Tripod
2169/4T4B	21 × 69	550 × 1750	322	4" 8UN	4" 8UN	1760	1575	185	550	FRP Tripod
2176/4T	21 × 76	550 × 1910	326	4" 8UN	/	1910	1600	320	550	FRP Tripod
2176/4T4B	21 × 76	550 × 1910	326	4" 8UN	4" 8UN	1910	1590	320	550	FRP Tripod
2468/4T	24 × 68	615 × 1735	427	4" 8UN	/	1735	1690	/	615	FRP Round
2472/4T	24 × 72	615 × 1850	427	4" 8UN	/	1850	1690	/	615	FRP Tripod
2472/4T4B	24 × 72	615 × 1850	427	4" 8UN	4" 8UN	1850	1680	170	615	FRP Tripod
2485/4T	24 × 85	615 × 2150	471	4" 8UN	/	2150	1830	/	615	FRP Tripod
2485/4T4B	24 × 85	615 × 2150	471	4" 8UN	4" 8UN	2150	1830	320	615	FRP Tripod
3068/4T	30 × 68	780 × 1730	690	4" 8UN	/	1730	1690	/	780	FRP Round
3072/4T	30 × 72	780 × 1850	690	4" 8UN	/	1850	1690	/	780	FRP Tripod
3072/4T4B	30 × 72	780 × 1850	690	4" 8UN	4" 8UN	1850	1680	175	780	FRP Tripod
3085/4T	30 × 85	780 × 2150	758	4" 8UN	/	2150	1830	/	780	FRP Tripod
3085/4T4B	30 × 85	780 × 2150	758	4" 8UN	4" 8UN	2150	1830	320	780	FRP Tripod
3087/6T6B	30 × 87	780 × 2200	758	6" flange	6" flange	2200	1935	265	780	FRP Tripod
3672/4T4B	36 × 72	918 × 1850	850	4" 8UN	4" 8UN	1850	1610	240	918	FRP Tripod
3685/4T4B	36 × 85	918 × 2150	1023	4" 8UN	4" 8UN	2150	1830	320	918	FRP Tripod
3689/6T6B	36 × 89	918 × 2260	1023	6" flange	6" flange	2260	1940	320	918	FRP Tripod
3694/6T6B	36 × 94	918 × 2400	1205	6" flange	6" flange	2400	2140	260	918	FRP Tripod
4072/4T4B	40 × 72	1020 × 1850	1046	6" flange	6" flange	1850	1605	245	1020	FRP Tripod
4094/6T6B	40 × 94	1020 × 2400	1332	6" flange	6" flange	2400	2155	225	1020	FRP Tripod
4272/6T6B	42 × 72	1088 × 1850	1100	6" flange	6" flange	1850	1615	235	1088	FRP Tripod
4289/6T6B	42 × 89	1088 × 2270	1389	6" flange	6" flange	2270	1950	320	1088	FRP Tripod
4872/6T6B	48 × 72	1218 × 1850	1308	6" flange	6" flange	1850	1565	285	1218	FRP Tripod
4889/6T6B	48 × 89	1218 × 2270	1743	6" flange	6" flange	2270	1950	320	1218	FRP Tripod
4894/6T6B	48 × 94	1218 × 2400	1909	6" flange	6" flange	2400	2110	290	1218	FRP Tripod
48110/6T6B	48 × 110	1218 × 2800	2360	6" flange	6" flange	2800	2510	290	1218	FRP Tripod
6094/6T6B	60 × 94	1530 × 2400	2688	6" flange	6" flange	2400	2110	290	1530	FRP Tripod
60110/6T6B	60 × 110	1530 × 2800	3392	6" flange	6" flange	2800	2510	290	1530	FRP Tripod
6383/6T6B	63 × 83	1620 × 2100	2580	6" flange	6" flange	2100	1780	320	1620	FRP Tripod
6394/6T6B	63 × 94	1620 × 2400	3150	6" flange	6" flange	2400	2080	320	1620	FRP Tripod
7294/6T6B	72 × 94	1836 × 2400	3561	6" flange	6" flange	2400	2045	355	1836	FRP Tripod

HY FRP pressure tanks

HY-H tank

Model	Vessel size		Volume l	Opening		Dimension, mm				Base
	inch	mm		Top	Bottom	LA	LB	LC	D	
H2162/4T-R	21 × 62	550 × 1650	326	4" 8UN	/	1650	1600	/	550	FRP Round
H2162/4T	21 × 62	550 × 1910	326	4" 8UN	/	1910	1600	/	550	FRP Tripod
H2162/4T4B	21 × 62	550 × 1910	326	4" 8UN	4" 8UN	1910	1590	320	550	FRP Tripod
H2472/4T-R	24 × 72	615 × 1890	471	4" 8UN	/	1890	1839	/	615	FRP Round
H2472/4T	24 × 72	615 × 2150	471	4" 8UN	/	2150	1839	/	615	FRP Tripod
H2472/4T4B	24 × 72	615 × 2150	471	4" 8UN	4" 8UN	2150	1830	320	615	FRP Tripod
H3072/4T-R	30 × 72	780 × 1860	758	4" 8UN	/	1860	1839	/	780	FRP Round
H3072/4T	30 × 72	780 × 2150	758	4" 8UN	/	2150	1830	/	780	FRP Tripod
H3072/4T4B	30 × 72	780 × 2150	758	4" 8UN	4" 8UN	2150	1830	320	780	FRP Tripod
H3672/4T4B	36 × 72	918 × 2150	1023	4" 8UN	4" 8UN	2150	1830	320	918	FRP Tripod
H3672/6T6B	36 × 72	918 × 2260	1023	6" flange	6" flange	2260	1940	320	918	FRP Tripod
H4272/6T6B	42 × 72	1088 × 2270	1389	6" flange	6" flange	2270	1950	320	1088	FRP Tripod
H4872/6T6B	48 × 72	1218 × 2270	1743	6" flange	6" flange	2270	1950	320	1218	FRP Tripod
H6370/6T6B	63 × 70	1620 × 1780	2580	6" flange	6" flange	2100	1780	320	1620	FRP Tripod
H6383/6T6B	63 × 83	1620 × 2080	3150	6" flange	6" flange	2400	2080	320	1620	FRP Tripod

HY-D tank



One-piece PE liner tank with discharge port.

It is easier to discharge filling compared with normal PE liner tank. Compared with tank with hand layup molding discharge port, it is more stable in quality and better in sanitary condition.

Model	Vessel size		Volume l	Opening			Dimension, mm				Base
	inch	mm		Top	Bottom	Discharge	LA	LB	LC	D	
4272/6T6B4D	42 × 72	1088 × 1850	1100	6" flange	6" flange	4" flange	1850	1615	235	1088	FRP Tripod
4289/6T6B4D	42 × 89	1088 × 2270	1389	6" flange	6" flange	4" flange	2270	1950	320	1088	FRP Tripod
4872/6T6B4D	48 × 72	1218 × 1850	1308	6" flange	6" flange	4" flange	1850	1565	285	1218	FRP Tripod
4889/6T6B4D	48 × 89	1218 × 2270	1743	6" flange	6" flange	4" flange	2270	1950	320	1218	FRP Tripod
4894/6T6B4D	48 × 94	1218 × 2400	1909	6" flange	6" flange	4" flange	2400	2110	290	1218	FRP Tripod
48110/6T6B4D	48 × 110	1218 × 2800	2360	6" flange	6" flange	4" flange	2800	2510	290	1218	FRP Tripod
6094/6T6B4D	60 × 94	1530 × 2400	2688	6" flange	6" flange	4" flange	2400	2110	290	1530	FRP Tripod
60110/6T6B4D	60 × 110	1530 × 2800	3392	6" flange	6" flange	4" flange	2800	2510	290	1530	FRP Tripod
6383/6T6B4D	63 × 83	1620 × 2100	2580	6" flange	6" flange	4" flange	2100	1780	320	1620	FRP Tripod
6394/6T6B4D	63 × 94	1620 × 2400	3150	6" flange	6" flange	4" flange	2400	2080	320	1620	FRP Tripod
7294/6T6B6D	72 × 94	1836 × 2400	3561	6" flange	6" flange	6" flange	2400	2045	355	1836	FRP Tripod
H4272/6T6B4D	42 × 72	1088 × 2270	1389	6" flange	6" flange	4" flange	2270	1950	320	1088	FRP Tripod
H4872/6T6B4D	48 × 72	1218 × 2270	1743	6" flange	6" flange	4" flange	2270	1950	320	1218	FRP Tripod
H6370/6T6B4D	63 × 70	1620 × 1780	2580	6" flange	6" flange	4" flange	2100	1780	320	1620	FRP Tripod
H6382/6T6B4D	63 × 82	1620 × 2080	3150	6" flange	6" flange	4" flange	2400	2080	320	1620	FRP Tripod

.....

EKO-TRADING CO., LIMITED



Pumps

.....

CDL, CDLF vertical multistage centrifugal pumps



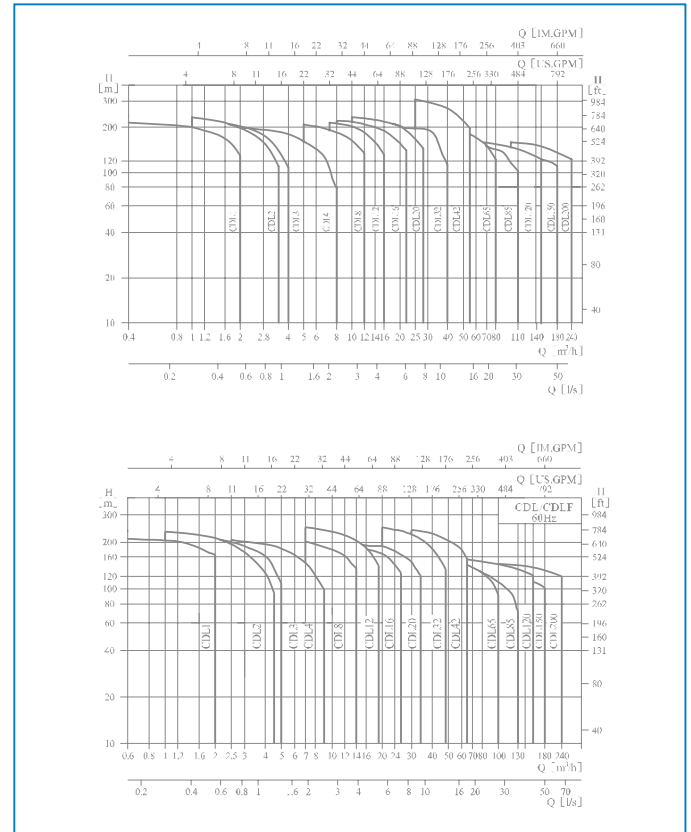
Technical data

Flow rate: 0,4...240 m³/h
 Head: 4...305 m
 Temperature: -15 °C...+120 °C
 Voltage: 220 V / 380 V
 Material: Stainless steel

Applications

- Water treatment systems
- Industrial washing systems
- Water supply systems
- Firefighting systems
- Cooling & air-conditioning systems
- Other industrial applications

Performance Scope



CDLK, CDLKF high pressure pumps units



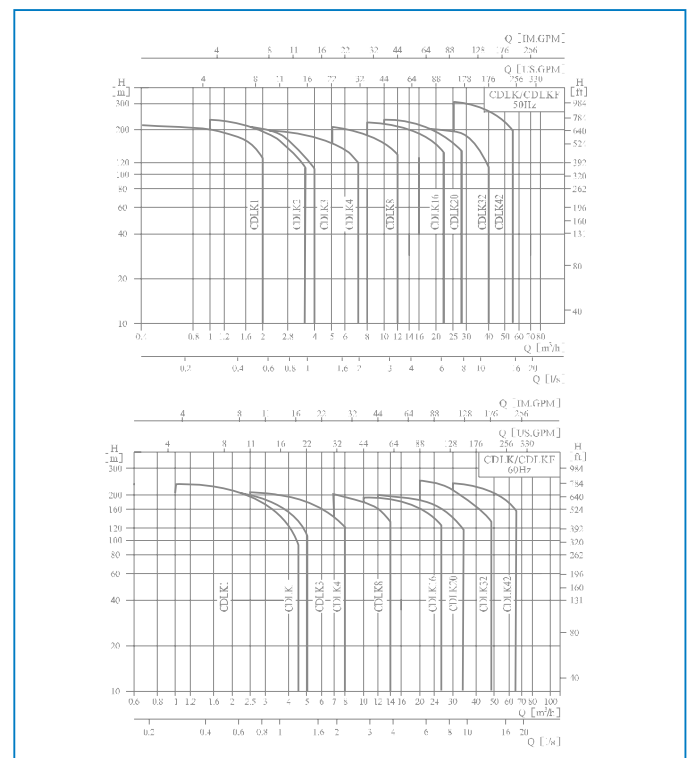
Technical data

Flow rate: 0,4...65 m³/h
 Head: 6...305 m
 Temperature: -15 °C...+120 °C
 Voltage: 220 V / 380 V
 Material: Stainless steel

Applications

- Machine tools cooling systems
- Industrial washing systems
- Chiller units
- Industrial filtration systems
- Other industrial applications

Performance Scope



CDLF+CDH, HP high pressure pumps units



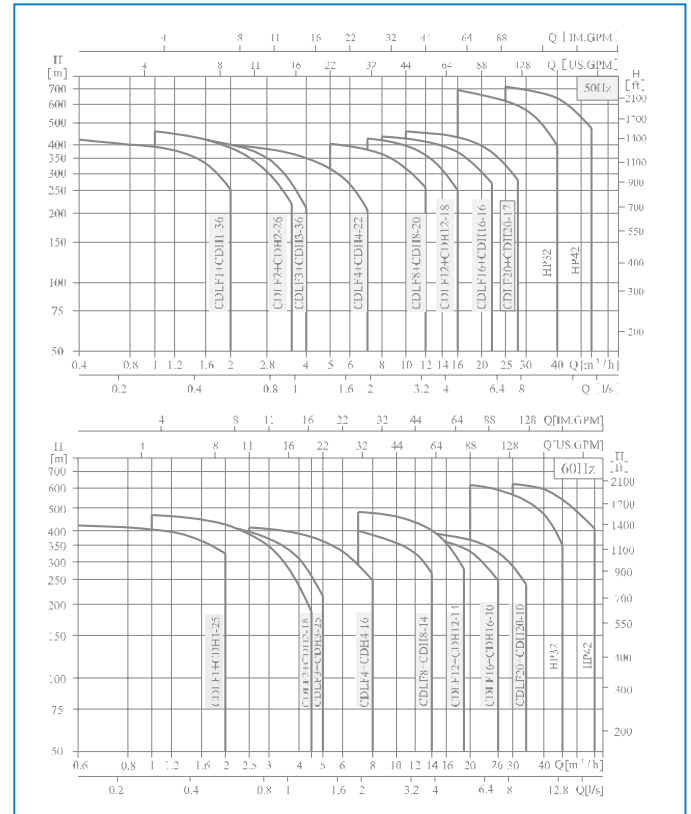
Technical data

Flow rate: 0,4...65 m³/h
 Head: 110...718 m
 Temperature: -15 °C...+120 °C
 Voltage: 220 V / 380 V
 Material: Stainless steel

Applications

- MF/UF/NF/RO systems
- High pressure washing systems
- Industrial boosting systems
- Other industrial applications

Performance Scope



SJ multistage deep-well submersible pumps



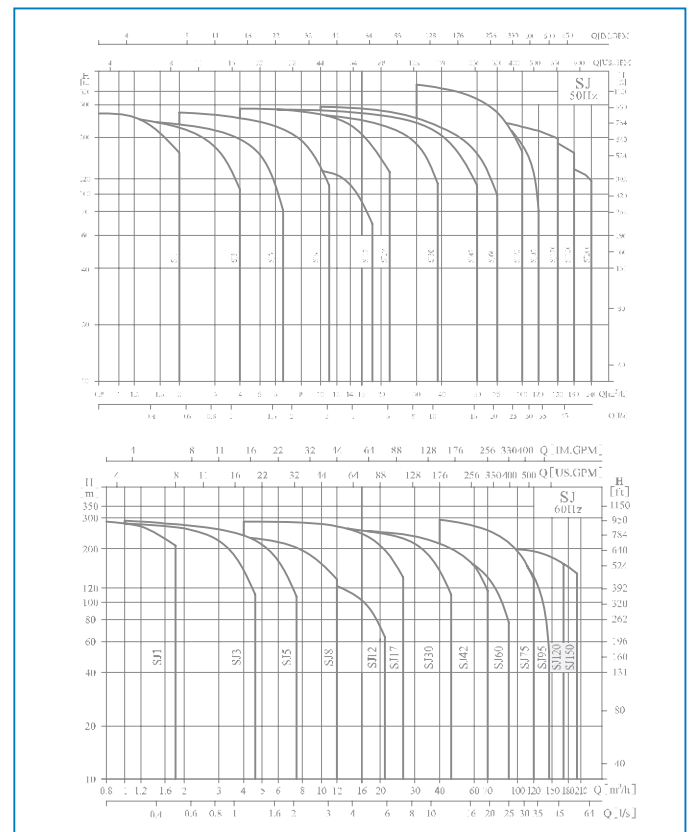
Technical data

Flow rate: 0,2...240 m³/h
 Head: 4,8...381 m
 Temperature: max +25 °C
 Voltage: 220 V / 380 V
 Material: Stainless steel

Applications

- Groundwater pumping
- Water supply systems
- Ground source heat pump
- Groundwater lowering
- Irrigation in horticulture & agriculture
- Other industrial boosting systems

Performance Scope



SWB horizontal single-stage centrifugal pumps



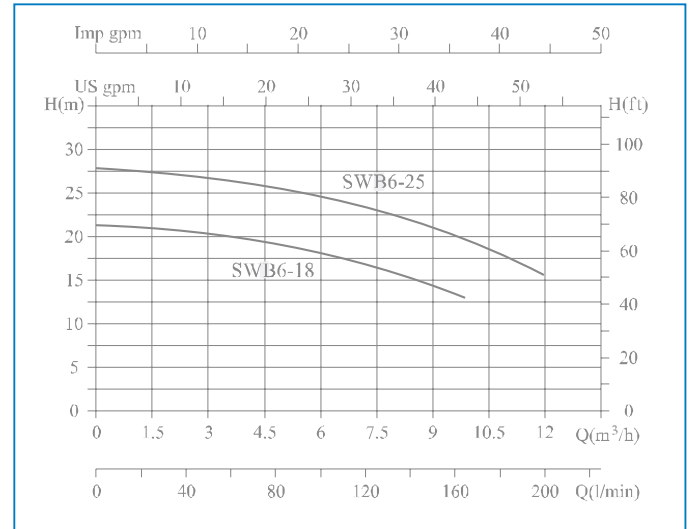
Technical data

Flow rate: 0,4...10 m³/h
 Head: 15...28 m
 Temperature: -15 °C...+80 °C
 Voltage: 220 V / 380 V
 Material: Stainless steel

Applications

- Water supply for family houses
- Water supply for small hotel
- Small office buildings
- Family gardening irrigation systems
- Other industrial boosting systems

Performance Scope



MS horizontal single-stage centrifugal pumps



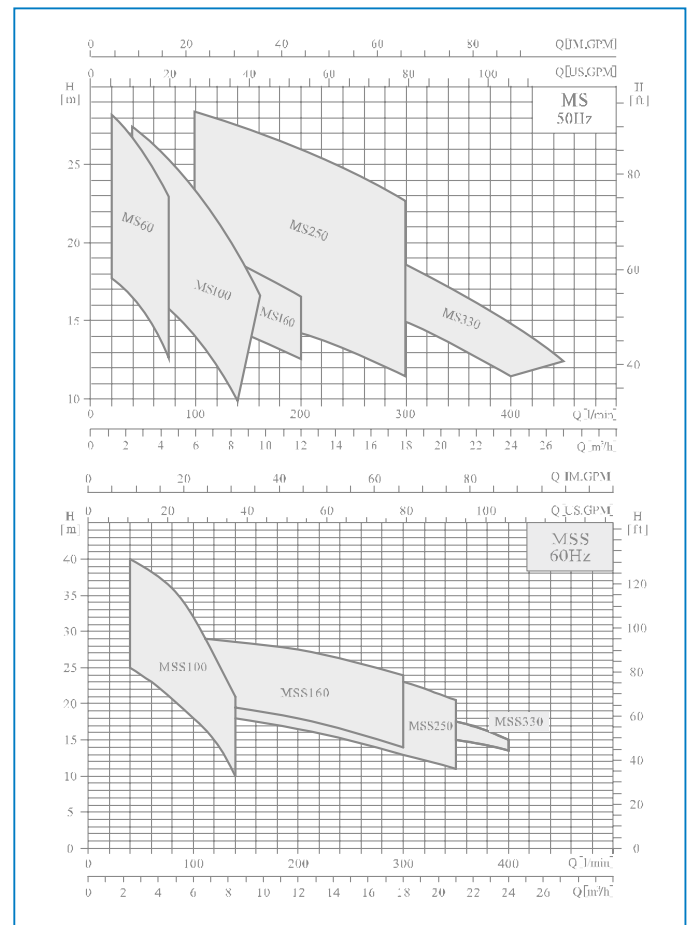
Technical data

Flow rate: 1,2 m³/h
 Head: 10...40 m
 Temperature: -10...+80 °C
 Voltage: 220 V / 380 V
 Material: Stainless steel

Applications

- Water treatment systems
- Water supply for family houses
- Water supply for small hotel
- Small office buildings
- Family gardening irrigation systems
- Other pressure boosting systems

Performance Scope



SO, SC horizontal single-stage centrifugal pumps



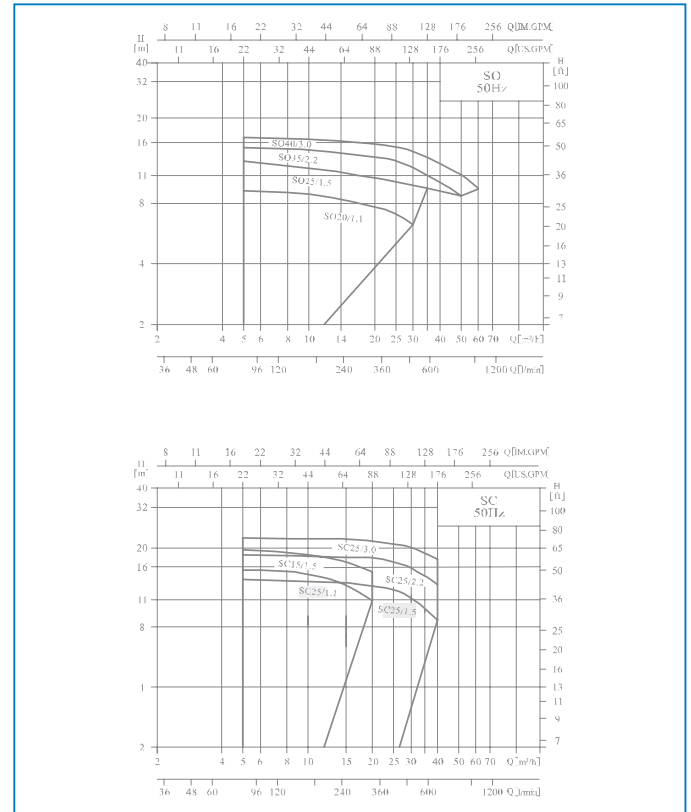
Technical data

Flow rate: 6...25 m³/h
 Head: 9...22 m
 Temperature: -10...+90 °C
 Voltage: 220 V / 380 V
 Material: Stainless steel

Applications

- Industrial cooling systems
- Industrial washing systems
- Foodstuff
- Beverage
- Air-conditioning and heating systems
- Other pressure boosting systems

Performance Scope



JET multistage self-priming centrifugal pumps



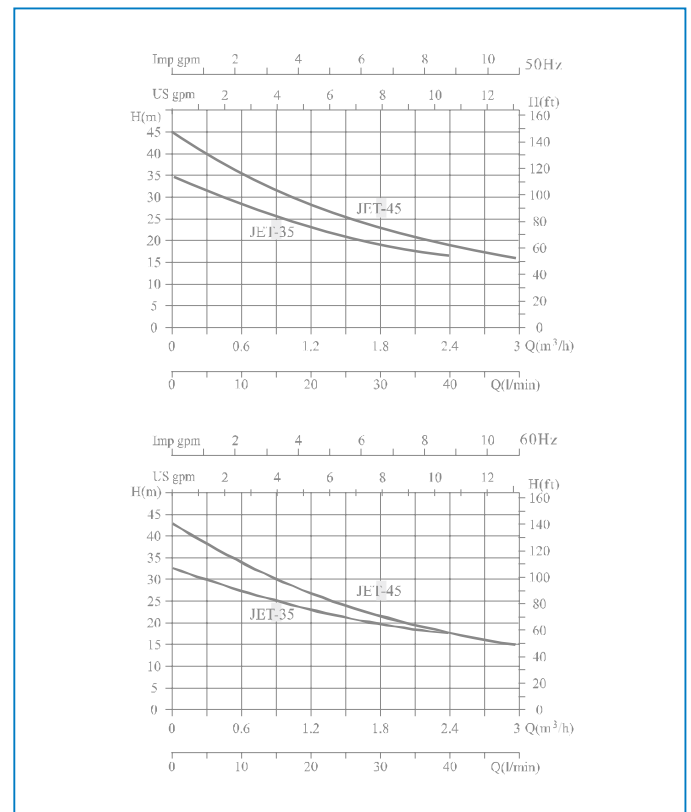
Technical data

Flow rate: 3 m³/h
 Head: 15...43 m
 Temperature: 0...+45 °C
 Voltage: 220 V / 380 V
 Material: Stainless steel

Applications

- Water treatment systems
- Water supply for family houses
- Water supply for small buildings
- Family gardening irrigation system
- Food & beverage industry
- Other industrial pressure boosting systems

Performance Scope



QY self-suction regenerative turbine pumps



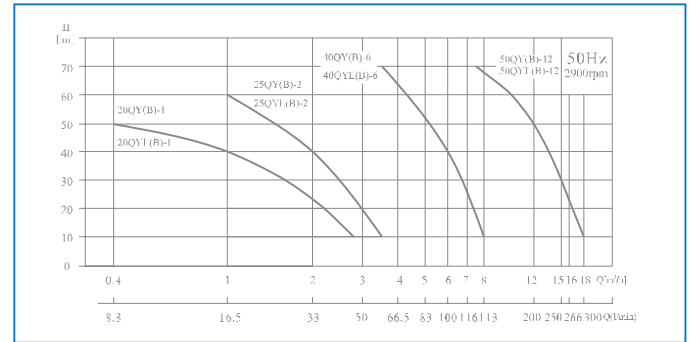
Technical data

Flow rate: 0,5...18 m³/h
 Head: 10...70 m
 Temperature: -15...+120 °C
 Voltage: 220 V / 380 V
 Material: Stainless steel

Applications

- Air-float treatment facilities
- Ozone water generator
- Heavy-oxygen-enriched water generator
- Biochemical aeration devices
- Other industrial applications

Performance Scope



ZS horizontal single-stage centrifugal pumps



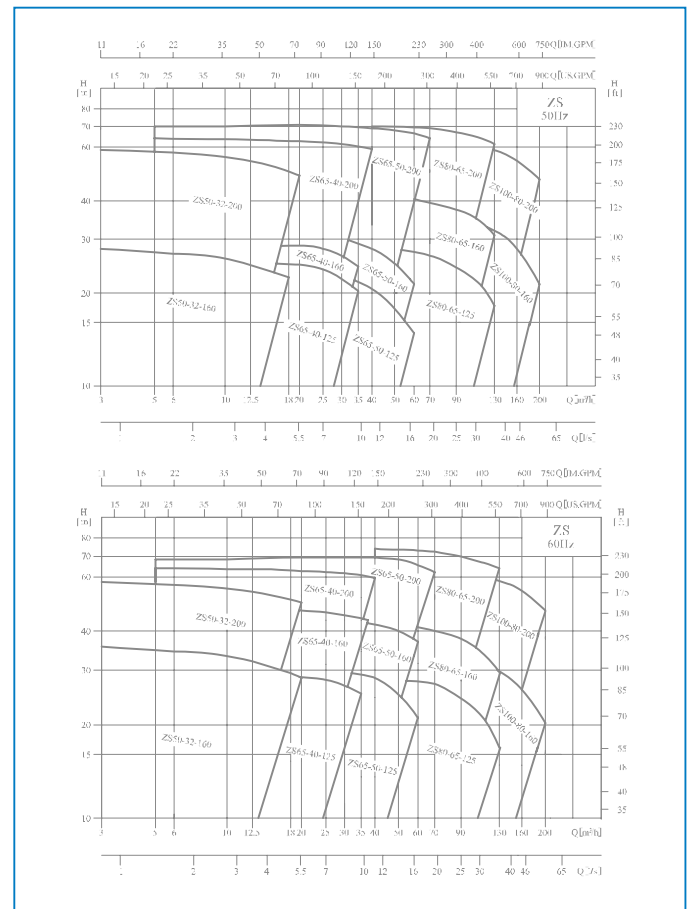
Technical data

Flow rate: 3...73 m³/h
 Head: 10...70 m
 Temperature: -20...+100 °C
 Voltage: 220 V / 380 V
 Material: Stainless steel

Applications

- Water treatment systems
- Other industrial pressure boosting systems

Performance Scope



NISO end suction centrifugal pumps (coupling connected type)



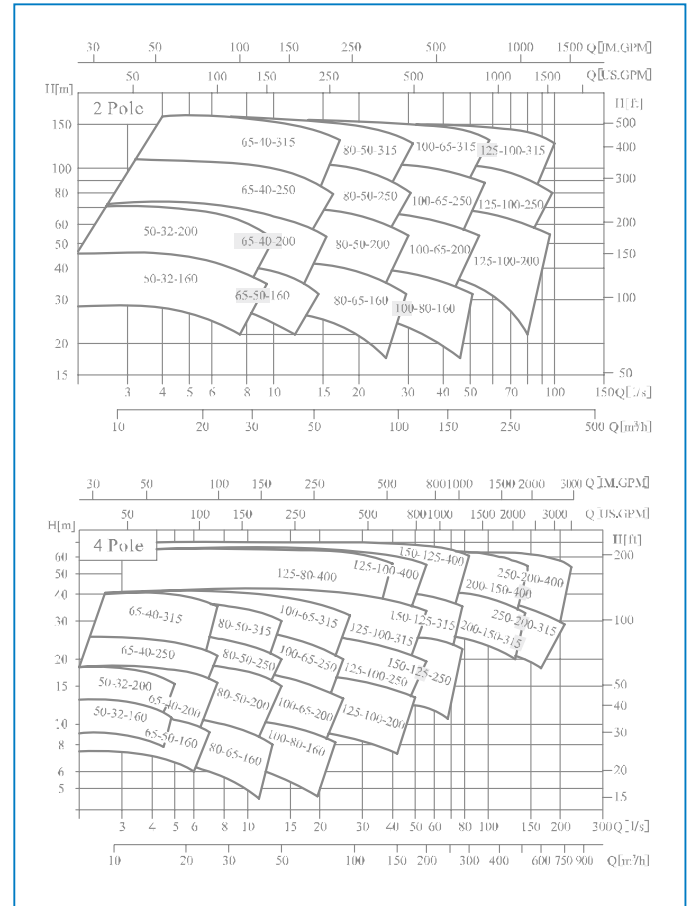
Technical data

Flow rate: 3...800 m³/h
 Head: 4...160 m
 Temperature: -15...+110 °C
 Voltage: 220 V / 380 V
 Material: Stainless steel

Applications

- Water treatment systems
- HVAC systems
- District heating
- Industrial cooling systems
- Firefigthing systems
- Other pressure boosting systems

Performance Scope



SZ non-corrosion fluoroplastic pumps



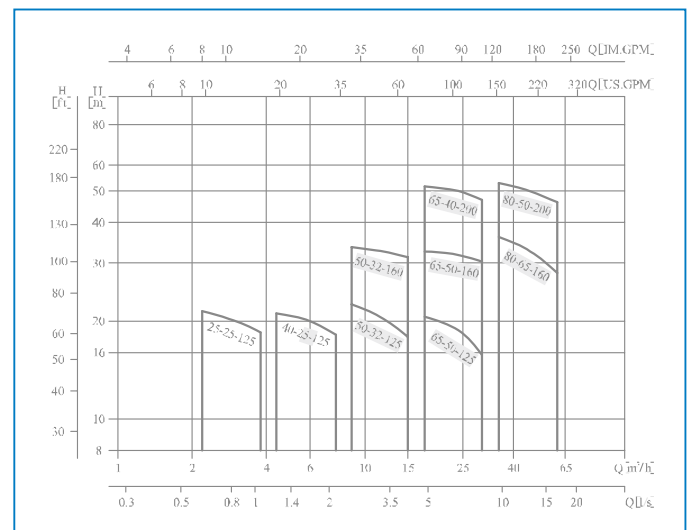
Technical data

Flow rate: 2,2...60 m³/h
 Head: 16...52 m
 Temperature: -20...+100 °C
 Voltage: 220 V / 380 V
 Material: Stainless steel

Applications

- Metal smelting industry
- Paper-making industry
- Textile dyeing and finishing system
- Pickling processes in electroplating
- Other corrosive liquids transferring

Performance Scope



TD vertical in-line circulator pumps



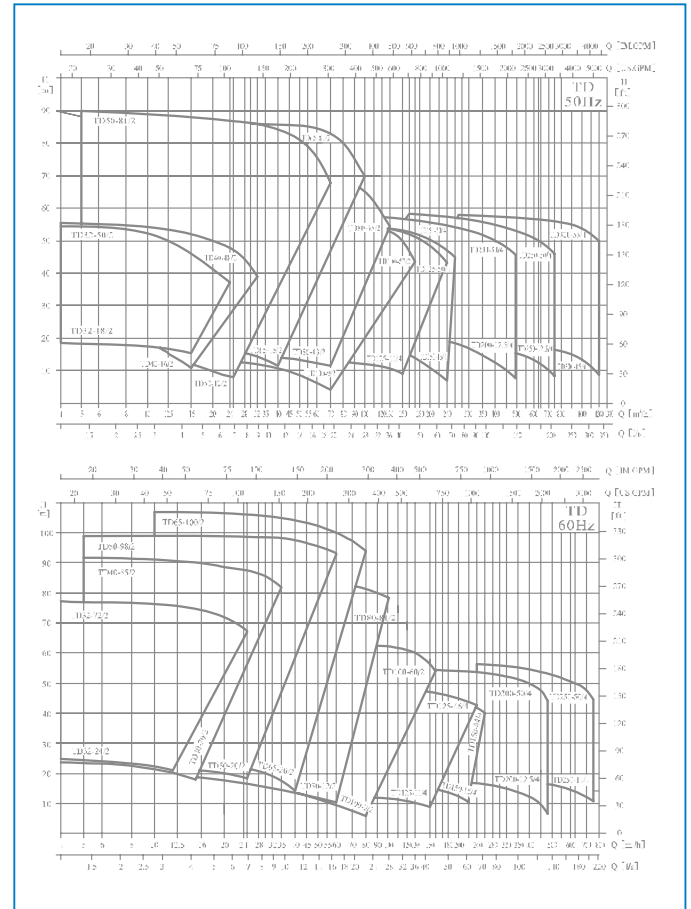
Technical data

Flow rate: 4...1200 m³/h
 Head: 4,5...108 m
 Temperature: -15...+110 °C
 Voltage: 220 V / 380 V
 Material: Stainless steel

Applications

- HVAC systems
- District heating
- Industrial cooling systems
- Water supply systems
- Firefigthing syste
- Water treatment systems
- Other pressure boosting systems

Performance Scope



SP non-clog self-priming sewage pumps



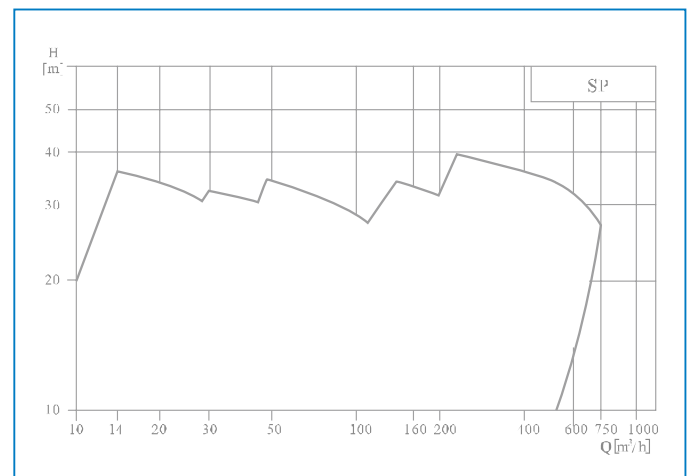
Technical data

Flow rate: 10...750 m³/h
 Head: 3...38 m
 Temperature: 0...+40 °C
 Voltage: 220 V / 380 V
 Material: HT200/QT400

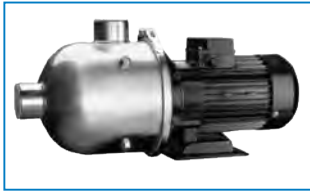
Applications

- Municipal sewage drainage
- Paper-making industry
- Textile industry
- Food & drug factory
- Chemical industry
- Mining
- Aquaculture
- Other sewage drainage systems

Performance Scope



CHL, CHLF(T) horizontal multistage centrifugal pumps



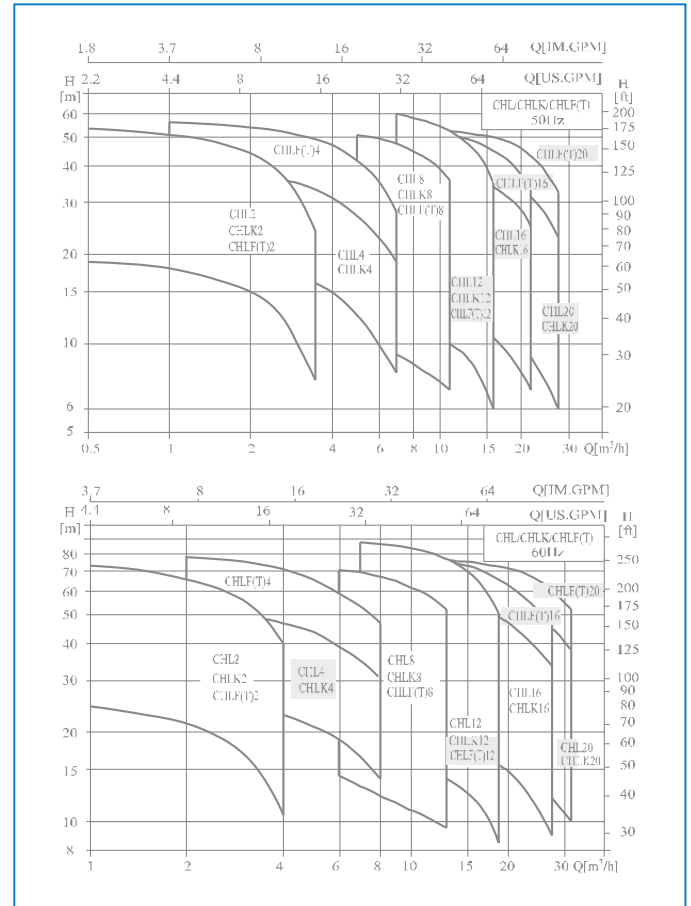
Technical data

Flow rate: 0,5...32 m³/h
 Head: 6...88 m
 Temperature: -15...+110 °C
 Voltage: 220 V / 380 V
 Material: Stainless steel

Applications

- Water treatment systems
- Industrial cooling systems
- Industrial washing systems
- Small central air-conditioning systems
- Other industrial applications

Performance Scope



WQ submersible pumps



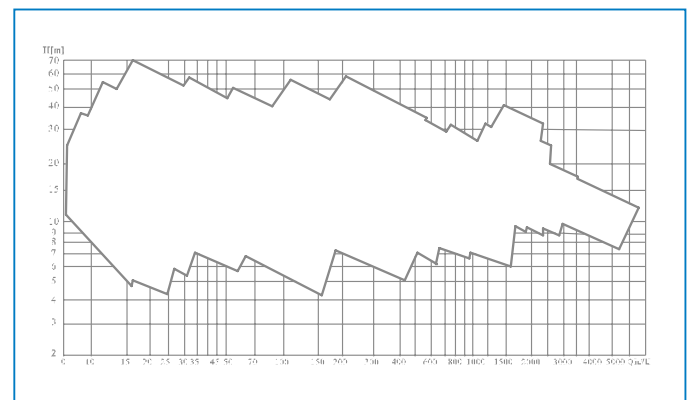
Technical data

Flow rate: 3...1800 m³/h
 Head: 2...66 m
 Temperature: 0...+40 °C
 Voltage: 220 V / 380 V
 Material: HT200/QT400

Applications

- Municipal water supply plants
- Storm water drainage
- Sewage & wastewater pumping
- Digested sludge transferring
- Cooling water transferring
- Industrial water drainage
- Agriculture irrigation
- Other industrial applications

Performance Scope



CNP metering pumps



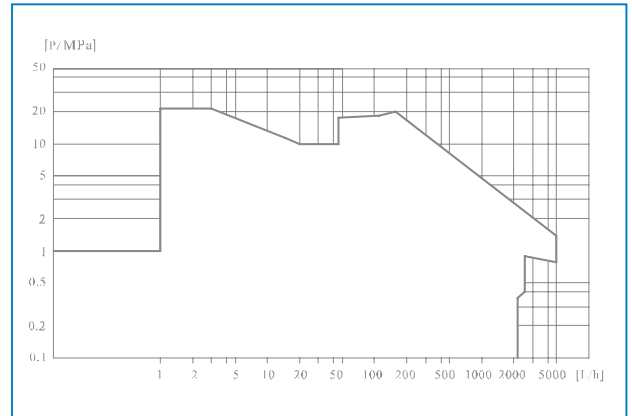
Technical data

Flow rate: 2...1800 m³/h
 Maximum discharge pressure: 12 bar
 Regulating ratio: 10:1
 Steady precision: ±2%
 Inhaled hoisting height: 3 m spout
 Maximum suction pressure: 2 bar
 Maximum temperature of absorption material: 40 °C

Applications

- Water treatment process of municipal, industrial water and waste water or swimming pool

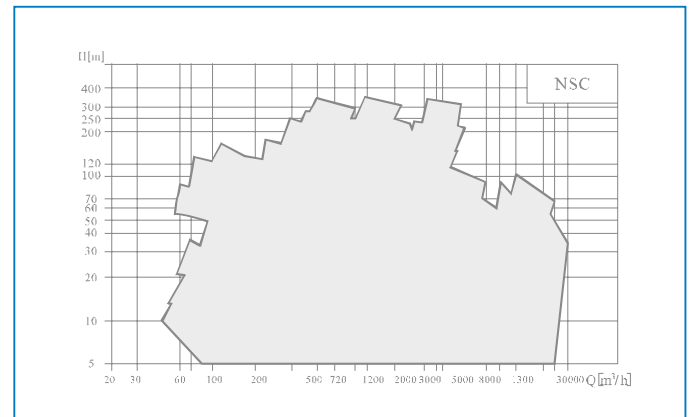
Performance Scope



NSC single stage double suction split case pumps



Performance Scope



Technical data

Flow rate: 150...2000 m³/h
 Head: 11...230 m
 Temperature: max +105 °C

Speed: 2900/1450/980/740/
 580/490/370 rpm

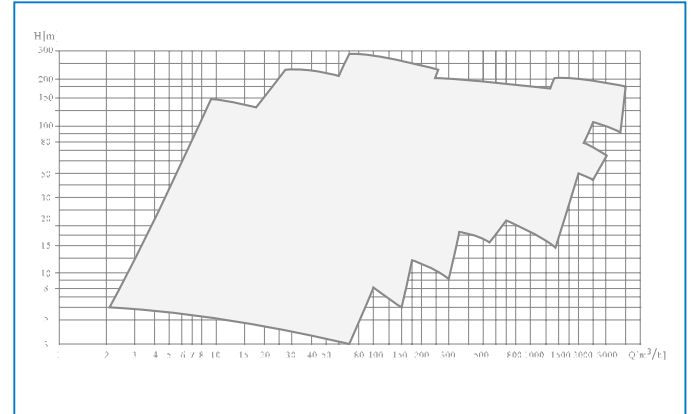
Applications

- Water supply plants
- District heating systems
- Air-conditioning systems
- Industrial cooling systems
- Seawater desalination systems
- Petrochemical industry
- Firefighting systems
- Other industrial applications

CA, CE, CF heavy-duty chemical process pumps



Performance Scope



Technical data

Flow rate: 2600 m³/h
 Head: 250 m
 Temperature: max +80 °C
 Material: Cast iron/cast steel/
 stainless steel

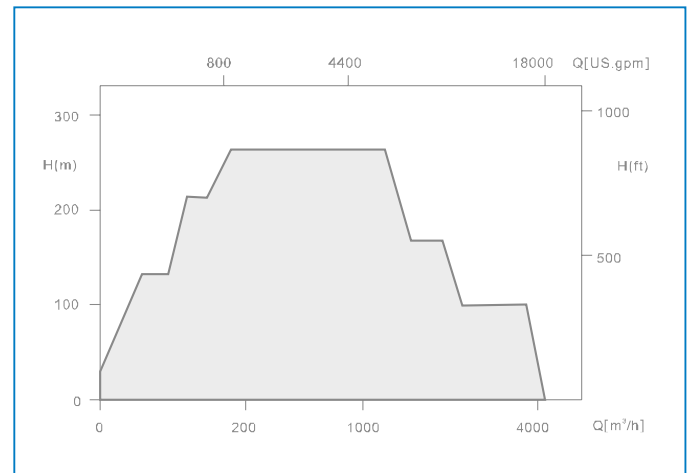
Applications

- Oil refinery
- Coal chemical industry
- Petrochemical industry
- Paper-making industry
- Seawater transferring
- Air conditioning system
- Offshore drilling platform
- Sugar refinery

HM horizontal mixed-flow pumps



Performance Scope



Technical data

Flow rate: 6000 m³/h
 Head: 20 m
 Temperature: max +200 °C
 Speed: 2900/1450/980 rpm
 Material: Cast iron/cast steel/
 stainless steel

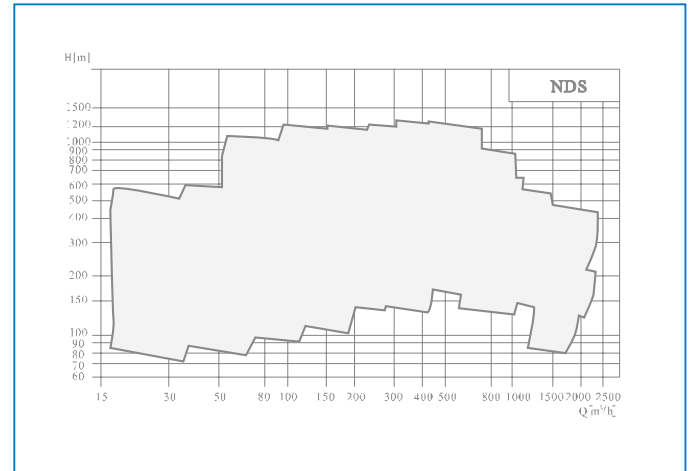
Applications

- Agricultural irrigation
- Industrial & municipal drainage
- Sewage transferring
- Construction projects drainage
- Lake desalting drainage
- Sandy water transferring

NDS axially split multistage pumps



Performance Scope



Technical data

Temperature: max +200 °C
 Speed: 2900/1450/980 rpm
 Material: Cast iron/cast steel/
 stainless steel

KDY: Designed according
 to API610 BB3
 NDS: Designed for water
 pumping
 Flow rate: max. 6000 m³/h
 Head: 1200 m

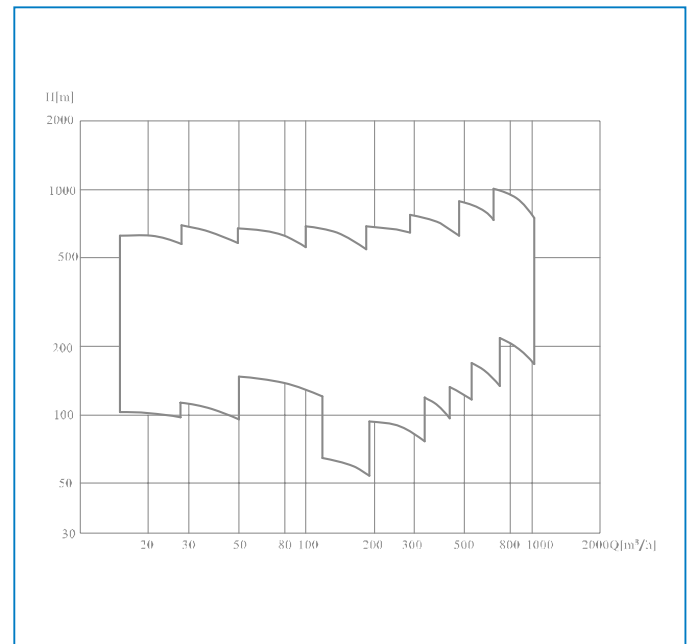
Applications

- Waste water & oil, residual oil transferring
- Crude oil & product oil transferring
- Water supply pipelines
- Long-distance water transferring
- High pressure water injection
- Seawater desalination

HMC sectional multistage centrifugal pumps



Performance Scope



Technical data

Flow rate: 3.75...1020 m³/h
 Head: 19...1080 m
 Temperature: max +80 °C
 Material: Cast iron/cast steel/
 stainless steel

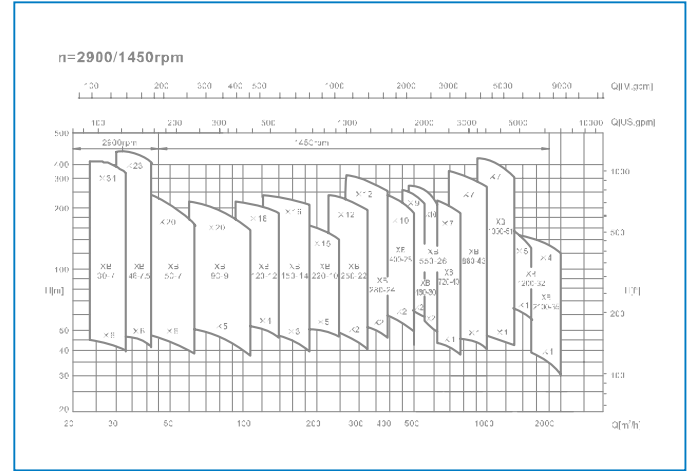
Applications

- Agricultural irrigation
- Industrial & municipal drainage
- Sewage transferring
- Construction projects drainage
- Lake desalting drainage
- Sandy water transferring

VTP vertical turbine pumps



Performance Scope



Technical data

Flow rate: max. 40000 m³/h
 Head: 400 m
 Temp.: max +35 °C
 Speed: 2900/1450/980/
 730/590/370 rpm
 Material: Stainless steel

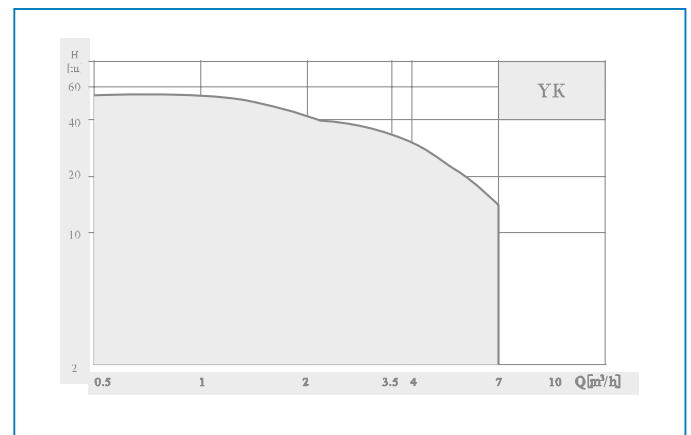
Applications

- Municipal water supply & drainage
- Flood control and drainage
- Water lifting from deep-well
- Agricultural irrigation
- Mining drainage
- Seawater desalination systems
- Firefighting systems
- Other industrial applications

YK small-sized water supply systems



Performance Scope



Technical data

Flow rate: 0...7 m³/h
 Head: 7...55 m
 Temperature: 0...+60 °C
 Voltage: 220 V/380 V
 Material: Stainless steel

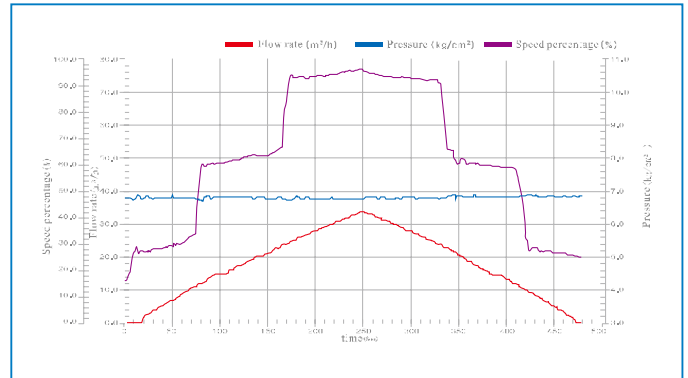
Applications

- Water supply for single-family
- Pressure boosting
- Garden irrigation
- Other applications

VTP vertical turbine pumps



Performance Scope



Technical data

Flow rate: 0,4...1440 m³/h
 Head: 4...305 m
 Temp.: 0...+70 °C
 Voltage: 380 V
 Material: Stainless steel

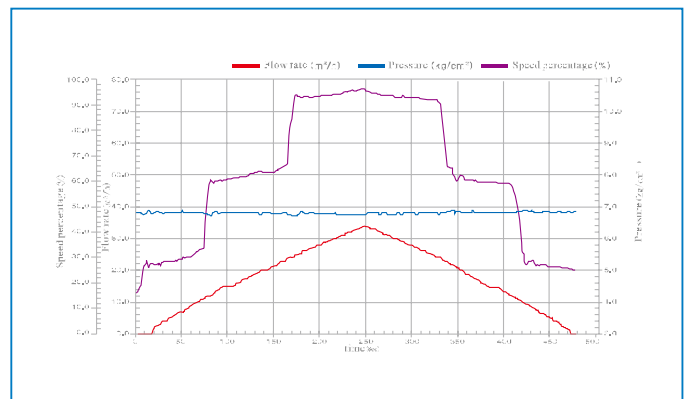
Applications

- Water supply for residential & public buildings
- Garden irrigation
- Water supply for industrial uses
- Other applications

IQ intelligent water supply equipments



Performance Scope



Technical data

Flow rate: 0...32 m³/h
 Head: 5,5...232 m
 Temperature: 0...+70 °C

Voltage: 220 V/380 V
 Material: Stainless steel

Applications

- Water supply for residential & public buildings
- Water supply for industrial uses
- Garden irrigation
- Other applications

EKO-TRADING CO., LIMITED

PVC Systems



PVC-U Pipes

FEATURES

- Excellent physical properties. UPVC pipes and fittings are corrosive resistance, high anti-impact strength, low fluid resistance (flow rate is 30% higher than same size steel pipe). It is also first choice material for drainage and sewage applications because of aging resistance and long time service life (the using time can be 40-50 years according to testing results provided by authority).
- Light weight, well practical and easy to install. Using UPVC material can speed up schedule of construction and decrease the cost since the weight of UPVC pipe is 1/7 of the same steel one.
- UPVC piping systems is not easy to block because of smooth interface. We do not need any tools to inspect the pipes because of special checking end.
- Less cost for construction. The price and maintenance cost of UPVC pipe are cheaper than the same size steel pipe.

GB/T 4219.1-2008 (DIN). Unit: mm

Nominal outside diameter	DIMENSIONS														
	S20 / SDR41		S16 / SDR33		S12.5 / SDR26		S10 / SDR21		S8 / SDR17		S6.3 / SDR13.6		S5 / SDR11		
	e min	tolerance	e min	tolerance	e min	tolerance	e min	tolerance	e min	tolerance	e min	tolerance	e min	tolerance	
16	–	–	–	–	–	–	–	–	–	–	–	–	–	2,0	0,4
20	–	–	–	–	–	–	–	–	–	–	–	–	–	2,0	0,4
25	–	–	–	–	–	–	–	–	–	–	–	2,0	0,4	2,3	0,5
32	–	–	–	–	–	–	–	–	–	2,0	0,4	2,4	0,5	2,9	0,5
40	–	–	–	–	–	–	–	2,0	0,4	2,4	0,5	3,0	0,5	3,7	0,6
50	–	–	–	–	2,0	0,4	2,4	0,5	3,0	0,5	3,7	0,6	4,6	0,7	
63	–	–	2,0	0,4	2,5	0,5	3,0	0,5	3,8	0,6	4,7	0,7	5,8	0,8	
75	–	–	2,3	0,5	2,9	0,5	3,6	0,6	4,5	0,7	5,6	0,8	6,8	0,9	
90	–	–	2,8	0,5	3,5	0,6	4,3	0,7	5,4	0,8	6,7	0,9	8,2	1,1	
110	–	–	3,4	0,6	4,2	0,7	5,3	0,8	6,6	0,9	8,1	1,1	10,0	1,2	
125	–	–	3,9	0,6	4,8	0,7	6,0	0,8	7,4	1,0	9,2	1,2	11,4	1,4	
140	–	–	4,3	0,7	5,4	0,8	6,7	0,9	8,3	1,1	10,3	1,3	12,7	1,5	
160	4,0	0,6	4,9	0,7	6,2	0,9	7,7	1,0	9,5	1,2	11,8	1,4	14,6	1,7	
180	4,4	0,7	5,5	0,8	6,9	0,9	8,6	1,1	10,7	1,3	13,3	1,6	16,4	1,9	
200	4,9	0,7	6,2	0,9	7,7	1,0	9,6	1,2	11,9	1,4	14,7	1,7	18,2	2,1	
225	5,5	0,8	6,9	0,9	8,6	1,1	10,8	1,3	13,4	1,6	16,6	1,9	–	–	
250	6,2	0,9	7,7	1,0	9,6	1,2	11,9	1,4	14,8	1,7	18,4	2,1	–	–	
280	6,9	0,9	8,6	1,1	10,7	1,3	13,4	1,6	16,6	1,9	20,6	2,3	–	–	
315	7,7	1,0	9,7	1,2	12,1	1,5	15,0	1,7	18,7	2,1	23,2	2,6	–	–	
355	8,7	1,1	10,9	1,3	13,6	1,6	16,9	1,9	21,1	2,4	26,1	2,9	–	–	
400	9,8	1,2	12,3	1,5	15,3	1,8	19,1	2,2	23,7	2,6	29,4	3,2	–	–	
450	11,0	1,3	13,8	1,6	17,2	2,0	21,5	2,4	26,7	3,0	33,1	3,6	–	–	
500	12,3	1,5	15,3	1,8	19,1	2,2	23,9	2,6	29,7	3,2	36,8	3,9	–	–	
560	13,7	1,6	17,2	2,0	21,4	2,4	26,7	2,9	–	–	–	–	–	–	
630	15,4	1,8	19,3	2,2	24,1	2,7	30,0	3,2	–	–	–	–	–	–	
710	17,4	2,0	21,8	2,4	27,2	3,0	–	–	–	–	–	–	–	–	
800	19,6	2,2	24,5	2,7	30,6	3,3	–	–	–	–	–	–	–	–	

1. The minimum wall thickness is no less than 2.0 mm for security.
 2. The size should conform to GB/T10798 unless otherwise specified.

ASTM D1785. Unit: mm

SCH40			
Size (inch)	Wall thickness (mm)	Outer diameter	Tolerance of wall thickness
1/2"	2,77	21,34	0~+0,510~+0,51
3/4"	2,87	26,67	0~+0,510~+0,51
1"	3,38	33,40	0~+0,510~+0,51
1 1/4"	3,56	42,16	0~+0,510~+0,51
1 1/2"	3,68	48,26	0~+0,510~+0,51
2"	3,91	60,32	0~+0,510~+0,51
2 1/2"	5,16	73,02	0~+0,610~+0,61
3"	5,49	88,90	0~+0,660~+0,66
4"	6,02	114,30	0~+0,710~+0,71
5"	6,55	141,30	0~+0,790~+0,79
6"	7,11	168,28	0~+0,790~+0,79
8"	8,18	219,08	0~+0,860~+0,86
10"	9,27	273,05	0~+1,120~+1,12
12"	10,31	323,85	0~+1,24
14"	11,10	355,60	0~+1,35
16"	12,70	406,40	0~+1,52
18"	14,27	457,20	0~+1,70
20"	15,06	508,00	0~+1,80
24"	17,45	609,60	0~+2,08

SCH80			
Size (inch)	Wall thickness (mm)	Outer diameter	Tolerance of wall thickness
1/2"	3,73	21,34	0~+0,510~+0,51
3/4"	3,91	26,67	0~+0,510~+0,51
1"	4,55	33,40	0~+0,530~+0,53
1 1/4"	4,85	42,16	0~+0,580~+0,58
1 1/2"	5,08	48,26	0~+0,610~+0,61
2"	5,54	60,32	0~+0,660~+0,66
2 1/2"	7,01	73,02	0~+0,840~+0,84
3"	7,62	88,90	0~+0,910~+0,91
4"	8,56	114,30	0~+1,020~+1,02
5"	9,52	141,30	0~+1,140~+1,14
6"	10,97	168,28	0~+1,320~+1,32
8"	12,70	219,08	0~+1,520~+1,52
10"	15,06	273,05	0~+1,800~+1,80
12"	17,45	323,85	0~+2,08
14"	19,05	355,60	0~+2,29
16"	21,41	406,40	0~+2,57
18"	23,80	457,20	0~+2,84
20"	26,19	508,00	0~+3,15
24"	30,94	609,60	0~+3,71

PVC-C Pipes

FEATURES

• CPVC is a new engineering plastic material made of modified PVC resin. This resin is grey or light yellow odorless, tasteless and nontoxic loose granule or powder. After the chlorination of PVC resin irregularity of molecular link and the increase of polarity, sol-

ubility and chemical stability, the using temperature of CPVC can reach 103...110 °C long time used temperature can be 90 °C.

• CPVC piping system takes chlorinated polyvinyl chloride as main material, adds additives to improve processability, then it can be finished by extruding (pipes) or injection mould (fittings).

GB/T 18998.2-2003 (DIN). Unit: mm

Nominal outside diameter	DIMENSIONS							
	S10 / SDR21		S6.3 / SDR13.6		S5 / SDR11		S4 / SDR9	
	e min	tolerance	e min	tolerance	e min	tolerance	e min	tolerance
20	2,0 (0,96)*	0,4	2,0 (1,5)*	0,4	2,0 (1,9)*	0,4	2,3	0,5
25	2,0 (0,96)*	0,4	2,0 (1,9)*	0,4	2,3	0,5	2,8	0,5
32	2,0 (0,96)*	0,4	2,4	0,5	2,9	0,5	3,6	0,6
40	2,0 (0,96)*	0,4	3,0	0,5	3,7	0,6	4,5	0,7
50	2,4	0,5	3,7	0,6	4,6	0,7	5,6	0,8
63	3,0	0,5	4,7	0,7	5,8	0,8	7,1	1,0
75	3,6	0,6	5,6	0,8	6,8	0,9	8,4	1,1
90	4,3	0,7	6,7	0,9	8,2	1,1	10,1	1,3
110	5,3	0,8	8,1	1,1	10,0	1,2	12,3	1,5
125	6,0	0,8	9,2	1,2	11,4	1,4	14,0	1,6
140	6,7	0,9	10,3	1,3	12,7	1,5	15,7	1,8
160	7,7	1,0	11,8	1,4	14,6	1,7	17,9	2,0
180	8,6	1,1	13,3	1,6	—	—	—	—
200	9,6	1,2	14,7	1,7	—	—	—	—
225	10,8	1,3	16,6	1,9	—	—	—	—
250	11,9	1,4	18,4	2,1	—	—	—	—
280	13,4	1,6	20,6	2,3	—	—	—	—
315	15,0	1,7	23,2	2,6	—	—	—	—
355	16,9	1,9	26,1	2,9	—	—	—	—
400	19,1	2,2	29,4	3,2	—	—	—	—

1. Consider the request of stiffness, the minimum wall thickness marked with "*" size added to 2,00 mm.
 2. Use the wall thickness in parenthesis when calculating the hydrostatic test press.



ASTM F441. Unit: mm

SCH40			
Size (inch)	Wall thickness (mm)	Outer diameter	Tolerance of wall thickness
1/2"	2,77	21,34	0~+0,51
3/4"	2,87	26,67	0~+0,51
1"	3,38	33,40	0~+0,51
1 1/4"	3,56	42,16	0~+0,51
1 1/2"	3,68	48,26	0~+0,51
2"	3,91	60,32	0~+0,51
2 1/2"	5,16	73,02	0~+0,61
3"	5,49	88,90	0~+0,66
4"	6,02	114,30	0~+0,71
5"	6,55	141,30	0~+0,79
6"	7,11	168,28	0~+0,79
8"	8,18	219,08	0~+0,86
10"	9,27	273,05	0~+1,12
12"	10,31	323,85	0~+1,24
14"	11,10	355,60	0~+1,35
16"	12,70	406,40	0~+1,52

SCH80			
Size (inch)	Wall thickness (mm)	Outer diameter	Tolerance of wall thickness
1/2"	3,73	21,34	0~+0,51
3/4"	3,91	26,67	0~+0,51
1"	4,55	33,40	0~+0,53
1 1/4"	4,85	42,16	0~+0,58
1 1/2"	5,08	48,26	0~+0,61
2"	5,54	60,32	0~+0,66
2 1/2"	7,01	73,02	0~+0,84
3"	7,62	88,90	0~+0,91
4"	8,56	114,30	0~+1,02
5"	9,52	141,30	0~+1,14
6"	10,97	168,28	0~+1,32
8"	12,70	219,08	0~+1,52
10"	15,06	273,05	0~+1,80
12"	17,45	323,85	0~+2,08
14"	19,05	355,60	0~+2,29
16"	21,41	406,40	0~+2,57

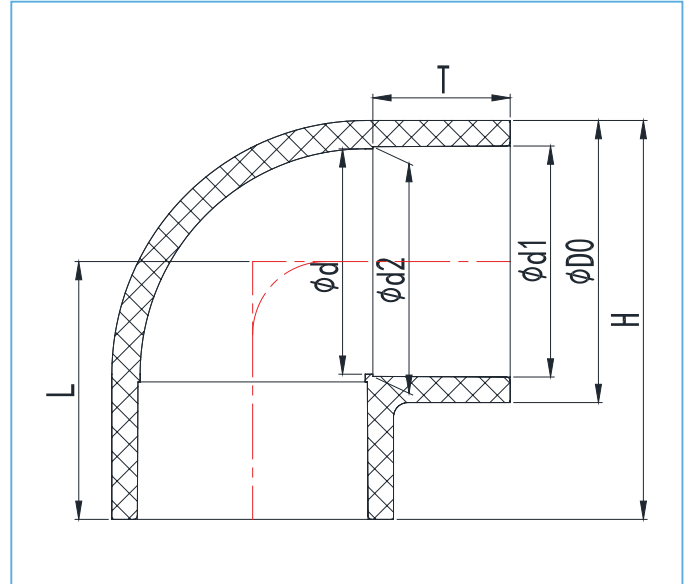
PVC-U/C fittings for industry

PRODUCT STANDARDS

(DIN) UPVC fittings for industry – GB/T 4219.2-2015
 (DIN) CPVC fittings for industry – GB/T 18998.3-2003
 (ASTM) threaded type UPVC fittings – ASTM D2464

(ASTM) threaded type CPVC fittings – ASTM F437
 (ASTM) socket type CPVC fittings – ASTM F439

Elbow 90°



DIN

DN (De)	Dimensions (mm)							Nominal Pressure (kg/cm ²)
	D0	d1	d2	d	T	L	H	
15(20)	26,30	20,30	19,95	18,00	16,20	27,70	40,80	S5 (PN20)
20(25)	31,80	25,30	24,95	23,00	18,70	32,70	48,60	S5 (PN20)
25(32)	39,90	32,30	31,90	30,00	22,20	39,70	59,60	S5 (PN20)
32(40)	49,70	40,40	39,90	38,00	26,20	47,70	72,50	S5 (PN20)
40(50)	61,90	50,40	49,90	48,00	31,20	57,70	88,70	S5 (PN20)
50(63)	77,90	63,40	62,90	61,00	37,70	70,70	109,70	S5 (PN20)
65(75)	91,00	75,40	74,90	70,90	43,70	82,50	128,00	S6.3 (PN16)
80(90)	107,40	90,50	89,90	85,90	51,20	97,50	151,20	S6.3 (PN16)
100(110)	127,00	110,60	109,90	103,90	61,20	117,50	181,10	S6.3 (PN16)
De125	144,30	125,70	124,90	118,90	68,70	132,50	204,70	S6.3 (PN16)
125(140)	162,30	140,80	139,90	133,90	76,20	148,00	229,10	S6.3 (PN16)
150(160)	184,60	160,80	159,90	153,50	86,20	168,50	260,80	S6.3 (PN16)
De180	202,60	180,90	179,90	178,50	97,00	190,00	291,30	S6.3 (PN16)
De200	230,50	201,00	199,90	193,50	106,20	208,00	323,30	S6.3 (PN16)
200(225)	259,40	226,20	224,90	216,90	118,70	233,60	363,20	S6.3 (PN16)
De250	287,90	251,30	249,90	241,90	131,20	258,50	402,50	S8 (PN16)
250(280)	314,80	281,50	279,90	278,00	147,00	291,00	448,40	S8 (PN16)
300(315)	358,20	316,70	314,90	306,90	163,70	323,00	502,10	S8 (PN16)
350(355)	391,00	356,80	355,00	326,00	184,00	368,30	561,40	PN6
400(400)	442,00	402,00	400,00	369,80	204,20	413,00	629,40	PN6

ASTM SCH80

Size (inch)	Dimensions (mm)						
	D0	d1	d2	d	T	L	H
1/2"	30,50	21,54	21,23	17,00	23,22	36,25	51,50
3/4"	36,90	26,87	26,57	22,50	26,40	41,40	59,85
1"	44,70	33,66	33,27	29,00	29,57	47,10	69,45
1-1/4"	54,00	42,42	42,04	38,00	32,75	55,75	82,75
1-1/2"	60,60	48,56	48,11	43,00	35,93	61,95	92,25
2"	73,10	60,63	60,17	55,00	39,10	70,85	107,40
2-1/2"	88,40	73,38	72,85	67,50	45,45	84,50	128,70
3"	105,30	89,31	88,70	83,00	48,63	97,63	149,30
4"	132,00	114,76	114,07	106,00	58,15	117,25	183,25
5"	161,90	141,81	141,04	133,00	67,68	143,50	224,45
6"	190,90	168,83	168,00	160,00	77,20	166,25	261,70
8"	245,90	219,84	218,69	208,00	102,60	216,30	340,55
10"	305,80	273,81	272,67	262,50	128,00	278,00	430,90
12"	361,60	324,60	323,47	288,50	153,40	328,50	509,70
14"	394,11	355,94	354,33	331,50	200,00	375,75	576,00
16"	450,00	407,19	405,33	363,80	230,66	431,50	657,50

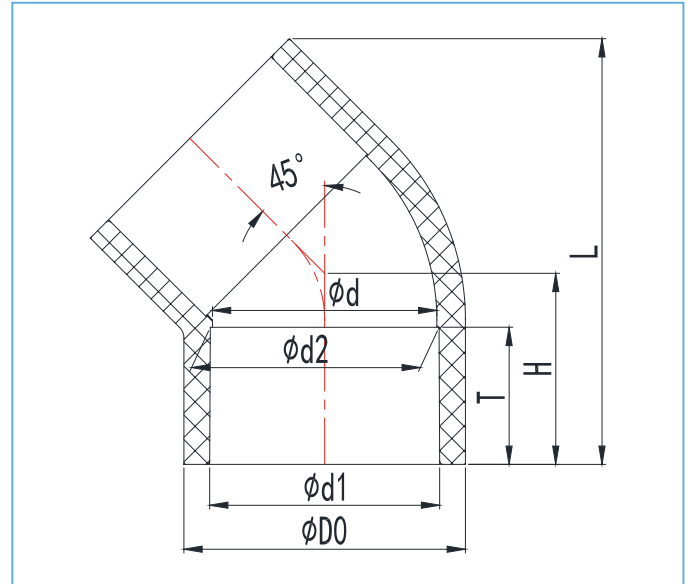
PVC-U/C fittings for industry

PRODUCT STANDARDS

(DIN) UPVC fittings for industry – GB/T 4219.2-2015
 (DIN) CPVC fittings for industry – GB/T 18998.3-2003
 (ASTM) threaded type UPVC fittings – ASTM D2464

(ASTM) threaded type CPVC fittings – ASTM F437
 (ASTM) socket type CPVC fittings – ASTM F439

Elbow 45°



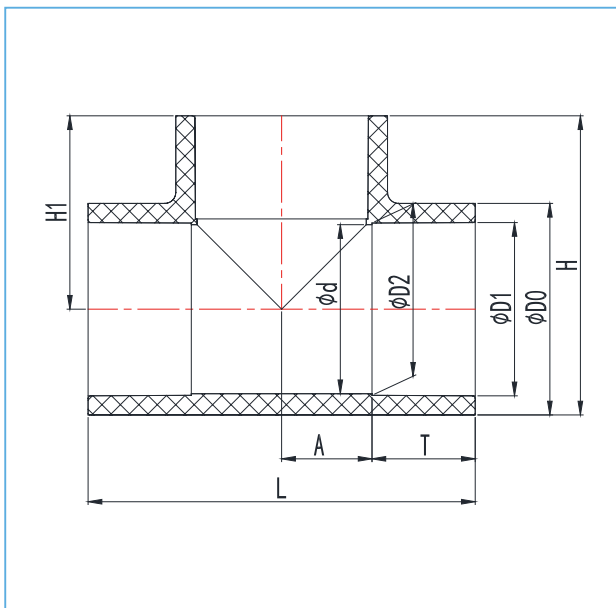
DIN

DN (De)	Dimensions (mm)							Nominal Pressure (kg/cm ²)
	D0	d1	d2	d	T	L	H	
15(20)	26,30	20,30	19,95	18,00	16,20	27,70	40,80	S5 (PN20)
20(25)	31,80	25,30	24,95	23,00	18,70	32,70	48,60	S5 (PN20)
25(32)	39,90	32,30	31,90	30,00	22,20	39,70	59,60	S5 (PN20)
32(40)	49,70	40,40	39,90	38,00	26,20	47,70	72,50	S5 (PN20)
40(50)	61,90	50,40	49,90	48,00	31,20	57,70	88,70	S5 (PN20)
50(63)	77,90	63,40	62,90	61,00	37,70	70,70	109,70	S5 (PN20)
65(75)	91,00	75,40	74,90	70,90	43,70	82,50	128,00	S6.3 (PN16)
80(90)	107,40	90,50	89,90	85,90	51,20	97,50	151,20	S6.3 (PN16)
100(110)	127,00	110,60	109,90	103,90	61,20	117,50	181,10	S6.3 (PN16)
De125	144,30	125,70	124,90	118,90	68,70	132,50	204,70	S6.3 (PN16)
125(140)	162,30	140,80	139,90	133,90	76,20	148,00	229,10	S6.3 (PN16)
150(160)	184,60	160,80	159,90	153,50	86,20	168,50	260,80	S6.3 (PN16)
De180	202,60	180,90	179,90	178,50	97,00	190,00	291,30	S6.3 (PN16)
De200	230,50	201,00	199,90	193,50	106,20	208,00	323,30	S6.3 (PN16)
200(225)	259,40	226,20	224,90	216,90	118,70	233,60	363,20	S6.3 (PN16)
De250	287,90	251,30	249,90	241,90	131,20	258,50	402,50	S8 (PN16)
250(280)	314,80	281,50	279,90	278,00	147,00	291,00	448,40	S8 (PN16)
300(315)	358,20	316,70	314,90	306,90	163,70	323,00	502,10	S8 (PN16)
350(355)	391,00	356,80	355,00	326,00	184,00	368,30	561,40	PN6
400(400)	442,00	402,00	400,00	369,80	204,20	413,00	629,40	PN6

ASTM SCH80

Size (inch)	Dimensions (mm)						
	D0	d1	d2	d	T	L	H
1/2"	30,50	21,54	21,23	17,00	23,22	36,25	51,50
3/4"	36,90	26,87	26,57	22,50	26,40	41,40	59,85
1"	44,70	33,66	33,27	29,00	29,57	47,10	69,45
1-1/4"	54,00	42,42	42,04	38,00	32,75	55,75	82,75
1-1/2"	60,60	48,56	48,11	43,00	35,93	61,95	92,25
2"	73,10	60,63	60,17	55,00	39,10	70,85	107,40
2-1/2"	88,40	73,38	72,85	67,50	45,45	84,50	128,70
3"	105,30	89,31	88,70	83,00	48,63	97,63	149,30
4"	132,00	114,76	114,07	106,00	58,15	117,25	183,25
5"	161,90	141,81	141,04	133,00	67,68	143,50	224,45
6"	190,90	168,83	168,00	160,00	77,20	166,25	261,70
8"	245,90	219,84	218,69	208,00	102,60	216,30	340,55
10"	305,80	273,81	272,67	262,50	128,00	278,00	430,90
12"	361,60	324,60	323,47	288,50	153,40	328,50	509,70
14"	394,11	355,94	354,33	331,50	200,00	375,75	576,00
16"	450,00	407,19	405,33	363,80	230,66	431,50	657,50

Tee



DIN

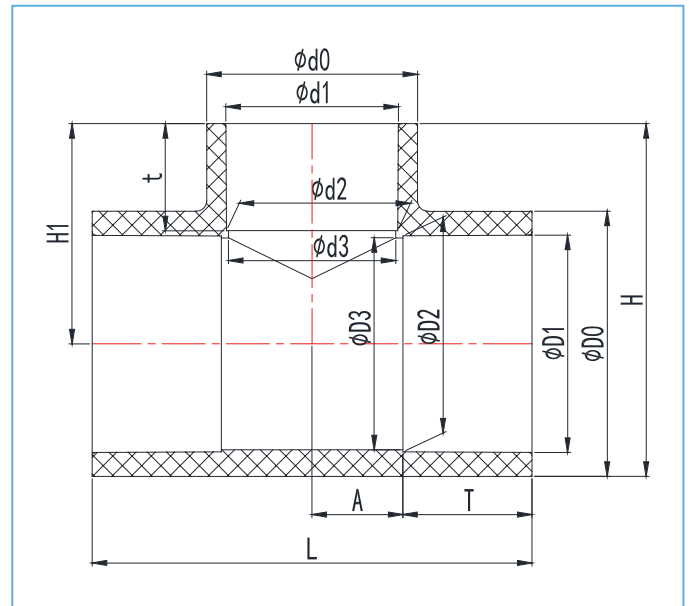
DN (De)	Dimensions (mm)								Nominal Pressure (kg/cm ²)
	D0	D1	D2	d	T	L	H1	H	
15 (20)	26,30	20,30	19,95	18,00	16,20	55,40	27,70	40,85	S5 (PN20)
20 (25)	31,80	25,30	24,95	23,00	18,70	65,40	32,70	48,60	S5 (PN20)
25 (32)	39,90	32,30	31,90	30,00	22,20	79,40	39,70	59,65	S5 (PN20)
32 (40)	49,70	40,40	39,90	38,00	26,20	97,20	47,70	72,55	S5 (PN20)
40 (50)	61,90	50,40	49,90	48,00	31,20	114,50	57,70	88,65	S5 (PN20)
50 (63)	77,90	63,40	62,90	61,00	37,70	141,00	70,70	109,65	S5 (PN20)
65 (75)	91,20	75,40	74,90	70,90	43,70	165,00	82,50	128,10	S6.3 (PN16)
80 (90)	107,60	90,50	89,90	85,90	51,20	194,00	97,50	151,30	S6.3 (PN16)
100 (110)	127,00	110,60	109,90	103,90	61,20	234,00	117,50	181,00	S6.3 (PN16)
De125	144,30	125,70	124,90	118,90	68,70	264,00	132,50	204,65	S6.3 (PN16)
125 (140)	161,60	140,80	139,90	133,90	76,20	296,00	148,00	228,80	S6.3 (PN16)
150 (160)	184,60	160,80	159,90	153,90	86,20	334,00	168,00	260,30	S6.3 (PN16)
De180	202,60	180,90	179,90	178,50	97,00	380,00	190,00	291,30	S6.3 (PN16)
De200	230,50	201,00	199,90	193,50	106,20	415,00	208,00	323,25	S6.3 (PN16)
200 (225)	259,40	226,20	224,90	216,90	118,70	463,50	233,50	363,20	S6.3 (PN16)
De250	287,90	251,30	249,90	241,90	131,20	516,00	258,50	402,45	S8 (PN16)
250 (280)	314,80	281,50	279,90	278,00	147,00	581,50	291,00	448,40	S8 (PN16)
300 (315)	358,20	316,70	314,90	306,90	163,70	645,00	323,00	502,10	S8 (PN16)
350 (355)	391,00	356,80	355,00	326,00	184,00	736,00	368,50	564,00	PN6
400 (400)	442,00	402,00	400,00	369,80	204,20	825,00	413,00	634,00	PN6

ASTM SCH80

Size (inch)	Dimensions (mm)							
	D0	D1	D2	d	T	H1	H	L
1/2"	30,14	21,54	21,23	17,00	23,22	36,25	51,50	72,50
3/4"	35,87	26,87	26,57	22,50	26,40	41,40	59,85	82,80
1"	44,30	33,66	33,27	29,00	29,57	47,10	69,45	94,20
1-1/4"	53,42	42,42	42,04	38,00	32,75	55,75	82,75	111,50
1-1/2"	60,40	48,56	48,11	43,00	35,93	62,00	92,25	124,00
2"	73,10	60,63	60,17	55,00	39,10	70,85	107,40	141,70
2-1/2"	88,40	73,38	72,85	67,50	45,45	83,28	128,70	166,55
3"	105,70	89,31	88,70	83,00	48,63	97,08	149,30	194,15
4"	132,50	114,76	114,07	106,00	58,15	117,25	183,25	234,50
5"	161,60	141,81	141,04	133,00	67,68	142,80	227,95	285,60
6"	192,00	168,83	168,00	160,00	77,20	166,25	261,70	332,50
8"	246,50	219,84	218,69	208,00	102,60	217,60	340,55	435,20
10"	305,80	273,81	272,67	262,50	128,00	278,00	430,90	556,00
12"	361,60	324,60	323,47	313,00	153,40	328,50	509,70	656,80
14"	394,11	355,94	354,33	331,50	200,00	371,10	571,60	742,20
16" (FRP)	450,00	407,19	405,33	363,80	230,66	414,00	640,50	828,00



Reducing tee



DIN

DN (De)	Dimensions (mm)													Nominal Pressure (kg/cm ²)
	D0	D1	D2	D3	d0	d1	d2	d3	T	t	H1	H	L	
20X15 (25*20)	31,80	25,25	24,95	23,00	26,30	20,30	19,95	18,00	18,70	16,20	30,20	46,10	60,40	S5 (PN20)
25X15 (32*20)	39,90	32,30	31,90	30,00	26,50	20,30	19,95	18,00	22,20	16,20	34,40	54,35	69,00	S5 (PN20)
25X20 (32*25)	39,90	32,30	31,90	30,00	31,80	25,30	24,95	23,00	22,20	16,20	36,20	56,15	72,10	S5 (PN20)
32X15 (40*20)	49,70	40,35	39,90	38,00	26,40	20,30	19,95	18,00	26,20	16,20	39,00	63,85	75,50	S5 (PN20)
32X20 (40*25)	49,70	40,35	39,90	38,00	31,10	25,30	24,95	23,00	26,20	18,70	40,70	65,55	80,60	S5 (PN20)
32X25 (40*32)	49,70	40,35	39,90	38,00	39,70	32,30	31,90	30,00	26,20	22,20	43,70	68,55	87,40	S5 (PN20)
40X15 (50*20)	61,90	50,35	49,90	48,00	26,30	20,30	19,95	18,00	31,20	16,20	45,20	76,15	85,40	S5 (PN20)
40X20 (50*25)	61,90	50,35	49,90	48,00	31,80	25,30	24,95	23,00	31,20	18,70	46,70	77,65	90,20	S5 (PN20)
40X25 (50*32)	61,90	50,35	49,90	48,00	39,90	32,30	31,90	30,00	31,20	22,20	49,50	80,45	97,40	S5 (PN20)
40X32 (50*40)	61,90	50,35	49,90	48,00	49,30	40,35	39,90	38,00	31,20	26,20	52,70	83,65	65,25	S5 (PN20)
50X15 (63*20)	77,90	63,40	62,90	61,00	26,60	20,30	19,95	18,00	37,70	16,20	53,20	92,15	98,25	S5 (PN20)
50X20 (63*25)	77,90	63,40	62,90	61,00	31,80	25,30	24,95	23,00	37,70	18,70	54,70	93,65	103,10	S5 (PN20)
50X25 (63*32)	77,90	63,40	62,90	61,00	40,00	32,30	31,90	30,00	37,70	22,20	57,20	96,15	110,40	S5 (PN20)
50X32 (63*40)	77,90	63,40	62,90	61,00	49,70	40,35	39,90	38,00	37,70	26,20	59,20	98,15	118,40	S5 (PN20)
50X40 (63*50)	77,90	63,40	62,90	61,00	61,50	50,35	49,90	48,00	37,70	31,20	64,20	103,15	127,70	S5 (PN20)
65X15 (75*20)	91,20	75,40	74,90	70,90	26,30	20,30	19,95	18,00	43,70	16,20	55,20	100,80	140,00	S6.3 (PN16)
65X20 (75*25)	91,20	75,40	74,90	70,90	31,80	25,30	24,95	23,00	43,70	18,70	57,70	103,30	140,00	S6.3 (PN16)
65X25 (75*32)	91,20	75,40	74,90	70,90	39,90	32,30	31,90	23,00	43,70	22,20	61,20	106,80	140,30	S6.3 (PN16)

next



continuation

DIN														
DN (De)	Dimensions (mm)													Nominal Pressure (kg/cm ²)
	D0	D1	D2	D3	d0	d1	d2	d3	T	t	H1	H	L	
65X32 (75*40)	91,20	75,40	74,90	70,90	49,70	40,35	39,90	30,00	43,70	26,20	65,20	110,80	140,00	S6.3 (PN16)
65X40 (75*50)	91,20	75,40	74,90	70,90	61,50	50,35	49,90	48,00	43,70	31,20	70,20	115,80	140,00	S6.3 (PN16)
65X50 (75*63)	91,20	75,40	74,90	70,90	77,30	63,40	62,90	61,00	43,70	37,70	77,30	122,90	152,20	S6.3 (PN16)
80X20 (90*25)	107,60	90,50	89,90	85,90	31,80	25,30	24,95	23,00	51,20	18,70	65,20	119,00	167,80	S6.3 (PN16)
80X25 (90*32)	107,60	90,50	89,90	85,90	39,50	32,30	31,90	23,00	51,20	22,20	68,70	122,50	168,20	S6.3 (PN16)
80X32 (90*40)	107,60	90,50	89,90	85,90	49,50	40,35	39,90	38,00	51,20	26,20	72,70	126,50	168,20	S6.3 (PN16)
80X40 (90*50)	107,60	90,50	89,90	85,90	61,90	50,35	49,90	48,00	51,20	31,20	77,70	131,50	168,00	S6.3 (PN16)
80X50 (90*63)	107,60	90,50	89,90	85,90	77,30	63,40	62,90	61,00	51,20	37,70	84,20	138,00	168,20	S6.3 (PN16)
80X65 (90*75)	107,60	90,50	89,90	85,90	91,20	75,40	74,90	70,90	51,20	43,70	92,30	146,10	180,70	S6.3 (PN16)
100X20 (110*25)	127,00	110,60	109,90	103,90	31,80	25,30	24,95	23,00	61,20	18,70	74,20	137,70	189,00	S6.3 (PN16)
100X25 (110*32)	127,00	110,60	109,90	103,90	40,10	32,30	31,90	23,00	61,20	22,20	77,70	141,20	190,00	S6.3 (PN16)
100X32 (110*40)	127,00	110,60	109,90	103,90	49,70	40,35	39,90	38,00	61,20	26,20	81,70	145,20	190,50	S6.3 (PN16)
100X40 (110*50)	127,00	110,60	109,90	103,90	61,90	50,35	49,90	48,00	61,20	31,20	86,70	150,20	189,00	S6.3 (PN16)
100X50 (110*63)	127,00	110,60	109,90	103,90	77,30	63,40	62,90	61,00	61,20	37,70	93,20	156,70	190,00	S6.3 (PN16)
100X65 (110*75)	127,00	110,60	109,90	103,90	91,20	75,40	74,90	70,90	61,20	43,70	99,00	162,50	201,50	S6.3 (PN16)
100X80 (110*90)	127,00	110,60	109,90	103,90	107,60	90,50	89,90	85,90	61,20	51,20	110,35	173,85	214,80	S6.3 (PN16)
De125*110	144,30	125,70	124,90	118,90	127,00	110,60	109,90	103,90	68,70	61,20	127,80	199,95	251,00	S6.3 (PN16)
125X40 (140*50)	161,60	140,75	139,90	133,90	61,60	50,35	49,90	48,00	76,20	31,20	101,70	182,50	247,40	S6.3 (PN16)
125X50 (140*63)	161,60	140,75	139,90	133,90	77,30	63,40	62,90	61,00	76,20	37,70	108,20	189,00	247,00	S6.3 (PN16)
125X65 (140*75)	161,60	140,75	139,90	133,90	91,20	75,40	74,90	70,90	76,20	43,70	114,00	194,80	248,00	S6.3 (PN16)
125X80 (140*90)	161,60	140,75	139,90	133,90	107,40	90,50	89,90	85,90	76,20	51,20	121,50	202,30	247,00	S6.3 (PN16)
125X100 (140*110)	161,60	140,75	139,90	133,90	127,00	110,60	109,90	103,90	76,20	61,20	136,70	217,50	266,40	S6.3 (PN16)
De140*125	161,60	140,75	139,90	133,90	144,30	125,70	124,90	118,90	76,20	68,70	142,40	223,20	280,50	S6.3 (PN16)
150X50 (160*63)	184,60	160,80	159,90	153,90	77,70	63,40	62,90	61,00	86,20	37,70	118,20	210,50	286,00	S6.3 (PN16)
150X65 (160*75)	184,60	160,80	159,90	153,90	89,90	75,40	74,90	70,90	86,20	43,70	124,00	216,30	285,00	S6.3 (PN16)
150X80 (160*90)	184,60	160,80	159,90	153,90	107,60	90,50	89,90	85,90	86,20	51,20	131,50	223,80	285,50	S6.3 (PN16)
150X100 (160*110)	184,60	160,80	159,90	153,90	127,30	110,60	109,90	103,90	86,20	61,20	142,50	234,80	286,00	S6.3 (PN16)
150X125 (160*140)	184,60	160,80	159,90	153,90	161,80	140,75	139,90	133,90	86,20	76,20	161,50	253,80	315,50	S6.3 (PN16)
De180*160	202,60	180,80	180,10	178,50	184,60	160,80	159,90	153,90	97,00	86,20	180,00	281,30	326,00	S6.3 (PN16)

next



continuation▶

DIN

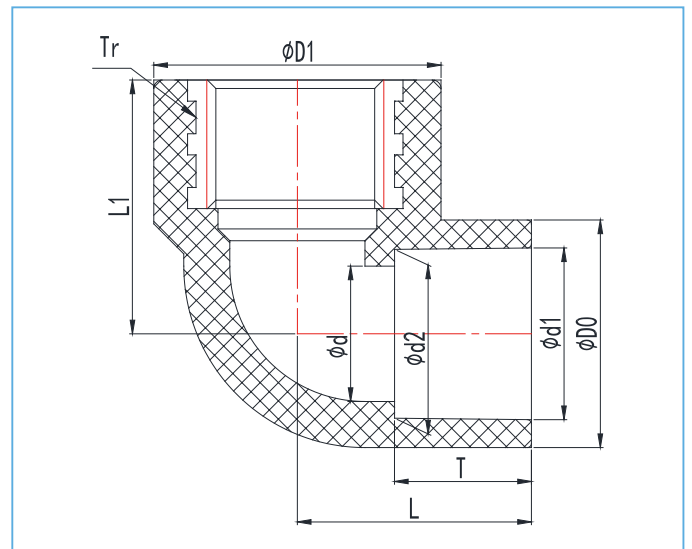
DN (De)	Dimensions (mm)													Nominal Pressure (kg/cm ²)
	D0	D1	D2	D3	d0	d1	d2	d3	T	t	H1	H	L	
De200*90	230,50	201,00	199,90	193,50	107,70	90,50	89,90	85,90	106,20	51,20	151,50	266,75	356,50	S6.3 (PN16)
De200*110	230,50	201,00	199,90	193,50	127,50	110,60	109,90	103,90	106,20	61,20	162,50	277,75	357,00	S6.3 (PN16)
De200*140	230,50	201,00	199,90	193,50	162,20	140,75	139,90	133,90	106,20	76,20	178,00	293,25	356,50	S6.3 (PN16)
De200*160	230,50	201,00	199,90	193,50	184,60	160,80	159,90	153,90	106,20	86,20	197,50	312,75	415,50	S6.3 (PN16)
200X50 (225*63)	259,40	226,20	224,90	216,90	77,30	63,40	62,90	61,00	118,70	37,70	149,70	279,40	384,00	S6.3 (PN16)
200X65 (225*75)	259,40	226,20	224,90	216,90	91,20	75,40	74,90	70,90	118,70	43,70	155,50	285,20	384,00	S6.3 (PN16)
200X80 (225*90)	259,40	226,20	224,90	216,90	107,60	90,50	89,90	85,90	118,70	51,20	163,00	292,70	384,00	S6.3 (PN16)
200X100 (225*110)	259,40	226,20	224,90	216,90	127,00	110,60	109,90	103,90	118,70	61,20	174,00	303,70	384,00	S6.3 (PN16)
200X125 (225*140)	259,40	226,20	224,90	216,90	161,90	140,75	139,90	133,90	118,70	76,20	189,50	319,20	384,00	S6.3 (PN16)
200X150 (225*160)	259,40	226,20	224,90	216,90	185,00	160,80	159,90	153,90	118,70	86,20	209,70	339,40	403,00	S6.3 (PN16)
De225*200	259,40	226,20	224,90	216,90	230,50	201,00	199,90	193,50	118,70	106,20	231,50	361,20	384,00	S6.3 (PN16)
De250*63	281,10	251,30	249,90	241,90	77,30	63,40	62,90	61,00	132,00	37,70	162,00	302,55	429,50	S8 (PN16)
De250*75	281,10	251,30	249,90	241,90	91,20	75,40	74,90	70,90	132,00	43,70	167,80	308,35	429,50	S8 (PN16)
De250*90	281,10	251,30	249,90	241,90	107,80	90,50	89,90	85,90	132,00	51,20	175,30	315,85	429,50	S8 (PN16)
De250*110	281,10	251,30	249,90	241,90	127,00	110,60	109,90	103,90	132,00	61,20	186,30	326,85	429,50	S8 (PN16)
De250*140	281,10	251,30	249,90	241,90	161,60	140,75	139,90	153,90	132,00	76,20	201,80	342,35	429,50	S8 (PN16)
De250*160	281,10	251,30	249,90	241,90	184,60	160,80	159,90	178,50	132,00	86,20	211,80	352,35	429,50	S8 (PN16)
De250*225	287,90	251,30	249,90	241,90	259,40	226,20	224,90	218,90	132,00	118,70	254,00	397,95	429,50	S8 (PN16)
De280*225	314,80	281,50	279,90	278,00	259,20	226,20	224,90	218,90	147,00	132,00	276,00	433,40	526,50	S8 (PN16)
300X80 (315*90)	354,70	316,70	314,90	306,90	107,60	90,50	89,90	85,90	163,70	51,20	198,70	376,05	445,90	S8 (PN16)
300X100 (315*110)	354,70	316,70	314,90	306,90	127,00	110,60	109,90	103,90	163,70	61,20	209,70	387,05	600,10	S8 (PN16)
300X125 (315*140)	354,70	316,70	314,90	306,90	161,60	140,75	139,90	133,90	163,70	76,20	225,20	402,55	600,10	S8 (PN16)
300X150 (315*160)	354,70	316,70	314,90	306,90	184,60	160,80	159,90	153,90	163,70	86,20	235,20	412,55	600,10	S8 (PN16)
De315*200	354,70	316,70	314,90	306,90	230,50	201,00	199,90	193,50	163,70	106,20	268,50	445,85	538,00	S8 (PN16)
300X200 (315*225)	354,70	316,70	314,90	306,90	259,40	226,20	224,90	220,90	163,70	118,70	269,20	446,55	600,10	S8 (PN16)
De315*250	354,70	316,70	314,90	306,90	288,60	251,30	249,90	241,90	163,70	132,00	282,00	459,35	644,00	S8 (PN16)
300X250 (315*280)	391,00	316,70	314,90	306,90	314,50	281,50	279,90	278,00	163,70	147,00	321,50	517,00	647,00	S8 (PN16)
De355*200	388,00	356,80	355,00	326,00	230,50	201,00	199,90	193,50	184,00	106,20	285,50	478,00	590,50	PN6
350X225 (355*250)	388,00	356,80	355,00	326,00	281,10	251,30	249,90	241,90	184,00	132,00	311,50	504,60	639,00	PN6
350X300 (355*315)	388,00	356,80	400,00	326,00	344,20	316,70	314,90	306,90	184,00	163,70	350,60	544,60	693,00	PN6
De400*200	432,70	401,60	400,00	398,50	220,90	200,90	199,85	197,00	107,00	208,00	318,60	534,95	623,00	PN6
400X225 (400*250)	432,40	401,60	400,00	398,50	273,50	251,15	249,41	247,00	132,00	208,00	342,80	559,00	672,00	PN6
400X300 (400*315)	432,70	401,60	400,00	398,50	344,50	316,55	315,05	312,00	165,00	208,00	370,00	586,35	752,00	PN6



ASTM SCH80

Size (inch)	Dimensions (mm)											
	D0	D1	D2	D3	d0	d1	d2	d3	t	T	H	L
3/4*1/2"	35,87	26,87	26,57	22,50	30,14	21,54	21,23	17,00	23,22	26,40	38,55	82,80
1*1/2"	44,30	33,66	33,27	29,00	30,14	21,54	21,23	17,00	23,22	29,57	41,75	94,20
1*3/4"	44,30	33,66	33,27	29,00	35,87	26,87	26,57	22,50	26,40	29,57	44,60	94,20
1-1/4*3/4"	53,42	42,42	42,04	38,00	35,87	26,87	26,57	22,50	26,40	32,75	49,10	111,50
1-1/4*1"	53,42	42,42	42,04	38,00	44,30	33,66	33,27	29,00	29,57	32,75	51,60	111,50
1-1/2*1"	60,40	48,56	48,11	43,00	44,30	33,66	33,27	29,00	29,57	35,93	54,35	124,00
1-1/2*1-1/4"	60,40	48,56	48,11	43,00	53,42	42,42	42,04	38,00	32,75	35,93	58,50	124,00
2*1-1/4"	73,10	60,63	60,17	55,00	53,42	42,42	42,04	38,00	32,75	39,10	64,00	141,70
2*1-1/2"	73,10	60,63	60,17	55,00	60,40	48,56	48,11	43,00	35,93	39,10	67,45	141,70
2-1/2*1-1/2"	88,40	73,38	72,85	67,50	60,40	48,56	48,11	43,00	35,93	45,45	73,70	169,00
2-1/2*2"	88,40	73,38	72,85	67,50	73,10	60,63	60,17	55,00	39,10	45,45	77,10	169,00
3*2"	105,70	89,31	88,70	83,00	73,10	60,63	60,17	55,00	39,10	48,63	84,60	194,15
3*2-1/2"	105,70	89,31	88,70	83,00	88,40	73,38	72,85	67,50	45,45	48,63	92,00	194,15
4*2-1/2"	132,50	114,76	114,07	106,00	88,40	73,38	72,85	67,50	45,45	58,15	103,00	234,50
4*3"	132,50	114,76	114,07	106,00	105,70	89,31	88,70	83,00	48,63	58,15	107,65	234,50
5*2"	161,60	141,81	141,04	133,00	72,70	60,63	60,17	55,00	39,10	67,68	105,10	285,60
6*2"	192,00	168,83	168,00	160,00	73,10	60,63	60,17	55,00	39,10	77,20	128,85	332,50
6*4"	192,00	168,83	168,00	160,00	132,50	114,76	114,07	106,00	58,15	77,20	144,25	332,50
8*4"	246,50	219,84	218,69	208,00	132,50	114,76	114,07	106,00	58,15	102,60	162,75	435,20
8*6"	246,50	219,84	218,69	208,00	192,00	168,83	168,00	160,00	77,20	102,60	190,25	435,20
10*6"	305,80	273,81	272,67	262,50	192,00	168,83	168,00	160,00	77,20	128,00	217,50	446,60
10*8"	305,80	273,81	272,67	262,50	246,50	219,84	218,69	208,00	102,60	128,00	245,00	496,50
12*8"	361,60	324,60	323,47	313,00	246,50	219,84	218,69	208,00	102,60	153,40	269,30	583,00
12*10"	361,60	324,60	323,47	313,00	305,80	273,81	272,67	262,50	128,00	153,40	296,80	656,80

Copper threaded elbow 90°

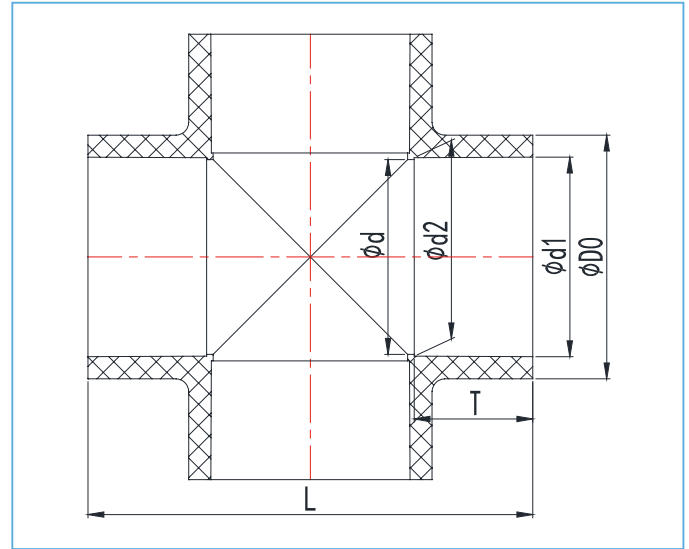


DIN

DN (De)	Dimensions (mm)									Nominal Pressure (kg/cm ²)
	D0	D1	d1	d2	d	T	L1	L	Tr	
20X15 (25*20)	31,80	25,25	24,95	23,00	26,30	20,30	19,95	18,00	18,70	S5 (PN20)
25X15 (32*20)	39,90	32,30	31,90	30,00	26,50	20,30	19,95	18,00	22,20	S5 (PN20)
25X20 (32*25)	39,90	32,30	31,90	30,00	31,80	25,30	24,95	23,00	22,20	S5 (PN20)



Cross



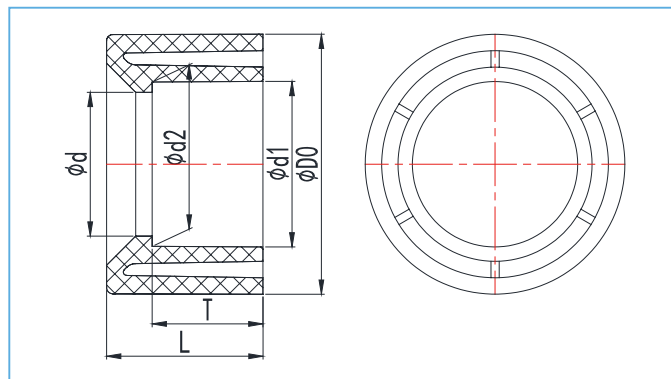
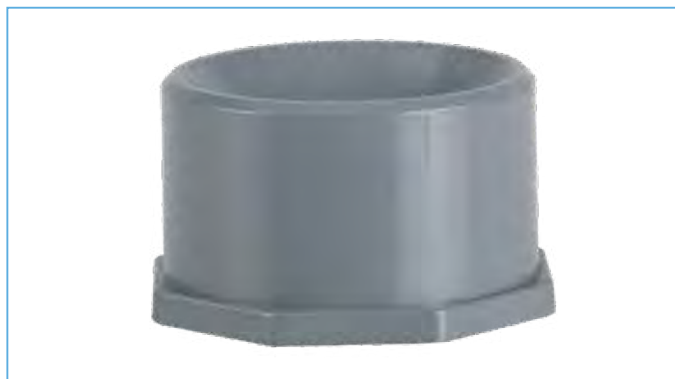
DIN

DN (De)	Dimensions (mm)						Nominal Pressure (kg/cm ²)
	D0	d1	d2	d	T	L	
15(20)	26,30	20,30	19,95	18,00	16,20	55,40	S5 (PN20)
20(25)	31,80	25,30	24,95	21,00	18,70	65,40	S5 (PN20)
25(32)	39,90	32,30	31,90	28,00	22,20	79,40	S5 (PN20)
32(40)	49,50	40,35	39,90	36,00	26,20	95,40	S5 (PN20)
40(50)	61,50	50,35	49,90	46,00	31,20	115,40	S5 (PN20)
50(63)	77,40	63,40	62,90	59,00	37,70	141,00	S5 (PN20)
65(75)	91,20	75,40	74,90	70,90	43,70	165,00	S6.3 (PN16)
80(90)	107,60	90,50	89,90	85,90	51,20	194,50	S6.3 (PN16)
100(110)	127,00	110,60	109,90	103,90	61,20	234,50	S6.3 (PN16)
De125	144,30	125,70	124,90	118,90	68,70	263,80	S6.3 (PN16)
125(140)	161,60	140,75	139,90	133,90	76,20	295,00	S6.3 (PN16)
150(160)	185,30	160,80	159,90	153,90	86,20	336,00	S6.3 (PN16)
De200	230,00	201,00	199,90	193,90	106,20	414,00	S6.3 (PN16)
200(225)	259,40	226,20	224,90	216,90	118,70	465,00	S6.3 (PN16)
De250	287,90	251,30	249,90	241,40	131,20	515,50	S8 (PN16)
300(315)	354,00	316,70	314,90	307,00	163,70	643,00	S8 (PN16)

DIN

Size (inch)	Dimensions (mm)					
	D0	d1	d2	d	T	L
1/2"	29,54	21,54	21,23	17,00	23,22	72,50
3/4"	35,36	26,87	26,57	22,50	26,40	82,80
1"	43,66	33,66	33,27	29,00	29,57	94,20
1-1/4"	53,02	42,42	42,04	38,00	32,75	111,50
1-1/2"	59,86	48,56	48,11	43,00	35,93	124,00
2"	72,23	60,63	60,17	55,00	39,10	143,70
2-1/2"	88,00	73,38	72,85	67,50	45,45	169,00
3"	105,30	89,31	88,70	83,00	48,63	193,26
4"	132,00	114,76	114,07	106,00	58,15	234,50
5"	162,00	141,81	141,04	133,00	67,68	287,00
6"	190,85	168,83	168,00	160,00	77,20	332,50

Bushing



DIN

DN (De)	Dimensions (mm)					
	D0	d1	d2	d	T	L
20X15(25*20)	25,00	20,30	19,95	16,00	17,00	19,20
25X15(32*20)	32,00	20,30	19,95	16,00	17,00	22,20
25X20(32*25)	32,00	25,30	24,95	21,00	19,50	22,20
32X15(40*20)	40,00	20,30	19,95	16,00	17,00	26,30
32X20(40*25)	40,00	25,30	24,95	21,00	19,50	26,30
32X25(40*32)	40,00	32,30	31,90	27,50	23,00	26,30
40X15(50*20)	50,00	20,30	19,95	16,00	17,00	31,20
40X20(50*25)	50,00	25,30	24,95	21,00	19,50	31,20
40X25(50*32)	50,00	32,30	31,90	27,50	23,00	31,20
40X32(50*40)	50,00	40,35	39,90	35,00	27,00	31,20
50X15(63*20)	63,00	20,30	19,95	16,00	17,00	38,10
50X20(63*25)	63,00	25,30	24,95	21,00	19,50	38,10
50X25(63*32)	63,00	32,30	31,90	27,50	23,00	38,10
50X32(63*40)	63,00	40,35	39,90	35,00	27,00	38,10
50X40(63*50)	63,00	50,35	49,90	45,00	32,00	38,10
65X20(75*25)	75,00	25,30	24,95	21,00	19,50	44,10
65X25(75*32)	75,00	32,30	31,90	27,50	23,00	44,10
65X32(75*40)	75,00	40,35	39,90	35,00	27,00	44,10
65X40(75*50)	75,00	50,35	49,90	45,00	32,00	44,10
65X50(75*63)	75,00	63,40	62,90	56,00	38,50	44,10
80X25(90*32)	90,00	32,30	31,90	27,50	23,00	51,00
80X32(90*40)	90,00	40,35	39,90	35,00	27,00	51,00
80X40(90*50)	90,00	50,35	49,90	45,00	32,00	51,00
80X50(90*63)	90,00	63,40	62,90	56,00	38,50	51,00
80X65(90*75)	90,00	75,40	74,90	67,00	44,50	51,00
100X40(110*50)	110,00	50,35	49,90	45,00	32,00	61,00
100X50(110*63)	110,00	63,40	62,90	56,00	38,50	61,00
100X65(110*75)	110,00	75,40	74,90	67,00	44,50	61,00
100X80(110*90)	110,00	90,50	89,90	80,50	52,00	61,00
De125*110	125,00	110,40	109,90	102,00	62,00	68,70
125X50(140*63)	140,00	63,40	62,90	102,00	62,00	77,00
125X65(140*75)	140,00	75,40	74,90	117,00	68,70	76,20
125X80(140*90)	140,00	90,50	89,90	56,00	38,50	76,20
125X100(140*110)	140,00	110,60	109,90	67,00	44,50	76,20
De140*125	140,00	125,70	124,90	80,50	52,00	76,20
150X50(160*63)	160,00	63,40	62,90	96,00	62,00	86,00
150X65(160*75)	160,00	75,40	74,90	130,00	77,00	86,00
150X80(160*90)	160,00	90,50	89,90	56,00	38,50	86,00
150X100(160*110)	160,00	110,60	109,90	67,00	44,50	86,00
150X125(160*140)	160,00	125,70	139,90	80,50	52,00	86,00
De180*160	180,00	160,80	159,90	150,90	86,20	96,00
De200*160	200,00	160,80	159,90	151,50	85,50	106,50
De200*180	200,00	180,90	179,90	169,70	96,00	106,20
200X100(225*110)	225,00	110,60	109,90	96,00	62,00	118,70

next



continuation...▶

DIN

DN (De)	Dimensions (mm)					
	D0	d1	d2	d	T	L
200X125(225*140)	225,00	140,75	139,90	130,00	77,00	118,70
200X150(225*160)	225,00	160,80	159,90	150,50	85,50	118,70
De225*200	225,00	201,00	199,90	188,80	106,20	118,70
De250*110	250,00	110,60	109,90	96,00	62,00	131,20
De250*160	250,00	160,80	159,90	150,50	85,50	131,20
De250*200	250,00	201,00	199,90	188,80	106,20	131,20
De250*225	250,00	226,20	224,90	210,80	118,70	131,20
250X200(280*225)	280,00	226,20	224,90	208,80	118,70	146,20
300X100(315*110)	315,00	110,60	109,90	96,00	62,00	163,70
300X150(315*160)	315,00	160,80	159,90	150,50	85,50	163,70
De315*200	315,00	201,00	199,90	188,80	106,20	163,70
300X200(315*225)	315,00	226,20	224,90	210,80	118,70	163,70
De315*250	315,00	251,15	249,90	239,00	131,20	163,70
300X250(315*280)	315,00	281,50	279,90	263,50	146,20	163,70
De355*200	355,00	201,00	199,90	188,80	106,20	183,70
350X200(355*225)	355,00	226,20	224,90	210,80	118,70	183,70
De355*250	355,00	251,15	249,90	239,00	131,20	183,70
350X300(355*315)	355,00	316,55	314,90	305,00	163,70	183,70
De400*200	400,00	201,00	199,90	188,80	106,20	206,20
400X200(400*225)	400,00	226,20	224,90	210,80	118,70	206,20
De400*250	400,00	251,15	249,90	239,00	131,20	206,20
400X300(400*315)	400,00	316,60	314,90	305,00	163,70	206,20
400X350(400*355)	400,00	356,70	354,90	345,00	183,70	206,20

ASTM SCH80

Size (inch)	Dimensions (mm)					
	D0	d1	d2	d	T	L
1/2"*1/4"	21,34	14,02	13,60	10,00	16,50	29,00
1/2"*3/8"	21,34	17,45	17,04	12,00	19,50	29,00
3/4"*1/2"	26,67	21,54	21,23	17,00	23,22	31,90
1"*3/8"	33,40	17,45	17,04	12,00	19,50	35,58
1"*1/2"	33,40	21,54	21,23	17,00	23,22	35,58
1"*3/4"	33,40	26,87	26,57	22,50	26,40	35,58
1-1/4"*1/2"	42,16	21,54	21,23	17,00	23,22	36,00
1-1/4"*3/4"	42,16	26,87	26,57	22,50	26,40	36,00
1-1/4"*1"	42,16	33,66	33,27	29,00	29,57	36,00
1-1/2"*1/2"	48,26	21,54	21,23	17,00	23,22	41,93
1-1/2"*3/4"	48,26	26,87	26,57	22,50	26,40	41,93
1-1/2"*1"	48,26	33,66	33,27	29,00	29,57	41,93
1-1/2"*1-1/4"	48,26	42,42	42,04	38,00	32,75	41,93
2"*1/2"	60,33	21,54	21,23	17,00	23,22	45,10
2"*3/4"	60,33	26,87	26,57	22,50	26,40	45,10
2"*1"	60,33	33,66	33,27	29,00	29,57	45,10
2"*1-1/4"	60,33	42,42	42,04	38,00	32,75	45,10
2"*1-1/2"	60,33	48,56	48,11	43,00	35,93	45,10
2-1/2"*1-1/2"	70,03	48,56	48,11	43,00	35,93	51,00
2-1/2"*2"	70,03	60,63	60,17	55,00	39,10	51,00
3"*1-1/2"	88,90	48,56	48,11	43,00	35,93	57,00
3"*2"	88,90	60,63	60,17	55,00	39,10	57,00
3"*2-1/2"	88,90	48,56	48,11	67,50	35,93	57,00
4"*2"	114,30	60,63	60,17	55,00	39,10	67,00
4"*2-1/2"	114,30	48,56	48,11	67,50	35,93	67,00
4"*3"	114,30	89,31	88,70	83,00	48,63	67,00
5"*4"	141,30	114,76	114,07	106,00	58,15	79,00
6"*3"	168,30	89,31	88,70	83,00	48,63	90,00
6"*4"	168,30	114,76	114,07	106,00	58,15	90,00

next ▶▶▶▶▶

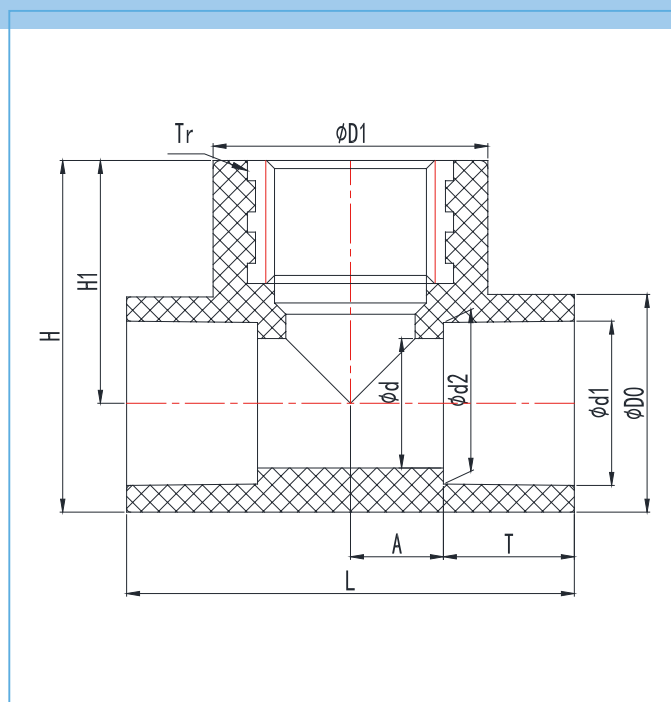


continuation...▶

ASTM SCH80

Size (inch)	Dimensions (mm)					
	D0	d1	d2	d	T	L
6"×5"	168,30	141,81	141,04	133,00	67,68	90,00
8"×4"	219,10	114,76	114,07	106,00	58,15	115,00
8"×6"	219,10	168,83	168,00	160,00	77,20	115,00
10"×3"	273,05	89,31	88,70	83,00	48,63	148,00
10"×4"	273,05	114,76	114,07	106,00	58,15	148,00
10"×6"	273,05	168,83	168,00	160,00	77,20	148,00
10"×8"	273,05	219,84	218,69	208,00	102,60	148,00
12"×4"	323,85	114,76	114,07	106,00	58,15	169,00
12"×6"	323,85	168,83	168,00	160,00	77,20	169,00
12"×8"	323,85	219,84	218,69	208,00	102,60	169,00
12"×10"	323,85	273,81	272,67	262,50	128,00	169,00

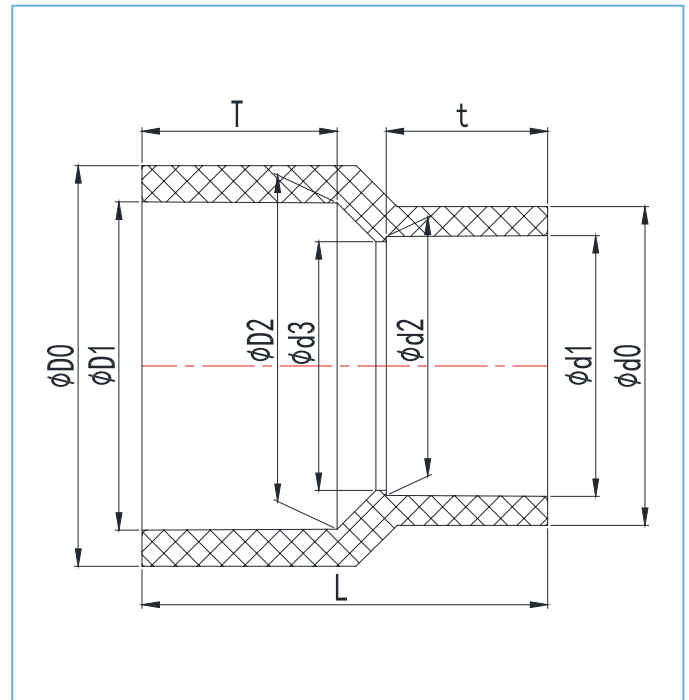
Copper threaded tee



DIN

DN (De)	Dimensions (mm)										Nominal Pressure (kg/cm ²)
	D0	D1	d1	d2	d	T	H1	H	L	Tr	
15(20)	26,90	34,00	20,30	19,95	16,00	16,20	30,00	43,45	55,40	1/2"	S5 (PN20)
20(25)	32,60	39,50	25,30	24,95	21,00	18,70	34,00	50,30	65,40	3/4"	S5 (PN20)
25(32)	40,10	46,50	32,30	31,90	28,00	22,20	40,00	60,05	79,40	1"	S5 (PN20)

Reducer



DIN

DN (De)	Dimensions (mm)									
	D0	D1	d1	d2	d	T	H1	H	L	Tr
20X15 (25*20)	31,80	25,30	24,95	26,30	20,30	19,95	18,00	16,20	18,70	40,00
25X15 (32*20)	39,90	32,30	31,90	26,30	20,30	19,95	18,00	16,20	22,20	48,50
25X20 (32*25)	39,90	32,30	31,90	31,80	25,30	24,95	23,00	18,70	22,20	47,40
32X15 (40*20)	49,40	40,35	39,90	26,30	20,30	19,95	18,00	16,20	26,20	56,50
32X20 (40*25)	49,30	40,35	39,90	31,80	25,30	24,95	23,00	18,70	26,20	56,80
32X25 (40*32)	49,40	40,35	39,90	39,70	32,30	31,90	30,00	22,20	26,20	54,80
40X15 (50*20)	61,50	50,35	49,90	26,30	20,30	19,95	18,00	16,20	31,20	66,00
40X20 (50*25)	61,50	50,35	49,90	31,80	25,30	24,95	23,00	18,70	31,20	66,00
40X25 (50*32)	61,50	50,35	49,90	39,90	32,30	31,90	30,00	22,20	31,20	67,00
40X32 (50*40)	61,90	50,35	49,90	49,70	40,35	39,90	38,00	26,20	31,20	65,00
50X15 (63*20)	77,20	63,40	62,90	26,30	20,30	19,95	18,00	16,20	37,70	79,00
50X20 (63*25)	77,30	63,40	62,90	31,80	25,30	24,95	23,00	18,70	37,70	79,00
50X25 (63*32)	77,90	63,40	62,90	39,90	32,30	31,90	30,00	22,20	37,70	80,00
50X32 (63*40)	77,30	63,40	62,90	49,70	40,35	39,90	38,00	26,20	37,70	80,00
50X40 (63*50)	77,30	63,40	62,90	61,90	50,35	49,90	48,00	31,20	37,70	77,70
65X15 (75*20)	90,80	75,40	74,90	26,30	20,30	19,95	18,00	16,20	43,70	93,00
65X20 (75*25)	90,80	75,40	74,90	31,80	25,30	24,95	23,00	18,70	43,70	92,70
65X25 (75*32)	90,80	75,40	74,90	39,90	32,30	31,90	30,00	22,20	43,70	93,50
65X32 (75*40)	90,80	75,40	74,90	49,40	40,35	39,90	38,00	26,20	43,70	93,00
65X40 (75*50)	91,00	75,40	74,90	61,70	50,35	49,90	48,00	31,20	43,70	93,30
65X50 (75*63)	91,00	75,40	74,90	77,50	63,40	62,90	61,00	37,70	43,70	92,50
80X20 (90*25)	107,30	90,50	89,90	32,00	25,30	24,95	23,00	18,70	51,20	108,00
80X25 (90*32)	107,20	90,50	89,90	40,40	32,30	31,90	30,00	22,20	51,20	108,10
80X32 (90*40)	107,20	90,50	89,90	49,70	40,35	39,90	38,00	26,20	51,20	108,50
80X40 (90*50)	107,30	90,50	89,90	61,60	50,35	49,90	48,00	31,20	51,20	108,20
80X50 (90*63)	107,30	90,50	89,90	77,30	63,40	62,90	61,00	37,70	51,20	108,00
80X65 (90*75)	107,30	90,50	89,90	91,20	75,40	74,90	70,90	43,70	51,20	107,30

next



continuation...▶

DIN

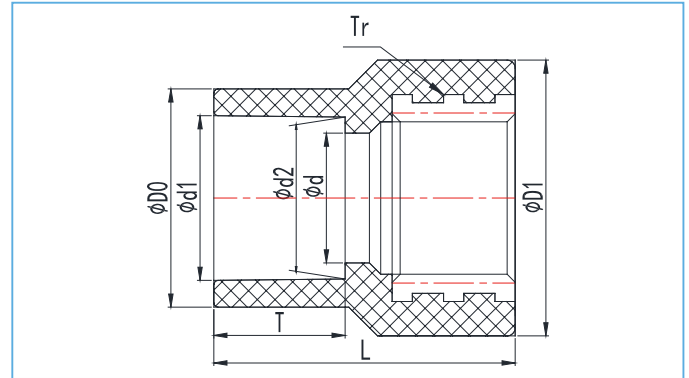
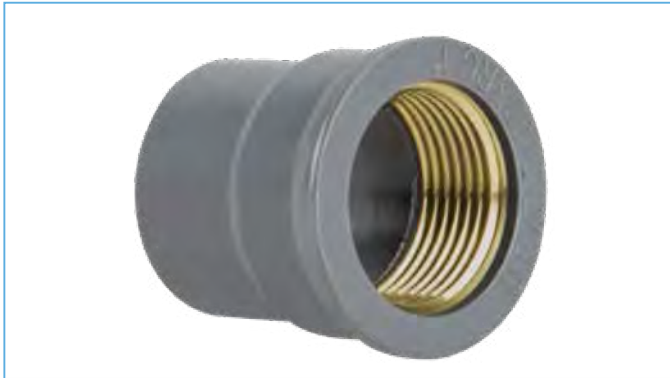
DN (De)	Dimensions (mm)									
	D0	D1	d1	d2	d	T	H1	H	L	Tr
100X20 (110*25)	127,00	110,60	109,90	32,00	25,30	24,95	23,00	18,70	61,20	127,80
100X25 (110*32)	127,00	110,60	109,90	40,10	32,30	31,90	30,00	22,20	61,20	128,30
100X32 (110*40)	126,80	110,60	109,90	49,70	40,35	39,90	38,00	26,20	61,20	128,60
100X40 (110*50)	127,00	110,60	109,90	61,70	50,35	49,90	48,00	31,20	61,20	128,00
100X50 (110*63)	127,40	110,60	109,90	77,50	63,40	62,90	61,00	37,70	61,20	128,00
100X65 (110*75)	127,00	110,60	109,90	90,80	75,40	74,90	70,90	43,70	61,20	128,60
100X80 (110*90)	127,00	110,60	109,90	107,30	90,50	89,90	85,90	51,20	61,20	127,40
De125*110	144,00	125,70	124,90	127,00	110,60	109,90	103,90	61,20	68,70	142,60
125X40 (140*50)	161,60	140,75	139,90	61,60	50,30	49,90	48,00	61,20	76,20	157,60
125X50 (140*63)	161,60	140,75	139,90	77,60	63,40	62,90	61,00	68,70	76,20	158,00
125X65 (140*75)	161,60	140,75	139,90	91,00	75,35	74,90	70,90	31,20	76,20	158,50
125X80 (140*90)	161,70	140,75	139,90	77,50	90,50	89,90	85,90	37,70	76,20	158,30
125X100 (140*110)	161,80	140,75	139,90	127,20	110,60	109,90	103,90	43,70	76,20	157,70
De140*125	161,80	140,75	139,90	144,60	125,65	124,90	118,90	51,20	76,20	157,50
150X50 (160*63)	184,60	160,70	159,90	127,00	63,35	62,90	61,00	61,20	87,00	180,50
150X65 (160*75)	184,60	160,70	159,90	91,20	75,35	74,90	70,90	76,20	87,00	179,00
150X80 (160*90)	184,60	160,70	159,90	107,70	90,50	89,90	85,90	37,70	87,00	178,70
150X100 (160*110)	184,70	160,70	159,90	127,50	110,60	109,90	103,90	43,70	87,00	180,20
150X125 (160*140)	184,60	160,70	159,90	161,90	140,75	139,90	133,90	51,20	87,00	177,30
De180*160	202,60	180,80	179,90	180,00	160,70	159,90	153,90	87,00	97,00	202,20
De200*160	230,00	201,00	199,90	184,40	160,80	159,90	153,90	86,20	106,20	217,50
200X150 (225*160)	259,40	226,20	224,90	184,40	160,80	159,90	153,90	86,20	118,70	242,50
De225*200	259,40	226,20	224,90	230,50	201,00	199,90	193,50	106,20	118,70	243,00
De250*225	287,90	251,30	249,90	259,00	226,20	224,90	216,90	118,70	131,20	269,50
250X200 (280*225)	314,80	281,30	279,90	259,40	226,20	224,90	216,90	118,70	147,00	304,50
300X250 (315*280)	354,60	316,60	314,90	314,80	281,30	279,90	278,00	147,00	163,70	338,00
350X300 (355*315)	391,00	356,80	355,00	354,60	316,60	314,90	306,90	163,70	184,00	384,00
400X300 (400*315)	442,00	402,00	400,00	344,00	316,60	314,90	306,90	163,70	207,00	435,00
400X350 (400*355)	442,00	402,00	400,00	384,25	356,80	355,00	326,00	184,00	207,00	430,70

ASTM SCH80

Size (inch)	Dimensions (mm)									
	D0	D1	D2	d0	d1	d2	d3	t	T	L
3/4*1/2"	36,90	26,87	26,57	30,50	21,54	21,23	17,00	23,22	26,40	58,60
1*1/2"	44,70	33,66	33,27	30,50	21,54	21,23	17,00	23,22	29,57	65,10
1*3/4"	44,70	33,66	33,27	36,90	26,87	26,57	22,50	26,40	29,57	66,30
1-1/4*1/2"	54,00	42,42	42,04	30,50	21,54	21,23	17,00	23,22	32,75	72,68
1-1/4*3/4"	54,00	42,42	42,04	36,90	26,87	26,57	22,50	26,40	32,75	73,80
1-1/4*1"	54,00	42,42	42,04	44,70	33,66	33,27	29,00	29,57	32,75	73,80
1-1/2*3/4"	60,60	48,56	48,11	36,90	26,87	26,57	22,50	26,40	35,93	80,00
1-1/2*1"	60,60	48,56	48,11	40,70	33,66	33,27	29,00	29,57	35,93	80,00
1-1/2*1-1/4"	60,60	48,56	48,11	54,00	42,42	42,04	38,00	32,75	35,93	78,70
2*1"	73,10	60,63	60,17	44,70	33,66	33,27	29,00	29,57	39,10	88,20
2*1-1/4"	73,10	60,63	60,17	54,00	42,42	42,04	38,00	32,75	39,10	88,20
2*1-1/2"	73,10	60,63	60,17	60,60	48,56	48,11	43,00	35,93	39,10	88,50
10*8"	305,00	273,81	272,67	245,90	219,84	218,69	208,00	102,60	128,00	269,75



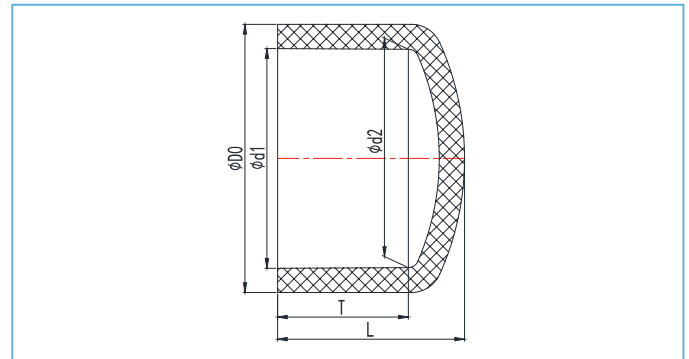
Copper threaded reducer



DIN

DN (De)	Dimensions (mm)								Nominal Pressure (kg/cm ²)
	D0	D1	d1	d2	T	d	L	Tr (inch)	
15(20)	26.90	34.00	20.30	19.95	16.20	16.00	37.20	1/2"	S5 (PN20)
20(25)	32.60	39.50	25.30	24.95	18.70	21.00	40.70	3/4"	S5 (PN20)
25(32)	40.10	46.50	32.30	31.90	22.20	28.00	47.90	1"	S5 (PN20)

Cap



DIN

DN (De)	Dimensions (mm)					Nominal Pressure (kg/cm ²)
	D0	d1	d2	T	L	
15(20)	26,30	20,30	19,95	16,20	21,90	S5 (PN20)
20(25)	31,80	25,30	24,95	18,70	25,70	S5 (PN20)
25(32)	39,90	32,30	31,90	22,20	30,70	S5 (PN20)
32(40)	49,70	40,40	39,90	26,20	36,90	S5 (PN20)
40(50)	61,90	50,40	49,90	31,20	44,70	S5 (PN20)
50(63)	77,90	63,40	62,90	37,70	54,00	S5 (PN20)
65(75)	91,20	75,40	74,90	43,70	62,60	S6.3 (PN16)
80(90)	107,60	90,50	89,90	51,20	73,30	S6.3 (PN16)
100(110)	127,00	110,60	109,90	61,20	84,50	S6.3 (PN16)
De125	144,30	125,70	124,90	68,70	96,10	S6.3 (PN16)
125(140)	161,60	140,80	139,90	76,20	109,70	S6.3 (PN16)
150(160)	184,60	160,80	159,90	86,20	126,20	S6.3 (PN16)
De180	202,60	180,90	179,90	97,00	142,90	S6.3 (PN16)

next



continuation...▶

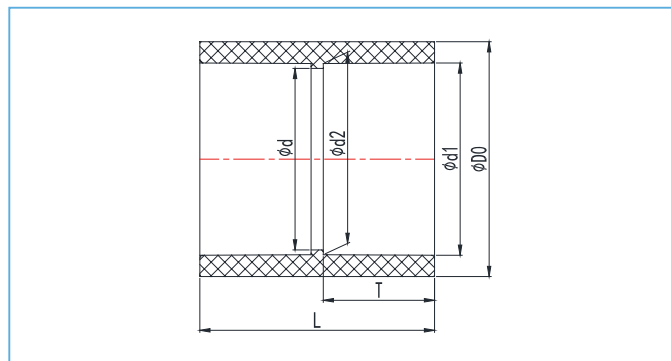
DIN

DN (De)	Dimensions (mm)					Nominal Pressure (kg/cm ²)
	D0	d1	d2	T	L	
De200	230,50	201,00	199,90	106,20	151,10	S6.3 (PN16)
200(225)	259,40	226,20	224,90	118,70	170,40	S8 (PN16)
De250	287,90	251,30	249,90	131,20	186,90	S8 (PN16)
250(280)	314,80	281,50	279,90	147,00	212,50	S8 (PN16)
300(315)	358,20	316,70	314,90	163,70	234,50	S8 (PN16)
350(355)	391,00	356,80	355,00	184,00	265,00	PN6
400(400)	442,00	402,00	400,00	204,20	294,00	PN6

ASTM SCH80

Size (inch)	Dimensions (mm)				
	D0	d1	d2	T	L
1/2"	29,54	21,54	21,23	23,22	30,80
3/4"	35,31	26,87	26,57	26,40	35,13
1"	43,70	33,66	33,27	29,57	40,00
1-1/4"	53,05	42,42	42,04	32,75	45,00
1-1/2"	59,86	48,56	48,11	35,93	49,00
2"	72,23	60,63	60,17	39,10	53,95
2-1/2"	87,98	73,38	72,85	45,45	64,20
3"	105,30	89,31	88,70	48,63	58,00
4"	132,00	114,76	114,07	58,15	81,00
5"	161,80	141,81	141,04	67,68	106,50
6"	190,85	168,83	168,00	77,20	119,55
8"	245,85	219,84	218,69	102,60	141,70
10"	305,80	273,81	272,67	128,00	186,25
12"	361,60	324,60	323,47	153,40	228,00

Coupling



DIN

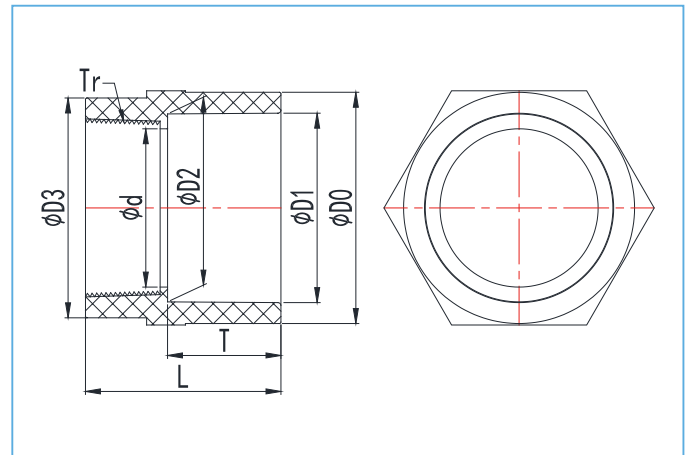
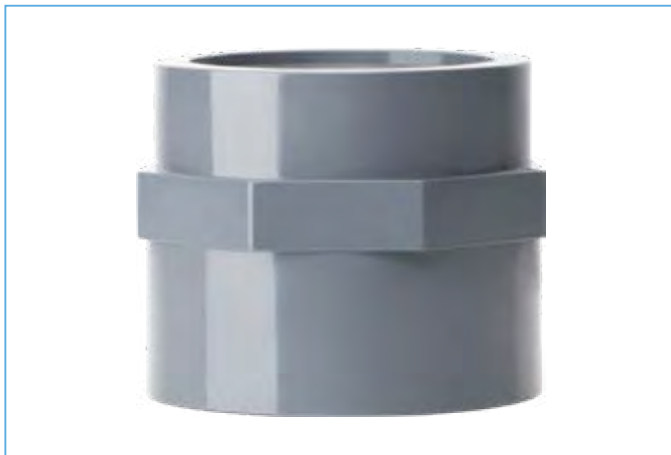
DN (De)	Dimensions (mm)						Nominal Pressure (kg/cm ²)
	D0	d1	d2	d	T	L	
15(20)	26,30	20,30	19,95	18,00	16,20	34,40	S5 (PN20)
20(25)	31,80	25,30	24,95	23,00	18,70	39,00	S5 (PN20)
25(32)	39,90	32,30	31,90	30,00	22,20	46,40	S5 (PN20)
32(40)	49,40	40,40	39,90	38,00	26,20	54,40	S5 (PN20)
40(50)	61,40	50,40	49,90	48,00	31,20	64,40	S5 (PN20)
50(63)	77,10	63,40	62,90	61,00	37,70	77,10	S5 (PN20)
65(75)	91,00	75,40	74,90	68,20	43,70	90,00	S6.3 (PN16)
80(90)	107,60	90,50	89,90	83,80	51,20	106,40	S6.3 (PN16)
100(110)	127,20	110,60	109,90	103,00	61,20	128,30	S6.3 (PN16)
De125	144,30	125,70	124,90	118,60	68,70	144,00	S6.3 (PN16)
125(140)	161,60	140,80	139,90	133,80	76,20	159,50	S6.3 (PN16)
150(160)	184,60	160,80	159,90	153,80	86,20	179,70	S6.3 (PN16)
De180	202,60	180,90	179,90	178,50	97,00	199,00	S6.3 (PN16)
De200	230,30	201,00	199,90	193,50	106,20	217,50	S6.3 (PN16)
200(225)	259,40	226,20	224,90	216,90	118,70	243,00	S8 (PN16)
De250	287,90	251,30	249,90	241,90	131,20	268,30	S8 (PN16)
250(280)	314,50	281,50	279,90	278,00	147,00	300,00	S8 (PN16)
300(315)	354,00	316,70	314,90	306,90	163,70	335,40	S8 (PN16)
350(355)	384,25	356,80	355,00	326,00	184,00	373,50	PN6
400(400)	430,15	402,00	400,00	369,80	205,50	422,80	PN6

ASTM SCH80

DN (inch)	Dimensions (mm)					
	D0	d1	d2	d	T	L
1/2"	30,50	21,54	21,23	17,00	23,22	50,40
3/4"	36,90	26,87	26,57	22,50	26,40	56,80
1"	44,70	33,66	33,27	29,00	29,57	63,10
1-1/4"	54,00	42,42	42,04	38,00	32,75	69,50
1-1/2"	60,60	48,56	48,11	43,00	35,93	75,80
2"	73,10	60,63	60,17	55,00	39,10	82,20
2-1/2"	88,40	73,38	72,85	67,50	45,45	96,00
3"	105,30	89,31	88,70	83,00	48,63	102,30
4"	132,00	114,76	114,07	106,00	58,15	124,00
5"	161,90	141,81	141,04	133,00	67,68	144,00
6"	190,90	168,83	168,00	160,00	77,20	164,40
8"	245,90	219,84	218,69	208,00	102,60	215,20
10"	305,80	273,81	272,67	262,50	128,00	266,00
12"	360,60	324,60	323,47	313,00	153,40	316,80
14"	394,11	355,94	354,33	331,50	200,00	378,00
16"	450,00	407,19	405,33	363,80	230,66	420,00



Female adaptor



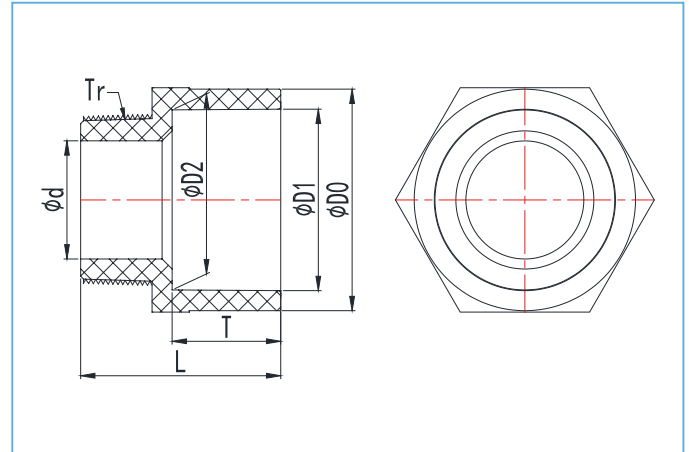
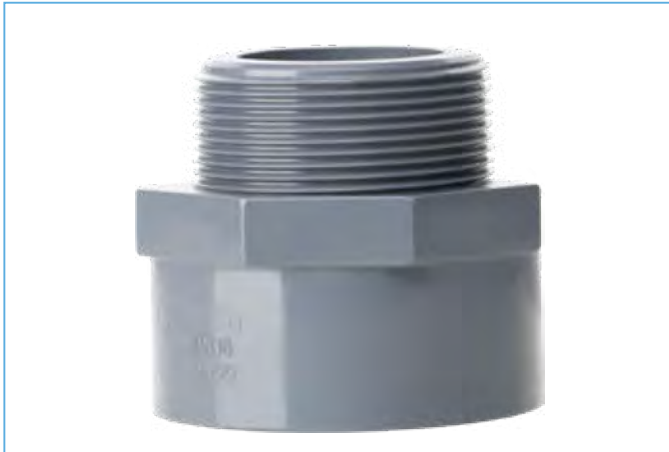
DIN

DN (De)	Dimensions (mm)								Nominal Pressure (kg/cm ²)
	D0	D1	D2	D3	d	T	L	Tr	
15(20)	27.10	20.30	19.95	27.60	16.50	16.50	33.50	1/2"	S5 (PN20)
20(25)	32.50	25.30	24.95	33.60	22.00	19.00	37.00	3/4"	S5 (PN20)
25(32)	40.30	32.30	31.90	41.30	28.00	22.50	42.20	1"	S5 (PN20)
32(40)	49.50	40.35	39.90	51.10	36.00	26.50	49.00	1-1/4"	S5 (PN20)
40(50)	61.60	50.35	49.90	59.00	42.00	31.50	54.00	1-1/2"	S5 (PN20)
50(63)	77.40	63.40	62.90	73.60	53.00	38.00	65.50	2"	S5 (PN20)
65(75)	90.40	75.40	74.90	90.20	68.00	44.00	76.00	2-1/2"	S6.3 (PN16)
80(90)	106.50	90.50	89.90	107.60	80.00	51.50	86.50	3"	S6.3 (PN16)
100(110)	126.90	110.60	109.90	129.40	104.50	61.50	103.00	4"	S6.3 (PN16)

ASTM SCH80

DN (inch)	Dimensions (mm)							
	D0	D1	D2	D3	d	T	L	Tr (NPT)
1/2"	29,70	21,54	21,23	29,22	16,00	23,22	40,22	1/2"
3/4"	35,30	26,87	26,57	34,97	20,60	26,40	44,40	3/4"
1"	43,70	33,66	33,27	43,35	26,00	29,57	49,60	1"
1-1/4"	53,10	42,42	42,04	52,58	36,00	32,75	55,25	1-1/4"
1-1/2"	59,90	48,56	48,11	59,45	41,00	35,93	58,45	1-1/2"
2"	73,10	60,63	60,17	72,10	52,00	39,10	66,60	2"
2-1/2"	88,00	73,38	72,85	87,30	64,00	45,45	77,50	2-1/2"
3"	105,30	89,31	88,70	104,60	78,00	48,63	83,65	3"
4"	132,00	114,76	114,07	131,20	102,50	58,15	99,70	4"

Male adaptor



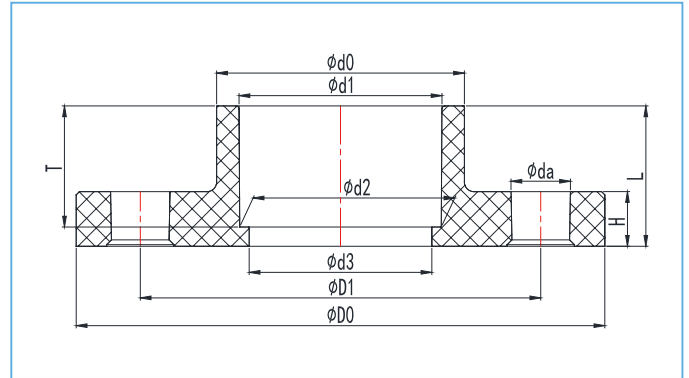
DIN

DN (De)	Dimensions (mm)								Nominal Pressure (kg/cm ²)
	D0	D1	D2	D3	d	T	L	Tr	
15(20)	26.80	20.30	19.95	11.30	16.50	35.00	1/2"	S5 (PN20)	S5 (PN20)
20(25)	32.50	25.30	24.95	16.10	19.00	38.50	3/4"	S5 (PN20)	S5 (PN20)
25(32)	40.30	32.30	31.90	21.40	22.50	44.50	1"	S5 (PN20)	S5 (PN20)
32(40)	49.50	40.35	39.90	28.80	26.50	51.00	1-1/4"	S5 (PN20)	S5 (PN20)
40(50)	61.60	50.35	49.90	32.50	31.50	56.50	1-1/2"	S5 (PN20)	S5 (PN20)
50(63)	77.00	63.40	62.90	41.30	38.00	69.40	2"	S5 (PN20)	S5 (PN20)
65(75)	90.40	75.40	74.90	55.80	44.00	79.90	2-1/2"	S6.3 (PN16)	S6.3 (PN16)
80(90)	106.50	90.50	89.90	67.30	51.50	91.50	3"	S6.3 (PN16)	S6.3 (PN16)
100(110)	126.90	110.60	109.90	91.60	61.50	108.00	4"	S6.3 (PN16)	S6.3 (PN16)

ASTM SCH80

DN (inch)	Dimensions (mm)							
	D0	D1	D2	D3	d	T	L	Tr (NPT)
1/2"	29,55	21,54	21,23	11,30	23,22	41,50	1/2"	1/2"
3/4"	35,30	26,87	26,57	16,00	26,40	45,90	3/4"	3/4"
1"	43,66	33,66	33,27	21,35	29,57	51,50	1"	1"
1-1/4"	50,00	42,42	42,04	28,80	32,75	56,80	1-1/4"	1-1/4"
1-1/2"	59,85	48,56	48,11	32,50	35,93	61,50	1-1/2"	1-1/2"
2"	72,25	60,63	60,17	41,30	39,10	71,00	2"	2"
2-1/2"	88,00	73,38	72,85	55,80	45,45	82,00	2-1/2"	2-1/2"
3"	105,45	89,31	88,70	67,30	48,63	88,65	3"	3"
4"	132,00	114,76	114,07	91,60	58,15	104,65	4"	4"

One-piece flange



DIN

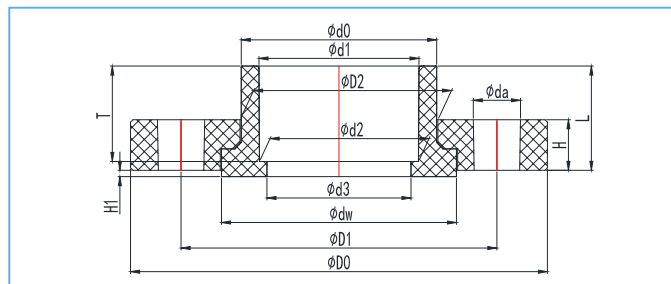
DN (De)	Dimensions (mm)											Nominal Pressure (kg/cm ²)
	D0	D1	d0	d1	d2	d3	da	T	H	L	n	
15(20)	95,00	65,00	26,80	20,30	19,95	16,00	14,00	16,20	12,40	20,20	4	PN16
20(25)	105,00	75,00	32,50	25,30	24,95	21,00	14,00	18,70	13,50	22,70	4	PN16
25(32)	115,00	85,00	40,30	32,30	31,90	28,00	14,00	22,20	15,00	26,20	4	PN16
32(40)	140,00	100,00	49,30	40,35	39,90	36,00	18,00	26,20	14,40	31,20	4	PN16
40(50)	150,00	110,00	61,60	50,35	49,90	46,00	18,00	31,20	15,50	36,20	4	PN16
50(63)	165,00	125,00	77,40	63,40	62,90	57,00	18,00	37,70	15,50	43,70	4	PN16
65(75)	185,00	145,00	90,40	75,40	74,90	69,00	18,00	43,70	17,30	50,20	4	PN16
80(90)	200,00	160,00	106,50	90,50	89,90	83,00	18,00	51,20	18,50	58,70	8	PN16
100(110)	220,00	180,00	126,90	110,60	109,90	103,00	18,00	61,20	20,30	68,70	8	PN16
De125	250,00	210,00	144,00	125,70	124,90	117,00	18,00	68,70	22,00	77,20	8	PN16
125(140)	250,00	210,00	161,30	140,75	139,90	131,50	18,00	76,20	22,20	84,70	8	PN16
150(160)	285,00	240,00	184,30	160,80	159,90	151,00	22,00	86,20	25,00	95,70	8	PN16
De180	285,00	240,00	202,60	180,80	179,90	166,00	22,00	97,00	25,50	115,00	8	PN10
De200	340,00	295,00	227,00	201,00	199,90	190,00	22,00	106,20	26,30	116,20	8	PN10
200(225)	340,00	295,00	254,10	226,20	224,90	216,00	22,00	118,70	27,00	129,70	8	PN10
De250	395,00	350,00	281,30	251,30	249,90	239,50	22,00	131,20	28,00	142,20	12	PN10
250(280)	405,00	350,00	310,40	281,50	279,90	264,00	22,00	147,00	29,00	169,00	12	PN10
300(315)	445,00	400,00	354,60	316,70	314,90	302,00	22,00	167,70	31,50	179,70	12	PN10

ASTM SCH80

DN (inch)	Dimensions (mm)										
	D0	D1	d0	d1	d2	d3	da	T	H	L	n
1/2"	89,00	60,30	29,54	21,54	21,23	17,00	16,00	23,22	13,00	27,72	4
3/4"	89,00	69,85	35,27	26,87	26,57	22,50	16,00	26,40	14,00	30,90	4
1"	108,00	79,38	43,66	33,66	33,27	29,00	16,00	29,57	15,00	34,10	4
1-1/4"	117,00	88,90	53,02	42,42	42,04	38,00	16,00	32,75	15,00	38,75	4
1-1/2"	127,00	98,43	59,86	48,56	48,11	43,00	16,00	35,93	17,00	41,95	4
2"	152,00	120,65	72,23	60,63	60,17	55,00	19,00	39,10	19,00	46,10	4
2-1/2"	178,00	139,70	88,00	73,38	72,85	67,50	19,00	45,45	20,00	53,00	4
3"	191,00	152,40	105,30	89,31	88,70	83,00	19,00	48,63	20,50	57,15	4
4"	229,00	190,50	132,00	114,76	114,07	106,00	19,00	58,15	21,00	66,65	8
5"	254,00	216,00	162,00	141,81	141,04	133,00	22,00	67,68	23,50	77,50	8
6"	284,00	241,30	190,85	168,83	168,00	160,00	22,00	77,20	26,50	88,20	8
8"	343,00	298,45	245,84	219,84	218,69	208,00	22,00	102,60	27,00	113,60	8



Vanstone flange



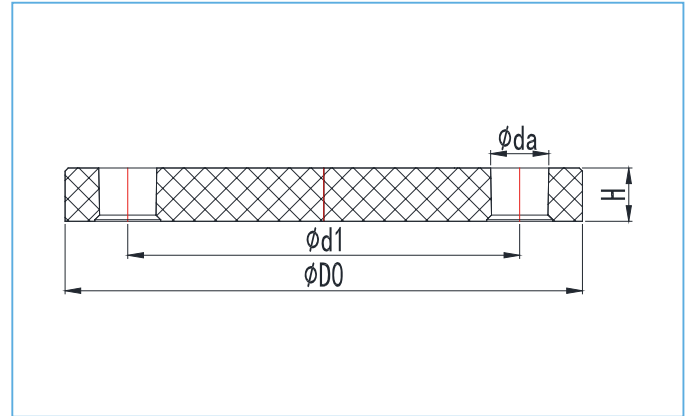
DIN

DN (De)	Dimensions (mm)														Nominal Pressure (kg/cm ²)
	D0	D1	D2	d0	d1	d2	d3	dw	da	T	H1	H	L	n	
15(20)	95,00	65,00	31,00	30,50	20,30	19,95	16,00	37,60	14,00	23,22	2,50	13,00	24,70	4	PN16
20(25)	105,00	75,00	37,90	36,90	25,35	24,95	20,60	47,00	14,00	26,40	2,50	14,00	27,90	4	PN16
25(32)	115,00	85,00	45,70	44,70	32,35	31,95	27,00	56,00	14,00	29,58	2,50	15,00	31,08	4	PN16
32(40)	140,00	100,00	55,00	54,00	40,40	39,95	36,00	64,00	18,00	32,75	2,50	15,00	35,25	4	PN16
40(50)	150,00	110,00	62,60	61,60	50,35	49,90	45,00	74,00	18,00	31,20	2,50	18,00	33,70	4	PN16
50(63)	165,00	125,00	78,40	77,40	63,40	62,90	57,00	93,00	18,00	37,70	2,50	20,00	41,20	4	PN16
65(75)	185,00	145,00	91,40	90,40	75,40	74,90	69,00	110,00	18,00	43,70	2,50	23,00	47,20	4	PN16
80(90)	200,00	160,00	107,50	106,50	90,50	89,90	83,00	126,00	18,00	51,20	2,50	26,00	55,70	8	PN16
100(110)	220,00	180,00	127,90	126,90	110,60	109,90	103,00	147,00	18,00	61,20	2,50	28,00	65,70	8	PN16
De125	250,00	210,00	145,00	144,00	125,70	124,90	117,00	164,00	18,00	68,70	2,50	29,00	74,20	8	PN16
125(140)	250,00	210,00	162,30	161,30	140,75	139,90	131,50	181,00	18,00	76,20	2,50	30,00	81,70	8	PN16
150(160)	285,00	240,00	186,30	184,30	160,80	159,90	151,00	204,00	22,00	86,20	3,00	32,00	92,20	8	PN16
De180	340,00	295,00	229,00	227,00	201,00	199,90	190,00	256,00	22,00	106,20	3,00	36,00	112,20	8	PN10
De200	340,00	295,00	256,10	254,10	226,20	224,90	216,00	271,00	22,00	118,70	3,00	38,00	127,70	8	PN10
200(225)	395,00	350,00	283,30	281,30	251,30	249,90	239,50	310,00	22,00	131,20	3,50	40,00	138,20	12	PN10
De250	398,00	351,50	308,00	305,50	281,50	280,15	272,00	325,00	22,00	147,00	10,00	35,00	159,00	12	PN10
300(315)	445,00	400,00	356,60	354,60	316,70	314,90	302,00	373,00	22,00	167,70	5,00	44,00	175,70	12	PN10
350(355)	510,00	450,00	393,00	391,00	356,80	355,00	326,00	417,00	24,00	184,00	32,00	40,00	197,00	16	PN10
400(400)	570,00	500,00	444,00	442,00	402,00	400,00	369,80	453,00	24,00	204,20	40,00	44,00	226,00	16	PN10
De450	620,00	565,00	488,50	486,00	451,94	450,05	447,00	518,00	27,00	233,00	38,00	45,00	245,00	20	PN10
De500	670,00	620,00	541,00	536,50	502,80	500,60	596,00	573,00	27,00	256,00	38,00	50,00	268,00	20	PN10

ASTM SCH80

DN (inch)	Dimensions (mm)													
	D0	D1	D2	d0	d1	d2	d3	dw	da	T	H1	H	L	n
1/2"	89,00	61,00	31,00	30,50	21,54	21,33	16,00	37,60	16,00	23,22	2,50	13,00	24,72	4
3/4"	98,00	70,00	37,90	36,90	26,87	26,57	20,60	47,00	16,00	26,40	2,50	14,00	27,90	4
1"	108,00	79,00	45,70	44,70	33,66	33,27	27,00	56,00	16,00	29,58	2,50	15,00	31,08	4
1-1/4"	117,00	89,00	55,00	54,00	42,42	42,04	36,00	64,00	16,00	32,75	2,50	15,00	35,25	4
1-1/2"	127,00	98,00	62,60	61,60	50,46	50,46	45,00	72,40	19,00	35,93	2,50	18,00	38,43	4
2"	152,00	121,00	74,10	73,10	60,63	60,17	52,50	88,50	19,00	39,10	2,50	20,00	42,60	4
2-1/2"	178,00	140,00	89,40	88,40	73,38	72,85	65,00	108,00	19,00	45,50	2,50	23,00	49,00	4
3"	191,00	152,00	106,30	105,30	89,31	88,70	80,00	124,80	19,00	48,63	2,50	26,00	53,13	4
4"	229,00	191,00	133,00	132,00	114,76	114,07	102,00	152,00	22,00	58,15	2,50	28,00	62,65	8
5"	254,00	216,00	162,90	161,90	141,81	141,04	122,00	181,50	22,00	68,00	2,50	30,00	73,50	8
6"	284,00	241,00	192,50	191,50	168,83	168,00	150,00	209,50	22,00	77,20	3,00	32,00	83,20	8
8"	343,00	298,00	247,90	246,90	219,84	218,69	193,00	264,90	22,00	102,60	3,00	36,00	108,60	8
10"	410,00	362,00	309,80	305,80	273,81	272,67	262,50	327,37	24,00	128,00	3,00	42,00	138,00	12
12"	482,60	432,00	366,60	362,60	324,60	323,47	313,00	384,60	24,00	153,40	3,00	44,00	166,00	12
14"	534,00	476,30	402,00	399,20	356,60	355,50	331,50	426,60	28,60	183,50	3,00	52,00	186,00	12
16"	600,00	540,80	456,00	451,60	407,60	406,36	342,50	482,40	28,60	208,00	3,00	60,00	210,00	16

Blind flange



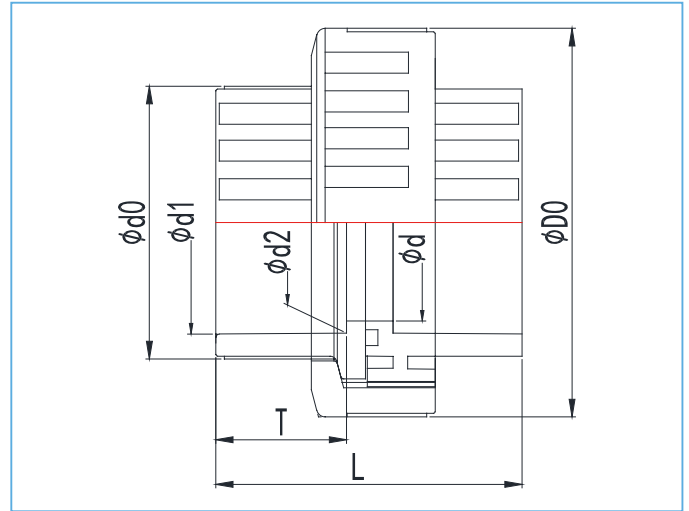
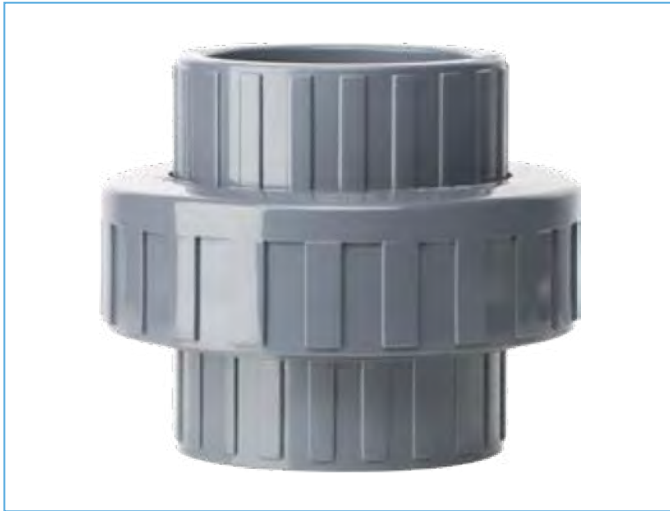
DIN

DN (De)	Dimensions (mm)					Nominal Pressure (kg/cm ²)
	D0	d1	da	H	n	
15(20)	95,00	65,00	14,00	12,50	4	PN16
20(25)	105,00	75,00	14,00	13,40	4	PN16
25(32)	115,00	85,00	14,00	14,00	4	PN16
32(40)	140,00	100,00	18,00	14,40	4	PN16
40(50)	150,00	110,00	18,00	16,40	4	PN16
50(63)	165,00	125,00	18,00	16,20	4	PN16
65(75)	185,00	145,00	18,00	17,50	4	PN16
80(90)	200,00	160,00	18,00	18,00	8	PN16
100(110)=	220,00	180,00	18,00	22,00	8	PN16
150(160)	285,00	240,00	22,00	28,00	8	PN16
De200	340,00	295,00	22,00	32,00	8	PN16
De250	405,00	350,00	22,00	29,00	12	PN16
300(315)	445,00	400,00	22,00	31,50	12	PN10
350(355)	510,00	450,00	24,00	40,00	16	PN10
400(400)	570,00	500,00	27,00	42,00	16	PN10

ASTM SCH80

DN (inch)	Dimensions (mm)				
	D0	d1	da	H	n
1/2"	89,00	60,30	16,00	14,50	4
3/4"	89,00	69,85	16,00	15,30	4
1"	108,00	79,38	16,00	16,30	4
1-1/4"	117,00	88,90	16,00	15,80	4
1-1/2"	127,00	98,43	16,00	18,50	4
2"	152,00	120,65	19,00	20,50	4
2-1/2"	178,00	139,70	19,00	21,30	4
3"	191,00	152,40	19,00	22,00	4
4"	229,00	190,50	19,00	23,20	8
5"	254,00	216,00	22,00	25,00	8
6"	284,00	241,30	22,00	28,30	8
8"	343,00	298,45	22,00	28,70	8
10"	410,00	362,00	24,00	40,00	12
12"	482,60	432,00	24,00	42,00	12
14"	534,00	476,30	28,60	45,00	12
16"	598,35	540,80	28,60	52,00	16

Union



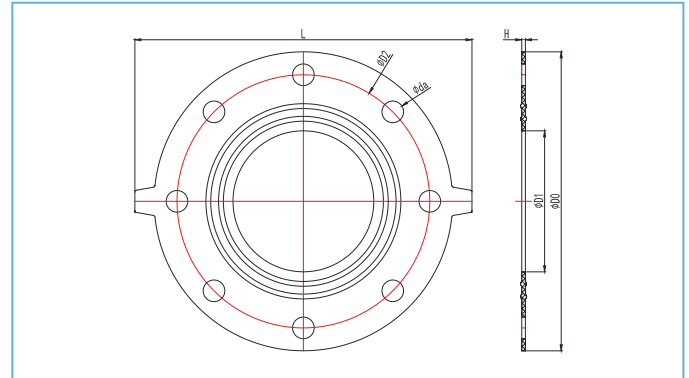
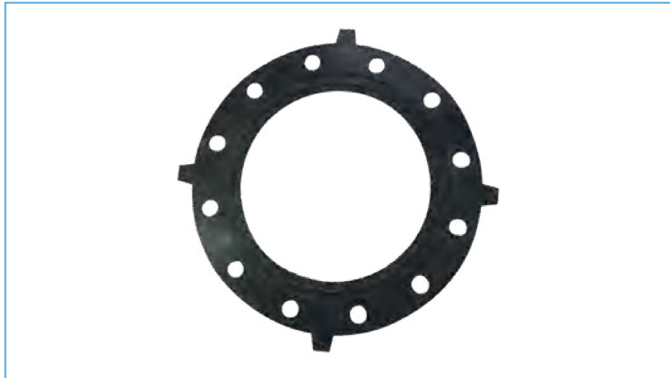
DIN

DN (De)	Dimensions (mm)							Nominal Pressure (kg/cm ²)
	D0	d0	d1	d2	d	T	L	
15(20)	47,00	26,80	20,30	19,95	15,50	16,50	41,50	PN10
20(25)	53,90	32,00	25,30	24,95	20,00	19,00	48,00	PN10
25(32)	67,00	40,30	32,30	31,90	26,00	22,50	55,00	PN10
32(40)	78,50	49,10	40,35	39,90	34,00	26,50	63,50	PN10
40(50)	93,00	61,60	50,35	49,90	43,00	31,50	75,50	PN10
50(63)	110,60	76,00	63,40	62,90	56,00	38,00	89,50	PN10
65(75)	130,00	89,60	75,40	74,90	67,00	44,00	102,00	PN10
80(90)	147,50	105,50	90,50	89,90	82,00	51,50	120,00	PN10
100(110)	173,00	126,50	110,60	109,90	102,00	61,50	140,00	PN10

ASTM SCH80

DN (inch)	Dimensions (mm)						
	D0	d0	d1	d2	d	T	L
1/2"	47,00	29,54	21,54	21,23	17,00	23,22	48,20
3/4"	54,00	35,36	26,87	26,57	22,50	26,40	55,50
1"	67,00	43,66	33,66	33,27	29,00	29,57	62,10
1-1/4"	78,50	53,02	42,42	42,04	38,00	32,75	70,00
1-1/2"	93,00	59,86	48,56	48,11	43,00	35,93	80,00
2"	110,60	72,23	60,63	60,17	55,00	39,10	90,50
2-1/2"	130,60	88,00	73,38	72,85	67,50	45,45	104,00
3"	148,50	105,30	89,31	88,70	83,00	48,63	117,00
4"	173,50	132,00	114,76	114,07	106,00	58,15	136,60

Flange gasket



DIN

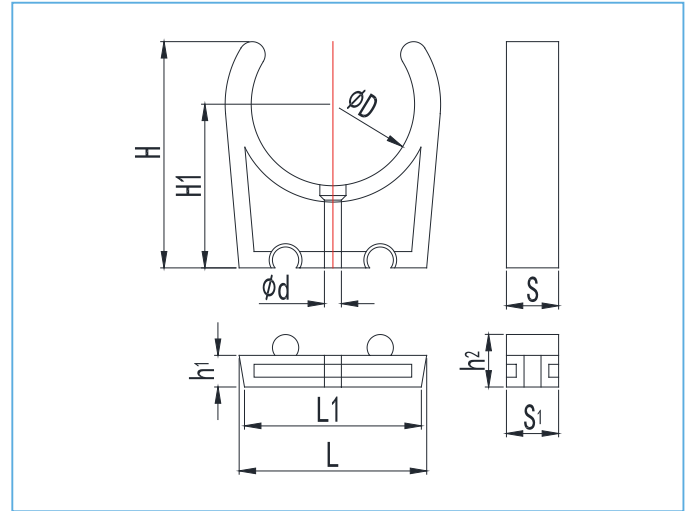
DN (De)	Dimensions (mm)						
	D0	D1	D2	da	H	L	n
15(20)	93,00	16,00	65,00	14,00	3,00	115,00	4
20(25)	103,00	21,00	75,00	14,00	3,00	125,00	4
25(32)	113,00	28,00	85,00	14,00	3,00	135,00	4
32(40)	138,00	36,00	100,00	18,00	3,00	160,00	4
40(50)	148,00	45,00	110,00	18,00	3,00	170,00	4
50(63)	163,00	57,00	125,00	18,00	3,00	185,00	4
65(75)	183,00	69,00	145,00	18,00	3,00	205,00	4
80(90)	198,00	83,00	160,00	18,00	3,00	220,00	8
100(110)	218,00	103,00	180,00	18,00	3,00	250,00	8
De125	248,00	117,00	210,00	18,00	3,00	280,00	8
125(140)	248,00	131,50	210,00	18,00	3,00	280,00	8
150(160)	283,00	151,00	240,00	22,00	3,00	315,00	8
De180	283,00	166,00	240,00	22,00	3,00	315,00	8
De200	338,00	190,00	295,00	22,00	3,00	370,00	8
200(225)	338,00	203,00	295,00	22,00	3,00	370,00	8
De250	393,00	239,50	350,00	22,00	3,00	430,00	12
300(315)	443,00	302,00	400,00	22,00	3,00	485,00	12
350(355)	500,00	320,00	450,00	22,00	3,00	550,00	16
400(400)	550,00	350,00	500,00	22,00	3,00	590,00	16

ASTM SCH80

DN (inch)	Dimensions (mm)						
	D0	D1	D2	da	H	L	n
1/2"	87,00	16,00	60,33	16,00	3,00	109,00	4
3/4"	96,00	20,60	69,85	16,00	3,00	118,00	4
1"	106,00	27,00	79,38	16,00	3,00	128,00	4
1-1/4"	115,00	36,00	88,90	16,00	3,00	134,70	4
1-1/2"	125,00	41,50	98,43	16,00	3,00	146,60	4
2"	150,00	52,50	120,65	19,00	3,00	172,00	4
2-1/2"	176,00	65,00	139,70	19,00	3,00	198,00	4
3"	189,00	80,00	152,40	19,00	3,00	209,00	4
4"	226,00	102,00	190,50	19,00	3,00	258,00	8
5"	250,00	122,00	215,90	22,00	3,00	282,00	8
6"	281,00	150,00	241,30	22,00	3,00	313,00	8
8"	340,00	193,00	298,45	22,00	3,00	372,00	8
10"	408,00	262,50	362,00	25,00	3,00	450,00	12
12"	482,00	313,00	432,00	25,00	3,00	524,00	12
14"	543,00	342,50	476,30	28,60	3,00	573,00	12
16"	600,00	388,00	540,80	28,60	3,00	630,00	16



Bracket



DIN

DN (De)	Dimensions (mm)									
	D	H	H1	d	S	L	L1	h1	h2	S1
15(20)	20,20	35,40	27,20	5,20	16,00	—	—	—	—	—
20(25)	25,10	41,00	30,50	5,20	16,00	—	—	—	—	—
25(32)	32,10	52,80	40,00	5,20	16,00	—	—	—	—	—
32(40)	40,10	59,30	44,00	5,20	16,00	—	—	—	—	—
40(50)	50,10	71,20	52,00	5,20	16,00	—	—	—	—	—
50(63)	63,10	88,50	65,00	5,20	16,00	—	—	—	—	—
65(75)	75,10	91,80	62,50	5,20	16,00	82,85	79,11	20,00	26,90	16,00
80(90)	90,10	103,90	69,00	5,20	20,00	97,22	91,87	30,00	36,90	20,00
100(110)	110,10	124,50	85,00	5,20	20,00	105,00	96,38	30,00	36,90	20,00
125(140)	140,10	154,50	108,00	9,00	25,40	-	-	-	-	-

PVC-U/C valves for industry

Socket true union ball valve

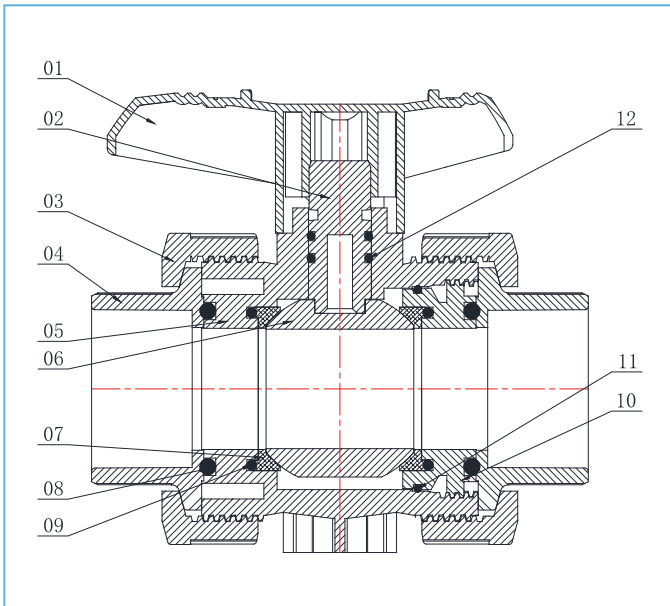


DESCRIPTION

- **Material:** PVC-U, PVC-C
- **Size:** DN15...100, 1/2"...4", 16A...100A
- **Standard:** DIN, ASTM, JIS
- **Connection:** socket
- **Color:** handle - red, body - dark gray

FEATURES

- Switch torque is small
- Simple economy
- The material is nano-modified to improve the pressure resistance of the products
- Thickened valve body for high compression resistance
- Valve factory 100% pressure test



MATERIALS

No.	Name	Quantity	Material
01	Lever	1	PVC-U/PP+GF30
02	Shaft	1	PVC-U/C
03	Nut	2	PVC-U/C
04	Faucet	2	PVC-U/C
05	Body	1	PVC-U/C
06	Ball	1	PVC-U/C
07	Ball seat	2	PTFE
08	O-ring 1	2	EPDM/FPM
09	O-ring 2	2	EPDM/FPM
10	Seal Carrier	1	PVC-U/C
11	O-ring 3	1	EPDM/FPM
12	O-ring 4	2	EPDM/FPM

DIMENSIONS

DIN

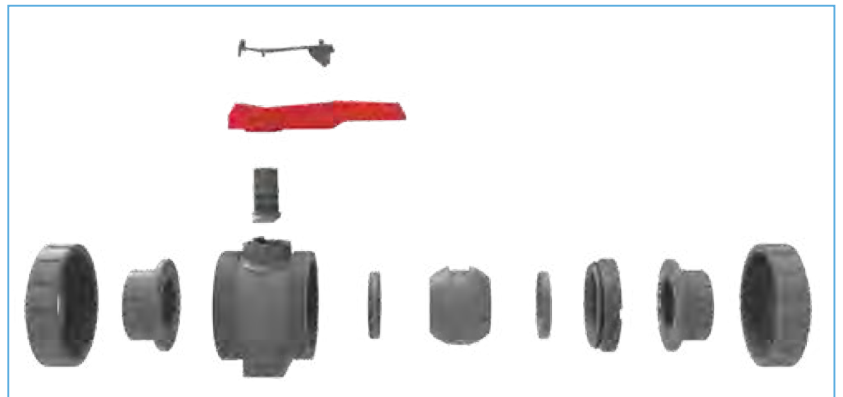
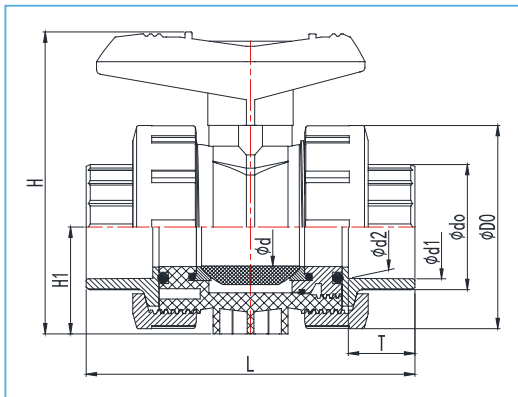
DN (De)	Dimensions (mm)								
	D0	d0	d1	d2	d	H1	H	T	L
15(20)	51,50	27,40	20,30	19,95	15,50	26,30	82,80	17,00	95,50
20(25)	59,00	32,70	25,30	24,95	20,50	30,60	92,80	19,50	109,10
25(32)	70,00	41,30	32,30	31,90	26,00	39,10	109,20	23,00	122,60
32(40)	85,40	49,60	40,35	39,90	33,00	44,20	131,80	27,00	147,30
40(50)	98,90	60,20	50,35	49,90	39,00	52,20	143,20	32,00	158,80
50(63)	122,20	76,00	63,40	62,90	51,00	71,30	175,70	38,50	182,80
65(75)	158,60	89,60	75,40	74,90	64,00	82,80	231,50	44,50	234,00
80(90)	192,10	105,40	90,50	89,90	81,00	99,30	260,60	52,00	255,00
100(110)	223,60	128,40	110,60	109,90	99,00	115,20	292,10	62,00	297,00

ASTM SCH80

Size (inch)	Dimensions (mm)								
	D0	d0	d1	d2	d	H1	H	T	L
1/2"	51,50	27,40	21,54	21,23	15,50	26,30	82,80	23,22	107,90
3/4"	59,00	32,70	26,87	26,57	20,50	30,60	92,80	26,40	122,90
1"	70,00	41,30	33,66	33,27	26,00	39,10	109,20	29,57	135,70
1-1/4"	85,40	49,60	42,42	42,04	33,00	44,20	131,80	32,75	158,80
1-1/2"	98,90	60,20	48,56	48,11	39,00	52,20	143,20	32,00	166,80
2"	122,20	76,00	60,63	60,17	51,00	71,30	175,70	39,10	182,80
2-1/2"	158,60	89,60	73,38	72,85	64,00	82,80	231,50	44,50	236,00
3"	192,10	105,40	89,31	88,70	81,00	99,30	260,60	48,60	249,00
4"	223,60	128,40	114,76	114,07	99,00	115,20	292,10	58,15	289,00

JIS

Size A	Dimensions (mm)								
	D0	d0	d1	d2	d	H1	H	T	L
16	51,50	30,43	20,95	18,63	15,50	26,30	82,80	17,00	95,50
20	59,00	36,30	26,44	24,12	20,50	30,60	92,80	19,50	109,10
25	70,00	44,61	33,25	30,29	26,00	39,10	109,20	23,00	122,60
30	85,40	53,87	41,91	38,95	33,00	44,20	131,80	27,00	147,30
40	98,90	61,12	47,80	44,85	39,00	52,20	143,20	32,00	158,80
50	122,20	73,83	59,61	56,66	51,00	71,30	175,70	38,50	182,80
65	158,60	87,71	75,18	74,23	64,00	82,80	231,50	44,50	234,00
75	192,10	106,81	87,88	84,93	81,00	99,30	260,60	52,00	255,00
100	223,60	133,46	113,03	110,07	99,00	115,20	292,10	62,00	297,00



Threaded true union ball valve

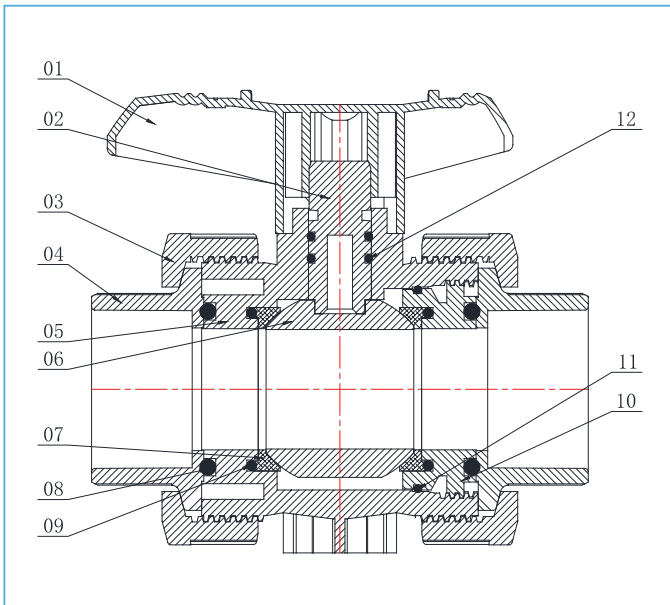


DESCRIPTION

- **Material:** PVC-U, PVC-C
- **Size:** DN15...100, 1/2"...4", 16A...100A
- **Standard:** DIN, ASTM, JIS
- **Connection:** socket
- **Color:** handle - red, body - dark gray

FEATURES

- Switch torque is small
- Simple economy
- The material is nano-modified to improve the pressure resistance of the products
- Thickened valve body for high compression resistance
- Valve factory 100% pressure test



MATERIALS

No.	Name	Quantity	Material
01	Lever	1	PVC-U/PP+GF30
02	Shaft	1	PVC-U/C
03	Nut	2	PVC-U/C
04	Faucet	2	PVC-U/C
05	Body	1	PVC-U/C
06	Ball	1	PVC-U/C
07	Ball seat	2	PTFE
08	O-ring 1	2	EPDM/FPM
09	O-ring 2	2	EPDM/FPM
10	Seal Carrier	1	PVC-U/C
11	O-ring 3	1	EPDM/FPM
12	O-ring 4	2	EPDM/FPM

DIMENSIONS

DIN

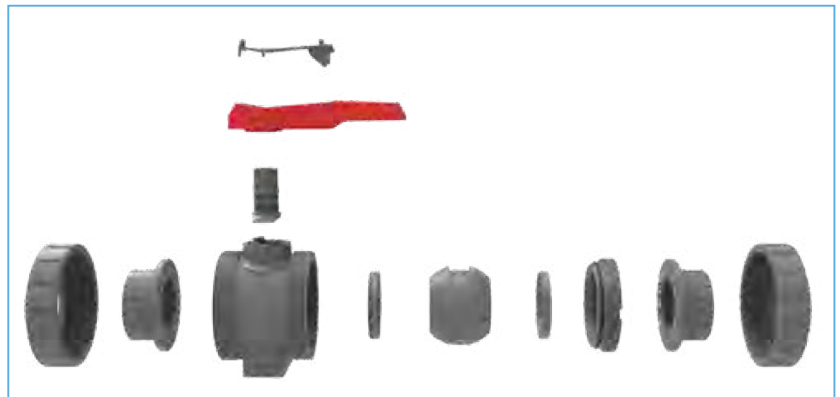
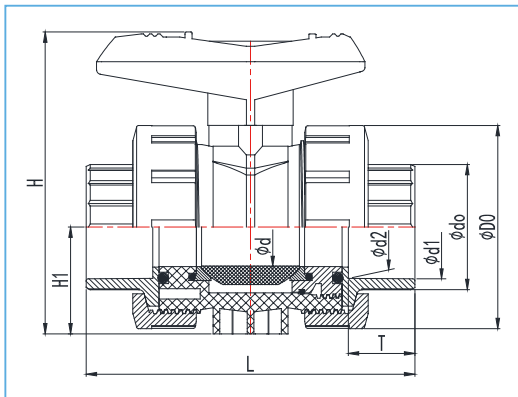
DN (De)	Dimensions (mm)									
	D0	d0	d1	d2	d	H1	H	T	L	Tr
15(20)	51,50	30,43	20,95	18,63	15,50	26,30	82,80	17,00	95,50	1/2"
20(25)	59,00	36,30	26,44	24,12	20,50	30,60	92,80	19,50	109,10	3/4"
25(32)	70,00	44,61	33,25	30,29	26,00	39,10	109,20	23,00	122,60	1"
32(40)	85,40	53,87	41,91	38,95	33,00	44,20	131,80	27,00	147,30	1-1/4"
40(50)	98,90	61,12	47,80	44,85	39,00	52,20	143,20	32,00	158,80	1-1/2"
50(63)	122,20	73,83	59,61	56,66	51,00	71,30	175,70	38,50	182,80	2"
65(75)	158,60	87,71	75,18	74,23	64,00	82,80	231,50	44,50	234,00	2-1/2"
80(90)	192,10	106,81	87,88	84,93	81,00	99,30	260,60	52,00	255,00	3"
100(110)	223,60	133,46	113,03	110,07	99,00	115,20	292,10	62,00	297,00	4"

ASTM SCH80

Size (inch)	Dimensions (mm)									
	D0	d0	d1	d2	d	H1	H	T	L	Tr
1/2"	51,50	30,43	20,95	18,63	15,50	26,30	82,80	17,00	95,50	1/2"
3/4"	59,00	36,30	26,44	24,12	20,50	30,60	92,80	19,50	109,10	3/4"
1"	70,00	44,61	33,25	30,29	26,00	39,10	109,20	23,00	122,60	1"
1-1/4"	85,40	53,87	41,91	38,95	33,00	44,20	131,80	27,00	147,30	1-1/4"
1-1/2"	98,90	61,12	47,80	44,85	39,00	52,20	143,20	32,00	158,80	1-1/2"
2"	122,20	73,83	59,61	56,66	51,00	71,30	175,70	38,50	182,80	2"
2-1/2"	158,60	87,71	75,18	74,23	64,00	82,80	231,50	44,50	234,00	2-1/2"
3"	192,10	106,81	87,88	84,93	81,00	99,30	260,60	52,00	255,00	3"
4"	223,60	133,46	113,03	110,07	99,00	115,20	292,10	62,00	297,00	4"

JIS

Size A	Dimensions (mm)									
	D0	d0	d1	d2	d	H1	H	T	L	Tr
16	51,50	30,43	20,95	18,63	15,50	26,30	82,80	17,00	95,50	1/2"
20	59,00	36,30	26,44	24,12	20,50	30,60	92,80	19,50	109,10	3/4"
25	70,00	44,61	33,25	30,29	26,00	39,10	109,20	23,00	122,60	1"
30	85,40	53,87	41,91	38,95	33,00	44,20	131,80	27,00	147,30	1-1/4"
40	98,90	61,12	47,80	44,85	39,00	52,20	143,20	32,00	158,80	1-1/2"
50	122,20	73,83	59,61	56,66	51,00	71,30	175,70	38,50	182,80	2"
65	158,60	87,71	75,18	74,23	64,00	82,80	231,50	44,50	234,00	2-1/2"
75	192,10	106,81	87,88	84,93	81,00	99,30	260,60	52,00	255,00	3"
100	223,60	133,46	113,03	110,07	99,00	115,20	292,10	62,00	297,00	4"



Flanged true union ball valve

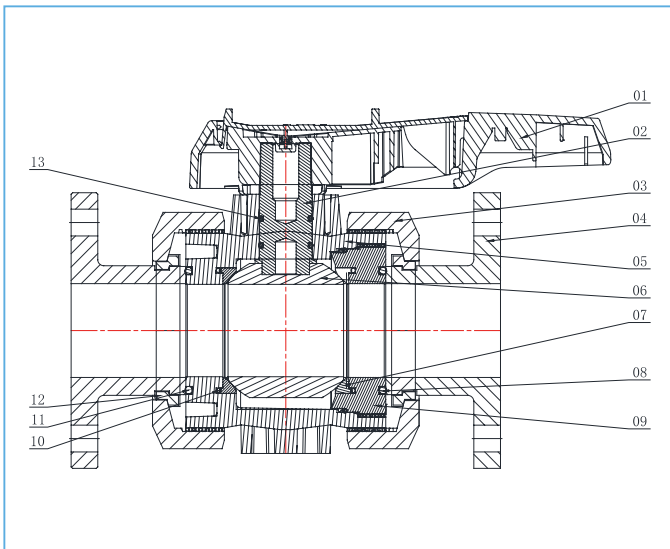


DESCRIPTION

- **Material:** PVC-U, PVC-C
- **Size:** DN15...100
- **Standard:** DIN
- **Connection:** flanged
- **Color:** handle - red, body - dark gray

FEATURES

- Switch torque is small
- Simple economy
- The material is na
- Thickened valve body for high compression resistance
- Valve factory 100% pressure test



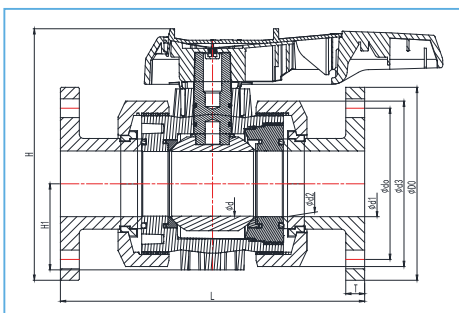
MATERIALS

No.	Name	Quantity	Material
01	Lever	1	PVC-U/PP+GF30
02	Shaft	1	PVC-U/C
03	Nut	2	PVC-U/C
04	Flange	2	PVC-U/C
05	Body	1	PVC-U/C
06	Ball	1	PVC-U/C
07	Ball seat	2	PTFE
08	O-ring 1	2	EPDM/FPM
09	Seal Carrier	1	PVC-U/C
10	O-ring 2	2	EPDM/FPM
11	O-ring 3	1	EPDM/FPM
12	Fixed snap ring	2	PVC-U/C
13	O-ring 4	2	EPDM/FPM

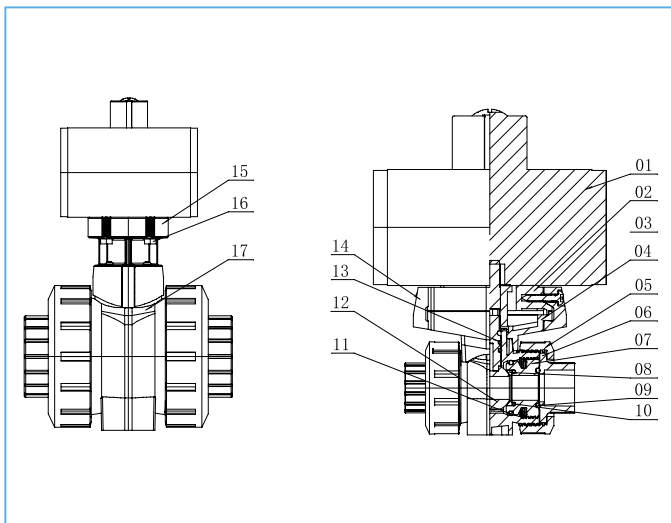
DIMENSIONS

DIN

DN (De)	Dimensions (mm)									
	D0	d0	d1	d2	d3	d	H1	H	T	L
15(20)	95,00	65,00	20,30	19,95	51,50	15,50	26,30	103,90	13,00	143,00
20(25)	105,00	75,00	25,30	24,95	59,00	20,50	30,60	114,66	14,00	172,00
25(32)	115,00	85,00	32,30	31,90	70,00	26,00	39,10	127,56	15,00	187,00
32(40)	140,00	100,00	40,35	39,90	85,40	33,00	44,20	157,51	15,00	190,00
40(50)	150,00	110,00	50,35	49,90	98,90	39,00	52,20	166,00	17,00	212,00
50(63)	165,00	125,00	63,40	62,90	122,20	51,00	71,30	197,50	17,00	234,00
65(75)	185,00	145,00	75,40	74,90	158,60	64,00	82,80	241,20	18,00	290,00
80(90)	200,00	160,00	90,50	89,90	192,10	81,00	99,30	261,20	18,00	310,00
100(110)	220,00	180,00	110,60	109,90	223,60	99,00	115,20	286,68	18,00	372,00



Pneumatic socket true union ball valve



DESCRIPTION

- **Material:** PVC-U, PVC-C
- **Size:** DN15...100, 1/2"...4", 16A...100A
- **Standard:** DIN, ASTM, JIS
- **Connection:** socke
- **Color:** body - gray

FEATURES

- Switch torque is small
- Simple economy
- The material is nano-modified to improve the pressure resistance of the products
- Thickened valve body for high compression resistan
- Valve factory 100% pressure test
- Actuator performs 500000 opening and closing tests
- Optional single-acting actuator and various solenoid valves, return position switch

MATERIALS

No.	Name	Quantity	Material
01	Pneumatic actuator	1	Alluminium alloy/plastic
02	Connector top cover	1	PP+GF30
03	Bolt	2	SS 304
04	Connector bottom cover	1	PP+GF30
05	Nut	2	PVC-U/C
06	Faucet	2	PVC-U/C
07	Seal Carrier	1	PVC-U/C
08	Ball seat	2	PTFE
09	O-ring 1	2	EPDM/FPM
10	O-ring 2	2	EPDM/FPM
11	O-ring 3	1	EPDM/FPM
12	Ball	1	PVC-U/C
13	O-ring 4	2	EPDM/FPM
14	Fixed buckle	2	PP+GF30
15	Connection	1	PP+GF30
16	Bolt	4	SS 304
17	Body	1	PVC-U/C

DIMENSIONS

DIN

DN (De)	Dimensions (mm)								
	D0	d0	d1	d2	d	H1	H	T	L
15(20)	51,50	27,40	20,30	19,95	15,50	26,30	156,50	17,00	95,50
20(25)	59,00	32,70	25,30	24,95	20,50	30,60	194,00	19,50	109,10
25(32)	70,00	41,30	32,30	31,90	26,00	39,10	210,00	23,00	122,60
32(40)	85,40	49,60	40,35	39,90	33,00	44,20	243,40	27,00	147,30
40(50)	98,90	60,20	50,35	49,90	39,00	52,20	268,90	32,00	158,80
50(63)	122,20	76,00	63,40	62,90	51,00	71,30	301,20	38,50	182,80
65(75)	158,60	89,60	75,40	74,90	64,00	82,80	373,60	44,50	234,00
80(90)	192,10	105,40	90,50	89,90	81,00	99,30	430,10	52,00	255,00
100(110)	223,60	128,40	110,60	109,90	99,00	115,20	493,60	62,00	297,00

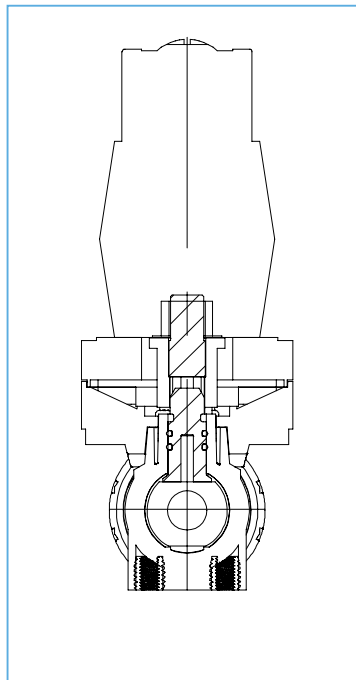
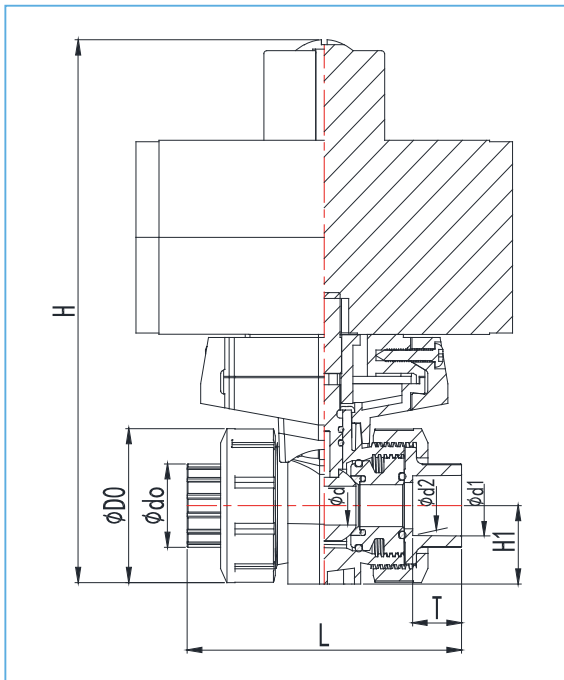


ASTM SCH80

Size (inch)	Dimensions (mm)								
	D0	d0	d1	d2	d	H1	H	T	L
1/2"	51,50	27,40	21,54	21,23	15,50	26,30	156,50	23,22	107,90
3/4"	59,00	32,70	26,87	26,57	20,50	30,60	194,00	26,40	122,90
1"	70,00	41,30	33,66	33,27	26,00	39,10	210,00	29,57	135,70
1-1/4"	85,40	49,60	42,42	42,04	33,00	44,20	243,40	32,75	158,80
1-1/2"	98,90	60,20	48,56	48,11	39,00	52,20	268,90	32,00	166,80
2"	122,20	76,00	60,63	60,17	51,00	71,30	301,20	39,10	182,80
2-1/2"	158,60	89,60	73,38	72,85	64,00	82,80	373,60	44,50	236,00
3"	192,10	105,40	89,31	88,70	81,00	99,30	430,10	48,60	249,00
4"	223,60	128,40	114,76	114,07	99,00	115,20	493,60	58,15	289,00

JIS

Size A	Dimensions (mm)								
	D0	d0	d1	d2	d	H1	H	T	L
16	51,50	30,50	22,40	21,60	15,50	26,30	156,50	30,00	121,80
20	59,00	34,11	26,45	25,51	20,50	30,60	194,00	35,00	140,60
25	70,00	41,30	32,66	31,50	26,00	39,10	210,00	40,00	157,10
30	85,40	48,16	38,60	37,43	33,00	44,20	243,40	44,00	184,00
40	98,90	59,10	48,85	47,38	39,00	52,20	268,90	55,00	207,20
50	122,20	72,10	61,00	59,27	51,00	71,30	301,20	63,00	235,00
65	158,60	89,23	77,10	75,73	64,00	82,80	373,60	63,00	273,00
75	192,10	105,33	89,60	88,58	81,00	99,30	430,10	64,00	279,00
100	223,60	133,07	114,70	113,55	99,00	115,20	493,60	84,00	342,60



Pneumatic flanged true union ball valve

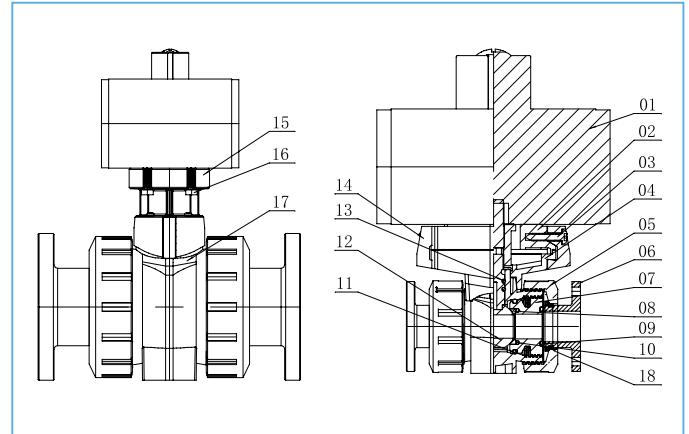


DESCRIPTION

- **Material:** PVC-U, PVC-C
- **Size:** DN15...100, 1/2" ...4", 16A...100A
- **Standard:** DIN, ASTM, JIS
- **Connection:** socket
- **Color:** body - gray

FEATURES

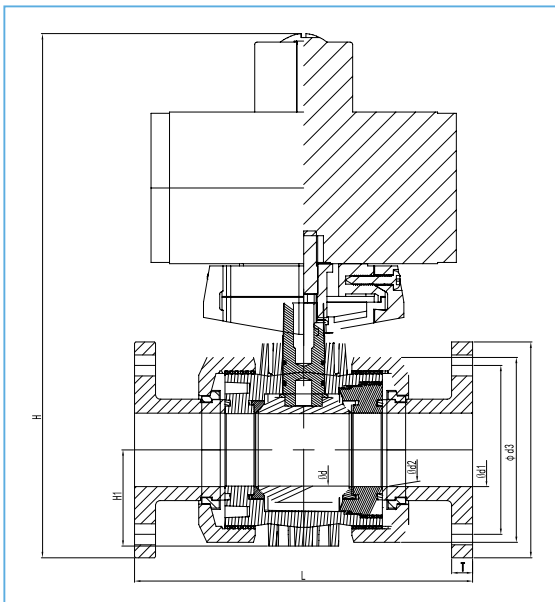
- Switch torque is small
- Simple economy
- The material is nano-modified to improve the pressure resistance of the products
- Thickened valve body for high compression resistance
- Valve factory 100% pressure test
- Actuator performs 500000 opening and closing tests
- Optional single-acting actuator and various solenoid valves, return position switch



MATERIALS

No.	Name	Quantity	Material
01	Pneumatic actuator	1	Alluminium alloy/plastic
02	Connector top cover	1	PP+GF30
03	Bolt	2	SS 304
04	Connector bottom cover	1	PP+GF30
05	Nut	2	PVC-U/C
06	Flange	2	PVC-U/C
07	Seal Carrier	1	PVC-U/C
08	Ball seat	2	PTFE
09	O-ring 1	2	EPDM/FPM
10	O-ring 2	2	EPDM/FPM
11	O-ring 3	1	EPDM/FPM
12	Ball	1	PVC-U/C
13	O-ring 4	2	EPDM/FPM
14	Fixed buckle	2	PP+GF30
15	Connection	1	PP+GF30
16	Bolt	4	SS 304
17	Body	1	PVC-U/C
18	Snap ring	2	PVC-U/C

DIMENSIONS



DIN

DN (De)	Dimensions (mm)									
	D0	d0	d1	d2	d	H1	H	T	L	L
15(20)	51,50	27,40	20,30	19,95	15,50	26,30	156,50	17,00	95,50	95,50
20(25)	59,00	32,70	25,30	24,95	20,50	30,60	194,00	19,50	109,10	109,10
25(32)	70,00	41,30	32,30	31,90	26,00	39,10	210,00	23,00	122,60	122,60
32(40)	85,40	49,60	40,35	39,90	33,00	44,20	243,40	27,00	147,30	147,30
40(50)	98,90	60,20	50,35	49,90	39,00	52,20	268,90	32,00	158,80	158,80
50(63)	122,20	76,00	63,40	62,90	51,00	71,30	301,20	38,50	182,80	182,80
65(75)	158,60	89,60	75,40	74,90	64,00	82,80	373,60	44,50	234,00	234,00
80(90)	192,10	105,40	90,50	89,90	81,00	99,30	430,10	52,00	255,00	255,00
100(110)	223,60	128,40	110,60	109,90	99,00	115,20	493,60	62,00	297,00	297,00

Pneumatic threaded true union ball valve



DESCRIPTION

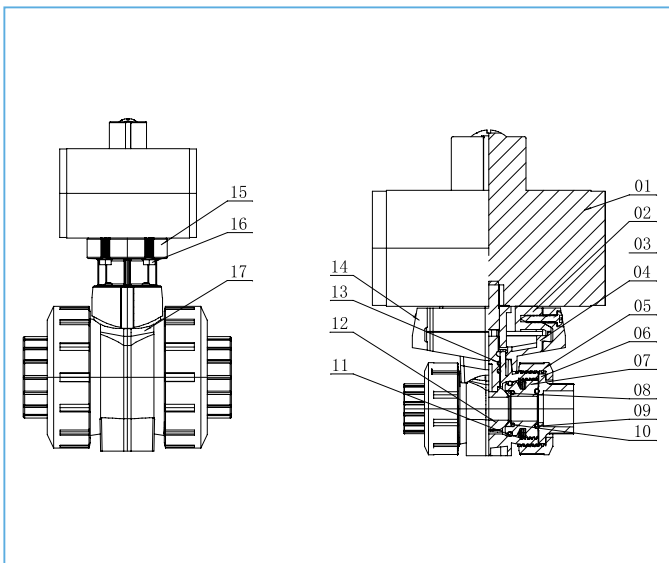
- **Material:** PVC-U, PVC-C
- **Size:** DN15...100, 1/2"...4", 16A...100A
- **Standard:** DIN, ASTM, JIS
- **Connection:** threaded
- **Color:** body - gray

FEATURES

- Switch torque is small
- Simple econom
- The material is nano-modified to improve the pressure resistance of the product
- Thickened valve body for high compression resistance
- Valve factory 100% pressure test
- Actuator performs 500000 opening and closing tests
- Optional single-acting actuator and various solenoid valves, return position switch

MATERIALS

No.	Name	Quantity	Material
01	Pneumatic actuator	1	Alluminium alloy/plastic
02	Connector top cover	1	PP+GF30
03	Bolt	2	SS 304
04	Connector bottom cover	1	PP+GF30
05	Nut	2	PVC-U/C
06	Faucet	2	PVC-U/C
07	Seal Carrier	1	PVC-U/C
08	Ball seat	2	PTFE
09	O-ring 1	2	EPDM/FPM
10	O-ring 2	2	EPDM/FPM
11	O-ring 3	1	EPDM/FPM
12	Ball	1	PVC-U/C
13	O-ring 4	2	EPDM/FPM
14	Fixed buckle	2	PP+GF30
15	Connection	1	PP+GF30
16	Bolt	4	SS 304
17	Body	1	PVC-U/C



DIMENSIONS

DIN

DN (De)	Dimensions (mm)									
	D0	d0	d1	d2	d	H1	H	T	L	Tr
15(20)	51,50	30,43	20,95	18,63	15,50	26,30	156,50	17,00	95,50	1/2"
20(25)	59,00	36,30	26,44	24,12	20,50	30,60	194,00	19,50	109,10	3/4"
25(32)	70,00	44,61	33,25	30,29	26,00	39,10	210,00	23,00	122,60	1"
32(40)	85,40	53,87	41,91	38,95	33,00	44,20	243,40	27,00	147,30	1-1/4"
40(50)	98,90	61,12	47,80	44,85	39,00	52,20	268,90	32,00	158,80	1-1/2"
50(63)	122,20	73,83	59,61	56,66	51,00	71,30	301,20	38,50	182,80	2"
65(75)	158,60	87,71	75,18	74,23	64,00	82,80	373,60	44,50	234,00	2-1/2"
80(90)	192,10	106,81	87,88	84,93	81,00	99,30	430,10	52,00	255,00	3"
100(110)	223,60	133,46	113,03	110,07	99,00	115,20	493,60	62,00	297,00	4"

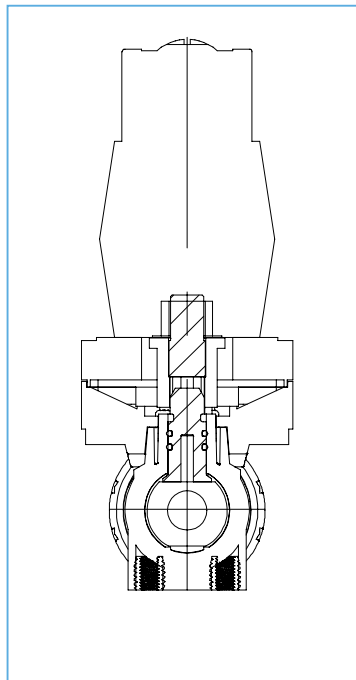
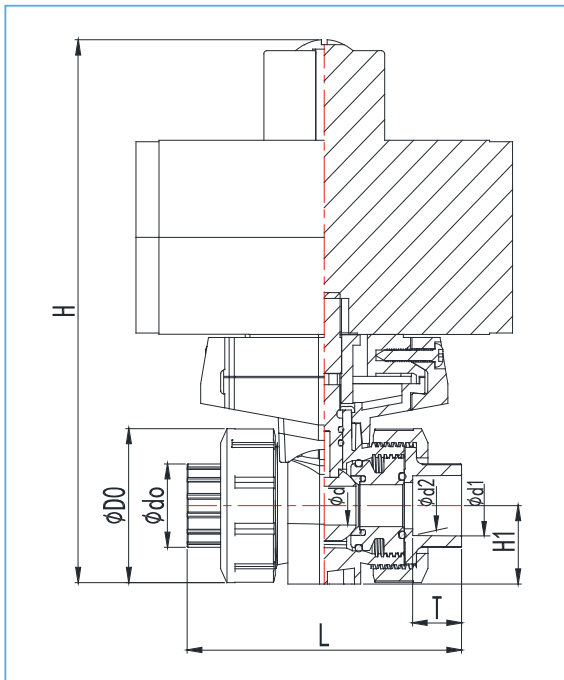


ASTM SCH80

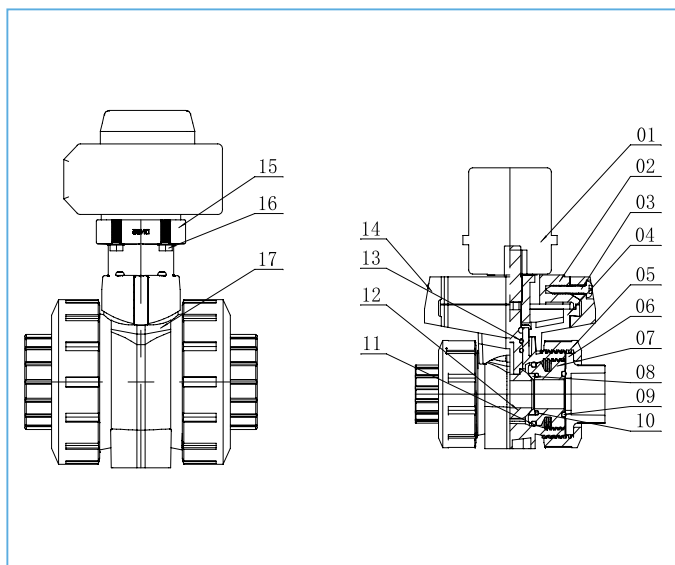
Size (inch)	Dimensions (mm)									
	D0	d0	d1	d2	d	H1	H	T	L	Tr
1/2"	51,50	30,43	20,95	18,63	15,50	26,30	156,50	17,00	95,50	1/2"
3/4"	59,00	36,30	26,44	24,12	20,50	30,60	194,00	19,50	109,10	3/4"
1"	70,00	44,61	33,25	30,29	26,00	39,10	210,00	23,00	122,60	1"
1-1/4"	85,40	53,87	41,91	38,95	33,00	44,20	243,40	27,00	147,30	1-1/4"
1-1/2"	98,90	61,12	47,80	44,85	39,00	52,20	268,90	32,00	158,80	1-1/2"
2"	122,20	73,83	59,61	56,66	51,00	71,30	301,20	38,50	182,80	2"
2-1/2"	158,60	87,71	75,18	74,23	64,00	82,80	373,60	44,50	234,00	2-1/2"
3"	192,10	106,81	87,88	84,93	81,00	99,30	430,10	52,00	255,00	3"
4"	223,60	133,46	113,03	110,07	99,00	115,20	493,60	62,00	297,00	4"

JIS

Size A	Dimensions (mm)									
	D0	d0	d1	d2	d	H1	H	T	L	Tr
16	51,50	30,43	20,95	18,63	15,50	26,30	156,50	17,00	95,50	1/2"
20	59,00	36,30	26,44	24,12	20,50	30,60	194,00	19,50	109,10	3/4"
25	70,00	44,61	33,25	30,29	26,00	39,10	210,00	23,00	122,60	1"
30	85,40	53,87	41,91	38,95	33,00	44,20	243,40	27,00	147,30	1-1/4"
40	98,90	61,12	47,80	44,85	39,00	52,20	268,90	32,00	158,80	1-1/2"
50	122,20	73,83	59,61	56,66	51,00	71,30	301,20	38,50	182,80	2"
65	158,60	87,71	75,18	74,23	64,00	82,80	373,60	44,50	234,00	2-1/2"
75	192,10	106,81	87,88	84,93	81,00	99,30	430,10	52,00	255,00	3"
100	223,60	133,46	113,03	110,07	99,00	115,20	493,60	62,00	297,00	4"



Electric socket true union ball valve



DESCRIPTION

- **Material:** PVC-U, PVC-C
- **Size:** DN15...100, 1/2"...4", 16A...100A
- **Standard:** DIN, ASTM, JIS
- **Connection:** socket
- **Color:** body - gray

FEATURES

- Switch torque is small
- Simple econom
- The material is nano-modified to improve the pressure resistance of the products
- Thickened valve body for high compression resistance
- Valve factory 100% pressure test
- Optional adjustment, explosion-proof and various voltage actuators

MATERIALS

No.	Name	Quantity	Material
01	Electric actuator	1	Alluminium alloy/plastic
02	Connector top cover	1	PP+GF30
03	Bolt	2	SS 304
04	Connector bottom cover	1	PP+GF30
05	Nut	2	PVC-U/C
06	Faucet	2	PVC-U/C
07	Seal Carrier	1	PVC-U/C
08	Ball seat	2	PTFE
09	O-ring 1	2	EPDM/FPM
10	O-ring 2	2	EPDM/FPM
11	O-ring 3	1	EPDM/FPM
12	Ball	1	PVC-U/C
13	O-ring 4	2	EPDM/FPM
14	Fixed buckle	2	PP+GF30
15	Connection	1	PP+GF30
16	Bolt	4	SS 304
17	Body	1	PVC-U/C

DIMENSIONS

DIN

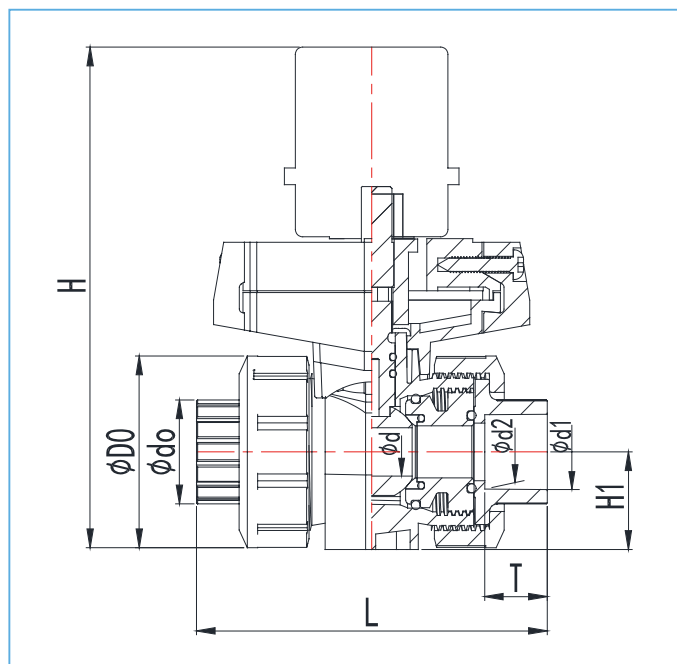
DN (De)	Dimensions (mm)								
	D0	d0	d1	d2	d	H1	H	T	L
15(20)	51,50	27,40	20,30	19,95	15,50	26,30	201,50	17,00	95,50
20(25)	59,00	32,70	25,30	24,95	20,50	30,60	209,00	19,50	109,10
25(32)	70,00	41,30	32,30	31,90	26,00	39,10	220,00	23,00	122,60
32(40)	85,40	49,60	40,35	39,90	33,00	44,20	235,40	27,00	147,30
40(50)	98,90	60,20	50,35	49,90	39,00	52,20	248,90	32,00	158,80
50(63)	122,20	76,00	63,40	62,90	51,00	71,30	272,20	38,50	182,80
65(75)	158,60	89,60	75,40	74,90	64,00	82,80	353,60	44,50	234,00
80(90)	192,10	105,40	90,50	89,90	81,00	99,30	397,10	52,00	255,00
100(110)	223,60	128,40	110,60	109,90	99,00	115,20	438,60	62,00	297,00

ASTM SCH80

Size (inch)	Dimensions (mm)								
	D0	d0	d1	d2	d	H1	H	T	L
1/2"	51,50	27,40	21,54	21,23	15,50	26,30	201,50	23,22	107,90
3/4"	59,00	32,70	26,87	26,57	20,50	30,60	209,00	26,40	122,90
1"	70,00	41,30	33,66	33,27	26,00	39,10	220,00	29,57	135,70
1-1/4"	85,40	49,60	42,42	42,04	33,00	44,20	235,40	32,75	158,80
1-1/2"	98,90	60,20	48,56	48,11	39,00	52,20	248,90	32,00	166,80
2"	122,20	76,00	60,63	60,17	51,00	71,30	272,20	39,10	182,80
2-1/2"	158,60	89,60	73,38	72,85	64,00	82,80	353,60	44,50	236,00
3"	192,10	105,40	89,31	88,70	81,00	99,30	397,10	48,60	249,00
4"	223,60	128,40	114,76	114,07	99,00	115,20	438,60	58,15	289,00

JIS

Size A	Dimensions (mm)								
	D0	d0	d1	d2	d	H1	H	T	L
16	51,50	30,50	22,40	21,60	15,50	26,30	201,50	30,00	121,80
20	59,00	34,11	26,45	25,51	20,50	30,60	209,00	35,00	140,60
25	70,00	41,30	32,66	31,50	26,00	39,10	220,00	40,00	157,10
30	85,40	48,16	38,60	37,43	33,00	44,20	235,40	44,00	184,00
40	98,90	59,10	48,85	47,38	39,00	52,20	248,90	55,00	207,20
50	122,20	72,10	61,00	59,27	51,00	71,30	272,20	63,00	235,00
65	158,60	89,23	77,10	75,73	64,00	82,80	353,60	63,00	273,00
75	192,10	105,33	89,60	88,58	81,00	99,30	397,10	64,00	279,00
100	223,60	133,07	114,70	113,55	99,00	115,20	438,60	84,00	342,60



Electric flanged true union ball valve

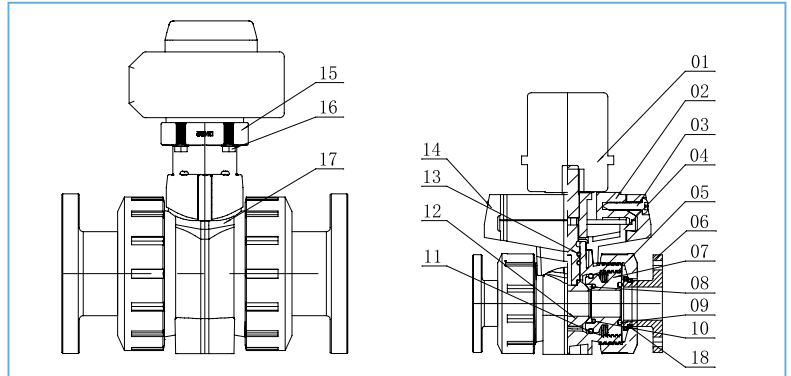


DESCRIPTION

- **Material:** PVC-U, PVC-C
- **Size:** DN15...100
- **Standard:** DIN
- **Connection:** flanged
- **Color:** handle - red, body - dark gray

FEATURES

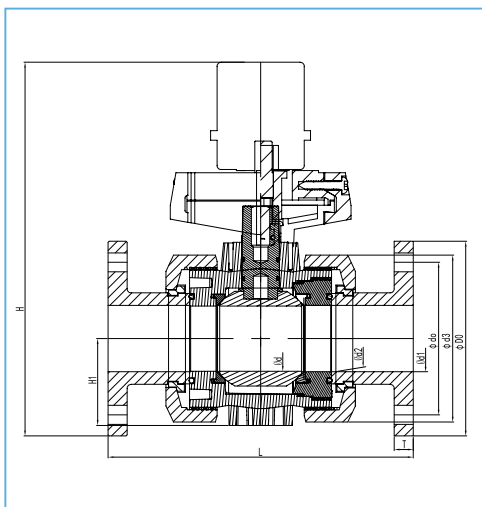
- Switch torque is small
- Simple economy
- The material is nano-modified to improve the pressure resistance of the products
- Thickened valve body for high compression resistance
- Valve factory 100% pressure test
- Optional adjustment, explosion-proof and various voltage actuators



MATERIALS

No.	Name	Quantity	Material
01	Electric actuator	1	Alluminium alloy/plastic
02	Connector top cover	1	PP+GF30
03	Bolt	2	SS 304
04	Connector bottom cover	1	PP+GF30
05	Nut	2	PVC-U/C
06	Flange	2	PVC-U/C
07	Seal Carrier	1	PVC-U/C
08	Ball seat	2	PTFE
09	O-ring 1	2	EPDM/FPM
10	O-ring 2	2	EPDM/FPM
11	O-ring 3	1	EPDM/FPM
12	Ball	1	PVC-U/C
13	O-ring 4	2	EPDM/FPM
14	Fixed buckle	2	PP+GF30
15	Connection	1	PP+GF30
16	Bolt	4	SS 304
17	Body	1	PVC-U/C
18	Snap ring	2	PVC-U/C

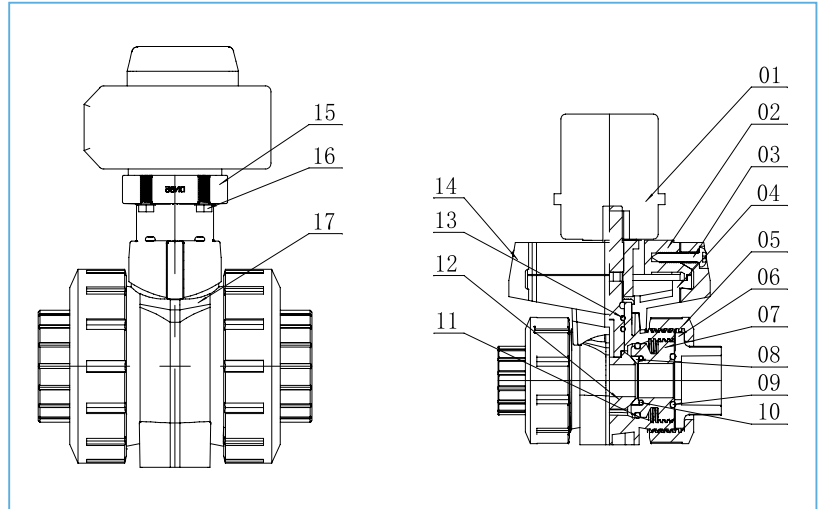
DIMENSIONS



DIN

DN (De)	Dimensions (mm)									
	D0	d0	d1	d2	d3	d	H1	H	T	L
15(20)	95,00	65,00	20,30	19,95	51,50	15,50	26,30	223,25	13,00	143,00
20(25)	105,00	75,00	25,30	24,95	59,00	20,50	30,60	232,00	14,00	172,00
25(32)	115,00	85,00	32,30	31,90	70,00	26,00	39,10	242,50	15,00	187,00
32(40)	140,00	100,00	40,35	39,90	85,40	33,00	44,20	262,70	15,00	190,00
40(50)	150,00	110,00	50,35	49,90	98,90	39,00	52,20	274,45	17,00	212,00
50(63)	165,00	125,00	63,40	62,90	122,20	51,00	71,30	293,60	17,00	234,00
65(75)	185,00	145,00	75,40	74,90	158,60	64,00	82,80	366,80	18,00	290,00
80(90)	200,00	160,00	90,50	89,90	192,10	81,00	99,30	401,05	18,00	310,00
100(110)	220,00	180,00	110,60	109,90	223,60	99,00	115,20	436,80	18,00	372,00

Electric threaded true union ball valve



DESCRIPTION

- **Material:** PVC-U, PVC-C
- **Size:** DN15...100, 1/2"...4", 16A...100A
- **Standard:** DIN, ASTM, JIS
- **Connection:** threaded
- **Color:** body - gray

FEATURES

- Switch torque is small
- Simple economy
- The material is nano-modified to improve the pressure resistance of the products
- Thickened valve body for high compression resistance
- Valve factory 100% pressure test
- Optional adjustment, explosion-proof and various voltage actuators

MATERIALS

No.	Name	Quantity	Material
01	Electric actuator	1	Alluminium alloy/plastic
02	Connector top cover	1	PP+GF30
03	Bolt	2	SS 304
04	Connector bottom cover	1	PP+GF30
05	Nut	2	PVC-U/C
06	Faucet	2	PVC-U/C
07	Seal Carrier	1	PVC-U/C
08	Ball seat	2	PTFE
09	O-ring 1	2	EPDM/FPM
10	O-ring 2	2	EPDM/FPM
11	O-ring 3	1	EPDM/FPM
12	Ball	1	PVC-U/C
13	O-ring 4	2	EPDM/FPM
14	Fixed buckle	2	PP+GF30
15	Connection	1	PP+GF30
16	Bolt	4	SS 304
17	Body	1	PVC-U/C

DIMENSIONS

DIN

DN (De)	Dimensions (mm)									
	D0	d0	d1	d2	d	H1	H	T	L	L
15(20)	51,50	30,43	20,95	18,63	15,50	26,30	201,50	17,00	95,50	1/2"
20(25)	59,00	36,30	26,44	24,12	20,50	30,60	209,00	19,50	109,10	3/4"
25(32)	70,00	44,61	33,25	30,29	26,00	39,10	220,00	23,00	122,60	1"
32(40)	85,40	53,87	41,91	38,95	33,00	44,20	235,40	27,00	147,30	1-1/4"
40(50)	98,90	61,12	47,80	44,85	39,00	52,20	248,90	32,00	158,80	1-1/2"
50(63)	122,20	73,83	59,61	56,66	51,00	71,30	272,20	38,50	182,80	2"
65(75)	158,60	87,71	75,18	74,23	64,00	82,80	353,60	44,50	234,00	2-1/2"
80(90)	192,10	106,81	87,88	84,93	81,00	99,30	397,10	52,00	255,00	3"
100(110)	223,60	133,46	113,03	110,07	99,00	115,20	438,60	62,00	297,00	4"

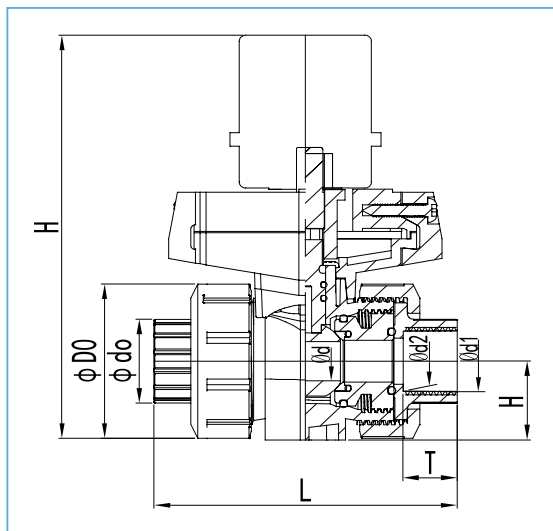


ASTM SCH80

Size (inch)	Dimensions (mm)									
	D0	d0	d1	d2	d	H1	H	T	L	Tr
1/2"	51,50	30,43	20,95	18,63	15,50	26,30	201,50	17,00	95,50	1/2"
3/4"	59,00	36,30	26,44	24,12	20,50	30,60	209,00	19,50	109,10	3/4"
1"	70,00	44,61	33,25	30,29	26,00	39,10	220,00	23,00	122,60	1"
1-1/4"	85,40	53,87	41,91	38,95	33,00	44,20	235,40	27,00	147,30	1-1/4"
1-1/2"	98,90	61,12	47,80	44,85	39,00	52,20	248,90	32,00	158,80	1-1/2"
2"	122,20	73,83	59,61	56,66	51,00	71,30	272,20	38,50	182,80	2"
2-1/2"	158,60	87,71	75,18	74,23	64,00	82,80	353,60	44,50	234,00	2-1/2"
3"	192,10	106,81	87,88	84,93	81,00	99,30	397,10	52,00	255,00	3"
4"	223,60	133,46	113,03	110,07	99,00	115,20	438,60	62,00	297,00	4"

JIS

Size A	Dimensions (mm)									
	D0	d0	d1	d2	d	H1	H	T	L	Tr
16	51,50	30,43	20,95	18,63	15,50	26,30	201,50	17,00	95,50	1/2"
20	59,00	36,30	26,44	24,12	20,50	30,60	209,00	19,50	109,10	3/4"
25	70,00	44,61	33,25	30,29	26,00	39,10	220,00	23,00	122,60	1"
30	85,40	53,87	41,91	38,95	33,00	44,20	235,40	27,00	147,30	1-1/4"
40	98,90	61,12	47,80	44,85	39,00	52,20	248,90	32,00	158,80	1-1/2"
50	122,20	73,83	59,61	56,66	51,00	71,30	272,20	38,50	182,80	2"
65	158,60	87,71	75,18	74,23	64,00	82,80	353,60	44,50	234,00	2-1/2"
75	192,10	106,81	87,88	84,93	81,00	99,30	397,10	52,00	255,00	3"
100	223,60	133,46	113,03	110,07	99,00	115,20	438,60	62,00	297,00	4"



Handled butterfly valve

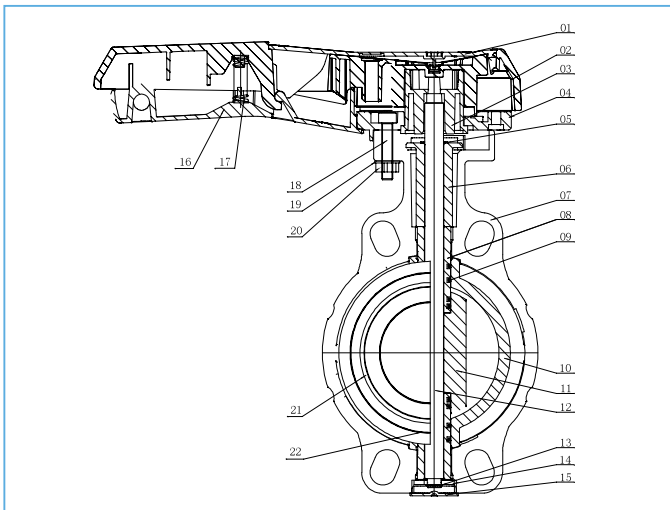


DESCRIPTION

- **Material:** PVC-U, PVC-C
- **Size:** DN50...200, 2"...8", 50A...200A
- **Standard:** DIN, ASTM, JIS
- **Connection:** flanged
- **Colour:** black, handle - red, valve plate/seat - dark gray

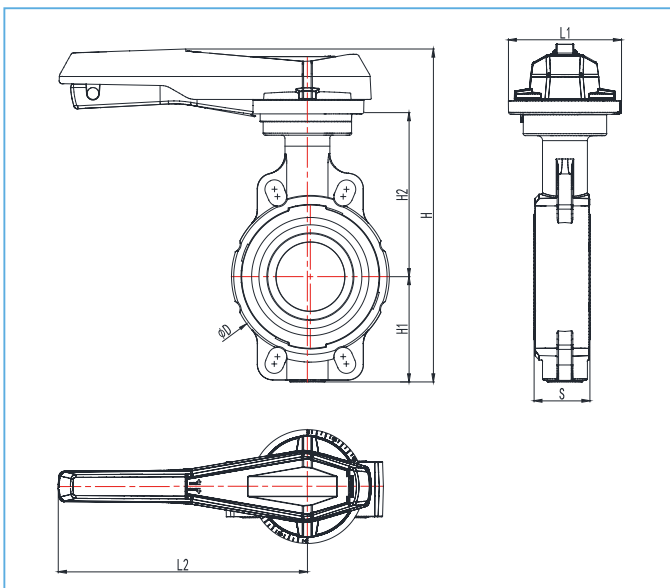
FEATURES

- Double eccentric structure design, the service life is 5 times that of ordinary butterfly valve
- Switch torque is small
- Simple economy
- The material is nano-modified to improve the pressure resistance of the products
- Thickened valve body for high co
- The body and seal are specially treated for better performance



MATERIALS

No.	Name	Quantity	Material
01	Handle cap	1	PP+GF30
02	Handle	1	PP+GF30
03	Drive seat	1	PPS+GF40
04	Gear seat	1	PP+GF30
05	Collar	1	SS 304
06	Located set	1	PP+GF30
07	Body	1	PP+GF30
08	Guide sleeve	2	PVC-U/C
09	O-ring	8	EPDM/FPM
10	Valve sleeve	1	PVC-U/C
11	Disc	1	PVC-U/C
12	Shaft	1	SS 316L
13	Collar	1	SS 304
14	Collar	1	SS 304
15	Washer cover	1	PP+GF30
16	Brake handle	1	PP+GF30
17	Spring	1	SS 304
18	Screw	1	SS 304
19	Nut	1	SS 304
20	Gasket	1	SS 304
21	Seal ring	1	EPDM/FPM
22	Rubber ring	2	EPDM/FPM



DIMENSIONS

ASTM SCH80

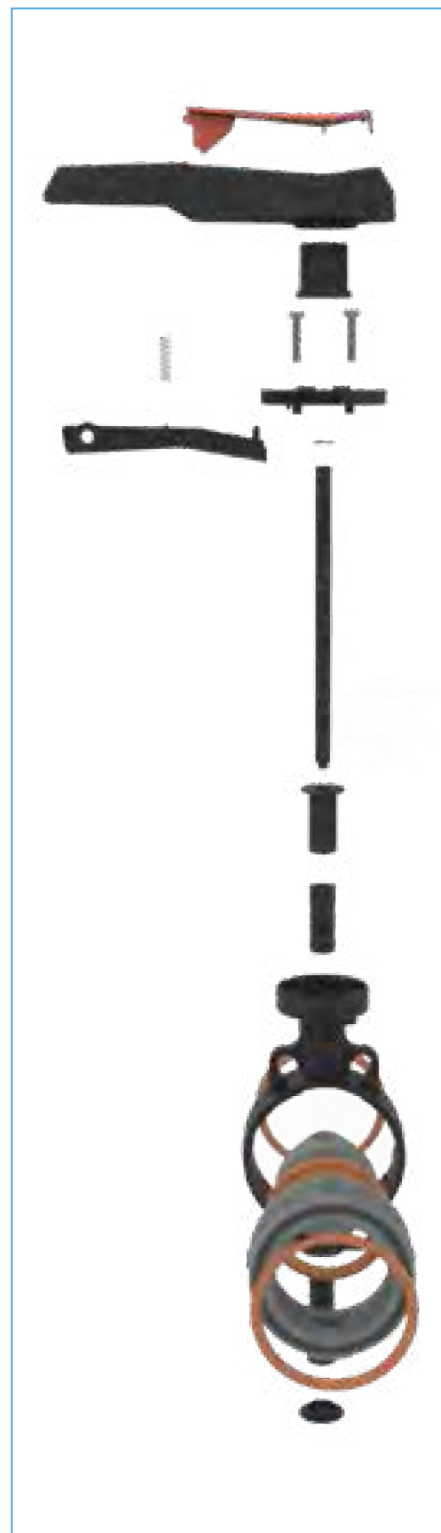
DN (De)	Dimensions (mm)						
	D	H	H1	H2	S	L1	L2
50(63)	104,00	266,00	77,00	134,00	44,50	102,00	212,50
65(75)	114,30	275,00	83,00	140,00	46,00	102,00	212,50
80(90)	130,00	288,00	89,00	146,00	48,60	102,00	212,50
100(110)	160,40	332,00	104,00	167,00	55,50	115,00	253,30
125(140)	186,00	361,00	117,00	181,00	63,00	115,00	253,30
150(160)	215,00	379,00	130,00	189,00	72,00	115,00	253,30
200(225)	269,00	449,00	158,00	210,00	73,00	150,00	410,00

ASTM SCH80

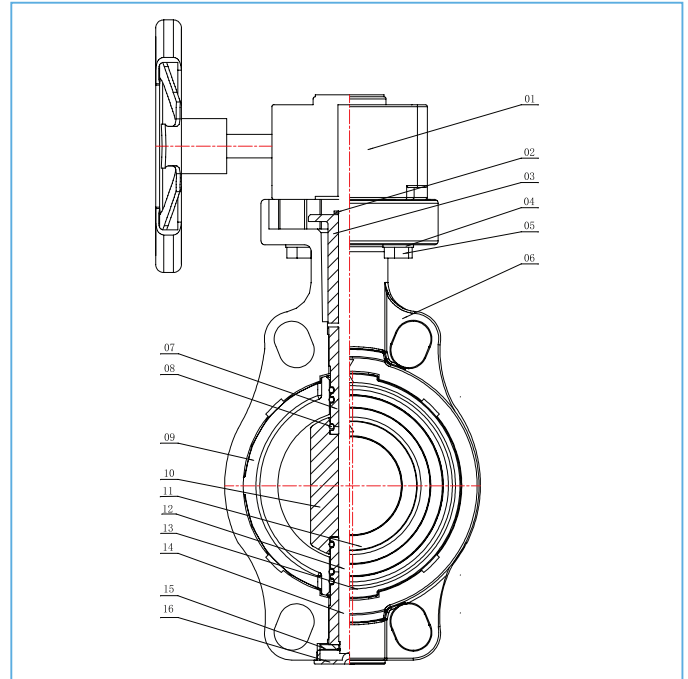
Size (inch)	Dimensions (mm)						
	D	H	H1	H2	S	L1	L2
2"	104,00	266,00	77,00	134,00	44,50	102,00	212,50
2-1/2"	114,30	275,00	83,00	140,00	46,00	102,00	212,50
3"	130,00	288,00	89,00	146,00	48,60	102,00	212,50
4"	160,40	332,00	104,00	167,00	55,50	115,00	253,30
5"	186,00	361,00	117,00	181,00	63,00	115,00	253,30
6"	215,00	379,00	130,00	189,00	72,00	115,00	253,30
8"	269,00	449,00	158,00	210,00	73,00	150,00	410,00

JIS

Size A	Dimensions (mm)						
	D	H	H1	H2	S	L1	L2
50	104,00	266,00	77,00	134,00	44,50	102,00	212,50
65	114,30	275,00	83,00	140,00	46,00	102,00	212,50
75	130,00	288,00	89,00	146,00	48,60	102,00	212,50
100	160,40	332,00	104,00	167,00	55,50	115,00	253,30
125	186,00	361,00	117,00	181,00	63,00	115,00	253,30
150	215,00	379,00	130,00	189,00	72,00	115,00	253,30
200	269,00	449,00	158,00	210,00	73,00	150,00	410,00



Geared butterfly valve



DESCRIPTION

- **Material:** PVC-U, PVC-C
- **Size:** DN50...300, 2" ...12", 50A...318A
- **Standard:** DIN, ASTM, JIS
- **Connection:** flanged
- **Colour:** black, valve plate/seat - dark gray

FEATURES

- Double eccentric structure design, the service life is 5 times that of ordinary butterfly valve
- Switch torque is small
- Simple economy
- The material is nano-modified to improve the pressure resistance of the products
- Thickened valve body for high compression resistance
- Valve factory 100% pressure test
- The body and seal are specially treated for better performance

MATERIALS

No.	Name	Quantity	Material
01	Gear drive set	1	Alluminium alloy
02	Collar	1	SS 304
03	Located set	4	PP+GF30
04	Gasket	1	PP+GF30
05	Bolt	4	SS 304
06	Body	1	PP+GF30
07	Guide sleeve	2	PVC-U/C
08	O-ring	8	EPDM/FPM
09	Valve sleeve	1	PVC-U/C
10	Disc	1	PVC-U/C
11	Seal ring	1	EPDM/FPM
12	Shaft	1	SS 316L
13	Rubber ring	1	EPDM/FPM
14	Collar	1	SS 304
15	Collar	1	SS 304
16	Washer cover	1	PP+GF30

DIMENSIONS

DIN

DN (De)	Dimensions (mm)							Nominal Pressure (kg/cm ²)
	D	H	H1	H2	S	L1	L2	
50(63)	104,00	307,48	77,00	230,48	44,50	153,00	108,00	10
65(75)	114,30	320,13	83,00	237,13	46,00	153,00	108,00	10
80(90)	130,00	332,13	89,00	243,13	48,60	153,00	108,00	10
100(110)	160,40	367,77	104,00	263,77	55,50	153,00	108,00	10
125(140)	186,00	411,47	117,00	294,47	63,00	166,00	119,00	10
150(160)	215,00	472,30	130,00	342,30	72,00	166,00	119,00	10
200(225)	269,00	521,54	158,00	363,54	73,00	268,00	223,00	6
250(280)	324,00	620,51	205,00	415,51	113,00	285,50	223,00	6
300(315)	336,60	722,24	228,00	494,24	114,40	342,50	323,00	6

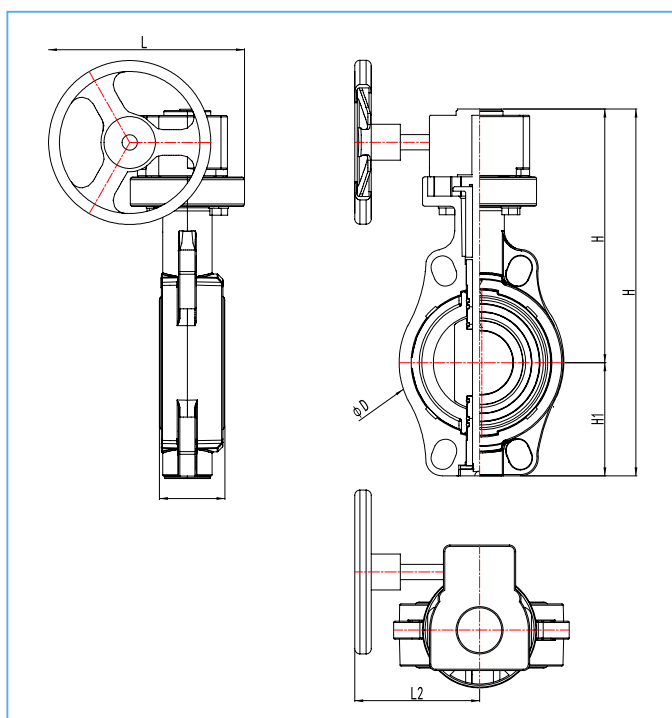


ASTM SCH80

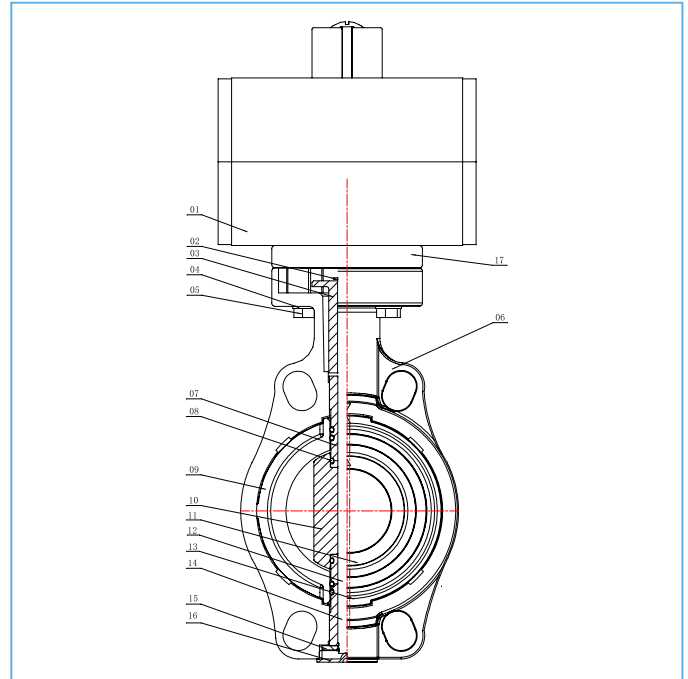
Size (inch)	Dimensions (mm)							Nominal Pressure (kg/cm ²)
	D	H	H1	H2	S	L1	L2	
2"	104,00	307,48	77,00	230,48	44,50	153,00	108,00	10
2-1/2"	114,30	320,13	83,00	237,13	46,00	153,00	108,00	10
3"	130,00	332,13	89,00	243,13	48,60	153,00	108,00	10
4"	160,40	367,77	104,00	263,77	55,50	153,00	108,00	10
5"	186,00	411,47	117,00	294,47	63,00	166,00	119,00	10
6"	215,00	472,30	130,00	342,30	72,00	166,00	119,00	10
8"	269,00	521,54	158,00	363,54	73,00	268,00	223,00	6
10"	324,00	620,51	205,00	415,51	113,00	285,50	223,00	6
12"	336,60	722,24	228,00	494,24	114,40	342,50	323,00	6

JIS

Size (inch)	Dimensions (mm)							Nominal Pressure (kg/cm ²)
	D	H	H1	H2	S	L1	L2	
50	104,00	307,48	77,00	230,48	44,50	153,00	108,00	10
65	114,30	320,13	83,00	237,13	46,00	153,00	108,00	10
75	130,00	332,13	89,00	243,13	48,60	153,00	108,00	10
100	160,40	367,77	104,00	263,77	55,50	153,00	108,00	10
125	186,00	411,47	117,00	294,47	63,00	166,00	119,00	10
150	215,00	472,30	130,00	342,30	72,00	166,00	119,00	10
200	269,00	521,54	158,00	363,54	73,00	268,00	223,00	6
267	324,00	620,51	205,00	415,51	113,00	285,50	223,00	6
318	336,60	722,24	228,00	494,24	114,40	342,50	323,00	6



Pneumatic butterfly valve



DESCRIPTION

- **Material:** PVC-U, PVC-C
- **Size:** DN50...300, 2"...12", 50A...318A
- **Standard:** DIN, ASTM, JIS
- **Connection:** flanged
- **Colour:** black, valve plate/seat - dark gray

FEATURES

- Double eccentric structure design, the service life is 5 times that of ordinary butterfly valve
- Switch torque is small
- Simple economy
- The material is nano-modified to improve the pressure resistance of the products
- Thickened valve body for high compression resistance
- * Valve factory 100% pressure test
- The body and seal are specially treated for better performance
- Actuator performs 500000 opening and closing tests
- Optional single-acting actuator and various solenoid valves, return position switch

MATERIALS

No.	Name	Quantity	Material
01	Pneumatic actuator	1	Alluminium alloy
02	Collar	1	SS 304
03	Located set	4	PP+GF30
04	Gasket	1	PP+GF30
05	Bolt	4	SS 304
06	Body	1	PP+GF30
07	Guide sleeve	2	PVC-U/C
08	O-ring	8	EPDM/FPM
09	Valve sleeve	1	PVC-U/C
10	Disc	1	PVC-U/C
11	Seal ring	1	EPDM/FPM
12	Shaft	1	SS 316L
13	Rubber ring	1	EPDM/FPM
14	Collar	1	SS 304
15	Collar	1	SS 304
16	Washer cover	1	PP+GF30

DIMENSIONS

DIN

DN (De)	Dimensions (mm)						
	D	H	H1	H2	S	L1	L2
50(63)	104,00	327,48	77,00	250,48	15,00	44,50	90,00
65(75)	114,30	352,13	83,00	269,13	15,00	46,00	90,00
80(90)	130,00	384,13	89,00	295,13	15,00	48,60	90,00
100(110)	160,40	432,77	104,00	328,77	-	55,50	90,00
125(140)	186,00	481,47	117,00	364,47	-	63,00	90,00
150(160)	215,00	528,30	130,00	388,30	-	72,00	90,00
200(225)	269,00	593,54	158,00	435,54	-	73,00	90,00
250(280)	324,00	750,51	205,00	545,51	-	113,00	125,00
300(315)	336,60	888,24	228,00	660,24	-	114,40	125,00

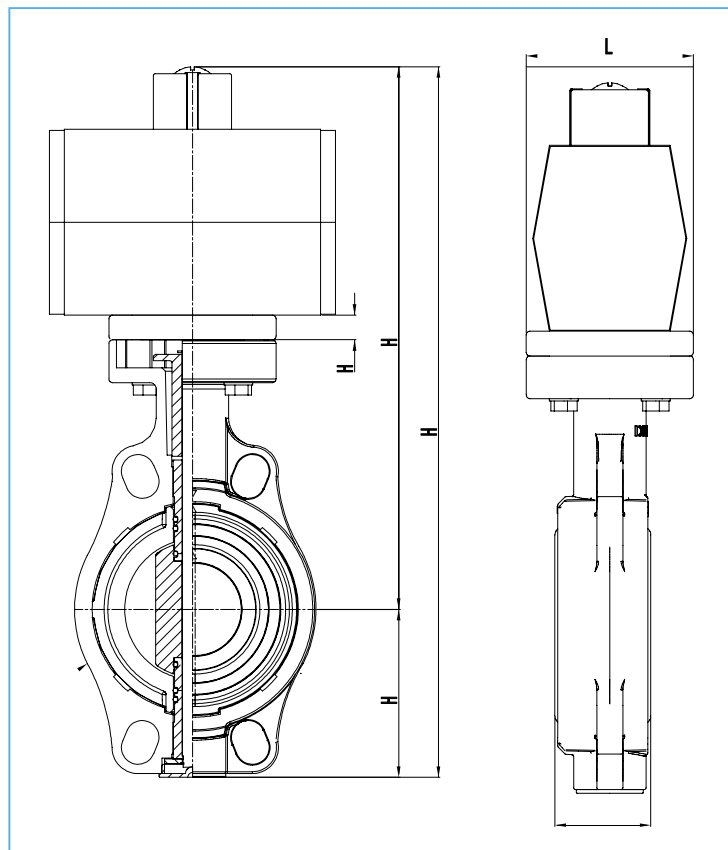


ASTM SCH80

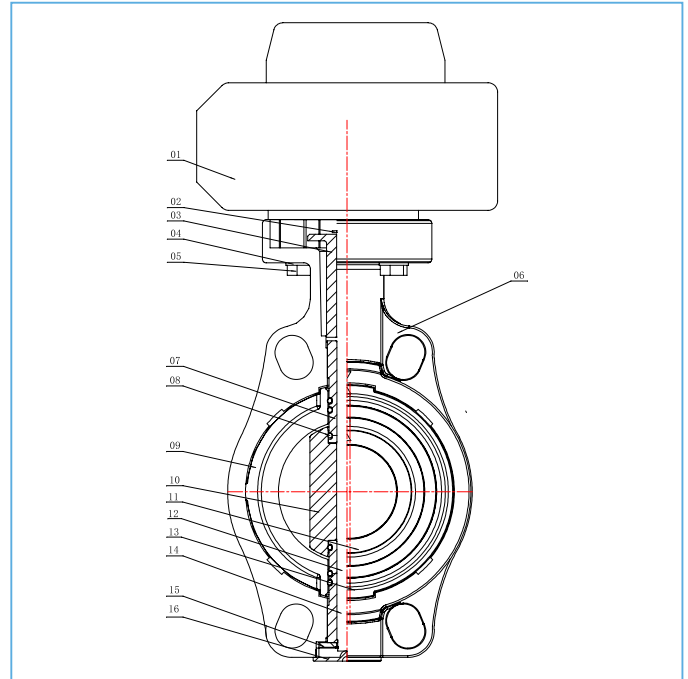
Size (inch)	Dimensions (mm)						
	D	H	H1	H2	H3	S	L1
2"	104,00	327,48	77,00	250,48	15,00	44,50	90,00
2-1/2"	114,30	352,13	83,00	269,13	15,00	46,00	90,00
3"	130,00	384,13	89,00	295,13	15,00	48,60	90,00
4"	160,40	432,77	104,00	328,77	-	55,50	90,00
5"	186,00	481,47	117,00	364,47	-	63,00	90,00
6"	215,00	528,30	130,00	388,30	-	72,00	90,00
8"	269,00	593,54	158,00	435,54	-	73,00	90,00
10"	324,00	750,51	205,00	545,51	-	113,00	125,00
12"	336,60	888,24	228,00	660,24	-	114,40	125,00

JIS

Size (inch)	Dimensions (mm)						
	D	H	H1	H2	H3	S	L1
50	104,00	327,48	77,00	250,48	15,00	44,50	90,00
65	114,30	352,13	83,00	269,13	15,00	46,00	90,00
75	130,00	384,13	89,00	295,13	15,00	48,60	90,00
100	160,40	432,77	104,00	328,77	-	55,50	90,00
125	186,00	481,47	117,00	364,47	-	63,00	90,00
150	215,00	528,30	130,00	388,30	-	72,00	90,00
200	269,00	593,54	158,00	435,54	-	73,00	90,00
267	324,00	750,51	205,00	545,51	-	113,00	125,00
318	336,60	888,24	228,00	660,24	-	114,40	125,00



Electric butterfly valve



DESCRIPTION

- **Material:** PVC-U, PVC-C
- **Size:** DN50...300, 2"...12", 50A...318A
- **Standard:** DIN, ASTM, JIS
- **Connection:** flanged
- **Colour:** black, actuator - yellow, valve plate/seat - dark gray

FEATURES

- Double eccentric structure design, the service life is 5 times that of ordinary butterfly valve
- Switch torque is small
- Simple economy
- The material is nano-modified to improve the pressure resistance of the products
- Thickened valve body for high compression resistance
- Valve factory 100% pressure test
- The body and seal are specially treated for better performance
- Optional adjustment, explosion-proof and various voltage actuators

MATERIALS

No.	Name	Quantity	Material
01	Electric actuator	1	ABS/Alluminium alloy
02	Collar	1	SS 304
03	Located set	4	PP+GF30
04	Gasket	1	PP+GF30
05	Bolt	4	SS 304
06	Body	1	PP+GF30
07	Guide sleeve	2	PVC-U/C
08	O-ring	8	EPDM/FPM
09	Valve sleeve	1	PVC-U/C
10	Disc	1	PVC-U/C
11	Seal ring	1	EPDM/FPM
12	Shaft	1	SS 316L
13	Rubber ring	1	EPDM/FPM
14	Collar	1	SS 304
15	Collar	1	SS 304
16	Washer cover	1	PP+GF30

DIMENSIONS

DIN

DN (De)	Dimensions (mm)					
	D	H	H1	H2	S	L1
50(63)	104,00	339,48	77,00	262,48	44,50	120,00
65(75)	114,30	352,13	83,00	269,13	46,00	120,00
80(90)	130,00	364,13	89,00	275,13	48,60	120,00
100(110)	160,40	429,77	104,00	325,77	55,50	130,00
125(140)	186,00	446,47	117,00	339,47	63,00	130,00
150(160)	215,00	477,30	130,00	347,30	72,00	130,00
200(225)	269,00	526,54	158,00	368,54	73,00	130,00
250(280)	324,00	660,51	205,00	455,51	113,00	170,00
300(315)	336,60	705,24	228,00	477,24	114,40	170,00

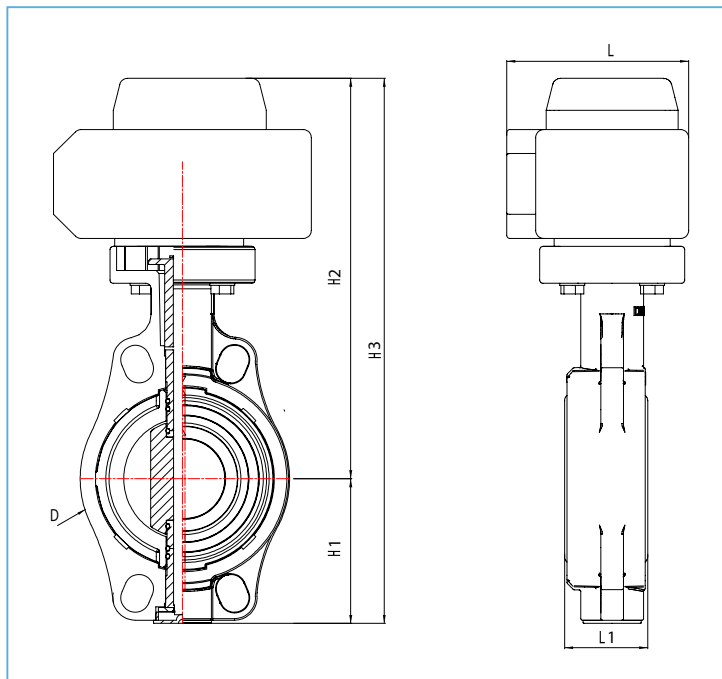


ASTM SCH80

Size (inch)	Dimensions (mm)					
	D	H	H1	H2	S	L1
2"	104,00	339,48	77,00	262,48	44,50	120,00
2-1/2"	114,30	352,13	83,00	269,13	46,00	120,00
3"	130,00	364,13	89,00	275,13	48,60	120,00
4"	160,40	429,77	104,00	325,77	55,50	130,00
5"	186,00	446,47	117,00	339,47	63,00	130,00
6"	215,00	477,30	130,00	347,30	72,00	130,00
8"	269,00	526,54	158,00	368,54	73,00	130,00
10"	324,00	660,51	205,00	455,51	113,00	170,00
12"	336,60	705,24	228,00	477,24	114,40	170,00

JIS

Size A	Dimensions (mm)					
	D	H	H1	H2	S	L1
50	104,00	339,48	77,00	262,48	44,50	120,00
65	114,30	352,13	83,00	269,13	46,00	120,00
75	130,00	364,13	89,00	275,13	48,60	120,00
100	160,40	429,77	104,00	325,77	55,50	130,00
125	186,00	446,47	117,00	339,47	63,00	130,00
150	215,00	477,30	130,00	347,30	72,00	130,00
200	269,00	526,54	158,00	368,54	73,00	130,00
267	324,00	660,51	205,00	455,51	113,00	170,00
318	336,60	705,24	228,00	477,24	114,40	170,00



Flanged diaphragm valve

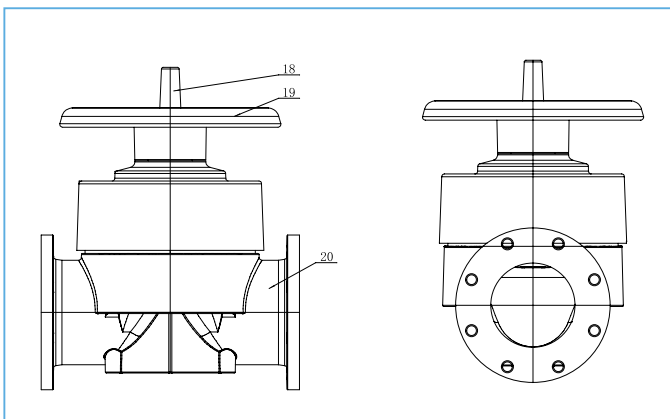
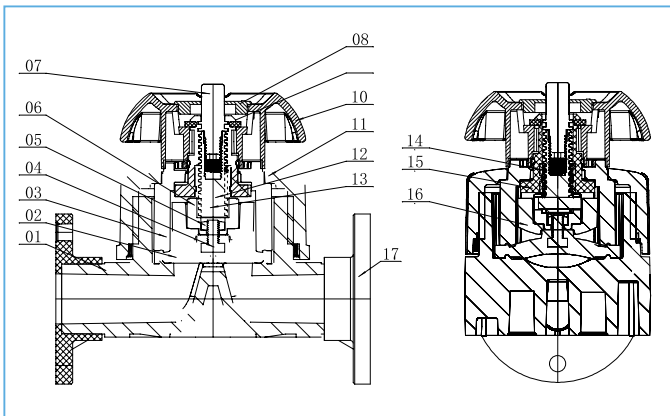


DESCRIPTION

- **Material:** PVC-U, PVC-C
- **Size:** DN15...50, 1/2" ...2"
- **Standard:** DIN, ASTM
- **Connection:** socket
- **Colour:** body gray, bonnet yellow, handle black

FEATURES

- Switch torque is small
- Simple economy
- The material is nano-modified to improve the pressure resistance and impact resistance of the product
- Thickened valve body for high compression resistance
- Valve factory 100% pressure test
- The body and seal are specially treated for better performance



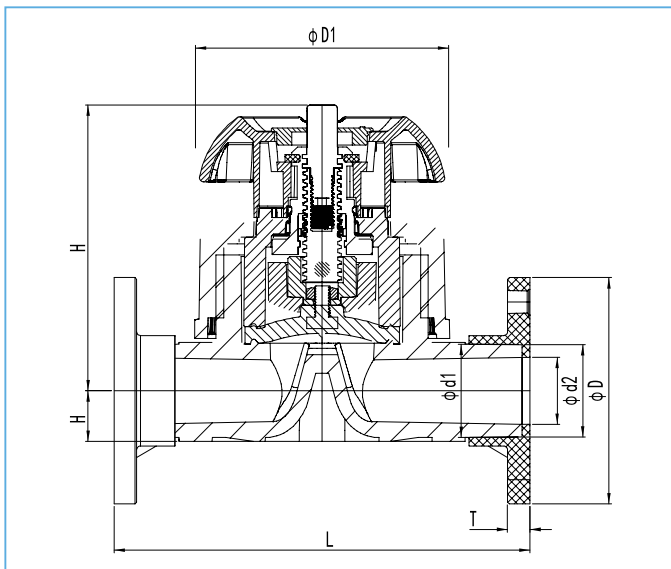
MATERIALS

No.	Name	Quantity	Material
01	Body	1	PVC-U/C
02	Diaphragm	1	EPDM/FPM
03	Diaphragm water seal sleeve	1	PP+GF30
04	Hex bolt	1	SS 304
05	Hex nut	1	SS 304
06	Disc insert	1	Brass (H62)
07	Indicator stem	1	PP
08	Cover	1	PP
09	Jump ring	1	Spring steel
10	Handwheel	1	PP+GF30/PA6+GF30
11	Body nut	1	PA6+GF30
12	Stem	1	SS 304
13	Pins	1	SS 304
14	Stem screw insert	1	Brass (H62)
15	Stem screw	1	PPS
16	Disc	1	PPS
17	One piece flange	2	PVC-U/C
18	(DN65-DN150) transparent cover	1	PC
19	(DN65-DN150) handwheel	1	PA6+GF30
20	Flanged body	1	PVC-U/C

DIMENSIONS

DIN

DN(De)	Dimensions (mm)									
	D	D1	d	H1	H	T	L	Distance between two holes	Diameter of flange hole	Number of flanges
15(20)	95,00	80,00	16,00	14,00	90,00	13,00	121,00	65,00	14,00	4
20(25)	105,00	80,00	21,00	18,00	102,00	14,00	142,00	75,00	14,00	4
25(32)	115,00	94,00	28,00	21,00	119,00	15,00	151,00	85,00	14,00	4
32(40)	140,00	117,00	36,00	26,00	126,00	15,00	169,00	100,00	16,00	4
40(50)	150,00	117,00	45,00	33,00	139,00	17,00	193,00	110,00	16,00	4
50(63)	165,00	152,00	57,00	39,00	172,00	17,00	227,00	125,00	19,00	4
65(75)	185,00	152,00	85,00	91,00	173,00	17,00	290,00	145,00	19,00	4
80(90)	197,00	264,00	85,00	109,00	226,00	18,00	310,00	160,00	19,00	8
100(110)	220,00	264,00	106,00	134,00	234,00	20,00	350,00	180,00	19,00	8
De125	250,00	264,00	106,00	134,00	234,00	22,00	350,00	210,00	22,00	8
125(140)	250,00	264,00	106,00	134,00	234,00	22,00	350,00	210,00	22,00	8
150(160)	286,00	393,00	150,00	212,00	333,00	24,00	480,00	240,00	22,00	8



Socket diaphragm valve

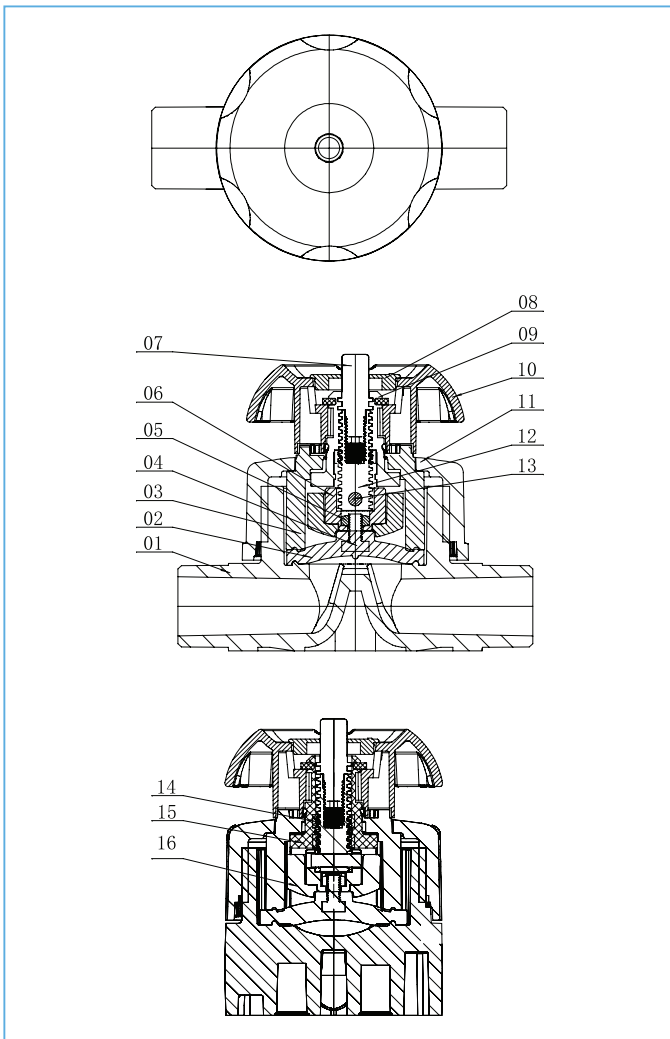


DESCRIPTION

- **Material:** PVC-U, PVC-C
- **Size:** DN15...50, 1/2" ...2"
- **Standard:** DIN, ASTM
- **Connection:** socket
- **Colour:** body gray, bonnet yellow, handle black

FEATURES

- Switch torque is small
- Simple economy
- The material is nano-modified to improve the pressure resistance and impact resistance of the product
- Thickened valve body for high compression resistance
- Valve factory 100% pressure test
- The body and seal are specially treated for better performance



MATERIALS

No.	Name	Quantity	Material
01	Body	1	PVC-U/C
02	Diaphragm	1	EPDM/FPM
03	Diaphragm water seal sleeve	1	PP+GF30
04	Hex bolt	1	SS 304
05	Hex nut	1	SS 304
06	Disc insert	1	Brass (H62)
07	Indicator stem	1	PP
08	Cover	1	PP
09	Jump ring	1	Spring steel
10	Handwheel	1	PP+GF30/PA6+GF30
11	Body nut	1	PA6+GF30
12	Stem	1	SS 304
13	Pins	1	SS 304
14	Stem screw insert	1	Brass (H62)
15	Stem screw	1	PPS
16	Disc	1	PPS

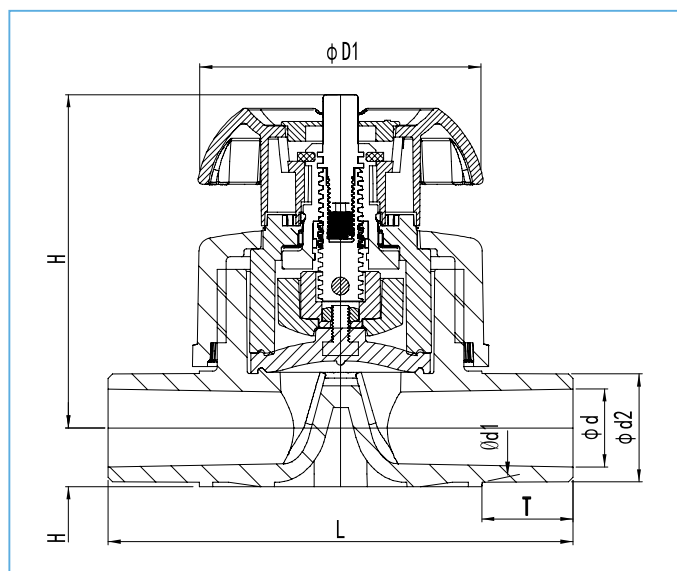
DIMENSIONS

DIN

DN (De)	Dimensions (mm)							
	D1	d1	d2	d	H1	H	T	L
15(20)	65,00	20,30	19,95	20,10	14,00	90,00	16,50	124,00
20(25)	65,00	25,30	24,95	25,10	18,00	102,00	19,00	144,00
25(32)	93,50	32,30	31,90	32,10	21,00	119,00	22,50	154,00
32(40)	93,50	40,35	39,90	40,15	26,00	126,00	26,50	174,00
40(50)	121,00	50,35	49,90	50,15	33,00	139,00	31,50	194,00
50(63)	121,00	63,40	62,90	63,20	39,00	172,00	36,70	234,00

ASTM SCH80

Size (inch)	Dimensions (mm)							
	D1	d1	d2	d	H1	H	T	L
1/2"	65,00	21,54	21,23	21,34	14,00	90,00	23,22	124,00
3/4"	65,00	26,87	26,57	26,67	18,00	102,00	26,40	144,00
1"	93,50	33,66	33,27	33,40	21,00	119,00	29,57	154,00
1-1/4"	93,50	42,42	42,04	42,16	26,00	126,00	32,75	174,00
1-1/2"	121,00	48,56	48,11	48,26	33,00	139,00	35,93	194,00
2"	121,00	60,63	60,17	60,33	39,00	172,00	39,10	234,00



True union diaphragm valve



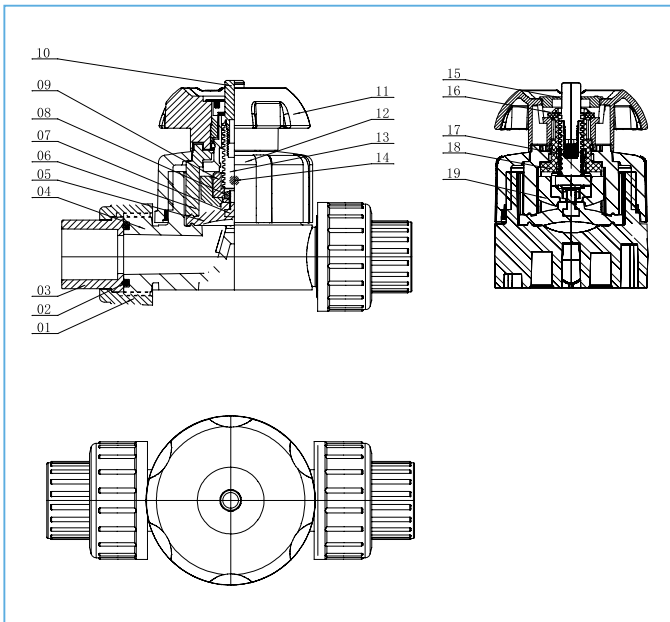
DESCRIPTION

- **Material:** PVC-U, PVC-C
- **Size:** DN15...50, 1/2" ...2", 16A...50A
- **Standard:** DIN, ASTM, JI
- **Connection:** socket
- **Colour:** body gray, bonnet yellow, handle black

FEATURES

- Switch torque is sma
- Simple economy
- The material is nano-modified to improve the pressure resistance and impact resistance of the product
- Thickened valve body for high compression resistance
- Valve factory 100% pressure test
- The body and seal are specially treated for better performance

MATERIALS



No.	Name	Quantity	Material
01	Faucet nut	1	PVC-U/C
02	O-ring	1	EPDM/FPM
03	Faucet (DIN)	1	PVC-U/C
04	Body (DIN)	1	PVC-U/C
05	Diaphragm	1	EPDM/FPM
06	Diaphragm water seal sleeve	1	PP+GF30
07	Hex bolt	1	SS 304
08	Hex nut	1	SS 304
09	Disc insert	1	Brass (H62)
10	Indicator stem	1	PP
11	Handwheel	1	PP+GF30/PA6+GF30
12	Body nut	1	PA6+GF30
13	Stem	1	SS 304
14	Pins	1	SS 304
15	Cover	1	PP
16	Jump ring	1	Spring steel
17	Stem screw insert	1	Brass (H62)
18	Stem screw	1	PPS
19	Disc	1	PPS

DIMENSIONS

DIN

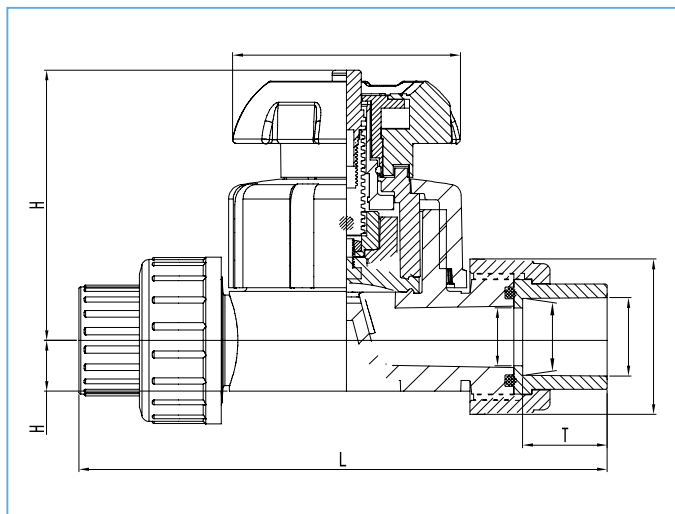
DN (De)	Dimensions (mm)								
	D	D1	d1	d2	d	H1	H	T	L
15(20)	46,50	65,00	20,30	19,95	16,00	14,00	90,00	16,50	128,00
20(25)	53,50	65,00	25,30	24,95	20,00	18,00	102,00	19,00	152,00
25(32)	64,00	93,50	32,30	31,90	26,00	21,00	119,00	22,50	166,00
32(40)	74,50	93,50	40,35	39,90	34,00	26,00	126,00	26,50	192,00
40(50)	85,00	121,00	50,35	49,90	43,00	33,00	139,00	31,50	222,00
50(63)	100,00	121,00	63,40	62,90	56,00	39,00	172,00	36,70	266,00

ASTM SCH80

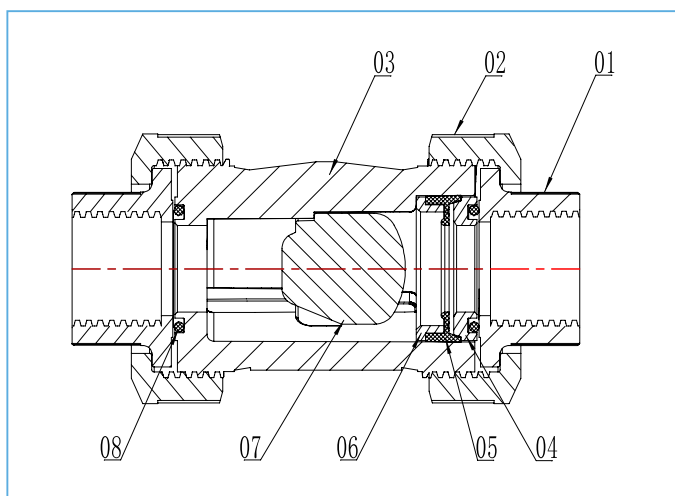
Size (inch)	Dimensions (mm)								
	D	D1	d1	d2	d	H1	H	T	L
1/2"	46,50	65,00	21,54	21,23	16,00	14,00	90,00	23,22	141,00
3/4"	53,50	65,00	26,87	26,57	20,00	18,00	102,00	26,40	166,80
1"	64,00	93,50	33,66	33,27	26,00	21,00	119,00	29,57	180,00
1-1/4"	74,50	93,50	42,42	42,04	34,00	26,00	126,00	32,75	204,00
1-1/2"	85,00	121,00	48,56	48,11	43,00	33,00	139,00	35,93	231,00
2"	100,00	121,00	60,63	60,17	56,00	39,00	172,00	39,10	272,00

JIS

Size A	Dimensions (mm)								
	D	D1	d1	d2	d	H1	H	T	L
16	46,50	65,00	22,40	21,60	16,00	14,00	90,00	30,00	161,60
20	53,50	65,00	26,45	25,51	20,00	18,00	102,00	35,00	195,20
25	64,00	93,50	32,66	31,50	26,00	21,00	119,00	40,00	209,80
30	74,50	93,50	38,60	37,43	34,00	26,00	126,00	44,00	237,60
40	85,00	121,00	48,85	47,38	43,00	33,00	139,00	55,00	280,00
50	100,00	121,00	61,00	59,27	56,00	39,00	172,00	63,00	328,00



Socket true union check valve



DESCRIPTION

- **Material:** PVC-U, PVC-C
- **Size:** DN15...100, 1/2"...4", 16A...100A
- **Standard:** DIN, ASTM, JIS
- **Connection:** socket
- **Colour:** dark gray

FEATURES

- Simple economy
- The material is nano-modified to improve the pressure resistance and impact resistance of the product
- Thickened valve body for high compression resistance
- Valve factory 100% pressure test
- The body and seal are specially treated for better performance

MATERIALS

No.	Name	Quantity	Material
01	Faucet	2	PVC-U/C
02	Nut	2	PVC-U/C
03	Body	1	PVC-U/C
04	Washer	1	PVC-U/C
05	Rubber ring	1	EPDM/FPM
06	Location ring	1	PVC-U/C
07	Ball	1	PVC-U/C
08	O-ring	2	EPDM/FPM

DIMENSIONS

DIN

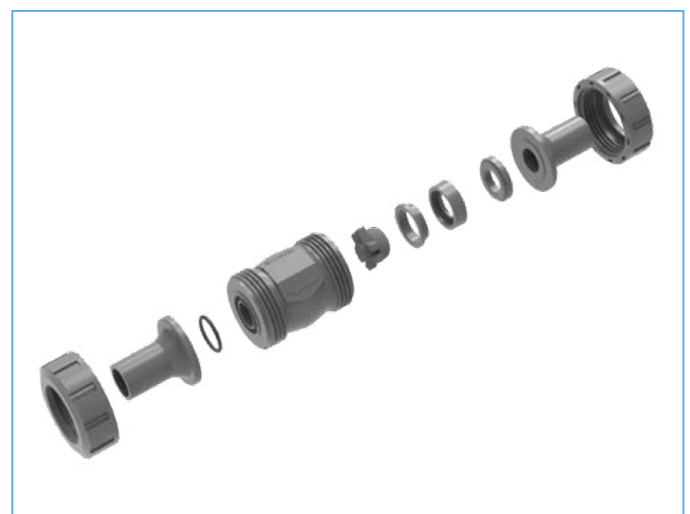
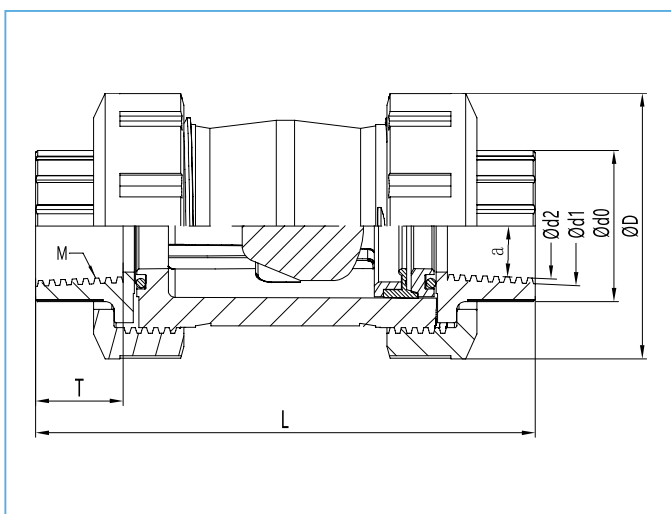
DN (De)	Dimensions (mm)						Nominal Pressure (kg/cm ²)
	D	d0	d1	d2	T	L	
15(20)	51,50	27,40	20,30	19,95	17,00	95,80	PN10
20(25)	59,00	32,70	25,30	24,95	19,50	109,60	PN10
25(32)	70,00	41,30	32,30	31,90	23,00	123,10	PN10
32(40)	85,40	49,60	40,35	39,90	27,00	150,00	PN10
40(50)	98,90	60,20	50,35	49,90	32,00	161,20	PN10
50(63)	122,20	76,00	63,40	62,90	38,50	186,00	PN10
65(75)	158,60	89,60	75,40	74,90	44,50	236,00	PN10
80(90)	192,10	105,40	90,50	89,90	52,00	255,00	PN10
100(110)	223,60	128,40	110,60	109,90	62,00	298,60	PN10

ASTM SCH80

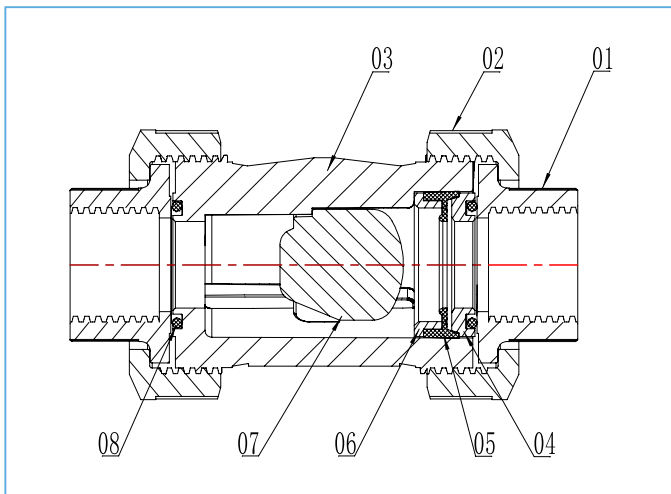
DN (inch)	Dimensions (mm)					
	D	d0	d1	d2	T	L
1/2"	51,50	27,40	21,54	21,23	23,30	108,40
3/4"	59,00	32,70	26,87	26,57	26,50	123,60
1"	70,00	41,30	33,66	33,27	29,70	136,50
1-1/4"	85,40	49,60	42,42	42,04	32,90	161,80
1-1/2"	98,90	60,20	48,56	48,11	36,10	169,40
2"	122,20	76,00	60,63	60,17	39,30	187,60
2-1/2"	158,60	89,60	73,38	72,85	45,70	237,20
3"	192,10	105,40	89,31	88,70	48,90	248,80
4"	223,60	128,40	114,76	114,07	58,40	291,40

JIS

DN A	Dimensions (mm)						Nominal Pressure (kg/cm ²)
	D	d0	d1	d2	T	L	
16	51,50	30,50	22,40	21,60	30,00	121,80	PN10
20	59,00	34,11	26,45	25,51	35,00	140,60	PN10
25	70,00	41,30	32,66	31,50	40,00	157,10	PN10
30	85,40	48,16	38,60	37,43	44,00	184,00	PN10
40	98,90	59,10	48,85	47,38	55,00	207,20	PN10
50	122,20	72,10	61,00	59,27	63,00	235,00	PN10
65	158,60	89,23	77,10	75,73	63,00	273,00	PN10
75	192,10	105,33	89,60	88,58	64,00	279,00	PN10
100	223,60	133,07	114,70	113,55	84,00	342,60	PN10



Threaded true union check valve



DESCRIPTION

- **Material:** PVC-U, PVC-C
- **Size:** DN15...100, 1/2"...4", 16A...100A
- **Standard:** DIN, ASTM, JIS
- **Connection:** socket
- **Colour:** dark gray

FEATURES

- Simple economy
- The material is nano-modified to improve the pressure resistance and impact resistance of the product
- Thickened valve body for high compression resistance
- Valve factory 100% pressure test
- The body and seal are specially treated for better performance

MATERIALS

No.	Name	Quantity	Material
01	Faucet	2	PVC-U/C
02	Nut	2	PVC-U/C
03	Body	1	PVC-U/C
04	Washer	1	PVC-U/C
05	Rubber ring	1	EPDM/FPM
06	Location ring	1	PVC-U/C
07	Ball	1	PVC-U/C
08	O-ring	2	EPDM/FPM

DIMENSIONS

DIN

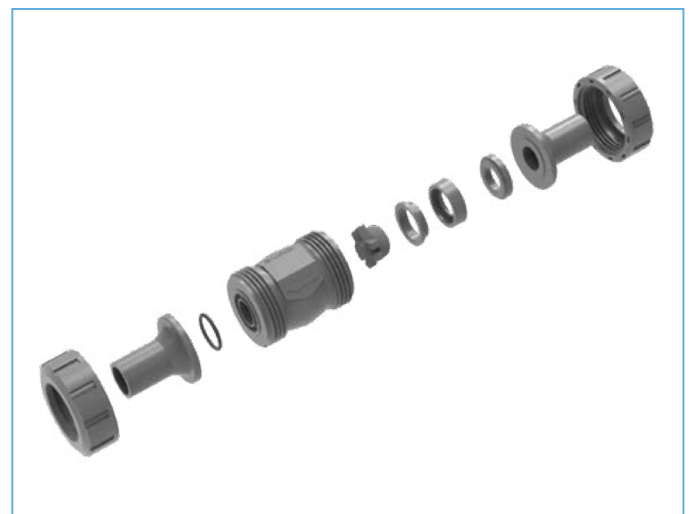
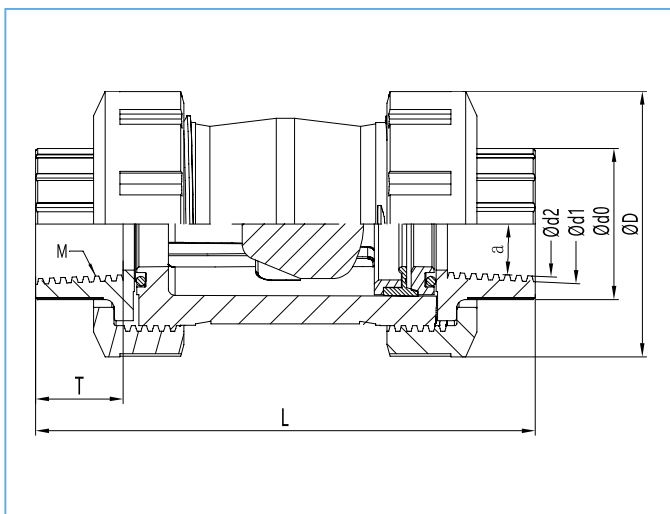
DN (De)	Dimensions (mm)								Nominal Pressure (kg/cm ²)
	D	d0	d1	d2	T	L	Tr	a	
15(20)	51,50	27,40	20,95	18,63	17,00	95,80	1/2"	3,58	PN10
20(25)	59,00	32,70	26,44	24,12	19,50	109,58	3/4"	3,58	PN10
25(32)	70,00	41,30	33,25	30,29	23,00	123,10	1"	3,58	PN10
32(40)	85,40	49,60	41,91	38,95	27,00	147,50	1-1/4"	3,58	PN10
40(50)	98,90	60,20	47,80	44,85	32,00	159,50	1-1/2"	3,58	PN10
50(63)	122,20	76,00	59,61	56,66	38,50	184,80	2"	3,58	PN10
65(75)	158,60	89,60	75,18	74,23	44,50	233,50	2-1/2"	3,58	PN10
80(90)	192,10	105,40	87,88	84,93	52,00	255,00	3"	3,58	PN10
100(110)	223,60	128,40	113,03	110,07	62,00	297,50	4"	3,58	PN10

ASTM SCH80

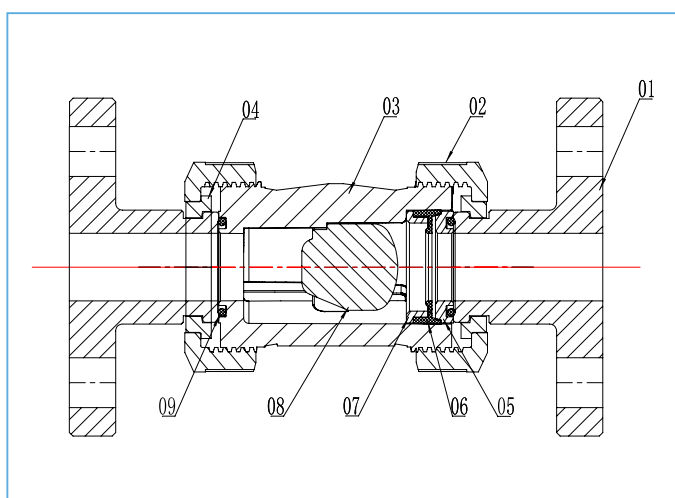
DN (inch)	Dimensions (mm)								Nominal Pressure (kg/cm ²)
	D	d0	d1	d2	T	L	Tr	a	
1/2"	51,50	27,40	20,95	18,63	17,00	95,80	1/2"	3,58	PN10
3/4"	59,00	32,70	26,44	24,12	19,50	109,58	3/4"	3,58	PN10
1"	70,00	41,30	33,25	30,29	23,00	123,10	1"	3,58	PN10
1-1/4"	85,40	49,60	41,91	38,95	27,00	147,50	1-1/4"	3,58	PN10
1-1/2"	98,90	60,20	47,80	44,85	32,00	159,50	1-1/2"	3,58	PN10
2"	122,20	76,00	59,61	56,66	38,50	184,80	2"	3,58	PN10
2-1/2"	158,60	89,60	75,18	74,23	44,50	233,50	2-1/2"	3,58	PN10
3"	192,10	105,40	87,88	84,93	52,00	255,00	3"	3,58	PN10
4"	223,60	128,40	113,03	110,07	62,00	297,50	4"	3,58	PN10

JIS

DN A	Dimensions (mm)								Nominal Pressure (kg/cm ²)
	D	d0	d1	d2	T	L	Tr	a	
16	51,50	27,40	20,95	18,63	17,00	95,80	1/2"	3,58	PN10
20	59,00	32,70	26,44	24,12	19,50	109,58	3/4"	3,58	PN10
25	70,00	41,30	33,25	30,29	23,00	123,10	1"	3,58	PN10
30	85,40	49,60	41,91	38,95	27,00	147,50	1-1/4"	3,58	PN10
40	98,90	60,20	47,80	44,85	32,00	159,50	1-1/2"	3,58	PN10
50	122,20	76,00	59,61	56,66	38,50	184,80	2"	3,58	PN10
65	158,60	89,60	75,18	74,23	44,50	233,50	2-1/2"	3,58	PN10
75	192,10	105,40	87,88	84,93	52,00	255,00	3"	3,58	PN10
100	223,60	128,40	113,03	110,07	62,00	297,50	4"	3,58	PN10



Flanged true union check valve



DESCRIPTION

- **Material:** PVC-U, PVC-C
- **Size:** DN15...10
- **Standard:** DIN
- **Connection:** flanged
- **Colour:** dark gray

FEATURES

- Simple economy
- The material is nano-modified to improve the pressure resistance and impact resistance of the product
- Thickened valve body for high compression resistance
- Valve factory 100% pressure test
- The body and seal are specially treated for better performance

MATERIALS

No.	Name	Quantity	Material
01	Flange	2	PVC-U/C
02	Nut	2	PVC-U/C
03	Body	1	PVC-U/C
04	Clamp ring	2	PVC-U/C
05	Washer	1	PVC-U/C
06	Rubber ring	1	EPDM/FPM
07	Location ring	1	PVC-U/C
08	Ball	1	PVC-U/C
09	O-ring	2	EPDM/FPM

DIMENSIONS

DIN

DN(De)	Dimensions (mm)							Nominal Pressure (kg/cm ²)
	D0	d0	d1	d2	d3	T	L	
15(20)	95,00	51,50	20,30	19,95	65,00	13,00	141,60	PN10
20(25)	105,00	59,00	25,30	24,95	75,00	14,00	171,50	PN10
25(32)	115,00	70,00	32,30	31,90	85,00	15,00	188,50	PN10
32(40)	140,00	85,40	40,35	39,90	100,00	15,00	187,50	PN10
40(50)	150,00	98,90	50,35	49,90	110,00	17,00	215,00	PN10
50(63)	165,00	122,20	63,40	62,90	125,00	17,00	235,00	PN10
65(75)	185,00	158,60	75,40	74,90	145,00	18,00	288,50	PN10
80(90)	200,00	192,10	90,50	89,90	160,00	18,00	310,00	PN10
100(110)	220,00	223,60	110,60	109,90	180,00	18,00	375,00	PN10

Swing spring check valve

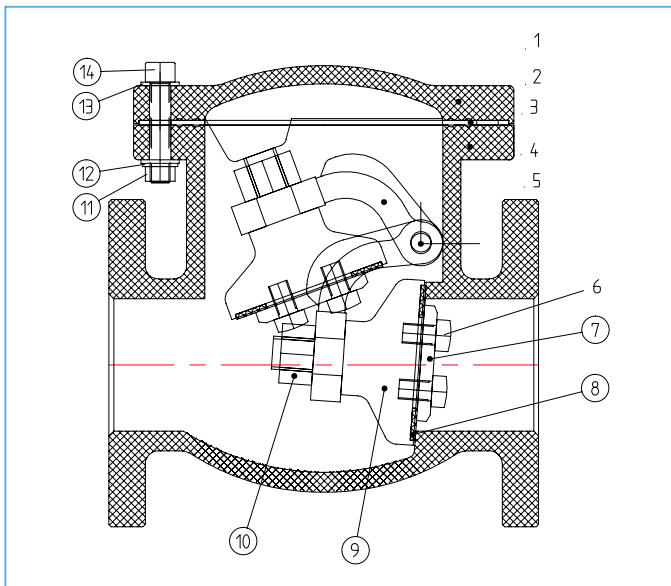


DESCRIPTION

- **Material:** PVC-U, PVC-C
- **Size:** DN15...200, 1/2" ...8", 16A...200A
- **Standard:** DIN, ASTM, JIS
- **Connection:** flanged
- **Colour:** dark gray

FEATURES

- Simple economy
- The material is nano-modified to improve the pressure resistance and impact resistance of the product
- Thickened valve body for high compression resistance
- Valve factory 100% pressure test
- The body and seal are specially treated for better performance



MATERIALS

No.	Name	Quantity	Material
01	End cover	1	PVC-U/C
02	Gasket 1	1	EPDM/FPM
03	Body	1	PVC-U/C
04	Hinge	1	PVC-U/C
05	Pin	1	PTFE
06	Hexagon bolt	1...4	PVC-U/C
07	Coverplate	1	PVC-U/C
08	Gasket 2	1	EPDM/FPM
09	Flap	1	PVC-U/C
10	Nut	1	PVC-U/C
11	Hexagon nut	8...12	SS304
12	Spring washer	8...12	SS304
13	Plain washer	16...24	SS304
14	Hexagon bolt	8...12	SS304

DIMENSIONS

DIN

DN (De)	Dimensions (mm)							Nominal Pressure (kg/cm ²)
	D	D1	L	T	H	d	n-Øe	
15	100,00	65,00	140,00	15,00	93,00	87,00	4-Ø14	PN10
20	100,00	75,00	140,00	15,00	93,00	87,00	4-Ø14	PN10
25	120,00	85,00	160,00	15,00	117,00	130,00	4-Ø18	PN10
32	140,00	100,00	180,00	19,00	137,00	146,00	4-Ø18	PN10
40	140,00	110,00	180,00	19,00	137,00	146,00	4-Ø18	PN8
50	165,00	125,00	200,00	20,00	156,00	167,00	4-Ø18	PN8
65	185,00	145,00	240,00	22,00	170,20	203,00	4-Ø18	PN8
80	200,00	160,00	260,00	22,00	181,00	230,00	8-Ø18	PN5
100	224,00	180,00	300,00	24,00	216,00	278,00	8-Ø18	PN5
125	254,00	210,00	300,00	24,00	216,00	278,00	8-Ø18	PN5
150	285,00	240,00	400,00	26,00	286,00	394,00	8-Ø23	PN5
200	324,00	295,00	500,00	30,00	336,00	476,00	8-Ø23	PN3

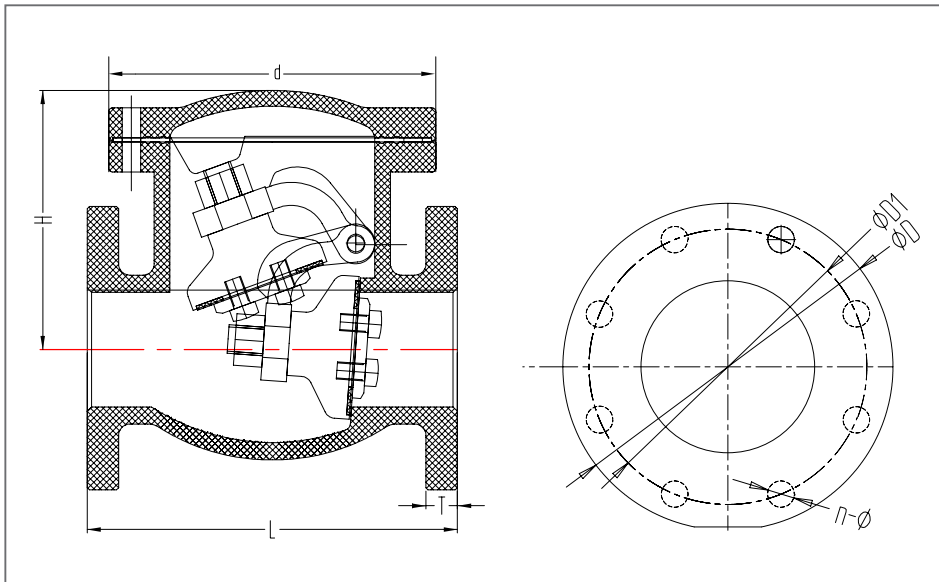


ASTM SCH80

Size (inch)	Dimensions (mm)							Nominal Pressure (kg/cm ²)
	D	D1	L	T	H	d	n-Øe	
1/2"	100,00	60,00	140,00	15,00	93,00	87,00	4-Ø16	PN10
3/4"	100,00	70,00	140,00	15,00	93,00	87,00	4-Ø16	PN10
1"	120,00	79,00	160,00	15,00	117,00	130,00	4-Ø16	PN10
1-1/4"	140,00	88,90	180,00	19,00	137,00	146,00	4-Ø16	PN10
1-1/2"	140,00	98,00	180,00	19,00	137,00	146,00	4-Ø16	PN8
2"	165,00	121,00	200,00	20,00	156,00	167,00	4-Ø19	PN8
2-1/2"	185,00	140,00	240,00	22,00	170,20	203,00	4-Ø19	PN8
3"	200,00	152,00	260,00	22,00	181,00	230,00	4-Ø19	PN5
4"	224,00	191,00	300,00	24,00	216,00	278,00	8-Ø19	PN5
5"	254,00	216,00	300,00	24,00	216,00	278,00	8-Ø22	PN5
6"	285,00	241,00	400,00	26,00	286,00	394,00	8-Ø22	PN5
8"	324,00	298,00	500,00	30,00	336,00	476,00	8-Ø22	PN3

JIS

Size A	Dimensions (mm)							Nominal Pressure (kg/cm ²)
	D	D1	L	T	H	d	n-Øe	
16	100,00	70,00	140,00	15,00	93,00	87,00	4-Ø15	PN10
20	100,00	75,00	140,00	15,00	93,00	87,00	4-Ø15	PN10
25	120,00	90,00	160,00	15,00	117,00	130,00	4-Ø19	PN10
30	140,00	100,00	180,00	19,00	137,00	146,00	4-Ø19	PN10
40	140,00	105,00	180,00	19,00	137,00	146,00	4-Ø19	PN8
50	165,00	120,00	200,00	20,00	156,00	167,00	4-Ø19	PN8
65	185,00	140,00	240,00	22,00	170,20	203,00	4-Ø19	PN8
75	200,00	150,00	260,00	22,00	181,00	230,00	8-Ø19	PN5
100	224,00	175,00	300,00	24,00	216,00	278,00	8-Ø19	PN5
125	254,00	210,00	300,00	24,00	216,00	278,00	8-Ø23	PN5
150	285,00	240,00	400,00	26,00	286,00	394,00	8-Ø23	PN5
200	324,00	290,00	500,00	30,00	336,00	476,00	12-Ø23	PN3



.....

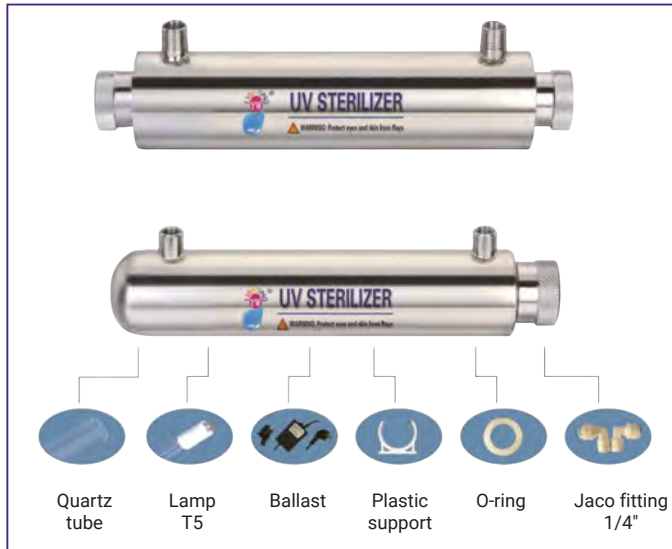
EKO-TRADING CO., LIMITED

UV Sterilizers

.....



SS UV sterilizers



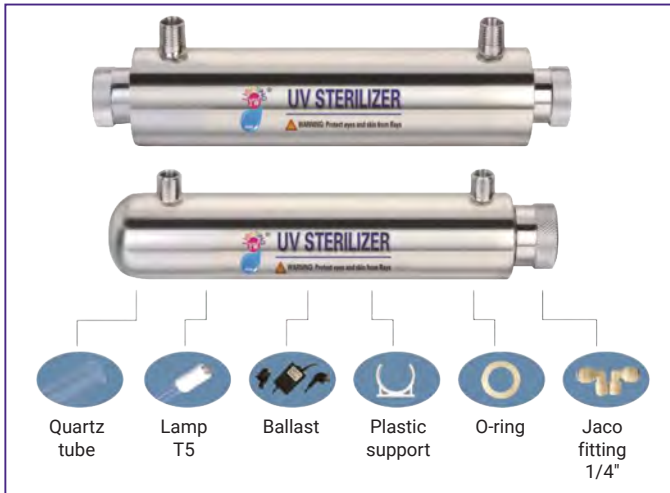
Model		SS 6W	SS 12W	SS 16W	SS 25W	SS 30W	SS 35W	SS 55W
Housing material		304/316	304/316	304/316	304/316	304/316	304/316	304/316
All UV lamp (T5) power		6 W	12 W	16 W	25 W	30 W	35 W	55 W
Input voltage		110V/240V 50/60Hz	110V/240V 50/60Hz	110V/240V 50/60Hz	110V/240V 50/60Hz	110V/240V 50/60Hz	110V/240V 50/60Hz	110V/240V 50/60Hz
UV lamp quantity		1	1	1	1	1	1	1
Water treatment capability		0.5 GPM (0.1 m ³ /h)	1 GPM (0.2 m ³ /h)	2 GPM (0.4 m ³ /h)	6 GPM (1.4 m ³ /h)	8 GPM (1.8 m ³ /h)	10 GPM (2.3 m ³ /h)	12 GPM (2.7 m ³ /h)
Water capacity		421 cm ³	502 cm ³	990 cm ³	1687 cm ³	2684 cm ³	2810 cm ³	2810 cm ³
Max operating pressure		10 bar (145 psi)	10 bar (145 psi)	10 bar (145 psi)	10 bar (145 psi)	10 bar (145 psi)	10 bar (145 psi)	10 bar (145 psi)
Test pressure		15 bar (218 psi)	15 bar (218 psi)	15 bar (218 psi)	15 bar (218 psi)	15 bar (218 psi)	15 bar (218 psi)	15 bar (218 psi)
Lamp failure alarm		Optional	Optional	Optional	Optional	Optional	Optional	Optional
Lamp life		8000 hours	8000 hours	8000 hours	8000 hours	8000 hours	8000 hours	8000 hours
Product size	A	270 mm	310 mm	375 mm	595 mm	910 mm	950 mm	950 mm
	B	63 mm	63 mm	82 mm	82 mm	85 mm	85 mm	85 mm
	G	1/4" female	1/4" female	1/2" female	1/2" female	3/4" female	3/4" female	3/4" female
	Ø	50.8 mm	50.8 mm	63.5 mm	63.5 mm	63.5 mm	63.5 mm	63.5 mm

SS UV sterilizers in large power



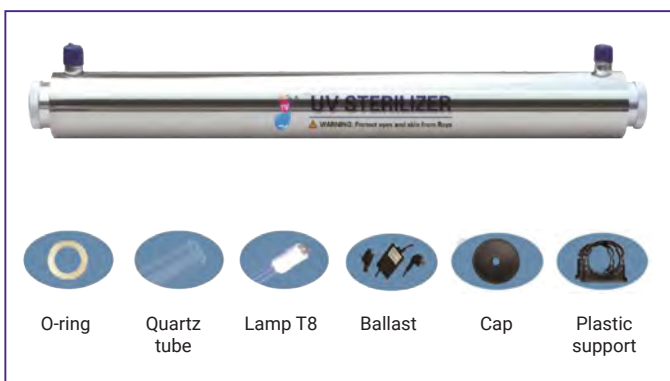
Model		SS 110W	SS 165W	SS 220W	SS 330W	SS 440W	SS 550W	SS 660W	
Housing material		304/316	304/316	304/316	304/316	304/316	304/316	304/316	
All UV lamp (T5) power		110 W	165 W	220 W	330 W	440 W	550 W	660 W	
Input voltage		110V/240V 50/60Hz	110V/240V 50/60Hz	110V/240V 50/60Hz	110V/240V 50/60Hz	110V/240V 50/60Hz	110V/240V 50/60Hz	110V/240V 50/60Hz	
UV lamp quantity		2	3	4	6	8	10	12	
Water treatment capability		24 GPM (5.5 m ³ /h)	36 GPM (8 m ³ /h)	48 GPM (11 m ³ /h)	72 GPM (16 m ³ /h)	96 GPM (22 m ³ /h)	120 GPM (30 m ³ /h)	144 GPM (35 m ³ /h)	
Water capacity		8130 cm ³	12330 cm ³	12330 cm ³	19674 cm ³	33739 cm ³	33739 cm ³	33739 cm ³	
Max operating pressure		10 bar (145 psi)	10 bar (145 psi)	10 bar (145 psi)	10 bar (145 psi)	10 bar (145 psi)	10 bar (145 psi)	10 bar (145 psi)	
Test pressure		15 bar (218 psi)	15 bar (218 psi)	15 bar (218 psi)	15 bar (218 psi)	15 bar (218 psi)	15 bar (218 psi)	15 bar (218 psi)	
Lamp failure alarm		Optional	Optional	Optional	Optional	Optional	Optionalw	Optional	
Lamp life		8000 hours	8000 hours	8000 hours	8000 hours	8000 hours	8000 hours	8000 hours	
	Product size	A	950 mm	950 mm	950 mm	950 mm	950 mm	950 mm	
		B1	250 mm	283mm	283mm	380 mm	430 mm	430 mm	430 mm
		B2	270 mm	305 mm	305 mm	380 mm	470 mm	470 mm	430 mm
		G	1" (male/flange)	1 1/2" (male/flange)	1 1/2" (male/flange)	2" (male/flange)	3" (male/flange)	3" (male/flange)	3" (male/flange)
	Ø	108 mm	133 mm	133 mm	168 mm	220 mm	220 mm	220 mm	
Cartoon size		104x23x41 cm	104x25x45 cm	104x25x45 cm	104x30x54 cm	104x37x64 cm	104x37x64 cm	104x37x64 cm	
Gross weight		8 kg	11 kg	11.5 kg	25 kg	27 kg	28 kg	29 kg	

SS UV sterilizers with Phillips T5 lamps



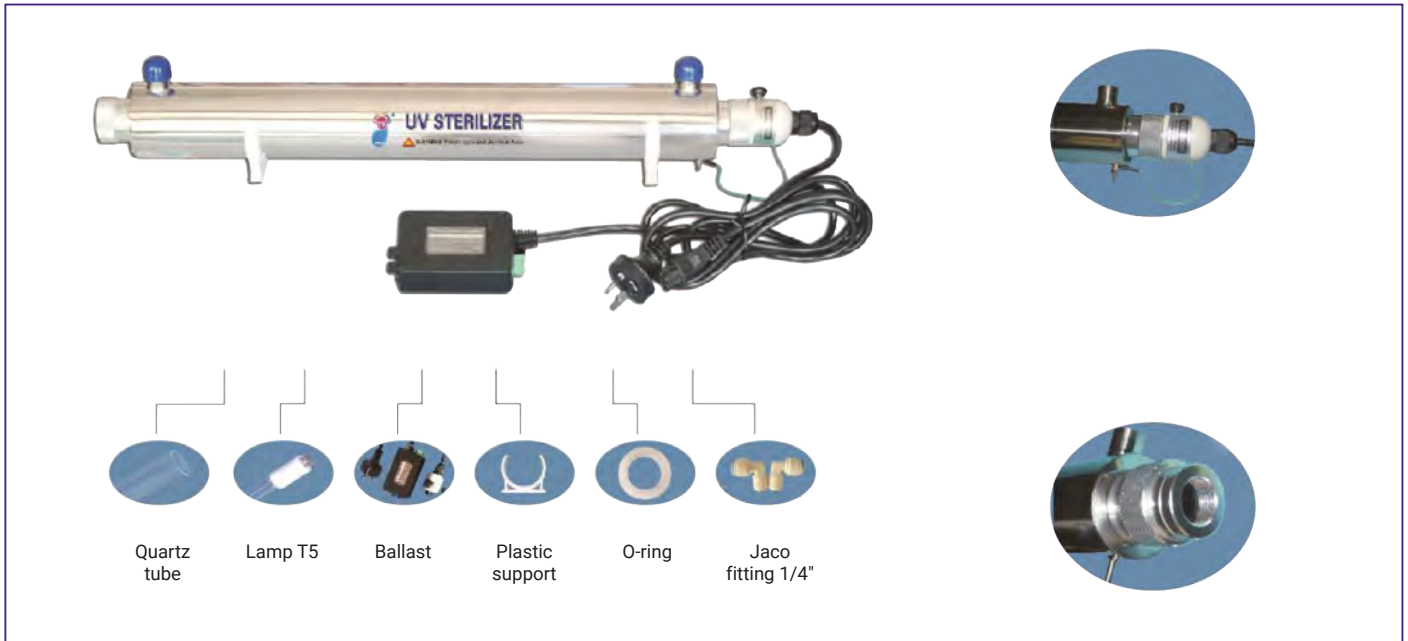
Model	SST5-6W	SST5-11W	SST5-16W	
Housing material	304/316	304/316	304/316	
All UV lamp (T5) power	6 W	11 W	16 W	
Input voltage	110V/240V 50/60Hz	110V/240V 50/60Hz	110V/240V 50/60Hz	
UV lamp quantity	1	1	1	
Water treatment capability	0.5 GPM (0.1 m ³ /h)	1 GPM (0.2 m ³ /h)	2 GPM (0.4 m ³ /h)	
Water capacity	502 cm ³	502 cm ³	990 cm ³	
Max operating pressure	10 bar (145 psi)	10 bar (145 psi)	10 bar (145 psi)	
v	15 bar (218 psi)	15 bar (218 psi)	15 bar (218 psi)	
Lamp failure alarm	Optional	Optional	Optional	
Lamp life	8000 hours	8000 hours	8000 hours	
Product size	A 310 mm	310 mm	330 mm	
	B	63 mm	63 mm	300 mm
	∅	50.8 mm	50.8 mm	63.5 mm

SS UV sterilizers with Phillips T8 lamps



Model	SST8-25W	SST8-30W	SST8-55W	
Housing material	304/316	304/316	304/316	
All UV lamp (T5) power	25 W	30 W	55 W	
Input voltage	110V/240V 50/60Hz	110V/240V 50/60Hz	110V/240V 50/60Hz	
UV lamp quantity	1	1	1	
Water treatment capability	8 GPM (1.8 m ³ /h)	10 GPM (2.3 m ³ /h)	12 GPM (2.7 m ³ /h)	
Water capacity	2684 cm ³	2810 cm ³	2810 cm ³	
Max operating pressure	10 bar (145 psi)	10 bar (145 psi)	10 bar (145 psi)	
v	15 bar (218 psi)	15 bar (218 psi)	15 bar (218 psi)	
Lamp failure alarm	Optional	Optional	Optional	
Lamp life	8000 hours	8000 hours	8000 hours	
Product size	A 550 mm	950 mm	950 mm	
	B	475 mm	920 mm	920 mm
	∅	65 mm	65 mm	65 mm

SSD UV sterilizers with grounding wires



Model		SSD 6W	SSD 12W	SSD 16W	SSD 25W	SSD 30W	SSD 35W	SSD 55W
Housing material		304/316	304/316	304/316	304/316	304/316	304/316	304/316
All UV lamp (T5) power		6 W	12 W	16 W	25 W	30 W	35 W	55 W
Input voltage		110V/240V 50/60Hz	110V/240V 50/60Hz	110V/240V 50/60Hz	110V/240V 50/60Hz	110V/240V 50/60Hz	110V/240V 50/60Hz	110V/240V 50/60Hz
UV lamp quantity		1	1	1	1	1	1	1
Water treatment capability		0.5 GPM (0.1 m ³ /h)	1 GPM (0.2 m ³ /h)	2 GPM (0.4 m ³ /h)	6 GPM (1.4 m ³ /h)	8 GPM (1.8 m ³ /h)	10 GPM (2.3 m ³ /h)	12 GPM (2.7 m ³ /h)
Water capacity		421 cm ³	502 cm ³	990 cm ³	1687 cm ³	2684 cm ³	2810 cm ³	2810 cm ³
Max operating pressure		10 bar (145 psi)	10 bar (145 psi)	10 bar (145 psi)	10 bar (145 psi)	10 bar (145 psi)	10 bar (145 psi)	10 bar (145 psi)
Test pressure		15 bar (218 psi)	15 bar (218 psi)	15 bar (218 psi)	15 bar (218 psi)	15 bar (218 psi)	15 bar (218 psi)	15 bar (218 psi)
Lamp failure alarm		Optional	Optional	Optional	Optional	Optional	Optional	Optional
Lamp life		8000 hours	8000 hours	8000 hours	8000 hours	8000 hours	8000 hours	8000 hours
	A	270 mm	310 mm	375 mm	595 mm	910 mm	950 mm	950 mm
	B	63 mm	63 mm	82 mm	82 mm	85 mm	85 mm	85 mm
	G	1/4" female	1/4" female	1/2" female	1/2" female	3/4" female	3/4" female	3/4" female
	Ø	50.8 mm	50.8 mm	63.5 mm	63.5 mm	63.5 mm	63.5 mm	63.5 mm

YTG01T electronic ballasts for Phillips UV lamps T5 & T8

Specification

- For Phillips UV lamp T5 series and T8 series.
- High power factor 0.97.
- Light and sound alarm (when UV lamp is abnormal).
- EMC, CE certificate.
- year warranty.



Model	YT-G01T5-6W	YT-G01T5-11W	YT-G01T8-25W	YT-G01T8-30W	YT-G01T8-55W
Phillips lamps T5 & T8	T5 6W	T5 11W	T8 25W	T8 30W	T8 55W
Input voltage	220 V	220 V	220 V	220 V	220 V
Input current	0.029 A	0.053 A	0.120 A	0.144 A	0.263 A
Power factor	≥0.95	≥0.95	≥0.95	≥0.95	≥0.95
Min start temperature	0°F/ -18°C	0°F/ -18°C	0°F/ -18°C	0°F/ -18°C	0°F/ -18°C

YTG01 electronic ballasts for UV lamps

Specification

- For UV lamp 4...150W, 120/230 V 50/60 Hz.
- High power factor, low THD.
- CE, UL Certificate.
- 1 year warranty.
- With grounding wire (optionally).
- Light and sound alarm (optionally).



Model	YTG01-4W	YTG01-6W	YTG01-12W	YTG01-16W	YTG01-25W	YTG01-30W	YTG01-35W	YTG01-55W
Lamps type T5 4 pin	4W UVC	6W UVC	12W UVC	16W UVC	25W UVC	30W UVC	35W UVC	55W UVC
Input voltage	220 V/ 120 V	220 V/ 120 V	220 V/ 120 V	220 V/ 120 V	220 V/ 120 V	220 V/ 120 V	220 V/ 120 V	220 V/ 120 V
Input current	0.030	0.045	0.091	0.121	0.189	0.227	0.265	0.417
Power factor	≥0.95	≥0.95	≥0.95	≥0.95	≥0.95	≥0.95	≥0.95	≥0.95
Min start temperature	0°F/ -18°C	0°F/ -18°C	0°F/ -18°C	0°F/ -18°C	0°F/ -18°C	0°F/ -18°C	0°F/ -18°C	0°F/ -18°C

YWD24-8W electronic balast for germecidal UV lamps



Model	YWD24-8W
Power per lamp	4...8 W
Input voltage	21.4...26.4 V
Input current	0.48 A@24 V
Lamp current	0.16...0.18
Power factor	≥0.95

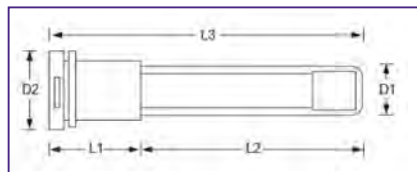
UV water disinfection integrated lamps

Product characteristic

Usage the quartz glass tube with UV transmissivity over 90% matched with UV lamp tube, connecting external ballast, composing integrated immersion lamp. Easy to operate, small volume, good disinfection effect.

Application area

Applied in water treatment, such as fishpond and aquarium disinfection.



Lamp type		UV-6W	UV-10W
Lamp wattage		6 W	10 W
Product size	L1	56	56
	L2	109	186
	L3	165	242
	D1	23	23
	D2	40	40
Useful life		9000 hours	9000 hours

TUV T5/T6 UVC 4 pins lamps in single ends

Features

- Electrodes and quartz tube are processed by special technique, the UV lamp have a long life and keep UV output.

- Different lamp holder, plastic and ceramic.
- High ozone lamps can produce hydroxyl in water, decomposition of organic matter, reducing TOC.

Applications

- Disinfection for purified water, domestic water, deionized water, medical water, and other water sources.
- Water treatment equipment.

- Used in waste water treatment, photocatalyst, photocatalytic degradation of organic compounds in water.



Lamp type	Diameter mm	Base length mm	Wattage W	Lamp voltage V	Lamp current mA	UV intensity (distance 1 m) $\mu\text{W}/\text{cm}^2$
TUV10D15Y-Z212	15	221	10	32	425	21...24
TUV14D15Y-Z287	15	287	14	42	425	31...35
TUV15D15Y-Z303	15	303	15	44	425	33...37
TUV18D15Y-Z356	15	356	18	52	425	48...54
TUV23D15Y-Z436	15	436	23	66	425	62...69
TUV28D15Y-Z550	15	550	28	80	425	85
TUV37D15Y-Z793	15	793	37	100	425	110
TUV40D15Y-Z851	15	851	40	110	400	120...130
TUV55D15Y-Z1149	15	1149	55	180	400	150...180
TUV75D15Y-Z1554	15	1554	75	200	630	180...210

For example: TUV75D15Y-Z1554 means Ultraviolet lamp,75W, single end (D), pipe diameter 15 mm, with ozone (Y), without ozone (W), straight pipe (Z), length 1554 mm.

Special UV lamps for water treatment

Lamp type	Diameter mm	Base length mm	Wattage W	Lamp voltage V	Lamp current mA	UV intensity (distance 1 m) $\mu\text{W}/\text{cm}^2$
TUVT5-4W	15	153	4	28	120	18
TUVT5-6W	15	212	6	32	180	20
TUVT5-12W	15	287	12	42	380	31
TUVT5-16W	15	345	16	47	410	33
TUVT5-25W	15	565	25	74	425	77
TUVT5-30W	15	885	30	82	425	85
TUVT5-35W	15	925	35	98	490	102
TUVT5-55W	15	925	55	120	512	145
TUVT5-75W	15	1554	75	190	200	200

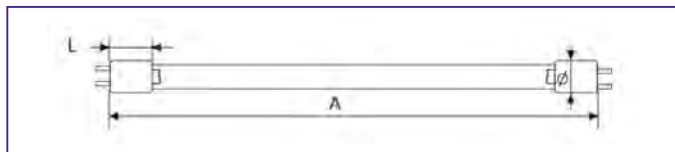
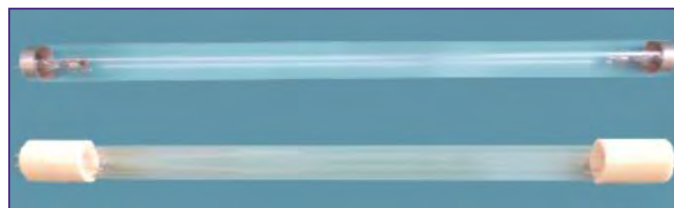
ZW T5/T6 UVC 4 pins lamps in double ends

Features

- Hot cathode electrodes, pre-heated start, the average life more than 8000 hours.
- Match with the same specification of fluorescent brackets and holders, or make different tube diameters and lamp holder, according to customer requirements.
- Ceramic lamp holder: anti-oxidation, anti-radiation.

Applications

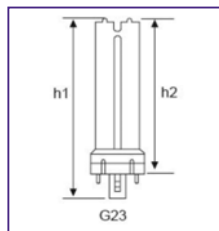
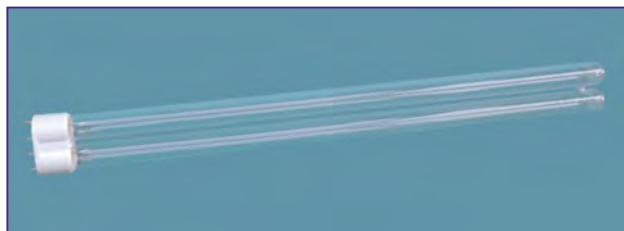
- Disinfection cabinet, microwave ovens, air conditioners, water treatment equipment, air purifiers and various small appliances.
- The disinfection for hospitals, schools, hotels, restaurants, house, air and surface of the house.



Model	Diameter, mm	Base length, mm	Wattage, W	Lamp voltage, V	Lamp current, mA	UV intensity (distance 1 m) $\mu\text{W}/\text{cm}^2$	Type code	Material
ZW4S12Y-Z135	12 (T4)	135	4	18...24	160	12	G5	Plastic
ZW4S15Y-Z135	15 (T5)	135	4	18...24	160	12	G5	Ceramic
ZW6S12Y-Z212	12 (T4)	212	6	36...48	160	18	G5	Plastic
ZW6S15Y-Z212	15 (T5)	212	6	36...48	160	18	G5	Ceramic
ZW8S12Y-Z288	12 (T4)	288	8	48...64	145	28	G5	Plastic
ZW8S15Y-Z288	15 (T5)	288	8	48...64	145	28	G5	Ceramic
ZW10S15Y-Z331	15 (T5)	331	10	55...70	220	30	G13	Ceramic
ZW15S15Y-Z437	15 (T5)	437	15	59...71	300	44	G13	Ceramic
ZW15S19Y-Z437	19 (T6)	437	15	59...71	300	44	G13	Ceramic
ZW20S15Y-Z589	15 (T5)	589	20	68...84	320	75	G13	Ceramic
ZW20S19Y-Z589	19 (T6)	589	20	71...91	320	75	G13	Ceramic
ZW30S15Y-Z894	15 (T5)	894	30	105...125	300	90	G13	Ceramic
ZW30S19Y-Z894	19 (T6)	894	30	105...125	300	90	G13	Ceramic
ZW30S25Y-Z894	25 (T8)	894	30	105...125	300	90	G13	Ceramic
ZW40S15Y-Z1199	15 (T5)	1199	40	110...130	330	110	G13	Ceramic
ZW40S19Y-Z1199	19 (T6)	1199	40	110...130	330	110	G13	Ceramic
ZW40S25Y-Z1199	25 (T8)	1199	40	110...130	330	110	G13	Ceramic

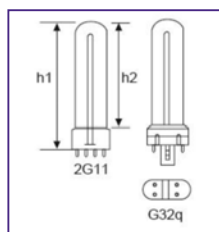
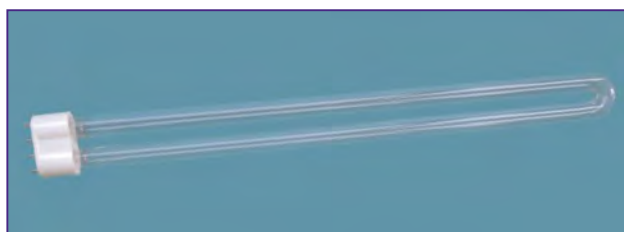
For example: ZW40S25Y-Z1199 means Ultraviolet lamp, 40W, double end (S), pipe diameter 25 mm, with ozone (Y), without ozone (W), straight pipe (Z), length 1199 mm.

H/U/PLL UV lamps



Model	Diameter, mm	Base length		Wattage, V	Lamp voltage, mA	Lamp current, mA	UV intensity (distance 1 m), $\mu\text{W}/\text{cm}^2$
		h1 (mm)	h2 (mm)				
TUV5D12Y-H85	12	107	85	5	30...40	180	14
TUV7D12Y-H115	12	137	115	7	42...52	175	16
TUV9D12Y-H145	12	167	145	9	54...64	170	23
TUV11D12Y-H215	12	237	215	11	81...99	155	38
TUV13D12Y-H164	12	186	164	13	48...62	300	40

For example: TUV13D12Y-H164 means Ultraviolet lamp, 13W, single end (D), pipe diameter 12 mm, with ozone (Y), without ozone (W), H pipe (H), length 164 mm.



Model	Diameter, mm	Base length		Wattage, V	Lamp voltage, mA	Lamp current, mA	UV intensity (distance 1 m), $\mu\text{W}/\text{cm}^2$
		h1 (mm)	h2 (mm)				
TUV18D17Y-H217	17	217	195	18	52...64	375	57
TUV24D17Y-H317	17	317	295	24	77...97	345	94
TUV36D17Y-H411	17	411	379	36	98...118	435	147
TUV40D17Y-H533	17	533	501	40*	130...150	385	155
TUV55D17Y-H533	17	533	501	55*	110...130	550	170

For example: TUV55D17Y-H533 means Ultraviolet lamp, 55W, single end (D), pipe diameter 17 mm, with ozone (Y), without ozone (W), H pipe (H), length 533mm.

* Remark: 40W and 50W must use with electronic ballast.

QT5 quartz tubes

Specifications

- High temperature resistant
- Good corrosion resistant
- Low thermal expansion coefficient
- Good electric insulation performance
- Long time to use
- High purity, silicon dioxide >99.99%
- Transmittance of light >90%



Model	Length, mm	Inner diameter, mm	Outer diameter, mm	Wall thickness, mm
QT5-D04	180	20	23	1.5
QT5-D06	240	20	23	1.5
QT5-D012	296	20	23	1.5
QT5-D016	360	20	23	1.5
QT5-D025	580	20	23	1.5
QT5-D030	900	20	23	1.5
QT5-D035	940	20	23	1.5
QT5-D055	940	20	23	1.5

.....

EKO-TRADING CO., LIMITED

Water Distributors

.....



FLECK top & bottom distributors



Model	F 0601
Name	3/4" Fleck top distributor
Tanks	6" ...16" ∅150...400 mm



Model	F 0611
Name	1" Fleck top distributor
Tanks	6" ...16" ∅150...400 mm

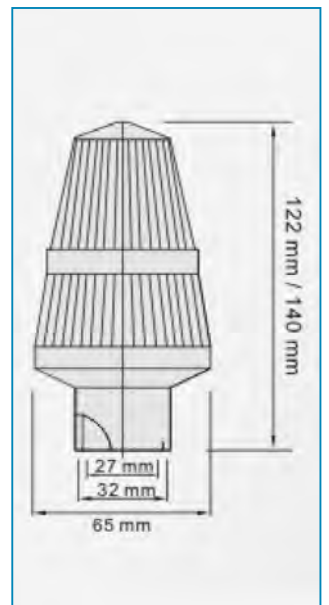
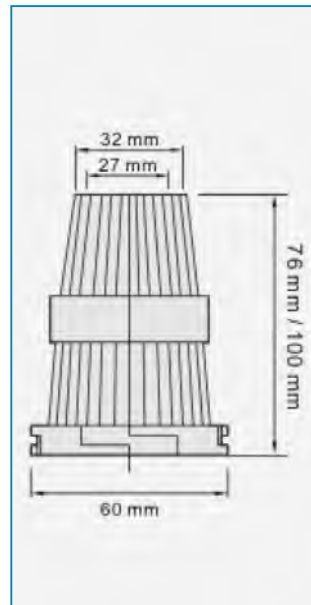
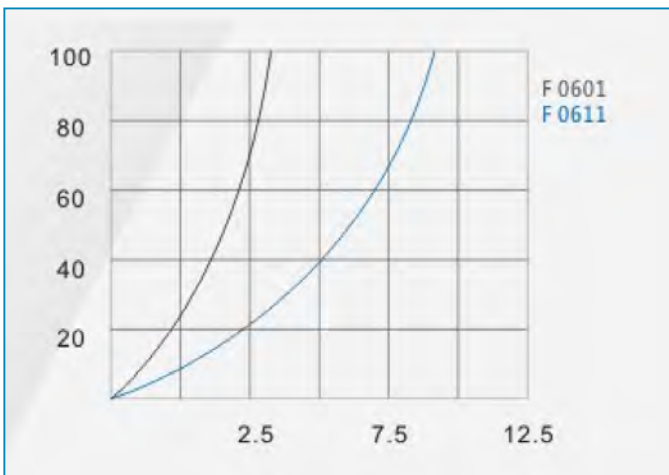


Model	F 0602
Name	3/4" Fleck bottom distributor
Tanks	6" ...16" ∅150...400 mm



Model	F 0612
Name	1" Fleck bottom distributor
Tanks	6" ...16" ∅150...400 mm

X – Flow in GPM (1GPM=227 L/H)
Y – Pressure drop in PSI (1PSI=0.007 Mpa)



MUSHROOM topped distributors



Model	F 0603
	F 0613
Name	3/4" Mushroom top distributor
	1" Mushroom top distributor
Tanks	6"...16" ∅150...400 mm
	6"...16" ∅150...400 mm



Model	F 0604
	F 0614
Name	3/4" Mushroom bottom distributor
	1" Mushroom bottom distributor
Tanks	6"...16" ∅150...400 mm
	6"...16" ∅150...400 mm

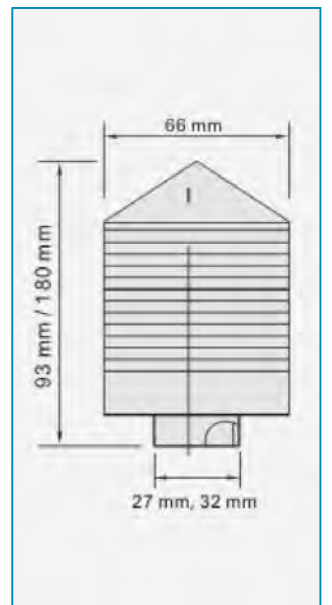
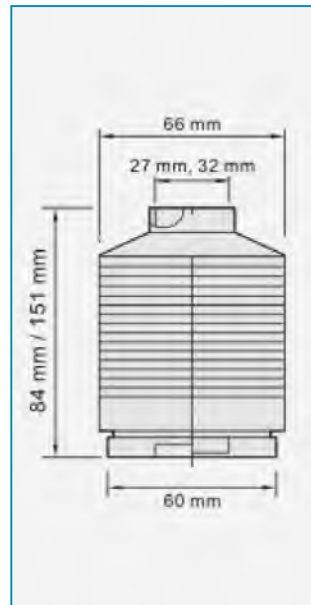
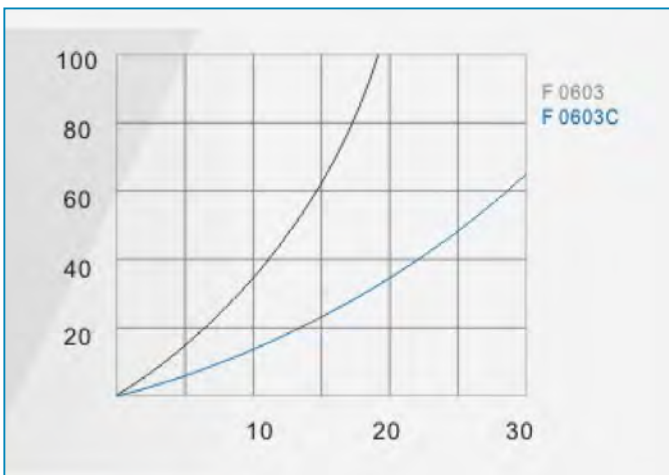


Model	F 0603C
	F 0613C
Name	3/4" Mushroom top distributor lengthten
	1" Mushroom top distributor lengthten
Tanks	6"...16" ∅150...400 mm
	6"...16" ∅150...400 mm



Model	F 0604C
	F 0614C
Name	3/4" Mushroom bottom distributor lengthten
	1" Mushroom bottom distributor lengthten
Tanks	6"...16" ∅150...400 mm
	6"...16" ∅150...400 mm

X – Flow in GPM (1GPM=227 L/H)
 Y – Pressure drop in PSI (1PSI=0.007 Mpa)



1.5" top-mounted upper distributors (hamburger head)



Model	F 182
Name	182 top stack screen
Tanks	12"~48" ∅300~1200 mm



Model	F 182L
Name	182 thread
Tanks	12"~48" ∅300~1200 mm



Model	F 182X
Name	182 bottom stack screen
Tanks	12"~48" ∅300~1200 mm



Model	F 183
	F 183C
Name	183 top stack screen
	183 top stack screen lengthen
Tanks	12"~48" ∅300~1200 mm
	12"~48" ∅300~1200 mm

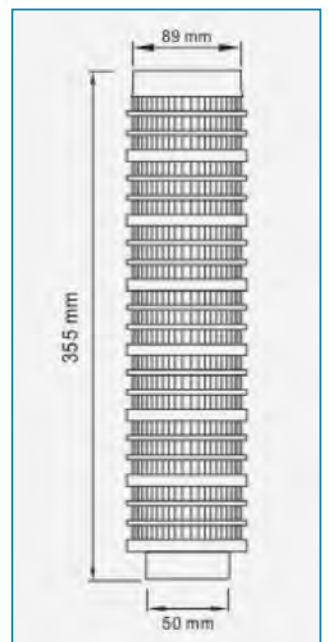
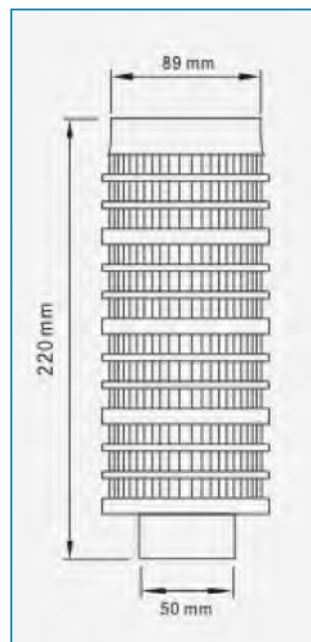
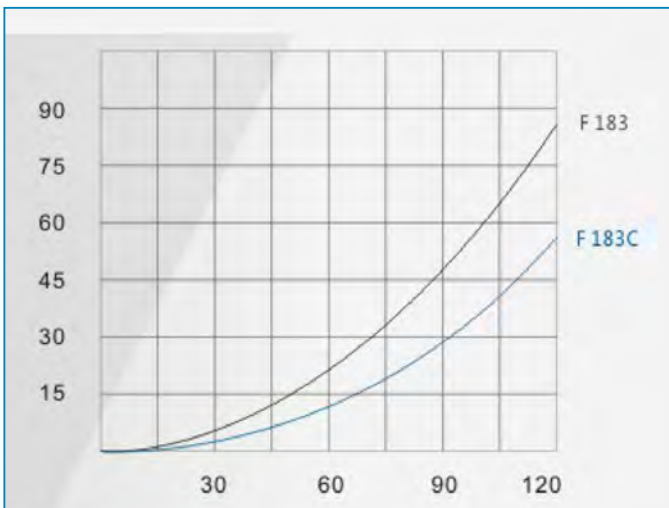


Model	F 183L
	F 183CL
Name	183 thread
	183 thread lengthen
Tanks	12"~48" ∅300~1200 mm
	12"~48" ∅300~1200 mm



Model	F 183X
	F 183CX
Name	183 bottom stack screen
	183 bottom stack screen lengthen
Tanks	12"~48" ∅300~1200 mm
	12"~48" ∅300~1200 mm

X – Flow in GPM (1GPM=227 L/H)
Y – Pressure drop in PSI (1PSI=0.007 Mpa)



2" top-mounted upper distributors



Model	F 184
Name	184 top stack screen
Tanks	12"-.63" Ø300...1600 mm



Model	F 184L
Name	184 thread
Tanks	12"-.63" Ø300...1600 mm



Model	F 184X
Name	184 bottom stack screen
Tanks	12"-.63" Ø300...1600 mm



Model	F 185
Name	185 top stack screen
Tanks	12"-.63" Ø300...1600 mm

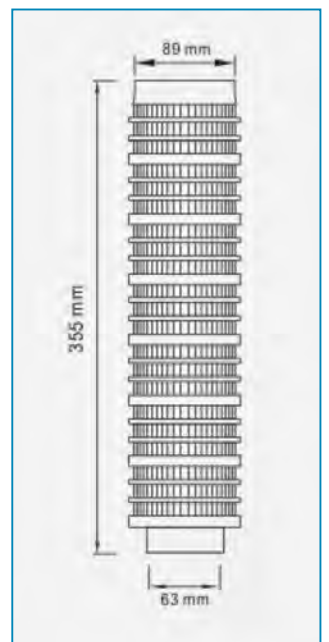
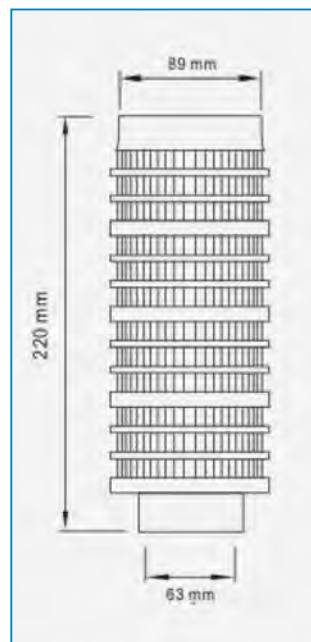
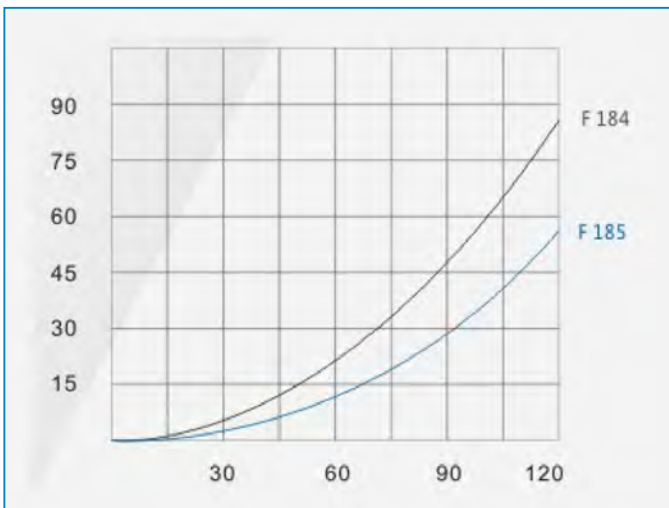


Model	F 185L
Name	185 thread
Tanks	12"-.63" Ø300...1600 mm



Model	F 185X
Name	185 bottom stack screen
Tanks	12"-.63" Ø300...1600 mm

X – Flow in GPM (1GPM=227 L/H)
Y – Pressure drop in PSI (1PSI=0.007 Mpa)



4" thread top mount diffusers



Model	Port	Tanks	A	B	C
F 5671	4" thread	12"...48" \varnothing 300...1200 mm	365	180	63
F 5672	4" thread	12"...48" \varnothing 300...1200 mm	480	290	63



Specilized wrench



Model	Port	Tanks	A	B	C
F 5671Z	4" thread	12"...48" \varnothing 300...1200 mm	320	180	63/60.3
F 5672Z	4" thread	12"...48" \varnothing 300...1200 mm	435	290	63/60.3



Specilized wrench



Model	Port	Tanks	A	B	C
F 5671Z	4" thread	12"...48" \varnothing 300...1200 mm	365	180	63
F 5672Z	4" thread	12"...48" \varnothing 300...1200 mm	480	290	63

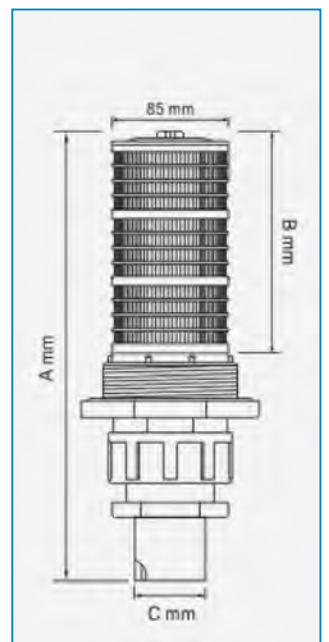
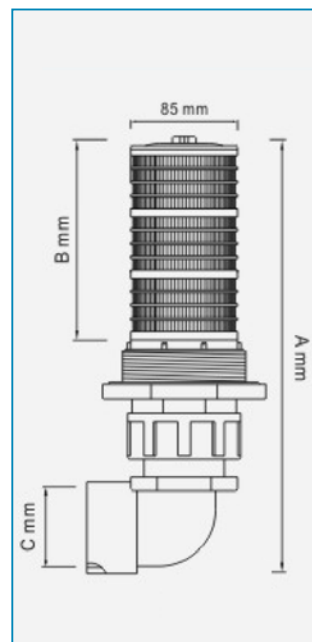
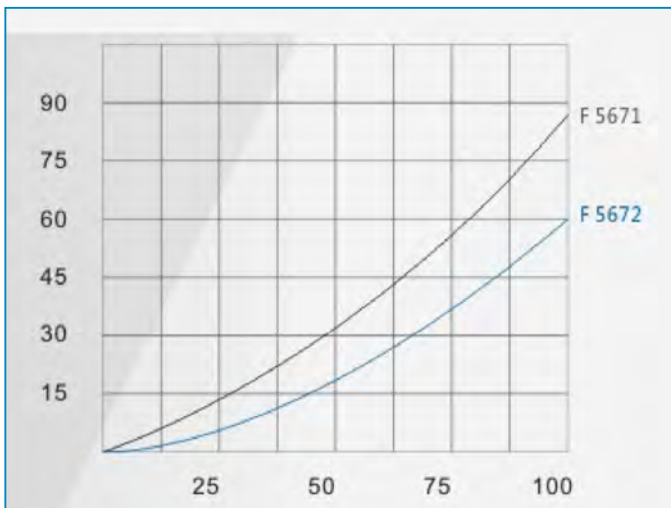


With negative pressure valve



Specilized wrench

X – Flow in GPM (1GPM=227 L/H)
Y – Pressure drop in PSI (1PSI=0.007 Mpa)



6" thread top mount diffusers



Model	Port	Tanks	A	B	C	Gap *
F 173	6" flange	36"...80" Ø900...2000 mm	365	245	90/110/PT3"	0.25 mm
FB 173	6" flange	36"...80" Ø900...2000 mm	275	245	G3"	0.25 mm

* There are two types of gaps available: 0.25 mm and 0.5 mm. By default: 0.25 mm



Model	Port	Tanks	A	B	C	Gap *
F 175	6" flange	36"...80" Ø900...2000 mm	445	330	90/110/PT3"	0.25 mm
FB 175	6" flange	36"...80" Ø900...2000 mm	360	330	G3"	0.25 mm

* There are two types of gaps available: 0.25 mm and 0.5 mm. By default: 0.25 mm

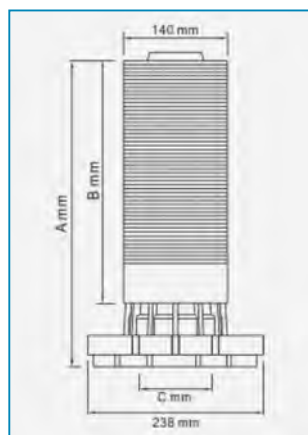
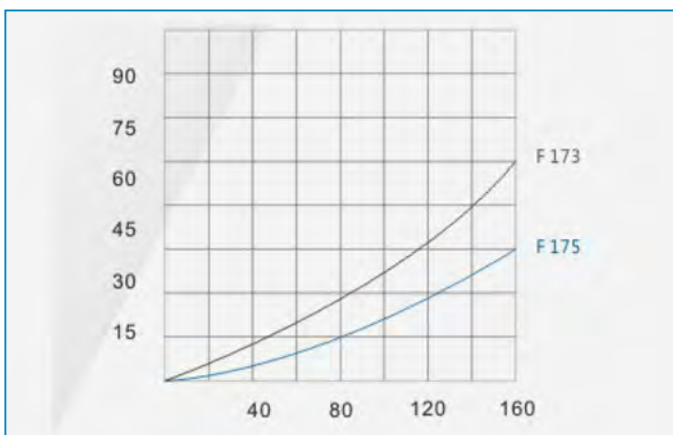


Model	Port	Tanks	A	B	C	Gap
F 173-0.5	6" flange	36"...80" Ø900...2000 mm	365	245	90/110/PT3"	0.5 mm



Model	Port	Tanks	A	B	C	Gap
F 175-0.5	6" flange	36"...80" Ø900...2000 mm	445	330	90/110/PT3"	0.5 mm

X – Flow in GPM (1GPM=227 L/H), Y – Pressure drop in PSI (1PSI=0.007 Mpa)



6" thread top mount diffusers

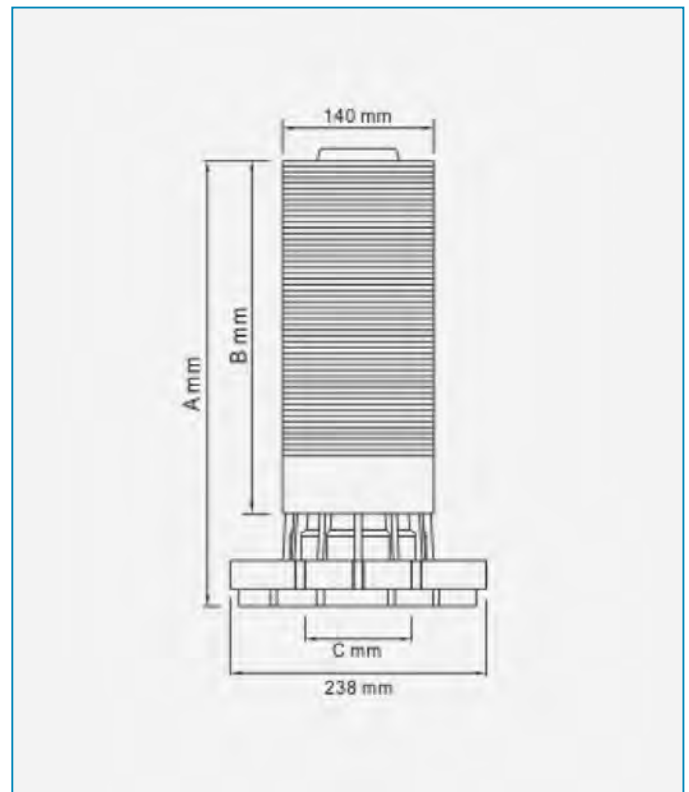
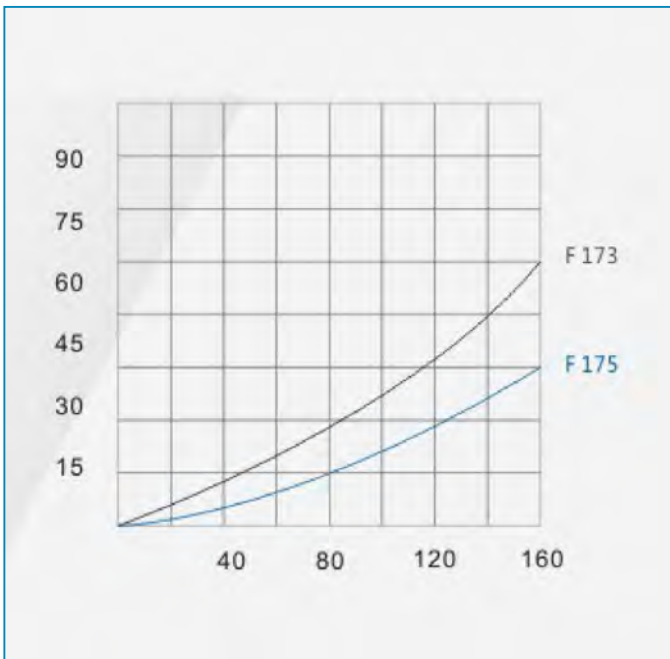


Model	Port	Tanks	A	B	C
F 172W	6" flange	36"~80" ∅900~2000 mm	305	200	90/110/PT3"
F 173W	6" flange	36"~80" ∅900~2000 mm	365	245	90/110/PT3"
F 175W	6" flange	36"~80" ∅900~2000 mm	455	330	90/110/PT3"



Model	Port	Tanks	A	B	C
FB 173W	6" flange	36"~80" ∅900~2000 mm	275	245	G3"
FB 175W	6" flange	36"~80" ∅900~2000 mm	360	330	G3"

X – Flow in GPM (1GPM=227 L/H)
 Y – Pressure drop in PSI (1PSI=0.007 Mpa)

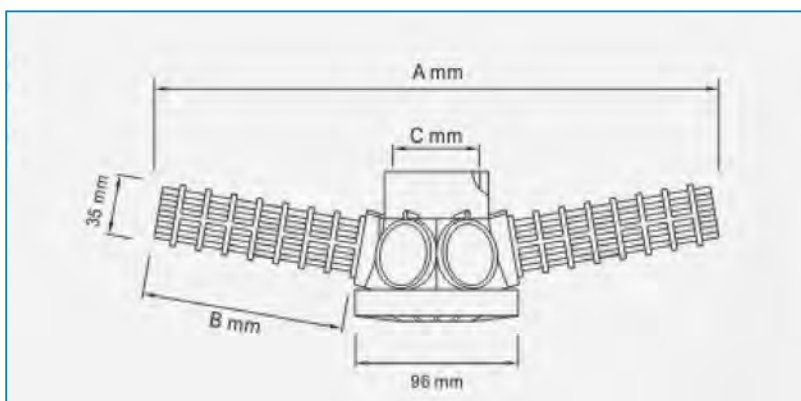
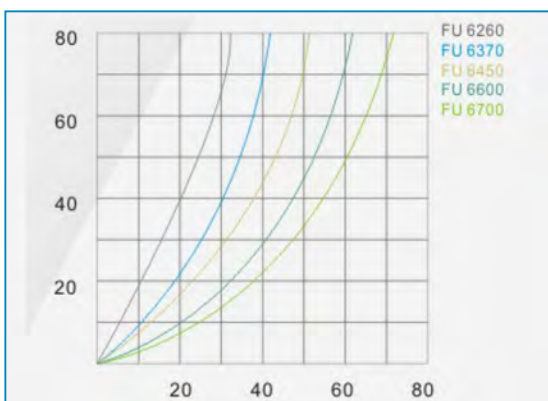


SIX-CLAW top-mounted lower distributors



Model	Port	Tanks	A	B	C	Gap *
FU 6260	4" thread	12"...16"/ø300...400 mm	255	99	50/48.5	0.25 mm
FU 6370	4" thread	18"...21"/ø400...550 mm	365	155	50/48.5	0.25 mm
FU 6450	4" thread	24"/ø600 mm	450	200	50/48.5	0.25 mm
FU 6600	4" thread	30"/ø750 mm	610	280	50/48.5	0.25 mm
FU 6700	4" thread	36"/ø900 mm	700	325	50/48.5	0.25 mm
FU 6800	4" thread	40"/ø1000 mm	850	400	50/48.5	0.25 mm
FU 6900	4" thread	48"/ø1200 mm	940	445	50/48.5	0.25 mm

X – Flow in GPM (1GPM=227 L/H); Y – Pressure drop in PSI (1PSI=0.007 Mpa).



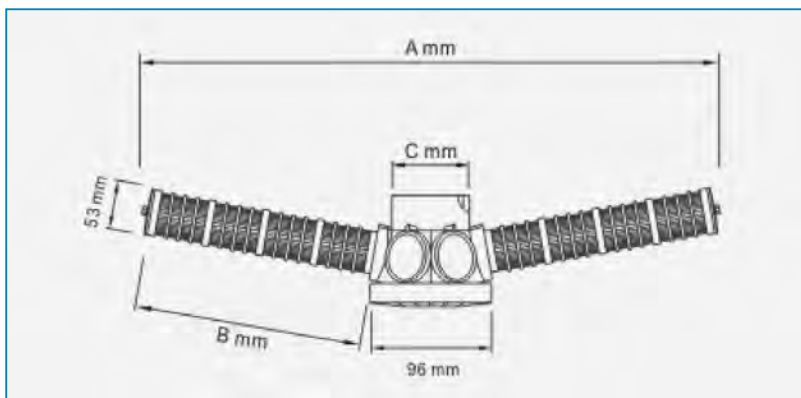
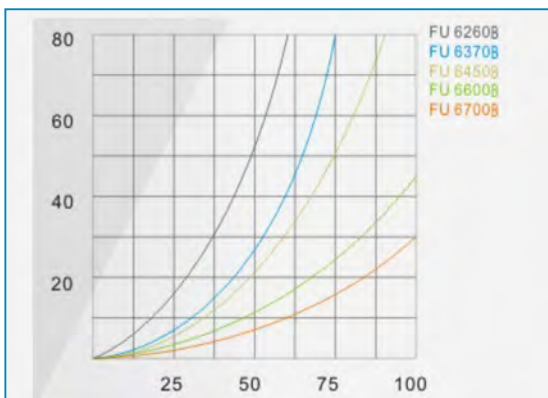
SIX-CLAW top-mounted lower distributors (high flow)



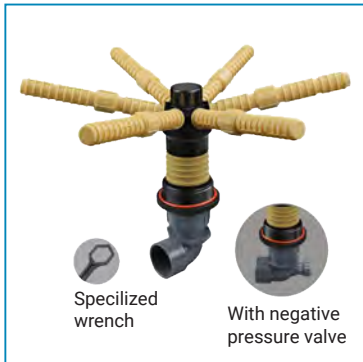
Model	Port	Tanks	A	B	C	Gap *
FU 6260B	4" thread	16"...18"/ø400...450 mm	310	132	50/48.5/63	0.2/0.25/0.5 mm
FU 6370B	4" thread	21"/ø550 mm	430	197	50/48.5/63	0.2/0.25/0.5 mm
FU 6450B	4" thread	24"/ø600 mm	500	227	50/48.5/63	0.2/0.25/0.5 mm
FU 6600B	4" thread	30"/ø750 mm	620	290	50/48.5/63	0.2/0.25/0.5 mm
FU 6700B	4" thread	36"/ø900 mm	750	353	50/48.5/63	0.2/0.25/0.5 mm
FU 6800B	4" thread	40"/ø1000 mm	870	416	50/48.5/63	0.2/0.25/0.5 mm
FU 6900B	4" thread	48"/ø1200 mm	990	479	50/48.5/63	0.2/0.25/0.5 mm

* There are three types of gaps available: 0.2 mm, 0.25 mm and 0.5 mm. By default: 0.25 mm

X – Flow in GPM (1GPM=227 L/H); Y – Pressure drop in PSI (1PSI=0.007 Mpa).



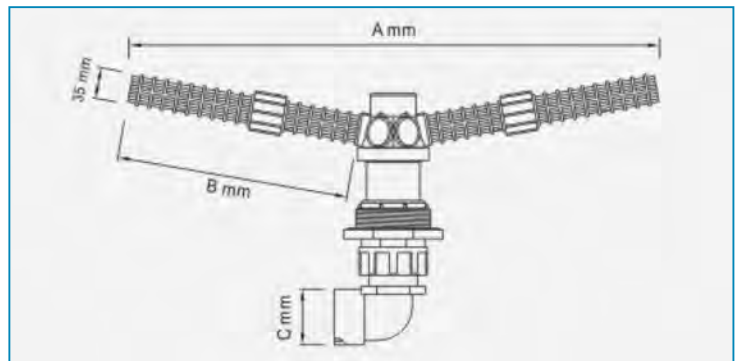
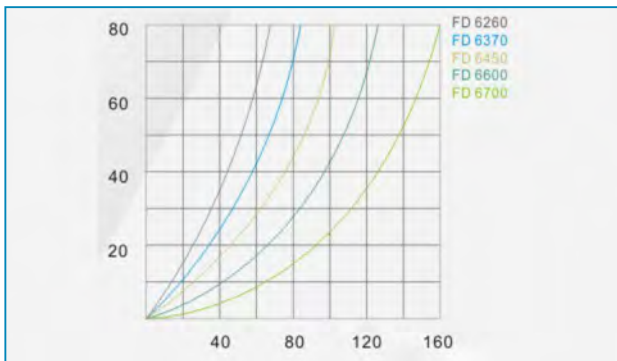
SIX-CLAW side-mounted lower distributors



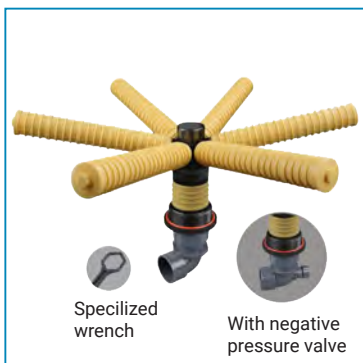
Model	Port	Tanks	A	B	C	Gap
FD 6260	4" thread	12"...16"/ø300...400 mm	255	99	63	0.25 mm
FD 6370	4" thread	18"...21"/ø450...550 mm	365	155	63	0.25 mm
FD 6450	4" thread	24"/ø600 mm	450	200	63	0.25 mm
FD 6600	4" thread	30"/ø750 mm	610	280	63	0.25 mm
FD 6700	4" thread	36"/ø900 mm	700	325	63	0.25 mm
FD 6800	4" thread	40"/ø1000 mm	850	400	63	0.25 mm
FD 6900	4" thread	48"/ø1200 mm	940	445	63	0.25 mm

Note: Please add "F" if negative pressure valve is needed, for example, "FD 6450F"

X – Flow in GPM (1GPM=227 L/H); Y – Pressure drop in PSI (1PSI=0.007 Mpa).



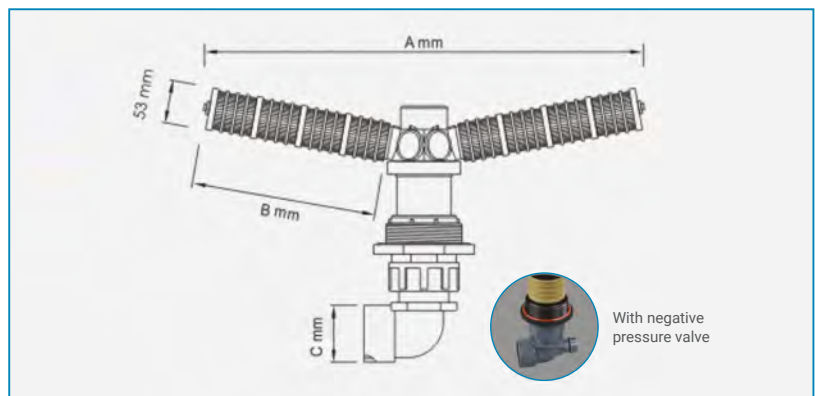
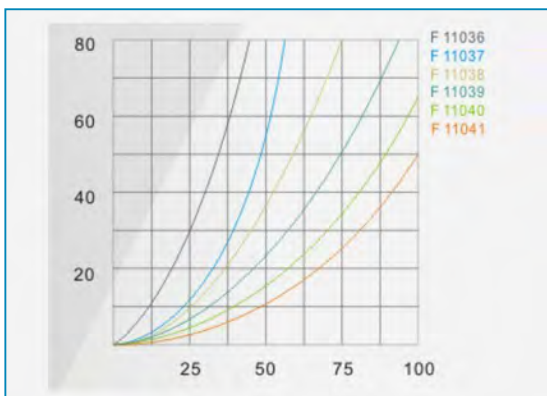
SIX-CLAW side-mounted lower distributors (high flow)



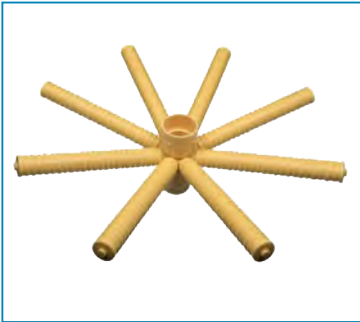
Model	Port	Tanks	A	B	C	Gap *
F 11036	4" thread	16"...18"/ø400...450 mm	310	132	63	0.2/0.25/0.5 mm
F 11037	4" thread	21"/ø550 mm	430	197	63	0.2/0.25/0.5 mm
F 11038	4" thread	24"/ø600 mm	500	227	63	0.2/0.25/0.5 mm
F 11039	4" thread	30"/ø750 mm	620	290	63	0.2/0.25/0.5 mm
F 11040	4" thread	36"/ø900 mm	750	353	63	0.2/0.25/0.5 mm
F 11041	4" thread	40"/ø1000 mm	870	416	63	0.2/0.25/0.5 mm
F 11042	4" thread	48"/ø1200 mm	990	479	63	0.2/0.25/0.5 mm

** There are three types of gaps available: 0.2 mm, 0.25 mm and 0.5 mm. By default: 0.25 mm*

X – Flow in GPM (1GPM=227 L/H); Y – Pressure drop in PSI (1PSI=0.007 Mpa).



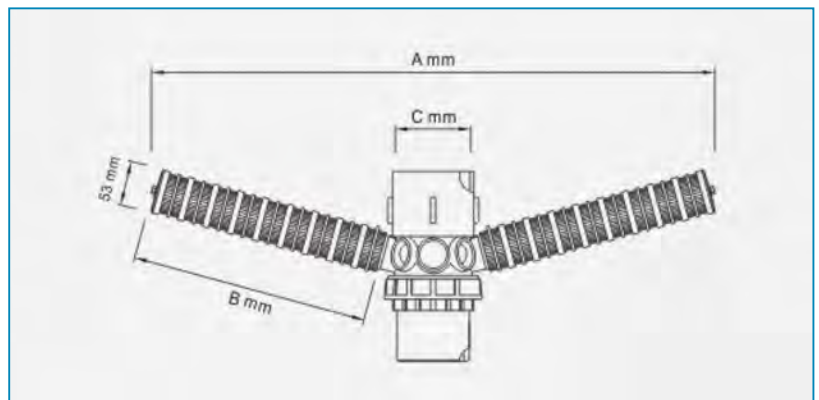
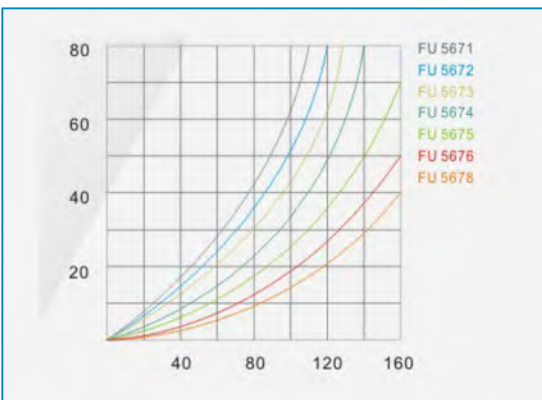
EIGHT-CLAW top-mounted lower distributors



Model	Port	Tanks	A	B	C	Gap *
FU 5671	6" flange	24"/ø600 mm	520	227	90	0.2/0.25/0.5 mm
FU 5672	6" flange	30"/ø750 mm	650	290	90	0.2/0.25/0.5 mm
FU 5673	6" flange	36"/ø900 mm	770	353	90	0.2/0.25/0.5 mm
FU 5674	6" flange	40"/ø1000 mm	890	416	90	0.2/0.25/0.5 mm
FU 5675	6" flange	48"/ø1200 mm	1010	497	90	0.2/0.25/0.5 mm
FU 5676	6" flange	56"...60"/ø1400...1500 mm	1130	542	90	0.2/0.25/0.5 mm
FU 5678	6" flange	63"...80"/ø1600...2000 mm	1260	605	90	0.2/0.25/0.5 mm

* There are three types of gaps available: 0.2 mm, 0.25 mm and 0.5 mm. By default: 0.25 mm

X – Flow in GPM (1GPM=227 L/H); Y – Pressure drop in PSI (1PSI=0.007 Mpa).



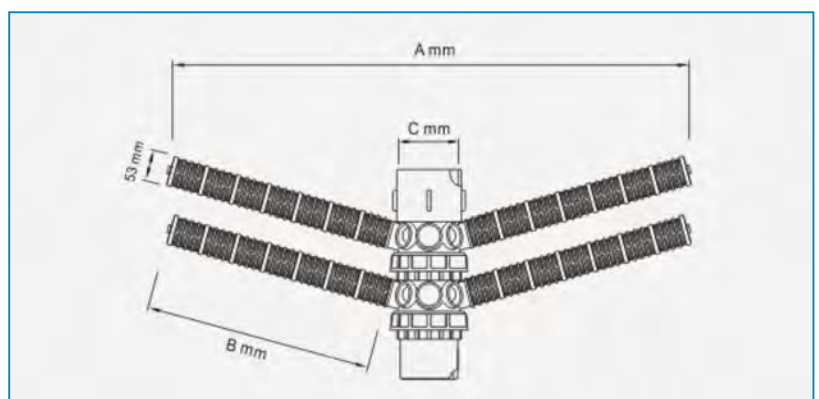
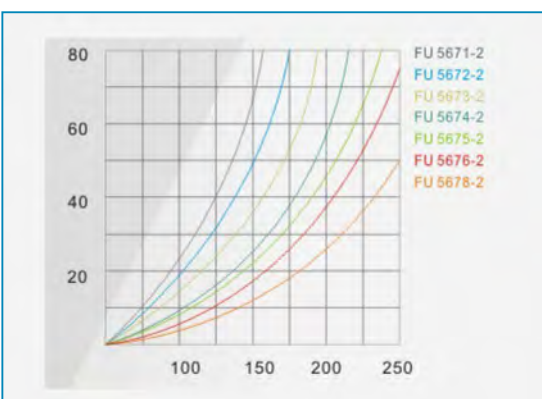
SIXTEEN-CLAW top-mounted lower distributors



Model	Port	Tanks	A	B	C	Gap *
FU 5671-2	6" flange	24"/ø600 mm	520	227	90	0.2/0.25/0.5 mm
FU 5672-2	6" flange	30"/ø750 mm	650	290	90	0.2/0.25/0.5 mm
FU 5673-2	6" flange	36"/ø900 mm	770	353	90	0.2/0.25/0.5 mm
FU 5674-2	6" flange	40"/ø1000 mm	890	416	90	0.2/0.25/0.5 mm
FU 5675-2	6" flange	48"/ø1200 mm	1010	497	90	0.2/0.25/0.5 mm
FU 5676-2	6" flange	56"...60"/ø1400...1500 mm	1130	542	90	0.2/0.25/0.5 mm
FU 5678-2	6" flange	63"...80"/ø1600...2000 mm	1260	605	90	0.2/0.25/0.5 mm

* There are three types of gaps available: 0.2 mm, 0.25 mm and 0.5 mm. By default: 0.25 mm

X – Flow in GPM (1GPM=227 L/H); Y – Pressure drop in PSI (1PSI=0.007 Mpa).



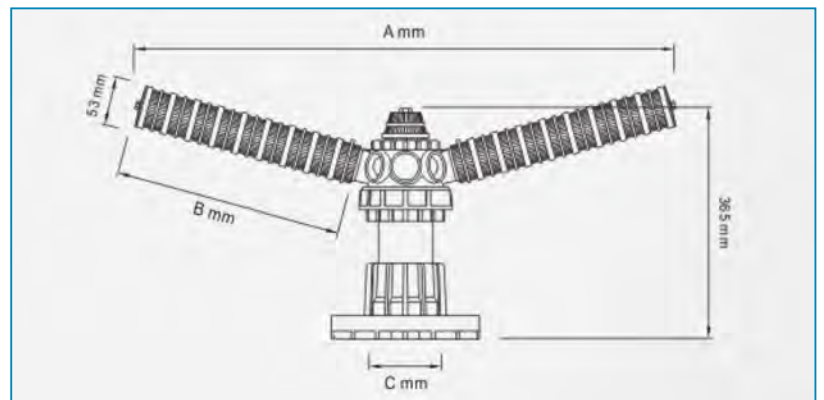
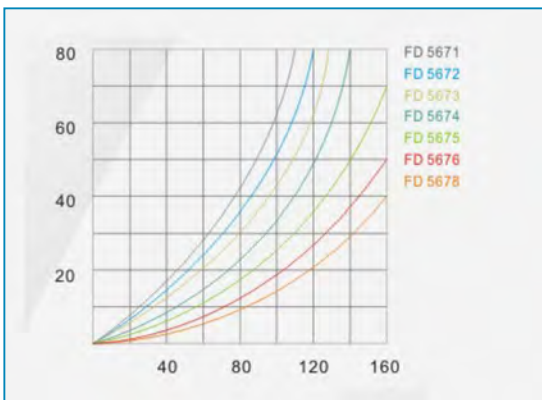
EIGHT-CLAW side-mounted lower distributors



Model	Port	Tanks	A	B	C	Gap *
FD 5671	6" flange	24"/ø600 mm	520	227	90/110/PT3"	0.2/0.25/0.5 mm
FD 5672	6" flange	30"/ø750 mm	650	290	90/110/PT3"	0.2/0.25/0.5 mm
FD 5673	6" flange	36"/ø900 mm	770	353	90/110/PT3"	0.2/0.25/0.5 mm
FD 5674	6" flange	40"/ø1000 mm	890	416	90/110/PT3"	0.2/0.25/0.5 mm
FD 5675	6" flange	48"/ø1200 mm	1010	497	90/110/PT3"	0.2/0.25/0.5 mm
FD 5676	6" flange	56"...60"/ø1400...1500 mm	1130	542	90/110/PT3"	0.2/0.25/0.5 mm
FD 5678	6" flange	63"...80"/ø1600...2000 mm	1260	605	90/110/PT3"	0.2/0.25/0.5 mm

* There are three types of gaps available: 0.2 mm, 0.25 mm and 0.5 mm. By default: 0.25 mm

X – Flow in GPM (1GPM=227 L/H); Y – Pressure drop in PSI (1PSI=0.007 Mpa).



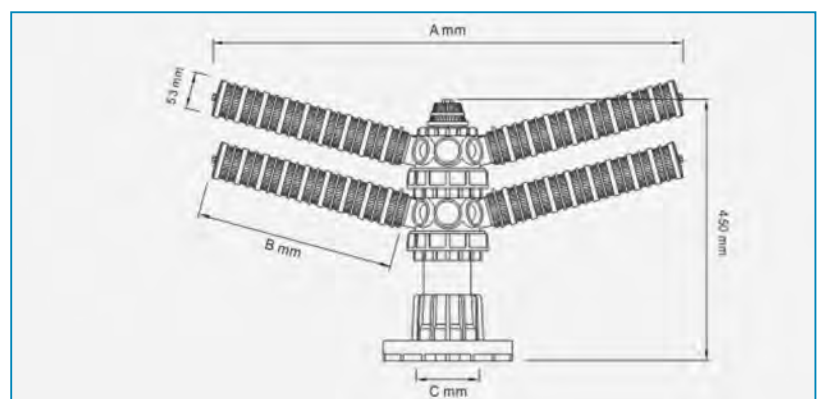
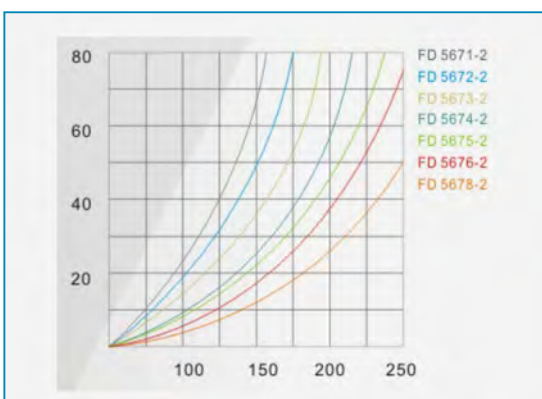
SIXTEEN-CLAW side-mounted lower distributors



Model	Port	Tanks	A	B	C	Gap *
FD 5671-2	6" flange	24"/ø600 mm	520	227	90/110/PT3"	0.2/0.25/0.5 mm
FD 5672-2	6" flange	30"/ø750 mm	650	290	90/110/PT3"	0.2/0.25/0.5 mm
FD 5673-2	6" flange	36"/ø900 mm	770	353	90/110/PT3"	0.2/0.25/0.5 mm
FD 5674-2	6" flange	40"/ø1000 mm	890	416	90/110/PT3"	0.2/0.25/0.5 mm
FD 5675-2	6" flange	48"/ø1200 mm	1010	497	90/110/PT3"	0.2/0.25/0.5 mm
FD 5676-2	6" flange	56"...60"/ø1400...1500 mm	1130	542	90/110/PT3"	0.2/0.25/0.5 mm
FD 5678-2	6" flange	63"...80"/ø1600...2000 mm	1260	605	90/110/PT3"	0.2/0.25/0.5 mm

* There are three types of gaps available: 0.2 mm, 0.25 mm and 0.5 mm. By default: 0.25 mm

X – Flow in GPM (1GPM=227 L/H); Y – Pressure drop in PSI (1PSI=0.007 Mpa).



OTHER distributors



G2" internal thread connection



G3" external thread top connection



G2" internal thread lower connection

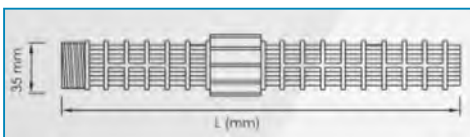


G3" external thread lower connection

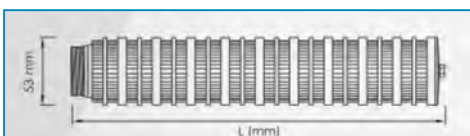


Fishbone -type distributor

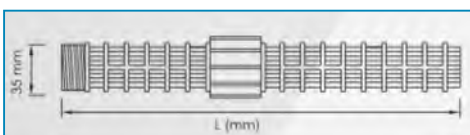
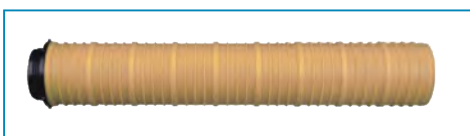
WATER DISTRIBUTION tubes



A type L interface	6260	6370	6450	6600	6700	6800	6900
L	100	155	200	280	325	400	430
Thread	G1"	G1"	G1"	G1"	G1"	G1"	G1"



B type L interface	Type 06	Type 08	Type 10	Type 12	Type 14	Type 16	→
L	210	273	336	399	462	525	+63
Thread	G1"	G1"	G1"	G1"	G1"	G1"	G1"

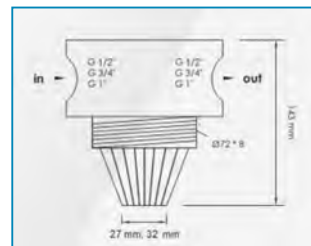


D type L interface	Type 01	Type 03	Type 05	Type 07	Type 09	Type 11	→
L	100	205	310	415	520	625	+105
Thread	G2"	G2"	G2"	G2"	G2"	G2"	G2"

TANK heads



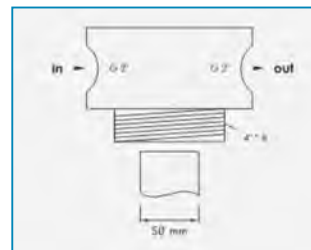
Model	Opening	Tube	Port	Material
F 8800-1/2	2.5"	26.7 mm	G1/2"	ABS
F 8800-3/4	2.5"	26.7 mm	G3/4"	ABS
F 8800-1	2.5"	26.7 mm	G1"	ABS
F 8801-1	2.5"	26.7 mm	G1"	ABS



Model	Opening	Tube	Port	Material
FX 8800-3/4	2.5"	26.7 mm	G3/4"	ABS
FX 8800-1	2.5"	26.7 mm	G1"	ABS



Model	Opening	Tube	Port	Material
F 8802	4"	50.0 mm	G2"	ABS



OTHER accessories



Model	Description
BJ-4	4"-2.5" Reducing



Model	Description
DT-4	4" Plug



Model	Description
BJ-6	6"-4" Reducing



Model	Description
DT-6	6" Plug

OTHER accessories



Model	Description
-	6" Flange



Model	Description
F2601	Autotrol accessories



Model	Description
18602	Square elbow



Model	Description
-	∅26.7 mm turns into interface G3/4"