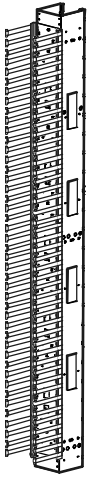


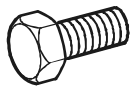
## Vertical Cable Managers for 2- and 4-Post Racks (AR8650, AR8651)–Installation

### Inventory

#### AR8650.



AR8650



6



12



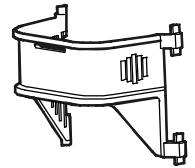
6



6

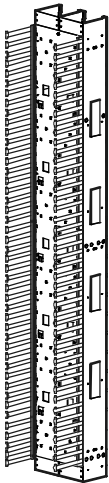


3

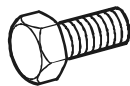


6

#### AR8651.



AR8651



6



12



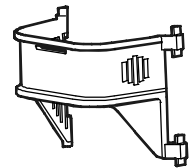
6



6

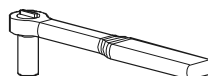


3



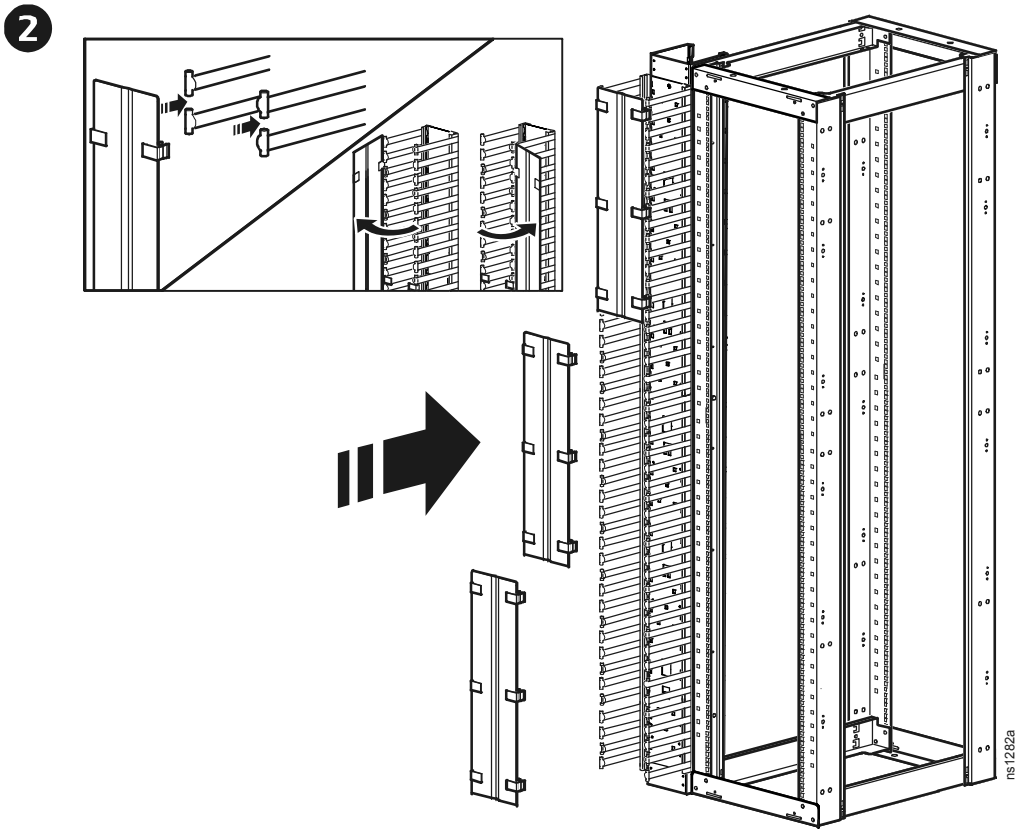
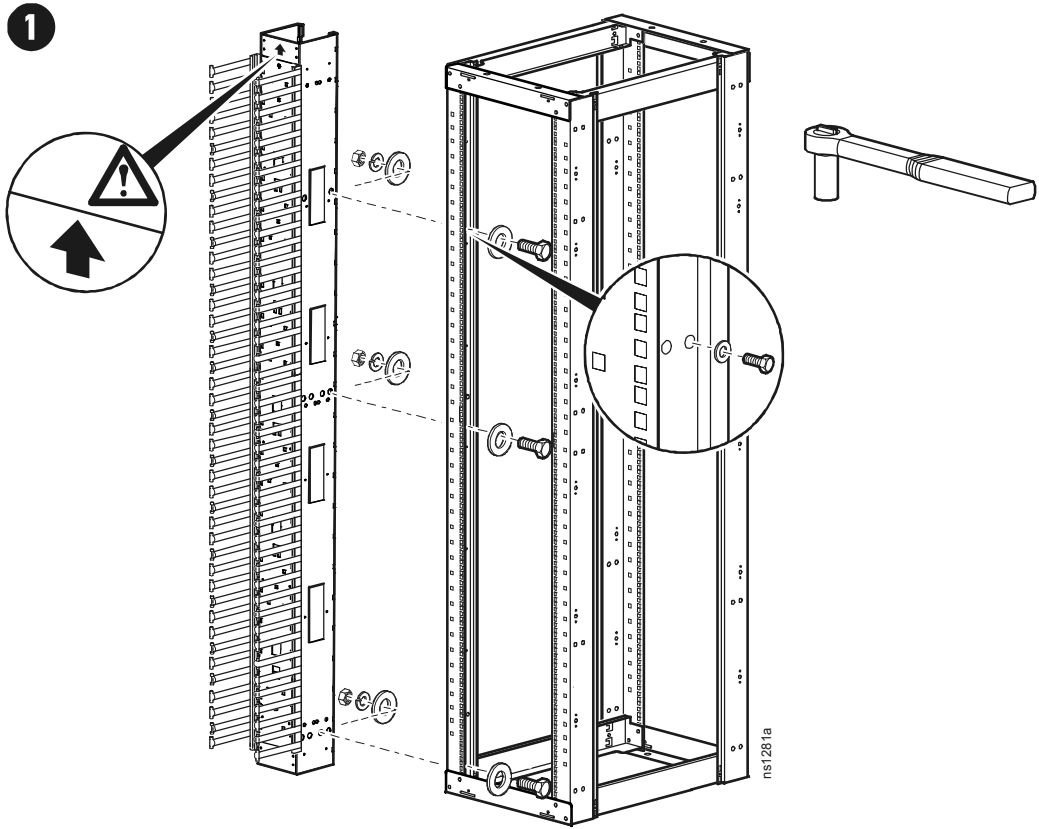
12

### Tools required (not provided)

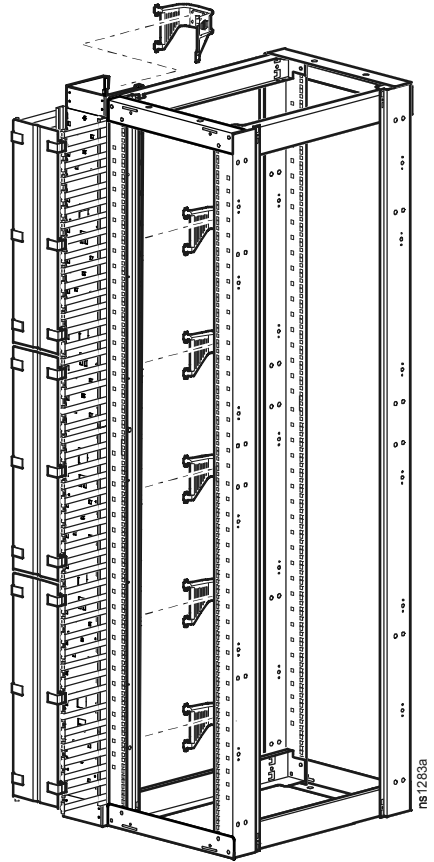
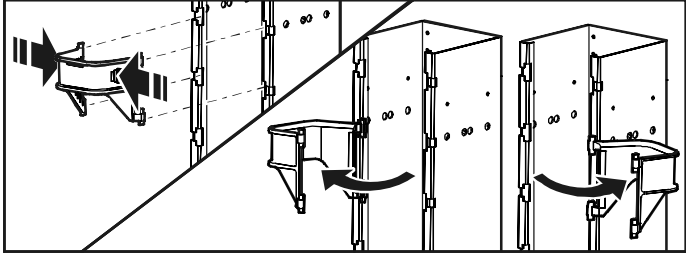


9/16-in Socket wrench

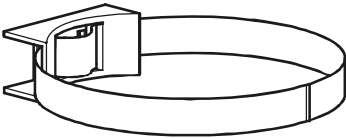
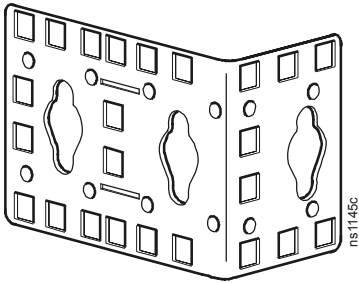
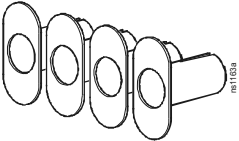
# Installation



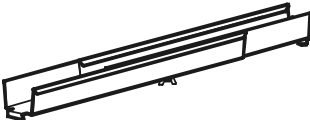
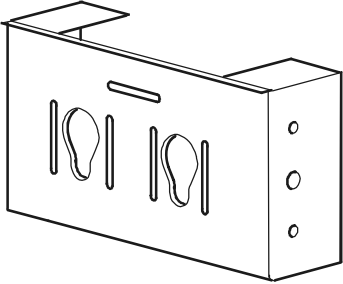
3



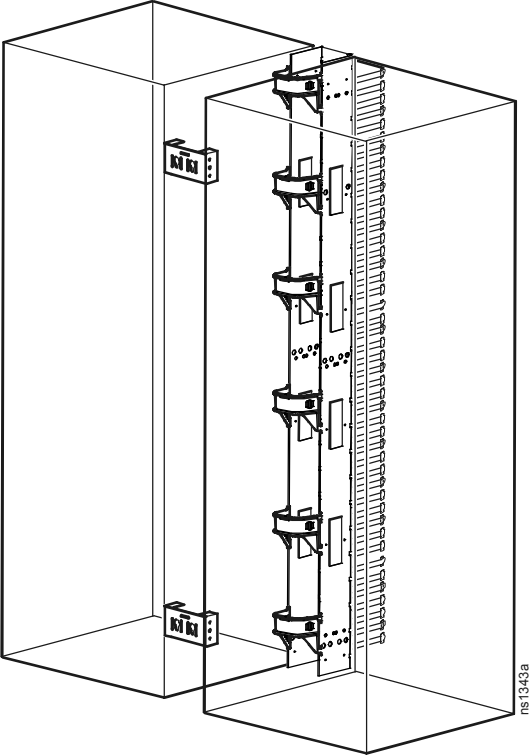
### Cable management accessories (not provided)

Product	SKU	Description	Figure
Cable retainer	AR8621	Hook-and-loop straps and toolless mount retainers for binding and routing cables.	
Zero-U accessory mounting bracket	AR7711	The bracket can be mounted in various locations throughout the enclosure for supporting small accessories and equipment.	
Fiber organizer (spools only)	AR8444	Can be mounted toollessly to the vertical cable organizer or attached with screws to the mounting rails of 750-mm wide enclosures.	

### Additional accessories (not provided)

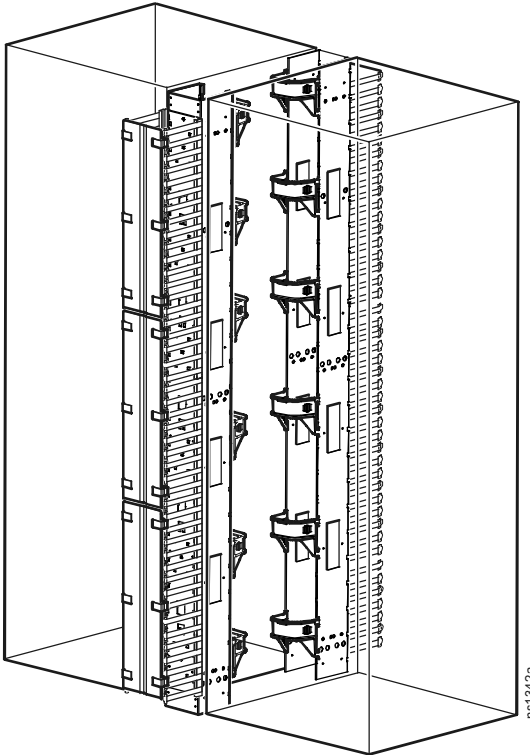
Product	SKU	Description	Figure
Side channel cable trough	AR8016ABLK	Routes cables from the front to the rear of the enclosure.	
Spacer bracket	AR8652	Spacer brackets are installed opposite the side of the rack that has the 6- or 12-in vertical cable manager installed. Two spacer brackets can be combined to accommodate 12-in spacing between the rack.	

### Single-sided application

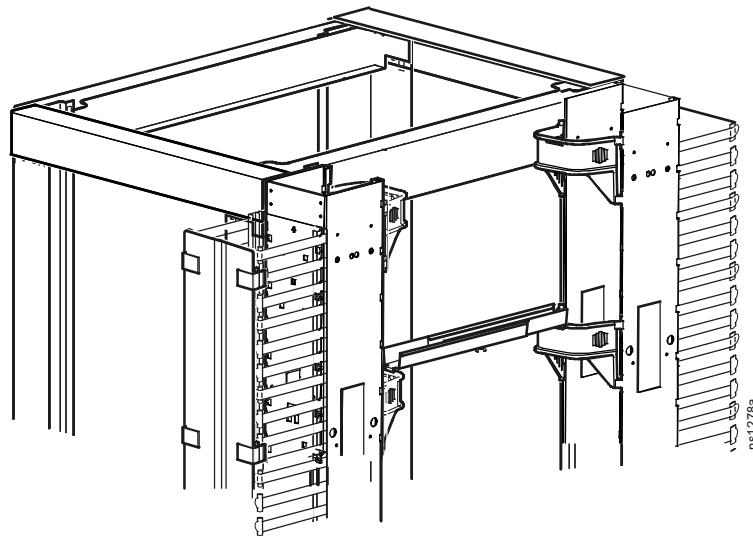
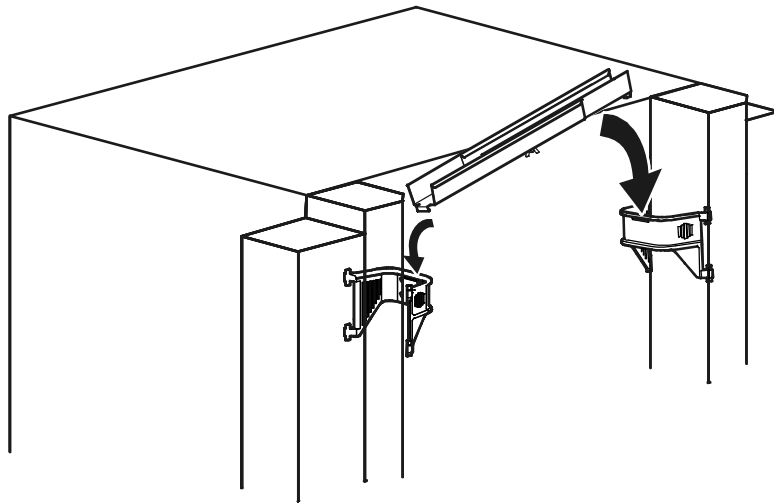


See “Spacer Bracket for 4-Post Racks (AR8652)—Installation” manual for spacer bracket installation instructions.

### Double-sided application



**Side channel cable trough installation.**





This manual is available in English on the APC Web site ([www.apc.com](http://www.apc.com)).

Dieses Handbuch ist in Deutsch auf der APC Webseite ([www.apc.com](http://www.apc.com)) verfügbar.

Este manual está disponible en español en la página web de APC ([www.apc.com](http://www.apc.com)).

Ce manuel est disponible en français sur le site internet d'APC ([www.apc.com](http://www.apc.com)).

Questo manuale è disponibile in italiano sul sito web di APC ([www.apc.com](http://www.apc.com)).

本マニュアル<各国の言語に対応する>は APC ウェブサイト ([www.apc.com](http://www.apc.com)) からダウンロードできます。

Instrukcja obsługi w języku polskim jest dostępna na stronie internetowej APC ([www.apc.com](http://www.apc.com)).

Данное руководство на русском языке доступно на сайте APC ([www.apc.com](http://www.apc.com) )

Bu kullanım klavuzunun Türkçesi APC web sayfasında ([www.apc.com](http://www.apc.com)) mevcuttur.

在 APC 公司的网站上 ([www.apc.com](http://www.apc.com)) 有本手册的中文版。

Este manual está disponível em português no site da APC ([www.apc.com](http://www.apc.com)).

# APC Worldwide Customer Support

Customer support for this or any other APC product is available at no charge in any of the following ways:

- Visit the APC Web site to access documents in the APC Knowledge Base and to submit customer support requests.
  - **www.apc.com** (Corporate Headquarters)  
Connect to localized APC Web sites for specific countries, each of which provides customer support information.
  - **www.apc.com/support/**  
Global support searching APC Knowledge Base and using e-support.
- Contact the APC Customer Support Center by telephone or e-mail.
  - Local, country-specific centers: go to **www.apc.com/support/contact** for contact information.

For information on how to obtain local customer support, contact the APC representative or other distributors from whom you purchased your APC product.

Entire contents copyright 2008 American Power Conversion Corporation. All rights reserved. Reproduction in whole or in part without permission is prohibited. APC, the APC logo, and InfraStruXure are trademarks of American Power Conversion Corporation. All other trademarks, product names, and corporate names are the property of their respective owners and are used for informational purposes only.



990-3324-001



09/2008