



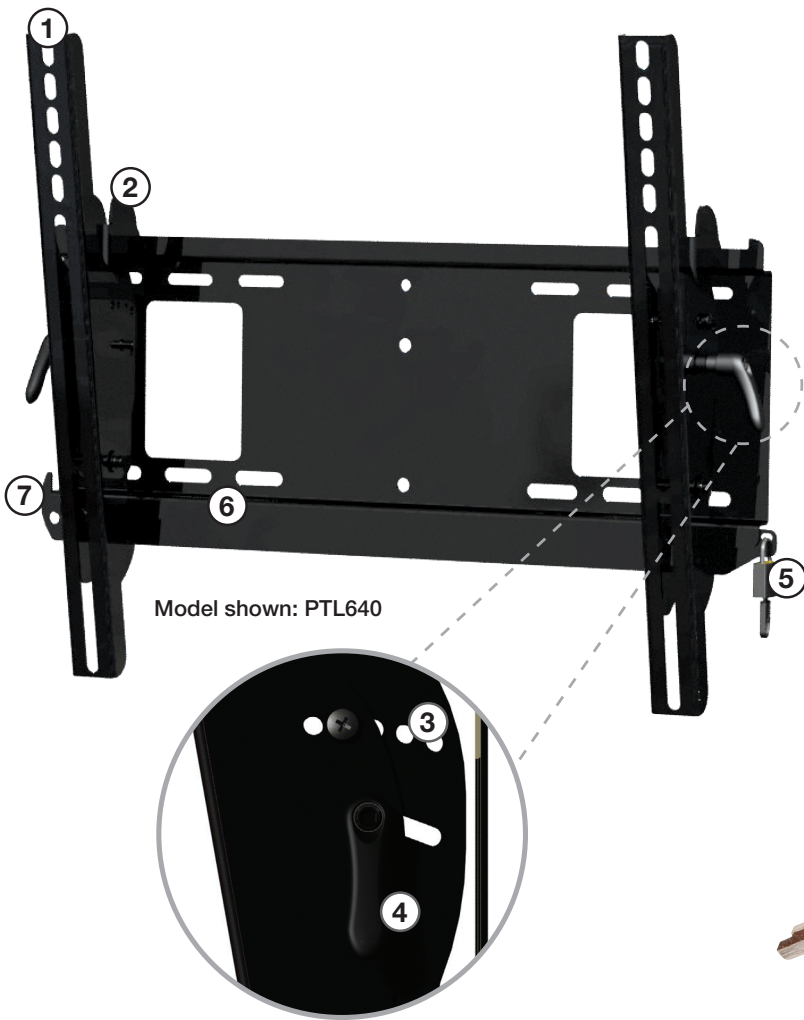
peerless-AV™

Security Locking Wall Mounts



Product Features & Benefits

Peerless' new Security Locking Mounts offer the next level of security within the wall mount range with a secure locking bar and provided pad lock. With 3 size ranges in flat to wall, tilting, and portrait mountable solutions, this line provides a high level of theft deterrence for 15" to 58" screens in public areas where security is of higher concern.



1. Wide screen compatibility with maximised mounting patterns; 635 and 640 models display screens in landscape and portrait orientations
2. Lateral adjustment to position screen at desired location
3. Unique Increlock™ sets screens at -5°, 0°, 5°, 10° or 15° tilt
4. Ratcheting knobs allow continuous +15°/-5° tilt adjustment
5. Provided security padlock adds visual theft deterrence
6. Easy to install locking bar installs from either side
7. Ramplock™ feature on lock bar reduces screen movement and vibration after engagement

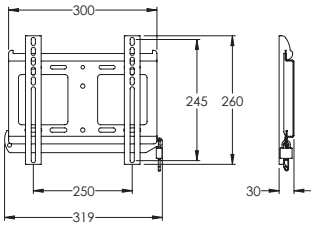


	LANDSCAPE		PORTRAIT	
	FLAT	TILT	FLAT	TILT
SMALL 15" – 37" LCD 56kg/125lb VESA 200X200	PFL635 	PTL635 	PFL635 	PTL635
MEDIUM 26" – 46" LCD 68kg/150lb VESA 400X400	PFL640 	PTL640 	PFL640 	PTL640
LARGE 32" – 58" LCD & PLASMA 79kg/175lb VESA 700X400	PFL650 	PTL650 	PFLP650 68kg/150lb	PTLP650 68kg/150lb

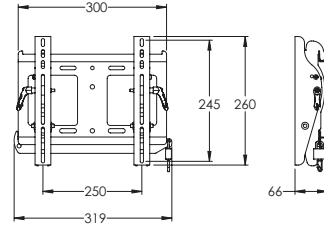
peerless-AV

Product Specifications

PFL635

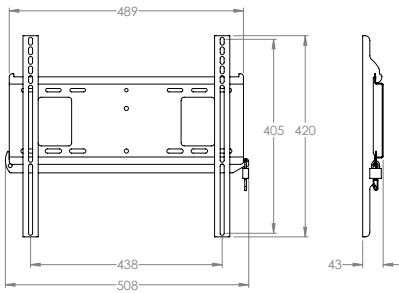


PTL635

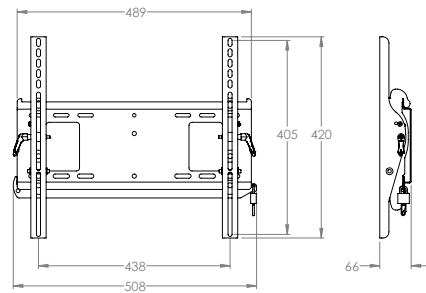


Model	UPC	Screen Size	Max Load	Max VESA
PFL635	735029277460	15"-37" LCD	56kg/125lb	200x200
PTL635	735029277491	15"-37" LCD	56kg/125lb	200x200

PFL640

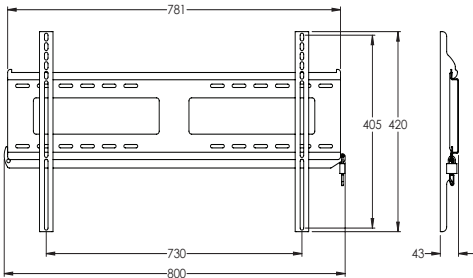


PTL640

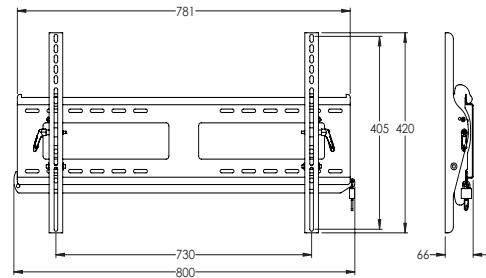


Model	UPC	Screen Size	Max Load	Max VESA
PFL640	735029277477	26"-46" LCD	68kg/150lb	400x400mm
PTL640	735029277507	26"-46" LCD	68kg/150lb	400x400mm

PFL650

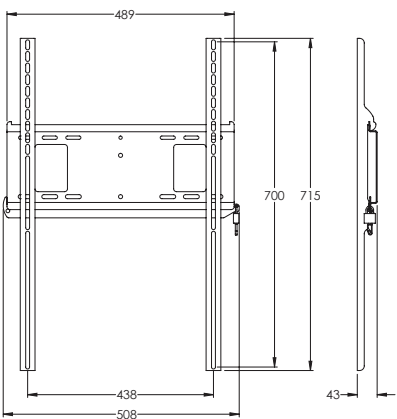


PTL650

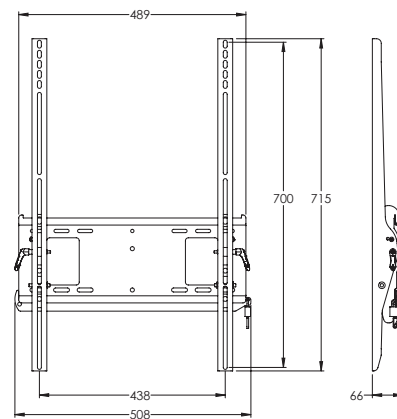


Model	UPC	Screen Size	Max Load	Max VESA
PFL650	735029277484	32"-58" LCD & PLASMA	79kg/175lb	700x400mm
PTL650	735029277514	32"-58" LCD & PLASMA	79kg/175lb	700x400mm

PFLP650



PTLP650



Model	UPC	Screen Size	Max Load	Max VESA
PFLP650	735029277521	32"-58" LCD & PLASMA	68kg/150lb	700x400mm
PTLP650	735029277538	32"-58" LCD & PLASMA	68kg/150lb	700x400mm

Key Professional Markets

Peerless manufactures a comprehensive range of 'market specific' mounting solutions that are designed to meet the requirements and overcome the challenges faced in a wide variety of vertical markets. Contact Peerless-AV UK to request a dedicated catalogue on a specific market sector or visit www.peerless-av.co.uk for more information.



peerless-AV™

Unit 3 Watford Interchange, Colonial Way,
Watford, Herts. WD24 4WP, United Kingdom

T. 01923 200 100

F. 01923 200 101

E. info@peerless-av.co.uk

w. www.peerless-av.co.uk

PLS-LIT-LOCK0411