

### Overview

### Models

|  |         |
|--|---------|
| HP 3005pr USB 3.0 Port Replicator                | H1L08AA |
| HP 2005pr USB 2.0 Port Replicator                | H1L07AA |
| HP USB 3.0 Universal Port Replicator <b>New!</b> | E6D70AA |
| HP 3001pr USB 3.0 Port Replicator <b>New!</b>    | F3S42AA |

### Compatibility

The HP 3005pr USB 3.0 Port Replicator is compatible with Windows-based PCs with a USB 3.0 port.

The HP 2005pr USB 2.0 Port Replicator is compatible with Windows-based PCs with a USB 2.0 port.

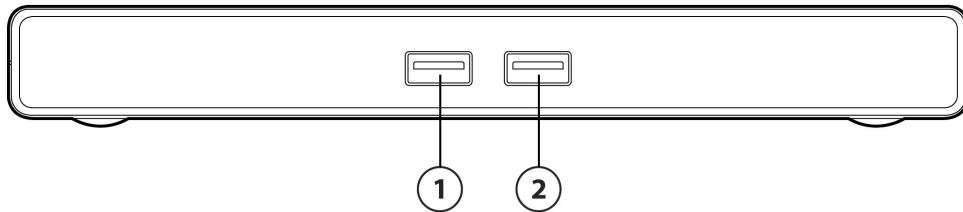
HP USB 3.0 Universal Port Replicator is compatible with Windows-based PCs with a USB 2.0 or 3.0 port.

HP 3001pr USB 3.0 Port Replicator is compatible with Windows-based PCs with a USB 2.0 or 3.0 port.

### Service and Support

HP Universal Docking Solutions have a one-year limited warranty or the warranty remaining for the HP product in which it is installed. Technical support is available seven days a week, 24 hours a day, as well as in online support forums. Certain restrictions and exclusions apply. **NOTE:** [Certain restrictions and exclusions apply.](#)

**HP 3005pr USB 3.0 Port Replicator (H1L08AA) front view**

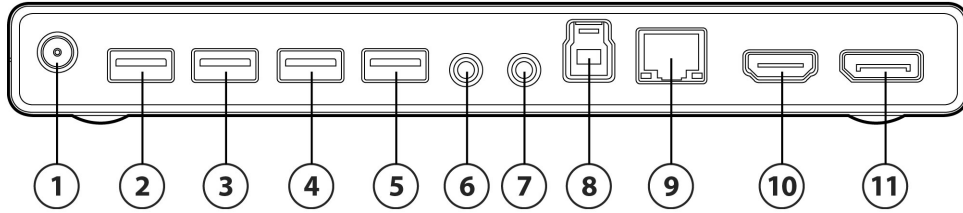


1. USB 2.0 port

2. USB 2.0 port

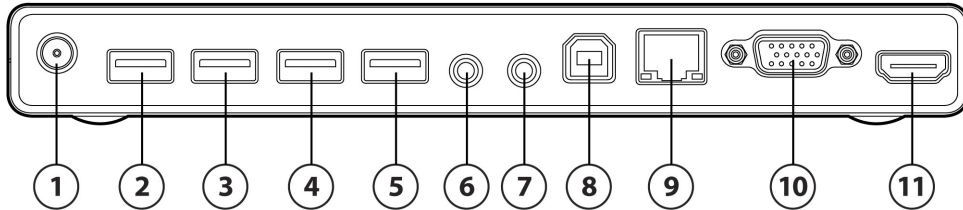
### Overview

#### HP 3005pr USB 3.0 Port Replicator (H1L08AA) back view



1. Power connector
2. USB 2.0 port
3. USB 2.0 port
4. USB 3.0 port
5. USB 3.0 port
6. Audio-in microphone jack
7. Audio-out headphone jack
8. USB 3.0 port for connecting notebook PC
9. RJ-45 network jack
10. HDMI port
11. DisplayPort

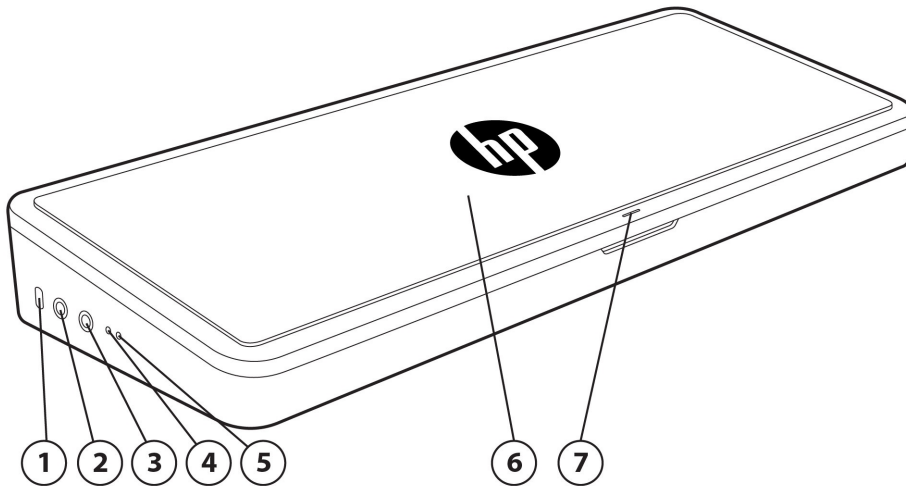
#### HP 2005pr USB 2.0 Port Replicator (H1L07AA) back view



1. Power connector
2. USB 2.0 port
3. USB 2.0 port
4. USB 2.0 port
5. USB 2.0 port
6. Audio-in microphone jack
7. Audio-out headphone jack
8. USB 2.0 port for connecting notebook PC
9. RJ-45 network jack
10. VGA port
11. HDMI port

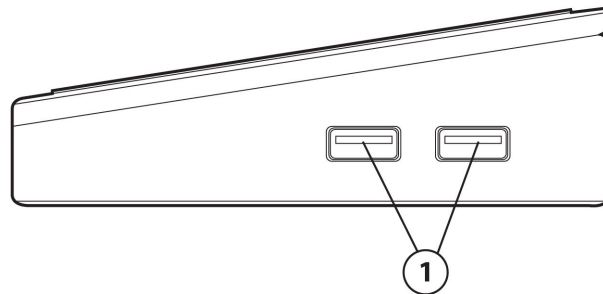
### Overview

#### HP USB 3.0 Universal Port Replicator (E6D70AA) front view



- |                             |                       |
|-----------------------------|-----------------------|
| 1. Lock slot                | 5. LED                |
| 2. Audio-in microphone jack | 6. Cover              |
| 3. Audio-out headphone jack | 7. Slot to open cover |
| 4. LED                      |                       |

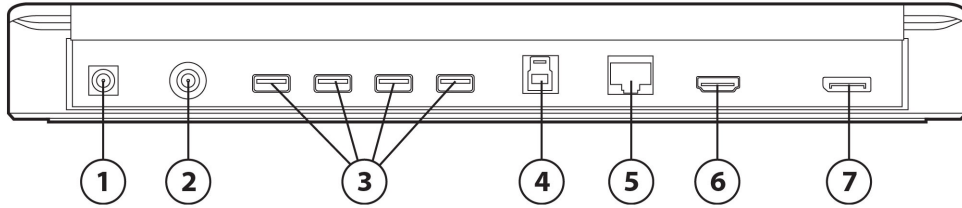
#### HP USB 3.0 Universal Port Replicator (E6D70AA) side view



1. USB 3.0 ports

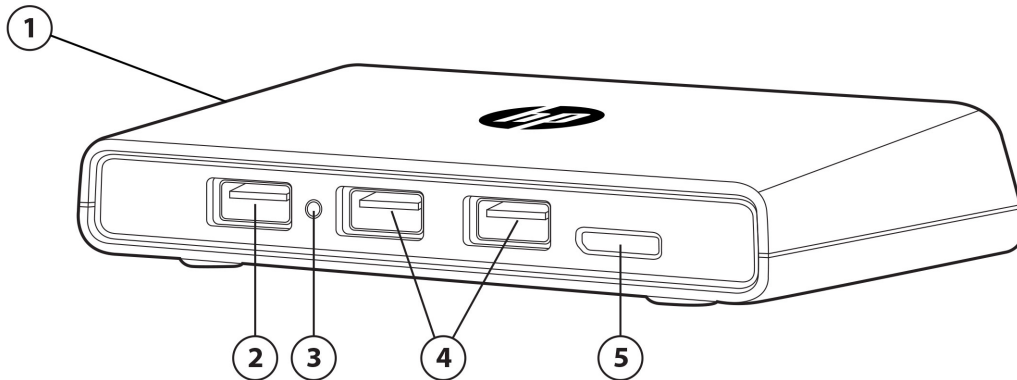
### Overview

#### HP USB 3.0 Universal Port Replicator (E6D70AA) back view



- |                                |                |
|--------------------------------|----------------|
| 1. Power out to notebook       | 5. Ethernet    |
| 2. Power in to port replicator | 6. HDMI        |
| 3. USB 2.0 ports               | 7. DisplayPort |
| 4. USB to notebook             |                |

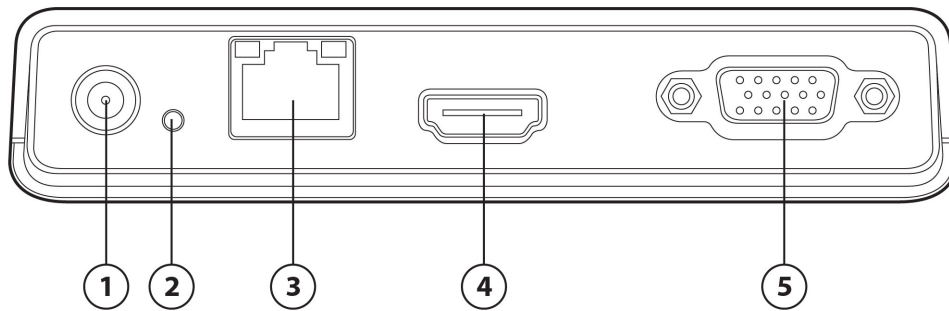
#### HP 3001pr USB 3.0 Port Replicator (F3S42AA) front view



- |                                 |                           |
|---------------------------------|---------------------------|
| 1. Combo Audio Jack (not shown) | 4. USB 3.0 Charging Ports |
| 2. USB 2.0 Charging Port        | 5. USB to PC              |
| 3. LED                          |                           |

### Overview

#### HP 3001pr USB 3.0 Port Replicator (F3S42AA) back view



1. Power in
2. LED
3. Ethernet

4. HDMI input
5. VGA input

### HP 3005pr USB 3.0 Port Replicator

#### Standard Features for HP 3005pr USB 3.0 Port Replicator

|                             |   |
|-----------------------------|---|
| <b>USB ports</b>            | 2 USB 3.0 ports (back), 4 USB 2.0 ports (2 front, 2 back)   |
| <b>Network connectors</b>   | 10/100/1000 Ethernet port   |
| <b>Monitor connectors</b>   | HDMI, DisplayPort 1.2   |
| <b>Audio connectors</b>     | Headphone/Microphone  |
| <b>Security cable slots</b> | Add a locking cable (sold separately) to secure the docking station using the security cable slot |
| <b>LED indicator</b>        | One Green LED indicates power, one Green LED indicates PC   |

#### Specifications

|                                       |  |  |
|---------------------------------------|--|--|
| <b>Dimensions<br/>(H x W x D)</b>     | 1 x 8.64 x 2.76 in (25.2 x 219.5 x 70.2 mm)  |  |
| <b>Weight</b>                         | 0.50 lb (235g)   |  |
| <b>USB 3.0</b>                        | <b>Upstream connector</b>  | Type B   |
|                                       | <b>Peripherals</b>   | USB 3.0  |
|                                       | <b>Capacity of each port</b>   | Total current shared among Min. 2.5A of 2 USB 3.0 ports        |
|                                       | <b>Cable length</b>  | 1.64 ft (0.5m)   |
| <b>USB 2.0</b>                        | <b>Downstream connector</b>  | Type A   |
|                                       | <b>Peripherals</b>   | USB 2.0  |
|                                       | <b>Capacity of each port</b>   | 1.0A max   |
| <b>Video</b>                          | Two external displays with 1920 x 1200 resolution each are available when connected through a USB 3.0 connection from the notebook to the port replicator. Up to a 2560 x 1600 resolution is available on a single external display connected through a USB 3.0 connection from the notebook to the port replicator, however when a 2560 x 1600 resolution display is connected to the port replicator, the unused port will be disabled. 1920 x 1200 resolution is available on a single external display when connected through a USB 2.0 connection from the notebook to the port replicator. |  |
| <b>Audio</b>                          | <b>Microphone</b>  | 3.5mm jack input   |
|                                       | <b>Headphone output</b>  | >= 0.707 V rms at 320 Ohm load<br>>= 300 mV rms at 32 Ohm load |
| <b>Network</b>                        | IEEE802.3:10Base-T,100Base-TX,1000Base-T, compatible. Wake-on-LAN (WOL) not supported  |  |
| <b>Power requirements</b>             | <b>DC input</b>  | 19.5 V   |
|                                       | <b>Rated current</b>   | 3.5A   |
| <b>Temperature</b>                    | <b>Operating</b>   | 41° to 95° F (5° to 35° C)                                     |
|                                       | <b>Non-operating</b>   | 41° to 104° F (5° to 40° C)                                    |
| <b>Relative humidity</b>              | <b>Operating</b>   | 8% to 80%, non-condensing                                      |
|                                       | <b>Non-operating</b>   | 8% to 80%, non-condensing                                      |
| <b>Agency approvals</b>               | CB, CE, FCC, UL/cUL, ICES, C-tick, BSMI, VCCI Class-B, SABs, GOST-R, UkrSEPRO  |  |
| <b>Operating system compatibility</b> | Windows® XP SP2 (32-bit edition only), Windows® XP SP3 (32-bit edition only), Windows Vista® SP1 (32-bit and 64-bit editions), Windows Vista® SP2 (32-bit and 64-bit editions), Windows® 7 (32-bit and 64-bit editions)<br><b>NOTE:</b> Please note this port replicator does not work with the HP ElitePad 900 Tablet PC.   |  |
| <b>Option kit contents</b>            | HP 3005pr USB 3.0 Port Replicator, AC power adapter, USB 3.0 cable, documentation  |  |

### HP 3005pr USB 3.0 Port Replicator

#### Standard Features for HP 2005pr USB 2.0 Port Replicator

|                             |   |
|-----------------------------|---|
| <b>USB ports</b>            | 4 USB 2.0 ports (back)  |
| <b>Network connectors</b>   | 10/100 Ethernet port  |
| <b>Monitor connectors</b>   | VGA, HDMI, DVI via HDMI to DVI-D Dongle   |
| <b>Audio connectors</b>     | Headphone/Microphone  |
| <b>Security cable slots</b> | Add a locking cable (sold separately) to secure the docking station using the security cable slot |
| <b>LED indicator</b>        | One Green LED indicates power, one Green LED indicates PC   |

#### Specifications

|                                       |  |   |
|---------------------------------------|--|---|
| <b>Dimensions<br/>(H x W x D)</b>     | 1 x 8.64 x 2.76 in (25.2 x 219.5 x 70.2 mm)  |   |
| <b>Weight</b>                         | 0.50 lb (228 g)  |   |
| <b>USB 2.0</b>                        | <b>Upstream connector</b>  | Type B  |
|                                       | <b>Peripherals</b>   | USB 2.0   |
|                                       | <b>Downstream connector</b>  | Type A  |
|                                       | <b>Capacity of each port</b>   | 1.0A max  |
|                                       | <b>Cable length</b>  | 1.64 ft (0.5m)  |
| <b>Video</b>                          | VGA, HDMI, DVI via HDMI to DVI-D Dongle; 1920 x 1200 resolution is available on a single external display when connected through USB 2.0 connection from the notebook to the port replicator.  |   |
| <b>Audio</b>                          | <b>Microphone</b>  | 3.5mm jack input  |
|                                       | <b>Headphone output</b>  | >= 0.707 Vrmsat 320 Ohm load<br>>= 300 mVrms at 32 Ohm load |
| <b>Network</b>                        | IEEE802.3:10Base-T, 100Base-TX compatible. Wake-on-LAN (WOL) not supported   |   |
| <b>Power requirements</b>             | <b>DC input</b>  | 19.5V   |
|                                       | <b>Rated current</b>   | 2.05A   |
| <b>Temperature</b>                    | <b>Operating</b>   | 41° to 95° F (5° to 35° C)                                  |
|                                       | <b>Non-operating</b>   | 41° to 104° F (5° to 40° C)                                 |
| <b>Relative humidity</b>              | <b>Operating</b>   | 8% to 80%, non-condensing                                   |
|                                       | <b>Non-operating</b>   | 8% to 80%, non-condensing                                   |
| <b>Agency approvals</b>               | CB, CE, FCC, UL/cUL, ICES, C-tick, BSMI, VCCI Class-B, SABs, GOST-R, UkrSEPRO  |   |
| <b>Operating system compatibility</b> | Windows® XP SP2 (32-bit edition only), Windows® XP SP3 (32-bit edition only), Windows Vista® SP1 (32-bit and 64-bit editions), Windows Vista® SP2 (32-bit and 64-bit editions), Windows® 7 (32-bit and 64-bit editions)<br><b>NOTE:</b> Please note this port replicator does not work with the HP ElitePad 900 Tablet PC. |   |
| <b>Option kit contents</b>            | HP 2005pr USB 2.0 Port Replicator, AC power adapter, USB 2.0 cable, HDMI to DVI-D Dongle, documentation  |   |

### HP 2005pr USB 2.0 Port Replicator

#### Standard Features for HP USB 3.0 Universal Port Replicator

|                             |   |
|-----------------------------|---|
| <b>USB ports</b>            | 2 USB 3.0 BC Charge ports, 4 USB 2.0 ports  |
| <b>Network connectors</b>   | 10/100/1000 Ethernet port   |
| <b>Monitor connectors</b>   | HDMI, DisplayPort   |
| <b>Audio connectors</b>     | Headphone/Microphone  |
| <b>Security cable slots</b> | Add a locking cable (sold separately) to secure the docking station using the security cable slot |
| <b>LED indicator</b>        | One indicates power(Green), one indicates PC connection (Green)                                   |

#### Specifications

|                                       |  |   |
|---------------------------------------|--|---|
| <b>Dimensions<br/>(H x W x D)</b>     | 1.56 x 1303 x 4.74 in (39.6 x 331.0x120.5 mm)  |   |
| <b>Weight</b>                         | 1.96 lb (896 g)  |   |
| <b>USB 3.0</b>                        | <b>Upstream connector</b>  | Type B  |
|                                       | <b>Peripherals</b>   | USB 3.0   |
|                                       | <b>Capacity of each port</b>   | Total current shared among Max. 2.5A of 2 USB 3.0 ports.                  |
|                                       | <b>Cable length</b>  | 3.28 ft (1m)  |
| <b>USB 2.0</b>                        | <b>Downstream connector</b>  | Type A  |
|                                       | <b>Peripherals</b>   | USB 2.0   |
|                                       | <b>Capacity of each port</b>   | Total current shared among Max. 1.5A of USB2.0 port1&2 (Same as port 3&4) |
| <b>Video</b>                          | 2048 x 1152 resolution when output HDMI and Displayport @16:9  |   |
| <b>Audio</b>                          | <b>Microphone</b>  | 3.5mm jack input  |
|                                       | <b>Headphone output</b>  | >= 0.707 V rms at 320 Ohm load<br>>= 300 mV rms at 32 Ohm load            |
| <b>Network</b>                        | IEEE802.3:10Base-T,100Base-TX,1000Base-T, compatible. Wake-on-LAN (WOL) not supported  |   |
| <b>Power requirements</b>             | <b>DC input</b>  | 19.5 V  |
|                                       | <b>Rated current</b>   | 6.15A   |
| <b>DC Output</b>                      | <b>DC output</b>   | 19.5 V  |
|                                       | <b>Rated current</b>   | 4.6A  |
| <b>Temperature</b>                    | <b>Operating</b>   | 32° to 104° F (0° to 40° C)   |
|                                       | <b>Non-operating</b>   | -4° to 140° F (-20° to 60° C)   |
| <b>Relative humidity</b>              | <b>Operating</b>   | 5% to 90%, non-condensing   |
|                                       | <b>Non-operating</b>   | 5% to 95%, non-condensing   |
| <b>Agency approvals</b>               | CB, CE, FCC, UL/cUL, ICES, C-tick, BSMI, VCCI Class-B, SABs, GOST-R, UkrSEPRO  |   |
| <b>Operating system compatibility</b> | MS Windows 7(32-bit and 64-bit editions)& 8 (32-bit and 64-bit editions)& 8.1 (32-bit and 64-bit editions)   |   |
| <b>Option kit contents</b>            | HP Universal Port Replicator, AC power adapter, USB 3.0 cable, HDMI to DVI Adapter, DP to VGA Adapter, Universal power cable (to NB, 1.2 Meter), Universal power connector heads(12 pcs) |   |



### HP USB 3.0 Universal Port Replicator

#### Power Tips

##### Notebooks Supported

| Notebooks Supported | Tip to Used      |
|---------------------|------------------|
| HP                  | P, E, H, C       |
| Acer                | A, P, E, N       |
| Asus                | P, E, N, U, C, D |
| Compaq              | P, E, H          |
| Dell                | P, H             |
| IBM/Lenovo          | L, A, X          |
| Samsung             | S, N             |
| Fujitsu             | P                |
| Gateway             | P, A             |
| Panasonic           | O                |
| Sony                | O                |
| Toshiba             | P                |
| LG                  | A                |
| MSI                 | A                |

### HP 3001pr USB 3.0 Port Replicator

#### Standard Features for HP 3001pr USB 3.0 Port Replicator

|                           |  |
|---------------------------|--|
| <b>USB ports</b>          | 2 USB 3.0 BC Charging ports, 1 USB 2.0 charging port             |
| <b>Network connectors</b> | 10/100/1000 Ethernet port  |
| <b>Monitor connectors</b> | HDMI, VGA  |
| <b>Audio connectors</b>   | Combo Headphone/Microphone                                       |
| <b>LED indicator</b>      | One indicates power (Green), one indicates PC connection (Green) |

#### Specifications

|                                       |  |  |
|---------------------------------------|--|--|
| <b>Dimensions<br/>(H x W x D)</b>     | 4.73 x 3.07 x .97 in (120.2 x 78 x 24.7 mm)  |  |
| <b>Weight</b>                         | 0.234 lb (106 g)   |  |
| <b>USB 3.0</b>                        | <b>Upstream connector</b>  | Type micro B   |
|                                       | <b>Peripherals</b>   | USB 3.0  |
|                                       | <b>Capacity of each port</b>   | Total current shared among Max. 2.5A of 2 USB 3.0 ports        |
|                                       | <b>Cable length</b>  | 2.4 ft (0.61m)   |
| <b>USB 2.0</b>                        | <b>Downstream connector</b>  | Type A   |
|                                       | <b>Peripherals</b>   | USB 2.0  |
|                                       | <b>Capacity of each port</b>   | Max. 1A  |
| <b>Video</b>                          | 2048 x 1152 resolution when output HDMI or VGA @16:9   |  |
| <b>Audio</b>                          | <b>Microphone</b>  | 3.5mm combo jack input   |
|                                       | <b>Headphone output</b>  | >= 0.707 V rms at 320 Ohm load<br>>= 300 mV rms at 32 Ohm load |
| <b>Network</b>                        | IEEE802.3:10Base-T,100Base-TX,1000Base-T, compatible. Wake-on-LAN (WOL) not supported                      |  |
| <b>Power requirements</b>             | <b>DC input</b>  | 18.5 V   |
|                                       | <b>Rated current</b>   | 3.5A   |
| <b>Temperature</b>                    | <b>Operating</b>   | 32° to 104° F (0° to 40° C)                                    |
|                                       | <b>Non-operating</b>   | -4° to 140° F (-20° to 60° C)                                  |
| <b>Relative humidity</b>              | <b>Operating</b>   | 5% to 90%, non-condensing                                      |
|                                       | <b>Non-operating</b>   | 5% to 95%, non-condensing                                      |
| <b>Agency approvals</b>               | CB, CE, FCC, UL/cUL, ICES, C-tick, BSMI, VCCI Class-B, SABs, GOST-R, UkrSEPRO,                             |  |
| <b>Operating system compatibility</b> | MS Windows 7(32-bit and 64-bit editions)& 8 (32-bit and 64-bit editions)& 8.1 (32-bit and 64-bit editions) |  |
| <b>Option kit contents</b>            | HP 3001pr Port Replicator, HDMI to DVI Adapter, USB cable, Power Adapter                                   |  |

© Copyright 2013 Hewlett-Packard Development Company, L.P. The information contained herein is subject to change without notice. The only warranties for HP products and services are set forth in the express warranty statements accompanying such products and services. Nothing herein should be construed as constituting an additional warranty. HP shall not be liable for technical or editorial errors or omissions contained herein. Windows and Vista are U.S. registered trademarks of Microsoft Corporation.