



# MGE™ Galaxy™ 3500 10-40 kVA (3:3, 3:1) 380/400/415, 208/220 V

## Receiving and Unpacking



## IMPORTANT SAFETY INSTRUCTIONS – SAVE THESE INSTRUCTIONS



**WARNING:** Indicates a hazard, which, if not avoided could result in personal injury or damage to product or other property.



**WARNING:** For safety reasons, only qualified personnel is allowed to remove the front panel and perform operation and maintenance behind it.

## Shipping Weights and Dimensions

### UPS Net Dimensions

Enclosure Net Dimensions	mm (in)
Height (identical for all UPS enclosure sizes)	1491 (149)
Depth (identical for all UPS enclosure sizes - exclusive of the conduit box)	855 (34)
Depth (identical for all UPS enclosure sizes - inclusive of the conduit box)	941 (37)
Enclosure width (2 sizes)	352 (14) and 523 (20)

### UPS Shipping Weights

#### 3:3 208 V, 220 V

208/220 V	kg	lbs	208/220 V	kg	lbs
G35T10KF1B2S	336	741	G35T15KF3B4S	538	1186
G35T10KF1B4S	354	780	G35T15KF4B4S	630	1389
G35T10KF2B2S	427	941	G35T20KF2B4S	476	1049
G35T10KF2B4S	446	983	G35T20KF3B4S	568	1252
G35T10KF3B4S	538	1186	G35T30KF4B4S	660	1455
G35T10KF4B4S	630	1389	G35T20KF4B4S	660	1455
G35T15KF2B2S	428	944	G35T30KF3B4S	568	1252
G35T15KF2B4S	446	983			

## UPS Shipping Weights

### 3:3 380 V, 400 V, 415 V

380/400/415 V	kg	lbs	380/400/415 V	kg	lbs
G35T10KH1B2S	245	540	G35T15KHS*	290	638
G35T10KH1B4S	382	842	G35T20KH2B2S	433	955
G35T10KH2B2S	336	741	G35T20KH2B4S	474	1045
G35T10KH2B4S	474	1045	G35T20KH3B4S	566	1248
G35T10KH3B4S	566	1248	G35T20KH4B4S	657	1448
G35T10KH4B4S	657	1448	G35T20KHS*	290	638
G35T10KHS*	290	638	G35T30KH3B4S	601	1325
G35T15KH2B2S	433	955	G35T30KH4B4S	692	1526
G35T15KH2B4S	474	1045	G35T30KHS*	325	715
G35T15KH3B4S	566	1248	G35T40KH4B4S	692	1526
G35T15KH4B4S	657	1448	G35T40KHS*	325	

\* UPS without batteries, for use with 3d-party batteries (external frame) or longlife battery modules (internal).

## UPS Shipping Weights

### 3:1 380 V, 400 V, 415 V

220/230/240 V	kg	lbs	220/230/240 V	kg	lbs
G35T15K3I2B2S	428	944	G35T20K3I4B4S	686	1512
G35T15K3I2B4S	505	1113	G35T20K3IS*	290	638
G35T15K3I3B4S	566	1248	G35T30K3I3B4S	566	1248
G35T15K3I4B4S	686	1512	G35T30K3I4B4S	686	1512
G35T15K3IS*	290	638	G35T30K3IS*	325	715
G35T20K3I2B2S	428	944	G35T40K3I4B4S	686	1512
G35T20K3I2B4S	505	1113	G35T40K3IS*	325	715
G35T20K3I3B4S	566	1248			

\* UPS without batteries, for use with 3d-party batteries (external frame) or longlife battery modules (internal).

## XR Battery Enclosure Shipping Weights

Part Nos.	kg	lbs	Part Nos.	kg	lbs
G35TXR2B6	418	919	G35TXR6B6*	807	1775
G35TBXR2B6	418	919	G35TBXR6B6*	807	1775

\* The total weight of the XR battery enclosure including the separate battery package.

## XR Battery Net Weights (One Battery)

Part Nos.	kg	lbs
SYBT4	24	53
SYBTH4	24	53

## XR Battery Net Weights (One Module consisting of four Batteries)

Part Nos.	kg	lbs
SYBT4	96	212
SYBTH4	96	212

## Receiving

### External Inspection

When the shipment arrives, inspect the shipping material for any signs of damage or mishandling. Do not attempt to install the system if damage is apparent. If any damage is noted, contact Schneider Electric and file a damage claim with the shipping agency within 24 hours.

Compare the components of the shipment with the bill of lading. Report any missing items to the carrier and to Schneider Electric immediately.

Verify that the labelled units match the order of confirmation.

## Move to Installation Site



**Caution:** Ensure that the floor is level. The enclosure cannot be installed on a floor that is not level.



**Caution:** Use a pallet jack or a forklift for components over 54 kg (120 lb).



**Note:** After the unit has been removed from the pallet, move it only by rolling it on the casters.

## Space considerations



**Note:** Allow for enough working space behind the enclosure for electrical work to be carried out (e.g. if you want to connect an XR Battery Enclosure at a later stage).



**Note:** Rear service clearance must comply with applicable national and local codes. 600 mm (23.6 in) is recommended.



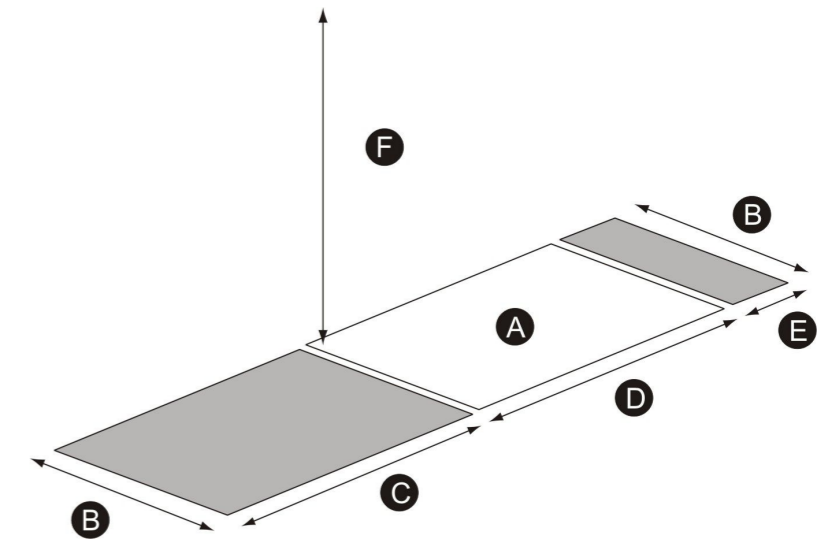
**Note:** Where conduit is required, we recommend the use of a flexible conduit.



**Note:** All physical installations must comply with local standards

## 10-40 kVA – narrow and wide enclosures

A	UPS	D	Depth: 838 mm (33)
B	Narrow enclosure: 352 mm (14 in). Wide enclosure: 523 mm (20 in)	E	Minimum rear clearance: 100 mm (4 in) Recommended: 600 mm (24)
C	Minimum front clearance: 1000 mm (39 in)	F	Top cover to ceiling ventilation: 523 mm (20 in)



## Unpacking



**Note:** This equipment is easily tipped. Use extreme caution when unpacking and moving the equipment to its final location.



**Caution:** There must be two people to roll the enclosure from the pallet. Save four bolts for attaching the stabilizing brackets to the 352 mm (14 in) enclosure. See “*Stabilizing Brackets*”.

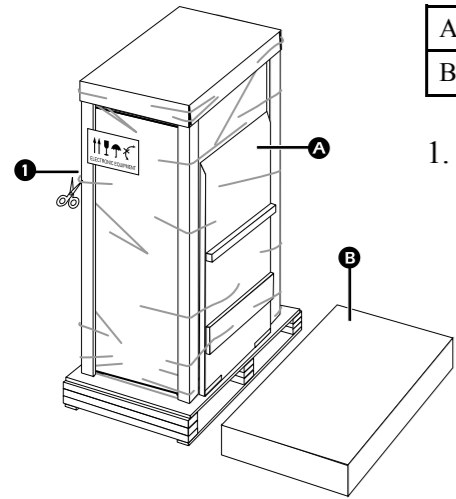


**Caution:** Do not unpack the units before the time of the installation.



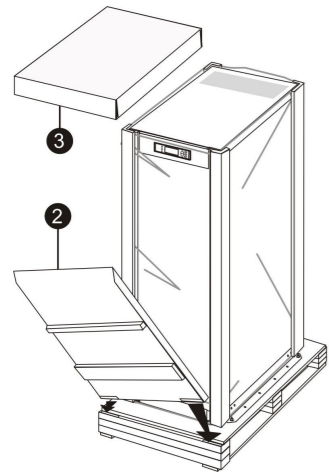
**Note:** If the system is not being installed immediately, do not remove the packaging. Store the system in an indoor, temperature-controlled area, free of conductive contaminants. See “*Storage Conditions*”.

## Land Packaging



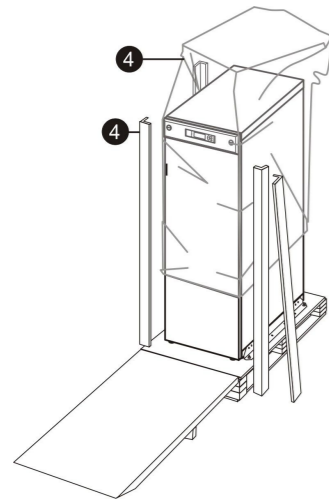
A	Ramp
B	Option

1. Cut carefully along the edges to remove the plastic and to free the ramp.

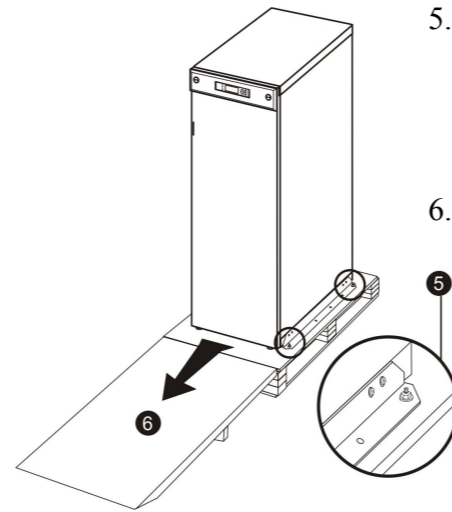


2. Place the ramp by aligning the velcro strips on the ramp with the velcro strips on the front edge of the pallet.

3. Remove the cardboard cover.



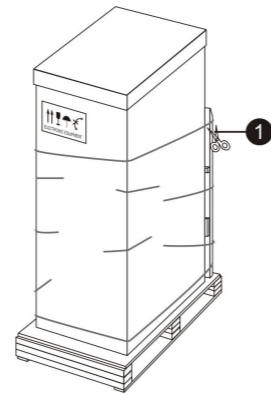
4. Remove the corner protection and the plastic bag.



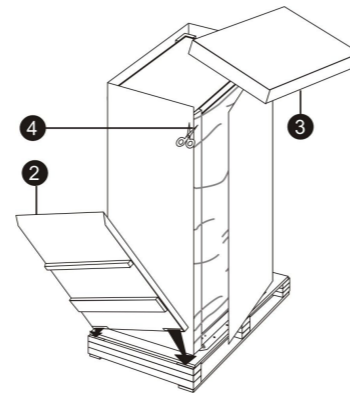
5. Remove the bolts from the brackets attaching the enclosure to the pallet and save the brackets for floor anchoring, if required.

6. Roll the unit off the pallet.

## Sea Packaging



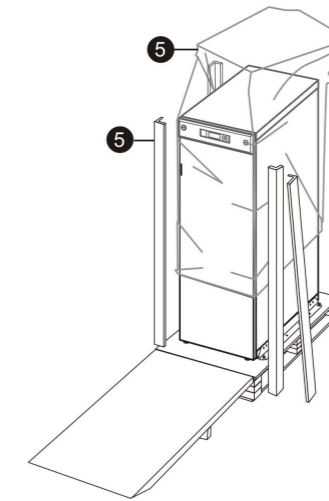
1. Cut carefully along the edges to remove the plastic and to free the ramp.



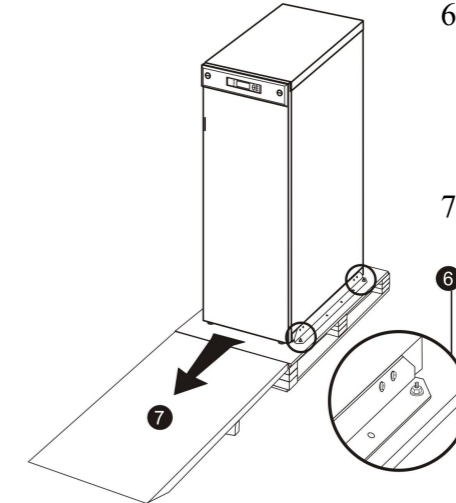
2. Place the ramp by aligning the velcro strips on the ramp with the velcro strip on the front edge of the pallet.

3. Remove the cardboard cover.

4. Cut along the edges of the cardboard cover and remove it.



5. Remove the corner protection and the plastic bag.



6. Remove the bolts from the brackets attaching the enclosure to the pallet and save the brackets for floor anchoring, if required.

7. Roll the unit off the pallet.

## Stabilizing Brackets

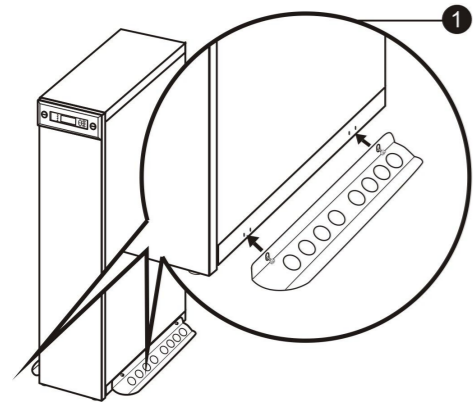


**Caution:** After unpacking always install the stabilizing bracket (shipped with the UPS) to the 352 mm (14 in) enclosure, unless more units are placed in a row.



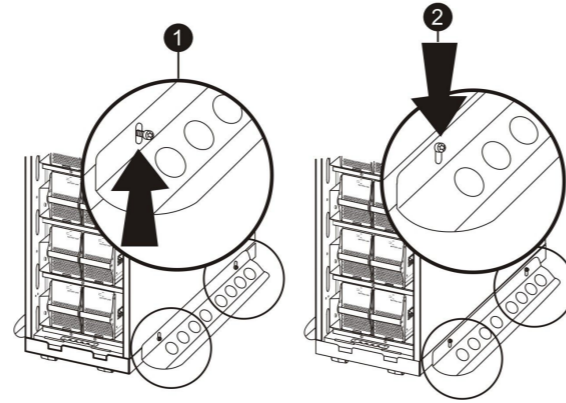
**Note:** This equipment is easily tipped. Use extreme caution when unpacking and moving the equipment to its final location.

## Attach Stabilizing Brackets



1. Use the screws (which attached the transport brackets to the UPS) to fasten the stabilizing bracket to the UPS.

## Move the UPS (with Stabilizing Brackets)



1. Loosen the screws, push the brackets upwards and tighten the screws.
2. Push the brackets downwards when the UPS is at its final position and tighten the screws.

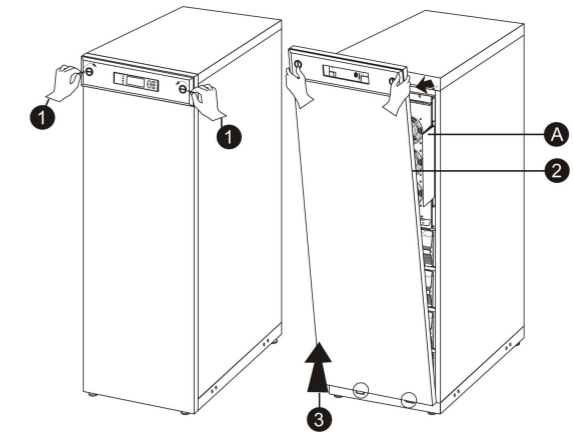
## Storage Conditions

Storage temperature: -15°C to 40°C/ 5°F to 104°F	Relative Humidity: 0-95% Non-condensing	Storage place free from vibration, conductive dust, direct sunlight, and moisture.	Altitude: 0-15000 m/0-50000 ft

## Documentation Storage



**WARNING:** For safety reasons, only qualified personnel is allowed to remove the front panel and perform operation and maintenance behind it.



A	Documentation Storage
---	-----------------------

1. Remove the front panel by turning the screw towards the display to the unlocked position
2. Pull the upper part of the front panel free of the UPS.
3. Lift the front panel free of the two slots at the bottom of the enclosure.

## Contact Information

For local country-specific centers: go to [www.apc.com/support/contact](http://www.apc.com/support/contact).

Web Support: [support@apc.com](mailto:support@apc.com).