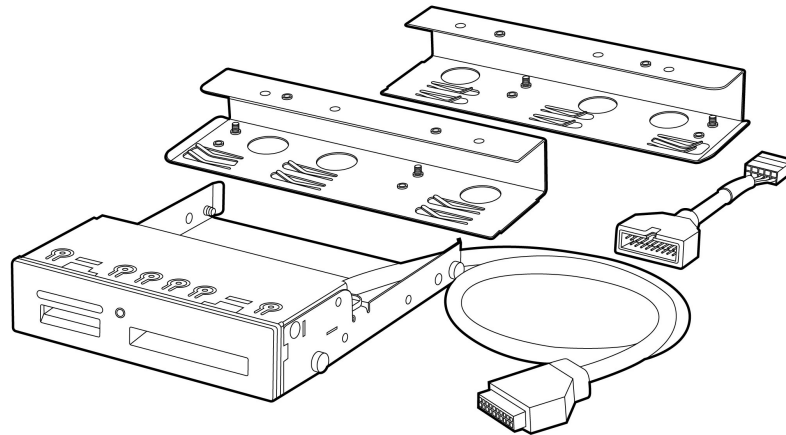


Overview



Models

HP 14-in-1 Media Card Reader

E5G19AA

Introduction

Backup your files and transfer your data, pictures, video, and projects between your PC and 14 types of storage media with the HP 14-in-1 Media Card Reader, which fits into any available 5.25" or 3.5" bay on your HP Business Desktop PC.^{1,2}

Key Benefits

- Enjoy easy data backup and file swapping between your PC and other devices with a reader that can accommodate 14 types of storage media, including memory sticks, SD cards, and multi-media cards.¹
- Get fast USB 3.0 throughput for quick reading and writing of your data, pictures, video, and more.²
- Expand your storage capabilities with a media card reader that fits into any available 5.25" or 3.5" bay on your HP Business Desktop PC.²

Overview

Compatibility

The HP 14-in-1 Media Card Reader is compatible with the following models:

HP ProDesk 600 G1 TWR, HP Pro Desk 600 G1 SFF, HP EliteDesk 800 G1 TWR, HP EliteDesk 800 G1 SFF, HP Compaq 8300 Elite SFF, HP Compaq 8300 Elite CMT, HP Compaq 8300 Elite MT, HP Compaq 6305 Pro MT, HP Compaq 6305 Pro SFF, HP Compaq 4300 Pro SFF, HP Compaq 6300 Pro MT, HP Compaq 6300 Pro SFF

NOTE: Please check this product's web page on HP.com for current compatibility information.

NOTE: Not all models are available in all regions.

Service and Support

Your Option Limited Warranty is a one (1) year (HP Option Limited Warranty Period) parts replacement warranty on any HP-branded or Compaq-branded options (HP Options). If your HP Option is installed in an HP Hardware Product, HP may provide warranty service either for the HP Option Limited Warranty Period or the remaining Limited Warranty Period of the HP Hardware Product in which the HP Option is being installed, whichever period is the longer but not to exceed three (3) years from the date you purchased the HP Option.

Technical Specifications

Dimensions	4.9 x 4 x 1 in (124.5 x 101.6 x 25.4 mm)
Weight	0.35 lbs (0.16 kg)
USB Interface	USB 3.0 High-speed interface

NOTE: If there is a USB2 connection, USB2 transfer speeds are supported.

Advance protocol support	<ul style="list-style-type: none">● Supports hardware ECC (Error Correction Code) function● Supports hardware CRC (Cyclic Redundancy Check) function● Supports MS 4-bit parallel transfer mode● Supports MS-PRO 4-bit parallel transfer mode● Supports MS PRO-HG Duo 4-bit parallel transfer mode● Supports SD 4-bit parallel transfer mode● Supports UHS-104 SD 4-bit card (version 3.0)● Supports CF v6.0 with PIO mode 6 and Ultra DMA 7 mode
---------------------------------	---

Supported media types	<ul style="list-style-type: none">● CompactFlash Type I● CompactFlash Type II● Microdrive● Secure Digital Card (SD)● Secure Digital High Capacity (SDHC)● SD Extended Capacity Memory Card (SDXC)● Memory Stick● Memory Stick Select● Memory Stick Duo (MS Duo)● Memory Stick PRO (MS PRO)● Memory Stick PRO Duo (MS PRO Duo)● Memory Stick PRO-HG Duo● MagicGate Memory Stick (MG)● MagicGate Memory Stick Duo
------------------------------	--

Supported media type with card adapter	<ul style="list-style-type: none">● Memory Stick Micro (M2)● miniSD● miniSD High Capacity● Micro SD Memory Card (MicroSD)● Micro SD High Capacity Memory Card (MicroSDHC)
---	---

Environmental	Operational	Test Parameters/Conditions - Power applied, unit operating on system $\pm 5\%$
	Environmental Extremes	nominal supply voltage. 10°C 10% R.H. = 24 hours 10°C 90% R.H. = 24 hours 20°C 90% R.H. = 24 hours 30°C 90% R.H. = 24 hours 40°C 90% R.H. = 24 hours 50°C 90% R.H. = 24 hours 50°C 10% R.H. = 24 hours
	Storage Environmental Extremes	Test Parameters/Conditions 140°F (60°C) @ 80% R.H. for 96 hours -22°F (-30°C) @ 20% R.H. for 48 hours No power applied Delta °C < 1.0°C/min Delta % R.H. < 1.5% R.H./min

Operating system support Windows 8 Pro (64-bit)*

Technical Specifications

Windows 8 (64-bit)*
Windows 7 Ultimate (32-bit)**
Windows 7 Ultimate (64-bit)**
Windows 7 Professional (32-bit)**
Windows 7 Professional (64-bit)**
Windows 7 Home Basic**
Windows 7 Home Premium (32-bit)**
Windows 7 Home Premium (64-bit)**
Windows Vista Business 64
Windows Vista Business 32
Windows Vista Home Basic 32
Windows XP Professional
Windows XP Home 32

No driver is required for this device. Native support is provided by the operating system.

*Not all features are available in all editions of Windows 8. Systems may require upgraded and/or separately purchased hardware, drivers and/or software to take full advantage of Windows 8 functionality. See <http://www.microsoft.com>.

**Not all features are available in all editions of Windows 7. This system may require upgraded and/or separately purchased hardware to take full advantage of Windows 7 functionality. See <http://www.microsoft.com/windows/windows-7/> for details.

Approvals

USB-IF, WHQL, Compliant with USB Mass Storage Class Bulk only Transport Specification Rev. 1.0, Compliant Intel Front Panel I/O Connectivity Design Guide V. 1.3, FCC, CE, BSMI, C-Tick, VCCI, MIC, cUL, TUV-T

Kit contents

Media card reader, 5.25" bracket/rails/bezel, Install Guide, IO & Security Software and Documentation CD

Available Bezel Support Kits (sold separately)

E1C66AA	HP (10 Sets) 600/800 TWR Bezel Support Kit
E3F27AA	HP (10 Sets) 600/800 SFF Bezel Support Kit
E3F28AA	HP (10 Sets) 800 USDT Bezel Support Kit
E1C67AA	HP (10 Sets) 400 G1 Bezel Support Kit

© Copyright 2014 Hewlett-Packard Development Company, L.P. The information contained herein is subject to change without notice. The only warranties for HP products and services are set forth in the express warranty statements accompanying such products and services. Nothing herein should be construed as constituting an additional warranty. HP shall not be liable for technical or editorial errors or omissions contained herein.

Microsoft and Windows are US registered trademarks of Microsoft Corporation.