

Lexmark XS748de Color laser MFP



Intuitive color MFP for busy workgroups



Color



7-In. Touch
Screen



Copy



Scan



Fax



Solutions



Up to
35 ppm



Duplex



Network



Eco-Mode



Security



Flexible
Input

LEXMARK
TM

Why Lexmark?

Founded in 1991 from an IBM heritage in Lexington, Kentucky, Lexmark is one of the few American companies to own, develop and market inkjet, monochrome laser and color laser print technologies. Lexmark is poised to deliver on its promise to produce quality, dependable products well into the future.

Lexmark XS748de Overview



Robust high-quality color Rely on the Lexmark XS748de color laser MFP for the high-quality color printing, scanning and copying essential to business.

- Match corporate colors with Lexmark Named Color Replacement and PANTONE® calibration.
- Lexmark high-yield cartridges let you print up to 12,000 pages per cartridge in black and 10,000 pages per cartridge in color.¹
- Print and copy quickly at speeds up to 35 ppm and a time to first page as fast as 9 seconds in both black and color.
- The high-speed processor, 512MB RAM and Gigabit Ethernet networking mean fast data transfer and fast processing, even on complex color documents.
- Reliable paper feeding supports diverse media, including card stock, vinyl labels, banners and more.



Performance and productivity The combination of easy-to-use features and reliable performance means business processes are intuitive and you are productive.

- The easy-to-use 7-inch color touch screen provides audible feedback and tablet-like navigation.
- Expand input capacity with optional paper drawers that boost total input capacity up to 4,300 sheets.
- Quickly print and copy documents using the instant warm-up fuser that also reduces energy consumption.
- Create custom messages to provide helpful information such as helpdesk telephone numbers and company communications.
- Instead of installing individual drivers for each printer model, the Lexmark Universal Print Driver provides a standardized, one-driver solution.



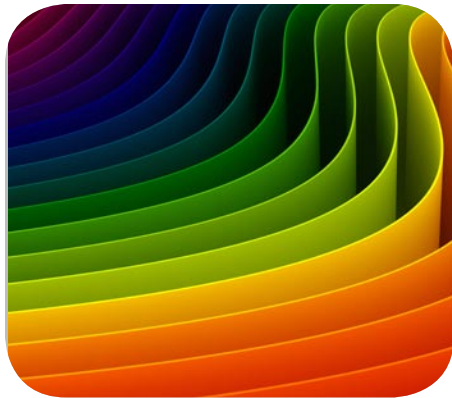
Business solutions The Lexmark Embedded Solutions Framework (eSF) helps expand functionality, move information more efficiently, lower costs and analyze usage patterns.

- Quickly and efficiently access basic eSF solutions directly from the 7-inch color touch screen.
- The optional hard disk provides the ability to store files on the device and run additional solutions with ease.
- Pre-loaded solutions mean you can be productive and save time, money and paper right out of the box.
- Additional solutions are available for greater savings and productivity.
- Models with solutions capabilities also have the card reader option for greater security.



Why Lexmark color?

The documents you print define an important image – yours. The Lexmark XS748de color laser MFP is perfect for printing reports, marketing collateral and on-demand signage with brilliant color reproduction. So when you put a high-quality color document in a client's hands, you're advancing communication and your company's image at the same time.



Professional color quality Color communicates, informs and persuades. Vibrant, expressive color also attracts attention and increases impact. In short, color is your brand – who you are. The Lexmark XS748de color laser MFP is a color powerhouse. It offers repeatable, accurate color matching and features that create continuity from one document to the next.

- **Easy brand matching** - Match corporate colors on marketing collateral and logos with Lexmark Named Color Replacement. Simply enter specific color values for easy color matching, including company defined colors and PANTONE® color.
- **Money saving color** - Color is business critical, but often it is seen as expensive or wasteful. Lexmark ColorCare Technology helps change that perception. Tools, like user quotas, help you manage and make intelligent decisions about color printing.
- **Continuous color** - Print with confidence, knowing the Lexmark XS748de MFP produces documents at optimum quality. Status screens and supply alerts notify you when toner is low, so you don't run out in the middle of a job.



Professional color performance Whether you need one document or many, consistency is important. The Lexmark XS748de color laser MFP delivers in all types of situations – last minute presentations, large print jobs for promotional events or constantly used forms. It creates high-quality documents on a variety of media while helping you save money at the same time.

- **Consistent color across media** - Lexmark color technology gives you precise, professional color on a variety of media types and sizes. Carry a consistent look across materials and show clients your true colors, no matter what you provide to them.
- **Print on demand** - Eliminate waste. Don't print forms, marketing materials or other documents externally and store the paper versions. Instead, with the Forms and Favorites solution, store frequently required files online and print in-house and on demand.
- **On-the-fly updates** - Create custom color documents directly from the Lexmark XS748de MFP. Use print preview and post process job changes to make updates like removing a cover page or switching between simplex and duplex printing.



Lexmark XS748de Solutions

Reduce unnecessary printing and simplify work processes through Lexmark solutions. The Lexmark Embedded Solutions Framework (eSF) enables you to add a wide range of software apps directly onto the device. Solutions are designed with your productivity in mind, helping you streamline—or even eliminate—paper intensive business processes.

Lexmark XS748de Solutions

The following are applications are standard on the XS748de device.



Forms and Favorites

Eliminate waste and inefficiencies associated with preprinted forms. Rather than printing collateral externally and storing the paper versions, store frequently required files online. Then print them in-house and on demand. This application is standard.

- ▶ **Example:** When opening a savings account, the bank employee downloads and prints the required forms for the customer to complete, so the bank always has the most recent documentation.



Scan to Network - Basic

Scan a hard copy document and route the image to one of 30 predefined personal or public shared network folders.

- ▶ **Example:** Scan a mortgage document and save the file in PDF, XPS, TIFF or JPEG image format and store it in a shared drive on a network or FTP server where it can be routed to several different locations.



Change language

Easily switch the language displayed on the touch screen at any time – 18 languages supported.

- ▶ **Example:** A company with many international employees can change the MFP panel to their native language easily with one touch.



Held jobs

Cancel unwanted jobs sent to the printer and using the MFP touch screen. Print job is held in the printer's memory until printed or deleted.

- ▶ **Example:** After realizing they printed the wrong page, an employee may cancel a print job at the MFP before it is printed – reducing paper waste.



Lexmark XS748de Additional solutions

In addition to the solutions built into the device, a diverse portfolio of additional Lexmark solutions is available from your Lexmark Authorized Dealer to help accommodate your workflow needs. The following are just a few examples.



Capture and Route

Capture, store and share business documents and benefit from improved cycle times and increased efficiencies. Lexmark offers solutions that let you convert hard copy documents into digital information with the touch of a button.

► **Example:** Scan to Network Premium lets you capture a digital image of hard copy documents and route the file to a shared network folder. Immediately upon delivery, the file is available to anyone permitted to access the folder.

Related solutions

Scan to Email • Scan to Network Premium • Scan to SharePoint • Scan to Hard Drive



Mobility

Today, there are many ways to implement mobile printing, but no single solution that fits all. Select from multiple mobility-related solutions that enable your business or organization to capitalize on the benefits of mobile productivity.

► **Example:** The Lexmark App for Google Cloud Print™ solution enables you to easily and securely release print jobs that you send to Google Cloud Print™. No PC is required to enable the printing process.

Related solutions

Lexmark Print Release • Lexmark App for Google Cloud Print™ • Lexmark App for Google Docs™



Education

Trainers and teachers, whether in a school or a business, want to spend more time teaching and less time doing paperwork. Lexmark offers several solutions that help lower the time barriers associated with preprinted test forms and manual scoring.

► **Example:** The Hosted Testing and Grading solution helps you respond to individual learning gaps or class comprehension issues with grade results and reports that can be emailed, saved to a shared network folder or printed.

Related solutions

Education Station • Hosted Testing and Grading • Hosted Testing and Grading Standard • Hosted Testing and Grading Enterprise

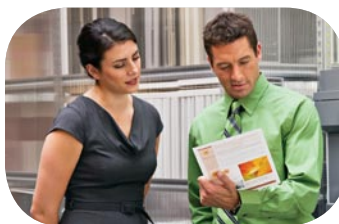
Contact your Lexmark Business Solutions Dealer for additional solutions.

Lexmark XS748de Key features



Lexmark XS748de color laser MFP shown with optional 2,000-sheet high capacity feeder and caster base.

Features that help you optimize your work



1) Easy brand matching

Consistently match branded colors and print marketing collateral in-house with Lexmark Named Color Replacement.



2) Intuitive color touch screen

Operate your printer with ease and confidence using the 7-inch color touch screen that makes navigation smart and intuitive.



3) Convenient updates

Preview documents and change output settings, such as two-sided printing, directly at the device.



4) Flexible input capacity

With optional 550-sheet drawers, a specialty media drawer and a 2,000-sheet high capacity feeder, customize input options to meet your printing needs.



5) Two-sided printing

Reduce paper consumption by up to 50% and reduce your impact on the environment with two-sided printing.



6) Walk-up USB printing

The front USB port allows for convenient walk-up preview, printing and scanning of PDFs and many printable image file formats.



7) Eco-friendly printing

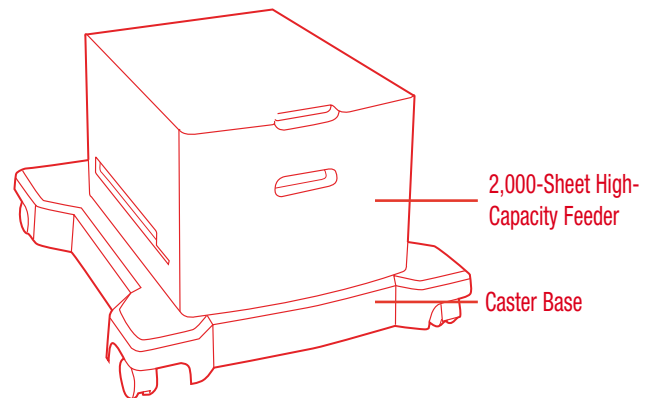
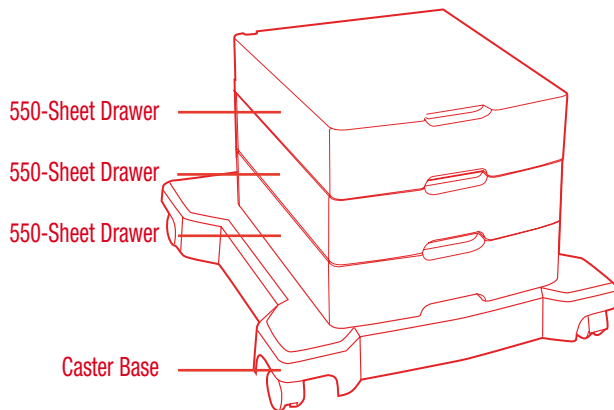
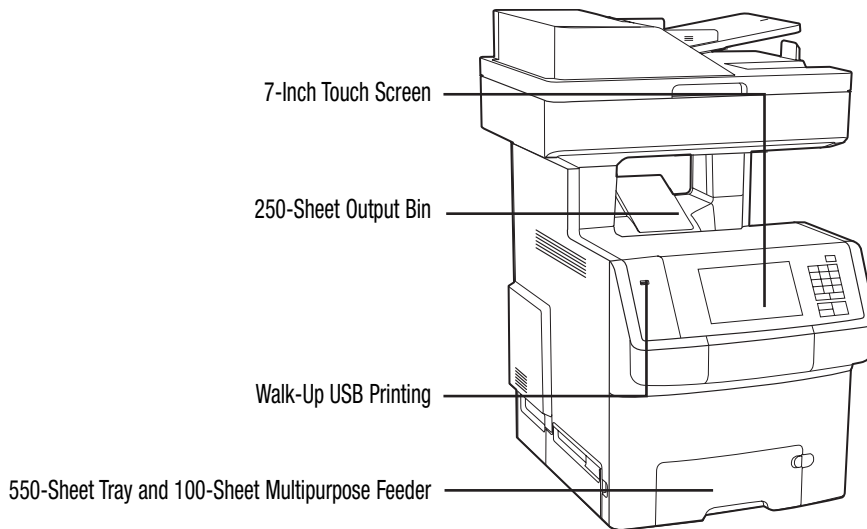
Print responsibly with Eco-Settings that let you customize print settings and Hibernate Mode which reduces energy consumption to less than one watt.



8) Built-in security

Advanced security controls protect data at every stage: from user authentication to security audits and disk wiping.

Lexmark XS748de Ordering information



- Standard
- Optional

Compatible with Lexmark XS748de MFP

Part #	Model
34T5123	Lexmark XS748de
Part #	Laser Toner/Print Cartridge
24B5807	CS736, XS73x Black High Yield Return Program Toner Cartridge
24B5804	CS736, XS73x Cyan High Yield Return Program Toner Cartridge
24B5805	CS736, XS73x Magenta High Yield Return Program Toner Cartridge
24B5806	CS736, XS73x Yellow High Yield Return Program Toner Cartridge
C734X20G	Photoconductor Unit
C734X24G	Photoconductor Unit, 4-Pack
C734X77G	Waste Toner Box
Part #	Paper Handling
27S2100	550-Sheet Drawer
27S2400	2,000-Sheet High Capacity Feeder
27S2650	550-Sheet Specialty Media Drawer
27S2190	4.8 inch (12.2 cm) Spacer
Part #	Furniture
3052765	Swivel Cabinet
34T5114	C74x, X74x Caster Base
Part #	Memory Options
1025041	256MB DDR2-DRAM
1025042	512MB DDR2-DRAM

1025043	1024MB DDR2-DRAM
14F0245	256MB Flash Card
27X0014	160+ GB Hard Disk
30G0287	Arabic Font Card
30G0828	Japanese Font Card
30G0825	Korean Font Card
30G0826	Simplified Chinese Font Card
30G0827	Traditional Chinese Font Card
Part #	Application Solutions
57X9000	Lexmark PrintCrypton Card
34T5121	X746, X748 Card for IPDS
34T5122	X746, X748 Card for PRESCRIBE Emulation
34T5120	X746, X748 Forms and Bar Code Card
3053996	Large Pod for PKI Card Reader
57X0020	PKI Authentication App for eSF Capable Devices
Part #	Connectivity
27X0025	MarkNet N8250 802.11b/g/n Wireless Print Server
14F0037	MarkNet N8120 Gigabit Ethernet Print Server
1021294	USB Cable (2-meter)
14F0000	Parallel 1284-B Interface Card
1021231	Parallel Cable (10-foot)
14F0100	RS-232C Serial Interface Card

Lexmark XS748de Product specifications



Product specifications

Lexmark XS748de

Printing	
Display	Lexmark e-Task 7-inch (17.8 cm) color touch screen with audible feedback
Print Speed: Up to	Black: 35 ppm / Color: 35 ppm
Time to First Page: As fast as	Black: 9 seconds / Color: 9 seconds
Print Resolution, Color	1200 x 1200 dpi, 4800 Color Quality (2400 x 600 dpi)
Processor Speed	1.2 GHz
Memory	Standard: 512 MB / Maximum: 1536 MB
Hard Disk	Option available
Recommended Monthly Page Volume ²	3000 - 10000 pages
Maximum Monthly Duty Cycle: Up to ³	100000 pages per month
Copying	
Copy Speed: Up to	Black: 35 cpm / Color: 35 cpm
Time to First Copy: As fast as	Black: 13 seconds / Color: 13.5 seconds
Reduce / Enlarge Range	25 - 400%
Scanning	
Duplex Scan Speed: Up to	A4/Ltr, Black: 12 / 12 sides per minute - A4/Ltr, Color: 12 / 12 sides per minute
Simplex Scan Speed: Up to	A4/Ltr, Black: 34 / 35 sides per minute - A4/Ltr, Color: 33 / 35 sides per minute
Scanner Type	Flatbed scanner with ADF
Hardware Scanning Resolution	600 X 600 ppi
Faxing	
Modem Speed	33.6 Kbps
Fax Transmission Speed	< 3 seconds per page
Supplies	
Supplies Yield	10,000 ¹ -page color High Yield Toner Cartridges (CMY), 12,000 ¹ -page Black High Yield Toner Cartridge
Cartridge(s) Shipping with Product	6,000 ¹ -page Black starter Return Program Toner Cartridge, 6,000 ¹ -page color (CMY) Starter Return Program Toner Cartridges
Paper Handling	
Paper Handling Standard	250-Sheet Output Bin, Integrated Duplex, 100-Sheet Multipurpose Feeder, 550-Sheet Input Tray
Paper Handling Optional	550-Sheet Drawer, 2,000-Sheet High-Capacity Feeder, 550-Sheet Specialty Media Drawer
Paper Input Capacity: Up to	Standard: 650 pages 20 lb or 75 gsm bond / Maximum: 4300pages 20 lb or 75 gsm bond (Add 3 of 550-Sheet Drawers and 2,000 Sheet High-Capacity Feeder with caster base)
Paper Output Capacity: Up to	Standard: 250 pages 20 lb or 75 gsm bond / Maximum: 250 pages 20 lb or 75 gsm bond
Media Types Supported	Card Stock, Envelopes, Paper Labels, Plain Paper, Transparencies, Vinyl Labels, Refer to the Card Stock & Label Guide
Media Sizes Supported	10 Envelope, 7 3/4 Envelope, 9 Envelope, A4, A5, B5 Envelope, C5 Envelope, DL Envelope, B5, Executive, Folio, JIS-B5, Legal, Letter, Statement, Universal, Oficio, A6
General	
Standard Ports	USB 2.0 Specification Hi-Speed Certified (Type B), Front USB 2.0 Specification Hi-Speed Certified Port (Type A), Rear USB 2.0 Specification Hi-Speed Certified Port (Type A), Ethernet 10/100/1000 BaseTX (RJ-45)
Optional Network Ports	Internal MarkNet™ N8120 Gigabit Ethernet, Internal MarkNet™ N8250 802.11b/g/n Wireless
Optional Local Ports	Internal RS-232C serial, Internal 1284-B Bidirectional Parallel
Noise Level, Operating	Printing: 57 dBA / Copy: 58 dBA / Scan: 54 dBA
Energy Star	Yes
Specified Operating Environment	Temperature: 16 to 32°C (60 to 90°F), Humidity: 8 to 80% Relative Humidity, Altitude: 0 - 3048 Meters (10,000 Feet)
Size (in. - H x W x D) / Weight (lb.)	31.0 x 21.5 x 24.5 in. / 97.5 lb.

¹ Based on approximately 5% print coverage. Actual yields may vary based on factors such as page coverage, image type, job size, print/copy/fax modes, and duplexing.

² "Recommended Monthly Page Volume" is a range of pages that helps customers evaluate Lexmark's product offerings based on the average number of pages customers plan to print on the device each month. Lexmark recommends that the number of pages per month be within the stated range for optimum device performance, based on factors including: supplies replacement intervals, paper loading intervals, speed, and typical customer usage.

³ "Maximum Monthly Duty Cycle" is defined as the maximum number of pages a device could deliver in a month using a multishift operation. This metric provides a comparison of robustness in relation to other Lexmark printers and MFPs.

Lexmark and Lexmark with the diamond design are trademarks of Lexmark International, Inc., registered in the United States and/or other countries. All other trademarks are the property of their respective owners. ENERGY STAR® is a U.S. registered mark. Information in this document is subject to change without notice. PANTONE® is a registered trademark of Pantone, Inc. AirPrint and the AirPrint logo are trademarks of Apple Inc. Google Docs and Google Cloud Print are trademarks of Google Inc.

