



Service Manual

Created: 13 January 2015



X32

40-Input, 25-Bus Digital Mixing Console with 32 Programmable MIDAS Preamps, 25 Motorized Faders, Channel LCD's, 32-Channel Audio Interface and iPad/iPhone* Remote Control

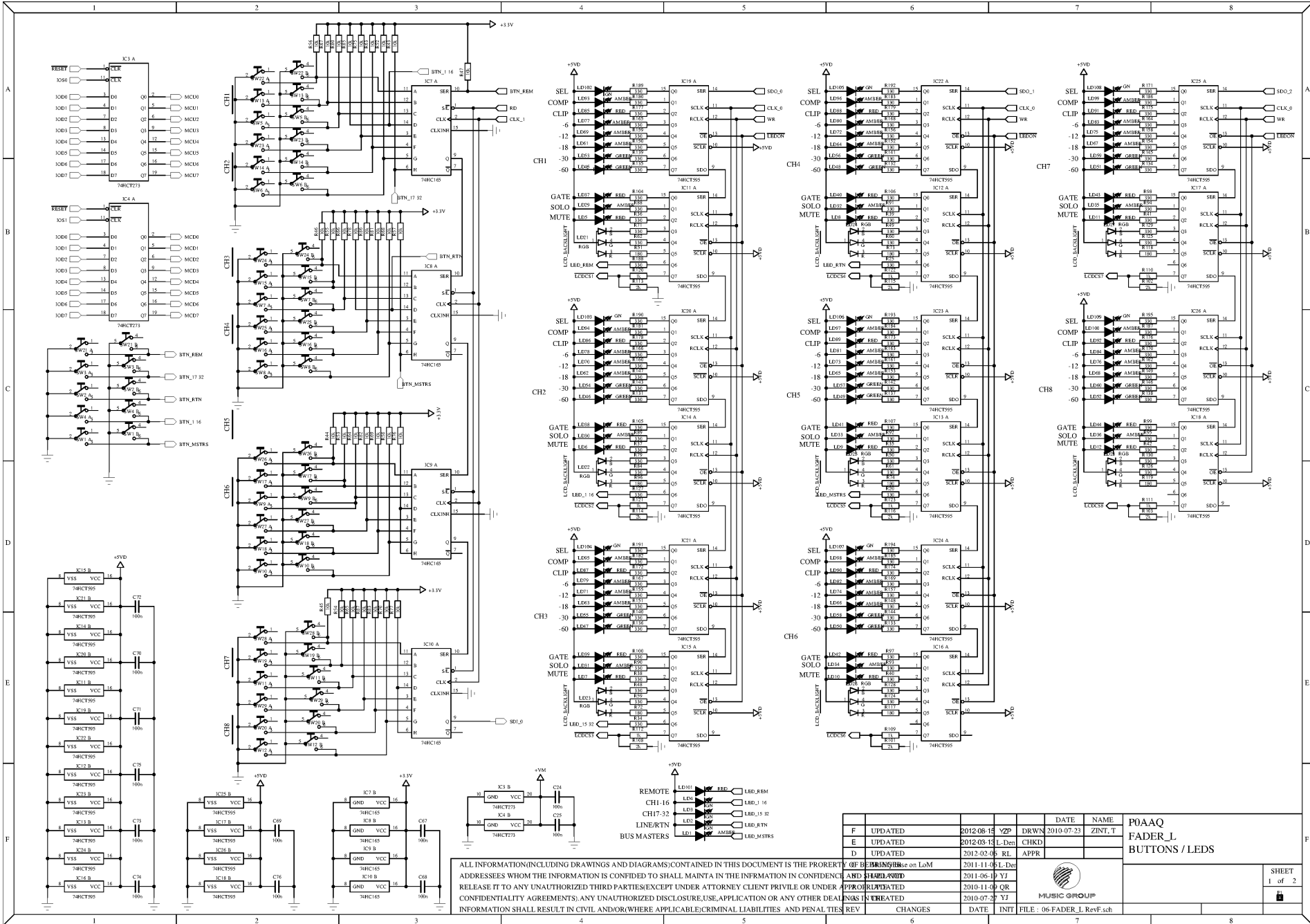
Specifications	2
PCB Schematic	3
Parts List	74
Exploded Drawing	99

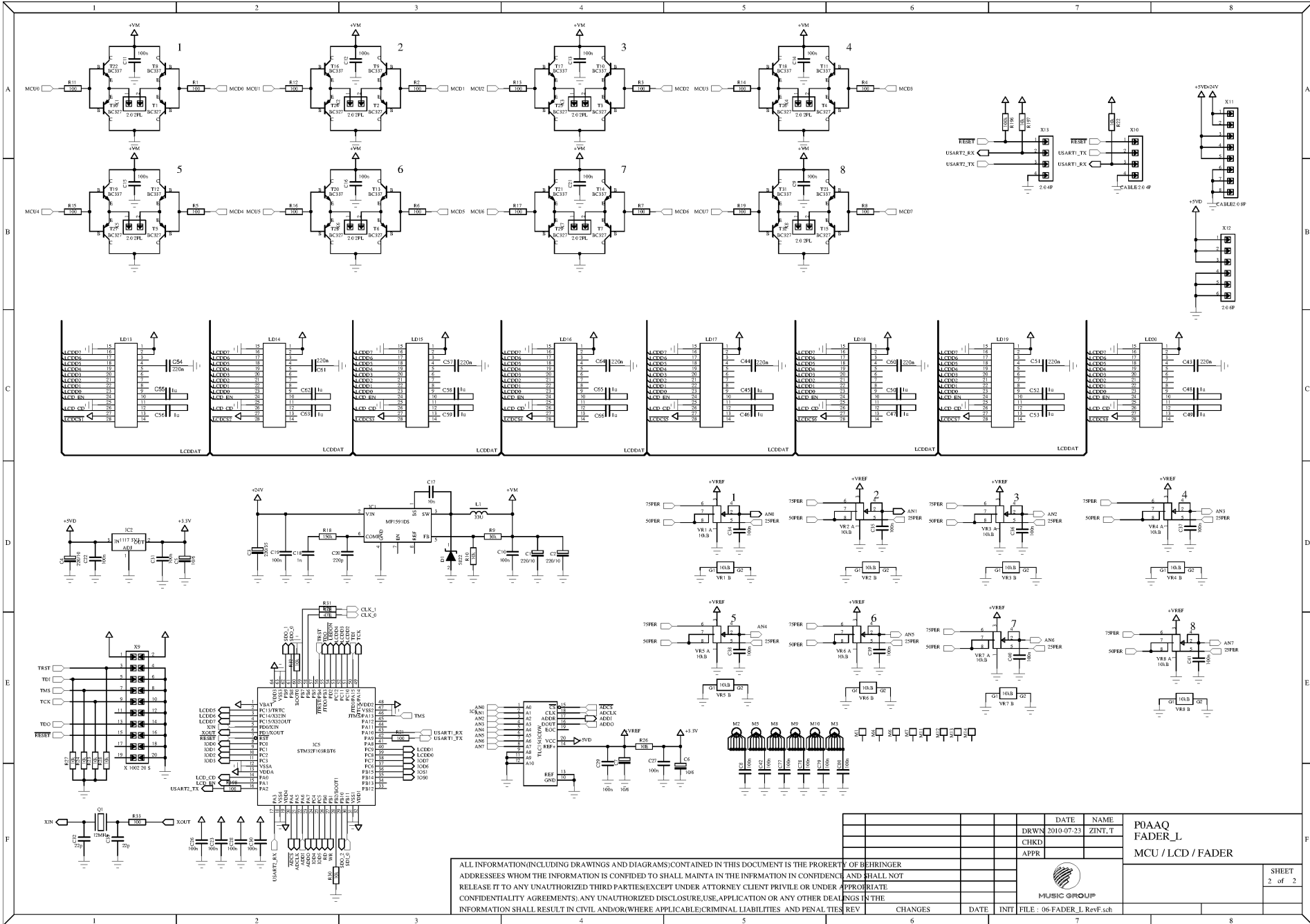
behringer.com

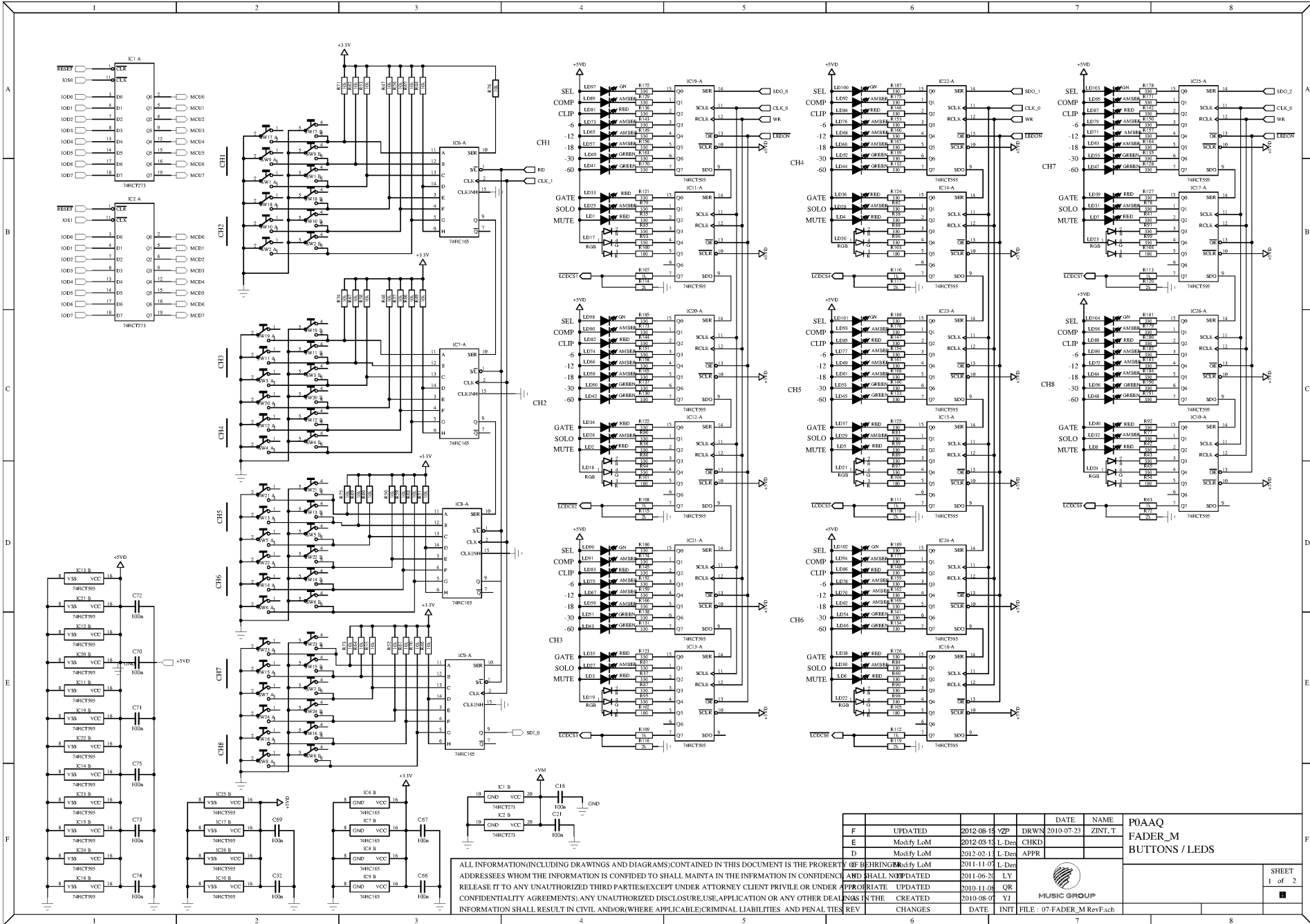


X32

Specifications







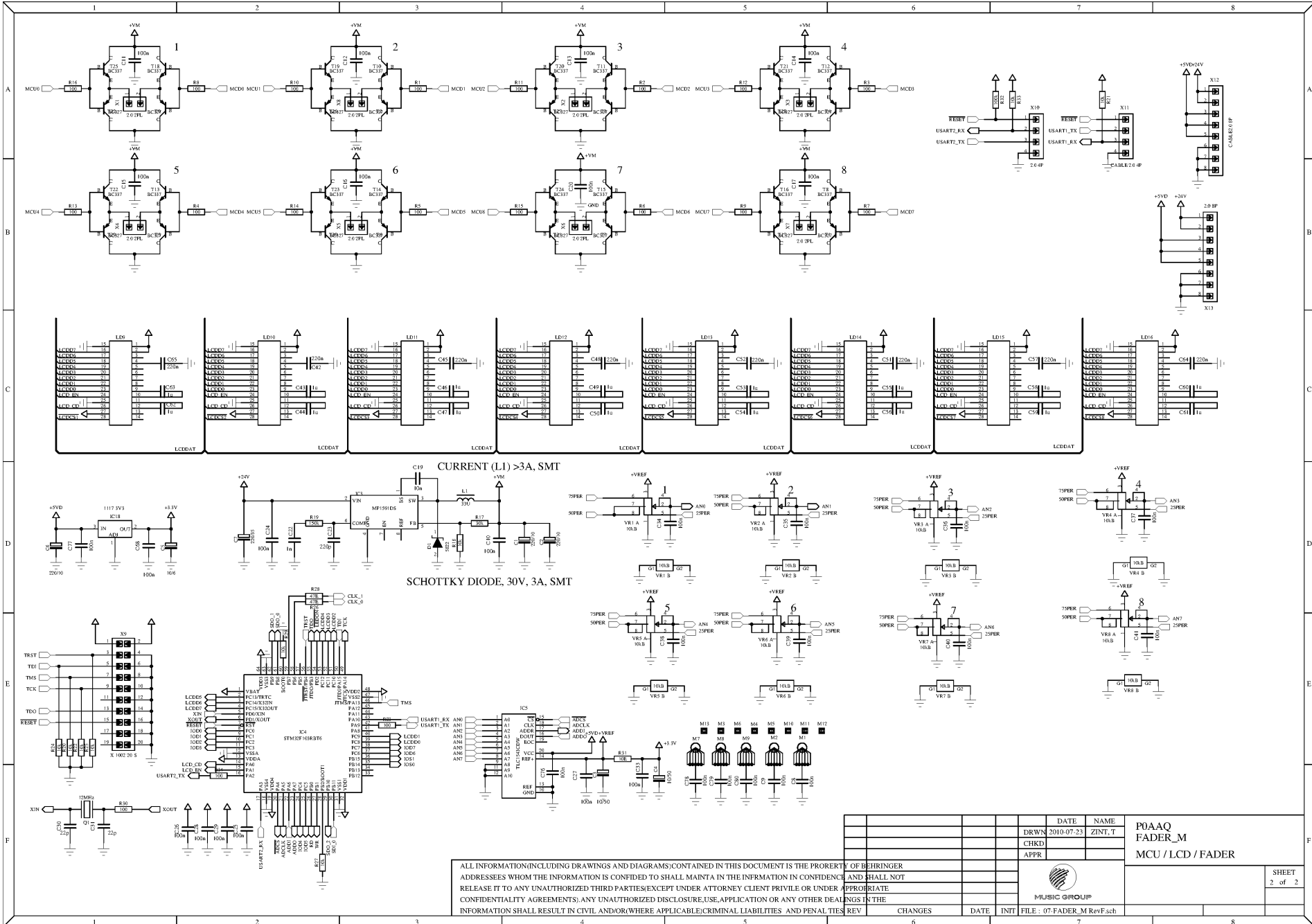
ALL INFORMATION (INCLUDING DRAWINGS AND DIAGRAMS) CONTAINED IN THIS DOCUMENT IS THE PROPERTY OF BEHRINGER & COMPANY, INC. IT IS TO BE KEPT CONFIDENTIAL AND NOT TO BE RELEASED TO ANY UNAUTHORIZED THIRD PARTIES EXCEPT UNDER ATTORNEY CLIENT PRIVILEGE OR UNDER APPLICABLE LAWS. BEHRINGER & COMPANY, INC. SHALL NOT BE LIABLE FOR ANY DAMAGES, INCLUDING CONSEQUENTIAL DAMAGES, ARISING FROM THE USE OF THIS DOCUMENT. BEHRINGER & COMPANY, INC. SHALL NOT BE LIABLE FOR ANY DAMAGES, INCLUDING CONSEQUENTIAL DAMAGES, ARISING FROM THE USE OF THIS DOCUMENT.

REV	CHANGES	DATE	INIT	FILE	DATE	NAME	DESCRIPTION
F	UPDATED	2012-08-15	VZP	DRWN	2010-07-23	ZINT, T	P0AAQ
E	Modify LoM	2012-03-13	L-Der	CHKD			FADER_M
D	Modify LoM	2012-02-11	L-Der	APPR			BUTTONS / LEDS
C	Modify LoM	2011-11-07	L-Der				
B	Modify LoM	2011-06-23	LY				
A	PROPRIATE	2010-11-08	QR				
	THE CREATED	2010-08-07	YJ				
	CHANGES						

MUSIC GROUP

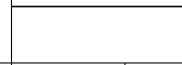
SHEET 1 of 2

FILE : 07-FADER_M RevF.sch

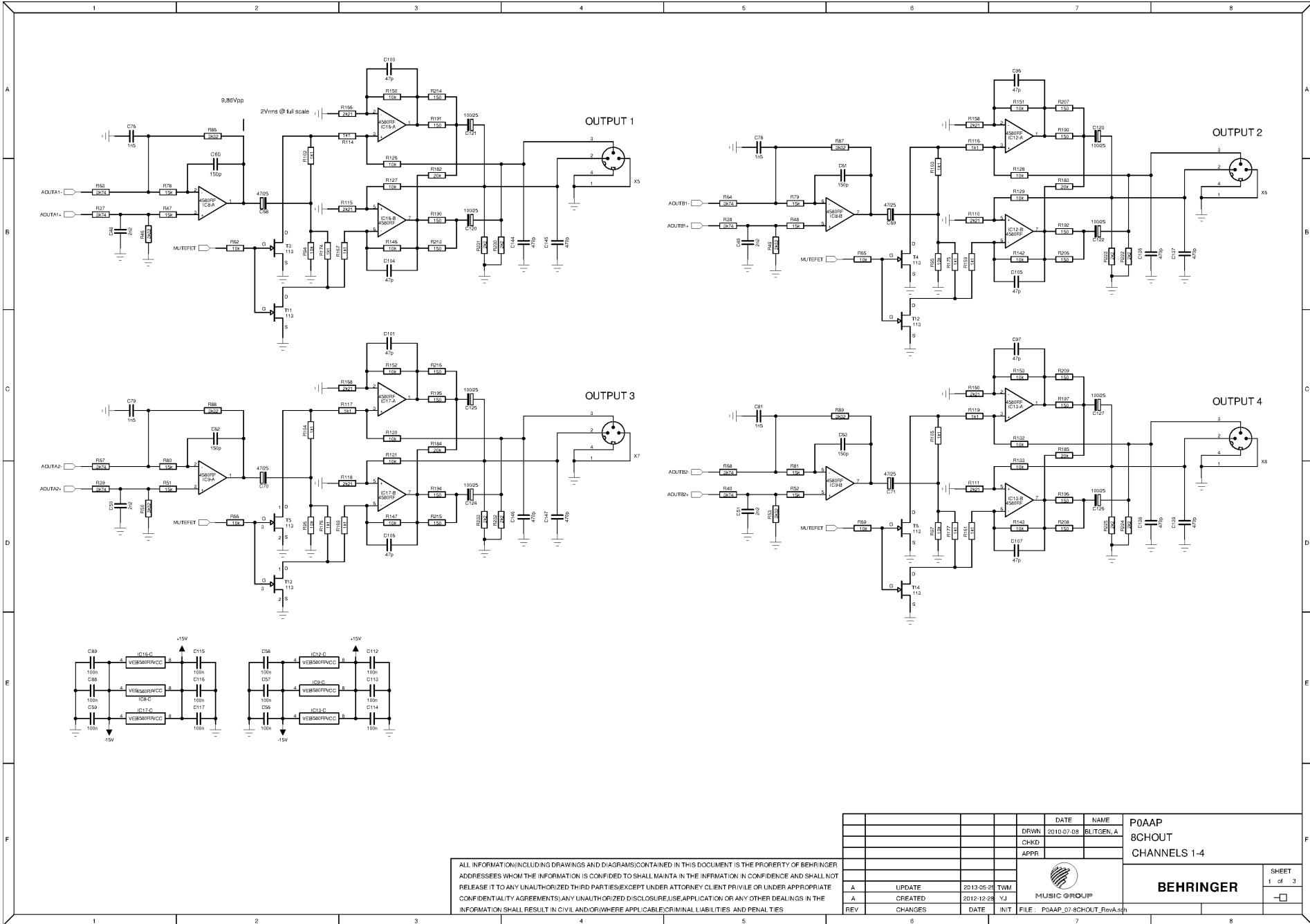


ALL INFORMATION (INCLUDING DRAWINGS AND DIAGRAMS) CONTAINED IN THIS DOCUMENT IS THE PROPERTY OF BEHRINGER AND SHALL NOT BE RELEASED TO ANY UNAUTHORIZED THIRD PARTIES EXCEPT UNDER ATTORNEY CLIENT PRIVILEGE OR UNDER APPLICABLE CONFIDENTIALITY AGREEMENTS. ANY UNAUTHORIZED DISCLOSURE, USE, APPLICATION OR ANY OTHER DEALINGS IN THE INFORMATION SHALL RESULT IN CIVIL AND/OR WHERE APPLICABLE CRIMINAL LIABILITIES AND PENALTIES.

REV	CHANGES	DATE	INTI	FILE	DATE	NAME	DRWN	CHKD	APPR
		2010-07-23		07-FADER_M		ZINT, T			
				RevF.sch					



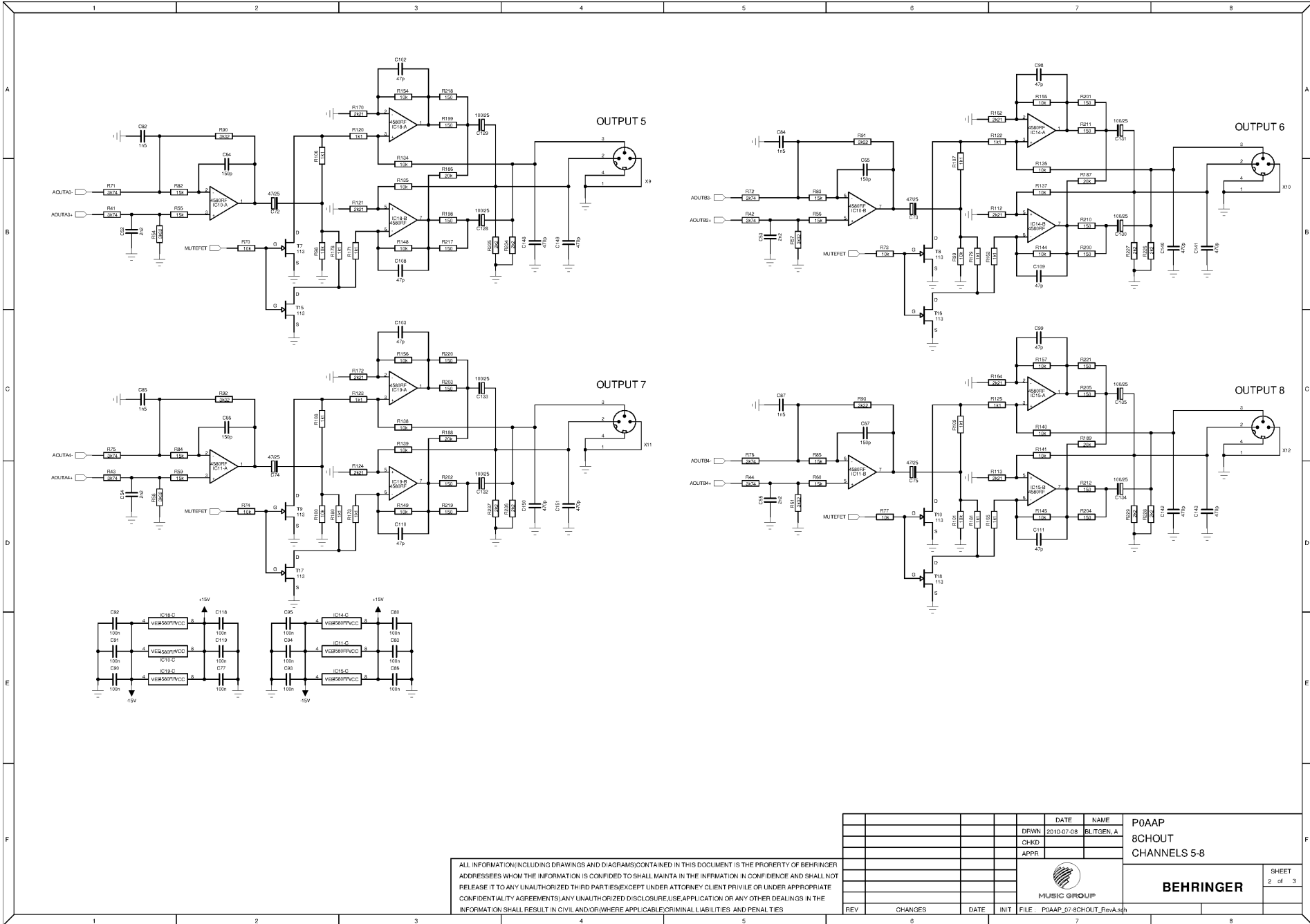
SHEET
2 of 2



ALL INFORMATION (INCLUDING DRAWINGS AND DIAGRAMS) CONTAINED IN THIS DOCUMENT IS THE PROPERTY OF BEHRINGER ADDRESSEES WHOM THE INFORMATION IS CONFIDED TO SHALL MAINTAIN THE INFORMATION IN CONFIDENCE AND SHALL NOT RELEASE IT TO ANY UNAUTHORIZED THIRD PARTY EXCEPT UNDER ATTORNEY CLIENT PRIVILEGE OR UNDER APPROPRIATE CONFIDENTIALITY AGREEMENTS. ANY UNAUTHORIZED DISCLOSURE, USE, APPLICATION OR ANY OTHER DEALINGS IN THE INFORMATION SHALL RESULT IN CIVIL AND/OR (WHERE APPLICABLE) CRIMINAL LIABILITIES AND PENALTIES.

REV	CHANGES	DATE	INIT	FILE	DATE	NAME
A	UPDATE	2013-05-29	TWM			
A	CREATED	2012-12-28	YJ			

DRWN	2010-07-08	BLITZEN, A
CHKD		
APPR		
P0AAP 8CHOUT CHANNELS 1-4		
		BEHRINGER
SHEET 1 of 3		<input type="checkbox"/>



ALL INFORMATION (INCLUDING DRAWINGS AND DIAGRAMS) CONTAINED IN THIS DOCUMENT IS THE PROPERTY OF BEHRINGER ADDRESSEES WHOM THE INFORMATION IS CONFIDED TO SHALL MAINTAIN THE INFORMATION IN CONFIDENCE AND SHALL NOT RELEASE IT TO ANY UNAUTHORIZED THIRD PARTIES EXCEPT UNDER ATTORNEY CLIENT PRIVILEGE OR UNDER APPROPRIATE CONFIDENTIALITY AGREEMENTS. ANY UNAUTHORIZED DISCLOSURE, REUSE, APPLICATION OR ANY OTHER DEALINGS IN THE INFORMATION SHALL RESULT IN CIVIL AND/OR (WHERE APPLICABLE) CRIMINAL LIABILITIES AND PENALTIES.

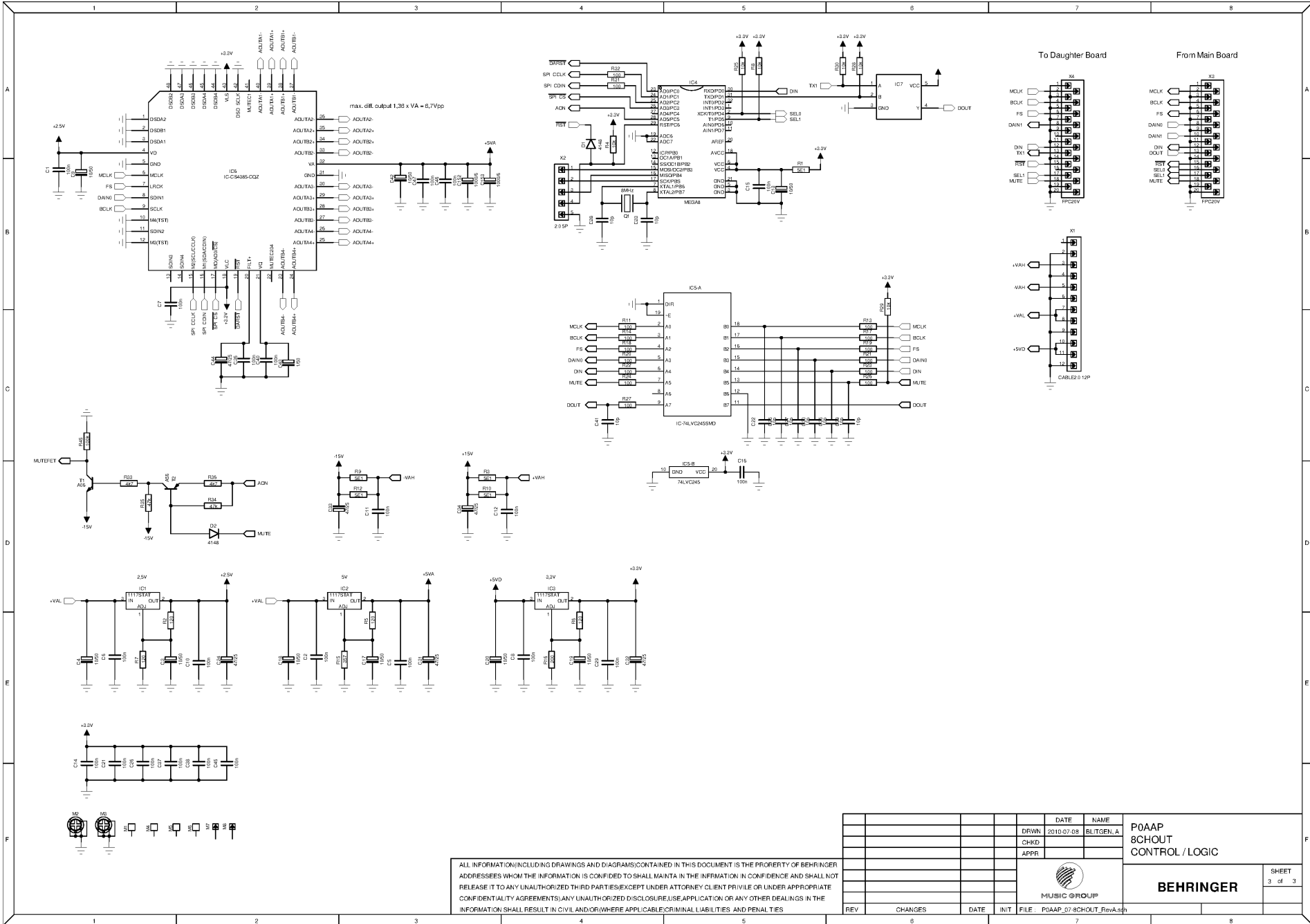
REV	CHANGES	DATE	INIT	FILE

DATE: 2010-07-08
 NAME: BLITZEN, A
 P00AAP
 8CHOUT
 CHANNELS 5-8




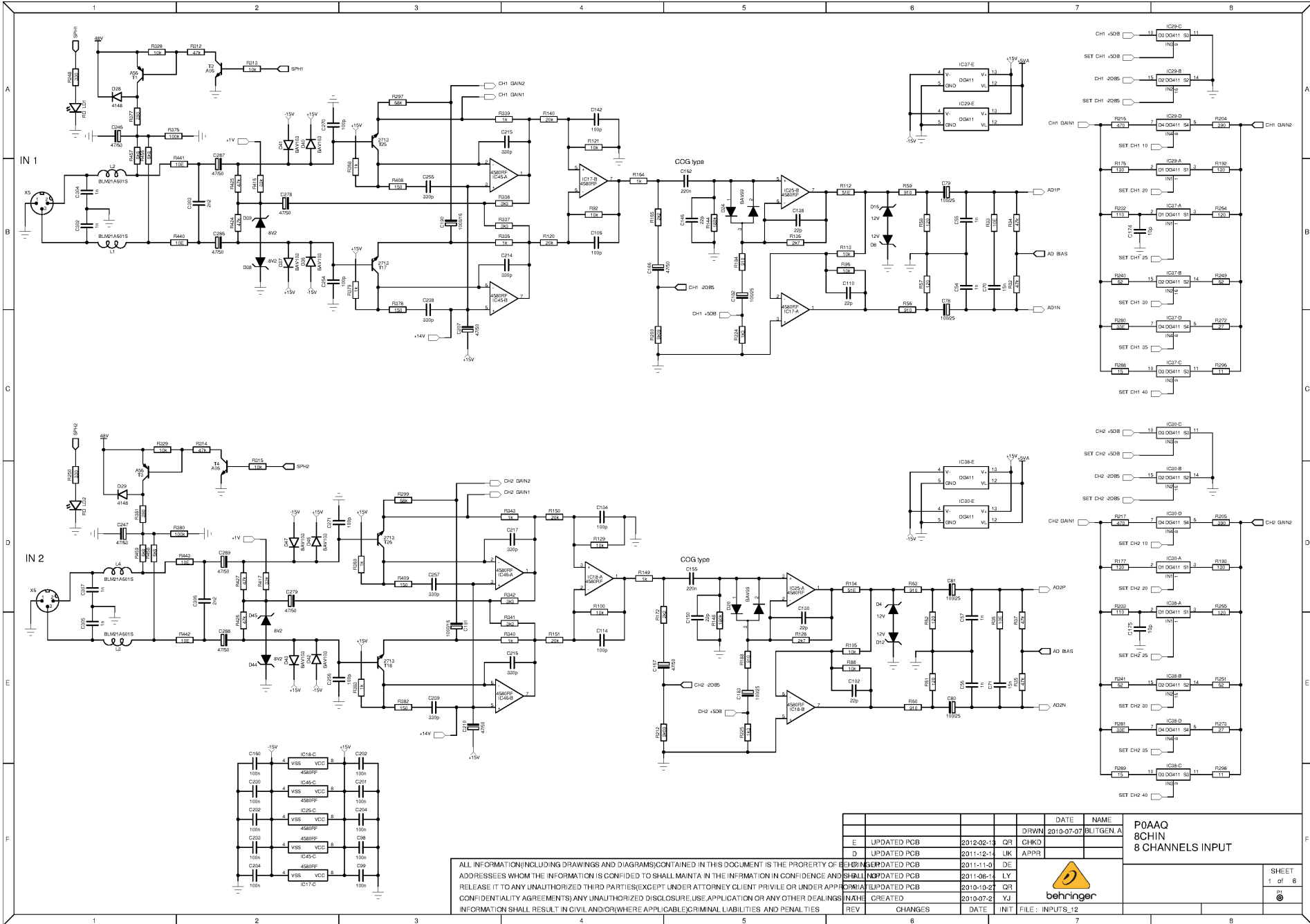
BEHRINGER

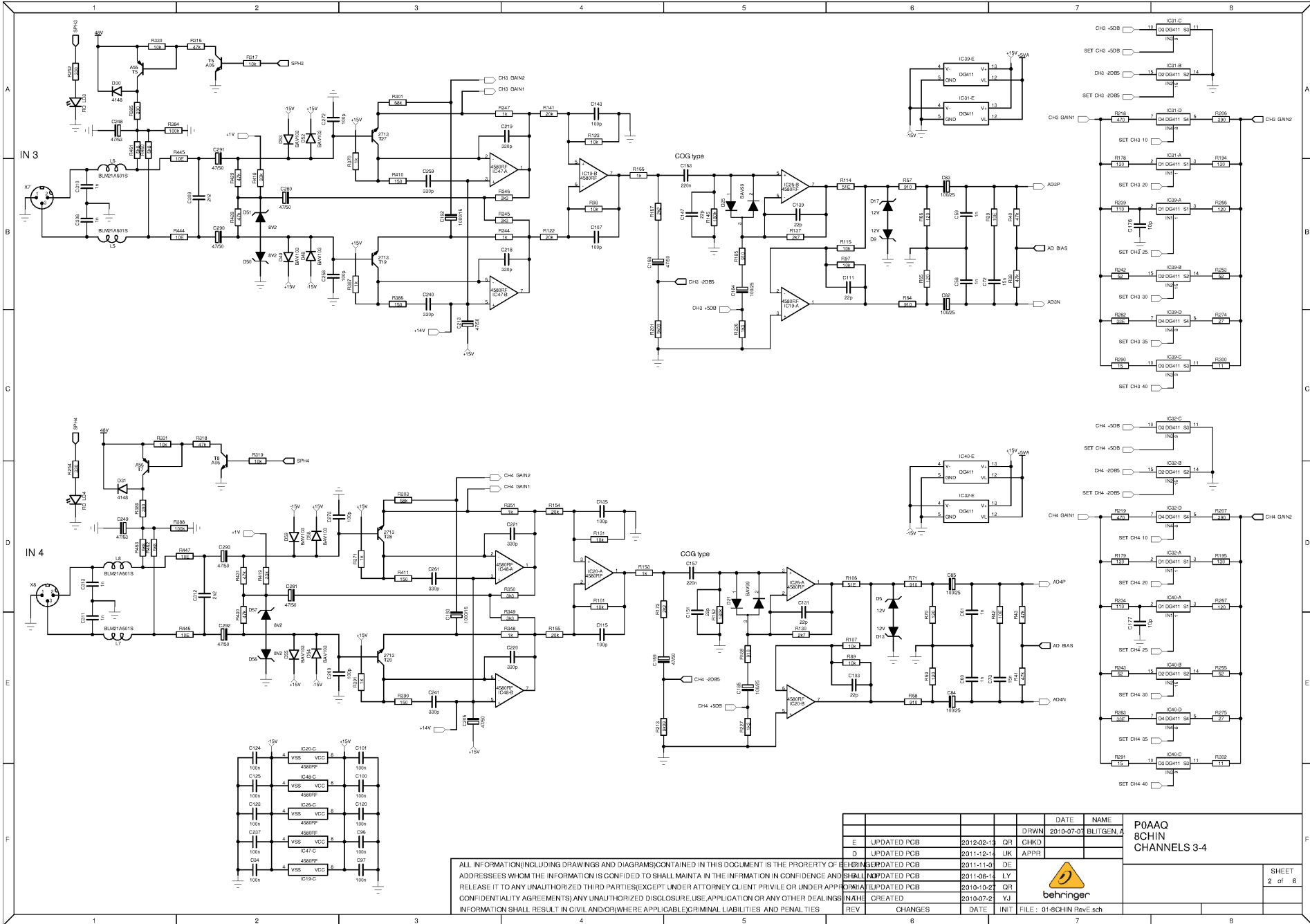
SHEET
2 of 3



ALL INFORMATION (INCLUDING DRAWINGS AND DIAGRAMS) CONTAINED IN THIS DOCUMENT IS THE PROPERTY OF BEHRINGER ADDRESSEES WHOM THE INFORMATION IS CONFIDED TO SHALL MAINTAIN THE INFORMATION IN CONFIDENCE AND SHALL NOT RELEASE IT TO ANY UNAUTHORIZED THIRD PARTIES EXCEPT UNDER ATTORNEY CLIENT PRIVILEGE OR UNDER APPROPRIATE CONFIDENTIALITY AGREEMENTS. ANY UNAUTHORIZED DISCLOSURE, REUSE, APPLICATION OR ANY OTHER DEALINGS IN THE INFORMATION SHALL RESULT IN CIVIL AND/OR (WHERE APPLICABLE) CRIMINAL LIABILITIES AND PENALTIES.

DATE	NAME	 MUSIC GROUP	BEHRINGER	SHEET 3 of 3		
DRWN	2010-07-08				BLITGEN, A	P0AAP 8CHOUT CONTROL / LOGIC
CHKD						
APPR						





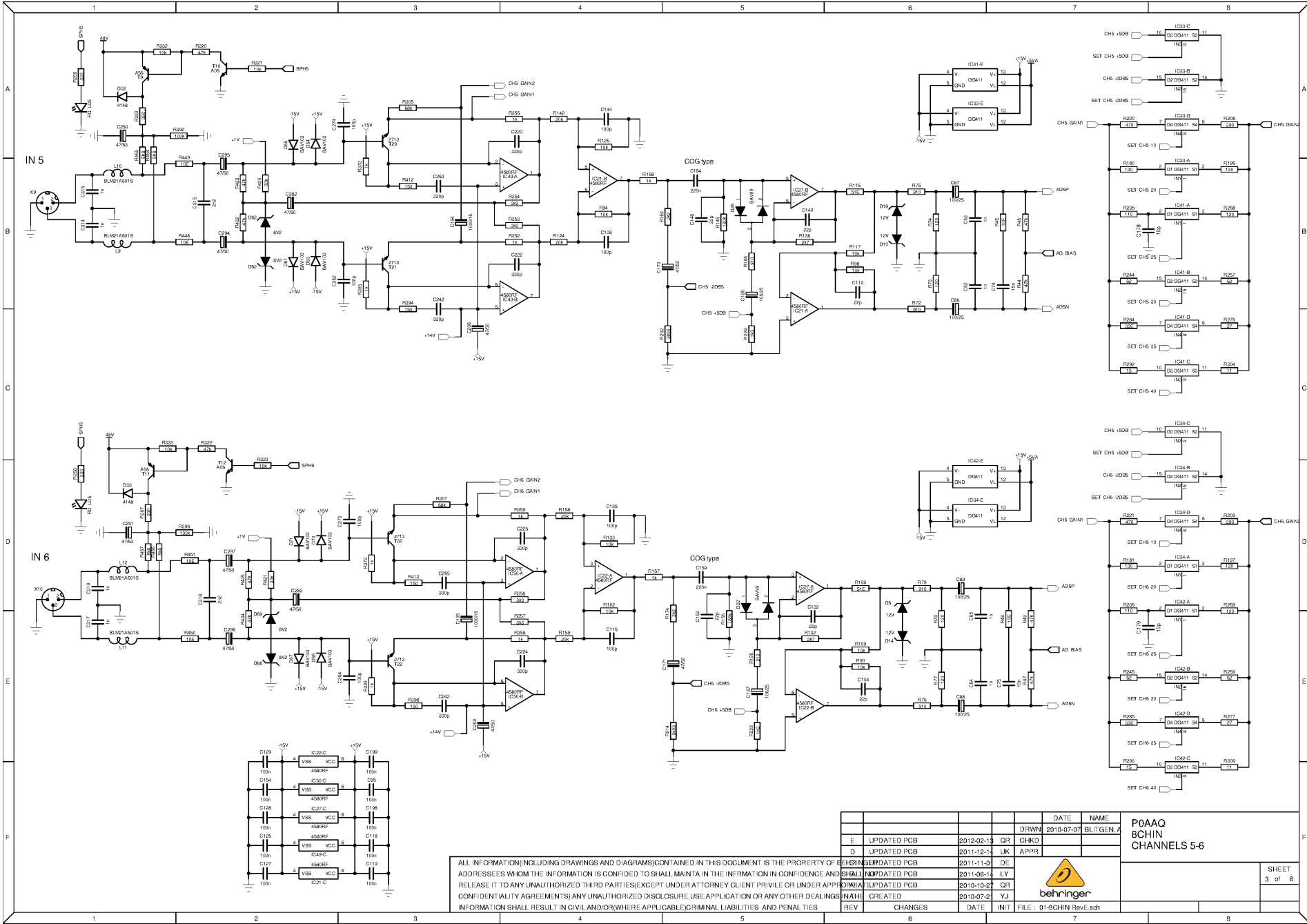
ALL INFORMATION INCLUDING DRAWINGS AND DIAGRAMS CONTAINED IN THIS DOCUMENT IS THE PROPERTY OF BEHRINGER. IT IS TO BE KEPT IN CONFIDENCE AND IS NOT TO BE RELEASED TO ANY UNAUTHORIZED THIRD PARTIES EXCEPT UNDER ATTORNEY CLIENT PRIVILEGE OR UNDER APPLICABLE CONFIDENTIALITY AGREEMENTS. ANY UNAUTHORIZED DISCLOSURE, USE, APPLICATION OR ANY OTHER DEALINGS IN THIS INFORMATION SHALL RESULT IN CIVIL AND/OR WHERE APPLICABLE CRIMINAL LIABILITIES AND PENALTIES.

REV	CHANGES	DATE	INIT	FILE: 01-8CHIN RevE.sch
E	UPDATED PCB	2012-02-13	QR	CHKD
D	UPDATED PCB	2011-12-14	UK	APPR
C	GENERATED PCB	2011-11-04	DE	
B	GENERATED PCB	2011-06-14	LY	
A	GENERATED PCB	2010-10-27	QR	
NAH	CREATED	2010-07-28	YJ	

DATE: 2010-07-07
 NAME: BLITGEN
 P0AAQ
 8CHIN
 CHANNELS 3-4



SHEET
2 of 6



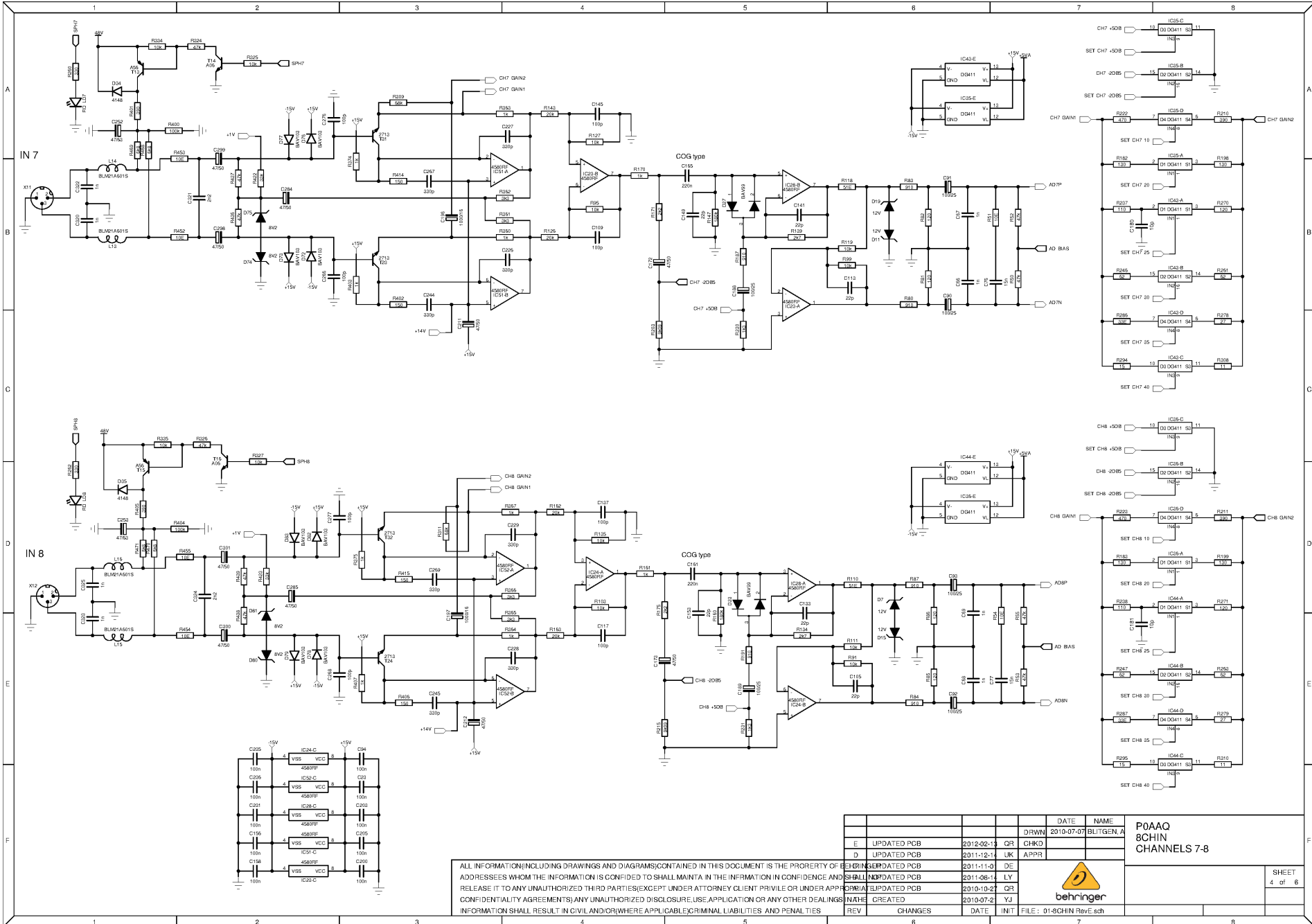
ALL INFORMATION INCLUDING DRAWINGS AND DIAGRAMS CONTAINED IN THIS DOCUMENT IS THE PROPERTY OF BEHRINGER. IT IS TO BE KEPT CONFIDENTIAL AND NOT RELEASED TO ANY UNAUTHORIZED THIRD PARTIES EXCEPT UNDER ATTORNEY CLIENT PRIVILEGE OR UNDER APPLICABLE CONFIDENTIALITY AGREEMENTS. ANY UNAUTHORIZED DISCLOSURE, USE, APPLICATION OR ANY OTHER DEALINGS IN THIS INFORMATION SHALL RESULT IN CIVIL AND/OR WHERE APPLICABLE CRIMINAL LIABILITIES AND PENALTIES.

REV	CHANGES	DATE	INIT	FILE: 01-8CHIN Rev E.sch
E	UPDATED PCB	2012-02-13	QR	CHKD
D	UPDATED PCB	2011-12-14	UK	APPR
C	GENERATED PCB	2011-11-04		
B	UPDATED PCB	2011-06-14	LY	
A	UPDATED PCB	2010-10-27	QR	
	CREATED	2010-07-26	YJ	

DATE: 2010-07-07
 NAME: BLITGEN
 POAAQ
 8CHIN
 CHANNELS 5-6



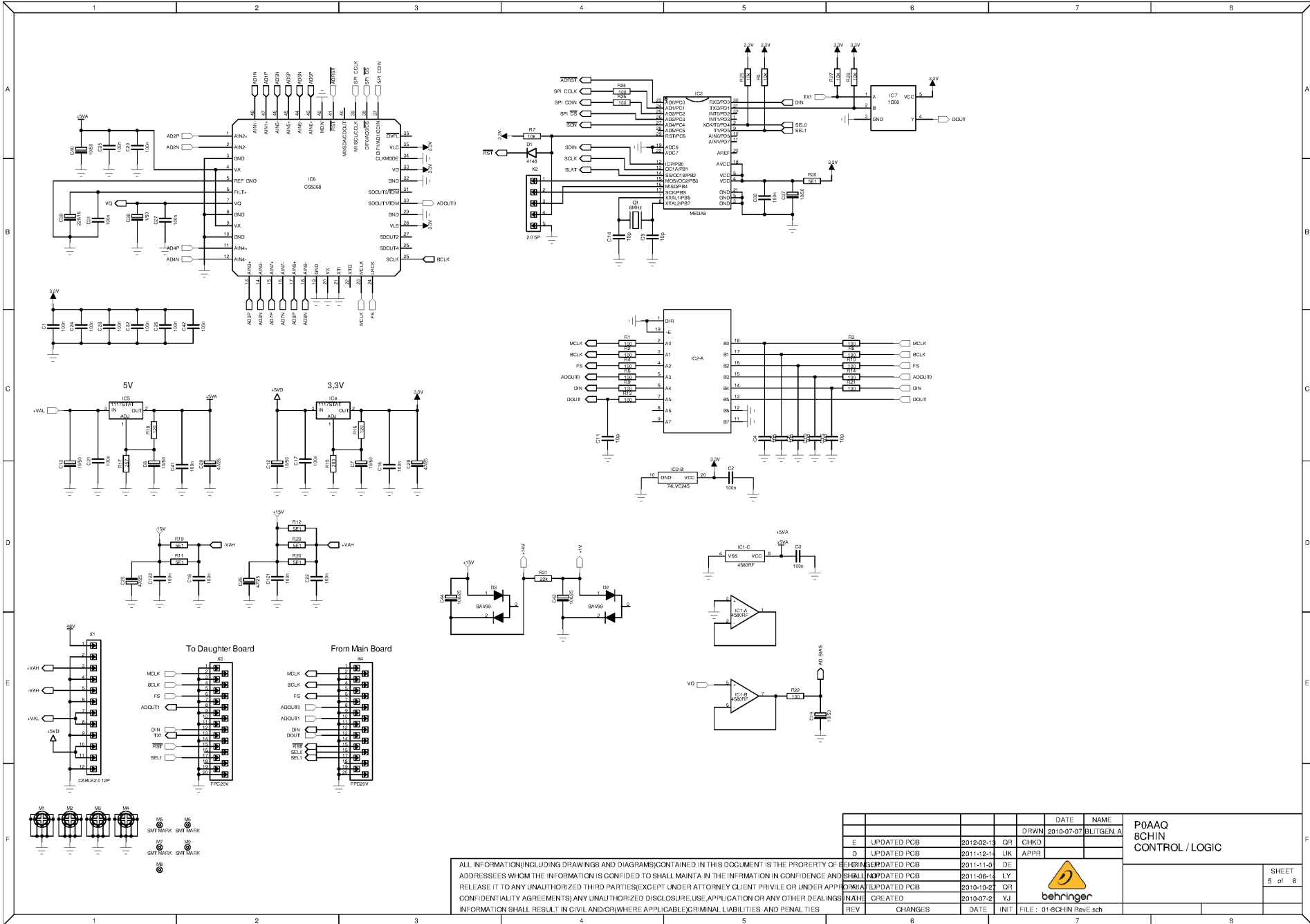
SHEET
3 of 6

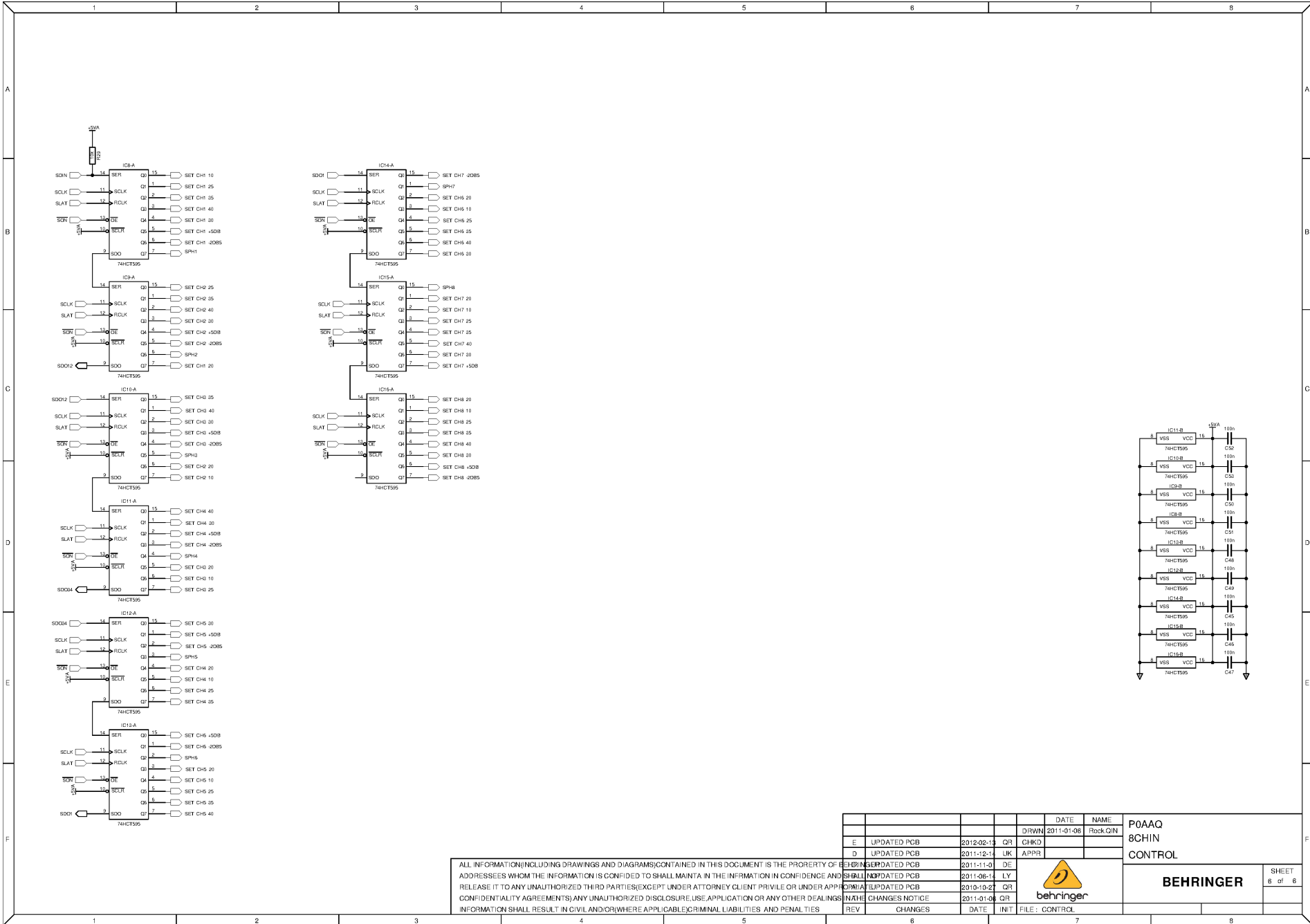


ALL INFORMATION INCLUDING DRAWINGS AND DIAGRAMS CONTAINED IN THIS DOCUMENT IS THE PROPERTY OF BEHRINGER. IT IS TO BE KEPT IN CONFIDENCE AND IS NOT TO BE RELEASED TO ANY UNAUTHORIZED THIRD PARTIES EXCEPT UNDER ATTORNEY CLIENT PRIVILEGE OR UNDER APPLICABLE CONFIDENTIALITY AGREEMENTS. ANY UNAUTHORIZED DISCLOSURE, USE, APPLICATION OR ANY OTHER DEALINGS IN THIS INFORMATION SHALL RESULT IN CIVIL AND/OR WHERE APPLICABLE CRIMINAL LIABILITIES AND PENALTIES.

REV	CHANGES	DATE	INIT	FILE: 01-8CHIN Rev E.sch
E	UPDATED PCB	2012-02-13	QR	CHKD
D	UPDATED PCB	2011-12-14	UK	APPR
C	GENERATED PCB	2011-11-10	DE	
B	GENERATED PCB	2011-06-14	LY	
A	GENERATED PCB	2010-10-27	QR	
	CREATED	2010-07-28	YJ	

DATE	2010-07-07	NAME	BLITGEN A
DRAWN		DRW	
CHECKED		CHKD	
APPROVED		APPR	
P0AAQ 8CHIN CHANNELS 7-8			
SHEET			4 of 6

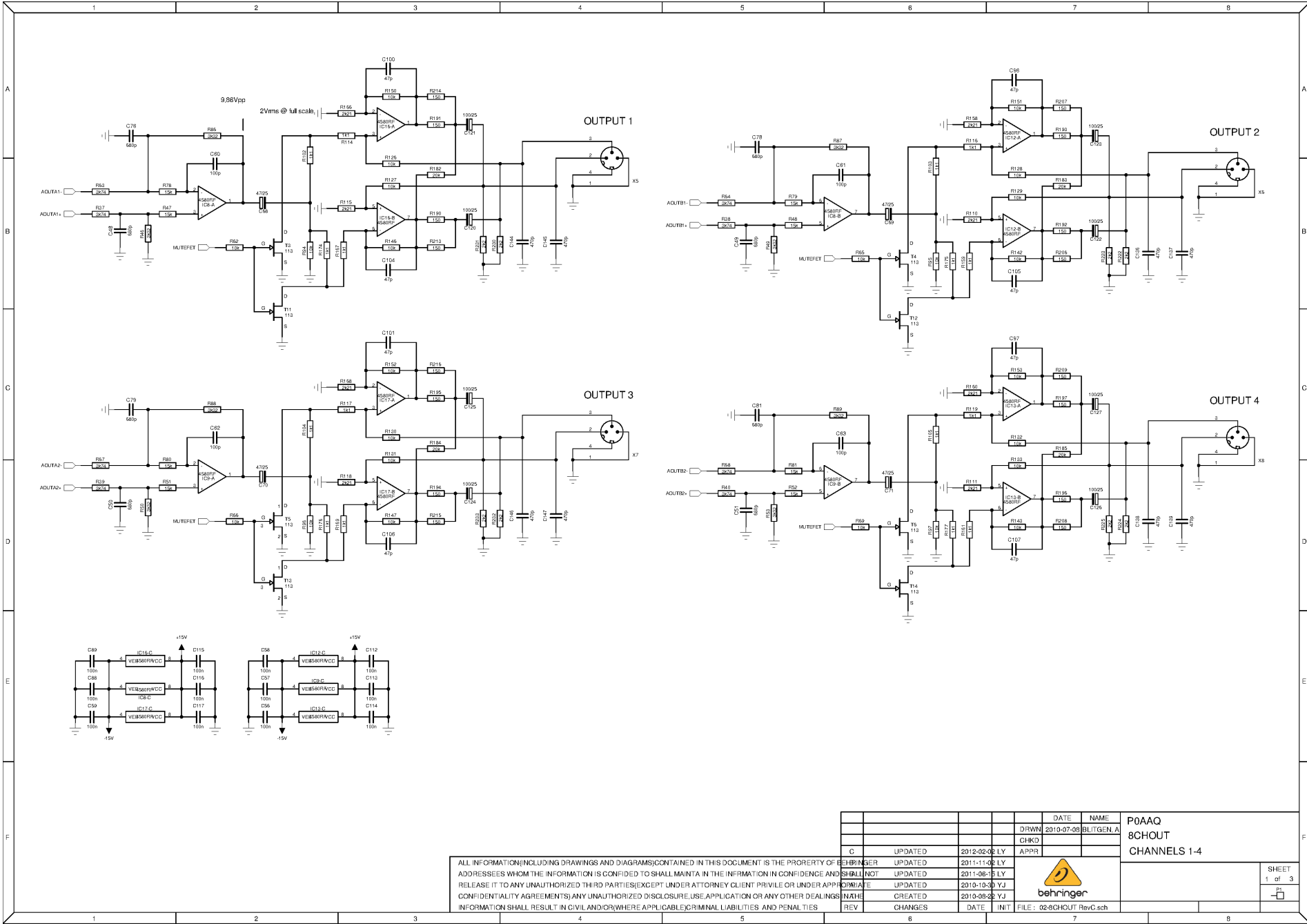




ALL INFORMATION (INCLUDING DRAWINGS AND DIAGRAMS) CONTAINED IN THIS DOCUMENT IS THE PROPERTY OF BEHRINGER. IT IS TO BE KEPT CONFIDENTIAL AND NOT TO BE DISCLOSED TO ANY ADDRESSEES WHOM THE INFORMATION IS CONFIDED TO SHALL MAINTAIN THE INFORMATION IN CONFIDENCE AND NOT TO BE DISCLOSED TO ANY UNAUTHORIZED THIRD PARTIES (EXCEPT UNDER ATTORNEY CLIENT PRIVILEGE OR UNDER APPLICABLE STATUTE OR COURT ORDER). BEHRINGER SHALL NOT BE LIABLE FOR ANY DAMAGES, INCLUDING CONSEQUENTIAL DAMAGES, ARISING FROM THE USE OF THIS INFORMATION. BEHRINGER SHALL NOT BE RESPONSIBLE FOR ANY UNAUTHORIZED DISCLOSURE, USE, APPLICATION OR ANY OTHER DEALINGS IN THIS INFORMATION. BEHRINGER SHALL NOT BE RESPONSIBLE FOR ANY UNAUTHORIZED DISCLOSURE, USE, APPLICATION OR ANY OTHER DEALINGS IN THIS INFORMATION. BEHRINGER SHALL NOT BE RESPONSIBLE FOR ANY UNAUTHORIZED DISCLOSURE, USE, APPLICATION OR ANY OTHER DEALINGS IN THIS INFORMATION.

REV	CHANGES	DATE	INIT	FILE	CONTROL
E	UPDATED PCB	2012-02-13	QR	CHKD	
D	UPDATED PCB	2011-12-14	UK	APPR	
C	GENERATED PCB	2011-11-10	DE		
B	GENERATED PCB	2011-06-14	LY		
A	GENERATED PCB	2010-10-21	QR		
	CHANGES NOTICE	2011-01-06	QR		

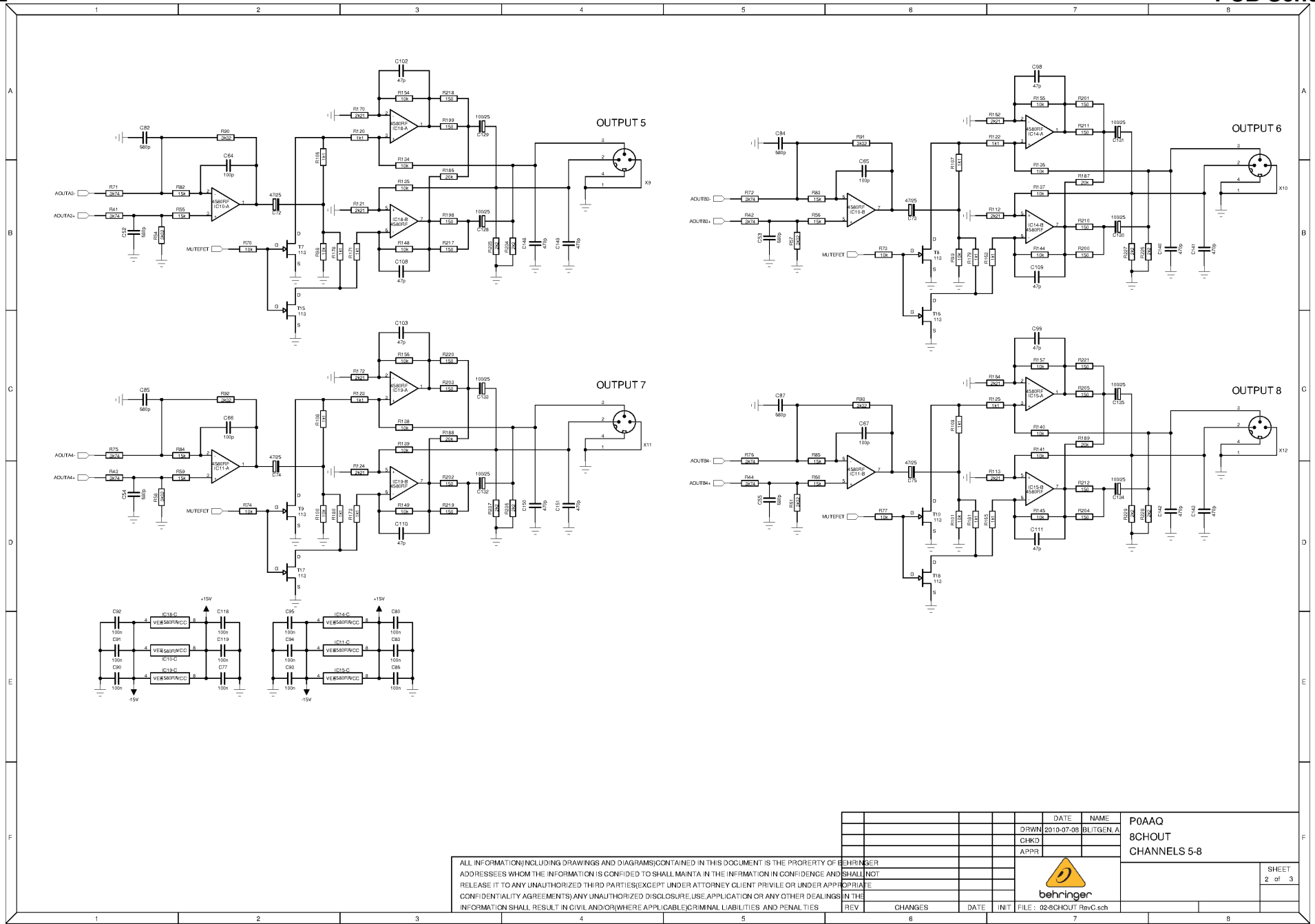
DATE	2011-01-06	NAME	Reck QIN
P0AAQ 8CHIN CONTROL			
BEHRINGER			SHEET 6 of 6



ALL INFORMATION INCLUDING DRAWINGS AND DIAGRAMS CONTAINED IN THIS DOCUMENT IS THE PROPERTY OF BEHRINGER. BEHRINGER SHALL NOT BE RESPONSIBLE FOR ANY DAMAGES, INCLUDING CONSEQUENTIAL DAMAGES, ARISING FROM THE USE OF THIS INFORMATION. BEHRINGER SHALL NOT BE RESPONSIBLE FOR ANY DAMAGES, INCLUDING CONSEQUENTIAL DAMAGES, ARISING FROM THE USE OF THIS INFORMATION. BEHRINGER SHALL NOT BE RESPONSIBLE FOR ANY DAMAGES, INCLUDING CONSEQUENTIAL DAMAGES, ARISING FROM THE USE OF THIS INFORMATION.

REV	CHANGES	DATE	INIT	FILE
1	INIT	2010-07-08	BLT	8CHOUT RevC.sch
2	CHKD	2010-07-08	BLT	
3	APPR	2010-07-08	BLT	
4	APPR	2010-07-08	BLT	
5	APPR	2010-07-08	BLT	
6	APPR	2010-07-08	BLT	
7	APPR	2010-07-08	BLT	
8	APPR	2010-07-08	BLT	

DATE: 2010-07-08
 NAME: BLT/GEN A
 P0AAQ
 8CHOUT
 CHANNELS 1-4
 SHEET 1 of 3
 behringer

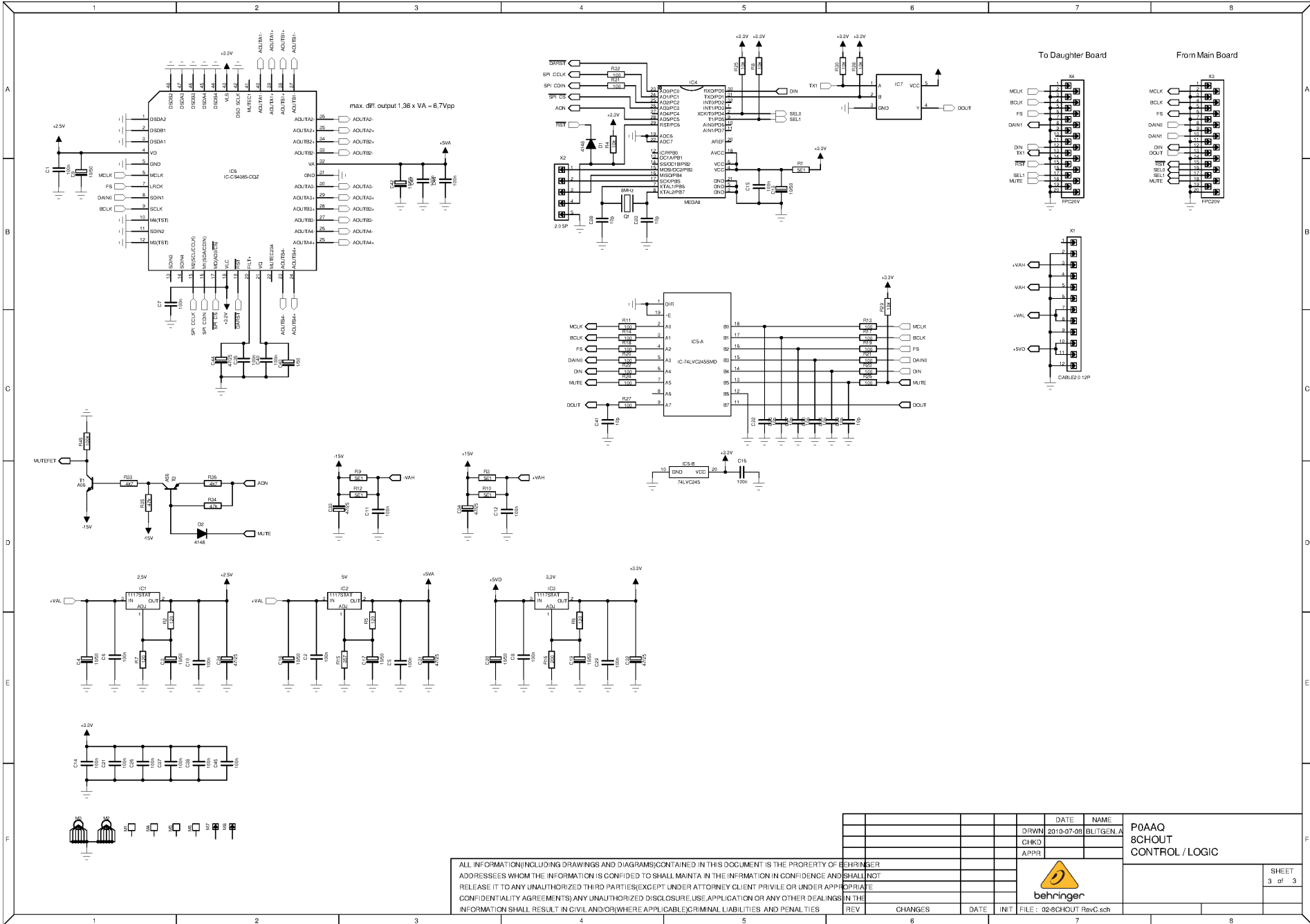


ALL INFORMATION INCLUDING DRAWINGS AND DIAGRAMS CONTAINED IN THIS DOCUMENT IS THE PROPERTY OF BEHRINGER. ADDRESSES WHOM THE INFORMATION IS CONFIDED TO SHALL MAINTAIN THE INFORMATION IN CONFIDENCE AND SHALL NOT RELEASE IT TO ANY UNAUTHORIZED THIRD PARTIES EXCEPT UNDER ATTORNEY CLIENT PRIVILEGE OR UNDER APPLICABLE CONFIDENTIALITY AGREEMENTS. ANY UNAUTHORIZED DISCLOSURE, USE, APPLICATION OR ANY OTHER DEALINGS IN THE INFORMATION SHALL RESULT IN CIVIL AND/OR WHERE APPLICABLE CRIMINAL LIABILITIES AND PENALTIES.

DATE	NAME	P0AAQ 8CHOUT CHANNELS 5-8		
DRWN 2010-07-08	BLT/GEN A			
CHKD				
APPR				
REV	CHANGES	DATE	INIT	FILE: 02-8CHOUT_RbvC.sch

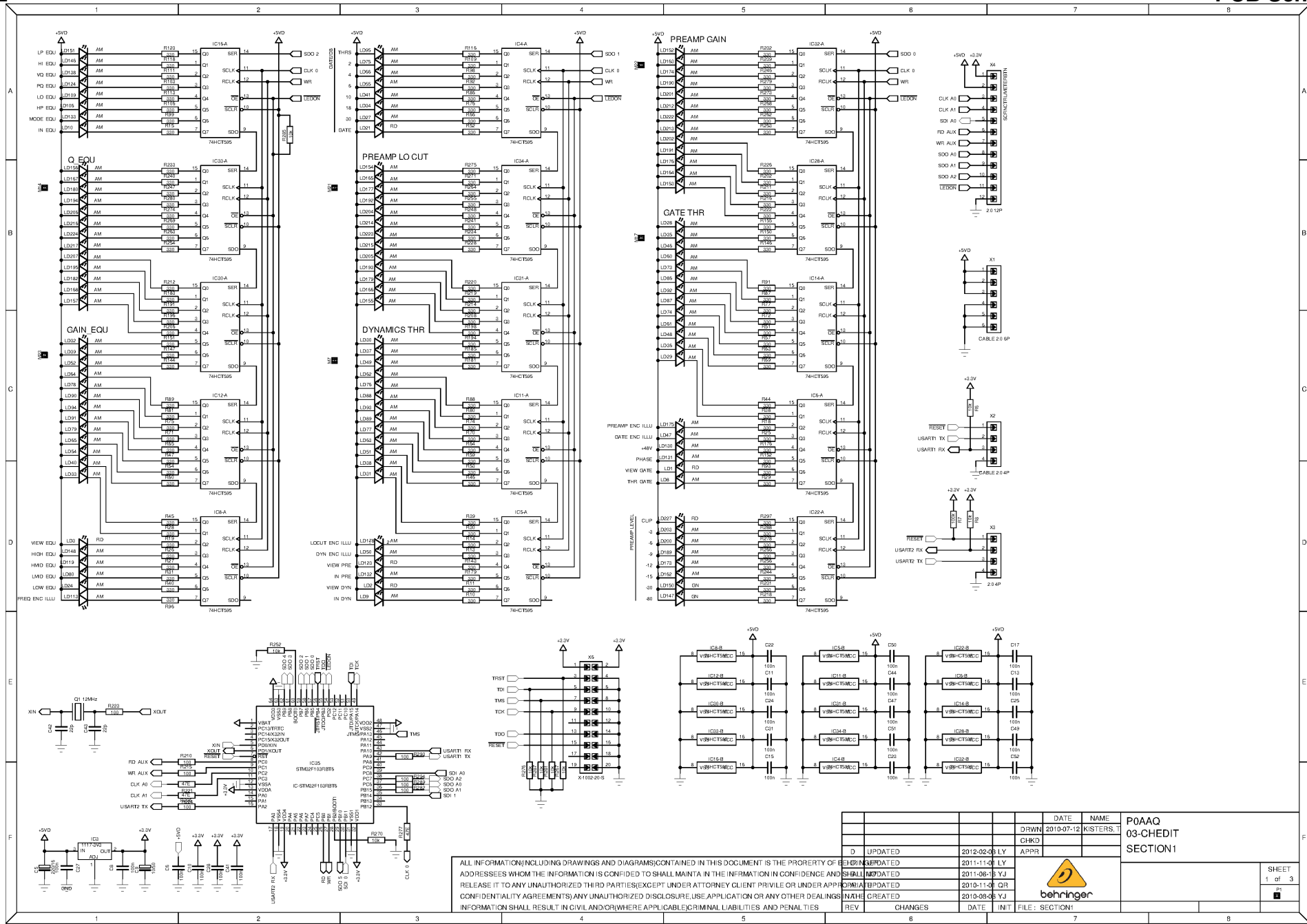


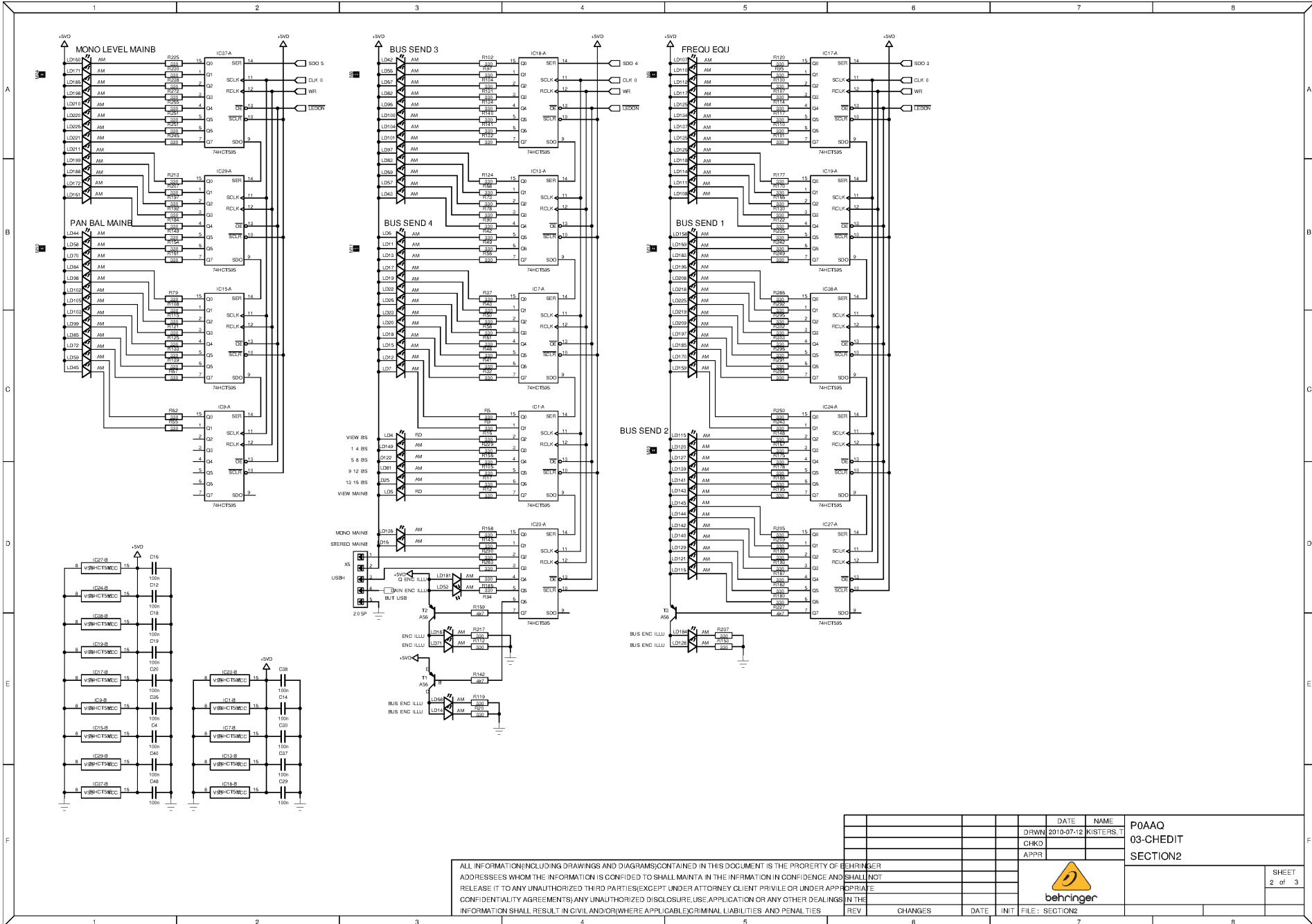
SHEET
2 of 3



ALL INFORMATION INCLUDING DRAWINGS AND DIAGRAMS CONTAINED IN THIS DOCUMENT IS THE PROPERTY OF BEHRINGER. ADDRESSES WHOM THE INFORMATION IS CONFIDED TO SHALL MAINTAIN THE INFORMATION IN CONFIDENCE AND SHALL NOT RELEASE IT TO ANY UNAUTHORIZED THIRD PARTIES EXCEPT UNDER ATTORNEY CLIENT PRIVILEGE OR UNDER APPLICABLE CONFIDENTIALITY AGREEMENTS. ANY UNAUTHORIZED DISCLOSURE, USE, APPLICATION OR ANY OTHER DEALINGS IN THE INFORMATION SHALL RESULT IN CIVIL AND/OR WHERE APPLICABLE CRIMINAL LIABILITIES AND PENALTIES.

DATE	NAME	P0AAQ 8CHOUT CONTROL / LOGIC	SHEET 3 of 3
DRWN	BUTGEN A		
CHKD			
APPR			
REV	CHANGES	DATE	INIT
6			
7			

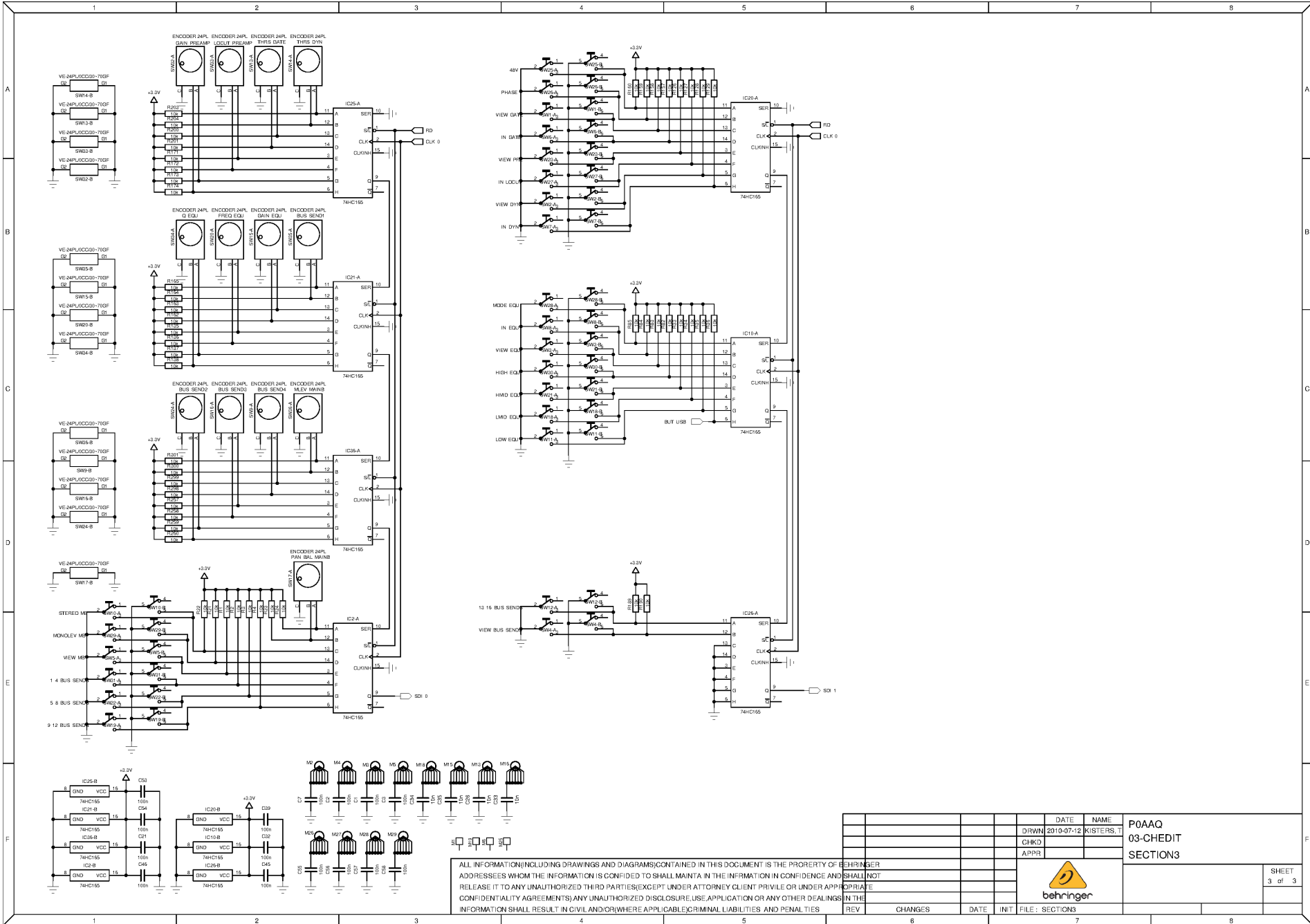


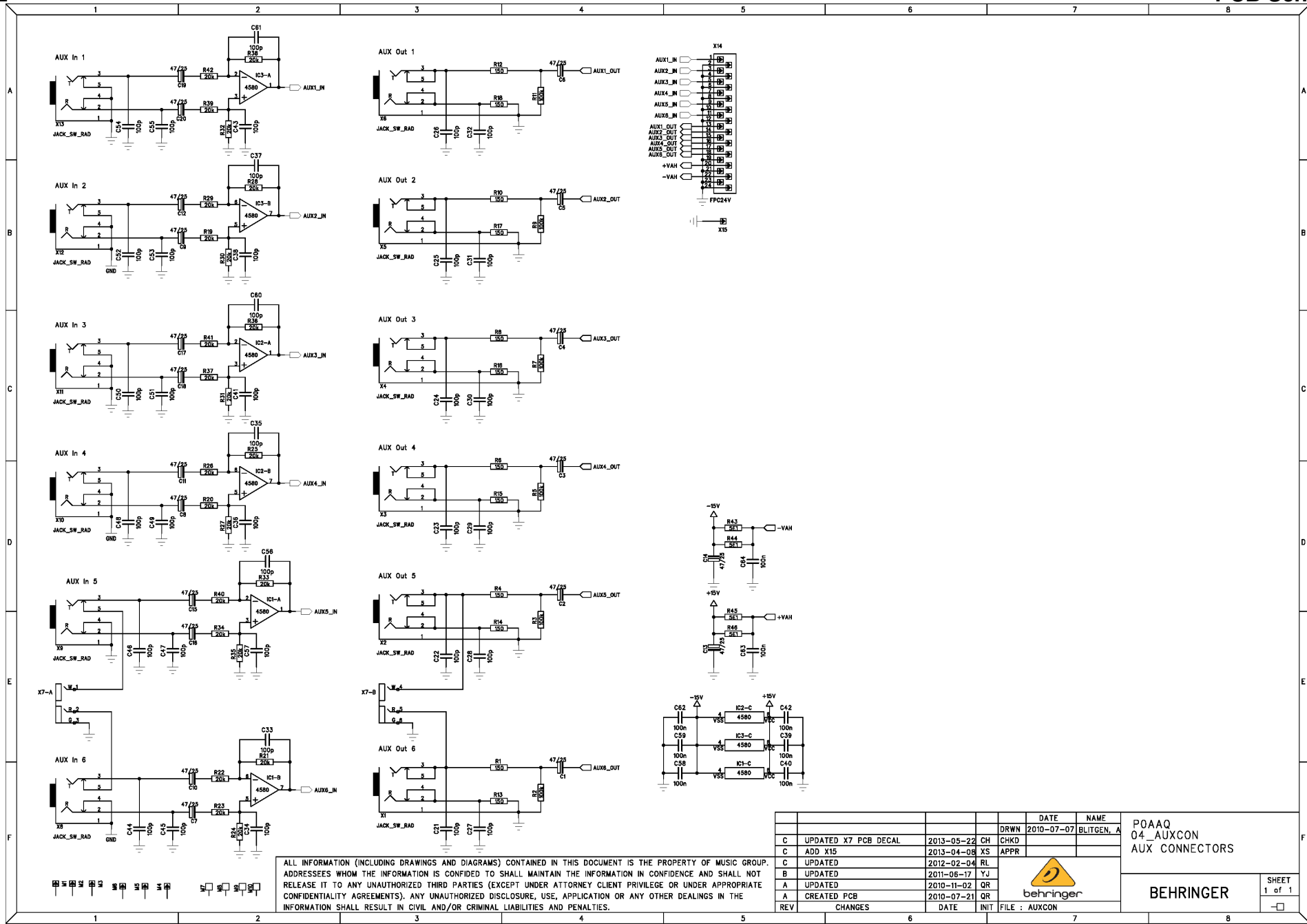


ALL INFORMATION INCLUDING DRAWINGS AND DIAGRAMS CONTAINED IN THIS DOCUMENT IS THE PROPERTY OF BEHRINGER ADDRESSES TO WHOM THE INFORMATION IS CONFIDED TO SHALL MAINTAIN THE INFORMATION IN CONFIDENCE AND SHALL NOT RELEASE IT TO ANY UNAUTHORIZED THIRD PARTIES EXCEPT UNDER ATTORNEY CLIENT PRIVILEGE OR UNDER APPLICABLE CONFIDENTIALITY AGREEMENTS. ANY UNAUTHORIZED DISCLOSURE, USE, APPLICATION OR ANY OTHER DEALINGS IN THE INFORMATION SHALL RESULT IN CIVIL AND/OR WHERE APPLICABLE CRIMINAL LIABILITIES AND PENALTIES.

DATE	NAME	P0AAQ 03-CHEDIT SECTION2	SHEET 2 of 3
DRWN	KISTERS, T		
CHKD			
APPR			
REV	CHANGES	DATE	INIT
			FILE: SECTION2







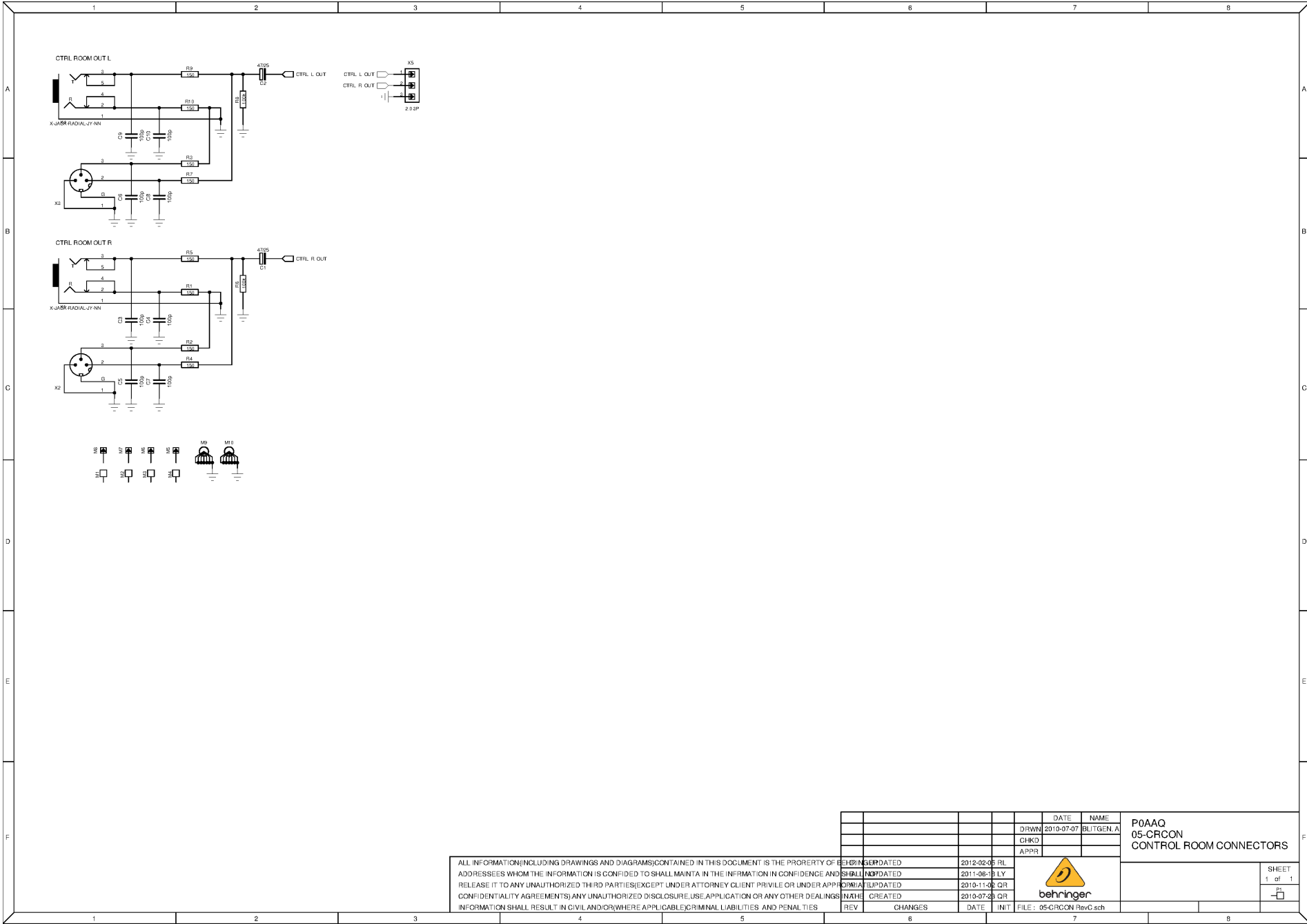
ALL INFORMATION (INCLUDING DRAWINGS AND DIAGRAMS) CONTAINED IN THIS DOCUMENT IS THE PROPERTY OF MUSIC GROUP. ADDRESSEES WHOM THE INFORMATION IS CONFIDED TO SHALL MAINTAIN THE INFORMATION IN CONFIDENCE AND SHALL NOT RELEASE IT TO ANY UNAUTHORIZED THIRD PARTIES (EXCEPT UNDER ATTORNEY CLIENT PRIVILEGE OR UNDER APPROPRIATE CONFIDENTIALITY AGREEMENTS). ANY UNAUTHORIZED DISCLOSURE, USE, APPLICATION OR ANY OTHER DEALINGS IN THE INFORMATION SHALL RESULT IN CIVIL AND/OR CRIMINAL LIABILITIES AND PENALTIES.

REV	CHANGES	DATE	INIT	FILE : AUXCON
C	UPDATED X7 PCB DECAL	2013-05-22	CH	
C	ADD X15	2013-04-08	XS	
C	UPDATED	2012-02-04	RL	
B	UPDATED	2011-06-17	YJ	
A	UPDATED	2010-11-02	QR	
A	CREATED PCB	2010-07-21	QR	

DATE	NAME	POAAQ
2010-07-07	BLITGEN, A	04_AUXCON
		AUX CONNECTORS


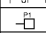
BEHRINGER

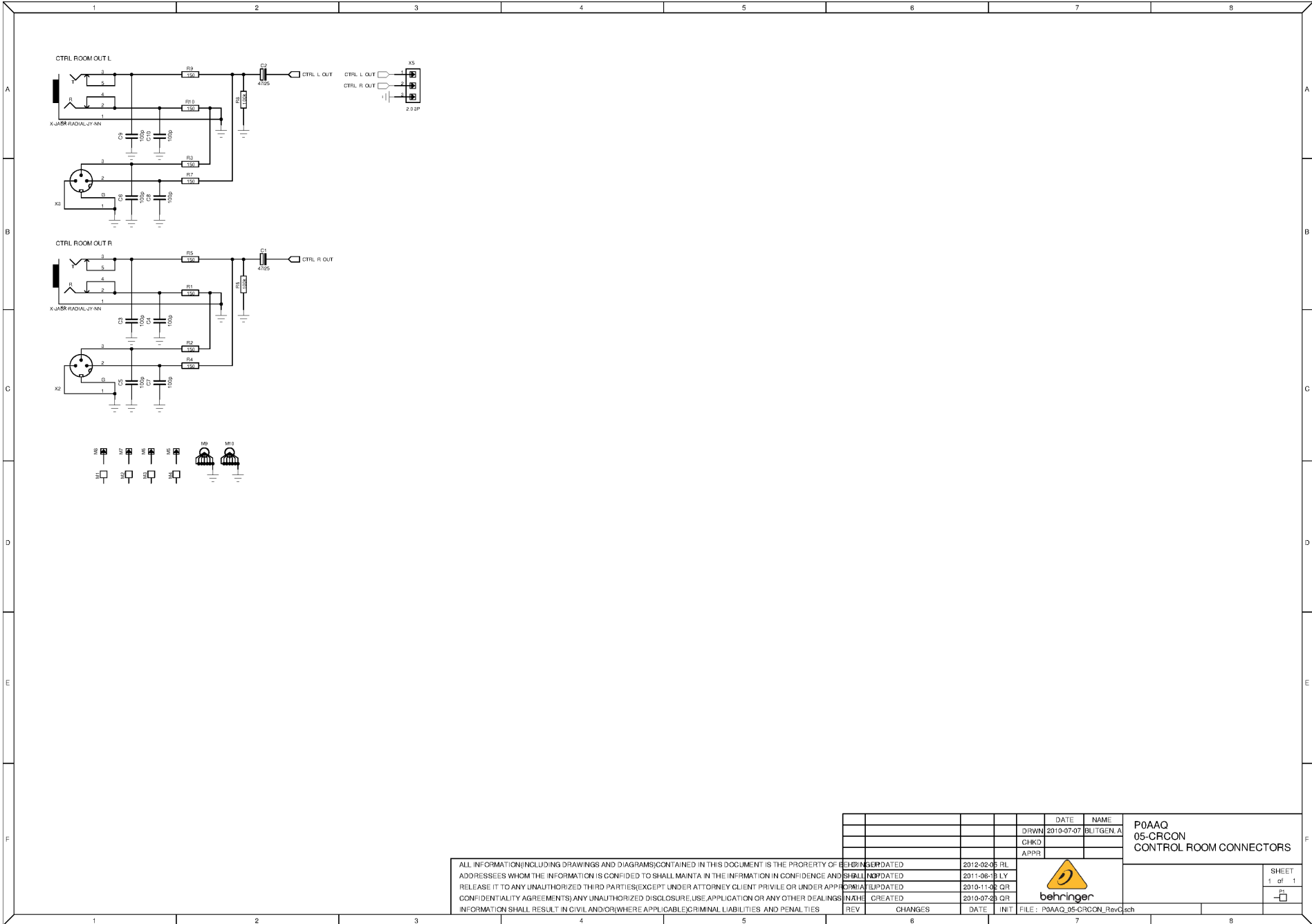
SHEET
1 of 1



		DATE	NAME	P0AAQ 05-CRCON CONTROL ROOM CONNECTORS
	DRWN	2010-07-07	BLITGEN, A	
	CHKD			
	APPR			

REV	CHANGES	DATE	INIT	FILE: 05-CRCON_RevC.sch

ALL INFORMATION (INCLUDING DRAWINGS AND DIAGRAMS) CONTAINED IN THIS DOCUMENT IS THE PROPERTY OF BEHRINGER. IT IS TO BE KEPT IN CONFIDENCE AND IS NOT TO BE RELEASED TO ANY UNAUTHORIZED THIRD PARTIES (EXCEPT UNDER ATTORNEY CLIENT PRIVILEGE OR UNDER APPLICABLE CONFIDENTIALITY AGREEMENTS). ANY UNAUTHORIZED DISCLOSURE, USE, APPLICATION OR ANY OTHER DEALINGS IN THIS INFORMATION SHALL RESULT IN CIVIL AND/OR (WHERE APPLICABLE) CRIMINAL LIABILITIES AND PENALTIES.	BEHRINGER 	SHEET 1 of 1 
--	--	--



ALL INFORMATION (INCLUDING DRAWINGS AND DIAGRAMS) CONTAINED IN THIS DOCUMENT IS THE PROPERTY OF BEHRINGER. NO PART OF THIS DOCUMENT IS TO BE REPRODUCED OR TRANSMITTED IN ANY FORM OR BY ANY MEANS, ELECTRONIC OR MECHANICAL, INCLUDING PHOTOCOPYING, RECORDING, OR BY ANY INFORMATION STORAGE AND RETRIEVAL SYSTEM. ANY UNAUTHORIZED DISCLOSURE, USE, APPLICATION OR ANY OTHER DEALINGS IN THIS INFORMATION SHALL RESULT IN CIVIL AND/OR WHERE APPLICABLE CRIMINAL LIABILITIES AND PENALTIES.

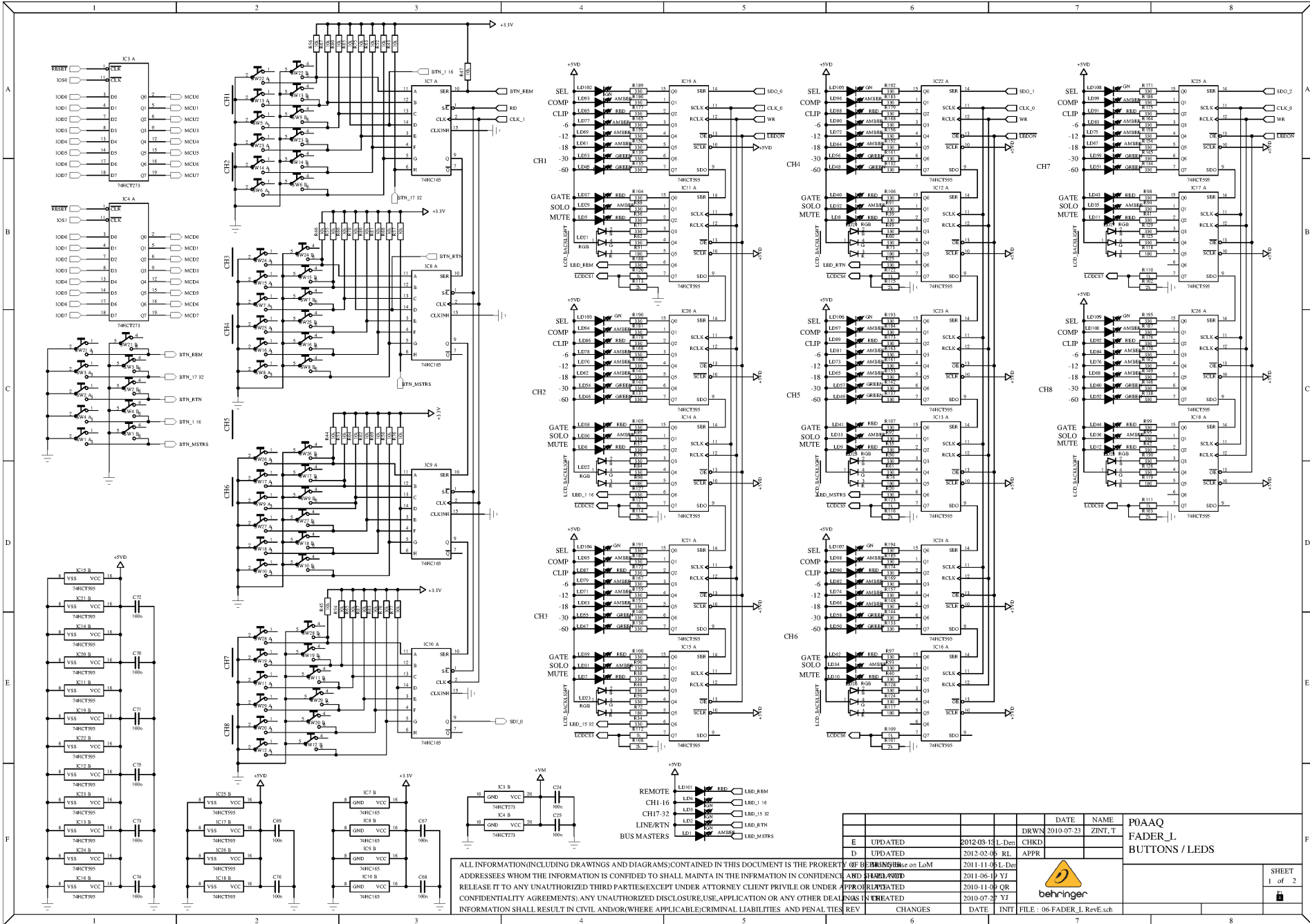
REV	CHANGES	DATE	INIT	FILE: P0AAQ_05-CRCON_RevC.sch
1	CREATED	2010-07-07	QR	
2	UPDATED	2010-11-02	QR	
3	UPDATED	2012-02-05	RL	
4	UPDATED	2011-08-11	RL	
5	UPDATED	2010-07-07	BL	

DATE: 2010-07-07
 NAME: BLITGEN A
 DRWN: 2010-07-07
 CHKD:
 APPR:

P0AAQ
 05-CRCON
 CONTROL ROOM CONNECTORS

behringer

SHEET
 1 of 1
 1/1

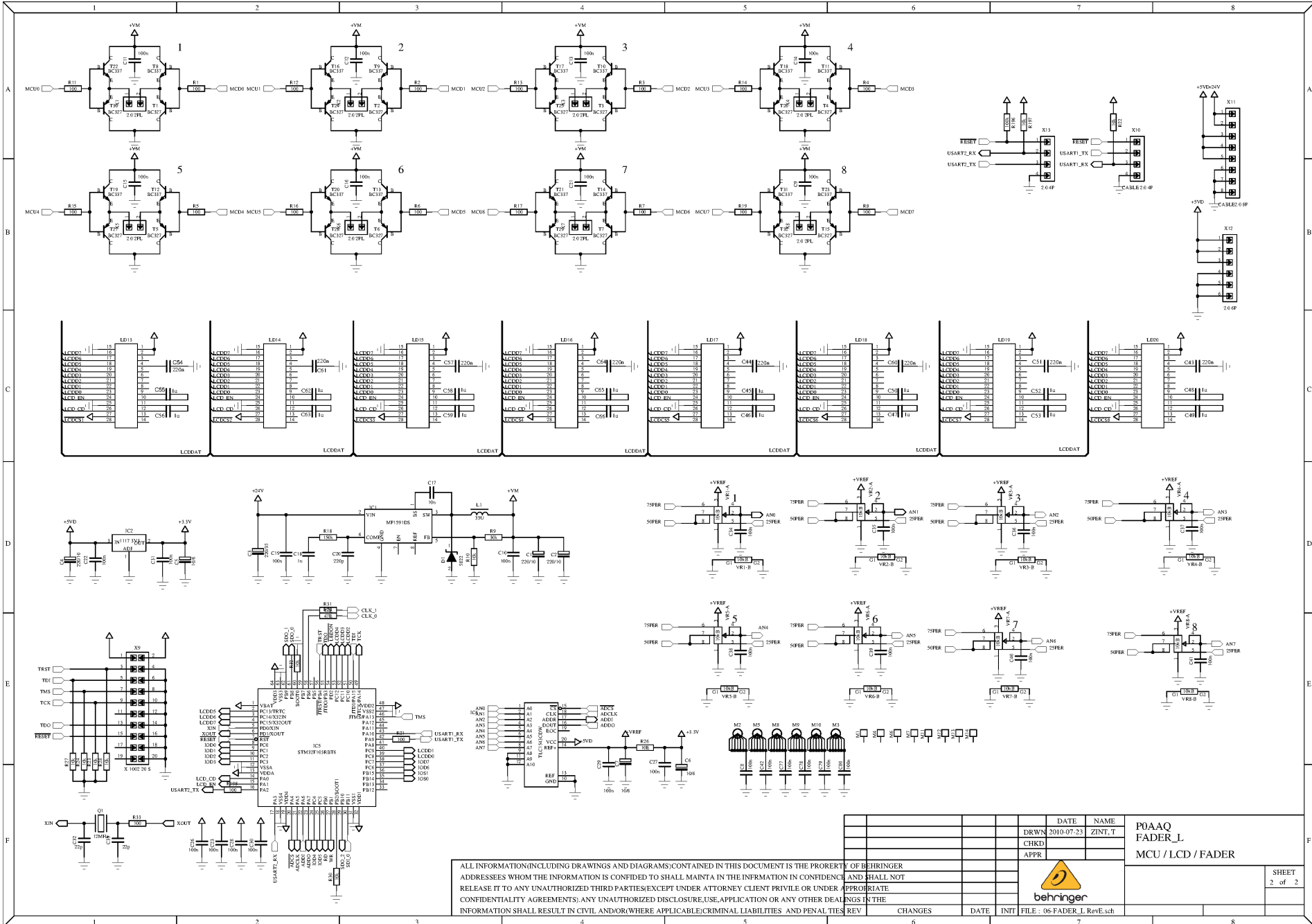


ALL INFORMATION (INCLUDING DRAWINGS AND DIAGRAMS) CONTAINED IN THIS DOCUMENT IS THE PROPERTY OF BEHRINGER. IT IS TO BE KEPT CONFIDENTIAL AND NOT TO BE RELEASED TO ANY UNAUTHORIZED THIRD PARTIES EXCEPT UNDER ATTORNEY CLIENT PRIVILEGE OR UNDER PROTECTED CONFIDENTIALITY AGREEMENTS. ANY UNAUTHORIZED DISCLOSURE, USE, APPLICATION OR ANY OTHER DEALING WITH THIS INFORMATION SHALL RESULT IN CIVIL AND/OR WHERE APPLICABLE CRIMINAL LIABILITIES AND PENALTIES.

REV	CHANGES	DATE	INIT	FILE	DATE	NAME	STATUS	DESCRIPTION
E	UPDATED	2012-05-15	L.Dm		2010-07-23	DRWN	CHKD	
D	UPDATED	2012-02-08	RL			APPR		
C	CHANGED	2011-06-10	YL					
B	PROTOTYPED	2010-11-09	OR					
A	CREATED	2010-07-23	YL					

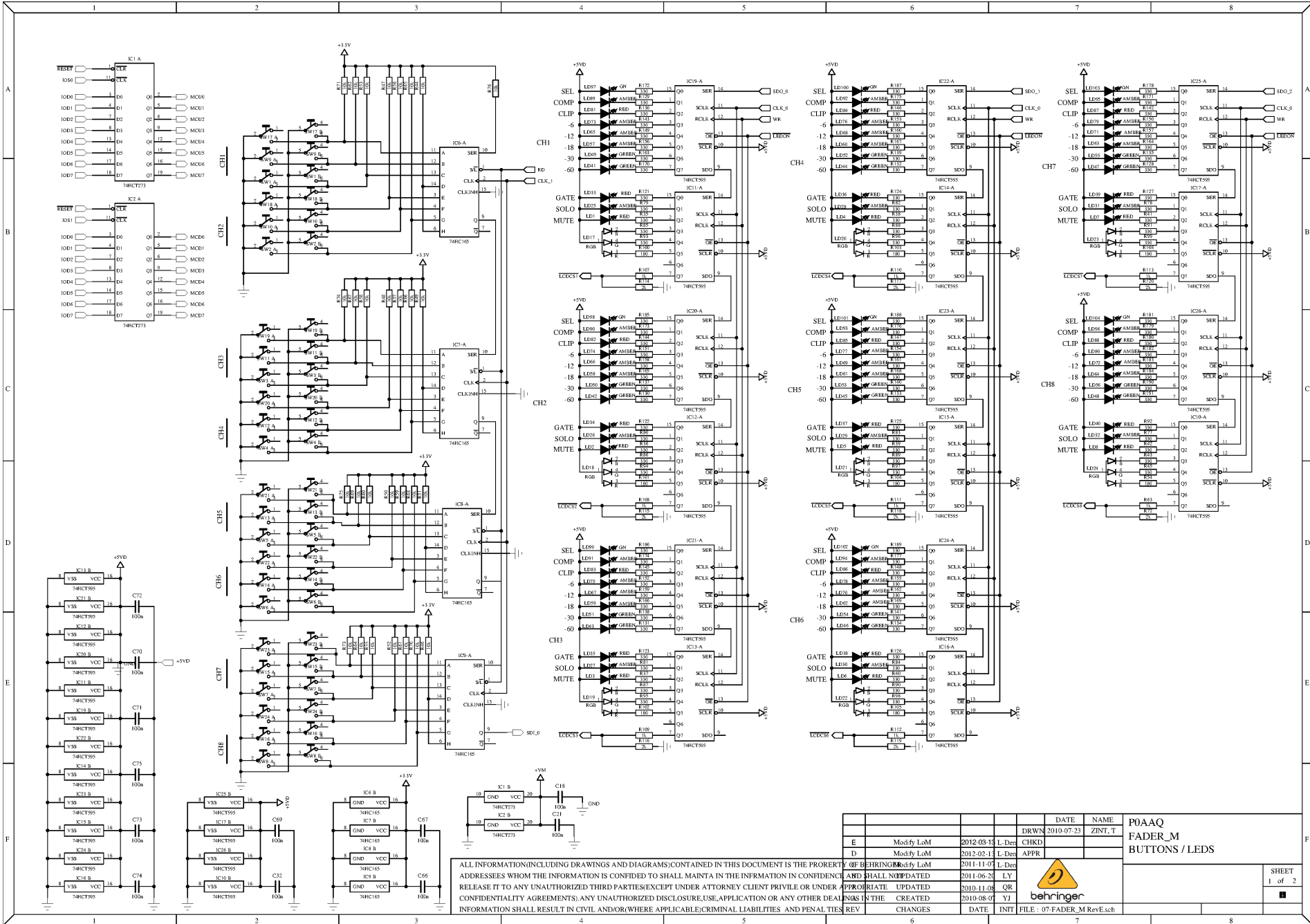
P0AAQ
 FADER_L
 BUTTONS / LEDS

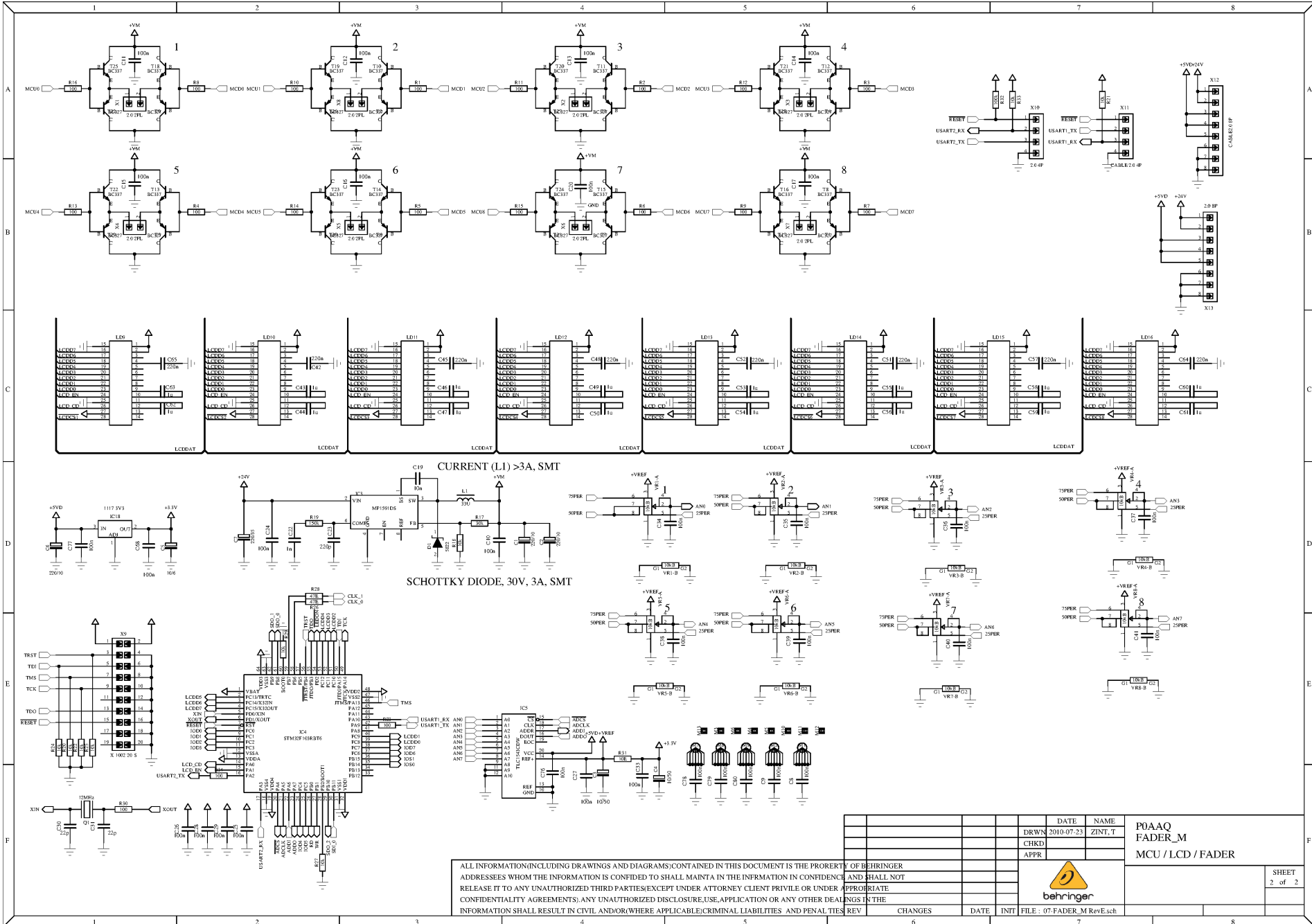
SHEET
 1 of 2




ALL INFORMATION (INCLUDING DRAWINGS AND DIAGRAMS) CONTAINED IN THIS DOCUMENT IS THE PROPERTY OF BEHRINGER AND SHALL NOT BE RELEASED TO ANY UNAUTHORIZED THIRD PARTIES EXCEPT UNDER ATTORNEY CLIENT PRIVILEGE OR UNDER APPLICABLE CONFIDENTIALITY AGREEMENTS. ANY UNAUTHORIZED DISCLOSURE, USE, APPLICATION OR ANY OTHER DEALINGS IN THE INFORMATION SHALL RESULT IN CIVIL AND/OR WHERE APPLICABLE CRIMINAL LIABILITIES AND PENALTIES.

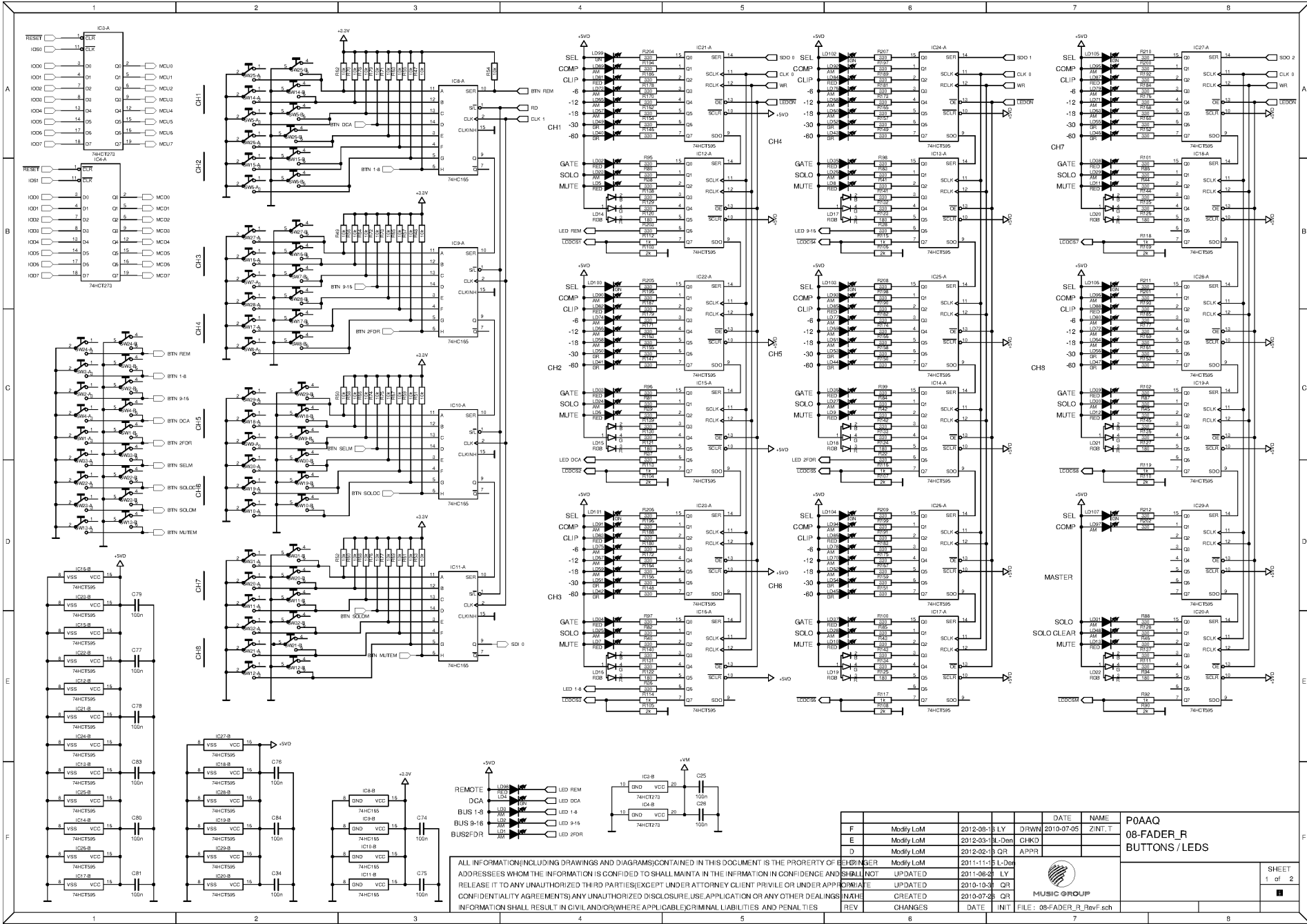
DATE	2010-07-23	NAME	ZINT, T	P0AAQ FADER_L MCU / LCD / FADER	SHEET 2 of 2	
DRWN		CHKD				
APPR						
REV		CHANGES		DATE	INT	FILE : 06-FADER_L RevE.sch



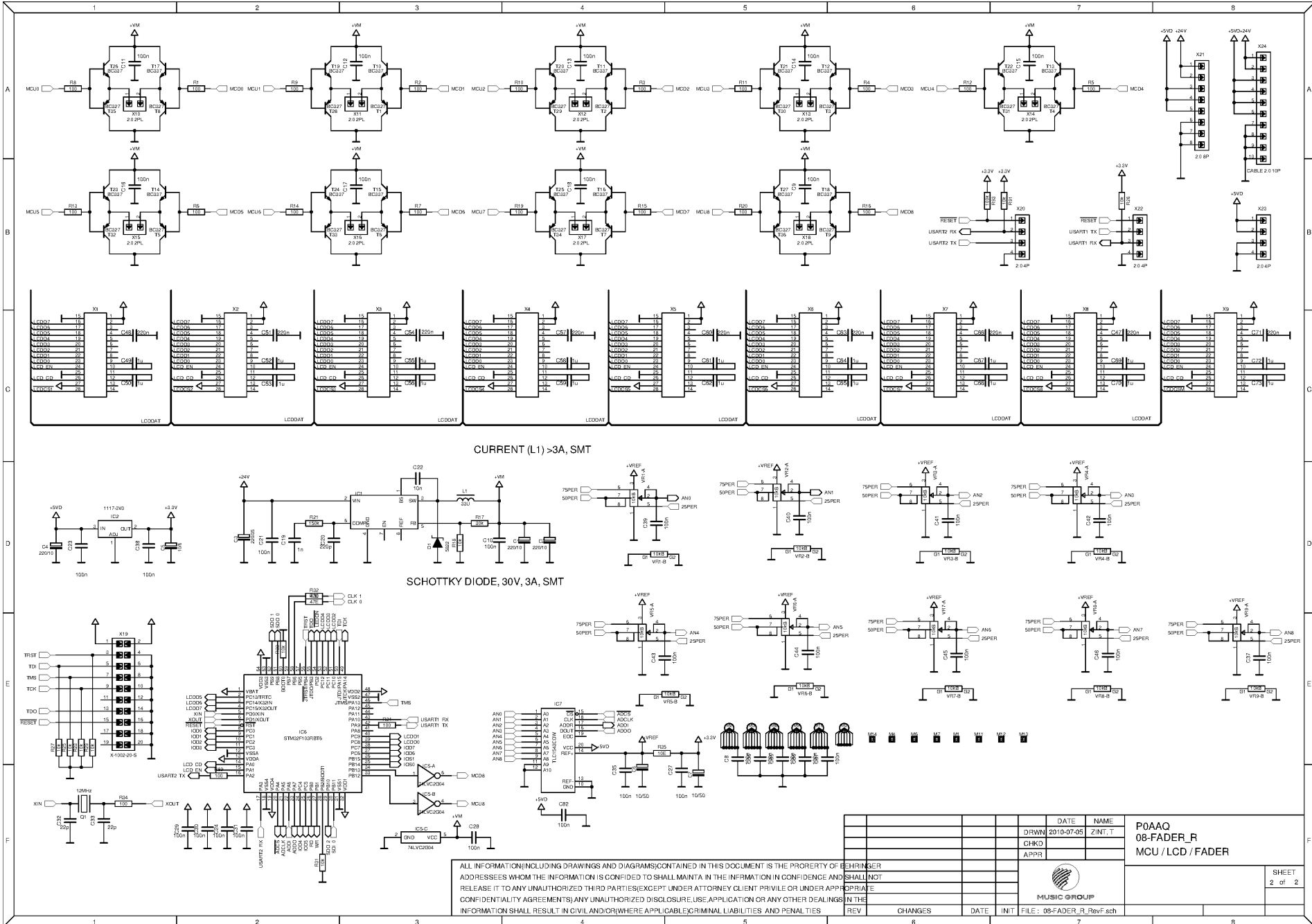


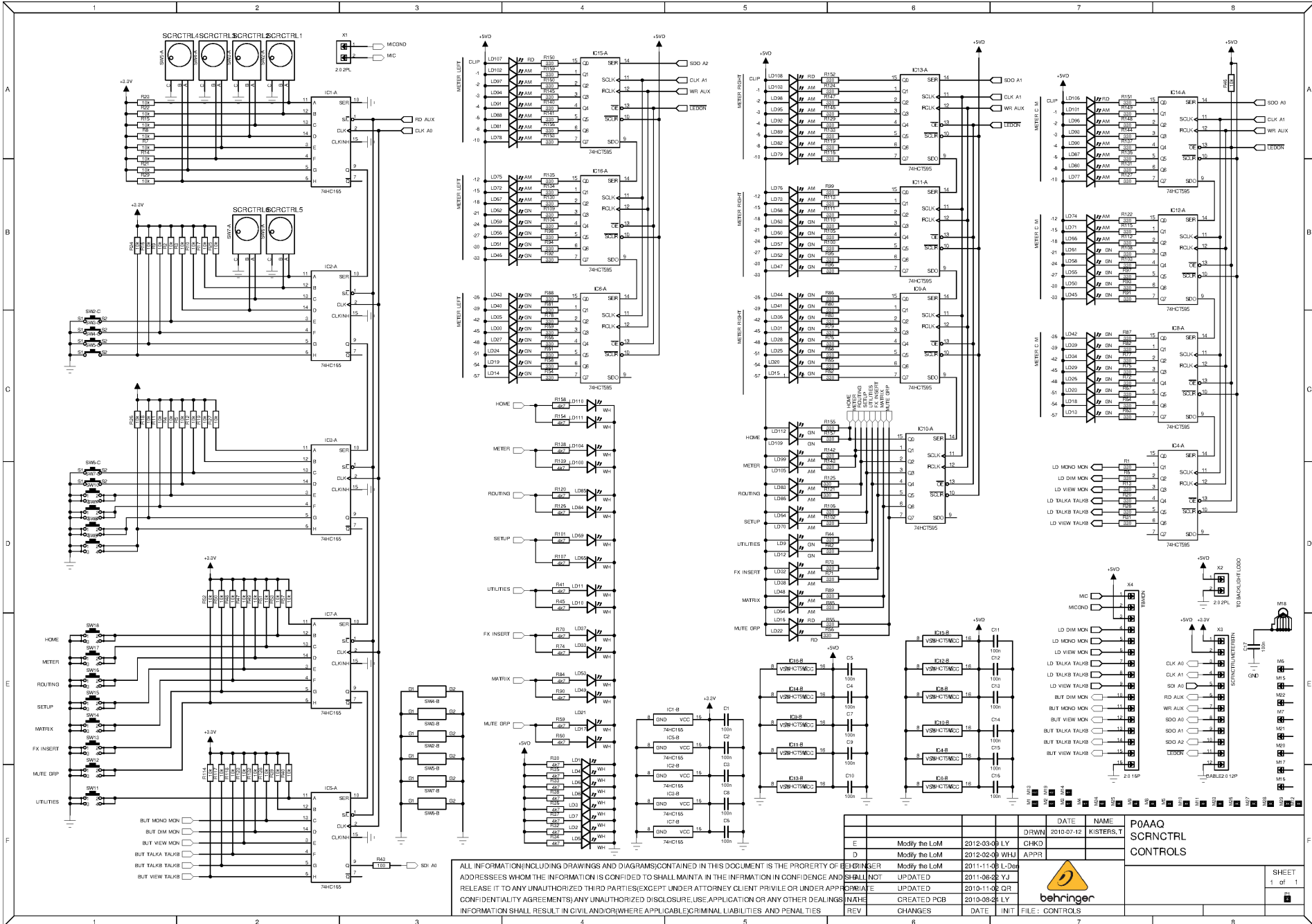
ALL INFORMATION (INCLUDING DRAWINGS AND DIAGRAMS) CONTAINED IN THIS DOCUMENT IS THE PROPERTY OF BEHRINGER AND SHALL NOT BE RELEASED TO ANY UNAUTHORIZED THIRD PARTIES EXCEPT UNDER ATTORNEY CLIENT PRIVILEGE OR UNDER APPLICABLE CONFIDENTIALITY AGREEMENTS. ANY UNAUTHORIZED DISCLOSURE, USE, APPLICATION OR ANY OTHER DEALINGS IN THE INFORMATION SHALL RESULT IN CIVIL AND/OR WHERE APPLICABLE CRIMINAL LIABILITIES AND PENALTIES.

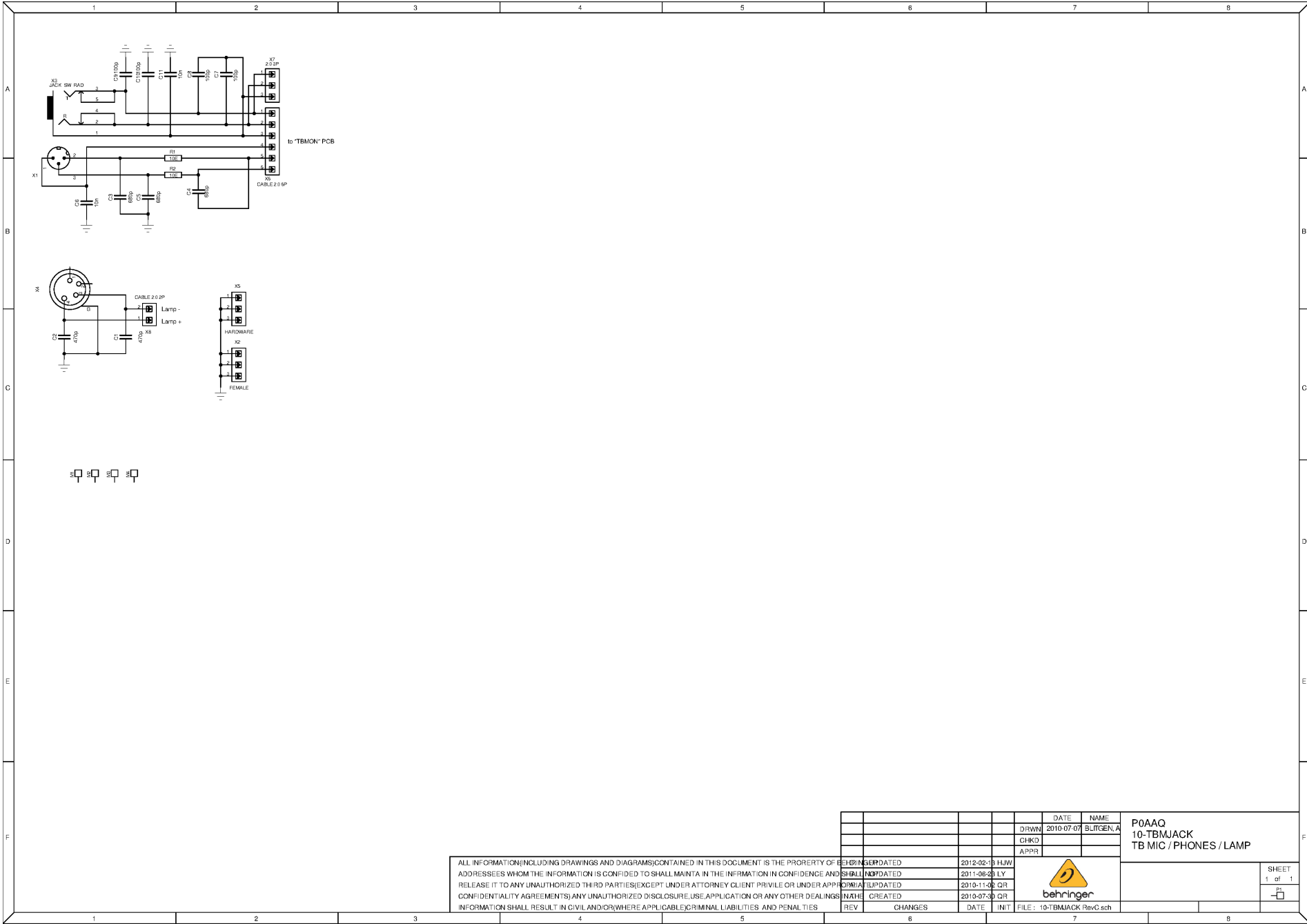
DATE	2010-07-23	NAME	ZINT, T	 P0AAQ FADER_M MCU / LCD / FADER	SHEET 2 of 2
DRWN		CHKD			
APPR					
REV	CHANGES	DATE	INIT	FILE : 07-FADER_M RevE.sch	



ALL INFORMATION/INCLUDING DRAWINGS AND DIAGRAMS/CONTAINED IN THIS DOCUMENT IS THE PROPERTY OF BEHRINGER AND SHALL NOT BE RELEASED TO ANY UNAUTHORIZED THIRD PARTIES/EXCEPT UNDER ATTORNEY CLIENT PRIVILEGE OR UNDER APPLICABLE CONFIDENTIALITY AGREEMENTS/ANY UNAUTHORIZED DISCLOSURE, USE, APPLICATION OR ANY OTHER DEALINGS INFORMATION SHALL RESULT IN CIVIL AND/OR WHERE APPLICABLE CRIMINAL LIABILITIES AND PENALTIES				<table border="1"> <thead> <tr> <th>REV</th> <th>CHANGES</th> <th>DATE</th> <th>INIT</th> <th>FILE: 08-FADER_R_RevF.sch</th> </tr> </thead> <tbody> <tr> <td>1</td> <td></td> <td></td> <td></td> <td></td> </tr> <tr> <td>2</td> <td></td> <td></td> <td></td> <td></td> </tr> <tr> <td>3</td> <td></td> <td></td> <td></td> <td></td> </tr> <tr> <td>4</td> <td></td> <td></td> <td></td> <td></td> </tr> <tr> <td>5</td> <td></td> <td></td> <td></td> <td></td> </tr> <tr> <td>6</td> <td></td> <td></td> <td></td> <td></td> </tr> <tr> <td>7</td> <td></td> <td></td> <td></td> <td></td> </tr> </tbody> </table>		REV	CHANGES	DATE	INIT	FILE: 08-FADER_R_RevF.sch	1					2					3					4					5					6					7				
REV	CHANGES	DATE	INIT	FILE: 08-FADER_R_RevF.sch																																									
1																																													
2																																													
3																																													
4																																													
5																																													
6																																													
7																																													
<table border="1"> <thead> <tr> <th>DATE</th> <th>NAME</th> <th>DATE</th> <th>NAME</th> </tr> </thead> <tbody> <tr> <td>2012-08-16</td> <td>LY</td> <td>2010-07-05</td> <td>ZINT</td> </tr> <tr> <td>2012-03-16</td> <td>CHKD</td> <td></td> <td></td> </tr> <tr> <td>2012-02-16</td> <td>GR</td> <td>APPR</td> <td></td> </tr> <tr> <td>2011-11-16</td> <td>LY</td> <td></td> <td></td> </tr> <tr> <td>2010-10-16</td> <td>GR</td> <td></td> <td></td> </tr> <tr> <td>2010-07-16</td> <td>GR</td> <td></td> <td></td> </tr> </tbody> </table>				DATE	NAME	DATE	NAME	2012-08-16	LY	2010-07-05	ZINT	2012-03-16	CHKD			2012-02-16	GR	APPR		2011-11-16	LY			2010-10-16	GR			2010-07-16	GR			<table border="1"> <tr> <td colspan="2">P0AAQ</td> </tr> <tr> <td colspan="2">08-FADER_R</td> </tr> <tr> <td colspan="2">BUTTONS / LEDS</td> </tr> </table>		P0AAQ		08-FADER_R		BUTTONS / LEDS							
DATE	NAME	DATE	NAME																																										
2012-08-16	LY	2010-07-05	ZINT																																										
2012-03-16	CHKD																																												
2012-02-16	GR	APPR																																											
2011-11-16	LY																																												
2010-10-16	GR																																												
2010-07-16	GR																																												
P0AAQ																																													
08-FADER_R																																													
BUTTONS / LEDS																																													
				<table border="1"> <tr> <td>SHEET</td> <td>1 of 2</td> </tr> </table>		SHEET	1 of 2																																						
SHEET	1 of 2																																												







ALL INFORMATION (INCLUDING DRAWINGS AND DIAGRAMS) CONTAINED IN THIS DOCUMENT IS THE PROPERTY OF BEHRINGER. IT IS TO BE KEPT CONFIDENTIAL AND NOT TO BE DISCLOSED TO ANY UNAUTHORIZED THIRD PARTIES (EXCEPT UNDER ATTORNEY CLIENT PRIVILEGE OR UNDER APPLICABLE CONFIDENTIALITY AGREEMENTS). ANY UNAUTHORIZED DISCLOSURE, USE, APPLICATION OR ANY OTHER DEALINGS IN THIS INFORMATION SHALL RESULT IN CIVIL AND/OR (WHERE APPLICABLE) CRIMINAL LIABILITIES AND PENALTIES.

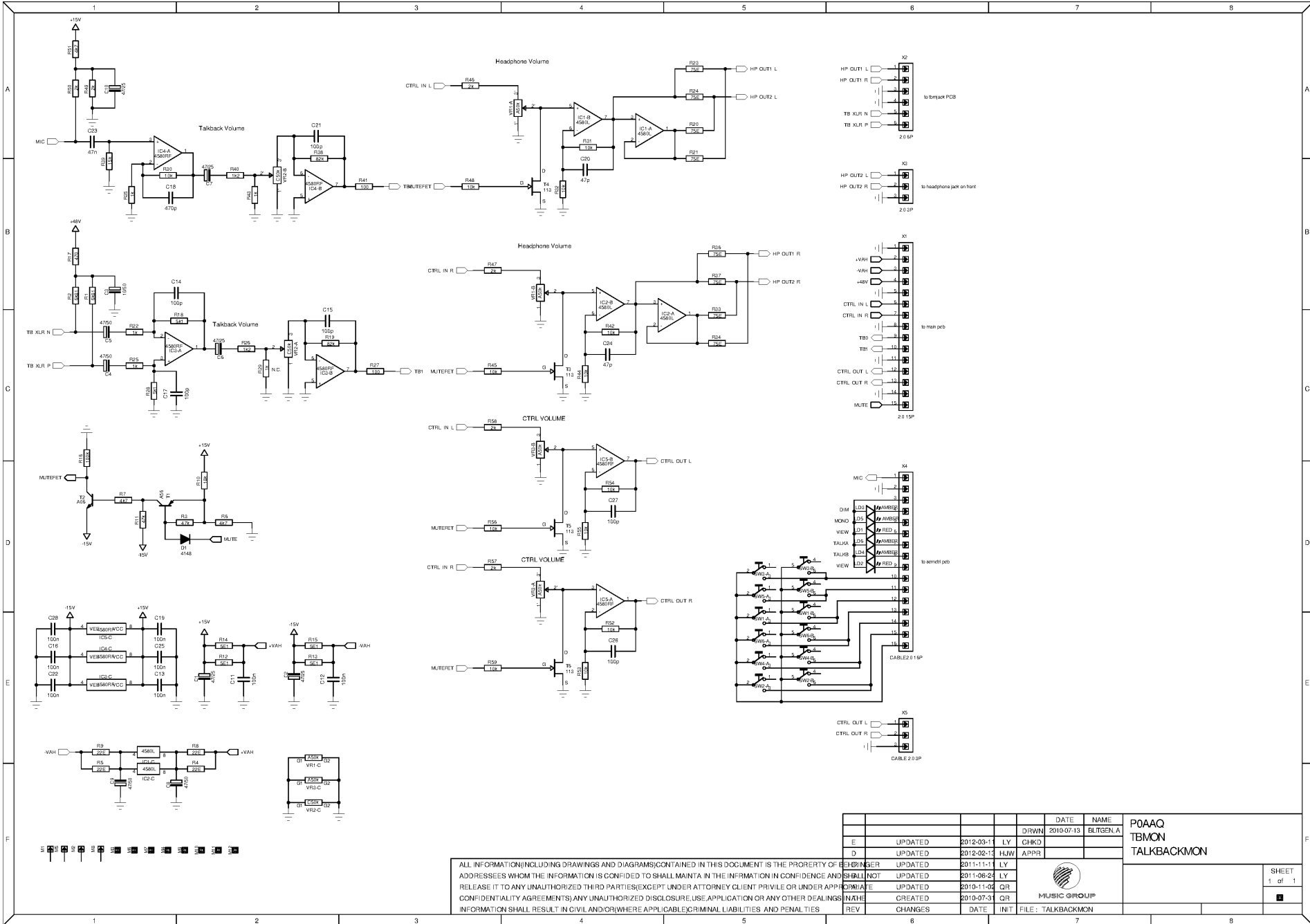
REV	CHANGES	DATE	INIT	FILE: 10-TBMJACK RevC.sch
	UPDATED	2012-02-15	HJW	
	UPDATED	2011-08-25	LY	
	UPDATED	2010-11-02	QR	
	CREATED	2010-07-30	QR	

DATE	NAME	
2010-07-07	BLITZEN, A	
	CHKD	
	APPR	

P0AAQ
10-TBMJACK
TB MIC / PHONES / LAMP



SHEET
1 of 1



ALL INFORMATION INCLUDING DRAWINGS AND DIAGRAMS CONTAINED IN THIS DOCUMENT IS THE PROPERTY OF BEHRINGER. IT IS TO BE KEPT IN CONFIDENCE AND IS NOT TO BE RELEASED TO ANY UNAUTHORIZED THIRD PARTY EXCEPT UNDER ATTORNEY CLIENT PRIVILEGE OR UNDER APPLICABLE CONFIDENTIALITY AGREEMENTS. ANY UNAUTHORIZED DISCLOSURE, USE, APPLICATION OR ANY OTHER DEALINGS IN THIS INFORMATION SHALL RESULT IN CIVIL AND/OR WHERE APPLICABLE CRIMINAL LIABILITIES AND PENALTIES.

REV	CHANGES	DATE	INIT	FILE: TALKBACKMON
1	DATE	2010-07-13	DRWN	NAME: BLTGEN A
E	UPDATED	2012-03-11	LY	CHKD
D	UPDATED	2012-02-13	HJW	APPR
B	UPDATED	2011-11-11	LY	
A	NOT UPDATED	2011-06-24	LY	
	DATE	2010-11-03	QR	
	DATE	2010-07-31	QR	

POAAQ
TBMON
TALKBACKMON

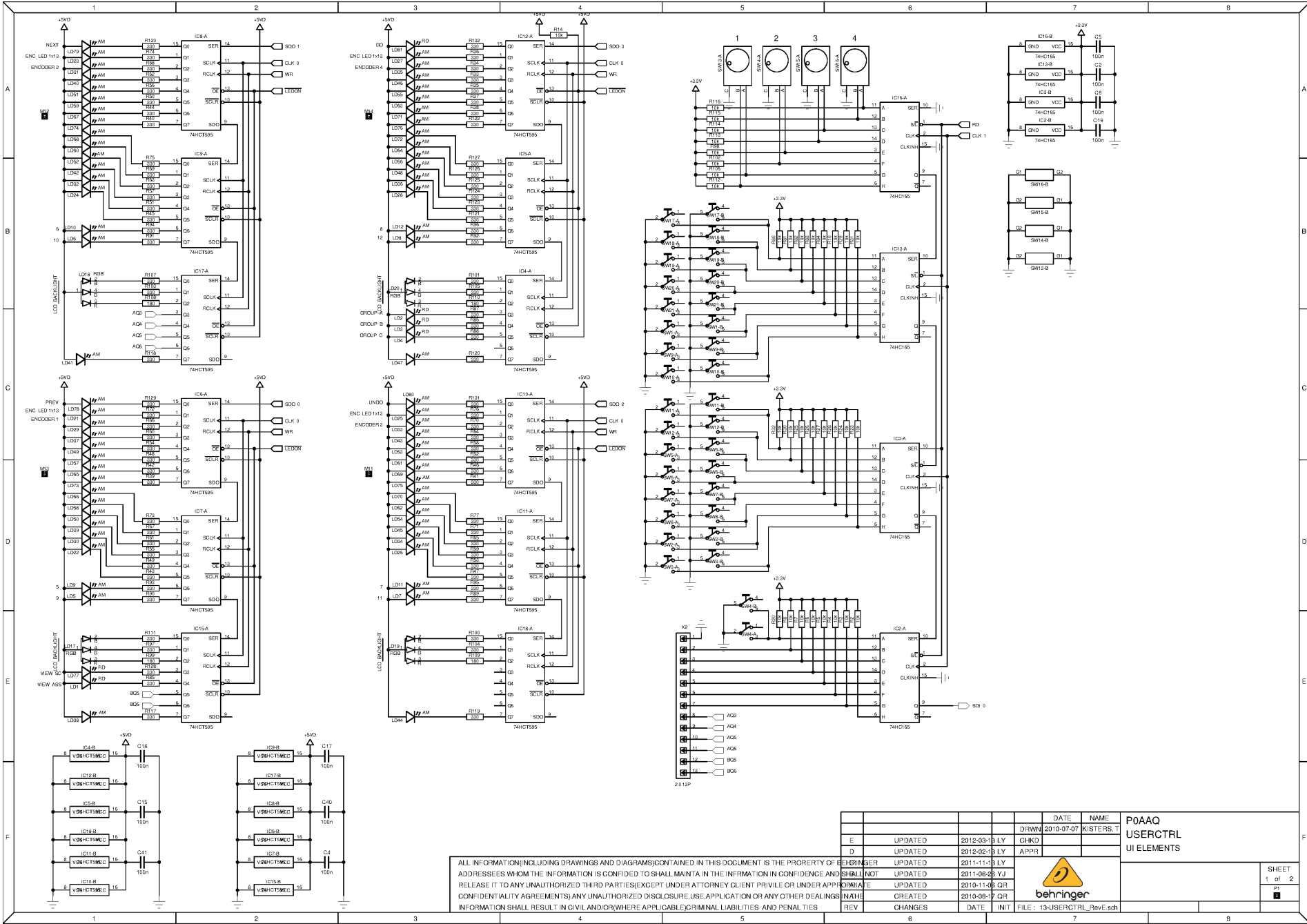
SHEET
1 of 1



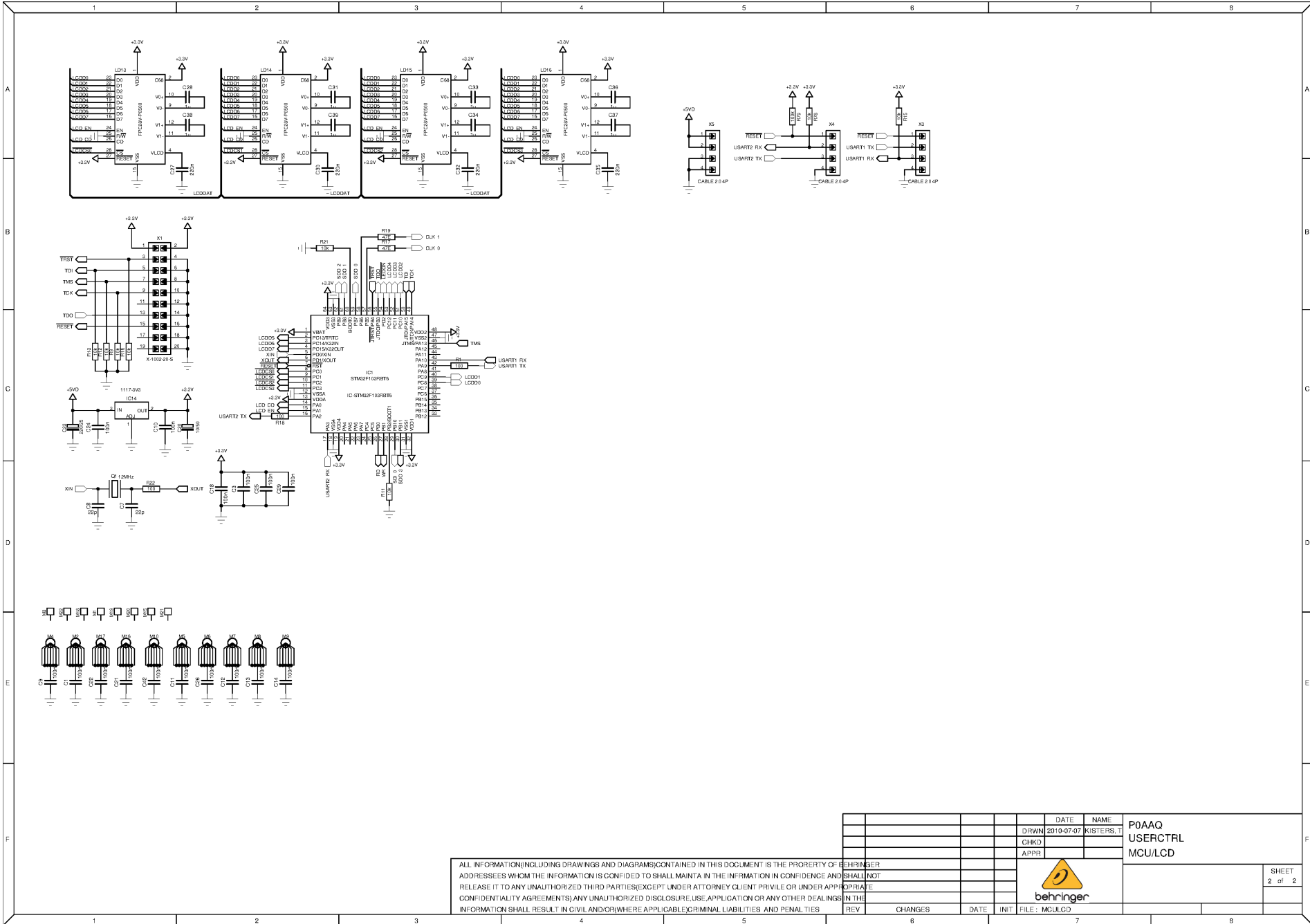
ALL INFORMATION (INCLUDING DRAWINGS AND DIAGRAMS) CONTAINED IN THIS DOCUMENT IS THE PROPERTY OF BEHRINGER ADDRESSEES WHOM THE INFORMATION IS CONFIDED TO SHALL MAINTAIN THE INFORMATION IN CONFIDENCE AND SHALL NOT RELEASE IT TO ANY UNAUTHORIZED THIRD PARTIES (EXCEPT UNDER ATTORNEY CLIENT PRIVILEGE OR UNDER APPROPRIATE CONFIDENTIALITY AGREEMENTS). ANY UNAUTHORIZED DISCLOSURE, USE, APPLICATION OR ANY OTHER DEALINGS IN THE INFORMATION SHALL RESULT IN CIVIL AND/OR (WHERE APPLICABLE) CRIMINAL LIABILITIES AND PENAL TIES

REV	CHANGES	DATE	INIT	FILE	DATE	NAME	DESCRIPTION	SHEET
				USB	2010-07-13	KISTERS, T	P0AAQ 12-USBH USB INPUT	1 of 1
D	UPDATED	2012-02-21	RL					
C	UPDATED	2011-11-12	LY					
B	UPDATED	2011-06-25	LY					
A	UPDATED	2010-11-02	QR					
A	CREATED	2010-08-16	QR					





ALL INFORMATION INCLUDING DRAWINGS AND DIAGRAMS CONTAINED IN THIS DOCUMENT IS THE PROPERTY OF BEHRINGER. NO PART OF THIS DOCUMENT IS TO BE REPRODUCED OR TRANSMITTED IN ANY FORM OR BY ANY MEANS, ELECTRONIC OR MECHANICAL, INCLUDING PHOTOCOPYING, RECORDING, OR BY ANY INFORMATION STORAGE AND RETRIEVAL SYSTEM, WITHOUT THE WRITTEN PERMISSION OF BEHRINGER. ANY UNAUTHORIZED DISCLOSURE, USE, APPLICATION OR ANY OTHER DEALINGS IN THIS INFORMATION SHALL RESULT IN CIVIL AND/OR WHERE APPLICABLE CRIMINAL LIABILITIES AND PENALTIES.				DRWN	DATE	NAME	P0AAQ USERCTRL UI ELEMENTS	SHEET 1 of 2
E	UPDATED	2012-03-15	LY	CHKD	2012-02-15	LY		
D	UPDATED	2012-02-15	LY	APPR				
	UPDATED	2011-11-15	LY					
	UPDATED	2011-08-25	YJ					
	UPDATED	2010-11-05	OR					
	CREATED	2010-08-17	OR					
REV	CHANGES	DATE	INIT	FILE:	13-USERCTRL_RevE.ich			



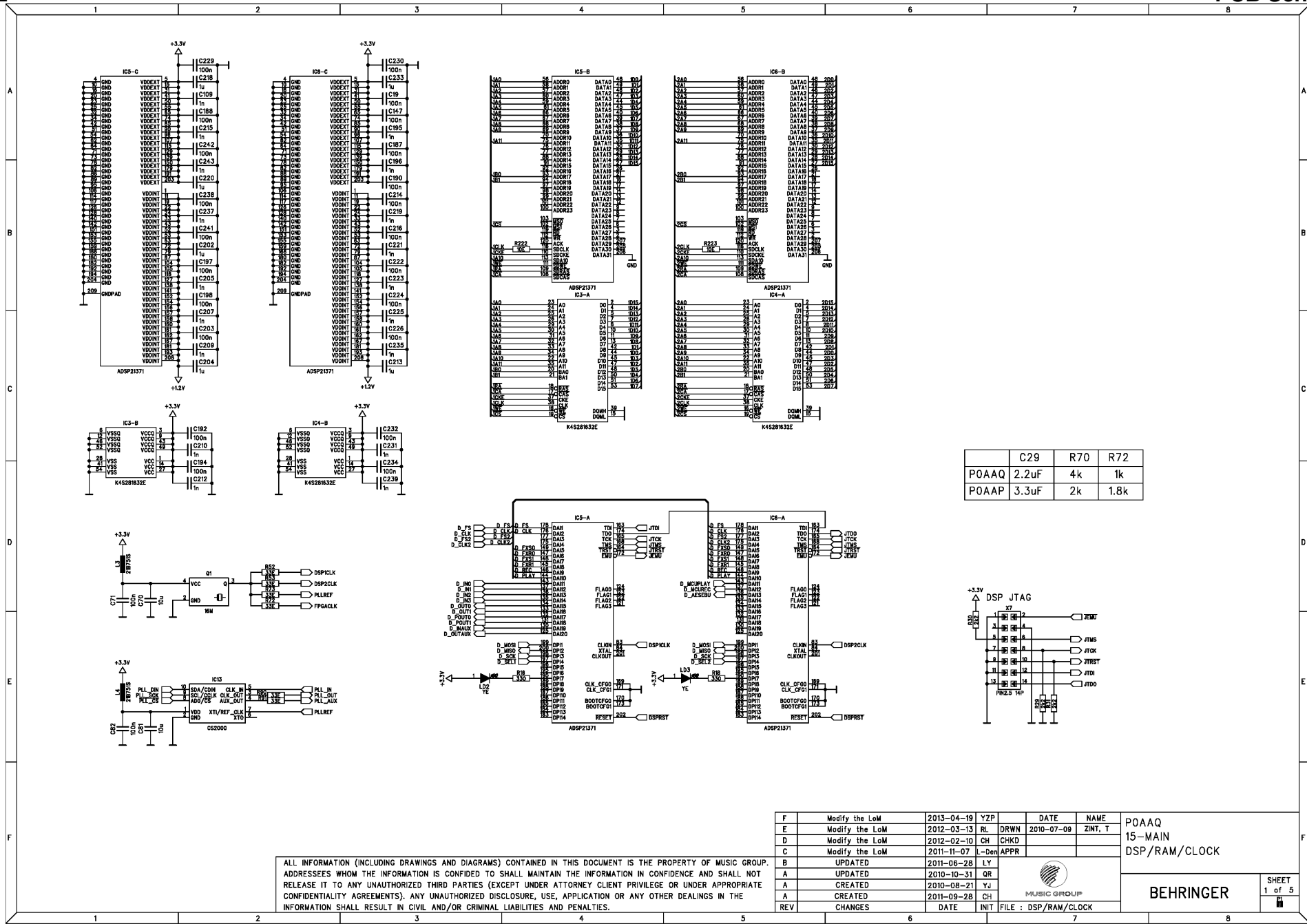
REV	CHANGES	DATE	INIT	FILE

DATE	NAME	P0AAQ USERCTRL MCU/LCD	SHEET 2 of 2
DRWN 2010-07-07	KISTERS, T		
CHKD			
APPR			



ALL INFORMATION (INCLUDING DRAWINGS AND DIAGRAMS) CONTAINED IN THIS DOCUMENT IS THE PROPERTY OF BEHRINGER ADDRESSEES WHOM THE INFORMATION IS CONFIDED TO SHALL MAINTAIN THE INFORMATION IN CONFIDENCE AND SHALL NOT RELEASE IT TO ANY UNAUTHORIZED THIRD PARTIES (EXCEPT UNDER ATTORNEY CLIENT PRIVILEGE OR UNDER APPLICABLE CONFIDENTIALITY AGREEMENTS). ANY UNAUTHORIZED DISCLOSURE, USE, APPLICATION OR ANY OTHER DEALINGS IN THE INFORMATION SHALL RESULT IN CIVIL AND/OR WHERE APPLICABLE CRIMINAL LIABILITIES AND PENALTIES.



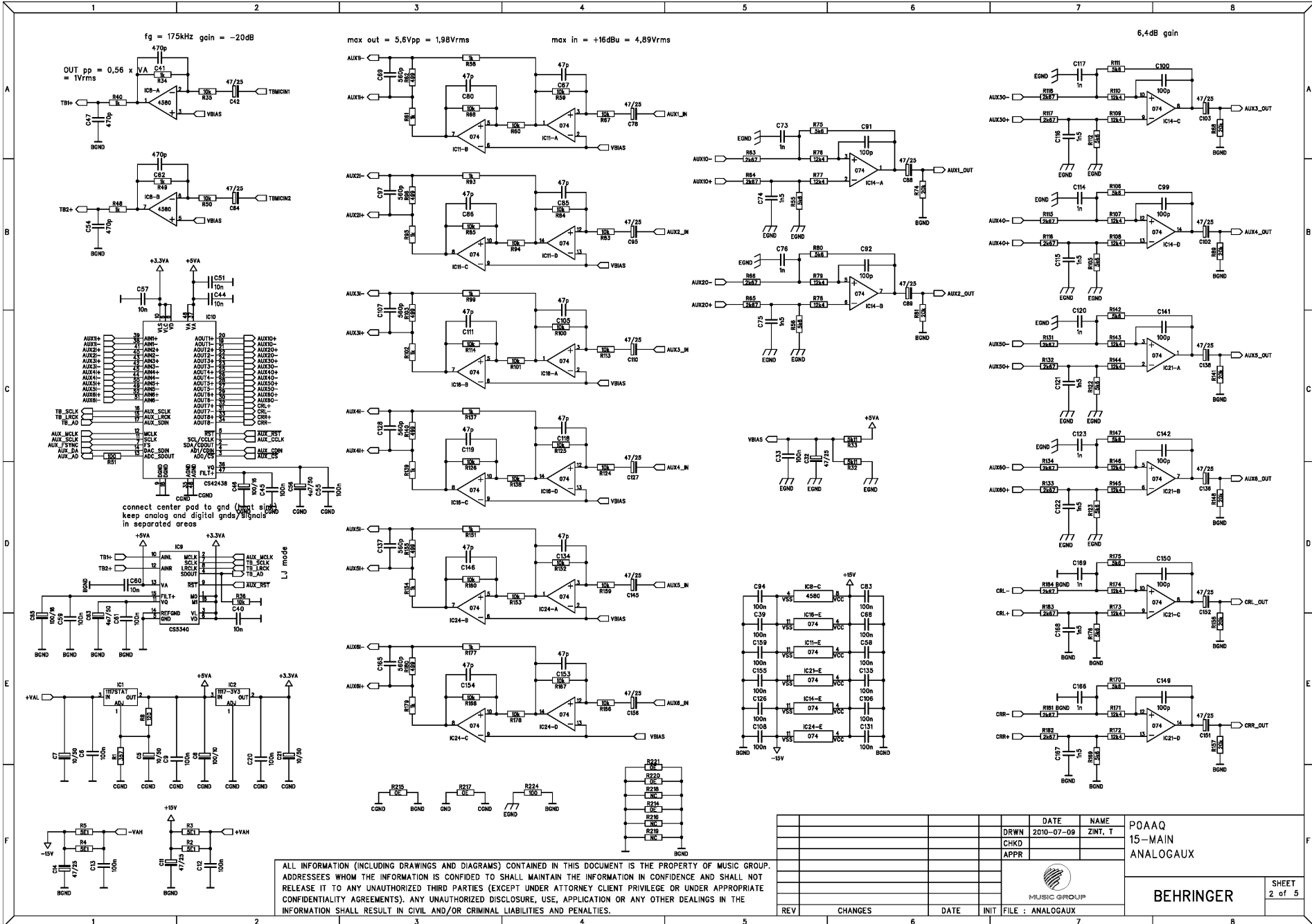


ALL INFORMATION (INCLUDING DRAWINGS AND DIAGRAMS) CONTAINED IN THIS DOCUMENT IS THE PROPERTY OF MUSIC GROUP. ADDRESSEES WHOM THE INFORMATION IS CONFIDED TO SHALL MAINTAIN THE INFORMATION IN CONFIDENCE AND SHALL NOT RELEASE IT TO ANY UNAUTHORIZED THIRD PARTIES (EXCEPT UNDER ATTORNEY CLIENT PRIVILEGE OR UNDER APPROPRIATE CONFIDENTIALITY AGREEMENTS). ANY UNAUTHORIZED DISCLOSURE, USE, APPLICATION OR ANY OTHER DEALINGS IN THE INFORMATION SHALL RESULT IN CIVIL AND/OR CRIMINAL LIABILITIES AND PENALTIES.



BEHRINGER

SHEET 1 of 5



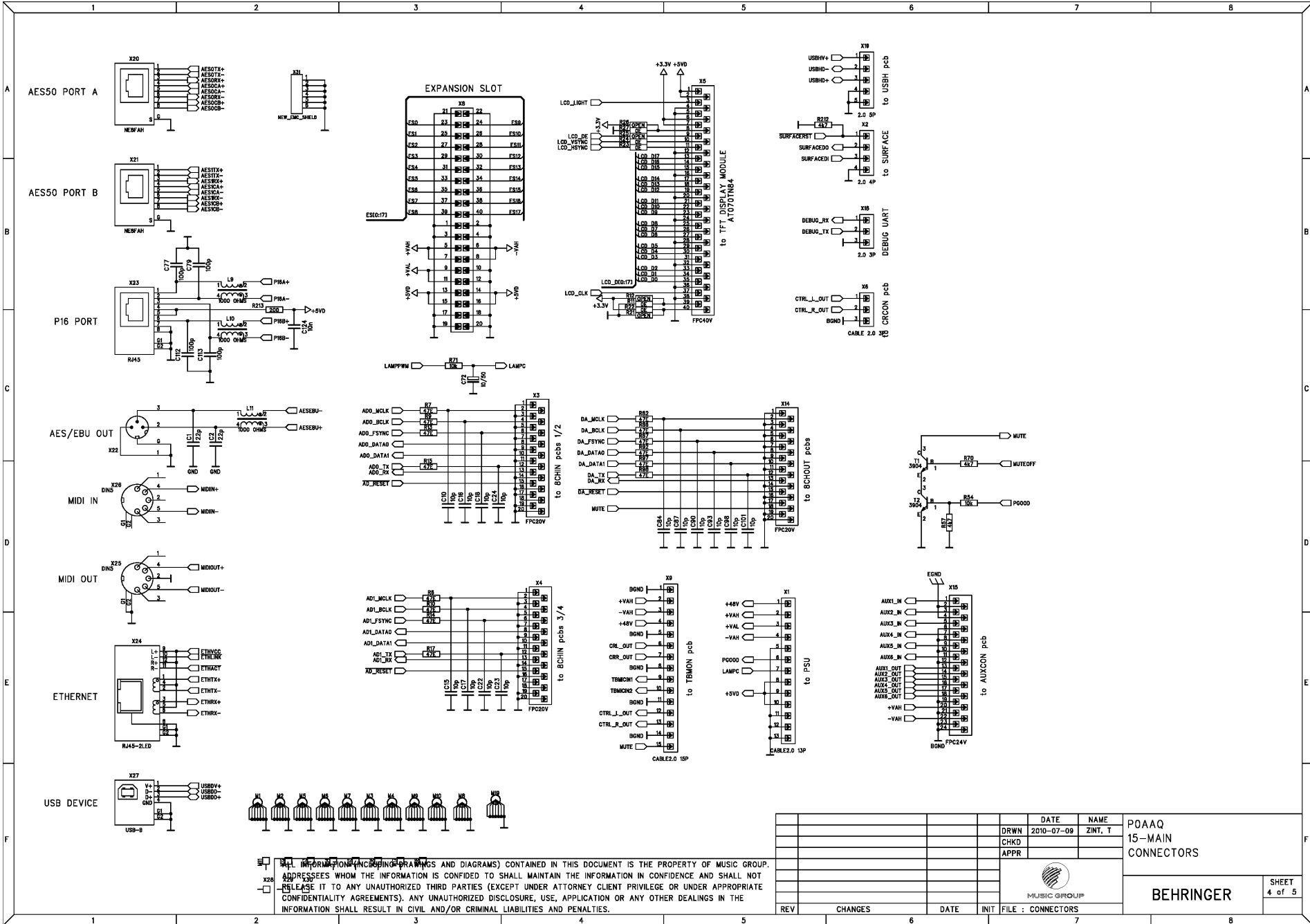
ALL INFORMATION (INCLUDING DRAWINGS AND DIAGRAMS) CONTAINED IN THIS DOCUMENT IS THE PROPERTY OF MUSIC GROUP. ADDRESSEES WHOM THE INFORMATION IS CONFIDED TO SHALL MAINTAIN THE INFORMATION IN CONFIDENCE AND SHALL NOT RELEASE IT TO ANY UNAUTHORIZED THIRD PARTIES (EXCEPT UNDER ATTORNEY CLIENT PRIVILEGE OR UNDER APPROPRIATE CONFIDENTIALITY AGREEMENTS). ANY UNAUTHORIZED DISCLOSURE, USE, APPLICATION OR ANY OTHER DEALINGS IN THE INFORMATION SHALL RESULT IN CIVIL AND/OR CRIMINAL LIABILITIES AND PENALTIES.

DATE	NAME			
DRWN	ZINT, T			
CHKD				
APPR				
REV	CHANGES	DATE	INIT	FILE : ANALOGAUX

POAAQ
15-MAIN
ANALOGAUX

BEHRINGER

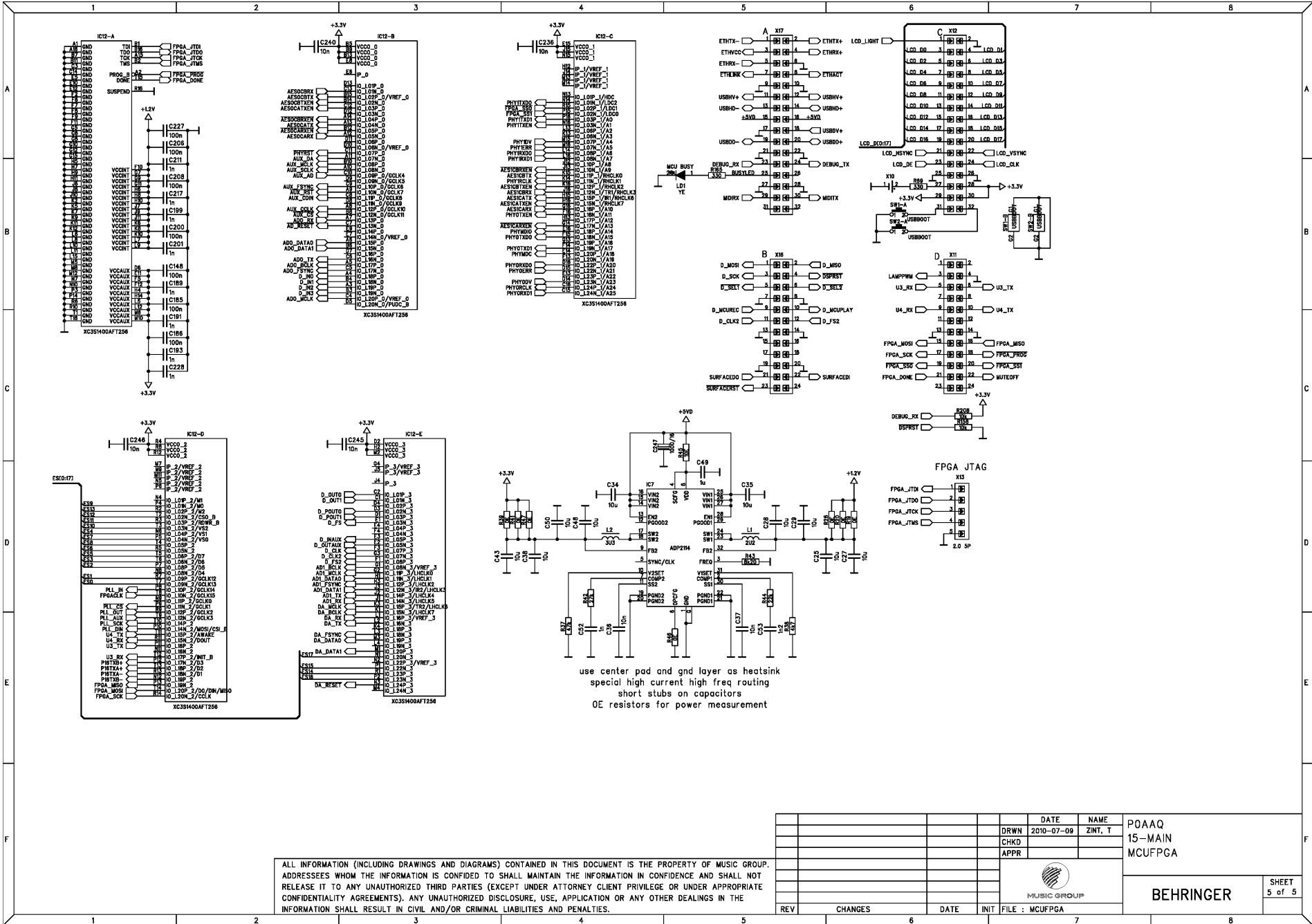
SHEET
2 of 5



ALL INFORMATION (INCLUDING DRAWINGS AND DIAGRAMS) CONTAINED IN THIS DOCUMENT IS THE PROPERTY OF MUSIC GROUP. ADDRESSEES WHOM THE INFORMATION IS CONFIDED TO SHALL MAINTAIN THE INFORMATION IN CONFIDENCE AND SHALL NOT RELEASE IT TO ANY UNAUTHORIZED THIRD PARTIES (EXCEPT UNDER ATTORNEY CLIENT PRIVILEGE OR UNDER APPROPRIATE CONFIDENTIALITY AGREEMENTS). ANY UNAUTHORIZED DISCLOSURE, USE, APPLICATION OR ANY OTHER DEALINGS IN THE INFORMATION SHALL RESULT IN CIVIL AND/OR CRIMINAL LIABILITIES AND PENALTIES.

REV	CHANGES	DATE	INIT	FILE : CONNECTORS

DATE	NAME	POAAQ
2010-07-09	ZINT, T	15-MAIN
		CONNECTORS
MUSIC GROUP		BEHRINGER
SHEET 4 of 5		



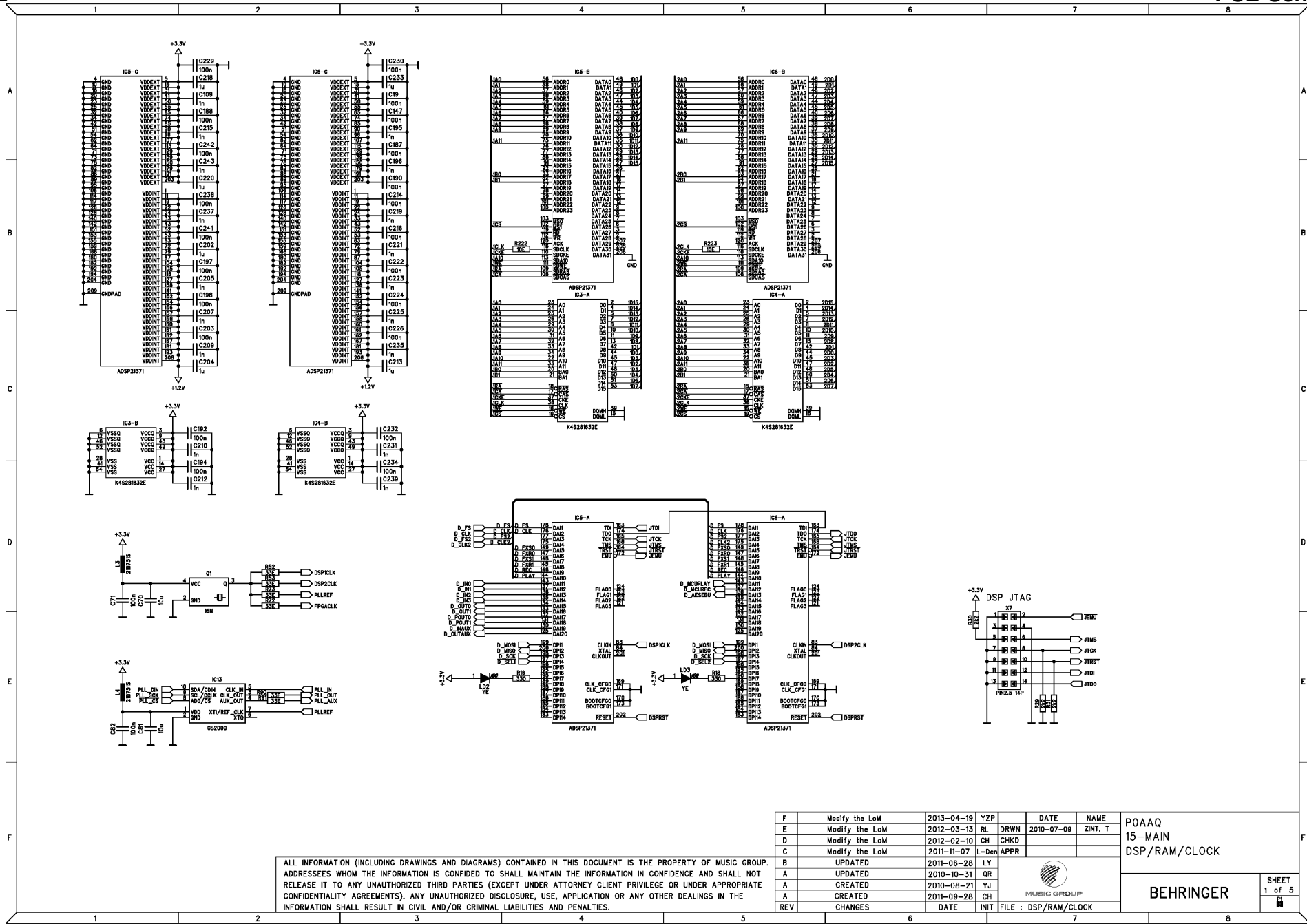
ALL INFORMATION (INCLUDING DRAWINGS AND DIAGRAMS) CONTAINED IN THIS DOCUMENT IS THE PROPERTY OF MUSIC GROUP. ADDRESSES WHOM THE INFORMATION IS CONFIDED TO SHALL MAINTAIN THE INFORMATION IN CONFIDENCE AND SHALL NOT RELEASE IT TO ANY UNAUTHORIZED THIRD PARTIES (EXCEPT UNDER ATTORNEY CLIENT PRIVILEGE OR UNDER APPROPRIATE CONFIDENTIALITY AGREEMENTS). ANY UNAUTHORIZED DISCLOSURE, USE, APPLICATION OR ANY OTHER DEALINGS IN THE INFORMATION SHALL RESULT IN CIVIL AND/OR CRIMINAL LIABILITIES AND PENALTIES.

DATE: 2010-07-09
 NAME: ZINT, T
 POAAQ
 15-MAIN
 MCUFPGA



BEHRINGER

SHEET 5 of 5



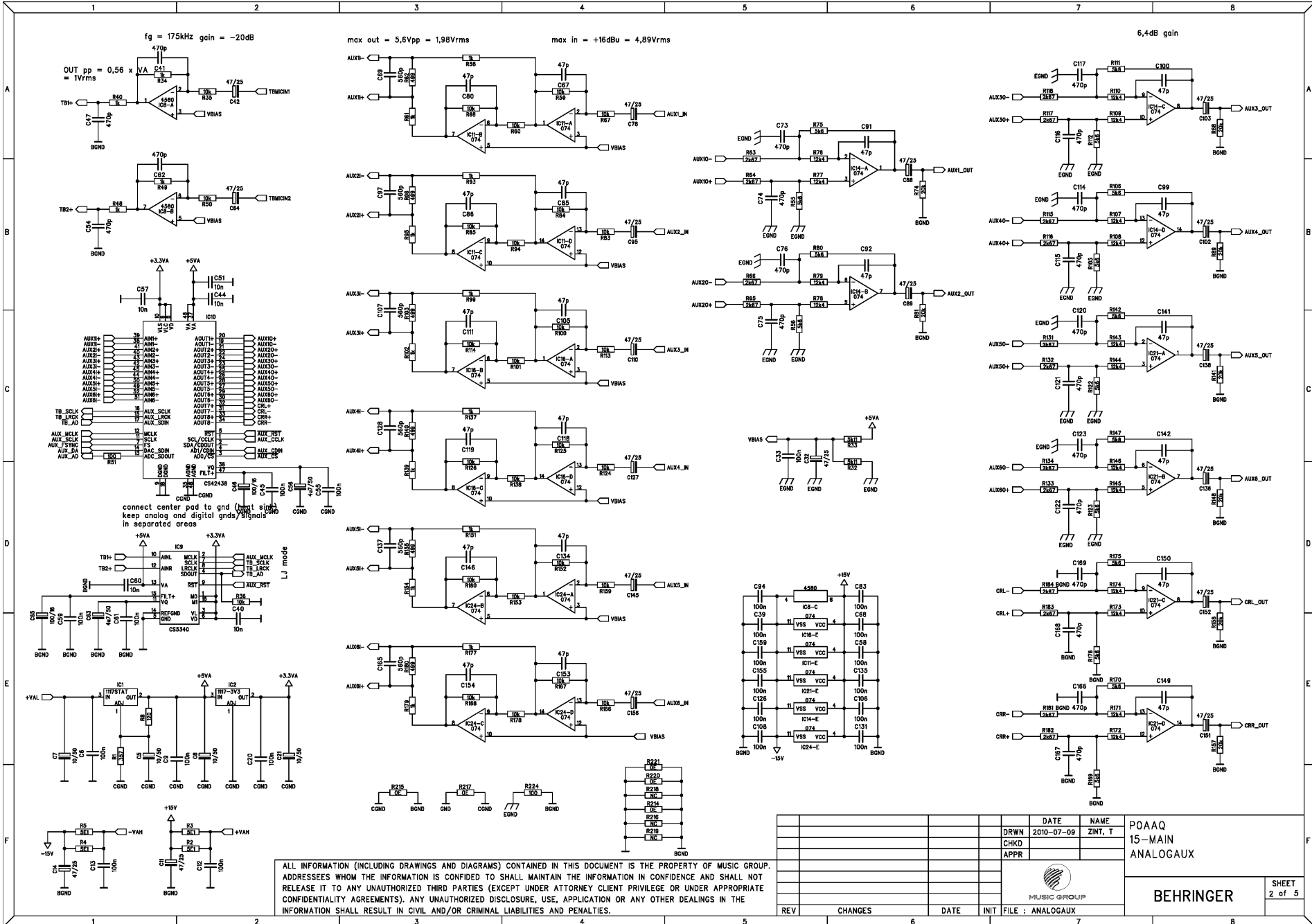
ALL INFORMATION (INCLUDING DRAWINGS AND DIAGRAMS) CONTAINED IN THIS DOCUMENT IS THE PROPERTY OF MUSIC GROUP. ADDRESSEES WHOM THE INFORMATION IS CONFIDED TO SHALL MAINTAIN THE INFORMATION IN CONFIDENCE AND SHALL NOT RELEASE IT TO ANY UNAUTHORIZED THIRD PARTIES (EXCEPT UNDER ATTORNEY CLIENT PRIVILEGE OR UNDER APPROPRIATE CONFIDENTIALITY AGREEMENTS). ANY UNAUTHORIZED DISCLOSURE, USE, APPLICATION OR ANY OTHER DEALINGS IN THE INFORMATION SHALL RESULT IN CIVIL AND/OR CRIMINAL LIABILITIES AND PENALTIES.

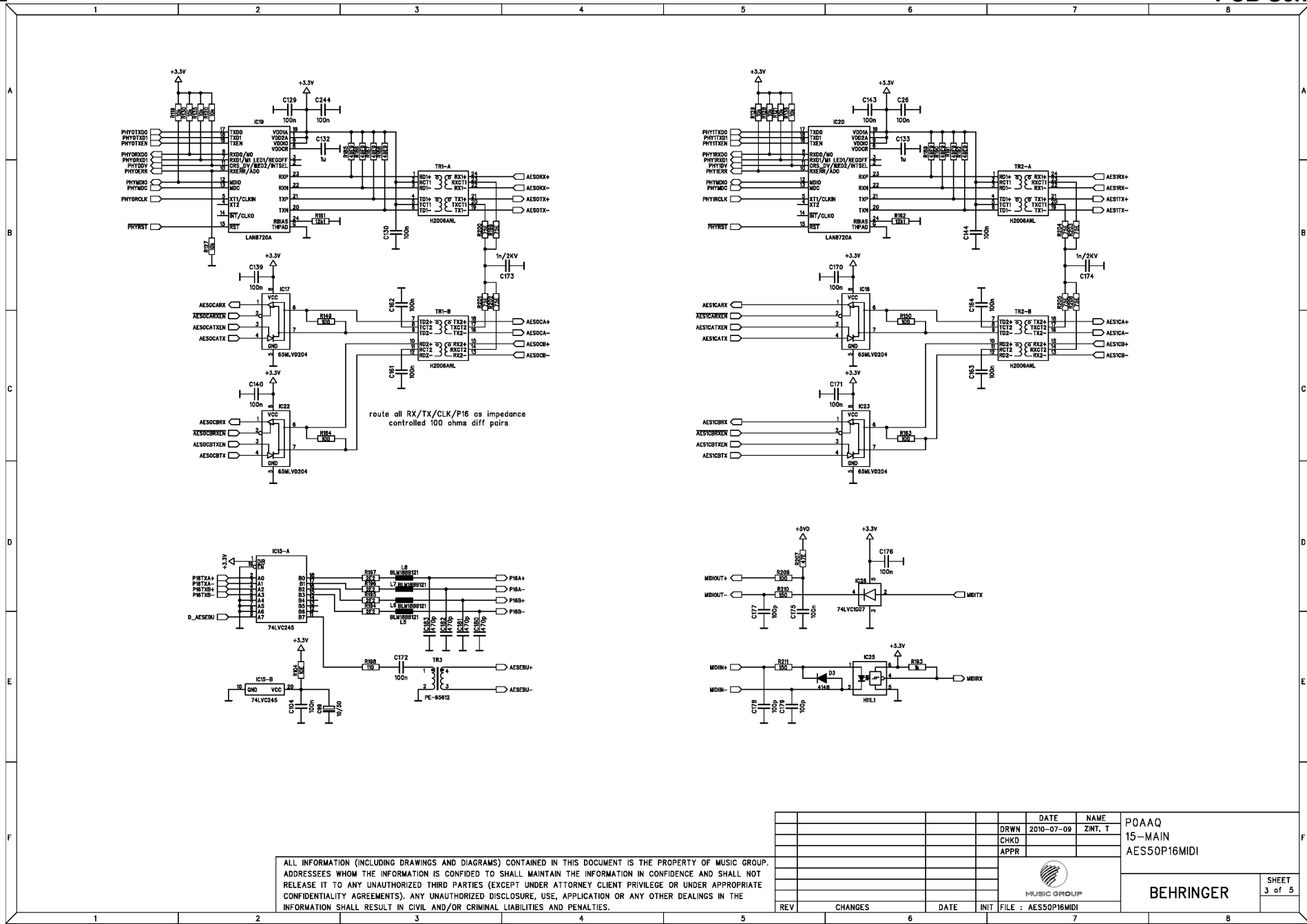
REV	CHANGES	DATE	INIT	FILE : DSP/AM/CLOCK
F	Modify the LoM	2013-04-19	YZP	
E	Modify the LoM	2012-03-13	RL DRWN	2010-07-09
D	Modify the LoM	2012-02-10	CH CHKD	
C	Modify the LoM	2011-11-07	L-Dem APPR	
B	UPDATED	2011-06-28	LY	
A	UPDATED	2010-10-31	QR	
A	CREATED	2010-08-21	YJ	
A	CREATED	2010-09-28	CH	

POAAQ
15-MAIN
DSP/AM/CLOCK

BEHRINGER

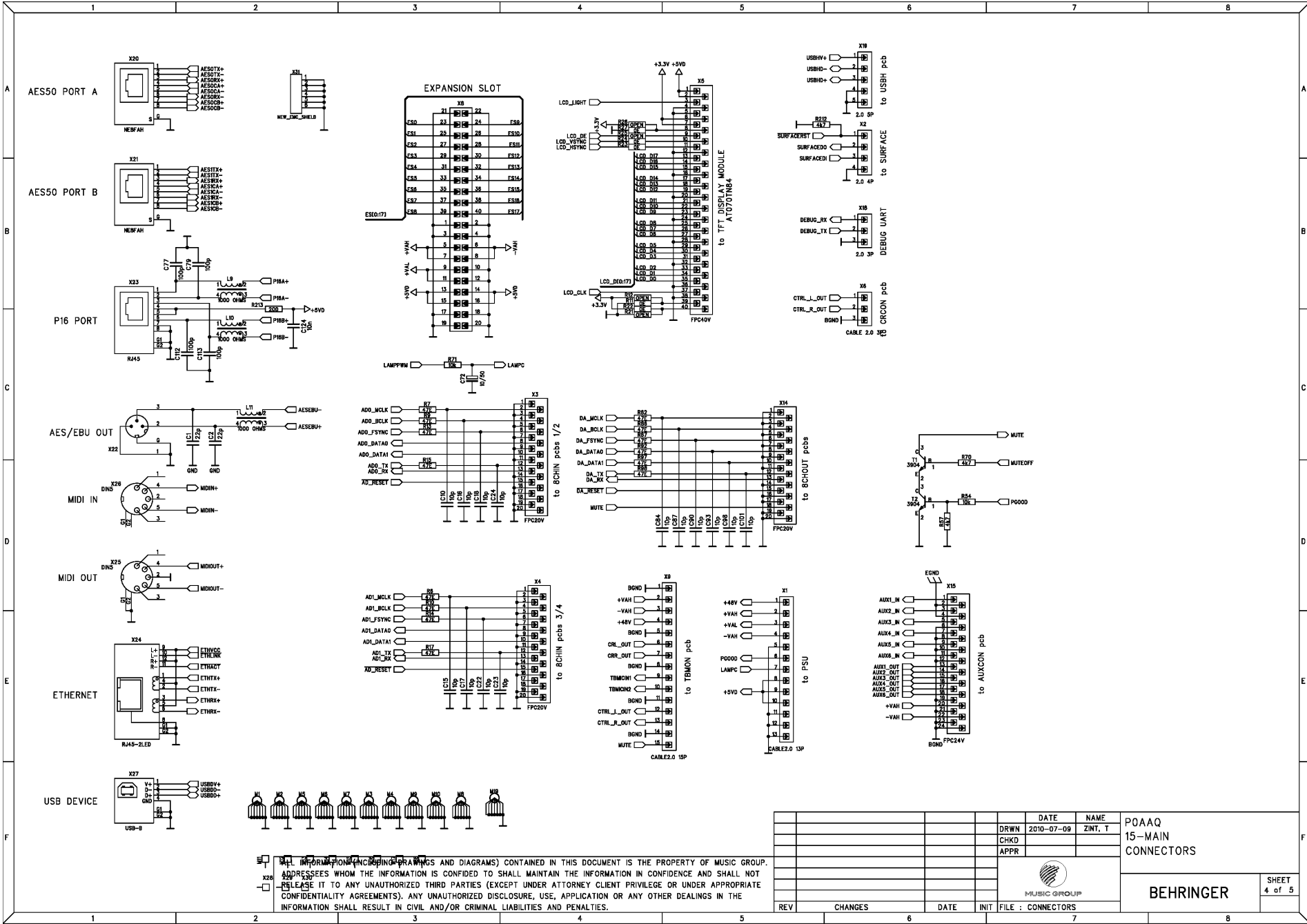
SHEET
1 of 5





ALL INFORMATION (INCLUDING DRAWINGS AND DIAGRAMS) CONTAINED IN THIS DOCUMENT IS THE PROPERTY OF MUSIC GROUP. ADDRESSEES WHOM THE INFORMATION IS CONFIDED TO SHALL MAINTAIN THE INFORMATION IN CONFIDENCE AND SHALL NOT RELEASE IT TO ANY UNAUTHORIZED THIRD PARTIES (EXCEPT UNDER ATTORNEY CLIENT PRIVILEGE OR UNDER APPROPRIATE CONFIDENTIALITY AGREEMENTS). ANY UNAUTHORIZED DISCLOSURE, USE, APPLICATION OR ANY OTHER DEALINGS IN THE INFORMATION SHALL RESULT IN CIVIL AND/OR CRIMINAL LIABILITIES AND PENALTIES.

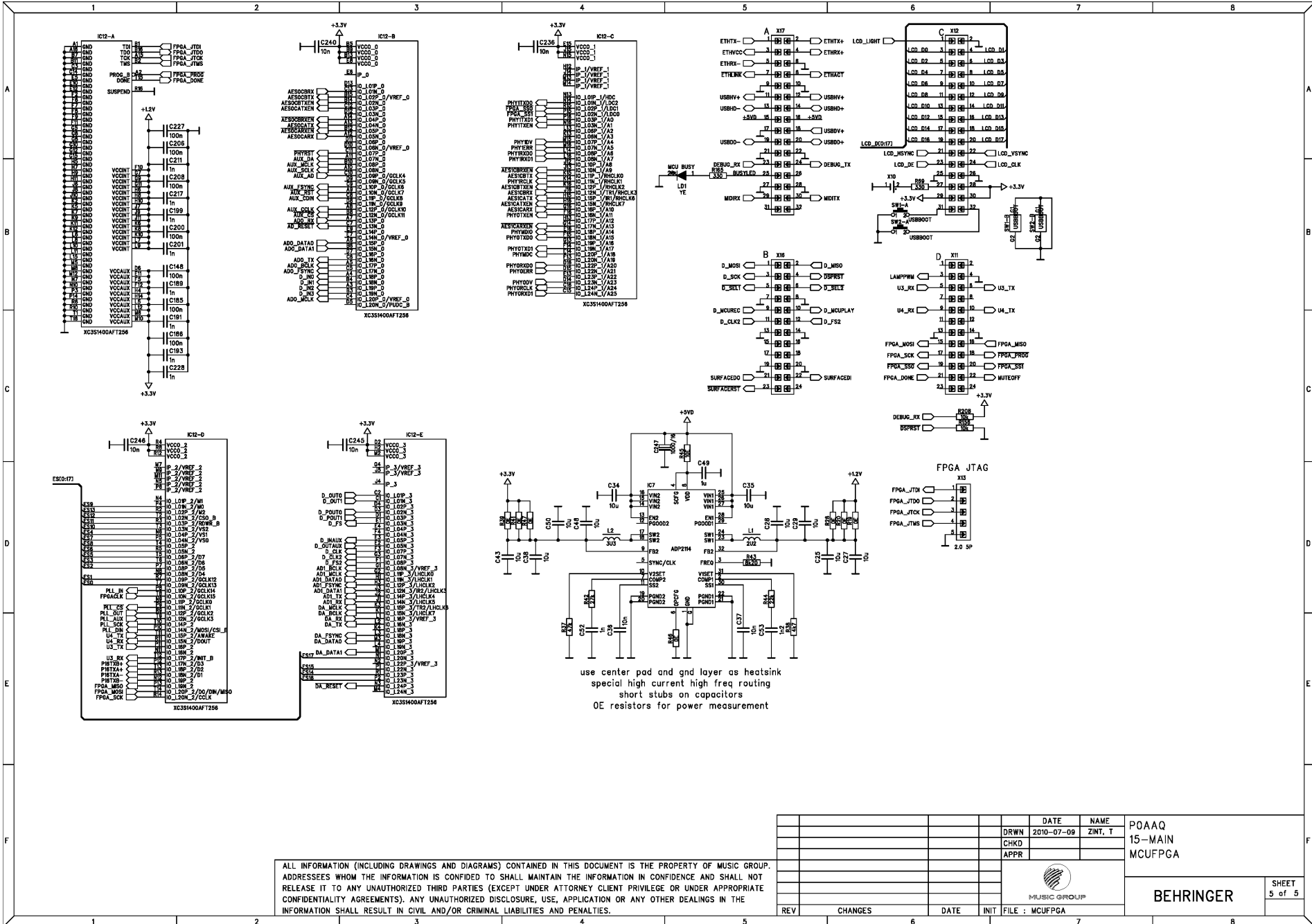
REV	CHANGES	DATE	INIT	FILE : AES50P16MIDI	DATE 2010-07-09	NAME ZINT, T	POAAQ 15-MAIN AES50P16MIDI
							BEHRINGER
							SHEET 3 of 5



ALL INFORMATION (INCLUDING DRAWINGS AND DIAGRAMS) CONTAINED IN THIS DOCUMENT IS THE PROPERTY OF MUSIC GROUP. ADDRESSEES WHOM THE INFORMATION IS CONFIDED TO SHALL MAINTAIN THE INFORMATION IN CONFIDENCE AND SHALL NOT RELEASE IT TO ANY UNAUTHORIZED THIRD PARTIES (EXCEPT UNDER ATTORNEY CLIENT PRIVILEGE OR UNDER APPROPRIATE CONFIDENTIALITY AGREEMENTS). ANY UNAUTHORIZED DISCLOSURE, USE, APPLICATION OR ANY OTHER DEALINGS IN THE INFORMATION SHALL RESULT IN CIVIL AND/OR CRIMINAL LIABILITIES AND PENALTIES.

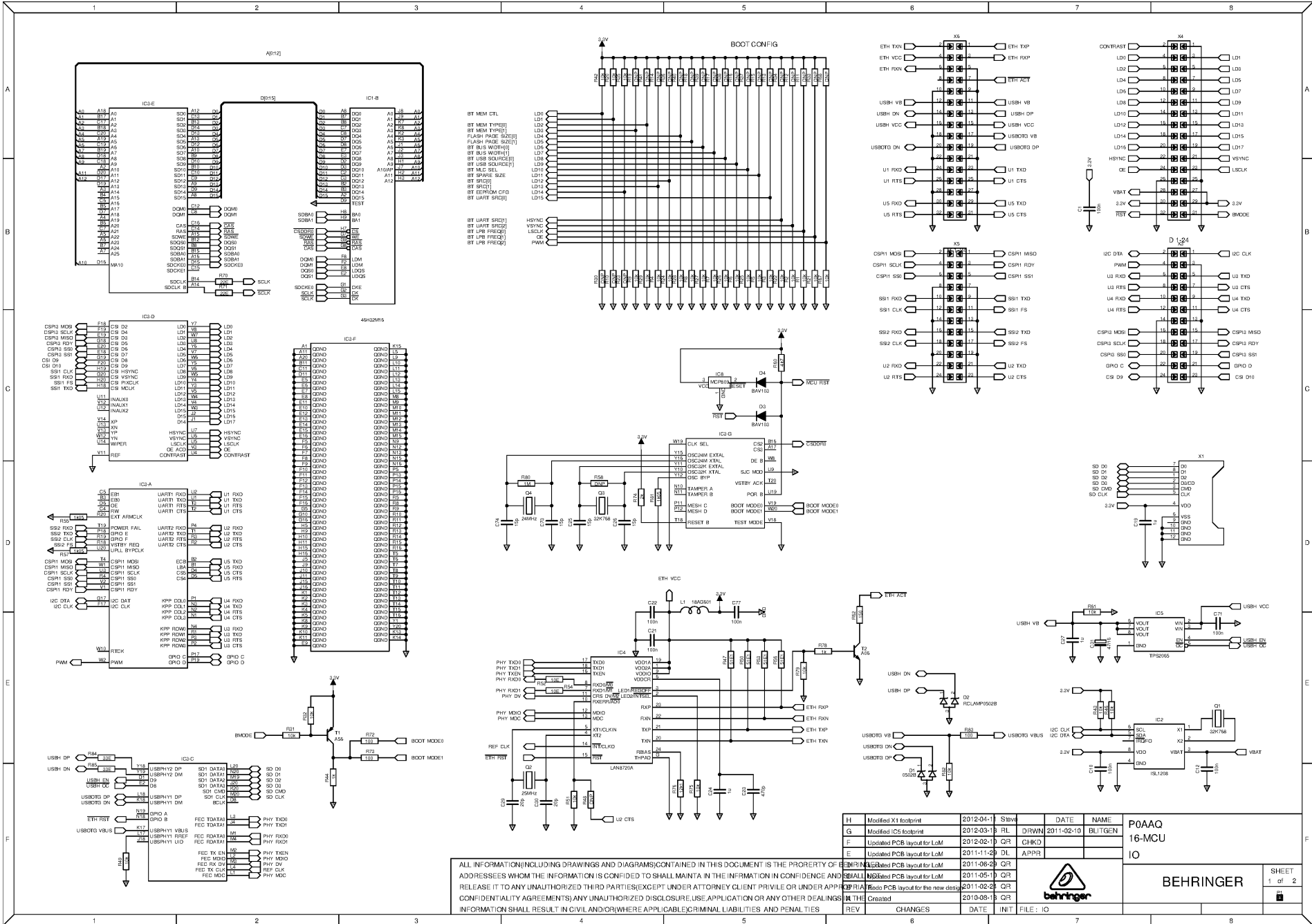
REV	CHANGES	DATE	INIT	FILE : CONNECTORS

DATE	NAME	POAAQ
2010-07-09	ZINT, T	15-MAIN
		CONNECTORS
		BEHRINGER
SHEET 4 of 5		



ALL INFORMATION (INCLUDING DRAWINGS AND DIAGRAMS) CONTAINED IN THIS DOCUMENT IS THE PROPERTY OF MUSIC GROUP. ADDRESSEES WHOM THE INFORMATION IS CONFIDED TO SHALL MAINTAIN THE INFORMATION IN CONFIDENCE AND SHALL NOT RELEASE IT TO ANY UNAUTHORIZED THIRD PARTIES (EXCEPT UNDER ATTORNEY CLIENT PRIVILEGE OR UNDER APPROPRIATE CONFIDENTIALITY AGREEMENTS). ANY UNAUTHORIZED DISCLOSURE, USE, APPLICATION OR ANY OTHER DEALINGS IN THE INFORMATION SHALL RESULT IN CIVIL AND/OR CRIMINAL LIABILITIES AND PENALTIES.

use center pad and gnd layer as heatsink
special high current high freq routing
short stubs on capacitors
0E resistors for power measurement



ALL INFORMATION INCLUDING DRAWINGS AND DIAGRAMS CONTAINED IN THIS DOCUMENT IS THE PROPERTY OF BEHRINGER. ADDRESSES WHOM THE INFORMATION IS CONFIDED TO SHALL MAINTAIN THE INFORMATION IN CONFIDENCE AND SHALL NOT DISCLOSE THE INFORMATION TO ANY UNAUTHORIZED THIRD PARTIES EXCEPT UNDER ATTORNEY CLIENT PRIVILEGE OR UNDER APPLICABLE CONFIDENTIALITY AGREEMENTS. ANY UNAUTHORIZED DISCLOSURE, USE, APPLICATION OR ANY OTHER DEALINGS IN THE INFORMATION SHALL RESULT IN CIVIL AND/OR WHERE APPLICABLE CRIMINAL LIABILITIES AND PENALTIES.

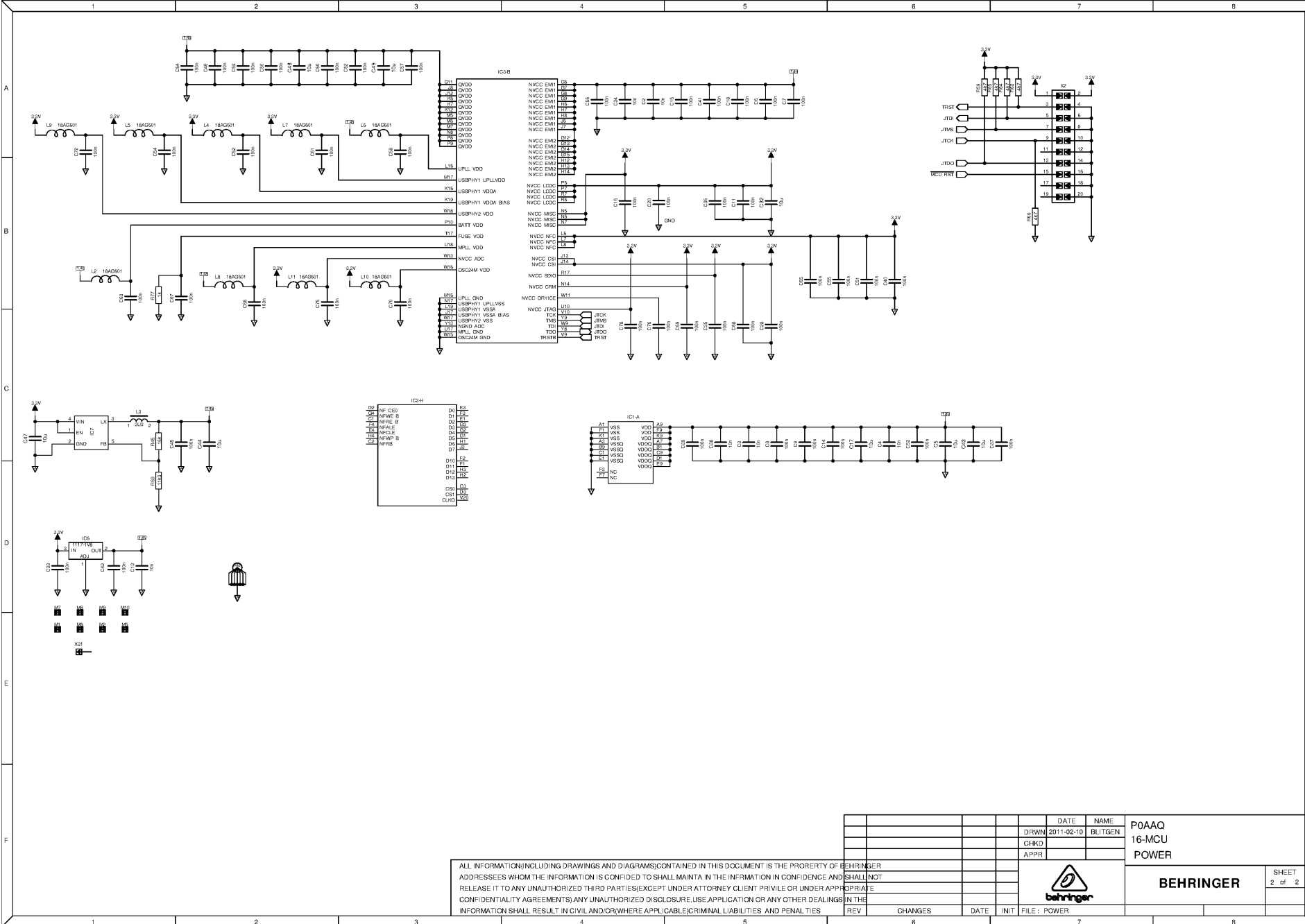
REV	CHANGES	DATE	INIT	FILE:	IO
H	Modified XI footprint	2012-04-11	Slwv		
G	Modified IC5 footprint	2012-03-18	RL	DRWN	2011-02-10
F	Updated PCB layout for LoM	2012-02-10	GR	CHKD	
E	Updated PCB layout for LoM	2011-11-28	DL	APPR	
D	Updated PCB layout for LoM	2011-08-28	GR		
C	Updated PCB layout for LoM	2011-05-19	GR		
B	Updated PCB layout for the new design	2011-02-02	GR		
A	Created	2010-09-18	GR		

P0AAQ
16-MCU
IO



BEHRINGER


SHEET
1 of 2

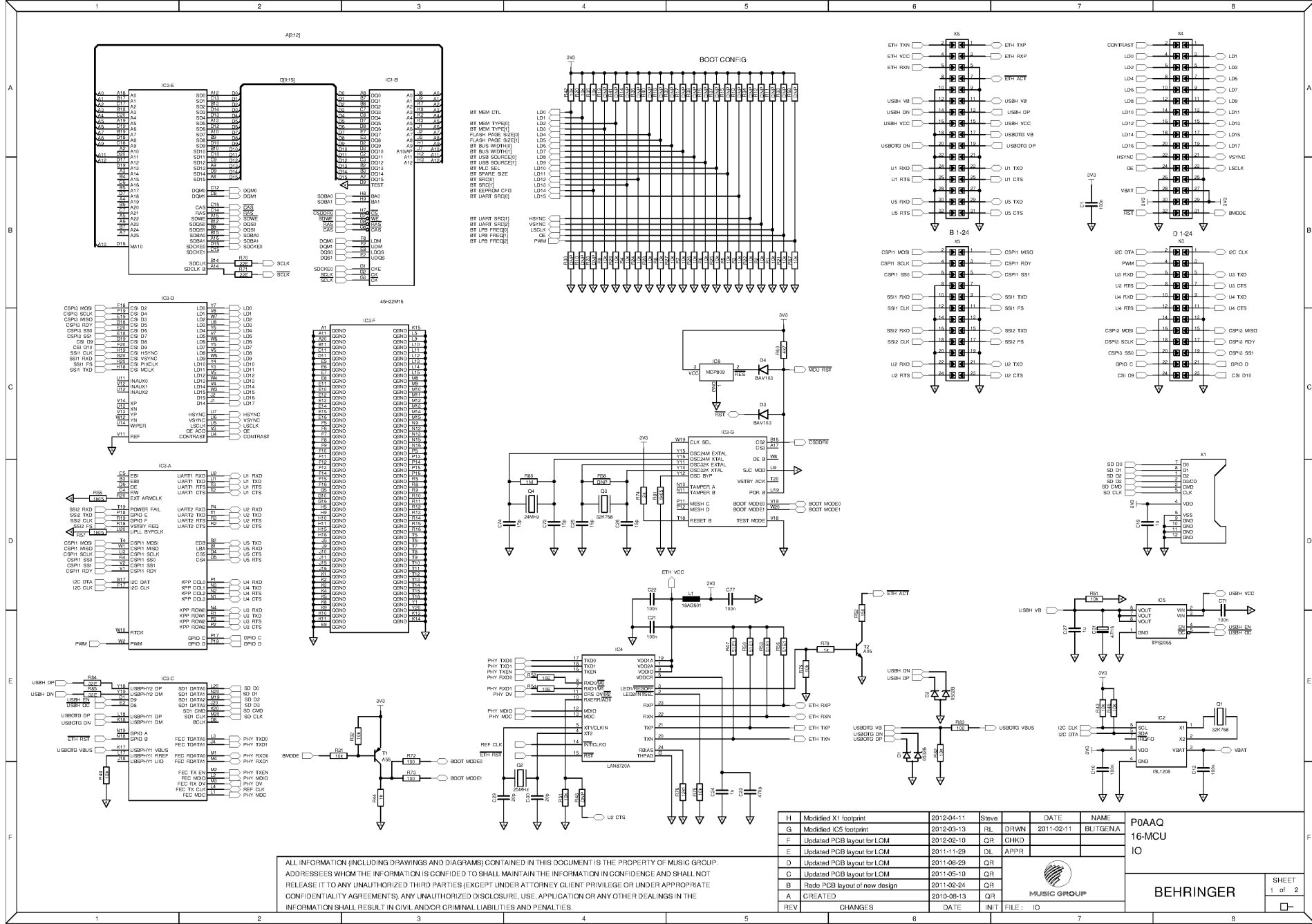


ALL INFORMATION/INCLUDING DRAWINGS AND DIAGRAMS/CONTAINED IN THIS DOCUMENT IS THE PROPERTY OF BEHRINGER ADDRESSES WHOM THE INFORMATION IS CONFIDED TO SHALL MAINTAIN THE INFORMATION IN CONFIDENCE AND SHALL NOT RELEASE IT TO ANY UNAUTHORIZED THIRD PARTIES/EXCEPT UNDER ATTORNEY CLIENT PRIVILEGE OR UNDER APPLICABLE CONFIDENTIALITY AGREEMENTS/ANY UNAUTHORIZED DISCLOSURE, USE, APPLICATION OR ANY OTHER DEALINGS IN THE INFORMATION SHALL RESULT IN CIVIL AND/OR WHERE APPLICABLE/CRIMINAL LIABILITIES AND PENALTIES

REV	CHANGES	DATE	INIT	FILE: POWER

DATE	NAME	DRW	CHKD	APPR
2011-02-10	BULTGEN			

 behringer	P0AAQ 16-MCU POWER	SHEET 2 of 2
--	--------------------------	-----------------

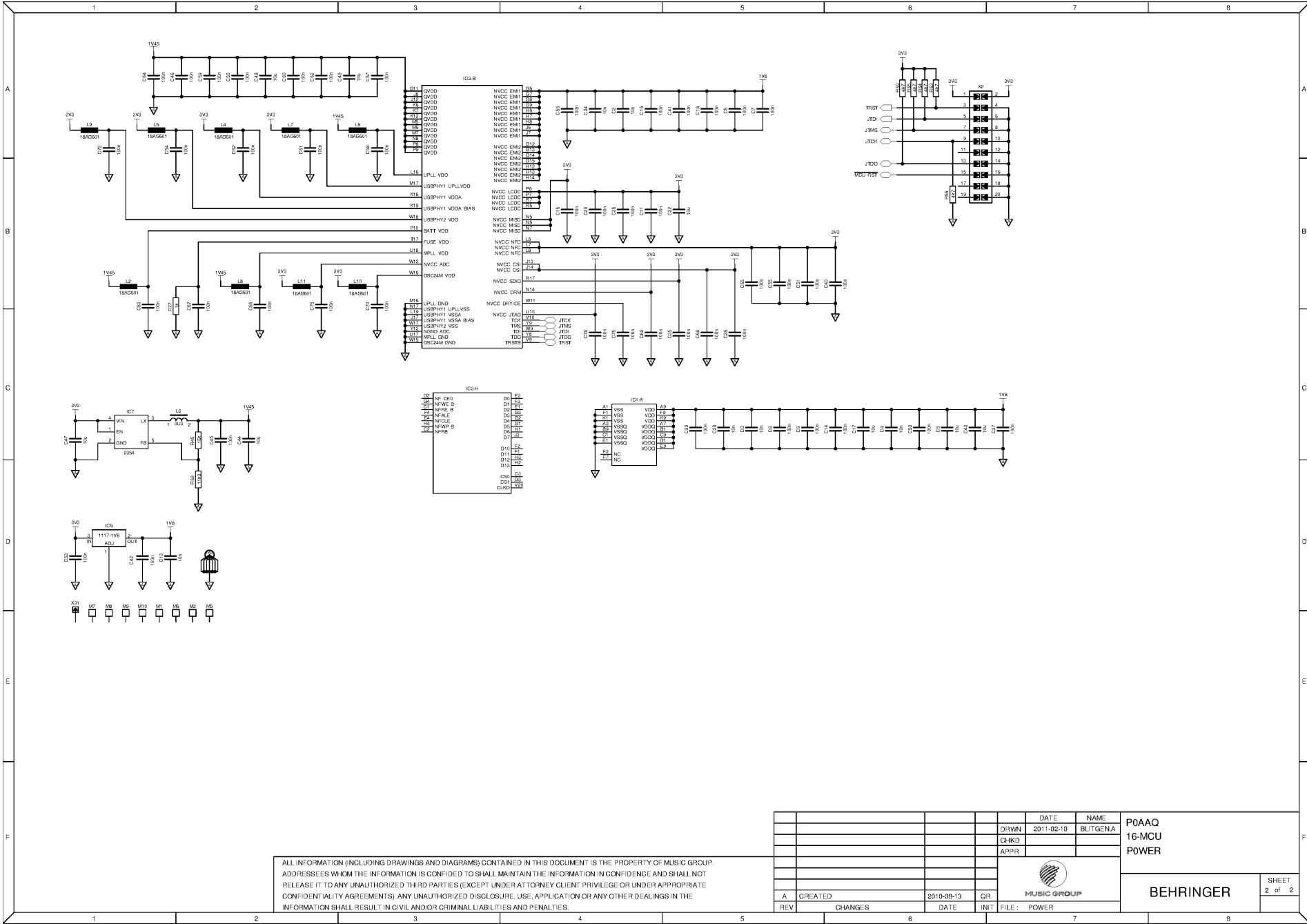


ALL INFORMATION (INCLUDING DRAWINGS AND DIAGRAMS) CONTAINED IN THIS DOCUMENT IS THE PROPERTY OF MUSIC GROUP. ADDRESSES WHOM THE INFORMATION IS CONFIDED TO SHALL MAINTAIN THE INFORMATION IN CONFIDENCE AND SHALL NOT RELEASE IT TO ANY UNAUTHORIZED THIRD PARTIES (EXCEPT UNDER ATTORNEY CLIENT PRIVILEGE OR UNDER APPROPRIATE CONFIDENTIALITY AGREEMENTS). ANY UNAUTHORIZED DISCLOSURE, USE, APPLICATION OR ANY OTHER DEALINGS IN THE INFORMATION SHALL RESULT IN CIVIL AND/OR CRIMINAL LIABILITIES AND PENALTIES.


MUSIC GROUP

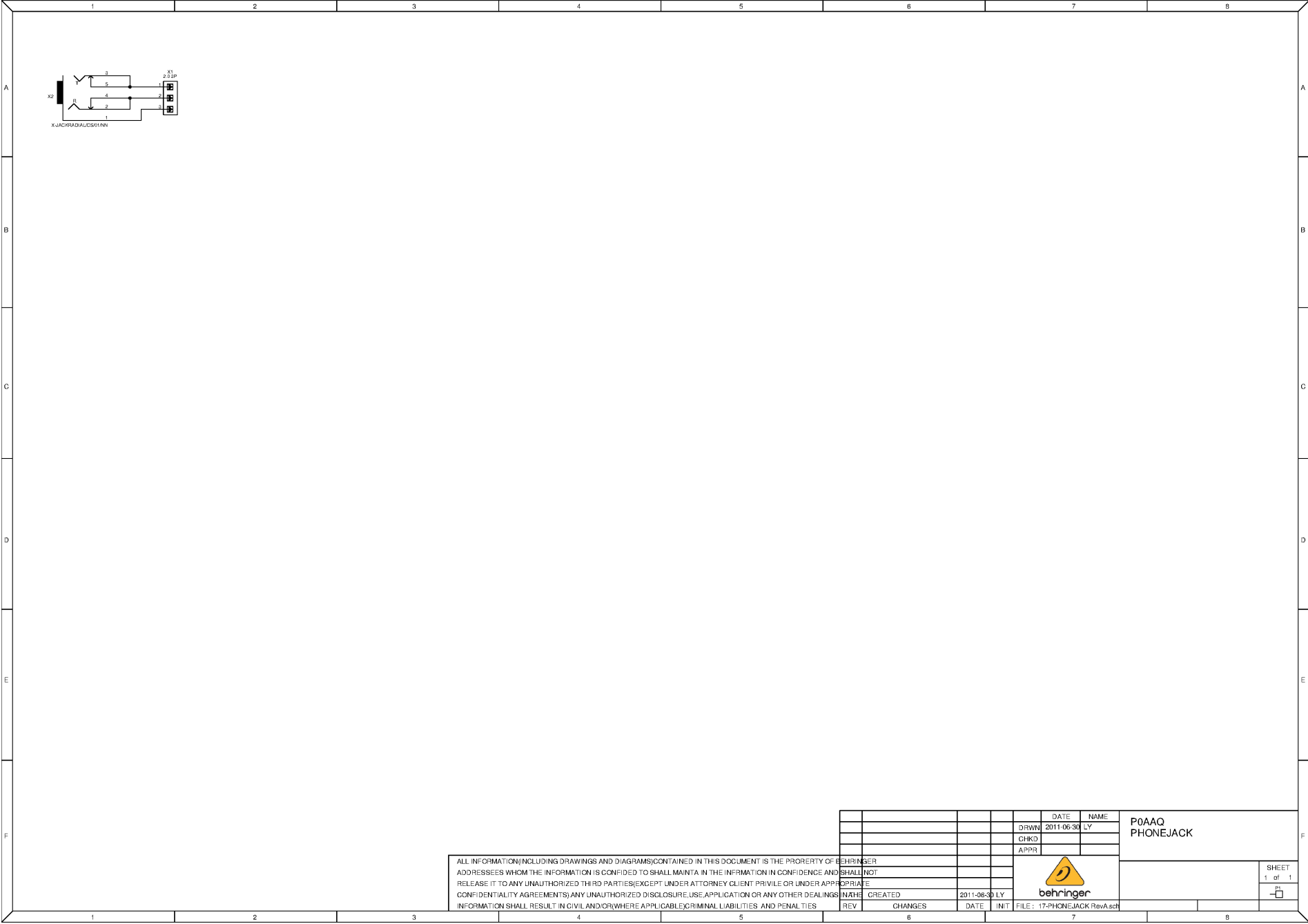
BEHRINGER

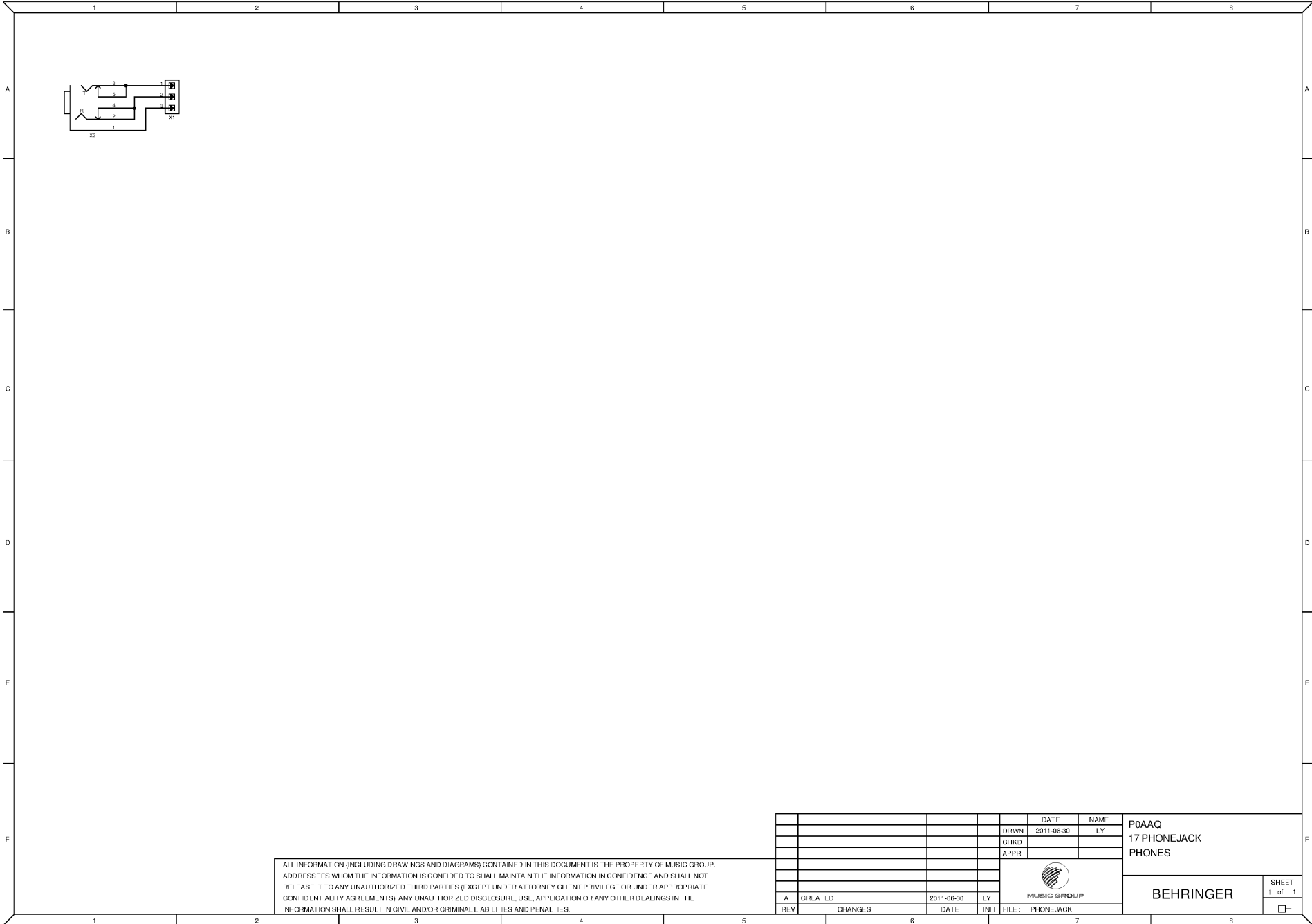
SHIELD 1 of 2



ALL INFORMATION (INCLUDING DRAWINGS AND DIAGRAMS) CONTAINED IN THIS DOCUMENT IS THE PROPERTY OF MUSIC GROUP. ADDRESSEES WHOM THE INFORMATION IS CONFIDED TO SHALL MAINTAIN THE INFORMATION IN CONFIDENCE AND SHALL NOT RELEASE IT TO ANY UNAUTHORIZED THIRD PARTIES EXCEPT UNDER ATTORNEY CLIENT PRIVILEGE OR UNDER APPROPRIATE CONFIDENTIALITY AGREEMENTS). ANY UNAUTHORIZED DISCLOSURE, USE, APPLICATION OR ANY OTHER DEALINGS IN THE INFORMATION SHALL RESULT IN CIVIL AND/OR CRIMINAL LIABILITIES AND PENALTIES.

DRWN	2011-02-10	NAME	BLITGENA	P0AAQ 16-MCU POWER
CHKO				
APPR				
				BEHRINGER
A	CREATED	2010-09-13	QR	
REV	CHANGES	DATE	INIT	FILE: POWER

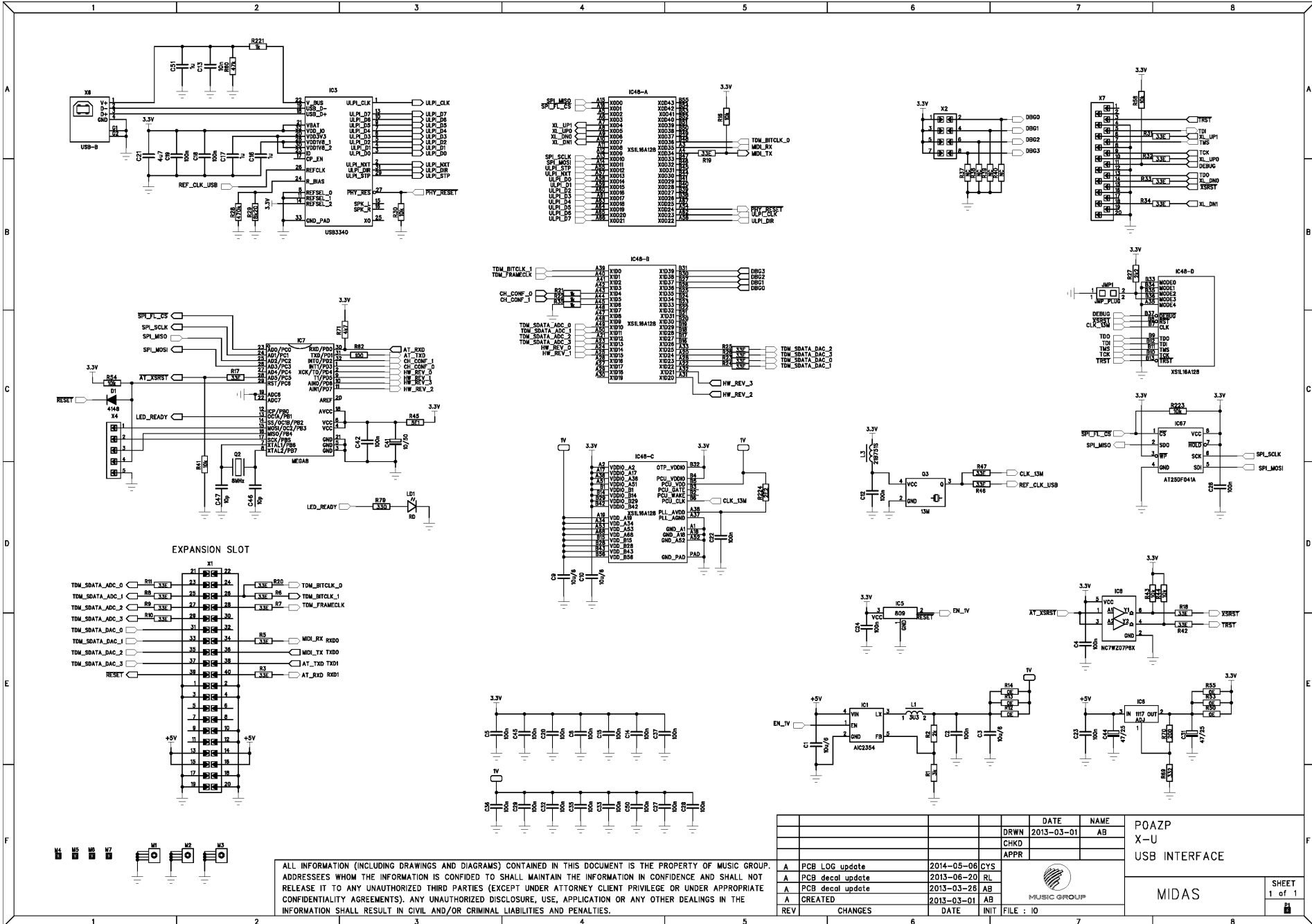




ALL INFORMATION (INCLUDING DRAWINGS AND DIAGRAMS) CONTAINED IN THIS DOCUMENT IS THE PROPERTY OF MUSIC GROUP ADDRESSEES WHOM THE INFORMATION IS CONFIDED TO SHALL MAINTAIN THE INFORMATION IN CONFIDENCE AND SHALL NOT RELEASE IT TO ANY UNAUTHORIZED THIRD PARTIES (EXCEPT UNDER ATTORNEY CLIENT PRIVILEGE OR UNDER APPROPRIATE CONFIDENTIALITY AGREEMENTS). ANY UNAUTHORIZED DISCLOSURE, USE, APPLICATION OR ANY OTHER DEALINGS IN THE INFORMATION SHALL RESULT IN CIVIL AND/OR CRIMINAL LIABILITIES AND PENALTIES.

REV	CHANGES	DATE	INIT	FILE: PHONEJACK
A	CREATED	2011-06-30	LY	

DATE	NAME	P0AAQ 17 PHONEJACK PHONES
DRWN	2011-06-30	
CHKD	LY	
APPR		
		BEHRINGER
		SHEET 1 of 1

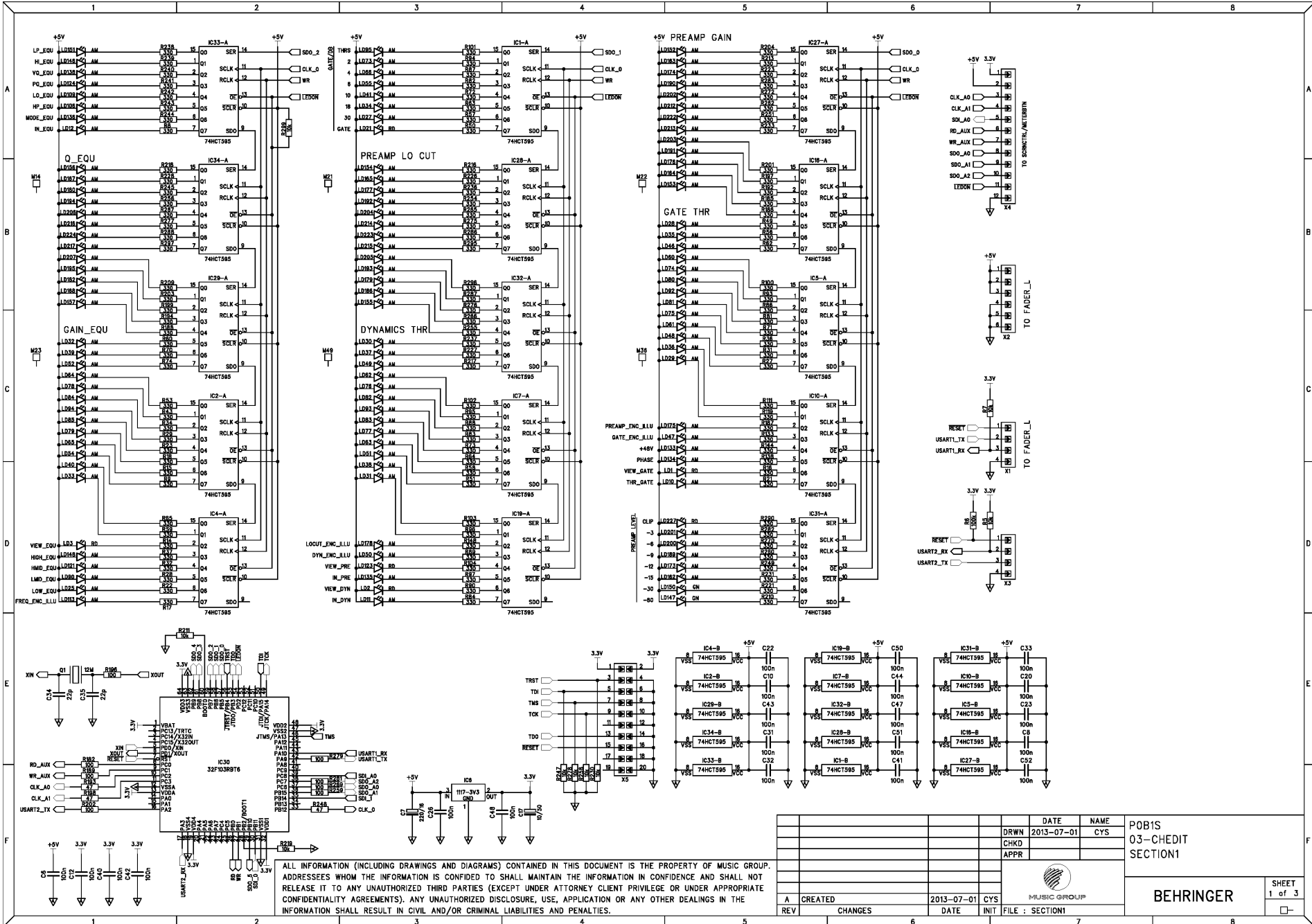


ALL INFORMATION (INCLUDING DRAWINGS AND DIAGRAMS) CONTAINED IN THIS DOCUMENT IS THE PROPERTY OF MUSIC GROUP. ADDRESSEES WHOM THE INFORMATION IS CONFIDED TO SHALL MAINTAIN THE INFORMATION IN CONFIDENCE AND SHALL NOT RELEASE IT TO ANY UNAUTHORIZED THIRD PARTIES (EXCEPT UNDER ATTORNEY CLIENT PRIVILEGE OR UNDER APPROPRIATE CONFIDENTIALITY AGREEMENTS). ANY UNAUTHORIZED DISCLOSURE, USE, APPLICATION OR ANY OTHER DEALINGS IN THE INFORMATION SHALL RESULT IN CIVIL AND/OR CRIMINAL LIABILITIES AND PENALTIES.

REV	CHANGES	DATE	INIT	FILE	DATE	NAME
A	PCB LOG update	2014-05-06	CYS		2013-03-01	AB
A	PCB decal update	2013-06-20	RL			
A	PCB decal update	2013-03-28	AB			
A	CREATED	2013-03-01	AB			

DRWN	2013-03-01	AB	POAZP X-U USB INTERFACE
CHKD			
APPR			

MUSIC GROUP	MIDAS	SHEET 1 of 1
-------------	-------	-----------------



ALL INFORMATION (INCLUDING DRAWINGS AND DIAGRAMS) CONTAINED IN THIS DOCUMENT IS THE PROPERTY OF MUSIC GROUP. ADDRESSES WHOM THE INFORMATION IS CONFIDED TO SHALL MAINTAIN THE INFORMATION IN CONFIDENCE AND SHALL NOT RELEASE IT TO ANY UNAUTHORIZED THIRD PARTIES (EXCEPT UNDER ATTORNEY CLIENT PRIVILEGE OR UNDER APPROPRIATE CONFIDENTIALITY AGREEMENTS). ANY UNAUTHORIZED DISCLOSURE, USE, APPLICATION OR ANY OTHER DEALINGS IN THE INFORMATION SHALL RESULT IN CIVIL AND/OR CRIMINAL LIABILITIES AND PENALTIES.

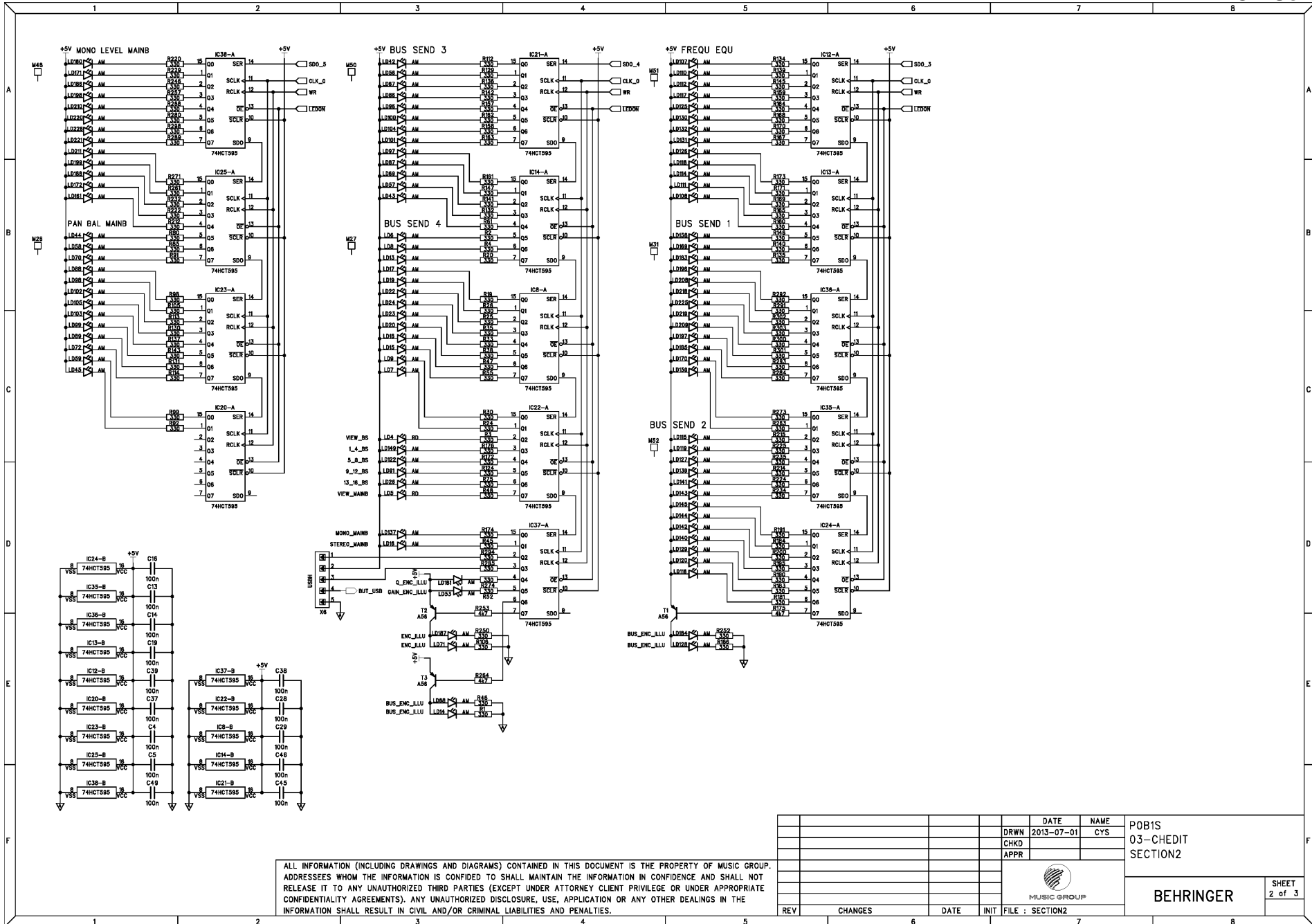
REV	CHANGES	DATE	INIT	FILE	SECTION1
A	CREATED	2013-07-01	CYS		

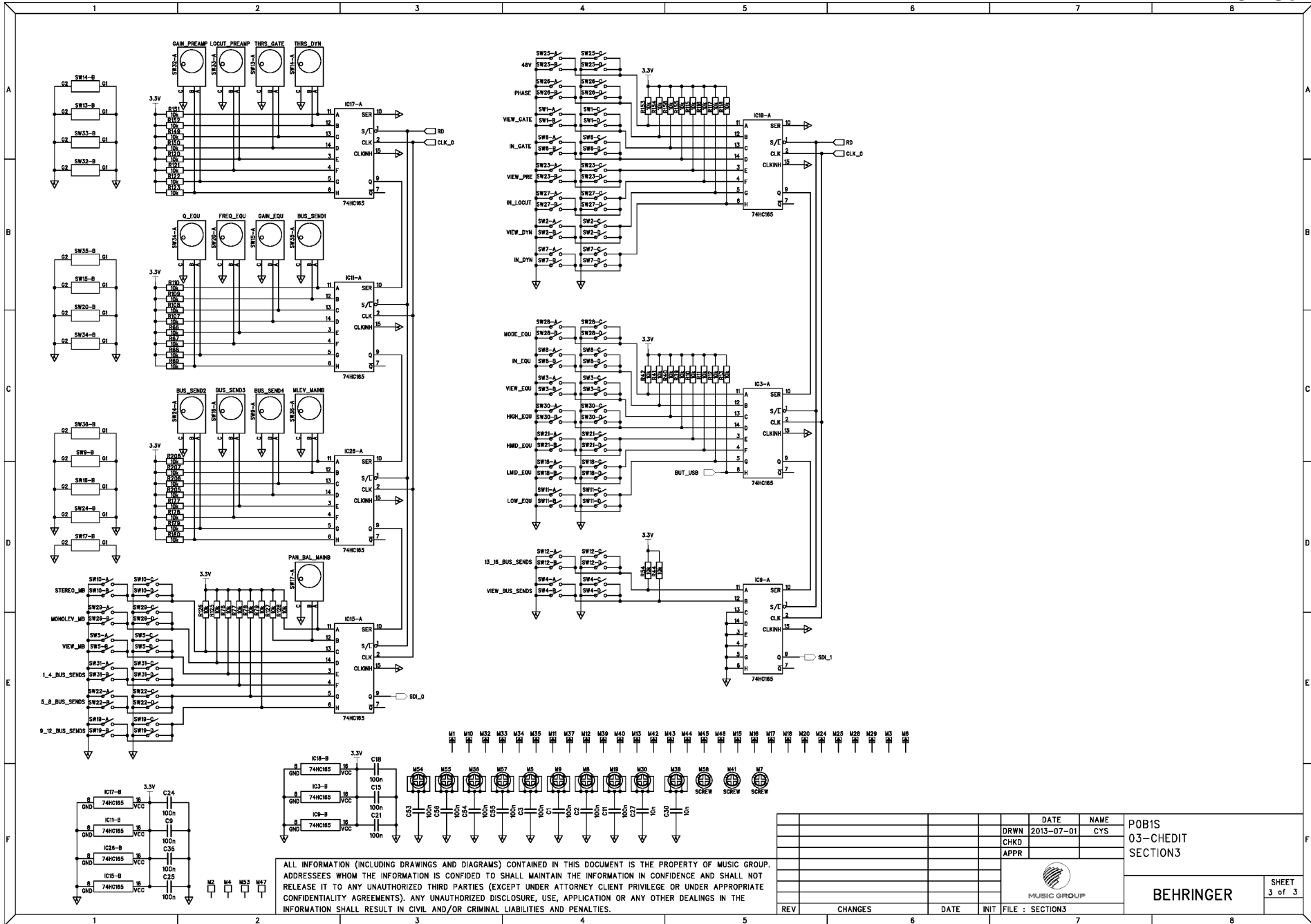
DATE	NAME	DRWN	CHKD	APPR
2013-07-01	CYS			

POBIS
03-CREDIT
SECTION1

BEHRINGER

SHEET
1 of 3





ALL INFORMATION (INCLUDING DRAWINGS AND DIAGRAMS) CONTAINED IN THIS DOCUMENT IS THE PROPERTY OF MUSIC GROUP. ADDRESSES WHOM THE INFORMATION IS CONFIDED TO SHALL MAINTAIN THE INFORMATION IN CONFIDENCE AND SHALL NOT RELEASE IT TO ANY UNAUTHORIZED THIRD PARTIES (EXCEPT UNDER ATTORNEY CLIENT PRIVILEGE OR UNDER APPROPRIATE CONFIDENTIALITY AGREEMENTS). ANY UNAUTHORIZED DISCLOSURE, USE, APPLICATION OR ANY OTHER DEALINGS IN THE INFORMATION SHALL RESULT IN CIVIL AND/OR CRIMINAL LIABILITIES AND PENALTIES.

REV	CHANGES	DATE	INIT	FILE : SECTION3

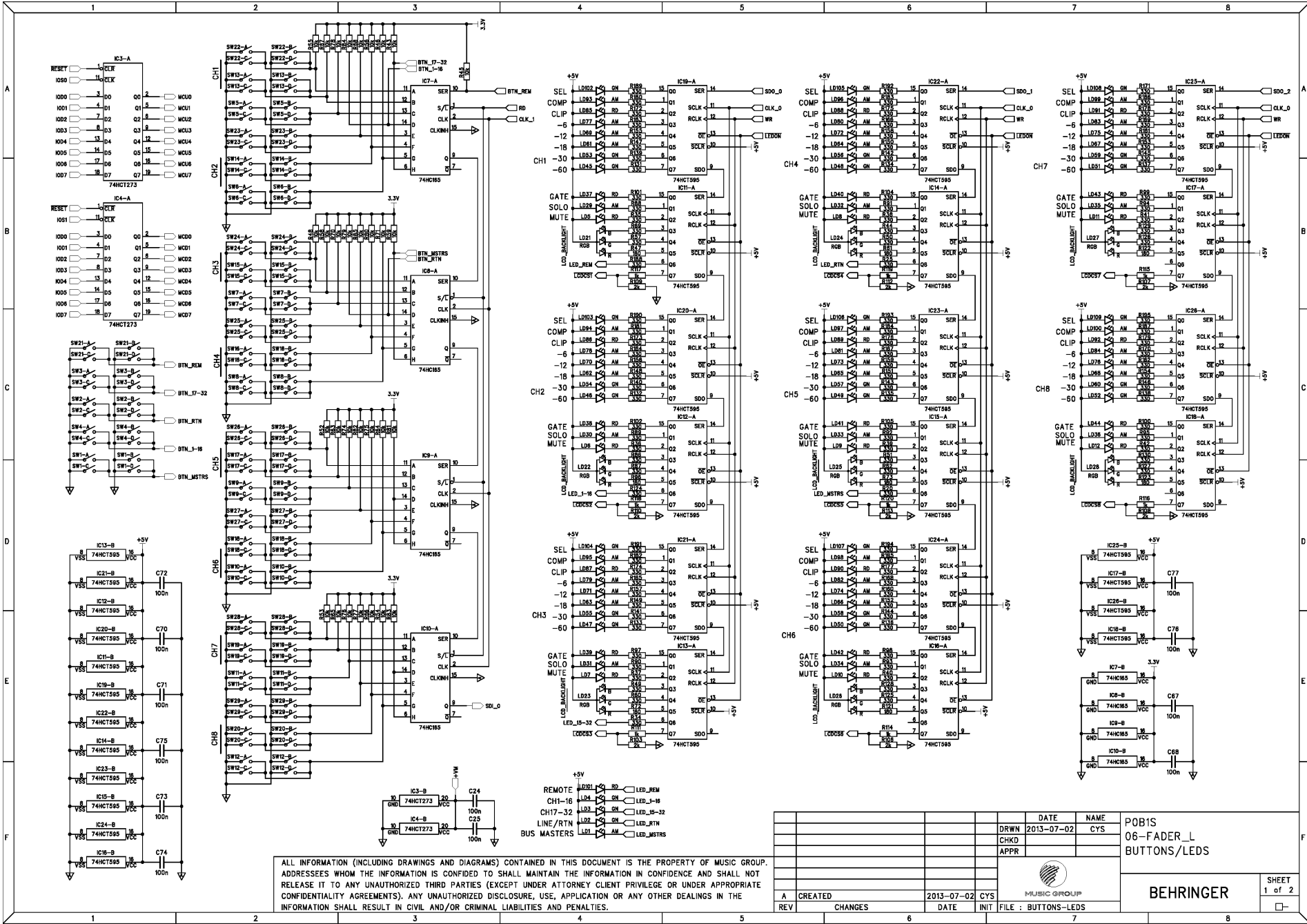
DATE 2013-07-01
 NAME CYS
 DRWN
 CHKD
 APPR

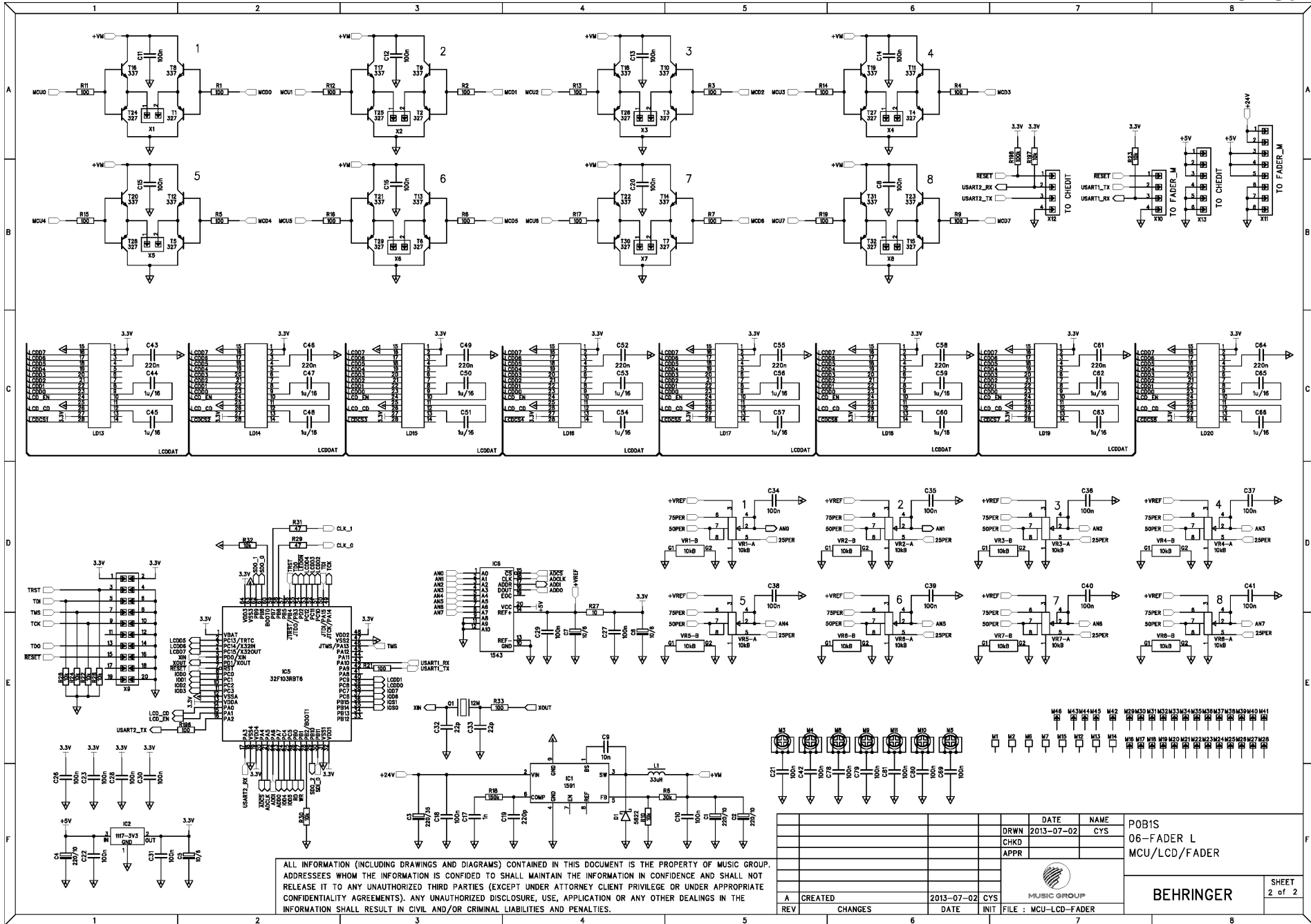
POBIS
 03-CREDIT
 SECTION3



BEHRINGER

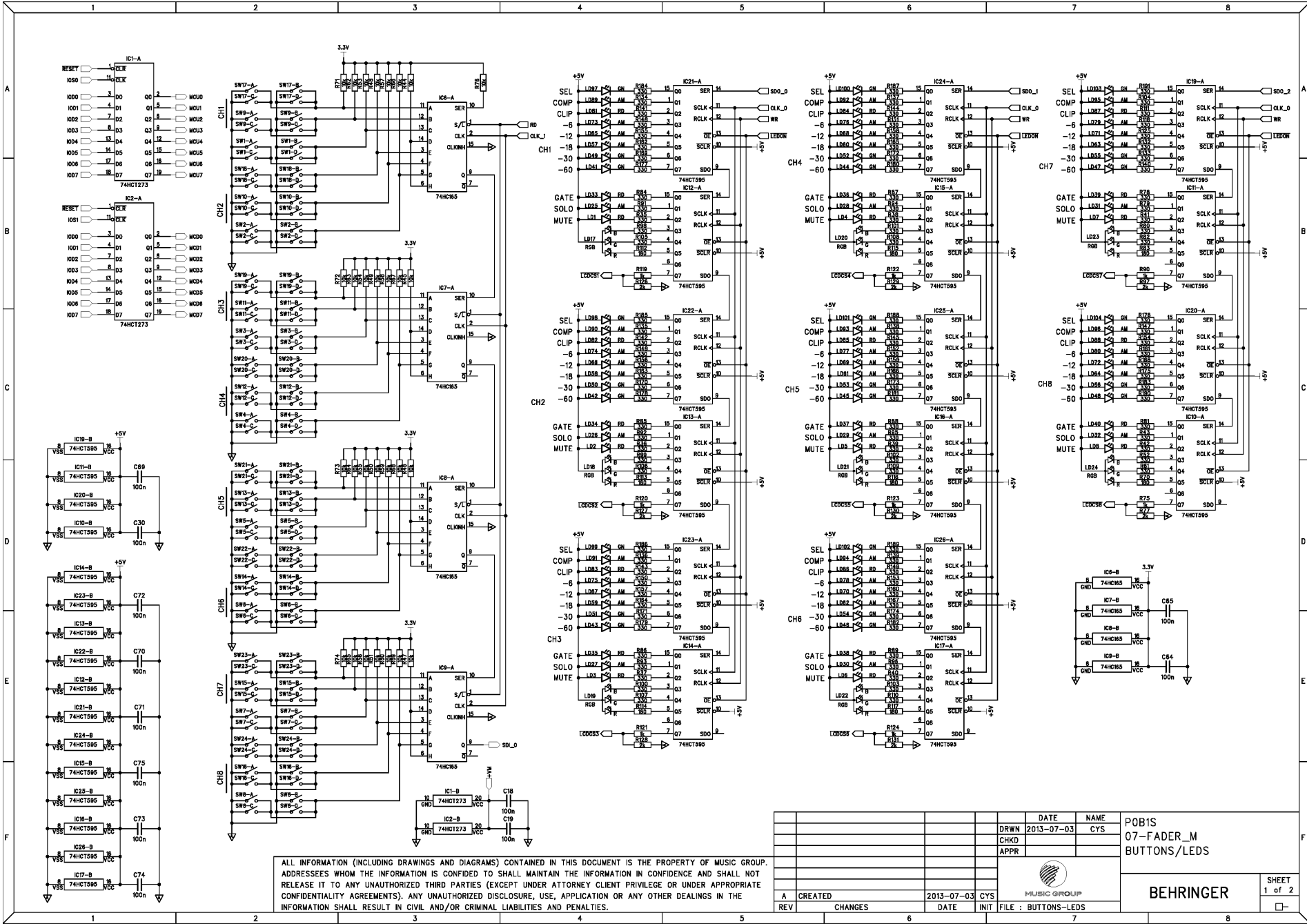
SHEET 3 of 3





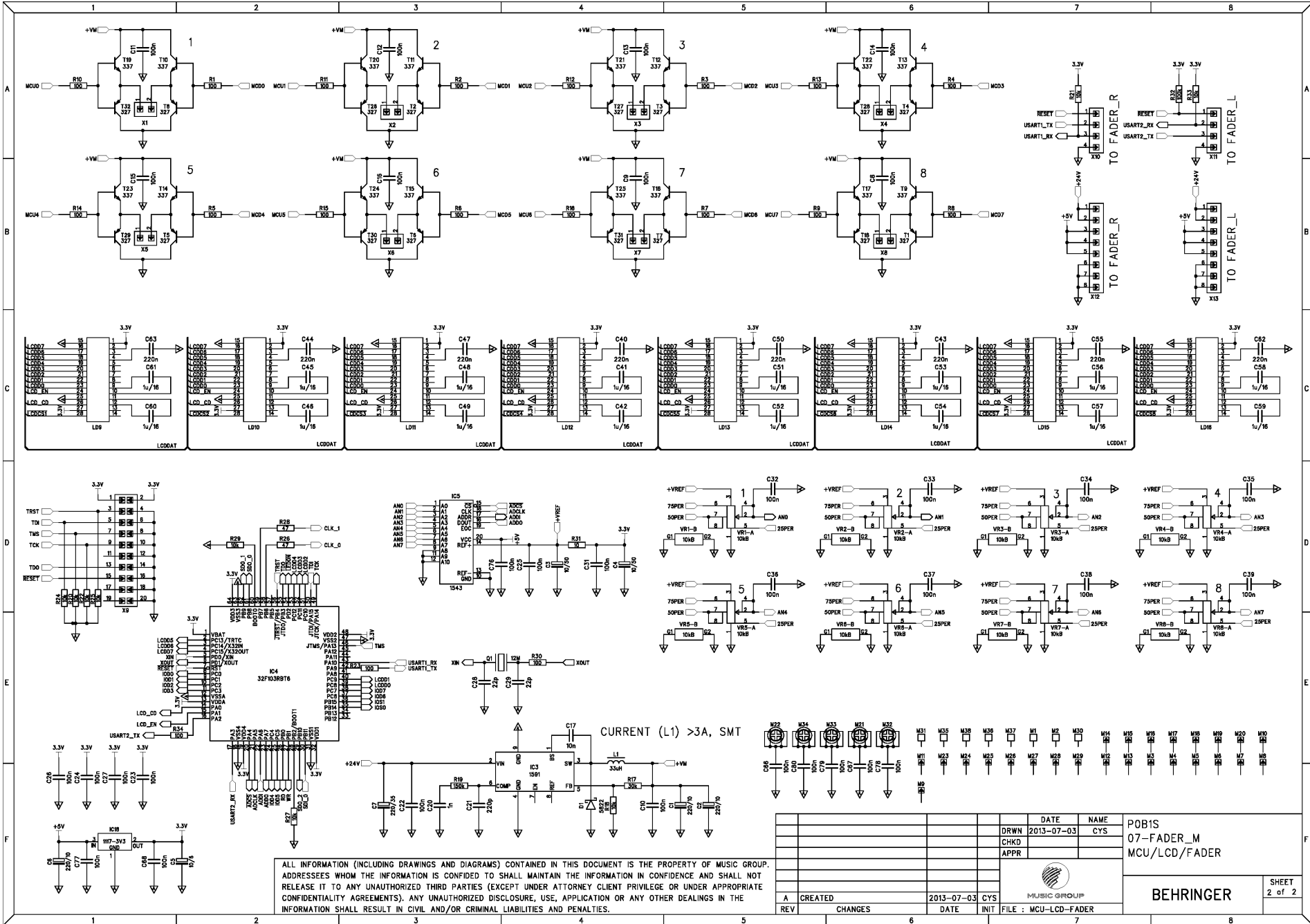
ALL INFORMATION (INCLUDING DRAWINGS AND DIAGRAMS) CONTAINED IN THIS DOCUMENT IS THE PROPERTY OF MUSIC GROUP. ADDRESSES WHOM THE INFORMATION IS CONFIDED TO SHALL MAINTAIN THE INFORMATION IN CONFIDENCE AND SHALL NOT RELEASE IT TO ANY UNAUTHORIZED THIRD PARTIES (EXCEPT UNDER ATTORNEY CLIENT PRIVILEGE OR UNDER APPROPRIATE CONFIDENTIALITY AGREEMENTS). ANY UNAUTHORIZED DISCLOSURE, USE, APPLICATION OR ANY OTHER DEALINGS IN THE INFORMATION SHALL RESULT IN CIVIL AND/OR CRIMINAL LIABILITIES AND PENALTIES.

DRWN	2013-07-02	CYS	POBIS
CHKD			06-FADER L
APPR			MCU/LCD/FADER
			BEHRINGER
A	CREATED	2013-07-02	CYS
REV	CHANGES	DATE	INIT FILE : MCU-LCD-FADER
			SHEET 2 of 2



ALL INFORMATION (INCLUDING DRAWINGS AND DIAGRAMS) CONTAINED IN THIS DOCUMENT IS THE PROPERTY OF MUSIC GROUP. ADDRESSEES WHOM THE INFORMATION IS CONFIDED TO SHALL MAINTAIN THE INFORMATION IN CONFIDENCE AND SHALL NOT RELEASE IT TO ANY UNAUTHORIZED THIRD PARTIES (EXCEPT UNDER ATTORNEY CLIENT PRIVILEGE OR UNDER APPROPRIATE CONFIDENTIALITY AGREEMENTS). ANY UNAUTHORIZED DISCLOSURE, USE, APPLICATION OR ANY OTHER DEALINGS IN THE INFORMATION SHALL RESULT IN CIVIL AND/OR CRIMINAL LIABILITIES AND PENALTIES.

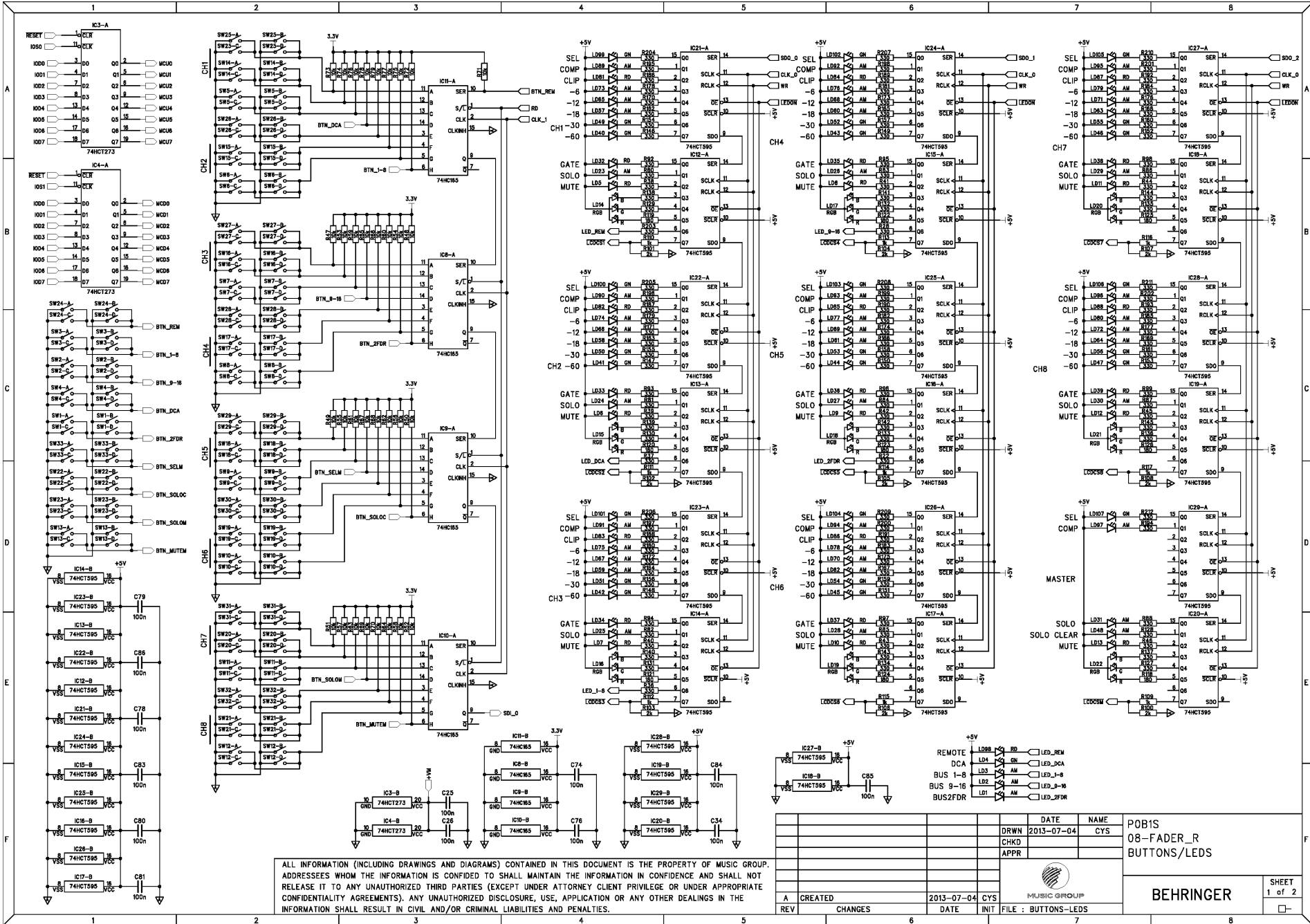
DATE		NAME		POBIS 07-FADER_M BUTTONS/LEDS
DRWN	2013-07-03	CYS		
CHKD				
APPR				
MUSIC GROUP		BEHRINGER		SHEET 1 of 2
A	CREATED	2013-07-03	CYS	FILE : BUTTONS-LEDS
REV	CHANGES	DATE	INIT	

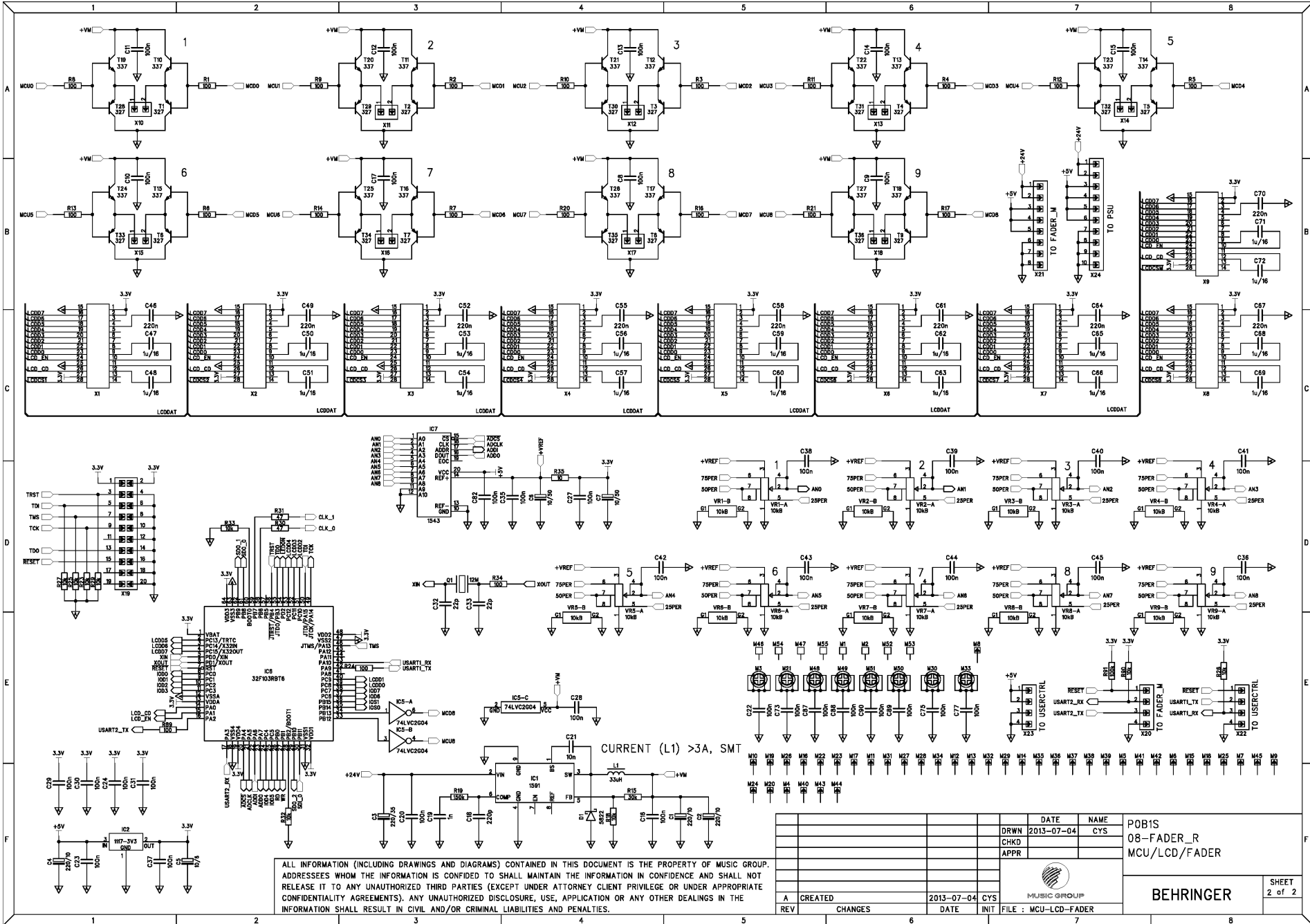


ALL INFORMATION (INCLUDING DRAWINGS AND DIAGRAMS) CONTAINED IN THIS DOCUMENT IS THE PROPERTY OF MUSIC GROUP. ADDRESSES WHOM THE INFORMATION IS CONFIDED TO SHALL MAINTAIN THE INFORMATION IN CONFIDENCE AND SHALL NOT RELEASE IT TO ANY UNAUTHORIZED THIRD PARTIES (EXCEPT UNDER ATTORNEY CLIENT PRIVILEGE OR UNDER APPROPRIATE CONFIDENTIALITY AGREEMENTS). ANY UNAUTHORIZED DISCLOSURE, USE, APPLICATION OR ANY OTHER DEALINGS IN THE INFORMATION SHALL RESULT IN CIVIL AND/OR CRIMINAL LIABILITIES AND PENALTIES.

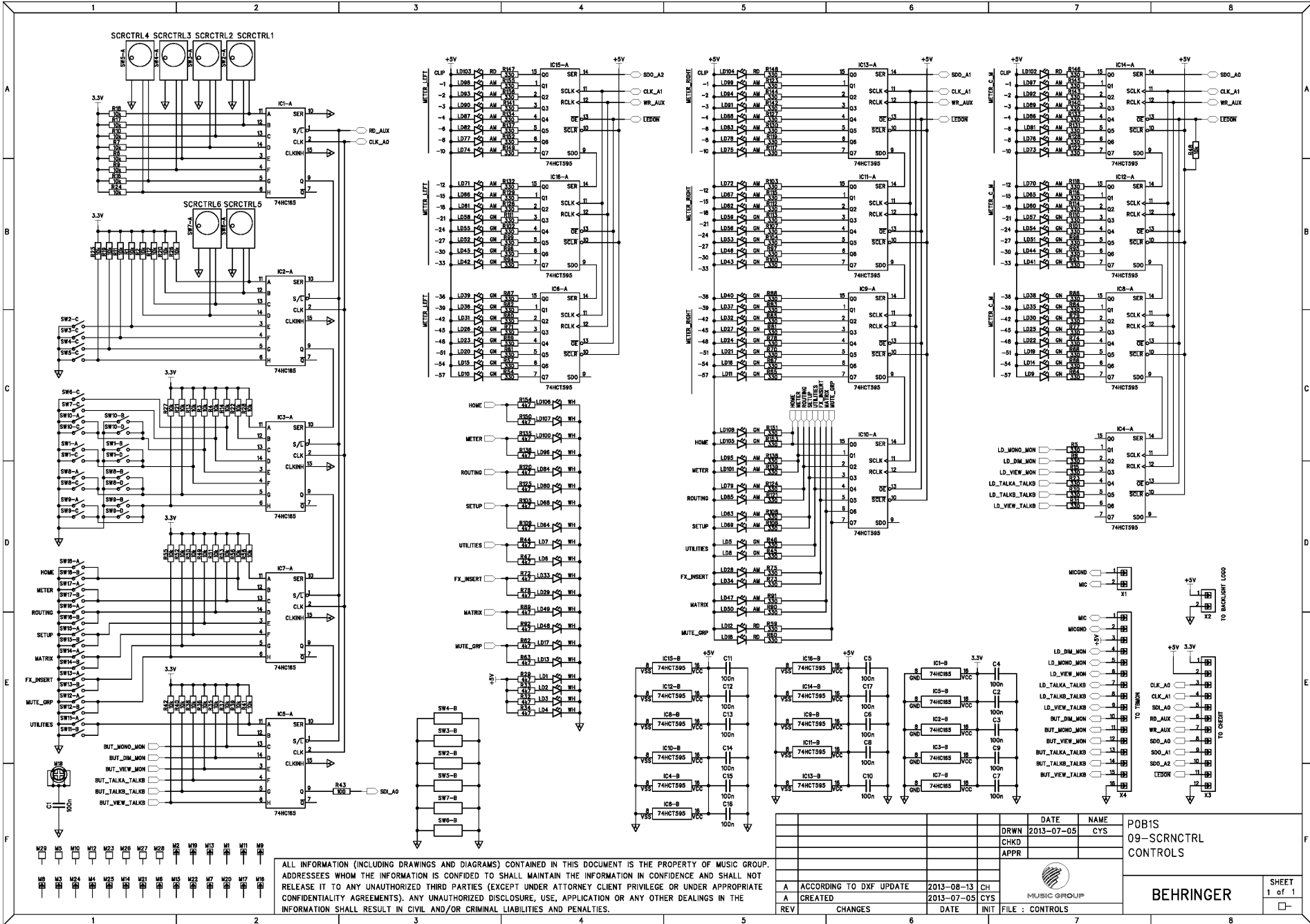
DATE	NAME	POBIS 07-FADER_M MCU/LCD/FADER		
DRWN 2013-07-03	CYS			
CHKD				
APPR				
MUSIC GROUP		BEHRINGER		
FILE	MCU-LCD-FADER			
CREATED	2013-07-03	CYS		
REV	CHANGES	DATE	INIT	FILE

SHEET
2 of 2





DATE		NAME	
2013-07-04	CYS	POBIS	
DRWN		08-FADER_R	
CHKD		MCU/LCD/FADER	
APPR			
CREATED		2013-07-04	
REV		DATE	
A	INIT	FILE	MCU-LCD-FADER
CHANGES		MUSIC GROUP	
		BEHRINGER	
		SHEET	
		2 of 2	



ALL INFORMATION (INCLUDING DRAWINGS AND DIAGRAMS) CONTAINED IN THIS DOCUMENT IS THE PROPERTY OF MUSIC GROUP. ADDRESSES WHOM THE INFORMATION IS CONFIDED TO SHALL MAINTAIN THE INFORMATION IN CONFIDENCE AND SHALL NOT RELEASE IT TO ANY UNAUTHORIZED THIRD PARTIES (EXCEPT UNDER ATTORNEY CLIENT PRIVILEGE OR UNDER APPROPRIATE CONFIDENTIALITY AGREEMENTS). ANY UNAUTHORIZED DISCLOSURE, USE, APPLICATION OR ANY OTHER DEALINGS IN THE INFORMATION SHALL RESULT IN CIVIL AND/OR CRIMINAL LIABILITIES AND PENALTIES.

DATE	NAME
2013-07-05	CYS

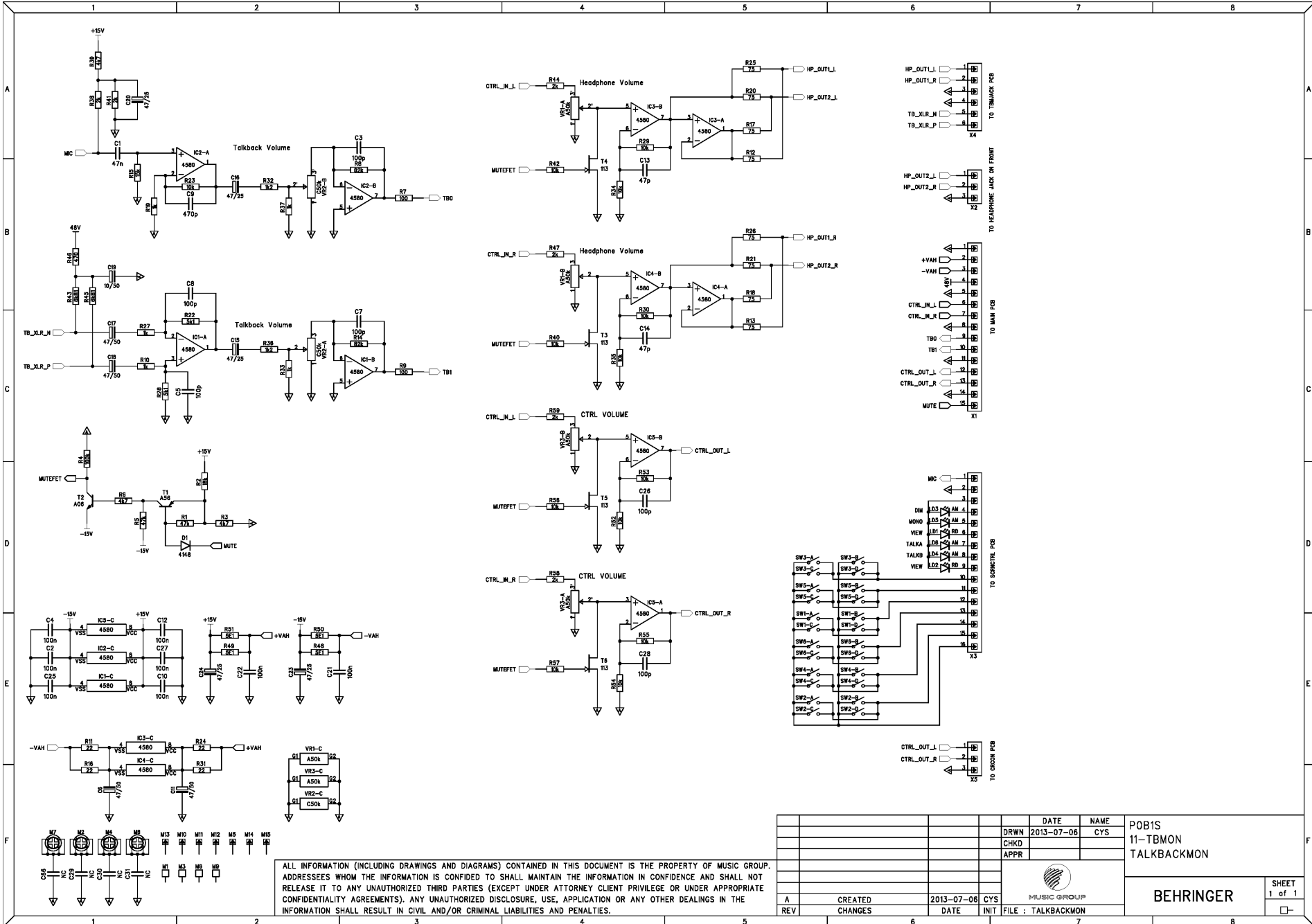
DRWN: CYS
CHKD:
APPR:

MUSIC GROUP


POBIS
09-SCRNCTRL
CONTROLS

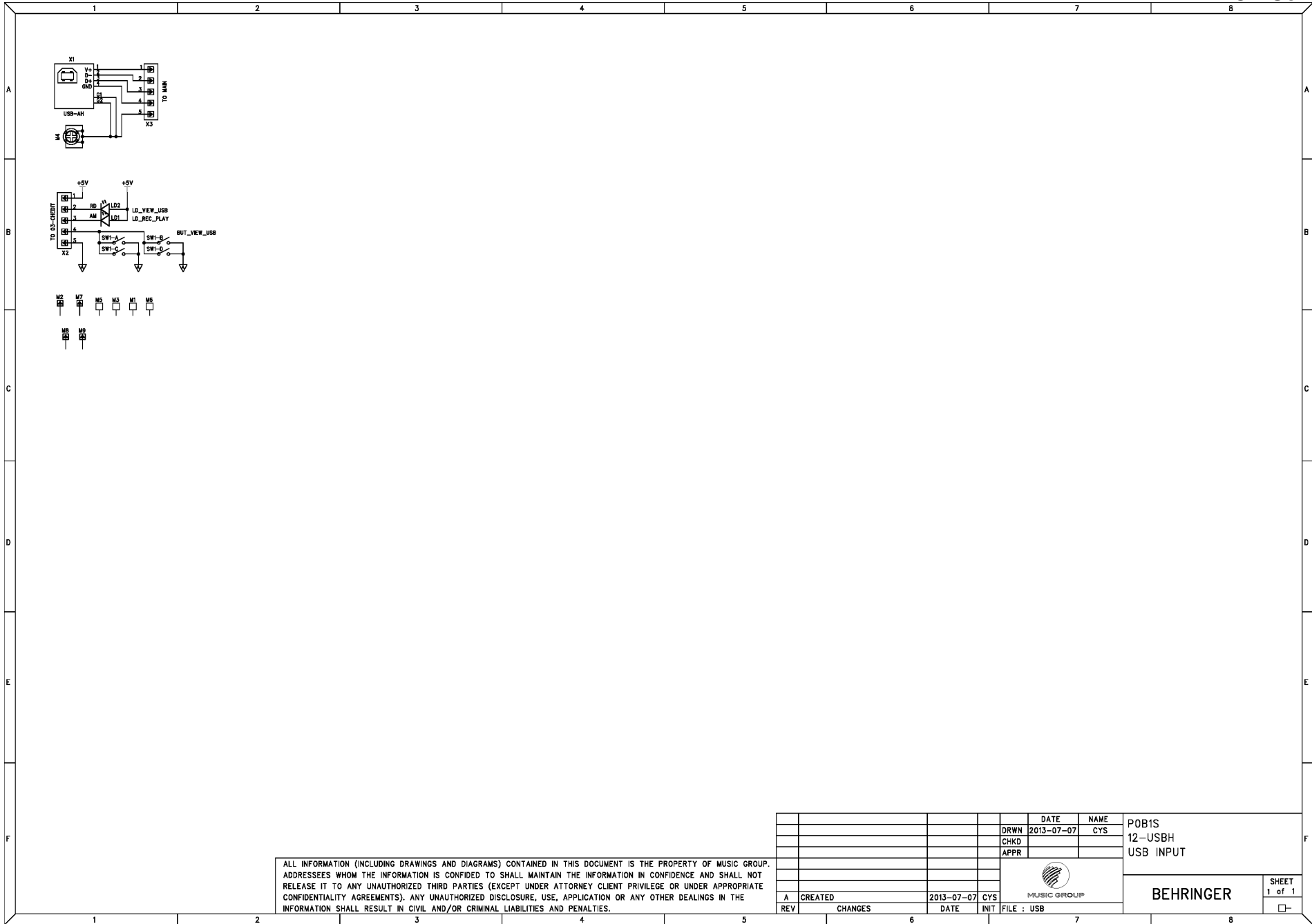
BEHRINGER

SHEET 1 of 1




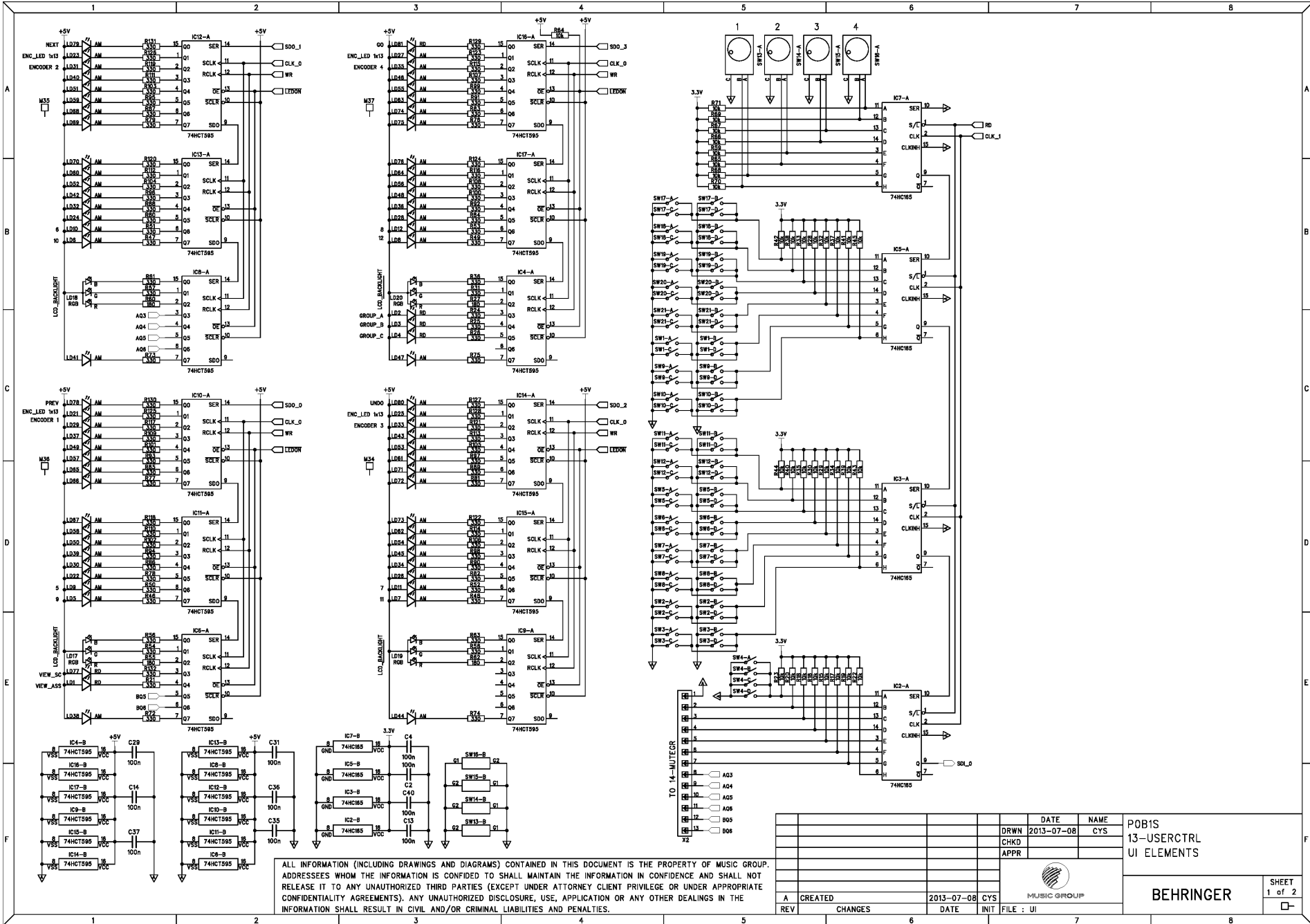
ALL INFORMATION (INCLUDING DRAWINGS AND DIAGRAMS) CONTAINED IN THIS DOCUMENT IS THE PROPERTY OF MUSIC GROUP. ADDRESSES WHOM THE INFORMATION IS CONFIDED TO SHALL MAINTAIN THE INFORMATION IN CONFIDENCE AND SHALL NOT RELEASE IT TO ANY UNAUTHORIZED THIRD PARTIES (EXCEPT UNDER ATTORNEY CLIENT PRIVILEGE OR UNDER APPROPRIATE CONFIDENTIALITY AGREEMENTS). ANY UNAUTHORIZED DISCLOSURE, USE, APPLICATION OR ANY OTHER DEALINGS IN THE INFORMATION SHALL RESULT IN CIVIL AND/OR CRIMINAL LIABILITIES AND PENALTIES.

		DATE	NAME	POB1S 11-TBMON TALKBACKMON
	DRWN	2013-07-06	CYS	
	CHKD			
	APPR			
				BEHRINGER
A	CREATED	2013-07-06	CYS	
REV	CHANGES	DATE	INIT	FILE : TALKBACKMON



ALL INFORMATION (INCLUDING DRAWINGS AND DIAGRAMS) CONTAINED IN THIS DOCUMENT IS THE PROPERTY OF MUSIC GROUP. ADDRESSEES WHOM THE INFORMATION IS CONFIDED TO SHALL MAINTAIN THE INFORMATION IN CONFIDENCE AND SHALL NOT RELEASE IT TO ANY UNAUTHORIZED THIRD PARTIES (EXCEPT UNDER ATTORNEY CLIENT PRIVILEGE OR UNDER APPROPRIATE CONFIDENTIALITY AGREEMENTS). ANY UNAUTHORIZED DISCLOSURE, USE, APPLICATION OR ANY OTHER DEALINGS IN THE INFORMATION SHALL RESULT IN CIVIL AND/OR CRIMINAL LIABILITIES AND PENALTIES.

			DATE	NAME	POB1S 12-USBH USB INPUT
	DRWN	2013-07-07	CYS		
	CHKD				
	APPR				
					BEHRINGER SHEET 1 of 1 <input type="checkbox"/>
A	CREATED	2013-07-07	CYS		
REV	CHANGES	DATE	INIT	FILE : USB	



ALL INFORMATION (INCLUDING DRAWINGS AND DIAGRAMS) CONTAINED IN THIS DOCUMENT IS THE PROPERTY OF MUSIC GROUP. ADDRESSES WHOM THE INFORMATION IS CONFIDED TO SHALL MAINTAIN THE INFORMATION IN CONFIDENCE AND SHALL NOT RELEASE IT TO ANY UNAUTHORIZED THIRD PARTIES (EXCEPT UNDER ATTORNEY CLIENT PRIVILEGE OR UNDER APPROPRIATE CONFIDENTIALITY AGREEMENTS). ANY UNAUTHORIZED DISCLOSURE, USE, APPLICATION OR ANY OTHER DEALINGS IN THE INFORMATION SHALL RESULT IN CIVIL AND/OR CRIMINAL LIABILITIES AND PENALTIES.

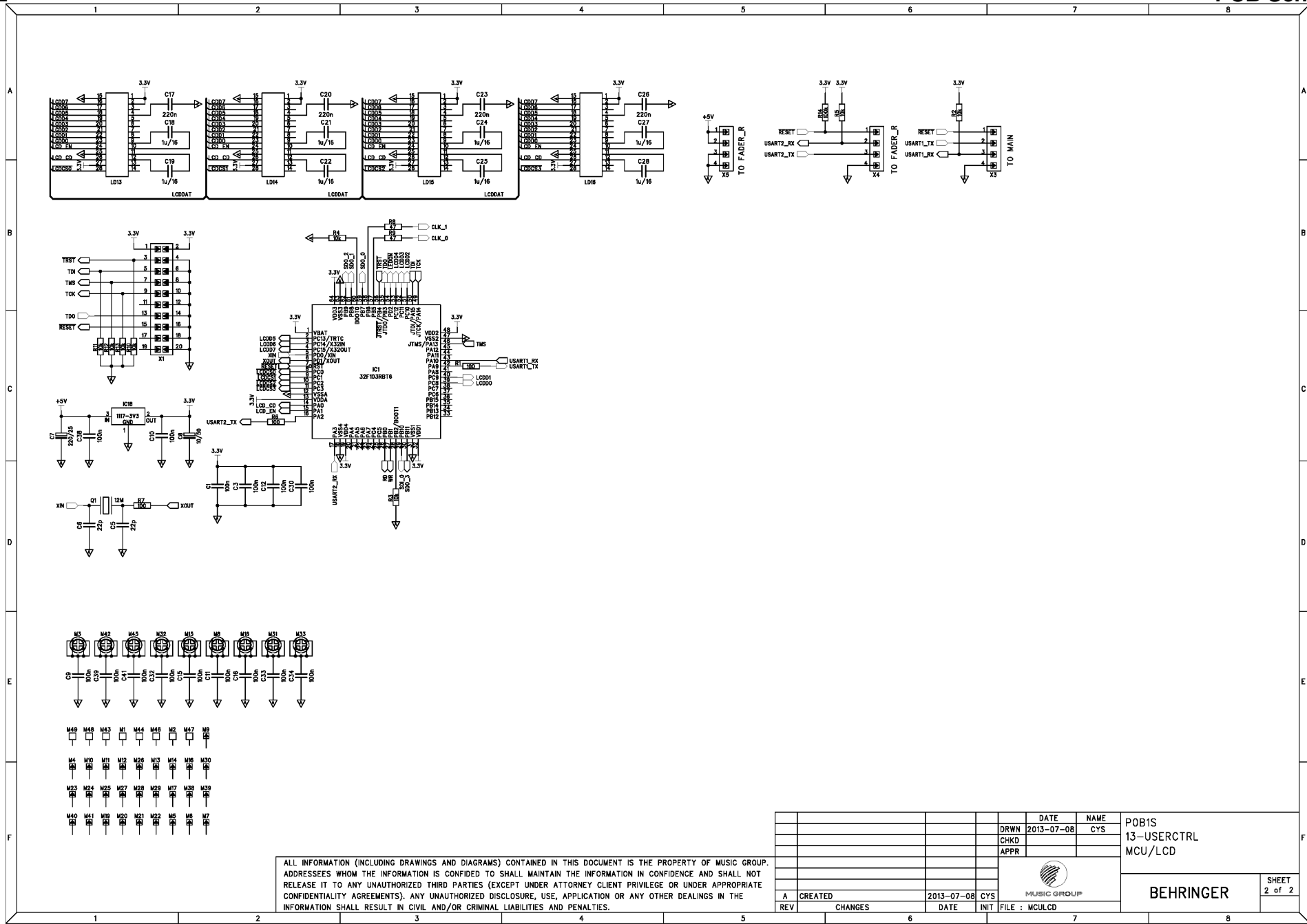
REV	CHANGES	DATE	INIT	FILE	UI
A	CREATED	2013-07-08	CYS		

DATE	NAME
2013-07-08	CYS

POBIS
13-USERCTRL
UI ELEMENTS

BEHRINGER

SHEET
1 of 2



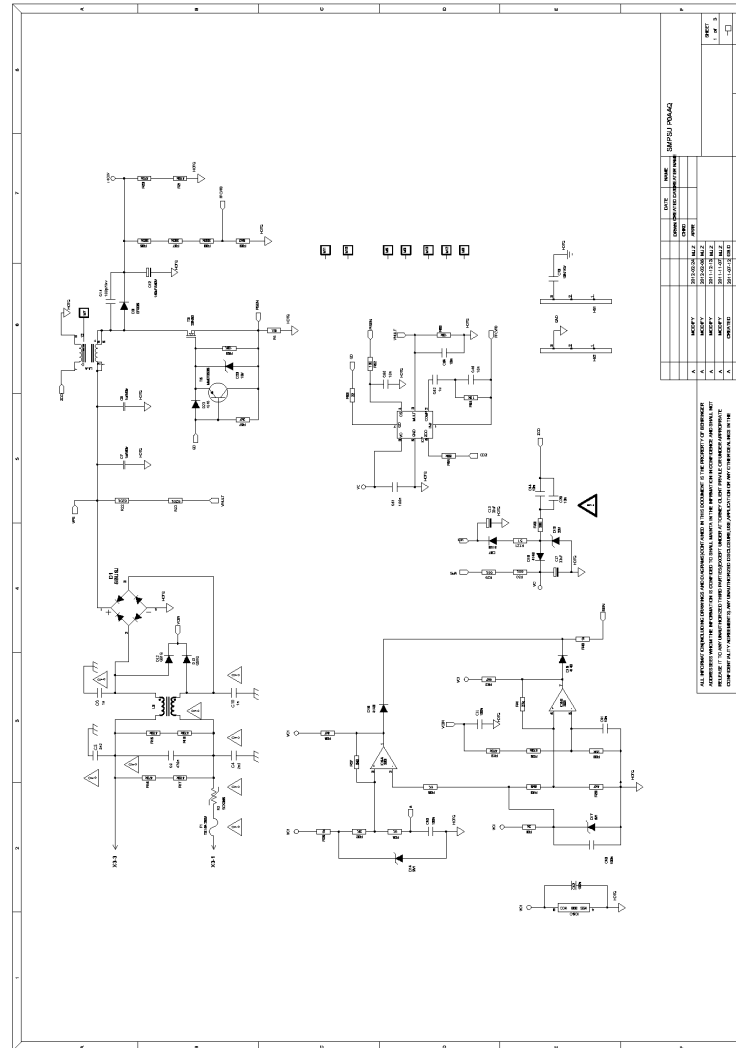
ALL INFORMATION (INCLUDING DRAWINGS AND DIAGRAMS) CONTAINED IN THIS DOCUMENT IS THE PROPERTY OF MUSIC GROUP. ADDRESSEES WHOM THE INFORMATION IS CONFIDED TO SHALL MAINTAIN THE INFORMATION IN CONFIDENCE AND SHALL NOT RELEASE IT TO ANY UNAUTHORIZED THIRD PARTIES (EXCEPT UNDER ATTORNEY CLIENT PRIVILEGE OR UNDER APPROPRIATE CONFIDENTIALITY AGREEMENTS). ANY UNAUTHORIZED DISCLOSURE, USE, APPLICATION OR ANY OTHER DEALINGS IN THE INFORMATION SHALL RESULT IN CIVIL AND/OR CRIMINAL LIABILITIES AND PENALTIES.

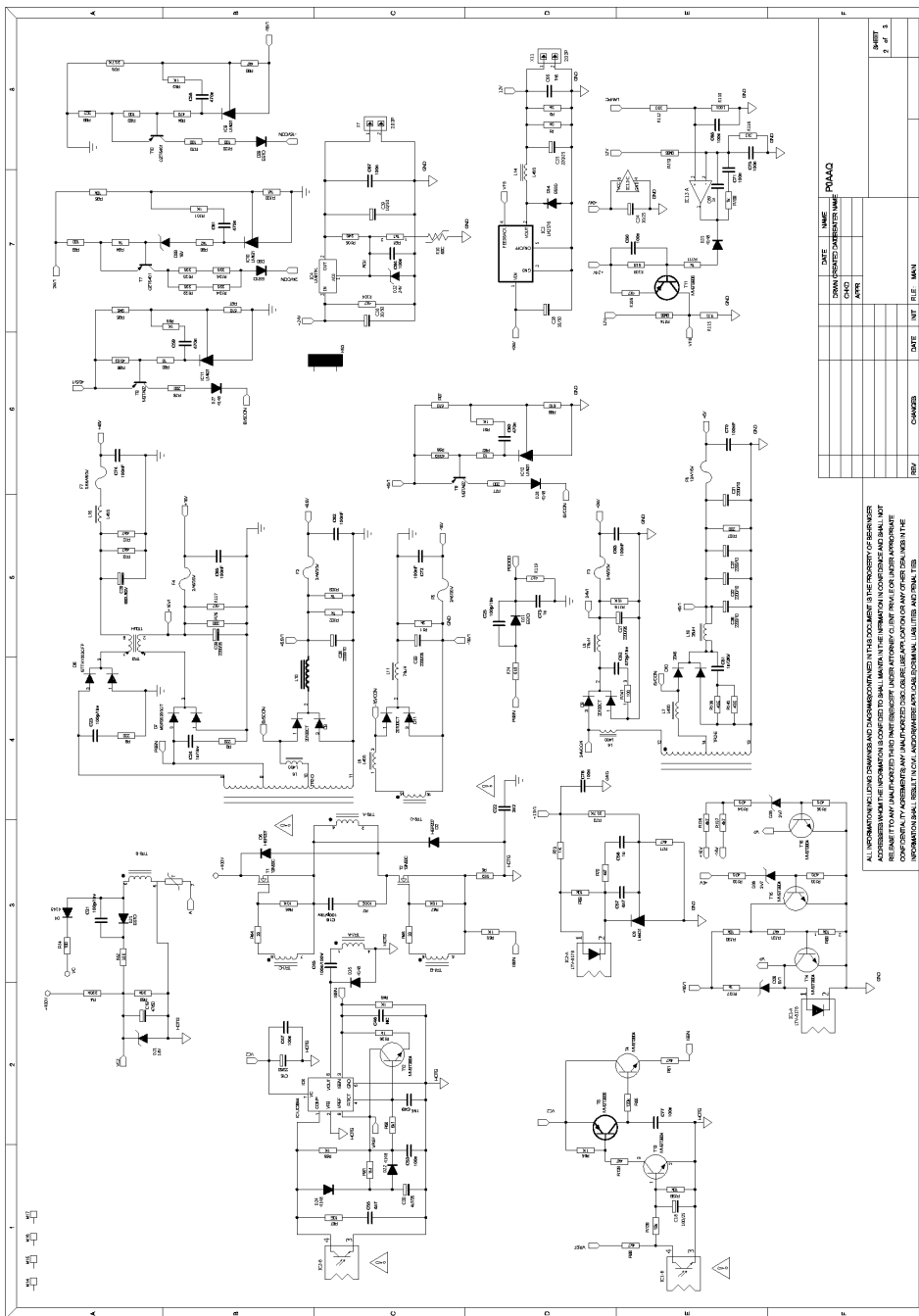
				DATE	NAME	POB1S 13-USERCTRL MCU/LCD
			DRWN	2013-07-08	CYS	
			CHKD			
			APPR			
A	CREATED	2013-07-08	CYS	MUSIC GROUP		BEHRINGER
REV	CHANGES	DATE	INIT			
						SHEET 2 of 2

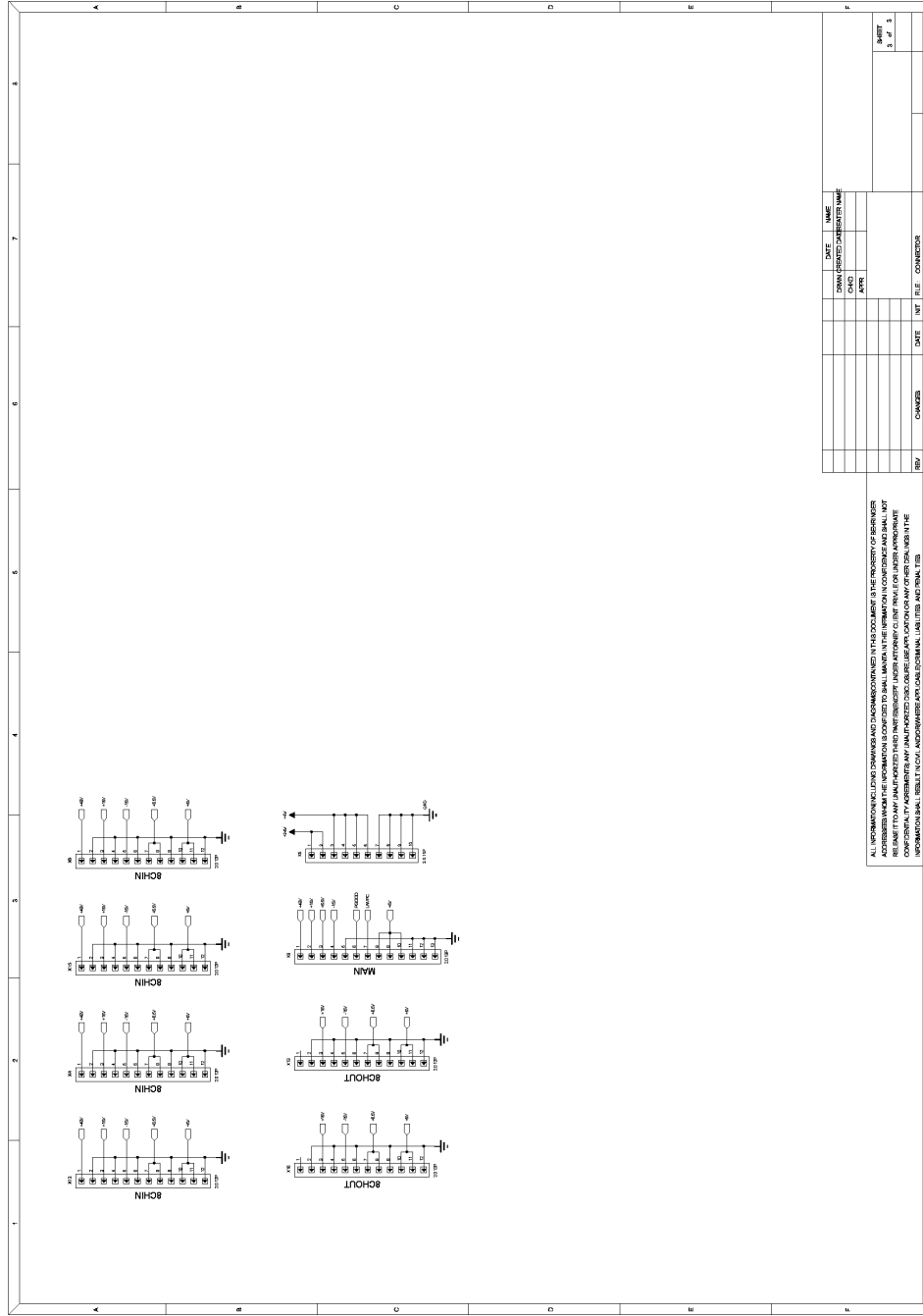


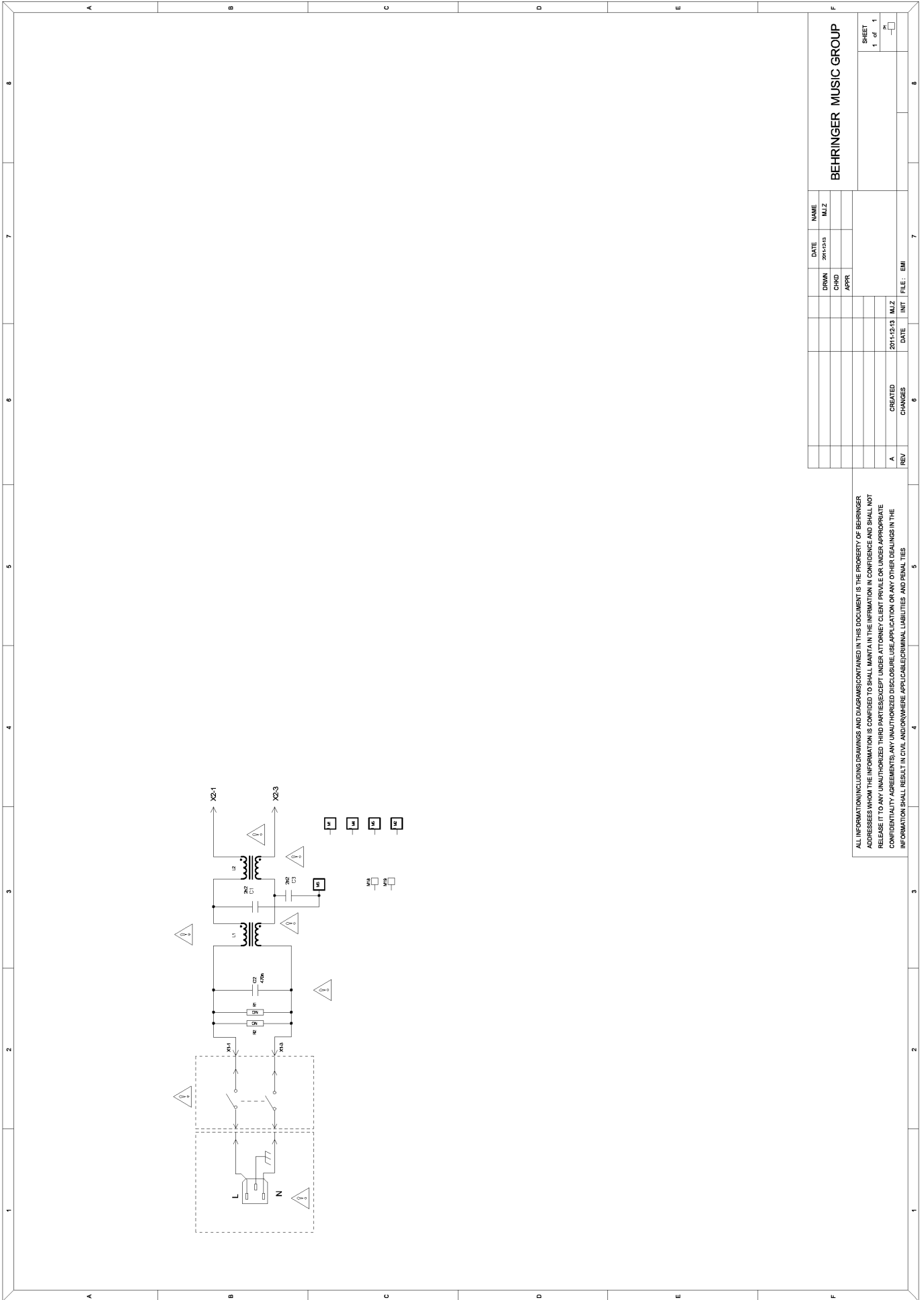
ALL INFORMATION (INCLUDING DRAWINGS AND DIAGRAMS) CONTAINED IN THIS DOCUMENT IS THE PROPERTY OF MUSIC GROUP. ADDRESSEES WHOM THE INFORMATION IS CONFIDED TO SHALL MAINTAIN THE INFORMATION IN CONFIDENCE AND SHALL NOT RELEASE IT TO ANY UNAUTHORIZED THIRD PARTIES (EXCEPT UNDER ATTORNEY CLIENT PRIVILEGE OR UNDER APPROPRIATE CONFIDENTIALITY AGREEMENTS). ANY UNAUTHORIZED DISCLOSURE, USE, APPLICATION OR ANY OTHER DEALINGS IN THE INFORMATION SHALL RESULT IN CIVIL AND/OR CRIMINAL LIABILITIES AND PENALTIES.

									DATE	NAME	POB1S	
									2013-07-09	CYS	14-MUTEGRP	
											MUTEGRP	
A	CREATED		2013-07-09	CYS							BEHRINGER	SHEET 1 of 1
REV	CHANGES		DATE	INIT					FILE : MUTEGRP			<input type="checkbox"/>









ALL INFORMATION INCLUDING DRAWINGS AND DIAGRAMS CONTAINED IN THIS DOCUMENT IS THE PROPERTY OF BEHRINGER ADDRESSES WHOM THE INFORMATION IS CONSIDERED TO SHAL MAINTAIN IN THE INFORMATION IN CONFIDENCE AND SHALL NOT RELEASE IT TO ANY UNAUTHORIZED THIRD PARTY EXCEPT UNDER A WRITTEN AGREEMENT OR UNDER APPROPRIATE CONFIDENTIALITY AGREEMENTS. ANY UNAUTHORIZED DISCLOSURE, REPRODUCTION OR ANY OTHER DEALINGS IN THE INFORMATION SHALL RESULT IN CIVIL AND/OR CRIMINAL APPLICABLE PENALTIES AND DAMAGES.

BEHRINGER MUSIC GROUP

REV	CHANGES	DATE	INT	FILE	EM
A	CREATED	2011-12-13	MLJ		

DRWN	DATE	NAME
CHD	2011-12-13	MLJ
APPR		

Hi Pcb Assemblies

	Quantity	Unit	S.Sku	M.Sku	Description	Reference Designators	Notes
1	1.0000	PC	Q05-00001-77101	A05-00001-77101	PCB ASSEMBLY;1;A;HI;SMPSU37;MAIN		
2	1.0000	PC	Q05-00002-77101	A05-00002-77101	PCB ASSEMBLY;2;A;HI;SMPSU37;EMI		
3	1.0000	PC	Q05-AAQ04-00103	A05-AAQ04-00103	PCB ASSEMBLY;POAAQ;4;C;HI;AUXCON;		
4	1.0000	PC	Q05-AAQ05-00103	A05-AAQ05-00103	PCB ASSEMBLY;POAAQ;5;C;HI;CRCON;		
5	1.0000	PC	Q05-AAQ15-00105	A05-AAQ15-00106	PCB ASSEMBLY;POAAQ;15;F;HI;MAIN		
6	2.0000	PC	Q05-AAQ17-00101	A05-AAQ17-00101	PCB ASSEMBLY;POAAQ;17;A;HI;PHONEJACK		
7	2.0000	PC		A05-AAQ19-00102	PCB ASSEMBLY;POAAQ;19;B;HI;8CHIN		
8	2.0000	PC		A05-AAQ19-20102	PCB ASSEMBLY;POAAQ;19;B;HI;WITHOUT FPC20;8CHIN		
9	1.0000	PC	Q05-AAQ20-02101	A05-AAQ20-02101	PCB ASSEMBLY;POAAQ;20;A;HI;WITHOUT FPC;8CHOUT		
10	1.0000	PC		A05-AAQ20-03101	PCB ASSEMBLY;POAAQ;20;A;HI;8CHOUT		
11	1.0000	PC	Q05-ASF16-00108	A05-ASF16-00108	PCB ASSEMBLY;POASF;PCB;16;REV;H;HI;MCU		
12	1.0000	PC		A05-AZP00-00101	PCB ASSEMBLY;POAZP;X-USB;A;HI		
13	1.0000	PC		A05-B1S03-00101	PCB ASSEMBLY;POB1S;3;A;HI;CHEDIT		
14	1.0000	PC		A05-B1S06-00101	PCB ASSEMBLY;POB1S;6;A;HI;FADER_L		
15	1.0000	PC		A05-B1S07-00101	PCB ASSEMBLY;POB1S;7;A;HI;FADER_M		
16	1.0000	PC		A05-B1S08-00101	PCB ASSEMBLY;POB1S;8;A;HI;FADER_R		
17	1.0000	PC		A05-B1S09-00101	PCB ASSEMBLY;POB1S;9;A;HI;SCRNCTRL		
18	1.0000	PC		A05-B1S10-00103	PCB ASSEMBLY;POB1S;PCB;10;REV;C;HI;TBMJACK		
19	1.0000	PC		A05-B1S11-00101	PCB ASSEMBLY;POB1S;11;A;HI;TBMON		
20	1.0000	PC		A05-B1S12-00101	PCB ASSEMBLY;POB1S;12;A;HI;USBH		
21	1.0000	PC		A05-B1S13-00101	PCB ASSEMBLY;POB1S;13;A;HI;USERCTRL		
22	1.0000	PC		A05-B1S14-00101	PCB ASSEMBLY;POB1S;14;A;HI;MUTEGRP		

Service Assemblies

	Quantity	Unit	S.Sku	M.Sku	Description	Reference Designators	Notes
1			Q01-AZP00-00000	A09-AZP00-00000	SPARE PART;POAZP	[EXTRA SPARE]	
2				A09-AAQ01-20002	SPARE PART;POAAQ;REV;B;VERSION;INPUT;WITHOUT FPC20;8CHIN	[EXTRA SPARE]	
3				A09-AAQ01-00002	SPARE PART;POAAQ;REV;B;VERSION;8CHIN	[EXTRA SPARE]	
4			Q09-AAQ00-20002	A09-AAQ00-20002	SPARE PART;POAAQ;REV;B;INPUT;WITHOUT FPC20;8CHIN	[EXTRA SPARE]	
5			Q09-AAQ00-00002	A09-AAQ00-00002	SPARE PART;POAAQ;REV;B;8CHIN	[EXTRA SPARE]	
6			Q04-B1S00-79000	A04-B1S00-79000	SUB ASSEMBLY;POB1S;FADER_R	[EXTRA SPARE]	
7			Q04-B1S00-43000	A04-B1S00-43000	SUB ASSEMBLY;POB1S;MUTEGRP	[EXTRA SPARE]	
8			Q04-B1S00-16000	A04-B1S00-16000	SUB ASSEMBLY;POB1S;FADER_M	[EXTRA SPARE]	
9				A01-AZP00-00000	MAIN ASSEMBLY;POAZP;X-USB	[EXTRA SPARE]	
10			Q04-B1S00-02000	A04-B1S00-02000	SUB ASSEMBLY;POB1S;FADER_L	[EXTRA SPARE]	

Cable

	Quantity	Unit	S.Sku	M.Sku	Description	Reference Designators	Notes
1	1.0000	PC	Q81-00000-48384	A81-00000-48384	WIRE HARNESS;AWG:18;UL1672;3.96 MM;3;COMMON;PIN1 RED;150 MM;2P(JS1121-3P);NO PIN2;PIN3 BLACK		PSU02/X2 PSU01/X3
2	1.0000	PC	Q81-00000-48410	A81-00000-48410	WIRE HARNESS;AWG:18;UL1672;3.96 MM;3;COMMON;PIN1 RED;80 MM;One side S/T:7MM;Other side JS1121-3P;NO PIN2		AC INLET L AC INLET N , PSU02/X1
3	1.0000	PC		A81-00000-60860	WIRE HARNESS;AWG:26;UL2468;2 MM;13;150 MM;P1018-13P;A2006H-13P		
4	2.0000	PC	Q81-00000-60863	A81-00000-60863	WIRE HARNESS;AWG:26;UL2468;2 MM;12;500 MM;P1018-12P;A2006H-12P		
5	25.0000	PC		A81-00000-60871	WIRE HARNESS;AWG:26;UL2468;2 MM;2;50 MM;A2006H-2P;S/T:5MM		
6	1.0000	PC		A81-00000-60878	WIRE HARNESS;AWG:26;UL2468;2 MM;6;60 MM;P1018-6P;A2006H-6P		
7	2.0000	PC		A81-00000-61276	WIRE HARNESS;AWG:26;UL2468;2 MM;12;400 MM;P1018-12P;A2006H-12P		
8	1.0000	PC		A81-00000-63483	WIRE HARNESS;AWG:26;UL2547;2 MM;3;PIN1 RED;190 MM;A2006H-03;P1018-03;SHIELD PIN3	[POB1S:11: {1.0}(X5)]	
9	1.0000	PC		A81-00000-64880	WIRE HARNESS;AWG:26;UL2468;2 MM;2;630 MM;P1018-2P;A2006H-2P		
10	1.0000	PC		A81-00000-65637	WIRE HARNESS;AWG:26;UL2547;2 MM;5;PIN1 RED;700 MM;A2006H;P1018;SHIELD PINS	[POB1S:12: {1.0}(X3)]	
11	5.0000	PC		A81-00000-66506	WIRE HARNESS;AWG:26;UL2468;2 MM;4;COMMON;60 MM;P1018-4P;A2006H-4P	[POB1S:06: {1.0}(X10)]	
12	2.0000	PC		A81-00000-66508	WIRE HARNESS;AWG:26;UL2468;2 MM;8;COMMON;60 MM;A2006H-8P;P1018-8P	[POB1S:06: {1.0}(X11)]	
13	1.0000	PC		A81-00000-66510	WIRE HARNESS;AWG:26;UL2468;2 MM;12;COMMON;100 MM;A2006H-12P;P1018-12P	[POB1S:09: {1.0}(X3)]	
14	2.0000	PC		A81-00000-66512	WIRE HARNESS;AWG:26;UL2468;2 MM;12;COMMON;500 MM;A2006H-12P;P1018-12P		
15	2.0000	PC		A81-00000-66517	WIRE HARNESS;AWG:26;UL2468;2 MM;6;COMMON;60 MM;A2006H-6P;P1018-6P	[POB1S:03: {1.0}(X2)]	
16	2.0000	PC		A81-00000-66520	WIRE HARNESS;AWG:26;UL2468;2 MM;12;COMMON;400 MM;A2006H-12P;P1018-12P	[POAAQ:20: {1.0}(X1)]	
17	25.0000	PC		A81-00000-66521	WIRE HARNESS;AWG:26;UL2468;2 MM;2;COMMON;55 MM		
18	1.0000	PC		A81-00000-66526	WIRE HARNESS;AWG:26;UL2468;2 MM;5;COMMON;60 MM;A2006H-5P;P1018-5P	[POB1S:12: {1.0}(X2)]	
19	1.0000	PC		A81-00000-66528	WIRE HARNESS;AWG:26;UL2468;2 MM;16;COMMON;120 MM;A2006H-16P;P1018-16P	[POB1S:11: {1.0}(X3)]	
20	1.0000	PC		A81-00000-66530	WIRE HARNESS;AWG:26;UL2468;2 MM;13;COMMON;150 MM;A2006H-13P;P1018-13P	[POAAQ:15: {1.0}(X1)]	PUS01/X9
21	1.0000	PC		A81-00000-66537	WIRE HARNESS;AWG:26;UL2468;2 MM;3;COMMON;400 MM;A2006H-3P;P1018-3P	[POB1S:11: {1.0}(X2)]	
22	1.0000	PC		A81-00000-66539	WIRE HARNESS;AWG:26;UL2468;2 MM;13;COMMON;70 MM;A2006H-13P;P1018-13P	[POB1S:14: {1.0}(X1)]	
23	1.0000	PC		A81-00000-66683	WIRE HARNESS;AWG:26;UL2468;2 MM;10;COMMON;520 MM	[POB1S:08: {1.0}(X24)]	
24	1.0000	PC		A81-00000-66684	WIRE HARNESS;AWG:26;UL2468;2 MM;4;COMMON;680 MM	[POB1S:13: {1.0}(X3)]	
25	1.0000	PC		A81-00000-66685	WIRE HARNESS;AWG:26;UL2468;2 MM;2;COMMON;630 MM	[POB1S:10: {1.0}(X8)]	PSU01/X11
26	1.0000	PC		A81-00000-70367	WIRE HARNESS;1200 MM;AWG:26;UL2468;2 MM;15;A2006H-15P;P1018-15P	[POAAQ:15: {1.0}(X9)]	PCB11TBMOM/X1
27	1.0000	PC	Q81-00000-70554	A81-00000-70554	WIRE HARNESS;1100 MM;AWG:26;UL2547;2 MM;3;PIN1 RED;PIN3 SHIELD;P1018-3P;A2006H-3P	[POB1S:10: {1.0}(X7)]	PCB17 PHONE JACK(1)/X1
28	2.0000	PC	Q81-00000-70695	A81-00000-70695	WIRE HARNESS;260 MM;AWG:26;UL2468;2 MM;12;P1018-12P;A2006H-12P		
29	1.0000	PC	Q85-00000-23550	A85-00000-23550	WIRE HARNESS;0.5 MM;40;400MM;FLEX FLAT CABLE		PCB15 MAIN/X5 LCD
30	1.0000	PC	Q85-00000-39129	A85-00000-39129	WIRE HARNESS;1 MM;20;140 MM;FLEX FLAT CABLE		PCB15 MAIN/14 ,PCB02 8CH OUT(1)/X3

	Quantity	Unit	S.Sku	M.Sku	Description	Reference Designators	Notes
31	1.0000	PC	Q85-00000-39130	A85-00000-39130	WIRE HARNESS;1 MM;24;280 MM;FLEX FLAT CABLE		PCB04 AUXCON/X14, PCB15 MAIN/X15
32	5.0000	PC	Q85-00000-39131	A85-00000-39131	WIRE HARNESS;1 MM;20;100 MM;FLEX FLAT CABLE		PCB02 8CH OUT(1)/X4--- PCB02 8CH OUT(2)/X3 PCB15 MAIN/X3---PCB01 8CH IN(1)/X4 PCB01 8CH IN(1)/X3---PCB01 8CH IN(2)/X4 PCB15 MAIN/X4-- -PCB01 8CH IN(3)/X4 PCB01 8CH IN(3)/X3--- PCB01 8CH IN(4)/X4
33	1.0000	PC		A81-00000-66685	WIRE HARNESS;AWG:26;UL2468;2 MM;2;COMMON;630 MM	[P0B1S:10: {1.0}(X8)]	(EU, UL, UK, SAA, BR, AR, HM)
34	1.0000	PC	Q76-15032-55649	A76-15032-55649	CABLE;AC-CORD;CLASS II;W/POLYBAG;JAPAN;LENGTH:150cm;POLES:3;APPROVAL:PSE;JS15S3 + VCTF 3x0.75mm2 + V1528		(HM, SH)
35	1.0000	PC	Q85-00000-39130	A85-00000-39130	WIRE HARNESS;1 MM;24;280 MM;FLEX FLAT CABLE		(EU, UL, UK, SAA, BR, AR, HM)
36	1.0000	PC	Q85-00000-23550	A85-00000-23550	WIRE HARNESS;0.5 MM;40;400MM;FLEX FLAT CABLE		(EU, UL, UK, SAA, BR, AR, HM)
37	1.0000	PC		A81-00000-70367	WIRE HARNESS;1200 MM;AWG:26;UL2468;2 MM;15;A2006H-15P;P1018-15P	[P0AAQ:15: {1.0}(X9)]	(EU, UL, UK, SAA, BR, AR, HM)
38	1.0000	PC	Q81-00000-70554	A81-00000-70554	WIRE HARNESS;1100 MM;AWG:26;UL2547;2 MM;3;PIN1 RED;PIN3 SHIELD;P1018-3P;A2006H-3P	[P0B1S:10: {1.0}(X7)]	(EU, UL, UK, SAA, BR, AR, HM)
39	0.0000	PC		A76-18050-06505	CABLE;AC-CORD;LENGTH:180cm;VERSION:SAA;PLUG:HE105 ISOLATED;SAA H05VV-F 3x0.75mm2;CONN.HP-3;PANYU		(SAA)
40	1.0000	PC		A81-00000-66530	WIRE HARNESS;AWG:26;UL2468;2 MM;13;COMMON;150 MM;A2006H-13P;P1018-13P	[P0AAQ:15: {1.0}(X1)]	(EU, UL, UK, SAA, BR, AR, HM)
41	1.0000	PC	Q81-00000-48410	A81-00000-48410	WIRE HARNESS;AWG:18;UL1672;3.96 MM;3;COMMON;PIN1 RED;80 MM;One side S/T:7MM;Other side JS1121-3P;NO PIN2		(EU, UL, UK, SAA, BR, AR, HM)
42	1.0000	PC	Q76-15042-05624	A76-15042-05624	CABLE;AC-CORD;W/POLYBAG;LENGTH:150cm;H05VV-F3G0.75MM2;VERSION;UK;SPEC.NO:05624		(UK)
43	1.0000	PC	Q76-18050-47490	A76-18050-47490	CABLE;AC-CORD;LENGTH:180cm;VERSION:SAA;PLUG:HE105 ISOLATED;SAA H05VV-F 3x0.75mm2;CONN.HP-3;SPEC.NO:47490		(SAA)
44	1.0000	PC	Q76-15222-06417	A76-15222-06417	CABLE;AC-CORD;W/POLYBAG;LENGTH:152cm;AWG:18;VERSION;UL;SPEC.NO:06417		(UL)
45	1.0000	PC	Q76-00000-05305	A76-00000-05305	CABLE;AC-CORD;3;BR;1500 MM;Plug + Connector:375+730;H05VV-F 3G0.75		(BR)
46	5.0000	PC	Q85-00000-39131	A85-00000-39131	WIRE HARNESS;1 MM;20;100 MM;FLEX FLAT CABLE		(EU, UL, UK, SAA, BR, AR, HM)
47	1.0000	PC	Q85-00000-39129	A85-00000-39129	WIRE HARNESS;1 MM;20;140 MM;FLEX FLAT CABLE		(EU, UL, UK, SAA, BR, AR, HM)
48	1.0000	PC	Q76-15212-03119	A76-15212-03119	CABLE;AC-CORD;W/POLYBAG;LENGTH:152cm;H05VV-F 3G 0.75MM2;VERSION;EU;SPEC.NO:03119		(EU)
49	1.0000	PC	Q81-00000-48384	A81-00000-48384	WIRE HARNESS;AWG:18;UL1672;3.96 MM;3;COMMON;PIN1 RED;150 MM;2P(JS1121-3P);NO PIN2;PIN3 BLACK		(EU, UL, UK, SAA, BR, AR, HM)
50	1.0000	PC	Q76-00000-13573	A76-00000-13573	CABLE;AC-CORD;3;AR;1500 MM;Plug + Connector:321+730;H05VV-F 3G0.75		(AR)

Capacitor

	Quantity	Unit	S.Sku	M.Sku	Description	Reference Designators	Notes
1	5.0000	PC			CAP E;10uF;6V;PITCH:2mm5;5mm x 11mm;VERTICAL 12.7-15-9mm	[P0B1S:6: {3.0}(C5-C7)]	*NOT available in DP
2	9.0000	PC			CAP E;220uF;10V;PITCH:2mm5;6mm x 11mm;VERTICAL 12.7-15-9mm	[P0B1S:6: {3.0}(C1-C2,C4)]	*NOT available in DP
3	2.0000	PC			CAP E;100uF;16V;PITCH:2mm5;5mm x 11mm;VERTICAL 12.7-15-9mm	[P0AAQ:15: {2.0}(C46,C65)]	*NOT available in DP
4	4.0000	PC			CAP E;220uF;16V;PITCH:2mm5;6.3mm x 12mm;VERTICAL 12.7-15-9mm	[P0AAP:06: {1.0}(C39)]	*NOT available in DP
5	1.0000	PC			CAP E;220uF;16V;PITCH:2mm5;6mm x 12mm;VERTICAL 12.7-15-9mm	[P0B1S:03: {1.0}(C7)]	*NOT available in DP
6	33.0000	PC			CAP E;1mF;16V;PITCH:5mm;10mm x 16mm;VERTICAL 12.7-15-9mm	[P0AAQ:15: {1.0}(C247)]	*NOT available in DP
7	19.0000	PC			CAP E;47uF;25V;PITCH:2mm5;5mm x 11mm;UNCUT;VERTICAL 12.7-15-9mm	[P0AAQ:15: {19.0}(C11,C14,C32,C42,C64,C78,C88-C89,C95,C102-C103,C110,C127,C136,C138,C145,C151-C152,C156)]	*NOT available in DP
8	43.0000	PC			CAP E;47uF;25V;PITCH:2mm5;5mm x 11mm;VERTICAL 12.7-15-9mm	[P0AZP:00: {2.0}(C31,C44)]	*NOT available in DP
9	28.0000	PC			CAP E;47uF;25V;PITCH:2mm5;6mm3 x 7mm;VERTICAL 12.7-15-9mm	[P0AAQ:20: {14.0}(C24,C31-C34,C44,C68-C75)]	*NOT available in DP
10	136.0000	PC			CAP E;100uF;25V;PITCH:2mm5;6mm x 12mm;VERTICAL 12.7-15-9mm	[P0AAP:06: {26.0}(C43-C44,C78-C93,C182-C189)]	*NOT available in DP
11	6.0000	PC			CAP E;1uF;50V;PITCH:2mm5;5mm x 11mm;VERTICAL 12.7-15-9mm	[P0AAP:06: {1.0}(C38)]	*NOT available in DP
12	2.0000	PC			CAP E;4uF;50V;PITCH:2mm5;5mm x 11mm;VERTICAL 12.7-15-9mm	[P0AAQ:15: {2.0}(C56,C63)]	*NOT available in DP
13	59.0000	PC			CAP E;10uF;50V;PITCH:2mm5;5mm x 11mm;VERTICAL 12.7-15-9mm	[P0AZP:00: {1.0}(C41)]	*NOT available in DP
14	4.0000	PC			CAP E;47uF;50V;PITCH:2mm5;6mm x 11mm;VERTICAL 12.7-15-9mm	[P0B1S:11: {4.0}(C6,C11,C17-C18)]	*NOT available in DP
15	32.0000	PC			CAP E;47uF;63V;PITCH:2mm5;6mm x 11mm;VERTICAL 12.7-15-9mm	[P0AAP:06: {8.0}(C246-C253)]	*NOT available in DP
16	12.0000	PC			CAP E;1 mF;63V;PITCH:5 MM;SIZE:8X12MM5;Al HIGH:15MM;TAPE:12.7-15-9MM;85C	[P0AAP:06: {2.0}(C326-C327)]	*NOT available in DP
17	3.0000	PC			CAP E;220 uF;35 V;20 %;RADIAL;SIZE:8X11.5;PITCH:3.5MM;PRE-CUT:3.2+-0.3	[P0B1S:06: {1.0}(C3)]	*NOT available in DP
18	1.0000	PC			CAP E;100uF;10V;PITCH:2mm5;5mm x 11mm;PRECUT:3mm2 - 0/+0mm2	[P0AAQ:15: {1.0}(C8)]	*NOT available in DP
19	2.0000	PC			CAP E;47uF;25V;PITCH:2mm5;5mm x 11mm;PRECUT:3mm2 - 0/+0mm2	[P0AAQ:05: {2.0}(C1-C2)]	*NOT available in DP
20	3.0000	PC			CAP CER;1 nF;2 KV;X7R;10 %;SMD805;SMD1206	[1:01: {1.0}(C81)]	*NOT available in DP
21	6.0000	PC			CAP CER;100 nF;100 V;X7R;10 %;SMD805	[1:01: {6.0}(C62-C63,C65,C70,C72,C74)]	*NOT available in DP
22	2.0000	PC			CAP CER;470pF;50V;10%;PITCH:5mm;DISC;VERTICAL 12.7-15-9mm	[P0B1S:10: {2.0}(C1-C2)]	*NOT available in DP
23	9.0000	PC			CAP CER;1.5 nF;50 V;COG;2 %;SMD805	[1:01: {1.0}(C49)]	*NOT available in DP
24	16.0000	PC			CAP CER;150 pF;50 V;COG;5 %;SMD603	[P0AAQ:20: {8.0}(C60-C67)]	*NOT available in DP
25	1.0000	PC			CAP CER;4.7 uF;6.3 V;X5R;20 %;SMD603	[P0AZP:00: {1.0}(C21)]	*NOT available in DP
26	12.0000	PC			CAP CER;10 uF;6.3 V;X5R;10 %;SMD805;YAGEO (CC85KRX5R6BB106)	[P0AAQ:15: {12.0}(C25,C27-C29,C34-C35,C38,C43,C48,C50,C70,C81)]	*NOT available in DP
27	12.0000	PC			CAP CER;10uF;6V3;X5R;20%;SMT805	[P0AZP:00: {4.0}(C1,C3,C9-C10)]	*NOT available in DP
28	2.0000	PC			CAP CER;1uF;10V;+80%/-20%;SMT603	[P0AAQ:16: {2.0}(C19,C27)]	*NOT available in DP
29	13.0000	PC			CAP CER;1uF;10V;X5R;10%;SMD603	[P0AZP:00: {3.0}(C16-C17,C51)]	*NOT available in DP
30	58.0000	PC			CAP CER;1uF;16V;X7R;10%;SMT805	[P0B1S:06: {16.0}(C44-C45,C47-C48,C50-C51,C53-C54,C56-C57,C59-C60,C62-C63,C65-C66)]	*NOT available in DP
31	52.0000	PC			CAP CER;100nF;10V;X5R;10%;SMT402;(MURATA GRM155R61A104KA01E)	[P0AAQ:16: {52.0}(C1,C6-C12,C14-C16,C18,C20-C22,C28,C33,C35-C37,C39-C41,C45-C46,C50-C72,C75-C78)]	*NOT available in DP
32	6.0000	PC			CAP CER;10 nF;16 V;Y5V;+80%/-20 %;SMD402	[P0AAQ:16: {6.0}(C2-C4,C13,C34,C38)]	*NOT available in DP
33	13.0000	PC			CAP CER;100nF;25V;X5R;10%;SMT603	[P0AAQ:15: {13.0}(C33,C39,C58,C68,C83,C94,C106,C108,C126,C131,C135,C155,C159)]	*NOT available in DP
34	3.0000	PC			CAP CER;220pF;25V;COG;10%;SMT805	[P0B1S:06: {1.0}(C19)]	*NOT available in DP

	Quantity	Unit	S.Sku	M.Sku	Description	Reference Designators	Notes
35	92.0000	PC			CAP CER;100nF;25V;X7R;10%;SMT805	[P0AZP:00: {2.0}(C23,C42)]	*NOT available in DP
36	2.0000	PC			CAP CER;470nF;25V;X7R;10%;SMT805	[1:01: {2.0}(C58,C61)]	*NOT available in DP
37	1.0000	PC			CAP CER;100nF;25V;X7R;10%;SMT1206	[1:01: {1.0}(C76)]	*NOT available in DP
38	98.0000	PC			CAP CER;10pF;50V;10%;SMT603	[P0AZP:00: {2.0}(C46-C47)]	*NOT available in DP
39	2.0000	PC			CAP CER;20pF;50V;20%;SMT603	[P0AAQ:16: {2.0}(C29-C30)]	*NOT available in DP
40	98.0000	PC			CAP CER;22pF;50V;10%;SMT603	[P0AAQ:15: {2.0}(C1-C2)]	*NOT available in DP
41	46.0000	PC			CAP CER;47pF;50V;5%;COG(NPO);SMT603	[P0AAQ:15: {12.0}(C67,C80,C85-C86,C105,C111,C118-C119,C134,C146,C153-C154)]	*NOT available in DP
42	87.0000	PC			CAP CER;100pF;50V;20%;SMT603	[P0AAQ:04: {12.0}(C33-C38,C41,C43,C56-C57,C60-C61)]	*NOT available in DP
43	128.0000	PC			CAP CER;330pF;50V;5%;COG;5%;SMD603	[P0AAP:06: {32.0}(C214-C229,C238-C245,C255,C257,C259,C261,C263,C265,C267,C269)]	*NOT available in DP
44	6.0000	PC			CAP CER;470pF;50V;10%;SMT603	[P0AAQ:15: {4.0}(C180-C183)]	*NOT available in DP
45	27.0000	PC			CAP CER;1nF;50V;10%;SMT603	[P0AAQ:15: {27.0}(C52,C109,C189,C191,C193,C195-C196,C199,C201,C205,C207,C209-C212,C215,C217,C219,C221,C223,C225,C228,C231,C235,C237,C239,C243)]	*NOT available in DP
46	1.0000	PC			CAP CER;1nF2;50V;10%;SMT603	[P0AAQ:15: {1.0}(C53)]	*NOT available in DP
47	16.0000	PC			CAP CER;1nF5;50V;COG;5%;SMT603;(MURATA GRM1885C1H152JA01D)	[P0AAQ:20: {8.0}(C76,C78-C79,C81-C82,C84-C85,C87)]	*NOT available in DP
48	16.0000	PC			CAP CER;2nF2;50V;COG;5%;SMT603;(MURATA GRM1885C1H222JA01D)	[P0AAQ:20: {8.0}(C48-C55)]	*NOT available in DP
49	12.0000	PC			CAP CER;10nF;50V;10%;SMT603	[P0AAQ:15: {12.0}(C36-C37,C40,C44,C51,C57,C60,C124,C236,C240,C245-C246)]	*NOT available in DP
50	1.0000	PC			CAP CER;10nF;50V;X7R;10%;SMT603	[P0AZP:00: {1.0}(C13)]	*NOT available in DP
51	76.0000	PC			CAP CER;100nF;50V;10%;SMT603	[P0AZP:00: {23.0}(C2,C4-C5,C8,C12,C14-C15,C18-C20,C22,C24,C26-C29,C32-C33,C35-C37,C45,C50)]	*NOT available in DP
52	10.0000	PC			CAP CER;22pF;50V;10%;SMT805	[P0B1S:06: {2.0}(C32-C33)]	*NOT available in DP
53	102.0000	PC			CAP CER;100pF;50V;10%;SMT805	[P0AAQ:04: {24.0}(C21-C32,C44-C55)]	*NOT available in DP
54	8.0000	PC			CAP CER;100pF;50V;COG;5%;SMT805	[P0AAQ:15: {8.0}(C91-C92,C99-C100,C141-C142,C149-C150)]	*NOT available in DP
55	32.0000	PC			CAP CER;470pF;50V;10%;SMT805	[P0AAQ:20: {16.0}(C136-C151)]	*NOT available in DP
56	4.0000	PC			CAP CER;470pF;50V;COG;5%;SMD805	[P0AAQ:15: {4.0}(C41,C47,C54,C62)]	*NOT available in DP
57	6.0000	PC			CAP CER;560pF;50V;10%;SMT805	[P0AAQ:15: {6.0}(C69,C97,C107,C128,C137,C165)]	*NOT available in DP
58	3.0000	PC			CAP CER;680pF;50V;10%;SMT805	[P0B1S:10: {3.0}(C3-C5)]	*NOT available in DP
59	67.0000	PC			CAP CER;1nF;50V;10%;SMT805	[P0AAP:06: {16.0}(C302,C304-C305,C307-C308,C310-C311,C313-C314,C316-C317,C319-C320,C322-C323,C325)]	*NOT available in DP
60	1.0000	PC			CAP CER;1nF;50V;X7R;10%;SMD805	[1:01: {1.0}(C69)]	*NOT available in DP
61	72.0000	PC			CAP CER;1nF;50V;COG;5%;SMD805	[P0AAQ:15: {8.0}(C73,C76,C114,C117,C120,C123,C166,C169)]	*NOT available in DP
62	32.0000	PC			CAP CER;2nF2;50V;10%;SMT805	[P0AAP:06: {8.0}(C303,C306,C309,C312,C315,C318,C321,C324)]	*NOT available in DP
63	2.0000	PC			CAP CER;4nF7;50V;10%;SMT805	[1:01: {2.0}(C55,C57)]	*NOT available in DP
64	7.0000	PC			CAP CER;10nF;50V;10%;SMT805	[P0B1S:06: {1.0}(C9)]	*NOT available in DP
65	3.0000	PC			CAP CER;10nF;50V;X7R;10%;SMD805	[1:01: {3.0}(C48,C50,C54)]	*NOT available in DP
66	32.0000	PC			CAP CER;15nF;50V;10%;SMT805	[P0AAP:06: {8.0}(C70-C77)]	*NOT available in DP
67	1.0000	PC			CAP CER;47nF;50V;20%;SMT805	[P0B1S:11: {1.0}(C1)]	*NOT available in DP
68	536.0000	PC			CAP CER;100nF;50V;+80/-20%;SMT805	[P0AAQ:04: {6.0}(C39-C40,C42,C58-C59,C62)]	*NOT available in DP
69	14.0000	PC			CAP CER;100nF;50V;X7R;10%;SMT805	[1:01: {14.0}(C40-C43,C47,C51,C53,C64,C67-C68,C71,C75,C77,C80)]	*NOT available in DP
70	61.0000	PC			CAP CER;220nF;50V;10%;SMT805	[P0AAP:06: {8.0}(C155,C157,C159,C161-C165)]	*NOT available in DP
71	2.0000	PC			CAP CER;470nF;50V;10%;SMT805	[1:01: {2.0}(C59-C60)]	*NOT available in DP
72	3.0000	PC			CAP CER;1uF;50V;X7R;10%;SMD805	[1:01: {3.0}(C52,C56,C73)]	*NOT available in DP

	Quantity	Unit	S.Sku	M.Sku	Description	Reference Designators	Notes
73	1.0000	PC			CAP CER;1nF;50V;X7R;10%;SMT1206	[1:01: {1.0}(C66)]	*NOT available in DP
74	4.0000	PC			CAP CER;15pF;50V;C0G;5%;SMD402;YAGEO	[P0AAQ:16: {4.0}(C25-C26,C73-C74)]	*NOT available in DP
75	2.0000	PC			CAP CER;10nF;100V;X7R;10%;SMD1206	[1:01: {2.0}(C44,C78)]	*NOT available in DP
76	1.0000	PC			CAP CER;100nF;100V;X7R;10%;SMD1206	[1:01: {1.0}(C45)]	*NOT available in DP
77	2.0000	PC			CAP Y2;1nF;250V;PITCH:7mm5	[1:01: {2.0}(C6,C10)]	*NOT available in DP
78	1.0000	PC			CAP Y1;2nF2;250V;P:10mm0;PRECUT:3MM1+/-0MM5	[1:01: {1.0}(C22)]	*NOT available in DP
79	4.0000	PC			CAP Y2;2nF2;275V;PITCH:7mm5;DISC;CASE:4 x 10mm	[1:01: {2.0}(C4-C5)]	*NOT available in DP
80	2.0000	PC		B12-32470-06719	CAP X2;470n;275V;P15;18*16.5*8.5;NOT PRECUT;	[1:01: {1.0}(C9)]	
81	1.0000	PC			CAP E;2.2 mF;35 V;20 %;RADIAL;16*31.5;7.5 MM;PRECUT:3.3mm	[1:01: {1.0}(C27)]	*NOT available in DP
82	5.0000	PC			CAP E;2mF2;10V;PITCH:5mm;10mm x 20mm;105C;LOW ESR;105C;VERTICAL 12.7-15-9mm	[1:01: {5.0}(C26,C31-C32,C36-C37)]	*NOT available in DP
83	1.0000	PC			CAP E;10 uF;25 V;20 %;RADIAL;5*11;2.5 MM;T&R	[1:01: {1.0}(C34)]	*NOT available in DP
84	1.0000	PC			CAP E;100 uF;25 V;20 %;RADIAL;6.3*11;2.5 MM;T&R	[1:01: {1.0}(C18)]	*NOT available in DP
85	1.0000	PC			CAP E;220 uF;25 V;20 %;RADIAL;8*11.5;5 MM;T&R	[1:01: {1.0}(C35)]	*NOT available in DP
86	3.0000	PC			CAP E;10 uF;50 V;20 %;RADIAL;5*11;2.5 MM;T&R	[1:01: {3.0}(C30,C38-C39)]	*NOT available in DP
87	1.0000	PC			CAP E;22 uF;50 V;20 %;RADIAL;6.3*11;2.5 MM;T&R	[1:01: {1.0}(C15)]	*NOT available in DP
88	2.0000	PC			CAP E;33 uF;50 V;20 %;RADIAL;6.3*11;2.5 MM;T&R	[1:01: {2.0}(C13,C17)]	*NOT available in DP
89	1.0000	PC			CAP E;47 uF;50 V;20 %;RADIAL;6.3*11;2.5 MM;T&R	[1:01: {1.0}(C19)]	*NOT available in DP
90	1.0000	PC			CAP E;680 uF;63 V;20 %;RADIAL;13*30;5 MM;PRECUT:3.2	[1:01: {1.0}(C28)]	*NOT available in DP
91	1.0000	PC			CAP E;2.2 mF;25 V;20 %;13*35;5 MM;PRECUT:3.2;GF SERIES	[1:01: {1.0}(C33)]	*NOT available in DP
92	1.0000	PC			CAP E;LOW ESR;3.3 mF;25 V;20 %;5 MM;RADIAL;13*40;Pre-CUT 3.3	[1:01: {1.0}(C29)]	*NOT available in DP
93	1.0000	PC			CAP E;220uF;25V;PITCH:3mm5;8mm x 10mm;PRECUT:3mm2 - 0/+0mm2;105C;LOW ESR	[P0B15:13: {1.0}(C7)]	*NOT available in DP
94	5.0000	PC			CAP CER;100pF;1KV;20%;PITCH:5mm;DISC;VERTICAL 12.7-15-9mm	[1:01: {1.0}(C21)]	*NOT available in DP
95	1.0000	PC			CAP CER;470pF;1KV;10%;PITCH:5mm;DISC;VERTICAL 12.7-15-9mm	[1:01: {1.0}(C82)]	*NOT available in DP
96	1.0000	PC			CAP CER;1nF;1KV;20%;PITCH:5mm;DISC;VERTICAL 12.7-15-9mm	[1:01: {1.0}(C24)]	*NOT available in DP
97	1.0000	PC			CAP CER;10nF;630V;10%;5mm*3.5mm;5mm;DISC;VERTICAL 12.7-15-9mm	[1:01: {1.0}(C79)]	*NOT available in DP
98	2.0000	PC			CAP FILM;1 uF;450 V;PPM;5 %;17.8 x 16.3 x 7.7mm;PITCH:15 mm;CL21X;FARATRONIC	[1:01: {2.0}(C7-C8)]	*NOT available in DP
99	1.0000	PC			CAP FILM;100nF;400V;MPF;PITCH:10mm;PRECUT:3mm1 +/-0mm5	[1:01: {1.0}(C11)]	*NOT available in DP
100	1.0000	PC			CAP E;47 uF;16 V;20 %;DXL:5X5MM5;SMD	[P0AAQ:16: {1.0}(C31)]	*NOT available in DP
101	1.0000	PC			CAP E;4uF7;25V;PITCH:2mm5;5mm x 11mm;105C;VERTICAL 12.7-15-9mm	[1:01: {1.0}(C20)]	*NOT available in DP
102	1.0000	PC			CAP E;105C;150 uF;450 V;20 %;25*36;10 MM;SNAP IN;HP SERIES	[1:01: {1.0}(C12)]	*NOT available in DP
103	160.0000	PC			CAP E;47uF;50V;PITCH:2mm5;6mm x 11mm;LOW LEAKAGE;VERTICAL 12.7-15-9mm	[P0AAP:06: {40.0}(C166-C173,C206-C213,C278-C301)]	*NOT available in DP

Circuit Protector

	Quantity	Unit	S.Sku	M.Sku	Description	Reference Designators	Notes
1	1.0000	PC	R22-00000-24721	B22-00000-24721	FUSE;3.15 A;V;LOW;P5.08;SIZE:8.5*8*4	[1:01: {1.0}(F1)]	
2	4.0000	PC		B22-00000-28566	FUSE;2.5 A;30V;RESETTABLE;PPTC;KRG0300250;TKS	[1:01: {4.0}(F2-F5)]	
3	1.0000	PC		B22-00000-31473	FUSE;12 A;16V;RESETTABLE;PPTC;KRG01612005RY;TKS	[1:01: {1.0}(F6)]	
4	1.0000	PC		B22-00000-42798	FUSE;3.15 A;V;MICRO TIME LAG;8mm5x7mm7;P5.08;BEL;R		
5	1.0000	PC		B22-00000-46822	FUSE;0.65 A;60V;RESETTABLE;KRG06000655RY;TKS	[1:01: {1.0}(F7)]	

Coil

	Quantity	Unit	S.Sku	M.Sku	Description	Reference Designators	Notes
1	2.0000	PC		B37-00000-25502	COIL;CHOKE;78 uH;COIL 2;PS176 EF25 L(S-F);78uH+/-10%@1KHZ,0.25V	[1:01: {2.0}(L9,L11)]	
2	1.0000	PC		B37-00000-25503	COIL;CHOKE;25 uH;COIL 3;PS176 EF25 L(S-F);25uH+/-10%@1KHZ,0.25V	[1:01: {1.0}(L16)]	
3	2.0000	PC		B37-00000-25506	COIL;CHOKE;7mH;COIL 6;PS176 T20X10X8 L(S-F);2mH MIN@1KHZ,0.25V	[1:01: {2.0}(L5,L7)]	
4	1.0000	PC		B37-00000-25508	COIL;CHOKE;500 uH;COIL 7;PS176 T10X5X5 L(S-F);500uH MIN@1KHZ,0.25V	[1:01: {1.0}(L15)]	
5	3.0000	PC		B37-00000-27563	COIL;CHOKE;6 mH;ET24;L:6mH MIN@1KHZ,0.25V.SG	[1:01: {1.0}(L3)]	
6	3.0000	PC		B37-00000-35431	COIL;CHOKE;1000 OHMS;SMD;SMDWCM3216S-102-2P	[P0AAQ:15: {3.0}(L9-L11)]	
7	1.0000	PC		B37-00000-40106	COIL;CHOKE;260 uH;EC2824 L(12-5,6);260uH+/-10%@1KHZ,0.25V X32 SG	[1:01: {1.0}(L4)]	
8	1.0000	PC		B37-00000-40107	COIL;CHOKE;100 uH;T50-26 L:100uH+/-10%@1KHZ,0.25V X32	[1:01: {1.0}(L14)]	
9	1.0000	PC		B37-00000-40108	COIL;CHOKE;100 uH;T80-26 L:100uH+/-10%@1KHZ,0.25V X32	[1:01: {1.0}(L10)]	
10	2.0000	PC		B37-00000-40109	COIL;CHOKE;2 mH;T17X8X7 L:2mH MIN@1KHZ,0.25V X32	[1:01: {2.0}(L6,L8)]	
11	1.0000	PC		B37-00000-40110	COIL;CHOKE;170 uH;EF25 L(4-2);170uH+/-10%@1KHZ,0.25V X32 SG	[1:01: {1.0}(TR3)]	
12	1.0000	PC		B37-31002-06265	COIL;CHOKE;1mH;T12.7X7.9X6.35	[1:01: {1.0}(TR1)]	
13	3.0000	PC	R39-00000-03394	B39-00000-03394	COIL;SMD;BEAD;SMD0805;(BLM21BD751SN1D)	[P0AZP:00: {1.0}(L3)]	
14	3.0000	PC	R39-00000-17453	B39-00000-17453	COIL;SMD;1040;33 uH;20%;3A5;TAPE and Reel	[P0B1S:06: {1.0}(L1)]	
15	3.0000	PC		B39-00000-19577	COIL;SMD;3.3 uH;3A;20%;SIZE:1040;TAPE and Reel	[P0AZP:00: {1.0}(L1)]	
16	1.0000	PC		B39-00000-19578	COIL;SMD;1040;2.2 uH;4A MIN;20%;TAPE and REEL	[P0AAQ:15: {1.0}(L1)]	
17	4.0000	PC		B39-21202-00018	COIL;SMD BEAD;SMD1608;(MURATA BLM18BB121))	[P0AAQ:15: {4.0}(L5-L8)]	
18	10.0000	PC		B39-21202-00651	COIL;SMD BEAD;SMD603;(MURATA BLM18AG601SN1))	[P0AAQ:16: {10.0}(L1-L2,L4-L11)]	
19	64.0000	PC	R39-26000-21049	B39-26000-21049	COIL;SMD;BEAD;(BLM21AG601S)	[P0AAP:06: {16.0}(L1-L16)]	

Computer

	Quantity	Unit	S.Sku	M.Sku	Description	Reference Designators	Notes
1	1.0000	PC	R51-00000-59331	B51-00000-59331	MEMORY CARD;P0AAQ;128MB industrial grade SLC microSD		

Connector

	Quantity	Unit	S.Sku	M.Sku	Description	Reference Designators	Notes
1	1.0000	PC	R83-00000-11200	B83-00000-11200	USB CONNECTOR;4;VERTICAL;CHUNSHENG;USB-A-110BK-EP	[P0B1S:12: {1.0}(X1)]	
2	1.0000	PC	R83-00000-17677	B83-00000-17677	CONNECTOR;40;TX24-40R-LT-H1E	[P0AAQ:15: {1.0}(X8)]	
3	1.0000	PC		B83-00000-17678	CONNECTOR;40;TX25-40P-LT-H1E	[P0AZP:00: {1.0}(X1)]	
4	12.0000	PC	R83-00000-17806	B83-00000-17806	CONNECTOR;20;1 MM;SMD;FPC20 VERTICAL	[P0AAQ:15: {3.0}(X3-X4,X14)]	
5	2.0000	PC		B83-00000-17833	CONNECTOR;24;1 MM;SMD;FPC24 VERTICAL	[P0AAQ:04: {1.0}(X14)]	
6	1.0000	PC		B83-00000-18408	CONNECTOR;40;0.5 MM;SMD;FH12-40S-0.55V	[P0AAQ:15: {1.0}(X5)]	
7	29.0000	PC		B83-00000-50403	CONNECTOR;FFC;28 PIN;0.5 MM;SMD	[P0B1S:06: {8.0}(LD13-LD20)]	
8	1.0000	PC		B83-00000-57291	CONNECTOR;MICRO SD;HINGE;8;GOLD;SMD;MOLEX: 5009010801	[P0AAQ:16: {1.0}(X1)]	
9	2.0000	PC	R83-20184-37925	B83-20184-37925	CONNECTOR;FEMALE;ANGLED;USB;SINGLE;TYPE-B	[P0AZP:00: {1.0}(X6)]	
10	6.0000	PC		B84-22000-06018	CRIMP TERMINAL;PITCH:3mm96;AWG18-22;A3963TOP-2		
11	274.0000	PC	R84-25016-06014	B84-25016-06014	CRIMP TERMINAL;PITCH:2mm0;AWG24-30;A2008TOP-2		
12	1.0000	PC		B84-42050-00155	CRIMP CONNECTOR;LUG;INNER DIA:4mm3;AWG 14-18;WIRE MOUNT;STRAIGHT		
13	5.0000	PC		B93-00000-51731	BARE WIRE;2;SMD1206	[P0AAQ:15: {5.0}(R214-R215,R217,R220-R221)]	
14	1.0000	PC	R93-80000-01038	B93-80000-01038	CONNECTOR;BATTERY HOLDER;(H2611)	[P0AAQ:15: {1.0}(X10)]	
15	1.0000	PC	R95-00000-18075	B95-00000-18075	CONNECTOR;XLR;4;GOLD;FEMALE;NC4FAV	[P0B1S:10: {1.0}(X4)]	
16	2.0000	PC	R95-00000-18292	B95-00000-18292	CONNECTOR;XLR;8;2.54 MM;SHIELDED;NEUTRIK: NE8FBH	[P0AAQ:15: {2.0}(X20-X21)]	
17	17.0000	PC	R95-00000-52553	B95-00000-52553	CONNECTOR;XLR;SOCKET;MALE;ANGLED;POLES:3;SHIELDED	[P0AAQ:15: {1.0}(X22)]	
18	2.0000	PC	R95-01320-03303	B95-01320-03303	CONNECTOR;XLR;SOCKET;MALE;STRAIGHT;POLES:3	[P0AAQ:05: {2.0}(X2-X3)]	
19	1.0000	PC	R95-14340-00164	B95-14340-00164	CONNECTOR;XLR;SOCKET;FEMALE;STRAIGHT;POLES:3;NO:06;(CHUN SHENG CT3-02HF)	[P0B1S:10: {1.0}(X1)]	
20	32.0000	PC	R95-14380-04268	B95-14380-04268	CONNECTOR;XLR;POLES:3;SOCKET;ANGLED;W/ PUSH TERMINAL	[P0AAQ:19: {8.0}(X5-X12)]	

Diode

	Quantity	Unit	S.Sku	M.Sku	Description	Reference Designators	Notes
1	2.0000	PC			DIODE;SCHOTTKY;DUAL;25A;100V;S825100FCT;ITO-220AB	[1:01: {2.0}(D8,D11)]	*NOT available in DP
2	2.0000	PC			DIODE;HER207;DO15;RADIAL	[1:01: {2.0}(D2,D5)]	*NOT available in DP
3	130.0000	PC			DIODE;BAV103;SOD80;TEMIC	[P0AAP:06: {32.0}(D36-D37,D40-D43,D46-D49,D52-D55,D58-D61,D64-D67,D70-D73,D76-D79,D82-D83)]	*NOT available in DP
4	40.0000	PC			DIODE;BAV99;SOT23;SMD	[P0AAP:06: {10.0}(D2-D3,D20-D27)]	*NOT available in DP
5	55.0000	PC			DIODE;LL4148;LL34;TEMIC OR FC	[P0AZP:00: {1.0}(D1)]	*NOT available in DP
6	2.0000	PC			DIODE;GP;GS1G;400V;1A;DO-214AC;SMD	[1:01: {2.0}(D12-D13)]	*NOT available in DP
7	1.0000	PC			DIODE;ZENER;SMA;20V;1W;1SMA4747	[1:01: {1.0}(D19)]	*NOT available in DP
8	2.0000	PC			DIODE;ZMM02V7;SMD1206	[1:01: {2.0}(D38-D39)]	*NOT available in DP
9	2.0000	PC			DIODE;ZMM05V1;SMD1206	[1:01: {2.0}(D17,D26)]	*NOT available in DP
10	64.0000	PC			DIODE;ZMM08V2;SMD1206;SMD	[P0AAP:06: {16.0}(D38-D39,D44-D45,D50-D51,D56-D57,D62-D63,D68-D69,D74-D75,D80-D81)]	*NOT available in DP
11	1.0000	PC			DIODE;ZMM09V1;SMD1206	[1:01: {1.0}(D14)]	*NOT available in DP
12	64.0000	PC			DIODE;ZMM12V0;SMD1206	[P0AAP:06: {16.0}(D4-D19)]	*NOT available in DP
13	3.0000	PC			DIODE;ZMM18V0;SMD1206	[1:01: {3.0}(D20-D21,D33)]	*NOT available in DP
14	1.0000	PC			DIODE;ZMM24V0;SMD1206	[1:01: {1.0}(D32)]	*NOT available in DP
15	1.0000	PC			DIODE;RECTIFIER;600 V;DO201AD;3A;ER306	[1:01: {1.0}(D3)]	*NOT available in DP
16	3.0000	PC			DIODE;RECTIFIER;40 V;FM5822;DO-214AB;SMD	[P0B1S:06: {1.0}(D1)]	*NOT available in DP
17	1.0000	PC			DIODE;RECTIFIER;DUAL;ULTRAFAST;10A;200V;STTH1002CFP;TO-220FPAB	[1:01: {1.0}(D6)]	*NOT available in DP
18	1.0000	PC			DIODE;RECTIFIER;45 V;TO220;POWER SR;2*10A;45V;MBR2045FCT;TO220F	[1:01: {1.0}(D10)]	*NOT available in DP
19	2.0000	PC			DUAL RECTIFIER;TO220;MBR20200FCT	[1:01: {2.0}(D7,D9)]	*NOT available in DP
20	1.0000	PC			DIODE;ES3D;DO-214AB;SMD	[1:01: {1.0}(D34)]	*NOT available in DP
21	2.0000	PC			DIODE;5 V;RCLAMP0502B;SOT-523	[P0AAQ:16: {2.0}(D1-D2)]	*NOT available in DP
22	4.0000	PC			DIODE;SUPERFAST;ES1D;200V;1A;15NS;DO-214AC;SMD	[1:01: {4.0}(D25,D29-D31)]	*NOT available in DP
23	1.0000	PC	X80-00000-12035	H80-00000-12035	RECTIFIER, BRIDGE;800 V;GBU;GBU8K;8A	[1:01: {1.0}(D1)]	

Display

	Quantity	Unit	S.Sku	M.Sku	Description	Reference Designators	Notes
1	29.0000	PC	S25-00000-17804	C25-00000-17804	DISPLAY;LCD;CABLE;23mm;DOT:128*64;28PIN;17.9x10.86mm		
2	1.0000	PC	S25-00000-23108	C25-00000-23108	DISPLAY;LCD;AT070TN83V.1		

Hardware

	Quantity	Unit	S.Sku	M.Sku	Description	Reference Designators	Notes
1	2.0000	PC			CABLE TIE;25 MM;GREY;RIBBON CABLE CLAMP;PVC;3M4945 ADHESIVE;WIDTH:0.5"		*NOT available in DP
2	17.0000	PC			CABLE TIE;NYLON;4in;COLOR:		*NOT available in DP
3	5.0000	PC			WIRECLAMP;LUG;3mm;LENGTH:52mm;OUTER DIA;7mm5;PLASTIC COVERED STEEL;COLOR:BLK		*NOT available in DP
4	1.8000	G			THERM-GREASE;COLOR:WHT;SPEC.NO:09286		*NOT available in DP
5	0.5000	G			SCREWLOCK;SPEC.NO:01090		*NOT available in DP
6	14.0000	PC			NUT;M;3 MM;3.2 MM;HEX WASHER;7.3 MM;ZINC;BLUE;HEXAGON REC.;0.5 MM;M3*0.5mm NUT WITH TEETH EXTERNAL WASHER		*NOT available in DP
7	1.0000	PC			HEX. NUT;INNER DIA;M4mm;SURFACE:ZINC		*NOT available in DP
8	14.0000	PC			HEX. NUT;FOR JACK;M 3/8in;HEXWRENCH:11mm;THICKNESS:2mm;SURFACE:NICKEL/SLV		*NOT available in DP
9	2.0000	PC			OCT. NUT;FOR JACK;3/8in;OCTWRENCH:14.5mm;THICKNESS:3.5mm;SURFACE:NICKEL/SILVER		*NOT available in DP
10	1.0000	PC	V87-00200-10103	F87-00200-10103	RUBBER BUSHING;I00172P;DST.NO:002;DPT.NO:10103;(I00172P-RUBBER_BUSHING-REV.B.dwf)		
11	1.0000	PC			SCREW;M;3 MM;15 MM;PAN WASHER;ZINC;BLUE/WHITE;PHILIPS REC.;0.5 MM;M3mm*15mm;HEAD:PAN&SPRING WASHER;BLUE/ZINC		*NOT available in DP
12	16.0000	PC			SCREW;M;3 MM;5 MM;BINDING;6 MM;ZINC;BLACK;PHILIPS REC.;0.5 MM;M3mm*5mm;HEAD:BINDING;INSERT:PHILIPS REC,H		*NOT available in DP
13	62.0000	PC			SCREW;M;3 MM;8 MM;PAN WASHER;5 MM;SILVER/ZINC;PHILIPS REC.;0.5 MM;M03mm*08mm; PAN SPRING WASHER;;PHILIPS REC,H		*NOT available in DP
14	124.0000	PC			SCREW;M;3 MM;6 MM;PAN WASHER;5 MM;SILVER/ZINC;PHILIPS REC.;0.5 MM;M03mm*06mm; PAN SPRING WASHER;;PHILIPS REC,H		*NOT available in DP
15	50.0000	PC			SCREW;M2mm*2mm;HEAD:PAN;INSERT:PHILIPS REC.;SURFACE:BLACK/ZINC		*NOT available in DP
16	1.0000	PC			SCREW;M3mm*6mm;HEAD:PAN SPRING WASHER;INSERT:PHILIPS REC.;SURFACE:SILVER/NIC	[1:01: {1.0}(M11)]	*NOT available in DP
17	10.0000	PC			SCREW;M3mm*8mm;HEAD:PAN SPRING WASHER;INSERT:PHILIPS REC.;SURFACE:SILVER/NIC	[1:01: {1.0}(M1-M10)]	*NOT available in DP
18	25.0000	PC			SCREW;M3mm*4mm;HEAD:PAN;INSERT:PHILIPS REC.;SURFACE:BLACK/ZINC		*NOT available in DP
19	20.0000	PC			SCREW;BT3mm*6mm;HEAD:PAN;INSERT:PHILLIPS REC.;SURFACE:BLACK/ZINC		*NOT available in DP
20	2.0000	PC			SCREW;M3mm*6mm;HEAD:TRUSS;INSERT:PHILIPS REC.;SURFACE:BLACK/ZINC		*NOT available in DP
21	8.0000	PC			SCREW;M3mm*6mm;PITCH:0mm5;HEAD:FLAT;DIA:5mm2;INSERT:PHILIPS REC.;SURFACE:BLACK/ZINC		*NOT available in DP
22	107.0000	PC			SCREW;A3mm*8mm;HEAD:PAN;INSERT:PHILIPS REC.;SURFACE:BLACK/ZINC		*NOT available in DP
23	4.0000	PC			SCREW;BT3mm*8mm;HEAD:PAN;INSERT:PHILLIPS REC.;SURFACE:BLACK/ZINC		*NOT available in DP
24	11.0000	PC			SCREW;M4mm*8mm;HEAD:PAN;INSERT:PHILIPS REC.;SURFACE:BLACK/ZINC		*NOT available in DP
25	5.0000	PC			SCREW;M4mm*12mm;HEAD:PAN WASHER DIA 9mm;INSERT:PHILIPS REC.;SURFACE:BLACK/ZINC		*NOT available in DP
26	4.0000	PC			SCREW;M4mm*30mm;HEAD:PAN;INSERT:PHILIPS REC.;SURFACE:BLACK/ZINC		*NOT available in DP
27	1.0000	PC			SHIELD;XLR MALE;DWG.NO:13436;(R14-SRC2000-XLRSHIELDMALE-REV.G.DWG)	[P0B1S:10: {1.0}(X5)]	*NOT available in DP
28	1.0000	PC			SHIELD;XLR FEMALE;DWG.NO:13437;(R14-SRC2000-XLRSHIELDFEMALE-REV.G.DWG)	[P0B1S:10: {1.0}(X2)]	*NOT available in DP
29	1.0000	PC			SILICA GEL;MASS;30g;SPEC.NO:30QB-BB2001-4		*NOT available in DP

	Quantity	Unit	S.Sku	M.Sku	Description	Reference Designators	Notes
30	10.0000	PC			STUD;M3x37.45 MM;HEX;0.7 MM;P0AAQ-IOPCB-STUD-REVA		*NOT available in DP
31	25.0000	PC			STUD;M;HEX;P0ASF-FADER-STUD		*NOT available in DP
32	1.0000	PC			STUD;BRASS;STUD, THROUGH HOLE,DIA 3MM5,LENGTH 7MM4,		*NOT available in DP
33	9.0000	PC			STUD;M;7.9 MM;0.5 MM;P0AAP-FADER-STUD		*NOT available in DP
34	1.0000	PC			STUD;M;DIA:3 MM;LEN:7.1 MM;HEX;OD:5 MM;PITCH:0.5 MM;X32V2-MASTER-FADER-STUD		*NOT available in DP
35	1.0000	PC			STUD;THREAD-DIA;3mm;LENGTH:13mm5;INT/INT		*NOT available in DP
36	49.0000	PC			STUD;THREAD-DIA;3mm;LENGTH:13mm8;INT/INT		*NOT available in DP
37	0.0280	M			SHRINKING TUBE;12 MM;BLACK;HIGH TEMPERATURE,Dia. 12mm;150C		*NOT available in DP
38	0.3100	M			SHRINKING TUBE;INNER DIA;1mm;SPEC.NO:43217		*NOT available in DP
39	30.0000	MM			SHRINKING TUBE;INNER DIA;2MM;SPEC NO:15747		*NOT available in DP
40	0.0540	M			SHRINKING TUBE;INNER DIA;3mm;SPEC.NO:01097		*NOT available in DP
41	0.0840	M			SHRINKING TUBE;INNER DIA;4mm;SPEC.NO:01098		*NOT available in DP
42	0.0800	M			SHRINKING TUBE;INNER DIA;6mm;SPEC.NO:01099		*NOT available in DP
43	0.0200	M			SHRINKING TUBE;INNER DIA;14mm;SPEC.NO:01100		*NOT available in DP
44	2.0000	PC			WASHER;9.7 MM;16 MM;NICKEL;WHITE;WASHER;FLAT;DIM:9.7*16*0.5mm;NIC		*NOT available in DP
45	1.0000	PC			WASHER;PLAIN;INNER DIA:3mm;OUTER DIA:6mm;THICKNESS;0mm5		*NOT available in DP
46	1.0000	PC			WASHER;PLAIN;INNER DIA:4mm;OUTER DIA:10mm;THICKNESS;1mm;PLATING;NICKEL		*NOT available in DP
47	14.0000	PC			WASHER;PLAIN;INNER DIA:9mm6;OUTER DIA:13mm;THICKNESS;0mm5;PLATING;NICKEL		*NOT available in DP
48	1.0000	PC			WASHER;SPRING;INNER DIA:4mm;OUTER DIA:7mm;THICKNESS;1mm7		*NOT available in DP
49	1.0000	PC			WASHER;EXTERNAL TEETH;INNER DIA:4mm;OUTER DIA:7mm;THICKNESS;1mm7		*NOT available in DP
50	0.0510	M	V97-00000-23179	F97-00000-23179	OTHER;GROMMET STRIP;1.5MM PANEL THICKNESS		
51	1.0000	PC	V97-00000-54455	F97-00000-54455	FOAM SHEET;P0AAQ-CONDUCTIVE-FOAM1.REVA		
52	2.0000	PC	V97-00000-54456	F97-00000-54456	FOAM SHEET;P0AAQ-CONDUCTIVE-FOAM2.REVA		
53	2.0000	PC	V97-00000-83715	F97-00000-83715	FOAM SHEET;P0AWP-CONDUCTIVE_SPONGE;REVA		
54	70.0000	PC			SCREW;M3mm*5mm;PITCH:0mm5;HEAD:FLAT;DIA:4mm5;INSERT:P HILIPS REC.;SURFACE:BLACK/ZINC		*NOT available in DP

Ic

	Quantity	Unit	S.Sku	M.Sku	Description	Reference Designators	Notes
1	4.0000	PC	S60-00000-10781	C60-00000-10781	IC;AD/DA;LQFP;48;CS5368-CQZ	[P0AAP:06: {1.0}(IC6)]	
2	1.0000	PC	S60-00000-18248	C60-00000-18248	IC;AD/DA;52;CS42438;MQFP;SMD	[P0AAQ:15: {1.0}(IC10)]	
3	2.0000	PC	S60-00000-21615	C60-00000-21615	IC;AD/DA;LQFP;48;D/A CONVERTER;CS4385-CQZ	[P0AAQ:20: {1.0}(IC6)]	
4	3.0000	PC	S60-56154-30520	C60-56154-30520	IC;CONVERTER;TLC1543CDW;SO20	[P0B1S:06: {1.0}(IC6)]	
5	115.0000	PC		C73-00000-29050	IC;OPAMP;SMD;SOP;8;BA4580RF	[P0AAQ:04: {3.0}(IC1-IC3)]	
6	5.0000	PC	S73-58007-40514	C73-31007-40514	IC;OPAMP OPAMP;TL074;SOP;	[P0AAQ:15: {5.0}(IC11,IC14,IC16,IC21,IC24)]	
7	1.0000	PC	S73-55035-80508	C73-55035-80508	IC;OPAMP OPAMP;LM358;SOP 8D	[1:01: {1.0}(IC13)]	
8	2.0000	PC		C73-59458-00408	IC;OPAMP OPAMP;NJM4580L;SIP	[P0B1S:11: {2.0}(IC3-IC4)]	
9	1.0000	PC	S74-00000-21794	C74-00000-21794	IC;POWER-CONVERSION;SO;8;PFC CONTROLLER;L6562D	[1:01: {1.0}(IC7)]	
10	1.0000	PC	S74-00000-29659	C74-00000-29659	IC;POWER-CONVERSION;SOIC;8;UC3844D8	[1:01: {1.0}(IC6)]	
11	2.0000	PC	S74-00000-29817	C74-00000-29817	IC;POWER-CONVERSION;AIC2354GV5;SOT-23-5;SMD	[P0AZP:00: {1.0}(IC1)]	
12	1.0000	PC	S74-55031-70703	C74-55031-70703	IC;VOLT.REGULATOR;LM317T;TO220	[1:01: {1.0}(IC4)]	
13	3.0000	PC	S74-66159-10508	C74-66159-10508	IC;CONVERTER;MP1591DS;SO8/150;SMD	[P0B1S:06: {1.0}(IC1)]	
14	1.0000	PC	S77-00000-18293	C77-00000-18293	IC;VOLT.REGULATOR;DC to DC;32;ADP2114ACPZ-R7;CP-32-2;SMD	[P0AAQ:15: {1.0}(IC7)]	
15	1.0000	PC	S77-00000-21793	C77-00000-21793	IC;VOLT.REGULATOR;TO220;5;LM2576T-ADJG	[1:01: {1.0}(IC3)]	
16	5.0000	PC	S77-00128-03000	C77-00128-03000	IC;VOLT.REGULATOR;ZENERSHUNT.REGULATOR;SOT23;LM431ACM3/N1	[1:01: {5.0}(IC8-IC12)]	
17	15.0000	PC	S77-00128-03001	C77-00128-03001	IC;VOLT.REGULATOR;ADJUSTABLE;SOT223;NCP1117STAT3;SMD	[P0AAQ:15: {1.0}(IC1)]	
18	1.0000	PC	S77-00155-03001	C77-00155-03001	IC;VOLT.REGULATOR;ADJUSTABLE;DPAK;NCP1117DTARKG;SMD	[P0AZP:00: {1.0}(IC6)]	
19	6.0000	PC	S77-03128-03001	C77-03128-03001	IC;VOLT.REGULATOR;NCP1117ST33T3;SOT223	[P0AAQ:15: {1.0}(IC2)]	
20	1.0000	PC	S77-18128-03001	C77-18128-03001	VOLT.REGULATOR;AZ1117H-1.8TRE1;SOT223;SMD	[P0AAQ:16: {1.0}(IC6)]	
21	1.0000	PC	S78-55039-32208	C78-55039-32208	IC;COMPARTOR;LM393;SOIC	[1:01: {1.0}(IC5)]	
22	1.0000	PC	T10-00000-18827	D10-00000-18827	IC;ASIC;MSOP;10;CS2000CP-CZZR	[P0AAQ:15: {1.0}(IC13)]	
23	1.0000	PC		D10-00000-78020	IC;ASIC;124;SMD;XS1-L16A-128-QF124-C10	[P0AZP:00: {1.0}(IC48)]	
24	1.0000	PC	T10-00000-78031	D10-00000-78031	IC;USB Transceiver;QFN;32;SMD;USB3340	[P0AZP:00: {1.0}(IC3)]	
25	4.0000	PC	T12-00000-12043	D12-00000-12043	IC;DIG COMM.;SOIC;8;MLVDS TRANSCEIVER;SMD;SN65MLVD204AD	[P0AAQ:15: {4.0}(IC17-IC18,IC22-IC23)]	REPLACED: C73-58007-40514
26	3.0000	PC	T12-00000-18249	D12-00000-18249	IC;DIG COMM.;QFN;24;SMD;LAN8720A-CP	[P0AAQ:15: {2.0}(IC19-IC20)]	
27	2.0000	PC	T17-00001-16874	D17-00001-16874	IC;SDRAM;SMD;TSOP;PINS:54;TAPE AND REEL;MT48LC8M16A2P-6A.L	[P0AAQ:15: {2.0}(IC3-IC4)]	
28	2.0000	PC	T18-00000-18247	D18-00000-18247	IC;DSP;LQFP;208;ADSP-21371KSWZ-2B;SMD	[P0AAQ:15: {2.0}(IC5-IC6)]	
29	5.0000	PC	T19-00037-04631	D19-00037-04631	IC;FLASH;STM32F103RBT6;LQFP64;32-Bit MCU with Flash Memory	[P0B1S:06: {1.0}(IC5)]	
30	1.0000	PC	T19-00074-05121	D19-00074-05121	IC;FLASH MEMORY;W25X40CLSNIG;SMD;SOIC-8	[1:01: {1.0}(IC67)]	
31	1.0000	PC	T22-00000-18232	D22-00000-18232	IC;LOGIC;5;74LVC1G07GV;SOT753;SMD	[P0AAQ:15: {1.0}(IC26)]	
32	1.0000	PC	T22-00000-78023	D22-00000-78023	IC;LOGIC;BUFFER;SC70-6;SMD;NC7WZ07P6X	[P0AZP:00: {1.0}(IC8)]	
33	6.0000	PC	T22-27010-82805	D22-27010-82805	IC;LOGIC;74LVC1G08;SOT-23;SPIN;SMD	[P0AAP:06: {1.0}(IC7)]	
34	1.0000	PC	T22-27020-42806	D22-27020-42806	IC;INVERTER;74LVC2G04;SOP	[P0B1S:08: {1.0}(IC5)]	
35	7.0000	PC	T22-27024-50520	D22-27024-50520	IC;LOGIC;74LVC245;SOP	[P0AAQ:15: {1.0}(IC15)]	
36	28.0000	PC	T22-31016-50516	D22-31016-50516	IC;LOGIC;74HC165;SOP	[P0B1S:06: {4.0}(IC7-IC10)]	
37	6.0000	PC	T22-32027-30520	D22-32027-30520	IC;LOGIC;74HCT273;SOP	[P0B1S:06: {2.0}(IC3-IC4)]	
38	138.0000	PC	T22-32059-50520	D22-32059-50520	IC;LOGIC;74HCT595;SOP	[P0AAP:06: {9.0}(IC8-IC16)]	
39	7.0000	PC	T24-18081-61832	D24-18081-61832	IC;MICROCONTROLLER;ATMEGA8A-AU;SMD;TQFP32	[1:01: {1.0}(IC7)]	
40	2.0000	PC	T24-48030-02803	D24-48030-02803	IC;MICROCONTROLLER;MAX809STRG;Vth:2.93V;SOT	[P0AZP:00: {1.0}(IC5)]	
41	1.0000	PC	T28-54534-00616	D28-54534-00616	IC;CONVERTER A/D CONVERTER;CS5340-CZZ;TSSOP	[P0AAQ:15: {1.0}(IC9)]	
42	1.0000	PC	T29-00000-18234	D29-00000-18234	IC;SRAM;SOIC;8;ISL1208IB8Z;SMD	[P0AAQ:16: {1.0}(IC2)]	
43	1.0000	PC	T29-00000-29818	D29-00000-29818	IC;SRAM;60;IS43LR16320B-6BL;BGA;SMD	[P0AAQ:16: {1.0}(IC1)]	

	Quantity	Unit	S.Sku	M.Sku	Description	Reference Designators	Notes
44	64.0000	PC	T30-00000-61526	D30-00000-61526	IC;SWITCH/MUPLEX;SMD;SOIC;16;V411	[P0AAP:06: {16.0}(IC29-IC44)]	
45	1.0000	PC	T30-02206-52208	D30-02206-52208	IC;SWITCH/MUPLEX;POWER DISTRIBUTION SWITCH;1A;SOIC;TPS2065D	[P0AAQ:16: {1.0}(IC5)]	
46	1.0000	PC	T32-00000-18409	D32-00000-18409	IC;EPROM;PROGM;BGA;256;XC3S1400A-4FTG256C;SMD	[P0AAQ:15: {1.0}(IC12)]	
47	1.0000	PC	T33-00000-29831	D33-00000-29831	IC;MICROCONTROLLER, PROGRAMMED;MCIMX253DJM4A;17X17 MAPBGA-400;SMD	[P0AAQ:16: {1.0}(IC3)]	
48	1.0000	PC		D33-00001-16252	IC;MICROCONTROLLER, PROGRAMMED;MICROCONTROLLER;W25X40CL;X-USB V010	[P0AZP:00: {1.0}(IC67)]	
49	1.0000	PC		D33-00001-16254	IC;MICROCONTROLLER, PROGRAMMED;FIRMWARE ATMEGA8A-AU;X-USB V3	[P0AZP:00: {1.0}(IC7)]	
50	1.0000	PC		D33-00001-23668	IC;MICROCONTROLLER, PROGRAMMED;EPROM DATA;SD-Card Image Build;V2.10 and V2.11		
51	4.0000	PC	T12-00000-12043	D12-00000-12043	IC;DIG COMM.;SOIC;8;MLVDS TRANSCEIVER;SMD;SN65MLVD204AD	[P0AAQ:15: {4.0}(IC17-IC18,IC22-IC23)]	(EU, UL, UK, SAA, BR, AR, HM)

Led

	Quantity	Unit	S.Sku	M.Sku	Description	Reference Designators	Notes
1	1.0000	PC		E10-00000-13289	LED HIB;3mm0 ROUND;RED;Len: White Diffuse; Head BASE: 4.5X5.08	[P0AZP:00: {1.0}(LD1)]	
2	238.0000	PC		E10-00000-19576	LED HIB;TRANSPARENT AMBER;SMD603	[P0B1S:13: {56.0}(LD21-LD76)]	
3	48.0000	PC	U10-00000-39409	E10-00000-39409	LED HIB;GREEN;SMD603	[P0B1S:06: {16.0}(LD45-LD60)]	
4	20.0000	PC	U10-00000-39410	E10-00000-39410	LED HIB;WHITE;SMD603	[P0B1S:09: {20.0}(LD1-LD4,LD6-LD7,LD13,LD17,LD29,LD33,LD48-LD49,LD64,LD68,LD80,LD84,LD96,LD100,LD106-LD107)]	
5	29.0000	PC	U10-00000-39412	E10-00000-39412	LED HIB;GREEN;SMD805	[P0B1S:06: {11.0}(LD2-LD4,LD102-LD109)]	
6	103.0000	PC	U10-00000-39413	E10-00000-39413	LED HIB;RED;SMD805	[P0B1S:06: {25.0}(LD5-LD12,LD37-LD44,LD85-LD92,LD101)]	
7	32.0000	PC		E10-00000-47170	LED;RED;LEN;RED;DIFFUSE;HB;3MM ROUND;ANGLE;BASE:4.5X5.08X6	[P0AAQ:19: {8.0}(LD1-LD8)]	
8	62.0000	PC		E10-00000-79125	LED HIB;WAVELENGTH:586-596nm;TRANSPARENT AMBER;SMD805	[P0B1S:06: {9.0}(LD1,LD29-LD36)]	
9	3.0000	PC	U10-09590-02370	E10-09590-02370	LED;SMD;WAVELENGTH:465nm;COLOR:YELLOW;REFLECTOR:WATER CLEAR;(LIGITEK LG-192VY-CT)	[P0AAQ:15: {3.0}(LD1-LD3)]	
10	45.0000	PC		E14-00000-33404	LED SUB;GREEN;SMD603;WATER CLEAR	[P0B1S:03: {2.0}(LD147,LD150)]	
11	156.0000	PC	U14-00000-33405	E14-00000-33405	LED SUB;AMBER;SMD603;WATER CLEAR	[P0B1S:06: {32.0}(LD61-LD84,LD93-LD100)]	
12	29.0000	PC	U15-00000-40123	E15-00000-40123	LED HIB;BLUE/GREEN/RED;SMD3.5X2.8	[P0B1S:06: {8.0}(LD21-LD28)]	

Metal Part

	Quantity	Unit	S.Sku	M.Sku	Description	Reference Designators	Notes
1	1.0000	PC		A62-00000-58228	METAL;POAAQ;TIN PLATE T=0.3mm;SHIELD;BENDING + PUNCHING		
2	1.0000	PC		A62-00000-70548	METAL;PANEL;POAAQ;SECC 1.2mm;BENDING + PUNCHING;POAAQ-SIDE_RIGHT-REVB		
3	1.0000	PC		A62-00000-70549	METAL;PANEL;POAAQ;SECC 1.2mm;BENDING + PUNCHING;POAAQ-SIDE_LEFT-REV B		
4	1.0000	PC		A63-00000-12034	METAL;POA1W;AL A6063;HEATSINK;EXTRUSION;OXIDIZING;NATURAL;SMALL HEATSINK;POA1W;REV:B	[1:01: {1.0}{HS3}]	
5	1.0000	PC		A63-00000-30059	METAL;POAAQ;ALUMINIUM;HEATSINK;BLANKING + PUNCHING + BENDING;POAAQ-HEATSINK-L-REVA	[1:01: {1.0}{HS2}]	
6	1.0000	PC		A63-00000-30060	METAL;POAAQ;ALUMINIUM;HEATSINK;BLANKING + PUNCHING + BENDING;POAAQ-HEATSINK-R-REVA	[1:01: {1.0}{HS1}]	
7	2.0000	PC	Q65-00000-06911	A65-00000-06911	METAL;POACL;SUS 201;MACHINING;DRAW_PULL;REV:A		
8	3.0000	PC	Q65-00000-24959	A65-00000-24959	METAL;P0274;SPCC 0.8mm;MOUNT;BENDING + PUNCHING;PLATING TIN;MOUNTING HELP;J00053P;REV:B	[POAZP:00: {3.0}{M1-M3}]	
9	1.0000	PC		A65-00000-25002	METAL;POAAQ;SECC 1.0mm;SHIELD;BENDING + PUNCHING;NATURAL;POAAQ-SHIELD_EMI-REVA		
10	1.0000	PC		A65-00000-25218	METAL;POAAQ;SECC 1.0mm;MOUNT;BENDING + PUNCHING;NATURAL;POAAQ-DISPLAY_MOUNT-REVA		
11	1.0000	PC		A65-00000-30074	METAL;POAAQ;SECC 0.8mm;SHIELD;BLANKING + BENDING;POAAQ-PSU-SHIELD-REVA		
12	3.0000	PC	Q65-00000-37710	A65-00000-37710	METAL;POAAQ;SECC 2.0mm;HOLDER;BENDING + PUNCHING;POAAQ-FADER-BRACKET-RAIL-REVA		
13	1.0000	PC		A65-00000-65022	METAL;POAAQ;SECC 1.0mm;HOLDER;BENDING + PUNCHING;NATURAL;POAAQ-VENT-SHIELD-REVB		
14	25.0000	PC		A65-00000-68537	METAL;POAAQ;SECC 0.8mm;BRACKET;BENDING + PUNCHING;POAAQ-BRACKET_FADER-REVC		
15	3.0000	PC		A65-00000-71075	METAL;RAIL;POAAP;SECC 2.0mm;PUNCHING AND BENDING;POAAP-FADER-BRACKET-RAIL-TOP		
16	1.0000	PC		A65-00000-79532	METAL;BAR;POAAP;SECC 0.8mm;BLANKING + PUNCHING + BENDING;LCD-GROUNDING-BAR-LEFT-REVB		
17	1.0000	PC		A65-00000-79533	METAL;BAR;POAAP;SECC 0.8mm;BLANKING + PUNCHING + BENDING;LCD-GROUNDING-BAR-RIGHT-REVB		
18	1.0000	PC		A65-00000-84015	METAL;CAGE;POAAP;SECC 1.0mm;BLANKING + PUNCHING + BENDING;POAAP-PLUGIN-CARD-CAGE-REVA		
19	1.0000	PC		A65-00000-85264	METAL;HOLDER;POB1S;SECC 1.2mm;BLANKING + PUNCHING + BENDING;X32-SUPPORTER-REVA		
20	1.0000	PC		A65-00000-96512	METAL;FRONT;POAAQ;MATERIAL:AL 6063 T5;MEDIUM GLOSS;EXTRUSION;POWDER COATING;450;POAAQ-ARMREST-REVC		
21	1.0000	PC	Z00-00000-84315	J00-00000-84315	METAL;PANEL;POAZP;SECC 1.2mm;BLANKING + PUNCHING;PAINTING NORMAL;8403;COVER;A001		
22	1.0000	PC		J02-00000-88974	METAL;PANEL;POB1S;MATERIAL:SECC 1.2mm;BENDING + PUNCHING;PAINTING NORMAL;DARK GRAY METALLIC;BOTTOM CASE;A001		
23	1.0000	PC	Z05-00000-88972	J05-00000-88972	METAL;PANEL;POB1S;MATERIAL:SECC 1.2mm;BLANKING + PUNCHING + BENDING;SPRAYING;DARK GRAY METALLIC;TOP;A001		

Plastic Part

	Quantity	Unit	S.Sku	M.Sku	Description	Reference Designators	Notes
1	5.0000	PC	W51-00100-14745	G51-00100-14745	PLASTIC;RUBFOOT;P0738;DST.NO:001;DPT.NO:14745;(P0738-RUBFOOT-REVA.DWG)		
2	6.0000	PC	W52-00000-31661	G52-00000-31661	PLASTIC;P0AAQ;ABS;KNOB;BLACK;P0AAQ-KNOB-DISPLAY-REVA		
3	17.0000	PC	W52-00000-35743	G52-00000-35743	PLASTIC;P0AAQ;ABS;KNOB;TRANSPARENT;BLACK;P0AAQ-LED-COLLAR-KNOB-REVA		
4	3.0000	PC	W52-00000-35745	G52-00000-35745	PLASTIC;P0AAQ;KNOB;2-SHOT INJECTION MOULDING;BLACK;GREY;P0AAQ-KNOB-MONITOR-REVA		
5	25.0000	PC	W52-00000-58519	G52-00000-58802	PLASTIC;P0AAQ;ABS;KNOB;ANODIZING CHROME(III);CHROME;P0AAQ-FADER-KNOB-NEW		
6	1.0000	PC		G52-00000-85803	PLASTIC;BUTTON;POB1S;RUBBER;POB1S-DISPLAY-RUBBER-8-REVA		
7	2.0000	PC		G52-00000-85804	PLASTIC;BUTTON;POB1S;RUBBER;POB1S-DISPLAY-RUBBER-4-REVA		
8	5.0000	PC		G53-00000-17755	PLASTIC;P0AAQ;ABS;HOLDER;INJECTION MOULDING;BLACK;P0AAQ-LCD HOLDER_SINGLE-REVA		
9	3.0000	PC	W53-00000-17757	G53-00000-17757	PLASTIC;P0AAQ;ABS;HOLDER;INJECTION MOULDING;BLACK;P0AAQ-LCD HOLDER_CHANNEL8-REVA		
10	1.0000	PC	W53-00000-25130	G53-00000-25130	PLASTIC;P0AAQ;ABS;SIDE;INJECTION MOULDING;MATT;PAINTING NORMAL;BLACK;P0AAQ-SIDE_CAP_LEFT-REVA		
11	1.0000	PC	W53-00000-25132	G53-00000-25132	PLASTIC;P0AAQ;ABS;SIDE;INJECTION MOULDING;GLOSS HIGH;PAINTING NORMAL;BLACK;P0AAQ-SIDE_CAP_RIGHT-REVA		
12	1.0000	PC	W53-00000-35748	G53-00000-35748	PLASTIC;P0AAQ;ABS;HOLDER;BLACK;P0AAQ-LED_METER_EQ-REVA		
13	2.0000	PC	W53-00000-35749	G53-00000-35749	PLASTIC;P0AAQ;ABS;HOLDER;BLACK;P0AAQ-LED_METER_SINGLE-REVA		
14	1.0000	PC		G53-00000-37711	PLASTIC;P0AAQ;SILICON RUBBER;PAD;BLACK MATT;P0AAQ-PHONE-BAY-RUBBER-REVA		
15	1.0000	PC		G53-00000-37712	PLASTIC;P0AAQ;ABS;HOLDER;INJECTION MOULDING;MATTE;PAINTING NORMALBLACK;P0AAQ-PHONE-BAY-REVA		
16	25.0000	PC	W53-00000-56330	G53-00000-56330	PLASTIC;P0AAQ;POM (Polyoxymethylene);WHEEL;INJECTION;GLOSS HIGH;BLACK;P0AAQ-WHEEL-REVA		
17	25.0000	PC		G53-00000-58726	PLASTIC;P0AAQ;RACK;INJECTION;P0AAQ-FADER-BELT		
18	3.0000	PC		G53-00000-59100	PLASTIC;P0AAQ;PC (Polycarbonate);HOLDER;2-SHOT INJECTION MOULDING;BLACK;TRANSPARENT;P0AAQ-LED-METER_DISPLAY REV B		
19	9.0000	PC		G53-00000-70623	PLASTIC;HOUSING;P0AAP;ABS;INJECTION;GLOSS HIGH;BLACK;P0AAP-BUTTON-HOUSING-H8-REVA		
20	1.0000	PC		G53-00000-70624	PLASTIC;HOUSING;P0AAP;ABS ;INJECTION;GLOSS HIGH;BLACK;P0AAP-BUTTON-HOUSING-2X3-REVA		
21	2.0000	PC		G53-00000-70626	PLASTIC;HOUSING;P0AAP;ABS;INJECTION;GLOSS HIGH;BLACK;P0AAP-BUTTON-HOUSING-V4-REVA		
22	5.0000	PC		G53-00000-70634	PLASTIC;HOUSING;P0AAP;ABS;INJECTION;GLOSS HIGH;BLACK;P0AAP-BUTTON-HOUSING-SINGLE-REVA		
23	1.0000	PC		G53-00000-70645	PLASTIC;HOUSING;P0AWP;ABS;INJECTION;BLACK;P0AWP-SINGLE_BUTTON_HOUSING;REVA		
24	27.0000	PC	W53-00000-77640	G53-00000-77640	PLASTIC;EPE;P0AAQ;ABS PC;1 and 2 SHOT INJECTION MOULDING;YS11001A;BLACK;TRANSPARENT;P0AAQ-LED_METER REV B		
25	2.0000	PC		G53-00000-81372	PLASTIC;BUTTON;P0AAP;SILICON RUBBER;RUBBER TOOLING;TRANSPARENT WHITE DIFFUSED;RUBBER-V4-REVA		
26	9.0000	PC		G53-00000-81373	PLASTIC;BUTTON;P0AAP;SILICON RUBBER;RUBBER TOOLING;TRANSPARENT WHITE DIFFUSED;RUBBER-H8-REVA		
27	5.0000	PC		G53-00000-81375	PLASTIC;BUTTON;P0AAP;SILICON RUBBER;RUBBER TOOLING;TRANSPARENT WHITE DIFFUSED;RUBBER-SINGLE-REVA		
28	1.0000	PC		G53-00000-81378	PLASTIC;BUTTON;P0AAP;SILICON RUBBER;RUBBER TOOLING;TRANSPARENT WHITE DIFFUSED;RUBBER-2X3-REVA		

	Quantity	Unit	S.Sku	M.Sku	Description	Reference Designators	Notes
29	1.0000	PC		G53-00000-85227	PLASTIC;BUTTON;POB1S;RUBBER;PAINTING NORMAL;TRANSPARENT WHITE DIFFUSED;X32-RUBBER-B3-REVA		
30	1.0000	PC		G53-00000-85229	PLASTIC;BUTTON;POB1S;RUBBER;PAINTING NORMAL;TRANSPARENT WHITE DIFFUSED;X32-RUBBER-B1-REVA		
31	1.0000	PC		G53-00000-85230	PLASTIC;BUTTON;POB1S;RUBBER;PAINTING NORMAL;TRANSPARENT WHITE DIFFUSED;X32-RUBBER-B2S3-REVA		
32	1.0000	PC		G53-00000-85231	PLASTIC;BUTTON;POB1S;RUBBER;PAINTING NORMAL;TRANSPARENT WHITE DIFFUSED;X32-RUBBER-B2X4-REVA		
33	1.0000	PC		G53-00000-85232	PLASTIC;BUTTON;POB1S;RUBBER;PAINTING NORMAL;TRANSPARENT WHITE DIFFUSED;X32-RUBBER-S4-REVA		
34	1.0000	PC		G53-00000-85233	PLASTIC;BUTTON;POB1S;RUBBER;PAINTING NORMAL;TRANSPARENT WHITE DIFFUSED;X32-RUBBER-B3S1-REVA		
35	1.0000	PC		G53-00000-85234	PLASTIC;BUTTON;POB1S;RUBBER;PAINTING NORMAL;TRANSPARENT WHITE DIFFUSED;X32-RUBBER-B2S2-REVA		
36	2.0000	PC		G53-00000-85235	PLASTIC;BUTTON;POB1S;RUBBER;PAINTING NORMAL;TRANSPARENT WHITE DIFFUSED;X32-RUBBER-B4S1-REVA		
37	1.0000	PC		G53-00000-85236	PLASTIC;BUTTON;POB1S;RUBBER;MOULDING;PAINTING NORMAL;TRANSPARENT WHITE DIFFUSED;X32-RUBBER-B1S1-REVA		
38	1.0000	PC		G53-00000-85237	PLASTIC;BUTTON;POB1S;RUBBER;INJECTION;PAINTING (RUBBER);TRANSPARENT WHITE DIFFUSED;X32-RUBBER-B4S2-REVA		
39	1.0000	PC		G53-00000-85245	PLASTIC;HOUSING;POB1S;ABS;INJECTION;GLOSS HIGH;BLACK;X32-HOUSING-B3-REVA		
40	1.0000	PC		G53-00000-85246	PLASTIC;HOUSING;POB1S;ABS;INJECTION;GLOSS HIGH;BLACK;X32-HOUSING-B1-REVA		
41	1.0000	PC		G53-00000-85247	PLASTIC;HOUSING;POB1S;ABS;INJECTION;GLOSS HIGH;BLACK;X32-HOUSING-B2S3-REVA		
42	1.0000	PC		G53-00000-85248	PLASTIC;HOUSING;POB1S;ABS;INJECTION;GLOSS HIGH;BLACK;X32-HOUSING-B2X4-REVA		
43	1.0000	PC		G53-00000-85249	PLASTIC;HOUSING;POB1S;ABS;INJECTION;GLOSS HIGH;BLACK;X32-HOUSING-S4-REVA		
44	1.0000	PC		G53-00000-85250	PLASTIC;HOUSING;POB1S;ABS;INJECTION;GLOSS HIGH;BLACK;X32-HOUSING-B3S1-REVA		
45	1.0000	PC		G53-00000-85251	PLASTIC;HOUSING;POB1S;ABS;INJECTION;GLOSS HIGH;BLACK;X32-HOUSING-B2S2-REVA		
46	2.0000	PC		G53-00000-85252	PLASTIC;HOUSING;POB1S;ABS;INJECTION;GLOSS HIGH;BLACK;X32-HOUSING-B4S1-REVA		
47	1.0000	PC		G53-00000-85253	PLASTIC;HOUSING;POB1S;ABS;INJECTION;GLOSS HIGH;BLACK;X32-HOUSING-B1S1-REVA		
48	1.0000	PC		G53-00000-85254	PLASTIC;HOUSING;POB1S;ABS;INJECTION;GLOSS HIGH;BLACK;X32-HOUSING-B4S2-REVA		
49	1.0000	PC		G53-00000-85828	PLASTIC;BUTTON;POAWP;SILICON RUBBER;RUBBER TOOLING;TRANSPARENT WHITE DIFFUSED;POAWP-SINGLE RUBBER_BUTTON;REVA		
50	17.0000	PC	W53-00000-97898	G53-00000-97898	PLASTIC;HOLDER;POAAQ;ABS PC;2-SHOT INJECTION MOULDING;YS11001A;TRANSPARENT;BLACK;POAAQ-LED-COLLAR-REVB		
51	25.0000	PC		G53-00001-04389	PLASTIC;WHEEL;POAHW;POM (Polyoxymethylene);INJECTION;WHITE;GEAR		
52	25.0000	PC		G53-00001-17990	PLASTIC;HOLDER;POAHW;POM (Polyoxymethylene);INJECTION;GEAR HOLDER REV.A		
53	29.0000	PC	W54-00000-37713	G54-00000-37713	PLASTIC;POAAQ;ACRYLIC;LENS;POAAQ-LCD-LENS-FLAT-REVA		
54	25.0000	PC	W58-00000-45211	G58-00000-45211	PLASTIC;P0246;NYLON 66(POLYAMIDE 66);FADER;INJECTION;BLACK;BELT HOLDER REV.D		
55	1.0000	PC		G58-00000-52835	PLASTIC;POAAQ;ABS (VO);HOLDER;INJECTION;POAAQ-Ferrite-holder-REVA		
56	1.0000	PC	W58-00000-70647	G58-00000-70647	PLASTIC;RING;POAWP;ABS;POAWP-USB-RING-REVA		
57	1.0000	PC	Y63-00000-49750	I63-00000-49750	PLASTIC;POAAQ;PC (Polycarbonate);LENS;TRANSPARENT;POAAQ-DISPLAY-OVERLAY-REVA		

	Quantity	Unit	S.Sku	M.Sku	Description	Reference Designators	Notes
58	1.0000	PC	Y63-00000-79512	I63-00000-79512	PLASTIC;CASE;POAAP;ABS;INJECTION;SPRAYING;BLACK;DISPLAY-HOUSING-REVB		
59	1.0000	PC		I63-00000-86838	PLASTIC;BUTTON;POB1S;PC;INJECTION;PAINTING NORMAL;BLACK MATT;TRANSPARENT;POB1S-DISPLAY-BUTTON-HOME-REVA		
60	1.0000	PC		I63-00000-86846	PLASTIC;BUTTON;POB1S;PC;INJECTION;PAINTING NORMAL;BLACK MATT;TRANSPARENT;POB1S-DISPLAY-BUTTON-UTILITY-REVA		
61	1.0000	PC		I63-00000-86848	PLASTIC;BUTTON;POB1S;PC;INJECTION;PAINTING NORMAL;BLACK MATT;TRANSPARENT;POB1S-DISPLAY-BUTTON-METERS-REVA		
62	1.0000	PC		I63-00000-86850	PLASTIC;BUTTON;POB1S;PC;INJECTION;PAINTING NORMAL;BLACK MATT;TRANSPARENT;POB1S-DISPLAY-BUTTON-ROUTING-REVA		
63	1.0000	PC		I63-00000-86852	PLASTIC;BUTTON;POB1S;PC;INJECTION;PAINTING NORMAL;BLACK MATT;TRANSPARENT;POB1S-DISPLAY-BUTTON-SETUP-REVA		
64	1.0000	PC		I63-00000-86853	PLASTIC;BUTTON;POB1S;PC;INJECTION;PAINTING NORMAL;BLACK MATT;TRANSPARENT;POB1S-DISPLAY-BUTTON-LIBRARY-REVA		
65	1.0000	PC		I63-00000-86854	PLASTIC;BUTTON;POB1S;PC;INJECTION;PAINTING NORMAL;BLACK MATT;TRANSPARENT;POB1S-DISPLAY-BUTTON-EFFECT-REVA		
66	1.0000	PC		I63-00000-86855	PLASTIC;BUTTON;POB1S;PC;INJECTION;PAINTING NORMAL;BLACK MATT;TRANSPARENT;POB1S-DISPLAY-BUTTON-MUTEGRP-REVA		
67	4.0000	PC		I63-00000-86867	PLASTIC;BUTTON;POB1S;PC;INJECTION;PAINTING NORMAL;BLACK MATT;TRANSPARENT;POB1S-DISPLAY-BUTTON-PSLUD-REVA		

Plug Socket

	Quantity	Unit	S.Sku	M.Sku	Description	Reference Designators	Notes
1	16.0000	PC	W64-01211-03174	G64-01211-03174	PLUG;JACK STEREO 6mm3;STRAIGHT SOLDER;W/O MET.RNG.;MET.BUSH.;NO NUT/WASHER;(JY-6351G-02-250)	[P0AAQ:04: {12.0}(X1-X6,X8-X13)]	
2	1.0000	PC	W67-00000-17679	G67-00000-17679	SOCKET;;HOUSING;3;R-301SN-B09		
3	1.0000	PC	W68-34004-17323	G68-34004-17323	PLUG;RCA;SOCKET;RCAJACK4P/S;FEMALE;POLES:04;STRAIGHT	[P0AAQ:04: {1.0}(X7)]	
4	26.0000	PC		G71-00000-17674	WAFER;2P;ROWS:1;ANGLED;PITCH:2 MM;HY-2PAW	[P0B1S:06: {8.0}(X1-X8)]	
5	2.0000	PC		G71-00000-18295	PCB SOCKET;PIN SOCKET;HOUSING;24;ROWS:2;ANGLED;2 MM;SMD	[P0AAQ:15: {2.0}(X11,X16)]	
6	2.0000	PC		G71-00000-18297	PCB SOCKET;PIN SOCKET;HOUSING;32;ROWS:2;ANGLED;2 MM;SMD	[P0AAQ:15: {2.0}(X12,X17)]	
7	2.0000	PC		G71-00000-18401	PIN HEAD;24;ROWS:2;ANGLED;2 MM;DUAL SMD PIN HEADER	[P0AAQ:16: {2.0}(X3,X5)]	
8	2.0000	PC		G71-00000-18402	PIN HEAD;32;ROWS:2;ANGLED;2 MM;DUAL SMD PIN HEADER	[P0AAQ:16: {2.0}(X4,X6)]	
9	2.0000	PC		G71-00000-25923	WAFER;PCB WAFER;2;ROWS:1;ANGLED;7.92 MM;JS1120	[1:01: {1.0}(X3)]	
10	2.0000	PC		G71-23102-04756	WAFER;POLES:2;STRAIGHT;PITCH:2 mm;1 ROW;TYPE:A2006WV-2P	[1:01: {2.0}(X7,X11)]	
11	4.0000	PC		G71-23103-04757	WAFER;POLES:3;STRAIGHT;PITCH:2 mm;1 ROW;TYPE:A2006WV-3P	[P0AAQ:05: {1.0}(X5)]	
12	6.0000	PC	W71-23104-04758	G71-23104-04758	WAFER;POLES:4;STRAIGHT;PITCH:2 mm;1 ROW;TYPE:A2006WV-4P	[P0AAQ:15: {1.0}(X2)]	
13	3.0000	PC		G71-23105-04745	WAFER;POLES:5;STRAIGHT;PITCH:2 mm;1 ROW;TYPE:A2006WV-5P	[P0AAQ:15: {2.0}(X13,X19)]	
14	2.0000	PC		G71-23106-04965	WAFER;POLES:6;STRAIGHT;PITCH:2 mm;1 ROW;TYPE:A2006WV-6P	[P0B1S:06: {1.0}(X13)]	
15	2.0000	PC	W71-23108-04747	G71-23108-04747	WAFER;POLES:8;STRAIGHT;PITCH:2 mm;1 ROW;TYPE:A2006WV-8P	[P0B1S:07: {1.0}(X13)]	
16	1.0000	PC	W71-23110-04749	G71-23110-04749	WAFER;POLES:10;STRAIGHT;PITCH:2 mm;1 ROW;TYPE:A2006WV-10P	[1:01: {1.0}(X5)]	
17	7.0000	PC		G71-23112-04751	WAFER;POLES:12;STRAIGHT;PITCH:2 mm;1 ROW;TYPE:A2006WV-12P	[1:01: {6.0}(X4,X8,X12-X13,X15-X16)]	
18	2.0000	PC		G71-23113-04752	WAFER;POLES:13;STRAIGHT;PITCH:2 mm;1 ROW;TYPE:A2006WV-13P	[1:01: {1.0}(X9)]	
19	1.0000	PC		G71-23115-04754	WAFER;POLES:15;STRAIGHT;PITCH:2 mm;1 ROW;TYPE:A2006WV-15P	[P0B1S:11: {1.0}(X1)]	
20	1.0000	PC		G71-23116-04755	WAFER;POLES:16;STRAIGHT;PITCH:2 mm;1 ROW;TYPE:A2006WV-16P	[P0B1S:09: {1.0}(X4)]	
21	1.0000	PC		G71-27102-04450	WAFER;POLES:2;STRAIGHT;PITCH:3.96 mm;1 ROW;JS1120-03-51;NO MIDDLE PIN	[2:02: {1.0}(X1)]	
22	26.0000	PC		G71-43102-05994	PLUG;HOUSING;POLES:2;ROWS:1;STRAIGHT;PITCH:2mm;TYP:A2008		
23	3.0000	PC		G71-43103-05995	PLUG;HOUSING;POLES:3;ROWS:1;STRAIGHT;PITCH:2mm;TYP:A2008		
24	6.0000	PC	W71-43104-05996	G71-43104-05996	PLUG;HOUSING;POLES:4;ROWS:1;STRAIGHT;PITCH:2mm;TYP:A2008		
25	2.0000	PC		G71-43105-05997	PLUG;HOUSING;POLES:5;ROWS:1;STRAIGHT;PITCH:2mm;TYP:A2008		
26	2.0000	PC		G71-43106-05998	PLUG;HOUSING;POLES:6;ROWS:1;STRAIGHT;PITCH:2mm;TYP:A2008		
27	2.0000	PC	W71-43108-06000	G71-43108-06000	PLUG;HOUSING;POLES:8;ROWS:1;STRAIGHT;PITCH:2mm;TYP:A2008		
28	1.0000	PC	W71-43110-06002	G71-43110-06002	PLUG;HOUSING;POLES:10;ROWS:1;STRAIGHT;PITCH:2mm;TYP:A2008		
29	7.0000	PC		G71-43112-06004	PLUG;HOUSING;POLES:12;ROWS:1;STRAIGHT;PITCH:2mm;TYP:A2008		
30	2.0000	PC		G71-43113-06005	PLUG;HOUSING;POLES:13;ROWS:1;STRAIGHT;PITCH:2mm;TYP:A2008		
31	1.0000	PC		G71-43115-06763	PLUG;HOUSING;POLES:15;ROWS:1;STRAIGHT;PITCH:2mm;TYP:A2008		
32	1.0000	PC		G71-43116-06764	PLUG;HOUSING;POLES:16;ROWS:1;STRAIGHT;PITCH:2mm;TYP:A2008		
33	3.0000	PC	W71-47103-05845	G71-47103-05845	PLUG;HOUSING;A3963H02;PITCH:3mm96;POLES:3;ROWS:1;UL94-V0;STRAIGHT		
34	224.0000	PC		G71-80000-05663	BD.-IN-CONN;TERMINAL;SAN-002T-0.8A		
35	1.0000	PC		G71-83102-05642	BOARD-IN-CONNECTOR;POLES:2;ROWS:1;STRAIGHT;PITCH:2 mm		
36	3.0000	PC		G71-83103-05643	BOARD-IN-CONNECTOR;POLES:3;ROWS:1;STRAIGHT;PITCH:2 mm		
37	6.0000	PC		G71-83104-05644	BOARD-IN-CONNECTOR;POLES:4;ROWS:1;STRAIGHT;PITCH:2 mm		
38	2.0000	PC		G71-83105-05647	BOARD-IN-CONNECTOR;POLES:5;ROWS:1;STRAIGHT;PITCH:2 mm		
39	2.0000	PC		G71-83106-05650	BOARD-IN-CONNECTOR;POLES:6;ROWS:1;STRAIGHT;PITCH:2 mm		
40	2.0000	PC		G71-83108-05652	BOARD-IN-CONNECTOR;POLES:8;ROWS:1;STRAIGHT;PITCH:2 mm		
41	1.0000	PC		G71-83110-05654	BOARD-IN-CONNECTOR;POLES:10;ROWS:1;STRAIGHT;PITCH:2 mm		
42	7.0000	PC		G71-83112-05657	BOARD-IN-CONNECTOR;POLES:12;ROWS:1;STRAIGHT;PITCH:2 mm		
43	2.0000	PC		G71-83113-05818	BOARD-IN-CONNECTOR;POLES:13;ROWS:1;STRAIGHT;PITCH:2 mm		

	Quantity	Unit	S.Sku	M.Sku	Description	Reference Designators	Notes
44	1.0000	PC		G71-83115-05661	BOARD-IN-CONNECTOR;POLES:15;ROWS:1;STRAIGHT;PITCH:2 mm		
45	1.0000	PC		G71-83116-05819	BOARD-IN-CONNECTOR;POLES:16;ROWS:1;STRAIGHT;PITCH:2 mm		
46	1.0000	PC	W76-00000-02200	G76-00000-02200	PLUG;RJ45;DUAL ROW;ANGLED	[P0AAQ:15: {1.0}(X23)]	
47	1.0000	PC		G76-00000-18427	PLUG;DIN;RJ45;8;2.54 MM;RJ45-112-8P8C-EP	[P0AAQ:15: {1.0}(X24)]	
48	2.0000	PC	W76-10580-03132	G76-10580-03132	PLUG;DIN;PLUG;FEMALE;POLES:5;ANGLED	[P0AAQ:15: {2.0}(X25-X26)]	

Power Supply

	Quantity	Unit	S.Sku	M.Sku	Description	Reference Designators	Notes
1	1.0000	PC	W83-02153-01037	G83-02153-01037	BUTTON-CELL;CAPACITY;215mAh;3V;SPEC.NO:01037;(CR2032)		X10
2	1.0000	PC	Z63-00000-40102	J63-00000-40102	TRANSFORMER;P0AAQ;EC3542 L:3.4mH MIN@1KHZ,0.25V X32 SG	[1:01: {1.0}(TR2)]	
3	2.0000	PC	Z66-00000-12096	J66-00000-12096	TRAF0:PULSE;P0ACI;VoIP MAGNETIC MODULE;H2006ANL;SMD	[P0AAQ:15: {2.0}(TR1-TR2)]	
4	1.0000	PC	Z66-05612-33272	J66-05612-33272	TRAF0:PULSE;PE-65612;SPEC.NO:33272	[P0AAQ:15: {1.0}(TR3)]	
5	1.0000	PC	W83-02153-01037	G83-02153-01037	BUTTON-CELL;CAPACITY;215mAh;3V;SPEC.NO:01037;(CR2032)		(EU, UL, UK, SAA, BR, AR, HM)

Quarz

	Quantity	Unit	S.Sku	M.Sku	Description	Reference Designators	Notes
1	7.0000	PC		H64-00000-15597	QUARZ;OSCILLATOR;8MHz;8pF;SIZE:5X3.2mm;50ppm;SMD	[P0AZP:00: {1.0}(Q2)]	
2	1.0000	PC		H64-00000-18819	QUARZ;OSCILLATOR;16 MHz;SMD;3.3V;50PPM;SIZE:7X5X1.5	[P0AAQ:15: {1.0}(Q1)]	
3	1.0000	PC		H64-00000-29819	QUARZ;OSCILLATOR;25 MHz;8pF;5X3MM2;SMD	[P0AAQ:16: {1.0}(Q2)]	
4	1.0000	PC		H64-00000-78019	QUARZ;OSCILLATOR;13 MHz;SMD;3.3V;SIZE:7X5X1.5	[P0AZP:00: {1.0}(Q3)]	
5	5.0000	PC	X65-00000-17608	H65-00000-17608	QUARZ;RESONATOR;12 MHz;8pF;SMD;SIZE:5X3MM2;50ppm	[P0B1S:06: {1.0}(Q1)]	
6	1.0000	PC		H65-00000-36991	QUARZ;RESONATOR;24 MHz;8pF;SMD;SIZE:5X3.2	[P0AAQ:16: {1.0}(Q4)]	
7	2.0000	PC		H65-00000-38720	QUARZ;RESONATOR;32.768 kHz;SMD;3.2*1.5	[P0AAQ:16: {2.0}(Q1,Q3)]	

Resistor

	Quantity	Unit	S.Sku	M.Sku	Description	Reference Designators	Notes
1	32.0000	PC			RESISTOR;METAL;110 ohm;0W100;1 %;100 PPM;SMD603;MET	[P0AAP:06: {8.0}(R232-R239)]	*NOT available in DP
2	2.0000	PC			RESISTOR;CARBON;43.2 ohm;0W125;1 %;100 PPM;SMD805;THICK FILM	[1:01: {2.0}(R86,R88)]	*NOT available in DP
3	64.0000	PC			RESISTOR;METAL;130 ohm;0W100;1 %;100 PPM;SMD603;MET	[P0AAP:06: {16.0}(R176-R183,R192-R199)]	*NOT available in DP
4	32.0000	PC			RESISTOR;METAL;15 ohm;0W100;1 %;100 PPM;SMD603;MET	[P0AAP:06: {8.0}(R288-R295)]	*NOT available in DP
5	2.0000	PC			RESISTOR;METAL;23.7 kohm;0W100;1 %;SMD805;MET	[1:01: {2.0}(R73,R79)]	*NOT available in DP
6	64.0000	PC			RESISTOR;METAL;62 ohm;0W100;1 %;100 PPM;SMD603;MET	[P0AAP:06: {16.0}(R240-R247,R249,R251,R253,R255,R257,R259,R261,R263)]	*NOT available in DP
7	1.0000	PC			RESISTOR;METAL;6.2 kohm;0W25;1 %;SMD1206	[1:01: {1.0}(R39)]	*NOT available in DP
8	2.0000	PC			RESISTOR;METAL;620 kohm;0W25;1 %;SMD1206	[1:01: {2.0}(R22-R23)]	*NOT available in DP
9	2.0000	PC			RESISTOR;METAL;68 kohm;0W25;1 %;SMD1206	[1:01: {2.0}(R29-R30)]	*NOT available in DP
10	6.0000	PC			RESISTOR;CARBON;4.7 kohm;0.0625 W;5 %;100 ppm;SMD402	[P0AAQ:16: {6.0}(R59-R60,R63-R66)]	*NOT available in DP
11	32.0000	PC			RESISTOR;METAL;11 ohm;0W0625;1 %;200 PPM;SMD603;THICK FILM	[P0AAP:06: {8.0}(R296,R298,R300,R302,R304,R306,R308,R310)]	*NOT available in DP
12	32.0000	PC			RESISTOR;METAL;27 ohm;0W0625;1 %;200 PPM;SMD603;THICK FILM	[P0AAP:06: {8.0}(R272-R279)]	*NOT available in DP
13	64.0000	PC			RESISTOR;THICK FILM;6K8 ohm; 1%;SMD1210	[P0AAP:06: {16.0}(R456-R471)]	*NOT available in DP
14	29.0000	PC			RESISTOR;CARBON;180ohm;5%;0W063;SMD603	[P0B1S:06: {8.0}(R47,R61,R72-R73,R96,R121-R123)]	*NOT available in DP
15	5.0000	PC			RESISTOR;CARBON;0ohm;5%;0W063;SMD603	[P0AAQ:15: {5.0}(R11,R22-R24,R27)]	*NOT available in DP
16	1.0000	PC			RESISTOR;CARBON;2ohm2;5%;0W063;SMD603	[P0AZP:00: {1.0}(R224)]	*NOT available in DP
17	5.0000	PC			RESISTOR;CARBON;10ohm;5%;0W063;SMD603	[P0AAQ:15: {2.0}(R222-R223)]	*NOT available in DP
18	29.0000	PC			RESISTOR;CARBON;33ohm;5%;0W063;SMD603	[P0AZP:00: {23.0}(R3,R5-R11,R17-R20,R23-R26,R31-R34,R42,R46-R47)]	*NOT available in DP
19	26.0000	PC			RESISTOR;CARBON;47ohm;5%;0W063;SMD603	[P0AAQ:15: {15.0}(R6-R7,R9-R10,R13-R15,R17,R82,R86-R87,R92,R97-R98,R207)]	*NOT available in DP
20	157.0000	PC			RESISTOR;CARBON;100ohm;5%;0W063;SMD603	[P0AZP:00: {1.0}(R62)]	*NOT available in DP
21	743.0000	PC			RESISTOR;CARBON;330ohm;5%;0W063;SMD603	[P0AAQ:15: {4.0}(R16,R18,R69,R165)]	*NOT available in DP
22	32.0000	PC			RESISTOR;CARBON;1Kohm;5%;0W063;SMD603	[P0AZP:00: {4.0}(R21-R22,R35,R221)]	*NOT available in DP
23	2.0000	PC			RESISTOR;CARBON;1Kohm2;5%;0W063;SMD603	[P0B1S:11: {2.0}(R32,R36)]	*NOT available in DP
24	31.0000	PC			RESISTOR;CARBON;2Kohm;5%;0W063;SMD603	[P0B1S:06: {8.0}(R103,R106-R110,R112-R113)]	*NOT available in DP
25	4.0000	PC			RESISTOR;CARBON;2Kohm2;5%;0W063;SMD603	[P0AZP:00: {1.0}(R27)]	*NOT available in DP
26	32.0000	PC			RESISTOR;CARBON;3Kohm9;5%;0W063;SMD603	[P0AAP:06: {8.0}(R248,R250,R252,R254,R256,R258,R260,R262)]	*NOT available in DP
27	33.0000	PC			RESISTOR;CARBON;4Kohm7;5%;0W063;SMD603	[P0AZP:00: {1.0}(R71)]	*NOT available in DP
28	1.0000	PC			RESISTOR;CARBON;6Kohm8;5%;0W063;SMD603	[P0AZP:00: {1.0}(R79)]	*NOT available in DP
29	327.0000	PC			RESISTOR;CARBON;10Kohm;5%;0W063;SMD603	[P0AZP:00: {7.0}(R16,R30,R41,R43-R44,R58,R223)]	*NOT available in DP
30	1.0000	PC			RESISTOR;CARBON;15Kohm;5%;0W063;SMD603	[P0B1S:11: {1.0}(R15)]	*NOT available in DP
31	1.0000	PC			RESISTOR;CARBON;18Kohm;5%;0W063;SMD603	[P0B1S:11: {1.0}(R2)]	*NOT available in DP
32	48.0000	PC			RESISTOR;CARBON;20Kohm;5%;0W063;SMD603	[P0AAQ:04: {24.0}(R19-R42)]	*NOT available in DP
33	1.0000	PC			RESISTOR;CARBON;22Kohm;5%;0W063;SMD603	[P0AAQ:15: {1.0}(R44)]	*NOT available in DP
34	1.0000	PC			RESISTOR;CARBON;27Kohm;5%;0W063;SMD603	[P0AAQ:15: {1.0}(R42)]	*NOT available in DP
35	3.0000	PC			RESISTOR;CARBON;30Kohm;5%;0W063;SMD603	[P0B1S:06: {1.0}(R8)]	*NOT available in DP
36	39.0000	PC			RESISTOR;CARBON;47Kohm;5%;0W063;SMD603	[P0AZP:00: {1.0}(R60)]	*NOT available in DP
37	2.0000	PC			RESISTOR;CARBON;82Kohm;5%;0W063;SMD603	[P0B1S:11: {2.0}(R8,R14)]	*NOT available in DP
38	8.0000	PC			RESISTOR;CARBON;100Kohm;5%;0W063;SMD603	[P0AAQ:20: {1.0}(R45)]	*NOT available in DP
39	3.0000	PC			RESISTOR;CARBON;150Kohm;5%;0W063;SMD603	[P0B1S:06: {1.0}(R18)]	*NOT available in DP
40	34.0000	PC			RESISTOR;METAL;10ohm;1%;0W063;SMD603	[P0AAP:06: {8.0}(R33,R36,R39,R42,R45,R48,R51,R54)]	*NOT available in DP
41	32.0000	PC			RESISTOR;METAL;33ohm;1%;0W063;SMD603	[P0AAP:06: {8.0}(R280-R287)]	*NOT available in DP

	Quantity	Unit	S.Sku	M.Sku	Description	Reference Designators	Notes
42	32.0000	PC			RESISTOR;METAL;51ohm;1%;0W063;SMD603	[P0AAP:06: {8.0}(R104,R106,R108,R110,R112,R114,R116,R118)]	*NOT available in DP
43	4.0000	PC			RESISTOR;METAL;51ohm1;1%;METAL;0W063;SMD603	[P0AAQ:16: {4.0}(R47,R50,R53,R56)]	*NOT available in DP
44	96.0000	PC			RESISTOR;METAL;120ohm;1%;0W063;SMD603	[P0AAP:06: {24.0}(R57-R58,R61-R62,R65-R66,R69-R70,R73-R74,R77-R78,R81-R82,R85-R86,R264-R271)]	*NOT available in DP
45	1.0000	PC			RESISTOR;METAL;200ohm;1%;0W063;SMD603	[P0AZP:00: {1.0}(R70)]	*NOT available in DP
46	1.0000	PC			RESISTOR;METAL;332ohm;1%;0W063;SMD603	[P0AZP:00: {1.0}(R69)]	*NOT available in DP
47	32.0000	PC			RESISTOR;METAL;390ohm;1%;0W063;SMD603	[P0AAP:06: {8.0}(R204-R211)]	*NOT available in DP
48	32.0000	PC			RESISTOR;METAL;470ohm;1%;0W063;SMD603	[P0AAP:06: {8.0}(R216-R223)]	*NOT available in DP
49	6.0000	PC			RESISTOR;METAL;499ohm;1%;0W063;SMD603	[P0AAQ:15: {6.0}(R62,R96,R103,R140,R155,R180)]	*NOT available in DP
50	96.0000	PC			RESISTOR;SMD;METAL;910ohm;1%;0W063;SMD603	[P0AAP:06: {24.0}(R56,R59-R60,R63-R64,R67-R68,R71-R72,R75-R76,R79-R80,R83-R84,R87,R184-R191)]	*NOT available in DP
51	113.0000	PC			RESISTOR;METAL;1Kohm;1%;0W063;SMD603	[P0AAQ:15: {16.0}(R34,R40,R48-R49,R58,R61,R93,R95,R99,R102,R137,R139,R151,R154,R177,R179)]	*NOT available in DP
52	64.0000	PC			RESISTOR;METAL;1Kohm1;1%;0W063;SMD603	[P0AAQ:20: {32.0}(R102-R109,R114,R116-R117,R119-R120,R122-R123,R125,R159,R161,R163,R165,R167,R169,R171,R173-R181)]	*NOT available in DP
53	32.0000	PC			RESISTOR;METAL;1Kohm3;1%;0W063;SMD603	[P0AAP:06: {8.0}(R224-R231)]	*NOT available in DP
54	1.0000	PC			RESISTOR;METAL;2Kohm;1%;0W063;SMD603	[P0AZP:00: {1.0}(R2)]	*NOT available in DP
55	32.0000	PC			RESISTOR;METAL;2Kohm2;1%;0W063;SMD603	[P0AAP:06: {8.0}(R165,R167,R169,R171-R175)]	*NOT available in DP
56	32.0000	PC			RESISTOR;METAL;2Kohm21;1%;0W063;SMD603	[P0AAQ:20: {16.0}(R110-R113,R115,R118,R121,R124,R158,R160,R162,R164,R166,R168,R170,R172)]	*NOT available in DP
57	16.0000	PC			RESISTOR;METAL;2Kohm67;1%;0W063;SMD603	[P0AAQ:15: {16.0}(R63-R66,R115-R118,R131-R134,R181-R184)]	*NOT available in DP
58	32.0000	PC			RESISTOR;SMT;2Kohm7;1%;METAL;0W063;SMD603	[P0AAP:06: {8.0}(R128,R130,R132,R134,R136-R139)]	*NOT available in DP
59	1.0000	PC			RESISTOR;METAL;3Kohm;1%;0W063;SMD603	[P0AZP:00: {1.0}(R1)]	*NOT available in DP
60	64.0000	PC			RESISTOR;METAL;3Kohm30;1%;0W063;SMD603	[P0AAP:06: {16.0}(R337-R338,R341-R342,R345-R346,R349-R350,R353-R354,R357-R358,R361-R362,R365-R366)]	*NOT available in DP
61	32.0000	PC			RESISTOR;METAL;3Kohm32;1%;0W063;SMD603	[P0AAQ:20: {16.0}(R46,R49-R50,R53-R54,R57-R58,R61,R86-R93)]	*NOT available in DP
62	32.0000	PC			RESISTOR;METAL;3Kohm74;1%;0W063;SMD603	[P0AAQ:20: {16.0}(R37-R44,R63-R64,R67-R68,R71-R72,R75-R76)]	*NOT available in DP
63	1.0000	PC			RESISTOR;METAL;4Kohm7;1%;0W063;SMD603	[P0AAQ:15: {1.0}(R38)]	*NOT available in DP
64	2.0000	PC			RESISTOR;METAL;5Kohm1;1%;0W063;SMD603	[P0B1S:11: {2.0}(R22,R28)]	*NOT available in DP
65	2.0000	PC			RESISTOR;METAL;5Kohm11;1%;0W063;SMD603	[P0AAQ:15: {2.0}(R32-R33)]	*NOT available in DP
66	16.0000	PC			RESISTOR;METAL;5Kohm6;1%;0W063;SMD603	[P0AAQ:15: {16.0}(R55-R56,R75,R80,R105-R106,R111-R112,R122-R123,R142,R147,R169-R170,R175-R176)]	*NOT available in DP
67	32.0000	PC			RESISTOR;METAL;9Kohm09;1%;0W063;SMD603	[P0AAP:06: {8.0}(R200-R203,R212-R215)]	*NOT available in DP
68	324.0000	PC			RESISTOR;METAL;10Kohm;1%;0W063;SMD603	[P0AZP:00: {1.0}(R54)]	*NOT available in DP
69	3.0000	PC			RESISTOR;METAL;12Kohm1;1%;0W063;SMD603	[P0AAQ:15: {2.0}(R161-R162)]	*NOT available in DP
70	16.0000	PC			RESISTOR;METAL;12Kohm4;1%;0W063;SMD603	[P0AAQ:15: {16.0}(R76-R79,R107-R110,R143-R146,R171-R174)]	*NOT available in DP
71	32.0000	PC			RESISTOR;METAL;15Kohm;1%;0W063;SMD603	[P0AAQ:20: {16.0}(R47-R48,R51-R52,R55-R56,R59-R60,R78-R85)]	*NOT available in DP
72	1.0000	PC			RESISTOR;METAL;16Kohm;1%;0W063;SMD603	[P0AAQ:16: {1.0}(R45)]	*NOT available in DP
73	64.0000	PC			RESISTOR;METAL;20Kohm;1%;0W063;SMD603	[P0AAP:06: {16.0}(R120,R122,R124,R126,R140-R143,R150-R151,R154-R155,R158-R159,R162-R163)]	*NOT available in DP
74	32.0000	PC			RESISTOR;METAL;33Kohm;1%;0W1;SMD805	[P0AAP:06: {8.0}(R416-R423)]	*NOT available in DP
75	65.0000	PC			RESISTOR;METAL;47Kohm;1%;0W063;SMD603	[P0AAQ:15: {1.0}(R37)]	*NOT available in DP

	Quantity	Unit	S.Sku	M.Sku	Description	Reference Designators	Notes
76	32.0000	PC			RESISTOR;METAL;68Kohm;1%;0W063;SMD603	[P0AAP:06: {8.0}(R297,R299,R301,R303,R305,R307,R309,R311)]	*NOT available in DP
77	32.0000	PC			RESISTOR;METAL;180Kohm;1%;0W063;SMD603	[P0AAP:06: {8.0}(R144-R148,R152,R156,R160)]	*NOT available in DP
78	1.0000	PC			RESISTOR;METAL;470Kohm;1%;0W063;SMD603	[P0AZP:00: {1.0}(R28)]	*NOT available in DP
79	2.0000	PC			RESISTOR;THICK FILM;22ohm;0W063;5%;SMD402	[P0AAQ:16: {2.0}(R70-R71)]	*NOT available in DP
80	1.0000	PC			RESISTOR;METAL;11Kohm3;1%;PPM100;0W063;SMD603	[P0AAQ:16: {1.0}(R69)]	*NOT available in DP
81	13.0000	PC			RESISTOR;CARBON;0ohm;5%;0W1;SMD805	[P0AZP:00: {6.0}(R12-R14,R50,R53,R55)]	*NOT available in DP
82	4.0000	PC			RESISTOR;CARBON;2ohm2;5%;0W1;SMD805	[P0AAQ:15: {4.0}(R194-R197)]	*NOT available in DP
83	47.0000	PC			RESISTOR;CARBON;5ohm1;5%;0W1;SMD805	[P0AZP:00: {1.0}(R45)]	*NOT available in DP
84	68.0000	PC			RESISTOR;CARBON;10ohm;5%;0W1;SMD805	[P0AAQ:15: {2.0}(R45,R104)]	*NOT available in DP
85	4.0000	PC			RESISTOR;CARBON;22ohm;5%;0W1;SMD805	[P0B15:11: {4.0}(R11,R16,R24,R31)]	*NOT available in DP
86	16.0000	PC			RESISTOR;CARBON;75ohm;5%;0W1;SMD805	[P0AAQ:15: {8.0}(R199-R206)]	*NOT available in DP
87	3.0000	PC			RESISTOR;CARBON;100ohm;5%;0W1;SMD805	[1:01: {1.0}(R93)]	*NOT available in DP
88	1.0000	PC			RESISTOR;CARBON;110ohm;5%;0W1;SMD805	[P0AAQ:15: {1.0}(R198)]	*NOT available in DP
89	86.0000	PC			RESISTOR;CARBON;150ohm;5%;0W1;SMD805	[P0AAQ:04: {12.0}(R1,R4,R6,R8,R10,R12-R18)]	*NOT available in DP
90	1.0000	PC			RESISTOR;CARBON;200ohm;5%;0W1;SMD805	[P0AAQ:15: {1.0}(R213)]	*NOT available in DP
91	32.0000	PC			RESISTOR;CARBON;390ohm;5%;0W1;SMD805	[P0AAP:06: {8.0}(R377,R381,R385,R389,R393,R397,R401,R405)]	*NOT available in DP
92	6.0000	PC			RESISTOR;CARBON;470ohm;5%;0W1;SMD805	[1:01: {5.0}(R94,R132-R135)]	*NOT available in DP
93	4.0000	PC			RESISTOR;CARBON;1Kohm;5%;0W1;SMD805	[1:01: {4.0}(R48,R84,R108,R111)]	*NOT available in DP
94	32.0000	PC			RESISTOR;CARBON;2Kohm2;5%;0W1;SMD805	[P0AAQ:20: {16.0}(R222-R237)]	*NOT available in DP
95	1.0000	PC			RESISTOR;CARBON;2Kohm7;5%;0W1;SMD805	[1:01: {1.0}(R57)]	*NOT available in DP
96	1.0000	PC			RESISTOR;CARBON;3Kohm3;5%;0W1;SMD805	[1:01: {1.0}(R116)]	*NOT available in DP
97	2.0000	PC			RESISTOR;CARBON;4Kohm7;5%;0W1;SMD805	[1:01: {2.0}(R28,R128)]	*NOT available in DP
98	1.0000	PC			RESISTOR;CARBON;6Kohm8;5%;0W1;SMD805	[1:01: {1.0}(R27)]	*NOT available in DP
99	1.0000	PC			RESISTOR;CARBON;27Kohm;5%;0W1;SMD805	[1:01: {1.0}(R41)]	*NOT available in DP
100	41.0000	PC			RESISTOR;CARBON;100Kohm;5%;0W1;SMD805	[1:01: {1.0}(R110)]	*NOT available in DP
101	1.0000	PC			RESISTOR;CARBON;1Mohm;5%;0W1;SMD805	[1:01: {1.0}(R61)]	*NOT available in DP
102	4.0000	PC			RESISTOR;METAL;10ohm;1%;0W1;SMD805	[1:01: {4.0}(R52,R67,R90,R92)]	*NOT available in DP
103	9.0000	PC			RESISTOR;METAL;100ohm;1%;0W1;SMD805	[1:01: {1.0}(R112)]	*NOT available in DP
104	17.0000	PC			RESISTOR;METAL;120ohm;1%;0W1;SMD805	[P0AAQ:15: {1.0}(R8)]	*NOT available in DP
105	64.0000	PC			RESISTOR;METAL;150ohm;1%;0W1;SMD805	[P0AAP:06: {16.0}(R378,R382,R386,R390,R394,R398,R402,R406,R408-R415)]	*NOT available in DP
106	7.0000	PC			RESISTOR;METAL;200ohm;1%;0W1;SMD805	[1:01: {1.0}(R107)]	*NOT available in DP
107	7.0000	PC			RESISTOR;METAL;357ohm;1%;0W1;SMD805	[P0AAQ:15: {1.0}(R1)]	*NOT available in DP
108	3.0000	PC			RESISTOR;METAL;510ohm;1%;0W1;SMD805	[1:01: {3.0}(R87,R97-R98)]	*NOT available in DP
109	1.0000	PC			RESISTOR;METAL;845ohm;1%;0W1;SMD805	[1:01: {1.0}(R85)]	*NOT available in DP
110	1.0000	PC			RESISTOR;METAL;931ohm;1%;0W1;SMD805	[1:01: {1.0}(R115)]	*NOT available in DP
111	77.0000	PC			RESISTOR;METAL;1Kohm;1%;0W1;SMD805	[1:01: {11.0}(R24,R35,R49-R50,R58,R65,R82,R89,R91,R101,R126)]	*NOT available in DP
112	2.0000	PC			RESISTOR;METAL;1Kohm10;1%;0W1;SMD805	[1:01: {2.0}(R81,R100)]	*NOT available in DP
113	1.0000	PC			RESISTOR;METAL;1Kohm8;1%;0W1;SMD805	[1:01: {1.0}(R72)]	*NOT available in DP
114	2.0000	PC			RESISTOR;METAL;2Kohm;1%;0W1;SMD805	[1:01: {2.0}(R32,R70)]	*NOT available in DP
115	7.0000	PC			RESISTOR;METAL;4Kohm7;1%;0W1;SMD805	[1:01: {7.0}(R34,R42,R51,R66,R71,R80,R131)]	*NOT available in DP
116	1.0000	PC			RESISTOR;METAL;5Kohm1;1%;0W1;SMD805	[1:01: {1.0}(R56)]	*NOT available in DP
117	1.0000	PC			RESISTOR;METAL;5Kohm6;1%;0W1;SMD805	[1:01: {1.0}(R40)]	*NOT available in DP
118	2.0000	PC			RESISTOR;METAL;8Kohm20;1%;0W1;SMD603	[P0AZP:00: {1.0}(R29)]	*NOT available in DP
119	2.0000	PC			RESISTOR;METAL;8Kohm66;1%;0W1;SMD805	[1:01: {2.0}(R113-R114)]	*NOT available in DP

	Quantity	Unit	S.Sku	M.Sku	Description	Reference Designators	Notes
120	8.0000	PC			RESISTOR;METAL;10Kohm;1%;0W1;SMD805	[1:01: {8.0}(R54,R60,R68-R69,R95,R129-R130,R139)]	*NOT available in DP
121	4.0000	PC			RESISTOR;METAL;22Kohm;1%;0W1;SMD805	[P0AAP:06: {1.0}(R31)]	*NOT available in DP
122	1.0000	PC			RESISTOR;METAL;24Kohm9;1%;0W1;SMD805	[1:01: {1.0}(R33)]	*NOT available in DP
123	64.0000	PC			RESISTOR;METAL;47Kohm;1%;0W1;SMD805	[P0AAP:06: {16.0}(R424-R439)]	*NOT available in DP
124	1.0000	PC			RESISTOR;METAL;120Kohm;1%;0W1;SMD805	[1:01: {1.0}(R55)]	*NOT available in DP
125	1.0000	PC			RESISTOR;METAL;68Kohm;1%;0W125;SMD805	[1:01: {1.0}(R64)]	*NOT available in DP
126	8.0000	PC			RESISTOR;METAL;49ohm9;1%;PPM50;0W125;SMD603	[P0AAP:15: {8.0}(R185-R192)]	*NOT available in DP
127	1.0000	PC			RESISTOR;CARBON;2ohm2;5%;0W25;SMD1206	[1:01: {1.0}(R99)]	*NOT available in DP
128	2.0000	PC			RESISTOR;CARBON;100ohm;5%;0W25;SMD1206	[1:01: {2.0}(R14,R83)]	*NOT available in DP
129	1.0000	PC			RESISTOR;CARBON;1Kohm2;5%;0W25;SMD1206	[1:01: {1.0}(R96)]	*NOT available in DP
130	2.0000	PC			RESISTOR;CARBON;6Kohm8;5%;0W25;SMD1206	[1:01: {2.0}(R74,R109)]	*NOT available in DP
131	1.0000	PC			RESISTOR;CARBON;20Kohm;5%;0W25;SMD1206	[1:01: {1.0}(R59)]	*NOT available in DP
132	2.0000	PC			RESISTOR;CARBON;470Kohm;5%;0W25;SMD1206	[1:01: {2.0}(R19,R25)]	*NOT available in DP
133	1.0000	PC			RESISTOR;METAL;10ohm;1%;0W25;SMD1206	[1:01: {1.0}(R62)]	*NOT available in DP
134	1.0000	PC			RESISTOR;METAL;51ohm;1%;0W25;SMD1206	[1:01: {1.0}(R121)]	*NOT available in DP
135	2.0000	PC			RESISTOR;METAL;100ohm;1%;0W25;SMD1206	[1:01: {2.0}(R78,R120)]	*NOT available in DP
136	2.0000	PC			RESISTOR;METAL;200ohm;1%;0W25;SMD1206	[1:01: {2.0}(R76-R77)]	*NOT available in DP
137	4.0000	PC			RESISTOR;SMT;220ohm;1%;METAL;0W25;SMD1206	[1:01: {4.0}(R122-R125)]	*NOT available in DP
138	1.0000	PC			RESISTOR;METAL;240ohm;1%;0W25;SMD1206	[1:01: {1.0}(R105)]	*NOT available in DP
139	4.0000	PC			RESISTOR;METAL;1Kohm;1%;0W25;SMD1206	[1:01: {4.0}(R26,R102-R103,R127)]	*NOT available in DP
140	1.0000	PC			RESISTOR;SMD;METAL;2Kohm;1%;0W25;SMD1206	[1:01: {1.0}(R31)]	*NOT available in DP
141	2.0000	PC			RESISTOR;METAL;3Kohm;1%;0W25;SMD1206	[1:01: {2.0}(R1-R2)]	*NOT available in DP
142	6.0000	PC			RESISTOR;METAL;4.7 kohm;0.25 W; 1 %;SMD1206	[1:01: {6.0}(R104,R106,R117,R119,R136-R137)]	*NOT available in DP
143	4.0000	PC			RESISTOR;METAL;10Kohm;1%;0W25;SMD1206	[1:01: {4.0}(R45,R47,R53,R118)]	*NOT available in DP
144	3.0000	PC			RESISTOR;METAL;332Kohm;1%;0W25;SMD1206	[1:01: {3.0}(R36-R38)]	*NOT available in DP
145	6.0000	PC			RESISTOR;SMT;470Kohm;5%;METAL;0W25;SMD1206	[1:01: {6.0}(R15-R18,R20-R21)]	*NOT available in DP
146	3.0000	PC			RESISTOR;THICK FILM;22ohm;5%;0W25;SMD1206	[1:01: {3.0}(R44,R46,R63)]	*NOT available in DP
147	2.0000	PC			RESISTOR;THICK FILM;43ohm;0W25;5%;SMD1206	[1:01: {2.0}(R138,R140)]	*NOT available in DP
148	3.0000	PC			RESISTOR;CARBON;1Kohm;5%;0W0625;SMD402	[P0AAQ:16: {3.0}(R44,R77-R78)]	*NOT available in DP
149	1.0000	PC			RESISTOR;CARBON;2Kohm;5%;0W0625;SMD402	[P0AAQ:16: {1.0}(R74)]	*NOT available in DP
150	30.0000	PC			RESISTOR;THICK FILM;10Kohm;5%;0W0625;SMD402	[P0AAQ:16: {30.0}(R1-R9,R20-R22,R24-R29,R31-R32,R35,R42-R43,R46,R51,R61,R67,R75,R79,R82)]	*NOT available in DP
151	1.0000	PC			RESISTOR;THICK FILM;150Ohm;0W0625;1%;SMD402	[P0AAQ:16: {1.0}(R62)]	*NOT available in DP
152	3.0000	PC			RESISTOR;METAL;1Kohm05;1%;METAL;0W0625;SMD402	[P0AAQ:16: {3.0}(R55,R57,R81)]	*NOT available in DP
153	2.0000	PC			RESISTOR;THICK FILM;33ohm;1%;PPM100;0W0625;SMD402	[P0AAQ:16: {2.0}(R84-R85)]	*NOT available in DP
154	3.0000	PC			RESISTOR;METAL;PPM100;100ohm;0W0625;1%;SMD402	[P0AAQ:16: {3.0}(R72-R73,R83)]	*NOT available in DP
155	1.0000	PC			RESISTOR;METAL;1Mohm;1%;PPM100;0W0625;SMD402	[P0AAQ:16: {1.0}(R80)]	*NOT available in DP
156	1.0000	PC	Y04-05000-05423	I04-05000-05423	THERMISTOR;NTC;5ohm;+/-20%;6A;DIA:15mm;PITCH:7mm5;(THINKING SCK15056MSY)	[1:01: {1.0}(R3)]	
157	1.0000	PC		I04-23301-01841	THERMISTOR;PTC;330ohms;2Kohm2;20%;DIA:;W/ LUG;(THINKING PTMS2331RP430Y)	[1:01: {1.0}(R10)]	
158	1.0000	PC			RESISTOR;CARBON;100ohm;5%;1W;LEAD WIRE;HORIZONTAL 52-6mm	[1:01: {1.0}(R141)]	*NOT available in DP
159	1.0000	PC			RESISTOR;METAL;220 kohm;3WS;5 %;F-TYPE;METAL OXIDE FILM	[1:01: {1.0}(R4)]	*NOT available in DP
160	2.0000	PC			RESISTOR;METAL;6Kohm81;1%;0W25;LEAD WIRE	[P0B1S:11: {2.0}(R43,R45)]	*NOT available in DP
161	1.0000	PC			RESISTOR;CARBON;33ohm;5%;1W;LEAD WIRE	[1:01: {1.0}(R43)]	*NOT available in DP
162	2.0000	PC			RESISTOR;CARBON;220ohm;5%;1W;LEAD WIRE	[1:01: {2.0}(R8-R9)]	*NOT available in DP
163	1.0000	PC			RESISTOR;CARBON;100ohm;5%;2W;LEAD WIRE	[1:01: {1.0}(R7)]	*NOT available in DP
164	1.0000	PC			RESISTOR;CARBON;330ohm;5%;2W;LEAD WIRE	[1:01: {1.0}(R75)]	*NOT available in DP

	Quantity	Unit	S.Sku	M.Sku	Description	Reference Designators	Notes
165	2.0000	PC			RESISTOR;CARBON;4Kohm7;5%;2W;LEAD WIRE;F-TYPE	[1:01: {2.0}(R12-R13)]	*NOT available in DP
166	1.0000	PC			RESISTOR;LEAD WIRE;0ohm10;1%;METAL;2W0;F-TYPE	[1:01: {1.0}(R6)]	*NOT available in DP
167	1.0000	PC			RESISTOR;METAL;0ohm2;1%;2W;LEAD WIRE	[1:01: {1.0}(R5)]	*NOT available in DP
168	1.0000	PC			RESISTOR;LEAD WIRE;AXIAL;2Kohm;5%;METAL OXIDE;2W	[1:01: {1.0}(R11)]	*NOT available in DP

Fader

	Quantity	Unit	S.Sku	M.Sku	Description	Reference Designators	Notes
1	25.0000	PC	Y00-00000-19575	I00-00000-19575	FADER;10 kohm;B;20 %;MONO	[POB1S:06: {8.0}(VR1-VR8)]	
2	25.0000	PC	Y00-00000-37172	I00-00000-37172	FADER;10 kohm;0W5;B;10 %;MONO;FORCE:10gf;CARB;3.75 MM;TRAVEL:100;EVERBEST;C0022N-A1-13H-B10K-B-L038		

Potentiometer

	Quantity	Unit	S.Sku	M.Sku	Description	Reference Designators	Notes
1	2.0000	PC		I03-00000-67018	POTENTIOMETER;50 kohm;0.050W;A;20 %;STEREO;SHAFT:30MM;0CC;HIGH TORQUE;NOBLE	[POB1S:11: {2.0}(VR1,VR3)]	
2	1.0000	PC		I03-00000-67019	POTENTIOMETER;50 kohm;0.050W;C;20 %;STEREO;SHAFT:30MM;0CC;HIGH TORQUE;NOBLE	[POB1S:11: {1.0}(VR2)]	

Encoder

	Quantity	Unit	S.Sku	M.Sku	Description	Reference Designators	Notes
1	17.0000	PC	Y32-00000-18946	I32-00000-18946	ENCODER;2.5 MM;SHT:25;24PL;0CC;ENDLESS;30~80gf;TRANSPARENT SHAFT	[POB1S:13: {4.0}(SW13-SW16)]	
2	6.0000	PC	Y32-00000-19166	I32-00000-19166	ENCODER;24PL;SWITCH;30~80gf;24CC;ENDLESS;SHT:25mm3	[POB1S:09: {6.0}(SW2-SW7)]	

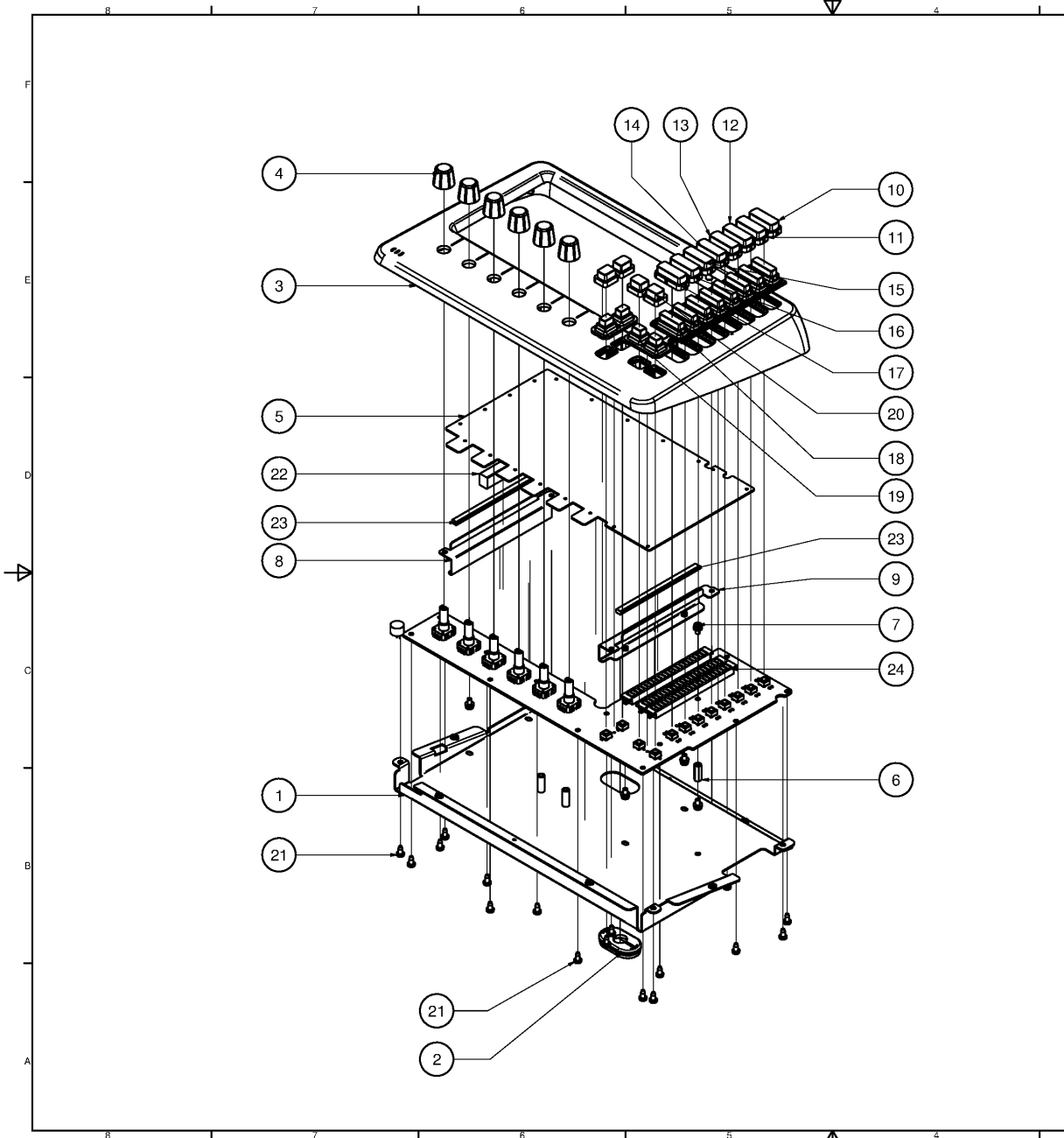
Switch

	Quantity	Unit	S.Sku	M.Sku	Description	Reference Designators	Notes
1	2.0000	PC	Y87-00000-39582	I87-00000-39582	SWITCH;TACTILE;1;NONLOCK;4;VERTICAL;HANDLE:5	[POAAQ:15: {2.0}(SW1-SW2)]	

Transistor

	Quantity	Unit	S.Sku	M.Sku	Description	Reference Designators	Notes
1	64.0000	PC			TRANSISTOR;3;SOT-23;2SC2713BL;SMD	[P0AAP:06: {16.0}(T17-T32)]	*NOT available in DP
2	2.0000	PC			TRANSISTOR;SMD;3;PNP;DZT5401-13;1W;SOT-223	[1:01: {2.0}(T7,T10)]	*NOT available in DP
3	1.0000	PC			TRANSISTOR;MOSFET;20N60;TO220F	[1:01: {1.0}(T3)]	*NOT available in DP
4	2.0000	PC			TRANSISTOR;MOSFET;FQPF13N50C;TO220F	[1:01: {2.0}(T1-T2)]	*NOT available in DP
5	36.0000	PC			TRANSISTOR;MBTA06;SOT	[P0AAP:06: {8.0}(T2,T4,T6,T8,T10,T12,T14,T16)]	*NOT available in DP
6	39.0000	PC			TRANSISTOR;MBTA56;SOT	[P0AAP:06: {8.0}(T1,T3,T5,T7,T9,T11,T13,T15)]	*NOT available in DP
7	2.0000	PC			TRANSISTOR;MBTA92;SOT	[1:01: {2.0}(T8-T9)]	*NOT available in DP
8	8.0000	PC			TRANSISTOR;MMBT3904LT1;SOT23;SMD	[1:01: {6.0}(T4,T12-T16)]	*NOT available in DP
9	3.0000	PC			TRANSISTOR;MMBT3906;SOT23;SMD	[1:01: {3.0}(T5-T6,T11)]	*NOT available in DP
10	50.0000	PC			TRANSISTOR;BC327-25;TO92;PITCH:2.54;TAPE	[P0B1S:6: {16.0}(T1-T7,T15,T24-T30,T32)]	*NOT available in DP
11	50.0000	PC			TRANSISTOR;BC337-25;TO92;P:2.54(BENT LEAD;TAPE and REEL);FAIRCHILD	[P0B1S:6: {16.0}(T8-T14,T16-T23,T31)]	*NOT available in DP
12	36.0000	PC			TRANSISTOR;SST113;SOT	[P0AAQ:20: {16.0}(T3-T18)]	*NOT available in DP

REVISION HISTORY				
REV	DESCRIPTION	DATE	REVISED	APPROVED
A	DRAWING UPDATED	2013.06.19	CM LILAPAN	J. BALINGIT

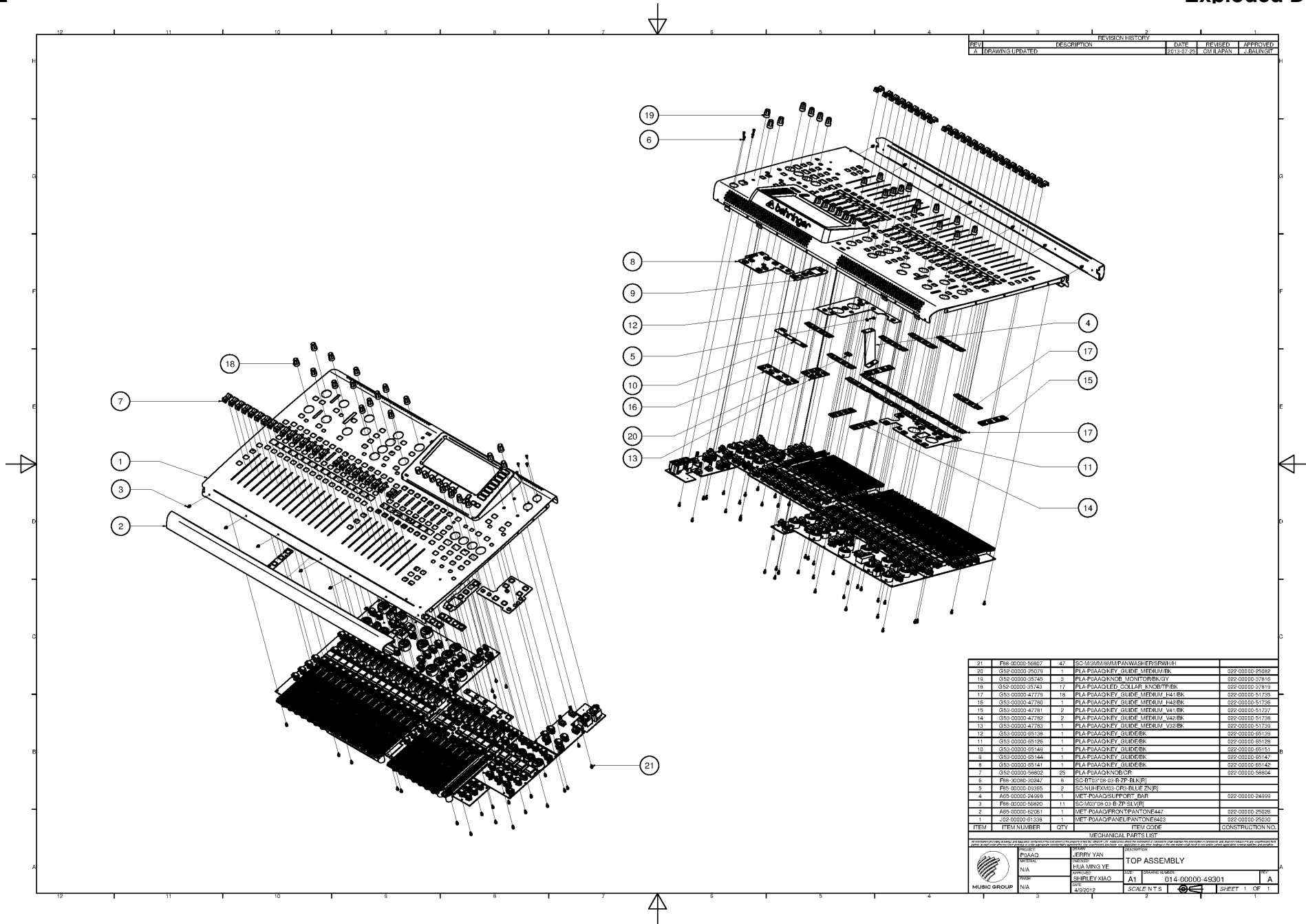


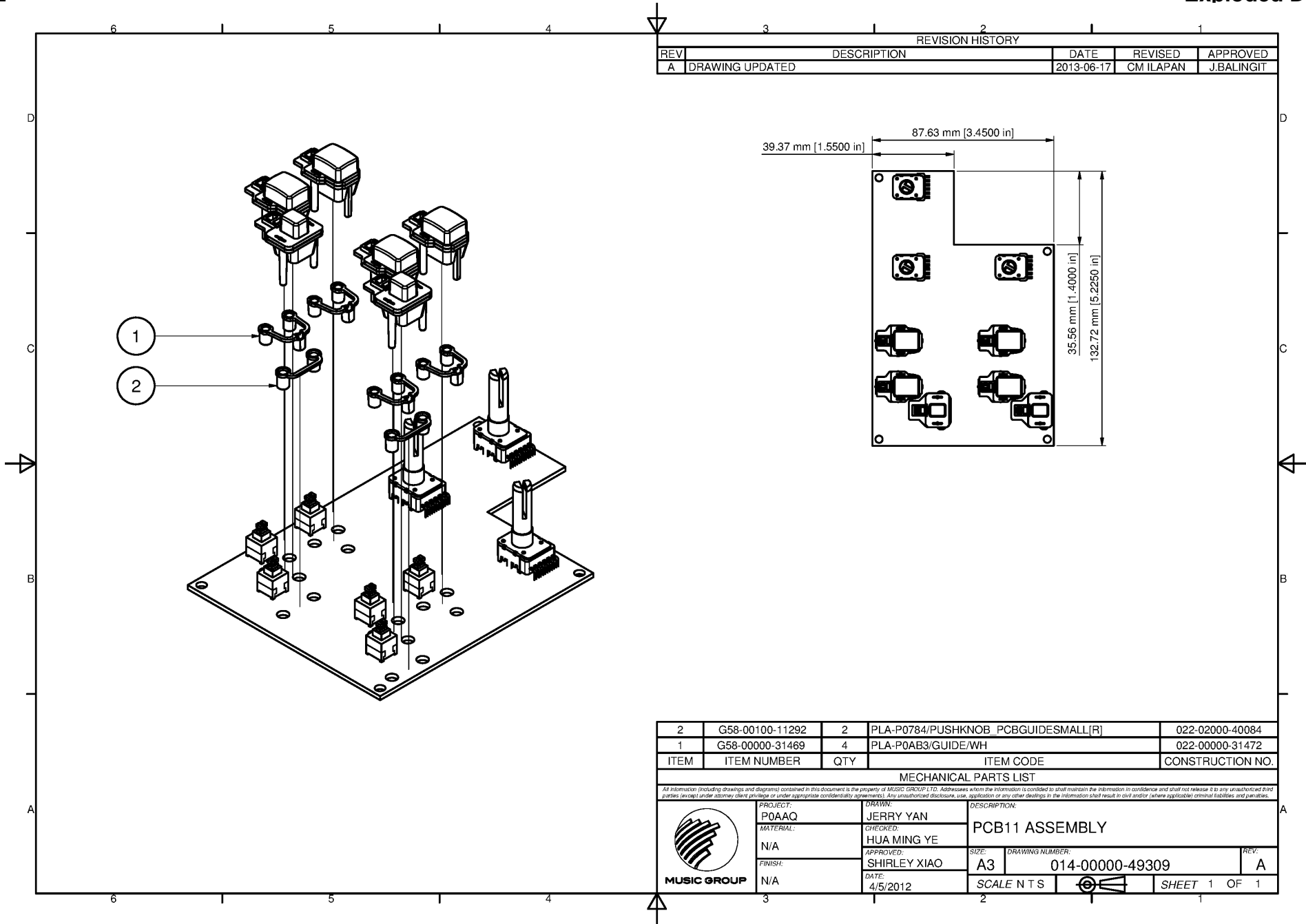
ITEM	ITEM NUMBER	QTY	ITEM CODE	CONSTRUCTION NO.
24	G53-00000-59100	3	PLA-P0AAQ/HOLDER/BK/TP	022-00000-24596
23	F97-00000-54456	2	MI-P0AAQ/CONDUCTIVE-FOAM2	
22	F97-00000-54455	1	MI-P0AAQ/CONDUCTIVE-FOAM1	
21	F88-30060-30247	20	SC-BT03*06-03-B-ZP-BLK[R]	
20	I63-00000-48490	4	PLA-P0AAQ/BUTTON/TP/BM	022-00000-37832
19	G53-00000-36374	2	PLA-P0AAQ/DISPLAY-NEV-BUTTON	022-00000-37824
18	G53-00000-36373	1	PLA-P0AAQ/DISPLAY-BUTTON-RUBBER	022-00000-37820
17	I63-00000-48489	1	PLA-P0AAQ/BUTTON/UTILITY/TP/BM	022-00000-25116
16	I63-00000-48488	1	PLA-P0AAQ/BUTTON/MUTEGRP/TP/BM	022-00000-25116
15	I63-00000-48487	1	PLA-P0AAQ/BUTTON/EFFECT/TP/BM	022-00000-25116
14	I63-00000-48486	1	PLA-P0AAQ/BUTTON/LIBRARY/TP/BM	022-00000-25116
13	I63-00000-48485	1	PLA-P0AAQ/BUTTON/SETUP/TP/BM	022-00000-25116
12	I63-00000-48484	1	PLA-P0AAQ/BUTTON/ROUTING/TP/BM	022-00000-25116
11	I63-00000-48483	1	PLA-P0AAQ/BUTTON/METERS/TP/BM	022-00000-25116
10	I63-00000-48482	1	PLA-P0AAQ/BUTTON/HOME/TP/BM	022-00000-25116
9	A65-00000-52455	1	MET-P0AAQ/LCD-GROUNDING-BAR-R	022-00000-52453
8	A65-00000-52454	1	MET-P0AAQ/LCD-GROUNDING-BAR-L	022-00000-52452
7	F88-00000-56820	6	SC-M03*08-03-B-ZP-SLV[R]	
6	F94-30135-30000	1	MET-STUD13MM5TM3[R]	
5	I63-00000-48750	1	PLA-P0AAQ/LENS/TP	022-00000-37814
4	G52-00000-31661	6	PLA-P0AAQ/KNOB-DISPLAY/BK	022-00000-37817
3	I63-00000-48751	1	PLA-P0AAQ/HOUSING/BK	022-00000-25111
2	F87-00200-10103	1	MI-I00172P/RUBBER-BUSHING[R]	022-02000-36801
1	A65-00000-25218	1	MET-P0AAQ/DISPLAY-MOUNT	022-00000-25219

MECHANICAL PARTS LIST

All information (including drawings) and designs contained in this document is the property of BEHRINGER GROUP LTD. Information is provided in confidence and shall not be released to any unauthorized third party (except under license) without the prior written consent of BEHRINGER GROUP LTD. Information is provided in confidence and shall not be released to any unauthorized third party.

PROJECT: P0AAQ	DESIGNER: JERRY YAN	DESCRIPTION: DISPLAY ASSEMBLY
MATERIAL: N/A	CHECKER: HUIA MING YE	SIZE: DRAWING NUMBER:
FINISH: N/A	APPROVED: SHIRLEY XIAO	A2 014-00000-49302
DATE: 4/3/2012	SCALE: N T S	SHEET 1 OF 1



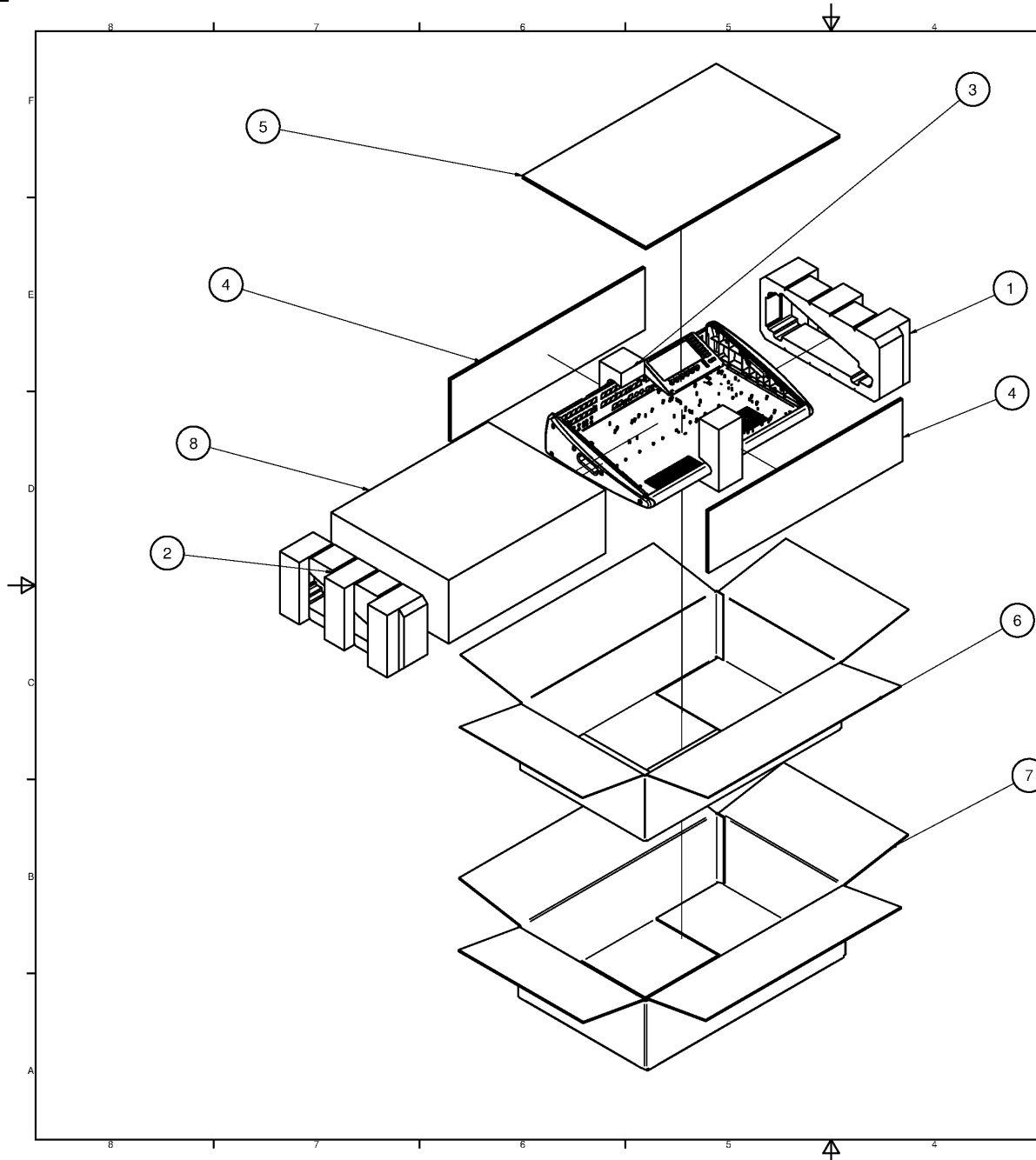


ITEM	ITEM NUMBER	QTY	ITEM CODE	CONSTRUCTION NO.
2	G58-00100-11292	2	PLA-P0784/PUSHKNOB_PCBGUIDESMALL[R]	022-02000-40084
1	G58-00000-31469	4	PLA-P0AB3/GUIDE/WH	022-00000-31472

MECHANICAL PARTS LIST

All information (including drawings and diagrams) contained in this document is the property of MUSCO GROUP LTD. Addressees whom the information is supplied to shall maintain the information in confidence and shall not release it to any unauthorized third parties, except under a license or under appropriate confidentiality agreements. Any unauthorized disclosure, use, application or any other dealings in the information shall result in civil and/or (where applicable) criminal liabilities and penalties.

	PROJECT: P0AAQ	DRAWN: JERRY YAN	DESCRIPTION: PCB11 ASSEMBLY	
	MATERIAL: N/A	CHECKED: HUA MING YE	SIZE: A3	DRAWING NUMBER: 014-00000-49309
	FINISH: N/A	APPROVED: SHIRLEY XIAO	REV.:	A
		DATE: 4/5/2012	SCALE N T S	SHEET 1 OF 1



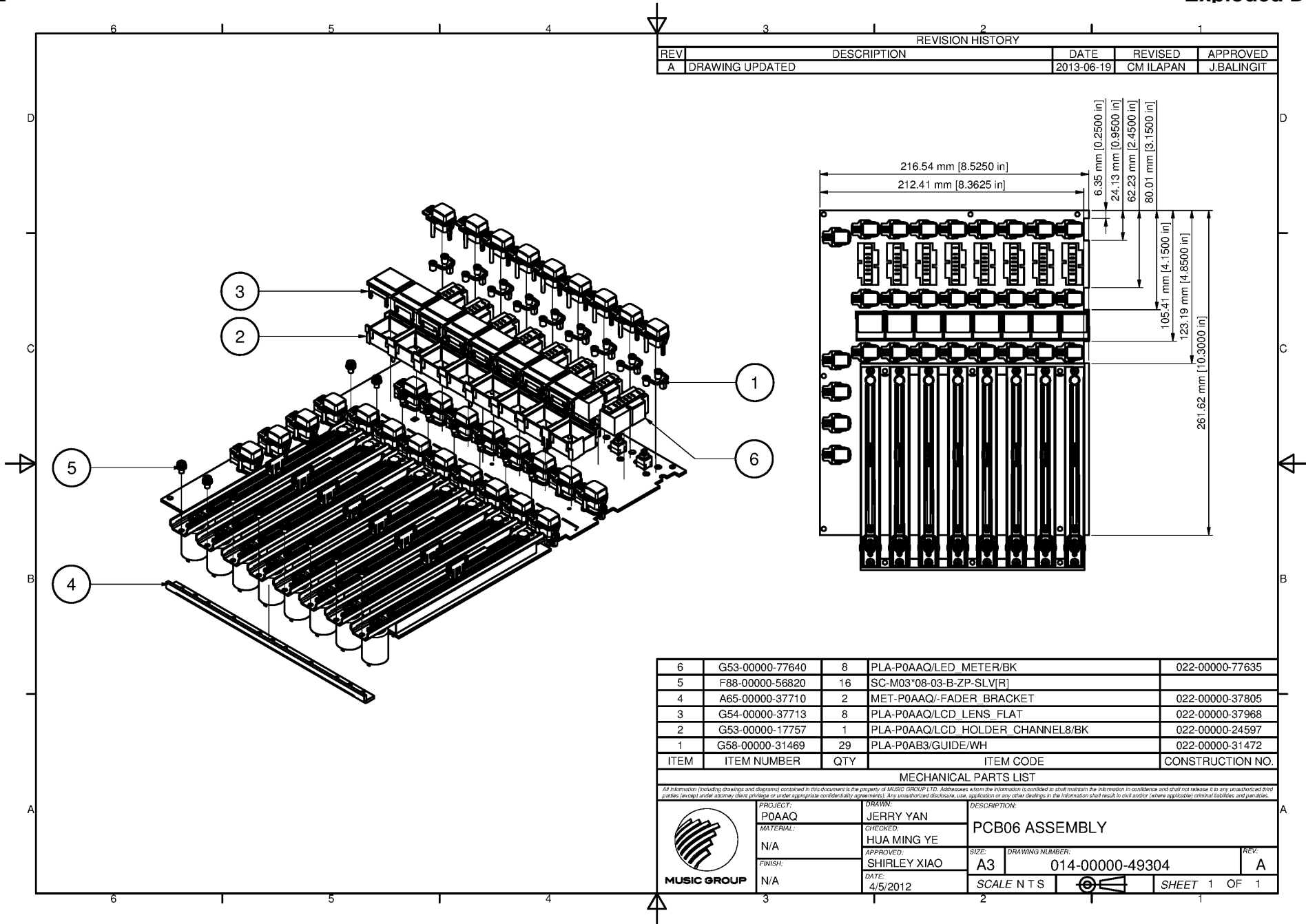
REVISION HISTORY				
REV	DESCRIPTION	DATE	REVISED	APPROVED
A	DRAWING RELEASE	2012-03-27	GX WU	SHIRLEY XIAO

ITEM	ITEM NUMBER	QTY	ITEM CODE	CONSTRUCTION NO.
8	G28-20350-50016	1	PE BAG;SIZE:35in*50in;06PE-W;WARNING;ROHS	
7	140-00000-55230	1	MASTER CARTON;P0AAQ;MACA;A001;ROHS	
6	146-00000-55237	1	GIFTBOX;P0AAQ;GIBO;A001;ROHS	
5	G30-00000-48628	1	CARTON SHEET;P0AAQ;K=A, 2 PLY, BC FLUTE;TOP;ROHS	
4	G30-00000-52666	2	CARTON SHEET;P0AAQ;FRONT/REAR;ROHS	
3	G33-00000-48627	1	EXPANDED PE;P0AAQ;EPE 40T;CENTER;ROHS	
2	G33-00000-48626	1	EXPANDED PE;P0AAQ;EPE 40T;LEFT;ROHS	
1	G33-00000-48626	1	EXPANDED PE;P0AAQ;REAR;EPE 40T;RIGHT;ROHS	

MECHANICAL PARTS LIST


ALL INFORMATION (INCLUDING DRAWINGS) AND DEPICTED OR CONTAINED IN THIS DOCUMENT IS THE PROPERTY OF MUSIC GROUP LTD. INFORMATION IS CONTAINED HEREIN IS CONFIDENTIAL AND NOT BE RELEASED TO ANY UNAUTHORIZED PARTY WITHOUT THE WRITTEN PERMISSION OF MUSIC GROUP LTD. ANY UNAUTHORIZED DISCLOSURE, REPRODUCTION OR ANY OTHER DAMAGE TO THE INFORMATION SHALL RESULT IN CIVIL AND/OR CRIMINAL PENALTIES AND DAMAGES.

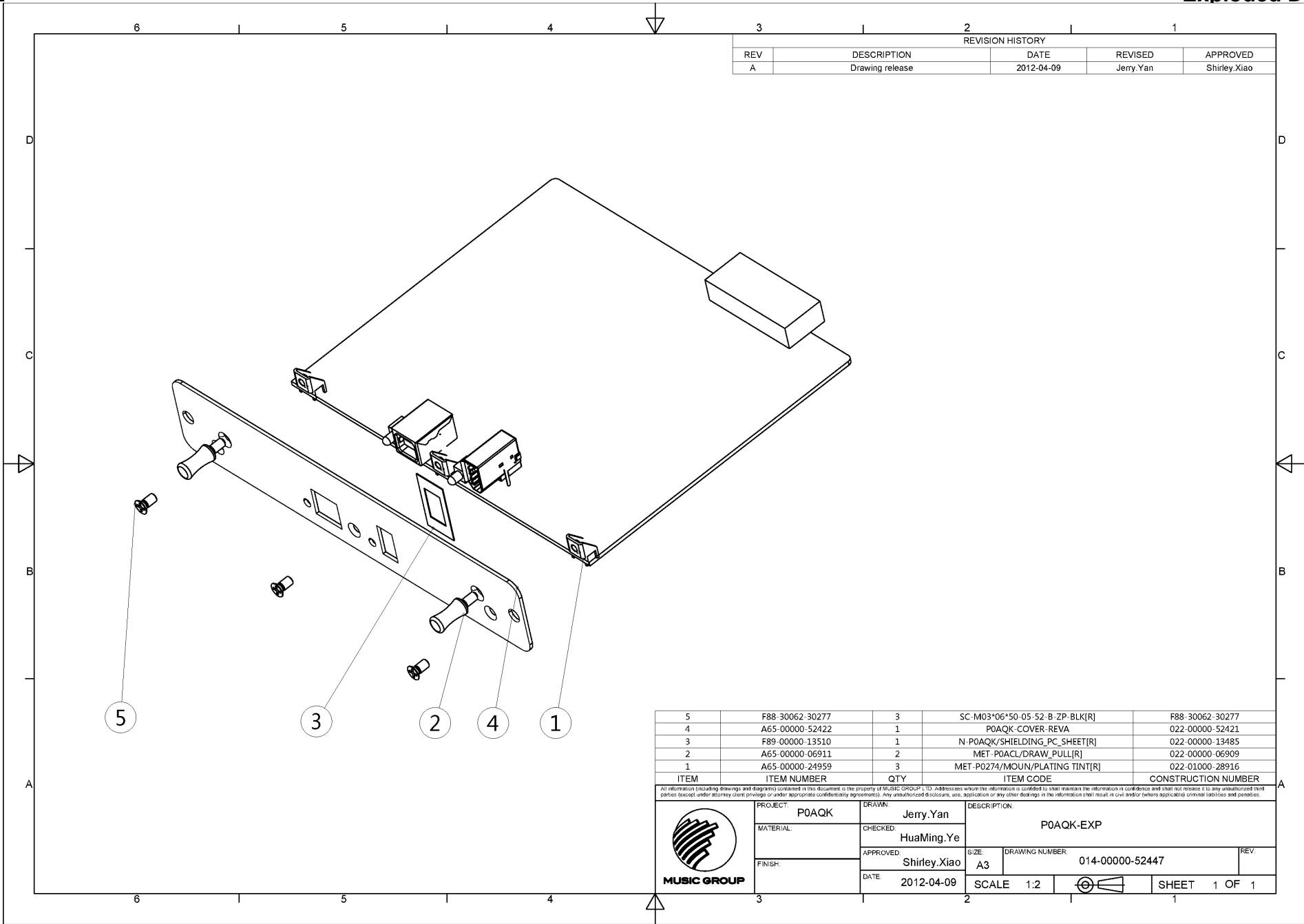
	P0AAQ	GX WU	P0AAQ-PACKAGING ASSM-REVA	
DATE:	2012-03-27	APPROVED:	SHIRLEY XIAO	SIZE: A2
DATE:	2012-03-27	DATE:	2012-03-27	DRAWING NUMBER: 014-00000-54431
SCALE: 1:10			SHEET 1 OF 1	



ITEM	ITEM NUMBER	QTY	ITEM CODE	CONSTRUCTION NO.
6	G53-00000-77640	8	PLA-P0AAQ/LED METER/BK	022-00000-77635
5	F88-00000-56820	16	SC-M03*08-03-B-ZP-SLV[R]	
4	A65-00000-37710	2	MET-P0AAQ/-FADER BRACKET	022-00000-37805
3	G54-00000-37713	8	PLA-P0AAQ/LCD LENS FLAT	022-00000-37968
2	G53-00000-17757	1	PLA-P0AAQ/LCD HOLDER_CHANNEL8/BK	022-00000-24597
1	G58-00000-31469	29	PLA-P0AB3/GUIDE/WH	022-00000-31472

MECHANICAL PARTS LIST

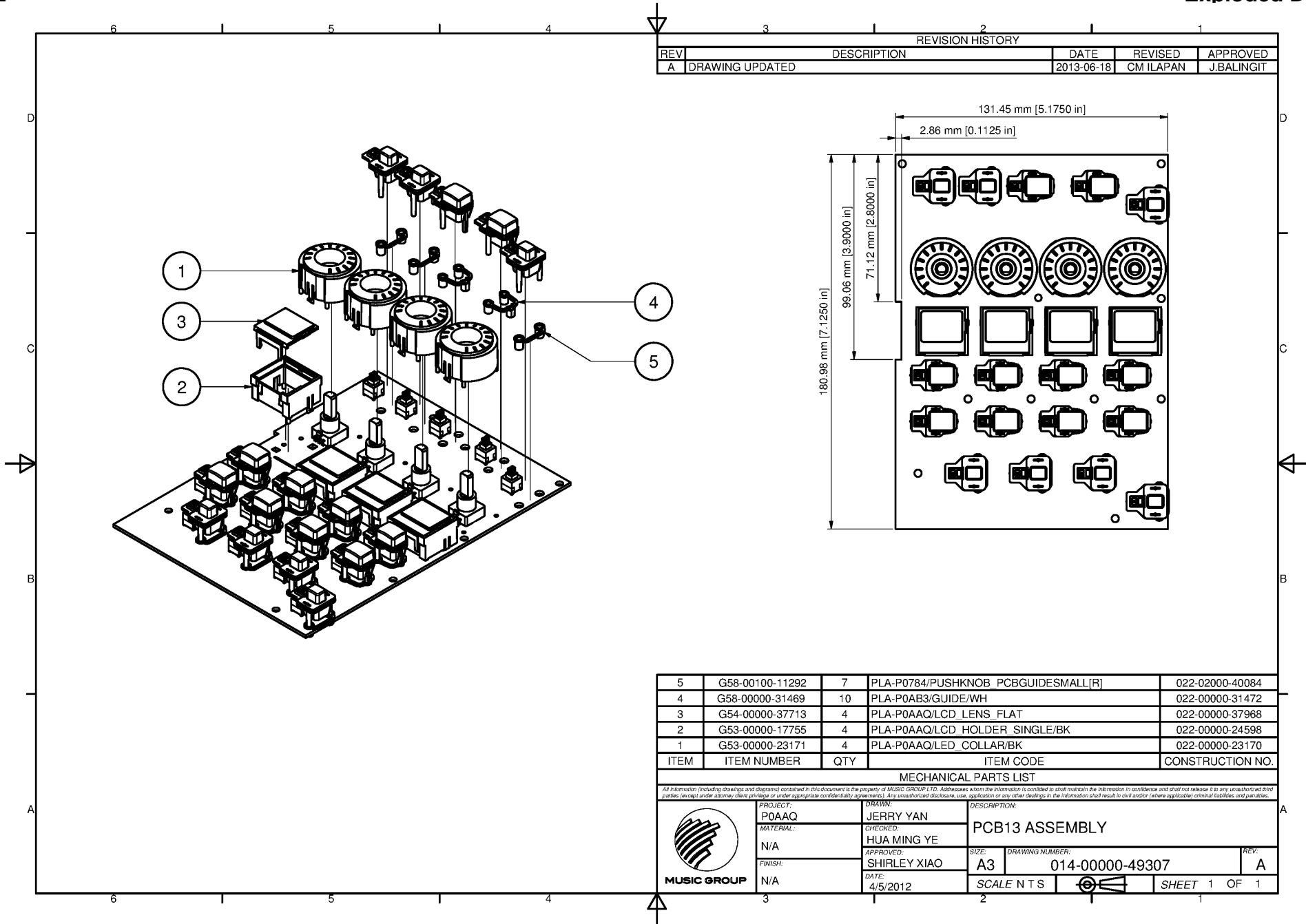
		PROJECT: P0AAQ MATERIAL: N/A FINISH: N/A	DRAWN: JERRY YAN CHECKED: HUA MING YE APPROVED: SHIRLEY XIAO DATE: 4/5/2012	DESCRIPTION: PCB06 ASSEMBLY SIZE: A3 DRAWING NUMBER: 014-00000-49304 SCALE N T S	REV. A SHEET 1 OF 1
---	--	---	--	--	---------------------------



REVISION HISTORY				
REV	DESCRIPTION	DATE	REVISED	APPROVED
A	Drawing release	2012-04-09	Jerry.Yan	Shirley.Xiao

5	F88-30062-30277	3	SC-M03*06*50-05-52-B-ZP-BLK[R]	F88-30062-30277
4	A65-00000-52422	1	POAQK COVER-REVA	022-00000-52421
3	F89-00000-13510	1	N-POAQK/SHIELDING_PC_SHEET[R]	022-00000-13485
2	A65-00000-06911	2	MET-POACL/DRAW_PULL[R]	022-00000-06909
1	A65-00000-24959	3	MET-P0274/MOUN/PLATING TINT[R]	022-01000-28916
ITEM	ITEM NUMBER	QTY	ITEM CODE	CONSTRUCTION NUMBER

<p><small>All information (including drawings and diagrams) contained in this document is the property of MUSIC GROUP, L.L.C. Addressees whom the information is furnished to shall maintain the information in confidence and shall not release it to any unauthorized third parties (except under attorney-client privilege or under appropriate confidentiality agreements). Any unauthorized disclosure, use, application or any other dealings in the information shall result in civil and/or (where applicable) criminal liabilities and penalties.</small></p>				
	PROJECT: POAQK	DRAWN: Jerry.Yan	DESCRIPTION: POAQK-EXP	
	MATERIAL:	CHECKED: HuaMing.Ye	DRAWING NUMBER: 014-00000-52447	
	FINISH:	APPROVED: Shirley.Xiao	SIZE: A3	REV:
	DATE: 2012-04-09	SCALE: 1:2	SHEET 1 OF 1	

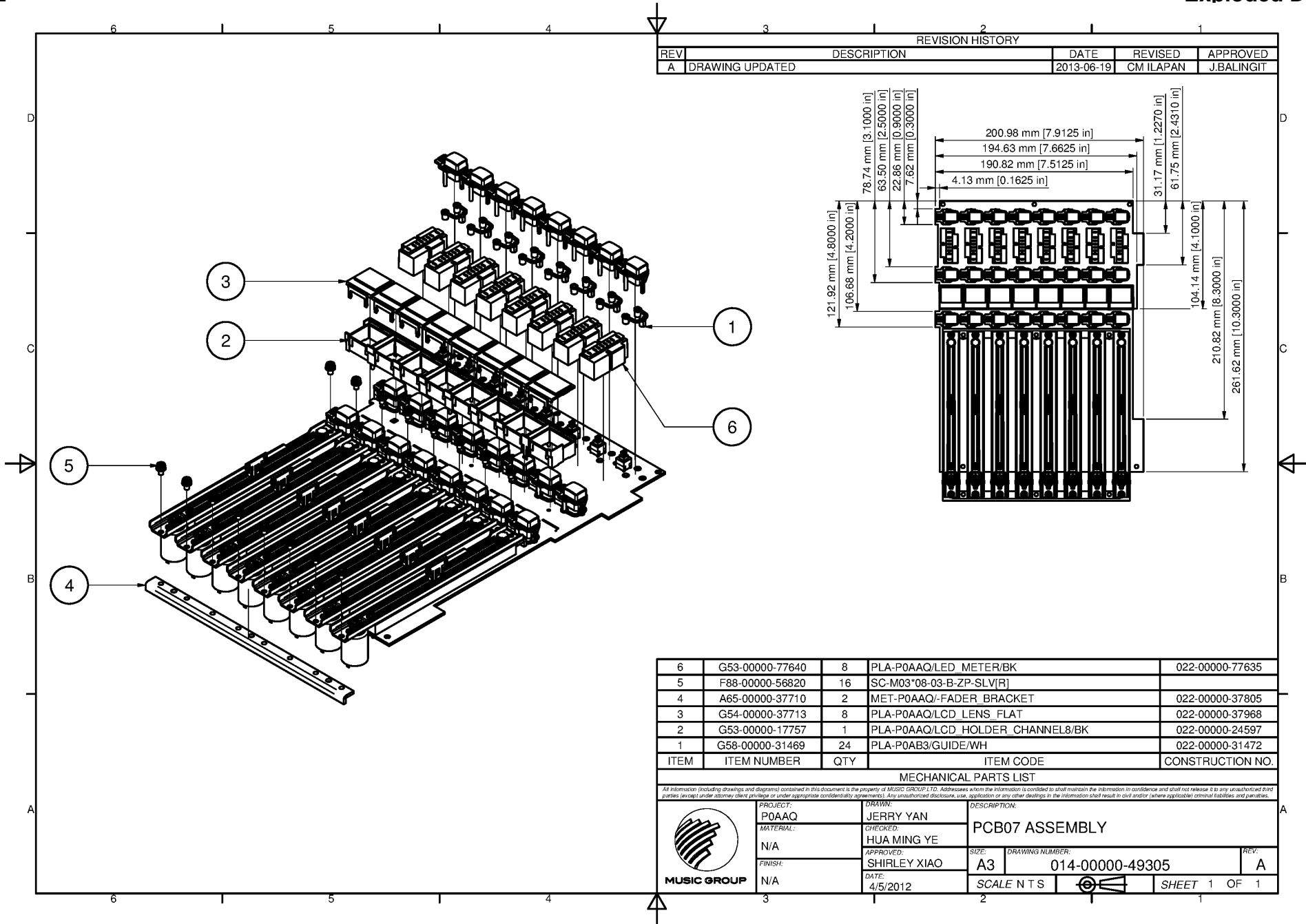


5	G58-00100-11292	7	PLA-P0784/PUSHKNOB_PCBGUIDESMALL[R]	022-02000-40084
4	G58-00000-31469	10	PLA-P0AB3/GUIDE/WH	022-00000-31472
3	G54-00000-37713	4	PLA-P0AAQ/LCD LENS FLAT	022-00000-37968
2	G53-00000-17755	4	PLA-P0AAQ/LCD HOLDER_SINGLE/BK	022-00000-24598
1	G53-00000-23171	4	PLA-P0AAQ/LED COLLAR/BK	022-00000-23170
ITEM	ITEM NUMBER	QTY	ITEM CODE	CONSTRUCTION NO.

MECHANICAL PARTS LIST

All information (including drawings and diagrams) contained in this document is the property of MUSIS GROUP LTD. Addressees whom the information is supplied to shall maintain the information in confidence and shall not release it to any unauthorized third parties (except under attorney-client privilege or under appropriate confidentiality agreements). Any unauthorized disclosure, use, application or any other dealings in the information shall result in civil and/or (where applicable) criminal liabilities and penalties.

	PROJECT:	DRAWN:	DESCRIPTION:	
	P0AAQ	JERRY YAN	PCB13 ASSEMBLY	
	MATERIAL:	CHECKED:	SIZE:	DRAWING NUMBER:
	N/A	HUA MING YE	A3	014-00000-49307
FINISH:	APPROVED:	DATE:	REV:	
N/A	SHIRLEY XIAO	4/5/2012	A	
		SCALE N T S	SHEET 1 OF 1	



REVISION HISTORY				
REV	DESCRIPTION	DATE	REVISED	APPROVED
A	DRAWING UPDATED	2013-06-19	CM ILAPAN	J.BALINGIT

6	G53-00000-77640	8	PLA-P0AAQ/LED METER/BK	022-00000-77635
5	F88-00000-56820	16	SC-M03*08-03-B-ZP-SLV[R]	
4	A65-00000-37710	2	MET-P0AAQ/-FADER BRACKET	022-00000-37805
3	G54-00000-37713	8	PLA-P0AAQ/LCD LENS FLAT	022-00000-37968
2	G53-00000-17757	1	PLA-P0AAQ/LCD HOLDER_CHANNEL8/BK	022-00000-24597
1	G58-00000-31469	24	PLA-P0AB3/GUIDE/WH	022-00000-31472
ITEM	ITEM NUMBER	QTY	ITEM CODE	CONSTRUCTION NO.

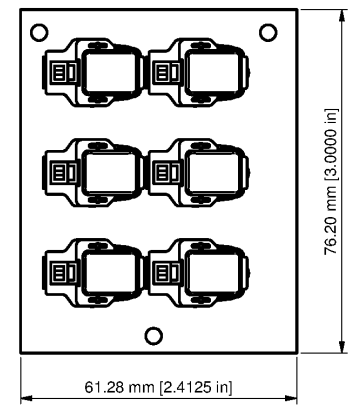
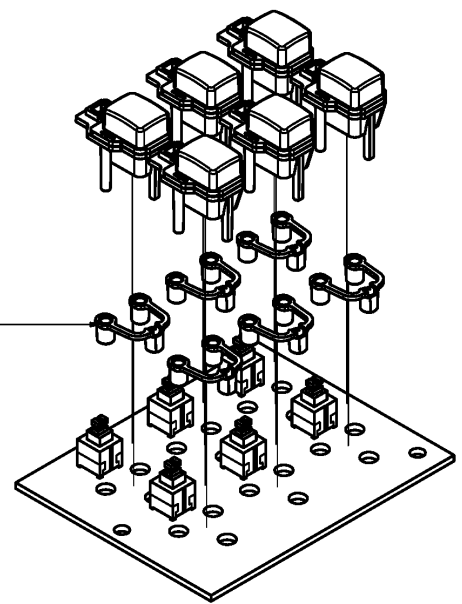
MECHANICAL PARTS LIST

		PROJECT: P0AAQ MATERIAL: N/A FINISH: N/A		DRAWN: JERRY YAN CHECKED: HUA MING YE APPROVED: SHIRLEY XIAO DATE: 4/5/2012		DESCRIPTION: PCB07 ASSEMBLY SIZE: A3 DRAWING NUMBER: 014-00000-49305 SCALE: N T S		REV: A
--	--	--	--	--	--	--	--	--------



REVISION HISTORY				
REV	DESCRIPTION	DATE	REVISED	APPROVED
A	DRAWING UPDATED	2013-06-17	CM ILAPAN	J.BALINGIT

1

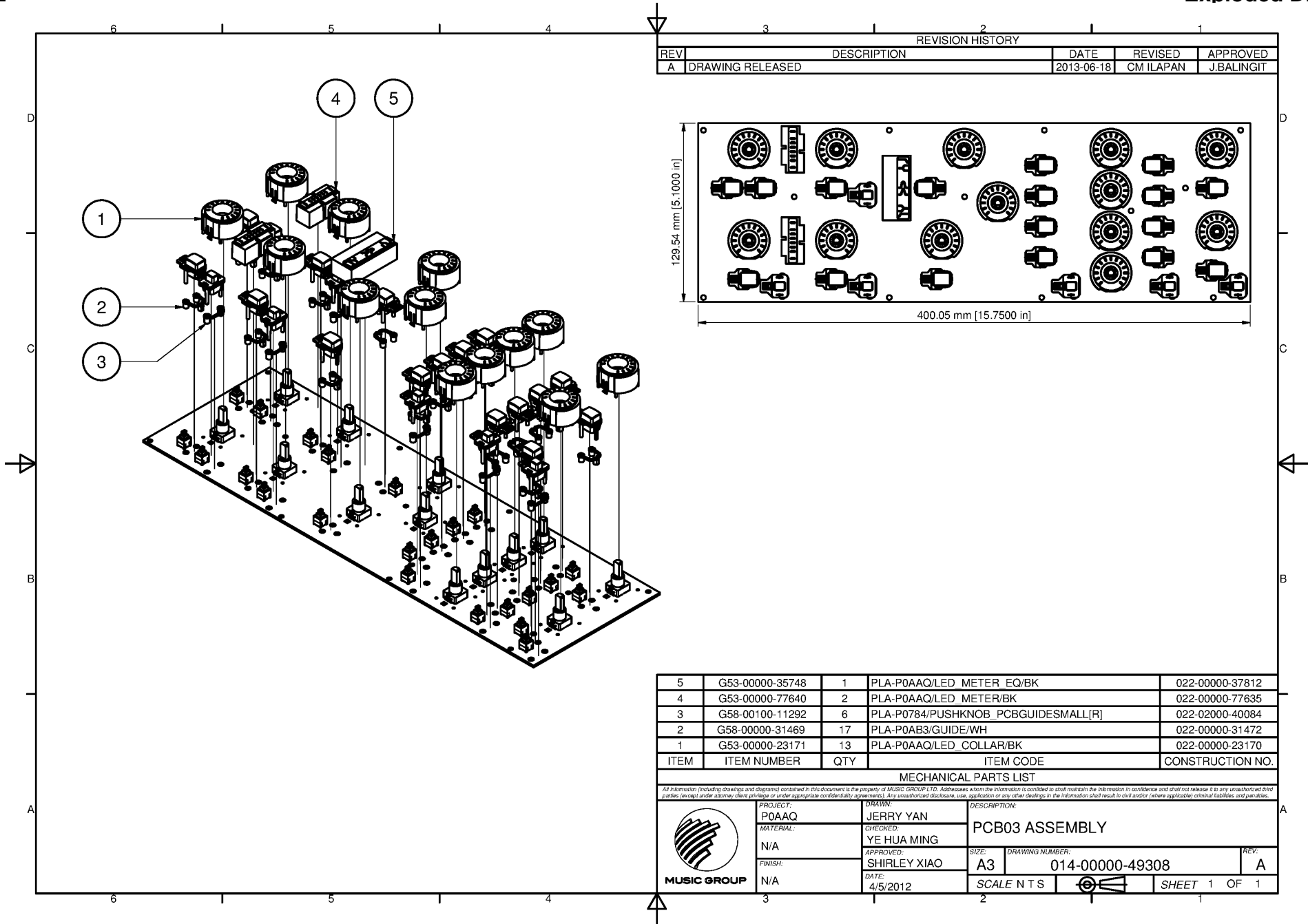


1	G58-00000-31469	6	PLA-P0AB3/GUIDE/WH	022-00000-31472
ITEM	ITEM NUMBER	QTY	ITEM CODE	CONSTRUCTION NO.

MECHANICAL PARTS LIST

All information (including drawings and diagrams) contained in this document is the property of MUSIS GROUP LTD. Addressees whom the information is provided to shall maintain the information in confidence and shall not release it to any unauthorized third parties, except under attorney-client privilege or under appropriate confidentiality agreements. Any unauthorized disclosure, use, application or any other dealings in the information shall result in civil and/or (where applicable) criminal liabilities and penalties.

	PROJECT: P0AAQ	DRAWN: JERRY YAN	DESCRIPTION: PCB14 ASSEMBLY	
	MATERIAL: N/A	CHECKED: HUA MING YE	SIZE: A3	DRAWING NUMBER: 014-00000-49311
	FINISH: N/A	APPROVED: SHIRLEY XIAO	REV. A	
		DATE: 4/5/2012	SCALE N T S	SHEET 1 OF 1



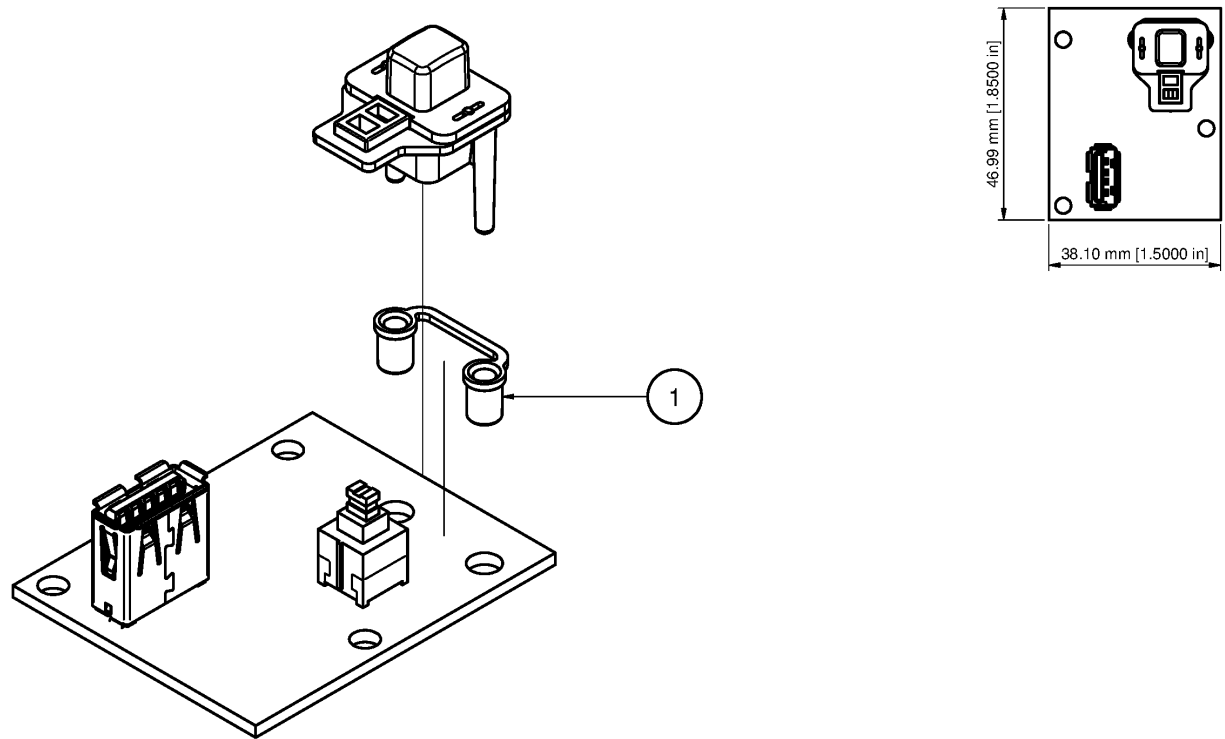
REVISION HISTORY				
REV	DESCRIPTION	DATE	REVISED	APPROVED
A	DRAWING RELEASED	2013-06-18	CM ILAPAN	J.BALINGIT

ITEM	ITEM NUMBER	QTY	ITEM CODE	CONSTRUCTION NO.
5	G53-00000-35748	1	PLA-P0AAQ/LED_METER_EQ/BK	022-00000-37812
4	G53-00000-77640	2	PLA-P0AAQ/LED_METER/BK	022-00000-77635
3	G58-00100-11292	6	PLA-P0784/PUSHKNOB_PCBGUIDESMALL[R]	022-02000-40084
2	G58-00000-31469	17	PLA-P0AB3/GUIDE/WH	022-00000-31472
1	G53-00000-23171	13	PLA-P0AAQ/LED_COLLAR/BK	022-00000-23170

MECHANICAL PARTS LIST

		PROJECT: P0AAQ MATERIAL: N/A FINISH: N/A	DRAWN: JERRY YAN CHECKED: YE HUA MING APPROVED: SHIRLEY XIAO DATE: 4/5/2012	DESCRIPTION: PCB03 ASSEMBLY SIZE: A3 DRAWING NUMBER: 014-00000-49308 SCALE N T S	REV. A SHEET 1 OF 1
--	--	---	--	--	---------------------------

REVISION HISTORY				
REV	DESCRIPTION	DATE	REVISED	APPROVED
A	DRAWING UPDATED	2013-06-17	CM ILAPAN	J.BALINGIT

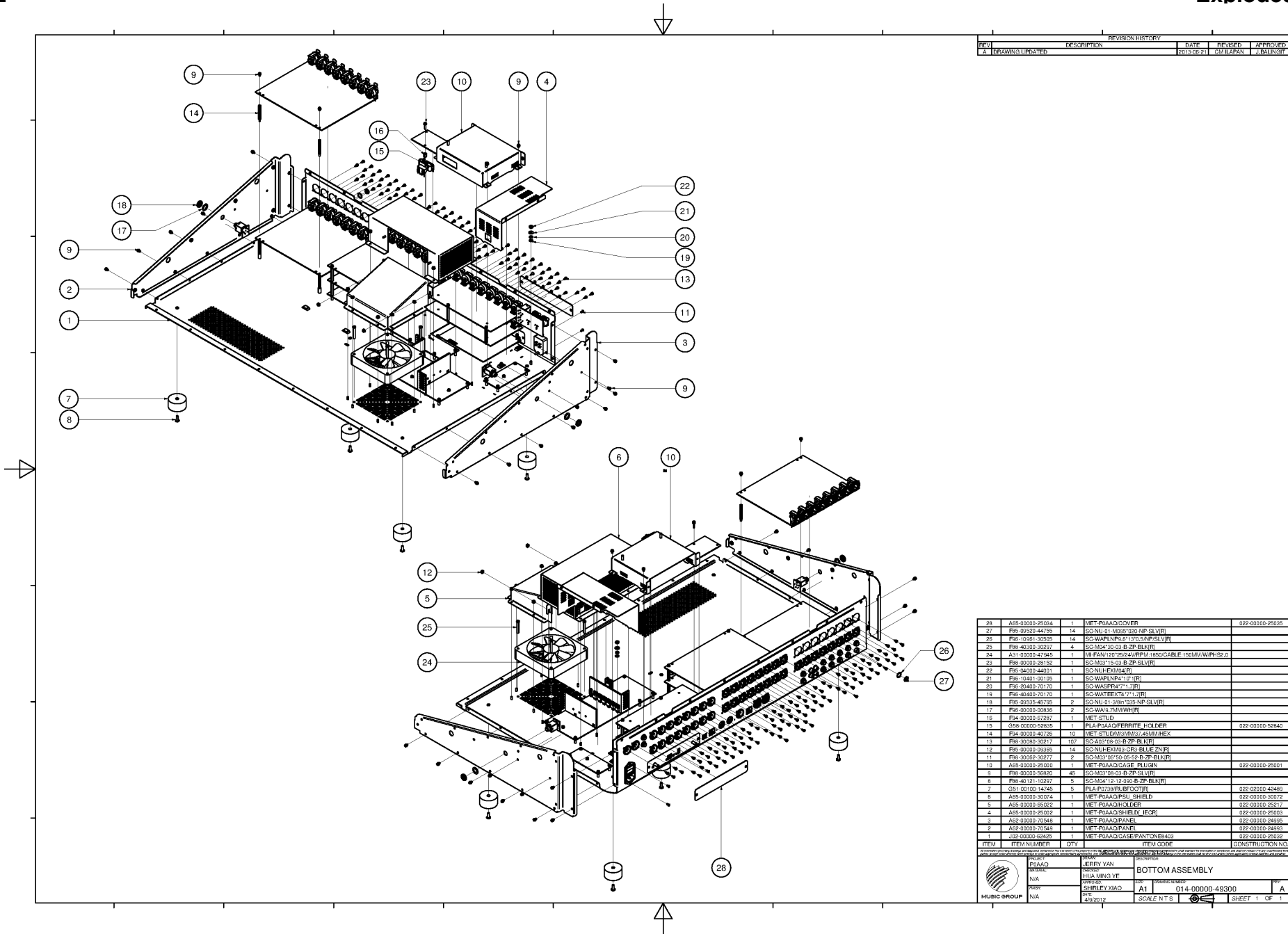


1	G58-00100-11292	1	PLA-P0784/PUSHKNOB PCBGUIDESMALL[R]	022-02000-40084
ITEM	ITEM NUMBER	QTY	ITEM CODE	CONSTRUCTION NO.

MECHANICAL PARTS LIST

All information (including drawings and diagrams) contained in this document is the property of MUSIG GROUP LTD. Addressees whom the information is supplied to shall maintain the information in confidence and shall not release it to any unauthorized third parties, except under a license or under appropriate confidentiality agreements. Any unauthorized disclosure, use, application or any other dealings in the information shall result in civil and/or (where applicable) criminal liabilities and penalties.

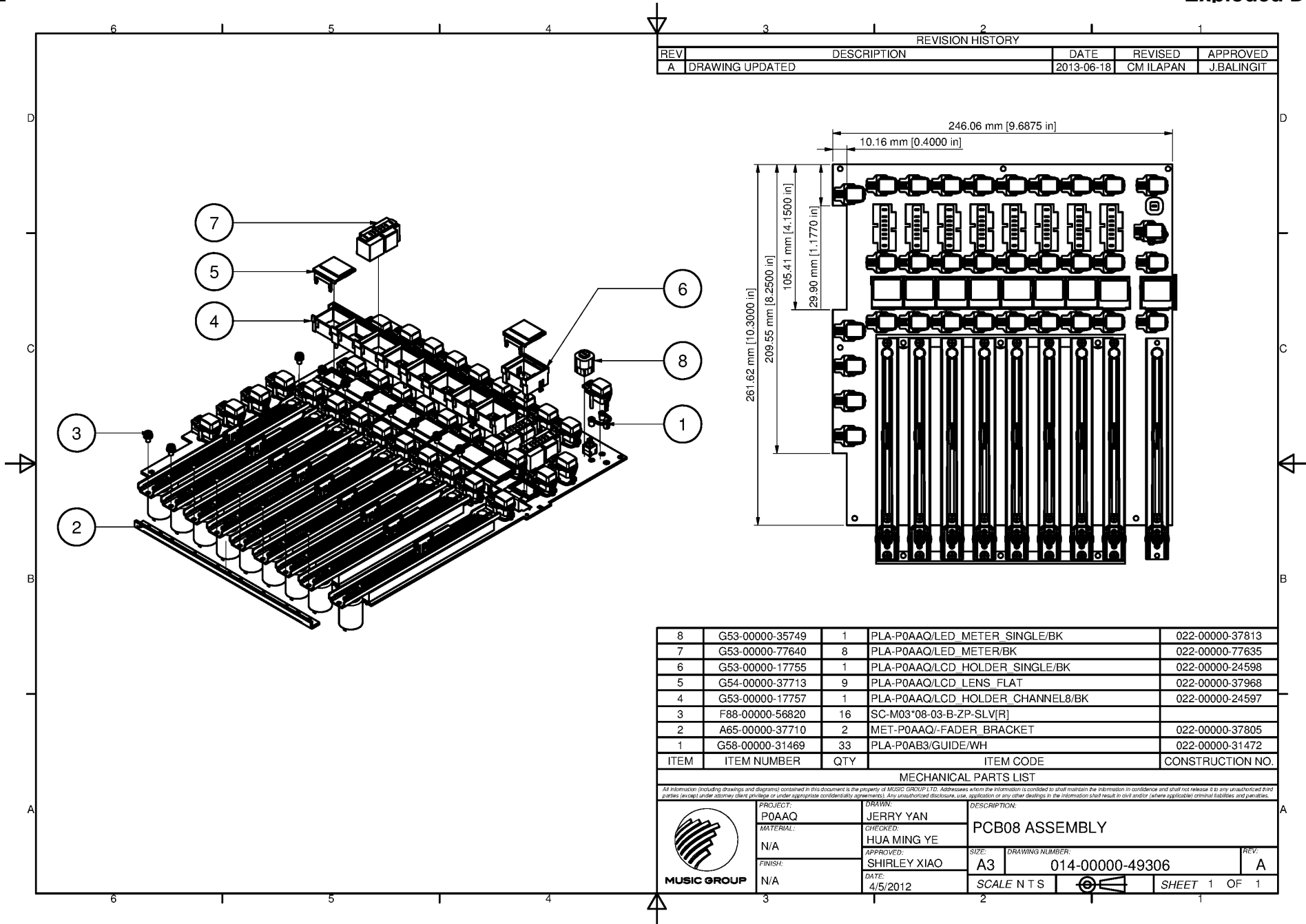
	PROJECT:	DRAWN:	DESCRIPTION:	
	P0AAQ	JERRY YAN	PCB12 ASSEMBLY	
	MATERIAL:	CHECKED:	SIZE:	DRAWING NUMBER:
	N/A	HUA MING YE	A3	014-00000-49310
FINISH:	APPROVED:	DATE:	REV:	
N/A	SHIRLEY XIAO	4/5/2012	A	
SCALE N T S		SHEET 1 OF 1		



REVISION HISTORY		DATE	REMOVED	APPROVED
REV	DESCRIPTION			
A	DRAWING UPDATED	2013.05.21	SHIJI JAPAN	G.BALINGIT

26	AGS-00000-25034	1	MET-PSAAGCOVER	022-00000-25035
27	FB-01020-44735	14	SC-NLI01-3899100-NP-SLV(R)	
25	FB-10961-30505	14	SC-WAPLN02-13'S-5NP-SLV(R)	
25	FB-40350-30297	4	SC-MG4'50-03-B-2P-BLK(R)	
24	AJ1-00000-47445	1	UM-FAN120'20'24V-RPW14800-CABLE150MM/W/PH/SP-D	
23	FB-01000-28152	1	SC-MG3'50-03-B-2P-SLV(R)	
22	FB-04000-44601	1	SC-NLIH-EXM04(R)	
21	FB-10401-00105	1	SC-WAPLN04'01(R)	
20	FB-03400-20110	1	SC-WASPPA4'11(R)	
19	FB-40400-70110	1	SC-WATEEX4'71(R)	
18	FB-01035-45795	2	SC-NLI01-3891'03-NP-SLV(R)	
17	FB-00000-00488	2	SC-WAL3'21M(WH(R)	
16	FB-00000-01267	1	MET-STUD	
15	GS8-00000-52835	1	PLA-PSAAGFERRITE HOLDER	022-00000-52840
14	FB-00000-40726	10	MET-STUDM3MM07.45MM/HEX	
13	FB-30000-30117	107	SC-AD0'50-03-B-2P-BLK(R)	
12	FB-00000-09305	14	SC-NLIH-EXM03-03S-BLUE 2N(R)	
11	FB-30000-30277	2	SC-MG3'50'50-05-S2-B-2P-BLK(R)	
10	AGS-00000-25003	1	MET-PSAAGCAGE PLUGIN	022-00000-25001
9	FB-00000-54600	45	SC-MG3'28-03-B-2P-SLV(R)	
8	FB-40121-10267	5	SC-MG4'12-12-050-B-2P-BLK(R)	
7	GS1-00100-14245	5	PLA-P3738-PLIFPC07(R)	022-02000-42460
6	AGS-00000-30014	1	MET-PSAAGPSU SHIELD	022-00000-30072
5	AGS-00000-65022	1	MET-PSAAGHOLDER	022-00000-25217
4	AGS-00000-25022	1	MET-PSAAGSHELFLI IECP1	022-00000-25003
3	AGS-00000-70548	1	MET-PSAAGPANEL	022-00000-24495
2	AGS-00000-70549	1	MET-PSAAGPANEL	022-00000-24495
1	JSP-00000-63425	1	MET-PSAAG-CASE/PANTONEN403	022-00000-25032

ITEM	ITEM NUMBER	QTY	ITEM CODE	CONSTRUCTION NO.																	
<table border="1"> <tr> <td rowspan="4"> </td> <td>PSAAG</td> <td>JERRY YAN</td> <td colspan="2">BOTTOM ASSEMBLY</td> </tr> <tr> <td>N/A</td> <td>HUI MING YE</td> <td>REV</td> <td>A</td> </tr> <tr> <td>0000</td> <td>SHIRLEY XIAO</td> <td>DATE</td> <td>014-00000-49300</td> </tr> <tr> <td>N/A</td> <td>4/30/12</td> <td>SCALE</td> <td>N T S</td> </tr> </table>						PSAAG	JERRY YAN	BOTTOM ASSEMBLY		N/A	HUI MING YE	REV	A	0000	SHIRLEY XIAO	DATE	014-00000-49300	N/A	4/30/12	SCALE	N T S
	PSAAG	JERRY YAN	BOTTOM ASSEMBLY																		
	N/A	HUI MING YE	REV	A																	
	0000	SHIRLEY XIAO	DATE	014-00000-49300																	
	N/A	4/30/12	SCALE	N T S																	



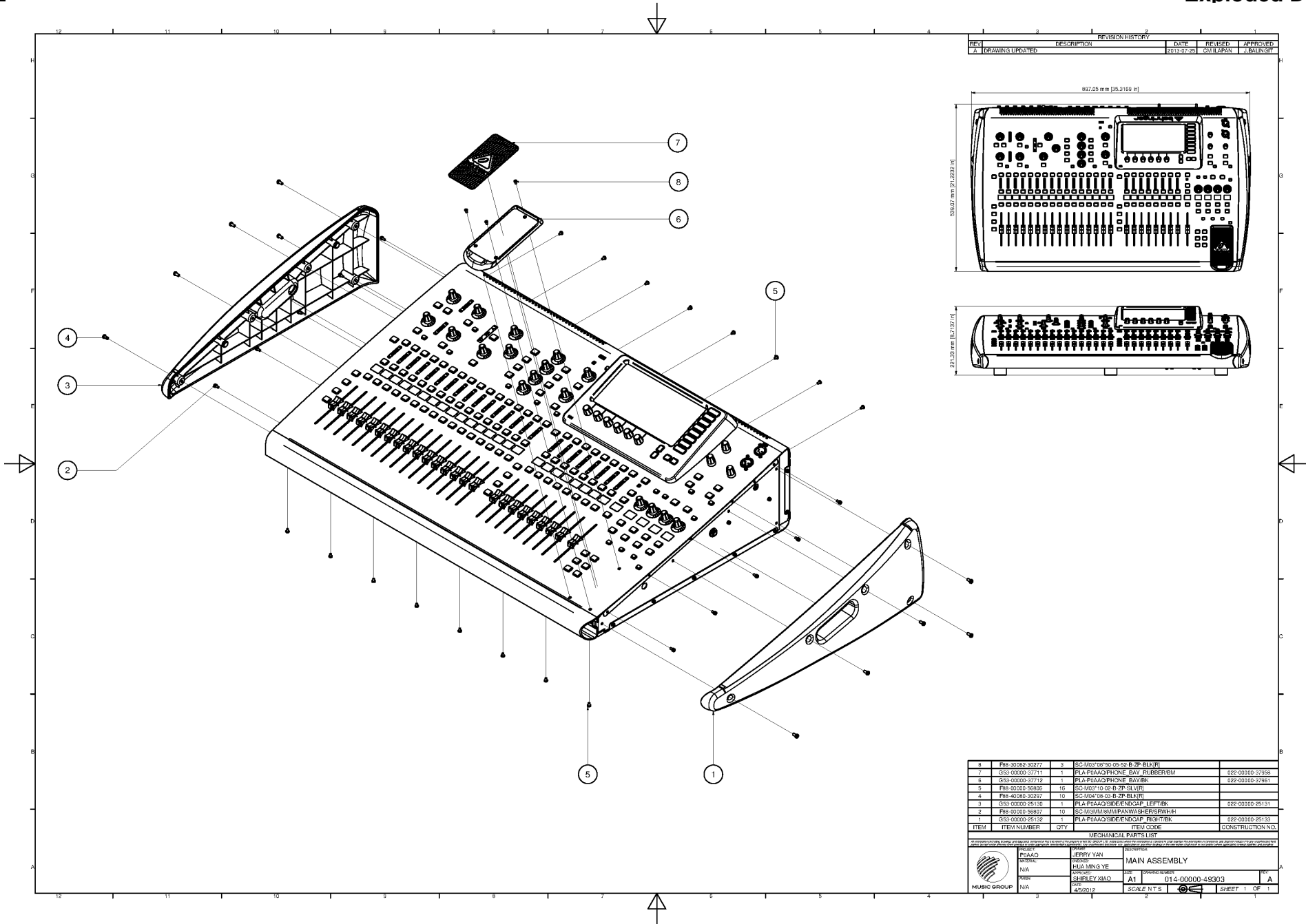
REVISION HISTORY				
REV	DESCRIPTION	DATE	REVISED	APPROVED
A	DRAWING UPDATED	2013-06-18	CM ILAPAN	J.BALINGIT

ITEM	ITEM NUMBER	QTY	ITEM CODE	CONSTRUCTION NO.
8	G53-00000-35749	1	PLA-P0AAQ/LED METER SINGLE/BK	022-00000-37813
7	G53-00000-77640	8	PLA-P0AAQ/LED METER/BK	022-00000-77635
6	G53-00000-17755	1	PLA-P0AAQ/LCD HOLDER SINGLE/BK	022-00000-24598
5	G54-00000-37713	9	PLA-P0AAQ/LCD LENS FLAT	022-00000-37968
4	G53-00000-17757	1	PLA-P0AAQ/LCD HOLDER CHANNEL8/BK	022-00000-24597
3	F88-00000-56820	16	SC-M03*08-03-B-ZP-SLV[R]	
2	A65-00000-37710	2	MET-P0AAQ/-FADER BRACKET	022-00000-37805
1	G58-00000-31469	33	PLA-P0AB3/GUIDE/WH	022-00000-31472

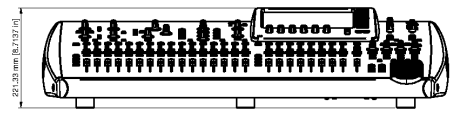
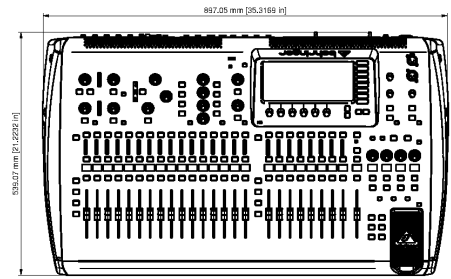
MECHANICAL PARTS LIST

All information (including drawings and diagrams) contained in this document is the property of MUSIS GROUP LTD. Addresseees whom the information is provided to shall maintain the information in confidence and shall not release it to any unauthorized third parties (except under attorney-client privilege or under appropriate confidentiality agreements). Any unauthorized disclosure, use, application or any other dealings in the information shall result in civil and/or (where applicable) criminal liabilities and penalties.

	PROJECT:	JERRY YAN	DESCRIPTION:	
	MATERIAL:	N/A	PCB08 ASSEMBLY	
	FINISH:	N/A	SIZE:	A3
	DATE:	4/5/2012	DRAWING NUMBER:	014-00000-49306
		APPROVED:	SHIRLEY XIAO	REV.:
		DATE:	4/5/2012	A
		SCALE:	N T S	SHEET 1 OF 1



REVISION HISTORY		DATE	REVISED	APPROVED
A	DRAWING UPDATED	2013-07-26	JOYI HATAN	OBALINGET



ITEM	ITEM NUMBER	QTY	ITEM CODE	CONSTRUCTION NO.
8	F88-00002-30277	3	SC-M03'06'10-05-12-B-2P-BLK/R	
7	GS3-00000-37711	1	PLA-PSAAGPHONE BAY RUBBER/EM	022-00000-37358
6	GS3-00000-37712	1	PLA-PSAAGPHONE BAY/BK	022-00000-37361
5	F88-00000-58806	16	SC-M03'10'02-B-2P-SLVR	
4	F88-00000-30257	10	SC-M04'08-03-B-2P-BLK/R	
3	GS3-00000-25130	1	PLA-PSAAGSIDEENCAP LEFT/BK	022-00000-29151
2	F88-00000-58807	10	SC-M3MM3MM/PANWASHER/FRWH	
1	GS3-00000-25132	1	PLA-PSAAGSIDEENCAP RIGHT/BK	022-00000-25133

MECHANICAL PARTS LIST			
PROJECT	PSAAG	DESIGNER	JERRY YAN
PRICE	N/A	CHECKER	HUA MING YE
DATE	4/8/2012	DATE	4/8/2012
SCALE	N1	SCALE	N1
NO.	014-00000-49303	NO.	A
NAME	SHIRLEY XIAO	NAME	SHIRLEY XIAO
GROUP	MUSIC GROUP	GROUP	MUSIC GROUP



We Hear You