



SUBMITTAL DATA

For: Approval

Order #:

Date: 09/25/2018

Project: elias

Project #:

Location:

Date

09/25/2018

Project Name


elias

Project Number**Client / Purchaser**

Submittal Summary Page

Qty	Tag #	Model #	Description
1		PCG4A300752X1	2.5 Ton Single Stage Cooling, Coleman Single Packaged R-410A Air Conditioner, 14.0 SEER / 11.0 EER, Small Cabinet (35" x 51"), Copper Tube/Aluminum Fin Condenser Coil, 75 MBH Input Single Stage Stainless Steel Natural Gas Heat, 208/230-1-60, Low-NOx
1		S1-1FF0601	Filter/Frame Kit (Single Phase Only), Small Footprint
1		S1-1RC0502	Roof Curb 14" Small Footprint
1		S1-2EE04710024	Low Leak Downflow Economizer, Small Footprint
1		S1-2EC06700124	Transformer Kit

Equipment start-up and commissioning by a factory trained technician is recommended.
Contact your supplying distributor or sales representative for additional information & guidance.

 **WARNING: Cancer and Reproductive Harm - www.P65Warnings.ca.gov**



Heating & Air Conditioning

LX Series

PCG4 - 14 SEER Single Pkg. G/E R-410A AC

Project Name: elias

Unit Model #: PCG4A300752X1

Quantity: 1

System: PCG4A300752X1

No Performance Data Available

Run Performance to view metrics



2.5 Ton

- Coleman LX Series Units are Manufactured at an ISO 9001 Registered Facility and Each Rooftop is Completely Computer-Run Tested Prior to Shipment.

Unit Features

- All PCG4 Model Gas Units provide a Minimum AFUE of 81.0% in Heating and meet current California Low-Nox requirements of 40 ng/joule Emission Level for Air Quality Management Districts
- Unit Cabinet shall be Constructed of G-90 Galvanized, Powder-Painted Steel, Certified at 750 hours Salt Spray Test per ASTM-B117 Standards
- Bottom and Side Electrical and Gas Utility Connections
- Easy Access to all Components
- Lower Installation Cost
- Single Piece Water-Shed Top Cover and Drip Edge
- Field Convertible Duct Connections from Horizontal to Downflow Allows Greater Flexibility
- Full Perimeter, Removable Base Rails with Built in Rigging and Access Provisions
- Non-Corrosive Condensate Pan Internally Sloped to Meet Strict Requirements of ASHRAE 62-89 Indoor Air Quality Standard
- Reciprocating Compressor
- Copper Tube/Aluminum Fin Condenser Coil
- Compressor is Internally Protected Against High Pressure and Temperature
- Standard Cooling Operation Down to 45°F
- Variable Speed Direct Drive High Static Motor and Slide out Blower Assembly

Warranty

- Extended 10-Years limited parts and compressor warranty *Requires online registration within 90 days of purchase
- Lifetime gas heat exchanger warranty with registration.



Heating & Air Conditioning

LX Series

PCG4 - 14 SEER Single Pkg. G/E R-410A AC

Project Name: **elias**

Unit Model #: **PCG4A300752X1**

Quantity: **1**

System: **PCG4A300752X1**

Factory Installed Options

PCG4A300752X1

Equipment Options	Option(s) Selected
Model Family:	PCG Coleman Single Packaged R-410A Air Conditioner
SEER:	4 14.0 SEER / 11.0 EER
Cabinet Options:	A Small Cabinet (35" x 51")
Nominal Cooling Capacity:	30 2.5 Ton Single Stage Cooling Copper Tube/Aluminum Fin Condenser Coil
Heat Type and Nominal Heat Capacity:	075 75 MBH Input Single Stage Stainless Steel Natural Gas Heat
Voltage:	2 208/230-1-60
Options:	X Low-NOx
Generation:	1

Field Installed Accessories

- S1-1FF0601 - Filter/Frame Kit (Single Phase Only), Small Footprint (6.0 lbs)
- S1-1RC0502 - Roof Curb 14" Small Footprint (52.0 lbs)
- S1-2EE04710024 - Low Leak Downflow Economizer, Small Footprint (148.0 lbs)
- S1-2EC06700124 - Transformer Kit (2.0 lbs)

Project Name: **elias**

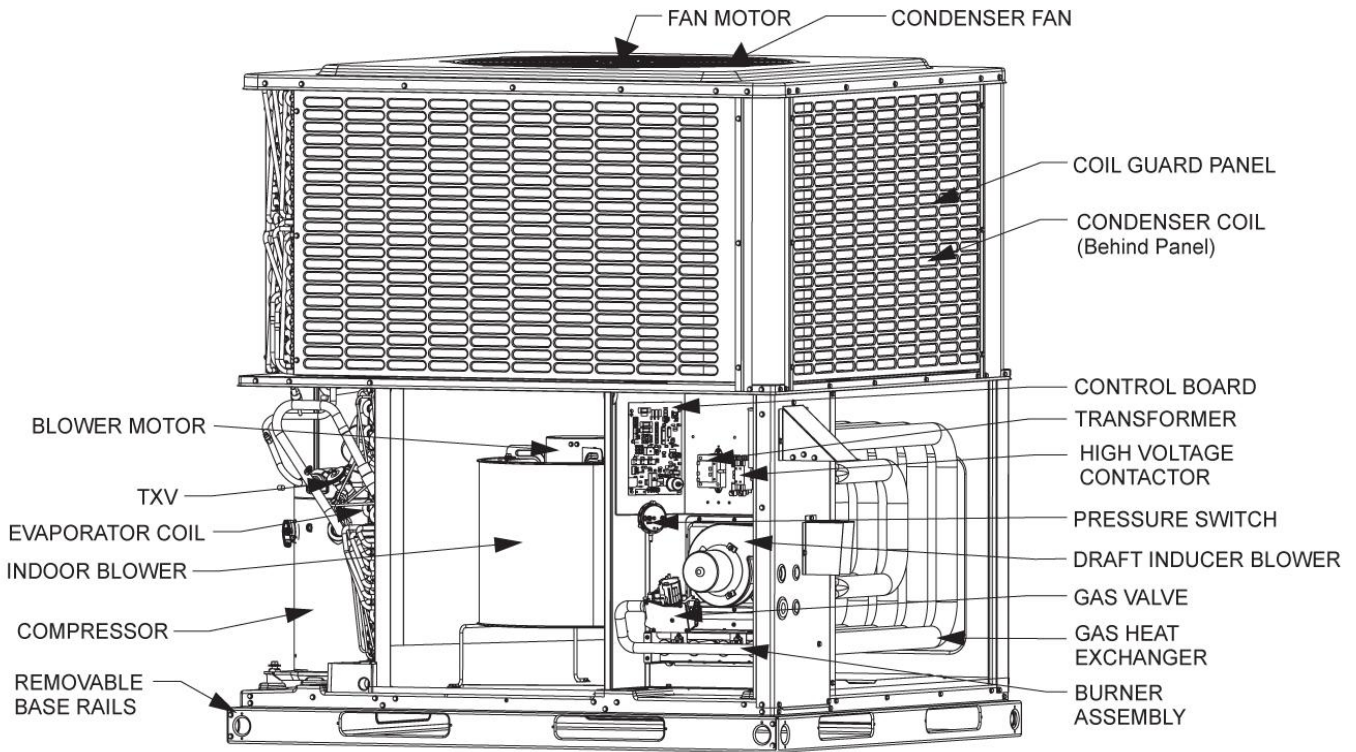
Unit Model #: **PCG4A300752X1**

Quantity: **1**

System: **PCG4A300752X1**

Component Location

COMPONENT LOCATION



Project Name: **elias**

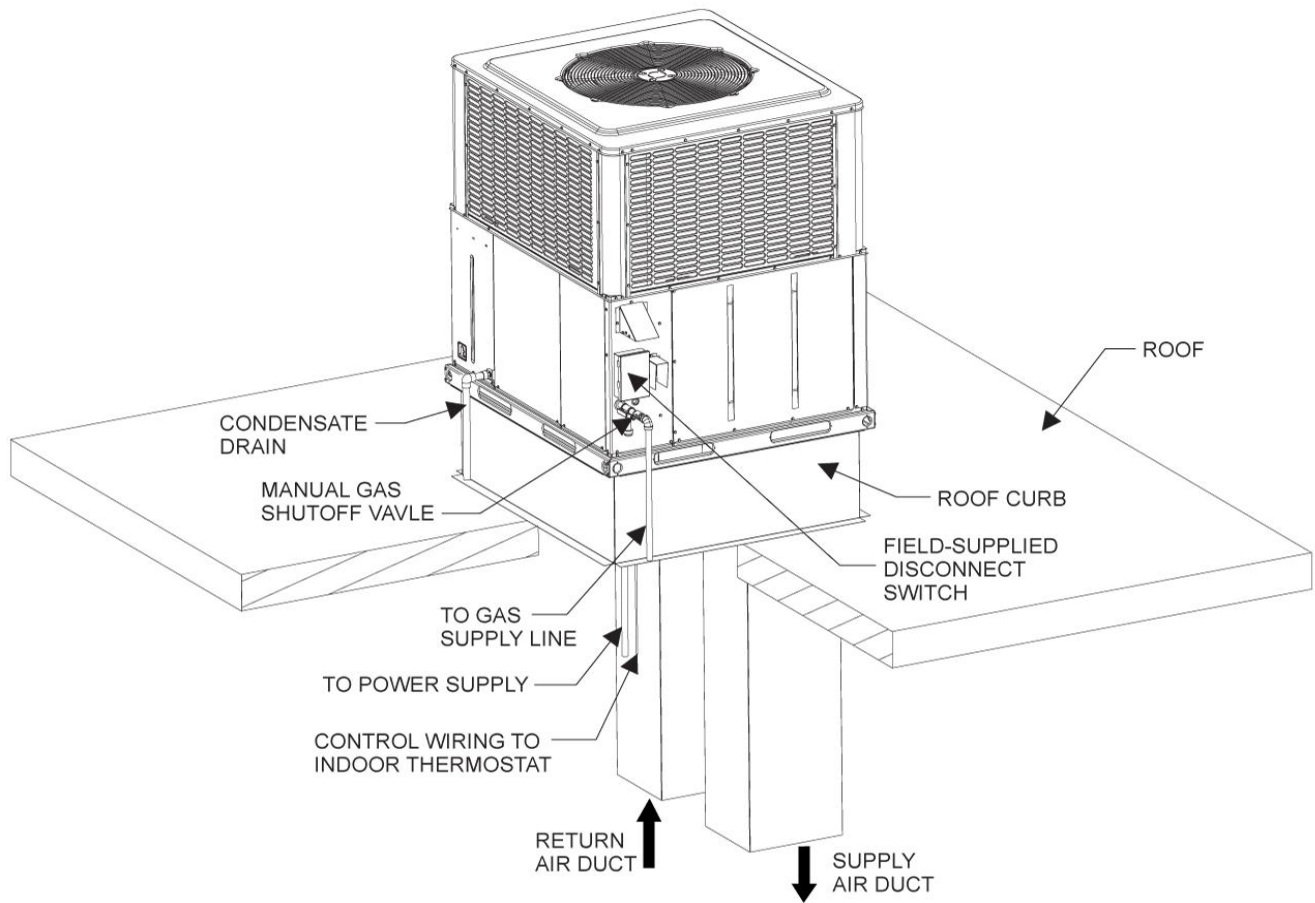
Unit Model #: **PCG4A300752X1**

Quantity: **1**

System: **PCG4A300752X1**

Typical Installation Roof Curb

UNIT TYPICAL ROOF CURB INSTALLATION (Gas model shown)



Project Name: **elias**

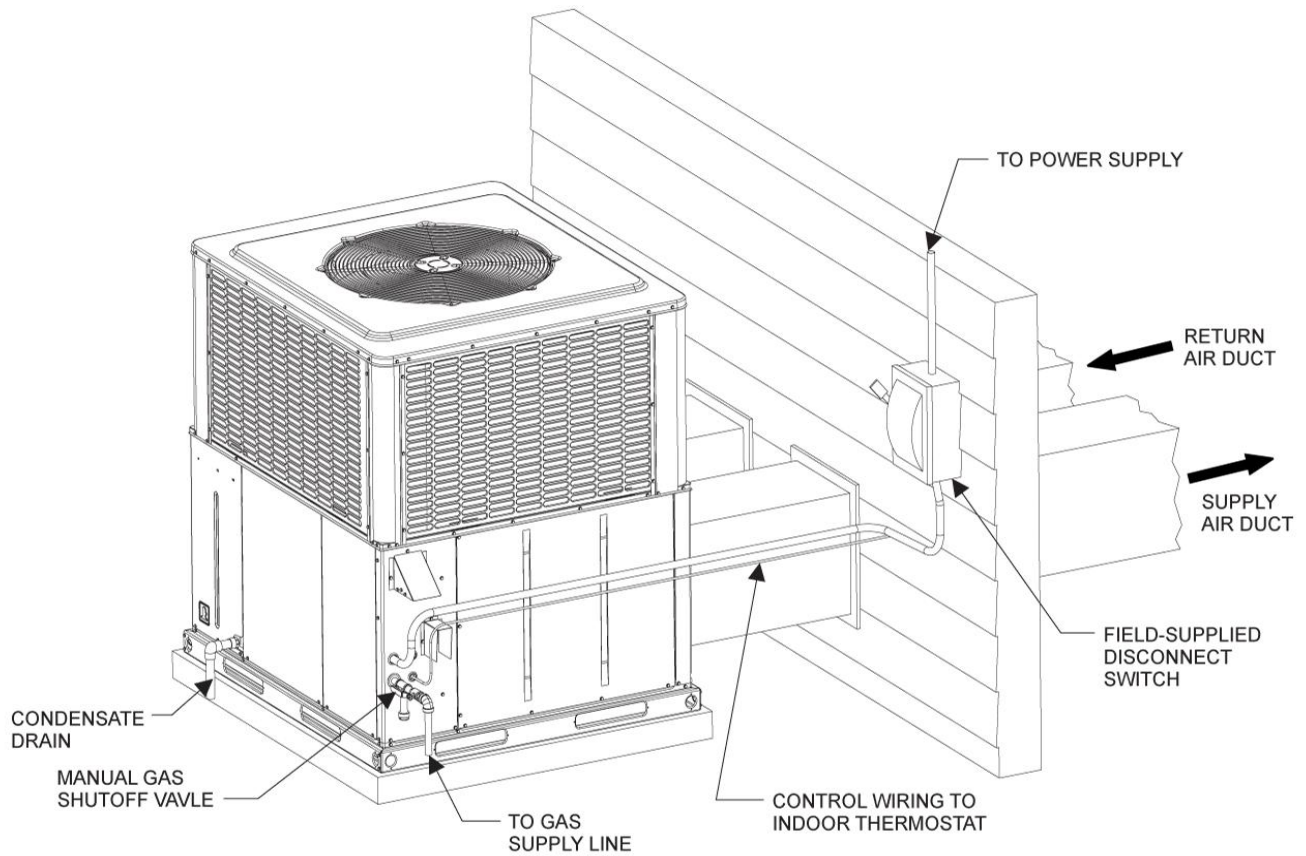
Unit Model #: **PCG4A300752X1**

Quantity: **1**

System: **PCG4A300752X1**

Typical Installation On Ground

UNIT TYPICAL SLAB ON GROUND INSTALLATION (Gas model shown)



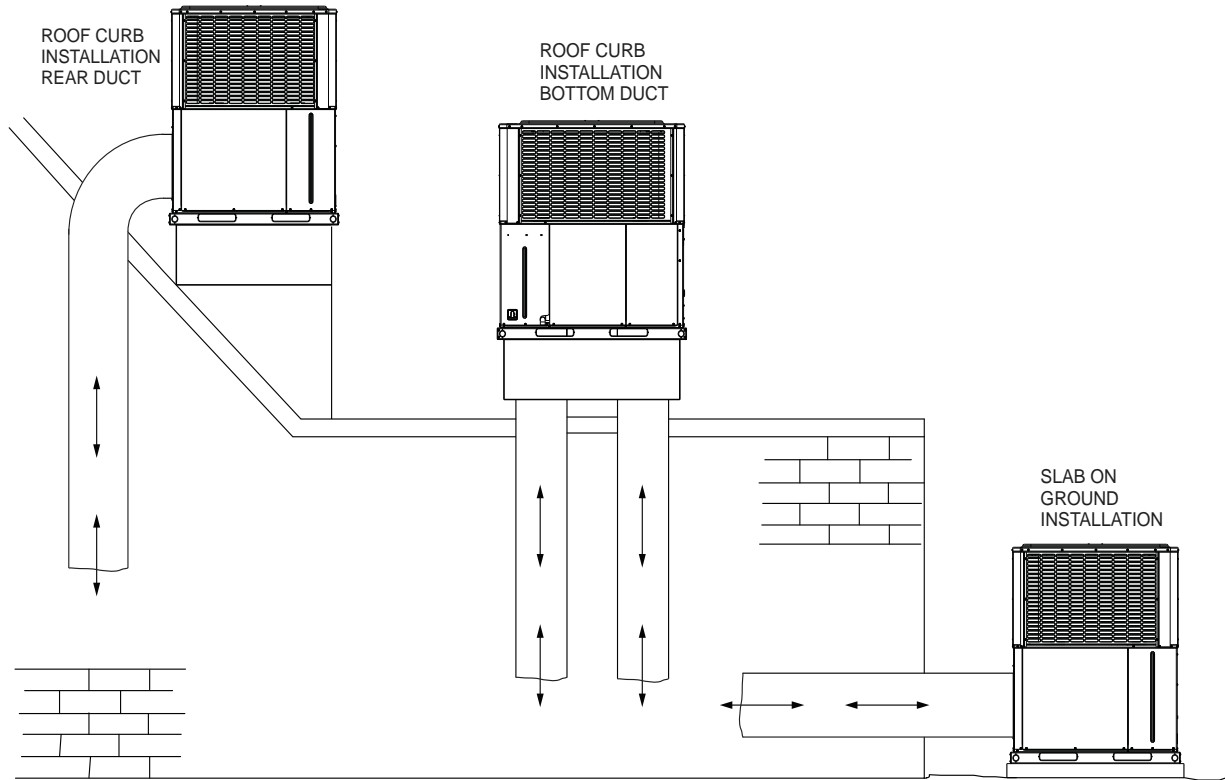
Project Name: **elias**

Unit Model #: **PCG4A300752X1**

Quantity: **1**

System: **PCG4A300752X1**

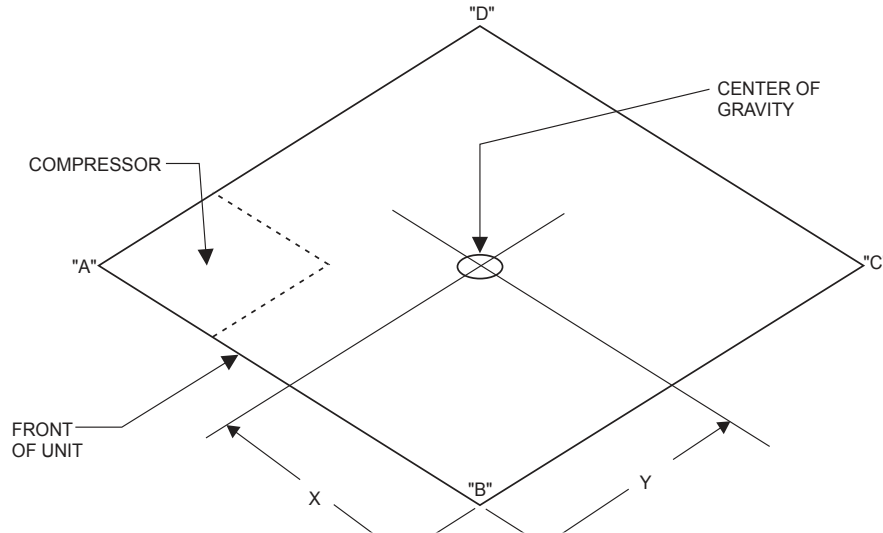
Typical Application



Project Name: **elias**

 Unit Model #: **PCG4A300752X1**

 Quantity: **1**

 System: **PCG4A300752X1**
Corner Weights & Center of Gravity
WEIGHTS & DIMENSIONS

Weights and Dimensions

Model	Weight (lbs.)		Center of Gravity		4 Point Load Location (lbs.)			
	Shipping	Operating	X	Y	A	B	C	D
24050	364	359	28	14	104	89	78	88
24075	371	366	28	14	106	91	80	89
30050	384	379	27	15	105	95	87	92
30075	391	386	27	15	107	97	88	94
36050	420	415	27	16	112	102	97	104
36075	427	422	27	16	114	104	98	106
36100	431	426	27	16	116	107	98	105
42075	447	442	27	16	120	109	103	111
42100	451	446	27	16	121	111	104	111
48065	500	495	26	20	132	130	115	118
48100	508	503	26	20	134	132	117	120
48125	513	508	26	20	136	133	118	121
60065	527	522	26	21	137	134	123	127
60100	535	530	26	21	139	136	125	129
60125	540	535	26	21	141	138	127	129

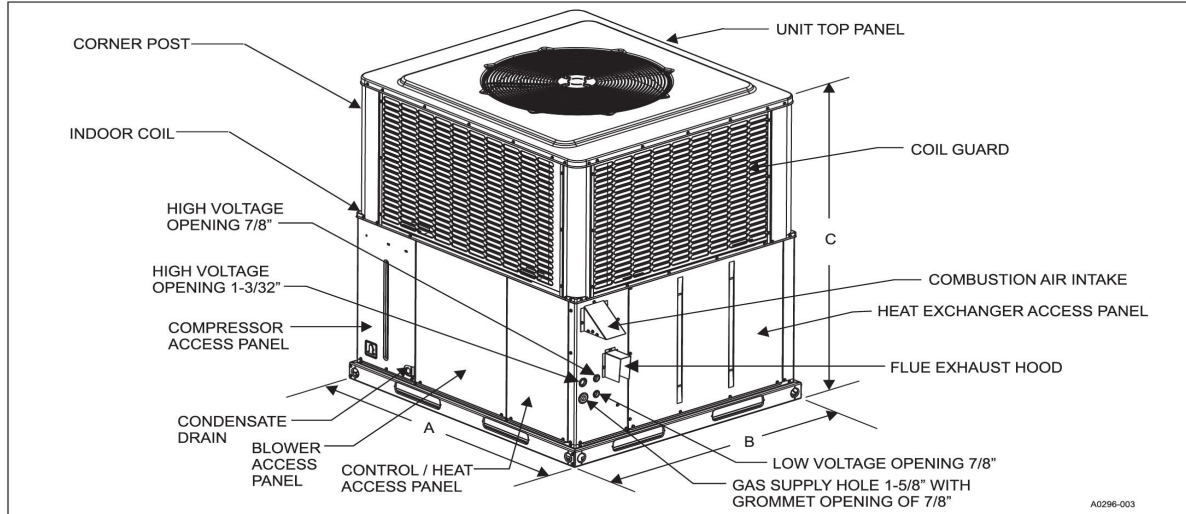
Project Name: **elias**

 Unit Model #: **PCG4A300752X1**

 Quantity: **1**

 System: **PCG4A300752X1**

Dimensions and Clearance



UNIT DIMENSIONS

Model	Dimensions - in inches		
	A	B	C
PCG4A24	51-1/4	35-3/4	47
PCG4A30	51-1/4	35-3/4	47
PCG4A36	51-1/4	35-3/4	47
PCG4A42	51-1/4	35-3/4	49
PCG4B48	51-1/4	45-3/4	53
PCG4B60	51-1/4	45-3/4	55

UNIT CLEARANCES^{1 2}

Direction	Distance (in.)	Direction	Distance (in.)
Top ³	36	Power Entry (Right Side)	36
Side Opposite Ducts	36	Left Side	24
Duct Panel	0	Bottom ⁴	1

1. A 1" clearance must be provided between any combustible material and the supply air duct work.
2. The products of combustion must not be allowed to accumulate within a confined space and recirculate.
3. Units must be installed outdoors. Over hanging structure or shrubs should not obstruct condenser air discharge outlet.
4. Units may be installed on combustible floors made from class A, B or C roof covering materials.

Project Name: **elias**

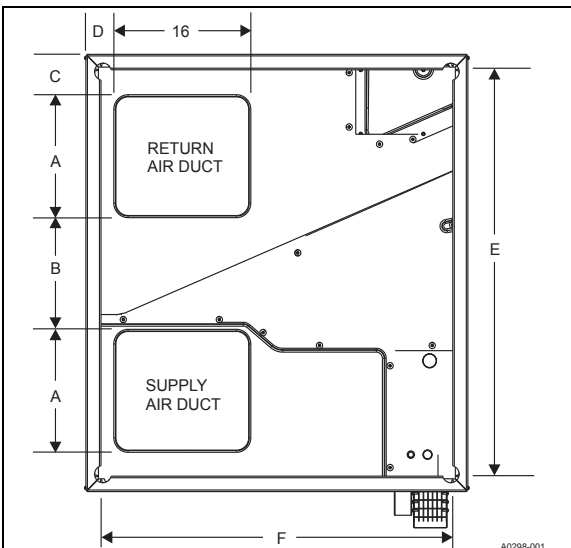
 Unit Model #: **PCG4A300752X1**

 Quantity: **1**

 System: **PCG4A300752X1**

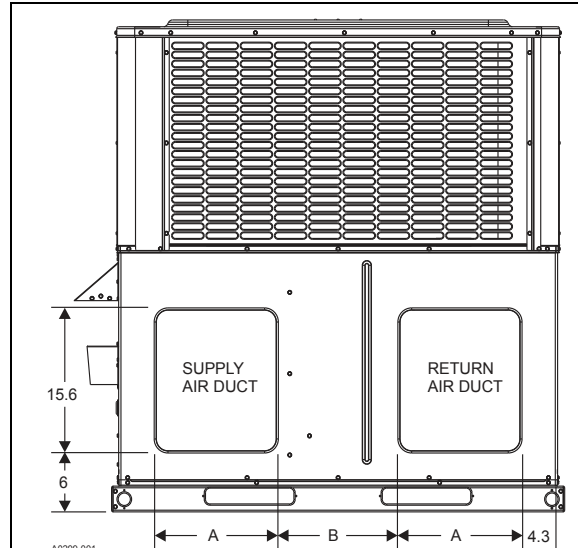
Unit Dimensions

BOTTOM DUCT DIMENSIONS (Inches)



Model	A	B	C	D	E	F
24, 30, 36, 42	10	21.5	5	4.5	47.5	32
48, 60	14	13.5	5	3.5	47.5	42

REAR DUCT DIMENSIONS (Inches)



Model	A	B
24, 30, 36, 42	9.6	22
48, 60	13.6	14



LX Series

PCG4 - 14 SEER Single Pkg. G/E R-410A AC

Project Name: **elias**

Unit Model #: **PCG4A300752X1**

Quantity: **1**

System: **PCG4A300752X1**

Sound Performance

SOUND PERFORMANCE

Model (Tons)	Sound Rating ¹ dB (A)	Octave Band Centerline Frequency (Hz)						
		125	250	500	1000	2000	4000	8000
24	75	62.4	61.5	64.2	67	61	57.3	49.6
30	75	60.5	61.6	64.8	66.9	60.9	56.0	49.7
36	74	58.5	61.8	65.4	66.5	60.7	54.8	49.8
42	74	63.5	63.9	62.3	65	64	54.1	46.6
48	74	63.5	63.9	62.3	65	64	54.1	46.6
60	76	72.3	65.0	63.9	64	60	55.5	49.0

1. Rated in accordance with AHRI Standard 270.

Project Name: **elias**

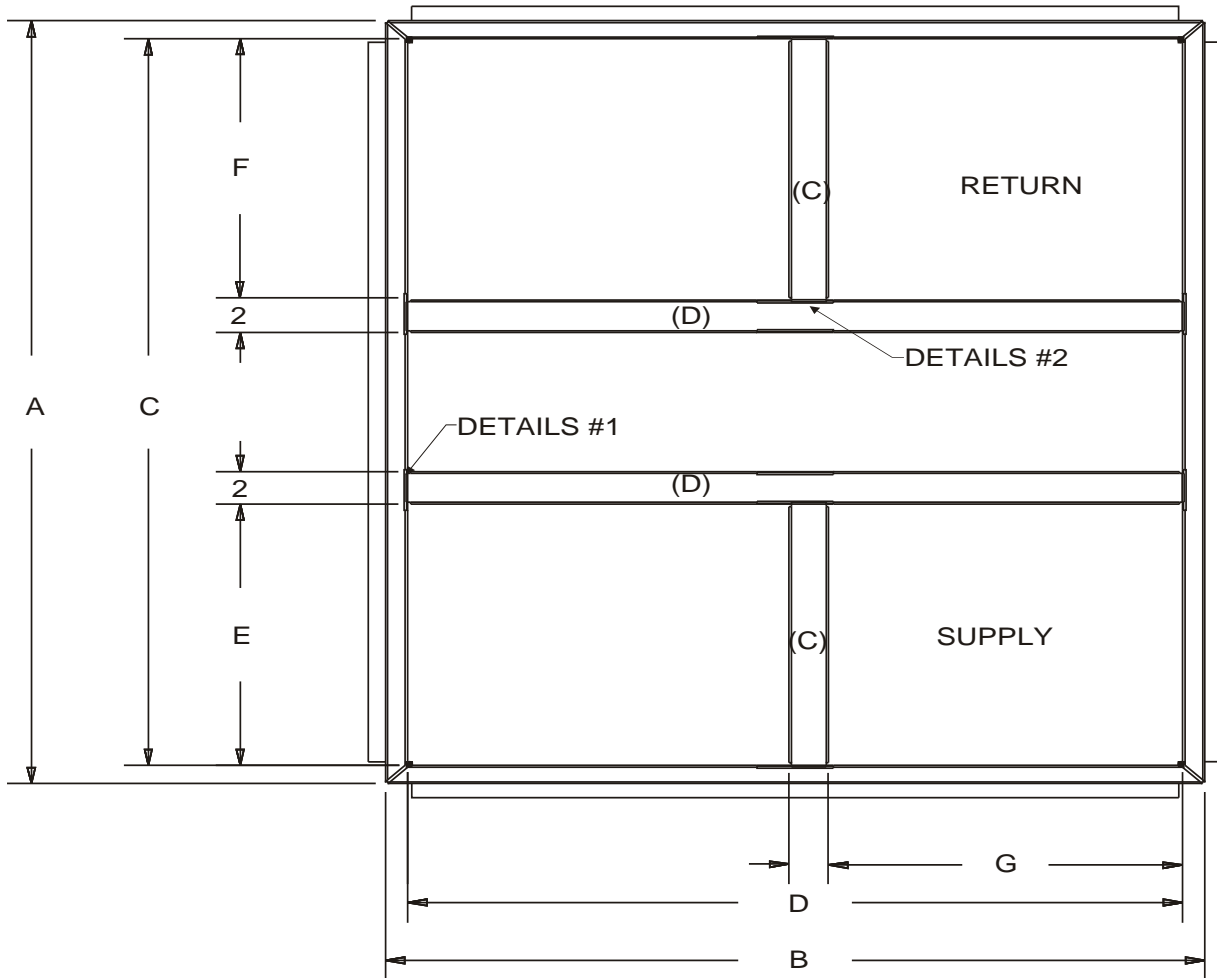
 Unit Model #: **PCG4A300752X1**

 Quantity: **1**

 System: **PCG4A300752X1**
1RC0501, 1RC0502, 1RC0503, 1RC0504 Roof Curbs

Dimensions of Roof Curbs 1RC0501, 1RC0502, 1RC0503, 1RC0504

TOP VIEW



JCI Model#	RRS Model#	A	B	C	D	E	F	G	Height	Return & Supply Duct	Roof Opening
S1-1RC0501	80-201-4908	47 ⁹ / ₃₂	31 ²⁵ / ₃₂	45 ¹ / ₃₂	29 ¹⁷ / ₃₂	15	15	18	8	17 1/2 x 14 1/2	19 x 45
S1-1RC0502	80-201-4914								14		
S1-1RC0503	80-201-5008	47 ¹ / ₈	41 ⁵ / ₈	44 ⁷ / ₈	39 ³ / ₈	16 ³ / ₁₆	16 ³ / ₁₆	18	8	17 1/2 x 15 3/4	19 x 44
S1-1RC0504	80-201-5014								14		